

ICF-SW7600G

SERVICE MANUAL

Downloaded by
RadioAmateur.EU



*US Model
Canadian Model
AEP Model
UK Model
E Model
Tourist Model*

SPECIFICATIONS

Circuit system	FM: Superheterodyne SW/MW/LW: Dual conversion superheterodyne															
Frequency range	<table border="1"> <thead> <tr> <th>Band</th> <th>Saudi Arabia model</th> <th>Other models</th> </tr> </thead> <tbody> <tr> <td>FM</td> <td>87.5 – 108.0 MHz</td> <td>76.0 – 108.0 MHz</td> </tr> <tr> <td>SW</td> <td>1621 – 26100 kHz</td> <td>1621 – 29999 kHz</td> </tr> <tr> <td>MW</td> <td>530 – 1620 kHz</td> <td>530 – 1620 kHz</td> </tr> <tr> <td>LW</td> <td>150 – 285 kHz</td> <td>150 – 529 kHz</td> </tr> </tbody> </table>	Band	Saudi Arabia model	Other models	FM	87.5 – 108.0 MHz	76.0 – 108.0 MHz	SW	1621 – 26100 kHz	1621 – 29999 kHz	MW	530 – 1620 kHz	530 – 1620 kHz	LW	150 – 285 kHz	150 – 529 kHz
Band	Saudi Arabia model	Other models														
FM	87.5 – 108.0 MHz	76.0 – 108.0 MHz														
SW	1621 – 26100 kHz	1621 – 29999 kHz														
MW	530 – 1620 kHz	530 – 1620 kHz														
LW	150 – 285 kHz	150 – 529 kHz														
Speaker	Approx. 77 mm (3 1/8 inches) dia., 8 ohms															
Power output	400 mW (at 10 % harmonic distortion)															
Outputs	Recording output jack (stereo minijack) output level 245 mV (-10 dBs) output impedance 10 kilohm or less															
Power requirements	Headphones jack (stereo minijack) 16 ohms 6 V DC Four R6 (size AA) batteries DC IN 6V jack accepts: Sony AC-E601 AC power adaptor (supplied for Tourist model only)															
Battery life	Using Sony SUM-3(NS) batteries: FM: approx. 15 hours, AM: approx. 10 hours Using Sony AM-3(N) alkaline batteries: FM: approx. 33 hours, AM: approx. 20 hours															
Dimensions	(When listening for four hours a day at normal volume) Approx. 191.2 x 118 x 32.3 mm (w/h/d) (7 5/8 x 4 3/4 x 1 5/16 inches) including projecting parts and controls															
Mass	Approx. 615 g (1 lb. 5.7 oz) including batteries															
Accessories supplied	Batteries (4) * 1 Stereo headphones (1) * 1 Ear pad (2) * 1 AC power adaptor AC-E601 (1) * 1 AC plug adaptor (1) * 1 Compact antenna (1) Antenna connector (1) * 1 Carrying case (1) Wave handbook (1) * 2 How to catch the wave (1) * 1 * 1 supplied for the Tourist model only * 2 not supplied for the Saudi Arabia model only															

Design and specifications subject to change without notice.

FEATURES

- An FM stereo/SW/MW/LW receiver with worldwide band coverage.
 - Quartz controlled PLL (Phase Locked Loop) synthesizer system using a microcomputer for easy pinpoint tuning. The tuned frequency is digitally displayed.
 - SSB (Single Side Band) can be received (except for the Saudi Arabia model only).
 - FM stereo reception for headphones (supplied for the Tourist model only).
- Direct tuning Tuning in the station by inputting the frequency of the station directly
- Manual tuning Even if you don't know the frequency of the station, you can tune in the station precisely.
- Scan tuning Automatic searching of a station
- Preset tuning Up to 20 stations, 10 stations each for FM and AM, can be preset for button-touch tuning.
- Timer standby Receiving a desired station at the desired time
- Sleep timer Turning the radio off automatically in 60 minutes
- Power sources Three different power sources: internal batteries, house current, car batteries

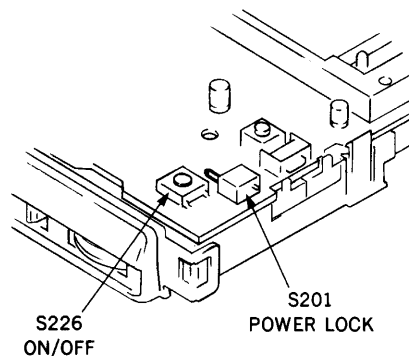
**FM STEREO/SW/MW/LW
PLL SYNTHESIZED RECEIVER
SONY®**



TABLE OF CONTENTS

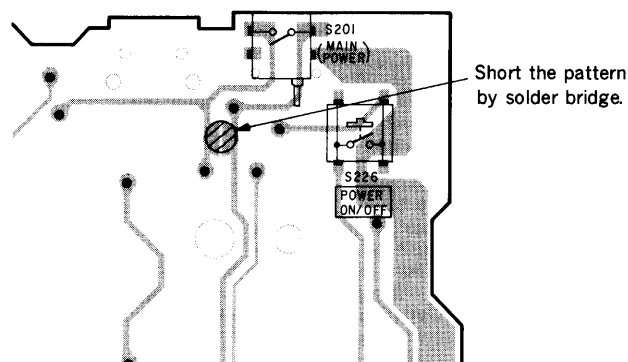
<u>Section</u>	<u>Title</u>	<u>Page</u>
1. GENERAL		
	Location and Function of Controls	3
	Setting the Clock	5
	Changing the MW Channel Step	5
	Direct Tuning	6
	Manual Tuning	7
	Scan Tuning	8
	Preset Tuning	9
2. DISASSEMBLY		
2-1.	Cabinet (Rear)	10
3. ELECTRICAL ADJUSTMENTS		10
4. DIAGRAMS		
4-1.	IC Pin Description	13
4-2.	Printed Wiring Boards	15
4-3.	Schematic Diagram	19
4-4.	Semiconductor Lead Layouts	25
5. EXPLODED VIEWS		
5-1.	Cabinet Section	26
5-2.	Chassis Section	27
6. ELECTRICAL PARTS LIST		28

SERVICING NOTE





How to turn the power ON/OFF


1. Short the pattern by solder bridge as shown below. (S201 (Power Lock) switch is turn ON.)
2. Push the S226 (ON/OFF) switch.



SAFETY-RELATED COMPONENT WARNING!!

COMPONENTS IDENTIFIED BY MARK  OR DOTTED LINE WITH MARK  ON THE SCHEMATIC DIAGRAMS AND IN THE PARTS LIST ARE CRITICAL TO SAFE OPERATION. REPLACE THESE COMPONENTS WITH SONY PARTS WHOSE PART NUMBERS APPEAR AS SHOWN IN THIS MANUAL OR IN SUPPLEMENTS PUBLISHED BY SONY.

ATTENTION AU COMPOSANT AYANT RAPPORT À LA SÉCURITÉ!

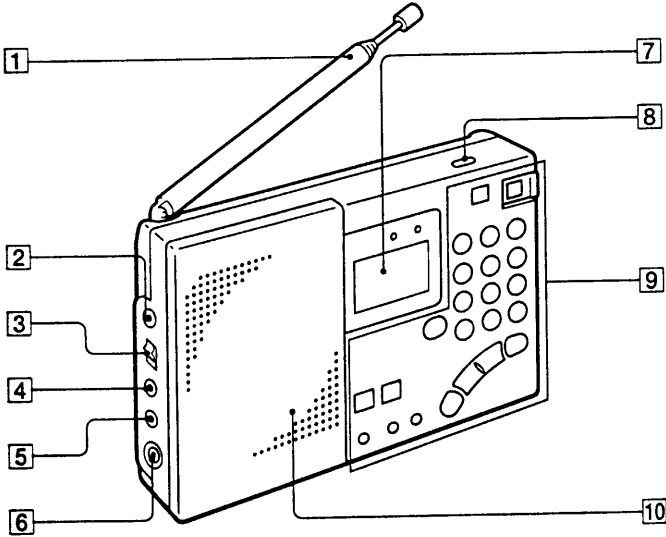
LES COMPOSANTS IDENTIFIÉS PAR UNE MARQUE  SUR LES DIAGRAMMES SCHÉMATIQUES ET LA LISTE DES PIÈCES SONT CRITIQUES POUR LA SÉCURITÉ DE FONCTIONNEMENT. NE REMPLACER CES COMPOSANTS QUE PAR DES PIÈCES SONY DONT LES NUMÉROS SONT DONNÉS DANS CE MANUEL OU DANS LES SUPPLÉMENTS PUBLIÉS PAR SONY.

SECTION 1 GENERAL

This section is extracted from instruction manual.

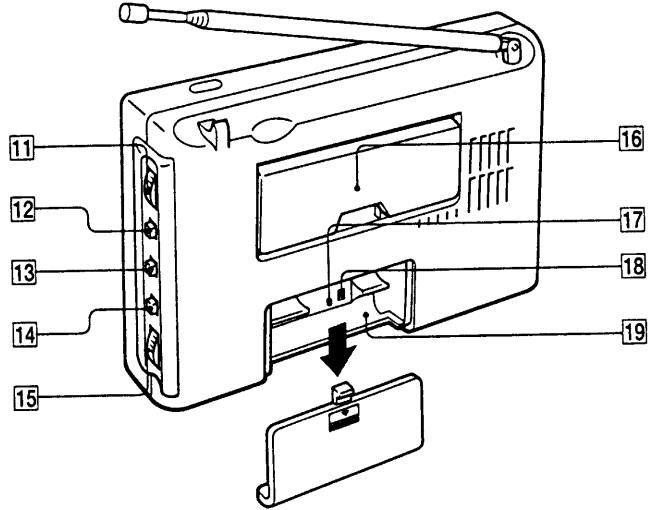
Location and Function of Controls

Front

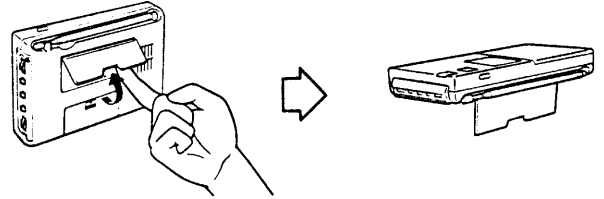


- 1** Telescopic antenna
- 2** EXT ANT jack
- 3** SENS DX/LOCAL (FM/AM sensitivity) selector
- 4** LINE OUT (recording output) jack
- 5** (headphones) jack
When the stereo headphones (supplied for the Tourist model only) are plugged in, no sound comes from the speaker. You can listen to FM stereo.
- 6** DC IN 6V (external power input) jack
- 7** Display
- 8** LIGHT button
Press this button to illuminate the display window for about 15 seconds.
- 9** Control panel
- 10** Speaker

Rear

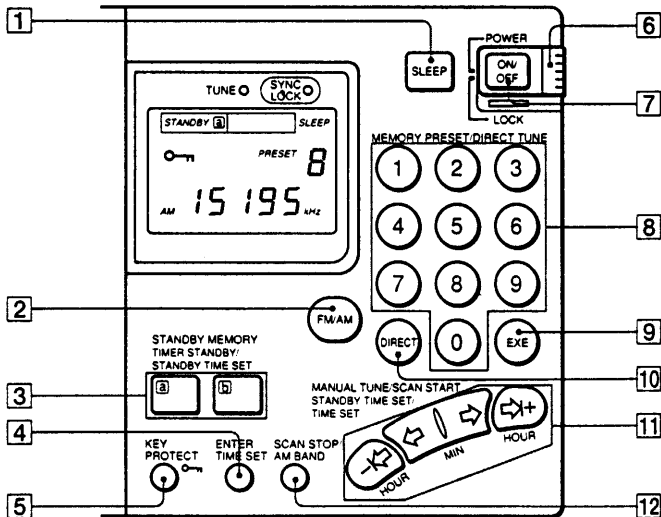


- 11** SSB FINE TUNE control (Except for the Saudi Arabia model only)
- 12** LSB/USB selector
- 13** AM MODE selector
- 14** TONE selector
- 15** VOLUME control
- 16** Stand
- 17** RESET button
Press this button with a pointed object when the unit functions incorrectly. When this button is pressed, the preset stations and the clock settings are erased.
- 18** MW CH STEP (MW channel step) 9/10 kHz selector
- 19** Battery compartment



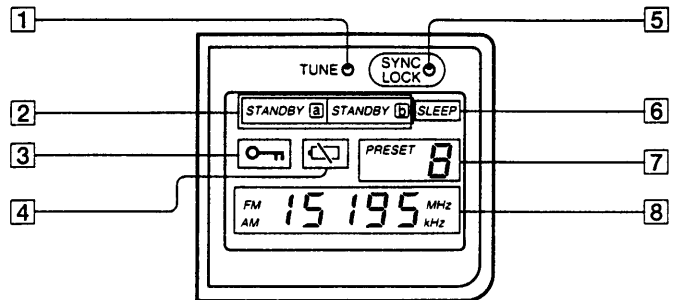
Location and Function of Controls

Control panel



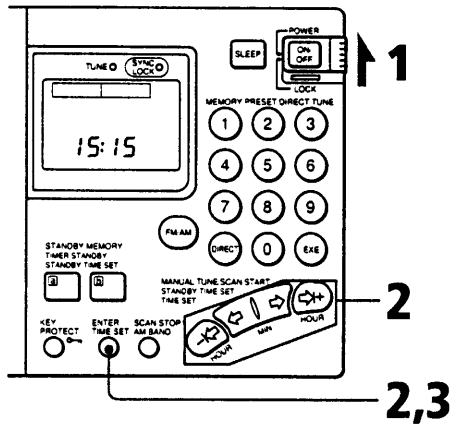
- 1 **SLEEP button**
- 2 **FM/AM button**
- 3 **STANDBY MEMORY/TIMER STANDBY/STANDBY TIME SET [a]/[b] buttons**
- 4 **ENTER/TIME SET button**
- 5 **KEY PROTECT button**
- 6 **POWER/LOCK (main power) switch**
Set this switch to POWER, then press the ON/OFF button to turn on the radio. Set the switch to LOCK when carrying the radio. When this switch is set to LOCK, the power will not be turned on even if you press the ON/OFF button.
- 7 **ON/OFF (power) button**
- 8 **MEMORY PRESET/DIRECT TUNE 0 - 9 buttons**
- 9 **EXE (execute) button**
- 10 **DIRECT button**
- 11 **MANUAL TUNE/SCAN START/STANDBY TIME SET/TIME SET buttons**
- 12 **SCAN STOP/AM BAND button**

Display

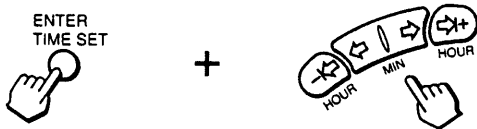


- 1 **TUNE indicator**
Lights when a station is tuned in.
- 2 **STANDBY [a]/[b] indicators**
Appears when the standby timer [a]/[b] is set.
- 3 **Key protect indicator**
While this indicator appears, all the functions of the buttons are locked.
- 4 **Battery empty indicator**
- 5 **SYNC LOCK indicator**
Lights when the synchronous detection is performed.
- 6 **SLEEP indicator**
Appears when the sleep timer is operating.
- 7 **Preset display**
- 8 **Time/frequency display**

Setting the Clock



- 1 Set POWER/LOCK to POWER.**
When you first install batteries or the clock is reset, "0:00" flashes in the display. Press TIME SET.
- 2 While holding down TIME SET, press a MANUAL TUNE/SCAN START/STANDBY TIME SET/TIME SET button to adjust the clock.**
Every pressing of an inner MANUAL TUNE/SCAN START/STANDBY TIME SET/TIME SET button (⇄ or ⇄) changes the time setting by one minute, and an outer button (⇄ or ⇄) by one hour. To advance the time digits rapidly, keep it pressed.



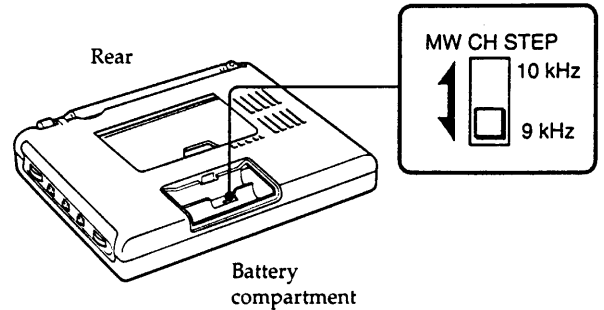
- 3 Release TIME SET.**
The ":" indication starts flashing, and the clock begins to operate.

While listening to the radio
You cannot set the clock while you are listening to the radio. Be sure to press ON/OFF to turn the radio off and then set the clock.

The display when POWER/LOCK is LOCK
The current time is displayed.

Changing the MW Channel Step

The MW channel step is factory-set to 10 (9) kHz to match the frequency allocation system of the country. If you use the radio where the frequency allocation system is based on 9 (10) kHz interval, set the MW CH STEP 9/10 kHz selector in the battery compartment to 9 (10) kHz.



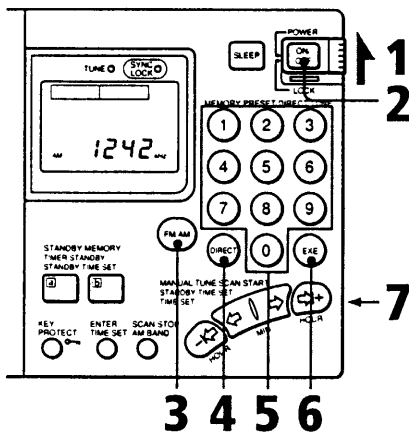
- 1 Set POWER/LOCK to LOCK.**
- 2 Open the battery compartment and remove the batteries.**
- 3 Change MW CH STEP 9/10 kHz.**
- 4 Install the batteries and close the battery compartment.**
- 5 Set POWER/LOCK to POWER.**

The frequency allocation of the area

Area	Frequency allocation system
North America, South America	10 kHz step
Other countries	9 kHz step

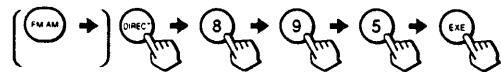
Change the MW CH STEP 9/10 kHz within 10 minutes
If more than 10 minutes have passed after the batteries were removed, the current time will be erased. In this case, set the time again.

Direct Tuning



Examples

FM 89.5 MHz



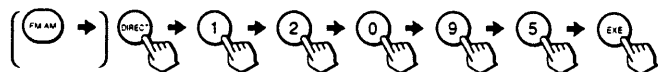
AM 810 kHz



AM 10000 kHz



AM 12095 kHz



1 Set POWER/LOCK to POWER.

2 Press ON/OFF. The radio is turned on.

3 Press FM/AM to select the band (FM or AM).

Select AM to receive SW, MW or LW.

4 Press DIRECT. The frequency in the display is erased.

Note

After pressing a button, press the next button within 10 seconds. If you do not, the display will return to the previously received station.

When you input a frequency outside the frequency range

The display will return to the previously received station. Press DIRECT and enter the correct frequency again.

If you input a wrong frequency

Press DIRECT to cancel the entry, and perform the above procedure from step 4 with the correct frequency.

14

5 Enter the frequency of the desired station directly by pressing the MEMORY PRESET/DIRECT TUNE buttons 0 - 9. You should press a button within 10 seconds after pressing the previous button.

Minimum entry digit:

FM: 0.05 MHz (50 kHz)

AM: 1 kHz

For FM band, a decimal point is not required.

For AM band, lower triple zero digits can be omitted.

(See the examples at left.)

6 Press EXE. When the station is tuned in, the TUNE indicator lights.

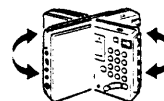
7 Adjust VOLUME.

To turn off the radio, press ON/OFF.

To Improve Reception

For MW/LW reception

Retract the telescopic antenna. The built-in ferrite bar antenna activates. Since this antenna is directional, rotate the unit horizontally to the optimum direction.



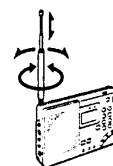
For SW reception

Pull out the telescopic antenna to its full length and set it vertically.



For FM reception

Pull out the telescopic antenna to expose its swivel base and adjust its length, angle and direction.



When the sound is distorted

Normally set SENS DX/LOCAL to DX. However, when the sound is distorted, set it to LOCAL.

When you are listening to the news

Set TONE to NEWS. Vocal will be heard more clearly. When you are listening to music, set it to MUSIC.

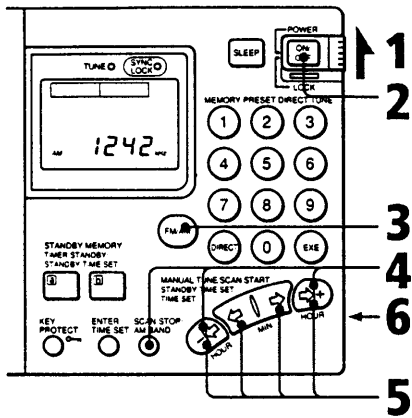
To Prevent Accidental Change of the Received Station

Press KEY PROTECT . The mark appears in the display window and all the buttons on the control panel do not work.

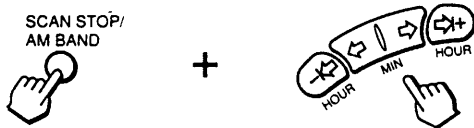
To release the key protect function, press KEY PROTECT again.

15

Manual Tuning



- 1 Set **POWER/LOCK** to **POWER**.
- 2 Press **ON/OFF**. The radio is turned on.
- 3 Press **FM/AM** to select the band (FM or AM).
Select AM to receive SW, MW or LW.
- 4 If you select the FM band, skip this step.
While pressing the SCAN STOP/AM BAND, press an outer MANUAL TUNE/SCAN START/STANDBY TIME SET/TIME SET button (↔ or ⇨) repeatedly to select the desired band or meter band.



The minimum frequency in that band or meter band is received.

What is a meter band?
SW is divided into 13 bands by the wave length (meter). Each band is called a meter band. (See the table on page 19.)

Frequency band does not change
If you keep pressing **MANUAL TUNE/SCAN START/STANDBY TIME SET/TIME SET**, the frequency will repeat in the following ranges.

Band	Inner buttons (⇨ or ⇩)	Outer buttons* (↔ or ⇨)
FM	76 ↔ 108 MHz	76 ↔ 108 MHz
AM	150 ↔ 29999 kHz	in each broadcast band or meter band

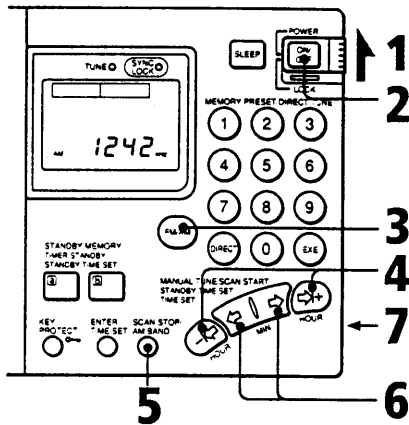
* Scan tuning mode

- 5 Press an **MANUAL TUNE/SCAN START/STANDBY TIME SET/TIME SET button** to search for a desired station. Pressing the outer (↔ or ⇨) or inner (⇨ or ⇩) buttons changes the frequency in the following frequency step.

Band	Outer buttons (↔ or ⇨)	Inner buttons (⇨ or ⇩)
FM	50 kHz	50 kHz
SW	5 kHz	1 kHz
MW	9/10 kHz	1 kHz
LW	9 kHz	1 kHz

- When the station is tuned in, the **TUNE** indicator lights.
- 6 **Adjust VOLUME.**
To turn off the radio, press **ON/OFF**.

Scan Tuning



- 1 Set POWER/LOCK to POWER.**
- 2 Press ON/OFF.** The radio is turned on.
- 3 Receive a broadcast band** by way of direct tuning or manual tuning. (Refer to the table on the next page for the frequency range of each broadcast band.)
- 4 Keep pressing an outer MANUAL TUNE/SCAN START/STANDBY TIME SET/TIME SET button (⇐ or ⇒) for about 2 seconds.** Scan tuning will begin within the frequency range. When a station is received, the scanning will stop automatically for about 2 seconds and the TUNE indicator lights.
- 5 Press SCAN STOP/AM BAND** to listen to the station being received. The scan tuning stops and the station being received is tuned in.
- 6 Tune in the station more precisely by inner buttons of MANUAL TUNE/SCAN START/STANDBY TIME SET/TIME SET (⇐ or ⇒), if required.**
- 7 Adjust VOLUME.**
To turn off the radio, press ON/OFF.

Frequency Range of the Auto Scan for Each Broadcast Band

Broadcast band	Frequency range	SW meter band	
AM	LW	153 kHz – 522 kHz * 1	—
	MW	530 kHz – 1620 kHz (10 kHz step)	—
		531 kHz – 1620 kHz (9 kHz step)	—
	SW	2250 kHz – 2550 kHz	120 meter band
		3150 kHz – 3450 kHz	90 meter band
		3850 kHz – 4050 kHz	75 meter band
		4700 kHz – 5100 kHz	60 meter band
		5900 kHz – 6250 kHz	49 meter band
		7100 kHz – 7400 kHz	41 meter band
		9400 kHz – 10000 kHz	31 meter band
		11500 kHz – 12150 kHz	25 meter band
		13500 kHz – 13900 kHz	22 meter band
		15000 kHz – 15700 kHz	19 meter band
	17450 kHz – 18000 kHz	16 meter band	
21450 kHz – 21950 kHz	13 meter band		
25600 kHz – 26100 kHz	11 meter band		
FM	76.00 MHz – 108.00MHz*2	—	

* 1 153–279kHz for the Saudi Arabia model

* 2 87.50–108.00MHz for the Saudi Arabia model

The frequency allocation (channel step)

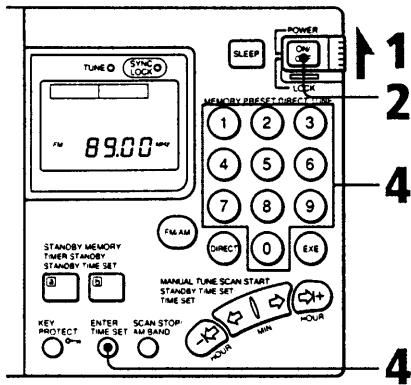
FM	50 kHz
SW	5 kHz
MW	9 kHz/10 kHz
LW	9 kHz

When scan tuning stops too often
Set SENS DX/LOCAL to LOCAL.

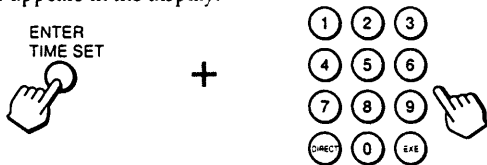
Frequency band does not change
If you do not stop scanning, the scanning will repeat in the range of the broadcast band or meter band.

Preset Tuning

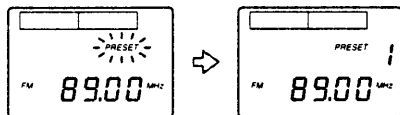
Presetting a Station



- 1 Set **POWER/LOCK** to **POWER**.
 - 2 Press **ON/OFF**. The radio is turned on.
 - 3 Tune in a desired station by way of direct tuning (see page 14), manual tuning (see page 16) or scan tuning (see page 18).
 - 4 While keeping **ENTER** pressed, press one of the **MEMORY PRESET/DIRECT TUNE** buttons 0 to 9.
- The station which is tuned in is preset on that button. The preset number appears in the display.



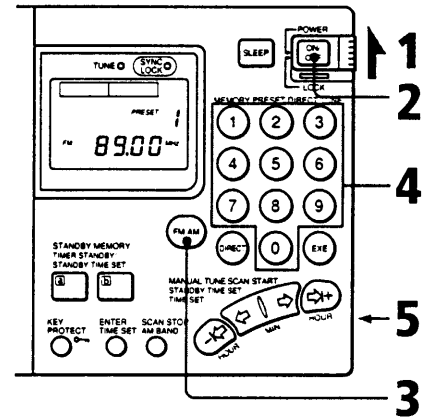
Ex. To preset FM 89.0 MHz on MEMORY PRESET/DIRECT TUNE 1



The number of stations you can preset
Up to 20 stations, 10 stations each for FM and AM, can be preset to MEMORY PRESET/DIRECT TUNE button 0 to 9.

To change the preset station
Preset a station to the desired MEMORY PRESET/DIRECT TUNE button 0 to 9. The station previously preset to the button is erased.

Tuning in a Preset Station

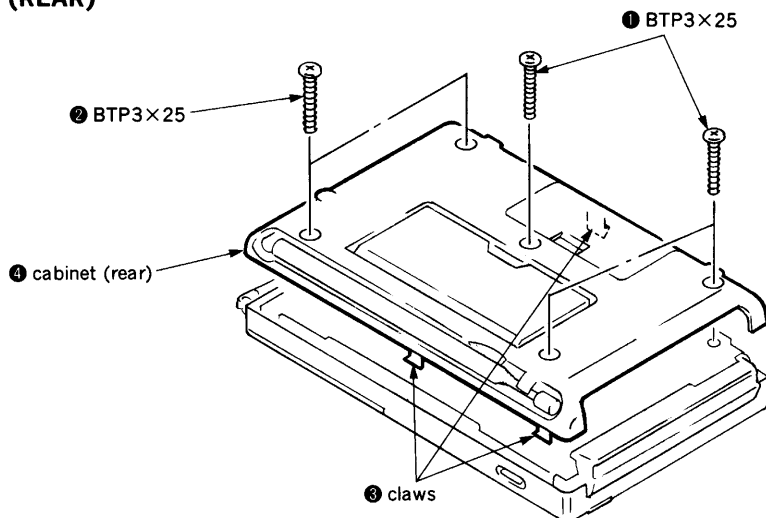


- 1 Set **POWER/LOCK** to **POWER**.
 - 2 Press **ON/OFF**. The radio is turned on.
 - 3 Press **FM/AM** to select the band (FM or AM).
 - 4 Press the desired **MEMORY PRESET/DIRECT TUNE** button 0 to 9.
 - 5 **Adjust VOLUME**.
- To turn off the radio, press **ON/OFF**.

SECTION 2 DISASSEMBLY

Note : Follow the disassembly procedure in the numerical order given.

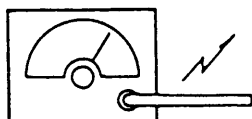
2-1. CABINET (REAR)



SECTION 3 ELECTRICAL ADJUSTMENTS

• AM Section

AM RF signal generator

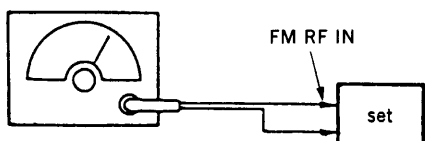


30% amplitude modulation by 400Hz signal

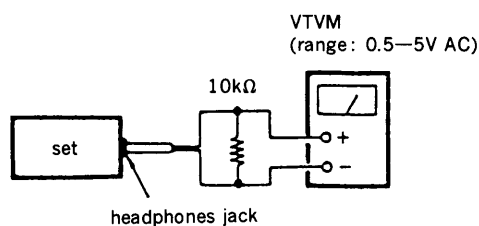
Put the lead-wire antenna close to the set.

• FM Section

FM RF signal generator



22.5kHz frequency deviation by 400Hz signal
output level: as low as possible



(1) 1st IF Adjustment

Setting :

SENS switch : DX
TONE switch : MUSIC
AM MODE switch : NORM

Procedure :

1. Set the frequencies of the AM RF SSG and the frequency display of the set to AM 150kHz.
2. Adjust T104 and T105 so that the reading on the VTVM becomes in maximum.

Adjustment Location : main board

(2) 2nd Local Adjustment

Setting :

SENS switch : DX
TONE switch : MUSIC
AM MODE switch : NORM

Procedure :

1. Connect frequency counter as shown page 12.
2. Tune the set to AM 150kHz.
3. Adjust RV401 so that the reading on the frequency counter becomes in $55.39\text{MHz} \pm 30\text{Hz}$.

Adjustment Location : main board

- Repeat the procedures in each adjustment several times, and the frequency coverage and tracking adjustments should be finally done by the trimmer capacitors.

Downloaded by
RadioAmateur.EU

(3) SSB 0 Beat Adjustment

Setting :

SENS switch : DX
TONE switch : MUSIC
AM MODE switch : SYNC

Procedure :

- Short the jumper wire between the IC401 pin ⑥ and GND.
- Insert Headphones plug into Headphones jack.
- Tune the set to AM 150kHz.
- Set the SYNC/SSB switch to USB.
- Adjust CT401 so that the sound from headphones is minimized.
- Set the SYNC/SSB switch to LSB.
- Adjust CT401 so that the sound from headphones is minimized.
- Repeat the above steps 4 to 7 several times.
- After adjustment, release the jumper wire.

Adjustment Location : main board

(4) (AM)/FM VCO Adjustment

Setting :

SENS switch : DX
TONE switch : MUSIC
AM MODE switch : NORM

Procedure :

- Connect digital voltmeter as shown page 12.
- Tune the set to AM 150kHz.
- Confirm that the reading on the digital voltmeter becomes in more than 2.2V.
- Tune the set to AM 29999kHz.
- Confirm that the reading on the digital voltmeter becomes in less than 13V.
- Tune the set to FM 76.00MHz.
- Adjust T403 so that the reading on the digital voltmeter becomes in $2.0 \pm 0.05V$.
- Tune the set to FM 108.00MHz.
- Confirm that the reading on the digital voltmeter becomes in more than 11V.

Adjustment Location : main board

(5) FM Tracking Adjustment

Setting :

SENS switch : DX
TONE switch : MUSIC

Procedure :

- Set the frequencies of the FM RF SSG and the frequency display of the set to FM 104.00MHz.
- Adjust CT101 and CT102 so that the reading on the VTVM becomes in maximum.
- Set the frequencies of the FM RF SSG and the frequency display of the set to FM 80.00MHz.
- Adjust T101 and T102 so that the reading on the VTVM becomes in maximum.
- Repeat the above steps 1 to 4 several times.

Adjustment Location : main board

(6) Stereo (MPX) Adjustment

Setting :

SENS switch : DX
TONE switch : MUSIC

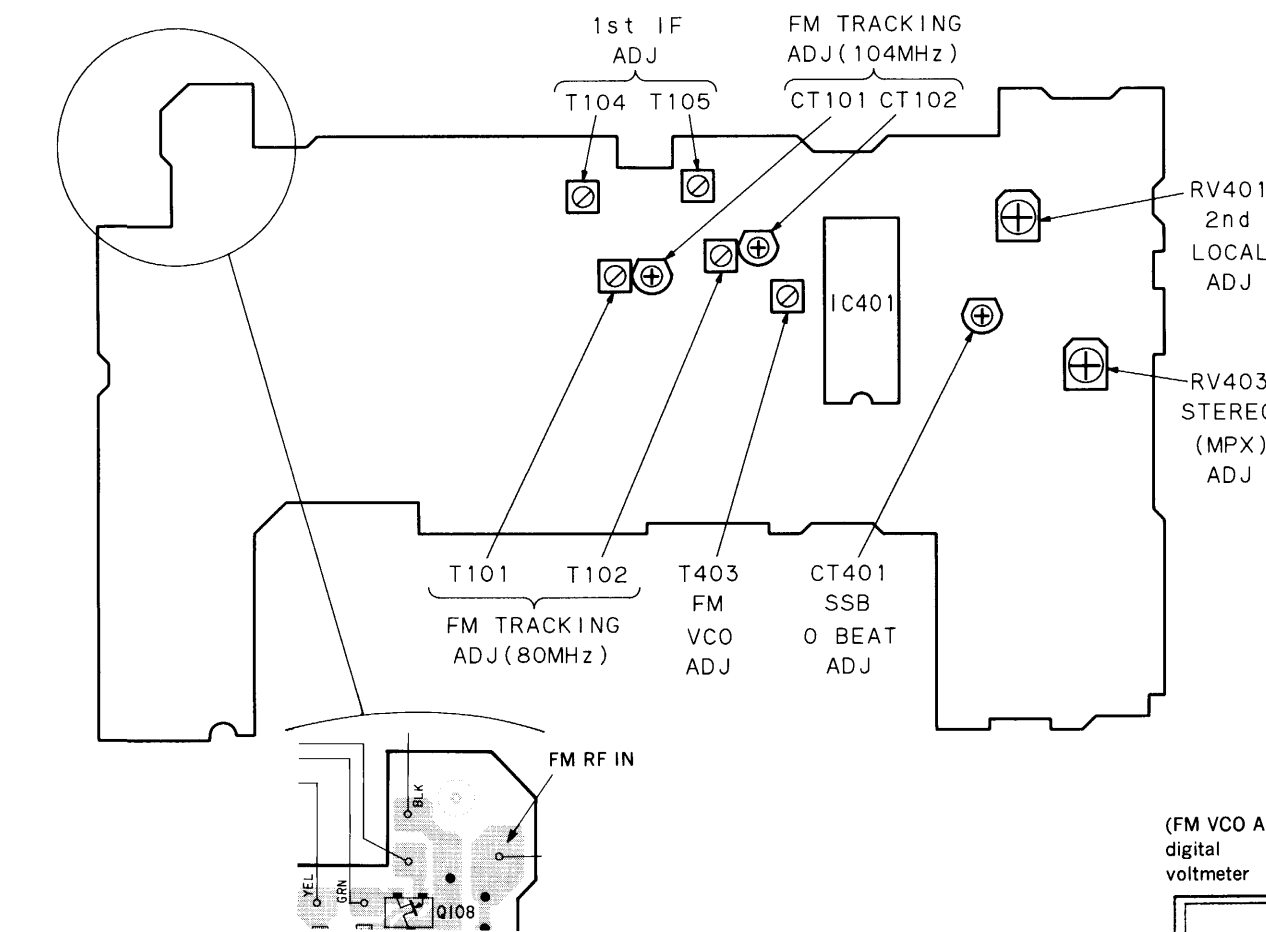
Procedure :

- Insert Headphones plug into Headphones jack.
- Connect a capacitor (10 μ F) between one side of C414 and GND.
- Connect frequency counter as shown page 12.
- Tune the set to FM 108.00MHz.
- Adjust RV403 so that the reading on the frequency counter becomes in $76kHz \pm 300Hz$.
- Remove the Headphones plug.

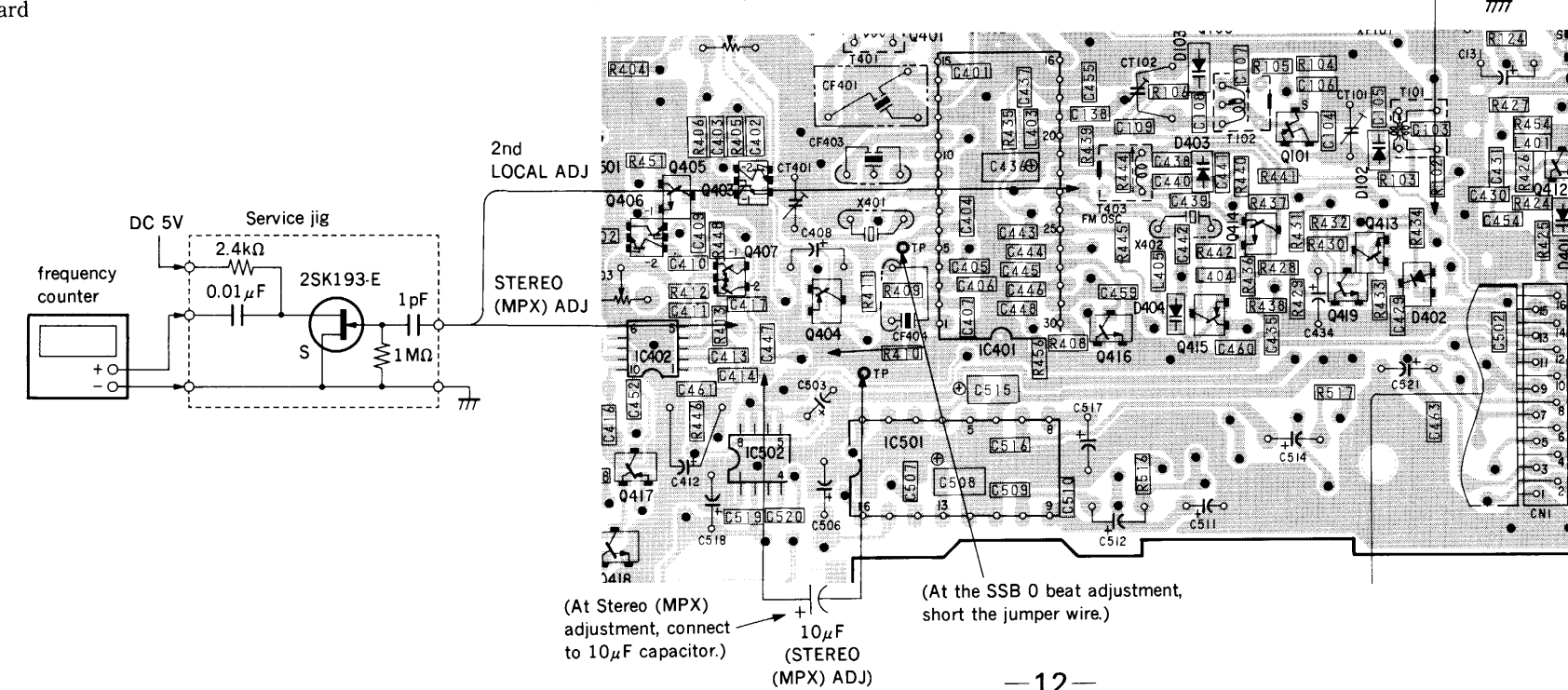
Adjustment Location : main board

Adjustment Location : main board

—main board (component side)—



—main board (conductor side)—



4-1. IC PIN DESCRIPTION

- IC201 μ PD1724GB-SR7167J (LCD DRIVE/CONTROLLER) (Except Italian Model)
- IC201 μ PD1724GB-SR7167IT (LCD DRIVE/CONTROLLER) (Italian Model)

Pin No.	Pin Name	I/O	Pin Description
1	LCD10	O	Segment signal output terminal for LCD panel.
2	LCD9	O	Segment signal output terminal for LCD panel.
3	LCD8	O	Segment signal output terminal for LCD panel.
4	LCD7	O	Segment signal output terminal for LCD panel.
5	LCD6	O	Segment signal output terminal for LCD panel.
6	LCD5	O	Segment signal output terminal for LCD panel.
7	LCD4	O	Segment signal output terminal for LCD panel.
8	LCD3	O	Segment signal output terminal for LCD panel.
9	LCD2	O	Segment signal output terminal for LCD panel.
10	LCD1	O	Segment signal output terminal for LCD panel.
11	NC	—	No connection
12	COM3	O	Common signal output terminal for LCD panel.
13	COM2	O	Common signal output terminal for LCD panel.
14	COM1	O	Common signal output terminal for LCD panel.
15	VSS3	—	Capacitor connection terminal for doubler.
16	CAP2	—	Capacitor connection terminal for doubler.
17	CAP1	—	Capacitor connection terminal for doubler.
18	VSS2	—	Capacitor connection terminal for doubler.
19	VDP (MUTE)	O	VDP (Variable Duty Port) or output port of 1bit port (PG2).
20	CGP (AM/FM)	O	CGP (Clock Generator Port) or output port of 1bit port (PD3).
21	NC	—	No connection
22	VDD	—	Power supply terminal of device.
23	VHF	I	PLL part oscillation (VCO) frequency input terminal
24	HF	I	PLL part oscillation (VCO) frequency input terminal
25	AM	I	Not used.
26	VSS1	—	Connect to GND.
27	E01	O	Not used.
28	E02	O	PLL error output terminal
29	CE (VDET2)	I	Select signal input terminal of device.
30	XO	O	Connection terminal of crystal oscillator (75kHz).
31	XI	I	Connection terminal of crystal oscillator (75kHz).
32	VSS4	—	Capacitor connection terminal for regulator.
33	PA3 (VDET1)	I/O	I/O (Input/Output) port of 4bit. (Port A)
34	PA2	I/O	I/O (Input/Output) port of 4bit. (Port A)
35	PA1 (BAR/ROD)	I/O	I/O (Input/Output) port of 4bit. (Port A)
36	PA0 (SD)	I/O	I/O (Input/Output) port of 4bit. (Port A)
37	PB3 (POWER)	O	Output exclusive port of 4bit. (Port B)
38	PB2 (INT)	O	Output exclusive port of 4bit. (Port B)
39	PB1	O	Output exclusive port of 4bit. (Port B)
40	PB0	O	Output exclusive port of 4bit. (Port B)
41	PC3	O	Output exclusive port of 4bit. (Port C)
42	PC2	O	Output exclusive port of 4bit. (Port C)
43	PC1	O	Output exclusive port of 4bit. (Port C)
44	PC0	O	Output exclusive port of 4bit. (Port C)
45	K3	I	Key*return signal input

SECTION 4 DIAGRAMS

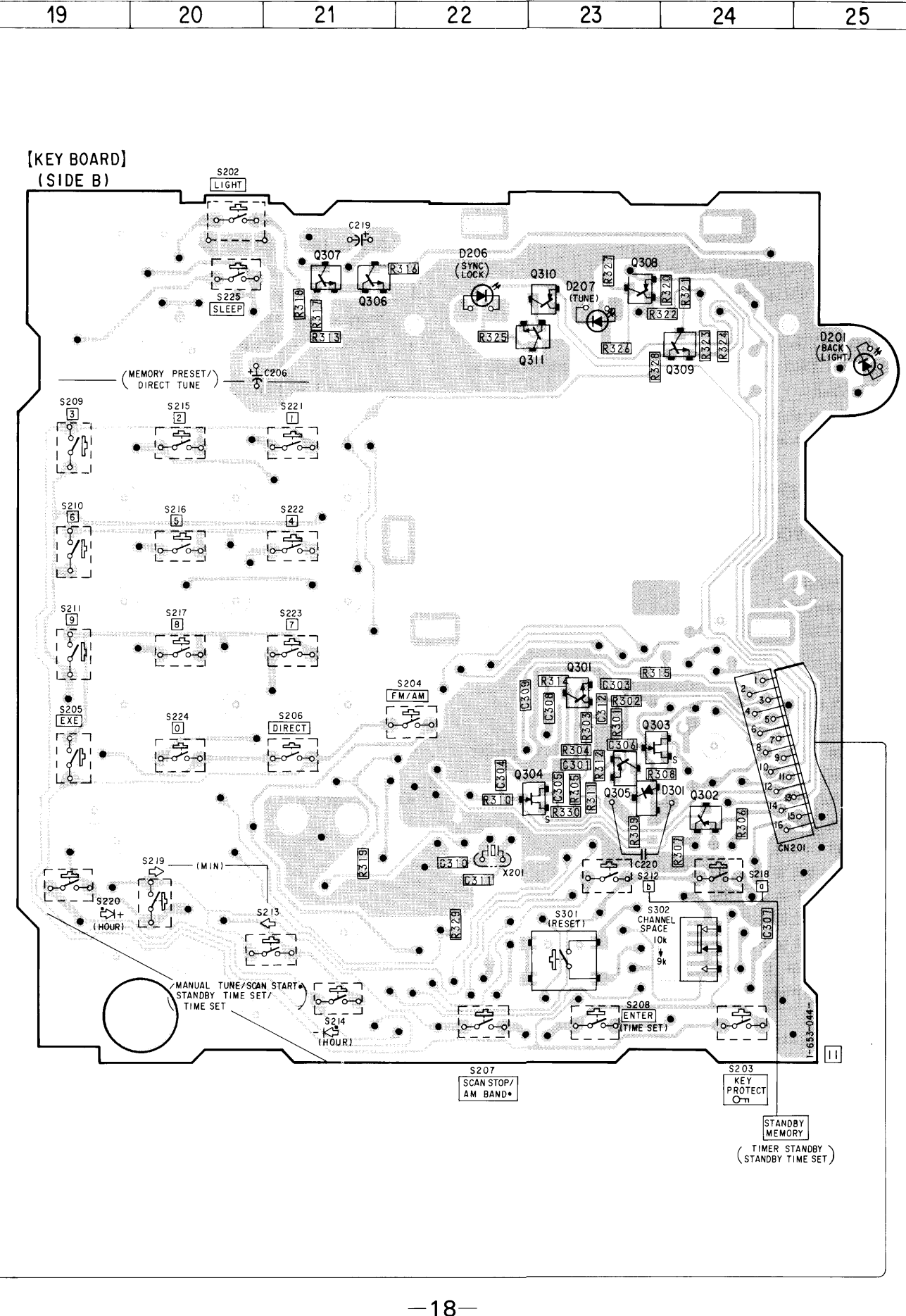
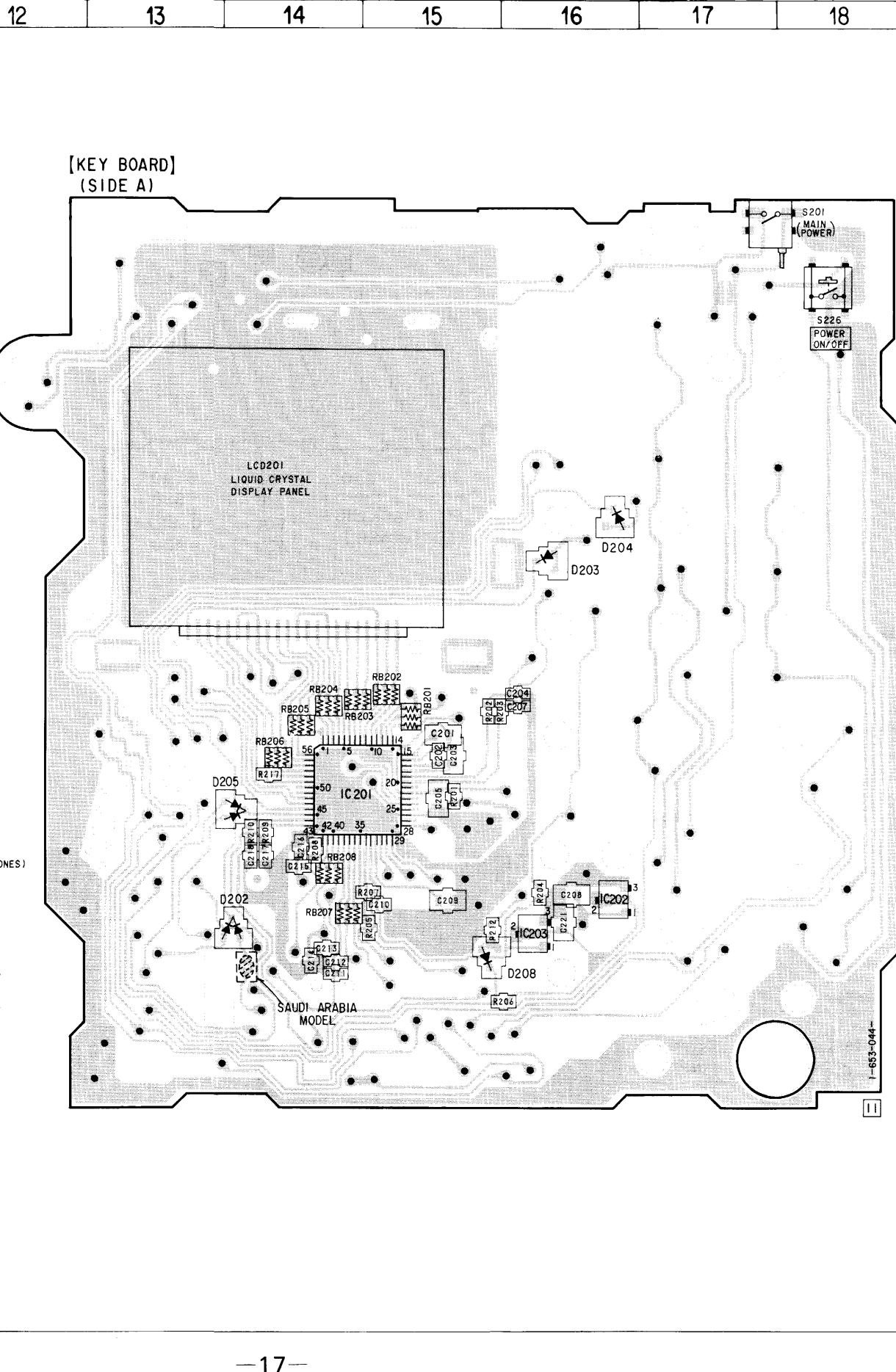
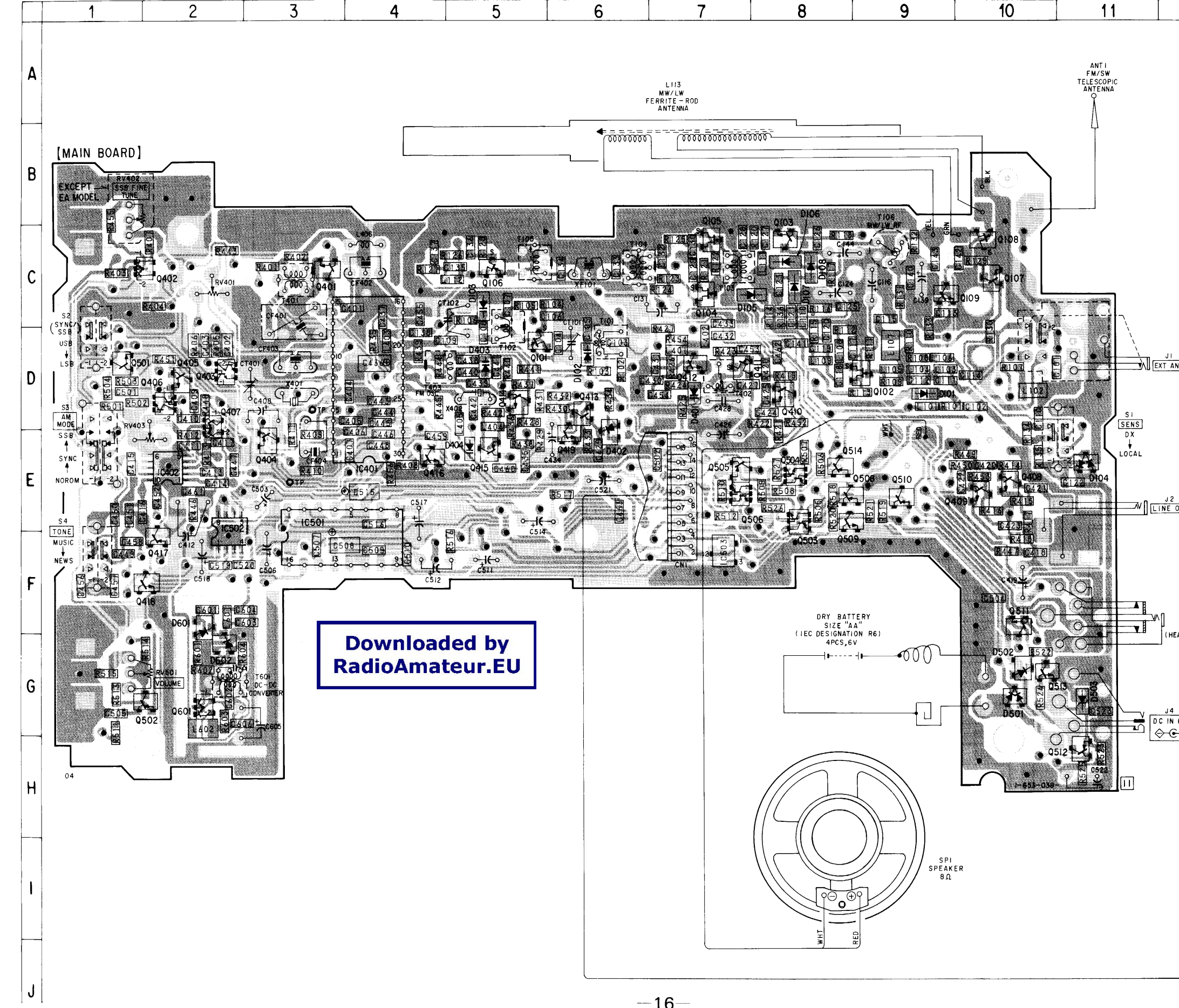
Pin No.	Pin Name	I/O	Pin Description
46	K2	I	Key*return signal input
47	K1	I	Key*return signal input
48	K0	I	Key*return signal input
49	NC	—	Connect to GND.
50	NC	—	Connect to GND.
51	LCD16	O	Segment signal output terminal for LCD panel.
52	LCD15	O	Segment signal output terminal for LCD panel.
53	LCD14	O	Segment signal output terminal for LCD panel.
54	LCD13	O	Segment signal output terminal for LCD panel.
55	LCD12	O	Segment signal output terminal for LCD panel.
56	LCD11	O	Segment signal output terminal for LCD panel.

4-2. PRINTED WIRING BOARDS • Refer to page 25 for Semiconductor Lead Layouts.

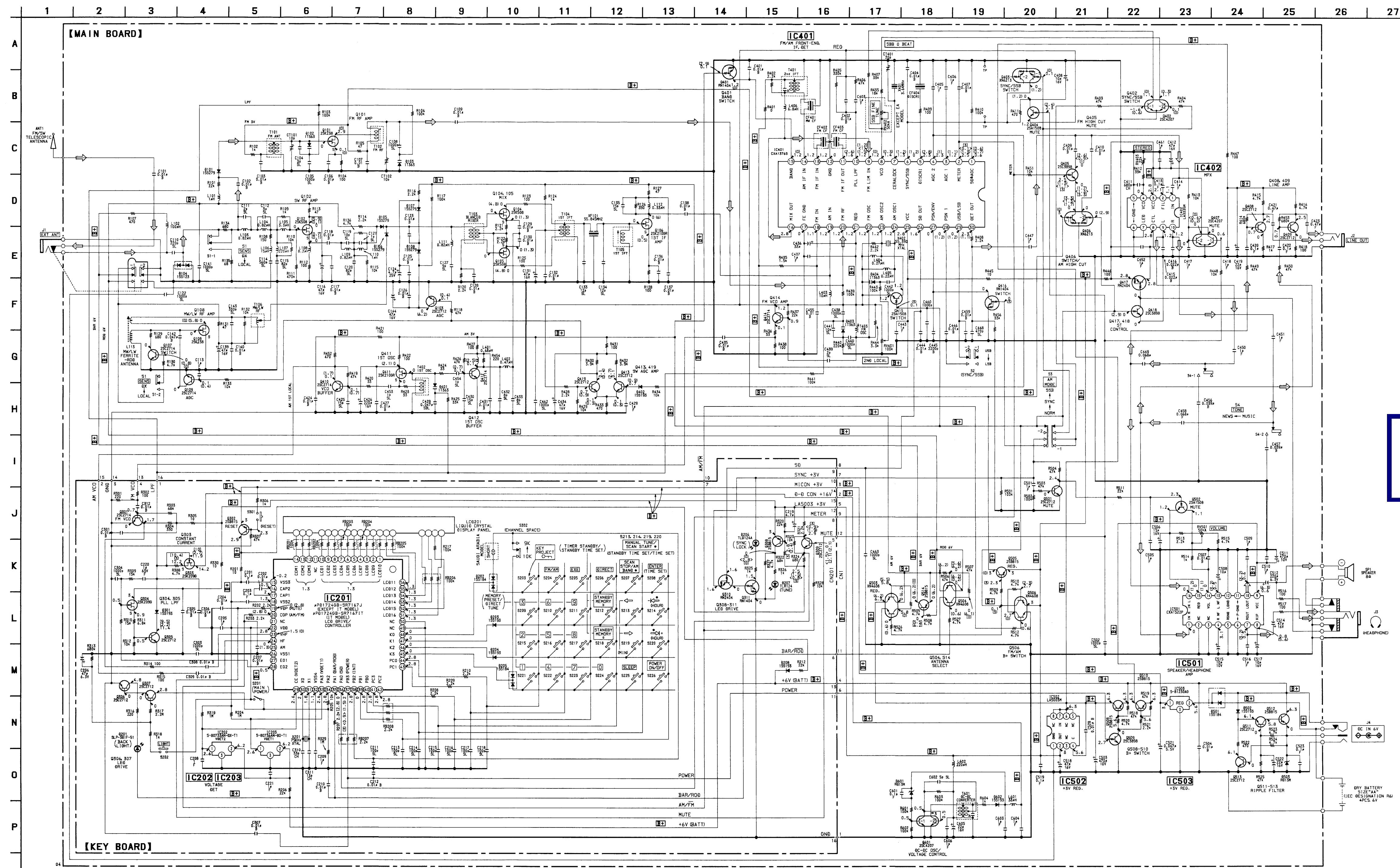
• Semiconductor Location

Ref. No.	Location	Ref. No.	Location
D101	D-9	Q301	F-23
D102	D-6	Q302	F-24
D103	C-5	Q303	F-23
D104	E-11	Q304	F-23
D105	C-7	Q305	F-23
D106	C-8	Q306	B-21
D107	C-8	Q307	B-21
D108	C-8	Q308	B-23
D201	C-25	Q309	C-24
D202	G-14	Q310	C-22
D203	D-16	Q311	C-22
D204	D-16	Q401	C-3
D205	F-14	Q402	C-1
D206	C-22	Q403	D-2
D207	C-23	Q404	E-3
D208	G-15	Q405	D-2
D301	F-23	Q406	D-2
D401	D-7	Q407	D-2
D402	E-6	Q408	E-10
D403	D-5	Q409	E-10
D404	E-5	Q410	D-8
D501	G-10	Q411	D-7
D502	G-10	Q412	D-7
D503	G-11	Q413	D-6
D601	F-2	Q414	D-5
D602	G-2	Q415	E-5
		Q416	E-4
IC201	F-14	Q417	F-2
IC202	G-16	Q418	F-1
IC203	G-16	Q419	D-6
IC401	E-4	Q501	D-1
IC402	E-2	Q502	G-1
IC501	F-3	Q503	E-8
IC502	F-2	Q504	E-8
IC503	F-7	Q505	E-7
		Q506	E-7
Q101	D-5	Q508	E-8
Q102	D-9	Q509	E-8
Q103	C-8	Q510	E-9
Q104	C-7	Q511	F-10
Q105	C-7	Q512	H-11
Q106	C-5	Q513	G-10
Q107	C-10	Q514	E-8
Q108	C-10	Q601	G-2
Q109	C-9		

Note:
 ○ — : parts extracted from the component side.
 ● — : Through hole.
 ■ — : indicates side identified with part number.
 ▨ — : Pattern on the side which is seen.
 ▩ — : Pattern on the rear side.
 — : Abbreviation
 EA : Saudi Arabia model



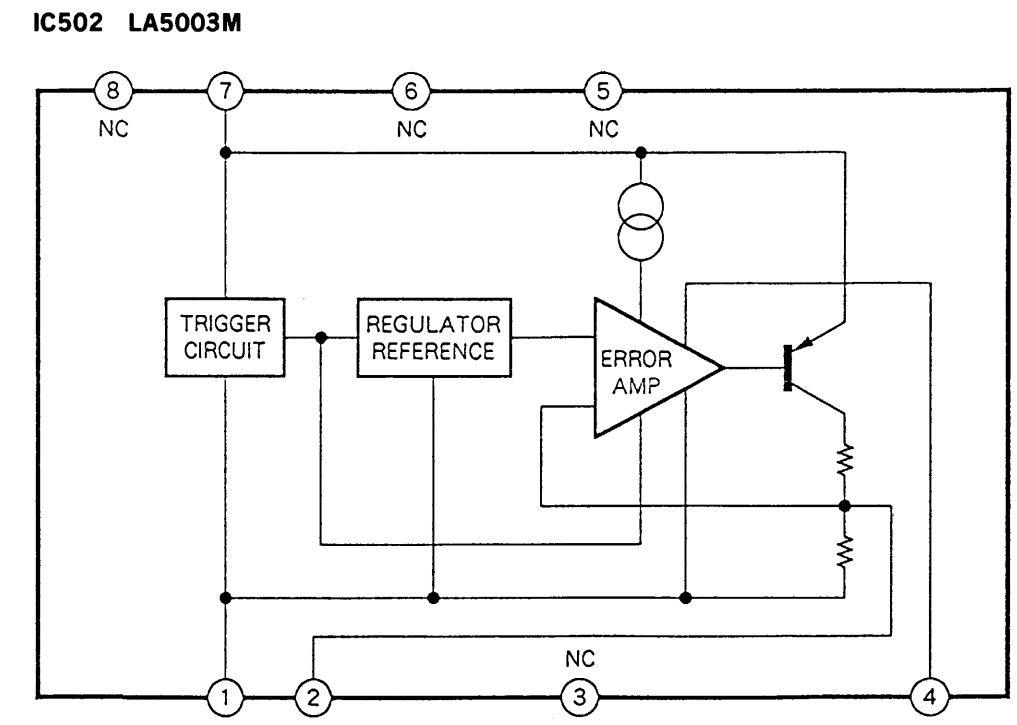
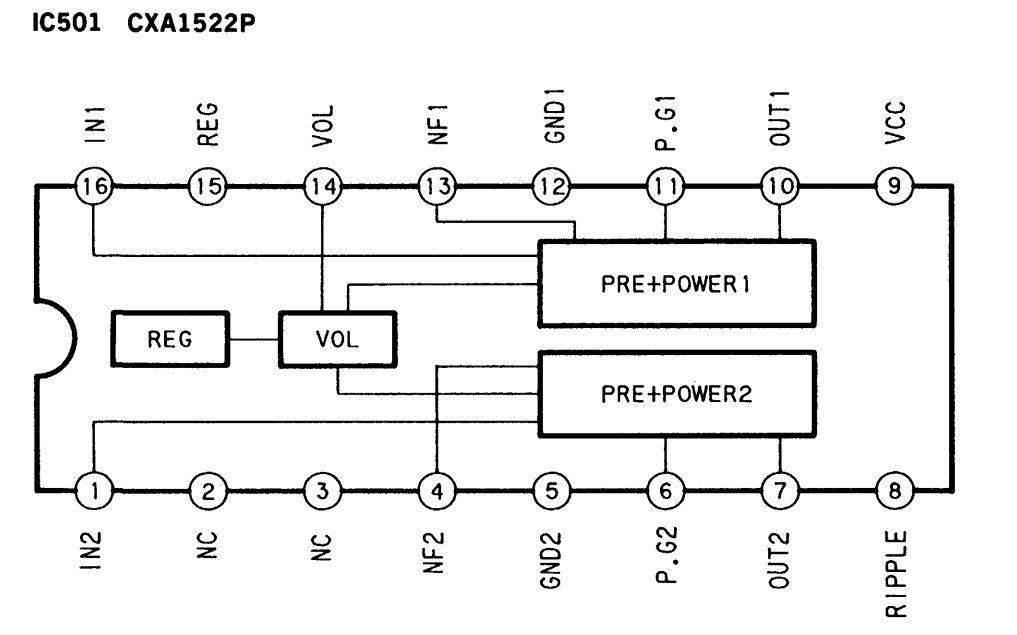
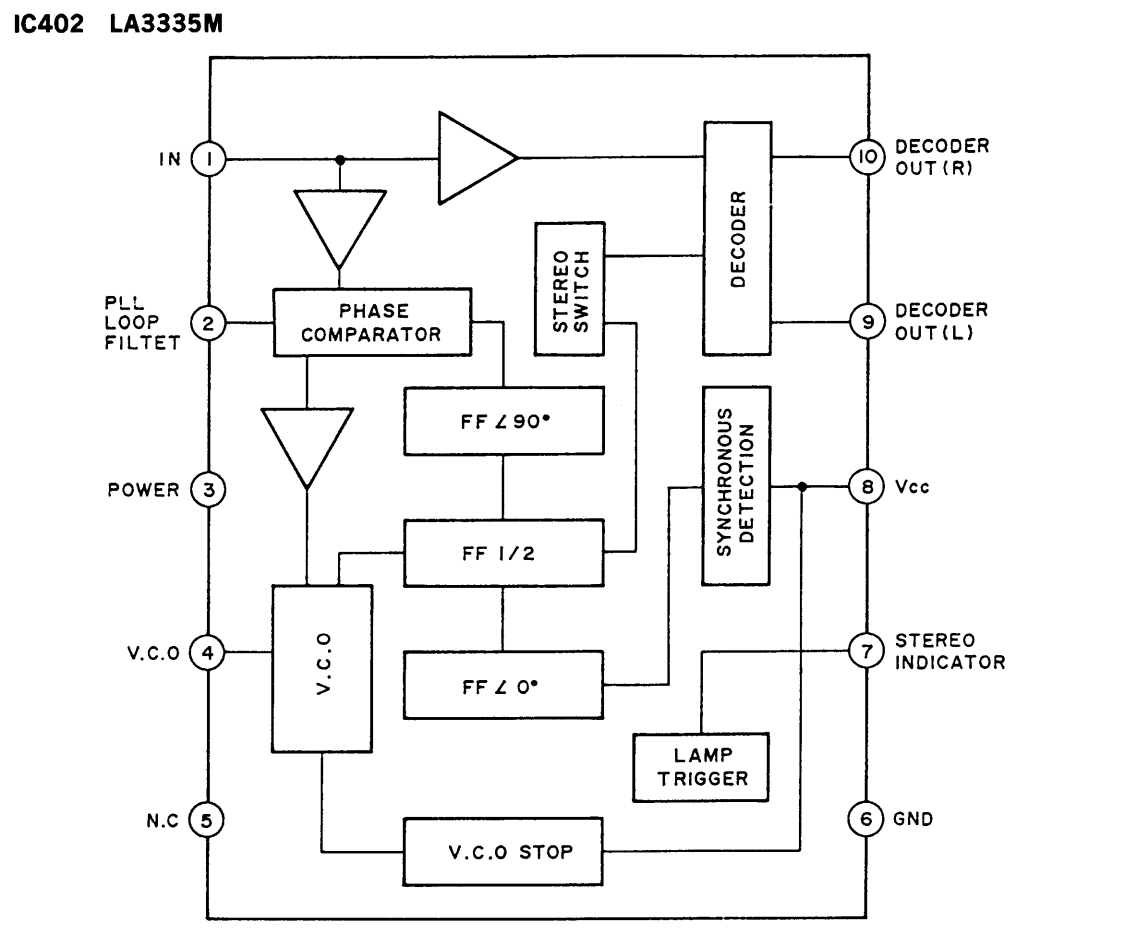
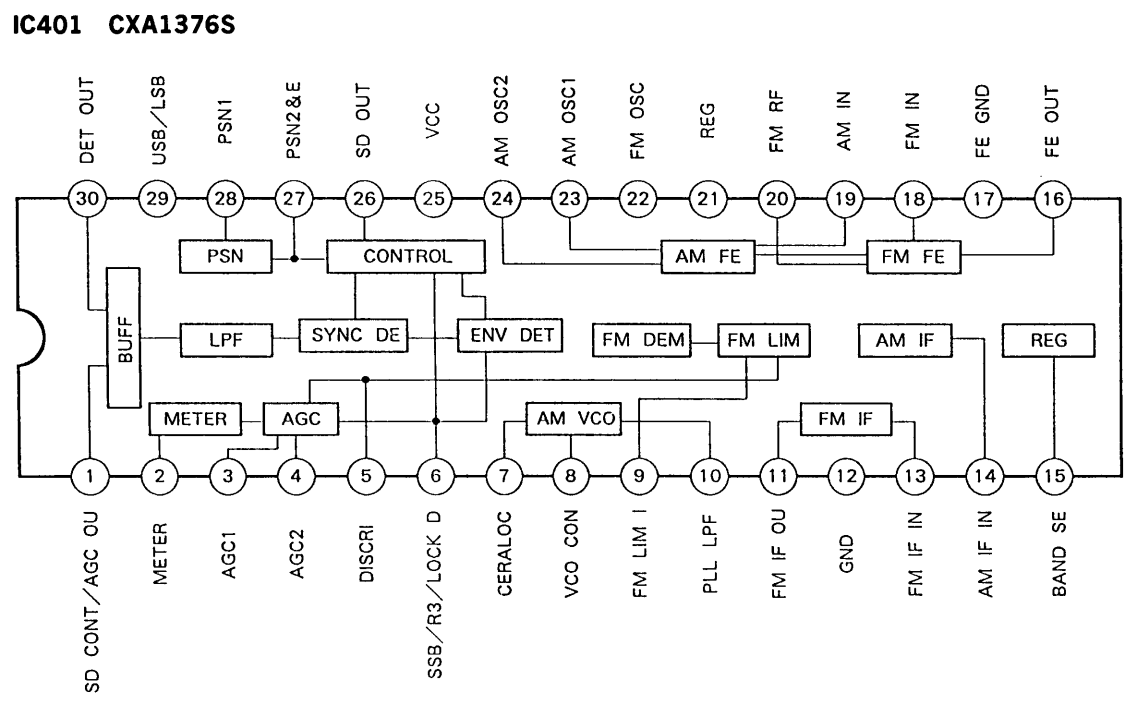
4-3. SCHEMATIC DIAGRAM • Refer to page 23 for IC Block Diagrams.



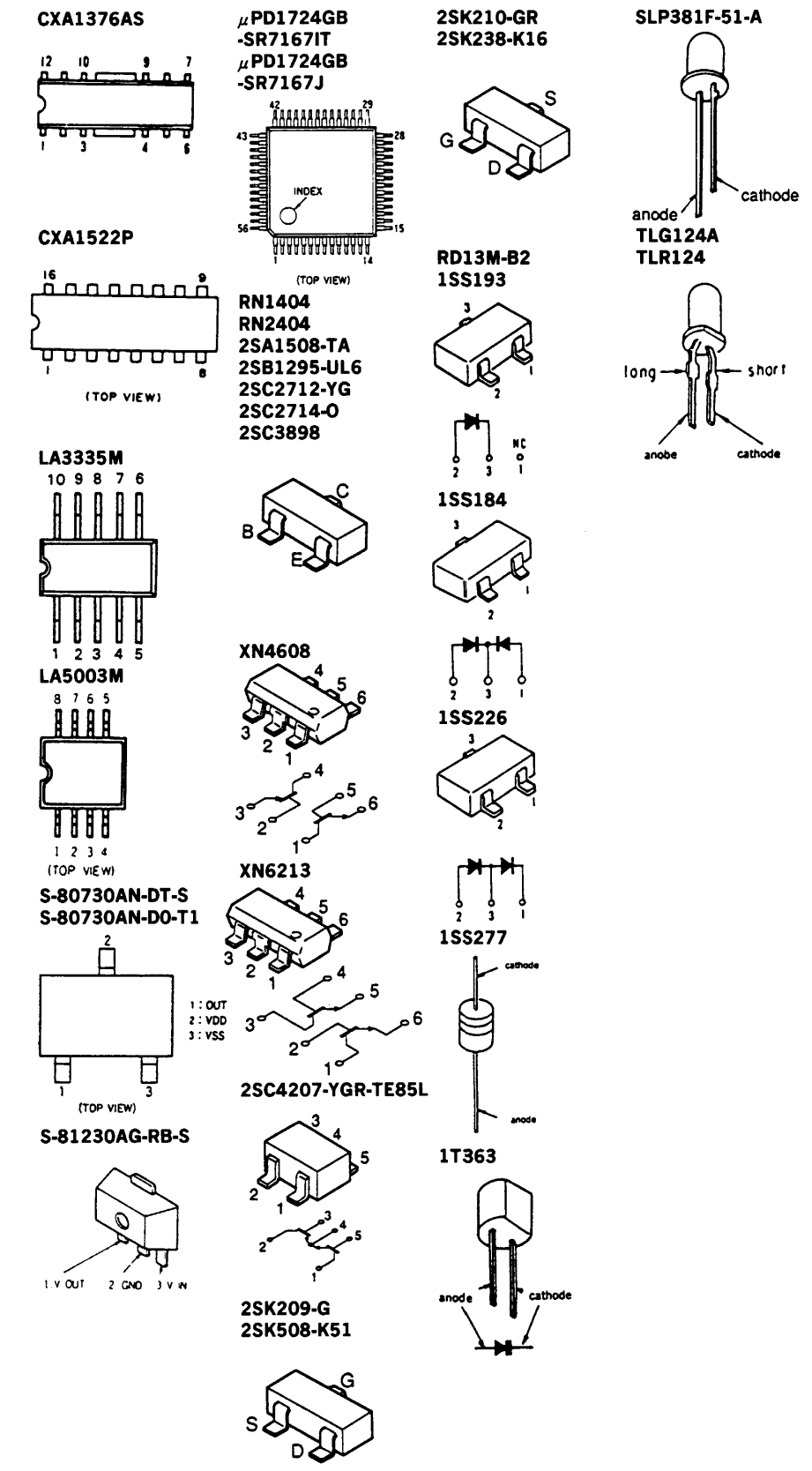
Downloaded by
RadioAmateur.EU

- Note:**
- All capacitors are in μF unless otherwise noted. pF : μpF 50WV or less are not indicated except for electrolytics and tantalums.
 - All resistors are in Ω and $1/4\text{ W}$ or less unless otherwise specified.
 - Δ : internal component.
 - [B+] : B+ Line
 - [] : adjustment for repair.
 - Power voltage is dc 6V and fed with regulated dc power supply from external power voltage jack.
 - Voltage is dc with respect to ground under no-signal (detuned) conditions.
 - no mark: FM
 - () : AM
 - < > : LW
 - [] : SW
 - Voltages are taken with a VOM (Input Impedance 10M Ω). Voltage variations may be noted due to normal production tolerances.
 - Signal path.
 - \Rightarrow : FM
 - Abbreviation
 - EA : Saudi Arabia model

• IC Block Diagrams



4-4. SEMICONDUCTOR LEAD LAYOUTS

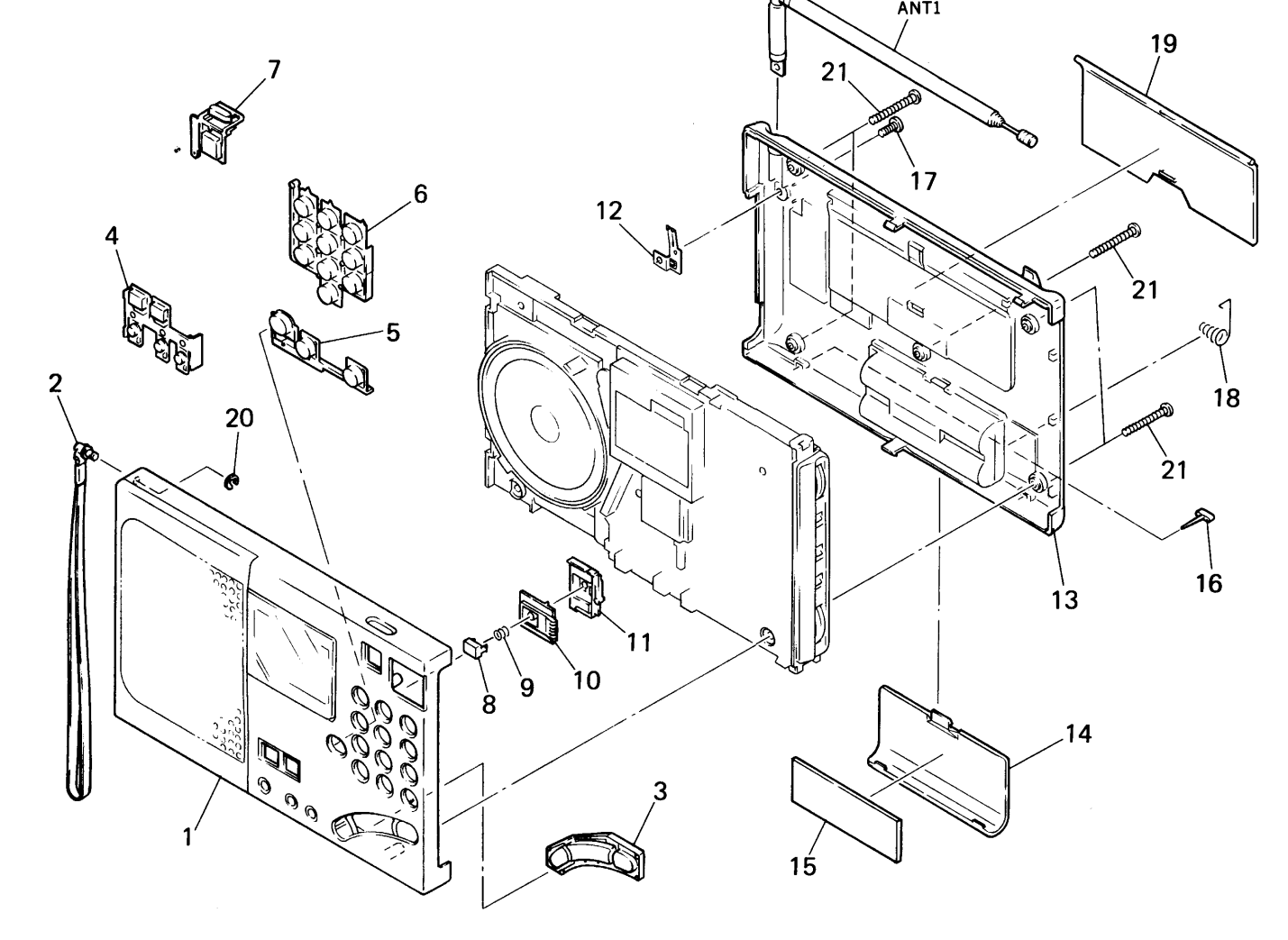


SECTION 5
EXPLODED VIEWS

NOTE:

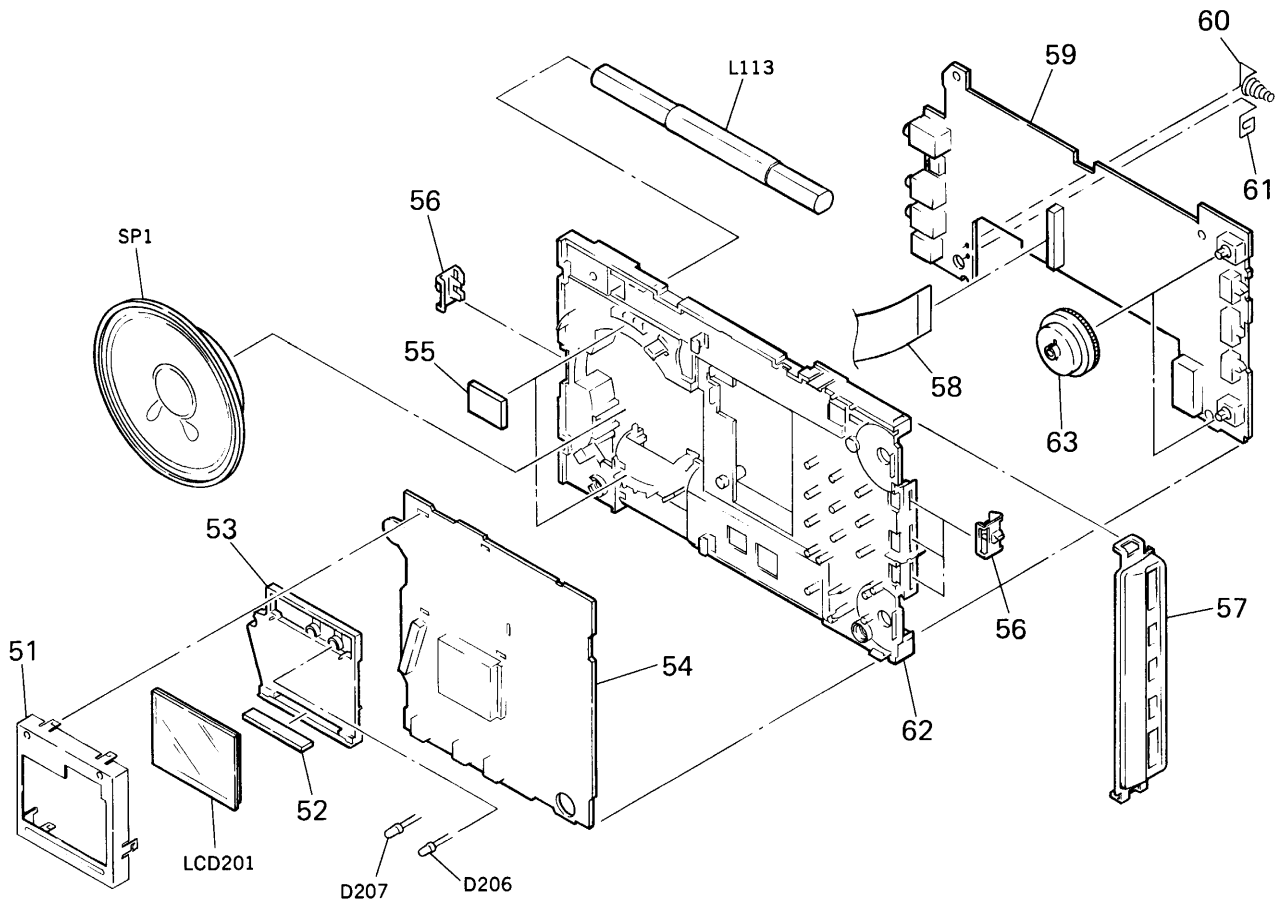
- The mechanical parts with no reference number in the exploded views are not supplied.
- Items marked "*" are not stocked since they are seldom required for routine service. Some delay should be anticipated when ordering these items.
- -XX and -X mean standardized parts, so they may have some difference from the original one.
- Color Indication of Appearance Parts
Example :
KNOB, BALANCE (WHITE)... (RED)
↑
Parts Color Cabinet's Color
- Hardware (# mark) list and accessories and packing materials are given in the last of this parts list.
- Abbreviation
EA : Saudi Arabia model

5-1. CABINET SECTION



Ref. No.	Part No.	Description	Remark	Ref. No.	Part No.	Description	Remark
1	X-3369-299-1	CABINET (FRONT) ASSY		12	3-893-840-01	PLATE (ANTENNA), CONTACT	
2	3-881-938-00	STRAP, HAND		13	3-914-396-01	CABINET (REAR)	
3	3-914-390-01	BUTTON (JOG)		14	3-893-838-01	LID, BATTERY CASE	
4	3-914-400-01	BUTTON (STANDBY)		15	9-911-844-XX	CUSHION (BATTERY CASE LID)	
5	3-914-391-01	BUTTON (BAND)		16	3-893-846-01	FOOT, RUBBER	
6	3-914-389-01	BUTTON (10 KEY)		17	4-924-242-11	SCREW (M3X6), FLAT HEAD	
7	3-893-825-02	BUTTON (SLEEP)		18	3-893-845-01	TERMINAL (PLUS MINUS), BATTERY	
8	3-893-829-01	BUTTON (POWER)		19	3-893-839-11	STAND	
9	3-893-862-01	SPRING, COMPRESSION		20	7-624-104-04	STOP RING 2.0, TYPE -E	
10	3-893-835-01	KNOB (LOCK)		21	7-685-152-19	SCREW +BTP 3X25 TYPE2 N-S	
11	3-893-836-01	RETAINER		ANT1	1-501-712-11	ANTENNA, TELESCOPIC	

5-2. CHASSIS SECTION



Ref. No.	Part No.	Description	Remark
51	3-914-393-01	HOLDER, LCD	
52	1-537-729-11	CONDUCTIVE BOARD, CONNECTION	
53	3-914-392-01	PLATE, LIGHT GUIDE	
* 54	A-3679-582-A	KEY BOARD, COMPLETE	
55	9-911-841-XX	CUSHION, ANTENNA	
56	3-914-388-01	KNOB (AM MODE)	
57	3-914-399-01	COVER (EXCEPT EA)	
57	3-914-399-11	COVER (EA)	
58	1-765-428-11	WIRE, PARALLEL (FFC) (16 CORE)	
* 59	A-3661-990-A	MAIN BOARD, COMPLETE (EXCEPT EA)	
* 59	A-3661-999-A	MAIN BOARD, COMPLETE (EA)	

Ref. No.	Part No.	Description	Remark
60	3-917-410-01	TERMINAL (-), BATTERY	
61	3-917-414-01	TERMINAL (+), BATTERY	
* 62	3-914-397-01	CHASSIS	
63	3-914-401-01	KNOB (VOL)	
D206	8-719-812-43	LED TLG124A (SYNC LOCK)	
D207	8-719-812-41	LED TLR124 (TUNE)	
L113	1-402-479-21	ANTENNA, FERRITE-ROD (LW/MW)	
LCD201	1-810-543-11	DISPLAY PANEL, LIQUID CRYSTAL	
SP1	1-544-577-11	SPEAKER (7.7CM)	

KEY

**SECTION 6
ELECTRICAL PARTS LIST**

NOTE:

- Due to standardization, replacements in the parts list may be different from the parts specified in the diagrams or the components used on the set.
- -XX and -X mean standardized parts, so they may have some difference from the original one.
- RESISTORS
All resistors are in ohms.
METAL: Metal-film resistor.
METAL OXIDE: Metal oxide-film resistor.
F: nonflammable
- Abbreviations
IT : Italian model
EA : Saudi Arabia model
G : German model
JE : Tourist model

- Items marked "*" are not stocked since they are seldom required for routine service. Some delay should be anticipated when ordering these items.
- SEMICONDUCTORS
In each case, u: μ , for example:
uA.: μ A. uPA.: μ PA.
uPB.: μ PB. uPC.: μ PC. uPD.: μ PD.
- CAPACITORS
uF: μ F
- COILS
uH: μ H

When indicating parts by reference number, please include the board.

The components identified by mark Δ or dotted line with mark Δ are critical for safety. Replace only with part number specified.

Les composants identifiés par une marque Δ sont critiques pour la sécurité. Ne les remplacer que par une pièce portant le numéro spécifié.



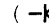
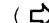
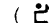
Ref. No.	Part No.	Description	Remark	
*	A-3679-582-A	KEY BOARD, COMPLETE *****		
	1-537-729-11	CONDUCTIVE BOARD, CONNECTION		
	3-914-392-01	PLATE, LIGHT GUIDE		
	3-914-393-01	HOLDER, LCD		
		< CAPACITOR >		
C201	1-163-038-00	CERAMIC CHIP	0.1uF	25V
C202	1-162-970-11	CERAMIC CHIP	0.01uF	10% 25V
C203	1-163-038-00	CERAMIC CHIP	0.1uF	25V
C204	1-162-970-11	CERAMIC CHIP	0.01uF	10% 25V
C205	1-164-346-11	CERAMIC CHIP	1uF	16V
C206	1-126-154-11	ELECT	47uF	20% 6.3V
C207	1-162-970-11	CERAMIC CHIP	0.01uF	10% 25V
C209	1-164-346-11	CERAMIC CHIP	1uF	16V
C210	1-162-970-11	CERAMIC CHIP	0.01uF	10% 25V
C211	1-162-953-11	CERAMIC CHIP	100PF	5% 50V
C212	1-162-970-11	CERAMIC CHIP	0.01uF	10% 25V
C213-218				
	1-162-953-11	CERAMIC CHIP	100PF	5% 50V
C219	1-126-163-11	ELECT	4.7uF	20% 50V
C220	1-130-834-00	FILM	1uF	10% 63V
C221	1-164-346-11	CERAMIC CHIP	1uF	16V
C301	1-164-232-11	CERAMIC CHIP	0.01uF	50V
C303	1-163-141-00	CERAMIC CHIP	0.001uF	5% 50V
C304	1-163-141-00	CERAMIC CHIP	0.001uF	5% 50V
C305-309				
	1-164-232-11	CERAMIC CHIP	0.01uF	50V
C310	1-163-239-11	CERAMIC CHIP	33PF	5% 50V
C311	1-163-096-00	CERAMIC CHIP	13PF	5% 50V
C312	1-164-232-11	CERAMIC CHIP	0.01uF	50V
		< CONNECTOR >		
CN201	1-695-446-11	SOCKET, CONNECTOR 16P		

Ref. No.	Part No.	Description	Remark	
		< DIODE >		
D201	8-719-991-09	LED	SLP381F-51-A	(BACK LIGHT)
D202	8-719-801-78	DIODE	1SS184	
D203	8-719-801-48	DIODE	1SS193	
D204	8-719-801-48	DIODE	1SS193	
D205	8-719-801-78	DIODE	1SS184	
D206	8-719-812-43	LED	TLG124A	(SYNC LOCK)
D207	8-719-812-41	LED	TLR124	(TUNE)
D208	8-719-801-48	DIODE	1SS193	
D301	8-719-801-48	DIODE	1SS193	
		< IC >		
IC201	8-759-273-36	IC	uPD1724GB-SR7167J	(EXCEPT IT)
IC201	8-759-273-37	IC	uPD1724GB-SR7167IT	(IT)
IC202	8-759-519-46	IC	S-80730AN-DT-S	
IC203	8-759-196-22	IC	S-80736AN-DO-T1	
		< LIQUID CRYSTAL DISPLAY >		
LCD201	1-810-543-11	DISPLAY PANEL, LIQUID CRYSTAL		
		< TRANSISTOR >		
Q301	8-729-200-86	TRANSISTOR	2SC2714-0	
Q302	8-729-807-87	TRANSISTOR	2SB1295-UL6	
Q303	8-729-220-93	TRANSISTOR	2SK209-G	
Q304	8-729-220-93	TRANSISTOR	2SK209-G	
Q305	8-729-230-49	TRANSISTOR	2SC2712-YG	
Q306	8-729-230-49	TRANSISTOR	2SC2712-YG	
Q307	8-729-230-49	TRANSISTOR	2SC2712-YG	
Q308	8-729-807-87	TRANSISTOR	2SB1295-UL6	
Q309	8-729-230-49	TRANSISTOR	2SC2712-YG	
Q310	8-729-207-70	TRANSISTOR	RN2404	
Q311	8-729-207-58	TRANSISTOR	RN1404	

Ref. No.	Part No.	Description	Remark		
< RESISTOR >					
R201	1-216-797-11	METAL CHIP	10	5%	1/16W
R202	1-216-825-11	METAL CHIP	2.2K	5%	1/16W
R203	1-216-825-11	METAL CHIP	2.2K	5%	1/16W
R204	1-216-857-11	METAL CHIP	1M	5%	1/16W
R205	1-216-833-11	METAL CHIP	10K	5%	1/16W
R206	1-216-837-11	METAL CHIP	22K	5%	1/16W
R207-210	1-216-825-11	METAL CHIP	2.2K	5%	1/16W
R212	1-216-837-11	METAL CHIP	22K	5%	1/16W
R217	1-216-845-11	METAL CHIP	100K	5%	1/16W
R301	1-216-033-00	METAL CHIP	220	5%	1/10W
R302	1-216-025-00	METAL CHIP	100	5%	1/10W
R303	1-216-093-00	METAL CHIP	68K	5%	1/10W
R304	1-216-037-00	METAL CHIP	330	5%	1/10W
R305	1-216-001-00	METAL CHIP	10	5%	1/10W
R306	1-216-049-00	METAL CHIP	1K	5%	1/10W
R307	1-216-089-00	METAL CHIP	47K	5%	1/10W
R308	1-216-065-00	METAL CHIP	4.7K	5%	1/10W
R309	1-216-077-00	METAL CHIP	15K	5%	1/10W
R310	1-216-077-00	METAL CHIP	15K	5%	1/10W
R311	1-216-069-00	METAL CHIP	6.8K	5%	1/10W
R312	1-216-073-00	METAL CHIP	10K	5%	1/10W
R313	1-216-117-00	METAL CHIP	680K	5%	1/10W
R314	1-216-001-00	METAL CHIP	10	5%	1/10W
R315	1-216-025-00	METAL CHIP	100	5%	1/10W
R316	1-216-033-00	METAL CHIP	220	5%	1/10W
R317	1-216-129-00	METAL CHIP	2.2M	5%	1/10W
R318	1-216-049-00	METAL CHIP	1K	5%	1/10W
R319	1-216-121-00	METAL CHIP	1M	5%	1/10W
R320	1-216-081-00	METAL CHIP	22K	5%	1/10W
R321	1-216-057-00	METAL CHIP	2.2K	5%	1/10W
R322	1-216-093-00	METAL CHIP	68K	5%	1/10W
R323	1-216-073-00	METAL CHIP	10K	5%	1/10W
R324	1-216-045-00	METAL CHIP	680	5%	1/10W
R325	1-216-049-00	METAL CHIP	1K	5%	1/10W
R326	1-216-049-00	METAL CHIP	1K	5%	1/10W
R327	1-216-065-00	METAL CHIP	4.7K	5%	1/10W
R328	1-216-073-00	METAL CHIP	10K	5%	1/10W
R329	1-216-121-00	METAL CHIP	1M	5%	1/10W
R330	1-216-001-00	METAL CHIP	10	5%	1/10W

< COMPOSITION CIRCUIT BLOCK >

- RB201-206 1-236-502-11 RES, NETWORK
- RB207 1-236-631-11 RES, NETWORK
- RB208 1-236-631-11 RES, NETWORK

Ref. No.	Part No.	Description	Remark
< SWITCH >			
S201	1-571-754-11	SWITCH, PUSH (1 KEY) (MAIN POWER)	
S202	1-572-499-21	SWITCH, TACTIL (LIGHT)	
S203	1-571-760-11	SWITCH, KEY BOARD (KEY PROTECT )	
S204	1-571-760-11	SWITCH, KEY BOARD (FM/AM)	
S205	1-571-760-11	SWITCH, KEY BOARD (EXE)	
S206	1-571-760-11	SWITCH, KEY BOARD (DIRECT)	
S207	1-571-760-11	SWITCH, KEY BOARD (SCAN STOP/AM BAND)	
S208	1-571-760-11	SWITCH, KEY BOARD (ENTER)	
S209	1-571-760-11	SWITCH, KEY BOARD (3)	
S210	1-571-760-11	SWITCH, KEY BOARD (6)	
S211	1-571-760-11	SWITCH, KEY BOARD (9)	
S212	1-571-760-11	SWITCH, KEY BOARD (STANDBY MEMORY b)	
S213	1-571-760-11	SWITCH, KEY BOARD ( (MANUAL TUNE/SCAN START))	
S214	1-571-760-11	SWITCH, KEY BOARD ( (MANUAL TUNE/SCAN START))	
S215	1-571-760-11	SWITCH, KEY BOARD (2)	
S216	1-571-760-11	SWITCH, KEY BOARD (5)	
S217	1-571-760-11	SWITCH, KEY BOARD (8)	
S218	1-571-760-11	SWITCH, KEY BOARD (STANDBY MEMORY a)	
S219	1-571-760-11	SWITCH, KEY BOARD ( (MANUAL TUNE/SCAN START))	
S220	1-571-760-11	SWITCH, KEY BOARD ( (MANUAL TUNE/SCAN START))	
S221	1-571-760-11	SWITCH, KEY BOARD (1)	
S222	1-571-760-11	SWITCH, KEY BOARD (4)	
S223	1-571-760-11	SWITCH, KEY BOARD (7)	
S224	1-571-760-11	SWITCH, KEY BOARD (10)	
S225	1-571-760-11	SWITCH, KEY BOARD (SLEEP)	
S226	1-571-760-11	SWITCH, KEY BOARD (POWER ON/OFF)	
S301	1-692-247-11	SWITCH, TACTIL (2 CLICK) (RESET)	
S302	1-692-462-21	SWITCH, SLIDE (CHANNEL SPACE)	

< VIBRATOR >

- X201 1-567-769-11 VIBRATOR, CRYSTAL (75kHz)
- *****

MAIN

Ref. No.	Part No.	Description	Remark
*	A-3661-990-A	MAIN BOARD, COMPLETE (EXCEPT EA)	
*	A-3361-999-A	MAIN BOARD, COMPLETE (EA)	

< CAPACITOR >			
C101-103			
	1-164-232-11	CERAMIC CHIP 0.01uF	50V
C104	1-163-086-00	CERAMIC CHIP 3PF	50V
C105	1-163-141-00	CERAMIC CHIP 0.001uF	5% 50V
C106	1-164-232-11	CERAMIC CHIP 0.01uF	50V
C107	1-164-232-11	CERAMIC CHIP 0.01uF	50V
C108	1-163-141-00	CERAMIC CHIP 0.001uF	5% 50V
C109	1-164-232-11	CERAMIC CHIP 0.01uF	50V
C110	1-163-125-00	CERAMIC CHIP 220PF	5% 50V
C111	1-163-085-00	CERAMIC CHIP 2PF	50V
C112	1-163-086-00	CERAMIC CHIP 3PF	50V
C113	1-164-346-11	CERAMIC CHIP 1uF	16V
C114	1-163-135-00	CERAMIC CHIP 560PF	5% 50V
C115	1-163-115-00	CERAMIC CHIP 82PF	5% 50V
C116	1-124-589-11	ELECT 47uF	20% 16V
C117	1-164-232-11	CERAMIC CHIP 0.01uF	50V
C118	1-164-232-11	CERAMIC CHIP 0.01uF	50V
C119	1-163-093-00	CERAMIC CHIP 10PF	5% 50V
C120	1-163-115-00	CERAMIC CHIP 82PF	5% 50V
C121	1-163-083-00	CERAMIC CHIP 1PF	50V
C122	1-163-141-00	CERAMIC CHIP 0.001uF	5% 50V
C123	1-164-232-11	CERAMIC CHIP 0.01uF	50V
C124	1-126-163-11	ELECT 4.7uF	20% 50V
C125	1-164-232-11	CERAMIC CHIP 0.01uF	50V
C126	1-164-232-11	CERAMIC CHIP 0.01uF	50V
C127	1-163-092-00	CERAMIC CHIP 9PF	0.25PF 50V
C128-130			
	1-164-232-11	CERAMIC CHIP 0.01uF	50V
C131	1-124-589-11	ELECT 47uF	20% 16V
C132	1-164-232-11	CERAMIC CHIP 0.01uF	50V
C133	1-163-095-00	CERAMIC CHIP 12PF	5% 50V
C134	1-163-095-00	CERAMIC CHIP 12PF	5% 50V
C135	1-163-097-00	CERAMIC CHIP 15PF	5% 50V
C136-138			
	1-164-232-11	CERAMIC CHIP 0.01uF	50V
C139	1-124-589-11	ELECT 47uF	20% 16V
C140	1-164-232-11	CERAMIC CHIP 0.01uF	50V
C141	1-163-141-00	CERAMIC CHIP 0.001uF	5% 50V
C142	1-163-809-11	CERAMIC CHIP 0.047uF	10% 25V
C143	1-163-129-00	CERAMIC CHIP 330PF	5% 50V
C144	1-124-589-11	ELECT 47uF	20% 16V
C401	1-164-232-11	CERAMIC CHIP 0.01uF	50V
C402	1-164-232-11	CERAMIC CHIP 0.01uF	50V
C403	1-164-346-11	CERAMIC CHIP 1uF	16V

Ref. No.	Part No.	Description	Remark
C404	1-164-232-11	CERAMIC CHIP 0.01uF	50V
C405	1-164-346-11	CERAMIC CHIP 1uF	16V
C406	1-164-346-11	CERAMIC CHIP 1uF	16V
C407	1-164-232-11	CERAMIC CHIP 0.01uF	50V
C408	1-126-157-11	ELECT 10uF	20% 16V
C409	1-164-232-11	CERAMIC CHIP 0.01uF	50V
C410	1-164-232-11	CERAMIC CHIP 0.01uF	50V
C411	1-163-137-00	CERAMIC CHIP 680PF	5% 50V
C412	1-124-589-11	ELECT 47uF	20% 16V
C413	1-163-038-00	CERAMIC CHIP 0.1uF	25V
C414	1-164-346-11	CERAMIC CHIP 1uF	16V
C415	1-163-037-11	CERAMIC CHIP 0.022uF	10% 25V
C416	1-163-037-11	CERAMIC CHIP 0.022uF	10% 25V
C417	1-164-346-11	CERAMIC CHIP 1uF	16V
C418	1-164-346-11	CERAMIC CHIP 1uF	16V
C419	1-124-234-00	ELECT 22uF	20% 16V
C420	1-163-038-00	CERAMIC CHIP 0.1uF	25V
C421	1-164-005-11	CERAMIC CHIP 0.47uF	25V
C422	1-163-038-00	CERAMIC CHIP 0.1uF	25V
C423	1-164-005-11	CERAMIC CHIP 0.47uF	25V
C424	1-164-232-11	CERAMIC CHIP 0.01uF	50V
C425	1-163-097-00	CERAMIC CHIP 15PF	5% 50V
C426	1-124-635-00	ELECT 220uF	20% 6.3V
C427	1-164-232-11	CERAMIC CHIP 0.01uF	50V
C428	1-161-021-11	CERAMIC 0.047uF	10% 25V
C429	1-164-346-11	CERAMIC CHIP 1uF	16V
C430	1-163-097-00	CERAMIC CHIP 15PF	5% 50V
C431	1-164-232-11	CERAMIC CHIP 0.01uF	50V
C432	1-163-091-00	CERAMIC CHIP 8PF	50V
C433	1-163-091-00	CERAMIC CHIP 8PF	50V
C434	1-124-589-11	ELECT 47uF	20% 16V
C435	1-164-232-11	CERAMIC CHIP 0.01uF	50V
C436	1-135-162-21	TANTALUM CHIP 33uF	20% 6.3V
C437	1-164-346-11	CERAMIC CHIP 1uF	16V
C438	1-163-141-00	CERAMIC CHIP 0.001uF	5% 50V
C439	1-163-085-00	CERAMIC CHIP 2PF	50V
C440	1-163-141-00	CERAMIC CHIP 0.001uF	5% 50V
C441	1-163-093-00	CERAMIC CHIP 10PF	5% 50V
C442	1-163-141-00	CERAMIC CHIP 0.001uF	5% 50V
C443	1-164-346-11	CERAMIC CHIP 1uF	16V
C444	1-164-232-11	CERAMIC CHIP 0.01uF	50V
C445	1-164-161-11	CERAMIC CHIP 0.0022uF	10% 100V
C446	1-164-232-11	CERAMIC CHIP 0.01uF	50V
C447	1-164-346-11	CERAMIC CHIP 1uF	16V
C448	1-163-135-00	CERAMIC CHIP 560PF	5% 50V
C449	1-163-036-00	CERAMIC CHIP 0.068uF	50V
C450-452			
	1-164-346-11	CERAMIC CHIP 1uF	16V
C453	1-163-083-00	CERAMIC CHIP 1PF	50V

Ref. No.	Part No.	Description	Remark
C454	1-163-083-00	CERAMIC CHIP 1PF	50V
C455	1-164-232-11	CERAMIC CHIP 0.01uF	50V
C456	1-162-587-11	CERAMIC CHIP 0.039uF	10% 25V
C457	1-162-587-11	CERAMIC CHIP 0.039uF	10% 25V
C458	1-163-036-00	CERAMIC CHIP 0.068uF	50V
C459	1-164-232-11	CERAMIC CHIP 0.01uF	50V
C460	1-163-141-00	CERAMIC CHIP 0.001uF	5% 50V
C461	1-164-346-11	CERAMIC CHIP 1uF	16V
C462	1-163-141-00	CERAMIC CHIP 0.001uF	5% 50V
C463	1-163-141-00	CERAMIC CHIP 0.001uF	5% 50V
C501	1-164-346-11	CERAMIC CHIP 1uF	16V
C502	1-163-141-00	CERAMIC CHIP 0.001uF	5% 50V
C503	1-126-925-11	ELECT 470uF	20% 10V
C504	1-164-232-11	CERAMIC CHIP 0.01uF	50V
C505	1-164-346-11	CERAMIC CHIP 1uF	16V
C506	1-126-157-11	ELECT 10uF	20% 16V
C507	1-164-232-11	CERAMIC CHIP 0.01uF	50V
C508	1-135-216-11	TANTALUM CHIP 10uF	20% 10V
C509	1-164-346-11	CERAMIC CHIP 1uF	16V
C510	1-164-346-11	CERAMIC CHIP 1uF	16V
C511	1-126-925-11	ELECT 470uF	20% 10V
C512	1-124-635-00	ELECT 220uF	20% 6.3V
C514	1-124-589-11	ELECT 47uF	20% 16V
C515	1-135-216-11	TANTALUM CHIP 10uF	20% 10V
C516	1-164-346-11	CERAMIC CHIP 1uF	16V
C517	1-126-157-11	ELECT 10uF	20% 16V
C518	1-124-589-11	ELECT 47uF	20% 16V
C519	1-163-038-00	CERAMIC CHIP 0.1uF	25V
C520	1-164-232-11	CERAMIC CHIP 0.01uF	50V
C521	1-125-701-11	DOUBLE LAYER 0.047F	5.5V
C522	1-124-234-00	ELECT 22uF	20% 16V
C523	1-163-038-00	CERAMIC CHIP 0.1uF	25V
C601	1-163-038-00	CERAMIC CHIP 0.1uF	25V
C602	1-163-088-00	CERAMIC CHIP 5PF	50V
C603	1-164-346-11	CERAMIC CHIP 1uF	16V
C604	1-164-346-11	CERAMIC CHIP 1uF	16V
C605	1-124-234-00	ELECT 22uF	20% 16V
C606	1-164-346-11	CERAMIC CHIP 1uF	16V
< FILTER >			
CF401	1-577-707-11	FILTER, CERAMIC	
CF402	1-577-574-11	FILTER, CERAMIC	
CF403	1-577-574-11	FILTER, CERAMIC	
CF404	1-577-572-31	FILTER, CERAMIC	
< CONNECTOR >			
CN1	1-695-447-11	SOCKET, CONNECTOR 16P	

Ref. No.	Part No.	Description	Remark
< TRIMMER >			
CT101	1-141-304-21	CAP, TRIMMER 10PF	
CT102	1-141-304-21	CAP, TRIMMER 10PF	
CT401	1-141-442-91	TRIMMER, CERAMIC	
< DIODE >			
D101	8-719-921-22	DIODE 1SS277	
D102	8-719-002-81	DIODE 1T363	
D103	8-719-002-81	DIODE 1T363	
D104	8-719-800-76	DIODE 1SS226	
D105	8-719-921-22	DIODE 1SS277	
D106	8-719-921-22	DIODE 1SS277	
D107	8-719-921-22	DIODE 1SS277	
D108	8-719-921-22	DIODE 1SS277	
D401	8-719-002-81	DIODE 1T363	
D402	8-719-801-48	DIODE 1SS193	
D403	8-719-002-81	DIODE 1T363	
D404	8-719-002-81	DIODE 1T363	
D501	8-719-801-78	DIODE 1SS184	
D502	8-719-801-48	DIODE 1SS193	
D503	8-719-106-80	DIODE RD13M-B2	
D601	8-719-106-80	DIODE RD13M-B2	
D602	8-719-801-48	DIODE 1SS193	
< IC >			
IC401	8-752-064-31	IC CXA1376AS	
IC402	8-759-804-98	IC LA3335M	
IC501	8-752-059-51	IC CXA1522P	
IC502	8-759-801-15	IC LA5003M	
IC503	8-759-939-41	IC S-81230AG-RB-S	
< JACK >			
J1	1-569-187-11	JACK (EXT ANT)	
J2	1-566-819-41	JACK 1P (LINE OUT)	
J3	1-566-891-11	JACK (HEADPHONES)	
J4	1-695-153-11	JACK, DC (DC IN 6V)	
< COIL >			
L101	1-410-993-11	INDUCTOR CHIP 1uH	
L102	1-408-789-21	INDUCTOR CHIP 100uH	
L103	1-410-992-11	INDUCTOR CHIP 0.82uH	
L104	1-410-992-11	INDUCTOR CHIP 0.82uH	
L105	1-410-999-11	INDUCTOR CHIP 3.3uH	
L106	1-412-008-31	INDUCTOR CHIP 15uH	
L107	1-410-658-31	INDUCTOR CHIP 220uH	
L108	1-412-005-11	INDUCTOR CHIP 8.2uH	
L109	1-410-992-11	INDUCTOR CHIP 0.82uH	
L110	1-410-993-11	INDUCTOR CHIP 1uH	

MAIN

Ref. No.	Part No.	Description	Remark
L111	1-410-992-11	INDUCTOR CHIP 0.82uH	
L112	1-410-987-11	INDUCTOR CHIP 0.33uH	
L113	1-402-479-21	ANTENNA, FERRITE-ROD (LW/MW)	
L401	1-410-991-11	INDUCTOR CHIP 0.68uH	
L402	1-410-989-11	INDUCTOR CHIP 0.47uH	
L403	1-412-006-31	INDUCTOR CHIP 10uH	
L404	1-412-932-21	INDUCTOR 0.27uH	
L405	1-412-931-11	INDUCTOR 0.22uH	
L406	1-410-326-61	INDUCTOR 6.8uH	
L601	1-414-194-11	INDUCTOR 33uH	
L602	1-410-658-31	INDUCTOR CHIP 220uH	
< TRANSISTOR >			
Q101	8-729-123-86	TRANSISTOR 2SK238-K16	
Q102	8-729-116-64	TRANSISTOR 2SK508-K51	
Q103	8-729-230-49	TRANSISTOR 2SC2712-YG	
Q104	8-729-116-64	TRANSISTOR 2SK508-K51	
Q105	8-729-116-64	TRANSISTOR 2SK508-K51	
Q106	8-729-208-47	TRANSISTOR 2SK210-GR	
Q107	8-729-200-86	TRANSISTOR 2SC2714-0	
Q108	8-729-123-86	TRANSISTOR 2SK238-K16	
Q109	8-729-200-86	TRANSISTOR 2SC2714-0	
Q401	8-729-207-58	TRANSISTOR RN1404	
Q402	8-729-014-86	TRANSISTOR 2SC4207-YGR-TE85L	
Q403	8-729-420-07	TRANSISTOR XN6213	
Q404	8-729-805-71	TRANSISTOR 2SA1508-TA	
Q405	8-729-805-39	TRANSISTOR 2SC3898	
Q406	8-729-420-07	TRANSISTOR XN6213	
Q407	8-729-014-86	TRANSISTOR 2SC4207-YGR-TE85L	
Q408	8-729-230-49	TRANSISTOR 2SC2712-YG	
Q409	8-729-230-49	TRANSISTOR 2SC2712-YG	
Q410	8-729-200-86	TRANSISTOR 2SC2714-0	
Q411	8-729-208-47	TRANSISTOR 2SK210-GR	
Q412	8-729-200-86	TRANSISTOR 2SC2714-0	
Q413	8-729-230-49	TRANSISTOR 2SC2712-YG	
Q414	8-729-200-86	TRANSISTOR 2SC2714-0	
Q415	8-729-805-71	TRANSISTOR 2SA1508-TA	
Q416	8-729-207-58	TRANSISTOR RN1404	
Q417	8-729-207-70	TRANSISTOR RN2404	
Q418	8-729-805-39	TRANSISTOR 2SC3898	
Q419	8-729-230-49	TRANSISTOR 2SC2712-YG	
Q501	8-729-230-49	TRANSISTOR 2SC2712-YG	
Q502	8-729-805-71	TRANSISTOR 2SA1508-TA	
Q503	8-729-402-16	TRANSISTOR XN4608	
Q504	8-729-402-16	TRANSISTOR XN4608	
Q505	8-729-807-87	TRANSISTOR 2SB1295-UL6	
Q506	8-729-402-16	TRANSISTOR XN4608	
Q508	8-729-807-87	TRANSISTOR 2SB1295-UL6	

Ref. No.	Part No.	Description	Remark
Q509	8-729-805-39	TRANSISTOR 2SC3898	
Q510	8-729-807-87	TRANSISTOR 2SB1295-UL6	
Q511	8-729-230-49	TRANSISTOR 2SC2712-YG	
Q512	8-729-807-87	TRANSISTOR 2SB1295-UL6	
Q513	8-729-230-49	TRANSISTOR 2SC2712-YG	
Q514	8-729-807-87	TRANSISTOR 2SB1295-UL6	
Q601	8-729-014-86	TRANSISTOR 2SC4207-YGR-TE85L	
< RESISTOR >			
R101	1-216-081-00	METAL CHIP 22K 5% 1/10W	
R102	1-216-049-00	METAL CHIP 1K 5% 1/10W	
R103	1-216-097-00	METAL CHIP 100K 5% 1/10W	
R104	1-216-025-00	METAL CHIP 100 5% 1/10W	
R105	1-216-017-00	METAL CHIP 47 5% 1/10W	
R106	1-216-097-00	METAL CHIP 100K 5% 1/10W	
R107	1-216-041-00	METAL CHIP 470 5% 1/10W	
R108	1-216-029-00	METAL CHIP 150 5% 1/10W	
R109	1-216-049-00	METAL CHIP 1K 5% 1/10W	
R110	1-216-073-00	METAL CHIP 10K 5% 1/10W	
R111	1-216-113-00	METAL CHIP 470K 5% 1/10W	
R112	1-216-025-00	METAL CHIP 100 5% 1/10W	
R113	1-216-017-00	METAL CHIP 47 5% 1/10W	
R114	1-216-057-00	METAL CHIP 2.2K 5% 1/10W	
R115	1-216-073-00	METAL CHIP 10K 5% 1/10W	
R116	1-216-057-00	METAL CHIP 2.2K 5% 1/10W	
R117	1-216-097-00	METAL CHIP 100K 5% 1/10W	
R118	1-216-089-00	METAL CHIP 47K 5% 1/10W	
R120-122	1-216-057-00	METAL CHIP 2.2K 5% 1/10W	
R123	1-216-025-00	METAL CHIP 100 5% 1/10W	
R124	1-216-049-00	METAL CHIP 1K 5% 1/10W	
R125	1-216-025-00	METAL CHIP 100 5% 1/10W	
R126	1-216-039-00	METAL CHIP 390 5% 1/10W	
R127	1-216-017-00	METAL CHIP 47 5% 1/10W	
R128	1-216-025-00	METAL CHIP 100 5% 1/10W	
R129	1-216-045-00	METAL CHIP 680 5% 1/10W	
R130	1-216-065-00	METAL CHIP 4.7K 5% 1/10W	
R131	1-216-017-00	METAL CHIP 47 5% 1/10W	
R132	1-216-073-00	METAL CHIP 10K 5% 1/10W	
R133	1-216-073-00	METAL CHIP 10K 5% 1/10W	
R134	1-216-045-00	METAL CHIP 680 5% 1/10W	
R135	1-216-021-00	METAL CHIP 68 5% 1/10W	
R136	1-216-065-00	METAL CHIP 4.7K 5% 1/10W	
R401	1-216-295-00	METAL CHIP 0 5% 1/10W	
R402	1-216-057-00	METAL CHIP 2.2K 5% 1/10W	
R403	1-216-089-00	METAL CHIP 47K 5% 1/10W	
R404	1-216-089-00	METAL CHIP 47K 5% 1/10W	
R405	1-216-109-00	METAL CHIP 330K 5% 1/10W	
R406	1-216-089-00	METAL CHIP 47K 5% 1/10W	

Ref. No.	Part No.	Description	Remark		
R407	1-216-085-00	METAL CHIP	33K	5%	1/10W
R408	1-216-057-00	METAL CHIP	2.2K	5%	1/10W
R409	1-216-025-00	METAL CHIP	100	5%	1/10W
R410	1-216-097-00	METAL CHIP	100K	5%	1/10W
R411	1-216-041-00	METAL CHIP	470	5%	1/10W
R412	1-216-689-11	METAL CHIP	39K	0.5%	1/10W
R413	1-216-065-00	METAL CHIP	4.7K	5%	1/10W
R414	1-216-117-00	METAL CHIP	680K	5%	1/10W
R415	1-216-065-00	METAL CHIP	4.7K	5%	1/10W
R416	1-216-065-00	METAL CHIP	4.7K	5%	1/10W
R417	1-216-025-00	METAL CHIP	100	5%	1/10W
R418	1-216-025-00	METAL CHIP	100	5%	1/10W
R419	1-216-089-00	METAL CHIP	47K	5%	1/10W
R420	1-216-013-00	METAL CHIP	33	5%	1/10W
R421	1-216-025-00	METAL CHIP	100	5%	1/10W
R422	1-216-025-00	METAL CHIP	100	5%	1/10W
R423	1-216-013-00	METAL CHIP	33	5%	1/10W
R424	1-216-013-00	METAL CHIP	33	5%	1/10W
R425	1-216-085-00	METAL CHIP	33K	5%	1/10W
R426	1-216-089-00	METAL CHIP	47K	5%	1/10W
R427	1-216-025-00	METAL CHIP	100	5%	1/10W
R428	1-216-057-00	METAL CHIP	2.2K	5%	1/10W
R429	1-216-073-00	METAL CHIP	10K	5%	1/10W
R430	1-216-063-00	METAL CHIP	3.9K	5%	1/10W
R431	1-216-025-00	METAL CHIP	100	5%	1/10W
R432	1-216-063-00	METAL CHIP	3.9K	5%	1/10W
R433	1-216-041-00	METAL CHIP	470	5%	1/10W
R434	1-216-073-00	METAL CHIP	10K	5%	1/10W
R435	1-216-053-00	METAL CHIP	1.5K	5%	1/10W
R436	1-216-013-00	METAL CHIP	33	5%	1/10W
R437	1-216-081-00	METAL CHIP	22K	5%	1/10W
R438	1-216-025-00	METAL CHIP	100	5%	1/10W
R439	1-216-097-00	METAL CHIP	100K	5%	1/10W
R440	1-216-105-00	METAL CHIP	220K	5%	1/10W
R441	1-216-097-00	METAL CHIP	100K	5%	1/10W
R442	1-216-057-00	METAL CHIP	2.2K	5%	1/10W
R443	1-216-097-00	METAL CHIP	100K	5%	1/10W
R444	1-216-061-00	METAL CHIP	3.3K	5%	1/10W
R445	1-216-001-00	METAL CHIP	10	5%	1/10W
R446	1-216-025-00	METAL CHIP	100	5%	1/10W
R447	1-216-025-00	METAL CHIP	100	5%	1/10W
R448	1-216-073-00	METAL CHIP	10K	5%	1/10W
R449	1-216-089-00	METAL CHIP	47K	5%	1/10W
R450	1-216-089-00	METAL CHIP	47K	5%	1/10W
R451	1-216-295-00	METAL CHIP	0	5%	1/10W
R452	1-216-041-00	METAL CHIP	470	5%	1/10W
R453	1-216-117-00	METAL CHIP	680K	5%	1/10W
R454	1-216-033-00	METAL CHIP	220	5%	1/10W
R455	1-216-079-00	METAL CHIP	18K	5%	1/10W

Ref. No.	Part No.	Description	Remark		
R456	1-216-085-00	METAL CHIP	33K	5%	1/10W
R501	1-216-097-00	METAL CHIP	100K	5%	1/10W
R502	1-216-097-00	METAL CHIP	100K	5%	1/10W
R503	1-216-089-00	METAL CHIP	47K	5%	1/10W
R504	1-216-089-00	METAL CHIP	47K	5%	1/10W
R505	1-216-065-00	METAL CHIP	4.7K	5%	1/10W
R506	1-216-089-00	METAL CHIP	47K	5%	1/10W
R507	1-216-089-00	METAL CHIP	47K	5%	1/10W
R508-510					
	1-216-065-00	METAL CHIP	4.7K	5%	1/10W
R511	1-216-081-00	METAL CHIP	22K	5%	1/10W
R512	1-216-065-00	METAL CHIP	4.7K	5%	1/10W
R513	1-216-057-00	METAL CHIP	2.2K	5%	1/10W
R514	1-216-049-00	METAL CHIP	1K	5%	1/10W
R515	1-216-065-00	METAL CHIP	4.7K	5%	1/10W
R516	1-216-025-00	METAL CHIP	100	5%	1/10W
R517	1-216-025-00	METAL CHIP	100	5%	1/10W
R518	1-216-089-00	METAL CHIP	47K	5%	1/10W
R519	1-216-089-00	METAL CHIP	47K	5%	1/10W
R520	1-216-065-00	METAL CHIP	4.7K	5%	1/10W
R521	1-216-057-00	METAL CHIP	2.2K	5%	1/10W
R522	1-216-041-00	METAL CHIP	470	5%	1/10W
R523	1-216-065-00	METAL CHIP	4.7K	5%	1/10W
R524	1-216-065-00	METAL CHIP	4.7K	5%	1/10W
R525	1-216-089-00	METAL CHIP	47K	5%	1/10W
R526	1-216-065-00	METAL CHIP	4.7K	5%	1/10W
R527	1-216-065-00	METAL CHIP	4.7K	5%	1/10W
R601	1-216-101-00	METAL CHIP	150K	5%	1/10W
R602	1-216-097-00	METAL CHIP	100K	5%	1/10W
R603	1-216-097-00	METAL CHIP	100K	5%	1/10W
R604	1-216-049-00	METAL CHIP	1K	5%	1/10W
		< VARIABLE RESISTOR >			
RV401	1-241-767-21	RES, ADJ, CARBON 100K			
RV402	1-223-450-11	RES, VAR, CARBON 50K (SSB FINE TUNE) (EXCEPT EA)			
RV403	1-241-765-11	RES, ADJ, CARBON 22K			
RV501	1-223-450-11	RES, VAR, CARBON 50K (VOLUME)			
		< SWITCH >			
S1	1-571-850-81	SWITCH, SLIDE (SENS)			
S2	1-571-850-81	SWITCH, SLIDE (SYNC/SSB)			
S3	1-554-061-00	SWITCH, SLIDE (AM MODE)			
S4	1-571-850-81	SWITCH, SLIDE (TONE)			
		< TRANSFORMER >			
T101	1-460-037-11	COIL (WITH CORE)			
T102	1-460-038-11	COIL (WITH CORE)			
T103	1-426-357-11	TRANSFORMER, RF			
T104	1-404-780-21	TRANSFORMER, IF			

MAIN

SEE ADDITIONAL INFORMATION

Ref. No.	Part No.	Description	Remark
T105	1-426-395-11	COIL (RF)	
T106	1-426-468-21	TRANSFORMER, HIGH FREQUENCY	
T401	1-409-588-11	TRANSFORMER, IF	
T402	1-406-371-11	COIL (OSC)	
T403	1-460-039-11	COIL (WITH CORE)	
T601	1-449-902-11	TRANSFORMER, DC-DC CONVERTER	
< VIBRATOR >			
X401	1-760-478-21	VIBRATOR, CERAMIC (3.64MHz)	
X402	1-760-343-21	VIBRATOR, CRYSTAL (55.390MHz)	
XF101	1-527-372-00	FILTER, CRYSTAL	

MISCELLANEOUS			

58	1-765-428-11	WIRE, PARALLEL (FFC) (16 CORE)	
ANT1	1-501-712-11	ANTENNA, TELESCOPIC	
SP1	1-544-577-11	SPEAKER (7.7CM)	

ACCESSORIES & PACKING MATERIALS			

△	1-465-848-11	ADAPTOR, AC (AC-E601) (JE)	
	1-501-398-21	ANTENNA, WIRE (SW)	
△	1-506-443-00	ADAPTOR, PLUG (JE)	
△	1-569-007-11	ADAPTOR, CONVERSION 2P (JE)	
	3-758-846-01	MANUAL, INSTRUCTION (JAPANESE, ENGLISH, KOREAN, ARABIC) (EA, JE)	
	3-758-846-11	MANUAL, INSTRUCTION (ENGLISH, FRENCH, SPANISH, SWEDISH, PORTUGUESE) (US, AEP, E)	
	3-758-846-41	MANUAL, INSTRUCTION (ENGLISH, FRENCH, GERMAN, DUTCH, ITALIAN) (Canadian, UK, G, IT)	
	3-893-802-09	HAND BOOK (JE)	
	3-893-802-10	BOOK, GUIDE, WAVE (EXCEPT EA)	
	3-895-517-11	SCREW (2), TAPPING, STEP	
*	3-917-260-01	INDIVIDUAL CARTON (EXCEPT JE)	
*	3-918-114-01	INDIVIDUAL CARTON (JE)	

The components identified by mark △ or dotted line with mark △ are critical for safety. Replace only with part number specified.	Les composants identifiés par une marque △ sont critiques pour la sécurité. Ne les remplacer que par une pièce portant le numéro spécifié.
--	--

ICF-SW7600G

SONY

SERVICE MANUAL

*US Model
Canadian Model
AEP Model
UK Model
E Model
Tourist Model*

SUPPLEMENT - 1

File this Supplement with the Service Manual.

Subject : Add the adaptor AC

(ENG-97008)

Page 34

ACCESSORIES & PACKING MATERIALS

1-467-173-11 ADAPTOR AC (AC-104) (E MODEL 220V EREA)

ICF-SW7600G

SONY[®]

SERVICE MANUAL

Ver 1.0 1998. 06

US Model
Canadian Model
AEP Model
UK Model
E Model
Tourist Model
Chinese Model

SUPPLEMENT - 2

File this Supplement with the Service Manual.

Subject : CHINESE MODEL HAS BEEN ADDED

The Chinese model is approximately the same as the E model.
Only difference between Chinese model and E model are listed.
Refer to original Service Manual (9-959-655-11) and Supplement-1 (9-959-655-81) previously issued for the other information.

● DIFFERENCE PARTS LIST

EXPLODED VIEWS (Service Manual See page 26, 27)

Page	E model			Chinese model	
	Ref. No.	Part No.	Description	Part No.	Description
26	<p>Note : Stick sheets (A) and (B) on the rear cabinet of the Chinese model when replacing.</p>				
	1	X-3369-299-1	CABINET (FRONT) ASSY	X-3375-898-1	CABINET (FRONT) ASSY
	22	_____	_____	3-026-910-01	SHEET(A)
	23	_____	_____	3-026-911-01	SHEET(B)
	27	* 59	A-3661-990-A	MAIN BOARD,COMPLETE (EXCEPT Saudi Arabia, Chinese)	A-3663-121-A

ELECTRICAL PARTS LIST

MAIN

(Service Manual See page 30, 31)

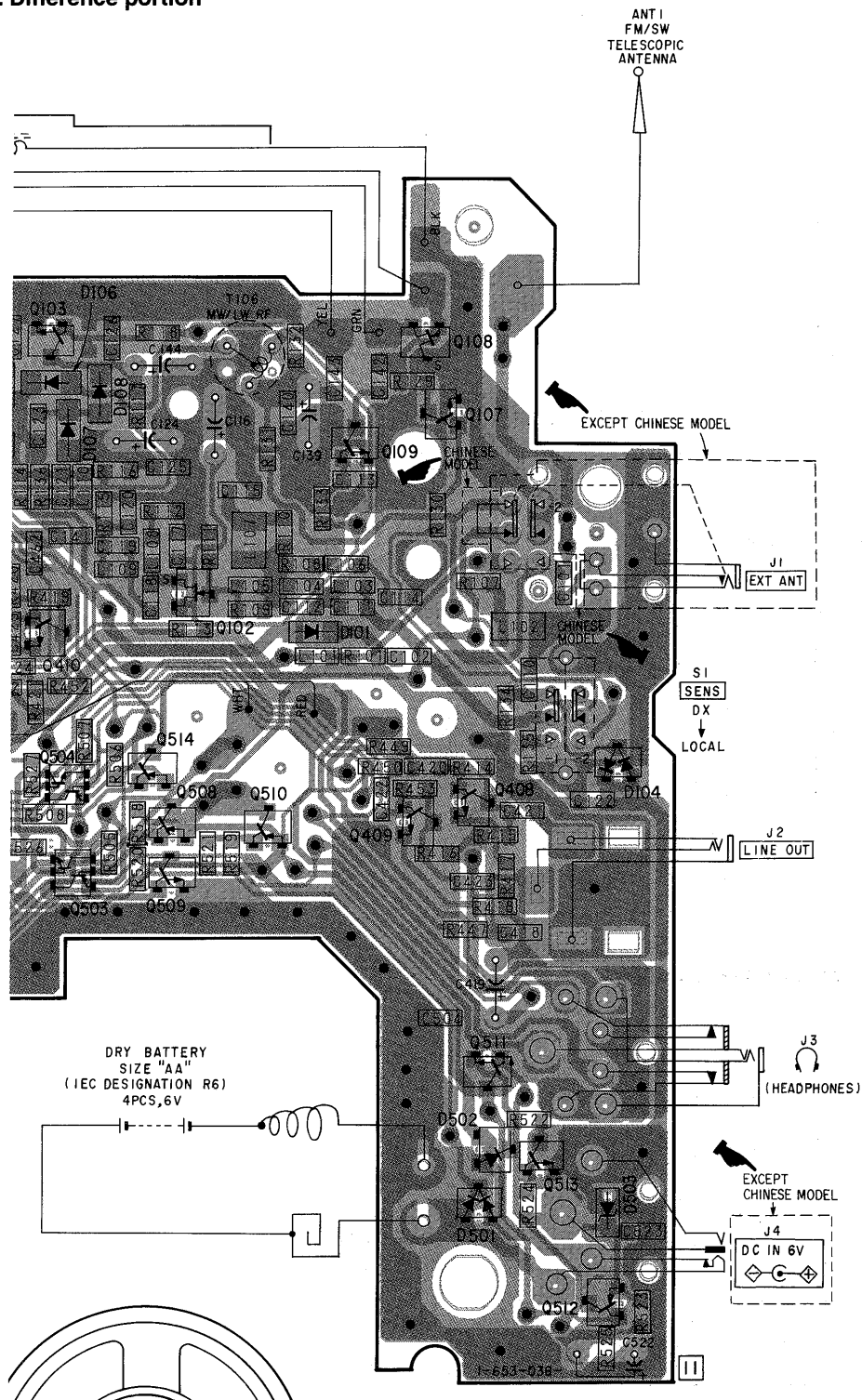
Ref. No.	E model		Chinese model	
	Part No.	Description	Part No.	Description
	* A-3661-990-A	MAIN BOARD,COMPLETE (EXCEPT Saudi Arabia, Chinese)	* A-3663-121-A	MAIN BOARD,COMPLETE (Chinese)
J1	1-569-187-11	JACK (EXT ANT)	_____	_____

ACCESSORIES & PACKING MATERIALS (Service Manual See page 34)



E model		Chinese model	
Part No.	Description	Part No.	Description
3-758-846-11	MANUAL, INSTRUCTION (ENGLISH, FRENCH, SPANISH, SWEDISH, PORTUGUESE) (US, AEP, E)	3-758-846-04	MANUAL, INSTRUCTION (JAPANESE, ENGLISH, KOREAN, ARABIC) (Saudi Arabia, Tourist, Chinese)
		3-758-846-21	MANUAL, INSTRUCTION (CHINESE) (Chinese)

PRINTED WIRING BOARDS (Service Manual See page 16 , 17)
 (Location 8 – 12, A – H)

 : Difference portion



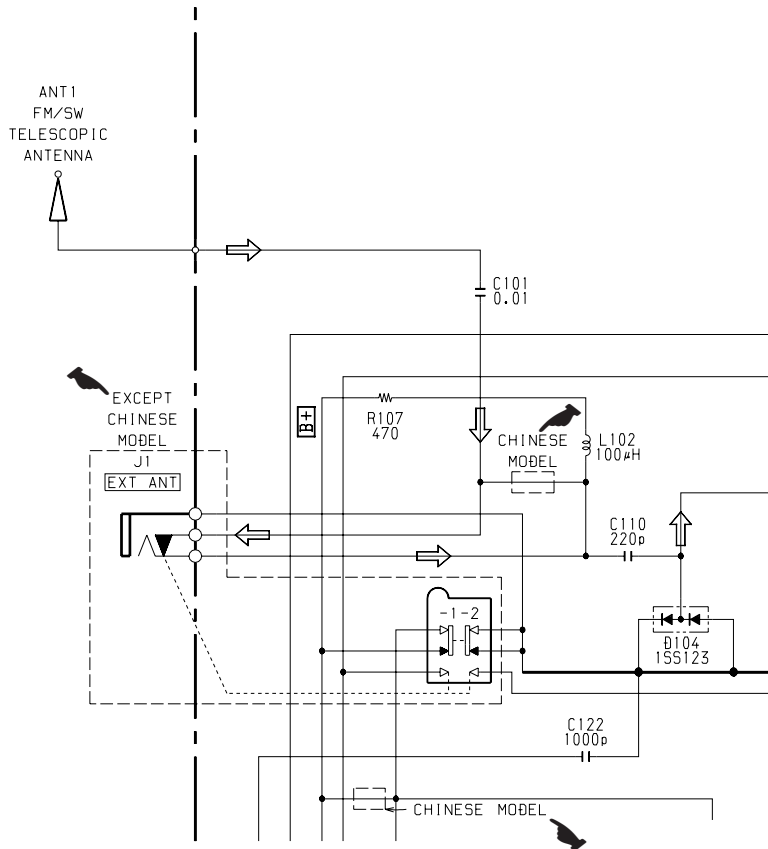
Note :

- The Chinese model comes already mounted with a J4 (DC IN 6V) jack but this is not usable. (Removing the jack would cut off the battery power.)
-  : Pattern on the side which is seen.
-  : Pattern of the rear side.

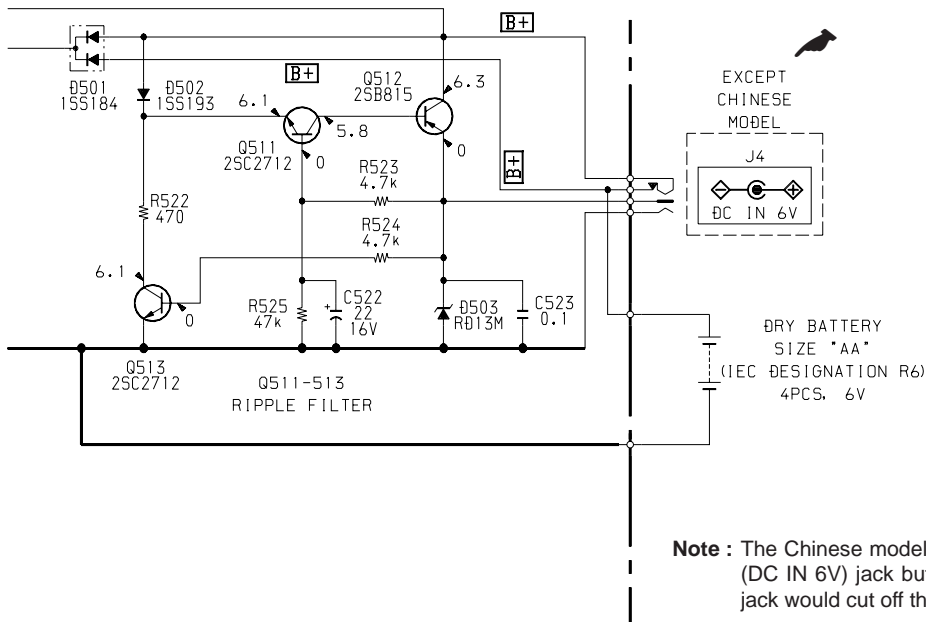
**Downloaded by
RadioAmateur.EU**

SCHEMATIC DIAGRAM (Service Manual See page 19)
(Location : 1 - 4, C - F)

 : Difference portion



SCHEMATIC DIAGRAM (Service Manual See page 22)
(Location : 24 - 27, M - P)



Note : The Chinese model comes already mounted with a J4 (DC IN 6V) jack but this is not usable. (Removing the jack would cut off the battery power.)