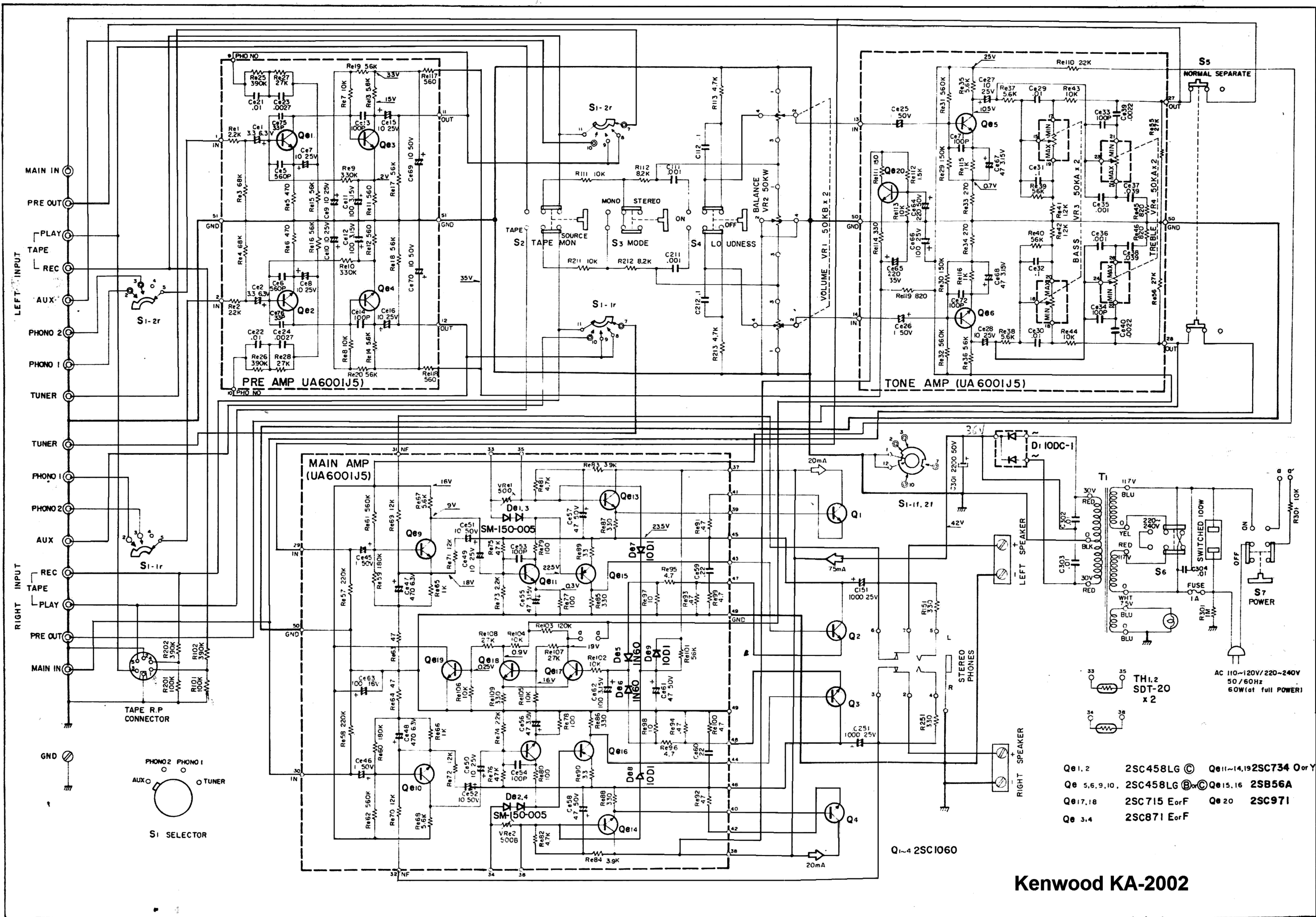


HiFi ENGINE®

For more Hi-Fi manuals and set-up information
please visit www.hifiengine.com



- Qe1,2 2SC458LG © Qe11~14,19 2SC734 Q or Y
- Qe 5,6,9,10, 2SC458LG © Qe15,16 2SB56A
- Qe17,18 2SC715 E or F Qe 20 2SC971
- Qe 3,4 2SC871 E or F

Q1~4 2SC1060

Kenwood KA-2002

NOTE: Revised power transformer circuits for those amplifiers made to accept different power source voltages are shown at the right. Resistor R301 is equipped in the sets sold in the U. S. A. and Canada only.