



**PRIMARE**

**A34.2**

**Service Manual**

# 1. Schematics and Pcb.

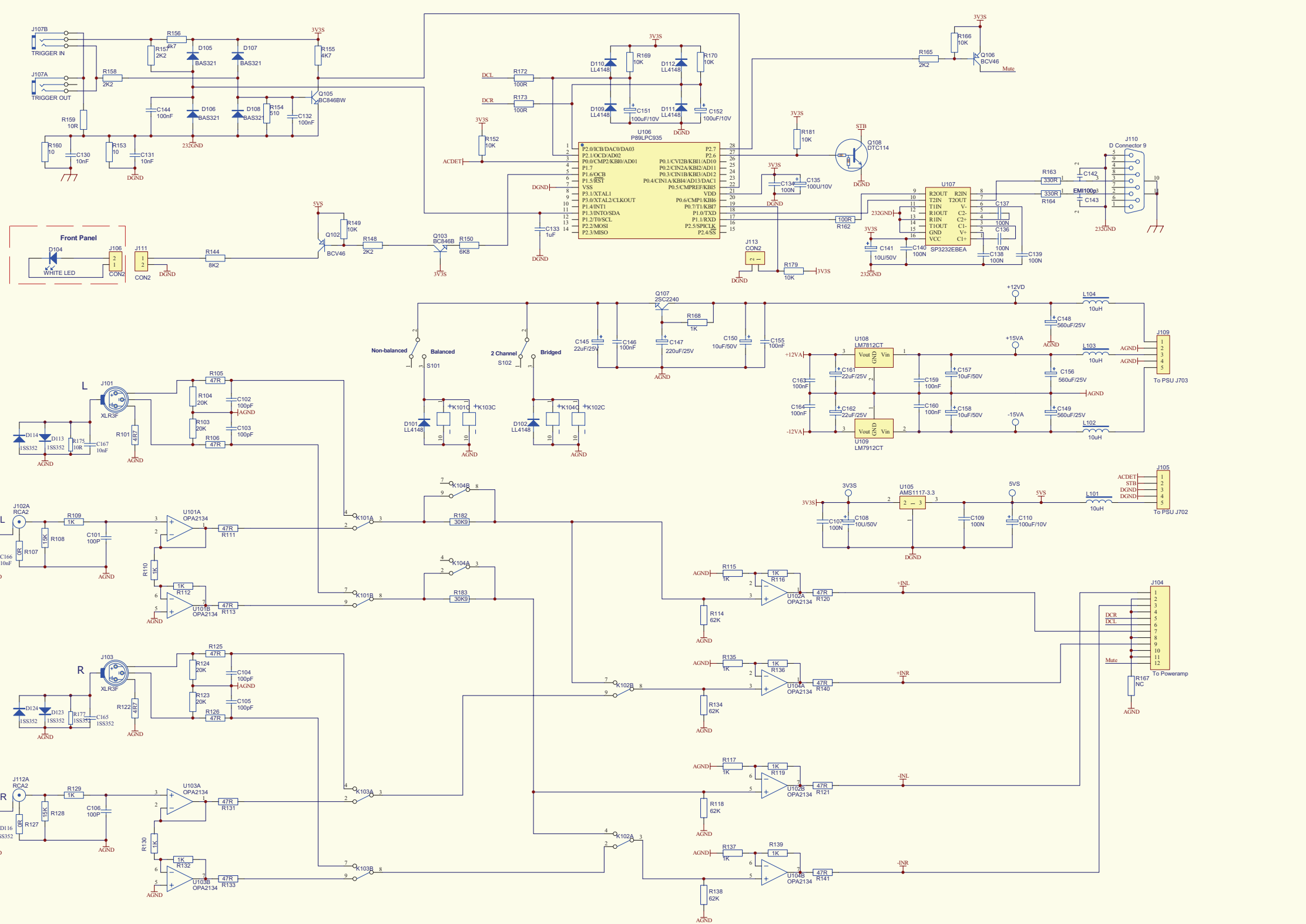
## **Confidential !**

This document is not allowed to show for third part without written permission from Primare Systems AB.

This document is subject to change without notice.

## **Author:**

Primare AB



REV.	ECN No.	DESCRIPTION	Date	APPRO.
		Delete D103		
		Add R181-R183		

**Hansong (Nanjing) Technology Ltd.**  
 No.HS/QR-RD-25

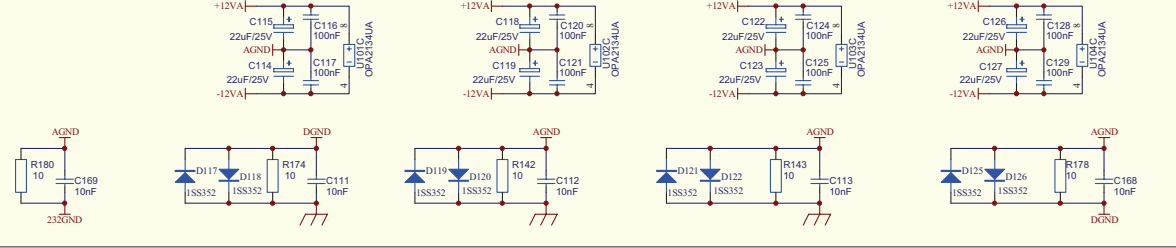
THE INFORMATION CONTAINED IN THIS DRAWING IS THE SOLE PROPERTY OF HANSONG ENTERPRISES CO.,LTD. ANY REPRODUCTION IN PART OF WHOLE WITHOUT THE WRITTEN PERMISSION OF HANSONG ENTERPRISES CO.,LTD. IS PROHIBITED

Document Number: HS40-A34.2\_Input Board\_Vp1.0 SCH Sheet: 1/3

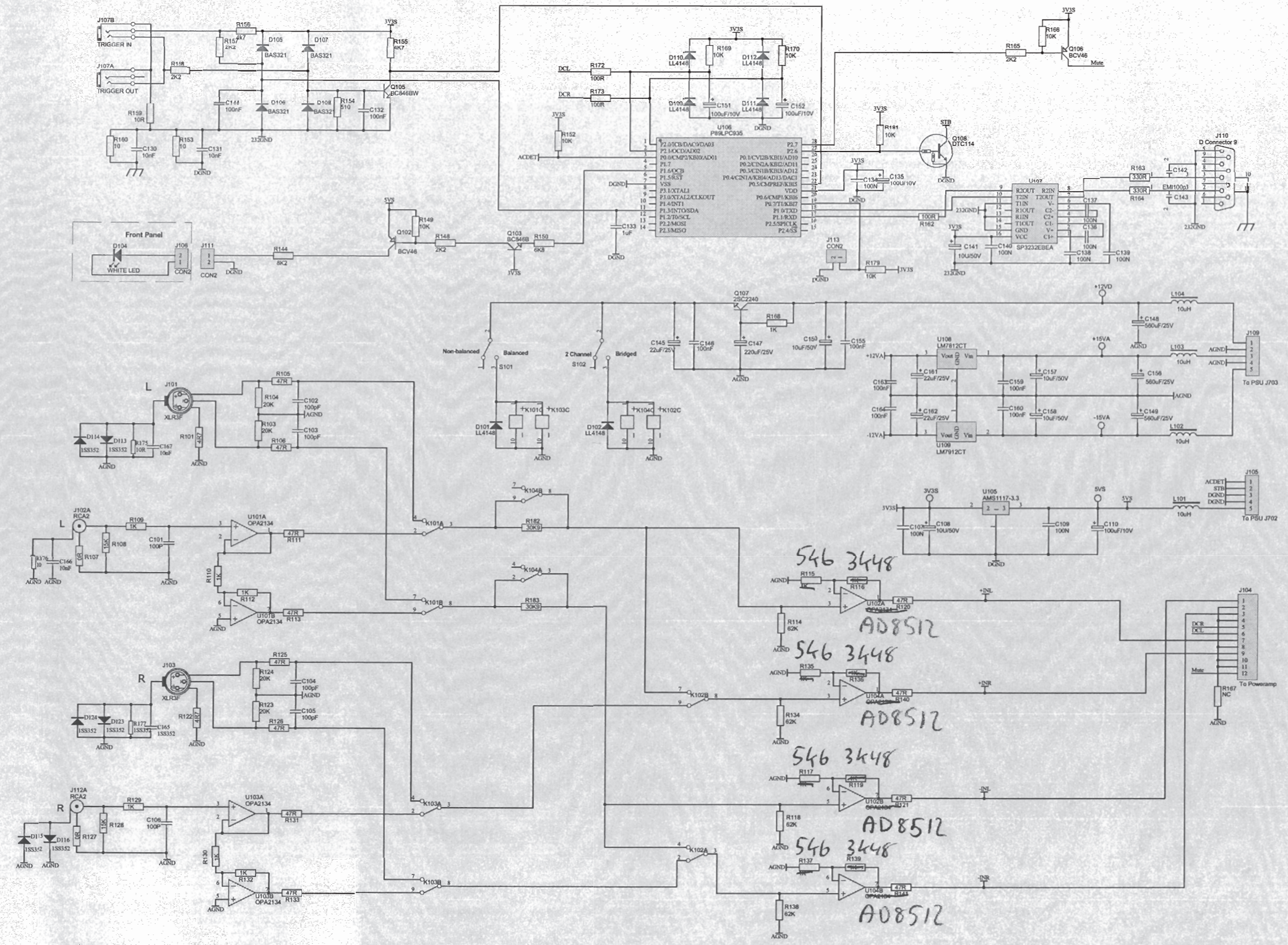
Project: **A34.2** State: **Vp**

Drafted by: \_\_\_\_\_ Approved by: \_\_\_\_\_

Date: \_\_\_\_\_ Date: \_\_\_\_\_



Changes 2011-10-13  
To match Gain with  
A31.2/A33.2.



REV.	ECN No.	DESCRIPTION	Date	APPRO.
		Delete D103		
		Add R181-R183		

**Hansong (Nanjing) Technology Ltd.**  
No.HS/QR-RD-25

THE INFORMATION CONTAINED IN THIS DRAWING IS THE SOLE PROPERTY OF HANSONG ENTERPRISES CO.,LTD. ANY REPRODUCTION IN PART OF WHOLE WITHOUT THE WRITTEN PERMISSION OF HANSONG ENTERPRISES CO.,LTD. IS PROHIBITED

Document Number: HS40-A34.2\_Input Board\_Vp1.0 SCH Sheet: 1/3

Project: **A34.2** State: Vp

Drafted by: \_\_\_\_\_ PL Checked by: \_\_\_\_\_ Approved by: \_\_\_\_\_

Date: \_\_\_\_\_ Date: \_\_\_\_\_ Date: \_\_\_\_\_

