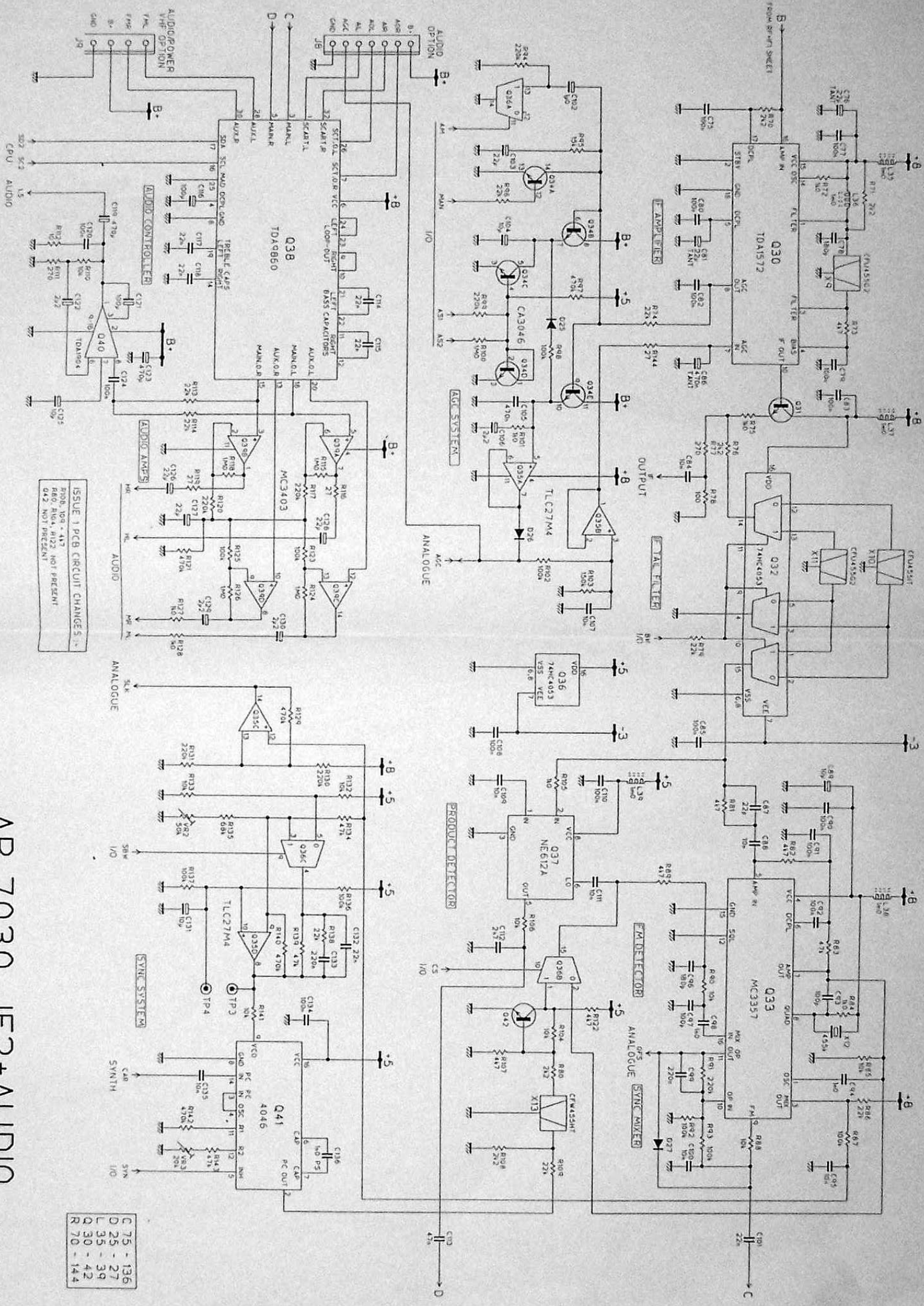


ISSUE 1 PCB CIRCUIT CHANGES
C70 DESIGNATED AS C15

ISSUE 1 & 2 PCB CIRCUIT CHANGES
C71 VALUE 50. CONNECTED ACROSS C19
C74 & R58 OMITTED

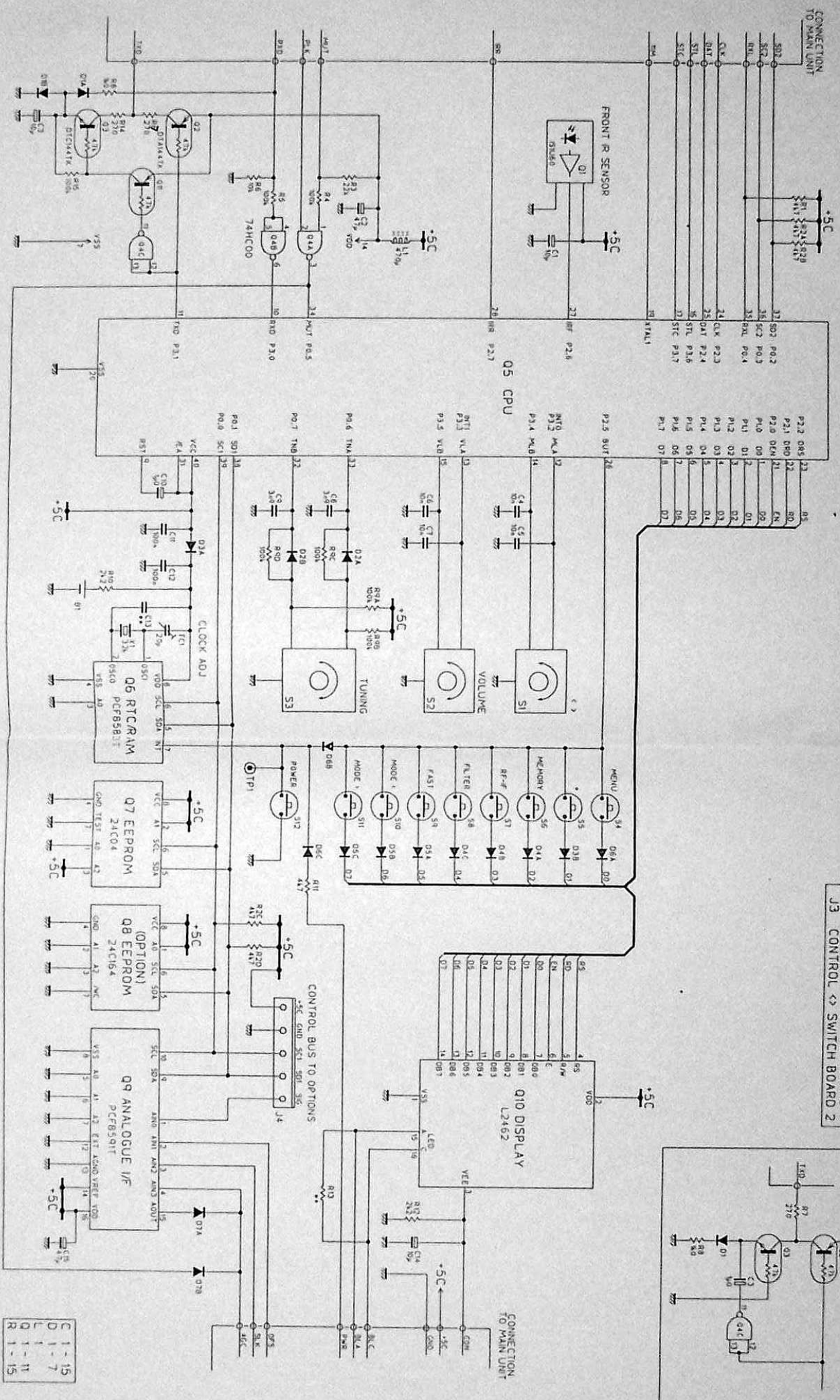
C16 - 74
D20 - 21
L5 - 29
Q15 - 24
R20 - 58



AR 7030 IF2+AUDIO

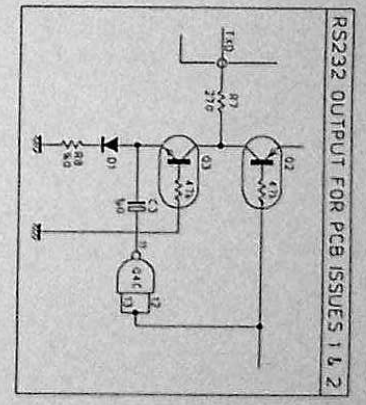
08.12.96 JT

C	75 - 136
D	25 - 27
L	35 - 39
Q	30 - 42
R	70 - 144



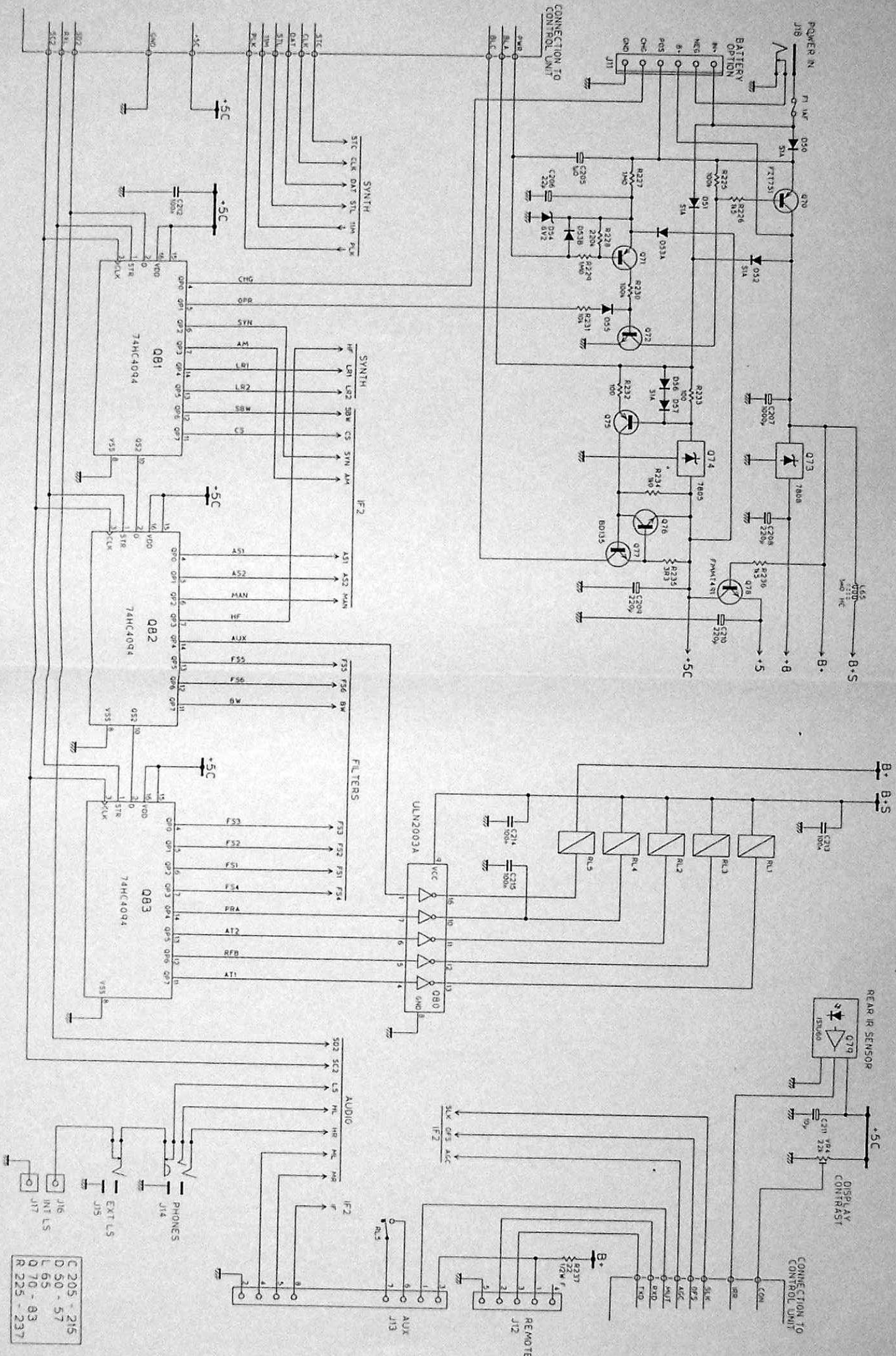
INTER-BOARD CONNECTORS

J1	CONTROL ↔ LCD MODULE
J2	CONTROL ↔ SWITCH BOARD 1
J3	CONTROL ↔ SWITCH BOARD 2



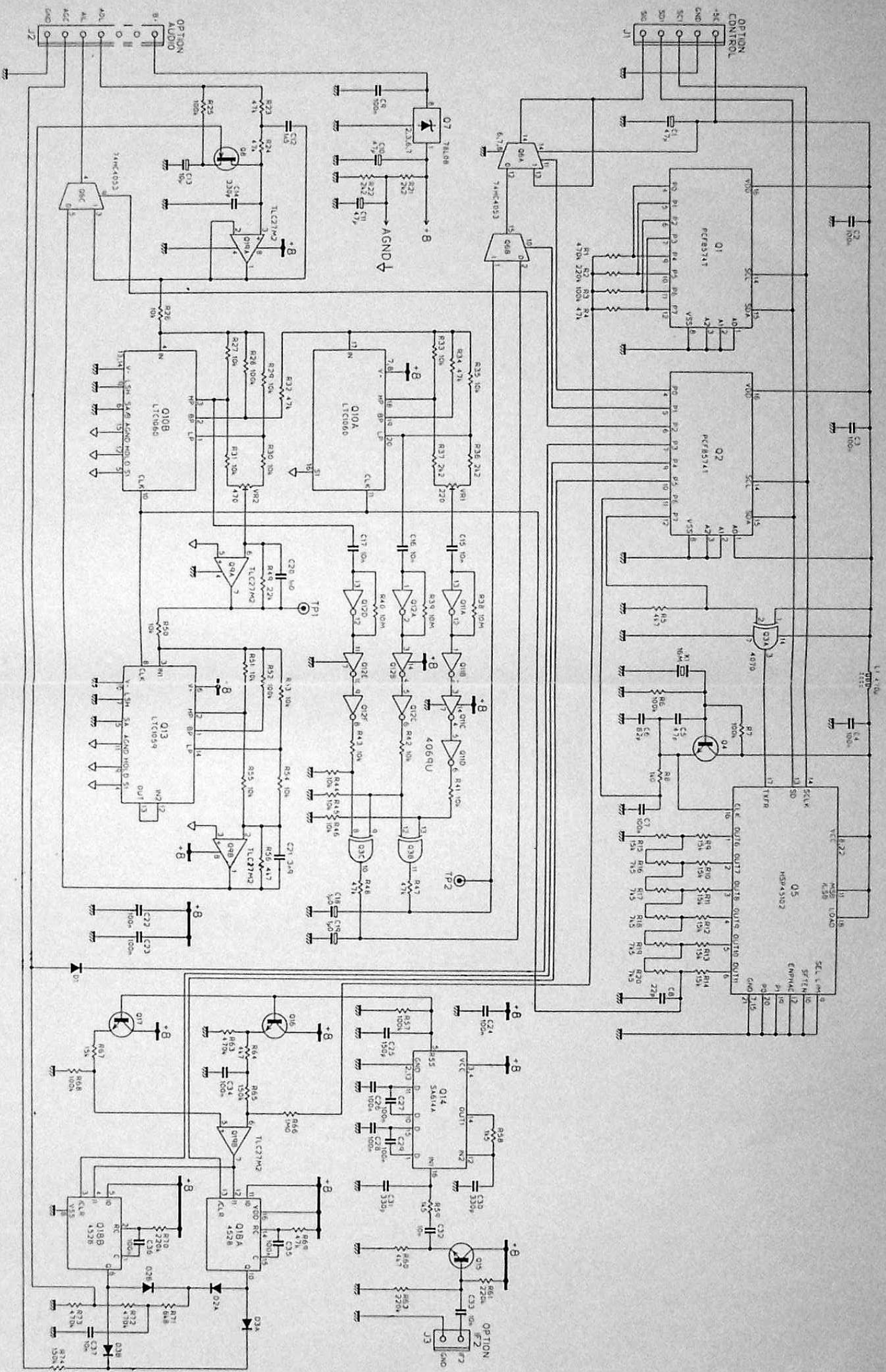
C	1 - 15
L	1 - 7
Q	1 - 11
R	1 - 15

AR 7030 CONTROL

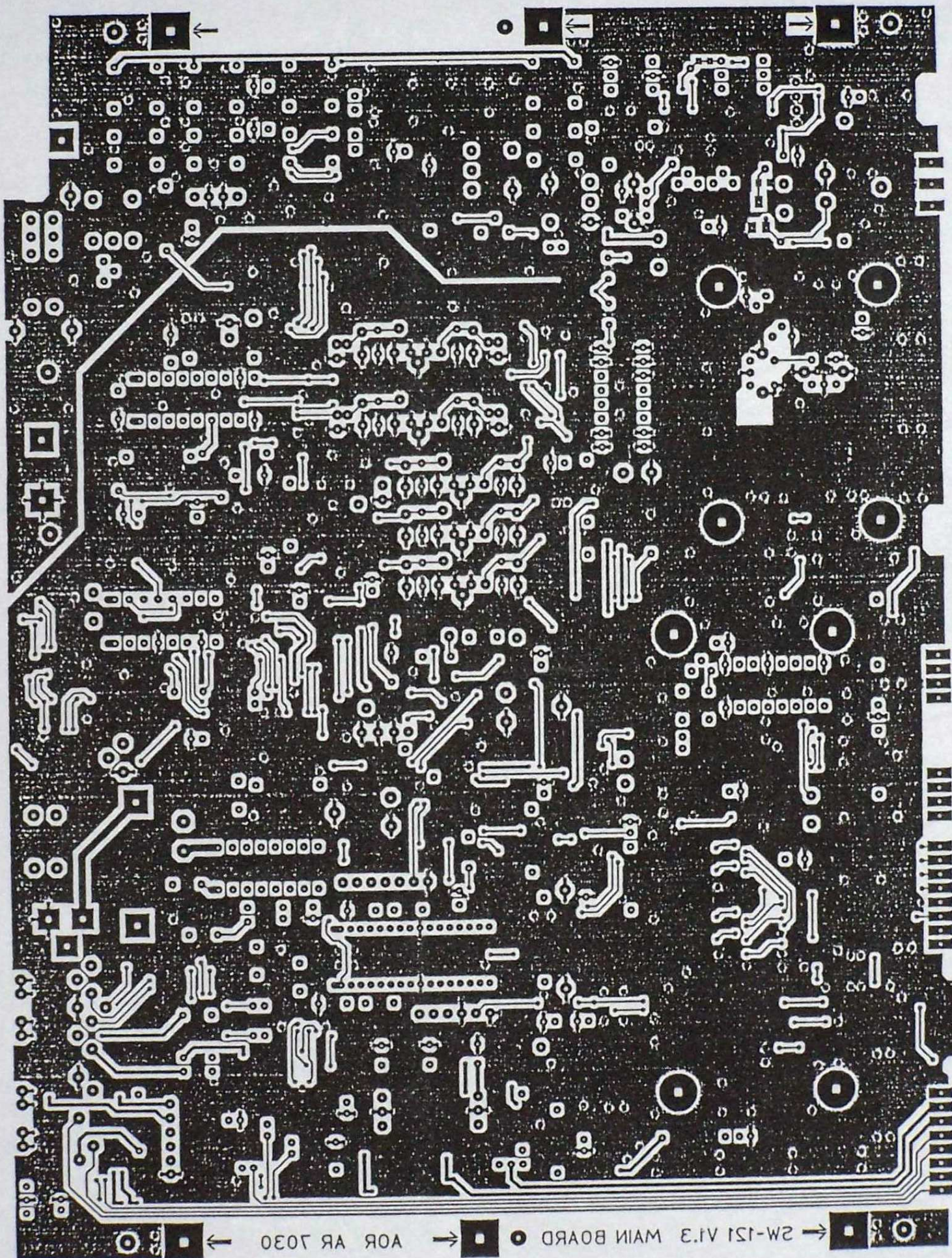


AR 7030 I/O+PSU

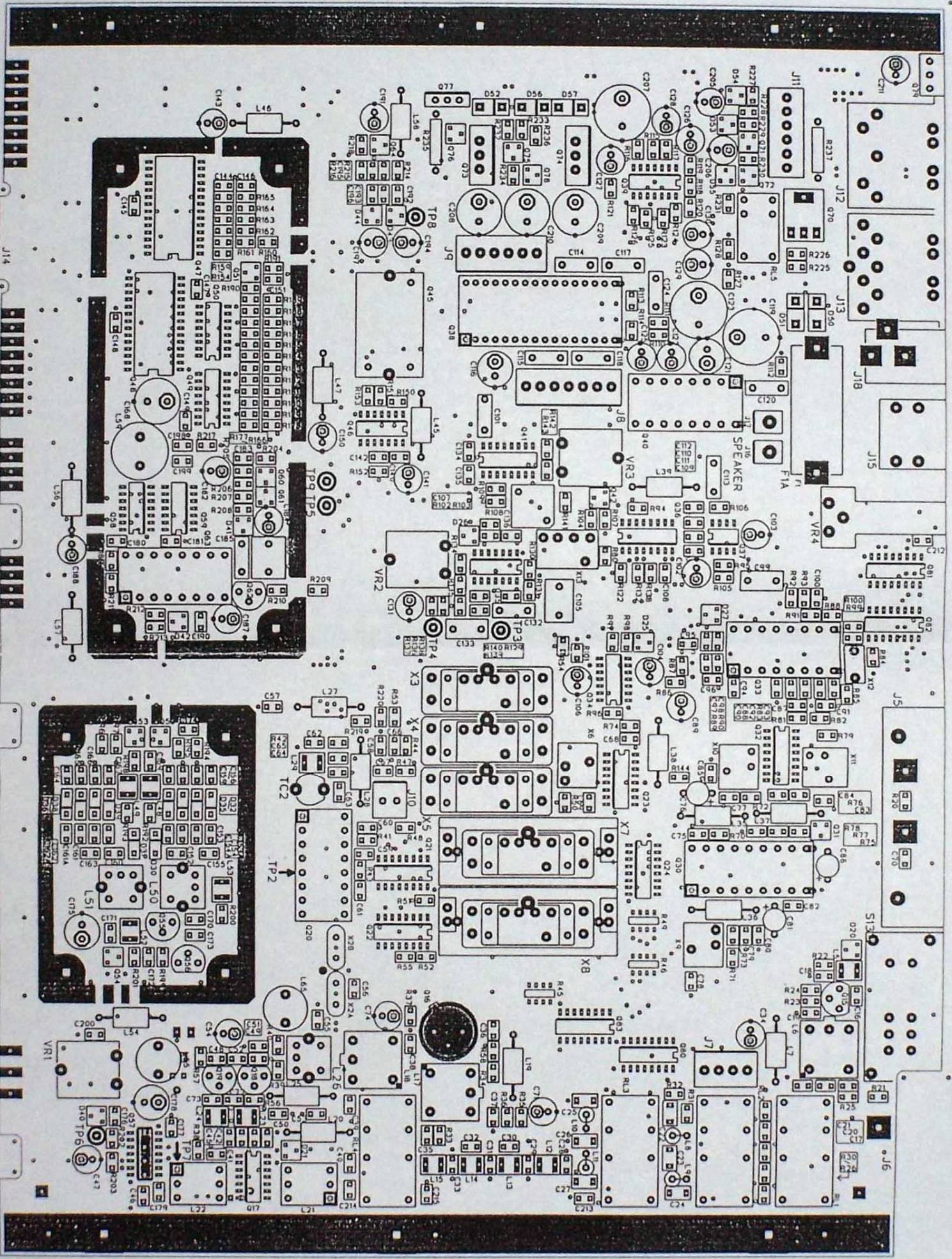
C 205 - 215
D 50 - 57
L 65
Q 70 - 83
R 225 - 237



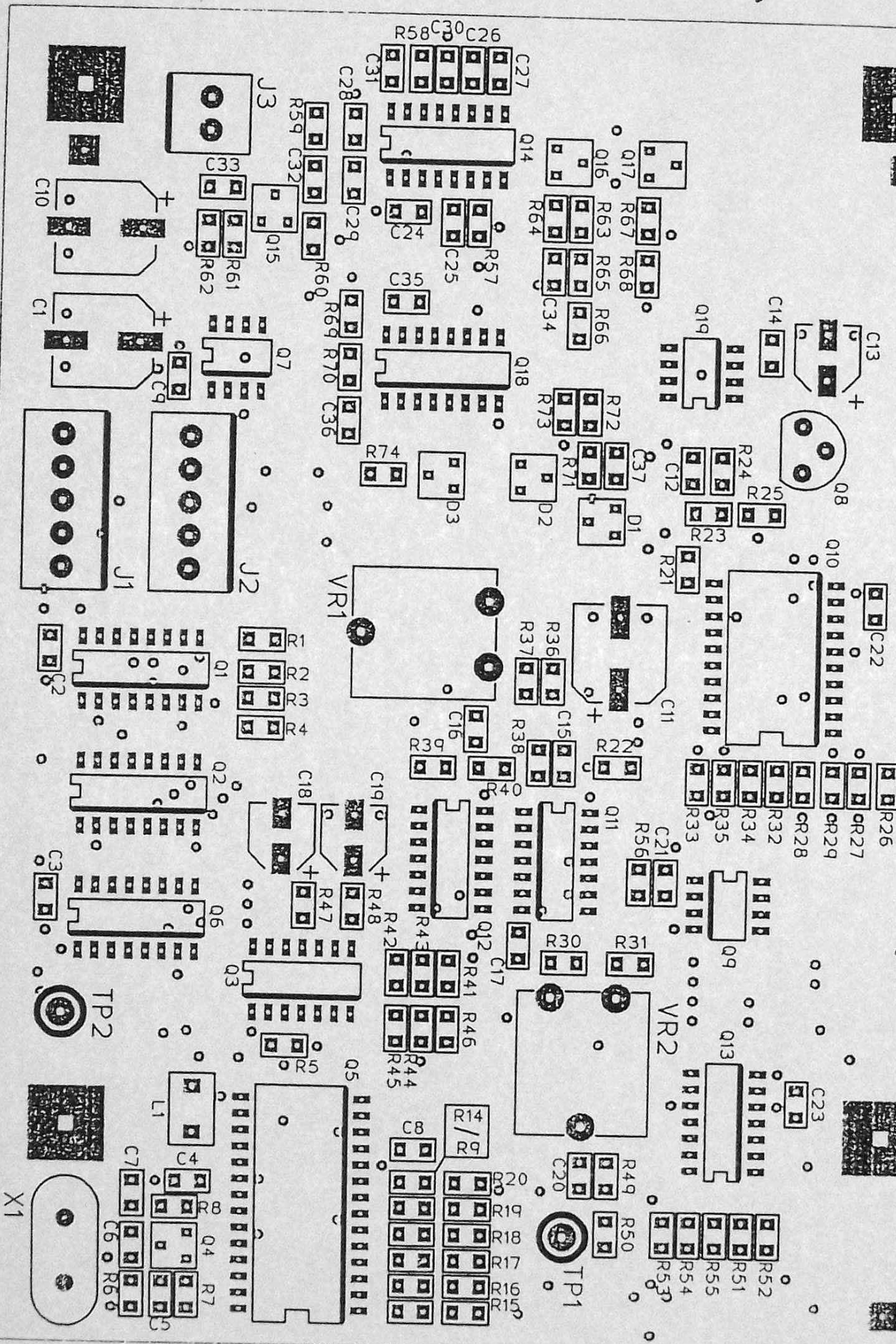
AR 7030 NOTCH FILTER / NOISE BLANKER 06.02.97 JT



2W-121 V1.3 MAIN BOARD 0303 AR 2030

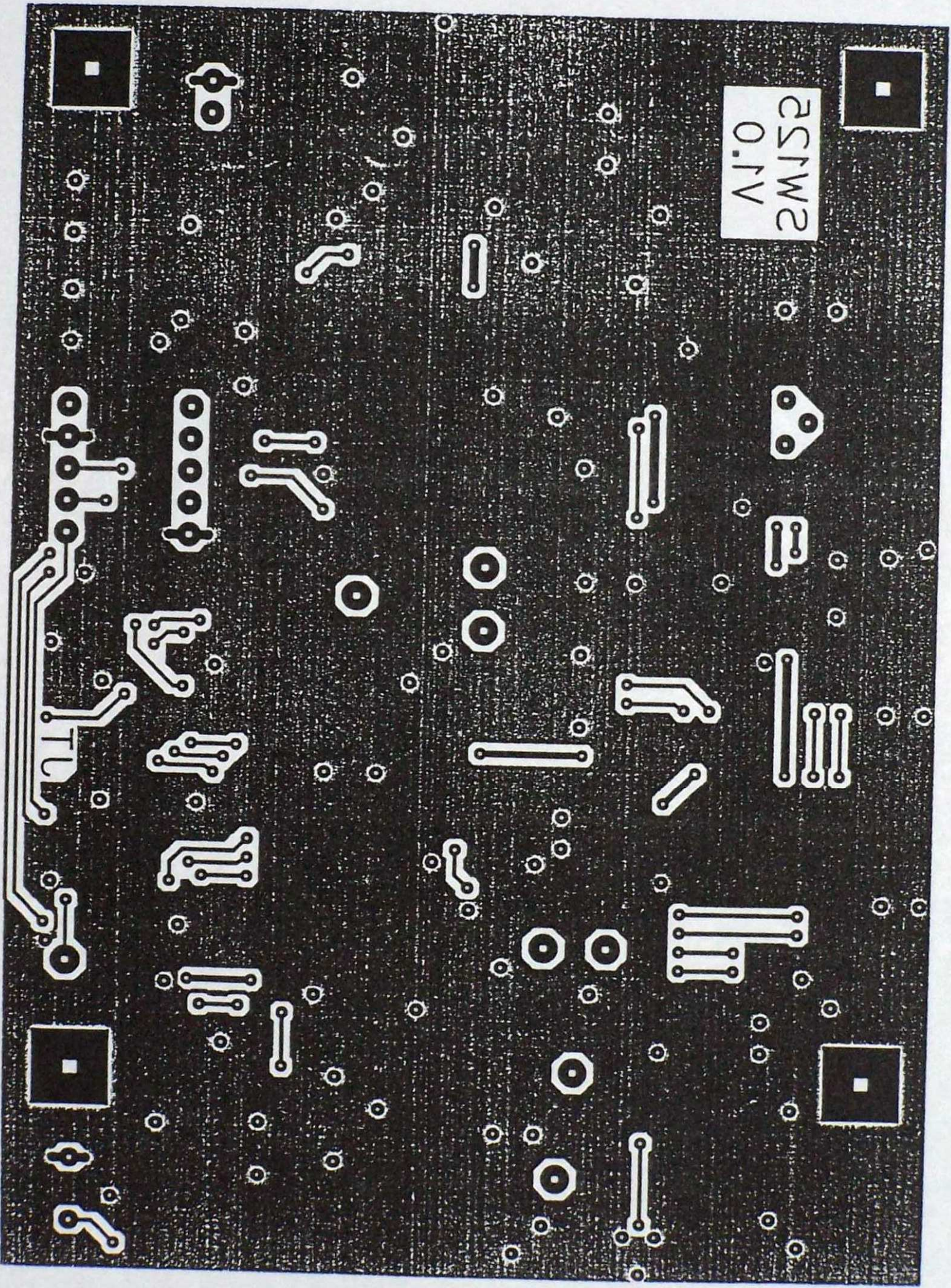


AR7030 NOTCH FILTER & NOISE BLANKER



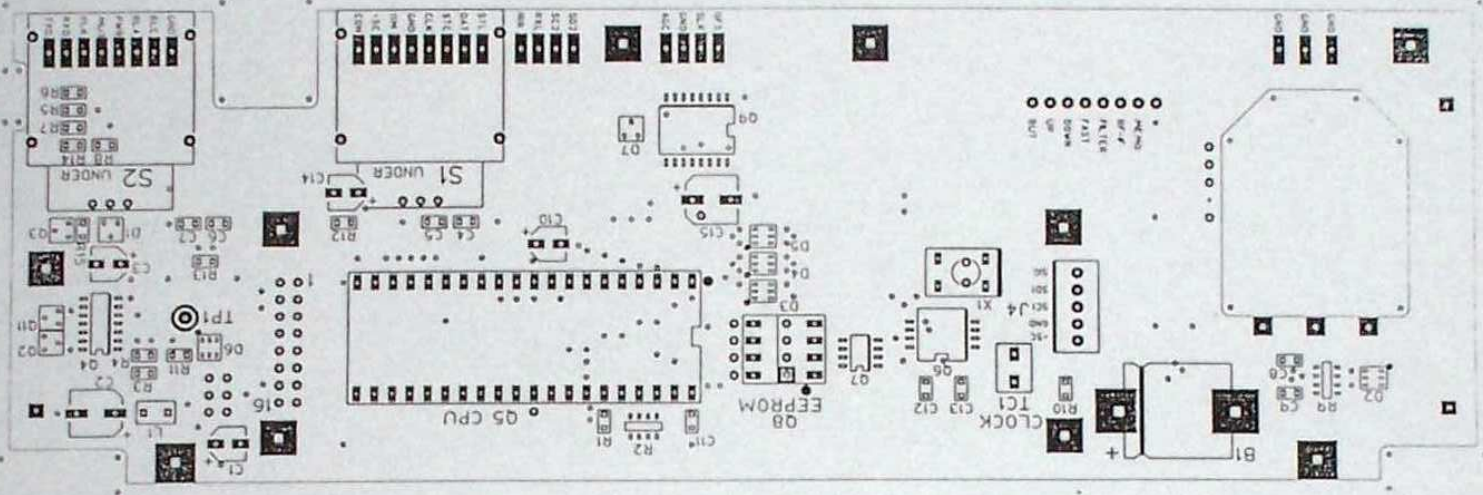
SW 135

251W2
0.1V



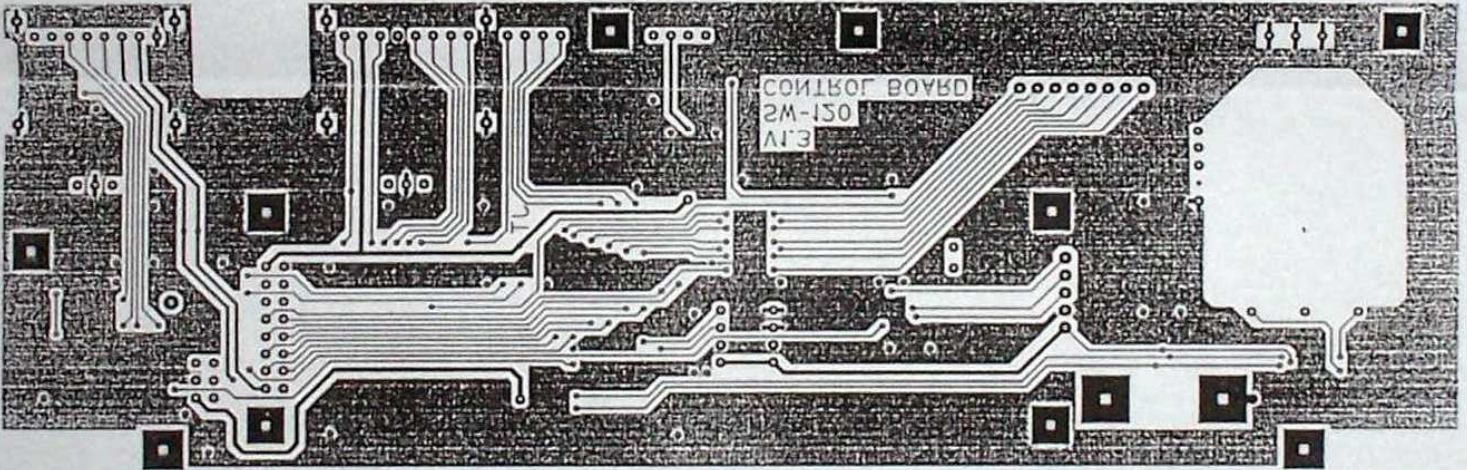
NOTATIONNE TSMIDE RESIST

SW-120



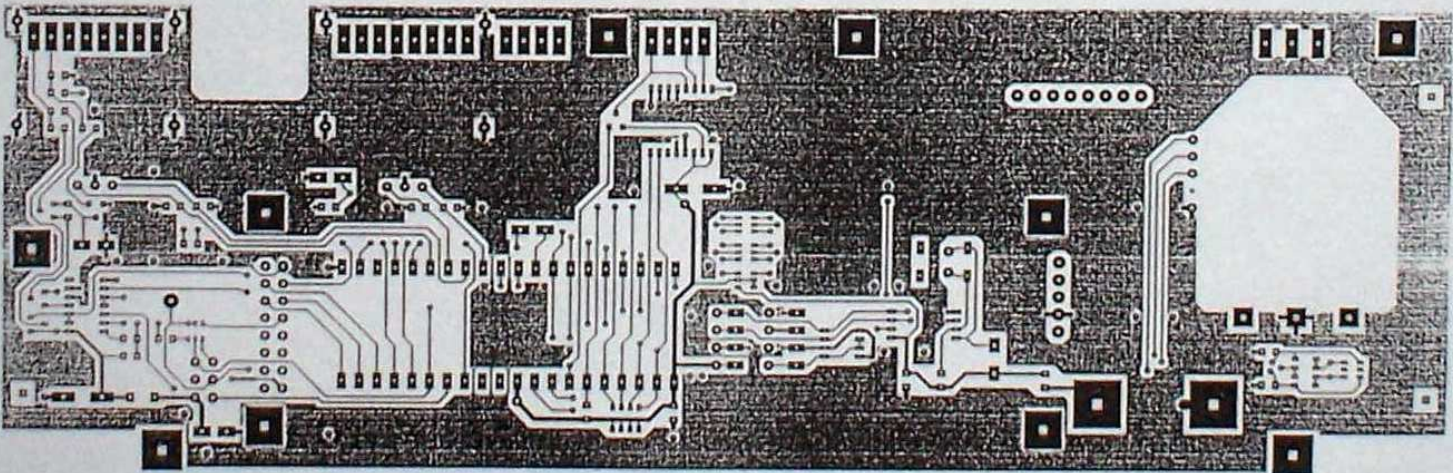
SOLDER SIDE COPPER

SW-120

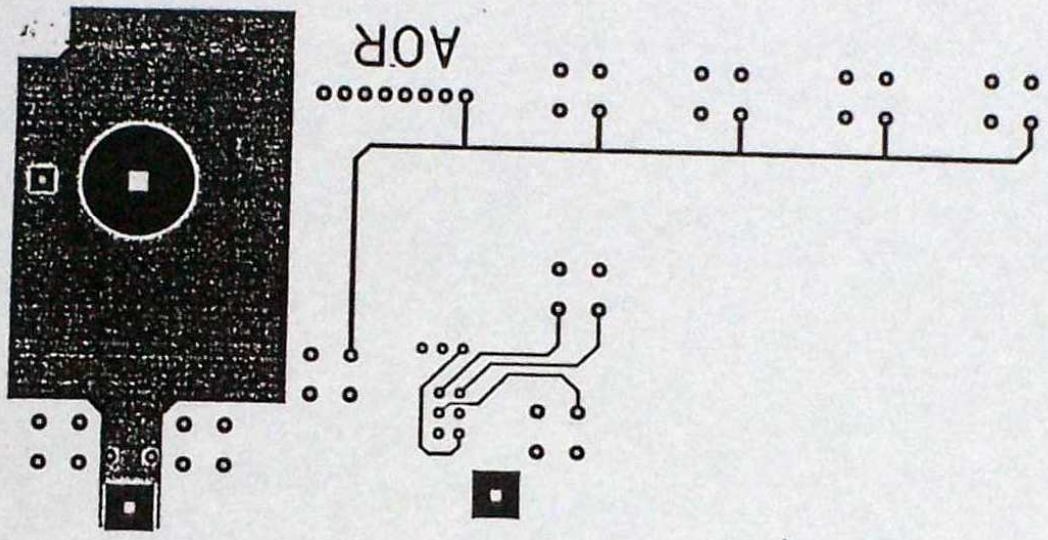


COMPONENT SIDE COPPER

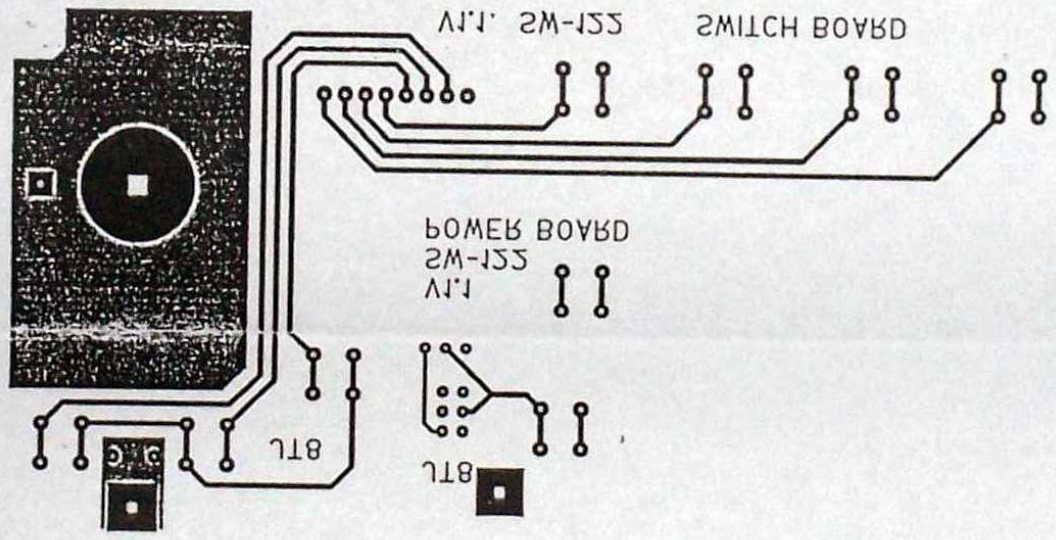
SW-120



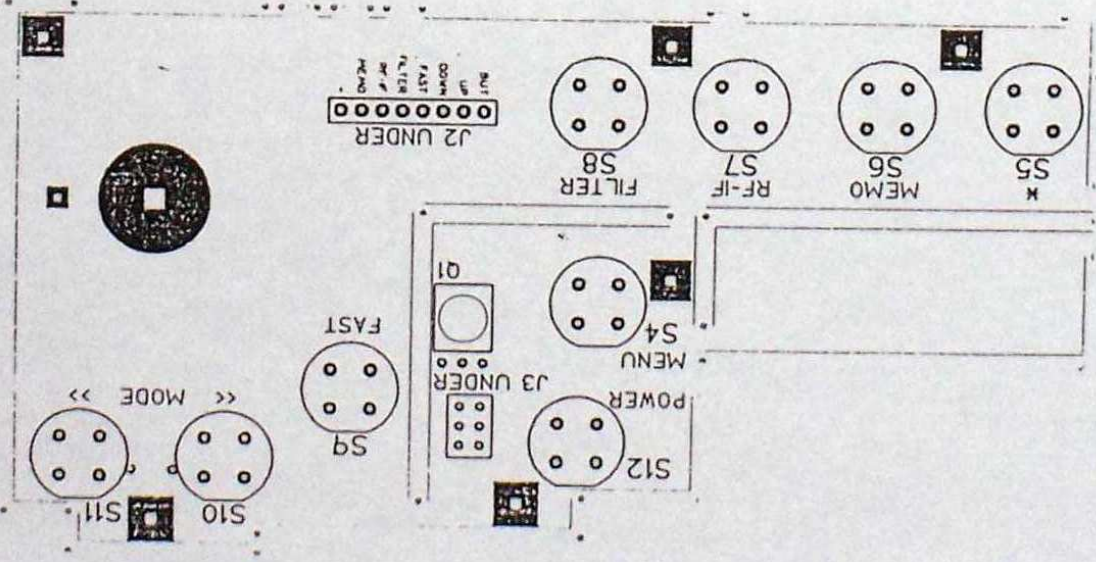
122 COMPONENT SIDE COPPER



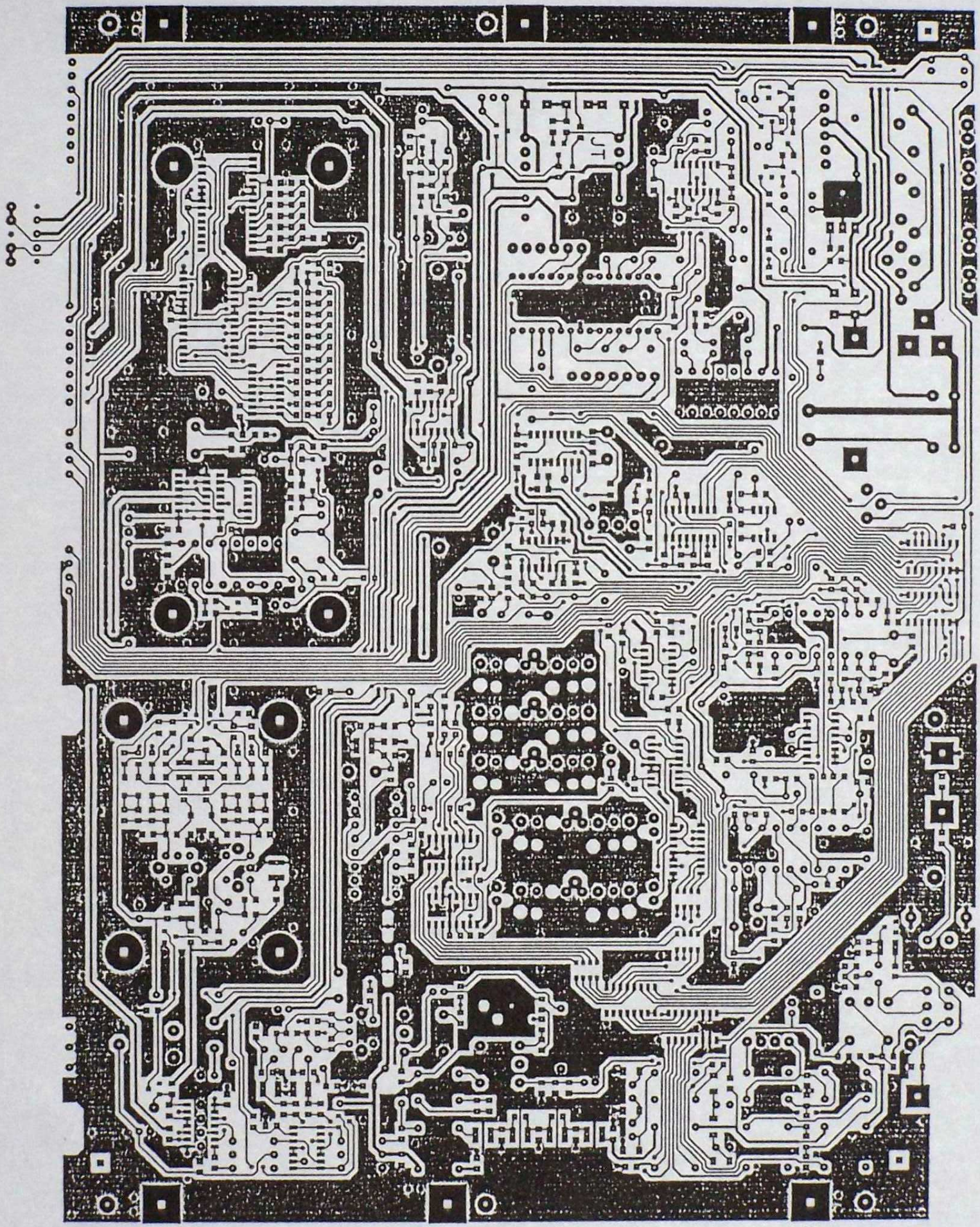
SW-122 SOLDER SIDE COPPER

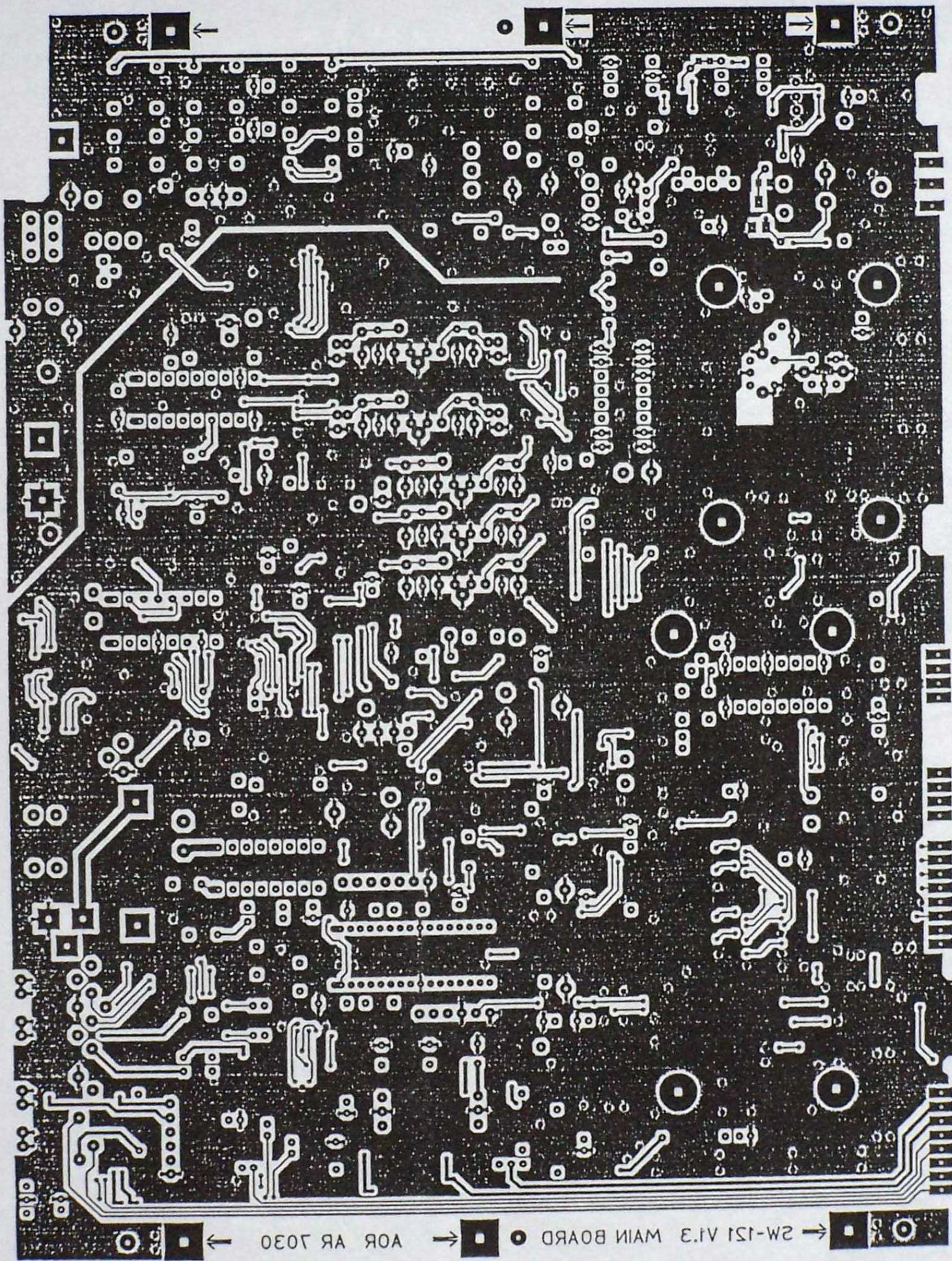


SW-122 NOTATION DETAIL



SW-121





→ 2W-121 V1.3 MAIN BOARD ● → AOR AR 2030 ←