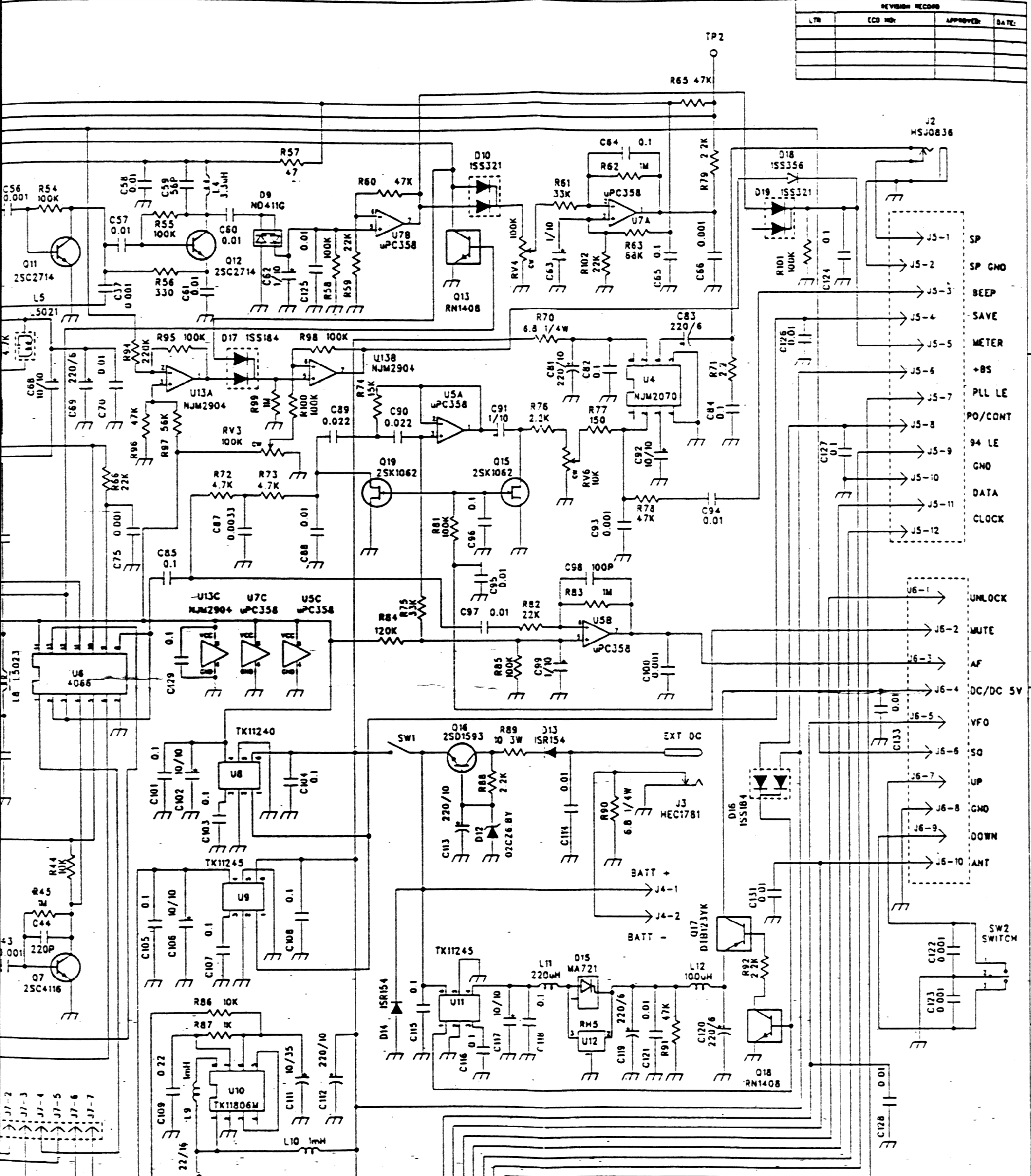
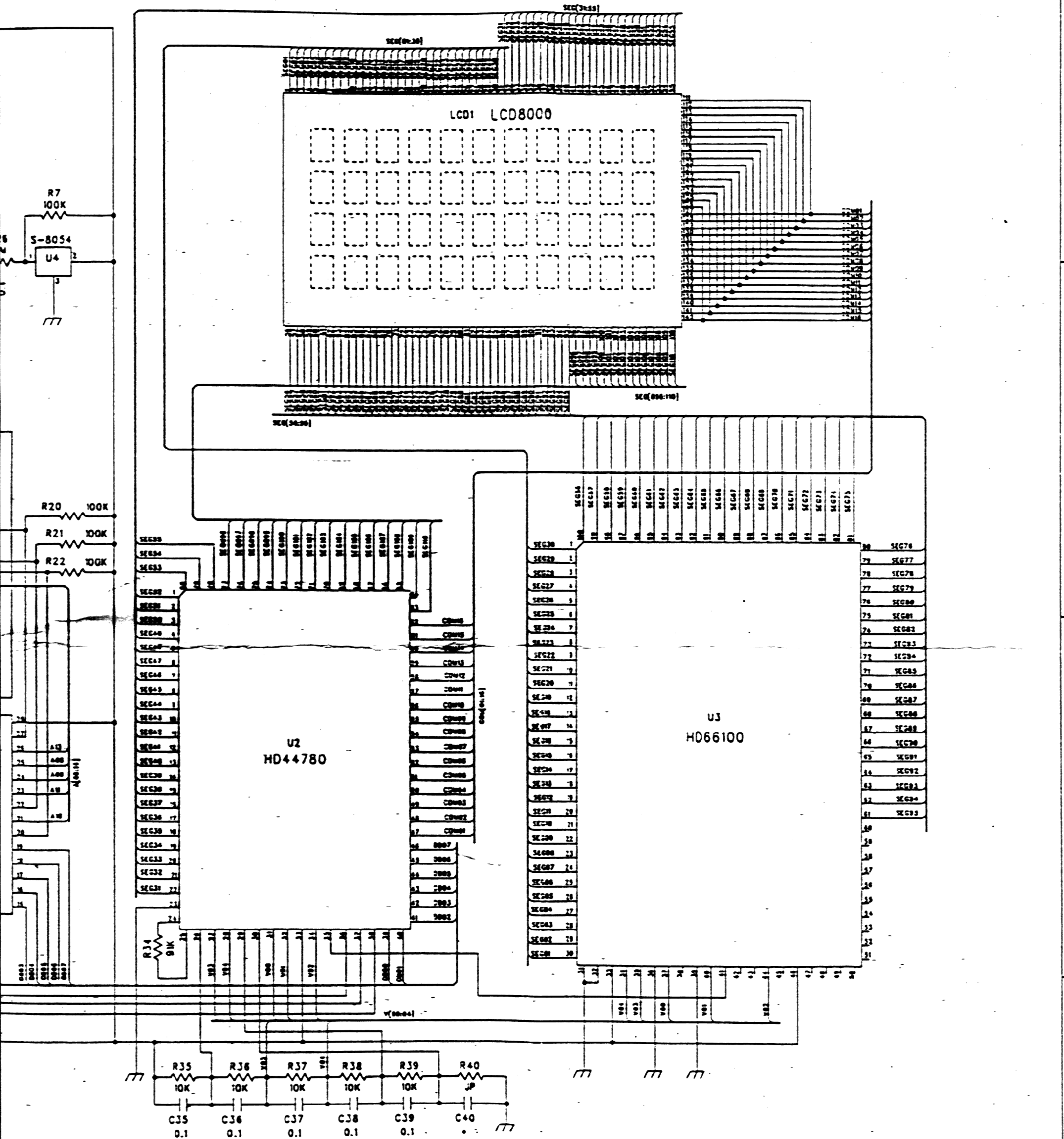


REVISION RECORD			
LTN	CDR NO.	APPROVED	DATE



COMPANY:		AOR	
TITLE:		AR8000 IF	
DRAWN	H.M.	DATE	94.08.10
CHECKED		DATE	94.02.19
QUALITY CONTROL		DATE	94.03.11
RELEASED		DATE	94.04.08
CODE:	REV:	DRAWING NO:	REV:
			1
SCALE:	SHEET:		OF

REVISION RECORD			
LTR	ECO NO.	APPROVED	DATE



COMPANY:		AOR	
TITLE:		AR8000 - CPU	
DRAWN:	DATE:	COND:	REV:
CHECKED:	DATE:	SCALE:	SHEET: 1
QUALITY CONTROL:	DATE:		
RELEASED:	DATE:		

DRAWN:	DATE:
CHECKED:	DATE:
QUALITY CONTROL:	DATE:
RELEASED:	DATE:

