

# DJ-V17 T/E/TFH/R

# DJ-V47 T/E/T1/T2

## Service Manual

### CONTENTS

#### SPECIFICATIONS (DJ-V17)

General (DJ-V17).....	2
Transmitter (DJ-V17).....	2
Receiver (DJ-V17).....	2
General (DJ-V47).....	3
Transmitter (DJ-V47).....	3
Receiver (DJ-V47).....	3

#### CIRCUIT DESCRIPTION

1) Receiver System.....	4
2) Transmitter System.....	6
3) PLL Synthesizer Circuit.....	6,7
4) CPU & Peripheral Circuits.....	7,8
5) M38268MCA-077GP(XA1121).....	8~10

#### SEMICONDUCTOR DATA

1) NMJ2070MT1(XA0210).....	11
2) S24CS64A01-J8T1G(XA1117).....	11
3) M62429FP/CF0J(XA1118).....	12
4) LM2902PWR(XA1106).....	12
5) TA31136FN(EL)(XA0404).....	13
6) S80845CLNB-B66-T2G(XA1120).....	13
7) MB15E07SR(XA1107).....	14
8) XC6202P502MR(XA1119).....	15
9) Transistor, Diode and LED Outline Drawing.....	16
10) LCD Connection(EL0059).....	16

#### EXPLODED VIEW

1) Front View.....	17
2) Rear View.....	18

#### PARTS LIST

MAIN Unit (DJ-V17).....	19~24
Mechanical Unit (DJ-V17).....	24,25
Packing Unit (DJ-V17).....	25
MAIN Unit (DJ-V47).....	26~32
Mechanical Unit (DJ-V47).....	32
Packing Unit (DJ-V47).....	32

#### ADJUSTMENT

1) Required Test Equipment.....	33,34
2) Preparation.....	34
3) Adjustment Mode.....	35~42
4) Re-assembly.....	42

#### PC BOARD VIEW

MAIN SIDE A (DJ-V17).....	43
MAIN SIDE B (DJ-V17).....	44
MAIN SIDE A (DJ-V47).....	45
MAIN SIDE B (DJ-V47).....	46

<b>SCHEMATIC DIAGRAM (DJ-V17).....</b>	<b>47</b>
--	-----------

<b>SCHEMATIC DIAGRAM (DJ-V47).....</b>	<b>48</b>
--	-----------

<b>BLOCK DIAGRAM (DJ-V17).....</b>	<b>49</b>
------------------------------------	-----------

<b>BLOCK DIAGRAM (DJ-V47).....</b>	<b>50</b>
------------------------------------	-----------

# SPECIFICATIONS (DJ-V17)

## General

Frequency range:	T:	TX144~147.995MHz	*144~147.995MHz
		RX130~173.995MHz	*144~147.995MHz
	E/EUK:	TX144~145.995MHz	*144~145.995MHz
		RX144~145.995MHz	*144~145.995MHz
	TFH/R:	TX136~173.995MHz	*150~173.995MHz
	RX130~173.995MHz	*150~173.995MHz	
	* Guaranteed range		

Modulation:	F3E (FM)
Frequency step:	5, 10, 12.5, 15, 20, 25, 30kHz step
Memory channel:	200 channels + 1 call channel + 1 Repeater-Access function memory
Ant. impedance:	50 $\Omega$ unbalanced
Frequency stability:	$\pm 5$ ppm
Mic impedance:	2k $\Omega$
Supply voltage:	DC 7.0~16.0V (EXT DC-IN)
Current consumption:	1.4A (typical) Transmit high at 5W
	250mA (typical) Receive at 500mW
	70mA (typical) Standby
	25mA (typical) Battery save on
Temperature range:	External DC: -10°C~+60°C (+14°F~+140°F)
	Battery packs: -10°C~+45°C (+14°F~+113°F)
Ground:	Negative ground
Dimension:	58(W) x 110(H) x 36.4(D)mm
	(2.28"(W) x 4.33"(H) x 1.43"(D)) (with EBP-65)
Weight:	Approx. 280g (9.9oz) (with EBP-65)
DTMF:	16 Buttons Keypad
Sub audible Tone (CTCSS):	encoder/decoder installed (39 tones)
Sub audible Tone (CTS):	encoder/decoder installed (104codes)

## Transmitter

Power output:	Approx. 5W (with EBP-65)
	Approx. 5W (with DC 13.8V)
	Approx. 0.8W (LOW output)
Modulation:	Variable reactance
Spurious emission:	-60dB or less
Max. deviation:	$\pm 5$ kHz
Mic. impedance:	2k $\Omega$

## Receiver

System:	Double-conversion super heterodyne
Sensitivity:	-14.0dB $\mu$ (0.2 $\mu$ V) or less
Intermediate frequency:	1st IF 21.7MHz 2nd IF 450kHz
Selectivity:	-6dB: 12kHz or more
	-60dB: 26kHz or less
AF output:	500mW (MAX)
	400mW (8 $\Omega$ , 10% distortion)

# SPECIFICATIONS (DJ-V47)

## General

Frequency range:	T: TX420~449.995MHz	*420~449.995MHz
	RX400~479.995MHz	*420~449.995MHz
	E: TX430~439.995MHz	*430~439.995MHz
	RX430~439.995MHz	*430~439.995MHz
	T1: TX400~459.995MHz	*400~429.995MHz
	RX400~459.995MHz	*400~429.995MHz
T2: TX440~479.995MHz	*450~469.995MHz	
RX440~479.995MHz	*450~469.995MHz	
* Guaranteed range		

Modulation:	F3E (FM)
Frequency step:	5, 10, 12.5, 15, 20, 25, 30kHz step
Memory channel:	200 channels + 1 call channel + 1 Repeater-Access function memory
Ant. impedance:	50 $\Omega$ unbalanced
Frequency stability:	$\pm 2.5$ ppm
Mic impedance:	2k $\Omega$
Supply voltage:	DC 7.0~16.0V (EXT DC-IN)
Current consumption:	1.7A (typical) Transmit high at 5W
	250mA (typical) Receive at 500mW
	80mA (typical) Standby
	27mA (typical) Battery save on
Temperature range:	External DC: -10°C~+60°C (+14°F~+140°F)
	Battery packs: -10°C~+45°C (+14°F~+113°F)
Ground:	Negative ground
Dimension:	58(W) x 110(H) x 36.4(D)mm
	(2.28"(W) x 4.33"(H) x 1.43"(D)) (with EBP-65)
Weight:	Approx. 280g (9.9oz) (with EBP-65)
DTMF:	16 Buttons Keypad
Sub audible Tone (CTCSS):	encoder/decoder installed (39 tones)
Sub audible Tone (CTS):	encoder/decoder installed (104codes)

## Transmitter

Power output:	Approx. 4.5W (with EBP-65)
	Approx. 5W (with DC 13.8V)
	Approx. 0.8W (LOW output)
Modulation:	Variable reactance
Spurious emission:	-60dB or less
Max deviation:	$\pm 5$ kHz
Mic. impedance:	2k $\Omega$

## Receiver

System:	Double-conversion super heterodyne
Sensitivity:	-12.0dB $\mu$ (0.25 $\mu$ V) or less
Intermediate frequency:	1st IF 38.85MHz 2nd IF 450kHz
Selectivity:	-6dB: 12kHz or more
	-60dB: 26kHz or less
AF output:	500mW (MAX)
	400mW (8 $\Omega$ , 10% distortion)

# CIRCUIT DESCRIPTION

## 1) Receiver System

**DJ-V17** :The receiver system is a double superheterodyne system with a 21.7 MHz first IF and a 450 kHz second IF.

**DJ-V47** :The receiver system is a double superheterodyne system with a 38.85 MHz first IF and a 450 kHz second IF.

### 1. Front End

**DJ-V17** :The received signal at any frequency in the 130.000- to 173.995-MHz (E version : 144.000- to 145.995-MHz) range is passed through the low-pass filter (L101, L102, L103, L113, C108, C120, C121, C124, C125, C126, C127 and C176) and ATT (Attenuator) circuit (Q120, R161, R187 and D112), and tuning circuit (C192, C193, C215, C216, D115, D116, L125 and L126), then amplified by the RF amplifier (Q114). The signal from Q114 is then passed through the tuning circuit (C200, C201, C219, C220, D117, D118, L128 and L129) and converted into 21.7 MHz by the mixer (Q116). The tuning circuit, which consists of C192, C193, C215, C216, L125, L126, variable capacitance diodes D115 and D116 and C200, C201, C219, C220, L128, L129, variable capacitance diodes D117 and D118, is controlled by the tracking voltage from the CPU so that it is optimized for the reception frequency. The local signal from the VCO is passed through the buffer (Q113), and supplied to the source of the mixer (Q116). The radio uses the lower side of the superheterodyne system.

**DJ-V47** :The received signal at any frequency in the covering range (T version : 400.000- to 479.995-MHz, E version : 430.000- to 439.995-MHz, T1 version : 400.000- to 459.995MHz, T2 version : 440.000- to 479.995MHz) is passed through the low-pass filter (L101, L102, L103, L113, C108, C120, C121, C124, C125, C126, C127 and C176) and ATT (Attenuator) circuit (Q120, R161, R187 and D112), and tuning circuit (C192, C193, C215, C216, D115, D116, L125 and L126), then amplified by the RF amplifier (Q114). The signal from Q114 is then passed through the tuning circuit (C200, C201, C219, C220, D117, D118, L128 and L129) and converted into 38.85 MHz by the mixer (Q116). The tuning circuit, which consists of C192, C193, C215, C216, L125, L126, variable capacitance diodes D115 and D116 and C200, C201, C219, C220, L128, L129, variable capacitance diodes D117 and D118, is controlled by the tracking voltage from the CPU so that it is optimized for the reception frequency. The local signal from the VCO is passed through the buffer (Q113), and supplied to the source of the mixer (Q116). The T1/T2 versions use the lower side of the superheterodyne system while T/E versions switches the lower and upper system at 420.000MHz; the lower side for the frequency up to 419.995MHz and upper side for 420.000MHz and up.

## 2. ATT (Attenuator) Circuit

This circuit is used in case the receiving signal is disturbed by interfering signal(s), attenuating the receiving signal(s) to reduce the interference. CPU (IC109)'s pin 10 outputs a DC current to drive Q120, controlling D112's resistance to adjust the attenuation value.

## 3. IF Circuit

**DJ-V17** :The mixer(Q116) mixes the received signal with the local signal to obtain the sum of and difference between them. The crystal filter (FL101 , FL102) selects 21.7 MHz frequency from the results and eliminates the signals of the unwanted frequencies. The first IF amplifier (Q119) then amplifies the signal of the selected frequency. After the signal is amplified by the first IF amplifier (Q119), it is input to pin 16 of the demodulator IC (IC103). The second local signal of 21.25 MHz (shared with PLL IC reference oscillation), which is oscillated by the internal oscillation circuit in IC103 and crystal (X101), is input through pin 1 of IC103. Then these two signals are mixed by the internal mixer in IC103 and the result is converted into the second IF signal with a frequency of 450kHz. The second IF signal is output from pin 3 of IC103 to the ceramic filter (FL103), where the unwanted frequency band of that signal is eliminated, and the resulting signal is sent back to the IC103 through 5 pins.

**DJ-V47** :The mixer(Q116) mixes the received signal with the local signal to obtain the sum of and difference between them. The crystal filter (FL101) selects 38.85 MHz frequency from the results and eliminates the signals of the unwanted frequencies. The first IF amplifier (Q119) then amplifies the signal of the selected frequency. After the signal is amplified by the first IF amplifier (Q119), it is input to pin 16 of the demodulator IC (IC103). The second local signal of 38.4 MHz, which is oscillated by the internal oscillation circuit in IC103 and output of tripler circuit (L123, C202, C191, L122, Q115), is input through pin 1 of IC103. Then these two signals are mixed by the internal mixer in IC103 and the result is converted into the second IF signal with a frequency of 450kHz. The second IF signal is output from pin 3 of IC103 to the ceramic filter (FL103), where the unwanted frequency band of that signal is eliminated, and the resulting signal is sent back to the IC103 through 5 pins.

## 4. Demodulator Circuit

The second IF signal input via pin 5 is demodulated by the internal limiter amplifier and Quadrature detection circuit in IC103, and output as an audio signal through pin 9.

## 5. Audio Circuit

The audio signal from pin 9 of IC103 is compensated to the audio frequency characteristics in the de-emphasis circuit (R223, R224, C241, C242) and amplified by the AF amplifier (Q196). The signal is then input to pin 1 of the electronic volume (IC107) for volume adjustment, and output from pin 2. The adjusted signal is sent to the audio power amplifier (IC106) through pin 2 to drive the speaker.

## 6. Squelch Circuit

Part of the audio signal from pin 9 of IC103 is amplified by the noise filter amplifier and the internal noise amplifier in IC103. The desired noise of the signal is output through pin 14 of IC103 and input to pin 2 of CPU (IC109).

## 2) Transmitter System

### 1. Modulator Circuit

The audio signal is converted to an electric signal in either the internal or external microphone, and input to the microphone amplifier (IC102).

IC102 consists of four operational amplifiers; 1st amplifier (pins 1, 2, and 3) is composed of high-pass filter, 2nd amplifier (pins 12, 13, and 14) is composed of pre-emphasis and IDC circuits, 3rd amplifier (pins 8, 9, and 10) is composed of a splatter filter and 4th amplifier (pins 7, 6, and 5) is composed of a splatter filter. The maximum frequency deviation is determined to its optimal value by VR104 and input to the cathode of the variable capacitance diode of the VCO, to change the electric capacity in the oscillation circuit.

### 2. Power Amplifier Circuit

The transmitted signal is oscillated by the VCO, amplified by the pre-drive amplifier (Q104) and drive amplifier (Q103), and input to the power amplifier (Q102). The signal is then amplified by the power amplifier (Q102) and led to the antenna switch (D101 and D103) and low-pass filter (L104, L103, L102, L101, C107, C108, C109, C110, C111, C120, C121, C124, C125, C126, and C127 ), where unwanted high harmonic signals are reduced as needed, and the resulting signal is supplied to the antenna.

### 3. APC Circuit

Part of the transmission power from the low-pass filter is detected by D105, converted to DC, and then amplified by a differential amplifier ( Q111 ). The output voltage controls the bias voltage from the gate of Q102 and Q103 to maintain the transmission power constant.

## 3) PLL Synthesizer Circuit

### 1. CPU control

The dividing ratio is obtained by sending data from the CPU (IC109) to pin 10, and sending clock pulses to pin 9 of the PLL IC (IC101). The oscillated signal from the VCO is amplified by the buffer (Q118), then input to pin 8 of IC101. Each programmable divider in IC101 divides the frequency of the input signal by N-value according to the frequency data, to generate a comparison frequency of 5 or 6.25 kHz.

### 2. Reference Frequency Circuit

**DJ-V17** :The reference frequency appropriate for the channel steps is obtained by dividing the 21.25MHz reference oscillation (X101) by 4250 or 3400, according to the data from the CPU (IC109). When the resulting frequency is 5 kHz, channel steps of 5, 10, 15, 20, and 30 kHz are used. When it is 6.25 kHz, steps of 12.5, 25, and 50 kHz are used.

**DJ-V47** :The reference frequency appropriate for the channel steps is obtained by dividing the 12.8MHz reference oscillation (X102) by 2048 or 2560, according to the data from the CPU (IC109). When the resulting frequency is 5 kHz, channel steps of 5, 10, 15, 20, and 30 kHz are used. When it is 6.25 kHz, steps of 12.5, 25, and 50 kHz are used.

### 3. Phase Comparator Circuit

The PLL (IC101) uses the reference frequency, 5 or 6.25 kHz. The phase comparator in the IC101 compares the phase of the frequency from the VCO with that of the comparison frequency, 5 or 6.25 kHz, which is obtained by the internal divider in IC101.

### 4. PLL Loop Fitter Circuit

If a phase difference is found in the phase comparison between the reference frequency and VCO output frequency, the charge pump output (pin 5) of IC101 generates a pulse signal, which is converted to DC voltage by the PLL loop filter and input to the variable capacitance diode of the VCO unit for oscillation frequency control.

### 5. VCO Circuit

**DJ-V17** :A Colpitts oscillation circuit driven by Q108 directly oscillates the desired frequency. The frequency control voltage determined in the CPU (IC109) and PLL circuit is input to the variable capacitance diodes (D107 and D109). This changes the oscillation frequency, which is amplified by the VCO buffer (Q110) and output from the VCO unit.

**DJ-V47** :A Colpitts oscillation circuit driven by Q108 directly oscillates the desired frequency. The frequency control voltage determined in the CPU (IC109) and PLL circuit is input to the variable capacitance diodes (D109 and D110). This changes the oscillation frequency, which is amplified by the VCO buffer (Q110) and output from the VCO unit.

## 4) CPU and Peripheral Circuits

### 1. LCD Display Circuit

The CPU turns ON the LCD via segment and common terminals with 1/3 the duty and 1/3 the bias, at the frame frequency of 112.5Hz.

### 2. Display Lamp Circuit

When the LAMP key is pressed, "L" is output from pin 42 of CPU (IC109) to the bases of Q152 then turns to ON and "H" is output from emitter of Q152 to the bases of Q146 to light LEDs (D131, D132).

### 3. Reset and Backup Circuits

When the Output Voltage from pin 3 of IC110 drops to 4.5 V or below, the output signal from the reset IC (IC104), which has been input to pin 33 of the CPU (IC109), changes from "H" to "L" level. The CPU will then be in the backup state.

### 4. S(Signal)Meter Circuit

The DC potential of pin 12 of IC103 is input to pin 1 of the CPU (IC109), converted from an analog to a digital signal, and displayed as the S-meter signal on the LCD.

## 5. Tone Encoder

The CPU (IC109) is equipped with an internal tone encoder. The tone signal (67.0 to 250.3Hz) is output from pin 9 of the CPU to the variable capacitance diode of the VCO and 21.25MHz reference oscillation (X101) of the PLL IC (IC101) for modulation.

## 6. DCS Encoder

**DJ-V17** :The CPU (IC109) is equipped with an internal DCS code encoder. The DCS code ( 023 to 754 ) is output from pin 7 of the CPU to 21.25 MHz reference oscillation (X101) of the PLL IC (IC101) for modulation.

**DJ-V47** :The CPU (IC109) is equipped with an internal DCS code encoder. The DCS code ( 023 to 754 ) is output from pin 7 of the CPU to 12.8 MHz reference oscillation (X102) of the PLL IC (IC101) for modulation.

## 7. CTCSS, DCS Decoder

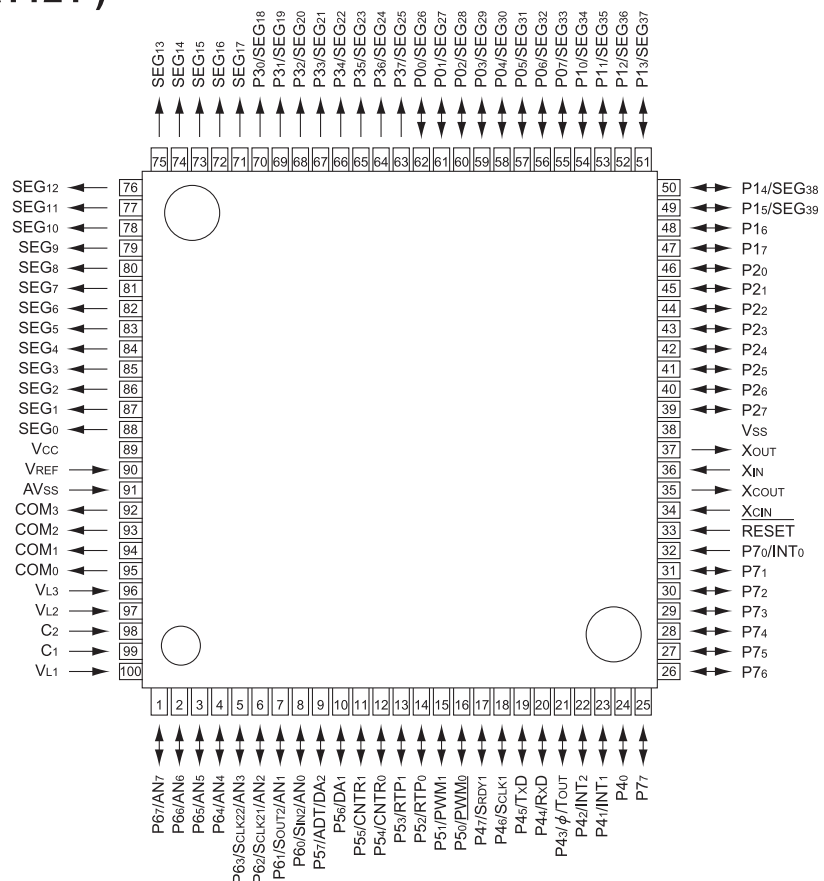
The AF signal from the pin 9 of IC103 is filtered by an active filter (IC108) to eliminate the voice range of the signal then amplified and input to the pin 4 of the CPU (IC109). The signal is compared in the CPU with the pre-selected CTCSS and DCS values and the squelch opens in case the value matches.

## 8.Clock Shift

In case the selected frequency is disturbed by a CPU clock-noise, it may be eliminated by changing the CPU clock frequency. When the clock-shift is set, the pin 31 of the CPU (IC109) becomes Low turning ON the Q124. When Q124 becomes ON, X104's oscillation frequency shifts approximately by 200ppm.

## 5) M38268MCA-077GP ( XA1121 )

CPU  
Terminal Connection  
( TOP VIEW )





No.	Terminal	Signal	I/O	Description
1	P67/AN7	SMT	I	S-meter input
2	P66/AN6	SQL	I	Noise level input for squelch
3	P65/AN5	BAT	I	Low battery detection input
4	P64/AN4	TIN	I	CTCSS tone input / DCS code input
5	P63/SCLK22/AN3	BP1	I	Band plan 1
6	P62/SCLK21/AN2	BP2	I	Band plan 2
7	P61/SOUT2/AN1	DCSW	O	DCS signal mute
8	P60/SIN2/AN0	FKEY	I	Function / Monitor Key input
9	P57/ADT/DA2	CTOUT	O	CTCSS tone output / DCS tone output
10	P56/DA1	DTOUT	O	DTMF output
11	P55/CNTR1	SCL	O	Serial clock for EEPROM
12	P54/CNTR0	TBST	I/O	Tone burst output
13	P53/RTP1	BP4	I	Band plan 4
14	P52/RTP0	MUTE	I/O	Microphone mute / Bank change input while trunking
15	P51/PWM3	CLK	O	Serial clock output for PLL, and trunking board
16	P50/PWM0	DATA	I/O	Serial data output for PLL, CTCSS / PLL unlock signal input / EVR control output
17	P47/SROY1	TRST	I/O	Trunking board detection ( when the unit is turned ON ) / Strobe signal to trunking board
18	P46/SCLK1	STBP	O	Strobe for PLL IC
19	P45/TXD	UTX	O	UART data transmission output
20	P44/RXD	URX	I	UART data reception input
21	P43/ $\Phi$ TOUT	BEEP	I/O	Beep tone/Band plan 3 ( when the unit is turned on )
22	P42/INT2	RE2	I	Rotary encoder input
23	P41/INT1	RE1	I	
24	P40	CLO	O	CLONE ON/OFF output
25	P77	PTTK	I	PTT input
26	P76	CHG	I	Battery charge ON/OFF output
27	P75	P5C	O	PLL power ON/OFF output
28	P74	T5C	O	TX power ON/OFF output
29	P73	R5C	O	RX power ON/OFF output
30	P72	AFP	O	AF AMP power ON/OFF output
31	P71	CLSFT	O	CLOCK frequency shift
32	P70/INTO	BU	I	Backup signal detection input
33	RESET	RESET	I	Reset input
34	Xcin		-	-
35	Xcout		-	-
36	Xin	XIN	-	Main clock input
37	Xout	XOUT	-	Main clock output
38	Vss	GND	-	CPU GND
39	P27	PSW	I	Power switch input
40	P26	SDA	O	Serial data for EEPROM
41	P25	C5C	O	C5V power ON/OFF output
42	P24	LAMP	O	Lamp ON/OFF
43	P23	KI0	I	Key matrix input
44	P22	KI1	I	
45	P21	KI2	I	
46	P20	KI3	I	
47	P17	KO3	O	Key matrix output
48	P16	KO2	O	
49	P15/SEG39	KO1	O	
50	P14/SEG38	KO0	O	
51	P13/SEG37	DA3	O	DA converter for Tx output power
52	P12/SEG36	DA2	O	DA converter for Tx output power
53	P11/SEG35	DA1	O	DA converter for Tx output power
54	P10/SEG34	AFC/DA0	O	DA converter for Tx output power
55	P07/SEG33	EXP	I/O	Trunking TXDT control / Voice Scrambler Board detection (when the unit is turned on )
56	P06/SEG32	SD/PO	O	Signal detection output / Tx power Hight or Low

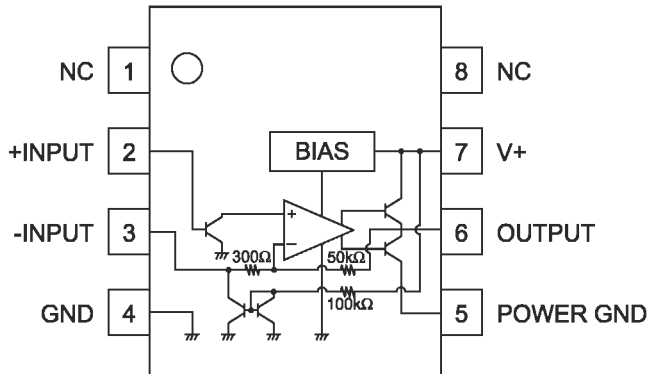
No.	Terminal	Signal	I/O	Description
57	P05/SEG31	SEG31	O	LCD segment signal
58	P04/SEG30	SEG30	O	
59	P03/SEG29	SEG29	O	
60	P02/SEG28	SEG28	O	
61	P01/SEG27	SEG27	O	
62	P00/SEG26	SEG26	O	
63	P37/SEG25	SEG25	O	
64	P36/SEG24	SEG24	O	
65	P35/SEG23	SEG23	O	
66	P34/SEG22	SEG22	O	
67	P33/SEG21	SEG21	O	
68	P32/SEG20	SEG20	O	
69	P31/SEG19	SEG19	O	
70	P30/SEG18	SEG18	O	
71	SEG17	SEG17	O	
72	SEG16	SEG16	O	
73	SEG15	SEG15	O	
74	SEG14	SEG14	O	
75	SEG13	SEG13	O	
76	SEG12	SEG12	O	
77	SEG11	SEG11	O	
78	SEG10	SEG10	O	
79	SEG9	SEG9	O	
80	SEG8	SEG8	O	
81	SEG7	SEG7	O	
82	SEG6	SEG6	O	
83	SEG5	SEG5	O	
84	SEG4	SEG4	O	
85	SEG3	SEG3	O	
86	SEG2	SEG2	O	
87	SEG1	SEG1	O	
88	SEG0	SEG0	O	
89	Vcc	VDD	-	CPU power terminal
90	Vref	Vref	-	AD converter power supply
91	Avss	Avss	-	AD converter GND
92	COM3	COM3	O	LCD COM3 output
93	COM2	COM2	O	LCD COM2 output
94	COM1	COM1	O	LCD COM1 output
95	COM0	COM0	O	LCD COM0 output
96	VL3	VL3	-	LCD power supply
97	VL2	VL2	-	
98	C2	C2	-	-
99	C1	C1	-	-
100	VL1	VL1	I	LCD power supply

# SEMICONDUCTOR DATA

## 1) NMJ2070MT1 ( XA0210 )

Low Voltage Power Amplifier

Equivalent Circuit

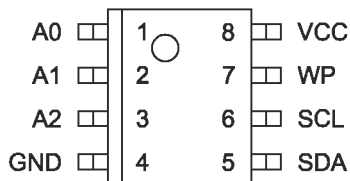


V+=6V, Ta=25±2°C

Parameter	Condition	Symbol	Min.	Typ.	Max.	Unit	
Supply voltage		V+	1.8	-	15	V	
Idle current	RL=	I <sub>Q</sub>	-	4	7	mA	
Output voltage		V <sub>o</sub>	-	2.7	-	V	
Input bias current		I <sub>B</sub>	-	200	-	nA	
Output power	THD=10%, f=1kHz	P <sub>o</sub>	V+=6V, RL=4	0.5	0.6	-	W
			V+=4.5V, RL=4	-	0.32	-	W
			V+=3V, RL=4	-	120	-	mW
			V+=2V, RL=4	-	30	-	mW
	THD=10%, f=1kHz		V+=6V, RL=4	-	500	-	mW
			V+=4.5V, RL=4	-	250	-	mW
Distortion	P <sub>o</sub> =0.4W, RL=4, f=1kHz	THD	-	0.25	-	%	
Voltage gain	f=1kHz	A <sub>v</sub>	41	44	47	dB	
Input impedance	f=1kHz	Z <sub>IN</sub>	100	-	-	k	
Equivalent input noise voltage	Rs=10k	A curve	V <sub>n1</sub>	-	2.5	-	μV
		B=22Hz to 22kHz	V <sub>n2</sub>	-	3	-	μV
Power supply voltage rejection ratio	f=100Hz, C <sub>x</sub> =100 μF	SVR	24	30	-	dB	
Power gain band width (-3dB)	RL=8, P <sub>o</sub> =250mW	P.B	-	200	-	kHz	

## 2) S24CS64A01-J8T1G ( XA1117 )

16K bits CMOS Serial EEPROM

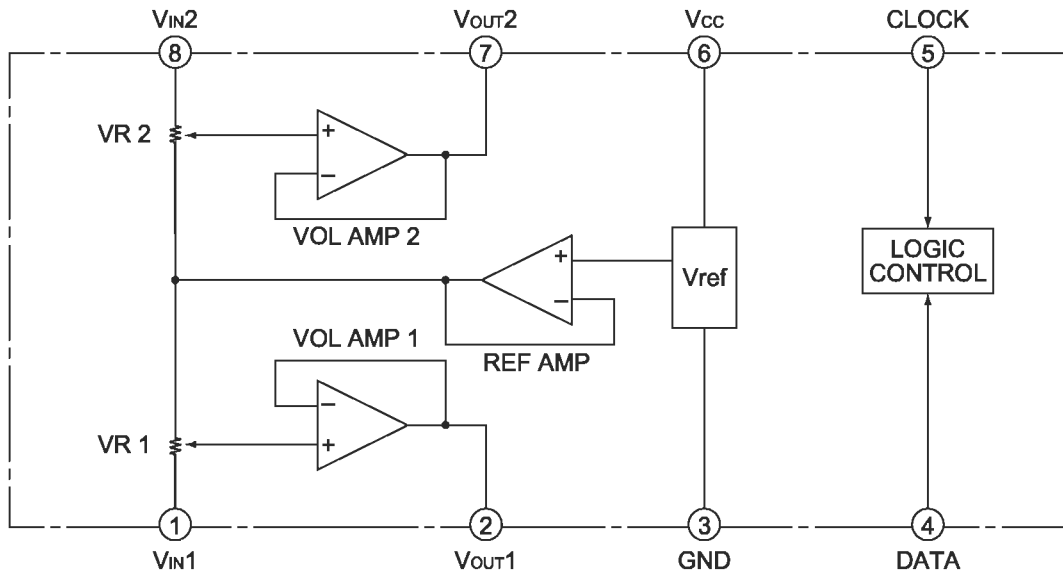
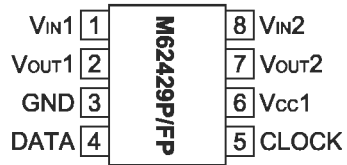


Pin Number	Pin Name	Function
1	A0	Slave address input
2	A1	Slave address input
3	A2	Slave address input
4	GND	Groudd
5	SDA	Serial data input / output
6	SCL	Serial clock input
7	WP	Write protection input Connected to Vcc: Protection valid Connected to GND: Protection invalid
8	VCC	Power supply

**Remark** See Dimensions for details of the package drawings.

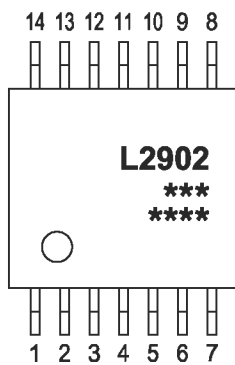
### 3) M62429FP/CF0J ( XA1118 )

Electronic Volume



### 4) LM2902PWR ( XA1106 )

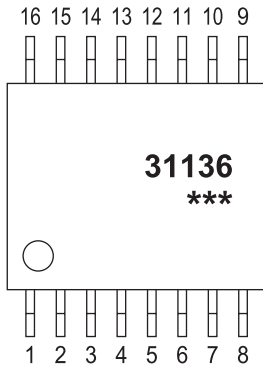
Quad Operational Amplifiers



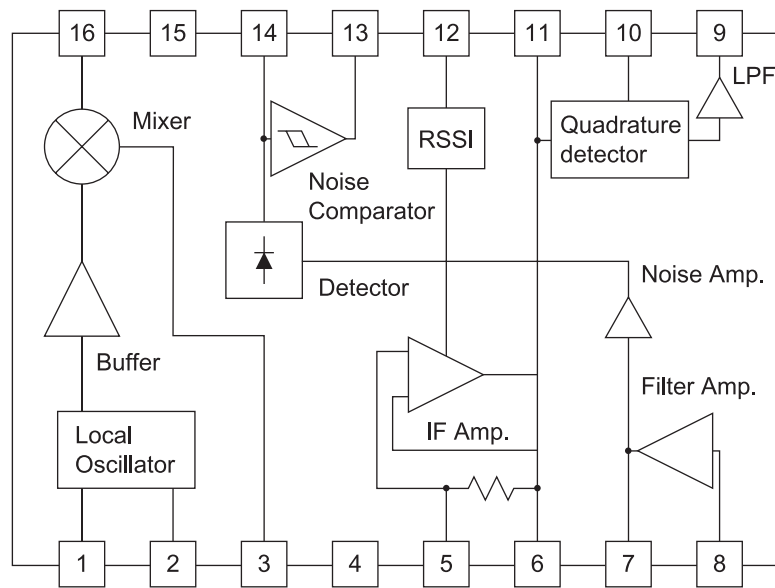
1. Output A
2. Inverting Input A
3. Non-inverting Input A
4. V<sub>CC</sub>
5. Non-inverting Input B
5. Inverting Input B
7. Output B
8. Output C
9. Inverting Input C
10. Non-inverting Input C
11. GND
12. Non-inverting Input D
13. Inverting Input D
14. Output D

## 5) TA31136FN(EL) ( XA0404 )

Low Power FM IC

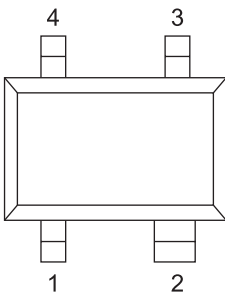


- |            |            |
|------------|------------|
| 1. OSC IN  | 9. AF OUT  |
| 2. OSC OUT | 10. QUAD   |
| 3. MIX OUT | 11. IF OUT |
| 4. Vcc     | 12. RSSI   |
| 5. IF IN   | 13. N-DET  |
| 6. DEC     | 14. N-REC  |
| 7. FIL OUT | 15. GND    |
| 8. FIL IN  | 16. MIC IN |



## 6) S80845CLNB-B66-T2G ( XA1120 )

C-MOS Voltage Detector

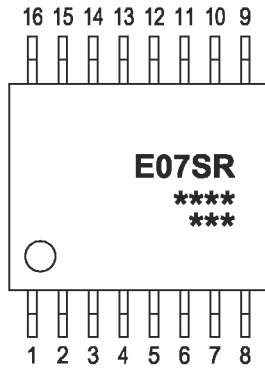


Pin No.	Pin name	Pin description
1	OUT	Voltage detection output pin
2	VDD	Voltage input pin
3	NC*1	No connection
4	VSS	GND pin

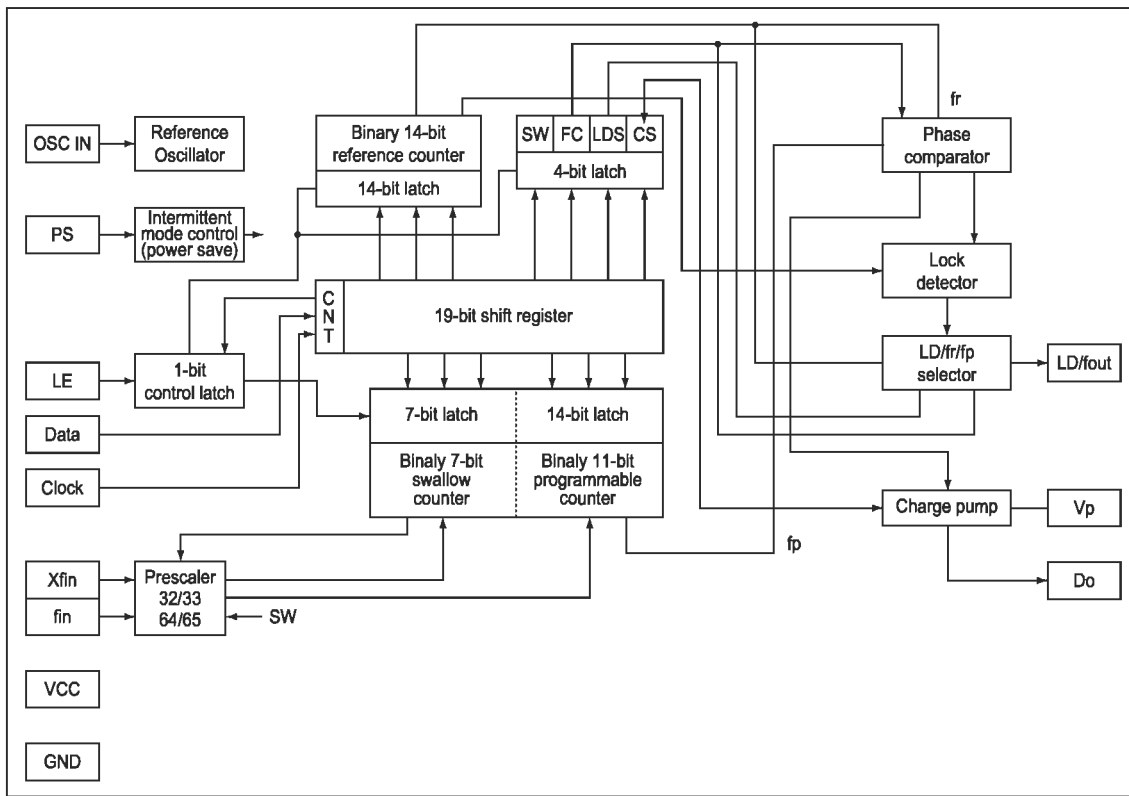
\*1. The NC pin is electrically open.  
The NC pin can be connected to VDD or VSS.

# 7) MB15E07SR ( XA1107 )

## PLL Synthesizer



- |           |               |
|-----------|---------------|
| 1. OSC IN | 9. CLOCK      |
| 2. N. C.  | 10. Data      |
| 3. Vp     | 11. LE        |
| 4. Vcc    | 12. PS        |
| 5. Do     | 13. N. C.     |
| 6. GND    | 14. LD / fout |
| 7. Xfin   | 15. N. C.     |
| 8. fin    | 16. N. C.     |

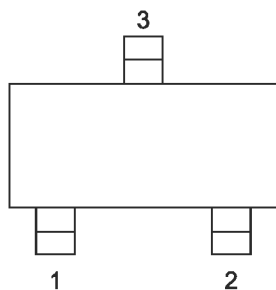


(Vcc=2.7 to 5.0V, Ta=-40°C to +85oC)

Parameter	Symbol	Condition	Min.	Typ.	Max.	Unit
Power supply voltage	Vcc	-	2.7	3.75	5.0	V
Power supply current	Icc	2500MHz Vcc=Vp=3.75V		8.0		mA
LPF supply voltage	Vp	-	Vcc	-	5.5	V
Local oscillator input level	Vfin	100MHz to 300MHz 300MHz to 2500MHz	-6 -15		+2 +2	dBm
Local oscillator input frequency	fin	-	100		2500	MHz
Xin input level	Vxin	-	0.5		Vcc	Vp-p
Xin input frequency	Fxin	-	3		40	MHz

## 8) XC6202P502MR (XA1119)

Voltage Regulator



Pin No.	Pin name	Function
1	VOUT	Regulated Voltage Output
2	VIN	Supply Voltage Input
3	VSS	Ground

### Absolute Maximum Ratings

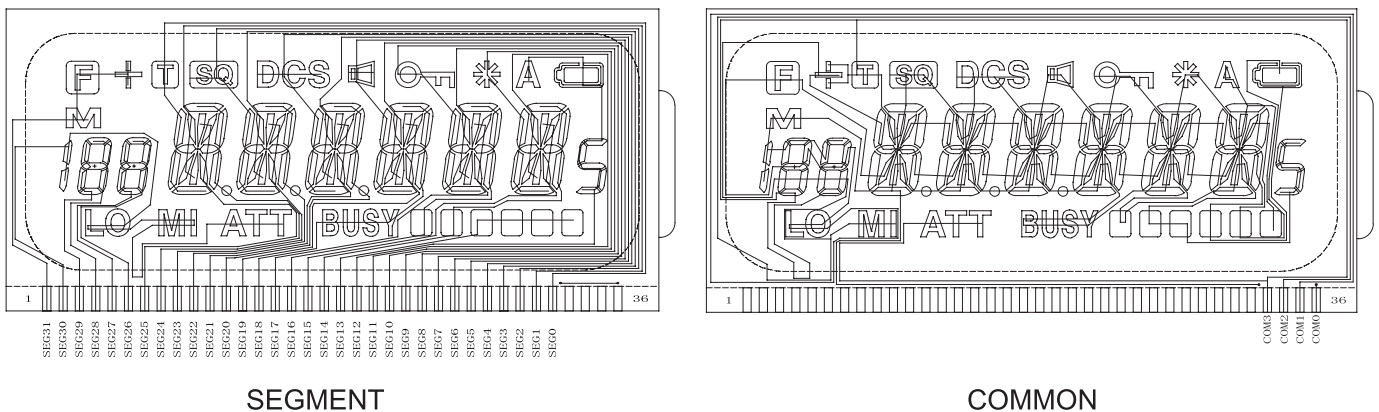
Parameter	Symbol	Rating	Units
Input Voltage	VIN	22	V
Output Current	IOUT	500	mA
Output Voltage	VOUT	VSS-0.3~VIN+0.3	V
Power Dissipation	Pd	150	mW
Operating Ambient Temperature	Topr	-40~+85	°C
Storage Temperature	Tstg	-55~+125	°C

## 9) Transistor, Diode and LED outline Drawings

Top View

MA741WA-(TX) XD0251	1SS362(TE85L) XD0338	1SV308(TPH3) XD0339	MAZS0270HL XD0377	1SV314(TPH3,F) XD0403	1SS423(TE85L,F) XD0416	HVC202BTRU-E XD0417
RB521S-30TE61 XD0418	1SS400TE61 XD0419	FA3J3STP XD0420	1SV323(TPH3,H) XD0421	HSC277TRF-E XD0422	HVC132TRF-E XD0423	S3JB-T XD0424
SML-310MTT86 XL0036	SML-521MUWT86 XL0097	3SK293 TE85L XE0053	SSM3K15FV(TPL) XE0069	2SK3475(TE12L,F) XE0070	2SK3476(TE12L,Q) XE0071	2SB766A-(TX)R XT0170
2SC5066FT-Y XT0180	2SC6026MFV XT0210	2SA1955FV-A(TPL3) XT0212	2SC5659T2L XT0213	HN2C01FE-GR(T5L,F) XT0214	15GN03F-TL-E XT0219	RN1107MFV(TPL3) XU0210
RN2107MFV(TPL3) XU0211	RN2115MFV(TPL3) XU0212	RN1111MFV(TPL3),F XU0213	RN2111MFV(TPL3) XU0220			

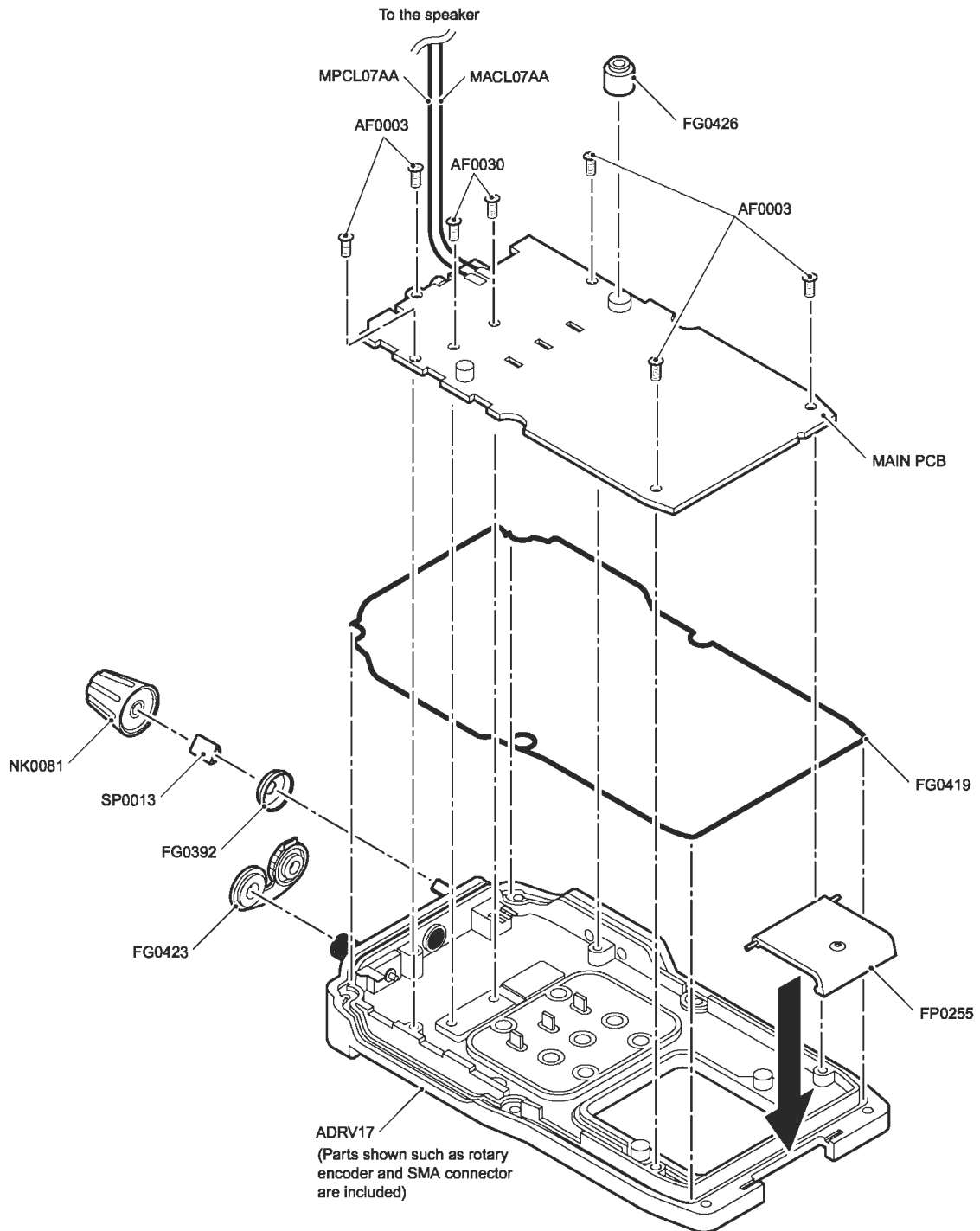
## 10) LCD Connection ( EL0059 )



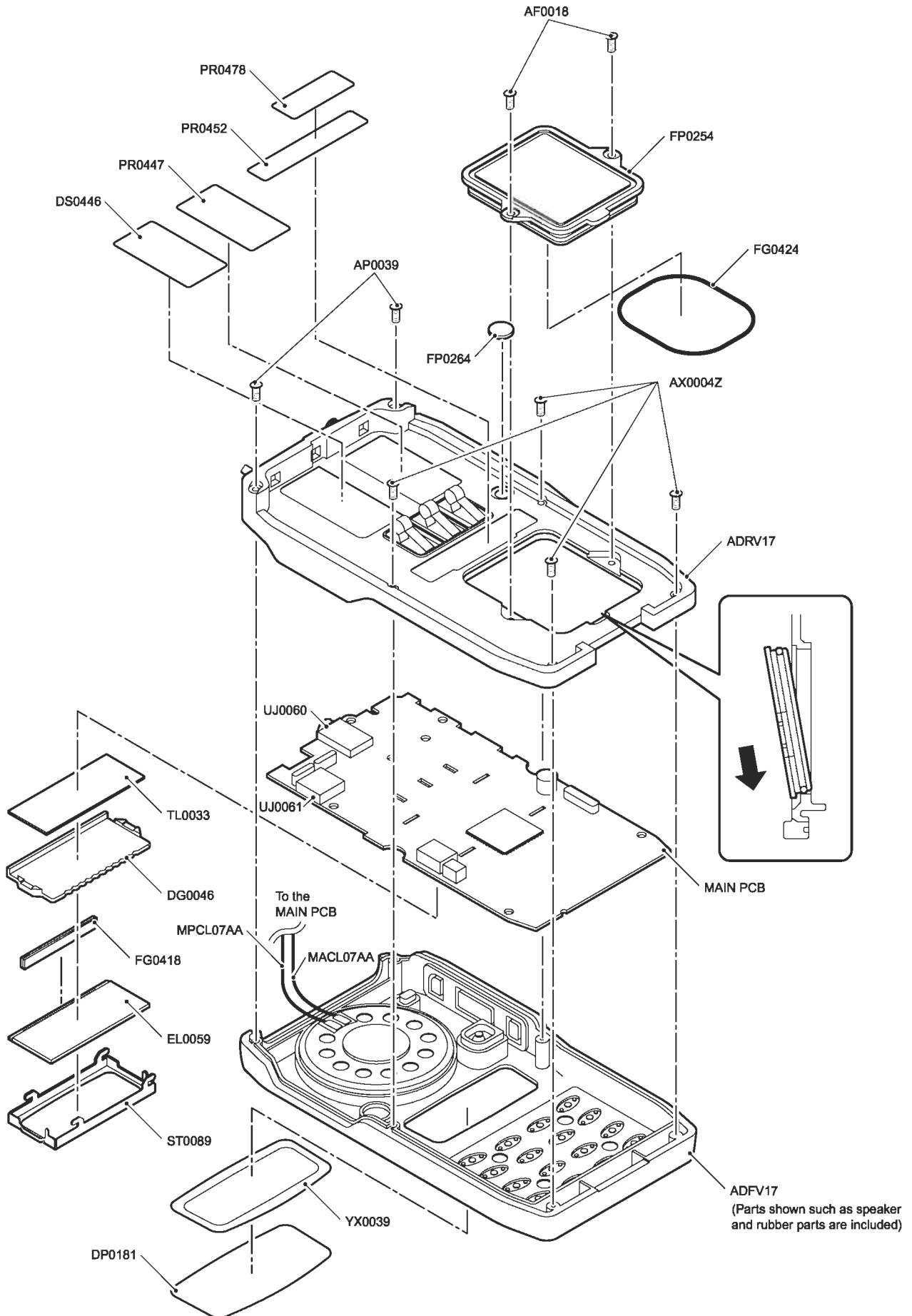


# EXPLODED VIEW

## 1) Front View



## 2) Rear View



# PARTS LIST<DJ-V17>

## MAIN Unit

Model:DJ-V17

Ref. No.	Parts No.	Description	Parts Name	Version
C101	CU3035	Chip C	C1608JB1H102KT-AS	
C102	CU3035	Chip C	C1608JB1H102KT-AS	
C103	CU3023	Chip C	C1608CH1H101JT-AS	
C104	CU3513	Chip C	GRP1552C1H150JZ01E	
C105	CU3523	Chip C	GRP1552C1H101JD01E	
C106	CU3503	Chip C	GRP1554C1H2R0CZ01E	
C107	CU3013	Chip C	C1608CH1H150JT-AS	
C108	CU3014	Chip C	C1608CH1H180JT-AS	
C109	CU3016	Chip C	C1608CH1H270JT-AS	TFH, R
C109	CU3018	Chip C	C1608CH1H390JT-AS	T, E, EUK
C110	CU3017	Chip C	C1608CH1H330JT-AS	
C111	CU3019	Chip C	C1608CH1H470JT-AS	
C112	CU3015	Chip C	C1608CH1H220JT-AS	
C113	CU3015	Chip C	C1608CH1H220JT-AS	
C114	CU3018	Chip C	C1608CH1H390JT-AS	TFH, R
C114	CU3019	Chip C	C1608CH1H470JT-AS	T, E, EUK
C115	CU3516	Chip C	GRP1552C1H270JZ01E	
C116	CU3535	Chip C	GRP155B11H102KA01E	
C117	CU3517	Chip C	GRP1552C1H330JZ01E	
C118	CU3502	Chip C	GRP1554C1H1R0CZ01E	
C119	CU3502	Chip C	GRP1554C1H1R0CZ01E	
C120	CU3012	Chip C	C1608CH1H120JT-AS	
C121	CU3005	Chip C	C1608CH1H040CT-AS	
C122	CU3547	Chip C	GRP155B11C103KA01E	
C123	CU3517	Chip C	GRP1552C1H330JZ01E	
C124	CU3012	Chip C	C1608CH1H120JT-AS	
C125	CU3013	Chip C	C1608CH1H150JT-AS	
C126	CU3013	Chip C	C1608CH1H150JT-AS	
C127	CU3013	Chip C	C1608CH1H150JT-AS	
C128	CU3554	Chip C	GRP155B11A104KA01E	
C129	CU3535	Chip C	GRP155B11H102KA01E	
C130	CU3535	Chip C	GRP155B11H102KA01E	
C131	CU3512	Chip C	GRP1552C1H120JZ01E	
C132	CU3547	Chip C	GRP155B11C103KA01E	
C133	CU3535	Chip C	GRP155B11H102KA01E	
C134	CU3547	Chip C	GRP155B11C103KA01E	
C135	CU3535	Chip C	GRP155B11H102KA01E	
C136	CU3535	Chip C	GRP155B11H102KA01E	
C137	CU3511	Chip C	GRP1552C1H100JZ01E	
C138	CU3523	Chip C	GRP1552C1H101JD01E	
C139	CU3503	Chip C	GRP1554C1H2R0CZ01E	
C140	CU3502	Chip C	GRP1554C1H1R0CZ01E	
C141	CU3535	Chip C	GRP155B11H102KA01E	
C142	CS0441	Chip Tantalum	TMCMA0J226MTRF	
C143	CU3535	Chip C	GRP155B11H102KA01E	
C144	CU3535	Chip C	GRP155B11H102KA01E	
C145	CU3535	Chip C	GRP155B11H102KA01E	
C146	CU3535	Chip C	GRP155B11H102KA01E	
C147	CU3516	Chip C	GRP1552C1H270JZ01E	
C148	CU3535	Chip C	GRP155B11H102KA01E	
C149	CU3535	Chip C	GRP155B11H102KA01E	
C150	CU3503	Chip C	GRP1554C1H2R0CZ01E	
C151	CU3502	Chip C	GRP1554C1H1R0CZ01E	
C152	NC			
C153	NC			
C154	NC			
C155	CU3559	Chip C	GRM155B30J105KE18D	

Ref. No.	Parts No.	Description	Parts Name	Version
C156	CU3515	Chip C	GRP1552C1H220JZ01E	
C157	CU3502	Chip C	GRP1554C1H1R0CZ01E	
C158	CU3535	Chip C	GRP155B11H102KA01E	
C159	CU3535	Chip C	GRP155B11H102KA01E	
C160	NC			
C161	NC			
C162	CU3529	Chip C	GRP155B11H331KD01E	
C163	CS0426	Chip Tantalum	F931A106MAA	
C164	CS0426	Chip Tantalum	F931A106MAA	
C165	CU3554	Chip C	GRP155B11A104KA01E	
C166	CU3535	Chip C	GRP155B11H102KA01E	
C167	NC			
C168	CU3535	Chip C	GRP155B11H102KA01E	
C169	CU3535	Chip C	GRP155B11H102KA01E	
C170	NC			
C171	CU3535	Chip C	GRP155B11H102KA01E	
C172	NC			
C173	CU3535	Chip C	GRP155B11H102KA01E	
C174	CS0396	Chip Tantalum	TMCP1D104MTR	
C176	CU3511	Chip C	GRP1552C1H100JZ01E	
C177	CU3513	Chip C	GRP1552C1H150JZ01E	
C178	CU3503	Chip C	GRP1554C1H2R0CZ01E	
C179	CU3133	Chip C	TMK107BJ105KA-T	
C180	CU3535	Chip C	GRP155B11H102KA01E	
C181	CU3535	Chip C	GRP155B11H102KA01E	
C182	CU3133	Chip C	TMK107BJ105KA-T	
C183	CS0398	Chip Tantalum	TMCP0J225MTR	
C184	CU3506	Chip C	GRP1552C1H5R0CZ01E	
C185	CU3535	Chip C	GRP155B11H102KA01E	
C186	CU3554	Chip C	GRP155B11A104KA01E	
C187	CU3511	Chip C	GRP1552C1H100JZ01E	
C188	CU3535	Chip C	GRP155B11H102KA01E	
C189	CU3535	Chip C	GRP155B11H102KA01E	
C190	CU3504	Chip C	GRP1553C1H3R0CZ01E	
C191	NC			
C192	CU3504	Chip C	GRP1553C1H3R0CZ01E	
C193	CU3503	Chip C	GRP1554C1H2R0CZ01E	TFH, R
C193	CU3504	Chip C	GRP1553C1H3R0CZ01E	T, E, EUK
C194	CU3535	Chip C	GRP155B11H102KA01E	
C195	CU3512	Chip C	GRP1552C1H120JZ01E	
C196	CU3559	Chip C	GRM155B30J105KE18D	
C197	NC			
C198	NC			
C199	CU3535	Chip C	GRP155B11H102KA01E	
C200	CU3503	Chip C	GRP1554C1H2R0CZ01E	
C201	CU3503	Chip C	GRP1554C1H2R0CZ01E	
C202	NC			
C204	CU3535	Chip C	GRP155B11H102KA01E	
C205	CU3535	Chip C	GRP155B11H102KA01E	
C206	CU3535	Chip C	GRP155B11H102KA01E	
C207	CU3547	Chip C	GRP155B11C103KA01E	
C208	CU3524	Chip C	GRP1552C1H121JD01E	
C209	CU3515	Chip C	GRP1552C1H220JZ01E	
C210	NC			
C211	CU3547	Chip C	GRP155B11C103KA01E	
C212	CU3523	Chip C	GRP1552C1H101JD01E	
C213	CU3535	Chip C	GRP155B11H102KA01E	

Ref. No.	Parts No.	Description	Parts Name	Version	Ref. No.	Parts No.	Description	Parts Name	Version
C214	CU3535	Chip C	GRP155B11H102KA01E		C274	CU3514	Chip C	GRP1552C1H180JZ01E	
C215	CU3517	Chip C	GRP1552C1H330JZ01E		C275	CU3543	Chip C	GRP155B11E472KD01E	
C216	CU3520	Chip C	GRP1552C1H560JD01E		C276	CU3535	Chip C	GRP155B11H102KA01E	
C217	CU3535	Chip C	GRP155B11H102KA01E		C277	CU3133	Chip C	TMK107BJ105KA-T	
C218	CU3547	Chip C	GRP155B11C103KA01E		C278	CU3535	Chip C	GRP155B11H102KA01E	
C219	CU3521	Chip C	GRP1552C1H680JD01E		C279	CS0439	Chip Tantalum	TMCA0J476MTRF	
C220	CU3519	Chip C	GRP1552C1H470JZ01E		C280	CU3554	Chip C	GRP155B11A104KA01E	
C221	CU3502	Chip C	GRP1554C1H1R0CZ01E		C281	CE0437	Electrolytic C	10CE150BSS	
C222	CU3507	Chip C	GRP1552C1H6R0DZ01E		C282	CU3554	Chip C	GRP155B11A104KA01E	
C223	CU3502	Chip C	GRP1554C1H1R0CZ01E		C283	CU3551	Chip C	GRP155B11C223KD01E	
C224	CU3535	Chip C	GRP155B11H102KA01E		C284	CU3551	Chip C	GRP155B11C223KD01E	
C225	CU3535	Chip C	GRP155B11H102KA01E		C285	CU3535	Chip C	GRP155B11H102KA01E	
C226	CU3133	Chip C	TMK107BJ105KA-T		C286	CU3535	Chip C	GRP155B11H102KA01E	
C227	CU3536	Chip C	GRM36B122K50PT		C287	CU3554	Chip C	GRP155B11A104KA01E	
C228	CU3547	Chip C	GRP155B11C103KA01E		C288	CU3559	Chip C	GRM155B30J105KE18D	
C229	CU3547	Chip C	GRP155B11C103KA01E		C289	CS0441	Chip Tantalum	TMCA0J226MTRF	
C230	CU3554	Chip C	GRP155B11A104KA01E		C290	CS0397	Chip Tantalum	TMCP1C105MTR	
C231	CU3554	Chip C	GRP155B11A104KA01E		C291	CU3535	Chip C	GRP155B11H102KA01E	
C232	CU3522	Chip C	GRP1552C1H820JD01E		C292	CS0440	Chip Tantalum	TMCMB1C476MTRF	
C233	CU3535	Chip C	GRP155B11H102KA01E		C293	CU3559	Chip C	GRM155B30J105KE18D	
C234	CU3554	Chip C	GRP155B11A104KA01E		C294	CU3554	Chip C	GRP155B11A104KA01E	
C235	CU3554	Chip C	GRP155B11A104KA01E		C295	CU3535	Chip C	GRP155B11H102KA01E	
C236	CU3523	Chip C	GRP1552C1H101JD01E		C296	CU3554	Chip C	GRP155B11A104KA01E	
C237	CU3554	Chip C	GRP155B11A104KA01E		C297	CU3553	Chip C	GRP155B11A473KA01E	
C238	CU3535	Chip C	GRP155B11H102KA01E		C298	CU3535	Chip C	GRP155B11H102KA01E	
C239	CU3535	Chip C	GRP155B11H102KA01E		C299	CU3535	Chip C	GRP155B11H102KA01E	
C240	NC				C300	NC			
C241	CU3554	Chip C	GRP155B11A104KA01E		C301	NC			
C242	CU3547	Chip C	GRP155B11C103KA01E		C302	CU3535	Chip C	GRP155B11H102KA01E	
C243	CU3535	Chip C	GRP155B11H102KA01E		C303	CU3551	Chip C	GRP155B11C223KD01E	
C244	CU3554	Chip C	GRP155B11A104KA01E		C304	CU3552	Chip C	GRP155B11A333KA01E	
C245	CS0441	Chip Tantalum	TMCA0J226MTRF		C305	CU3554	Chip C	GRP155B11A104KA01E	
C246	CU3559	Chip C	GRM155B30J105KE18D		C306	CU3535	Chip C	GRP155B11H102KA01E	
C247	CU3535	Chip C	GRP155B11H102KA01E		C307	CS0439	Chip Tantalum	TMCA0J476MTRF	
C248	CU3535	Chip C	GRP155B11H102KA01E		C308	CU3535	Chip C	GRP155B11H102KA01E	
C249	CU3547	Chip C	GRP155B11C103KA01E		C309	CU3535	Chip C	GRP155B11H102KA01E	
C250	CU3535	Chip C	GRP155B11H102KA01E		C310	CU3535	Chip C	GRP155B11H102KA01E	
C251	CU3547	Chip C	GRP155B11C103KA01E		C311	CU3535	Chip C	GRP155B11H102KA01E	
C252	CU3521	Chip C	GRP1552C1H680JD01E		C312	CS0426	Chip Tantalum	F931A106MAA	
C253	CU3535	Chip C	GRP155B11H102KA01E		C313	CU3535	Chip C	GRP155B11H102KA01E	
C254	CU3535	Chip C	GRP155B11H102KA01E		C314	CU3547	Chip C	GRP155B11C103KA01E	
C255	CU3553	Chip C	GRP155B11A473KA01E		C315	CU3547	Chip C	GRP155B11C103KA01E	
C256	CU3554	Chip C	GRP155B11A104KA01E		C316	CU3535	Chip C	GRP155B11H102KA01E	
C257	CS0441	Chip Tantalum	TMCA0J226MTRF		C317	CU3535	Chip C	GRP155B11H102KA01E	
C258	CU3554	Chip C	GRP155B11A104KA01E		C318	CU3535	Chip C	GRP155B11H102KA01E	
C259	CU3535	Chip C	GRP155B11H102KA01E		C319	CU3535	Chip C	GRP155B11H102KA01E	
C260	CU3527	Chip C	GRP1552C1E221JD01E		C320	CU3554	Chip C	GRP155B11A104KA01E	
C261	CU3522	Chip C	GRP1552C1H820JD01E		C321	CS0439	Chip Tantalum	TMCA0J476MTRF	
C262	CU3554	Chip C	GRP155B11A104KA01E		C322	CU3554	Chip C	GRP155B11A104KA01E	
C263	CU3535	Chip C	GRP155B11H102KA01E		C323	CU3547	Chip C	GRP155B11C103KA01E	
C264	CU3554	Chip C	GRP155B11A104KA01E		C324	CU3547	Chip C	GRP155B11C103KA01E	
C265	CU3531	Chip C	GRP155B11H471KD01E		C325	CU3535	Chip C	GRP155B11H102KA01E	
C266	CU3554	Chip C	GRP155B11A104KA01E		C326	CE0436	Electrolytic C	16CE47BSS	
C267	CU3527	Chip C	GRP1552C1E221JD01E		C327	CU3133	Chip C	TMK107BJ105KA-T	
C268	CU3535	Chip C	GRP155B11H102KA01E		C328	CU3535	Chip C	GRP155B11H102KA01E	
C269	CU3547	Chip C	GRP155B11C103KA01E		C331	CU3535	Chip C	GRP155B11H102KA01E	
C270	CU3535	Chip C	GRP155B11H102KA01E		C332	CU3554	Chip C	GRP155B11A104KA01E	
C271	CU3535	Chip C	GRP155B11H102KA01E		C334	NC			
C272	CU3559	Chip C	GRM155B30J105KE18D		C336	CS0396	Chip Tantalum	TMCP1D104MTR	
C273	CU3513	Chip C	GRP1552C1H150JZ01E		C347	CU3535	Chip C	GRP155B11H102KA01E	

Ref. No.	Parts No.	Description	Parts Name	Version	Ref. No.	Parts No.	Description	Parts Name	Version
C348	CU3507	Chip C	GRP1552C1H6R0DZ01E		IC106	XA0210	IC	NJM2070M T1	
C349	CU3559	Chip C	GRM155B30J105KE18D		IC107	XA1118	IC	M62429FP/CF0J	
C350	CU3559	Chip C	GRM155B30J105KE18D		IC108	XA1106	IC	LM2902PWR	
C351	CU3133	Chip C	TMK107BJ105KA-T		IC109	XA1121	CPU	M38268MCA-076GP#UO	
C352	CU3535	Chip C	GRP155B11H102KA01E		IC110	XA1119	IC	XC6202P502MR	
C353	CU3535	Chip C	GRP155B11H102KA01E		JK101	UJ0060	Jack	HSJ1594-010150	
C354	CU3535	Chip C	GRP155B11H102KA01E		JK102	UJ0061	Jack	LD-0208-1.3	
C355	CS0398	Chip Tantalum	TMCP0J225MTR		L101	QS401556	Coil	0.40-1.55-6TL	
C356	CU3547	Chip C	GRP155B11C103KA01E		L102	QS402006	Coil	0.40-2.0-6TL	
C357	NC				L103	QS402006	Coil	0.40-2.0-6TL	
C358	NC				L104	QS401405	Coil	0.40-1.4-5TL	
C360	CU3535	Chip C	GRP155B11H102KA01E		L105	QS501403	Coil	0.50-1.4-3TL	
C362	CU3535	Chip C	GRP155B11H102KA01E		L106	QC0757	Chip Inductor	C1608CB22NJ	
C363	CU3535	Chip C	GRP155B11H102KA01E		L107	QC0809	Chip Inductor	MLG1005S56NJT	
C370	CU3035	Chip C	C1608JB1H102KT-AS		L108	QS30200D	Coil	0.30-2.0-13TL	
CN101	NC				L109	QC0810	Chip Inductor	MLG1005S68NJT	
CN102	NC				L110	QC0765	Chip Inductor	C1608CBR10J	
CN103	UE0506	Connector	AXK520135P		L111	QC0808	Chip Inductor	MLG1005S47NJT	
D101	XD0422	Diode	HSC277TRF-E		L112	QC0773	Chip Inductor	C1608CBR47J	
D102	XD0419	Diode	1SS400TE61		L113	QS402057	Coil	0.40-2.05-7TL	
D103	XD0422	Diode	HSC277TRF-E		L114	QB0057	Chip Inductor	MPZ1608S101AT	
D104	XD0417	Diode	HVC202BTRU-E		L115	QB0057	Chip Inductor	MPZ1608S101AT	
D105	XD0251	Diode	MA741WA-(TX)		L116	QC0812	Chip Inductor	MLG1005SR10JT	
D106	NC				L117	QC0818	Chip Inductor	C2012H82NH	
D107	XD0421	Diode	1SV323(TPH3,H)		L118	QB0057	Chip Inductor	MPZ1608S101AT	
D108	XD0422	Diode	HSC277TRF-E		L120	QC0816	Chip Inductor	MLG1005SR22JT	
D109	XD0421	Diode	1SV323(TPH3,H)		L121	QC0812	Chip Inductor	MLG1005SR10JT	
D110	NC				L122	NC			
D111	NC				L123	NC			
D112	XD0423	Diode	HVC132TRF-E		L124	QC0773	Chip Inductor	C1608CBR47J	
D113	XD0422	Diode	HSC277TRF-E		L125	QC0764	Chip Inductor	C1608CB82NJ	
D114	XD0422	Diode	HSC277TRF-E		L126	QC0763	Chip Inductor	C1608CB68NJ	
D115	XD0421	Diode	1SV323(TPH3,H)		L127	QC0773	Chip Inductor	C1608CBR47J	
D116	XD0421	Diode	1SV323(TPH3,H)		L128	QC0764	Chip Inductor	C1608CB82NJ	
D117	XD0421	Diode	1SV323(TPH3,H)		L129	QC0763	Chip Inductor	C1608CB68NJ	
D118	XD0421	Diode	1SV323(TPH3,H)		L130	QC0820	Chip Inductor	LB2518T151K	
D119	XL0097	Chip LED	SML-521MUWT86		L131	QC0842	Chip Inductor	LB2518T221K	
D120	XD0338	Diode	1SS362(TE85L)		LCD101	EL0059	LCD	LCD DJ170	
D121	XD0419	Diode	1SS400TE61		MIC101	EY0017	Microphone	OB-27P44	
D122	XD0424	Diode	S3JB-T		Q101	XT0210	Transistor	2SC6026MFV-GR	
D123	XD0420	Diode	FA3J3STP		Q102	XE0071	FET	2SK3476(TE12L,Q)	
D124	XD0338	Diode	1SS362(TE85L)		Q103	XE0070	FET	2SK3475(TE12L,F)	
D125	XD0420	Diode	FA3J3STP		Q104	XT0180	Transistor	2SC5066FT-Y (TE85L)	
D126	XL0036	Chip LED	SML-310MTT86		Q105	NC			
D127	XL0036	Chip LED	SML-310MTT86		Q106	XT0213	Transistor	2SC5659T2L	
D128	XL0036	Chip LED	SML-310MTT86		Q107	XT0213	Transistor	2SC5659T2L	
D129	XL0036	Chip LED	SML-310MTT86		Q108	XT0180	Transistor	2SC5066FT-Y (TE85L)	
D130	XD0416	Diode	1SS423(TE85L,F)		Q109	NC			
D131	XL0036	Chip LED	SML-310MTT86		Q110	XT0180	Transistor	2SC5066FT-Y (TE85L)	
D132	XL0036	Chip LED	SML-310MTT86		Q111	XT0214	Transistor	HN2C01FE-GR(T5L,F)	
D133	XD0418	Diode	RB521S-30TE61		Q112	XU0210	Transistor	RN1107MFV(TPL3)	
D134	XD0418	Diode	RB521S-30TE61		Q113	XT0219	Transistor	15GN03F-TL-E	
FL101	XF0041	MCF	UM5 21.7M 21R15A5		Q114	XE0053	FET	3SK293 TE85L	
FL102	XF0041	MCF	UM5 21.7M 21R15A5		Q115	NC			
FL103	XC0060	Filter	ALFYM450F=K		Q116	XE0053	FET	3SK293 TE85L	
IC101	XA1107	IC	MB15E07SR		Q117	XU0210	Transistor	RN1107MFV(TPL3)	
IC102	XA1106	IC	LM2902PWR		Q118	XT0219	Transistor	15GN03F-TL-E	
IC103	XA0404	IC	TA31136FN(EL)		Q119	XT0213	Transistor	2SC5659T2L	
IC104	XA1120	IC	S80845CLNB-B66-T2G		Q120	XT0210	Transistor	2SC6026MFV-GR	
IC105	XA1117	IC	S24CS64A01-J8T1G		Q121	XU0212	Transistor	RN2115MFV(TPL3)	

Ref. No.	Parts No.	Description	Parts Name	Version	Ref. No.	Parts No.	Description	Parts Name	Version
Q122	XU0210	Transistor	RN1107MFV(TPL3)		R132	RK3531	Chip R	ERJ2GEJ271X	
Q123	NC				R133	RK3550	Chip R	ERJ2GEJ103X	
Q124	XU0220	Transistor	RN2111MFV(TLP3)		R134	RK3551	Chip R	ERJ2GEJ123X	
Q125	XU0210	Transistor	RN1107MFV(TPL3)		R135	RK3551	Chip R	ERJ2GEJ123X	
Q126	XU0210	Transistor	RN1107MFV(TPL3)		R136	RK3538	Chip R	ERJ2GEJ102X	
Q127	XU0220	Transistor	RN2111MFV(TLP3)		R137	RK3551	Chip R	ERJ2GEJ123X	
Q128	XT0210	Transistor	2SC6026MFV-GR		R138	RK3562	Chip R	ERJ2GEJ104X	
Q129	XT0210	Transistor	2SC6026MFV-GR		R139	RK3550	Chip R	ERJ2GEJ103X	
Q130	XT0170	Transistor	2SB766A-(TX)R		R140	NC			
Q131	XT0210	Transistor	2SC6026MFV-GR		R141	RK3557	Chip R	ERJ2GEJ393X	
Q132	XT0170	Transistor	2SB766A-(TX)R		R142	NC			
Q133	XE0069	FET	SSM3K15FV(TPL3,Z)		R143	RK3546	Chip R	ERJ2GEJ472X	
Q134	XU0210	Transistor	RN1107MFV(TPL3)		R144	NC			
Q135	XT0214	Transistor	HN2C01FE-GR(T5L,F)		R145	RK3550	Chip R	ERJ2GEJ103X	
Q136	XT0170	Transistor	2SB766A-(TX)R		R146	RK3537	Chip R	ERJ2GEJ821X	
Q137	XT0212	Transistor	2SA1955FV-A(TPL3)		R147	RK3526	Chip R	ERJ2GEJ101X	
Q138	XT0212	Transistor	2SA1955FV-A(TPL3)		R148	RK3542	Chip R	ERJ2GEJ222X	
Q139	XT0214	Transistor	HN2C01FE-GR(T5L,F)		R149	NC			
Q140	XT0212	Transistor	2SA1955FV-A(TPL3)		R150	RK3550	Chip R	ERJ2GEJ103X	
Q141	XT0210	Transistor	2SC6026MFV-GR		R151	RK3550	Chip R	ERJ2GEJ103X	
Q142	XU0213	Transistor	RN1111MFV(TPL3),F		R152	RK3547	Chip R	ERJ2GEJ562X	
Q143	XU0213	Transistor	RN1111MFV(TPL3),F		R154	RK3570	Chip R	ERJ2GEJ474X	
Q144	XU0210	Transistor	RN1107MFV(TPL3)		R155	RK3542	Chip R	ERJ2GEJ222X	
Q145	XU0211	Transistor	RN2107MFV(TPL3)		R156	RK3538	Chip R	ERJ2GEJ102X	
Q146	XU0213	Transistor	RN1111MFV(TPL3),F		R157	RK3550	Chip R	ERJ2GEJ103X	
Q147	XE0069	FET	SSM3K15FV(TPL3,Z)		R159	RK3539	Chip R	ERJ2GEJ122X	
Q148	XE0069	FET	SSM3K15FV(TPL3,Z)		R161	RK3538	Chip R	ERJ2GEJ102X	
Q149	XT0210	Transistor	2SC6026MFV-GR		R162	RK3564	Chip R	ERJ2GEJ154X	
Q152	XU0211	Transistor	RN2107MFV(TPL3)		R163	RK3522	Chip R	ERJ2GEJ470X	
Q153	XU0211	Transistor	RN2107MFV(TPL3)		R164	RK3550	Chip R	ERJ2GEJ103X	
R101	RK3534	Chip R	ERJ2GEJ471X		R165	RK3544	Chip R	ERJ2GEJ332X	
R102	RK3545	Chip R	ERJ2GEJ392X		R166	RK3530	Chip R	ERJ2GEJ221X	
R103	RK3501	Chip R	ERJ2GE0R00X		R167	RK3542	Chip R	ERJ2GEJ222X	
R104	RK3501	Chip R	ERJ2GE0R00X		R168	RK3526	Chip R	ERJ2GEJ101X	
R105	RK3556	Chip R	ERJ2GEJ333X		R169	RK3550	Chip R	ERJ2GEJ103X	
R106	RK3574	Chip R	ERJ2GEJ105X		R170	RK3530	Chip R	ERJ2GEJ221X	
R107	RK3526	Chip R	ERJ2GEJ101X		R171	RK3526	Chip R	ERJ2GEJ101X	
R108	RK3534	Chip R	ERJ2GEJ471X		R172	NC			
R109	RK3030	Chip R	MCR03EZJ221		R173	NC			
R111	RK3542	Chip R	ERJ2GEJ222X		R174	RK3530	Chip R	ERJ2GEJ221X	
R112	RK3556	Chip R	ERJ2GEJ333X		R175	RK3550	Chip R	ERJ2GEJ103X	
R113	RK3548	Chip R	ERJ2GEJ682X		R176	RK3570	Chip R	ERJ2GEJ474X	
R114	RK3574	Chip R	ERJ2GEJ105X		R177	RK3550	Chip R	ERJ2GEJ103X	
R115	RK3550	Chip R	ERJ2GEJ103X		R178	RK3550	Chip R	ERJ2GEJ103X	
R116	RK3022	Chip R	MCR03EZJ470		R179	RK3538	Chip R	ERJ2GEJ102X	
R117	RK3530	Chip R	ERJ2GEJ221X		R180	NC			
R118	RK3526	Chip R	ERJ2GEJ101X		R181	RK3550	Chip R	ERJ2GEJ103X	
R119	RK3566	Chip R	ERJ2GEJ224X		R182	RK3566	Chip R	ERJ2GEJ224X	
R120	RK3550	Chip R	ERJ2GEJ103X		R183	NC			
R121	RK3538	Chip R	ERJ2GEJ102X		R184	NC			
R122	NC				R185	RK3562	Chip R	ERJ2GEJ104X	
R123	RK3522	Chip R	ERJ2GEJ470X		R186	RK3550	Chip R	ERJ2GEJ103X	
R124	NC				R187	RK3526	Chip R	ERJ2GEJ101X	
R125	NC				R188	RK3538	Chip R	ERJ2GEJ102X	
R126	RK3562	Chip R	ERJ2GEJ104X		R189	RK3539	Chip R	ERJ2GEJ122X	
R127	RK3565	Chip R	ERJ2GEJ184X		R190	NC			
R128	RK3550	Chip R	ERJ2GEJ103X		R191	RK3550	Chip R	ERJ2GEJ103X	
R129	RK3574	Chip R	ERJ2GEJ105X		R192	RK3558	Chip R	ERJ2GEJ473X	
R130	RK3538	Chip R	ERJ2GEJ102X		R193	RK3562	Chip R	ERJ2GEJ104X	
R131	RK3552	Chip R	ERJ2GEJ153X		R194	RK3522	Chip R	ERJ2GEJ470X	

Ref. No.	Parts No.	Description	Parts Name	Version	Ref. No.	Parts No.	Description	Parts Name	Version
R195	RK3558	Chip R	ERJ2GEJ473X		R258	RK3574	Chip R	ERJ2GEJ105X	
R196	RK3558	Chip R	ERJ2GEJ473X		R259	RK3566	Chip R	ERJ2GEJ224X	
R197	RK3574	Chip R	ERJ2GEJ105X		R260	RK3553	Chip R	ERJ2GEJ183X	
R198	RK3574	Chip R	ERJ2GEJ105X		R261	RK3574	Chip R	ERJ2GEJ105X	
R199	RK3553	Chip R	ERJ2GEJ183X		R262	RK3562	Chip R	ERJ2GEJ104X	
R200	RK3560	Chip R	ERJ2GEJ683X		R263	RK3562	Chip R	ERJ2GEJ104X	
R201	RK3522	Chip R	ERJ2GEJ470X		R264	RK3558	Chip R	ERJ2GEJ473X	
R202	RK3539	Chip R	ERJ2GEJ122X		R265	RK3536	Chip R	ERJ2GEJ681X	
R203	RK3566	Chip R	ERJ2GEJ224X		R266	RK3518	Chip R	ERJ2GEJ220X	
R204	RK3574	Chip R	ERJ2GEJ105X		R267	NC			
R205	RK3574	Chip R	ERJ2GEJ105X		R269	RK3532	Chip R	ERJ2GEJ331X	
R206	RK3558	Chip R	ERJ2GEJ473X		R270	RK3560	Chip R	ERJ2GEJ683X	
R207	RK3556	Chip R	ERJ2GEJ333X		R272	RK3556	Chip R	ERJ2GEJ333X	
R208	NC				R273	RK3566	Chip R	ERJ2GEJ224X	
R209	RK3526	Chip R	ERJ2GEJ101X		R274	RK3544	Chip R	ERJ2GEJ332X	
R210	RK3522	Chip R	ERJ2GEJ470X		R275	RK3566	Chip R	ERJ2GEJ224X	
R211	RK3558	Chip R	ERJ2GEJ473X		R276	RK3560	Chip R	ERJ2GEJ683X	
R212	RK3550	Chip R	ERJ2GEJ103X		R277	RK3552	Chip R	ERJ2GEJ153X	
R213	RK3562	Chip R	ERJ2GEJ104X		R278	RK3562	Chip R	ERJ2GEJ104X	
R214	RK3564	Chip R	ERJ2GEJ154X		R279	RK3558	Chip R	ERJ2GEJ473X	
R215	RK3561	Chip R	ERJ2GEJ823X		R280	RK3556	Chip R	ERJ2GEJ333X	
R216	RK3538	Chip R	ERJ2GEJ102X		R281	RK3017	Chip R	MCR03EZHJ180	
R218	RK3558	Chip R	ERJ2GEJ473X		R282	RK3514	Chip R	ERJ2GEJ100X	
R219	RK3564	Chip R	ERJ2GEJ154X		R283	RK3554	Chip R	ERJ2GEJ223X	
R220	RK3556	Chip R	ERJ2GEJ333X		R284	RK3561	Chip R	ERJ2GEJ823X	
R221	RK3548	Chip R	ERJ2GEJ682X		R285	RK3550	Chip R	ERJ2GEJ103X	
R222	RK3558	Chip R	ERJ2GEJ473X		R286	RK3570	Chip R	ERJ2GEJ474X	
R223	RK3550	Chip R	ERJ2GEJ103X		R287	RK3550	Chip R	ERJ2GEJ103X	
R224	RK3550	Chip R	ERJ2GEJ103X		R288	RK3550	Chip R	ERJ2GEJ103X	
R225	RK3554	Chip R	ERJ2GEJ223X		R289	RK3565	Chip R	ERJ2GEJ184X	
R226	RK3554	Chip R	ERJ2GEJ223X		R290	RK3017	Chip R	MCR03EZHJ180	
R227	RK3559	Chip R	ERJ2GEJ563X		R291	RK3551	Chip R	ERJ2GEJ123X	
R228	RK3550	Chip R	ERJ2GEJ103X		R292	RK3569	Chip R	ERJ2GEJ394X	
R229	RK3550	Chip R	ERJ2GEJ103X		R293	RK3532	Chip R	ERJ2GEJ331X	
R230	RK3562	Chip R	ERJ2GEJ104X		R294	RK3562	Chip R	ERJ2GEJ104X	
R231	RK3538	Chip R	ERJ2GEJ102X		R295	RK3538	Chip R	ERJ2GEJ102X	
R232	RK3568	Chip R	ERJ2GEJ334X		R296	RK3530	Chip R	ERJ2GEJ221X	
R234	RK3550	Chip R	ERJ2GEJ103X		R297	RK3546	Chip R	ERJ2GEJ472X	
R235	RK3562	Chip R	ERJ2GEJ104X		R298	RK3550	Chip R	ERJ2GEJ103X	
R236	RK3562	Chip R	ERJ2GEJ104X		R299	RK3550	Chip R	ERJ2GEJ103X	
R237	RK3522	Chip R	ERJ2GEJ470X		R300	RK3538	Chip R	ERJ2GEJ102X	
R238	RK3550	Chip R	ERJ2GEJ103X		R301	RK3501	Chip R	ERJ2GE0R00X	
R239	RK3567	Chip R	ERJ2GEJ274X		R302	RK3538	Chip R	ERJ2GEJ102X	
R240	RK3562	Chip R	ERJ2GEJ104X		R303	RK3550	Chip R	ERJ2GEJ103X	
R242	RK3501	Chip R	ERJ2GE0R00X		R304	RK3546	Chip R	ERJ2GEJ472X	
R243	RK3550	Chip R	ERJ2GEJ103X		R305	RK3550	Chip R	ERJ2GEJ103X	
R244	RK3564	Chip R	ERJ2GEJ154X		R306	RK3550	Chip R	ERJ2GEJ103X	
R245	RK3544	Chip R	ERJ2GEJ332X		R308	RK3574	Chip R	ERJ2GEJ105X	
R246	RK3562	Chip R	ERJ2GEJ104X		R309	RK3574	Chip R	ERJ2GEJ105X	
R247	RK3564	Chip R	ERJ2GEJ154X		R310	RK3550	Chip R	ERJ2GEJ103X	
R248	RK3538	Chip R	ERJ2GEJ102X		R311	RK3550	Chip R	ERJ2GEJ103X	
R249	RK3565	Chip R	ERJ2GEJ184X		R312	RK3570	Chip R	ERJ2GEJ474X	
R250	RK3550	Chip R	ERJ2GEJ103X		R313	RK3550	Chip R	ERJ2GEJ103X	
R251	RK3562	Chip R	ERJ2GEJ104X		R314	RK3554	Chip R	ERJ2GEJ223X	
R252	RK3561	Chip R	ERJ2GEJ823X		R315	RK3542	Chip R	ERJ2GEJ222X	
R253	RK3566	Chip R	ERJ2GEJ224X		R316	RK3550	Chip R	ERJ2GEJ103X	
R254	RK3550	Chip R	ERJ2GEJ103X		R317	RK3570	Chip R	ERJ2GEJ474X	
R255	RK3562	Chip R	ERJ2GEJ104X		R318	RK3550	Chip R	ERJ2GEJ103X	
R256	RK3562	Chip R	ERJ2GEJ104X		R319	RK3554	Chip R	ERJ2GEJ223X	
R257	RK3538	Chip R	ERJ2GEJ102X		R320	RK3574	Chip R	ERJ2GEJ105X	

Ref. No.	Parts No.	Description	Parts Name	Version
R321	RK3550	Chip R	ERJ2GEJ103X	
R322	RK3568	Chip R	ERJ2GEJ334X	
R323	RK3550	Chip R	ERJ2GEJ103X	
R324	RK3548	Chip R	ERJ2GEJ682X	
R325	RK3559	Chip R	ERJ2GEJ563X	
R326	RK3559	Chip R	ERJ2GEJ563X	
R327	RK3550	Chip R	ERJ2GEJ103X	
R328	RK3550	Chip R	ERJ2GEJ103X	
R330	RK3546	Chip R	ERJ2GEJ472X	
R331	RK3546	Chip R	ERJ2GEJ472X	
R332	RK3546	Chip R	ERJ2GEJ472X	
R333	RK3546	Chip R	ERJ2GEJ472X	
R334	RK3562	Chip R	ERJ2GEJ104X	
R335	RK3562	Chip R	ERJ2GEJ104X	
R336	RK3562	Chip R	ERJ2GEJ104X	
R337	RK3550	Chip R	ERJ2GEJ103X	
R338	RK3542	Chip R	ERJ2GEJ222X	
R339	RK3550	Chip R	ERJ2GEJ103X	
R340	RK3550	Chip R	ERJ2GEJ103X	
R341	RK3550	Chip R	ERJ2GEJ103X	
R342	RK3538	Chip R	ERJ2GEJ102X	
R343	RK3550	Chip R	ERJ2GEJ103X	
R344	RK3537	Chip R	ERJ2GEJ821X	
R345	RK3558	Chip R	ERJ2GEJ473X	
R346	RK3537	Chip R	ERJ2GEJ821X	
R347	NC			
R348	RK3552	Chip R	ERJ2GEJ153X	
R349	NC			
R350	RK3562	Chip R	ERJ2GEJ104X	
R351	RK3550	Chip R	ERJ2GEJ103X	
R352	NC			
R353	RK3546	Chip R	ERJ2GEJ472X	
R354	RK3550	Chip R	ERJ2GEJ103X	
R355	RK3550	Chip R	ERJ2GEJ103X	
R357	RK3501	Chip R	ERJ2GE0R00X	
R358	NC			
R359	NC			
R360	NC			
R361	NC			
R362	RK3536	Chip R	ERJ2GEJ681X	
R363	RK3558	Chip R	ERJ2GEJ473X	
R364	RK1018	Chip R	ERJ8GEYJ101V	
R365	RK3546	Chip R	ERJ2GEJ472X	
R366	RK3566	Chip R	ERJ2GEJ224X	
R367	RK3558	Chip R	ERJ2GEJ473X	
R368	RK3548	Chip R	ERJ2GEJ682X	
R369	RK3538	Chip R	ERJ2GEJ102X	
R370	RK3501	Chip R	ERJ2GE0R00X	
R371	RK3546	Chip R	ERJ2GEJ472X	
R372	RK3550	Chip R	ERJ2GEJ103X	
R373	RK3546	Chip R	ERJ2GEJ472X	
R374	RK3562	Chip R	ERJ2GEJ104X	
R375	RK3550	Chip R	ERJ2GEJ103X	
R376	RK3562	Chip R	ERJ2GEJ104X	
R377	RK3562	Chip R	ERJ2GEJ104X	
R378	RK3566	Chip R	ERJ2GEJ224X	
R379	RK3562	Chip R	ERJ2GEJ104X	
R380	RK3566	Chip R	ERJ2GEJ224X	
R381	RK3554	Chip R	ERJ2GEJ223X	
R382	NC			

Ref. No.	Parts No.	Description	Parts Name	Version
R384	NC			
R385	NC			T
R385	RK3038	Chip R	MCR03EZJH102	TFH, R
R385	RK3064	Chip R	MCR03EZJH154	E, EUK
R386	NC			
R387	NC			
R388	RK3550	Chip R	ERJ2GEJ103X	
R392	RK3550	Chip R	ERJ2GEJ103X	
R393	RK3534	Chip R	ERJ2GEJ471X	
R394	RK3531	Chip R	ERJ2GEJ271X	
R395	RK3556	Chip R	ERJ2GEJ333X	
R396	RK3556	Chip R	ERJ2GEJ333X	
R398	RK3558	Chip R	ERJ2GEJ473X	TFH, R
R398	RK3570	Chip R	ERJ2GEJ474X	T, E, EUK
R401	RK3501	Chip R	ERJ2GE0R00X	
R402	RK3501	Chip R	ERJ2GE0R00X	
R403	RK3570	Chip R	ERJ2GEJ474X	
R404	RK3550	Chip R	ERJ2GEJ103X	
R405	RK3542	Chip R	ERJ2GEJ222X	
R406	RK3546	Chip R	ERJ2GEJ472X	
R407	RK3562	Chip R	ERJ2GEJ104X	
R408	RK3526	Chip R	ERJ2GEJ101X	
SW101	UU0041	Switch	EVQP4203M	
SW102	UU0041	Switch	EVQP4203M	
SW103	UU0041	Switch	EVQP4203M	
TC101	CT0050	Trimmer	TZY2Z100A001R00	
TH101	XS0052	Thermistor	NTCG104LH104JT1	
VR101	RH0233	Trimmer R	RH02B1C15X	
VR102	NC			
VR103	RH0225	Trimmer R	RH02B1CS3X	
VR104	RH0225	Trimmer R	RH02B1CS3X	
VR105	NC			
W101	MPCL07AA	Wire	#30P02-070-02	
W102	MACL07AA	Wire	#30A02-070-02	
W103	NC			EUK
W103	MACLH2GG	Wire	#30AH1-025-H1	T, E
X101	XQ0175	Crystal	SX2112 21.25MHDG0687	
X102	NC			
X103	XK0004	Discriminator	CDBLB450KCAY24-B0	
X104	XQ0184	Crystal	AT49 3.6864M	
	UP0541	PCB	DJ170 INTEGRATED	
	FM0265		HEAT SINK DJ170	
	TS0183	VCO CASE	VCO CASE	
	TZ0049		SILICON DUMPER	

## Mechanical Unit

Model:DJ-V17

Ref. No.	Parts No.	Description	Parts Name	Version
	ADFV17	FRONT CASE ASSY	FRONT CASE ASSY	
	ADRV17	REAR CASE ASSY	REAR CASE ASSY	
	AF0018	SCREW	XQN2+C4FZ	
	AF0030	SCREW	XQN2+A6FN(58364-0001	
	AP0039	SCREW	PH P2+20 FE/3BBC	
	AX0004Z	SCREW	PT 3P 2X8 BBC AX0004	
	DG0046		LCD LIGHT	
	DP0181		LCD PANNEL DJV17	
	FG0392		WATERPROOF	
	FG0418		LCD RUBBER CONE	



Model:DJ-V17

Ref. No.	Parts No.	Description	Parts Name	Version
	FG0419		WATERPROOF RUBBER	
	FG0423		JACK CAP DJ170	
	FG0424		O RING (R COVER)	
	FG0426		MIC RUBBER	
	FP0254		REAR COVER	
	FP0255		ROCK LEVER	
	FP0264		BLIND SEAL	
	NK0081		VOL KNOB	
	SP0013		LECTRA #7800	
	ST0089		LCD HOLDER	
	TL0033		REFLECTIVE SHEET	
	YX0039		LCD TAPE DJS45	

Packing Unit

Model:DJ-V17

Ref. No.	Parts No.	Description	Parts Name	Version
	EA0141	ANTENNA	ANTENNA EA0141	T, E, EUK
	EA0142	ANTENNA	ANTENNA EA0142	TFH, R
	EG0062	BATTERY	EBP-65 P BAG	TFH, R
	EG0065	BATTERY	EBP-65A P BAG	T, E, EUK
	EDC146	ADAPTOR	ADAPTOR 120V	T
	EDC147	ADAPTOR	ADAPTOR 230V	E
	EDC148	ADAPTOR	ADAPTOR 230V (UK)	EUK
	PR0478		SERIAL SEAL	
	DS0446		NITTO MODEL PLATE(S)	
	PR0447		WARNING FCC (N)	T
	PR0452		FCC HOME USE	T
	HU0234		INNER DJ170	
	PS0520A	INSTRUCTION MANUAL	INSTRUCTION DJV17	
	PH0015		WARRANTY CEAT EXPO T	
	PK0110		CIRCUIT DIAGRAM V17	
	HK0637		INDIVIDUAL BOX V17	
	HP0031		PLA.BAG 5X100X200	
	BH0017	BELT CLIP	BELT CLIP	
	BB0009Y	HAND STRAP	HAND STRAP DJS41	
	AA0076		PH M3+6FE/B·ZN	
	HP0003		PLA.BAG 5X75X110	

**CAUTION:** RISK OF EXPLOSION IF BATTERY IS REPLACED BY AN INCORRECT TYPE. DISPOSE OF USED BATTERIES ACCORDING TO THE INSTRUCTIONS.

# PARTS LIST<DJ-V47>

## MAIN Unit

Model:DJ-V47

Ref. No.	Parts No.	Description	Parts Name	Version	Ref. No.	Parts No.	Description	Parts Name	Version
C101	CU3031	Chip C	C1608JB1H471KT-AS		C152	CU3515	Chip C	GRP1552C1H220JZ01E	TA2
C102	CU3031	Chip C	C1608JB1H471KT-AS		C152	CU3516	Chip C	GRP1552C1H270JZ01E	T, E, EUK
C103	CU3031	Chip C	C1608JB1H471KT-AS		C152	CU3519	Chip C	GRP1552C1H470JZ01E	TA1
C104	CU3510	Chip C	GRP1552C1H9R0DZ01E		C153	CU3507	Chip C	GRP1552C1H6R0DZ01E	
C105	CU3511	Chip C	GRP1552C1H100JZ01E		C154	CU3523	Chip C	GRP1552C1H101JD01E	
C106	CU3503	Chip C	GRP1554C1H2R0CZ01E		C155	CU3559	Chip C	GRM155B30J105KE18D	
C107	CU3006	Chip C	C1608CH1H050CT-AS		C156	CU3511	Chip C	GRP1552C1H100JZ01E	
C108	CU3006	Chip C	C1608CH1H050CT-AS		C157	CU3501	Chip C	GRP1554C1HR50CZ01E	
C109	CU3007	Chip C	C1608CH1H060DT-A	TA2	C158	NC			
C109	CU3009	Chip C	C1608CH1H080DT-A	EUK	C159	CU3535	Chip C	GRP155B11H102KA01E	
C110	CU3014	Chip C	C1608CH1H180JT-AS	TA1	C160	CU3511	Chip C	GRP1552C1H100JZ01E	
C110	CU3010	Chip C	C1608CH1H090DT-A	TA2	C161	CU3504	Chip C	GRP1553C1H3R0CZ01E	
C110	CU3012	Chip C	C1608CH1H120JT-AS	T, E, EUK	C162	CU3527	Chip C	GRP1552C1E221JD01E	
C111	CU3013	Chip C	C1608CH1H150JT-AS		C163	CS0426	Chip Tantalum	F931A106MAA	
C112	CU3011	Chip C	C1608CH1H100DT-AS		C164	CS0426	Chip Tantalum	F931A106MAA	
C113	CU3011	Chip C	C1608CH1H100DT-AS		C165	CU3554	Chip C	GRP155B11A104KA01E	
C114	CU3015	Chip C	C1608CH1H220JT-AS		C166	CU3531	Chip C	GRP155B11H471KD01E	
C115	CU3512	Chip C	GRP1552C1H120JZ01E		C167	CU3547	Chip C	GRP155B11C103KA01E	
C116	CU3531	Chip C	GRP155B11H471KD01E		C168	CU3531	Chip C	GRP155B11H471KD01E	
C117	NC				C169	CU3531	Chip C	GRP155B11H471KD01E	
C118	CU3501	Chip C	GRP1554C1HR50CZ01E	T, E, EUK, TA2	C170	NC			
C118	CU3502	Chip C	GRP1554C1H1R0CZ01E	TA1	C171	CU3515	Chip C	GRP1552C1H220JZ01E	
C119	CU3501	Chip C	GRP1554C1HR50CZ01E	T, E, EUK, TA2	C172	NC			
C119	CU3502	Chip C	GRP1554C1H1R0CZ01E	TA1	C173	CU3531	Chip C	GRP155B11H471KD01E	
C120	NC				C174	CS0396	Chip Tantalum	TMCP1D104MTR	
C121	NC				C176	NC			
C122	CU3547	Chip C	GRP155B11C103KA01E		C177	CU3505	Chip C	GRP1552C1H4R0CZ01E	
C123	NC				C178	CU3503	Chip C	GRP1554C1H2R0CZ01E	
C124	CU3005	Chip C	C1608CH1H040CT-AS		C179	CU3133	Chip C	TMK107BJ105KA-T	
C125	CU3006	Chip C	C1608CH1H050CT-AS		C180	CU3531	Chip C	GRP155B11H471KD01E	
C126	CU3006	Chip C	C1608CH1H050CT-AS		C181	CU3531	Chip C	GRP155B11H471KD01E	
C127	CU3006	Chip C	C1608CH1H050CT-AS		C182	CU3133	Chip C	TMK107BJ105KA-T	
C128	CU3554	Chip C	GRP155B11A104KA01E		C183	CS0398	Chip Tantalum	TMCP0J225MTR	
C129	CU3531	Chip C	GRP155B11H471KD01E		C184	NC			
C130	CU3531	Chip C	GRP155B11H471KD01E		C185	CU3531	Chip C	GRP155B11H471KD01E	
C131	NC				C186	CU3554	Chip C	GRP155B11A104KA01E	
C132	CU3547	Chip C	GRP155B11C103KA01E		C187	CU3523	Chip C	GRP1552C1H101JD01E	
C133	CU3531	Chip C	GRP155B11H471KD01E		C188	CU3531	Chip C	GRP155B11H471KD01E	
C134	CU3547	Chip C	GRP155B11C103KA01E		C189	CU3531	Chip C	GRP155B11H471KD01E	
C135	CU3531	Chip C	GRP155B11H471KD01E		C190	CU3505	Chip C	GRP1552C1H4R0CZ01E	
C136	CU3531	Chip C	GRP155B11H471KD01E		C191	CU3505	Chip C	GRP1552C1H4R0CZ01E	
C137	CU3511	Chip C	GRP1552C1H100JZ01E		C192	CU3503	Chip C	GRP1554C1H2R0CZ01E	T, E, EUK, TA2
C138	NC				C192	CU3505	Chip C	GRP1552C1H4R0CZ01E	TA1
C139	NC				C193	CU3502	Chip C	GRP1554C1H1R0CZ01E	
C140	NC				C194	CU3531	Chip C	GRP155B11H471KD01E	
C141	CU3513	Chip C	GRP1552C1H150JZ01E		C195	CU3506	Chip C	GRP1552C1H5R0CZ01E	T, E, EUK, TA2
C142	CS0441	Chip Tantalum	TMCA0J226MTRF		C195	CU3508	Chip C	GRP1552C1H7R0DZ01E	TA1
C143	CU3531	Chip C	GRP155B11H471KD01E		C196	CU3559	Chip C	GRM155B30J105KE18D	
C144	CU3531	Chip C	GRP155B11H471KD01E		C197	CU3520	Chip C	GRP1552C1H560JD01E	
C145	CU3531	Chip C	GRP155B11H471KD01E		C198	NC			TA1
C146	CU3531	Chip C	GRP155B11H471KD01E		C198	CU3502	Chip C	GRP1554C1H1R0CZ01E	T, E, EUK, TA2
C147	NC				C199	CU3531	Chip C	GRP155B11H471KD01E	
C148	CU3507	Chip C	GRP1552C1H6R0DZ01E		C200	CU3502	Chip C	GRP1554C1H1R0CZ01E	
C149	CU3531	Chip C	GRP155B11H471KD01E		C201	CU3502	Chip C	GRP1554C1H1R0CZ01E	
C150	NC			T, E, EUK, TA2	C202	CU3524	Chip C	GRP1552C1H121JD01E	
C150	CU3501	Chip C	GRP1554C1HR50CZ01E	TA1	C203	CU3505	Chip C	GRP1552C1H4R0CZ01E	
C151	CU3501	Chip C	GRP1554C1HR50CZ01E		C204	CU3531	Chip C	GRP155B11H471KD01E	

Ref. No.	Parts No.	Description	Parts Name	Version	Ref. No.	Parts No.	Description	Parts Name	Version
C205	CU3535	Chip C	GRP155B11H102KA01E		C282	CU3554	Chip C	GRP155B11A104KA01E	
C206	CU3531	Chip C	GRP155B11H471KD01E		C283	CU3531	Chip C	GRP155B11H471KD01E	
C207	CU3547	Chip C	GRP155B11C103KA01E		C284	CU3554	Chip C	GRP155B11A104KA01E	
C208	CU3523	Chip C	GRP1552C1H101JD01E		C285	CU3531	Chip C	GRP155B11H471KD01E	
C209	CU3511	Chip C	GRP1552C1H100JZ01E		C286	CU3554	Chip C	GRP155B11A104KA01E	
C210	CU3547	Chip C	GRP155B11C103KA01E		C287	CU3527	Chip C	GRP1552C1E221JD01E	
C211	CU3547	Chip C	GRP155B11C103KA01E		C288	CU3535	Chip C	GRP155B11H102KA01E	
C212	CU3505	Chip C	GRP1552C1H4R0CZ01E	T, E, EUK, TA2	C289	CU3547	Chip C	GRP155B11C103KA01E	
C212	CU3515	Chip C	GRP1552C1H220JZ01E	TA1	C270	CU3535	Chip C	GRP155B11H102KA01E	
C213	CU3531	Chip C	GRP155B11H471KD01E		C271	CU3531	Chip C	GRP155B11H471KD01E	
C214	CU3531	Chip C	GRP155B11H471KD01E		C272	CU3559	Chip C	GRM155B30J105KE18D	
C215	CU3512	Chip C	GRP1552C1H120JZ01E		C273	CU3513	Chip C	GRP1552C1H150JZ01E	
C216	CU3513	Chip C	GRP1552C1H150JZ01E	T, E, EUK, TA2	C274	CU3514	Chip C	GRP1552C1H180JZ01E	
C216	CU3515	Chip C	GRP1552C1H220JZ01E	TA1	C275	CU3543	Chip C	GRP155B11E472KD01E	
C217	CU3531	Chip C	GRP155B11H471KD01E		C276	CU3531	Chip C	GRP155B11H471KD01E	
C218	CU3547	Chip C	GRP155B11C103KA01E		C277	CU3133	Chip C	TMK107BJ105KA-T	
C219	CU3513	Chip C	GRP1552C1H150JZ01E		C278	CU3554	Chip C	GRP155B11A104KA01E	
C220	CU3513	Chip C	GRP1552C1H150JZ01E	T, E, EUK, TA2	C279	CS0439	Chip Tantalum	TMCMA0J476MTRF	
C220	CU3514	Chip C	GRP1552C1H180JZ01E	TA1	C280	CU3554	Chip C	GRP155B11A104KA01E	
C221	CU3501	Chip C	GRP1554C1HR50CZ01E		C281	CE0437	Electrolytic C	10CE150BSS	
C222	CU3506	Chip C	GRP1552C1H5R0CZ01E		C282	CU3554	Chip C	GRP155B11A104KA01E	
C223	CU3501	Chip C	GRP1554C1HR50CZ01E		C283	CU3551	Chip C	GRP155B11C223KD01E	
C224	CU3551	Chip C	GRP155B11C223KD01E		C284	CU3551	Chip C	GRP155B11C223KD01E	
C225	CU3531	Chip C	GRP155B11H471KD01E		C285	CU3535	Chip C	GRP155B11H102KA01E	
C226	CU3133	Chip C	TMK107BJ105KA-T		C286	CU3535	Chip C	GRP155B11H102KA01E	
C227	CU3536	Chip C	GRM38B122K50PT		C287	CU3554	Chip C	GRP155B11A104KA01E	
C228	CU3547	Chip C	GRP155B11C103KA01E		C288	CU3559	Chip C	GRM155B30J105KE18D	
C229	CU3547	Chip C	GRP155B11C103KA01E		C289	CS0441	Chip Tantalum	TMCMA0J226MTRF	
C230	CU3554	Chip C	GRP155B11A104KA01E		C290	CS0397	Chip Tantalum	TMCP1C105MTR	
C231	CU3554	Chip C	GRP155B11A104KA01E		C291	CU3531	Chip C	GRP155B11H471KD01E	
C232	CU3522	Chip C	GRP1552C1H820JD01E		C292	CS0440	Chip Tantalum	TMCMB1C476MTRF	
C233	CU3535	Chip C	GRP155B11H102KA01E		C293	CU3559	Chip C	GRM155B30J105KE18D	
C234	CU3554	Chip C	GRP155B11A104KA01E		C294	CU3554	Chip C	GRP155B11A104KA01E	
C235	CU3554	Chip C	GRP155B11A104KA01E		C295	CU3547	Chip C	GRP155B11C103KA01E	
C236	CU3523	Chip C	GRP1552C1H101JD01E		C296	CU3554	Chip C	GRP155B11A104KA01E	
C237	CU3554	Chip C	GRP155B11A104KA01E		C297	CU3553	Chip C	GRP155B11A473KA01E	
C238	CU3535	Chip C	GRP155B11H102KA01E		C298	CU3535	Chip C	GRP155B11H102KA01E	
C239	CU3531	Chip C	GRP155B11H471KD01E		C299	CU3531	Chip C	GRP155B11H471KD01E	
C240	NC				C300	NC			
C241	CU3554	Chip C	GRP155B11A104KA01E		C301	NC			
C242	CU3547	Chip C	GRP155B11C103KA01E		C302	CU3531	Chip C	GRP155B11H471KD01E	
C243	CU3531	Chip C	GRP155B11H471KD01E		C303	CU3551	Chip C	GRP155B11C223KD01E	
C244	CU3554	Chip C	GRP155B11A104KA01E		C304	CU3552	Chip C	GRP155B11A333KA01E	
C245	CS0441	Chip Tantalum	TMCMA0J226MTRF		C305	CU3554	Chip C	GRP155B11A104KA01E	
C246	CU3559	Chip C	GRM155B30J105KE18D		C306	CU3531	Chip C	GRP155B11H471KD01E	
C247	CU3531	Chip C	GRP155B11H471KD01E		C307	CS0439	Chip Tantalum	TMCMA0J476MTRF	
C248	CU3535	Chip C	GRP155B11H102KA01E		C308	CU3531	Chip C	GRP155B11H471KD01E	
C249	CU3547	Chip C	GRP155B11C103KA01E		C309	CU3531	Chip C	GRP155B11H471KD01E	
C250	CU3531	Chip C	GRP155B11H471KD01E		C310	CU3531	Chip C	GRP155B11H471KD01E	
C251	CU3547	Chip C	GRP155B11C103KA01E		C311	CU3531	Chip C	GRP155B11H471KD01E	
C252	CU3519	Chip C	GRP1552C1H470JZ01E		C312	CS0426	Chip Tantalum	F931A106MAA	
C253	CU3535	Chip C	GRP155B11H102KA01E		C313	CU3531	Chip C	GRP155B11H471KD01E	
C254	CU3535	Chip C	GRP155B11H102KA01E		C314	CU3547	Chip C	GRP155B11C103KA01E	
C255	CU3553	Chip C	GRP155B11A473KA01E		C315	CU3547	Chip C	GRP155B11C103KA01E	
C256	CU3554	Chip C	GRP155B11A104KA01E		C316	CU3535	Chip C	GRP155B11H102KA01E	
C257	CS0441	Chip Tantalum	TMCMA0J226MTRF		C317	CU3531	Chip C	GRP155B11H471KD01E	
C258	CU3554	Chip C	GRP155B11A104KA01E		C318	CU3531	Chip C	GRP155B11H471KD01E	
C259	CU3531	Chip C	GRP155B11H471KD01E		C319	CU3531	Chip C	GRP155B11H471KD01E	
C260	CU3527	Chip C	GRP1552C1E221JD01E		C320	CU3554	Chip C	GRP155B11A104KA01E	
C261	CU3522	Chip C	GRP1552C1H820JD01E		C321	CS0439	Chip Tantalum	TMCMA0J476MTRF	

Ref. No.	Parts No.	Description	Parts Name	Version	Ref. No.	Parts No.	Description	Parts Name	Version
C322	CU3554	Chip C	GRP155B11A104KA01E		D129	XL0036	Chip LED	SML-310MTT86	
C323	CU3547	Chip C	GRP155B11C103KA01E		D130	XD0416	Diode	1SS423(TE85L,F)	
C324	CU3547	Chip C	GRP155B11C103KA01E		D131	XL0036	Chip LED	SML-310MTT86	
C325	CU3531	Chip C	GRP155B11H471KD01E		D132	XL0036	Chip LED	SML-310MTT86	
C326	CE0436	Electrolytic C	16CE47BSS		D133	XD0418	Diode	RB521S-30TE61	
C327	CU3133	Chip C	TMK107BJ105KA-T		D134	XD0418	Diode	RB521S-30TE61	
C328	CU3531	Chip C	GRP155B11H471KD01E		D135	XD0377	Diode	MAZS0270HL	
C331	CU3535	Chip C	GRP155B11H102KA01E		FL101	XF0073	MCF	38M15B5F	
C332	CU3554	Chip C	GRP155B11A104KA01E		FL102	NC			
C334	NC			TA2	FL103	XC0060	Filter	ALFYM450F=K	
C334	CU3502	Chip C	GRP155C1H1R0CZ01E	T, E, EUK	IC101	XA1107	IC	MB15E07SR	
C334	CU3504	Chip C	GRP155C1H3R0CZ01E	TA1	IC102	XA1106	IC	LM2902PWR	
C336	GS0396	Chip Tantalum	TMCP1D104MTR		IC103	XA0404	IC	TA31136FN(EL)	
C347	CU3531	Chip C	GRP155B11H471KD01E		IC104	XA1120	IC	S80845CLNB-B66-T2G	
C349	CU3559	Chip C	GRM155B30J105KE18D		IC105	XA1117	IC	S24CS64A01-J8T1G	
C350	CU3559	Chip C	GRM155B30J105KE18D		IC106	XA0210	IC	NJM2070M T1	
C351	CU3133	Chip C	TMK107BJ105KA-T		IC107	XA1118	IC	M62429FP/CF0J	
C352	CU3531	Chip C	GRP155B11H471KD01E		IC108	XA1106	IC	LM2902PWR	
C353	CU3531	Chip C	GRP155B11H471KD01E		IC109	XA1121	IC	M38268MCA-076GP#UO	
C354	CU3531	Chip C	GRP155B11H471KD01E		IC110	XA1119	IC	XC6202P502MR	
C355	GS0398	Chip Tantalum	TMCP0J225MTR		JK101	UJ0060	Jack	HSJ1594-010150	
C356	CU3547	Chip C	GRP155B11C103KA01E		JK102	UJ0061	Jack	LD-0208-1.3	
C357	NC				L101	QS401405	Coil	0.40-1.4-5TL	
C358	NC				L102	QS401405	Coil	0.40-1.4-5TL	
C359	CU3531	Chip C	GRP155B11H471KD01E		L103	QS401405	Coil	0.40-1.4-5TL	
C360	CU3531	Chip C	GRP155B11H471KD01E		L104	QS4011Z4	Coil	E2-0.4-1.1-4TL	
C362	CU3531	Chip C	GRP155B11H471KD01E		L106	QC0749	Chip Inductor	C1608CB1N5K	
C363	CU3531	Chip C	GRP155B11H471KD01E		L107	QC0801	Chip Inductor	MLG1005S12NJT	
C372	CU3531	Chip C	GRP155B11H471KD01E		L108	QS30200D	Coil	0.30-2.0-13TL	
CN101	NC				L109	QC0804	Chip Inductor	MLG1005S22NJT	
CN102	NC				L110	QC0763	Chip Inductor	C1608CB68NJ	
CN103	UE0506	Connector	AXK520135P		L111	QC0803	Chip Inductor	MLG1005S18NJT	
D101	XD0339	Diode	1SV308(TPH3)		L112	QC0773	Chip Inductor	C1608CBR47J	
D102	XD0419	Diode	1SS400TE61		L113	QS501405	Coil	E2-0.5-1.4-5TL	
D103	XD0339	Diode	1SV308(TPH3)		L114	QB0057	Chip Inductor	MPZ1608S101AT	
D104	NC				L115	QB0057	Chip Inductor	MPZ1608S101AT	
D105	XD0251	Diode	MA741WA-(TX)		L116	QC0804	Chip Inductor	MLG1005S22NJT	
D106	NC				L117	QC0860	Chip Inductor	C2012H10NH	
D107	NC				L118	QB0057	Chip Inductor	MPZ1608S101AT	
D108	XD0422	Diode	HSC277TRF-E		L120	QC0812	Chip Inductor	MLG1005SR10JT	
D109	XD0403	Diode	1SV314(TPH3,F)		L121	QC0803	Chip Inductor	MLG1005S18NJT	
D110	XD0403	Diode	1SV314(TPH3,F)		L122	QC0817	Chip Inductor	MLG1005SR27JT	
D111	NC				L123	QC0766	Chip Inductor	C1608CBR12J	
D112	XD0339	Diode	1SV308(TPH3)		L124	QC0768	Chip Inductor	C1608CBR18J	
D113	XD0339	Diode	1SV308(TPH3)		L125	QC0757	Chip Inductor	C1608CB22NJ	
D114	XD0339	Diode	1SV308(TPH3)		L126	QC0755	Chip Inductor	C1608CB15NJ	
D115	XD0403	Diode	1SV314(TPH3,F)		L127	QC0768	Chip Inductor	C1608CBR18J	
D116	XD0403	Diode	1SV314(TPH3,F)		L128	QC0757	Chip Inductor	C1608CB22NJ	
D117	XD0403	Diode	1SV314(TPH3,F)		L129	QC0755	Chip Inductor	C1608CB15NJ	
D118	XD0403	Diode	1SV314(TPH3,F)		L130	QC0820	Chip Inductor	LB2518T151K	
D119	XL0097	Chip LED	SML-521MUWT86		L131	QC0842	Chip Inductor	LB2518T221K	
D120	XD0338	Diode	1SS362(TE85L)		L136	QC0812	Chip Inductor	MLG1005SR10JT	
D121	XD0419	Diode	1SS400TE61		L137	QC0812	Chip Inductor	MLG1005SR10JT	
D122	XD0424	Diode	S3JB-T		LCD101	EL0059	LCD	LCD DJ170	
D123	XD0420	Diode	FA3J3STP		MIC101	EY0017	Microphone	OB-27P44	
D124	XD0338	Diode	1SS362(TE85L)		Q101	XT0210	Transistor	2SC6026MFV-GR	
D125	XD0420	Diode	FA3J3STP		Q102	XE0071	FET	2SK3476(TE12L,Q)	
D126	XL0036	Chip LED	SML-310MTT86		Q103	XE0070	FET	2SK3475(TE12L,F)	
D127	XL0036	Chip LED	SML-310MTT86		Q104	XT0180	Transistor	2SC5066FT-Y (TE85L)	
D128	XL0036	Chip LED	SML-310MTT86		Q105	XT0180	Transistor	2SC5066FT-Y (TE85L)	

Ref. No.	Parts No.	Description	Parts Name	Version	Ref. No.	Parts No.	Description	Parts Name	Version
Q106	NC				R116	RK3022	Chip R	MCR03EZHJ470	
Q107	XT0213	Transistor	2SC5659T2L		R117	RK3530	Chip R	ERJ2GEJ221X	
Q108	XT0180	Transistor	2SC5066FT-Y (TE85L)		R118	RK3526	Chip R	ERJ2GEJ101X	
Q109	NC				R119	RK3566	Chip R	ERJ2GEJ224X	
Q110	XT0180	Transistor	2SC5066FT-Y (TE85L)		R120	NC			
Q111	XT0214	Transistor	HN2C01FE-GR(T5L,F)		R121	RK3538	Chip R	ERJ2GEJ102X	
Q112	XU0210	Transistor	RN1107MFV(TPL3)		R122	RK3542	Chip R	ERJ2GEJ222X	
Q113	XT0180	Transistor	2SC5066FT-Y (TE85L)		R123	RK3522	Chip R	ERJ2GEJ470X	
Q114	XE0053	FET	3SK293 TE85L		R124	RK3526	Chip R	ERJ2GEJ101X	
Q115	XT0213	Transistor	2SC5659T2L		R125	NC			
Q116	XE0053	FET	3SK293 TE85L		R126	RK3562	Chip R	ERJ2GEJ104X	
Q117	XU0210	Transistor	RN1107MFV(TPL3)		R127	RK3562	Chip R	ERJ2GEJ104X	
Q118	XT0180	Transistor	2SC5066FT-Y (TE85L)		R128	RK3550	Chip R	ERJ2GEJ103X	
Q119	XT0213	Transistor	2SC5659T2L		R129	RK3574	Chip R	ERJ2GEJ105X	
Q120	XT0210	Transistor	2SC6026MFV-GR		R130	NC			
Q121	XU0212	Transistor	RN2115MFV(TPL3)		R131	RK3552	Chip R	ERJ2GEJ153X	
Q122	XU0210	Transistor	RN1107MFV(TPL3)		R132	RK3530	Chip R	ERJ2GEJ221X	
Q123	NC				R133	RK3550	Chip R	ERJ2GEJ103X	
Q124	XU0220	Transistor	RN2111MFV(TLP3)		R136	RK3538	Chip R	ERJ2GEJ102X	
Q125	XU0210	Transistor	RN1107MFV(TPL3)		R137	RK3553	Chip R	ERJ2GEJ183X	TA2
Q126	XU0210	Transistor	RN1107MFV(TPL3)		R137	RK3554	Chip R	ERJ2GEJ223X	T, E, EUK
Q127	XU0220	Transistor	RN2111MFV(TLP3)		R137	RK3556	Chip R	ERJ2GEJ333X	TA1
Q128	XT0210	Transistor	2SC6026MFV-GR		R138	RK3562	Chip R	ERJ2GEJ104X	
Q129	XT0210	Transistor	2SC6026MFV-GR		R139	RK3550	Chip R	ERJ2GEJ103X	
Q130	XT0170	Transistor	2SB766A-(TX)R		R140	RK3501	Chip R	ERJ2GEOR00X	
Q131	XT0210	Transistor	2SC6026MFV-GR		R141	RK3555	Chip R	ERJ2GEJ273X	
Q132	XT0170	Transistor	2SB766A-(TX)R		R142	RK3550	Chip R	ERJ2GEJ103X	
Q133	XE0069	FET	SSM3K15FV(TPL3,Z)		R143	RK3546	Chip R	ERJ2GEJ472X	
Q134	XU0210	Transistor	RN1107MFV(TPL3)		R144	RK3501	Chip R	ERJ2GEOR00X	
Q135	XT0214	Transistor	HN2C01FE-GR(T5L,F)		R145	RK3550	Chip R	ERJ2GEJ103X	
Q136	XT0170	Transistor	2SB766A-(TX)R		R146	RK3537	Chip R	ERJ2GEJ821X	
Q137	XT0212	Transistor	2SA1955FV-A(TPL3)		R147	RK3526	Chip R	ERJ2GEJ101X	
Q138	XT0212	Transistor	2SA1955FV-A(TPL3)		R148	RK3542	Chip R	ERJ2GEJ222X	
Q139	XT0214	Transistor	HN2C01FE-GR(T5L,F)		R149	RK3532	Chip R	ERJ2GEJ331X	
Q140	XT0212	Transistor	2SA1955FV-A(TPL3)		R150	RK3567	Chip R	ERJ2GEJ274X	
Q141	XT0210	Transistor	2SC6026MFV-GR		R151	NC			
Q142	XU0213	Transistor	RN1111MFV(TPL3),F		R152	RK3542	Chip R	ERJ2GEJ222X	T, E, EUK, TA2
Q143	XU0213	Transistor	RN1111MFV(TPL3),F		R152	RK3543	Chip R	ERJ2GEJ272X	TA1
Q144	XU0210	Transistor	RN1107MFV(TPL3)		R154	RK3570	Chip R	ERJ2GEJ474X	
Q145	XU0211	Transistor	RN2107MFV(TPL3)		R155	RK3542	Chip R	ERJ2GEJ222X	
Q146	XU0213	Transistor	RN1111MFV(TPL3),F		R156	RK3538	Chip R	ERJ2GEJ102X	
Q147	XE0069	FET	SSM3K15FV(TPL3,Z)		R157	RK3550	Chip R	ERJ2GEJ103X	
Q148	XE0069	FET	SSM3K15FV(TPL3,Z)		R159	RK3539	Chip R	ERJ2GEJ122X	
Q149	XT0210	Transistor	2SC6026MFV-GR		R161	RK3538	Chip R	ERJ2GEJ102X	
Q152	XU0211	Transistor	RN2107MFV(TPL3)		R162	RK3564	Chip R	ERJ2GEJ154X	
Q153	XU0211	Transistor	RN2107MFV(TPL3)		R163	RK3522	Chip R	ERJ2GEJ470X	
R101	RK3534	Chip R	ERJ2GEJ471X		R164	RK3550	Chip R	ERJ2GEJ103X	
R102	RK3545	Chip R	ERJ2GEJ392X		R165	RK3544	Chip R	ERJ2GEJ332X	
R103	RK3550	Chip R	ERJ2GEJ103X		R166	RK3526	Chip R	ERJ2GEJ101X	
R104	RK3501	Chip R	ERJ2GEOR00X		R167	RK3542	Chip R	ERJ2GEJ222X	
R105	NC				R168	NC			
R106	NC				R169	RK3550	Chip R	ERJ2GEJ103X	
R107	RK3526	Chip R	ERJ2GEJ101X		R170	RK3530	Chip R	ERJ2GEJ221X	
R108	RK3534	Chip R	ERJ2GEJ471X		R171	RK3526	Chip R	ERJ2GEJ101X	
R109	RK3030	Chip R	MCR03EZHJ221		R172	RK3501	Chip R	ERJ2GEOR00X	
R111	RK3542	Chip R	ERJ2GEJ222X		R173	RK3564	Chip R	ERJ2GEJ154X	
R112	RK3556	Chip R	ERJ2GEJ333X		R174	RK3530	Chip R	ERJ2GEJ221X	
R113	RK3548	Chip R	ERJ2GEJ682X		R175	RK3550	Chip R	ERJ2GEJ103X	
R114	NC				R176	RK3570	Chip R	ERJ2GEJ474X	
R115	NC				R177	RK3562	Chip R	ERJ2GEJ104X	

Ref. No.	Parts No.	Description	Parts Name	Version	Ref. No.	Parts No.	Description	Parts Name	Version
R178	RK3550	Chip R	ERJ2GEJ103X		R240	RK3562	Chip R	ERJ2GEJ104X	
R179	RK3538	Chip R	ERJ2GEJ102X		R242	RK3501	Chip R	ERJ2GE0R00X	
R180	RK3501	Chip R	ERJ2GE0R00X		R243	RK3550	Chip R	ERJ2GEJ103X	
R181	RK3550	Chip R	ERJ2GEJ103X		R244	RK3564	Chip R	ERJ2GEJ154X	
R182	RK3566	Chip R	ERJ2GEJ224X		R245	RK3544	Chip R	ERJ2GEJ332X	
R183	NC				R246	RK3562	Chip R	ERJ2GEJ104X	
R184	NC				R247	RK3559	Chip R	ERJ2GEJ563X	
R185	RK3562	Chip R	ERJ2GEJ104X		R248	RK3538	Chip R	ERJ2GEJ102X	
R186	RK3550	Chip R	ERJ2GEJ103X		R249	RK3566	Chip R	ERJ2GEJ224X	
R187	RK3526	Chip R	ERJ2GEJ101X		R250	RK3550	Chip R	ERJ2GEJ103X	
R188	RK3538	Chip R	ERJ2GEJ102X		R251	RK3562	Chip R	ERJ2GEJ104X	
R189	RK3538	Chip R	ERJ2GEJ102X		R252	RK3561	Chip R	ERJ2GEJ823X	
R190	RK3530	Chip R	ERJ2GEJ221X		R253	RK3566	Chip R	ERJ2GEJ224X	
R191	RK3550	Chip R	ERJ2GEJ103X		R254	RK3550	Chip R	ERJ2GEJ103X	
R192	RK3558	Chip R	ERJ2GEJ473X		R255	RK3563	Chip R	ERJ2GEJ124X	
R193	RK3562	Chip R	ERJ2GEJ104X		R256	RK3562	Chip R	ERJ2GEJ104X	
R194	RK3522	Chip R	ERJ2GEJ470X		R257	RK3538	Chip R	ERJ2GEJ102X	
R195	RK3558	Chip R	ERJ2GEJ473X		R258	RK3574	Chip R	ERJ2GEJ105X	
R196	RK3558	Chip R	ERJ2GEJ473X		R259	RK3566	Chip R	ERJ2GEJ224X	
R197	RK3574	Chip R	ERJ2GEJ105X		R260	RK3553	Chip R	ERJ2GEJ183X	
R198	RK3574	Chip R	ERJ2GEJ105X		R261	RK3574	Chip R	ERJ2GEJ105X	
R199	RK3555	Chip R	ERJ2GEJ273X		R262	RK3562	Chip R	ERJ2GEJ104X	
R200	RK3560	Chip R	ERJ2GEJ683X		R263	RK3562	Chip R	ERJ2GEJ104X	
R201	RK3522	Chip R	ERJ2GEJ470X		R264	RK3558	Chip R	ERJ2GEJ473X	
R202	RK3538	Chip R	ERJ2GEJ102X		R265	RK3536	Chip R	ERJ2GEJ681X	
R203	RK3566	Chip R	ERJ2GEJ224X		R266	RK3518	Chip R	ERJ2GEJ220X	
R204	RK3574	Chip R	ERJ2GEJ105X		R267	NC			
R205	RK3574	Chip R	ERJ2GEJ105X		R269	RK3532	Chip R	ERJ2GEJ331X	
R206	RK3558	Chip R	ERJ2GEJ473X		R270	RK3560	Chip R	ERJ2GEJ683X	
R207	RK3556	Chip R	ERJ2GEJ333X		R272	RK3556	Chip R	ERJ2GEJ333X	
R208	NC				R273	RK3566	Chip R	ERJ2GEJ224X	
R209	RK3574	Chip R	ERJ2GEJ105X		R274	RK3544	Chip R	ERJ2GEJ332X	
R210	RK3522	Chip R	ERJ2GEJ470X		R275	RK3566	Chip R	ERJ2GEJ224X	
R211	RK3558	Chip R	ERJ2GEJ473X		R276	RK3560	Chip R	ERJ2GEJ683X	
R212	RK3550	Chip R	ERJ2GEJ103X		R277	RK3552	Chip R	ERJ2GEJ153X	
R213	RK3558	Chip R	ERJ2GEJ473X		R278	RK3562	Chip R	ERJ2GEJ104X	
R214	RK3564	Chip R	ERJ2GEJ154X		R279	RK3558	Chip R	ERJ2GEJ473X	
R215	RK3561	Chip R	ERJ2GEJ823X		R280	RK3556	Chip R	ERJ2GEJ333X	
R216	RK3538	Chip R	ERJ2GEJ102X		R281	RK3017	Chip R	MCR03EZHJ180	
R218	RK3558	Chip R	ERJ2GEJ473X		R282	RK3514	Chip R	ERJ2GEJ100X	
R219	RK3564	Chip R	ERJ2GEJ154X		R283	RK3554	Chip R	ERJ2GEJ223X	
R220	RK3553	Chip R	ERJ2GEJ183X		R284	RK3561	Chip R	ERJ2GEJ823X	
R221	RK3548	Chip R	ERJ2GEJ682X		R285	RK3550	Chip R	ERJ2GEJ103X	
R222	RK3558	Chip R	ERJ2GEJ473X		R286	RK3570	Chip R	ERJ2GEJ474X	
R223	RK3550	Chip R	ERJ2GEJ103X		R287	RK3550	Chip R	ERJ2GEJ103X	
R224	RK3550	Chip R	ERJ2GEJ103X		R288	RK3550	Chip R	ERJ2GEJ103X	
R225	RK3554	Chip R	ERJ2GEJ223X		R289	RK3565	Chip R	ERJ2GEJ184X	
R226	RK3554	Chip R	ERJ2GEJ223X		R290	RK3017	Chip R	MCR03EZHJ180	
R227	RK3559	Chip R	ERJ2GEJ563X		R291	RK3551	Chip R	ERJ2GEJ123X	
R228	RK3550	Chip R	ERJ2GEJ103X		R292	RK3569	Chip R	ERJ2GEJ394X	
R229	RK3550	Chip R	ERJ2GEJ103X		R293	RK3532	Chip R	ERJ2GEJ331X	
R230	RK3567	Chip R	ERJ2GEJ274X		R294	RK3562	Chip R	ERJ2GEJ104X	
R231	RK3538	Chip R	ERJ2GEJ102X		R295	RK3538	Chip R	ERJ2GEJ102X	
R232	RK3566	Chip R	ERJ2GEJ224X		R296	RK3530	Chip R	ERJ2GEJ221X	
R234	RK3550	Chip R	ERJ2GEJ103X		R297	RK3546	Chip R	ERJ2GEJ472X	
R235	RK3562	Chip R	ERJ2GEJ104X		R298	RK3549	Chip R	ERJ2GEJ822X	
R236	RK3562	Chip R	ERJ2GEJ104X		R299	RK3544	Chip R	ERJ2GEJ332X	
R237	RK3522	Chip R	ERJ2GEJ470X		R300	RK3538	Chip R	ERJ2GEJ102X	
R238	RK3550	Chip R	ERJ2GEJ103X		R301	RK3501	Chip R	ERJ2GE0R00X	
R239	RK3567	Chip R	ERJ2GEJ274X		R302	RK3538	Chip R	ERJ2GEJ102X	

Ref. No.	Parts No.	Description	Parts Name	Version	Ref. No.	Parts No.	Description	Parts Name	Version
R303	RK3550	Chip R	ERJ2GEJ103X		R366	RK3566	Chip R	ERJ2GEJ224X	
R304	RK3546	Chip R	ERJ2GEJ472X		R367	RK3558	Chip R	ERJ2GEJ473X	
R305	RK3550	Chip R	ERJ2GEJ103X		R368	RK3548	Chip R	ERJ2GEJ682X	
R306	RK3550	Chip R	ERJ2GEJ103X		R369	RK3538	Chip R	ERJ2GEJ102X	
R308	RK3574	Chip R	ERJ2GEJ105X		R370	RK3501	Chip R	ERJ2GE0R00X	
R309	RK3574	Chip R	ERJ2GEJ105X		R371	RK3546	Chip R	ERJ2GEJ472X	
R310	RK3550	Chip R	ERJ2GEJ103X		R372	RK3550	Chip R	ERJ2GEJ103X	
R311	RK3550	Chip R	ERJ2GEJ103X		R373	RK3546	Chip R	ERJ2GEJ472X	
R312	RK3570	Chip R	ERJ2GEJ474X		R374	RK3562	Chip R	ERJ2GEJ104X	
R313	RK3550	Chip R	ERJ2GEJ103X		R375	RK3550	Chip R	ERJ2GEJ103X	
R314	RK3554	Chip R	ERJ2GEJ223X		R376	RK3562	Chip R	ERJ2GEJ104X	
R315	RK3542	Chip R	ERJ2GEJ222X		R377	RK3562	Chip R	ERJ2GEJ104X	
R316	RK3550	Chip R	ERJ2GEJ103X		R378	RK3566	Chip R	ERJ2GEJ224X	
R317	RK3570	Chip R	ERJ2GEJ474X		R379	RK3562	Chip R	ERJ2GEJ104X	
R318	RK3550	Chip R	ERJ2GEJ103X		R380	RK3566	Chip R	ERJ2GEJ224X	
R319	RK3554	Chip R	ERJ2GEJ223X		R381	RK3554	Chip R	ERJ2GEJ223X	
R320	RK3574	Chip R	ERJ2GEJ105X		R382	NC			
R321	RK3550	Chip R	ERJ2GEJ103X		R384	RK3058	Chip R	MCR03EZHJ473	
R322	RK3568	Chip R	ERJ2GEJ334X		R385	NC			T
R323	RK3550	Chip R	ERJ2GEJ103X		R385	RK3038	Chip R	MCR03EZHJ102	TA2
R324	RK3548	Chip R	ERJ2GEJ682X		R385	RK3059	Chip R	MCR03EZHJ563	TA1
R325	RK3559	Chip R	ERJ2GEJ563X		R385	RK3064	Chip R	MCR03EZHJ154	E, EUK
R326	RK3559	Chip R	ERJ2GEJ563X		R386	NC			T, E, EUK
R327	RK3550	Chip R	ERJ2GEJ103X		R386	RK3038	Chip R	MCR03EZHJ102	TA1, TA2
R328	RK3550	Chip R	ERJ2GEJ103X		R387	NC			
R330	RK3546	Chip R	ERJ2GEJ472X		R388	RK3550	Chip R	ERJ2GEJ103X	
R331	RK3546	Chip R	ERJ2GEJ472X		R392	RK3550	Chip R	ERJ2GEJ103X	
R332	RK3546	Chip R	ERJ2GEJ472X		R393	RK3534	Chip R	ERJ2GEJ471X	
R333	RK3546	Chip R	ERJ2GEJ472X		R394	RK3530	Chip R	ERJ2GEJ221X	
R334	RK3562	Chip R	ERJ2GEJ104X		R395	RK3556	Chip R	ERJ2GEJ333X	
R335	RK3562	Chip R	ERJ2GEJ104X		R396	RK3556	Chip R	ERJ2GEJ333X	
R336	RK3562	Chip R	ERJ2GEJ104X		R398	RK3566	Chip R	ERJ2GEJ224X	
R337	RK3550	Chip R	ERJ2GEJ103X		R401	RK3501	Chip R	ERJ2GE0R00X	
R338	RK3542	Chip R	ERJ2GEJ222X		R402	RK3501	Chip R	ERJ2GE0R00X	
R339	RK3550	Chip R	ERJ2GEJ103X		R403	RK3570	Chip R	ERJ2GEJ474X	
R340	RK3550	Chip R	ERJ2GEJ103X		R404	RK3550	Chip R	ERJ2GEJ103X	
R341	RK3550	Chip R	ERJ2GEJ103X		R405	RK3542	Chip R	ERJ2GEJ222X	
R342	RK3538	Chip R	ERJ2GEJ102X		R406	RK3546	Chip R	ERJ2GEJ472X	
R343	RK3550	Chip R	ERJ2GEJ103X		R407	RK3562	Chip R	ERJ2GEJ104X	
R344	RK3537	Chip R	ERJ2GEJ821X		R409	RK3534	Chip R	ERJ2GEJ471X	
R345	RK3558	Chip R	ERJ2GEJ473X		R410	RK0107	Chip R	ERJ6GEY0R00V	
R346	RK3537	Chip R	ERJ2GEJ821X		SW101	UU0041	Switch	EVQP4203M	
R347	NC				SW102	UU0041	Switch	EVQP4203M	
R348	RK3552	Chip R	ERJ2GEJ153X		SW103	UU0041	Switch	EVQP4203M	
R349	NC				TC101	NC			
R350	RK3562	Chip R	ERJ2GEJ104X		TH101	XS0052	Thermistor	NTCG104LH104JT1	
R351	RK3550	Chip R	ERJ2GEJ103X		VR101	RH0233	Trimmer R	RH02B1C15X	
R352	NC				VR102	RH0233	Trimmer R	RH02B1C15X	
R353	RK3546	Chip R	ERJ2GEJ472X		VR103	RH0225	Trimmer R	RH02B1CS3X	
R354	RK3550	Chip R	ERJ2GEJ103X		VR104	RH0225	Trimmer R	RH02B1CS3X	
R355	RK3550	Chip R	ERJ2GEJ103X		VR105	RH0225	Trimmer R	RH02B1CS3X	
R357	RK3501	Chip R	ERJ2GE0R00X		W101	MPCL07AA	Wire	#30P02-070-02	
R358	NC				W102	MACL07AA	Wire	#30A02-070-02	
R359	NC				W103	NC			TA1, TA2
R360	NC				W103	MACLH2GG	Wire	#30AH1-025-H1	T, E, EUK
R361	NC				X101	NC			
R362	RK3536	Chip R	ERJ2GEJ681X		X102	XQ0194	Crystal	NT3225SA12.8M	
R363	RK3558	Chip R	ERJ2GEJ473X		X103	XK0004	Discriminator	CDBLB450KCAY24-B0	
R364	RK1018	Chip R	ERJ8GEYJ101V		X104	XQ0184	Crystal	AT49 3.6864M	
R365	RK3546	Chip R	ERJ2GEJ472X			UP0541	PCB	DJ170 INTEGRATED	

Model:DJ-V47

Ref. No.	Parts No.	Description	Parts Name	Version
	FM0265A		HEAT SINK DJ170	
	TS0183	VCO CASE	VCO CASE	
	TZ0049		SILICON DUMPER	

## Mechanical Unit

Model:DJ-V47

Ref. No.	Parts No.	Description	Parts Name	Version
	AF0018		XQN2+C4FZ	
	AF0030		XQN2+A6FN(58364-0001	
	AP0039		PH P2+20 FE/3BBC	
	AX0004Z		PT 3P 2X8 BBC AX0004	
	DG0046		LCD LIGHT	
	DP0183		LCD PANNEL DJV47	
	FG0392		WATERPROOF	
	FG0418		LCD RUB CONE	
	FG0419		WATERPROOF RUBBER	
	FG0423		JACK CAP DJ170	
	FG0424		O RING (R COVER)	
	FG0426		MIC RUBBER	
	FP0254		REAR COVER	
	FP0255		ROCK LEVER	
	FP0264		BLIND SEAL	
	NK0081		VOL KNOB	
	SP0013		LECTRA #7800	
	ST0089		LCD HOLDER	
	TL0033		REFLECTIVE SHEET	
	YX0039		LCD TAPE DJS45	

## Packing Unit

Model:DJ-V47

Ref. No.	Parts No.	Description	Parts Name	Version
	EA0143	ANTENNA	EA0143	T, E, EUK
	EA0144	ANTENNA	EA0144	T2
	EA0152	ANTENNA	EA0152	T1
	EG0062	BATTERY	EBP-65 P BAG	T1, T2
	EG0065	BATTERY	EBP-65A P BAG	T, E, EUK
	EDC146	ADAPTOR	ADAPTOR 120V	T
	EDC147	ADAPTOR	ADAPTOR 230V	E, T1, T2
	EDC148	ADAPTOR	ADAPTOR 230V (UK)	EUK
	PR0478		SERIAL SEAL	
	DS0446		NITTO MODEL PLATE(S)	
	PR0447		WARNING FCC (N)	T
	PR0452		FCC HOME USE	T
	HU0234		INNER DJ170	
	PS0520B	INSTRUCTION MANUAL	INSTRUCTION DJV17	
	PH0015		WARRANTY CEAT EXPORT	T
	PK0116		CIRCUIT DIAGRAM V47	
	HK0646		INDIVIDUAL BOX V47	
	HP0031		PLA.BAG 5X100X200	
	AA0076		PH M3+6FE/B-ZN	
	BB0009Y	HAND STRAP	HAND STRAP DJS41	
	BH0017	BELT CLIP	BELT CLIP	
	HP0003		PLA.BAG 5X75X110	

**CAUTION:** RISK OF EXPLOSION IF BATTERY IS REPLACED BY AN INCORRECT TYPE. DISPOSE OF USED BATTERIES ACCORDING TO THE INSTRUCTIONS.



# ADJUSTMENTS

## 1) Required Test Equipment

The following items are required to adjust radio parameters

Test Equipment		DJ-V17	DJ-V47
1. Regulated power supply	Supply voltage	13.8 DC	
	Current	3A or more	
2. Digital multimeter	Voltage range	FS = Approx. 20V	
	Current	10A or more	
	Input resistance	High impedance	
3. Oscilloscope	Measurable frequency	Audio frequency	
4. Audio dummy load	Impedance	8Ω	
	Dissipation	1W or more	
	Jack	3.5mm Φ	
5. SSG	Output frequency	200MHz or more	500MHz or more
	Impedance	50Ω, unbalanced	
	Modulation	FM	
6. Power meter	Measurable frequency	200MHz or more	500MHz or more
	Impedance	50Ω, unbalanced	
	Measuring range	10W or more	
7. Audio voltmeter	Measurable frequency	Up to 100kHz	
	Sensitivity	1mV to 10V	
8. Audio generator	Output frequency	67Hz to 10kHz	
	Output impedance	600Ω, unbalanced	
9. Distortion meter /SINAD meter	Measurable frequency	1kHz	
	Input level	Up to 40dB	
	Distortion	1%-100%	
10. Frequency counter	Measurable frequency	200MHz or more	500MHz or more
	Measurable stability	Approx. ±0.1ppm	
11. Linear detector	Measurable frequency	200MHz or more	500MHz or more
	Characteristics	Flat	
	CN	60dB or more	
12. DC Ammeter	Current	3A or more	

**Note:**

- (1). SSG initial setting  
Modulation Frequency:1kHz  
Modulation Level:3.5kHz
- (2). Necessary optional accessory: EDS-10 ( Microphone/SpeakerCable )
- (3). Reference sensitivity: 12dB SINAD
- (4). Specified audio output level: 500mW at 8Ω
- (5). Standard audio output level: 50mW at 8Ω
- (6). Use an RF cable ( 3D2W:1M ) for test equipment.
- (7). Attach a fuse to the RF test equipment.
- (8). All SSG outputs are indicated by EMF
- (9). Supply voltage for the transceiver:13.8VDC

**2)Preparation:**

- 1. Turn off the power of the adjusting unit (the unit hereafter).
- 2. Remove the screw ①.
- 3. Remove the rear cover ②.
- 4. Remove the wire ③. Keep the wire aside as it will be necessary later. This operation is necessary for the DJ-V17E, DJ-V47E and DJ-V47EUK.
- 5. Turn on the unit by pressing “F” key and “V/M” key together. The display will be blank out for 2 seconds then comes back normal.

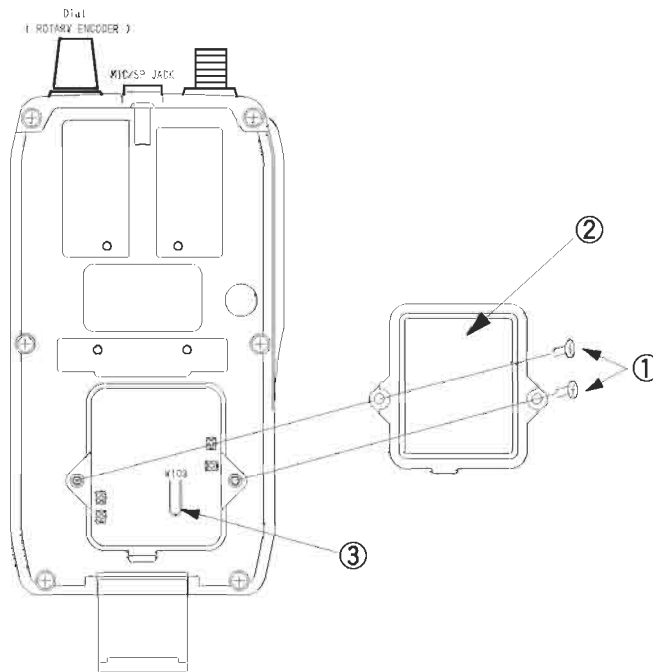


Chart 1 : Removing the rear cover

### 3) Adjustment mode

The adjustment should be operated in the Adjustment mode. Therefore except for the reference frequency, deviation and tone-deviation adjustments an operator won't touch the components on the board, but most of the adjustments should be done by operating the dial and keys on the unit. During such operation, memory channels are used temporary therefore it is required to program memories before the unit is set to the adjustment mod. Please refer the chart below for the programming channels. The frequencies may be varied within the range of  $\pm 0.2\text{MHz}$  depending on the RF environment around your work area, and refer the instruction manual for how to program the memories into the memory-channels.

To enter the adjustment mode, press "F" then "KL" to key-lock the unit. Then press the numeric keys in order of "4", "9", "0", "2", "1" and "7". Observe that decimal points appear on the display below 100MHz and 10MHz digits. To exit from the adjustment mode, repeat the whole sequence (key-lock then enter the code in order). NEVER RESET THE UNIT WHILE OPERATING IN THE SET MODE. This may reset whole adjustment values resulting the malfunction of the unit in the operating mode. The chart below shows the adjustment points and interface between the unit and instruments. Please use an attenuator in case the specifications of the linear-detector and frequency counter may exceed the requirement herein.

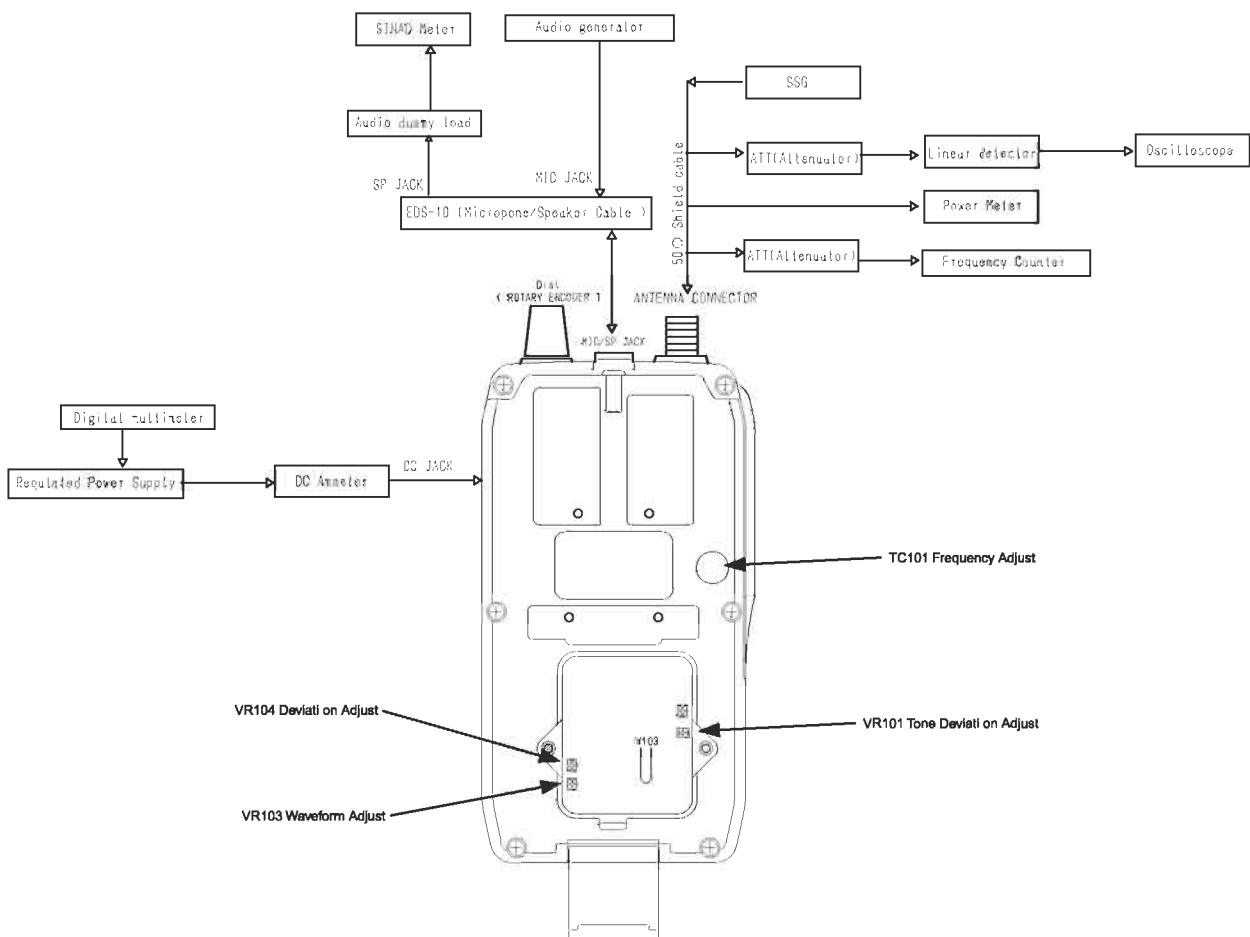


Chart 2 : Adjustment points and interface between the unit and instruments

Table 1: Memory programming for adjustment mode

\* Simply memory the frequencies only into the relative memory channels.

Channel	Adjustment menu	Frequency					
		DJ-V17		DJ-V47			
		T, E, EUK	TFH, R	T1	E, EUK	T	T2
1	Frequency Adjustment	145.000	162.000	415.000	435.000	445.000	460.000
2	TX-output / High power	145.000	162.000	415.000	435.000	445.000	460.000
3	TX-output / Low power	145.000	162.000	415.000	435.000	445.000	460.000
4	Microphone deviation	145.000	162.000	415.000	435.000	445.000	460.000
5	Check DTMF tone [1]	145.000	162.000	415.000	435.000	445.000	460.000
6	Check DTMF tone [D]	145.000	162.000	415.000	435.000	445.000	460.000
8	CTCSS tone deviation	145.000	162.000	415.000	435.000	445.000	460.000
10	Check DCS deviation	145.000	162.000	415.000	435.000	445.000	460.000
11	Check Tone-burst tone deviation	145.000	162.000	415.000	435.000	445.000	460.000
12	Secsitivity adjustment (lower edge)	130.000		401.000			
13	Secsitivity adjustment (center of)	145.000	150.000	420.000	435.000	445.000	460.000
14	Secsitivity adjustment (Upper edge)	173.000		459.000	479.000		
15	Secsitivity adjustment (minimum)	145.000	162.000	415.000	435.000	445.000	460.000
16	Secsitivity adjustment (maximum)	145.000	162.000	415.000	435.000	445.000	460.000
17	S-meter adjustment (1)	145.000	162.000	415.000	435.000	445.000	460.000
18	S-meter adjustment (Full)	145.000	162.000	415.000	435.000	445.000	460.000
19	ATT (Attenuator) adjustment	145.000	162.000	415.000	435.000	445.000	460.000
24	Low-battery icon appearance (Li-ion)	145.000	162.000	415.000	435.000	445.000	460.000
25	Low-battery icon appearance	145.000	162.000	415.000	435.000	445.000	460.000

## 1. Frequency adjustment

Select memory ch.1.

Press PTT on the unit to transmit and measure the TX frequency. Align TC101 to bring the value to the range specified below.

Specification value :

	DJ-V17	DJ-V47
Specification value	±50Hz	

Necessary instrument : Frequency counter

## 2. TX output - High power

Select memory ch.2.

Press PTT on the unit to transmit. One of digits 10-1F should appear on the display where memory channel number was shown. Rotate the dial on the unit to adjust the TX power to meet the specification. Release the PTT to finish the adjustment. Be sure to check the consuming current value after the adjustment is completed.

Specification :

	DJ-V17	DJ-V47
TX-output power/High	5.0 watts	
Current consumption	1.5A or less	1.8A or less

Necessary instrument : DC Ammeter / Power meter

### 3. TX output - Low power

Select memory ch.3.

Press PTT on the unit to transmit. One of digits 0-F should appear on the display where memory channel number was shown. Rotate the dial on the unit to adjust the TX power to meet the specification. Release the PTT to finish the adjustment. Be sure to check the consuming current value after the adjustment is completed.

Specification :

	DJ-V17	DJ-V47
TX-output power/Low	0.8 watts	

Necessary instrument : Power meter

### 4. Microphone deviation

Select memory ch.4.

Input the signal as specified below from an Audio generator and transmit. Measure the deviation value using a Liner-detector. Align VR104 to bring the value to the range specified below.

Specification :

	DJ-V17	DJ-V47
Microphone deviation	4.3±0.1kHz	

Measuring condition :

(1). Audio generator setting

Frequency : 1kHz

Output Level : 50mV

Necessary instrument : Audio generator / Linear detector

Optional accessory required : EDS-10

### 5. Check DTMF tone [1] deviation

Select memory ch.5.

Press PTT to automatically transmit DTMF tone [1]. Make sure the value is within the specification.

Specification :

	DJ-V17	DJ-V47
DTMF tone [1] deviation	2.4~3.6kHz	

Necessary instrument : Linear detector

### 6. Check DTMF tone [D] deviation

Select memory ch.6.

Press PTT to automatically transmit DTMF tone [D]. Make sure the value is within the specification.

Specification :

	DJ-V17	DJ-V47
DTMF tone [D] deviation	2.4~3.6kHz	

Necessary instrument : Linear detector

## 7. CTCSS tone 88.5Hz deviation and adjustment of the sign-wave

Select memory ch.8.

Press PTT to automatically transmit 88.5Hz tone. Measure the deviation value using a Linear-detector. Align VR101 to bring the value to the range specified below. Use an oscilloscope to monitor the sign-wave then correct the wave shape (see the chart 3 below). Use VR103 to correct the wave shape if necessary.

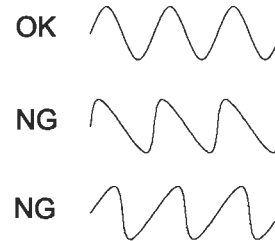


Chart 3: sign-wave correction

Specification :

	MODEL		
	DJ-V17		DJ-V47
	T/E/EUK	TFH/R	
CTCSS tone 88.5Hz deviation	0.80±0.05Hz	0.90±0.05Hz	0.80±0.05Hz

Necessary instrument : Linear detector / Oscilloscope

## 8. Check DCS deviation ( 255 )

Select memory ch.10.

Press PTT to automatically transmit DCS tone (255). Make sure the value is within the specification using a linear-detector.

Specification :

	DJ-V17	DJ-V47
DCS deviation (255)	0.7~1.2kHz	

Necessary instrument : Linear detector

## 9. Check Tone-burst tone 1750Hz deviation

Select memory ch.11.

Press PTT to automatically transmit a tone-burst tone 1750Hz. Make sure the value is within the specification using a linear-detector.

Specification :

	DJ-V17	DJ-V47
1750Hz Deviation	2.6~3.4kHz	2.4~3.6kHz

Necessary instrument : Linear detector

## 10. Receiver sensitivity adjustment

Preparation : Set the speaker audio output level to 50mW.

Operation : There are three points to be adjusted, the lower, central, and upper edges of the receiver's covering range. Set the memory channels accordingly. Input an RF signal from the SSG to the antenna connector then measure output signal at the speaker jack using a SINAD meter. Press "F" (FUNC) key on the unit. One of digits 0-FF should appear on the display where memory channel number was shown. Rotate the dial on the unit to bring the SINAD value to 12dB or better.

### a. Lower edge

Condition :

- (1). Memory Channel : 12
- (2). SSG setting

	MODEL			
	DJ-V17		DJ-V47	
	T/E/EUK	TFH/R	T1	E/EUK/T/T2
Frequency (MHz)	130.000		401.000	
RF Output Level (dB $\mu$ )	-6.0	-5.0	-6.0	-3.0
Modulation Frequency (kHz)	1			
Modulation Level (kHz)	3.5			

### b. Center of the covering range

Condition :

- (1). Memory Channel : 13
- (2). SSG setting

	MODEL					
	DJ-V17		DJ-V47			
	T/E/EUK	TFH	T1	E/EUK	T	T2
Frequency (MHz)	145.000	150.000	420.000	435.000	445.000	460.000
RF Output Level (dB $\mu$ )	-8.0		-6.0			
Modulation Frequency (kHz)	1					
Modulation Level (kHz)	3.5					

### c. Upper edge

- (1). Memory Channel:14
- (2). SSG setting

	MODEL		
	DJ-V17	DJ-V47	
		T1	E/EUK/T/T2
Frequency (MHz)	173.000	459.000	479.000
RF Output Level (dB $\mu$ )	-8.0	-5.0	-6.0
Modulation Frequency (kHz)	1		
Modulation Level (kHz)	3.5		

Necessary instruments : Audio voltmeter / SSG / SINAD Meter / Audio dummy load

Optional accessory required : EDS-10

### Note:

Press "FUNC" key or leave the unit for 5 seconds to enter the new values and go to the next adjustment procedure. Memory number should appear on the display when the unit exits the sensitivity adjustment.

## 11. Squelch adjustments:

Select the memory channel number accordingly to adjust the level Min and Max.

Input an RF signal to the antenna connector from SSG then press FUNC key on the unit. A beep ("pip") sounds and completes the adjustment.

### a. Squelch level (Min.)

Condition :

(1). Memory Channel : 15

(2). SSG setting

	MODEL					
	DJ-V17		DJ-V47			
	T/E/EUK	TFH	T1	E/EUK	T	T2
Frequency (MHz)	145.000	162.000	415.000	435.000	445.000	460.000
RF Output Level (dB $\mu$ )	-11.0		-10.0			
Modulation Frequency (kHz)	1					
Modulation Level (kHz)	3.5					

### b. Squelch level (Max.)

Condition :

(1). Memory Channel : 16

(2). SSG setting

	MODEL					
	DJ-V17		DJ-V47			
	T/E/EUK	TFH	T1	E/EUK	T	T2
Frequency (MHz)	145.000	162.000	415.000	435.000	445.000	460.000
RF Output Level (dB $\mu$ )	0					
Modulation Frequency (kHz)	1					
Modulation Level (kHz)	3.5					

Necessary instrument : SSG

## 12. S-meter adjustments

Select the memory channel number accordingly to adjust the S-meter level 1 and full.

Input an RF signal to the antenna connector from SSG then press FUNC key on the unit. A beep ("pip") sounds and completes the adjustment.

### a. S-meter level 1

Condition :

(1). Memory Channel : 17

(2). SSG setting

	MODEL					
	DJ-V17		DJ-V47			
	T/E/EUK	TFH	T1	E/EUK	T	T2
Frequency (MHz)	145.000	162.000	415.000	435.000	445.000	460.000
RF Output Level (dB $\mu$ )	0					
Modulation Frequency (kHz)	1					
Modulation Level (kHz)	3.5					



b. S-meter level Full

Condition:

- (1). Memory Channel : 18
- (2). SSG setting

	MODEL					
	DJ-V17		DJ-V47			
	T/E/EUK	TFH	T1	E/EUK	T	T2
Frequency (MHz)	145.000	162.000	415.000	435.000	445.000	460.000
RF Output Level (dB $\mu$ )	20.0					
Modulation Frequency (kHz)	1					
Modulation Level (kHz)	3.5					

Necessary instrument : SSG

### 13. Attenuator adjustment

Select the memory ch.19.

Input an RF signal to the antenna connector from SSG then press FUNC key on the unit.

One of digits 0-FF should appear on the display where memory channel number was shown. Rotate the dial on the unit to adjust to the point that the S-meter's 3rd segment turns to 4th for DJ-V17, 4th to 5th for the DJ-V47. It is acceptable if the 4th(V17) or 5th(V47) segment blinks at this moment.

Condition:

- (1). SSG setting

	MODEL					
	DJ-V17		DJ-V47			
	T/E/EUK	TFH	T1	E/EUK	T	T2
Frequency (MHz)	145.000	162.000	415.000	435.000	445.000	460.000
RF Output Level (dB $\mu$ )	20.0					
Modulation Frequency (kHz)	1					
Modulation Level (kHz)	3.5					

Necessary instrument : SSG

**Note:**

- (1) Press "FUNC" key or leave the unit for 5 seconds to go to the next adjustment procedure. Memory number should appear on the display when the unit exits this adjustment point.
- (2) The S-meter adjustment should be completed before you perform this operation.

### 14. Low-battery icon appearance ( Li-ion )

Select the memory ch.24.

Press "F" (FUNC) key on the unit. One of digits 0-FF should appear on the display where memory channel number was shown. Rotate the dial on the unit to select "67". The value can be varied by rotating the dial, but select always 67.

**Note:**

Press "FUNC" key or leave the unit for 5 seconds to go to the next adjustment procedure. Memory number should appear on the display when the unit exits this adjustment point.

## 15. Low-battery icon appearance ( Alkaline )

Select the memory ch.25.

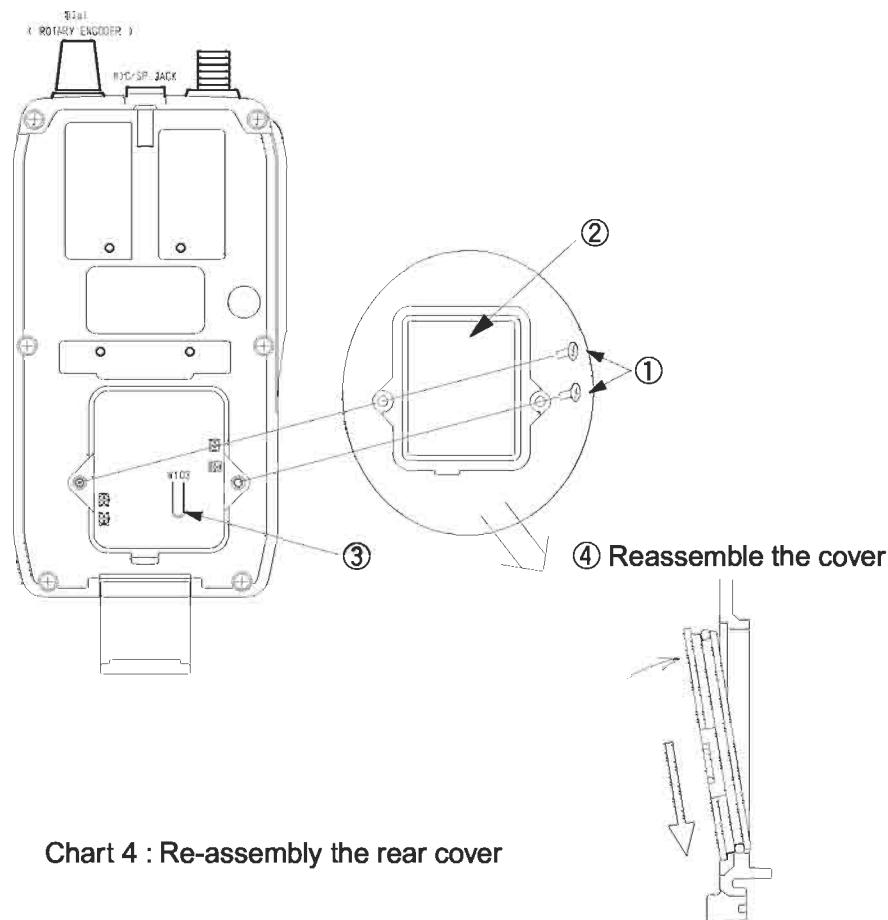
Press "F" (FUNC) key on the unit. One of digits 0-FF should appear on the display where memory channel number was shown. Rotate the dial on the unit to select "69" (DJ-V47:"6A"). The value can be varied by rotating the dial, but select always 69 (DJ-V47:6A).

### Note:

Press "FUNC" key or leave the unit for 5 seconds to go to the next adjustment procedure. Memory number should appear on the display when the unit exits this adjustment point.

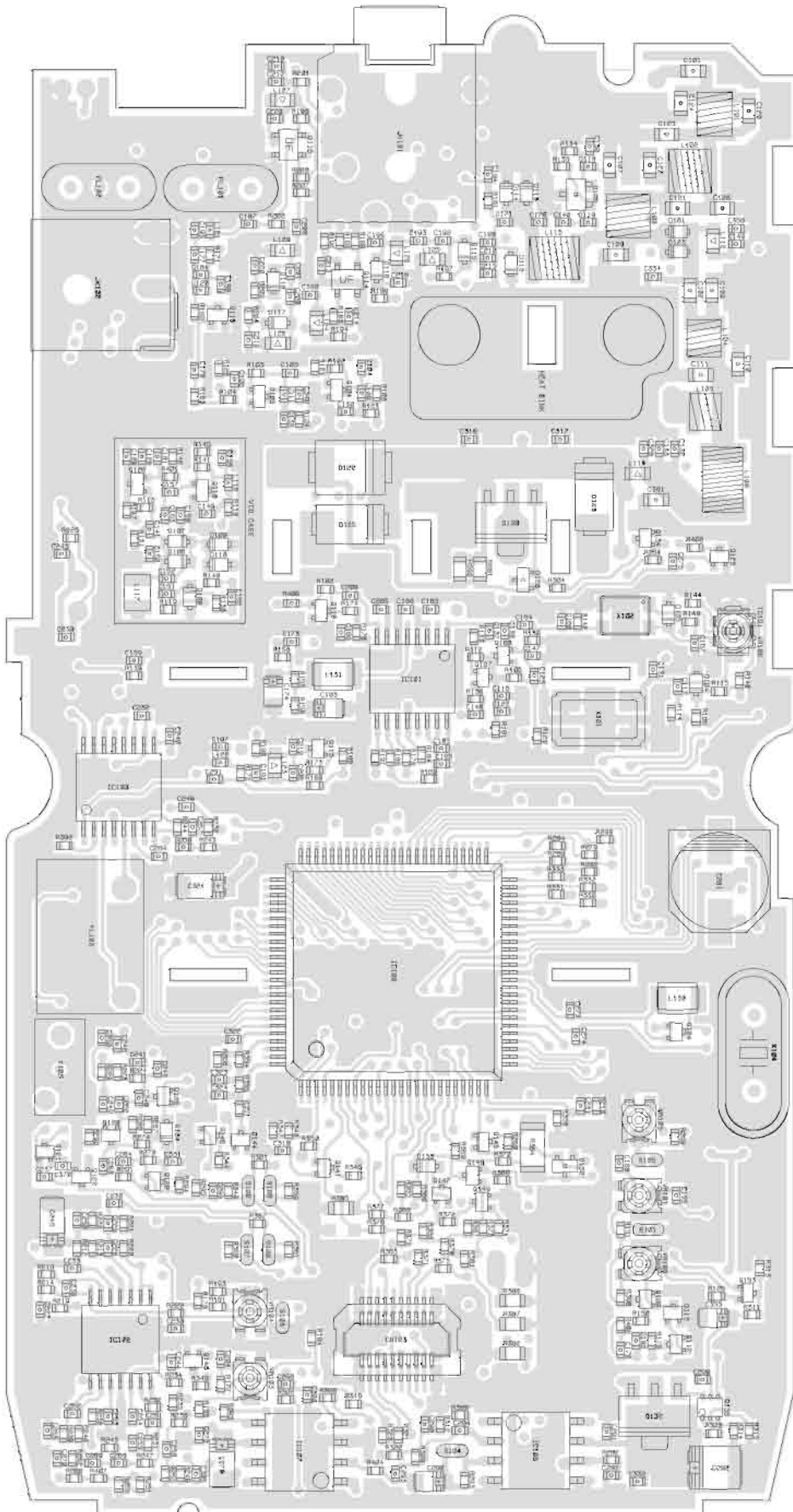
## 4) Re-assembly

1. Turn off the unit.
2. In case of DJ-V17E, DJ-V47E and DJ-V47EUK, re-solder the wire ③. This sequence is not required for other versions.
3. According to the instruction below ④, mount the rear-cover ②.
4. Securely screw ① to fix the cover.
5. Turn on the unit by pressing "F" key and "V/M" key together to reset the CPU. The display will be blank out for 2 seconds then comes back normal.

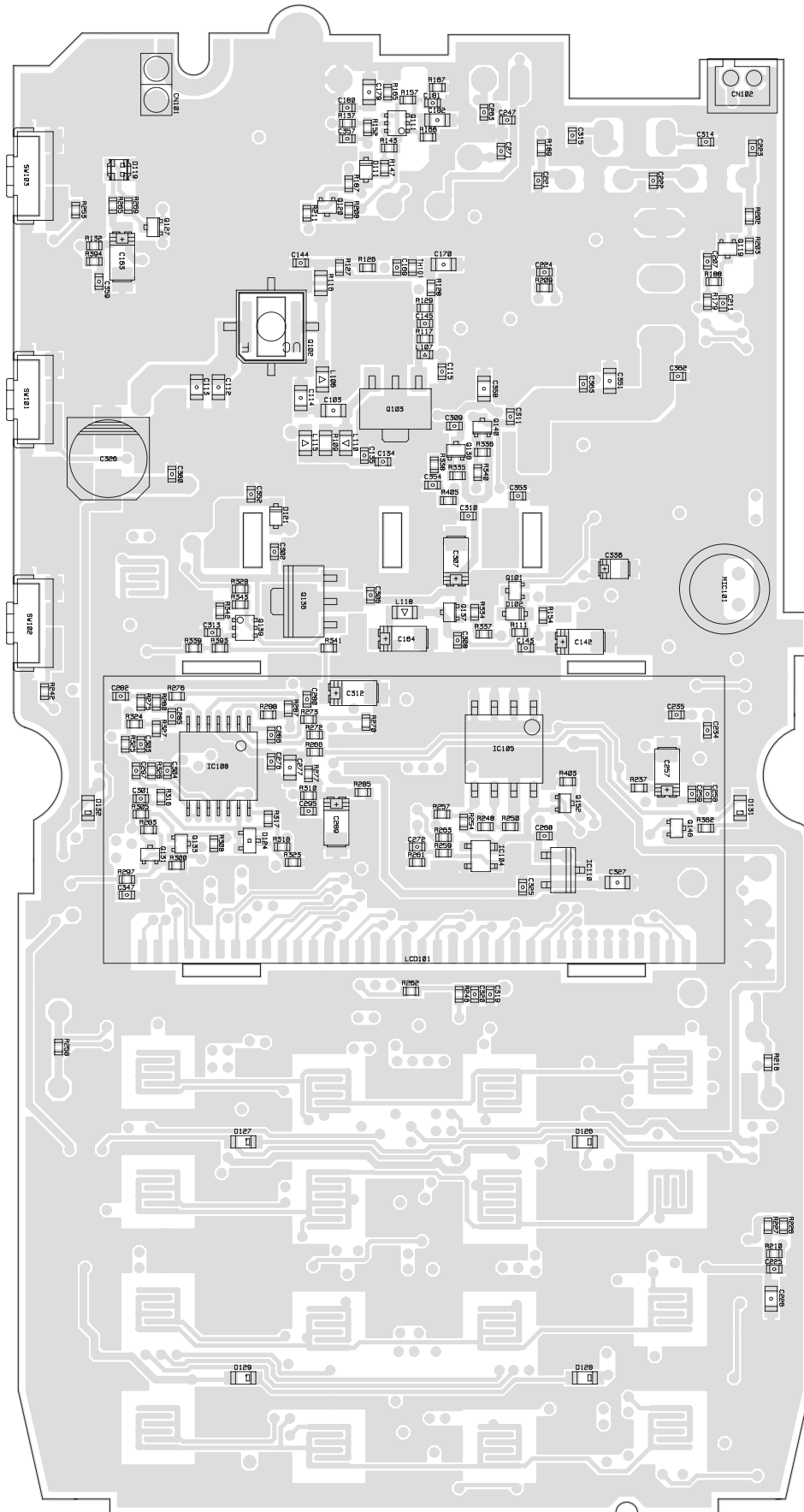




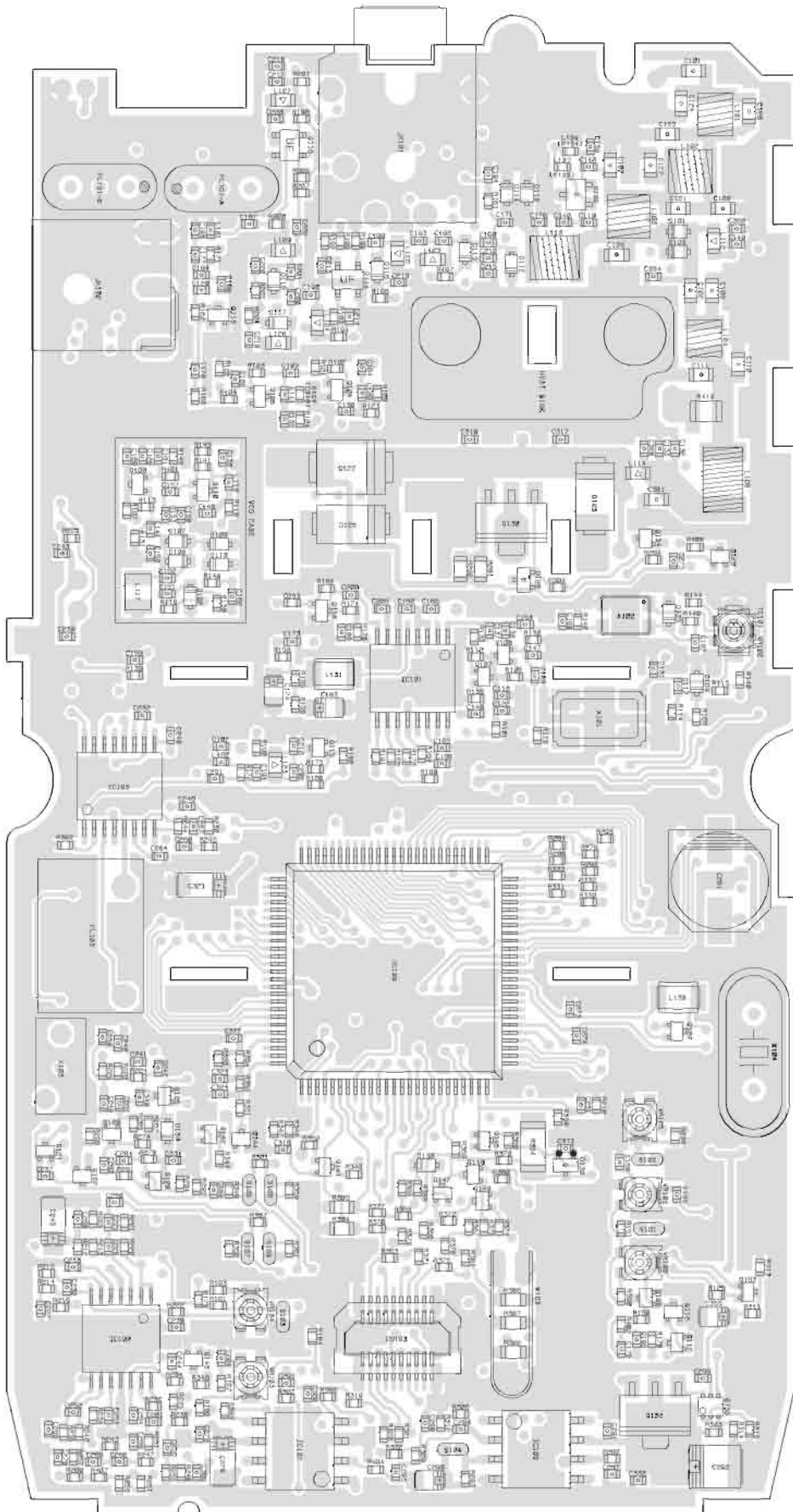
# MAIN SIDE B (DJ-V17)



# MAIN SIDE A (DJ-V47)

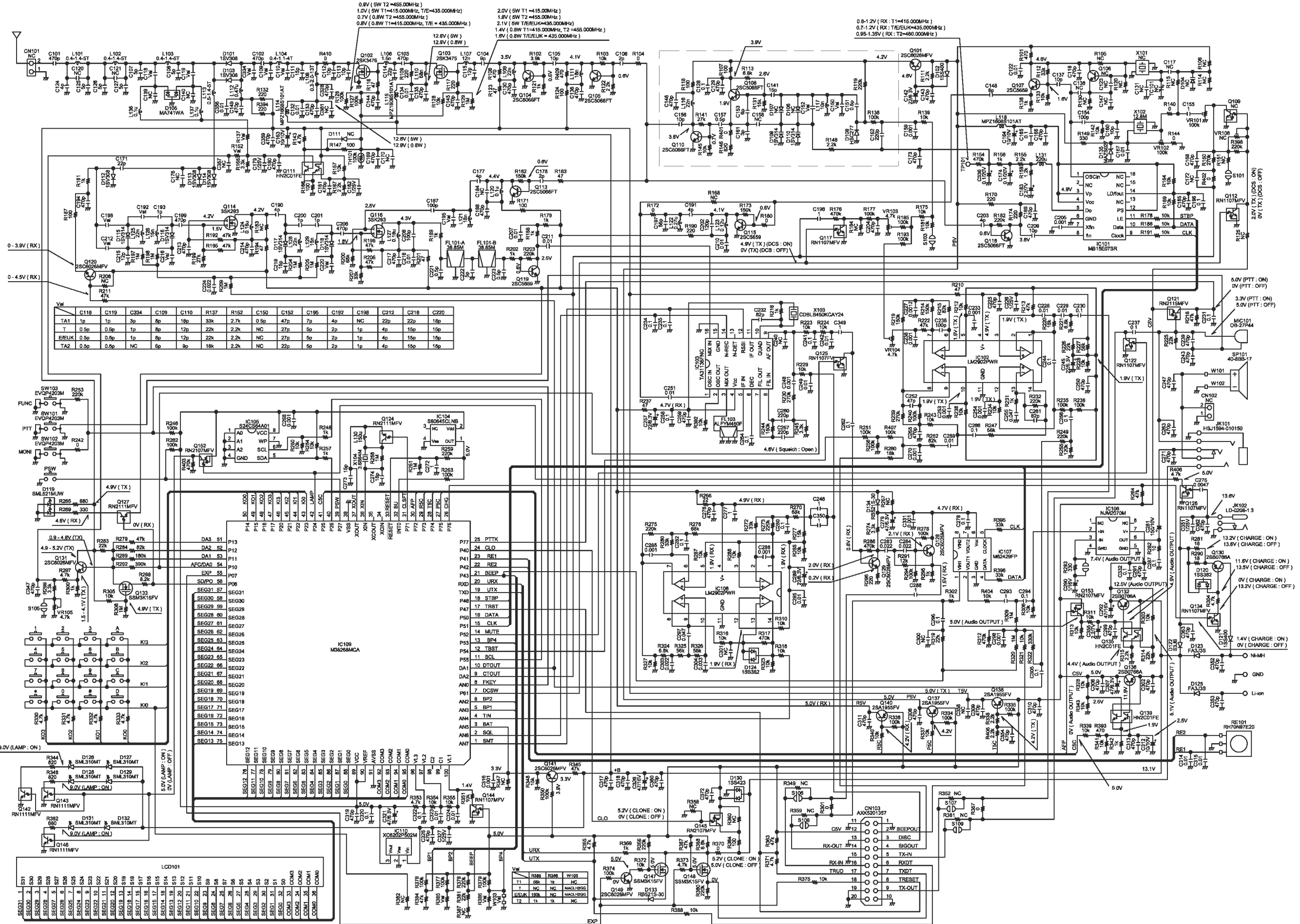


# MAIN SIDE B (DJ-V47)





# SCHEMATIC DIAGRAM (DJ-V47)

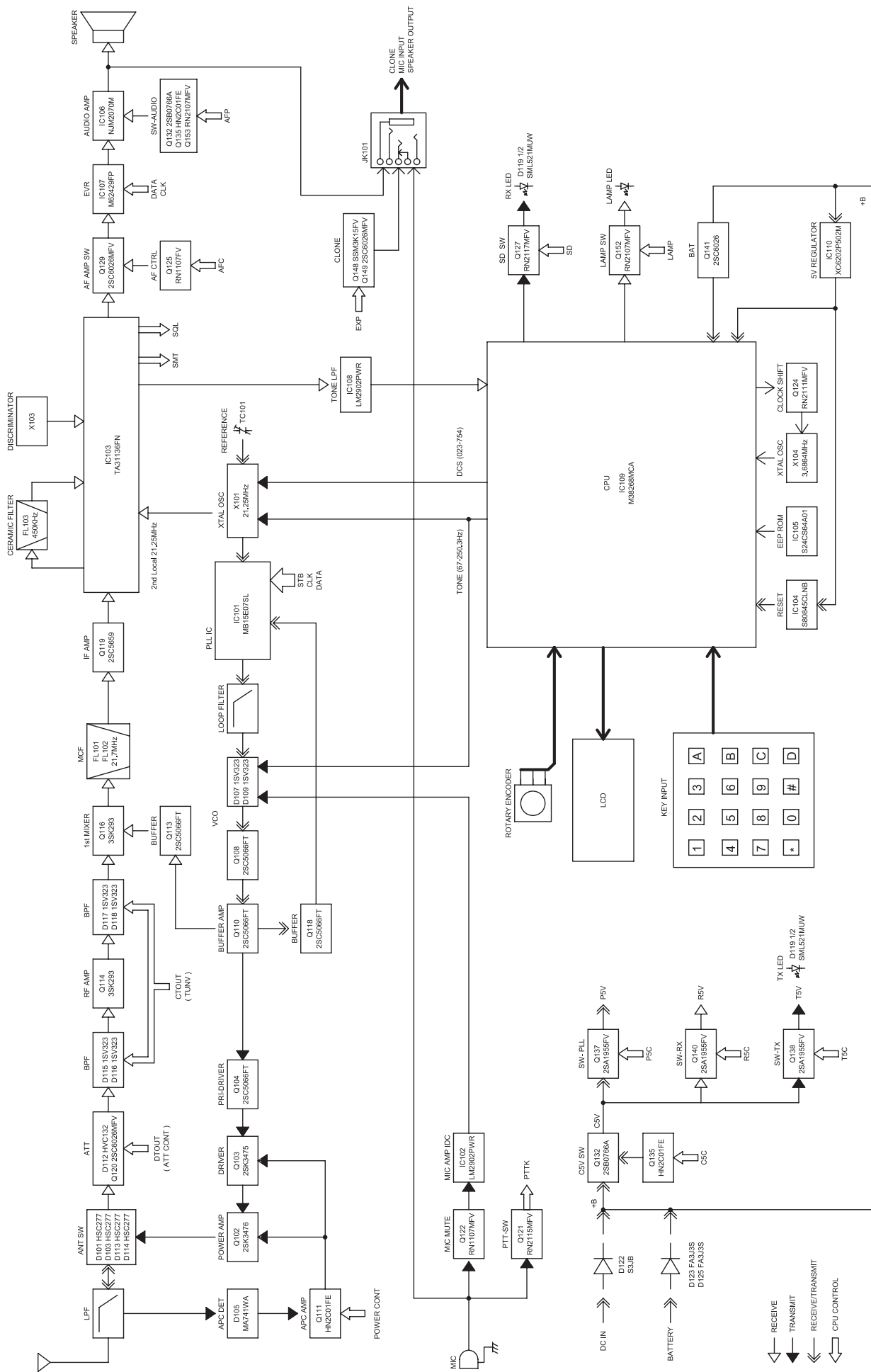


V <sub>in</sub>	C118	C119	C334	C109	C110	R137	R162	C150	C152	C195	C192	C198	C212	C218	C220
TA1	1p	1p	3p	5p	18p	33k	2.7k	0.5p	47p	7p	4p	NC	22p	22p	15p
T	0.5p	0.5p	1p	5p	12p	22k	2.2k	NC	27p	5p	2p	1p	4p	15p	15p
REUK1	0.5p	0.5p	NC	5p	12p	22k	2.2k	NC	27p	5p	2p	1p	4p	15p	15p
TA2	0.5p	0.5p	NC	5p	12p	22k	2.2k	NC	27p	5p	2p	1p	4p	15p	15p

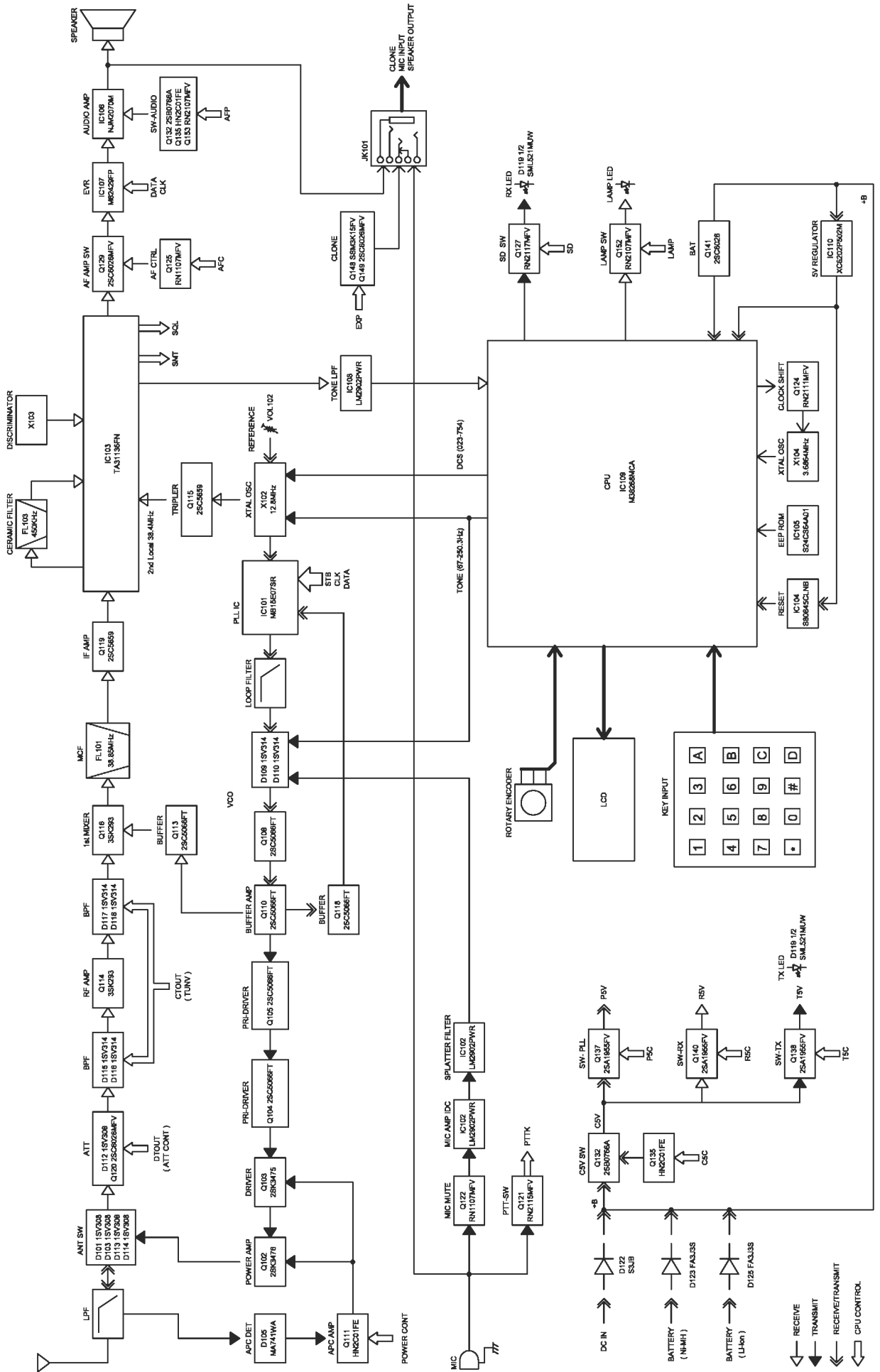
SEG1	SEG2	SEG3	SEG4	SEG5	SEG6	SEG7	SEG8	SEG9	SEG10	SEG11	SEG12	SEG13	SEG14	SEG15	SEG16	SEG17	SEG18	SEG19	SEG20	SEG21	SEG22	SEG23	SEG24	SEG25	SEG26	SEG27	SEG28	SEG29	SEG30	SEG31	SEG32	SEG33	SEG34	SEG35	SEG36	SEG37	SEG38	SEG39	SEG40	SEG41	SEG42	SEG43	SEG44	SEG45	SEG46	SEG47	SEG48	SEG49	SEG50	SEG51	SEG52	SEG53	SEG54	SEG55	SEG56	SEG57	SEG58	SEG59	SEG60	SEG61	SEG62	SEG63	SEG64	SEG65	SEG66	SEG67	SEG68	SEG69	SEG70	SEG71	SEG72	SEG73	SEG74	SEG75	SEG76	SEG77	SEG78	SEG79	SEG80	SEG81	SEG82	SEG83	SEG84	SEG85	SEG86	SEG87	SEG88	SEG89	SEG90	SEG91	SEG92	SEG93	SEG94	SEG95	SEG96	SEG97	SEG98	SEG99	SEG100	SEG101
1	2	3	4	5	6	7	8	9	10	11	12	13	14	15	16	17	18	19	20	21	22	23	24	25	26	27	28	29	30	31	32	33	34	35	36	37	38	39	40	41	42	43	44	45	46	47	48	49	50	51	52	53	54	55	56	57	58	59	60	61	62	63	64	65	66	67	68	69	70	71	72	73	74	75	76	77	78	79	80	81	82	83	84	85	86	87	88	89	90	91	92	93	94	95	96	97	98	99	100	101



# BLOCK DIAGRAM (DJ-V17)



# BLOCK DIAGRAM (DJ-V47)



# ALINCO, INC.

**Head Office:** Shin-Dai Building 9th Floor  
2-6, 1-Chome, Dojimahama, Kita-ku, Osaka 530-0004, JAPAN  
Phone: +81-6-4797-2136 Fax: +81-6-4797-2157  
E-mail: [export@alinco.co.jp](mailto:export@alinco.co.jp)

Dealer/Distributor