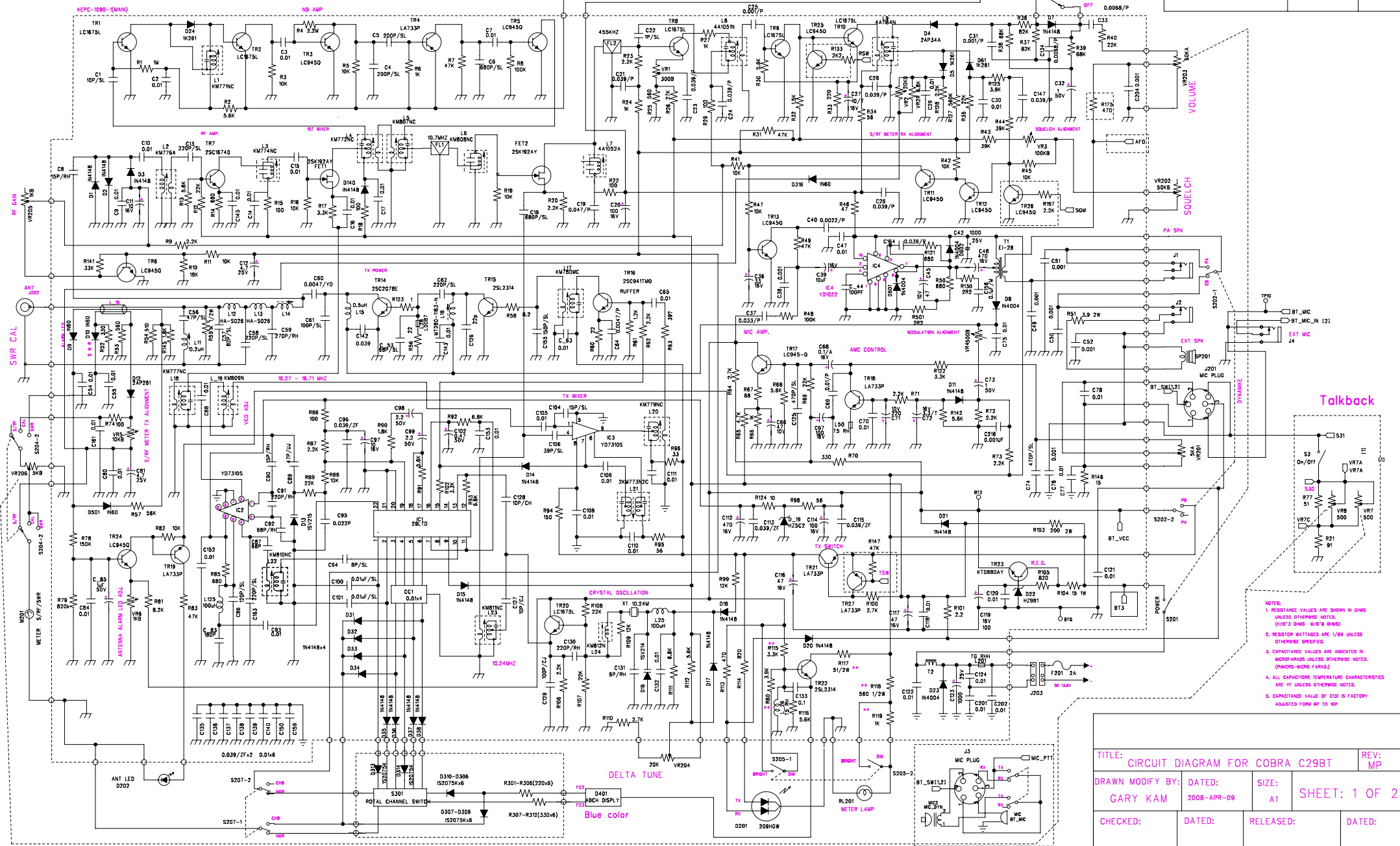


CIRCUIT DIAGRAM FOR COBRA 29LTD BT

REVISION RECORD

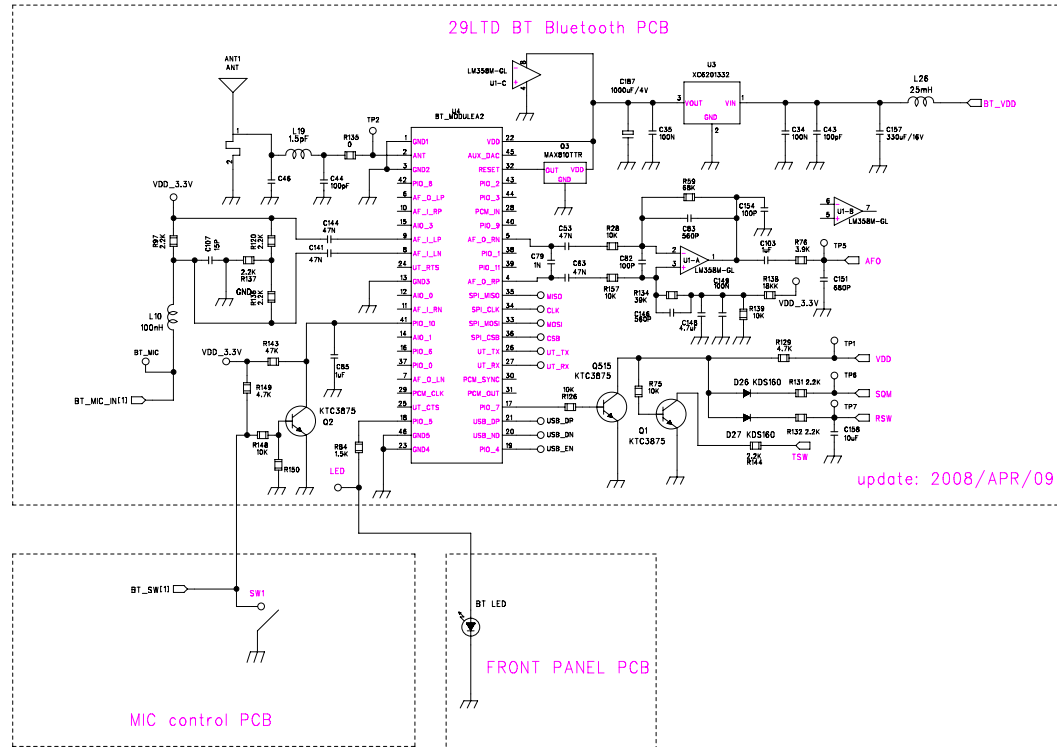
UPDATE TO ECN NO.	APPROVED:	DATE:
-------------------	-----------	-------



- NOTES:
1. RESISTANCE VALUES ARE SHOWN IN OHMS UNLESS OTHERWISE NOTED. (500'S OHMS "500'S OHMS")
 2. RESISTOR VALUES ARE 1/8W UNLESS OTHERWISE SPECIFIED.
 3. CAPACITANCE VALUES ARE INDICATED IN MICROFARADS UNLESS OTHERWISE NOTED. (PICMO=1000 FARADS)
 4. ALL CAPACITORS TEMPERATURE CHARACTERISTICS ARE "Y" UNLESS OTHERWISE NOTED.
 5. CAPACITANCE VALUE OF C151 IS FACTORY ADJUSTED FROM 8P TO 10P

TITLE: CIRCUIT DIAGRAM FOR COBRA 29LTD BT		REV: MP
DRAWN MODIFY BY: GARY KAM	DATED: 2008-APR-09	SIZE: A1
CHECKED:	DATED:	RELEASED:
SHEET: 1 OF 2		DATED:

REVISION RECORD			
LTR	ECO NO:	APPROVED:	DATE:



DRAWN: GARYKAM		DATE: 2008-JAN-29		COMPANY: GIANT			
CHECKED: XW PENG		DATE:		TITLE: C29BT BLUETOOTH			
QUALITY CONTROL:		DATE:		CODE:	SIZE:	DRAWING NO:	REV: ESI
RELEASED: GARY KAM		DATE: 2008-JAN-29		SCALE: <Scale>		SHEET: 2 OF 2	