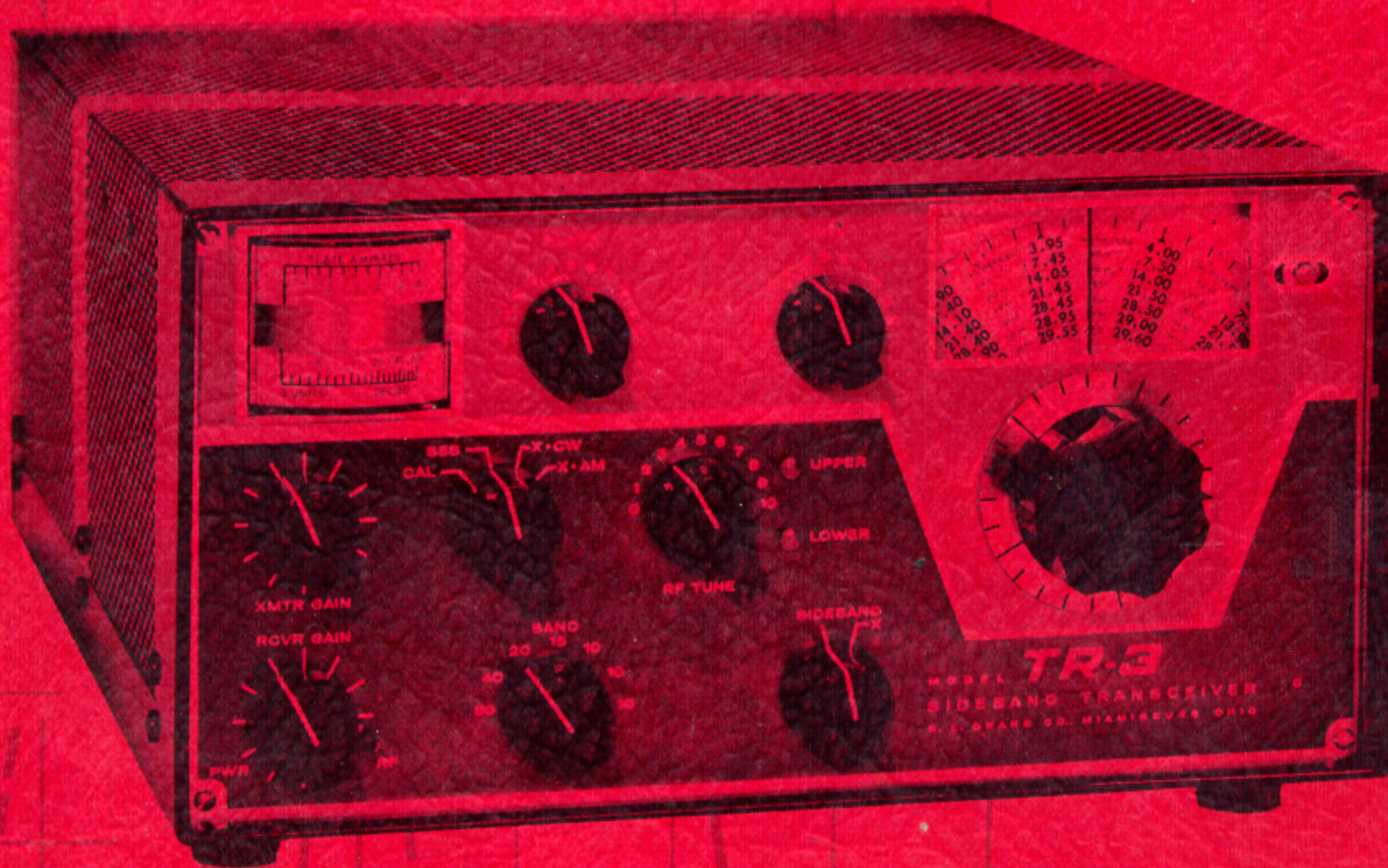


# INSTRUCTION MANUAL

R. L. DRAKE • MODEL

## *TR-3*

**SIDEBAND  
TRANSCEIVER**



## TABLE OF CONTENTS

General Specifications	3
Transmitter Specifications	4
Receiver Specifications	4
Power Supply Requirements	5
Tube Complement	5
I General Description	6
II Installation Instructions	7
A. Unpacking	7
B. Antenna Requirements	7
C. Speaker Requirements	7
D. Microphone Requirements	7
E. Location	8
F. Fixed Installation	8
G. Mobile Installation	8
III Control Functions	13
A. Front Panel Controls	13
B. Side Controls and Jacks	14
C. Other (Carrier Balance and Dial Light Switch)	15
IV Tuning Procedure	16
A. Bias Adjustment	16
B. Adjusting Dial Calibration	16
C. Tune-up on the Desired Band	16
D. Adjustment of Carrier Balance Control	17
V Operation	18
A. Voice Controlled Operation on SSB	18
B. Push-to-Talk Operation on SSB	18
C. CW Operation	19
D. AM Operation	19
E. General Precautions for Operation Near Band Edge	20
F. Operation With Linear Amplifiers	20
VI Theory of Operation	21
A. Receiver Circuitry	21
B. Transmitter Circuitry	22

VII	Service Data	25
	A. Removing Top Cover	25
	B. Removing Bottom Cover	25
	C. Tube Replacement	25
	D. Troubleshooting	25
VIII	Alignment Instructions	30
	A. Crystal Calibrator Alignment	30
	B. Adjustment of 9.0 Mc Oscillator	30
	C. Crystal Oscillator Alignment	31
	D. VFO Adjustment	31
	E. VFO Output Coupler Adjustment	31
	F. Adjustment of Injection Couplers	31
	G. Receiving I. F. Alignment	32
	H. Adjustment of Bal. Modulator Output Transformer	32
	I. Filter Matching Transformer	32
	J. Carrier Balance Adjustments	32
	K. Adjustment of Mixer and RF Coils	33
	L. Final Amplifier Neutralizing	33
	M. Transmitter I. F. Neutralizing	33
IX	AC-3 Power Supply Instructions	34
X	DC-3 Power Supply Instructions	35
XI	RV-3 Remote VFO Instructions	37

#### CHARTS AND ILLUSTRATIONS

Fig. #1	Connecting the TR-3 to the AC-3 and MS-3	10
Fig. #2	Connecting the TR-3 to a linear amplifier	10
Fig. #3	Using the TR-3 with an external receiver	11
Fig. #4	Electrical connection for mobile installation of TR-3	11
Fig. #5	Mechanical details for mobile installation	12
Fig. #6	Block Diagram	24
Fig. #7	Selectivity Curves	24
Fig. #8	Voltage Chart	26
Fig. #9	Resistance Chart	27
Fig. #10	Top view photo	28
Fig. #11	Bottom view photo	29
Fig. #12	AC-3 schematic diagram	34
Fig. #13	DC-3 schematic diagram	36
Fig. #14	RV-3 schematic diagram	40
Fig. #15	TR-3 schematic diagram	41

## GENERAL SPECIFICATIONS

**FREQUENCY COVERAGE:** Full coverage on all amateur bands 10 thru 80 meters, in seven 600 kc ranges; 3.5--4.1 mc, 7.0 to 7.6 mc, 13.9 to 14.5 mc, 21 to 21.6 mc, 28 to 28.6 mc, 28.5 to 29.1 mc, 29.1 to 29.7 mc.

**LINEAR PERMEABILITY TUNED VFO:** Tunes 4.9 to 5.5 mc for all ranges, 9 mc I.F. minus VFO range covers 80 meters, 9 mc I.F. plus VFO range covers 20 meters. VFO and crystal oscillator heterodyned in pre-mixer for 40, 15, and three 10 meter ranges.

**DIAL CALIBRATION:** 10 kc divisions on main tuning dial and interpolation to 1 kc on tuning knob skirt. Effective length of circular dial scale is over 14 inches.

**FREQUENCY STABILITY:** High stability permeability tuned VFO tunes same range on all bands. Drift is less than 100 cycles after warm-up, and less than 100 cycles for plus or minus 10% line voltage change.

**MODES OF OPERATION:** SSB Upper and Lower Sideband, CW and AM.

### FRONT PANEL CONTROLS:

"Main Tuning" has fluted knob with adjustable 25 division skirt. Tunes VFO and rotates main dial.

"RF Tune" tunes the RF circuit common to receiver RF amplifier and transmitter driver stages. 0-10 scale.

"Plate and Load" tuning adjust pi-network capacitors in transmitter for proper resonance and loading on each band.

"Band" switch selects desired ham band (see frequency coverage).

"Function" switch has four positions "CAL, SSB, X-CW, X-AM." "CAL" operates built-in 100 kc crystal calibrator for accurate setting of main tuning hair line indicator and knob skirt. "SSB" provides SSB operation, either VOX or PTT, and is receive position for SSB, CW, and AM. "X-CW" (transmit CW) inserts carrier, converts 'Xmtr Gain' control to carrier injection for tuning and CW transmitting. "X-AM" (transmit AM) inserts carrier and screen modulator for AM transmitting.

"XMTR GAIN" functions as mike audio gain on SSB and AM, and as carrier injection control on X-CW for tune and CW.

"RCVR GAIN" knob controls receiver AF gain and power ON-OFF switch. Lever behind knob controls setting of RF gain.

"Sideband" switch in conjunction with indicator lights marked "Upper and "Lower" selects desired sideband by connecting into the circuit either the upper or lower sideband filter.

RIGHT SIDE SCREWDRIVER ADJUST CONTROLS: Vox Gain, Anti-Vox Gain, S-Meter Zero.

INSIDE SCREWDRIVER ADJUST CONTROLS: Carrier Balance.

RIGHT SIDE JACKS: Headphone (disconnects speaker circuit), Microphone (3-circuit for PTT). Key (normally closed).

REAR CONTROLS: "LIGHTS" switch brightens and dims pilot lights.

METERS: Separate receiver S-meter/transmitting AGC indicator, and transmitter plate ammeter.

MISC: 20 tubes including voltage regulator; 6 diodes; 100 kc crystal calibrator built-in. Dimensions: 5-1/2" high, 10-3/4" wide, cabinet depth 14-1/2", overall depth including knobs 14-3/4". Weight 15 lbs 14 oz.

#### TRANSMITTER SPECIFICATIONS:

SINGLE SIDEBAND: 300 watts P.E.P. input power. VOX or PTT. Two special 9 mc crystal filters provide sideband selection, upper or lower on any band, without the necessity of shifting oscillators. The 9 mc filters are asymmetrical, that is, steeper on the carrier side (see filter selectivity charts) making possible unwanted sideband suppression of more than 40 db above 750 cycles and carrier suppression of 50 db. Overall audio frequency response 400 to 2500 cycles at 6 db down. Distortion products 35 db down at maximum output.

CW: Power input 260 watts. Carrier is shifted approx. 1000 cycles into one sideband and mixer is keyed. Grid block keying is free from chirps and clicks. Manual transmit/receive switching.

AM: Controlled carrier AM screen modulator is built-in. 260 watts P.E.P. input. Low carrier power increases 6 times to 50 watts output at maximum modulation. This system is compatible with SSB linears. Manual transmit/receive switching.

OUTPUT IMPEDANCE: Nominal 50 ohms, adjustable with pi-network.

MICROPHONE INPUT: High impedance.

#### RECEIVER SPECIFICATIONS

SENSITIVITY: Less than 1/2 microvolt for 10 db S/N.

I. F. SELECTIVITY: 2.1 kc at 6 db, 7.5 kc at 60 db.

AGC: FULL AGC on received modes -- audio output varies less than 3 db for 60 db change in signal level. Any amount of AGC from zero to full can be had by adjustment of RF gain control. Time proven Drake AGC system provides fast attack and slow release with noise pulse suppression, no pumping or popping evident.

AM: Product detector reception of AM (known as exalted carrier method) requires zero beating signal. Advantages over diode detectors include no selective fading, choice of either sideband, and better audio frequency response at 2.1 KC selectivity, resulting in more QRM free QSO's.

ANTENNA INPUT: Nominal 50 ohms.

AUDIO RESPONSE: 400-2500 cycles at 6 db.

AUDIO OUTPUT POWER: 2 watts.

AUDIO OUTPUT IMPEDANCE: 4 ohms.

### POWER SUPPLY REQUIREMENTS

Due to the 300 watt P.E.P. input rating, the TR-3 will require a power supply capable of low voltage at high current with very good dynamic regulation. The voltage and current requirements are as follows:

1. 650 volts at 300 ma average and 500 ma maximum with 10% regulation from 100 ma to 500 ma and maximum ripple of less than 1%.
2. 250 volts at 174 ma with 10% regulation from 150 ma to 180 ma. This includes the effect of the 650 volt supply change if both voltages are obtained from the same transformer. Maximum ripple must be less than 1/4%.
3. -45 to -65 VDC adjustable filtered bias into 33 K ohm load.
4. 12.6 Volt AC or DC at 5.5 amps.

TUBE	FUNCTION	
	Transmitter	Receiver
Complement		
12AX7A	Mike Amp.	-----
6EV7	Vox Amp./Relay	-----
6GX6	9 MC Xtal Osc.	BFO/Prod. Det.
12BA6	I.F. Amp.	-----
12BA6	-----	I.F. Amp.
12BA6	-----	I.F. Amp.
12AX7A	AGC	AGC
6AQ5A	Anti-Vox	Audio Output
6HS6	Mixer	-----
6EA8	Cathode Fol.	Mixer/Cath. Fol.
6EA8	Pre-Mixer/Xtal Osc.	Pre-Mixer/Xtal Osc.
6AU6A	VFO	VFO
13DE7	AM Screen Mod.	-----
12BA6	-----	R.F. Amp.
12BA6	-----	Crystal Calib.
12BY7A	Driver	-----
(3) 12JB6	Power Amps	-----
OA2	Voltage Reg.	Voltage Reg.

## I GENERAL DESCRIPTION

The R. L. Drake model TR-3 is a single sideband transceiver designed for the transmission and reception of upper and lower sideband signals on the 80 through 10 meter amateur bands. AM and CW capabilities are included.

Its compact size makes it ideal for both fixed station use in conjunction with our model AC-3 120 volt AC Power Supply, or for mobile installations using our model DC-3 12 volt DC Power Supply.

The 300 watt PEP input on SSB enables the TR-3 to give an excellent account of itself "barefoot" and it will drive the highest powered ham linear amplifiers.

Upper and lower sideband selection is accomplished by switching between two Drake designed and manufactured 9 Mc crystal lattice filters with 2.1 kc passbands. Among the other features included on the TR-3 are VOX and PTT, shifted carrier CW, separate RF and AF gain controls, linear permeability tuned VFO with vernier scale, transmitting and receiving AGC, and separate receiver S-meter and transmitter plate ammeter.

The addition of the accessory RV-3 remote VFO speaker combination enables the operator to receive, transmit, or transceive throughout the band being used without disturbing the setting of the TR-3 tuning dial. This is useful for working DX stations operating outside the United States Phone Bands, or for working near your own frequency in search of a clear spot under crowded band conditions.

## II INSTALLATION INSTRUCTIONS

### A. UNPACKING:

Carefully remove your TR-3 from its packing carton and examine it closely for signs of shipping damage. Should any be apparent, notify the delivering carrier immediately, stating the full extent of the damage.

Fill out and mail the enclosed registration card so that your warranty will be effective.

Save the packing material, it was expensive and you may need it later for reshipment or storage.

Inspect the packing material closely before putting it away to be sure you have not overlooked the Switchcraft type S-230 and 229 plugs shipped with the TR-3.

### B. ANTENNA REQUIREMENTS:

The TR-3 is designed for use with antennas resonant on the operating frequency and having approximate impedances of from 30 to 100 ohms. Although there are many types of antennas which will meet this requirement, the simplest is a one half (1/2) wave dipole, center fed with 52 ohm coax. For a detailed discussion on antennas, we suggest you refer to the ARRL Antenna Book or The Radio Amateur's Handbook.

Antenna connection to the TR-3 is provided at the SO-239 coax connector located on the rear of the shielded compartment housing the final amplifier components.

**Caution: NEVER ATTEMPT TO OPERATE THE TR-3 WITHOUT FIRST CONNECTING IT TO AN ANTENNA OR 52 OHM DUMMY LOAD OF SUFFICIENT POWER HANDLING CAPACITY OR SERIOUS DAMAGE CAN RESULT.**

### C. SPEAKER REQUIREMENTS:

A good quality 4 ohm speaker should be connected to terminals 7 and 12 of the female power plug mated to the TR-3 or plugged into the phone jack on the side. If our model AC-3 or DC-3 power supplies are used, a 6-inch lead terminating in a female phono plug is attached to these terminals of the power plug on the end of the power cable. Our model MS-3 speaker, available from your dealer, provides a very good match and is compatible in appearance with the TR-3. It will also house the model AC-3 120 VAC power supply.

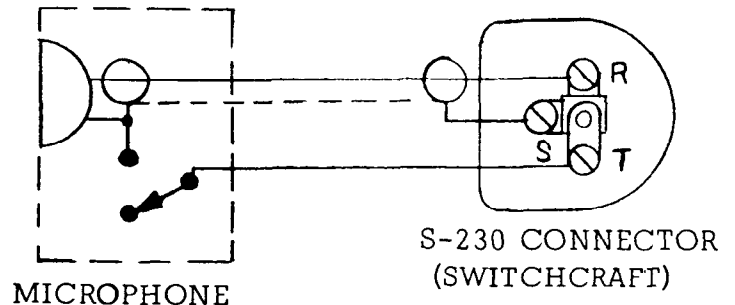
### D. MICROPHONE REQUIREMENTS:

A microphone with a wide and flat frequency response will enable you to obtain peak performance from your TR-3. For good VOX or voice control operation it is desirable for the mike to have a cardioid pattern to reduce



pickup from the back and sides of the mike. This enables you to operate with higher receiver audio gain, giving better VOX operation and reducing echoes, reverberation, and noise pickup in the fixed or mobile installation. Microphones with limited low or high frequency response and with peaks in the voice range should be avoided.

A three conductor microphone plug (Switchcraft type S230) is provided with the TR-3. The microphone must be connected as shown here for proper VOX and push to talk operation. Many microphones that are furnished with a switch were not wired this way.



#### D. LOCATION:

In general, the location of the TR-3 is not critical, either in fixed or mobile installations. However, care should be taken to insure that space is allowed around the unit to allow adequate air circulation. Extremely hot locations, such as near radiators or heating units, should be avoided. Do not cover the top of the TR-3 with books, paper, or pieces of equipment or overheating may result.

#### E. FIXED INSTALLATION:

For fixed installation, our model AC-3 120 VAC 50/60- cycle power supply will be required and the model MS-3 matching speaker is highly desirable. Connect these units as shown in figure 1. Note that the AC-3 power supply will fit inside the MS-3 to form one compact unit. If your linear amplifier has ALC, it can be applied to the TR-3 at pin 3 of the power connector. The use of shielded wire is recommended. Figure 2 shows how the TR-3 can be connected for operation with linear amplifiers.

#### F. MOBILE INSTALLATION:

The TR-3 may be installed in any vehicle having a 12 VDC electrical system. Our model DC-3 power supply will be required for this installation. All DC-3 supplies are factory wired for negative ground systems.

**IF YOUR CAR HAS A POSITIVE GROUND SYSTEM, DO NOT ATTEMPT TO CONNECT THE DC-3 UNTIL THE PROPER WIRING CHANGES HAVE BEEN MADE! SEE DC-3 INSTRUCTIONS.**

1. Mount the TR-3 in a convenient location under the dash using the MMK-3 mobile mounting kit. See Figure 5 for more detailed instructions on various suggested mounting methods.

Be sure to allow adequate clearance for air circulation and at the right side for access to the screw driver adjustments and the mike jack.

2. The recommended mounting position for the DC-3 Power Supply is on the passenger side of the firewall. We do not recommend that it be placed in the trunk due to the excessive primary lead length or in the engine compartment unless it is protected from water and engine heat.

Make sure that the on-off switch on the TR-3 is in the off position (Audio gain fully counter clockwise until click is heard) and connect the female power connector on the end of the power cable, to the TR-3. Coil up excess cable and tape in an out-of-the-way location. You may need the extra length when you trade cars. Run the black wire from the power supply to a convenient ground and run the red wire through the fire wall to the battery terminal of the starter relay. Shorten the heavy red and black wires as much as possible.

3. Install a mobile antenna in the manner recommended by the antenna manufacturer and connect the coax lead from it to the SO-239 connector of the TR-3. It may be necessary to install a matching coil at the antenna feed point in order to match it to the feed line impedance. The use of an SWR bridge is recommended. For details on this refer to the mobile antenna section of the ARRL Radio Amateur's Handbook.

4. If your car has a transistor radio, we suggest you install a separate speaker for use with the TR-3. However, if the radio in your car has a vacuum tube audio amplifier, and if one side of its speaker is grounded, run a wire from the ungrounded terminal to the center conductor of a male phone plug. Insert this plug in the female jack molded into the end of the 6-inch wire protruding from the connector on the end of the DC-3 power cable. It should be unnecessary to disconnect the auto radio output transformer when the TR-3 is used unless it has insufficient volume. If this proves to be the case, a SPDT switch can be installed so that the speaker lead goes to the pole, the car radio output goes to one contact and the TR-3 output goes to the remaining contact.

5. If ignition noise is a problem, we recommend the installation of resistor type spark plugs, a 10,000 ohm suppressor resistor inserted in the center tower of the distributor, and 5000 ohm suppressor resistors at each spark plug tower on the distributor. Install a coaxial capacitor at the ignition coil primary as close to the coil terminal as possible.

To suppress generator noise, install another coaxial capacitor (.1 to .25 MFD) in the generator output lead as close to the output terminal as possible.

To suppress voltage regulator noise, install bracket mounted coaxial capacitors at the generator output and battery leads to the voltage regulator. Mount the capacitors as close to the regulator as possible. A .002 MFD mica capacitor with a 4 ohm carbon resistor in series should be connected from the generator field terminal of the regulator to ground. Do not use a capacitor across the

field contacts without a resistor in series or the regulator life will be greatly shortened! For additional information on noise suppression, consult the mobile noise suppression section of the ARRL Radio Amateur's Handbook.

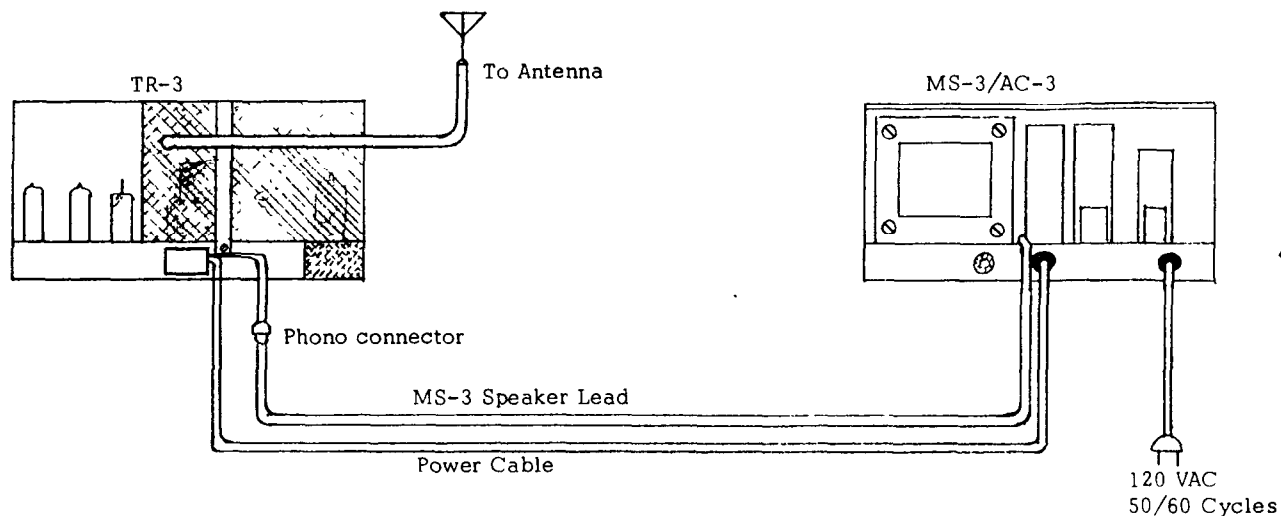


FIG. 1 CONNECTING THE TR-3 TO THE AC -3 POWER SUPPLY AND MS-3 MATCHING SPEAKER

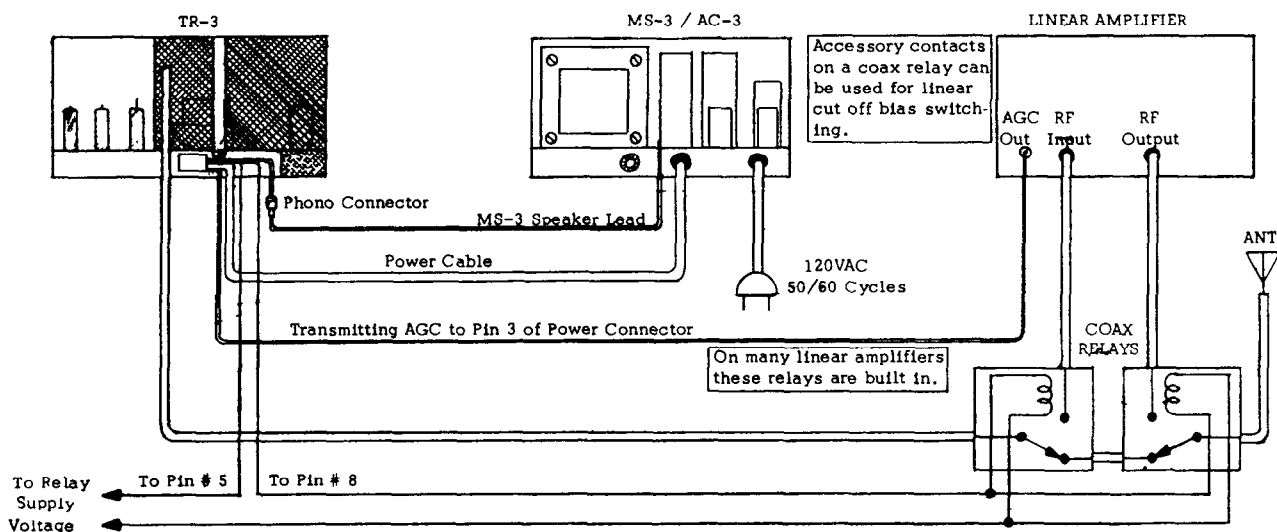


FIG. 2 CONNECTING THE TR-3, MS-3, AND AC-3 TO A LINEAR AMPLIFIER

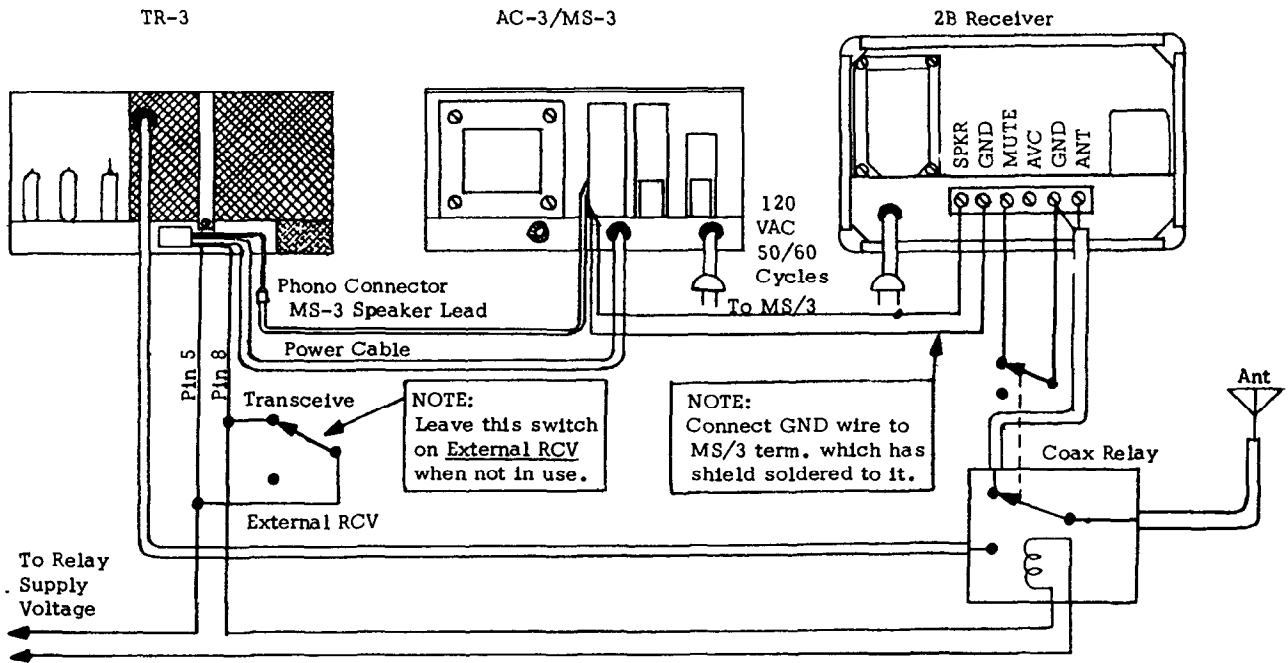


FIG. 3 USING THE TR-3 WITH AN EXTERNAL RECEIVER

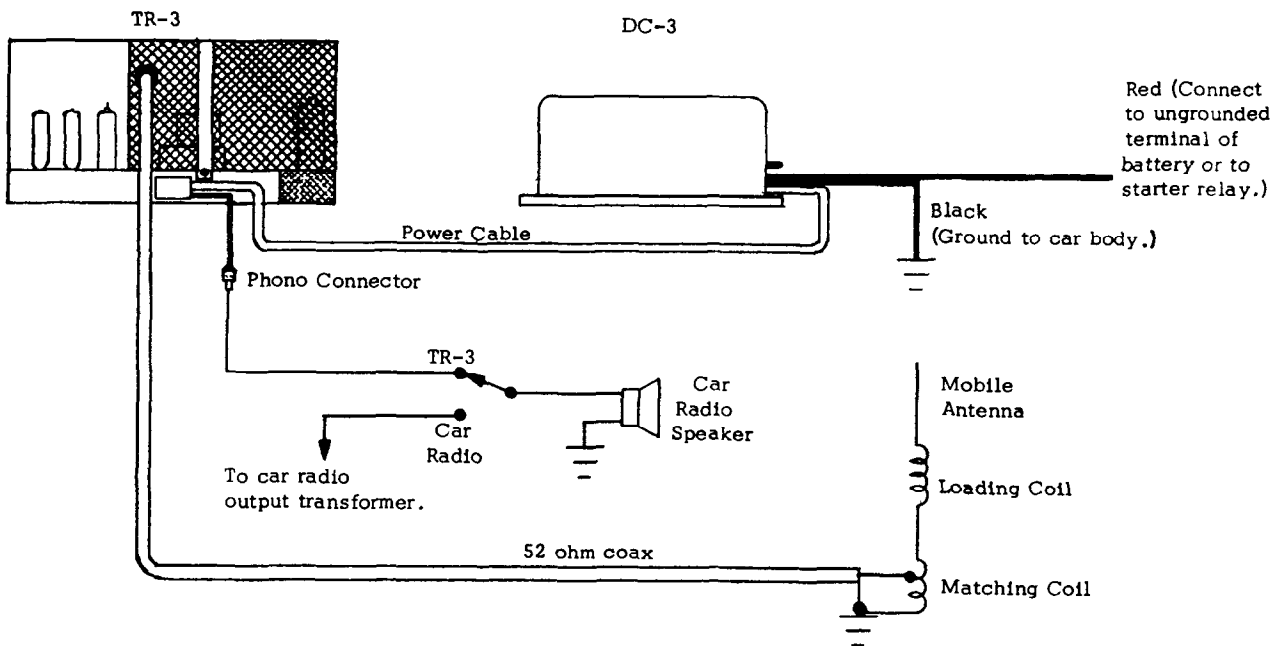


FIG. 4 ELECTRICAL CONNECTIONS FOR MOBILE INSTALLATION OF THE TR-3

## Fig. 5 MECHANICAL DETAILS OF MOBILE INSTALLATION USING MMK-3 MOBILE MOUNTING KIT

Four threaded holes are provided in each side of the TR-3 top cover to accept wing bolts, and four punched holes are provided at the rear edge of the bottom cover for mounting of the tongue. (four 6-32 screws and nuts provided). The tongue holder can be mounted to the floor or transmission hump by drilling two 3/16-inch holes and fastening it down with the two #14 sheet metal screws provided. Note that two fibre washers are provided which must be positioned between the TR-3 case and the mounting bracket. These washers are not shown.

The mounting bracket may be attached to the dash either with the two #14 sheet metal screws or the 1/4-inch bolts and nuts (both sets provided). Additional holes may be drilled in bracket to match existing holes in the dash.

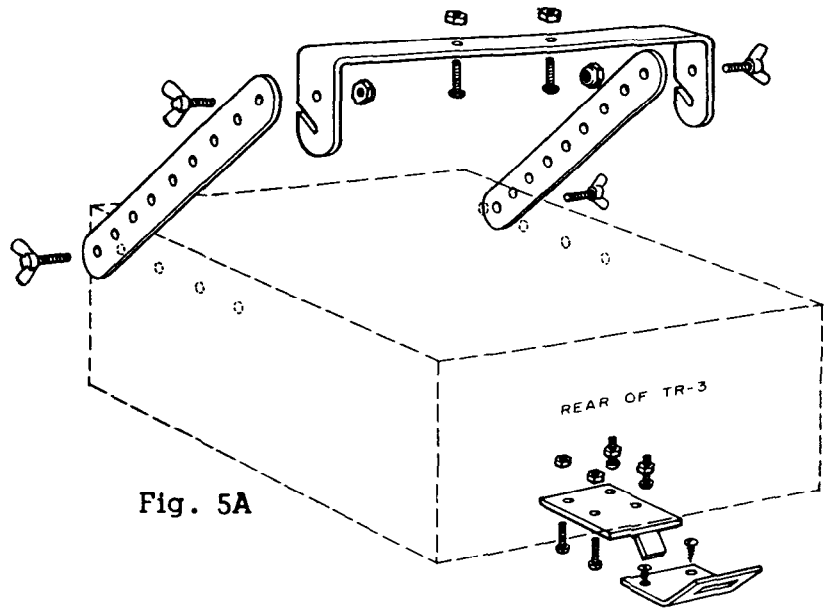


Fig. 5A

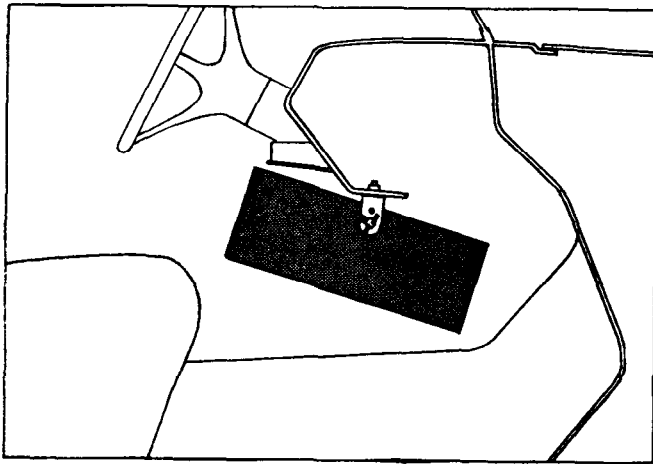


Fig. 5B

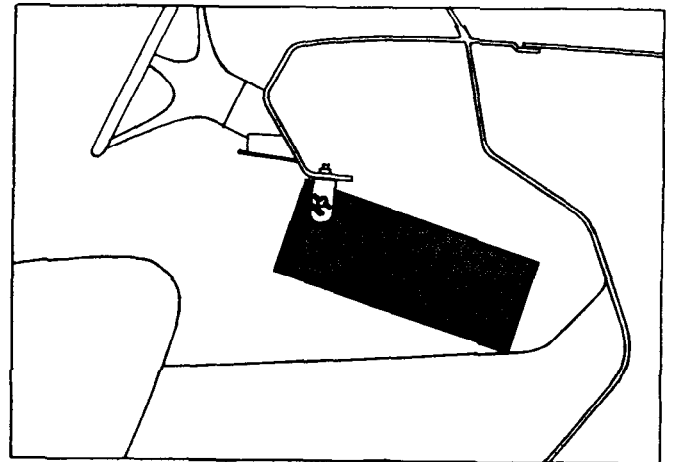


Fig. 5C

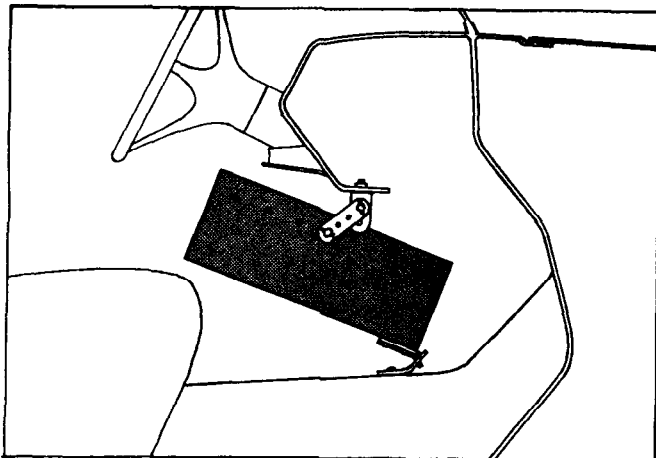


Fig. 5D

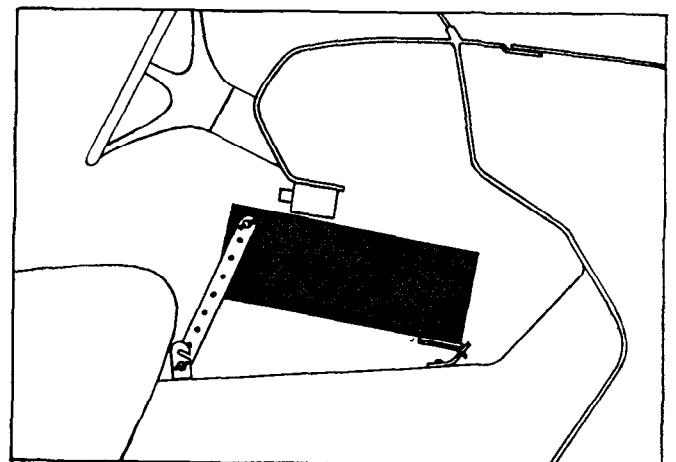


Fig. 5E

### III CONTROL FUNCTIONS

#### A. FRONT PANEL CONTROLS:

1. Main tuning - The main tuning knob of the TR-3 determines the frequency on which you transmit and receive. Each division around the calibrated skirt on this knob is equal to approximately 1 kc and each division on the main tuning dial is equal to 10 kc. The small red knob just to the right of the dial scale is for adjusting the position of the indicator line for calibration. The knob skirt is also adjustable by pushing it in slightly and rotating it in the desired direction, while holding the main tuning knob stationary.

2. SIDEBAND - The SIDEBAND control selects either of two 2.1 kc crystal filters for transmission and reception of upper and lower sidebands. Directly above this control are two indicator lights which show the sideband in use for a particular band. You will notice that one position of this switch is marked with an "X". This position must be used when transmitting AM or CW or when tuning up.

3. BAND - The BAND control is a seven-position switch used to select the amateur band desired. You will notice that it has three 10-meter positions. Proceeding in a clockwise direction, the first covers 28.0-28.6 Mc, the second covers 28.5-29.1 Mc and the third covers 29.1-29.7 Mc.

4. RCVR GAIN - The RCVR GAIN control consists of two controls with concentric shafts. The lever controls the maximum RF gain of the receiver by varying the amount of negative bias applied to the grids of the AGC controlled tubes.

The knob adjusts the audio gain by regulating the input to the grid of the audio power amplifier tube. The transceiver power switch is operated at the extreme counter clockwise end of rotation of this knob.

5. XMTR GAIN - This control regulates the microphone gain on AM and SSB. When the unit is operated on CW it is used to adjust the RF drive to the proper level.

This control is connected so that it regulates the VOX sensitivity as well as the audio drive to the balanced modulator. Since all changes in level due to the type mic, how close or loud you talk, etc., effect equally the VOX and audio drive requirements, this eliminates the necessity of changing the VOX adjust control, located on the side of the TR-3 chassis, once it is set properly.

6. FUNCTION CONTROL - The FUNCTION CONTROL is a four-position switch which determines the mode of operation of the TR-3.

In the SSB position the receiver portion functions until the transmitter is energized either by talking into the microphone or pressing the push-to talk switch. The transmitter then emits an upper or lower sideband signal depending on the setting of the SIDEBAND switch.

In the CAL position, the 100 kc crystal calibrator is switched on for calibration purposes. The receive and transmit functions operate the same as in the SSB position.

In the X-CW position the transmitter is switched on, the receiver is switched off, and the carrier is shifted approximately 1 kc from the received frequency. This position is to be used for tune-up and for CW operation, and is for transmit only. When you wish to receive you must switch back to the SSB position. Note that the SIDEBAND switch must be placed on the "X" position when operating X-CW or X-AM. Otherwise no RF output will be obtained.

On the X-AM position, a controlled carrier screen modulator is incorporated for AM transmission. As is the case on X-CW, the SIDEBAND switch must be on the "X" position for transmit and the function switch must be returned to SSB for receive.

7. RF TUNE - The RF TUNE control peaks the driver and RF amplifier grid and plate coils.

8. PLATE - The PLATE control tunes the power amplifier Pi network circuit to resonance by varying the input capacity.

9. LOAD - The LOAD control matches the impedance of the transceiver power amplifier to the impedance of the load by varying the output capacity of the Pi network circuit.

10. S-METER - The S-METER indicates relative signal strength of the received signal. It is calibrated in S-units from S-1 to S-9 and in DB over S-9. Each S-unit equals approximately 5 DB and S-9 equals about 30 microvolts. On transmit it indicates the point at which the transmitting AGC starts, to help in setting the proper level of the XMTR GAIN CONTROL.

11. PLATE AMPERES - The PLATE AMPERES meter indicates plate current in the final amplifier tubes.

## B. SIDE CONTROLS AND JACKS (front to rear).

1. PHONES - The headphone jack automatically disconnects the speaker when headphones are plugged in. The audio output impedance at the jack is 4 ohms.

(An excellent set of headphones for this impedance is Trimm model 24-08). (A speaker may be plugged in here instead of connecting it to the power connector if desired.) A Switchcraft type 229 plug (red) is supplied with the TR-3 which can be used either here or at the KEY jack.

2. MIC - This is a .210-inch diameter phone jack of the three conductor variety (Switchcraft S-230) to accommodate microphones with push-to-talk-switches.

3. VOX - The VOX control is for adjusting the gain of the VOX amplifier.

4. ANTI VOX - The ANTI VOX control adjusts the sensitivity of the anti VOX amplifier.

5. ZERO - The S-METER ZERO control is for adjusting the no signal reading of the S-METER to S-1.

6. KEY - The KEY jack is of the normally closed variety. Note that plugging a key into this jack will disable the transmitter on all modes of operation unless the key is closed.

#### C. OTHER:

1. CARRIER BALANCE - The CARRIER BALANCE control is a potentiometer located on top of the chassis, along the rear edge. It is for balancing the balanced modulator. Note that this control has a planetary drive and requires 10-1/4 turns for complete travel.

2. LIGHTS - The LIGHTS control is a two position slide switch located on the rear of the TR-3 chassis. It is used to control the brilliance of the dial lights. The letters D and B indicate dim and bright respectively.



## IV TUNING PROCEDURE

**WARNING: UNDER NO CIRCUMSTANCES SHOULD OPERATION OF THE TR-3 BE ATTEMPTED UNLESS IT IS CONNECTED TO A PROPER ANTENNA OR A DUMMY LOAD OF SUFFICIENT POWER HANDLING CAPACITY.**

### A. BIAS ADJUSTMENT:

Before any type of operation is attempted, it will be necessary to set the power supply bias adjustment as described here.

1. Turn on TR-3 by rotating RCVR GAIN control knob clockwise.
2. Rotate XMTR GAIN control fully counter clockwise.
3. Turn SIDEBAND switch to the counter clockwise position.
4. Turn function switch to X-CW.
5. Adjust AC-3 or DC-3 Bias adjustment for a reading of .1 on the Plate Amperes meter. This completes the adjustment.

### B. ADJUSTING DIAL CALIBRATION:

The calibration of the main tuning dial on the TR-3 may vary slightly from band to band due to the tolerance limits of the various crystals. Therefore, the main tuning dial index has been made adjustable by means of the small red knob to its right. To set the calibration on a given band proceed as follows:

1. Set XMTR GAIN fully counter clockwise.
2. Set function switch to CAL.
3. Set BAND SWITCH to desired band.
4. Peak RF TUNE for maximum noise.
5. Zero beat the 100 kc calibrator signal nearest the desired operating frequency.
6. Slide the red knob to the right of the dial scale until the index line coincides with the 100 kc dial calibration.
7. While holding the main tuning knob, push in on its calibrated skirt and rotate it until the arrow coincides with the indicator line.

### C. TUNE-UP ON THE DESIRED BAND:

**CAUTION:** When tuning, do not allow more than .1 AMP of plate current to exist for more than 30 to 40 seconds at a time. Longer on periods than this may cause the final amplifier tubes to exceed their maximum temperature, thus shortening their life. If a longer tune up period than this is required, give the tubes a rest period of a minute or two to cool off.

**NOTE:** The final amplifier pi network will match a 50 ohm load with VSWR no higher than 2:1, except on 80 meters at low values of resistive load. ( Here it may be found necessary to use an external "match box" or change the feed line by 1/8 to 1/4 wave length to get a proper match.)

Preset the controls as follows:

1. BAND SWITCH to desired band.
2. Frequency knob to a frequency inside of the amateur band in use.
3. XMTR GAIN fully counter clockwise.
4. LOAD fully counter clockwise.
5. SIDEBAND in the "X" position.
6. Function switch on SSB.
7. RF TUNE - Temporarily peaked on received noise.

Rotate the function switch to the X-CW position and advance the XMTR GAIN control clockwise until the Plate Amperes meter moves up scale slightly from idling current. (If plate current is high even with XMTR GAIN fully counter clockwise, reduce it to idling by adjusting CARRIER BALANCE control, see next section, D.) Peak the RF TUNE control for maximum plate current and quickly tune the PLATE control for a dip in plate current. When the dip is found, rotate the XMTR GAIN clockwise until plate current no longer increases.

Rotate the LOAD control clockwise in small increments while alternately readjusting the PLATE control to maintain the dip. Continue this procedure until the plate current is .45 amps.\* when dipped. Complete this procedure as quickly as possible and return the function switch to SSB.

\* Under many conditions (line voltage, tube condition, drive, etc.) the current value to which the transmitter is loaded, should be modified from the .45 amp figure stated. We recommend that an R.F. output indicator such as a reflected power meter, SWR bridge, field strength meter, or light bulb, etc., be used and the transmitter loaded to maximum output less .025 amps plate current. Plate current in excess of that obtained at max. R.F. output will result in excess plate dissipation and will quickly destroy the output tube.

Notice that when the function switch is in the X-CW position, the screen voltage on the final amplifier tubes is reduced to prevent overheating. When the switch is on SSB, this voltage is increased so that a peak power input of 300 watts can be obtained.

#### D. ADJUSTMENT OF CARRIER BALANCE CONTROL:

The CARRIER BALANCE control is factory adjusted and should require a minimum of resetting under most conditions. However, it should be checked before the TR-3 is operated on SSB.

After tuning up the TR-3 as described above, set the SIDEBAND switch to "X", the XMTR GAIN fully counter clockwise, and the function switch to X-CW. Now adjust the CARRIER BALANCE control (located on top of the chassis near the rear edge) for minimum plate current. (If plate current cannot be reduced to idling value, adjustment of carrier balance capacitor may be necessary. See section VIII). Return the function switch to SSB. This completes the adjustment.

## V OPERATION

In the following discussion, it is assumed that the TR-3 has already been tuned up on the desired band as described under tuning procedures.

### A. VOICE CONTROLLED OPERATION ON SSB.

Preset the controls as follows:

SIDEBAND	-- On desired sideband as shown by indicator lights.
FUNCTION SWITCH	-- On SSB.
XMTR GAIN	-- Fully counter clockwise.
RF GAIN	-- Fully clockwise.
AF GAIN	-- Fully counter clockwise (do not turn off power).
VOX GAIN	-- Fully clockwise.
ANTI VOX	-- Fully counter clockwise.

While talking into microphone in a normal voice, increase the XMTR-GAIN control until the S-meter starts kicking up scale 2 or 3 S-units. This indicates that transmitting AGC is starting to work and transmitter is peaking at maximum output. Continue talking and reduce the VOX GAIN until a point is reached where further reduction results in too frequent relay drop out.

Now increase the AF gain until received signals are of the desired volume. This may cause the transceiver to cycle back and forth between transmit and receive. Adjust the ANTI VOX ADJ. until this cycling stops. You are now ready to operate.

### B. PUSH-TO-TALK OPERATION ON SSB.

If the push-to-talk switch on your microphone is properly connected as described under installation instructions, it may be depressed at any time thus over-riding the VOX system.

If you do not desire the VOX to function at all, turn the VOX adjust control fully counter clockwise.

REMEMBER: On SSB the TR-3 transmits on exactly the same frequency on which it receives. Therefore, be sure that before you answer another station's CQ or break another QSO, you have the signals tuned in so that the voices sound normal. Otherwise you will not be transmitting exactly on frequency.

### C. CW OPERATION:

To work CW, plug your key into the KEY jack. If an electronic keyer is used, connect it for grid block keying.

Note that the TR-3 uses shifted carrier CW. With this system it is possible to transmit approximately on the received station's frequency without being zero beat while receiving. The receiving BFO differs from the transmitted signal frequency by about 1 KC which allows a 1 KC tone to be heard.

To receive CW signals, place the function switch on the SSB position and the SIDEBAND switch in the "X" position. Tune in a CW signal for an audio pitch of about 1 kc and adjust the audio gain control for pleasing volume.

To transmit, turn the function switch to the X-CW position, depress the key, and rotate the XMTR GAIN control clockwise until the plate current no longer increases. DO NOT ADVANCE IT BEYOND THIS POINT.

### D. AM OPERATION:

As is the case on all other modes of operation the function switch must be in the SSB position to receive.

The TR-3 uses the exalted carrier method of reception for AM which requires zero beating the signal. This method has the following advantages:

1. No selective fading.
2. Better audio frequency response when using the 2.1 KC passband. Using diode detection it would be necessary to have the carrier in the passband thereby limiting audio frequency response. With the product detector, the audio response is 400 to 2500 cycles.
3. Because you are receiving only one sideband at a time, you can easily switch to the other sideband in the TR-3 to avoid interference.

When transmitting on AM, the function switch must be on X-AM and the SIDEBAND switch must be on the "X" position. Then, while talking into the microphone in a normal voice, rotate the XMTR GAIN control until plate current peaks between .2 and .25 amps. Care should be taken to stay within these limits since the transmitting AGC does not work on AM.

The TR-3 uses a controlled carrier AM screen modulator which holds the unmodulated carrier input power to a few watts but allows 260 watts P.E.P. input on voice peaks.

This system is compatible with SSB linear amplifiers. Due to the low duty cycle of this type of AM, a linear can be run with the same P.E.P. input as it can on SSB.

E. GENERAL PRECAUTIONS FOR OPERATIONS NEAR BAND EDGE.

If you intend to operate near the edge of the band be sure that you check the dial calibration as described under tuning procedure. When working SSB be sure you are using the sideband that will be inside the band i.e. lower on the high edge or upper on the low edge. On AM or CW, the transmitted carrier will be 1 KC higher or lower than the indicated dial frequency depending upon whether the upper or lower sideband indicator light is lit.

F. OPERATION WITH LINEAR AMPLIFIERS.

The TR-3 transceiver is conservatively rated at 300 watts P.E.P. input. It is doubtful if it would be worthwhile to use a linear with a power rating of less than 1000 to 2000 watts P.E.P. input. A triode type grounded grid linear of 1000 to 2000 watt P.E.P. rating will present a satisfactory load for the TR-3.

If your particular linear is of the grounded cathode type with high impedance input, it will be necessary to install a resistive pad between the TR-3 and the linear that will present the proper impedance to the TR-3. Such a pad must be made of non-inductive resistors and must have adequate power handling capacity to prevent it from being destroyed when the TR-3 is turned on. Antenna switching should be accomplished as shown in Fig. 2. Many linears have these relays built in.

In order to properly operate the TR-3 with a linear, proceed as follows:

1. With the TR-3 connected to the linear, tune the RF TUNE control as described under "TUNING PROCEDURE".
2. Set the LOAD control to the setting indicated on the chart below for the band desired.
3. Tune the PLATE control for minimum plate current.
4. Switch the FUNCTION switch to the desired mode of operation.
5. Advance the XMTR GAIN control until the desired amount of input to the linear amplifier is obtained.

Note that when the TR-3 is loaded below .450 amps the ALC does not function properly and flat topping in the TR-3 may result. Care should be taken to keep the XMTR GAIN below the point where this occurs. This can be accomplished by making sure that the average peak plate current does not exceed one half of the plate current obtained on tune up (step 3).

If your linear amplifier has ALC output, connect it to the TR-3 as shown in figure 2. If the TR-3 is properly tuned, this should prevent flat topping on SSB regardless of the XMTR GAIN control setting. However, it will not prevent overdrive on AM since the ALC does not function in this mode.

BAND	52 ohm LOAD setting
80	2
40	3
20	2
15	3
10	2

## VI THEORY OF OPERATION

### A. RECEIVER CIRCUITRY:

A signal entering the antenna terminal passes through the antenna switching contacts of the relay and is applied to the grid of the RF amplifier V7 through the selectivity of the L/C network formed by T9, T10, and a section of the RF TUNE capacitor C37.

After being amplified, it is passed through an additional L/C network consisting of T7, T8, and the remaining section of C37, to the grid of the mixer (V3b).

Here it is combined with a signal from the pre-mixer system of the required frequency to give 9.0 Mc output.

The pre-mixer system consists of a 4.9-5.5 Mc permeability tuned VFO (V2), a switchable overtone crystal oscillator (V1a), the pre-mixer pentode (V1b), and a cathode follower (V3a).

The VFO signal output is applied to the grid of the pre-mixer pentode through the bandpass coupler T4. For 80 and 20 meter operation it is fed around the pre-mixer and through the cathode follower to the mixer.

On 40, 15, and 10 meters, a signal from the crystal oscillator beats with the VFO in pre-mixer (V1b) to produce the desired injection frequency.

On 40 meters for example, a 21.5 Mc overtone crystal and the appropriate coil (L1) are switched into the crystal oscillator circuit. The output from the oscillator is fed into the pre-mixer pentode where it beats with the 4.9-5.5 Mc VFO to produce an output frequency of 16.0-16.6 Mc. This output is fed through the 16.0-16.6 Mc bandpass coupler T3, and through the cathode follower (V3a).

On 15 meters a 35.5 Mc crystal is used with a 30.0-30.6 Mc coupler (T2) and on the three 10 meter ranges, 42.5, 43.0, and 43.6 Mc crystals are used with a 37.0-38.7 Mc coupler (T1).

The 9.0 Mc output of the mixer (V3b) passes through the impedance matching transformer T6 into the upper or lower sideband crystal filter. The setting of the **SIDEBAND** knob determines which crystal filter will be used.

From here the signal passes through the impedance matching transformer T13 and is amplified by the 9 Mc receiving I.F. amplifier system composed of tubes V11 and V12 and the I.F. transformers T11 and T12. The output of T12 is applied to the AGC amplifier V13a and to the product detector V16.

The AGC amplifier V13a is biased past cut off to provide AGC delay. When sufficient R.F. voltage from T12 is applied to its grid, plate current flows during part of the cycle. This causes amplified negative voltage to appear across its plate load resistor R63 thus charging C115. This negative control voltage is applied to the grids of V7, V11, and V12. C115 discharges through R63 with a time constant of approximately one second. Rotating the RF gain control counter clockwise applies increasingly more negative bias to the AGC controlled grids thus limiting their maximum gain when AGC voltage diminishes.

The product detector tube V16 consists of a 9 Mc crystal oscillator formed by the cathode, grid 1, and grid 2 as an anode, and a product detector formed by the cathode, grid 3, and the plate. The I.F. signal is applied to grid 3 where it beats against the BFO voltage in the tube. The resulting audio is applied to the AF output tube V17 through the audio gain control. Due to the high audio output level of this tube, only one stage of audio amplification is necessary.

The output of V17 is applied through the audio output transformer and through the phone jack J-5 to pin 12 of the power connector. Also, output from the plate of V17 is applied to the anti vox rectifier D6 through the ANTI VOX control.

A 100 kc crystal calibrator (V5) is switched on when the function switch is on the CAL position. Its output is coupled to the grid of the RF amplifier (V7).

The S-METER in the TR-3 operates in a bridge circuit with the plates of a receiver I.F. amplifier (V11), and the transmitting I.F. amplifier V15 on one leg of the bridge and plate of the audio output tube V17 on the other leg. Receiving AGC voltage applied to V11 on receive and transmitting AGC voltage applied to V15 on transmit causes these tubes to draw less current, unbalancing the bridge, thus causing the S-meter to read up scale. The bridge is balanced on receive by the ZERO control; on transmit the meter may rest slightly up scale.

#### B. TRANSMITTER CIRCUITRY:

Audio input from the microphone is applied to one section of the microphone amplifier V18 where it is amplified and applied to the remaining section of this tube through one gang of the XMTR GAIN control.

Low impedance output from the cathode of the second triode V18 is applied to the balanced modulator through the function switch for SSB operation. High impedance output from the plate is applied to the grid (pin 7) of the AM screen modulator V14, and to the grid of the first VOX amplifier triode V19a through the VOX ADJ. control. The output from V19a is rectified by the VOX rectifier D5 and the resulting positive DC voltage is applied to the grid of the relay control triode V19b causing it to conduct and close the transmit/receive relay.

Audio voltage from V17 is rectified by the ANTI VOX rectifier D6 thus supplying negative voltage peaks to the grids of V19b, preventing it from conducting and closing the relay when the microphone picks up audio from the speaker.

Cut off bias for the relay tube is obtained from voltage dividers formed by R104, R124, R125 and R126. When the function switch is placed in the X-AM or X-CW position, or when the microphone's push-to-talk switch is pressed, the grid of V19b is grounded, thus removing the negative bias, causing it to conduct and close the relay.

R.F. from the 9.0 Mc crystal oscillator portion of the product detector tube V16 is applied to the balanced diode modulator through the CARRIER BALANCE control. On SSB the audio from V18 is also applied to the balanced modulator and the result is a double sideband suppressed carrier signal which is applied to the transmitter I.F. amplifier through the matching transformer T14.

The amplified output is fed through T-13 to the upper or lower crystal filter where the undesired sideband is filtered out.

The resulting SSB signal is fed through T-6 to the transmitting mixer V4 where it is combined with a pre-mixer signal of the proper frequency to give output on the desired amateur band.

Output from V4 passes through the L/C circuit composed of T7, T8, and one-half of C37 to the grid of the driver tube V6. Here it is amplified and applied to the grid of V8, V9, and V10 through the L/C network composed of T9, T10, and the other half of C-37.

The three parallel power amplifier tubes boost the signal to a power level suitable for transmission. The output impedance of the power amplifier tubes is matched to a 52 ohm load by means of the Pi network circuit composed of L8, L9, C94, and C95.

At the first trace of flat topping in the final amplifier tubes, a small amount of grid current will be drawn which produces a voltage drop across R47. The small negative going voltage thus obtained is applied through R46 to the cathode of V13b where it is amplified.

The amplified negative voltage is applied to the grid of V15, thus reducing the level of the driving signal.

If the function switch is placed on the X-CW position, the 9.0 Mc oscillator is shifted to 9.001 Mc, the push-to-talk line is grounded turning on the transmitter, and a variable source of DC, regulated by half of the XMTR GAIN control, is applied to the balanced modulator thus unbalancing it.

This causes a 9.001 Mc signal to be fed out of the balanced modulator, through V15 and into the crystal filters. The SIDEBAND control must be in the "X" position in order to allow the signal to pass.

Grid block keying is used in the transmitting mixer V4. A screen resistor is switched into the final amplifier screens to prevent excessive screen current during tune up and key down.



If the function switch is placed on X-AM, the operation is the same as on X-CW except that a fixed rather than a variable DC is applied to unbalance the balanced modulator, and the screen modulator V14 is switched in series with the final amplifier screens. Note that the transmitter AGC will not prevent overmodulation when the TR-3 is used on AM.

When the transmit/receive relay (K1) is closed, either through VOX excitation or by grounding the push-to-talk line, the cathodes of V3b, V7, V11, and V12, are isolated from ground disabling the receiver, and the cathodes of V4, V6, V8, V9, V10, and V15 are connected to ground to actuate the transmitter. Also the antenna connector is switched from the receiver input to the final amplifier tank circuit.

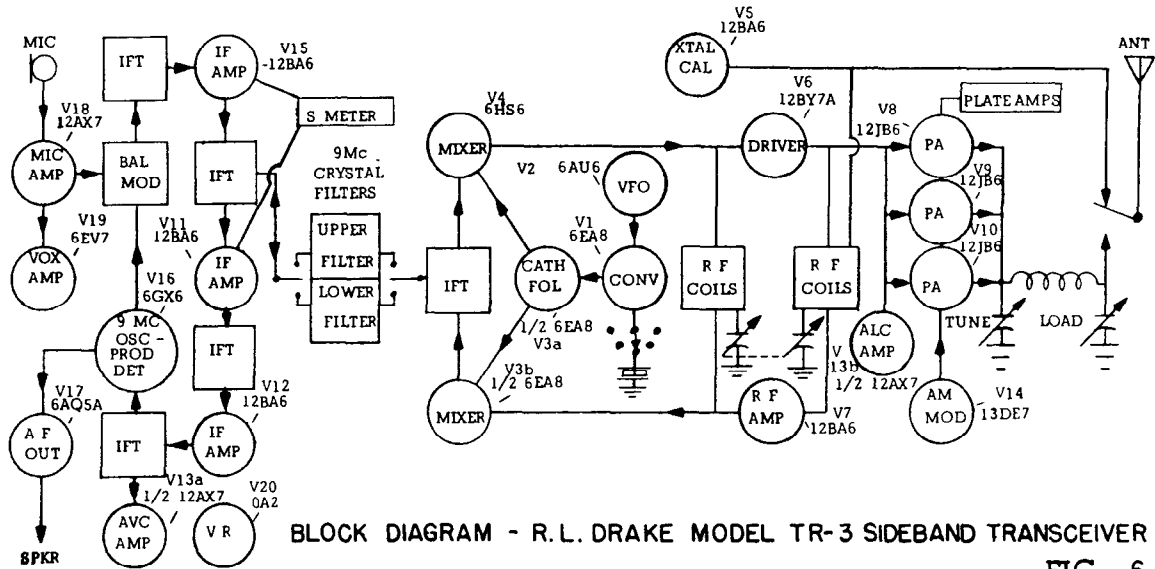
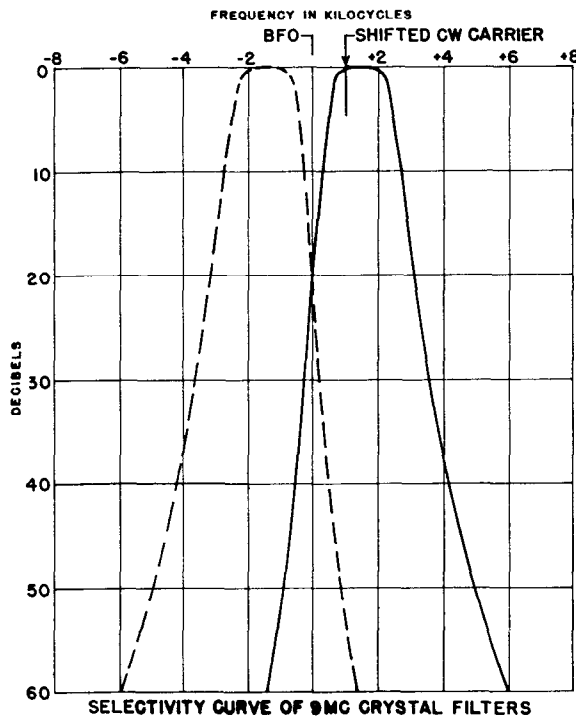


FIG. 6

FIG. 7



## VII SERVICE DATA

We will check and factory align your TR-3 for a nominal fee of \$10.00 plus transportation charges if the set has not been tampered with. If repairs are necessary, we will advise you of the cost before proceeding with the work. Units that have been tampered with or misaligned will be repaired on a time and material basis only.

### A. REMOVING TOP COVER:

**WARNING:** Extreme caution should be taken when the top and bottom covers of the TR-3 are removed. High voltage is present at several points which could cause a lethal electrical shock!!

1. Remove the three top screws on each side of the TR-3.
2. Remove cover by first pulling up on the rear and then on the front of the cabinet.

### B. REMOVING BOTTOM COVER:

1. Remove the six bottom screws from the sides of the TR-3.
2. Lift TR-3 chassis out of bottom cover.

### C. TUBE REPLACEMENT:

In general, most trouble encountered in radio equipment of good design is due to tube failure. The TR-3 has been designed so that tube replacement can be done without need for realignment. The best method of finding defective tubes is direct substitution. It is best not to rely too heavily on tube checkers.

### D. TROUBLESHOOTING:

Careful consideration has been given in the design of the TR-3 to keep maintenance problems to a minimum. However, it is quite possible that some problem will arise which cannot be cured by tube substitution. If this occurs, we suggest that you either return your unit to your dealer or write direct to our service department describing your problem in detail. Include full information concerning external connections, control settings, tubes substituted, etc. Do not return equipment to the factory without prior authorization.

In case of malfunction, first check power supply fuse, filament fuse in TR-3, and # 12 fuse lamp on relay assembly for continuity. The voltage and resistance charts which follow should be valuable in isolating minor problems. However, no attempt should be made to service the TR-3 unless you are thoroughly familiar with electronic circuitry and servicing technique. CARE SHOULD BE TAKEN NOT TO DISTURB THE LEAD DRESS IN THE TR-3 SINCE SEVERAL CIRCUITS ARE QUITE CRITICAL IN THIS REGARD.

Fig 8 VOLTAGE CHART

Pin	1	2	3	4	5	6	7	8	9
V1	134	-1.44	125	0	6.3*	255	3.0	3.0	.7
V2	-6.0	0	6.3*	0	130	140	0		
V3	165	0	$\frac{95}{165}$	6.3*	0	$\frac{260}{250}$	$\frac{3.7}{165}$	$\frac{12.5}{11}$	$\frac{11}{9}$
V4	0	0	12.6*	6.3*	$\frac{245}{240}$	165	$\frac{165}{2.5}$		
V5	$\frac{-38}{0}$	$\frac{1.1}{43}$	12.6*	0	$\frac{56}{145}$	$\frac{62}{150}$	$\frac{1.1}{43}$		
V6	$\frac{165}{3.1}$	$\frac{0}{-2.2}$	0	0	12.6*	6.3*	$\frac{260}{255}$	$\frac{265}{160}$	0
V7	-.2	0	12.6*	0	$\frac{245}{240}$	$\frac{100}{120}$	$\frac{1.3}{165}$		
V8	$\frac{265}{43}$	$\frac{-58}{-76}$	$\frac{140}{.9}$	0	12.6*	$\frac{-58}{-76}$	$\frac{265}{43}$	0	$\frac{165}{.35}$
V9	$\frac{265}{43}$	$\frac{-58}{-76}$	$\frac{140}{.9}$	0	12.6*	$\frac{-58}{-76}$	$\frac{265}{43}$	0	$\frac{165}{.35}$
V10	$\frac{265}{43}$	$\frac{-58}{-76}$	$\frac{140}{.9}$	0	12.6*	$\frac{-58}{-76}$	$\frac{265}{43}$	0	$\frac{165}{.35}$
V11	-.2	0	12.6*	0	$\frac{245}{255}$	$\frac{100}{125}$	$\frac{1.3}{165}$		
V12	-.2	0	12.6*	0	$\frac{250}{255}$	$\frac{100}{165}$	$\frac{1.4}{165}$		
V13	$\frac{-.1}{0}$	$\frac{-60}{-68}$	$\frac{-58}{-70}$	12.6*	12.6**	.2	$\frac{-60}{-66}$	$\frac{-56}{-62}$	6.3*
V14	$\frac{265}{255}$	13	13	12.6*	0	13	-.9	0	$\frac{60}{52}$
V15	-.1	0	0	12.6*	$\frac{265}{240}$	$\frac{170}{110}$	$\frac{170}{1.8}$		
V16	$\frac{-2.5}{-2.0}$	$\frac{2.7}{2.8}$	0	6.3*	$\frac{115}{110}$	150	0		
V17	0	7.5	12.6*	6.3*	$\frac{255}{250}$	165	0		
V18	82	.5	0	0	12.6*	133	0	1.3	6.3*
V19	$\frac{265}{190}$	$\frac{-6}{-.5}$	0	6.3*	12.6*	90	0	1.2	N.C.
V20	150	0	0	0	150	0	0		

Note: All measurements were made with an 11 megohm VTVM and were taken from ground. RF Tune, Plate, and Load controls were set as described under tuning procedure. Band switch was on 40 meters, Main tuning was at 7.250 Mc and Sideband was on "X". All receive measurements were made with function switch in the CAL position. Transmit measurements were made with function switch in the X-AM position. The AC-3 power supply was used. Where two voltages are shown, the top one is for receive and the bottom is for transmit. A \* indicates AC voltage.

Fig 9 RESISTANCE CHART

Pin	1	2	3	4	5	6	7	8	9
V1	18K	2.4Meg	30K	0	0	14K	220	220	150K
V2	150K	0	0	0	22K	22K	7		
V3	10K	150K	230K	0	0	16K	2.2K	1K	34K
V4	380K	0	0	0	14.5K	12K	40K		
V5	1 Meg	1K	0	0	350K	125K	1K		
V6	40K	68K	0	0	0	0	13K	30K	0
V7	2.5Meg	0	0	0	14.5K	11K	100		
V8	13K	45K	40K	0	0	45K	13K	0	40K
V9	13K	45K	40K	0	0	45K	13K	0	40K
V10	13K	45K	40K	0	0	45K	13K	0	40K
V11	2.4Meg	0	0	0	14.5K	11K	100		
V12	2.2Meg	0	0	0	14.5K	11K	115		
V13	1Meg	25K	45K	0	0	2.2Meg	55K	65K	0
V14	13K	2.2Meg	2.2Meg	0	0	2.2Meg	22Meg	0	Inf.
V15	2 Meg	0	0	0	14.5K	18K	40K		
V16	2.2Meg	1K	0	0	235K	17.5K	22K		
V17	500K	270	0	0	13K	10K	500K		
V18	350K	6.8Meg	0	0	0	350K	500K	3.3K	0
V19	18K	3.5Meg	0	0	0	113K	830K	820	Inf.
V20	16K	0	Inf.	0	16K	Inf.	0		

Note: All measurements were made from ground with the power supply disconnected from the TR-3. The Band switch was on 40 meters, the function switch was on Cal, and the RCVR GAIN and XMIT GAIN controls were fully clockwise. The VOX and ANTI VOX controls were fully clockwise, and the ZERO control was set at the balance point.

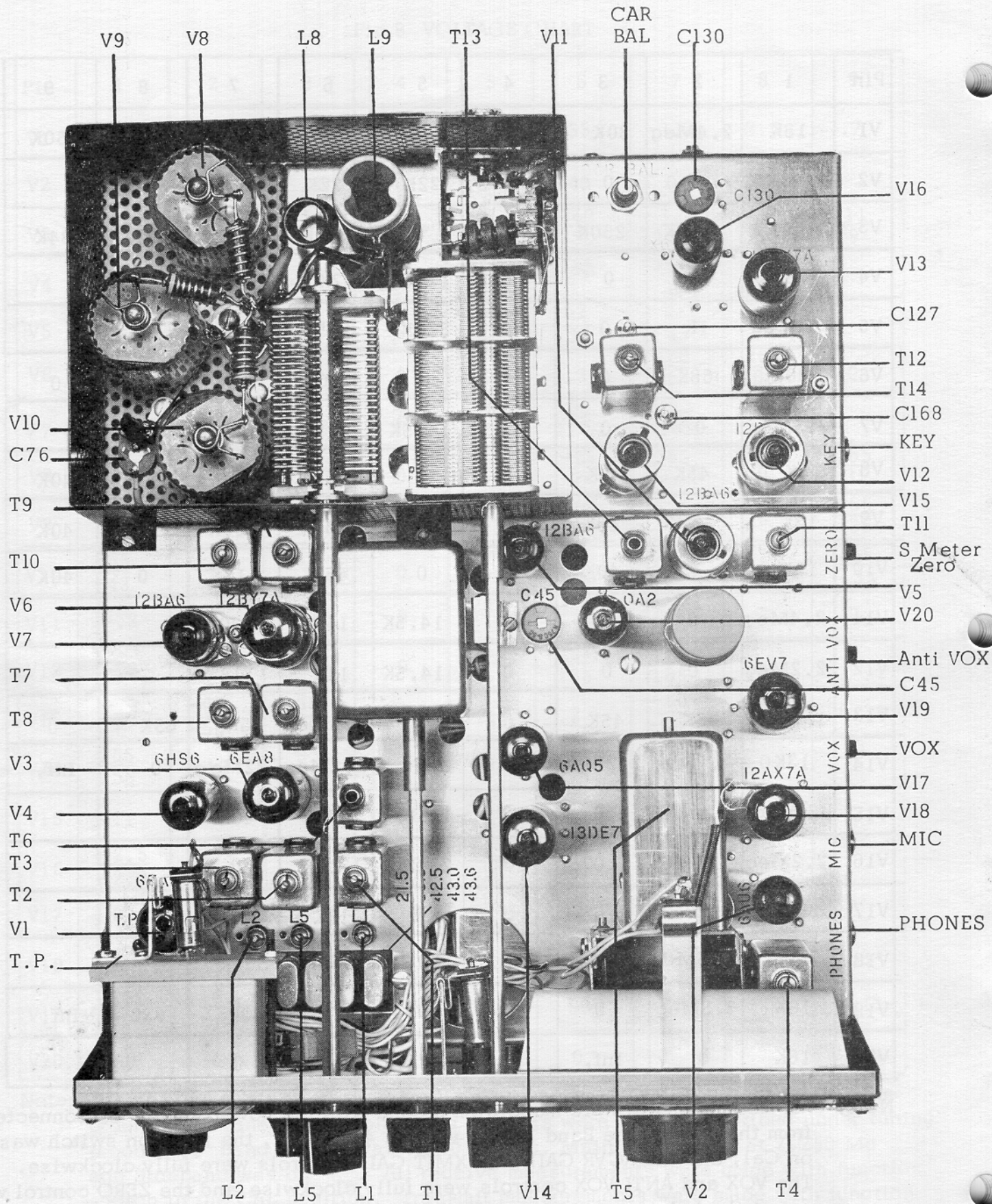


Figure 10 TOP VIEW

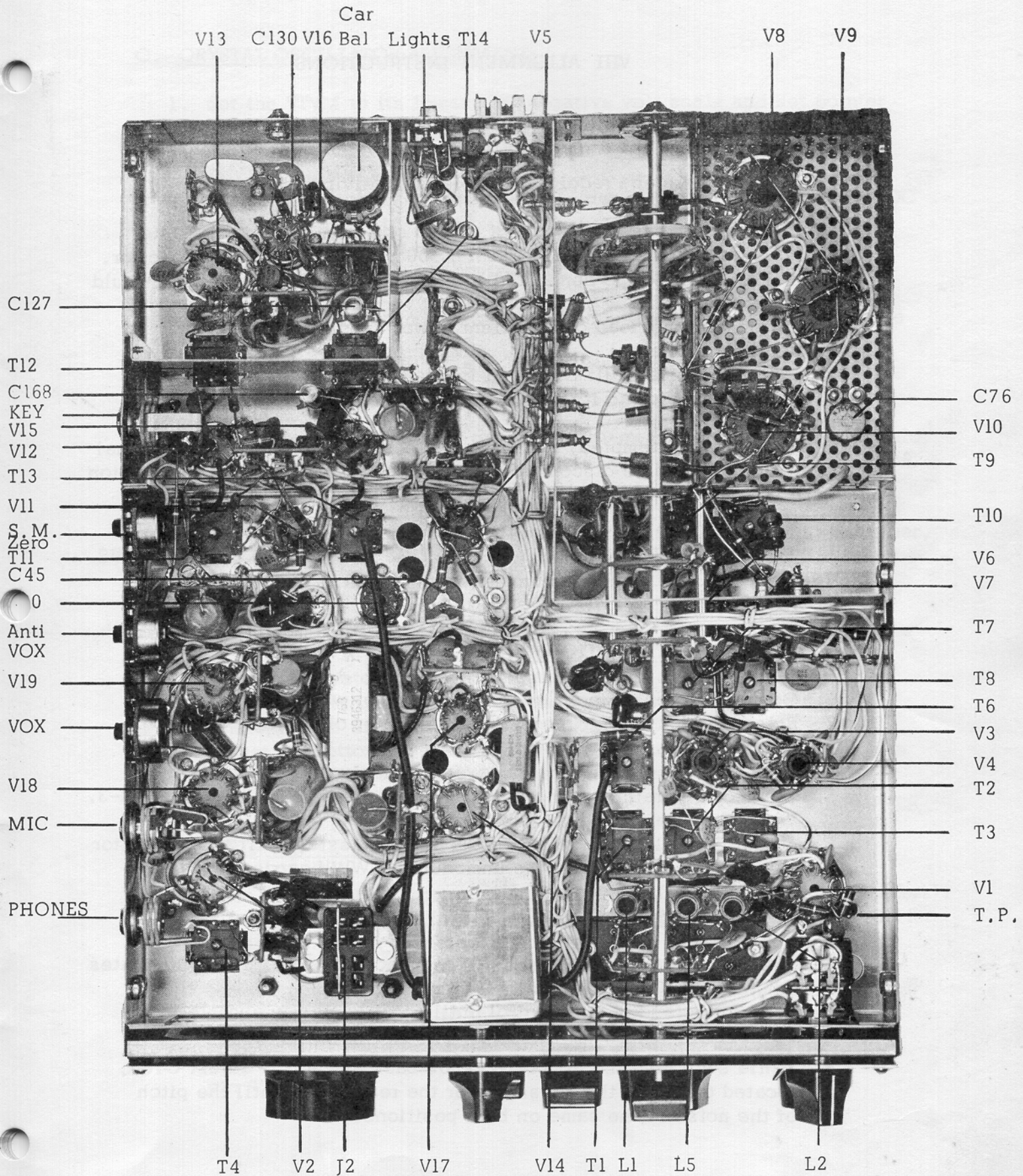


Figure 11 BOTTOM VIEW

## VIII ALIGNMENT INSTRUCTIONS

Alignment of the TR-3 will require the following equipment.

1. A general coverage receiver capable of receiving WWV.
2. An 11 megohm VTVM.
3. An alignment load consisting of a 1000 ohm non inductive resistor (1/2 watt will do), in series with a .005 uuf disk ceramic capacitor. Small alligator clips connected to each end of this arrangement would be a great help.
4. A 52 ohm dummy load of sufficient power handling capacity. (Heathhit Cantenna).
5. RF output indicator (If Cantenna is used for 4 above, a DC VTVM can be connected to its rectifier for RF output indication.)

Before alignment is attempted, the plate and screen power leads of the final amplifier tubes should be disconnected where they pass through the partition under the chassis.

BE SURE POWER IS DISCONNECTED BEFORE THIS IS ATTEMPTED OR SERIOUS ELECTRICAL SHOCK WILL RESULT.

### A. CRYSTAL CALIBRATION ALIGNMENT:

1. Connect power, turn on transceiver and let warm up 30 minutes.
2. Preset the XMTR GAIN control fully counter clockwise.
3. Set function switch to CAL.
4. Tune in WWV on the general coverage receiver with the BFO off.
5. Connect a wire from the receiver antenna terminal to V5 of the TR-3. Wrap the wire around the tube a turn or two.
6. Adjust C 45, located on top of the TR-3 chassis, until the calibrator signal is zero beat with the unmodulated WWV carrier.

### B. ADJUSTMENT OF 9.0 MC OSCILLATOR:

1. Make sure that the TR-3 has had a chance to warm up for 30 minutes
2. Set the function switch in the SSB position.
3. Turn up the audio gain control until noise is easily audible in the speaker.
4. While switching the SIDEBAND knob back and forth, adjust C130, located on top of the chassis near the rear edge, until the pitch of the noise is the same on both positions.

### C. CRYSTAL OSCILLATOR ALIGNMENT:

1. Set the VTVM to its lowest DC negative volt scale and set pointer to about center scale with VTVM zero adjust control.
2. Connect the common lead of the VTVM to the TR-3 chassis and the DC lead to test point at V 1a.
3. Set band switch to 40 meters and adjust L1 for maximum negative DC voltage.
4. Switch to 15 meters and adjust L5 for maximum as in step 3.
5. Switch to 10<sub>3</sub> (fully clockwise) and adjust L2 for maximum as in 3 and 4.
6. The 10<sub>1</sub> and 10<sub>2</sub> bands should read about the same negative voltage as 10<sub>3</sub>.

### D. VFO ADJUSTMENT:

The permeability tuned VFO was carefully adjusted at the factory and should require no further alignment. If it does not appear to track from one end of its range to the other it should be returned to our plant for realignment.

If, however, you notice the same error from one end of the band to the other, and you cannot correct it with the movable dial index, the main dial may be slipped on its shaft enough to bring the corrector back into range.

### E. VFO OUTPUT COUPLER ADJUSTMENT:

1. Tune in a crystal calibrator signal at 3.8 Mc.
2. Apply the alignment load between ground and the input terminal (the one with the 6.8 K resistor attached) of T 4.
3. Adjust T 4 bottom for maximum S-meter reading.
4. Move alignment load to the output terminal and adjust T 4 top for maximum S-METER reading.

### F. ADJUSTMENT OF INJECTION COUPLERS:

1. Tune in crystal calibrator signal at 7.3 Mc (BAND switch on 40 meters).
2. Place alignment load from pin 6 of V 1b to ground and adjust T 3 top for maximum S-meter reading.
3. Move load to pin 9 of V 3a and adjust T 3 bottom for maximum.
4. Move band switch to 15 meters and repeat the procedure for T 2.
5. Move the band switch to the center 10-meter band and repeat the above procedure for T 1. Note on T 1, adjust the bottom slug when the load is on pin 6 of V 1b and the top slug when the load is on pin 9 of V 3a.



G. RECEIVING I. F. ALIGNMENT:

1. Peak R. F. TUNE control on noise at 3.8 Mc.
2. Adjust T11 top and bottom and T12 top and bottom for maximum noise from speaker.

H. ADJUSTMENT OF BAL. MODULATOR OUTPUT TRANSFORMER:

1. Disconnect power and reconnect the screen and plate supply leads to the final amplifier tube.
2. Reconnect power.
3. Connect dummy load to antenna jack (J4).

NO ATTEMPT SHOULD BE MADE TO OPERATE THE TR-3 ON TRANSMIT UNLESS IT IS CONNECTED TO A 52 OHM LOAD. TO DO SO COULD RESULT IN SERIOUS DAMAGE.

4. Short the push-to-talk terminal of the MIC jack to ground to actuate the transmitter.
5. With the XMTR GAIN control fully counter clockwise and with the function switch on SSB, adjust the CARRIER BALANCE control to one end of its rotation. Prevent plate current from rising above .15 amps by detuning the R.F. TUNE control.
6. Adjust T14 for peak plate current, being careful not to exceed the .15 amps limit.
7. Readjust CARRIER BALANCE control for minimum plate current.
8. Remove short from push-to-talk terminal.

I. FILTER MATCHING TRANSFORMERS:

1. Tune in crystal calibrator signal at 4.0 Mc and adjust main tuning so that changing the SIDEBAND switch from the upper to the lower sideband makes no difference in the S-meter reading.
2. Turn R.F. tune control counter-clockwise until S-meter reads no higher than S-3.
3. Once again adjust main tuning until switching SIDEBAND knob between the X and non X position makes no difference.
4. With the SIDEBAND SWITCH in its counter clockwise position, adjust T6 and T13 for maximum S-meter reading.
5. Repeat steps 2 thru 4 again for best results.
6. Center 9.0 Mc oscillator as described in paragraph B.

J. CARRIER BALANCE ADJUSTMENTS:

1. Turn the XMTR GAIN control fully counter clockwise, set the SIDEBAND switch on "X", and turn the function switch to X-CW.
2. Adjust the CARRIER BALANCE control for minimum plate current.

3. Now adjust the slug tuned capacitor (C 127) for further null.
4. Alternately adjust these two controls until no further null can be obtained.
5. Return the function switch to the SSB position.
6. An external receiver tuned to the transmitter frequency will enable a deeper null due to its additional sensitivity.

#### K. ADJUSTMENT OF MIXER AND RF COILS:

1. Place BAND switch on 80 meters.
2. Set RF tune control to 5.
3. Set function switch to CAL and tune in the calibrator signal at 3.8 Mc.
4. Adjust T7 and T9 bottom for maximum S-meter reading.
5. Set BAND switch to 40 and RF TUNE to 7.
6. Tune in a calibrator signal at 7.3 Mc and adjust T8 and T10 top for maximum S-meter reading.
7. Set BAND switch to 20 and RF TUNE to 5.
8. Tune in cal signal at 14.2 Mc and peak T7 and T9 top for maximum S-meter reading.
9. Set BAND switch to the center 10 meter band and the RF tune control to 5.
10. Set the SIDEBAND switch to X and function switch to XCW. (Tuning at 28.8 Mc.)
11. Slowly rotate the XMTR GAIN from its counter clockwise position until a definite increase in plate current is obtained.
12. Adjust T8 and T10 bottom for a peak in plate current, being careful not to allow the plate current to rise above .15 amps for more than a few seconds at a time.
13. Return function switch to SSB.

#### L. FINAL AMPLIFIER NEUTRALIZING:

1. Attach an RF output indicator between the TR-3 and the dummy load. If a Heath Antenna is used, a VTVM can be attached to it for RF output indication.
2. Load the TR-3 on 10-meters following "Tune up procedure".
3. While tuning the PLATE control back and forth through resonance, adjust C76 until the plate current dip and maximum RF output occur simultaneously.

#### M. TRANSMITTING I.F. NEUTRALIZING:

1. With microphone plugged into TR-3, turn VOX gain fully counter-clockwise and turn XMTR GAIN fully clockwise. The function switch should be left on SSB.
2. While talking into the microphone, increase RCVR GAIN until your speech can be heard from the speaker.
3. Adjust C168 for minimum output from speaker.
4. If over one turn of adjustment is required, it will be necessary to realign T14 and rebalance carrier, see paragraph H and J.

## IX AC-3 POWER SUPPLY

The R. L. Drake model AC-3 is a complete power supply capable of supplying all of the required voltages for the TR-3 with the proper filtering and regulation from 120 VAC, 50/60 cycles.

It is designed to fit into either our model MS-3 matching speaker or RV-3 receiving VFO/speaker to become a single unit.

To mount it in either of these units, remove the four rubber feet from the bottom and slide it in from the rear so that the line cord and power cable face outward. Fasten it in place with the four screws which were used to hold the feet on.

To connect it to the TR-3, simply plug the female power connector on the end of the power cable into the male connector on the rear of the TR-3 (See TR-3 installation instructions).

The bias adjustment should be set properly before any operation is attempted. (See TR-3 tune up instructions). A test point is provided for ease in measuring final amp. plate current. This current in amperes is equal to the voltage at this point times 0.2. To properly set the bias voltage for 0.1 ampere idling current in the TR-3 the voltage at this point should read 0.5 volts.

**IMPORTANT: NEVER SHIP THE AC-3 MOUNTED INSIDE THE MS-3 OR RV-3 CASE OR SERIOUS DAMAGE TO THE CASE WILL RESULT.**

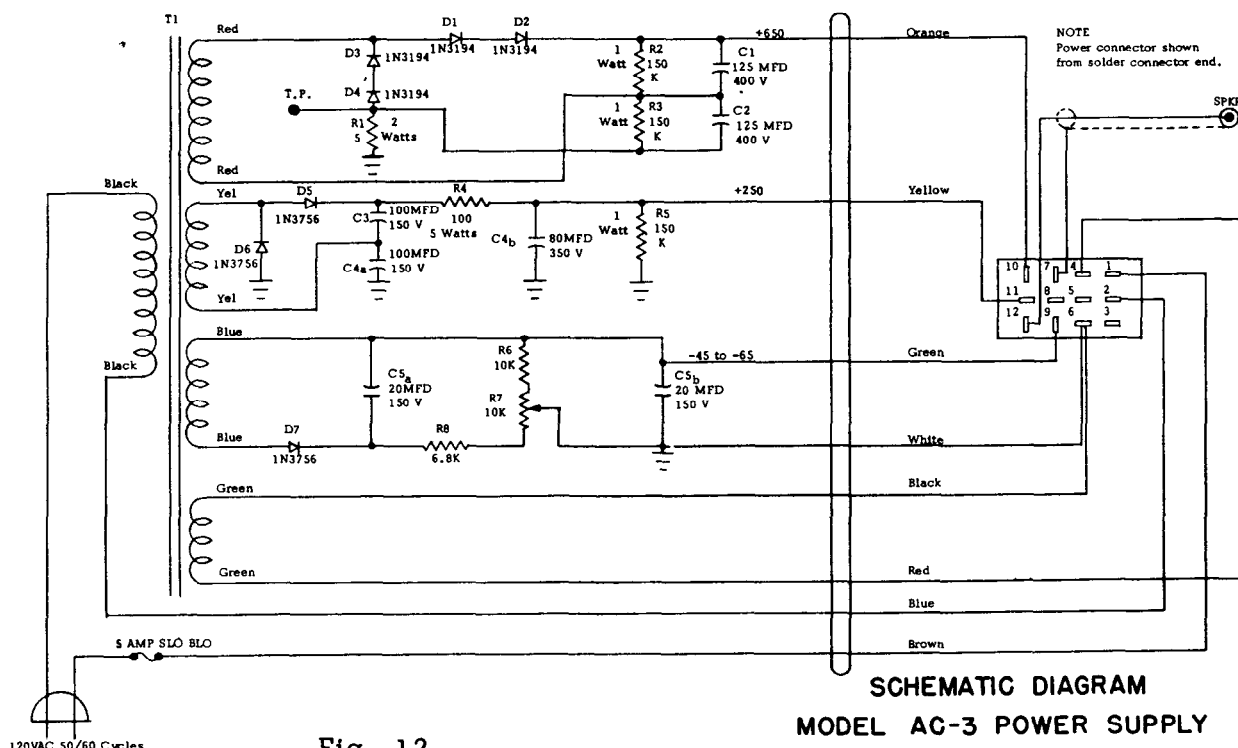


Fig. 12

913632501

### DC-3 Power Supply Instructions

The R. L. Drake model DC-3 power supply is a self contained power converter which transforms 12 VDC to the voltage necessary to operate our model TR-3 transceiver.

The converter changes the DC input power to square wave A. C. and applies it to a transformer, T1. The transformer output is rectified and filtered to provide 650 volts at 300 ma average, 500 ma peak, 250 volts at 175 ma, and -45 to -65 volts adjustable bias into a 33 K ohm load.

The DC-3 is normally supplied for use in cars with negative ground systems. Do not attempt to use it with positive ground systems or serious damage may result.

**CAUTION: THE TRANSISTOR CASES ON THE BOTTOM OF THE POWER SUPPLY DO NOT OPERATE AT GROUND POTENTIAL. CARE SHOULD BE TAKEN THAT THESE TRANSISTORS DO NOT SHORT TO THE CAR FRAME OR DAMAGE TO THE POWER SUPPLY MAY RESULT.**

We recommend that the DC-3 be mounted on the passenger side of the firewall. We do not recommend that it be placed in the trunk due to excessive primary lead length or in the engine compartment unless it is protected from water and engine heat.

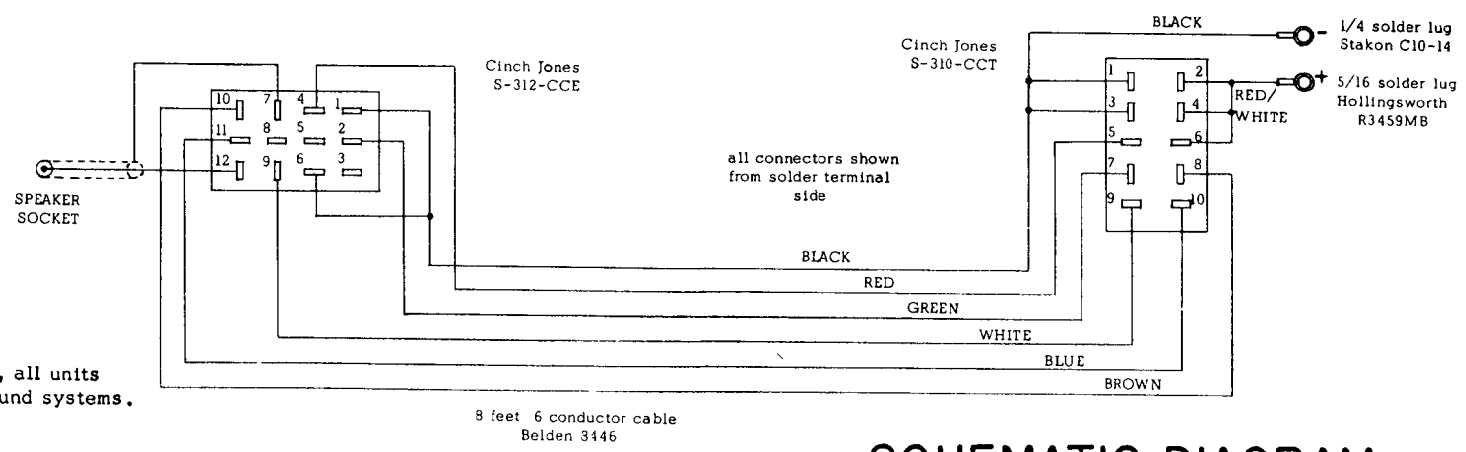
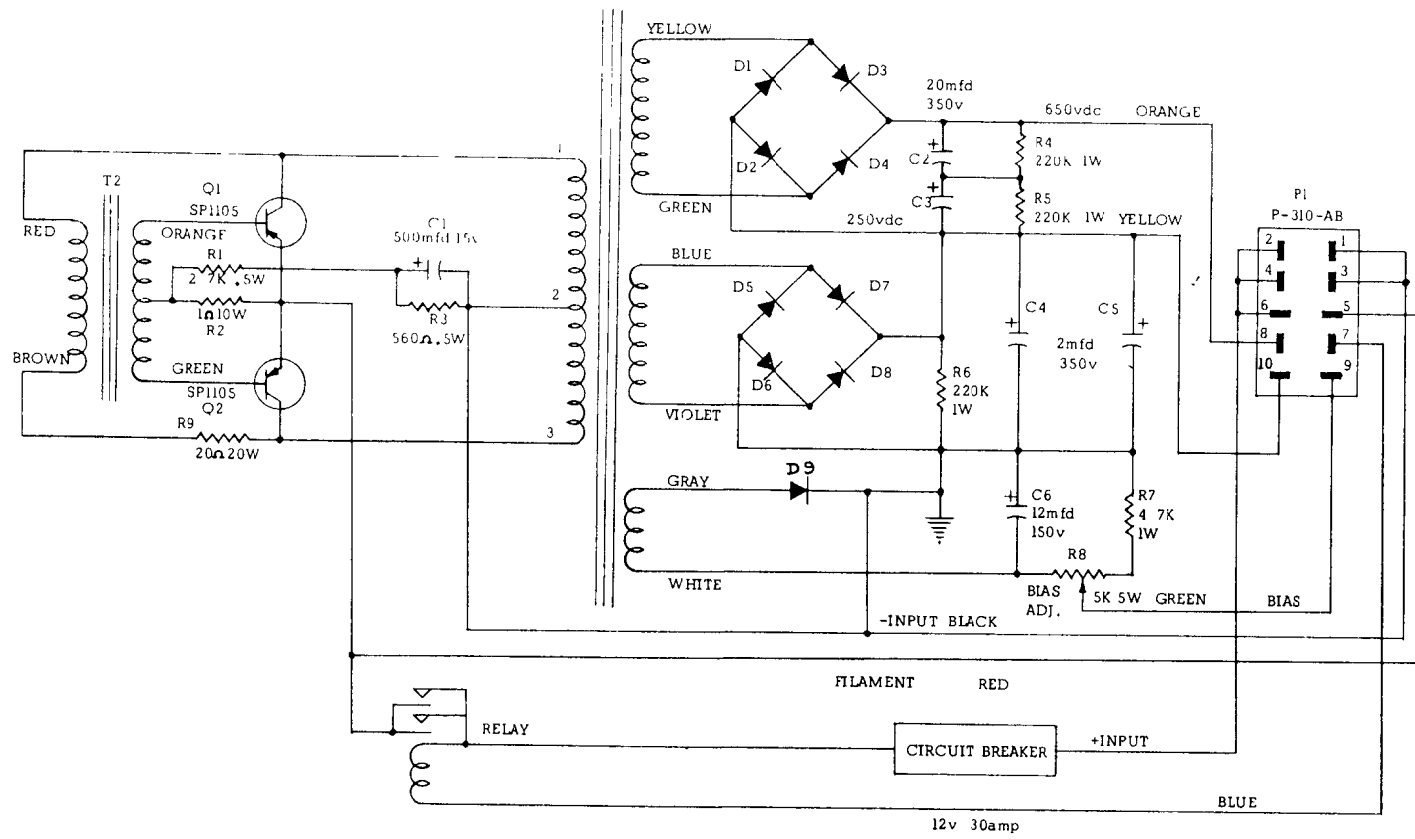
To connect the DC-3, attach the short black wire of the cable assembly to the nearest convenient ground and run the red wire through the firewall to the ungrounded terminal of the battery, or to the "hot" terminal of the starter solenoid. Attach the 10 conductor female connector to the DC-3.

The 12 conductor female connector is then mated to the male socket on the rear of the TR-3 and a speaker is attached to the phone plug on the end of the six inch lead protruding from this connector.

Coil up any excess power cable and tape it in a convenient location. You may need it when you trade cars. The large red and black battery wires should be cut as short as possible to avoid unnecessary voltage drop.

The BIAS ADJ. control, located on the end of the unit just above the cable entrance, should be adjusted as described in the TR-3 instructions under "TUNING PROCEDURE".

The DC-3 is protected with an automatic circuit breaker. In case of overload it will reset automatically after a brief off period. Continuous cycling indicates a short circuit somewhere in the system.



NOTE:  
When shipped from our factory, all units  
are connected for negative ground systems.

Fig. 13

# SCHEMATIC DIAGRAM MODEL DC-3 POWER SUPPLY

## RV-3 REMOTE VFO INSTRUCTIONS

### DESCRIPTION:

The RV-3 Remote VFO consists of highly stable permeability tuned VFO, cathode follower, voltage regulator, and the required control circuitry to permit reception, transmission, or both transmission and reception on a frequency removed from the TR-3 VFO setting but in the same band to which the TR-3 is tuned.

The unit is housed in an attractive cabinet which matches the TR-3 and contains a 5-inch 4 ohm speaker. Our model AC-3 power supply can also be housed in this cabinet. (See AC-3 instructions.) The dimensions are as follows: 5-3/8 inches high, 10-3/4 inches wide, and 11-1/8 inches deep. Weight 6-1/2 lbs.

### INSTALLATION:

To install the RV-3 with our TR-3, it will first be necessary to remove the bottom cover of the TR-3 and remove the jumper wire between pins 2 and 8 of the RV-3 jack (J2). Now replace the bottom cover of the TR-3 and connect the RV-3 cable to J2. Connect the speaker lead to the 6-inch lead protruding from the AC-3 or DC-3 power cable connector. This completes the installation.

If it is desired to disconnect the RV-3 from the TR-3, it will be necessary to replace the RV-3 cable connector with a jumper plug. This plug should consist of an 8 conductor male plug (Cinch Jones Type P-308 with either the CCE, FHE, FHT, or CCT metal caps - remove cable clamps) with a jumper wire connected between pins 2 and 8.

**NOTE:** It is necessary to bond RV-3 Chassis to TR-3 Chassis and to a good ground with a short piece of braid.

### OPERATION:

The RV-3 has two controls: The main tuning and the RV-3 FUNCTION switch. The main tuning control determines the frequency of the VFO and is calibrated in exactly the same way as the TR-3 VFO. The RV-3 FUNCTION control has four positions: OFF, RCV, RCV/XMIT, and XMIT.

In the OFF position, the unit draws B+ and filament current but does not provide any output. The TR-3 will transceive normally.

In the RCV position, the RV-3 determines the receiving frequency and the TR-3 VFO determines the transmitting frequency.

In the RCV/XMIT position, both transmit and receive frequencies are determined by the RV-3.

In the XMIT position, the RV-3 determines the transmitting frequency and the TR-3 VFO determines the receiving frequency.

## SERVICE DATA

We will check and factory align your RV-3 for a nominal fee of \$5.00 plus transportation charges if the set has not been tampered with. If repairs are necessary, we will advise you of the cost before proceeding with the work. Units that have been tampered with or misaligned will be repaired on a time and material basis.

### A. REMOVAL FROM CABINET:

1. If the AC-3 power supply is installed in the RV-3 cabinet, it will first be necessary to remove it by removing the four screws holding it to the bottom of the RV-3 cabinet and sliding it out the rear.
2. Now loosen the six screws holding the RV-3 in the cabinet and slide it out the rear.

### B. TUBE REPLACEMENT:

In general, most trouble encountered in radio equipment of good design is due to tube failure. The RV-3 has been designed so that tube replacement can be done without need for realignment. The best method of finding defective tubes is direct substitution. It is best not to rely too heavily on tube checkers.

### C. TROUBLESHOOTING:

Careful consideration has been given in the design of the RV-3 to keep maintenance problems to a minimum. However, it is quite possible that some problem will arise which cannot be cured by tube substitution. If this occurs, we suggest that you either return your unit to your dealer or write direct to our service department describing your problem in detail. Include full information concerning external connections, control settings, tubes substituted etc. Do not return equipment to the factory without prior authorization.

The voltage and resistance charts and the schematic diagram should be valuable in isolating minor problems. However, no attempt should be made to service the RV-3 unless you are thoroughly familiar with electronic circuitry and servicing technique.

### D. ALIGNMENT

The RV-3 is very carefully aligned at our factory and should require no further adjustment. If a tracking error in the VFO is noted, the unit should be returned to our factory.

However, if the unit has the same calibration error from one end of the dial to the other, and if the error cannot be corrected by the movable index line, the dial scale can be slipped slightly on its shaft until the discrepancy is eliminated.

Alignment of transformer T1 requires that the RV-3 be connected to the TR-3 and that an alignment load consisting of a 1000 ohm resistor in series with a .005 mfd capacitor be used. Before alignment of the RV-3 is attempted, care should be taken to make sure that T4 in the TR-3 is aligned as described on page 31 paragraph C of the TR-3 Instructions.

1. Switch the RV-3 function switch to RCV and tune its VFO to the 3.8 Mc crystal calibrator signal. (The TR-3 FUNCTION switch should be on CAL.)
2. Apply the alignment load to the input terminal of T1 in the RV-3 (The input terminal is the one connecting to the 6.8 K resistor) and peak the bottom slug for maximum S-meter reading.
3. Move the alignment load to the output terminal of T1. (The output terminal connects only to a 35 uuf capacitor) and adjust T1 top for maximum S-meter reading.

This completes the alignment procedure. Note that the input coil L1 has a fixed value which is determined by the length of the cable connecting the RV-3 with the TR-3. Do not change the length of the cable or misalignment will result.

#### VOLTAGE CHART

Pin	1	2	3	4	5	6	7	8	9
V1	170	0	4.2	6.3*	6.3*	170	0	4.2	12.6*
V2	-7.0	0	0	6.3*	130	140	0		
V3	150	0	0	0	150	0	0		

NOTE: These measurements were made from ground with an 11 megohm VTVM. The RV-3 was connected to the TR-3 which was in the receive condition. The RV-3 FUNCTION switch was on the RCV/XMIT position. An \* indicates AC voltage.

#### RESISTANCE CHART

Pin	1	2	3	4	5	6	7	8	9
V1	15K	33K	180	0	0	15K	33K	180	0
V2	150K	0	0	0	22K	22K	6.0		
V3	16K	0	INF.	0	16K	INF.	0		

NOTE: These measurements were made from ground with the RV-3 connected to the TR-3 but with the TR-3 disconnected from the power supply. The RV-3 FUNCTION switch was in the RCV/XMIT position.



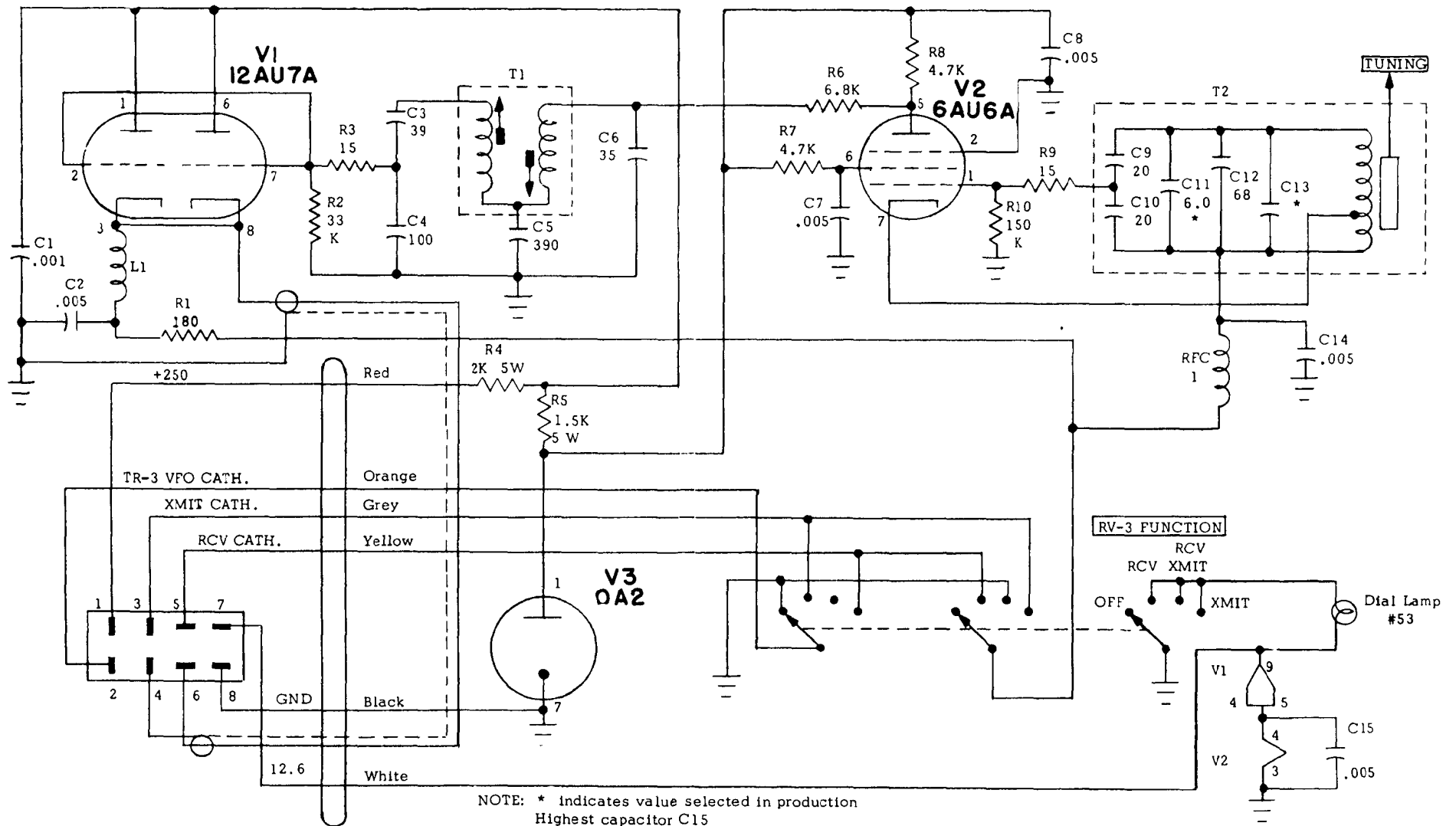
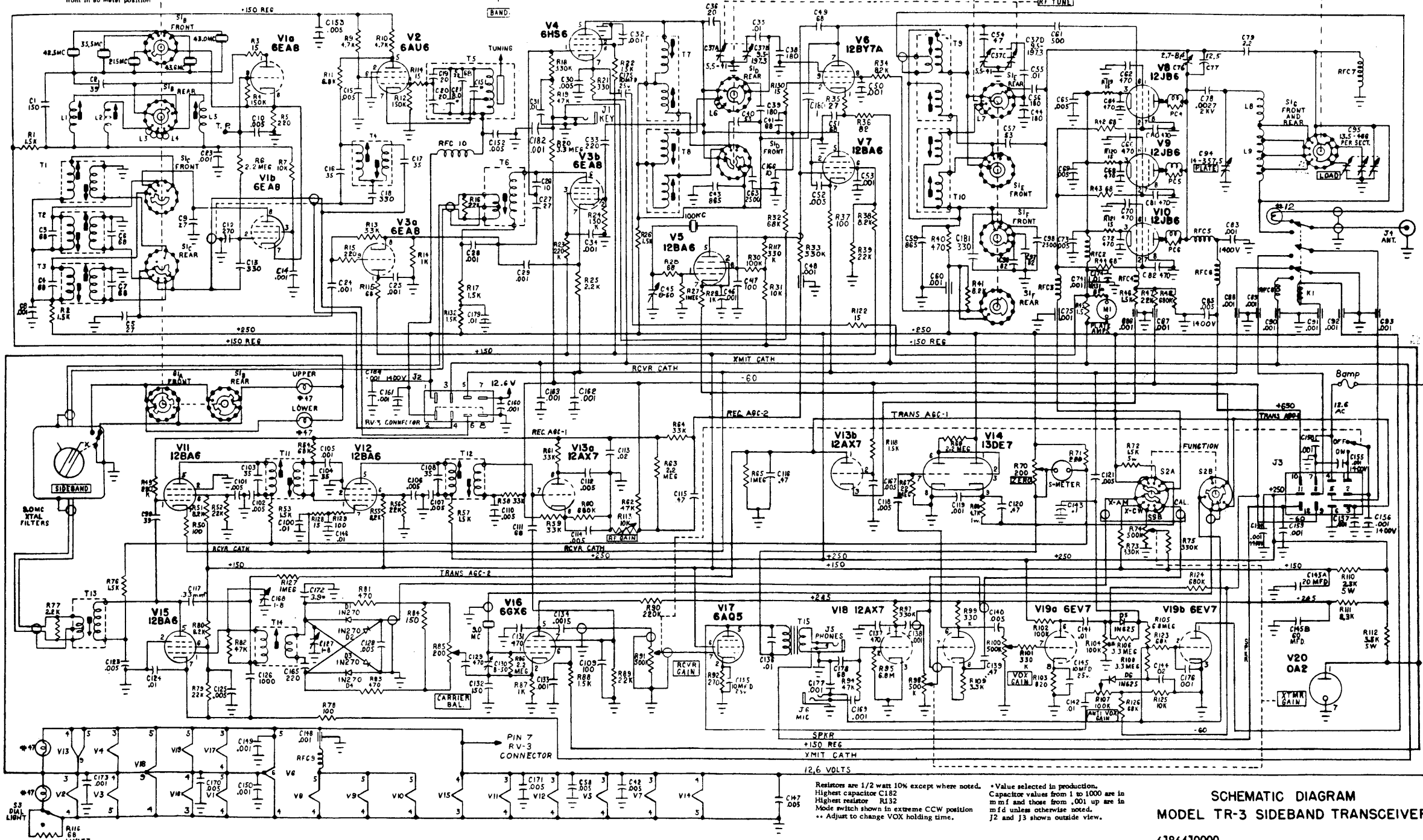


Fig. 14

NOTE: \* indicates value selected in production  
 Highest capacitor C15  
 Highest resistor R10  
 Resistors are 1/2 watt 10% unless noted.  
 Capacitor value from 1 to 1000 are in uuf and those from  
 .001 up are in mfd unless otherwise noted.  
 Connector is shown from solder terminal end.

**SCHEMATIC DIAGRAM  
 MODEL RV-3  
 REMOTE VFO**

BAND switch viewed from front in 80 meter position



Resistors are 1/2 watt 10% except where noted.  
 Highest capacitor C182  
 Highest resistor R132  
 Mode switch shown in extreme CCW position  
 \*\* Adjust to change VOX holding time.

\* Value selected in production.  
 Capacitor values from 1 to 1000 are in m m f and those from .001 up are in m d unless otherwise noted.  
 J2 and J3 shown outside view.

**SCHEMATIC DIAGRAM**  
**MODEL TR-3 SIDEBAND TRANSCEIVER**

6186410000