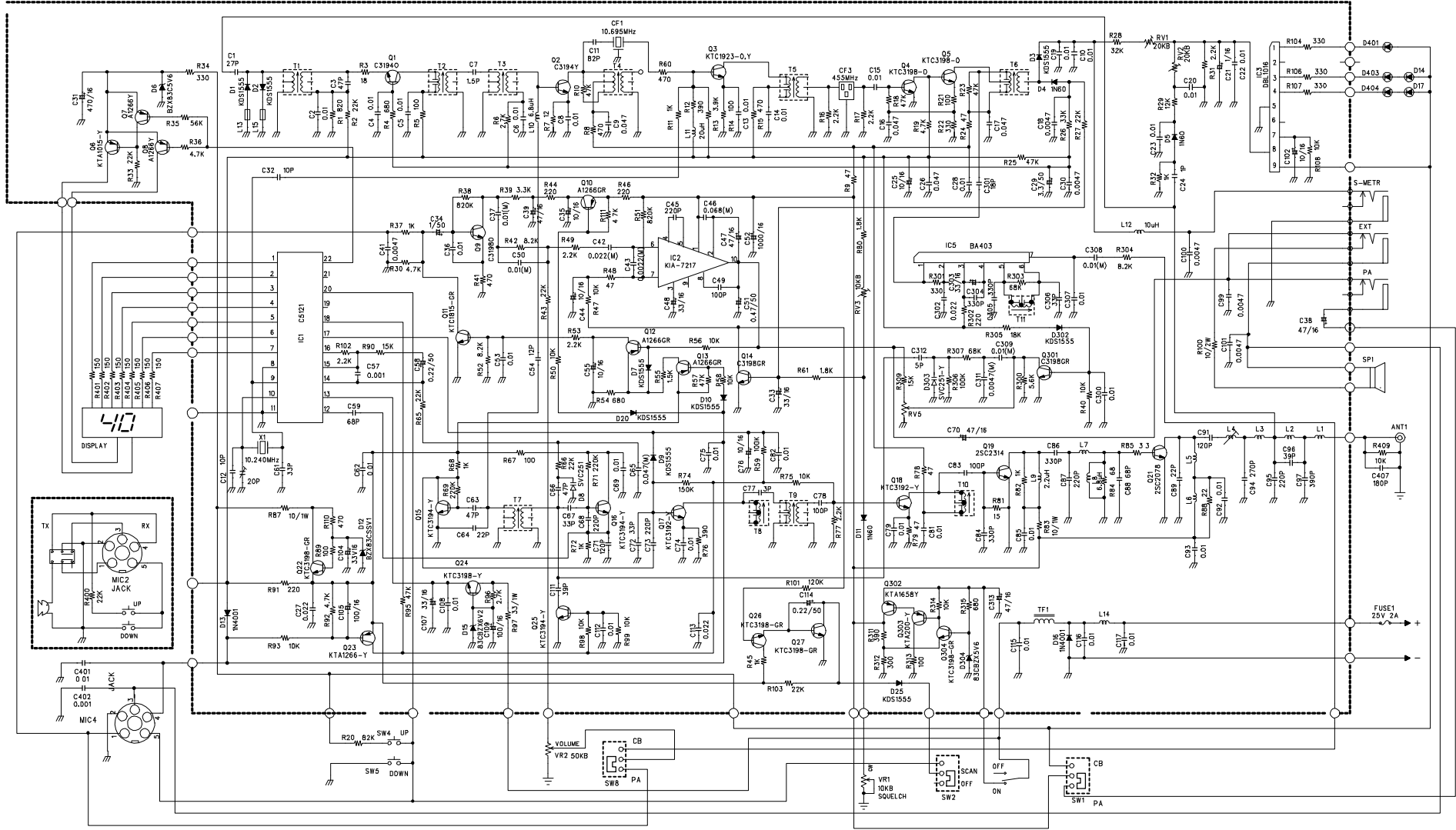


SCHEMATIC DIAGRAM



REV.	DATE	NAME	DESCRIPTION	CHECK
1				
2				
3				
4				
5				
6				
7				
8				
9				
10				

UNI	SCALS	SHEET	BUYER NAME :	EURO-CB
DRW	CHK	APP.	MODEL NAME :	EUROMINI
1995.5.10	K.A.JUNG		DRAWING NO. :	95/5/15