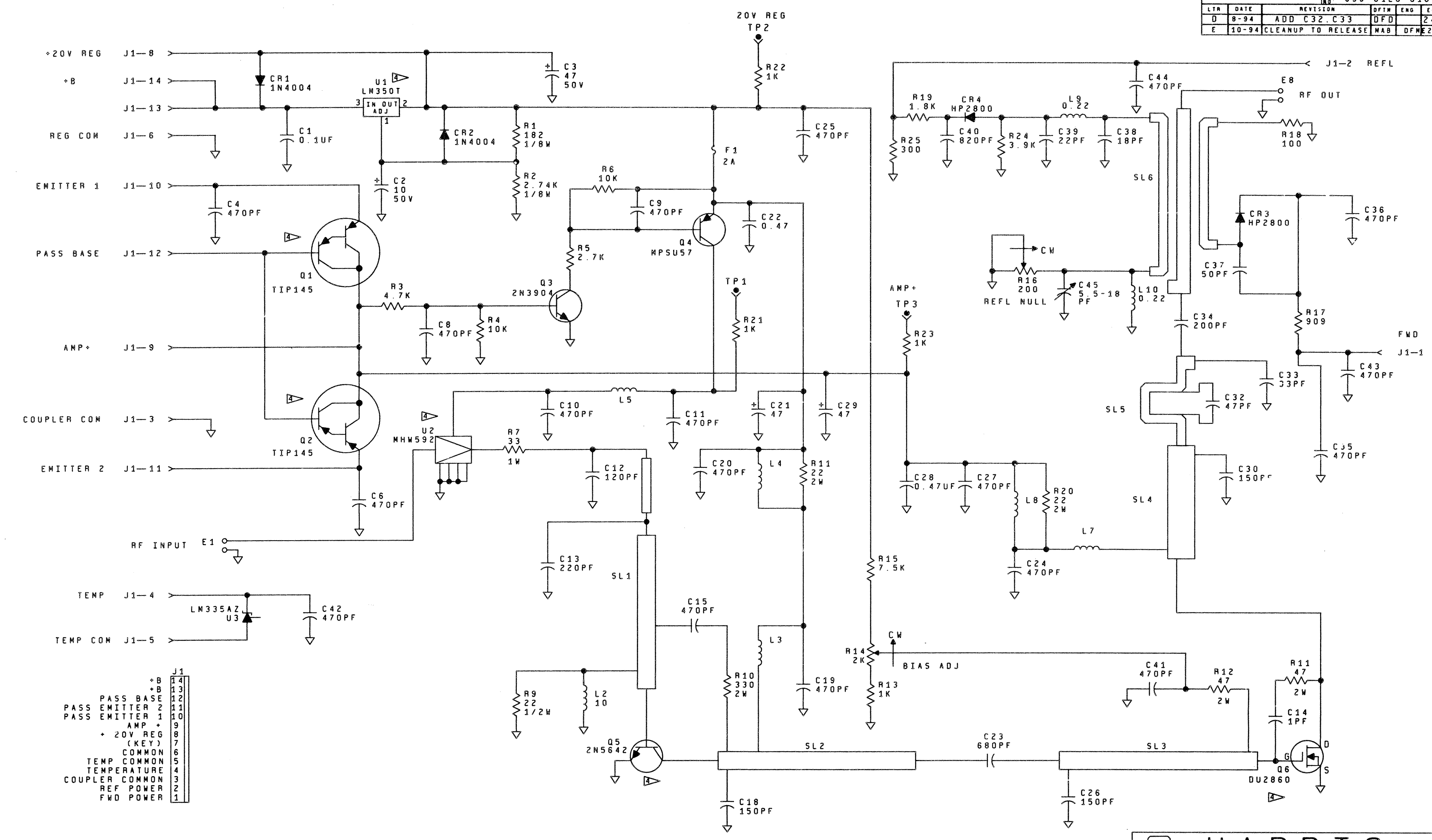


839-8120-010				
LTR	DATE	REVISION	DFW	ENG
D	8-94	ADD C32, C33	DFD	243
E	10-94	CLEANUP TO RELEASE	MAB	DFM 256



J1	14
+B	13
+B	12
PASS BASE	11
PASS EMITTER 2	10
PASS EMITTER 1	9
AMP +	8
+ 20V REG	7
(KEY)	6
TEMP COMMON	5
TEMPERATURE	4
COUPLER COMMON	3
REF POWER	2
FWD POWER	1

INDICATES THESE COMPONENTS ARE MOUNTED ON HEATSINK.
 3. SL - MICROSTRIP INDUCTORS
 2. CAPACITANCE IS IN MICROFARADS. INDUCTANCE IS IN MICROHENRIES
 1. ALL RESISTORS ARE 1/4W 5% AND ARE IN OHMS
 NOTES: UNLESS OTHERWISE SPECIFIED

REFERENCE DRAWINGS
 PW BOARD - 843-5925-010
 ASSEMBLY - 992-8266-002

THIS DOCUMENT CONTAINS PROPRIETARY INFORMATION OF HARRIS CORPORATION. NO DISCLOSURE, REPRODUCTION, OR USE OF ANY PART THEREOF MAY BE MADE EXCEPT BY WRITTEN PERMISSION.

HARRIS

DR. BY	JLB	DESCRIPTION		
CHKD	RLB	SCHEM. RF PA		
EC	DCD	SHEET 1 OF 1	P&W	FILE NAME
RE		DATE 3-28-90	PART NO	839-8120-010