



EXTERNAL POWER SUPPLY
DC13.8V 8A SWITCHING REGULATOR

PS-45

INSTRUCTION MANUAL

Congratulations on the purchase of ICOM's PS-45 AC power supply for matching transceivers. This AC power supply utilizes a newly developed switching regulator system, resulting in light-weight and high efficiency performance.

SPECIFICATION

Input Voltage	117/240V AC (50/60Hz)
Output Voltage	13.8V
Max. Load Current	8A
Polarization	Negative Ground
Dimensions	50(H)x140(W)x240(D)mm
Weight	1.9kg
Usable Temperature	-10° ~ +60°C

FUNCTIONS

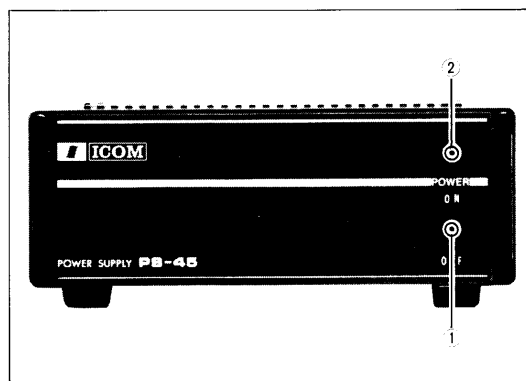
FRONT PANEL

① POWER SWITCH

Turns ON and OFF the power of this power supply.

② POWER INDICATOR

Illuminates when power is ON.



REAR PANEL

① AC POWER SOCKET

For connection of the supplied AC power cable.

② DC OUTPUT CABLES

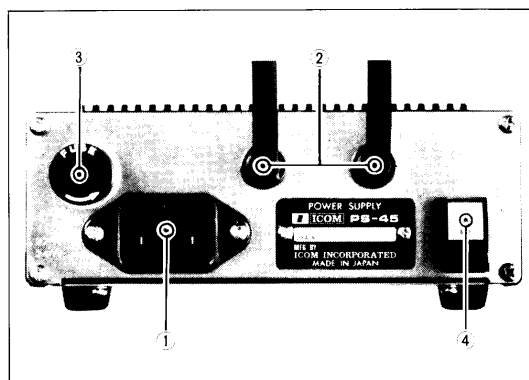
DC 13.8V is available at up to 8A (total current). Connect these plugs to DC power socket of a suitable transceiver respectively.

③ FUSE HOLDER (of AC line)

If the fuse blows, replace with a 5A (at 117V) or 3A (at 240V) fuse after checking the cause of the problem. Use a philips (+) screwdriver to open the holder. The outside ring of the holder can not be rotated.

④ GROUND TERMINAL

Ground this terminal with as short a wire as possible to protect from electrical shock.



HOW TO USE

Connect the DC output plugs of this unit to the transceiver's power socket(s) and/or the DC power cord(s) respectively. At this time, make sure that:

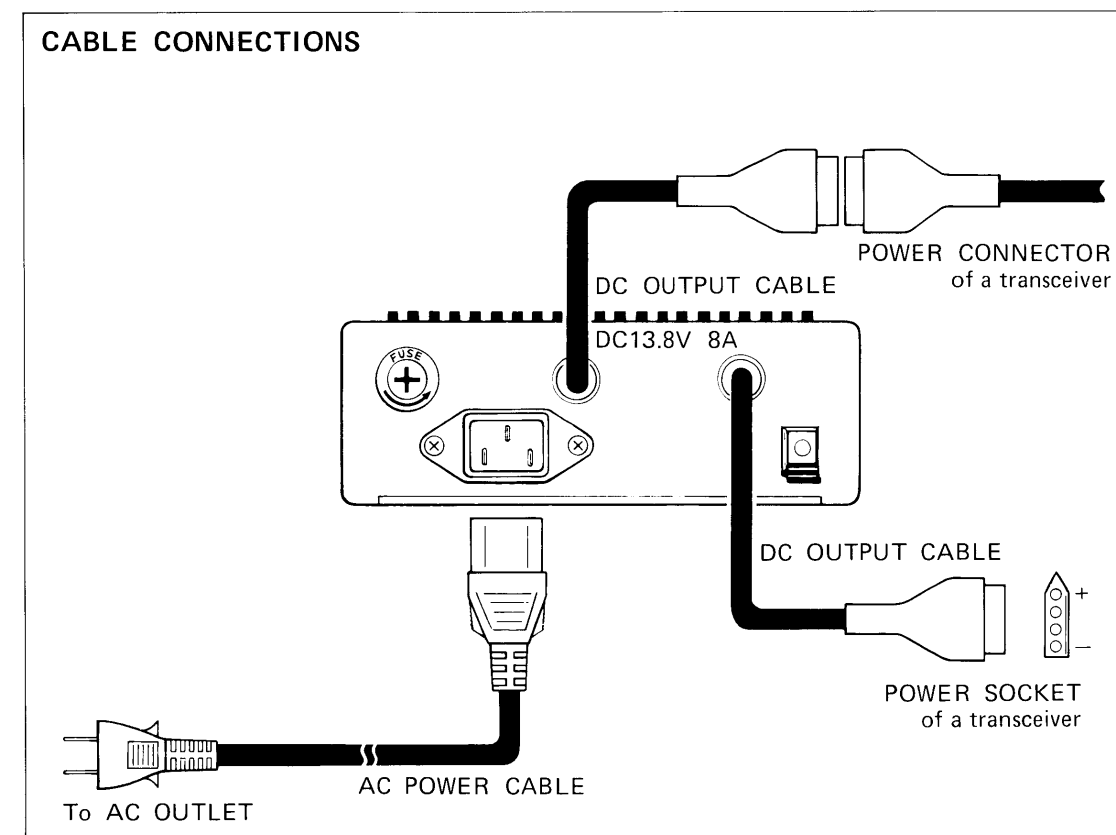
1. The power switch on each transceiver is OFF.
2. The T/R switch on each transceiver is in the receive position.
3. The PTT switch on each microphone is not depressed.

Connect the power plug of the supplied power cord to the AC power socket of the unit, and the other end to an AC power outlet.

Push the power switch on the front panel ON, and the power indicator will be illuminated and 13.8V DC is supplied to the transceiver(s).

The PS-45 has two output connectors, and two transceivers can be used simultaneously. However, the current capacity of the unit is 8A max. (total current), so do not ever exceed this limit.

CABLE CONNECTIONS



ICOM INCORPORATED

1-6-19, KAMIKURATSUKURI HIRANO-KU,
OSAKA JAPAN

SCHEMATIC DIAGRAM

