

ICOM INSTRUCTIONS

AC POWER SUPPLY

PS-60

Downloaded by
RadioAmateur.EU

Thank you for purchasing the **PS-60 AC POWER SUPPLY**. The PS-60 supplies a regulated 13.6 V DC current with 30 A maximum output. The PS-60 is designed for use with Icom 150 W HF transceivers, the IC-M700 series.

FEATURES

• Low ripple output

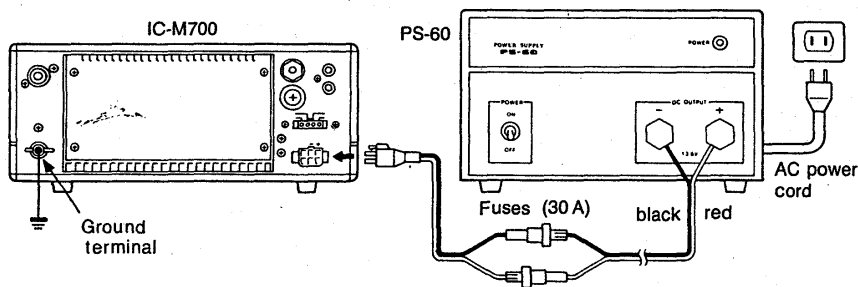
The PS-60 is designed with circuitry that ensures low ripple output even with low input voltages. Fluctuations of output voltage caused by ambient temperature changes are also minimized.

• Designed for heavy duty operation

Heavy duty power transistors provide a regulated 13.6 V DC with 30 A output. The built-in fan ensures transistor safety during heavy duty operation.

CONNECTION

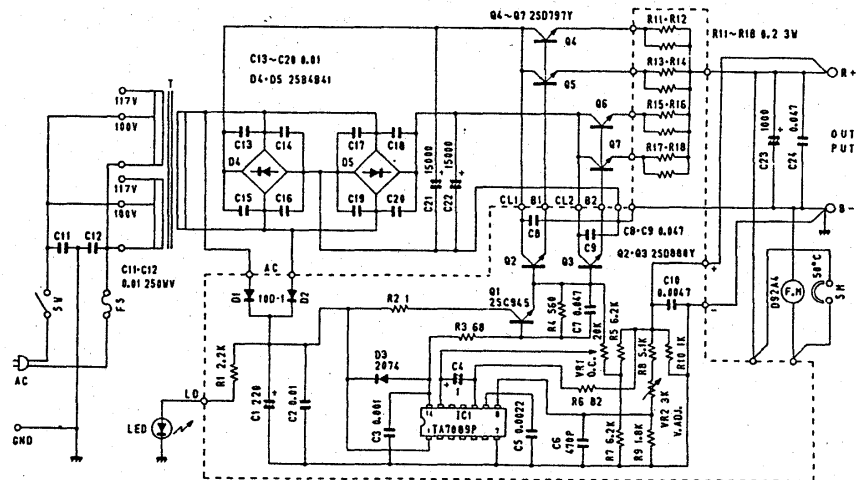
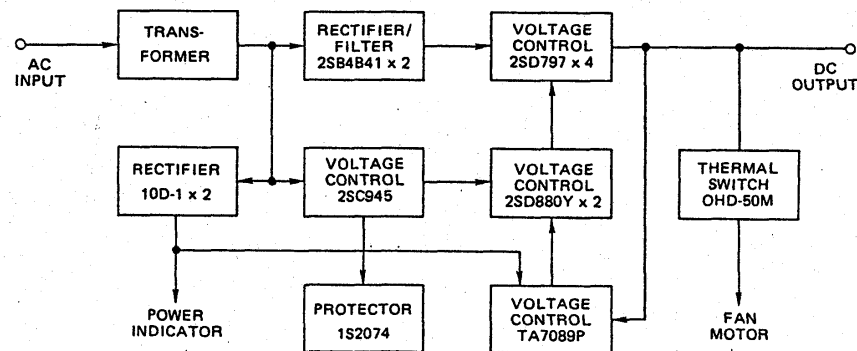
- ① Turn OFF the power of the transceiver and the PS-60.
- ② Be sure the transceiver is grounded with a heavy gauge wire through the ground terminal.
- ③ Connect the transceiver to the [DC OUTPUT] terminals on the PS-60 using the DC power cable.
 - Be sure the cable polarity is correct.
- ④ Plug the AC power cord into an AC outlet.
- ⑤ Be sure the [TRANSMIT] switch of the transceiver is set to "receive."
- ⑥ Turn ON the PS-60 and then turn ON the transceiver.



SPECIFICATIONS

- Input voltage: 110, 117, 220 or 240 V AC $\pm 10\%$ (50/60 Hz)
- Power consumption: 1030 VA (810 W)
- Output voltage: 13.6 V DC $+ 10\% / - 0\%$ (negative ground)
- Usable temperature range: $-30^{\circ}\text{C} \sim +60^{\circ}\text{C}$; $-22^{\circ}\text{F} \sim +140^{\circ}\text{F}$
- Dimensions: 250(W) x 140(H) x 336.5(D) mm
9.8(W) x 5.5(H) x 13.2(D) in (projections not included)
- Weight: 14.5 kg; 32.0 lb

BLOCK AND SCHEMATIC DIAGRAMS



• To upgrade quality, some components may be subject to change without notice.

Icom Inc.
6-9-16, Kamihigashi, Hirano-ku, Osaka 547, Japan

Count on us!

A-0802@-1EX Printed in Japan
Copyright © 1990 by Icom Inc.