

MAIN UNIT

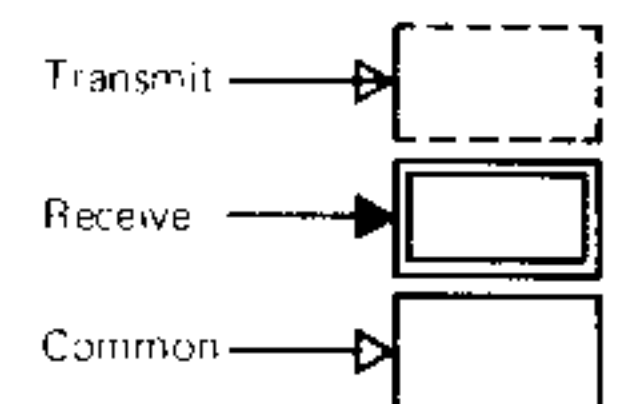
*1

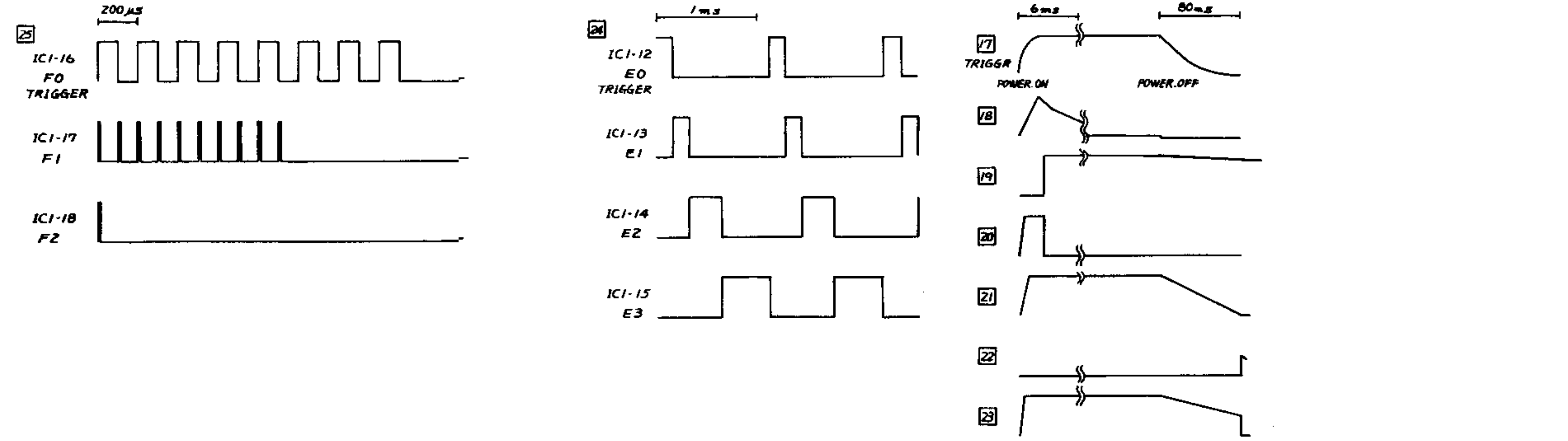
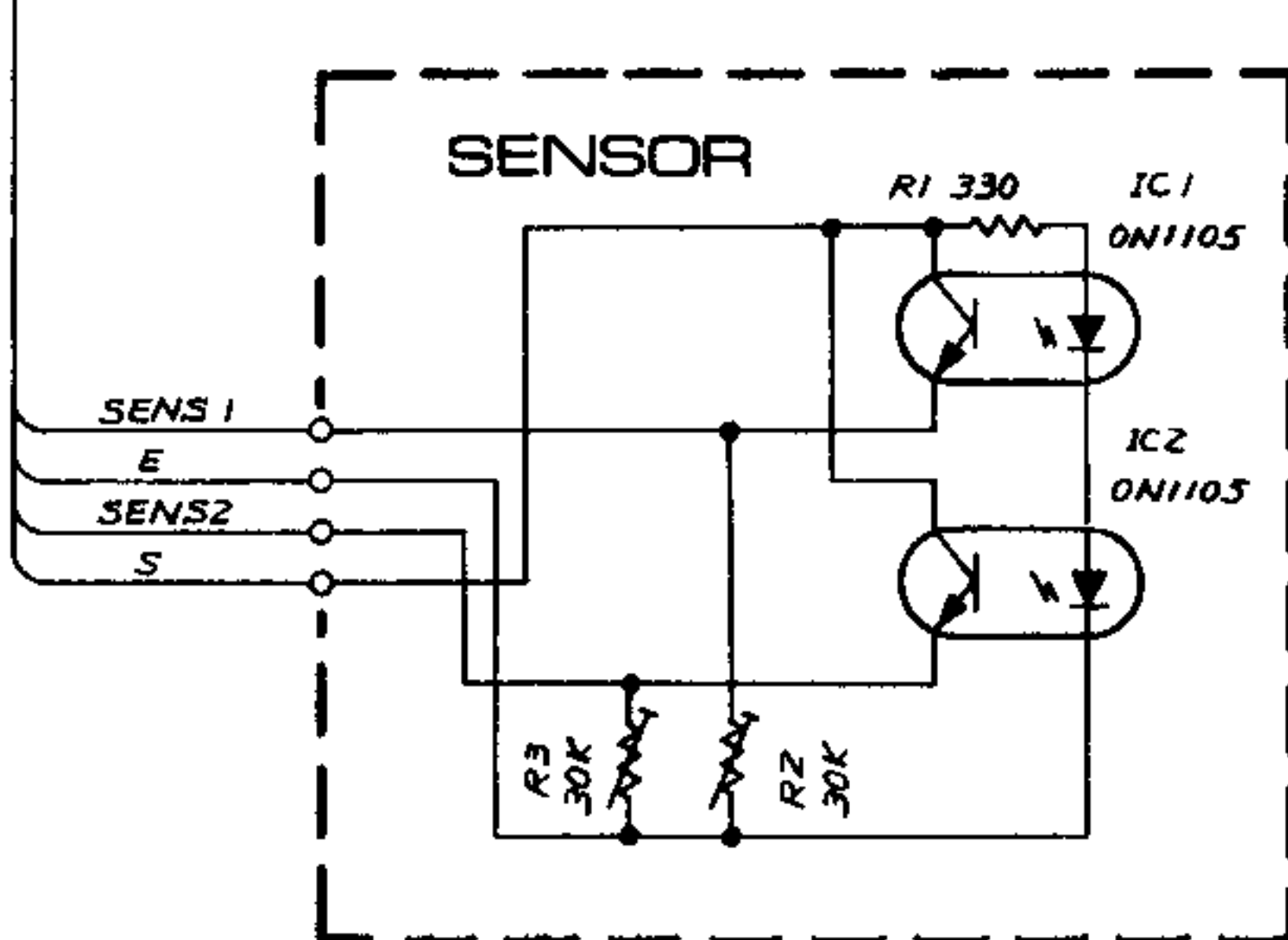
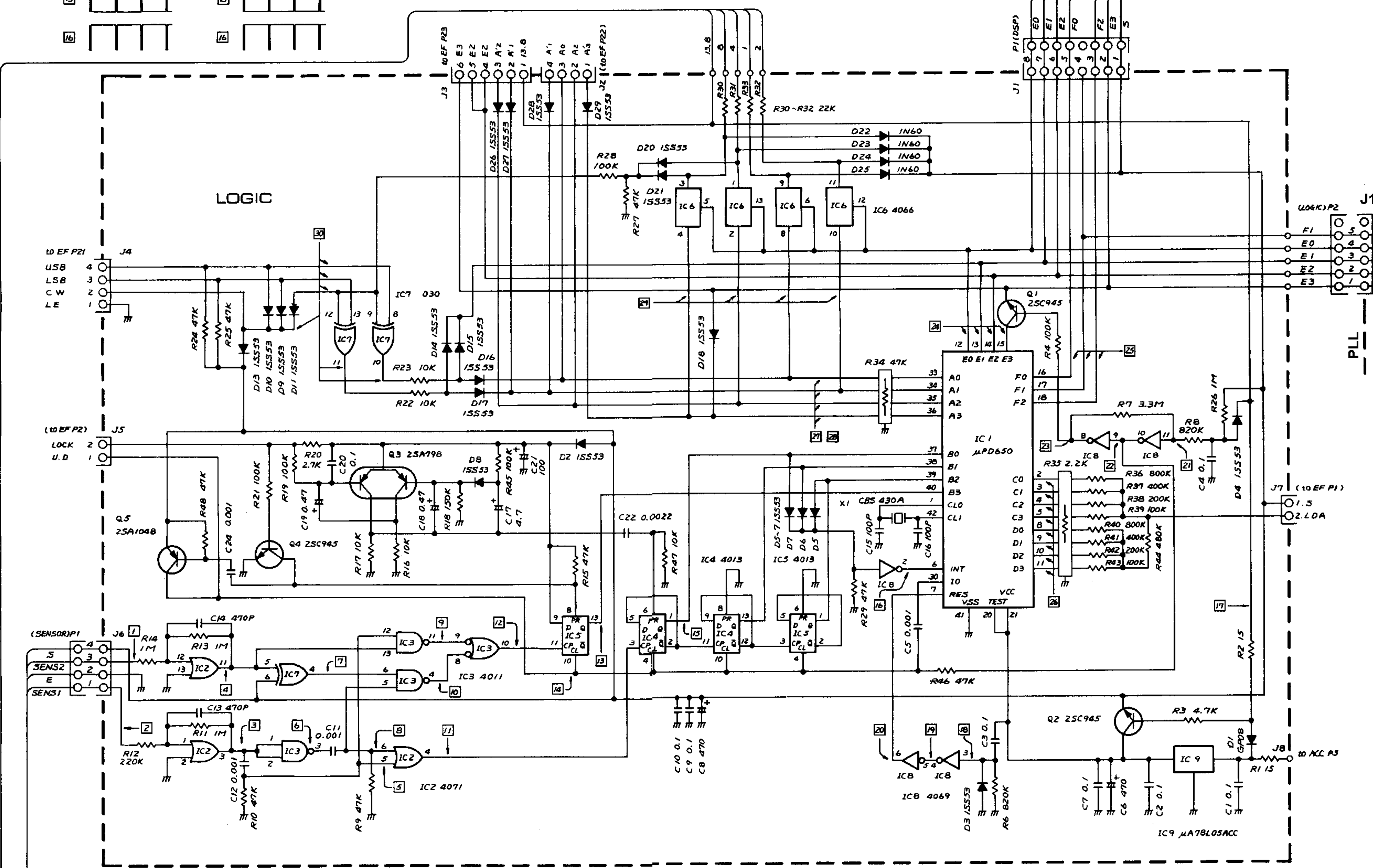
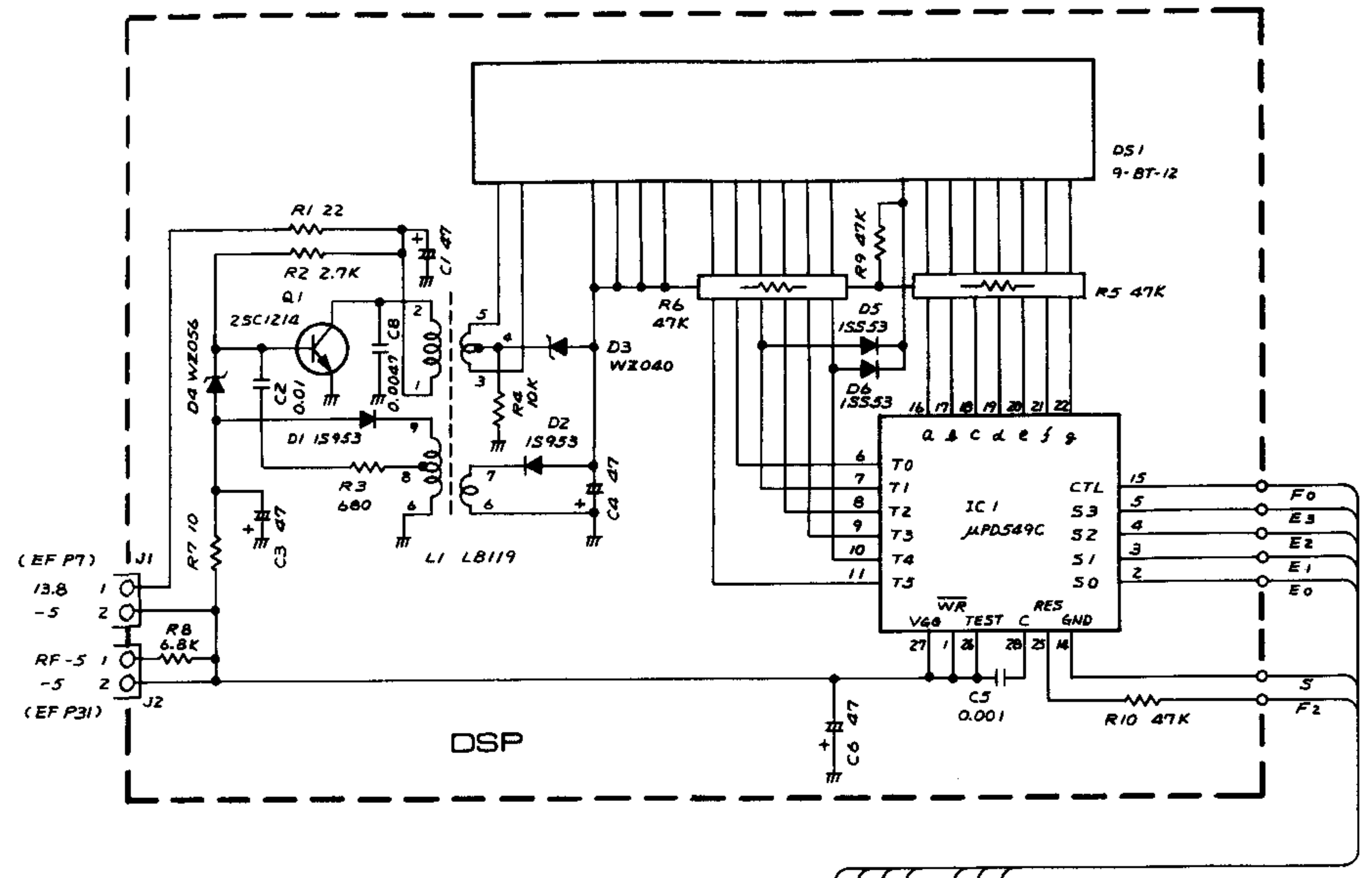
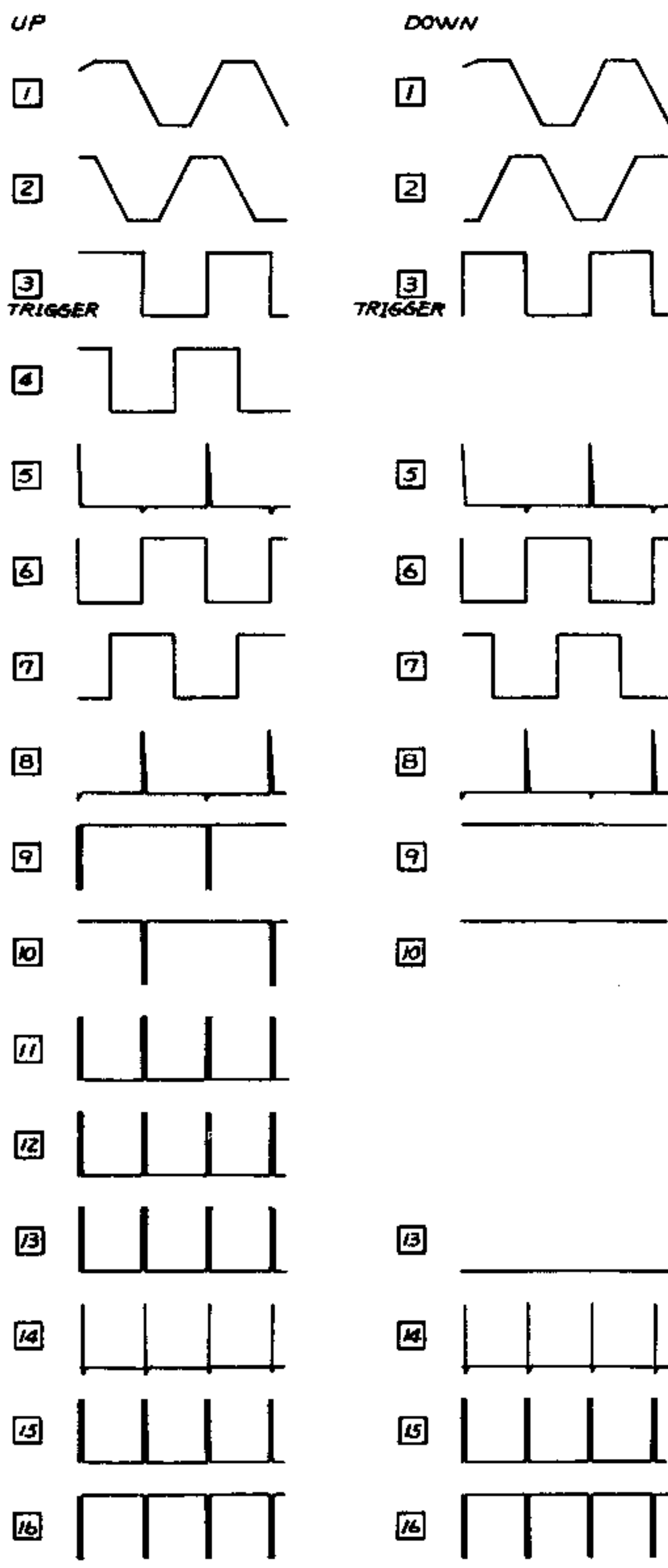
| MODE | FREQUENCY |
|-----------------|-----------|
| USB | 9.0130MHz |
| LSB | 9.0100MHz |
| CW | 9.0108MHz |
| AM (T) - CW (T) | 9.0115MHz |

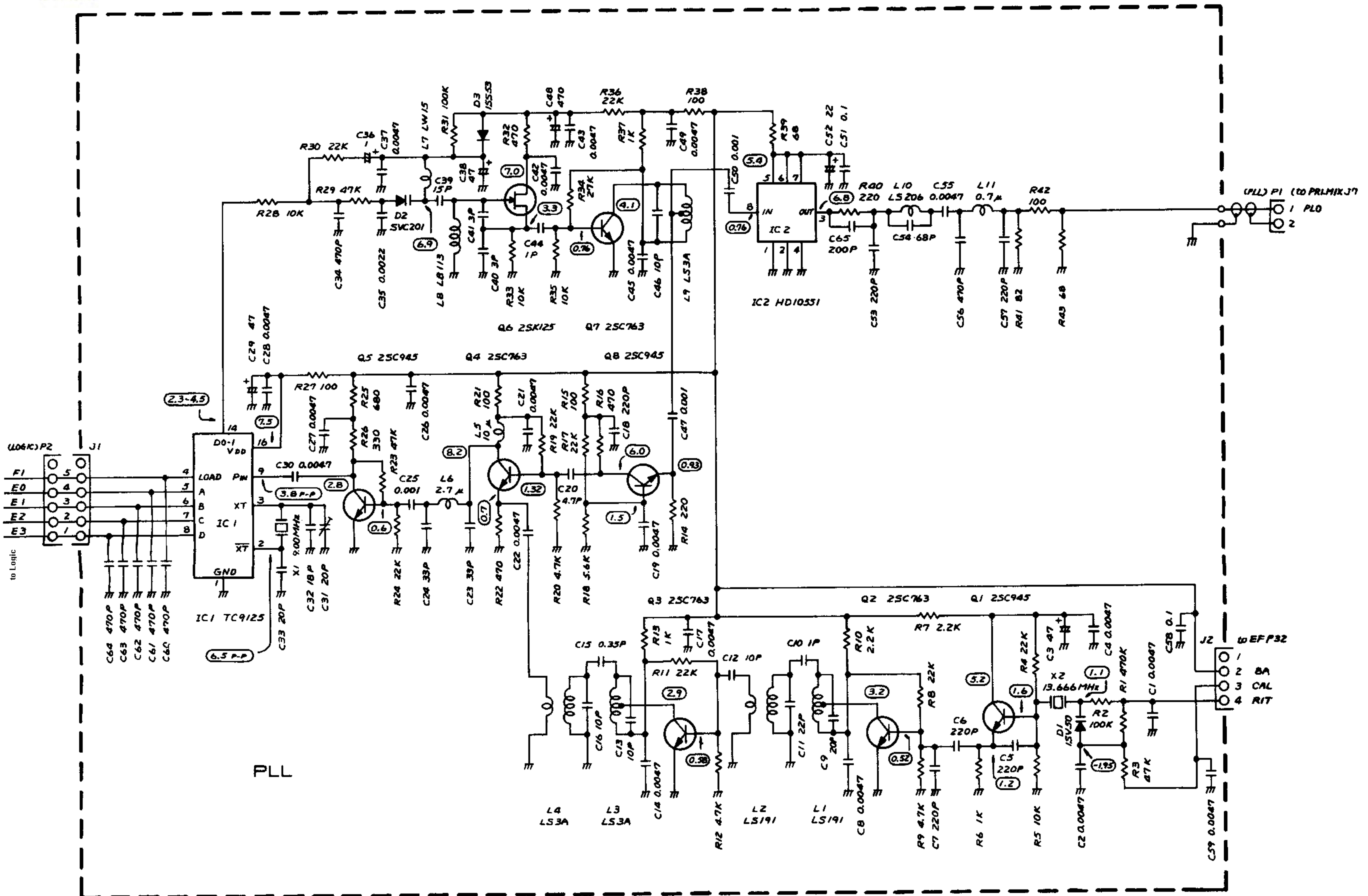
*2

| BAND | FREQUENCY |
|---------|------------|
| 3.5MHz | 43.2315MHz |
| 7.0MHz | 46.7315MHz |
| 10.0MHz | 49.7315MHz |
| 14.0MHz | 53.7315MHz |
| 18.0MHz | 57.7315MHz |

| BAND | FREQUENCY |
|---------|------------|
| 21.0MHz | 60.7315MHz |
| 24.5MHz | 64.2315MHz |
| 28.0MHz | 67.7315MHz |
| 28.5MHz | 68.2315MHz |
| 29.0MHz | 68.7315MHz |
| 29.5MHz | 69.2315MHz |







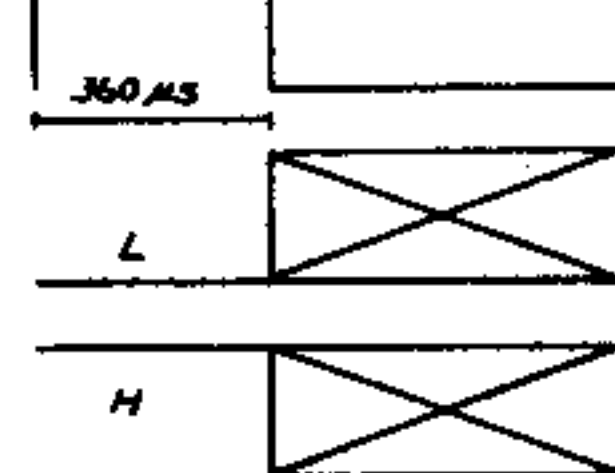
26 IC1 D/A DATA OUT

| FREQUENCY | PN | 2 | 3 | 4 | 5 | 8 | 9 | 10 | 11 |
|-----------|----|----|----|----|----|----|----|----|----|
| 0.00 KHz | C0 | C1 | C2 | C3 | D0 | D1 | D2 | D3 | |
| 0.01 | L | L | L | L | L | L | L | L | L |
| 0.02 | L | L | L | L | L | H | L | L | L |
| 0.03 | L | L | L | L | L | H | H | L | L |
| 0.04 | L | L | L | L | L | L | H | H | L |
| 0.05 | L | L | L | L | L | H | L | H | L |
| 0.06 | L | L | L | L | L | L | H | H | L |
| 0.07 | L | L | L | L | L | H | H | H | L |
| 0.08 | L | L | L | L | L | L | L | L | H |
| 0.09 | L | L | L | L | L | H | L | L | H |
| 0.10 | H | L | L | L | L | L | L | L | L |
| 0.11 | H | L | L | L | L | H | L | L | L |
| 0.12 | H | L | L | L | L | L | H | L | L |
| 0.13 | H | L | L | L | L | L | H | H | L |
| ~~~~~ | | | | | | | | | |
| 0.95 | H | L | L | L | H | L | L | H | L |
| 0.96 | H | L | L | L | H | H | H | H | L |
| 0.97 | H | L | L | L | H | L | L | H | L |
| 0.98 | H | L | L | L | H | L | L | L | H |
| 0.99 | H | L | L | L | H | L | L | L | H |
| 1.00 | L | L | L | L | L | L | L | L | L |
| 0.0 KHz | L | L | L | L | L | L | L | L | L |
| 0.1 | H | L | L | L | L | L | L | L | L |
| 0.2 | L | L | L | L | L | L | L | L | L |
| 0.3 | H | H | L | L | L | L | L | L | L |
| 0.4 | L | L | L | L | L | L | L | L | L |
| 0.5 | H | L | L | L | L | L | L | L | L |
| 0.6 | L | L | L | L | L | L | L | L | L |
| 0.7 | H | L | L | L | L | L | L | L | L |
| 0.8 | L | L | L | L | L | L | L | L | L |
| 0.9 | H | L | L | L | L | L | L | L | L |
| 1.0 | L | L | L | L | L | L | L | L | L |

27 VFO MEMORY

| | IC1 PIN | 33 | 34 | 35 | 36 |
|--------|---------|----|----|----|----|
| | | A0 | A1 | A2 | A3 |
| VFO | A | L | L | L | L |
| VFO | B | H | L | L | L |
| MEMORY | OFF | L | L | L | L |
| MEMORY | ON | H | L | L | L |
| NDR | | L | L | L | L |
| SPT | | L | L | L | L |
| WRITE | OFF | L | L | L | L |
| WRITE | ON | H | L | L | L |

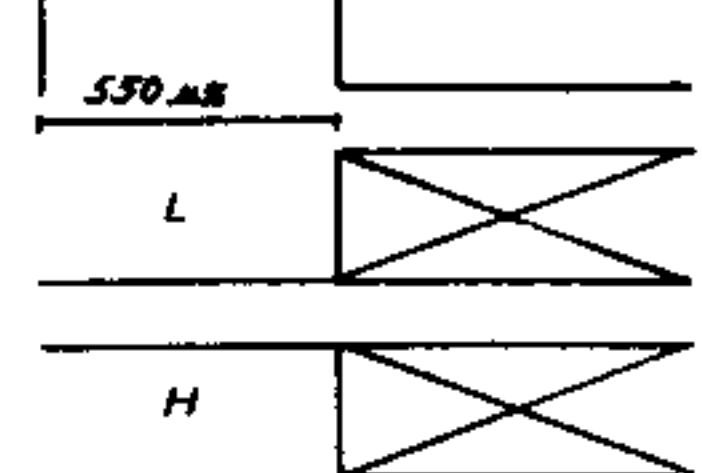
IC1-14 (E2) TRIGGER



28 VFO PITCH

| | IC1 PIN | 33 | 34 | 35 | 36 |
|-------|---------|----|----|----|----|
| | | A0 | A1 | A2 | A3 |
| VFO | 10Hz | H | L | L | H |
| VFO | 100 | L | H | L | H |
| VFO | 1K | L | L | L | H |
| POWER | OFF | L | L | L | L |
| POWER | ON | L | L | L | H |

IC1-15 (E3) TRIGGER



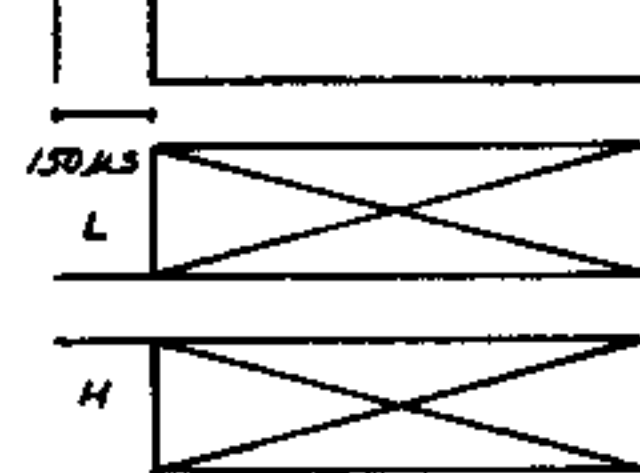
29 MODE SW

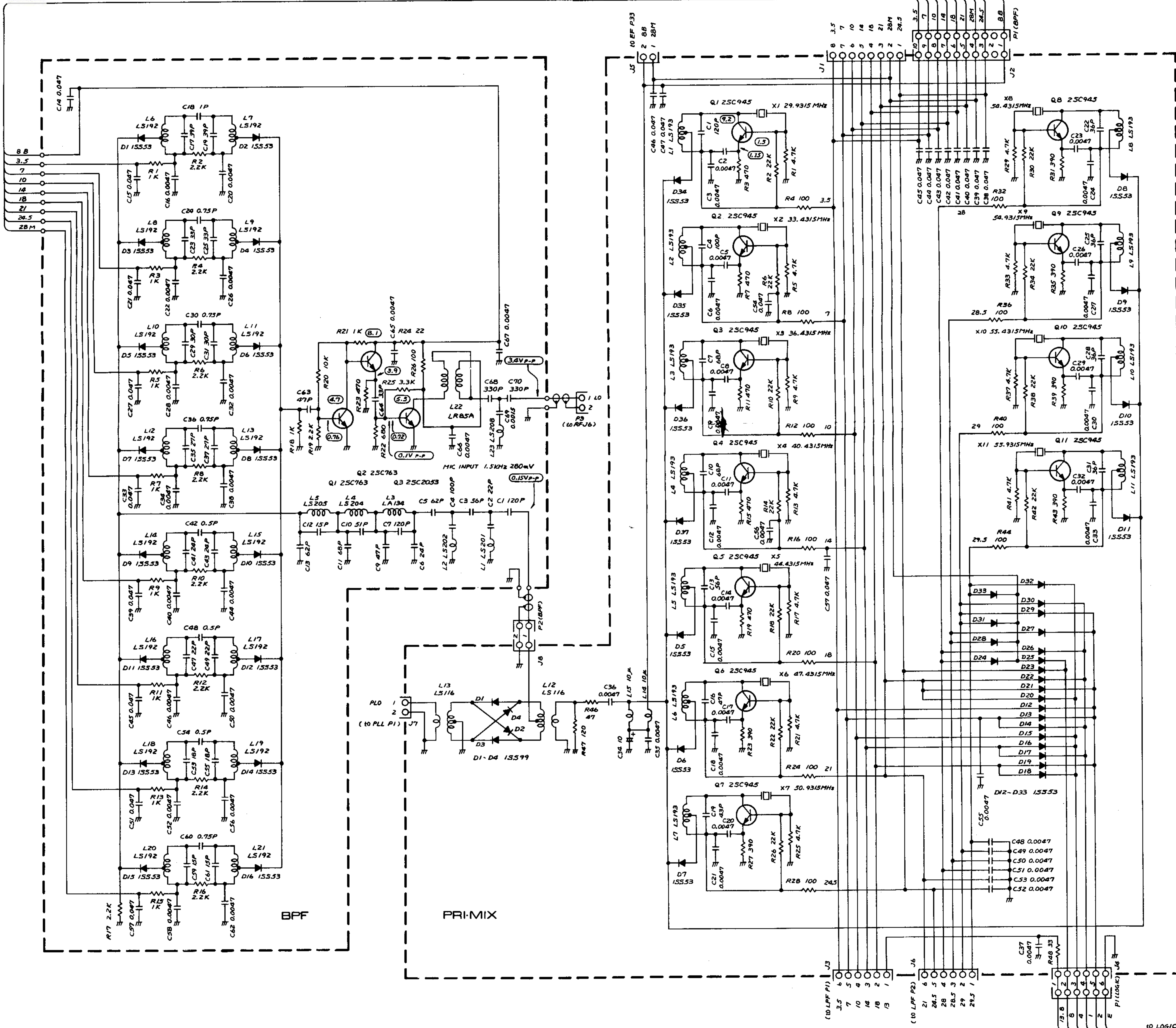
| BAND | MODE | J4 -2 | J4 -3 | J4 -4 | IC7 -8 | IC7 -9 | IC7 -13 | IC7 -10 | IC7 -11 |
|---------|------|-------|-------|-------|--------|--------|---------|---------|---------|
| 3.5 MHz | CW | L | L | L | L | L | L | L | L |
| | LSB | H | L | H | H | L | L | H | L |
| 10 MHz | CW | L | L | L | L | L | L | L | L |
| | LSB | H | L | H | H | L | L | H | L |
| ~28 MHz | CW | L | L | L | L | L | L | L | L |
| | USB | H | H | L | L | H | H | H | L |

30 BAND SW

| BAND | IC6 9-8 | IC6 11-10 | IC6 1-2 | IC6 3-4 |
|---------|---------|-----------|---------|---------|
| 3.5 MHz | L | H | L | L |
| 7 | H | H | L | L |
| 10 | L | L | H | L |
| 14 | H | L | H | L |
| 18 | L | L | H | L |
| 21 | H | H | L | L |
| 24.5 | L | L | L | H |
| 28 | H | L | L | H |
| 28.5 | L | H | L | H |
| 29 | H | L | H | H |
| 29.5 | L | L | H | H |
| NC | L | L | L | L |

IC1-12 (E0) TRIGGER





IC-730(S) SCHEMATIC DIAGRAM

For free by
RadioAmateur.eu

- 1 MIC(+8V)
- 2 +8V
- 3 UID
- 4
- 5 PTT
- 6 GND
- 7 NF-GND
- 8

RF-POWER

MIC-GAIN

RIT

RF-GAIN

IF-SHIFT

AF-GAIN

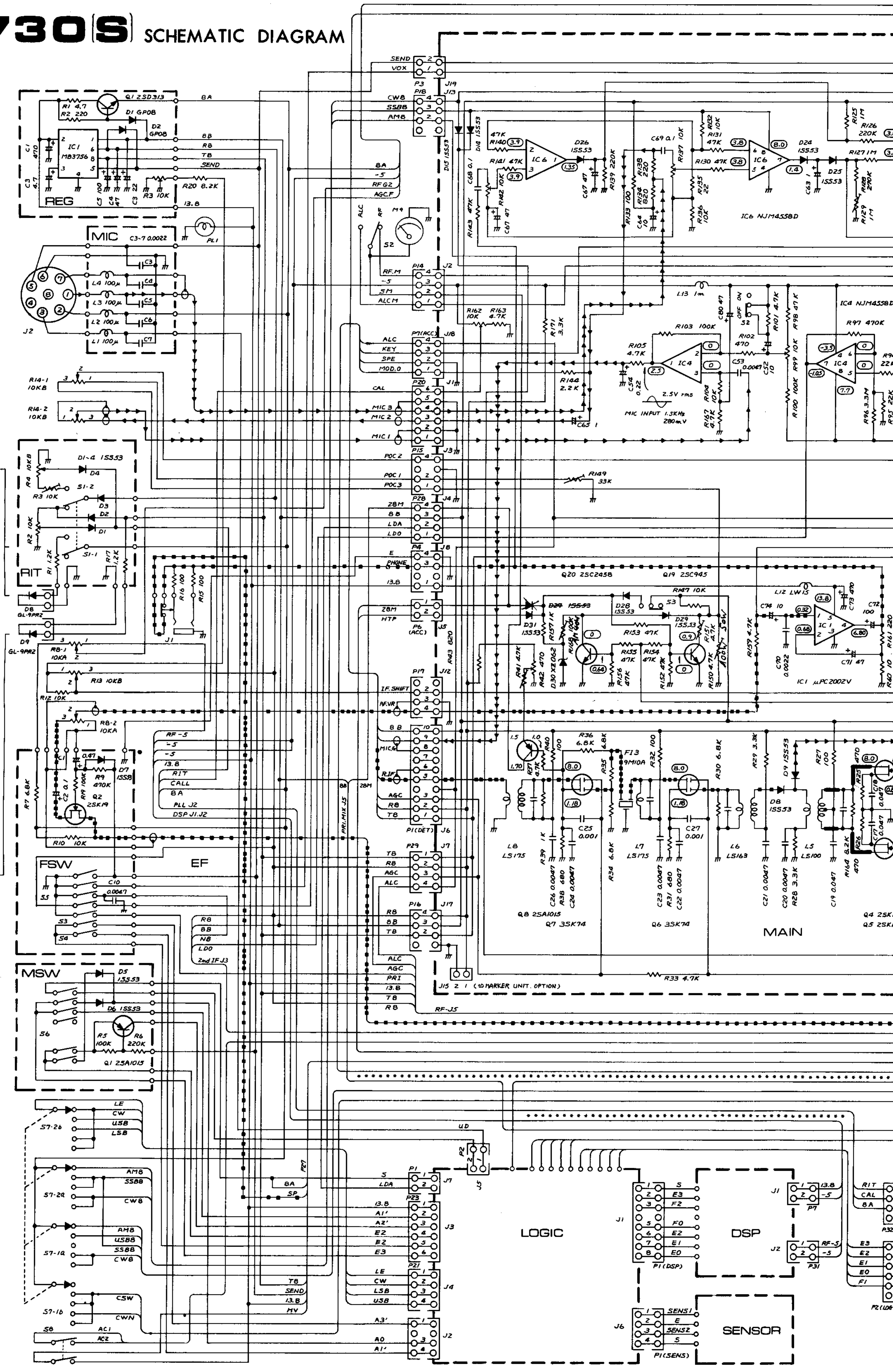
- TRANSMIT
- VOX
- NB
- AGC-F
- PRE-AMP
- WRITE
- MEMO

- LOCK
- 10
- 100
- 1K

- NOR/SPT
- VFO-A/B

- MODE
- AM
- USB
- LSB
- CW-N
- CW

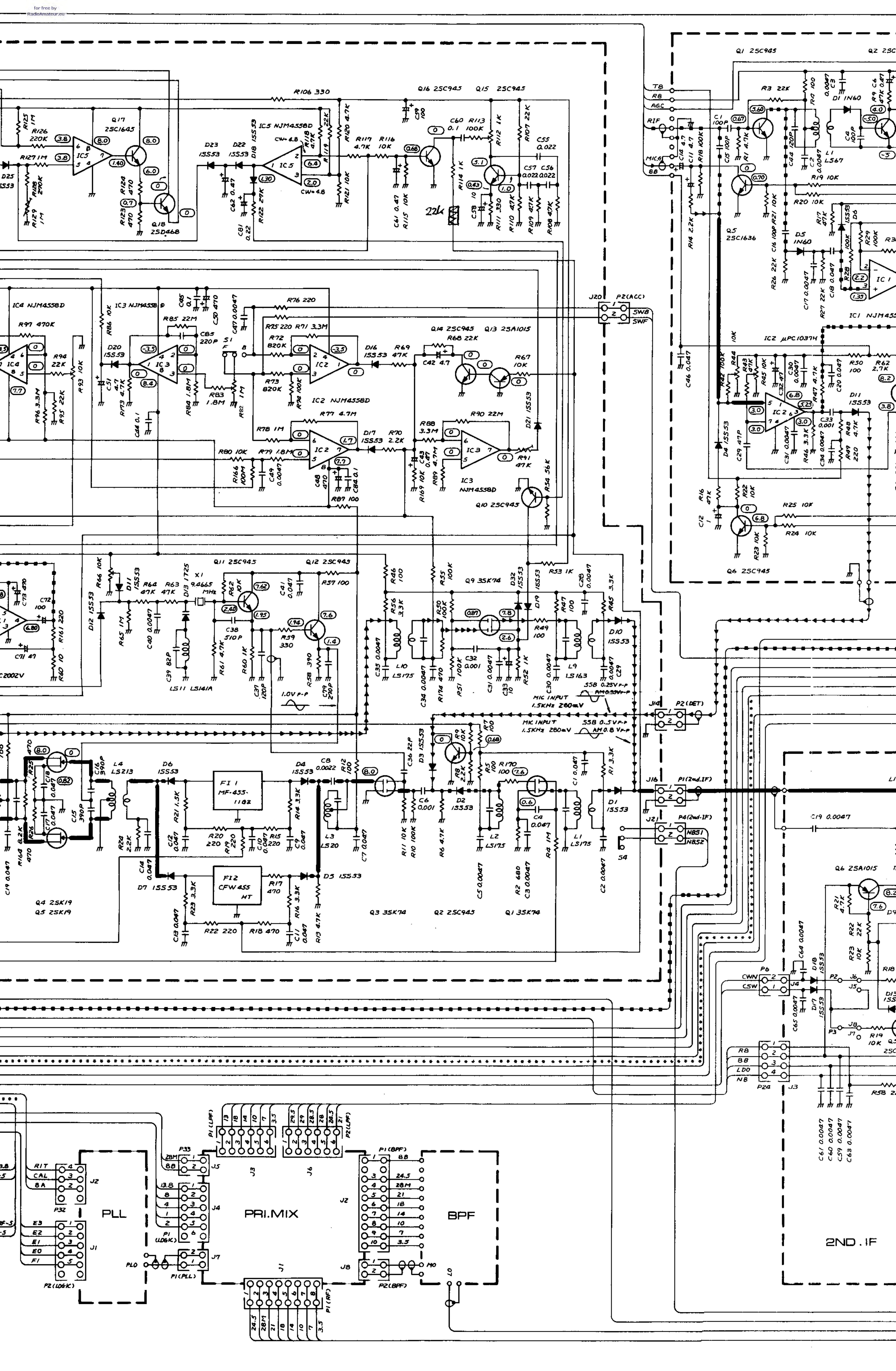
POWER

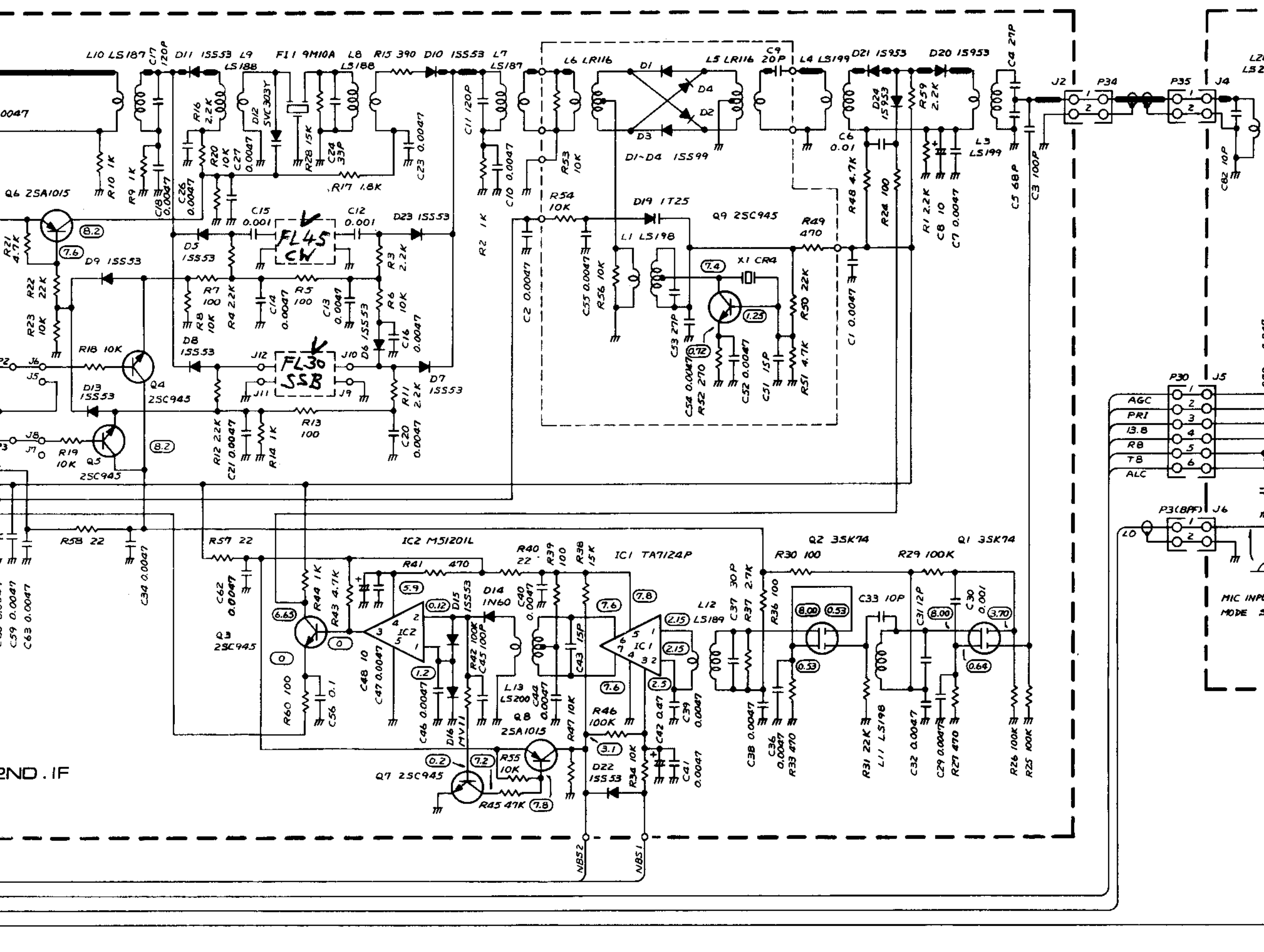
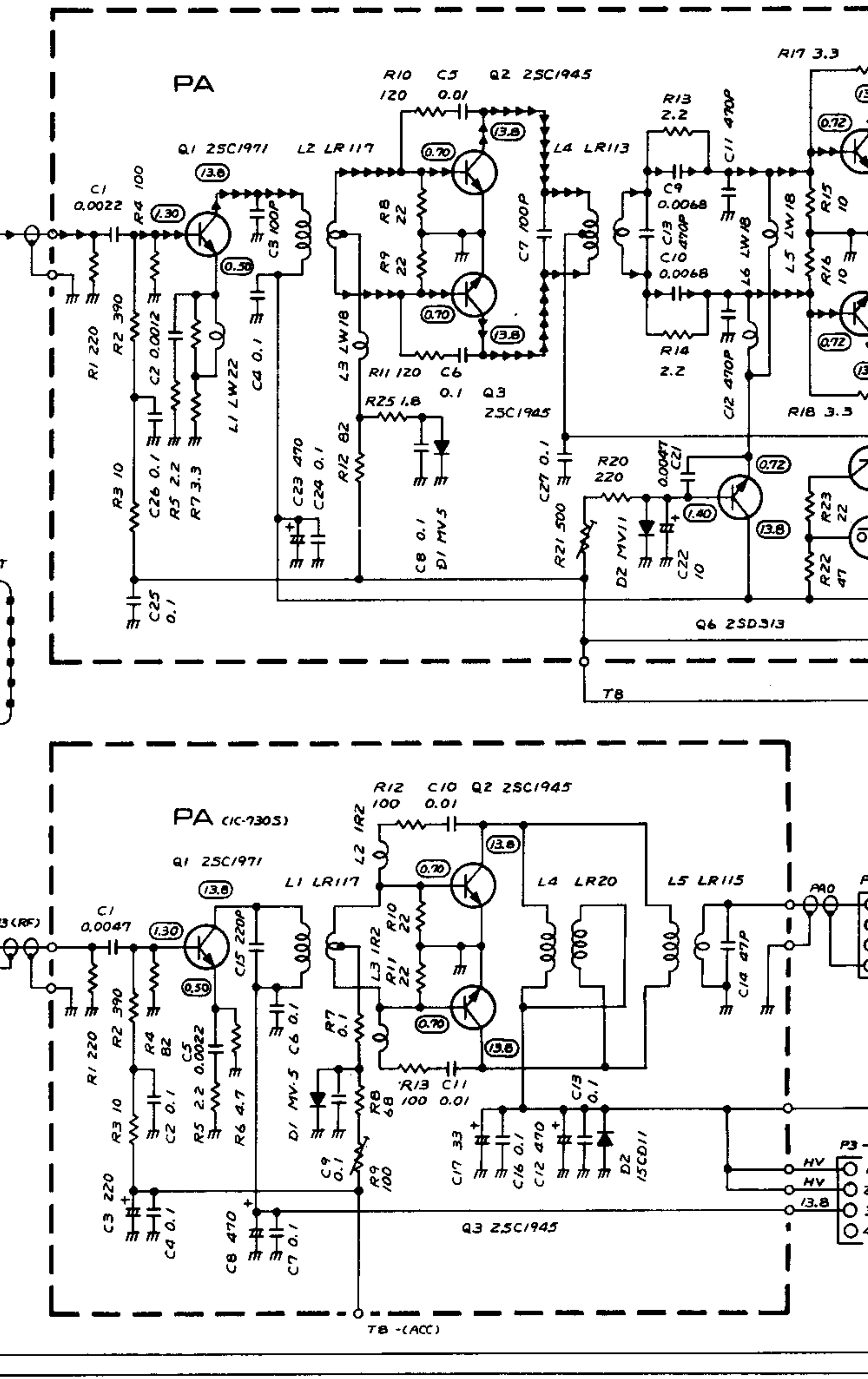
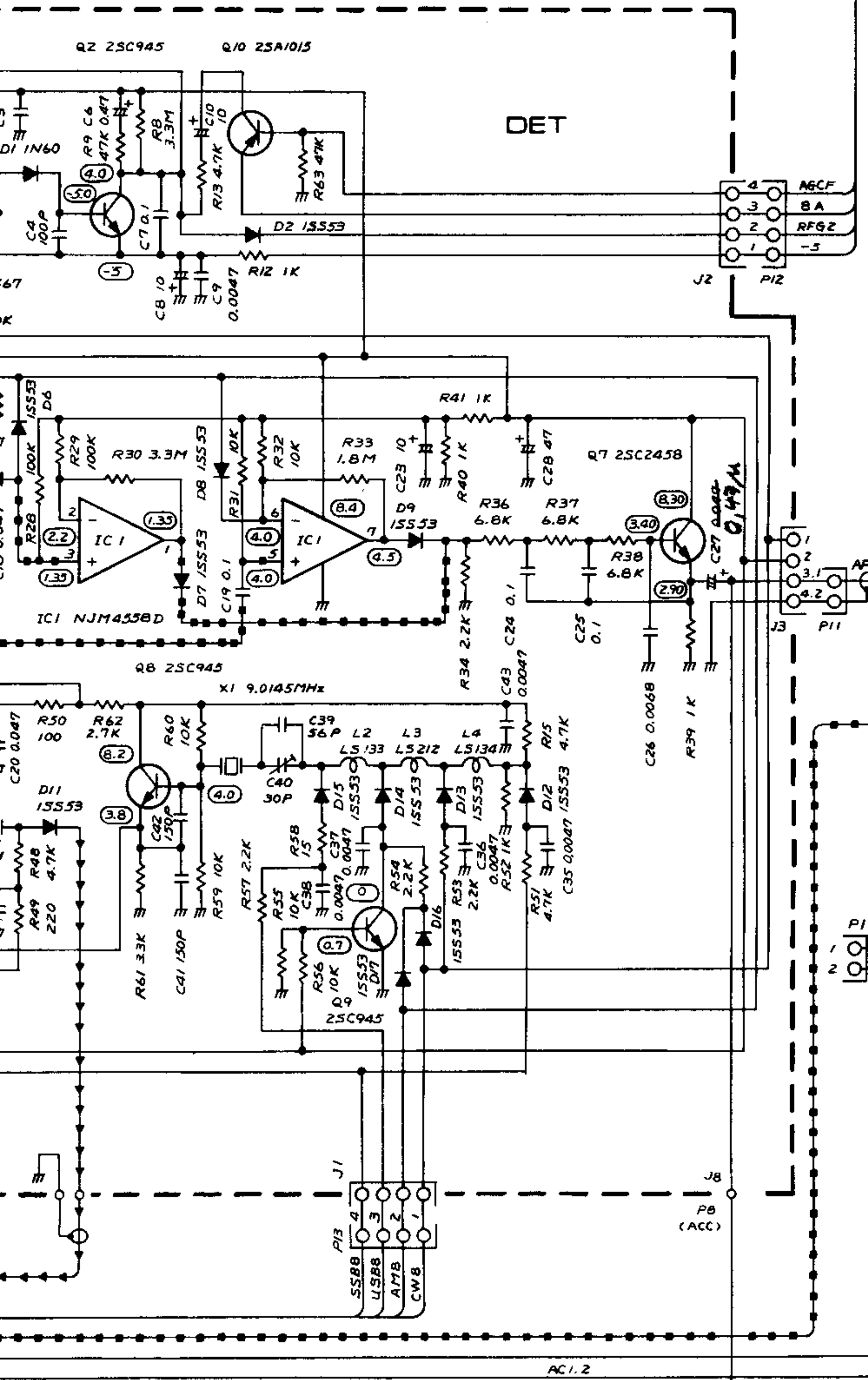


MAIN

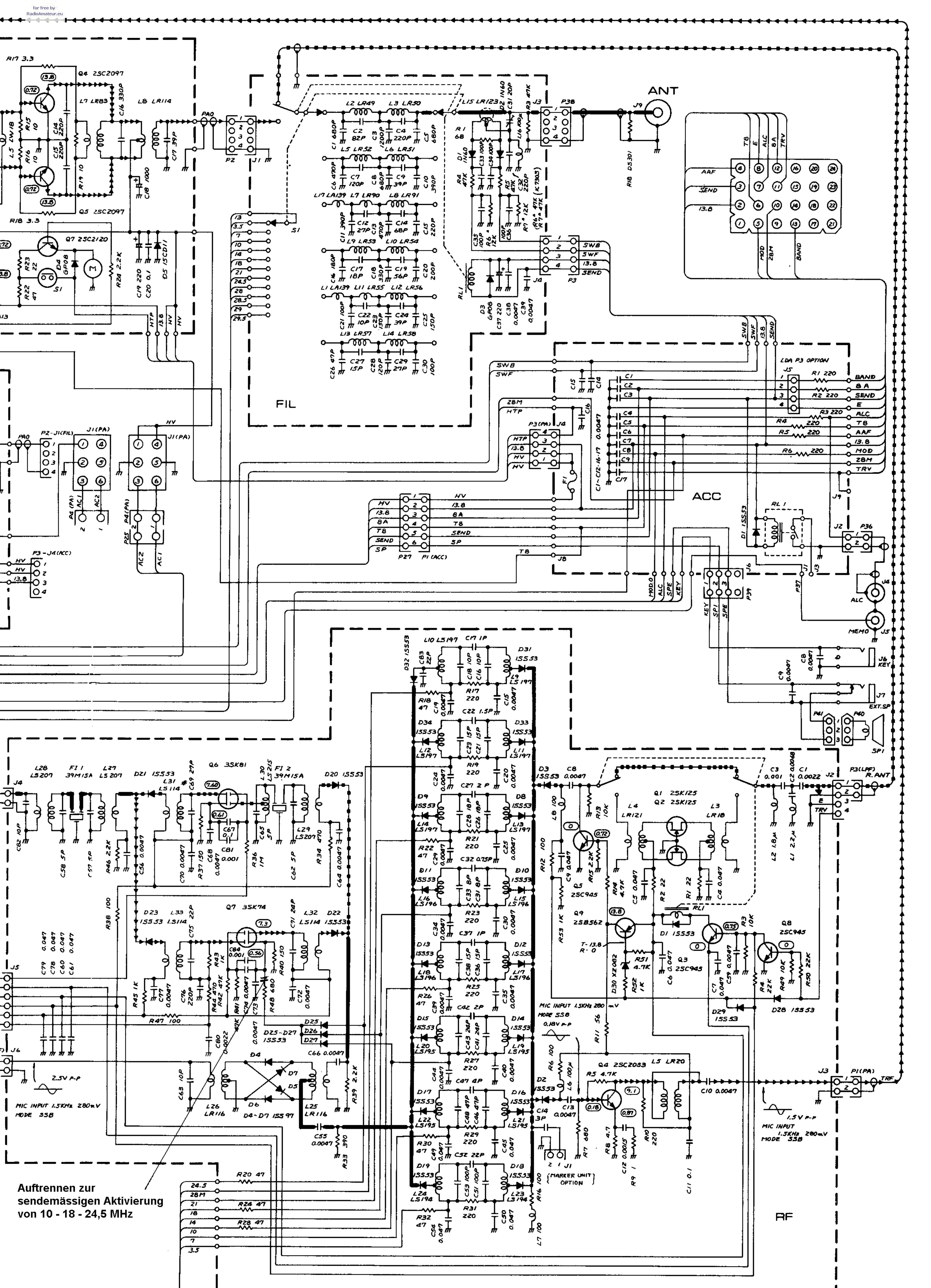
LOGIC

SENSOR





MIC INP MODE S



Auffrennen zur sendemässigen Aktivierung von 10 - 18 - 24,5 MHz