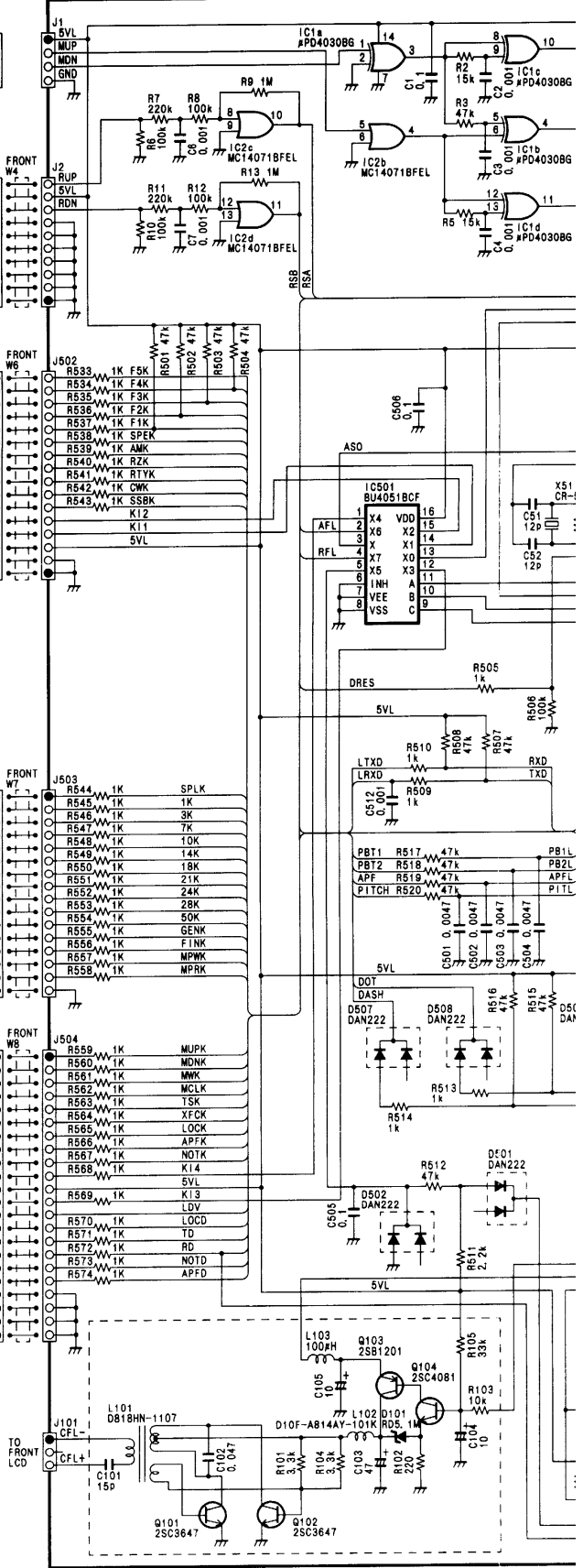
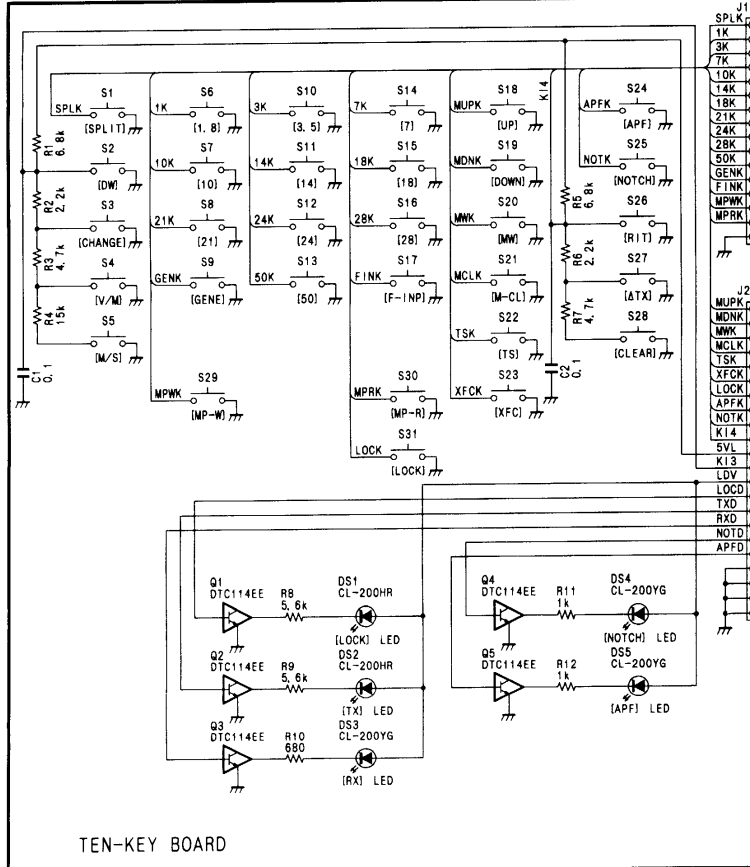
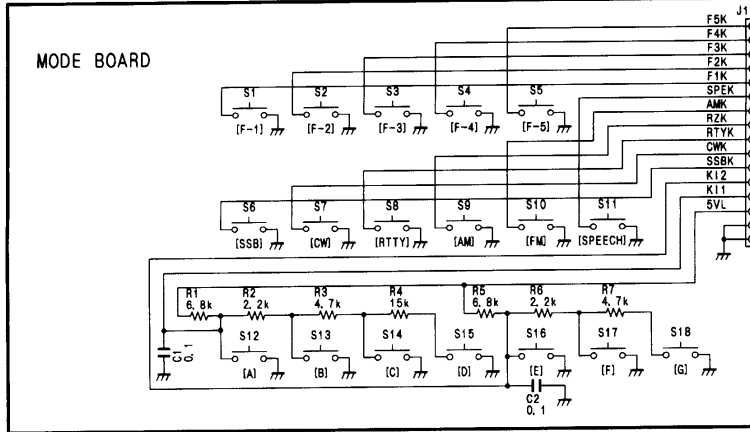
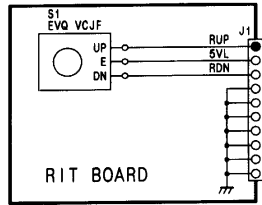


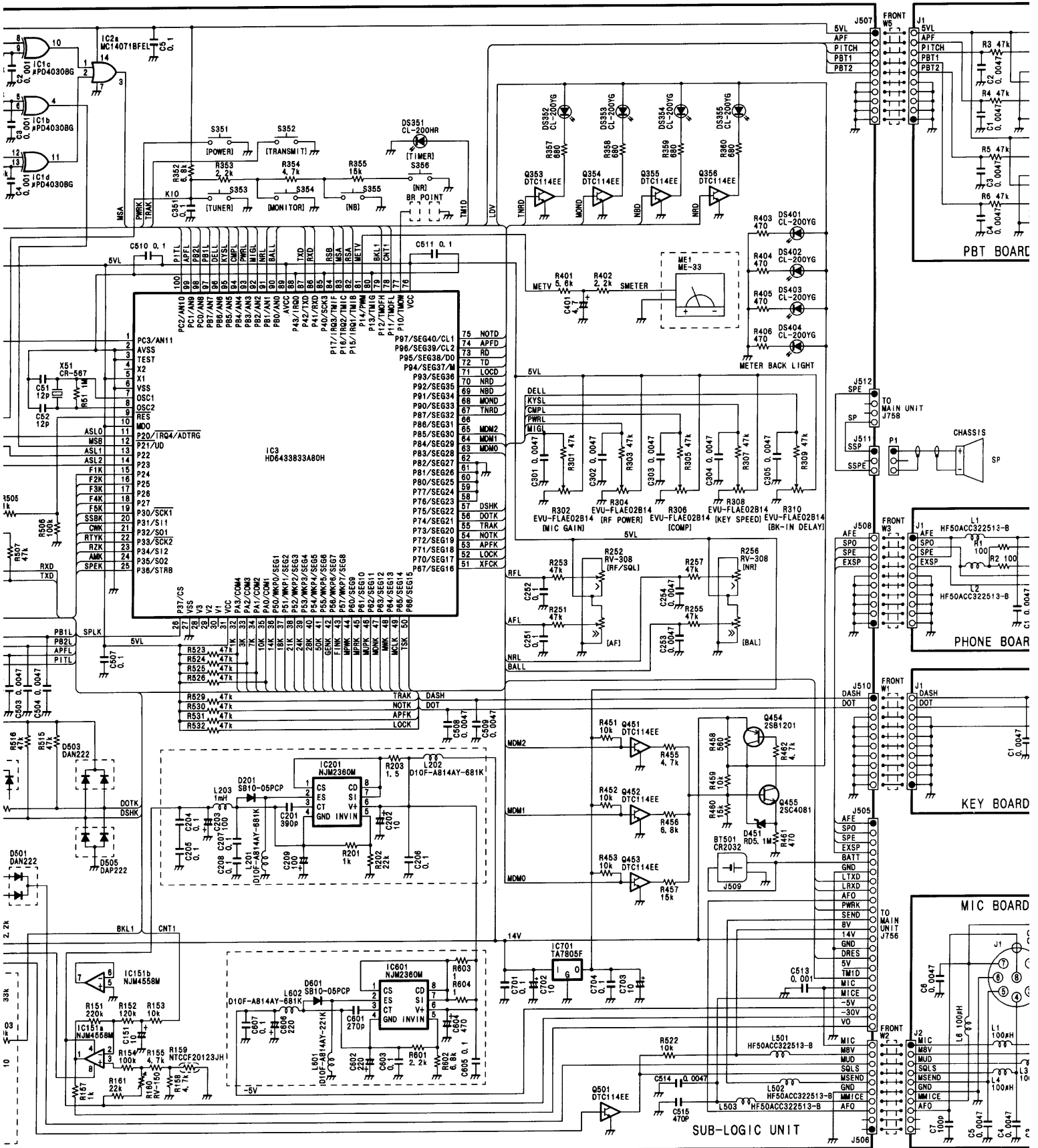
Downloaded by Amateur Radio Directory
www.hamdirectory.info

EP1 RMS20-250-201-1P

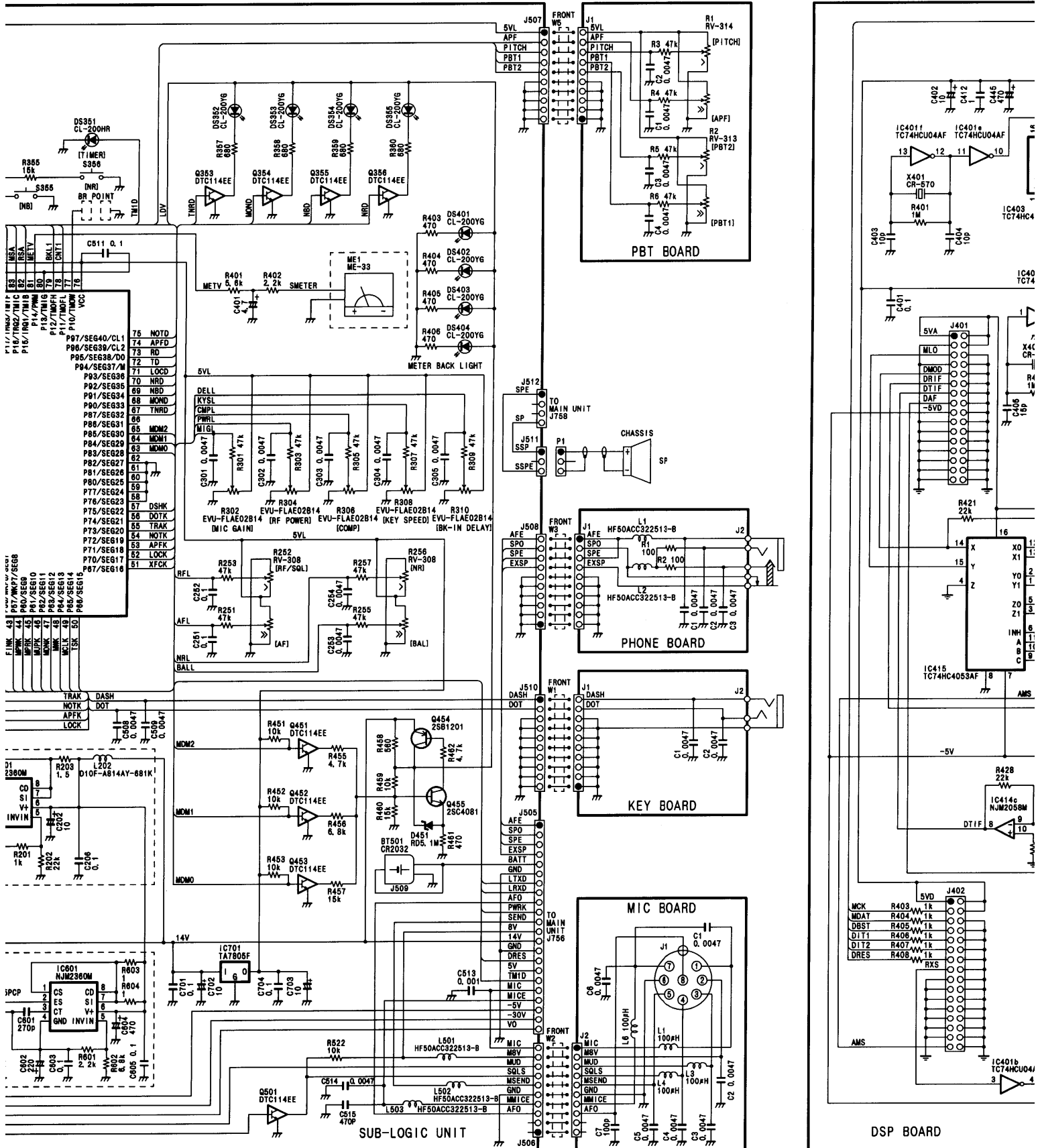


IC-756S

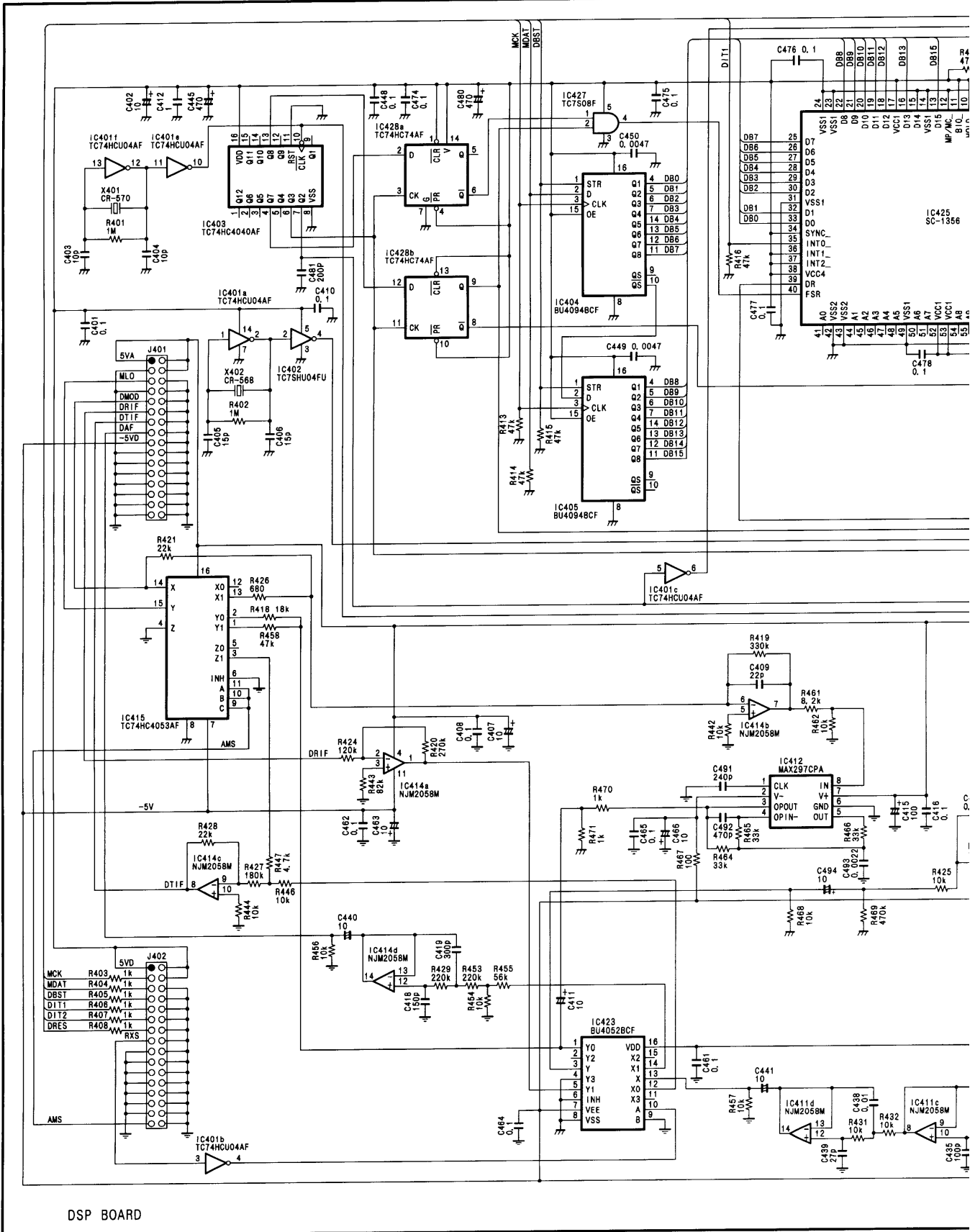
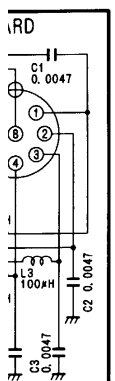
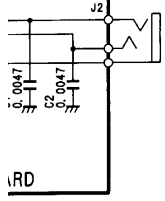
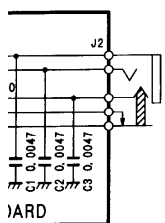
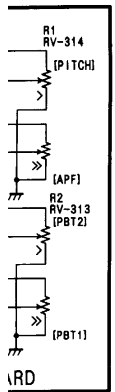
SCHEMATIC DIAGRAM

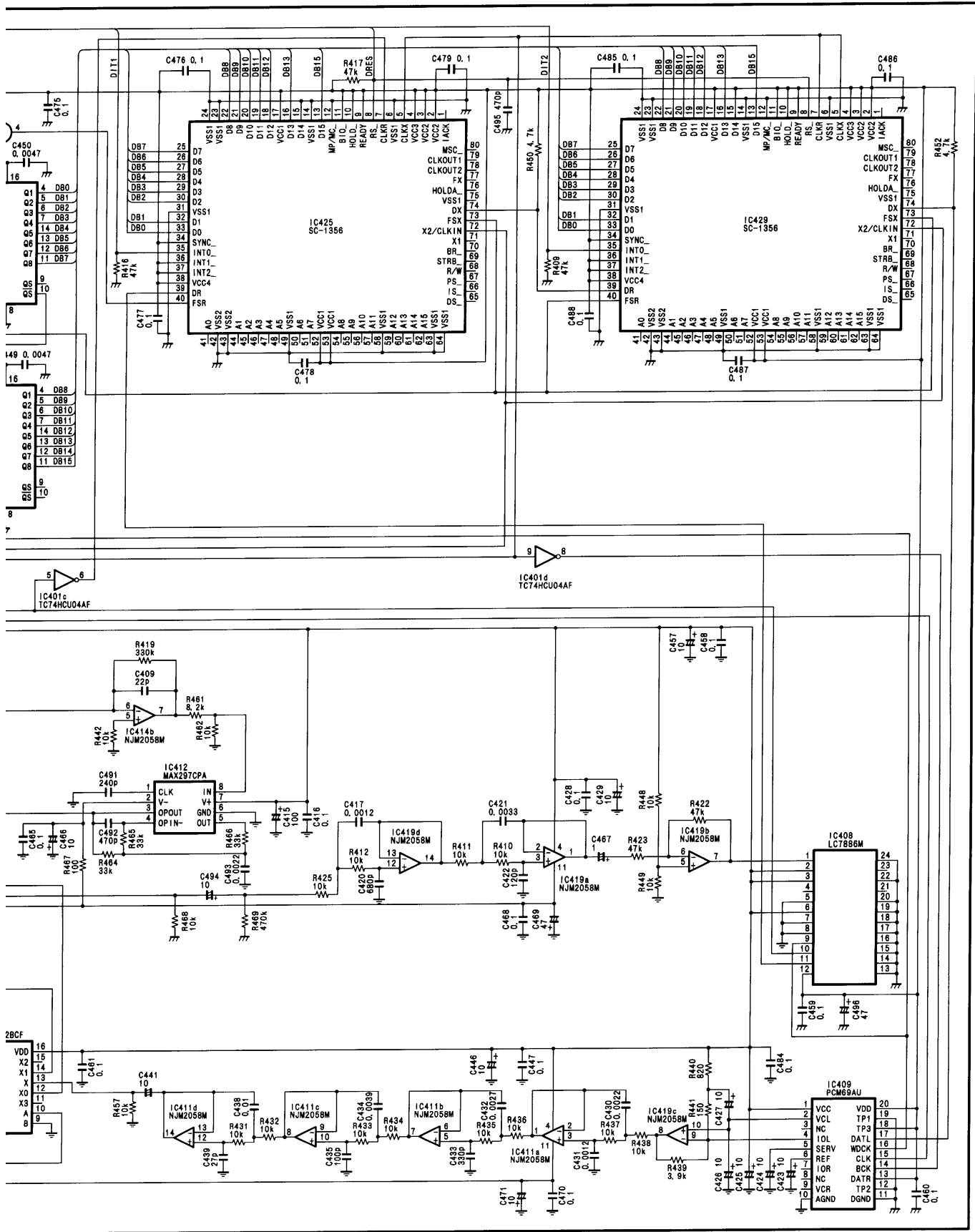


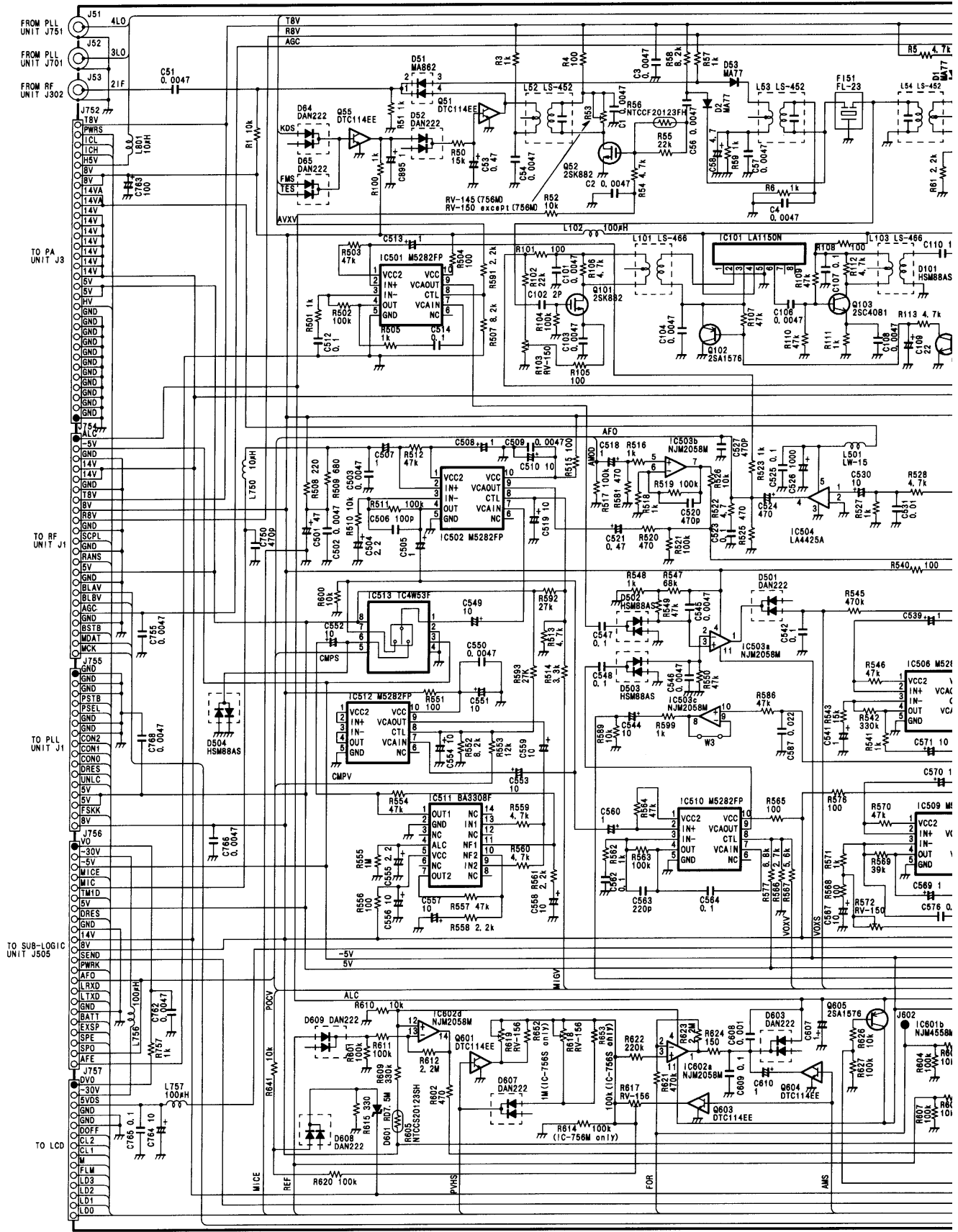
SCHEMATIC DIAGRAM



DSP BOARD



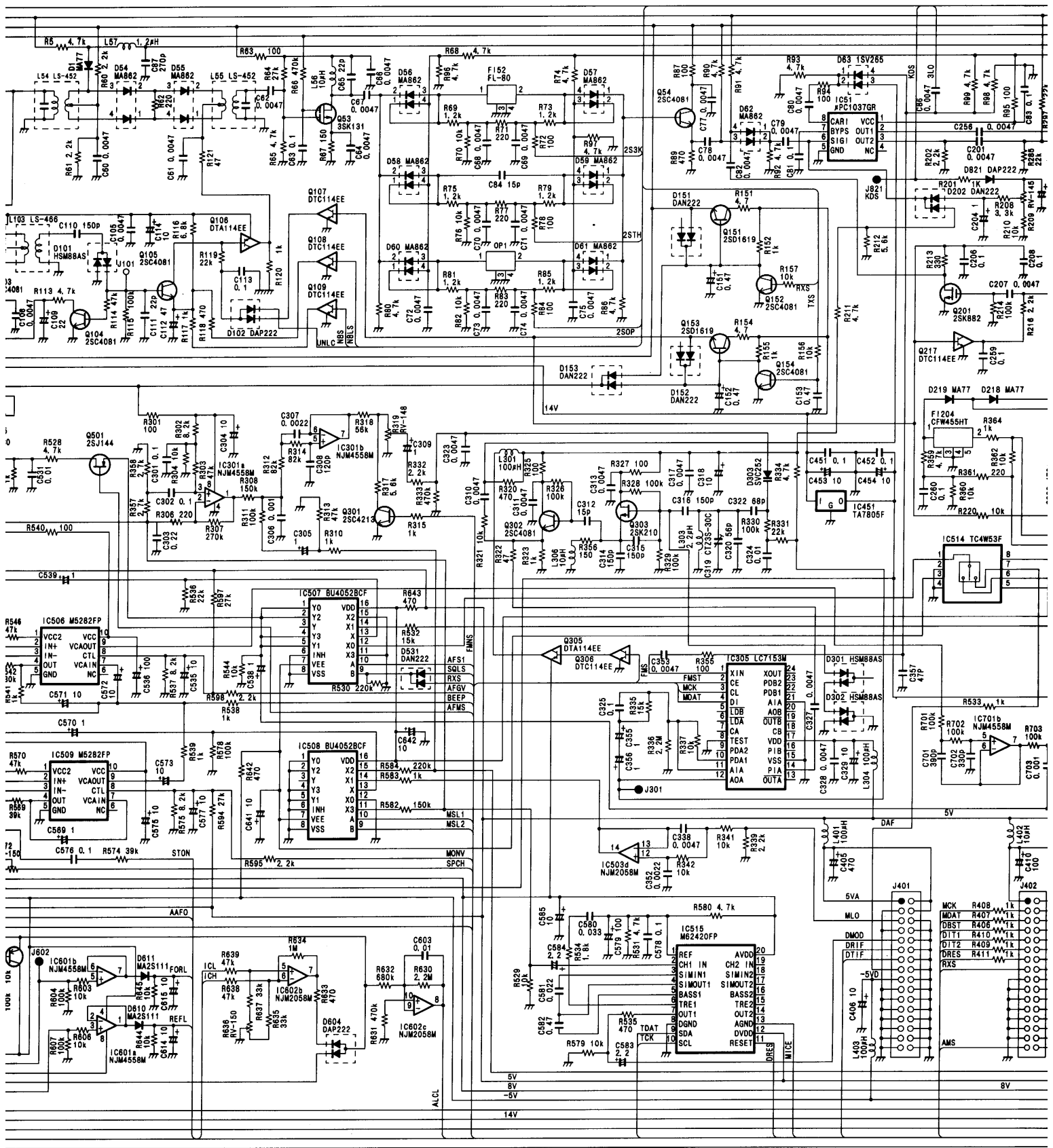


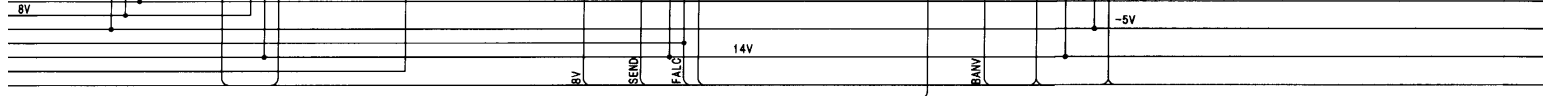
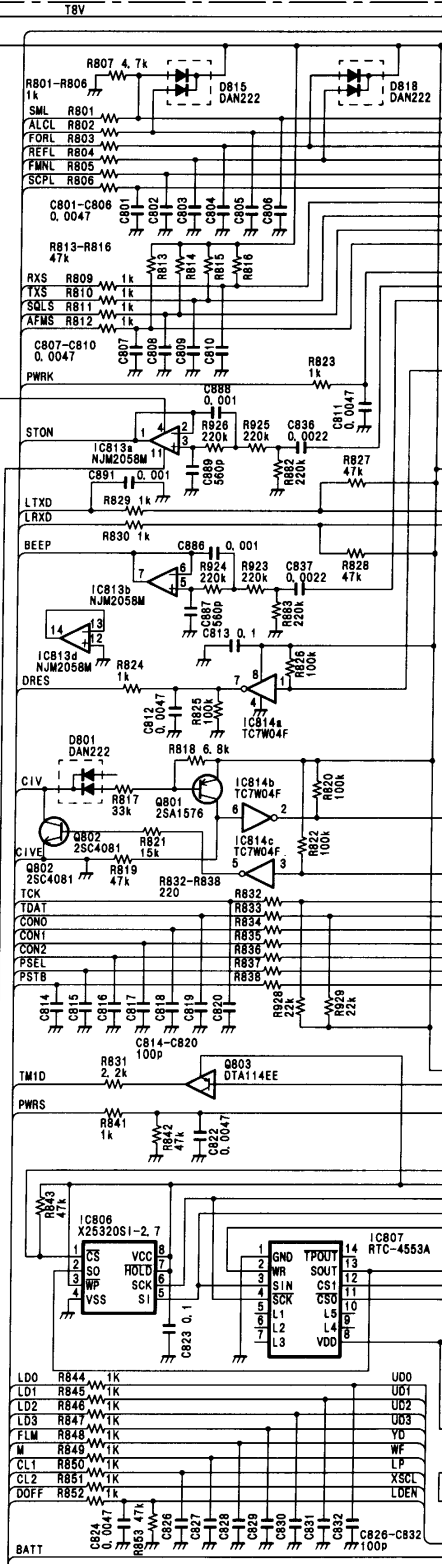
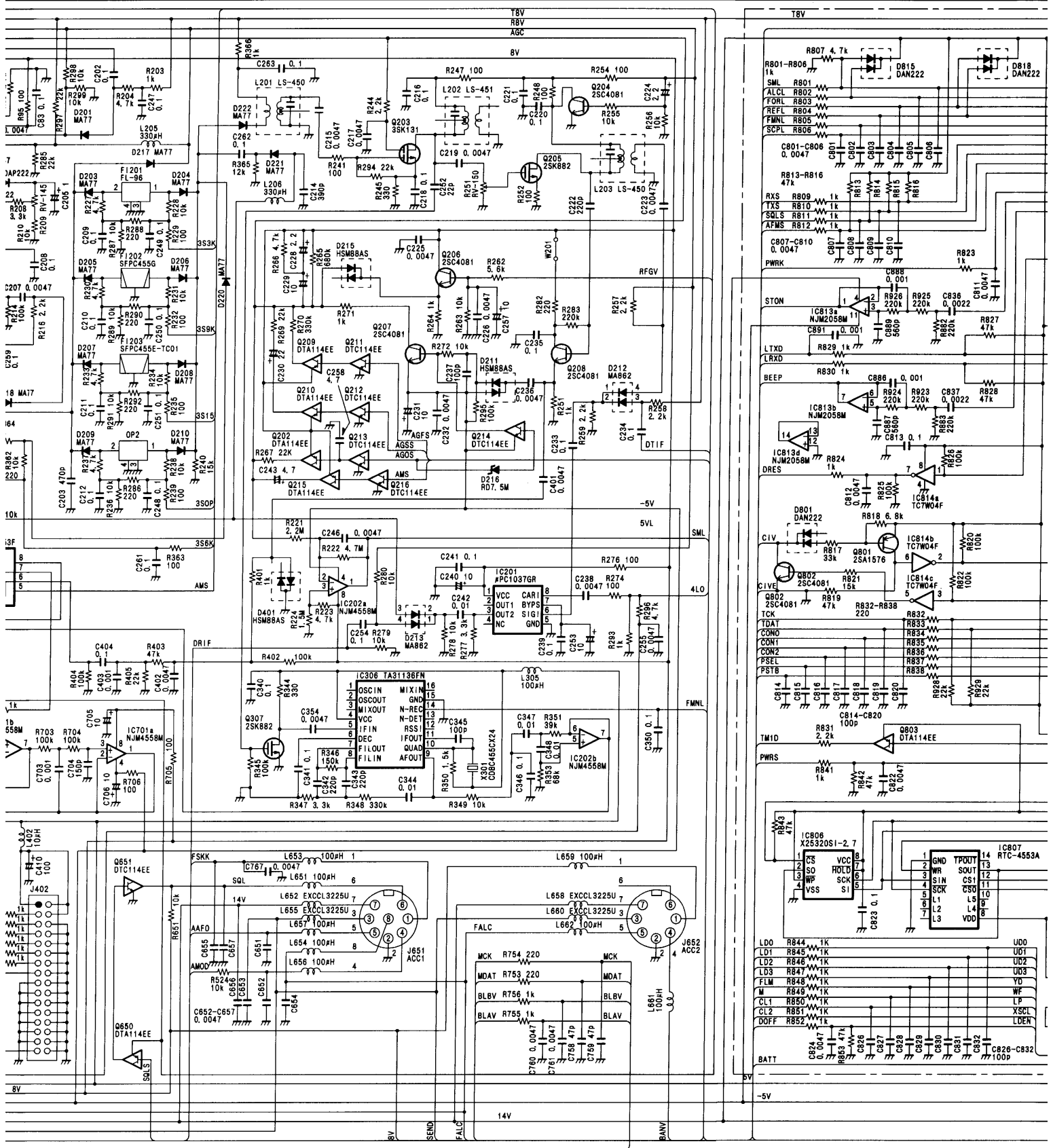


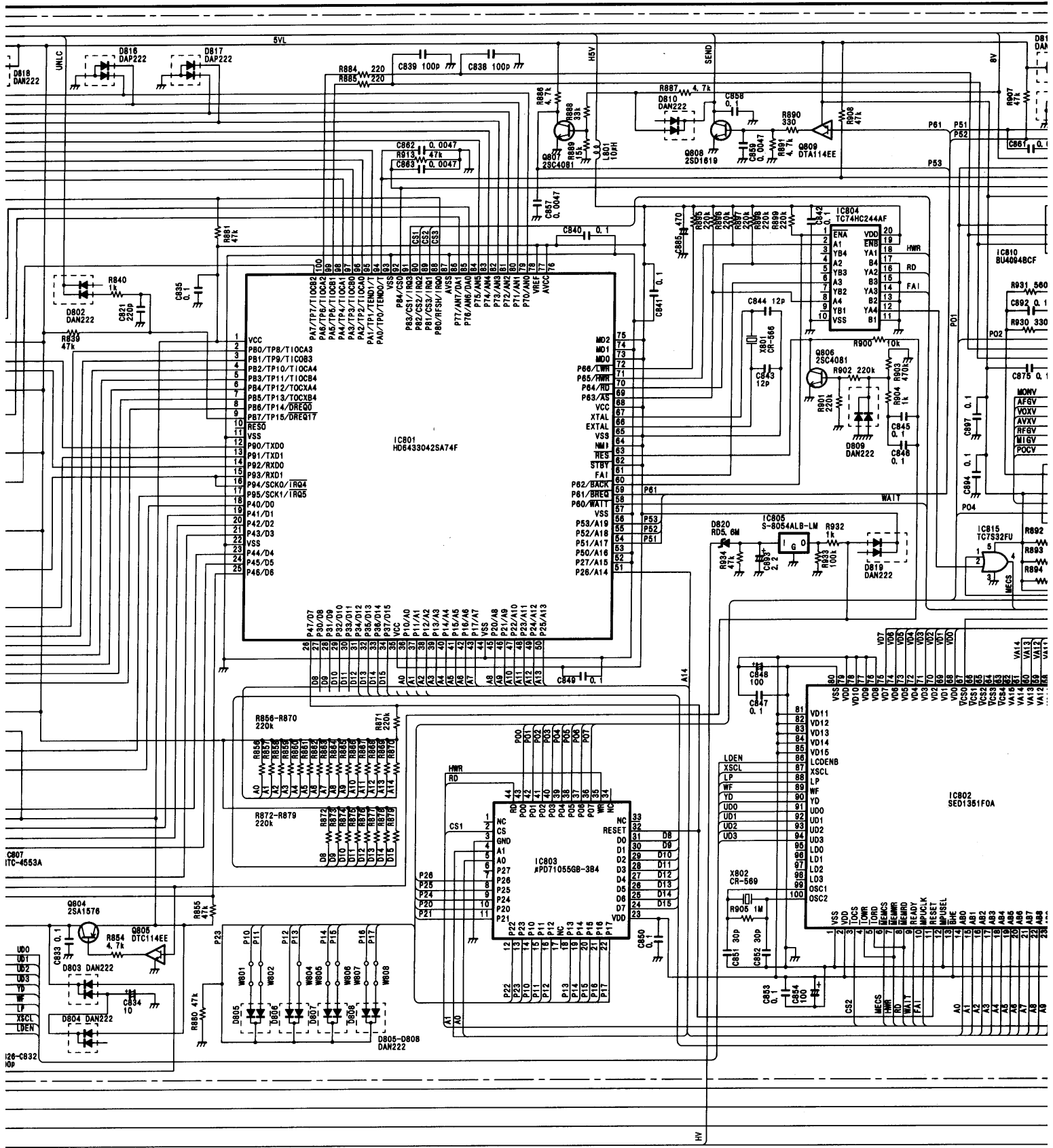
IC-756S

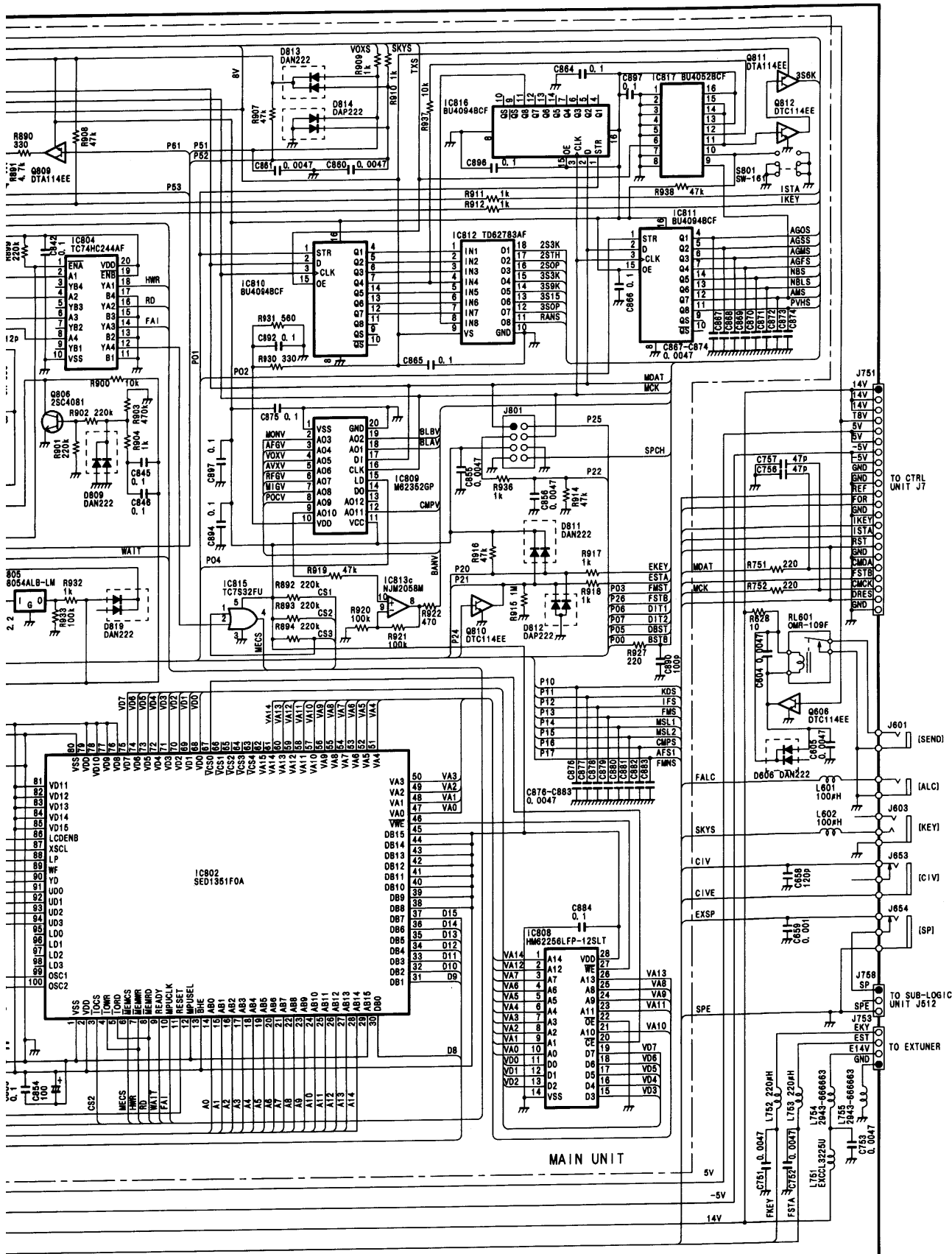
SCHEMATIC DIAGRAM

Downloaded by
Amateur Radio Directory
www.hamdirectory.info









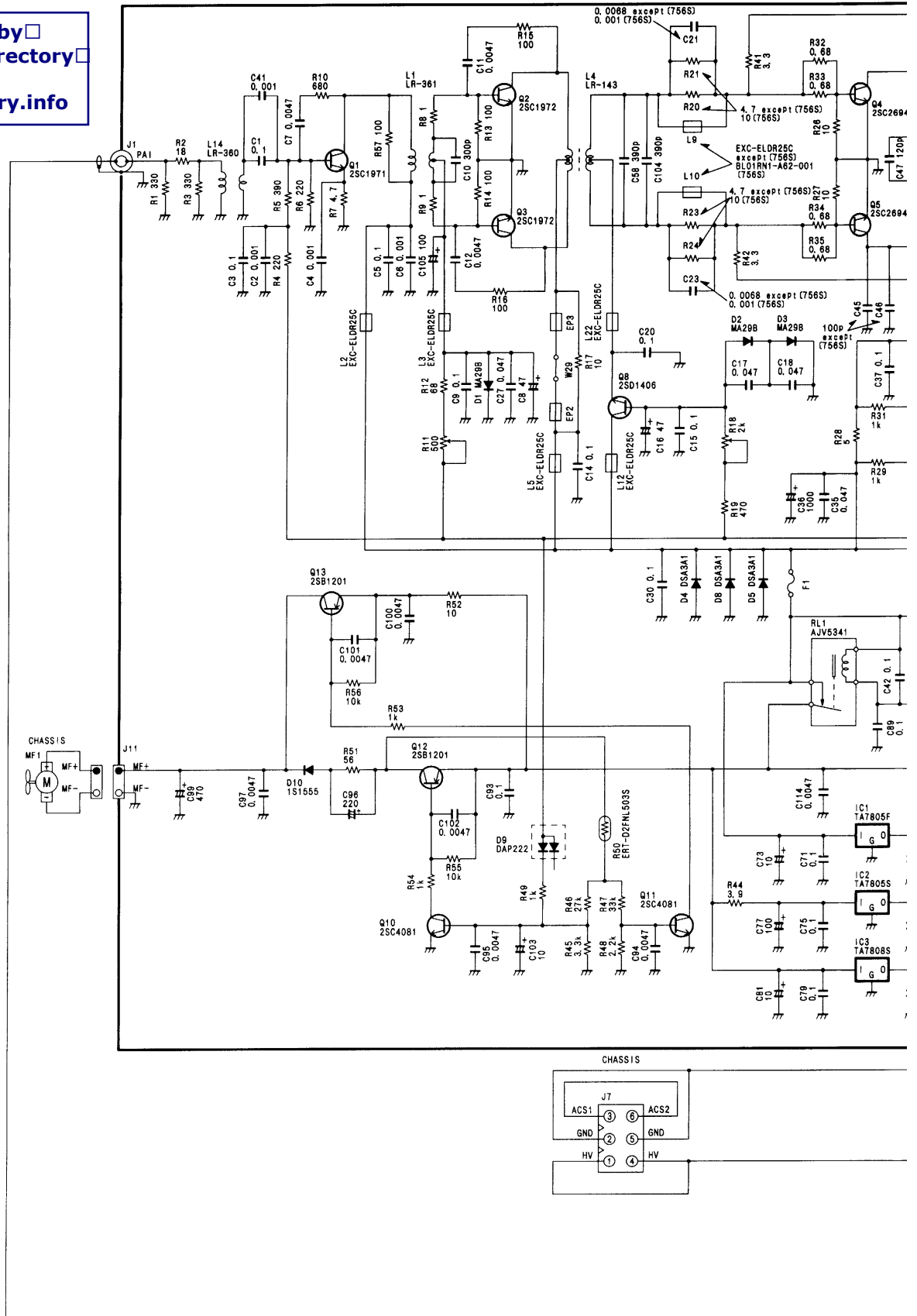
MAIN UNIT

5V

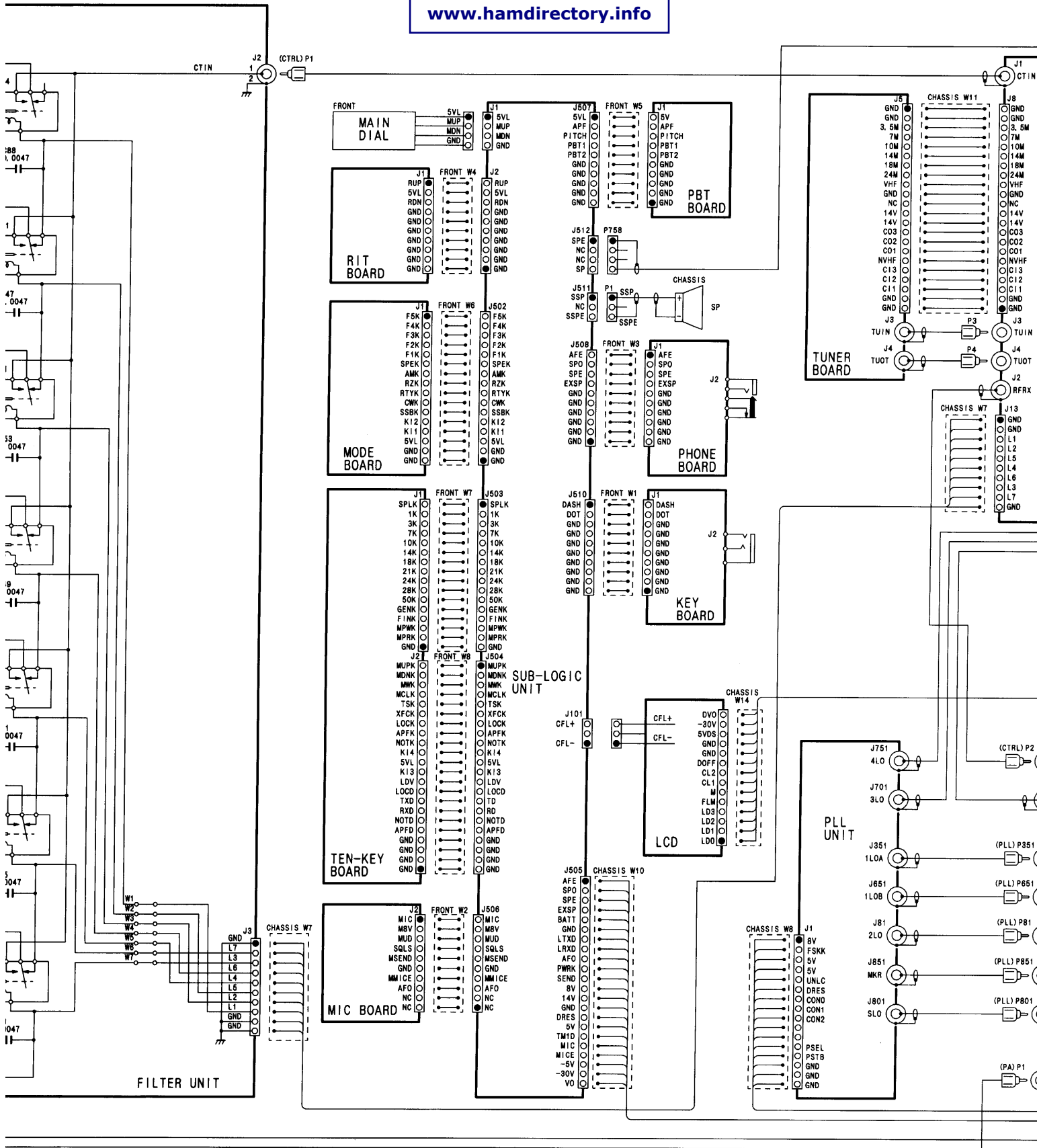
-5V

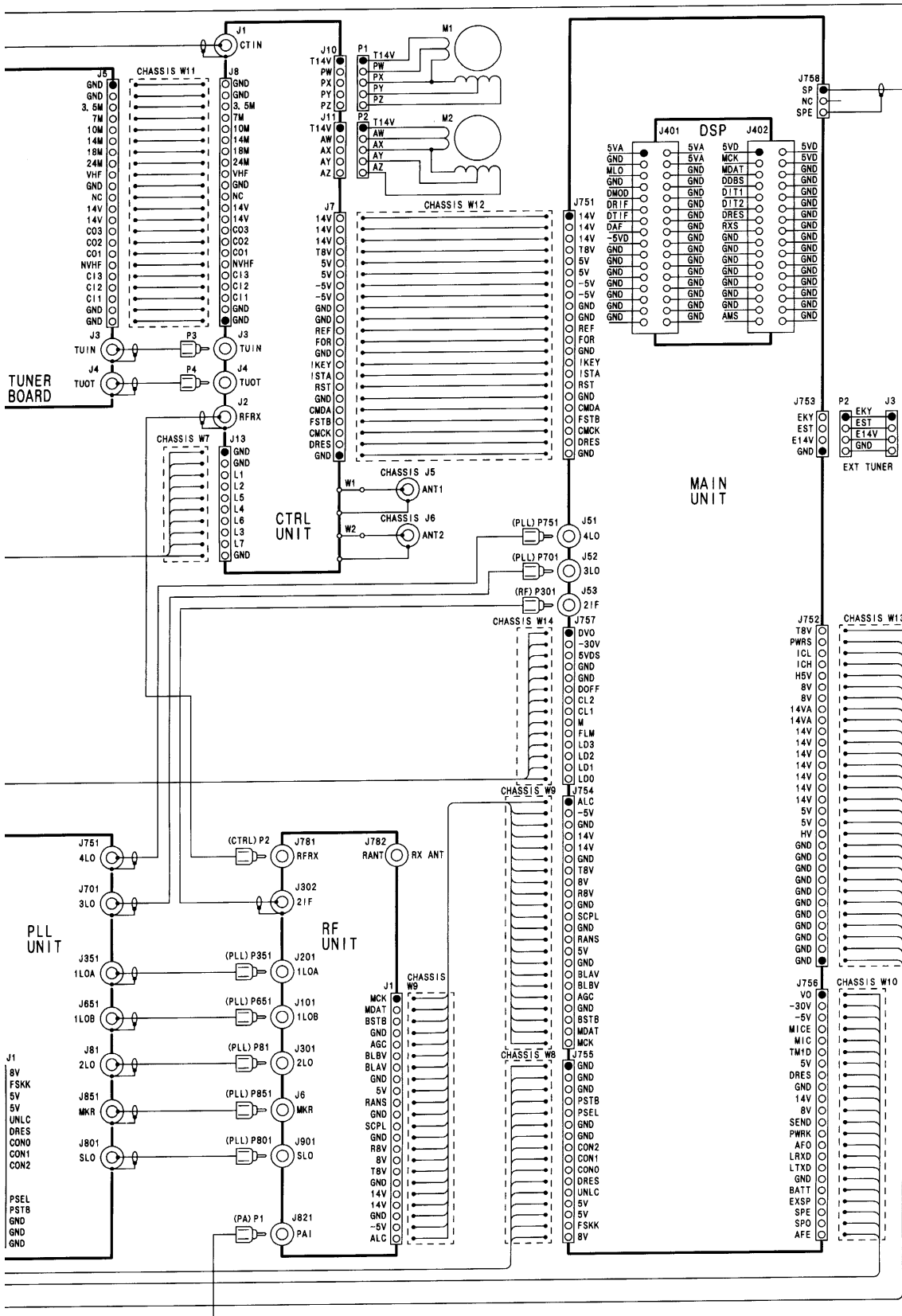
14V

Downloaded by Amateur Radio Directory
www.hamdirectory.info



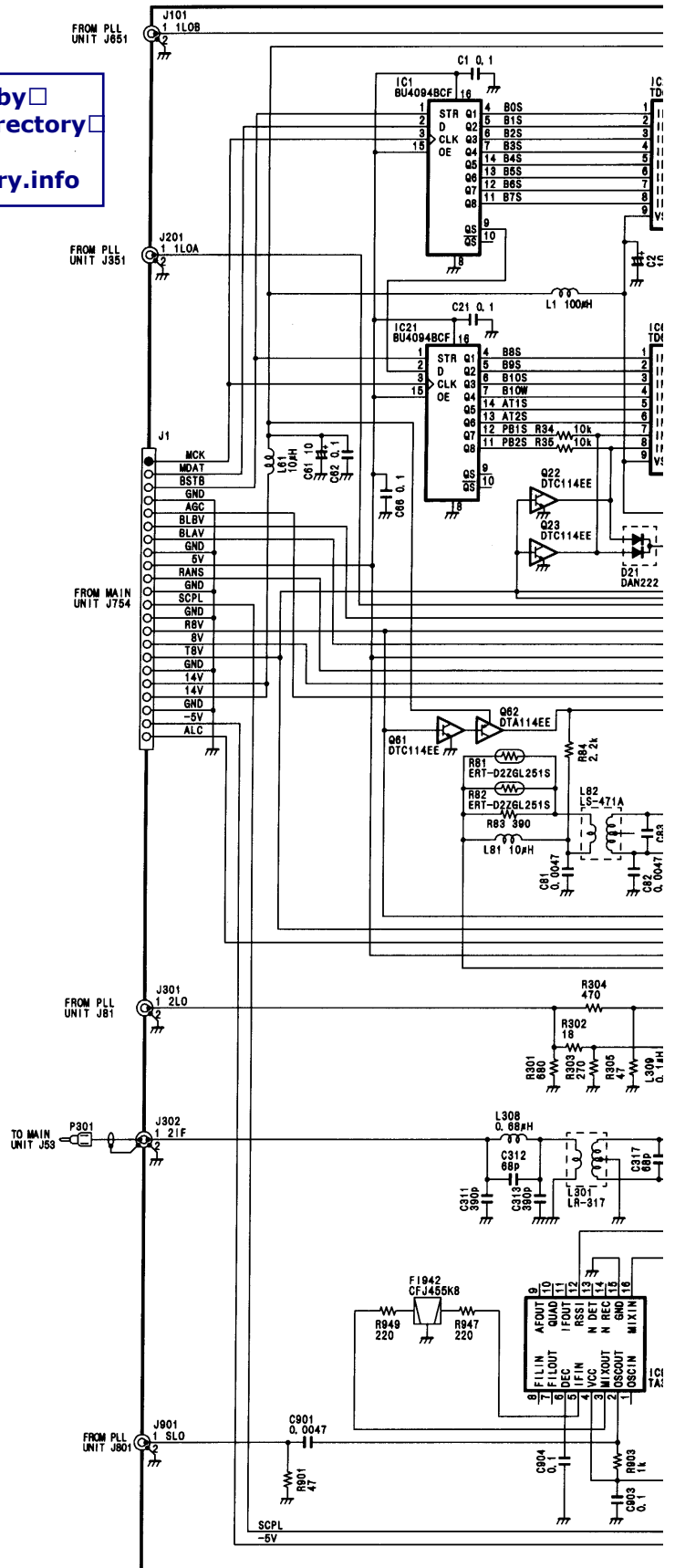
Downloaded by
 Amateur Radio Directory
www.hamdirectory.info

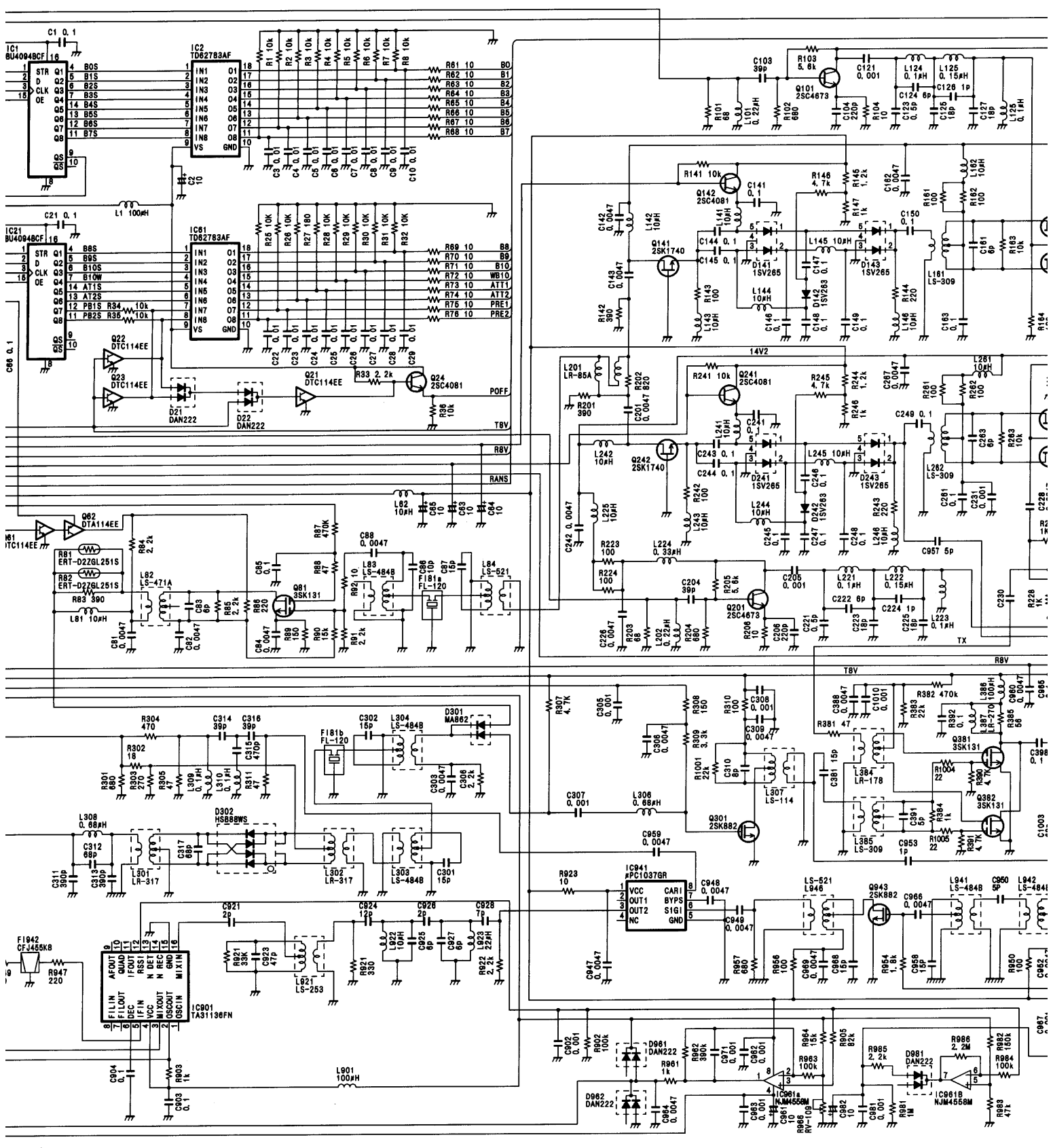


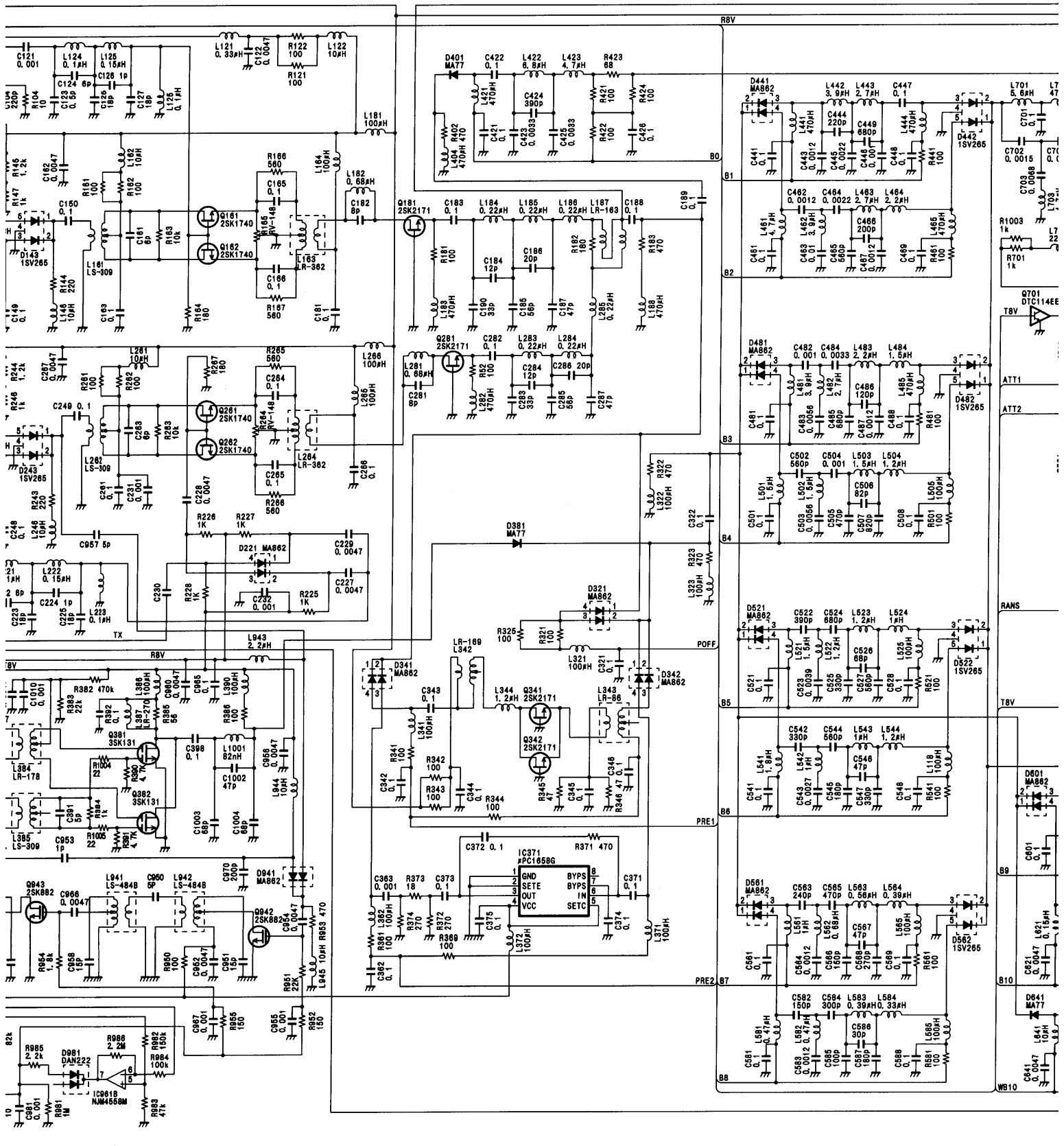


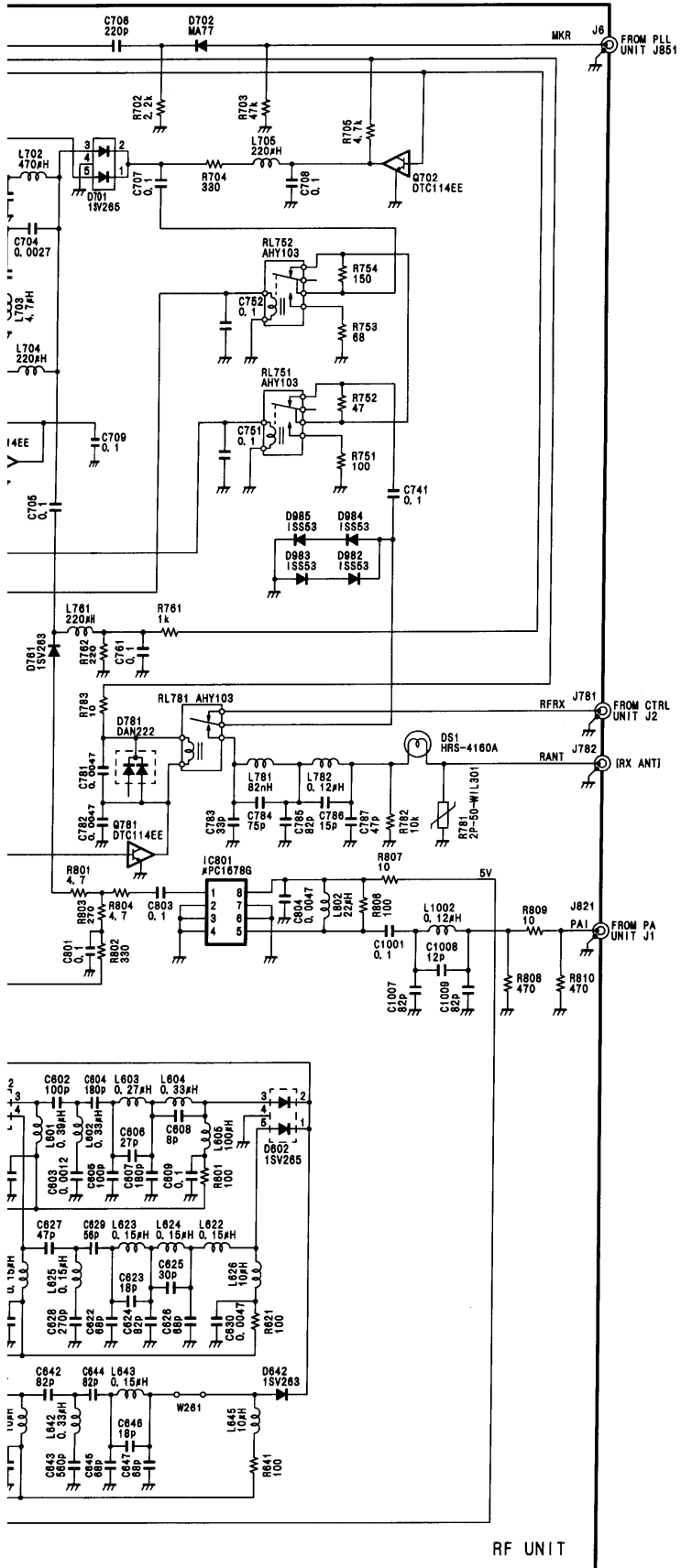
Downloaded by
 Amateur Radio Directory

www.hamdirectory.info

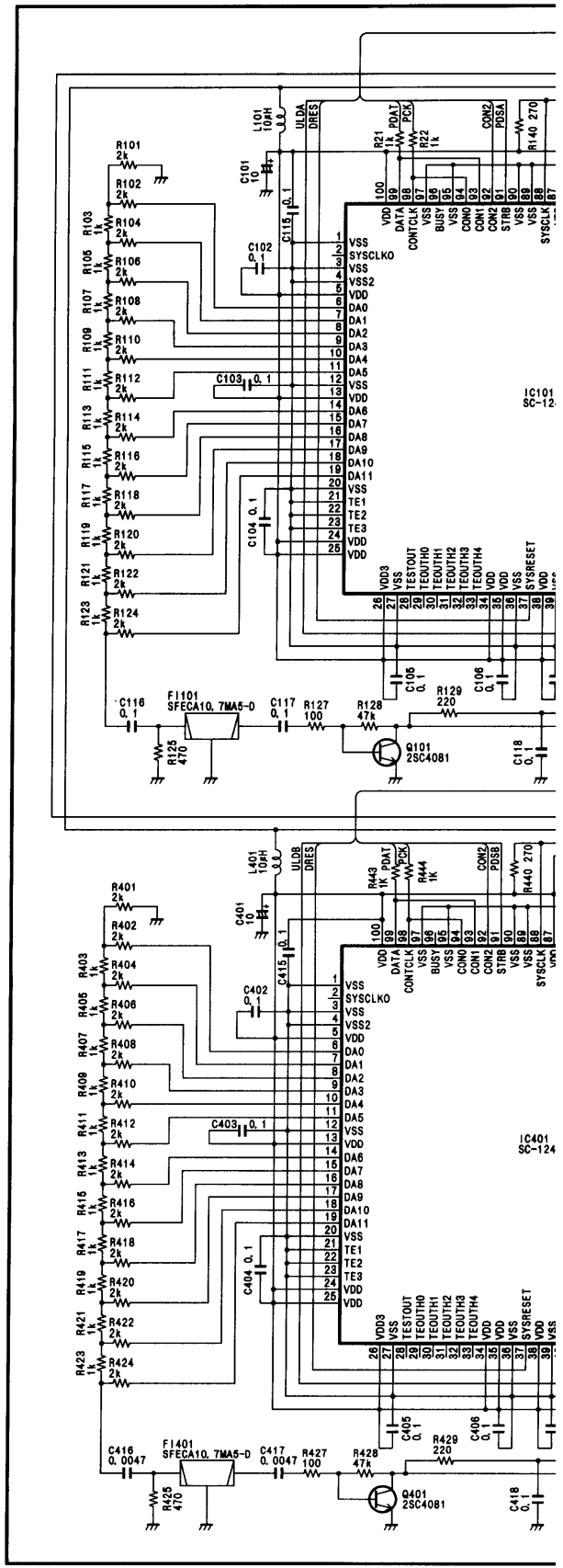


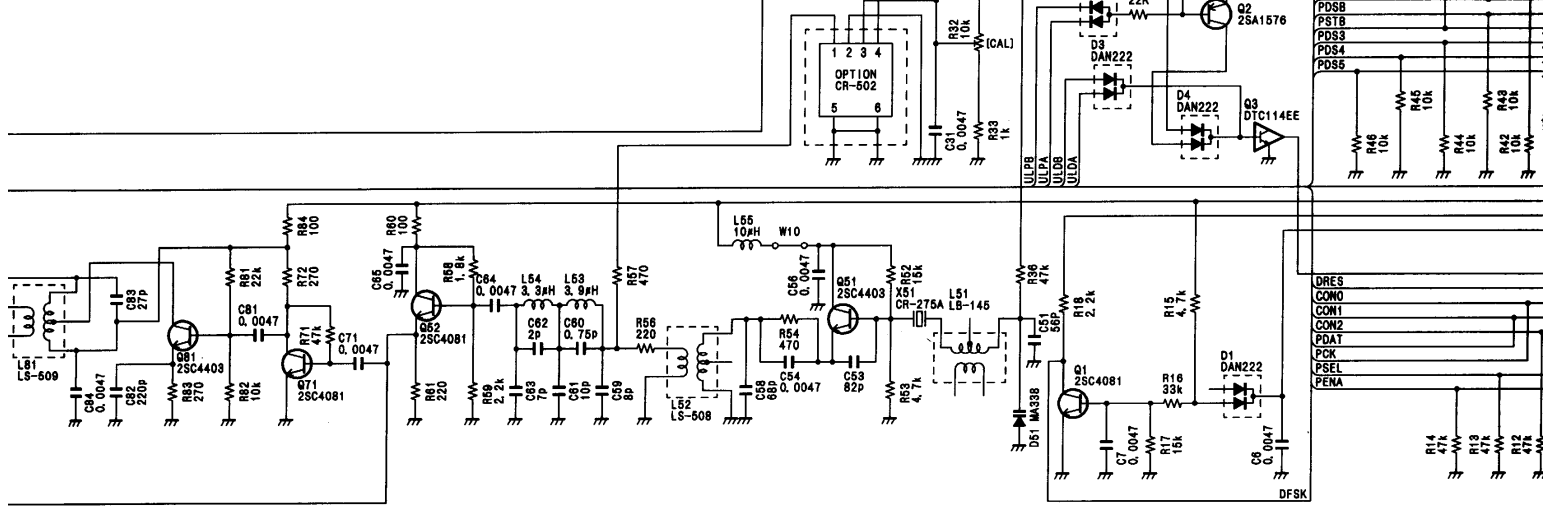
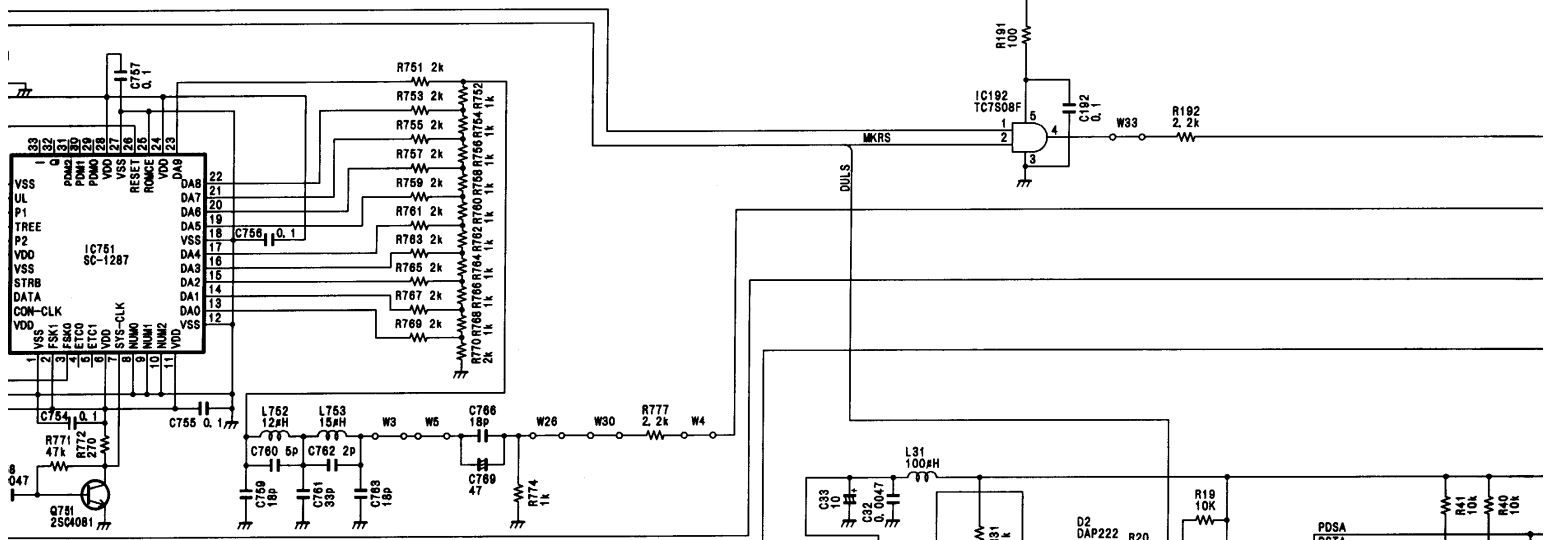
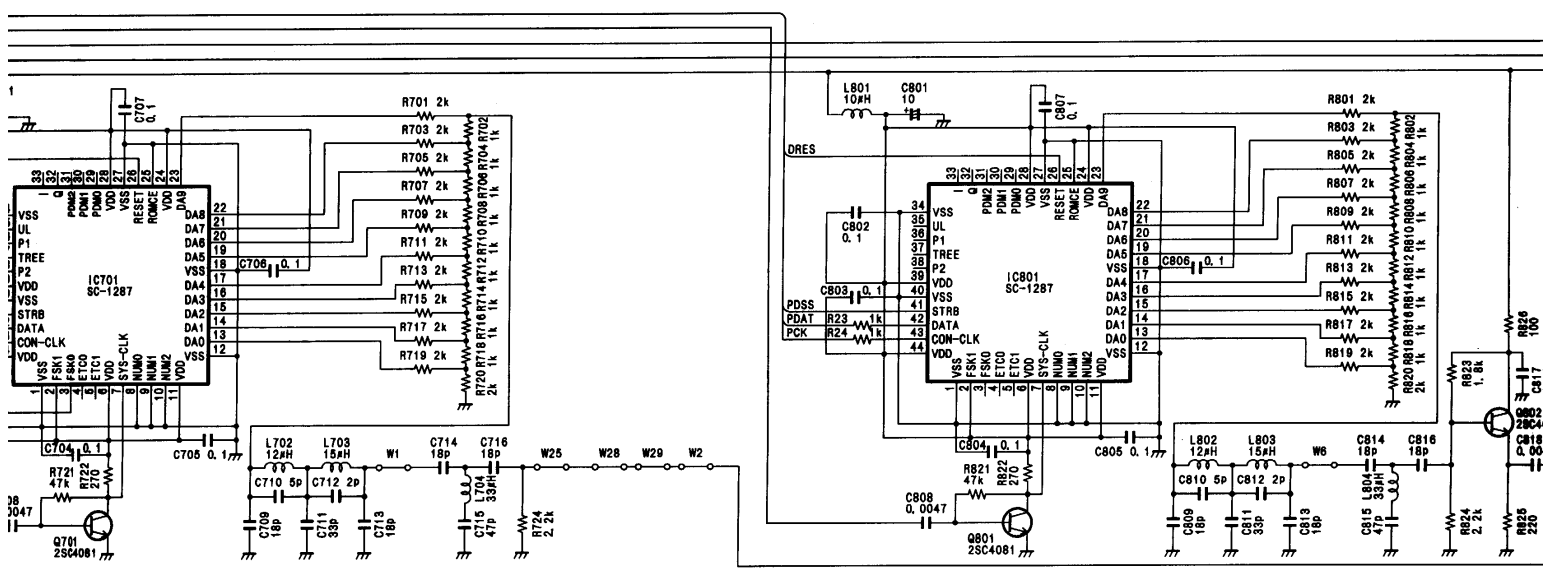


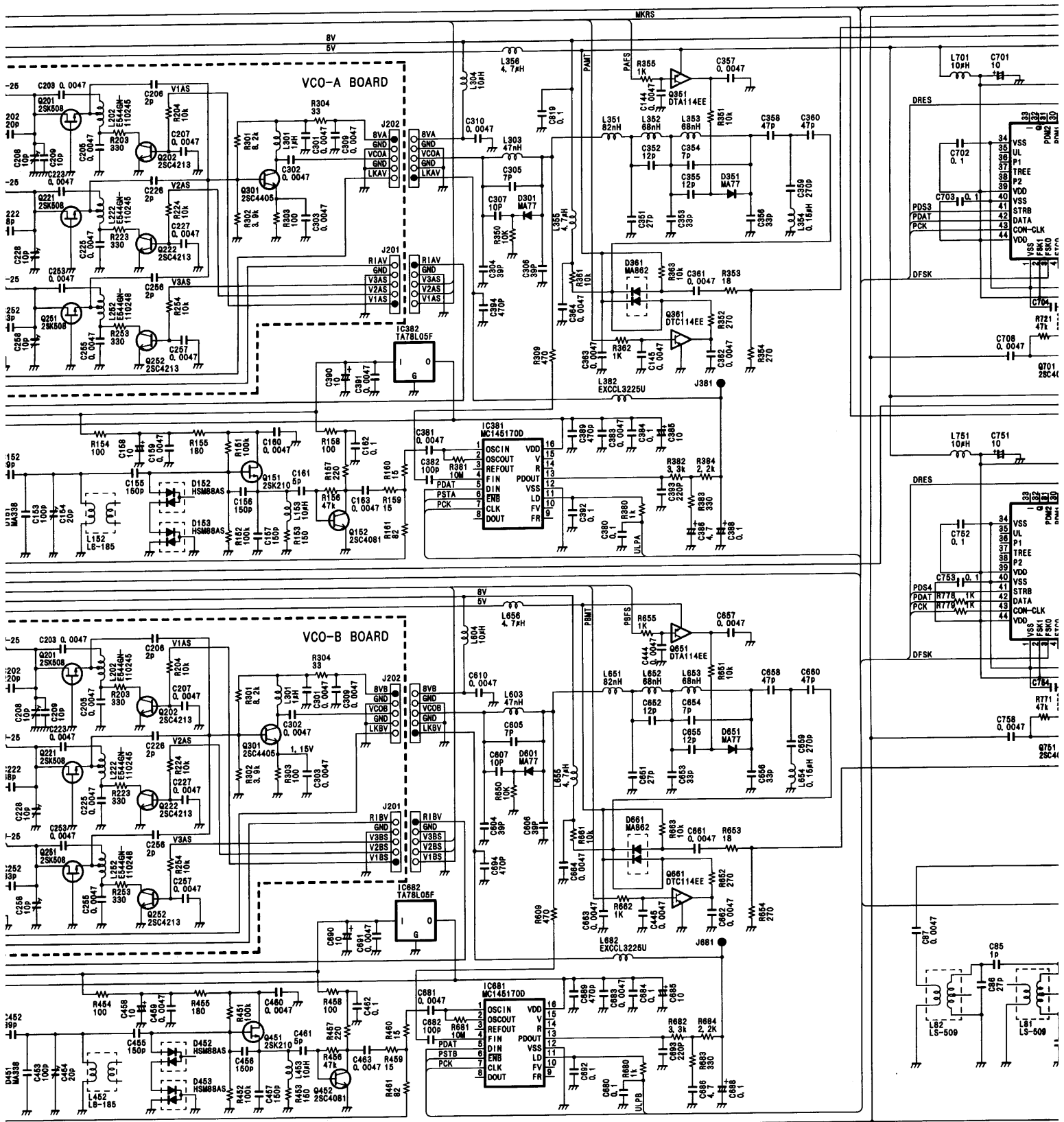


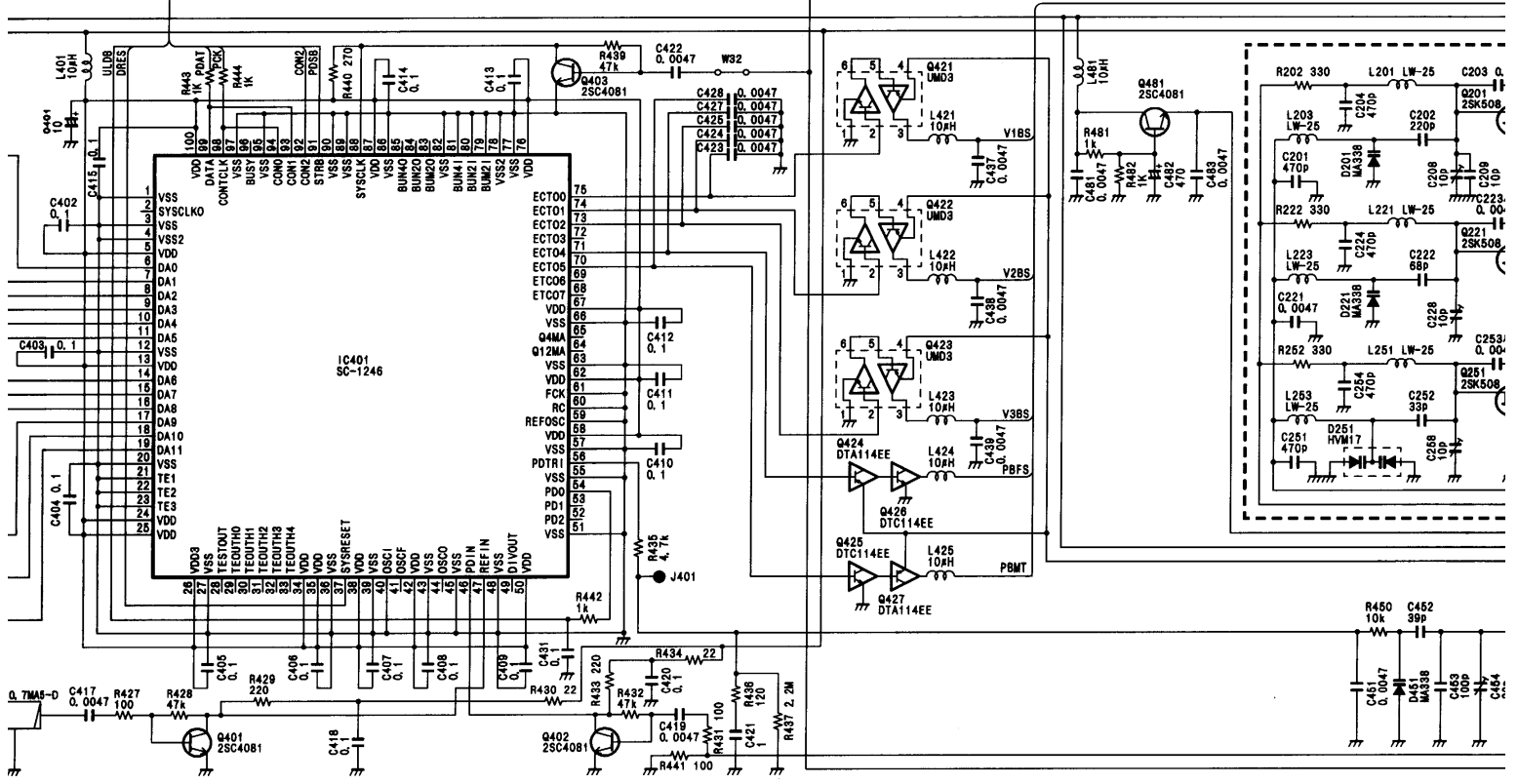
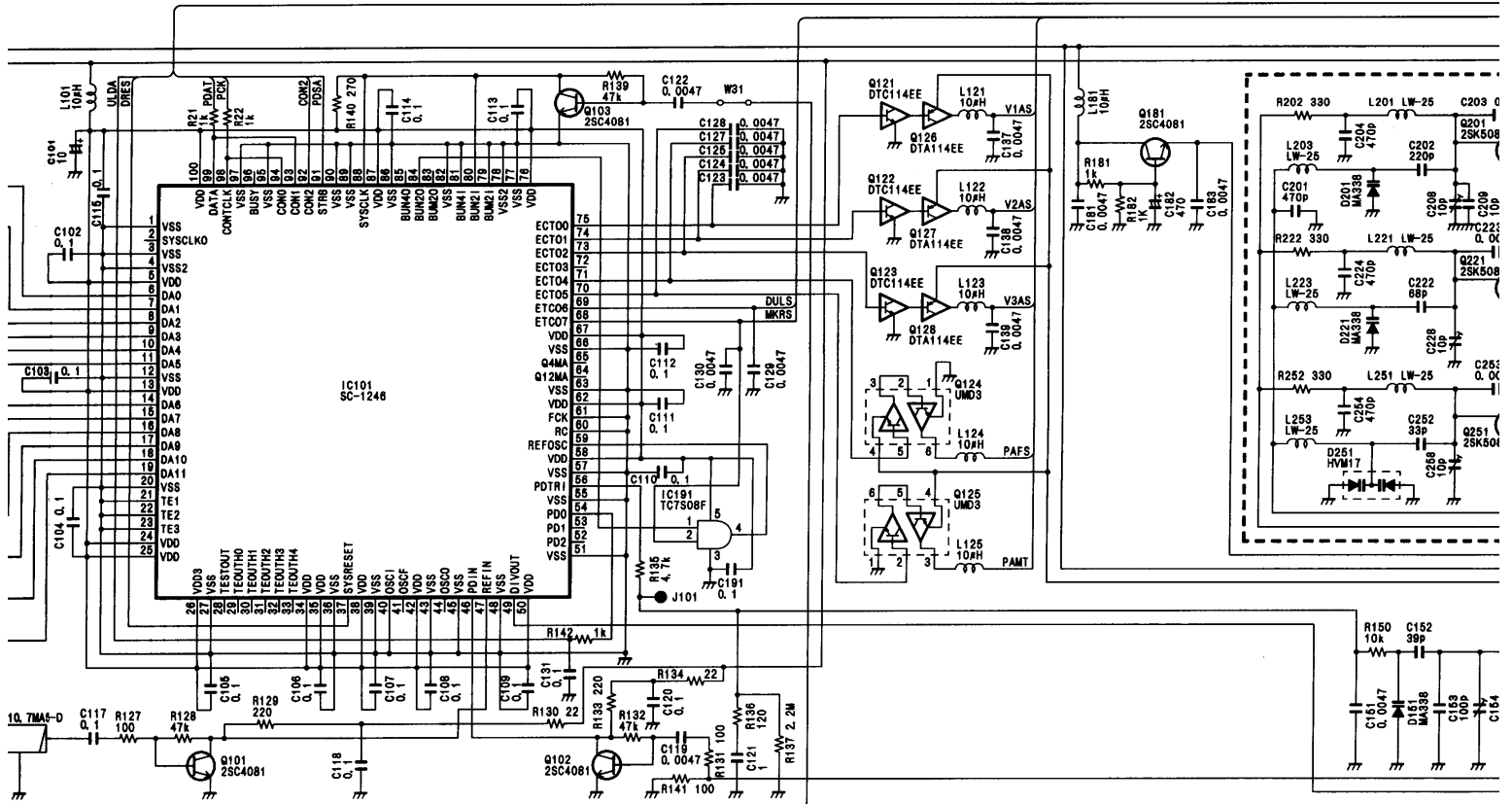


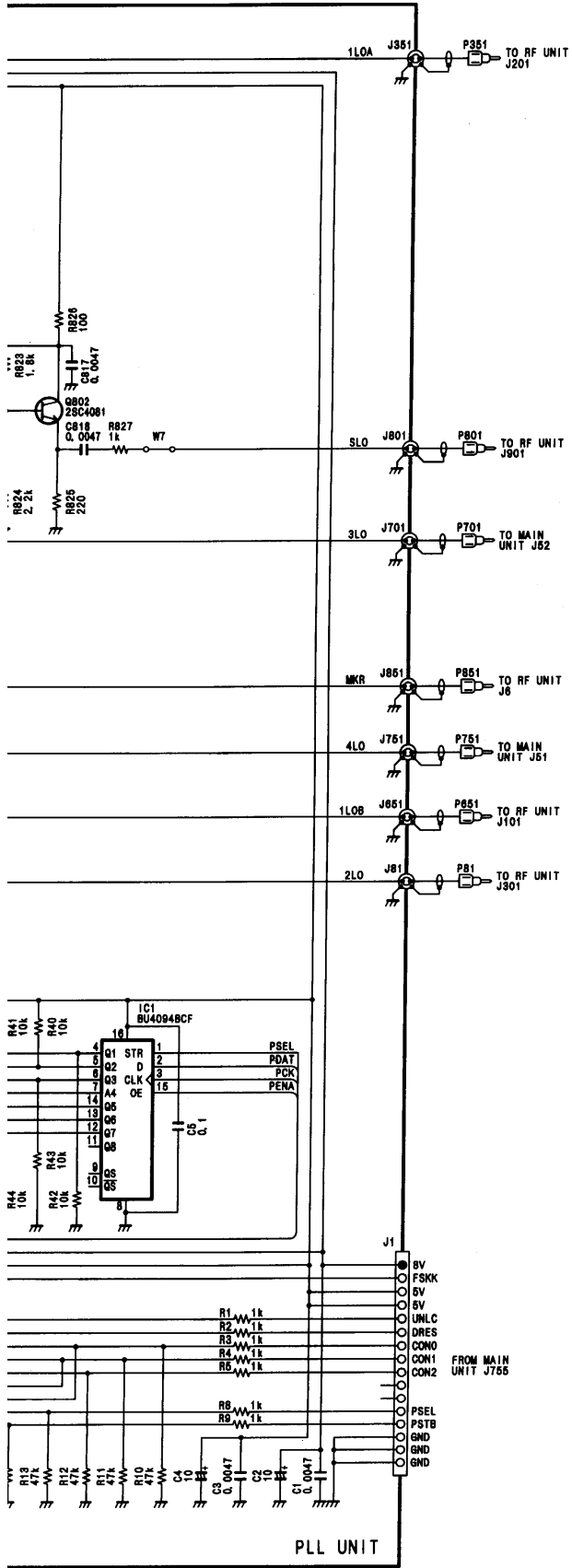
RF UNIT



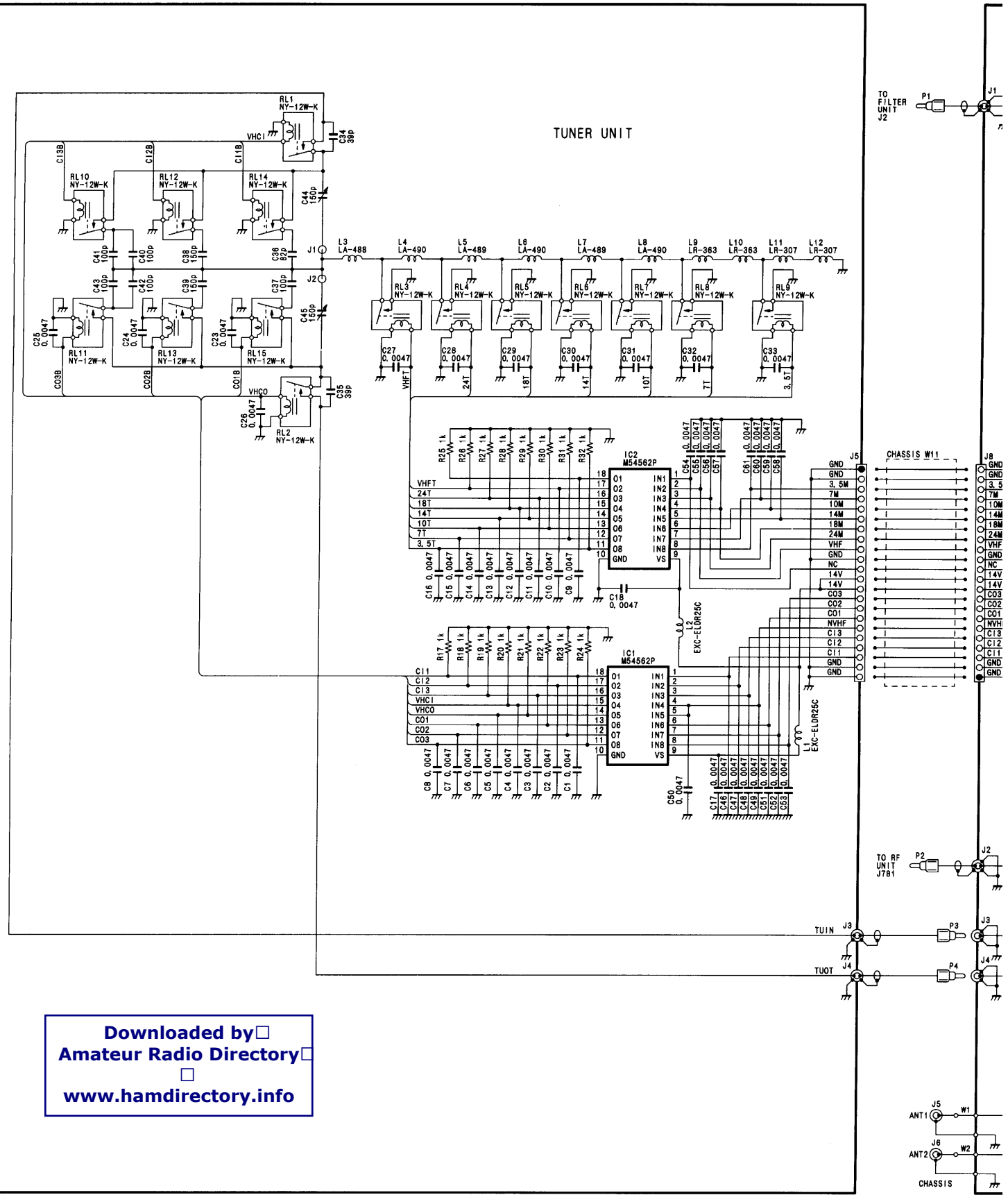








TUNER UNIT



Downloaded by Amateur Radio Directory
www.hamdirectory.info

