

Dec. 2009



# SERVICE MANUAL ADDENDUM

---

## IC-7800

---

### CONTENTS

PARTS LIST .....	1
BOARD LAYOUTS .....	65
VOLTAGE DIAGRAM .....	67

# PARTS LIST

**[FRONT UNIT]**

REF NO.	PARTS NO.	DESCRIPTION	M.	H/V LOCATION
W1	8900015930	CBL OPC-886A (P1,N10,L75)		
W2	8900015930	CBL OPC-886A (P1,N10,L75)		
W3	8900012870	CBL OPC-1331 (N=40,L=70)		
W4	8900008670	CBL OPC-849 (N:30 L:70)		
W5	8900015930	CBL OPC-886A (P1,N10,L75)		
W6	8900015930	CBL OPC-886A (P1,N10,L75)		
W7	8900012880	CBL OPC-1336 (N=18,L=70)		
W8	8900015930	CBL OPC-886A (P1,N10,L75)		
W9	8900014871	CBL OPC-1332A-1 (P0.5,N40,L100)		
W10	8900014730	CBL OPC-683A (P1,N10,L110)		
W11	8900008670	CBL OPC-849 (N:30 L:70)		
W12	8900008670	CBL OPC-849 (N:30 L:70)		
W13	8900015930	CBL OPC-886A (P1,N10,L75)		
W14	8900008670	CBL OPC-849 (N:30 L:70)		
W15	8900015930	CBL OPC-886A (P1,N10,L75)		
EP1	6910015291	UBD LTA070B790F		
EP11	6910011090	SUT RMS20-250-201-P		
EP12	6910011090	SUT RMS20-250-201-P		
EP13	0880001460	UBD EX-2500 #03		
EP101	6910015650	E.OTH S-G2218-3#01 (MOUNT PLATE)		
EP102	6910015650	E.OTH S-G2218-3#01 (MOUNT PLATE)		

**[VR-A UNIT]**

REF NO.	PARTS NO.	DESCRIPTION	M.	H/V LOCATION
R1	7210002890	VAR RK161221005J/RV-308		
R2	7210002890	VAR RK161221005J/RV-308		
R3	7210002890	VAR RK161221005J/RV-308		
R4	7210002890	VAR RK161221005J/RV-308		
R11	7030003520	S.RES ERJ3GEYJ 472 V (4.7 K)	B	44.6/27
R12	7030003520	S.RES ERJ3GEYJ 472 V (4.7 K)	B	44.6/25.7
R13	7030003520	S.RES ERJ3GEYJ 472 V (4.7 K)	B	59.4/29.9
R14	7030003520	S.RES ERJ3GEYJ 472 V (4.7 K)	B	44.6/24.4
R15	7030003520	S.RES ERJ3GEYJ 472 V (4.7 K)	B	44.6/21.8
R16	7030003520	S.RES ERJ3GEYJ 472 V (4.7 K)	B	44.6/23.1
R17	7030003520	S.RES ERJ3GEYJ 472 V (4.7 K)	B	63.2/9.5
R18	7030003520	S.RES ERJ3GEYJ 472 V (4.7 K)	B	44.6/20.5
R21	7030003860	S.RES ERJ3GE JPW V	B	49.7/41.4
R22	7030003860	S.RES ERJ3GE JPW V	B	52.3/42.4
R23	7030003860	S.RES ERJ3GE JPW V	B	62.8/42.9
R24	7030003860	S.RES ERJ3GE JPW V	B	56.4/31.1
R25	7030003860	S.RES ERJ3GE JPW V	B	52.3/44.4
R26	7030003860	S.RES ERJ3GE JPW V	B	27.7/10.6
C11	4030006880	S.CER C1608 JB 1H 472K-T	B	49.7/36.4
C12	4030006880	S.CER C1608 JB 1H 472K-T	B	65.4/36.9
C13	4030006880	S.CER C1608 JB 1H 472K-T	B	52.3/37.4
C14	4030006880	S.CER C1608 JB 1H 472K-T	B	62.8/37.9
C15	4030006880	S.CER C1608 JB 1H 472K-T	B	49.7/38.4
C16	4030006880	S.CER C1608 JB 1H 472K-T	B	65.4/38.9
C17	4030006880	S.CER C1608 JB 1H 472K-T	B	52.3/39.4
C18	4030006880	S.CER C1608 JB 1H 472K-T	B	62.8/39.9
J1	6510021721	S.CNR 30FLT-SM2-TB (LF) (SN)	B	57.6/41.1
J2	6510018921	S.CNR B8B-PH-SM4-TB (LF) (SN)	B	20/4.5
J3	6510019971	S.CNR 52808-1071	B	9.5/33.1
J4	6510019971	S.CNR 52808-1071	B	9.5/17.9
EP2	6910012350	S.BEA MMZ1608Y 102BT	B	13.6/29.6
EP3	6910012350	S.BEA MMZ1608Y 102BT	B	16.5/30.6
EP5	6910012350	S.BEA MMZ1608Y 102BT	B	16.5/32.6
EP6	6910012350	S.BEA MMZ1608Y 102BT	B	13.7/34.7
EP7	6910012350	S.BEA MMZ1608Y 102BT	B	13.7/36.6
EP8	6910012350	S.BEA MMZ1608Y 102BT	B	16.5/35.7
EP9	6910012350	S.BEA MMZ1608Y 102BT	B	13.7/33.4
EP10	6910012350	S.BEA MMZ1608Y 102BT	B	13.6/23.7
EP11	6910012350	S.BEA MMZ1608Y 102BT	B	13.6/22.4
EP12	6910012350	S.BEA MMZ1608Y 102BT	B	5.3/21.5
EP13	6910012350	S.BEA MMZ1608Y 102BT	B	13.6/20.4
EP14	6910012350	S.BEA MMZ1608Y 102BT	B	5.3/19.3
EP15	6910012350	S.BEA MMZ1608Y 102BT	B	13.6/18.4
EP16	6910012350	S.BEA MMZ1608Y 102BT	B	16.1/17.4
EP17	6910012350	S.BEA MMZ1608Y 102BT	B	13.6/16.4
EP18	6910012350	S.BEA MMZ1608Y 102BT	B	16.1/15.5
EP19	6910012350	S.BEA MMZ1608Y 102BT	B	13.6/14.6
EP20	6910012350	S.BEA MMZ1608Y 102BT	B	12.5/13.2
EP21	6910012350	S.BEA MMZ1608Y 102BT	B	13.6/25

M.=Mounted side (T: Mounted on the Top side, B: Mounted on the Bottom side)  
S.=Surface mount



[VR-B UNIT]

REF NO.	PARTS NO.	DESCRIPTION	M.	H/V LOCATION
R1	7210003160	VAR RV-317 (RK0972210)		
R2	7210003160	VAR RV-317 (RK0972210)		
R3	7030003520	S.RES ERJ3GEYJ 472 V (4.7 K)	T	28.6/2.7
R4	7030003520	S.RES ERJ3GEYJ 472 V (4.7 K)	T	27.8/8.4
R5	7030003520	S.RES ERJ3GEYJ 472 V (4.7 K)	T	10.5/2.7
R6	7030003520	S.RES ERJ3GEYJ 472 V (4.7 K)	T	11.1/8.4
C1	4030006880	S.CER C1608 JB 1H 472K-T	T	12.4/8.4
C2	4030006880	S.CER C1608 JB 1H 472K-T	T	11.8/2.7
C3	4030006880	S.CER C1608 JB 1H 472K-T	T	26.5/8.4
C4	4030006880	S.CER C1608 JB 1H 472K-T	T	27.3/2.7
J1	6510019971	S.CNR 52808-1071	T	19.5/5

[VR-C UNIT]

REF NO.	PARTS NO.	DESCRIPTION	M.	H/V LOCATION
R1	7210003160	VAR RV-317 (RK0972210)		
R2	7210003160	VAR RV-317 (RK0972210)		
R3	7030003520	S.RES ERJ3GEYJ 472 V (4.7 K)	T	28.6/2.7
R4	7030003520	S.RES ERJ3GEYJ 472 V (4.7 K)	T	27.8/8.4
R5	7030003520	S.RES ERJ3GEYJ 472 V (4.7 K)	T	10.5/2.7
R6	7030003520	S.RES ERJ3GEYJ 472 V (4.7 K)	T	11.1/8.4
C1	4030006880	S.CER C1608 JB 1H 472K-T	T	12.4/8.4
C2	4030006880	S.CER C1608 JB 1H 472K-T	T	11.8/2.7
C3	4030006880	S.CER C1608 JB 1H 472K-T	T	26.5/8.4
C4	4030006880	S.CER C1608 JB 1H 472K-T	T	27.3/2.7
J1	6510019971	S.CNR 52808-1071	T	19.5/5

M.=Mounted side (T: Mounted on the Top side, B: Mounted on the Bottom side)  
S.=Surface mount

[VR-D UNIT]

REF NO.	PARTS NO.	DESCRIPTION	M.	H/V LOCATION
R1	7210001130	VAR RK097111T005A (10KB)		
R2	7210001130	VAR RK097111T005A (10KB)		
R3	7210001130	VAR RK097111T005A (10KB)		
R4	7210001130	VAR RK097111T005A (10KB)		
R5	7210001130	VAR RK097111T005A (10KB)		
R6	7210001130	VAR RK097111T005A (10KB)		
R7	7210001130	VAR RK097111T005A (10KB)		
R11	7030003520	S.RES ERJ3GEYJ 472 V (4.7 K)	B	11.3/3.6
R12	7030003520	S.RES ERJ3GEYJ 472 V (4.7 K)	B	28.4/3.6
R13	7030003520	S.RES ERJ3GEYJ 472 V (4.7 K)	B	45.2/3.6
R14	7030003520	S.RES ERJ3GEYJ 472 V (4.7 K)	B	62.3/3.6
R15	7030003520	S.RES ERJ3GEYJ 472 V (4.7 K)	B	79.2/3.6
R16	7030003520	S.RES ERJ3GEYJ 472 V (4.7 K)	B	96.3/3.6
R17	7030003520	S.RES ERJ3GEYJ 472 V (4.7 K)	B	100.5/6.5
C11	4030006880	S.CER C1608 JB 1H 472K-T	B	11.3/2
C12	4030006880	S.CER C1608 JB 1H 472K-T	B	28.4/2
C13	4030006880	S.CER C1608 JB 1H 472K-T	B	45.2/2
C14	4030006880	S.CER C1608 JB 1H 472K-T	B	62.3/2
C15	4030006880	S.CER C1608 JB 1H 472K-T	B	79.2/2
C16	4030006880	S.CER C1608 JB 1H 472K-T	B	96.3/2
C17	4030006880	S.CER C1608 JB 1H 472K-T	B	100.5/4.9
J1	6510019971	S.CNR 52808-1071	B	43/16

[SW-A UNIT]

REF NO.	PARTS NO.	DESCRIPTION	M.	H/V LOCATION
R2	7030003400	S.RES ERJ3GEYJ 471 V (470)	B	8.3/85.5
R3	7030003420	S.RES ERJ3GEYJ 681 V (680)	B	8.3/53.1
R4	7030003400	S.RES ERJ3GEYJ 471 V (470)	B	8.3/56.1
R6	7030003400	S.RES ERJ3GEYJ 471 V (470)	B	26.8/42.4
R7	7030003400	S.RES ERJ3GEYJ 471 V (470)	B	33/41.6
R8	7030003400	S.RES ERJ3GEYJ 471 V (470)	B	51.6/40.4
R9	7030003400	S.RES ERJ3GEYJ 471 V (470)	B	62.5/36
R10	7030003400	S.RES ERJ3GEYJ 471 V (470)	B	75.6/36
R11	7030003400	S.RES ERJ3GEYJ 471 V (470)	B	90/37.5
R12	7030003400	S.RES ERJ3GEYJ 471 V (470)	B	57.8/82.8
R13	7030003480	S.RES ERJ3GEYJ 222 V (2.2 K)	B	3.6/40.8
R14	7030003520	S.RES ERJ3GEYJ 472 V (4.7 K)	B	48.4/80.4
R15	7030003480	S.RES ERJ3GEYJ 222 V (2.2 K)	B	29.6/39.4
R16	7030003520	S.RES ERJ3GEYJ 472 V (4.7 K)	B	41.1/39.4
R17	7030003480	S.RES ERJ3GEYJ 222 V (2.2 K)	B	66.3/36
R18	7030003520	S.RES ERJ3GEYJ 472 V (4.7 K)	B	79.3/38.1
R19	7030003540	S.RES ERJ3GEYJ 682 V (6.8 K)	B	57.5/40.5
R20	7030003540	S.RES ERJ3GEYJ 682 V (6.8 K)	B	29.6/40.7
R21	7030003540	S.RES ERJ3GEYJ 682 V (6.8 K)	B	2.4/38.1
R22	7030003480	S.RES ERJ3GEYJ 222 V (2.2 K)	B	100.2/66.5
R23	7030003520	S.RES ERJ3GEYJ 472 V (4.7 K)	B	101.5/63.3
R24	7030003580	S.RES ERJ3GEYJ 153 V (15 K)	B	98.6/41.5
R25	7030003480	S.RES ERJ3GEYJ 222 V (2.2 K)	B	100.3/19.2
R26	7030003520	S.RES ERJ3GEYJ 472 V (4.7 K)	B	100.3/17.2
R27	7030003540	S.RES ERJ3GEYJ 682 V (6.8 K)	B	98.6/77.5
R28	7030003540	S.RES ERJ3GEYJ 682 V (6.8 K)	B	96.2/35.2
R29	7030003580	S.RES ERJ3GEYJ 153 V (15 K)	B	51.2/53.1
R30	7030003400	S.RES ERJ3GEYJ 471 V (470)	B	47/58
C1	4030011600	S.CER C1608 JB 1E 104K-T	B	99.2/63
C2	4030011600	S.CER C1608 JB 1E 104K-T	B	88.8/59.1
C3	4030011600	S.CER C1608 JB 1E 104K-T	B	99.4/60.4
C4	4030011600	S.CER C1608 JB 1E 104K-T	B	90.1/59.1
C5	4030011600	S.CER C1608 JB 1E 104K-T	B	98.9/59
C6	4030011600	S.CER C1608 JB 1E 104K-T	B	53.3/77.2
C7	4030011600	S.CER C1608 JB 1E 104K-T	B	84.8/80.1
C8	4030011600	S.CER C1608 JB 1E 104K-T	B	83.5/65.3
C9	4030011600	S.CER C1608 JB 1E 104K-T	B	88/52.2
J1	6510019971	S.CNR 52808-1071	B	46.7/72.7
J2	6510019971	S.CNR 52808-1071	B	83.7/72.7
J3	6510022471	S.CNR 40FLT-SM2-TB (LF) (SN)	B	94.3/58.7
DS5	5040002980	S.LED SML-512DW-T86	T	8.5/87.6
DS6	5040002930	S.LED SML-512MW T86	T	8.5/86.3
DS7	5040002930	S.LED SML-512MW T86	T	8.5/41.4
DS8	5040002930	S.LED SML-512MW T86	T	26.2/43
DS9	5040002930	S.LED SML-512MW T86	T	37.7/43
DS10	5040002930	S.LED SML-512MW T86	T	49.2/43
DS11	5040002930	S.LED SML-512MW T86	T	63.2/43
DS12	5040002930	S.LED SML-512MW T86	T	56.2/84.4
DS13	5040002930	S.LED SML-512MW T86	T	74.7/43
DS14	5040002930	S.LED SML-512MW T86	T	86.2/43
DS15	5040002990	S.LED SML-512UWT86	T	8.5/56.4
DS16	5040002930	S.LED SML-512MW T86	T	8.5/55.1
DS17	5040002930	S.LED SML-512MW T86	T	56.2/56.4
S1	2260002740	S.SW LS8J2M-T	T	9.7/77.2
S2	2260002740	S.SW LS8J2M-T	T	8.2/62.5
S3	2260002740	S.SW LS8J2M-T	T	8.2/48.8
S4	2260002740	S.SW LS8J2M-T	T	8.2/35.1
S5	2260002740	S.SW LS8J2M-T	T	37.5/38.9
S6	2260002740	S.SW LS8J2M-T	T	26/38.9
S7	2260002740	S.SW LS8J2M-T	T	49/38.9
S8	2260002740	S.SW LS8J2M-T	T	63/38.9
S11	2260002740	S.SW LS8J2M-T	T	56/79
S12	2260002740	S.SW LS8J2M-T	T	74.5/38.9
S13	2260002740	S.SW LS8J2M-T	T	86/38.9
S14	2260002740	S.SW LS8J2M-T	T	100.3/82.7
S15	2260002740	S.SW LS8J2M-T	T	100.3/70.7
S16	2260002740	S.SW LS8J2M-T	T	100.3/58.7
S17	2260002740	S.SW LS8J2M-T	T	100.3/46.7
S18	2260002740	S.SW LS8J2M-T	T	100.3/34.7
S19	2260002740	S.SW LS8J2M-T	T	100.3/22.7
S20	2260002740	S.SW LS8J2M-T	T	100.3/10.7
S21	2260002740	S.SW LS8J2M-T	T	56/51

M.=Mounted side (T: Mounted on the Top side, B: Mounted on the Bottom side)  
S.=Surface mount

[SW-B UNIT]

REF NO.	PARTS NO.	DESCRIPTION	M.	H/V LOCATION
J1	6510020531	S.CNR 52808-1871	B	112/20.3
S1	2260002740	S.SW LS8J2M-T	T	16.8/24.6
S2	2260002740	S.SW LS8J2M-T	T	38.8/24.6
S3	2260002740	S.SW LS8J2M-T	T	60.8/24.6
S4	2260002740	S.SW LS8J2M-T	T	82.8/24.6
S5	2260002740	S.SW LS8J2M-T	T	104.8/24.6
S6	2260002740	S.SW LS8J2M-T	T	126.8/24.6
S7	2260002740	S.SW LS8J2M-T	T	148.8/24.6
S8	2260002740	S.SW LS8J2M-T	T	16.8/15.2
S9	2260002740	S.SW LS8J2M-T	T	38.8/15.2
S10	2260002740	S.SW LS8J2M-T	T	60.8/15.2
S11	2260002740	S.SW LS8J2M-T	T	82.8/15.2
S12	2260002740	S.SW LS8J2M-T	T	104.8/15.2
S13	2260002740	S.SW LS8J2M-T	T	126.8/15.2
S14	2260002740	S.SW LS8J2M-T	T	148.8/15.2
S15	2260002740	S.SW LS8J2M-T	T	125.5/3.1
S16	2260002740	S.SW LS8J2M-T	T	145.2/3.1
S17	2260002740	S.SW LS8J2M-T	T	167.3/3.1

[SW-C UNIT]

REF NO.	PARTS NO.	DESCRIPTION	M.	H/V LOCATION
R1	7030003480	S.RES ERJ3GEYJ 222 V (2.2 K)	B	32.7/126.7
R2	7030003520	S.RES ERJ3GEYJ 472 V (4.7 K)	B	30.7/122.6
R3	7030003580	S.RES ERJ3GEYJ 153 V (15 K)	B	30.7/118.1
R4	7030003540	S.RES ERJ3GEYJ 682 V (6.8 K)	B	30.6/125.7
R5	7030003480	S.RES ERJ3GEYJ 222 V (2.2 K)	B	30.6/100.1
R6	7030003520	S.RES ERJ3GEYJ 472 V (4.7 K)	B	30.6/97.4
R7	7030003580	S.RES ERJ3GEYJ 153 V (15 K)	B	31.9/94.7
R8	7030003540	S.RES ERJ3GEYJ 682 V (6.8 K)	B	31.9/101.7
R9	7030003480	S.RES ERJ3GEYJ 222 V (2.2 K)	B	34.8/71.3
R10	7030003520	S.RES ERJ3GEYJ 472 V (4.7 K)	B	35.5/69.3
R11	7030003580	S.RES ERJ3GEYJ 153 V (15 K)	B	35.5/66.6
R12	7030003540	S.RES ERJ3GEYJ 682 V (6.8 K)	B	32.7/84.5
R13	7030003480	S.RES ERJ3GEYJ 222 V (2.2 K)	B	43.1/46.9
R14	7030003520	S.RES ERJ3GEYJ 472 V (4.7 K)	B	49.2/44.4
R15	7030003540	S.RES ERJ3GEYJ 682 V (6.8 K)	B	43.1/50.6
R51	7030003400	S.RES ERJ3GEYJ 471 V (470)	B	38.3/124.2
R52	7030003400	S.RES ERJ3GEYJ 471 V (470)	B	41.2/124.2
R53	7030003400	S.RES ERJ3GEYJ 471 V (470)	B	37.9/107.7
R54	7030003400	S.RES ERJ3GEYJ 471 V (470)	B	46.6/102.1
R55	7030003400	S.RES ERJ3GEYJ 471 V (470)	B	43.2/98.8
R56	7030003400	S.RES ERJ3GEYJ 471 V (470)	B	46.6/99.4
R57	7030003400	S.RES ERJ3GEYJ 471 V (470)	B	48.7/89.9
R58	7030003400	S.RES ERJ3GEYJ 471 V (470)	B	48.7/93.3
C1	4030011600	S.CER C1608 JB 1E 104K-T	B	28.9/94.5
C2	4030011600	S.CER C1608 JB 1E 104K-T	B	41.2/82
C3	4030011600	S.CER C1608 JB 1E 104K-T	B	32.1/71.3
C4	4030011600	S.CER C1608 JB 1E 104K-T	B	43.5/82.4
J1	6510021721	S.CNR 30FLT-SM2-TB (LF) (SN)	B	37.9/89
J2	6510019971	S.CNR 52808-1071	B	44.2/113.1
DS51	5040002930	S.LED SML-512MW T86	T	36.5/123.3
DS52	5040002930	S.LED SML-512MW T86	T	48/123.3
DS53	5040002930	S.LED SML-512MW T86	T	36.5/104.8
DS54	5040002930	S.LED SML-512MW T86	T	48/104.8
DS55	5040002930	S.LED SML-512MW T86	T	36.5/94.8
DS56	5040002930	S.LED SML-512MW T86	T	48/94.8
DS57	5040002930	S.LED SML-512MW T86	T	36.5/84.8
DS58	5040002930	S.LED SML-512MW T86	T	48/84.8
S1	2260002740	S.SW LS8J2M-T	T	36.7/129.1
S2	2260002740	S.SW LS8J2M-T	T	48.2/129.1
S3	2260002740	S.SW LS8J2M-T	T	36.7/118.9
S4	2260002740	S.SW LS8J2M-T	T	48.2/118.9
S5	2260002740	S.SW LS8J2M-T	T	36.7/100.4
S6	2260002740	S.SW LS8J2M-T	T	48.2/100.4
S7	2260002740	S.SW LS8J2M-T	T	36.7/90.4
S8	2260002740	S.SW LS8J2M-T	T	48.2/90.4
S9	2260002740	S.SW LS8J2M-T	T	36.7/80.4
S10	2260002740	S.SW LS8J2M-T	T	48.2/80.4
S11	2260002740	S.SW LS8J2M-T	T	36.7/70
S12	2260002740	S.SW LS8J2M-T	T	36.7/61.2
S13	2260002740	S.SW LS8J2M-T	T	36.7/52.4
S14	2260002740	S.SW LS8J2M-T	T	36.5/42.7
S15	2260002740	S.SW LS8J2M-T	T	61.5/42.7
S16	2260002740	S.SW LS8J2M-T	T	12.2/32.4
S17	2260002740	S.SW LS8J2M-T	T	74.3/27.4
S18	2260002740	S.SW LS8J2M-T	T	12.2/14.7
S19	2260002740	S.SW LS8J2M-T	T	75.2/14.2
S20	2260002740	S.SW LS8J2M-T	T	12.2/2.3
S21	2260002740	S.SW LS8J2M-T	T	75.2/2.3
S22	2260002740	S.SW LS8J2M-T	T	25.7/2.3

M.=Mounted side (T: Mounted on the Top side, B: Mounted on the Bottom side)  
S.=Surface mount

[JACK UNIT]

REF NO.	PARTS NO.	DESCRIPTION	M.	H/V LOCATION
L1	6200003950	S.COL HF50ACC 322513-T	T	33/7.8
L2	6200003950	S.COL HF50ACC 322513-T	T	23.5/2.7
L3	6200003950	S.COL HF50ACC 322513-T	T	16.2/2
L4	6180000900	COL LAL 03NA 101K		
L5	6180000900	COL LAL 03NA 101K		
L6	6180000900	COL LAL 03NA 101K		
L101	6180000900	COL LAL 03NA 101K		
L102	6180000900	COL LAL 03NA 101K		
L103	6180000900	COL LAL 03NA 101K		
R1	7030006060	S.RES ERJ12YJ100U (10)	T	24.1/6.1
R2	7030006060	S.RES ERJ12YJ100U (10)	T	16.8/5.4
C1	4030006880	S.CER C1608 JB 1H 472K-T	B	26.4/2.1
C2	4030006880	S.CER C1608 JB 1H 472K-T	B	26.4/4.8
C3	4030006880	S.CER C1608 JB 1H 472K-T	B	20.7/6.9
C101	4030006880	S.CER C1608 JB 1H 472K-T	B	15.3/6.9
C102	4030006880	S.CER C1608 JB 1H 472K-T	B	11.6/2.1
J1	6510019971	S.CNR 52808-1071	B	19/3.2
J2	6510023891	CNR S-G4617#01F		
J102	6510023900	CNR LGR4619-7000		
EP101	6910012350	S.BEA MMZ1608Y 102BT	B	15.3/8.2
EP102	6910012350	S.BEA MMZ1608Y 102BT	B	10.3/2.1

[MIC UNIT]

REF NO.	PARTS NO.	DESCRIPTION	M.	H/V LOCATION
L1	6200003261	S.COL NLV32T-101J	B	4.5/17.8
L2	6200003261	S.COL NLV32T-101J	B	2.4/12.5
L3	6200003261	S.COL NLV32T-101J	B	4.5/2
L4	6200003950	S.COL HF50ACC 322513-T	B	15.2/15.1
C1	4030006880	S.CER C1608 JB 1H 472K-T	B	8.6/16.1
C2	4030006880	S.CER C1608 JB 1H 472K-T	B	2.8/5.5
C3	4030006880	S.CER C1608 JB 1H 472K-T	B	14.2/12.3
C4	4030007130	S.CER C1608 CH 1H 101J-T	B	10.1/11.2
C5	4030006880	S.CER C1608 JB 1H 472K-T	B	1.5/5.5
C6	4030006880	S.CER C1608 JB 1H 472K-T	B	9.6/9
C7	4030006880	S.CER C1608 JB 1H 472K-T	B	7.7/10.1
C8	4030007090	S.CER C1608 CH 1H 470J-T	B	9.4/13.9
J1	6510000191	CNR FM214-8SS (P) -1		
J2	6510019971	S.CNR 52808-1071	B	12.7/20.2
EP2	6910012350	S.BEA MMZ1608Y 102BT	B	4.1/6.3
EP3	6910012350	S.BEA MMZ1608Y 102BT	B	7.6/2
EP4	6910012350	S.BEA MMZ1608Y 102BT	B	10.4/16
EP5	6910012350	S.BEA MMZ1608Y 102BT	B	2.7/8.1
EP6	6910012350	S.BEA MMZ1608Y 102BT	B	7.7/7.7
EP7	6910015130	S.BEA MMZ1608D 301BT	B	17.2/10.8
EP8	6910015130	S.BEA MMZ1608D 301BT	B	15.9/10.8
EP9	6910015130	S.BEA MMZ1608D 301BT	B	10.2/6.9
EP10	6910015130	S.BEA MMZ1608D 301BT	B	11.5/9.1
EP11	6910012350	S.BEA MMZ1608Y 102BT	B	5.4/14.1

M.=Mounted side (T: Mounted on the Top side, B: Mounted on the Bottom side)  
S.=Surface mount

[TENKEY UNIT]

REF NO.	PARTS NO.	DESCRIPTION	M.	H/V LOCATION
IC1	1130011510	S.IC BU2099FV-E2	B	37.5/67.3
IC2	1130011510	S.IC BU2099FV-E2	B	33.5/31.8
R1	7030003480	S.RES ERJ3GEYJ 222 V (2.2 K)	B	16.3/75.9
R2	7030003520	S.RES ERJ3GEYJ 472 V (4.7 K)	B	16.6/67.7
R3	7030003580	S.RES ERJ3GEYJ 153 V (15 K)	B	13.8/47.4
R4	7030003540	S.RES ERJ3GEYJ 682 V (6.8 K)	B	16.3/79.3
R5	7030003480	S.RES ERJ3GEYJ 222 V (2.2 K)	B	31.5/67.4
R6	7030003520	S.RES ERJ3GEYJ 472 V (4.7 K)	B	30.7/65.6
R7	7030003580	S.RES ERJ3GEYJ 153 V (15 K)	B	32.3/49.9
R8	7030003540	S.RES ERJ3GEYJ 682 V (6.8 K)	B	30.3/78.3
R9	7030003480	S.RES ERJ3GEYJ 222 V (2.2 K)	B	49.8/70.1
R10	7030003520	S.RES ERJ3GEYJ 472 V (4.7 K)	B	49.8/62.2
R11	7030003580	S.RES ERJ3GEYJ 153 V (15 K)	B	47.6/52.6
R12	7030003540	S.RES ERJ3GEYJ 682 V (6.8 K)	B	49.8/78.4
R51	7030003390	S.RES ERJ3GEYJ 391 V (390)	B	8/78
R52	7030003390	S.RES ERJ3GEYJ 391 V (390)	B	8/75.3
R53	7030003390	S.RES ERJ3GEYJ 391 V (390)	B	8/70.9
R54	7030003390	S.RES ERJ3GEYJ 391 V (390)	B	8/72.9
R55	7030003390	S.RES ERJ3GEYJ 391 V (390)	B	10.7/58.2
R56	7030003390	S.RES ERJ3GEYJ 391 V (390)	B	12/58.2
R57	7030003390	S.RES ERJ3GEYJ 391 V (390)	B	8/49.5
R58	7030003390	S.RES ERJ3GEYJ 391 V (390)	B	8/46.8
R59	7030003390	S.RES ERJ3GEYJ 391 V (390)	B	19.1/78
R60	7030003390	S.RES ERJ3GEYJ 391 V (390)	B	19.1/75.3
R61	7030003390	S.RES ERJ3GEYJ 391 V (390)	B	25.5/64.5
R62	7030003390	S.RES ERJ3GEYJ 391 V (390)	B	25.5/65.8
R63	7030003390	S.RES ERJ3GEYJ 391 V (390)	B	25.5/51.7
R64	7030003390	S.RES ERJ3GEYJ 391 V (390)	B	25.5/53
R65	7030003390	S.RES ERJ3GEYJ 391 V (390)	B	25.5/49.5
R66	7030003390	S.RES ERJ3GEYJ 391 V (390)	B	25.5/47
R67	7030003390	S.RES ERJ3GEYJ 391 V (390)	B	43/78
R68	7030003390	S.RES ERJ3GEYJ 391 V (390)	B	43/75.3
R69	7030003390	S.RES ERJ3GEYJ 391 V (390)	B	43.8/68.5
R70	7030003390	S.RES ERJ3GEYJ 391 V (390)	B	43.8/67.2
R71	7030003390	S.RES ERJ3GEYJ 391 V (390)	B	43/59
R72	7030003390	S.RES ERJ3GEYJ 391 V (390)	B	43/56.3
R73	7030003390	S.RES ERJ3GEYJ 391 V (390)	B	44.4/51.3
R74	7030003390	S.RES ERJ3GEYJ 391 V (390)	B	44.4/52.6
R75	7030003460	S.RES ERJ3GEYJ 152 V (1.5 K)	B	29.7/21
R76	7030003460	S.RES ERJ3GEYJ 152 V (1.5 K)	B	44.3/18.1
C1	4030011600	S.CER C1608 JB 1E 104K-T	B	8.5/66.9
C2	4030011600	S.CER C1608 JB 1E 104K-T	B	5.4/69.3
C3	4030011600	S.CER C1608 JB 1E 104K-T	B	11/67.4
C4	4030011600	S.CER C1608 JB 1E 104K-T	B	35.9/71.5
C5	4030011600	S.CER C1608 JB 1E 104K-T	B	31.7/35.9
J1	6510021721	S.CNR 30FLT-SM2-TB (LF) (SN)	B	5.2/60
J2	6510021721	S.CNR 30FLT-SM2-TB (LF) (SN)	B	5.2/31.6
J3	6510021721	S.CNR 30FLT-SM2-TB (LF) (SN)	B	49.9/33
J4	6510019971	S.CNR 52808-1071	B	53.9/57
J5	6510019971	S.CNR 52808-1071	B	24.5/74.7
J6	6510003401	CNR B04B-EH-S (LF) (SN)		
J7	6510018971	S.CNR B4B-PH-SM4-TB (LF) (SN)	B	36.5/3
DS1	5040002980	S.LED SML-512DW-T86	T	29.5/19
DS2	5040002980	S.LED SML-512DW-T86	T	45.5/19
S1	2260002740	S.SW LS8J2M-T	T	9.5/34
S2	2260002740	S.SW LS8J2M-T	T	9.5/26
S3	2260002740	S.SW LS8J2M-T	T	29.5/34
S4	2260002740	S.SW LS8J2M-T	T	29.5/26
S5	2260002740	S.SW LS8J2M-T	T	45.5/34
S6	2260002740	S.SW LS8J2M-T	T	45.5/26
S7	2260002740	S.SW LS8J2M-T	T	9.5/12.7
S8	2260002740	S.SW LS8J2M-T	T	29.5/16
S9	2260002740	S.SW LS8J2M-T	T	29.5/7.5
S11	2260002820	S.SW LS9J2M-2D/D-T	T	10.5/76.2
S12	2260002820	S.SW LS9J2M-2D/D-T	T	10.5/66.7
S13	2260002820	S.SW LS9J2M-2D/D-T	T	10.5/57.2
S14	2260002820	S.SW LS9J2M-2D/D-T	T	10.5/47.7
S15	2260002820	S.SW LS9J2M-2D/D-T	T	28/76.2
S16	2260002820	S.SW LS9J2M-2D/D-T	T	28/66.7
S17	2260002820	S.SW LS9J2M-2D/D-T	T	28/57.2
S18	2260002820	S.SW LS9J2M-2D/D-T	T	28/47.7
S19	2260002820	S.SW LS9J2M-2D/D-T	T	45.5/76.2
S20	2260002820	S.SW LS9J2M-2D/D-T	T	45.5/66.7
S21	2260002820	S.SW LS9J2M-2D/D-T	T	45.5/57.2
S22	2260002820	S.SW LS9J2M-2D/D-T	T	45.5/47.7
S23	2260002740	S.SW LS8J2M-T	T	45.5/16
S24	2260002740	S.SW LS8J2M-T	T	45.5/7.5

[PBT1 UNIT]

REF NO.	PARTS NO.	DESCRIPTION	M.	H/V LOCATION
R1	7210003180	VAR RV-319 (RK0972210)		
R2	7030003520	S.RES ERJ3GEYJ 472 V (4.7 K)	T	13.5/6.5
R3	7030003520	S.RES ERJ3GEYJ 472 V (4.7 K)	T	13.5/10
C1	4030006880	S.CER C1608 JB 1H 472K-T	T	15.6/10
C2	4030006880	S.CER C1608 JB 1H 472K-T	T	15.6/6.5
J1	6510019971	S.CNR 52808-1071	T	24.5/7
S1	2250000410	ECR TP90D96E20-30F-2178-1		

M.=Mounted side (T: Mounted on the Top side, B: Mounted on the Bottom side)  
S.=Surface mount

## [PBT2 UNIT]

REF NO.	PARTS NO.	DESCRIPTION	M.	H/V LOCATION
R1	7210003180	VAR RV-319 (RK0972210)		
R2	7210003170	VAR RV-318 (RK09L1120CON)		
R3	7030003520	S.RES ERJ3GEYJ 472 V (4.7 K)	T	47.4/8.5
R4	7030003520	S.RES ERJ3GEYJ 472 V (4.7 K)	T	47.4/9.8
R5	7030003520	S.RES ERJ3GEYJ 472 V (4.7 K)	T	16.2/12.3
C1	4030006880	S.CER C1608 JB 1H 472K-T	T	52.5/10.2
C2	4030006880	S.CER C1608 JB 1H 472K-T	T	50.6/10.2
C3	4030006880	S.CER C1608 JB 1H 472K-T	T	16.2/11
J1	6510019971	S.CNR 52808-1071	T	59.1/5.1
S1	2250000410	ECR TP90D96E20-30F-2178-1		

## [LED UNIT]

REF NO.	PARTS NO.	DESCRIPTION	M.	H/V LOCATION
R1	7030003470	S.RES ERJ3GEYJ 182 V (1.8 K)	T	9.1/14.9
R2	7030003420	S.RES ERJ3GEYJ 681 V (680)	T	21/14.9
R3	7030003440	S.RES ERJ3GEYJ 102 V (1 K)	T	32.1/14.9
R4	7030003400	S.RES ERJ3GEYJ 471 V (470)	T	80.2/14.9
R5	7030003470	S.RES ERJ3GEYJ 182 V (1.8 K)	T	126/14.9
R6	7030003420	S.RES ERJ3GEYJ 681 V (680)	T	139/14.9
R7	7030003440	S.RES ERJ3GEYJ 102 V (1 K)	T	149.8/14.9
J1	6510020711	S.CNR 52793-1070 (1090)	T	111.3/2.6
DS1	5040003000	S.LED SML-A12UT-T86	T	5.6/15.9
DS2	5040002961	S.LED SML-A12MT T86J	T	17.6/15.9
DS3	5040003010	S.LED SML-A12WT	T	29.6/15.9
DS4	5040002970	S.LED CL-270WB-D-TS	T	76.6/15.9
DS5	5040003000	S.LED SML-A12UT-T86	T	123.6/15.9
DS6	5040002961	S.LED SML-A12MT T86J	T	135.6/15.9
DS7	5040003010	S.LED SML-A12WT	T	147.6/15.9

M.=Mounted side (T: Mounted on the Top side, B: Mounted on the Bottom side)  
S.=Surface mount

[CF UNIT]

REF NO.	PARTS NO.	DESCRIPTION	M.	H/V LOCATION
R1	7030003470	S.RES ERJ3GEYJ 182 V (1.8 K)	T	8.8/8.7
J1	6510024151	S.CNR 50FY-BMT-TB (LF) (SN)	T	34.5/4.4
J2	6510025670	S.CNR 31-5620-050-719-871	T	34.5/13.6
J3	6510021601	S.CNR S2B-PH-SM4-TB (LF) (SN)	T	13.7/3.7
DS1	5040002990	S.LED SML-512UWT86	T	61.2/40.5
EP2	6910015640	E.OTH 30-5610-000-002-000		

[DISPLAY UNIT]

REF NO.	PARTS NO.	DESCRIPTION	M.	H/V LOCATION
IC1	1130011880	S.IC CD4051BPWR	T	121.9/76.4
IC2	1130011880	S.IC CD4051BPWR	T	110.5/10.9
IC3	1130011880	S.IC CD4051BPWR	T	76.7/20
IC4	1130011880	S.IC CD4051BPWR	T	24/61.2
IC5	1130011880	S.IC CD4051BPWR	T	106.8/77.4
IC6	1140015180	S.IC M30622M6P-535GP(SX-3009B-1)	T	48.1/27.7
IC7	1130011510	S.IC BU2099FV-E2	T	124/59.8
IC201	1130009301	S.IC TC7SET08FU (T5L,JF)	T	71.1/51.8
IC202	1130009301	S.IC TC7SET08FU (T5L,JF)	T	107.2/58.5
IC601	1130011551	S.IC RX-4581NB-F	T	39/45.9
IC651	1110005821	S.IC R3112N281A-TR-F	T	47.9/91.1
Q200	1590000430	S.TR DTC144EUA T106	T	40.8/89.7
Q201	1530003301	S.TR 2SC3647S-TD-E	T	91.1/47.1
Q202	1530003301	S.TR 2SC3647S-TD-E	T	91.1/26.5
Q203	1530002060	S.TR 2SC4081 T106 R	T	73.9/61.5
Q204	1520000651	S.TR 2SB1201S-TL-E	T	79.5/65.1
Q205	1590000680	S.TR DTC114EUA T106	T	70.8/57.1
Q206	1590000680	S.TR DTC114EUA T106	T	113/19.4
Q208	1590001330	S.TR DTA114EUA T106	T	120/68.5
Q209	1520000651	S.TR 2SB1201S-TL-E	T	113.9/59.9
Q210	1530002060	S.TR 2SC4081 T106 R	T	107.3/55.3
Q211	1590001330	S.TR DTA114EUA T106	T	122.5/65.4
Q212	1590000680	S.TR DTC114EUA T106	T	72.5/54.3
Q501	1590000680	S.TR DTC114EUA T106	T	86/88.8
Q502	1590000680	S.TR DTC114EUA T106	T	86/92.5
Q503	1590000680	S.TR DTC114EUA T106	T	82.8/90.8
Q504	1590001330	S.TR DTA114EUA T106	T	89.2/88.8
Q505	1590000680	S.TR DTC114EUA T106	T	125/66.6
Q601	1510000501	S.TR 2SA1162-GR (TE85R,F)	T	41.4/85.2
D7	1750000520	S.DIO DAN222TL	T	122.4/18.7
D8	1160000140	S.DIO DAP222 TL	T	122.4/15.3
D9	1730002340	S.ZEN MA8047-M (TX)	T	74.3/59.3
D10	1730002590	S.ZEN MA8033-H (TX)	T	109.5/56.9
D11	1790001670	S.DIO RB706F-40T106	T	121.3/10.6
D12	1790001670	S.DIO RB706F-40T106	T	60/31
D601	1790001250	S.DIO MA2S1110G-(TX)	T	42.2/82.8
D602	1790001250	S.DIO MA2S1110G-(TX)	T	39/85.9
D603	1790001250	S.DIO MA2S1110G-(TX)	T	39/83.4
X1	6050009870	S.XTL CR-567 (9.8304 MHz)	T	49.7/44.5
L201	6200001831	S.COL NLV32T-100J	T	112/85.8
L203	6200003950	S.COL HF50ACC 322513-T	T	115.2/85.6
L204	6200001831	S.COL NLV32T-100J	T	126.9/91.6
L205	6200003950	S.COL HF50ACC 322513-T	T	61.2/36.6
L207	6200003950	S.COL HF50ACC 322513-T	T	117.4/17.1
L208	6200003950	S.COL HF50ACC 322513-T	T	118.4/85.6
L209	6200003950	S.COL HF50ACC 322513-T	T	9.9/64
L210	6190001191	S.COL D10F-#A814AY-101K	T	86.6/79.7
L211	6190001191	S.COL D10F-#A814AY-101K	T	81.2/38.2
L601	6200001831	S.COL NLV32T-100J	T	34.7/83.8
R200	7030003440	S.RES ERJ3GEYJ 102 V (1 K)	T	73.1/51.7
R201	7030003470	S.RES ERJ3GEYJ 182 V (1.8 K)	T	96.6/43.6
R202	7030003470	S.RES ERJ3GEYJ 182 V (1.8 K)	T	96.6/32.9
R203	7030003800	S.RES ERJ3GEYJ 105 V (1 M)	T	49.7/41.2
R208	7030003360	S.RES ERJ3GEYJ 221 V (220)	T	75/57
R209	7030003860	S.RES ERJ3GE JPW V	T	14.6/25
R210	7030003860	S.RES ERJ3GE JPW V	T	22/24.4
R212	7030003660	S.RES ERJ3GEYJ 683 V (68 K)	T	67.8/57.6
R213	7030003580	S.RES ERJ3GEYJ 153 V (15 K)	T	70.3/54.7
R214	7030003440	S.RES ERJ3GEYJ 102 V (1 K)	T	40.7/13.4
R215	7030003440	S.RES ERJ3GEYJ 102 V (1 K)	T	39.4/13.4
R216	7030003440	S.RES ERJ3GEYJ 102 V (1 K)	T	38.1/13.4
R217	7030003440	S.RES ERJ3GEYJ 102 V (1 K)	T	36.8/13.4
R218	7030003440	S.RES ERJ3GEYJ 102 V (1 K)	T	35.5/13.4
R219	7030003440	S.RES ERJ3GEYJ 102 V (1 K)	T	34.2/13.4
R220	7030003440	S.RES ERJ3GEYJ 102 V (1 K)	T	31.6/13.6
R221	7030003440	S.RES ERJ3GEYJ 102 V (1 K)	T	32.9/13.4
R222	7030003440	S.RES ERJ3GEYJ 102 V (1 K)	T	30.6/16.1
R223	7030003440	S.RES ERJ3GEYJ 102 V (1 K)	T	29.8/13.5
R224	7030003440	S.RES ERJ3GEYJ 102 V (1 K)	T	29.1/16.1
R225	7030003440	S.RES ERJ3GEYJ 102 V (1 K)	T	28.3/13.4
R226	7030003440	S.RES ERJ3GEYJ 102 V (1 K)	T	27.6/16.1
R227	7030003440	S.RES ERJ3GEYJ 102 V (1 K)	T	26.8/13.4
R228	7030003440	S.RES ERJ3GEYJ 102 V (1 K)	T	25.5/13.4
R229	7030003440	S.RES ERJ3GEYJ 102 V (1 K)	T	22.9/13.4
R230	7030003440	S.RES ERJ3GEYJ 102 V (1 K)	T	24.2/13.4
R232	7030003440	S.RES ERJ3GEYJ 102 V (1 K)	T	74.1/13.4
R233	7030003440	S.RES ERJ3GEYJ 102 V (1 K)	T	76.9/13.4
R234	7030003440	S.RES ERJ3GEYJ 102 V (1 K)	T	75.4/13.4
R235	7030003440	S.RES ERJ3GEYJ 102 V (1 K)	T	78.2/13.4
R236	7030003440	S.RES ERJ3GEYJ 102 V (1 K)	T	79.5/13.4
R237	7030003440	S.RES ERJ3GEYJ 102 V (1 K)	T	80.8/13.4
R238	7030003440	S.RES ERJ3GEYJ 102 V (1 K)	T	82.1/13.4
R239	7030003440	S.RES ERJ3GEYJ 102 V (1 K)	T	107.3/86.7
R240	7030003440	S.RES ERJ3GEYJ 102 V (1 K)	T	105.9/86.7
R241	7030003680	S.RES ERJ3GEYJ 104 V (100 K)	T	108.6/86.6
R242	7030003680	S.RES ERJ3GEYJ 104 V (100 K)	T	104.5/86.7
R246	7030003440	S.RES ERJ3GEYJ 102 V (1 K)	T	59.5/13.3
R247	7030003440	S.RES ERJ3GEYJ 102 V (1 K)	T	58.2/13.3
R248	7030003440	S.RES ERJ3GEYJ 102 V (1 K)	T	56.9/13.3
R249	7030003440	S.RES ERJ3GEYJ 102 V (1 K)	T	55.6/13.3
R250	7030003440	S.RES ERJ3GEYJ 102 V (1 K)	T	54.3/13.3
R251	7030003320	S.RES ERJ3GEYJ 101 V (100)	T	52.8/13.3
R252	7030003440	S.RES ERJ3GEYJ 102 V (1 K)	T	51.5/13.3
R253	7030003440	S.RES ERJ3GEYJ 102 V (1 K)	T	50.2/13.3
R254	7030003680	S.RES ERJ3GEYJ 104 V (100 K)	T	48.4/13.3
R255	7030003640	S.RES ERJ3GEYJ 473 V (47 K)	T	12.6/14.1

M.=Mounted side (T: Mounted on the Top side, B: Mounted on the Bottom side)  
S.=Surface mount



[DISPLAY UNIT]

REF NO.	PARTS NO.	DESCRIPTION	M.	H/V LOCATION
R256	7030003640	S.RES ERJ3GEYJ 473 V (47 K)	T	16.5/14.1
R257	7030003670	S.RES ERJ3GEYJ 823 V (82 K)	T	13.9/14.1
R258	7030003670	S.RES ERJ3GEYJ 823 V (82 K)	T	15.2/14.1
R259	7030003440	S.RES ERJ3GEYJ 102 V (1 K)	T	12.8/90.1
R260	7030003440	S.RES ERJ3GEYJ 102 V (1 K)	T	19.4/87.2
R261	7030003440	S.RES ERJ3GEYJ 102 V (1 K)	T	10.1/88.5
R262	7030003440	S.RES ERJ3GEYJ 102 V (1 K)	T	7.1/79.8
R263	7030003440	S.RES ERJ3GEYJ 102 V (1 K)	T	18/81.9
R264	7030003440	S.RES ERJ3GEYJ 102 V (1 K)	T	7.1/78.5
R265	7030003440	S.RES ERJ3GEYJ 102 V (1 K)	T	18/80.6
R266	7030003440	S.RES ERJ3GEYJ 102 V (1 K)	T	7.1/77.2
R267	7030003440	S.RES ERJ3GEYJ 102 V (1 K)	T	18/79.3
R268	7030003440	S.RES ERJ3GEYJ 102 V (1 K)	T	7.1/75.9
R269	7030003440	S.RES ERJ3GEYJ 102 V (1 K)	T	18/78
R270	7030003440	S.RES ERJ3GEYJ 102 V (1 K)	T	7.1/74.6
R271	7030003440	S.RES ERJ3GEYJ 102 V (1 K)	T	18/76.7
R272	7030003440	S.RES ERJ3GEYJ 102 V (1 K)	T	7.1/73.3
R273	7030003440	S.RES ERJ3GEYJ 102 V (1 K)	T	7.1/72
R274	7030003440	S.RES ERJ3GEYJ 102 V (1 K)	T	18/75.4
R275	7030003440	S.RES ERJ3GEYJ 102 V (1 K)	T	7.1/70.7
R276	7030003440	S.RES ERJ3GEYJ 102 V (1 K)	T	18/74.1
R278	7030003440	S.RES ERJ3GEYJ 102 V (1 K)	T	13.4/42.7
R279	7030003440	S.RES ERJ3GEYJ 102 V (1 K)	T	4/43.9
R280	7030003440	S.RES ERJ3GEYJ 102 V (1 K)	T	13.4/44
R281	7030003440	S.RES ERJ3GEYJ 102 V (1 K)	T	4/45.2
R282	7030003440	S.RES ERJ3GEYJ 102 V (1 K)	T	13.4/45.3
R283	7030003440	S.RES ERJ3GEYJ 102 V (1 K)	T	4/46.5
R284	7030003520	S.RES ERJ3GEYJ 472 V (4.7 K)	T	13.4/46.6
R285	7030003440	S.RES ERJ3GEYJ 102 V (1 K)	T	4/47.8
R286	7030003440	S.RES ERJ3GEYJ 102 V (1 K)	T	13.4/47.9
R287	7030003440	S.RES ERJ3GEYJ 102 V (1 K)	T	4/49.1
R288	7030003440	S.RES ERJ3GEYJ 102 V (1 K)	T	13.4/49.2
R289	7030003440	S.RES ERJ3GEYJ 102 V (1 K)	T	13.4/50.5
R290	7030003440	S.RES ERJ3GEYJ 102 V (1 K)	T	4/51.7
R291	7030003440	S.RES ERJ3GEYJ 102 V (1 K)	T	13.4/51.8
R292	7030003440	S.RES ERJ3GEYJ 102 V (1 K)	T	4/53
R293	7030003440	S.RES ERJ3GEYJ 102 V (1 K)	T	13.4/54.4
R294	7030003440	S.RES ERJ3GEYJ 102 V (1 K)	T	4/55.6
R295	7030003440	S.RES ERJ3GEYJ 102 V (1 K)	T	4/58.2
R296	7030003440	S.RES ERJ3GEYJ 102 V (1 K)	T	13.4/58.3
R297	7030003440	S.RES ERJ3GEYJ 102 V (1 K)	T	4/60.8
R298	7030003440	S.RES ERJ3GEYJ 102 V (1 K)	T	13.4/59.6
R299	7030003440	S.RES ERJ3GEYJ 102 V (1 K)	T	4/50.4
R300	7030003440	S.RES ERJ3GEYJ 102 V (1 K)	T	4/63.4
R301	7030003440	S.RES ERJ3GEYJ 102 V (1 K)	T	13.4/62.2
R302	7030003560	S.RES ERJ3GEYJ 103 V (10 K)	T	13.4/60.9
R303	7030003560	S.RES ERJ3GEYJ 103 V (10 K)	T	4/62.1
R304	7030003560	S.RES ERJ3GEYJ 103 V (10 K)	T	13.4/57
R305	7030003560	S.RES ERJ3GEYJ 103 V (10 K)	T	4/59.5
R306	7030003560	S.RES ERJ3GEYJ 103 V (10 K)	T	4/56.9
R307	7030003560	S.RES ERJ3GEYJ 103 V (10 K)	T	13.4/55.7
R308	7030003560	S.RES ERJ3GEYJ 103 V (10 K)	T	4/54.3
R309	7030003560	S.RES ERJ3GEYJ 103 V (10 K)	T	13.4/53.1
R310	7030003440	S.RES ERJ3GEYJ 102 V (1 K)	T	24.2/32
R311	7030003440	S.RES ERJ3GEYJ 102 V (1 K)	T	22.9/32
R312	7030003440	S.RES ERJ3GEYJ 102 V (1 K)	T	104.9/9.4
R313	7030003440	S.RES ERJ3GEYJ 102 V (1 K)	T	104.9/10.7
R314	7030003440	S.RES ERJ3GEYJ 102 V (1 K)	T	104.1/12.2
R315	7030003440	S.RES ERJ3GEYJ 102 V (1 K)	T	104.9/6.8
R316	7030003440	S.RES ERJ3GEYJ 102 V (1 K)	T	116.1/13.7
R317	7030003440	S.RES ERJ3GEYJ 102 V (1 K)	T	116.7/8.3
R318	7030003440	S.RES ERJ3GEYJ 102 V (1 K)	T	116.1/11.7
R319	7030003440	S.RES ERJ3GEYJ 102 V (1 K)	T	116.6/9.6
R320	7030003440	S.RES ERJ3GEYJ 102 V (1 K)	T	135.2/23.4
R321	7030003440	S.RES ERJ3GEYJ 102 V (1 K)	T	127.7/20.8
R322	7030003440	S.RES ERJ3GEYJ 102 V (1 K)	T	126.4/20.8
R323	7030003560	S.RES ERJ3GEYJ 103 V (10 K)	T	114.9/18.7
R325	7030003380	S.RES ERJ3GEYJ 331 V (330)	T	106.9/69.6
R326	7030003360	S.RES ERJ3GEYJ 221 V (220)	T	109.8/54.4
R327	7030003580	S.RES ERJ3GEYJ 153 V (15 K)	T	105.4/55.1
R328	7030003660	S.RES ERJ3GEYJ 683 V (68 K)	T	105.1/61.2
R329	7030003560	S.RES ERJ3GEYJ 103 V (10 K)	T	38/33.3
R330	7030003480	S.RES ERJ3GEYJ 222 V (2.2 K)	T	128.8/54.1
R331	7030003640	S.RES ERJ3GEYJ 473 V (47 K)	T	18/84.5
R332	7030003640	S.RES ERJ3GEYJ 473 V (47 K)	T	9.1/84.8
R333	7030003640	S.RES ERJ3GEYJ 473 V (47 K)	T	18/83.2
R334	7030003640	S.RES ERJ3GEYJ 473 V (47 K)	T	9.1/83.5
R335	7030003670	S.RES ERJ3GEYJ 823 V (82 K)	T	21.4/84.5
R336	7030003670	S.RES ERJ3GEYJ 823 V (82 K)	T	8.4/86.9
R337	7030003670	S.RES ERJ3GEYJ 823 V (82 K)	T	20.7/83.2
R338	7030003670	S.RES ERJ3GEYJ 823 V (82 K)	T	8.1/81.1
R339	7070000261	RES ERG2S2 220 (22)		
R340	7070000261	RES ERG2S2 220 (22)		
R342	7030003640	S.RES ERJ3GEYJ 473 V (47 K)	T	35.4/38.4
R343	7030003640	S.RES ERJ3GEYJ 473 V (47 K)	T	105.1/57.7
R351	7030003440	S.RES ERJ3GEYJ 102 V (1 K)	T	123.2/70.3
R352	7030003440	S.RES ERJ3GEYJ 102 V (1 K)	T	101.2/80.6
R353	7030003440	S.RES ERJ3GEYJ 102 V (1 K)	T	102.3/75
R354	7030003440	S.RES ERJ3GEYJ 102 V (1 K)	T	100.2/78
R355	7030003440	S.RES ERJ3GEYJ 102 V (1 K)	T	101/75.2
R356	7030003440	S.RES ERJ3GEYJ 102 V (1 K)	T	128.4/78.7
R357	7030003440	S.RES ERJ3GEYJ 102 V (1 K)	T	126.7/72.1
R358	7030003440	S.RES ERJ3GEYJ 102 V (1 K)	T	114.8/75.7
R359	7030003440	S.RES ERJ3GEYJ 102 V (1 K)	T	116.1/75.4
R360	7030003440	S.RES ERJ3GEYJ 102 V (1 K)	T	130.1/77.2
R361	7030003440	S.RES ERJ3GEYJ 102 V (1 K)	T	129.4/74
R362	7030003440	S.RES ERJ3GEYJ 102 V (1 K)	T	116.4/79.3
R363	7030003440	S.RES ERJ3GEYJ 102 V (1 K)	T	117.4/75.5
R364	7030003640	S.RES ERJ3GEYJ 473 V (47 K)	T	61.2/29
R365	7030004730	S.RES ERJ3GEYF 222 V (2.2 K)	T	61.9/33
R366	7030003440	S.RES ERJ3GEYJ 102 V (1 K)	T	128.4/64.2
R369	7030003860	S.RES ERJ3GE JPW V	T	55.7/37.4
R501	7030003640	S.RES ERJ3GEYJ 473 V (47 K)	T	68.5/16.9
R502	7030003640	S.RES ERJ3GEYJ 473 V (47 K)	T	67.2/16.9
R503	7030003640	S.RES ERJ3GEYJ 473 V (47 K)	T	36.1/32.5

[DISPLAY UNIT]

REF NO.	PARTS NO.	DESCRIPTION	M.	H/V LOCATION
R504	7030003440	S.RES ERJ3GEYJ 102 V (1 K)	T	135.3/62.2
R505	7030003660	S.RES ERJ3GEYJ 221 V (220)	T	89.2/86.9
R601	7030003860	S.RES ERJ3GE JPW V	T	44.1/89.8
R602	7030003520	S.RES ERJ3GEYJ 472 V (47 K)	T	41.6/87.6
R603	7030003640	S.RES ERJ3GEYJ 473 V (47 K)	T	32.4/45.4
R604	7030003560	S.RES ERJ3GEYJ 103 V (10 K)	T	32.4/46.9
R651	7030003650	S.RES ERJ3GEYJ 563 V (56 K)	T	114.8/95
R652	7030003620	S.RES ERJ3GEYJ 333 V (33 K)	T	118.6/95
R653	7030003520	S.RES ERJ3GEYJ 472 V (4.7 K)	T	44.1/86.1
C8	4030011600	S.CER C1608 JB 1E 104K-T	T	134.5/74.9
C201	4310001170	MLR ECQE1A 124JBB		
C202	4030016880	S.CER C4520 CH 3F 150KT-A	T	125.1/37.2
C203	4030007020	S.CER C1608 CH 1H 120J-T	T	50.5/39.9
C204	4030007020	S.CER C1608 CH 1H 120J-T	T	47.9/40
C205	4030011600	S.CER C1608 JB 1E 104K-T	T	27.7/64.4
C206	4030011600	S.CER C1608 JB 1E 104K-T	T	109/80.8
C207	4030011600	S.CER C1608 JB 1E 104K-T	T	73.2/22.2
C208	4030011600	S.CER C1608 JB 1E 104K-T	T	109.5/6.1
C209	4030011600	S.CER C1608 JB 1E 104K-T	T	124.1/79.9
C210	4030011600	S.CER C1608 JB 1E 104K-T	T	67.8/56.3
C211	4030011600	S.CER C1608 JB 1E 104K-T	T	107.7/61.2
C212	4510008800	S.ELE EEE1EA100SR	T	68.8/61.3
C213	4510009150	S.ELE EEE1EA470WP	T	77.8/52
C214	4510008800	S.ELE EEE1EA100SR	T	72.2/67.1
C215	4030011600	S.CER C1608 JB 1E 104K-T	T	120.9/85.8
C216	4030011600	S.CER C1608 JB 1E 104K-T	T	58.7/5.2
C217	4030011600	S.CER C1608 JB 1E 104K-T	T	108.3/83.3
C218	4510009150	S.ELE EEE1EA470WP	T	99.6/84.8
C219	4030006860	S.CER C1608 JB 1H 102K-T	T	109.8/83.3
C220	4030011600	S.CER C1608 JB 1E 104K-T	T	126.2/88.8
C221	4030011600	S.CER C1608 JB 1E 104K-T	T	103.2/55.1
C222	4030011600	S.CER C1608 JB 1E 104K-T	T	102.7/15.4
C223	4030011600	S.CER C1608 JB 1E 104K-T	T	134.7/27.7
C224	4030011600	S.CER C1608 JB 1E 104K-T	T	48.1/38.2
C225	4030011600	S.CER C1608 JB 1E 104K-T	T	119.8/61.5
C226	4030011600	S.CER C1608 JB 1E 104K-T	T	17.2/87.2
C227	4030011600	S.CER C1608 JB 1E 104K-T	T	120.9/82.9
C228	4510008800	S.ELE EEE1EA100SR	T	125.5/83.6
C229	4030011600	S.CER C1608 JB 1E 104K-T	T	7.3/65.1
C230	4030006860	S.CER C1608 JB 1H 472K-T	T	58.6/29
C231	4030011600	S.CER C1608 JB 1E 104K-T	T	47.6/17.4
C232	4030011600	S.CER C1608 JB 1E 104K-T	T	58/31.2
C241	4030011600	S.CER C1608 JB 1E 104K-T	T	118.9/80.3
C242	4030011600	S.CER C1608 JB 1E 104K-T	T	116.4/81.2
C243	4030011600	S.CER C1608 JB 1E 104K-T	T	120.2/80.3
C244	4030011600	S.CER C1608 JB 1E 104K-T	T	121.1/73.3
C245	4030011600	S.CER C1608 JB 1E 104K-T	T	128.4/80
C246	4030011600	S.CER C1608 JB 1E 104K-T	T	131.3/74.6
C247	4030011600	S.CER C1608 JB 1E 104K-T	T	130.1/75.9
C248	4030011600	S.CER C1608 JB 1E 104K-T	T	124.8/73
C249	4030011600	S.CER C1608 JB 1E 104K-T	T	112.1/6.1
C250	4030011600	S.CER C1608 JB 1E 104K-T	T	113.5/14.3
C251	4030011600	S.CER C1608 JB 1E 104K-T	T	112.1/7.4
C252	4030011600	S.CER C1608 JB 1E 104K-T	T	115.9/6.9
C253	4030011600	S.CER C1608 JB 1E 104K-T	T	104.1/13.5
C254	4030011600	S.CER C1608 JB 1E 104K-T	T	109.5/7.4
C255	4030011600	S.CER C1608 JB 1E 104K-T	T	104.9/8.1
C256	4030011600	S.CER C1608 JB 1E 104K-T	T	104.9/5.5
C257	4030011600	S.CER C1608 JB 1E 104K-T	T	72.8/13.4
C258	4030011600	S.CER C1608 JB 1E 104K-T	T	72.7/16.2
C259	4030011600	S.CER C1608 JB 1E 104K-T	T	80.2/19
C260	4030011600	S.CER C1608 JB 1E 104K-T	T	72.4/19.4
C261	4030011600	S.CER C1608 JB 1E 104K-T	T	76.4/28.1
C262	4030011600	S.CER C1608 JB 1E 104K-T	T	75.1/28.1
C263	4030011600	S.CER C1608 JB 1E 104K-T	T	73.3/27.3
C264	4030011600	S.CER C1608 JB 1E 104K-T	T	72.5/25.5
C265	4030011600	S.CER C1608 JB 1E 104K-T	T	20.9/52.3
C266	4030011600	S.CER C1608 JB 1E 104K-T	T	28.4/62.5
C267	4030011600	S.CER C1608 JB 1E 104K-T	T	21.6/55.8
C268	4030011600	S.CER C1608 JB 1E 104K-T	T	21.6/57.1
C601	4510008800	S.ELE EEE1EA100SR	T	29.4/86.2
C602	4030011600	S.CER C1608 JB 1E 104K-T	T	39.2/41.8
C651	4030008890	S.CER C1608 JB 1H 273K-T	T	47.9/93.5
C652	4030011600	S.CER C1608 JB 1E 104K-T	T	50.3/91.9
J1	6510021721	S.CNR 30FLT-SM2-TB (LF) (SN)	T	13.2/80.7
J2	651			



[RXPLL-A UNIT]

REF NO.	PARTS NO.	DESCRIPTION	M.	H/V LOCATION
IC1	1130011530	S.IC CD74HC4094M96	T	11.9/24.1
IC2	1130009691	S.IC TC74HCT7007AF(F) S	T	22.8/23.3
IC51	1180001252	S.IC TA7808F NQ	T	77/16.7
IC61	1180000421	S.IC TA78L05F(TE12R,F)	T	56.5/16
IC101	1140007881	S.IC TC190G08EFG0046JDZ/SC1246A	B	31.3/89.7
IC102	1130003831	S.IC TC7S04F(TE85R,F) [USA]	T	33.1/74.7
	1130003831	S.IC TC7S04F(TE85R,F) [EUR]		
	1130003831	S.IC TC7S04F(TE85R,F) [FRA]		
	1130003831	S.IC TC7S04F(TE85R,F) [DEN]		
	1130003831	S.IC TC7S04F(TE85R,F) [ITR]		
	1130003831	S.IC TC7S04F(TE85R,F) [KOR]		
	1130003830	S.IC TC7S04F(TE85R,F) [ESP]		
	1130003830	S.IC TC7S04F(TE85R,F) [AUS]		
	1130003831	S.IC TC7S04F(TE85R,F) [UK]		
	1130003831	S.IC TC7S04F(TE85R,F) [RX]		
	1130003831	S.IC TC7S04F(TE85R,F) [CHN]		
IC103	1130006441	S.IC TC7S08F(TE85R,F) [USA]	B	34/92.1
	1130006441	S.IC TC7S08F(TE85R,F) [EUR]		
	1130006441	S.IC TC7S08F(TE85R,F) [FRA]		
	1130006441	S.IC TC7S08F(TE85R,F) [DEN]		
	1130006441	S.IC TC7S08F(TE85R,F) [ITR]		
	1130006441	S.IC TC7S08F(TE85R,F) [KOR]		
	1130006440	S.IC TC7S08F(TE85R,F) [ESP]		
	1130006440	S.IC TC7S08F(TE85R,F) [AUS]		
	1130006441	S.IC TC7S08F(TE85R,F) [UK]		
	1130006441	S.IC TC7S08F(TE85R,F) [RX]		
	1130006441	S.IC TC7S08F(TE85R,F) [CHN]		
IC104	1130003831	S.IC TC7S04F(TE85R,F) [USA]	T	31.7/101.1
	1130003831	S.IC TC7S04F(TE85R,F) [EUR]		
	1130003831	S.IC TC7S04F(TE85R,F) [FRA]		
	1130003831	S.IC TC7S04F(TE85R,F) [DEN]		
	1130003831	S.IC TC7S04F(TE85R,F) [ITR]		
	1130003831	S.IC TC7S04F(TE85R,F) [KOR]		
	1130003830	S.IC TC7S04F(TE85R,F) [ESP]		
	1130003830	S.IC TC7S04F(TE85R,F) [AUS]		
	1130003831	S.IC TC7S04F(TE85R,F) [UK]		
	1130003831	S.IC TC7S04F(TE85R,F) [RX]		
	1130003831	S.IC TC7S04F(TE85R,F) [CHN]		
IC201	1130009230	S.IC LMX2306TMX/NOPB	T	27.9/38.8
IC501	1140007881	S.IC TC190G08EFG	T	31.3/142.5
IC502	1130003831	S.IC TC7S04F(TE85R,F) [USA]	T	24.8/127.4
	1130003831	S.IC TC7S04F(TE85R,F) [EUR]		
	1130003831	S.IC TC7S04F(TE85R,F) [FRA]		
	1130003831	S.IC TC7S04F(TE85R,F) [DEN]		
	1130003831	S.IC TC7S04F(TE85R,F) [ITR]		
	1130003831	S.IC TC7S04F(TE85R,F) [KOR]		
	1130003830	S.IC TC7S04F(TE85R,F) [ESP]		
	1130003830	S.IC TC7S04F(TE85R,F) [AUS]		
	1130003831	S.IC TC7S04F(TE85R,F) [UK]		
	1130003831	S.IC TC7S04F(TE85R,F) [RX]		
	1130003831	S.IC TC7S04F(TE85R,F) [CHN]		
IC503	1130003831	S.IC TC7S04F(TE85R,F) [USA]	T	31.7/154.1
	1130003831	S.IC TC7S04F(TE85R,F) [EUR]		
	1130003831	S.IC TC7S04F(TE85R,F) [FRA]		
	1130003831	S.IC TC7S04F(TE85R,F) [DEN]		
	1130003831	S.IC TC7S04F(TE85R,F) [ITR]		
	1130003831	S.IC TC7S04F(TE85R,F) [KOR]		
	1130003830	S.IC TC7S04F(TE85R,F) [ESP]		
	1130003830	S.IC TC7S04F(TE85R,F) [AUS]		
	1130003831	S.IC TC7S04F(TE85R,F) [UK]		
	1130003831	S.IC TC7S04F(TE85R,F) [RX]		
	1130003831	S.IC TC7S04F(TE85R,F) [CHN]		
IC602	1130006441	S.IC TC7S08F(TE85R,F) [USA]	B	50.6/113.3
	1130006441	S.IC TC7S08F(TE85R,F) [EUR]		
	1130006441	S.IC TC7S08F(TE85R,F) [FRA]		
	1130006441	S.IC TC7S08F(TE85R,F) [DEN]		
	1130006441	S.IC TC7S08F(TE85R,F) [ITR]		
	1130006441	S.IC TC7S08F(TE85R,F) [KOR]		
	1130006440	S.IC TC7S08F(TE85R,F) [ESP]		
	1130006440	S.IC TC7S08F(TE85R,F) [AUS]		
	1130006441	S.IC TC7S08F(TE85R,F) [UK]		
	1130006441	S.IC TC7S08F(TE85R,F) [RX]		
	1130006441	S.IC TC7S08F(TE85R,F) [CHN]		
IC651	1140004550	S.IC M65343FP/SC1287	T	22.6/169.2
IC652	1130003831	S.IC TC7S04F(TE85R,F) [USA]	T	13.7/163.7
	1130003831	S.IC TC7S04F(TE85R,F) [EUR]		
	1130003831	S.IC TC7S04F(TE85R,F) [FRA]		
	1130003831	S.IC TC7S04F(TE85R,F) [DEN]		
	1130003831	S.IC TC7S04F(TE85R,F) [ITR]		
	1130003831	S.IC TC7S04F(TE85R,F) [KOR]		
	1130003830	S.IC TC7S04F(TE85R,F) [ESP]		
	1130003830	S.IC TC7S04F(TE85R,F) [AUS]		
	1130003831	S.IC TC7S04F(TE85R,F) [UK]		
	1130003831	S.IC TC7S04F(TE85R,F) [RX]		
	1130003831	S.IC TC7S04F(TE85R,F) [CHN]		
IC1051	1190002010	S.IC SD5400CY <TOMO>	T	176.9/99.9
IC1081	1110006180	S.IC UPG2009TB-E3	B	151.6/85.1
IC1402	1190002110	S.IC NJG1519KC1-TE3-#ZZZB	T	117.3/69.5
IC1403	1190002110	S.IC NJG1519KC1-TE3-#ZZZB	T	113.4/106.3
IC1501	1110006121	S.IC DBM9A41-G-TR	T	121.2/124.5
IC1502	1110006121	S.IC DBM9A41-G-TR	T	121.2/133
IC1503	1110006100	S.IC NJM5534MD-TE1-#ZZZB	T	138.4/151.7
IC1504	1110006100	S.IC NJM5534MD-TE1-#ZZZB	T	119.2/151.7
IC1505	1110006190	S.IC NJM074M-TE1-#ZZZB	T	128.8/166.9
IC1506	1110006100	S.IC NJM5534MD-TE1-#ZZZB	T	128.8/175.6
IC1651	1130011921	S.IC TC74LXC00F(EL,F)	T	110/126.2
IC1652	1110005420	S.IC BA15532F-E2	T	139.8/175.6
IC1653	1110005100	S.IC NJM072BM-TE1-#ZZZB	B	140/172
IC1701	1130011530	S.IC CD74HC4094M96	T	158/166.7
IC1702	1130011530	S.IC CD74HC4094M96	T	148.9/166.7
IC1703	1160000131	S.IC TD62783AFG(S,E,L)	T	157.3/154.8
IC1704	1180000790	S.IC AN78L10M(E1)	B	183.2/159.8
Q1	1590001050	S.TRA DTC114TUA T106	B	30.3/22.6

[RXPLL-A UNIT]

REF NO.	PARTS NO.	DESCRIPTION	M.	H/V LOCATION
Q30	1530002060	S.TRA 2SC4081 T106 R	T	22.3/110.9
Q41	1590000680	S.TRA DTC114EUA T106	T	12.8/34.2
Q150	1560000331	S.FET 2SK210-GR(TE85R,F)	T	26.9/53
Q151	1530002280	S.TRA 2SC4081 T106 S	B	33.6/57.2
Q152	1530002280	S.TRA 2SC4081 T106 S	B	30.8/78.2
Q201	1590001330	S.TRA DTA114EUA T106	T	29.6/34.1
Q220	1560000331	S.FET 2SK210-GR(TE85R,F)	T	72.5/33.9
Q230	1560000331	S.FET 2SK210-GR(TE85R,F)	T	72.5/46.4
Q240	1560000331	S.FET 2SK210-GR(TE85R,F)	T	72.5/58.9
Q250	1560000331	S.FET 2SK210-GR(TE85R,F)	T	72.5/71.4
Q260	1560000331	S.FET 2SK210-GR(TE85R,F)	T	72.5/83.9
Q270	1560000331	S.FET 2SK210-GR(TE85R,F)	T	72.5/95.8
Q280	1590000680	S.TRA DTC114EUA T106	T	82.3/34.4
Q281	1590000680	S.TRA DTC114EUA T106	T	82.3/46.9
Q282	1590000680	S.TRA DTC114EUA T106	T	82.3/59.4
Q283	1590000680	S.TRA DTC114EUA T106	T	82.3/71.9
Q284	1590000680	S.TRA DTC114EUA T106	T	82.3/84.4
Q285	1590000680	S.TRA DTC114EUA T106	T	82.3/96.4
Q301	1530003432	S.TRA 2SC5226A-4-TL-E	T	92.1/30.1
Q302	1530003432	S.TRA 2SC5226A-4-TL-E	B	89.1/42.5
Q303	1530003432	S.TRA 2SC5226A-4-TL-E	B	91.3/25.1
Q341	1590000680	S.TRA DTC114EUA T106	T	86.3/36.7
Q351	1580000751	S.FET 3SK294(TE85L,F)	T	92.1/56.9
Q352	1530003432	S.TRA 2SC5226A-4-TL-E	B	89.2/64.5
Q363	1590000680	S.TRA DTC114EUA T106	T	86.8/54.3
Q364	1590001330	S.TRA DTA114EUA T106	T	86.8/57.4
Q421	1590000680	S.TRA DTC114EUA T106	B	96.2/91.6
Q422	1590000680	S.TRA DTC114EUA T106	B	92.6/91.6
Q441	1590000680	S.TRA DTC114EUA T106	T	86.5/73.7
Q502	1590000680	S.TRA DTC114EUA T106	T	41.9/128.8
Q540	1530002060	S.TRA 2SC4081 T106 R	B	58.7/141.2
Q541	1560000331	S.FET 2SK210-GR(TE85R,F)	T	68.9/142.8
Q561	1530003432	S.TRA 2SC5226A-4-TL-E	T	70.6/153.8
Q580	1530003432	S.TRA 2SC5226A-4-TL-E	T	41.7/147.4
Q591	1530003151	S.TRA 2SC4673D-TD-E	T	61.7/166.5
Q592	1520000561	S.TRA 2SB1123 T-TD-E	B	52/165.3
Q593	1590000680	S.TRA DTC114EUA T106	T	54.8/171.2
Q680	1530002060	S.TRA 2SC4081 T106 R	B	37.5/163.2
Q702	1530002601	S.TRA 2SC4215-O(TE85R,F)	T	31.4/110.9
Q801	1560000561	S.FET 2SK882-GR(TE85L,F)	T	82.8/147.3
Q811	1560000561	S.FET 2SK882-GR(TE85L,F)	T	77.4/177.6
Q831	1560000561	S.FET 2SK882-GR(TE85L,F)	T	88.7/155.1
Q832	1520000561	S.TRA 2SB1123 T-TD-E	B	77.9/167.1
Q833	1590000680	S.TRA DTC114EUA T106	B	73.5/162.5
Q1001	1530003851	S.TRA 2SC5551A-F-E	B	174.9
Q1004	1590001960	S.TRA XP4311(TX)	T	150/18.8
Q1005	1590001960	S.TRA XP4311(TX)	T	145.9/18.8
Q1006	1530003851	S.TRA 2SC5551A-F-E	B	150/37.6
Q1007	1530003851	S.TRA 2SC5551A-F-E	B	176.5/42.5
Q1008	1530003851	S.TRA 2SC5551A-F-E	B	160.5/123.8
Q1101	1530003860	TRA 2SC3950D	T	165.5/43.8
Q1102	1590000680	S.TRA DTC114EUA T106	B	168.6/127.8
Q1103	1520000561	S.TRA 2SB1123 T-TD-E	B	168.6/127.8
Q1104	1530003860	TRA 2SC3950D	T	
Q1105	1530003842	S.TRA 2SC5501A-4-TR-E	T	166.5/142.1
Q1205	1590001960	S.TRA XP4311(TX)	T	158.8/55.6
Q1209	1530003851	S.TRA 2SC5551A-F-E	B	121/34.9
Q1210	1530003851	S.TRA 2SC5551A-F-E	B	111.5/34.9
Q1211	1560001311	S.FET MMBFU310LT1G	T	159.5/96.4
Q1212	1560001311	S.FET MMBFU310LT1G	T	153.5/96.4
Q1213	1590000680	S.TRA DTC114EUA T106	B	156.9/123.7
Q1214	1520000561	S.TRA 2SB1123 T-TD-E	B	155.4/113.5
Q1301	1530003151	S.TRA 2SC4673D-TD-E	T	157.8/120
Q1352	1530003851	S.TRA 2SC5551A-F-E	B	140/66.7
Q1401	1530003842	S.TRA 2SC5501A-4-TR-E	T	131.9/105.8
Q1402	1530003021	S.TRA 2SC4402-3-TL-E	T	123.4/111.8
Q1403	1530003021	S.TRA 2SC4402-3-TL-E	T	123.4/114.3
Q1501	1530003450	S.TRA 2SC4835G R(TX)	T	133.5/143.5
Q1502	1530003450	S.TRA 2SC4835G R(TX)	T	120.4/143.5
Q1651	1530002601	S.TRA 2SC4215-O(TE85R,F)	B	105.6/140.3
Q1701	1590001960	S.TRA XP4311(TX)	T	106.6/43.9
Q1702	1590001960	S.TRA XP4311(TX)	T	148.9/147.2
Q1703	1590001960	S.TRA XP4311(TX)	T	146.4/147.2
D101	1750000520	S.DIO DAN222TL	T	41.8/86.2
D152	1720000590	S.VAR MA357(TX)	T	17.6/59.9
D153	1790000491	S.DIO HSM88ASTR-E	T	27.2/60.4
D154	1790000491	S.DIO HSM88ASTR-E	T	27.2/63.8
D201	1750000520	S.DIO DAN222TL	T	32.4/34.1
D220	1720000590	S.VAR MA357(TX)	T	50.8/31.8
D221	1720000590	S.VAR MA357(TX)	T	52.9/31.8
D222	1790000620	S.DIO MA77(TX)	T	82.6/29.8
D230	1720000590	S.VAR MA357(TX)	T	50.8/44.2
D231	1720000590	S.VAR MA357(TX)	T	52.9/44.2
D232	1790000620	S.DIO MA77(TX)	T	82.6/42.3
D240	1720000590	S.VAR MA357(TX)	T	50.8/56.7
D241	1720000590	S.VAR MA357(TX)	T	52.9/56.7
D242	1790000620	S.DIO MA77(TX)	T	82.6/54.8
D250	1720000590	S.VAR MA357(TX)	T	50.8/69.2
D252	1790000620	S.DIO MA77(TX)	T	82.6/67.3
D261	1720000590	S.VAR MA357(TX)	T	52.9/81.7
D262	1790000620	S.DIO MA77(TX)	T	82.6/79.8
D270	1720000590	S.VAR MA357(TX)	T	50.8/94.2
D271	1720000590	S.VAR MA357(TX)	T	52.4/96.7
D272	1790000620	S.DIO MA77(TX)	T	82.6/92

[RXPLL-A UNIT]

REF NO.	PARTS NO.	DESCRIPTION	M.	H/V LOCATION
D501	1750000520	S.DIO DAN222TL	T	42/132
D542	1720000590	S.VAR MA357(TX)	T	62.5/139.6
D821	1750000431	S.DIO HSB88WSTR-E	T	84.1/169.4
D1001	1750000581	S.DIO 1SV307(TPH3,F)	T	181.9/65.7
D1101	1790000620	S.DIO MA77(TX)	T	177.6/146.6
D1102	1790000620	S.DIO MA77(TX)	T	177.6/148.4
D1201	1750000581	S.DIO 1SV307(TPH3,F)	T	139.1/57.7
D1351	1750000581	S.DIO 1SV307(TPH3,F)	T	140.8/71.1
D1653	1750000550	S.DIO 1SS355 TE-17	T	138.9/167.2
D1654	1750000550	S.DIO 1SS355 TE-17	T	142.5/167.2
D1701	1790001670	S.DIO RB706F-40T106	T	170.5/160.8
FI101	2020001820	S.CER SFECV10M5FA00-R0 (SFECV10.5MA5S)	T	26/73.9
FI831	2030000300	S.MON DSF753SDF 64.491 MHz (FL-356)	T	91.6/162.1
FI1401	2030000281	S.MON DSF753SDF 64.455 MHz (FL-364A)	T	116.3/88.5
FI1402	2030000331	S.MON DSF753SDF 64.455 MHz (FL-358A)	T	107/88.5
FI1403	2030000510	S.MON DSF753SDF 64.455 MHz (FL-396)	T	126/85.5
L1	6200003261	S.COI NLV32T101J	T	10.8/15.4
L2	6200003261	S.COI NLV32T-101J	T	29/19.9
L10	6200003950	S.COI HF50ACC 322513-T	T	38.6/14.7
L11	6200003950	S.COI HF50ACC 322513-T	T	13.8/15.4
L12	6200003950	S.COI HF50ACC 322513-T	T	16.8/15.4
L13	6200003950	S.COI HF50ACC 322513-T	T	29/15.4
L20	6200003321	S.COI NLV32T-3R3J	T	85.9/123.8
L30	6200005491	S.COI NLV32T-331J	T	20.6/120
L101	6200001831	S.COI NLV32T-100J	T	38.3/72.8
L151	6130002970	COI LB-343	T	30/54.5
L152	6200001831	S.COI NLV32T-100J	T	22.2/45
L201	6200005011	S.COI NLV25T-100J	B	45.4/35.3
L211	6200003661	S.COI NLV25T-R68J	T	51.9/37.5
L220	6200010790	S.COI C2520C-3R9G-A	T	76.2/37.7
L221	6190001421	COI #E526GN-110502	T	51.9/50
L222	6200010790	S.COI C2520C-3R9G-A	T	76.2/37.7
L230	6200010830	S.COI C2520C-3R3G-A	T	51.9/50
L231	6190001421	COI #E526GN-110502	T	76.2/50.2
L232	6200010830	S.COI C2520C-3R3G-A	T	51.9/62.4
L240	6200010830	S.COI C2520C-3R3G-A	T	76.2/62.7
L241	6190001421	COI #E526GN-110502	T	51.9/74.9
L242	6200010830	S.COI C2520C-3R3G-A	T	76.2/75.2
L250	6200010820	S.COI C2520C-2R7G-A	T	51.9/87.4
L251	6190001421	COI #E526GN-110502	T	76.2/75.2
L252	6200010820	S.COI C2520C-2R7G-A	T	51.9/87.4
L260	6200010820	S.COI C2520C-2R7G-A	T	76.2/87.7
L261	6190001411	COI #E526GN-110501	T	51.9/99.8
L262	6200010820	S.COI C2520C-2R7G-A	T	76/100.2
L270	6200010810	S.COI C2520C-2R2G-A	T	67.4/25.5
L271	6190001411	COI #E526GN-110501	T	89.3/42.6
L272	6200010810	S.COI C2520C-2R2G-A	T	95.1/34.1
L280	6200005011	S.COI NLV25T-100J	B	93.2/36
L302	6200001831	S.COI NLV32T-100J	T	87/39.6
L331	6200002641	S.COI NLV25T-R15J	T	91.3/62
L332	6200002411	S.COI NLV25T-056J	T	87/81
L341	6200003261	S.COI NLV32T-101J	T	91.9/72.3
L351	6200001831	S.COI NLV32T-100J	T	90.5/78.2
L421	6200008641	S.COI NLV32T-391J	T	95/81
L441	6200002601	S.COI NLV25T-047J	T	87/78
L442	6200010730	S.COI C2520C-68NG-A	T	31/125.8
L451	6200002641	S.COI NLV25T-R15J	T	14.6/134.9
L452	6200003261	S.COI NLV32T-101J	T	14.6/130.8
L501	6200001831	S.COI NLV32T-100J	T	15.5/127.1
L530	6200003171	S.COI NLV32T-330J	T	56.3/139.6
L531	6200003171	S.COI NLV32T-330J	T	68.4/147.9
L532	6200003171	S.COI NLV32T-330J	T	65.9/142.1
L541	6200010790	S.COI C2520C-3R9G-A	B	51.3/139.6
L542	6190001421	COI #E526GN-110502	B	64/156
L543	6200010790	S.COI C2520C-3R9G-A	B	74.6/151.8
L544	6200003261	S.COI NLV32T-101J	B	
L545	6200003261	S.COI NLV32T-101J	B	
L561	6200003261	S.COI NLV32T-101J	B	
L562	6200001831	S.COI NLV32T-100J	B	
L565	6150004250	COI LS-471A (C-14922)		
L566	6150004250	COI LS-471A (C-14922)		
L591	6200007790	S.COI LQW2BHN15J03L	T	60.5/171.5
L651	6200001831	S.COI NLV32T-100J	T	15.5/176.3
L681	6200005491	S.COI NLV32T-331J	T	37.4/176.2
L682	6200008641	S.COI NLV32T-391J	T	37.8/172.6
L683	6200008641	S.COI NLV32T-391J	T	40.2/166.2
L701	6200003261	S.COI NLV32T-101J	T	23.6/120
L702	6150004971	S.COI LS-522-LF	T	37.6/108.6
L703	6150004971	S.COI LS-522-LF	T	37.5/118.5
L801	6150004280	COI LS-484B (C-14927)		
L812	6200003231	S.COI NLV32T-181J	B	75.3/174.1
L821	6140003530	COI LR-395		
L822	6140003530	COI LR-395		
L831	6140003770	S.COI LR-414 4KBL (STP-01435)	T	91.6/171.6
L834	6150004280	COI LS-484B (C-14927)		
L1001	6190001650	COI ELC06D102E		
L1002	6140004400	COI LR-499		
L1004	6140003890	COI LR-488		
L1005	6180001000	COI LAL 04NA 102K		
L1006	6140003900	COI LR-489		
L1007	6140003800	COI LR-439		
L1008	6190001650	COI ELC06D102E		
L1009	6190001650	COI ELC06D102E		
L1010	6140003880	COI LR-486		
L1011	6140003880	COI LR-486		
L1012	6140003800	COI LR-439		
L1013	6200010680	S.COI C2520C-R22G-A (0.22U)	T	155/55.2

[RXPLL-A UNIT]

REF NO.	PARTS NO.	DESCRIPTION	M.	H/V LOCATION
L1014	6200010680	S.COI C2520C-R22G-A (0.22U)	T	157.9/12.4
L1015	6200007790	S.COI LQW2BHN15J03L	B	163.5/27.5
L1052	6200010740	S.COI C2520C-R27G-A	T	177.8/74.6
L1053	6200010740	S.COI C2520C-R27G-A	T	173.8/73.5
L1054	6200010740	S.COI C2520C-R27G-A	T	169.4/72.6
L1055	6140003960	COI LR-495		
L1056	6200010730	S.COI C2520C-68NG-A	T	171/83.8
L1058	6190001631	COI #E544EN-100021		
L1060	6200010730	S.COI C2520C-68NG-A	T	149.1/76.4
L1062	6200011450	S.COI C2520C-R39G-A	T	145.1/81.4
L1063	6200010650	S.COI C2520C-R12G-A (0.12U)	T	140.9/82.5
L1071	6200007780	S.COI LQW2BHN12J03L	B	164.9/79.2
L1072	6200007780	S.COI LQW2BHN12J03L	B	168/76.1
L1091	6200003950	S.COI HF50ACC 322513-T	B	171/149
L1092	6200003950	S.COI HF50ACC 322513-T	T	149.7/136.5
L1093	6200003950	S.COI HF50ACC 322513-T	T	157/135.2
L1101	6140003920	COI LR-491		
L1102	6200010650	S.COI C2520C-R12G-A (0.12U)	T	176.9/117.9
L1103	6180001250	COI LAL 04NA 3R3K		
L1104	6200010870	S.COI C2520C-R33G-A (0.33U)	T	178.3/135.9
L1105	6140003910	COI LR-490		
L1151	6140004640	COI LR-519		
L1201	6200007780	S.COI LQW2BHN12J03L	B	119.3/17.4
L1208	6140003800	COI LR-439		
L1209	6200001831	S.COI NLV32T-100J	T	121.1/20.8
L1210	6140004440	COI LR-503		
L1211	6200009690	S.COI LQH43CN101K03L	T	115.7/34.6
L1212	6200001831	S.COI NLV32T-100J	T	106.8/20.8
L1213	6140004440	COI LR-503		
L1214	6200009690	S.COI LQH43CN101K03L	T	105.9/34.8
L1216	6140003800	COI LR-439		
L1217	6200007750	S.COI LQW2BHN56NJ03L	T	147.9/63.7
L1218	6200007770	S.COI LQW2BHN10J03L	T	153.3/65.1
L1219	6200007790	S.COI LQW2BHN15J03L	T	153.2/68.4
L1220	6140000930	COI LR-116		
L1221	6200003261	S.COI NLV32T-101J	B	149.5/110.9
L1222	6150005460	COI LS-559		
L1223	6200007750	S.COI LQW2BHN56NJ03L	B	151.3/100.7
L1228	6200010870	S.COI C2520C-R33G-A (0.33U)	T	158.7/71.3
L1229	6200003950	S.COI HF50ACC 322513-T	B	164.7/115
L1301	6200008090	S.COI LQW2BHN68NJ03L	T	157.1/111.9
L1302	6200008090	S.COI LQW2BHN68NJ03L	T	156.4/115.5
L1303	6200008090	S.COI LQW2BHN68NJ03L	T	153.4/117.5
L1304	6200010870	S.COI C2520C-R33G-A (0.33U)	T	153.8/123
L1305	6200003001	S.COI NLV32T-R22J	T	159.2/124.5
L1306	6200001831	S.COI NLV32T-100J	B	152.7/118.6
L1307	6200003001	S.COI NLV32T-R22J	T	153.3/112
L1351	6200001831	S.COI NLV32T-100J	T	143/76.4
L1353	6200010740	S.COI C2520C-R27G-A	T	141.6/67.5
L1354	6200001831	S.COI NLV32T-100J	T	136.4/68
L1401	6150004280	COI LS-484B (C-14927)		
L1402	6150004280	COI LS-484B (C-14927)		
L1403	6150004280	COI LS-484B (C-14927)		
L1404	6150004280	COI LS-484B (C-14927)		
L1405	6200007770	S.COI LQW2BHN10J03L	B	112.5/111.4
L1406	6200007750	S.COI LQW2BHN56NJ03L	B	116.6/111.4
L1407	6140003930	COI LR-492		
L1408	6190001621	COI #E544EN-100028		
L1409	6200003191	S.COI NLV32T-470J	B	135.8/125.4
L1410	6150004280	COI LS-484B (C-14927)		
L1411	6150004280	COI LS-484B (C-14927)		
L1501	6200003520	S.COI ELJFB 102K-F	T	142.1/145.1
L1652	6200002520	S.COI ELJNC R18K-F	T	112.9/133.1
L1653	6200001831	S.COI NLV32T-100J	B	105.4/124.6
L1654	6200001831	S.COI NLV32T-100J	B	112.4/141.9
L1655	6200001831	S.COI NLV32T-100J	B	124.7/139.8
L1701	6200001831	S.COI NLV32T-100J	T	167/160
L1702	6200003950	S.COI HF50ACC 322513-T	T	175.6/169.8
L1703	6200003950	S.COI HF50ACC 322513-T	T	172.6/169.8
L1704	6200003950	S.COI HF50ACC 322513-T	T	169.6/169.8
L1705	6200003950	S.COI HF50ACC 322513-T	T	165.5/169.8
L1803	6200003950	S.COI HF50ACC 322513-T	B	132/54.8
L1804	6200003950	S.COI HF50ACC 322513-T	B	118/154.8
L1805	6200003950	S.COI HF50ACC 322513-T	B	155.2/132.1
L1807	6200003950	S.COI HF50ACC 322513-T	B	118/151.3
L1808	6200003950	S.COI HF50ACC 322513-T	B	141.3/162
L1809	6200003950	S.COI HF50ACC 322513-T	B	149.5/115.6
R1	7030005871	S.RES ERA3YKD 104V (100K)	T	32.5/19.2
R2	7030005321	S.RES ERA3YED 103V (10K)	T	31.2/19.2
R3	7030003550	S.RES ERJ3GEYJ 822 V (8.2K)	T	16.9/23.5
R4	7030003550	S.RES ERJ3GEYJ 822 V (8.2K)	T	16.9/24.8
R5	7030003550	S.RES ERJ3GEYJ 822 V (8.2K)	T	13.3/31.3
R6	7030003550	S.RES ERJ3GEYJ 822 V (8.2K)	T	13.3/30
R7	7030003500	S.RES ERJ3GEYJ 332 V (3.3K)	B	26.7/12.9
R8	7030003470	S.RES ERJ3GEYJ 182 V (1.8K)	B	28.2/14.6
R9	7030003680	S.RES ERJ3GEYJ 104 V (100K)	B	27.5/10.6
R10	7030003360	S.RES ERJ3GEYJ 221 V (220)	T	19/16
R11	7030003360	S.RES ERJ3GEYJ 221 V (220)	T	20.3/16
R12	7030003360	S.RES ERJ3GEYJ 221 V (220)	T	22.4/16
R13	7030003360	S.RES ERJ3GEYJ 221 V (220)	T	23.7/16
R14	7030003360	S.RES ERJ3GEYJ 221 V (220)	T	25/16
R15	7030003360	S.RES ERJ3GEYJ 221 V (220)	T	26.4/16.2
R16	7030003360	S.RES ERJ3GEYJ 221 V (220)	T	32.5/15.4
R17	7030003360	S.RES ERJ3GEYJ 221 V (220)		



[RXPLL-A UNIT]

REF NO.	PARTS NO.	DESCRIPTION	M.	H/V LOCATION
R103	7030007230	S.RES ERA3YED 102V (1K)	T	25.1/100.3
R104	7030007230	S.RES ERA3YED 102V (1K)	T	26.4/100.3
R105	7030007230	S.RES ERA3YED 102V (1K)	T	27.8/100.3
R106	7030003360	S.RES ERJ3GEYJ 221 V (220)	T	29.1/100.3
R107	7030003320	S.RES ERJ3GEYJ 101 V (100)	T	38/101.5
R108	7030007230	S.RES ERA3YED 102V (1K)	T	28.9/79
R109	7030007230	S.RES ERA3YED 102V (1K)	T	41.9/84.5
R110	7030007220	S.RES ERA3YED 202V (2K)	T	14.6/100.5
R111	7030007220	S.RES ERA3YED 202V (2K)	T	17.2/100.5
R112	7030007220	S.RES ERA3YED 202V (2K)	T	17.2/99.2
R113	7030007220	S.RES ERA3YED 202V (2K)	T	17.2/97.9
R114	7030007220	S.RES ERA3YED 202V (2K)	T	17.2/96.6
R115	7030007220	S.RES ERA3YED 202V (2K)	T	17.2/95.2
R116	7030007220	S.RES ERA3YED 202V (2K)	T	17.2/93.9
R117	7030007220	S.RES ERA3YED 202V (2K)	T	17.2/92.6
R118	7030007200	S.RES ERA3YEB 202V (2K)	T	17.2/91.3
R119	7030007200	S.RES ERA3YEB 202V (2K)	T	17.2/89.6
R120	7030007200	S.RES ERA3YEB 202V (2K)	T	17.2/87
R121	7030007200	S.RES ERA3YEB 202V (2K)	T	17.2/84.4
R122	7030007200	S.RES ERA3YEB 202V (2K)	T	17.2/81.8
R123	7030007230	S.RES ERA3YED 102V (1K)	T	14.6/99.2
R124	7030007230	S.RES ERA3YED 102V (1K)	T	14.6/97.9
R125	7030007230	S.RES ERA3YED 102V (1K)	T	14.6/96.6
R126	7030007230	S.RES ERA3YED 102V (1K)	T	14.6/95.2
R127	7030007230	S.RES ERA3YED 102V (1K)	T	14.6/93.9
R128	7030007230	S.RES ERA3YED 102V (1K)	T	14.6/92.6
R129	7030007210	S.RES ERA3YEB 102V (1K)	T	14.6/91.3
R130	7030007210	S.RES ERA3YEB 102V (1K)	T	14.6/89.6
R131	7030007210	S.RES ERA3YEB 102V (1K)	T	14.6/88.3
R132	7030007210	S.RES ERA3YEB 102V (1K)	T	14.6/87
R133	7030007210	S.RES ERA3YEB 102V (1K)	T	14.6/85.7
R134	7030009861	S.RES ERA3YED 471V (470)	T	14.6/84.4
R135	7030003860	S.RES ERJ3GE JPW V	T	30.4/75.8
R136	7030003800	S.RES ERJ3GEYJ 105 V (1M)	T	33/77.1
R137	7030003200	S.RES ERJ3GEYJ 100 V (10)	T	35.5/75.8
R138	7030003860	S.RES ERJ3GE JPW V	T	16.8/78.6
R139	7030003860	S.RES ERJ3GE JPW V	T	17.6/75.8
R140	7030007230	S.RES ERA3YED 102V (1K)	B	31.2/92.0
R141	7030003320	S.RES ERJ3GEYJ 101 V (100)	B	33.8/86.7
R150	7030003330	S.RES ERJ3GEYJ 121 V (120)	B	37.8/86.2
R151	7030003220	S.RES ERJ3GEYJ 150 V (15)	B	38.6/88.1
R152	7030005871	S.RES ERA3YKD 104V (100K)	B	36.2/82.5
R153	7030005321	S.RES ERA3YED 103V (10K)	T	19.2/62.7
R154	7030003320	S.RES ERJ3GEYJ 101 V (100)	B	26.3/54.1
R155	7030003350	S.RES ERJ3GEYJ 181 V (180)	B	23/54.1
R156	7030005871	S.RES ERA3YKD 104V (100K)	T	24.6/53.1
R157	7030005871	S.RES ERA3YKD 104V (100K)	T	26.9/58
R158	7030003340	S.RES ERJ3GEYJ 151 V (150)	T	30/57.3
R159	7030003320	S.RES ERJ3GEYJ 101 V (100)	B	33.6/61.4
R160	7030003360	S.RES ERJ3GEYJ 221 V (220)	B	33.6/59.6
R161	7030003640	S.RES ERJ3GEYJ 473 V (47K)	B	33.6/54.8
R163	7030003220	S.RES ERJ3GEYJ 150 V (15)	B	30.2/56.6
R164	7030003310	S.RES ERJ3GEYJ 820 V (82)	B	34.1/70.4
R165	7030003320	S.RES ERJ3GEYJ 101 V (100)	B	30.8/70.4
R166	7030003320	S.RES ERJ3GEYJ 101 V (100)	B	30.8/72.2
R167	7030003240	S.RES ERJ3GEYJ 220 V (22)	B	37.4/75.8
R168	7030003360	S.RES ERJ3GEYJ 221 V (220)	B	34.1/75.8
R169	7030003640	S.RES ERJ3GEYJ 473 V (47K)	B	30.8/75.8
R202	7030007230	S.RES ERA3YED 102V (1K)	T	22.2/39.7
R203	7030007230	S.RES ERA3YED 102V (1K)	T	22.2/38.4
R204	7030003360	S.RES ERJ3GEYJ 221 V (220)	T	22.2/37.1
R205	7030005321	S.RES ERA3YED 103V (10K)	T	27.4/34
R206	7030003220	S.RES ERJ3GEYJ 150 V (15)	T	31.1/45.7
R210	7030005351	S.RES ERA3YED 182V (1.8K)	T	35.6/37.5
R217	7030009651	S.RES ERA3YHD 820V (82)	B	40.4/42.8
R219	7030009691	S.RES ERA3YED 101V (100)	B	40/35.7
R220	7030005871	S.RES ERA3YKD 104V (100K)	T	73.2/37.6
R221	7030005871	S.RES ERA3YKD 104V (100K)	T	72.3/30.9
R222	7030003400	S.RES ERJ3GEYJ 471 V (470)	T	81.4/38.3
R223	7030007230	S.RES ERA3YED 102V (1K)	T	81.9/31.9
R224	7030003320	S.RES ERJ3GEYJ 101 V (100)	T	73.2/40.2
R230	7030005871	S.RES ERA3YKD 104V (100K)	T	73.2/50.1
R231	7030005871	S.RES ERA3YKD 104V (100K)	T	72.3/43.3
R232	7030003360	S.RES ERJ3GEYJ 221 V (220)	T	81.4/50.8
R233	7030007230	S.RES ERA3YED 102V (1K)	T	81.9/44.4
R234	7030003320	S.RES ERJ3GEYJ 101 V (100)	T	73.2/52.7
R240	7030005871	S.RES ERA3YKD 104V (100K)	T	73.2/62.6
R241	7030005871	S.RES ERA3YKD 104V (100K)	T	72.3/55.8
R242	7030003360	S.RES ERJ3GEYJ 221 V (220)	T	81.4/63.3
R243	7030007230	S.RES ERA3YED 102V (1K)	T	81.9/56.9
R244	7030003320	S.RES ERJ3GEYJ 101 V (100)	T	73.2/65.2
R250	7030005871	S.RES ERA3YKD 104V (100K)	T	73.2/75.1
R251	7030005871	S.RES ERA3YKD 104V (100K)	T	72.3/68.4
R252	7030003360	S.RES ERJ3GEYJ 221 V (220)	T	81.4/75.8
R253	7030007230	S.RES ERA3YED 102V (1K)	T	81.9/69.4
R254	7030003320	S.RES ERJ3GEYJ 101 V (100)	T	73.2/77.7
R260	7030005871	S.RES ERA3YKD 104V (100K)	T	73.2/87.6
R261	7030005871	S.RES ERA3YKD 104V (100K)	T	72.3/80.9
R262	7030003400	S.RES ERJ3GEYJ 471 V (470)	T	81.4/88.3
R263	7030007230	S.RES ERA3YED 102V (1K)	T	81.9/81.9
R264	7030003320	S.RES ERJ3GEYJ 101 V (100)	T	73.2/90.2
R270	7030005871	S.RES ERA3YKD 104V (100K)	T	73.2/99.5
R271	7030005871	S.RES ERA3YKD 104V (100K)	T	72.3/92.8
R272	7030003360	S.RES ERJ3GEYJ 221 V (220)	T	81.4/100.8
R273	7030007230	S.RES ERA3YED 102V (1K)	T	81.9/93.9
R274	7030003320	S.RES ERJ3GEYJ 101 V (100)	T	73.2/102.1
R301	7030003200	S.RES ERJ3GEYJ 100 V (10)	T	86.5/30.6
R302	7030007230	S.RES ERA3YED 102V (1K)	T	86.5/29.3
R303	7030003360	S.RES ERJ3GEYJ 221 V (220)	T	92.1/28
R304	7030003490	S.RES ERJ3GEYJ 272 V (2.7K)	T	94/30.1
R305	7030003510	S.RES ERJ3GEYJ 392 V (3.9K)	T	95.3/30.1
R306	7030003360	S.RES ERJ3GEYJ 221 V (220)	T	94.7/32.2
R307	7030009841	S.RES ERA3YHD 330V (33)	T	92.1/32.2

[RXPLL-A UNIT]

REF NO.	PARTS NO.	DESCRIPTION	M.	H/V LOCATION
R308	7030003370	S.RES ERJ3GEYJ 271 V (270)	[USA]	B 92.6/43.4
	7030003370	S.RES ERJ3GEYJ 271 V (270)	[EUR]	
	7030003370	S.RES ERJ3GEYJ 271 V (270)	[FRA]	
	7030003370	S.RES ERJ3GEYJ 271 V (270)	[DEN]	
	7030003370	S.RES ERJ3GEYJ 271 V (270)	[ITR]	
	7030003370	S.RES ERJ3GEYJ 271 V (270)	[KOR]	
	7030003370	S.RES ERJ3GEYJ 271 V (270)	[ESP]	
	7030003370	S.RES ERJ3GEYJ 271 V (270)	[AUS]	
	7030003370	S.RES ERJ3GEYJ 271 V (270)	[UK]	
	7030003370	S.RES ERJ3GEYJ 271 V (270)	[RX]	
	7030009851	S.RES ERA3YED 271V (270)	[CHN]	
R309	7030003540	S.RES ERJ3GEYJ 682 V (6.8K)	B	89.1/47
R310	7030003500	S.RES ERJ3GEYJ 332 V (3.3K)	B	92.6/47
R311	7030003350	S.RES ERJ3GEYJ 181 V (180)	B	89.1/45.2
R312	7030003360	S.RES ERJ3GEYJ 221 V (220)	B	92.4/27.8
R313	7030003490	S.RES ERJ3GEYJ 272 V (2.7K)	B	91.1/23.1
R314	7030003510	S.RES ERJ3GEYJ 392 V (3.9K)	B	88.3/23.1
R315	7030003360	S.RES ERJ3GEYJ 221 V (220)	B	87.5/25.1
R316	7030003280	S.RES ERJ3GEYJ 470 V (47)	B	78.3/26.1
R317	7030006220	S.RES ERJ12Y470U (47)	B	90/31.4
R318	7030009841	S.RES ERA3YHD 330V (33)	B	92.6/41.6
R341	7030007230	S.RES ERA3YED 102V (1K)	T	92.1/40.1
R342	7030005321	S.RES ERA3YED 103V (10K)	T	86.5/32.2
R343	7030007230	S.RES ERA3YED 102V (1K)	T	89.3/34.8
R351	7030003200	S.RES ERJ3GEYJ 100 V (10)	B	89.1/52.4
R352	7030010980	S.RES ERA3YHD 470V (47)	T	89.3/55.8
R353	7030009591	S.RES ERA3YED 472V (4.7K)	T	89.3/54.5
R354	7030009591	S.RES ERA3YED 472V (4.7K)	T	89.3/50.4
R355	7030009591	S.RES ERA3YED 472V (4.7K)	T	89.3/52.7
R356	7030003320	S.RES ERJ3GEYJ 101 V (100)	T	89.3/57.1
R357	7310005580	S.TRI TMC3ADCS3X (4.7K)	T	93.5/52.7
R358	7030010980	S.RES ERA3YHD 470V (47)	T	94.9/56.4
R359	7030003320	S.RES ERJ3GEYJ 101 V (100)	T	94.9/59
R360	7030003320	S.RES ERJ3GEYJ 101 V (100)	B	92.6/63.9
R361	7030003490	S.RES ERJ3GEYJ 272 V (2.7K)	B	89.2/62.1
R362	7030003510	S.RES ERJ3GEYJ 392 V (3.9K)	B	92.6/60.3
R363	7030003320	S.RES ERJ3GEYJ 101 V (100)	B	92.6/65.7
R364	7030003410	S.RES ERJ3GEYJ 561 V (560)	T	94.9/82.9
R365	7030007860	S.RES ERJ3GEYJ 8R2V (8.2)	T	92/83.4
R366	7030003410	S.RES ERJ3GEYJ 561 V (560)	T	94.9/84.2
R368	7030005321	S.RES ERA3YED 103V (10K)	T	86.1/59.6
R369	7030008240	S.RES ERJ12Y0R00U	B	95.3/57.1
R421	7030007230	S.RES ERA3YED 102V (1K)	T	92.1/87.8
R422	7030007230	S.RES ERA3YED 102V (1K)	T	89.3/87.8
R423	7030007230	S.RES ERA3YED 102V (1K)	T	92.1/89.1
R424	7030007230	S.RES ERA3YED 102V (1K)	T	89.3/89.1
R425	7030003410	S.RES ERJ3GEYJ 561 V (560)	T	90.1/81.6
R426	7030003410	S.RES ERJ3GEYJ 561 V (560)	T	91.5/93.3
R427	7030003320	S.RES ERJ3GEYJ 101 V (100)	B	86.8/87.3
R428	7030009861	S.RES ERA3YED 471V (470)	B	92.1/88
R429	7030009861	S.RES ERA3YED 471V (470)	B	89.3/88
R441	7030003440	S.RES ERJ3GEYJ 102 V (1K)	[USA]	T 92.1/75.5
	7030003440	S.RES ERJ3GEYJ 102 V (1K)	[EUR]	
	7030003440	S.RES ERJ3GEYJ 102 V (1K)	[FRA]	
	7030003440	S.RES ERJ3GEYJ 102 V (1K)	[DEN]	
	7030003440	S.RES ERJ3GEYJ 102 V (1K)	[ITR]	
	7030003440	S.RES ERJ3GEYJ 102 V (1K)	[KOR]	
	7030003440	S.RES ERJ3GEYJ 102 V (1K)	[ESP]	
	7030003440	S.RES ERJ3GEYJ 102 V (1K)	[AUS]	
	7030003440	S.RES ERJ3GEYJ 102 V (1K)	[UK]	
	7030003440	S.RES ERJ3GEYJ 102 V (1K)	[RX]	
	7030007230	S.RES ERA3YED 102V (1K)	[CHN]	
R442	7030005321	S.RES ERA3YED 103V (10K)	T	88.9/70.9
R443	7030003440	S.RES ERJ3GEYJ 102 V (1K)	[USA]	T 88.9/72.2
	7030003440	S.RES ERJ3GEYJ 102 V (1K)	[EUR]	
	7030003440	S.RES ERJ3GEYJ 102 V (1K)	[FRA]	
	7030003440	S.RES ERJ3GEYJ 102 V (1K)	[DEN]	
	7030003440	S.RES ERJ3GEYJ 102 V (1K)	[ITR]	
	7030003440	S.RES ERJ3GEYJ 102 V (1K)	[KOR]	
	7030003440	S.RES ERJ3GEYJ 102 V (1K)	[ESP]	
	7030003440	S.RES ERJ3GEYJ 102 V (1K)	[AUS]	
	7030003440	S.RES ERJ3GEYJ 102 V (1K)	[UK]	
	7030003440	S.RES ERJ3GEYJ 102 V (1K)	[RX]	
	7030007230	S.RES ERA3YED 102V (1K)	[CHN]	
R501	7030003360	S.RES ERJ3GEYJ 221 V (220)	T	29.2/153.1
R502	7030007230	S.RES ERA3YED 102V (1K)	T	27.9/153.1
R503	7030007230	S.RES ERA3YED 102V (1K)	T	26.5/153.1
R504	7030007230	S.RES ERA3YED 102V (1K)	T	25.2/153.1
R506	7030003800	S.RES ERJ3GEYJ 105 V (1M)	T	34/154.5
R507	7030003860	S.RES ERJ3GE JPW V	B	50.8/127
R509	7030007230	S.RES ERA3YED 102V (1K)	T	42.5/136
R510	7030007220	S.RES ERA3YED 202V (2K)	T	14.6/153.6
R511	7030007220	S.RES ERA3YED 202V (2K)	T	17.2/153.6
R512	7030007220	S.RES ERA3YED 202V (2K)	T	17.2/152.3
R513	7030007220	S.RES ERA3		

[RXPLL-A UNIT]

REF NO.	PARTS NO.	DESCRIPTION	M.	H/V LOCATION
R534	7030003860	S.RES ERJ3GE JPW V	T	22.2/127.6
R535	7030003800	S.RES ERJ3GEYJ 105 V (1M)	T	24.8/129.8
R536	7030003200	S.RES ERJ3GEYJ 100 V (10)	T	28/128.3
R537	7030007230	S.RES ERA3YED 102V (1K)	T	30.3/131.9
R538	7030003360	S.RES ERJ3GEYJ 221 V (220)	B	34.8/146.5
R540	7030007230	S.RES ERA3YED 102V (1K)	B	52.3/142.8
R544	7030005871	S.RES ERA3YKD 104V (100K)	T	69.4/140.4
R545	7030005871	S.RES ERA3YKD 104V (100K)	T	69.4/139.1
R546	7030009861	S.RES ERA3YED 471V (470)	T	67.4/150.7
R548	7030009591	S.RES ERA3YED 472V (4.7K)	B	43.4/136.5
R550	7030009691	S.RES ERA3YED 101V (100)	B	43.4/134.7
R554	7030009891	S.RES ERA3YED 151V (150)	B	47.2/133.9
R555	7030003380	S.RES ERJ3GEYJ 331 V (330)	B	61.9/142.1
R556	7030005981	S.RES ERA3YED 333V (33K)	B	44.2/128.2
R561	7030003200	S.RES ERJ3GEYJ 100 V (10)	T	71.3/148.5
R562	7030003360	S.RES ERJ3GEYJ 221 V (220)	T	65.7/155.5
R563	7030003490	S.RES ERJ3GEYJ 272 V (2.7K)	T	70.4/151.9
R564	7030003510	S.RES ERJ3GEYJ 392 V (3.9K)	T	70.4/150.6
R565	7030003360	S.RES ERJ3GEYJ 221 V (220)	T	67/155.5
R570	7030003230	S.RES ERJ3GEYJ 180 V (18)	T	63.1/155.5
R571	7030003230	S.RES ERJ3GEYJ 180 V (18)	T	58.5/155
R572	7030003290	S.RES ERJ3GEYJ 560 V (56)	B	57.2/156.3
R573	7030009841	S.RES ERA3YHD 330V (33)	T	61.8/155.5
R574	7030003300	S.RES ERJ3GEYJ 680 V (68)	T	60.5/155.5
R575	7030003220	S.RES ERJ3GEYJ 150 V (15)	T	58.5/156.3
R580	7030009861	S.RES ERA3YED 471V (470)	T	41.9/153.7
R581	7030003360	S.RES ERJ3GEYJ 221 V (220)	T	41.9/145.5
R582	7030003600	S.RES ERJ3GEYJ 223 V (22K)	T	41.9/149.5
R587	7030003370	S.RES ERJ3GEYJ 271 V (270) [USA]	T	55.7/157.6
	7030003370	S.RES ERJ3GEYJ 271 V (270) [EUR]		
	7030003370	S.RES ERJ3GEYJ 271 V (270) [FRA]		
	7030003370	S.RES ERJ3GEYJ 271 V (270) [DEN]		
	7030003370	S.RES ERJ3GEYJ 271 V (270) [ITR]		
	7030003370	S.RES ERJ3GEYJ 271 V (270) [KOR]		
	7030003370	S.RES ERJ3GEYJ 271 V (270) [ESP]		
	7030003370	S.RES ERJ3GEYJ 271 V (270) [AUS]		
	7030003370	S.RES ERJ3GEYJ 271 V (270) [UK]		
	7030003370	S.RES ERJ3GEYJ 271 V (270) [RX]		
	7030009851	S.RES ERA3YED 271V (270) [CHN]		
R588	7030003230	S.RES ERJ3GEYJ 180 V (18)	T	58.5/158.9
R589	7030003370	S.RES ERJ3GEYJ 271 V (270) [USA]	T	55.7/158.9
	7030003370	S.RES ERJ3GEYJ 271 V (270) [EUR]		
	7030003370	S.RES ERJ3GEYJ 271 V (270) [FRA]		
	7030003370	S.RES ERJ3GEYJ 271 V (270) [DEN]		
	7030003370	S.RES ERJ3GEYJ 271 V (270) [ITR]		
	7030003370	S.RES ERJ3GEYJ 271 V (270) [KOR]		
	7030003370	S.RES ERJ3GEYJ 271 V (270) [ESP]		
	7030003370	S.RES ERJ3GEYJ 271 V (270) [AUS]		
	7030003370	S.RES ERJ3GEYJ 271 V (270) [UK]		
	7030003370	S.RES ERJ3GEYJ 271 V (270) [RX]		
	7030009851	S.RES ERA3YED 271V (270) [CHN]		
R591	7030003320	S.RES ERJ3GEYJ 101 V (100)	T	58.2/169.9
R592	7030005321	S.RES ERA3YED 103V (10K)	T	58.5/167.9
R593	7030003480	S.RES ERJ3GEYJ 222 V (2.2K)	T	58.5/165.1
R594	7030003320	S.RES ERJ3GEYJ 101 V (100)	B	61.9/168.1
R595	7030003640	S.RES ERJ3GEYJ 473 V (47K)	B	55.9/165.3
R596	7030003540	S.RES ERJ3GEYJ 682 V (6.8K)	B	54.7/168.9
R603	7030003480	S.RES ERJ3GEYJ 222 V (2.2K)	T	56.3/110.9
R604	7030007230	S.RES ERA3YED 102V (1K)	B	53.4/115.8
R605	7030003320	S.RES ERJ3GEYJ 101 V (100)	T	46.8/113.4
R651	7030007230	S.RES ERA3YED 102V (1K)	B	23.5/177.1
R652	7030003360	S.RES ERJ3GEYJ 221 V (220)	T	13.5/170.8
R653	7030007230	S.RES ERA3YED 102V (1K)	T	13.5/169.5
R654	7030007230	S.RES ERA3YED 102V (1K)	T	13.5/168.2
R656	7030003800	S.RES ERJ3GEYJ 105 V (1M)	T	15/161.4
R657	7030003320	S.RES ERJ3GEYJ 101 V (100)	T	20.2/161.4
R661	7030007220	S.RES ERA3YED 202V (2K)	T	31.7/162.8
R662	7030007220	S.RES ERA3YED 202V (2K)	T	31.7/164.1
R663	7030007220	S.RES ERA3YED 202V (2K)	T	31.7/165.4
R664	7030007220	S.RES ERA3YED 202V (2K)	T	31.7/166.7
R665	7030007220	S.RES ERA3YED 202V (2K)	T	31.7/168
R666	7030007220	S.RES ERA3YED 202V (2K)	T	31.7/170.6
R667	7030007220	S.RES ERA3YED 202V (2K)	T	31.7/171.9
R668	7030007220	S.RES ERA3YED 202V (2K)	T	31.7/173.2
R669	7030007200	S.RES ERA3YEB 202V (2K)	T	31.7/174.5
R670	7030007200	S.RES ERA3YEB 202V (2K)	T	31.7/175.8
R671	7030007200	S.RES ERA3YEB 202V (2K)	T	31.7/177.1
R673	7030007230	S.RES ERA3YED 102V (1K)	T	34.3/165.4
R674	7030007230	S.RES ERA3YED 102V (1K)	T	34.3/166.7
R675	7030007230	S.RES ERA3YED 102V (1K)	T	34.3/168
R676	7030007230	S.RES ERA3YED 102V (1K)	T	34.3/169.3
R677	7030007230	S.RES ERA3YED 102V (1K)	T	34.3/170.6
R678	7030007230	S.RES ERA3YED 102V (1K)	T	34.3/171.9
R679	7030007210	S.RES ERA3YEB 102V (1K)	T	34.3/173.2
R680	7030007210	S.RES ERA3YEB 102V (1K)	T	34.3/174.5
R681	7030007210	S.RES ERA3YEB 102V (1K)	T	34.3/175.8
R682	7030003860	S.RES ERJ3GE JPW V	B	58.4/166
R685	7030003460	S.RES ERJ3GEYJ 152 V (1.5K)	T	38.4/169.7
R686	7030003320	S.RES ERJ3GEYJ 101 V (100)	T	40.3/163.4
R687	7030003470	S.RES ERJ3GEYJ 182 V (1.8K)	T	34.3/165.1
R688	7030003480	S.RES ERJ3GEYJ 222 V (2.2K)	T	34.3/162.8
R689	7030003360	S.RES ERJ3GEYJ 221 V (220)	T	33.6/161.5
R690	7030003370	S.RES ERJ3GEYJ 271 V (270) [USA]	T	46.4/165.3
	7030003370	S.RES ERJ3GEYJ 271 V (270) [EUR]		
	7030003370	S.RES ERJ3GEYJ 271 V (270) [FRA]		
	7030003370	S.RES ERJ3GEYJ 271 V (270) [DEN]		
	7030003370	S.RES ERJ3GEYJ 271 V (270) [ITR]		
	7030003370	S.RES ERJ3GEYJ 271 V (270) [KOR]		
	7030003370	S.RES ERJ3GEYJ 271 V (270) [ESP]		
	7030003370	S.RES ERJ3GEYJ 271 V (270) [AUS]		
	7030003370	S.RES ERJ3GEYJ 271 V (270) [UK]		
	7030009851	S.RES ERA3YED 271V (270) [CHN]		
R691	7030003230	S.RES ERJ3GEYJ 180 V (18)	T	48.4/164.8

[RXPLL-A UNIT]

REF NO.	PARTS NO.	DESCRIPTION	M.	H/V LOCATION
R692	7030003370	S.RES ERJ3GEYJ 271 V (270) [USA]	T	46.4/166.6
	7030003370	S.RES ERJ3GEYJ 271 V (270) [EUR]		
	7030003370	S.RES ERJ3GEYJ 271 V (270) [FRA]		
	7030003370	S.RES ERJ3GEYJ 271 V (270) [DEN]		
	7030003370	S.RES ERJ3GEYJ 271 V (270) [ITR]		
	7030003370	S.RES ERJ3GEYJ 271 V (270) [KOR]		
	7030003370	S.RES ERJ3GEYJ 271 V (270) [ESP]		
	7030003370	S.RES ERJ3GEYJ 271 V (270) [AUS]		
	7030003370	S.RES ERJ3GEYJ 271 V (270) [UK]		
	7030003370	S.RES ERJ3GEYJ 271 V (270) [RX]		
	7030009851	S.RES ERA3YED 271V (270) [CHN]		
R693	7030003500	S.RES ERJ3GEYJ 332 V (3.3K)	T	37.1/169.7
R704	7030009841	S.RES ERA3YHD 330V (33)	T	30.8/113.7
R705	7030003600	S.RES ERJ3GEYJ 223 V (22K)	T	29.5/113.7
R706	7030005321	S.RES ERA3YED 103V (10K)	T	28.2/113.7
R707	7030009861	S.RES ERA3YED 471V (470)	T	30.8/108.1
R708	7030003410	S.RES ERJ3GEYJ 561 V (560)	T	43.3/118.8
R709	7030007860	S.RES ERJ3GEYJ 8R2V (8.2)	T	43.3/116.1
R710	7030003410	S.RES ERJ3GEYJ 561 V (560)	T	43.8/121.1
R711	7030003320	S.RES ERJ3GEYJ 101 V (100)	T	37.9/154.5
R802	7030009861	S.RES ERA3YED 471V (470)	T	78.3/147.3
R803	7030005321	S.RES ERA3YED 103V (10K)	T	79.6/147.3
R804	7030003320	S.RES ERJ3GEYJ 101 V (100)	T	80.4/149.5
R805	7030003370	S.RES ERJ3GEYJ 271 V (270) [USA]	T	81.5/158.7
	7030003370	S.RES ERJ3GEYJ 271 V (270) [EUR]		
	7030003370	S.RES ERJ3GEYJ 271 V (270) [FRA]		
	7030003370	S.RES ERJ3GEYJ 271 V (270) [DEN]		
	7030003370	S.RES ERJ3GEYJ 271 V (270) [ITR]		
	7030003370	S.RES ERJ3GEYJ 271 V (270) [KOR]		
	7030003370	S.RES ERJ3GEYJ 271 V (270) [ESP]		
	7030003370	S.RES ERJ3GEYJ 271 V (270) [AUS]		
	7030003370	S.RES ERJ3GEYJ 271 V (270) [UK]		
	7030003370	S.RES ERJ3GEYJ 271 V (270) [RX]		
	7030009851	S.RES ERA3YED 271V (270) [CHN]		
R806	7030003230	S.RES ERJ3GEYJ 180 V (18)	T	84.3/158.7
R807	7030003370	S.RES ERJ3GEYJ 271 V (270) [USA]	T	87.1/158.7
	7030003370	S.RES ERJ3GEYJ 271 V (270) [EUR]		
	7030003370	S.RES ERJ3GEYJ 271 V (270) [FRA]		
	7030003370	S.RES ERJ3GEYJ 271 V (270) [DEN]		
	7030003370	S.RES ERJ3GEYJ 271 V (270) [ITR]		
	7030003370	S.RES ERJ3GEYJ 271 V (270) [KOR]		
	7030003370	S.RES ERJ3GEYJ 271 V (270) [ESP]		
	7030003370	S.RES ERJ3GEYJ 271 V (270) [AUS]		
	7030003370	S.RES ERJ3GEYJ 271 V (270) [UK]		
	7030003370	S.RES ERJ3GEYJ 271 V (270) [RX]		
	7030009851	S.RES ERA3YED 271V (270) [CHN]		
R812	7030007230	S.RES ERA3YED 102V (1K)	T	73.9/177.6
R814	7030005321	S.RES ERA3YED 103V (10K)	T	75.2/177.6
R815	7030003320	S.RES ERJ3GEYJ 101 V (100)	T	79.6/173.6
R831	7030003320	S.RES ERJ3GEYJ 101 V (100)	B	85.6/180
R832	7030003300	S.RES ERJ3GEYJ 680 V (68)	B	88.5/177.2
R833	7030003320	S.RES ERJ3GEYJ 101 V (100)	B	89.3/174.6
R834	7030003380	S.RES ERJ3GEYJ 331 V (330)	T	91.6/155.7
R835	7030003320	S.RES ERJ3GEYJ 101 V (100)	T	94.4/155.7
R836	7030003380	S.RES ERJ3GEYJ 331 V (330)	T	88.8/145.4
R837	7030003220	S.RES ERJ3GEYJ 150 V (15)	T	91.6/145.4
R838	7030003380	S.RES ERJ3GEYJ 331 V (330)	T	94.4/145.4
R839	7030005321	S.RES ERA3YED 103V (10K)	B	77.9/171
R840	7030003540	S.RES ERJ3GEYJ 682 V (6.8K)	B	74.5/165.7
R1000	7030003320	S.RES ERJ3GEYJ 101 V (100)	B	177.1/11.2
R1001	7030003640	S.RES ERJ3GEYJ 473 V (47K)	T	182.8/63.5
R1002	7030003480	S.RES ERJ3GEYJ 222 V (2.2K)	T	183.5/65.7
R1003	7030010980	S.RES ERA3YHD 470V (47)	T	162/13.4
R1004	7030007230	S.RES ERA3YED 102V (1K)	B	166.4/12.9
R1005	7030003550	S.RES ERJ3GEYJ 822 V (8.2K)	T	144/26.1
R1006	7030007230	S.RES ERA3YED 102V (1K)	T	145.3/26.1
R1007	7030004030	S.RES ERJ3GEYJ 5R6 V (5.6)	B	153.7/33.6
R1008	7030003240	S.RES ERJ3GEYJ 220 V (22)	T	144/36.4
R1009	7030010980	S.RES ERA3YHD 470V (47)	T	182.4/29.7
R1010	7030010980	S.RES ERA3YHD 470V (47)	T	154.5/33.2
R1013	7030007230	S.RES ERA3YED 102V (1K)	B	172.7/40.8
R1014	7030007230	S.RES ERA3YED 102V (1K)	B	156.7/40.8
R1015	7030003530	S.RES ERJ3GEYJ 562 V (5.6K)	B	172.7/45.4
R1016	7030003520	S.RES ERJ3GEYJ 562 V (5.6K)	B	156.7/45.4
R1017	7030003530	S.RES ERJ3GEYJ 562 V (5.6K)	B	169.7/12.9
R1018	7030003650	S.RES ERJ3GEYJ 563 V (56K)	B	181.1/62.4
R1019	7030005321	S.RES ERA3YED 103V (10K)	B	181.9/65
R1020	7030003390	S.RES ERJ3GEYJ 391 V (390)	T	179.6/18.3
R1021	7030003220	S.RES ERJ3GEYJ 150 V (15)	T	177/19.4
R1022	7030003390	S.RES ERJ3GEYJ 391 V (390)	T	180.9/19.4
R1023	7030010980	S.RES ERA3YHD 470V (47)	B	149.3/33.5
R1024	7030003200	S.RES ERJ3GEYJ 100 V (10)	B	150.1/31.4
R1025	7030003300	S.RES ERJ3GEYJ 680 V (68)	T	178.3/19.4
R1026	7030003480	S.RES ERJ3GEYJ 222 V (2.2K)	B	171.2/14.2
R1027	7030003200	S.RES ERJ3GEYJ 100 V (10)	B	176.5/3



[RXPLL-A UNIT]

REF NO.	PARTS NO.	DESCRIPTION	M.	H/V LOCATION
R1113	7030003480	S.RES ERJ3GEYJ 222 V (2.2K)	T	166.2/131.7
R1114	7030004040	S.RES ERJ3GEYJ 4R7 V (4.7)	T	179.2/125.3
R1115	7030006240	S.RES ERJ12YJ181U (180)	B	176.5/129.9
R1116	7030007230	S.RES ERA3YED 102V (1K)	T	175.7/135.3
R1117	7030004040	S.RES ERJ3GEYJ 4R7 V (4.7)	T	175.7/134
R1118	7030003480	S.RES ERJ3GEYJ 222 V (2.2K)	T	175.4/132
R1119	7030003470	S.RES ERJ3GEYJ 182 V (1.8K)	T	178/132
R1120	7030006070	S.RES ERJ12YJ101U (100)	B	177.3/141
R1121	7030003240	S.RES ERJ3GEYJ 220 V (22)	T	178.6/139.6
R1122	7030010980	S.RES ERA3YHD 470V (47)	T	171.9/131.1
R1123	7030003480	S.RES ERJ3GEYJ 222 V (2.2K)	T	165.7/137.4
R1124	7030003460	S.RES ERJ3GEYJ 152 V (1.5K)	T	165.7/140
R1125	7030003420	S.RES ERJ3GEYJ 681 V (680)	B	171/142.2
R1126	7030003200	S.RES ERJ3GEYJ 100 V (10)	T	168.4/142.2
R1127	7030010980	S.RES ERA3YHD 470V (47)	T	174.6/142.9
R1128	7030003470	S.RES ERJ3GEYJ 182 V (1.8K)	T	174.6/146.6
R1129	7030003470	S.RES ERJ3GEYJ 182 V (1.8K)	T	174.6/148.4
R1130	7030003480	S.RES ERJ3GEYJ 222 V (2.2K)	T	180.6/146.4
R1131	7030003640	S.RES ERJ3GEYJ 473 V (47K)	B	177.4/90.7
R1132	7310004860	S.TRI EVM-3YSX50 B53 (502)	T	179.4/84.3
R1133	7030003500	S.RES ERJ3GEYJ 332 V (3.3K)	T	175.5/82.5
R1134	7030003640	S.RES ERJ3GEYJ 473 V (47K)	T	175.5/83.8
R1135	7030005871	S.RES ERA3YKD 104V (100K)	T	182.2/97.8
R1151	7030003280	S.RES ERJ3GEYJ 470 V (47)	T	134.8/63.9
R1152	7030003280	S.RES ERJ3GEYJ 470 V (47)	B	117.2/56.3
R1203	7030000010	S.RES MCR10EZHH JPW (000)	T	157.5/74.9
R1208	7030003480	S.RES ERJ3GEYJ 222 V (2.2K)	T	138.3/53.9
R1209	7030005321	S.RES ERA3YED 103V (10K)	T	139.1/51.9
R1210	7030003650	S.RES ERJ3GEYJ 563 V (56K)	B	142.5/44.3
R1211	7030003860	S.RES ERJ3GE JPW V	T	117.6/7.8
R1212	7030003860	S.RES ERJ3GE JPW V	T	124.8/51.1
R1213	7030003200	S.RES ERJ3GEYJ 100 V (10)	B	118.8/25
R1214	7030003200	S.RES ERJ3GEYJ 100 V (10)	B	109/25
R1216	7030010980	S.RES ERA3YHD 470V (47)	B	120.7/31.6
R1217	7030010980	S.RES ERA3YHD 470V (47)	B	111.2/31.6
R1220	7030010980	S.RES ERA3YHD 470V (47)	T	118.7/17.3
R1221	7030007230	S.RES ERA3YED 102V (1K)	T	116.4/39.9
R1222	7030003530	S.RES ERJ3GEYJ 562 V (5.6K)	T	116.4/38.6
R1223	7030010980	S.RES ERA3YHD 470V (47)	T	109.3/17.1
R1224	7030007230	S.RES ERA3YED 102V (1K)	T	106.6/39.9
R1225	7030003530	S.RES ERJ3GEYJ 562 V (5.6K)	T	106.6/38.6
R1226	7030003410	S.RES ERJ3GEYJ 561 V (560)	T	158.9/92.9
R1227	7030003410	S.RES ERJ3GEYJ 561 V (560)	T	154/92.9
R1228	7310004860	S.TRI EVM-3YSX50 B53 (502)	T	156.4/92.9
R1229	7030003480	S.RES ERJ3GEYJ 222 V (2.2K)	B	156.1/117.4
R1230	7030003480	S.RES ERJ3GEYJ 222 V (2.2K)	B	156.1/119.2
R1231	7030003480	S.RES ERJ3GEYJ 222 V (2.2K)	B	156.1/121
R1232	7030003600	S.RES ERJ3GEYJ 223 V (22K)	T	156.3/97.5
R1233	7030010980	S.RES ERA3YHD 470V (47)	B	152.5/109.4
R1301	7030010980	S.RES ERA3YHD 470V (47)	B	155.7/97.5
R1302	7030003860	S.RES ERJ3GE JPW V	T	159.3/116.8
R1304	7030003620	S.RES ERJ3GEYJ 333 V (33K)	T	156.5/123.2
R1306	7030006230	S.RES ERJ12YJ151U (150)	B	153.8/124.8
R1307	7030003300	S.RES ERJ3GEYJ 680 V (68)	T	156.5/128.4
R1311	7030000010	S.RES MCR10EZHH JPW (000)	T	140.3/98.8
R1312	7030000010	S.RES MCR10EZHH JPW (000)	T	143.2/104.1
R1313	7030000010	S.RES MCR10EZHH JPW (000)	T	143.2/101.5
R1357	7030007230	S.RES ERA3YED 102V (1K)	B	140.7/70.4
R1358	7030003530	S.RES ERJ3GEYJ 562 V (5.6K)	B	142.8/70.4
R1359	7030010980	S.RES ERA3YHD 470V (47)	T	139.4/67.4
R1360	7030007230	S.RES ERA3YED 102V (1K)	B	146.4/67.1
R1361	7030003380	S.RES ERJ3GEYJ 331 V (330)	T	139.3/68.8
R1362	7030005871	S.RES ERA3YKD 104V (100K)	B	144.6/70.4
R1401	7030003200	S.RES ERJ3GEYJ 100 V (10)	T	131.5/103.3
R1402	7030003300	S.RES ERJ3GEYJ 680 V (68)	T	126.4/111
R1403	7030007230	S.RES ERA3YED 102V (1K)	T	132/107.7
R1404	7030009861	S.RES ERA3YED 471V (470)	T	134.6/104.3
R1405	7030003340	S.RES ERJ3GEYJ 151 V (150)	T	137.2/104.3
R1406	7030009591	S.RES ERA3YED 472V (4.7K)	T	135.2/106.2
R1407	7030003550	S.RES ERJ3GEYJ 822 V (8.2K)	B	135.4/104.3
R1408	7030003200	S.RES ERJ3GEYJ 100 V (10)	T	120.9/109
R1409	7030009591	S.RES ERA3YED 472V (4.7K)	T	120.5/114.9
R1410	7030006091	S.RES ERA3YED 822V (8.2K)	B	124.2/114.4
R1411	7030005871	S.RES ERA3YKD 104V (100K)	T	123.2/116.2
R1412	7030003200	S.RES ERJ3GEYJ 100 V (10)	T	126.4/112.3
R1413	7030003200	S.RES ERJ3GEYJ 100 V (10)	T	126.4/113.6
R1414	7030005871	S.RES ERA3YKD 104V (100K)	B	120.9/114.4
R1415	7030010980	S.RES ERA3YHD 470V (47)	T	127/114.9
R1416	7030003320	S.RES ERJ3GEYJ 101 V (100)	B	139.7/122.9
R1417	7030000010	S.RES MCR10EZHH JPW (000)	B	130.1/124.5
R1418	7030000010	S.RES MCR10EZHH JPW (000)	B	130.1/122.5
R1419	7030003860	S.RES ERJ3GE JPW V	B	129.4/114.9
R1501	7030010980	S.RES ERA3YHD 470V (47)	T	126.5/125.2
R1502	7030009841	S.RES ERA3YHD 330V (33)	T	133/131
R1503	7030009851	S.RES ERA3YED 271V (270)	T	130/146.3
R1504	7030011050	S.RES ERA3YHD 100V (10)	T	131.3/143.5
R1505	7030006091	S.RES ERA3YED 822V (8.2K)	B	137.7/140.3
R1506	7030007230	S.RES ERA3YED 102V (1K)	B	137.7/147
R1507	7030007230	S.RES ERA3YED 102V (1K)	T	132.6/146.3
R1508	7030007230	S.RES ERA3YED 102V (1K)	T	133.9/146.3
R1509	7030007230	S.RES ERA3YED 102V (1K)	T	139.1/158.9
R1510	7030005321	S.RES ERA3YED 103V (10K)	T	139.1/157.6
R1511	7030009861	S.RES ERA3YED 471V (470)	T	136.5/157.6
R1512	7030003380	S.RES ERJ3GEYJ 331 V (330)	T	129.6/151.6
R1513	7030003380	S.RES ERJ3GEYJ 331 V (330)	T	129.6/155.5
R1514	7030005321	S.RES ERA3YED 103V (10K)	T	129.6/160.8
R1515	7030005321	S.RES ERA3YED 103V (10K)	T	133.5/160.8
R1516	7310005090	S.TRI RH03ADC13X (1K)	T	119.2/157.7
R1517	7030005321	S.RES ERA3YED 103V (10K)	T	115.3/158
R1518	7030005321	S.RES ERA3YED 103V (10K)	T	134.8/160.8
R1519	7030005321	S.RES ERA3YED 103V (10K)	T	131.7/171.7
R1520	7030005321	S.RES ERA3YED 103V (10K)	T	136.1/160.8
R1521	7030010980	S.RES ERA3YHD 470V (47)	T	126.5/133
R1522	7030009841	S.RES ERA3YHD 330V (33)	T	126/141.1
R1523	7030009851	S.RES ERA3YED 271V (270)	T	123.7/146.3

[RXPLL-A UNIT]

REF NO.	PARTS NO.	DESCRIPTION	M.	H/V LOCATION
R1524	7030011050	S.RES ERA3YHD 100V (10)	T	122.4/143.5
R1525	7030007230	S.RES ERA3YED 102V (1K)	B	128.8/147
R1526	7030003460	S.RES ERJ3GEYJ 152 V (1.5K)	B	137.7/142.1
R1527	7030007230	S.RES ERA3YED 102V (1K)	T	119.8/146.3
R1528	7030007230	S.RES ERA3YED 102V (1K)	T	121.1/146.3
R1529	7030007230	S.RES ERA3YED 102V (1K)	T	115.3/152.3
R1530	7030003380	S.RES ERJ3GEYJ 331 V (330)	T	128/151.6
R1531	7030003380	S.RES ERJ3GEYJ 331 V (330)	T	128/155.5
R1532	7030005321	S.RES ERA3YED 103V (10K)	T	124.1/160.8
R1533	7030005321	S.RES ERA3YED 103V (10K)	T	128/160.8
R1534	7030005321	S.RES ERA3YED 103V (10K)	T	122.8/160.8
R1535	7030005321	S.RES ERA3YED 103V (10K)	T	121.5/160.8
R1536	7030005321	S.RES ERA3YED 103V (10K)	T	129/171.7
R1537	7030003320	S.RES ERJ3GEYJ 101 V (100)	T	115.5/164.5
R1538	7030003320	S.RES ERJ3GEYJ 101 V (100)	T	107.1/170.1
R1539	7030008061	S.RES ERA3YED 222V (2.2K)	B	131.8/176.4
R1540	7030010390	S.RES ERA3YED 821V (820)	B	128.7/177.1
R1541	7030003320	S.RES ERJ3GEYJ 101 V (100)	T	107.1/178.8
R1542	7030003320	S.RES ERJ3GEYJ 101 V (100)	T	115.5/173.2
R1543	7030009691	S.RES ERA3YED 101V (100)	B	130.6/179
R1651	7030003380	S.RES ERJ3GEYJ 331 V (330)	B	100.9/144.8
R1652	7030003320	S.RES ERJ3GEYJ 150 V (15)	B	102.7/144.8
R1653	7030003380	S.RES ERJ3GEYJ 331 V (330)	B	101.9/142.9
R1654	7030010980	S.RES ERA3YHD 470V (47)	B	105.5/149.2
R1655	7030009861	S.RES ERA3YED 471V (470)	B	108.8/140
R1656	7030003630	S.RES ERJ3GEYJ 393 V (39K)	B	108.3/142.2
R1657	7030005871	S.RES ERA3YKD 104V (100K)	T	108/133.1
R1658	7030003320	S.RES ERJ3GEYJ 101 V (100)	T	110.6/133.1
R1659	7030009691	S.RES ERA3YED 101V (100)	T	115.8/124.9
R1660	7030009691	S.RES ERA3YED 101V (100)	T	115.8/128.7
R1661	7030005321	S.RES ERA3YED 103V (10K)	T	135.1/175.4
R1662	7030005321	S.RES ERA3YED 103V (10K)	T	135.2/172.8
R1663	7030005321	S.RES ERA3YED 103V (10K)	T	144.3/175.4
R1664	7030005321	S.RES ERA3YED 103V (10K)	T	139.9/172.1
R1665	7030003320	S.RES ERJ3GEYJ 101 V (100)	T	109.3/133.1
R1667	7030003360	S.RES ERJ3GEYJ 221 V (220)	T	139.2/170.2
R1668	7030003360	S.RES ERJ3GEYJ 221 V (220)	T	141.8/170.2
R1670	7030003800	S.RES ERJ3GEYJ 105 V (1M)	T	140.2/164.1
R1673	7030007230	S.RES ERA3YED 102V (1K)	B	146/174.5
R1674	7030003370	S.RES ERJ3GEYJ 271 V (270)	B	145.1/177.1
			[USA]	
			[EUR]	
			[FRA]	
			[DEN]	
			[JTR]	
			[KOR]	
			[ESP]	
			[AUS]	
			[UK]	
			[RX]	
			[CHN]	
R1675	7030009591	S.RES ERA3YED 472V (4.7K)	T	136.6/170.2
R1677	7030009591	S.RES ERA3YED 472V (4.7K)	T	143.1/170.2
R1701	7030003360	S.RES ERJ3GEYJ 221 V (220)	T	162.4/147.4
R1703	7030003360	S.RES ERJ3GEYJ 221 V (220)	T	159.8/147.4
R1704	7030003360	S.RES ERJ3GEYJ 221 V (220)	T	158.5/147.4
R1706	7030003360	S.RES ERJ3GEYJ 221 V (220)	T	155.9/147.4
R1707	7030003360	S.RES ERJ3GEYJ 221 V (220)	T	154.6/147.4
R1708	7030003360	S.RES ERJ3GEYJ 221 V (220)	T	153.3/147.4
R1709	7030003480	S.RES ERJ3GEYJ 222 V (2.2K)	T	149.7/159.3
R1710	7030003480	S.RES ERJ3GEYJ 222 V (2.2K)	T	148.4/159.3
R1711	7030003540	S.RES ERJ3GEYJ 682 V (6.8K)	T	147.1/159.3
R1712	7030003540	S.RES ERJ3GEYJ 682 V (6.8K)	T	145.8/159.3
R1713	7030003660	S.RES ERJ3GEYJ 683 V (68K)	T	145.8/157.2
R1714	7030003660	S.RES ERJ3GEYJ 683 V (68K)	T	145.8/155.9
R1715	7030003540	S.RES ERJ3GEYJ 682 V (6.8K)	T	143.9/164.8
R1716	7030007230	S.RES ERA3YED 102V (1K)	T	164.2/164.8
R1717	7030007230	S.RES ERA3YED 102V (1K)	T	164.2/163.5
R1718	7030007230	S.RES ERA3YED 102V (1K)	T	164.2/162.2
R1719	7030003660	S.RES ERJ3GEYJ 683 V (68K)	T	144.3/166.8
C1	4030011600	S.CER C1608 JB 1E 104K-T	T	10.8/18.2
C2	4030006880	S.CER C1608 JB 1H 472K-T	T	25.7/29.5
C14	4030006880	S.CER C1608 JB 1H 472K-T	T	37.7/12.5
C15	4030006880	S.CER C1608 JB 1H 472K-T	T	31.2/15.4
C16	4030006880	S.CER C1608 JB 1H 472K-T	T	35.1/15.4
C17	4030006880	S.CER C1608 JB 1H 472K-T	T	13.8/12.6
C18	4030006880	S.CER C1608 JB		

[RXPLL-A UNIT]

REF NO.	PARTS NO.	DESCRIPTION	M.	H/V LOCATION
C114	4030011600	S.CER C1608 JB 1E 104K-T	T	39.5/98.4
C115	4030011600	S.CER C1608 JB 1E 104K-T	T	38.1/98.4
C116	4030011600	S.CER C1608 JB 1E 104K-T	T	35.3/99.6
C117	4030011600	S.CER C1608 JB 1E 104K-T	T	23.3/98.8
C118	4030011600	S.CER C1608 JB 1E 104K-T	T	42.6/82.6
C119	4030011600	S.CER C1608 JB 1E 104K-T	B	31.2/86.7
C120	4030006880	S.CER C1608 JB 1H 472K-T	T	36.7/101.5
C121	4030011600	S.CER C1608 JB 1E 104K-T	T	39.5/101.5
C125	4030011600	S.CER C1608 JB 1E 104K-T	T	14.6/83.1
C129	4030011600	S.CER C1608 JB 1E 104K-T	T	33.4/79.8
C130	4030017810	S.CER C1608 CH 1H 102J-T	B	47.6/106.6
C131	4030011600	S.CER C1608 JB 1E 104K-T	T	30.4/73.2
C132	4030011600	S.CER C1608 JB 1E 104K-T	T	35.5/73.2
C133	4030006880	S.CER C1608 JB 1H 472K-T	B	43.5/98.6
C134	4030006880	S.CER C1608 JB 1H 472K-T	B	43.5/96.8
C135	4030006880	S.CER C1608 JB 1H 472K-T	T	46/95.5
C136	4030006880	S.CER C1608 JB 1H 472K-T	T	46/94.2
C137	4030006880	S.CER C1608 JB 1H 472K-T	T	46/90.3
C138	4030006880	S.CER C1608 JB 1H 472K-T	T	46.1/87.7
C139	4030006880	S.CER C1608 JB 1H 472K-T	B	43.5/100.4
C140	4030006880	S.CER C1608 JB 1H 472K-T	B	43.5/102.2
C141	4030004740	S.CER C2012 JB 1H 472K-T	B	34.3/85.1
C142	4550007470	S.TAN F931A107MNMBA	B	19.4/87.4
C150	4340000050	S.MYL ECH-U 1C472JB5	T	16.3/64.6
C151	4550007520	S.TAN F931A106MAABMA	B	38.6/92.1
C152	4030007070	S.CER C1608 CH 1H 330J-T	T	19.2/59.9
C153	4030009910	S.CER C1608 CH 1H 040B-T	T	21.3/55.4
C154	4610001850	S.TRI TZB4R200AB10R00 (TZBX4R200BA110)	T	17.6/55.1
C155	4030016550	S.CER CM105 CH 151G 50AT	T	24.1/55.4
C156	4030016550	S.CER CM105 CH 151G 50AT	T	26.9/55.4
C157	4030016550	S.CER CM105 CH 151G 50AT	T	26.9/56.7
C158	4030006880	S.CER C1608 JB 1H 472K-T	T	23.3/53.1
C159	4030006880	S.CER C1608 JB 1H 472K-T	B	23/51.9
C161	4510008540	S.ELE EEE1CA100SR	T	31.3/61
C162	4030009920	S.CER C1608 CH 1H 050B-T	B	33.6/53
C163	4030011600	S.CER C1608 JB 1E 104K-T	B	36.9/59.6
C164	4030006880	S.CER C1608 JB 1H 472K-T	B	30.3/54.8
C165	4030006880	S.CER C1608 JB 1H 472K-T	B	30.8/74
C166	4030011600	S.CER C1608 JB 1E 104K-T	B	34.9/78.2
C167	4030006880	S.CER C1608 JB 1H 472K-T	B	37.4/74
C201	4030011340	S.CER C1608 CH 1H 471J-T	T	33.8/40.4
C202	4510009280	S.ELE EEE1EA4R7SR	T	26.5/44
C203	4030006900	S.CER C1608 JB 1H 103K-T	T	32.5/38.3
C204	4030006880	S.CER C1608 JB 1H 472K-T	T	25.4/35.3
C205	4030006880	S.CER C1608 JB 1H 472K-T	T	25.4/34
C206	4030006880	S.CER C1608 JB 1H 472K-T	T	31.1/43
C207	4030007030	S.CER C1608 CH 1H 150J-T	B	46.8/92.4
C208	4030007030	S.CER C1608 CH 1H 150J-T	T	32.5/41
C209	4030011340	S.CER C1608 CH 1H 471J-T	T	44.1/26.1
C210	4550007620	S.TAN F931V224MAABMA	T	46.2/26.7
C211	4550007300	S.TAN F931A335MAABMA	B	46.1/41.6
C219	4030006880	S.CER C1608 JB 1H 472K-T	T	33.8/37.8
C220	4030007130	S.CER C1608 CH 1H 101J-T	T	54.7/37.6
C221	4030009520	S.CER C1608 CH 1H 020B-T	T	54.7/93.2
C222	4610001860	S.TRI TZB4Z060AB10R00 (TZBX4R200BA110)	T	68.1/32.6
C223	4030007080	S.CER C1608 CH 1H 390J-T	T	73.2/36.3
C224	4030007010	S.CER C1608 CH 1H 100D-T	T	73.2/38.9
C225	4030007050	S.CER C1608 CH 1H 220J-T	T	73.3/30.9
C226	4030006880	S.CER C1608 JB 1H 472K-T	T	71/30.9
C227	4030009920	S.CER C1608 CH 1H 050B-T	T	75.1/32.6
C228	4510008540	S.ELE EEE1CA100SR	T	68.8/37.8
C229	4030009530	S.CER C1608 CH 1H 030B-T	T	77.8/32.6
C230	4030007100	S.CER C1608 CH 1H 560J-T	T	54.7/10
C231	4030009510	S.CER C1608 CH 1H 010B-T	T	54.7/44.6
C232	4610001860	S.TRI TZB4Z060AB10R00 (TZBX4R200BA110)	T	68.1/45.1
C233	4030007070	S.CER C1608 CH 1H 330J-T	T	73.2/48.8
C234	4030009920	S.CER C1608 CH 1H 050B-T	T	73.2/51.4
C235	4030007020	S.CER C1608 CH 1H 120J-T	T	73.6/43.3
C236	4030006880	S.CER C1608 JB 1H 472K-T	T	71/43.3
C237	4030009910	S.CER C1608 CH 1H 040B-T	T	75.1/45
C238	4510008540	S.ELE EEE1CA100SR	T	68.8/50.3
C239	4030009910	S.CER C1608 CH 1H 040B-T	T	77.8/45
C240	4030007080	S.CER C1608 CH 1H 390J-T	T	54.7/62.5
C241	4030009510	S.CER C1608 CH 1H 010B-T	T	54.7/57.1
C242	4610001860	S.TRI TZB4Z060AB10R00 (TZBX4R200BA110)	T	68.1/57.6
C243	4030007060	S.CER C1608 CH 1H 270J-T	T	73.2/61.3
C244	4030009910	S.CER C1608 CH 1H 040B-T	T	73.2/63.9
C245	4030009920	S.CER C1608 CH 1H 050B-T	T	73.6/55.8
C246	4030006880	S.CER C1608 JB 1H 472K-T	T	71/55.9
C247	4030009530	S.CER C1608 CH 1H 030B-T	T	75.1/57.5
C248	4510008540	S.ELE EEE1CA100SR	T	68.8/62.9
C250	4030007100	S.CER C1608 CH 1H 560J-T	T	54.7/75
C251	4030009540	S.CER C1608 CH 1H 1R5B-T	T	54.7/69.6
C252	4610001810	S.TRI TZB4Z030AB10R00 (TZBX4Z030BA110)	T	68.1/70.1
C253	4030007080	S.CER C1608 CH 1H 390J-T	T	73.2/73.8
C254	4030009530	S.CER C1608 CH 1H 030B-T	T	73.2/76.4
C255	4030006990	S.CER C1608 CH 1H 080D-T	T	73.6/68.4
C256	4030006880	S.CER C1608 JB 1H 472K-T	T	71/68.4
C257	4030007010	S.CER C1608 CH 1H 100D-T	T	75.1/70
C258	4510008540	S.ELE EEE1CA100SR	T	68.8/75.4
C260	4030007110	S.CER C1608 CH 1H 680J-T	T	54.7/87.5
C262	4610001810	S.TRI TZB4Z030AB10R00 (TZBX4Z030BA110)	T	68.1/82.6
C263	4030007080	S.CER C1608 CH 1H 390J-T	T	73.2/86.3
C264	4030009530	S.CER C1608 CH 1H 030B-T	T	73.2/88.9
C265	4030011770	S.CER C1608 CH 1H 060B-T	T	73.6/80.9
C266	4030006880	S.CER C1608 JB 1H 472K-T	T	71/80.9
C267	4030007010	S.CER C1608 CH 1H 100D-T	T	75.1/82.5
C268	4510008540	S.ELE EEE1CA100SR	T	68.8/87.9

[RXPLL-A UNIT]

REF NO.	PARTS NO.	DESCRIPTION	M.	H/V LOCATION
C272	4610001860	S.TRI TZB4Z060AB10R00 (TZBX4R200BA110)	T	68.1/95.1
C273	4030007050	S.CER C1608 CH 1H 220J-T	T	73.2/98.2
C274	4030009530	S.CER C1608 CH 1H 030B-T	T	73.2/100.8
C275	4030009920	S.CER C1608 CH 1H 050B-T	T	73.6/92.8
C276	4030006880	S.CER C1608 JB 1H 472K-T	T	71/92.8
C277	4030007100	S.CER C1608 CH 1H 100D-T	T	75.1/95
C278	4510008540	S.ELE EEE1CA100SR	T	68.8/100.4
C283	4030017810	S.CER C1608 CH 1H 102J-T	T	82.1/36.3
C284	4030006880	S.CER C1608 JB 1H 472K-T	T	84.5/34.3
C285	4030017810	S.CER C1608 CH 1H 102J-T	T	82.1/48.8
C286	4030006880	S.CER C1608 JB 1H 472K-T	T	82.1/86.3
C287	4030017810	S.CER C1608 CH 1H 102J-T	T	82.1/61.3
C288	4030006880	S.CER C1608 JB 1H 472K-T	T	83.9/57.5
C289	4030017810	S.CER C1608 CH 1H 102J-T	T	82.1/73.8
C290	4030006880	S.CER C1608 JB 1H 472K-T	T	84.3/70.4
C291	4030017810	S.CER C1608 CH 1H 102J-T	T	82.1/86.3
C292	4030006880	S.CER C1608 JB 1H 472K-T	T	84.4/84.4
C293	4030017810	S.CER C1608 CH 1H 102J-T	T	82.1/98.7
C294	4030006880	S.CER C1608 JB 1H 472K-T	T	83.2/93.9
C297	4030009920	S.CER C1608 CH 1H 050B-T	T	52.6/59.4
C299	4030007050	S.CER C1608 CH 1H 220J-T	T	52.6/84.4
C301	4030006880	S.CER C1608 JB 1H 472K-T	T	89.3/30.6
C302	4030006880	S.CER C1608 JB 1H 472K-T	T	89.3/26
C303	4030006880	S.CER C1608 JB 1H 472K-T	B	92.6/39.8
C304	4030006880	S.CER C1608 JB 1H 472K-T	B	92.6/45.2
C305	4030006880	S.CER C1608 JB 1H 472K-T	B	89.1/48.8
C306	4030006880	S.CER C1608 JB 1H 472K-T	B	89.1/50.6
C309	4030017810	S.CER C1608 CH 1H 102J-T	T	94.9/42.7
C310	4030011600	S.CER C1608 JB 1E 104K-T	T	92.8/84.2
C311	4510008520	S.ELE EEE1CA470SP	T	93.4/47.4
C312	4030006880	S.CER C1608 JB 1H 472K-T	B	89/27.4
C313	4030006880	S.CER C1608 JB 1H 472K-T	B	93.7/23.1
C331	4030007110	S.CER C1608 CH 1H 680J-T	T	89.3/32.2
C332	4030007160	S.CER C1608 CH 1H 181J-T	T	92.1/33.5
C333	4030007110	S.CER C1608 CH 1H 680J-T	T	89.3/33.5
C334	4030007050	S.CER C1608 CH 1H 220J-T	T	94.9/36
C335	4030006980	S.CER C1608 CH 1H 070D-T	T	94.9/37.4
C336	4030007030	S.CER C1608 CH 1H 150J-T	T	92.1/38.8
C337	4030007050	S.CER C1608 CH 1H 220J-T	T	94.9/38.8
C341	4030006880	S.CER C1608 JB 1H 472K-T	T	94.9/40.1
C342	4030006880	S.CER C1608 JB 1H 472K-T	T	86.5/33.5
C344	4030011600	S.CER C1608 JB 1E 104K-T	T	94.9/41.4
C351	4030017810	S.CER C1608 CH 1H 102J-T	T	94.9/61.6
C352	4030011600	S.CER C1608 JB 1E 104K-T	T	94.9/62.9
C353	4510008520	S.ELE EEE1CA470SP	T	93.4/67.1
C354	4030006880	S.CER C1608 JB 1H 472K-T	T	89.3/51.7
C355	4030006880	S.CER C1608 JB 1H 472K-T	T	94.9/55.1
C356	4030006880	S.CER C1608 JB 1H 472K-T	T	89.2/58.4
C357	4030006880	S.CER C1608 JB 1H 472K-T	T	94.9/57.7
C358	4030006880	S.CER C1608 JB 1H 472K-T	B	89.2/60.3
C359	4030006880	S.CER C1608 JB 1H 472K-T	B	92.6/62.1
C360	4030006880	S.CER C1608 JB 1H 472K-T	B	89.9/66.9
C361	4030006880	S.CER C1608 JB 1H 472K-T	T	89.3/83.4
C363	4030006880	S.CER C1608 JB 1H 472K-T	T	86.1/60.9
C364	4030017810	S.CER C1608 CH 1H 102J-T	T	86.7/52.3
C365	4030006880	S.CER C1608 JB 1H 472K-T	T	90.3/59.9
C421	4030006880	S.CER C1608 JB 1H 472K-T	T	94.1/88.5
C422	4030006880	S.CER C1608 JB 1H 472K-T	T	87.3/88.5
C423	4030006880	S.CER C1608 JB 1H 472K-T	T	94.1/93.3
C424	4030006880	S.CER C1608 JB 1H 472K-T	T	87.9/93.3
C425	4030006880	S.CER C1608 JB 1H 472K-T	T	92.8/93.3
C426	4030006880	S.CER C1608 JB 1H 472K-T	B	94.6/87.3
C427	4030006880	S.CER C1608 JB 1H 472K-T	T	92.1/86.5
C428	4030006880	S.CER C1608 JB 1H 472K-T	T	89.3/86.5
C441	4030007040	S.CER C1608 CH 1H 180J-T	T	94.9/71.3
C442	4030007040	S.CER C1608 CH 1H 180J-T	T	94.9/72.6
C443	4030007020	S.CER C1608 CH 1H 120J-T	T	92.1/74.2
C444	4030007080	S.CER C1608 CH 1H 390J-T	T	94.9/73.9
C445	4030011770	S.CER C1608 CH 1H 060B-T	T	94.9/75.2
C446	4030007060	S.CER C1608 CH 1H 270J-T	T	94.9/79.1
C447	4030007110	S.CER C1608 CH 1H 680J-T	T	92.8/78.9
C448	4030006880	S.CER C1608 JB 1H 472K-T	T	94.9/76.5
C449	4030006880	S.CER C1608 JB 1H 472K-T	T	88.1/69.1
C451	4030007110	S.CER C1608 CH 1H 680J-T	T	92/82.1
C452	4030007160	S.CER C1608 CH 1H 181J-T	T	92/80.8
C453	4030011600	S.CER C1608 JB 1E 104K-T	T	94.9/77.8
C501	4030006880	S.CER C1608 JB 1H 472K-T	T	38.9/131.2
C502	4030011600	S.CER C1608 JB 1E 104K-T	T	38.9/129.9



[RXPLL-A UNIT]

REF NO.	PARTS NO.	DESCRIPTION	M.	H/V LOCATION
C536	4030006880	S.CER C1608 JB 1H 472K-T	T	20.9/127.6
C537	4030006880	S.CER C1608 JB 1H 472K-T	T	27.2/126.4
C540	4030006880	S.CER C1608 JB 1H 472K-T	B	56.3/142.8
C541	4510008540	S.ELE EEE1CA100SR	T	51/139.3
C542	4340000260	S.MYL ECPU1C104MA5	B	47.8/128.7
C543	4030007060	S.CER C1608 CH 1H 270J-T	T	62.2/136.4
C545	4030008560	S.CER C1608 CH 1H 300J-T	T	70/137.1
C546	4610001830	S.TRI TZB4S100AB10R00 (TZBX4N100BA110)	T	65.8/138.7
C547	4030007130	S.CER C1608 CH 1H 101J-T	T	71.3/137.1
C548	4030007010	S.CER C1608 CH 1H 100D-T	T	71.3/139.9
C549	4030007050	S.CER C1608 CH 1H 220J-T	T	68.9/145.1
C550	4030006880	S.CER C1608 JB 1H 472K-T	T	66.3/143
C551	4030009520	S.CER C1608 CH 1H 020B-T	T	71.3/142.8
C552	4030017810	S.CER C1608 CH 1H 102J-T	B	54.6/139.5
C553	4030006880	S.CER C1608 JB 1H 472K-T	B	56.3/139.5
C554	4510008500	S.ELE EEE1CA101WP	T	50.9/146.6
C555	4030006880	S.CER C1608 JB 1H 472K-T	B	47.7/149.5
C556	4550007220	S.TAN F931A476CMCBMA	B	76.4/136.1
C558	4550007520	S.TAN F931A106MAABMA	B	43.4/132.5
C559	4550007400	S.TAN F931A225MAABMA	B	43.4/129.9
C561	4550007520	S.TAN F931A106MAABMA	T	70/157.5
C562	4030006880	S.CER C1608 JB 1H 472K-T	T	68.3/155.5
C563	4030017810	S.CER C1608 CH 1H 102J-T	B	60.1/158
C564	4030006880	S.CER C1608 JB 1H 472K-T	B	58.8/158
C565	4510008520	S.ELE EEE1CA475P	T	50.9/155.6
C566	4030006880	S.CER C1608 JB 1H 472K-T	T	64.4/155.5
C571	4030006880	S.CER C1608 JB 1H 472K-T	B	58.5/161.3
C573	4030007040	S.CER C1608 CH 1H 180J-T	B	72.5/166.8
C574	4030009510	S.CER C1608 CH 1H 010B-T	T	72.6/169.1
C575	4030007040	S.CER C1608 CH 1H 180J-T	T	72.6/171.9
C580	4030006880	S.CER C1608 JB 1H 472K-T	T	41.9/152.4
C581	4030006880	S.CER C1608 JB 1H 472K-T	T	41.9/144.2
C591	4030006880	S.CER C1608 JB 1H 472K-T	T	69.5/171.2
C592	4030007060	S.CER C1608 CH 1H 270J-T	T	62.8/163.1
C593	4510008540	S.ELE EEE1CA100SR	T	54.4/170.7
C594	4030006880	S.CER C1608 JB 1H 472K-T	T	57.4/171.9
C596	4030006880	S.CER C1608 JB 1H 472K-T	B	63.7/168.1
C597	4030007050	S.CER C1608 CH 1H 220J-T	T	62.2/171.2
C604	4030011600	S.CER C1608 JB 1E 104K-T	B	50.6/111
C605	4510008540	S.ELE EEE1CA100SR	T	52.5/110.9
C651	4030006880	S.CER C1608 JB 1H 472K-T	T	13.5/174
C652	4030011600	S.CER C1608 JB 1E 104K-T	T	12.7/176.3
C653	4510008540	S.ELE EEE1CA100SR	T	6.8/172.6
C654	4030011600	S.CER C1608 JB 1E 104K-T	B	17.3/170.4
C655	4030011600	S.CER C1608 JB 1E 104K-T	T	25.9/161.4
C656	4030011600	S.CER C1608 JB 1E 104K-T	T	25.8/177.1
C657	4030011600	S.CER C1608 JB 1E 104K-T	T	31.7/169.3
C658	4030011600	S.CER C1608 JB 1E 104K-T	T	13.5/172.7
C659	4030011600	S.CER C1608 JB 1E 104K-T	T	16.5/163.4
C660	4030006880	S.CER C1608 JB 1H 472K-T	T	17.6/161.4
C661	4030011600	S.CER C1608 JB 1E 104K-T	T	13.3/166.1
C662	4550007220	S.TAN F931A476CMCBMA	B	30.6/170.9
C680	4030006880	S.CER C1608 JB 1H 472K-T	T	34.3/177.1
C681	4030011340	S.CER C1608 CH 1H 471J-T	T	40.3/177.1
C682	4030007120	S.CER C1608 CH 1H 820J-T	T	39.6/175.2
C683	4030017870	S.CER C1608 CH 1H 681J-T	T	40.9/175.2
C684	4030007070	S.CER C1608 CH 1H 330J-T	B	39.3/174
C685	4030017800	S.CER C1608 CH 1H 561J-T	B	42.3/172.6
C686	4030011280	S.CER C1608 CH 1H 271J-T	B	39.3/170.6
C687	4030017810	S.CER C1608 CH 1H 102J-T	T	41/169.7
C688	4030011280	S.CER C1608 CH 1H 271J-T	B	37.5/169.7
C689	4030011600	S.CER C1608 JB 1E 104K-T	T	37.4/166.4
C690	4030011600	S.CER C1608 JB 1E 104K-T	T	37.4/161.3
C691	4030011600	S.CER C1608 JB 1E 104K-T	T	46.4/164
C692	4030006880	S.CER C1608 JB 1H 472K-T	B	40.3/162.1
C693	4030006880	S.CER C1608 JB 1H 472K-T	B	58.4/169.6
C694	4030006880	S.CER C1608 JB 1H 472K-T	B	58.4/164.2
C703	4030017810	S.CER C1608 CH 1H 102J-T	T	24.3/116.6
C704	4030006880	S.CER C1608 JB 1H 472K-T	T	23/116.6
C705	4510008500	S.ELE EEE1CA101WP	T	29.4/118.7
C707	4030011600	S.CER C1608 JB 1E 104K-T	T	32.1/113.7
C708	4030011600	S.CER C1608 JB 1E 104K-T	T	32.1/108.1
C709	4030007070	S.CER C1608 CH 1H 330J-T	T	38.8/112.9
C710	4030006880	S.CER C1608 JB 1H 472K-T	T	36.2/112.9
C711	4030009540	S.CER C1608 CH 1H 1R5B-T	B	39.3/113.6
C712	4030007070	S.CER C1608 CH 1H 330J-T	T	36.2/114.2
C713	4030006880	S.CER C1608 JB 1H 472K-T	T	42/118.8
C801	4030006880	S.CER C1608 JB 1H 472K-T	T	58.5/157.6
C802	4030007030	S.CER C1608 CH 1H 150J-T	T	83.2/149.5
C803	4030006900	S.CER C1608 JB 1H 103K-T	T	80.9/147.3
C811	4030011600	S.CER C1608 JB 1E 104K-T	T	44.5/165.9
C812	4030011600	S.CER C1608 JB 1E 104K-T	T	79.6/177.6
C813	4030017800	S.CER C1608 CH 1H 561J-T	B	78.9/175.6
C831	4030009910	S.CER C1608 CH 1H 040B-T	T	91.6/167.3
C832	4030009510	S.CER C1608 CH 1H 010B-T	T	91.6/157
C834	4030007030	S.CER C1608 CH 1H 150J-T	T	91.6/154.4
C835	4030006900	S.CER C1608 JB 1H 103K-T	T	94.4/154.4
C836	4510008540	S.ELE EEE1CA100SR	T	77.2/169.6
C837	4030006880	S.CER C1608 JB 1H 472K-T	T	74.5/165.8
C838	4030007020	S.CER C1608 CH 1H 120J-T	T	95/160
C1000	4030007050	S.CER C1608 CH 1H 220J-T	B	177.1/13.8
C1001	4030007170	S.CER C1608 CH 1H 221J-T	T	177.8/69.5
C1002	4030006880	S.CER C1608 JB 1H 472K-T	B	153.1/16.2
C1003	4030012600	S.CER C2012 JB 1A 105M-T	T	157.4/8.2
C1004	4030011600	S.CER C1608 JB 1E 104K-T	B	169.6/8.7
C1005	4030011600	S.CER C1608 JB 1E 104K-T	T	162.8/17.2
C1006	4030010210	S.CER C3216 JB 1C 105M-T	T	173.8/18.6
C1007	4030006880	S.CER C1608 JB 1H 472K-T	T	172.4/23.9
C1008	4030006880	S.CER C1608 JB 1H 472K-T	T	160/24
C1009	4030006880	S.CER C1608 JB 1H 472K-T	T	147.6/23.8
C1010	4030012600	S.CER C2012 JB 1A 105M-T	T	154.5/28.9
C1011	4030012600	S.CER C2012 JB 1A 105M-T	T	144.2/29.3
C1012	4030010210	S.CER C3216 JB 1C 105M-T	T	144.8/40.2
C1013	4030012600	S.CER C2012 JB 1A 105M-T	T	144.2/33.2

[RXPLL-A UNIT]

REF NO.	PARTS NO.	DESCRIPTION	M.	H/V LOCATION
C1014	4030018810	S.CER C3216 CH 1H 333J-T	B	151.6/48.3
C1015	4030012600	S.CER C2012 JB 1A 105M-T	T	163.6/13.8
C1016	4030012600	S.CER C2012 JB 1A 105M-T	T	173.6/33.2
C1017	4030012600	S.CER C2012 JB 1A 105M-T	T	163.3/33.2
C1020	4030012600	S.CER C2012 JB 1A 105M-T	B	170/38.6
C1021	4030012600	S.CER C2012 JB 1A 105M-T	B	154/38.6
C1024	4030010210	S.CER C3216 JB 1C 105M-T	B	170.5/45.5
C1025	4030010210	S.CER C3216 JB 1C 105M-T	B	154.7/45.5
C1026	4030010210	S.CER C3216 JB 1C 105M-T	T	171.4/52.7
C1027	4030010210	S.CER C3216 JB 1C 105M-T	T	165.6/52.7
C1028	4030006880	S.CER C1608 JB 1H 472K-T	B	156.4/65.4
C1029	4030006880	S.CER C1608 JB 1H 472K-T	T	168.5/65.4
C1030	4030010210	S.CER C3216 JB 1C 105M-T	T	164.5/18
C1031	4030012600	S.CER C2012 JB 1A 105M-T	B	169.2/10.8
C1032	4030011600	S.CER C1608 JB 1E 104K-T	B	183.5/65
C1033	4550006470	S.TAN TEESVB2 1D 106M8R	B	146.5/47.7
C1034	4550006470	S.TAN TEESVB2 1D 106M8R	B	174/52.1
C1035	4550006470	S.TAN TEESVB2 1D 106M8R	B	164.6/15.8
C1036	4030007120	S.CER C1608 CH 1H 820J-T	T	160.2/12.7
C1037	4030007090	S.CER C1608 CH 1H 470J-T	B	149.3/49.3
C1038	4030017810	S.CER C1608 CH 1H 102J-T	T	146.6/26.2
C1039	4030017810	S.CER C1608 CH 1H 102J-T	T	146.5/41
C1040	4030017810	S.CER C1608 CH 1H 102J-T	T	145.3/36.4
C1041	4030006990	S.CER C1608 CH 1H 080D-T	B	153.4/31
C1046	4030007010	S.CER C1608 CH 1H 100D-T	B	168.4/53.7
C1048	4030006880	S.CER C1608 JB 1H 472K-T	B	170.6/41.6
C1049	4030006880	S.CER C1608 JB 1H 472K-T	B	154.6/41.6
C1050	4030017810	S.CER C1608 CH 1H 102J-T	B	170.5/49.5
C1051	4030017810	S.CER C1608 CH 1H 102J-T	B	154.7/49.4
C1052	4030007060	S.CER C1608 CH 1H 270J-T	B	164.1/29.6
C1053	4030007110	S.CER C1608 CH 1H 680J-T	T	175.2/77.3
C1054	4030007010	S.CER C1608 CH 1H 100D-T	B	175.7/72.4
C1055	4030007140	S.CER C1608 CH 1H 221J-T	B	175.7/74.2
C1056	4030007050	S.CER C1608 CH 1H 220J-T	T	175.2/76
C1057	4030007130	S.CER C1608 CH 1H 101J-T	T	172.1/77.1
C1058	4030009920	S.CER C1608 CH 1H 050B-T	B	173.2/12.7
C1060	4030017810	S.CER C1608 CH 1H 102J-T	T	178.6/94.4
C1061	4030007090	S.CER C1608 CH 1H 470J-T	B	147.7/91.8
C1062	4030007170	S.CER C1608 CH 1H 221J-T	B	149.5/91.8
C1064	4030007090	S.CER C1608 CH 1H 470J-T	T	148.7/80.1
C1066	4030007100	S.CER C1608 CH 1H 100D-T	T	138.6/81.9
C1067	4030007010	S.CER C1608 CH 1H 100D-T	T	173.4/77.1
C1070	4030006990	S.CER C1608 CH 1H 070D-T	T	137.2/81.9
C1071	4030007100	S.CER C1608 CH 1H 560J-T	B	162.2/75.3
C1072	4030007170	S.CER C1608 CH 1H 221J-T	B	162/78.7
C1073	4030007080	S.CER C1608 CH 1H 390J-T	B	164.1/76.4
C1074	4030007060	S.CER C1608 CH 1H 270J-T	T	148.7/78.6
C1081	4030006900	S.CER C1608 JB 1H 103K-T	B	156.1/86
C1082	4030006900	S.CER C1608 JB 1H 103K-T	B	151.3/91.8
C1083	4030006900	S.CER C1608 JB 1H 103K-T	B	151.2/81.6
C1084	4030006880	S.CER C1608 JB 1H 472K-T	B	149.4/81.6
C1085	4030006880	S.CER C1608 JB 1H 472K-T	B	153/81.6
C1091	4030006880	S.CER C1608 JB 1H 472K-T	T	149.3/149.4
C1092	4030006880	S.CER C1608 JB 1H 472K-T	T	147/138.5
C1093	4030006880	S.CER C1608 JB 1H 472K-T	T	161.3/135.8
C1101	4030006900	S.CER C1608 JB 1H 103K-T	T	177/90.9
C1102	4030006900	S.CER C1608 JB 1H 103K-T	T	175.4/115.5
C1103	4030011600	S.CER C1608 JB 1E 104K-T	T	179.6/116.4
C1104	4030011600	S.CER C1608 JB 1E 104K-T	T	175.4/87.7
C1106	4030011600	S.CER C1608 JB 1E 104K-T	T	179.3/128.8
C1107	4030011600	S.CER C1608 JB 1E 104K-T	B	172.3/124.2
C1109	4030007090	S.CER C1608 CH 1H 470J-T	T	175.7/137.9
C1110	4030006900	S.CER C1608 JB 1H 103K-T	T	175.7/136.6
C1111	4030011600	S.CER C1608 JB 1E 104K-T	T	176.7/132
C1112	4030006900	S.CER C1608 JB 1H 103K-T	T	179.3/132
C1113	4030007090	S.CER C1608 CH 1H 470J-T	T	178.6/140.9
C1114	4030006900	S.CER C1608 JB 1H 103K-T	B	178.4/138
C1115	4030011600	S.CER C1608 JB 1E 104K-T	T	175.7/140
C1116	4030006900	S.CER C1608 JB 1H 103K-T	T	165.7/138.7
C1117				

[RXPLL-A UNIT]

REF NO.	PARTS NO.	DESCRIPTION	M.	H/V LOCATION
C1249	4030007020	S.CER C1608 CH 1H 120J-T	T	153.1/70.3
C1250	4030007100	S.CER C1608 CH 1H 560J-T	B	152.4/74.3
C1251	4030006900	S.CER C1608 JB 1H 103K-T	T	160.2/92.9
C1252	4030006900	S.CER C1608 JB 1H 103K-T	T	152.7/92.9
C1253	4030006900	S.CER C1608 JB 1H 103K-T	B	152.5/111.2
C1255	4030017810	S.CER C1608 CH 1H 102J-T	T	155.7/99.3
C1256	4030007010	S.CER C1608 CH 1H 100D-T	B	156.3/98.8
C1257	4030011600	S.CER C1608 JB 1E 104K-T	B	155.7/103
C1258	4030007080	S.CER C1608 CH 1H 390J-T	B	152/97.5
C1264	4030007110	S.CER C1608 CH 1H 680J-T	T	122/51.1
C1265	4610001830	S.TRI TZB4S100AB10R00		
		(TZBX4N100BA110)	T	163.8/70.8
C1266	4030007020	S.CER C1608 CH 1H 120J-T	T	160.1/74.5
C1267	4030006880	S.CER C1608 JB 1H 472K-T	B	157/126.4
C1268	4030006980	S.CER C1608 CH 1H 070D-T	T	149.6/64.4
C1302	4030007060	S.CER C1608 CH 1H 270J-T	T	159.3/111
C1303	4030006980	S.CER C1608 CH 1H 070D-T	T	159.3/112.9
C1304	4030007070	S.CER C1608 CH 1H 330J-T	T	159.3/114.2
C1305	4030007010	S.CER C1608 CH 1H 100D-T	T	153.5/114.6
C1306	4030009650	S.CER C1608 CH 1H 240J-T	T	159.3/115.5
C1307	4030007030	S.CER C1608 CH 1H 150J-T	T	153.5/120.2
C1308	4030006900	S.CER C1608 JB 1H 103K-T	T	155.1/127.1
C1309	4030007080	S.CER C1608 CH 1H 390J-T	T	156.5/125.8
C1310	4030007080	S.CER C1608 CH 1H 390J-T	T	159.1/128.4
C1311	4030006900	S.CER C1608 JB 1H 103K-T	B	149/118.9
C1312	4030007060	S.CER C1608 CH 1H 270J-T	T	155.5/111.7
C1313	4030007060	S.CER C1608 CH 1H 270J-T	T	159.1/127.1
C1355	4030006880	S.CER C1608 JB 1H 472K-T	T	144.7/70
C1357	4030007000	S.CER C1608 CH 1H 090D-T	B	144.6/67.1
C1358	4030011600	S.CER C1608 JB 1E 104K-T	B	139.1/70.4
C1360	4030011600	S.CER C1608 JB 1E 104K-T	B	146.4/70.4
C1361	4030007020	S.CER C1608 CH 1H 120J-T	B	137.7/69.5
C1362	4030011600	S.CER C1608 JB 1E 104K-T	T	137.5/65.6
C1403	4030017810	S.CER C1608 CH 1H 102J-T	T	114.7/70.3
C1404	4030017810	S.CER C1608 CH 1H 102J-T	T	116.3/104.8
C1405	4030006900	S.CER C1608 JB 1H 103K-T	B	115.9/63.9
C1406	4030017810	S.CER C1608 CH 1H 102J-T	T	114.2/66.2
C1407	4030017810	S.CER C1608 CH 1H 102J-T	T	119.9/70.3
C1408	4030006900	S.CER C1608 JB 1H 103K-T	T	116.3/73
C1409	4030006900	S.CER C1608 JB 1H 103K-T	T	114.4/68.1
C1410	4030007030	S.CER C1608 CH 1H 150J-T	T	116.3/83.3
C1411	4030006990	S.CER C1608 CH 1H 080D-T	T	112.2/87.8
C1412	4030007030	S.CER C1608 CH 1H 150J-T	T	116.3/93.7
C1413	4030007020	S.CER C1608 CH 1H 120J-T	T	107/83.3
C1414	4030006990	S.CER C1608 CH 1H 080D-T	T	103.6/86.6
C1415	4030007020	S.CER C1608 CH 1H 120J-T	T	107/93.7
C1416	4030006900	S.CER C1608 JB 1H 103K-T	T	113.2/103.4
C1417	4030006900	S.CER C1608 JB 1H 103K-T	T	110.5/107.6
C1418	4030017810	S.CER C1608 CH 1H 102J-T	T	110.4/105.8
C1419	4030017810	S.CER C1608 CH 1H 102J-T	T	111/108.9
C1420	4030007120	S.CER C1608 CH 1H 820J-T	B	113.2/114.2
C1421	4030007150	S.CER C1608 CH 1H 151J-T	B	115/114.2
C1423	4030010750	S.CER C1608 CH 1H 201J-T	B	120.3/111.1
C1424	4030007010	S.CER C1608 CH 1H 100D-T	T	132.8/103.3
C1425	4030011600	S.CER C1608 JB 1E 104K-T	T	136.5/106.2
C1426	4030011600	S.CER C1608 JB 1E 104K-T	T	137.8/106.2
C1427	4030006900	S.CER C1608 JB 1H 103K-T	T	133.9/106.2
C1428	4030006980	S.CER C1608 CH 1H 070D-T	T	119.5/109
C1429	4030006900	S.CER C1608 JB 1H 103K-T	T	120.5/113.6
C1430	4030007040	S.CER C1608 CH 1H 180J-T	B	131.9/115.3
C1431	4030017810	S.CER C1608 CH 1H 102J-T	T	127/116.2
C1432	4030009980	S.CER C1608 JB 1H 152K-T	T	129.1/114.1
C1433	4030011600	S.CER C1608 JB 1E 104K-T	T	130.4/114.1
C1434	4030009920	S.CER C1608 CH 1H 050B-T	B	124.7/134.4
C1435	4030009920	S.CER C1608 CH 1H 050B-T	B	124.7/131.6
C1436	4030011600	S.CER C1608 JB 1E 104K-T	B	137.2/122.2
C1437	4030009920	S.CER C1608 CH 1H 050B-T	T	104/83.3
C1438	4030009920	S.CER C1608 CH 1H 050B-T	T	102.3/86.6
C1439	4030009920	S.CER C1608 CH 1H 050B-T	T	110/93.7
C1441	4030006880	S.CER C1608 JB 1H 472K-T	T	120.5/116.2
C1451	4030007020	S.CER C1608 CH 1H 120J-T	T	125.5/80.1
C1453	4030007030	S.CER C1608 CH 1H 150J-T	T	122.1/85.1
C1454	4030007030	S.CER C1608 CH 1H 150J-T	T	120.8/85.1
C1456	4030007020	S.CER C1608 CH 1H 120J-T	T	125.5/90.9
C1457	4030006900	S.CER C1608 JB 1H 103K-T	T	118.3/72.9
C1458	4030006900	S.CER C1608 JB 1H 103K-T	T	116.6/103.5
C1501	4030018530	S.CER C3216 CH 1H 103J-T	T	131.2/124.5
C1502	4550003220	S.TAN TEESVA 1E 105M8R	T	132.1/139.2
C1503	4030006900	S.CER C1608 JB 1H 103K-T	T	137/142.1
C1504	4030012610	S.CER C2012 JB 1C 474K-T	T	136.7/140.5
C1505	4030007010	S.CER C1608 CH 1H 100D-T	T	130/143.5
C1506	4030010760	S.CER C1608 CH 1H 331J-T	T	131.3/146.3
C1507	4510008540	S.ELE EEE1CA100SR	T	142.6/140.8
C1508	4030011600	S.CER C1608 JB 1E 104K-T	B	128.8/148.8
C1509	4030018800	S.CER C3216 CH 1H 223J-T	T	135.8/145.1
C1510	4030007110	S.CER C1608 CH 1H 680J-T	T	136.5/158.9
C1511	4510008540	S.ELE EEE1CA100SR	T	132.7/150.6
C1512	4030011600	S.CER C1608 JB 1E 104K-T	T	129.6/149
C1513	4030011600	S.CER C1608 JB 1E 104K-T	T	129.6/158.1
C1514	4510008540	S.ELE EEE1CA100SR	T	132.7/156.5
C1515	4030007160	S.CER C1608 CH 1H 181J-T	T	132.2/160.8
C1516	4030009350	S.CER C1608 CH 1H 3R5B-T	T	130.9/160.8
C1517	4030007110	S.CER C1608 CH 1H 680J-T	T	115.3/155
C1518	4030018530	S.CER C3216 CH 1H 103J-T	T	131.2/132.8
C1519	4550003220	S.TAN TEESVA 1E 105M8R	T	122.9/140.9
C1520	4030006900	S.CER C1608 JB 1H 103K-T	T	119.8/140.7
C1521	4030012610	S.CER C2012 JB 1C 474K-T	T	116.2/142.1
C1522	4030007010	S.CER C1608 CH 1H 100D-T	T	123.7/143.5
C1523	4030010760	S.CER C1608 CH 1H 331J-T	T	122.4/146.3
C1524	4030018800	S.CER C3216 CH 1H 223J-T	T	117.9/145.2
C1525	4510008540	S.ELE EEE1CA100SR	T	124.9/150.6
C1526	4030011600	S.CER C1608 JB 1E 104K-T	T	128/149
C1527	4030011600	S.CER C1608 JB 1E 104K-T	T	128/158.1
C1528	4510008540	S.ELE EEE1CA100SR	T	124.9/156.5
C1529	4030017870	S.CER C1608 CH 1H 681J-T	T	125.4/160.8

[RXPLL-A UNIT]

REF NO.	PARTS NO.	DESCRIPTION	M.	H/V LOCATION
C1530	4030011330	S.CER C1608 CH 1H 391J-T	T	126.7/160.8
C1531	4510008500	S.ELE EEE1CA101WP	T	111.3/167.3
C1532	4030011600	S.CER C1608 JB 1E 104K-T	T	107.1/167.3
C1533	4030011600	S.CER C1608 JB 1E 104K-T	T	115.5/167.3
C1534	4510008500	S.ELE EEE1CA101WP	T	119.7/167.3
C1535	4030011600	S.CER C1608 JB 1E 104K-T	T	133.7/172.6
C1536	4030017870	S.CER C1608 CH 1H 681J-T	T	126.2/179.5
C1537	4510008500	S.ELE EEE1CA101WP	T	111.3/176
C1538	4030011600	S.CER C1608 JB 1E 104K-T	T	107.1/176
C1539	4030011600	S.CER C1608 JB 1E 104K-T	T	115.5/176
C1540	4510008500	S.ELE EEE1CA101WP	T	119.7/176
C1541	4030007050	S.CER C1608 CH 1H 220J-T	T	124/175
C1651	4030006880	S.CER C1608 JB 1H 472K-T	B	105.5/144
C1653	4030006880	S.CER C1608 JB 1H 472K-T	B	109/137.2
C1654	4030017810	S.CER C1608 CH 1H 102J-T	B	106.9/137.2
C1655	4030009350	S.CER C1608 CH 1H 030B-T	T	107.6/136.8
C1656	4610001970	S.TRI TZC3P200A110R00		
		(TZC03P200A1102)	T	110.9/136.2
C1657	4030010220	S.CER C2012 CH 1H 102J-T	T	116.4/122.7
C1658	4030010220	S.CER C2012 CH 1H 102J-T	T	116.4/130.9
C1659	4030011600	S.CER C1608 JB 1E 104K-T	T	107.8/120
C1660	4030011600	S.CER C1608 JB 1E 104K-T	B	134/174
C1661	4030011600	S.CER C1608 JB 1E 104K-T	B	145.2/171.3
C1662	4030011600	S.CER C1608 JB 1E 104K-T	T	144.3/178
C1663	4030011600	S.CER C1608 JB 1E 104K-T	T	135.1/170.2
C1665	4030006900	S.CER C1608 JB 1H 103K-T	T	138.9/164.1
C1666	4030006880	S.CER C1608 JB 1H 472K-T	B	113.3/144
C1701	4030011600	S.CER C1608 JB 1E 104K-T	T	153.4/163
C1702	4030011600	S.CER C1608 JB 1E 104K-T	T	144.4/163
C1703	4510004601	ELE 16 ME 1000 HC		
C1704	4030011600	S.CER C1608 JB 1E 104K-T	B	180.1/160.2
C1705	4030011600	S.CER C1608 JB 1E 104K-T	B	186.4/160.2
C1706	4510008520	S.ELE EEE1CA470SP	T	172.7/154.8
C1707	4030011600	S.CER C1608 JB 1E 104K-T	T	149.7/154.8
C1708	4030006880	S.CER C1608 JB 1H 472K-T	T	175.7/166.8
C1709	4030006880	S.CER C1608 JB 1H 472K-T	T	172.6/166.8
C1710	4030006880	S.CER C1608 JB 1H 472K-T	T	169.6/166.8
C1711	4030011340	S.CER C1608 CH 1H 471J-T	T	171.4/163.5
C1712	4030011340	S.CER C1608 CH 1H 471J-T	T	167.5/163.5
C1713	4030006880	S.CER C1608 JB 1H 472K-T	B	165.5/168.8
C1714	4030006880	S.CER C1608 JB 1H 472K-T	B	153.8/141.8
C1716	4030006880	S.CER C1608 JB 1H 472K-T	B	154.7/145.1
C1717	4030006880	S.CER C1608 JB 1H 472K-T	B	152.9/145.1
C1719	4030006880	S.CER C1608 JB 1H 472K-T	B	151.1/145.1
C1720	4030006880	S.CER C1608 JB 1H 472K-T	B	155.6/141.8
C1721	4030006880	S.CER C1608 JB 1H 472K-T	B	157.4/141.8
RL1001	6330001750	REL FTR-B4CA012Z		
RL1002	6330001750	REL FTR-B4CA012Z		
RL1003	6330001750	REL FTR-B4CA012Z		
RL1004	6330001750	REL FTR-B4CA012Z		
RL1005	6330001750	REL FTR-B4CA012Z		
RL1006	6330001750	REL FTR-B4CA012Z		
RL1203	6330001750	REL FTR-B4CA012Z		
RL1206	6330001750	REL FTR-B4CA012Z		
J2	6510019991	S.CON 52808-2271(2291)	T	25/9
J10	6510007020	CON TMP-J01X-V6		
J351	6510007020	CON TMP-J01X-V6		
J421	6510007020	CON TMP-J01X-V6		
J561	6510007020	CON TMP-J01X-V6		
J601	6510007020	CON TMP-J01X-V6		
J681	6510007020	CON TMP-J01X-V6		
J831	6510007020	CON TMP-J01X-V6		
J1001	6510007020	CON TMP-J01X-V6		
J1002	6510007020	CON TMP-J01X-V6		
J1101	6510007020	CON TMP-J01X-V6		
J1201	6510007020	CON TMP-J01X-V6		
J1301	6510007020	CON TMP-J01X-V6		
J1501	6510018961	S.CON B2B-PH-SM4-TB(LF)(SN)	T	149.6/177.5
J1701	6510019981	S.CON 52808-1671(1690)	T	168/177.2
W1052	9016201006	WIR 73/98/025/X98/X98		
W1401	9029495075	JUM 73/98/020/X98/X98		
W1411	7120000480	S.JUM MJP-0.4-T	T	125.1/111.6
EP20	6910012350	S.BEA MMZ1608Y 102BT	T	85.4/126
EP21				



[RXPLL-A UNIT]

REF NO.	PARTS NO.	DESCRIPTION	M.	H/V LOCATION
EP1814	6910012350	S.BEA MMZ1608Y 102BT	B	147.2/22.3
EP1815	6910012350	S.BEA MMZ1608Y 102BT	B	156/62.6
EP1816	6910012350	S.BEA MMZ1608Y 102BT	B	160.4/20.9
EP1817	6910012350	S.BEA MMZ1608Y 102BT	B	168.6/62.2
EP1818	6910012350	S.BEA MMZ1608Y 102BT	B	151.2/133.2
EP1819	6910012350	S.BEA MMZ1608Y 102BT	B	145.6/127.9
EP1820	6910012350	S.BEA MMZ1608Y 102BT	B	148.6/19.8
EP1821	6910012350	S.BEA MMZ1608Y 102BT	B	148.6/14.1
EP1825	6910012350	S.BEA MMZ1608Y 102BT	B	126.6/7
EP1826	6910012350	S.BEA MMZ1608Y 102BT	B	151.5/137.7
EP1830	6910012350	S.BEA MMZ1608Y 102BT	B	141.3/135.2
EP1831	6910012350	S.BEA MMZ1608Y 102BT	B	143.4/128.5
EP1832	6910012350	S.BEA MMZ1608Y 102BT	B	149.2/137.5
EP1833	6910012350	S.BEA MMZ1608Y 102BT	B	147.2/133.5
EP1834	6910012350	S.BEA MMZ1608Y 102BT	T	115.8/108.3
EP1835	6910012350	S.BEA MMZ1608Y 102BT	B	141.6/128.5
EP1836	6910012350	S.BEA MMZ1608Y 102BT	T	111/110.2
EP1837	6910012350	S.BEA MMZ1608Y 102BT	B	145.8/134.1
EP1838	6910012350	S.BEA MMZ1608Y 102BT	T	116.3/106.1
MP1505	8510010460	PLA 1691 MAIN SHIELD PLATE Y295	B	143.8/68.2

[RXPLL-B UNIT]

REF NO.	PARTS NO.	DESCRIPTION	M.	H/V LOCATION
IC1	1130011530	S.IC CD74HC4094M96	T	11.9/24.1
IC2	1130009691	S.IC TC74HCT7007AF(F) S	T	22.8/23.3
IC51	1180001252	S.IC TA7808F NQ	T	77/16.7
IC61	1180000421	S.IC TA78L05F(TE12R,F)	B	56.5/16
IC101	1140007881	S.IC TC190G08EFG0046 JDZ/SC1246A	T	31.3/89.7
IC102	1130003831	S.IC TC7S04F(TE85R,F)	[USA] T	33.1/74.7
	1130003831	S.IC TC7S04F(TE85R,F)	[EUR]	
	1130003831	S.IC TC7S04F(TE85R,F)	[FRA]	
	1130003831	S.IC TC7S04F(TE85R,F)	[DEN]	
	1130003831	S.IC TC7S04F(TE85R,F)	[ITR]	
	1130003831	S.IC TC7S04F(TE85R,F)	[KOR]	
	1130003830	S.IC TC7S04F (TE85R)	[ESP]	
	1130003830	S.IC TC7S04F (TE85R)	[AUS]	
	1130003831	S.IC TC7S04F(TE85R,F)	[UK]	
	1130003831	S.IC TC7S04F(TE85R,F)	[RX]	
	1130003831	S.IC TC7S04F(TE85R,F)	[CHN]	
IC104	1130003831	S.IC TC7S04F(TE85R,F)	[USA] T	31.7/101.1
	1130003831	S.IC TC7S04F(TE85R,F)	[EUR]	
	1130003831	S.IC TC7S04F(TE85R,F)	[FRA]	
	1130003831	S.IC TC7S04F(TE85R,F)	[DEN]	
	1130003831	S.IC TC7S04F(TE85R,F)	[ITR]	
	1130003830	S.IC TC7S04F (TE85R)	[KOR]	
	1130003830	S.IC TC7S04F (TE85R)	[ESP]	
	1130003830	S.IC TC7S04F (TE85R)	[AUS]	
	1130003831	S.IC TC7S04F(TE85R,F)	[UK]	
	1130003831	S.IC TC7S04F(TE85R,F)	[RX]	
	1130003831	S.IC TC7S04F(TE85R,F)	[CHN]	
IC201	1130009230	S.IC LMX2306TMX/NOPB	T	27.9/38.8
IC501	1140007881	S.IC TC190G08EFG00 46JDZ/SC1246A	T	31.3/142.5
IC502	1130003831	S.IC TC7S04F(TE85R,F)	[USA] T	24.8/127.4
	1130003831	S.IC TC7S04F(TE85R,F)	[EUR]	
	1130003831	S.IC TC7S04F(TE85R,F)	[FRA]	
	1130003831	S.IC TC7S04F(TE85R,F)	[DEN]	
	1130003831	S.IC TC7S04F(TE85R,F)	[ITR]	
	1130003831	S.IC TC7S04F(TE85R,F)	[KOR]	
	1130003830	S.IC TC7S04F (TE85R)	[ESP]	
	1130003830	S.IC TC7S04F (TE85R)	[AUS]	
	1130003831	S.IC TC7S04F(TE85R,F)	[UK]	
	1130003831	S.IC TC7S04F(TE85R,F)	[RX]	
	1130003831	S.IC TC7S04F(TE85R,F)	[CHN]	
IC503	1130003831	S.IC TC7S04F(TE85R,F)	[USA] T	31.7/154.1
	1130003831	S.IC TC7S04F(TE85R,F)	[EUR]	
	1130003831	S.IC TC7S04F(TE85R,F)	[FRA]	
	1130003831	S.IC TC7S04F(TE85R,F)	[DEN]	
	1130003831	S.IC TC7S04F(TE85R,F)	[ITR]	
	1130003831	S.IC TC7S04F(TE85R,F)	[KOR]	
	1130003830	S.IC TC7S04F (TE85R)	[ESP]	
	1130003830	S.IC TC7S04F (TE85R)	[AUS]	
	1130003831	S.IC TC7S04F(TE85R,F)	[UK]	
	1130003831	S.IC TC7S04F(TE85R,F)	[RX]	
	1130003831	S.IC TC7S04F(TE85R,F)	[CHN]	
IC651	1140004550	S.IC M65343FP/SC1287	T	22.6/169.2
IC652	1130003831	S.IC TC7S04F(TE85R,F)	[USA] T	13.7/163.7
	1130003831	S.IC TC7S04F(TE85R,F)	[EUR]	
	1130003831	S.IC TC7S04F(TE85R,F)	[FRA]	
	1130003831	S.IC TC7S04F(TE85R,F)	[DEN]	
	1130003831	S.IC TC7S04F(TE85R,F)	[ITR]	
	1130003831	S.IC TC7S04F(TE85R,F)	[KOR]	
	1130003830	S.IC TC7S04F (TE85R)	[ESP]	
	1130003830	S.IC TC7S04F (TE85R)	[AUS]	
	1130003831	S.IC TC7S04F(TE85R,F)	[UK]	
	1130003831	S.IC TC7S04F(TE85R,F)	[RX]	
	1130003831	S.IC TC7S04F(TE85R,F)	[CHN]	
IC1051	1190002010	S.IC SD5400CY <TOMO>	T	176.9/99.9
IC1081	1110006180	S.IC UPG2009TB-E3	B	151.6/85.1
IC1402	1190002110	S.IC NJG1519KC1-TE3-#ZZZB	T	117.3/69.5
IC1403	1190002110	S.IC NJG1519KC1-TE3-#ZZZB	T	113.4/106.3
IC1501	1110006121	S.IC DBM9A41-G-TR	T	121.2/124.5
IC1502	1110006121	S.IC DBM9A41-G-TR	T	121.2/133
IC1503	1110006100	S.IC NJM5534MD-TE1-#ZZZB	T	138.4/151.7
IC1504	1110006100	S.IC NJM5534MD-TE1-#ZZZB	T	119.2/151.7
IC1505	1110006190	S.IC NJM074M-TE1-#ZZZB	T	128.8/166.9
IC1506	1110006100	S.IC NJM5534MD-TE1-#ZZZB	T	128.8/175.6
IC1651	1130011921	S.IC TC74LCX00F(EL,F)	T	110/126.2
IC1652	1110005420	S.IC BA15532F-E2	T	139.8/175.6
IC1653	1110005100	S.IC NJM072BM-TE1-#ZZZB	B	140/172
IC1701	1130011530	S.IC CD74HC4094M96	T	158/166.7
IC1702	1130011530	S.IC CD74HC4094M96	T	148.9/166.7
IC1703	1160000131	S.IC TD62783AFG(5,S,EL)	T	157.3/154.8
IC1704	1180000790	S.IC AN78L10M(E1)	B	183.2/159.8
Q1	1590001050	S.TRA DTC114TUA T106	B	30.3/22.6
Q30	1530002060	S.TRA 2SC4081 T106 R	T	22.3/110.9
Q41	1590000680	S.TRA DTC114EUA T106	T	12.8/34.2
Q150	1560000331	S.FET 2SK210-GR(TE85R,F)	T	26.9/53
Q151	1530002280	S.TRA 2SC4081 T106 S	B	33.6/57.2
Q152	1530002280	S.TRA 2SC4081 T106 S	B	30.8/78.2
Q201	1590001330	S.TRA DTA114EUA T106	T	29.3/34.1
Q220	1560000331	S.FET 2SK210-GR(TE85R,F)	T	72.5/33.9
Q230	1560000331	S.FET 2SK210-GR(TE85R,F)	T	72.5/46.4
Q240	1560000331	S.FET 2SK210-GR(TE85R,F)	T	72.5/58.9
Q250	1560000331	S.FET 2SK210-GR(TE85R,F)	T	72.5/71.4
Q260	1560000331	S.FET 2SK210-GR(TE85R,F)	T	72.5/83.9
Q270	1560000331	S.FET 2SK210-GR(TE85R,F)	T	72.5/95.8
Q280	1590000680	S.TRA DTC114EUA T106	T	82.3/34.4
Q281	1590000680	S.TRA DTC114EUA T106	T	82.3/46.9
Q282	1590000680	S.TRA DTC114EUA T106	T	82.3/59.4
Q283	1590000680	S.TRA DTC114EUA T106	T	82.3/71.9
Q284	1590000680	S.TRA DTC114EUA T106	T	82.3/84.4
Q285	1590000680	S.TRA DTC114EUA T106	T	82.3/96.4
Q301	1530003432	S.TRA 2SC5226A-4-TL-E	T	92.1/30.1
Q302	1530003432	S.TRA 2SC5226A-4-TL-E	B	89.1/42.5

M.=Mounted side (T: Mounted on the Top side, B: Mounted on the Bottom side)  
S.=Surface mount

[RXPLL-B UNIT]

REF NO.	PARTS NO.	DESCRIPTION	M.	H/V LOCATION
Q303	1530003432	S.TRA 2SC5226A-4-TL-E	B	91.3/25.1
Q341	1590000680	S.TRA DTC114EUA T106	T	86.3/36.7
Q351	1580000751	S.FET 3SK294(Te85L,F)	T	92.1/56.9
Q352	1530003432	S.TRA 2SC5226A-4-TL-E	B	89.2/64.5
Q363	1590000680	S.TRA DTC114EUA T106	T	86.8/54.3
Q364	1590001330	S.TRA DTA114EUA T106	T	86.8/57.4
Q441	1590000680	S.TRA DTC114EUA T106	T	86.5/73.7
Q502	1590000680	S.TRA DTC114EUA T106	T	41.9/128.8
Q540	1530002060	S.TRA 2SC4081 T106 R	B	58.7/141.2
Q541	1560000331	S.FET 2SK210-GR(Te85R,F)	T	68.9/142.8
Q561	1530003432	S.TRA 2SC5226A-4-TL-E	T	70.6/153.8
Q580	1530003432	S.TRA 2SC4081 T106 R	T	41.7/147.4
Q591	1530003151	S.TRA 2SC4673D-TD-E	T	61.7/166.5
Q592	1520000561	S.TRA 2SB1123 T-TD-E	B	52/165.3
Q593	1590000680	S.TRA DTC114EUA T106	B	54.8/171.2
Q601	1530002601	S.TRA 2SC4215-O(Te85R,F)	T	49.5/118.2
Q680	1530002060	S.TRA 2SC4081 T106 R	T	37.5/163.2
Q702	1530002601	S.TRA 2SC4215-O(Te85R,F)	T	31.4/110.9
Q1001	1530003851	S.TRA 2SC5551A-F-E	B	174/9
Q1004	1590001960	S.TRA XP4311(TX)	T	150/18.8
Q1005	1590001960	S.TRA XP4311(TX)	T	145.9/18.8
Q1006	1530003851	S.TRA 2SC5551A-F-E	B	150/37.6
Q1007	1530003851	S.TRA 2SC5551A-F-E	B	176.5/42.5
Q1008	1530003851	S.TRA 2SC5551A-F-E	B	160.5/42.5
Q1101	1530003860	S.TRA 2SC3950D	T	
Q1102	1590000680	S.TRA DTC114EUA T106	T	165.5/133.8
Q1103	1520000561	S.TRA 2SB1123 T-TD-E	B	168.6/127.8
Q1104	1530003860	S.TRA 2SC3950D	T	
Q1105	1530003842	S.TRA 2SC5501A-4-TR-E	T	166.5/142.1
Q1205	1590001960	S.TRA XP4311(TX)	T	158.8/55.6
Q1209	1530003851	S.TRA 2SC5551A-F-E	B	121/34.9
Q1210	1530003851	S.TRA 2SC5551A-F-E	B	111.5/34.9
Q1211	1560001311	S.FET MMBFU310LT1G	T	159.5/96.4
Q1212	1560001311	S.FET MMBFU310LT1G	T	153.5/96.4
Q1213	1590000680	S.TRA DTC114EUA T106	B	156.9/123.7
Q1214	1520000561	S.TRA 2SB1123 T-TD-E	B	155.4/113.5
Q1301	1530003151	S.TRA 2SC4673D-TD-E	T	157.8/120
Q1352	1530003851	S.TRA 2SC5551A-F-E	B	140/66.7
Q1401	1530003842	S.TRA 2SC5501A-4-TR-E	T	131.9/105.8
Q1402	1530003021	S.TRA 2SC4402-3-TL-E	T	123.4/111.8
Q1403	1530003021	S.TRA 2SC4402-3-TL-E	T	123.4/114.3
Q1501	1530003450	S.TRA 2SC4835G R(TX)	T	133.5/143.5
Q1502	1530003450	S.TRA 2SC4835G R(TX)	T	120.4/143.5
Q1651	1530002601	S.TRA 2SC4215-O(Te85R,F)	B	105.6/140.3
Q1701	1590001960	S.TRA XP4311(TX)	T	106.6/43.9
Q1702	1590001960	S.TRA XP4311(TX)	T	148.9/147.2
Q1703	1590001960	S.TRA XP4311(TX)	T	146.4/147.2
D101	1750000520	S.DIO DAN222TL	T	41.8/86.2
D152	1720000590	S.VAR MA357(TX)	T	17.6/59.9
D153	1790000491	S.DIO HSM88ASTR-E	T	27.2/60.4
D154	1790000491	S.DIO HSM88ASTR-E	T	27.2/63.8
D201	1750000520	S.DIO DAN222TL	T	32.4/34.1
D220	1720000590	S.VAR MA357(TX)	T	50.8/31.8
D221	1720000590	S.VAR MA357(TX)	T	52.9/31.8
D222	1790000620	S.DIO MA77(TX)	T	82.6/29.8
D230	1720000590	S.VAR MA357(TX)	T	50.8/44.2
D231	1720000590	S.VAR MA357(TX)	T	52.9/44.2
D232	1790000620	S.DIO MA77(TX)	T	82.6/42.3
D240	1720000590	S.VAR MA357(TX)	T	50.8/56.7
D241	1720000590	S.VAR MA357(TX)	T	52.9/56.7
D242	1790000620	S.DIO MA77(TX)	T	82.6/54.8
D250	1720000590	S.VAR MA357(TX)	T	50.8/69.2
D252	1790000620	S.DIO MA77(TX)	T	82.6/67.3
D261	1720000590	S.VAR MA357(TX)	T	52.9/81.7
D262	1790000620	S.DIO MA77(TX)	T	82.6/79.8
D270	1720000590	S.VAR MA357(TX)	T	50.8/94.2
D271	1720000590	S.VAR MA357(TX)	T	52.4/96.7
D272	1790000620	S.DIO MA77(TX)	T	82.5/92
D341	1790000620	S.DIO MA77(TX)	T	90/37.2
D342	1160000070	S.DIO DAN202K T146	B	81.1/47.7
D362	1790000620	S.DIO MA77(TX)	T	88.3/65.5
D363	1790000620	S.DIO MA77(TX)	T	88.3/62
D421	1790000620	S.DIO MA77(TX)	T	91.9/85
D441	1790000620	S.DIO MA77(TX)	T	89.6/74.4
D501	1750000520	S.DIO DAN222TL	T	42/132
D542	1720000590	S.VAR MA357(TX)	T	62.5/139.6
D1101	1790000620	S.DIO MA77(TX)	T	177.6/146.6
D1102	1790000620	S.DIO MA77(TX)	T	177.6/148.4
D1351	1750000581	S.DIO 1SV307(TPH3,F)	T	140.8/71.1
D1653	1750000550	S.DIO 1SS355 TE-17	T	138.9/167.2
D1654	1750000550	S.DIO 1SS355 TE-17	T	142.5/167.2
D1701	1790001670	S.DIO RB706F-40T106	T	170.5/160.8
FI101	2020002090	S.CER SFECV10M7FD00-R0 (SFECV10.7MA5S)	T	26/73.9
FI1401	2030000321	S.MON DSF753SDF 64.555 MHz (FL-359A)	T	116.3/88.5
FI1402	2030000311	S.MON DSF753SDF 64.555 MHz (FL-360A)	T	107/88.5
FI1403	2030000520	S.MON DSF753SDF 64.555 MHz (FL-397)	T	126/85.5
L1	6200003261	S.COI NLV32T-101J	T	10.8/15.4
L2	6200003261	S.COI NLV32T-101J	T	29/19.9
L10	6200003950	S.COI HF50ACC 322513-T	T	38.6/14.7
L11	6200003950	S.COI HF50ACC 322513-T	T	13.8/15.4
L12	6200003950	S.COI HF50ACC 322513-T	T	16.8/15.4
L13	6200003950	S.COI HF50ACC 322513-T	T	29/15.4
L20	6200003321	S.COI NLV32T-3R3J	T	85.9/123.8
L30	6200005491	S.COI NLV32T-331J	T	20.6/120
L101	6200001831	S.COI NLV32T-100J	T	38.3/72.8
L151	6130002970	COI LB-343	T	

[RXPLL-B UNIT]

REF NO.	PARTS NO.	DESCRIPTION	M.	H/V LOCATION
L152	6200001831	S.COI NLV32T-100J	T	30/54.5
L201	6200005011	S.COI NLV25T-100J	T	22.2/45
L211	6200003661	S.COI NLV25T-R68J	B	45.4/35.3
L220	62000010790	S.COI C2520C-3R9G-A	T	51.9/37.5
L221	6190001421	COI #E526GN-110502	T	
L222	62000010790	S.COI C2520C-3R9G-A	T	76.2/37.7
L230	6200010830	S.COI C2520C-3R3G-A	T	51.9/50
L231	6190001421	COI #E526GN-110502	T	
L232	6200010830	S.COI C2520C-3R3G-A	T	76.2/50.2
L240	6200010830	S.COI C2520C-3R3G-A	T	51.9/62.4
L241	6190001421	COI #E526GN-110502	T	
L242	6200010830	S.COI C2520C-3R3G-A	T	76.2/62.7
L250	6200010820	S.COI C2520C-2R7G-A	T	51.9/74.9
L251	6190001421	COI #E526GN-110502	T	
L252	6200010820	S.COI C2520C-2R7G-A	T	76.2/75.2
L260	6200010820	S.COI C2520C-2R7G-A	T	51.9/87.4
L261	6190001411	COI #E526GN-110501	T	
L262	6200010820	S.COI C2520C-2R7G-A	T	76.2/87.7
L270	6200010810	S.COI C2520C-2R2G-A	T	51.9/99.8
L271	6190001411	COI #E526GN-110501	T	
L272	6200010810	S.COI C2520C-2R2G-A	T	76/100.2
L280	6200005011	S.COI NLV25T-100J	T	67.4/25.5
L302	6200001831	S.COI NLV32T-100J	T	89.3/42.6
L331	6200002641	S.COI NLV25T-R15J	T	95.1/34.1
L332	6200002411	S.COI NLV25T-056J	B	93.2/36
L341	6200003261	S.COI NLV32T-101J	T	87/39.6
L351	6200001831	S.COI NLV32T-100J	T	91.3/62
L421	6200008641	S.COI NLV32T-391J	T	87/81
L441	6200002601	S.COI NLV25T-047J	T	91.9/72.3
L442	6200010730	S.COI C2520C-68NG-A	T	90.5/78.2
L451	6200002641	S.COI NLV25T-R15J	T	95/81
L452	6200003261	S.COI NLV32T-101J	T	87/78
L501	6200001831	S.COI NLV32T-100J	T	31/125.8
L530	6200003171	S.COI NLV32T-330J	T	14.6/134.9
L531	6200003171	S.COI NLV32T-330J	T	14.6/130.8
L532	6200003171	S.COI NLV32T-330J	T	15.5/127.1
L541	6200010790	S.COI C2520C-3R9G-A	T	56.3/139.6
L542	6190001421	COI #E526GN-110502	T	
L543	6200010790	S.COI C2520C-3R9G-A	B	68.4/147.9
L544	6200003261	S.COI NLV32T-101J	B	65.9/142.1
L545	6200003261	S.COI NLV32T-101J	B	51.3/139.6
L561	6200003261	S.COI NLV32T-101J	B	64/156
L562	6200001831	S.COI NLV32T-100J	B	74.6/151.8
L565	6150004250	COI LS-471A (C-14922)	T	
L566	6150004250	COI LS-471A (C-14922)	T	
L591	6200007790	S.COI LQW2BHN15J03L	T	60.5/171.5
L601	6200001831	S.COI NLV32T-100J	T	49.5/123.6
L602	6200002641	S.COI NLV25T-R15J	T	54.1/118
L603	6200002841	S.COI NLV25T-R22J	T	57.1/117.2
L651	6200001831	S.COI NLV32T-100J	T	15.5/176.3
L681	6200002981	S.COI NLV32T-R56J	T	37.4/176.2
L682	6200003041	S.COI NLV32T-R68J	T	37.8/172.6
L683	6200003051	S.COI NLV32T-R82J	T	40.2/166.2
L701	6200003261	S.COI NLV32T-101J	T	23.6/120
L702	6150004971	S.COI LS-522-LF	T	37.6/108.6
L703	6150004971	S.COI LS-522-LF	T	37.5/118.5
L1001	6190001650	COI ELC06D102E	T	
L1002	6140004400	COI LR-499	T	
L1004	6140003890	COI LR-488	T	
L1005	6180001000	COI LAL 04NA 102K	T	
L1006	6140003900	COI LR-489	T	
L1007	6140003800	COI LR-439	T	
L1008	6190001650	COI ELC06D102E	T	
L1009	6190001650	COI ELC06D102E	T	
L1010	6140003880	COI LR-486	T	
L1011	6140003880	COI LR-486	T	
L1012	6140003800	COI LR-439	T	
L1013	6200010680	S.COI C2520C-R22G-A (0.22U)	T	155/55.2
L1014	6200010680	S.COI C2520C-R22G-A (0.22U)	T	157.9/12.4
L1015	6200007790	S.COI LQW2BHN15J03L	B	163.5/27.5
L1052	6200010740	S.COI C2520C-R27G-A	T	177.8/74.6
L1053	6200010740	S.COI C2520C-R27G-A	T	173.8/73.5
L1054	6200010740	S.COI C2520C-R27G-A	T	169.4/72.6
L1055	6140003960	COI LR-495	T	
L1056	6200010730	S.COI C2520C-68NG-A	T	171/83.8
L1058	6190001631	COI #E544EN-100021	T	
L1060	6200010730	S.COI C2520C-68NG-A	T	149.1/76.4
L1062	6200011450	S.COI C2520C-R39G-A	T	145.1/81.4
L1063	6200010650	S.COI C2520C-R12G-A (0.12U)	T	140.9/82.5
L1071	6200007780	S.COI LQW2BHN12J03L	B	164.9/79.2
L1072	6200007780	S.COI LQW2BHN12J03L	B	168/76.1
L1091	6200003950	S.COI HF50ACC 322513-T	B	171/149
L1092	6200003950	S.COI HF50ACC 322513-T	T	149.7/136.5
L1093	6200003950	S.COI HF50ACC 322513-T	T	157/135.2
L1101	6140003920	COI LR-491	T	
L1102	6200010650	S.COI C2520C-R12G-A (0.12U)	T	176.9/117.9
L1103	6180001250	COI LAL 04NA 3R3K	T	
L1104	6200010870	S.COI C2520C-R33G-A (0.33U)	T	178.3/135.9
L1105	6140003910	COI LR-490	T	
L1151	6140004640	COI LR-519	T	
L1201	6200007780	S.COI LQW2BHN12J03L	B	119.3/17.4
L1208	6140003800	COI LR-439	T	
L1209	6200001831	S.COI NLV32T-100J	T	121.1/20.8
L1210	6140004440	COI LR-503	T	
L1211	6200009690	S.COI LQH43CN101K03L	T	115.7/34.6
L1212	6200001831	S.COI NLV32T-100J	T	106.8/20.8

[RXPLL-B UNIT]

REF NO.	PARTS NO.	DESCRIPTION	M.	H/V LOCATION
L1223	6200007750	S.COI LQW2BHN56NJ03L	B	151.3/100.7
L1228	6200010870	S.COI C2520C-R33G-A (0.33U)	T	158.7/71.3
L1229	6200003950	S.COI HF50ACC 322513-T	B	164.7/115.9
L1301	6200008090	S.COI LQW2BHN68NJ03L	T	157.1/111.9
L1302	6200008090	S.COI LQW2BHN68NJ03L	T	156.4/115.5
L1303	6200008090	S.COI LQW2BHN68NJ03L	T	153.4/117.5
L1304	6200010870	S.COI C2520C-R33G-A (0.33U)	T	153.8/123
L1305	6200003001	S.COI NLV32T-R22J	T	159.2/124.5
L1306	6200001831	S.COI NLV32T-100J	B	152.7/118.6
L1307	6200003001	S.COI NLV32T-R22J	T	153.3/112
L1351	6200001831	S.COI NLV32T-100J	T	143/76.4
L1353	6200010740	S.COI C2520C-R27G-A	T	141.6/67.5
L1354	6200001831	S.COI NLV32T-100J	T	136.4/68
L1401	6150004280	COI LS-484B (C-14927)		
L1402	6150004280	COI LS-484B (C-14927)		
L1403	6150004280	COI LS-484B (C-14927)		
L1404	6150004280	COI LS-484B (C-14927)		
L1405	6200007770	S.COI LQW2BHN68NJ03L	B	112.5/111.4
L1406	6200007750	S.COI LQW2BHN56NJ03L	B	116.6/111.4
L1407	6140003930	COI LR-492		
L1408	6190001621	COI #E544EN-100028		
L1409	6200003191	S.COI NLV32T-470J	B	135.8/125.4
L1410	6150004280	COI LS-484B (C-14927)		
L1411	6150004280	COI LS-484B (C-14927)		
L1501	6200003520	S.COI ELJFB 102K-F	T	142.1/145.1
L1652	6200002520	S.COI ELJNC R18K-F	T	112.9/133.1
L1653	6200001831	S.COI NLV32T-100J	B	105.4/124.6
L1654	6200001831	S.COI NLV32T-100J	B	112.4/141.9
L1655	6200001831	S.COI NLV32T-100J	B	124.7/139.8
L1701	6200001831	S.COI NLV32T-100J	T	167/160
L1702	6200003950	S.COI HF50ACC 322513-T	T	175.6/169.8
L1703	6200003950	S.COI HF50ACC 322513-T	T	172.6/169.8
L1704	6200003950	S.COI HF50ACC 322513-T	T	169.6/169.8
L1705	6200003950	S.COI HF50ACC 322513-T	T	165.5/169.8
L1803	6200003950	S.COI HF50ACC 322513-T	B	132/54.8
L1804	6200003950	S.COI HF50ACC 322513-T	B	118/154.8
L1805	6200003950	S.COI HF50ACC 322513-T	B	155.2/132
L1807	6200003950	S.COI HF50ACC 322513-T	B	118/151.3
L1808	6200003950	S.COI HF50ACC 322513-T	B	141.3/162
L1809	6200003950	S.COI HF50ACC 322513-T	B	149.5/115.6
R1	7030005871	S.RES ERA3YKD 104V (100K)	T	32.5/19.2
R2	7030005321	S.RES ERA3YED 103V (10K)	T	31.2/19.2
R3	7030003550	S.RES ERJ3GEYJ 822 V (8.2K)	T	16.9/23.5
R4	7030003550	S.RES ERJ3GEYJ 822 V (8.2K)	T	16.9/24.8
R5	7030003550	S.RES ERJ3GEYJ 822 V (8.2K)	T	13.3/31.3
R6	7030003550	S.RES ERJ3GEYJ 822 V (8.2K)	T	13.3/30
R7	7030003500	S.RES ERJ3GEYJ 332 V (3.3K)	B	26.7/12.9
R8	7030003470	S.RES ERJ3GEYJ 182 V (1.8K)	B	28.2/14.6
R9	7030003680	S.RES ERJ3GEYJ 104 V (100K)	B	27.5/10.6
R10	7030003360	S.RES ERJ3GEYJ 221 V (220)	T	19/16
R11	7030003360	S.RES ERJ3GEYJ 221 V (220)	T	20.3/16
R12	7030003360	S.RES ERJ3GEYJ 221 V (220)	T	22.4/16
R13	7030003360	S.RES ERJ3GEYJ 221 V (220)	T	23.7/16
R14	7030003360	S.RES ERJ3GEYJ 221 V (220)	T	25/16
R15	7030003360	S.RES ERJ3GEYJ 221 V (220)	T	26.4/16.2
R16	7030003360	S.RES ERJ3GEYJ 221 V (220)	T	32.5/15.4
R17	7030003360	S.RES ERJ3GEYJ 221 V (220)	T	33.8/15.4
R30	7030003240	S.RES ERJ3GEYJ 220 V (22)	T	21.7/113.7
R31	7030003600	S.RES ERJ3GEYJ 223 V (22K)	T	20.4/111.1
R32	7030003320	S.RES ERJ3GEYJ 101 V (100)	T	23/113.7
R33	7030003340	S.RES ERJ3GEYJ 151 V (150)	T	19.1/115
R51	7030011030	S.RES ERJ1TYJ 270U (27)	T	66.3/13.9
R61	7030011030	S.RES ERJ1TYJ 270U (27)	T	45.1/13.9
R101	7030003800	S.RES ERJ3GEYJ 105 V (1M)	T	34.1/101.5
R102	7030003860	S.RES ERJ3GE JPW V	B	35.6/88.6
R103	7030007230	S.RES ERA3YED 102V (1K)	T	25.1/100.3
R104	7030007230	S.RES ERA3YED 102V (1K)	T	26.4/100.3
R105	7030007230	S.RES ERA3YED 102V (1K)	T	27.8/100.3
R106	7030003360	S.RES ERJ3GEYJ 221 V (220)	T	29.1/100.3
R107	7030003320	S.RES ERJ3GEYJ 101 V (100)	T	38/101.5
R108	7030007230	S.RES ERA3YED 102V (1K)	T	28.9/79
R109	7030007230	S.RES ERA3YED 102V (1K)	T	41.9/84.5
R110	7030007220	S.RES ERA3YED 202V (2K)	T	14.6/100.5
R111	7030007220	S.RES ERA3YED 202V (2K)	T	17.2/100.5
R112	7030007220	S.RES ERA3YED 202V (2K)	T	17.2/99.2
R113	7030007220	S.RES ERA3YED 202V (2K)	T	17.2/97.9
R114	7030007220	S.RES ERA3YED 202V (2K)	T	17.2/96.6
R115	7030007220	S.RES ERA3YED 202V (2K)	T	17.2/95.2
R116	7030007220	S.RES ERA3YED 202V (2K)	T	17.2/93.9
R117	7030007220	S.RES ERA3YED 202V (2K)	T	17.2/92.6
R118	7030007200	S.RES ERA3YEB 202V (2K)	T	17.2/91.3
R119	7030007200	S.RES ERA3YEB 202V (2K)	T	17.2/89.6
R120	7030007200	S.RES ERA3YEB 202V (2K)	T	17.2/87
R121	7030007200	S.RES ERA3YEB 202V (2K)	T	17.2/84.4
R122	7030007200	S.RES ERA3YEB 202V (2K)	T	17.2/81.8
R123	7030007230	S.RES ERA3YED 102V (1K)	T	14.6/99.2
R124	7030007230	S.RES ERA3YED 102V (1K)	T	14.6/97.9
R125	7030007230	S.RES ERA3YED 102V (1K)	T	14.6/96.6
R126	7030007230	S.RES ERA3YED 102V (1K)	T	14.6/95.2
R127	7030007230	S.RES ERA3YED 102V (1K)	T	14.6/93.9
R128	7030007230	S.RES ERA3YED 102V (1K)	T	14.6/92.6
R129	7030007210	S.RES ERA3YEB 102V (1K)	T	14.6/91.3
R130	7030007210	S.RES ERA3YEB 102V (1K)	T	14.6/89.6
R131	7030007210	S.RES ERA3YEB 102V (1K)	T	14.6/88.3
R132	7030007210	S.RES ERA3YEB 102V (1K)	T	14.6/87
R133	7030007210	S.RES ERA3YEB 102V (1K)	T	14.6/85.7
R134	7030009861	S.RES ERA3YED 471V (470)	T	14.6/84.4
R135	7030003860	S.RES ERJ3GE JPW V	T	30.4/75.8
R136	7030003800	S.RES ERJ3GEYJ 105 V (1M)	T	33/77.1
R137	7030003200	S.RES ERJ3GEYJ 100 V (10)	T	35.5/75.8
R138	7030003860	S.RES ERJ3GE JPW V	T	16.8/78.6
R139	7030003860	S.RES ERJ3GE JPW V	T	17.6/75.8
R150	7030003330	S.RES ERJ3GEYJ 121 V (120)	B	37.8/86.2

[RXPLL-B UNIT]

REF NO.	PARTS NO.	DESCRIPTION	M.	H/V LOCATION
R151	7030003220	S.RES ERJ3GEYJ 150 V (15)	B	38.6/88.1
R152	7030005871	S.RES ERA3YKD 104V (100K)	B	36.2/82.5
R153	7030005321	S.RES ERA3YED 103V (10K)	T	19.2/62.7
R154	7030003320	S.RES ERJ3GEYJ 101 V (100)	B	26.3/54.1
R155	7030003350	S.RES ERJ3GEYJ 181 V (180)	B	23/54.1
R156	7030005871	S.RES ERA3YKD 104V (100K)	T	24.6/53.1
R157	7030005871	S.RES ERA3YKD 104V (100K)	T	26.9/58
R158	7030003340	S.RES ERJ3GEYJ 151 V (150)	T	30/57.3
R159	7030003320	S.RES ERJ3GEYJ 101 V (100)	B	33.6/61.4
R160	7030003360	S.RES ERJ3GEYJ 221 V (220)	B	33.6/59.6
R161	7030003640	S.RES ERJ3GEYJ 473 V (47K)	B	33.6/54.8
R163	7030003220	S.RES ERJ3GEYJ 150 V (15)	B	30.2/56.6
R164	7030003310	S.RES ERJ3GEYJ 820 V (82)	B	34.1/70.4
R165	7030003320	S.RES ERJ3GEYJ 101 V (100)	B	30.8/70.4
R166	7030003320	S.RES ERJ3GEYJ 101 V (100)	B	30.8/72.2
R167	7030003240	S.RES ERJ3GEYJ 220 V (22)	B	37.4/75.8
R168	7030003360	S.RES ERJ3GEYJ 221 V (220)	B	34.1/75.8
R169	7030003640	S.RES ERJ3GEYJ 473 V (47K)	B	30.8/75.8
R202	7030007230	S.RES ERA3YED 102V (1K)	T	22.2/39.7
R203	7030007230	S.RES ERA3YED 102V (1K)	T	22.2/38.4
R204	7030003360	S.RES ERJ3GEYJ 221 V (220)	T	22.2/37.1
R205	7030005321	S.RES ERA3YED 103V (10K)	T	27.4/34
R206	7030003220	S.RES ERJ3GEYJ 150 V (15)	T	31.1/45.7
R210	7030005351	S.RES ERA3YED 182V (1.8K)	T	35.6/37.5
R217	7030009651	S.RES ERA3YHD 820V (82)	B	40.4/42.8
R219	7030009691	S.RES ERA3YED 101V (100)	B	40/35.7
R220	7030005871	S.RES ERA3YKD 104V (100K)	T	73.2/37.6
R221	7030005871	S.RES ERA3YKD 104V (100K)	T	72.3/30.9
R222	7030003400	S.RES ERJ3GEYJ 471 V (470)	T	81.4/38.3
R223	7030007230	S.RES ERA3YED 102V (1K)	T	81.9/31.9
R224	7030003320	S.RES ERJ3GEYJ 101 V (100)	T	73.2/40.2
R230	7030005871	S.RES ERA3YKD 104V (100K)	T	73.2/50.1
R231	7030005871	S.RES ERA3YKD 104V (100K)	T	72.3/43.3
R232	7030003360	S.RES ERJ3GEYJ 221 V (220)	T	81.4/50.8
R233	7030007230	S.RES ERA3YED 102V (1K)	T	81.9/44.4
R234	7030003320	S.RES ERJ3GEYJ 101 V (100)	T	73.2/52.7
R240	7030005871	S.RES ERA3YKD 104V (100K)	T	73.2/62.6
R241	7030005871	S.RES ERA3YKD 104V (100K)	T	72.3/55.8
R242	7030003360	S.RES ERJ3GEYJ 221 V (220)	T	81.4/63.3
R243	7030007230	S.RES ERA3YED 102V (1K)	T	81.9/56.9
R244	7030003320	S.RES ERJ3GEYJ 101 V (100)	T	73.2/65.2
R250	7030005871	S.RES ERA3YKD 104V (100K)	T	73.2/75.1
R251	7030005871	S.RES ERA3YKD 104V (100K)	T	72.3/68.4
R252	7030003360	S.RES ERJ3GEYJ 221 V (220)	T	81.4/75.8
R253	7030007230	S.RES ERA3YED 102V (1K)	T	81.9/69.4
R254	7030003320	S.RES ERJ3GEYJ 101 V (100)	T	73.2/77.7
R260	7030005871	S.RES ERA3YKD 104V (100K)	T	73.2/87.6
R261	7030005871	S.RES ERA3YKD 104V (100K)	T	72.3/80.9
R262	7030003400	S.RES ERJ3GEYJ 471 V (470)	T	81.4/88.3
R263	7030007230	S.RES ERA3YED 102V (1K)	T	81.9/81.9
R264	7030003320	S.RES ERJ3GEYJ 101 V (100)	T	73.2/90.2
R270	7030005871	S.RES ERA3YKD 104V (100K)	T	73.2/95.9
R271	7030005871	S.RES ERA3YKD 104V (100K)	T	72.3/92.8
R272	7030003360	S.RES ERJ3GEYJ 221 V (220)	T	81.4/100.8
R273	7030007230	S.RES ERA3YED 102V (1K)	T	81.9/93.9
R274	7030003320	S.RES ERJ3GEYJ 101 V (100)	T	73.2/102.1
R301	7030003200	S.RES ERJ3GEYJ 100 V (10)	T	86.5/30.6
R302	7030007230	S.RES ERA3YED 102V (1K)	T	86.5/29.3
R303	7030003360	S.RES ERJ3GEYJ 221 V (220)	T	92.1/28
R304	7030003490	S.RES ERJ3GEYJ 272 V (2.7K)	T	94/30.1
R305	7030003510	S.RES ERJ3GEYJ 392 V (3.9K)	T	95.3/30.1
R306	7030003360	S.RES ERJ3GEYJ 221 V (220)	T	94.7/32.2
R307	7030009841	S.RES ERA3YHD 330V (33)	T	92.1/32.2
R308	7030009851	S.RES ERA3YED 271V (270)	B	92.6/43.4
R309	7030003540	S.RES ERJ3GEYJ 682 V (6.8K)	B	89.1/47
R310	7030003500	S.RES ERJ3GEYJ 332 V (3.3K)	B	92.6/47
R311	7030003350	S.RES ERJ3GEYJ 181 V (180)	B	89.1/45.2
R312	7030003360	S.RES ERJ3GEYJ 221 V (220)	B	92.4/27.8
R313	7030003490	S.RES ERJ3GEYJ 272 V (2.7K)	B	91.1/23.1
R314	7030003510	S.RES ERJ3GEYJ 392 V (3.9K)	B	88.3/23.1
R315	7030003360	S.RES ERJ3GEYJ 221 V (220)	B	87.5/25.1
R316	7030003280	S.RES ERJ3GEYJ 470 V (47)	B	78.3/26.1
R317	7030006220	S.RES ERJ12YJ470U (47)	B	90/31.4
R318	7030009841	S.RES ERA3YHD 330V (33)	B	92.6/41.6
R341	7030007230	S.RES ERA3YED 102V (1K)	T	92.1/40.1
R342	7030005321	S.RES ERA3YED 103V (10K)	T	86.5/32.2
R343	7030007230	S.RES ERA3YED 102V (1K)	T	89.3/34.8
R351	7030003200	S.RES ERJ3GEYJ 100 V (10)	B	89.1/52.4
R352	7030010980	S.RES ERA3YHD 470V (47)	T	89.3/55.8
R353	7030009591	S.RES ERA3YED 472V (4.7K)	T	89.3/54.5



[RXPLL-B UNIT]

REF NO.	PARTS NO.	DESCRIPTION	M.	H/V LOCATION
R504	7030007230	S.RES ERA3YED 102V (1K)	T	25.2/153.1
R506	7030003800	S.RES ERJ3GEYJ 105 V (1M)	T	34/154.5
R509	7030003440	S.RES ERJ3GEYJ 102 V (1K) [USA]	T	42.5/136
	7030003440	S.RES ERJ3GEYJ 102 V (1K) [EUR]		
	7030003440	S.RES ERJ3GEYJ 102 V (1K) [FRA]		
	7030003440	S.RES ERJ3GEYJ 102 V (1K) [DEN]		
	7030003440	S.RES ERJ3GEYJ 102 V (1K) [ITR]		
	7030003440	S.RES ERJ3GEYJ 102 V (1K) [KOR]		
	7030003440	S.RES ERJ3GEYJ 102 V (1K) [ESP]		
	7030003440	S.RES ERJ3GEYJ 102 V (1K) [AUS]		
	7030003440	S.RES ERJ3GEYJ 102 V (1K) [UK]		
	7030003440	S.RES ERJ3GEYJ 102 V (1K) [RX]		
	7030007230	S.RES ERA3YED 102V (1K) [CHN]		
R510	7030007220	S.RES ERA3YED 202V (2K)	T	14.6/153.6
R511	7030007220	S.RES ERA3YED 202V (2K)	T	17.2/153.6
R512	7030007220	S.RES ERA3YED 202V (2K)	T	17.2/152.3
R513	7030007220	S.RES ERA3YED 202V (2K)	T	17.2/151
R514	7030007220	S.RES ERA3YED 202V (2K)	T	17.2/149.7
R515	7030007220	S.RES ERA3YED 202V (2K)	T	17.2/148.3
R516	7030007220	S.RES ERA3YED 202V (2K)	T	17.2/147
R517	7030007220	S.RES ERA3YED 202V (2K)	T	17.2/145.7
R518	7030007200	S.RES ERA3YEB 202V (2K)	T	17.2/144.4
R519	7030007200	S.RES ERA3YEB 202V (2K)	T	17.2/142.7
R520	7030007200	S.RES ERA3YEB 202V (2K)	T	17.2/141.4
R521	7030007200	S.RES ERA3YEB 202V (2K)	T	17.2/140.1
R522	7030007200	S.RES ERA3YEB 202V (2K)	T	17.2/138.8
R523	7030007230	S.RES ERA3YED 102V (1K)	T	14.6/152.3
R524	7030007230	S.RES ERA3YED 102V (1K)	T	14.6/151
R525	7030007230	S.RES ERA3YED 102V (1K)	T	14.6/149.7
R526	7030007230	S.RES ERA3YED 102V (1K)	T	14.6/148.3
R527	7030007230	S.RES ERA3YED 102V (1K)	T	14.6/147
R528	7030007230	S.RES ERA3YED 102V (1K)	T	14.6/145.7
R529	7030007210	S.RES ERA3YEB 102V (1K)	T	14.6/144.4
R530	7030007210	S.RES ERA3YEB 102V (1K)	T	14.6/142.7
R531	7030007210	S.RES ERA3YEB 102V (1K)	T	14.6/141.4
R532	7030007210	S.RES ERA3YEB 102V (1K)	T	14.6/140.1
R533	7030007210	S.RES ERA3YEB 102V (1K)	T	14.6/138.8
R534	7030003860	S.RES ERJ3GE JPW V	T	22.2/127.6
R535	7030003800	S.RES ERJ3GEYJ 105 V (1M)	T	24.8/129.8
R536	7030003200	S.RES ERJ3GEYJ 100 V (10)	T	28/128.3
R537	7030007230	S.RES ERA3YED 102V (1K)	T	30.3/131.9
R538	7030003360	S.RES ERJ3GEYJ 221 V (220)	B	34.8/146.5
R540	7030007230	S.RES ERA3YED 102V (1K)	B	52.3/142.8
R544	7030005871	S.RES ERA3YKD 104V (100K)	T	69.4/140.4
R545	7030005871	S.RES ERA3YKD 104V (100K)	T	69.4/139.1
R546	7030009861	S.RES ERA3YED 471V (470)	T	67.4/150.7
R548	7030009591	S.RES ERA3YED 472V (4.7K)	B	43.4/136.5
R550	7030009691	S.RES ERA3YED 101V (100)	B	43.4/134.7
R554	7030009891	S.RES ERA3YED 151V (150)	B	47.2/133.9
R555	7030003380	S.RES ERJ3GEYJ 331 V (330)	B	61.9/142.1
R556	7030005981	S.RES ERA3YED 333V (33K)	B	44.2/128.2
R561	7030003200	S.RES ERJ3GEYJ 100 V (10)	T	71.3/148.5
R562	7030003360	S.RES ERJ3GEYJ 221 V (220)	T	65.7/155.5
R563	7030003490	S.RES ERJ3GEYJ 272 V (2.7K)	T	70.4/151.9
R564	7030003510	S.RES ERJ3GEYJ 392 V (3.9K)	T	70.4/150.6
R565	7030003360	S.RES ERJ3GEYJ 221 V (220)	T	67/155.5
R570	7030003230	S.RES ERJ3GEYJ 180 V (18)	T	63.1/155.5
R571	7030003230	S.RES ERJ3GEYJ 180 V (18)	T	58.5/155
R572	7030003290	S.RES ERJ3GEYJ 560 V (56)	B	57.2/156.3
R573	7030003270	S.RES ERJ3GEYJ 390 V (39)	T	61.8/155.5
R574	7030003240	S.RES ERJ3GEYJ 220 V (22)	T	60.5/155.5
R575	7030003270	S.RES ERJ3GEYJ 390 V (39)	T	58.5/156.3
R580	7030009861	S.RES ERA3YED 471V (470)	T	41.9/153.7
R581	7030003360	S.RES ERJ3GEYJ 221 V (220)	T	41.9/145.5
R582	7030003600	S.RES ERJ3GEYJ 223 V (22K)	T	41.9/149.5
R587	7030003300	S.RES ERJ3GEYJ 680 V (68)	T	55.7/157.6
R588	7030003340	S.RES ERJ3GEYJ 151 V (150)	T	58.5/158.9
R589	7030003300	S.RES ERJ3GEYJ 680 V (68)	T	55.7/158.9
R591	7030003320	S.RES ERJ3GEYJ 101 V (100)	T	58.2/169.9
R592	7030005321	S.RES ERA3YED 103V (10K)	T	58.5/167.9
R593	7030003480	S.RES ERJ3GEYJ 222 V (2.2K)	T	58.5/165.1
R594	7030003320	S.RES ERJ3GEYJ 101 V (100)	B	61.9/168.1
R595	7030003640	S.RES ERJ3GEYJ 473 V (47K)	B	55.9/165.3
R596	7030003540	S.RES ERJ3GEYJ 682 V (6.8K)	B	54.7/168.9
R601	7030009851	S.RES ERA3YED 271V (270)	T	51.7/182.2
R602	7030003470	S.RES ERJ3GEYJ 182 V (1.8K)	T	49.5/120.1
R606	7030003360	S.RES ERJ3GEYJ 221 V (220)	T	45.3/115.6
R607	7030003480	S.RES ERJ3GEYJ 222 V (2.2K)	T	48.6/115.4
R608	7030007230	S.RES ERA3YED 102V (1K)	T	49.9/115.4
R651	7030007230	S.RES ERA3YED 102V (1K)	B	23.5/177.1
R652	7030003360	S.RES ERJ3GEYJ 221 V (220)	T	13.5/170.8
R653	7030007230	S.RES ERA3YED 102V (1K)	T	13.5/169.5
R654	7030007230	S.RES ERA3YED 102V (1K)	T	13.5/168.2
R656	7030003800	S.RES ERJ3GEYJ 105 V (1M)	T	15/161.4
R657	7030003320	S.RES ERJ3GEYJ 101 V (100)	T	20.2/161.4
R661	7030007220	S.RES ERA3YED 202V (2K)	T	31.7/162.8
R662	7030007220	S.RES ERA3YED 202V (2K)	T	31.7/164.1
R663	7030007220	S.RES ERA3YED 202V (2K)	T	31.7/165.4
R664	7030007220	S.RES ERA3YED 202V (2K)	T	31.7/166.7
R665	7030007220	S.RES ERA3YED 202V (2K)	T	31.7/168
R666	7030007220	S.RES ERA3YED 202V (2K)	T	31.7/170.6
R667	7030007220	S.RES ERA3YED 202V (2K)	T	31.7/171.9
R668	7030007220	S.RES ERA3YED 202V (2K)	T	31.7/173.2
R669	7030007200	S.RES ERA3YEB 202V (2K)	T	31.7/174.5
R670	7030007200	S.RES ERA3YEB 202V (2K)	T	31.7/175.8
R671	7030007200	S.RES ERA3YEB 202V (2K)	T	31.7/177.1
R673	7030007230	S.RES ERA3YED 102V (1K)	T	34.3/165.4
R674	7030007230	S.RES ERA3YED 102V (1K)	T	34.3/166.7
R675	7030007230	S.RES ERA3YED 102V (1K)	T	34.3/168
R676	7030007230	S.RES ERA3YED 102V (1K)	T	34.3/169.3
R677	7030007230	S.RES ERA3YED 102V (1K)	T	34.3/170.6
R678	7030007230	S.RES ERA3YED 102V (1K)	T	34.3/171.9
R679	7030007210	S.RES ERA3YEB 102V (1K)	T	34.3/173.2
R680	7030007210	S.RES ERA3YEB 102V (1K)	T	34.3/174.5
R681	7030007210	S.RES ERA3YEB 102V (1K)	T	34.3/175.8

[RXPLL-B UNIT]

REF NO.	PARTS NO.	DESCRIPTION	M.	H/V LOCATION
R683	7030003860	S.RES ERJ3GE JPW V	B	58.4/167.8
R685	7030003460	S.RES ERJ3GEYJ 152 V (1.5K)	T	38.4/169.7
R686	7030003320	S.RES ERJ3GEYJ 101 V (100)	T	40.3/163.4
R687	7030003470	S.RES ERJ3GEYJ 182 V (1.8K)	T	37.4/165.1
R688	7030003480	S.RES ERJ3GEYJ 222 V (2.2K)	T	34.3/162.8
R689	7030003360	S.RES ERJ3GEYJ 221 V (220)	T	36.3/161.5
R690	7030009851	S.RES ERA3YED 271V (270)	T	44.6/165.3
R691	7030003230	S.RES ERJ3GEYJ 180 V (18)	T	48.4/164.8
R692	7030009851	S.RES ERA3YED 271V (270)	T	46.4/166.6
R693	7030003360	S.RES ERJ3GEYJ 221 V (220)	T	37.1/169.7
R704	7030009841	S.RES ERA3YHD 330V (33)	T	30.8/113.7
R705	7030003600	S.RES ERJ3GEYJ 223 V (22K)	T	29.5/113.7
R706	7030005321	S.RES ERA3YED 103V (10K)	T	28.2/113.7
R707	7030009861	S.RES ERA3YED 471V (470)	T	30.8/108.1
R708	7030003410	S.RES ERJ3GEYJ 561 V (560)	T	43.3/118.8
R709	7030007860	S.RES ERJ3GEYJ 8R2V (8.2)	T	43.3/116
R710	7030003410	S.RES ERJ3GEYJ 561 V (560)	T	43.8/121.1
R711	7030003320	S.RES ERJ3GEYJ 101 V (100)	T	37.9/154.5
R1000	7030003320	S.RES ERJ3GEYJ 101 V (100)	B	177.1/11.2
R1003	7030010980	S.RES ERA3YHD 470V (47)	T	162/13.4
R1004	7030007230	S.RES ERA3YED 102V (1K)	B	166.4/12.9
R1005	7030003350	S.RES ERJ3GEYJ 822 V (8.2K)	T	144/26.1
R1006	7030007230	S.RES ERA3YED 102V (1K)	T	145.3/26.1
R1007	7030004030	S.RES ERJ3GEYJ 5R6 V (5.6)	B	153.7/33.6
R1008	7030003240	S.RES ERJ3GEYJ 220 V (22)	T	144/36.4
R1009	7030010980	S.RES ERA3YHD 470V (47)	T	182.4/29.3
R1010	7030010980	S.RES ERA3YHD 470V (47)	T	154.5/33.2
R1013	7030007230	S.RES ERA3YED 102V (1K)	B	172.7/40.8
R1014	7030007230	S.RES ERA3YED 102V (1K)	B	156.7/40.8
R1015	7030003530	S.RES ERJ3GEYJ 562 V (5.6K)	B	172.7/45.4
R1016	7030003530	S.RES ERJ3GEYJ 562 V (5.6K)	B	156.7/45.4
R1017	7030003530	S.RES ERJ3GEYJ 562 V (5.6K)	B	169.7/12.9
R1020	7030003390	S.RES ERJ3GEYJ 391 V (390)	T	179.6/18.3
R1021	7030003220	S.RES ERJ3GEYJ 150 V (15)	T	177/19.4
R1022	7030003390	S.RES ERJ3GEYJ 391 V (390)	T	180.9/19.4
R1023	7030010980	S.RES ERA3YHD 470V (47)	B	149.3/33.5
R1024	7030003200	S.RES ERJ3GEYJ 100 V (10)	B	150.1/31.4
R1025	7030003300	S.RES ERJ3GEYJ 680 V (68)	T	178.3/19.4
R1026	7030003480	S.RES ERJ3GEYJ 222 V (2.2K)	B	171.2/14.2
R1027	7030003200	S.RES ERJ3GEYJ 100 V (10)	B	176.5/38.3
R1028	7030003200	S.RES ERJ3GEYJ 100 V (10)	B	160.5/38.3
R1029	7030010980	S.RES ERA3YHD 470V (47)	B	178.2/46.1
R1030	7030010980	S.RES ERA3YHD 470V (47)	B	162.2/46.1
R1051	7030003800	S.RES ERJ3GEYJ 105 V (1M)	T	178.6/93.1
R1054	7030011500	S.RES ERA3YHD 270V (27)	T	149.1/83.2
R1055	7030000010	S.RES MCR10EZJH JPW (000)	T	162.1/76.6
R1056	7030000010	S.RES MCR10EZJH JPW (000)	T	177.5/71.1
R1071	7030010980	S.RES ERA3YHD 470V (47)	B	165.9/76.4
R1072	7030000010	S.RES MCR10EZJH JPW (000)	T	133.9/84.1
R1073	7030000010	S.RES MCR10EZJH JPW (000)	T	135.5/85.7
R1101	7310004860	S.TRI EVM-3YSX50 B53 (502)	T	180.1/90.2
R1102	7030005871	S.RES ERA3YKD 104V (100K)	B	180.2/100.6
R1103	7030007680	S.RES ERJ8ENF 47R0V (47)	T	181.7/104.7
R1104	7030007680	S.RES ERJ8ENF 47R0V (47)	T	173.6/107.2
R1105	7030003500	S.RES ERJ3GEYJ 332 V (3.3K)	T	176.7/87.7
R1106	7030009620	S.RES ERJ12YJ120U (12)	B	179.6/117.9
R1107	7030010980	S.RES ERA3YHD 470V (47)	T	175.6/120.3
R1109	7030007180	S.RES ERJ12YJ150U (15)	B	176.5/125.7
R1110	7030003480	S.RES ERJ3GEYJ 222 V (2.2K)	B	168.5/131.6
R1111	7030003490	S.RES ERJ3GEYJ 222 V (2.2K)	T	166.2/130.4
R1113	7030003480	S.RES ERJ3GEYJ 222 V (2.2K)	T	166.2/131.7
R1114	7030004040	S.RES ERJ3GEYJ 4R7 V (4.7)	T	179.2/125.3
R1115	7030006240	S.RES ERJ12YJ181U (180)	B	176.5/129.9
R1116	7030007230	S.RES ERA3YED 102V (1K)	T	175.7/135.3
R1117	7030004040	S.RES ERJ3GEYJ 4R7 V (4.7)	T	175.7/134
R1118	7030003480	S.RES ERJ3GEYJ 222 V (2.2K)	T	175.4/132
R1119	7030003470	S.RES ERJ3GEYJ 182 V (1.8K)	T	178/132
R1120	7030006070	S.RES ERJ12YJ101U (100)	B	177.3/141
R1121	7030003240	S.RES ERJ3GEYJ 220 V (22)	T	178.6/139.6
R1122	7030010980	S.RES ERA3YHD 470V (47)	T	171.9/131.1
R1123	7030003480	S.RES ERJ3GEYJ 222 V (2.2K)	T	165.7/137.4
R1124	7030003460	S.RES ERJ3GEYJ 152 V (1.5K)	T	165.7/140
R1125	7030003420	S.RES ERJ3GEYJ 681 V (680)	B	171/142.2
R1126	7030003200	S.RES ERJ3GEYJ 100 V (10)	T	168.4/142.2
R1127	7030010980	S.RES ERA3YHD 470V (47)	T	174.6/142.9
R1128	703			

[RXPLL-B UNIT]

REF NO.	PARTS NO.	DESCRIPTION	M.	H/V LOCATION
R1233	7030010980	S.RES ERA3YHD 470V (47)	B	152.5/109.4
R1301	7030010980	S.RES ERA3YHD 470V (47)	B	155.7/97.5
R1302	7030003860	S.RES ERJ3GE JPW V	T	159.3/116.8
R1304	7030003620	S.RES ERJ3GEYJ 333 V (33K)	T	156.5/123.2
R1306	7030006230	S.RES ERJ12YJ151U (150)	B	153.8/124.8
R1307	7030003300	S.RES ERJ3GEYJ 680 V (68)	T	156.5/128.4
R1311	7030000010	S.RES MCR10EZHH JPW (000)	T	140.3/98.8
R1312	7030000010	S.RES MCR10EZHH JPW (000)	T	143.2/104.1
R1313	7030000010	S.RES MCR10EZHH JPW (000)	T	143.2/101.5
R1357	7030007230	S.RES ERA3YED 102V (1K)	B	140.7/70.4
R1358	7030003530	S.RES ERJ3GEYJ 562 V (5.6K)	B	142.8/70.4
R1359	7030010980	S.RES ERA3YHD 470V (47)	T	139.4/64.7
R1360	7030007230	S.RES ERA3YED 102V (1K)	B	146.4/67.1
R1361	7030003380	S.RES ERJ3GEYJ 331 V (330)	T	139.3/68.8
R1362	7030005871	S.RES ERA3YKD 104V (100K)	B	144.6/70.4
R1401	7030003200	S.RES ERJ3GEYJ 100 V (10)	T	131.5/103.3
R1402	7030003300	S.RES ERJ3GEYJ 680 V (68)	T	126.4/111
R1403	7030007230	S.RES ERA3YED 102V (1K)	T	132/107.7
R1404	7030009861	S.RES ERA3YED 471V (470)	T	134.6/104.3
R1405	7030003340	S.RES ERJ3GEYJ 151 V (150)	T	137.2/104.3
R1406	7030009591	S.RES ERA3YED 472V (4.7K)	T	135.2/106.2
R1407	7030003550	S.RES ERJ3GEYJ 822 V (8.2K)	B	135.4/104.3
R1408	7030003200	S.RES ERJ3GEYJ 100 V (10)	T	120.9/109
R1409	7030009591	S.RES ERA3YED 472V (4.7K)	T	120.5/114.9
R1410	7030006091	S.RES ERA3YED 822V (8.2K)	B	124.2/114.4
R1411	7030005871	S.RES ERA3YKD 104V (100K)	T	123.2/116.2
R1412	7030003200	S.RES ERJ3GEYJ 100 V (10)	T	126.4/112.3
R1413	7030003200	S.RES ERJ3GEYJ 100 V (10)	T	126.4/113.6
R1414	7030005871	S.RES ERA3YKD 104V (100K)	B	120.9/114.4
R1415	7030010980	S.RES ERA3YHD 470V (47)	T	127/114.9
R1416	7030003320	S.RES ERJ3GEYJ 101 V (100)	B	139.7/122.9
R1417	7030000010	S.RES MCR10EZHH JPW (000)	B	130.1/124.5
R1418	7030000010	S.RES MCR10EZHH JPW (000)	B	130.1/122.5
R1419	7030003860	S.RES ERJ3GE JPW V	B	129.4/114.9
R1501	7030010980	S.RES ERA3YHD 470V (47)	T	126.5/125.2
R1502	7030009841	S.RES ERA3YHD 330V (33)	T	133/131
R1503	7030009851	S.RES ERA3YED 271V (270)	T	130/146.3
R1504	7030011050	S.RES ERA3YHD 100V (10)	T	131.3/143.5
R1505	7030006091	S.RES ERA3YED 822V (8.2K)	B	137.7/140.3
R1506	7030007230	S.RES ERA3YED 102V (1K)	B	137.7/147
R1507	7030007230	S.RES ERA3YED 102V (1K)	T	132.6/146.3
R1508	7030007230	S.RES ERA3YED 102V (1K)	T	133.9/146.3
R1509	7030007230	S.RES ERA3YED 102V (1K)	T	139.1/158.9
R1510	7030005321	S.RES ERA3YED 103V (10K)	T	139.1/157.6
R1511	7030009861	S.RES ERA3YED 471V (470)	T	136.5/157.6
R1512	7030003380	S.RES ERJ3GEYJ 331 V (330)	T	129.6/151.6
R1513	7030003380	S.RES ERJ3GEYJ 331 V (330)	T	129.6/155.5
R1514	7030005321	S.RES ERA3YED 103V (10K)	T	129.6/160.8
R1515	7030005321	S.RES ERA3YED 103V (10K)	T	133.5/160.8
R1516	7310005090	S.TRI RH03ADC13X (1K)	T	119.2/157.7
R1517	7030005321	S.RES ERA3YED 103V (10K)	T	115.3/158
R1518	7030005321	S.RES ERA3YED 103V (10K)	T	134.8/160.8
R1519	7030005321	S.RES ERA3YED 103V (10K)	T	131.7/171.7
R1520	7030005321	S.RES ERA3YED 103V (10K)	T	136.1/160.8
R1521	7030010980	S.RES ERA3YHD 470V (47)	T	126.5/133
R1522	7030009841	S.RES ERA3YHD 330V (33)	T	126/141.1
R1523	7030009851	S.RES ERA3YED 271V (270)	T	123.7/146.3
R1524	7030011050	S.RES ERA3YHD 100V (10)	T	122.4/143.5
R1525	7030007230	S.RES ERA3YED 102V (1K)	B	128.8/147
R1526	7030003460	S.RES ERJ3GEYJ 152 V (1.5K)	B	137.7/142.1
R1527	7030007230	S.RES ERA3YED 102V (1K)	T	119.8/146.3
R1528	7030007230	S.RES ERA3YED 102V (1K)	T	121.1/146.3
R1529	7030007230	S.RES ERA3YED 102V (1K)	T	115.3/152.3
R1530	7030003380	S.RES ERJ3GEYJ 331 V (330)	T	128/151.6
R1531	7030003380	S.RES ERJ3GEYJ 331 V (330)	T	128/155.5
R1532	7030005321	S.RES ERA3YED 103V (10K)	T	124.1/160.8
R1533	7030005321	S.RES ERA3YED 103V (10K)	T	128/160.8
R1534	7030005321	S.RES ERA3YED 103V (10K)	T	122.8/160.8
R1535	7030005321	S.RES ERA3YED 103V (10K)	T	121.5/160.8
R1536	7030005321	S.RES ERA3YED 103V (10K)	T	129/171.7
R1537	7030003320	S.RES ERJ3GEYJ 101 V (100)	T	115.5/164.5
R1538	7030003320	S.RES ERJ3GEYJ 101 V (100)	T	107.1/170.1
R1539	7030008061	S.RES ERA3YED 222V (2.2K)	B	131.8/176.4
R1540	7030010390	S.RES ERA3YED 821V (820)	B	128.7/177.1
R1541	7030003320	S.RES ERJ3GEYJ 101 V (100)	T	107.1/178.8
R1542	7030003320	S.RES ERJ3GEYJ 101 V (100)	T	115.5/173.2
R1543	7030009691	S.RES ERA3YED 101V (100)	B	130.6/179
R1651	7030003380	S.RES ERJ3GEYJ 331 V (330)	B	100.9/144.8
R1652	7030003220	S.RES ERJ3GEYJ 150 V (15)	B	102.7/144.8
R1653	7030003380	S.RES ERJ3GEYJ 331 V (330)	B	101.9/142.9
R1654	7030010980	S.RES ERA3YHD 470V (47)	B	105.5/142.2
R1655	7030009861	S.RES ERA3YED 471V (470)	B	108.8/140
R1656	7030003630	S.RES ERJ3GEYJ 393 V (39K)	B	108.3/142.2
R1657	7030005871	S.RES ERA3YKD 104V (100K)	T	108/133.1
R1658	7030003320	S.RES ERJ3GEYJ 101 V (100)	T	110.6/133.1
R1659	7030009691	S.RES ERA3YED 101V (100)	T	115.8/124.9
R1660	7030009691	S.RES ERA3YED 101V (100)	T	115.8/128.7
R1661	7030005321	S.RES ERA3YED 103V (10K)	T	135.1/175.4
R1662	7030005321	S.RES ERA3YED 103V (10K)	T	135.2/172.8
R1663	7030005321	S.RES ERA3YED 103V (10K)	T	144.3/175.4
R1664	7030005321	S.RES ERA3YED 103V (10K)	T	139.9/172.1
R1665	7030003320	S.RES ERJ3GEYJ 101 V (100)	T	109.3/133.1
R1667	7030003360	S.RES ERJ3GEYJ 221 V (220)	T	139.2/170.2
R1668	7030003360	S.RES ERJ3GEYJ 221 V (220)	T	141.8/170.2
R1670	7030003800	S.RES ERJ3GEYJ 105 V (1M)	T	140.2/164.1
R1673	7030007230	S.RES ERA3YED 102V (1K)	B	146/174.5
R1674	7030009851	S.RES ERA3YED 271V (270)	B	145.1/177.1
R1675	7030009591	S.RES ERA3YED 472V (4.7K)	T	136.6/170.2
R1677	7030009591	S.RES ERA3YED 472V (4.7K)	T	143.1/170.2
R1701	7030003360	S.RES ERJ3GEYJ 221 V (220)	T	162.4/147.4
R1703	7030003360	S.RES ERJ3GEYJ 221 V (220)	T	159.8/147.4
R1704	7030003360	S.RES ERJ3GEYJ 221 V (220)	T	158.5/147.4
R1706	7030003360	S.RES ERJ3GEYJ 221 V (220)	T	155.9/147.4
R1707	7030003360	S.RES ERJ3GEYJ 221 V (220)	T	154.6/147.4
R1708	7030003360	S.RES ERJ3GEYJ 221 V (220)	T	153.3/147.4

[RXPLL-B UNIT]

REF NO.	PARTS NO.	DESCRIPTION	M.	H/V LOCATION
R1709	7030003480	S.RES ERJ3GEYJ 222 V (2.2K)	T	149.7/159.3
R1710	7030003480	S.RES ERJ3GEYJ 222 V (2.2K)	T	148.4/159.3
R1711	7030003540	S.RES ERJ3GEYJ 682 V (6.8K)	T	147.1/159.3
R1712	7030003540	S.RES ERJ3GEYJ 682 V (6.8K)	T	145.8/159.3
R1713	7030003660	S.RES ERJ3GEYJ 683 V (68K)	T	145.8/157.2
R1714	7030003660	S.RES ERJ3GEYJ 683 V (68K)	T	145.8/155.9
R1715	7030003540	S.RES ERJ3GEYJ 682 V (6.8K)	T	143.9/164.8
R1716	7030007230	S.RES ERA3YED 102V (1K)	T	164.2/164.8
R1717	7030007230	S.RES ERA3YED 102V (1K)	T	164.2/163.5
R1718	7030007230	S.RES ERA3YED 102V (1K)	T	164.2/162.2
R1719	7030003660	S.RES ERJ3GEYJ 683 V (68K)	T	144.3/166.8
C1	4030011600	S.CER C1608 JB 1E 104K-T	T	10.8/18.2
C2	4030006880	S.CER C1608 JB 1H 472K-T	T	25.7/29.5
C14	4030006880	S.CER C1608 JB 1H 472K-T	T	37.7/12.5
C15	4030006880	S.CER C1608 JB 1H 472K-T	T	31.2/14.5
C16	4030006880	S.CER C1608 JB 1H 472K-T	T	35.1/15.4
C17	4030006880	S.CER C1608 JB 1H 472K-T	T	13.8/12.6
C18	4030006880	S.CER C1608 JB 1H 472K-T	T	16.8/12.6
C19	4030006880	S.CER C1608 JB 1H 472K-T	T	29.5/12.6
C20	4030006880	S.CER C1608 JB 1H 472K-T	T	87.4/127.8
C21	4030006880	S.CER C1608 JB 1H 472K-T	T	88.7/127.8
C22	4030006880	S.CER C1608 JB 1H 472K-T	T	90/127.8
C30	4030011600	S.CER C1608 JB 1E 104K-T	T	19.1/112.4
C31	4030011600	S.CER C1608 JB 1E 104K-T	T	20.4/113.7
C32	4030011600	S.CER C1608 JB 1E 104K-T	T	24.3/111.1
C51	4510008520	S.ELE EEE1CA470SP	T	84/20.3
C52	4030011600	S.CER C1608 JB 1E 104K-T	T	79/23.7
C53	4030011600	S.CER C1608 JB 1E 104K-T	T	75.1/23.7
C54	4510008500	S.ELE EEE1CA101WP	T	70/20.3
C61	4510008520	S.ELE EEE1CA470SP	T	62.9/20.3
C62	4030011600	S.CER C1608 JB 1E 104K-T	B	58.2/19.9
C63	4030011600	S.CER C1608 JB 1E 104K-T	B	54.8/19.9
C64	4510008500	S.ELE EEE1CA101WP	T	50.1/20.3
C101	4030006880	S.CER C1608 JB 1H 472K-T	T	39.7/80.7
C102	4030011600	S.CER C1608 JB 1E 104K-T	T	41.8/79.9
C103	4510008540	S.ELE EEE1CA100SR	T	40.2/76.8
C104	4030011600	S.CER C1608 JB 1E 104K-T	T	21.4/100.2
C105	4030011600	S.CER C1608 JB 1E 104K-T	T	21.4/88.2
C106	4030011600	S.CER C1608 JB 1E 104K-T	T	21.4/84.4
C107	4030011600	S.CER C1608 JB 1E 104K-T	T	24.4/79.8
C108	4030011600	S.CER C1608 JB 1E 104K-T	T	27/79.8
C109	4030011600	S.CER C1608 JB 1E 104K-T	T	30.8/79.8
C110	4030011600	S.CER C1608 JB 1E 104K-T	T	36.8/79.8
C111	4030011600	S.CER C1608 JB 1E 104K-T	T	41.2/88.5
C112	4030011600	S.CER C1608 JB 1E 104K-T	T	41.3/82.6
C114	4030011600	S.CER C1608 JB 1E 104K-T	T	39.5/98.4
C115	4030011600	S.CER C1608 JB 1E 104K-T	T	38.1/98.4
C116	4030011600	S.CER C1608 JB 1E 104K-T	T	35.3/99.6
C117	4030011600	S.CER C1608 JB 1E 104K-T	T	23.3/98.8
C118	4030011600	S.CER C1608 JB 1E 104K-T	T	42.6/82.6
C120	4030006880	S.CER C1608 JB 1H 472K-T	T	36.7/101.5
C121	4030011600	S.CER C1608 JB 1E 104K-T	T	39.5/101.5
C125	4030011600	S.CER C1608 JB 1E 104K-T	T	14.6/83.1
C129	4030011600	S.CER C1608 JB 1E 104K-T	T	33.4/79.8
C130	4030017810	S.CER C1608 CH 1H 102J-T	B	47.6/106.6
C131	4030011600	S.CER C1608 JB 1E 104K-T	T	30.4/73.2
C132	4030011600	S.CER C1608 JB 1E 104K-T	T	35.5/73.2
C133	4030006880	S.CER C1608 JB 1H 472K-T	B	43.5/98.6
C134	4030006880	S.CER C1608 JB 1H 472K-T	B	43.5/98.8
C135	4030006880	S.CER C1608 JB 1H 472K-T	T	46/95.5
C136	4030006880	S.CER C1608 JB 1H 472K-T	T	46/94.2
C137	4030006880	S.CER C1608 JB 1H 472K-T	T	46/90.3
C138	4030006880	S.CER C1608 JB 1H 472K-T	T	46.1/87.7
C139	4030006880	S.CER C1608 JB 1H 472K-T	B	43.5/100.4
C141	4030004740	S.CER C2012 JB 1H 472K-T	B	34.3/85.1
C142	4550007470	S.TAN F931A107MNBMA	B	19.4/87.4
C150	4340000050	S.MYL ECH-U 1C472JB5	T	16.3/64.6
C151	4550007520	S.TAN F931A106MAABMA	B	38.6/92.1
C152	4030007070	S.CER C1608 CH 1H 330J-T	T	19.2/59.9
C153	4030009910	S.CER C1608 CH 1H 040B-T	T	21.3/55.4
C154	4610001850	S.TRI TZB4R200AB10R00 (TZBX4R200BA110)	T	1



[RXPLL-B UNIT]

REF NO.	PARTS NO.	DESCRIPTION	M.	H/V LOCATION
C226	4030006880	S.CER C1608 JB 1H 472K-T	T	71/30.9
C227	4030009920	S.CER C1608 CH 1H 050B-T	T	75.1/32.6
C228	4510008540	S.ELE EEE1CA100SR	T	68.8/37.8
C229	4030009530	S.CER C1608 CH 1H 030B-T	T	77.8/32.0
C230	4030007100	S.CER C1608 CH 1H 560J-T	T	54.7/50.6
C231	4030009510	S.CER C1608 CH 1H 010B-T	T	54.7/44.6
C232	4610001860	S.TRI TZB4Z060AB10R00 (TZBX4R200BA110)	T	68.1/45.1
C233	4030007070	S.CER C1608 CH 1H 330J-T	T	73.2/48.8
C234	4030009920	S.CER C1608 CH 1H 050B-T	T	73.2/51.4
C235	4030007020	S.CER C1608 CH 1H 120J-T	T	73.6/43.3
C236	4030006880	S.CER C1608 JB 1H 472K-T	T	71/43.3
C237	4030009910	S.CER C1608 CH 1H 040B-T	T	75.1/45
C238	4510008540	S.ELE EEE1CA100SR	T	68.8/50.3
C239	4030009910	S.CER C1608 CH 1H 040B-T	T	77.8/45
C240	4030007080	S.CER C1608 CH 1H 390J-T	T	54.7/62.5
C241	4030009510	S.CER C1608 CH 1H 010B-T	T	54.7/57.1
C242	4610001860	S.TRI TZB4Z060AB10R00 (TZBX4R200BA110)	T	68.1/57.6
C243	4030007060	S.CER C1608 CH 1H 270J-T	T	73.2/61.3
C244	4030009910	S.CER C1608 CH 1H 040B-T	T	73.2/63.9
C245	4030009920	S.CER C1608 CH 1H 050B-T	T	73.6/55.8
C246	4030006880	S.CER C1608 JB 1H 472K-T	T	71/55.9
C247	4030009530	S.CER C1608 CH 1H 030B-T	T	75.1/57.5
C248	4510008540	S.ELE EEE1CA100SR	T	68.8/62.9
C250	4030007100	S.CER C1608 CH 1H 560J-T	T	54.7/75
C251	4030009540	S.CER C1608 CH 1H 1R5B-T	T	54.7/69.6
C252	4610001810	S.TRI TZB4Z030AB10R00 (TZBX4Z030BA110)	T	68.1/70.1
C253	4030007080	S.CER C1608 CH 1H 390J-T	T	73.2/73.8
C254	4030009530	S.CER C1608 CH 1H 030B-T	T	73.2/76.4
C255	4030006990	S.CER C1608 CH 1H 080D-T	T	73.6/68.4
C256	4030006880	S.CER C1608 JB 1H 472K-T	T	71/68.4
C257	4030007010	S.CER C1608 CH 1H 100D-T	T	75.1/70
C258	4510008540	S.ELE EEE1CA100SR	T	68.8/75.4
C260	4030007110	S.CER C1608 CH 1H 680J-T	T	54.7/87.5
C262	4610001810	S.TRI TZB4Z030AB10R00 (TZBX4Z030BA110)	T	68.1/82.6
C263	4030007080	S.CER C1608 CH 1H 390J-T	T	73.2/86.3
C264	4030009530	S.CER C1608 CH 1H 030B-T	T	73.2/88.9
C265	4030011770	S.CER C1608 CH 1H 060B-T	T	73.6/80.9
C266	4030006880	S.CER C1608 JB 1H 472K-T	T	71/80.9
C267	4030007010	S.CER C1608 CH 1H 100D-T	T	75.1/82.5
C268	4510008540	S.ELE EEE1CA100SR	T	68.8/87.9
C272	4610001860	S.TRI TZB4Z060AB10R00 (TZBX4R200BA110)	T	68.1/95.1
C273	4030007050	S.CER C1608 CH 1H 220J-T	T	73.2/98.2
C274	4030009530	S.CER C1608 CH 1H 030B-T	T	73.2/100.8
C275	4030009920	S.CER C1608 CH 1H 050B-T	T	73.6/92.8
C276	4030006880	S.CER C1608 JB 1H 472K-T	T	71/92.8
C277	4030007010	S.CER C1608 CH 1H 100D-T	T	75.1/95
C278	4510008540	S.ELE EEE1CA100SR	T	68.8/100.4
C283	4030017810	S.CER C1608 CH 1H 102J-T	T	82.1/36.3
C284	4030006880	S.CER C1608 JB 1H 472K-T	T	84.5/34.3
C285	4030017810	S.CER C1608 CH 1H 102J-T	T	82.1/48.8
C286	4030006880	S.CER C1608 JB 1H 472K-T	T	84.5/46.9
C287	4030017810	S.CER C1608 CH 1H 102J-T	T	82.1/61.3
C288	4030006880	S.CER C1608 JB 1H 472K-T	T	83.9/57.5
C289	4030017810	S.CER C1608 CH 1H 102J-T	T	82.1/73.8
C290	4030006880	S.CER C1608 JB 1H 472K-T	T	84.3/70.4
C291	4030017810	S.CER C1608 CH 1H 102J-T	T	82.1/86.3
C292	4030006880	S.CER C1608 JB 1H 472K-T	T	84.4/84.4
C293	4030017810	S.CER C1608 CH 1H 102J-T	T	82.1/98.7
C294	4030006880	S.CER C1608 JB 1H 472K-T	T	83.2/93.9
C297	4030009920	S.CER C1608 CH 1H 050B-T	T	52.6/59.4
C299	4030007050	S.CER C1608 CH 1H 220J-T	T	52.6/84.4
C301	4030006880	S.CER C1608 JB 1H 472K-T	T	89.3/30.6
C302	4030006880	S.CER C1608 JB 1H 472K-T	B	94.9/28
C303	4030006880	S.CER C1608 JB 1H 472K-T	B	92.6/39.8
C304	4030006880	S.CER C1608 JB 1H 472K-T	B	92.6/45.2
C305	4030006880	S.CER C1608 JB 1H 472K-T	B	89.1/48.8
C306	4030006880	S.CER C1608 JB 1H 472K-T	B	89.1/50.6
C309	4030017810	S.CER C1608 CH 1H 102J-T	T	94.9/42.7
C310	4030011600	S.CER C1608 JB 1E 104K-T	T	92.8/42.1
C311	4510008520	S.ELE EEE1CA470SP	T	93.4/47.4
C312	4030006880	S.CER C1608 JB 1H 472K-T	B	89/27.4
C313	4030006880	S.CER C1608 JB 1H 472K-T	B	93.7/23.1
C331	4030007110	S.CER C1608 CH 1H 680J-T	T	89.3/32.2
C332	4030007160	S.CER C1608 CH 1H 181J-T	T	92.1/33.5
C333	4030007110	S.CER C1608 CH 1H 680J-T	T	89.3/33.5
C334	4030007050	S.CER C1608 CH 1H 220J-T	T	94.9/36
C335	4030006980	S.CER C1608 CH 1H 070D-T	T	94.9/37.4
C336	4030007030	S.CER C1608 CH 1H 150J-T	T	92.1/38.8
C337	4030007050	S.CER C1608 CH 1H 220J-T	T	94.9/38.8
C341	4030006880	S.CER C1608 JB 1H 472K-T	T	94.9/40.1
C342	4030006880	S.CER C1608 JB 1H 472K-T	T	86.5/33.5
C344	4030011600	S.CER C1608 JB 1E 104K-T	T	94.9/41.4
C351	4030017810	S.CER C1608 CH 1H 102J-T	T	94.9/61.6
C352	4030011600	S.CER C1608 JB 1E 104K-T	T	94.9/62.9
C353	4510008520	S.ELE EEE1CA470SP	T	93.4/67.1
C354	4030006880	S.CER C1608 JB 1H 472K-T	T	89.3/51.7
C355	4030006880	S.CER C1608 JB 1H 472K-T	T	94.9/55.1
C356	4030006880	S.CER C1608 JB 1H 472K-T	T	89.2/58.4
C357	4030006880	S.CER C1608 JB 1H 472K-T	T	94.9/57.7
C358	4030006880	S.CER C1608 JB 1H 472K-T	B	89.2/60.3
C359	4030006880	S.CER C1608 JB 1H 472K-T	B	92.6/62.1
C360	4030006880	S.CER C1608 JB 1H 472K-T	B	89.9/66.9
C361	4030006880	S.CER C1608 JB 1H 472K-T	T	89.3/83.4
C363	4030006880	S.CER C1608 JB 1H 472K-T	T	86.1/60.9
C364	4030017810	S.CER C1608 CH 1H 102J-T	T	86.7/52.3
C365	4030006880	S.CER C1608 JB 1H 472K-T	T	90.3/59.9
C421	4030006880	S.CER C1608 JB 1H 472K-T	T	94.1/88.5
C423	4030006880	S.CER C1608 JB 1H 472K-T	T	94.1/93.3
C426	4030006880	S.CER C1608 JB 1H 472K-T	B	94.6/87.3
C427	4030006880	S.CER C1608 JB 1H 472K-T	T	92.1/86.5

[RXPLL-B UNIT]

REF NO.	PARTS NO.	DESCRIPTION	M.	H/V LOCATION
C441	4030007040	S.CER C1608 CH 1H 180J-T	T	94.9/71.3
C442	4030007040	S.CER C1608 CH 1H 180J-T	T	94.9/72.6
C443	4030007020	S.CER C1608 CH 1H 120J-T	T	92.1/74.2
C444	4030007080	S.CER C1608 CH 1H 390J-T	T	94.9/73.9
C445	4030011770	S.CER C1608 CH 1H 060B-T	T	94.9/75.2
C446	4030007060	S.CER C1608 CH 1H 270J-T	T	94.9/79.1
C447	4030007110	S.CER C1608 CH 1H 680J-T	T	92.8/78.0
C448	4030006880	S.CER C1608 JB 1H 472K-T	T	94.9/76.5
C449	4030006880	S.CER C1608 JB 1H 472K-T	T	88.1/69.1
C451	4030007110	S.CER C1608 CH 1H 680J-T	T	92/82.1
C452	4030007160	S.CER C1608 CH 1H 181J-T	T	92/80.8
C453	4030011600	S.CER C1608 JB 1E 104K-T	T	94.9/77.8
C501	4030006880	S.CER C1608 JB 1H 472K-T	T	38.9/131.2
C502	4030011600	S.CER C1608 JB 1E 104K-T	T	38.9/129.9
C503	4510008540	S.ELE EEE1CA100SR	T	36.6/126.7
C504	4030011600	S.CER C1608 JB 1E 104K-T	T	21.4/153.1
C505	4550007470	S.TAN F931A107MNBMA	B	19.2/140.3
C506	4030011600	S.CER C1608 JB 1E 104K-T	T	21.4/141
C507	4030011600	S.CER C1608 JB 1E 104K-T	T	21.4/137.1
C509	4030011600	S.CER C1608 JB 1E 104K-T	T	25.8/132.6
C510	4030011600	S.CER C1608 JB 1E 104K-T	T	28.4/132.6
C511	4030011600	S.CER C1608 JB 1E 104K-T	T	32.2/132.6
C512	4030011600	S.CER C1608 JB 1E 104K-T	T	34.8/132.6
C513	4030011600	S.CER C1608 JB 1E 104K-T	T	37.4/132.6
C514	4030011600	S.CER C1608 JB 1E 104K-T	T	41.2/136
C515	4030011600	S.CER C1608 JB 1E 104K-T	T	41.3/139.7
C516	4030011600	S.CER C1608 JB 1E 104K-T	T	41.3/142.3
C517	4030011600	S.CER C1608 JB 1E 104K-T	T	37.6/151.8
C518	4030011600	S.CER C1608 JB 1E 104K-T	T	34.8/151.8
C519	4030011600	S.CER C1608 JB 1E 104K-T	T	31.2/151.8
C520	4030011600	S.CER C1608 JB 1E 104K-T	T	23.3/151.9
C521	4030011600	S.CER C1608 JB 1E 104K-T	T	41.6/134
C522	4550007220	S.TAN F931A476MCMBMA	B	40.7/145
C525	4030006880	S.CER C1608 JB 1H 472K-T	T	35.3/154.5
C526	4030011600	S.CER C1608 JB 1E 104K-T	T	36.6/154.5
C531	4030006880	S.CER C1608 JB 1H 472K-T	T	14.6/137.5
C532	4030007070	S.CER C1608 CH 1H 330J-T	T	17.2/137.5
C533	4030007110	S.CER C1608 CH 1H 680J-T	T	17.3/133.4
C534	4030007110	S.CER C1608 CH 1H 680J-T	T	16.8/130.1
C535	4030007070	S.CER C1608 CH 1H 330J-T	T	18.1/127
C536	4030006880	S.CER C1608 JB 1H 472K-T	T	20.9/127.6
C537	4030006880	S.CER C1608 JB 1H 472K-T	T	27.2/126.4
C540	4030006880	S.CER C1608 JB 1H 472K-T	B	56.3/142.8
C541	4510008540	S.ELE EEE1CA100SR	T	51/139.3
C542	4340000260	S.MYL ECPU1C104MA5	B	47.8/128.7
C543	4030007060	S.CER C1608 CH 1H 270J-T	T	62.2/136.4
C545	4030007060	S.CER C1608 CH 1H 270J-T	T	70/137.1
C546	4610001830	S.TRI TZB4S100AB10R00 (TZBX4N100BA110)	T	65.8/138.7
C547	4030007130	S.CER C1608 CH 1H 101J-T	T	71.3/137.1
C548	4030007010	S.CER C1608 CH 1H 100D-T	T	71.3/139.9
C549	4030007050	S.CER C1608 CH 1H 220J-T	T	68.9/145.1
C550	4030006880	S.CER C1608 JB 1H 472K-T	T	66.3/143
C551	4030009520	S.CER C1608 CH 1H 020B-T	T	71.3/142.8
C552	4030017810	S.CER C1608 CH 1H 102J-T	B	54.6/139.5
C553	4030006880	S.CER C1608 JB 1H 472K-T	B	56.3/139.5
C554	4510008500	S.ELE EEE1CA101WP	T	50.9/146.6
C555	4030006880	S.CER C1608 JB 1H 472K-T	B	47.7/149.5
C556	4550007220	S.TAN F931A476MCMBMA	B	74.4/136.5
C558	4550007520	S.TAN F931A106MAABMA	B	46.3/132.1
C559	4550007400	S.TAN F931A225MAABMA	B	43.4/129.9
C561	4550007520	S.TAN F931A106MAABMA	T	70/157.5
C562	4030006880	S.CER C1608 JB 1H 472K-T	T	68.3/155.5
C563	4030017810	S.CER C1608 CH 1H 102J-T	B	60.1/158
C564	4030006880	S.CER C1608 JB 1H 472K-T	B	58.8/158
C565	4510008520	S.ELE EEE1CA470SP	T	50.9/155.6
C566	4030006880	S.CER C1608 JB 1H 472K-T	T	64.4/155.5
C571	4030006880	S.CER C1608 JB 1H 472K-T	B	75.5/161.3
C573	4030007040	S.CER C1608 CH 1H 180J-T	B	58.2/166.8
C574	4030009510	S.CER C1608 CH 1H 010B-T	T	72.6/169.1
C575	4030007040	S.CER C1608 CH 1H 180J-T	T	72.6/171.9
C580	4030006880	S.CER C1608 JB 1H 472K-T	T	41.9/152.4
C581	4030006880	S.CER C1608 JB 1H 472K-T	T	41.9/144.2
C591	4030006880	S.CER C1608 JB 1H 472K-T	T	63.5/171.2
C592	4030007060	S.CER C1608 CH 1H 270J-T	T	62.8/163.1
C593	4510008540	S.ELE EEE1CA100SR	T	54.4/170.7
C594	4030006880	S.CER C1608 JB 1H 472K-T		

[RXPLL-B UNIT]

REF NO.	PARTS NO.	DESCRIPTION	M.	H/V LOCATION
C685	4030011280	S.CER C1608 CH 1H 271J-T	B	42.3/172.6
C686	4030010760	S.CER C1608 CH 1H 331J-T	B	39.3/170.6
C687	4030018580	S.CER C1608 CH 1H 821J-T	T	41/169.7
C688	4030010760	S.CER C1608 CH 1H 331J-T	T	37.5/169.7
C689	4030011600	S.CER C1608 JB 1E 104K-T	T	37.4/166.4
C690	4030011600	S.CER C1608 JB 1E 104K-T	T	37.4/161.3
C691	4030011600	S.CER C1608 JB 1E 104K-T	T	46.4/164.0
C692	4030006880	S.CER C1608 JB 1H 472K-T	T	40.3/162.1
C693	4030006880	S.CER C1608 JB 1H 472K-T	B	58.4/169.6
C694	4030006880	S.CER C1608 JB 1H 472K-T	B	58.4/164.2
C703	4030017810	S.CER C1608 CH 1H 102J-T	T	24.3/116.6
C704	4030006880	S.CER C1608 CH 1H 472K-T	T	23/116.6
C705	4510008500	S.ELE EEE1CA101WP	T	29.4/118.7
C707	4030011600	S.CER C1608 JB 1E 104K-T	T	32.1/113.7
C708	4030011600	S.CER C1608 JB 1E 104K-T	T	32.1/108.1
C709	4030007070	S.CER C1608 CH 1H 330J-T	T	38.8/112.9
C710	4030006880	S.CER C1608 JB 1H 472K-T	T	36.2/112.9
C711	4030009540	S.CER C1608 CH 1H 1R5B-T	B	39.3/113.6
C712	4030007070	S.CER C1608 CH 1H 330J-T	T	36.2/114.2
C713	4030006880	S.CER C1608 JB 1H 472K-T	T	42/118.8
C1000	4030007050	S.CER C1608 CH 1H 220J-T	B	177.1/13.8
C1002	4030006880	S.CER C1608 JB 1H 472K-T	B	153.1/16.2
C1003	4030012600	S.CER C2012 JB 1A 105M-T	T	157.4/8.2
C1004	4030011600	S.CER C1608 JB 1E 104K-T	B	169.6/8.7
C1005	4030011600	S.CER C1608 JB 1E 104K-T	T	162.8/17.2
C1006	4030010210	S.CER C3216 JB 1C 105M-T	T	173.8/18.6
C1007	4030006880	S.CER C1608 JB 1H 472K-T	T	172.4/23.9
C1008	4030006880	S.CER C1608 JB 1H 472K-T	T	160/24
C1009	4030006880	S.CER C1608 JB 1H 472K-T	T	147.6/23.8
C1010	4030012600	S.CER C2012 JB 1A 105M-T	T	154.5/28.9
C1011	4030012600	S.CER C2012 JB 1A 105M-T	T	144.2/29.3
C1012	4030010210	S.CER C3216 JB 1C 105M-T	T	144.8/40.2
C1013	4030012600	S.CER C2012 JB 1A 105M-T	T	144.2/33.2
C1014	4030018810	S.CER C3216 CH 1H 333J-T	B	151.6/48.3
C1015	4030012600	S.CER C2012 JB 1A 105M-T	T	163.6/13.8
C1016	4030012600	S.CER C2012 JB 1A 105M-T	T	173.6/33.2
C1017	4030012600	S.CER C2012 JB 1A 105M-T	T	163.3/33.2
C1020	4030012600	S.CER C2012 JB 1A 105M-T	B	170/38.6
C1021	4030012600	S.CER C2012 JB 1A 105M-T	B	154/38.6
C1024	4030010210	S.CER C3216 JB 1C 105M-T	B	170.5/45.5
C1025	4030010210	S.CER C3216 JB 1C 105M-T	B	154.7/45.5
C1026	4030010210	S.CER C3216 JB 1C 105M-T	T	171.4/52.7
C1027	4030010210	S.CER C3216 JB 1C 105M-T	T	165.6/52.7
C1028	4030006880	S.CER C1608 JB 1H 472K-T	B	156.4/65.4
C1029	4030006880	S.CER C1608 JB 1H 472K-T	T	168.5/65.4
C1030	4030010210	S.CER C3216 JB 1C 105M-T	T	164.5/18
C1031	4030012600	S.CER C2012 JB 1A 105M-T	B	169.2/10.8
C1033	4550006470	S.TAN TEESVB2 1D 106M8R	B	146.5/47.7
C1034	4550006470	S.TAN TEESVB2 1D 106M8R	B	174/52.1
C1035	4550006470	S.TAN TEESVB2 1D 106M8R	B	164.6/15.8
C1036	4030007120	S.CER C1608 CH 1H 820J-T	T	160.2/12.7
C1037	4030007090	S.CER C1608 CH 1H 470J-T	B	149.3/49.3
C1038	4030017810	S.CER C1608 CH 1H 102J-T	T	146.6/26.2
C1039	4030017810	S.CER C1608 CH 1H 102J-T	T	146.5/41
C1040	4030017810	S.CER C1608 CH 1H 102J-T	T	145.3/36.4
C1041	4030006990	S.CER C1608 CH 1H 080D-T	B	153.4/31
C1046	4030007010	S.CER C1608 CH 1H 100D-T	B	168.4/53.7
	4010000120	CER DD104 SL 100D 50V	[USA]	
	4010000120	CER DD104 SL 100D 50V	[EUR]	
	4010000120	CER DD104 SL 100D 50V	[ITR]	
	4010000120	CER DD104 SL 100D 50V	[UK]	
C1048	4030006880	S.CER C1608 JB 1H 472K-T	B	170.6/41.6
C1049	4030006880	S.CER C1608 JB 1H 472K-T	B	154.6/41.6
C1050	4030017810	S.CER C1608 CH 1H 102J-T	B	170.5/49.5
C1051	4030017810	S.CER C1608 CH 1H 102J-T	B	154.7/49.4
C1052	4030007060	S.CER C1608 CH 1H 270J-T	B	164.1/29.6
C1053	4030007110	S.CER C1608 CH 1H 680J-T	T	175.2/77.3
C1054	4030007010	S.CER C1608 CH 1H 100D-T	B	175.7/72.4
C1055	4030007140	S.CER C1608 CH 1H 121J-T	B	175.7/74.2
C1056	4030007050	S.CER C1608 CH 1H 220J-T	T	175.2/76
C1057	4030007130	S.CER C1608 CH 1H 101J-T	T	172.1/77.1
C1058	4030009920	S.CER C1608 CH 1H 050B-T	B	173.2/12.7
C1060	4030017810	S.CER C1608 CH 1H 102J-T	T	178.6/94.4
C1061	4030007090	S.CER C1608 CH 1H 470J-T	B	147.7/91.8
C1062	4030007170	S.CER C1608 CH 1H 221J-T	B	149.5/91.8
C1064	4030007090	S.CER C1608 CH 1H 470J-T	T	148.7/80.1
C1066	4030007010	S.CER C1608 CH 1H 100D-T	T	138.6/81.9
C1067	4030007010	S.CER C1608 CH 1H 100D-T	T	173.4/77.1
C1070	4030006980	S.CER C1608 CH 1H 070D-T	T	137.2/81.9
C1071	4030007100	S.CER C1608 CH 1H 560J-T	B	162.2/75.3
C1072	4030007170	S.CER C1608 CH 1H 221J-T	B	162/78.7
C1073	4030007080	S.CER C1608 CH 1H 390J-T	B	164.1/76.4
C1074	4030007060	S.CER C1608 CH 1H 270J-T	T	148.7/78.6
C1081	4030006900	S.CER C1608 JB 1H 103K-T	B	156.1/86
C1082	4030006900	S.CER C1608 JB 1H 103K-T	B	151.3/91.8
C1083	4030006900	S.CER C1608 JB 1H 103K-T	B	151.2/81.6
C1084	4030006880	S.CER C1608 JB 1H 472K-T	B	149.4/81.6
C1085	4030006880	S.CER C1608 JB 1H 472K-T	B	153/81.6
C1091	4030006880	S.CER C1608 JB 1H 472K-T	T	149.3/149.4
C1092	4030006880	S.CER C1608 JB 1H 472K-T	T	147/138.5
C1093	4030006880	S.CER C1608 JB 1H 472K-T	T	161.3/135.8
C1101	4030006900	S.CER C1608 JB 1H 103K-T	T	177/90.9
C1102	4030006900	S.CER C1608 JB 1H 103K-T	T	175.4/115.5
C1103	4030011600	S.CER C1608 JB 1E 104K-T	T	179.6/116.4
C1104	4030011600	S.CER C1608 JB 1E 104K-T	T	175.4/87.7
C1106	4030011600	S.CER C1608 JB 1E 104K-T	T	179.3/128.8
C1107	4030011600	S.CER C1608 JB 1E 104K-T	B	172.3/124.2
C1109	4030007090	S.CER C1608 CH 1H 470J-T	T	175.7/137.9
C1110	4030006900	S.CER C1608 JB 1H 103K-T	T	175.7/136.6
C1111	4030011600	S.CER C1608 JB 1E 104K-T	T	176.7/132
C1112	4030006900	S.CER C1608 JB 1H 103K-T	T	179.3/132
C1113	4030007090	S.CER C1608 CH 1H 470J-T	T	178.6/140.9
C1114	4030006900	S.CER C1608 JB 1H 103K-T	B	178.4/138
C1115	4030011600	S.CER C1608 JB 1E 104K-T	T	175.7/140
C1116	4030006900	S.CER C1608 JB 1H 103K-T	T	165.7/138.7

[RXPLL-B UNIT]

REF NO.	PARTS NO.	DESCRIPTION	M.	H/V LOCATION
C1117	4030007010	S.CER C1608 CH 1H 100D-T	T	169.7/142.2
C1118	4030011600	S.CER C1608 JB 1E 104K-T	T	171/142.2
C1119	4030006880	S.CER C1608 JB 1H 472K-T	T	171.9/146.6
C1120	4030006880	S.CER C1608 JB 1H 472K-T	T	171.9/148.4
C1121	4030011600	S.CER C1608 JB 1E 104K-T	T	180.8/147.7
C1122	4030009530	S.CER C1608 CH 1H 030B-T	T	178.2/120.3
C1123	4030006900	S.CER C1608 JB 1H 103K-T	T	182.1/100.9
C1124	4030006900	S.CER C1608 JB 1H 103K-T	T	175.3/105.9
C1125	4030006900	S.CER C1608 JB 1H 103K-T	T	175.5/85.1
C1126	4030011600	S.CER C1608 JB 1E 104K-T	T	173.4/131.1
C1151	4030007110	S.CER C1608 CH 1H 680J-T	B	123.1/64
C1152	4030007110	S.CER C1608 CH 1H 680J-T	B	123.1/57
C1153	4030017810	S.CER C1608 CH 1H 102J-T	T	131.5/63.9
C1201	4030007110	S.CER C1608 CH 1H 680J-T	B	120.2/21.8
C1202	4030007110	S.CER C1608 CH 1H 680J-T	B	118.4/21.8
C1207	4030006880	S.CER C1608 JB 1H 472K-T	B	123/11.8
C1226	4030009500	S.CER C1608 CH 1H 0R5B-T	B	124.9/35.6
C1227	4030009500	S.CER C1608 CH 1H 0R5B-T	B	115.4/35.6
C1228	4030009920	S.CER C1608 CH 1H 050B-T	B	113.9/41.8
C1231	4030006900	S.CER C1608 JB 1H 103K-T	T	118.9/21.5
C1232	4030006900	S.CER C1608 JB 1H 103K-T	T	109/21.5
C1234	4030006900	S.CER C1608 JB 1H 103K-T	B	123.5/38.3
C1235	4030006880	S.CER C1608 JB 1H 472K-T	B	116.6/32.1
C1236	4030006900	S.CER C1608 JB 1H 103K-T	T	119.8/40
C1238	4030006900	S.CER C1608 JB 1H 103K-T	B	114/38.3
C1239	4030006880	S.CER C1608 JB 1H 472K-T	B	106.8/32.3
C1240	4030006900	S.CER C1608 JB 1H 103K-T	T	111.7/40.5
C1241	4030006900	S.CER C1608 JB 1H 103K-T	T	113.6/38.6
C1243	4030006880	S.CER C1608 JB 1H 472K-T	B	129.6/46.7
C1244	4030007080	S.CER C1608 CH 1H 390J-T	T	149.6/67
C1245	4030007130	S.CER C1608 CH 1H 101J-T	T	151/64.4
C1246	4030007120	S.CER C1608 CH 1H 820J-T	T	150.9/67
C1247	4030007090	S.CER C1608 CH 1H 470J-T	T	153.4/63.5
C1248	4030007130	S.CER C1608 CH 1H 101J-T	T	153.4/66.8
C1249	4030007020	S.CER C1608 CH 1H 120J-T	T	153.1/70.3
C1250	4030007100	S.CER C1608 CH 1H 560J-T	B	152.4/74.3
C1251	4030006900	S.CER C1608 JB 1H 103K-T	T	160.2/92.9
C1252	4030006900	S.CER C1608 JB 1H 103K-T	T	152.7/92.9
C1253	4030006900	S.CER C1608 JB 1H 103K-T	B	152.5/111.2
C1255	4030017810	S.CER C1608 CH 1H 102J-T	B	155.7/99.3
C1256	4030007100	S.CER C1608 CH 1H 100D-T	T	156.3/98.8
C1257	4030011600	S.CER C1608 JB 1E 104K-T	B	155.7/103
C1258	4030007080	S.CER C1608 CH 1H 390J-T	B	152/97.5
C1264	4030007110	S.CER C1608 CH 1H 680J-T	T	122/51.1
C1265	4610001830	S.TRI TZB4S100AB10R00 (TZBX4N100BA110)	T	163.8/70.8
C1266	4030007020	S.CER C1608 CH 1H 120J-T	T	160.1/74.5
C1267	4030006880	S.CER C1608 JB 1H 472K-T	B	157/126.4
C1268	4030006980	S.CER C1608 CH 1H 070D-T	T	149.6/64.4
C1302	4030007060	S.CER C1608 CH 1H 270J-T	T	159.3/111
C1303	4030006980	S.CER C1608 CH 1H 070D-T	T	159.3/112.9
C1304	4030007070	S.CER C1608 CH 1H 330J-T	T	159.3/114.2
C1305	4030007010	S.CER C1608 CH 1H 100D-T	T	153.5/114.6
C1306	4030009650	S.CER C1608 CH 1H 240J-T	T	159.3/115.5
C1307	4030007030	S.CER C1608 CH 1H 150J-T	T	153.5/120.2
C1308	4030006900	S.CER C1608 JB 1H 103K-T	T	155.1/127.1
C1309	4030007080	S.CER C1608 CH 1H 390J-T	T	156.5/125.8
C1310	4030007080	S.CER C1608 CH 1H 390J-T	T	159.1/128.4
C1311	4030006900	S.CER C1608 JB 1H 103K-T	B	149/118.9
C1312	4030007060	S.CER C1608 CH 1H 270J-T	T	155.5/111.7
C1313	4030007060	S.CER C1608 CH 1H 270J-T	T	159.1/127.1
C1355	4030006880	S.CER C1608 JB 1H 472K-T	T	144.7/70
C1357	4030007000	S.CER C1608 CH 1H 090D-T	B	144.6/67.1
C1358	4030011600	S.CER C1608 JB 1E 104K-T	B	139.1/70.4
C1360	4030011600	S.CER C1608 JB 1E 104K-T	B	146.4/70.4
C1361	4030007020	S.CER C1608 CH 1H 120J-T	B	137.7/69.5
C1362	4030011600	S.CER C1608 JB 1E 104K-T	T	137.5/65.6
C1403	4030017810	S.CER C1608 CH 1H 102J-T	T	1

[RXPLL-B UNIT]

REF NO.	PARTS NO.	DESCRIPTION	M.	H/V LOCATION
C1453	4030007030	S.CER C1608 CH 1H 150J-T	T	122.1/85.1
C1454	4030007030	S.CER C1608 CH 1H 150J-T	T	120.8/85.1
C1456	4030007020	S.CER C1608 CH 1H 120J-T	T	125.5/90.9
C1457	4030006900	S.CER C1608 JB 1H 103K-T	T	118.3/72.9
C1458	4030006900	S.CER C1608 JB 1H 103K-T	T	116.6/103.5
C1501	4030018530	S.CER C3216 CH 1H 103J-T	T	131.2/124.5
C1502	4550003220	S.TAN TEESVA 1E 105M8R	T	132.1/139.2
C1503	4030006900	S.CER C1608 JB 1H 103K-T	T	137/142.1
C1504	4030012610	S.CER C2012 JB 1C 474K-T	T	136.7/140.5
C1505	4030007010	S.CER C1608 CH 1H 100D-T	T	130/143.5
C1506	4030010760	S.CER C1608 CH 1H 331J-T	T	131.3/146.3
C1507	4510008540	S.ELE EEE1CA100SR	T	142.6/140.8
C1508	4030011600	S.CER C1608 JB 1E 104K-T	B	128.8/148.8
C1509	4030018800	S.CER C3216 CH 1H 223J-T	T	135.8/145.1
C1510	4030007110	S.CER C1608 CH 1H 680J-T	T	136.5/158.9
C1511	4510008540	S.ELE EEE1CA100SR	T	132.7/150.6
C1512	4030011600	S.CER C1608 JB 1E 104K-T	T	129.6/149
C1513	4030011600	S.CER C1608 JB 1E 104K-T	T	129.6/158.1
C1514	4510008540	S.ELE EEE1CA100SR	T	132.7/156.5
C1515	4030007160	S.CER C1608 CH 1H 181J-T	T	132.2/160.8
C1516	4030009350	S.CER C1608 CH 1H 3R5B-T	T	130.9/160.8
C1517	4030007110	S.CER C1608 CH 1H 680J-T	T	115.3/155
C1518	4030018530	S.CER C3216 CH 1H 103J-T	T	131.2/132.8
C1519	4550003220	S.TAN TEESVA 1E 105M8R	T	122.9/140.9
C1520	4030006900	S.CER C1608 JB 1H 103K-T	T	119.8/140.7
C1521	4030012610	S.CER C2012 JB 1C 474K-T	T	116.2/142.1
C1522	4030007010	S.CER C1608 CH 1H 100D-T	T	123.7/143.5
C1523	4030010760	S.CER C1608 CH 1H 331J-T	T	122.4/146.3
C1524	4030018800	S.CER C3216 CH 1H 223J-T	T	117.9/145.2
C1525	4510008540	S.ELE EEE1CA100SR	T	124.9/150.6
C1526	4030011600	S.CER C1608 JB 1E 104K-T	T	128/149
C1527	4030011600	S.CER C1608 JB 1E 104K-T	T	128/158.1
C1528	4510008540	S.ELE EEE1CA100SR	T	124.9/156.5
C1529	4030017870	S.CER C1608 CH 1H 681J-T	T	125.4/160.8
C1530	4030011330	S.CER C1608 CH 1H 391J-T	T	126.7/160.8
C1531	4510008500	S.ELE EEE1CA101WP	T	111.3/167.3
C1532	4030011600	S.CER C1608 JB 1E 104K-T	T	107.1/167.3
C1533	4030011600	S.CER C1608 JB 1E 104K-T	T	115.5/167.3
C1534	4510008500	S.ELE EEE1CA101WP	T	119.7/167.3
C1535	4030011600	S.CER C1608 JB 1E 104K-T	T	133.7/172.6
C1536	4030017870	S.CER C1608 CH 1H 681J-T	T	126.2/179.5
C1537	4510008500	S.ELE EEE1CA101WP	T	111.3/176
C1538	4030011600	S.CER C1608 JB 1E 104K-T	T	107.1/176
C1539	4030011600	S.CER C1608 JB 1E 104K-T	T	115.5/176
C1540	4510008500	S.ELE EEE1CA101WP	T	119.7/176
C1541	4030007050	S.CER C1608 CH 1H 220J-T	T	124/175
C1651	4030006880	S.CER C1608 JB 1H 472K-T	B	105.5/144
C1653	4030006880	S.CER C1608 JB 1H 472K-T	B	109/137.2
C1654	4030017810	S.CER C1608 CH 1H 102J-T	B	106.9/137.2
C1655	4030009530	S.CER C1608 CH 1H 030B-T	T	107.6/136.8
C1656	4610001970	S.TRI TZC3P200A110R00 (TZC03P200A1102)	T	110.9/136.2
C1657	4030010220	S.CER C2012 CH 1H 102J-T	T	116.4/122.7
C1658	4030010220	S.CER C2012 CH 1H 102J-T	T	116.4/130.9
C1659	4030011600	S.CER C1608 JB 1E 104K-T	T	107.8/120
C1660	4030011600	S.CER C1608 JB 1E 104K-T	B	134/174
C1661	4030011600	S.CER C1608 JB 1E 104K-T	B	145.2/171.3
C1662	4030011600	S.CER C1608 JB 1E 104K-T	T	144.3/178
C1663	4030011600	S.CER C1608 JB 1E 104K-T	T	135.1/170.2
C1665	4030006900	S.CER C1608 JB 1H 103K-T	T	138.9/164.1
C1666	4030006880	S.CER C1608 JB 1H 472K-T	B	113.3/144
C1701	4030011600	S.CER C1608 JB 1E 104K-T	T	153.4/163
C1702	4030011600	S.CER C1608 JB 1E 104K-T	T	144.4/163
C1703	4510004601	ELE 16 ME 1000 HC		
C1704	4030011600	S.CER C1608 JB 1E 104K-T	B	180.1/160.2
C1705	4030011600	S.CER C1608 JB 1E 104K-T	B	186.4/160.2
C1706	4510008520	S.ELE EEE1CA470SP	T	172.7/154.8
C1707	4030011600	S.CER C1608 JB 1E 104K-T	T	149.7/154.8
C1708	4030006880	S.CER C1608 JB 1H 472K-T	T	175.7/166.8
C1709	4030006880	S.CER C1608 JB 1H 472K-T	T	172.6/166.8
C1710	4030006880	S.CER C1608 JB 1H 472K-T	T	169.6/166.8
C1711	4030011340	S.CER C1608 CH 1H 471J-T	T	171.4/163.5
C1712	4030011340	S.CER C1608 CH 1H 471J-T	T	167.5/163.5
C1713	4030006880	S.CER C1608 JB 1H 472K-T	B	165.5/168.8
C1714	4030006880	S.CER C1608 JB 1H 472K-T	B	153.8/141.8
C1716	4030006880	S.CER C1608 JB 1H 472K-T	B	154.7/145.1
C1717	4030006880	S.CER C1608 JB 1H 472K-T	B	152.9/145.1
C1719	4030006880	S.CER C1608 JB 1H 472K-T	B	151.1/145.1
C1720	4030006880	S.CER C1608 JB 1H 472K-T	B	155.6/141.8
C1721	4030006880	S.CER C1608 JB 1H 472K-T	B	157.4/141.8
RL1001	6330001750	REL FTR-B4CA012Z		
RL1002	6330001750	REL FTR-B4CA012Z		
RL1003	6330001750	REL FTR-B4CA012Z		
RL1004	6330001750	REL FTR-B4CA012Z		
RL1005	6330001750	REL FTR-B4CA012Z		
RL1006	6330001750	REL FTR-B4CA012Z		
RL1203	6330001750	REL FTR-B4CA012Z		
RL1206	6330001750	REL FTR-B4CA012Z		
J2	6510019991	S.CON 52808-2271 (2291)	T	25/9
J10	6510007020	CON TMP-J01X-V6		
J351	6510007020	CON TMP-J01X-V6		
J561	6510007020	CON TMP-J01X-V6		
J601	6510007020	CON TMP-J01X-V6		
J681	6510007020	CON TMP-J01X-V6		
J831	6510007020	CON TMP-J01X-V6		
J1002	6510007020	CON TMP-J01X-V6		
J1101	6510007020	CON TMP-J01X-V6		
J1201	6510007020	CON TMP-J01X-V6		
J1301	6510007020	CON TMP-J01X-V6		
J1501	6510018961	S.CON B2B-PH-SM4-TB(LF)(SN)	T	149.6/177.5
J1701	6510019981	S.CON 52808-1671 (1690)	T	168/177.2

[RXPLL-B UNIT]

REF NO.	PARTS NO.	DESCRIPTION	M.	H/V LOCATION
W1052	9016201006	WIR 73/98/025/X98/X98		
W1401	9029495075	JUM 73/98/020/X98/X98		
W1411	7120000480	S.JUM MJP-0.4-T	T	125.1/111.6
EP20	6910012350	S.BEA MMZ1608Y 102BT	T	85.4/126
EP21	6910012350	S.BEA MMZ1608Y 102BT	T	88.7/124
EP22	6910012350	S.BEA MMZ1608Y 102BT	T	90/124
EP101	6910012350	S.BEA MMZ1608Y 102BT	B	47.6/98.6
EP102	6910012350	S.BEA MMZ1608Y 102BT	B	47.6/96.8
EP103	6910012350	S.BEA MMZ1608Y 102BT	T	46/96.8
EP104	6910012350	S.BEA MMZ1608Y 102BT	T	46/92.9
EP105	6910012350	S.BEA MMZ1608Y 102BT	T	46/91.6
EP106	6910012350	S.BEA MMZ1608Y 102BT	T	46/89
EP107	6910012350	S.BEA MMZ1608Y 102BT	B	47.6/100.4
EP1701	6910012350	S.BEA MMZ1608Y 102BT	T	170.1/163.5
EP1702	6910012350	S.BEA MMZ1608Y 102BT	T	168.8/163.5
EP1801	6910012350	S.BEA MMZ1608Y 102BT	B	153/132.7
EP1802	6910012350	S.BEA MMZ1608Y 102BT	B	142.5/18.8
EP1804	6910012350	S.BEA MMZ1608Y 102BT	B	112.5/138.7
EP1805	6910012350	S.BEA MMZ1608Y 102BT	B	150.2/141.8
EP1806	6910012350	S.BEA MMZ1608Y 102BT	B	128.6/64.3
EP1807	6910012350	S.BEA MMZ1608Y 102BT	B	117.4/50.2
EP1808	6910012350	S.BEA MMZ1608Y 102BT	B	137/166.9
EP1809	6910012350	S.BEA MMZ1608Y 102BT	B	147.4/127.4
EP1810	6910012350	S.BEA MMZ1608Y 102BT	B	131.3/64.2
EP1811	6910012350	S.BEA MMZ1608Y 102BT	T	160.7/56.3
EP1812	6910012350	S.BEA MMZ1608Y 102BT	B	153.5/137.4
EP1813	6910012350	S.BEA MMZ1608Y 102BT	B	132.6/65.7
EP1814	6910012350	S.BEA MMZ1608Y 102BT	B	147.2/22.3
EP1815	6910012350	S.BEA MMZ1608Y 102BT	B	156/62.6
EP1816	6910012350	S.BEA MMZ1608Y 102BT	B	160.4/20.9
EP1817	6910012350	S.BEA MMZ1608Y 102BT	B	168.6/62.2
EP1818	6910012350	S.BEA MMZ1608Y 102BT	B	151.2/133.2
EP1819	6910012350	S.BEA MMZ1608Y 102BT	B	145.6/127.9
EP1820	6910012350	S.BEA MMZ1608Y 102BT	B	148.6/19.8
EP1821	6910012350	S.BEA MMZ1608Y 102BT	B	148.6/14.1
EP1825	6910012350	S.BEA MMZ1608Y 102BT	B	126.6/7
EP1826	6910012350	S.BEA MMZ1608Y 102BT	B	151.5/137.7
EP1830	6910012350	S.BEA MMZ1608Y 102BT	B	141.3/135.2
EP1831	6910012350	S.BEA MMZ1608Y 102BT	B	143.4/128.5
EP1832	6910012350	S.BEA MMZ1608Y 102BT	B	149.2/137.5
EP1833	6910012350	S.BEA MMZ1608Y 102BT	B	147.2/133.5
EP1834	6910012350	S.BEA MMZ1608Y 102BT	T	115.8/108.3
EP1835	6910012350	S.BEA MMZ1608Y 102BT	B	141.6/128.5
EP1836	6910012350	S.BEA MMZ1608Y 102BT	T	111/110.2
EP1837	6910012350	S.BEA MMZ1608Y 102BT	B	145.8/134.1
EP1838	6910012350	S.BEA MMZ1608Y 102BT	T	116.3/106.1

M.=Mounted side (T: Mounted on the Top side, B: Mounted on the Bottom side)  
S.=Surface mount



[BPF UNIT]

REF NO.	PARTS NO.	DESCRIPTION	M.	H/V LOCATION
IC101	1130011510	S.IC BU2099FV-E2	T	9.5/77.6
IC102	1130011510	S.IC BU2099FV-E2	T	9.7/100.9
IC401	1130011510	S.IC BU2099FV-E2	T	10.3/39.3
IC402	1130011510	S.IC BU2099FV-E2	T	9.6/59.4
Q355	1590001330	S.TR DTA114EUA T106	T	191.6/68.1
Q381	1590000680	S.TR DTC114EUA T106	T	232/60.3
Q383	1590000680	S.TR DTC114EUA T106	T	229.2/51.9
Q384	1590000680	S.TR DTC114EUA T106	T	226.2/51.9
Q385	1590000680	S.TR DTC114EUA T106	T	233.1/54.7
Q386	1590000430	S.TR DTC144EUA T106	T	230.1/54.7
Q387	1590000680	S.TR DTC114EUA T106	T	228.8/60.2
Q401	1530002841	S.TR 2SC4116-Y (TE85R,F)	T	234.5/108.2
Q402	1530002060	S.TR 2SC4081 T106 R	B	224.2/99.2
Q403	1590001330	S.TR DTA114EUA T106	B	227.6/100.2
Q404	1590000430	S.TR DTC144EUA T106	T	232/108.2
Q855	1590001330	S.TR DTA114EUA T106	T	192/53
Q871	1590001330	S.TR DTA114EUA T106	B	234.6/18.8
Q872	1530002060	S.TR 2SC4081 T106 R	B	231.2/19.5
Q873	1530002841	S.TR 2SC4116-Y (TE85R,F)	B	231.2/16.6
Q874	1590000430	S.TR DTC144EUA T106	T	195.7/57.4
Q900	1590001330	S.TR DTA114EUA T106	B	217.4/116.1
Q901	1530003851	S.TR 2SC5551A-F-E	T	210.3/113.5
Q902	1590001330	S.TR DTA114EUA T106	T	200.6/115.1
Q903	1530003851	S.TR 2SC5551A-F-E	T	189.4/113.5
Q950	1590001330	S.TR DTA114EUA T106	B	215/3.2
Q951	1530003851	S.TR 2SC5551A-F-E	T	209.8/17.6
Q952	1590001330	S.TR DTA114EUA T106	B	199.1/4
Q953	1530003851	S.TR 2SC5551A-F-E	T	188.6/17.6
D1	1790001250	S.DIO MA2S1110G-(TX)	T	184/75.2
D21	1790001250	S.DIO MA2S1110G-(TX)	B	167.1/77.7
D51	1790001250	S.DIO MA2S1110G-(TX)	T	163.7/68.6
D81	1790001250	S.DIO MA2S1110G-(TX)	B	141.5/68.1
D111	1790001250	S.DIO MA2S1110G-(TX)	T	107.4/67.6
D141	1790001250	S.DIO MA2S1110G-(TX)	T	94.7/70.3
D171	1790001250	S.DIO MA2S1110G-(TX)	B	81.6/74.3
D201	1790001250	S.DIO MA2S1110G-(TX)	B	70.2/73.1
D231	1790001250	S.DIO MA2S1110G-(TX)	T	49.4/69.1
D261	1790001250	S.DIO MA2S1110G-(TX)	B	35.4/70.1
D291	1790001250	S.DIO MA2S1110G-(TX)	B	203.9/71.9
D321	1790001250	S.DIO MA2S1110G-(TX)	T	204/97.5
D351	1790001250	S.DIO MA2S1110G-(TX)	T	189/94.9
D352	1790001250	S.DIO MA2S1110G-(TX)	T	189/88.7
D353	1790001250	S.DIO MA2S1110G-(TX)	T	189/82.5
D354	1790001250	S.DIO MA2S1110G-(TX)	T	189/76.3
D355	1790001250	S.DIO MA2S1110G-(TX)	T	193.9/66.2
D371	1790001250	S.DIO MA2S1110G-(TX)	T	218.5/69.9
D373	1790001250	S.DIO MA2S1110G-(TX)	B	239.8/116.1
D391	1750000581	S.DIO 1SV307 (TPH3,F)	B	233.2/49.9
D392	1750000581	S.DIO 1SV307 (TPH3,F)	B	236/52.9
D393	1750000581	S.DIO 1SV307 (TPH3,F)	B	235.3/63.7
D401	1790001250	S.DIO MA2S1110G-(TX)	B	225.6/95.5
D402	1790000980	S.DIO MA3J7420GL (TX)	B	233.9/113.2
D501	1790001250	S.DIO MA2S1110G-(TX)	B	184.1/45.6
D531	1790001250	S.DIO MA2S1110G-(TX)	B	167.7/53.7
D561	1790001250	S.DIO MA2S1110G-(TX)	B	164.4/42.5
D591	1790001250	S.DIO MA2S1110G-(TX)	B	144.1/53.4
D621	1790001250	S.DIO MA2S1110G-(TX)	T	107.6/52.6
D651	1790001250	S.DIO MA2S1110G-(TX)	T	94.9/49.6
D681	1790001250	S.DIO MA2S1110G-(TX)	B	81.5/45.7
D711	1790001250	S.DIO MA2S1110G-(TX)	B	70/44.3
D741	1790001250	S.DIO MA2S1110G-(TX)	B	51.4/50.5
D771	1790001250	S.DIO MA2S1110G-(TX)	B	36.5/43.7
D801	1790001250	S.DIO MA2S1110G-(TX)	B	203.8/47.4
D831	1790001250	S.DIO MA2S1110G-(TX)	T	203.7/22.1
D851	1790001250	S.DIO MA2S1110G-(TX)	T	189/27.9
D852	1790001250	S.DIO MA2S1110G-(TX)	T	189/33.1
D853	1790001250	S.DIO MA2S1110G-(TX)	T	189/39.3
D854	1790001250	S.DIO MA2S1110G-(TX)	T	189/45.5
D855	1790001250	S.DIO MA2S1110G-(TX)	T	194/52.8
D871	1790001250	S.DIO MA2S1110G-(TX)	B	241.4/18
D872	1790000980	S.DIO MA3J7420GL (TX)	B	247.7/15.6
D873	1790001250	S.DIO MA2S1110G-(TX)	B	243/94.1
D900	1790001250	S.DIO MA2S1110G-(TX)	B	218.9/100.4
D901	1790001250	S.DIO MA2S1110G-(TX)	T	207.9/100.7
D902	1790001250	S.DIO MA2S1110G-(TX)	B	197/100.2
D903	1790001250	S.DIO MA2S1110G-(TX)	B	186.4/100.5
D950	1790001250	S.DIO MA2S1110G-(TX)	B	212.3/3.9
D951	1790001250	S.DIO MA2S1110G-(TX)	T	204.4/4.5
D952	1790001250	S.DIO MA2S1110G-(TX)	B	195.7/4.9
D953	1790001250	S.DIO MA2S1110G-(TX)	B	182.6/5.3
D954	1790001250	S.DIO MA2S1110G-(TX)	T	235.4/16.2
L1	6200005521	S.COL NLV25T-470J	T	186.7/100.6
L2	6200005521	S.COL NLV25T-470J	B	183.8/77.2
L3	6200010830	S.COL C2520C-3R3G-A	T	179.2/88.5
L4	6200010830	S.COL C2520C-3R3G-A	T	179.2/80.2
L5	6200010830	S.COL C2520C-3R3G-A	T	178.2/84.3
L6	6200010830	S.COL C2520C-3R3G-A	T	178/76.2
L21	6200005521	S.COL NLV25T-470J	B	166/107.5
L22	6200005521	S.COL NLV25T-470J	B	163/107.5
L23	6140004040	COL LR-443		
L24	6140004050	COL LR-444		
L25	6140004050	COL LR-444		
L26	6140004050	COL LR-444		
L27	6140004040	COL LR-443		
L51	6200005521	S.COL NLV25T-470J	B	154.3/111.3
L52	6200005521	S.COL NLV25T-470J	B	151.3/107.2
L53	6140004060	COL LR-445		
L54	6140004080	COL LR-446		
L55	6140004080	COL LR-446		

[BPF UNIT]

REF NO.	PARTS NO.	DESCRIPTION	M.	H/V LOCATION
L56	6140004080	COL LR-446		
L57	6140004060	COL LR-445		
L81	6200005521	S.COL NLV25T-470J	B	142.1/109.6
L82	6200005521	S.COL NLV25T-470J	B	139.1/107.3
L83	6140004090	COL LR-447		
L84	6140004230	COL LR-458		
L85	6140004230	COL LR-458		
L86	6140004230	COL LR-458		
L87	6140004090	COL LR-447		
L111	6200005521	S.COL NLV25T-470J	B	118.1/109.1
L112	6200005521	S.COL NLV25T-470J	B	114.5/109.1
L113	6140004090	COL LR-447		
L114	6140004100	COL LR-448		
L115	6140004100	COL LR-448		
L116	6140004100	COL LR-448		
L117	6140004090	COL LR-447		
L141	6200005521	S.COL NLV25T-470J	B	106.8/111.4
L142	6200005521	S.COL NLV25T-470J	B	100.3/107.6
L143	6140004110	COL LR-449		
L144	6140004120	COL LR-450		
L145	6140004120	COL LR-450		
L146	6140004120	COL LR-450		
L147	6140004110	COL LR-449		
L171	6200005521	S.COL NLV25T-470J	B	84.9/116.9
L172	6200005521	S.COL NLV25T-470J	B	81.8/115.4
L173	6140004140	COL LR-451		
L174	6140004150	COL LR-452		
L175	6140004150	COL LR-452		
L176	6140004150	COL LR-452		
L177	6140004140	COL LR-451		
L201	6200007021	S.COL NLV25T-270J	B	61.9/112
L202	6200007021	S.COL NLV25T-270J	B	59.4/109.7
L203	6140004160	COL LR-453		
L204	6140004180	COL LR-454		
L205	6140004180	COL LR-454		
L206	6140004180	COL LR-454		
L207	6140004160	COL LR-453		
L231	6200005011	S.COL NLV25T-100J	B	44.2/116.9
L232	6200005011	S.COL NLV25T-100J	B	44.1/114.3
L233	6140004190	COL LR-455		
L234	6140004210	COL LR-456		
L235	6140004210	COL LR-456		
L236	6140004210	COL LR-456		
L237	6140004190	COL LR-455		
L261	6200009141	S.COL NLV25T-6R8J	B	27.3/111.4
L262	6200009141	S.COL NLV25T-6R8J	B	24.8/109.7
L263	6140004220	COL LR-457		
L264	6140004160	COL LR-453		
L265	6140004160	COL LR-453		
L266	6140004160	COL LR-453		
L267	6140004220	COL LR-457		
L291	6200003281	S.COL NLV25T-2R2J	B	222.8/74.1
L292	6200003281	S.COL NLV25T-2R2J	B	214.7/75.1
L293	6200008090	S.COL LQW2BH68NJ03L	T	214.7/79.6
L294	6200003041	S.COL NLV32T-R68J	T	213.5/82.7
L295	6200008090	S.COL LQW2BH68NJ03L	T	210.1/79.6
L296	6200010870	S.COL C2520C-R33G-A (0.33U)	T	209.9/76.6
L321	6200003281	S.COL NLV25T-2R2J	B	209.5/93.5
L322	6200003281	S.COL NLV25T-2R2J	B	213.2/95.3
L323	6200003011	S.COL NLV32T-R27J	T	214.2/91
L324	6200003001	S.COL NLV32T-R22J	T	209.7/87.1
L325	6200003011	S.COL NLV32T-R27J	T	209.6/93.2
L371	6140004390	COL LR-459		
L372	6140004390	COL LR-459		
L373	6140003530	COL LR-395		
L391	6200005491	S.COL NLV32T-331J	T	230.2/48.4
L392	6200005491	S.COL NLV32T-331J	T	231.7/46.4
L393	6200003211	S.COL NLV32T-820J	B	231.7/42.7
L394	6200005491	S.COL NLV32T-331J	B	236.2/46.6
L395	6200005491	S.COL NLV32T-331J	B	225.5/48.3
L501	6200005521	S.COL NLV25T-470J	B	183.7/36.2
L502	6200005521	S.COL NLV25T-470J	B	184.6/41
L504	6200010830	S.COL C2520C-3R3G-A	T	178.7/33.1
L505	6200010830	S.COL C2520C-3R3G-A	T	177.8/41.5
L506	6200010830	S.COL C2520C-3R3G-A	T	178.9/37.6
L507	6200010830	S.COL C2520C-3R3G-A	T	179.1/45
L531	6200005521	S.COL NLV25T-470J	B	167.5/13
L532	6200005521	S.COL NLV25T-470J	B	170.5/13
L533	6140004040	COL LR-443		
L534	6140004050	COL LR-444		
L535	6140004050	COL LR-444		
L536	6140004050	COL LR-444		
L537	6140004040	COL LR-443		
L561	6200005521	S.COL NLV25T-470J	B	149.9/12.4
L562	6200005521	S.COL NLV25T-470J	B	153.8/16.5
L563	6140004060	COL LR-445		
L564	6140004080	COL LR-446		
L565	6140004080	COL LR-446		
L566	6140004080	COL LR-446		
L567	6140004060	COL LR-445		
L591	6200005521	S.COL NLV25T-470J	B	139.9/9.2
L592	6200005521	S.COL NLV25T-470J	B	142.7/9.2
L593	6140004090	COL LR-447		
L594	6140004230	COL LR-458		
L595	6140004230	COL LR-458		
L596	6140004230	COL LR-458		
L597	6140004090	COL LR-447		
L621	6200005521	S.COL NLV25T-470J	B	116.8/9.5
L622	6200005521	S.COL NLV25T-470J	B	122.4/6.3
L623	6140004090	COL LR-447		
L624	6140004100	COL LR-448		
L625	6140004100	COL LR-448		
L626	6140004100	COL LR-448		
L627	6140004090	COL LR-447		
L651	6200005521	S.COL NLV25T-470J	B	105.4/13

M.=Mounted side (T: Mounted on the Top side, B: Mounted on the Bottom side)  
S.=Surface mount

[BPF UNIT]

REF NO.	PARTS NO.	DESCRIPTION	M.	H/V LOCATION
L652	6200005521	S.COL NLV25T-470J	B	108/9.5
L653	6140004110	COL LR-449		
L654	6140004120	COL LR-450		
L655	6140004120	COL LR-450		
L656	6140004120	COL LR-450		
L657	6140004110	COL LR-449		
L681	6200005521	S.COL NLV25T-470J	B	77.4/6.2
L682	6200005521	S.COL NLV25T-470J	B	80.4/3.8
L683	6140004140	COL LR-451		
L684	6140004150	COL LR-452		
L685	6140004150	COL LR-452		
L686	6140004150	COL LR-452		
L687	6140004140	COL LR-451		
L711	6200007021	S.COL NLV25T-270J	B	56.4/10.8
L712	6200007021	S.COL NLV25T-270J	B	61.1/8.8
L713	6140004160	COL LR-453		
L714	6140004180	COL LR-454		
L715	6140004180	COL LR-454		
L716	6140004180	COL LR-454		
L717	6140004160	COL LR-453		
L741	6200005011	S.COL NLV25T-100J	B	44.2/6.2
L742	6200005011	S.COL NLV25T-100J	B	46.2/3.4
L743	6140004190	COL LR-455		
L744	6140004210	COL LR-456		
L745	6140004210	COL LR-456		
L746	6140004210	COL LR-456		
L747	6140004190	COL LR-455		
L771	6200009141	S.COL NLV25T-6R8J	B	23.4/10.6
L772	6200009141	S.COL NLV25T-6R8J	B	27.1/9
L773	6140004220	COL LR-457		
L774	6140004160	COL LR-453		
L775	6140004160	COL LR-453		
L776	6140004160	COL LR-453		
L777	6140004220	COL LR-457		
L801	6200003281	S.COL NLV25T-2R2J	B	214.4/45.7
L802	6200003281	S.COL NLV25T-2R2J	B	211.8/42.4
L805	6200008090	S.COL LQW2BHN68NJ03L	T	214.6/41.4
L806	6200003041	S.COL NLV32T-R68J	T	211.5/36.9
L807	6200008090	S.COL LQW2BHN68NJ03L	T	209.7/40
L808	6200010870	S.COL C2520C-R33G-A (0.33U)	T	209.8/43
L831	6200003281	S.COL NLV25T-2R2J	B	211.6/26.7
L832	6200003281	S.COL NLV25T-2R2J	B	213.2/23.7
L833	6200003011	S.COL NLV32T-R27J	T	214.2/29.7
L834	6200003001	S.COL NLV32T-R22J	T	209.7/32.9
L835	6200003011	S.COL NLV32T-R27J	T	209.4/27.3
L900	6200001831	S.COL NLV32T-100J	B	213.2/113.1
L901	6200003950	S.COL HF50ACC 322513-T	B	11.6/20.4
L902	6200003950	S.COL HF50ACC 322513-T	B	11.7/16.4
L903	6200001831	S.COL NLV32T-100J	T	7.4/27.5
L904	6200001831	S.COL NLV32T-100J	T	11.6/27.5
L905	6140004380	COL LR-498		
L906	6200009690	S.COL LQH43CN101K03L	T	216.9/114.5
L907	6200001831	S.COL NLV32T-100J	B	193.1/113.1
L908	6140004380	COL LR-498		
L909	6200009690	S.COL LQH43CN101K03L	T	196/115.1
L950	6200001831	S.COL NLV32T-100J	B	211.8/17
L951	6140004380	COL LR-498		
L952	6200009690	S.COL LQH43CN101K03L	T	213.8/3.4
L953	6200001831	S.COL NLV32T-100J	B	191.1/17
L954	6140004380	COL LR-498		
L955	6200009690	S.COL LQH43CN101K03L	T	196/3.3
R1	7030003640	S.RES ERJ3GEYJ 473 V (47 K)	T	181.4/92.2
R3	7030003860	S.RES ERJ3GE JPW V	T	182.1/90.3
R101	7030003320	S.RES ERJ3GEYJ 101 V (100)	T	7.2/67.9
R102	7030003320	S.RES ERJ3GEYJ 101 V (100)	T	7.9/71.3
R103	7030003320	S.RES ERJ3GEYJ 101 V (100)	T	8.7/67.9
R104	7030003320	S.RES ERJ3GEYJ 101 V (100)	T	9.3/71.1
R105	7030003320	S.RES ERJ3GEYJ 101 V (100)	T	10.6/71
R106	7030003320	S.RES ERJ3GEYJ 101 V (100)	T	11.3/89.9
R107	7030003320	S.RES ERJ3GEYJ 101 V (100)	T	11.6/87.9
R108	7030003320	S.RES ERJ3GEYJ 101 V (100)	T	11.1/83.2
R117	7030003320	S.RES ERJ3GEYJ 101 V (100)	T	9.8/83.5
R118	7030003320	S.RES ERJ3GEYJ 101 V (100)	T	8.5/83.5
R119	7030003320	S.RES ERJ3GEYJ 101 V (100)	T	7.4/87.2
R120	7030003320	S.RES ERJ3GEYJ 101 V (100)	T	6.7/83.2
R121	7030003320	S.RES ERJ3GEYJ 101 V (100)	T	6.9/92.2
R122	7030003320	S.RES ERJ3GEYJ 101 V (100)	T	7.1/94.8
R123	7030003320	S.RES ERJ3GEYJ 101 V (100)	B	10/95.5
R124	7030003320	S.RES ERJ3GEYJ 101 V (100)	T	11/94.3
R133	7030003560	S.RES ERJ3GEYJ 103 V (10 K)	T	191.2/55.8
R134	7030003320	S.RES ERJ3GEYJ 101 V (100)	B	10/98.9
R141	7030003360	S.RES ERJ3GEYJ 221 V (220)	B	5.6/14
R142	7030003360	S.RES ERJ3GEYJ 221 V (220)	B	5.6/15.7
R143	7030003360	S.RES ERJ3GEYJ 221 V (220)	B	5.1/19.2
R351	7030003340	S.RES ERJ3GEYJ 151 V (150)	B	197.7/90.7
R352	7030003300	S.RES ERJ3GEYJ 680 V (68)	B	193.9/87.5
R354	7030003280	S.RES ERJ3GEYJ 470 V (47)	B	200.9/84.8
R355	7030003320	S.RES ERJ3GEYJ 101 V (100)	B	193.9/81.3
R357	7030003240	S.RES ERJ3GEYJ 220 V (22)	B	197.8/71.6
R358	7030003350	S.RES ERJ3GEYJ 181 V (180)	B	194.4/70.3
R360	7030003320	S.RES ERJ3GEYJ 101 V (100)	T	191.8/66.1
R371	7030003320	S.RES ERJ3GEYJ 101 V (100)	T	217.4/71.2
R372	7030003320	S.RES ERJ3GEYJ 101 V (100)	B	209.5/61.9
R373	7030003320	S.RES ERJ3GEYJ 101 V (100)	B	209.5/58.9
R381	7030003520	S.RES ERJ3GEYJ 472 V (4.7 K)	T	231.4/51.9
R382	7030003360	S.RES ERJ3GEYJ 221 V (220)	B	239.8/112.7
R383	7030003680	S.RES ERJ3GEYJ 104 V (100 K)	T	232.3/49.1
R384	7030003420	S.RES ERJ3GEYJ 681 V (680)	B	236/49.9
R385	7030003420	S.RES ERJ3GEYJ 681 V (680)	B	231.3/46.7
R386	7030003480	S.RES ERJ3GEYJ 222 V (2.2 K)	B	237.6/62.6
R387	7030003560	S.RES ERJ3GEYJ 103 V (10 K)	B	238.8/55.5
R388	7540000130	ABS 2P-50A-301		
R389	7030003420	S.RES ERJ3GEYJ 681 V (680)	T	235/65.4

[BPF UNIT]

REF NO.	PARTS NO.	DESCRIPTION	M.	H/V LOCATION
R390	7030003560	S.RES ERJ3GEYJ 103 V (10 K)	T	233/51.9
R391	7030003680	S.RES ERJ3GEYJ 104 V (100 K)	T	234.3/51.9
R392	7030003420	S.RES ERJ3GEYJ 681 V (680)	B	234.7/49.9
R393	7030003420	S.RES ERJ3GEYJ 681 V (680)	B	231.3/48
R394	7030003420	S.RES ERJ3GEYJ 681 V (680)	T	235/64.1
R395	7030003420	S.RES ERJ3GEYJ 681 V (680)	B	235.2/56.4
R396	7030003420	S.RES ERJ3GEYJ 681 V (680)	B	235.2/55.1
R401	7030003360	S.RES ERJ3GEYJ 221 V (220)	B	227.6/96.2
R402	7030003680	S.RES ERJ3GEYJ 104 V (100 K)	T	234.5/111.6
R403	7030003480	S.RES ERJ3GEYJ 222 V (2.2 K)	T	231.9/110.3
R404	7030003860	S.RES ERJ3GE JPW V	T	234.5/110.3
R441	7030003360	S.RES ERJ3GEYJ 221 V (220)	B	11/24.4
R442	7030003360	S.RES ERJ3GEYJ 221 V (220)	B	8.2/23.4
R451	7030003320	S.RES ERJ3GEYJ 101 V (100)	T	10.6/32.9
R452	7030003320	S.RES ERJ3GEYJ 101 V (100)	T	11.9/33.1
R453	7030003320	S.RES ERJ3GEYJ 101 V (100)	T	13.2/33.1
R454	7030003320	S.RES ERJ3GEYJ 101 V (100)	T	14.5/33.1
R455	7030003320	S.RES ERJ3GEYJ 101 V (100)	T	14.5/36.9
R456	7030003320	S.RES ERJ3GEYJ 101 V (100)	T	11.1/46.9
R457	7030003320	S.RES ERJ3GEYJ 101 V (100)	T	8.9/46.3
R458	7030003320	S.RES ERJ3GEYJ 101 V (100)	T	8.9/47.6
R467	7030003320	S.RES ERJ3GEYJ 101 V (100)	T	10.6/49.6
R468	7030003320	S.RES ERJ3GEYJ 101 V (100)	T	13.6/50.2
R469	7030003320	S.RES ERJ3GEYJ 101 V (100)	T	7.6/49.4
R470	7030003320	S.RES ERJ3GEYJ 101 V (100)	T	6.9/50.7
R471	7030003320	S.RES ERJ3GEYJ 101 V (100)	T	6.2/52.6
R472	7030003320	S.RES ERJ3GEYJ 101 V (100)	T	9.2/53
R473	7030003320	S.RES ERJ3GEYJ 101 V (100)	T	10.5/53.7
R474	7030003320	S.RES ERJ3GEYJ 101 V (100)	T	11.8/54.2
R475	7030003320	S.RES ERJ3GEYJ 101 V (100)	T	10.7/63.9
R481	7030003560	S.RES ERJ3GEYJ 103 V (10 K)	B	196.9/55.9
R501	7030003640	S.RES ERJ3GEYJ 473 V (47 K)	T	183/30
R503	7030003860	S.RES ERJ3GE JPW V	T	182.2/31.9
R504	7030003340	S.RES ERJ3GEYJ 151 V (150)	B	198.2/32.1
R505	7030003300	S.RES ERJ3GEYJ 680 V (68)	B	193.5/32.1
R506	7030003280	S.RES ERJ3GEYJ 470 V (47)	B	200.9/34.7
R507	7030003320	S.RES ERJ3GEYJ 101 V (100)	B	193.5/38.3
R508	7030003240	S.RES ERJ3GEYJ 220 V (22)	B	197.9/42.2
R509	7030003350	S.RES ERJ3GEYJ 181 V (180)	B	193.8/49.7
R510	7030003320	S.RES ERJ3GEYJ 101 V (100)	T	192/51
R511	7030003360	S.RES ERJ3GEYJ 221 V (220)	B	238/19.5
R512	7030003680	S.RES ERJ3GEYJ 104 V (100 K)	B	236.5/14.4
R513	7030003480	S.RES ERJ3GEYJ 222 V (2.2 K)	B	239.6/16
R514	7030003860	S.RES ERJ3GE JPW V	B	236.5/16
R515	7030003280	S.RES ERJ3GEYJ 470 V (47)	B	212.8/117.1
R516	7030003440	S.RES ERJ3GEYJ 102 V (1 K)	T	207.2/117.4
R517	7030003530	S.RES ERJ3GEYJ 562 V (5.6 K)	T	210.4/116.6
R518	7030003330	S.RES ERJ3GEYJ 331 V (330)	B	203.9/113.3
R519	7030003220	S.RES ERJ3GEYJ 150 V (15)	B	206.3/111.6
R520	7030003380	S.RES ERJ3GEYJ 331 V (330)	B	203.3/111.8
R521	7030003320	S.RES ERJ3GEYJ 101 V (100)	T	12.5/92.8
R522	7030003320	S.RES ERJ3GEYJ 101 V (100)	T	13.8/92.8
R523	7030003280	S.RES ERJ3GEYJ 470 V (47)	B	194.5/116.4
R524	7030003440	S.RES ERJ3GEYJ 102 V (1 K)	T	185.4/115.9
R525	7030003530	S.RES ERJ3GEYJ 562 V (5.6 K)	T	189.6/116.7
R526	7030003320	S.RES ERJ3GEYJ 101 V (100)	B	209.4/110.8
R527	7030003320	S.RES ERJ3GEYJ 101 V (100)	B	187.5/111.2
R528	7030004050	S.RES ERJ3GEYJ 1R0 V (1)	B	189.7/106.1
R529	7030003280	S.RES ERJ3GEYJ 470 V (47)	B	210.2/20
R530	7030003440	S.RES ERJ3GEYJ 102 V (1 K)	T	207.7/21.4
R531	7030003530	S.RES ERJ3GEYJ 562 V (5.6 K)	T	211/20.8
R532	7030003380	S.RES ERJ3GEYJ 331 V (330)	B	203.4/18.4
R533	7030003220	S.RES ERJ3GEYJ 150 V (15)	B	205.6/16.7
R534	7030003380	S.RES ERJ3GEYJ 331 V (330)	B	202.8/16.7
R535	7030003320	S.RES ERJ3GEYJ 101 V (100)	T	8.3/65
R536	7030003320	S.RES ERJ3GEYJ 101 V (100)	B	11.6/60.5
R537	7030003280	S.RES ERJ3GEYJ 470 V (47)	B	189.5/19.9
R538	7030003440	S.RES ERJ3GEYJ 102 V (1 K)	T	186.5/21.4
R539	7030003530	S.RES ERJ3GEYJ 562 V (5.6 K)	T	191.5/20
R540	7030003320	S.RES ERJ3GEYJ 101 V (100)	B	208.3/16.4
R541	7030003320	S.RES ERJ3GEYJ 101 V (100)	B	187.7/16.4
R542	7030004050	S.RES ERJ3GEYJ 1R0 V (1)	B	181.4/16.5
C1	4030006880	S.CER C1608 JB 1H 472K-T	B	183.4/92.3
C2	4030006880	S.CER C1608 JB 1H 472K-T	T	185.3/91.5
C3	4030006880	S.CER C1608 JB 1H 472K-T	T	184.1/99.8
C4	4030006880	S.CER C1608 JB 1H 472K-T	B	183.1/73.9
C5	4030006880	S.CER C1608 JB 1H 472K-T	B	182.5/66.5
C6	4030006880	S.CER C1608 JB 1H 472K-T	T	183.9/73.9
C7	4030017840	S.CER C2012 CH 1H 222J-T	T	182.8/86.4
C8	4030017850	S.CER C2012 CH 1H 272J-T	T	182.9/84.1
C9	4030017820	S.CER C2012 CH 1H 222J-T	T	182.9/82.3
C10	4030017840	S.CER C2012 CH 1H 222J-T	T	182.8/77.5
C11	4030006880	S.CER C1608 JB 1H 472K-T	B	165.3/112.2
C12	4030006880	S.CER C1608 JB 1H 472K-T	B	162.3/112.2
C13	4030006880	S.CER C1608 JB 1H 472K-T	B	166.8/110.5
C14	4030006880	S.CER C1608 JB 1H 472K-T	T	163.7/81.5
C1				



[BPF UNIT]

REF NO.	PARTS NO.	DESCRIPTION	M.	H/V LOCATION
C52	4030006880	S.CER C1608 JB 1H 472K-T	B	150.6/112.3
C53	4030006880	S.CER C1608 JB 1H 472K-T	B	153.8/116
C54	4030006880	S.CER C1608 JB 1H 472K-T	B	160.3/71.9
C55	4030006880	S.CER C1608 JB 1H 472K-T	B	160.2/65.2
C56	4030006880	S.CER C1608 JB 1H 472K-T	T	165.1/68.5
C57	4030017800	S.CER C1608 CH 1H 561J-T	B	143.6/99.3
C58	4030010760	S.CER C1608 CH 1H 331J-T	B	143.6/97.2
C59	4030010760	S.CER C1608 CH 1H 331J-T	B	144.2/94.6
C60	4030007080	S.CER C1608 CH 1H 390J-T	B	144.2/92.2
C61	4030007100	S.CER C1608 CH 1H 560J-T	B	141.8/90.2
C62	4030010760	S.CER C1608 CH 1H 331J-T	B	139.5/90.2
C63	4030010760	S.CER C1608 CH 1H 331J-T	B	143.8/83
C64	4030007090	S.CER C1608 CH 1H 470J-T	B	143.8/85.3
C65	4030010760	S.CER C1608 CH 1H 331J-T	B	141.1/82
C66	4030007100	S.CER C1608 CH 1H 560J-T	B	138.9/82
C67	4030010760	S.CER C1608 CH 1H 331J-T	B	143.7/78.7
C68	4030007080	S.CER C1608 CH 1H 390J-T	B	143.7/81.1
C69	4030017800	S.CER C1608 CH 1H 561J-T	B	144/75.1
C70	4030010760	S.CER C1608 CH 1H 331J-T	B	144/77.1
C81	4030006880	S.CER C1608 JB 1H 472K-T	B	139.9/115
C82	4030006880	S.CER C1608 JB 1H 472K-T	B	138.1/111.8
C83	4030006880	S.CER C1608 JB 1H 472K-T	B	140.7/117
C84	4030006880	S.CER C1608 JB 1H 472K-T	B	138.4/72.1
C85	4030006880	S.CER C1608 JB 1H 472K-T	B	144.9/66.5
C86	4030006880	S.CER C1608 JB 1H 472K-T	B	143/68.1
C87	4030017800	S.CER C1608 CH 1H 561J-T	B	126.7/116.6
C88	4030011330	S.CER C1608 CH 1H 391J-T	B	126.7/114.8
C89	4030007160	S.CER C1608 CH 1H 181J-T	B	126.8/104.3
C90	4030007070	S.CER C1608 CH 1H 330J-T	B	126.8/106.2
C91	4030007030	S.CER C1608 CH 1H 150J-T	B	130.7/102.1
C92	4030007120	S.CER C1608 CH 1H 820J-T	B	128.9/102.1
C93	4030007140	S.CER C1608 CH 1H 121J-T	B	126.6/101.3
C94	4030007100	S.CER C1608 CH 1H 560J-T	B	126.6/99.6
C95	4030007120	S.CER C1608 CH 1H 820J-T	B	129.4/92.5
C96	4030007030	S.CER C1608 CH 1H 150J-T	B	131.4/92.5
C97	4030007160	S.CER C1608 CH 1H 181J-T	B	126.7/89.6
C98	4030007070	S.CER C1608 CH 1H 330J-T	B	126.7/88
C99	4030017800	S.CER C1608 CH 1H 561J-T	B	126.7/86.1
C100	4030011330	S.CER C1608 CH 1H 391J-T	B	126.7/84.3
C111	4030006880	S.CER C1608 JB 1H 472K-T	B	118.1/115.2
C112	4030006880	S.CER C1608 JB 1H 472K-T	B	115.2/112.4
C113	4030006880	S.CER C1608 JB 1H 472K-T	B	118.9/117.6
C114	4030006880	S.CER C1608 JB 1H 472K-T	B	107.7/69.4
C115	4030006880	S.CER C1608 JB 1H 472K-T	B	104.3/65.9
C116	4030006880	S.CER C1608 JB 1H 472K-T	T	108.7/67.5
C117	4030010760	S.CER C1608 CH 1H 331J-T	B	110.3/109.3
C118	4030007150	S.CER C1608 CH 1H 151J-T	B	110.3/107.8
C119	4030007150	S.CER C1608 CH 1H 151J-T	B	110.3/96.6
C120	4030007060	S.CER C1608 CH 1H 270J-T	B	110.3/98.3
C121	4030007060	S.CER C1608 CH 1H 270J-T	B	106.8/95
C122	4030007140	S.CER C1608 CH 1H 121J-T	B	105.2/95
C123	4030007150	S.CER C1608 CH 1H 151J-T	B	110.3/94.3
C124	4030007010	S.CER C1608 CH 1H 100D-T	B	110.3/92.7
C125	4030007140	S.CER C1608 CH 1H 121J-T	B	109.6/84.4
C126	4030007060	S.CER C1608 CH 1H 270J-T	B	107.5/84.4
C127	4030007150	S.CER C1608 CH 1H 151J-T	B	110.3/80.6
C128	4030007060	S.CER C1608 CH 1H 270J-T	B	110.3/78.7
C129	4030010760	S.CER C1608 CH 1H 331J-T	B	110.3/73.7
C130	4030007150	S.CER C1608 CH 1H 151J-T	B	110.4/72
C141	4030006880	S.CER C1608 JB 1H 472K-T	B	105.2/115.2
C142	4030006880	S.CER C1608 JB 1H 472K-T	B	97.2/108.7
C143	4030006880	S.CER C1608 JB 1H 472K-T	B	105.6/117.6
C144	4030006880	S.CER C1608 JB 1H 472K-T	B	91/72.9
C145	4030006880	S.CER C1608 JB 1H 472K-T	B	90.2/65.9
C146	4030006880	S.CER C1608 JB 1H 472K-T	T	93.4/70.3
C147	4030007170	S.CER C1608 CH 1H 221J-T	B	92.3/109.8
C148	4030007170	S.CER C1608 CH 1H 221J-T	B	92.3/108
C149	4030007130	S.CER C1608 CH 1H 101J-T	B	92.4/104.5
C150	4030007050	S.CER C1608 CH 1H 220J-T	B	92.4/102.6
C151	4030007070	S.CER C1608 CH 1H 330J-T	B	93.1/99.9
C152	4030007080	S.CER C1608 CH 1H 390J-T	B	94.8/99.9
C153	4030007120	S.CER C1608 CH 1H 820J-T	B	92.4/94.8
C154	4030007050	S.CER C1608 CH 1H 220J-T	B	92.4/93.3
C155	4030007080	S.CER C1608 CH 1H 390J-T	B	95.5/92.5
C156	4030007070	S.CER C1608 CH 1H 330J-T	B	97.7/92.5
C157	4030007130	S.CER C1608 CH 1H 101J-T	B	92.4/90.8
C158	4030007050	S.CER C1608 CH 1H 220J-T	B	92.4/89.2
C159	4030007170	S.CER C1608 CH 1H 221J-T	B	92.4/79.9
C160	4030007170	S.CER C1608 CH 1H 221J-T	B	92.4/77.8
C171	4030006880	S.CER C1608 JB 1H 472K-T	B	73.9/115.2
C172	4030006880	S.CER C1608 JB 1H 472K-T	B	71.1/112.4
C173	4030006880	S.CER C1608 JB 1H 472K-T	B	74.9/117.6
C174	4030006880	S.CER C1608 JB 1H 472K-T	B	78.9/72.9
C175	4030006880	S.CER C1608 JB 1H 472K-T	B	77.9/65.8
C176	4030006880	S.CER C1608 JB 1H 472K-T	B	81.6/75.9
C177	4030007170	S.CER C1608 CH 1H 221J-T	B	78.3/115.3
C178	4030007110	S.CER C1608 CH 1H 680J-T	B	78.3/112.9
C179	4030007090	S.CER C1608 CH 1H 470J-T	B	74.1/103.9
C180	4030007090	S.CER C1608 CH 1H 470J-T	B	74.1/105.7
C181	4030007070	S.CER C1608 CH 1H 330J-T	B	73.3/101.4
C182	4030007070	S.CER C1608 CH 1H 330J-T	B	71.4/101.4
C183	4030007120	S.CER C1608 CH 1H 820J-T	B	74.1/98.9
C185	4030007070	S.CER C1608 CH 1H 330J-T	B	73.3/93.6
C186	4030007070	S.CER C1608 CH 1H 330J-T	B	71.4/93.6
C187	4030007090	S.CER C1608 CH 1H 470J-T	B	74.1/90.2
C188	4030007090	S.CER C1608 CH 1H 470J-T	B	74.1/88.1
C189	4030007170	S.CER C1608 CH 1H 221J-T	B	74.1/85.9
C190	4030007110	S.CER C1608 CH 1H 680J-T	B	74.1/83.9
C201	4030006880	S.CER C1608 JB 1H 472K-T	B	61.6/115.2
C202	4030006880	S.CER C1608 JB 1H 472K-T	B	58.8/112.4
C203	4030006880	S.CER C1608 JB 1H 472K-T	B	58.2/116.1
C204	4030006880	S.CER C1608 JB 1H 472K-T	B	66.4/76.6
C205	4030006880	S.CER C1608 JB 1H 472K-T	B	71.2/80.2
C206	4030006880	S.CER C1608 JB 1H 472K-T	B	70.2/74.8
C207	4030007160	S.CER C1608 CH 1H 181J-T	B	57.7/103.6

[BPF UNIT]

REF NO.	PARTS NO.	DESCRIPTION	M.	H/V LOCATION
C208	4030007090	S.CER C1608 CH 1H 470J-T	B	57.7/102
C209	4030007090	S.CER C1608 CH 1H 470J-T	B	64.8/95.3
C210	4030007040	S.CER C1608 CH 1H 180J-T	B	63.2/95.3
C211	4030007030	S.CER C1608 CH 1H 150J-T	B	60.8/94.5
C212	4030007050	S.CER C1608 CH 1H 220J-T	B	60.8/92.9
C213	4030007090	S.CER C1608 CH 1H 470J-T	B	57.7/92.9
C214	4030006990	S.CER C1608 CH 1H 080D-T	B	57.7/94.5
C215	4030007050	S.CER C1608 CH 1H 220J-T	B	60.1/85.1
C216	4030007030	S.CER C1608 CH 1H 150J-T	B	58.5/85.1
C217	4030007090	S.CER C1608 CH 1H 470J-T	B	57.7/82.7
C218	4030007040	S.CER C1608 CH 1H 180J-T	B	57.7/81.1
C219	4030007160	S.CER C1608 CH 1H 181J-T	B	57.7/79.5
C220	4030007090	S.CER C1608 CH 1H 470J-T	B	57.7/77.9
C231	4030006880	S.CER C1608 JB 1H 472K-T	B	39.4/115.3
C232	4030006880	S.CER C1608 JB 1H 472K-T	B	36.6/112.4
C233	4030006880	S.CER C1608 JB 1H 472K-T	B	40.3/117.5
C234	4030006880	S.CER C1608 JB 1H 472K-T	B	46.2/73.5
C235	4030006880	S.CER C1608 JB 1H 472K-T	B	49/69.2
C236	4030006880	S.CER C1608 JB 1H 472K-T	B	50.4/69.1
C237	4030007140	S.CER C1608 CH 1H 121J-T	B	41.2/109.8
C238	4030007040	S.CER C1608 CH 1H 180J-T	B	41.2/108.2
C239	4030007070	S.CER C1608 CH 1H 330J-T	B	41.2/103.8
C240	4030007040	S.CER C1608 CH 1H 180J-T	B	41.2/102.2
C241	4030007010	S.CER C1608 CH 1H 100D-T	B	40.5/99.8
C242	4030007070	S.CER C1608 CH 1H 330J-T	B	38.9/99.8
C243	4030007090	S.CER C1608 CH 1H 470J-T	B	41.2/94.8
C245	4030007070	S.CER C1608 CH 1H 330J-T	B	40.5/91.3
C246	4030007010	S.CER C1608 CH 1H 100D-T	B	38.9/91.3
C247	4030007070	S.CER C1608 CH 1H 330J-T	B	41.2/88.9
C248	4030007040	S.CER C1608 CH 1H 180J-T	B	41.2/87.3
C249	4030007140	S.CER C1608 CH 1H 121J-T	B	41.2/85.7
C250	4030007040	S.CER C1608 CH 1H 180J-T	B	41.2/84.1
C261	4030006880	S.CER C1608 JB 1H 472K-T	B	27/115.2
C262	4030006880	S.CER C1608 JB 1H 472K-T	B	24.3/112.4
C263	4030006880	S.CER C1608 JB 1H 472K-T	B	29.7/111.6
C264	4030006880	S.CER C1608 JB 1H 472K-T	T	36.5/70.9
C265	4030006880	S.CER C1608 JB 1H 472K-T	T	36.6/67.9
C266	4030006880	S.CER C1608 JB 1H 472K-T	B	36.7/70
C267	4030007130	S.CER C1608 CH 1H 101J-T	B	23.2/103.5
C268	4030007030	S.CER C1608 CH 1H 150J-T	B	23.2/101.9
C269	4030007050	S.CER C1608 CH 1H 220J-T	B	30.3/95.3
C270	4030007020	S.CER C1608 CH 1H 120J-T	B	28.7/95.3
C271	4030007050	S.CER C1608 CH 1H 220J-T	B	26.3/94.5
C273	4030007050	S.CER C1608 CH 1H 220J-T	B	23.2/94.5
C274	4030006980	S.CER C1608 CH 1H 070D-T	B	23.2/92.9
C275	4030007050	S.CER C1608 CH 1H 220J-T	B	24/85.1
C277	4030007050	S.CER C1608 CH 1H 220J-T	B	23.2/81.1
C278	4030007020	S.CER C1608 CH 1H 120J-T	B	23.2/82.7
C279	4030007130	S.CER C1608 CH 1H 101J-T	B	23.3/73.6
C280	4030007030	S.CER C1608 CH 1H 150J-T	B	23.3/77.9
C291	4030006880	S.CER C1608 JB 1H 472K-T	B	218.9/73.3
C292	4030006880	S.CER C1608 JB 1H 472K-T	B	214.4/77.4
C293	4030006880	S.CER C1608 JB 1H 472K-T	B	222.7/76.6
C294	4030006880	S.CER C1608 JB 1H 472K-T	B	209.7/73
C295	4030006880	S.CER C1608 JB 1H 472K-T	B	207.6/77.5
C296	4030006880	S.CER C1608 JB 1H 472K-T	B	203.9/73.5
C297	4030007150	S.CER C1608 CH 1H 151J-T	T	213/79.9
C302	4030007030	S.CER C1608 CH 1H 150J-T	T	210.2/82.7
C303	4030007130	S.CER C1608 CH 1H 101J-T	T	211.7/79.9
C304	4030007040	S.CER C1608 CH 1H 180J-T	T	208.4/79.9
C321	4030006880	S.CER C1608 JB 1H 472K-T	T	218.8/97.4
C322	4030006880	S.CER C1608 JB 1H 472K-T	T	218.8/98.7
C323	4030006880	S.CER C1608 JB 1H 472K-T	B	213/91
C324	4030006880	S.CER C1608 JB 1H 472K-T	B	209.3/90.7
C325	4030006880	S.CER C1608 JB 1H 472K-T	T	206.6/98.8
C326	4030006880	S.CER C1608 JB 1H 472K-T	T	204/98.8
C327	4030007100	S.CER C1608 CH 1H 560J-T	T	210.7/90.3
C329	4030007110	S.CER C1608 CH 1H 680J-T	T	208.1/90.3
C331	4030007100	S.CER C1608 CH 1H 560J-T	T	208.8/96.6
C353	4030006880			

[BPF UNIT]

REF NO.	PARTS NO.	DESCRIPTION	M.	H/V LOCATION
C504	4030006880	S.CER C1608 JB 1H 472K-T	B	183.7/54.7
C505	4030006880	S.CER C1608 JB 1H 472K-T	T	185.3/47.1
C506	4030006880	S.CER C1608 JB 1H 472K-T	B	184.1/47.2
C507	4030017840	S.CER C2012 CH 1H 222J-T	T	183/35.4
C508	4030017850	S.CER C2012 CH 1H 272J-T	T	182.9/37.7
C509	4030017820	S.CER C2012 CH 1H 122J-T	T	182.9/39.5
C510	4030017840	S.CER C2012 CH 1H 222J-T	T	182.9/44.3
C531	4030006880	S.CER C1608 JB 1H 472K-T	B	165.7/5.6
C532	4030006880	S.CER C1608 JB 1H 472K-T	B	165.2/2.3
C533	4030006880	S.CER C1608 JB 1H 472K-T	B	164.5/9
C534	4030006880	S.CER C1608 JB 1H 472K-T	B	164/54.6
C535	4030006880	S.CER C1608 JB 1H 472K-T	B	167.7/49.6
C536	4030006880	S.CER C1608 JB 1H 472K-T	B	169.4/53.7
C537	4030017810	S.CER C1608 CH 1H 102J-T	B	168.6/20.1
C538	4030017810	S.CER C1608 CH 1H 102J-T	B	168.6/21.9
C539	4030010760	S.CER C1608 CH 1H 331J-T	B	168.3/24.5
C540	4030007140	S.CER C1608 CH 1H 121J-T	B	168.3/26.7
C541	4030007160	S.CER C1608 CH 1H 181J-T	B	165.3/27.6
C542	4030007060	S.CER C1608 CH 1H 270J-T	B	162.5/27.7
C543	4030010760	S.CER C1608 CH 1H 331J-T	B	168.3/28.8
C544	4030007090	S.CER C1608 CH 1H 470J-T	B	168.3/30.6
C545	4030007160	S.CER C1608 CH 1H 181J-T	B	162.9/34.2
C546	4030007060	S.CER C1608 CH 1H 270J-T	B	164.9/34.1
C547	4030010760	S.CER C1608 CH 1H 331J-T	B	168.1/35.1
C548	4030007140	S.CER C1608 CH 1H 121J-T	B	168.1/36.7
C549	4030017810	S.CER C1608 CH 1H 102J-T	B	170.3/43.4
C550	4030017810	S.CER C1608 CH 1H 102J-T	B	170.3/45.9
C561	4030006880	S.CER C1608 JB 1H 472K-T	B	153/8
C562	4030006880	S.CER C1608 JB 1H 472K-T	B	153/11.9
C563	4030006880	S.CER C1608 JB 1H 472K-T	B	152/10
C564	4030006880	S.CER C1608 JB 1H 472K-T	T	161.4/46.3
C565	4030006880	S.CER C1608 JB 1H 472K-T	B	162.2/38.8
C566	4030006880	S.CER C1608 JB 1H 472K-T	T	165.5/42.4
C567	4030017800	S.CER C1608 CH 1H 561J-T	B	147.9/17.4
C568	4030010760	S.CER C1608 CH 1H 331J-T	B	148.5/15.2
C569	4030010760	S.CER C1608 CH 1H 331J-T	B	144.6/25.7
C570	4030007080	S.CER C1608 CH 1H 390J-T	B	144.6/27.4
C571	4030007100	S.CER C1608 CH 1H 560J-T	B	141.6/28.1
C572	4030010760	S.CER C1608 CH 1H 331J-T	B	139.8/28.1
C573	4030010760	S.CER C1608 CH 1H 331J-T	B	144.3/34.2
C574	4030007090	S.CER C1608 CH 1H 470J-T	B	144.3/35.7
C575	4030010760	S.CER C1608 CH 1H 331J-T	B	141.5/38.6
C576	4030007100	S.CER C1608 CH 1H 560J-T	B	139.8/38.6
C577	4030010760	S.CER C1608 CH 1H 331J-T	B	144.3/43.2
C578	4030007080	S.CER C1608 CH 1H 390J-T	B	144.3/40.9
C579	4030017800	S.CER C1608 CH 1H 561J-T	B	149.7/45.2
C580	4030010760	S.CER C1608 CH 1H 331J-T	B	147.9/45.2
C591	4030006880	S.CER C1608 JB 1H 472K-T	B	140.2/5.1
C592	4030006880	S.CER C1608 JB 1H 472K-T	B	142.2/5.1
C593	4030006880	S.CER C1608 JB 1H 472K-T	B	133/8.5
C594	4030006880	S.CER C1608 JB 1H 472K-T	B	140.4/54.3
C595	4030006880	S.CER C1608 JB 1H 472K-T	B	148.6/52.7
C596	4030006880	S.CER C1608 JB 1H 472K-T	B	146/53.4
C597	4030017800	S.CER C1608 CH 1H 561J-T	B	126.7/3.2
C598	4030011330	S.CER C1608 CH 1H 391J-T	B	126.7/5.4
C599	4030007160	S.CER C1608 CH 1H 181J-T	B	126.7/15.1
C600	4030007070	S.CER C1608 CH 1H 330J-T	B	126.7/17.3
C601	4030007030	S.CER C1608 CH 1H 150J-T	B	129.6/18.2
C602	4030007120	S.CER C1608 CH 1H 820J-T	B	131.6/18.2
C603	4030007140	S.CER C1608 CH 1H 121J-T	B	126.8/20.5
C604	4030007100	S.CER C1608 CH 1H 560J-T	B	126.8/18.9
C605	4030007120	S.CER C1608 CH 1H 820J-T	B	131.4/26.8
C606	4030007030	S.CER C1608 CH 1H 150J-T	B	129.6/26.8
C607	4030007160	S.CER C1608 CH 1H 181J-T	B	127.3/29
C608	4030007070	S.CER C1608 CH 1H 330J-T	B	127.3/31.3
C609	4030017800	S.CER C1608 CH 1H 561J-T	B	127.3/33.3
C610	4030011330	S.CER C1608 CH 1H 391J-T	B	127.3/35.5
C621	4030006880	S.CER C1608 JB 1H 472K-T	B	118.5/4.7
C622	4030006880	S.CER C1608 JB 1H 472K-T	B	121.2/4
C623	4030006880	S.CER C1608 JB 1H 472K-T	B	113.8/8.2
C624	4030006880	S.CER C1608 JB 1H 472K-T	T	110.3/54.1
C625	4030006880	S.CER C1608 JB 1H 472K-T	B	107.4/51.4
C626	4030006880	S.CER C1608 JB 1H 472K-T	T	109/52.6
C627	403010760	S.CER C1608 CH 1H 331J-T	B	109.3/17.8
C628	4030007150	S.CER C1608 CH 1H 151J-T	B	109.3/19.7
C629	4030007150	S.CER C1608 CH 1H 151J-T	B	109.2/21.7
C630	4030007060	S.CER C1608 CH 1H 270J-T	B	109.2/23.6
C631	4030007060	S.CER C1608 CH 1H 270J-T	B	105.2/25.8
C632	4030007140	S.CER C1608 CH 1H 121J-T	B	106.9/25.8
C633	4030007150	S.CER C1608 CH 1H 151J-T	B	109.3/33.9
C634	4030007010	S.CER C1608 CH 1H 100D-T	B	109.3/31.7
C635	4030007140	S.CER C1608 CH 1H 121J-T	B	108.5/37.9
C636	4030007060	S.CER C1608 CH 1H 270J-T	B	105.9/37.9
C637	4030007150	S.CER C1608 CH 1H 151J-T	B	109.3/40.4
C638	4030007060	S.CER C1608 CH 1H 270J-T	B	109.3/42.2
C639	4030010760	S.CER C1608 CH 1H 331J-T	B	110.2/46.5
C640	4030007150	S.CER C1608 CH 1H 151J-T	B	110.2/48.5
C651	4030006880	S.CER C1608 JB 1H 472K-T	B	105.1/7.8
C652	4030006880	S.CER C1608 JB 1H 472K-T	B	105.1/4.1
C653	4030006880	S.CER C1608 JB 1H 472K-T	B	103/10.2
C654	4030006880	S.CER C1608 JB 1H 472K-T	T	90.4/54.2
C655	4030006880	S.CER C1608 JB 1H 472K-T	B	92.1/46.9
C656	4030006880	S.CER C1608 JB 1H 472K-T	T	93.5/49.6
C657	4030007170	S.CER C1608 CH 1H 221J-T	B	92.2/6
C658	4030007170	S.CER C1608 CH 1H 221J-T	B	92.2/4.4
C659	4030007130	S.CER C1608 CH 1H 101J-T	B	92.5/14.8
C660	4030007050	S.CER C1608 CH 1H 220J-T	B	92.5/17
C661	4030007070	S.CER C1608 CH 1H 330J-T	B	95.2/19.6
C662	4030007080	S.CER C1608 CH 1H 390J-T	B	93.2/19.6
C663	4030007120	S.CER C1608 CH 1H 820J-T	B	92.6/27.6
C664	4030007050	S.CER C1608 CH 1H 220J-T	B	92.6/25.4
C665	4030007080	S.CER C1608 CH 1H 390J-T	B	95.7/28.3
C666	4030007070	S.CER C1608 CH 1H 330J-T	B	97.5/28.3
C667	4030007130	S.CER C1608 CH 1H 101J-T	B	92.2/29.9
C668	4030007050	S.CER C1608 CH 1H 220J-T	B	92.2/31.8

[BPF UNIT]

REF NO.	PARTS NO.	DESCRIPTION	M.	H/V LOCATION
C669	4030007170	S.CER C1608 CH 1H 221J-T	B	92.2/33.5
C670	4030007170	S.CER C1608 CH 1H 221J-T	B	92.2/35.6
C681	4030006880	S.CER C1608 JB 1H 472K-T	B	74.4/5.1
C682	4030006880	S.CER C1608 JB 1H 472K-T	B	77.1/3.1
C683	4030006880	S.CER C1608 JB 1H 472K-T	B	71.5/8.1
C684	4030006880	S.CER C1608 JB 1H 472K-T	T	78.9/54.1
C685	4030006880	S.CER C1608 JB 1H 472K-T	B	79.1/46.9
C686	4030006880	S.CER C1608 JB 1H 472K-T	B	81.6/44
C687	4030007170	S.CER C1608 CH 1H 221J-T	B	75.5/11
C688	4030007110	S.CER C1608 CH 1H 680J-T	B	75.5/13.4
C689	4030007090	S.CER C1608 CH 1H 470J-T	B	70.8/15.2
C690	4030007090	S.CER C1608 CH 1H 470J-T	B	73/15.2
C691	4030007070	S.CER C1608 CH 1H 330J-T	B	71/18.7
C692	4030007070	S.CER C1608 CH 1H 330J-T	B	73/18.7
C693	4030007120	S.CER C1608 CH 1H 820J-T	B	75.7/21.1
C695	4030007070	S.CER C1608 CH 1H 330J-T	B	72.6/27
C696	4030007070	S.CER C1608 CH 1H 330J-T	B	70.9/27
C697	4030007090	S.CER C1608 CH 1H 470J-T	B	75.6/29.6
C698	4030007090	S.CER C1608 CH 1H 470J-T	B	75.6/31.7
C699	4030007170	S.CER C1608 CH 1H 221J-T	B	75.6/35.8
C700	4030007110	S.CER C1608 CH 1H 680J-T	B	75.6/33.9
C711	4030006880	S.CER C1608 JB 1H 472K-T	B	62/5.2
C712	4030006880	S.CER C1608 JB 1H 472K-T	B	63/7.9
C713	4030006880	S.CER C1608 JB 1H 472K-T	B	58.6/8.3
C714	4030006880	S.CER C1608 JB 1H 472K-T	T	68.2/54.2
C715	4030006880	S.CER C1608 JB 1H 472K-T	B	68.4/42.7
C716	4030006880	S.CER C1608 JB 1H 472K-T	B	70/46.3
C717	4030007160	S.CER C1608 CH 1H 181J-T	B	57.7/20.1
C718	4030007090	S.CER C1608 CH 1H 470J-T	B	57.7/17.6
C719	4030007090	S.CER C1608 CH 1H 470J-T	B	57.4/23.2
C720	4030007040	S.CER C1608 CH 1H 180J-T	B	57.4/25.2
C721	4030007030	S.CER C1608 CH 1H 150J-T	B	61/27
C722	4030007050	S.CER C1608 CH 1H 220J-T	B	63.2/27
C723	4030007090	S.CER C1608 CH 1H 470J-T	B	57.7/33.7
C724	4030006990	S.CER C1608 CH 1H 080D-T	B	57.7/31.6
C725	4030007050	S.CER C1608 CH 1H 220J-T	B	63.3/37.6
C726	4030007030	S.CER C1608 CH 1H 150J-T	B	61.3/37.6
C727	4030007090	S.CER C1608 CH 1H 470J-T	B	57.7/38.3
C728	4030007040	S.CER C1608 CH 1H 180J-T	B	57.7/40.6
C729	4030007160	S.CER C1608 CH 1H 181J-T	B	57.7/46.2
C730	4030007090	S.CER C1608 CH 1H 470J-T	B	57.7/48.6
C741	4030006880	S.CER C1608 JB 1H 472K-T	B	40.8/5.4
C742	4030006880	S.CER C1608 JB 1H 472K-T	B	42.7/3.4
C743	4030006880	S.CER C1608 JB 1H 472K-T	B	37/8
C744	4030006880	S.CER C1608 JB 1H 472K-T	T	46.2/54.2
C745	4030006880	S.CER C1608 JB 1H 472K-T	T	46.2/46.6
C746	4030006880	S.CER C1608 JB 1H 472K-T	B	49.5/50.4
C747	4030007140	S.CER C1608 CH 1H 121J-T	B	41.2/13.3
C748	4030007040	S.CER C1608 CH 1H 180J-T	B	41.2/10.8
C749	4030007070	S.CER C1608 CH 1H 330J-T	B	41/18.4
C750	4030007040	S.CER C1608 CH 1H 180J-T	B	41/16.4
C751	4030007010	S.CER C1608 CH 1H 100D-T	B	35.3/17.1
C752	4030007070	S.CER C1608 CH 1H 330J-T	B	37.5/17.1
C753	4030007090	S.CER C1608 CH 1H 470J-T	B	41/20.3
C755	4030007070	S.CER C1608 CH 1H 330J-T	B	35.4/25.5
C756	4030007010	S.CER C1608 CH 1H 100D-T	B	37.5/25.5
C757	4030007070	S.CER C1608 CH 1H 330J-T	B	41/27.5
C758	4030007040	S.CER C1608 CH 1H 180J-T	B	41.1/29.4
C759	4030007140	S.CER C1608 CH 1H 121J-T	B	41.2/32.6
C760	4030007040	S.CER C1608 CH 1H 180J-T	B	41.2/34.9
C771	4030006880	S.CER C1608 JB 1H 472K-T	B	27.6/5.5
C772	4030006880	S.CER C1608 JB 1H 472K-T	B	29.2/8.5
C773	4030006880	S.CER C1608 JB 1H 472K-T	B	23.5/8.2
C774	4030006880	S.CER C1608 JB 1H 472K-T	T	35.9/54.4
C775	4030006880	S.CER C1608 JB 1H 472K-T	B	34.2/44.5
C776	4030006880	S.CER C1608 JB 1H 472K-T	B	36.4/46.1
C777	4030007130	S.CER C1608 CH 1H 101J-T	B	24.1/20
C778	4030007030	S.CER C1608 CH 1H 150J-T	B	24.1/17.9
C779	4030007050	S.CER C1608 CH 1H 220J-T	B	24/23.6
C780	4030007020	S.CER C1608 CH 1H 120J-T	B	23.9/25.6
C781				

[BPF UNIT]

REF NO.	PARTS NO.	DESCRIPTION	M.	H/V LOCATION
C861	4030006880	S.CER C1608 JB 1H 472K-T	B	189.5/40
C862	4030006880	S.CER C1608 JB 1H 472K-T	T	189/42.9
C863	4030006880	S.CER C1608 JB 1H 472K-T	B	189.5/42.9
C864	4030006880	S.CER C1608 JB 1H 472K-T	B	189.5/45.8
C865	4030006880	S.CER C1608 JB 1H 472K-T	T	194/50.2
C876	4030006880	S.CER C1608 JB 1H 472K-T	B	241.3/19.5
C878	4030010760	S.CER C1608 CH 1H 331J-T	B	245.1/17.9
C879	4030007050	S.CER C1608 CH 1H 220J-T	B	245.1/19.5
C880	4030009520	S.CER C1608 CH 1H 020B-T	B	247.9/19.5
C881	4030010210	S.CER C3216 JB 1C 105M-T	B	244/34
C900	4030006880	S.CER C1608 JB 1H 472K-T	B	215.5/99.5
C901	4030005110	S.CER C2012 JB 1E 473K-T	T	15.1/26.8
C902	4510008520	S.ELE EEE1CA470SP	T	12.3/21.7
C903	4030005110	S.CER C2012 JB 1E 473K-T	B	12.3/12.9
C904	4510009150	S.ELE EEE1EA470WP	T	12.3/13.4
C905	4030006880	S.CER C1608 JB 1H 472K-T	B	244.7/94
C906	4030006880	S.CER C1608 JB 1H 472K-T	B	244.7/91.2
C907	4030006900	S.CER C1608 JB 1H 103K-T	B	213.8/106.2
C908	4030011600	S.CER C1608 JB 1E 104K-T	B	212.8/115.6
C909	4030006880	S.CER C1608 JB 1H 472K-T	B	218.7/113.5
C910	4030006900	S.CER C1608 JB 1H 103K-T	B	215.5/117.9
C911	4030006900	S.CER C1608 JB 1H 103K-T	B	210.6/106.3
C912	4030006880	S.CER C1608 JB 1H 472K-T	B	201.9/99.6
C914	4030006880	S.CER C1608 JB 1H 472K-T	B	194.7/99.4
C915	4030006900	S.CER C1608 JB 1H 103K-T	B	192.6/110.6
C916	4030006880	S.CER C1608 JB 1H 472K-T	T	200.3/118.3
C917	4030006900	S.CER C1608 JB 1H 103K-T	T	197.8/117.6
C918	4030006900	S.CER C1608 JB 1H 103K-T	B	187.3/106.3
C919	4030006880	S.CER C1608 JB 1H 472K-T	B	180/99.9
C921	4030006880	S.CER C1608 JB 1H 472K-T	T	201.6/118.3
C922	4030011600	S.CER C1608 JB 1E 104K-T	T	208.5/117.4
C923	4030011600	S.CER C1608 JB 1E 104K-T	T	212.3/117.4
C924	4030011600	S.CER C1608 JB 1E 104K-T	B	192.9/116.4
C925	4030011600	S.CER C1608 JB 1E 104K-T	T	187.7/117.4
C926	4030011600	S.CER C1608 JB 1E 104K-T	T	191.6/117.5
C927	4030006960	S.CER C1608 CH 1H 050C-T	B	209.4/113.7
C928	4030006960	S.CER C1608 CH 1H 050C-T	B	187.5/114.2
C950	4030006880	S.CER C1608 JB 1H 472K-T	B	206.3/4.6
C951	4030006900	S.CER C1608 JB 1H 103K-T	B	215.7/17.8
C952	4030011600	S.CER C1608 JB 1E 104K-T	B	211.9/20
C953	4030006880	S.CER C1608 JB 1H 472K-T	B	205.3/2.8
C954	4030006900	S.CER C1608 JB 1H 103K-T	B	218.6/2.5
C955	4030006900	S.CER C1608 JB 1H 103K-T	B	208.6/11.4
C956	4030006880	S.CER C1608 JB 1H 472K-T	T	203.5/2.3
C958	4030006880	S.CER C1608 JB 1H 472K-T	B	190/4.9
C959	4030006900	S.CER C1608 JB 1H 103K-T	B	195.2/16.5
C960	4030006880	S.CER C1608 JB 1H 472K-T	B	196.3/2.3
C961	4030006900	S.CER C1608 JB 1H 103K-T	B	202.2/4
C962	4030006900	S.CER C1608 JB 1H 103K-T	B	184/16.5
C963	4030006880	S.CER C1608 JB 1H 472K-T	B	181/3.9
C965	4030006880	S.CER C1608 JB 1H 472K-T	T	208.4/3.9
C967	4030011600	S.CER C1608 JB 1E 104K-T	T	209/21.4
C968	4030011600	S.CER C1608 JB 1E 104K-T	T	213/21.4
C969	4030011600	S.CER C1608 JB 1E 104K-T	B	191.6/19.9
C970	4030011600	S.CER C1608 JB 1E 104K-T	T	187.9/21.4
C971	4030011600	S.CER C1608 JB 1E 104K-T	T	193/19.8
C972	4030006960	S.CER C1608 CH 1H 050C-T	B	208.3/19.3
C973	4030006960	S.CER C1608 CH 1H 050C-T	B	187.7/19.3
C974	4030006880	S.CER C1608 JB 1H 472K-T	B	235.8/11.5
RL1	6330001750	RLY FTR-B4CA012Z		
RL2	6330001750	RLY FTR-B4CA012Z		
RL21	6330001750	RLY FTR-B4CA012Z		
RL22	6330001750	RLY FTR-B4CA012Z		
RL51	6330001750	RLY FTR-B4CA012Z		
RL52	6330001750	RLY FTR-B4CA012Z		
RL81	6330001750	RLY FTR-B4CA012Z		
RL82	6330001750	RLY FTR-B4CA012Z		
RL111	6330001750	RLY FTR-B4CA012Z		
RL112	6330001750	RLY FTR-B4CA012Z		
RL141	6330001750	RLY FTR-B4CA012Z		
RL142	6330001750	RLY FTR-B4CA012Z		
RL171	6330001750	RLY FTR-B4CA012Z		
RL172	6330001750	RLY FTR-B4CA012Z		
RL201	6330001750	RLY FTR-B4CA012Z		
RL202	6330001750	RLY FTR-B4CA012Z		
RL231	6330001750	RLY FTR-B4CA012Z		
RL232	6330001750	RLY FTR-B4CA012Z		
RL261	6330001750	RLY FTR-B4CA012Z		
RL262	6330001750	RLY FTR-B4CA012Z		
RL291	6330001750	RLY FTR-B4CA012Z		
RL292	6330001750	RLY FTR-B4CA012Z		
RL321	6330001750	RLY FTR-B4CA012Z		
RL322	6330001750	RLY FTR-B4CA012Z		
RL351	6330001750	RLY FTR-B4CA012Z		
RL352	6330001750	RLY FTR-B4CA012Z		
RL353	6330001750	RLY FTR-B4CA012Z		
RL354	6330001750	RLY FTR-B4CA012Z		
RL355	6330001750	RLY FTR-B4CA012Z		
RL371	6330001750	RLY FTR-B4CA012Z		
RL381	6330001770	RLY SIP-1A-12Y		
RL401	6330001770	RLY SIP-1A-12Y		
RL402	6330001750	RLY FTR-B4CA012Z		
RL501	6330001750	RLY FTR-B4CA012Z		
RL502	6330001750	RLY FTR-B4CA012Z		
RL531	6330001750	RLY FTR-B4CA012Z		
RL532	6330001750	RLY FTR-B4CA012Z		
RL561	6330001750	RLY FTR-B4CA012Z		
RL562	6330001750	RLY FTR-B4CA012Z		
RL591	6330001750	RLY FTR-B4CA012Z		
RL592	6330001750	RLY FTR-B4CA012Z		
RL621	6330001750	RLY FTR-B4CA012Z		
RL622	6330001750	RLY FTR-B4CA012Z		
RL651	6330001750	RLY FTR-B4CA012Z		

[BPF UNIT]

REF NO.	PARTS NO.	DESCRIPTION	M.	H/V LOCATION
RL652	6330001750	RLY FTR-B4CA012Z		
RL681	6330001750	RLY FTR-B4CA012Z		
RL682	6330001750	RLY FTR-B4CA012Z		
RL711	6330001750	RLY FTR-B4CA012Z		
RL712	6330001750	RLY FTR-B4CA012Z		
RL741	6330001750	RLY FTR-B4CA012Z		
RL742	6330001750	RLY FTR-B4CA012Z		
RL771	6330001750	RLY FTR-B4CA012Z		
RL772	6330001750	RLY FTR-B4CA012Z		
RL801	6330001750	RLY FTR-B4CA012Z		
RL802	6330001750	RLY FTR-B4CA012Z		
RL831	6330001750	RLY FTR-B4CA012Z		
RL832	6330001750	RLY FTR-B4CA012Z		
RL851	6330001750	RLY FTR-B4CA012Z		
RL852	6330001750	RLY FTR-B4CA012Z		
RL853	6330001750	RLY FTR-B4CA012Z		
RL854	6330001750	RLY FTR-B4CA012Z		
RL855	6330001750	RLY FTR-B4CA012Z		
RL871	6330001770	RLY SIP-1A-12Y		
RL900	6330001750	RLY FTR-B4CA012Z		
RL901	6330001750	RLY FTR-B4CA012Z		
RL902	6330001750	RLY FTR-B4CA012Z		
RL903	6330001750	RLY FTR-B4CA012Z		
RL950	6330001750	RLY FTR-B4CA012Z		
RL951	6330001750	RLY FTR-B4CA012Z		
RL952	6330001750	RLY FTR-B4CA012Z		
RL953	6330001750	RLY FTR-B4CA012Z		
RL954	6330001750	RLY FTR-B4CA012Z		
J1	6510020521	S.CNR 52808-1271 (1290)	T	6/17
J101	6510007020	CNR TMP-J01X-V6		
J102	6510007020	CNR TMP-J01X-V6		
J103	6510023750	CNR 01K1971-10		
J104	6510023750	CNR 01K1971-10		
J105	6510023750	CNR 01K1971-10		
J106	6510007020	CNR TMP-J01X-V6		
J107	6510007020	CNR TMP-J01X-V6		
J108	6510007020	CNR TMP-J01X-V6		
J504	6510023750	CNR 01K1971-10		
J505	6510023750	CNR 01K1971-10		
J506	6510007020	CNR TMP-J01X-V6		
J601	6510007020	CNR TMP-J01X-V6		
J602	6510007020	CNR TMP-J01X-V6		
EP900	6910012350	S.BEA MMZ1608Y 102BT	B	218.9/98.8
EP901	6910012350	S.BEA MMZ1608Y 102BT	B	204.2/100.3
EP902	6910012350	S.BEA MMZ1608Y 102BT	B	197.2/98.7
EP903	6910012350	S.BEA MMZ1608Y 102BT	B	189.7/100.1
EP950	6910012350	S.BEA MMZ1608Y 102BT	B	208.8/3.5
EP951	6910012350	S.BEA MMZ1608Y 102BT	T	205.4/3.2
EP952	6910012350	S.BEA MMZ1608Y 102BT	B	193.3/3
EP953	6910012350	S.BEA MMZ1608Y 102BT	B	184.6/3.8

M.=Mounted side (T: Mounted on the Top side, B: Mounted on the Bottom side)  
S.=Surface mount



[MAIN UNIT]

REF NO.	PARTS NO.	DESCRIPTION	M.	H/V LOCATION
IC1	1110003870	S.IC NJM2058M-TE1	T	226/83.5
IC2	1110001901	S.IC uPC4570G2-E1-A	T	187/68.8
IC3	1130005641	S.IC TC4W53F (TE12L,F)	T	191.1/75.2
IC4	1110006300	S.IC NJM2172V-TE1	T	186.6/85.7
IC5	1130005641	S.IC TC4W53F (TE12L,F)	T	184.3/75.2
IC50	1190001930	S.IC PSM122AL-1A-E3	B	114.4/109.1
IC60	1110003870	S.IC NJM2058M-TE1	B	116.1/87.4
IC61	1110003870	S.IC NJM2058M-TE1	B	129.6/94.8
IC100	1130005641	S.IC TC4W53F (TE12L,F)	T	211.8/91
IC101	1130005641	S.IC TC4W53F (TE12L,F)	T	205/91
IC102	1110001901	S.IC uPC4570G2-E1-A	T	209.7/68.5
IC104	1110001901	S.IC uPC4570G2-E1-A	T	209.8/43.4
IC105	1110006300	S.IC NJM2172V-TE1	T	220.4/58.4
IC140	1110006141	S.IC LA4485-E	T	
IC180	1110006300	S.IC NJM2172V-TE1	T	187/57.6
IC181	1130005641	S.IC TC4W53F (TE12L,F)	T	186.9/40.3
IC182	1110006160	S.IC TPA6111A2DGN	T	186.8/35.8
IC191	1130005641	S.IC TC4W53F (TE12L,F)	T	193.3/30
IC192	1130005641	S.IC TC4W53F (TE12L,F)	T	180.6/30.2
IC201	1130005641	S.IC TC4W53F (TE12L,F)	T	147.7/71.6
IC210	1110006300	S.IC NJM2172V-TE1	T	160.5/90.1
IC230	1110001901	S.IC uPC4570G2-E1-A	T	68.3/22.2
IC250	1130011530	S.IC CD74HC4094M96	T	137.4/32.2
IC251	1160000131	S.IC TD62783AFG (S,EL)	T	125.7/34
IC260	1130011530	S.IC CD74HC4094M96	T	137.4/46.6
IC261	1160000131	S.IC TD62783AFG (S,EL)	T	125.7/48.3
IC290	1130011530	S.IC CD74HC4094M96	T	149.4/35.6
IC291	1160000131	S.IC TD62783AFG (S,EL)	T	161.1/34
IC310	1130011530	S.IC CD74HC4094M96	T	149.4/50.1
IC311	1160000131	S.IC TD62783AFG (S,EL)	T	161.1/48.4
IC330	1130012000	S.IC M62352AGP C60Q	T	150.4/61
IC331	1130012000	S.IC M62352AGP C60Q	T	161.1/61.1
IC450	1180002650	S.REG SI-3012KS-TL	B	212.6/31.3
IC451	1180002650	S.REG SI-3012KS-TL	B	160/15.2
IC452	1180002650	S.REG SI-3012KS-TL	B	93.6/51.5
IC460	1130005641	S.IC TC4W53F (TE12L,F)	T	147.7/80
IC490	1130005641	S.IC TC4W53F (TE12L,F)	B	163.4/61.6
IC491	1110003870	S.IC NJM2058M-TE1	B	236.2/21.9
IC495	1130011990	S.IC SN74LVC1G08DCKR	T	14.6/122.5
IC501	1110006100	S.IC NJM5534MD-TE1	T	22.6/66.4
IC502	1110006100	S.IC NJM5534MD-TE1	T	22.6/78.5
IC503	1110005461	S.IC TA4107F (TE12L,F)	T	23.2/91.9
IC550	1180001771	S.IC TA79L05F (TE12L,F)	T	125.5/103.7
IC820	1110006131	S.IC uPC4094G2-E1-A	T	83.5/59.3
IC821	1110006300	S.IC NJM2172V-TE1	T	160.5/74.8
Q1	1590001050	S.TR DTC114TUA T106	B	217/105.3
Q2	1590001050	S.TR DTC114TUA T106	B	174.9/102.8
Q3	1530002060	S.TR 2SC4081 T106 R	B	161.8/96.7
Q4	1530002060	S.TR 2SC4081 T106 R	B	172.7/98
Q5	1590001330	S.TR DTA114EUA T106	B	167.1/92
Q6	1540000441	S.TR 2SD1619T-TD-E	B	166.4/102.1
Q7	1530002060	S.TR 2SC4081 T106 R	B	147.8/110.4
Q8	1530002060	S.TR 2SC4081 T106 R	T	222.2/99.7
Q9	1530002060	S.TR 2SC4081 T106 R	T	179.3/101
Q50	1590001050	S.TR DTC114TUA T106	B	119/96.6
Q51	1590001050	S.TR DTC114TUA T106	B	118.6/100.4
Q52	1530002060	S.TR 2SC4081 T106 R	T	83.5/107.6
Q60	1590002710	S.TR UMH11NTN	T	118.7/87.6
Q61	1590002150	S.TR DTC144TE TL	T	117.8/80.2
Q62	1510000510	S.TR 2SA1576A T106R	T	123.1/93.8
Q63	1590001050	S.TR DTC114TUA T106	T	120.2/79.9
Q64	1590002430	S.TR DTA144EE TL	T	120.2/82.2
Q100	1590001451	S.FET 2SJ144-GR (TE85R,F)	T	214.2/79.1
Q101	1590001451	S.FET 2SJ144-GR (TE85R,F)	T	204.6/79.1
Q131	1560001131	S.FET CPH3403-TL-E	T	228.6/70.9
Q132	1560001131	S.FET CPH3403-TL-E	T	233.4/47.7
Q140	1540000471	S.TR 2SD1801S-TL-E	T	241.8/37.3
Q141	1590000680	S.TR DTC114EUA T106	B	247.8/92.4
Q142	1590000680	S.TR DTC114EUA T106	B	239.9/92.4
Q143	1590001050	S.TR DTC114TUA T106	T	255.3/55.4
Q351	1560001260	S.FET 2SK3018 T106	T	129.8/85.1
Q352	1530002060	S.TR 2SC4081 T106 R	T	132.7/85.1
Q474	1510000510	S.TR 2SA1576A T106R	T	132.4/77.2
Q476	1590001050	S.TR DTC114TUA T106	T	129.4/77.1
Q490	1590000680	S.TR DTC114EUA T106	B	232.2/4.5
Q491	1520000460	S.TR 2SB1132 T100 R	B	224.3/4.2
Q501	1580000751	S.FET 3SK294 (TE85L,F)	B	26.9/91.8
Q502	1590000680	S.TR DTC114EUA T106	T	47.1/79.4
Q503	1590002710	S.TR UMH11NTN	T	47.3/75.9
Q504	1560000561	S.FET 2SK882-GR (TE85L,F)	B	49.3/91.2
Q506	1560000561	S.FET 2SK882-GR (TE85L,F)	B	102.7/82.6
Q507	1530003151	S.TR 2SC4673D-TD-E	T	103.9/65.5
Q508	1530003842	S.TR 2SC5501A-4-TR-E	T	58.8/68.8
Q801	1530003851	S.TR 2SC5551A-F-E	T	43.1/18.2
Q802	1520000531	S.TR 2SB1119S-TD-E	B	89.9/83.7
Q803	1590000680	S.TR DTC114EUA T106	B	83.7/84.8
Q804	1590002710	S.TR UMH11NTN	T	33.9/20.3
Q805	1590000680	S.TR DTC114EUA T106	T	30.9/21.6
Q806	1530002060	S.TR 2SC4081 T106 R	T	35.5/73.8
Q808	1590001330	S.TR DTA114EUA T106	T	45.6/70.2
Q809	1590000680	S.TR DTC114EUA T106	T	48.7/70.2
Q810	1530002060	S.TR 2SC4081 T106 R	T	231.4/34.2
D1	1750000550	S.DIO 1SS355 TE-17	B	162.9/104.2
D2	1750000550	S.DIO 1SS355 TE-17	B	170.6/104.2
D3	1790001750	S.DIO DSM3MA4	B	65.5/122.7
D4	1790001750	S.DIO DSM3MA4	B	65.5/113.6
D50	1750000550	S.DIO 1SS355 TE-17	B	114.5/100.6
D51	1790001670	S.DIO RB706F-40T106	T	90.8/112.8
D52	1750000550	S.DIO 1SS355 TE-17	T	88.4/112.8
D60	1750000550	S.DIO 1SS355 TE-17	B	126.8/86.8
D61	1750000550	S.DIO 1SS355 TE-17	B	126.6/83.4

[MAIN UNIT]

REF NO.	PARTS NO.	DESCRIPTION	M.	H/V LOCATION
D62	1750000550	S.DIO 1SS355 TE-17	B	120.6/77.6
D63	1750000550	S.DIO 1SS355 TE-17	B	116.5/93.6
D64	1790001240	S.DIO MA2S7280G-(TX)	B	108.1/78.3
D65	1750000550	S.DIO 1SS355 TE-17	B	123.1/100.1
D66	1750000550	S.DIO 1SS355 TE-17	B	134.3/89.4
D67	1730002340	S.ZEN MA8047-M (TX)	B	122.8/95.8
D140	1750000550	S.DIO 1SS355 TE-17	B	247.8/95.1
D141	1750000550	S.DIO 1SS355 TE-17	B	239.9/95.1
D241	1730002280	S.ZEN MA8091-M (TX)	T	231.2/32
D351	1790001250	S.DIO MA2S1110G-(TX)	T	129.7/83.2
D450	1710000840	S.DIO 1SR154-400 TE25	B	218.9/28
D451	1710000840	S.DIO 1SR154-400 TE25	B	153.4/16
D452	1710000840	S.DIO 1SR154-400 TE25	B	93.6/58
D490	1790000620	S.DIO MA77 (TX)	B	237.5/5.4
D501	1790000620	S.DIO MA77 (TX)	B	34.3/94.1
D502	1790000620	S.DIO MA77 (TX)	B	34.3/91.4
D503	1790000620	S.DIO MA77 (TX)	B	46.6/91.4
D504	1790000620	S.DIO MA77 (TX)	B	46.7/85.3
D505	1750000431	S.DIO HSB88WSTR-E	T	70.2/90.8
D506	1750000431	S.DIO HSB88WSTR-E	T	84.3/69.4
D601	1790000620	S.DIO MA77 (TX)	B	34.7/54
D602	1790000620	S.DIO MA77 (TX)	B	34.7/33
D603	1790000620	S.DIO MA77 (TX)	B	45.5/54
D604	1790000620	S.DIO MA77 (TX)	B	45.5/33
D605	1790000620	S.DIO MA77 (TX)	B	56.3/54
D606	1790000620	S.DIO MA77 (TX)	B	56.3/33
D607	1790000620	S.DIO MA77 (TX)	B	67.1/54
D608	1790000620	S.DIO MA77 (TX)	B	67.1/33
D609	1790000620	S.DIO MA77 (TX)	B	78/54
D610	1790000620	S.DIO MA77 (TX)	B	78/33
D611	1790000620	S.DIO MA77 (TX)	T	40.8/54
D612	1790000620	S.DIO MA77 (TX)	T	40.8/33
D613	1790000620	S.DIO MA77 (TX)	T	48.7/54
D614	1790000620	S.DIO MA77 (TX)	T	49.8/33
D615	1790000620	S.DIO MA77 (TX)	T	58.9/54
D616	1790000620	S.DIO MA77 (TX)	T	58.8/33
D617	1790000620	S.DIO MA77 (TX)	T	67.8/54
D618	1790000620	S.DIO MA77 (TX)	T	67.8/33
D619	1790000620	S.DIO MA77 (TX)	T	76.8/54
D620	1790000620	S.DIO MA77 (TX)	T	76.8/33
D801	1790000620	S.DIO MA77 (TX)	T	36.5/29.9
D802	1750000581	S.DIO 1SV307 (TPH3,F)	T	34.7/29.9
D806	1790000620	S.DIO MA77 (TX)	B	84.2/76.6
D820	1750000581	S.DIO 1SV307 (TPH3,F)	T	86/33
FI501	2020001070	CER CFWLA455KJFA-B0 (CFW5455D)		
FI502	2020001510	CER CFWLA455KJFA-B0 (CFW5455IT)	T	93.4/90.8
FI503	2010002580	S.FIL FL-348 (64.455 MHz)		
L1	6200003261	S.COL NLV32T-101J	B	211.7/110.3
L2	6200003261	S.COL NLV32T-101J	B	222.2/110.3
L3	6200003950	S.COL HF50ACC 322513-T	B	204.7/110.3
L4	6200003261	S.COL NLV32T-101J	T	218.7/109.6
L5	6200003261	S.COL NLV32T-101J	B	225.7/110.3
L6	6200003261	S.COL NLV32T-101J	B	215.2/110.3
L7	6200003950	S.COL HF50ACC 322513-T	T	208.2/109.6
L8	6200003261	S.COL NLV32T-101J	B	200.4/110.3
L9	6200003950	S.COL HF50ACC 322513-T	B	193.4/110
L10	6200003261	S.COL NLV32T-101J	B	196.9/110.3
L11	6200003261	S.COL NLV32T-101J	B	169.7/110.3
L12	6200003261	S.COL NLV32T-101J	B	180.2/110.3
L13	6200003950	S.COL HF50ACC 322513-T	B	162.7/110.3
L14	6200003261	S.COL NLV32T-101J	T	176.7/109.7
L15	6200003261	S.COL NLV32T-101J	B	183.7/110.3
L16	6200003261	S.COL NLV32T-101J	B	173.2/110.3
L17	6200003950	S.COL HF50ACC 322513-T	T	166.2/109.2
L18	6200003261	S.COL NLV32T-101J	B	158.4/110.3
L19	6200003950	S.COL HF50ACC 322513-T	B	151.4/110
L20	6200003261	S.COL NLV32T-101J	B	154.9/110.3
L21	6200003950	S.COL HF50ACC 322513-T	B	211.7/124.6
L22	6200003950	S.COL HF50ACC 322513-T	B	169.7/124.5
L31	6200003261	S.COL NLV32T-101J	B	194.2/88.9
L50	6200003261	S.COL NLV32T-101J	B	139.6/122.6
L51	6200003950	S.COL EXCCL3225U1	B	122.1/107.2
L52	6200003261	S.COL NLV32T-101J	B	77.2/122.3
L53	6200003261	S.COL NLV32T-101J	B	77.2/117.4
L54	6200003261	S.COL NLV32T-101J	T	85.8/112.8
L55	6200003261	S.COL NLV32T-101J	B	95.6/107.2
L56	6200003950	S.COL EXCCL3225U1	B	63.9/107.4
L80	6200009790	S.COL BLM31PG121SN1	B	53.4/118.4
L140	6200003261	S.COL NLV32T-101J	T	219.7/48.1
L141	2040000490	COL EXC-ELDR25C		
L142	2040000490	COL EXC-ELDR25C		
L143	2040000490	COL EXC-ELDR25C		
L180	6200003261	S.COL NLV32T-101J	T	186.9/44.5
L181	6200003261	S.COL NLV32T-101J	T	181.2/40.1
L201	6200003261	S.COL NLV32T-101J	T	165/81.4
L210	6200003261	S.COL NLV32T-101J	T	156.1/85.2
L250	6200003950	S.COL EXCCL3225U1	T	134.6/55.7
L290	6200003950	S.COL EXCCL3225U1	T	152/28.2
L330	6200001831	S.COL NLV32T-100J	B	161.4/68.9
L331	6200001831	S.COL NLV32T-100J	B	164.8/68.9
L34				

[MAIN UNIT]

REF NO.	PARTS NO.	DESCRIPTION	M.	H/V LOCATION
L407	6200003950	S.COL HF50ACC 322513-T	T	37.3/11.3
L410	6200003590	S.COL EXCCL3225U1	T	10.9/41
L411	6200003950	S.COL HF50ACC 322513-T	B	10.9/39.6
L412	6200003590	S.COL EXCCL3225U1	T	10.9/38
L413	6200003950	S.COL HF50ACC 322513-T	B	10.9/36.4
L418	6200003950	S.COL HF50ACC 322513-T	B	11.1/97.2
L435	6200003950	S.COL HF50ACC 322513-T	B	6.7/76.7
L440	6200003950	S.COL HF50ACC 322513-T	T	164.1/12.7
L441	6200003950	S.COL HF50ACC 322513-T	T	161.1/12.7
L450	6200003590	S.COL EXCCL3225U1	B	251.2/16.8
L451	6170000150	COL LW-16		
L452	6200003590	S.COL EXCCL3225U1	T	250.2/25.4
L453	6200003590	S.COL EXCCL3225U1	T	250.2/28.4
L454	6200009790	S.COL BLM31PG121SN1	B	250.6/30.2
L455	6200009790	S.COL BLM31PG121SN1	B	250.6/32.5
L456	6200003590	S.COL EXCCL3225U1	T	250.4/39.6
L480	6200003950	S.COL HF50ACC 322513-T	B	220.6/24
L481	6200003950	S.COL HF50ACC 322513-T	B	149.8/17.1
L482	6200003950	S.COL HF50ACC 322513-T	B	94.1/61.2
L495	6200003191	S.COL NLV32T-470J	B	24.9/119.2
L496	6200003191	S.COL NLV32T-470J	B	9.8/119
L501	6200003261	S.COL NLV32T-101J	T	24.4/101.3
L502	6200003261	S.COL NLV32T-101J	T	21.4/97.1
L503	6200003261	S.COL NLV32T-101J	T	24.4/97.1
L504	6200003520	S.COL ELJFB 102K-F	T	30.6/92.2
L505	6150004090	COL LS-469 (C-13969)		
L507	6140003530	COL LR-395		
L508	6140003210	S.COL LR-358	T	75.9/90.8
L509	6140003770	S.COL LR-414 4KBL (STP-01435)	T	85.2/90.8
L510	6140003770	S.COL LR-414 4KBL (STP-01435)	T	101.6/90.8
L511	6200003031	S.COL NLV32T-R47J	B	101.9/85.8
L512	6150004280	COL LS-484B (C-14927)		
L513	6140002551	S.COL #617DB-1919=P3	T	90.6/69.4
L514	6140002551	S.COL #617DB-1919=P3	T	78/69.4
L515	6200003001	S.COL NLV32T-R22J	T	111.3/65.7
L516	6200003021	S.COL NLV32T-R33J	T	102.8/71.4
L517	6200001831	S.COL NLV32T-100J	T	99.4/73.5
L518	6200010720	S.COL C2520C-56NG-A	T	71.2/69.1
L519	6200010860	S.COL C2520C-R10G-A (0.1U)	T	67.6/70.3
L521	6140003900	COL LR-489		
L522	6140003890	COL LR-488		
L523	6200010381	S.COL ELJRE R15JFA	B	90.6/76.8
L524	6180002971	S.COL NLV32T-068J	B	102.6/63.5
L525	6180002971	S.COL NLV32T-068J	B	100.7/67.3
L526	6180002971	S.COL NLV32T-068J	B	97/67.2
L527	6200010660	S.COL C2520C-R15G-A (0.15U)	T	64/71.6
L528	6200003261	S.COL NLV32T-101J	T	33.6/96.3
L529	6200010381	S.COL ELJRE R15JFA	B	93.2/78.1
L601	6200003101	S.COL NLV32T-3R9J	B	38.2/53.1
L602	6200003131	S.COL NLV32T-120J	B	34.7/49.6
L603	6200003131	S.COL NLV32T-120J	B	38.9/43.2
L604	6200003131	S.COL NLV32T-120J	B	34.7/37.4
L605	6200003101	S.COL NLV32T-3R9J	B	38.2/33.8
L606	6200002961	S.COL NLV32T-4R7J	B	49/53.1
L607	6200001851	S.COL NLV32T-5R6J	B	45.5/49.6
L608	6200001851	S.COL NLV32T-5R6J	B	49.7/43.5
L609	6200001851	S.COL NLV32T-5R6J	B	45.5/37.4
L610	6200002961	S.COL NLV32T-4R7J	B	49/33.8
L611	6200002991	S.COL NLV32T-2R2J	B	59.8/53.1
L612	6200003111	S.COL NLV32T-6R8J	B	56.3/49.6
L613	6200003111	S.COL NLV32T-6R8J	B	60.5/43.5
L614	6200003111	S.COL NLV32T-6R8J	B	56.3/37.4
L615	6200002991	S.COL NLV32T-2R2J	B	59.8/33.8
L616	6200002991	S.COL NLV32T-2R2J	B	70.7/53.1
L617	6200003321	S.COL NLV32T-3R3J	B	67.1/49.6
L618	6200003321	S.COL NLV32T-3R3J	B	71.3/43.5
L619	6200003321	S.COL NLV32T-3R3J	B	67.1/37.4
L620	6200002991	S.COL NLV32T-2R2J	B	70.6/33.8
L621	6200003061	S.COL NLV32T-1R2J	B	51.5/53.1
L622	6200003091	S.COL NLV32T-2R7J	B	78/49.6
L623	6200003091	S.COL NLV32T-2R7J	B	82.2/43.5
L624	6200003091	S.COL NLV32T-2R7J	B	78/37.4
L625	6200003061	S.COL NLV32T-1R2J	B	81.5/33.8
L626	6200003331	S.COL NLV32T-1R0J	T	37.8/50
L627	6200003081	S.COL NLV32T-1R8J	T	40.8/50
L628	6200003081	S.COL NLV32T-1R8J	T	40.2/43.5
L629	6200003081	S.COL NLV32T-1R8J	T	40.8/36.9
L630	6200003331	S.COL NLV32T-1R0J	T	37.8/36.9
L631	6200003041	S.COL NLV32T-R68J	T	46.8/50
L632	6200003071	S.COL NLV32T-1R5J	T	49.8/50
L633	6200003071	S.COL NLV32T-1R5J	T	49.2/43.5
L634	6200003071	S.COL NLV32T-1R5J	T	49.8/36.9
L635	6200003041	S.COL NLV32T-R68J	T	46.8/36.9
L636	6200002981	S.COL NLV32T-R56J	T	55.8/50
L637	6200003051	S.COL NLV32T-R82J	T	58.9/50
L638	6200003051	S.COL NLV32T-R82J	T	58.2/43.5
L639	6200003051	S.COL NLV32T-R82J	T	58.8/36.9
L640	6200002981	S.COL NLV32T-R56J	T	55.8/36.9
L641	6200003021	S.COL NLV32T-R33J	T	64.8/50
L642	6200003041	S.COL NLV32T-R68J	T	67.8/50
L643	6200003041	S.COL NLV32T-R68J	T	67.2/43.5
L644	6200003041	S.COL NLV32T-R68J	T	67.8/36.9
L645	6200003021	S.COL NLV32T-R33J	T	64.8/36.9
L646	6200005491	S.COL NLV32T-331J	T	79.8/50
L647	6200007810	S.COL LQH31HNR95NK03L	T	73.2/51.3
L648	6200009810	S.COL LQH31HNR61J03L	T	76.8/50
L649	6200009810	S.COL LQH31HNR61J03L	T	75.5/43.7
L650	6200009810	S.COL LQH31HNR61J03L	T	76.8/36.9
L651	6200007810	S.COL LQH31HNR95NK03L	T	73.2/35.5
L801	6200005491	S.COL NLV32T-331J	T	37.2/23.4
L802	6200003261	S.COL NLV32T-101J	B	37.2/23.8
L803	6140003970	COL LR-494		
L804	6200003241	S.COL NLV32T-221J	B	49.2/26
L820	6200003161	S.COL NLV32T-270J	T	86.6/48.4
L821	6200003191	S.COL NLV32T-470J	T	85.8/44.9

[MAIN UNIT]

REF NO.	PARTS NO.	DESCRIPTION	M.	H/V LOCATION
L822	6200003201	S.COL NLV32T-560J	T	86.6/39.8
R1	7030003550	S.RES ERJ3GEYJ 822 V (8.2 K)	B	214.8/107.3
R2	7030003550	S.RES ERJ3GEYJ 822 V (8.2 K)	B	174.1/104.9
R3	7030003520	S.RES ERJ3GEYJ 472 V (4.7 K)	B	161.1/103.9
R4	7030003620	S.RES ERJ3GEYJ 333 V (33 K)	B	161.1/101.1
R5	7030003580	S.RES ERJ3GEYJ 153 V (15 K)	B	161.9/99.1
R6	7030003520	S.RES ERJ3GEYJ 472 V (4.7 K)	B	161.8/93.8
R7	7030003520	S.RES ERJ3GEYJ 472 V (4.7 K)	B	172.2/104.2
R8	7030003620	S.RES ERJ3GEYJ 333 V (33 K)	B	170.6/101.2
R9	7030003580	S.RES ERJ3GEYJ 153 V (15 K)	B	172.8/100.4
R10	7030003520	S.RES ERJ3GEYJ 472 V (4.7 K)	B	172.7/95.1
R11	7030009891	S.RES ERA3YED 151V (150)	B	167.1/94.5
R12	7030003560	S.RES ERJ3GEYJ 103 V (10 K)	B	167.1/96.3
R13	7030003480	S.RES ERJ3GEYJ 222 V (2.2 K)	B	148.7/106.9
R14	7030003560	S.RES ERJ3GEYJ 103 V (10 K)	B	146.9/106.9
R15	7030003640	S.RES ERJ3GEYJ 473 V (47 K)	B	145.1/110.4
R16	7030003680	S.RES ERJ3GEYJ 104 V (100 K)	T	224.8/77.8
R17	7030003680	S.RES ERJ3GEYJ 104 V (100 K)	T	223.4/77.8
R18	7030003400	S.RES ERJ3GEYJ 471 V (470)	T	222.1/77.8
R19	7030003680	S.RES ERJ3GEYJ 104 V (100 K)	T	227.2/77.8
R20	7030003680	S.RES ERJ3GEYJ 104 V (100 K)	T	228.6/77.8
R21	7030003400	S.RES ERJ3GEYJ 471 V (470)	T	230/77.8
R22	7030003560	S.RES ERJ3GEYJ 103 V (10 K)	T	180.8/69.6
R23	7030003560	S.RES ERJ3GEYJ 103 V (10 K)	T	181.6/67.8
R24	7030003560	S.RES 10K ERJ3GE	T	182.3/69.7
R25	7030003440	S.RES ERJ3GEYJ 102 V (1 K)	T	181.6/71.6
R26	7030003560	S.RES ERJ3GEYJ 103 V (10 K)	T	193.3/69.7
R27	7030003560	S.RES ERJ3GEYJ 103 V (10 K)	T	192.5/67.8
R28	7030003560	S.RES 10K ERJ3GE	T	191.8/69.7
R29	7030003440	S.RES ERJ3GEYJ 102 V (1 K)	T	192.5/71.6
R30	7030003320	S.RES ERJ3GEYJ 101 V (100)	T	192.5/66.5
R31	7030003560	S.RES ERJ3GEYJ 103 V (10 K)	T	192.9/98
R32	7030003560	S.RES ERJ3GEYJ 103 V (10 K)	T	192.9/86.7
R33	7030003560	S.RES ERJ3GEYJ 103 V (10 K)	B	188.8/83.7
R34	7030003440	S.RES ERJ3GEYJ 102 V (1 K)	T	222.3/96.5
R35	7030003580	S.RES ERJ3GEYJ 153 V (15 K)	T	222.3/97.8
R36	7030003580	S.RES ERJ3GEYJ 153 V (15 K)	T	225.1/99
R37	7030003320	S.RES ERJ3GEYJ 101 V (100)	T	219.7/97.8
R38	7030003390	S.RES ERJ3GEYJ 391 V (390)	T	225.1/100.3
R39	7030003440	S.RES ERJ3GEYJ 102 V (1 K)	T	179.3/97.8
R40	7030003580	S.RES ERJ3GEYJ 153 V (15 K)	T	179.3/99.1
R41	7030003580	S.RES ERJ3GEYJ 153 V (15 K)	T	182.3/100.3
R42	7030003320	S.RES ERJ3GEYJ 101 V (100)	T	176.5/99.1
R43	7030003390	S.RES ERJ3GEYJ 391 V (390)	T	182.3/101.6
R44	7030003320	S.RES ERJ3GEYJ 101 V (100)	T	181.6/66.5
R47	7030003560	S.RES ERJ3GEYJ 103 V (10 K)	B	185.5/83.7
R49	7540000270	S.ASB ERVZF2M201	B	110.1/123.5
R50	7310003820	TRI EVN-D2AA03 B14		
R51	7030003560	S.RES ERJ3GEYJ 103 V (10 K)	B	152/123.2
R52	7030003200	S.RES ERJ3GEYJ 100 V (10)	B	109.6/98.6
R53	7030003390	S.RES ERJ3GEYJ 391 V (390)	B	118.6/102.4
R54	7030003480	S.RES ERJ3GEYJ 222 V (2.2 K)	T	89.9/109.6
R55	7030003480	S.RES ERJ3GEYJ 222 V (2.2 K)	T	91.3/109.6
R56	7030003520	S.RES ERJ3GEYJ 472 V (4.7 K)	T	86.4/109.6
R57	7030003620	S.RES ERJ3GEYJ 333 V (33 K)	T	88.1/109.9
R58	7030003580	S.RES ERJ3GEYJ 153 V (15 K)	T	83.5/109.9
R59	7030003520	S.RES ERJ3GEYJ 472 V (4.7 K)	T	85.4/107.6
R60	7510001511	S.TMR NTCG16 4LH 223J	B	125/86.8
R61	7030003660	S.RES ERJ3GEYJ 683 V (68 K)	B	123.2/86.8
R62	7030003480	S.RES ERJ3GEYJ 222 V (2.2 K)	B	121.4/86.8
R63	7030003680	S.RES ERJ3GEYJ 104 V (100 K)	B	124/82.5
R64	7030003560	S.RES ERJ3GEYJ 103 V (10 K)	B	124/84.3
R65	7030003720	S.RES ERJ3GEYJ 224 V (220 K)	B	121.4/83.5
R66	7030003320	S.RES ERJ3GEYJ 101 V (100)	B	121.4/80.2
R67	7030005681	S.RES ERA3YKD 473V (47 K)	B	105.3/90.5
R68	7030008121	S.RES ERA3YED 682V (6.8 K)	B	110/87.9
R69	7310005530	S.TRI TMC3ADC52X (470)	T	108.9/90
R70	7030008121	S.RES ERA3YED 682V (6.8 K)	B	108.9/90.5
R71	7030005681	S.RES ERA3YKD 473V (47 K)	B	107.1/90.5
R72	7030003740	S.RES ERJ3GEYJ 334 V (330 K)	B	110.7/90.5
R73	7030003520	S.RES ERJ3GEYJ 472 V (4.7 K)	T	109/78
R74	7030003720	S.RES ERJ3GEYJ 224 V (220 K)	B	121.4/91.9
R75	7030003600	S.RES ERJ3GEYJ 223 V (22 K)	T	108/86.3
R76	7030003620	S.RES ERJ3GEYJ 333 V (33 K)	T	110.6/86.3
R77	7030003720	S.RES ERJ3GEYJ 224 V (220 K)	B	110.7/85.6
R78	7030003680	S.RES ERJ3GEYJ 104 V (100 K)	T	118/90.4
R79	7310005590	S.TRI TMC3ADCJ5X (220 K)	T	114.5/90
R80	7030003680	S.RES ERJ3GEYJ 104 V (100 K)	T	118.7/84.6
R81	7310005590	S.TRI TMC3ADCJ5X (220 K)	T	114.5/85.1
R82	7310005570	S.TRI TMC3ADC15X (100 K)	T	114.5/80.2
R83	7030003680	S.RES ERJ3GEYJ 104 V (100 K)	B	116.6/79.2
R84	7030003720	S.RES ERJ3GEYJ 224 V (220 K)	B	116.6/81
R85	7030009920	S.RES ERJ3GEYJ 3		



[MAIN UNIT]

REF NO.	PARTS NO.	DESCRIPTION	M.	H/V LOCATION
R106	7030003520	S.RES ERJ3GEYJ 472 V (4.7 K)	T	201.1/79.1
R107	7030003680	S.RES ERJ3GEYJ 104 V (100 K)	T	202.4/79.1
R108	7030003560	S.RES ERJ3GEYJ 103 V (10 K)	T	206.1/77
R109	7030003560	S.RES ERJ3GEYJ 103 V (10 K)	T	205.1/70
R110	7030003560	S.RES ERJ3GEYJ 103 V (10 K)	T	216.5/91
R111	7030003560	S.RES ERJ3GEYJ 103 V (10 K)	T	215.2/91
R113	7030003440	S.RES ERJ3GEYJ 102 V (1 K)	T	215.6/70
R114	7030003560	S.RES ERJ3GEYJ 103 V (10 K)	T	214.3/67.3
R115	7030003440	S.RES ERJ3GEYJ 102 V (1 K)	T	203.8/70
R116	7030003560	S.RES ERJ3GEYJ 103 V (10 K)	T	205.1/67.3
R117	7030003620	S.RES ERJ3GEYJ 333 V (33 K)	T	124.7/75
R118	7030003680	S.RES ERJ3GEYJ 104 V (100 K)	T	126/75
R119	7030003560	S.RES ERJ3GEYJ 103 V (10 K)	B	217/60.1
R120	7030003560	S.RES ERJ3GEYJ 103 V (10 K)	B	217/56.7
R121	7030003610	S.RES 27K ERJ3GE	T	191.9/90.9
R122	7030003610	S.RES 27K ERJ3GE	T	191.4/86.95
R123	7030003520	S.RES ERJ3GEYJ 472 V (4.7 K)	T	214.5/46.3
R124	7030003520	S.RES ERJ3GEYJ 472 V (4.7 K)	T	205.3/47.2
R125	7030003320	S.RES ERJ3GEYJ 101 V (100)	T	213.6/48.8
R126	7030003470	S.RES ERJ3GEYJ 182 V (1.8 K)	T	167.3/61.4
R127	7030003470	S.RES ERJ3GEYJ 182 V (1.8 K)	T	167.3/62.8
R128	7030003470	S.RES ERJ3GEYJ 182 V (1.8 K)	T	167.3/64.1
R129	7030003470	S.RES ERJ3GEYJ 182 V (1.8 K)	T	167.3/65.4
R130	7030003480	S.RES ERJ3GEYJ 222 V (2.2 K)	B	219.7/57.7
R131	7030003480	S.RES ERJ3GEYJ 222 V (2.2 K)	B	219.6/59.2
R132	7030000380	S.RES MCR10EZHJ 1 k	B	123.4/92.5
R133	7030003520	S.RES ERJ3GEYJ 472 V (4.7 K)	T	230.6/61.6
R134	7030003440	S.RES ERJ3GEYJ 102 V (1 K)	T	232.2/65.3
R135	7030003520	S.RES ERJ3GEYJ 472 V (4.7 K)	T	232/53
R136	7030003440	S.RES ERJ3GEYJ 102 V (1 K)	T	232/51.7
R137	7030003480	S.RES ERJ3GEYJ 222 V (2.2 K)	T	232.2/64
R138	7030003320	S.RES ERJ3GEYJ 101 V (100)	B	204.5/64.9
R139	7030003560	S.RES ERJ3GEYJ 103 V (10 K)	T	226.2/71
R140	7030003560	S.RES ERJ3GEYJ 103 V (10 K)	T	230.4/46.7
R141	7030003560	S.RES ERJ3GEYJ 103 V (10 K)	B	256.3/59.4
R142	7030003640	S.RES ERJ3GEYJ 473 V (47 K)	B	254.5/59.4
R143	7030004040	S.RES ERJ3GEYJ 4R7 V (4.7)	B	252.4/98.6
R144	7030004040	S.RES ERJ3GEYJ 4R7 V (4.7)	B	244.1/109.8
R145	7030003440	S.RES ERJ3GEYJ 102 V (1 K)	T	234.8/76.9
R146	7510001511	S.TMR NTCG16 4LH 223JT	T	232.2/76.9
R147	7030003750	S.RES ERJ3GEYJ 394 V (390 K)	T	233.7/75.6
R149	7030003360	S.RES ERJ3GEYJ 221 V (220)	B	252.2/92.4
R150	7030003360	S.RES ERJ3GEYJ 221 V (220)	B	243.8/92.4
R151	7030003410	S.RES ERJ3GEYJ 561 V (560)	T	243.8/33.1
R152	7030003320	S.RES ERJ3GEYJ 101 V (100)	B	215.1/71.9
R154	7030003320	S.RES ERJ3GEYJ 101 V (100)	T	206.3/37.3
R155	7030003640	S.RES ERJ3GEYJ 473 V (47 K)	T	215.3/42.8
R156	7030003640	S.RES ERJ3GEYJ 473 V (47 K)	T	204.5/39.8
R157	7030003480	S.RES ERJ3GEYJ 222 V (2.2 K)	T	214.9/82.1
R158	7030003480	S.RES ERJ3GEYJ 222 V (2.2 K)	T	206/82.6
R159	7030003440	S.RES ERJ3GEYJ 102 V (1 K)	T	214.3/64.6
R160	7030003440	S.RES ERJ3GEYJ 102 V (1 K)	T	226.7/92.1
R161	7030003480	S.RES ERJ3GEYJ 222 V (2.2 K)	T	228/92.1
R162	7030003680	S.RES ERJ3GEYJ 104 V (100 K)	T	226.7/89.3
R163	7030003570	S.RES ERJ3GEYJ 123 V (12 K)	T	228/89.3
R164	7030003680	S.RES ERJ3GEYJ 104 V (100 K)	T	229.3/89.3
R165	7030003680	S.RES ERJ3GEYJ 104 V (100 K)	T	230.6/89.3
R166	7030003400	S.RES ERJ3GEYJ 471 V (470)	T	231.9/89.3
R167	7030003440	S.RES ERJ3GEYJ 102 V (1 K)	T	225.4/92.1
R168	7030003480	S.RES ERJ3GEYJ 222 V (2.2 K)	T	224.1/92.1
R169	7030003680	S.RES ERJ3GEYJ 104 V (100 K)	T	225.4/89.3
R170	7030003570	S.RES ERJ3GEYJ 123 V (12 K)	T	224.1/89.3
R171	7030003680	S.RES ERJ3GEYJ 104 V (100 K)	T	222.8/89.3
R172	7030003680	S.RES ERJ3GEYJ 104 V (100 K)	T	221.5/89.3
R173	7030003400	S.RES ERJ3GEYJ 471 V (470)	T	220.2/89.3
R174	7030003440	S.RES ERJ3GEYJ 102 V (1 K)	T	205.1/64.5
R175	7030003860	S.RES ERJ3GE JPW V	B	192.6/39.4
R176	7030003450	S.RES ERJ3GEYJ 122 V (1.2 K)	T	107.8/82.8
R180	7030003560	S.RES ERJ3GEYJ 103 V (10 K)	B	190.2/57
R181	7030003560	S.RES ERJ3GEYJ 103 V (10 K)	B	191.8/57
R183	7030003470	S.RES ERJ3GEYJ 182 V (1.8 K)	T	167.3/60.1
R184	7030003470	S.RES ERJ3GEYJ 182 V (1.8 K)	T	167.3/58.8
R185	7030003470	S.RES ERJ3GEYJ 182 V (1.8 K)	T	167.3/57.5
R186	7030003470	S.RES ERJ3GEYJ 182 V (1.8 K)	T	167.3/56.2
R187	7030003480	S.RES ERJ3GEYJ 222 V (2.2 K)	T	180.9/57.8
R188	7030003480	S.RES ERJ3GEYJ 222 V (2.2 K)	T	180.9/56.5
R189	7030003560	S.RES ERJ3GEYJ 103 V (10 K)	B	188.9/43.4
R190	7030003560	S.RES ERJ3GEYJ 103 V (10 K)	B	188.9/40.6
R191	7030003440	S.RES ERJ3GEYJ 102 V (1 K)	T	194.1/35.6
R192	7030003610	S.RES ERJ3GEYJ 273 V (27 K)	T	192/34.9
R193	7030003440	S.RES ERJ3GEYJ 102 V (1 K)	T	178.3/41.3
R194	7030003610	S.RES ERJ3GEYJ 273 V (27 K)	T	181.7/35.4
R195	7030003440	S.RES ERJ3GEYJ 102 V (1 K)	T	191.3/44.8
R196	7030003440	S.RES ERJ3GEYJ 102 V (1 K)	T	183.4/48
R197	7030003320	S.RES ERJ3GEYJ 101 V (100)	T	125.6/94.5
R198	7030003640	S.RES ERJ3GEYJ 473 V (47 K)	T	120.2/90.8
R199	7030003520	S.RES ERJ3GEYJ 472 V (4.7 K)	T	121.7/89
R200	7030003560	S.RES ERJ3GEYJ 103 V (10 K)	B	166.9/76.4
R201	7030003560	S.RES ERJ3GEYJ 103 V (10 K)	T	161.2/71.4
R202	7030003520	S.RES ERJ3GEYJ 472 V (4.7 K)	T	166.7/72.8
R203	7030003720	S.RES ERJ3GEYJ 224 V (220 K)	T	167.2/73.5
R204	7030003320	S.RES ERJ3GEYJ 101 V (100)	T	142.2/67.8
R205	7030003320	S.RES ERJ3GEYJ 101 V (100)	B	148.2/70
R208	7030003440	S.RES ERJ3GEYJ 102 V (1 K)	T	147.2/75.8
R211	7030003560	S.RES ERJ3GEYJ 103 V (10 K)	T	162.7/93.7
R212	7030003520	S.RES ERJ3GEYJ 472 V (4.7 K)	T	165.1/91.5
R213	7030003440	S.RES ERJ3GEYJ 102 V (1 K)	T	165.1/94.1
R214	7030003600	S.RES ERJ3GEYJ 223 V (22 K)	B	152.9/84.5
R216	7030003620	S.RES ERJ3GEYJ 333 V (33 K)	B	152.9/82.7
R218	7030003580	S.RES ERJ3GEYJ 153 V (15 K)	T	138.3/85.3
R221	7030003560	S.RES ERJ3GEYJ 103 V (10 K)	T	158.5/93.7
R222	7030003520	S.RES ERJ3GEYJ 472 V (4.7 K)	T	155.9/91.5
R223	7030003440	S.RES ERJ3GEYJ 102 V (1 K)	T	155.9/94.1
R224	7030003600	S.RES ERJ3GEYJ 223 V (22 K)	B	152.9/89.3
R226	7030003620	S.RES ERJ3GEYJ 333 V (33 K)	B	152.9/87.5

[MAIN UNIT]

REF NO.	PARTS NO.	DESCRIPTION	M.	H/V LOCATION
R228	7030003580	S.RES ERJ3GEYJ 153 V (15 K)	T	138.3/90.2
R230	7030003320	S.RES ERJ3GEYJ 101 V (100)	T	66.5/5.7
R231	7030003320	S.RES ERJ3GEYJ 101 V (100)	T	73.9/23.8
R232	7030003680	S.RES ERJ3GEYJ 104 V (100 K)	T	74.3/20.3
R233	7030003560	S.RES ERJ3GEYJ 103 V (10 K)	T	76.4/22
R234	7030003320	S.RES ERJ3GEYJ 101 V (100)	T	73.3/17.2
R235	7030003860	S.RES ERJ3GE JPW V	T	155.9/58.5
R240	7030003420	S.RES ERJ3GEYJ 681 V (680)	T	177.1/58.1
R241	7030003360	S.RES ERJ3GEYJ 221 V (220)	T	233.5/35.2
R242	7030003440	S.RES ERJ3GEYJ 102 V (1 K)	T	233.4/32.7
R243	7030003440	S.RES ERJ3GEYJ 102 V (1 K)	T	213.8/40.1
R244	7030003440	S.RES ERJ3GEYJ 102 V (1 K)	T	217.1/43.5
R245	7030003540	S.RES ERJ3GEYJ 682 V (6.8 K)	T	215.3/44.3
R246	7030003440	S.RES ERJ3GEYJ 102 V (1 K)	T	205.3/41.8
R247	7030003440	S.RES ERJ3GEYJ 102 V (1 K)	T	204/44.6
R248	7030003540	S.RES ERJ3GEYJ 682 V (6.8 K)	T	205.3/44.6
R249	7030003650	S.RES ERJ3GEYJ 103 V (10 K)	T	163.3/70.9
R250	7030003200	S.RES ERJ3GEYJ 100 V (10)	B	117.1/28.7
R251	7030003200	S.RES ERJ3GEYJ 100 V (10)	B	117.8/30.1
R252	7030003200	S.RES ERJ3GEYJ 100 V (10)	B	117.1/31.5
R253	7030003200	S.RES ERJ3GEYJ 100 V (10)	B	117.8/32.9
R254	7030003200	S.RES ERJ3GEYJ 100 V (10)	B	117.1/34.3
R255	7030003200	S.RES ERJ3GEYJ 100 V (10)	B	117.8/35.7
R256	7030003200	S.RES ERJ3GEYJ 100 V (10)	B	117.1/37.1
R257	7030003200	S.RES ERJ3GEYJ 100 V (10)	B	117.8/38.5
R258	7030003560	S.RES ERJ3GEYJ 103 V (10 K)	B	120.4/28.7
R259	7030003560	S.RES ERJ3GEYJ 103 V (10 K)	B	121.2/30.1
R260	7030003560	S.RES ERJ3GEYJ 103 V (10 K)	B	120.4/31.5
R261	7030003560	S.RES ERJ3GEYJ 103 V (10 K)	B	121.2/32.9
R262	7030003560	S.RES ERJ3GEYJ 103 V (10 K)	B	120.4/34.3
R263	7030003560	S.RES ERJ3GEYJ 103 V (10 K)	B	121.2/35.7
R264	7030003560	S.RES ERJ3GEYJ 103 V (10 K)	B	120.4/37.1
R265	7030003560	S.RES ERJ3GEYJ 103 V (10 K)	B	121.2/38.5
R270	7030003200	S.RES ERJ3GEYJ 100 V (10)	B	120.6/42.8
R271	7030003200	S.RES ERJ3GEYJ 100 V (10)	B	121.3/44.2
R272	7030003200	S.RES ERJ3GEYJ 100 V (10)	B	120.6/45.6
R273	7030003200	S.RES ERJ3GEYJ 100 V (10)	B	121.3/47
R274	7030003200	S.RES ERJ3GEYJ 100 V (10)	B	120.6/48.4
R275	7030003200	S.RES ERJ3GEYJ 100 V (10)	B	121.3/49.8
R276	7030003200	S.RES ERJ3GEYJ 100 V (10)	B	120.6/51.2
R277	7030003200	S.RES ERJ3GEYJ 100 V (10)	B	124.2/54.7
R278	7030003560	S.RES ERJ3GEYJ 103 V (10 K)	B	124.3/42.8
R279	7030003560	S.RES ERJ3GEYJ 103 V (10 K)	B	125/44.2
R280	7030003560	S.RES ERJ3GEYJ 103 V (10 K)	B	124.3/45.6
R281	7030003560	S.RES ERJ3GEYJ 103 V (10 K)	B	125/47
R282	7030003560	S.RES ERJ3GEYJ 103 V (10 K)	B	124.3/48.4
R283	7030003560	S.RES ERJ3GEYJ 103 V (10 K)	B	125/49.8
R284	7030003560	S.RES ERJ3GEYJ 103 V (10 K)	B	124.3/51.2
R285	7030003560	S.RES ERJ3GEYJ 103 V (10 K)	B	125/52.6
R290	7030003200	S.RES ERJ3GEYJ 100 V (10)	B	164.1/41.5
R291	7030003200	S.RES ERJ3GEYJ 100 V (10)	B	164.1/39.7
R292	7030003200	S.RES ERJ3GEYJ 100 V (10)	B	164.1/37.9
R293	7030003200	S.RES ERJ3GEYJ 100 V (10)	B	164.1/36.1
R294	7030003200	S.RES ERJ3GEYJ 100 V (10)	B	164.1/34.3
R295	7030003200	S.RES ERJ3GEYJ 100 V (10)	B	164.1/32.5
R296	7030003200	S.RES ERJ3GEYJ 100 V (10)	B	164.1/30.7
R298	7030003560	S.RES ERJ3GEYJ 103 V (10 K)	B	160.8/41.5
R299	7030003560	S.RES ERJ3GEYJ 103 V (10 K)	B	160.8/39.7
R300	7030003560	S.RES ERJ3GEYJ 103 V (10 K)	B	160.8/37.9
R301	7030003560	S.RES ERJ3GEYJ 103 V (10 K)	B	160.8/36.1
R302	7030003560	S.RES ERJ3GEYJ 103 V (10 K)	B	160.8/34.3
R303	7030003560	S.RES ERJ3GEYJ 103 V (10 K)	B	160.8/32.5
R304	7030003560	S.RES ERJ3GEYJ 103 V (10 K)	B	160.8/30.7
R310	7030003200	S.RES ERJ3GEYJ 100 V (10)	B	166.1/55.9
R311	7030003200	S.RES ERJ3GEYJ 100 V (10)	B	163.5/54.1
R312	7030003200	S.RES ERJ3GEYJ 100 V (10)	B	164.1/52.3
R313	7030003200	S.RES ERJ3GEYJ 100 V (10)	B	164.1/50.5
R314	7030003200	S.RES ERJ3GEYJ 100 V (10)	B	164.1/48.7
R315	7030003200	S.RES ERJ3GEYJ 100 V (10)	B	164.1/46.9
R316	7030003200	S.RES ERJ3GEYJ 100 V (10)	B	164.1/45.1
R317	7030003200	S.RES ERJ3GEYJ 100 V (10)	B	164.1/43.3
R318	7030003560	S.RES ERJ3GEYJ 103 V (10 K)	B	



[MAIN UNIT]

REF NO.	PARTS NO.	DESCRIPTION	M.	H/V LOCATION
R419	7030003320	S.RES ERJ3GEYJ 101 V (100)	B	9.9/45
R420	7030003320	S.RES ERJ3GEYJ 101 V (100)	T	9.9/44
R421	7030003320	S.RES ERJ3GEYJ 101 V (100)	B	9.9/43
R422	7030003320	S.RES ERJ3GEYJ 101 V (100)	T	9.9/32
R423	7030003320	S.RES ERJ3GEYJ 101 V (100)	T	9.9/30
R424	7030003320	S.RES ERJ3GEYJ 101 V (100)	B	9.9/29
R450	7030003600	S.RES ERJ3GEYJ 223 V (22 K)	B	205.8/28
R451	7030003600	S.RES ERJ3GEYJ 223 V (22 K)	B	166.9/18.4
R452	7030003600	S.RES ERJ3GEYJ 223 V (22 K)	B	94.3/43.7
R460	7030003560	S.RES ERJ3GEYJ 103 V (10 K)	B	144.4/79.4
R461	7030003560	S.RES ERJ3GEYJ 103 V (10 K)	B	144.1/73.6
R462	7030003580	S.RES ERJ3GEYJ 153 V (15 K)	T	79.1/23.3
R463	7030003560	S.RES ERJ3GEYJ 103 V (10 K)	T	158.6/71.4
R466	7030003440	S.RES ERJ3GEYJ 102 V (1 K)	T	73.7/22.2
R467	7030003320	S.RES ERJ3GEYJ 101 V (100)	B	148.2/73.6
R468	7030003620	S.RES ERJ3GEYJ 333 V (33 K)	T	142.2/77.4
R469	7030003520	S.RES ERJ3GEYJ 472 V (4.7 K)	T	143/75.7
R470	7030003620	S.RES ERJ3GEYJ 333 V (33 K)	T	165.9/78.4
R471	7030003440	S.RES ERJ3GEYJ 102 V (1 K)	T	152.2/67.8
R472	7030003640	S.RES ERJ3GEYJ 473 V (47 K)	T	165.9/77.1
R474	7030003600	S.RES ERJ3GEYJ 223 V (22 K)	T	132.5/75.3
R476	7030003760	S.RES ERJ3GEYJ 474 V (470 K)	T	126.5/77.5
R479	7030003550	S.RES ERJ3GEYJ 822 V (8.2 K)	B	170.5/73.6
R481	7030003860	S.RES ERJ3GE JPW V	B	170.5/70.8
R482	7030000010	S.RES MCR10EZHJ JPW (000)	B	108.8/46
R483	7030000010	S.RES MCR10EZHJ JPW (000)	B	206.6/18.3
R484	7030000010	S.RES MCR10EZHJ JPW (000)	B	151.6/27.6
R485	7030003860	S.RES ERJ3GE JPW V	T	9.9/48
R486	7030003860	S.RES ERJ3GE JPW V	B	9.9/49
R487	7030000010	S.RES MCR10EZHJ JPW (000)	T	9.9/58.1
R488	7030003860	S.RES ERJ3GE JPW V	B	111.4/76.2
R489	7030003500	S.RES ERJ3GEYJ 332 V (3.3 K)	B	229/6
R490	7030003440	S.RES ERJ3GEYJ 102 V (1 K)	B	159.4/63.3
R491	7030003560	S.RES ERJ3GEYJ 103 V (10 K)	B	157.7/59.6
R492	7030003560	S.RES ERJ3GEYJ 103 V (10 K)	B	159.5/59.6
R493	7030003410	S.RES ERJ3GEYJ 561 V (560)	T	130.7/103
R494	7030005331	S.RES ERA3YED 562V (5.6 K)	T	218.4/78.6
R495	7030010480	S.RES ERJ1TYJ 181U (180)	T	212.4/2.3
R496	7030005331	S.RES ERA3YED 562V (5.6 K)	T	218.4/77.3
R497	7030007911	S.RES ERA3YKD 563V (56 K)	B	228.6/16.1
R498	7030005631	S.RES ERA3YKD 154V (150 K)	B	228.6/20.2
R499	7030005631	S.RES ERA3YKD 154V (150 K)	B	230.4/20.2
R501	7030003440	S.RES ERJ3GEYJ 102 V (1 K)	T	20.7/58.3
R502	7030003560	S.RES ERJ3GEYJ 103 V (10 K)	T	19.2/60.9
R503	7030003440	S.RES ERJ3GEYJ 102 V (1 K)	T	22.2/58.3
R504	7030003440	S.RES ERJ3GEYJ 102 V (1 K)	T	23.7/60.9
R505	7030003320	S.RES ERJ3GEYJ 101 V (100)	T	26/61.7
R506	7030003320	S.RES ERJ3GEYJ 101 V (100)	T	16.1/70.6
R507	7030003440	S.RES ERJ3GEYJ 102 V (1 K)	T	22.2/72.4
R508	7030003440	S.RES ERJ3GEYJ 102 V (1 K)	T	23.7/72.4
R509	7030003320	S.RES ERJ3GEYJ 101 V (100)	T	26.7/72.4
R510	7030003320	S.RES ERJ3GEYJ 101 V (100)	T	19.2/81.2
R511	7030003320	S.RES ERJ3GEYJ 101 V (100)	T	21.4/87.5
R512	7030003650	S.RES ERJ3GEYJ 563 V (56 K)	B	228.2/3.1
R513	7030003860	S.RES ERJ3GE JPW V	T	103.9/68.7
R514	7030003440	S.RES ERJ3GEYJ 102 V (1 K)	T	19.2/96.4
R515	7030003410	S.RES ERJ3GEYJ 561 V (560)	T	26.6/96.4
R516	7030003440	S.RES ERJ3GEYJ 102 V (1 K)	T	25.3/84.6
R517	7030003520	S.RES ERJ3GEYJ 472 V (4.7 K)	T	23.2/84.6
R518	7030003400	S.RES ERJ3GEYJ 471 V (470)	B	20.1/91.9
R519	7030003560	S.RES ERJ3GEYJ 103 V (10 K)	B	20.1/89
R520	7030003630	S.RES ERJ3GEYJ 393 V (39 K)	B	24.3/91.9
R521	7030003600	S.RES ERJ3GEYJ 223 V (22 K)	B	24.3/87.7
R522	7030003200	S.RES ERJ3GEYJ 100 V (10)	B	230.4/24.8
R523	7030003360	S.RES ERJ3GEYJ 221 V (220)	B	27.9/87.7
R524	7030003560	S.RES ERJ3GEYJ 103 V (10 K)	B	27.1/93.9
R525	7030003480	S.RES ERJ3GEYJ 222 V (2.2 K)	B	31.3/91.9
R526	7030003440	S.RES ERJ3GEYJ 102 V (1 K)	B	31.3/98.2
R527	7030003560	S.RES ERJ3GEYJ 103 V (10 K)	B	31.3/94.9
R528	7030003560	S.RES ERJ3GEYJ 103 V (10 K)	B	34.3/96.2
R529	7030003560	S.RES ERJ3GEYJ 103 V (10 K)	B	34.3/89.7
R530	7030003560	S.RES ERJ3GEYJ 103 V (10 K)	B	48.1/95.1
R531	7030003560	S.RES ERJ3GEYJ 103 V (10 K)	B	48.1/82
R532	7030003440	S.RES ERJ3GEYJ 102 V (1 K)	B	40.9/91.4
R533	7030003560	S.RES ERJ3GEYJ 103 V (10 K)	B	44.5/91.4
R534	7030003560	S.RES ERJ3GEYJ 103 V (10 K)	T	49.1/79.5
R535	7030003440	S.RES ERJ3GEYJ 102 V (1 K)	B	49.9/82
R536	7030003490	S.RES ERJ3GEYJ 272 V (2.7 K)	B	48.7/85.7
R537	7030003320	S.RES ERJ3GEYJ 101 V (100)	T	53.5/84.4
R538	7310005550	S.TRI TMC3ADCJ4X (22 K)	T	49.3/90.7
R539	7030003400	S.RES ERJ3GEYJ 471 V (470)	B	51.7/95.1
R540	7030003220	S.RES ERJ3GEYJ 150 V (15)	B	66.4/96.1
R541	7030003380	S.RES ERJ3GEYJ 331 V (330)	B	64.3/96.9
R543	7030003380	S.RES ERJ3GEYJ 331 V (330)	B	64.3/95.3
R544	7030005671	S.RES ERA3YKD 393V (39 K)	B	229.4/17.7
R545	7030004030	S.RES ERJ3GEYJ 5R6 V (5.6)	B	59.9/93.8
R546	7030003430	S.RES ERJ3GEYJ 821 V (820)	B	58.7/90.7
R547	7030003430	S.RES ERJ3GEYJ 821 V (820)	B	61.1/90.7
R548	7030004030	S.RES ERJ3GEYJ 5R6 V (5.6)	B	80.6/93.8
R549	7030003560	S.RES ERJ3GEYJ 103 V (10 K)	T	129.5/104.6
R550	7030003560	S.RES ERJ3GEYJ 103 V (10 K)	T	132.8/106.5
R551	7030003680	S.RES ERJ3GEYJ 104 V (100 K)	T	188.5/106.1
R552	7030004040	S.RES ERJ3GEYJ 4R7 V (4.7)	B	101.6/88.7
R553	7030009891	S.RES ERA3YED 151V (150)	B	108.3/85.2
R554	7030003440	S.RES ERJ3GEYJ 102 V (1 K)	B	105.6/85.2
R555	7510001491	S.TMR NTCG16 3NH 681JT	B	103.8/78
R556	7030003480	S.RES ERJ3GEYJ 222 V (2.2 K)	B	103.8/80.6
R557	7030005331	S.RES ERA3YED 562V (5.6 K)	B	229.4/23
R558	7030003320	S.RES ERJ3GEYJ 101 V (100)	B	102.9/74.8
R559	7030003680	S.RES ERJ3GEYJ 104 V (100 K)	T	132.8/105.2
R560	7030003680	S.RES ERJ3GEYJ 104 V (100 K)	T	188.5/103.4
R561	7030003680	S.RES ERJ3GEYJ 104 V (100 K)	T	133.6/102.4
R562	7030003320	S.RES ERJ3GEYJ 101 V (100)	B	77.5/69.5
R563	7030003300	S.RES ERJ3GEYJ 680 V (68)	T	110/62.7
R564	7030003620	S.RES ERJ3GEYJ 333 V (33 K)	T	107.1/64.2

[MAIN UNIT]

REF NO.	PARTS NO.	DESCRIPTION	M.	H/V LOCATION
R565	7030003640	S.RES ERJ3GEYJ 473 V (47 K)	B	234.6/4.6
R566	7030003330	S.RES ERJ3GEYJ 121 V (120)	T	102.8/72.1
R567	7030003230	S.RES ERJ3GEYJ 180 V (18)	T	91.4/67.6
R568	7030009851	S.RES ERA3YED 271V (270)	B	93.4/66.8
R569	7030009851	S.RES ERA3YED 271V (270)	B	89.3/66.8
R570	7030003520	S.RES ERJ3GEYJ 472 V (4.7 K)	T	59.8/60.7
R571	7030003560	S.RES ERJ3GEYJ 103 V (10 K)	B	64.5/59.2
R572	7030004040	S.RES ERJ3GEYJ 4R7 V (4.7)	T	61.5/68.2
R573	7030003400	S.RES ERJ3GEYJ 471 V (470)	B	68.2/59.2
R574	7030003280	S.RES ERJ3GEYJ 470 V (470)	T	69.8/63.8
R575	7030009851	S.RES ERA3YED 271V (270)	B	56.7/59.3
R576	7030003230	S.RES ERJ3GEYJ 180 V (18)	B	54.5/58.5
R577	7030009851	S.RES ERA3YED 271V (270)	B	56.7/57.2
R578	7030003230	S.RES ERJ3GEYJ 180 V (18)	B	61.6/72.7
R579	7030009851	S.RES ERA3YED 271V (270)	B	57.9/72.8
R580	7030009851	S.RES ERA3YED 271V (270)	B	57.9/71
R581	7030003430	S.RES ERJ3GEYJ 821 V (820)	B	92.8/77.9
R582	7030004030	S.RES ERJ3GEYJ 5R6 V (5.6)	B	91.8/70.9
R583	7030003430	S.RES ERJ3GEYJ 821 V (820)	B	94.2/70.8
R584	7510001671	S.TMR NTCG16 4BH 103JT	T	218.4/79.9
R585	7030003600	S.RES ERJ3GEYJ 223 V (22 K)	B	25/89.8
R587	7030003200	S.RES ERJ3GEYJ 100 V (10)	B	61.5/68.1
R589	7030003400	S.RES ERJ3GEYJ 471 V (470)	B	64.5/63.7
R590	7030003430	S.RES ERJ3GEYJ 821 V (820)	B	79.8/91.7
R591	7030003430	S.RES ERJ3GEYJ 821 V (820)	B	81.5/91.7
R592	7030000300	S.RES MCR10EZHJ 220 (221)	B	59.4/61.8
R601	7030000260	S.RES MCR10EZHJ 100 (101)	B	42.7/43.5
R602	7030000260	S.RES MCR10EZHJ 100 (101)	B	53.5/43.5
R603	7030000260	S.RES MCR10EZHJ 100 (101)	B	64.3/43.5
R604	7030000260	S.RES MCR10EZHJ 100 (101)	B	75.2/43.5
R605	7030000260	S.RES MCR10EZHJ 100 (101)	B	86/43.5
R606	7030000260	S.RES MCR10EZHJ 100 (101)	T	34.3/43.5
R607	7030000260	S.RES MCR10EZHJ 100 (101)	T	43.3/43.5
R608	7030000260	S.RES MCR10EZHJ 100 (101)	T	52.3/43.5
R609	7030000260	S.RES MCR10EZHJ 100 (101)	T	61.3/43.5
R610	7030003400	S.RES ERJ3GEYJ 471 V (470)	T	79.8/54
R611	7030000260	S.RES MCR10EZHJ 100 (101)	T	70.3/43.5
R612	7030009851	S.RES ERA3YED 271V (270)	T	44/54
R613	7030003230	S.RES ERJ3GEYJ 180 V (18)	T	46.2/53.3
R614	7030009851	S.RES ERA3YED 271V (270)	T	44/52.7
R801	7030003380	S.RES ERJ3GEYJ 331 V (330)	T	37.2/26.2
R802	7030009891	S.RES ERA3YED 151V (150)	B	37.2/18.7
R803	7030003440	S.RES ERJ3GEYJ 102 V (1 K)	B	49.7/21
R804	7030003490	S.RES ERJ3GEYJ 272 V (2.7 K)	B	47.8/21.7
R805	7030003300	S.RES ERJ3GEYJ 680 V (68)	T	57.8/18.7
R806	7030003320	S.RES ERJ3GEYJ 101 V (100)	T	56.2/18.7
R807	7030003320	S.RES ERJ3GEYJ 101 V (100)	T	56.9/16.5
R808	7030003640	S.RES ERJ3GEYJ 473 V (47 K)	B	89.8/76.6
R809	7030003460	S.RES ERJ3GEYJ 152 V (1.5 K)	B	84.7/87.6
R810	7030003680	S.RES ERJ3GEYJ 104 V (100 K)	T	34/22.3
R811	7030003560	S.RES ERJ3GEYJ 103 V (10 K)	T	30.8/19.6
R812	7030009851	S.RES ERA3YED 271V (270)	T	34/27.5
R813	7030003230	S.RES ERJ3GEYJ 180 V (18)	T	34/26.2
R814	7030009851	S.RES ERA3YED 271V (270)	T	34/24.9
R815	7030003320	S.RES ERJ3GEYJ 101 V (100)	T	31.9/25.5
R816	7030003680	S.RES ERJ3GEYJ 104 V (100 K)	T	31.2/23.6
R817	7030003860	S.RES ERJ3GE JPW V	T	52.7/23.9
R818	7030003320	S.RES ERJ3GEYJ 101 V (100)	B	41.7/21
R820	7030003440	S.RES ERJ3GEYJ 102 V (1 K)	T	77.7/62.7
R821	7030003320	S.RES ERJ3GEYJ 101 V (100)	T	88.2/60.9
R822	7030003620	S.RES ERJ3GEYJ 333 V (33 K)	T	88.2/57.9
R823	7030003280	S.RES ERJ3GEYJ 470 V (47)	T	83.2/51.5
R824	7030003320	S.RES ERJ3GEYJ 101 V (100)	T	77/58.6
R825	7030003320	S.RES ERJ3GEYJ 101 V (100)	T	82.3/33.8
R826	7030003230	S.RES ERJ3GEYJ 180 V (18)	T	87.2/36.2
R827	7030009851	S.RES ERA3YED 271V (270)	T	85.2/37
R828	7030009851	S.RES ERA3YED 271V (270)	T	85.2/35.5
R829	7030003400	S.RES ERJ3GEYJ 471 V (470)	T	86.5/55.1
R830	7030003330	S.RES ERJ3GEYJ 121 V (120)	T	86/53.2
R831	7030003600	S.RES ERJ3GEYJ 223 V (22 K)	B	83.2/54.5
R832	7030003290	S.RES ERJ3GEYJ 560 V (56)	B	87.3/71.1
R833	7030003480	S.RES ERJ3GEYJ 222 V (2.2 K)	B	89.4/71.8
R834	7030003440	S.RES ERJ3GEYJ 102 V (1 K)	B	85.3/79.2
R835	7030003440	S.RES ERJ3GEYJ 102 V (1 K)	B	83.1/74.7
R836	7030003500	S.RES ERJ3GEYJ 332 V (3.3		

[MAIN UNIT]

REF NO.	PARTS NO.	DESCRIPTION	M.	H/V LOCATION
R926	7030003320	S.RES ERJ3GEYJ 101 V (100)	T	119.7/15.4
R927	7030003320	S.RES ERJ3GEYJ 101 V (100)	B	118.7/15.4
R928	7030003320	S.RES ERJ3GEYJ 101 V (100)	T	117.7/15.4
R929	7030003320	S.RES ERJ3GEYJ 101 V (100)	B	116.7/15.4
R930	7030003320	S.RES ERJ3GEYJ 101 V (100)	T	115.7/15.4
R932	7030003320	S.RES ERJ3GEYJ 101 V (100)	T	113.7/15.4
R933	7030003320	S.RES ERJ3GEYJ 101 V (100)	B	112.7/15.4
R934	7030003320	S.RES ERJ3GEYJ 101 V (100)	T	111.7/15.4
R936	7030003320	S.RES ERJ3GEYJ 101 V (100)	T	109.7/15.4
R937	7030003320	S.RES ERJ3GEYJ 101 V (100)	B	108.7/15.4
R938	7030003320	S.RES ERJ3GEYJ 101 V (100)	T	12.5/119.5
R940	7030003320	S.RES ERJ3GEYJ 101 V (100)	T	94.3/5.8
R941	7030003320	S.RES ERJ3GEYJ 101 V (100)	B	93.3/5.8
R942	7030003320	S.RES ERJ3GEYJ 101 V (100)	T	92.3/5.8
R943	7030003320	S.RES ERJ3GEYJ 101 V (100)	B	91.3/5.8
R944	7030003320	S.RES ERJ3GEYJ 101 V (100)	T	90.3/5.8
R945	7030003320	S.RES ERJ3GEYJ 101 V (100)	B	89.3/5.8
R946	7030003320	S.RES ERJ3GEYJ 101 V (100)	T	88.3/5.8
R947	7030003320	S.RES ERJ3GEYJ 101 V (100)	B	87.3/5.8
R948	7030003320	S.RES ERJ3GEYJ 101 V (100)	T	86.3/5.8
R949	7030003320	S.RES ERJ3GEYJ 101 V (100)	B	85.3/5.8
R950	7030003320	S.RES ERJ3GEYJ 101 V (100)	T	84.3/5.8
R951	7030003320	S.RES ERJ3GEYJ 101 V (100)	B	83.3/5.8
R952	7030003320	S.RES ERJ3GEYJ 101 V (100)	T	82.3/5.8
R953	7030003320	S.RES ERJ3GEYJ 101 V (100)	B	81.3/5.8
R954	7030003320	S.RES ERJ3GEYJ 101 V (100)	T	80.3/5.8
R955	7030003320	S.RES ERJ3GEYJ 101 V (100)	B	79.3/5.8
R957	7030003320	S.RES ERJ3GEYJ 101 V (100)	B	77.3/5.8
R958	7030003320	S.RES ERJ3GEYJ 101 V (100)	T	76.3/5.8
R960	7030003320	S.RES ERJ3GEYJ 101 V (100)	T	93.8/15.3
R961	7030003320	S.RES ERJ3GEYJ 101 V (100)	B	92.8/15.4
R962	7030003320	S.RES ERJ3GEYJ 101 V (100)	T	91.8/15.3
R963	7030003320	S.RES ERJ3GEYJ 101 V (100)	B	90.8/15.4
R964	7030003320	S.RES ERJ3GEYJ 101 V (100)	T	89.8/15.3
R966	7030003320	S.RES ERJ3GEYJ 101 V (100)	T	87.8/15.3
R967	7030003320	S.RES ERJ3GEYJ 101 V (100)	B	86.8/15.4
R968	7030003320	S.RES ERJ3GEYJ 101 V (100)	T	85.8/15.3
R969	7030003320	S.RES ERJ3GEYJ 101 V (100)	B	84.8/15.4
R970	7030003320	S.RES ERJ3GEYJ 101 V (100)	T	83.8/15.3
R971	7030003320	S.RES ERJ3GEYJ 101 V (100)	B	82.8/15.4
R972	7030003320	S.RES ERJ3GEYJ 101 V (100)	T	81.8/15.4
R973	7030003320	S.RES ERJ3GEYJ 101 V (100)	B	80.8/15.4
R974	7030003320	S.RES ERJ3GEYJ 101 V (100)	T	79.8/15.4
R975	7030003320	S.RES ERJ3GEYJ 101 V (100)	B	78.8/15.4
R976	7030003320	S.RES ERJ3GEYJ 101 V (100)	T	77.8/15.4
R977	7030003320	S.RES ERJ3GEYJ 101 V (100)	B	76.8/15.4
R978	7030003320	S.RES ERJ3GEYJ 101 V (100)	T	75.8/15.4
R979	7030003320	S.RES ERJ3GEYJ 101 V (100)	B	74.8/15.4
C1	4030006880	S.CER C1608 JB 1H 472K-T	B	207.5/109.2
C2	4030006880	S.CER C1608 JB 1H 472K-T	T	225.7/110.3
C3	4030006880	S.CER C1608 JB 1H 472K-T	B	220.4/106.6
C4	4030006880	S.CER C1608 JB 1H 472K-T	T	204.7/110.3
C5	4030006880	S.CER C1608 JB 1H 472K-T	T	222.2/110.3
C6	4030006880	S.CER C1608 JB 1H 472K-T	T	211.7/110.3
C7	4030006880	S.CER C1608 JB 1H 472K-T	T	215.2/110.3
C8	4030006880	S.CER C1608 JB 1H 472K-T	T	200.4/110.3
C9	4030006880	S.CER C1608 JB 1H 472K-T	T	193.4/110.3
C10	4030006880	S.CER C1608 JB 1H 472K-T	T	196.9/110.3
C11	4030006880	S.CER C1608 JB 1H 472K-T	B	168/106.8
C12	4030006880	S.CER C1608 JB 1H 472K-T	T	183.7/110.3
C13	4030006880	S.CER C1608 JB 1H 472K-T	B	178.4/106.6
C14	4030006880	S.CER C1608 JB 1H 472K-T	T	162.7/110.3
C15	4030006880	S.CER C1608 JB 1H 472K-T	T	180.2/110.3
C16	4030006880	S.CER C1608 JB 1H 472K-T	T	169.7/110.3
C17	4030006880	S.CER C1608 JB 1H 472K-T	T	173.2/110.3
C18	4030006880	S.CER C1608 JB 1H 472K-T	T	158.4/110.3
C19	4030006880	S.CER C1608 JB 1H 472K-T	T	151.4/110.3
C20	4030006880	S.CER C1608 JB 1H 472K-T	T	154.9/110.3
C21	4030006880	S.CER C1608 JB 1H 472K-T	B	163.9/96.8
C22	4030006880	S.CER C1608 JB 1H 472K-T	B	174.7/98
C23	4030006880	S.CER C1608 JB 1H 472K-T	B	167.1/98.1
C24	4030006880	S.CER C1608 JB 1H 472K-T	B	145.1/106.9
C25	4510008540	S.ELE EEE1CA100SR	T	218.3/83.6
C26	4510008540	S.ELE EEE1CA100SR	T	233.7/83.5
C28	4510008540	S.ELE EEE1CA100SR	T	191.1/80.5
C29	4510008540	S.ELE EEE1CA100SR	T	184.9/80.5
C30	4510008540	S.ELE EEE1CA100SR	T	184.2/92.3
C31	4030011600	S.CER C1608 JB 1E 104K-T	T	187.7/74.5
C32	4510008540	S.ELE EEE1CA100SR	T	179/82.1
C33	4510008540	S.ELE EEE1CA100SR	T	178.9/87
C34	4030012600	S.CER C2012 JB 1A 105M-T	T	189/92.3
C35	4030012600	S.CER C2012 JB 1A 105M-T	T	179.4/92.4
C36	4510008500	S.ELE EEE1CA101WP	T	222.1/104.5
C37	4510008540	S.ELE EEE1CA100SR	T	229.5/107.3
C38	4510008500	S.ELE EEE1CA101WP	T	174.3/104.1
C39	4510008540	S.ELE EEE1CA100SR	T	181.9/104.7
C40	4510008540	S.ELE EEE1CA100SR	T	190/63.4
C41	4510008540	S.ELE EEE1CA100SR	T	184/63.4
C42	4030011600	S.CER C1608 JB 1E 104K-T	T	187.7/77.1
C43	4030011600	S.CER C1608 JB 1E 104K-T	T	194.5/74.5
C44	4030011600	S.CER C1608 JB 1E 104K-T	T	180.9/77.1
C45	4030012600	S.CER C2012 JB 1A 105M-T	T	193.3/83.8
C46	4030012600	S.CER C2012 JB 1A 105M-T	T	193.3/90.9
C50	4030006880	S.CER C1608 JB 1H 472K-T	B	139.6/118.5
C51	4010005380	CER HM13SJ YB 472K 500V		
C52	4030006880	S.CER C1608 JB 1H 472K-T	B	114.5/98.6
C53	4030006880	S.CER C1608 JB 1H 472K-T	B	116.2/96.3
C54	4030006880	S.CER C1608 JB 1H 472K-T	B	79.9/123.6
C55	4030006880	S.CER C1608 JB 1H 472K-T	B	79.9/118.7
C56	4030006880	S.CER C1608 JB 1H 472K-T	B	92.8/106.5
C57	4030018620	S.CER 0.0022 C1608 CH	T	179.5/70.9
C58	4030018620	S.CER 0.0022 C1608 CH	T	194.6/70.7
C61	4030012600	S.CER C2012 JB 1A 105M-T	T	119.1/77.8

[MAIN UNIT]

REF NO.	PARTS NO.	DESCRIPTION	M.	H/V LOCATION
C62	4030012600	S.CER C2012 JB 1A 105M-T	T	119.1/76
C65	4030012600	S.CER C2012 JB 1A 105M-T	B	108.1/76.2
C68	4030006860	S.CER C1608 JB 1H 102K-T	B	126.4/101.9
C69	4030011600	S.CER C1608 JB 1E 104K-T	T	121.5/90.8
C70	4030011600	S.CER C1608 JB 1E 104K-T	B	122.1/89.4
C71	4030011600	S.CER C1608 JB 1E 104K-T	B	136.8/96.8
C80	4030007130	S.CER C1608 CH 1H 101J-T	B	59.2/122.2
C100	4030011600	S.CER C1608 JB 1E 104K-T	B	208.4/91
C101	4030011600	S.CER C1608 JB 1E 104K-T	T	213.4/87.4
C103	4510008550	S.ELE EEE1HA010SR	T	210.7/83.6
C105	4030011600	S.CER C1608 JB 1E 104K-T	B	201.6/91
C106	4030011600	S.CER C1608 JB 1E 104K-T	T	206.6/87.4
C108	4510008550	S.ELE EEE1HA010SR	T	202.9/83.6
C110	4510008540	S.ELE EEE1CA100SR	T	209.8/63.3
C113	4510008540	S.ELE EEE1CA100SR	T	209.8/73.8
C115	4510008540	S.ELE EEE1CA100SR	T	209.8/48.7
C116	4510008540	S.ELE EEE1CA100SR	T	209.8/38.1
C117	4510009120	S.ELE EEE1VA2R2NR	T	215.7/73.8
C118	4510009120	S.ELE EEE1VA2R2NR	T	203.9/73.8
C120	4510008540	S.ELE EEE1CA100SR	T	223.6/50.7
C121	4510008540	S.ELE EEE1CA100SR	T	214.3/58
C122	4510008540	S.ELE EEE1CA100SR	T	204.7/58
C123	4510008550	S.ELE EEE1HA010SR	T	227/56.1
C124	4510008550	S.ELE EEE1HA010SR	T	227.1/60.9
C125	4510008540	S.ELE EEE1CA100SR	T	218.8/67
C126	4510008540	S.ELE EEE1CA100SR	T	223.6/67
C127	4510008550	S.ELE EEE1HA010SR	T	234.1/60.9
C128	4510008550	S.ELE EEE1HA010SR	T	233.3/56.1
C129	4030008650	S.CER C1608 JB 1H 332K-T	T	215.6/67.3
C130	4030008650	S.CER C1608 JB 1H 332K-T	T	203.8/67.3
C131	4030012600	S.CER C2012 JB 1A 105M-T	T	220.3/52
C132	4030012600	S.CER C2012 JB 1A 105M-T	T	218.5/52
C133	4030008880	S.CER C1608 JB 1H 223K-T	T	232.2/66.6
C134	4030008880	S.CER C2012 JB 1C 823K-T	T	231.3/69
C135	4030008880	S.CER C1608 JB 1H 223K-T	T	234.1/52.3
C136	4030008950	S.CER C2012 JB 1C 823K-T	T	232.4/50.1
C140	4510008550	S.ELE EEE1HA010SR	T	249.6/35.6
C141	4510008190	ELE EUUFC1E222S		
C142	4510009080	S.ELE EEE1HAR22SR	T	253.9/59.1
C143	4510008500	S.ELE EEE1CA101WP	T	253.3/67.9
C144	4510008180	ELE EUUFC1E102S		
C145	4510008180	ELE EUUFC1E102S		
C146	4030011600	S.CER C1608 JB 1E 104K-T	B	252.2/101.3
C147	4030011600	S.CER C1608 JB 1E 104K-T	B	242.4/107.8
C148	4030006880	S.CER C1608 JB 1H 472K-T	B	247.8/97.2
C149	4030006880	S.CER C1608 JB 1H 472K-T	B	252.2/95.4
C150	4030006880	S.CER C1608 JB 1H 472K-T	B	239.9/97.2
C151	4030011600	S.CER C1608 JB 1E 104K-T	T	228.6/73.1
C152	4030011600	S.CER C1608 JB 1E 104K-T	T	233.4/45.5
C180	4510009010	S.ELE EEE1AA221P	T	188.5/50.4
C181	4510008540	S.ELE EEE1CA100SR	T	209.5/58
C182	4510008540	S.ELE EEE1CA100SR	T	199.9/58
C183	4510008540	S.ELE EEE1CA100SR	T	194.4/57.3
C184	4510008540	S.ELE EEE1CA100SR	T	195.8/52.5
C185	4510008540	S.ELE EEE1CA100SR	T	195.8/47.7
C186	4510008540	S.ELE EEE1CA100SR	T	180.2/50.5
C187	4030011600	S.CER C1608 JB 1E 104K-T	T	183.3/39.5
C188	4510008540	S.ELE EEE1CA100SR	T	194.4/42.8
C189	4510008540	S.ELE EEE1CA100SR	T	180.2/45.6
C190	4030011340	S.CER C1608 CH 1H 471J-T	T	194.6/33.4
C191	4030012610	S.CER C2012 JB 1C 474K-T	T	191.1/37.7
C192	4030011340	S.CER C1608 CH 1H 471J-T	T	180.4/35.4
C193	4510008540	S.ELE EEE1CA100SR	T	186.8/31.6
C194	4030012600	S.CER C2012 JB 1A 105M-T	T	180.9/59.4
C195	4030012600	S.CER C2012 JB 1A 105M-T	T	180.7/54.6
C196	4510008500	S.ELE EEE1CA101WP	T	176.1/36.5
C197	4510008500	S.ELE EEE1CA101WP	T	199.7/31.9
C198	4030011600	S.CER C1608 JB 1E 104K-T	T	125.6/95.8
C200	4510008540	S.ELE EEE1CA100SR	T	153.3/80.5
C201	4510008540	S.ELE EEE1CA100SR	T	160.5/80
C203	4510008550	S.ELE EEE1HA010SR	T	170.6/70.7
C204	4510008550	S.ELE EEE1HA010SR	T	142.1/70.9
C205	4030011600	S.CER C1608 JB 1E 104K-T	B	148.2/71.8
C206	4030009970	S.CER C1608 JB 1H 182K-T	T	192/33.4
C207	4030009970	S.CER C1608 JB 1H 182K-T	T	181.1/33.6
C208	4030011600	S.CER C1608 JB 1E 104K-T	T	219/42.5
C209	4030011600	S.CER C1608 JB 1E 104K-T	B	244/25.5
C210	4510008550	S.ELE EEE1HA010SR	T	168.1/100.5
C211	45100085			



[MAIN UNIT]

REF NO.	PARTS NO.	DESCRIPTION	M.	H/V LOCATION
C290	4030011600	S.CER C1608 JB 1E 104K-T	T	149.1/28.2
C291	4030011600	S.CER C1608 JB 1E 104K-T	T	142.9/38.1
C310	4030011600	S.CER C1608 JB 1E 104K-T	T	153.7/43.3
C311	4030011600	S.CER C1608 JB 1E 104K-T	T	142.9/52.6
C330	4030011600	S.CER C1608 JB 1E 104K-T	T	154.6/58.5
C331	4030011600	S.CER C1608 JB 1E 104K-T	T	154.6/63.5
C332	4030011600	S.CER C1608 JB 1E 104K-T	T	162.4/55.9
C333	4030011600	S.CER C1608 JB 1E 104K-T	T	164.7/66.8
C340	4030017810	S.CER C1608 CH 1H 102J-T	B	206/97
C341	4030017810	S.CER C1608 CH 1H 102J-T	B	191.2/97
C342	4030011600	S.CER C1608 JB 1E 104K-T	B	199.8/26.2
C343	4030007130	S.CER C1608 CH 1H 101J-T	B	211.8/97
C344	4510008590	S.ELE EEE1AA101SP	T	209.7/30.6
C351	4510008540	S.ELE EEE1CA100SR	T	132.4/89.7
C352	4030011600	S.CER C1608 JB 1E 104K-T	T	127.1/84
C360	4030017810	S.CER C1608 CH 1H 102J-T	B	153.8/96.9
C361	4030017810	S.CER C1608 CH 1H 102J-T	B	141.8/92.7
C362	4030011600	S.CER C1608 JB 1E 104K-T	B	144.7/27.5
C363	4030007130	S.CER C1608 CH 1H 101J-T	B	157.1/96.9
C364	4510008590	S.ELE EEE1AA101SP	T	152.8/14.7
C380	4030017810	S.CER C1608 CH 1H 102J-T	B	27.6/37.6
C381	4030017810	S.CER C1608 CH 1H 102J-T	B	27.7/52.4
C383	4030007130	S.CER C1608 CH 1H 101J-T	B	16.5/52.2
C384	4510008590	S.ELE EEE1AA101SP	T	92.9/45.8
C400	4030006880	S.CER C1608 JB 1H 472K-T	T	240.5/11.7
C401	4030006880	S.CER C1608 JB 1H 472K-T	B	234.8/15.5
C402	4030006880	S.CER C1608 JB 1H 472K-T	B	238.1/15.5
C403	4030006880	S.CER C1608 JB 1H 472K-T	T	230.5/16
C404	4030006880	S.CER C1608 JB 1H 472K-T	T	231.9/13.1
C405	4030006880	S.CER C1608 JB 1H 472K-T	T	43.2/12.9
C406	4030006880	S.CER C1608 JB 1H 472K-T	T	31.1/15.3
C407	4030006880	S.CER C1608 JB 1H 472K-T	T	43.2/11.6
C408	4030006880	S.CER C1608 JB 1H 472K-T	T	32/12.6
C409	4030006880	S.CER C1608 JB 1H 472K-T	T	30.7/12.6
C410	4030006880	S.CER C1608 JB 1H 472K-T	T	14.7/41
C411	4030006880	S.CER C1608 JB 1H 472K-T	B	14.7/39.6
C412	4030006880	S.CER C1608 JB 1H 472K-T	T	14.7/38
C413	4030006880	S.CER C1608 JB 1H 472K-T	B	14.7/36.4
C414	4030006880	S.CER C1608 JB 1H 472K-T	B	12.7/33
C415	4030006880	S.CER C1608 JB 1H 472K-T	T	12.8/32
C416	4030006880	S.CER C1608 JB 1H 472K-T	B	12.8/31
C418	4030006880	S.CER C1608 JB 1H 472K-T	B	12.28/2.2
C430	4030006880	S.CER C1608 JB 1H 472K-T	B	9/68.9
C431	4030006880	S.CER C1608 JB 1H 472K-T	B	9/70.9
C432	4030006880	S.CER C1608 JB 1H 472K-T	B	9/72.9
C435	4030006880	S.CER C1608 JB 1H 472K-T	B	9/74.5
C440	4030006880	S.CER C1608 JB 1H 472K-T	T	166.2/13.5
C441	4030006880	S.CER C1608 JB 1H 472K-T	T	158.9/13.1
C442	4030006880	S.CER C1608 JB 1H 472K-T	T	162.6/15.7
C450	4030006880	S.CER C1608 JB 1H 472K-T	B	250.3/14.2
C451	4030006880	S.CER C1608 JB 1H 472K-T	T	241.8/10.8
C452	4030006880	S.CER C1608 JB 1H 472K-T	B	244/23.7
C453	4030006880	S.CER C1608 JB 1H 472K-T	B	244/27.3
C454	4030006880	S.CER C1608 JB 1H 472K-T	B	244.1/29
C455	4030006880	S.CER C1608 JB 1H 472K-T	B	244.1/32.3
C456	4030006880	S.CER C1608 JB 1H 472K-T	B	250.4/39.6
C460	4510008550	S.ELE EEE1HA010SR	T	142.1/80.5
C461	4510008550	S.ELE EEE1HA010SR	T	170.6/75.7
C464	4510008540	S.ELE EEE1CA100SR	T	153.3/75.7
C465	4030011600	S.CER C1608 JB 1E 104K-T	B	144.1/75.4
C466	4030011600	S.CER C1608 JB 1E 104K-T	B	148.2/75.4
C467	4030012600	S.CER C2012 JB 1A 105M-T	T	139.3/76.4
C469	4510008550	S.ELE EEE1HA010SR	T	170.6/80.5
C470	4510008550	S.ELE EEE1HA010SR	T	153.3/70.9
C480	4550007320	S.TAN F930J226MAABMA	B	216.6/32.3
C481	4550007320	S.TAN F930J226MAABMA	B	208.7/31.3
C483	4550007320	S.TAN F930J226MAABMA	B	156/16.2
C484	4550007320	S.TAN F930J226MAABMA	B	163.9/15.2
C486	4550007320	S.TAN F930J226MAABMA	B	93.6/55.4
C487	4550007320	S.TAN F930J226MAABMA	B	93.5/47.5
C489	4030011600	S.CER C1608 JB 1E 104K-T	B	220.9/31.1
C490	4030011600	S.CER C1608 JB 1E 104K-T	B	150.2/13.6
C491	4030011600	S.CER C1608 JB 1E 104K-T	B	89.8/57
C492	4030006880	S.CER C1608 JB 1H 472K-T	T	207.6/13
C493	4510008540	S.ELE EEE1CA100SR	T	205.4/3.8
C494	4510004591	ELE 16 ME 470 HC	T	
C495	4030011600	S.CER C1608 JB 1E 104K-T	B	26.3/123
C496	4030011600	S.CER C1608 JB 1E 104K-T	B	5.7/119.9
C497	4030011600	S.CER C1608 JB 1E 104K-T	T	12.7/122.5
C498	4510004591	ELE 16 ME 470 HC	T	
C499	4030011600	S.CER C1608 JB 1E 104K-T	B	229.4/26.6
C501	4030011600	S.CER C1608 JB 1E 104K-T	T	19.2/58.3
C502	4030010020	S.CER C1608 JB 1H 122K-T	T	23.7/58.3
C503	4030009980	S.CER C1608 JB 1H 152K-T	T	22.2/60.9
C505	4030011330	S.CER C1608 CH 1H 391J-T	T	25.2/58.3
C506	4030011600	S.CER C1608 JB 1E 104K-T	T	26/64.4
C507	4510008540	S.ELE EEE1CA100SR	T	29.1/66.3
C508	4510008540	S.ELE EEE1CA100SR	T	16.1/66.3
C509	4030011600	S.CER C1608 JB 1E 104K-T	T	19.2/66.5
C510	4030008470	S.CER C1608 JB 1H 272K-T	T	20.7/72.4
C511	4030011280	S.CER C1608 CH 1H 271J-T	T	25.2/72.4
C512	4030011600	S.CER C1608 JB 1E 104K-T	T	26/76.8
C513	4510008540	S.ELE EEE1CA100SR	T	29.1/77.7
C514	4030011600	S.CER C1608 JB 1E 104K-T	T	19.2/78.4
C515	4510008540	S.ELE EEE1CA100SR	T	16.1/78.2
C516	4030006880	S.CER C1608 JB 1H 102K-T	T	22/87.5
C517	4030011600	S.CER C1608 JB 1E 104K-T	T	20.3/91.9
C518	4030011600	S.CER C1608 JB 1E 104K-T	T	25.3/87.5
C519	4030011600	S.CER C1608 JB 1E 104K-T	T	26.6/87.5
C520	4510008540	S.ELE EEE1CA100SR	T	30.4/86.7
C521	4030011600	S.CER C1608 JB 1E 104K-T	T	24/87.5
C522	4030011600	S.CER C1608 JB 1E 104K-T	B	18.6/91.9
C523	4030011600	S.CER C1608 JB 1E 104K-T	B	21.6/91.9
C524	4510008540	S.ELE EEE1CA100SR	T	29.7/97
C525	4030006880	S.CER C1608 JB 1H 472K-T	T	26.1/91.9

[MAIN UNIT]

REF NO.	PARTS NO.	DESCRIPTION	M.	H/V LOCATION
C526	4030011600	S.CER C1608 JB 1E 104K-T	B	26.1/87.7
C527	4030006880	S.CER C1608 JB 1H 472K-T	B	29.5/91.9
C528	4030011600	S.CER C1608 JB 1E 104K-T	B	29.5/94.9
C529	4030011600	S.CER C1608 JB 1E 104K-T	B	33.5/87.1
C530	4030011600	S.CER C1608 JB 1E 104K-T	B	33.5/98.8
C531	4030006880	S.CER C1608 JB 1H 472K-T	B	37.2/94.6
C532	4030006880	S.CER C1608 JB 1H 472K-T	B	37.2/91.3
C533	4030006880	S.CER C1608 JB 1H 472K-T	B	46.3/95.1
C534	4030006880	S.CER C1608 JB 1H 472K-T	B	46.3/82
C535	4030006880	S.CER C1608 JB 1H 472K-T	B	47.3/88.5
C536	4030011600	S.CER C1608 JB 1E 104K-T	B	42.7/91.4
C537	4030006880	S.CER C1608 JB 1H 472K-T	B	51.7/82
C538	4030008920	S.CER C1608 JB 1H 473K-T	B	50.5/85.7
C539	4030011600	S.CER C1608 JB 1E 104K-T	T	52.2/84.4
C540	4510008540	S.ELE EEE1CA100SR	T	49.1/84.5
C541	4030011600	S.CER C1608 JB 1E 104K-T	T	49.9/95.1
C544	4030009530	S.CER C1608 CH 1H 030B-T	T	88.8/94.2
C545	4030011600	S.CER C1608 JB 1E 104K-T	T	131.8/107
C546	4030011340	S.CER C1608 CH 1H 471J-T	B	69.8/90.8
C548	4030011600	S.CER C1608 JB 1E 104K-T	T	128.7/102.3
C550	4510008540	S.ELE EEE1CA100SR	T	127.4/108
C551	4030006880	S.CER C1608 JB 1H 472K-T	B	101.6/91.6
C552	4030006880	S.CER C1608 JB 1H 102K-T	B	106.4/82.7
C553	4030011770	S.CER C1608 CH 1H 060B-T	B	104.8/82.7
C554	4030011600	S.CER C1608 JB 1E 104K-T	B	103/79.3
C555	4030007030	S.CER C1608 CH 1H 150J-T	B	97.9/80.1
C556	4030006880	S.CER C1608 JB 1H 472K-T	B	102.9/76.5
C558	4030007040	S.CER C1608 CH 1H 180J-T	T	81.9/69.1
C559	4030006880	S.CER C1608 JB 1H 472K-T	T	108.4/67.1
C560	4030007080	S.CER C1608 CH 1H 390J-T	T	108.4/64.2
C561	4030006880	S.CER C1608 JB 1H 472K-T	T	105/71.3
C562	4030006880	S.CER C1608 JB 1H 102K-T	B	105.6/64.2
C563	4030011600	S.CER C1608 JB 1E 104K-T	T	98.8/71.3
C564	4030007080	S.CER C1608 CH 1H 390J-T	B	75.9/67.2
C565	4030007130	S.CER C1608 CH 1H 101J-T	B	72.5/68.9
C566	4030007120	S.CER C1608 CH 1H 820J-T	B	69.4/68.5
C567	4030007090	S.CER C1608 CH 1H 470J-T	B	69.4/70.3
C568	4030007130	S.CER C1608 CH 1H 101J-T	B	67.1/69.1
C569	4030011600	S.CER C1608 JB 1E 104K-T	B	62.8/68.1
C570	4030006900	S.CER C1608 JB 1H 103K-T	B	62.9/59.2
C571	4030011600	S.CER C1608 JB 1E 104K-T	B	58.8/66
C572	4030006900	S.CER C1608 JB 1H 103K-T	B	60/58.4
C573	4030011600	S.CER C1608 JB 1E 104K-T	B	66.7/59.2
C574	4030011600	S.CER C1608 JB 1E 104K-T	B	53.3/57
C576	4610001590	S.TRI TZC3R100A110R00	T	95.5/95.8
C577	4030011600	S.CER C1608 JB 1E 104K-T	B	54.6/63
C578	4030007100	S.CER C1608 CH 1H 560J-T	B	91.4/74.5
C579	4030006980	S.CER C1608 CH 1H 070D-T	B	89.2/76.8
C580	4030007100	S.CER C1608 CH 1H 560J-T	B	93.2/76.5
C581	4030007050	S.CER C1608 CH 1H 220J-T	B	22.6/69.5
C582	4030007050	S.CER C1608 CH 1H 220J-T	T	20.7/84.6
C583	4030011600	S.CER C1608 JB 1E 104K-T	T	27.2/81.6
C584	4030009650	S.CER C1608 CH 1H 240J-T	B	104.5/67.3
C585	4030006980	S.CER C1608 CH 1H 070D-T	B	102.9/67.3
C586	4030007070	S.CER C1608 CH 1H 330J-T	B	98.5/70.2
C587	4030007010	S.CER C1608 CH 1H 100J-T	B	97/64.9
C588	4030007060	S.CER C1608 CH 1H 270J-T	B	96.5/70.2
C589	4030007020	S.CER C1608 CH 1H 120J-T	B	63.8/72.8
C590	4030007100	S.CER C1608 CH 1H 560J-T	B	62.1/74.5
C601	4030006880	S.CER C1608 JB 1H 102K-T	B	40.9/52.4
C602	4030006880	S.CER C1608 JB 1H 102K-T	B	42.7/52.4
C603	4030011600	S.CER C1608 JB 1E 104K-T	B	40.9/49.1
C604	4030007140	S.CER C1608 CH 1H 121J-T	B	38.1/49.8
C605	4030010760	S.CER C1608 CH 1H 331J-T	B	38.1/48
C606	4030007160	S.CER C1608 CH 1H 181J-T	B	33.8/45.5
C607	4030007060	S.CER C1608 CH 1H 270J-T	B	35.6/45.5
C608	4030010760	S.CER C1608 CH 1H 331J-T	B	38.1/46.2
C609	4030007090	S.CER C1608 CH 1H 470J-T	B	38.1/40.8
C610	4030007160	S.CER C1608 CH 1H 181J-T	B	35.6/41.5
C611	4030007060	S.CER C1608 CH 1H 270J-T	B	33.8/41.5
C612	4030007140	S.CER C1608 CH 1H 121J-T	B	38.1/37.1
C613	4030010760	S.CER C1608 CH 1H 331J-T	B	38.1/39
C614	4030006880	S.CER C1608 JB 1H 102K-T	B	40.9/34.5

[MAIN UNIT]

REF NO.	PARTS NO.	DESCRIPTION	M.	H/V LOCATION
C647	4030011600	S.CER C1608 JB 1E 104K-T	B	62.5/37.8
C648	4030017800	S.CER C1608 CH 1H 561J-T	B	64.3/34.5
C649	4030010760	S.CER C1608 CH 1H 331J-T	B	73.4/52.4
C650	4030007150	S.CER C1608 CH 1H 151J-T	B	75.2/52.4
C651	4030011600	S.CER C1608 JB 1E 104K-T	B	73.4/49.1
C652	4030007150	S.CER C1608 CH 1H 151J-T	B	70.5/49.8
C653	4030007060	S.CER C1608 CH 1H 270J-T	B	70.7/48
C654	4030007060	S.CER C1608 CH 1H 270J-T	B	66.2/45.5
C655	4030007140	S.CER C1608 CH 1H 121J-T	B	68/45.5
C656	4030007010	S.CER C1608 CH 1H 100D-T	B	70.5/46.2
C657	4030007150	S.CER C1608 CH 1H 151J-T	B	70.5/40.8
C658	4030007060	S.CER C1608 CH 1H 270J-T	B	68/41.5
C659	4030007140	S.CER C1608 CH 1H 121J-T	B	66.2/41.5
C660	4030007060	S.CER C1608 CH 1H 270J-T	B	70.5/37.1
C661	4030007150	S.CER C1608 CH 1H 151J-T	B	70.5/39
C662	4030007150	S.CER C1608 CH 1H 151J-T	B	73.3/34.5
C663	4030011600	S.CER C1608 JB 1E 104K-T	B	73.3/37.8
C664	4030010760	S.CER C1608 CH 1H 331J-T	B	75.2/34.5
C665	4030007170	S.CER C1608 CH 1H 221J-T	B	84.2/52.4
C666	4030007170	S.CER C1608 CH 1H 221J-T	B	86/52.4
C667	4030011600	S.CER C1608 JB 1E 104K-T	B	84.2/49.1
C668	4030007130	S.CER C1608 CH 1H 101J-T	B	81.4/49.8
C669	4030007050	S.CER C1608 CH 1H 220J-T	B	81.4/48
C670	4030007080	S.CER C1608 CH 1H 390J-T	B	77.1/45.5
C671	4030007070	S.CER C1608 CH 1H 330J-T	B	78.9/45.5
C672	4030007050	S.CER C1608 CH 1H 220J-T	B	81.4/40.8
C673	4030007120	S.CER C1608 CH 1H 820J-T	B	81.4/46.2
C674	4030007080	S.CER C1608 CH 1H 390J-T	B	78.9/41.5
C675	4030007070	S.CER C1608 CH 1H 330J-T	B	77.1/41.5
C676	4030007050	S.CER C1608 CH 1H 220J-T	B	81.4/37.1
C677	4030007130	S.CER C1608 CH 1H 101J-T	B	81.4/39
C678	4030007170	S.CER C1608 CH 1H 221J-T	B	84.2/34.5
C679	4030011600	S.CER C1608 JB 1E 104K-T	B	84.2/37.8
C680	4030007170	S.CER C1608 CH 1H 221J-T	B	86/34.5
C681	4030007170	S.CER C1608 CH 1H 221J-T	T	34.3/50.7
C682	4030007110	S.CER C1608 CH 1H 680J-T	T	35.6/50.7
C683	4030011600	S.CER C1608 JB 1E 104K-T	T	35.6/47.9
C684	4030007090	S.CER C1608 CH 1H 470J-T	T	38.3/47.1
C685	4030007090	S.CER C1608 CH 1H 470J-T	T	38.3/45.8
C686	4030007070	S.CER C1608 CH 1H 330J-T	T	40.4/46.4
C687	4030007070	S.CER C1608 CH 1H 330J-T	T	41.7/46.4
C688	4030007010	S.CER C1608 CH 1H 100D-T	T	36.1/43.5
C689	4030007120	S.CER C1608 CH 1H 820J-T	T	37.4/43.5
C690	4030007070	S.CER C1608 CH 1H 330J-T	T	41.7/40.5
C691	4030007070	S.CER C1608 CH 1H 330J-T	T	40.4/40.5
C692	4030007090	S.CER C1608 CH 1H 470J-T	T	37.8/41
C693	4030007090	S.CER C1608 CH 1H 470J-T	T	37.8/39.7
C694	4030007110	S.CER C1608 CH 1H 680J-T	T	34.3/36.2
C695	4030011600	S.CER C1608 JB 1E 104K-T	T	35.6/39
C696	4030007050	S.CER C1608 CH 1H 220J-T	T	35.6/36.2
C697	4030007160	S.CER C1608 CH 1H 181J-T	T	44/51.4
C698	4030007090	S.CER C1608 CH 1H 470J-T	T	44/50.1
C699	4030011600	S.CER C1608 JB 1E 104K-T	T	44.6/47.9
C700	4030007090	S.CER C1608 CH 1H 470J-T	T	46.8/47.1
C701	4030007040	S.CER C1608 CH 1H 180J-T	T	46.8/45.8
C702	4030007030	S.CER C1608 CH 1H 150J-T	T	49.3/46.4
C703	4030007050	S.CER C1608 CH 1H 220J-T	T	50.7/46.4
C704	4030006990	S.CER C1608 CH 1H 080D-T	T	46.4/43.5
C705	4030007090	S.CER C1608 CH 1H 470J-T	T	45.1/43.5
C706	4030007030	S.CER C1608 CH 1H 150J-T	T	49.3/40.5
C707	4030007050	S.CER C1608 CH 1H 220J-T	T	50.7/40.5
C708	4030007040	S.CER C1608 CH 1H 180J-T	T	46.8/41
C709	4030007090	S.CER C1608 CH 1H 470J-T	T	46.8/39.7
C710	4030007090	S.CER C1608 CH 1H 470J-T	T	43.3/36.2
C711	4030011600	S.CER C1608 JB 1E 104K-T	T	44.6/39
C712	4030007160	S.CER C1608 CH 1H 181J-T	T	44.6/36.2
C713	4030007140	S.CER C1608 CH 1H 121J-T	T	53.6/50.7
C714	4030007040	S.CER C1608 CH 1H 180J-T	T	52.3/50.7
C715	4030011600	S.CER C1608 JB 1E 104K-T	T	53.6/47.9
C716	4030007070	S.CER C1608 CH 1H 330J-T	T	55.8/47.1
C717	4030007040	S.CER C1608 CH 1H 180J-T	T	55.8/45.8
C718	4030007010	S.CER C1608 CH 1H 100D-T	T	58.4/46.4
C719	4030007070	S.CER C1608 CH 1H 330J-T	T	59.7/46.4
C720	4030007010	S.CER C1608 CH 1H 100D-T	T	54.1/43.5
C721	4030007090	S.CER C1608 CH 1H 470J-T	T	55.4/43.5
C722	4030007010	S.CER C1608 CH 1H 100D-T	T	58.4/40.5
C723	4030007070	S.CER C1608 CH 1H 330J-T	T	59.7/40.5
C724	4030007040	S.CER C1608 CH 1H 180J-T	T	55.8/41
C725	4030007070	S.CER C1608 CH 1H 330J-T	T	55.8/39.7
C726	4030007040	S.CER C1608 CH 1H 180J-T	T	52.3/36.2
C727	4030011600	S.CER C1608 JB 1E 104K-T	T	53.6/39
C728	4030007140	S.CER C1608 CH 1H 121J-T	T	53.6/36.2
C729	4030007130	S.CER C1608 CH 1H 101J-T	T	62.6/50.7
C730	4030007030	S.CER C1608 CH 1H 150J-T	T	61.3/50.7
C731	4030011600	S.CER C1608 JB 1E 104K-T	T	62.6/47.9
C732	4030007050	S.CER C1608 CH 1H 220J-T	T	64.8/47.1
C733	4030007020	S.CER C1608 CH 1H 120J-T	T	64.8/45.8
C734	4030009500	S.CER C1608 CH 1H 0R5B-T	T	67.4/46.4
C735	4030007050	S.CER C1608 CH 1H 220J-T	T	68.7/46.4
C736	4030006980	S.CER C1608 CH 1H 070D-T	T	63.1/43.5
C737	4030007050	S.CER C1608 CH 1H 220J-T	T	64.4/43.5
C738	4030009500	S.CER C1608 CH 1H 0R5B-T	T	67.4/40.5
C739	4030007050	S.CER C1608 CH 1H 220J-T	T	68.7/40.5
C740	4030007020	S.CER C1608 CH 1H 120J-T	T	64.8/41
C741	4030007050	S.CER C1608 CH 1H 220J-T	T	64.8/39.7
C742	4030007030	S.CER C1608 CH 1H 150J-T	T	61.3/36.2
C743	4030011600	S.CER C1608 JB 1E 104K-T	T	62.6/39
C744	4030007130	S.CER C1608 CH 1H 101J-T	T	62.6/36.2
C745	4030007140	S.CER C1608 CH 1H 121J-T	T	73.5/49.6
C747	4030011600	S.CER C1608 JB 1E 104K-T	T	71.5/48.8
C749	4030009550	S.CER C1608 CH 1H 2R5B-T	T	75.9/46.2
C750	4030011770	S.CER C1608 CH 1H 060B-T	T	73.8/46.9
C751	4030007010	S.CER C1608 CH 1H 100D-T	T	73.8/45.5
C755	4030009550	S.CER C1608 CH 1H 2R5B-T	T	75.9/41
C756	4030011770	S.CER C1608 CH 1H 060B-T	T	73.8/40.2

[MAIN UNIT]

REF NO.	PARTS NO.	DESCRIPTION	M.	H/V LOCATION
C758	4030011600	S.CER C1608 JB 1E 104K-T	T	71.5/38.1
C759	4030007140	S.CER C1608 CH 1H 121J-T	T	73.5/37.3
C760	4030011770	S.CER C1608 CH 1H 060B-T	T	73.8/48.2
C761	4030011770	S.CER C1608 CH 1H 060B-T	T	73.8/41.8
C801	4030006880	S.CER C1608 JB 1H 472K-T	T	37.2/20.6
C802	4030011600	S.CER C1608 JB 1E 104K-T	T	37.2/27.5
C803	4030011600	S.CER C1608 JB 1E 104K-T	B	37.2/20.5
C804	4030011600	S.CER C1608 JB 1E 104K-T	T	46.9/19.9
C805	4030011600	S.CER C1608 JB 1E 104K-T	B	52/24.6
C806	4030006900	S.CER C1608 JB 1H 103K-T	B	48.5/23.7
C807	4030011600	S.CER C1608 JB 1E 104K-T	T	48.5/23.9
C812	4030006900	S.CER C1608 JB 1H 103K-T	B	86.2/84.7
C813	4030006880	S.CER C1608 JB 1H 472K-T	T	31.2/27.5
C814	4030012600	S.CER C2012 JB 1A 105M-T	T	27.7/25.5
C815	4030006990	S.CER C1608 CH 1H 080D-T	B	44.3/21
C816	4030012600	S.CER C2012 JB 1A 105M-T	T	30.9/29
C817	4030011330	S.CER C1608 CH 1H 391J-T	T	85.2/55.1
C818	4030017810	S.CER C1608 CH 1H 102J-T	T	83.2/53.2
C819	4030009920	S.CER C1608 CH 1H 050B-T	T	83.2/55.8
C820	4030006900	S.CER C1608 JB 1H 103K-T	T	74.6/62.1
C821	4030011600	S.CER C1608 JB 1E 104K-T	T	87.4/62.8
C822	4030011600	S.CER C1608 JB 1E 104K-T	T	78.3/58.6
C823	4030012600	S.CER C2012 JB 1A 105M-T	T	86.2/51.5
C824	4030006900	S.CER C1608 JB 1H 103K-T	T	83.6/49.8
C825	4030008880	S.CER C1608 JB 1H 223K-T	T	84.4/47.8
C826	4030008850	S.CER C1608 JB 1H 123K-T	T	82.3/46.8
C827	4030008850	S.CER C1608 JB 1H 123K-T	T	82.3/45.5
C828	4030006900	S.CER C1608 JB 1H 103K-T	T	85.7/42.7
C829	4030008860	S.CER C1608 JB 1H 153K-T	T	82.3/42.7
C830	4030008860	S.CER C1608 JB 1H 153K-T	T	82.3/41.4
C831	4030008650	S.CER C1608 JB 1H 332K-T	T	84.4/39.8
C832	4030006900	S.CER C1608 JB 1H 103K-T	T	82.3/39.6
C833	4030006900	S.CER C1608 JB 1H 103K-T	T	82.3/38.3
C834	4030012600	S.CER C2012 JB 1A 105M-T	T	82.1/35.4
C835	4030011600	S.CER C1608 JB 1E 104K-T	T	82.3/37
C836	4030009920	S.CER C1608 CH 1H 050B-T	T	89.5/57.9
C837	4550006470	S.TAN TEESVB2 1D 106M8R	T	72.9/58.7
C838	4550006470	S.TAN TEESVB2 1D 106M8R	T	91.8/61.6
C839	4030006880	S.CER C1608 JB 1H 472K-T	B	85.3/74.2
C840	4030011600	S.CER C1608 JB 1E 104K-T	B	86/81.4
C841	4030006880	S.CER C1608 JB 1H 472K-T	B	81.2/78.3
C845	4030011600	S.CER C1608 JB 1E 104K-T	T	35.3/69.8
C846	4030011600	S.CER C1608 JB 1E 104K-T	T	38.1/74.7
C847	4510008540	S.ELE EEE1CA100SR	T	37.1/77.8
C901	4030006880	S.CER C1608 JB 1H 472K-T	B	125.2/1.8
C902	4030006880	S.CER C1608 JB 1H 472K-T	T	124.2/1.8
C903	4030006880	S.CER C1608 JB 1H 472K-T	B	123.2/1.8
C904	4030006880	S.CER C1608 JB 1H 472K-T	T	122.2/1.8
C905	4030006880	S.CER C1608 JB 1H 472K-T	B	121.2/1.8
C906	4030006880	S.CER C1608 JB 1H 472K-T	T	120.2/1.8
C907	4030006880	S.CER C1608 JB 1H 472K-T	B	119.2/1.8
C908	4030006880	S.CER C1608 JB 1H 472K-T	T	118.2/1.8
C909	4030006880	S.CER C1608 JB 1H 472K-T	B	117.2/1.8
C922	4030006880	S.CER C1608 JB 1H 472K-T	T	123.7/18.9
C923	4030006880	S.CER C1608 JB 1H 472K-T	B	122.7/19.4
C924	4030006880	S.CER C1608 JB 1H 472K-T	T	121.7/18.9
C925	4030006880	S.CER C1608 JB 1H 472K-T	B	120.7/19.4
C926	4030006880	S.CER C1608 JB 1H 472K-T	T	119.7/18.9
C927	4030006880	S.CER C1608 JB 1H 472K-T	B	118.7/19.4
C928	4030006880	S.CER C1608 JB 1H 472K-T	T	117.7/18.9
C929	4030006880	S.CER C1608 JB 1H 472K-T	B	116.7/18.9
C930	4030006880	S.CER C1608 JB 1H 472K-T	T	115.7/19.4
C932	4030006880	S.CER C1608 JB 1H 472K-T	T	113.7/18.9
C933	4030006880	S.CER C1608 JB 1H 472K-T	B	112.7/19.4
C934	4030006880	S.CER C1608 JB 1H 472K-T	T	111.7/18.9
C936	4030006880	S.CER C1608 JB 1H 472K-T	T	109.7/18.9
C937	4030006880	S.CER C1608 JB 1H 472K-T	B	108.7/19.4
C945	4030006880	S.CER C1608 JB 1H 472K-T	B	89.3/1.8
C946	4030006880	S.CER C1608 JB 1H 472K-T	T	88.3/1.8
C947	4030006880	S.CER C1608 JB 1H 472K-T	B	87.3/1.8
C948	4030006880	S.CER C1608 JB 1H 472K-T		

[MAIN UNIT]

REF NO.	PARTS NO.	DESCRIPTION	M.	H/V LOCATION
J9	6510024940	CNR HEC2305-016250		
J140	6510023720	CNR LGY6501-0600C		
J141	6510023720	CNR LGY6501-0600C		
J142	6510018961	S.CNR B2B-PH-SM4-TB (LF) (SN)	T	256.2/96.5
J340	6510022811	CNR IMSA-9180B-22B-PT1		
J341	6510021651	CNR IMSA-9180B-30B-PT1		
J360	6510022811	CNR IMSA-9180B-22B-PT1		
J361	6510021651	CNR IMSA-9180B-30B-PT1		
J380	6510022811	CNR IMSA-9180B-22B-PT1		
J381	6510021651	CNR IMSA-9180B-30B-PT1		
J399	6510007020	CNR TMP-J01X-V6		
J400	6510019981	S.CNR 52808-1671 (1690)	T	232.7/5
J401	6510022191	S.CNR B3B-PH-SM4-TB (LF) (SN)	T	232.7/98.9
J403	6510019981	S.CNR 52808-1671 (1690)	T	32.5/5
J404	6510022191	S.CNR B3B-PH-SM4-TB (LF) (SN)	T	143.8/115.4
J410	6510020001	S.CNR 52808-3071 (3090)	T	5.5/42.5
J411	6510019971	CNR 52808-1071	T	5.6/98.7
J430	6510022311	S.CNR B5B-PH-SM4-TB (LF) (SN)	T	5/72.9
J440	6510018921	S.CNR B8B-PH-SM4-TB (LF) (SN)	T	154.5/5
J450	6510003471	CNR B11B-EH-S (LF) (SN)		
J451	6510018941	S.CNR B13B-PH-SM4-TB (LF) (SN)	T	184.2/5
J490	6510023750	CNR 01K1971-10		
J491	6510007020	CNR TMP-J01X-V6		
J492	6510014961	S.CNR B2B-ZR-SM4-TF (LF) (SN)	T	202.6/11.5
J495	6510023701	CNR TORX178S (F)		
J496	6510023711	CNR TOTX178S (F)		
J501	6510007020	CNR TMP-J01X-V6		
J502	6510007020	CNR TMP-J01X-V6		
J503	6510007020	CNR TMP-J01X-V6		
J801	6510007020	CNR TMP-J01X-V6		
J802	6510007020	CNR TMP-J01X-V6		
J808	6510007020	CNR TMP-J01X-V6		
J900	6510022471	S.CNR 40FLT-SM2-TB (LF) (SN)	T	116.5/10.6
J901	6510015541	S.CNR B4B-ZR-SM4-TF (LF) (SN)	T	9.2/113
J940	6510022471	S.CNR 40FLT-SM2-TB (LF) (SN)	T	84.6/10.6
F1	5220000230	HOL S-N5054 #01		
F2	5220000230	HOL S-N5054 #01		
F3	5210000041	FUS FGB 2A PBF (FGB0 125V)		
W1	9024801019	JMP 74/98/020/X98/X98		
EP50	6910012350	S.BEA MMZ1608Y 102BT	B	78.1/126.8
EP51	6910012350	S.BEA MMZ1608Y 102BT	B	95.6/118.7
EP52	6910012350	S.BEA MMZ1608Y 102BT	B	90.1/126.1
EP403	6910012350	S.BEA MMZ1608Y 102BT	T	233.2/10.4
EP404	6910012350	S.BEA MMZ1608Y 102BT	T	231.9/10.4
EP408	6910012350	S.BEA MMZ1608Y 102BT	T	32.1/10
EP409	6910012350	S.BEA MMZ1608Y 102BT	T	30.8/10
EP414	6910012350	S.BEA MMZ1608Y 102BT	T	9.9/34
EP415	6910012350	S.BEA MMZ1608Y 102BT	B	9.9/31
EP416	6910012350	S.BEA MMZ1608Y 102BT	B	10.2/95
EP417	6910012350	S.BEA MMZ1608Y 102BT	T	10.2/96.2
EP420	6910012350	S.BEA MMZ1608Y 102BT	B	10.1/101.2
EP421	6910012350	S.BEA MMZ1608Y 102BT	T	10.1/102.2
EP430	6910012350	S.BEA MMZ1608Y 102BT	B	5.8/68.9
EP431	6910012350	S.BEA MMZ1608Y 102BT	B	5.8/70.9
EP432	6910012350	S.BEA MMZ1608Y 102BT	B	5.8/72.9
EP501	9088000010	TUB IRRAX 1.5 (d) L=12 mm		
EP905	6910012350	S.BEA MMZ1608Y 102BT	B	121.2/5.8
EP907	6910012350	S.BEA MMZ1608Y 102BT	B	119.2/5.8

[DSP-A UNIT]

REF NO.	PARTS NO.	DESCRIPTION	M.	H/V LOCATION
IC1	1140012211	S.IC TMS320C6713BZDP225	T	28.1/20.4
IC151	1130008361	S.IC TC7SHU04FU (TE85L,JF)	B	45.5/8.1
IC171	1130008041	S.IC TC7SH04FU (TE85L,JF)	T	41.3/4.6
IC181	1130011150	S.IC SN74AHC2G08HDCTR	T	30.2/1.9
IC191	1130011150	S.IC SN74AHC2G08HDCTR	T	24.3/5
IC201	1130013492	S.IC AT29LV040A-15TU	B	29/42
IC203	1110006411	S.IC R3111N111A-TR-F	T	30/36.5
IC301	1110006100	S.IC NJM5534MD-TE1	T	72.3/44.7
IC331	1130009981	S.IC TC7W53FK (TE85L,F)	T	76.9/34.1
IC341	1110006100	S.IC NJM5534MD-TE1	T	70.3/35.5
IC371	1110006100	S.IC NJM5534MD-TE1	T	59.4/44.3
IC401	1110006111	S.IC AK5394AVSP/P	T	54.2/31
IC451	1130006891	S.IC TC7S04FU (TE85R,F)	T	43.5/41
IC452	1130012160	S.IC SN74LVC1GU04DCKR	T	42.8/38.5
IC501	1110001901	S.IC uPC4570G2-E1-A	T	71.6/27.4
IC551	1130013090	S.IC AK4396VFP-E2/P	T	54.6/7.3
IC601	1110006100	S.IC NJM5534MD-TE1	T	63.6/17.3
IC651	1110006100	S.IC NJM5534MD-TE1	T	66.8/7.2
IC701	1110006100	S.IC NJM5534MD-TE1	T	74.1/17.5
IC771	1110004770	S.IC BU9480F-E2	T	51.7/18.4
Q1	1590000680	S.TR DTC114EUA T106	T	45.7/16.5
D501	1730002320	S.ZEN MA8051-M (TX)	B	76.5/29.5
FI101	2040000790	S.LC EXCCET103U	T	36.5/2.8
X151	6050011660	S.XTL CR-754 (30.000 MHz)	B	40.5/2.9
L1	6200003950	S.COL HF50ACC 322513-T	B	43.2/34.8
L2	6180003501	S.COL SLF6028T-100M1R3-PF	B	13.6/35.7
L3	6200003640	S.COL MLF1608E 100K-T	B	12.2/8.2
L401	6200003950	S.COL HF50ACC 322513-T	T	49.3/42.9
L921	6200003950	S.COL HF50ACC 322513-T	T	73.7/4.4
L922	6200003950	S.COL HF50ACC 322513-T	T	77.9/9.1
L924	6200003950	S.COL HF50ACC 322513-T	T	74.1/9.5
L925	6200003950	S.COL HF50ACC 322513-T	T	77.5/4.4
L961	6200003950	S.COL HF50ACC 322513-T	B	11.3/12.2
L962	6200003950	S.COL HF50ACC 322513-T	B	12.8/24.6
R1	7030003560	S.RES ERJ3GEYJ 103 V (10 K)	B	42.5/22.3
R2	7030003560	S.RES ERJ3GEYJ 103 V (10 K)	B	41.8/24.2
R3	7030003560	S.RES ERJ3GEYJ 103 V (10 K)	B	42.5/21
R4	7030003560	S.RES ERJ3GEYJ 103 V (10 K)	B	41.8/13.7
R5	7030003440	S.RES ERJ3GEYJ 102 V (1 K)	B	23.2/6
R6	7030003440	S.RES ERJ3GEYJ 102 V (1 K)	B	21.9/6
R7	7030003640	S.RES ERJ3GEYJ 473 V (47 K)	B	20.6/7
R8	7030003440	S.RES ERJ3GEYJ 102 V (1 K)	B	14.1/8.2
R9	7030003640	S.RES ERJ3GEYJ 473 V (47 K)	B	14.5/11.6
R10	7030003640	S.RES ERJ3GEYJ 473 V (47 K)	T	43.8/13.1
R11	7030003460	S.RES ERJ3GEYJ 152 V (1.5 K)	B	48.2/9.7
R12	7030003560	S.RES ERJ3GEYJ 103 V (10 K)	B	26.8/13.3
R151	7030003320	S.RES ERJ3GEYJ 101 V (100)	T	44.3/5.3
R152	7030003800	S.RES ERJ3GEYJ 105 V (1 M)	B	43.6/6.2
R171	7030003320	S.RES ERJ3GEYJ 101 V (100)	T	41.3/1.4
R181	7030003560	S.RES ERJ3GEYJ 103 V (10 K)	T	9.1/7
R182	7030003560	S.RES ERJ3GEYJ 103 V (10 K)	T	6.3/7
R183	7030003560	S.RES ERJ3GEYJ 103 V (10 K)	T	11.9/8.3
R184	7030003560	S.RES ERJ3GEYJ 103 V (10 K)	T	11.9/7
R201	7030003860	S.RES ERJ3GE JPW V	T	30.8/39.2
R301	7030003860	S.RES ERJ3GE JPW V	T	79.5/38.4
R302	7030009591	S.RES ERA3YED 472V (4.7 K)	T	77.6/46.9
R303	7030009591	S.RES ERA3YED 472V (4.7 K)	T	75.7/46.1
R304	7030003320	S.RES ERJ3GEYJ 101 V (100)	T	78.1/40.7
R305	7030003860	S.RES ERJ3GE JPW V	T	75.7/43.5
R306	7030003320	S.RES ERJ3GEYJ 101 V (100)	T	68.9/46.1
R331	7030003500	S.RES ERJ3GEYJ 332 V (3.3 K)	T	64.4/39.9
R332	7030003480	S.RES ERJ3GEYJ 222 V (2.2 K)	T	65.7/39.9
R333	7030003640	S.RES ERJ3GEYJ 473 V (47 K)	T	75/33.2
R341	7030003320	S.RES ERJ3GEYJ 101 V (100)	T	73.7/34.8
R342	7030003320	S.RES ERJ3GEYJ 101 V (100)	T	66.9/37.3
R343	7030006601	S.RES ERA3YED 272V (2.7 K)	T	73.7/37.4
R344	7030010390	S.RES ERA3YED 821V (820)	T	65.6/33.6
R345	7030009691	S.RES ERA3YED 101V (100)	T	66.2/31.7
R371	7030003320	S.RES ERJ3GEYJ 101 V (100)	T	63.4/43.8
R372	7030003320	S.RES ERJ3GEYJ 101 V (100)	T	55.3/46.3
R373	7030006601	S.RES ERA3YED 272V (2.7 K)	T	63.4/45.6
R374	7030010390	S.RES ERA3YED 821V (820)	T	54.7/41.8
R375	7030009691	S.RES ERA3YED 101V (100)	T	56/40.5
R401	7030009591	S.RES ERA3YED 472V (4.7 K)	T	53.1/42.5
R402	7030009591	S.RES ERA3YED 472V (4.7 K)	T	51.8/44
R403	7030003640	S.RES ERJ3GEYJ 473 V (47 K)	T	54.1/38.7
R404	7030003200	S.RES ERJ3GEYJ 100 V (10)	T	50/40
R405	7030003320	S.RES ERJ3GEYJ 101 V (100)	T	51.1/38.1
R406	7030003640	S.RES ERJ3GEYJ 473 V (47 K)	T	49.8/38.1
R407	7030003460	S.RES ERJ3GEYJ 152 V (1.5 K)	B	46.8/36
R409	7030003640	S.RES ERJ3GEYJ 473 V (47 K)	T	52.3/23.8
R410	7030003640	S.RES ERJ3GEYJ 473 V (47 K)	T	47.2/23.8
R411	7030003640	S.RES ERJ3GEYJ 473 V (47 K)	T	49.8/23.8
R412	7030003520	S.RES ERJ3GEYJ 472 V (4.7 K)	T	56/22.3
R413	7030003520	S.RES ERJ3GEYJ 472 V (4.7 K)	T	54.1/21.9
R451	7030003800	S.RES ERJ3GEYJ 105 V (1 M)	T	42.6/36.6
R501	7030006521	S.RES ERA3YED 561V (560)	T	76.1/29.9
R502	7030003360	S.RES ERJ3GEYJ 221 V (220)	T	70.3/23.4
R503	7030003380	S.RES ERJ3GEYJ 331 V (330)	T	65.3/28.9
R504	7030003680	S.RES ERJ3GEYJ 104 V (100 K)	T	65.3/27.6
R551	7030003320	S.RES ERJ3GEYJ 101 V (100)	T	49.5/8.6
R559	7030003640	S.RES ERJ3GEYJ 473 V (47 K)	T	59.8/10.5
R601	7030006521	S.RES ERA3YED 561V (560)	T	63.1/20.7

M.=Mounted side (T: Mounted on the Top side, B: Mounted on the Bottom side)  
S.=Surface mount



[DSP-A UNIT]

REF NO.	PARTS NO.	DESCRIPTION	M.	H/V LOCATION
R602	7030007661	S.RES ERA3YED 331V (330)	T	64/22
R603	7030007661	S.RES ERA3YED 331V (330)	T	59/19.8
R604	7030009961	S.RES ERA3YED 221V (220)	T	68.7/21
R605	7030007661	S.RES ERA3YED 331V (330)	T	65.7/20.7
R606	7030003320	S.RES ERJ3GEYJ 101 V (100)	T	67.1/13.9
R607	7030003320	S.RES ERJ3GEYJ 101 V (100)	T	61.9/13.9
R651	7030006521	S.RES ERA3YED 561V (560)	T	64.3/10.6
R652	7030007661	S.RES ERA3YED 331V (330)	T	65.3/11.9
R653	7030007661	S.RES ERA3YED 331V (330)	T	62.1/10.1
R654	7030009961	S.RES ERA3YED 221V (220)	T	69.5/10.6
R655	7030007661	S.RES ERA3YED 331V (330)	T	66.9/10.6
R658	7030003320	S.RES ERJ3GEYJ 101 V (100)	T	67.7/3.8
R659	7030003320	S.RES ERJ3GEYJ 101 V (100)	T	64/3.8
R701	7030010770	S.RES ERA3YED 681V (680)	T	71.3/21
R702	7030009861	S.RES ERA3YED 471V (470)	T	74.8/22.7
R703	7030010770	S.RES ERA3YED 681V (680)	T	70.5/13.5
R704	7030009861	S.RES ERA3YED 471V (470)	T	77.2/13.3
R705	7030009691	S.RES ERA3YED 101V (100)	T	77.4/22.2
R706	7030003320	S.RES ERJ3GEYJ 101 V (100)	T	77.3/20.9
R707	7030003320	S.RES ERJ3GEYJ 101 V (100)	T	74.1/14.1
R801	7030003650	S.RES ERJ3GEYJ 563 V (56 K)	T	78/27.2
R802	7030003680	S.RES ERJ3GEYJ 104 V (100 K)	T	78/25.9
R803	7030003480	S.RES ERJ3GEYJ 222 V (2.2 K)	T	78.7/24
R804	7030003490	S.RES ERJ3GEYJ 272 V (2.7 K)	T	78/29.8
R805	7030003340	S.RES ERJ3GEYJ 151 V (150)	T	78/28.5
R901	7030003860	S.RES ERJ3GE JPW V	T	46.6/21
R962	7030003320	S.RES ERJ3GEYJ 101 V (100)	T	12.1/16.8
R963	7030003320	S.RES ERJ3GEYJ 101 V (100)	T	11.9/15.5
R964	7030003320	S.RES ERJ3GEYJ 101 V (100)	T	11.9/14.2
R965	7030003320	S.RES ERJ3GEYJ 101 V (100)	T	11.9/12.9
R967	7030003320	S.RES ERJ3GEYJ 101 V (100)	T	13.6/37.8
R968	7030003320	S.RES ERJ3GEYJ 101 V (100)	T	11.9/11.6
R969	7030003320	S.RES ERJ3GEYJ 101 V (100)	T	13.6/48.2
R970	7030003320	S.RES ERJ3GEYJ 101 V (100)	T	13.6/46.9
R971	7030003320	S.RES ERJ3GEYJ 101 V (100)	T	13.6/45.6
R972	7030003320	S.RES ERJ3GEYJ 101 V (100)	T	13.6/44.3
R973	7030003320	S.RES ERJ3GEYJ 101 V (100)	T	13.6/43
R974	7030003320	S.RES ERJ3GEYJ 101 V (100)	T	13.6/41.7
R975	7030003320	S.RES ERJ3GEYJ 101 V (100)	T	13.6/40.4
R976	7030003320	S.RES ERJ3GEYJ 101 V (100)	T	13.6/39.1
C1	4030011600	S.CER C1608 JB 1E 104K-T	B	15.2/30.5
C2	4030011600	S.CER C1608 JB 1E 104K-T	B	41.8/30.7
C3	4030011600	S.CER C1608 JB 1E 104K-T	B	18/32.9
C4	4030011600	S.CER C1608 JB 1E 104K-T	B	39.4/32.9
C5	4030011600	S.CER C1608 JB 1E 104K-T	B	23/26.3
C6	4030011600	S.CER C1608 JB 1E 104K-T	B	24.3/26.3
C7	4030011600	S.CER C1608 JB 1E 104K-T	B	28.6/26.3
C8	4030011600	S.CER C1608 JB 1E 104K-T	B	29.9/26.3
C9	4030011600	S.CER C1608 JB 1E 104K-T	B	33.8/26.3
C10	4030011600	S.CER C1608 JB 1E 104K-T	B	21.5/23.3
C11	4030011600	S.CER C1608 JB 1E 104K-T	B	36/23.7
C12	4030011600	S.CER C1608 JB 1E 104K-T	T	13.7/21
C13	4030011600	S.CER C1608 JB 1E 104K-T	B	22.2/20.2
C14	4030011600	S.CER C1608 JB 1E 104K-T	B	36/21.1
C15	4030011600	S.CER C1608 JB 1E 104K-T	B	22.2/18.9
C16	4030011600	S.CER C1608 JB 1E 104K-T	B	36/18.5
C17	4030011600	S.CER C1608 JB 1E 104K-T	T	43.5/20
C18	4030011600	S.CER C1608 JB 1E 104K-T	B	22.2/15.2
C19	4030011600	S.CER C1608 JB 1E 104K-T	B	34.7/14.4
C20	4030011600	S.CER C1608 JB 1E 104K-T	B	23.1/13.3
C21	4030011600	S.CER C1608 JB 1E 104K-T	B	24.4/13.3
C22	4030011600	S.CER C1608 JB 1E 104K-T	B	28.1/13.3
C23	4030011600	S.CER C1608 JB 1E 104K-T	B	32.6/12.6
C24	4030011600	S.CER C1608 JB 1E 104K-T	B	35.2/12.6
C25	4030011600	S.CER C1608 JB 1E 104K-T	B	17.3/6.7
C26	4030011600	S.CER C1608 JB 1E 104K-T	B	33.1/6.8
C27	4030011600	S.CER C1608 JB 1E 104K-T	B	41.8/11.1
C28	4030011600	S.CER C1608 JB 1E 104K-T	B	15.4/8.2
C29	4030011600	S.CER C1608 JB 1E 104K-T	B	40.9/6.8
C30	4030011600	S.CER C1608 JB 1E 104K-T	T	35.2/5
C31	4030011600	S.CER C1608 JB 1E 104K-T	T	28.5/5.2
C32	4030011600	S.CER C1608 JB 1E 104K-T	T	37.8/5
C33	4030011600	S.CER C1608 JB 1E 104K-T	T	18.5/35.2
C34	4030011600	S.CER C1608 JB 1E 104K-T	T	36.4/35
C35	4030011600	S.CER C1608 JB 1E 104K-T	B	26/32.9
C36	4030011600	S.CER C1608 JB 1E 104K-T	B	29.3/32.9
C37	4030011600	S.CER C1608 JB 1E 104K-T	B	36.8/32.9
C38	4030011600	S.CER C1608 JB 1E 104K-T	B	15.2/27.9
C39	4030011600	S.CER C1608 JB 1E 104K-T	B	22.4/32.9
C40	4030011600	S.CER C1608 JB 1E 104K-T	B	26/26.3
C41	4030011600	S.CER C1608 JB 1E 104K-T	B	21.7/26.3
C42	4030011600	S.CER C1608 JB 1E 104K-T	B	27.3/26.3
C43	4030011600	S.CER C1608 JB 1E 104K-T	B	32.5/26.3
C44	4030011600	S.CER C1608 JB 1E 104K-T	B	35.1/26.3
C45	4030011600	S.CER C1608 JB 1E 104K-T	B	41.8/26.8
C46	4030011600	S.CER C1608 JB 1E 104K-T	B	15.3/24.9
C47	4030011600	S.CER C1608 JB 1E 104K-T	T	43.5/29
C48	4030011600	S.CER C1608 JB 1E 104K-T	B	22.2/21.5
C49	4030011600	S.CER C1608 JB 1E 104K-T	B	41.8/17.9
C50	4030011600	S.CER C1608 JB 1E 104K-T	B	22.2/17.6
C51	4030011600	S.CER C1608 JB 1E 104K-T	B	36/15.9
C52	4030011600	S.CER C1608 JB 1E 104K-T	B	15.8/11.6
C53	4030011600	S.CER C1608 JB 1E 104K-T	B	21.8/13.3
C54	4030011600	S.CER C1608 JB 1E 104K-T	T	42.9/9.9
C55	4030011600	S.CER C1608 JB 1E 104K-T	B	29.4/13.3
C56	4030011600	S.CER C1608 JB 1E 104K-T	B	25.6/7
C57	4030011600	S.CER C1608 JB 1E 104K-T	B	29.8/6.8
C58	4030011600	S.CER C1608 JB 1E 104K-T	B	38.3/6.8
C59	4030011600	S.CER C1608 JB 1E 104K-T	T	20.3/5.3
C60	4510007130	S.ELE EEFCD 0J 470R	T	19.6/44
C61	4550007480	S.TAN F930J106MAABMA	B	44.8/29.7
C62	4510007130	S.ELE EEFCD 0J 470R	T	25.7/43.9
C101	4030011600	S.CER C1608 JB 1E 104K-T	B	35.7/6.8

[DSP-A UNIT]

REF NO.	PARTS NO.	DESCRIPTION	M.	H/V LOCATION
C151	4030011600	S.CER C1608 JB 1E 104K-T	B	45.6/10
C152	4030007030	S.CER C1608 CH 1H 150J-T	B	46.1/6.2
C153	4030007030	S.CER C1608 CH 1H 150J-T	B	43.1/8
C171	4030011600	S.CER C1608 JB 1E 104K-T	T	41.3/2.7
C181	4030011600	S.CER C1608 JB 1E 104K-T	T	31/4.3
C191	4030011600	S.CER C1608 JB 1E 104K-T	T	22.6/1.2
C201	4030011600	S.CER C1608 JB 1E 104K-T	B	41.4/43.3
C301	4340000250	S.MLR ECHU 1C 104JX5	T	77.9/44
C302	4550007500	S.TAN F931D106MBABMA	B	76.5/43.7
C303	4030011600	S.CER C1608 JB 1E 104K-T	T	75.6/40.9
C304	4550007500	S.TAN F931D106MBABMA	B	71.7/43.7
C305	4030011600	S.CER C1608 JB 1E 104K-T	T	67.6/46.1
C306	4030007050	S.CER C1608 CH 1H 220J-T	T	72.4/40.1
C331	4030011600	S.CER C1608 JB 1E 104K-T	T	78.8/32.8
C332	4550007520	S.TAN F931A106MAABMA	B	67.9/35.2
C333	4030011600	S.CER C1608 JB 1E 104K-T	T	79.5/35.8
C341	4550007500	S.TAN F931D106MBABMA	B	73.1/32.4
C342	4030011600	S.CER C1608 JB 1E 104K-T	T	73.7/31.6
C343	4550007500	S.TAN F931D106MBABMA	B	73.2/38.1
C344	4030011600	S.CER C1608 JB 1E 104K-T	T	65.6/37.3
C345	4340000250	S.MLR ECHU 1C 104JX5	T	76.7/38.1
C346	4030018580	S.CER C1608 CH 1H 821J-T	T	66.9/33.6
C347	4030011600	S.CER C1608 JB 1E 104K-T	T	66.1/35.5
C348	4030007050	S.CER C1608 CH 1H 220J-T	T	70.9/30.9
C371	4550007500	S.TAN F931D106MBABMA	B	59.8/43.8
C372	4030011600	S.CER C1608 JB 1E 104K-T	T	63.4/42.5
C373	4550007500	S.TAN F931D106MBABMA	B	50.1/43.9
C374	4030011600	S.CER C1608 JB 1E 104K-T	T	53.4/45.5
C375	4340000250	S.MLR ECHU 1C 104JX5	T	68.1/42.6
C376	4030018580	S.CER C1608 CH 1H 821J-T	T	56/43.1
C377	4030011600	S.CER C1608 JB 1E 104K-T	T	55.3/45
C378	4030007050	S.CER C1608 CH 1H 220J-T	T	59.4/39.5
C401	4550007520	S.TAN F931A106MAABMA	B	54.9/43.8
C402	4030017840	S.CER C2012 CH 1H 222J-T	T	55.1/37.6
C403	4550007480	S.TAN F930J106MAABMA	B	63.1/35.2
C404	4030011810	S.CER C1608 JB 1A 224K-T	T	61.5/37.0
C405	4550007480	S.TAN F930J106MAABMA	B	58.3/35.2
C406	4030011810	S.CER C1608 JB 1A 224K-T	T	63.5/36.7
C407	4550007480	S.TAN F930J106MAABMA	B	50.4/36.1
C408	4030011600	S.CER C1608 JB 1E 104K-T	T	54.1/37.4
C409	4030011600	S.CER C1608 JB 1E 104K-T	T	54.1/23.2
C410	4030009000	S.CER C2012 JB 1C 224K-T	T	62.1/24.2
C411	4550007480	S.TAN F930J106MAABMA	B	63.1/28.4
C412	4550007480	S.TAN F930J106MAABMA	B	58.3/29.1
C413	4030009000	S.CER C2012 JB 1C 224K-T	T	59/22.5
C414	4030011600	S.CER C1608 JB 1E 104K-T	T	54.1/24.5
C415	4550007520	S.TAN F931A106MAABMA	B	53/26.5
C416	4550007520	S.TAN F931A106MAABMA	B	53/31.3
C417	4030017840	S.CER C2012 CH 1H 222J-T	T	58/24.2
C450	4030011600	S.CER C1608 JB 1E 104K-T	T	43.1/35.3
C451	4030011600	S.CER C1608 JB 1E 104K-T	T	43.6/42.9
C452	4030006860	S.CER C1608 JB 1H 102K-T	T	40.8/39.6
C501	4030011600	S.CER C1608 JB 1E 104K-T	T	74.8/24
C502	4550007500	S.TAN F931D106MBABMA	B	77.5/33.1
C503	4030011600	S.CER C1608 JB 1E 104K-T	T	71.6/23.4
C504	4550007500	S.TAN F931D106MBABMA	B	67.9/29.1
C506	4030007090	S.CER C1608 CH 1H 470J-T	T	67.1/28.4
C507	4030007090	S.CER C1608 CH 1H 470J-T	T	76.1/27.3
C551	4550007520	S.TAN F931A106MAABMA	B	50.3/8.7
C552	4030011600	S.CER C1608 JB 1E 104K-T	T	49.5/5.5
C553	4550007520	S.TAN F931A106MAABMA	B	55/13.3
C554	4030011600	S.CER C1608 JB 1E 104K-T	T	60/7.6
C555	4030011600	S.CER C1608 JB 1E 104K-T	T	59.8/4.6
C556	4550007480	S.TAN F930J106MAABMA	B	53.6/7.1
C557	4030011600	S.CER C1608 JB 1E 104K-T	T	60.7/2.8
C558	4550007520	S.TAN F931A106MAABMA	B	53.6/4.3
C601	4550007480	S.TAN F930J106MAABMA	B	61.3/17.2
C602	4030018510	S.CER C2012 CH 1H 682J-T	T	58.8/16.5
C603	4550007500	S.TAN F931D106MBABMA	B	68.2/15
C604	4030011600	S.CER C1608 JB 1E 104K-T	T	58.2/14.2
C605	4030011600	S.CER C1608 JB 1E 104K-T	T	64.5/13.9
C606	4550007500	S.TAN F931D106MBABMA	B	69.2/19.2
C607	4030018510	S.CER C2012 CH 1H 682J-T	T	67/22.5
C608	4030007050	S.CER C1608 CH 1H 220J-T	T	68.3/16.7
C651	4550007480	S.TAN F930J106MAABMA	B	60.1/9.2
C652	4030018510	S.CER C2012 CH 1H 682J-T	T	61.9/6.6
C653	4550007500	S.TAN F931D106MBABMA	B	59.9/2.6
C654	4030011600	S.CER C1608 JB 1		



[DSP-A UNIT]

REF NO.	PARTS NO.	DESCRIPTION	M.	H/V LOCATION
J921	6910013900	CNR IMSA-9180S-22A		
J961	6910012460	CNR IMSA-9180S-30A		

[DSP-B UNIT]

REF NO.	PARTS NO.	DESCRIPTION	M.	H/V LOCATION
IC1	1140012211	S.IC TMS320C6713BZDP225	T	28.1/20.4
IC151	1130008361	S.IC TC7SHU04FU (TE85L,JF)	B	45.5/8.1
IC171	1130008041	S.IC TC7SH04FU (TE85L,JF)	T	41.3/4.6
IC181	1130011150	S.IC SN74AHC2G08HDCTR	T	30.2/1.9
IC191	1130011150	S.IC SN74AHC2G08HDCTR	T	24/3.5
IC201	1130013492	S.IC AT29LV040A-15TU	B	29/42
IC203	1110006411	S.IC R3111N111A-TR-F	T	30/36.5
IC301	1110006100	S.IC NJM5534MD-TE1	T	72.3/44.7
IC331	1130009981	S.IC TC7W53FK (TE85L,F)	T	76.9/34.1
IC341	1110006100	S.IC NJM5534MD-TE1	T	70.3/35.5
IC371	1110006100	S.IC NJM5534MD-TE1	T	59.4/44.3
IC401	1110006111	S.IC AK5394AVSP/P	T	54.2/31
IC451	1130006891	S.IC TC7S04FU (TE85R,F)	T	43.5/41
IC452	1130012160	S.IC SN74LVC1GU04DCKR	T	42.8/38.5
IC501	1110001901	S.IC uPC4570G2-E1-A	T	71.6/27.4
IC551	1130013090	S.IC AK4396VFP-E2/P	T	54.6/7.3
IC601	1110006100	S.IC NJM5534MD-TE1	T	63.6/17.3
IC651	1110006100	S.IC NJM5534MD-TE1	T	66.8/7.2
IC701	1110006100	S.IC NJM5534MD-TE1	T	74.1/17.5
IC771	1110004770	S.IC BU9480F-E2	T	51.7/18.4
Q1	1590000680	S.TR DTC114EUA T106	T	45.7/16.5
D501	1730002320	S.ZEN MA8051-M (TX)	B	76.5/29.5
FI101	2040000790	S.LC EXCCET103U	T	36.5/2.8
X151	6050011660	S.XTL CR-754 (30.000 MHz)	B	40.5/2.9
L1	6200003950	S.COL HF50ACC 322513-T	B	43.2/34.8
L2	6180003501	S.COL SLF6028T-100M1R3-PF	B	13.6/35.7
L3	6200003640	S.COL MLF1608E 100K-T	B	12.2/8.2
L401	6200003950	S.COL HF50ACC 322513-T	T	49.3/42.9
L921	6200003950	S.COL HF50ACC 322513-T	T	73.7/4.4
L922	6200003950	S.COL HF50ACC 322513-T	T	77.9/9.5
L924	6200003950	S.COL HF50ACC 322513-T	T	74.1/9.5
L925	6200003950	S.COL HF50ACC 322513-T	T	77.5/4.4
L961	6200003950	S.COL HF50ACC 322513-T	B	11.3/12.2
L962	6200003950	S.COL HF50ACC 322513-T	B	12.8/24.6
R1	7030003560	S.RES ERJ3GEYJ 103 V (10 K)	B	42.5/22.3
R2	7030003560	S.RES ERJ3GEYJ 103 V (10 K)	B	41.8/24.2
R3	7030003560	S.RES ERJ3GEYJ 103 V (10 K)	B	42.5/21
R4	7030003560	S.RES ERJ3GEYJ 103 V (10 K)	B	41.8/13.7
R5	7030003440	S.RES ERJ3GEYJ 102 V (1 K)	B	23.2/6
R6	7030003440	S.RES ERJ3GEYJ 102 V (1 K)	B	21.9/6
R7	7030003640	S.RES ERJ3GEYJ 473 V (47 K)	B	20/6.7
R8	7030003440	S.RES ERJ3GEYJ 102 V (1 K)	B	14.1/8.2
R9	7030003640	S.RES ERJ3GEYJ 473 V (47 K)	B	14.5/11.6
R10	7030003640	S.RES ERJ3GEYJ 473 V (47 K)	T	43.8/13.1
R11	7030003460	S.RES ERJ3GEYJ 152 V (1.5 K)	B	48.2/9.7
R12	7030003560	S.RES ERJ3GEYJ 103 V (10 K)	B	26.8/13.3
R151	7030003320	S.RES ERJ3GEYJ 101 V (100)	T	44.3/5.3
R152	7030003800	S.RES ERJ3GEYJ 105 V (1 M)	B	43.5/6.2
R171	7030003320	S.RES ERJ3GEYJ 101 V (100)	T	41.3/1.4
R181	7030003560	S.RES ERJ3GEYJ 103 V (10 K)	T	9.1/7
R182	7030003560	S.RES ERJ3GEYJ 103 V (10 K)	T	6.3/7
R183	7030003560	S.RES ERJ3GEYJ 103 V (10 K)	T	11.9/8.3
R184	7030003560	S.RES ERJ3GEYJ 103 V (10 K)	T	11.9/7
R201	7030003860	S.RES ERJ3GE JPW V	T	30.8/39.2
R301	7030003860	S.RES ERJ3GE JPW V	T	79.5/38.4
R302	7030009591	S.RES ERA3YED 472V (4.7 K)	T	77.6/46.9
R303	7030009591	S.RES ERA3YED 472V (4.7 K)	T	75.7/46.1
R304	7030003320	S.RES ERJ3GEYJ 101 V (100)	T	78.1/40.7
R305	7030003860	S.RES ERJ3GE JPW V	T	75.7/43.5
R306	7030003320	S.RES ERJ3GEYJ 101 V (100)	T	68.9/46.1
R331	7030003500	S.RES ERJ3GEYJ 332 V (3.3 K)	T	64.4/39.9
R332	7030003480	S.RES ERJ3GEYJ 222 V (2.2 K)	T	65.7/39.9
R333	7030003640	S.RES ERJ3GEYJ 473 V (47 K)	T	75/33.2
R341	7030003320	S.RES ERJ3GEYJ 101 V (100)	T	73.7/34.8
R342	7030003320	S.RES ERJ3GEYJ 101 V (100)	T	66.9/37.3
R343	7030006601	S.RES ERA3YED 272V (2.7 K)	T	73.7/37.4
R344	7030010390	S.RES ERA3YED 821V (820)	T	65.6/33.6
R345	7030009691	S.RES ERA3YED 101V (100)	T	66.2/31.7
R371	7030003320	S.RES ERJ3GEYJ 101 V (100)	T	63.4/43.8
R372	7030003320	S.RES ERJ3GEYJ 101 V (100)	T	55.3/46.3
R373	7030006601	S.RES ERA3YED 272V (2.7 K)	T	63.4/45.6
R374	7030010390	S.RES ERA3YED 821V (820)	T	54.7/41.8
R375	7030009691	S.RES ERA3YED 101V (100)	T	56/40.5
R401	7030009591	S.RES ERA3YED 472V (4.7 K)	T	53.1/42.5
R402	7030009591	S.RES ERA3YED 472V (4.7 K)	T	51.8/44
R403	7030003640	S.RES ERJ3GEYJ 473 V (47 K)	T	54.1/38.7
R404	7030003200	S.RES ERJ3GEYJ 100 V (10)	T	50/40
R405	7030003320	S.RES ERJ3GEYJ 101 V (100)	T	51.1/38.1
R406	7030003640	S.RES ERJ3GEYJ 473 V (47 K)	T	49.8/38.1
R407	7030003460	S.RES ERJ3GEYJ 152 V (1.5 K)	B	46.8/36
R409	7030003640	S.RES ERJ3GEYJ 473 V (47 K)	T	52.3/23.8
R410	7030003640	S.RES ERJ3GEYJ 473 V (47 K)	T	47.2/23.8
R411	7030003640	S.RES ERJ3GEYJ 473 V (47 K)	T	49.8/23.8
R412	7030003520	S.RES ERJ3GEYJ 472 V (4.7 K)	T	56/22.3
R413	7030003520	S.RES ERJ3GEYJ 472 V (4.7 K)	T	54.1/21.9
R451	7030003800	S.RES ERJ3GEYJ 105 V (1 M)	T	42.6/36.6
R501	7030006521	S.RES ERA3YED 561V (560)	T	76.1/29.9
R502	7030003360	S.RES ERJ3GEYJ 221 V (220)	T	70.3/23.4
R503	7030003380	S.RES ERJ3GEYJ 331 V (330)	T	65.3/28.9

M.=Mounted side (T: Mounted on the Top side, B: Mounted on the Bottom side)  
S.=Surface mount

[DSP-B UNIT]

REF NO.	PARTS NO.	DESCRIPTION	M.	H/V LOCATION
R504	7030003680	S.RES ERJ3GEYJ 104 V (100 K)	T	65.3/27.6
R551	7030003320	S.RES ERJ3GEYJ 101 V (100)	T	49.5/8.6
R559	7030003640	S.RES ERJ3GEYJ 473 V (47 K)	T	59.8/10.5
R601	7030006521	S.RES ERA3YED 561V (560)	T	63.1/20.7
R602	7030007661	S.RES ERA3YED 331V (330)	T	64/3.8
R603	7030007661	S.RES ERA3YED 331V (330)	T	59/19.8
R604	7030009961	S.RES ERA3YED 221V (220)	T	68.7/21.2
R605	7030007661	S.RES ERA3YED 331V (330)	T	65.7/20.7
R606	7030003320	S.RES ERJ3GEYJ 101 V (100)	T	67.1/13.9
R607	7030003320	S.RES ERJ3GEYJ 101 V (100)	T	61.9/13.9
R651	7030006521	S.RES ERA3YED 561V (560)	T	64.3/10.6
R652	7030007661	S.RES ERA3YED 331V (330)	T	65.3/11.9
R653	7030007661	S.RES ERA3YED 331V (330)	T	62.1/10.1
R654	7030009961	S.RES ERA3YED 221V (220)	T	69.5/10.6
R655	7030007661	S.RES ERA3YED 331V (330)	T	66.9/10.6
R658	7030003320	S.RES ERJ3GEYJ 101 V (100)	T	67.7/3.8
R659	7030003320	S.RES ERJ3GEYJ 101 V (100)	T	64/3.8
R701	7030010770	S.RES ERA3YED 681V (680)	T	71.3/21
R702	7030009861	S.RES ERA3YED 471V (470)	T	74.8/22.7
R703	7030010770	S.RES ERA3YED 681V (680)	T	70.5/13.5
R704	7030009861	S.RES ERA3YED 471V (470)	T	77.2/13.3
R705	7030009691	S.RES ERA3YED 101V (100)	T	77.4/22.2
R706	7030003320	S.RES ERJ3GEYJ 101 V (100)	T	77.3/20.9
R707	7030003320	S.RES ERJ3GEYJ 101 V (100)	T	74.1/14.1
R801	7030003650	S.RES ERJ3GEYJ 563 V (56 K)	T	78/27.2
R802	7030003680	S.RES ERJ3GEYJ 104 V (100 K)	T	78/25.9
R803	7030003480	S.RES ERJ3GEYJ 222 V (2.2 K)	T	78.7/24
R804	7030003490	S.RES ERJ3GEYJ 272 V (2.7 K)	T	78/29.8
R805	7030003340	S.RES ERJ3GEYJ 151 V (15 K)	T	78/28.5
R901	7030003860	S.RES ERJ3GE JPW V	T	46.6/21
R962	7030003320	S.RES ERJ3GEYJ 101 V (100)	T	12.1/16.8
R963	7030003320	S.RES ERJ3GEYJ 101 V (100)	T	11.9/15.5
R964	7030003320	S.RES ERJ3GEYJ 101 V (100)	T	11.9/14.2
R965	7030003320	S.RES ERJ3GEYJ 101 V (100)	T	11.9/12.9
R967	7030003320	S.RES ERJ3GEYJ 101 V (100)	T	13.6/37.8
R968	7030003320	S.RES ERJ3GEYJ 101 V (100)	T	11.9/11.6
R969	7030003320	S.RES ERJ3GEYJ 101 V (100)	T	13.6/48.2
R970	7030003320	S.RES ERJ3GEYJ 101 V (100)	T	13.6/46.9
R971	7030003320	S.RES ERJ3GEYJ 101 V (100)	T	13.6/45.6
R972	7030003320	S.RES ERJ3GEYJ 101 V (100)	T	13.6/44.3
R973	7030003320	S.RES ERJ3GEYJ 101 V (100)	T	13.6/41.7
R974	7030003320	S.RES ERJ3GEYJ 101 V (100)	T	13.6/41.7
R975	7030003320	S.RES ERJ3GEYJ 101 V (100)	T	13.6/40.4
R976	7030003320	S.RES ERJ3GEYJ 101 V (100)	T	13.6/39.1
C1	4030011600	S.CER C1608 JB 1E 104K-T	B	15.2/30.5
C2	4030011600	S.CER C1608 JB 1E 104K-T	B	41.8/30.7
C3	4030011600	S.CER C1608 JB 1E 104K-T	B	18/32.9
C4	4030011600	S.CER C1608 JB 1E 104K-T	B	39.4/32.9
C5	4030011600	S.CER C1608 JB 1E 104K-T	B	23/26.3
C6	4030011600	S.CER C1608 JB 1E 104K-T	B	24.3/26.3
C7	4030011600	S.CER C1608 JB 1E 104K-T	B	28.6/26.3
C8	4030011600	S.CER C1608 JB 1E 104K-T	B	29.9/26.3
C9	4030011600	S.CER C1608 JB 1E 104K-T	B	33.8/26.3
C10	4030011600	S.CER C1608 JB 1E 104K-T	B	21.5/23.3
C11	4030011600	S.CER C1608 JB 1E 104K-T	B	36/23.7
C12	4030011600	S.CER C1608 JB 1E 104K-T	T	13.7/21
C13	4030011600	S.CER C1608 JB 1E 104K-T	B	22.2/20.2
C14	4030011600	S.CER C1608 JB 1E 104K-T	B	36/21.1
C15	4030011600	S.CER C1608 JB 1E 104K-T	B	22.2/18.9
C16	4030011600	S.CER C1608 JB 1E 104K-T	B	36/18.5
C17	4030011600	S.CER C1608 JB 1E 104K-T	T	43.5/20
C18	4030011600	S.CER C1608 JB 1E 104K-T	B	22.2/15.2
C19	4030011600	S.CER C1608 JB 1E 104K-T	B	34.7/14.4
C20	4030011600	S.CER C1608 JB 1E 104K-T	B	23.1/13.3
C21	4030011600	S.CER C1608 JB 1E 104K-T	B	24.4/13.3
C22	4030011600	S.CER C1608 JB 1E 104K-T	B	28.1/13.3
C23	4030011600	S.CER C1608 JB 1E 104K-T	B	32.6/12.6
C24	4030011600	S.CER C1608 JB 1E 104K-T	B	35.2/12.6
C25	4030011600	S.CER C1608 JB 1E 104K-T	B	17.3/6.7
C26	4030011600	S.CER C1608 JB 1E 104K-T	B	33.1/6.8
C27	4030011600	S.CER C1608 JB 1E 104K-T	B	41.8/11.1
C28	4030011600	S.CER C1608 JB 1E 104K-T	B	15.4/8.2
C29	4030011600	S.CER C1608 JB 1E 104K-T	B	40.9/6.8
C30	4030011600	S.CER C1608 JB 1E 104K-T	T	35.2/5
C31	4030011600	S.CER C1608 JB 1E 104K-T	T	28.5/5.2
C32	4030011600	S.CER C1608 JB 1E 104K-T	T	37.8/5
C33	4030011600	S.CER C1608 JB 1E 104K-T	T	18.5/35.2
C34	4030011600	S.CER C1608 JB 1E 104K-T	T	36.4/35
C35	4030011600	S.CER C1608 JB 1E 104K-T	B	26/32.9
C36	4030011600	S.CER C1608 JB 1E 104K-T	B	29.3/32.9
C37	4030011600	S.CER C1608 JB 1E 104K-T	B	36.8/32.9
C38	4030011600	S.CER C1608 JB 1E 104K-T	B	15.2/27.9
C39	4030011600	S.CER C1608 JB 1E 104K-T	B	22.4/32.9
C40	4030011600	S.CER C1608 JB 1E 104K-T	B	26/26.3
C41	4030011600	S.CER C1608 JB 1E 104K-T	B	21.7/26.3
C42	4030011600	S.CER C1608 JB 1E 104K-T	B	27.3/26.3
C43	4030011600	S.CER C1608 JB 1E 104K-T	B	32.5/26.3
C44	4030011600	S.CER C1608 JB 1E 104K-T	B	35.1/26.3
C45	4030011600	S.CER C1608 JB 1E 104K-T	B	41.8/26.8
C46	4030011600	S.CER C1608 JB 1E 104K-T	B	15.3/24.9
C47	4030011600	S.CER C1608 JB 1E 104K-T	T	43.5/29
C48	4030011600	S.CER C1608 JB 1E 104K-T	B	22.2/21.5
C49	4030011600	S.CER C1608 JB 1E 104K-T	B	41.8/17.9
C50	4030011600	S.CER C1608 JB 1E 104K-T	B	22.2/17.6
C51	4030011600	S.CER C1608 JB 1E 104K-T	B	36/15.9
C52	4030011600	S.CER C1608 JB 1E 104K-T	B	15.8/11.6
C53	4030011600	S.CER C1608 JB 1E 104K-T	B	21.8/13.3
C54	4030011600	S.CER C1608 JB 1E 104K-T	T	42.9/9.9
C55	4030011600	S.CER C1608 JB 1E 104K-T	B	29.4/13.3
C56	4030011600	S.CER C1608 JB 1E 104K-T	B	25/6.7
C57	4030011600	S.CER C1608 JB 1E 104K-T	B	29.8/6.8
C58	4030011600	S.CER C1608 JB 1E 104K-T	B	38.3/6.8
C59	4030011600	S.CER C1608 JB 1E 104K-T	T	20.3/5.3

[DSP-B UNIT]

REF NO.	PARTS NO.	DESCRIPTION	M.	H/V LOCATION
C60	4510007130	S.ELE EEFCO QJ 470R	T	19.6/44
C61	4550007480	S.TAN F930J106MAABMA	B	44.8/29.7
C62	4510007130	S.ELE EEFCO QJ 470R	T	25.7/43.9
C101	4030011600	S.CER C1608 JB 1E 104K-T	B	35.7/6.8
C102	4550007480	S.TAN F930J106MAABMA	B	30.6/2.6
C151	4030011600	S.CER C1608 JB 1E 104K-T	B	45.6/10
C152	4030007030	S.CER C1608 CH 1H 150J-T	B	46.1/6.2
C153	4030007030	S.CER C1608 CH 1H 150J-T	B	43.1/8
C171	4030011600	S.CER C1608 JB 1E 104K-T	T	41.3/2.7
C181	4030011600	S.CER C1608 JB 1E 104K-T	T	31/4.3
C191	4030011600	S.CER C1608 JB 1E 104K-T	T	22.6/1.2
C201	4030011600	S.CER C1608 JB 1E 104K-T	B	41.4/43.3
C301	4340000250	S.MLR ECHU 1C 104JX5	T	77.9/44
C302	4550007500	S.TAN F931D106MBABMA	B	76.5/43.7
C303	4030011600	S.CER C1608 JB 1E 104K-T	T	75.6/40.9
C304	4550007500	S.TAN F931D106MBABMA	T	71.7/43.7
C305	4030011600	S.CER C1608 JB 1E 104K-T	T	67.6/46.1
C306	4030007050	S.CER C1608 CH 1H 220J-T	T	72.4/40.1
C331	4030011600	S.CER C1608 JB 1E 104K-T	T	78.8/32.8
C332	4550007520	S.TAN F931A106MAABMA	B	67.9/35.2
C333	4030011600	S.CER C1608 JB 1E 104K-T	T	79.5/35.8
C341	4550007500	S.TAN F931D106MBABMA	B	73.1/32.4
C342	4030011600	S.CER C1608 JB 1E 104K-T	T	73.7/31.6
C343	4550007500	S.TAN F931D106MBABMA	B	73.2/38.1
C344	4030011600	S.CER C1608 JB 1E 104K-T	T	65.6/37.3
C345	4340000250	S.MLR ECHU 1C 104JX5	T	76.7/38.1
C346	4030018580	S.CER C1608 CH 1H 821J-T	T	66.9/33.6
C347	4030011600	S.CER C1608 JB 1E 104K-T	T	66.1/30.5
C348	4030007050	S.CER C1608 CH 1H 220J-T	T	70.9/30.9
C371	4550007500	S.TAN F931D106MBABMA	B	59.8/43.8
C372	4030011600	S.CER C1608 JB 1E 104K-T	T	63.4/42.5
C373	4550007500	S.TAN F931D106MBABMA	B	50.1/43.9
C374	4030011600	S.CER C1608 JB 1E 104K-T	T	53.4/45.5
C375	4340000250	S.MLR ECHU 1C 104JX5	T	68.1/42.6
C376	4030018580	S.CER C1608 CH 1H 821J-T	T	56/43.1
C377	4030011600	S.CER C1608 JB 1E 104K-T	T	55.3/45
C378	4030007050	S.CER C1608 CH 1H 220J-T	T	59.4/39.5
C401	4550007520	S.TAN F931A106MAABMA	B	54.9/43.8
C402	4030017840	S.CER C2012 CH 1H 222J-T	T	58.1/37.6
C403	4550007480	S.TAN F930J106MAABMA	B	63.1/35.2
C404	4030011810	S.CER C1608 JB 1A 224K-T	T	61.5/37.2
C405	4550007480	S.TAN F930J106MAABMA	B	58.3/35.2
C406	4030011810	S.CER C1608 JB 1A 224K-T	T	63.5/36.7
C407	4550007480	S.TAN F930J106MAABMA	B	50.4/36.1
C408	4030011600	S.CER C1608 JB 1E 104K-T	T	54.1/37.4
C409	4030011600	S.CER C1608 JB 1E 104K-T	T	54.1/23.2
C410	4030009000	S.CER C2012 JB 1C 224K-T	T	62.1/22.4
C411	4550007480	S.TAN F930J106MAABMA	B	63.1/28.4
C412	4550007480	S.TAN F930J106MAABMA	B	58.3/29.1
C413	4030009000	S.CER C2012 JB 1C 224K-T	T	59/22.5
C414	4030011600	S.CER C1608 JB 1E 104K-T	T	54.1/24.5
C415	4550007520	S.TAN F931A106MAABMA	B	53/26.5
C416	4550007520	S.TAN F931A106MAABMA	B	53/31.3
C417	4030017840	S.CER C2012 CH 1H 222J-T	T	58/24.2
C450	4030011600	S.CER C1608 JB 1E 104K-T	T	43.1/35.3
C451	4030011600	S.CER C1608 JB 1E 104K-T	T	43.6/42.9
C452	4030006860	S.CER C1608 JB 1H 102K-T	T	40.8/39.6
C501	4030011600	S.CER C1608 JB 1E 104K-T	T	74.8/24
C502	4550007500	S.TAN F931D106MBABMA	B	77.5/33.1
C503	4030011600	S.CER C1608 JB 1E 104K-T	T	71.6/23.4
C504	4550007500	S.TAN F931D106MBABMA	B	67.9/23.4
C506	4030007090	S.CER C1608 CH 1H 470J-T	T	67.1/28.4
C507	4030007090	S.CER C1608 CH 1H 470J-T	T	76.1/27.3
C551	4550007520	S.TAN F931A106MAABMA	B	50.3/8.7
C552	4030011600	S.CER C1608 JB 1E 104K-T	T	49.5/5.5
C553	4550007520	S.TAN F931A106MAABMA	B	55/13.3
C554	4030011600	S.CER C1608 JB 1E 104K-T	T	60/7.6
C555	4030011600	S.CER C1608 JB 1E 104K-T	T	59.8/4.6
C556	4550007480	S.TAN F930J106MAABMA	B	53.6/7.1
C557	4030011600	S.CER C1608 JB 1E 104K-T	T	60.7/2.8
C558	4550007520	S.TAN F931A106MAABMA	B	53.6/4.3
C601	4550007480	S.TAN F930J106MAABMA	B	61.3/17.2
C602	4030018510	S.CER C2012 CH 1H 682J-T	T	58.8/16.5
C603	4550007500	S.TAN F931D106MBABMA	B	68.2/15
C604	4030011600	S.CER C1608 JB 1E 104K-T	T	58.2/14.2
C605	4030011600	S.CER C1608 JB 1E 104K-T	T	64.5/13.9
C606	4550007500	S.TAN F931D106MBABMA	B	69.2/19.2
C607	4030018510	S.CER C20		

[DSP-B UNIT]

REF NO.	PARTS NO.	DESCRIPTION	M.	H/V LOCATION
C928	4030011600	S.CER C1608 JB 1E 104K-T	T	79.6/5.2
C961	4030011600	S.CER C1608 JB 1E 104K-T	B	11.2/15.7
C962	4550007520	S.TAN F931A106MAABMA	B	12/18.8
C963	4030011600	S.CER C1608 JB 1E 104K-T	B	10.7/25.4
C964	4550007520	S.TAN F931A106MAABMA	B	11.4/29.4
J921	6910013900	CNR IMSA-9180S-22A		
J961	6910012460	CNR IMSA-9180S-30A		

[DSP-TX UNIT]

REF NO.	PARTS NO.	DESCRIPTION	M.	H/V LOCATION
IC1	1140012211	S.IC TMS320C6713BZDP225	T	28.1/20.4
IC151	1130008361	S.IC TC7SHU04FU (TE85L,JF)	B	45.5/8.1
IC171	1130008041	S.IC TC7SH04FU (TE85L,JF)	T	41.3/4.6
IC181	1130011150	S.IC SN74AHC2G08HDCTR	T	30.2/1.9
IC191	1130011150	S.IC SN74AHC2G08HDCTR	T	24/3.5
IC201	1130012205	S.IC AT29LV040A-15TU (SX-2590F-4)	B	
29.3/42				
IC203	1110006411	S.IC R3111N111A-TR-F	T	30.2/36.6
IC301	1110006100	S.IC NJM5534MD-TE1	T	72.3/44.4
IC341	1110006100	S.IC NJM5534MD-TE1	T	72.1/35.2
IC371	1110006100	S.IC NJM5534MD-TE1	T	59.4/44.4
IC401	1110006111	S.IC AK5394AVSP/P	T	54.2/31
IC451	1130006891	S.IC TC7S04FU (TE85R,F)	T	42.8/35.8
IC452	1130012160	S.IC SN74LVC1GU04DCKR	T	42.3/39.8
IC551	1190002090	S.IC AD1854JRSZRL	T	53.3/5.8
IC601	1110006100	S.IC NJM5534MD-TE1	T	53.1/15.2
IC651	1110006100	S.IC NJM5534MD-TE1	T	65.3/5
IC701	1110006100	S.IC NJM5534MD-TE1	T	63.2/14.8
IC801	1110006100	S.IC NJM5534MD-TE1	T	68.4/25.8
IC831	1110006100	S.IC NJM5534MD-TE1	T	73.1/15.8
IC871	1110006100	S.IC NJM5534MD-TE1	T	77/26.1
FI101	2040000790	S.LC EXCCET103U	T	36.5/2.2
X151	6050011660	S.XTL CR-754 (30.000 MHz)	B	40.5/2.9
L1	6200003950	S.COL HF50ACC 322513-T	B	45/39.6
L2	6180003501	S.COL SLF6028T-100M1R3-PF	B	13.6/35.4
L3	6200003640	S.COL MLF1608E 100K-T	B	10.9/7.7
L401	6200003950	S.COL HF50ACC 322513-T	T	49.4/43.1
L921	6200003950	S.COL HF50ACC 322513-T	T	75/3.7
L922	6200003950	S.COL HF50ACC 322513-T	T	79.7/8.8
L924	6200003950	S.COL HF50ACC 322513-T	T	75/8.8
L925	6200003950	S.COL HF50ACC 322513-T	T	79.7/3.7
L961	6200003950	S.COL HF50ACC 322513-T	B	11.5/11.9
L962	6200003950	S.COL HF50ACC 322513-T	B	12.6/24
R1	7030003560	S.RES ERJ3GEYJ 103 V (10 K)	B	43/22.2
R2	7030003560	S.RES ERJ3GEYJ 103 V (10 K)	B	42.2/24.2
R3	7030003560	S.RES ERJ3GEYJ 103 V (10 K)	B	43/20.9
R4	7030003560	S.RES ERJ3GEYJ 103 V (10 K)	B	42.4/13.7
R5	7030003440	S.RES ERJ3GEYJ 102 V (1 K)	B	23.2/5.5
R6	7030003440	S.RES ERJ3GEYJ 102 V (1 K)	B	21.9/5.5
R7	7030003640	S.RES ERJ3GEYJ 473 V (47 K)	B	20.6/5.5
R8	7030003440	S.RES ERJ3GEYJ 102 V (1 K)	B	13.7/8.1
R9	7030003640	S.RES ERJ3GEYJ 473 V (47 K)	B	13.7/11.5
R10	7030003640	S.RES ERJ3GEYJ 473 V (47 K)	T	43.8/13.1
R11	7030003460	S.RES ERJ3GEYJ 152 V (1.5 K)	B	41.8/8.5
R12	7030003560	S.RES ERJ3GEYJ 103 V (10 K)	B	26.8/13.8
R151	7030003320	S.RES ERJ3GEYJ 101 V (100)	T	44.6/5.3
R152	7030003800	S.RES ERJ3GEYJ 105 V (1 M)	B	43.5/6.2
R171	7030003320	S.RES ERJ3GEYJ 101 V (100)	T	41.3/1.4
R181	7030003560	S.RES ERJ3GEYJ 103 V (10 K)	T	6.4/7
R182	7030003560	S.RES ERJ3GEYJ 103 V (10 K)	T	9.2/7
R183	7030003560	S.RES ERJ3GEYJ 103 V (10 K)	T	11.8/8.3
R184	7030003560	S.RES ERJ3GEYJ 103 V (10 K)	T	11.8/7
R201	7030003860	S.RES ERJ3GE JPW V	T	30.8/39.3
R301	7030003440	S.RES ERJ3GEYJ 102 V (1 K)	T	79.5/37.7
R302	7030009591	S.RES ERA3YED 472V (4.7 K)	T	77.6/46.9
R303	7030009591	S.RES ERA3YED 472V (4.7 K)	T	75.7/46.1
R304	7030003320	S.RES ERJ3GEYJ 101 V (100)	T	78.1/40.1
R305	7030003440	S.RES ERJ3GEYJ 102 V (1 K)	T	75.7/43.5
R306	7030003320	S.RES ERJ3GEYJ 101 V (100)	T	68.9/46.1
R341	7030003320	S.RES ERJ3GEYJ 101 V (100)	T	76.2/34.6
R342	7030003320	S.RES ERJ3GEYJ 101 V (100)	T	68.5/38.4
R343	7030005321	S.RES ERA3YED 103V (10 K)	T	64.5/34.6
R344	7030009591	S.RES ERA3YED 472V (4.7 K)	T	67/33.9
R345	7030009691	S.RES ERA3YED 101V (100)	T	67.7/31.9
R371	7030003320	S.RES ERJ3GEYJ 101 V (100)	B	62.9/42.1
R372	7030003320	S.RES ERJ3GEYJ 101 V (100)	T	55.3/46.3
R373	7030005321	S.RES ERA3YED 103V (10 K)	T	63.7/46.2
R374	7030009591	S.RES ERA3YED 472V (4.7 K)	T	54.7/41.8
R375	7030009691	S.RES ERA3YED 101V (100)	T	56/40.5
R401	7030009591	S.RES ERA3YED 472V (4.7 K)	T	53.1/42.5
R402	7030009591	S.RES ERA3YED 472V (4.7 K)	T	51.6/44
R403	7030003640	S.RES ERJ3GEYJ 473 V (47 K)	T	54.1/38.7
R404	7030003200	S.RES ERJ3GEYJ 100 V (10)	T	50/40
R405	7030003320	S.RES ERJ3GEYJ 101 V (100)	T	51.1/38.1
R406	7030003640	S.RES ERJ3GEYJ 473 V (47 K)	T	49.8/38.1
R407	7030003460	S.RES ERJ3GEYJ 152 V (1.5 K)	B	48/35.4
R409	7030003640	S.RES ERJ3GEYJ 473 V (47 K)	T	51.9/23.8
R410	7030003640	S.RES ERJ3GEYJ 473 V (47 K)	T	50.6/23.8
R411	7030003640	S.RES ERJ3GEYJ 473 V (47 K)	T	49/23.8
R412	7030003520	S.RES ERJ3GEYJ 472 V (4.7 K)	T	57.2/22.2
R413	7030003520	S.RES ERJ3GEYJ 472 V (4.7 K)	T	57.2/20.9
R414	7030003360	S.RES ERJ3GEYJ 221 V (220)	T	46/38.2
R451	7030003800	S.RES ERJ3GEYJ 105 V (1 M)	T	40.4/41.1
R452	7030003440	S.RES ERJ3GEYJ 102 V (1 K)	B	45.8/35.5
R551	7030003360	S.RES ERJ3GEYJ 221 V (220)	B	54/9.3
R601	7030006521	S.RES ERA3YED 561V (560)	T	50.2/18.6
R602	7030007661	S.RES ERA3YED 331V (330)	T	50.2/19.9
R603	7030007661	S.RES ERA3YED 331V (330)	T	48.3/17.1
R604	7030009961	S.RES ERA3YED 221V (220)	T	55.4/18.6
R605	7030007661	S.RES ERA3YED 331V (330)	T	52.8/18.6
R606	7030003320	S.RES ERJ3GEYJ 101 V (100)	B	51.4/24.7
R607	7030003320	S.RES ERJ3GEYJ 101 V (100)	B	52.2/13.1
R651	7030006521	S.RES ERA3YED 561V (560)	T	62.5/8.4
R652	7030007661	S.RES ERA3YED 331V (330)	T	63.5/9.7
R653	7030007661	S.RES ERA3YED 331V (330)	T	60.3/8.2
R654	7030009961	S.RES ERA3YED 221V (220)	T	67.7/8.4
R655	7030007661	S.RES ERA3YED 331V (330)	T	65.1/8.4

M.=Mounted side (T: Mounted on the Top side, B: Mounted on the Bottom side)  
S.=Surface mount



[DSP-TX UNIT]

REF NO.	PARTS NO.	DESCRIPTION	M.	H/V LOCATION
R656	7030003320	S.RES ERJ3GEYJ 101 V (100)	B	67.2/8.2
R657	7030003320	S.RES ERJ3GEYJ 101 V (100)	B	65.1/2.8
R701	7030010770	S.RES ERA3YED 681V (680)	T	58/18.2
R702	7030009861	S.RES ERA3YED 471V (470)	T	62.1/20
R703	7030010770	S.RES ERA3YED 681V (680)	T	70.7/9.3
R704	7030009861	S.RES ERA3YED 471V (470)	T	55.6/11.8
R705	7030009691	S.RES ERA3YED 101V (100)	T	69/12
R706	7030003320	S.RES ERJ3GEYJ 101 V (100)	B	61/23.1
R707	7030003320	S.RES ERJ3GEYJ 101 V (100)	B	54.7/14.5
R801	7030009591	S.RES ERA3YED 472V (4.7 K)	T	65/22.8
R802	7030003320	S.RES ERJ3GEYJ 101 V (100)	T	63.5/22.8
R803	7030005321	S.RES ERA3YED 103V (10 K)	T	68.6/21.1
R804	7030003320	S.RES ERJ3GEYJ 101 V (100)	B	69.7/31.7
R805	7030003320	S.RES ERJ3GEYJ 101 V (100)	B	72.4/21.2
R831	7030009591	S.RES ERA3YED 472V (4.7 K)	T	68.4/17.9
R832	7030003320	S.RES ERJ3GEYJ 101 V (100)	T	68.6/19.7
R833	7030005321	S.RES ERA3YED 103V (10 K)	T	69.7/15.3
R834	7030003320	S.RES ERJ3GEYJ 101 V (100)	B	64/23.2
R835	7030003320	S.RES ERJ3GEYJ 101 V (100)	B	73.4/13.3
R871	7030003520	S.RES ERJ3GEYJ 472 V (4.7 K)	T	77.8/13.7
R872	7030003520	S.RES ERJ3GEYJ 472 V (4.7 K)	T	79.1/18.7
R874	7030003320	S.RES ERJ3GEYJ 101 V (100)	B	71.3/31.7
R875	7030003320	S.RES ERJ3GEYJ 101 V (100)	B	74.4/21.3
R901	7030003860	S.RES ERJ3GE JPW V	T	52.7/22
R903	7030003860	S.RES ERJ3GE JPW V	B	47.7/38
R904	7030003860	S.RES ERJ3GE JPW V	T	47.1/4.2
R905	7030003860	S.RES ERJ3GE JPW V	B	48.1/10.2
R962	7030003320	S.RES ERJ3GEYJ 101 V (100)	T	12.1/17.5
R963	7030003320	S.RES ERJ3GEYJ 101 V (100)	T	11.9/16.2
R964	7030003320	S.RES ERJ3GEYJ 101 V (100)	T	11.9/14.9
R967	7030003320	S.RES ERJ3GEYJ 101 V (100)	T	13.6/38.7
R968	7030003320	S.RES ERJ3GEYJ 101 V (100)	T	11.9/12.3
R969	7030003320	S.RES ERJ3GEYJ 101 V (100)	T	13.6/47.8
R970	7030003320	S.RES ERJ3GEYJ 101 V (100)	T	13.6/46.5
R971	7030003320	S.RES ERJ3GEYJ 101 V (100)	T	13.6/45.2
R972	7030003320	S.RES ERJ3GEYJ 101 V (100)	T	13.6/43.9
R973	7030003320	S.RES ERJ3GEYJ 101 V (100)	T	13.6/42.6
R974	7030003320	S.RES ERJ3GEYJ 101 V (100)	T	13.6/41.3
R975	7030003320	S.RES ERJ3GEYJ 101 V (100)	T	13.6/40
R976	7030003320	S.RES ERJ3GEYJ 101 V (100)	T	11.9/13.6
C1	4030011600	S.CER C1608 JB 1E 104K-T	B	15.2/30.4
C2	4030011600	S.CER C1608 JB 1E 104K-T	B	42.2/30.7
C3	4030011600	S.CER C1608 JB 1E 104K-T	B	18/32.9
C4	4030011600	S.CER C1608 JB 1E 104K-T	B	39.4/32.9
C5	4030011600	S.CER C1608 JB 1E 104K-T	B	23.3/25.8
C6	4030011600	S.CER C1608 JB 1E 104K-T	B	24.6/25.8
C7	4030011600	S.CER C1608 JB 1E 104K-T	B	28.7/25.8
C8	4030011600	S.CER C1608 JB 1E 104K-T	B	30/25.8
C9	4030011600	S.CER C1608 JB 1E 104K-T	B	33.8/25.8
C10	4030011600	S.CER C1608 JB 1E 104K-T	B	22.7/23.8
C11	4030011600	S.CER C1608 JB 1E 104K-T	B	35.5/23.2
C12	4030011600	S.CER C1608 JB 1E 104K-T	T	12.6/20.7
C13	4030011600	S.CER C1608 JB 1E 104K-T	B	22.7/20.2
C14	4030011600	S.CER C1608 JB 1E 104K-T	B	35.5/20.6
C15	4030011600	S.CER C1608 JB 1E 104K-T	B	22.7/18.9
C16	4030011600	S.CER C1608 JB 1E 104K-T	B	34.2/18.4
C17	4030011600	S.CER C1608 JB 1E 104K-T	T	43.5/20
C18	4030011600	S.CER C1608 JB 1E 104K-T	B	22.7/15.7
C19	4030011600	S.CER C1608 JB 1E 104K-T	B	34.2/14.9
C20	4030011600	S.CER C1608 JB 1E 104K-T	B	23.3/13.8
C21	4030011600	S.CER C1608 JB 1E 104K-T	B	24.6/13.8
C22	4030011600	S.CER C1608 JB 1E 104K-T	B	28.1/13.8
C23	4030011600	S.CER C1608 JB 1E 104K-T	B	32.6/13.1
C24	4030011600	S.CER C1608 JB 1E 104K-T	B	35.2/13.1
C25	4030011600	S.CER C1608 JB 1E 104K-T	B	17.3/6.7
C26	4030011600	S.CER C1608 JB 1E 104K-T	B	33.1/6.3
C27	4030011600	S.CER C1608 JB 1E 104K-T	B	42.4/11.1
C28	4030011600	S.CER C1608 JB 1E 104K-T	B	15/8.1
C29	4030011600	S.CER C1608 JB 1E 104K-T	B	40.9/6.6
C30	4030011600	S.CER C1608 JB 1E 104K-T	T	35.2/5
C31	4030011600	S.CER C1608 JB 1E 104K-T	T	28.5/5.2
C32	4030011600	S.CER C1608 JB 1E 104K-T	T	37.8/5
C33	4030011600	S.CER C1608 JB 1E 104K-T	T	18.6/35.5
C34	4030011600	S.CER C1608 JB 1E 104K-T	T	37.5/35.5
C35	4030011600	S.CER C1608 JB 1E 104K-T	B	26/32.9
C36	4030011600	S.CER C1608 JB 1E 104K-T	B	29.3/32.9
C37	4030011600	S.CER C1608 JB 1E 104K-T	B	36.8/32.9
C38	4030011600	S.CER C1608 JB 1E 104K-T	B	15.2/27.7
C39	4030011600	S.CER C1608 JB 1E 104K-T	B	22.4/32.9
C40	4030011600	S.CER C1608 JB 1E 104K-T	B	26.1/25.8
C41	4030011600	S.CER C1608 JB 1E 104K-T	B	22/25.8
C42	4030011600	S.CER C1608 JB 1E 104K-T	B	27.4/25.8
C43	4030011600	S.CER C1608 JB 1E 104K-T	B	32.5/25.8
C44	4030011600	S.CER C1608 JB 1E 104K-T	B	35.1/25.8
C45	4030011600	S.CER C1608 JB 1E 104K-T	B	42.2/26.8
C46	4030011600	S.CER C1608 JB 1E 104K-T	B	15.3/24.9
C47	4030011600	S.CER C1608 JB 1E 104K-T	T	43.5/29
C48	4030011600	S.CER C1608 JB 1E 104K-T	B	22.7/21.5
C49	4030011600	S.CER C1608 JB 1E 104K-T	B	42.4/17.9
C50	4030011600	S.CER C1608 JB 1E 104K-T	B	22.7/17.6
C51	4030011600	S.CER C1608 JB 1E 104K-T	B	35.5/17.5
C52	4030011600	S.CER C1608 JB 1E 104K-T	B	15/11.5
C53	4030011600	S.CER C1608 JB 1E 104K-T	B	22/13.8
C54	4030011600	S.CER C1608 JB 1E 104K-T	T	43.3/9.9
C55	4030011600	S.CER C1608 JB 1E 104K-T	B	29.4/13.8
C56	4030011600	S.CER C1608 JB 1E 104K-T	B	25.1/6.6
C57	4030011600	S.CER C1608 JB 1E 104K-T	B	29.8/6.2
C58	4030011600	S.CER C1608 JB 1E 104K-T	B	38.3/6.6
C59	4030011600	S.CER C1608 JB 1E 104K-T	T	20.3/5.3
C60	4510007130	S.ELLE EEFCD 0J 470R	T	25.4/41.7
C61	4550007480	S.TAN F930J106MAABMA	B	45.2/29.7
C62	4510007130	S.ELLE EEFCD 0J 470R	T	19.5/41.7
C101	4030011600	S.CER C1608 JB 1E 104K-T	B	35.7/6.5

[DSP-TX UNIT]

REF NO.	PARTS NO.	DESCRIPTION	M.	H/V LOCATION
C102	4550007480	S.TAN F930J106MAABMA	B	30.6/2.6
C151	4030011600	S.CER C1608 JB 1E 104K-T	B	45.5/10.2
C152	4030007030	S.CER C1608 CH 1H 150J-T	B	46.1/6.2
C153	4030007030	S.CER C1608 CH 1H 150J-T	B	43.1/8
C171	4030011600	S.CER C1608 JB 1E 104K-T	T	41.3/2.7
C181	4030011600	S.CER C1608 JB 1E 104K-T	T	31/4.3
C191	4030011600	S.CER C1608 JB 1E 104K-T	T	22.6/1.2
C201	4030011600	S.CER C1608 JB 1E 104K-T	B	42.3/44.3
C301	4550007660	S.TAN F931E105MAABMA	B	80.4/44.1
C302	4550007500	S.TAN F931D106MBABMA	B	75.6/44.1
C303	4030011600	S.CER C1608 JB 1E 104K-T	T	75.7/40.7
C304	4550007500	S.TAN F931D106MBABMA	B	71.5/44.1
C305	4030011600	S.CER C1608 JB 1E 104K-T	T	67.6/46.1
C306	4030007050	S.CER C1608 CH 1H 220J-T	T	72.3/39.8
C341	4550007500	S.TAN F931D106MBABMA	B	74/34.6
C342	4030011600	S.CER C1608 JB 1E 104K-T	T	75.5/32.8
C343	4550007500	S.TAN F931D106MBABMA	B	66.9/36.8
C344	4030011600	S.CER C1608 JB 1E 104K-T	T	67.2/38.4
C345	4550007660	S.TAN F931E105MAABMA	B	76.8/38.7
C346	4030007140	S.CER C1608 CH 1H 121J-T	T	68.5/33.9
C347	4030011600	S.CER C1608 JB 1E 104K-T	T	67.7/35.9
C348	4030007050	S.CER C1608 CH 1H 220J-T	T	72/30.6
C371	4550007500	S.TAN F931D106MBABMA	B	59.8/43.8
C372	4030011600	S.CER C1608 JB 1E 104K-T	T	63.7/42.9
C373	4550007500	S.TAN F931D106MBABMA	B	50.1/43.9
C374	4030011600	S.CER C1608 JB 1E 104K-T	T	53.4/45.5
C375	4550007660	S.TAN F931E105MAABMA	B	66/43.7
C376	4030007140	S.CER C1608 CH 1H 121J-T	T	56/43.1
C377	4030011600	S.CER C1608 JB 1E 104K-T	T	55.3/45
C378	4030007050	S.CER C1608 CH 1H 220J-T	T	59.4/39.8
C401	4550007480	S.TAN F930J106MAABMA	B	54.9/43.8
C402	4030017840	S.CER C2012 CH 1H 222J-T	T	58.1/37.6
C403	4550007480	S.TAN F930J106MAABMA	B	63.1/35.2
C404	4030011810	S.CER C1608 JB 1A 224K-T	T	61.5/37.4
C405	4550007480	S.TAN F930J106MAABMA	B	58.3/36
C406	4030011810	S.CER C1608 JB 1A 224K-T	T	64.5/32
C407	4550007480	S.TAN F930J106MAABMA	B	51.1/36.1
C408	4030011600	S.CER C1608 JB 1E 104K-T	T	54.1/37.4
C410	4030009000	S.CER C2012 JB 1C 224K-T	T	61/24
C411	4550007480	S.TAN F930J106MAABMA	B	62.5/28.3
C412	4550007480	S.TAN F930J106MAABMA	B	58.3/29.9
C413	4030009000	S.CER C2012 JB 1C 224K-T	T	64.7/28.6
C414	4030011600	S.CER C1608 JB 1E 104K-T	T	54.2/24.5
C415	4550007520	S.TAN F931A106MAABMA	B	52.6/29.2
C416	4550007480	S.TAN F930J106MAABMA	B	56.1/24.4
C417	4030017840	S.CER C2012 CH 1H 222J-T	T	57.4/24
C450	4030011600	S.CER C1608 JB 1E 104K-T	T	44.2/39.7
C451	4030011600	S.CER C1608 JB 1E 104K-T	T	42.9/37.8
C452	4030006860	S.CER C1608 JB 1H 102K-T	T	42.9/41.9
C453	4030007050	S.CER C1608 CH 1H 220J	B	45.8/36.8
C551	4030011600	S.CER C1608 JB 1E 104K-T	T	48/1.7
C552	4550007520	S.TAN F931A106MAABMA	B	49.8/3.3
C553	4550007520	S.TAN F931A106MAABMA	B	57.2/8.9
C554	4550007520	S.TAN F931A106MAABMA	B	55/3.3
C555	4030011600	S.CER C1608 JB 1E 104K-T	T	58.6/2.5
C556	4030011600	S.CER C1608 JB 1E 104K-T	T	58.6/5.8
C557	4030011600	S.CER C1608 JB 1E 104K-T	B	57.7/4.1
C601	4550007660	S.TAN F931E105MAABMA	B	50.5/9.4
C602	4030018510	S.CER C2012 CH 1H 682J-T	T	48.3/14.2
C603	4550007500	S.TAN F931D106MBABMA	B	50.4/15.8
C604	4030011600	S.CER C1608 JB 1E 104K-T	T	49.6/11.8
C605	4030011600	S.CER C1608 JB 1E 104K-T	T	52.7/11.8
C606	4550007500	S.TAN F931D106MBABMA	B	51/20.8
C607	4030018510	S.CER C2012 CH 1H 682J-T	T	53.2/20.1
C608	4030007050	S.CER C1608 CH 1H 220J-T	T	57.6/14.5
C651	4550007660	S.TAN F931E105MAABMA	B	60/8.9
C652	4030018510	S.CER C2012 CH 1H 682J-T	T	60.1/5.3
C653	4550007500	S.TAN F931D106MBABMA	B	62.5/3.3
C654	4030011600	S.CER C1608 JB 1E 104K-T	T	62.5/1.6
C655	4030011600	S.CER C1608 JB 1E 104K-T	T	69.8/1.6
C656	4550007500	S.TAN F931D106MBABMA	B	63.6/9.2
C657	4030018510	S.CER C2012 CH 1H 682J-T	T	66.4/10
C658	4030007050	S.CER C1608 CH 1H 220J-T	T	69.9/4.4
C701	4030017840	S.CER C2012 CH 1H 222J-T	T	62.1/18.5
C702	4030017840	S.CER C2012 CH 1H 222J-T	T	59.2/11.1
C703	4550007500	S.TAN F931D106MBABMA	B	58.7/15.3
C704	4030011600	S.CER C1608 JB 1E 104K-T	T	62.4/11.3
C705	4030011600	S.CER C1608 JB 1E 104K-T		

[DSP-TX UNIT]

REF NO.	PARTS NO.	DESCRIPTION	M.	H/V LOCATION
C925	4550007510	S.TAN F931C106MBABMA	B	71.1/9.3
C926	4030011600	S.CER C1608 JB 1E 104K-T	T	72.8/9
C927	4550002830	S.TAN TEESVD2 1V 685M12R	B	80.7/6
C928	4030011600	S.CER C1608 JB 1E 104K-T	T	81.8/4.6
C961	4030011600	S.CER C1608 JB 1E 104K-T	B	11.4/14.9
C962	4550007520	S.TAN F931A106MAABMA	B	12.2/18.6
C963	4030011600	S.CER C1608 JB 1E 104K-T	B	10.4/24.8
C964	4550007520	S.TAN F931A106MAABMA	B	11.4/28.9
J921	6910013900	CNR IMSA-9180S-22A		
J961	6910012460	CNR IMSA-9180S-30A		

[SCOPE UNIT]

REF NO.	PARTS NO.	DESCRIPTION	M.	H/V LOCATION
IC1	1110006180	S.IC UPG2009TB-E3	T	85.1/9.6
IC2	1180001771	S.IC TA79L05F (TE12L,F)	T	24.5/95.6
IC31	1110006180	S.IC UPG2009TB-E3	T	86.5/14.1
IC201	1180002650	S.REG SI-3012KS-TL	T	116.4/64.6
IC401	1110006131	S.IC uPC4094G2-E1-A	T	15.6/88.6
IC403	1110006131	S.IC uPC4094G2-E1-A	T	26.9/88.6
IC404	1110006131	S.IC uPC4094G2-E1-A	T	44/87.6
IC405	1110002700	S.IC NJM2904M-TE1-#FMZB	T	39.2/70.4
IC501	1190002031	S.IC AD7650ASTZ	T	55.5/79.2
IC502	1130006891	S.IC TC7S04FU (TE85R,F)	T	57.7/88
IC505	1180002631	S.REG AD1582BRTZ-REEL7	T	55.4/94.6
IC601	1140012221	S.IC TMS320C6711DZDP200	T	88.4/81.4
IC602	1130011930	S.IC SN74LVC1G04DCKR	T	68.2/67.4
IC603	1130011930	S.IC SN74LVC1G04DCKR	T	70.7/70.3
IC604	1130008041	S.IC TC7SH04FU (TE85L,JF)	B	67.4/74.6
IC607	1110006411	S.IC R3111N111A-TR-F	B	104.1/81.1
IC671	1130012394	S.IC AT49BV001AN-55TU	T	112.8/82.9
IC801	1130009230	S.IC LMX2306TMX/NOPB	T	65.6/36.5
IC803	1130009691	S.IC TC74HCT7007AF (F)	B	68/29
IC820	1190001961	S.IC AD9857ASTZ	T	93.7/35.6
IC903	1120002921	S.IC ADM202EARNZ	T	96.9/109.1
IC904	1130005721	S.IC TC7W04F (TE12L,F)	T	107.5/113
IC905	1130005252	S.IC TC74HC08AF (EL,F)	B	97/109.6
IC906	1130009831	S.IC TC74VHCT04AF (F)	B	108.4/109.6
Q1	1530002060	S.TR 2SC4081 T106 R	T	67.4/6.3
Q2	1530003851	S.TR 2SC5551A-F-E	T	45.7/7.4
Q11	1590000680	S.TR DTC114EUA T106	T	78.2/7.4
Q12	1590000680	S.TR DTC114EUA T106	T	92.1/6.5
Q31	1590000680	S.TR DTC114EUA T106	T	78.4/3.5
Q32	1590000680	S.TR DTC114EUA T106	T	92.7/3.5
Q33	1590000680	S.TR DTC114EUA T106	T	93/15.3
Q101	1530003151	S.TR 2SC4673D-TD-E	T	28.8/18.2
Q201	1560000561	S.FET 2SK882-GR (TE85L,F)	T	11.4/40.4
Q202	1560000561	S.FET 2SK882-GR (TE85L,F)	T	10.1/45.2
Q301	1530003151	S.TR 2SC4673D-TD-E	T	21.4/67.9
Q701	1530003221	S.TR 2SC4406-4-TL-E	T	75.3/54.2
Q720	1530003221	S.TR 2SC4406-4-TL-E	T	101.9/45.5
Q810	1530003221	S.TR 2SC4406-4-TL-E	T	73.1/37.7
Q821	1560000331	S.FET 2SK210-GR (TE85R,F)	T	43.3/45.7
Q841	1530002060	S.TR 2SC4081 T106 R	T	41.5/37.2
Q842	1530003432	S.TR 2SC5226A-4-TL-E	T	27.4/31.6
Q843	1530003432	S.TR 2SC5226A-4-TL-E	T	25/39.9
Q872	1590000680	S.TR DTC114EUA T106	T	30.2/32.6
Q903	1530002280	S.TR 2SC4081 T106 S	B	130.2/111.8
Q904	1510000510	S.TR 2SA1576A T106R	B	126.1/105.7
Q921	1590001330	S.TR DTA114EUA T106	T	54.5/112.7
Q922	1590000680	S.TR DTC114EUA T106	T	50.7/112.7
Q923	1590001330	S.TR DTA114EUA T106	T	42.9/113.5
Q924	1590000680	S.TR DTC114EUA T106	T	40.3/113.5
D1	1750000971	S.DIO CPH5513-TL-E	T	79.7/14.9
D2	1750000971	S.DIO CPH5513-TL-E	T	72.5/15.9
D3	1750000441	S.DIO 1SV263-TL-E	T	72.1/12.8
D4	1750000431	S.DIO HSB88WSTR-E	T	10.3/68.3
D11	1790000620	S.DIO MA77 (TX)	T	83.2/4.5
D12	1790000620	S.DIO MA77 (TX)	T	87.2/4.5
D101	1750000431	S.DIO HSB88WSTR-E	T	25.7/8.2
D201	1710000840	S.DIO 1SR154-400 TE25	B	120.3/65
D401	1790001250	S.DIO MA2S1110G-(TX)	T	41.2/77.1
D402	1790001250	S.DIO MA2S1110G-(TX)	T	39.9/75.2
D403	1790001250	S.DIO MA2S1110G-(TX)	T	33.4/69.5
D821	1750000681	S.VCP 1SV232 (TPH2,F)	T	57.9/43.2
D822	1750000681	S.VCP 1SV232 (TPH2,F)	T	57.9/44.9
D902	1750000550	S.DIO 1SS355 TE-17	B	129.7/109.5
FI201	2030000290	S.MLH FL-357 (45 MHz)	T	9.3/29.6
FI501	2040000790	S.LC EXCCET103U	T	71.2/76
L1	6200001831	S.COL NLV32T-100J	T	76.3/12.8
L2	6200001831	S.COL NLV32T-100J	T	75.1/19.1
L3	6200001831	S.COL NLV32T-100J	B	70.7/15.1
L4	6200001831	S.COL NLV32T-100J	T	67.3/12.1
L5	6150004280	COL LS-484B (C-14927)		
L6	6150004280	COL LS-484B (C-14927)		
L7	6200003261	S.COL NLV32T-101J	T	52/16.6
L8	6140003790	COL LR-442		
L9	6200001831	S.COL NLV32T-100J	T	41.2/7.5
L10	6200001831	S.COL NLV32T-100J	T	41.2/3.2
L11	6200001831	S.COL NLV32T-100J	T	57.3/3.5
L12	6200010450	S.COL C2520C-R82G-A (0.82U)	T	57.6/15.5
L13	6200010940	S.COL C2520C-39NG-A	T	68.3/20
L14	6200010860	S.COL C2520C-R10G-A (0.1U)	T	64.1/19.2
L31	6200001831	S.COL NLV32T-100J	B	82.6/1.8
L32	6200001831	S.COL NLV32T-100J	B	78.8/5.2
L33	6200001831	S.COL NLV32T-100J	B	86.6/6
L34	6200001831	S.COL NLV32T-100J	B	90.7/3.6
L51	6200001831	S.COL NLV32T-100J	B	120.5/26
L52	6200001831	S.COL NLV32T-100J	B	126.5/39.4
L53	6200001831	S.COL NLV32T-100J	T	47.7/64.3
L54	6200001831	S.COL NLV32T-100J	T	50.7/64.3
L55	6200003950	S.COL HF50ACC 322513-T	B	119.3/33.5
L56	6200003950	S.COL HF50ACC 322513-T	T	116.1/44.6
L57	6200003950	S.COL HF50ACC 322513-T	T	121.2/27.1
L58	6200003950	S.COL HF50ACC 322513-T	B	119.3/39.1
L59	6200003950	S.COL HF50ACC 322513-T	T	119.6/34.4
L60	6200003950	S.COL HF50ACC 322513-T	T	119.6/37.6
L101	6140003530	COL LR-395		
L102	6140003530	COL LR-395		
L103	6200003021	S.COL NLV32T-R33J	T	22.3/19.7
L104	6200001920	S.COL ELJNC R15K-F	B	22.7/16.4

M.=Mounted side (T: Mounted on the Top side, B: Mounted on the Bottom side)  
S.=Surface mount

[SCOPE UNIT]

REF NO.	PARTS NO.	DESCRIPTION	M.	H/V LOCATION
L201	6150004250	COL LS-471A (C-14922)		
L202	6150004280	COL LS-484B (C-14927)		
L203	6150004280	COL LS-484B (C-14927)		
L204	6200001831	S.COL NLV32T-100J		3.3/46.6
L205	6200002431	S.COL NLV25T-082J		10.4/17.6
L301	6140003530	COL LR-395		
L302	6140003530	COL LR-395		
L303	6200003041	S.COL NLV32T-F68J		21/74.1
L304	6200001831	S.COL NLV32T-100J		23.2/72.6
L401	6200003171	S.COL NLV32T-330J		10.4/83.2
L501	6200001831	S.COL NLV32T-100J		53.8/64.3
L502	6200001831	S.COL NLV32T-100J		57.6/69.6
L551	6180003501	S.COL SLF6028T-100M1R3-PF		105.8/64.4
L552	6200001831	S.COL NLV32T-100J		106.3/69.9
L671	6200001831	S.COL NLV32T-100J		110.9/69.9
L701	6200005491	S.COL NLV32T-331J		76/51.4
L720	6200001831	S.COL NLV32T-100J		82/34.6
L721	6200001831	S.COL NLV32T-100J		109.4/41
L722	6200001831	S.COL NLV32T-100J		110.8/45.2
L761	6200003011	S.COL NLV32T-R27J		106.3/22.3
L762	6200003021	S.COL NLV32T-R33J		102.7/23
L763	6200003251	S.COL NLV32T-R39J		97.9/22.4
L764	6200003251	S.COL NLV32T-R39J		93.6/23.4
L801	6200005491	S.COL NLV32T-331J		69.7/40.9
L802	6200005491	S.COL NLV32T-331J		70.3/26.7
L821	6200001831	S.COL NLV32T-100J		61.7/45.7
L822	6190001441	COL #E526GN-110504		
L823	6200001851	S.COL NLV32T-5R6J		40.7/42.2
L825	6200003261	S.COL NLV32T-101J		51.7/52.2
L841	6200003261	S.COL NLV32T-101J		B26.8/33
L842	6200003031	S.COL NLV32T-R47J		26.8/34.5
L851	6200003431	S.COL NLV32T-R10J		27.4/45
L852	6200001471	S.COL NLV32T-R12J		27/48.9
L902	6200003241	S.COL NLV32T-221J		128.1/107.7
R1	7030003360	S.RES ERJ3GEYJ 221 V (220)		79.6/12.5
R2	7030003480	S.RES ERJ3GEYJ 222 V (2.2 K)		70.7/10.8
R3	7030003440	S.RES ERJ3GEYJ 102 V (1 K)		70.7/9.5
R4	7030003460	S.RES ERJ3GEYJ 152 V (1.5 K)		67.8/8.2
R5	7030003520	S.RES ERJ3GEYJ 472 V (4.7 K)		66.6/4.2
R6	7030003440	S.RES ERJ3GEYJ 102 V (1 K)		69.4/5
R7	7030003290	S.RES ERJ3GEYJ 560 V (56)		49.8/17.3
R8	7030003440	S.RES ERJ3GEYJ 102 V (1 K)		48.4/3.5
R9	7030003500	S.RES ERJ3GEYJ 332 V (3.3 K)		46.4/2.5
R11	7310005550	S.TRI TMC3ADCJ4X 22K		61.7/3.8
R12	7030003320	S.RES ERJ3GEYJ 101 V (100)		46.7/10.6
R14	7030003340	S.RES ERJ3GEYJ 151 V (150)		82.3/2.4
R16	7030003440	S.RES ERJ3GEYJ 102 V (1 K)		80.2/6.7
R17	7030003440	S.RES ERJ3GEYJ 102 V (1 K)		81.5/6.7
R18	7030003340	S.RES ERJ3GEYJ 151 V (150)		87.4/2.4
R20	7030003440	S.RES ERJ3GEYJ 102 V (1 K)		90.2/6.7
R21	7030003440	S.RES ERJ3GEYJ 102 V (1 K)		88.9/6.7
R34	7030003440	S.RES ERJ3GEYJ 102 V (1 K)		78.4/3.5
R35	7030003440	S.RES ERJ3GEYJ 102 V (1 K)		89.4/3.5
R36	7030003520	S.RES ERJ3GEYJ 472 V (4.7 K)		91/14.7
R37	7030003500	S.RES ERJ3GEYJ 332 V (3.3 K)		89.7/11.7
R38	7030003520	S.RES ERJ3GEYJ 472 V (4.7 K)		82/13.9
R39	7030003500	S.RES ERJ3GEYJ 332 V (3.3 K)		83.3/13.9
R51	7030003520	S.RES ERJ3GEYJ 472 V (4.7 K)		80.6/6.9
R52	7030003520	S.RES ERJ3GEYJ 472 V (4.7 K)		90.3/9.9
R53	7030003320	S.RES ERJ3GEYJ 101 V (100)		126/32.3
R54	7030003500	S.RES ERJ3GEYJ 332 V (3.3 K)		81.9/9.8
R55	7030003500	S.RES ERJ3GEYJ 332 V (3.3 K)		88.4/9.8
R61	7030003320	S.RES ERJ3GEYJ 101 V (100)		128.7/49
R62	7030003320	S.RES ERJ3GEYJ 101 V (100)		122.3/50.4
R63	7030003320	S.RES ERJ3GEYJ 101 V (100)		128.7/51
R64	7030003320	S.RES ERJ3GEYJ 101 V (100)		122.3/53.3
R65	7030003320	S.RES ERJ3GEYJ 101 V (100)		128.7/53
R66	7030003320	S.RES ERJ3GEYJ 101 V (100)		123.6/56.7
R71	7030003320	S.RES ERJ3GEYJ 101 V (100)		128.7/55
R72	7030003320	S.RES ERJ3GEYJ 101 V (100)		121.7/47.4
R73	7030003320	S.RES ERJ3GEYJ 101 V (100)		121.7/43.3
R74	7030003320	S.RES ERJ3GEYJ 101 V (100)		128.7/43.4
R75	7030003320	S.RES ERJ3GEYJ 101 V (100)		121.7/44.7
R76	7030003320	S.RES ERJ3GEYJ 101 V (100)		128.7/45.4
R77	7030003320	S.RES ERJ3GEYJ 101 V (100)		121.7/46
R81	7030010520	S.RES ERJ1TYJ 101U (100)		122.9/46.2
R103	7030003480	S.RES ERJ3GEYJ 222 V (2.2 K)		33.8/18
R104	7030003320	S.RES ERJ3GEYJ 101 V (100)		25.9/21.9
R105	7030003370	S.RES ERJ3GEYJ 271 V (270)		18.3/14.3
R106	7030003230	S.RES ERJ3GEYJ 180 V (18)		19.1/11.9
R107	7030003370	S.RES ERJ3GEYJ 271 V (270)		18.3/8.4
R108	7030003370	S.RES ERJ3GEYJ 271 V (270)		14.6/8.4
R109	7030003230	S.RES ERJ3GEYJ 180 V (18)		11.2/9.7
R110	7030003370	S.RES ERJ3GEYJ 271 V (270)		11.2/12.2
R111	7030003550	S.RES ERJ3GEYJ 822 V (8.2 K)		29.8/14.9
R112	7030003320	S.RES ERJ3GEYJ 101 V (100)		33.8/19.3
R113	7030003860	S.RES ERJ3GE JPW V		19.5/18
R201	7030003430	S.RES ERJ3GEYJ 821 V (820)		11.3/37.1
R202	7030003430	S.RES ERJ3GEYJ 821 V (820)		11.3/35.8
R203	7030003280	S.RES ERJ3GEYJ 470 V (47)		3.1/39.8
R204	7030003560	S.RES ERJ3GEYJ 103 V (10 K)		12/45
R205	7030003280	S.RES ERJ3GEYJ 470 V (47)		6.3/46.6
R206	7030003380	S.RES ERJ3GEYJ 331 V (330)		11.4/54.9
R207	7030003220	S.RES ERJ3GEYJ 150 V (15)		9.3/55.7
R208	7030003380	S.RES ERJ3GEYJ 331 V (330)		10.1/57.7
R209	7030003640	S.RES ERJ3GEYJ 473 V (47 K)		9.9/46.6
R210	7030003600	S.RES ERJ3GEYJ 223 V (22 K)		112.9/63.4
R301	7030003320	S.RES ERJ3GEYJ 101 V (100)		9.8/86.7
R302	7030003370	S.RES ERJ3GEYJ 271 V (270)		10.3/75.4
R303	7030003230	S.RES ERJ3GEYJ 180 V (18)		15.2/74.6
R304	7030003370	S.RES ERJ3GEYJ 271 V (270)		19.1/75.4
R305	7030003320	S.RES ERJ3GEYJ 101 V (100)		23.7/73.9
R306	7030003480	S.RES ERJ3GEYJ 222 V (2.2 K)		21.4/63.4

[SCOPE UNIT]

REF NO.	PARTS NO.	DESCRIPTION	M.	H/V LOCATION
R307	7030003550	S.RES ERJ3GEYJ 822 V (8.2 K)		18.3/66.9
R308	7030003340	S.RES ERJ3GEYJ 151 V (150)		24.4/63.4
R402	7030003440	S.RES ERJ3GEYJ 102 V (1 K)		13.4/89.7
R403	7030003440	S.RES ERJ3GEYJ 102 V (1 K)		16.3/90.4
R404	7030003440	S.RES ERJ3GEYJ 102 V (1 K)		19/86.7
R405	7030003440	S.RES ERJ3GEYJ 102 V (1 K)		22.4/90.5
R410	7030003560	S.RES ERJ3GEYJ 103 V (10 K)		21.3/85.8
R411	7030003560	S.RES ERJ3GEYJ 103 V (10 K)		9.2/91.1
R412	7030003560	S.RES ERJ3GEYJ 103 V (10 K)		13.4/92.1
R413	7030003730	S.RES ERJ3GEYJ 274 V (270 K)		9.8/89.3
R414	7030003560	S.RES ERJ3GEYJ 103 V (10 K)		26.9/88
R415	7030003560	S.RES ERJ3GEYJ 103 V (10 K)		31.6/90
R416	7310005510	S.TRI TMC3ADC5S5X 470K		34.5/87
R417	7030003630	S.RES ERJ3GEYJ 393 V (39 K)		43.1/95.4
R418	7030003570	S.RES ERJ3GEYJ 123 V (12 K)		45.4/92.2
R419	7030003220	S.RES ERJ3GEYJ 150 V (15)		47.9/92.3
R420	7030003580	S.RES ERJ3GEYJ 153 V (15 K)		40.9/81.7
R421	7030003560	S.RES ERJ3GEYJ 103 V (10 K)		40.5/85.5
R422	7030003560	S.RES ERJ3GEYJ 103 V (10 K)		42.6/92.2
R423	7030003540	S.RES ERJ3GEYJ 682 V (6.8 K)		43.1/94.1
R425	7310005540	S.TRI TMC3ADC14X 10K		45.3/81.2
R426	7030003560	S.RES ERJ3GEYJ 103 V (10 K)		48.7/76.5
R427	7030003560	S.RES ERJ3GEYJ 103 V (10 K)		39.9/77.2
R428	7030003680	S.RES ERJ3GEYJ 104 V (100 K)		37/75.7
R429	7030003650	S.RES ERJ3GEYJ 563 V (56 K)		34.7/67.7
R430	7030003740	S.RES ERJ3GEYJ 334 V (330 K)		38.8/73.9
R431	7030003740	S.RES ERJ3GEYJ 334 V (330 K)		36.2/73.9
R432	7030003640	S.RES ERJ3GEYJ 473 V (47 K)		39.6/81.7
R433	7030003680	S.RES ERJ3GEYJ 104 V (100 K)		38.8/66.4
R434	7030003320	S.RES ERJ3GEYJ 101 V (100)		33.4/66.9
R435	7030003680	S.RES ERJ3GEYJ 104 V (100 K)		40.1/66.4
R436	7030003680	S.RES ERJ3GEYJ 104 V (100 K)		36.9/67
R437	7030003680	S.RES ERJ3GEYJ 104 V (100 K)		43.8/67.7
R438	7030003680	S.RES ERJ3GEYJ 104 V (100 K)		43.8/70.4
R500	7030003860	S.RES ERJ3GE JPW V		53.2/71.7
R501	7030003320	S.RES ERJ3GEYJ 101 V (100)		55.1/73
R502	7030003560	S.RES ERJ3GEYJ 103 V (10 K)		56.3/74.6
R503	7030003560	S.RES ERJ3GEYJ 103 V (10 K)		59.2/75.4
R504	7030003560	S.RES ERJ3GEYJ 103 V (10 K)		60.8/74.2
R505	7030003560	S.RES ERJ3GEYJ 103 V (10 K)		61.6/76
R506	7030003560	S.RES ERJ3GEYJ 103 V (10 K)		57.3/78.2
R507	7030003320	S.RES ERJ3GEYJ 101 V (100)		61.5/87.1
R509	7030003640	S.RES ERJ3GEYJ 473 V (47 K)		60.5/89.8
R602	7030003560	S.RES ERJ3GEYJ 103 V (10 K)		101.3/75.6
R603	7030003440	S.RES ERJ3GEYJ 102 V (1 K)		83.7/77.3
R604	7030003560	S.RES ERJ3GEYJ 103 V (10 K)		92.1/67.4
R605	7030003560	S.RES ERJ3GEYJ 103 V (10 K)		89.8/65.8
R606	7030003440	S.RES ERJ3GEYJ 102 V (1 K)		79.6/95.8
R607	7030003440	S.RES ERJ3GEYJ 102 V (1 K)		77.6/95.9
R608	7030003440	S.RES ERJ3GEYJ 102 V (1 K)		71.8/88.2
R609	7030003560	S.RES ERJ3GEYJ 103 V (10 K)		83.5/65.8
R610	7030003800	S.RES ERJ3GEYJ 105 V (1 M)		70.5/67.6
R611	7030004040	S.RES ERJ3GEYJ 4R7 V (4.7)		66.2/70.3
R612	7030004040	S.RES ERJ3GEYJ 4R7 V (4.7)		67.5/70.3
R615	7030003320	S.RES ERJ3GEYJ 101 V (100)		72.9/65.7
R616	7030003520	S.RES ERJ3GEYJ 472 V (4.7 K)		73.7/93.5
R617	7030003520	S.RES ERJ3GEYJ 472 V (4.7 K)		72.4/93.5
R618	7030003560	S.RES ERJ3GEYJ 103 V (10 K)		81.8/66.8
R619	7030003560	S.RES ERJ3GEYJ 103 V (10 K)		88/66.8
R620	7030003440	S.RES ERJ3GEYJ 102 V (1 K)		73.2/88.9
R621	7030003440	S.RES ERJ3GEYJ 102 V (1 K)		72.6/84.7
R622	7030003860	S.RES ERJ3GE JPW V		111.9/79.5
R623	7030003860	S.RES ERJ3GE JPW V		106.1/78.5
R633	7030003560	S.RES ERJ3GEYJ 103 V (10 K)		74.7/74.4
R634	7030003860	S.RES ERJ3GE JPW V		74/70.4
R635	7030003280	S.RES ERJ3GEYJ 470 V (47)		73.4/68.4
R636	7030003280	S.RES ERJ3GEYJ 470 V (47)		72.7/70.4
R701	7030003240	S.RES ERJ3GEYJ 220 V (22)		73/51.7
R702	7030003560	S.RES ERJ3GEYJ 103 V (10 K)		77.3/54.4
R703	7030003320	S.RES ERJ3GEYJ 101 V (100)		72.7/55.1
R704	7030003280	S.RES ERJ3GEYJ 470 V (47)		73.3/57
R705	7030003340	S.RES ERJ3GEYJ 151 V (150)		77.4/57
R720	7030003370	S.RES ERJ3GEYJ 271 V (270)		107/43.2
R721	7030003560	S.RES ERJ3GEYJ 103 V (10 K)		104/45.3
R722	7030003340	S.RES ERJ3GEYJ 151 V (150)		107.2/45.9
R723	7030003440	S.RES ERJ3GEYJ 102 V (1 K)		91.7/28.7
R724	7030003440	S.RES ERJ3GEYJ 102 V (1 K)		91.1/30.6
R725	7030003440	S.RES ERJ3GEYJ 102 V (1 K)		87.6/28.5
R726	7030003440	S.RES ERJ3GEYJ 102 V (1 K)		91.2/26.8
R727	7030003440	S.RES ERJ3GEYJ 102 V (1 K)		94.8/43
R729	7030003280	S.RES ERJ3GEYJ 470 V (47)		98.7/45.6
R730	7030003560	S.RES ERJ3GEYJ 103 V (10 K)		96.4/40.1
R731	7030003460	S.RES ERJ3GEYJ 152 V (1.5 K)		105.1/38.6
R732	70300			



[SCOPE UNIT]

REF NO.	PARTS NO.	DESCRIPTION	M.	H/V LOCATION
R809	7030003840	S.RES ERJ3GEYJ 225 V (2.2 M)	T	63.9/41.6
R810	7030003370	S.RES ERJ3GEYJ 271 V (270)	T	74.1/35.2
R811	7030003560	S.RES ERJ3GEYJ 103 V (10 K)	T	73.8/40.2
R812	7030003280	S.RES ERJ3GEYJ 470 V (47)	T	71/31.6
R813	7030003340	S.RES ERJ3GEYJ 151 V (150)	T	73.8/45.4
R814	7030003500	S.RES ERJ3GEYJ 332 V (3.3 K)	T	60.3/41.1
R821	7030003680	S.RES ERJ3GEYJ 104 V (100 K)	T	39.3/35.9
R822	7030003680	S.RES ERJ3GEYJ 104 V (100 K)	T	46.8/44.6
R823	7030003370	S.RES ERJ3GEYJ 271 V (270)	T	43.5/41.7
R841	7030003200	S.RES ERJ3GEYJ 100 V (10)	T	37.9/39.9
R842	7030003360	S.RES ERJ3GEYJ 221 V (220)	T	42.2/35
R843	7030003500	S.RES ERJ3GEYJ 332 V (3.3 K)	T	40.1/39.1
R844	7030003540	S.RES ERJ3GEYJ 682 V (6.8 K)	T	38.6/37.8
R845	7030003360	S.RES ERJ3GEYJ 221 V (220)	T	38.6/36.5
R846	7030003380	S.RES ERJ3GEYJ 331 V (330)	T	40.4/32
R847	7030003370	S.RES ERJ3GEYJ 271 V (270)	T	30.5/30
R848	7030003540	S.RES ERJ3GEYJ 682 V (6.8 K)	T	28.4/37.3
R849	7030003500	S.RES ERJ3GEYJ 332 V (3.3 K)	T	30.3/34.8
R850	7030003390	S.RES ERJ3GEYJ 391 V (390)	T	26.5/37.9
R851	7030003360	S.RES ERJ3GEYJ 221 V (220)	T	24.4/37.1
R852	7030003490	S.RES ERJ3GEYJ 272 V (2.7 K)	T	28.4/40
R853	7030003510	S.RES ERJ3GEYJ 392 V (3.9 K)	T	30.3/41
R854	7030003360	S.RES ERJ3GEYJ 221 V (220)	T	30.1/42.4
R855	7030008180	S.RES ERJ12YJ331U (330)	T	42.5/52.9
R856	7030003370	S.RES ERJ3GEYJ 271 V (270)	T	22.9/60.3
R857	7030003230	S.RES ERJ3GEYJ 180 V (18)	T	20.7/59.6
R858	7030003320	S.RES ERJ3GEYJ 101 V (100)	T	20.7/61.1
R859	7030003260	S.RES ERJ3GEYJ 330 V (33)	T	24.4/44.2
R860	7030003400	S.RES ERJ3GEYJ 471 V (470)	T	42.4/32
R861	7030003860	S.RES ERJ3GE JPW V	T	24.4/60.3
R905	7030003620	S.RES ERJ3GEYJ 333 V (33 K)	B	127/108.8
R906	7030003540	S.RES ERJ3GEYJ 682 V (6.8 K)	B	128.6/105.8
R907	7030003580	S.RES ERJ3GEYJ 153 V (15 K)	B	127.2/111.2
R908	7030003640	S.RES ERJ3GEYJ 473 V (47 K)	B	124.9/108.8
R913	7030003370	S.RES ERJ3GEYJ 271 V (270)	T	57.4/112.7
R914	7030003370	S.RES ERJ3GEYJ 271 V (270)	T	45.9/113.5
R951	7030003860	S.RES ERJ3GE JPW V	B	120.4/122.7
R952	7030003860	S.RES ERJ3GE JPW V	B	97.5/126.3
R953	7030003860	S.RES ERJ3GE JPW V	B	97.5/124.7
R954	7030003860	S.RES ERJ3GE JPW V	B	114.7/103.6
R955	7030003860	S.RES ERJ3GE JPW V	T	48.6/112.9
R956	7030003860	S.RES ERJ3GE JPW V	T	39.7/110.6
C1	4030006880	S.CER C1608 JB 1H 472K-T	T	84.1/6.7
C2	4030006880	S.CER C1608 JB 1H 472K-T	T	86.1/6.7
C3	4030006880	S.CER C1608 JB 1H 472K-T	T	82.8/15.8
C4	4030011340	S.CER C1608 CH 1H 471J-T	T	76.6/16.1
C5	4030011340	S.CER C1608 CH 1H 471J-T	T	74.1/12.9
C6	4030006880	S.CER C1608 JB 1H 472K-T	T	74.9/16.1
C7	4030006880	S.CER C1608 JB 1H 472K-T	T	70.1/12.8
C8	4030006880	S.CER C1608 JB 1H 472K-T	T	71.3/20
C9	4030006880	S.CER C1608 JB 1H 472K-T	T	70/15.7
C10	4030011600	S.CER C1608 JB 1E 104K-T	T	67.8/9.5
C11	4030009510	S.CER C1608 CH 1H 010B-T	B	58.9/16.3
C12	4030007040	S.CER C1608 CH 1H 180J-T	B	61.9/10
C13	4030007040	S.CER C1608 CH 1H 180J-T	B	53.2/10
C14	4030011340	S.CER C1608 CH 1H 471J-T	B	47.6/15
C15	4030006880	S.CER C1608 JB 1H 472K-T	T	40.2/16
C16	4030006880	S.CER C1608 JB 1H 472K-T	T	49.9/3.5
C17	4030006880	S.CER C1608 JB 1H 472K-T	B	38.6/10
C18	4030006960	S.CER C1608 CH 1H 050C-T	T	44/10.6
C21	4030006880	S.CER C1608 JB 1H 472K-T	T	78.8/57
C22	4030006880	S.CER C1608 JB 1H 472K-T	B	93.1/11.6
C23	4030011600	S.CER C1608 JB 1E 104K-T	T	90.5/12.8
C24	4030006880	S.CER C1608 JB 1H 472K-T	T	85.4/11.8
C31	4030006880	S.CER C1608 JB 1H 472K-T	T	78.3/9.4
C32	4030006880	S.CER C1608 JB 1H 472K-T	T	82.8/6.7
C33	4030006880	S.CER C1608 JB 1H 472K-T	T	90.3/8.6
C34	4030006880	S.CER C1608 JB 1H 472K-T	T	87.6/6.7
C35	4030006900	S.CER C1608 JB 1H 103K-T	T	83.6/2.4
C36	4030006900	S.CER C1608 JB 1H 103K-T	T	80.3/3.3
C37	4030006900	S.CER C1608 JB 1H 103K-T	T	86.1/2.4
C38	4030006900	S.CER C1608 JB 1H 103K-T	T	90.7/3.5
C39	4030006860	S.CER C1608 JB 1H 102K-T	T	88.4/14.7
C40	4030006860	S.CER C1608 JB 1H 102K-T	T	84.6/13.9
C41	4610001830	S.TRI TZB4S100AB10R00	T	57.5/19.3
C42	4030007030	S.CER C1608 CH 1H 150J-T	T	68.7/15.7
C43	4030007120	S.CER C1608 CH 1H 820J-T	T	67.9/17.7
C44	4030007100	S.CER C1608 CH 1H 560J-T	T	67/15.7
C45	4030007040	S.CER C1608 CH 1H 180J-T	T	64.9/16.4
C46	4030008750	S.CER C1608 CH 1H 360J-T	T	64.9/14.9
C51	4030006860	S.CER C1608 JB 1H 102K-T	T	83.2/9.8
C52	4030006860	S.CER C1608 JB 1H 102K-T	T	87.1/9.8
C53	4510008540	S.ELE EEE1CA100SR	T	31.7/95.8
C54	4510008540	S.ELE EEE1CA100SR	T	46.9/69.3
C55	4030011600	S.CER C1608 JB 1E 104K-T	T	20.4/94.8
C56	4510008540	S.ELE EEE1CA100SR	T	16.6/95.8
C57	4030011600	S.CER C1608 JB 1E 104K-T	T	27.9/95.9
C101	4030006880	S.CER C1608 JB 1H 472K-T	T	33.8/16.7
C102	4030007150	S.CER C1608 CH 1H 151J-T	T	24.6/19
C103	4030011600	S.CER C1608 JB 1E 104K-T	T	24.6/21.9
C106	4030006880	S.CER C1608 JB 1H 472K-T	T	33.8/20.6
C107	4030007100	S.CER C1608 CH 1H 560J-T	T	23.1/16.4
C108	4030007110	S.CER C1608 CH 1H 680J-T	B	23.7/21.2
C109	4030007140	S.CER C1608 CH 1H 121J-T	B	22.4/18.7
C110	4030007110	S.CER C1608 CH 1H 680J-T	B	21.6/21.2
C201	4030007040	S.CER C1608 CH 1H 180J-T	T	10.8/24.5
C202	4030007040	S.CER C1608 CH 1H 180J-T	T	4.7/30.3
C204	4030006880	S.CER C1608 JB 1H 472K-T	T	11.3/34.5
C205	4030007070	S.CER C1608 CH 1H 330J-T	B	5.8/39.8
C206	4030006880	S.CER C1608 JB 1H 472K-T	T	11.3/38.5
C207	4030006960	S.CER C1608 CH 1H 050C-T	T	11.2/42.3
C208	4030007070	S.CER C1608 CH 1H 330J-T	B	8.4/51
C209	4030006880	S.CER C1608 JB 1H 472K-T	T	7.6/46.1

[SCOPE UNIT]

REF NO.	PARTS NO.	DESCRIPTION	M.	H/V LOCATION
C210	4030011600	S.CER C1608 JB 1E 104K-T	B	2.1/50.2
C211	4030009550	S.CER C1608 CH 1H 2R5B-T	T	10.8/23.2
C212	4030006940	S.CER C1608 CH 1H 030C-T	T	4.7/28.9
C213	4550007320	S.TAN F930J226MAABMA	T	111.2/63.3
C214	4550007320	S.TAN F930J226MAABMA	B	117.7/65.4
C215	4030011600	S.CER C1608 JB 1E 104K-T	T	119.9/66.4
C216	4030017490	S.CER C1608 JB 1A 105K-T	T	112.9/66.0
C301	4030007040	S.CER C1608 CH 1H 180J-T	T	18.8/70.5
C302	4030006880	S.CER C1608 JB 1H 472K-T	T	23.7/71.1
C303	4030006880	S.CER C1608 JB 1H 472K-T	T	19.9/63.4
C304	4030006880	S.CER C1608 JB 1H 472K-T	T	22.9/63.4
C401	4030008850	S.CER C1608 JB 1H 123K-T	T	11.1/86.7
C403	4030018610	S.CER C1608 CH 1H 182J-T	B	15.6/87.5
C404	4030018580	S.CER C1608 CH 1H 821J-T	T	20.9/89.2
C405	4030007140	S.CER C1608 CH 1H 121J-T	T	20.9/87.9
C406	4030017840	S.CER C2012 CH 1H 222J-T	B	22.6/86.7
C407	4030017840	S.CER C2012 CH 1H 222J-T	B	22.6/88.7
C408	4030007010	S.CER C1608 CH 1H 100D-T	T	21.6/90.5
C409	4030007140	S.CER C1608 CH 1H 121J-T	T	21.6/91.8
C410	4030011600	S.CER C1608 JB 1E 104K-T	T	17.7/92.1
C411	4030011600	S.CER C1608 JB 1E 104K-T	T	13.4/85.2
C420	4030011600	S.CER C1608 JB 1E 104K-T	T	8.5/89.3
C421	4030006920	S.CER C1608 CH 1H 010C-T	T	11.1/89.3
C422	4030006920	S.CER C1608 CH 1H 010C-T	T	31.6/87.2
C423	4030011600	S.CER C1608 JB 1E 104K-T	T	29/92.1
C424	4030011600	S.CER C1608 JB 1E 104K-T	T	24.7/85.2
C425	4030011600	S.CER C1608 JB 1E 104K-T	T	40.2/95.4
C426	4030006900	S.CER C1608 JB 1H 103K-T	T	47.4/89.7
C427	4030011600	S.CER C1608 JB 1E 104K-T	T	35.9/81
C428	4510008550	S.ELE EEE1HA010SR	T	38/92.2
C429	4030011600	S.CER C1608 JB 1E 104K-T	T	47.4/85.4
C431	4030006900	S.CER C1608 JB 1H 103K-T	T	38.5/77.2
C432	4030011600	S.CER C1608 JB 1E 104K-T	T	41.4/73.9
C433	4510008540	S.ELE EEE1CA100SR	T	31.4/73.2
C434	4030011600	S.CER C1608 JB 1E 104K-T	T	40.5/88.5
C501	4030011600	S.CER C1608 JB 1E 104K-T	T	52.5/73
C502	4510008540	S.ELE EEE1CA100SR	T	52.2/68.5
C503	4510008540	S.ELE EEE1CA100SR	T	59.3/70.5
C504	4030011600	S.CER C1608 JB 1E 104K-T	T	62/78.6
C505	4510008540	S.ELE EEE1CA100SR	T	59.5/64.5
C506	4030011600	S.CER C1608 JB 1E 104K-T	T	61.6/81.8
C507	4510008580	S.ELE EEE0JA470SR	T	51/87.4
C508	4030017490	S.CER C1608 JB 1A 105K-T	T	49.3/82.9
C509	4030011600	S.CER C1608 JB 1E 104K-T	T	59.6/87.9
C521	4510009280	S.ELE EEE1EA4R7SR	T	59.6/93.9
C522	4030011600	S.CER C1608 JB 1E 104K-T	T	55.5/92.2
C523	4510008550	S.ELE EEE1HA010SR	T	51.1/93.9
C524	4030011600	S.CER C1608 JB 1E 104K-T	T	55.2/97
C551	4550006960	S.TAN TEESVB2 0G 107M8R	T	99.1/64.3
C601	4030011600	S.CER C1608 JB 1E 104K-T	B	99.4/93.9
C602	4030011600	S.CER C1608 JB 1E 104K-T	B	98.6/67.3
C603	4030011600	S.CER C1608 JB 1E 104K-T	B	100.9/91.6
C604	4030011600	S.CER C1608 JB 1E 104K-T	B	101.5/68.5
C605	4030011600	S.CER C1608 JB 1E 104K-T	B	93.2/85.9
C606	4030011600	S.CER C1608 JB 1E 104K-T	B	93.8/84.5
C607	4030011600	S.CER C1608 JB 1E 104K-T	B	93/80.1
C608	4030011600	S.CER C1608 JB 1E 104K-T	B	93.8/78.8
C609	4030011600	S.CER C1608 JB 1E 104K-T	B	93.7/75.8
C610	4030011600	S.CER C1608 JB 1E 104K-T	B	91.3/86.8
C611	4030011600	S.CER C1608 JB 1E 104K-T	B	90.3/75.9
C612	4030011600	S.CER C1608 JB 1E 104K-T	B	87.8/93.9
C613	4030011600	S.CER C1608 JB 1E 104K-T	B	88.4/86.8
C614	4030011600	S.CER C1608 JB 1E 104K-T	B	88.5/74
C615	4030011600	S.CER C1608 JB 1E 104K-T	B	86.9/86
C616	4030011600	S.CER C1608 JB 1E 104K-T	B	87.1/75.9
C617	4030011600	S.CER C1608 JB 1E 104K-T	T	87.9/67
C618	4030011600	S.CER C1608 JB 1E 104K-T	B	83.9/86
C619	4030011600	S.CER C1608 JB 1E 104K-T	B	83.5/75.7
C620	4030011600	S.CER C1608 JB 1E 104K-T	B	81.1/86
C621	4030011600	S.CER C1608 JB 1E 104K-T	B	81.9/83.6
C622	4030011600	S.CER C1608 JB 1E 104K-T	B	81.9/81.9
C623	4030011600	S.CER C1608 JB 1E 104K-T	B	81/77.2
C624	4030011600	S.CER C1608 JB 1E 104K-T	B	81/74.5
C625	4030011600	S.CER C1608 JB 1E 104K-T	B	74.5/91.6
C626	4030011600	S.CER C1608 JB 1E 104K-T	B	74.5/77.2
C627	4030011600	S.CER C1608 JB 1E 104K-T	B	78.3/67.4
C628	4030011600</			

[SCOPE UNIT]

REF NO.	PARTS NO.	DESCRIPTION	M.	H/V LOCATION
C657	4030011600	S.CER C1608 JB 1E 104K-T	B	74.5/80.3
C658	4030011600	S.CER C1608 JB 1E 104K-T	B	74.6/71.4
C659	4030011600	S.CER C1608 JB 1E 104K-T	B	74.5/88.1
C660	4510008540	S.ELE EEE1CA100SR	T	67.6/75
C661	4030011600	S.CER C1608 JB 1E 104K-T	T	72.8/74.7
C662	4030011600	S.CER C1608 JB 1E 104K-T	T	88.3/95.9
C663	4030011600	S.CER C1608 JB 1E 104K-T	T	68.8/70.3
C664	4030011600	S.CER C1608 JB 1E 104K-T	T	66.2/67.6
C665	4030011600	S.CER C1608 JB 1E 104K-T	B	67.5/76.8
C666	4550007310	S.TAN F930J227MNMBA	B	108.6/73.9
C667	4550007310	S.TAN F930J227MNMBA	B	108.6/68.6
C671	4030011600	S.CER C1608 JB 1E 104K-T	T	114.2/70.1
C672	4030006880	S.CER C1608 JB 1H 472K-T	T	72.9/64.4
C701	4030011600	S.CER C1608 JB 1E 104K-T	T	76/57
C702	4030011600	S.CER C1608 JB 1E 104K-T	T	72.7/53.6
C703	4030011600	S.CER C1608 JB 1E 104K-T	T	74.6/57
C720	4030006880	S.CER C1608 JB 1H 472K-T	T	82.9/38.1
C721	4030011600	S.CER C1608 JB 1E 104K-T	T	83.2/40.2
C722	4510008540	S.ELE EEE1CA100SR	T	82.6/44.1
C723	4030006880	S.CER C1608 JB 1H 472K-T	T	109.9/37.4
C724	4030011600	S.CER C1608 JB 1E 104K-T	T	109.9/38.9
C725	4510008540	S.ELE EEE1CA100SR	T	110.1/33.2
C726	4030006880	S.CER C1608 JB 1H 472K-T	T	108.6/45.9
C727	4030006880	S.CER C1608 JB 1H 472K-T	T	105.6/45.3
C730	4030011600	S.CER C1608 JB 1E 104K-T	T	84.2/35.3
C731	4030011600	S.CER C1608 JB 1E 104K-T	T	84.2/38.1
C733	4030011600	S.CER C1608 JB 1E 104K-T	T	93.4/26.3
C734	4030011600	S.CER C1608 JB 1E 104K-T	T	103.1/29.9
C736	4030011600	S.CER C1608 JB 1E 104K-T	T	96.8/44.8
C737	4030011600	S.CER C1608 JB 1E 104K-T	T	103/40.9
C738	4030011600	S.CER C1608 JB 1E 104K-T	T	96.5/26.3
C739	4030011600	S.CER C1608 JB 1E 104K-T	T	99.6/26.3
C740	4030011600	S.CER C1608 JB 1E 104K-T	T	103.1/37.4
C741	4030011600	S.CER C1608 JB 1E 104K-T	T	92.6/45.1
C742	4030011600	S.CER C1608 JB 1E 104K-T	T	90/45.1
C750	4030006900	S.CER C1608 JB 1H 103K-T	T	103.2/34.5
C751	4030006900	S.CER C1608 JB 1H 103K-T	T	105.1/37.3
C760	4030006880	S.CER C1608 JB 1H 472K-T	T	110.9/20.8
C761	4030007150	S.CER C1608 CH 1H 151J-T	T	110.1/22.8
C762	4030007110	S.CER C1608 CH 1H 680J-T	T	108.4/21.6
C763	4030011280	S.CER C1608 CH 1H 271J-T	T	106/25.1
C764	4030007080	S.CER C1608 CH 1H 390J-T	T	103.4/20.8
C765	4030011830	S.CER C1608 CH 1H 301J-T	T	100/24.3
C766	4030007020	S.CER C1608 CH 1H 120J-T	T	100/21.7
C767	4030007170	S.CER C1608 CH 1H 221J-T	T	95.7/24.3
C768	4030011280	S.CER C1608 CH 1H 271J-T	T	93.5/20.4
C769	4030006860	S.CER C1608 JB 1H 102K-T	T	91.4/21.3
C770	4030011280	S.CER C1608 CH 1H 271J-T	T	89.3/20.5
C801	4030006880	S.CER C1608 JB 1H 472K-T	T	66.2/40
C802	4510008540	S.ELE EEE1CA100SR	T	69/44.8
C803	4030006900	S.CER C1608 JB 1H 103K-T	T	60.4/37.1
C805	4550007660	S.TAN F931E105MAABMA	T	58.5/38.7
C806	4340000240	S.MLR ECHU 1C 682JX5	T	64.2/43.3
C807	4030006880	S.CER C1608 JB 1H 472K-T	T	69.6/33.3
C808	4030006880	S.CER C1608 JB 1H 472K-T	B	62.7/32
C809	4510008540	S.ELE EEE1CA100SR	T	64.9/25.7
C810	4030006880	S.CER C1608 JB 1H 472K-T	T	73.8/42.8
C811	4030006880	S.CER C1608 JB 1H 472K-T	T	73.3/32.9
C812	4030006880	S.CER C1608 JB 1H 472K-T	T	73.8/30.9
C813	4030011600	S.CER C1608 JB 1E 104K-T	T	65.9/31.8
C821	4030007060	S.CER C1608 CH 1H 270J-T	T	57.8/46.5
C822	4030007100	S.CER C1608 CH 1H 560J-T	T	54.4/45.7
C823	4030006960	S.CER C1608 CH 1H 050C-T	T	55.7/45.7
C824	4610001850	S.TRI TZB4R200AB10R00	T	50.6/44.7
C825	4030007130	S.CER C1608 CH 1H 101J-T	T	46.9/46.8
C826	4030007060	S.CER C1608 CH 1H 270J-T	T	40.9/45.9
C827	4030007020	S.CER C1608 CH 1H 120J-T	T	45.5/44.6
C828	4030006880	S.CER C1608 JB 1H 472K-T	T	43.5/43.1
C829	4030009500	S.CER C1608 CH 1H 0R5B-T	T	37.9/42.9
C830	4030006860	S.CER C1608 JB 1H 102K-T	T	47.9/52.8
C831	4030006880	S.CER C1608 JB 1H 472K-T	T	46.4/52.8
C832	4510008500	S.ELE EEE1CA101WSP	T	49.3/57.6
C833	4510008540	S.ELE EEE1CA100SR	T	40.3/58
C842	4030006880	S.CER C1608 JB 1H 472K-T	T	39.4/35
C843	4030006860	S.CER C1608 JB 1H 102K-T	T	23.8/34.3
C844	4030006880	S.CER C1608 JB 1H 472K-T	T	24.5/32.4
C845	4510008520	S.ELE EEE1CA470SP	T	17.7/35.3
C846	4030006880	S.CER C1608 JB 1H 472K-T	T	38.4/31.3
C847	4030006880	S.CER C1608 JB 1H 472K-T	T	30.3/36.1
C848	4030006880	S.CER C1608 JB 1H 472K-T	T	30.3/38.3
C849	4030006880	S.CER C1608 JB 1H 472K-T	T	27/40
C850	4030006880	S.CER C1608 JB 1H 472K-T	T	30.3/39.7
C851	4030006880	S.CER C1608 JB 1H 472K-T	T	25.1/42.3
C852	4030007120	S.CER C1608 CH 1H 820J-T	T	30/44.2
C853	4030007070	S.CER C1608 CH 1H 330J-T	T	24.4/46.8
C854	4030007140	S.CER C1608 CH 1H 121J-T	T	30/45.8
C855	4030007020	S.CER C1608 CH 1H 120J-T	T	30.1/48.1
C856	4030007090	S.CER C1608 CH 1H 470J-T	T	30.2/50.4
C862	4030006880	S.CER C1608 JB 1H 472K-T	T	60.4/34.5
C911	4030008680	S.CER C2012 JF 1C 105Z-T	T	92.4/112.7
C912	4030008680	S.CER C2012 JF 1C 105Z-T	T	92.4/109
C913	4030008680	S.CER C2012 JF 1C 105Z-T	T	92.4/105.5
C914	4030008680	S.CER C2012 JF 1C 105Z-T	T	96.8/115.2
C915	4030008680	S.CER C2012 JF 1C 105Z-T	T	101.5/114.1
C916	4030011600	S.CER C1608 JB 1E 104K-T	T	108.7/116.4
C917	4030011600	S.CER C1608 JB 1E 104K-T	B	108.2/115.9
C918	4030011600	S.CER C1608 JB 1E 104K-T	B	91.3/112.6
J1	6510007020	CNR TMP-J01X-V6		
J2	6510007020	CNR TMP-J01X-V6		
J3	6510007020	CNR TMP-J01X-V6		
J4	6510020001	S.CNR 52808-3071 (3090)	T	127.9/41.5
J11	6510007020	CNR TMP-J01X-V6		
J901	6510023720	CNR LGY6501-0600C		

[SCOPE UNIT]

REF NO.	PARTS NO.	DESCRIPTION	M.	H/V LOCATION
J902	6510023120	CNR CD6109SA1J0 <CVI>		
J903	6510024040	CNR TM11R-5M2-88-LP		
J904	6510024033	CNR UBA-4R-D14T-4D(LF)(SN)		
J905	6450001941	CNR KEY-15S-2A3A (LF) (SN)		
J906	6510019971	S.CNR 52808-1071	T	129/97.7
J907	6510020251	S.CNR B9B-PH-SM4-TB (LF) (SN)	T	50.7/105.2
J908	6510022311	S.CNR B5B-PH-SM4-TB (LF) (SN)	T	88.7/110.1
J909	6510003471	CNR B11B-EH-S (LF) (SN)		
J910	6510019421	S.CNR B8B-ZR-SM4-TF (LF) (SN)	T	109.6/104.7
DS901	5040002930	S.LED SML-512MW T86	T	57.1/115.2
DS902	5040002930	S.LED SML-512MW T86	T	46/115.1
EP901	6910012350	S.BEA MMZ1608Y 102BT	B	131.1/119.6
EP902	6910012350	S.BEA MMZ1608Y 102BT	B	122.5/122.7
EP903	6910012350	S.BEA MMZ1608Y 102BT	T	81.3/114.1
EP904	6910012350	S.BEA MMZ1608Y 102BT	T	82.6/114.1
EP905	6910012350	S.BEA MMZ1608Y 102BT	T	79.7/113.7
EP906	6910012350	S.BEA MMZ1608Y 102BT	T	81.9/110.1
EP907	6910012350	S.BEA MMZ1608Y 102BT	B	83.8/111.5
EP908	6910012350	S.BEA MMZ1608Y 102BT	B	85.1/111.5

M.=Mounted side (T: Mounted on the Top side, B: Mounted on the Bottom side)  
S.=Surface mount

[LOGIC UNIT]

REF NO.	PARTS NO.	DESCRIPTION	M.	H/V LOCATION
IC1	1130014630	S.IC MT48LC16M16A2P IT	B	59.3/91.9
IC2	1130014630	S.IC MT48LC16M16A2P IT	T	59.3/99
IC51	1130011591	S.IC IDT70V24L15PFG	B	95.5/56
IC52	1140009781	S.IC XC9572XL-10TQG100C	B	116.5/56
IC53	1110005821	S.IC R3112N281A-TR-F	T	142.2/100.9
IC54	1130007431	S.IC TC7S14FU (TE85R,F)	T	146.5/100.6
IC55	1130008041	S.IC TC7SH04FU (TE85L,JF)	T	97.9/34.4
IC56	1130010111	S.IC TC7WH04FU (TE12L,F)	B	35/25.1
IC101	1130011010	S.IC SN74C8BTLV3257PWR <ACE>	T	25.2/75.3
IC102	1130006441	S.IC TC7S08F (TE85R,F)	T	62/39
IC103	1140011561	S.IC HD6417751RBP200V	T	53.5/64.9
IC104	1130008361	S.IC TC7SHU04FU (TE85L,JF)	T	8.1/60.8
IC105	1130012241	S.IC CY2292FXC (SX-2590J)	T	12.6/69
IC106	1130011110	S.IC TC74VCX04FT (EL)	T	10/77.1
IC201	1130014630	S.IC MT48LC16M16A2P IT	B	128/77.3
IC202	1130014630	S.IC MT48LC16M16A2P IT	B	128.1/95.5
IC203	1140011571	S.IC HD64404BTDV	T	97.4/78.4
IC204	1140011581	S.IC ADV7123KSTZ50	T	207.1/29.6
IC205	1130011941	S.IC TC7SZ04F (TE85L,F)	T	195.9/26.4
IC206	1130012150	S.IC SN74ACT04PWR	T	196/19.9
IC207	1130005721	S.IC TC7W04F (TE12L,F)	B	212.2/38.2
IC208	1130014080	S.IC BD6517F-E2	B	219.1/39.2
IC209	1190001920	S.IC AK5355-VT-E2	B	109.8/22.9
IC210	1190001920	S.IC AK5355-VT-E2	B	120.7/22.9
IC211	1190001910	S.IC AK4384-VT-E2	B	131.3/32.6
IC212	1190001910	S.IC AK4384-VT-E2	B	119.1/33.4
IC401	1130010970	S.IC PCI1410APGE	B	23.5/48.5
IC402	1130011960	S.IC TPS2211AIDBR	B	21.8/31.2
IC403	1130009570	S.IC BR93LC46F-WE2	T	24.2/67.3
IC404	1130010990	S.IC RTL8139C	B	23/76.5
IC601	1130008041	S.IC TC7SH04FU (TE85L,JF)	B	169.3/55.8
IC602	1130008711	S.IC BTUSET04FU (T5L,JF)	B	169.3/53.3
IC603	1110004770	S.IC BU9480F-E2	T	176/57
IC604	1140011590	S.IC HD64F2377VQ33V	B	87/30.5
IC605	1140009781	S.IC XC9572XL-10TQG100C	B	141/57
IC607	1130006441	S.IC TC7S08F (TE85R,F)	B	59.6/22.6
IC608	1130006441	S.IC TC7S08F (TE85R,F)	B	63.3/22.6
IC609	1130005252	S.IC TC74HC08AF (EL,F)	B	60/29.8
IC610	1130014800	S.IC R1EX24064ATA00A	B	54/37.4
IC801	1180002020	S.REG BA033FP-E2	B	144.2/112.5
IC802	1180001541	S.IC TA78L08F (TE12L,F)	T	131.1/111.6
IC821	1110002700	S.IC NJM2904M-TE1-#FMZB	B	16.9/105
IC851	1110003870	S.IC NJM2058M-TE1	B	186.3/56.1
IC852	1110003870	S.IC NJM2058M-TE1	B	135.5/12.6
IC853	1110003870	S.IC NJM2058M-TE1	B	114.5/10.1
IC854	1130005721	S.IC TC7W04F (TE12L,F)	B	161.4/40.6
Q601	1530002060	S.TR 2SC4081 T106 R	B	173.3/53.3
Q602	1510000510	S.TR 2SA1576A T106R	B	173.2/57.2
Q802	1530002060	S.TR 2SC4081 T106 R	T	159.1/70.3
Q803	1540000441	S.TR 2SD1619T-TD-E	B	160.1/70.9
Q804	1540000441	S.TR 2SD1619T-TD-E	B	166.7/70.8
Q805	1530002060	S.TR 2SC4081 T106 R	T	165.7/70.3
Q806	1540000441	S.TR 2SD1619T-TD-E	B	173.3/70.8
Q807	1530002060	S.TR 2SC4081 T106 R	T	172.3/70.3
Q808	1590001330	S.TR DTA114EUA T106	B	157.7/30.1
Q809	1590001330	S.TR DTA114EUA T106	B	157.7/27.5
Q810	1540000550	S.TR 2SD1664 T100Q	T	160.2/78
Q821	1520000651	S.TR 2SB1201S-TL-E	B	28.9/108.4
Q822	1530002060	S.TR 2SC4081 T106 R	B	25.5/103.6
Q901	1590001960	S.TR XP4311 (TX)	B	187.9/88.3
Q902	1590001960	S.TR XP4311 (TX)	B	188.9/79.7
Q903	1590001960	S.TR XP4311 (TX)	B	193.9/88.3
Q904	1590001960	S.TR XP4311 (TX)	B	192.9/79.7
D51	1750000550	S.DIO 1SS355 TE-17	T	126.1/48.7
D52	1750000550	S.DIO 1SS355 TE-17	T	126.1/50.5
D53	1750000550	S.DIO 1SS355 TE-17	T	126.1/52.3
D54	1750000550	S.DIO 1SS355 TE-17	T	126.1/54.1
D55	1750000550	S.DIO 1SS355 TE-17	T	124.7/55.9
D56	1750000550	S.DIO 1SS355 TE-17	T	124.7/57.7
D57	1750000550	S.DIO 1SS355 TE-17	T	124.7/59.5
D58	1750000550	S.DIO 1SS355 TE-17	T	124.7/61.3
D59	1750000550	S.DIO 1SS355 TE-17	T	124.7/63.1
D60	1750000550	S.DIO 1SS355 TE-17	T	130.1/48.7
D61	1750000550	S.DIO 1SS355 TE-17	T	130.1/50.5
D62	1750000550	S.DIO 1SS355 TE-17	T	130.1/52.3
D65	1750000550	S.DIO 1SS355 TE-17	T	128.9/57.7
D66	1750000550	S.DIO 1SS355 TE-17	T	128.9/59.5
D67	1750000550	S.DIO 1SS355 TE-17	T	128.9/61.3
D68	1750000550	S.DIO 1SS355 TE-17	T	128.9/63.1
D201	1790000980	S.DIO MA3J7420GL (TX)	B	214.6/32.4
D202	1790000980	S.DIO MA3J7420GL (TX)	B	214.6/29.4
D203	1790000980	S.DIO MA3J7420GL (TX)	B	214.6/26.4
D204	1790000980	S.DIO MA3J7420GL (TX)	T	201.5/16.9
D205	1790000980	S.DIO MA3J7420GL (TX)	T	201.5/19.8
D206	1790000980	S.DIO MA3J7420GL (TX)	B	218/7.4
D207	1790000980	S.DIO MA3J7420GL (TX)	B	220/7.4
D208	1790000980	S.DIO MA3J7420GL (TX)	B	228/7.4
D209	1790000980	S.DIO MA3J7420GL (TX)	B	230.8/7.4
D601	1750000550	S.DIO 1SS355 TE-17	B	175.5/52.5
D801	1750000370	S.DIO DA221 TL	B	159.1/66.5
D802	1750000370	S.DIO DA221 TL	B	165.7/66.5
D803	1750000370	S.DIO DA221 TL	B	172.3/66.5
D804	1750000271	S.DIO 1SS301 (TE85L,F)	B	170/64.1
D805	1790001611	S.DIO 1SS385 (TE85L,F)	B	157.3/38.2
D806	1790001611	S.DIO 1SS385 (TE85L,F)	B	157.3/40.3
D821	1730002340	S.ZEN MA8047-M (TX)	B	22.4/104.6
D851	1750000550	S.DIO 1SS355 TE-17	B	180.9/50.2
D852	1750000550	S.DIO 1SS355 TE-17	B	191.8/50
D853	1790000980	S.DIO MA3J7420GL (TX)	B	122/18.5
D854	1790000980	S.DIO MA3J7420GL (TX)	B	119.5/18.5
D855	1790000980	S.DIO MA3J7420GL (TX)	B	107/18.4

[LOGIC UNIT]

REF NO.	PARTS NO.	DESCRIPTION	M.	H/V LOCATION
D856	1790000980	S.DIO MA3J7420GL (TX)	B	104.5/18.4
D857	1750000550	S.DIO 1SS355 TE-17	B	189.9/61.9
D858	1750000550	S.DIO 1SS355 TE-17	B	182.2/61.9
D860	1790000980	S.DIO MA3J7420GL (TX)	T	97.5/26.3
D861	1790000980	S.DIO MA3J7420GL (TX)	T	97.5/31.3
D862	1790000980	S.DIO MA3J7420GL (TX)	T	97.9/23.7
D863	1790000980	S.DIO MA3J7420GL (TX)	T	97.5/28.8
D864	1790000980	S.DIO MA3J7420GL (TX)	T	100.4/23.7
D865	1790000980	S.DIO MA3J7420GL (TX)	T	94.3/24.7
D866	1790000980	S.DIO MA3J7420GL (TX)	T	94.3/27.2
D867	1790000980	S.DIO MA3J7420GL (TX)	T	102.9/23.7
D901	1790000980	S.DIO MA3J7420GL (TX)	T	188/31.2
X101	6050011610	S.XTL CR-751 (25.000 MHz)	T	2.9/63.1
X201	6050010680	S.XTL CR-628 (24.576 MHz)	T	103.9/94.6
X202	6050011910	S.XTL CR-780 (48 MHz)	T	100.2/60.6
X601	6050011810	S.XTL CR-755 (15.9744 MHz)	T	81.9/13.6
L203	6200002631	S.COL NLV25T-R10J	B	222.2/32.6
L204	6200002631	S.COL NLV25T-R10J	B	222.2/29.6
L205	6200002631	S.COL NLV25T-R10J	B	222.2/26.6
L801	6200003261	S.COL NLV32T-101J	B	66.9/123.5
L803	6180003321	S.COL SLF6028T-150M1R0-PF	B	88.7/112.9
L804	6180003321	S.COL SLF6028T-150M1R0-PF	B	102.5/112.9
L805	6180003321	S.COL SLF6028T-150M1R0-PF	B	95.8/112.9
L806	6180003321	S.COL SLF6028T-150M1R0-PF	B	109/112.9
L807	6180003321	S.COL SLF6028T-150M1R0-PF	B	115.7/112.9
L808	6200003590	S.COL EXCCL3225U1	T	92.1/115.8
L809	6200003590	S.COL EXCCL3225U1	B	93.1/123.1
L810	6200003590	S.COL EXCCL3225U1	B	87.7/123.2
L811	6200001831	S.COL NLV32T-100J	B	127.9/22.6
L821	6200003590	S.COL EXCCL3225U1	B	121.2/112.7
L822	6200003590	S.COL EXCCL3225U1	T	125/115.8
L823	6200009790	S.COL BLM31PG121SN1	T	18.2/25.6
L824	6200003590	S.COL EXCCL3225U1	B	130.1/115.5
L825	6200003590	S.COL EXCCL3225U1	B	133.6/116.1
L826	6180003321	S.COL SLF6028T-150M1R0-PF	B	179.9/15.5
L827	6200003590	S.COL EXCCL3225U1	T	120.4/115.8
L832	6200003590	S.COL EXCCL3225U1	B	80.1/122.1
L833	6200003590	S.COL EXCCL3225U1	B	75.6/122.1
L834	6200003590	S.COL EXCCL3225U1	B	125.6/112.2
L835	6200003590	S.COL EXCCL3225U1	B	125.6/115.3
L901	6200003590	S.COL EXCCL3225U1	B	214.4/74.4
L902	6200003590	S.COL EXCCL3225U1	B	214.4/78.2
L903	6200003590	S.COL EXCCL3225U1	B	206.5/80
L904	6200003590	S.COL EXCCL3225U1	B	214.4/81.2
L905	6200003590	S.COL EXCCL3225U1	B	211/114.8
L906	6200003590	S.COL EXCCL3225U1	B	24/114.8
L907	6200003590	S.COL EXCCL3225U1	B	27/114.8
L908	6200003590	S.COL EXCCL3225U1	B	30/114.8
L909	6200003261	S.COL NLV32T-101J	B	181.3/82.6
L910	6200003590	S.COL EXCCL3225U1	B	195.7/82.4
L911	6200003590	S.COL EXCCL3225U1	B	221.8/76.5
L912	6200003590	S.COL EXCCL3225U1	B	230.4/76.8
L913	6200003590	S.COL EXCCL3225U1	B	230.4/63
L914	6200003590	S.COL EXCCL3225U1	B	221.8/64
L915	6200003590	S.COL EXCCL3225U1	B	230.4/66
L916	6200003590	S.COL EXCCL3225U1	B	221.8/67
L917	6200003590	S.COL EXCCL3225U1	T	162.2/21.7
L918	6200003590	S.COL EXCCL3225U1	T	186.4/18.7
L919	6200003590	S.COL EXCCL3225U1	T	186.4/22.4
L920	6200003590	S.COL EXCCL3225U1	T	162.3/24.7
L1101	6200003590	S.COL EXCCL3225U1	T	40.5/25.8
R1	7030003520	S.RES ERJ3GEYJ 472 V (4.7 K)	T	91.5/101.3
R51	7030003520	S.RES ERJ3GEYJ 472 V (4.7 K)	T	143/76.8
R52	7030003560	S.RES ERJ3GEYJ 103 V (10 K)	T	138.6/100.6
R55	7030003440	S.RES ERJ3GEYJ 102 V (1 K)	B	126.4/51.5
R56	7030003440	S.RES ERJ3GEYJ 102 V (1 K)	B	123.5/46.1
R57	7030003680	S.RES ERJ3GEYJ 104 V (100 K)	B	31.3/25
R58	7030003680	S.RES ERJ3GEYJ 104 V (100 K)	B	30/25
R101	7030003680	S.RES ERJ3GEYJ 104 V (100 K)	T	19.3/74.8
R102	7030003520	S.RES ERJ3GEYJ 472 V (4.7 K)	T	31/73.7
R103	7030003520	S.RES ERJ3GEYJ 472 V (4.7 K)	T	31/75.7
R104	7030003520	S.RES ERJ3GEYJ 472 V (4.7 K)	T	19.3/73.5
R105	7030003520	S.RES ERJ3GEYJ 472 V (4.7 K)	T	19.3/76.1
R106	7030003560	S.RES ERJ3GEYJ 103 V (10 K)	B	54.6/60.1
R107	7030003560	S.RES ERJ3GEYJ 103 V (10 K)	B	49.4/60.1
R108	7030003560	S.RES ERJ3GEYJ 103 V (10 K)	B	48.4/49.5
R109	7030003560	S.RES ERJ3GEYJ 103 V (10 K)	B	52/60.1
R110	7030003560	S.RES ERJ3GEYJ 103 V (10 K)	T	54.9/49.3
R111	7030003560	S.RES ERJ3GEYJ 103 V (10 K)	B	54.6/58.8
R112	7030003560	S.RES ERJ3GEYJ 103 V (10 K)	T	53.6/49.3
R113	7030003560	S.RES ERJ3GEYJ 103 V (10 K)	B	49.4/58.8
R114	7030003560	S.RES ERJ3GEYJ 103 V (10 K)	B	45.8/49.5
R115	7030003560	S.RES ERJ3GEYJ 103 V (10 K)	B	49.4/62.7
R116	7030003560	S.RES ERJ3GEYJ 103 V (10 K)	B	49.4/61.4
R117	7030003260	S.RES ERJ3GEYJ 330 V (33)	B	43.2/49.5
R118	70			



[LOGIC UNIT]

REF NO.	PARTS NO.	DESCRIPTION	M.	H/V LOCATION
R132	7030003560	S.RES ERJ3GEYJ 103 V (10 K)	T	56.2/49.3
R133	7030003560	S.RES ERJ3GEYJ 103 V (10 K)	T	56.2/46.7
R134	7030003200	S.RES ERJ3GEYJ 100 V (10)	B	57.2/58.8
R135	7030003200	S.RES ERJ3GEYJ 100 V (10)	B	57.2/60.1
R136	7030003200	S.RES ERJ3GEYJ 100 V (10)	B	70.1/50.5
R137	7030004050	S.RES ERJ3GEYJ 1R0 V (1)	B	49.4/68
R138	7030003560	S.RES ERJ3GEYJ 103 V (10 K)	B	49.4/63.5
R139	7030003560	S.RES ERJ3GEYJ 103 V (10 K)	B	49.7/78
R140	7410000990	S.ARY EXB-V8V 470JV (47)	T	47/82.7
R141	7410000990	S.ARY EXB-V8V 470JV (47)	T	43.3/82.7
R142	7410000990	S.ARY EXB-V8V 470JV (47)	T	54.4/82.7
R143	7410000990	S.ARY EXB-V8V 470JV (47)	T	61.8/82.7
R144	7410000990	S.ARY EXB-V8V 470JV (47)	T	50.7/82.7
R145	7410000990	S.ARY EXB-V8V 470JV (47)	T	58.1/82.7
R146	7030003280	S.RES ERJ3GEYJ 470 V (47)	T	70/81.8
R147	7030003280	S.RES ERJ3GEYJ 470 V (47)	T	70/80.5
R148	7410000990	S.ARY EXB-V8V 470JV (47)	T	65.5/82.7
R149	7410000990	S.ARY EXB-V8V 470JV (47)	T	70/54.9
R150	7410000990	S.ARY EXB-V8V 470JV (47)	T	70/58.6
R151	7410000990	S.ARY EXB-V8V 470JV (47)	T	70/62.3
R152	7410000990	S.ARY EXB-V8V 470JV (47)	T	70/66
R153	7030003200	S.RES ERJ3GEYJ 100 V (10)	T	70/83.1
R154	7410000990	S.ARY EXB-V8V 470JV (47)	T	70/69.7
R155	7410000990	S.ARY EXB-V8V 470JV (47)	T	70/73.4
R156	7410000990	S.ARY EXB-V8V 470JV (47)	T	70/78
R157	7410000800	S.ARY EXB-V8V 103JV (10 K)	T	77.4/38.7
R158	7030003560	S.RES ERJ3GEYJ 103 V (10 K)	T	77.4/36.2
R159	7030003560	S.RES ERJ3GEYJ 103 V (10 K)	T	64.3/41.3
R161	7030003250	S.RES ERJ3GEYJ 270 V (27)	T	9.1/64.6
R162	7030003800	S.RES ERJ3GEYJ 105 V (1 M)	T	6.2/59.5
R163	7030003320	S.RES ERJ3GEYJ 101 V (100)	T	12.5/73.7
R164	7030003250	S.RES ERJ3GEYJ 270 V (27)	B	10.8/68.3
R165	7030003860	S.RES ERJ3GE JPW V	T	4.3/76.8
R166	7030003860	S.RES ERJ3GE JPW V	T	8.5/81.2
R167	7030003860	S.RES ERJ3GE JPW V	T	14.9/78.1
R170	7030003600	S.RES ERJ3GEYJ 223 V (22 K)	B	38.5/38.6
R171	7030003600	S.RES ERJ3GEYJ 223 V (22 K)	B	35.3/75.2
R172	7030003600	S.RES ERJ3GEYJ 223 V (22 K)	B	35.3/76.5
R173	7030003600	S.RES ERJ3GEYJ 223 V (22 K)	B	39.4/78.2
R174	7030003600	S.RES ERJ3GEYJ 223 V (22 K)	B	37.4/79
R175	7030003600	S.RES ERJ3GEYJ 223 V (22 K)	B	37.4/80.3
R176	7030003600	S.RES ERJ3GEYJ 223 V (22 K)	B	35.3/73.9
R201	7030003560	S.RES ERJ3GEYJ 103 V (10 K)	T	114.5/85.1
R202	7030003560	S.RES ERJ3GEYJ 103 V (10 K)	T	111.3/85.1
R203	7030003560	S.RES ERJ3GEYJ 103 V (10 K)	T	118.4/86.4
R204	7030003560	S.RES ERJ3GEYJ 103 V (10 K)	T	118.4/85.1
R205	7030003560	S.RES ERJ3GEYJ 103 V (10 K)	T	114.5/82.5
R206	7030003560	S.RES ERJ3GEYJ 103 V (10 K)	T	111.3/83.8
R207	7030003560	S.RES ERJ3GEYJ 103 V (10 K)	T	118.4/83.8
R208	7030003560	S.RES ERJ3GEYJ 103 V (10 K)	T	118.4/82.5
R209	7030003560	S.RES ERJ3GEYJ 103 V (10 K)	T	114.5/83.8
R212	7030003640	S.RES ERJ3GEYJ 473 V (47 K)	T	83.7/82
R213	7030003640	S.RES ERJ3GEYJ 473 V (47 K)	T	83.7/83.3
R218	7030003520	S.RES ERJ3GEYJ 472 V (4.7 K)	T	116.9/49
R219	7030003520	S.RES ERJ3GEYJ 472 V (4.7 K)	T	83.7/79.4
R220	7030003520	S.RES ERJ3GEYJ 472 V (4.7 K)	B	94.1/74.4
R221	7030003560	S.RES ERJ3GEYJ 103 V (10 K)	T	83.7/73.7
R225	7030003560	S.RES ERJ3GEYJ 103 V (10 K)	B	94.1/79.6
R226	7030003560	S.RES ERJ3GEYJ 103 V (10 K)	B	94.1/80.9
R227	7030003560	S.RES ERJ3GEYJ 103 V (10 K)	T	92/98.2
R228	7030003560	S.RES ERJ3GEYJ 103 V (10 K)	T	92/95.1
R229	7030003560	S.RES ERJ3GEYJ 103 V (10 K)	T	91.2/92
R230	7030003560	S.RES ERJ3GEYJ 103 V (10 K)	T	93.3/95.1
R231	7030003560	S.RES ERJ3GEYJ 103 V (10 K)	T	92.5/92.2
R232	7030003560	S.RES ERJ3GEYJ 103 V (10 K)	B	93.4/83.2
R233	7030003560	S.RES ERJ3GEYJ 103 V (10 K)	T	93.3/98.2
R234	7030003560	S.RES ERJ3GEYJ 103 V (10 K)	T	93.8/92.2
R235	7030003560	S.RES ERJ3GEYJ 103 V (10 K)	T	94.6/95.1
R236	7030003560	S.RES ERJ3GEYJ 103 V (10 K)	T	94.6/98.2
R237	7030003560	S.RES ERJ3GEYJ 103 V (10 K)	B	94.7/83.2
R238	7030003560	S.RES ERJ3GEYJ 103 V (10 K)	T	95.1/92.2
R239	7030003560	S.RES ERJ3GEYJ 103 V (10 K)	T	95.9/95.1
R240	7030003560	S.RES ERJ3GEYJ 103 V (10 K)	T	95.9/98.2
R241	7030003560	S.RES ERJ3GEYJ 103 V (10 K)	B	97/89.4
R242	7030003560	S.RES ERJ3GEYJ 103 V (10 K)	T	96.6/92
R243	7030003560	S.RES ERJ3GEYJ 103 V (10 K)	B	96/83.2
R244	7030003560	S.RES ERJ3GEYJ 103 V (10 K)	T	96.6/64.7
R245	7030003560	S.RES ERJ3GEYJ 103 V (10 K)	T	90.1/64.7
R246	7030003560	S.RES ERJ3GEYJ 103 V (10 K)	T	88.8/61.6
R247	7030003560	S.RES ERJ3GEYJ 103 V (10 K)	B	96.7/74.4
R248	7030003560	S.RES ERJ3GEYJ 103 V (10 K)	T	91.4/64.7
R249	7030003560	S.RES ERJ3GEYJ 103 V (10 K)	T	86.2/64.7
R250	7030003560	S.RES ERJ3GEYJ 103 V (10 K)	T	87.5/64.7
R251	7030003560	S.RES ERJ3GEYJ 103 V (10 K)	T	90.1/61.6
R252	7030003560	S.RES ERJ3GEYJ 103 V (10 K)	T	87.5/61.6
R253	7030003560	S.RES ERJ3GEYJ 103 V (10 K)	T	83.7/75
R254	7030003560	S.RES ERJ3GEYJ 103 V (10 K)	T	88.8/64.7
R255	7030003560	S.RES ERJ3GEYJ 103 V (10 K)	T	86.2/61.6
R256	7030003560	S.RES ERJ3GEYJ 103 V (10 K)	B	96.7/77
R257	7030003560	S.RES ERJ3GEYJ 103 V (10 K)	T	92.7/64.7
R258	7030003560	S.RES ERJ3GEYJ 103 V (10 K)	B	96.7/78.3
R259	7030003560	S.RES ERJ3GEYJ 103 V (10 K)	T	92.7/61.6
R260	7030003560	S.RES ERJ3GEYJ 103 V (10 K)	B	96.7/79.6
R261	7030003560	S.RES ERJ3GEYJ 103 V (10 K)	T	94/61.6
R262	7030003560	S.RES ERJ3GEYJ 103 V (10 K)	B	96.7/80.9
R263	7030003560	S.RES ERJ3GEYJ 103 V (10 K)	B	94/66.6
R264	7030003560	S.RES ERJ3GEYJ 103 V (10 K)	T	98/72.6
R265	7030003560	S.RES ERJ3GEYJ 103 V (10 K)	T	92.7/59
R266	7030003560	S.RES ERJ3GEYJ 103 V (10 K)	T	94/59
R267	7030003560	S.RES ERJ3GEYJ 103 V (10 K)	T	95.3/64.7
R268	7030003560	S.RES ERJ3GEYJ 103 V (10 K)	B	91.4/66.6
R269	7030003560	S.RES ERJ3GEYJ 103 V (10 K)	T	94/64.7
R270	7030003560	S.RES ERJ3GEYJ 103 V (10 K)	T	91.4/61.6
R271	7030003560	S.RES ERJ3GEYJ 103 V (10 K)	T	91.4/59
R272	7030003560	S.RES ERJ3GEYJ 103 V (10 K)	B	114.7/71.1

[LOGIC UNIT]

REF NO.	PARTS NO.	DESCRIPTION	M.	H/V LOCATION
R273	7030003560	S.RES ERJ3GEYJ 103 V (10 K)	T	114/68.2
R274	7030003560	S.RES ERJ3GEYJ 103 V (10 K)	B	99.9/79.7
R275	7030003560	S.RES ERJ3GEYJ 103 V (10 K)	T	111/69.5
R276	7030003560	S.RES ERJ3GEYJ 103 V (10 K)	T	108.7/64.8
R277	7030003560	S.RES ERJ3GEYJ 103 V (10 K)	T	114/66.9
R278	7030003560	S.RES ERJ3GEYJ 103 V (10 K)	T	114/65.6
R279	7030003560	S.RES ERJ3GEYJ 103 V (10 K)	B	99.9/81
R280	7030003560	S.RES ERJ3GEYJ 103 V (10 K)	T	114/69.5
R281	7030003560	S.RES ERJ3GEYJ 103 V (10 K)	B	100.6/75.2
R282	7030003560	S.RES ERJ3GEYJ 103 V (10 K)	B	99.3/75.2
R283	7030003560	S.RES ERJ3GEYJ 103 V (10 K)	B	105.6/65.2
R284	7030003560	S.RES ERJ3GEYJ 103 V (10 K)	B	105.6/66.5
R285	7030003560	S.RES ERJ3GEYJ 103 V (10 K)	B	99.9/78.4
R286	7030003560	S.RES ERJ3GEYJ 103 V (10 K)	T	114/64.3
R287	7030003560	S.RES ERJ3GEYJ 103 V (10 K)	T	103.5/65.6
R288	7030003560	S.RES ERJ3GEYJ 103 V (10 K)	T	108.7/63.4
R289	7030003560	S.RES ERJ3GEYJ 103 V (10 K)	T	100.9/65.5
R290	7030003560	S.RES ERJ3GEYJ 103 V (10 K)	B	99.9/77
R291	7030003560	S.RES ERJ3GEYJ 103 V (10 K)	T	106.1/65.5
R292	7030003560	S.RES ERJ3GEYJ 103 V (10 K)	B	94.1/75.7
R293	7030003560	S.RES ERJ3GEYJ 103 V (10 K)	B	94.1/77
R294	7030003560	S.RES ERJ3GEYJ 103 V (10 K)	B	94.1/78.3
R295	7030003640	S.RES ERJ3GEYJ 473 V (47 K)	B	96.7/75.7
R296	7030003560	S.RES ERJ3GEYJ 103 V (10 K)	T	111.3/87.7
R297	7030003560	S.RES ERJ3GEYJ 103 V (10 K)	T	111.3/91.6
R298	7030003560	S.RES ERJ3GEYJ 103 V (10 K)	T	118.4/91.6
R299	7030003560	S.RES ERJ3GEYJ 103 V (10 K)	T	111.3/90.3
R300	7030003560	S.RES ERJ3GEYJ 103 V (10 K)	T	114.5/90.3
R301	7030003560	S.RES ERJ3GEYJ 103 V (10 K)	T	118.4/90.3
R302	7030003560	S.RES ERJ3GEYJ 103 V (10 K)	T	114.5/91.6
R303	7030003560	S.RES ERJ3GEYJ 103 V (10 K)	T	118.4/89
R304	7030003560	S.RES ERJ3GEYJ 103 V (10 K)	T	114.5/89
R305	7030003560	S.RES ERJ3GEYJ 103 V (10 K)	T	111.3/89
R306	7030003560	S.RES ERJ3GEYJ 103 V (10 K)	T	111.3/86.4
R307	7030003560	S.RES ERJ3GEYJ 103 V (10 K)	T	114.5/86.4
R308	7030003560	S.RES ERJ3GEYJ 103 V (10 K)	T	118.4/87.7
R309	7030003560	S.RES ERJ3GEYJ 103 V (10 K)	T	114.5/87.7
R310	7030003560	S.RES ERJ3GEYJ 103 V (10 K)	T	111/68.2
R311	7030003560	S.RES ERJ3GEYJ 103 V (10 K)	B	116.1/71.1
R313	7030003410	S.RES ERJ3GEYJ 561 V (560)	T	209.8/36.7
R314	7030003340	S.RES ERJ3GEYJ 151 V (150)	B	216.8/32.5
R315	7030003340	S.RES ERJ3GEYJ 151 V (150)	B	218.1/32.5
R316	7030003340	S.RES ERJ3GEYJ 151 V (150)	B	216.8/29.5
R317	7030003340	S.RES ERJ3GEYJ 151 V (150)	B	218.1/29.5
R318	7030003340	S.RES ERJ3GEYJ 151 V (150)	B	216.8/26.5
R319	7030003340	S.RES ERJ3GEYJ 151 V (150)	B	218.1/26.5
R320	7030003240	S.RES ERJ3GEYJ 220 V (22)	T	203.9/17.8
R321	7030003240	S.RES ERJ3GEYJ 220 V (22)	T	203.9/20.7
R322	7030003250	S.RES ERJ3GEYJ 270 V (27)	B	213.9/7.4
R323	7030003250	S.RES ERJ3GEYJ 270 V (27)	B	215.9/3.3
R324	7030003580	S.RES ERJ3GEYJ 153 V (15 K)	B	213.9/6.1
R325	7030003580	S.RES ERJ3GEYJ 153 V (15 K)	B	215.9/4.6
R326	7030003250	S.RES ERJ3GEYJ 270 V (27)	B	227.4/4.9
R327	7030003250	S.RES ERJ3GEYJ 270 V (27)	B	230/4.9
R328	7030003580	S.RES ERJ3GEYJ 153 V (15 K)	B	228.1/3.1
R329	7030003580	S.RES ERJ3GEYJ 153 V (15 K)	B	230.7/3.1
R330	7030003560	S.RES ERJ3GEYJ 103 V (10 K)	B	222.6/38.8
R331	7030003560	S.RES ERJ3GEYJ 103 V (10 K)	B	223.9/38.8
R332	7030003640	S.RES ERJ3GEYJ 473 V (47 K)	B	104.6/25.8
R333	7030003640	S.RES ERJ3GEYJ 473 V (47 K)	B	113.9/19.1
R334	7030003640	S.RES ERJ3GEYJ 473 V (47 K)	B	110.7/19.5
R335	7030003280	S.RES ERJ3GEYJ 470 V (47)	B	109.8/26.4
R336	7030003640	S.RES ERJ3GEYJ 473 V (47 K)	B	115.5/25.8
R337	7030003640	S.RES ERJ3GEYJ 473 V (47 K)	B	125.1/23.6
R338	7030003640	S.RES ERJ3GEYJ 473 V (47 K)	B	125.2/20.6
R339	7030003280	S.RES ERJ3GEYJ 470 V (47)	B	120.1/27.7
R340	7030003280	S.RES ERJ3GEYJ 470 V (47)	B	130.8/38.1
R341	7030003640	S.RES ERJ3GEYJ 473 V (47 K)	B	135.7/33.5
R342	7030003280	S.RES ERJ3GEYJ 470 V (47)	B	121.7/36.9
R343	7030003640	S.RES ERJ3GEYJ 473 V (47 K)	B	119.5/30
R344	7030003520	S.RES ERJ3GEYJ 472 V (4.7 K)	B	129.1/29.1
R345	7030003520	S.RES ERJ3GEYJ 472 V (4.7 K)	B	116.9/30
R350	7030003860	S.RES ERJ3GE JPW V	T	119.5/49
R351	7030003860	S.RES ERJ3GE JPW V	B	100.6/83.2
R353				

[LOGIC UNIT]

REF NO.	PARTS NO.	DESCRIPTION	M.	H/V LOCATION
R429	7030003320	S.RES ERJ3GEYJ 101 V (100)	B	148.7/21.2
R430	7030003320	S.RES ERJ3GEYJ 101 V (100)	B	151.3/21.2
R431	7030003320	S.RES ERJ3GEYJ 101 V (100)	B	150/21.2
R432	7030003320	S.RES ERJ3GEYJ 101 V (100)	B	154.3/15.2
R433	7030003320	S.RES ERJ3GEYJ 101 V (100)	B	155.6/15.2
R434	7030003320	S.RES ERJ3GEYJ 101 V (100)	B	155.6/18.4
R435	7030003320	S.RES ERJ3GEYJ 101 V (100)	B	154.3/18.4
R436	7030003340	S.RES ERJ3GEYJ 151 V (150)	B	156.5/6.7
R437	7030003340	S.RES ERJ3GEYJ 151 V (150)	B	158.5/6.7
R438	7030003340	S.RES ERJ3GEYJ 151 V (150)	B	162.5/6.7
R439	7030003340	S.RES ERJ3GEYJ 151 V (150)	B	164.5/6.7
R440	7030003340	S.RES ERJ3GEYJ 151 V (150)	B	156.5/4.1
R441	7030003340	S.RES ERJ3GEYJ 151 V (150)	B	158.5/4.1
R442	7030003340	S.RES ERJ3GEYJ 151 V (150)	B	164.5/4.1
R443	7030003340	S.RES ERJ3GEYJ 151 V (150)	B	162.5/4.1
R450	7030003860	S.RES ERJ3GE JPW V	T	36.8/35.4
R601	7030003620	S.RES ERJ3GEYJ 333 V (33 K)	B	175/55.4
R602	7030003590	S.RES ERJ3GEYJ 183 V (18 K)	B	171.3/53.1
R603	7030003540	S.RES ERJ3GEYJ 682 V (6.8 K)	B	173.1/55.2
R604	7030003640	S.RES ERJ3GEYJ 473 V (47 K)	B	171.3/55.7
R605	7030003680	S.RES ERJ3GEYJ 104 V (100 K)	B	167.3/55
R606	7030003680	S.RES ERJ3GEYJ 104 V (100 K)	B	102.8/31.6
R607	7030003350	S.RES ERJ3GEYJ 181 V (180)	B	87.7/14.2
R608	7030003520	S.RES ERJ3GEYJ 472 V (4.7 K)	B	90.5/14.2
R609	7030003440	S.RES ERJ3GEYJ 102 V (1 K)	T	80.8/23.6
R610	7030003440	S.RES ERJ3GEYJ 102 V (1 K)	T	80.8/24.9
R611	7030003440	S.RES ERJ3GEYJ 102 V (1 K)	T	80.8/26.2
R612	7030003440	S.RES ERJ3GEYJ 102 V (1 K)	T	80.1/27.5
R613	7030003440	S.RES ERJ3GEYJ 102 V (1 K)	T	83.4/27.9
R614	7030003440	S.RES ERJ3GEYJ 102 V (1 K)	T	83.4/29.2
R615	7030003440	S.RES ERJ3GEYJ 102 V (1 K)	T	83.4/30.5
R616	7030003440	S.RES ERJ3GEYJ 102 V (1 K)	T	83.4/31.8
R617	7030003800	S.RES ERJ3GEYJ 105 V (1 M)	T	86.5/31.8
R618	7030003800	S.RES ERJ3GEYJ 105 V (1 M)	T	86.5/30.5
R619	7030003800	S.RES ERJ3GEYJ 105 V (1 M)	T	86.5/29.2
R620	7030003800	S.RES ERJ3GEYJ 105 V (1 M)	T	86.5/27.9
R621	7030003800	S.RES ERJ3GEYJ 105 V (1 M)	T	84.1/26.6
R622	7030003800	S.RES ERJ3GEYJ 105 V (1 M)	T	84.1/25.3
R623	7030003800	S.RES ERJ3GEYJ 105 V (1 M)	T	84.3/23.6
R624	7030003800	S.RES ERJ3GEYJ 105 V (1 M)	T	84.3/22.3
R625	7030003640	S.RES ERJ3GEYJ 473 V (47 K)	B	68.6/27.3
R626	7030003600	S.RES ERJ3GEYJ 223 V (22 K)	B	68.6/28.6
R627	7030003640	S.RES ERJ3GEYJ 473 V (47 K)	B	66.3/36.4
R628	7030003640	S.RES ERJ3GEYJ 473 V (47 K)	B	66.3/35.1
R629	7030003640	S.RES ERJ3GEYJ 473 V (47 K)	B	71.2/34.9
R630	7030003520	S.RES ERJ3GEYJ 472 V (4.7 K)	B	68.6/32.5
R631	7030003520	S.RES ERJ3GEYJ 472 V (4.7 K)	T	67.4/27
R632	7030003520	S.RES ERJ3GEYJ 472 V (4.7 K)	T	67.4/30.9
R633	7030003520	S.RES ERJ3GEYJ 472 V (4.7 K)	T	67.4/28.3
R634	7030003520	S.RES ERJ3GEYJ 472 V (4.7 K)	T	66.3/33.8
R635	7030003520	S.RES ERJ3GEYJ 472 V (4.7 K)	T	67.4/29.6
R636	7030003640	S.RES ERJ3GEYJ 473 V (47 K)	B	58.1/19.5
R637	7030003640	S.RES ERJ3GEYJ 473 V (47 K)	B	61.8/19.5
R639	7030003640	S.RES ERJ3GEYJ 473 V (47 K)	T	99.1/19
R640	7030003640	S.RES ERJ3GEYJ 473 V (47 K)	T	97.8/19
R641	7030003640	S.RES ERJ3GEYJ 473 V (47 K)	T	96.5/19
R642	7030003640	S.RES ERJ3GEYJ 473 V (47 K)	T	95.2/19
R643	7030003600	S.RES ERJ3GEYJ 223 V (22 K)	B	80.9/46.3
R644	7030003560	S.RES ERJ3GEYJ 103 V (10 K)	B	82.2/46.3
R645	7030003520	S.RES ERJ3GEYJ 472 V (4.7 K)	T	93.1/40.9
R646	7030003720	S.RES ERJ3GEYJ 224 V (220 K)	B	101.8/41.5
R647	7030003720	S.RES ERJ3GEYJ 224 V (220 K)	B	102.8/44.1
R648	7030003720	S.RES ERJ3GEYJ 224 V (220 K)	B	103.8/41.5
R649	7030003720	S.RES ERJ3GEYJ 224 V (220 K)	B	104.8/44.1
R650	7030003720	S.RES ERJ3GEYJ 224 V (220 K)	B	105.8/41.5
R651	7030003720	S.RES ERJ3GEYJ 224 V (220 K)	B	106.8/44.1
R652	7030003720	S.RES ERJ3GEYJ 224 V (220 K)	B	107.8/41.5
R653	7030003720	S.RES ERJ3GEYJ 224 V (220 K)	B	108.7/44.1
R654	7030003520	S.RES ERJ3GEYJ 472 V (4.7 K)	B	102.8/39.2
R655	7030003520	S.RES ERJ3GEYJ 472 V (4.7 K)	B	102.8/37.7
R656	7030003520	S.RES ERJ3GEYJ 472 V (4.7 K)	T	144.4/59.9
R657	7030003720	S.RES ERJ3GEYJ 224 V (220 K)	B	68.6/26
R658	7030003640	S.RES ERJ3GEYJ 473 V (47 K)	B	84.2/44.2
R659	7030003640	S.RES ERJ3GEYJ 473 V (47 K)	B	84.2/45.5
R660	7030003640	S.RES ERJ3GEYJ 473 V (47 K)	B	102.8/29.5
R661	7030003640	S.RES ERJ3GEYJ 473 V (47 K)	B	69.4/16.4
R662	7030003640	S.RES ERJ3GEYJ 473 V (47 K)	B	89.2/14.2
R663	7030003640	S.RES ERJ3GEYJ 473 V (47 K)	B	71.2/15.9
R664	7030003640	S.RES ERJ3GEYJ 473 V (47 K)	B	71.2/17.2
R665	7030003560	S.RES ERJ3GEYJ 103 V (10 K)	B	93.1/14.2
R666	7030003560	S.RES ERJ3GEYJ 103 V (10 K)	B	78.3/16.5
R667	7030003560	S.RES ERJ3GEYJ 103 V (10 K)	B	77/16
R668	7030003640	S.RES ERJ3GEYJ 473 V (47 K)	B	84.9/16.8
R669	7030003640	S.RES ERJ3GEYJ 473 V (47 K)	B	71.2/14.2
R670	7030003640	S.RES ERJ3GEYJ 473 V (47 K)	T	94.4/43.5
R671	7030003640	S.RES ERJ3GEYJ 473 V (47 K)	T	95.7/43.5
R672	7030003640	S.RES ERJ3GEYJ 473 V (47 K)	B	75.7/16.8
R673	7030003640	S.RES ERJ3GEYJ 473 V (47 K)	B	74.4/16.8
R674	7030003640	S.RES ERJ3GEYJ 473 V (47 K)	T	91.3/36.8
R675	7030003640	S.RES ERJ3GEYJ 473 V (47 K)	T	89.1/31.8
R676	7030003640	S.RES ERJ3GEYJ 473 V (47 K)	B	94.4/14.2
R677	7030003520	S.RES ERJ3GEYJ 472 V (4.7 K)	T	146.1/65.1
R678	7030003720	S.RES ERJ3GEYJ 224 V (220 K)	B	68.6/22.1
R679	7030003640	S.RES ERJ3GEYJ 473 V (47 K)	B	91.8/14.2
R680	7030003520	S.RES ERJ3GEYJ 472 V (4.7 K)	T	144.6/65.1
R681	7030003520	S.RES ERJ3GEYJ 472 V (4.7 K)	T	147.5/65.1
R682	7030003520	S.RES ERJ3GEYJ 472 V (4.7 K)	B	152.7/60.8
R683	7030003720	S.RES ERJ3GEYJ 224 V (220 K)	B	68.6/23.4
R684	7030003640	S.RES ERJ3GEYJ 473 V (47 K)	B	80.2/16.2
R685	7030003520	S.RES ERJ3GEYJ 472 V (4.7 K)	B	152.7/62.1
R686	7030003520	S.RES ERJ3GEYJ 472 V (4.7 K)	B	152.7/59.5
R687	7030003520	S.RES ERJ3GEYJ 472 V (4.7 K)	B	152.1/53.6
R688	7030003720	S.RES ERJ3GEYJ 224 V (220 K)	B	68.6/24.7
R689	7030003520	S.RES ERJ3GEYJ 472 V (4.7 K)	B	153/56.2
R690	7030003520	S.RES ERJ3GEYJ 472 V (4.7 K)	B	153/54.9

[LOGIC UNIT]

REF NO.	PARTS NO.	DESCRIPTION	M.	H/V LOCATION
R691	7030003640	S.RES ERJ3GEYJ 473 V (47 K)	B	66/31.9
R701	7030003860	S.RES ERJ3GE JPW V	T	93.1/43.5
R801	7030003560	S.RES ERJ3GEYJ 103 V (10 K)	T	158.2/72.8
R802	7030006210	S.RES ERJ12YJ4R7U (4.7)	T	162.3/71.2
R803	7030003440	S.RES ERJ3GEYJ 102 V (1 K)	T	159.5/72.8
R804	7030006210	S.RES ERJ12YJ4R7U (4.7)	T	168.9/71.2
R805	7030003440	S.RES ERJ3GEYJ 102 V (1 K)	T	166.1/72.8
R806	7030003560	S.RES ERJ3GEYJ 103 V (10 K)	T	164.8/72.8
R807	7030006210	S.RES ERJ12YJ4R7U (4.7)	T	175.5/71.2
R808	7030003440	S.RES ERJ3GEYJ 102 V (1 K)	T	173/72.8
R809	7030003560	S.RES ERJ3GEYJ 103 V (10 K)	T	171.6/72.8
R810	7030003320	S.RES ERJ3GEYJ 101 V (100)	B	154.9/29.9
R811	7030003320	S.RES ERJ3GEYJ 101 V (100)	B	154.9/27.5
R812	7030010440	S.RES ERJ1TYJ 680U (68)	B	133/111.2
R813	7030003560	S.RES ERJ3GEYJ 103 V (10 K)	B	192.6/10
R814	7030003440	S.RES ERJ3GEYJ 102 V (1 K)	T	105.6/116.6
R816	7030003560	S.RES ERJ3GEYJ 103 V (10 K)	T	158.9/74.7
R817	7030003560	S.RES ERJ3GEYJ 103 V (10 K)	T	161.5/74.7
R818	7030000140	S.RES MCR10EZJH 10 (100)	T	155.6/78.2
R819	7030007190	S.RES ERJ12YJ220U (22)	T	135.4/111
R821	7030003370	S.RES ERJ3GEYJ 271 V (270)	B	15.3/100
R822	7030009720	S.RES ERJ12YJ102U (1 K)	T	19.9/103.2
R823	7030003810	S.RES ERJ3GEYJ 125 V (1.2 M)	B	16.8/109.5
R824	7030003810	S.RES ERJ3GEYJ 125 V (1.2 M)	B	13.5/107.1
R825	7030008170	S.RES ERJ12YJ1R0U (1)	B	37/112.2
R826	7030003610	S.RES ERJ3GEYJ 273 V (27 K)	B	16.8/110.8
R827	7030003610	S.RES ERJ3GEYJ 273 V (27 K)	B	13.5/109.9
R828	7030003560	S.RES ERJ3GEYJ 103 V (10 K)	B	25.4/101.5
R829	7030000340	S.RES MCR10EZJH 470 (471)	B	20.6/104.5
R830	7030003600	S.RES ERJ3GEYJ 223 V (22 K)	B	18.5/100
R832	7030003600	S.RES ERJ3GEYJ 223 V (22 K)	B	18.5/98.7
R833	7030003560	S.RES ERJ3GEYJ 103 V (10 K)	B	18.5/97.4
R850	7030003860	S.RES ERJ3GE JPW V	B	182.4/50.2
R851	7030003860	S.RES ERJ3GEYJ 104 V (100 K)	B	187.1/61.9
R852	7030003860	S.RES ERJ3GEYJ 104 V (100 K)	B	185/61.9
R853	7030003770	S.RES ERJ3GEYJ 564 V (560 K)	B	183.7/61.9
R854	7030003770	S.RES ERJ3GEYJ 564 V (560 K)	B	188.4/61.9
R855	7030003520	S.RES ERJ3GEYJ 472 V (4.7 K)	B	191.5/61.9
R856	7030003520	S.RES ERJ3GEYJ 472 V (4.7 K)	B	180.6/61.9
R857	7030003560	S.RES ERJ3GEYJ 103 V (10 K)	B	144.7/14.2
R858	7030003460	S.RES ERJ3GEYJ 152 V (1.5 K)	B	144.7/12.9
R859	7030003470	S.RES ERJ3GEYJ 182 V (1.8 K)	B	142.1/12.9
R860	7030003500	S.RES ERJ3GEYJ 332 V (3.3 K)	B	144.7/15.5
R861	7030003480	S.RES ERJ3GEYJ 222 V (2.2 K)	B	141.4/14.9
R862	7030003380	S.RES ERJ3GEYJ 331 V (330)	B	147.7/3.8
R863	7030003560	S.RES ERJ3GEYJ 103 V (10 K)	B	134.5/21.1
R864	7030003460	S.RES ERJ3GEYJ 152 V (1.5 K)	B	134.5/19.8
R865	7030003470	S.RES ERJ3GEYJ 182 V (1.8 K)	B	134.5/18.5
R866	7030003500	S.RES ERJ3GEYJ 332 V (3.3 K)	B	131.7/17.5
R867	7030003480	S.RES ERJ3GEYJ 222 V (2.2 K)	B	131.7/18.2
R868	7030003380	S.RES ERJ3GEYJ 331 V (330)	B	134.1/3.8
R869	7030003560	S.RES ERJ3GEYJ 103 V (10 K)	B	114.1/30
R870	7030003560	S.RES ERJ3GEYJ 103 V (10 K)	B	144.7/7.2
R871	7030003460	S.RES ERJ3GEYJ 152 V (1.5 K)	B	143.4/7.2
R872	7030003470	S.RES ERJ3GEYJ 182 V (1.8 K)	B	142.1/7.2
R873	7030003500	S.RES ERJ3GEYJ 332 V (3.3 K)	B	138.2/7.2
R874	7030003480	S.RES ERJ3GEYJ 222 V (2.2 K)	B	139.5/7.2
R875	7030003380	S.RES ERJ3GEYJ 331 V (330)	B	140.9/3.8
R876	7030003410	S.RES ERJ3GEYJ 561 V (560)	B	120.5/14.9
R877	7030003700	S.RES ERJ3GEYJ 154 V (150 K)	B	120.5/13.6
R878	7030003520	S.RES ERJ3GEYJ 472 V (4.7 K)	B	120.5/12.3
R879	7030003550	S.RES ERJ3GEYJ 822 V (8.2 K)	B	117.9/4.2
R880	7030003690	S.RES ERJ3GEYJ 124 V (120 K)	B	119.7/5
R881	7030003520	S.RES ERJ3GEYJ 472 V (4.7 K)	B	122.3/5
R882	7030003410	S.RES ERJ3GEYJ 561 V (560)	B	108.9/15.9
R883	7030003550	S.RES ERJ3GEYJ 822 V (8.2 K)	B	108.9/14.6
R884	7030003520	S.RES ERJ3GEYJ 472 V (4.7 K)	B	108.9/13.3
R885	7030003410	S.RES ERJ3GEYJ 561 V (560)	B	108.9/4.1
R886	7030003550	S.RES ERJ3GEYJ 822 V (8.2 K)	B	109.7/6.2
R887	7030003520	S.RES ERJ3GEYJ 472 V (4.7 K)	B	108.4/6.2
R888	7030003360	S.RES ERJ3GEYJ 221 V (220)	B	181.6/48
R889	7030003640	S.RES ERJ3GEYJ 473 V (47 K)	B	184.5/4



[LOGIC UNIT]

REF NO.	PARTS NO.	DESCRIPTION	M.	H/V LOCATION
R927	7030003200	S.RES ERJ3GEYJ 100 V (10)	T	179.1/28.2
R928	7030003200	S.RES ERJ3GEYJ 100 V (10)	T	179.6/37.7
R929	7030003200	S.RES ERJ3GEYJ 100 V (10)	T	180.1/30.8
R930	7030003200	S.RES ERJ3GEYJ 100 V (10)	T	180.6/40.3
R931	7030003200	S.RES ERJ3GEYJ 100 V (10)	T	181.1/28.2
R932	7030003200	S.RES ERJ3GEYJ 100 V (10)	T	182.1/30.8
R933	7030003200	S.RES ERJ3GEYJ 100 V (10)	T	182.6/40.3
R934	7030003200	S.RES ERJ3GEYJ 100 V (10)	T	183.1/28.2
R935	7030003200	S.RES ERJ3GEYJ 100 V (10)	T	183.6/37.7
R936	7030003200	S.RES ERJ3GEYJ 100 V (10)	T	184.1/30.8
R937	7030003200	S.RES ERJ3GEYJ 100 V (10)	T	185.1/28.2
R938	7030003200	S.RES ERJ3GEYJ 100 V (10)	T	185.6/37.7
R939	7030003200	S.RES ERJ3GEYJ 100 V (10)	T	186.1/30.8
R940	7030003200	S.RES ERJ3GEYJ 100 V (10)	T	186.6/37.7
R941	7030003200	S.RES ERJ3GEYJ 100 V (10)	T	187.1/30.8
R942	7030003200	S.RES ERJ3GEYJ 100 V (10)	T	187.6/37.7
R943	7030003200	S.RES ERJ3GEYJ 100 V (10)	T	188.1/30.8
R944	7030003200	S.RES ERJ3GEYJ 100 V (10)	T	188.6/37.7
R945	7030003200	S.RES ERJ3GEYJ 100 V (10)	T	189.1/30.8
R946	7030003200	S.RES ERJ3GEYJ 100 V (10)	T	189.6/37.7
R947	7030003200	S.RES ERJ3GEYJ 100 V (10)	T	190.1/30.8
R949	7030003200	S.RES ERJ3GEYJ 100 V (10)	T	190.6/37.7
R950	7030003200	S.RES ERJ3GEYJ 100 V (10)	T	191.1/30.8
R951	7030003200	S.RES ERJ3GEYJ 100 V (10)	T	191.6/37.7
R952	7030003200	S.RES ERJ3GEYJ 100 V (10)	T	192.1/30.8
R953	7030003200	S.RES ERJ3GEYJ 100 V (10)	T	192.6/37.7
R954	7030003200	S.RES ERJ3GEYJ 100 V (10)	T	193.1/30.8
R955	7030003200	S.RES ERJ3GEYJ 100 V (10)	T	193.6/37.7
R956	7030003200	S.RES ERJ3GEYJ 100 V (10)	T	194.1/30.8
R957	7030003200	S.RES ERJ3GEYJ 100 V (10)	T	194.6/37.7
R958	7030003200	S.RES ERJ3GEYJ 100 V (10)	T	195.1/30.8
R959	7030003200	S.RES ERJ3GEYJ 100 V (10)	T	195.6/37.7
R960	7030003200	S.RES ERJ3GEYJ 100 V (10)	T	196.1/30.8
R961	7030003200	S.RES ERJ3GEYJ 100 V (10)	T	196.6/37.7
R962	7030003200	S.RES ERJ3GEYJ 100 V (10)	T	197.1/30.8
R963	7030003200	S.RES ERJ3GEYJ 100 V (10)	T	197.6/37.7
R964	7030003200	S.RES ERJ3GEYJ 100 V (10)	T	198.1/30.8
R965	7030003200	S.RES ERJ3GEYJ 100 V (10)	T	198.6/37.7
R966	7030003200	S.RES ERJ3GEYJ 100 V (10)	T	199.1/30.8
R967	7030003200	S.RES ERJ3GEYJ 100 V (10)	T	199.6/37.7
R968	7030003200	S.RES ERJ3GEYJ 100 V (10)	T	200.1/30.8
R969	7030003200	S.RES ERJ3GEYJ 100 V (10)	T	200.6/37.7
R970	7030003200	S.RES ERJ3GEYJ 100 V (10)	T	201.1/30.8
R971	7030003200	S.RES ERJ3GEYJ 100 V (10)	T	201.6/37.7
R974	7030003200	S.RES ERJ3GEYJ 100 V (10)	T	202.1/30.8
R975	7030003200	S.RES ERJ3GEYJ 100 V (10)	B	214.5/83.4
R976	7030003200	S.RES ERJ3GEYJ 100 V (10)	B	220.6/83
R977	7030003200	S.RES ERJ3GEYJ 100 V (10)	B	214.5/86
R978	7030003200	S.RES ERJ3GEYJ 100 V (10)	B	220.6/87
R979	7030003200	S.RES ERJ3GEYJ 100 V (10)	B	214.5/88
R980	7030003200	S.RES ERJ3GEYJ 100 V (10)	B	220.6/89
R981	7030003200	S.RES ERJ3GEYJ 100 V (10)	B	220.6/91
R982	7030003200	S.RES ERJ3GEYJ 100 V (10)	B	220.6/93
R983	7030003200	S.RES ERJ3GEYJ 100 V (10)	B	214.5/94
R984	7030003200	S.RES ERJ3GEYJ 100 V (10)	B	12.2/115.7
R985	7030003200	S.RES ERJ3GEYJ 100 V (10)	B	13.6/115.7
R986	7030003200	S.RES ERJ3GEYJ 100 V (10)	B	14.9/115.7
R987	7030003200	S.RES ERJ3GEYJ 100 V (10)	B	16.2/115.7
R988	7030003200	S.RES ERJ3GEYJ 100 V (10)	B	17.5/115.7
R989	7030003200	S.RES ERJ3GEYJ 100 V (10)	B	181.6/37.7
R990	7030003440	S.RES ERJ3GEYJ 102 V (1 K)	B	182.5/92.1
R991	7030003440	S.RES ERJ3GEYJ 102 V (1 K)	B	183.5/93.5
R992	7030003440	S.RES ERJ3GEYJ 102 V (1 K)	B	184.5/92.1
R993	7030003440	S.RES ERJ3GEYJ 102 V (1 K)	B	185.5/93.5
R994	7030003440	S.RES ERJ3GEYJ 102 V (1 K)	B	186.5/92.1
R995	7030003440	S.RES ERJ3GEYJ 102 V (1 K)	B	187.5/93.5
R996	7030003200	S.RES ERJ3GEYJ 100 V (10)	B	220.6/95.6
R998	7030003440	S.RES ERJ3GEYJ 102 V (1 K)	B	190.5/92.1
R999	7030003440	S.RES ERJ3GEYJ 102 V (1 K)	B	191.5/93.5
R1000	7030003440	S.RES ERJ3GEYJ 102 V (1 K)	B	192.5/92.1
R1003	7030003200	S.RES ERJ3GEYJ 100 V (10)	B	231.3/83
R1004	7030003200	S.RES ERJ3GEYJ 100 V (10)	B	225.9/82.7
R1005	7030003200	S.RES ERJ3GEYJ 100 V (10)	B	231.3/81
R1006	7030003200	S.RES ERJ3GEYJ 100 V (10)	B	222.7/80
R1007	7030003200	S.RES ERJ3GEYJ 100 V (10)	B	231.3/79
R1008	7030003200	S.RES ERJ3GEYJ 100 V (10)	B	222.7/48.5
R1009	7030003200	S.RES ERJ3GEYJ 100 V (10)	B	231.3/49.5
R1010	7030003200	S.RES ERJ3GEYJ 100 V (10)	B	222.7/52.5
R1011	7030003200	S.RES ERJ3GEYJ 100 V (10)	B	231.3/53.5
R1012	7030003200	S.RES ERJ3GEYJ 100 V (10)	B	222.7/56.5
R1013	7030003200	S.RES ERJ3GEYJ 100 V (10)	B	231.3/57.5
R1014	7030003200	S.RES ERJ3GEYJ 100 V (10)	B	222.7/58.5
R1015	7030003200	S.RES ERJ3GEYJ 100 V (10)	B	231.3/59.5
R1016	7030003200	S.RES ERJ3GEYJ 100 V (10)	T	181/22.1
R1017	7030003200	S.RES ERJ3GEYJ 100 V (10)	T	179.7/22.1
R1018	7030003200	S.RES ERJ3GEYJ 100 V (10)	T	176.7/22.1
R1019	7030003200	S.RES ERJ3GEYJ 100 V (10)	T	174.7/22.2
R1020	7030003200	S.RES ERJ3GEYJ 100 V (10)	T	173.4/22.2
R1021	7030003200	S.RES ERJ3GEYJ 100 V (10)	T	172.1/22.2
R1022	7030003200	S.RES ERJ3GEYJ 100 V (10)	T	170.8/22.2
R1023	7030003200	S.RES ERJ3GEYJ 100 V (10)	T	169.5/22.2
R1024	7030003200	S.RES ERJ3GEYJ 100 V (10)	B	220.7/85
R1025	7030003320	S.RES ERJ3GEYJ 101 V (100)	B	120.5/9.7
R1026	7030003320	S.RES ERJ3GEYJ 101 V (100)	B	108.9/8.1
R1027	7030003320	S.RES ERJ3GEYJ 101 V (100)	B	137.3/17.2
R1028	7030003320	S.RES ERJ3GEYJ 101 V (100)	B	135.6/7.2
R1029	7030003520	S.RES ERJ3GEYJ 472 V (4.7 K)	B	120.5/11
R1030	7030003520	S.RES ERJ3GEYJ 472 V (4.7 K)	B	120.5/7.1
R1031	7030003520	S.RES ERJ3GEYJ 472 V (4.7 K)	B	108.9/12
R1032	7030003520	S.RES ERJ3GEYJ 472 V (4.7 K)	B	108.9/9.4
R1033	7030003860	S.RES ERJ3GGE JPW V	T	188.9/62.5
R1035	7030003540	S.RES ERJ3GEYJ 682 V (6.8 K)	B	192.2/60.1
R1036	7030003540	S.RES ERJ3GEYJ 682 V (6.8 K)	B	184.5/64.7
R1041	7030003520	S.RES ERJ3GEYJ 472 V (4.7 K)	B	173.8/28.2
R1042	7030003550	S.RES ERJ3GEYJ 822 V (8.2 K)	T	115.2/16.6

[LOGIC UNIT]

REF NO.	PARTS NO.	DESCRIPTION	M.	H/V LOCATION
R1052	7030008240	S.RES ERJ12Y0R00U	T	86.1/114.3
R1053	7030008240	S.RES ERJ12Y0R00U	T	67.5/114.4
R1054	7030008240	S.RES ERJ12Y0R00U	T	9.4/116.7
R1056	7030003860	S.RES ERJ3GGE JPW V	T	138.7/40.3
R1057	7030003860	S.RES ERJ3GGE JPW V	B	123.1/7.1
R1101	7030003280	S.RES ERJ3GEYJ 470 V (47)	T	18.7/30.5
R1102	7030003280	S.RES ERJ3GEYJ 470 V (47)	T	18.7/33.1
R1103	7030003280	S.RES ERJ3GEYJ 470 V (47)	T	18.7/35.7
R1104	7030003280	S.RES ERJ3GEYJ 470 V (47)	T	20.5/30.5
R1105	7030003280	S.RES ERJ3GEYJ 470 V (47)	T	20.5/33.1
R1106	7030003280	S.RES ERJ3GEYJ 470 V (47)	T	20.5/35.7
R1107	7030003280	S.RES ERJ3GEYJ 470 V (47)	T	22.3/30.5
R1108	7030003280	S.RES ERJ3GEYJ 470 V (47)	T	22.3/33.1
R1109	7030003280	S.RES ERJ3GEYJ 470 V (47)	T	22.3/35.7
R1110	7030003280	S.RES ERJ3GEYJ 470 V (47)	T	24.1/27.9
R1111	7030003280	S.RES ERJ3GEYJ 470 V (47)	T	24.1/30.5
R1112	7030003280	S.RES ERJ3GEYJ 470 V (47)	T	24.1/33.1
R1113	7030003280	S.RES ERJ3GEYJ 470 V (47)	T	25.9/27.9
R1114	7030003280	S.RES ERJ3GEYJ 470 V (47)	T	25.9/30.5
R1115	7030003280	S.RES ERJ3GEYJ 470 V (47)	T	25.9/33.1
R1116	7030003280	S.RES ERJ3GEYJ 470 V (47)	T	27.3/30.5
R1117	7030003280	S.RES ERJ3GEYJ 470 V (47)	T	28.6/30.5
R1118	7030003280	S.RES ERJ3GEYJ 470 V (47)	T	29.9/30.5
R1119	7030003280	S.RES ERJ3GEYJ 470 V (47)	T	31.2/30.5
R1120	7030003280	S.RES ERJ3GEYJ 470 V (47)	T	32.5/30.5
R1121	7030003280	S.RES ERJ3GEYJ 470 V (47)	T	33.8/30.5
R1122	7030003280	S.RES ERJ3GEYJ 470 V (47)	T	35.1/30.5
R1123	7030003280	S.RES ERJ3GEYJ 470 V (47)	T	40.5/29.6
R1124	7030003280	S.RES ERJ3GEYJ 470 V (47)	T	42.8/34.8
R1125	7030003280	S.RES ERJ3GEYJ 470 V (47)	T	43.5/32.2
R1126	7030003280	S.RES ERJ3GEYJ 470 V (47)	T	44.2/34.8
R1127	7030003280	S.RES ERJ3GEYJ 470 V (47)	T	44.9/32.2
R1128	7030003280	S.RES ERJ3GEYJ 470 V (47)	T	45.6/34.8
R1129	7030003280	S.RES ERJ3GEYJ 470 V (47)	T	46.3/32.2
R1130	7030003280	S.RES ERJ3GEYJ 470 V (47)	T	47/34.8
R1131	7030003280	S.RES ERJ3GEYJ 470 V (47)	T	47.7/32.2
R1132	7030003280	S.RES ERJ3GEYJ 470 V (47)	T	48.4/34.8
R1133	7030003280	S.RES ERJ3GEYJ 470 V (47)	T	49.1/32.2
R1134	7030003280	S.RES ERJ3GEYJ 470 V (47)	T	49.8/34.8
R1135	7030003280	S.RES ERJ3GEYJ 470 V (47)	T	50.5/32.2
R1136	7030003280	S.RES ERJ3GEYJ 470 V (47)	T	51.2/34.8
R1137	7030003280	S.RES ERJ3GEYJ 470 V (47)	T	51.9/32.2
R1138	7030003280	S.RES ERJ3GEYJ 470 V (47)	T	52.6/34.8
R1139	7030003280	S.RES ERJ3GEYJ 470 V (47)	T	53.3/32.2
R1140	7030003280	S.RES ERJ3GEYJ 470 V (47)	T	54/34.8
R1141	7030003280	S.RES ERJ3GEYJ 470 V (47)	T	54.7/32.2
R1142	7030003280	S.RES ERJ3GEYJ 470 V (47)	T	55.4/34.8
R1143	7030003280	S.RES ERJ3GEYJ 470 V (47)	T	56.1/32.2
R1144	7030003280	S.RES ERJ3GEYJ 470 V (47)	T	56.8/34.8
R1145	7030003280	S.RES ERJ3GEYJ 470 V (47)	T	57.5/32.2
R1146	7030003280	S.RES ERJ3GEYJ 470 V (47)	T	58.2/34.8
R1151	7030003290	S.RES ERJ3GEYJ 560 V (56)	T	205.2/11.7
R1152	7030003320	S.RES ERJ3GEYJ 101 V (100)	T	203.6/11.7
R1153	7030003320	S.RES ERJ3GEYJ 101 V (100)	T	200.8/13.2
R1154	7030003320	S.RES ERJ3GEYJ 101 V (100)	T	199.5/13.2
R1155	7030003320	S.RES ERJ3GEYJ 101 V (100)	B	201.4/10.8
R1156	7030003320	S.RES ERJ3GEYJ 101 V (100)	T	198.2/13.2
R1157	7030003320	S.RES ERJ3GEYJ 101 V (100)	B	200.1/10.8
R1158	7030003320	S.RES ERJ3GEYJ 101 V (100)	T	196.9/13.2
R1159	7030003320	S.RES ERJ3GEYJ 101 V (100)	B	198.8/10.8
R1160	7030003320	S.RES ERJ3GEYJ 101 V (100)	T	195.6/13.2
R1161	7030003320	S.RES ERJ3GEYJ 101 V (100)	B	197.5/10.8
R1162	7030003320	S.RES ERJ3GEYJ 101 V (100)	B	196.2/10.8
R1163	7030003320	S.RES ERJ3GEYJ 101 V (100)	T	194.3/13.2
R1164	7030003320	S.RES ERJ3GEYJ 101 V (100)	T	193/13.2
R1165	7030003320	S.RES ERJ3GEYJ 101 V (100)	T	191.1/14.9
R1166	7030003320	S.RES ERJ3GEYJ 101 V (100)	T	189.8/14.9
R1167	7030003320	S.RES ERJ3GEYJ 101 V (100)	T	188.5/14.9
R1168	7030003320	S.RES ERJ3GEYJ 101 V (100)	T	187.2/14.9
R1169	7030003320	S.RES ERJ3GEYJ 101 V (100)	T	185.9/14.9
R1170	7030003320	S.RES ERJ3GEYJ 101 V (100)	T	181.4/9.5
C1	4030011600	S.CER C1608 JB 1E 104K-T	B	69.7/83.3
C2	4030			



[LOGIC UNIT]

REF NO.	PARTS NO.	DESCRIPTION	M.	H/V LOCATION
C103	4030011600	S.CER C1608 JB 1E 104K-T	B	47.1/78
C104	4030011600	S.CER C1608 JB 1E 104K-T	B	46.8/58.8
C105	4030011600	S.CER C1608 JB 1E 104K-T	B	49.5/71
C106	4030011600	S.CER C1608 JB 1E 104K-T	B	46.8/57.5
C107	4030011600	S.CER C1608 JB 1E 104K-T	B	52/57.5
C108	4030011600	S.CER C1608 JB 1E 104K-T	B	57.7/57.5
C109	4030011600	S.CER C1608 JB 1E 104K-T	B	59.6/60.8
C110	4030011600	S.CER C1608 JB 1E 104K-T	B	46.8/68
C111	4550007520	S.TAN F931A106MAABMA	B	57.7/48.8
C112	4030011600	S.CER C1608 JB 1E 104K-T	B	59/50.5
C113	4550007520	S.TAN F931A106MAABMA	B	63.6/48.8
C114	4030011600	S.CER C1608 JB 1E 104K-T	B	62/50.5
C115	4550007520	S.TAN F931A106MAABMA	B	68.8/48.8
C116	4030011600	S.CER C1608 JB 1E 104K-T	B	64.9/50.5
C117	4030011600	S.CER C1608 JB 1E 104K-T	B	46.9/71
C118	4030011600	S.CER C1608 JB 1E 104K-T	B	46.8/61.4
C119	4030011600	S.CER C1608 JB 1E 104K-T	B	46.8/69.3
C120	4030011600	S.CER C1608 JB 1E 104K-T	B	59.6/69.4
C121	4030011600	S.CER C1608 JB 1E 104K-T	B	57.8/70.2
C122	4030011600	S.CER C1608 JB 1E 104K-T	B	56.5/70.2
C123	4030006860	S.CER C1608 JB 1H 102K-T	B	57.3/78
C124	4030011600	S.CER C1608 JB 1E 104K-T	B	52.1/71
C125	4030011600	S.CER C1608 JB 1E 104K-T	B	54.7/71
C126	4030011600	S.CER C1608 JB 1E 104K-T	B	46.8/66.7
C127	4030011600	S.CER C1608 JB 1E 104K-T	B	43.2/50.8
C128	4030011600	S.CER C1608 JB 1E 104K-T	B	52.2/50.8
C129	4030011600	S.CER C1608 JB 1E 104K-T	B	46.1/64.8
C130	4030011600	S.CER C1608 JB 1E 104K-T	B	59.6/66.8
C131	4030011600	S.CER C1608 JB 1E 104K-T	B	66.4/68.7
C132	4030011600	S.CER C1608 JB 1E 104K-T	B	59.6/63.6
C133	4030011600	S.CER C1608 JB 1E 104K-T	B	47.1/50.9
C134	4030011600	S.CER C1608 JB 1E 104K-T	B	39.3/58.6
C135	4030011600	S.CER C1608 JB 1E 104K-T	B	46.8/60.1
C136	4030011600	S.CER C1608 JB 1E 104K-T	B	54.6/57.5
C137	4030011600	S.CER C1608 JB 1E 104K-T	B	49.4/57.5
C138	4030011600	S.CER C1608 JB 1E 104K-T	B	54.7/69.3
C139	4030011600	S.CER C1608 JB 1E 104K-T	B	59.6/58.2
C140	4030006900	S.CER C1608 JB 1H 103K-T	B	66.4/58.5
C141	4030011600	S.CER C1608 JB 1E 104K-T	T	64.3/38.6
C142	4030011600	S.CER C1608 JB 1E 104K-T	T	76.8/32.5
C144	4030011600	S.CER C1608 JB 1E 104K-T	T	7.9/62.8
C145	4030011600	S.CER C1608 JB 1E 104K-T	T	10/62.1
C146	4030007020	S.CER C1608 CH 1H 120J-T	T	8.1/58.8
C147	4030007020	S.CER C1608 CH 1H 120J-T	T	10/59.5
C148	4030011600	S.CER C1608 JB 1E 104K-T	T	6.7/70.5
C149	4030011600	S.CER C1608 JB 1E 104K-T	T	7.4/73.7
C201	4030011600	S.CER C1608 JB 1E 104K-T	B	118.1/103.3
C202	4030011600	S.CER C1608 JB 1E 104K-T	B	120.7/103.3
C203	4030011600	S.CER C1608 JB 1E 104K-T	B	124.2/103.3
C204	4030011600	S.CER C1608 JB 1E 104K-T	B	127.3/103.3
C205	4030011600	S.CER C1608 JB 1E 104K-T	B	137.4/103.5
C206	4030011600	S.CER C1608 JB 1E 104K-T	B	120.7/87.6
C207	4030011600	S.CER C1608 JB 1E 104K-T	B	125.5/87.7
C208	4030011600	S.CER C1608 JB 1E 104K-T	B	117.7/85.8
C209	4030011600	S.CER C1608 JB 1E 104K-T	B	119.2/85.8
C210	4030011600	S.CER C1608 JB 1E 104K-T	B	124/85.8
C211	4030011600	S.CER C1608 JB 1E 104K-T	B	128/85.8
C212	4030011600	S.CER C1608 JB 1E 104K-T	B	138.4/85.8
C213	4030011600	S.CER C1608 JB 1E 104K-T	B	120.7/770
C214	4030011600	S.CER C1608 JB 1E 104K-T	B	124.1/770
C215	4030011600	S.CER C1608 JB 1E 104K-T	B	89.4/90.4
C216	4030011600	S.CER C1608 JB 1E 104K-T	B	85.6/71.6
C217	4030011600	S.CER C1608 JB 1E 104K-T	B	91.5/79.6
C218	4030011600	S.CER C1608 JB 1E 104K-T	B	92.1/72.6
C219	4030011600	S.CER C1608 JB 1E 104K-T	B	94.7/72.6
C220	4030011600	S.CER C1608 JB 1E 104K-T	B	90.8/72.6
C221	4030011600	S.CER C1608 JB 1E 104K-T	B	96.6/66.6
C222	4030011600	S.CER C1608 JB 1E 104K-T	B	94.4/89.4
C223	4030011600	S.CER C1608 JB 1E 104K-T	B	90.8/83.4
C224	4030011600	S.CER C1608 JB 1E 104K-T	B	85.6/83.7
C225	4030011600	S.CER C1608 JB 1E 104K-T	B	91.5/77
C226	4030011600	S.CER C1608 JB 1E 104K-T	B	91.5/75.7
C227	4030011600	S.CER C1608 JB 1E 104K-T	B	96.7/72.6
C228	4030011600	S.CER C1608 JB 1E 104K-T	B	91.5/74.4
C229	4030011600	S.CER C1608 JB 1E 104K-T	B	100.6/89.4
C230	4030011600	S.CER C1608 JB 1E 104K-T	B	97.3/83.2
C231	4030011600	S.CER C1608 JB 1E 104K-T	B	102.5/83.6
C232	4030011600	S.CER C1608 JB 1E 104K-T	B	91.5/80.9
C233	4030011600	S.CER C1608 JB 1E 104K-T	B	102.5/77.1
C234	4030011600	S.CER C1608 JB 1E 104K-T	B	99.3/72.6
C235	4030011600	S.CER C1608 JB 1E 104K-T	B	102.2/66.4
C236	4030011600	S.CER C1608 JB 1E 104K-T	B	102.5/82.3
C237	4030011600	S.CER C1608 JB 1E 104K-T	B	102.5/81
C238	4030011600	S.CER C1608 JB 1E 104K-T	B	102.5/79.7
C239	4030011600	S.CER C1608 JB 1E 104K-T	B	85.6/81.1
C240	4030011600	S.CER C1608 JB 1E 104K-T	B	102.5/75.8
C241	4030011600	S.CER C1608 JB 1E 104K-T	B	102.5/74.5
C242	4030011600	S.CER C1608 JB 1E 104K-T	B	103.2/72.6
C243	4030011600	S.CER C1608 JB 1E 104K-T	B	101.9/72.6
C244	4030011600	S.CER C1608 JB 1E 104K-T	B	91.5/78.3
C245	4030011600	S.CER C1608 JB 1E 104K-T	B	92.1/83.2
C246	4030011600	S.CER C1608 JB 1E 104K-T	B	102.5/78.4
C247	4030011600	S.CER C1608 JB 1E 104K-T	B	99.3/83.2
C248	4030011600	S.CER C1608 JB 1E 104K-T	B	100.6/72.6
C249	4030011600	S.CER C1608 JB 1E 104K-T	B	93.4/72.6
C250	4030007050	S.CER C1608 CH 1H 220J-T	T	101/91.3
C251	4030007050	S.CER C1608 CH 1H 220J-T	T	98.4/91.3
C252	4030006990	S.CER C1608 CH 1H 080D-T	T	98.9/63.9
C253	4030006990	S.CER C1608 CH 1H 080D-T	T	101.5/63.9
C254	4030006900	S.CER C1608 JB 1H 103K-T	T	83.7/84.6
C255	4510008520	S.ELE EEE1CA470SP	T	101.3/100.8
C256	4030006900	S.CER C1608 JB 1H 103K-T	T	83/64.1
C257	4510007130	S.ELE EEFCD 0J 470R	T	78.5/66.3
C258	4030011600	S.CER C1608 JB 1E 104K-T	T	84.9/61
C259	4030011600	S.CER C1608 JB 1E 104K-T	B	85.6/76.9

[LOGIC UNIT]

REF NO.	PARTS NO.	DESCRIPTION	M.	H/V LOCATION
C260	4030011600	S.CER C1608 JB 1E 104K-T	T	214.2/33
C261	4030011600	S.CER C1608 JB 1E 104K-T	T	214.2/31.7
C262	4030011600	S.CER C1608 JB 1E 104K-T	T	214.2/29.7
C263	4030011600	S.CER C1608 JB 1E 104K-T	T	214.2/28.4
C264	4030011600	S.CER C1608 JB 1E 104K-T	T	205.4/23.2
C265	4510008540	S.ELE EEE1CA100SR	T	214.2/36.7
C266	4030011600	S.CER C1608 JB 1E 104K-T	T	196.3/28.7
C267	4030007100	S.CER C1608 CH 1H 560J-T	B	219.4/32.5
C268	4030007100	S.CER C1608 CH 1H 560J-T	B	219.4/29.5
C269	4030007100	S.CER C1608 CH 1H 560J-T	B	219.4/26.5
C270	4030007050	S.CER C1608 CH 1H 220J-T	B	225/32.5
C271	4030007050	S.CER C1608 CH 1H 220J-T	B	225/29.5
C272	4030007050	S.CER C1608 CH 1H 220J-T	B	225/26.5
C273	4030011600	S.CER C1608 JB 1E 104K-T	T	194.2/16.5
C274	4030007170	S.CER C1608 CH 1H 221J-T	T	203.9/16.5
C275	4030007170	S.CER C1608 CH 1H 221J-T	T	203.9/19.4
C276	4030007050	S.CER C1608 CH 1H 220J-T	B	217.8/9.3
C277	4030007050	S.CER C1608 CH 1H 220J-T	B	220.7/9.3
C278	4510008500	S.ELE EEE1CA101WP	T	223.4/38.4
C279	4030007050	S.CER C1608 CH 1H 220J-T	B	227.8/9.3
C280	4030007050	S.CER C1608 CH 1H 220J-T	B	230.7/9.3
C281	4510008500	S.ELE EEE1CA101WP	T	223.4/30.6
C282	4030011600	S.CER C1608 JB 1E 104K-T	B	215.6/39.1
C283	4510008550	S.ELE EEE1HA010SR	T	217.2/42
C284	4030011600	S.CER C1608 JB 1E 104K-T	B	104.6/21.2
C285	4510008540	S.ELE EEE1CA100SR	T	105.6/37.4
C286	4510008540	S.ELE EEE1CA100SR	T	105.6/32.6
C287	4030011600	S.CER C1608 JB 1E 104K-T	B	104.6/23.2
C288	4510008540	S.ELE EEE1CA100SR	T	105.6/27.8
C289	4030011600	S.CER C1608 JB 1E 104K-T	B	104.6/24.5
C290	4030011600	S.CER C1608 JB 1E 104K-T	B	115.5/21.2
C291	4510008540	S.ELE EEE1CA100SR	T	111.7/37.4
C292	4510008540	S.ELE EEE1CA100SR	T	111.7/32.6
C293	4030011600	S.CER C1608 JB 1E 104K-T	B	115.5/23.2
C294	4510008540	S.ELE EEE1CA100SR	T	111.7/27.8
C295	4030011600	S.CER C1608 JB 1E 104K-T	B	115.5/24.5
C296	4030011600	S.CER C1608 JB 1E 104K-T	B	126.3/33.9
C297	4510008540	S.ELE EEE1CA100SR	T	123.9/39.8
C298	4030011600	S.CER C1608 JB 1E 104K-T	B	126.3/31.3
C299	4510008540	S.ELE EEE1CA100SR	T	123.9/35
C300	4030011600	S.CER C1608 JB 1E 104K-T	B	114/34.6
C301	4510008540	S.ELE EEE1CA100SR	T	117.8/39.8
C302	4030011600	S.CER C1608 JB 1E 104K-T	B	113.3/32.5
C303	4510008540	S.ELE EEE1CA100SR	T	117.8/35
C401	4030011600	S.CER C1608 JB 1E 104K-T	B	28.2/61.5
C402	4030011600	S.CER C1608 JB 1E 104K-T	B	22.3/61.5
C403	4030011600	S.CER C1608 JB 1E 104K-T	B	8.7/53.3
C404	4030011600	S.CER C1608 JB 1E 104K-T	B	8.7/45.6
C405	4030011600	S.CER C1608 JB 1E 104K-T	B	20.2/35.6
C406	4030011600	S.CER C1608 JB 1E 104K-T	B	25.4/35.6
C407	4030011600	S.CER C1608 JB 1E 104K-T	B	29.7/35.6
C408	4030011600	S.CER C1608 JB 1E 104K-T	B	38.5/42.3
C409	4030011600	S.CER C1608 JB 1E 104K-T	B	38.7/47.5
C410	4030011600	S.CER C1608 JB 1E 104K-T	B	38.7/51
C411	4030011600	S.CER C1608 JB 1E 104K-T	B	40.9/36.2
C412	4030006860	S.CER C1608 JB 1H 102K-T	T	29.3/44.7
C413	4030006900	S.CER C1608 JB 1H 103K-T	T	26.7/44.7
C414	4030007150	S.CER C1608 CH 1H 151J-T	T	28/44.7
C415	4030011600	S.CER C1608 JB 1E 104K-T	B	15.2/30.5
C416	4510008540	S.ELE EEE1CA100SR	T	13.7/28.8
C417	4030011600	S.CER C1608 JB 1E 104K-T	B	15.2/31.8
C418	4510008540	S.ELE EEE1CA100SR	T	13.7/33.6
C419	4030006900	S.CER C1608 JB 1H 103K-T	T	36.9/26.6
C420	4030007150	S.CER C1608 CH 1H 151J-T	T	36.9/25.3
C421	4550007520	S.TAN F931A106MAABMA	B	19.7/26.8
C422	4030011600	S.CER C1608 JB 1E 104K-T	T	20.8/66.3
C423	4030011600	S.CER C1608 JB 1E 104K-T	B	35.3/83.3
C424	4030011600	S.CER C1608 JB 1E 104K-T	B	38.1/77.1
C425	4030011600	S.CER C1608 JB 1E 104K-T	B	34.6/71.4
C426	4030011600	S.CER C1608 JB 1E 104K-T	B	34.8/67.7
C427	4030011600	S.CER C1608 JB 1E 104K-T	B	26.8/62.8
C428	4030011600	S.CER C1608 JB 1E 104K-T	B	20.8

[LOGIC UNIT]

REF NO.	PARTS NO.	DESCRIPTION	M.	H/V LOCATION
C622	4030006880	S.CER C1608 JB 1H 472K-T	B	71.2/22.1
C623	4510008540	S.ELE EEE1CA100SR	T	178.6/62.5
C624	4030011600	S.CER C1608 JB 1E 104K-T	T	174.9/60.6
C625	4510008540	S.ELE EEE1CA100SR	T	184.7/62.5
C626	4030011600	S.CER C1608 JB 1E 104K-T	B	63.7/20.3
C627	4030011600	S.CER C1608 JB 1E 104K-T	B	60/20.3
C628	4030011600	S.CER C1608 JB 1E 104K-T	B	73.6/39
C629	4030011600	S.CER C1608 JB 1E 104K-T	B	57.2/39.8
C630	4030011600	S.CER C1608 JB 1E 104K-T	B	150.9/51.7
C631	4030011600	S.CER C1608 JB 1E 104K-T	B	148.9/48.1
C632	4030011600	S.CER C1608 JB 1E 104K-T	B	131.8/66
C633	4030011600	S.CER C1608 JB 1E 104K-T	B	138.2/66.7
C634	4030011600	S.CER C1608 JB 1E 104K-T	B	150.9/58
C635	4030011600	S.CER C1608 JB 1E 104K-T	B	131.1/58.5
C636	4030011600	S.CER C1608 JB 1E 104K-T	B	131.1/52.1
C801	4510008540	S.ELE EEE1CA100SR	T	141/114.6
C802	4030011600	S.CER C1608 JB 1E 104K-T	B	138.5/110.6
C803	4030011600	S.CER C1608 JB 1E 104K-T	B	138.5/113.3
C804	4510008520	S.ELE EEE1CA470SP	T	147.2/113.8
C805	4510008870	S.ELE EEE1AA471UP	T	100.2/110.4
C806	4510008870	S.ELE EEE1AA471UP	T	109.5/110.4
C807	4510008870	S.ELE EEE1AA471UP	T	119.4/100.6
C808	4510008870	S.ELE EEE1AA471UP	T	119.9/109.6
C809	4510008560	S.ELE EEE1HAR47SR	T	160/65.3
C810	4510008560	S.ELE EEE1HAR47SR	T	166.6/65.3
C811	4510008560	S.ELE EEE1HAR47SR	T	173.2/65.3
C812	4030006860	S.CER C1608 JB 1H 102K-T	B	66.8/117.7
C813	4030006860	S.CER C1608 JB 1H 102K-T	B	84.9/122.3
C814	4030006860	S.CER C1608 JB 1H 102K-T	B	83.6/116.9
C815	4030006860	S.CER C1608 JB 1H 102K-T	T	88.8/115.9
C816	4030006860	S.CER C1608 JB 1H 102K-T	B	97.3/121.4
C817	4030006860	S.CER C1608 JB 1H 102K-T	B	100.6/122.1
C818	4030006860	S.CER C1608 JB 1H 102K-T	B	103.1/122.1
C819	4030006860	S.CER C1608 JB 1H 102K-T	B	105.6/122.1
C820	4030006860	S.CER C1608 JB 1H 102K-T	B	108.8/121.4
C821	4510008520	S.ELE EEE1CA470SP	T	211/16
C822	4510008500	S.ELE EEE1CA101WP	T	14.3/109.4
C823	4030006880	S.CER C1608 JB 1H 472K-T	B	33.9/114.5
C824	4030006860	S.CER C1608 JB 1H 102K-T	T	20/24.5
C825	4030011600	S.CER C1608 JB 1E 104K-T	B	20.4/107.6
C826	4030006860	S.CER C1608 JB 1H 102K-T	T	122.2/118.1
C827	4030006860	S.CER C1608 JB 1H 102K-T	T	117.6/118.7
C828	4030007130	S.CER C1608 CH 1H 101J-T	T	118.9/118.7
C829	4030006860	S.CER C1608 JB 1H 102K-T	T	127.2/116
C830	4030007130	S.CER C1608 CH 1H 101J-T	T	128.5/116
C831	4030006860	S.CER C1608 JB 1H 102K-T	T	130.5/115.5
C832	4030007130	S.CER C1608 CH 1H 101J-T	T	130.5/116.8
C833	4030006860	S.CER C1608 JB 1H 102K-T	T	133.9/116
C834	4030007130	S.CER C1608 CH 1H 101J-T	T	132.6/116
C835	4030011600	S.CER C1608 JB 1E 104K-T	T	127.8/110.6
C836	4510008540	S.ELE EEE1CA100SR	T	127.8/106
C837	4030011600	S.CER C1608 JB 1E 104K-T	T	135.7/106.8
C838	4510008540	S.ELE EEE1CA100SR	T	132.6/106
C850	4030011600	S.CER C1608 JB 1E 104K-T	B	165/40.9
C851	4510008540	S.ELE EEE1CA100SR	T	128/31.2
C852	4030009490	S.CER C1608 JB 1H 821K-T	B	142.1/11.6
C853	4030009490	S.CER C1608 JB 1H 821K-T	B	142.7/14.9
C855	4510008540	S.ELE EEE1CA100SR	T	117.7/29.1
C856	4030009490	S.CER C1608 JB 1H 821K-T	B	134.5/17.2
C857	4030009490	S.CER C1608 JB 1H 821K-T	B	131.7/19.8
C859	4510008540	S.ELE EEE1CA100SR	T	123.2/29.1
C860	4030009490	S.CER C1608 JB 1H 821K-T	B	136.9/7.2
C861	4030009490	S.CER C1608 JB 1H 821K-T	B	140.8/7.2
C865	4510008540	S.ELE EEE1CA100SR	T	119.4/22.2
C866	4030007160	S.CER C1608 CH 1H 181J-T	B	121/5
C867	4030009880	S.CER C1608 JB 1H 682K-T	T	115.2/17.9
C868	4030008880	S.CER C1608 JB 1H 223K-T	T	115.2/15.3
C869	4510008540	S.ELE EEE1CA100SR	T	109.4/16.3
C871	4510008540	S.ELE EEE1CA100SR	T	104.6/16.2
C873	4030011600	S.CER C1608 JB 1E 104K-T	B	120.5/8.4
C874	4030011600	S.CER C1608 JB 1E 104K-T	B	108.9/10.7
C875	4510008540	S.ELE EEE1CA100SR	T	114.6/22.2
C876	4510008540	S.ELE EEE1CA100SR	T	119/16.3
C877	4030011600	S.CER C1608 JB 1E 104K-T	B	137.3/18.5
C878	4030011600	S.CER C1608 JB 1E 104K-T	B	134.3/7.2
C879	4510008540	S.ELE EEE1CA100SR	T	124.2/22.2
C880	4510008540	S.ELE EEE1CA100SR	T	124.2/16.3
C883	4510008560	S.ELE EEE1HAR47SR	T	184.7/67.3
C884	4510008560	S.ELE EEE1HAR47SR	T	180.1/71.1
C901	4510008540	S.ELE EEE1CA100SR	T	183.7/50.9
C902	4510008540	S.ELE EEE1CA100SR	T	188.9/50.9
C903	4030011600	S.CER C1608 JB 1E 104K-T	B	186.3/50.2
C904	4030011600	S.CER C1608 JB 1E 104K-T	B	193.7/57.5
C905	4510008540	S.ELE EEE1CA100SR	T	188.9/57
C906	4510008540	S.ELE EEE1CA100SR	T	183.7/57
C907	4030006860	S.CER C1608 JB 1H 102K-T	B	170.6/40.3
C908	4030006860	S.CER C1608 JB 1H 102K-T	B	171.6/37.7
C909	4030006860	S.CER C1608 JB 1H 102K-T	B	173.6/37.7
C910	4030006860	S.CER C1608 JB 1H 102K-T	B	175.1/28.2
C911	4030006860	S.CER C1608 JB 1H 102K-T	B	176.1/30.8
C912	4030006860	S.CER C1608 JB 1H 102K-T	B	177.6/37.7
C913	4030006860	S.CER C1608 JB 1H 102K-T	B	178.6/40.3
C914	4030006860	S.CER C1608 JB 1H 102K-T	B	179.6/37.7
C915	4030006860	S.CER C1608 JB 1H 102K-T	B	180.1/30.8
C916	4030006860	S.CER C1608 JB 1H 102K-T	B	180.6/40.3
C917	4030006860	S.CER C1608 JB 1H 102K-T	B	181.1/28.2
C918	4030006860	S.CER C1608 JB 1H 102K-T	B	182.1/30.8
C919	4030006860	S.CER C1608 JB 1H 102K-T	B	182.6/40.3
C920	4030006860	S.CER C1608 JB 1H 102K-T	B	183.1/28.2
C921	4030006860	S.CER C1608 JB 1H 102K-T	B	183.6/37.7
C922	4030006860	S.CER C1608 JB 1H 102K-T	B	184.1/30.8
C923	4030006860	S.CER C1608 JB 1H 102K-T	B	133.7/37.7
C924	4030006860	S.CER C1608 JB 1H 102K-T	B	134.7/40.3
C925	4030006860	S.CER C1608 JB 1H 102K-T	B	135.7/37.7
C926	4030006860	S.CER C1608 JB 1H 102K-T	B	136.2/30.8

[LOGIC UNIT]

REF NO.	PARTS NO.	DESCRIPTION	M.	H/V LOCATION
C927	4030006860	S.CER C1608 JB 1H 102K-T	B	136.7/40.3
C928	4030006860	S.CER C1608 JB 1H 102K-T	B	137.2/25.5
C929	4030006860	S.CER C1608 JB 1H 102K-T	B	137.7/37.7
C930	4030006860	S.CER C1608 JB 1H 102K-T	B	138.2/28.1
C931	4030006860	S.CER C1608 JB 1H 102K-T	B	138.7/40.3
C932	4030006860	S.CER C1608 JB 1H 102K-T	B	139.2/25.5
C933	4030006860	S.CER C1608 JB 1H 102K-T	B	139.7/37.7
C934	4030006860	S.CER C1608 JB 1H 102K-T	B	140.2/28.1
C935	4030006860	S.CER C1608 JB 1H 102K-T	B	140.7/40.3
C936	4030006860	S.CER C1608 JB 1H 102K-T	B	141.2/25.5
C937	4030006860	S.CER C1608 JB 1H 102K-T	B	141.7/37.7
C938	4030006860	S.CER C1608 JB 1H 102K-T	B	142.2/22.9
C939	4030006860	S.CER C1608 JB 1H 102K-T	B	142.7/40.3
C940	4030006860	S.CER C1608 JB 1H 102K-T	B	143.2/25.5
C941	4030006860	S.CER C1608 JB 1H 102K-T	B	144.2/22.9
C942	4030006860	S.CER C1608 JB 1H 102K-T	B	146.2/30.8
C943	4030006860	S.CER C1608 JB 1H 102K-T	B	147.2/28.3
C944	4030006860	S.CER C1608 JB 1H 102K-T	B	148.2/30.9
C945	4030006860	S.CER C1608 JB 1H 102K-T	B	150.2/28.3
C946	4030006860	S.CER C1608 JB 1H 102K-T	B	151.2/30.9
C947	4030006860	S.CER C1608 JB 1H 102K-T	B	214.5/84.7
C948	4030006860	S.CER C1608 JB 1H 102K-T	B	220.6/81.7
C949	4030006860	S.CER C1608 JB 1H 102K-T	B	223/91.7
C950	4030006860	S.CER C1608 JB 1H 102K-T	B	220.6/94.3
C951	4030006860	S.CER C1608 JB 1H 102K-T	B	214.5/92.7
C952	4030006860	S.CER C1608 JB 1H 102K-T	B	213.6/72.3
C953	4030006860	S.CER C1608 JB 1H 102K-T	B	211.5/76.1
C954	4030006860	S.CER C1608 JB 1H 102K-T	B	205.7/77.8
C955	4030006860	S.CER C1608 JB 1H 102K-T	B	211.5/79.5
C956	4030006860	S.CER C1608 JB 1H 102K-T	T	211/113.9
C957	4030006860	S.CER C1608 JB 1H 102K-T	T	24/113.9
C958	4030006860	S.CER C1608 JB 1H 102K-T	T	27/113.9
C959	4030006860	S.CER C1608 JB 1H 102K-T	T	30/113.8
C960	4030006860	S.CER C1608 JB 1H 102K-T	B	180.6/79.6
C961	4030006860	S.CER C1608 JB 1H 102K-T	B	183.2/90.3
C962	4030006860	S.CER C1608 JB 1H 102K-T	B	187.7/90.3
C963	4030006860	S.CER C1608 JB 1H 102K-T	B	188.7/81.7
C964	4030006860	S.CER C1608 JB 1H 102K-T	B	193/81.7
C965	4030006860	S.CER C1608 JB 1H 102K-T	B	193.7/90.3
C966	4030006860	S.CER C1608 JB 1H 102K-T	B	194.9/78.8
C967	4030006860	S.CER C1608 JB 1H 102K-T	B	222.7/78.7
C968	4030006860	S.CER C1608 JB 1H 102K-T	B	228.7/79
C969	4030006860	S.CER C1608 JB 1H 102K-T	B	222/74.4
C970	4030006860	S.CER C1608 JB 1H 102K-T	B	229.9/74.4
C971	4030006860	S.CER C1608 JB 1H 102K-T	B	220.9/49.2
C972	4030006860	S.CER C1608 JB 1H 102K-T	B	229.5/50.2
C973	4030006860	S.CER C1608 JB 1H 102K-T	B	227.1/62.2
C974	4030006860	S.CER C1608 JB 1H 102K-T	B	218.4/63.2
C975	4030006860	S.CER C1608 JB 1H 102K-T	B	227.1/66.7
C976	4030006860	S.CER C1608 JB 1H 102K-T	B	218.4/68.1
C977	4030006860	S.CER C1608 JB 1H 102K-T	T	181.7/23.9
C978	4030006860	S.CER C1608 JB 1H 102K-T	T	159.4/23.6
C979	4030006860	S.CER C1608 JB 1H 102K-T	T	190.4/18.9
C980	4030006860	S.CER C1608 JB 1H 102K-T	T	188.7/24.5
C981	4030006860	S.CER C1608 JB 1H 102K-T	T	166.1/22.6
C982	4030006860	S.CER C1608 JB 1H 102K-T	T	173.3/42.7
C983	4030011600	S.CER C1608 JB 1E 104K-T	T	180.7/84.3
C984	4030010210	S.CER C3216 JB 1C 105M-T	B	198.6/85.6
C985	4030011600	S.CER C1608 JB 1E 104K-T	T	195.5/83.6
C991	4030006880	S.CER C1608 JB 1H 472K-T	T	208.4/92
C992	4030006880	S.CER C1608 JB 1H 472K-T	T	208.4/94
C993	4030006880	S.CER C1608 JB 1H 472K-T	T	220.2/93
C994	4030006880	S.CER C1608 JB 1H 472K-T	T	220.2/81.4
C995	4030006880	S.CER C1608 JB 1H 472K-T	T	208.3/80
C996	4030006880	S.CER C1608 JB 1H 472K-T	T	220.2/78.6
C997	4030006880	S.CER C1608 JB 1H 472K-T	T	218.4/73.2
J1	6510022490	S.CNR AXK5S30045P	T	40/98
J2	6510019870	S.CNR AXK5S40045P	T	85/98
J51	6910014251	CNR IMSA-9202B-2 (66Z041-PT1		
J102	6510019981	S.CNR 52808-1671 (1690)	T	72.5/40
J602	6510019971	S.CNR 52808-1071	T	95.5/14.5
J604	6510019971	S.CNR 52808-1071	T	72.5/23

[LOGIC UNIT]

REF NO.	PARTS NO.	DESCRIPTION	M.	H/V LOCATION
T401	5920000841	S.TSM H1102NL	T	150/20
EP101	6910013310	S.BEA MMZ1608D121B	T	3.6/74.9
EP102	6910013310	S.BEA MMZ1608D121B	T	10.3/80.5
EP103	6910013310	S.BEA MMZ1608D121B	T	14.9/80.7
EP201	6910012350	S.BEA MMZ1608Y 102BT	T	201.5/22.1
EP202	6910012350	S.BEA MMZ1608Y 102BT	T	198.3/28
EP203	6910012350	S.BEA MMZ1608Y 102BT	T	83.7/86.4
EP204	6910012350	S.BEA MMZ1608Y 102BT	T	79.6/72.4
EP401	6910013310	S.BEA MMZ1608D121B	T	19.4/79.6
EP402	6910013310	S.BEA MMZ1608D121B	T	17.3/75.6
EP403	6910013310	S.BEA MMZ1608D121B	T	19.4/82.5
EP801	6910013310	S.BEA MMZ1608D121B	T	204.4/9.8
EP802	6910013310	S.BEA MMZ1608D121B	T	202.1/10.6
EP803	6910013310	S.BEA MMZ1608D121B	T	200.8/10.6
EP804	6910013310	S.BEA MMZ1608D121B	T	199.5/10.6
EP805	6910013310	S.BEA MMZ1608D121B	B	201.4/8.2
EP806	6910013310	S.BEA MMZ1608D121B	T	198.2/10.6
EP807	6910013310	S.BEA MMZ1608D121B	B	200.1/8.2
EP808	6910013310	S.BEA MMZ1608D121B	T	196.9/10.6
EP809	6910013310	S.BEA MMZ1608D121B	B	198.8/8.2
EP810	6910013310	S.BEA MMZ1608D121B	T	195.6/10.6
EP811	6910013310	S.BEA MMZ1608D121B	B	197.5/8.2
EP812	6910013310	S.BEA MMZ1608D121B	B	196.2/8.2
EP813	6910013310	S.BEA MMZ1608D121B	T	194.3/10.6
EP814	6910013310	S.BEA MMZ1608D121B	T	193/10.6
EP815	6910013310	S.BEA MMZ1608D121B	T	191.7/10.9
EP816	6910013310	S.BEA MMZ1608D121B	T	190.4/11.6
EP817	6910013310	S.BEA MMZ1608D121B	T	189.1/12.3
EP818	6910013310	S.BEA MMZ1608D121B	T	187.8/12
EP819	6910013310	S.BEA MMZ1608D121B	T	186.5/11.6
EP820	6910013310	S.BEA MMZ1608D121B	T	183.5/10
EP821	6910015980	S.BEA MMZ1608S 181CT-AS	T	71.1/116.5
EP822	6910015980	S.BEA MMZ1608S 181CT-AS	T	72.5/116.5
EP826	6910012350	S.BEA MMZ1608Y 102BT	T	133.2/118.1
EP827	6910012350	S.BEA MMZ1608Y 102BT	B	137.3/124.5
EP828	6910012350	S.BEA MMZ1608Y 102BT	B	137.3/123.1
EP829	6910012350	S.BEA MMZ1608Y 102BT	T	135.2/117.3
EP972	6910015970	S.BEA MMZ1608B 301CT-AS	T	139/11.1
EP973	6910015970	S.BEA MMZ1608B 301CT-AS	T	142/11.1
EP996	6910015970	S.BEA MMZ1608B 301CT-AS	B	188.5/92.1
EP997	6910015970	S.BEA MMZ1608B 301CT-AS	B	189.5/83.5
EP1001	6910015970	S.BEA MMZ1608B 301CT-AS	B	193.5/83.5
EP1002	6910015970	S.BEA MMZ1608B 301CT-AS	B	194.5/92.1
EP1101	6910013310	S.BEA MMZ1608D121B	T	39.4/13.9
EP1102	6910013310	S.BEA MMZ1608D121B	T	40.1/16.6
EP1103	6910013310	S.BEA MMZ1608D121B	T	40.8/13.9
EP1104	6910013310	S.BEA MMZ1608D121B	T	41.5/16.6
EP1105	6910013310	S.BEA MMZ1608D121B	T	42.2/13.9
EP1106	6910013310	S.BEA MMZ1608D121B	T	42.9/16.6
EP1107	6910013310	S.BEA MMZ1608D121B	T	43.6/13.9
EP1108	6910013310	S.BEA MMZ1608D121B	T	44.3/16.6
EP1109	6910013310	S.BEA MMZ1608D121B	T	45/13.9
EP1110	6910013310	S.BEA MMZ1608D121B	T	45.7/16.6
EP1111	6910013310	S.BEA MMZ1608D121B	T	46.4/13.9
EP1112	6910013310	S.BEA MMZ1608D121B	T	47.1/16.6
EP1113	6910013310	S.BEA MMZ1608D121B	T	47.8/13.9
EP1114	6910013310	S.BEA MMZ1608D121B	T	48.5/16.6
EP1115	6910013310	S.BEA MMZ1608D121B	T	49.2/13.9
EP1116	6910013310	S.BEA MMZ1608D121B	T	49.9/16.6
EP1117	6910013310	S.BEA MMZ1608D121B	T	50.6/13.9
EP1118	6910013310	S.BEA MMZ1608D121B	T	51.3/16.6
EP1119	6910013310	S.BEA MMZ1608D121B	T	52/13.9
EP1120	6910013310	S.BEA MMZ1608D121B	T	52.7/16.6
EP1121	6910013310	S.BEA MMZ1608D121B	T	53.4/13.9
EP1122	6910013310	S.BEA MMZ1608D121B	T	54.1/16.6
EP1123	6910013310	S.BEA MMZ1608D121B	T	54.8/13.9
EP1124	6910013310	S.BEA MMZ1608D121B	T	55.5/16.6
EP1125	6910013310	S.BEA MMZ1608D121B	T	56.2/13.9
EP1126	6910013310	S.BEA MMZ1608D121B	T	56.9/16.6
EP1127	6910013310	S.BEA MMZ1608D121B	T	57.6/13.9
EP1128	6910013310	S.BEA MMZ1608D121B	T	58.3/16.6
EP1129	6910013310	S.BEA MMZ1608D121B	T	59.0/13.9
EP1130	6910013310	S.BEA MMZ1608D121B	T	59.7/16.6
EP1131	6910013310	S.BEA MMZ1608D121B	T	60.4/13.9
EP1132	6910013310	S.BEA MMZ1608D121B	T	61.1/16.6
EP1133	6910013310	S.BEA MMZ1608D121B	T	61.8/13.9
EP1134	6910013310	S.BEA MMZ1608D121B	T	62.5/16.6
EP1135	6910013310	S.BEA MMZ1608D121B	T	63.2/13.9
EP1136	6910013310	S.BEA MMZ1608D121B	T	63.9/16.6
EP1137	6910013310	S.BEA MMZ1608D121B	T	64.6/13.9
EP1138	6910013310	S.BEA MMZ1608D121B	T	65.3/16.6
EP1139	6910013310	S.BEA MMZ1608D121B	T	66.0/13.9
EP1140	6910013310	S.BEA MMZ1608D121B	T	66.7/16.6
EP1141	6910013310	S.BEA MMZ1608D121B	T	67.4/13.9
EP1142	6910013310	S.BEA MMZ1608D121B	T	68.1/16.6
EP1143	6910013310	S.BEA MMZ1608D121B	T	68.8/13.9
EP1144	6910013310	S.BEA MMZ1608D121B	T	69.5/16.6
EP1145	6910013310	S.BEA MMZ1608D121B	T	70.2/13.9
EP1146	6910013310	S.BEA MMZ1608D121B	T	70.9/16.6

[PA200W UNIT]

REF NO.	PARTS NO.	DESCRIPTION	M.	H/V LOCATION
IC2	1180001541	S.IC TA78L08F (TE12L,F)	T	58.8/15.1
Q1	1520000531	S.TR 2SB1119S-TD-E	T	42.8/19.2
Q2	1590000680	S.TR DTC114EUA T106	T	45.8/13.5
Q101	1560001241	S.FET RD01MUS1-T113	T	5.9/66.4
Q201	1590003051	S.FET PD55003-E	T	20.5/53.1
Q301	1590003350	S.FET SD2918	T	64/45.8
Q401	1590003361	FET SD2931-12		
Q402	1590003361	FET SD2931-12		
D1	1730000561	S.ZEN RD2.7M-T2B-A B1	T	100.6/22.8
D401	1750000271	S.DIO 1SS301 (TE85L,F)	T	116.8/99.1
D402	1750000271	S.DIO 1SS301 (TE85L,F)	T	118.3/35.9
D403	1750000271	S.DIO 1SS301 (TE85L,F)	T	104/98.3
D404	1750000271	S.DIO 1SS301 (TE85L,F)	T	104/35.7
L1	6200005011	S.COL NLV25T-100J	T	14.7/18
L2	6200005011	S.COL NLV25T-100J	T	14.7/20.3
L3	6200005011	S.COL NLV25T-100J	T	14.7/25
L6	6200005011	S.COL NLV25T-100J	T	14.7/25.5
L7	6200010881	S.COL CDRH124NP-330MC	T	77.3/11
L101	6200005131	S.COL NLC45323T-101K-PF	T	5.6/59.6
L102	6200007220	S.COL EXCCL4532U1	T	6/38.4
L201	6180001240	COL LAL 04NA 820K		
L202	6140004350	COL LR-475		
L301	6200003261	S.COL NLV32T-101J	T	46.1/36.4
L303	6200001831	S.COL NLV32T-100J	T	86.9/26.2
L304	2040000490	COL EXC-ELDR25C		
L305	2040000490	COL EXC-ELDR25C		
L306	6140004340	COL LR-474		
L307	6200001831	S.COL NLV32T-100J	T	75.7/100.2
L401	6200003261	S.COL NLV32T-101J	T	100.4/98.3
L402	6200003261	S.COL NLV32T-101J	T	100.1/35.8
L403	6140002590	COL LR-296 (TR18X8X8 D12A)		
L404	6140000720	S.COL LR-95	T	166.4/67
L501	6140002030	COL LR-230 (SK-10M-15Y 120)		
R1	7030003440	S.RES ERJ3GEYJ 102 V (1 K)	T	42.8/12.8
R2	7030003560	S.RES ERJ3GEYJ 103 V (10 K)	T	42.8/14.2
R3	7510001740	TMR DTN-C103F3H-STS-40		
R4	7030000380	S.RES MCR10EZJH 1 k	T	39.7/22.5
R5	7030008061	S.RES ERA3YED 222V (2.2 K)	T	104.3/23.1
R6	7030007210	S.RES ERA3YEB 102V (1 K)	T	103.6/16.5
R7	7030007210	S.RES ERA3YEB 102V (1 K)	T	103.6/17.8
R101	7030003370	S.RES ERJ3GEYJ 37V (270)	T	6/87.2
R102	7030003220	S.RES ERJ3GEYJ 150 V (15)	T	3.9/86.1
R103	7030003370	S.RES ERJ3GEYJ 27V (270)	T	6/85
R104	7030003360	S.RES ERJ3GEYJ 22V (220)	T	4.8/71.3
R105	7030003430	S.RES ERJ3GEYJ 82V (82)	T	6/73.3
R106	7030003480	S.RES ERJ3GEYJ 22V (2.2 K)	T	9.2/73.8
R107	7030003440	S.RES ERJ3GEYJ 102 V (1 K)	T	2.2/64.7
R108	7030003200	S.RES ERJ3GEYJ 100 V (10)	T	9.2/68.3
R110	7030000230	S.RES MCR10EZJH 56 (560)	T	11.3/56.6
R111	7030003420	S.RES ERJ3GEYJ 68V (680)	T	13.3/58.6
R112	7030003510	S.RES ERJ3GEYJ 39V (3.9 K)	T	12.6/60.6
R113	7030003500	S.RES ERJ3GEYJ 33V (3.3 K)	T	6.8/75.2
R115	7030003520	S.RES ERJ3GEYJ 47V (4.7 K)	T	13.1/40.8
R117	7030003530	S.RES ERJ3GEYJ 56V (5.6 K)	T	7.7/76.5
R118	7030003550	S.RES ERJ3GEYJ 82V (8.2 K)	T	11.7/40.8
R119	7030008240	S.RES ERJ12Y0R00U	T	5/49.6
R201	7030004050	S.RES ERJ3GEYJ 1R0 V (1)	T	13.8/48.6
R202	7030003410	S.RES ERJ3GEYJ 56V (560)	T	23.1/43.1
R203	7030010800	S.RES ERJ1TYJ 2R7U (2.7)	T	18.4/65.5
R205	7030006260	S.RES ERJ12YJ471U (470)	T	30.3/55.7
R301	7310005210	TRI VM5CK-PVB 20 k		
R302	7030008180	S.RES ERJ12YJ331U (330)	T	48.3/40.6
R305	7030003530	S.RES ERJ3GEYJ 56V (5.6 K)	T	49.6/43.5
R307	7070000830	RES ERG3SJ 101 (100)		
R309	7030010570	S.RES ERJ1TYJ 47U (4.7)	T	80/45.8
R310	7310005200	TRI VM5CK-PVB 2 k		
R312	7070000830	RES ERG3SJ 101 (100)		
R401	7030010960	S.RES ERJ1TYJ 120U (12)	T	89.8/90.7
R402	7030010960	S.RES ERJ1TYJ 120U (12)	T	93.5/90.7
R403	7030010960	S.RES ERJ1TYJ 120U (12)	T	97.2/90.7
R404	7030010960	S.RES ERJ1TYJ 120U (12)	T	90.8/43.3
R405	7030010960	S.RES ERJ1TYJ 120U (12)	T	94.5/43.3
R406	7030010960	S.RES ERJ1TYJ 120U (12)	T	98.2/43.3
R407	7310005230	TRI VM5CK-PVB 10 k		
R408	7030000420	S.RES MCR10EZJH 2.2 k	T	116.3/96
R409	7030000420	S.RES MCR10EZJH 2.2 k	T	116.3/38
R410	7310005230	TRI VM5CK-PVB 10 k		
R411	7030010520	S.RES ERJ1TYJ 101U (100)	T	107.6/93.9
R412	7030010520	S.RES ERJ1TYJ 101U (100)	T	107.5/40.2
R413	7030010520	S.RES ER		



[PA200W UNIT]

REF NO.	PARTS NO.	DESCRIPTION	M.	H/V LOCATION
R522	7030011160	S.RES RL7520WT-R010-F	T	159.6/20.2
R523	7030011160	S.RES RL7520WT-R010-F	T	154/20.2
C1	4030011600	S.CER C1608 JB 1E 104K-T	T	18.9/18
C2	4030006880	S.CER C1608 JB 1H 472K-T	T	18.9/20.5
C3	4030006880	S.CER C1608 JB 1H 472K-T	T	18.9/23
C6	4030006880	S.CER C1608 JB 1H 472K-T	T	18.9/25.5
C7	4030006900	S.CER C1608 JB 1H 103K-T	T	70/6.8
C8	4030006880	S.CER C1608 JB 1H 472K-T	T	42.8/15.6
C9	4030011600	S.CER C1608 JB 1E 104K-T	T	57.6/11.4
C10	4510008520	S.ELE EEE1CA470SP	T	52/15.5
C11	4030006900	S.CER C1608 JB 1H 103K-T	T	60.4/11.4
C12	4510008520	S.ELE EEE1CA470SP	T	64.9/15.5
C15	4030006880	S.CER C1608 JB 1H 472K-T	T	104.3/20.4
C16	4030006880	S.CER C1608 JB 1H 472K-T	T	103/23.1
C17	4510008550	S.ELE EEE1HA010SR	T	95.9/22.8
C102	4030017810	S.CER C1608 CH 1H 102J-T	T	4.1/76.2
C103	4030011600	S.CER C1608 JB 1E 104K-T	T	9.2/72.5
C104	4030011600	S.CER C1608 JB 1E 104K-T	T	9.5/75.2
C106	4030017320	S.CER GRM21BB11H104KA01	T	2.2/67.7
C107	4030011600	S.CER C1608 JB 1E 104K-T	T	9.2/70.9
C108	4030017810	S.CER C1608 CH 1H 102J-T	T	9.2/69.6
C109	4030017320	S.CER GRM21BB11H104KA01L	T	8.1/62.6
C110	4030017810	S.CER C1608 CH 1H 102J-T	T	9/64.2
C111	4030017810	S.CER C1608 CH 1H 102J-T	T	9/56.4
C112	4030017320	S.CER GRM21BB11H104KA01L	T	8.7/54.8
C113	4030011600	S.CER C1608 JB 1E 104K-T	T	5.3/102.4
C114	4030011600	S.CER C1608 JB 1E 104K-T	T	13.9/60.6
C201	4030017320	S.CER GRM21BB11H104KA01L	T	18.2/43.1
C202	4030017810	S.CER C1608 CH 1H 102J-T	T	15.7/61.3
C204	4030008490	S.CER C2012 JB 1H 682K-T	T	31.2/61.6
C206	4030008700	S.CER GRM21BB11H473KA01L	T	29.3/61.6
C207	4030008700	S.CER GRM21BB11H473KA01L	T	34.4/36.7
C301	4030004760	S.CER C2012 JF 1H 104Z-T	T	49.4/45.5
C303	4030011600	S.CER C1608 JB 1E 104K-T	T	43.4/35.4
C305	4030004760	S.CER C2012 JF 1H 104Z-T	T	44.4/42.6
C307	4030017810	S.CER C1608 CH 1H 102J-T	T	39.7/31.7
C309	4030011600	S.CER C1608 JB 1E 104K-T	T	41.1/31.7
C311	4030018750	S.CER C3225 CH 2J 682K-T	T	54.1/58.9
C313	4030011600	S.CER C1608 JB 1E 104K-T	T	89.1/26.9
C314	4510008050	ELE 63 ME 220 CZ	T	
C317	4030018790	S.CER C3225 JB 2E 104K-T	T	76.8/34
C318	4030011600	S.CER C1608 JB 1E 104K-T	T	77.2/96.7
C319	4030018790	S.CER C3225 JB 2E 104K-T	T	70.4/79
C401	4030011790	S.CER GRM55RF52A684ZD01L	T	92.4/82.2
C402	4030011790	S.CER GRM55RF52A684ZD01L	T	92.4/81.8
C403	4030011600	S.CER C1608 JB 1E 104K-T	T	79.9/100.1
C404	4030011600	S.CER C1608 JB 1E 104K-T	T	88.6/30.3
C405	4030006900	S.CER C1608 JB 1H 103K-T	T	79.9/98.8
C406	4030006900	S.CER C1608 JB 1H 103K-T	T	88.6/31.6
C407	4030017810	S.CER C1608 CH 1H 102J-T	T	79.9/97.5
C408	4030017810	S.CER C1608 CH 1H 102J-T	T	88.6/32.9
C409	4030018790	S.CER C3225 JB 2E 104K-T	T	111.3/100.2
C410	4030018790	S.CER C3225 JB 2E 104K-T	T	111.2/33.9
C411	4030006880	S.CER C1608 JB 1H 472K-T	T	114.9/99.1
C412	4030006880	S.CER C1608 JB 1H 472K-T	T	116.3/35
C413	4030011600	S.CER C1608 JB 1E 104K-T	T	97.8/99.1
C414	4030011600	S.CER C1608 JB 1E 104K-T	T	97.4/36.5
C415	4030011790	S.CER GRM55RF52A684ZD01L	T	102.8/88.8
C416	4030011790	S.CER GRM55RF52A684ZD01L	T	103.8/49
C417	4030018760	S.CER C4532 CH 2A 104K-T	T	190.2/82.6
C418	4030018760	S.CER C4532 CH 2A 104K-T	T	193.9/82.6
C419	4030018760	S.CER C4532 CH 2A 104K-T	T	190.2/53.4
C420	4030018760	S.CER C4532 CH 2A 104K-T	T	193.9/53.4
C501	4030018790	S.CER C3225 JB 2E 104K-T	T	183.8/32
C502	4030018780	S.CER C3225 JB 2J 473K-T	T	180.4/32
C503	4030018770	S.CER C3216 CH 2J 102J-T	T	177.3/32
C504	4510006830	ELE 63 ME 470CZ	T	
C505	4510006830	ELE 63 ME 470CZ	T	
C506	4030006880	S.CER C1608 JB 1H 472K-T	T	173.7/15.9
C507	4030006880	S.CER C1608 JB 1H 472K-T	T	137.2/17
C510	4030018790	S.CER C3225 JB 2E 104K-T	T	170.2/13.6
C511	4030018780	S.CER C3225 JB 2J 473K-T	T	170.2/10.6
C512	4030018770	S.CER C3216 CH 2J 102J-T	T	169.9/7.2
C513	4510008050	ELE 63 ME 220 CZ	T	
C514	4030011790	S.CER GRM55RF52A684ZD01L	T	164.8/6.7
C515	4030011790	S.CER GRM55RF52A684ZD01L	T	148.4/6.6
J1	6510007020	CNR TMP-J01X-V6	T	
J2	6510022311	S.CNR B5B-PH-SM4-TB (LF) (SN)	T	6/23
J5	6510020421	S.CNR S4B-PH-SM4-TB (LF) (SN)	T	93/4.5
J401	6510011920	CNR 1811P342	T	
J402	6910001040	CNR IPS-1136	T	
W401	9025900670	WIR 23/05/060/B21/W07	T	
W501	9040401001	JMP 74/98/050/X98/X98	T	
EP501	6910011330	TER OT-009 M3	T	
EP502	6910011330	TER OT-009 M3	T	
EP503	6910000640	BEA FSRH090160RN000B	T	

[DC-DC UNIT]

REF NO.	PARTS NO.	DESCRIPTION	M.	H/V LOCATION
IC21	1180002510	S.REG LM2673S-3.3	T	130/20.9
IC41	1180002510	S.REG LM2673S-3.3	T	97.6/94.7
IC61	1180002520	S.REG LM2673S-5.0	T	97.6/59.8
IC81	1180002520	S.REG LM2673S-5.0	T	38/13.5
IC101	1180002500	S.REG LM2673S-ADJ	T	96.6/26.6
IC121	1180002530	S.REG LM2594M-12	T	128.6/69.2
Q141	1590003310	S.TR DTD113ZK T146	T	7.8/95.4
D21	1750000960	S.DIO RB081L-20	T	125.2/32.8
D41	1750000960	S.DIO RB081L-20	T	85.7/88.1
D61	1750000960	S.DIO RB081L-20	T	88.6/54.3
D81	1750000960	S.DIO RB081L-20	T	31.2/22
D101	1750000960	S.DIO RB081L-20	T	87.6/21.9
D121	1710000840	S.DIO 1SR154-400 TE25	T	145.3/70.6
D122	1750001011	S.DIO MBRD835LT4G	T	120.6/82.8
D123	1750000960	S.DIO RB081L-20	T	132.6/86.1
D141	1750000520	S.DIO DAN222TL	T	11.3/94.8
L21	6200003950	S.COL HF50ACC 322513-T	T	117.9/55.1
L22	6200010891	S.COL CDRH124NP-150MC	T	115.5/34.2
L23	6200010881	S.COL CDRH124NP-330MC	T	130/50.7
L41	6200009790	S.COL BLM31PG121SN1	T	63.2/81.3
L42	6200010891	S.COL CDRH124NP-150MC	T	84.7/80.3
L43	6200010881	S.COL CDRH124NP-330MC	T	68.3/94
L44	6200009790	S.COL BLM31PG121SN1	T	63.2/83.6
L61	6200003950	S.COL HF50ACC 322513-T	T	62.9/46.6
L62	6200010901	S.COL CDRH104RNP-100NC	T	80.4/45
L63	6200010881	S.COL CDRH124NP-330MC	T	66.5/58
L81	6200003950	S.COL HF50ACC 322513-T	T	27.4/47.8
L82	6200010901	S.COL CDRH104RNP-100NC	T	22.7/32
L83	6200010881	S.COL CDRH124NP-330MC	T	36.1/43.1
L101	6200003950	S.COL HF50ACC 322513-T	T	62.9/16.6
L102	6200010881	S.COL CDRH124NP-330MC	T	84.9/12.1
L103	6190001191	S.COL D10F-#A814AY-101K	T	65.5/26.6
L121	6190001640	S.COL SLF12555T-101M1R1	T	119.3/72.6
L122	6190001191	S.COL D10F-#A814AY-101K	T	141.6/80.9
L141	6200001831	S.COL NLV32T-100J	T	10.5/99.4
L142	6200010901	S.COL CDRH104RNP-100NC	T	97.3/109
R21	7030006091	S.RES ERA3YED 822V (8.2 K)	T	119.1/19.7
R41	7030006091	S.RES ERA3YED 822V (8.2 K)	T	98.9/83.8
R61	7030006091	S.RES ERA3YED 822V (8.2 K)	T	98.8/48.5
R81	7030006091	S.RES ERA3YED 822V (8.2 K)	T	27/12.2
R101	7030009851	S.RES ERA3YED 271V (270)	T	102/17.9
R102	7030007230	S.RES ERA3YED 102V (1 K)	T	102/20.8
R103	7030006091	S.RES ERA3YED 822V (8.2 K)	T	97.9/15.7
R121	7030003640	S.RES ERJ3GEYJ 473 V (47 K)	T	133.3/72.6
R122	7030003640	S.RES ERJ3GEYJ 473 V (47 K)	T	132/71.8
R141	7030008190	S.RES ERJ12YJ330U (33)	T	14.7/99
C9	4510008910	S.ELE EEEFC1C101P	T	138.5/69.7
C21	4030011600	S.CER C1608 JB 1E 104K-T	T	125.3/40.8
C22	4510008610	S.ELE 10SVP150MX	T	131.1/38.1
C23	4030011340	S.CER C1608 CH 1H 471J-T	T	119.1/17.1
C24	4030004750	S.CER C2012 JB 1H 103K-T	T	119.7/23.7
C25	4030005110	S.CER C2012 JB 1E 473K-T	T	125.3/27.5
C26	4550006770	S.TAN TEESVD2 1C 476M-12R	T	132.1/30
C27	4510008610	S.ELE 10SVP150MX	T	115.3/47.4
C41	4030011600	S.CER C1608 JB 1E 104K-T	T	77.5/89.5
C42	4510008610	S.ELE 10SVP150MX	T	80.8/95.2
C43	4030011340	S.CER C1608 CH 1H 471J-T	T	101.4/83.8
C44	4030004750	S.CER C2012 JB 1H 103K-T	T	94.8/84.1
C45	4030005110	S.CER C2012 JB 1E 473K-T	T	91.4/90.6
C46	4550007140	S.TAN TEESVD 1C 107M12R	T	87.6/96.4
C47	4510008610	S.ELE 10SVP150MX	T	70.5/79.1
C61	4030011600	S.CER C1608 JB 1E 104K-T	T	81.5/56
C62	4510008610	S.ELE 10SVP150MX	T	77.3/60.9
C63	4030011340	S.CER C1608 CH 1H 471J-T	T	101.4/48.5
C64	4030004750	S.CER C2012 JB 1H 103K-T	T	94.8/49.1
C65	4030011600	S.CER C1608 JB 1E 104K-T	T	91.1/55.4
C66	4550006770	S.TAN TEESVD2 1C 476M-12R	T	85.6/61.7
C67	4510008610	S.ELE 10SVP150MX	T	69.6/44
C81	4030011600	S.CER C1608 JB 1E 104K-T	T	33.1/28.4
C82	4510008610	S.ELE 10SVP150MX	T	37.9/32.4
C83	4030011340	S.CER C1608 CH 1H 471J-T	T	26.9/9.7
C84	4030004750	S.CER C2012 JB 1H 103K-T	T	27.7/16.1
C85	4030011600	S.CER C1608 JB 1E 104K-T	T	33.4/19.8
C86	4550006770	S.TAN TEESVD2 1C 476M-12R	T	38/25.1
C87	4510008610	S.ELE 10SVP150MX	T	21.7/42.7
C101	4030011600	S.CER C1608 JB 1E 104K-T	T	80.1/22.7
C102	4510008610	S.ELE 10SVP150MX	T	75.7/27.3
C103	4030011340	S.CER C1608 CH 1H 471J-T	T	100.4/15.6
C104	4030004750	S.CER C2012 JB 1H 103K-T	T	93.8/16.2
C105	4030005110	S.CER C2012 JB 1E 473K-T	T	90.1/22.5
C106	4550006770			

[CTRL UNIT]

REF NO.	PARTS NO.	DESCRIPTION	M.	H/V LOCATION
IC1	1140004120	S.IC M38022M2-138FP	T	65.7/81.8
IC2	1130015240	S.IC R1EX24016ATA00A	T	54/86.9
IC3	1130003921	S.IC TC4S69F (TE85R,F)	T	55.9/58.2
IC4	1180001072	S.IC TA7805F NQ	B	63/57.7
IC5	1130009691	S.IC TC74HCT7007AF (F)	B	92.5/91.6
IC6	1130006441	S.IC TC7S08F (TE85R,F)	T	81.7/77.3
IC51	1130011530	S.IC CD74HC4094M96	T	42.2/72.4
IC52	1130007690	S.IC BU4066BCF-E2	B	12.5/76.8
IC55	1130011530	S.IC CD74HC4094M96	B	100.2/76.1
IC56	1130011530	S.IC CD74HC4094M96	B	114.3/76.1
IC57	1160000131	S.IC TD62783AFG (S,EL)	T	99.6/73.1
IC58	1160000131	S.IC TD62783AFG (S,EL)	T	113.7/73.1
IC101	1110000960	S.IC NJM4558M-TE1-#FMZB	T	19.4/37.8
IC151	1120002301	S.IC TC74AC04F (F)	B	35.3/44.3
IC153	1130012011	S.IC TC7SZ32F (TE85L,F)	T	31.2/47.3
IC154	1130012011	S.IC TC7SZ32F (TE85L,F)	T	42.4/45.8
IC155	1130012011	S.IC TC7SZ32F (TE85L,F)	T	36/47.5
IC156	1130012021	S.IC TC74ACT112F (EL,F)	T	38.4/56.5
IC201	1110000960	S.IC NJM4558M-TE1-#FMZB	T	19/54.7
IC301	1110002690	S.IC NJM2903M-TE1-#FMZB	T	73.4/59
IC401	1160000131	S.IC TD62783AFG (S,EL)	T	13.6/86.1
IC402	1160000131	S.IC TD62783AFG (S,EL)	T	31.6/84.7
Q1	1590001330	S.TR DTA114EUA T106	T	78.5/75.2
Q2	1590000680	S.TR DTC114EUA T106	T	77.8/71.2
Q3	1590000680	S.TR DTC114EUA T106	T	128.4/74.5
Q4	1590000680	S.TR DTC114EUA T106	T	128.4/77
Q5	1590000680	S.TR DTC114EUA T106	T	128.4/81.3
Q6	1590000680	S.TR DTC114EUA T106	T	128.4/83.8
Q7	1590000680	S.TR DTC114EUA T106	T	128.4/88.5
Q8	1590000680	S.TR DTC114EUA T106	T	128.4/91
Q9	1590000680	S.TR DTC114EUA T106	T	128.4/95.7
Q10	1590000680	S.TR DTC114EUA T106	T	128.4/100.5
Q11	1590000680	S.TR DTC114EUA T106	B	85.7/99.8
Q51	1590000680	S.TR DTC114EUA T106	T	6.1/78.6
Q52	1590000680	S.TR DTC114EUA T106	T	12.5/78.6
Q53	1590000680	S.TR DTC114EUA T106	B	6.6/72.8
Q54	1560001260	S.FET 2SK3018 T106	B	121.2/80.2
Q55	1590000680	S.TR DTC114EUA T106	B	130.2/68.9
Q59	1590000680	S.TR DTC114EUA T106	T	56.8/69.5
Q201	1560000871	S.FET 2SK515-T1B-A (X33)	T	52.6/43
Q251	1590000680	S.TR DTC114EUA T106	T	74.2/34.9
D1	1730000411	S.ZEN RD5.1M-T2B-A B2	T	63.4/58.4
D2	1710000780	S.DIO MA114 (TX)	T	67.7/55.9
D3	1750000201	S.DIO 1SS319 (TE85R,F)	B	129.5/98.1
D4	1750000201	S.DIO 1SS319 (TE85R,F)	B	129.5/90
D5	1750000201	S.DIO 1SS319 (TE85R,F)	B	129.5/82.8
D6	1750000201	S.DIO 1SS319 (TE85R,F)	B	129.5/76
D7	1730000031	S.ZEN RD5.6M-T2B-A B2	T	63.6/54.9
D101	1790000491	S.DIO HSM88ASTR-E	T	14.7/24.3
D102	1790000491	S.DIO HSM88ASTR-E	T	25.6/29.5
D103	1750000201	S.DIO 1SS319 (TE85R,F)	T	19.3/42.1
D151	1790000491	S.DIO HSM88ASTR-E	T	32/38.2
D152	1790000491	S.DIO HSM88ASTR-E	T	39.4/38.2
D153	1790000491	S.DIO HSM88ASTR-E	T	28.4/57.2
D154	1790000491	S.DIO HSM88ASTR-E	T	29.6/53.4
D201	1790000491	S.DIO HSM88ASTR-E	T	57.6/37.2
D202	1790000491	S.DIO HSM88ASTR-E	T	48.5/37.1
D203	1750000201	S.DIO 1SS319 (TE85R,F)	T	18/60.9
D251	1750000271	S.DIO 1SS301 (TE85L,F)	T	72.1/36.5
D301	1790000491	S.DIO HSM88ASTR-E	T	81.5/58.3
D302	1790000491	S.DIO HSM88ASTR-E	T	88.4/59.6
X1	6050009890	S.XTL CR-569 (6.144 MHz)	T	83.2/79.5
L1	6200003261	S.COL NLV32T-101J	T	51.1/76.5
L2	6200003261	S.COL NLV32T-101J	T	54.5/77.8
L4	2040000490	COL EXC-ELDR25C	T	121.6/100.3
L5	6200005131	S.COL NLC453232T-101K-PF	T	109.3/91.1
L6	6200003590	S.COL EXCCCL3225U1	T	106.3/91.2
L7	6200003590	S.COL EXCCCL3225U1	T	103.3/91.1
L8	6200003590	S.COL EXCCCL3225U1	T	92/101
L9	6200003950	S.COL HF50ACC 322513-T	B	106.3/86.9
L51	6200003261	S.COL NLV32T-101J	T	114.9/88.1
L52	6200005131	S.COL NLC453232T-101K-PF	T	114.9/88.1
L101	6140004410	COL LR-502	T	20.9/66.5
L102	6200001831	S.COL NLV32T-100J	T	15.2/66.4
L103	6200003261	S.COL NLV32T-101J	T	41.4/63
L151	6140004410	COL LR-502	T	
L152	6200001831	S.COL NLV32T-100J	T	
L201	6140004410	COL LR-502	T	
L202	6180003300	COL T6-222J (2.2M)	T	
L301	6140004410	COL LR-502	T	
L302	6200003261	S.COL NLV32T-101J	B	69.4/61.2
L401	6200003950	S.COL HF50ACC 322513-T	T	26.4/101.5
L402	6200003950	S.COL HF50ACC 322513-T	T	18.5/101.5
R2	7030003680	S.RES ERJ3GEYJ 104 V (100 K)	T	63/71
R3	7030003680	S.RES ERJ3GEYJ 104 V (100 K)	T	64.3/71
R4	7030003680	S.RES ERJ3GEYJ 104 V (100 K)	T	65.6/71
R5	7030003680	S.RES ERJ3GEYJ 104 V (100 K)	T	66.9/71
R6	7030003560	S.RES ERJ3GEYJ 103 V (10 K)	T	74.7/71
R7	7030003440	S.RES ERJ3GEYJ 102 V (1 K)	T	73.4/71
R8	7030003680	S.RES ERJ3GEYJ 104 V (100 K)	T	55.4/72.8
R9	7030003680	S.RES ERJ3GEYJ 104 V (100 K)	T	54.7/74.7
R10	7030003680	S.RES ERJ3GEYJ 104 V (100 K)	T	57.3/72.9
R11	7030003680	S.RES ERJ3GEYJ 104 V (100 K)	T	53.4/74.7
R12	7030003440	S.RES ERJ3GEYJ 102 V (1 K)	T	78.3/83.9
R13	7030003680	S.RES ERJ3GEYJ 104 V (100 K)	T	76.6/75.6
R14	7030003680	S.RES ERJ3GEYJ 104 V (100 K)	T	78.5/78.2
R15	7030003440	S.RES ERJ3GEYJ 102 V (1 K)	T	55.6/60.7
R16	7030003320	S.RES ERJ3GEYJ 101 V (100)	T	54.8/55.2
R17	7030003560	S.RES ERJ3GEYJ 103 V (10 K)	T	54.1/82.2
R18	7030003560	S.RES ERJ3GEYJ 103 V (10 K)	T	
R19	7030003680	S.RES ERJ3GEYJ 104 V (100 K)	T	
R20	7030003570	S.RES ERJ3GEYJ 123 V (12 K)	T	
R21	7030003650	S.RES ERJ3GEYJ 563 V (56 K)	T	
R22	7030003450	S.RES ERJ3GEYJ 122 V (1.2 K)	T	
R23	7030003560	S.RES ERJ3GEYJ 103 V (10 K)	B	105.1/100
R24	7030003440	S.RES ERJ3GEYJ 102 V (1 K)	B	102.9/98.8
R25	7030003380	S.RES ERJ3GEYJ 331 V (330)	B	126/99.1
R26	7030003380	S.RES ERJ3GEYJ 331 V (330)	B	126/97.1
R27	7030003380	S.RES ERJ3GEYJ 331 V (330)	B	126/91
R28	7030003380	S.RES ERJ3GEYJ 331 V (330)	B	126/89
R29	7030003380	S.RES ERJ3GEYJ 331 V (330)	B	126/83.8
R30	7030003380	S.RES ERJ3GEYJ 331 V (330)	B	126/81.8
R31	7030003380	S.RES ERJ3GEYJ 331 V (330)	B	126/77
R32	7030003380	S.RES ERJ3GEYJ 331 V (330)	B	126/75
R40	7030003440	S.RES ERJ3GEYJ 102 V (1 K)	T	61.2/99.9
R42	7030003860	S.RES ERJ3GE JPW V	T	60.4/71
R43	7030003860	S.RES ERJ3GE JPW V	T	60.7/69
R44	7030003860	S.RES ERJ3GE JPW V	T	68.2/71
R45	7030003860	S.RES ERJ3GE JPW V	T	65.7/68.5
R46	7030003860	S.RES ERJ3GE JPW V	T	70.6/68.9
R51	7030003440	S.RES ERJ3GEYJ 102 V (1 K)	B	35.8/80.1
R52	7030003440	S.RES ERJ3GEYJ 102 V (1 K)	B	34.3/80.1
R53	7030003440	S.RES ERJ3GEYJ 102 V (1 K)	B	32.8/80.1
R54	7030003440	S.RES ERJ3GEYJ 102 V (1 K)	B	31.2/80.1
R55	7030003440	S.RES ERJ3GEYJ 102 V (1 K)	B	29.6/80.1
R56	7030003440	S.RES ERJ3GEYJ 102 V (1 K)	B	28/80.1
R57	7030003440	S.RES ERJ3GEYJ 102 V (1 K)	B	26.4/80.1
R58	7030003440	S.RES ERJ3GEYJ 102 V (1 K)	B	24.8/80.1
R59	7030003440	S.RES ERJ3GEYJ 102 V (1 K)	T	18.3/78.7
R60	7030003440	S.RES ERJ3GEYJ 102 V (1 K)	T	17/76
R61	7030003440	S.RES ERJ3GEYJ 102 V (1 K)	T	15.7/76
R62	7030003440	S.RES ERJ3GEYJ 102 V (1 K)	T	14.4/78.7
R63	7030003440	S.RES ERJ3GEYJ 102 V (1 K)	T	10.6/78.7
R64	7030003440	S.RES ERJ3GEYJ 102 V (1 K)	T	9.3/74.8
R65	7030003440	S.RES ERJ3GEYJ 102 V (1 K)	T	8/74.8
R66	7030003520	S.RES ERJ3GEYJ 472 V (4.7 K)	B	15.6/81.6
R67	7030003200	S.RES ERJ3GEYJ 100 V (10)	T	99.8/90.4
R68	7030003200	S.RES ERJ3GEYJ 100 V (10)	T	98.5/90.4
R69	7030003200	S.RES ERJ3GEYJ 100 V (10)	T	97.2/90.4
R70	7030004040	S.RES ERJ3GEYJ 4R7 V (4.7)	T	104.8/65.9
R71	7030004040	S.RES ERJ3GEYJ 4R7 V (4.7)	T	103.5/65.9
R72	7030004040	S.RES ERJ3GEYJ 4R7 V (4.7)	T	102.2/65.9
R73	7030004040	S.RES ERJ3GEYJ 4R7 V (4.7)	T	100.9/65.9
R74	7030004040	S.RES ERJ3GEYJ 4R7 V (4.7)	T	99.6/65.9
R75	7030004040	S.RES ERJ3GEYJ 4R7 V (4.7)	T	98.3/65.9
R76	7030004040	S.RES ERJ3GEYJ 4R7 V (4.7)	T	97/65.9
R77	7030004040	S.RES ERJ3GEYJ 4R7 V (4.7)	T	95.7/65.9
R78	7030004040	S.RES ERJ3GEYJ 4R7 V (4.7)	B	120.1/64.6
R84	7030004040	S.RES ERJ3GEYJ 4R7 V (4.7)	B	110.5/64.6
R85	7030004040	S.RES ERJ3GEYJ 4R7 V (4.7)	B	108.9/64.6
R86	7030003560	S.RES ERJ3GEYJ 103 V (10 K)	B	116.1/83.6
R87	7030003860	S.RES ERJ3GE JPW V	T	32.5/76
R88	7030003860	S.RES ERJ3GE JPW V	T	31.2/76
R89	7030003860	S.RES ERJ3GE JPW V	T	29.9/76
R90	7030003860	S.RES ERJ3GE JPW V	T	28.6/76
R91	7030003860	S.RES ERJ3GE JPW V	T	27.3/76
R92	7030003860	S.RES ERJ3GE JPW V	T	26/76
R95	7030003860	S.RES ERJ3GE JPW V	T	15.7/78.7
R97	7030003860	S.RES ERJ3GE JPW V	T	8/78.7
R101	7030010950	S.RES ERJ1TYJ 100U (10)	T	18.6/29.5
R102	7030010950	S.RES ERJ1TYJ 100U (10)	T	22.3/29.5
R103	7030003560	S.RES ERJ3GEYJ 103 V (10 K)	T	12.2/34.7
R104	7030003560	S.RES ERJ3GEYJ 103 V (10 K)	T	27.6/34.9
R105	7030003720	S.RES ERJ3GEYJ 224 V (220 K)	T	12.2/37.3
R106	7030003720	S.RES ERJ3GEYJ 224 V (220 K)	T	25/36.7
R107	7030003660	S.RES ERJ3GEYJ 683 V (68 K)	T	14.1/36.5
R108	7030003660	S.RES ERJ3GEYJ 683 V (68 K)	T	23.2/34.8
R109	7030003720	S.RES ERJ3GEYJ 224 V (220 K)	T	13.3/38.7
R110	7030003720	S.RES ERJ3GEYJ 224 V (220 K)	T	25/37.9
R111	7030009340	S.RES ERJ3GEYJ 275V (2.7 M)	T	13.7/40.6
R112	7030003810	S.RES ERJ3GEYJ 125 V (1.2 M)	T	25/39.1
R115	7030009340	S.RES ERJ3GEYJ 275V (2.7 M)	T	12.4/40.6
R151	7030007190	S.RES ERJ12YJ220U (22)	T	37.6/27.2
R152	7030010620	S.RES ERJ12YJ180U (18)	B	38.1/26.8
R153	7030007190	S.RES ERJ12YJ220U (22)	T	37.6/31.8
R154	7030010620	S.RES ERJ12YJ180U (18)	B	38.1/31.8
R155	7030003320	S.RES ERJ3GEYJ 101 V (100)	T	37/39.6
R157	7030003320	S.RES ERJ3GEYJ 101 V (100)	T	30.3/40.1
R158	7030003560	S.RES ERJ3GEYJ 103 V (10 K)	T	31.8/41.5
R159	7030003560	S.RES ERJ3GEYJ 103 V (10 K)	T	38.4/41.5
R160	7030003280	S.RES ERJ3GEYJ 470 V (47)	T	30/42.3
R161	7030003280	S.RES ERJ3GEYJ 470 V (47)	T	39.7/43
R162	7030003440	S.RES ERJ3GEYJ 102 V (1 K)	T	30.9/44.9
R163	7030003440	S.RES ERJ3GEYJ 102 V (1 K)	T	42/43.3
R164	7030003280	S.RES ERJ3GEYJ 470 V (47)	T	33.6/47.7
R165	7030003280	S.RES ERJ3GEYJ 470 V (47)	T	39.2/46.4
R166	7030003440	S.RES ERJ3GEYJ 102 V (1 K)	T	34.3/44.7
R167	7030003440	S.RES ERJ3GEYJ 102 V (1 K)	T	39.2/45.1
R168	7030003280	S.RES ERJ3GEYJ 470 V (47)	T	38.8/49.8
R169	7030003440	S.RES ERJ3GEYJ 102 V (1 K)	T	38.8/51.1
R170	7030003280	S.RES ERJ3GEYJ 470 V (47)	T	31.5/58.2

[CTRL UNIT]

REF NO.	PARTS NO.	DESCRIPTION	M.	H/V LOCATION
R210	7030003440	S.RES ERJ3GEYJ 102 V (1 K)	T	56.1/42.7
R211	7030003480	S.RES ERJ3GEYJ 222 V (2.2 K)	T	13.1/49.4
R212	7030003560	S.RES ERJ3GEYJ 103 V (10 K)	T	25.1/49.4
R213	7030005331	S.RES ERA3YED 562V (5.6 K)	T	17.8/49.9
R214	7030005331	S.RES ERA3YED 562V (5.6 K)	T	16.5/49.9
R215	7030005871	S.RES ERA3YKD 104V (100 K)	T	14/53
R216	7030008121	S.RES ERA3YED 682V (6.8 K)	T	20.6/50
R217	7030008121	S.RES ERA3YED 682V (6.8 K)	T	22.3/48.1
R218	7030005871	S.RES ERA3YKD 104V (100 K)	T	23.8/52
R221	7030003670	S.RES ERJ3GEYJ 823 V (82 K)	B	17.1/57
R222	7030003680	S.RES ERJ3GEYJ 104 V (100 K)	T	20.9/51.3
R223	7030003820	S.RES ERJ3GEYJ 155 V (1.5 M)	T	14/55.8
R224	7030003820	S.RES ERJ3GEYJ 155 V (1.5 M)	T	23.8/54.6
R225	7030003560	S.RES ERJ3GEYJ 103 V (10 K)	T	14/61.4
R226	7030003560	S.RES ERJ3GEYJ 103 V (10 K)	T	21.9/61.4
R227	7030003560	S.RES ERJ3GEYJ 103 V (10 K)	T	14.7/63.4
R228	7030003560	S.RES ERJ3GEYJ 103 V (10 K)	T	21.3/63.4
R252	7030000230	S.RES MCR10EZHJ 56 (560)	T	70.8/31.9
R253	7030000230	S.RES MCR10EZHJ 56 (560)	T	69.9/35.2
R254	7030000230	S.RES MCR10EZHJ 56 (560)	T	70.8/38.7
R255	7030000220	S.RES MCR10EZHJ 47 (470)	T	72.2/40.8
R256	7030000230	S.RES MCR10EZHJ 56 (560)	T	72.4/31
R301	7030003560	S.RES ERJ3GEYJ 103 V (10 K)	T	83.7/57.6
R302	7030003670	S.RES ERJ3GEYJ 823 V (82 K)	T	81.9/61.2
R303	7030010910	S.RES ERJ1TYJ 150U (15)	B	90.1/60.7
R304	7030003560	S.RES ERJ3GEYJ 103 V (10 K)	T	85.5/62
R305	7030003720	S.RES ERJ3GEYJ 224 V (220 K)	T	80.6/61.2
R306	7030003660	S.RES ERJ3GEYJ 683 V (68 K)	T	78.7/57.2
R307	7030003660	S.RES ERJ3GEYJ 683 V (68 K)	T	79.2/59.7
R308	7030003840	S.RES ERJ3GEYJ 225 V (2.2 M)	B	76.5/58.3
R309	7030003720	S.RES ERJ3GEYJ 224 V (220 K)	T	76.1/53.9
R310	7030003840	S.RES ERJ3GEYJ 225 V (2.2 M)	T	73.4/54
R311	7030003440	S.RES ERJ3GEYJ 102 V (1 K)	T	76/55.5
R312	7030003560	S.RES ERJ3GEYJ 103 V (10 K)	T	73.4/55.5
R313	7030003700	S.RES ERJ3GEYJ 154 V (150 K)	T	78.5/61.6
R345	7030003560	S.RES ERJ3GEYJ 103 V (10 K)	T	88.3/83.7
R401	7030004040	S.RES ERJ3GEYJ 4R7 V (4.7)	T	17.5/93.4
R402	7030004040	S.RES ERJ3GEYJ 4R7 V (4.7)	T	16.2/93.4
R403	7030004040	S.RES ERJ3GEYJ 4R7 V (4.7)	T	14.9/93.4
R404	7030004040	S.RES ERJ3GEYJ 4R7 V (4.7)	T	13.6/93.4
R405	7030004040	S.RES ERJ3GEYJ 4R7 V (4.7)	T	12.3/93.4
R406	7030004040	S.RES ERJ3GEYJ 4R7 V (4.7)	T	11/93.4
R407	7030004040	S.RES ERJ3GEYJ 4R7 V (4.7)	T	9.7/93.4
R408	7030004040	S.RES ERJ3GEYJ 4R7 V (4.7)	T	8.4/93.4
R409	7030004040	S.RES ERJ3GEYJ 4R7 V (4.7)	B	36.6/86.7
R410	7030004040	S.RES ERJ3GEYJ 4R7 V (4.7)	B	35.1/86.7
R411	7030004040	S.RES ERJ3GEYJ 4R7 V (4.7)	B	33.6/86.7
R412	7030004040	S.RES ERJ3GEYJ 4R7 V (4.7)	B	32/86.7
R413	7030004040	S.RES ERJ3GEYJ 4R7 V (4.7)	B	30.4/86.7
R414	7030004040	S.RES ERJ3GEYJ 4R7 V (4.7)	B	28.8/86.7
R415	7030004040	S.RES ERJ3GEYJ 4R7 V (4.7)	B	27.2/86.7
R416	7030004040	S.RES ERJ3GEYJ 4R7 V (4.7)	B	25.6/86.7
R417	7030003440	S.RES ERJ3GEYJ 102 V (1 K)	B	31.3/98.5
R418	7030003440	S.RES ERJ3GEYJ 102 V (1 K)	B	44.8/98.5
R419	7030003440	S.RES ERJ3GEYJ 102 V (1 K)	B	32.9/98.5
R420	7030003440	S.RES ERJ3GEYJ 102 V (1 K)	B	46.4/98.5
R421	7030003440	S.RES ERJ3GEYJ 102 V (1 K)	B	34.5/98.5
R422	7030003440	S.RES ERJ3GEYJ 102 V (1 K)	B	48/98.5
R423	7030003440	S.RES ERJ3GEYJ 102 V (1 K)	B	36.1/98.5
R424	7030003440	S.RES ERJ3GEYJ 102 V (1 K)	B	49.6/98.5
R425	7030003440	S.RES ERJ3GEYJ 102 V (1 K)	B	37.7/98.5
R426	7030003440	S.RES ERJ3GEYJ 102 V (1 K)	B	51.2/98.5
R427	7030003440	S.RES ERJ3GEYJ 102 V (1 K)	B	39.3/98.5
R428	7030003440	S.RES ERJ3GEYJ 102 V (1 K)	B	52.8/98.5
R429	7030003440	S.RES ERJ3GEYJ 102 V (1 K)	B	40.9/98.5
R430	7030003440	S.RES ERJ3GEYJ 102 V (1 K)	B	54.4/98.5
R431	7030003440	S.RES ERJ3GEYJ 102 V (1 K)	B	42.5/98.5
R432	7030003440	S.RES ERJ3GEYJ 102 V (1 K)	B	56/98.5
C1	4510008540	S.ELE EEE1CA100SR	T	42.6/80.3
C2	4030011600	S.CER C1608 JB 1E 104K-T	T	45.8/82.3
C3	4030006880	S.CER C1608 JB 1H 472K-T	B	89.5/100
C4	4030006900	S.CER C1608 JB 1H 103K-T	T	56/74.7
C5	4030006900	S.CER C1608 JB 1H 103K-T	T	58.6/72.9
C6	4030006880	S.CER C1608 JB 1H 472K-T	T	74.6/74.7
C7	4030017810	S.CER C1608 CH 1H 102J-T	T	75.3/76.6
C8	4030011600	S.CER C1608 JB 1E 104K-T	T	56/81.3
C9	4030009990	S.CER C1608 CH 1H 200J-T	T	75.3/80.5
C10	4030011600	S.CER C1608 JB 1E 104K-T	T	51.7/79.8
C11	4030006880	S.CER C1608 JB 1H 472K-T	T	76.6/78.2
C12	4030009990	S.CER C1608 CH 1H 200J-T	T	76.6/81.5
C13	4510008870	S.ELE EEE1AA471UP	T	48.5/56.6
C14	4030011600	S.CER C1608 JB 1E 104K-T	T	60.7/55.3
C15	4030011600	S.CER C1608 JB 1E 104K-T	T	67.3/53.7
C16	4510008500	S.ELE EEE1CA101WP	T	66.6/48.8
C17	4510008550	S.ELE EEE1HA010SR	T	133.3/100.5
C18	4510008550	S.ELE EEE1HA010SR	T	133.3/95.7
C19	4510008550	S.ELE EEE1HA010SR	T	138.4/91.9
C20	4510008550	S.ELE EEE1HA010SR	T	133.3/89.7
C21	4510008550	S.ELE EEE1HA010SR	T	138.4/85.3
C22	4510008550	S.ELE EEE1HA010SR	T	133.3/83.1
C23	4510008550	S.ELE EEE1HA010SR	T	138.4/78.6
C24	4510008550	S.ELE EEE1HA010SR	T	133.3/76.5
C25	4030011600	S.CER C1608 JB 1E 104K-T	T	53.6/57.7
C26	4030006880	S.CER C1608 JB 1H 472K-T	T	61/58.2
C38	4030011600	S.CER C1608 JB 1E 104K-T	T	91.3/87.5
C39	4510008870	S.ELE EEE1AA471UP	T	57.9/49.8
C40	4030011600	S.CER C1608 JB 1E 104K-T	T	84/70.6
C41	4030011600	S.CER C1608 JB 1E 104K-T	T	78.5/73.2
C43	4030006880	S.CER C1608 JB 1H 472K-T	T	88.8/95.5
C66	4510008540	S.ELE EEE1CA100SR	T	106.6/81.6
C68	4030011600	S.CER C1608 JB 1E 104K-T	B	103.6/82.8
C69	4030011600	S.CER C1608 JB 1E 104K-T	T	118.4/79.9
C70	4030011600	S.CER C1608 JB 1E 104K-T	T	95.8/80.5

[CTRL UNIT]

REF NO.	PARTS NO.	DESCRIPTION	M.	H/V LOCATION
C71	4030011600	S.CER C1608 JB 1E 104K-T	T	106.9/77.6
C72	4510008540	S.ELE EEE1CA100SR	T	111.6/83.3
C88	4030011600	S.CER C1608 JB 1E 104K-T	B	7.8/81.8
C102	4010005530	CER HM60SJ SL 020C 500V		
C103	4010005530	CER HM60SJ SL 020C 500V		
C104	4610002250	TRI TZ03R200Y169B00		
C105	4030011540	S.CER C1608 CH 1H 750J-T	B	13.1/28.5
C106	4030011540	S.CER C1608 CH 1H 750J-T	T	25.8/33.1
C107	4030017810	S.CER C1608 CH 1H 102J-T	T	12.2/36
C108	4030017810	S.CER C1608 CH 1H 102J-T	T	25.8/35.5
C109	4030006880	S.CER C1608 JB 1H 472K-T	B	21.6/38.4
C110	4030006880	S.CER C1608 JB 1H 472K-T	B	18.5/38.4
C111	4510008540	S.ELE EEE1CA100SR	T	25.4/45.8
C112	4510008540	S.ELE EEE1CA100SR	T	18.8/46.4
C113	4030006880	S.CER C1608 JB 1H 472K-T	T	16.3/41.8
C114	4030006880	S.CER C1608 JB 1H 472K-T	T	23/41.8
C115	4030007100	S.CER C1608 CH 1H 560J-T	B	13.1/26.9
C116	4030011540	S.CER C1608 CH 1H 750J-T	T	25.8/34.3
C119	4030007100	S.CER C1608 CH 1H 560J-T	T	16.9/24.1
C151	4010005540	CER HM60SJ SL 030C 500V		
C152	4030007070	S.CER C1608 CH 1H 330J-T	T	33/34.3
C153	4030007120	S.CER C1608 CH 1H 820J-T	T	32.3/35.6
C154	4030007070	S.CER C1608 CH 1H 330J-T	T	38.5/34.0
C155	4030007120	S.CER C1608 CH 1H 820J-T	T	35.9/34.5
C156	4030006880	S.CER C1608 JB 1H 472K-T	T	29.8/37.5
C157	4030006880	S.CER C1608 JB 1H 472K-T	T	41.6/38.4
C158	4030007060	S.CER C1608 CH 1H 270J-T	T	29.7/35.6
C159	4030006880	S.CER C1608 JB 1H 472K-T	T	34.4/38.4
C161	4030006880	S.CER C1608 JB 1H 472K-T	T	45.2/51.5
C162	4550003120	S.TAN TEESVD2 1A 476M12R	T	46.7/46.3
C163	4030007170	S.CER C1608 CH 1H 221J-T	T	30.1/59.5
C164	4030007170	S.CER C1608 CH 1H 221J-T	T	31.5/55.6
C165	4030006880	S.CER C1608 JB 1H 472K-T	T	31.5/51.7
C171	4030006880	S.CER C1608 JB 1H 472K-T	B	40.2/37.7
C173	4030006880	S.CER C1608 JB 1H 472K-T	T	28.3/48.4
C174	4030006880	S.CER C1608 JB 1H 472K-T	T	42.2/49.4
C175	4030006880	S.CER C1608 JB 1H 472K-T	T	35.9/49.8
C180	4030011600	S.CER C1608 JB 1E 104K-T	T	28.3/49.7
C181	4030011600	S.CER C1608 JB 1E 104K-T	T	42.2/48.3
C201	4010005580	CER HM60SJ SL 070D 500V		
C202	4010005520	CER HM60SJ SL 010C 500V		
C204	4030011570	S.CER CM105 CH 101G 50AT	T	55.3/36.9
C205	4030016550	S.CER CM105 CH 151G 50AT	T	51.4/36.9
C206	4030009530	S.CER C1608 CH 1H 030B-T	T	52.7/36.9
C207	4030006880	S.CER C1608 JB 1H 472K-T	T	49.8/39.3
C208	4030006880	S.CER C1608 JB 1H 472K-T	T	56.1/40
C209	4030017810	S.CER C1608 CH 1H 102J-T	T	51.7/40
C210	4030006880	S.CER C1608 JB 1H 472K-T	T	53.5/40
C211	4030006880	S.CER C1608 JB 1H 472K-T	T	14.4/49.4
C212	4030006880	S.CER C1608 JB 1H 472K-T	T	23.8/49.4
C213	4030006880	S.CER C1608 JB 1H 472K-T	B	19.7/55.7
C214	4030007170	S.CER C1608 CH 1H 221J-T	T	14.7/59.4
C215	4030007170	S.CER C1608 CH 1H 221J-T	T	21.4/59.4
C216	4030011340	S.CER C1608 CH 1H 471J-T	T	15.4/61.4
C217	4030011340	S.CER C1608 CH 1H 471J-T	T	20.6/61.4
C218	4030006880	S.CER C1608 JB 1H 472K-T	B	18.2/54.1
C252	4030006880	S.CER C1608 JB 1H 472K-T	T	72.9/33.3
C253	4030006880	S.CER C1608 JB 1H 472K-T	T	76.6/38.3
C254	4030006880	S.CER C1608 JB 1H 472K-T	T	72.9/48.1
C255	4030006880	S.CER C1608 JB 1H 472K-T	T	73/38.1
C301	4010005520	CER HM60SJ SL 010C 500V		
C302	4030007030	S.CER C1608 CH 1H 150J-T	T	85.5/56.6
C303	4030007050	S.CER C1608 CH 1H 220J-T	T	85.5/59.2
C304	4030017810	S.CER C1608 CH 1H 102J-T	T	83.7/60.5
C305	4030017810	S.CER C1608 CH 1H 102J-T	T	90.3/61.3
C307	4030006880	S.CER C1608 JB 1H 472K-T	T	78.7/55.8
C308	4030006880	S.CER C1608 JB 1H 472K-T	T	77.9/59.7
C309	4030011600	S.CER C1608 JB 1E 104K-T	T	68.8/59.8
C310	4030009530	S.CER C1608 CH 1H 030B-T	T	85.5/57.9
C417	4510008540	S.ELE EEE1CA100SR	T	22.6/77.6
C418	4510008540	S.ELE EEE1CA100SR	T	40.6/85.6
C419	4030006880	S.CER C1608 JB 1H 472K-T	T	19.6/78.7
C420	4030006880	S.CER C1608 JB 1H 472K-T	T	38.4/79.2
RL251	6330001530	RLY NR-HD (5V) AE5349		
RL252	6330001460	RLY FTR-F1CA012V		
RL253	6330001460	RLY FTR-F1CA012V		
CP1	6910009670	S.CHK HK3-S-T	T	67.7/100.1
CP101	6910009670	S.CHK HK3-S-T	T	5/83.4
J1	6510023771	S.CNR 52793-2470 (2490)		



[ANT-SW UNIT]

REF NO.	PARTS NO.	DESCRIPTION	M.	H/V LOCATION
IC11	1130011510	S.IC BU2099FV-E2	T	160.6/33.6
IC12	1180002391	S.REG S-812C33AMC-C2N-G	T	152.4/28.7
Q11	1590001001	S.TR RN2427(RE85R,F)	T	156.9/38.6
Q12	1590001001	S.TR RN2427(RE85R,F)	T	152.3/36.9
Q13	1590001001	S.TR RN2427(RE85R,F)	T	164.7/38.5
Q14	1590001001	S.TR RN2427(RE85R,F)	T	164.7/17.5
D51	1750000550	S.DIO 1SS355 TE-17	T	161.9/13.3
D52	1750000550	S.DIO 1SS355 TE-17	T	140.3/42.9
D53	1750000550	S.DIO 1SS355 TE-17	T	115.1/41.4
D61	1750000550	S.DIO 1SS355 TE-17	T	118.9/19.7
D62	1750000550	S.DIO 1SS355 TE-17	T	107.1/43
D63	1750000550	S.DIO 1SS355 TE-17	T	79/43.6
D71	1750000550	S.DIO 1SS355 TE-17	T	68.7/21.4
D72	1750000550	S.DIO 1SS355 TE-17	T	61.6/42.9
D73	1750000550	S.DIO 1SS355 TE-17	T	65.8/43.4
D81	1750000550	S.DIO 1SS355 TE-17	T	36.9/19.7
D82	1750000550	S.DIO 1SS355 TE-17	T	41.4/45.2
D83	1750000550	S.DIO 1SS355 TE-17	T	28.2/45.3
D84	1750000550	S.DIO 1SS355 TE-17	T	25.8/43
L1	6200003590	S.COL EXCCL3225U1	T	155.7/27.5
L2	6110001670	COL LA-253		
R1	7540000100	ABS SRYH-350L		
R2	7540000130	ABS 2P-50A-301		
R3	7540000130	ABS 2P-50A-301		
R11	7030003320	S.RES ERJ3GEYJ 101 V (100)	T	165.5/27.4
R12	7030003320	S.RES ERJ3GEYJ 101 V (100)	T	164.2/27.4
R13	7030003320	S.RES ERJ3GEYJ 101 V (100)	T	162.9/27.4
R14	7030003320	S.RES ERJ3GEYJ 101 V (100)	T	166.2/33.9
R15	7030003320	S.RES ERJ3GEYJ 101 V (100)	T	148.7/31.6
R16	7030003320	S.RES ERJ3GEYJ 101 V (100)	T	151.5/31.6
R17	7030003320	S.RES ERJ3GEYJ 101 V (100)	T	154.7/39.4
R18	7030003320	S.RES ERJ3GEYJ 101 V (100)	T	151.4/32.9
R19	7030003320	S.RES ERJ3GEYJ 101 V (100)	T	151.4/34.2
R20	7030003320	S.RES ERJ3GEYJ 101 V (100)	T	152.1/39.1
R21	7030003320	S.RES ERJ3GEYJ 101 V (100)	T	154.7/36.6
R22	7030003320	S.RES ERJ3GEYJ 101 V (100)	T	166.9/38.7
R23	7030003320	S.RES ERJ3GEYJ 101 V (100)	T	162.3/38.9
R24	7030003320	S.RES ERJ3GEYJ 101 V (100)	T	161/39.1
R25	7030003320	S.RES ERJ3GEYJ 101 V (100)	T	159.7/39.1
R26	7030003320	S.RES ERJ3GEYJ 101 V (100)	T	162.7/15.6
C1	4010005610	CER HM60SJ SL 100D 500V		
C2	4010005660	CER HM60SJ SL 220J 500V		
C11	4030011600	S.CER C1608 JB 1E 104K-T	T	160/27.6
C12	4030011600	S.CER C1608 JB 1E 104K-T	T	158.7/27.6
C51	4030006880	S.CER C1608 JB 1H 472K-T	T	163.5/13.6
C52	4030006880	S.CER C1608 JB 1H 472K-T	T	144.5/41.3
C53	4030006880	S.CER C1608 JB 1H 472K-T	T	113.5/41.7
C61	4030006880	S.CER C1608 JB 1H 472K-T	T	119.2/21.3
C62	4030006880	S.CER C1608 JB 1H 472K-T	T	107.4/44.5
C63	4030006880	S.CER C1608 JB 1H 472K-T	T	77.5/43.6
C71	4030006880	S.CER C1608 JB 1H 472K-T	T	69/19.9
C72	4030006880	S.CER C1608 JB 1H 472K-T	T	61.6/44.5
C73	4030006880	S.CER C1608 JB 1H 472K-T	T	73/43.4
C81	4030006880	S.CER C1608 JB 1H 472K-T	T	37.2/21.3
C82	4030006880	S.CER C1608 JB 1H 472K-T	T	42.9/45.2
C83	4030006880	S.CER C1608 JB 1H 472K-T	T	26.6/45.6
C84	4030006880	S.CER C1608 JB 1H 472K-T	T	25/45.6
RL51	6330001460	RLY FTR-F1CA012V		
RL52	6330001780	RLY FTR-MYAA012D		
RL53	6330001780	RLY FTR-MYAA012D		
RL61	6330001460	RLY FTR-F1CA012V		
RL62	6330001780	RLY FTR-MYAA012D		
RL63	6330001780	RLY FTR-MYAA012D		
RL71	6330001460	RLY FTR-F1CA012V		
RL72	6330001780	RLY FTR-MYAA012D		
RL73	6330001780	RLY FTR-MYAA012D		
RL81	6330001460	RLY FTR-F1CA012V		
RL82	6330001780	RLY FTR-MYAA012D		
RL83	6330001780	RLY FTR-MYAA012D		
RL84	6330001780	RLY FTR-MYAA012D		
J1	6510017930	CNR 1771P145-20		
J2	6510007020	CNR TMP-J01X-V6		
J3	6510007020	CNR TMP-J01X-V6		
J4	6510019971	S.CNR 52808-1071	T	153/22
J51	6510000410	CNR MR-DS-E 02		
J61	6510000410	CNR MR-DS-E 02		
J71	6510000410	CNR MR-DS-E 02		
J81	6510000410	CNR MR-DS-E 02		

[OSC UNIT]

REF NO.	PARTS NO.	DESCRIPTION	M.	H/V LOCATION
IC10	1180002610	S.REG BA12FP-E2	T	37.8/20
IC91	1190002001	S.IC AD5260BRUZ50	T	26.8/12
IC92	1130005721	S.IC TC7W04F (TE12L,F)	T	23.7/6.1
Q10	1590000680	S.TR DTC114EUA T106	T	32.4/35
Q11	1590000680	S.TR DTC114EUA T106	T	22.1/42.4
Q12	1590000680	S.TR DTC114EUA T106	T	29.1/41.5
Q13	1590000680	S.TR DTC114EUA T106	T	31.6/41.5
Q21	1530002060	S.TR 2SC4081 T106 R	T	11.3/6.3
Q22	1530002601	S.TR 2SC4215-O (TE85R,F)	T	10.4/17.8
Q23	1590000680	S.TR DTC114EUA T106	T	13/11
Q42	1530002601	S.TR 2SC4215-O (TE85R,F)	T	19.8/18.8
Q43	1590000680	S.TR DTC114EUA T106	T	18.6/11.7
Q61	1530002060	S.TR 2SC4081 T106 R	T	26.1/36.1
Q62	1530002060	S.TR 2SC4081 T106 R	T	20.6/38.6
Q70	1530002060	S.TR 2SC4081 T106 R	T	9.9/41.2
Q101	1530002700	S.TR 2SC4097 T106Q	T	36.7/40
D10	1790001250	S.DIO MA2S1110G-(TX)	T	31.4/31.7
D11	1790001250	S.DIO MA2S1110G-(TX)	T	16.5/38.2
D71	1750000381	S.DIO 1SS312 (TE85L,F)	T	29.8/34.9
D72	1750000381	S.DIO 1SS312 (TE85L,F)	T	29.9/37.6
X1	6050012210	XTL CR-772.OCVXO-148A		
L1	6200003950	S.COL HF50ACC 322513-T	T	38.8/43.7
L2	6200003950	S.COL HF50ACC 322513-T	T	35.8/43.7
L10	6200003950	S.COL HF50ACC 322513-T	T	94.7/30.6
L20	6200005491	S.COL NLV32T-331J	T	14.7/1.9
L21	6200003261	S.COL NLV32T-101J	T	6.9/11.2
L22	6200003261	S.COL NLV32T-101J	T	7.9/14.7
L23	6200003041	S.COL NLV32T-R68J	T	6.9/20.3
L24	6200003051	S.COL NLV32T-R82J	T	6.2/23.8
L41	6200003261	S.COL NLV32T-101J	T	15.3/13.7
L42	6200003261	S.COL NLV32T-101J	T	14.7/17.2
L43	6200003041	S.COL NLV32T-R68J	T	15.3/22.4
L44	6200003051	S.COL NLV32T-R82J	T	18.8/24.2
L61	6150004170	COL LS-476		
L62	6150004170	COL LS-476		
L91	6200003950	S.COL HF50ACC 322513-T	T	23.6/20.3
L92	6200003950	S.COL HF50ACC 322513-T	T	19.4/4.3
R1	7030003440	S.RES ERJ3GEYJ 102 V (1 K)	T	32.4/44.3
R2	7030003440	S.RES ERJ3GEYJ 102 V (1 K)	T	29.8/44.2
R3	7030003440	S.RES ERJ3GEYJ 102 V (1 K)	T	25.8/42.2
R11	7030003200	S.RES ERJ3GEYJ 100 V (10)	T	33.3/32.3
R12	7030003200	S.RES ERJ3GEYJ 100 V (10)	T	16.7/40.3
R13	7030003440	S.RES ERJ3GEYJ 102 V (1 K)	T	16.8/11.6
R20	7030003240	S.RES ERJ3GEYJ 220 V (22)	T	11.3/1.8
R21	7030003560	S.RES ERJ3GEYJ 103 V (10 K)	T	11.1/4.4
R22	7030003370	S.RES ERJ3GEYJ 271 V (270)	T	15.5/7.9
R23	7030004040	S.RES ERJ3GEYJ 4R7 V (4.7)	T	11.4/14
R24	7030003370	S.RES ERJ3GEYJ 271 V (270)	T	12.3/17.7
R25	7030003500	S.RES ERJ3GEYJ 332 V (3.3 K)	T	10.1/14.2
R26	7030003480	S.RES ERJ3GEYJ 222 V (2.2 K)	T	12.8/9.1
R27	7030003360	S.RES ERJ3GEYJ 221 V (220)	T	5.8/13.9
R28	7030003440	S.RES ERJ3GEYJ 102 V (1 K)	T	10.2/11.9
R43	7030003240	S.RES ERJ3GEYJ 220 V (22)	T	19.7/14.2
R44	7030003370	S.RES ERJ3GEYJ 271 V (270)	T	20.7/18.6
R45	7030003500	S.RES ERJ3GEYJ 332 V (3.3 K)	T	17.9/15.1
R46	7030003480	S.RES ERJ3GEYJ 222 V (2.2 K)	T	19.4/9.8
R47	7030003290	S.RES ERJ3GEYJ 560 V (56)	T	16.8/17.9
R61	7030003240	S.RES ERJ3GEYJ 220 V (22)	T	22.2/35.4
R62	7030003560	S.RES ERJ3GEYJ 103 V (10 K)	T	26.3/34.2
R63	7030003380	S.RES ERJ3GEYJ 331 V (330)	T	25.9/38
R64	7030003280	S.RES ERJ3GEYJ 470 V (47)	T	20.8/40.5
R65	7030003400	S.RES ERJ3GEYJ 471 V (470)	T	20/34.8
R67	7030003560	S.RES ERJ3GEYJ 103 V (10 K)	T	19.6/36.7
R68	7030003550	S.RES ERJ3GEYJ 822 V (8.2 K)	T	22.2/36.7
R71	7030003340	S.RES ERJ3GEYJ 151 V (150)	T	32.6/38.2
R72	7030003270	S.RES ERJ3GEYJ 390 V (39)	T	31.2/39.5
R73	7030003340	S.RES ERJ3GEYJ 151 V (150)	T	28.6/39.5
R75	7030003280	S.RES ERJ3GEYJ 470 V (47)	T	16.2/43.1
R77	7030003320	S.RES ERJ3GEYJ 101 V (100)	T	12.5/44.6
R78	7030003470	S.RES ERJ3GEYJ 182 V (1.8 K)	T	8/41
R79	7030003480	S.RES ERJ3GEYJ 222 V (2.2 K)	T	6.1/41.6
R80	7030003360	S.RES ERJ3GEYJ 221 V (220)	T	11.8/41
R82	7030003280	S.RES ERJ3GEYJ 470 V (47)	T	17.5/43.1
R91	7030006091	S.RES ERA3YED 822V (8.2 K)	T	19.5/7.1
R92	7030005341	S.RES ERA3YED 332V (3.3 K)	T	19.5/8.4
R93	7030003560	S.RES ERJ3GEYJ 103 V (10 K)	T	25.6/1.4
R94	7030003540	S.RES ERJ3GEYJ 682 V (6.8 K)	T	25.6/2.7
R95	7030003320	S.RES ERJ3GEYJ 101 V (100)	T	22.4/16.7
R96	7030003440	S.RES ERJ3GEYJ 102 V (1 K)	T	32/14.1
R97	7030003440	S.RES ERJ3GEYJ 102 V (1 K)	T	28.6/16.1
R98	7030003640	S.RES ERJ3GEYJ 473 V (47 K)	T	27.3/16.1
R99	7030003480	S.RES ERJ3GEYJ 222 V (2.2 K)	T	22.4/10.1
R100	7030003640	S.RES ERJ3GEYJ 473 V (47 K)	T	27.2/6.4
R101	7030003360	S.RES ERJ3GEYJ 221 V (220)	T	36.9/38.1
R102	7030005981	S.RES ERA3YED 333V (33 K)	T	32.4/6.7
C1	4030006880	S.CER C1608 JB 1H 472K-T	T	39.6/47.6
C2	4030006880	S.CER C1608 JB 1H 472K-T	T	31.1/44.3
C3	4030006880	S.CER C1608 JB 1H 472K-T	T	33.7/44
C4	4030006880	S.CER C1608 JB 1H 472K-T	T	30.5/8.6
C5	4510008550	S.ELE EEE1HA010SR	T	30.6/2.6
C6	4030006880	S.CER C1608 JB 1H 472K-T	T	35/3.4
C7	4510008550	S.ELE EEE1HA010SR	T	38.7/2.6
C8	4030011600	S.CER C1608 JB 1E 104K-T	T	17.3/2.1

M.=Mounted side (T: Mounted on the Top side, B: Mounted on the Bottom side)  
S.=Surface mount

[OSC UNIT]

REF NO.	PARTS NO.	DESCRIPTION	M.	H/V LOCATION
C9	4030006880	S.CER C1608 JB 1H 472K-T	T	27.1/43.1
C10	4510008680	S.ELE EEE1EA220SP	T	29.7/21.3
C11	4030004760	S.CER C2012 JF 1H 104Z-T	T	35.9/13
C12	4030006880	S.CER C1608 JB 1H 472K-T	T	39.2/12.8
C13	4510008680	S.ELE EEE1EA220SP	T	37.1/8.6
C14	4030006880	S.CER C1608 JB 1H 472K-T	T	94.7/33.9
C15	4030011600	S.CER C1608 JB 1E 104K-T	T	39.2/14.1
C16	4030011600	S.CER C1608 JB 1E 104K-T	T	29.6/32.3
C17	4030011600	S.CER C1608 JB 1E 104K-T	T	19.4/41.8
C18	4030011600	S.CER C1608 JB 1E 104K-T	T	17.8/38.3
C19	4030011600	S.CER C1608 JB 1E 104K-T	T	31.5/33
C20	4030011600	S.CER C1608 JB 1E 104K-T	T	13.3/5.2
C21	4030011600	S.CER C1608 JB 1E 104K-T	T	11.3/3.1
C22	4030011600	S.CER C1608 JB 1E 104K-T	T	15/11
C23	4030011600	S.CER C1608 JB 1E 104K-T	T	11.9/15.8
C24	4030011600	S.CER C1608 JB 1E 104K-T	T	12.7/14
C25	4030011600	S.CER C1608 JB 1E 104K-T	T	10.2/19.8
C26	4030017800	S.CER C1608 CH 1H 561J-T	T	10.2/21.1
C27	4030007120	S.CER C1608 CH 1H 820J-T	T	7.7/18.2
C28	4030011340	S.CER C1608 CH 1H 471J-T	T	8.9/22.5
C29	4030011330	S.CER C1608 CH 1H 391J-T	T	10.2/23.8
C30	4030007050	S.CER C1608 CH 1H 220J-T	T	8.4/24.5
C31	4030017800	S.CER C1608 CH 1H 561J-T	T	10.2/25.1
C32	4030011600	S.CER C1608 JB 1E 104K-T	T	10.8/9.2
C33	4030011600	S.CER C1608 JB 1E 104K-T	T	9.5/10.1
C42	4030011600	S.CER C1608 JB 1E 104K-T	T	21.6/12.7
C43	4030011600	S.CER C1608 JB 1E 104K-T	T	20.1/16.8
C44	4030011600	S.CER C1608 JB 1E 104K-T	T	19.9/15.5
C45	4030011600	S.CER C1608 JB 1E 104K-T	T	13.2/20.6
C46	4030017800	S.CER C1608 CH 1H 561J-T	T	15/19.8
C47	4030007120	S.CER C1608 CH 1H 820J-T	T	13.2/23.2
C48	4030011340	S.CER C1608 CH 1H 471J-T	T	17.5/21.5
C49	4030011330	S.CER C1608 CH 1H 391J-T	T	18.8/21.5
C50	4030007050	S.CER C1608 CH 1H 220J-T	T	20.6/22.1
C51	4030017800	S.CER C1608 CH 1H 561J-T	T	21.7/24.4
C52	4030011600	S.CER C1608 JB 1E 104K-T	T	17.6/8.8
C53	4030011600	S.CER C1608 JB 1E 104K-T	T	16.3/9.7
C61	4030011600	S.CER C1608 JB 1E 104K-T	T	26.3/32.9
C62	4030011600	S.CER C1608 JB 1E 104K-T	T	24.1/36.1
C63	4030011600	S.CER C1608 JB 1E 104K-T	T	25.9/39.3
C64	4030011600	S.CER C1608 JB 1E 104K-T	T	22.7/34.1
C66	4030007010	S.CER C1608 CH 1H 100D-T	T	12.8/25.1
C67	4030011600	S.CER C1608 JB 1E 104K-T	T	17/35.4
C71	4030006880	S.CER C1608 JB 1H 472K-T	T	33.8/39.5
C72	4030006880	S.CER C1608 JB 1H 472K-T	T	14.4/45.4
C73	4030006880	S.CER C1608 JB 1H 472K-T	T	6.1/40.3
C74	4030006880	S.CER C1608 JB 1H 472K-T	T	10/43.2
C75	4030006880	S.CER C1608 JB 1H 472K-T	T	13.1/40.9
C76	4030006880	S.CER C1608 JB 1H 472K-T	T	19.4/45.4
C77	4030011600	S.CER C1608 JB 1E 104K-T	T	10.7/44.6
C91	4030006880	S.CER C1608 JB 1H 472K-T	T	25.5/16.4
C92	4030006880	S.CER C1608 JB 1H 472K-T	T	17.3/4.7
C93	4030006880	S.CER C1608 JB 1H 472K-T	T	22.1/2.7
C94	4030006880	S.CER C1608 JB 1H 472K-T	T	27.9/8.6
C101	4550006480	S.TAN TEESVA 1C 475M8R	T	40/38.9
RL10	6330001750	RLY FTR-B4CA012Z		
RL11	6330001750	RLY FTR-B4CA012Z		
J2	6510019971	S.CNR 52808-1071	T	30.5/48.8
J71	6510007020	CNR TMP-J01X-V6		
J72	6510007020	CNR TMP-J01X-V6		
J73	6510007020	CNR TMP-J01X-V6		

[DIGISEL UNIT]

REF NO.	PARTS NO.	DESCRIPTION	M.	H/V LOCATION
IC1	1130014370	S.IC CAT24C256XI	B	18.9/51.9
IC4	1130011510	S.IC BU2099FV-E2	T	29.9/55.8
IC5	1130011510	S.IC BU2099FV-E2	T	18.5/55.8
IC501	1130014370	S.IC CAT24C256XI	B	17.5/26.4
IC504	1130011510	S.IC BU2099FV-E2	T	28.3/29.2
IC505	1130011510	S.IC BU2099FV-E2	T	18.1/29.3
Q201	1530003851	S.TR 2SC5551A-F-E	T	48.5/52.8
Q701	1530003851	S.TR 2SC5551A-F-E	T	49.7/21.3
D21	1750000550	S.DIO 1SS355 TE-17	B	28.5/45.9
D51	1750000550	S.DIO 1SS355 TE-17	B	60.7/57.2
D52	1750000550	S.DIO 1SS355 TE-17	B	61.6/44.8
D53	1750000550	S.DIO 1SS355 TE-17	T	53.1/59.2
D54	1750000550	S.DIO 1SS355 TE-17	B	90.2/68.2
D55	1750000550	S.DIO 1SS355 TE-17	B	69.5/68.4
D56	1750000550	S.DIO 1SS355 TE-17	B	67.3/55.1
D57	1750000550	S.DIO 1SS355 TE-17	T	66/48.7
D58	1750000550	S.DIO 1SS355 TE-17	B	114.3/50.2
D59	1750000550	S.DIO 1SS355 TE-17	B	90.5/51
D60	1750000550	S.DIO 1SS355 TE-17	B	90.5/54.4
D61	1750000550	S.DIO 1SS355 TE-17	B	114.3/53.5
D62	1750000550	S.DIO 1SS355 TE-17	B	138.2/50.2
D63	1750000550	S.DIO 1SS355 TE-17	B	138.2/53.7
D64	1750000550	S.DIO 1SS355 TE-17	B	162.1/50.1
D65	1750000550	S.DIO 1SS355 TE-17	B	162.1/53.7
D66	1750000550	S.DIO 1SS355 TE-17	B	180.9/47.7
D67	1750000550	S.DIO 1SS355 TE-17	B	114.3/57.2
D68	1750000550	S.DIO 1SS355 TE-17	T	85.8/64.1
D69	1750000550	S.DIO 1SS355 TE-17	B	183.4/63
D70	1750000550	S.DIO 1SS355 TE-17	B	162.1/61.3
D71	1750000550	S.DIO 1SS355 TE-17	B	162.1/57.5
D72	1750000550	S.DIO 1SS355 TE-17	B	138.2/61.3
D73	1750000550	S.DIO 1SS355 TE-17	B	138.2/57.5
D74	1750000550	S.DIO 1SS355 TE-17	B	114.3/61.4
D75	1750000550	S.DIO 1SS355 TE-17	B	90.5/59.1
D201	1710001240	DIO L204BBB		
D202	1710001240	DIO L204BBB		
D203	1750000550	S.DIO 1SS355 TE-17	B	48.3/73.3
D204	1750000550	S.DIO 1SS355 TE-17	B	46.1/73.3
D205	1750000550	S.DIO 1SS355 TE-17	B	44.8/69.7
D521	1750000550	S.DIO 1SS355 TE-17	B	25/35.2
D551	1750000550	S.DIO 1SS355 TE-17	B	63.7/9.2
D552	1750000550	S.DIO 1SS355 TE-17	B	61.7/23
D553	1750000550	S.DIO 1SS355 TE-17	B	58/8.5
D554	1750000550	S.DIO 1SS355 TE-17	B	91/12.8
D555	1750000550	S.DIO 1SS355 TE-17	T	68.6/11.7
D556	1750000550	S.DIO 1SS355 TE-17	B	67.2/24.9
D557	1750000550	S.DIO 1SS355 TE-17	B	70.2/36.4
D558	1750000550	S.DIO 1SS355 TE-17	B	114.3/27.1
D559	1750000550	S.DIO 1SS355 TE-17	B	90.6/26.8
D560	1750000550	S.DIO 1SS355 TE-17	B	90.6/30.3
D561	1750000550	S.DIO 1SS355 TE-17	B	114.3/30.5
D562	1750000550	S.DIO 1SS355 TE-17	B	138.2/27.1
D563	1750000550	S.DIO 1SS355 TE-17	B	138.2/30.5
D564	1750000550	S.DIO 1SS355 TE-17	B	162.1/27.1
D565	1750000550	S.DIO 1SS355 TE-17	B	162.1/30.6
D566	1750000550	S.DIO 1SS355 TE-17	B	182.5/33.5
D567	1750000550	S.DIO 1SS355 TE-17	B	114.3/19.6
D568	1750000550	S.DIO 1SS355 TE-17	B	90.7/19.6
D569	1750000550	S.DIO 1SS355 TE-17	B	183.6/17.1
D570	1750000550	S.DIO 1SS355 TE-17	B	162.1/19.7
D571	1750000550	S.DIO 1SS355 TE-17	B	162.1/23.5
D572	1750000550	S.DIO 1SS355 TE-17	B	138.2/23.5
D573	1750000550	S.DIO 1SS355 TE-17	B	138.2/19.6
D574	1750000550	S.DIO 1SS355 TE-17	B	114.3/23.4
D575	1750000550	S.DIO 1SS355 TE-17	B	90.7/22.9
D701	1710001240	DIO L204BBB		
D702	1710001240	DIO L204BBB		
D703	1750000550	S.DIO 1SS355 TE-17	B	47/9
D704	1750000550	S.DIO 1SS355 TE-17	B	44.9/9
D705	1750000550	S.DIO 1SS355 TE-17	T	51.8/34.3
L1	6200003261	S.COL NLV32T-101J	B	4.5/52
L2	6200003950	S.COL HF50ACC 322513-T	B	4.7/40
L3	6200003261	S.COL NLV32T-101J	B	4.5/48
L4	6200003261	S.COL NLV32T-101J	B	4.5/44
L101	6140003980	COL LR-476		
L102	6140003990	COL LR-477		
L103	6140004001	COL LR-478A		
L104	6140004010	COL LR-479		
L105	6140004020	COL LR-480		
L106	6140004030	COL LR-481		
L107	6110003930	COL LA-595		
L201	6180000920	COL LAL 03NA 221K		
L203	6140003940	COL LR-493		
L503	6200003261	S.COL NLV32T-101J	B	4.5/36
L504	6200003261	S.COL NLV32T-101J	B	4.5/32
L601	6140003980	COL LR-476		
L602	6140003990	COL LR-477		
L603	6140004001	COL LR-478A		
L604	6140004010	COL LR-479		
L605	6140004020	COL LR-480		
L606	6140004030	COL LR-481		
L607	6110003930	COL LA-595		
L701	6180000920	COL LAL 03NA 221K		
L703	6140003940	COL LR-493		
R1	7030003680	S.RES ERJ3GEYJ 104 V (100 K)	B	17.3/60.8
R2	7030003560	S.RES ERJ3GEYJ 103 V (10 K)	B	12.6/54.5
R3	7030003560	S.RES ERJ3GEYJ 103 V (10 K)	T	26.1/51.6

M.=Mounted side (T: Mounted on the Top side, B: Mounted on the Bottom side)  
S.=Surface mount

[DIGISEL UNIT]

REF NO.	PARTS NO.	DESCRIPTION	M.	H/V LOCATION
R4	7030003440	S.RES ERJ3GEYJ 102 V (1 K)	T	14.3/47.4
R5	7030003440	S.RES ERJ3GEYJ 102 V (1 K)	T	15.7/44.8
R6	7030003440	S.RES ERJ3GEYJ 102 V (1 K)	T	15.1/46.1
R7	7030003440	S.RES ERJ3GEYJ 102 V (1 K)	T	4/52.9
R8	7030003440	S.RES ERJ3GEYJ 102 V (1 K)	T	13.3/51.8
R9	7030003360	S.RES ERJ3GEYJ 221 V (220)	B	32/45.9
R10	7030003360	S.RES ERJ3GEYJ 221 V (220)	T	34.6/60
R35	7030003360	S.RES ERJ3GEYJ 221 V (220)	T	27.9/62.4
R36	7030003360	S.RES ERJ3GEYJ 221 V (220)	T	28.6/65.8
R37	7030003360	S.RES ERJ3GEYJ 221 V (220)	T	29.3/62.4
R38	7030003360	S.RES ERJ3GEYJ 221 V (220)	T	30/65.8
R39	7030003360	S.RES ERJ3GEYJ 221 V (220)	T	30.7/62.4
R40	7030003360	S.RES ERJ3GEYJ 221 V (220)	T	26.5/62.4
R41	7030003360	S.RES ERJ3GEYJ 221 V (220)	T	27.2/65.8
R42	7030003360	S.RES ERJ3GEYJ 221 V (220)	T	25.8/65.8
R43	7030003360	S.RES ERJ3GEYJ 221 V (220)	T	25.1/62.4
R44	7030003360	S.RES ERJ3GEYJ 221 V (220)	T	24.4/65.8
R45	7030003360	S.RES ERJ3GEYJ 221 V (220)	T	23.7/62.4
R46	7030003360	S.RES ERJ3GEYJ 221 V (220)	T	23/65.8
R47	7030003360	S.RES ERJ3GEYJ 221 V (220)	T	21.2/62.4
R48	7030003360	S.RES ERJ3GEYJ 221 V (220)	T	19.1/65.8
R49	7030003360	S.RES ERJ3GEYJ 221 V (220)	T	18.4/62.4
R50	7030003360	S.RES ERJ3GEYJ 221 V (220)	T	19.8/62.4
R51	7030003360	S.RES ERJ3GEYJ 221 V (220)	T	20.5/65.8
R52	7030003360	S.RES ERJ3GEYJ 221 V (220)	T	15.6/62.4
R53	7030003360	S.RES ERJ3GEYJ 221 V (220)	T	14.9/65.8
R54	7030003360	S.RES ERJ3GEYJ 221 V (220)	T	14.2/62.4
R55	7030003360	S.RES ERJ3GEYJ 221 V (220)	T	16.3/65.8
R56	7030003360	S.RES ERJ3GEYJ 221 V (220)	T	17/62.4
R57	7030003360	S.RES ERJ3GEYJ 221 V (220)	T	17.7/65.8
R58	7030003360	S.RES ERJ3GEYJ 221 V (220)	T	20.9/46.4
R59	7030003440	S.RES ERJ3GEYJ 102 V (1 K)	T	14.9/49.7
R100	7030000010	S.RES MCR10EZHJ JPW (000)	B	26/47.3
R104	7030003560	S.RES ERJ3GEYJ 103 V (10 K)	B	145.1/64.1
R105	7030003560	S.RES ERJ3GEYJ 103 V (10 K)	B	131.1/62.7
R201	7030000380	S.RES MCR10EZHJ 1 k	B	49.4/55.6
R202	7030000290	S.RES MCR10EZHJ 180 (181)	B	49.4/51.8
R203	7030000220	S.RES MCR10EZHJ 47 (470)	B	49.4/53.7
R204	7030003360	S.RES ERJ3GEYJ 221 V (220)	B	48.2/69.7
R205	7030003350	S.RES ERJ3GEYJ 181 V (180)	T	54.5/46.5
R206	7030003370	S.RES ERJ3GEYJ 271 V (270)	B	49.4/48.7
R207	7030003560	S.RES ERJ3GEYJ 103 V (10 K)	T	57.6/48.7
R208	7030000200	S.RES MCR10EZHJ 33 (330)	B	45.4/56.9
R209	7030003240	S.RES ERJ3GEYJ 220 V (22)	T	44.2/53.9
R210	7030003370	S.RES ERJ3GEYJ 271 V (270)	B	45.2/49.5
R211	7030003370	S.RES ERJ3GEYJ 271 V (270)	B	45.2/50.8
R213	7030000220	S.RES MCR10EZHJ 47 (470)	B	38.1/55.9
R214	7030003460	S.RES ERJ3GEYJ 152 V (1.5 K)	B	51.6/60
R215	7030003460	S.RES ERJ3GEYJ 152 V (1.5 K)	B	52.4/58
R216	7030003680	S.RES ERJ3GEYJ 104 V (100 K)	B	17.3/66.4
R501	7030003680	S.RES ERJ3GEYJ 104 V (100 K)	B	14.5/21.2
R502	7030003560	S.RES ERJ3GEYJ 103 V (10 K)	B	25.7/25.3
R503	7030003560	S.RES ERJ3GEYJ 103 V (10 K)	B	24.4/25.3
R504	7030003440	S.RES ERJ3GEYJ 102 V (1 K)	B	9.7/44.5
R505	7030003440	S.RES ERJ3GEYJ 102 V (1 K)	T	9.3/42.1
R506	7030003440	S.RES ERJ3GEYJ 102 V (1 K)	T	3.7/28.1
R507	7030003440	S.RES ERJ3GEYJ 102 V (1 K)	B	4.4/28
R508	7030003440	S.RES ERJ3GEYJ 102 V (1 K)	T	12.9/30.8
R509	7030003360	S.RES ERJ3GEYJ 221 V (220)	T	31.1/34.8
R510	7030003360	S.RES ERJ3GEYJ 221 V (220)	T	32.2/21.9
R535	7030003360	S.RES ERJ3GEYJ 221 V (220)	T	26.4/21.9
R536	7030003360	S.RES ERJ3GEYJ 221 V (220)	T	25.7/19
R537	7030003360	S.RES ERJ3GEYJ 221 V (220)	T	23.6/21.9
R538	7030003360	S.RES ERJ3GEYJ 221 V (220)	T	24.3/19
R539	7030003360	S.RES ERJ3GEYJ 221 V (220)	T	25/21.8
R540	7030003360	S.RES ERJ3GEYJ 221 V (220)	T	30.1/19
R541	7030003360	S.RES ERJ3GEYJ 221 V (220)	T	29.4/21.9
R542	7030003360	S.RES ERJ3GEYJ 221 V (220)	T	28.7/19
R543	7030003360	S.RES ERJ3GEYJ 221 V (220)	T	27.9/21.9
R544	7030003360	S.RES ERJ3GEYJ 221 V (220)	T	27.2/19
R545	7030003360	S.RES ERJ3GEYJ 221 V (220)	T	30.8/21.9
R546	7030003360	S.RES ERJ3GEYJ 221 V (220)	T	31.5/19
R547	7030003360	S.RES ERJ3GEYJ 221 V (220)	T	18/21.9
R548	7030003360	S.RES ERJ3GEYJ 221 V (220)	T	17.3/19.1
R549	7030003360	S.RES ERJ3GEYJ 221 V (220)	T	15.2/21.9
R550	7030003360	S.RES ERJ3GEYJ 221 V (220)	T	16.6/21.9
R551	7030003360	S.RES ERJ3GEYJ 221 V (220)	T	15.9/19.1
R552	7030003360	S.RES ERJ3GEYJ 221 V (220)	T	20.1/19.2
R553	7030003360	S.RES ERJ3GEYJ 221 V (220)	T	19.4/21.9
R554	7030003360	S.RES ERJ3GEYJ 221 V (220)	T	18.7/19.1
R555	7030003360	S.RES ERJ3GEYJ 221 V (220)	T	20.9/21.9
R556	7030003360	S.RES ERJ3GEYJ 221 V (220)	T	21.6/19.2
R557	7030003360	S.RES ERJ3GEYJ 221 V (220)	T	22.3/21.9
R558	7030003360	S.RES ERJ3GEYJ 221 V (220)	T	23.5/34.2
R600	7030000010	S.RES MCR10EZHJ JPW (000)	B	30.9/33.9
R604	7030003560	S.RES ERJ3GEYJ 103 V (10 K)	B	145.1/17.1
R605	7030003560	S.RES ERJ3GEYJ 103 V (10 K)	B	129.1/17.1
R701	7030000380	S.RES MCR10EZHJ 1 k	T	53.2/20.4
R702	7030000290	S.RES MCR10EZHJ 180 (181)	T	51.6/15.9
R703	7030000220	S.RES MCR10EZHJ 47 (470)	T	51.6/13.8
R704	7030003360	S.RES ERJ3GEYJ 221 V (220)	T	52.9/31.9
R705	7030003350	S.RES ERJ3GEYJ 181 V (180)	B	49.4/9
R706	7030003370	S.RES ERJ3GEYJ 271 V (270)	B	42.4/10.1
R707	7030003560	S.RES ERJ3GEYJ 103 V (10 K)	T	51.3/12.2
R708	7030000200	S.RES MCR10EZHJ 33 (330)	T	43.8/25.6
R709	7030003240	S.RES ERJ3GEYJ 220 V (22)	T	46.5/19.8
R710	7030003370	S.RES ERJ3GEYJ 271 V (270)	B	45.6/19.4
R711	7030003370	S.RES ERJ3GEYJ 271 V (270)	B	45.6/21
R713	7030000220	S.RES MCR10EZHJ 47 (470)	B	38.8/27.4
R714	7030003460	S.RES ERJ3GEYJ 152 V (1.5 K)	T	53.5/29.2
R715	7030003460	S.RES ERJ3GEYJ 152 V (1.5 K)	T	51.6/30
R716	7030003680	S.RES ERJ3GEYJ 104 V (100 K)	B	14.5/15.5
C1	4030011600	S.CER C1608 JB 1E 104K-T	B	15.2/55.4
C2	4030011600	S.CER C1608 JB 1E 104K-T	T	7.9/31.8

[DIGISEL UNIT]

REF NO.	PARTS NO.	DESCRIPTION	M.	H/V LOCATION
C4	4030011600	S.CER C1608 JB 1E 104K-T	T	31.8/50.7
C5	4030011600	S.CER C1608 JB 1E 104K-T	T	16/51.6
C21	4030006880	S.CER C1608 JB 1H 472K-T	B	30.4/45.9
C35	4030006880	S.CER C1608 JB 1H 472K-T	T	32.1/65.3
C51	4030006880	S.CER C1608 JB 1H 472K-T	B	64.8/57.2
C52	4030006880	S.CER C1608 JB 1H 472K-T	T	57.6/45.8
C53	4030006880	S.CER C1608 JB 1H 472K-T	T	51.5/59.2
C54	4030006880	S.CER C1608 JB 1H 472K-T	T	87.3/72.3
C55	4030006880	S.CER C1608 JB 1H 472K-T	B	67.1/63.5
C56	4030006880	S.CER C1608 JB 1H 472K-T	T	66.5/54.9
C57	4030006880	S.CER C1608 JB 1H 472K-T	B	66.2/45.6
C58	4030006880	S.CER C1608 JB 1H 472K-T	T	114.3/50.4
C59	4030006880	S.CER C1608 JB 1H 472K-T	T	90.4/51.4
C60	4030006880	S.CER C1608 JB 1H 472K-T	T	90.4/54.4
C61	4030006880	S.CER C1608 JB 1H 472K-T	T	114.3/53.7
C62	4030006880	S.CER C1608 JB 1H 472K-T	T	138.2/51.1
C63	4030006880	S.CER C1608 JB 1H 472K-T	T	138.2/54.4
C64	4030006880	S.CER C1608 JB 1H 472K-T	T	162.1/50.8
C65	4030006880	S.CER C1608 JB 1H 472K-T	T	162.1/53.9
C66	4030006880	S.CER C1608 JB 1H 472K-T	B	182.5/47.7
C67	4030006880	S.CER C1608 JB 1H 472K-T	T	114.3/57.2
C68	4030006880	S.CER C1608 JB 1H 472K-T	T	88.3/63
C69	4030006880	S.CER C1608 JB 1H 472K-T	B	183.7/64.8
C70	4030006880	S.CER C1608 JB 1H 472K-T	T	162.1/60.2
C71	4030006880	S.CER C1608 JB 1H 472K-T	T	162.1/57.3
C72	4030006880	S.CER C1608 JB 1H 472K-T	T	138.2/59.5
C73	4030006880	S.CER C1608 JB 1H 472K-T	T	135.8/63
C74	4030006880	S.CER C1608 JB 1H 472K-T	T	114.3/60.4
C75	4030006880	S.CER C1608 JB 1H 472K-T	T	90.5/59.6
C101	4030011340	S.CER C1608 CH 1H 471J-T	T	68.2/68.4
C102	4030011280	S.CER C1608 CH 1H 271J-T	T	59.5/69.2
C103	4030011280	S.CER C1608 CH 1H 271J-T	T	60.5/56.7
C104	4030007130	S.CER C1608 CH 1H 101J-T	T	57.7/52.7
C105	4030006940	S.CER C1608 CH 1H 030C-T	B	65.7/51.9
C106	4030007150	S.CER C1608 CH 1H 151J-T	B	56.4/70.2
C107	4030007150	S.CER C1608 CH 1H 151J-T	B	60.3/70.6
C108	4030007150	S.CER C1608 CH 1H 151J-T	B	62.4/70.6
C109	4030007150	S.CER C1608 CH 1H 151J-T	B	56.4/68.8
C110	4030009520	S.CER C1608 CH 1H 020B-T	T	77.2/69.1
C111	4030009550	S.CER C1608 CH 1H 2R5B-T	T	77.2/67.8
C113	4030007000	S.CER C1608 CH 1H 095D-T	T	73.7/58.9
C114	4030007040	S.CER C1608 CH 1H 180J-T	T	71.7/59.5
C115	4030007040	S.CER C1608 CH 1H 180J-T	T	70.4/59.2
C116	4030007040	S.CER C1608 CH 1H 180J-T	T	69.1/59.5
C117	4030007070	S.CER C1608 CH 1H 330J-T	T	77.2/70.4
C118	4030007090	S.CER C1608 CH 1H 470J-T	B	76.7/59.8
C119	4030007040	S.CER C1608 CH 1H 180J-T	B	66.1/48.8
C120	4030007040	S.CER C1608 CH 1H 180J-T	B	66.1/49.1
C121	4030007040	S.CER C1608 CH 1H 180J-T	B	74.4/59.7
C122	4030007000	S.CER C1608 CH 1H 090D-T	B	74.3/70.3
C124	4030009520	S.CER C1608 CH 1H 020B-T	B	77.4/68.9
C125	4030009550	S.CER C1608 CH 1H 2R5B-T	B	76.1/68.9
C126	4030008360	S.CER C1608 UJ 1H 101J-T	B	124.5/63.3
C128	4030009500	S.CER C1608 CH 1H 0R5B-T	B	107.2/55.4
C129	4030004210	S.CER C1608 CH 1H 010B-T	B	83.2/55.8
C130	4030009520	S.CER C1608 CH 1H 020B-T	B	97.6/55.5
C131	4030009510	S.CER C1608 CH 1H 040B-T	B	121.5/55.6
C132	4030006990	S.CER C1608 CH 1H 080D-T	B	131/55.6
C133	4030007040	S.CER C1608 CH 1H 180J-T	B	145.4/55.7
C134	4030008750	S.CER C1608 CH 1H 360J-T	B	154.9/55.7
C135	4030007110	S.CER C1608 CH 1H 680J-T	B	169.3/55.7
C136	4030007140	S.CER C1608 CH 1H 121J-T	B	178.8/55.7
C137	4030007140	S.CER C1608 CH 1H 121J-T	B	107.4/63.8
C138	4030007130	S.CER C1608 CH 1H 101J-T	B	107.4/62.5
C139	4030007160	S.CER C1608 CH 1H 181J-T	B	83.6/62.7
C140	4030007160	S.CER C1608 CH 1H 181J-T	B	83.6/64.5
C141	4030008330	S.CER C1608 UJ 1H 560J-T	B	177.2/63.2
C142	4030008330	S.CER C1608 UJ 1H 560J-T	B	169.3/63.2
C143	4030007090	S.CER C1608 CH 1H 470J-T	B	155.2/63.2
C201	4030011600	S.CER C1608 JB 1E 104K-T	B	49.1/57.2
C202	4030006900	S.CER C1608 JB 1H 103K-T	T	57.7/55.4
C203	4030011600	S.CER C1608 JB 1E 104K-T	B	50.4/46.3
C204	4030011600	S.CER C1608 JB 1E 104K-T	B	53.2/45.4
C205	4030011600	S.CER C1608 JB 1E 104K-T	B	43.4/59.6
C206	4			



[DIGISEL UNIT]

REF NO.	PARTS NO.	DESCRIPTION	M.	H/V LOCATION
C567	4030006880	S.CER C1608 JB 1H 472K-T	T	109.8/17.8
C568	4030006880	S.CER C1608 JB 1H 472K-T	T	90.4/19.5
C569	4030006880	S.CER C1608 JB 1H 472K-T	B	181.8/17.1
C570	4030006880	S.CER C1608 JB 1H 472K-T	T	162.1/22.4
C571	4030006880	S.CER C1608 JB 1H 472K-T	T	158.5/17.6
C572	4030006880	S.CER C1608 JB 1H 472K-T	T	138.2/23.1
C573	4030006880	S.CER C1608 JB 1H 472K-T	T	134.8/17.5
C574	4030006880	S.CER C1608 JB 1H 472K-T	T	114.3/20.6
C575	4030006880	S.CER C1608 JB 1H 472K-T	T	90.4/23.3
C601	4030011340	S.CER C1608 CH 1H 471J-T	B	66/22.5
C602	4030011280	S.CER C1608 CH 1H 271J-T	B	65.2/26.7
C603	4030011280	S.CER C1608 CH 1H 271J-T	T	59.1/35.6
C604	4030007130	S.CER C1608 CH 1H 101J-T	T	57.7/33
C605	4030006940	S.CER C1608 CH 1H 030C-T	T	57.2/29
C606	4030007150	S.CER C1608 CH 1H 151J-T	T	55.6/30.7
C607	4030007150	S.CER C1608 CH 1H 151J-T	T	57.2/25.4
C608	4030007150	S.CER C1608 CH 1H 151J-T	T	57.2/23.8
C609	4030007150	S.CER C1608 CH 1H 151J-T	T	56.8/22.5
C610	4030009520	S.CER C1608 CH 1H 020B-T	B	77.3/11.3
C611	4030009550	S.CER C1608 CH 1H 2R5B-T	B	76/11.3
C613	4030007000	S.CER C1608 CH 1H 090D-T	B	73.8/12.5
C614	4030007040	S.CER C1608 CH 1H 180J-T	B	73.7/21.1
C615	4030007040	S.CER C1608 CH 1H 180J-T	B	73.9/28.2
C616	4030007040	S.CER C1608 CH 1H 180J-T	B	73.9/29.7
C617	4030007070	S.CER C1608 CH 1H 330J-T	B	76/19.4
C618	4030007090	S.CER C1608 CH 1H 470J-T	T	75.5/20.7
C619	4030007040	S.CER C1608 CH 1H 180J-T	T	65.6/35.3
C620	4030007040	S.CER C1608 CH 1H 180J-T	T	65.7/36.7
C621	4030007040	S.CER C1608 CH 1H 180J-T	T	73.7/28.3
C622	4030007000	S.CER C1608 CH 1H 090D-T	T	73.2/20.2
C624	4030009520	S.CER C1608 CH 1H 020B-T	T	76.9/10.6
C625	4030009550	S.CER C1608 CH 1H 2R5B-T	T	76.9/12
C626	4030008360	S.CER C1608 UJ 1H 101J-T	B	124.5/17.4
C628	4030009500	S.CER C1608 CH 1H 0R5B-T	B	107.4/25.3
C629	4030009510	S.CER C1608 CH 1H 010B-T	B	83.3/25.5
C630	4030009520	S.CER C1608 CH 1H 020B-T	B	97.8/25.3
C631	4030009910	S.CER C1608 CH 1H 040B-T	B	121.2/25.3
C632	4030006990	S.CER C1608 CH 1H 080D-T	B	131.3/25.3
C633	4030007040	S.CER C1608 CH 1H 180J-T	B	145.2/25.3
C634	4030008750	S.CER C1608 CH 1H 360J-T	B	155.2/25.3
C635	4030007110	S.CER C1608 CH 1H 680J-T	B	169/25.3
C636	4030007140	S.CER C1608 CH 1H 121J-T	B	179.1/25.3
C637	4030007140	S.CER C1608 CH 1H 121J-T	B	107.4/18.3
C638	4030007130	S.CER C1608 CH 1H 101J-T	B	107.4/16.5
C639	4030007160	S.CER C1608 CH 1H 181J-T	B	83.9/18.1
C640	4030007160	S.CER C1608 CH 1H 181J-T	B	84.7/16.3
C641	4030008330	S.CER C1608 UJ 1H 560J-T	B	177/17.9
C642	4030008330	S.CER C1608 UJ 1H 560J-T	B	169/18
C643	4030007090	S.CER C1608 CH 1H 470J-T	B	155.5/18
C701	4030011600	S.CER C1608 JB 1E 104K-T	T	52.3/17.7
C702	4030006900	S.CER C1608 JB 1H 103K-T	T	54.6/27.3
C703	4030011600	S.CER C1608 JB 1E 104K-T	B	40.3/10.4
C704	4030011600	S.CER C1608 JB 1E 104K-T	B	52.1/9.8
C705	4030011600	S.CER C1608 JB 1E 104K-T	B	44/28.1
C706	4030011600	S.CER C1608 JB 1E 104K-T	T	45.1/22.6
C707	4030006880	S.CER C1608 JB 1H 472K-T	B	42.7/28.1
C708	4030007010	S.CER C1608 CH 1H 100D-T	T	46.5/22.7
C709	4030006880	S.CER C1608 JB 1H 472K-T	B	40.6/28.9
C710	4030006900	S.CER C1608 JB 1H 103K-T	B	45.6/22.7
C711	4030009000	S.CER C2012 JB 1C 224K-T	B	45.7/24.4
C712	4030006880	S.CER C1608 JB 1H 472K-T	T	54.8/32.3
C713	4030006880	S.CER C1608 JB 1H 472K-T	B	52.1/7.9
C714	4030006880	S.CER C1608 JB 1H 472K-T	B	42.4/6.5
C715	4030006880	S.CER C1608 JB 1H 472K-T	T	54.2/34.3
RL2	6330001750	RLY FTR-B4CA012Z		
RL21	6330001750	RLY FTR-B4CA012Z		
RL51	6330001750	RLY FTR-B4CA012Z		
RL52	6330001750	RLY FTR-B4CA012Z		
RL53	6330001750	RLY FTR-B4CA012Z		
RL54	6330001750	RLY FTR-B4CA012Z		
RL55	6330001750	RLY FTR-B4CA012Z		
RL56	6330001750	RLY FTR-B4CA012Z		
RL57	6330001750	RLY FTR-B4CA012Z		
RL58	6330001750	RLY FTR-B4CA012Z		
RL59	6330001750	RLY FTR-B4CA012Z		
RL60	6330001750	RLY FTR-B4CA012Z		
RL61	6330001750	RLY FTR-B4CA012Z		
RL62	6330001750	RLY FTR-B4CA012Z		
RL63	6330001750	RLY FTR-B4CA012Z		
RL64	6330001750	RLY FTR-B4CA012Z		
RL65	6330001750	RLY FTR-B4CA012Z		
RL66	6330001750	RLY FTR-B4CA012Z		
RL67	6330001750	RLY FTR-B4CA012Z		
RL69	6330001750	RLY FTR-B4CA012Z		
RL70	6330001750	RLY FTR-B4CA012Z		
RL71	6330001750	RLY FTR-B4CA012Z		
RL72	6330001750	RLY FTR-B4CA012Z		
RL73	6330001750	RLY FTR-B4CA012Z		
RL74	6330001750	RLY FTR-B4CA012Z		
RL75	6330001750	RLY FTR-B4CA012Z		
RL76	6330001750	RLY FTR-B4CA012Z		
RL201	6330001750	RLY FTR-B4CA012Z		
RL502	6330001750	RLY FTR-B4CA012Z		
RL521	6330001750	RLY FTR-B4CA012Z		
RL551	6330001750	RLY FTR-B4CA012Z		
RL552	6330001750	RLY FTR-B4CA012Z		
RL553	6330001750	RLY FTR-B4CA012Z		
RL554	6330001750	RLY FTR-B4CA012Z		
RL555	6330001750	RLY FTR-B4CA012Z		
RL556	6330001750	RLY FTR-B4CA012Z		
RL557	6330001750	RLY FTR-B4CA012Z		
RL558	6330001750	RLY FTR-B4CA012Z		
RL559	6330001750	RLY FTR-B4CA012Z		

[DIGISEL UNIT]

REF NO.	PARTS NO.	DESCRIPTION	M.	H/V LOCATION
RL560	6330001750	RLY FTR-B4CA012Z		
RL561	6330001750	RLY FTR-B4CA012Z		
RL562	6330001750	RLY FTR-B4CA012Z		
RL563	6330001750	RLY FTR-B4CA012Z		
RL564	6330001750	RLY FTR-B4CA012Z		
RL565	6330001750	RLY FTR-B4CA012Z		
RL566	6330001750	RLY FTR-B4CA012Z		
RL567	6330001750	RLY FTR-B4CA012Z		
RL569	6330001750	RLY FTR-B4CA012Z		
RL570	6330001750	RLY FTR-B4CA012Z		
RL571	6330001750	RLY FTR-B4CA012Z		
RL572	6330001750	RLY FTR-B4CA012Z		
RL573	6330001750	RLY FTR-B4CA012Z		
RL574	6330001750	RLY FTR-B4CA012Z		
RL575	6330001750	RLY FTR-B4CA012Z		
RL576	6330001750	RLY FTR-B4CA012Z		
RL701	6330001750	RLY FTR-B4CA012Z		
J1	6510007020	CNR TMP-J01X-V6		
J2	6510007020	CNR TMP-J01X-V6		
J10	6510020081	S.CNR 52808-2071 (2090)	T	4.5/40.5
J501	6510007020	CNR TMP-J01X-V6		
J502	6510007020	CNR TMP-J01X-V6		

M.=Mounted side (T: Mounted on the Top side, B: Mounted on the Bottom side)  
S.=Surface mount

[NETWORK UNIT]

REF NO.	PARTS NO.	DESCRIPTION	M.	H/V LOCATION
Q300	1520000561	S.TR 2SB1123 T-TD-E	T	205.7/10.5
Q301	1590000680	S.TR DTC114EUA T106	T	201.4/9.1
L50	6110003950	COL LA-598		
L60	6110003910	COL LA-593		
L70	6110003050	COL LA-492		
L80	6110003050	COL LA-492		
L90	6110003060	COL LA-493		
L100	6110003070	COL LA-494		
L110	6110003920	COL LA-594		
L120	6140004460	COL LR-504		
L130	6140004470	COL LR-505		
L131	6140004470	COL LR-505		
L300	6180000990	COL LAL 04NA 101K		
R300	7030000420	S.RES MCR10EZHZ 2.2 k	T	202.8/6.9
R301	7030000420	S.RES MCR10EZHZ 2.2 k	T	201.5/11.3
R302	7030000420	S.RES MCR10EZHZ 2.2 k	T	206.2/6.9
R303	7030009800	S.RES ERU12YJ121U (120)	T	209.7/5
C1	4620000150	VAR KB-150-07 150P		
C2	4620000150	VAR KB-150-07 150P		
C3	4010007580	CER HT20SJ SL 201J 3KV		
C4	4010007580	CER HT20SJ SL 201J 3KV		
C5	4010007580	CER HT20SJ SL 201J 3KV		
C6	4010007580	CER HT20SJ SL 201J 3KV		
C7	4010007580	CER HT20SJ SL 201J 3KV		
C8	4010007580	CER HT20SJ SL 201J 3KV		
C9	4010007580	CER HT20SJ SL 201J 3KV		
C10	4010007580	CER HT20SJ SL 201J 3KV		
C20	4010007570	CER HT15SJ SL 151J 3KV		
C21	4010007570	CER HT15SJ SL 151J 3KV		
C22	4010007570	CER HT15SJ SL 151J 3KV		
C23	4010007570	CER HT15SJ SL 151J 3KV		
C24	4010007570	CER HT15SJ SL 151J 3KV		
C25	4010007570	CER HT15SJ SL 151J 3KV		
C26	4010007570	CER HT15SJ SL 151J 3KV		
C27	4010007570	CER HT15SJ SL 151J 3KV		
C30	4010007550	CER HT11SJ SL 820J 3KV		
C31	4010007550	CER HT11SJ SL 820J 3KV		
C32	4010007550	CER HT11SJ SL 820J 3KV		
C33	4010007550	CER HT11SJ SL 820J 3KV		
C34	4010007550	CER HT11SJ SL 820J 3KV		
C35	4010007550	CER HT11SJ SL 820J 3KV		
C36	4010007550	CER HT11SJ SL 820J 3KV		
C37	4010007550	CER HT11SJ SL 820J 3KV		
C40	4010008550	CER DEA1X3F390JC3B		
C41	4010008550	CER DEA1X3F390JC3B		
C42	4010008550	CER DEA1X3F390JC3B		
C43	4010008550	CER DEA1X3F390JC3B		
C44	4010008550	CER DEA1X3F390JC3B		
C45	4010008550	CER DEA1X3F390JC3B		
C46	4010008550	CER DEA1X3F390JC3B		
C47	4010008550	CER DEA1X3F390JC3B		
C50	4030006880	S.CER C1608 JB 1H 472K-T	T	140.7/12
C60	4030006880	S.CER C1608 JB 1H 472K-T	T	154.1/12
C70	4030006880	S.CER C1608 JB 1H 472K-T	T	167.5/16.1
C80	4030006880	S.CER C1608 JB 1H 472K-T	T	181.9/21.5
C90	4030006880	S.CER C1608 JB 1H 472K-T	T	195.3/21.3
C100	4030006880	S.CER C1608 JB 1H 472K-T	T	204.4/20.7
C110	4030006880	S.CER C1608 JB 1H 472K-T	T	205.8/20.7
C120	4030006880	S.CER C1608 JB 1H 472K-T	T	207.2/20.6
C202	4030006880	S.CER C1608 JB 1H 472K-T	T	187.4/13.2
C203	4030006880	S.CER C1608 JB 1H 472K-T	T	188.4/15.7
C204	4030006880	S.CER C1608 JB 1H 472K-T	T	189.4/13.2
C205	4030006880	S.CER C1608 JB 1H 472K-T	T	190.4/15.7
C206	4030006880	S.CER C1608 JB 1H 472K-T	T	191.4/13.2
C207	4030006880	S.CER C1608 JB 1H 472K-T	T	192.4/15.7
C208	4030006880	S.CER C1608 JB 1H 472K-T	T	193.4/13.2
C209	4030006880	S.CER C1608 JB 1H 472K-T	T	194.4/15.7
C252	4030006880	S.CER C1608 JB 1H 472K-T	T	175.4/13.2
C253	4030006880	S.CER C1608 JB 1H 472K-T	T	176.4/15.7
C254	4030006880	S.CER C1608 JB 1H 472K-T	T	177.4/13.2
C255	4030006880	S.CER C1608 JB 1H 472K-T	T	178.4/15.7
C256	4030006880	S.CER C1608 JB 1H 472K-T	T	179.4/13.2
C257	4030006880	S.CER C1608 JB 1H 472K-T	T	180.4/15.7
C258	4030006880	S.CER C1608 JB 1H 472K-T	T	181.4/13.2
C259	4030006880	S.CER C1608 JB 1H 472K-T	T	182.4/15.7
C300	4030006880	S.CER C1608 JB 1H 472K-T	T	184.4/13.2
C301	4030006880	S.CER C1608 JB 1H 472K-T	T	210.5/10.1
RL10	6330001200	RLY VS-12MBU-UC		
RL11	6330001200	RLY VS-12MBU-UC		
RL20	6330001200	RLY VS-12MBU-UC		
RL21	6330001200	RLY VS-12MBU-UC		
RL30	6330001200	RLY VS-12MBU-UC		
RL31	6330001200	RLY VS-12MBU-UC		
RL40	6330001200	RLY VS-12MBU-UC		
RL41	6330001200	RLY VS-12MBU-UC		
RL50	6330001460	RLY FTR-F1CA012V		
RL60	6330001200	RLY VS-12MBU-UC		
RL70	6330001200	RLY VS-12MBU-UC		
RL80	6330001200	RLY VS-12MBU-UC		
RL90	6330001200	RLY VS-12MBU-UC		
RL100	6330001200	RLY VS-12MBU-UC		
RL110	6330001200	RLY VS-12MBU-UC		
RL120	6330001200	RLY VS-12MBU-UC		
J1	6510021561	S.CNR 52808-2470 (2490)	T	184.9/7.4
J2	6510017930	CNR 1771P145-20		
J3	6510017930	CNR 1771P145-20		
J4	6510003521	CNR S04B-EH-S (LF) (SN)		

[FILTER UNIT]

REF NO.	PARTS NO.	DESCRIPTION	M.	H/V LOCATION
D402	1750000271	S.DIO 1SS301 (TE85L.F)	T	11.8/24.3
D452	1750000271	S.DIO 1SS301 (TE85L.F)	T	32/20.5
D502	1750000271	S.DIO 1SS301 (TE85L.F)	T	54.8/30.3
D552	1750000271	S.DIO 1SS301 (TE85L.F)	T	155.6/29.1
D602	1750000271	S.DIO 1SS301 (TE85L.F)	T	130.1/20.3
D652	1750000271	S.DIO 1SS301 (TE85L.F)	T	93.8/33
D702	1750000271	S.DIO 1SS301 (TE85L.F)	T	69.6/20.3
D752	1750000271	S.DIO 1SS301 (TE85L.F)	T	113.1/33
D802	1750000271	S.DIO 1SS301 (TE85L.F)	T	173.6/25.9
L401	6200005131	S.COL NLC453232T-101K-PF	T	25.4/136.7
L402	6140004310	COL LR-471		
L403	6140004300	COL LR-470		
L404	6140004300	COL LR-470		
L405	6200005131	S.COL NLC453232T-101K-PF	T	7.3/24.6
L451	6200005131	S.COL NLC453232T-101K-PF	T	4.4/143.9
L452	6140004270	COL LR-467		
L453	6140004290	COL LR-469		
L454	6140004290	COL LR-469		
L455	6200005131	S.COL NLC453232T-101K-PF	T	28.4/29.9
L501	6200005131	S.COL NLC453232T-101K-PF	T	46.3/133.8
L502	6140004280	COL LR-468		
L503	6140004270	COL LR-467		
L504	6140004270	COL LR-467		
L505	6200005131	S.COL NLC453232T-101K-PF	T	50.2/29.6
L551	6200005131	S.COL NLC453232T-101K-PF	T	150.7/133.8
L552	6140004260	COL LR-466		
L553	6140004280	COL LR-468		
L554	6140004280	COL LR-468		
L555	6200005131	S.COL NLC453232T-101K-PF	T	151/29.7
L601	6200005131	S.COL NLC453232T-101K-PF	T	129.9/133.8
L602	6140004250	COL LR-465		
L603	6140004240	COL LR-464		
L604	6140004240	COL LR-464		
L605	6200005131	S.COL NLC453232T-101K-PF	T	130.1/14.2
L651	6200005131	S.COL NLC453232T-101K-PF	T	88.2/133.8
L652	6140004200	COL LR-463		
L653	6140004170	COL LR-462		
L654	6140004170	COL LR-462		
L655	6200005131	S.COL NLC453232T-101K-PF	T	92.3/29.8
L701	6200005131	S.COL NLC453232T-101K-PF	T	67.2/133.8
L702	6140004130	COL LR-461		
L703	6140004070	COL LR-460		
L704	6140004070	COL LR-460		
L705	6200005131	S.COL NLC453232T-101K-PF	T	69.6/14.1
L751	6200005131	S.COL NLC453232T-101K-PF	T	109.1/133.8
L752	6110003900	COL LA-592		
L753	6110003890	COL LA-591		
L754	6110003890	COL LA-591		
L755	6200005131	S.COL NLC453232T-101K-PF	T	111.4/29.8
L801	6200001831	S.COL NLV32T-100J	T	165.9/163.4
L802	6110003880	COL LA-590		
L803	6110003870	COL LA-589		
L804	6110003870	COL LA-589		
L805	6200001831	S.COL NLV32T-100J	T	173.9/22.8
C401	4030006880	S.CER C1608 JB 1H 472K-T	T	25.4/130.4
C402	4010008200	CER HM11TJ SL 331J 500V		
C403	4010008200	CER HM11TJ SL 331J 500V		
C404	4010008300	CER HM11TJ SL 391J 500V		
C405	4010008300	CER HM11TJ SL 391J 500V		
C406	4010008210	CER HM60TJ SL 560J 500V		
C407	4010007590	CER HM15SJ SL 681J 500V		
C408	4010007590	CER HM15SJ SL 681J 500V		
C409	4010007590	CER HM15SJ SL 681J 500V		
C410	4010005870	CER HM95SJ SL 221J 500V		
C411	4010008280	CER HM95TJ SL 221J 500V		
C412	4010008370	CER HM60TJ SL 150J 500V		
C413	4010007590	CER HM15SJ SL 681J 500V		
C414	4010007590	CER HM15SJ SL 681J 500V		
C415	4010007590	CER HM15SJ SL 681J 500V		
C416	4010008300	CER HM11TJ SL 391J 500V		
C417	4010008230	CER HM60TJ SL 820J 500V		
C418	4010007590	CER HM15SJ SL 681J 500V		
C419	4010007590	CER HM15SJ SL 681J 500V		
C420	4030006880	S.CER C1608 JB 1H 472K-T	T	11.6/26.3
C451	4030006880	S.CER C1608 JB 1H 472K-T	T	26.6/127.9
C452	4010008290	CER HM95TJ SL 271J 500V		
C453	4010008280	CER HM95TJ SL 221J 500V		
C454	4010008240	CER HM60TJ SL 101J 500V		
C455	4010005810	CER HM74SJ SL 111J 500V		
C456	4010007490	CER HM15SJ SL 561J 500V		
C457	4010006410	CER HM13SJ SL 471J 500V		
C458	4010008250	CER HM74TJ SL 121J 500V		
C459	4010005810	CER HM74SJ SL 111J 500V		
C461	4010007490	CER HM15SJ SL 561J 500V		
C462	4010007490	CER HM15SJ SL 561J 500V		
C463	4010008340	CER HM60TJ SL 270J 500V		
C464	4010008320	CER HM60TJ SL 390J 500V		
C465	4010007490	CER HM15SJ SL 561J 500V		
C466	4010008220	CER HM60TJ SL 680J 500V		
C467	4030006880	S.CER C1608 JB 1H 472K-T		

[FILTER UNIT]

REF NO.	PARTS NO.	DESCRIPTION	M.	H/V LOCATION
C515	4010008280	CER HM95TJ SL 221J 500V		
C516	4010008280	CER HM95TJ SL 221J 500V		
C517	4030006880	S.CER C1608 JB 1H 472K-T	T	54.7/28.4
C518	4010008340	CER HM60TJ SL 270J 500V		
C551	4030006880	S.CER C1608 JB 1H 472K-T	T	149.9/122.5
C552	4010005860	CER HM95SJ SL 201J 500V		
C554	4010008230	CER HM60TJ SL 820J 500V		
C555	4010008370	CER HM60TJ SL 150J 500V		
C556	4010008290	CER HM95TJ SL 271J 500V		
C557	4010008290	CER HM95TJ SL 271J 500V		
C558	4010008320	CER HM60TJ SL 390J 500V		
C559	4010008330	CER HM60TJ SL 330J 500V		
C560	4010008340	CER HM60TJ SL 270J 500V		
C561	4010008200	CER HM11TJ SL 331J 500V		
C562	4010008290	CER HM95TJ SL 271J 500V		
C563	4010008330	CER HM60TJ SL 330J 500V		
C564	4010005650	CER HM60SJ SL 200J 500V		
C565	4010008280	CER HM95TJ SL 221J 500V		
C566	4010008350	CER HM60TJ SL 220J 500V		
C567	4030006880	S.CER C1608 JB 1H 472K-T	T	152.2/32.2
C601	4030006880	S.CER C1608 JB 1H 472K-T	T	130.2/125
C604	4010008230	CER HM60TJ SL 820J 500V		
C605	4010008370	CER HM60TJ SL 150J 500V		
C606	4010008280	CER HM95TJ SL 221J 500V		
C607	4010008220	CER HM60TJ SL 680J 500V		
C608	4010008350	CER HM60TJ SL 220J 500V		
C609	4010008340	CER HM60TJ SL 270J 500V		
C610	4010008200	CER HM11TJ SL 331J 500V		
C611	4010008230	CER HM60TJ SL 820J 500V		
C612	4010008360	CER HM60TJ SL 180J 500V		
C613	4010008260	CER HM74TJ SL 151J 500V		
C614	4010008230	CER HM60TJ SL 820J 500V		
C615	4030006880	S.CER C1608 JB 1H 472K-T	T	130.2/18.3
C651	4030006880	S.CER C1608 JB 1H 472K-T	T	88.3/124.9
C654	4010008360	CER HM60TJ SL 180J 500V		
C655	4010008320	CER HM60TJ SL 390J 500V		
C656	4010008280	CER HM95TJ SL 221J 500V		
C657	4010008220	CER HM60TJ SL 680J 500V		
C658	4010008360	CER HM60TJ SL 180J 500V		
C659	4010008380	CER HM60TJ SL 120J 500V		
C660	4010008280	CER HM95TJ SL 221J 500V		
C661	4010008240	CER HM60TJ SL 101J 500V		
C662	4010008390	CER HM60TJ SL 100D 500V		
C663	4010008250	CER HM74TJ SL 121J 500V		
C664	4010008320	CER HM60TJ SL 390J 500V		
C665	4030006880	S.CER C1608 JB 1H 472K-T	T	96.6/28.6
C701	4030006880	S.CER C1608 JB 1H 472K-T	T	68.6/127.5
C703	4010008370	CER HM60TJ SL 150J 500V		
C704	4010008350	CER HM60TJ SL 220J 500V		
C705	4010005650	CER HM60SJ SL 200J 500V		
C706	4010005860	CER HM95SJ SL 201J 500V		
C707	4010008310	CER HM60TJ SL 470J 500V		
C708	4010008370	CER HM60TJ SL 150J 500V		
C709	4010008280	CER HM95TJ SL 221J 500V		
C710	4010008350	CER HM60TJ SL 220J 500V		
C712	4010008330	CER HM60TJ SL 330J 500V		
C713	4010008310	CER HM60TJ SL 470J 500V		
C714	4030006880	S.CER C1608 JB 1H 472K-T	T	69.6/18.3
C715	4010008360	CER HM60TJ SL 180J 500V		
C751	4030006880	S.CER C1608 JB 1H 472K-T	T	109.1/125
C755	4010008240	CER HM60TJ SL 101J 500V		
C756	4010008230	CER HM60TJ SL 820J 500V		
C757	4010008360	CER HM60TJ SL 180J 500V		
C758	4010008210	CER HM60TJ SL 560J 500V		
C759	4010008240	CER HM60TJ SL 101J 500V		
C760	4010008400	CER HM60TJ SL 060D 500V		
C761	4010008310	CER HM60TJ SL 470J 500V		
C763	4030006880	S.CER C1608 JB 1H 472K-T	T	115.6/28.6
C764	4010005650	CER HM60SJ SL 200J 500V		
C765	4010008370	CER HM60TJ SL 150J 500V		
C801	4030006880	S.CER C1608 JB 1H 472K-T	T	168.6/158.6
C804	4010008360	CER HM60TJ SL 180J 500V		
C805	4010008320	CER HM60TJ SL 390J 500V		
C806	4010008310	CER HM60TJ SL 470J 500V		
C807	4010005600	CER HM60SJ SL 090D 500V		
C808	4010008330	CER HM60TJ SL 330J 500V		
C809	4010008320	CER HM60TJ SL 390J 500V		
C810	4010008410	CER HM60TJ SL 030C 500V		
C811	4010005560	CER HM60SJ SL 050C 500V		
C813	4030006880	S.CER C1608 JB 1H 472K-T	T	175.6/26
RL401	6330001471	RLY AJS1311F-K2		
RL402	6330001471	RLY AJS1311F-K2		
RL451	6330001471	RLY AJS1311F-K2		
RL452	6330001471	RLY AJS1311F-K2		
RL501	6330001471	RLY AJS1311F-K2		
RL502	6330001471	RLY AJS1311F-K2		
RL551	6330001471	RLY AJS1311F-K2		
RL552	6330001471	RLY AJS1311F-K2		
RL601	6330001471	RLY AJS1311F-K2		
RL602	6330001471	RLY AJS1311F-K2		
RL651	6330001471	RLY AJS1311F-K2		
RL652	6330001471	RLY AJS1311F-K2		
RL701	6330001471	RLY AJS1311F-K2		
RL702	6330001471	RLY AJS1311F-K2		
RL751	6330001471	RLY AJS1311F-K2		
RL752	6330001471	RLY AJS1311F-K2		
RL801	6330001460	RLY FTR-F1CA012V		
RL802	6330001460	RLY FTR-F1CA012V		
J901	6510017930	CNR 1771P145-20		
J902	6510022031	S.CNR B10B-ZR-SM4-TF (LF) (SN)	T	145.3/165.2
J903	6510019971	S.CNR 52808-1071	T	4/156
J904	6510017930	CNR 1771P145-20		
J905	6510019421	S.CNR B8B-ZR-SM4-TF (LF) (SN)	T	146.8/160.2

[MEMORY UNIT]

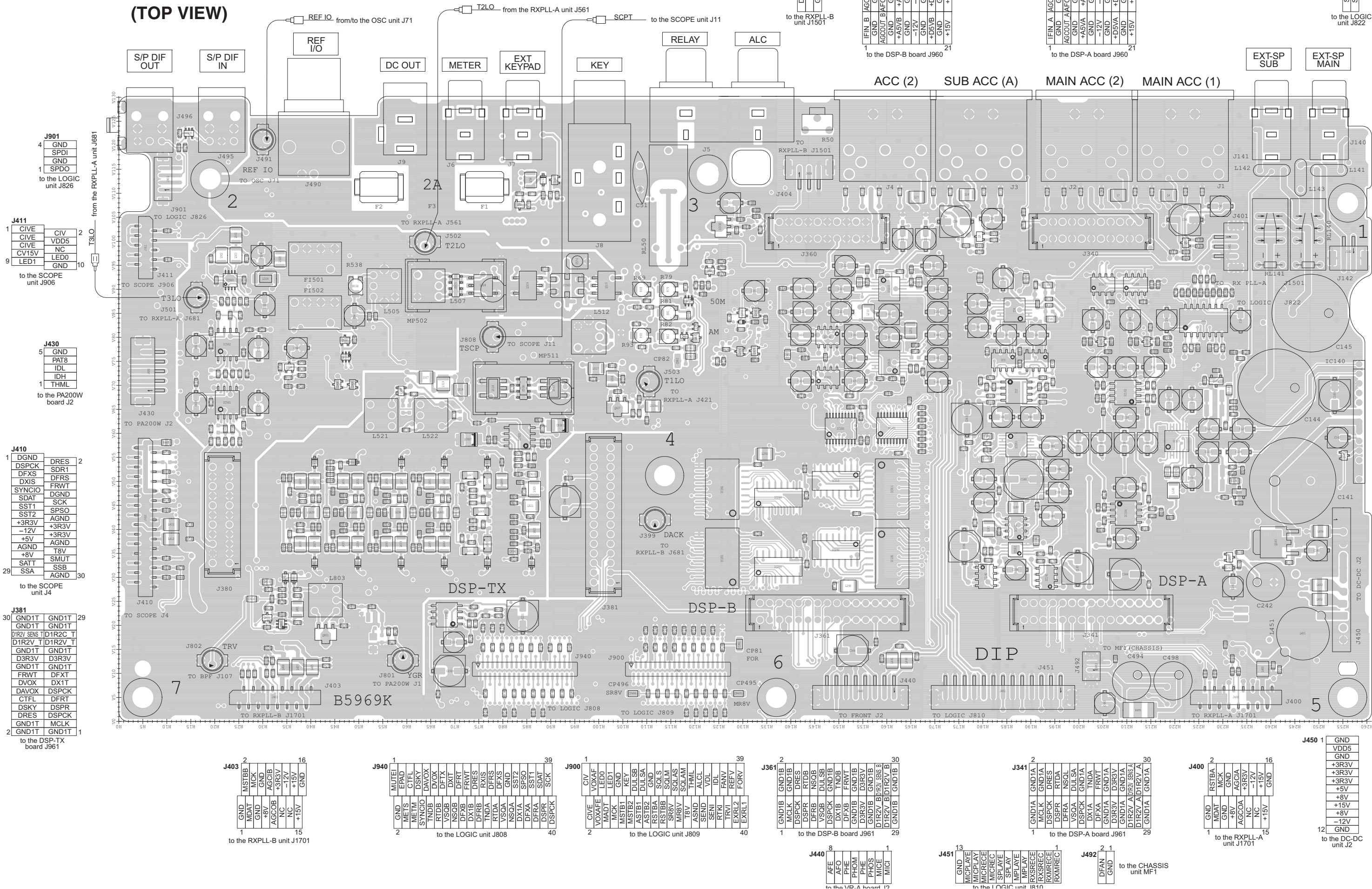
REF NO.	PARTS NO.	DESCRIPTION	M.	H/V LOCATION
IC1	1130013516	S.IC JS28F128J3D-75(SX-2590A-11)	T	39.8/26.2
IC2	1130013515	S.IC JS28F128J3D-75(SX-2590A-9)	T	24/26.2
C1	4030011600	S.CER C1608 JB 1E 104K-T	T	41.8/38.8
C2	4030011600	S.CER C1608 JB 1E 104K-T	T	39.9/13.2
C3	4030011600	S.CER C1608 JB 1E 104K-T	T	36.8/13.2
C4	4030011600	S.CER C1608 JB 1E 104K-T	T	26/38.8
C5	4030011600	S.CER C1608 JB 1E 104K-T	T	24/13.2
C6	4030011600	S.CER C1608 JB 1E 104K-T	T	21/13.2
J1	6510024210	S.CNR AXK6S30435P	T	55/20
J2	6510024200	S.CNR AXK6S40435P	T	10/20

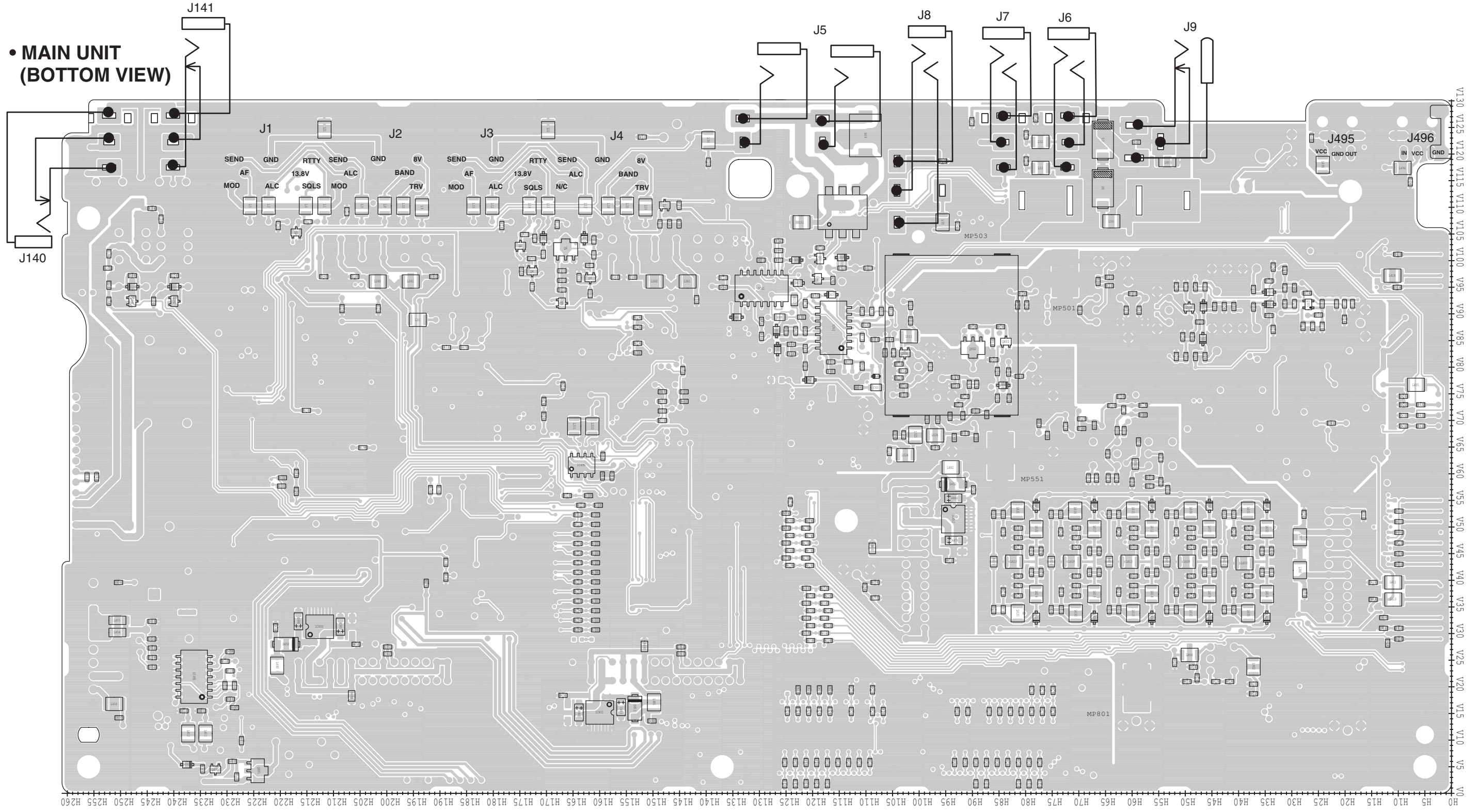
M.=Mounted side (T: Mounted on the Top side, B: Mounted on the Bottom side)  
S.=Surface mount



# BOARD LAYOUTS

## • MAIN UNIT (TOP VIEW)



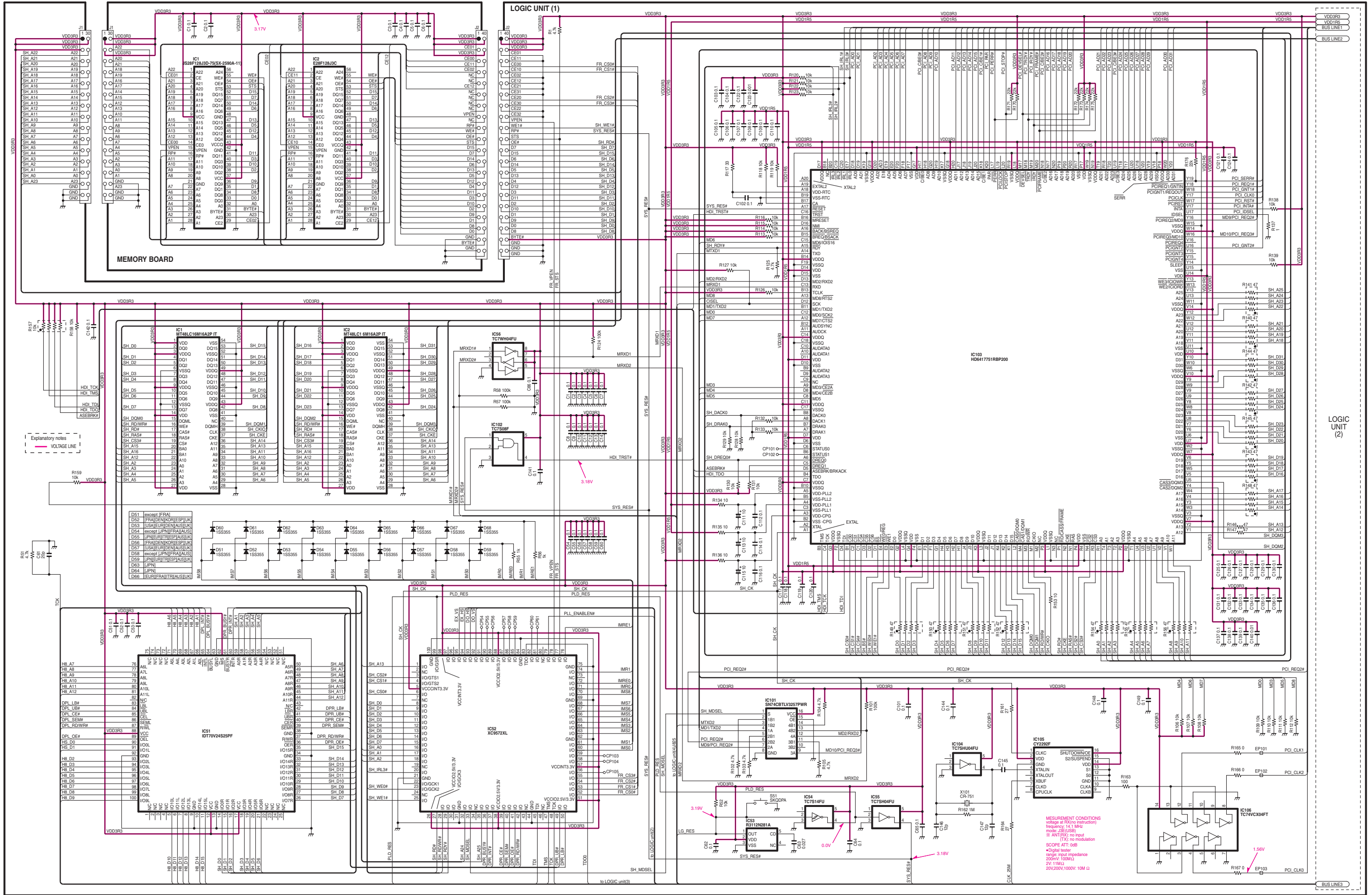


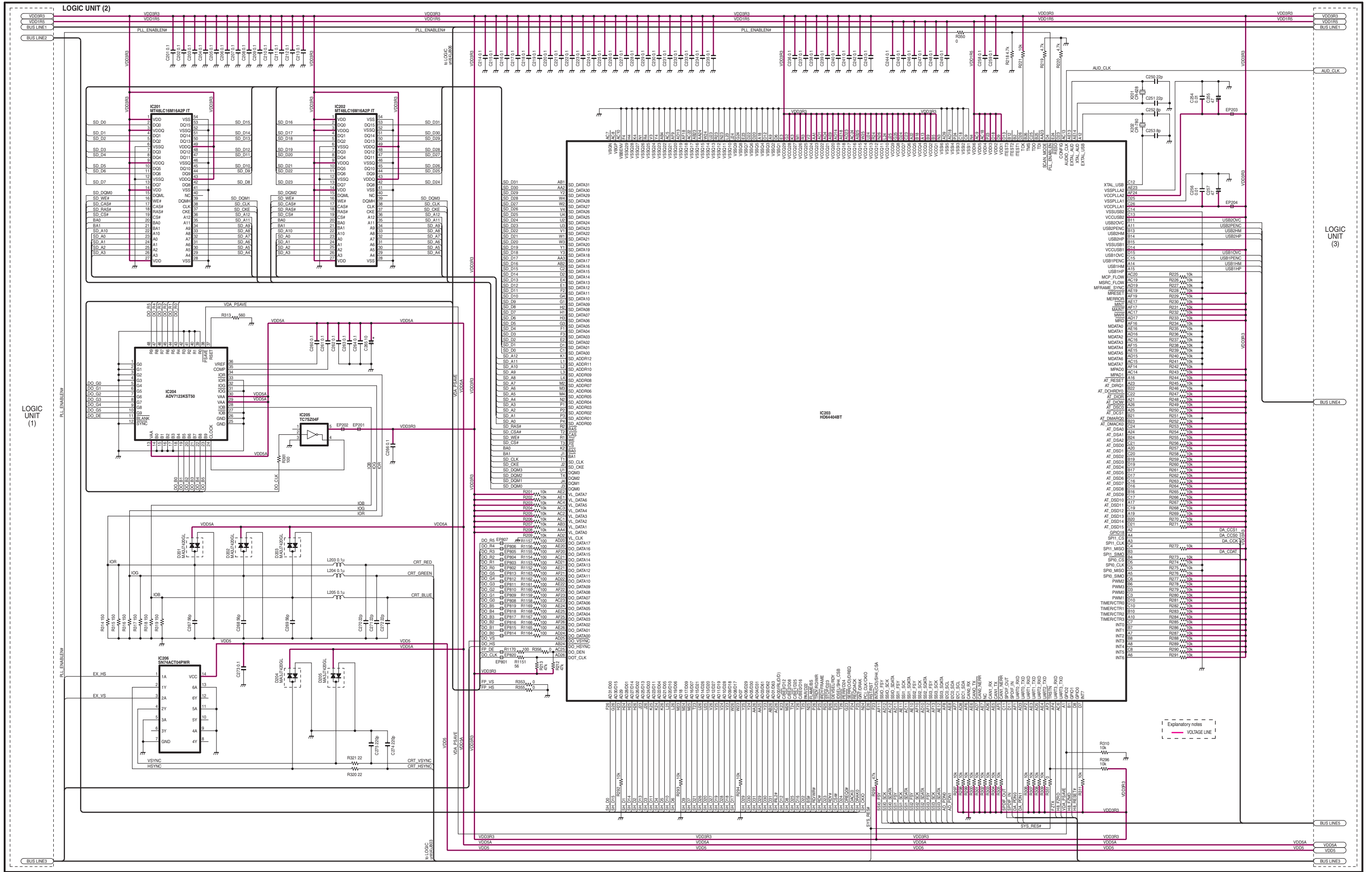


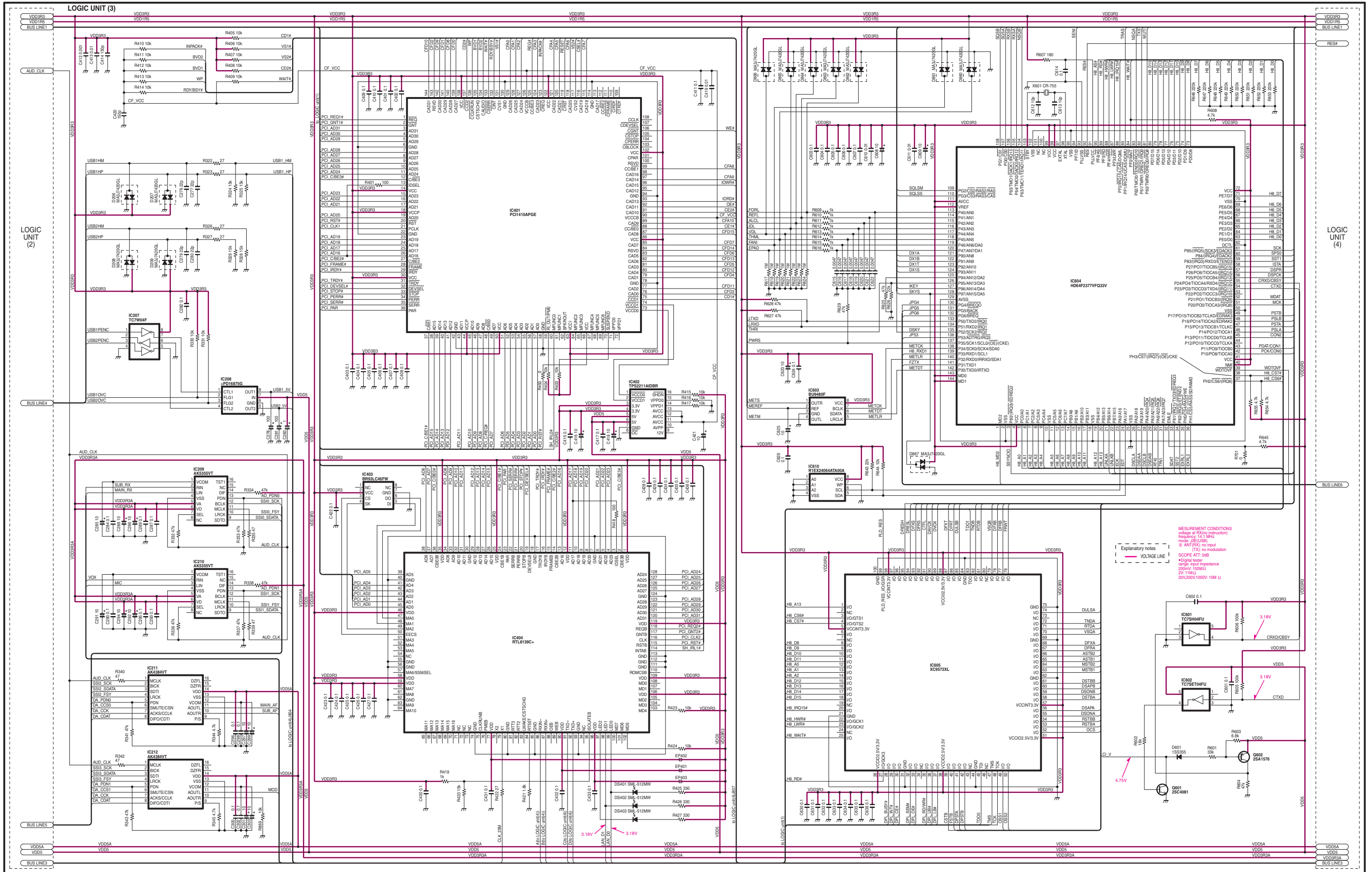




LOGIC UNIT (1)





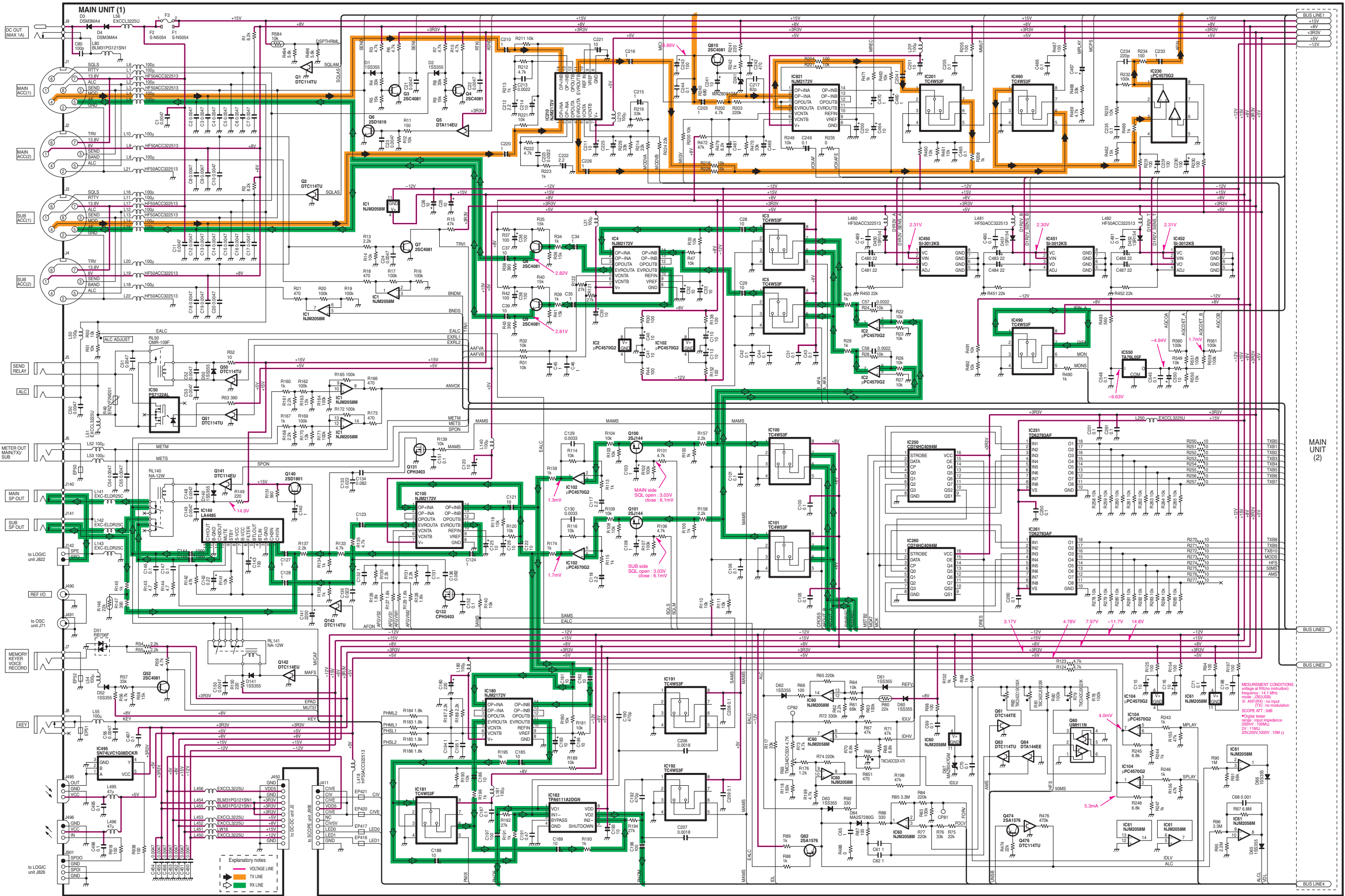


MEASUREMENT CONDITIONS  
 Voltage at RX (no instruction)  
 Frequency: 14.1 MHz  
 Mode: J2E (USB)  
 @ ANT (TX): no input  
 (TX): no modulation  
 SCOPE ATT: 6dB  
 \* Digital tester  
 range: input impedance  
 200V, 100MΩ  
 2V, 11MΩ  
 50V/200V, 100V/10MΩ

Explanatory notes  
 VOLTAGE LINE



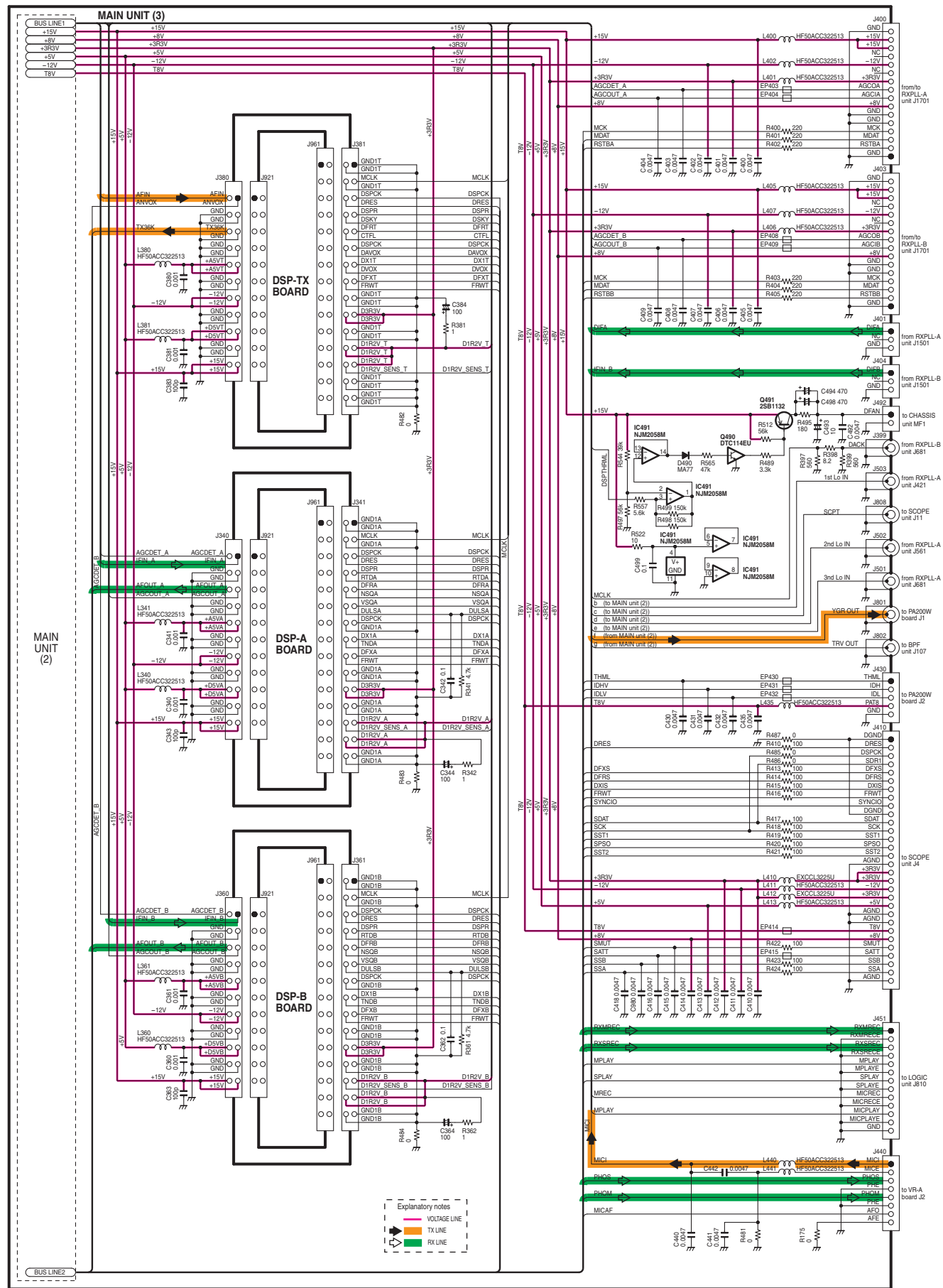










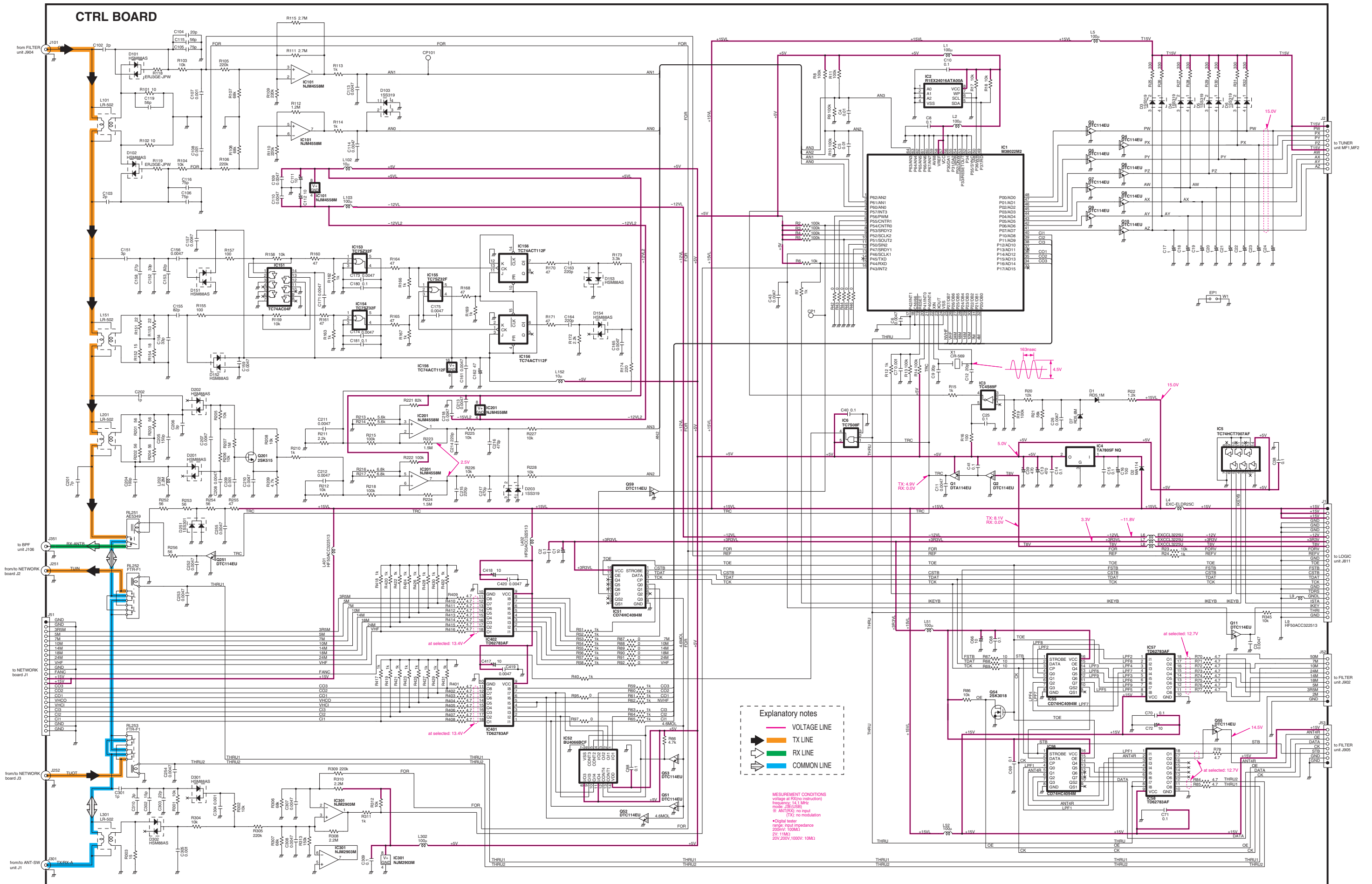












Feb. 2009



# SERVICE MANUAL ADDENDUM

---

## IC-7800

---

### CONTENTS

PARTS LIST .....	1
BOARD LAYOUTS .....	60
VOLTAGE DIAGRAM .....	64



# PARTS LIST

## [VR-A BOARD]

REF NO.	ORDER NO.	DESCRIPTION	M.	H/V LOCATION
R1	7210002890	VAR RK161221005J/RV-308		
R2	7210002890	VAR RK161221005J/RV-308		
R3	7210002890	VAR RK161221005J/RV-308		
R4	7210002890	VAR RK161221005J/RV-308		
R11	7030003520	S.RES ERJ3GEYJ 472 V (4.7 k)	B	44.6/27
R12	7030003520	S.RES ERJ3GEYJ 472 V (4.7 k)	B	44.6/25.7
R13	7030003520	S.RES ERJ3GEYJ 472 V (4.7 k)	B	59.4/29.9
R14	7030003520	S.RES ERJ3GEYJ 472 V (4.7 k)	B	44.6/24.4
R15	7030003520	S.RES ERJ3GEYJ 472 V (4.7 k)	B	44.6/21.8
R16	7030003520	S.RES ERJ3GEYJ 472 V (4.7 k)	B	44.6/23.1
R17	7030003520	S.RES ERJ3GEYJ 472 V (4.7 k)	B	63.2/9.5
R18	7030003520	S.RES ERJ3GEYJ 472 V (4.7 k)	B	44.6/20.5
R21	7030003860	S.RES ERJ3GE JPW V	B	49.7/41.4
R22	7030003860	S.RES ERJ3GE JPW V	B	52.3/42.4
R23	7030003860	S.RES ERJ3GE JPW V	B	62.8/42.9
R24	7030003860	S.RES ERJ3GE JPW V	B	56.4/31.1
R25	7030003860	S.RES ERJ3GE JPW V	B	52.3/44.4
R26	7030003860	S.RES ERJ3GE JPW V	B	27.7/10.6
C11	4030006880	S.CER C1608 JB 1H 472K-T	B	49.7/36.4
C12	4030006880	S.CER C1608 JB 1H 472K-T	B	65.4/36.9
C13	4030006880	S.CER C1608 JB 1H 472K-T	B	52.3/37.4
C14	4030006880	S.CER C1608 JB 1H 472K-T	B	62.8/37.9
C15	4030006880	S.CER C1608 JB 1H 472K-T	B	49.7/38.4
C16	4030006880	S.CER C1608 JB 1H 472K-T	B	65.4/38.9
C17	4030006880	S.CER C1608 JB 1H 472K-T	B	52.3/39.4
C18	4030006880	S.CER C1608 JB 1H 472K-T	B	62.8/39.9
J1	6510021721	S.CNR 30FLT-SM2-TB (LF) (SN)	B	57.6/41.1
J2	6510018921	S.CNR B8B-PH-SM4-TB (LF) (SN)	B	20/4.5
J3	6510019971	S.CNR 52808-1071	B	9.5/33.1
J4	6510019971	S.CNR 52808-1071	B	9.5/17.9
EP2	6910012350	S.BEA MMZ1608Y 102BT	B	13.6/29.6
EP3	6910012350	S.BEA MMZ1608Y 102BT	B	16.5/30.6
EP5	6910012350	S.BEA MMZ1608Y 102BT	B	16.5/32.6
EP6	6910012350	S.BEA MMZ1608Y 102BT	B	13.7/34.7
EP7	6910012350	S.BEA MMZ1608Y 102BT	B	13.7/36.6
EP8	6910012350	S.BEA MMZ1608Y 102BT	B	16.5/35.7
EP9	6910012350	S.BEA MMZ1608Y 102BT	B	13.7/33.4
EP10	6910012350	S.BEA MMZ1608Y 102BT	B	13.6/23.7
EP11	6910012350	S.BEA MMZ1608Y 102BT	B	13.6/22.4
EP12	6910012350	S.BEA MMZ1608Y 102BT	B	5.3/21.5
EP13	6910012350	S.BEA MMZ1608Y 102BT	B	13.6/20.4
EP14	6910012350	S.BEA MMZ1608Y 102BT	B	5.3/19.3
EP15	6910012350	S.BEA MMZ1608Y 102BT	B	13.6/18.4
EP16	6910012350	S.BEA MMZ1608Y 102BT	B	16.1/17.4
EP17	6910012350	S.BEA MMZ1608Y 102BT	B	13.6/16.4
EP18	6910012350	S.BEA MMZ1608Y 102BT	B	16.1/15.5
EP19	6910012350	S.BEA MMZ1608Y 102BT	B	13.6/14.6
EP20	6910012350	S.BEA MMZ1608Y 102BT	B	12.5/13.2
EP21	6910012350	S.BEA MMZ1608Y 102BT	B	13.6/25

## [VR-B BOARD]

REF NO.	ORDER NO.	DESCRIPTION	M.	H/V LOCATION
R1	7210003160	VAR RV-317 (RK0972210)		
R2	7210003160	VAR RV-317 (RK0972210)		
R3	7030003520	S.RES ERJ3GEYJ 472 V (4.7 k)	T	28.6/2.7
R4	7030003520	S.RES ERJ3GEYJ 472 V (4.7 k)	T	27.8/8.4
R5	7030003520	S.RES ERJ3GEYJ 472 V (4.7 k)	T	10.5/2.7
R6	7030003520	S.RES ERJ3GEYJ 472 V (4.7 k)	T	11.1/8.4
C1	4030006880	S.CER C1608 JB 1H 472K-T	T	12.4/8.4
C2	4030006880	S.CER C1608 JB 1H 472K-T	T	11.8/2.7
C3	4030006880	S.CER C1608 JB 1H 472K-T	T	26.5/8.4
C4	4030006880	S.CER C1608 JB 1H 472K-T	T	27.3/2.7
J1	6510019971	S.CNR 52808-1071	T	19.5/5

## [VR-C BOARD]

REF NO.	ORDER NO.	DESCRIPTION	M.	H/V LOCATION
R1	7210003160	VAR RV-317 (RK0972210)		
R2	7210003160	VAR RV-317 (RK0972210)		
R3	7030003520	S.RES ERJ3GEYJ 472 V (4.7 k)	T	28.6/2.7
R4	7030003520	S.RES ERJ3GEYJ 472 V (4.7 k)	T	27.8/8.4
R5	7030003520	S.RES ERJ3GEYJ 472 V (4.7 k)	T	10.5/2.7
R6	7030003520	S.RES ERJ3GEYJ 472 V (4.7 k)	T	11.1/8.4
C1	4030006880	S.CER C1608 JB 1H 472K-T	T	12.4/8.4
C2	4030006880	S.CER C1608 JB 1H 472K-T	T	11.8/2.7
C3	4030006880	S.CER C1608 JB 1H 472K-T	T	26.5/8.4
C4	4030006880	S.CER C1608 JB 1H 472K-T	T	27.3/2.7
J1	6510019971	S.CNR 52808-1071	T	19.5/5

## [VR-D BOARD]

REF NO.	ORDER NO.	DESCRIPTION	M.	H/V LOCATION
R1	7210001130	VAR RK097111T005A (10KB)		
R2	7210001130	VAR RK097111T005A (10KB)		
R3	7210001130	VAR RK097111T005A (10KB)		
R4	7210001130	VAR RK097111T005A (10KB)		
R5	7210001130	VAR RK097111T005A (10KB)		
R6	7210001130	VAR RK097111T005A (10KB)		
R7	7210001130	VAR RK097111T005A (10KB)		
R11	7030003520	S.RES ERJ3GEYJ 472 V (4.7 k)	B	11.3/3.6
R12	7030003520	S.RES ERJ3GEYJ 472 V (4.7 k)	B	28.4/3.6
R13	7030003520	S.RES ERJ3GEYJ 472 V (4.7 k)	B	45.2/3.6
R14	7030003520	S.RES ERJ3GEYJ 472 V (4.7 k)	B	62.3/3.6
R15	7030003520	S.RES ERJ3GEYJ 472 V (4.7 k)	B	79.2/3.6
R16	7030003520	S.RES ERJ3GEYJ 472 V (4.7 k)	B	96.3/3.6
R17	7030003520	S.RES ERJ3GEYJ 472 V (4.7 k)	B	100.5/6.5
C11	4030006880	S.CER C1608 JB 1H 472K-T	B	11.3/2
C12	4030006880	S.CER C1608 JB 1H 472K-T	B	28.4/2
C13	4030006880	S.CER C1608 JB 1H 472K-T	B	45.2/2
C14	4030006880	S.CER C1608 JB 1H 472K-T	B	62.3/2
C15	4030006880	S.CER C1608 JB 1H 472K-T	B	79.2/2
C16	4030006880	S.CER C1608 JB 1H 472K-T	B	96.3/2
C17	4030006880	S.CER C1608 JB 1H 472K-T	B	100.5/4.9
J1	6510019971	S.CNR 52808-1071	B	43/16

## [FRONT UNIT]

REF NO.	ORDER NO.	DESCRIPTION	M.	H/V LOCATION
W1	8900015930	CBL OPC-886A (P1,N10,L75)		
W2	8900015930	CBL OPC-886A (P1,N10,L75)		
W3	8900012870	CBL OPC-1331 (N=40,L=70)		
W4	8900008670	CBL OPC-849 (N:30 L:70)		
W5	8900015930	CBL OPC-886A (P1,N10,L75)		
W6	8900015930	CBL OPC-886A (P1,N10,L75)		
W7	8900012880	CBL OPC-1336 (N=18,L=70)		
W8	8900015930	CBL OPC-886A (P1,N10,L75)		
W9	8900014871	CBL OPC-1332A-1 (P0.5,N40,L100)		
W10	8900014730	CBL OPC-683A (P1,N10,L110)		
W11	8900008670	CBL OPC-849 (N:30 L:70)		
W12	8900008670	CBL OPC-849 (N:30 L:70)		
W13	8900015930	CBL OPC-886A (P1,N10,L75)		
W14	8900008670	CBL OPC-849 (N:30 L:70)		
W15	8900015930	CBL OPC-886A (P1,N10,L75)		
W51	9025900020			
EP1	6910015291	UBD LTA070B790F		
EP11	6910011090	SUT RMS20-250-201-P		
EP12	6910011090	SUT RMS20-250-201-P		
EP13	0880001460	UBD EX-2500 #03		
EP101	6910015650	E.OTH S-G2218-3#01 (MOUNT PLATE)		
EP102	6910015650	E.OTH S-G2218-3#01 (MOUNT PLATE)		

M.=Mounted side (T: Mounted on the Top side, B: Mounted on the Bottom side)  
S.=Surface mount

[SW-A BOARD]

REF NO.	ORDER NO.	DESCRIPTION	M.	H/V LOCATION
R2	7030003400	S.RES ERJ3GEYJ 471 V (470)	B	8.3/85.5
R3	7030003420	S.RES ERJ3GEYJ 681 V (680)	B	8.3/53.1
R4	7030003400	S.RES ERJ3GEYJ 471 V (470)	B	8.3/56.1
R6	7030003400	S.RES ERJ3GEYJ 471 V (470)	B	26.8/42.4
R7	7030003400	S.RES ERJ3GEYJ 471 V (470)	B	33/41.6
R8	7030003400	S.RES ERJ3GEYJ 471 V (470)	B	51.6/40.4
R9	7030003400	S.RES ERJ3GEYJ 471 V (470)	B	62.5/36
R10	7030003400	S.RES ERJ3GEYJ 471 V (470)	B	75.6/36
R11	7030003400	S.RES ERJ3GEYJ 471 V (470)	B	90/37.5
R12	7030003400	S.RES ERJ3GEYJ 471 V (470)	B	57.8/82.8
R13	7030003480	S.RES ERJ3GEYJ 222 V (2.2 k)	B	3.6/40.8
R14	7030003520	S.RES ERJ3GEYJ 472 V (4.7 k)	B	48.4/80.4
R15	7030003480	S.RES ERJ3GEYJ 222 V (2.2 k)	B	29.6/39.4
R16	7030003520	S.RES ERJ3GEYJ 472 V (4.7 k)	B	41.1/39.4
R17	7030003480	S.RES ERJ3GEYJ 222 V (2.2 k)	B	66.3/36
R18	7030003520	S.RES ERJ3GEYJ 472 V (4.7 k)	B	79.5/38.1
R19	7030003540	S.RES ERJ3GEYJ 682 V (6.8 k)	B	57.3/40.5
R20	7030003540	S.RES ERJ3GEYJ 682 V (6.8 k)	B	29.6/40.7
R21	7030003540	S.RES ERJ3GEYJ 682 V (6.8 k)	B	2.4/38.1
R22	7030003480	S.RES ERJ3GEYJ 222 V (2.2 k)	B	100.2/66.5
R23	7030003520	S.RES ERJ3GEYJ 472 V (4.7 k)	B	101.5/63.3
R24	7030003580	S.RES ERJ3GEYJ 153 V (15 k)	B	98.6/41.5
R25	7030003480	S.RES ERJ3GEYJ 222 V (2.2 k)	B	100.3/19.2
R26	7030003520	S.RES ERJ3GEYJ 472 V (4.7 k)	B	100.3/7.2
R27	7030003540	S.RES ERJ3GEYJ 682 V (6.8 k)	B	98.6/77.5
R28	7030003540	S.RES ERJ3GEYJ 682 V (6.8 k)	B	96.2/35.2
R29	7030003580	S.RES ERJ3GEYJ 153 V (15 k)	B	51.2/53.1
R30	7030003400	S.RES ERJ3GEYJ 471 V (470)	B	47/58
C1	4030011600	S.CER C1608 JB 1E 104K-T	B	99.2/63
C2	4030011600	S.CER C1608 JB 1E 104K-T	B	88.8/59.1
C3	4030011600	S.CER C1608 JB 1E 104K-T	B	99.4/60.4
C4	4030011600	S.CER C1608 JB 1E 104K-T	B	90.1/59.1
C5	4030011600	S.CER C1608 JB 1E 104K-T	B	98.9/59
C6	4030011600	S.CER C1608 JB 1E 104K-T	B	53.3/77.2
C7	4030011600	S.CER C1608 JB 1E 104K-T	B	84.8/80.1
C8	4030011600	S.CER C1608 JB 1E 104K-T	B	83.5/65.3
C9	4030011600	S.CER C1608 JB 1E 104K-T	B	88/52.2
J1	6510019971	S.CNR 52808-1071	B	46.7/72.7
J2	6510019971	S.CNR 52808-1071	B	83.7/72.7
J3	6510022471	S.CNR 40FLT-SM2-TB (LF) (SN)	B	94.3/58.7
DS5	5040002980	S.LED SML-512DW-T86	T	8.5/87.6
DS6	5040002930	S.LED SML-512MW T86	T	8.5/86.3
DS7	5040002930	S.LED SML-512MW T86	T	8.5/41.4
DS8	5040002930	S.LED SML-512MW T86	T	26.2/43
DS9	5040002930	S.LED SML-512MW T86	T	37.7/43
DS10	5040002930	S.LED SML-512MW T86	T	49.2/43
DS11	5040002930	S.LED SML-512MW T86	T	63.2/43
DS12	5040002930	S.LED SML-512MW T86	T	56.2/84.4
DS13	5040002930	S.LED SML-512MW T86	T	74.7/43
DS14	5040002930	S.LED SML-512MW T86	T	86.2/43
DS15	5040002990	S.LED SML-512UWT86	T	8.5/56.4
DS16	5040002930	S.LED SML-512MW T86	T	8.5/55.1
DS17	5040002930	S.LED SML-512MW T86	T	56.2/56.4
S1	2260002740	S.SW LS8J2M-T	T	9.7/77.2
S2	2260002740	S.SW LS8J2M-T	T	8.2/62.5
S3	2260002740	S.SW LS8J2M-T	T	8.2/48.8
S4	2260002740	S.SW LS8J2M-T	T	8.2/35.1
S5	2260002740	S.SW LS8J2M-T	T	37.5/38.9
S6	2260002740	S.SW LS8J2M-T	T	26/38.9
S7	2260002740	S.SW LS8J2M-T	T	49/38.9
S8	2260002740	S.SW LS8J2M-T	T	63/38.9
S11	2260002740	S.SW LS8J2M-T	T	56/79
S12	2260002740	S.SW LS8J2M-T	T	74.5/38.9
S13	2260002740	S.SW LS8J2M-T	T	86/38.9
S14	2260002740	S.SW LS8J2M-T	T	100.3/82.7
S15	2260002740	S.SW LS8J2M-T	T	100.3/70.7
S16	2260002740	S.SW LS8J2M-T	T	100.3/58.7
S17	2260002740	S.SW LS8J2M-T	T	100.3/46.7
S18	2260002740	S.SW LS8J2M-T	T	100.3/34.7
S19	2260002740	S.SW LS8J2M-T	T	100.3/22.7
S20	2260002740	S.SW LS8J2M-T	T	100.3/10.7
S21	2260002740	S.SW LS8J2M-T	T	56/51

[SW-B BOARD]

REF NO.	ORDER NO.	DESCRIPTION	M.	H/V LOCATION
J1	6510020531	S.CNR 52808-1871	B	112/20.3
S1	2260002740	S.SW LS8J2M-T	T	16.8/24.6
S2	2260002740	S.SW LS8J2M-T	T	38.8/24.6
S3	2260002740	S.SW LS8J2M-T	T	60.8/24.6
S4	2260002740	S.SW LS8J2M-T	T	82.8/24.6
S5	2260002740	S.SW LS8J2M-T	T	104.8/24.6
S6	2260002740	S.SW LS8J2M-T	T	126.8/24.6
S7	2260002740	S.SW LS8J2M-T	T	148.8/24.6
S8	2260002740	S.SW LS8J2M-T	T	16.8/15.2
S9	2260002740	S.SW LS8J2M-T	T	38.8/15.2
S10	2260002740	S.SW LS8J2M-T	T	60.8/15.2
S11	2260002740	S.SW LS8J2M-T	T	82.8/15.2
S12	2260002740	S.SW LS8J2M-T	T	104.8/15.2
S13	2260002740	S.SW LS8J2M-T	T	126.8/15.2
S14	2260002740	S.SW LS8J2M-T	T	148.8/15.2
S15	2260002740	S.SW LS8J2M-T	T	125.5/3.1
S16	2260002740	S.SW LS8J2M-T	T	145.2/3.1
S17	2260002740	S.SW LS8J2M-T	T	167.3/3.1

[SW-C BOARD]

REF NO.	ORDER NO.	DESCRIPTION	M.	H/V LOCATION
R1	7030003480	S.RES ERJ3GEYJ 222 V (2.2 k)	B	32.7/126.7
R2	7030003520	S.RES ERJ3GEYJ 472 V (4.7 k)	B	30.7/122.6
R3	7030003580	S.RES ERJ3GEYJ 153 V (15 k)	B	30.7/118.1
R4	7030003540	S.RES ERJ3GEYJ 682 V (6.8 k)	B	30.6/125.7
R5	7030003480	S.RES ERJ3GEYJ 222 V (2.2 k)	B	30.6/100.4
R6	7030003520	S.RES ERJ3GEYJ 472 V (4.7 k)	B	30.6/97.1
R7	7030003580	S.RES ERJ3GEYJ 153 V (15 k)	B	31.9/94.7
R8	7030003540	S.RES ERJ3GEYJ 682 V (6.8 k)	B	31.9/101.7
R9	7030003480	S.RES ERJ3GEYJ 222 V (2.2 k)	B	34.8/71.3
R10	7030003520	S.RES ERJ3GEYJ 472 V (4.7 k)	B	35.5/69.3
R11	7030003580	S.RES ERJ3GEYJ 153 V (15 k)	B	35.5/66.6
R12	7030003540	S.RES ERJ3GEYJ 682 V (6.8 k)	B	32.7/84.5
R13	7030003480	S.RES ERJ3GEYJ 222 V (2.2 k)	B	43.1/46.9
R14	7030003520	S.RES ERJ3GEYJ 472 V (4.7 k)	B	49.2/44.4
R15	7030003540	S.RES ERJ3GEYJ 682 V (6.8 k)	B	43.1/50.6
R51	7030003400	S.RES ERJ3GEYJ 471 V (470)	B	38.3/124.2
R52	7030003400	S.RES ERJ3GEYJ 471 V (470)	B	41.2/124.2
R53	7030003400	S.RES ERJ3GEYJ 471 V (470)	B	37.9/107.7
R54	7030003400	S.RES ERJ3GEYJ 471 V (470)	B	46.6/102.1
R55	7030003400	S.RES ERJ3GEYJ 471 V (470)	B	43.2/98.8
R56	7030003400	S.RES ERJ3GEYJ 471 V (470)	B	46.6/99.4
R57	7030003400	S.RES ERJ3GEYJ 471 V (470)	B	48.7/89.9
R58	7030003400	S.RES ERJ3GEYJ 471 V (470)	B	48.7/93.3
C1	4030011600	S.CER C1608 JB 1E 104K-T	B	28.9/94.5
C2	4030011600	S.CER C1608 JB 1E 104K-T	B	41.2/82
C3	4030011600	S.CER C1608 JB 1E 104K-T	B	32.1/71.3
C4	4030011600	S.CER C1608 JB 1E 104K-T	B	43.5/82.4
J1	6510021721	S.CNR 30FLT-SM2-TB (LF) (SN)	B	37.9/89
J2	6510019971	S.CNR 52808-1071	B	44.2/113.1
DS51	5040002930	S.LED SML-512MW T86	T	36.5/123.3
DS52	5040002930	S.LED SML-512MW T86	T	48/123.3
DS53	5040002930	S.LED SML-512MW T86	T	36.5/104.8
DS54	5040002930	S.LED SML-512MW T86	T	48/104.8
DS55	5040002930	S.LED SML-512MW T86	T	36.5/94.8
DS56	5040002930	S.LED SML-512MW T86	T	48/94.8
DS57	5040002930	S.LED SML-512MW T86	T	36.5/84.8
DS58	5040002930	S.LED SML-512MW T86	T	48/84.8
S1	2260002740	S.SW LS8J2M-T	T	36.7/129.1
S2	2260002740	S.SW LS8J2M-T	T	48.2/129.1
S3	2260002740	S.SW LS8J2M-T	T	36.7/118.9
S4	2260002740	S.SW LS8J2M-T	T	48.2/118.9
S5	2260002740	S.SW LS8J2M-T	T	36.7/100.4
S6	2260002740	S.SW LS8J2M-T	T	48.2/100.4
S7	2260002740	S.SW LS8J2M-T	T	36.7/90.4
S8	2260002740	S.SW LS8J2M-T	T	48.2/90.4
S9	2260002740	S.SW LS8J2M-T	T	36.7/80.4
S10	2260002740	S.SW LS8J2M-T	T	48.2/80.4
S11	2260002740	S.SW LS8J2M-T	T	36.7/70
S12	2260002740	S.SW LS8J2M-T	T	36.7/61.2
S13	2260002740	S.SW LS8J2M-T	T	36.7/52.4
S14	2260002740	S.SW LS8J2M-T	T	36.5/42.7
S15	2260002740	S.SW LS8J2M-T	T	61.5/42.7
S16	2260002740	S.SW LS8J2M-T	T	12.2/32.4
S17	2260002740	S.SW LS8J2M-T	T	74.3/27.4
S18	2260002740	S.SW LS8J2M-T	T	12.2/14.7
S19	2260002740	S.SW LS8J2M-T	T	75.2/14.2
S20	2260002740	S.SW LS8J2M-T	T	12.2/2.3
S21	2260002740	S.SW LS8J2M-T	T	75.2/2.3
S22	2260002740	S.SW LS8J2M-T	T	25.7/2.3

M.=Mounted side (T: Mounted on the Top side, B: Mounted on the Bottom side)  
S.=Surface mount

[JACK BOARD]

REF NO.	ORDER NO.	DESCRIPTION	M.	H/V LOCATION
L1	6200003950	S.COL HF50ACC 322513-T	T	33/7.8
L2	6200003950	S.COL HF50ACC 322513-T	T	23.5/2.7
L3	6200003950	S.COL HF50ACC 322513-T	T	16.2/2
L4	6180000900	COL LAL 03NA 101K		
L5	6180000900	COL LAL 03NA 101K		
L6	6180000900	COL LAL 03NA 101K		
L101	6180000900	COL LAL 03NA 101K		
L102	6180000900	COL LAL 03NA 101K		
L103	6180000900	COL LAL 03NA 101K		
R1	7030006060	S.RES ERJ12YJ100U (10)	T	24.1/6.1
R2	7030006060	S.RES ERJ12YJ100U (10)	T	16.8/5.4
C1	4030006880	S.CER C1608 JB 1H 472K-T	B	26.4/2.1
C2	4030006880	S.CER C1608 JB 1H 472K-T	B	26.4/4.8
C3	4030006880	S.CER C1608 JB 1H 472K-T	B	20.7/6.9
C101	4030006880	S.CER C1608 JB 1H 472K-T	B	15.3/6.9
C102	4030006880	S.CER C1608 JB 1H 472K-T	B	11.6/2.1
J1	6510019971	S.CNR 52808-1071	B	19/3.2
J2	6510023891	CNR S-G4617#01F		
J102	6510023900	CNR LGR4619-7000		
EP101	6910012350	S.BEA MMZ1608Y 102BT	B	15.3/8.2
EP102	6910012350	S.BEA MMZ1608Y 102BT	B	10.3/2.1

[MIC BOARD]

REF NO.	ORDER NO.	DESCRIPTION	M.	H/V LOCATION
L1	6200003261	S.COL NLV32T-101J	B	4.5/17.8
L2	6200003261	S.COL NLV32T-101J	B	2.4/12.5
L3	6200003261	S.COL NLV32T-101J	B	4.5/2
L4	6200003950	S.COL HF50ACC 322513-T	B	15.2/15.1
C1	4030006880	S.CER C1608 JB 1H 472K-T	B	8.6/16.1
C2	4030006880	S.CER C1608 JB 1H 472K-T	B	2.8/5.5
C3	4030006880	S.CER C1608 JB 1H 472K-T	B	14.2/12.3
C4	4030007130	S.CER C1608 CH 1H 101J-T	B	10.1/11.2
C5	4030006880	S.CER C1608 JB 1H 472K-T	B	1.5/5.5
C6	4030006880	S.CER C1608 JB 1H 472K-T	B	9.6/9
C7	4030006880	S.CER C1608 JB 1H 472K-T	B	7.7/10.1
C8	4030007090	S.CER C1608 CH 1H 470J-T	B	9.4/13.9
J1	6510000191	CNR FM214-8SS (P) -1		
J2	6510019971	S.CNR 52808-1071	B	12.7/20.2
EP2	6910012350	S.BEA MMZ1608Y 102BT	B	4.1/6.3
EP3	6910012350	S.BEA MMZ1608Y 102BT	B	7.6/2
EP4	6910012350	S.BEA MMZ1608Y 102BT	B	10.4/16
EP5	6910012350	S.BEA MMZ1608Y 102BT	B	2.7/8.1
EP6	6910012350	S.BEA MMZ1608Y 102BT	B	7.7/7.7
EP7	6910015130	S.BEA MMZ1608D 301BT	B	17.2/10.8
EP8	6910015130	S.BEA MMZ1608D 301BT	B	15.9/10.8
EP9	6910015130	S.BEA MMZ1608D 301BT	B	10.2/6.9
EP10	6910015130	S.BEA MMZ1608D 301BT	B	11.5/9.1
EP11	6910012350	S.BEA MMZ1608Y 102BT	B	5.4/14.1

[TENKEY BOARD]

REF NO.	ORDER NO.	DESCRIPTION	M.	H/V LOCATION
IC1	1130011510	S.IC BU2099FV-E2	B	37.5/67.3
IC2	1130011510	S.IC BU2099FV-E2	B	33.5/31.8
R1	7030003480	S.RES ERJ3GEYJ 222 V (2.2 k)	B	16.3/75.9
R2	7030003520	S.RES ERJ3GEYJ 472 V (4.7 k)	B	16.6/67.7
R3	7030003580	S.RES ERJ3GEYJ 153 V (15 k)	B	13.8/47.4
R4	7030003540	S.RES ERJ3GEYJ 682 V (6.8 k)	B	16.3/79.3
R5	7030003480	S.RES ERJ3GEYJ 222 V (2.2 k)	B	31.5/67.4
R6	7030003520	S.RES ERJ3GEYJ 472 V (4.7 k)	B	30.7/65.6
R7	7030003580	S.RES ERJ3GEYJ 153 V (15 k)	B	32.3/49.9
R8	7030003540	S.RES ERJ3GEYJ 682 V (6.8 k)	B	30.3/78.3
R9	7030003480	S.RES ERJ3GEYJ 222 V (2.2 k)	B	49.8/70.1
R10	7030003520	S.RES ERJ3GEYJ 472 V (4.7 k)	B	49.8/62.2
R11	7030003580	S.RES ERJ3GEYJ 153 V (15 k)	B	47.6/52.6
R12	7030003540	S.RES ERJ3GEYJ 682 V (6.8 k)	B	49.8/78.4
R51	7030003390	S.RES ERJ3GEYJ 391 V (390)	B	8/78
R52	7030003390	S.RES ERJ3GEYJ 391 V (390)	B	8/75.3
R53	7030003390	S.RES ERJ3GEYJ 391 V (390)	B	8/70.9
R54	7030003390	S.RES ERJ3GEYJ 391 V (390)	B	8/72.9
R55	7030003390	S.RES ERJ3GEYJ 391 V (390)	B	10.7/58.2
R56	7030003390	S.RES ERJ3GEYJ 391 V (390)	B	12/58.2
R57	7030003390	S.RES ERJ3GEYJ 391 V (390)	B	8/49.5
R58	7030003390	S.RES ERJ3GEYJ 391 V (390)	B	8/46.8
R59	7030003390	S.RES ERJ3GEYJ 391 V (390)	B	19.1/78
R60	7030003390	S.RES ERJ3GEYJ 391 V (390)	B	19.1/75.3
R61	7030003390	S.RES ERJ3GEYJ 391 V (390)	B	25.5/64.5
R62	7030003390	S.RES ERJ3GEYJ 391 V (390)	B	25.5/65.8
R63	7030003390	S.RES ERJ3GEYJ 391 V (390)	B	25.5/51.7
R64	7030003390	S.RES ERJ3GEYJ 391 V (390)	B	25.5/53
R65	7030003390	S.RES ERJ3GEYJ 391 V (390)	B	25.5/49.5
R66	7030003390	S.RES ERJ3GEYJ 391 V (390)	B	25.5/47
R67	7030003390	S.RES ERJ3GEYJ 391 V (390)	B	43/78
R68	7030003390	S.RES ERJ3GEYJ 391 V (390)	B	43/75.3
R69	7030003390	S.RES ERJ3GEYJ 391 V (390)	B	43.8/68.5
R70	7030003390	S.RES ERJ3GEYJ 391 V (390)	B	43.8/67.2
R71	7030003390	S.RES ERJ3GEYJ 391 V (390)	B	43/59
R72	7030003390	S.RES ERJ3GEYJ 391 V (390)	B	43/56.3
R73	7030003390	S.RES ERJ3GEYJ 391 V (390)	B	44.4/51.3
R74	7030003390	S.RES ERJ3GEYJ 391 V (390)	B	44.4/52.6
R75	7030003460	S.RES ERJ3GEYJ 152 V (1.5 k)	B	29.7/21
R76	7030003460	S.RES ERJ3GEYJ 152 V (1.5 k)	B	44.3/18.1
C1	4030011600	S.CER C1608 JB 1E 104K-T	B	8.5/66.9
C2	4030011600	S.CER C1608 JB 1E 104K-T	B	5.4/69.3
C3	4030011600	S.CER C1608 JB 1E 104K-T	B	11/67.4
C4	4030011600	S.CER C1608 JB 1E 104K-T	B	35.9/71.5
C5	4030011600	S.CER C1608 JB 1E 104K-T	B	31.7/35.9
J1	6510021721	S.CNR 30FLT-SM2-TB (LF) (SN)	B	5.2/60
J2	6510021721	S.CNR 30FLT-SM2-TB (LF) (SN)	B	5.2/31.6
J3	6510021721	S.CNR 30FLT-SM2-TB (LF) (SN)	B	49.9/33
J4	6510019971	S.CNR 52808-1071	B	53.9/57
J5	6510019971	S.CNR 52808-1071	B	24.5/74.7
J6	6510003401	CNR B04B-EH-S (LF) (SN)		
J7	6510018971	S.CNR B4B-PH-SM4-TB (LF) (SN)	B	36.5/3
DS1	5040002980	S.LED SML-512DW-T86	T	29.5/19
DS2	5040002980	S.LED SML-512DW-T86	T	45.5/19
S1	2260002740	S.SW LS8J2M-T	T	9.5/34
S2	2260002740	S.SW LS8J2M-T	T	9.5/26
S3	2260002740	S.SW LS8J2M-T	T	29.5/34
S4	2260002740	S.SW LS8J2M-T	T	29.5/26
S5	2260002740	S.SW LS8J2M-T	T	45.5/34
S6	2260002740	S.SW LS8J2M-T	T	45.5/26
S7	2260002740	S.SW LS8J2M-T	T	9.5/12.7
S8	2260002740	S.SW LS8J2M-T	T	29.5/16
S9	2260002740	S.SW LS8J2M-T	T	29.5/7.5
S11	2260002820	S.SW LS9J2M-2D/D-T	T	10.5/76.2
S12	2260002820	S.SW LS9J2M-2D/D-T	T	10.5/66.7
S13	2260002820	S.SW LS9J2M-2D/D-T	T	10.5/57.2
S14	2260002820	S.SW LS9J2M-2D/D-T	T	10.5/47.7
S15	2260002820	S.SW LS9J2M-2D/D-T	T	28/76.2
S16	2260002820	S.SW LS9J2M-2D/D-T	T	28/66.7
S17	2260002820	S.SW LS9J2M-2D/D-T	T	28/57.2
S18	2260002820	S.SW LS9J2M-2D/D-T	T	28/47.7
S19	2260002820	S.SW LS9J2M-2D/D-T	T	45.5/76.2
S20	2260002820	S.SW LS9J2M-2D/D-T	T	45.5/66.7
S21	2260002820	S.SW LS9J2M-2D/D-T	T	45.5/57.2
S22	2260002820	S.SW LS9J2M-2D/D-T	T	45.5/47.7
S23	2260002740	S.SW LS8J2M-T	T	45.5/16
S24	2260002740	S.SW LS8J2M-T	T	45.5/7.5

M.=Mounted side (T: Mounted on the Top side, B: Mounted on the Bottom side) S.=Surface mount



[PBT1 BOARD]

REF NO.	ORDER NO.	DESCRIPTION	M.	H/V LOCATION
R1	7210003180	VAR RV-319 (RK0972210)		
R2	7030003520	S.RES ERJ3GEYJ 472 V (4.7 k)	T	13.5/6.5
R3	7030003520	S.RES ERJ3GEYJ 472 V (4.7 k)	T	13.5/10
C1	4030006880	S.CER C1608 JB 1H 472K-T	T	15.6/10
C2	4030006880	S.CER C1608 JB 1H 472K-T	T	15.6/6.5
J1	6510019971	S.CNR 52808-1071	T	24.5/7
S1	2250000410	ECR TP90D96E20-30F-2178-1		

[PBT2 BOARD]

REF NO.	ORDER NO.	DESCRIPTION	M.	H/V LOCATION
R1	7210003180	VAR RV-319 (RK0972210)		
R2	7210003170	VAR RV-318 (RK09L1120CON)		
R3	7030003520	S.RES ERJ3GEYJ 472 V (4.7 k)	T	47.4/8.5
R4	7030003520	S.RES ERJ3GEYJ 472 V (4.7 k)	T	47.4/9.8
R5	7030003520	S.RES ERJ3GEYJ 472 V (4.7 k)	T	16.2/12.3
C1	4030006880	S.CER C1608 JB 1H 472K-T	T	52.5/10.2
C2	4030006880	S.CER C1608 JB 1H 472K-T	T	50.6/10.2
C3	4030006880	S.CER C1608 JB 1H 472K-T	T	16.2/11
J1	6510019971	S.CNR 52808-1071	T	59.1/5.1
S1	2250000410	ECR TP90D96E20-30F-2178-1		

[LED BOARD]

REF NO.	ORDER NO.	DESCRIPTION	M.	H/V LOCATION
R1	7030003470	S.RES ERJ3GEYJ 182 V (1.8 k)	T	9.1/14.9
R2	7030003420	S.RES ERJ3GEYJ 681 V (680)	T	21/14.9
R3	7030003440	S.RES ERJ3GEYJ 102 V (1 k)	T	32.1/14.9
R4	7030003400	S.RES ERJ3GEYJ 471 V (470)	T	80.2/14.9
R5	7030003470	S.RES ERJ3GEYJ 182 V (1.8 k)	T	126/14.9
R6	7030003420	S.RES ERJ3GEYJ 681 V (680)	T	139/14.9
R7	7030003440	S.RES ERJ3GEYJ 102 V (1 k)	T	149.8/14.9
J1	6510020711	S.CNR 52793-1070 (1090)	T	111.3/2.6
DS1	5040003000	S.LED SML-A12UT-T86	T	5.6/15.9
DS2	5040002961	S.LED SML-A12MT T86J	T	17.6/15.9
DS3	5040003010	S.LED SML-A12WT	T	29.6/15.9
DS4	5040002970	S.LED CL-270WB-D-TS	T	76.6/15.9
DS5	5040003000	S.LED SML-A12UT-T86	T	123.6/15.9
DS6	5040002961	S.LED SML-A12MT T86J	T	135.6/15.9
DS7	5040003010	S.LED SML-A12WT	T	147.6/15.9

[CF BOARD]

REF NO.	ORDER NO.	DESCRIPTION	M.	H/V LOCATION
R1	7030003470	S.RES ERJ3GEYJ 182 V (1.8 k)	T	8.8/8.7
J1	6510024151	S.CNR 50FY-BMT-TB (LF) (SN)	T	34.5/4.4
J2	6510025670	S.CNR 31-5620-050-719-871	T	34.5/13.6
J3	6510021601	S.CNR S2B-PH-SM4-TB (LF) (SN)	T	13.7/3.7
DS1	5040002990	S.LED SML-512UWT86	T	61.2/40.5
EP2	6910015640	E.OTH 30-5610-000-002-000		

[DISPLAY BOARD]

REF NO.	ORDER NO.	DESCRIPTION	M.	H/V LOCATION
IC1	1130009640	S.IC BU4051BCFV-E2	T	121.9/76.4
IC2	1130009640	S.IC BU4051BCFV-E2	T	110.5/10.9
IC3	1130009640	S.IC BU4051BCFV-E2	T	76.7/20
IC4	1130009640	S.IC BU4051BCFV-E2	T	24/61.2
IC5	1130009640	S.IC BU4051BCFV-E2	T	106.8/77.4
IC6	1140011820	S.IC M30620FCMGP D5	T	48.1/27.7
IC7	1130011510	S.IC BU2099FV-E2	T	124/59.8
IC201	1130009301	S.IC TC7SET08FU (T5L,JF)	T	71.1/51.8
IC202	1130009301	S.IC TC7SET08FU (T5L,JF)	T	107.2/58.5
IC601	1130011551	S.IC RX-4581NB-F	T	39/45.9
IC651	1110005821	S.IC R3112N281A-TR-F	T	47.9/91.1
Q200	1590000430	S.TR DTC144EUA T106	T	40.8/89.7
Q201	1530003301	S.TR 2SC3647S-TD-E	T	91.1/47.1
Q202	1530003301	S.TR 2SC3647S-TD-E	T	91.1/26.5
Q203	1530002060	S.TR 2SC4081 T106 R	T	73.9/61.5
Q204	1520000651	S.TR 2SB1201S-TL-E	T	79.5/65.1
Q205	1590000680	S.TR DTC114EUA T106	T	70.8/57.1
Q206	1590000680	S.TR DTC114EUA T106	T	113/19.4
Q208	1590001330	S.TR DTA114EUA T106	T	120/68.5
Q209	1520000651	S.TR 2SB1201S-TL-E	T	113.9/59.9
Q210	1530002060	S.TR 2SC4081 T106 R	T	107.3/55.3
Q211	1590001330	S.TR DTA114EUA T106	T	122.5/65.4
Q212	1590000680	S.TR DTC114EUA T106	T	72.5/54.3
Q501	1590000680	S.TR DTC114EUA T106	T	86/88.8
Q502	1590000680	S.TR DTC114EUA T106	T	86/92.5
Q503	1590000680	S.TR DTC114EUA T106	T	82.8/90.8
Q504	1590001330	S.TR DTA114EUA T106	T	89.2/88.8
Q505	1590000680	S.TR DTC114EUA T106	T	125/66.6
Q601	1510000501	S.TR 2SA1162-GR (TE85R,F)	T	41.4/85.2
D7	1750000520	S.DIO DAN222TL	T	122.4/18.7
D8	1160000140	S.DIO DAP222 TL	T	122.4/15.3
D9	1730002340	S.ZEN MA8047-M (TX)	T	74.3/59.3
D10	1730002590	S.ZEN MA8033-H (TX)	T	109.5/56.9
D11	1790001670	S.DIO RB706F-40T106	T	121.3/10.6
D12	1790001670	S.DIO RB706F-40T106	T	60/31
D601	1790001250	S.DIO MA2S1110G-(TX)	T	42.2/82.8
D602	1790001250	S.DIO MA2S1110G-(TX)	T	39/85.9
D603	1790001250	S.DIO MA2S1110G-(TX)	T	39/83.4
X1	6050009870	S.XTL CR-567 (9.8304 MHz)	T	49.7/44.5
L201	6200001831	S.COL NLV32T-100J	T	112/85.8
L203	6200003950	S.COL HF50ACC 322513-T	T	115.2/85.6
L204	6200001831	S.COL NLV32T-100J	T	126.9/91.6
L205	6200003950	S.COL HF50ACC 322513-T	T	61.2/36.6
L207	6200003950	S.COL HF50ACC 322513-T	T	117.4/17.1
L208	6200003950	S.COL HF50ACC 322513-T	T	118.4/85.6
L209	6200003950	S.COL HF50ACC 322513-T	T	9.9/64
L210	6190001191	S.COL D10F-#A814AY-101K	T	86.6/79.7
L211	6190001191	S.COL D10F-#A814AY-101K	T	81.2/38.2
L601	6200001831	S.COL NLV32T-100J	T	34.7/83.8
R200	7030003440	S.RES ERJ3GEYJ 102 V (1 k)	T	73.1/51.7
R201	7030003470	S.RES ERJ3GEYJ 182 V (1.8 k)	T	96.6/43.6
R202	7030003470	S.RES ERJ3GEYJ 182 V (1.8 k)	T	96.6/32.9
R203	7030003800	S.RES ERJ3GEYJ 105 V (1 M)	T	49.7/41.2
R208	7030003360	S.RES ERJ3GEYJ 221 V (220)	T	75/57
R209	7030003860	S.RES ERJ3GE JPW V	T	14.6/25
R210	7030003860	S.RES ERJ3GE JPW V	T	22/24.4
R212	7030003660	S.RES ERJ3GEYJ 683 V (68 k)	T	67.8/57.6
R213	7030003580	S.RES ERJ3GEYJ 153 V (15 k)	T	70.3/54.7
R214	7030003440	S.RES ERJ3GEYJ 102 V (1 k)	T	40.7/13.4
R215	7030003440	S.RES ERJ3GEYJ 102 V (1 k)	T	39.4/13.4
R216	7030003440	S.RES ERJ3GEYJ 102 V (1 k)	T	38.1/13.4
R217	7030003440	S.RES ERJ3GEYJ 102 V (1 k)	T	36.8/13.4
R218	7030003440	S.RES ERJ3GEYJ 102 V (1 k)	T	35.5/13.4
R219	7030003440	S.RES ERJ3GEYJ 102 V (1 k)	T	34.2/13.4
R220	7030003440	S.RES ERJ3GEYJ 102 V (1 k)	T	31.6/13.4
R221	7030003440	S.RES ERJ3GEYJ 102 V (1 k)	T	32.9/13.4
R222	7030003440	S.RES ERJ3GEYJ 102 V (1 k)	T	30.6/16.1
R223	7030003440	S.RES ERJ3GEYJ 102 V (1 k)	T	29.8/13.5
R224	7030003440	S.RES ERJ3GEYJ 102 V (1 k)	T	29.1/16.1
R225	7030003440	S.RES ERJ3GEYJ 102 V (1 k)	T	28.3/13.4
R226	7030003440	S.RES ERJ3GEYJ 102 V (1 k)	T	27.6/16.1
R227	7030003440	S.RES ERJ3GEYJ 102 V (1 k)	T	26.8/13.4
R228	7030003440	S.RES ERJ3GEYJ 102 V (1 k)	T	25.5/13.4
R229	7030003440	S.RES ERJ3GEYJ 102 V (1 k)	T	22.9/13.4
R230	7030003440	S.RES ERJ3GEYJ 102 V (1 k)	T	24.2/13.4
R232	7030003440	S.RES ERJ3GEYJ 102 V (1 k)	T	74.1/13.4
R233	7030003440	S.RES ERJ3GEYJ 102 V (1 k)	T	76.9/13.4
R234	7030003440	S.RES ERJ3GEYJ 102 V (1 k)	T	75.4/13.4
R235	7030003440	S.RES ERJ3GEYJ 102 V (1 k)	T	78.2/13.4
R236	7030003440	S.RES ERJ3GEYJ 102 V (1 k)	T	79.5/13.4
R237	7030003440	S.RES ERJ3GEYJ 102 V (1 k)	T	80.8/13.4
R238	7030003440	S.RES ERJ3GEYJ 102 V (1 k)	T	82.1/13.4
R239	7030003440	S.RES ERJ3GEYJ 102 V (1 k)	T	107.3/86.7
R240	7030003440	S.RES ERJ3GEYJ 102 V (1 k)	T	105.9/86.7
R241	7030003680	S.RES ERJ3GEYJ 104 V (100 k)	T	108.6/86.6
R242	7030003680	S.RES ERJ3GEYJ 104 V (100 k)	T	104.5/86.7
R246	7030003440	S.RES ERJ3GEYJ 102 V (1 k)	T	59.5/13.3
R247	7030003440	S.RES ERJ3GEYJ 102 V (1 k)	T	58.2/13.3
R248	7030003440	S.RES ERJ3GEYJ 102 V (1 k)	T	56.9/13.3
R249	7030003440	S.RES ERJ3GEYJ 102 V (1 k)	T	55.6/13.3
R250	7030003440	S.RES ERJ3GEYJ 102 V (1 k)	T	54.3/13.3
R251	7030003320	S.RES ERJ3GEYJ 101 V (100)	T	52.8/13.3
R252	7030003440	S.RES ERJ3GEYJ 102 V (1 k)	T	51.5/13.3
R253	7030003440	S.RES ERJ3GEYJ 102 V (1 k)	T	50.2/13.3

M.=Mounted side (T: Mounted on the Top side, B: Mounted on the Bottom side) S.=Surface mount

[DISPLAY BOARD]

REF NO.	ORDER NO.	DESCRIPTION	M.	H/V LOCATION
R254	7030003680	S.RES ERJ3GEYJ 104 V (100 k)	T	48.4/13.3
R255	7030003640	S.RES ERJ3GEYJ 473 V (47 k)	T	12.6/14.1
R256	7030003640	S.RES ERJ3GEYJ 473 V (47 k)	T	16.5/14.1
R257	7030003670	S.RES ERJ3GEYJ 823 V (82 k)	T	13.9/14.1
R258	7030003670	S.RES ERJ3GEYJ 823 V (82 k)	T	15.2/14.1
R259	7030003440	S.RES ERJ3GEYJ 102 V (1 k)	T	12.8/90.1
R260	7030003440	S.RES ERJ3GEYJ 102 V (1 k)	T	19.4/87.2
R261	7030003440	S.RES ERJ3GEYJ 102 V (1 k)	T	10.1/88.5
R262	7030003440	S.RES ERJ3GEYJ 102 V (1 k)	T	7.1/79.8
R263	7030003440	S.RES ERJ3GEYJ 102 V (1 k)	T	18/81.9
R264	7030003440	S.RES ERJ3GEYJ 102 V (1 k)	T	7.1/78.5
R265	7030003440	S.RES ERJ3GEYJ 102 V (1 k)	T	18/80.6
R266	7030003440	S.RES ERJ3GEYJ 102 V (1 k)	T	7.1/77.2
R267	7030003440	S.RES ERJ3GEYJ 102 V (1 k)	T	18/79.3
R268	7030003440	S.RES ERJ3GEYJ 102 V (1 k)	T	7.1/75.9
R269	7030003440	S.RES ERJ3GEYJ 102 V (1 k)	T	18/78
R270	7030003440	S.RES ERJ3GEYJ 102 V (1 k)	T	7.1/74.6
R271	7030003440	S.RES ERJ3GEYJ 102 V (1 k)	T	18/76.7
R272	7030003440	S.RES ERJ3GEYJ 102 V (1 k)	T	7.1/73.3
R273	7030003440	S.RES ERJ3GEYJ 102 V (1 k)	T	7.1/72
R274	7030003440	S.RES ERJ3GEYJ 102 V (1 k)	T	18/75.4
R275	7030003440	S.RES ERJ3GEYJ 102 V (1 k)	T	7.1/70.7
R276	7030003440	S.RES ERJ3GEYJ 102 V (1 k)	T	18/74.1
R278	7030003440	S.RES ERJ3GEYJ 102 V (1 k)	T	13.4/42.7
R279	7030003440	S.RES ERJ3GEYJ 102 V (1 k)	T	4/43.9
R280	7030003440	S.RES ERJ3GEYJ 102 V (1 k)	T	13.4/44
R281	7030003440	S.RES ERJ3GEYJ 102 V (1 k)	T	4/45.2
R282	7030003440	S.RES ERJ3GEYJ 102 V (1 k)	T	13.4/45.3
R283	7030003440	S.RES ERJ3GEYJ 102 V (1 k)	T	4/46.5
R284	7030003520	S.RES ERJ3GEYJ 472 V (4.7 k)	T	13.4/46.6
R285	7030003440	S.RES ERJ3GEYJ 102 V (1 k)	T	4/47.8
R286	7030003440	S.RES ERJ3GEYJ 102 V (1 k)	T	13.4/47.9
R287	7030003440	S.RES ERJ3GEYJ 102 V (1 k)	T	4/49.1
R288	7030003440	S.RES ERJ3GEYJ 102 V (1 k)	T	13.4/49.2
R289	7030003440	S.RES ERJ3GEYJ 102 V (1 k)	T	13.4/50.5
R290	7030003440	S.RES ERJ3GEYJ 102 V (1 k)	T	4/51.7
R291	7030003440	S.RES ERJ3GEYJ 102 V (1 k)	T	13.4/51.8
R292	7030003440	S.RES ERJ3GEYJ 102 V (1 k)	T	4/53
R293	7030003440	S.RES ERJ3GEYJ 102 V (1 k)	T	13.4/54.4
R294	7030003440	S.RES ERJ3GEYJ 102 V (1 k)	T	4/55.6
R295	7030003440	S.RES ERJ3GEYJ 102 V (1 k)	T	4/58.2
R296	7030003440	S.RES ERJ3GEYJ 102 V (1 k)	T	13.4/58.3
R297	7030003440	S.RES ERJ3GEYJ 102 V (1 k)	T	4/60.8
R298	7030003440	S.RES ERJ3GEYJ 102 V (1 k)	T	13.4/59.6
R299	7030003440	S.RES ERJ3GEYJ 102 V (1 k)	T	4/50.4
R300	7030003440	S.RES ERJ3GEYJ 102 V (1 k)	T	4/63.4
R301	7030003440	S.RES ERJ3GEYJ 102 V (1 k)	T	13.4/62.2
R302	7030003560	S.RES ERJ3GEYJ 103 V (10 k)	T	13.4/60.9
R303	7030003560	S.RES ERJ3GEYJ 103 V (10 k)	T	4/62.1
R304	7030003560	S.RES ERJ3GEYJ 103 V (10 k)	T	13.4/57
R305	7030003560	S.RES ERJ3GEYJ 103 V (10 k)	T	4/59.5
R306	7030003560	S.RES ERJ3GEYJ 103 V (10 k)	T	4/56.9
R307	7030003560	S.RES ERJ3GEYJ 103 V (10 k)	T	13.4/55.7
R308	7030003560	S.RES ERJ3GEYJ 103 V (10 k)	T	4/54.3
R309	7030003560	S.RES ERJ3GEYJ 103 V (10 k)	T	13.4/53.1
R310	7030003440	S.RES ERJ3GEYJ 102 V (1 k)	T	24.2/32
R311	7030003440	S.RES ERJ3GEYJ 102 V (1 k)	T	22.9/32
R312	7030003440	S.RES ERJ3GEYJ 102 V (1 k)	T	104.9/9.4
R313	7030003440	S.RES ERJ3GEYJ 102 V (1 k)	T	104.9/10.7
R314	7030003440	S.RES ERJ3GEYJ 102 V (1 k)	T	104.1/12.2
R315	7030003440	S.RES ERJ3GEYJ 102 V (1 k)	T	104.9/6.8
R316	7030003440	S.RES ERJ3GEYJ 102 V (1 k)	T	116.1/13.7
R317	7030003440	S.RES ERJ3GEYJ 102 V (1 k)	T	116.7/8.3
R318	7030003440	S.RES ERJ3GEYJ 102 V (1 k)	T	116.1/11.7
R319	7030003440	S.RES ERJ3GEYJ 102 V (1 k)	T	116.6/9.6
R320	7030003440	S.RES ERJ3GEYJ 102 V (1 k)	T	135.2/23.4
R321	7030003440	S.RES ERJ3GEYJ 102 V (1 k)	T	127.7/20.8
R322	7030003440	S.RES ERJ3GEYJ 102 V (1 k)	T	126.4/20.8
R323	7030003560	S.RES ERJ3GEYJ 103 V (10 k)	T	114.9/18.7
R325	7030003380	S.RES ERJ3GEYJ 331 V (330)	T	106.9/63.6
R326	7030003360	S.RES ERJ3GEYJ 221 V (220)	T	109.8/54.4
R327	7030003580	S.RES ERJ3GEYJ 153 V (15 k)	T	105.4/55.1
R328	7030003660	S.RES ERJ3GEYJ 683 V (68 k)	T	105.1/61.2
R329	7030003560	S.RES ERJ3GEYJ 103 V (10 k)	T	38/33.3
R330	7030003480	S.RES ERJ3GEYJ 222 V (2.2 k)	T	128.8/54.1
R331	7030003640	S.RES ERJ3GEYJ 473 V (47 k)	T	18/84.5
R332	7030003640	S.RES ERJ3GEYJ 473 V (47 k)	T	9.1/84.8
R333	7030003640	S.RES ERJ3GEYJ 473 V (47 k)	T	18/83.2
R334	7030003640	S.RES ERJ3GEYJ 473 V (47 k)	T	9.1/83.5
R335	7030003670	S.RES ERJ3GEYJ 823 V (82 k)	T	21.4/84.5
R336	7030003670	S.RES ERJ3GEYJ 823 V (82 k)	T	8.4/86.9
R337	7030003670	S.RES ERJ3GEYJ 823 V (82 k)	T	20.7/83.2
R338	7030003670	S.RES ERJ3GEYJ 823 V (82 k)	T	8.1/81.1
R339	7070000261	RES ERG2SJ 220 (22)		
R340	7070000261	RES ERG2SJ 220 (22)		
R342	7030003640	S.RES ERJ3GEYJ 473 V (47 k)	T	35.4/38.4
R343	7030003640	S.RES ERJ3GEYJ 473 V (47 k)	T	105.1/57.7
R351	7030003440	S.RES ERJ3GEYJ 102 V (1 k)	T	123.2/70.3
R352	7030003440	S.RES ERJ3GEYJ 102 V (1 k)	T	101.2/80.6
R353	7030003440	S.RES ERJ3GEYJ 102 V (1 k)	T	102.3/75
R354	7030003440	S.RES ERJ3GEYJ 102 V (1 k)	T	100.2/78
R355	7030003440	S.RES ERJ3GEYJ 102 V (1 k)	T	101/75.2
R356	7030003440	S.RES ERJ3GEYJ 102 V (1 k)	T	128.4/78.7
R357	7030003440	S.RES ERJ3GEYJ 102 V (1 k)	T	126.7/72.1
R358	7030003440	S.RES ERJ3GEYJ 102 V (1 k)	T	114.8/75.7
R359	7030003440	S.RES ERJ3GEYJ 102 V (1 k)	T	116.1/75.4
R360	7030003440	S.RES ERJ3GEYJ 102 V (1 k)	T	130.1/77.2
R361	7030003440	S.RES ERJ3GEYJ 102 V (1 k)	T	129.4/74
R362	7030003440	S.RES ERJ3GEYJ 102 V (1 k)	T	116.4/79.3
R363	7030003440	S.RES ERJ3GEYJ 102 V (1 k)	T	117.4/75.5
R364	7030003640	S.RES ERJ3GEYJ 473 V (47 k)	T	61.2/29
R365	7030004730	S.RES ERJ3GEYF 222 V (2.2 k)	T	61.9/33
R366	7030003440	S.RES ERJ3GEYJ 102 V (1 k)	T	128.4/64.2
R369	7030003860	S.RES ERJ3GE JPW V	T	55.7/37.4

[DISPLAY BOARD]

REF NO.	ORDER NO.	DESCRIPTION	M.	H/V LOCATION
R501	7030003640	S.RES ERJ3GEYJ 473 V (47 k)	T	68.5/16.9
R502	7030003640	S.RES ERJ3GEYJ 473 V (47 k)	T	67.2/16.9
R503	7030003640	S.RES ERJ3GEYJ 473 V (47 k)	T	36.1/32.5
R504	7030003440	S.RES ERJ3GEYJ 102 V (1 k)	T	135.3/62.2
R505	7030003360	S.RES ERJ3GEYJ 221 V (220)	T	89.2/86.9
R601	7030003860	S.RES ERJ3GE JPW V	T	44.1/89.8
R602	7030003520	S.RES ERJ3GEYJ 472 V (4.7 k)	T	41.6/87.6
R603	7030003640	S.RES ERJ3GEYJ 473 V (47 k)	T	32.4/45.4
R604	7030003560	S.RES ERJ3GEYJ 103 V (10 k)	T	32.4/46.9
R651	7030003650	S.RES ERJ3GEYJ 563 V (56 k)	T	114.8/95
R652	7030003620	S.RES ERJ3GEYJ 333 V (33 k)	T	118.6/95
R653	7030003520	S.RES ERJ3GEYJ 472 V (4.7 k)	T	44.1/86.1
C8	4030011600	S.CER C1608 JB 1E 104K-T	T	134.5/74.9
C201	4310001170	MLR ECQE1A 124JBB		
C202	4030016880	S.CER C4520 CH 3F 150KT-A	T	125.1/37.2
C203	4030007020	S.CER C1608 CH 1H 120J-T	T	50.5/39.9
C204	4030007020	S.CER C1608 CH 1H 120J-T	T	47.9/40
C205	4030011600	S.CER C1608 JB 1E 104K-T	T	27.7/64.4
C206	4030011600	S.CER C1608 JB 1E 104K-T	T	109/80.8
C207	4030011600	S.CER C1608 JB 1E 104K-T	T	73.2/22.2
C208	4030011600	S.CER C1608 JB 1E 104K-T	T	109.5/6.1
C209	4030011600	S.CER C1608 JB 1E 104K-T	T	124.1/79.9
C210	4030011600	S.CER C1608 JB 1E 104K-T	T	67.8/56.3
C211	4030011600	S.CER C1608 JB 1E 104K-T	T	107.7/61.2
C212	4510008800	S.ELE EEE1EA100SR	T	68.8/61.3
C213	4510009150	S.ELE EEE1EA470WP	T	77.8/52
C214	4510008800	S.ELE EEE1EA100SR	T	72.2/67.1
C215	4030011600	S.CER C1608 JB 1E 104K-T	T	120.9/85.8
C216	4030011600	S.CER C1608 JB 1E 104K-T	T	58.7/5.2
C217	4030011600	S.CER C1608 JB 1E 104K-T	T	108.3/83.3
C218	4510009150	S.ELE EEE1EA470WP	T	99.6/84.8
C219	4030006860	S.CER C1608 JB 1H 102K-T	T	109.8/83.3
C220	4030011600	S.CER C1608 JB 1E 104K-T	T	126.2/88.8
C221	4030011600	S.CER C1608 JB 1E 104K-T	T	103.2/55.1
C222	4030011600	S.CER C1608 JB 1E 104K-T	T	127.7/15.4
C223	4030011600	S.CER C1608 JB 1E 104K-T	T	134.7/27.7
C224	4030011600	S.CER C1608 JB 1E 104K-T	T	48.1/38.2
C225	4030011600	S.CER C1608 JB 1E 104K-T	T	119.8/61.5
C226	4030011600	S.CER C1608 JB 1E 104K-T	T	17.2/87.2
C227	4030011600	S.CER C1608 JB 1E 104K-T	T	120.9/82.9
C228	4510008800	S.ELE EEE1EA100SR	T	125.5/83.6
C229	4030011600	S.CER C1608 JB 1E 104K-T	T	7.3/65.1
C230	4030006880	S.CER C1608 JB 1H 472K-T	T	58.6/29
C231	4030011600	S.CER C1608 JB 1E 104K-T	T	47.6/17.4
C232	4030011600	S.CER C1608 JB 1E 104K-T	T	58/31.2
C241	4030011600	S.CER C1608 JB 1E 104K-T	T	118.9/80.3
C242	4030011600	S.CER C1608 JB 1E 104K-T	T	116.4/81.2
C243	4030011600	S.CER C1608 JB 1E 104K-T	T	120.2/80.3
C244	4030011600	S.CER C1608 JB 1E 104K-T	T	121.1/773
C245	4030011600	S.CER C1608 JB 1E 104K-T	T	128.4/80
C246	4030011600	S.CER C1608 JB 1E 104K-T	T	131.3/74.6
C247	4030011600	S.CER C1608 JB 1E 104K-T	T	130.1/75.9
C248	4030011600	S.CER C1608 JB 1E 104K-T	T	124.8/73
C249	4030011600	S.CER C1608 JB 1E 104K-T	T	112.1/6.1
C250	4030011600	S.CER C1608 JB 1E 104K-T	T	113.5/14.3
C251	4030011600	S.CER C1608 JB 1E 104K-T	T	112.1/7.4
C252	4030011600	S.CER C1608 JB 1E 104K-T	T	115.9/6.9
C253	4030011600	S.CER C1608 JB 1E 104K-T	T	104.1/13.5
C254	4030011600	S.CER C1608 JB 1E 104K-T	T	109.5/7.4
C255	4030011600	S.CER C1608 JB 1E 104K-T	T	104.9/8.1
C256	4030011600	S.CER C1608 JB 1E 104K-T	T	104.9/5.5
C257	4030011600	S.CER C1608 JB 1E 104K-T	T	72.8/13.4
C258	4030011600	S.CER C1608 JB 1E 104K-T	T	72.7/16.2
C259	4030011600	S.CER C1608 JB 1E 104K-T	T	80.2/19
C260	4030011600	S.CER C1608 JB 1E 104K-T	T	72.4/19.4
C261	4030011600	S.CER C1608 JB 1E 104K-T	T	76.4/28.1
C262	4030011600	S.CER C1608 JB 1E 104K-T	T	75.1/28.1
C263	4030011600	S.CER C1608 JB 1E 104K-T	T	73.3/27.3
C264	4030011600	S.CER C1608 JB 1E 104K-T	T	72.5/25.5
C265	4030011600	S.CER C1608 JB 1E 104K-T	T	20.9/52.3
C266	4030011600	S.CER C1608 JB 1E 104K-T	T	28.4/62.5
C267	4030011600	S.CER C1608 JB 1E 104K-T	T	21.6/55.8
C268	4030011600	S.CER C1608 JB 1E 104K-T	T	21.6/57.1
C601	4510008800	S.ELE EEE1EA100SR	T	29.4/86.2
C602	4030011600	S.CER C1608 JB 1E 104K-T	T	39.2/41.8
C651	4030008890	S.CER C1608 JB 1H 273K-T	T	47.9/93.5
C652	403			

[RXPLL-A UNIT]

REF NO.	ORDER NO.	DESCRIPTION	M.	H/V LOCATION
IC1	1130011530	S.IC CD74HC4094M96	T	11.9/24.1
IC2	1130009691	S.IC TC74HCT7007AF(F) S	T	22.8/23.3
IC51	1180001251	S.IC TA7808F(TE16L,Q)	T	77/16.7
IC61	1180000421	S.IC TA78L05F(TE12R,F)	B	56.5/16
IC101	1140007881	S.IC TC190G08EFG0046JDZ/SC1246A	T	31.3/89.7
IC102	1130003831	S.IC TC7S04F(TE85R,F) [USA]	T	33.1/74.7
	1130003831	S.IC TC7S04F(TE85R,F) [EUR]		
	1130003831	S.IC TC7S04F(TE85R,F) [FRA]		
	1130003831	S.IC TC7S04F(TE85R,F) [DEN]		
	1130003831	S.IC TC7S04F(TE85R,F) [ITR]		
	1130003831	S.IC TC7S04F(TE85R,F) [KOR]		
	1130003830	S.IC TC7S04F (TE85R) [ESP]		
	1130003830	S.IC TC7S04F (TE85R) [AUS]		
	1130003831	S.IC TC7S04F(TE85R,F) [UK]		
	1130003831	S.IC TC7S04F(TE85R,F) [RX]		
	1130003831	S.IC TC7S04F(TE85R,F) [CHN]		
IC103	1130006441	S.IC TC7S08F(TE85R,F) [USA]	B	34/92.1
	1130006441	S.IC TC7S08F(TE85R,F) [EUR]		
	1130006441	S.IC TC7S08F(TE85R,F) [FRA]		
	1130006441	S.IC TC7S08F(TE85R,F) [DEN]		
	1130006441	S.IC TC7S08F(TE85R,F) [ITR]		
	1130006441	S.IC TC7S08F(TE85R,F) [KOR]		
	1130006440	S.IC TC7S08F (TE85R) [ESP]		
	1130006440	S.IC TC7S08F (TE85R) [AUS]		
	1130006441	S.IC TC7S08F(TE85R,F) [UK]		
	1130006441	S.IC TC7S08F(TE85R,F) [RX]		
	1130006441	S.IC TC7S08F(TE85R,F) [CHN]		
IC104	1130003831	S.IC TC7S04F(TE85R,F) [USA]	T	31.7/101.1
	1130003831	S.IC TC7S04F(TE85R,F) [EUR]		
	1130003831	S.IC TC7S04F(TE85R,F) [FRA]		
	1130003831	S.IC TC7S04F(TE85R,F) [DEN]		
	1130003831	S.IC TC7S04F(TE85R,F) [ITR]		
	1130003831	S.IC TC7S04F(TE85R,F) [KOR]		
	1130003830	S.IC TC7S04F (TE85R) [ESP]		
	1130003830	S.IC TC7S04F (TE85R) [AUS]		
	1130003831	S.IC TC7S04F(TE85R,F) [UK]		
	1130003831	S.IC TC7S04F(TE85R,F) [RX]		
	1130003831	S.IC TC7S04F(TE85R,F) [CHN]		
IC201	1130009230	S.IC LMX2306TMX/NOPB	T	27.9/38.8
IC501	1140007881	S.IC TC190G08EFG0046JDZ/SC1246A	T	31.3/142.5
IC502	1130003831	S.IC TC7S04F(TE85R,F) [USA]	T	24.8/127.4
	1130003831	S.IC TC7S04F(TE85R,F) [EUR]		
	1130003831	S.IC TC7S04F(TE85R,F) [FRA]		
	1130003831	S.IC TC7S04F(TE85R,F) [DEN]		
	1130003831	S.IC TC7S04F(TE85R,F) [ITR]		
	1130003831	S.IC TC7S04F(TE85R,F) [KOR]		
	1130003830	S.IC TC7S04F (TE85R) [ESP]		
	1130003830	S.IC TC7S04F (TE85R) [AUS]		
	1130003831	S.IC TC7S04F(TE85R,F) [UK]		
	1130003831	S.IC TC7S04F(TE85R,F) [RX]		
	1130003831	S.IC TC7S04F(TE85R,F) [CHN]		
IC503	1130003831	S.IC TC7S04F(TE85R,F) [USA]	T	31.7/154.1
	1130003831	S.IC TC7S04F(TE85R,F) [EUR]		
	1130003831	S.IC TC7S04F(TE85R,F) [FRA]		
	1130003831	S.IC TC7S04F(TE85R,F) [DEN]		
	1130003831	S.IC TC7S04F(TE85R,F) [ITR]		
	1130003831	S.IC TC7S04F(TE85R,F) [KOR]		
	1130003830	S.IC TC7S04F (TE85R) [ESP]		
	1130003830	S.IC TC7S04F (TE85R) [AUS]		
	1130003831	S.IC TC7S04F(TE85R,F) [UK]		
	1130003831	S.IC TC7S04F(TE85R,F) [RX]		
	1130003831	S.IC TC7S04F(TE85R,F) [CHN]		
IC602	1130006441	S.IC TC7S08F(TE85R,F) [USA]	B	50.6/113.3
	1130006441	S.IC TC7S08F(TE85R,F) [EUR]		
	1130006441	S.IC TC7S08F(TE85R,F) [FRA]		
	1130006441	S.IC TC7S08F(TE85R,F) [DEN]		
	1130006441	S.IC TC7S08F(TE85R,F) [ITR]		
	1130006441	S.IC TC7S08F(TE85R,F) [KOR]		
	1130006440	S.IC TC7S08F (TE85R) [ESP]		
	1130006440	S.IC TC7S08F (TE85R) [AUS]		
	1130006441	S.IC TC7S08F(TE85R,F) [UK]		
	1130006441	S.IC TC7S08F(TE85R,F) [RX]		
	1130006441	S.IC TC7S08F(TE85R,F) [CHN]		
IC651	1140004550	S.IC M65343FP/SC1287	T	22.6/169.2
IC652	1130003831	S.IC TC7S04F(TE85R,F) [USA]	T	13.7/163.7
	1130003831	S.IC TC7S04F(TE85R,F) [EUR]		
	1130003831	S.IC TC7S04F(TE85R,F) [FRA]		
	1130003831	S.IC TC7S04F(TE85R,F) [DEN]		
	1130003831	S.IC TC7S04F(TE85R,F) [ITR]		
	1130003831	S.IC TC7S04F(TE85R,F) [KOR]		
	1130003830	S.IC TC7S04F (TE85R) [ESP]		
	1130003830	S.IC TC7S04F (TE85R) [AUS]		
	1130003831	S.IC TC7S04F(TE85R,F) [UK]		
	1130003831	S.IC TC7S04F(TE85R,F) [RX]		
	1130003831	S.IC TC7S04F(TE85R,F) [CHN]		
IC1051	1190002010	S.IC SDS400CY <TOMO>	T	176.9/99.9
IC1081	1110006180	S.IC UPG2009TB-E3	B	151.6/85.1
IC1402	1190002110	S.IC NJG1519KC1-TE3-#ZZZB	T	117.3/69.5
IC1403	1190002110	S.IC NJG1519KC1-TE3-#ZZZB	T	113.4/106.3
IC1501	1110006121	S.IC DBM9A41-G-TR	T	121.2/124.5
IC1502	1110006121	S.IC DBM9A41-G-TR	T	121.2/133
IC1503	1110006100	S.IC NJM5534MD-TE1-#ZZZB	T	138.4/151.7
IC1504	1110006100	S.IC NJM5534MD-TE1-#ZZZB	T	119.2/151.7
IC1505	1110006190	S.IC NJM074M-TE1-#ZZZB	T	128.8/166.9
IC1506	1110006100	S.IC NJM5534MD-TE1-#ZZZB	T	128.8/175.6
IC1651	1130011921	S.IC TC74LX00F(EL,F)	T	110/126.2
IC1652	1110005420	S.IC BA15532F-E2	T	139.8/175.6
IC1653	1110005100	S.IC NJM072BM-TE1-#ZZZB	B	140/172
IC1701	1130011530	S.IC CD74HC4094M96	T	158/166.7
IC1702	1130011530	S.IC CD74HC4094M96	T	148.9/166.7
IC1703	1160000131	S.IC TD62783AFG(5,S,EL)	T	157.3/154.8
IC1704	1180000790	S.IC AN78L10M(E1)	B	183.2/159.8

[RXPLL-A UNIT]

REF NO.	ORDER NO.	DESCRIPTION	M.	H/V LOCATION
Q1	1590001050	S.TRA DTC114TUA T106	B	30.3/22.6
Q30	1530002060	S.TRA 2SC4081 T106 R	T	22.3/110.9
Q41	1590000680	S.TRA DTC114EUA T106	T	12.8/34.2
Q150	1560000331	S.FET 2SK210-GR(TE85R,F)	T	26.9/53
Q151	1530002280	S.TRA 2SC4081 T106 S	B	33.6/57.2
Q152	1530002280	S.TRA 2SC4081 T106 S	B	30.8/78.2
Q201	1590001330	S.TRA DTA114EUA T106	T	29.6/34.1
Q220	1560000331	S.FET 2SK210-GR(TE85R,F)	T	72.5/33.9
Q230	1560000331	S.FET 2SK210-GR(TE85R,F)	T	72.5/46.4
Q240	1560000331	S.FET 2SK210-GR(TE85R,F)	T	72.5/58.9
Q250	1560000331	S.FET 2SK210-GR(TE85R,F)	T	72.5/71.4
Q260	1560000331	S.FET 2SK210-GR(TE85R,F)	T	72.5/83.9
Q270	1560000331	S.FET 2SK210-GR(TE85R,F)	T	72.5/95.8
Q280	1590000680	S.TRA DTC114EUA T106	T	82.3/34.4
Q281	1590000680	S.TRA DTC114EUA T106	T	82.3/46.9
Q282	1590000680	S.TRA DTC114EUA T106	T	82.3/59.4
Q283	1590000680	S.TRA DTC114EUA T106	T	82.3/71.9
Q284	1590000680	S.TRA DTC114EUA T106	T	82.3/84.4
Q285	1590000680	S.TRA DTC114EUA T106	T	82.3/96.4
Q301	1530003432	S.TRA 2SC5226A-4-TL-E	T	92.1/30.1
Q302	1530003432	S.TRA 2SC5226A-4-TL-E	B	89.1/42.5
Q303	1530003432	S.TRA 2SC5226A-4-TL-E	B	91.3/25.1
Q341	1590000680	S.TRA DTC114EUA T106	T	86.3/36.7
Q351	1580000751	S.FET 3SK294(TE85L,F)	T	92.1/56.9
Q352	1530003432	S.TRA 2SC5226A-4-TL-E	B	89.2/64.5
Q363	1590000680	S.TRA DTC114EUA T106	T	86.8/54.3
Q364	1590001330	S.TRA DTA114EUA T106	T	86.8/57.4
Q421	1590000680	S.TRA DTC114EUA T106	B	96.2/91.6
Q422	1590000680	S.TRA DTC114EUA T106	B	92.6/91.6
Q441	1590000680	S.TRA DTC114EUA T106	T	86.5/73.7
Q502	1590000680	S.TRA DTC114EUA T106	T	87.1/128.8
Q540	1530002060	S.TRA 2SC4081 T106 R	B	58.7/141.2
Q541	1560000331	S.FET 2SK210-GR(TE85R,F)	T	68.9/142.8
Q561	1530003432	S.TRA 2SC5226A-4-TL-E	T	70.6/153.8
Q580	1530003432	S.TRA 2SC5226A-4-TL-E	T	41.7/147.4
Q591	1530003151	S.TRA 2SC4673D-TD-E	T	61.7/166.5
Q592	1520000561	S.TRA 2SB1123 T-TD-E	B	52/165.3
Q593	1590000680	S.TRA DTC114EUA T106	B	54.8/171.2
Q680	1530002060	S.TRA 2SC4081 T106 R	T	37.5/163.2
Q702	1530002601	S.TRA 2SC4215-O(TE85R,F)	T	31.4/110.9
Q801	1560000561	S.FET 2SK882-GR(TE85L,F)	T	82.8/147.3
Q811	1560000561	S.FET 2SK882-GR(TE85L,F)	T	77.4/177.6
Q831	1560000561	S.FET 2SK882-GR(TE85L,F)	T	88.7/155.1
Q832	1520000561	S.TRA 2SB1123 T-TD-E	B	77.9/167.1
Q833	1590000680	S.TRA DTC114EUA T106	B	73.5/162.5
Q1001	1530003851	S.TRA 2SC5551A-F-E	B	174/9
Q1004	1590001960	S.TRA XP4311(TX)	T	150/18.8
Q1005	1590001960	S.TRA XP4311(TX)	T	145.9/18.8
Q1006	1530003851	S.TRA 2SC5551A-F-E	B	150/37.6
Q1007	1530003851	S.TRA 2SC5551A-F-E	B	176.5/42.5
Q1008	1530003851	S.TRA 2SC5551A-F-E	B	160.5/42.5
Q1101	1590003860	S.TRA 2SC3950D		
Q1102	1590000680	S.TRA DTC114EUA T106	T	165.5/133.8
Q1103	1520000561	S.TRA 2SB1123 T-TD-E	B	168.6/127.8
Q1104	1530003860	S.TRA 2SC3950D		
Q1105	1530003842	S.TRA 2SC5501A-4-TR-E	T	166.5/142.1
Q1205	1590001960	S.TRA XP4311(TX)	T	158.8/55.6
Q1209	1530003851	S.TRA 2SC5551A-F-E	B	121/34.9
Q1210	1530003851	S.TRA 2SC5551A-F-E	B	111.5/34.9
Q1211	1560001311	S.FET MMBFU310LT1G	T	159.5/96.4
Q1212	1560001311	S.FET MMBFU310LT1G	T	153.5/96.4
Q1213	1590000680	S.TRA DTC114EUA T106	B	156.9/123.7
Q1214	1520000561	S.TRA 2SB1123 T-TD-E	B	155.4/113.5
Q1301	1530003151	S.TRA 2SC4673D-TD-E	T	157.8/120
Q1352	1530003851	S.TRA 2SC5551A-F-E	B	140/66.7
Q1401	1530003842	S.TRA 2SC5501A-4-TR-E	T	131.9/105.8
Q1402	1530003021	S.TRA 2SC4402-3-TL-E	T	123.4/111.8
Q1403	1530003021	S.TRA 2SC4402-3-TL-E	T	123.4/114.3
Q1501	1530003450	S.TRA 2SC4835G R(TX)	T	133.5/143.5
Q1502	1530003450	S.TRA 2SC4835G R(TX)	T	120.4/143.5
Q1651	1530002601	S.TRA 2SC4215-O(TE85R,F)	B	105.6/140.3
Q1701	1590001960	S.TRA XP4311(TX)	T	106.6/43.9
Q1702	1590001960	S.TRA XP4311(TX)	T	148.9/147.2
Q1703	1590001960	S.TRA XP4311(TX)	T	146.4/147.2
D101	1750000520	S.DIO DAN		



[RXPLL-A UNIT]

REF NO.	ORDER NO.	DESCRIPTION	M.	H/V LOCATION
D424	1790000620	S.DIO MA77(TX)	T	88.9/91.2
D441	1790000620	S.DIO MA77(TX)	T	89.6/74.4
D501	1750000520	S.DIO DAN222TL	T	42/132
D542	1720000590	S.VAR MA357(TX)	T	62.5/139.6
D821	1750000431	S.DIO HSB88WSTR-E	T	84.1/169.4
D1001	1750000581	S.DIO 1SV307(TPH3,F)	T	181.9/65.7
D1101	1790000620	S.DIO MA77(TX)	T	177.6/146.6
D1102	1790000620	S.DIO MA77(TX)	T	177.6/148.4
D1201	1750000581	S.DIO 1SV307(TPH3,F)	T	139.1/57.7
D1351	1750000581	S.DIO 1SV307(TPH3,F)	T	140.8/71.1
D1653	1750000550	S.DIO 1SS355 TE-17	T	138.9/167.2
D1654	1750000550	S.DIO 1SS355 TE-17	T	142.5/167.2
D1701	1790001670	S.DIO RB706F-40T106	T	170.5/160.8
FI101	2020001820	S.CER SFECV10M5FA00-R0 (SFECV10.5MA5S)	T	26/73.9
FI831	2030000300	S.MON DSF753SDF 64.451 MHz(FL-356)	T	91.6/162.1
FI1401	2030000281	S.MON DSF753SDF 64.455 MHz (FL-364A)	T	116.3/88.5
FI1402	2030000331	S.MON DSF753SDF 64.455 MHz (FL-358A)	T	107/88.5
FI1403	2030000510	S.MON DSF753SDF 64.455 MHz (FL-396)	T	126/85.5
L1	6200003261	S.COI NLV32T-101J	T	10.8/15.4
L2	6200003261	S.COI NLV32T-101J	T	29/19.9
L10	6200003950	S.COI HF50ACC 322513-T	T	38.6/14.7
L11	6200003950	S.COI HF50ACC 322513-T	T	13.8/15.4
L12	6200003950	S.COI HF50ACC 322513-T	T	16.8/15.4
L13	6200003950	S.COI HF50ACC 322513-T	T	29/15.4
L20	6200003321	S.COI NLV32T-3R3J	T	85.9/123.8
L30	6200005491	S.COI NLV32T-331J	T	20.6/120
L101	6200001831	S.COI NLV32T-100J	T	38.3/72.8
L151	6130002970	COI LB-343		
L152	6200001831	S.COI NLV32T-100J	T	30/54.5
L201	6200005011	S.COI NLV25T-100J	T	22.2/45
L211	6200003661	S.COI NLV25T-R68J	B	45.4/35.3
L220	6200010790	S.COI C2520C-3R9G-A	T	51.9/37.5
L221	6190001421	COI #E526GN-110502		
L222	6200010790	S.COI C2520C-3R9G-A	T	76.2/37.7
L230	6200010830	S.COI C2520C-3R3G-A	T	51.9/50
L231	6190001421	COI #E526GN-110502		
L232	6200010830	S.COI C2520C-3R3G-A	T	76.2/50.2
L240	6200010830	S.COI C2520C-3R3G-A	T	51.9/62.4
L241	6190001421	COI #E526GN-110502		
L242	6200010830	S.COI C2520C-3R3G-A	T	76.2/62.7
L250	6200010820	S.COI C2520C-2R7G-A	T	51.9/74.9
L251	6190001421	COI #E526GN-110502		
L252	6200010820	S.COI C2520C-2R7G-A	T	76.2/75.2
L260	6200010820	S.COI C2520C-2R7G-A	T	51.9/87.4
L261	6190001411	COI #E526GN-110501		
L262	6200010820	S.COI C2520C-2R7G-A	T	76.2/87.7
L270	6200010810	S.COI C2520C-2R2G-A	T	51.9/99.8
L271	6190001411	COI #E526GN-110501		
L272	6200010810	S.COI C2520C-2R2G-A	T	76/100.2
L280	6200005011	S.COI NLV25T-100J	T	67.4/25.5
L302	6200001831	S.COI NLV32T-100J	T	89.3/42.6
L331	6200002641	S.COI NLV25T-R15J	T	95.1/34.1
L332	6200002411	S.COI NLV25T-056J	B	93.2/36
L341	6200003261	S.COI NLV32T-101J	T	87/39.6
L351	6200001831	S.COI NLV32T-100J	T	91.3/62
L421	6200008641	S.COI NLV32T-391J	T	87/81
L441	6200002601	S.COI NLV25T-047J	T	91.9/72.3
L442	6200010730	S.COI C2520C-68NG-A	T	90.5/78.2
L451	6200002641	S.COI NLV25T-R15J	T	95/81
L452	6200003261	S.COI NLV32T-101J	T	87/78
L501	6200001831	S.COI NLV32T-100J	T	31/125.8
L530	6200003171	S.COI NLV32T-330J	T	14.6/134.9
L531	6200003171	S.COI NLV32T-330J	T	14.6/130.8
L532	6200003171	S.COI NLV32T-330J	T	15.5/127.1
L541	6200010790	S.COI C2520C-3R9G-A	T	56.3/139.6
L542	6190001421	COI #E526GN-110502		
L543	6200010790	S.COI C2520C-3R9G-A	T	68.4/147.9
L544	6200003261	S.COI NLV32T-101J	B	65.9/142.1
L545	6200003261	S.COI NLV32T-101J	B	51.3/139.6
L561	6200003261	S.COI NLV32T-101J	B	64/156
L562	6200001831	S.COI NLV32T-100J	B	74.6/151.8
L565	6150004250	COI LS-471A (C-14922)		
L566	6150004250	COI LS-471A (C-14922)		
L591	6200007790	S.COI LQW2BHN12J03L	T	60.5/171.5
L651	6200001831	S.COI NLV32T-100J	T	15.5/176.3
L681	6200005491	S.COI NLV32T-331J	T	37.4/176.2
L682	6200008641	S.COI NLV32T-391J	T	37.8/172.6
L683	6200008641	S.COI NLV32T-391J	T	40.2/166.2
L701	6200003261	S.COI NLV32T-101J	T	23.6/120
L702	6150004971	S.COI LS-522-LF	T	37.6/108.6
L703	6150004971	S.COI LS-522-LF	T	37.5/118.5
L801	6150004280	COI LS-484B (C-14927)		
L812	6200003231	S.COI NLV32T-181J	B	75.3/174.1
L821	6140003530	COI LR-395		
L822	6140003530	COI LR-395		
L831	6140003770	S.COI LR-414 4KBL (STP-01435)	T	91.6/171.6
L834	6150004280	COI LS-484B (C-14927)		
L1001	6190001650	COI ELC06D102E		
L1002	6140004400	COI LR-499		
L1004	6140003890	COI LR-488		
L1005	6180001000	COI LAL 04NA 102K		
L1006	6140003900	COI LR-489		
L1007	6140003800	COI LR-439		
L1008	6190001650	COI ELC06D102E		
L1009	6190001650	COI ELC06D102E		
L1010	6140003880	COI LR-486		

[RXPLL-A UNIT]

REF NO.	ORDER NO.	DESCRIPTION	M.	H/V LOCATION
L1011	6140003880	COI LR-486		
L1012	6140003800	COI LR-439		
L1013	6200010680	S.COI C2520C-R22G-A (0.22U)	T	155/55.2
L1014	6200010680	S.COI C2520C-R22G-A (0.22U)	T	157.9/12.4
L1015	6200007790	S.COI LQW2BHN15J03L	B	163.5/27.5
L1052	6200010740	S.COI C2520C-R27G-A	T	177.8/74.6
L1053	6200010740	S.COI C2520C-R27G-A	T	173.8/73.5
L1054	6200010740	S.COI C2520C-R27G-A	T	169.4/72.6
L1055	6140003960	COI LR-495		
L1056	6200010730	S.COI C2520C-68NG-A	T	171/83.8
L1058	6190001631	COI #E544EN-100021		
L1060	6200010730	S.COI C2520C-68NG-A	T	149.1/76.4
L1062	6200011450	S.COI C2520C-R39G-A	T	145.1/81.4
L1063	6200010650	S.COI C2520C-R12G-A (0.12U)	T	140.9/82.5
L1071	6200007780	S.COI LQW2BHN12J03L	B	164.9/79.2
L1072	6200007780	S.COI LQW2BHN12J03L	B	168/76.1
L1091	6200003950	S.COI HF50ACC 322513-T	B	171/149
L1092	6200003950	S.COI HF50ACC 322513-T	T	149.7/136.5
L1093	6200003950	S.COI HF50ACC 322513-T	T	157/135.2
L1101	6140003920	COI LR-491		
L1102	6200010650	S.COI C2520C-R12G-A (0.12U)	T	176.9/117.9
L1103	6180001250	COI LAL 04NA 3R3K		
L1104	6200010870	S.COI C2520C-R33G-A (0.33U)	T	178.3/135.9
L1105	6140003910	COI LR-490		
L1151	6140004640	COI LR-519		
L1201	6200007780	S.COI LQW2BHN12J03L	B	119.3/17.4
L1208	6140003800	COI LR-439		
L1209	6200001831	S.COI NLV32T-100J	T	121.1/20.8
L1210	6140004440	COI LR-503		
L1211	6200009690	S.COI LQH43CN101K03L	T	115.7/34.6
L1212	6200001831	S.COI NLV32T-100J	T	106.8/20.8
L1213	6140004440	COI LR-503		
L1214	6200009690	S.COI LQH43CN101K03L	T	105.9/34.8
L1216	6140003800	COI LR-439		
L1217	6200007750	S.COI LQW2BHN56NJ03L	T	147.9/63.7
L1218	6200007770	S.COI LQW2BHN10J03L	T	153.3/65.1
L1219	6200007790	S.COI LQW2BHN15J03L	T	153.2/68.4
L1220	6140000930	COI LR-116		
L1221	6200003261	S.COI NLV32T-101J	B	149.5/110.9
L1222	6150001770	COI LS-198		
L1223	6200007750	S.COI LQW2BHN56NJ03L	B	151.3/100.7
L1228	6200010870	S.COI C2520C-R33G-A (0.33U)	T	158.7/71.3
L1229	6200003950	S.COI HF50ACC 322513-T	B	164.7/115
L1301	6200008090	S.COI LQW2BHN68NJ03L	T	157.1/111.9
L1302	6200008090	S.COI LQW2BHN68NJ03L	T	156.4/115.5
L1303	6200008090	S.COI LQW2BHN68NJ03L	T	153.4/117.5
L1304	6200010870	S.COI C2520C-R33G-A (0.33U)	T	153.8/123
L1305	6200003001	S.COI NLV32T-R22J	T	159.2/124.5
L1306	6200001831	S.COI NLV32T-100J	B	152.7/118.6
L1307	6200003001	S.COI NLV32T-R22J	T	153.3/112
L1351	6200001831	S.COI NLV32T-100J	T	143/76.4
L1353	6200010740	S.COI C2520C-R27G-A	T	141.6/67.5
L1354	6200001831	S.COI NLV32T-100J	T	136.4/68
L1401	6150004280	COI LS-484B (C-14927)		
L1402	6150004280	COI LS-484B (C-14927)		
L1403	6150004280	COI LS-484B (C-14927)		
L1404	6150004280	COI LS-484B (C-14927)		
L1405	6200007770	S.COI LQW2BHN10J03L	B	112.5/111.4
L1406	6200007750	S.COI LQW2BHN56NJ03L	B	116.6/111.4
L1407	6140003930	COI LR-492		
L1408	6190001621	COI #E544EN-100028		
L1409	6200003191	S.COI NLV32T-470J	B	135.8/125.4
L1410	6150004280	COI LS-484B (C-14927)		
L1411	6150004280	COI LS-484B (C-14927)		
L1501	6200003520	S.COI ELJFB 102K-F	T	142.1/145.1
L1652	6200002520	S.COI ELJNC R18K-F	T	112.9/133.1
L1653	6200001831	S.COI NLV32T-100J	B	105.4/124.6
L1654	6200001831	S.COI NLV32T-100J	B	112.4/141.9
L1655	6200001831	S.COI NLV32T-100J	B	124.7/139.8
L1701	6200001831	S.COI NLV32T-100J	T	167/160
L1702	6200003950	S.COI HF50ACC 322513-T	T	175.6/169.8
L1703	6200003950	S.COI HF50ACC 322513-T	T	172.6/169.8
L1704	6200003950	S.COI HF50ACC 322513-T	T	169.6/169.8
L1705	6200003950	S.COI HF50ACC 322513-T	T	165.5/169.8
L1803	6200003950	S.COI HF50ACC 322513-T	B	132/54.8
L1804	6200003950	S.COI HF50ACC 322513-T	B	118/154.8
L1805	6200003950	S.COI HF50ACC 322513-T	B	155.2/132
L1807	6200003950	S.COI HF50ACC 322513-T	B	118/151.3
L1808	6200003950	S.COI HF50ACC 322513-T	B	141.3/162
L1809	6200003950	S.COI HF50ACC 322513-T	B	149.5/115.6
R1	7030005871	S.RES ERA3YKD 104V (100K)	T	32.5/19.2
R2	7030005321	S.RES ERA3YED 103V (10K)	T	31.2/19.2
R3	7030003550	S.RES ERJ3GEYJ 822 V (8.2K)	T	16.9/23.5
R4	7030003550	S.RES ERJ3GEYJ 822 V (8.2K)	T	16.9/24.8
R5	7030003550	S.RES ERJ3GEYJ 822 V (8.2K)	T	13.3/31.3
R6	7030003550	S.RES ERJ3GEYJ 822 V (8.2K)	T	13.3/30
R7	7030003500	S.RES ERJ3GEYJ 332 V (3.3K)	B	26.7/12.9
R8	7030003470	S.RES ERJ3GEYJ 182 V (1.8K)	B	28.2/14.6
R9	7030003680	S.RES ERJ3GEYJ 104 V (100K)	B	27.5/10.6
R10	7030003360	S.RES ERJ3GEYJ 221 V (220)	T	19/16
R11	7030003360	S.RES ERJ3GEYJ 221 V (220)	T	20.3/16
R12	7030003360	S.RES ERJ3GEYJ 221 V (220)	T	22.4/16
R13	7030003360	S.RES ERJ3GEYJ 221 V (220)	T	23.7/16
R14	7030003360	S.RES ERJ3GEYJ 221 V (220)	T	25/16
R15	7030003360	S.RES ERJ3GEYJ 221 V (220)	T	26.4/16.2
R16	7030003360	S.RES ERJ3GEYJ 221 V (220)		

[RXPLL-A UNIT]

REF NO.	ORDER NO.	DESCRIPTION	M.	H/V LOCATION
R52	7030010550	S.RES ERJ1TYJ 820U (82)	B	66.3/13.9
R61	7030011030	S.RES ERJ1TYJ 270U (27)	T	45.1/13.9
R100	7030003860	S.RES ERJ3GE JPW V	T	35.4/101.5
R101	7030003740	S.RES ERJ3GEYJ 334 V (330K)	T	34.1/101.5
R103	7030007230	S.RES ERA3YED 102V (1K)	T	25.1/100.3
R104	7030007230	S.RES ERA3YED 102V (1K)	T	26.4/100.3
R105	7030007230	S.RES ERA3YED 102V (1K)	T	27.8/100.3
R106	7030003360	S.RES ERJ3GEYJ 221 V (220)	T	29.1/100.3
R107	7030003320	S.RES ERJ3GEYJ 101 V (100)	T	38/101.5
R108	7030007230	S.RES ERA3YED 102V (1K)	T	28.9/79
R109	7030007230	S.RES ERA3YED 102V (1K)	T	41.9/84.5
R110	7030007220	S.RES ERA3YED 202V (2K)	T	14.6/100.5
R111	7030007220	S.RES ERA3YED 202V (2K)	T	17.2/100.5
R112	7030007220	S.RES ERA3YED 202V (2K)	T	17.2/99.2
R113	7030007220	S.RES ERA3YED 202V (2K)	T	17.2/97.9
R114	7030007220	S.RES ERA3YED 202V (2K)	T	17.2/96.6
R115	7030007220	S.RES ERA3YED 202V (2K)	T	17.2/95.2
R116	7030007220	S.RES ERA3YED 202V (2K)	T	17.2/93.9
R117	7030007220	S.RES ERA3YED 202V (2K)	T	17.2/92.6
R118	7030007200	S.RES ERA3YEB 202V (2K)	T	17.2/91.3
R119	7030007200	S.RES ERA3YEB 202V (2K)	T	17.2/89.6
R120	7030007200	S.RES ERA3YEB 202V (2K)	T	17.2/87
R121	7030007200	S.RES ERA3YEB 202V (2K)	T	17.2/84.4
R122	7030007200	S.RES ERA3YEB 202V (2K)	T	17.2/81.8
R123	7030007230	S.RES ERA3YED 102V (1K)	T	14.6/99.2
R124	7030007230	S.RES ERA3YED 102V (1K)	T	14.6/97.9
R125	7030007230	S.RES ERA3YED 102V (1K)	T	14.6/96.6
R126	7030007230	S.RES ERA3YED 102V (1K)	T	14.6/95.2
R127	7030007230	S.RES ERA3YED 102V (1K)	T	14.6/93.9
R128	7030007230	S.RES ERA3YED 102V (1K)	T	14.6/92.6
R129	7030007210	S.RES ERA3YEB 102V (1K)	T	14.6/91.3
R130	7030007210	S.RES ERA3YEB 102V (1K)	T	14.6/89.6
R131	7030007210	S.RES ERA3YEB 102V (1K)	T	14.6/88.3
R132	7030007210	S.RES ERA3YEB 102V (1K)	T	14.6/87
R133	7030007210	S.RES ERA3YEB 102V (1K)	T	14.6/85.7
R134	7030009861	S.RES ERA3YED 471V (470)	T	14.6/84.4
R135	7030003860	S.RES ERJ3GE JPW V	T	30.4/75.8
R136	7030003800	S.RES ERJ3GEYJ 105 V (1M)	T	33/77.1
R137	7030003200	S.RES ERJ3GEYJ 100 V (10)	T	35.5/75.8
R138	7030003860	S.RES ERJ3GE JPW V	T	16.8/78.6
R139	7030003860	S.RES ERJ3GE JPW V	T	17.6/75.8
R140	7030007230	S.RES ERA3YED 102V (1K)	B	31.2/92.1
R141	7030003320	S.RES ERJ3GEYJ 101 V (100)	B	33.8/86.7
R150	7030003330	S.RES ERJ3GEYJ 121 V (120)	B	37.8/86.2
R151	7030003220	S.RES ERA3YED 150 V (15)	B	38.6/88.1
R152	7030005871	S.RES ERA3YKD 104V (100K)	B	36.2/82.5
R153	7030005321	S.RES ERA3YED 103V (10K)	T	19.2/62.7
R154	7030003320	S.RES ERJ3GEYJ 101 V (100)	B	26.3/54.1
R155	7030003350	S.RES ERJ3GEYJ 181 V (180)	B	23/54.1
R156	7030005871	S.RES ERA3YKD 104V (100K)	T	24.6/53.1
R157	7030005871	S.RES ERA3YKD 104V (100K)	T	26.9/58
R158	7030003340	S.RES ERJ3GEYJ 151 V (150)	T	30/57.3
R159	7030003320	S.RES ERJ3GEYJ 101 V (100)	B	33.6/61.4
R160	7030003360	S.RES ERJ3GEYJ 221 V (220)	B	33.6/59.6
R161	7030003640	S.RES ERJ3GEYJ 473 V (47K)	B	33.6/54.6
R163	7030003220	S.RES ERJ3GEYJ 150 V (15)	B	30.2/58.6
R164	7030003310	S.RES ERJ3GEYJ 820 V (82)	B	34.1/70.4
R165	7030003320	S.RES ERJ3GEYJ 101 V (100)	B	30.8/70.4
R166	7030003320	S.RES ERJ3GEYJ 101 V (100)	B	30.8/72.2
R167	7030003240	S.RES ERJ3GEYJ 220 V (22)	B	37.4/75.8
R168	7030003360	S.RES ERJ3GEYJ 221 V (220)	B	34.1/75.8
R169	7030003640	S.RES ERJ3GEYJ 473 V (47K)	B	30.8/75.8
R202	7030007230	S.RES ERA3YED 102V (1K)	T	22.2/39.7
R203	7030007230	S.RES ERA3YED 102V (1K)	T	22.2/38.4
R204	7030003360	S.RES ERJ3GEYJ 221 V (220)	T	22.2/37.1
R205	7030005321	S.RES ERA3YED 103V (10K)	T	27.4/34
R206	7030003220	S.RES ERJ3GEYJ 150 V (15)	T	31.1/45.7
R210	7030005351	S.RES ERA3YED 182V (1.8K)	T	35.6/37.5
R217	7030009651	S.RES ERA3YHD 820V (82)	B	40.4/42.8
R219	7030009691	S.RES ERA3YED 101V (100)	B	40/35.7
R220	7030005871	S.RES ERA3YKD 104V (100K)	T	73.2/37.6
R221	7030005871	S.RES ERA3YKD 104V (100K)	T	72.3/30.9
R222	7030003400	S.RES ERJ3GEYJ 471 V (470)	T	81.4/38.3
R223	7030007230	S.RES ERA3YED 102V (1K)	T	81.9/31.9
R224	7030003320	S.RES ERJ3GEYJ 101 V (100)	T	73.2/40.2
R230	7030005871	S.RES ERA3YKD 104V (100K)	T	73.2/50.1
R231	7030005871	S.RES ERA3YKD 104V (100K)	T	72.3/43.3
R232	7030003360	S.RES ERJ3GEYJ 221 V (220)	T	81.4/50.8
R233	7030007230	S.RES ERA3YED 102V (1K)	T	81.9/44.4
R234	7030003320	S.RES ERJ3GEYJ 101 V (100)	T	73.2/52.7
R240	7030005871	S.RES ERA3YKD 104V (100K)	T	73.2/62.6
R241	7030005871	S.RES ERA3YKD 104V (100K)	T	72.3/55.8
R242	7030003360	S.RES ERJ3GEYJ 221 V (220)	T	81.4/63.3
R243	7030007230	S.RES ERA3YED 102V (1K)	T	81.9/56.9
R244	7030003320	S.RES ERJ3GEYJ 101 V (100)	T	73.2/65.2
R250	7030005871	S.RES ERA3YKD 104V (100K)	T	73.2/75.1
R251	7030005871	S.RES ERA3YKD 104V (100K)	T	72.3/68.4
R252	7030003360	S.RES ERJ3GEYJ 221 V (220)	T	81.4/75.8
R253	7030007230	S.RES ERA3YED 102V (1K)	T	81.9/69.4
R254	7030003320	S.RES ERJ3GEYJ 101 V (100)	T	73.2/77.7
R260	7030005871	S.RES ERA3YKD 104V (100K)	T	73.2/87.6
R261	7030005871	S.RES ERA3YKD 104V (100K)	T	72.3/80.9
R262	7030003400	S.RES ERJ3GEYJ 471 V (470)	T	81.4/88.3
R263	7030007230	S.RES ERA3YED 102V (1K)	T	81.9/81.9
R264	7030003320	S.RES ERJ3GEYJ 101 V (100)	T	73.2/90.2
R270	7030005871	S.RES ERA3YKD 104V (100K)	T	73.2/99.5
R271	7030005871	S.RES ERA3YKD 104V (100K)	T	72.3/92.8
R272	7030003360	S.RES ERJ3GEYJ 221 V (220)	T	81.4/100.8
R273	7030007230	S.RES ERA3YED 102V (1K)	T	81.9/93.9
R274	7030003320	S.RES ERJ3GEYJ 101 V (100)	T	73.2/102.1
R301	7030003200	S.RES ERJ3GEYJ 100 V (10)	T	86.5/30.6
R302	7030007230	S.RES ERA3YED 102V (1K)	T	86.5/29.3
R303	7030003360	S.RES ERJ3GEYJ 221 V (220)	T	92.1/28
R304	7030003490	S.RES ERJ3GEYJ 272 V (2.7K)	T	94/30.1

[RXPLL-A UNIT]

REF NO.	ORDER NO.	DESCRIPTION	M.	H/V LOCATION
R305	7030003510	S.RES ERJ3GEYJ 392 V (3.9K)	T	95.3/30.1
R306	7030003360	S.RES ERJ3GEYJ 221 V (220)	T	94.7/32.2
R307	7030009841	S.RES ERA3YHD 330V (33)	T	92.1/32.2
R308	7030003370	S.RES ERJ3GEYJ 271 V (270)	B	92.6/43.4
	7030003370	S.RES ERJ3GEYJ 271 V (270)	[USA]	
	7030003370	S.RES ERJ3GEYJ 271 V (270)	[EUR]	
	7030003370	S.RES ERJ3GEYJ 271 V (270)	[FRA]	
	7030003370	S.RES ERJ3GEYJ 271 V (270)	[DEN]	
	7030003370	S.RES ERJ3GEYJ 271 V (270)	[ITR]	
	7030003370	S.RES ERJ3GEYJ 271 V (270)	[KOR]	
	7030003370	S.RES ERJ3GEYJ 271 V (270)	[ESP]	
	7030003370	S.RES ERJ3GEYJ 271 V (270)	[AUS]	
	7030003370	S.RES ERJ3GEYJ 271 V (270)	[UK]	
	7030003370	S.RES ERJ3GEYJ 271 V (270)	[RX]	
	7030009851	S.RES ERA3YED 271V (270)	[CHN]	
R309	7030003540	S.RES ERJ3GEYJ 682 V (6.8K)	B	89.1/47
R310	7030003500	S.RES ERJ3GEYJ 332 V (3.3K)	B	92.6/47
R311	7030003350	S.RES ERJ3GEYJ 181 V (180)	B	89.1/45.2
R312	7030003360	S.RES ERJ3GEYJ 221 V (220)	B	89.4/27.8
R313	7030003490	S.RES ERJ3GEYJ 272 V (2.7K)	B	91.1/23.1
R314	7030003510	S.RES ERJ3GEYJ 392 V (3.9K)	B	88.3/23.1
R315	7030003360	S.RES ERJ3GEYJ 221 V (220)	B	87.5/25.1
R316	7030003280	S.RES ERJ3GEYJ 470 V (47)	B	78.3/26.1
R317	7030006220	S.RES ERJ12YJ470U (47)	B	90/31.4
R318	7030009841	S.RES ERA3YHD 330V (33)	T	92.6/41.6
R341	7030007230	S.RES ERA3YED 102V (1K)	T	92.1/40.1
R342	7030005321	S.RES ERA3YED 103V (10K)	T	86.5/32.2
R343	7030007230	S.RES ERA3YED 102V (1K)	T	89.3/34.8
R351	7030003200	S.RES ERJ3GEYJ 100 V (10)	B	89.1/52.4
R352	7030010980	S.RES ERA3YHD 470V (47)	T	89.3/55.8
R353	7030009591	S.RES ERA3YED 472V (4.7K)	T	89.3/54.5
R354	7030009591	S.RES ERA3YED 472V (4.7K)	T	89.3/50.4
R355	7030009591	S.RES ERA3YED 472V (4.7K)	T	89.3/53.2
R356	7030003350	S.RES ERJ3GEYJ 101 V (100)	T	89.3/57.1
R357	7310005580	S.TRI TMC3ADCS3X (4.7K)	T	93.6/52.7
R358	7030010980	S.RES ERA3YHD 470V (47)	T	94.9/56.4
R359	7030003320	S.RES ERJ3GEYJ 101 V (100)	T	94.9/59
R360	7030003320	S.RES ERJ3GEYJ 101 V (100)	B	92.6/63.9
R361	7030003490	S.RES ERJ3GEYJ 272 V (2.7K)	B	89.2/62.1
R362	7030003510	S.RES ERJ3GEYJ 392 V (3.9K)	B	92.6/60.3
R363	7030003320	S.RES ERJ3GEYJ 101 V (100)	B	92.6/65.7
R364	7030003410	S.RES ERJ3GEYJ 561 V (560)	T	94.9/82.9
R365	7030007860	S.RES ERJ3GEYJ 8R2V (8.2)	T	92/83.4
R366	7030003410	S.RES ERJ3GEYJ 561 V (560)	T	94.9/84.2
R368	7030005321	S.RES ERA3YED 103V (10K)	T	86.1/59.6
R369	7030008240	S.RES ERJ12Y0R00U	B	95.3/57.1
R421	7030007230	S.RES ERA3YED 102V (1K)	T	92.1/87.8
R422	7030007230	S.RES ERA3YED 102V (1K)	T	89.3/87.8
R423	7030007230	S.RES ERA3YED 102V (1K)	T	92.1/89.1
R424	7030007230	S.RES ERA3YED 102V (1K)	T	89.3/89.1
R425	7030003410	S.RES ERJ3GEYJ 561 V (560)	T	90.1/81.6
R426	7030003410	S.RES ERJ3GEYJ 561 V (560)	T	91.5/93.3
R427	7030003320	S.RES ERJ3GEYJ 101 V (100)	B	86.8/87.3
R428	7030009861	S.RES ERA3YED 471V (470)	B	92.1/88
R429	7030009861	S.RES ERA3YED 471V (470)	B	89.3/88
R441	7030003440	S.RES ERJ3GEYJ 102 V (1K)	T	92.1/75.5
	7030003440	S.RES ERJ3GEYJ 102 V (1K)	[USA]	
	7030003440	S.RES ERJ3GEYJ 102 V (1K)	[EUR]	
	7030003440	S.RES ERJ3GEYJ 102 V (1K)	[FRA]	
	7030003440	S.RES ERJ3GEYJ 102 V (1K)	[DEN]	
	7030003440	S.RES ERJ3GEYJ 102 V (1K)	[ITR]	
	7030003440	S.RES ERJ3GEYJ 102 V (1K)	[KOR]	
	7030003440	S.RES ERJ3GEYJ 102 V (1K)	[ESP]	
	7030003440	S.RES ERJ3GEYJ 102 V (1K)	[AUS]	
	7030003440	S.RES ERJ3GEYJ 102 V (1K)	[UK]	
	7030003440	S.RES ERJ3GEYJ 102 V (1K)	[RX]	
	7030007230	S.RES ERA3YED 102V (1K)	[CHN]	
R442	7030005321	S.RES ERA3YED 103V (10K)	T	88.9/70.9
R443	7030003440	S.RES ERJ3GEYJ 102 V (1K)	T	88.9/72.2
	7030003440	S.RES ERJ3GEYJ 102 V (1K)	[USA]	
	7030003440	S.RES ERJ3GEYJ 102 V (1K)	[EUR]	
	7030003440	S.RES ERJ3GEYJ 102 V (1K)	[FRA]	
	7030003440	S.RES ERJ3GEYJ 102 V (1K)	[DEN]	
	7030003440	S.RES ERJ3GEYJ 102 V (1K)	[ITR]	
	7030003440	S.RES ERJ3GEYJ 102 V (1K)	[KOR]	
	7030003440	S.RES ERJ3GEYJ 102 V (1K)	[ESP]	
	7030003440	S.RES ERJ3GEYJ 102 V (1K)	[AUS]	
	7030003440	S.RES ERJ3GEYJ 102 V (1K)	[UK]	
	7030003440	S.RES ERJ3GEYJ 102 V (1K)	[RX]	
	7030007230	S.RES ERA3YED 102V (1K)	[CHN]	
R501	7030003360	S.RES ERJ3GEYJ 221 V (220)	T	29.2/153.1
R502	7030007230	S.RES ERA3YED 102V (1K)	T	27.9/153.1
R503	7030007230	S.RES ERA3YED 102V (1K)	T	26.5/153.1
R504	7030007230	S.RES ERA3YED 102V (1K)	T	25.2/153.1



[RXPLL-A UNIT]

REF NO.	ORDER NO.	DESCRIPTION	M.	H/V LOCATION
R530	7030007210	S.RES ERA3YEB 102V (1K)	T	14.6/142.7
R531	7030007210	S.RES ERA3YEB 102V (1K)	T	14.6/141.4
R532	7030007210	S.RES ERA3YEB 102V (1K)	T	14.6/140.1
R533	7030007210	S.RES ERA3YEB 102V (1K)	T	14.6/138.8
R534	7030003860	S.RES ERJ3GE JPW V	T	22.2/127.6
R535	7030003800	S.RES ERJ3GEYJ 105 V (1M)	T	24.8/129.8
R536	7030003200	S.RES ERJ3GEYJ 100 V (10)	T	28/128.3
R537	7030007230	S.RES ERA3YED 102V (1K)	T	30.3/131.9
R538	7030003360	S.RES ERJ3GEYJ 221 V (220)	B	34.8/146.5
R540	7030007230	S.RES ERA3YED 102V (1K)	B	52.3/142.8
R544	7030005871	S.RES ERA3YKD 104V (100K)	T	69.4/140.4
R545	7030005871	S.RES ERA3YKD 104V (100K)	T	69.4/139.1
R546	7030009861	S.RES ERA3YED 471V (470)	T	67.4/150.7
R548	7030009591	S.RES ERA3YED 472V (4.7K)	B	43.4/136.5
R550	7030009691	S.RES ERA3YED 101V (100)	B	43.4/134.7
R554	7030009891	S.RES ERA3YED 151V (150)	B	47.2/133.9
R555	7030003380	S.RES ERJ3GEYJ 331 V (330)	B	61.9/142.1
R556	7030005981	S.RES ERA3YED 333V (33K)	B	44.2/128.2
R561	7030003200	S.RES ERJ3GEYJ 100 V (10)	T	71.3/148.5
R562	7030003360	S.RES ERJ3GEYJ 221 V (220)	T	65.7/155.5
R563	7030003490	S.RES ERJ3GEYJ 272 V (2.7K)	T	70.4/151.9
R564	7030003510	S.RES ERJ3GEYJ 392 V (3.9K)	T	70.4/150.6
R565	7030003360	S.RES ERJ3GEYJ 221 V (220)	T	67/155.5
R570	7030003230	S.RES ERJ3GEYJ 180 V (18)	T	63.1/155.5
R571	7030003230	S.RES ERJ3GEYJ 180 V (18)	T	58.5/155
R572	7030003290	S.RES ERJ3GEYJ 560 V (56)	B	57.2/156.3
R573	7030009841	S.RES ERA3YHD 330V (33)	T	61.8/155.5
R574	7030003300	S.RES ERJ3GEYJ 680 V (68)	T	60.5/155.5
R575	7030003220	S.RES ERJ3GEYJ 150 V (15)	T	58.5/156.3
R580	7030009861	S.RES ERA3YED 471V (470)	T	41.9/153.7
R581	7030003360	S.RES ERJ3GEYJ 221 V (220)	T	41.9/145.5
R582	7030003600	S.RES ERJ3GEYJ 223 V (22K)	T	41.9/149.5
R587	7030003370	S.RES ERJ3GEYJ 271 V (270) [USA]	T	55.7/157.6
	7030003370	S.RES ERJ3GEYJ 271 V (270) [EUR]		
	7030003370	S.RES ERJ3GEYJ 271 V (270) [FRA]		
	7030003370	S.RES ERJ3GEYJ 271 V (270) [DEN]		
	7030003370	S.RES ERJ3GEYJ 271 V (270) [ITR]		
	7030003370	S.RES ERJ3GEYJ 271 V (270) [KOR]		
	7030003370	S.RES ERJ3GEYJ 271 V (270) [ESP]		
	7030003370	S.RES ERJ3GEYJ 271 V (270) [AUS]		
	7030003370	S.RES ERJ3GEYJ 271 V (270) [UK]		
	7030003370	S.RES ERJ3GEYJ 271 V (270) [RX]		
	7030009851	S.RES ERA3YED 271V (270) [CHN]		
R588	7030003230	S.RES ERJ3GEYJ 180 V (18)	T	58.5/158.9
R589	7030003370	S.RES ERJ3GEYJ 271 V (270) [USA]	T	55.7/158.9
	7030003370	S.RES ERJ3GEYJ 271 V (270) [EUR]		
	7030003370	S.RES ERJ3GEYJ 271 V (270) [FRA]		
	7030003370	S.RES ERJ3GEYJ 271 V (270) [DEN]		
	7030003370	S.RES ERJ3GEYJ 271 V (270) [ITR]		
	7030003370	S.RES ERJ3GEYJ 271 V (270) [KOR]		
	7030003370	S.RES ERJ3GEYJ 271 V (270) [ESP]		
	7030003370	S.RES ERJ3GEYJ 271 V (270) [AUS]		
	7030003370	S.RES ERJ3GEYJ 271 V (270) [UK]		
	7030003370	S.RES ERJ3GEYJ 271 V (270) [RX]		
	7030009851	S.RES ERA3YED 271V (270) [CHN]		
R591	7030003320	S.RES ERJ3GEYJ 101 V (100)	T	58.2/169.9
R592	7030005321	S.RES ERA3YED 103V (10K)	T	58.5/167.9
R593	7030003480	S.RES ERJ3GEYJ 222 V (2.2K)	T	58.5/165.1
R594	7030003320	S.RES ERJ3GEYJ 101 V (100)	B	61.9/168.1
R595	7030003640	S.RES ERJ3GEYJ 473 V (47K)	B	55.9/165.3
R596	7030003540	S.RES ERJ3GEYJ 682 V (6.8K)	B	54.7/168.9
R603	7030003480	S.RES ERJ3GEYJ 222 V (2.2K)	T	56.3/110.9
R604	7030007230	S.RES ERA3YED 102V (1K)	B	53.4/110.9
R605	7030003320	S.RES ERJ3GEYJ 101 V (100)	T	46.8/113.4
R651	7030007230	S.RES ERA3YED 102V (1K)	B	23.5/177.1
R652	7030003360	S.RES ERJ3GEYJ 221 V (220)	T	13.5/170.8
R653	7030007230	S.RES ERA3YED 102V (1K)	T	13.5/169.2
R654	7030007230	S.RES ERA3YED 102V (1K)	T	13.5/168.2
R656	7030003800	S.RES ERJ3GEYJ 105 V (1M)	T	15/161.4
R657	7030003320	S.RES ERJ3GEYJ 101 V (100)	T	20.2/161.4
R661	7030007220	S.RES ERA3YED 202V (2K)	T	31.7/162.8
R662	7030007220	S.RES ERA3YED 202V (2K)	T	31.7/164.1
R663	7030007220	S.RES ERA3YED 202V (2K)	T	31.7/165.4
R664	7030007220	S.RES ERA3YED 202V (2K)	T	31.7/166.7
R665	7030007220	S.RES ERA3YED 202V (2K)	T	31.7/168
R666	7030007220	S.RES ERA3YED 202V (2K)	T	31.7/170.6
R667	7030007220	S.RES ERA3YED 202V (2K)	T	31.7/171.9
R668	7030007220	S.RES ERA3YED 202V (2K)	T	31.7/173.2
R669	7030007200	S.RES ERA3YEB 202V (2K)	T	31.7/174.5
R670	7030007200	S.RES ERA3YEB 202V (2K)	T	31.7/175.8
R671	7030007200	S.RES ERA3YEB 202V (2K)	T	31.7/177.1
R673	7030007230	S.RES ERA3YED 102V (1K)	T	34.3/165.4
R674	7030007230	S.RES ERA3YED 102V (1K)	T	34.3/166.7
R675	7030007230	S.RES ERA3YED 102V (1K)	T	34.3/168
R676	7030007230	S.RES ERA3YED 102V (1K)	T	34.3/169.3
R677	7030007230	S.RES ERA3YED 102V (1K)	T	34.3/170.6
R678	7030007230	S.RES ERA3YED 102V (1K)	T	34.3/171.9
R679	7030007210	S.RES ERA3YEB 102V (1K)	T	34.3/173.2
R680	7030007210	S.RES ERA3YEB 102V (1K)	T	34.3/174.5
R681	7030007210	S.RES ERA3YEB 102V (1K)	T	34.3/175.8
R682	7030003860	S.RES ERJ3GE JPW V	B	58.4/166
R685	7030003460	S.RES ERJ3GEYJ 152 V (1.5K)	T	38.4/169.7
R686	7030003320	S.RES ERJ3GEYJ 101 V (100)	T	40.3/163.4
R687	7030003470	S.RES ERJ3GEYJ 182 V (1.8K)	T	37.4/165.1
R688	7030003480	S.RES ERJ3GEYJ 222 V (2.2K)	T	34.3/162.8
R689	7030003360	S.RES ERJ3GEYJ 221 V (220)	T	33.6/161.5

[RXPLL-A UNIT]

REF NO.	ORDER NO.	DESCRIPTION	M.	H/V LOCATION
R690	7030003370	S.RES ERJ3GEYJ 271 V (270) [USA]	T	46.4/165.3
	7030003370	S.RES ERJ3GEYJ 271 V (270) [EUR]		
	7030003370	S.RES ERJ3GEYJ 271 V (270) [FRA]		
	7030003370	S.RES ERJ3GEYJ 271 V (270) [DEN]		
	7030003370	S.RES ERJ3GEYJ 271 V (270) [ITR]		
	7030003370	S.RES ERJ3GEYJ 271 V (270) [KOR]		
	7030003370	S.RES ERJ3GEYJ 271 V (270) [ESP]		
	7030003370	S.RES ERJ3GEYJ 271 V (270) [AUS]		
	7030003370	S.RES ERJ3GEYJ 271 V (270) [UK]		
	7030003370	S.RES ERJ3GEYJ 271 V (270) [RX]		
	7030009851	S.RES ERA3YED 271V (270) [CHN]		
R691	7030003230	S.RES ERJ3GEYJ 180 V (18)	T	48.4/164.8
R692	7030003370	S.RES ERJ3GEYJ 271 V (270) [USA]	T	46.4/166.6
	7030003370	S.RES ERJ3GEYJ 271 V (270) [EUR]		
	7030003370	S.RES ERJ3GEYJ 271 V (270) [FRA]		
	7030003370	S.RES ERJ3GEYJ 271 V (270) [DEN]		
	7030003370	S.RES ERJ3GEYJ 271 V (270) [ITR]		
	7030003370	S.RES ERJ3GEYJ 271 V (270) [KOR]		
	7030003370	S.RES ERJ3GEYJ 271 V (270) [ESP]		
	7030003370	S.RES ERJ3GEYJ 271 V (270) [AUS]		
	7030003370	S.RES ERJ3GEYJ 271 V (270) [UK]		
	7030003370	S.RES ERJ3GEYJ 271 V (270) [RX]		
	7030009851	S.RES ERA3YED 271V (270) [CHN]		
R693	7030003350	S.RES ERJ3GEYJ 332 V (3.3K)	T	37.1/169.7
R704	7030009841	S.RES ERA3YHD 330V (33)	T	30.8/113.7
R705	7030003600	S.RES ERJ3GEYJ 223 V (22K)	T	29.5/113.7
R706	7030005321	S.RES ERA3YED 103V (10K)	T	28.2/113.7
R707	7030009861	S.RES ERA3YED 471V (470)	T	30.8/108.1
R708	7030003410	S.RES ERJ3GEYJ 561 V (560)	T	43.3/118.8
R709	7030007860	S.RES ERJ3GEYJ 8R2V (8.2)	T	43.3/116
R710	7030003410	S.RES ERJ3GEYJ 561 V (560)	T	43.8/121.1
R711	7030003320	S.RES ERJ3GEYJ 101 V (100)	T	37.9/154.5
R802	7030009861	S.RES ERA3YED 471V (470)	T	78.3/147.3
R803	7030005321	S.RES ERA3YED 103V (10K)	T	79.6/147.3
R804	7030003320	S.RES ERJ3GEYJ 101 V (100)	T	80.4/149.5
R805	7030003370	S.RES ERJ3GEYJ 271 V (270) [USA]	T	81.5/158.7
	7030003370	S.RES ERJ3GEYJ 271 V (270) [EUR]		
	7030003370	S.RES ERJ3GEYJ 271 V (270) [FRA]		
	7030003370	S.RES ERJ3GEYJ 271 V (270) [DEN]		
	7030003370	S.RES ERJ3GEYJ 271 V (270) [ITR]		
	7030003370	S.RES ERJ3GEYJ 271 V (270) [KOR]		
	7030003370	S.RES ERJ3GEYJ 271 V (270) [ESP]		
	7030003370	S.RES ERJ3GEYJ 271 V (270) [AUS]		
	7030003370	S.RES ERJ3GEYJ 271 V (270) [UK]		
	7030003370	S.RES ERJ3GEYJ 271 V (270) [RX]		
	7030009851	S.RES ERA3YED 271V (270) [CHN]		
R806	7030003230	S.RES ERJ3GEYJ 180 V (18)	T	84.3/158.7
R807	7030003370	S.RES ERJ3GEYJ 271 V (270) [USA]	T	87.1/158.7
	7030003370	S.RES ERJ3GEYJ 271 V (270) [EUR]		
	7030003370	S.RES ERJ3GEYJ 271 V (270) [FRA]		
	7030003370	S.RES ERJ3GEYJ 271 V (270) [DEN]		
	7030003370	S.RES ERJ3GEYJ 271 V (270) [ITR]		
	7030003370	S.RES ERJ3GEYJ 271 V (270) [KOR]		
	7030003370	S.RES ERJ3GEYJ 271 V (270) [ESP]		
	7030003370	S.RES ERJ3GEYJ 271 V (270) [AUS]		
	7030003370	S.RES ERJ3GEYJ 271 V (270) [UK]		
	7030003370	S.RES ERJ3GEYJ 271 V (270) [RX]		
	7030009851	S.RES ERA3YED 271V (270) [CHN]		
R812	7030007230	S.RES ERA3YED 102V (1K)	T	73.9/177.6
R814	7030005321	S.RES ERA3YED 103V (10K)	T	75.2/177.6
R815	7030003320	S.RES ERJ3GEYJ 101 V (100)	T	79.6/173.6
R831	7030003320	S.RES ERJ3GEYJ 101 V (100)	B	85.6/180
R832	7030003300	S.RES ERJ3GEYJ 680 V (68)	B	88.5/177.2
R833	7030003320	S.RES ERJ3GEYJ 101 V (100)	B	89.3/174.6
R834	7030003380	S.RES ERJ3GEYJ 331 V (330)	T	91.6/155.7
R835	7030003320	S.RES ERJ3GEYJ 101 V (100)	T	94.4/155.7
R836	7030003380	S.RES ERJ3GEYJ 331 V (330)	T	88.8/145.4
R837	7030003220	S.RES ERJ3GEYJ 150 V (15)	T	91.6/145.4
R838	7030003380	S.RES ERJ3GEYJ 331 V (330)	T	94.4/145.4
R839	7030005321	S.RES ERA3YED 103V (10K)	B	77.9/171.4
R840	7030003540	S.RES ERJ3GEYJ 682 V (6.8K)	B	74.5/165.7
R1000	7030003320	S.RES ERJ3GEYJ 101 V (100)	B	177.1/11.2
R1001	7030003640	S.RES ERJ3GEYJ 473 V (47K)	T	182.8/63.5
R1002	7030003480	S.RES ERJ3GEYJ 222 V (2.2K)	T	183.5/65.7
R1003	7030010980	S.RES ERA3YHD 470V (47)	T	162/13.4
R1004	7030007230	S.RES ERA3YED 102V (1K)	B	166.4/12.9
R1005	7030003350	S.RES ERJ3GEYJ 822 V (8.2K)	T	144/26.1
R1006	7030007230	S.RES ERA3YED 102V (1K)	T	145.3/26.1
R1007	7030004030	S.RES ERJ3GEYJ 5R6 V (5.6)	B	153.7/33.6
R1008	7030003240	S.RES ERJ3GEYJ 220 V (22)	T	144/36.4
R1009	7030010980	S.RES ERA3YHD 470V (47)	T	182.4/29.3
R1010	7030010980	S.RES ERA3YHD 470V (47)	T	154.5/33.2
R1013	7030007230	S.RES ERA3YED 102V (1K)	B	172.7/40.8
R1014	7030007230	S.RES ERA3YED 102V (1K)	B	156.7/40.8
R1015	7030003350	S.RES ERJ3GEYJ 562 V (5.6K)	B	172.7/45.4
R1016	7030003350	S.RES ERJ3GEYJ 562 V (5.6K)	B	156.7/45.4
R1017	7030003350	S.RES ERJ3GEYJ 562 V (5.6K)	B	169.7/12.9
R1018	7030003650	S.RES ERJ3GEYJ 563 V (56K)	B	181.1/62.4
R1019	7030005321	S.RES ERA3YED 103V (10K)	B	181.9/65
R1020	7030003390	S.RES ERJ3GEYJ 391 V (390)	T	179.6/18.3
R1021	7030003220	S.RES ERJ3GEYJ 150 V (15)	T	177/19.4
R1022	7030003390	S.RES ERJ3GEYJ 391 V (390)	T	180.9/19.4
R1023	70300			



[RXPLL-A UNIT]

REF NO.	ORDER NO.	DESCRIPTION	M.	H/V LOCATION
R1071	7030010980	S.RES ERA3YHD 470V (47)	B	165.9/76.4
R1072	7030000010	S.RES MCR10EZHH JPW (000)	T	133.9/84.1
R1073	7030000010	S.RES MCR10EZHH JPW (000)	T	135.5/85.7
R1101	7310004860	S.TRI EVM-3YSX50 B53 (502)	T	180.1/90.2
R1102	7030005871	S.RES ERA3YKD 104V (100K)	B	180.2/100.6
R1103	7030007680	S.RES ERJ8ENF 47R0V (47)	T	181.7/104.7
R1104	7030007680	S.RES ERJ8ENF 47R0V (47)	T	173.6/107.2
R1105	7030003500	S.RES ERJ3GEYJ 332 V (3.3K)	T	176.7/87.7
R1106	7030009620	S.RES ERJ12YJ120U (12)	B	179.6/117.9
R1107	7030010980	S.RES ERA3YHD 470V (47)	T	175.6/120.3
R1109	7030007180	S.RES ERJ12YJ150U (15)	B	176.5/125.7
R1110	7030003480	S.RES ERJ3GEYJ 222 V (2.2K)	T	168.5/131.6
R1111	7030003480	S.RES ERJ3GEYJ 222 V (2.2K)	T	166.2/130.4
R1113	7030003480	S.RES ERJ3GEYJ 222 V (2.2K)	T	166.2/131.7
R1114	7030004040	S.RES ERJ3GEYJ 4R7 V (4.7)	T	179.2/125.3
R1115	7030006240	S.RES ERJ12YJ181U (180)	B	176.5/129.9
R1116	7030007230	S.RES ERA3YED 102V (1K)	T	175.7/135.3
R1117	7030004040	S.RES ERJ3GEYJ 4R7 V (4.7)	T	175.7/134
R1118	7030003480	S.RES ERJ3GEYJ 222 V (2.2K)	T	175.4/132
R1119	7030003470	S.RES ERJ3GEYJ 182 V (1.8K)	T	178/132
R1120	7030006070	S.RES ERJ12YJ101U (100)	B	177.3/141
R1121	7030003240	S.RES ERJ3GEYJ 220 V (22)	T	178.6/139.6
R1122	7030010980	S.RES ERA3YHD 470V (47)	T	171.9/131.1
R1123	7030003480	S.RES ERJ3GEYJ 222 V (2.2K)	T	165.7/137.4
R1124	7030003460	S.RES ERJ3GEYJ 152 V (1.5K)	T	165.7/140
R1125	7030003420	S.RES ERJ3GEYJ 681 V (680)	B	171/142.2
R1126	7030003200	S.RES ERJ3GEYJ 100 V (10)	T	168.4/142.2
R1127	7030010980	S.RES ERA3YHD 470V (47)	T	174.6/142.9
R1128	7030003470	S.RES ERJ3GEYJ 182 V (1.8K)	T	174.6/146.6
R1129	7030003470	S.RES ERJ3GEYJ 182 V (1.8K)	T	174.6/148.4
R1130	7030003480	S.RES ERJ3GEYJ 222 V (2.2K)	T	180.6/146.4
R1131	7030003640	S.RES ERJ3GEYJ 473 V (47K)	B	177.4/90.7
R1132	7310004860	S.TRI EVM-3YSX50 B53 (502)	T	179.4/84.3
R1133	7030003500	S.RES ERJ3GEYJ 332 V (3.3K)	T	175.5/82.5
R1134	7030003640	S.RES ERJ3GEYJ 473 V (47K)	T	175.5/83.8
R1135	7030005871	S.RES ERA3YKD 104V (100K)	T	182.2/97.8
R1151	7030003280	S.RES ERJ3GEYJ 470 V (47)	T	134.8/63.9
R1152	7030003280	S.RES ERJ3GEYJ 470 V (47)	T	117.2/56.3
R1203	7030000010	S.RES MCR10EZHH JPW (000)	T	157.5/74.9
R1208	7030003480	S.RES ERJ3GEYJ 222 V (2.2K)	T	138.3/53.9
R1209	7030005321	S.RES ERA3YED 103V (10K)	T	139.1/51.9
R1210	7030003650	S.RES ERJ3GEYJ 563 V (56K)	B	142.5/44.3
R1211	7030003860	S.RES ERJ3GE JPW V	T	117.6/77.8
R1212	7030003860	S.RES ERJ3GE JPW V	T	124.8/51.1
R1213	7030003200	S.RES ERJ3GEYJ 100 V (10)	B	118.8/25
R1214	7030003200	S.RES ERJ3GEYJ 100 V (10)	B	109/25
R1216	7030010980	S.RES ERA3YHD 470V (47)	B	120.7/31.6
R1217	7030010980	S.RES ERA3YHD 470V (47)	B	111.2/31.6
R1220	7030010980	S.RES ERA3YHD 470V (47)	T	118.7/17.3
R1221	7030007230	S.RES ERA3YED 102V (1K)	T	116.4/39.9
R1222	7030003530	S.RES ERJ3GEYJ 562 V (5.6K)	T	116.4/38.6
R1223	7030010980	S.RES ERA3YHD 470V (47)	T	109.3/17.1
R1224	7030007230	S.RES ERA3YED 102V (1K)	T	106.6/39.9
R1225	7030003530	S.RES ERJ3GEYJ 562 V (5.6K)	T	106.6/38.6
R1226	7030003410	S.RES ERJ3GEYJ 561 V (560)	T	158.9/92.9
R1227	7030003410	S.RES ERJ3GEYJ 561 V (560)	T	154/92.9
R1228	7310004860	S.TRI EVM-3YSX50 B53 (502)	T	156.4/92.9
R1229	7030003480	S.RES ERJ3GEYJ 222 V (2.2K)	B	156.1/117.4
R1230	7030003480	S.RES ERJ3GEYJ 222 V (2.2K)	B	156.1/119.2
R1231	7030003480	S.RES ERJ3GEYJ 222 V (2.2K)	B	156.1/121
R1232	7030003600	S.RES ERJ3GEYJ 223 V (22K)	T	156.3/97.5
R1233	7030010980	S.RES ERA3YHD 470V (47)	B	152.5/109.4
R1301	7030010980	S.RES ERA3YHD 470V (47)	B	155.7/97.5
R1302	7030003860	S.RES ERJ3GE JPW V	T	159.3/116.8
R1304	7030003620	S.RES ERJ3GEYJ 333 V (33K)	T	156.5/123.2
R1306	7030006230	S.RES ERJ12YJ151U (150)	B	153.8/124.8
R1307	7030003300	S.RES ERJ3GEYJ 680 V (68)	T	156.5/128.4
R1311	7030000010	S.RES MCR10EZHH JPW (000)	T	140.3/98.8
R1312	7030000010	S.RES MCR10EZHH JPW (000)	T	143.2/104.1
R1313	7030000010	S.RES MCR10EZHH JPW (000)	T	143.2/101.5
R1357	7030007230	S.RES ERA3YED 102V (1K)	B	140.7/70.4
R1358	7030003530	S.RES ERJ3GEYJ 562 V (5.6K)	B	142.8/70.4
R1359	7030010980	S.RES ERA3YHD 470V (47)	T	139.4/64.7
R1360	7030007230	S.RES ERA3YED 102V (1K)	B	146.4/67.8
R1361	7030003380	S.RES ERJ3GEYJ 331 V (330)	T	139.3/68.8
R1362	7030005871	S.RES ERA3YKD 104V (100K)	B	144.6/70.4
R1401	7030003200	S.RES ERJ3GEYJ 100 V (10)	T	131.5/103.3
R1402	7030003300	S.RES ERJ3GEYJ 680 V (68)	T	126.4/111
R1403	7030007230	S.RES ERA3YED 102V (1K)	T	132/107.7
R1404	7030009861	S.RES ERA3YED 471V (470)	T	134.6/104.3
R1405	7030003340	S.RES ERJ3GEYJ 151 V (150)	T	137.2/104.3
R1406	7030009591	S.RES ERA3YED 472V (4.7K)	T	135.2/106.2
R1407	7030003550	S.RES ERJ3GEYJ 822 V (8.2K)	B	135.4/104.3
R1408	7030003200	S.RES ERJ3GEYJ 100 V (10)	T	120.9/109
R1409	7030009591	S.RES ERA3YED 472V (4.7K)	T	120.5/114.9
R1410	7030006091	S.RES ERA3YED 822V (8.2K)	B	124.2/114.4
R1411	7030005871	S.RES ERA3YKD 104V (100K)	T	123.2/116.2
R1412	7030003200	S.RES ERJ3GEYJ 100 V (10)	T	126.4/112.3
R1413	7030003200	S.RES ERJ3GEYJ 100 V (10)	T	126.4/113.6
R1414	7030005871	S.RES ERA3YKD 104V (100K)	B	120.9/114.4
R1415	7030010980	S.RES ERA3YHD 470V (47)	T	127/114.9
R1416	7030003320	S.RES ERJ3GEYJ 101 V (100)	B	139.7/122.9
R1417	7030000010	S.RES MCR10EZHH JPW (000)	B	130.1/124.5
R1418	7030000010	S.RES MCR10EZHH JPW (000)	B	130.1/122.5
R1419	7030003860	S.RES ERJ3GE JPW V	B	129.4/114.9
R1501	7030010980	S.RES ERA3YHD 470V (47)	T	126.5/125.2
R1502	7030009841	S.RES ERA3YHD 330V (33)	T	133/131
R1503	7030009851	S.RES ERA3YED 271V (270)	T	130/146.3
R1504	7030011050	S.RES ERA3YHD 100V (10)	T	131.3/143.5
R1505	7030006091	S.RES ERA3YED 822V (8.2K)	B	137.7/140.3
R1506	7030007230	S.RES ERA3YED 102V (1K)	B	137.7/147
R1507	7030007230	S.RES ERA3YED 102V (1K)	T	132.6/146.3
R1508	7030007230	S.RES ERA3YED 102V (1K)	T	133.9/146.3
R1509	7030007230	S.RES ERA3YED 102V (1K)	T	139.1/158.9

[RXPLL-A UNIT]

REF NO.	ORDER NO.	DESCRIPTION	M.	H/V LOCATION
R1510	7030005321	S.RES ERA3YED 103V (10K)	T	139.1/157.6
R1511	7030009861	S.RES ERA3YED 471V (470)	T	136.5/157.6
R1512	7030003380	S.RES ERJ3GEYJ 331 V (330)	T	129.6/151.6
R1513	7030003380	S.RES ERJ3GEYJ 331 V (330)	T	129.6/155.5
R1514	7030005321	S.RES ERA3YED 103V (10K)	T	129.6/160.8
R1515	7030005321	S.RES ERA3YED 103V (10K)	T	133.5/160.8
R1516	7310005090	S.TRI RH03ADC13X (1K)	T	119.2/157.7
R1517	7030005321	S.RES ERA3YED 103V (10K)	T	115.3/158
R1518	7030005321	S.RES ERA3YED 103V (10K)	T	134.8/160.8
R1519	7030005321	S.RES ERA3YED 103V (10K)	T	131.7/171.7
R1520	7030005321	S.RES ERA3YED 103V (10K)	T	136.1/160.8
R1521	7030010980	S.RES ERA3YHD 470V (47)	T	126.5/133
R1522	7030009841	S.RES ERA3YHD 330V (33)	T	126/141.1
R1523	7030009851	S.RES ERA3YED 271V (270)	T	123.7/146.3
R1524	7030011050	S.RES ERA3YHD 100V (10)	T	122.4/143.5
R1525	7030007230	S.RES ERA3YED 102V (1K)	B	128.8/147
R1526	7030003460	S.RES ERJ3GEYJ 152 V (1.5K)	T	137.7/142.1
R1527	7030007230	S.RES ERA3YED 102V (1K)	B	119.8/146.3
R1528	7030007230	S.RES ERA3YED 102V (1K)	T	121.1/146.3
R1529	7030007230	S.RES ERA3YED 102V (1K)	T	115.3/152.3
R1530	7030003380	S.RES ERJ3GEYJ 331 V (330)	T	128/151.6
R1531	7030003380	S.RES ERJ3GEYJ 331 V (330)	T	128/155.5
R1532	7030005321	S.RES ERA3YED 103V (10K)	T	124.1/160.8
R1533	7030005321	S.RES ERA3YED 103V (10K)	T	128/160
R1534	7030005321	S.RES ERA3YED 103V (10K)	T	122.8/160.8
R1535	7030005321	S.RES ERA3YED 103V (10K)	T	121.5/160.8
R1536	7030005321	S.RES ERA3YED 103V (10K)	T	129/171.7
R1537	7030003320	S.RES ERJ3GEYJ 101 V (100)	T	115.5/164.5
R1538	7030003320	S.RES ERJ3GEYJ 101 V (100)	T	107.1/170.1
R1539	7030008061	S.RES ERA3YED 222V (2.2K)	B	131.8/176.4
R1540	7030010390	S.RES ERA3YED 821V (820)	B	128.7/177.8
R1541	7030003320	S.RES ERJ3GEYJ 101 V (100)	T	107.1/178.1
R1542	7030003320	S.RES ERJ3GEYJ 101 V (100)	T	115.5/173.2
R1543	7030009691	S.RES ERA3YED 101V (100)	B	130.6/179
R1651	7030003380	S.RES ERJ3GEYJ 331 V (330)	B	100.9/144.8
R1652	7030003220	S.RES ERJ3GEYJ 150 V (15)	B	102.7/144.8
R1653	7030003380	S.RES ERJ3GEYJ 331 V (330)	B	101.9/142.9
R1654	7030010980	S.RES ERA3YHD 470V (47)	B	105.5/142.2
R1655	7030009861	S.RES ERA3YED 471V (470)	B	108.8/140
R1656	7030003630	S.RES ERJ3GEYJ 393 V (39K)	B	108.3/142.2
R1657	7030005871	S.RES ERA3YKD 104V (100K)	T	108/133.1
R1658	7030003320	S.RES ERJ3GEYJ 101 V (100)	T	110.6/133.1
R1659	7030009691	S.RES ERA3YED 101V (100)	T	115.8/124.9
R1660	7030009691	S.RES ERA3YED 101V (100)	T	115.8/128.7
R1661	7030005321	S.RES ERA3YED 103V (10K)	T	135.1/175.4
R1662	7030005321	S.RES ERA3YED 103V (10K)	T	135.2/172.8
R1663	7030005321	S.RES ERA3YED 103V (10K)	T	144.3/175.4
R1664	7030005321	S.RES ERA3YED 103V (10K)	T	139.9/172.1
R1665	7030003320	S.RES ERJ3GEYJ 101 V (100)	T	109.3/133.1
R1667	7030003360	S.RES ERJ3GEYJ 221 V (220)	T	139.2/170.2
R1668	7030003360	S.RES ERJ3GEYJ 221 V (220)	T	141.8/170.2
R1670	7030003800	S.RES ERJ3GEYJ 105 V (1M)	T	140.2/164.1
R1673	7030007230	S.RES ERA3YED 102V (1K)	B	146/174.5
R1674	7030003370	S.RES ERJ3GEYJ 271 V (270)	[USA] B	145.1/177.1
			[EUR]	
			[FRA]	
			[DEN]	
			[ITR]	
			[KOR]	
			[ESP]	
			[AUS]	
			[UK]	
			[RX]	
			[CHN]	
R1675	7030009591	S.RES ERA3YED 472V (4.7K)	T	136.6/170.2
R1677	7030009591	S.RES ERA3YED 472V (4.7K)	T	143.1/170.2
R1701	7030003360	S.RES ERJ3GEYJ 221 V (220)	T	162.4/147.4
R1703	7030003360	S.RES ERJ3GEYJ 221 V (220)	T	159.8/147.4
R1704	7030003360	S.RES ERJ3GEYJ 221 V (220)	T	158.5/147.4
R1706	7030003360	S.RES ERJ3GEYJ 221 V (220)	T	155.9/147.4
R1707	7030003360	S.RES ERJ3GEYJ 221 V (220)	T	154.6/147.4
R1708	7030003360	S.RES ERJ3GEYJ 221 V (220)	T	153.3/147.4
R1709	7030003480	S.RES ERJ3GEYJ 222 V (2.2K)	T	149.7/159.3
R1710	7030003480	S.RES ERJ3GEYJ 222 V (2.2K)	T	148.4/159.3
R1711	7030003540	S.RES ERJ3GEYJ 682 V (6.8K)	T	147.1/159.3
R1712	7030003540	S.RES ERJ3GEYJ 682 V (6.8K)	T	145.8/159.3
R1713	7030003660	S.RES ERJ3GEYJ 683 V (68K)	T	

[RXPLL-A UNIT]

REF NO.	ORDER NO.	DESCRIPTION	M.	H/V LOCATION
C62	4030011600	S.CER C1608 JB 1E 104K-T	B	58.2/19.9
C63	4030011600	S.CER C1608 JB 1E 104K-T	B	54.8/19.9
C64	4510008500	S.ELE EEE1CA101WP	T	50.1/20.3
C101	4030006880	S.CER C1608 JB 1H 472K-T	T	39.7/80.7
C102	4030011600	S.CER C1608 JB 1E 104K-T	T	41.8/79.9
C103	4510008540	S.ELE EEE1CA100SR	T	40.2/76.8
C104	4030011600	S.CER C1608 JB 1E 104K-T	T	21.4/100.2
C105	4030011600	S.CER C1608 JB 1E 104K-T	T	21.4/88.2
C106	4030011600	S.CER C1608 JB 1E 104K-T	T	21.4/84.4
C107	4030011600	S.CER C1608 JB 1E 104K-T	T	24.4/79.8
C108	4030011600	S.CER C1608 JB 1E 104K-T	T	27/79.8
C109	4030011600	S.CER C1608 JB 1E 104K-T	T	30.8/79.8
C110	4030011600	S.CER C1608 JB 1E 104K-T	T	36.8/79.8
C111	4030011600	S.CER C1608 JB 1E 104K-T	T	41.2/88.5
C112	4030011600	S.CER C1608 JB 1E 104K-T	T	41.3/82.6
C114	4030011600	S.CER C1608 JB 1E 104K-T	T	39.5/98.4
C115	4030011600	S.CER C1608 JB 1E 104K-T	T	38.1/98.4
C116	4030011600	S.CER C1608 JB 1E 104K-T	T	35.3/99.6
C117	4030011600	S.CER C1608 JB 1E 104K-T	T	23.3/98.8
C118	4030011600	S.CER C1608 JB 1E 104K-T	T	42.6/82.6
C119	4030011600	S.CER C1608 JB 1E 104K-T	B	31.2/86.7
C120	4030006880	S.CER C1608 JB 1H 472K-T	T	36.7/101.5
C121	4030011600	S.CER C1608 JB 1E 104K-T	T	39.5/101.5
C125	4030011600	S.CER C1608 JB 1E 104K-T	T	14.6/83.1
C129	4030011600	S.CER C1608 JB 1E 104K-T	T	33.4/79.8
C130	4030017810	S.CER C1608 CH 1H 102J-T	B	47.6/106.6
C131	4030011600	S.CER C1608 JB 1E 104K-T	T	30.4/73.2
C132	4030011600	S.CER C1608 JB 1E 104K-T	T	35.5/73.2
C133	4030006880	S.CER C1608 JB 1H 472K-T	B	43.5/98.6
C134	4030006880	S.CER C1608 JB 1H 472K-T	B	43.5/96.8
C135	4030006880	S.CER C1608 JB 1H 472K-T	T	46/95.5
C136	4030006880	S.CER C1608 JB 1H 472K-T	T	46/94.2
C137	4030006880	S.CER C1608 JB 1H 472K-T	T	46/90.3
C138	4030006880	S.CER C1608 JB 1H 472K-T	T	46.1/87.7
C139	4030006880	S.CER C1608 JB 1H 472K-T	B	43.5/100.4
C140	4030006880	S.CER C1608 JB 1H 472K-T	B	43.5/102.2
C141	4030004740	S.CER C2012 JB 1H 472K-T	B	34.3/85.1
C142	4550007470	S.TAN F931A107MNMBA	B	19.4/87.4
C150	4340000050	S.MYL ECH-U 1C472JB5	T	16.3/64.6
C151	4550007520	S.TAN F931A106MAABMA	B	38.6/92.1
C152	4030007070	S.CER C1608 CH 1H 330J-T	T	19.2/59.9
C153	4030009910	S.CER C1608 CH 1H 040B-T	T	21.3/55.4
C154	4610001850	S.TRI TZB4R200AB10R00 (TZBX4R200BA110)	T	17.6/55.1
C155	4030016550	S.CER CM105 CH 151G 50AT	T	24.1/55.4
C156	4030016550	S.CER CM105 CH 151G 50AT	T	26.9/55.4
C157	4030016550	S.CER CM105 CH 151G 50AT	T	26.9/56.7
C158	4030006880	S.CER C1608 JB 1H 472K-T	T	23.3/53.1
C159	4030006880	S.CER C1608 JB 1H 472K-T	B	23/51.9
C161	4510008540	S.ELE EEE1CA100SR	T	31.3/61
C162	4030009920	S.CER C1608 CH 1H 050B-T	B	33.6/53
C163	4030011600	S.CER C1608 JB 1E 104K-T	B	36.9/59.6
C164	4030006880	S.CER C1608 JB 1H 472K-T	B	30.3/54.8
C165	4030006880	S.CER C1608 JB 1H 472K-T	B	30.8/74
C166	4030011600	S.CER C1608 JB 1E 104K-T	B	34.9/78.2
C167	4030006880	S.CER C1608 JB 1H 472K-T	B	37.4/74
C201	4030011340	S.CER C1608 CH 1H 471J-T	T	33.8/40.4
C202	4510009280	S.ELE EEE1EA479SR	T	26.5/44
C203	4030006900	S.CER C1608 JB 1H 103K-T	T	32.5/38.3
C204	4030006880	S.CER C1608 JB 1H 472K-T	T	25.4/35.3
C205	4030006880	S.CER C1608 JB 1H 472K-T	T	25.4/34
C206	4030006880	S.CER C1608 JB 1H 472K-T	T	31.1/43
C207	4030007030	S.CER C1608 CH 1H 150J-T	B	46.8/32.4
C208	4030007030	S.CER C1608 CH 1H 150J-T	T	32.5/41
C209	4030011340	S.CER C1608 CH 1H 471J-T	T	44.1/26.1
C210	4550007620	S.TAN F931V224MAABMA	T	46.2/26.7
C211	4550007300	S.TAN F931A335MAABMA	B	46.1/41.6
C219	4030006880	S.CER C1608 JB 1H 472K-T	T	33.8/37.8
C220	4030007130	S.CER C1608 CH 1H 101J-T	T	54.7/37.6
C221	4030009520	S.CER C1608 CH 1H 020B-T	T	54.7/32
C222	4610001860	S.TRI TZB4Z060AB10R00 (TZBX4R200BA110)	T	68.1/32.6
C223	4030007080	S.CER C1608 CH 1H 390J-T	T	73.2/36.3
C224	4030007010	S.CER C1608 CH 1H 100D-T	T	73.2/38.9
C225	4030007050	S.CER C1608 CH 1H 220J-T	T	73.6/30.9
C226	4030006880	S.CER C1608 JB 1H 472K-T	T	71/30.9
C227	4030009920	S.CER C1608 CH 1H 050B-T	T	75.1/32.6
C228	4510008540	S.ELE EEE1CA100SR	T	68.8/37.8
C229	4030009530	S.CER C1608 CH 1H 030B-T	T	77.8/32.6
C230	4030007100	S.CER C1608 CH 1H 560J-T	T	54.7/50
C231	4030009510	S.CER C1608 CH 1H 010B-T	T	54.7/44.6
C232	4610001860	S.TRI TZB4Z060AB10R00 (TZBX4R200BA110)	T	68.1/45.1
C233	4030007070	S.CER C1608 CH 1H 330J-T	T	73.2/48.8
C234	4030009920	S.CER C1608 CH 1H 050B-T	T	73.2/51.4
C235	4030007020	S.CER C1608 CH 1H 120J-T	T	73.6/43.3
C236	4030006880	S.CER C1608 JB 1H 472K-T	T	71/43.3
C237	4030009910	S.CER C1608 CH 1H 040B-T	T	75.1/45
C238	4510008540	S.ELE EEE1CA100SR	T	68.8/50.3
C239	4030009910	S.CER C1608 CH 1H 040B-T	T	77.8/45
C240	4030007080	S.CER C1608 CH 1H 390J-T	T	54.7/62.5
C241	4030009510	S.CER C1608 CH 1H 010B-T	T	54.7/57.1
C242	4610001860	S.TRI TZB4Z060AB10R00 (TZBX4R200BA110)	T	68.1/57.6
C243	4030007060	S.CER C1608 CH 1H 270J-T	T	73.2/61.3
C244	4030009910	S.CER C1608 CH 1H 040B-T	T	73.2/63.9
C245	4030009920	S.CER C1608 CH 1H 050B-T	T	73.6/55.8
C246	4030006880	S.CER C1608 JB 1H 472K-T	T	71/55.9
C247	4030009530	S.CER C1608 CH 1H 030B-T	T	75.1/57.5
C248	4510008540	S.ELE EEE1CA100SR	T	68.8/62.9
C250	4030007100	S.CER C1608 CH 1H 560J-T	T	54.7/75
C251	4030009540	S.CER C1608 CH 1H 1R5B-T	T	54.7/69.6
C252	4610001810	S.TRI TZB4Z030AB10R00 (TZBX4Z030BA110)	T	68.1/70.1

[RXPLL-A UNIT]

REF NO.	ORDER NO.	DESCRIPTION	M.	H/V LOCATION
C253	4030007080	S.CER C1608 CH 1H 390J-T	T	73.2/73.8
C254	4030009530	S.CER C1608 CH 1H 030B-T	T	73.2/76.4
C255	4030006990	S.CER C1608 CH 1H 080D-T	T	73.6/68.4
C256	4030006880	S.CER C1608 JB 1H 472K-T	T	71/68.4
C257	4030007010	S.CER C1608 CH 1H 100D-T	T	75.1/70
C258	4510008540	S.ELE EEE1CA100SR	T	68.8/75.4
C260	4030007110	S.CER C1608 CH 1H 680J-T	T	54.7/87.5
C262	4610001810	S.TRI TZB4Z030AB10R00 (TZBX4Z030BA110)	T	68.1/82.6
C263	4030007080	S.CER C1608 CH 1H 390J-T	T	73.2/86.3
C264	4030009530	S.CER C1608 CH 1H 030B-T	T	73.2/88.9
C265	4030011770	S.CER C1608 CH 1H 060B-T	T	73.6/80.9
C266	4030006880	S.CER C1608 JB 1H 472K-T	T	71/80.9
C267	4030007010	S.CER C1608 CH 1H 100D-T	T	75.1/82.5
C268	4510008540	S.ELE EEE1CA100SR	T	68.8/87.9
C272	4610001860	S.TRI TZB4Z060AB10R00 (TZBX4R200BA110)	T	68.1/95.1
C273	4030007050	S.CER C1608 CH 1H 220J-T	T	73.2/98.2
C274	4030009530	S.CER C1608 CH 1H 030B-T	T	73.2/100.8
C275	4030009920	S.CER C1608 CH 1H 050B-T	T	73.6/92.8
C276	4030006880	S.CER C1608 JB 1H 472K-T	T	71/92.8
C277	4030007010	S.CER C1608 CH 1H 100D-T	T	75.1/95
C278	4510008540	S.ELE EEE1CA100SR	T	68.8/100.4
C283	4030017810	S.CER C1608 CH 1H 102J-T	T	82.1/36.3
C284	4030006880	S.CER C1608 JB 1H 472K-T	T	84.5/34.3
C285	4030017810	S.CER C1608 CH 1H 102J-T	T	82.1/48.8
C286	4030006880	S.CER C1608 JB 1H 472K-T	T	84.5/46.9
C287	4030017810	S.CER C1608 CH 1H 102J-T	T	82.1/61.3
C288	4030006880	S.CER C1608 JB 1H 472K-T	T	83.9/57.5
C289	4030017810	S.CER C1608 CH 1H 102J-T	T	82.1/73.8
C290	4030006880	S.CER C1608 JB 1H 472K-T	T	84.3/70.4
C291	4030017810	S.CER C1608 CH 1H 102J-T	T	82.1/87.4
C292	4030006880	S.CER C1608 JB 1H 472K-T	T	84.4/84.4
C293	4030017810	S.CER C1608 CH 1H 102J-T	T	82.1/98.7
C294	4030006880	S.CER C1608 JB 1H 472K-T	T	83.2/93.9
C297	4030009920	S.CER C1608 CH 1H 050B-T	T	52.6/59.4
C299	4030007050	S.CER C1608 CH 1H 220J-T	T	52.6/84.4
C301	4030006880	S.CER C1608 JB 1H 472K-T	T	89.3/30.6
C302	4030006880	S.CER C1608 JB 1H 472K-T	T	94.9/28
C303	4030006880	S.CER C1608 JB 1H 472K-T	B	92.6/39.8
C304	4030006880	S.CER C1608 JB 1H 472K-T	B	92.6/45.2
C305	4030006880	S.CER C1608 JB 1H 472K-T	B	89.1/48.8
C306	4030006880	S.CER C1608 JB 1H 472K-T	B	89.1/50.6
C309	4030017810	S.CER C1608 CH 1H 102J-T	T	94.9/42.7
C310	4030011600	S.CER C1608 JB 1E 104K-T	T	92.8/42.1
C311	4510008520	S.ELE EEE1CA470SP	T	93.4/47.4
C312	4030006880	S.CER C1608 JB 1H 472K-T	B	89/27.4
C313	4030006880	S.CER C1608 JB 1H 472K-T	B	93.7/23.1
C331	4030007110	S.CER C1608 CH 1H 680J-T	T	89.3/32.2
C332	4030007160	S.CER C1608 CH 1H 181J-T	T	92.1/33.5
C333	4030007110	S.CER C1608 CH 1H 680J-T	T	89.3/33.5
C334	4030007050	S.CER C1608 CH 1H 220J-T	T	94.9/36
C335	4030006880	S.CER C1608 CH 1H 070D-T	T	94.9/37.4
C336	4030007030	S.CER C1608 CH 1H 150J-T	T	92.1/38.8
C337	4030007050	S.CER C1608 CH 1H 220J-T	T	94.9/38.8
C341	4030006880	S.CER C1608 JB 1H 472K-T	T	94.9/40.1
C342	4030006880	S.CER C1608 JB 1H 472K-T	T	86.5/33.5
C344	4030011600	S.CER C1608 JB 1E 104K-T	T	94.9/41.4
C351	4030017810	S.CER C1608 CH 1H 102J-T	T	94.9/61.6
C352	4030011600	S.CER C1608 JB 1E 104K-T	T	94.9/62.9
C353	4510008520	S.ELE EEE1CA470SP	T	93.4/67.1
C354	4030006880	S.CER C1608 JB 1H 472K-T	T	89.3/51.7
C355	4030006880	S.CER C1608 JB 1H 472K-T	T	94.9/55.1
C356	4030006880	S.CER C1608 JB 1H 472K-T	T	89.2/58.4
C357	4030006880	S.CER C1608 JB 1H 472K-T	T	94.9/57.7
C358	4030006880	S.CER C1608 JB 1H 472K-T	B	89.2/60.3
C359	4030006880	S.CER C1608 JB 1H 472K-T	B	92.6/62.1
C360	4030006880	S.CER C1608 JB 1H 472K-T	B	89.9/66.9
C361	4030006880	S.CER C1608 JB 1H 472K-T	T	89.3/83.4
C363	4030006880	S.CER C1608 JB 1H 472K-T	T	86.1/60.9
C364	4030017810	S.CER C1608 CH 1H 102J-T	T	86.7/52.3
C365	4030006880	S.CER C1608 JB 1H 472K-T	T	90.3/59.9
C421	4030006880	S.CER C1608 JB 1H 472K-T	T	94.1/88.5
C422	4030006880	S.CER C1608 JB 1H 472K-T	T	87.3/88.5
C423	4030006880	S.CER C1608 JB 1H 472K-T	T	94.1/93.3
C424	4030006880	S.CER C1608 JB 1H 472K-T	T	87.9/93.3
C425	4030006880	S.CER C1608 JB 1H 472K-T	T	92.8/93.3
C426	4030006880	S.CER C1608 JB 1H 472K-T	B	94.6/87.3
C427	4030006880	S.CER C1608 JB 1H 472K-T	T	92.1/86.5
C428	4030006			



[RXPLL-A UNIT]

REF NO.	ORDER NO.	DESCRIPTION	M.	H/V LOCATION
C514	4030011600	S.CER C1608 JB 1E 104K-T	T	41.2/136
C515	4030011600	S.CER C1608 JB 1E 104K-T	T	41.3/139.7
C516	4030011600	S.CER C1608 JB 1E 104K-T	T	41.3/142.3
C517	4030011600	S.CER C1608 JB 1E 104K-T	T	37.6/151.8
C518	4030011600	S.CER C1608 JB 1E 104K-T	T	34.8/151.8
C519	4030011600	S.CER C1608 JB 1E 104K-T	T	31.2/151.8
C520	4030011600	S.CER C1608 JB 1E 104K-T	T	23.3/151.9
C521	4030011600	S.CER C1608 JB 1E 104K-T	T	41.6/134
C522	4550007220	S.TAN F931A476MCMCMBMA	B	40.7/145
C525	4030006880	S.CER C1608 JB 1H 472K-T	T	35.3/154.5
C526	4030011600	S.CER C1608 JB 1E 104K-T	T	36.6/154.5
C531	4030006880	S.CER C1608 JB 1H 472K-T	T	14.6/137.5
C532	4030007070	S.CER C1608 CH 1H 330J-T	T	17.2/137.5
C533	4030007110	S.CER C1608 CH 1H 680J-T	T	17.3/133.4
C534	4030007110	S.CER C1608 CH 1H 680J-T	T	16.8/130.1
C535	4030007070	S.CER C1608 CH 1H 330J-T	T	18.1/127
C536	4030006880	S.CER C1608 JB 1H 472K-T	T	20.9/127.6
C537	4030006880	S.CER C1608 JB 1H 472K-T	T	27.2/126.4
C540	4030006880	S.CER C1608 JB 1H 472K-T	B	56.3/142.8
C541	4510008540	S.ELE EEE1CA100SR	T	51.1/39.3
C542	4340000260	S.MYL ECPU1C104MAA5	B	47.8/128.7
C543	4030007060	S.CER C1608 CH 1H 270J-T	T	62.2/136.4
C545	4030008560	S.CER C1608 CH 1H 300J-T	T	70/137.1
C546	4610001830	S.TRI TZB4S100AB10R00 (TZBX4N100BA110)	T	65.8/138.7
C547	4030007130	S.CER C1608 CH 1H 101J-T	T	71.3/137.1
C548	4030007010	S.CER C1608 CH 1H 100D-T	T	71.3/139.9
C549	4030007050	S.CER C1608 CH 1H 220J-T	T	68.9/145.1
C550	4030006880	S.CER C1608 JB 1H 472K-T	T	66.3/143
C551	4030009520	S.CER C1608 CH 1H 020B-T	T	71.3/142.8
C552	4030017810	S.CER C1608 CH 1H 102J-T	B	54.6/139.5
C553	4030006880	S.CER C1608 JB 1H 472K-T	B	56.3/139.5
C554	4510008500	S.ELE EEE1CA101WP	T	50.9/146.6
C555	4030006880	S.CER C1608 JB 1H 472K-T	B	47.7/149.5
C556	4550007220	S.TAN F931A476MCMCMBMA	B	76.4/136.1
C558	4550007520	S.TAN F931A106MAABMA	B	43.4/132.5
C559	4550007400	S.TAN F931A225MAABMA	B	43.4/129.9
C561	4550007520	S.TAN F931A106MAABMA	T	70/157.5
C562	4030006880	S.CER C1608 JB 1H 472K-T	T	68.3/155.5
C563	4030017810	S.CER C1608 CH 1H 102J-T	B	60.1/158
C564	4030006880	S.CER C1608 JB 1H 472K-T	B	58.8/158
C565	4510008520	S.ELE EEE1CA470SP	T	50.9/155.6
C566	4030006880	S.CER C1608 JB 1H 472K-T	T	64.4/155.5
C571	4030006880	S.CER C1608 JB 1H 472K-T	B	58.5/161.3
C573	4030007040	S.CER C1608 CH 1H 180J-T	B	72.5/166.8
C574	4030009510	S.CER C1608 CH 1H 010B-T	T	72.6/169.1
C575	4030007040	S.CER C1608 CH 1H 180J-T	T	72.6/171.9
C580	4030006880	S.CER C1608 JB 1H 472K-T	T	41.9/152.4
C581	4030006880	S.CER C1608 JB 1H 472K-T	T	41.9/144.2
C591	4030006880	S.CER C1608 JB 1H 472K-T	T	63.5/171.2
C592	4030007060	S.CER C1608 CH 1H 270J-T	T	62.8/163.1
C593	4510008540	S.ELE EEE1CA100SR	T	54.4/170.7
C594	4030006880	S.CER C1608 JB 1H 472K-T	T	57.4/171.9
C596	4030006880	S.CER C1608 JB 1H 472K-T	B	63.7/168.1
C597	4030007050	S.CER C1608 CH 1H 220J-T	T	62.2/171.2
C604	4030011600	S.CER C1608 JB 1E 104K-T	B	50.6/111
C605	4510008540	S.ELE EEE1CA100SR	T	52.5/110.9
C651	4030006880	S.CER C1608 JB 1H 472K-T	T	13.5/174
C652	4030011600	S.CER C1608 JB 1E 104K-T	T	12.7/176.3
C653	4510008540	S.ELE EEE1CA100SR	T	6.8/172.6
C654	4030011600	S.CER C1608 JB 1E 104K-T	B	17.3/170.4
C655	4030011600	S.CER C1608 JB 1E 104K-T	T	25.9/161.4
C656	4030011600	S.CER C1608 JB 1E 104K-T	T	25.8/177.1
C657	4030011600	S.CER C1608 JB 1E 104K-T	T	31.7/169.3
C658	4030011600	S.CER C1608 JB 1E 104K-T	T	13.5/172.7
C659	4030011600	S.CER C1608 JB 1E 104K-T	T	16.5/163.4
C660	4030006880	S.CER C1608 JB 1H 472K-T	T	17.6/161.4
C661	4030011600	S.CER C1608 JB 1E 104K-T	T	13.3/166.1
C662	4550007220	S.TAN F931A476MCMCMBMA	B	30.6/170.9
C680	4030006880	S.CER C1608 JB 1H 472K-T	T	34.3/177.1
C681	4030011340	S.CER C1608 CH 1H 471J-T	T	40.3/177.1
C682	4030007120	S.CER C1608 CH 1H 820J-T	T	39.6/175.2
C683	4030017870	S.CER C1608 CH 1H 681J-T	T	40.9/175.2
C684	4030007070	S.CER C1608 CH 1H 330J-T	B	39.3/174
C685	4030017800	S.CER C1608 CH 1H 561J-T	B	42.3/172.6
C686	4030011280	S.CER C1608 CH 1H 271J-T	B	39.3/170.6
C687	4030017810	S.CER C1608 CH 1H 102J-T	T	41/169.7
C688	4030011280	S.CER C1608 CH 1H 271J-T	B	37.5/169.7
C689	4030011600	S.CER C1608 JB 1E 104K-T	T	37.4/166.4
C690	4030011600	S.CER C1608 JB 1E 104K-T	T	37.4/161.3
C691	4030011600	S.CER C1608 JB 1E 104K-T	T	46.4/164
C692	4030006880	S.CER C1608 JB 1H 472K-T	T	40.3/162.1
C693	4030006880	S.CER C1608 JB 1H 472K-T	B	58.4/169.6
C694	4030006880	S.CER C1608 JB 1H 472K-T	B	58.4/164.2
C703	4030017810	S.CER C1608 CH 1H 102J-T	T	24.3/116.6
C704	4030006880	S.CER C1608 JB 1H 472K-T	T	23/116.6
C705	4510008500	S.ELE EEE1CA101WP	T	29.4/118.7
C707	4030011600	S.CER C1608 JB 1E 104K-T	T	32.1/113.7
C708	4030011600	S.CER C1608 JB 1E 104K-T	T	32.1/108.1
C709	4030007070	S.CER C1608 CH 1H 330J-T	T	38.8/112.9
C710	4030006880	S.CER C1608 JB 1H 472K-T	T	36.2/112.9
C711	4030009540	S.CER C1608 CH 1H 1R5B-T	B	39.3/113.6
C712	4030007070	S.CER C1608 CH 1H 330J-T	T	36.2/114.2
C713	4030006880	S.CER C1608 JB 1H 472K-T	T	42/118.8
C801	4030006880	S.CER C1608 JB 1H 472K-T	T	58.5/157.6
C802	4030007030	S.CER C1608 CH 1H 150J-T	T	83.2/149.5
C803	4030006900	S.CER C1608 JB 1H 103K-T	T	80.9/147.3
C811	4030011600	S.CER C1608 JB 1E 104K-T	T	44.5/165.9
C812	4030011600	S.CER C1608 JB 1E 104K-T	T	79.6/177.6
C813	4030017800	S.CER C1608 CH 1H 561J-T	B	78.9/175.6
C831	4030009910	S.CER C1608 CH 1H 040B-T	T	91.6/167.3
C832	4030009910	S.CER C1608 CH 1H 010B-T	T	91.6/157
C834	4030007030	S.CER C1608 CH 1H 150J-T	T	91.6/154.4
C835	4030006900	S.CER C1608 JB 1H 103K-T	T	94.4/154.4

[RXPLL-A UNIT]

REF NO.	ORDER NO.	DESCRIPTION	M.	H/V LOCATION
C836	4510008540	S.ELE EEE1CA100SR	T	77.2/169.6
C837	4030006880	S.CER C1608 JB 1H 472K-T	T	74.5/165.8
C838	4030007020	S.CER C1608 CH 1H 330J-T	T	95/160
C1000	4030007050	S.CER C1608 CH 1H 220J-T	B	177.1/13.8
C1001	4030007170	S.CER C1608 CH 1H 221J-T	T	177.8/69.5
C1002	4030006880	S.CER C1608 JB 1H 472K-T	B	153.1/16.2
C1003	4030012600	S.CER C2012 JB 1A 105M-T	T	157.4/8.2
C1004	4030011600	S.CER C1608 JB 1E 104K-T	B	169.6/8.7
C1005	4030011600	S.CER C1608 JB 1E 104K-T	T	162.8/17.2
C1006	4030010210	S.CER C3216 JB 1C 105M-T	T	173.8/18.6
C1007	4030006880	S.CER C1608 JB 1H 472K-T	T	172.4/23.9
C1008	4030006880	S.CER C1608 JB 1H 472K-T	T	160/24
C1009	4030006880	S.CER C1608 JB 1H 472K-T	T	147.6/23.8
C1010	4030012600	S.CER C2012 JB 1A 105M-T	T	154.5/28.9
C1011	4030012600	S.CER C2012 JB 1A 105M-T	T	144.2/29.3
C1012	4030010210	S.CER C3216 JB 1C 105M-T	T	144.8/40.2
C1013	4030012600	S.CER C2012 JB 1A 105M-T	T	144.2/33.2
C1014	4030018810	S.CER C3216 CH 1H 333J-T	B	151.6/48.3
C1015	4030012600	S.CER C2012 JB 1A 105M-T	T	163.6/13.8
C1016	4030012600	S.CER C2012 JB 1A 105M-T	T	173.6/33.2
C1017	4030012600	S.CER C2012 JB 1A 105M-T	T	163.3/33.2
C1020	4030012600	S.CER C2012 JB 1A 105M-T	B	170/38.6
C1021	4030012600	S.CER C2012 JB 1A 105M-T	B	154/38.6
C1024	4030010210	S.CER C3216 JB 1C 105M-T	B	170.5/45.5
C1025	4030010210	S.CER C3216 JB 1C 105M-T	B	154.7/45.5
C1026	4030010210	S.CER C3216 JB 1C 105M-T	T	171.4/52.7
C1027	4030010210	S.CER C3216 JB 1C 105M-T	T	165.6/52.7
C1028	4030006880	S.CER C1608 JB 1H 472K-T	B	156.4/65.4
C1029	4030006880	S.CER C1608 JB 1H 472K-T	T	168.5/65.4
C1030	4030010210	S.CER C3216 JB 1C 105M-T	T	164.5/18
C1031	4030012600	S.CER C2012 JB 1A 105M-T	B	169.2/10.8
C1032	4030011600	S.CER C1608 JB 1E 104K-T	B	183.5/65
C1033	4550006470	S.TAN TEESVB2 1D 106M8R	B	146.5/47.7
C1034	4550006470	S.TAN TEESVB2 1D 106M8R	B	174/52.1
C1035	4550006470	S.TAN TEESVB2 1D 106M8R	B	164.6/15.8
C1036	4030007120	S.CER C1608 CH 1H 820J-T	T	160.2/12.7
C1037	4030007090	S.CER C1608 CH 1H 470J-T	B	149.3/49.3
C1038	4030017810	S.CER C1608 CH 1H 102J-T	T	146.6/26.2
C1039	4030017810	S.CER C1608 CH 1H 102J-T	T	146.5/41
C1040	4030017810	S.CER C1608 CH 1H 102J-T	T	145.3/36.4
C1041	4030006990	S.CER C1608 CH 1H 080D-T	B	153.4/31
C1046	4030007010	S.CER C1608 CH 1H 100D-T	B	168.4/53.7
C1048	4030006880	S.CER C1608 JB 1H 472K-T	B	170.6/41.6
C1049	4030006880	S.CER C1608 JB 1H 472K-T	B	154.6/41.6
C1050	4030017810	S.CER C1608 CH 1H 102J-T	B	170.5/49.5
C1051	4030017810	S.CER C1608 CH 1H 102J-T	B	154.7/49.4
C1052	4030007060	S.CER C1608 CH 1H 270J-T	B	164.1/29.6
C1053	4030007110	S.CER C1608 CH 1H 680J-T	T	175.2/77.3
C1054	4030007100	S.CER C1608 CH 1H 100D-T	B	175.7/72.4
C1055	4030007140	S.CER C1608 CH 1H 121J-T	B	175.7/74.2
C1056	4030007050	S.CER C1608 CH 1H 220J-T	T	175.2/76
C1057	4030007130	S.CER C1608 CH 1H 101J-T	T	172.1/77.1
C1058	4030009920	S.CER C1608 CH 1H 050B-T	B	173.2/12.7
C1060	4030017810	S.CER C1608 CH 1H 102J-T	T	178.6/94.4
C1061	4030007090	S.CER C1608 CH 1H 470J-T	B	147.7/91.8
C1062	4030007170	S.CER C1608 CH 1H 221J-T	B	149.5/91.8
C1064	4030007090	S.CER C1608 CH 1H 470J-T	T	148.7/80.1
C1066	4030007010	S.CER C1608 CH 1H 100D-T	T	138.6/81.9
C1067	4030007010	S.CER C1608 CH 1H 100D-T	T	173.4/77.1
C1070	4030006980	S.CER C1608 CH 1H 070D-T	T	137.2/81.9
C1071	4030007100	S.CER C1608 CH 1H 560J-T	B	162.2/75.3
C1072	4030007170	S.CER C1608 CH 1H 221J-T	B	162/78.7
C1073	4030007080	S.CER C1608 CH 1H 390J-T	B	164.1/76.4
C1074	4030007060	S.CER C1608 CH 1H 270J-T	T	148.7/78.6
C1081	4030006900	S.CER C1608 JB 1H 103K-T	B	156.1/86
C1082	4030006900	S.CER C1608 JB 1H 103K-T	B	151.3/91.8
C1083	4030006900	S.CER C1608 JB 1H 103K-T	B	151.2/81.6
C1084	4030006880	S.CER C1608 JB 1H 472K-T	B	149.4/81.6
C1085	4030006880	S.CER C1608 JB 1H 472K-T	B	153/81.6
C1091	4030006880	S.CER C1608 JB 1H 472K-T	T	149.3/149.4
C1092	4030006880	S.CER C1608		



[RXPLL-A UNIT]

REF NO.	ORDER NO.	DESCRIPTION	M.	H/V LOCATION
C1226	4030009500	S.CER C1608 CH 1H 0R5B-T	B	124.9/35.6
C1227	4030009500	S.CER C1608 CH 1H 0R5B-T	B	115.4/35.6
C1228	4030009920	S.CER C1608 CH 1H 050B-T	B	113.9/41.8
C1231	4030006900	S.CER C1608 JB 1H 103K-T	T	118.9/21.5
C1232	4030006900	S.CER C1608 JB 1H 103K-T	T	109/21.5
C1234	4030006900	S.CER C1608 JB 1H 103K-T	B	123.5/38.3
C1235	4030006880	S.CER C1608 JB 1H 472K-T	B	116.6/32.1
C1236	4030006900	S.CER C1608 JB 1H 103K-T	T	119.8/40
C1238	4030006900	S.CER C1608 JB 1H 103K-T	B	114/38.3
C1239	4030006880	S.CER C1608 JB 1H 472K-T	B	106.8/32.3
C1240	4030006900	S.CER C1608 JB 1H 103K-T	T	111.7/40.5
C1241	4030006900	S.CER C1608 JB 1H 103K-T	T	113.6/38.6
C1243	4030006880	S.CER C1608 JB 1H 472K-T	B	129.6/46.7
C1244	4030007080	S.CER C1608 CH 1H 390J-T	T	149.6/67
C1245	4030007130	S.CER C1608 CH 1H 101J-T	T	151/64.4
C1246	4030007120	S.CER C1608 CH 1H 820J-T	T	150.9/67
C1247	4030007090	S.CER C1608 CH 1H 470J-T	T	153.4/63.5
C1248	4030007130	S.CER C1608 CH 1H 101J-T	T	153.4/66.8
C1249	4030007020	S.CER C1608 CH 1H 120J-T	T	153.1/70.3
C1250	4030007100	S.CER C1608 CH 1H 560J-T	B	152.4/74.3
C1251	4030006900	S.CER C1608 JB 1H 103K-T	T	160.2/92.9
C1252	4030006900	S.CER C1608 JB 1H 103K-T	T	152.7/92.9
C1253	4030006900	S.CER C1608 JB 1H 103K-T	B	152.5/111.2
C1255	4030017810	S.CER C1608 CH 1H 102J-T	B	155.7/99.3
C1256	4030007010	S.CER C1608 CH 1H 100D-T	T	156.3/98.8
C1257	4030011600	S.CER C1608 JB 1E 104K-T	B	155.7/103
C1258	4030007080	S.CER C1608 CH 1H 390J-T	B	152/97.5
C1264	4030007110	S.CER C1608 CH 1H 680J-T	T	122/51.1
C1265	4610001830	S.TRI TZB4S100AB10R00 (TZBX4N100BA110)	T	163.8/70.8
C1266	4030007020	S.CER C1608 CH 1H 120J-T	T	160.1/74.5
C1267	4030006880	S.CER C1608 JB 1H 472K-T	B	157/126.4
C1268	4030006980	S.CER C1608 CH 1H 070D-T	T	149.6/64.4
C1302	4030007060	S.CER C1608 CH 1H 270J-T	T	159.3/111
C1303	4030006980	S.CER C1608 CH 1H 070D-T	T	159.3/112.9
C1304	4030007070	S.CER C1608 CH 1H 330J-T	T	159.3/114.2
C1305	4030007010	S.CER C1608 CH 1H 100D-T	T	153.5/114.6
C1306	4030009650	S.CER C1608 CH 1H 240J-T	T	159.3/115.5
C1307	4030007030	S.CER C1608 CH 1H 150J-T	T	153.5/120.2
C1308	4030006900	S.CER C1608 JB 1H 103K-T	T	155.1/127.1
C1309	4030007080	S.CER C1608 CH 1H 390J-T	T	156.5/125.8
C1310	4030007080	S.CER C1608 CH 1H 390J-T	T	159.1/128.4
C1311	4030006900	S.CER C1608 JB 1H 103K-T	B	149/118.9
C1312	4030007060	S.CER C1608 CH 1H 270J-T	T	155.5/111.7
C1313	4030007060	S.CER C1608 CH 1H 270J-T	T	159.1/127.1
C1355	4030006880	S.CER C1608 JB 1H 472K-T	T	144.7/70
C1357	4030007000	S.CER C1608 CH 1H 090D-T	B	144.6/67.1
C1358	4030011600	S.CER C1608 JB 1E 104K-T	B	139.1/70.4
C1360	4030011600	S.CER C1608 JB 1E 104K-T	B	146.4/70.4
C1361	4030007020	S.CER C1608 CH 1H 120J-T	B	137.7/69.5
C1362	4030011600	S.CER C1608 JB 1E 104K-T	T	137.5/65.6
C1403	4030017810	S.CER C1608 CH 1H 102J-T	T	114.7/70.3
C1404	4030017810	S.CER C1608 CH 1H 102J-T	T	116.3/104.8
C1405	4030006900	S.CER C1608 JB 1H 103K-T	B	115.9/63.9
C1406	4030017810	S.CER C1608 CH 1H 102J-T	T	114.2/66.2
C1407	4030017810	S.CER C1608 CH 1H 102J-T	T	119.9/70.3
C1408	4030006900	S.CER C1608 JB 1H 103K-T	T	116.3/73
C1409	4030006900	S.CER C1608 JB 1H 103K-T	T	114.4/68.1
C1410	4030007030	S.CER C1608 CH 1H 150J-T	T	116.3/83.3
C1411	4030006990	S.CER C1608 CH 1H 080D-T	T	112.2/87.8
C1412	4030007030	S.CER C1608 CH 1H 150J-T	T	116.3/93.7
C1413	4030007020	S.CER C1608 CH 1H 120J-T	T	107/83.3
C1414	4030006990	S.CER C1608 CH 1H 080D-T	T	103.6/86.6
C1415	4030007020	S.CER C1608 CH 1H 120J-T	T	107/93.7
C1416	4030006900	S.CER C1608 JB 1H 103K-T	T	113.2/103.4
C1417	4030006900	S.CER C1608 JB 1H 103K-T	T	110.5/107.6
C1418	4030017810	S.CER C1608 CH 1H 102J-T	T	110.4/105.8
C1419	4030017810	S.CER C1608 CH 1H 102J-T	T	111/108.9
C1420	4030007120	S.CER C1608 CH 1H 820J-T	B	113.2/114.2
C1421	4030007150	S.CER C1608 CH 1H 151J-T	B	115/114.2
C1423	4030010750	S.CER C1608 CH 1H 201J-T	B	120.3/111.1
C1424	4030007010	S.CER C1608 CH 1H 100D-T	T	132.8/103.3
C1425	4030011600	S.CER C1608 JB 1E 104K-T	T	136.5/106.2
C1426	4030011600	S.CER C1608 JB 1E 104K-T	T	137.8/106.2
C1427	4030006900	S.CER C1608 JB 1H 103K-T	T	133.9/106.2
C1428	4030006980	S.CER C1608 CH 1H 070D-T	T	119.5/109
C1429	4030006900	S.CER C1608 JB 1H 103K-T	T	120.5/113.6
C1430	4030007040	S.CER C1608 CH 1H 180J-T	B	131.9/115.3
C1431	4030017810	S.CER C1608 CH 1H 102J-T	T	127/116.2
C1432	4030009980	S.CER C1608 JB 1H 152K-T	T	129.1/114.1
C1433	4030011600	S.CER C1608 JB 1E 104K-T	T	130.4/114.1
C1434	4030009920	S.CER C1608 CH 1H 050B-T	B	124.7/134.4
C1435	4030009920	S.CER C1608 CH 1H 050B-T	B	124.7/131.6
C1436	4030011600	S.CER C1608 JB 1E 104K-T	B	137.2/122.2
C1437	4030009920	S.CER C1608 CH 1H 050B-T	T	104/83.3
C1438	4030009920	S.CER C1608 CH 1H 050B-T	T	102.3/86.6
C1439	4030009920	S.CER C1608 CH 1H 050B-T	T	110/93.7
C1441	4030006880	S.CER C1608 JB 1H 472K-T	T	120.5/116.2
C1451	4030007020	S.CER C1608 CH 1H 120J-T	T	125.5/80.1
C1453	4030007030	S.CER C1608 CH 1H 150J-T	T	122.1/85.1
C1454	4030007030	S.CER C1608 CH 1H 150J-T	T	120.8/85.1
C1456	4030007020	S.CER C1608 CH 1H 120J-T	T	125.5/90.9
C1457	4030006900	S.CER C1608 JB 1H 103K-T	T	118.3/72.9
C1458	4030006900	S.CER C1608 JB 1H 103K-T	T	116.6/103.5
C1501	4030018530	S.CER C3216 CH 1H 103J-T	T	131.2/124.5
C1502	4550003220	S.TAN TEESVA 1E 105M8R	T	132.1/139.2
C1503	4030006900	S.CER C1608 JB 1H 103K-T	T	137/142.1
C1504	4030012610	S.CER C2012 JB 1C 474K-T	T	136.7/140.5
C1505	4030007010	S.CER C1608 CH 1H 100D-T	T	130/143.5
C1506	4030010760	S.CER C1608 CH 1H 331J-T	T	131.3/146.3
C1507	4510008540	S.ELE EEE1CA100SR	T	142.6/140.8
C1508	4030011600	S.CER C1608 JB 1E 104K-T	B	128.8/148.8
C1509	4030018800	S.CER C3216 CH 1H 223J-T	T	135.8/145.1
C1510	4030007110	S.CER C1608 CH 1H 680J-T	T	136.5/158.9

[RXPLL-A UNIT]

REF NO.	ORDER NO.	DESCRIPTION	M.	H/V LOCATION
C1511	4510008540	S.ELE EEE1CA100SR	T	132.7/150.6
C1512	4030011600	S.CER C1608 JB 1E 104K-T	T	129.6/149
C1513	4030011600	S.CER C1608 JB 1E 104K-T	T	129.6/158.1
C1514	4510008540	S.ELE EEE1CA100SR	T	132.7/156.5
C1515	4030007160	S.CER C1608 CH 1H 181J-T	T	132.2/160.8
C1516	4030009350	S.CER C1608 CH 1H 3R5B-T	T	130.9/160.8
C1517	4030007110	S.CER C1608 CH 1H 680J-T	T	115.3/155
C1518	4030018530	S.CER C3216 CH 1H 103J-T	T	131.2/132.8
C1519	4550003220	S.TAN TEESVA 1E 105M8R	T	122.9/140.9
C1520	4030006900	S.CER C1608 JB 1H 103K-T	T	119.8/140.7
C1521	4030012610	S.CER C2012 JB 1C 474K-T	T	116.2/142.1
C1522	4030007010	S.CER C1608 CH 1H 100D-T	T	123.7/143.5
C1523	4030010760	S.CER C1608 CH 1H 331J-T	T	122.4/146.3
C1524	4030018800	S.CER C3216 CH 1H 223J-T	T	117.9/145.2
C1525	4510008540	S.ELE EEE1CA100SR	T	124.9/150.6
C1526	4030011600	S.CER C1608 JB 1E 104K-T	T	128/149
C1527	4030011600	S.CER C1608 JB 1E 104K-T	T	128/158.1
C1528	4510008540	S.ELE EEE1CA100SR	T	124.9/156.5
C1529	4030017870	S.CER C1608 CH 1H 681J-T	T	125.4/160.8
C1530	4030011330	S.CER C1608 CH 1H 391J-T	T	126.7/160.8
C1531	4510008500	S.ELE EEE1CA101WP	T	111.3/167.3
C1532	4030011600	S.CER C1608 JB 1E 104K-T	T	107.1/167.3
C1533	4030011600	S.CER C1608 JB 1E 104K-T	T	115.5/167.3
C1534	4510008500	S.ELE EEE1CA101WP	T	119.7/167.3
C1535	4030011600	S.CER C1608 JB 1E 104K-T	T	133.7/172.6
C1536	4030017870	S.CER C1608 CH 1H 681J-T	T	126.2/179.5
C1537	4510008500	S.ELE EEE1CA101WP	T	111.3/176
C1538	4030011600	S.CER C1608 JB 1E 104K-T	T	107.1/176
C1539	4030011600	S.CER C1608 JB 1E 104K-T	T	115.5/176
C1540	4510008500	S.ELE EEE1CA101WP	T	119.7/176
C1541	4030007050	S.CER C1608 CH 1H 220J-T	T	124/175
C1651	4030006880	S.CER C1608 JB 1H 472K-T	B	105.5/144
C1653	4030006880	S.CER C1608 JB 1H 472K-T	B	109/137.2
C1654	4030017810	S.CER C1608 CH 1H 102J-T	B	106.9/137.2
C1655	4030009530	S.CER C1608 CH 1H 030B-T	T	107.6/136.8
C1656	4610001970	S.TRI TZC3P200A110R00 (TZC03P200A1102)	T	110.9/136.2
C1657	4030010220	S.CER C2012 CH 1H 102J-T	T	116.4/122.7
C1658	4030010220	S.CER C2012 CH 1H 102J-T	T	116.4/130.9
C1659	4030011600	S.CER C1608 JB 1E 104K-T	T	107.8/120
C1660	4030011600	S.CER C1608 JB 1E 104K-T	B	134/174
C1661	4030011600	S.CER C1608 JB 1E 104K-T	B	145.2/171.3
C1662	4030011600	S.CER C1608 JB 1E 104K-T	T	144.3/178
C1663	4030011600	S.CER C1608 JB 1E 104K-T	T	135.1/170.2
C1665	4030006900	S.CER C1608 JB 1H 103K-T	T	138.9/164.1
C1666	4030006880	S.CER C1608 JB 1H 472K-T	B	113.3/144
C1701	4030011600	S.CER C1608 JB 1E 104K-T	T	153.4/163
C1702	4030011600	S.CER C1608 JB 1E 104K-T	T	144.4/163
C1703	4510004601	ELE 16 ME 1000 HC		
C1704	4030011600	S.CER C1608 JB 1E 104K-T	B	180.1/160.2
C1705	4030011600	S.CER C1608 JB 1E 104K-T	B	186.4/160.2
C1706	4510008520	S.ELE EEE1CA470SP	T	172.7/154.8
C1707	4030011600	S.CER C1608 JB 1E 104K-T	T	149.7/154.8
C1708	4030006880	S.CER C1608 JB 1H 472K-T	T	175.7/166.8
C1709	4030006880	S.CER C1608 JB 1H 472K-T	T	172.6/166.8
C1710	4030006880	S.CER C1608 JB 1H 472K-T	T	169.6/166.8
C1711	4030011340	S.CER C1608 CH 1H 471J-T	T	171.4/163.5
C1712	4030011340	S.CER C1608 CH 1H 471J-T	T	167.5/163.5
C1713	4030006880	S.CER C1608 JB 1H 472K-T	B	165.5/168.8
C1714	4030006880	S.CER C1608 JB 1H 472K-T	B	153.8/141.8
C1716	4030006880	S.CER C1608 JB 1H 472K-T	B	154.7/145.1
C1717	4030006880	S.CER C1608 JB 1H 472K-T	B	152.9/145.1
C1719	4030006880	S.CER C1608 JB 1H 472K-T	B	151.1/145.1
C1720	4030006880	S.CER C1608 JB 1H 472K-T	B	155.6/141.8
C1721	4030006880	S.CER C1608 JB 1H 472K-T	B	157.4/141.8
RL1001	6330001750	REL FTR-B4CA012Z		
RL1002	6330001750	REL FTR-B4CA012Z		
RL1003	6330001750	REL FTR-B4CA012Z		
RL1004	6330001750	REL FTR-B4CA012Z		
RL1005	6330001750	REL FTR-B4CA012Z		

[RXPLL-A UNIT]

REF NO.	ORDER NO.	DESCRIPTION	M.	H/V LOCATION
EP103	6910012350	S.BEA MMZ1608Y 102BT	T	46/96.8
EP104	6910012350	S.BEA MMZ1608Y 102BT	T	46/92.9
EP105	6910012350	S.BEA MMZ1608Y 102BT	T	46/91.6
EP106	6910012350	S.BEA MMZ1608Y 102BT	T	46/89
EP107	6910012350	S.BEA MMZ1608Y 102BT	B	47.6/100.4
EP108	6910012350	S.BEA MMZ1608Y 102BT	B	47.6/102.2
EP1701	6910012350	S.BEA MMZ1608Y 102BT	T	170.1/163.5
EP1702	6910012350	S.BEA MMZ1608Y 102BT	T	168.8/163.5
EP1801	6910012350	S.BEA MMZ1608Y 102BT	B	153/132.7
EP1802	6910012350	S.BEA MMZ1608Y 102BT	B	142.5/18.8
EP1804	6910012350	S.BEA MMZ1608Y 102BT	B	112.5/138.7
EP1805	6910012350	S.BEA MMZ1608Y 102BT	B	150.2/141.8
EP1806	6910012350	S.BEA MMZ1608Y 102BT	B	128.6/64.3
EP1807	6910012350	S.BEA MMZ1608Y 102BT	B	117.4/50.2
EP1808	6910012350	S.BEA MMZ1608Y 102BT	B	137/166.9
EP1809	6910012350	S.BEA MMZ1608Y 102BT	B	147.4/127.4
EP1810	6910012350	S.BEA MMZ1608Y 102BT	B	131.3/64.2
EP1811	6910012350	S.BEA MMZ1608Y 102BT	T	160.7/56.3
EP1812	6910012350	S.BEA MMZ1608Y 102BT	B	153.5/137.4
EP1813	6910012350	S.BEA MMZ1608Y 102BT	B	132.6/65.7
EP1814	6910012350	S.BEA MMZ1608Y 102BT	B	147.2/22.3
EP1815	6910012350	S.BEA MMZ1608Y 102BT	B	156/62.6
EP1816	6910012350	S.BEA MMZ1608Y 102BT	B	160.4/20.9
EP1817	6910012350	S.BEA MMZ1608Y 102BT	B	168.6/62.2
EP1818	6910012350	S.BEA MMZ1608Y 102BT	B	151.2/133.2
EP1819	6910012350	S.BEA MMZ1608Y 102BT	B	145.6/127.9
EP1820	6910012350	S.BEA MMZ1608Y 102BT	B	148.6/19.8
EP1821	6910012350	S.BEA MMZ1608Y 102BT	B	148.6/14.1
EP1825	6910012350	S.BEA MMZ1608Y 102BT	B	126.6/7
EP1826	6910012350	S.BEA MMZ1608Y 102BT	B	151.5/137.7
EP1830	6910012350	S.BEA MMZ1608Y 102BT	B	141.3/135.2
EP1831	6910012350	S.BEA MMZ1608Y 102BT	B	143.4/128.5
EP1832	6910012350	S.BEA MMZ1608Y 102BT	B	149.2/137.5
EP1833	6910012350	S.BEA MMZ1608Y 102BT	B	147.2/133.5
EP1834	6910012350	S.BEA MMZ1608Y 102BT	T	115.8/108.3
EP1835	6910012350	S.BEA MMZ1608Y 102BT	B	141.6/128.5
EP1836	6910012350	S.BEA MMZ1608Y 102BT	T	111/110.2
EP1837	6910012350	S.BEA MMZ1608Y 102BT	B	145.8/134.1
EP1838	6910012350	S.BEA MMZ1608Y 102BT	T	116.3/106.1
EP9000	9026301001	TUB 0.7 L=14MM [USA]		
	9026301001	TUB 0.7 L=14MM [EUR]		
	9026301001	TUB 0.7 L=14MM [UK]		
MP1505	8510010460	PLA 1691 MAIN SHIELD PLATE Y295	B	143.8/68.2

[RXPLL-B UNIT]

REF NO.	ORDER NO.	DESCRIPTION	M.	H/V LOCATION
IC1	1130011530	S.IC CD74HC4094M96	T	11.9/24.1
IC2	1130009691	S.IC TC74HCT7007AF(F) S	T	22.8/23.3
IC51	1180001251	S.IC TA7808F(TE16L,Q)	T	77/16.7
IC61	1180000421	S.IC TA78L05F(TE12R,F)	B	56.5/16
IC101	1140007881	S.IC TC190G08EFG0046 JDZ/SC1246A	T	31.3/89.7
			T	33.1/74.7
IC102	1130003831	S.IC TC7S04F(TE85R,F) [USA]		
	1130003831	S.IC TC7S04F(TE85R,F) [EUR]		
	1130003831	S.IC TC7S04F(TE85R,F) [FRA]		
	1130003831	S.IC TC7S04F(TE85R,F) [DEN]		
	1130003831	S.IC TC7S04F(TE85R,F) [ITR]		
	1130003831	S.IC TC7S04F(TE85R,F) [KOR]		
	1130003830	S.IC TC7S04F(TE85R) [ESP]		
	1130003830	S.IC TC7S04F(TE85R) [AUS]		
	1130003831	S.IC TC7S04F(TE85R,F) [UK]		
	1130003831	S.IC TC7S04F(TE85R,F) [RX]		
	1130003831	S.IC TC7S04F(TE85R,F) [CHN]		
IC104	1130003831	S.IC TC7S04F(TE85R,F) [USA]	T	31.7/101.1
	1130003831	S.IC TC7S04F(TE85R,F) [EUR]		
	1130003831	S.IC TC7S04F(TE85R,F) [FRA]		
	1130003831	S.IC TC7S04F(TE85R,F) [DEN]		
	1130003831	S.IC TC7S04F(TE85R,F) [ITR]		
	1130003831	S.IC TC7S04F(TE85R,F) [KOR]		
	1130003830	S.IC TC7S04F(TE85R) [ESP]		
	1130003830	S.IC TC7S04F(TE85R) [AUS]		
	1130003831	S.IC TC7S04F(TE85R,F) [UK]		
	1130003831	S.IC TC7S04F(TE85R,F) [RX]		
	1130003831	S.IC TC7S04F(TE85R,F) [CHN]		
IC201	1130009230	S.IC LMX2306TMX/NOBP	T	27.9/38.8
IC501	1140007881	S.IC TC190G08EFG0046 46JDZ/SC1246A	T	31.3/142.5
			T	24.8/127.4
IC502	1130003831	S.IC TC7S04F(TE85R,F) [USA]		
	1130003831	S.IC TC7S04F(TE85R,F) [EUR]		
	1130003831	S.IC TC7S04F(TE85R,F) [FRA]		
	1130003831	S.IC TC7S04F(TE85R,F) [DEN]		
	1130003831	S.IC TC7S04F(TE85R,F) [ITR]		
	1130003831	S.IC TC7S04F(TE85R,F) [KOR]		
	1130003830	S.IC TC7S04F(TE85R) [ESP]		
	1130003830	S.IC TC7S04F(TE85R) [AUS]		
	1130003831	S.IC TC7S04F(TE85R,F) [UK]		
	1130003831	S.IC TC7S04F(TE85R,F) [RX]		
	1130003831	S.IC TC7S04F(TE85R,F) [CHN]		
IC503	1130003831	S.IC TC7S04F(TE85R,F) [USA]	T	31.7/154.1
	1130003831	S.IC TC7S04F(TE85R,F) [EUR]		
	1130003831	S.IC TC7S04F(TE85R,F) [FRA]		
	1130003831	S.IC TC7S04F(TE85R,F) [DEN]		
	1130003831	S.IC TC7S04F(TE85R,F) [ITR]		
	1130003831	S.IC TC7S04F(TE85R,F) [KOR]		
	1130003830	S.IC TC7S04F(TE85R) [ESP]		
	1130003830	S.IC TC7S04F(TE85R) [AUS]		
	1130003831	S.IC TC7S04F(TE85R,F) [UK]		
	1130003831	S.IC TC7S04F(TE85R,F) [RX]		
	1130003831	S.IC TC7S04F(TE85R,F) [CHN]		
IC651	1140004550	S.IC M65343FP/SC1287	T	22.6/169.2
IC652	1130003831	S.IC TC7S04F(TE85R,F) [USA]	T	13.7/163.7
	1130003831	S.IC TC7S04F(TE85R,F) [EUR]		
	1130003831	S.IC TC7S04F(TE85R,F) [FRA]		
	1130003831	S.IC TC7S04F(TE85R,F) [DEN]		
	1130003831	S.IC TC7S04F(TE85R,F) [ITR]		
	1130003831	S.IC TC7S04F(TE85R,F) [KOR]		
	1130003830	S.IC TC7S04F(TE85R) [ESP]		
	1130003830	S.IC TC7S04F(TE85R) [AUS]		
	1130003831	S.IC TC7S04F(TE85R,F) [UK]		
	1130003831	S.IC TC7S04F(TE85R,F) [RX]		
	1130003831	S.IC TC7S04F(TE85R,F) [CHN]		
IC1051	1190002010	S.IC SD5400CY <TOMO>	T	176.9/99.9
IC1081	1110006180	S.IC UPG2009TB-E3	B	151.6/85.1
IC1402	1190002110	S.IC NJG1519KC1-TE3-#ZZZB	T	117.3/69.5
IC1403	1190002110	S.IC NJG1519KC1-TE3-#ZZZB	T	113.4/106.3
IC1501	1110006121	S.IC DBM9A41-G-TR	T	121.2/124.5
IC1502	1110006121	S.IC DBM9A41-G-TR	T	121.2/133
IC1503	1110006100	S.IC NJM5534MD-TE1-#ZZZB	T	138.4/151.7
IC1504	1110006100	S.IC NJM5534MD-TE1-#ZZZB	T	119.2/151.7
IC1505	1110006190	S.IC NJM074M-TE1-#ZZZB	T	128.8/166.9
IC1506	1110006100	S.IC NJM5534MD-TE1-#ZZZB	T	128.8/175.6
IC1651	1130011921	S.IC TC74LCX00F(EL,F)	T	110/126.2
IC1652	1110005420	S.IC BA15532F-E2	T	139.8/175.6
IC1653	1110005100	S.IC NJM072BM-TE1-#ZZZB	B	140/172
IC1701	1130011530	S.IC CD74HC4094M96	T	158/166.7
IC1702	1130011530	S.IC CD74HC4094M96	T	148.9/166.7
IC1703	1160000131	S.IC TD62783AFG(5,S,EL)	T	157.3/154.8
IC1704	1180000790	S.IC AN78L10M(E1)	B	183.2/159.8
Q1	1590001050	S.TRA DTC114TUA T106	B	30.3/22.6
Q30	1530002060	S.TRA 2SC4081 T106 R	T	22.3/110.9
Q41	1590000680	S.TRA DTC114EUA T106	T	12.8/34.2
Q150	1560000331	S.FET 2SK210-GR(TE85R,F)	T	26.9/53
Q151	1530002280	S.TRA 2SC4081 T106 S	B	33.6/57.2
Q152	1530002280	S.TRA 2SC4081 T106 S	B	30.8/78.2
Q201	1590001330	S.TRA DTA114EUA T106	T	29.6/34.1
Q220	1560000331	S.FET 2SK210-GR(TE85R,F)	T	72.5/33.9
Q230	1560000331	S.FET 2SK210-GR(TE85R,F)	T	72.5/46.4
Q240	1560000331	S.FET 2SK210-GR(TE85R,F)	T	72.5/58.9
Q250	1560000331	S.FET 2SK210-GR(TE85R,F)	T	72.5/71.4
Q260	1560000331	S.FET 2SK210-GR(TE85R,F)	T	72.5/83.9
Q270	1560000331	S.FET 2SK210-GR(TE85R,F)	T	72.5/95.8
Q280	1590000680	S.TRA DTC114EUA T106	T	82.3/34.4
Q281	1590000680	S.TRA DTC114EUA T106	T	82.3/46.9
Q282	1590000680	S.TRA DTC114EUA T106	T	82.3/59.4
Q283	1590000680	S.TRA DTC114EUA T106	T	82.3/71.9
Q284	1590000680	S.TRA DTC114EUA T106	T	82.3/84.4
Q285	1590000680	S.TRA DTC114EUA T106	T	82.3/96.4
Q301	1530003432	S.TRA 2SC5226A-4-TL-E	T	92.1/30.1

M.=Mounted side (T: Mounted on the Top side, B: Mounted on the Bottom side)  
S.=Surface mount

[RXPLL-B UNIT]

REF NO.	ORDER NO.	DESCRIPTION	M.	H/V LOCATION
Q302	1530003432	S.TRA 2SC5226A-4-TL-E	B	89.1/42.5
Q303	1530003432	S.TRA 2SC5226A-4-TL-E	T	91.3/25.1
Q341	1590000680	S.TRA DTC114EUA T106	T	86.3/36.7
Q351	1580000751	S.FET 3SK294(TE85L,F)	T	92.1/56.9
Q352	1530003432	S.TRA 2SC5226A-4-TL-E	B	89.2/64.5
Q363	1590000680	S.TRA DTC114EUA T106	T	86.8/54.3
Q364	1590001330	S.TRA DTC114EUA T106	T	86.8/57.4
Q441	1590000680	S.TRA DTC114EUA T106	T	86.5/73.7
Q502	1590000680	S.TRA DTC114EUA T106	T	41.9/128.8
Q540	1530002060	S.TRA 2SC4081 T106 R	B	58.7/141.2
Q541	1560000331	S.FET 2SK210-GR(TE85R,F)	T	68.9/142.8
Q561	1530003432	S.TRA 2SC5226A-4-TL-E	T	70.6/153.8
Q580	1530003432	S.TRA 2SC5226A-4-TL-E	T	41.7/147.4
Q591	1530003151	S.TRA 2SC4673D-TD-E	T	61.7/166.5
Q592	1520000561	S.TRA 2SB1123 T-TD-E	B	52/165.3
Q593	1590000680	S.TRA DTC114EUA T106	B	54.8/171.2
Q601	1530002601	S.TRA 2SC4215-O(TE85R,F)	T	49.5/118.2
Q680	1530002060	S.TRA 2SC4081 T106 R	T	37.5/163.2
Q702	1530002601	S.TRA 2SC4215-O(TE85R,F)	T	31.4/110.9
Q1001	1530003851	S.TRA 2SC5551A-F-E	B	174/9
Q1004	1590001960	S.TRA XP4311(TX)	T	150/18.8
Q1005	1590001960	S.TRA XP4311(TX)	T	145.9/18.8
Q1006	1530003851	S.TRA 2SC5551A-F-E	B	150/37.6
Q1007	1530003851	S.TRA 2SC5551A-F-E	B	176.5/42.5
Q1008	1530003851	S.TRA 2SC5551A-F-E	B	160.5/42.5
Q1101	1530003860	TRA 2SC3950D		
Q1102	1590000680	S.TRA DTC114EUA T106	T	165.5/133.8
Q1103	1520000561	S.TRA 2SB1123 T-TD-E	B	168.6/127.8
Q1104	1530003860	TRA 2SC3950D		
Q1105	1530003842	S.TRA 2SC5501A-4-TR-E	T	166.5/142.1
Q1205	1590001960	S.TRA XP4311(TX)	T	158.8/55.6
Q1209	1530003851	S.TRA 2SC5551A-F-E	B	121/34.9
Q1210	1530003851	S.TRA 2SC5551A-F-E	B	111.5/34.9
Q1211	1560001311	S.FET MMBFU310LT1G	T	159.5/96.4
Q1212	1560001311	S.FET MMBFU310LT1G	T	153.5/96.4
Q1213	1590000680	S.TRA DTC114EUA T106	B	156.9/123.7
Q1214	1520000561	S.TRA 2SB1123 T-TD-E	B	155.4/113.5
Q1301	1530003151	S.TRA 2SC4673D-TD-E	T	157.8/120
Q1352	1530003851	S.TRA 2SC5551A-F-E	B	140/66.7
Q1401	1530003842	S.TRA 2SC5501A-4-TR-E	T	131.9/105.8
Q1402	1530003021	S.TRA 2SC4402-3-TL-E	T	123.4/111.8
Q1403	1530003021	S.TRA 2SC4402-3-TL-E	T	123.4/114.3
Q1501	1530003450	S.TRA 2SC4835G R(TX)	T	133.5/143.5
Q1502	1530003450	S.TRA 2SC4835G R(TX)	T	120.4/143.5
Q1651	1530002601	S.TRA 2SC4215-O(TE85R,F)	B	105.6/140.3
Q1701	1590001960	S.TRA XP4311(TX)	T	106.6/43.9
Q1702	1590001960	S.TRA XP4311(TX)	T	148.9/147.2
Q1703	1590001960	S.TRA XP4311(TX)	T	146.4/147.2
D101	1750000520	S.DIO DAN222TL	T	41.8/86.2
D152	1720000590	S.VAR MA357(TX)	T	17.6/59.9
D153	1790000491	S.DIO HSM88ASTR-E	T	27.2/60.4
D154	1790000491	S.DIO HSM88ASTR-E	T	27.2/63.8
D201	1750000520	S.DIO DAN222TL	T	32.4/34.1
D220	1720000590	S.VAR MA357(TX)	T	50.8/31.8
D221	1720000590	S.VAR MA357(TX)	T	52.9/31.8
D222	1790000620	S.DIO MA77(TX)	T	82.6/29.8
D230	1720000590	S.VAR MA357(TX)	T	50.8/44.2
D231	1720000590	S.VAR MA357(TX)	T	52.9/44.2
D232	1790000620	S.DIO MA77(TX)	T	82.6/42.3
D240	1720000590	S.VAR MA357(TX)	T	50.8/56.7
D241	1720000590	S.VAR MA357(TX)	T	52.9/56.7
D242	1790000620	S.DIO MA77(TX)	T	82.6/54.8
D250	1720000590	S.VAR MA357(TX)	T	50.8/69.2
D252	1790000620	S.DIO MA77(TX)	T	82.6/67.3
D261	1720000590	S.VAR MA357(TX)	T	52.9/81.7
D262	1790000620	S.DIO MA77(TX)	T	82.6/79.8
D270	1720000590	S.VAR MA357(TX)	T	50.8/94.2
D271	1720000590	S.VAR MA357(TX)	T	52.4/96.7
D272	1790000620	S.DIO MA77(TX)	T	82.5/92
D341	1790000620	S.DIO MA77(TX)	T	90/37.2
D342	1160000070	S.DIO DAN202K T146	B	81.1/47.7
D362	1790000620	S.DIO MA77(TX)	T	88.3/65.5
D363	1790000620	S.DIO MA77(TX)	T	88.3/62
D421	1790000620	S.DIO MA77(TX)	T	91.9/85
D441	1790000620	S.DIO MA77(TX)	T	89.6/74.4
D501	1750000520	S.DIO DAN222TL	T	42/132
D542	1720000590	S.VAR MA357(TX)	T	62.5/139.6
D1101	1790000620	S.DIO MA77(TX)	T	177.6/146.6
D1102	1790000620	S.DIO MA77(TX)	T	177.6/148.4
D1351	1750000581	S.DIO 1SV307(TPH3,F)	T	140.8/71.1
D1653	1750000550	S.DIO 1SS355 TE-17	T	138.9/167.2
D1654	1750000550	S.DIO 1SS355 TE-17	T	142.5/167.2
D1701	1790001670	S.DIO RB706F-40T106	T	170.5/160.8
FI101	2020002090	S.CER SFECV10M7FD00-R0 (SFECV10.7MA5S)	T	26/73.9
FI1401	2030000321	S.MON DSF753SDF 64.555 MHz (FL-359A)	T	116.3/88.5
FI1402	2030000311	S.MON DSF753SDF 64.555 MHz (FL-360A)	T	107/88.5
FI1403	2030000520	S.MON DSF753SDF 64.555(FL-397)	T	126/85.5
L1	6200003261	S.COI NLV32T-101J	T	10.8/15.4
L2	6200003261	S.COI NLV32T-101J	T	29/19.9
L10	6200003950	S.COI HF50ACC 322513-T	T	38.6/14.7
L11	6200003950	S.COI HF50ACC 322513-T	T	13.8/15.4
L12	6200003950	S.COI HF50ACC 322513-T	T	16.8/15.4
L13	6200003950	S.COI HF50ACC 322513-T	T	29/15.4
L20	6200003321	S.COI NLV32T-3R3J	T	85.9/123.8
L30	6200005491	S.COI NLV32T-331J	T	20.6/120

[RXPLL-B UNIT]

REF NO.	ORDER NO.	DESCRIPTION	M.	H/V LOCATION
L101	6200001831	S.COI NLV32T-100J	T	38.3/72.8
L151	6130002970	COI LB-343		
L152	6200001831	S.COI NLV32T-100J	T	30/54.5
L201	6200005011	S.COI NLV25T-100J	T	22.2/45
L211	6200003661	S.COI NLV25T-R68J	B	45.4/35.3
L220	6200010790	S.COI C2520C-3R9G-A	T	51.9/37.5
L221	6190001421	COI #E526GN-110502		
L222	6200010790	S.COI C2520C-3R9G-A	T	76.2/37.7
L230	6200010830	S.COI C2520C-3R3G-A	T	51.9/50
L231	6190001421	COI #E526GN-110502		
L232	6200010830	S.COI C2520C-3R3G-A	T	76.2/50.2
L240	6200010830	S.COI C2520C-3R3G-A	T	51.9/62.4
L241	6190001421	COI #E526GN-110502		
L242	6200010830	S.COI C2520C-3R3G-A	T	76.2/62.7
L250	6200010820	S.COI C2520C-2R7G-A	T	51.9/74.9
L251	6190001421	COI #E526GN-110502		
L252	6200010820	S.COI C2520C-2R7G-A	T	76.2/75.2
L260	6200010820	S.COI C2520C-2R7G-A	T	51.9/87.4
L261	6190001411	COI #E526GN-110501		
L262	6200010820	S.COI C2520C-2R7G-A	T	76.2/87.7
L270	6200010810	S.COI C2520C-2R2G-A	T	51.9/99.8
L271	6190001411	COI #E526GN-110501		
L272	6200010810	S.COI C2520C-2R2G-A	T	76/100.2
L280	6200005011	S.COI NLV25T-100J	T	67.4/25.5
L302	6200001831	S.COI NLV32T-100J	T	89.3/42.6
L331	6200002641	S.COI NLV25T-R15J	T	95.1/34.1
L332	6200002411	S.COI NLV25T-056J	B	93.2/36
L341	6200003261	S.COI NLV32T-101J	T	87/39.6
L351	6200001831	S.COI NLV32T-100J	T	91.3/62
L421	6200008641	S.COI NLV32T-391J	T	87/81
L441	6200002601	S.COI NLV25T-047J	T	91.9/72.3
L442	6200010730	S.COI C2520C-68NG-A	T	90.5/78.2
L451	6200002641	S.COI NLV25T-R15J	T	95/81
L452	6200003261	S.COI NLV32T-101J	T	87/78
L501	6200001831	S.COI NLV32T-100J	T	31/125.8
L530	6200003171	S.COI NLV32T-330J	T	14.6/134.9
L531	6200003171	S.COI NLV32T-330J	T	14.6/130.8
L532	6200003171	S.COI NLV32T-330J	T	15.5/127.1
L541	6200010790	S.COI C2520C-3R9G-A	T	56.3/139.6
L542	6190001421	COI #E526GN-110502		
L543	6200010790	S.COI C2520C-3R9G-A	T	68.4/147.9
L544	6200003261	S.COI NLV32T-101J	B	65.9/142.1
L545	6200003261	S.COI NLV32T-101J	B	51.3/139.6
L561	6200003261	S.COI NLV32T-101J	B	64/156
L562	6200001831	S.COI NLV32T-100J	B	74.6/151.8
L565	6150004250	COI LS-471A (C-14922)		
L566	6150004250	COI LS-471A (C-14922)		
L591	6200007790	S.COI LQW2BHN15J03L	T	60.5/171.5
L601	6200001831	S.COI NLV32T-100J	T	49.5/123.6
L602	6200002641	S.COI NLV25T-R15J	T	54.1/118
L603	6200002841	S.COI NLV25T-R22J	T	57.1/117.2
L651	6200001831	S.COI NLV32T-100J	T	15.5/176.3
L681	6200002981	S.COI NLV32T-R56J	T	37.4/176.2
L682	6200003041	S.COI NLV32T-R68J	T	37.8/172.6
L683	6200003051	S.COI NLV32T-R82J	T	40.2/166.2
L701	6200003261	S.COI NLV32T-101J	T	23.6/120
L702	6150004971	S.COI LS-522-LF	T	37.6/108.6
L703	6150004971	S.COI LS-522-LF	T	37.5/118.5
L1001	6190001650	COI ELC06D102E		
L1002	6140004400	COI LR-499		
L1004	6140003890	COI LR-488		
L1005	6180001000	COI LAL 04NA 102K		
L1006	6140003900	COI LR-489		
L1007	6140003800	COI LR-439		
L1008	6190001650	COI ELC06D102E		
L1009	6190001650	COI ELC06D102E		
L1010	6140003880	COI LR-486		
L1011	6140003880	COI LR-486		
L1012	6140003800	COI LR-439		
L1013	6200010680	S.COI C2520C-R22G-A (0.22U)	T	155/55.2
L1014	6200010680	S.COI C2520C-R22G-A (0.22U)	T	157.9/12.4
L1015	6200007790	S.COI LQW2BHN15J03L	B	163.5/27.5
L1052	6200010740	S.COI C2520C-R27G-A	T	177.8/74.6
L1053	6200010740	S.COI C2520C-R27G-A	T	173.8/73.5
L1054	6200010740	S.COI C2520C-R27G-A	T	169.4/72.6
L1055	6140003960	COI LR-495		
L1056	6200010730	S.COI C2520C-68NG-A	T	171/83.8
L1058	6190001631	COI #E544EN-100021		
L1060	6200010730	S.COI C2520C-68NG-A	T	149.1/76.4
L1062	6200011450	S.COI C2520C-R39G-A	T	145.1/81.4
L1063	6200010650	S.COI C2520C-R12G-A (0.12U)	T	140.9/82.5
L1071	6200007780	S.COI LQW2BHN12J03L	B	164.9/79.2
L1072	6200007780	S.COI LQW2BHN12J03L	B	168/76.1
L1091	6200003950	S.COI HF50ACC 322513-T	B	171/149
L1092	6200003950	S.COI HF50ACC 322513-T	T	149.7/136.5
L1093	6200003950	S.COI HF50ACC 322513-T	T	157/135.2
L1101	6140003920	COI LR-491		
L1102	6200010650	S.COI C2520C-R12G-A (0.12U)	T	176.9/117.9
L1103	6180001250	COI LAL 04NA 3R3K		
L1104	6200010870	S.COI C2520C-R33G-A (0.33U)	T	178.3/135.9
L1105	6140003910	COI LR-490		
L1151	6140004640	COI LR-519		
L1201	6200007780	S.COI LQW2BHN12J03L	B	119.3/17.4
L1208	6140003800	COI LR-439		
L1209	6200001831	S.COI NLV32T-100J	T	121.1/20.8
L1210	6140004440	COI LR-503		
L1211	6200009690	S.COI LQH43CN101K03L	T	115.7/34.6
L1212	6200001831	S.COI NL		



[RXPLL-B UNIT]

REF NO.	ORDER NO.	DESCRIPTION	M.	H/V LOCATION
L1220	6140000930	COI LR-116		
L1221	6200003261	S.COI NLV32T-101J	B	149.5/110.9
L1222	6150001770	COI LS-198		
L1223	6200007750	S.COI LQW2BHN56NJ03L	B	151.3/100.7
L1228	6200010870	S.COI C2520C-R33G-A (0.33U)	T	158.7/71.3
L1229	6200003950	S.COI HF50ACC 322513-T	B	164.7/115
L1301	6200008090	S.COI LQW2BHN68NJ03L	T	157.1/111.9
L1302	6200008090	S.COI LQW2BHN68NJ03L	T	156.4/115.5
L1303	6200008090	S.COI LQW2BHN68NJ03L	T	153.4/117.5
L1304	6200010870	S.COI C2520C-R33G-A (0.33U)	T	153.8/123
L1305	6200003001	S.COI NLV32T-R22J	T	159.2/124.5
L1306	6200001831	S.COI NLV32T-100J	B	152.7/118.6
L1307	6200003001	S.COI NLV32T-R22J	T	153.3/112
L1351	6200001831	S.COI NLV32T-100J	T	143/76.4
L1353	6200010740	S.COI C2520C-R27G-A	T	141.6/67.5
L1354	6200001831	S.COI NLV32T-100J	T	136.4/68
L1401	6150004280	COI LS-484B (C-14927)		
L1402	6150004280	COI LS-484B (C-14927)		
L1403	6150004280	COI LS-484B (C-14927)		
L1404	6150004280	COI LS-484B (C-14927)		
L1405	6200007770	S.COI LQW2BHN10J03L	B	112.5/111.4
L1406	6200007750	S.COI LQW2BHN56NJ03L	B	116.6/111.4
L1407	6140003930	COI LR-492		
L1408	6190001621	COI #E544EN-100028		
L1409	6200003191	S.COI NLV32T-470J	B	135.8/125.4
L1410	6150004280	COI LS-484B (C-14927)		
L1411	6150004280	COI LS-484B (C-14927)		
L1501	6200003520	S.COI ELJFB 102K-F	T	142.1/145.1
L1652	6200002520	S.COI ELJNC R18K-F	T	112.9/133.1
L1653	6200001831	S.COI NLV32T-100J	B	105.4/124.6
L1654	6200001831	S.COI NLV32T-100J	B	112.4/141.9
L1655	6200001831	S.COI NLV32T-100J	B	124.7/139.8
L1701	6200001831	S.COI NLV32T-100J	T	167/160
L1702	6200003950	S.COI HF50ACC 322513-T	T	175.6/169.8
L1703	6200003950	S.COI HF50ACC 322513-T	T	172.6/169.8
L1704	6200003950	S.COI HF50ACC 322513-T	T	169.6/169.8
L1705	6200003950	S.COI HF50ACC 322513-T	T	165.5/169.8
L1803	6200003950	S.COI HF50ACC 322513-T	B	132/54.8
L1804	6200003950	S.COI HF50ACC 322513-T	B	118/154.8
L1805	6200003950	S.COI HF50ACC 322513-T	B	155.2/132
L1807	6200003950	S.COI HF50ACC 322513-T	B	118/151.3
L1808	6200003950	S.COI HF50ACC 322513-T	B	141.3/162
L1809	6200003950	S.COI HF50ACC 322513-T	B	149.5/115.6
R1	7030005871	S.RES ERA3YKD 104V (100K)	T	32.5/19.2
R2	7030005321	S.RES ERA3YED 103V (10K)	T	31.2/19.2
R3	7030003550	S.RES ERJ3GEYJ 822 V (8.2K)	T	16.9/23.5
R4	7030003550	S.RES ERJ3GEYJ 822 V (8.2K)	T	16.9/24.8
R5	7030003550	S.RES ERJ3GEYJ 822 V (8.2K)	T	13.3/31.3
R6	7030003550	S.RES ERJ3GEYJ 822 V (8.2K)	T	13.3/30
R7	7030003500	S.RES ERJ3GEYJ 332 V (3.3K)	B	26.7/12.9
R8	7030003470	S.RES ERJ3GEYJ 182 V (1.8K)	B	28.2/14.6
R9	7030003680	S.RES ERJ3GEYJ 104 V (100K)	B	27.5/10.6
R10	7030003360	S.RES ERJ3GEYJ 221 V (220)	T	19/16
R11	7030003360	S.RES ERJ3GEYJ 221 V (220)	T	20.3/16
R12	7030003360	S.RES ERJ3GEYJ 221 V (220)	T	22.4/16
R13	7030003360	S.RES ERJ3GEYJ 221 V (220)	T	23.7/16
R14	7030003360	S.RES ERJ3GEYJ 221 V (220)	T	25/16
R15	7030003360	S.RES ERJ3GEYJ 221 V (220)	T	26.4/16.2
R16	7030003360	S.RES ERJ3GEYJ 221 V (220)	T	32.5/15.4
R17	7030003360	S.RES ERJ3GEYJ 221 V (220)	T	33.8/15.4
R30	7030003240	S.RES ERJ3GEYJ 220 V (22)	T	21.7/113.7
R31	7030003600	S.RES ERJ3GEYJ 223 V (22K)	T	20.4/111.1
R32	7030003320	S.RES ERJ3GEYJ 101 V (100)	T	23/113.7
R33	7030003340	S.RES ERJ3GEYJ 151 V (150)	T	19.1/115
R51	7030011030	S.RES ERJ1TYJ 270U (27)	T	66.3/13.9
R61	7030011030	S.RES ERJ1TYJ 270U (27)	T	45.1/13.9
R101	7030003800	S.RES ERJ3GEYJ 105 V (1M)	T	34.1/101.5
R102	7030003860	S.RES ERJ3GE JPW V	B	35.6/88.6
R103	7030007230	S.RES ERA3YED 102V (1K)	T	25.1/100.3
R104	7030007230	S.RES ERA3YED 102V (1K)	T	26.4/100.3
R105	7030007230	S.RES ERA3YED 102V (1K)	T	27.8/100.3
R106	7030003360	S.RES ERJ3GEYJ 221 V (220)	T	29.1/100.3
R107	7030003320	S.RES ERJ3GEYJ 101 V (100)	T	38/101.5
R108	7030007230	S.RES ERA3YED 102V (1K)	T	28.9/79
R109	7030007230	S.RES ERA3YED 102V (1K)	T	41.9/84.5
R110	7030007220	S.RES ERA3YED 202V (2K)	T	14.6/100.5
R111	7030007220	S.RES ERA3YED 202V (2K)	T	17.2/100.5
R112	7030007220	S.RES ERA3YED 202V (2K)	T	17.2/99.2
R113	7030007220	S.RES ERA3YED 202V (2K)	T	17.2/97.9
R114	7030007220	S.RES ERA3YED 202V (2K)	T	17.2/96.6
R115	7030007220	S.RES ERA3YED 202V (2K)	T	17.2/95.2
R116	7030007220	S.RES ERA3YED 202V (2K)	T	17.2/93.9
R117	7030007220	S.RES ERA3YED 202V (2K)	T	17.2/92.6
R118	7030007200	S.RES ERA3YEB 202V (2K)	T	17.2/91.3
R119	7030007200	S.RES ERA3YEB 202V (2K)	T	17.2/89.6
R120	7030007200	S.RES ERA3YEB 202V (2K)	T	17.2/87
R121	7030007200	S.RES ERA3YEB 202V (2K)	T	17.2/84.4
R122	7030007200	S.RES ERA3YEB 202V (2K)	T	17.2/81.8
R123	7030007230	S.RES ERA3YED 102V (1K)	T	14.6/99.2
R124	7030007230	S.RES ERA3YED 102V (1K)	T	14.6/97.9
R125	7030007230	S.RES ERA3YED 102V (1K)	T	14.6/96.6
R126	7030007230	S.RES ERA3YED 102V (1K)	T	14.6/95.2
R127	7030007230	S.RES ERA3YED 102V (1K)	T	14.6/93.9
R128	7030007230	S.RES ERA3YED 102V (1K)	T	14.6/92.6
R129	7030007210	S.RES ERA3YEB 102V (1K)	T	14.6/91.3
R130	7030007210	S.RES ERA3YEB 102V (1K)	T	14.6/89.6
R131	7030007210	S.RES ERA3YEB 102V (1K)	T	14.6/88.2
R132	7030007210	S.RES ERA3YEB 102V (1K)	T	14.6/87
R133	7030007210	S.RES ERA3YEB 102V (1K)	T	14.6/85.7
R134	7030009861	S.RES ERA3YED 471V (470)	T	14.6/84.4
R135	7030003860	S.RES ERJ3GE JPW V	T	30.4/75.8
R136	7030003800	S.RES ERJ3GEYJ 105 V (1M)	T	33/77.1

[RXPLL-B UNIT]

REF NO.	ORDER NO.	DESCRIPTION	M.	H/V LOCATION
R137	7030003200	S.RES ERJ3GEYJ 100 V (10)	T	35.5/75.8
R138	7030003860	S.RES ERJ3GE JPW V	T	16.8/78.6
R139	7030003860	S.RES ERJ3GE JPW V	T	17.6/75.8
R150	7030003330	S.RES ERJ3GEYJ 121 V (120)	B	37.8/86.2
R151	7030003220	S.RES ERJ3GEYJ 150 V (15)	B	36.8/88.1
R152	7030005871	S.RES ERA3YKD 104V (100K)	B	38.2/82.5
R153	7030005321	S.RES ERA3YED 103V (10K)	T	19.2/62.7
R154	7030003320	S.RES ERJ3GEYJ 101 V (100)	B	26.3/54.1
R155	7030003350	S.RES ERJ3GEYJ 181 V (180)	B	23/54.1
R156	7030005871	S.RES ERA3YKD 104V (100K)	T	24.6/53.1
R157	7030005871	S.RES ERA3YKD 104V (100K)	T	26.9/58
R158	7030003340	S.RES ERJ3GEYJ 151 V (150)	T	30/57.3
R159	7030003320	S.RES ERJ3GEYJ 101 V (100)	B	33.6/61.4
R160	7030003360	S.RES ERJ3GEYJ 221 V (220)	B	33.6/59.6
R161	7030003640	S.RES ERJ3GEYJ 473 V (47K)	B	33.6/54.8
R163	7030003220	S.RES ERJ3GEYJ 150 V (15)	B	30.2/56.6
R164	7030003310	S.RES ERJ3GEYJ 820 V (82)	B	34.1/70.4
R165	7030003320	S.RES ERJ3GEYJ 101 V (100)	B	30.8/70.4
R166	7030003320	S.RES ERJ3GEYJ 101 V (100)	B	30.8/72.2
R167	7030003240	S.RES ERJ3GEYJ 220 V (220)	B	37.4/75.8
R168	7030003360	S.RES ERJ3GEYJ 221 V (220)	B	34.1/75.8
R169	7030003640	S.RES ERJ3GEYJ 473 V (47K)	B	30.8/75.8
R202	7030007230	S.RES ERA3YED 102V (1K)	T	22.2/39.7
R203	7030007230	S.RES ERA3YED 102V (1K)	T	22.2/38.4
R204	7030003360	S.RES ERJ3GEYJ 221 V (220)	T	22.2/37.1
R205	7030005321	S.RES ERA3YED 103V (10K)	T	27.4/34
R206	7030003220	S.RES ERJ3GEYJ 150 V (15)	T	31.1/45.7
R210	7030005351	S.RES ERA3YED 182V (1.8K)	T	35.6/37.5
R217	7030009651	S.RES ERA3YHD 820V (82)	B	40.4/42.8
R219	7030009691	S.RES ERA3YED 101V (100)	B	40/35.7
R220	7030005871	S.RES ERA3YKD 104V (100K)	T	73.2/37.6
R221	7030005871	S.RES ERA3YKD 104V (100K)	T	72.3/30.9
R222	7030003400	S.RES ERJ3GEYJ 471 V (470)	T	81.4/38.3
R223	7030007230	S.RES ERA3YED 102V (1K)	T	81.9/31.9
R224	7030003320	S.RES ERJ3GEYJ 101 V (100)	T	73.2/40.2
R230	7030005871	S.RES ERA3YKD 104V (100K)	T	73.2/50.1
R231	7030005871	S.RES ERA3YKD 104V (100K)	T	72.3/43.3
R232	7030003360	S.RES ERJ3GEYJ 221 V (220)	T	81.4/50.8
R233	7030007230	S.RES ERA3YED 102V (1K)	T	81.9/44.4
R234	7030003320	S.RES ERJ3GEYJ 101 V (100)	T	73.2/52.7
R240	7030005871	S.RES ERA3YKD 104V (100K)	T	73.2/62.7
R241	7030005871	S.RES ERA3YKD 104V (100K)	T	72.3/55.8
R242	7030003360	S.RES ERJ3GEYJ 221 V (220)	T	81.4/63.3
R243	7030007230	S.RES ERA3YED 102V (1K)	T	81.9/56.9
R244	7030003320	S.RES ERJ3GEYJ 101 V (100)	T	73.2/65.2
R250	7030005871	S.RES ERA3YKD 104V (100K)	T	73.2/75.1
R251	7030005871	S.RES ERA3YKD 104V (100K)	T	72.3/68.4
R252	7030003360	S.RES ERJ3GEYJ 221 V (220)	T	81.4/75.8
R253	7030007230	S.RES ERA3YED 102V (1K)	T	81.9/69.4
R254	7030003320	S.RES ERJ3GEYJ 101 V (100)	T	73.2/77.7
R260	7030005871	S.RES ERA3YKD 104V (100K)	T	73.2/87.6
R261	7030005871	S.RES ERA3YKD 104V (100K)	T	72.3/80.9
R262	7030003400	S.RES ERJ3GEYJ 471 V (470)	T	81.4/88.3
R263	7030007230	S.RES ERA3YED 102V (1K)	T	81.9/81.9
R264	7030003320	S.RES ERJ3GEYJ 101 V (100)	T	73.2/90.2
R270	7030005871	S.RES ERA3YKD 104V (100K)	T	73.2/99.5
R271	7030005871	S.RES ERA3YKD 104V (100K)	T	72.3/92.8
R272	7030003360	S.RES ERJ3GEYJ 221 V (220)	T	81.4/100.8
R273	7030007230	S.RES ERA3YED 102V (1K)	T	81.9/93.9
R274	7030003320	S.RES ERJ3GEYJ 101 V (100)	T	73.2/102.1
R301	7030003200	S.RES ERJ3GEYJ 100 V (10)	T	86.5/30.6
R302	7030007230	S.RES ERA3YED 102V (1K)	T	86.5/29.3
R303	7030003360	S.RES ERJ3GEYJ 221 V (220)	T	92.1/28
R304	7030003490	S.RES ERJ3GEYJ 272 V (2.7K)	T	94/30.1
R305	7030003510	S.RES ERJ3GEYJ 392 V (3.9K)	T	95.3/30.1
R306	7030003360	S.RES ERJ3GEYJ 221 V (220)	T	94.7/32.2
R307	7030009841	S.RES ERA3YHD 330V (33)	T	92.1/32.2
R308	7030009851	S.RES ERA3YED 271V (270)	B	92.6/43.4
R309	7030003540	S.RES ERJ3GEYJ 682 V (6.8K)	B	89.1/47
R310	7030003500	S.RES ERJ3GEYJ 332 V (3.3K)	B	92.6/47
R311	7030003350	S.RES ERJ3GEYJ 181 V (180)	B	89.1/45.2
R312	7030003360	S.RES ERJ3GEYJ 221 V (220)	B	92.4/27.8
R313	7030003490	S.RES ERJ3GEYJ 272 V (2.7K)	B	91.1/23.1
R314	7030003510	S.RES ERJ3GEYJ 392 V (3.9K)	B	88.3/23.1
R315	7030003360	S.RES ERJ3GEYJ 221 V (220)	B	87.5/25.1
R316	7030003280	S.RES ERJ3GEYJ 470 V (47)	B	78.3/26.1
R317	7030006220	S.RES ERJ12YJ470U (47)	B	90/31.4
R318	7030009841	S.RES ERA3YHD 330V (33)	B	92.6/41.6
R341	7030007230	S.RES ERA3YED 102V (1K)	T	92.1/40.1
R342	7030005321	S.RES ERA3YED 103V (10K)	T	86.5/32.2
R343	7030007230	S.RES ERA3YED 102V (1K)	T	89.3/34.8
R351	7030003200	S.RES ERJ3GEYJ 100		

[RXPLL-B UNIT]

REF NO.	ORDER NO.	DESCRIPTION	M.	H/V LOCATION
R442	7030005321	S.RES ERA3YED 103V (10K)	T	88.9/70.9
R443	7030007230	S.RES ERA3YED 102V (1K)	T	88.9/72.2
R501	7030003360	S.RES ERJ3GEYJ 221 V (220)	T	29.2/153.1
R502	7030007230	S.RES ERA3YED 102V (1K)	T	27.9/153.1
R503	7030007230	S.RES ERA3YED 102V (1K)	T	26.5/153.1
R504	7030007230	S.RES ERA3YED 102V (1K)	T	25.2/153.1
R506	7030003800	S.RES ERJ3GEYJ 105 V (1M)	T	34/154.5
R509	7030003440	S.RES ERJ3GEYJ 102 V (1K)	T	42.5/136
	7030003440	S.RES ERJ3GEYJ 102 V (1K)	[USA]	
	7030003440	S.RES ERJ3GEYJ 102 V (1K)	[EUR]	
	7030003440	S.RES ERJ3GEYJ 102 V (1K)	[FRA]	
	7030003440	S.RES ERJ3GEYJ 102 V (1K)	[DEN]	
	7030003440	S.RES ERJ3GEYJ 102 V (1K)	[ITR]	
	7030003440	S.RES ERJ3GEYJ 102 V (1K)	[KOR]	
	7030003440	S.RES ERJ3GEYJ 102 V (1K)	[ESP]	
	7030003440	S.RES ERJ3GEYJ 102 V (1K)	[AUS]	
	7030003440	S.RES ERJ3GEYJ 102 V (1K)	[UK]	
	7030003440	S.RES ERJ3GEYJ 102 V (1K)	[RX]	
	7030007230	S.RES ERA3YED 102V (1K)	[CHN]	
R510	7030007220	S.RES ERA3YED 202V (2K)	T	14.6/153.6
R511	7030007220	S.RES ERA3YED 202V (2K)	T	17.2/153.6
R512	7030007220	S.RES ERA3YED 202V (2K)	T	17.2/152.3
R513	7030007220	S.RES ERA3YED 202V (2K)	T	17.2/151
R514	7030007220	S.RES ERA3YED 202V (2K)	T	17.2/149.7
R515	7030007220	S.RES ERA3YED 202V (2K)	T	17.2/148.3
R516	7030007220	S.RES ERA3YED 202V (2K)	T	17.2/147
R517	7030007220	S.RES ERA3YED 202V (2K)	T	17.2/145.7
R518	7030007200	S.RES ERA3YED 202V (2K)	T	17.2/144.4
R519	7030007200	S.RES ERA3YED 202V (2K)	T	17.2/142.7
R520	7030007200	S.RES ERA3YED 202V (2K)	T	17.2/141.4
R521	7030007200	S.RES ERA3YED 202V (2K)	T	17.2/140.1
R522	7030007200	S.RES ERA3YED 202V (2K)	T	17.2/138.8
R523	7030007230	S.RES ERA3YED 102V (1K)	T	14.6/152.3
R524	7030007230	S.RES ERA3YED 102V (1K)	T	14.6/151
R525	7030007230	S.RES ERA3YED 102V (1K)	T	14.6/149.7
R526	7030007230	S.RES ERA3YED 102V (1K)	T	14.6/148.3
R527	7030007230	S.RES ERA3YED 102V (1K)	T	14.6/147
R528	7030007230	S.RES ERA3YED 102V (1K)	T	14.6/145.7
R529	7030007210	S.RES ERA3YED 102V (1K)	T	14.6/144.4
R530	7030007210	S.RES ERA3YED 102V (1K)	T	14.6/142.7
R531	7030007210	S.RES ERA3YED 102V (1K)	T	14.6/141.4
R532	7030007210	S.RES ERA3YED 102V (1K)	T	14.6/140.1
R533	7030007210	S.RES ERA3YED 102V (1K)	T	14.6/138.8
R534	7030003860	S.RES ERJ3GE JPW V	T	22.2/127.6
R535	7030003800	S.RES ERJ3GEYJ 105 V (1M)	T	24.8/129.8
R536	7030003200	S.RES ERJ3GEYJ 100 V (10)	T	28/128.3
R537	7030007230	S.RES ERA3YED 102V (1K)	T	30.3/131.9
R538	7030003360	S.RES ERJ3GEYJ 221 V (220)	B	34.8/146.5
R540	7030007230	S.RES ERA3YED 102V (1K)	B	52.3/142.8
R544	7030005871	S.RES ERA3YKD 104V (100K)	T	69.4/140.4
R545	7030005871	S.RES ERA3YKD 104V (100K)	T	69.4/139.1
R546	7030009861	S.RES ERA3YED 471V (470)	T	67.4/150.7
R548	7030009591	S.RES ERA3YED 472V (4.7K)	B	43.4/136.5
R550	7030009691	S.RES ERA3YED 101V (100)	B	43.4/134.7
R554	7030009891	S.RES ERA3YED 151V (150)	B	47.2/133.9
R555	7030003380	S.RES ERJ3GEYJ 331 V (330)	B	61.9/142.1
R556	7030005981	S.RES ERA3YED 333V (33K)	B	44.2/128.2
R561	7030003200	S.RES ERJ3GEYJ 100 V (10)	T	71.3/148.5
R562	7030003360	S.RES ERJ3GEYJ 221 V (220)	T	65.7/155.5
R563	7030003490	S.RES ERJ3GEYJ 272 V (2.7K)	T	70.4/151.9
R564	7030003510	S.RES ERJ3GEYJ 392 V (3.9K)	T	70.4/150.6
R565	7030003360	S.RES ERJ3GEYJ 221 V (220)	T	67/155.5
R570	7030003230	S.RES ERJ3GEYJ 180 V (18)	T	63.1/155.5
R571	7030003230	S.RES ERJ3GEYJ 180 V (18)	T	58.5/155
R572	7030003290	S.RES ERJ3GEYJ 560 V (56)	B	57.2/156.3
R573	7030003270	S.RES ERJ3GEYJ 390 V (39)	T	61.8/155.5
R574	7030003240	S.RES ERJ3GEYJ 220 V (22)	T	60.5/155.5
R575	7030003270	S.RES ERJ3GEYJ 390 V (39)	T	58.5/156.3
R580	7030009861	S.RES ERA3YED 471V (470)	T	41.9/153.7
R581	7030003360	S.RES ERJ3GEYJ 221 V (220)	T	41.9/145.5
R582	7030003600	S.RES ERJ3GEYJ 223 V (22K)	T	41.9/149.5
R587	7030003300	S.RES ERJ3GEYJ 680 V (68)	T	55.7/157.6
R588	7030003340	S.RES ERJ3GEYJ 151 V (150)	T	58.5/158.9
R589	7030003300	S.RES ERJ3GEYJ 680 V (68)	T	55.7/158.9
R591	7030003320	S.RES ERJ3GEYJ 101 V (100)	T	58.2/169.9
R592	7030005321	S.RES ERA3YED 103V (10K)	T	58.5/167.9
R593	7030003480	S.RES ERJ3GEYJ 222 V (2.2K)	T	58.5/165.1
R594	7030003320	S.RES ERJ3GEYJ 101 V (100)	B	61.9/168.1
R595	7030003640	S.RES ERJ3GEYJ 473 V (47K)	B	55.9/165.3
R596	7030003540	S.RES ERJ3GEYJ 682 V (6.8K)	B	54.7/168.9
R601	7030009851	S.RES ERA3YED 271V (270)	T	51.7/118.2
R602	7030003470	S.RES ERJ3GEYJ 182 V (1.8K)	T	49.5/120.1
R606	7030003360	S.RES ERJ3GEYJ 221 V (220)	T	45.3/115.6
R607	7030003480	S.RES ERJ3GEYJ 222 V (2.2K)	T	48.6/115.4
R608	7030007230	S.RES ERA3YED 102V (1K)	T	49.9/115.4
R651	7030007230	S.RES ERA3YED 102V (1K)	B	23.5/177.1
R652	7030003360	S.RES ERJ3GEYJ 221 V (220)	T	13.5/170.8
R653	7030007230	S.RES ERA3YED 102V (1K)	T	13.5/169.5
R654	7030007230	S.RES ERA3YED 102V (1K)	T	13.5/168.2
R656	7030003800	S.RES ERJ3GEYJ 105 V (1M)	T	15/161.4
R657	7030003320	S.RES ERJ3GEYJ 101 V (100)	T	20.2/161.4
R661	7030007220	S.RES ERA3YED 202V (2K)	T	31.7/162.8
R662	7030007220	S.RES ERA3YED 202V (2K)	T	31.7/161.4
R663	7030007220	S.RES ERA3YED 202V (2K)	T	31.7/165.4
R664	7030007220	S.RES ERA3YED 202V (2K)	T	31.7/166.7
R665	7030007220	S.RES ERA3YED 202V (2K)	T	31.7/168
R666	7030007220	S.RES ERA3YED 202V (2K)	T	31.7/170.6
R667	7030007220	S.RES ERA3YED 202V (2K)	T	31.7/171.9
R668	7030007220	S.RES ERA3YED 202V (2K)	T	31.7/173.2
R669	7030007200	S.RES ERA3YED 202V (2K)	T	31.7/174.5
R670	7030007200	S.RES ERA3YED 202V (2K)	T	31.7/175.8
R671	7030007200	S.RES ERA3YED 202V (2K)	T	31.7/177.1
R673	7030007230	S.RES ERA3YED 102V (1K)	T	34.3/165.4
R674	7030007230	S.RES ERA3YED 102V (1K)	T	34.3/166.7
R675	7030007230	S.RES ERA3YED 102V (1K)	T	34.3/168

[RXPLL-B UNIT]

REF NO.	ORDER NO.	DESCRIPTION	M.	H/V LOCATION
R676	7030007230	S.RES ERA3YED 102V (1K)	T	34.3/169.3
R677	7030007230	S.RES ERA3YED 102V (1K)	T	34.3/170.6
R678	7030007230	S.RES ERA3YED 102V (1K)	T	34.3/171.9
R679	7030007210	S.RES ERA3YED 102V (1K)	T	34.3/173.2
R680	7030007210	S.RES ERA3YED 102V (1K)	T	34.3/174.5
R681	7030007210	S.RES ERA3YED 102V (1K)	T	34.3/175.8
R683	7030003860	S.RES ERJ3GE JPW V	B	58.4/167.8
R685	7030003460	S.RES ERJ3GEYJ 152 V (1.5K)	T	34.3/169.7
R686	7030003320	S.RES ERJ3GEYJ 101 V (100)	T	40.3/163.4
R687	7030003470	S.RES ERJ3GEYJ 182 V (1.8K)	T	37.4/165.1
R688	7030003480	S.RES ERJ3GEYJ 222 V (2.2K)	T	34.3/162.8
R689	7030003360	S.RES ERJ3GEYJ 221 V (220)	T	33.6/161.5
R690	7030009851	S.RES ERA3YED 271V (270)	T	46.4/165.3
R691	7030003230	S.RES ERJ3GEYJ 180 V (18)	T	48.4/164.8
R692	7030009851	S.RES ERA3YED 271V (270)	T	46.4/166.6
R693	7030003360	S.RES ERJ3GEYJ 221 V (220)	T	37.1/169.7
R704	7030009841	S.RES ERA3YHD 330V (33)	T	30.8/113.7
R705	7030003600	S.RES ERJ3GEYJ 223 V (22K)	T	29.5/113.7
R706	7030005321	S.RES ERA3YED 103V (10K)	T	28.2/113.7
R707	7030009861	S.RES ERA3YED 471V (470)	T	30.8/108.1
R708	7030003410	S.RES ERJ3GEYJ 561 V (560)	T	43.3/118.8
R709	7030007860	S.RES ERJ3GEYJ 8R2V (8.2)	T	43.3/116
R710	7030003410	S.RES ERJ3GEYJ 561 V (560)	T	43.8/121.1
R711	7030003320	S.RES ERJ3GEYJ 101 V (100)	T	37.9/154.5
R1000	7030003320	S.RES ERJ3GEYJ 101 V (100)	B	177.1/11.2
R1003	7030010980	S.RES ERA3YHD 470V (47)	T	162/13.4
R1004	7030007230	S.RES ERA3YED 102V (1K)	B	166.4/12.9
R1005	7030003550	S.RES ERJ3GEYJ 822 V (8.2K)	T	144/26.1
R1006	7030007230	S.RES ERA3YED 102V (1K)	T	145.3/26.1
R1007	7030004030	S.RES ERJ3GEYJ 5R6 V (5.6)	B	153.7/33.6
R1008	7030003240	S.RES ERJ3GEYJ 220 V (22)	T	144/36.4
R1009	7030010980	S.RES ERA3YHD 470V (47)	T	182.4/29.3
R1010	7030010980	S.RES ERA3YHD 470V (47)	T	154.5/33.2
R1013	7030007230	S.RES ERA3YED 102V (1K)	B	172.7/40.8
R1014	7030007230	S.RES ERA3YED 102V (1K)	B	156.7/40.8
R1015	7030003530	S.RES ERJ3GEYJ 562 V (5.6K)	B	172.7/45.4
R1016	7030003530	S.RES ERJ3GEYJ 562 V (5.6K)	B	156.7/45.4
R1017	7030003530	S.RES ERJ3GEYJ 562 V (5.6K)	B	169.7/12.9
R1020	7030003390	S.RES ERJ3GEYJ 391 V (390)	T	179.6/18.3
R1021	7030003220	S.RES ERJ3GEYJ 150 V (15)	T	177/19.4
R1022	7030003390	S.RES ERJ3GEYJ 391 V (390)	T	180.9/19.4
R1023	7030010980	S.RES ERA3YHD 470V (47)	B	149.3/33.5
R1024	7030003200	S.RES ERJ3GEYJ 100 V (10)	B	150.1/31.4
R1025	7030003300	S.RES ERJ3GEYJ 680 V (68)	T	178.3/19.4
R1026	7030003480	S.RES ERJ3GEYJ 222 V (2.2K)	B	171.2/14.2
R1027	7030003200	S.RES ERJ3GEYJ 100 V (10)	B	176.5/38.3
R1028	7030003200	S.RES ERJ3GEYJ 100 V (10)	B	160.5/38.3
R1029	7030010980	S.RES ERA3YHD 470V (47)	B	178.2/46.1
R1030	7030010980	S.RES ERA3YHD 470V (47)	B	162.2/46.1
R1051	7030003800	S.RES ERJ3GEYJ 105 V (1M)	T	178.6/93.1
R1054	7030011500	S.RES ERA3YHD 270V (27)	T	149.1/83.2
R1055	7030000010	S.RES MCR10EZHZ JPW (000)	T	162.1/76.6
R1056	7030000010	S.RES MCR10EZHZ JPW (000)	T	177.5/71.1
R1071	7030010980	S.RES ERA3YHD 470V (47)	B	165.9/76.4
R1072	7030000010	S.RES MCR10EZHZ JPW (000)	T	133.9/84.1
R1073	7030000010	S.RES MCR10EZHZ JPW (000)	T	135.5/85.7
R1101	7310004860	S.TRI EVM-3YSX50 B53 (502)	T	180.1/90.2
R1102	7030005871	S.RES ERA3YKD 104V (100K)	B	180.2/100.6
R1103	7030007680	S.RES ERJ8ENF 47R0V (47)	T	181.7/104.7
R1104	7030007680	S.RES ERJ8ENF 47R0V (47)	T	173.6/107.2
R1105	7030003500	S.RES ERJ3GEYJ 332 V (3.3K)	T	176.7/87.7
R1106	7030009620	S.RES ERJ12YJ120U (12)	B	179.6/117.9
R1107	7030010980	S.RES ERA3YHD 470V (47)	T	175.6/120.3
R1109	7030007180	S.RES ERJ12YJ150U (15)	B	176.5/125.7
R1110	7030003480	S.RES ERJ3GEYJ 222 V (2.2K)	B	168.5/131.6
R1111	7030003480	S.RES ERJ3GEYJ 222 V (2.2K)	T	166.2/130.4
R1113	7030003480	S.RES ERJ3GEYJ 222 V (2.2K)	T	166.2/131.7
R1114	7030004040	S.RES ERJ3GEYJ 4R7 V (4.7)	T	179.2/125.3
R1115	7030006240	S.RES ERJ12YJ181U (180)	B	176.5/129.9
R1116	7030007230	S.RES ERA3YED 102V (1K)	T	175.7/135.3
R1117	7030004040	S.RES ERJ3GEYJ 4R7 V (4.7)	T	175.7/134
R1118	7030003480	S.RES ERJ3GEYJ 222 V (2.2K)	T	175.4/132
R1119	7030003470	S.RES ERJ3GEYJ 182 V (1.8K)	T	178/132
R1120	7030006070	S.RES ERJ12YJ101U (100)	B	177.3/141
R1121	7030003240	S.RES ERJ3GEYJ 220 V (22)	T	178.6/139.6
R1122	7030010980	S.RES ERA3YHD 470V (47)	T	171.9/131.1



[RXPLL-B UNIT]

REF NO.	ORDER NO.	DESCRIPTION	M.	H/V LOCATION
R1226	7030003410	S.RES ERJ3GEYJ 561 V (560)	T	158.9/92.9
R1227	7030003410	S.RES ERJ3GEYJ 561 V (560)	T	154/92.9
R1228	7310004860	S.TRI EVM-3YXS50 B53 (502)	T	156.4/92.9
R1229	7030003480	S.RES ERJ3GEYJ 222 V (2.2K)	B	156.1/117.4
R1230	7030003480	S.RES ERJ3GEYJ 222 V (2.2K)	B	156.1/119.2
R1231	7030003480	S.RES ERJ3GEYJ 222 V (2.2K)	B	156.1/121
R1232	7030003600	S.RES ERJ3GEYJ 223 V (22K)	T	156.3/97.5
R1233	7030010980	S.RES ERA3YHD 470V (47)	B	152.5/109.4
R1301	7030010980	S.RES ERA3YHD 470V (47)	B	155.7/97.5
R1302	7030003860	S.RES ERJ3GE JPW V	T	159.3/116.8
R1304	7030003620	S.RES ERJ3GEYJ 333 V (33K)	T	156.5/123.2
R1306	7030006230	S.RES ERJ12YJ151U (150)	B	153.8/124.8
R1307	7030003300	S.RES ERJ3GEYJ 680 V (68)	T	156.5/128.4
R1311	7030000010	S.RES MCR10EZHH JPW (000)	T	140.3/98.8
R1312	7030000010	S.RES MCR10EZHH JPW (000)	T	143.2/104.1
R1313	7030000010	S.RES MCR10EZHH JPW (000)	T	143.2/101.5
R1357	7030007230	S.RES ERA3YED 102V (1K)	B	140.7/70.4
R1358	7030003530	S.RES ERJ3GEYJ 562 V (5.6K)	B	142.8/70.4
R1359	7030010980	S.RES ERA3YHD 470V (47)	T	139.4/64.7
R1360	7030007230	S.RES ERA3YED 102V (1K)	B	146.4/67.1
R1361	7030003380	S.RES ERJ3GEYJ 331 V (330)	T	139.3/68.8
R1362	7030005871	S.RES ERA3YKD 104V (100K)	B	144.6/70.4
R1401	7030003200	S.RES ERJ3GEYJ 100 V (10)	T	131.5/103.3
R1402	7030003300	S.RES ERJ3GEYJ 680 V (68)	T	126.4/111
R1403	7030007230	S.RES ERA3YED 102V (1K)	T	132/107.7
R1404	7030009861	S.RES ERA3YED 471V (470)	T	134.6/104.3
R1405	7030003340	S.RES ERJ3GEYJ 151 V (150)	T	137.2/104.3
R1406	7030009591	S.RES ERA3YED 472V (4.7K)	T	135.2/106.2
R1407	7030003550	S.RES ERJ3GEYJ 822 V (8.2K)	B	135.4/104.3
R1408	7030003200	S.RES ERJ3GEYJ 100 V (10)	T	120.9/109
R1409	7030009591	S.RES ERA3YED 472V (4.7K)	T	120.5/114.9
R1410	7030006091	S.RES ERA3YED 822V (8.2K)	B	124.2/114.4
R1411	7030005871	S.RES ERA3YKD 104V (100K)	T	123.2/116.2
R1412	7030003200	S.RES ERJ3GEYJ 100 V (10)	T	126.4/112.3
R1413	7030003200	S.RES ERJ3GEYJ 100 V (10)	T	126.4/113.6
R1414	7030005871	S.RES ERA3YKD 104V (100K)	B	120.9/114.4
R1415	7030010980	S.RES ERA3YHD 470V (47)	T	127/114.9
R1416	7030003320	S.RES ERJ3GEYJ 101 V (100)	B	139.7/122.9
R1417	7030000010	S.RES MCR10EZHH JPW (000)	B	130.1/124.5
R1418	7030000010	S.RES MCR10EZHH JPW (000)	B	130.1/122.5
R1419	7030003860	S.RES ERJ3GE JPW V	B	129.4/114.9
R1501	7030010980	S.RES ERA3YHD 470V (47)	T	126.5/125.2
R1502	7030009841	S.RES ERA3YHD 330V (33)	T	133/131
R1503	7030009851	S.RES ERA3YED 271V (270)	T	130/146.3
R1504	7030011050	S.RES ERA3YHD 100V (10)	T	131.3/143.5
R1505	7030006091	S.RES ERA3YED 822V (8.2K)	B	137.7/140.3
R1506	7030007230	S.RES ERA3YED 102V (1K)	B	137.7/147
R1507	7030007230	S.RES ERA3YED 102V (1K)	T	132.6/146.3
R1508	7030007230	S.RES ERA3YED 102V (1K)	T	133.9/146.3
R1509	7030007230	S.RES ERA3YED 102V (1K)	T	139.1/158.9
R1510	7030005321	S.RES ERA3YED 103V (10K)	T	139.1/157.6
R1511	7030009861	S.RES ERA3YED 471V (470)	T	136.5/157.6
R1512	7030003380	S.RES ERJ3GEYJ 331 V (330)	T	129.6/151.6
R1513	7030003380	S.RES ERJ3GEYJ 331 V (330)	T	129.6/155.5
R1514	7030005321	S.RES ERA3YED 103V (10K)	T	129.6/160.8
R1515	7030005321	S.RES ERA3YED 103V (10K)	T	133.5/160.8
R1516	7310005090	S.TRI RH03ADC13X (1K)	T	119.2/157.7
R1517	7030005321	S.RES ERA3YED 103V (10K)	T	115.3/158
R1518	7030005321	S.RES ERA3YED 103V (10K)	T	134.8/160.8
R1519	7030005321	S.RES ERA3YED 103V (10K)	T	131.7/171.7
R1520	7030005321	S.RES ERA3YED 103V (10K)	T	136.1/160.8
R1521	7030010980	S.RES ERA3YHD 470V (47)	T	126.5/133
R1522	7030009841	S.RES ERA3YHD 330V (33)	T	126/141.1
R1523	7030009851	S.RES ERA3YED 271V (270)	T	123.7/146.3
R1524	7030011050	S.RES ERA3YHD 100V (10)	T	122.4/143.5
R1525	7030007230	S.RES ERA3YED 102V (1K)	B	128.8/147
R1526	7030003460	S.RES ERJ3GEYJ 152 V (1.5K)	B	137.7/142.1
R1527	7030007230	S.RES ERA3YED 102V (1K)	T	119.8/146.3
R1528	7030007230	S.RES ERA3YED 102V (1K)	T	121.1/146.3
R1529	7030007230	S.RES ERA3YED 102V (1K)	T	115.3/152.3
R1530	7030003380	S.RES ERJ3GEYJ 331 V (330)	T	128/151.6
R1531	7030003380	S.RES ERJ3GEYJ 331 V (330)	T	128/155.5
R1532	7030005321	S.RES ERA3YED 103V (10K)	T	124.1/160.8
R1533	7030005321	S.RES ERA3YED 103V (10K)	T	128/160.8
R1534	7030005321	S.RES ERA3YED 103V (10K)	T	122.8/160.8
R1535	7030005321	S.RES ERA3YED 103V (10K)	T	121.5/160.8
R1536	7030005321	S.RES ERA3YED 103V (10K)	T	129/171.7
R1537	7030003320	S.RES ERJ3GEYJ 101 V (100)	T	115.5/164.5
R1538	7030003320	S.RES ERJ3GEYJ 101 V (100)	T	107.1/170.1
R1539	7030008061	S.RES ERA3YED 222V (2.2K)	B	131.8/176.4
R1540	7030010390	S.RES ERA3YED 821V (820)	B	128.7/177.1
R1541	7030003320	S.RES ERJ3GEYJ 101 V (100)	T	107.1/178.8
R1542	7030003320	S.RES ERJ3GEYJ 101 V (100)	T	115.5/173.2
R1543	7030009691	S.RES ERA3YED 101V (100)	B	130.6/179
R1551	7030003380	S.RES ERJ3GEYJ 331 V (330)	B	100.9/144.8
R1652	7030003220	S.RES ERJ3GEYJ 150 V (15)	B	102.7/144.8
R1653	7030003380	S.RES ERJ3GEYJ 331 V (330)	B	101.9/142.9
R1654	7030010980	S.RES ERA3YHD 470V (47)	B	105.5/142.2
R1655	7030009861	S.RES ERA3YED 471V (470)	B	108.8/140
R1656	7030003630	S.RES ERJ3GEYJ 393 V (39K)	B	108.3/142.2
R1657	7030005871	S.RES ERA3YKD 104V (100K)	T	108/133.1
R1658	7030003320	S.RES ERJ3GEYJ 101 V (100)	T	110.6/133.1
R1659	7030009691	S.RES ERA3YED 101V (100)	T	115.8/124.9
R1660	7030009691	S.RES ERA3YED 101V (100)	T	115.8/128.7
R1661	7030005321	S.RES ERA3YED 103V (10K)	T	135.1/175.4
R1662	7030005321	S.RES ERA3YED 103V (10K)	T	135.2/172.8
R1663	7030005321	S.RES ERA3YED 103V (10K)	T	144.3/175.4
R1664	7030005321	S.RES ERA3YED 103V (10K)	T	139.9/172.1
R1665	7030003320	S.RES ERJ3GEYJ 101 V (100)	T	109.3/133.1
R1667	7030003360	S.RES ERJ3GEYJ 221 V (220)	T	139.2/170.2
R1668	7030003360	S.RES ERJ3GEYJ 221 V (220)	T	141.8/170.2
R1670	7030003800	S.RES ERJ3GEYJ 105 V (1M)	T	140.2/164.1
R1673	7030007230	S.RES ERA3YED 102V (1K)	B	146/174.5
R1674	7030009851	S.RES ERA3YED 271V (270)	B	145.1/177.1

[RXPLL-B UNIT]

REF NO.	ORDER NO.	DESCRIPTION	M.	H/V LOCATION
R1675	7030009591	S.RES ERA3YED 472V (4.7K)	T	136.6/170.2
R1677	7030009591	S.RES ERA3YED 472V (4.7K)	T	143.1/170.2
R1701	7030003360	S.RES ERJ3GEYJ 221 V (220)	T	162.4/147.4
R1703	7030003360	S.RES ERJ3GEYJ 221 V (220)	T	159.8/147.4
R1704	7030003360	S.RES ERJ3GEYJ 221 V (220)	T	158.5/147.4
R1706	7030003360	S.RES ERJ3GEYJ 221 V (220)	T	155.9/147.4
R1707	7030003360	S.RES ERJ3GEYJ 221 V (220)	T	154.6/147.4
R1708	7030003360	S.RES ERJ3GEYJ 221 V (220)	T	153.3/147.4
R1709	7030003480	S.RES ERJ3GEYJ 222 V (2.2K)	T	149.7/159.3
R1710	7030003480	S.RES ERJ3GEYJ 222 V (2.2K)	T	148.4/159.3
R1711	7030003540	S.RES ERJ3GEYJ 682 V (6.8K)	T	147.1/159.3
R1712	7030003540	S.RES ERJ3GEYJ 682 V (6.8K)	T	145.8/159.3
R1713	7030003660	S.RES ERJ3GEYJ 683 V (68K)	T	145.8/157.2
R1714	7030003660	S.RES ERJ3GEYJ 683 V (68K)	T	145.8/155.9
R1715	7030003540	S.RES ERJ3GEYJ 682 V (6.8K)	T	143.9/164.8
R1716	7030007230	S.RES ERA3YED 102V (1K)	T	164.2/164.8
R1717	7030007230	S.RES ERA3YED 102V (1K)	T	164.2/163.5
R1718	7030007230	S.RES ERA3YED 102V (1K)	T	164.2/162.2
R1719	7030003660	S.RES ERJ3GEYJ 683 V (68K)	T	144.3/166.8
C1	4030011600	S.CER C1608 JB 1E 104K-T	T	10.8/18.2
C2	4030006880	S.CER C1608 JB 1H 472K-T	T	25.7/29.5
C14	4030006880	S.CER C1608 JB 1H 472K-T	T	37.7/12.5
C15	4030006880	S.CER C1608 JB 1H 472K-T	T	31.2/15.4
C16	4030006880	S.CER C1608 JB 1H 472K-T	T	35.1/15.4
C17	4030006880	S.CER C1608 JB 1H 472K-T	T	13.8/123.7
C18	4030006880	S.CER C1608 JB 1H 472K-T	T	16.8/12.6
C19	4030006880	S.CER C1608 JB 1H 472K-T	T	29.5/12.6
C20	4030006880	S.CER C1608 JB 1H 472K-T	T	87.4/127.8
C21	4030006880	S.CER C1608 JB 1H 472K-T	T	88.7/127.8
C22	4030006880	S.CER C1608 JB 1H 472K-T	T	90/127.8
C30	4030011600	S.CER C1608 JB 1E 104K-T	T	19.1/112.4
C31	4030011600	S.CER C1608 JB 1E 104K-T	T	20.4/113.7
C32	4030011600	S.CER C1608 JB 1E 104K-T	T	24.3/111.1
C51	4510008520	S.ELE EEE1CA470SP	T	84/20.3
C52	4030011600	S.CER C1608 JB 1E 104K-T	T	78.9/23.7
C53	4030011600	S.CER C1608 JB 1E 104K-T	T	75.1/23.7
C54	4510008500	S.ELE EEE1CA101WP	T	70/20.3
C61	4510008520	S.ELE EEE1CA470SP	T	62.9/20.3
C62	4030011600	S.CER C1608 JB 1E 104K-T	B	58.2/19.9
C63	4030011600	S.CER C1608 JB 1E 104K-T	B	54.8/19.9
C64	4510008500	S.ELE EEE1CA101WP	T	50.1/20.3
C101	4030006880	S.CER C1608 JB 1H 472K-T	T	39.7/80.7
C102	4030011600	S.CER C1608 JB 1E 104K-T	T	41.8/79.9
C103	4510008540	S.ELE EEE1CA100SR	T	40.2/76.8
C104	4030011600	S.CER C1608 JB 1E 104K-T	T	21.4/100.2
C105	4030011600	S.CER C1608 JB 1E 104K-T	T	21.4/88.2
C106	4030011600	S.CER C1608 JB 1E 104K-T	T	21.4/84.4
C107	4030011600	S.CER C1608 JB 1E 104K-T	T	24.4/79.8
C108	4030011600	S.CER C1608 JB 1E 104K-T	T	27/79.8
C109	4030011600	S.CER C1608 JB 1E 104K-T	T	30.8/79.8
C110	4030011600	S.CER C1608 JB 1E 104K-T	T	36.8/79.8
C111	4030011600	S.CER C1608 JB 1E 104K-T	T	41.2/88.5
C112	4030011600	S.CER C1608 JB 1E 104K-T	T	41.3/82.6
C114	4030011600	S.CER C1608 JB 1E 104K-T	T	39.5/98.4
C115	4030011600	S.CER C1608 JB 1E 104K-T	T	38.1/98.4
C116	4030011600	S.CER C1608 JB 1E 104K-T	T	35.3/99.6
C117	4030011600	S.CER C1608 JB 1E 104K-T	T	23.3/98.8
C118	4030011600	S.CER C1608 JB 1E 104K-T	T	42.6/82.6
C120	4030006880	S.CER C1608 JB 1H 472K-T	T	36.7/101.5
C121	4030011600	S.CER C1608 JB 1E 104K-T	T	39.5/101.5
C125	4030011600	S.CER C1608 JB 1E 104K-T	T	14.6/83.1
C129	4030011600	S.CER C1608 JB 1E 104K-T	T	33.4/79.8
C130	4030017810	S.CER C1608 CH 1H 102J-T	B	47.6/106.6
C131	4030011600	S.CER C1608 JB 1E 104K-T	T	30.4/73.2
C132	4030011600	S.CER C1608 JB 1E 104K-T	T	35.5/73.2
C133	4030006880	S.CER C1608 JB 1H 472K-T	B	43.5/98.6
C134	4030006880	S.CER C1608 JB 1H 472K-T	B	43.5/96.8
C135	4030006880	S.CER C1608 JB 1H 472K-T	T	46/95.5
C136	4030006880	S.CER C1608 JB 1H 472K-T	T	46/94.2
C137	4030006880	S.CER C1608 JB 1H 472K-T	T	46/90.3
C138	4030006880	S.CER C1608 JB 1H 472K-T	T	46.1/87.7
C139	4030006880	S.CER C1608 JB 1H 472K		



[RXPLL-B]

REF NO.	ORDER NO.	DESCRIPTION	M.	H/V LOCATION
C211	4550007300	S.TAN F931A335MAABMA	B	46.1/41.6
C219	4030006880	S.CER C1608 JB 1H 472K-T	T	33.8/37.8
C220	4030007130	S.CER C1608 CH 1H 101J-T	T	54.7/37.6
C221	4030009520	S.CER C1608 CH 1H 020B-T	T	54.7/32
C222	4610001860	S.TRI TZB4Z060AB10R00 (TZBX4R200BA110)	T	68.1/32.6
C223	4030007080	S.CER C1608 CH 1H 390J-T	T	73.2/36.3
C224	4030007010	S.CER C1608 CH 1H 100D-T	T	73.2/38.9
C225	4030007050	S.CER C1608 CH 1H 220J-T	T	73.6/30.9
C226	4030006880	S.CER C1608 JB 1H 472K-T	T	71/30.9
C227	4030009920	S.CER C1608 CH 1H 050B-T	T	75.1/32.6
C228	4510008540	S.ELE EEE1CA100SR	T	68.8/37.8
C229	4030009530	S.CER C1608 CH 1H 030B-T	T	77.8/32.6
C230	4030007100	S.CER C1608 CH 1H 560J-T	T	54.7/50
C231	4030009510	S.CER C1608 CH 1H 010B-T	T	54.7/44.6
C232	4610001860	S.TRI TZB4Z060AB10R00 (TZBX4R200BA110)	T	68.1/45.1
C233	4030007070	S.CER C1608 CH 1H 330J-T	T	73.2/48.8
C234	4030009920	S.CER C1608 CH 1H 050B-T	T	73.2/51.4
C235	4030007020	S.CER C1608 CH 1H 120J-T	T	73.6/43.3
C236	4030006880	S.CER C1608 JB 1H 472K-T	T	71/43.3
C237	4030009910	S.CER C1608 CH 1H 040B-T	T	75.1/45
C238	4510008540	S.ELE EEE1CA100SR	T	68.8/50.3
C239	4030009910	S.CER C1608 CH 1H 040B-T	T	77.8/45
C240	4030007080	S.CER C1608 CH 1H 390J-T	T	54.7/62.5
C241	4030009510	S.CER C1608 CH 1H 010B-T	T	54.7/57.1
C242	4610001860	S.TRI TZB4Z060AB10R00 (TZBX4R200BA110)	T	68.1/57.6
C243	4030007060	S.CER C1608 CH 1H 270J-T	T	73.2/61.3
C244	4030009910	S.CER C1608 CH 1H 040B-T	T	73.2/63.9
C245	4030009920	S.CER C1608 CH 1H 050B-T	T	73.6/55.8
C246	4030006880	S.CER C1608 JB 1H 472K-T	T	71/55.9
C247	4030009530	S.CER C1608 CH 1H 030B-T	T	75.1/57.5
C248	4510008540	S.ELE EEE1CA100SR	T	68.8/62.9
C250	4030007100	S.CER C1608 CH 1H 560J-T	T	54.7/75
C251	4030009540	S.CER C1608 CH 1H 1R5B-T	T	54.7/69.6
C252	4610001810	S.TRI TZB4Z030AB10R00 (TZBX4Z030BA110)	T	68.1/70.1
C253	4030007080	S.CER C1608 CH 1H 390J-T	T	73.2/73.8
C254	4030009530	S.CER C1608 CH 1H 030B-T	T	73.2/76.4
C255	4030006990	S.CER C1608 CH 1H 080D-T	T	73.6/68.4
C256	4030006880	S.CER C1608 JB 1H 472K-T	T	71/68.4
C257	4030007010	S.CER C1608 CH 1H 100D-T	T	75.1/70
C258	4510008540	S.ELE EEE1CA100SR	T	68.8/75.4
C260	4030007110	S.CER C1608 CH 1H 680J-T	T	54.7/87.5
C262	4610001810	S.TRI TZB4Z030AB10R00 (TZBX4Z030BA110)	T	68.1/82.6
C263	4030007080	S.CER C1608 CH 1H 390J-T	T	73.2/86.3
C264	4030009530	S.CER C1608 CH 1H 030B-T	T	73.2/88.9
C265	4030011770	S.CER C1608 CH 1H 060B-T	T	73.6/80.9
C266	4030006880	S.CER C1608 JB 1H 472K-T	T	71/80.9
C267	4030007010	S.CER C1608 CH 1H 100D-T	T	75.1/82.5
C268	4510008540	S.ELE EEE1CA100SR	T	68.8/87.9
C272	4610001860	S.TRI TZB4Z060AB10R00 (TZBX4R200BA110)	T	68.1/95.1
C273	4030007050	S.CER C1608 CH 1H 220J-T	T	73.2/98.2
C274	4030009530	S.CER C1608 CH 1H 030B-T	T	73.2/100.8
C275	4030009920	S.CER C1608 CH 1H 050B-T	T	73.6/92.8
C276	4030006880	S.CER C1608 JB 1H 472K-T	T	71/92.8
C277	4030007010	S.CER C1608 CH 1H 100D-T	T	75.1/95
C278	4510008540	S.ELE EEE1CA100SR	T	68.8/100.4
C283	4030017810	S.CER C1608 CH 1H 102J-T	T	82.1/36.3
C284	4030006880	S.CER C1608 JB 1H 472K-T	T	84.5/34.3
C285	4030017810	S.CER C1608 CH 1H 102J-T	T	82.1/48.8
C286	4030006880	S.CER C1608 JB 1H 472K-T	T	84.5/46.9
C287	4030017810	S.CER C1608 CH 1H 102J-T	T	82.1/61.3
C288	4030006880	S.CER C1608 JB 1H 472K-T	T	83.9/57.5
C289	4030017810	S.CER C1608 CH 1H 102J-T	T	82.1/73.8
C290	4030006880	S.CER C1608 JB 1H 472K-T	T	84.3/70.4
C291	4030017810	S.CER C1608 CH 1H 102J-T	T	82.1/86.3
C292	4030006880	S.CER C1608 JB 1H 472K-T	T	84.4/84.4
C293	4030017810	S.CER C1608 CH 1H 102J-T	T	82.1/98.7
C294	4030006880	S.CER C1608 JB 1H 472K-T	T	83.2/93.9
C297	4030009920	S.CER C1608 CH 1H 050B-T	T	52.6/59.4
C299	4030007050	S.CER C1608 CH 1H 220J-T	T	52.6/84.4
C301	4030006880	S.CER C1608 JB 1H 472K-T	T	89.3/30.6
C302	4030006880	S.CER C1608 JB 1H 472K-T	T	94.9/28
C303	4030006880	S.CER C1608 JB 1H 472K-T	B	92.6/39.8
C304	4030006880	S.CER C1608 JB 1H 472K-T	B	92.6/45.2
C305	4030006880	S.CER C1608 JB 1H 472K-T	B	89.1/48.8
C306	4030006880	S.CER C1608 JB 1H 472K-T	B	89.1/50.6
C309	4030017810	S.CER C1608 CH 1H 102J-T	T	94.9/42.7
C310	4030011600	S.CER C1608 JB 1E 104K-T	T	92.8/42.1
C311	4510008520	S.ELE EEE1CA470SP	T	93.4/47.4
C312	4030006880	S.CER C1608 JB 1H 472K-T	B	89/27.4
C313	4030006880	S.CER C1608 JB 1H 472K-T	B	93.7/23.1
C331	4030007110	S.CER C1608 CH 1H 680J-T	T	89.3/32.2
C332	4030007160	S.CER C1608 CH 1H 181J-T	T	92.1/33.5
C333	4030007110	S.CER C1608 CH 1H 680J-T	T	89.3/33.5
C334	4030007050	S.CER C1608 CH 1H 220J-T	T	94.9/36
C335	4030006980	S.CER C1608 CH 1H 070D-T	T	94.9/37.4
C336	4030007030	S.CER C1608 CH 1H 150J-T	T	92.1/38.8
C337	4030007050	S.CER C1608 CH 1H 220J-T	T	94.9/38.8
C341	4030006880	S.CER C1608 JB 1H 472K-T	T	94.9/40.1
C342	4030006880	S.CER C1608 JB 1H 472K-T	T	86.5/33.5
C344	4030011600	S.CER C1608 JB 1E 104K-T	T	94.9/41.4
C351	4030017810	S.CER C1608 CH 1H 102J-T	T	94.9/61.6
C352	4030011600	S.CER C1608 JB 1E 104K-T	T	94.9/62.9
C353	4510008520	S.ELE EEE1CA470SP	T	93.4/67.1
C354	4030006880	S.CER C1608 JB 1H 472K-T	T	89.3/51.7
C355	4030006880	S.CER C1608 JB 1H 472K-T	T	94.9/55.1
C356	4030006880	S.CER C1608 JB 1H 472K-T	T	89.2/58.4
C357	4030006880	S.CER C1608 JB 1H 472K-T	T	94.9/57.7
C358	4030006880	S.CER C1608 JB 1H 472K-T	B	89.2/60.3

[RXPLL-B]

REF NO.	ORDER NO.	DESCRIPTION	M.	H/V LOCATION
C359	4030006880	S.CER C1608 JB 1H 472K-T	B	92.6/62.1
C360	4030006880	S.CER C1608 JB 1H 472K-T	B	89.9/66.9
C361	4030006880	S.CER C1608 JB 1H 472K-T	T	89.3/83.4
C363	4030006880	S.CER C1608 JB 1H 472K-T	T	86.1/60.9
C364	4030017810	S.CER C1608 CH 1H 102J-T	T	86.7/52.3
C365	4030006880	S.CER C1608 JB 1H 472K-T	T	90.3/59.9
C421	4030006880	S.CER C1608 JB 1H 472K-T	T	94.1/88.5
C423	4030006880	S.CER C1608 JB 1H 472K-T	T	94.1/93.3
C426	4030006880	S.CER C1608 JB 1H 472K-T	B	94.6/87.3
C427	4030006880	S.CER C1608 JB 1H 472K-T	T	92.1/86.5
C441	4030007040	S.CER C1608 CH 1H 180J-T	T	94.9/71.3
C442	4030007040	S.CER C1608 CH 1H 180J-T	T	94.9/72.6
C443	4030007020	S.CER C1608 CH 1H 120J-T	T	92.1/74.2
C444	4030007080	S.CER C1608 CH 1H 390J-T	T	94.9/73.9
C445	4030011770	S.CER C1608 CH 1H 060B-T	T	94.9/75.2
C446	4030007060	S.CER C1608 CH 1H 270J-T	T	94.9/79.1
C447	4030007110	S.CER C1608 CH 1H 680J-T	T	92.8/78.9
C448	4030006880	S.CER C1608 JB 1H 472K-T	T	94.9/76.5
C449	4030006880	S.CER C1608 JB 1H 472K-T	T	88.1/69.1
C451	4030007110	S.CER C1608 CH 1H 120J-T	T	92/82.1
C452	4030007160	S.CER C1608 CH 1H 181J-T	T	92/80.8
C453	4030011600	S.CER C1608 JB 1E 104K-T	T	94.9/77.8
C501	4030006880	S.CER C1608 JB 1H 472K-T	T	38.9/131.2
C502	4030011600	S.CER C1608 JB 1E 104K-T	T	38.9/129.9
C503	4510008540	S.ELE EEE1CA100SR	T	36.6/126.7
C504	4030011600	S.CER C1608 JB 1E 104K-T	T	21.4/153.1
C505	4550007470	S.TAN F931A107MNMABMA	B	19.2/140.3
C506	4030011600	S.CER C1608 JB 1E 104K-T	T	21.4/141
C507	4030011600	S.CER C1608 JB 1E 104K-T	T	21.4/137.1
C509	4030011600	S.CER C1608 JB 1E 104K-T	T	25.8/132.6
C510	4030011600	S.CER C1608 JB 1E 104K-T	T	28.4/132.6
C511	4030011600	S.CER C1608 JB 1E 104K-T	T	32.2/132.6
C512	4030011600	S.CER C1608 JB 1E 104K-T	T	34.8/132.6
C513	4030011600	S.CER C1608 JB 1E 104K-T	T	37.4/132.6
C514	4030011600	S.CER C1608 JB 1E 104K-T	T	41.2/136
C515	4030011600	S.CER C1608 JB 1E 104K-T	T	41.3/139.7
C516	4030011600	S.CER C1608 JB 1E 104K-T	T	41.3/142.3
C517	4030011600	S.CER C1608 JB 1E 104K-T	T	37.6/151.8
C518	4030011600	S.CER C1608 JB 1E 104K-T	T	34.8/151.8
C519	4030011600	S.CER C1608 JB 1E 104K-T	T	31.2/151.8
C520	4030011600	S.CER C1608 JB 1E 104K-T	T	23.3/151.9
C521	4030011600	S.CER C1608 JB 1E 104K-T	T	41.6/134
C522	4550007220	S.TAN F931A476MCMABMA	B	40.7/145
C525	4030006880	S.CER C1608 JB 1H 472K-T	T	35.3/154.5
C526	4030011600	S.CER C1608 JB 1E 104K-T	T	36.6/154.5
C531	4030006880	S.CER C1608 JB 1H 472K-T	T	14.6/137.5
C532	4030007070	S.CER C1608 CH 1H 330J-T	T	17.2/137.5
C533	4030007110	S.CER C1608 CH 1H 680J-T	T	17.3/133.4
C534	4030007110	S.CER C1608 CH 1H 680J-T	T	16.8/130.1
C535	4030007070	S.CER C1608 CH 1H 330J-T	T	18.1/127
C536	4030006880	S.CER C1608 JB 1H 472K-T	T	20.9/127.6
C537	4030006880	S.CER C1608 JB 1H 472K-T	T	27.2/126.4
C540	4030006880	S.CER C1608 JB 1H 472K-T	B	56.3/142.8
C541	4510008540	S.ELE EEE1CA100SR	T	51/139.3
C542	4340000260	S.MYL ECPU1C104MA5	B	47.8/128.7
C543	4030007060	S.CER C1608 CH 1H 270J-T	T	62.2/136.4
C545	4030007060	S.CER C1608 CH 1H 270J-T	T	70/137.1
C546	4610001830	S.TRI TZB4S100AB10R00 (TZBX4N100BA110)	T	65.8/138.7
C547	4030007130	S.CER C1608 CH 1H 101J-T	T	71.3/137.1
C548	4030007010	S.CER C1608 CH 1H 100D-T	T	71.3/139.9
C549	4030007050	S.CER C1608 CH 1H 220J-T	T	68.9/145.1
C550	4030006880	S.CER C1608 JB 1H 472K-T	T	66.3/143
C551	4030009520	S.CER C1608 CH 1H 020B-T	T	71.3/142.8
C552	4030017810	S.CER C1608 CH 1H 102J-T	B	54.6/139.5
C553	4030006880	S.CER C1608 JB 1H 472K-T	B	56.3/139.5
C554	4510008500	S.ELE EEE1CA101WP	T	50.9/146.6
C555	4030006880	S.CER C1608 JB 1H 472K-T	B	47.7/149.5
C556	4550007220	S.TAN F931A476MCMABMA	B	76.4/136.1
C558	4550007520	S.TAN F931A106MAABMA	B	43.4/132.5
C559	4550007400	S.TAN F931A225MAABMA	B	43.4/129.9
C561	4550007520	S.TAN F931A106MAABMA	T	70/157.5
C562	4030006880	S.CER C1608 JB 1H 472K-T	T	68.3/155.5
C563	4030017810	S.CER C1608 CH 1H 102J-T	B	60.1/158
C564	4030006880	S.CER C1608 JB 1H 472K-T	B	58.8/158
C565	4510008520	S.ELE EEE1CA470SP	T	50.9/155.6
C566	4030006880	S.CER C1608 JB 1H 472K-T	T	64.4/155.5
C571	4030006880	S.CER C1608 JB 1H 472K-T	B	58.5/161.3
C573	4030007040	S.CER C1608 CH 1H 180J-T		

[RXPLL-B]

REF NO.	ORDER NO.	DESCRIPTION	M.	H/V LOCATION
C657	4030011600	S.CER C1608 JB 1E 104K-T	T	31.7/169.3
C658	4030011600	S.CER C1608 JB 1E 104K-T	T	13.5/172.7
C659	4030011600	S.CER C1608 JB 1E 104K-T	T	16.5/163.4
C660	4030006880	S.CER C1608 JB 1H 472K-T	T	17.6/161.4
C661	4030011600	S.CER C1608 JB 1E 104K-T	T	13.3/166.1
C662	4550007220	S.TAN F931A476MCMBMA	B	30.6/170.9
C680	4030006880	S.CER C1608 JB 1H 472K-T	T	34.3/177.1
C681	4030007160	S.CER C1608 CH 1H 181J-T	T	40.3/177.1
C682	4030007140	S.CER C1608 CH 1H 121J-T	T	39.6/175.2
C683	4030011330	S.CER C1608 CH 1H 391J-T	T	40.9/175.2
C684	4030007080	S.CER C1608 CH 1H 390J-T	B	39.3/174
C685	4030011280	S.CER C1608 CH 1H 271J-T	B	42.3/172.6
C686	4030010760	S.CER C1608 CH 1H 331J-T	B	39.3/170.6
C687	4030018580	S.CER C1608 CH 1H 821J-T	T	41/169.7
C688	4030010760	S.CER C1608 CH 1H 331J-T	B	37.5/169.7
C689	4030011600	S.CER C1608 JB 1E 104K-T	T	37.4/166.4
C690	4030011600	S.CER C1608 JB 1E 104K-T	T	37.4/161.3
C691	4030011600	S.CER C1608 JB 1E 104K-T	T	46.4/164
C692	4030006880	S.CER C1608 JB 1H 472K-T	T	40.3/162.1
C693	4030006880	S.CER C1608 JB 1H 472K-T	B	58.4/169.6
C694	4030006880	S.CER C1608 JB 1H 472K-T	B	58.4/164.2
C703	4030017810	S.CER C1608 CH 1H 102J-T	T	24.3/116.6
C704	4030006880	S.CER C1608 JB 1H 472K-T	T	23/116.6
C705	4510008500	S.ELE EEE1CA101WP	T	29.4/118.7
C707	4030011600	S.CER C1608 JB 1E 104K-T	T	32.1/113.7
C708	4030011600	S.CER C1608 JB 1E 104K-T	T	32.1/108.1
C709	4030007070	S.CER C1608 CH 1H 330J-T	T	38.8/112.9
C710	4030006880	S.CER C1608 JB 1H 472K-T	T	36.2/112.9
C711	4030009540	S.CER C1608 CH 1H 1R5B-T	B	39.3/113.6
C712	4030007070	S.CER C1608 CH 1H 330J-T	T	36.2/114.2
C713	4030006880	S.CER C1608 JB 1H 472K-T	T	42/118.8
C1000	4030007050	S.CER C1608 CH 1H 220J-T	B	177.1/13.8
C1002	4030006880	S.CER C1608 JB 1H 472K-T	B	153.1/16.2
C1003	4030012600	S.CER C2012 JB 1A 105M-T	T	157.4/8.2
C1004	4030011600	S.CER C1608 JB 1E 104K-T	B	169.6/8.7
C1005	4030011600	S.CER C1608 JB 1E 104K-T	T	162.8/17.2
C1006	4030010210	S.CER C3216 JB 1C 105M-T	T	173.8/18.6
C1007	4030006880	S.CER C1608 JB 1H 472K-T	T	172.4/23.9
C1008	4030006880	S.CER C1608 JB 1H 472K-T	T	160/24
C1009	4030006880	S.CER C1608 JB 1H 472K-T	T	147.6/23.8
C1010	4030012600	S.CER C2012 JB 1A 105M-T	T	154.5/28.9
C1011	4030012600	S.CER C2012 JB 1A 105M-T	T	144.2/29.3
C1012	4030010210	S.CER C3216 JB 1C 105M-T	T	144.8/40.2
C1013	4030012600	S.CER C2012 JB 1A 105M-T	T	144.2/33.2
C1014	4030018810	S.CER C3216 CH 1H 333J-T	B	151.6/48.3
C1015	4030012600	S.CER C2012 JB 1A 105M-T	T	163.6/13.8
C1016	4030012600	S.CER C2012 JB 1A 105M-T	T	173.6/33.2
C1017	4030012600	S.CER C2012 JB 1A 105M-T	T	163.3/33.2
C1020	4030012600	S.CER C2012 JB 1A 105M-T	B	170/38.6
C1021	4030012600	S.CER C2012 JB 1A 105M-T	B	154/38.6
C1024	4030010210	S.CER C3216 JB 1C 105M-T	B	170.5/45.5
C1025	4030010210	S.CER C3216 JB 1C 105M-T	B	154.7/45.5
C1026	4030010210	S.CER C3216 JB 1C 105M-T	T	171.4/52.7
C1027	4030010210	S.CER C3216 JB 1C 105M-T	T	165.6/52.7
C1028	4030006880	S.CER C1608 JB 1H 472K-T	B	156.4/65.4
C1029	4030006880	S.CER C1608 JB 1H 472K-T	T	168.5/65.4
C1030	4030010210	S.CER C3216 JB 1C 105M-T	T	164.5/18
C1031	4030012600	S.CER C2012 JB 1A 105M-T	B	169.2/10.8
C1033	4550006470	S.TAN TEESVB2 1D 106M8R	B	146.5/47.7
C1034	4550006470	S.TAN TEESVB2 1D 106M8R	B	174/52.1
C1035	4550006470	S.TAN TEESVB2 1D 106M8R	B	164.6/15.8
C1036	4030007120	S.CER C1608 CH 1H 820J-T	T	160.2/12.7
C1037	4030007090	S.CER C1608 CH 1H 470J-T	B	149.3/49.3
C1038	4030017810	S.CER C1608 CH 1H 102J-T	T	146.6/26.2
C1039	4030017810	S.CER C1608 CH 1H 102J-T	T	146.5/41
C1040	4030017810	S.CER C1608 CH 1H 102J-T	T	145.3/36.4
C1041	4030006990	S.CER C1608 CH 1H 080D-T	B	153.4/31
C1046	4030007010	S.CER C1608 CH 1H 100D-T	B	168.4/53.7
	4010000120	CER DD104 SL 100D 50V	[USA]	
	4010000120	CER DD104 SL 100D 50V	[EUR]	
	4010000120	CER DD104 SL 100D 50V	[ITR]	
	4010000120	CER DD104 SL 100D 50V	[UK]	
C1048	4030006880	S.CER C1608 JB 1H 472K-T	B	170.6/41.6
C1049	4030006880	S.CER C1608 JB 1H 472K-T	B	154.6/41.6
C1050	4030017810	S.CER C1608 CH 1H 102J-T	B	170.5/49.5
C1051	4030017810	S.CER C1608 CH 1H 102J-T	B	154.7/49.4
C1052	4030007060	S.CER C1608 CH 1H 270J-T	B	164.1/29.6
C1053	4030007110	S.CER C1608 CH 1H 680J-T	T	175.2/77.3
C1054	4030007010	S.CER C1608 CH 1H 100D-T	B	175.7/72.4
C1055	4030007140	S.CER C1608 CH 1H 121J-T	B	175.7/74.2
C1056	4030007050	S.CER C1608 CH 1H 220J-T	T	175.2/76
C1057	4030007130	S.CER C1608 CH 1H 101J-T	T	172.1/77.1
C1058	4030009920	S.CER C1608 CH 1H 050B-T	B	173.2/12.7
C1060	4030017810	S.CER C1608 CH 1H 102J-T	T	178.6/94.4
C1061	4030007090	S.CER C1608 CH 1H 470J-T	B	147.7/91.8
C1062	4030007170	S.CER C1608 CH 1H 221J-T	B	149.5/91.8
C1064	4030007090	S.CER C1608 CH 1H 470J-T	T	148.7/80.1
C1066	4030007010	S.CER C1608 CH 1H 100D-T	T	138.6/81.9
C1067	4030007010	S.CER C1608 CH 1H 100D-T	T	173.4/77.1
C1070	4030006980	S.CER C1608 CH 1H 070D-T	T	137.2/81.9
C1071	4030007100	S.CER C1608 CH 1H 560J-T	B	162.2/75.3
C1072	4030007170	S.CER C1608 CH 1H 221J-T	B	162/78.7
C1073	4030007080	S.CER C1608 CH 1H 390J-T	B	164.1/76.4
C1074	4030007060	S.CER C1608 CH 1H 270J-T	T	148.7/78.6
C1081	4030006900	S.CER C1608 JB 1H 103K-T	B	156.1/86
C1082	4030006900	S.CER C1608 JB 1H 103K-T	B	151.3/91.8
C1083	4030006900	S.CER C1608 JB 1H 103K-T	B	151.2/81.6
C1084	4030006880	S.CER C1608 JB 1H 472K-T	B	149.4/81.6
C1085	4030006880	S.CER C1608 JB 1H 472K-T	B	153/81.6
C1091	4030006880	S.CER C1608 JB 1H 472K-T	T	149.3/149.4
C1092	4030006880	S.CER C1608 JB 1H 472K-T	T	147/138.5
C1093	4030006880	S.CER C1608 JB 1H 472K-T	T	161.3/135.8
C1101	4030006900	S.CER C1608 JB 1H 103K-T	T	177/90.9
C1102	4030006900	S.CER C1608 JB 1H 103K-T	T	175.4/115.5

[RXPLL-B]

REF NO.	ORDER NO.	DESCRIPTION	M.	H/V LOCATION
C1103	4030011600	S.CER C1608 JB 1E 104K-T	T	179.6/116.4
C1104	4030011600	S.CER C1608 JB 1E 104K-T	T	175.4/87.7
C1106	4030011600	S.CER C1608 JB 1E 104K-T	T	179.3/128.8
C1107	4030011600	S.CER C1608 JB 1E 104K-T	B	172.3/124.2
C1109	4030007090	S.CER C1608 CH 1H 470J-T	T	175.7/137.9
C1110	4030006900	S.CER C1608 JB 1H 103K-T	T	175.7/136.6
C1111	4030011600	S.CER C1608 JB 1E 104K-T	T	176.7/132
C1112	4030006900	S.CER C1608 JB 1H 103K-T	T	179.3/132
C1113	4030007090	S.CER C1608 CH 1H 470J-T	T	178.6/140.9
C1114	4030006900	S.CER C1608 JB 1H 103K-T	B	178.4/138
C1115	4030011600	S.CER C1608 JB 1E 104K-T	T	175.7/140
C1116	4030006900	S.CER C1608 JB 1H 103K-T	T	165.7/138.7
C1117	4030007010	S.CER C1608 CH 1H 100D-T	T	169.7/142.2
C1118	4030011600	S.CER C1608 JB 1E 104K-T	T	171/142.2
C1119	4030006880	S.CER C1608 JB 1H 472K-T	T	171.9/146.6
C1120	4030006880	S.CER C1608 JB 1H 472K-T	T	171.9/148.4
C1121	4030011600	S.CER C1608 JB 1E 104K-T	T	180.6/147.7
C1122	4030009530	S.CER C1608 CH 1H 030B-T	T	178.2/120.3
C1123	4030006900	S.CER C1608 JB 1H 103K-T	T	182.1/100.9
C1124	4030006900	S.CER C1608 JB 1H 103K-T	T	175.3/105.9
C1125	4030006900	S.CER C1608 JB 1H 103K-T	T	175.5/85.1
C1126	4030011600	S.CER C1608 JB 1E 104K-T	T	173.4/131.1
C1151	4030007110	S.CER C1608 CH 1H 680J-T	B	123.1/64
C1152	4030007110	S.CER C1608 CH 1H 680J-T	B	123.1/57
C1153	4030011780	S.CER C1608 CH 1H 102J-T	T	131.5/63.9
C1201	4030007110	S.CER C1608 CH 1H 680J-T	B	120.2/21.8
C1202	4030007110	S.CER C1608 CH 1H 680J-T	B	118.4/21.8
C1207	4030006880	S.CER C1608 JB 1H 472K-T	B	123/11.8
C1226	4030009500	S.CER C1608 CH 1H 0R5B-T	B	124.9/35.6
C1227	4030009500	S.CER C1608 CH 1H 0R5B-T	B	115.4/35.6
C1228	4030009920	S.CER C1608 CH 1H 050B-T	B	113.9/41.8
C1231	4030006900	S.CER C1608 JB 1H 103K-T	T	118.9/21.5
C1232	4030006900	S.CER C1608 JB 1H 103K-T	T	109/21.5
C1234	4030006900	S.CER C1608 JB 1H 103K-T	B	123.5/38.3
C1235	4030006880	S.CER C1608 JB 1H 472K-T	B	116.6/32.1
C1236	4030006900	S.CER C1608 JB 1H 103K-T	T	119.8/40
C1238	4030006900	S.CER C1608 JB 1H 103K-T	B	114/38.3
C1239	4030006880	S.CER C1608 JB 1H 472K-T	B	106.8/32.3
C1240	4030006900	S.CER C1608 JB 1H 103K-T	T	111.7/40.5
C1241	4030006900	S.CER C1608 JB 1H 103K-T	T	113.6/38.6
C1243	4030006880	S.CER C1608 JB 1H 472K-T	B	129.6/46.7
C1244	4030007080	S.CER C1608 CH 1H 390J-T	T	149.6/67
C1245	4030007130	S.CER C1608 CH 1H 101J-T	T	151/64.7
C1246	4030007120	S.CER C1608 CH 1H 820J-T	T	150.9/67
C1247	4030007090	S.CER C1608 CH 1H 470J-T	T	153.4/63.5
C1248	4030007130	S.CER C1608 CH 1H 101J-T	T	153.4/66.8
C1249	4030007020	S.CER C1608 CH 1H 120J-T	T	153.1/70.3
C1250	4030007100	S.CER C1608 CH 1H 560J-T	B	152.4/74.3
C1251	4030006900	S.CER C1608 JB 1H 103K-T	T	160.2/92.9
C1252	4030006900	S.CER C1608 JB 1H 103K-T	T	152.7/92.9
C1253	4030006900	S.CER C1608 JB 1H 103K-T	B	152.5/111.2
C1255	4030017810	S.CER C1608 CH 1H 102J-T	B	155.7/99.3
C1256	4030007010	S.CER C1608 CH 1H 100D-T	T	156.3/98.8
C1257	4030011600	S.CER C1608 JB 1E 104K-T	B	155.7/103
C1258	4030007080	S.CER C1608 CH 1H 390J-T	B	152/97.5
C1264	4030007110	S.CER C1608 CH 1H 680J-T	T	122/51.1
C1265	4610001830	S.TRI TZB4S100AB10R00 (TZBX4N100BA110)	T	163.8/70.8
C1266	4030007020	S.CER C1608 CH 1H 120J-T	T	160.1/74.5
C1267	4030006880	S.CER C1608 JB 1H 472K-T	B	157/126.4
C1268	4030006980	S.CER C1608 CH 1H 070D-T	T	149.6/64.4
C1302	4030007060	S.CER C1608 CH 1H 270J-T	T	159.3/111
C1303	4030006980	S.CER C1608 CH 1H 070D-T	T	159.3/112.9
C1304	4030007070	S.CER C1608 CH 1H 330J-T	T	159.3/114.2
C1305	4030007010	S.CER C1608 CH 1H 100D-T	T	153.5/114.6
C1306	4030009650	S.CER C1608 CH 1H 240J-T	T	159.3/115.5
C1307	4030007030	S.CER C1608 CH 1H 150J-T	T	153.5/120.2
C1308	4030006900	S.CER C1608 JB 1H 103K-T	T	155.1/127.1
C1309	4030007080	S.CER C1608 CH 1H 390J-T	T	156.5/125.8
C131				

[RXPLL-B UNIT]

REF NO.	ORDER NO.	DESCRIPTION	M.	H/V LOCATION
C1429	4030006900	S.CER C1608 JB 1H 103K-T	T	120.5/113.6
C1430	4030007040	S.CER C1608 CH 1H 180J-T	B	131.9/115.3
C1431	4030017810	S.CER C1608 CH 1H 102J-T	T	127.1/116.2
C1432	4030009980	S.CER C1608 JB 1H 152K-T	T	129.1/114.1
C1433	4030011600	S.CER C1608 JB 1E 104K-T	T	130.4/114.1
C1434	4030009920	S.CER C1608 CH 1H 050B-T	B	124.7/134.4
C1435	4030009920	S.CER C1608 CH 1H 050B-T	B	124.7/131.6
C1436	4030011600	S.CER C1608 JB 1E 104K-T	B	137.2/122.2
C1437	4030009920	S.CER C1608 CH 1H 050B-T	T	104/83.3
C1438	4030009920	S.CER C1608 CH 1H 050B-T	T	102.3/86.6
C1439	4030009920	S.CER C1608 CH 1H 050B-T	T	110/93.7
C1441	4030006880	S.CER C1608 JB 1H 472K-T	T	120.5/116.2
C1451	4030007020	S.CER C1608 CH 1H 120J-T	T	125.5/80.1
C1453	4030007030	S.CER C1608 CH 1H 150J-T	T	122.1/85.1
C1454	4030007030	S.CER C1608 CH 1H 150J-T	T	120.8/85.1
C1456	4030007020	S.CER C1608 CH 1H 120J-T	T	125.5/90.9
C1457	4030006900	S.CER C1608 JB 1H 103K-T	T	118.3/72.9
C1458	4030006900	S.CER C1608 JB 1H 103K-T	T	116.6/103.5
C1501	4030018530	S.CER C3216 CH 1H 103J-T	T	131.2/124.5
C1502	4550003220	S.TAN TEESVA 1E 105M8R	T	132.1/139.2
C1503	4030006900	S.CER C1608 JB 1H 103K-T	T	137/142.1
C1504	4030012610	S.CER C2012 JB 1C 474K-T	T	136.7/140.5
C1505	4030007010	S.CER C1608 CH 1H 100D-T	T	130/143.5
C1506	4030010760	S.CER C1608 CH 1H 331J-T	T	131.3/146.3
C1507	4510008540	S.ELE EEE1CA100SR	T	142.6/140.8
C1508	4030011600	S.CER C1608 JB 1E 104K-T	B	128.8/148.8
C1509	4030018800	S.CER C3216 CH 1H 223J-T	T	135.8/145.1
C1510	4030007110	S.CER C1608 CH 1H 680J-T	T	136.5/158.9
C1511	4510008540	S.ELE EEE1CA100SR	T	132.7/150.6
C1512	4030011600	S.CER C1608 JB 1E 104K-T	T	129.6/149
C1513	4030011600	S.CER C1608 JB 1E 104K-T	T	129.6/158.1
C1514	4510008540	S.ELE EEE1CA100SR	T	132.7/156.5
C1515	4030007160	S.CER C1608 CH 1H 181J-T	T	132.2/160.8
C1516	4030009350	S.CER C1608 CH 1H 3R5B-T	T	130.9/160.8
C1517	4030007110	S.CER C1608 CH 1H 680J-T	T	115.3/155
C1518	4030018530	S.CER C3216 CH 1H 103J-T	T	131.2/132.8
C1519	4550003220	S.TAN TEESVA 1E 105M8R	T	122.9/140.9
C1520	4030006900	S.CER C1608 JB 1H 103K-T	T	119.8/140.7
C1521	4030012610	S.CER C2012 JB 1C 474K-T	T	116.2/142.1
C1522	4030007010	S.CER C1608 CH 1H 100D-T	T	123.7/143.5
C1523	4030010760	S.CER C1608 CH 1H 331J-T	T	122.4/146.3
C1524	4030018800	S.CER C3216 CH 1H 223J-T	T	117.9/145.2
C1525	4510008540	S.ELE EEE1CA100SR	T	124.9/150.6
C1526	4030011600	S.CER C1608 JB 1E 104K-T	T	128/149
C1527	4030011600	S.CER C1608 JB 1E 104K-T	T	128/158.1
C1528	4510008540	S.ELE EEE1CA100SR	T	124.9/156.5
C1529	4030017870	S.CER C1608 CH 1H 681J-T	T	125.4/160.8
C1530	4030011330	S.CER C1608 CH 1H 391J-T	T	126.7/160.8
C1531	4510008500	S.ELE EEE1CA101WP	T	111.3/167.3
C1532	4030011600	S.CER C1608 JB 1E 104K-T	T	107.1/167.3
C1533	4030011600	S.CER C1608 JB 1E 104K-T	T	115.5/167.3
C1534	4510008500	S.ELE EEE1CA101WP	T	119.7/167.3
C1535	4030011600	S.CER C1608 JB 1E 104K-T	T	133.7/172.6
C1536	4030017870	S.CER C1608 CH 1H 681J-T	T	126.2/179.5
C1537	4510008500	S.ELE EEE1CA101WP	T	111.3/176
C1538	4030011600	S.CER C1608 JB 1E 104K-T	T	107.1/176
C1539	4030011600	S.CER C1608 JB 1E 104K-T	T	115.5/176
C1540	4510008500	S.ELE EEE1CA101WP	T	119.7/176
C1541	4030007050	S.CER C1608 CH 1H 220J-T	T	124/175
C1651	4030006880	S.CER C1608 JB 1H 472K-T	B	105.5/144
C1653	4030006880	S.CER C1608 JB 1H 472K-T	B	109/137.2
C1654	4030017810	S.CER C1608 CH 1H 102J-T	B	106.9/137.2
C1655	4030009530	S.CER C1608 CH 1H 030B-T	T	107.6/136.8
C1656	4610001970	S.TRI TZC3P200A110R00 (TZC03P200A1102)	T	110.9/136.2
C1657	4030010220	S.CER C2012 CH 1H 102J-T	T	116.4/122.7
C1658	4030010220	S.CER C2012 CH 1H 102J-T	T	116.4/130.9
C1659	4030011600	S.CER C1608 JB 1E 104K-T	T	107.8/120
C1660	4030011600	S.CER C1608 JB 1E 104K-T	B	134/174
C1661	4030011600	S.CER C1608 JB 1E 104K-T	B	145.2/171.3
C1662	4030011600	S.CER C1608 JB 1E 104K-T	T	144.3/178
C1663	4030011600	S.CER C1608 JB 1E 104K-T	T	135.1/170.2
C1665	4030006900	S.CER C1608 JB 1H 103K-T	T	138.9/164.1
C1666	4030006880	S.CER C1608 JB 1H 472K-T	B	113.3/144
C1701	4030011600	S.CER C1608 JB 1E 104K-T	T	153.4/163
C1702	4030011600	S.CER C1608 JB 1E 104K-T	T	144.4/163
C1703	4510004601	ELE 16 ME 1000 HC		
C1704	4030011600	S.CER C1608 JB 1E 104K-T	B	180.1/160.2
C1705	4030011600	S.CER C1608 JB 1E 104K-T	B	186.4/160.2
C1706	4510008520	S.ELE EEE1CA470SP	T	172.7/154.8
C1707	4030011600	S.CER C1608 JB 1E 104K-T	T	149.7/154.8
C1708	4030006880	S.CER C1608 JB 1H 472K-T	T	175.7/166.8
C1709	4030006880	S.CER C1608 JB 1H 472K-T	T	172.6/166.8
C1710	4030006880	S.CER C1608 JB 1H 472K-T	T	169.6/166.8
C1711	4030011340	S.CER C1608 CH 1H 471J-T	T	171.4/163.5
C1712	4030011340	S.CER C1608 CH 1H 471J-T	T	167.5/163.5
C1713	4030006880	S.CER C1608 JB 1H 472K-T	B	165.5/168.8
C1714	4030006880	S.CER C1608 JB 1H 472K-T	B	153.8/141.8
C1716	4030006880	S.CER C1608 JB 1H 472K-T	B	154.7/145.1
C1717	4030006880	S.CER C1608 JB 1H 472K-T	B	152.9/145.1
C1719	4030006880	S.CER C1608 JB 1H 472K-T	B	151.1/145.1
C1720	4030006880	S.CER C1608 JB 1H 472K-T	B	155.6/141.8
C1721	4030006880	S.CER C1608 JB 1H 472K-T	B	157.4/141.8
RL1001	6330001750	REL FTR-B4CA012Z		
RL1002	6330001750	REL FTR-B4CA012Z		
RL1003	6330001750	REL FTR-B4CA012Z		
RL1004	6330001750	REL FTR-B4CA012Z		
RL1005	6330001750	REL FTR-B4CA012Z		
RL1006	6330001750	REL FTR-B4CA012Z		
RL1203	6330001750	REL FTR-B4CA012Z		
RL1206	6330001750	REL FTR-B4CA012Z		

[RXPLL-B UNIT]

REF NO.	ORDER NO.	DESCRIPTION	M.	H/V LOCATION
J2	6510019991	S.CON 52808-2271(2291)	T	25/9
J10	6510007020	CON TMP-J01X-V6		
J351	6510007020	CON TMP-J01X-V6		
J561	6510007020	CON TMP-J01X-V6		
J601	6510007020	CON TMP-J01X-V6		
J681	6510007020	CON TMP-J01X-V6		
J831	6510007020	CON TMP-J01X-V6		
J1002	6510007020	CON TMP-J01X-V6		
J1101	6510007020	CON TMP-J01X-V6		
J1201	6510007020	CON TMP-J01X-V6		
J1301	6510007020	CON TMP-J01X-V6		
J1501	6510018961	S.CON B2B-PH-SM4-TB(LF)(SN)	T	149.6/177.5
J1701	6510019981	S.CON 52808-1671(1690)	T	168/177.2
W1052	9016201006	WIR 73/98/025/X98/X98		
W1401	9029495075	JUM 73/98/020/X98/X98		
W1411	7120000480	S.JUM MJP-0.4-T ()	T	125.1/111.6
EP20	6910012350	S.BEA MMZ1608Y 102BT	T	85.4/126
EP21	6910012350	S.BEA MMZ1608Y 102BT	T	88.7/124
EP22	6910012350	S.BEA MMZ1608Y 102BT	T	90/124
EP101	6910012350	S.BEA MMZ1608Y 102BT	B	47.6/98.6
EP102	6910012350	S.BEA MMZ1608Y 102BT	B	47.6/96.8
EP103	6910012350	S.BEA MMZ1608Y 102BT	T	46/96.8
EP104	6910012350	S.BEA MMZ1608Y 102BT	T	46/92.9
EP105	6910012350	S.BEA MMZ1608Y 102BT	T	46/91.6
EP106	6910012350	S.BEA MMZ1608Y 102BT	T	46/89
EP107	6910012350	S.BEA MMZ1608Y 102BT	B	47.6/100.4
EP1701	6910012350	S.BEA MMZ1608Y 102BT	T	170.1/163.5
EP1702	6910012350	S.BEA MMZ1608Y 102BT	T	168.8/163.5
EP1801	6910012350	S.BEA MMZ1608Y 102BT	B	153/132.7
EP1802	6910012350	S.BEA MMZ1608Y 102BT	B	142.5/18.8
EP1804	6910012350	S.BEA MMZ1608Y 102BT	B	112.5/138.7
EP1805	6910012350	S.BEA MMZ1608Y 102BT	B	150.2/141.8
EP1806	6910012350	S.BEA MMZ1608Y 102BT	B	128.6/64.3
EP1807	6910012350	S.BEA MMZ1608Y 102BT	B	117.4/50.2
EP1808	6910012350	S.BEA MMZ1608Y 102BT	B	137/166.9
EP1809	6910012350	S.BEA MMZ1608Y 102BT	B	147.4/127.4
EP1810	6910012350	S.BEA MMZ1608Y 102BT	B	131.3/64.2
EP1811	6910012350	S.BEA MMZ1608Y 102BT	T	160.7/56.3
EP1812	6910012350	S.BEA MMZ1608Y 102BT	B	153.5/137.4
EP1813	6910012350	S.BEA MMZ1608Y 102BT	B	132.6/65.7
EP1814	6910012350	S.BEA MMZ1608Y 102BT	B	147.2/22.3
EP1815	6910012350	S.BEA MMZ1608Y 102BT	B	156/62.6
EP1816	6910012350	S.BEA MMZ1608Y 102BT	B	160.4/20.9
EP1817	6910012350	S.BEA MMZ1608Y 102BT	B	168.6/62.2
EP1818	6910012350	S.BEA MMZ1608Y 102BT	B	151.2/133.2
EP1819	6910012350	S.BEA MMZ1608Y 102BT	B	145.6/127.9
EP1820	6910012350	S.BEA MMZ1608Y 102BT	B	148.6/19.8
EP1821	6910012350	S.BEA MMZ1608Y 102BT	B	148.6/14.1
EP1825	6910012350	S.BEA MMZ1608Y 102BT	B	126.6/7
EP1826	6910012350	S.BEA MMZ1608Y 102BT	B	151.5/137.7
EP1830	6910012350	S.BEA MMZ1608Y 102BT	B	141.3/135.2
EP1831	6910012350	S.BEA MMZ1608Y 102BT	B	143.4/128.5
EP1832	6910012350	S.BEA MMZ1608Y 102BT	B	149.2/137.5
EP1833	6910012350	S.BEA MMZ1608Y 102BT	B	147.2/133.5
EP1834	6910012350	S.BEA MMZ1608Y 102BT	T	115.8/108.3
EP1835	6910012350	S.BEA MMZ1608Y 102BT	B	141.6/128.5
EP1836	6910012350	S.BEA MMZ1608Y 102BT	T	111/110.2
EP1837	6910012350	S.BEA MMZ1608Y 102BT	B	145.8/134.1
EP1838	6910012350	S.BEA MMZ1608Y 102BT	T	116.3/106.1
EP9000	9026301001	TUB 0.7 L=14MM [USA]		
	9026301001	TUB 0.7 L=14MM [EUR]		
	9026301001	TUB 0.7 L=14MM [UK]		

M.=Mounted side (T: Mounted on the Top side, B: Mounted on the Bottom side)  
S.=Surface mount



[BPF UNIT]

REF NO.	ORDER NO.	DESCRIPTION	M.	H/V LOCATION
IC101	1130011510	S.IC BU2099FV-E2	T	9.5/77.6
IC102	1130011510	S.IC BU2099FV-E2	T	9.7/100.9
IC401	1130011510	S.IC BU2099FV-E2	T	10.3/39.3
IC402	1130011510	S.IC BU2099FV-E2	T	9.6/59.4
Q355	1590001330	S.TR DTA114EUA T106	T	191.6/68.1
Q381	1590000680	S.TR DTC114EUA T106	T	232/60.3
Q383	1590000680	S.TR DTC114EUA T106	T	229.2/51.9
Q384	1590000680	S.TR DTC114EUA T106	T	226.2/51.9
Q385	1590000680	S.TR DTC114EUA T106	T	233.1/54.7
Q386	1590000430	S.TR DTC144EUA T106	T	230.1/54.7
Q387	1590000680	S.TR DTC114EUA T106	T	228.8/60.2
Q401	1530002841	S.TR 2SC4116-Y (TE85R,F)	T	234.5/108.2
Q402	1530002060	S.TR 2SC4081 T106 R	B	224.2/99.2
Q403	1590001330	S.TR DTA114EUA T106	B	227.6/100.2
Q404	1590000430	S.TR DTC144EUA T106	T	232/108.2
Q855	1590001330	S.TR DTA114EUA T106	T	192/53
Q871	1590001330	S.TR DTA114EUA T106	B	234.6/18.8
Q872	1530002060	S.TR 2SC4081 T106 R	B	231.2/19.5
Q873	1530002841	S.TR 2SC4116-Y (TE85R,F)	B	231.2/16.6
Q874	1590000430	S.TR DTC144EUA T106	T	195.7/57.4
Q900	1590001330	S.TR DTA114EUA T106	B	217.4/116.1
Q901	1530003851	S.TR 2SC5551A-F-E	T	210.3/113.5
Q902	1590001330	S.TR DTA114EUA T106	T	200.6/115.1
Q903	1530003851	S.TR 2SC5551A-F-E	T	189.4/113.5
Q950	1590001330	S.TR DTA114EUA T106	B	215/3.2
Q951	1530003851	S.TR 2SC5551A-F-E	T	209.8/17.6
Q952	1590001330	S.TR DTA114EUA T106	B	199.1/4
Q953	1530003851	S.TR 2SC5551A-F-E	T	188.6/17.6
D1	1790001250	S.DIO MA2S1110G-(TX)	T	184/75.2
D21	1790001250	S.DIO MA2S1110G-(TX)	B	167.1/77.7
D51	1790001250	S.DIO MA2S1110G-(TX)	T	163.7/68.6
D81	1790001250	S.DIO MA2S1110G-(TX)	B	141.5/68.1
D111	1790001250	S.DIO MA2S1110G-(TX)	T	107.4/67.6
D141	1790001250	S.DIO MA2S1110G-(TX)	T	94.7/70.3
D171	1790001250	S.DIO MA2S1110G-(TX)	B	81.6/74.3
D201	1790001250	S.DIO MA2S1110G-(TX)	B	70.2/73.1
D231	1790001250	S.DIO MA2S1110G-(TX)	T	49.4/69.1
D261	1790001250	S.DIO MA2S1110G-(TX)	B	35.4/70.1
D291	1790001250	S.DIO MA2S1110G-(TX)	B	203.9/71.9
D321	1790001250	S.DIO MA2S1110G-(TX)	T	204/97.5
D351	1790001250	S.DIO MA2S1110G-(TX)	T	189/94.9
D352	1790001250	S.DIO MA2S1110G-(TX)	T	189/88.7
D353	1790001250	S.DIO MA2S1110G-(TX)	T	189/82.5
D354	1790001250	S.DIO MA2S1110G-(TX)	T	189/76.3
D355	1790001250	S.DIO MA2S1110G-(TX)	T	193.9/66.2
D371	1790001250	S.DIO MA2S1110G-(TX)	T	218.5/69.9
D373	1790001250	S.DIO MA2S1110G-(TX)	B	239.8/116.1
D391	1750000581	S.DIO 1SV307 (TPH3,F)	B	233.2/49.9
D392	1750000581	S.DIO 1SV307 (TPH3,F)	B	236/52.9
D393	1750000581	S.DIO 1SV307 (TPH3,F)	B	235.3/63.7
D401	1790001250	S.DIO MA2S1110G-(TX)	B	225.6/95.5
D402	1790000980	S.DIO MA3J7420GL (TX)	B	233.9/113.2
D501	1790001250	S.DIO MA2S1110G-(TX)	B	184.1/45.6
D531	1790001250	S.DIO MA2S1110G-(TX)	B	167.7/53.7
D561	1790001250	S.DIO MA2S1110G-(TX)	B	164.4/42.5
D591	1790001250	S.DIO MA2S1110G-(TX)	B	144.1/53.4
D621	1790001250	S.DIO MA2S1110G-(TX)	T	107.6/52.6
D651	1790001250	S.DIO MA2S1110G-(TX)	T	94.9/49.6
D681	1790001250	S.DIO MA2S1110G-(TX)	B	81.5/45.7
D711	1790001250	S.DIO MA2S1110G-(TX)	B	70/44.3
D741	1790001250	S.DIO MA2S1110G-(TX)	B	51.4/50.5
D771	1790001250	S.DIO MA2S1110G-(TX)	B	36.5/43.7
D801	1790001250	S.DIO MA2S1110G-(TX)	B	203.8/47.4
D831	1790001250	S.DIO MA2S1110G-(TX)	T	203.7/22.1
D851	1790001250	S.DIO MA2S1110G-(TX)	T	189/27.9
D852	1790001250	S.DIO MA2S1110G-(TX)	T	189/33.1
D853	1790001250	S.DIO MA2S1110G-(TX)	T	189/39.3
D854	1790001250	S.DIO MA2S1110G-(TX)	T	189/45.5
D855	1790001250	S.DIO MA2S1110G-(TX)	T	194/52.8
D871	1790001250	S.DIO MA2S1110G-(TX)	B	241.4/18
D872	1790000980	S.DIO MA3J7420GL (TX)	B	247.7/15.6
D873	1790001250	S.DIO MA2S1110G-(TX)	B	243/94.1
D900	1790001250	S.DIO MA2S1110G-(TX)	B	218.9/100.4
D901	1790001250	S.DIO MA2S1110G-(TX)	T	207.9/100.7
D902	1790001250	S.DIO MA2S1110G-(TX)	B	197/100.2
D903	1790001250	S.DIO MA2S1110G-(TX)	B	186.4/100.5
D950	1790001250	S.DIO MA2S1110G-(TX)	B	212.3/3.9
D951	1790001250	S.DIO MA2S1110G-(TX)	T	204.4/4.5
D952	1790001250	S.DIO MA2S1110G-(TX)	B	195.7/4.9
D953	1790001250	S.DIO MA2S1110G-(TX)	B	182.6/5.3
D954	1790001250	S.DIO MA2S1110G-(TX)	T	235.4/16.2
L1	6200005521	S.COL NLV25T-470J	T	186.7/100.6
L2	6200005521	S.COL NLV25T-470J	B	183.8/77.2
L3	6200010830	S.COL C2520C-3R3G-A	T	179.2/88.5
L4	6200010830	S.COL C2520C-3R3G-A	T	179.2/80.2
L5	6200010830	S.COL C2520C-3R3G-A	T	178.2/84.3
L6	6200010830	S.COL C2520C-3R3G-A	T	178/76.2
L21	6200005521	S.COL NLV25T-470J	B	166/107.5
L22	6200005521	S.COL NLV25T-470J	B	163/107.5
L23	6140004040	COL LR-443		
L24	6140004050	COL LR-444		
L25	6140004050	COL LR-444		
L26	6140004050	COL LR-444		
L27	6140004040	COL LR-443		
L51	6200005521	S.COL NLV25T-470J	B	154.3/111.3
L52	6200005521	S.COL NLV25T-470J	B	151.3/107.2
L53	6140004060	COL LR-445		
L54	6140004080	COL LR-446		

[BPF UNIT]

REF NO.	ORDER NO.	DESCRIPTION	M.	H/V LOCATION
L55	6140004080	COL LR-446		
L56	6140004080	COL LR-446		
L57	6140004060	COL LR-445		
L81	6200005521	S.COL NLV25T-470J	B	142.1/109.6
L82	6200005521	S.COL NLV25T-470J	B	139.1/107.3
L83	6140004090	COL LR-447		
L84	6140004230	COL LR-458		
L85	6140004230	COL LR-458		
L86	6140004230	COL LR-458		
L87	6140004090	COL LR-447		
L111	6200005521	S.COL NLV25T-470J	B	118.1/109.1
L112	6200005521	S.COL NLV25T-470J	B	114.5/109.1
L113	6140004090	COL LR-447		
L114	6140004100	COL LR-448		
L115	6140004100	COL LR-448		
L116	6140004100	COL LR-448		
L117	6140004090	COL LR-447		
L141	6200005521	S.COL NLV25T-470J	B	106.8/111.4
L142	6200005521	S.COL NLV25T-470J	B	100.3/107.6
L143	6140004110	COL LR-449		
L144	6140004120	COL LR-450		
L145	6140004120	COL LR-450		
L146	6140004120	COL LR-450		
L147	6140004110	COL LR-449		
L171	6200005521	S.COL NLV25T-470J	B	84.9/116.9
L172	6200005521	S.COL NLV25T-470J	B	81.8/115.4
L173	6140004140	COL LR-451		
L174	6140004150	COL LR-452		
L175	6140004150	COL LR-452		
L176	6140004150	COL LR-452		
L177	6140004140	COL LR-451		
L201	6200007021	S.COL NLV25T-270J	B	61.9/112
L202	6200007021	S.COL NLV25T-270J	B	59.4/109.7
L203	6140004160	COL LR-453		
L204	6140004180	COL LR-454		
L205	6140004180	COL LR-454		
L206	6140004180	COL LR-454		
L207	6140004160	COL LR-453		
L231	6200005011	S.COL NLV25T-100J	B	44.2/116.9
L232	6200005011	S.COL NLV25T-100J	B	44.1/114.3
L233	6140004190	COL LR-455		
L234	6140004210	COL LR-456		
L235	6140004210	COL LR-456		
L236	6140004210	COL LR-456		
L237	6140004190	COL LR-455		
L261	6200009141	S.COL NLV25T-6R8J	B	27.3/111.4
L262	6200009141	S.COL NLV25T-6R8J	B	24.8/109.7
L263	6140004220	COL LR-457		
L264	6140004160	COL LR-453		
L265	6140004160	COL LR-453		
L266	6140004160	COL LR-453		
L267	6140004220	COL LR-457		
L291	6200003281	S.COL NLV25T-2R2J	B	222.8/74.1
L292	6200003281	S.COL NLV25T-2R2J	B	214/75.1
L293	6200008090	S.COL LQW2BH68NJ03L	T	214.7/79.6
L294	6200003041	S.COL NLV32T-R68J	T	213.5/82.7
L295	6200008090	S.COL LQW2BH68NJ03L	T	210.1/79.6
L296	6200010870	S.COL C2520C-R33G-A (0.33U)	T	209.9/76.6
L321	6200003281	S.COL NLV25T-2R2J	B	209.5/93.5
L322	6200003281	S.COL NLV25T-2R2J	B	213.2/95.3
L323	6200003011	S.COL NLV32T-R27J	T	214.2/91
L324	6200003001	S.COL NLV32T-R22J	T	209.7/87.1
L325	6200003011	S.COL NLV32T-R27J	T	209.6/93.2
L371	6140004390	COL LR-459		
L372	6140004390	COL LR-459		
L373	6140003530	COL LR-395		
L391	6200005491	S.COL NLV32T-331J	T	230.2/48.4
L392	6200005491	S.COL NLV32T-331J	T	231.7/64
L393	6200003211	S.COL NLV32T-820J	B	231.7/42.7
L394	6200005491	S.COL NLV32T-331J	B	236.2/46.6
L395	6200005491	S.COL NLV32T-331J	B	225.5/48.3
L501	6200005521	S.COL NLV25T-470J	B	183.7/36.2
L502	6200005521	S.COL NLV25T-470J	B	184.6/41
L504	6200010830	S.COL C2520C-3R3G-A	T	178.7/33.1
L505	6200010830	S.COL C2520C-3R3G-A	T	177.8/41.5
L506	6200010830	S.COL C2520C-3R3G-A	T	178.9/37.6
L507	6200010830	S.COL C2520C-3R3G-A	T	179.1/45
L531	6200005521	S.COL NLV25T-470J	B	167.5/13
L532	6200005521	S.COL NLV25T-470J	B	170.5/13
L533	6140004040	COL LR-443		
L534	6140004050	COL LR-444		
L535	6140004050	COL LR-444		
L536	6140004050	COL LR-444		
L537	6140004040	COL LR-443		
L561	6200005521	S.COL NLV25T-470J	B	149.9/12.4
L562	6200005521	S.COL NLV25T-470J	B	153.8/16.5
L563	6140004060	COL LR-445		
L564	6140004080	COL LR-446		
L565	6140004080	COL LR-446		
L566	6140004080	COL LR-446		
L567	6140004060	COL LR-445		
L591	6200005521	S.COL NLV25T-470J	B	139.9/9.2
L592	6200005521	S.COL NLV25T-470J	B	142.7/9.2
L593	6140004090	COL LR-447		
L594	6140004230	COL LR-458		
L595	6140004230	COL LR-458		
L596	6140004230	COL LR-458		
L597	6140004090	COL LR-447		
L621	6200005521	S.COL NLV25T-470J	B	116.8/9.5
L622	6200005521	S.COL NLV25T-470J	B	122.4/6.3
L623	6140004090	COL LR-447		
L624	6140004100	COL LR-448		
L625	6140004100	COL LR-448		
L626	6140004100	COL LR-448		

M.=Mounted side (T: Mounted on the Top side, B: Mounted on the Bottom side)  
S.=Surface mount

[BPF UNIT]

REF NO.	ORDER NO.	DESCRIPTION	M.	H/V LOCATION
L627	6140004090	COL LR-447		
L651	6200005521	S.COL NLV25T-470J	B	105.4/13
L652	6200005521	S.COL NLV25T-470J	B	108/9.5
L653	6140004110	COL LR-449		
L654	6140004120	COL LR-450		
L655	6140004120	COL LR-450		
L656	6140004120	COL LR-450		
L657	6140004110	COL LR-449		
L681	6200005521	S.COL NLV25T-470J	B	77.4/6.2
L682	6200005521	S.COL NLV25T-470J	B	80.4/3.8
L683	6140004140	COL LR-451		
L684	6140004150	COL LR-452		
L685	6140004150	COL LR-452		
L686	6140004150	COL LR-452		
L687	6140004140	COL LR-451		
L711	6200007021	S.COL NLV25T-270J	B	56.4/10.8
L712	6200007021	S.COL NLV25T-270J	B	61.1/8.8
L713	6140004160	COL LR-453		
L714	6140004180	COL LR-454		
L715	6140004180	COL LR-454		
L716	6140004180	COL LR-454		
L717	6140004160	COL LR-453		
L741	6200005011	S.COL NLV25T-100J	B	44.2/6.2
L742	6200005011	S.COL NLV25T-100J	B	46.2/3.4
L743	6140004190	COL LR-455		
L744	6140004210	COL LR-456		
L745	6140004210	COL LR-456		
L746	6140004210	COL LR-456		
L747	6140004190	COL LR-455		
L771	6200009141	S.COL NLV25T-6R8J	B	23.4/10.6
L772	6200009141	S.COL NLV25T-6R8J	B	27.1/9
L773	6140004220	COL LR-457		
L774	6140004160	COL LR-453		
L775	6140004160	COL LR-453		
L776	6140004160	COL LR-453		
L777	6140004220	COL LR-457		
L801	6200003281	S.COL NLV25T-2R2J	B	214.4/45.7
L802	6200003281	S.COL NLV25T-2R2J	B	211.8/42.4
L805	6200008090	S.COL LQW2BHN68NJ03L	T	214.6/41.4
L806	6200003041	S.COL NLV32T-R68J	T	211.5/36.9
L807	6200008090	S.COL LQW2BHN68NJ03L	T	209.7/40
L808	6200010870	S.COL C2520C-R33G-A (0.33U)	T	209.8/43
L831	6200003281	S.COL NLV25T-2R2J	B	211.6/26.7
L832	6200003281	S.COL NLV25T-2R2J	B	213.2/23.7
L833	6200003011	S.COL NLV32T-R27J	T	214.2/29.7
L834	6200003001	S.COL NLV32T-R22J	T	209.7/32.9
L835	6200003011	S.COL NLV32T-R27J	T	209.4/27.3
L900	6200001831	S.COL NLV32T-100J	B	213.2/113.1
L901	6200003950	S.COL HF50ACC 322513-T	B	11.6/20.4
L902	6200003950	S.COL HF50ACC 322513-T	B	11.7/16.4
L903	6200001831	S.COL NLV32T-100J	T	7.4/27.5
L904	6200001831	S.COL NLV32T-100J	T	11.6/27.5
L905	6140004380	COL LR-498		
L906	6200009690	S.COL LQH43CN101K03L	T	216.9/114.5
L907	6200001831	S.COL NLV32T-100J	B	193.1/113.1
L908	6140004380	COL LR-498		
L909	6200009690	S.COL LQH43CN101K03L	T	196/115.1
L950	6200001831	S.COL NLV32T-100J	B	211.8/17
L951	6140004380	COL LR-498		
L952	6200009690	S.COL LQH43CN101K03L	T	213.8/3.4
L953	6200001831	S.COL NLV32T-100J	B	191.1/17
L954	6140004380	COL LR-498		
L955	6200009690	S.COL LQH43CN101K03L	T	196/3.3
R1	7030003640	S.RES ERJ3GEYJ 473 V (47 k)	T	181.4/92.2
R3	7030003860	S.RES ERJ3GE JPW V	T	182.1/90.3
R101	7030003320	S.RES ERJ3GEYJ 101 V (100)	T	7.2/67.9
R102	7030003320	S.RES ERJ3GEYJ 101 V (100)	T	7.9/71.3
R103	7030003320	S.RES ERJ3GEYJ 101 V (100)	T	8.7/67.9
R104	7030003320	S.RES ERJ3GEYJ 101 V (100)	T	9.3/71
R105	7030003320	S.RES ERJ3GEYJ 101 V (100)	T	10.6/71
R106	7030003320	S.RES ERJ3GEYJ 101 V (100)	T	11.3/89.9
R107	7030003320	S.RES ERJ3GEYJ 101 V (100)	T	11.6/87.9
R108	7030003320	S.RES ERJ3GEYJ 101 V (100)	T	11.1/83.2
R117	7030003320	S.RES ERJ3GEYJ 101 V (100)	T	9.8/83.5
R118	7030003320	S.RES ERJ3GEYJ 101 V (100)	T	8.5/83.5
R119	7030003320	S.RES ERJ3GEYJ 101 V (100)	T	7.4/87.2
R120	7030003320	S.RES ERJ3GEYJ 101 V (100)	T	6.7/83.2
R121	7030003320	S.RES ERJ3GEYJ 101 V (100)	T	6.9/92.2
R122	7030003320	S.RES ERJ3GEYJ 101 V (100)	T	7.1/94.8
R123	7030003320	S.RES ERJ3GEYJ 101 V (100)	B	10/95.5
R124	7030003320	S.RES ERJ3GEYJ 101 V (100)	T	11/94.3
R133	7030003560	S.RES ERJ3GEYJ 103 V (10 k)	T	191.2/55.8
R134	7030003320	S.RES ERJ3GEYJ 101 V (100)	B	10/98.9
R141	7030003360	S.RES ERJ3GEYJ 221 V (220)	B	5.6/14
R142	7030003360	S.RES ERJ3GEYJ 221 V (220)	B	5.6/15.7
R143	7030003360	S.RES ERJ3GEYJ 221 V (220)	B	5.1/19.2
R351	7030003340	S.RES ERJ3GEYJ 151 V (150)	B	197.7/90.7
R352	7030003300	S.RES ERJ3GEYJ 680 V (68)	B	193.9/87.5
R354	7030003280	S.RES ERJ3GEYJ 470 V (47)	B	200.9/84.8
R355	7030003320	S.RES ERJ3GEYJ 101 V (100)	B	193.9/81.3
R357	7030003240	S.RES ERJ3GEYJ 220 V (22)	B	197.8/71.6
R358	7030003350	S.RES ERJ3GEYJ 181 V (180)	B	194.4/70.3
R360	7030003320	S.RES ERJ3GEYJ 101 V (100)	T	191.8/66.1
R371	7030003320	S.RES ERJ3GEYJ 101 V (100)	T	217.4/71.2
R372	7030003320	S.RES ERJ3GEYJ 101 V (100)	B	209.5/61.9
R373	7030003320	S.RES ERJ3GEYJ 101 V (100)	B	209.5/58.9
R381	7030003520	S.RES ERJ3GEYJ 472 V (4.7 k)	T	231.4/51.9
R382	7030003360	S.RES ERJ3GEYJ 221 V (220)	B	239.8/112.7
R383	7030003680	S.RES ERJ3GEYJ 104 V (100 k)	T	232.3/49.1
R384	7030003420	S.RES ERJ3GEYJ 681 V (680)	B	236/49.9
R385	7030003420	S.RES ERJ3GEYJ 681 V (680)	B	231.3/46.7
R386	7030003480	S.RES ERJ3GEYJ 222 V (2.2 k)	B	237.6/62.6

[BPF UNIT]

REF NO.	ORDER NO.	DESCRIPTION	M.	H/V LOCATION
R387	7030003560	S.RES ERJ3GEYJ 103 V (10 k)	B	238.8/55.5
R388	7540000130	ABS 2P-50A-301		
R389	7030003420	S.RES ERJ3GEYJ 681 V (680)	T	235/65.4
R390	7030003560	S.RES ERJ3GEYJ 103 V (10 k)	T	233/51.9
R391	7030003680	S.RES ERJ3GEYJ 104 V (100 k)	T	234.3/51.9
R392	7030003420	S.RES ERJ3GEYJ 681 V (680)	B	234.7/49.9
R393	7030003420	S.RES ERJ3GEYJ 681 V (680)	B	231.3/44.8
R394	7030003420	S.RES ERJ3GEYJ 681 V (680)	T	235/64.1
R395	7030003420	S.RES ERJ3GEYJ 681 V (680)	B	235.2/56.4
R396	7030003420	S.RES ERJ3GEYJ 681 V (680)	B	235.2/55.1
R401	7030003360	S.RES ERJ3GEYJ 221 V (220)	B	227.6/96.2
R402	7030003680	S.RES ERJ3GEYJ 104 V (100 k)	T	234.5/111.6
R403	7030003480	S.RES ERJ3GEYJ 222 V (2.2 k)	T	231.9/110.3
R404	7030003860	S.RES ERJ3GE JPW V	T	234.5/110.3
R441	7030003360	S.RES ERJ3GEYJ 221 V (220)	B	11/24.4
R442	7030003360	S.RES ERJ3GEYJ 221 V (220)	B	8.2/23.4
R451	7030003320	S.RES ERJ3GEYJ 101 V (100)	T	10.6/32.9
R452	7030003320	S.RES ERJ3GEYJ 101 V (100)	T	11.9/33.1
R453	7030003320	S.RES ERJ3GEYJ 101 V (100)	T	13.2/33.1
R454	7030003320	S.RES ERJ3GEYJ 101 V (100)	T	14.5/33.1
R455	7030003320	S.RES ERJ3GEYJ 101 V (100)	T	14.5/36.9
R456	7030003320	S.RES ERJ3GEYJ 101 V (100)	T	11.1/46.9
R457	7030003320	S.RES ERJ3GEYJ 101 V (100)	T	8.9/46.3
R458	7030003320	S.RES ERJ3GEYJ 101 V (100)	T	8.9/47.6
R467	7030003320	S.RES ERJ3GEYJ 101 V (100)	T	10.6/49.6
R468	7030003320	S.RES ERJ3GEYJ 101 V (100)	T	13.6/50.2
R469	7030003320	S.RES ERJ3GEYJ 101 V (100)	T	7.6/49.4
R470	7030003320	S.RES ERJ3GEYJ 101 V (100)	T	6.9/50.7
R471	7030003320	S.RES ERJ3GEYJ 101 V (100)	T	6.2/52.6
R472	7030003320	S.RES ERJ3GEYJ 101 V (100)	T	9.2/53
R473	7030003320	S.RES ERJ3GEYJ 101 V (100)	T	10.5/53.7
R474	7030003320	S.RES ERJ3GEYJ 101 V (100)	T	11.8/54.2
R475	7030003320	S.RES ERJ3GEYJ 101 V (100)	T	10.7/63.9
R481	7030003560	S.RES ERJ3GEYJ 103 V (10 k)	B	196.9/55.9
R501	7030003640	S.RES ERJ3GEYJ 473 V (47 k)	T	183/30
R503	7030003860	S.RES ERJ3GE JPW V	T	182.2/31.9
R851	7030003340	S.RES ERJ3GEYJ 151 V (150)	B	198.2/32.1
R852	7030003300	S.RES ERJ3GEYJ 680 V (68)	B	193.5/32.1
R854	7030003280	S.RES ERJ3GEYJ 470 V (47)	B	200.9/34.7
R855	7030003320	S.RES ERJ3GEYJ 101 V (100)	B	193.5/38.3
R857	7030003240	S.RES ERJ3GEYJ 220 V (22)	B	197.9/48.2
R858	7030003350	S.RES ERJ3GEYJ 181 V (180)	B	193.8/49.7
R860	7030003320	S.RES ERJ3GEYJ 101 V (100)	T	192/51
R871	7030003360	S.RES ERJ3GEYJ 221 V (220)	B	238/19.5
R872	7030003680	S.RES ERJ3GEYJ 104 V (100 k)	B	236.5/14.4
R873	7030003480	S.RES ERJ3GEYJ 222 V (2.2 k)	B	239/61.6
R874	7030003860	S.RES ERJ3GE JPW V	B	236.5/16
R900	7030003280	S.RES ERJ3GEYJ 470 V (47)	B	212.8/117.1
R901	7030003440	S.RES ERJ3GEYJ 102 V (1 k)	T	207.2/117.4
R902	7030003530	S.RES ERJ3GEYJ 562 V (5.6 k)	T	210.4/116.6
R903	7030003380	S.RES ERJ3GEYJ 331 V (330)	B	203.9/113.3
R904	7030003220	S.RES ERJ3GEYJ 150 V (15)	B	206.3/111.8
R905	7030003380	S.RES ERJ3GEYJ 331 V (330)	B	203.3/111.6
R906	7030003320	S.RES ERJ3GEYJ 101 V (100)	T	12.5/92.8
R907	7030003320	S.RES ERJ3GEYJ 101 V (100)	T	13.8/92.8
R908	7030003280	S.RES ERJ3GEYJ 470 V (47)	B	194.5/116.4
R909	7030003440	S.RES ERJ3GEYJ 102 V (1 k)	T	185.4/115.9
R910	7030003530	S.RES ERJ3GEYJ 562 V (5.6 k)	T	189.6/116.7
R911	7030003320	S.RES ERJ3GEYJ 101 V (100)	B	209.4/110.8
R912	7030003320	S.RES ERJ3GEYJ 101 V (100)	B	187.5/111.2
R913	7030004050	S.RES ERJ3GEYJ 1R0 V (1)	B	189.7/106.1
R950	7030003280	S.RES ERJ3GEYJ 470 V (47)	B	210.2/20
R951	7030003440	S.RES ERJ3GEYJ 102 V (1 k)	T	207.7/21.4
R952	7030003530	S.RES ERJ3GEYJ 562 V (5.6 k)	T	211/20.8
R953	7030003380	S.RES ERJ3GEYJ 331 V (330)	B	203.4/18.4
R954	7030003220	S.RES ERJ3GEYJ 150 V (15)	B	205.6/16.7
R955	7030003380	S.RES ERJ3GEYJ 331 V (330)	B	202.8/16.7
R956	7030003320	S.RES ERJ3GEYJ 101 V (100)	T	8.3/65
R957	7030003320	S.RES ERJ3GEYJ 101 V (100)	B	11.6/60.5
R958	7030003280	S.RES ERJ3GEYJ 470 V (47)	B	189.5/19.9
R959	7030003440	S.RES ERJ3GEYJ 102 V (1 k)	T	186.5/21.4
R960	7030003530	S.RES ERJ3GEYJ 562 V (5.6 k)	T	191.5/20
R961	7030003320	S.RES ERJ3GEYJ 101 V (100)	B	208.3/16.4
R962	7030003320	S.RES ERJ3GEYJ 101 V (100)	B	187.7/16.4
R963	7030004050	S.RES ERJ3GEYJ 1R0 V (1)	B	181.4/16.5
C1	4030006880	S.CER C1608 JB 1H 472K-T	B	183.4/92.3
C2	4030006880	S.CER C1608 JB 1H 472K-T	T	183.3/91.5
C3	4030006880	S.CER C1608 JB 1H 472K-T	T	184.1/99.8
C4	4030006880	S.CER C1608 JB 1H 472K-T	B	183.1/73.9
C5	4030006880	S.CER C1608 JB 1H 472K-T	B	182.5/66.5
C6	4030006880	S.CER C1608 JB 1H 472K-T	T	183.9/73.9
C7	4030017840	S.CER C2012 CH 1H 222J-T	T	182.8/86.4
C8	4030017850	S.CER C2012 CH 1H 272J-T	T	182.9/84.1
C9	4030017820	S.CER C2012 CH 1H 222J-T	T	182.9/82.3
C10	4030017840	S.CER C2012 CH 1H 222J-T	T	182.8/77.5
C21	4030006880	S.CER C1608 JB 1H 472K-T	B	165.3/112.2
C22	4030006880	S.CER C1608 JB 1H 472K-T	B	162.3/112.2
C23	4030006880	S.CER C1608 JB 1H		

[BPF UNIT]

REF NO.	ORDER NO.	DESCRIPTION	M.	H/V LOCATION
C39	4030007140	S.CER C1608 CH 1H 121J-T	B	165.6/85.5
C40	4030017810	S.CER C1608 CH 1H 102J-T	B	170/74.5
C41	4030017810	S.CER C1608 CH 1H 102J-T	B	170/72.7
C51	4030006880	S.CER C1608 JB 1H 472K-T	T	153.8/116
C52	4030006880	S.CER C1608 JB 1H 472K-T	B	150.6/112.3
C53	4030006880	S.CER C1608 JB 1H 472K-T	B	153.8/116
C54	4030006880	S.CER C1608 JB 1H 472K-T	B	160.3/71.9
C55	4030006880	S.CER C1608 JB 1H 472K-T	B	160.2/65.2
C56	4030006880	S.CER C1608 JB 1H 472K-T	T	165.1/68.5
C57	4030017800	S.CER C1608 CH 1H 561J-T	B	143.6/99.3
C58	4030010760	S.CER C1608 CH 1H 331J-T	B	143.6/97.2
C59	4030010760	S.CER C1608 CH 1H 331J-T	B	144.2/94.6
C60	4030007080	S.CER C1608 CH 1H 390J-T	B	144.2/92.2
C61	4030007100	S.CER C1608 CH 1H 560J-T	B	141.8/90.2
C62	4030010760	S.CER C1608 CH 1H 331J-T	B	139.5/90.2
C63	4030010760	S.CER C1608 CH 1H 331J-T	B	143.8/83
C64	4030007090	S.CER C1608 CH 1H 470J-T	B	143.8/85.3
C65	4030010760	S.CER C1608 CH 1H 331J-T	B	141.1/82
C66	4030007100	S.CER C1608 CH 1H 560J-T	B	138.9/82
C67	4030010760	S.CER C1608 CH 1H 331J-T	B	143.7/78.7
C68	4030007080	S.CER C1608 CH 1H 390J-T	B	143.7/81.1
C69	4030017800	S.CER C1608 CH 1H 561J-T	B	144/75.1
C70	4030010760	S.CER C1608 CH 1H 331J-T	B	144/77.1
C81	4030006880	S.CER C1608 JB 1H 472K-T	B	139.9/115
C82	4030006880	S.CER C1608 JB 1H 472K-T	B	138.1/111.8
C83	4030006880	S.CER C1608 JB 1H 472K-T	B	140.7/117
C84	4030006880	S.CER C1608 JB 1H 472K-T	B	138.4/72.1
C85	4030006880	S.CER C1608 JB 1H 472K-T	B	144.9/66.5
C86	4030006880	S.CER C1608 JB 1H 472K-T	B	143/68.1
C87	4030017800	S.CER C1608 CH 1H 561J-T	B	126.7/116.6
C88	4030011330	S.CER C1608 CH 1H 391J-T	B	126.7/114.8
C89	4030007160	S.CER C1608 CH 1H 181J-T	B	126.8/104.3
C90	4030007070	S.CER C1608 CH 1H 330J-T	B	126.8/106.2
C91	4030007030	S.CER C1608 CH 1H 150J-T	B	130.7/102.1
C92	4030007120	S.CER C1608 CH 1H 820J-T	B	128.9/102.1
C93	4030007140	S.CER C1608 CH 1H 121J-T	B	126.6/101.3
C94	4030007100	S.CER C1608 CH 1H 560J-T	B	126.6/99.6
C95	4030007120	S.CER C1608 CH 1H 820J-T	B	129.4/92.5
C96	4030007030	S.CER C1608 CH 1H 150J-T	B	131.4/92.5
C97	4030007160	S.CER C1608 CH 1H 181J-T	B	126.7/89.6
C98	4030007070	S.CER C1608 CH 1H 330J-T	B	126.7/88
C99	4030017800	S.CER C1608 CH 1H 561J-T	B	126.7/86.1
C100	4030011330	S.CER C1608 CH 1H 391J-T	B	126.7/84.3
C111	4030006880	S.CER C1608 JB 1H 472K-T	B	118.1/115.2
C112	4030006880	S.CER C1608 JB 1H 472K-T	B	115.2/112.4
C113	4030006880	S.CER C1608 JB 1H 472K-T	B	118.9/117.6
C114	4030006880	S.CER C1608 JB 1H 472K-T	B	107.7/69.4
C115	4030006880	S.CER C1608 JB 1H 472K-T	B	104.3/65.9
C116	4030006880	S.CER C1608 JB 1H 472K-T	T	108.7/67.5
C117	4030010760	S.CER C1608 CH 1H 331J-T	B	110.3/109.3
C118	4030007150	S.CER C1608 CH 1H 151J-T	B	110.3/107.8
C119	4030007150	S.CER C1608 CH 1H 151J-T	B	110.3/96.6
C120	4030007060	S.CER C1608 CH 1H 270J-T	B	110.3/98.3
C121	4030007060	S.CER C1608 CH 1H 270J-T	B	106.8/95
C122	4030007140	S.CER C1608 CH 1H 121J-T	B	105.2/95
C123	4030007150	S.CER C1608 CH 1H 151J-T	B	110.3/94.3
C124	4030007010	S.CER C1608 CH 1H 100D-T	B	110.3/92.7
C125	4030007140	S.CER C1608 CH 1H 121J-T	B	109.6/84.4
C126	4030007060	S.CER C1608 CH 1H 270J-T	B	107.5/84.4
C127	4030007150	S.CER C1608 CH 1H 151J-T	B	110.3/80.6
C128	4030007060	S.CER C1608 CH 1H 270J-T	B	110.3/78.7
C129	4030010760	S.CER C1608 CH 1H 331J-T	B	110.3/73.7
C130	4030007150	S.CER C1608 CH 1H 151J-T	B	110.4/72
C141	4030006880	S.CER C1608 JB 1H 472K-T	B	105.2/115.2
C142	4030006880	S.CER C1608 JB 1H 472K-T	B	97.2/108.7
C143	4030006880	S.CER C1608 JB 1H 472K-T	B	105.6/117.6
C144	4030006880	S.CER C1608 JB 1H 472K-T	B	91/72.9
C145	4030006880	S.CER C1608 JB 1H 472K-T	B	90.2/65.9
C146	4030006880	S.CER C1608 JB 1H 472K-T	T	93.4/70.3
C147	4030007170	S.CER C1608 CH 1H 221J-T	B	92.3/109.8
C148	4030007170	S.CER C1608 CH 1H 221J-T	B	92.3/108
C149	4030007130	S.CER C1608 CH 1H 101J-T	B	92.4/104.5
C150	4030007050	S.CER C1608 CH 1H 220J-T	B	92.4/102.6
C151	4030007070	S.CER C1608 CH 1H 330J-T	B	93.1/99.9
C152	4030007080	S.CER C1608 CH 1H 390J-T	B	94.8/99.9
C153	4030007120	S.CER C1608 CH 1H 820J-T	B	92.4/94.8
C154	4030007050	S.CER C1608 CH 1H 220J-T	B	92.4/93.3
C155	4030007080	S.CER C1608 CH 1H 390J-T	B	95.5/92.5
C156	4030007070	S.CER C1608 CH 1H 330J-T	B	97.7/92.5
C157	4030007130	S.CER C1608 CH 1H 101J-T	B	92.4/90.8
C158	4030007050	S.CER C1608 CH 1H 220J-T	B	92.4/89.2
C159	4030007170	S.CER C1608 CH 1H 221J-T	B	92.4/79.9
C160	4030007170	S.CER C1608 CH 1H 221J-T	B	92.4/77.8
C171	4030006880	S.CER C1608 JB 1H 472K-T	B	73.9/115.2
C172	4030006880	S.CER C1608 JB 1H 472K-T	B	71.1/112.4
C173	4030006880	S.CER C1608 JB 1H 472K-T	B	74.9/117.6
C174	4030006880	S.CER C1608 JB 1H 472K-T	B	78.9/72.9
C175	4030006880	S.CER C1608 JB 1H 472K-T	B	77.9/65.8
C176	4030006880	S.CER C1608 JB 1H 472K-T	B	81.6/75.9
C177	4030007170	S.CER C1608 CH 1H 221J-T	B	78.3/115.3
C178	4030007110	S.CER C1608 CH 1H 680J-T	B	78.3/112.9
C179	4030007090	S.CER C1608 CH 1H 470J-T	B	74.1/103.9
C180	4030007090	S.CER C1608 CH 1H 470J-T	B	74.1/105.7
C181	4030007070	S.CER C1608 CH 1H 330J-T	B	73.3/101.4
C182	4030007070	S.CER C1608 CH 1H 330J-T	B	71.4/101.4
C183	4030007120	S.CER C1608 CH 1H 820J-T	B	74.1/98.9
C185	4030007070	S.CER C1608 CH 1H 330J-T	B	73.3/93.6
C186	4030007070	S.CER C1608 CH 1H 330J-T	B	71.4/93.6
C187	4030007090	S.CER C1608 CH 1H 470J-T	B	74.1/90.2
C188	4030007090	S.CER C1608 CH 1H 470J-T	B	74.1/88.1
C189	4030007170	S.CER C1608 CH 1H 221J-T	B	74.1/85.9
C190	4030007110	S.CER C1608 CH 1H 680J-T	B	74.1/83.9
C201	4030006880	S.CER C1608 JB 1H 472K-T	B	61.6/115.2
C202	4030006880	S.CER C1608 JB 1H 472K-T	B	58.8/112.4

[BPF UNIT]

REF NO.	ORDER NO.	DESCRIPTION	M.	H/V LOCATION
C203	4030006880	S.CER C1608 JB 1H 472K-T	B	58.2/116.1
C204	4030006880	S.CER C1608 JB 1H 472K-T	B	66.4/76.6
C205	4030006880	S.CER C1608 JB 1H 472K-T	B	71.2/80.2
C206	4030006880	S.CER C1608 JB 1H 472K-T	B	70.2/74.8
C207	4030007160	S.CER C1608 CH 1H 181J-T	B	57.7/103.6
C208	4030007090	S.CER C1608 CH 1H 470J-T	B	57.7/102
C209	4030007090	S.CER C1608 CH 1H 470J-T	B	64.8/95.3
C210	4030007040	S.CER C1608 CH 1H 180J-T	B	63.2/95.3
C211	4030007030	S.CER C1608 CH 1H 150J-T	B	60.8/94.5
C212	4030007050	S.CER C1608 CH 1H 220J-T	B	60.8/92.9
C213	4030007090	S.CER C1608 CH 1H 470J-T	B	57.7/92.9
C214	4030006990	S.CER C1608 CH 1H 080D-T	B	57.7/94.5
C215	4030007050	S.CER C1608 CH 1H 220J-T	B	60.1/85.1
C216	4030007030	S.CER C1608 CH 1H 150J-T	B	58.5/85.1
C217	4030007090	S.CER C1608 CH 1H 470J-T	B	57.7/82.7
C218	4030007040	S.CER C1608 CH 1H 180J-T	B	57.7/81.1
C219	4030007160	S.CER C1608 CH 1H 181J-T	B	57.7/79.5
C220	4030007090	S.CER C1608 CH 1H 470J-T	B	57.7/77.9
C231	4030006880	S.CER C1608 JB 1H 472K-T	B	39.4/115.3
C232	4030006880	S.CER C1608 JB 1H 472K-T	B	36.6/112.4
C233	4030006880	S.CER C1608 JB 1H 472K-T	B	40.3/117.5
C234	4030006880	S.CER C1608 JB 1H 472K-T	B	46.2/73.5
C235	4030006880	S.CER C1608 JB 1H 472K-T	B	49/69.2
C236	4030006880	S.CER C1608 JB 1H 472K-T	B	50.4/69.1
C237	4030007140	S.CER C1608 CH 1H 121J-T	B	41.2/109.8
C238	4030007040	S.CER C1608 CH 1H 180J-T	B	41.2/108.2
C239	4030007070	S.CER C1608 CH 1H 330J-T	B	41.2/103.8
C240	4030007040	S.CER C1608 CH 1H 180J-T	B	41.2/102.2
C241	4030007010	S.CER C1608 CH 1H 100D-T	B	40.5/99.8
C242	4030007070	S.CER C1608 CH 1H 330J-T	B	38.9/99.8
C243	4030007090	S.CER C1608 CH 1H 470J-T	B	41.2/94.8
C245	4030007070	S.CER C1608 CH 1H 330J-T	B	40.5/91.3
C246	4030007010	S.CER C1608 CH 1H 100D-T	B	38.9/91.3
C247	4030007070	S.CER C1608 CH 1H 330J-T	B	41.2/88.9
C248	4030007040	S.CER C1608 CH 1H 180J-T	B	41.2/87.3
C249	4030007140	S.CER C1608 CH 1H 121J-T	B	41.2/85.7
C250	4030007100	S.CER C1608 CH 1H 180J-T	B	41.2/84.1
C261	4030006880	S.CER C1608 JB 1H 472K-T	B	27/115.2
C262	4030006880	S.CER C1608 JB 1H 472K-T	B	24.3/112.4
C263	4030006880	S.CER C1608 JB 1H 472K-T	B	29.7/111.6
C264	4030006880	S.CER C1608 JB 1H 472K-T	T	36.5/70.9
C265	4030006880	S.CER C1608 JB 1H 472K-T	T	36.6/67.9
C266	4030006880	S.CER C1608 JB 1H 472K-T	B	36.7/70
C267	4030007130	S.CER C1608 CH 1H 101J-T	B	23.2/103.5
C268	4030007030	S.CER C1608 CH 1H 150J-T	B	23.2/101.9
C269	4030007050	S.CER C1608 CH 1H 220J-T	B	30.3/95.3
C270	4030007020	S.CER C1608 CH 1H 120J-T	B	28.7/95.3
C271	4030007050	S.CER C1608 CH 1H 220J-T	B	26.3/94.5
C273	4030007050	S.CER C1608 CH 1H 220J-T	B	23.2/94.5
C274	4030006980	S.CER C1608 CH 1H 070D-T	B	23.2/92.9
C275	4030007050	S.CER C1608 CH 1H 220J-T	B	24/85.1
C277	4030007050	S.CER C1608 CH 1H 220J-T	B	23.2/81.1
C278	4030007020	S.CER C1608 CH 1H 120J-T	B	23.2/82.7
C279	4030007130	S.CER C1608 CH 1H 101J-T	B	23.3/73.6
C280	4030007030	S.CER C1608 CH 1H 150J-T	B	23.3/77.9
C291	4030006880	S.CER C1608 JB 1H 472K-T	B	218.9/73.3
C292	4030006880	S.CER C1608 JB 1H 472K-T	B	214.4/77.4
C293	4030006880	S.CER C1608 JB 1H 472K-T	B	222.7/76.6
C294	4030006880	S.CER C1608 JB 1H 472K-T	B	209.7/73
C295	4030006880	S.CER C1608 JB 1H 472K-T	B	207.6/77.5
C296	4030006880	S.CER C1608 JB 1H 472K-T	B	203.9/73.5
C297	4030007150	S.CER C1608 CH 1H 151J-T	T	213/79.9
C302	4030007030	S.CER C1608 CH 1H 150J-T	T	210.2/82.7
C303	4030007130	S.CER C1608 CH 1H 101J-T	T	211.7/79.9
C304	4030007040	S.CER C1608 CH 1H 180J-T	T	208.4/79.9
C321	4030006880	S.CER C1608 JB 1H 472K-T	T	218.8/97.4
C322	4030006880	S.CER C1608 JB 1H 472K-T	T	218.8/98.7
C323	4030006880	S.CER C1608 JB 1H 472K-T	B	213/91
C324	4030006880	S.CER C1608 JB 1H 472K-T	B	209.3/90.7
C325	4030006880	S.CER C1608 JB 1H 472K-T	T	206.6/98.8
C326	4030006880	S.CER C1608		



[BPF UNIT]

REF NO.	ORDER NO.	DESCRIPTION	M.	H/V LOCATION
C405	4030010760	S.CER C1608 CH 1H 331J-T	B	236.1/113.4
C498	4030011600	S.CER C1608 JB 1E 104K-T	T	5.3/60.4
C499	4030011600	S.CER C1608 JB 1E 104K-T	T	6.1/39.7
C501	4030006880	S.CER C1608 JB 1H 472K-T	B	184.9/22
C502	4030006880	S.CER C1608 JB 1H 472K-T	B	181.6/22
C503	4030006880	S.CER C1608 JB 1H 472K-T	B	183.9/31.7
C504	4030006880	S.CER C1608 JB 1H 472K-T	B	183.7/54.7
C505	4030006880	S.CER C1608 JB 1H 472K-T	T	185.3/47.1
C506	4030006880	S.CER C1608 JB 1H 472K-T	B	184.1/47.2
C507	4030017840	S.CER C2012 CH 1H 222J-T	T	183/35.4
C508	4030017850	S.CER C2012 CH 1H 272J-T	T	182.9/37.7
C509	4030017820	S.CER C2012 CH 1H 122J-T	T	182.9/39.5
C510	4030017840	S.CER C2012 CH 1H 222J-T	T	182.9/44.3
C531	4030006880	S.CER C1608 JB 1H 472K-T	B	165.7/5.6
C532	4030006880	S.CER C1608 JB 1H 472K-T	B	165.2/2.3
C533	4030006880	S.CER C1608 JB 1H 472K-T	B	164.5/9
C534	4030006880	S.CER C1608 JB 1H 472K-T	B	164/54.6
C535	4030006880	S.CER C1608 JB 1H 472K-T	B	167.7/49.6
C536	4030006880	S.CER C1608 JB 1H 472K-T	B	169.4/53.7
C537	4030017810	S.CER C1608 CH 1H 102J-T	B	168.6/20.1
C538	4030017810	S.CER C1608 CH 1H 102J-T	B	168.6/21.9
C539	4030010760	S.CER C1608 CH 1H 331J-T	B	168.3/24.5
C540	4030007140	S.CER C1608 CH 1H 121J-T	B	168.3/26.7
C541	4030007160	S.CER C1608 CH 1H 181J-T	B	165.3/27.6
C542	4030007060	S.CER C1608 CH 1H 270J-T	B	162.5/27.7
C543	4030010760	S.CER C1608 CH 1H 331J-T	B	168.3/28.8
C544	4030007090	S.CER C1608 CH 1H 470J-T	B	168.3/30.6
C545	4030007160	S.CER C1608 CH 1H 181J-T	B	162.9/34.2
C546	4030007060	S.CER C1608 CH 1H 270J-T	B	164.9/34.1
C547	4030010760	S.CER C1608 CH 1H 331J-T	B	168.1/35.1
C548	4030007140	S.CER C1608 CH 1H 121J-T	B	168.1/36.7
C549	4030017810	S.CER C1608 CH 1H 102J-T	B	170.3/43.4
C550	4030017810	S.CER C1608 CH 1H 102J-T	B	170.3/45.9
C561	4030006880	S.CER C1608 JB 1H 472K-T	B	153/8
C562	4030006880	S.CER C1608 JB 1H 472K-T	B	153/11.9
C563	4030006880	S.CER C1608 JB 1H 472K-T	B	152/10
C564	4030006880	S.CER C1608 JB 1H 472K-T	T	161.4/46.3
C565	4030006880	S.CER C1608 JB 1H 472K-T	B	162.2/38.8
C566	4030006880	S.CER C1608 JB 1H 472K-T	T	165.5/42.4
C567	4030017800	S.CER C1608 CH 1H 561J-T	B	147.9/17.4
C568	4030010760	S.CER C1608 CH 1H 331J-T	B	148.5/15.2
C569	4030010760	S.CER C1608 CH 1H 331J-T	B	144.6/25.7
C570	4030007080	S.CER C1608 CH 1H 390J-T	B	144.6/27.4
C571	4030007100	S.CER C1608 CH 1H 560J-T	B	141.6/28.1
C572	4030010760	S.CER C1608 CH 1H 331J-T	B	139.8/28.1
C573	4030010760	S.CER C1608 CH 1H 331J-T	B	144.3/34.2
C574	4030007090	S.CER C1608 CH 1H 470J-T	B	144.3/35.7
C575	4030010760	S.CER C1608 CH 1H 331J-T	B	141.5/38.6
C576	4030007100	S.CER C1608 CH 1H 560J-T	B	139.8/38.6
C577	4030010760	S.CER C1608 CH 1H 331J-T	B	144.3/43.2
C578	4030007080	S.CER C1608 CH 1H 390J-T	B	144.3/40.9
C579	4030017800	S.CER C1608 CH 1H 561J-T	B	149.7/45.2
C580	4030010760	S.CER C1608 CH 1H 331J-T	B	147.9/45.2
C591	4030006880	S.CER C1608 JB 1H 472K-T	B	140.2/5.1
C592	4030006880	S.CER C1608 JB 1H 472K-T	B	142.2/5.1
C593	4030006880	S.CER C1608 JB 1H 472K-T	B	133/8.5
C594	4030006880	S.CER C1608 JB 1H 472K-T	B	140.4/54.3
C595	4030006880	S.CER C1608 JB 1H 472K-T	B	148.6/52.7
C596	4030006880	S.CER C1608 JB 1H 472K-T	B	146/53.4
C597	4030017800	S.CER C1608 CH 1H 561J-T	B	126.7/3.2
C598	4030011330	S.CER C1608 CH 1H 391J-T	B	126.7/5.4
C599	4030007160	S.CER C1608 CH 1H 181J-T	B	126.7/15.1
C600	4030007070	S.CER C1608 CH 1H 330J-T	B	126.7/17.3
C601	4030007030	S.CER C1608 CH 1H 150J-T	B	129.6/18.2
C602	4030007120	S.CER C1608 CH 1H 820J-T	B	131.6/18.2
C603	4030007140	S.CER C1608 CH 1H 121J-T	B	126.8/20.5
C604	4030007100	S.CER C1608 CH 1H 560J-T	B	126.8/18.9
C605	4030007120	S.CER C1608 CH 1H 820J-T	B	131.4/26.8
C606	4030007030	S.CER C1608 CH 1H 150J-T	B	129.6/26.8
C607	4030007160	S.CER C1608 CH 1H 181J-T	B	127.3/29
C608	4030007070	S.CER C1608 CH 1H 330J-T	B	127.3/31.3
C609	4030017800	S.CER C1608 CH 1H 561J-T	B	127.3/33.3
C610	4030011330	S.CER C1608 CH 1H 391J-T	B	127.3/35.5
C621	4030006880	S.CER C1608 JB 1H 472K-T	B	118.5/4.7
C622	4030006880	S.CER C1608 JB 1H 472K-T	B	121.2/4
C623	4030006880	S.CER C1608 JB 1H 472K-T	B	113.8/8.2
C624	4030006880	S.CER C1608 JB 1H 472K-T	T	110.3/54.1
C625	4030006880	S.CER C1608 JB 1H 472K-T	B	107.4/51.4
C626	4030006880	S.CER C1608 JB 1H 472K-T	T	109/52.6
C627	4030010760	S.CER C1608 CH 1H 331J-T	B	109.3/17.8
C628	4030007150	S.CER C1608 CH 1H 151J-T	B	109.3/19.7
C629	4030007150	S.CER C1608 CH 1H 151J-T	B	109.2/21.7
C630	4030007060	S.CER C1608 CH 1H 270J-T	B	109.2/23.6
C631	4030007060	S.CER C1608 CH 1H 270J-T	B	105.2/25.8
C632	4030007140	S.CER C1608 CH 1H 121J-T	B	106.9/25.8
C633	4030007150	S.CER C1608 CH 1H 151J-T	B	109.3/33.9
C634	4030007010	S.CER C1608 CH 1H 100D-T	B	109.3/31.7
C635	4030007140	S.CER C1608 CH 1H 121J-T	B	108.5/37.9
C636	4030007060	S.CER C1608 CH 1H 270J-T	B	105.9/37.9
C637	4030007150	S.CER C1608 CH 1H 151J-T	B	109.3/40.4
C638	4030007060	S.CER C1608 CH 1H 270J-T	B	109.3/42.2
C639	4030010760	S.CER C1608 CH 1H 331J-T	B	110.2/46.5
C640	4030007150	S.CER C1608 CH 1H 151J-T	B	110.2/48.5
C651	4030006880	S.CER C1608 JB 1H 472K-T	B	105.1/7.8
C652	4030006880	S.CER C1608 JB 1H 472K-T	B	105.1/4.1
C653	4030006880	S.CER C1608 JB 1H 472K-T	B	103/10.2
C654	4030006880	S.CER C1608 JB 1H 472K-T	T	90.4/54.2
C655	4030006880	S.CER C1608 JB 1H 472K-T	B	92.1/46.9
C656	4030006880	S.CER C1608 JB 1H 472K-T	T	93.5/49.6
C657	4030007170	S.CER C1608 CH 1H 221J-T	B	92.2/6
C658	4030007170	S.CER C1608 CH 1H 221J-T	B	92.2/4.4
C659	4030007130	S.CER C1608 CH 1H 101J-T	B	92.5/14.8
C660	4030007050	S.CER C1608 CH 1H 220J-T	B	92.5/17
C661	4030007070	S.CER C1608 CH 1H 330J-T	B	95.2/19.6

[BPF UNIT]

REF NO.	ORDER NO.	DESCRIPTION	M.	H/V LOCATION
C662	4030007080	S.CER C1608 CH 1H 390J-T	B	93.2/19.6
C663	4030007120	S.CER C1608 CH 1H 820J-T	B	92.6/27.6
C664	4030007050	S.CER C1608 CH 1H 220J-T	B	92.6/25.4
C665	4030007080	S.CER C1608 CH 1H 390J-T	B	95.7/28.3
C666	4030007070	S.CER C1608 CH 1H 330J-T	B	97.5/28.3
C667	4030007130	S.CER C1608 CH 1H 101J-T	B	92.2/29.9
C668	4030007050	S.CER C1608 CH 1H 220J-T	B	92.2/31.8
C669	4030007170	S.CER C1608 CH 1H 221J-T	B	92.2/33.5
C670	4030007170	S.CER C1608 CH 1H 221J-T	B	92.2/35.6
C681	4030006880	S.CER C1608 JB 1H 472K-T	B	74.4/5.1
C682	4030006880	S.CER C1608 JB 1H 472K-T	B	77.1/3.1
C683	4030006880	S.CER C1608 JB 1H 472K-T	B	71.5/8.1
C684	4030006880	S.CER C1608 JB 1H 472K-T	T	78.9/54.1
C685	4030006880	S.CER C1608 JB 1H 472K-T	B	79.1/46.9
C686	4030006880	S.CER C1608 JB 1H 472K-T	B	81.6/44.9
C687	4030007170	S.CER C1608 CH 1H 221J-T	B	75.5/11
C688	4030007110	S.CER C1608 CH 1H 680J-T	B	75.5/13.4
C689	4030007090	S.CER C1608 CH 1H 470J-T	B	70.8/15.2
C690	4030007090	S.CER C1608 CH 1H 470J-T	B	73/15.2
C691	4030007070	S.CER C1608 CH 1H 330J-T	B	71/18.7
C692	4030007070	S.CER C1608 CH 1H 330J-T	B	73/18.7
C693	4030007120	S.CER C1608 CH 1H 820J-T	B	75.7/21.1
C695	4030007070	S.CER C1608 CH 1H 330J-T	B	72.6/27
C696	4030007070	S.CER C1608 CH 1H 330J-T	B	70.9/27
C697	4030007090	S.CER C1608 CH 1H 470J-T	B	75.6/29.6
C698	4030007090	S.CER C1608 CH 1H 470J-T	B	75.6/31.7
C699	4030007170	S.CER C1608 CH 1H 221J-T	B	75.6/35.8
C700	4030007110	S.CER C1608 CH 1H 680J-T	B	75.6/33.9
C711	4030006880	S.CER C1608 JB 1H 472K-T	B	62/5.2
C712	4030006880	S.CER C1608 JB 1H 472K-T	B	63/7.9
C713	4030006880	S.CER C1608 JB 1H 472K-T	B	58.6/8.3
C714	4030006880	S.CER C1608 JB 1H 472K-T	T	68.2/54.2
C715	4030006880	S.CER C1608 JB 1H 472K-T	B	68.4/42.7
C716	4030006880	S.CER C1608 JB 1H 472K-T	B	70/46.3
C717	4030007160	S.CER C1608 CH 1H 181J-T	B	57.7/20.1
C718	4030007090	S.CER C1608 CH 1H 470J-T	B	57.7/17.6
C719	4030007090	S.CER C1608 CH 1H 470J-T	B	57.4/23.2
C720	4030007040	S.CER C1608 CH 1H 180J-T	B	57.4/25.2
C721	4030007030	S.CER C1608 CH 1H 150J-T	B	61/27
C722	4030007050	S.CER C1608 CH 1H 220J-T	B	63.2/27
C723	4030007090	S.CER C1608 CH 1H 470J-T	B	57.7/33.7
C724	4030006990	S.CER C1608 CH 1H 080D-T	B	57.7/31.6
C725	4030007050	S.CER C1608 CH 1H 220J-T	B	63.3/37.6
C726	4030007030	S.CER C1608 CH 1H 150J-T	B	61.3/37.6
C727	4030007090	S.CER C1608 CH 1H 470J-T	B	57.7/38.3
C728	4030007040	S.CER C1608 CH 1H 180J-T	B	57.7/40.6
C729	4030007160	S.CER C1608 CH 1H 181J-T	B	57.7/46.2
C730	4030007090	S.CER C1608 CH 1H 470J-T	B	57.7/48.6
C741	4030006880	S.CER C1608 JB 1H 472K-T	B	40.8/5.4
C742	4030006880	S.CER C1608 JB 1H 472K-T	B	42.7/3.4
C743	4030006880	S.CER C1608 JB 1H 472K-T	B	37/8
C744	4030006880	S.CER C1608 JB 1H 472K-T	T	46.2/54.2
C745	4030006880	S.CER C1608 JB 1H 472K-T	T	46.2/46.6
C746	4030006880	S.CER C1608 JB 1H 472K-T	B	49.5/50.4
C747	4030007140	S.CER C1608 CH 1H 121J-T	B	41.2/13.3
C748	4030007040	S.CER C1608 CH 1H 180J-T	B	41.2/10.8
C749	4030007070	S.CER C1608 CH 1H 330J-T	B	41/18.4
C750	4030007040	S.CER C1608 CH 1H 180J-T	B	41/16.4
C751	4030007010	S.CER C1608 CH 1H 100D-T	B	35.3/17.1
C752	4030007070	S.CER C1608 CH 1H 330J-T	B	37.5/17.1
C753	4030007090	S.CER C1608 CH 1H 470J-T	B	41/20.3
C755	4030007070	S.CER C1608 CH 1H 330J-T	B	35.4/25.5
C756	4030007010	S.CER C1608 CH 1H 100D-T	B	37.5/25.5
C757	4030007070	S.CER C1608 CH 1H 330J-T	B	41/27.5
C758	4030007040	S.CER C1608 CH 1H 180J-T	B	41.1/29.4
C759	4030007140	S.CER C1608 CH 1H 121J-T	B	41.2/32.6
C760	4030007040	S.CER C1608 CH 1H 180J-T	B	41.2/34.9
C771	4030006880	S.CER C1608 JB 1H 472K-T	B	27.6/5.5
C772	4030006880	S.CER C1608 JB 1H 472K-T	B	29.2/8.5
C773	4030006880	S.CER C1608 JB 1H 472K-T	B	23.5/8.2
C774	4030006880	S.CER C1608 JB 1H 472K-T	T	35.9/54.4
C775				

[BPF UNIT]

REF NO.	ORDER NO.	DESCRIPTION	M.	H/V LOCATION
C853	4030006880	S.CER C1608 JB 1H 472K-T	B	188.8/25.1
C854	4030006880	S.CER C1608 JB 1H 472K-T	B	189.5/27.6
C855	4030006880	S.CER C1608 JB 1H 472K-T	T	189/25.3
C856	4030006880	S.CER C1608 JB 1H 472K-T	B	189.5/30.5
C857	4030006880	S.CER C1608 JB 1H 472K-T	T	189/30.5
C858	4030006880	S.CER C1608 JB 1H 472K-T	B	189.5/33.8
C859	4030006880	S.CER C1608 JB 1H 472K-T	T	189/36.7
C860	4030006880	S.CER C1608 JB 1H 472K-T	B	189.5/37.2
C861	4030006880	S.CER C1608 JB 1H 472K-T	B	189.5/40
C862	4030006880	S.CER C1608 JB 1H 472K-T	T	189/42.9
C863	4030006880	S.CER C1608 JB 1H 472K-T	B	189.5/42.9
C864	4030006880	S.CER C1608 JB 1H 472K-T	B	189.5/45.8
C865	4030006880	S.CER C1608 JB 1H 472K-T	T	194/50.2
C876	4030006880	S.CER C1608 JB 1H 472K-T	B	241.3/19.5
C878	4030010760	S.CER C1608 CH 1H 331J-T	B	245.1/17.9
C879	4030007050	S.CER C1608 CH 1H 220J-T	B	245.1/19.5
C880	4030009520	S.CER C1608 CH 1H 020B-T	B	247.9/19.5
C881	4030010210	S.CER C3216 JB 1C 105M-T	B	244/34
C900	4030006880	S.CER C1608 JB 1H 472K-T	B	215.5/99.5
C901	4030005110	S.CER C2012 JB 1E 473K-T	T	15.1/26.8
C902	4510008520	S.ELE EEE1CA470SP	T	12.3/21.7
C903	4030005110	S.CER C2012 JB 1E 473K-T	B	12.3/12.9
C904	4510009150	S.ELE EEE1EA470WP	T	12.3/13.4
C905	4030006880	S.CER C1608 JB 1H 472K-T	B	244.7/94
C906	4030006880	S.CER C1608 JB 1H 472K-T	B	244.7/91.2
C907	4030006900	S.CER C1608 JB 1H 103K-T	B	213.8/106.2
C908	4030011600	S.CER C1608 JB 1E 104K-T	B	212.8/115.6
C909	4030006880	S.CER C1608 JB 1H 472K-T	B	218.7/113.5
C910	4030006900	S.CER C1608 JB 1H 103K-T	B	215.5/117.9
C911	4030006900	S.CER C1608 JB 1H 103K-T	B	210.6/106.3
C912	4030006880	S.CER C1608 JB 1H 472K-T	B	201.9/99.6
C914	4030006880	S.CER C1608 JB 1H 472K-T	B	194.7/99.4
C915	4030006900	S.CER C1608 JB 1H 103K-T	B	192.6/110.6
C916	4030006880	S.CER C1608 JB 1H 472K-T	T	200.3/118.3
C917	4030006900	S.CER C1608 JB 1H 103K-T	T	197.8/117.6
C918	4030006900	S.CER C1608 JB 1H 103K-T	B	187.3/106.3
C919	4030006880	S.CER C1608 JB 1H 472K-T	B	180/99.9
C921	4030006880	S.CER C1608 JB 1H 472K-T	T	201.6/118.3
C922	4030011600	S.CER C1608 JB 1E 104K-T	T	208.5/117.4
C923	4030011600	S.CER C1608 JB 1E 104K-T	T	212.3/117.4
C924	4030011600	S.CER C1608 JB 1E 104K-T	B	192.9/116.4
C925	4030011600	S.CER C1608 JB 1E 104K-T	T	187.7/117.4
C926	4030011600	S.CER C1608 JB 1E 104K-T	T	191.6/117.5
C927	4030006960	S.CER C1608 CH 1H 050C-T	B	209.4/113.7
C928	4030006960	S.CER C1608 CH 1H 050C-T	B	187.5/114.2
C950	4030006880	S.CER C1608 JB 1H 472K-T	B	206.3/4.6
C951	4030006900	S.CER C1608 JB 1H 103K-T	B	215.7/17.8
C952	4030011600	S.CER C1608 JB 1E 104K-T	B	211.9/20
C953	4030006880	S.CER C1608 JB 1H 472K-T	B	205.3/2.8
C954	4030006900	S.CER C1608 JB 1H 103K-T	B	218.6/2.5
C955	4030006900	S.CER C1608 JB 1H 103K-T	B	208.6/11.4
C956	4030006880	S.CER C1608 JB 1H 472K-T	T	203.5/2.3
C958	4030006880	S.CER C1608 JB 1H 472K-T	B	190/4.9
C959	4030006900	S.CER C1608 JB 1H 103K-T	B	195.2/16.5
C960	4030006880	S.CER C1608 JB 1H 472K-T	B	196.3/2.3
C961	4030006900	S.CER C1608 JB 1H 103K-T	B	202.2/4
C962	4030006900	S.CER C1608 JB 1H 103K-T	B	184/16.5
C963	4030006880	S.CER C1608 JB 1H 472K-T	B	181/3.9
C965	4030006880	S.CER C1608 JB 1H 472K-T	T	208.4/3.9
C967	4030011600	S.CER C1608 JB 1E 104K-T	T	209/21.4
C968	4030011600	S.CER C1608 JB 1E 104K-T	T	213/21.4
C969	4030011600	S.CER C1608 JB 1E 104K-T	B	191.6/19.9
C970	4030011600	S.CER C1608 JB 1E 104K-T	T	187.9/21.4
C971	4030011600	S.CER C1608 JB 1E 104K-T	T	193/19.8
C972	4030006960	S.CER C1608 CH 1H 050C-T	B	208.3/19.3
C973	4030006960	S.CER C1608 CH 1H 050C-T	B	187.7/19.3
C974	4030006880	S.CER C1608 JB 1H 472K-T	B	235.8/11.5
RL1	6330001750	RLY FTR-B4CA012Z		
RL2	6330001750	RLY FTR-B4CA012Z		
RL21	6330001750	RLY FTR-B4CA012Z		
RL22	6330001750	RLY FTR-B4CA012Z		
RL51	6330001750	RLY FTR-B4CA012Z		
RL52	6330001750	RLY FTR-B4CA012Z		
RL81	6330001750	RLY FTR-B4CA012Z		
RL82	6330001750	RLY FTR-B4CA012Z		
RL111	6330001750	RLY FTR-B4CA012Z		
RL112	6330001750	RLY FTR-B4CA012Z		
RL141	6330001750	RLY FTR-B4CA012Z		
RL142	6330001750	RLY FTR-B4CA012Z		
RL171	6330001750	RLY FTR-B4CA012Z		
RL172	6330001750	RLY FTR-B4CA012Z		
RL201	6330001750	RLY FTR-B4CA012Z		
RL202	6330001750	RLY FTR-B4CA012Z		
RL231	6330001750	RLY FTR-B4CA012Z		
RL232	6330001750	RLY FTR-B4CA012Z		
RL261	6330001750	RLY FTR-B4CA012Z		
RL262	6330001750	RLY FTR-B4CA012Z		
RL291	6330001750	RLY FTR-B4CA012Z		
RL292	6330001750	RLY FTR-B4CA012Z		
RL321	6330001750	RLY FTR-B4CA012Z		
RL322	6330001750	RLY FTR-B4CA012Z		
RL351	6330001750	RLY FTR-B4CA012Z		
RL352	6330001750	RLY FTR-B4CA012Z		
RL353	6330001750	RLY FTR-B4CA012Z		
RL354	6330001750	RLY FTR-B4CA012Z		
RL355	6330001750	RLY FTR-B4CA012Z		
RL371	6330001750	RLY FTR-B4CA012Z		
RL381	6330001770	RLY SIP-1A-12Y		
RL401	6330001770	RLY SIP-1A-12Y		
RL402	6330001750	RLY FTR-B4CA012Z		
RL501	6330001750	RLY FTR-B4CA012Z		
RL502	6330001750	RLY FTR-B4CA012Z		

[BPF UNIT]

REF NO.	ORDER NO.	DESCRIPTION	M.	H/V LOCATION
RL531	6330001750	RLY FTR-B4CA012Z		
RL532	6330001750	RLY FTR-B4CA012Z		
RL561	6330001750	RLY FTR-B4CA012Z		
RL562	6330001750	RLY FTR-B4CA012Z		
RL591	6330001750	RLY FTR-B4CA012Z		
RL592	6330001750	RLY FTR-B4CA012Z		
RL621	6330001750	RLY FTR-B4CA012Z		
RL622	6330001750	RLY FTR-B4CA012Z		
RL651	6330001750	RLY FTR-B4CA012Z		
RL652	6330001750	RLY FTR-B4CA012Z		
RL681	6330001750	RLY FTR-B4CA012Z		
RL682	6330001750	RLY FTR-B4CA012Z		
RL711	6330001750	RLY FTR-B4CA012Z		
RL712	6330001750	RLY FTR-B4CA012Z		
RL741	6330001750	RLY FTR-B4CA012Z		
RL742	6330001750	RLY FTR-B4CA012Z		
RL771	6330001750	RLY FTR-B4CA012Z		
RL772	6330001750	RLY FTR-B4CA012Z		
RL801	6330001750	RLY FTR-B4CA012Z		
RL802	6330001750	RLY FTR-B4CA012Z		
RL831	6330001750	RLY FTR-B4CA012Z		
RL832	6330001750	RLY FTR-B4CA012Z		
RL851	6330001750	RLY FTR-B4CA012Z		
RL852	6330001750	RLY FTR-B4CA012Z		
RL853	6330001750	RLY FTR-B4CA012Z		
RL854	6330001750	RLY FTR-B4CA012Z		
RL855	6330001750	RLY FTR-B4CA012Z		
RL871	6330001770	RLY SIP-1A-12Y		
RL900	6330001750	RLY FTR-B4CA012Z		
RL901	6330001750	RLY FTR-B4CA012Z		
RL902	6330001750	RLY FTR-B4CA012Z		
RL903	6330001750	RLY FTR-B4CA012Z		
RL950	6330001750	RLY FTR-B4CA012Z		
RL951	6330001750	RLY FTR-B4CA012Z		
RL952	6330001750	RLY FTR-B4CA012Z		
RL953	6330001750	RLY FTR-B4CA012Z		
RL954	6330001750	RLY FTR-B4CA012Z		
J1	6510020521	S.CNR 52808-1271 (1290)	T	6/17
J101	6510007020	CNR TMP-J01X-V6		
J102	6510007020	CNR TMP-J01X-V6		
J103	6510023750	CNR 01K1971-10		
J104	6510023750	CNR 01K1971-10		
J105	6510023750	CNR 01K1971-10		
J106	6510007020	CNR TMP-J01X-V6		
J107	6510007020	CNR TMP-J01X-V6		
J108	6510007020	CNR TMP-J01X-V6		
J504	6510023750	CNR 01K1971-10		
J505	6510023750	CNR 01K1971-10		
J506	6510007020	CNR TMP-J01X-V6		
J601	6510007020	CNR TMP-J01X-V6		
J602	6510007020	CNR TMP-J01X-V6		
EP900	6910012350	S.BEA MMZ1608Y 102BT	B	218.9/98.8
EP901	6910012350	S.BEA MMZ1608Y 102BT	B	204.2/100.3
EP902	6910012350	S.BEA MMZ1608Y 102BT	B	197.2/98.7
EP903	6910012350	S.BEA MMZ1608Y 102BT	B	189.7/100.1
EP950	6910012350	S.BEA MMZ1608Y 102BT	B	208.8/3.5
EP951	6910012350	S.BEA MMZ1608Y 102BT	T	205.4/3.2
EP952	6910012350	S.BEA MMZ1608Y 102BT	B	193.3/3
EP953	6910012350	S.BEA MMZ1608Y 102BT	B	184.6/3.8

M.=Mounted side (T: Mounted on the Top side, B: Mounted on the Bottom side)  
S.=Surface mount

[MAIN UNIT]

REF NO.	ORDER NO.	DESCRIPTION	M.	H/V LOCATION
IC1	1110003870	S.IC NJM2058M-TE1	T	226/83.5
IC2	1110001901	S.IC uPC4570G2-E1-A	T	187/68.8
IC3	1130005641	S.IC TC4W53F (TE12L,F)	T	191.1/75.2
IC4	1110006300	S.IC NJM2172V-TE1	T	186.6/85.7
IC5	1130005641	S.IC TC4W53F (TE12L,F)	T	184.3/75.2
IC50	1190001930	S.IC PSY122AL-1A-E3	B	114.4/109.1
IC60	1110003870	S.IC NJM2058M-TE1	B	116.1/87.4
IC61	1110003870	S.IC NJM2058M-TE1	B	129.6/94.8
IC100	1130005641	S.IC TC4W53F (TE12L,F)	T	211.8/91
IC101	1130005641	S.IC TC4W53F (TE12L,F)	T	205/91
IC102	1110001901	S.IC uPC4570G2-E1-A	T	209.7/68.5
IC104	1110001901	S.IC uPC4570G2-E1-A	T	209.8/43.4
IC105	1110006300	S.IC NJM2172V-TE1	T	220.4/58.4
IC140	1110006141	IC LA4485-E		
IC180	1110006300	S.IC NJM2172V-TE1	T	187/57.6
IC181	1130005641	S.IC TC4W53F (TE12L,F)	T	186.9/40.3
IC182	1110006160	S.IC TPA6111A2DGN	T	186.8/35.8
IC191	1130005641	S.IC TC4W53F (TE12L,F)	T	193.3/30
IC192	1130005641	S.IC TC4W53F (TE12L,F)	T	180.6/30.2
IC201	1130005641	S.IC TC4W53F (TE12L,F)	T	147.7/71.6
IC210	1110006300	S.IC NJM2172V-TE1	T	160.5/90.1
IC230	1110001901	S.IC uPC4570G2-E1-A	T	68.3/22.2
IC250	1130011530	S.IC CD74HC4094M96	T	137.4/32.2
IC251	1160000131	S.IC TD62783AFG (S,EL)	T	125.7/34
IC260	1130011530	S.IC CD74HC4094M96	T	137.4/46.6
IC261	1160000131	S.IC TD62783AFG (S,EL)	T	125.7/48.3
IC290	1130011530	S.IC CD74HC4094M96	T	149.4/35.6
IC291	1160000131	S.IC TD62783AFG (S,EL)	T	161.1/34
IC310	1130011530	S.IC CD74HC4094M96	T	149.4/50.1
IC311	1160000131	S.IC TD62783AFG (S,EL)	T	161.1/48.4
IC330	1130012000	S.IC M62352AGP C60Q	T	150.4/61
IC331	1130012000	S.IC M62352AGP C60Q	T	161.1/61.1
IC450	1180002650	S.REG SI-3012KS-TL	B	212.6/31.3
IC451	1180002650	S.REG SI-3012KS-TL	B	160/15.2
IC452	1180002650	S.REG SI-3012KS-TL	B	93.6/51.5
IC460	1130005641	S.IC TC4W53F (TE12L,F)	T	147.7/80
IC490	1130005641	S.IC TC4W53F (TE12L,F)	B	163.4/61.6
IC491	1110003870	S.IC NJM2058M-TE1	B	236.2/21.9
IC495	1130011990	S.IC SN74LVC1G08DCKR	T	14.6/122.5
IC501	1110006100	S.IC NJM5534MD-TE1	T	22.6/66.4
IC502	1110006100	S.IC NJM5534MD-TE1	T	22.6/78.5
IC503	1110005461	S.IC TA4107F (TE12L,F)	T	23.2/91.9
IC550	1180001771	S.IC TA79L05F (TE12L,F)	T	125.5/103.1
IC820	1110006131	S.IC uPC4094G2-E1-A	T	83.5/94.3
IC821	1110006300	S.IC NJM2172V-TE1	T	160.5/74.8
Q1	1590001050	S.STR DTC114TUA T106	B	217/105.3
Q2	1590001050	S.STR DTC114TUA T106	B	174.9/102.8
Q3	1530002060	S.STR 2SC4081 T106 R	B	161.8/96.7
Q4	1530002060	S.STR 2SC4081 T106 R	B	172.7/98
Q5	1590001330	S.STR DTA114EUA T106	B	167.1/92
Q6	1540000441	S.STR 2SD1619T-TD-E	B	166.4/102.1
Q7	1530002060	S.STR 2SC4081 T106 R	B	147.8/110.4
Q8	1530002060	S.STR 2SC4081 T106 R	T	222.2/99.7
Q9	1530002060	S.STR 2SC4081 T106 R	T	179.3/101
Q50	1590001050	S.STR DTC114TUA T106	B	119/96.6
Q51	1590001050	S.STR DTC114TUA T106	B	118.6/100.4
Q52	1530002060	S.STR 2SC4081 T106 R	T	83.5/107.6
Q60	1590002710	S.STR UMH11NTN	T	118.7/87.6
Q61	1590002150	S.STR DTC144TE TL	T	117.8/80.2
Q62	1510000510	S.STR 2SA1576A T106R	T	123.1/93.8
Q63	1590001050	S.STR DTC114TUA T106	T	120.2/79.9
Q64	1590002430	S.STR DTA144E TL	T	120.2/82.2
Q100	1590001451	S.FET 2SJ144-GR (TE85R,F)	T	214.2/79.1
Q101	1590001451	S.FET 2SJ144-GR (TE85R,F)	T	204.6/79.1
Q131	1560001131	S.FET CPH3403-TL-E	T	228.6/70.9
Q132	1560001131	S.FET CPH3403-TL-E	T	233.4/47.7
Q140	1540000471	S.STR 2SD1801S-TL-E	T	241.8/37.3
Q141	1590000680	S.STR DTC114EUA T106	B	247.8/92.4
Q142	1590000680	S.STR DTC114EUA T106	B	239.9/92.4
Q143	1590001050	S.STR DTC114TUA T106	T	255.3/55.4
Q351	1560001260	S.FET 2SK3018 T106	T	129.8/85.1
Q352	1530002060	S.STR 2SC4081 T106 R	T	132.7/85.1
Q474	1510000510	S.STR 2SA1576A T106R	T	132.4/77.2
Q476	1590001050	S.STR DTC114TUA T106	T	129.4/77.1
Q490	1590000680	S.STR DTC114EUA T106	B	232.2/4.5
Q491	1520000460	S.STR 2SB1132 T100 R	B	224.3/4.2
Q501	1580000751	S.FET 3SK294 (TE85L,F)	B	26.9/91.8
Q502	1590000680	S.STR DTC114EUA T106	T	47.1/79.4
Q503	1590002710	S.STR UMH11NTN	T	47.3/75.9
Q504	1560000561	S.FET 2SK882-GR (TE85L,F)	B	49.3/91.2
Q506	1560000561	S.FET 2SK882-GR (TE85L,F)	B	102.7/82.6
Q507	1530003151	S.STR 2SC4673D-TD-E	T	103.9/65.5
Q508	1530003842	S.STR 2SC5501A-4-TR-E	T	58.8/68.8
Q801	1530003851	S.STR 2SC5551A-F-E	T	43.1/18.2
Q802	1520000531	S.STR 2SB1119S-TD-E	B	89.9/83.7
Q803	1590000680	S.STR DTC114EUA T106	B	83.7/84.8
Q804	1590002710	S.STR UMH11NTN	T	33.9/20.3
Q805	1590000680	S.STR DTC114EUA T106	T	30.9/21.6
Q806	1530002060	S.STR 2SC4081 T106 R	T	35.5/73.8
Q808	1590001330	S.STR DTA114EUA T106	T	45.6/70.2
Q809	1590000680	S.STR DTC114EUA T106	T	48.7/70.2
Q810	1530002060	S.STR 2SC4081 T106 R	T	231.4/34.2
D1	1750000550	S.DIO 1SS355 TE-17	B	162.9/104.2
D2	1750000550	S.DIO 1SS355 TE-17	B	170.6/104.2
D3	1790001750	S.DIO DSM3MA4	B	65.5/122.7
D4	1790001750	S.DIO DSM3MA4	B	65.5/113.6
D50	1750000550	S.DIO 1SS355 TE-17	B	114.5/100.6
D51	1790001670	S.DIO RB706F-40T106	T	90.8/112.8
D52	1750000550	S.DIO 1SS355 TE-17	T	88.4/112.8
D60	1750000550	S.DIO 1SS355 TE-17	B	126.8/86.8

[MAIN UNIT]

REF NO.	ORDER NO.	DESCRIPTION	M.	H/V LOCATION
D61	1750000550	S.DIO 1SS355 TE-17	B	126.6/83.4
D62	1750000550	S.DIO 1SS355 TE-17	B	120.6/77.6
D63	1750000550	S.DIO 1SS355 TE-17	B	116.5/93.6
D64	1790001240	S.DIO MA2S7280G-(TX)	B	108.1/78.3
D65	1750000550	S.DIO 1SS355 TE-17	B	123.1/100.1
D66	1750000550	S.DIO 1SS355 TE-17	B	134.3/89.4
D67	1730002340	S.ZEN MA8047-M (TX)	B	122.8/95.8
D140	1750000550	S.DIO 1SS355 TE-17	B	247.8/95.1
D141	1750000550	S.DIO 1SS355 TE-17	B	239.9/95.1
D241	1730002280	S.ZEN MA8091-M (TX)	T	231.2/32
D351	1790001250	S.DIO MA2S1110G-(TX)	T	129.7/83.2
D450	1710000840	S.DIO 1SR154-400 TE25	B	218.9/28
D451	1710000840	S.DIO 1SR154-400 TE25	B	153.4/19
D452	1710000840	S.DIO 1SR154-400 TE25	B	93.6/58
D490	1790000620	S.DIO MA77 (TX)	B	237.5/5.4
D501	1790000620	S.DIO MA77 (TX)	B	34.3/94.1
D502	1790000620	S.DIO MA77 (TX)	B	34.3/91.8
D503	1790000620	S.DIO MA77 (TX)	B	46.6/91.4
D504	1790000620	S.DIO MA77 (TX)	B	46.7/85.3
D505	1750000431	S.DIO HSB88WSTR-E	T	70.2/90.8
D506	1750000431	S.DIO HSB88WSTR-E	T	84.3/69.4
D601	1790000620	S.DIO MA77 (TX)	B	34.7/54
D602	1790000620	S.DIO MA77 (TX)	B	34.7/33
D603	1790000620	S.DIO MA77 (TX)	B	45.5/54
D604	1790000620	S.DIO MA77 (TX)	B	45.5/33
D605	1790000620	S.DIO MA77 (TX)	B	56.3/54
D606	1790000620	S.DIO MA77 (TX)	B	56.3/33
D607	1790000620	S.DIO MA77 (TX)	B	67.1/54
D608	1790000620	S.DIO MA77 (TX)	B	67.1/33
D609	1790000620	S.DIO MA77 (TX)	B	78/54
D610	1790000620	S.DIO MA77 (TX)	B	78/33
D611	1790000620	S.DIO MA77 (TX)	T	40.8/54
D612	1790000620	S.DIO MA77 (TX)	T	40.8/33
D613	1790000620	S.DIO MA77 (TX)	T	48.7/54
D614	1790000620	S.DIO MA77 (TX)	T	49.8/33
D615	1790000620	S.DIO MA77 (TX)	T	58.9/54
D616	1790000620	S.DIO MA77 (TX)	T	58.8/33
D617	1790000620	S.DIO MA77 (TX)	T	67.8/54
D618	1790000620	S.DIO MA77 (TX)	T	67.8/33
D619	1790000620	S.DIO MA77 (TX)	T	76.8/54
D620	1790000620	S.DIO MA77 (TX)	T	76.8/33
D801	1790000620	S.DIO MA77 (TX)	T	36.5/29.9
D802	1750000581	S.DIO 1SV307 (TPH3,F)	T	34.7/29.9
D806	1790000620	S.DIO MA77 (TX)	B	84.2/76.6
D820	1750000581	S.DIO 1SV307 (TPH3,F)	T	86/33
FI501	2020001070	CER CFWLA455KJFA-B0 (CFWS455D)		
FI502	2020001510	CER CFWLA455KJFA-B0 (CFWS455IT)		
FI503	2010002580	S.FIL FL-348 (64.455 MHz)	T	93.4/90.8
L1	6200003261	S.COL NLV32T-101J	B	211.7/110.3
L2	6200003261	S.COL NLV32T-101J	B	222.2/110.3
L3	6200003950	S.COL HF50ACC 322513-T	B	204.7/110.3
L4	6200003261	S.COL NLV32T-101J	T	218.7/109.6
L5	6200003261	S.COL NLV32T-101J	B	225.7/110.3
L6	6200003261	S.COL NLV32T-101J	B	215.2/110.3
L7	6200003950	S.COL HF50ACC 322513-T	T	208.2/109.6
L8	6200003261	S.COL NLV32T-101J	B	200.4/110.3
L9	6200003950	S.COL HF50ACC 322513-T	B	193.4/110
L10	6200003261	S.COL NLV32T-101J	B	196.9/110.3
L11	6200003261	S.COL NLV32T-101J	B	169.7/110.3
L12	6200003261	S.COL NLV32T-101J	B	180.2/110.3
L13	6200003950	S.COL HF50ACC 322513-T	B	162.7/110.3
L14	6200003261	S.COL NLV32T-101J	T	176.7/109.7
L15	6200003261	S.COL NLV32T-101J	B	183.7/110.3
L16	6200003261	S.COL NLV32T-101J	B	173.2/110.3
L17	6200003950	S.COL HF50ACC 322513-T	T	166.2/109.2
L18	6200003261	S.COL NLV32T-101J	B	158.4/110.3
L19	6200003950	S.COL HF50ACC 322513-T	B	151.4/110
L20	6200003261	S.COL NLV32T-101J	B	154.9/110.3
L21	6200003950	S.COL HF50ACC 322513-T	B	211.7/124.6
L22	6200003950	S.COL HF50ACC 322513-T	B	169.7/124.5
L31	6200003261	S.COL NLV32T-101J	B	194.2/88.9
L50	6200003261	S.COL NLV32T-101J	B	139.6/122.6
L51	6200003590	S.COL EXCCL3225U1	B	122.1/107.2
L52	6200003261	S.COL NLV32T-101J	B	77.2/122.3
L53	6200003261	S.COL NLV32T-101J	B	77.2/117.4
L54	6200003261	S.COL NLV32T-101J	B	85.8/112.8
L55	6200003261	S.COL NLV32T-101J	B	95.6/107.2
L56	6200003590	S.COL EXCCL3225U1	B	63.9/107.4
L80	6200009790	S.COL BLM31PG121SN1	B	53.4/118.4
L140	6200003261	S.COL NLV32T-101J	T	219.7/48.1
L141	2040000490	COL EXC-ELDR25C		
L142	2040000490	COL EXC-ELDR25C		
L143	2040000490	COL EXC-ELDR25C		
L180	6200003261	S.COL NLV32T-101J	T	186.9/44.5
L181	6200003261	S.COL NLV32T-101J	T	181.2/40.1
L201	6200003261	S.COL NLV32T-101J	T	165/81.4
L210	6200003261	S.COL NLV32T-101J	T	156.1/85.2
L250	6200003590	S.COL EXCCL3225U1	T	134.6/55.7
L290	6200003590	S.COL EXCCL3225U1	T	152/28.2
L330	6200001831	S.COL NLV32T-100J	B	161.4/68.9
L331	6200001831	S.COL NLV32T-10		



[MAIN UNIT]

REF NO.	ORDER NO.	DESCRIPTION	M.	H/V LOCATION
L405	6200003950	S.COL HF50ACC 322513-T	T	40.3/11.3
L406	6200003950	S.COL HF50ACC 322513-T	T	34.3/11.3
L407	6200003950	S.COL HF50ACC 322513-T	T	37.3/11.3
L410	6200003590	S.COL EXCCL3225U1	T	10.9/41
L411	6200003950	S.COL HF50ACC 322513-T	B	10.9/39.6
L412	6200003590	S.COL EXCCL3225U1	T	10.9/38
L413	6200003950	S.COL HF50ACC 322513-T	B	10.9/36.4
L418	6200003950	S.COL HF50ACC 322513-T	B	11.1/97.2
L435	6200003950	S.COL HF50ACC 322513-T	B	6.7/76.7
L440	6200003950	S.COL HF50ACC 322513-T	T	164.1/12.7
L441	6200003950	S.COL HF50ACC 322513-T	T	161.1/12.7
L450	6200003590	S.COL EXCCL3225U1	B	251.2/16.8
L451	6170000150	COL LW-16		
L452	6200003590	S.COL EXCCL3225U1	T	250.2/25.4
L453	6200003590	S.COL EXCCL3225U1	T	250.2/28.4
L454	6200009790	S.COL BLM31PG121SN1	B	250.6/30.2
L455	6200009790	S.COL BLM31PG121SN1	B	250.6/32.5
L456	6200003590	S.COL EXCCL3225U1	T	250.4/39.6
L480	6200003950	S.COL HF50ACC 322513-T	B	220.6/24
L481	6200003950	S.COL HF50ACC 322513-T	B	149.8/17.1
L482	6200003950	S.COL HF50ACC 322513-T	B	94.1/61.2
L495	6200003191	S.COL NLV32T-470J	B	24.9/119.2
L496	6200003191	S.COL NLV32T-470J	B	9.8/119
L501	6200003261	S.COL NLV32T-101J	T	24.4/101.3
L502	6200003261	S.COL NLV32T-101J	T	21.4/97.1
L503	6200003261	S.COL NLV32T-101J	T	24.4/97.1
L504	6200003520	S.COL ELJFB 102K-F	T	30.6/92.2
L505	6150004090	COL LS-469 (C-13969)		
L507	6140003530	COL LR-395		
L508	6140003210	S.COL LR-358	T	75.9/90.8
L509	6140003770	S.COL LR-414 4KBL (STP-01435)	T	85.2/90.8
L510	6140003770	S.COL LR-414 4KBL (STP-01435)	T	101.6/90.8
L511	6200003031	S.COL NLV32T-R47J	B	101.9/85.8
L512	6150004280	COL LS-484B (C-14927)		
L513	6140002551	S.COL #617DB-1919=P3	T	90.6/69.4
L514	6140002551	S.COL #617DB-1919=P3	T	78/69.4
L515	6200003001	S.COL NLV32T-R22J	T	111.3/65.7
L516	6200003021	S.COL NLV32T-R33J	T	102.8/71.4
L517	6200001831	S.COL NLV32T-100J	T	99.4/73.5
L518	6200010720	S.COL C2520C-56NG-A	T	71.2/69.1
L519	6200010860	S.COL C2520C-R10G-A (0.1U)	T	67.6/70.3
L521	6140003900	COL LR-489		
L522	6140003890	COL LR-488		
L523	6200010381	S.COL ELJRE R15JFA	B	90.6/76.8
L524	6180002971	S.COL NLV32T-068J	B	102.6/63.5
L525	6180002971	S.COL NLV32T-068J	B	100.7/67.3
L526	6180002971	S.COL NLV32T-068J	B	97/67.2
L527	6200010660	S.COL C2520C-R15G-A (0.15U)	T	64/71.6
L528	6200003261	S.COL NLV32T-101J	T	33.6/96.3
L529	6200010381	S.COL ELJRE R15JFA	B	93.2/78.1
L601	6200003101	S.COL NLV32T-3R9J	B	38.2/53.1
L602	6200003131	S.COL NLV32T-120J	B	34.7/49.6
L603	6200003131	S.COL NLV32T-120J	B	38.9/43.2
L604	6200003131	S.COL NLV32T-120J	B	34.7/37.4
L605	6200003101	S.COL NLV32T-3R9J	B	38.2/33.8
L606	6200002961	S.COL NLV32T-4R7J	B	49/53.1
L607	6200001851	S.COL NLV32T-5R6J	B	45.5/49.6
L608	6200001851	S.COL NLV32T-5R6J	B	49.7/43.5
L609	6200001851	S.COL NLV32T-5R6J	B	45.5/37.4
L610	6200002961	S.COL NLV32T-4R7J	B	49/33.8
L611	6200002991	S.COL NLV32T-2R2J	B	59.8/53.1
L612	6200003111	S.COL NLV32T-6R8J	B	56.3/49.6
L613	6200003111	S.COL NLV32T-6R8J	B	60.5/43.5
L614	6200003111	S.COL NLV32T-6R8J	B	56.3/37.4
L615	6200002991	S.COL NLV32T-2R2J	B	59.8/33.8
L616	6200002991	S.COL NLV32T-2R2J	B	70.7/53.1
L617	6200003321	S.COL NLV32T-3R3J	B	67.1/49.6
L618	6200003321	S.COL NLV32T-3R3J	B	71.3/43.5
L619	6200003321	S.COL NLV32T-3R3J	B	67.1/37.4
L620	6200002991	S.COL NLV32T-2R2J	B	70.6/33.8
L621	6200003061	S.COL NLV32T-1R2J	B	81.5/53.1
L622	6200003091	S.COL NLV32T-2R7J	B	78/49.6
L623	6200003091	S.COL NLV32T-2R7J	B	82.2/43.5
L624	6200003091	S.COL NLV32T-2R7J	B	78/37.4
L625	6200003061	S.COL NLV32T-1R2J	B	81.5/33.8
L626	6200003331	S.COL NLV32T-1R0J	T	37.8/50
L627	6200003081	S.COL NLV32T-1R8J	T	40.8/50
L628	6200003081	S.COL NLV32T-1R8J	T	40.2/43.5
L629	6200003081	S.COL NLV32T-1R8J	T	40.8/36.9
L630	6200003331	S.COL NLV32T-1R0J	T	37.8/36.9
L631	6200003041	S.COL NLV32T-R68J	T	46.8/50
L632	6200003071	S.COL NLV32T-1R5J	T	49.8/50
L633	6200003071	S.COL NLV32T-1R5J	T	49.2/43.5
L634	6200003071	S.COL NLV32T-1R5J	T	49.8/36.9
L635	6200003041	S.COL NLV32T-R68J	T	46.8/36.9
L636	6200002981	S.COL NLV32T-R56J	T	55.8/50
L637	6200003051	S.COL NLV32T-R82J	T	58.9/50
L638	6200003051	S.COL NLV32T-R82J	T	58.2/43.5
L639	6200003051	S.COL NLV32T-R82J	T	58.8/36.9
L640	6200002981	S.COL NLV32T-R56J	T	55.8/36.9
L641	6200003021	S.COL NLV32T-R33J	T	64.8/50
L642	6200003041	S.COL NLV32T-R68J	T	67.8/50
L643	6200003041	S.COL NLV32T-R68J	T	67.2/43.5
L644	6200003041	S.COL NLV32T-R68J	T	67.8/36.9
L645	6200003021	S.COL NLV32T-R33J	T	64.8/36.9
L646	6200005491	S.COL NLV32T-331J	T	79.8/50
L647	6200007810	S.COL LQH31HN95NK03L	T	73.2/51.3
L648	6200009810	S.COL LQH31HNR61J03L	T	76.8/50
L649	6200009810	S.COL LQH31HNR61J03L	T	75.5/43.7
L650	6200009810	S.COL LQH31HNR61J03L	T	76.8/36.9
L651	6200007810	S.COL LQH31HN95NK03L	T	73.2/35.5
L801	6200005491	S.COL NLV32T-331J	T	37.2/23.4
L802	6200003261	S.COL NLV32T-101J	B	37.2/23.8
L803	6140003970	COL LR-494		

[MAIN UNIT]

REF NO.	ORDER NO.	DESCRIPTION	M.	H/V LOCATION
L804	6200003241	S.COL NLV32T-221J	B	49.2/26
L820	6200003161	S.COL NLV32T-270J	T	86.6/48.4
L821	6200003191	S.COL NLV32T-470J	T	85.8/44.9
L822	6200003201	S.COL NLV32T-560J	T	86.6/39.8
R1	7030003550	S.RES ERJ3GEYJ 822 V (8.2 k)	B	214.8/107.3
R2	7030003550	S.RES ERJ3GEYJ 822 V (8.2 k)	B	174.1/104.9
R3	7030003520	S.RES ERJ3GEYJ 472 V (4.7 k)	B	161.1/103.9
R4	7030003620	S.RES ERJ3GEYJ 333 V (33 k)	B	161.1/101.1
R5	7030003580	S.RES ERJ3GEYJ 153 V (15 k)	B	161.9/99.1
R6	7030003520	S.RES ERJ3GEYJ 472 V (4.7 k)	B	161.8/93.8
R7	7030003520	S.RES ERJ3GEYJ 472 V (4.7 k)	B	172.2/104.2
R8	7030003620	S.RES ERJ3GEYJ 333 V (33 k)	B	170.6/101.2
R9	7030003580	S.RES ERJ3GEYJ 153 V (15 k)	B	172.8/100.4
R10	7030003520	S.RES ERJ3GEYJ 472 V (4.7 k)	B	172.7/95.1
R11	7030009891	S.RES ERA3YED 151V (150)	B	167.1/94.5
R12	7030003560	S.RES ERJ3GEYJ 103 V (10 k)	B	167.1/96.3
R13	7030003480	S.RES ERJ3GEYJ 222 V (2.2 k)	B	148.7/106.9
R14	7030003560	S.RES ERJ3GEYJ 103 V (10 k)	B	146.9/106.9
R15	7030003640	S.RES ERJ3GEYJ 473 V (47 k)	B	145.1/110.4
R16	7030003680	S.RES ERJ3GEYJ 104 V (100 k)	T	224.8/77.8
R17	7030003680	S.RES ERJ3GEYJ 104 V (100 k)	T	223.4/77.8
R18	7030003400	S.RES ERJ3GEYJ 471 V (470)	T	222.1/77.8
R19	7030003680	S.RES ERJ3GEYJ 104 V (100 k)	T	227.2/77.8
R20	7030003680	S.RES ERJ3GEYJ 104 V (100 k)	T	228.6/77.8
R21	7030003400	S.RES ERJ3GEYJ 471 V (470)	T	230/77.8
R22	7030003560	S.RES ERJ3GEYJ 103 V (10 k)	T	180.8/69.6
R23	7030003560	S.RES ERJ3GEYJ 103 V (10 k)	T	181.6/67.8
R24	7030003660	S.RES ERJ3GEYJ 683 V (68 k)	T	182.3/69.7
R25	7030003440	S.RES ERJ3GEYJ 102 V (1 k)	T	181.6/71.6
R26	7030003560	S.RES ERJ3GEYJ 103 V (10 k)	T	193.3/69.7
R27	7030003560	S.RES ERJ3GEYJ 103 V (10 k)	T	192.5/67.8
R28	7030003660	S.RES ERJ3GEYJ 683 V (68 k)	T	191.8/69.7
R29	7030003440	S.RES ERJ3GEYJ 102 V (1 k)	T	192.5/71.6
R30	7030003320	S.RES ERJ3GEYJ 101 V (100)	T	192.5/66.5
R31	7030003560	S.RES ERJ3GEYJ 103 V (10 k)	T	192.9/86.7
R32	7030003560	S.RES ERJ3GEYJ 103 V (10 k)	B	188.8/83.7
R33	7030003560	S.RES ERJ3GEYJ 103 V (10 k)	T	222.3/96.5
R34	7030003440	S.RES ERJ3GEYJ 102 V (1 k)	T	222.3/97.8
R35	7030003580	S.RES ERJ3GEYJ 153 V (15 k)	T	225.1/99
R36	7030003580	S.RES ERJ3GEYJ 153 V (15 k)	T	219.7/97.8
R37	7030003320	S.RES ERJ3GEYJ 101 V (100)	T	225.1/100.3
R38	7030003390	S.RES ERJ3GEYJ 391 V (390)	T	179.3/97.8
R39	7030003440	S.RES ERJ3GEYJ 102 V (1 k)	T	179.3/99.1
R40	7030003580	S.RES ERJ3GEYJ 153 V (15 k)	T	182.3/100.3
R41	7030003580	S.RES ERJ3GEYJ 153 V (15 k)	T	176.5/99.1
R42	7030003320	S.RES ERJ3GEYJ 101 V (100)	T	182.3/101.6
R43	7030003390	S.RES ERJ3GEYJ 391 V (390)	T	181.6/66.5
R44	7030003320	S.RES ERJ3GEYJ 101 V (100)	T	192.9/85.4
R45	7030003620	S.RES ERJ3GEYJ 333 V (33 k)	T	192.9/89.3
R46	7030003620	S.RES ERJ3GEYJ 333 V (33 k)	B	185.5/83.7
R47	7030003560	S.RES ERJ3GEYJ 103 V (10 k)	B	110.1/123.5
R49	7540000270	S.ASB ERZVF2M201		
R50	7310003820	TRI EVN-D2AA03 B14		
R51	7030003560	S.RES ERJ3GEYJ 103 V (10 k)	B	152/123.2
R52	7030003200	S.RES ERJ3GEYJ 100 V (10)	B	109.6/98.6
R53	7030003390	S.RES ERJ3GEYJ 391 V (390)	B	118.6/102.4
R54	7030003480	S.RES ERJ3GEYJ 222 V (2.2 k)	T	89.9/109.6
R55	7030003480	S.RES ERJ3GEYJ 222 V (2.2 k)	T	91.3/109.6
R56	7030003520	S.RES ERJ3GEYJ 472 V (4.7 k)	T	88.4/109.6
R57	7030003620	S.RES ERJ3GEYJ 333 V (33 k)	T	86.1/109.9
R58	7030003580	S.RES ERJ3GEYJ 153 V (15 k)	T	83.5/109.9
R59	7030003520	S.RES ERJ3GEYJ 472 V (4.7 k)	T	85.4/107.6
R60	7510001511	S.TMR NTCG16 4LH 2232J	B	125/86.8
R61	7030003660	S.RES ERJ3GEYJ 683 V (68 k)	B	123.2/86.8
R62	7030003480	S.RES ERJ3GEYJ 222 V (2.2 k)	B	121.4/86.8
R63	7030003680	S.RES ERJ3GEYJ 104 V (100 k)	B	124/82.5
R64	7030003560	S.RES ERJ3GEYJ 103 V (10 k)	B	124/84.3
R65	7030003720	S.RES ERJ3GEYJ 224 V (220 k)	B	121.4/83.5
R66	7030003320	S.RES ERJ3GEYJ 101 V (100)	B	121.4/80.2
R67	7030005681	S.RES ERA3YKD 473V (47 k)	B	105.3/90.5
R68	7030008121	S.RES ERA3YED 682V (6.8 k)	B	110/87.9
R69	7310005530	S.TRI TMC3ADC5X (470)	T	108.9/90
R70	7030008121	S.RES ERA3YED 682V (6.8 k)	B	108.9/90.5
R71	7030005681	S.RES ERA3YKD 473V (47 k)	B	107.1/90.5
R72	7030003740	S.RES ERJ3GEYJ 334 V (330 k)	B	110.7/90.5
R73	7030003520	S.RES ERJ3GEYJ 472 V (4.7 k)	T	109/78
R74	7030003720	S.RES ERJ3GEYJ 224 V (220 k)	B	121.4/91.9
R75	7030003600	S.RES ERJ3GEYJ 223 V (22 k)	T	108/86.3
R76	7030003620	S.RES ERJ3GEYJ 333 V (33 k)	T	110.6/86.3
R77	7030003720	S.RES ERJ3GEYJ 224 V (220 k)	B	110.7/85.6
R78	7030003680	S.RES ERJ3GEYJ 104 V (100 k)	T	118/90.4
R79	7310005590	S.TRI TMC3ADC5X (220 k)	T	114.5/90
R80	7030003680	S.RES ERJ3GEYJ 104 V (100 k)	T	118.7/84.6
R81	7310005590	S.TRI TMC3ADC5X (220		

[MAIN UNIT]

REF NO.	ORDER NO.	DESCRIPTION	M.	H/V LOCATION
R100	7030003440	S.RES ERJ3GEYJ 102 V (1 k)	T	216.4/79.1
R101	7030003520	S.RES ERJ3GEYJ 472 V (4.7 k)	T	210.7/79.1
R102	7030003680	S.RES ERJ3GEYJ 104 V (100 k)	T	212/79.1
R103	7030003560	S.RES ERJ3GEYJ 103 V (10 k)	T	215.7/77
R104	7030003560	S.RES ERJ3GEYJ 103 V (10 k)	T	214.3/70
R105	7030003440	S.RES ERJ3GEYJ 102 V (1 k)	T	206.8/79.1
R106	7030003520	S.RES ERJ3GEYJ 472 V (4.7 k)	T	201.1/79.1
R107	7030003680	S.RES ERJ3GEYJ 104 V (100 k)	T	202.4/79.1
R108	7030003560	S.RES ERJ3GEYJ 103 V (10 k)	T	206.1/77
R109	7030003560	S.RES ERJ3GEYJ 103 V (10 k)	T	205.1/70
R110	7030003560	S.RES ERJ3GEYJ 103 V (10 k)	T	216.5/91
R111	7030003560	S.RES ERJ3GEYJ 103 V (10 k)	T	215.2/91
R113	7030003440	S.RES ERJ3GEYJ 102 V (1 k)	T	215.6/70
R114	7030003560	S.RES ERJ3GEYJ 103 V (10 k)	T	214.3/67.3
R115	7030003440	S.RES ERJ3GEYJ 102 V (1 k)	T	203.8/70
R116	7030003560	S.RES ERJ3GEYJ 103 V (10 k)	T	205.1/67.3
R117	7030003620	S.RES ERJ3GEYJ 333 V (33 k)	T	124.7/75
R118	7030003680	S.RES ERJ3GEYJ 104 V (100 k)	T	126/75
R119	7030003560	S.RES ERJ3GEYJ 103 V (10 k)	B	217/60.1
R120	7030003560	S.RES ERJ3GEYJ 103 V (10 k)	B	217/56.7
R123	7030003520	S.RES ERJ3GEYJ 472 V (4.7 k)	T	214.5/46.3
R124	7030003520	S.RES ERJ3GEYJ 472 V (4.7 k)	T	205.3/47.2
R125	7030003320	S.RES ERJ3GEYJ 101 V (100)	T	213.6/48.8
R126	7030003470	S.RES ERJ3GEYJ 182 V (1.8 k)	T	167.3/61.4
R127	7030003470	S.RES ERJ3GEYJ 182 V (1.8 k)	T	167.3/62.8
R128	7030003470	S.RES ERJ3GEYJ 182 V (1.8 k)	T	167.3/64.1
R129	7030003470	S.RES ERJ3GEYJ 182 V (1.8 k)	T	167.3/65.4
R130	7030003480	S.RES ERJ3GEYJ 222 V (2.2 k)	B	219.7/57.7
R131	7030003480	S.RES ERJ3GEYJ 222 V (2.2 k)	B	219.6/59.2
R132	7030000380	S.RES MCR10EZHJ 1 k	B	123.4/92.5
R133	7030003520	S.RES ERJ3GEYJ 472 V (4.7 k)	T	230.6/61.6
R134	7030003440	S.RES ERJ3GEYJ 102 V (1 k)	T	232.2/65.3
R135	7030003520	S.RES ERJ3GEYJ 472 V (4.7 k)	T	232/53
R136	7030003440	S.RES ERJ3GEYJ 102 V (1 k)	T	232/51.7
R137	7030003480	S.RES ERJ3GEYJ 222 V (2.2 k)	T	232.2/64
R138	7030003320	S.RES ERJ3GEYJ 101 V (100)	B	204.5/64.9
R139	7030003560	S.RES ERJ3GEYJ 103 V (10 k)	T	226.2/71
R140	7030003560	S.RES ERJ3GEYJ 103 V (10 k)	T	230.4/46.7
R141	7030003560	S.RES ERJ3GEYJ 103 V (10 k)	B	256.3/59.4
R142	7030003640	S.RES ERJ3GEYJ 473 V (47 k)	B	254.5/59.4
R143	7030004040	S.RES ERJ3GEYJ 4R7 V (4.7)	B	252.4/98.6
R144	7030004040	S.RES ERJ3GEYJ 4R7 V (4.7)	B	244.1/109.8
R145	7030003440	S.RES ERJ3GEYJ 102 V (1 k)	T	234.8/76.9
R146	7510001511	S.TMR NTCG16 4LH 223JT	T	232.2/76.9
R147	7030003750	S.RES ERJ3GEYJ 394 V (390 k)	T	233.7/75.6
R149	7030003360	S.RES ERJ3GEYJ 221 V (220)	B	252.2/92.4
R150	7030003360	S.RES ERJ3GEYJ 221 V (220)	B	243.8/92.4
R151	7030003410	S.RES ERJ3GEYJ 561 V (560)	T	243.8/33.1
R152	7030003320	S.RES ERJ3GEYJ 101 V (100)	B	215.1/71.9
R154	7030003320	S.RES ERJ3GEYJ 101 V (100)	T	206.3/37.3
R155	7030003640	S.RES ERJ3GEYJ 473 V (47 k)	T	215.3/42.8
R156	7030003640	S.RES ERJ3GEYJ 473 V (47 k)	T	204.5/39.8
R157	7030003480	S.RES ERJ3GEYJ 222 V (2.2 k)	T	214.9/82.1
R158	7030003480	S.RES ERJ3GEYJ 222 V (2.2 k)	T	206/82.6
R159	7030003440	S.RES ERJ3GEYJ 102 V (1 k)	T	214.3/64.6
R160	7030003440	S.RES ERJ3GEYJ 102 V (1 k)	T	226.7/92.1
R161	7030003480	S.RES ERJ3GEYJ 222 V (2.2 k)	T	228/92.1
R162	7030003680	S.RES ERJ3GEYJ 104 V (100 k)	T	226.7/89.3
R163	7030003570	S.RES ERJ3GEYJ 123 V (12 k)	T	228/89.3
R164	7030003680	S.RES ERJ3GEYJ 104 V (100 k)	T	229.3/89.3
R165	7030003680	S.RES ERJ3GEYJ 104 V (100 k)	T	230.6/89.3
R166	7030003400	S.RES ERJ3GEYJ 471 V (470)	T	231.9/89.3
R167	7030003440	S.RES ERJ3GEYJ 102 V (1 k)	T	225.4/92.1
R168	7030003480	S.RES ERJ3GEYJ 222 V (2.2 k)	T	224.1/92.1
R169	7030003680	S.RES ERJ3GEYJ 104 V (100 k)	T	225.4/89.3
R170	7030003570	S.RES ERJ3GEYJ 123 V (12 k)	T	224.1/89.3
R171	7030003680	S.RES ERJ3GEYJ 104 V (100 k)	T	222.8/89.3
R172	7030003680	S.RES ERJ3GEYJ 104 V (100 k)	T	221.5/89.3
R173	7030003400	S.RES ERJ3GEYJ 471 V (470)	T	220.2/89.3
R174	7030003440	S.RES ERJ3GEYJ 102 V (1 k)	T	205.1/64.5
R175	7030003860	S.RES ERJ3GE JPW V	B	192.6/39.4
R176	7030003450	S.RES ERJ3GEYJ 122 V (1.2 k)	T	107.8/82.8
R180	7030003560	S.RES ERJ3GEYJ 103 V (10 k)	B	190.2/57
R181	7030003560	S.RES ERJ3GEYJ 103 V (10 k)	B	191.8/57
R183	7030003470	S.RES ERJ3GEYJ 182 V (1.8 k)	T	167.3/60.1
R184	7030003470	S.RES ERJ3GEYJ 182 V (1.8 k)	T	167.3/58.8
R185	7030003470	S.RES ERJ3GEYJ 182 V (1.8 k)	T	167.3/57.5
R186	7030003470	S.RES ERJ3GEYJ 182 V (1.8 k)	T	167.3/56.2
R187	7030003480	S.RES ERJ3GEYJ 222 V (2.2 k)	T	180.9/57.8
R188	7030003480	S.RES ERJ3GEYJ 222 V (2.2 k)	T	180.9/56.5
R189	7030003560	S.RES ERJ3GEYJ 103 V (10 k)	B	188.9/43.4
R190	7030003560	S.RES ERJ3GEYJ 103 V (10 k)	B	188.9/40.6
R191	7030003440	S.RES ERJ3GEYJ 102 V (1 k)	T	194.1/35.6
R192	7030003610	S.RES ERJ3GEYJ 273 V (27 k)	T	192/34.9
R193	7030003440	S.RES ERJ3GEYJ 102 V (1 k)	T	178.3/41.3
R194	7030003610	S.RES ERJ3GEYJ 273 V (27 k)	T	181.7/35.4
R195	7030003440	S.RES ERJ3GEYJ 102 V (1 k)	T	191.3/44.8
R196	7030003440	S.RES ERJ3GEYJ 102 V (1 k)	T	183.4/48
R197	7030003320	S.RES ERJ3GEYJ 101 V (100)	T	125.6/94.5
R198	7030003640	S.RES ERJ3GEYJ 473 V (47 k)	T	120.2/90.8
R199	7030003520	S.RES ERJ3GEYJ 472 V (4.7 k)	T	121.7/89
R200	7030003560	S.RES ERJ3GEYJ 103 V (10 k)	B	166.9/76.4
R201	7030003560	S.RES ERJ3GEYJ 103 V (10 k)	T	161.2/71.4
R202	7030003520	S.RES ERJ3GEYJ 472 V (4.7 k)	T	167.5/72.8
R203	7030003720	S.RES ERJ3GEYJ 224 V (220 k)	T	166.2/73.5
R204	7030003320	S.RES ERJ3GEYJ 101 V (100)	T	142.2/67.8
R205	7030003320	S.RES ERJ3GEYJ 101 V (100)	B	148.2/70
R208	7030003440	S.RES ERJ3GEYJ 102 V (1 k)	T	147.2/75.8
R211	7030003560	S.RES ERJ3GEYJ 103 V (10 k)	T	162.7/93.7
R212	7030003520	S.RES ERJ3GEYJ 472 V (4.7 k)	T	165.1/91.5
R213	7030003440	S.RES ERJ3GEYJ 102 V (1 k)	T	165.1/94.1
R214	7030003600	S.RES ERJ3GEYJ 223 V (22 k)	B	152.9/84.5
R216	7030003620	S.RES ERJ3GEYJ 333 V (33 k)	B	152.9/82.7
R218	7030003580	S.RES ERJ3GEYJ 153 V (15 k)	T	138.3/85.3

[MAIN UNIT]

REF NO.	ORDER NO.	DESCRIPTION	M.	H/V LOCATION
R221	7030003560	S.RES ERJ3GEYJ 103 V (10 k)	T	158.5/93.7
R222	7030003520	S.RES ERJ3GEYJ 472 V (4.7 k)	T	155.9/91.5
R223	7030003440	S.RES ERJ3GEYJ 102 V (1 k)	T	155.9/94.1
R224	7030003600	S.RES ERJ3GEYJ 223 V (22 k)	B	152.9/89.3
R226	7030003620	S.RES ERJ3GEYJ 333 V (33 k)	B	152.9/87.5
R228	7030003580	S.RES ERJ3GEYJ 153 V (15 k)	T	138.3/90.2
R230	7030003320	S.RES ERJ3GEYJ 101 V (100)	T	66.5/5.7
R231	7030003320	S.RES ERJ3GEYJ 101 V (100)	T	73.9/23.8
R232	7030003680	S.RES ERJ3GEYJ 104 V (100 k)	T	74.3/20.3
R233	7030003560	S.RES ERJ3GEYJ 103 V (10 k)	T	76.4/22
R234	7030003320	S.RES ERJ3GEYJ 101 V (100)	T	73.3/17.2
R235	7030003860	S.RES ERJ3GE JPW V	T	155.9/58.5
R240	7030003420	S.RES ERJ3GEYJ 681 V (680)	T	177.1/58.1
R241	7030003360	S.RES ERJ3GEYJ 221 V (220)	T	233.5/35.2
R242	7030003440	S.RES ERJ3GEYJ 102 V (1 k)	T	233.4/32.7
R243	7030003440	S.RES ERJ3GEYJ 102 V (1 k)	T	213.8/40.1
R244	7030003440	S.RES ERJ3GEYJ 102 V (1 k)	T	217.1/43.5
R245	7030003540	S.RES ERJ3GEYJ 182 V (6.8 k)	T	215.3/44.3
R246	7030003440	S.RES ERJ3GEYJ 102 V (1 k)	T	205.3/41.8
R247	7030003440	S.RES ERJ3GEYJ 102 V (1 k)	T	204/44.6
R248	7030003540	S.RES ERJ3GEYJ 682 V (6.8 k)	T	205.3/44.6
R249	7030003560	S.RES ERJ3GEYJ 103 V (10 k)	T	163.3/70.9
R250	7030003200	S.RES ERJ3GEYJ 100 V (10)	B	117.1/28.7
R251	7030003200	S.RES ERJ3GEYJ 100 V (10)	B	117.8/30.1
R252	7030003200	S.RES ERJ3GEYJ 100 V (10)	B	117.1/31.5
R253	7030003200	S.RES ERJ3GEYJ 100 V (10)	B	117.8/32.9
R254	7030003200	S.RES ERJ3GEYJ 100 V (10)	B	117.1/34.3
R255	7030003200	S.RES ERJ3GEYJ 100 V (10)	B	117.8/35.7
R256	7030003200	S.RES ERJ3GEYJ 100 V (10)	B	117.1/37.1
R257	7030003200	S.RES ERJ3GEYJ 100 V (10)	B	117.8/38.5
R258	7030003560	S.RES ERJ3GEYJ 103 V (10 k)	B	120.4/28.7
R259	7030003560	S.RES ERJ3GEYJ 103 V (10 k)	B	121.2/30.1
R260	7030003560	S.RES ERJ3GEYJ 103 V (10 k)	B	120.4/31.5
R261	7030003560	S.RES ERJ3GEYJ 103 V (10 k)	B	121.2/32.9
R262	7030003560	S.RES ERJ3GEYJ 103 V (10 k)	B	120.4/34.3
R263	7030003560	S.RES ERJ3GEYJ 103 V (10 k)	B	121.2/35.7
R264	7030003560	S.RES ERJ3GEYJ 103 V (10 k)	B	120.4/37.1
R265	7030003560	S.RES ERJ3GEYJ 103 V (10 k)	B	121.2/38.5
R270	7030003200	S.RES ERJ3GEYJ 100 V (10)	B	120.6/42.8
R271	7030003200	S.RES ERJ3GEYJ 100 V (10)	B	121.3/44.2
R272	7030003200	S.RES ERJ3GEYJ 100 V (10)	B	120.6/45.6
R273	7030003200	S.RES ERJ3GEYJ 100 V (10)	B	121.3/47
R274	7030003200	S.RES ERJ3GEYJ 100 V (10)	B	120.6/48.4
R275	7030003200	S.RES ERJ3GEYJ 100 V (10)	B	121.3/49.8
R276	7030003200	S.RES ERJ3GEYJ 100 V (10)	B	120.6/51.2
R277	7030003200	S.RES ERJ3GEYJ 100 V (10)	B	124.2/54.7
R278	7030003560	S.RES ERJ3GEYJ 103 V (10 k)	B	124.3/42.8
R279	7030003560	S.RES ERJ3GEYJ 103 V (10 k)	B	125/44.2
R280	7030003560	S.RES ERJ3GEYJ 103 V (10 k)	B	124.3/45.6
R281	7030003560	S.RES ERJ3GEYJ 103 V (10 k)	B	125/47
R282	7030003560	S.RES ERJ3GEYJ 103 V (10 k)	B	124.3/48.4
R283	7030003560	S.RES ERJ3GEYJ 103 V (10 k)	B	125/49.8
R284	7030003560	S.RES ERJ3GEYJ 103 V (10 k)	B	124.3/51.2
R285	7030003560	S.RES ERJ3GEYJ 103 V (10 k)	B	125/52.6
R290	7030003200	S.RES ERJ3GEYJ 100 V (10)	B	164.1/41.5
R291	7030003200	S.RES ERJ3GEYJ 100 V (10)	B	164.1/39.7
R292	7030003200	S.RES ERJ3GEYJ 100 V (10)	B	164.1/37.9
R293	7030003200	S.RES ERJ3GEYJ 100 V (10)	B	164.1/36.1
R294	7030003200	S.RES ERJ3GEYJ 100 V (10)	B	164.1/34.3
R295	7030003200	S.RES ERJ3GEYJ 100 V (10)	B	164.1/32.5
R296	7030003200	S.RES ERJ3GEYJ 100 V (10)	B	164.1/30.7
R298	7030003560	S.RES ERJ3GEYJ 103 V (10 k)	B	160.8/41.5
R299	7030003560	S.RES ERJ3GEYJ 103 V (10 k)	B	160.8/39.7
R300	7030003560	S.RES ERJ3GEYJ 103 V (10 k)	B	160.8/37.9
R301	7030003560	S.RES ERJ3GEYJ 103 V (10 k)	B	160.8/36.1
R302	7030003560	S.RES ERJ3GEYJ 103 V (10 k)	B	160.8/34.3
R303	7030003560	S.RES ERJ3GEYJ 103 V (10 k)	B	160.8/32.5
R304	7030003560	S.RES ERJ3GEYJ 103 V (10 k)	B	160.8/30.7
R310	7030003200	S.RES ERJ3GEYJ 100 V (10)	B	166.1/55.9
R311	7030003200	S.RES ERJ3GEYJ 100 V (10)	B	163.5/54.1
R312	7030003200	S.RES ERJ3GEYJ 100 V (10)	B	164.1/52.3
R313	7030003200	S.RES ERJ3GEYJ 100 V (10)	B	164.1/50.5
R314	7030003200	S.RES ERJ3GEYJ 100 V		



[MAIN UNIT]

REF NO.	ORDER NO.	DESCRIPTION	M.	H/V LOCATION
R413	7030003320	S.RES ERJ3GEYJ 101 V (100)	B	9.9/53
R414	7030003320	S.RES ERJ3GEYJ 101 V (100)	T	9.9/52
R415	7030003320	S.RES ERJ3GEYJ 101 V (100)	B	9.9/51
R416	7030003320	S.RES ERJ3GEYJ 101 V (100)	T	9.9/50
R417	7030003320	S.RES ERJ3GEYJ 101 V (100)	B	9.9/47
R418	7030003320	S.RES ERJ3GEYJ 101 V (100)	T	9.9/46
R419	7030003320	S.RES ERJ3GEYJ 101 V (100)	B	9.9/45
R420	7030003320	S.RES ERJ3GEYJ 101 V (100)	T	9.9/44
R421	7030003320	S.RES ERJ3GEYJ 101 V (100)	B	9.9/43
R422	7030003320	S.RES ERJ3GEYJ 101 V (100)	T	9.9/32
R423	7030003320	S.RES ERJ3GEYJ 101 V (100)	T	9.9/30
R424	7030003320	S.RES ERJ3GEYJ 101 V (100)	B	9.9/29
R450	7030003600	S.RES ERJ3GEYJ 223 V (22 k)	B	205.8/28
R451	7030003600	S.RES ERJ3GEYJ 223 V (22 k)	B	166.9/18.4
R452	7030003600	S.RES ERJ3GEYJ 223 V (22 k)	B	94.3/43.7
R460	7030003560	S.RES ERJ3GEYJ 103 V (10 k)	B	144.4/79.4
R461	7030003560	S.RES ERJ3GEYJ 103 V (10 k)	B	144.1/73.6
R462	7030003580	S.RES ERJ3GEYJ 153 V (15 k)	T	79.1/23.3
R463	7030003560	S.RES ERJ3GEYJ 103 V (10 k)	T	158.6/71.4
R466	7030003440	S.RES ERJ3GEYJ 102 V (1 k)	T	73.7/22.2
R467	7030003320	S.RES ERJ3GEYJ 101 V (100)	B	148.2/73.6
R468	7030003620	S.RES ERJ3GEYJ 333 V (33 k)	T	142.2/77.4
R469	7030003520	S.RES ERJ3GEYJ 472 V (4.7 k)	T	143/75.7
R470	7030003620	S.RES ERJ3GEYJ 333 V (33 k)	T	165.9/78.4
R471	7030003440	S.RES ERJ3GEYJ 102 V (1 k)	T	152.2/67.8
R472	7030003640	S.RES ERJ3GEYJ 473 V (47 k)	T	165.9/77.1
R474	7030003600	S.RES ERJ3GEYJ 223 V (22 k)	T	132.5/75.3
R476	7030003760	S.RES ERJ3GEYJ 474 V (470 k)	T	126.5/77.5
R479	7030003550	S.RES ERJ3GEYJ 822 V (8.2 k)	B	170.5/73.6
R481	7030003860	S.RES ERJ3GE JPW V	B	170.5/70.8
R482	7030000010	S.RES MCR10EZHH JPW (000)	B	108.8/46
R483	7030000010	S.RES MCR10EZHH JPW (000)	B	206.6/18.3
R484	7030000010	S.RES MCR10EZHH JPW (000)	B	151.6/27.6
R485	7030003860	S.RES ERJ3GE JPW V	B	9.9/48
R486	7030003860	S.RES ERJ3GE JPW V	B	9.9/49
R487	7030000010	S.RES MCR10EZHH JPW (000)	T	9.9/58.1
R488	7030003860	S.RES ERJ3GE JPW V	B	111.4/76.2
R489	7030003500	S.RES ERJ3GEYJ 332 V (3.3 k)	B	229/6
R490	7030003440	S.RES ERJ3GEYJ 102 V (1 k)	B	159.4/63.3
R491	7030003560	S.RES ERJ3GEYJ 103 V (10 k)	B	157.7/59.6
R492	7030003560	S.RES ERJ3GEYJ 103 V (10 k)	B	159.5/59.6
R493	7030003410	S.RES ERJ3GEYJ 561 V (560)	T	130.7/103
R494	7030005331	S.RES ERA3YED 562V (5.6 k)	T	218.4/78.6
R495	7030010480	S.RES ERJ1TYJ 181U (180)	T	212.4/2.3
R496	7030005331	S.RES ERA3YED 562V (5.6 k)	T	218.4/77.3
R497	7030007911	S.RES ERA3YKD 563V (56 k)	B	228.6/16.1
R498	7030005631	S.RES ERA3YKD 154V (150 k)	B	228.6/20.2
R499	7030005631	S.RES ERA3YKD 154V (150 k)	B	230.4/20.2
R501	7030003440	S.RES ERJ3GEYJ 102 V (1 k)	T	20.7/58.3
R502	7030003560	S.RES ERJ3GEYJ 103 V (10 k)	T	19.2/60.9
R503	7030003440	S.RES ERJ3GEYJ 102 V (1 k)	T	22.2/58.3
R504	7030003440	S.RES ERJ3GEYJ 102 V (1 k)	T	23.7/60.9
R505	7030003320	S.RES ERJ3GEYJ 101 V (100)	T	26/61.7
R506	7030003320	S.RES ERJ3GEYJ 101 V (100)	T	16.1/70.6
R507	7030003440	S.RES ERJ3GEYJ 102 V (1 k)	T	22.7/72.4
R508	7030003440	S.RES ERJ3GEYJ 102 V (1 k)	T	23.7/72.4
R509	7030003320	S.RES ERJ3GEYJ 101 V (100)	T	26.7/72.4
R510	7030003320	S.RES ERJ3GEYJ 101 V (100)	T	19.2/81.2
R511	7030003320	S.RES ERJ3GEYJ 101 V (100)	T	21.4/87.5
R512	7030003650	S.RES ERJ3GEYJ 563 V (56 k)	B	228.2/3.1
R513	7030003860	S.RES ERJ3GE JPW V	T	103.9/68.7
R514	7030003440	S.RES ERJ3GEYJ 102 V (1 k)	T	19.2/96.4
R515	7030003410	S.RES ERJ3GEYJ 561 V (560)	T	26.6/96.4
R516	7030003440	S.RES ERJ3GEYJ 102 V (1 k)	T	25.3/84.6
R517	7030003520	S.RES ERJ3GEYJ 472 V (4.7 k)	T	23.2/84.6
R518	7030003400	S.RES ERJ3GEYJ 471 V (470)	B	20.1/91.9
R519	7030003560	S.RES ERJ3GEYJ 103 V (10 k)	B	20.1/89
R520	7030003630	S.RES ERJ3GEYJ 393 V (39 k)	B	24.3/91.9
R521	7030003600	S.RES ERJ3GEYJ 223 V (22 k)	B	24.3/87.7
R522	7030003200	S.RES ERJ3GEYJ 100 V (10)	B	230.4/24.8
R523	7030003360	S.RES ERJ3GEYJ 221 V (220)	B	27.9/87.7
R524	7030003560	S.RES ERJ3GEYJ 103 V (10 k)	B	27.1/93.9
R525	7030003480	S.RES ERJ3GEYJ 222 V (2.2 k)	B	31.3/91.9
R526	7030003440	S.RES ERJ3GEYJ 102 V (1 k)	B	31.3/98.2
R527	7030003560	S.RES ERJ3GEYJ 103 V (10 k)	B	31.3/94.9
R528	7030003560	S.RES ERJ3GEYJ 103 V (10 k)	B	34.3/96.2
R529	7030003560	S.RES ERJ3GEYJ 103 V (10 k)	B	34.3/89.7
R530	7030003560	S.RES ERJ3GEYJ 103 V (10 k)	B	48.1/95.1
R531	7030003560	S.RES ERJ3GEYJ 103 V (10 k)	B	48.1/82
R532	7030003440	S.RES ERJ3GEYJ 102 V (1 k)	B	40.9/91.4
R533	7030003560	S.RES ERJ3GEYJ 103 V (10 k)	B	44.5/91.4
R534	7030003560	S.RES ERJ3GEYJ 103 V (10 k)	T	49.1/79.5
R535	7030003440	S.RES ERJ3GEYJ 102 V (1 k)	B	49.9/82
R536	7030003490	S.RES ERJ3GEYJ 272 V (2.7 k)	B	48.7/85.7
R537	7030003320	S.RES ERJ3GEYJ 101 V (100)	T	53.5/84.4
R538	7310005550	S.TRI TMC3ADCJ4X (22 k)	T	49.3/90.7
R539	7030003400	S.RES ERJ3GEYJ 471 V (470)	T	51.7/95.1
R540	7030003220	S.RES ERJ3GEYJ 150 V (15)	B	66.4/96.1
R541	7030003380	S.RES ERJ3GEYJ 331 V (330)	B	64.3/96.9
R543	7030003380	S.RES ERJ3GEYJ 331 V (330)	B	64.3/95.3
R544	7030005671	S.RES ERA3YKD 393V (39 k)	B	229.4/17.7
R545	7030004030	S.RES ERJ3GEYJ 5R6 V (5.6)	B	59.9/93.8
R546	7030003430	S.RES ERJ3GEYJ 821 V (820)	B	58.7/90.7
R547	7030003430	S.RES ERJ3GEYJ 821 V (820)	B	61.1/90.7
R548	7030004030	S.RES ERJ3GEYJ 5R6 V (5.6)	B	80.6/93.8
R549	7030003560	S.RES ERJ3GEYJ 103 V (10 k)	T	129.5/104.6
R550	7030003560	S.RES ERJ3GEYJ 103 V (10 k)	T	132.8/106.5
R551	7030003680	S.RES ERJ3GEYJ 104 V (100 k)	T	188.5/106.1
R552	7030004040	S.RES ERJ3GEYJ 4R7 V (4.7)	B	101.6/88.7
R553	7030009891	S.RES ERA3YED 151V (150)	B	108.3/85.2
R554	7030003440	S.RES ERJ3GEYJ 102 V (1 k)	B	105.6/85.2
R555	7510001491	S.TMR NTCG16 3NH 681JT	B	103.8/78
R556	7030003480	S.RES ERJ3GEYJ 222 V (2.2 k)	B	103.8/80.6
R557	7030005331	S.RES ERA3YED 562V (5.6 k)	B	229.4/23

[MAIN UNIT]

REF NO.	ORDER NO.	DESCRIPTION	M.	H/V LOCATION
R558	7030003320	S.RES ERJ3GEYJ 101 V (100)	B	102.9/74.8
R559	7030003680	S.RES ERJ3GEYJ 104 V (100 k)	T	132.8/105.2
R560	7030003680	S.RES ERJ3GEYJ 104 V (100 k)	T	188.5/103.4
R561	7030003680	S.RES ERJ3GEYJ 104 V (100 k)	T	133.6/102.4
R562	7030003320	S.RES ERJ3GEYJ 101 V (100)	B	77.5/69.5
R563	7030003300	S.RES ERJ3GEYJ 680 V (68)	T	110/62.7
R564	7030003620	S.RES ERJ3GEYJ 333 V (33 k)	T	107.1/64.2
R565	7030003640	S.RES ERJ3GEYJ 473 V (47 k)	B	234.6/4.6
R566	7030003330	S.RES ERJ3GEYJ 121 V (120)	T	102.8/74.1
R567	7030003230	S.RES ERJ3GEYJ 180 V (18)	B	91.4/67.6
R568	7030009851	S.RES ERA3YED 271V (270)	B	93.4/66.8
R569	7030009851	S.RES ERA3YED 271V (270)	B	89.3/66.8
R570	7030003520	S.RES ERJ3GEYJ 472 V (4.7 k)	T	59.8/60.7
R571	7030003560	S.RES ERJ3GEYJ 103 V (10 k)	B	64.5/59.2
R572	7030004040	S.RES ERJ3GEYJ 4R7 V (4.7)	T	61.5/68.2
R573	7030003400	S.RES ERJ3GEYJ 471 V (470)	B	68.2/59.2
R574	7030003280	S.RES ERJ3GEYJ 470 V (47)	T	69.8/63.8
R575	7030009851	S.RES ERA3YED 271V (270)	B	56.7/59.3
R576	7030003230	S.RES ERJ3GEYJ 180 V (18)	B	54.6/58.5
R577	7030009851	S.RES ERA3YED 271V (270)	B	56.7/57.7
R578	7030003230	S.RES ERJ3GEYJ 180 V (18)	B	61.6/72
R579	7030009851	S.RES ERA3YED 271V (270)	B	57.9/72.8
R580	7030009851	S.RES ERA3YED 271V (270)	B	57.9/71
R581	7030003430	S.RES ERJ3GEYJ 821 V (820)	B	92.6/72.9
R582	7030004030	S.RES ERJ3GEYJ 5R6 V (5.6)	B	91.8/70.9
R583	7030003430	S.RES ERJ3GEYJ 821 V (820)	B	94.2/70.8
R584	7510001671	S.TMR NTCG16 4BH 103JT	T	218.4/79.9
R585	7030003600	S.RES ERJ3GEYJ 223 V (22 k)	B	25/89.8
R587	7030003200	S.RES ERJ3GEYJ 100 V (10)	B	61.5/68.1
R589	7030003400	S.RES ERJ3GEYJ 471 V (470)	B	64.5/63.7
R590	7030003430	S.RES ERJ3GEYJ 821 V (820)	B	79.8/91.7
R591	7030003430	S.RES ERJ3GEYJ 821 V (820)	B	81.5/91.7
R592	7030000300	S.RES MCR10EZHH 220 (221)	B	59.4/61.8
R601	7030000260	S.RES MCR10EZHH 100 (101)	B	42.7/43.5
R602	7030000260	S.RES MCR10EZHH 100 (101)	B	53.5/43.5
R603	7030000260	S.RES MCR10EZHH 100 (101)	B	64.3/43.5
R604	7030000260	S.RES MCR10EZHH 100 (101)	B	75.2/43.5
R605	7030000260	S.RES MCR10EZHH 100 (101)	B	86/43.5
R606	7030000260	S.RES MCR10EZHH 100 (101)	T	34.3/43.5
R607	7030000260	S.RES MCR10EZHH 100 (101)	T	43.3/43.5
R608	7030000260	S.RES MCR10EZHH 100 (101)	T	52.3/43.5
R609	7030000260	S.RES MCR10EZHH 100 (101)	T	61.3/43.5
R610	7030003400	S.RES ERJ3GEYJ 471 V (470)	T	79.8/54
R611	7030000260	S.RES MCR10EZHH 100 (101)	T	70.3/43.5
R612	7030009851	S.RES ERA3YED 271V (270)	T	44/54
R613	7030003230	S.RES ERJ3GEYJ 180 V (18)	T	46.2/53.3
R614	7030009851	S.RES ERA3YED 271V (270)	T	44/52.7
R801	7030003380	S.RES ERJ3GEYJ 331 V (330)	T	37.2/26.2
R802	7030009891	S.RES ERA3YED 151V (150)	B	37.2/18.7
R803	7030003440	S.RES ERJ3GEYJ 102 V (1 k)	B	49.7/21
R804	7030003490	S.RES ERJ3GEYJ 272 V (2.7 k)	B	47.8/21.7
R805	7030003300	S.RES ERJ3GEYJ 680 V (68)	T	57.6/18.7
R806	7030003320	S.RES ERJ3GEYJ 101 V (100)	T	56.2/18.7
R807	7030003320	S.RES ERJ3GEYJ 101 V (100)	T	56.9/16.5
R808	7030003640	S.RES ERJ3GEYJ 473 V (47 k)	B	89.9/87.6
R809	7030003460	S.RES ERJ3GEYJ 152 V (1.5 k)	B	84.7/87.6
R810	7030003680	S.RES ERJ3GEYJ 104 V (100 k)	T	34/22.3
R811	7030003560	S.RES ERJ3GEYJ 103 V (10 k)	T	30.8/19.6
R812	7030009851	S.RES ERA3YED 271V (270)	T	34/27.5
R813	7030003230	S.RES ERJ3GEYJ 180 V (18)	T	34/26.2
R814	7030009851	S.RES ERA3YED 271V (270)	T	34/24.9
R815	7030003320	S.RES ERJ3GEYJ 101 V (100)	T	31.9/25.5
R816	7030003680	S.RES ERJ3GEYJ 104 V (100 k)	T	31.2/23.6
R817	7030003860	S.RES ERJ3GE JPW V	T	52.7/23.9
R818	7030003320	S.RES ERJ3GEYJ 101 V (100)	B	41.7/21
R820	7030003440	S.RES ERJ3GEYJ 102 V (1 k)	T	77.7/62.7
R821	7030003320	S.RES ERJ3GEYJ 101 V (100)	T	88.2/60.9
R822	7030003620	S.RES ERJ3GEYJ 333 V (33 k)	T	88.2/57.9
R823	7030003280	S.RES ERJ3GEYJ 470 V (47)	T	83.2/51.5
R824	7030003320	S.RES ERJ3GEYJ 101 V (100)	T	77/58.6
R825	7030003320	S.RES ERJ3GEYJ 101 V (100)	T	82.3/93.8
R826	7030003230	S.RES ERJ3GEYJ 180 V (18)	T	87.2/36.2
R827	7030009851	S.RES ERA3YED 271V (270)	T	85.2/37
R828	7030009851	S.RES ERA3YED 271V (270)	T	85.2/35.5
R829	7030003400	S.RES ERJ3GEYJ 471 V (470)	T	86.5/55.1
R830	7030003330	S.RES ERJ3GEYJ 121 V (120)	T	86/53.2
R831				



[MAIN UNIT]

REF NO.	ORDER NO.	DESCRIPTION	M.	H/V LOCATION
R917	7030003320	S.RES ERJ3GEYJ 101 V (100)	B	109.2/5.8
R918	7030003320	S.RES ERJ3GEYJ 101 V (100)	T	13.8/119.5
R920	7030003320	S.RES ERJ3GEYJ 101 V (100)	T	125.7/15.4
R921	7030003320	S.RES ERJ3GEYJ 101 V (100)	B	124.7/15.4
R922	7030003320	S.RES ERJ3GEYJ 101 V (100)	T	123.7/15.4
R923	7030003320	S.RES ERJ3GEYJ 101 V (100)	B	122.7/15.4
R924	7030003320	S.RES ERJ3GEYJ 101 V (100)	T	121.7/15.4
R925	7030003320	S.RES ERJ3GEYJ 101 V (100)	B	120.7/15.4
R926	7030003320	S.RES ERJ3GEYJ 101 V (100)	T	119.7/15.4
R927	7030003320	S.RES ERJ3GEYJ 101 V (100)	B	118.7/15.4
R928	7030003320	S.RES ERJ3GEYJ 101 V (100)	T	117.7/15.4
R929	7030003320	S.RES ERJ3GEYJ 101 V (100)	B	116.7/15.4
R930	7030003320	S.RES ERJ3GEYJ 101 V (100)	T	115.7/15.4
R932	7030003320	S.RES ERJ3GEYJ 101 V (100)	T	113.7/15.4
R933	7030003320	S.RES ERJ3GEYJ 101 V (100)	B	112.7/15.4
R934	7030003320	S.RES ERJ3GEYJ 101 V (100)	T	111.7/15.4
R936	7030003320	S.RES ERJ3GEYJ 101 V (100)	T	109.7/15.4
R937	7030003320	S.RES ERJ3GEYJ 101 V (100)	B	108.7/15.4
R938	7030003320	S.RES ERJ3GEYJ 101 V (100)	T	12.5/119.5
R940	7030003320	S.RES ERJ3GEYJ 101 V (100)	T	94.3/5.8
R941	7030003320	S.RES ERJ3GEYJ 101 V (100)	B	93.3/5.8
R942	7030003320	S.RES ERJ3GEYJ 101 V (100)	T	92.3/5.8
R943	7030003320	S.RES ERJ3GEYJ 101 V (100)	B	91.3/5.8
R944	7030003320	S.RES ERJ3GEYJ 101 V (100)	T	90.3/5.8
R945	7030003320	S.RES ERJ3GEYJ 101 V (100)	B	89.3/5.8
R946	7030003320	S.RES ERJ3GEYJ 101 V (100)	T	88.3/5.8
R947	7030003320	S.RES ERJ3GEYJ 101 V (100)	B	87.3/5.8
R948	7030003320	S.RES ERJ3GEYJ 101 V (100)	T	86.3/5.8
R949	7030003320	S.RES ERJ3GEYJ 101 V (100)	B	85.3/5.8
R950	7030003320	S.RES ERJ3GEYJ 101 V (100)	T	84.3/5.8
R951	7030003320	S.RES ERJ3GEYJ 101 V (100)	B	83.3/5.8
R952	7030003320	S.RES ERJ3GEYJ 101 V (100)	T	82.3/5.8
R953	7030003320	S.RES ERJ3GEYJ 101 V (100)	B	81.3/5.8
R954	7030003320	S.RES ERJ3GEYJ 101 V (100)	T	80.3/5.8
R955	7030003320	S.RES ERJ3GEYJ 101 V (100)	B	79.3/5.8
R957	7030003320	S.RES ERJ3GEYJ 101 V (100)	T	77.3/5.8
R958	7030003320	S.RES ERJ3GEYJ 101 V (100)	T	76.3/5.8
R960	7030003320	S.RES ERJ3GEYJ 101 V (100)	T	93.8/15.3
R961	7030003320	S.RES ERJ3GEYJ 101 V (100)	B	92.8/15.4
R962	7030003320	S.RES ERJ3GEYJ 101 V (100)	T	91.8/15.3
R963	7030003320	S.RES ERJ3GEYJ 101 V (100)	B	90.8/15.4
R964	7030003320	S.RES ERJ3GEYJ 101 V (100)	T	89.8/15.3
R966	7030003320	S.RES ERJ3GEYJ 101 V (100)	T	87.8/15.3
R967	7030003320	S.RES ERJ3GEYJ 101 V (100)	B	86.8/15.4
R968	7030003320	S.RES ERJ3GEYJ 101 V (100)	T	85.8/15.3
R969	7030003320	S.RES ERJ3GEYJ 101 V (100)	B	84.8/15.4
R970	7030003320	S.RES ERJ3GEYJ 101 V (100)	T	83.8/15.3
R971	7030003320	S.RES ERJ3GEYJ 101 V (100)	B	82.8/15.4
R972	7030003320	S.RES ERJ3GEYJ 101 V (100)	T	81.8/15.4
R973	7030003320	S.RES ERJ3GEYJ 101 V (100)	B	80.8/15.4
R974	7030003320	S.RES ERJ3GEYJ 101 V (100)	T	79.8/15.4
R975	7030003320	S.RES ERJ3GEYJ 101 V (100)	B	78.8/15.4
R976	7030003320	S.RES ERJ3GEYJ 101 V (100)	T	77.8/15.4
R977	7030003320	S.RES ERJ3GEYJ 101 V (100)	B	76.8/15.4
R978	7030003320	S.RES ERJ3GEYJ 101 V (100)	T	75.8/15.4
R979	7030003320	S.RES ERJ3GEYJ 101 V (100)	B	74.8/15.4
C1	4030006880	S.CER C1608 JB 1H 472K-T	B	207.5/109.2
C2	4030006880	S.CER C1608 JB 1H 472K-T	T	225.7/110.3
C3	4030006880	S.CER C1608 JB 1H 472K-T	B	220.4/106.6
C4	4030006880	S.CER C1608 JB 1H 472K-T	T	204.7/110.3
C5	4030006880	S.CER C1608 JB 1H 472K-T	T	222.2/110.3
C6	4030006880	S.CER C1608 JB 1H 472K-T	T	211.7/110.3
C7	4030006880	S.CER C1608 JB 1H 472K-T	T	215.2/110.3
C8	4030006880	S.CER C1608 JB 1H 472K-T	T	200.4/110.3
C9	4030006880	S.CER C1608 JB 1H 472K-T	T	193.4/110.3
C10	4030006880	S.CER C1608 JB 1H 472K-T	T	196.9/110.3
C11	4030006880	S.CER C1608 JB 1H 472K-T	B	168/106.8
C12	4030006880	S.CER C1608 JB 1H 472K-T	T	183.7/110.3
C13	4030006880	S.CER C1608 JB 1H 472K-T	B	178.4/106.6
C14	4030006880	S.CER C1608 JB 1H 472K-T	T	162.7/110.3
C15	4030006880	S.CER C1608 JB 1H 472K-T	T	180.2/110.3
C16	4030006880	S.CER C1608 JB 1H 472K-T	T	169.7/110.3
C17	4030006880	S.CER C1608 JB 1H 472K-T	T	173.2/110.3
C18	4030006880	S.CER C1608 JB 1H 472K-T	T	158.4/110.3
C19	4030006880	S.CER C1608 JB 1H 472K-T	T	151.4/110.3
C20	4030006880	S.CER C1608 JB 1H 472K-T	T	154.9/110.3
C21	4030006880	S.CER C1608 JB 1H 472K-T	B	163.9/96.8
C22	4030006880	S.CER C1608 JB 1H 472K-T	B	174.7/98
C23	4030006880	S.CER C1608 JB 1H 472K-T	B	167.1/98.1
C24	4030006880	S.CER C1608 JB 1H 472K-T	B	145.1/106.9
C25	4510008540	S.ELE EEE1CA100SR	T	218.3/83.6
C26	4510008540	S.ELE EEE1CA100SR	T	233.7/83.5
C28	4510008540	S.ELE EEE1CA100SR	T	191.1/80.5
C29	4510008540	S.ELE EEE1CA100SR	T	184.9/80.5
C30	4510008540	S.ELE EEE1CA100SR	T	184.2/92.3
C31	4030011600	S.CER C1608 JB 1E 104K-T	T	187.7/74.5
C32	4510008540	S.ELE EEE1CA100SR	T	179/82.1
C33	4510008540	S.ELE EEE1CA100SR	T	178.9/87
C34	4030012600	S.CER C2012 JB 1A 105M-T	T	189/92.2
C35	4030012600	S.CER C2012 JB 1A 105M-T	T	179.4/92.4
C36	4510008500	S.ELE EEE1CA101WP	T	222.1/104.5
C37	4510008540	S.ELE EEE1CA100SR	T	229.5/107.3
C38	4510008500	S.ELE EEE1CA101WP	T	174.3/104.1
C39	4510008540	S.ELE EEE1CA100SR	T	181.9/104.7
C40	4510008540	S.ELE EEE1CA100SR	T	190/63.4
C41	4510008540	S.ELE EEE1CA100SR	T	184/63.4
C42	4030011600	S.CER C1608 JB 1E 104K-T	T	187.7/77.1
C43	4030011600	S.CER C1608 JB 1E 104K-T	T	194.5/74.5
C44	4030011600	S.CER C1608 JB 1E 104K-T	T	180.9/77.1
C45	4030012600	S.CER C2012 JB 1A 105M-T	T	193.3/83.8
C46	4030012600	S.CER C2012 JB 1A 105M-T	T	193.3/90.9
C50	4030006880	S.CER C1608 JB 1H 472K-T	B	139.6/118.5

[MAIN UNIT]

REF NO.	ORDER NO.	DESCRIPTION	M.	H/V LOCATION
C51	4010005380	CER HM13SJ YB 472K 500V		
C52	4030006880	S.CER C1608 JB 1H 472K-T	B	114.5/98.6
C53	4030006880	S.CER C1608 JB 1H 472K-T	B	116.2/96.3
C54	4030006880	S.CER C1608 JB 1H 472K-T	B	79.9/123.6
C55	4030006880	S.CER C1608 JB 1H 472K-T	B	79.9/118.7
C56	4030006880	S.CER C1608 JB 1H 472K-T	B	92.8/106.5
C57	4030010760	S.CER C1608 CH 1H 331J-T	T	179.5/70.9
C58	4030010760	S.CER C1608 CH 1H 331J-T	T	194.6/70.7
C61	4030012600	S.CER C2012 JB 1A 105M-T	T	119.1/77.8
C62	4030012600	S.CER C2012 JB 1A 105M-T	T	119.1/77.6
C65	4030012600	S.CER C2012 JB 1A 105M-T	B	108.1/76.2
C68	4030006860	S.CER C1608 JB 1H 102K-T	B	126.4/101.9
C69	4030011600	S.CER C1608 JB 1E 104K-T	T	121.5/90.8
C70	4030011600	S.CER C1608 JB 1E 104K-T	B	122.1/89.4
C71	4030011600	S.CER C1608 JB 1E 104K-T	B	136.8/96.8
C80	4030007130	S.CER C1608 CH 1H 101J-T	B	59.2/122.2
C100	4030011600	S.CER C1608 JB 1E 104K-T	B	208.4/91
C101	4030011600	S.CER C1608 JB 1E 104K-T	T	213.4/87.4
C103	4510008550	S.ELE EEE1HA010SR	T	210.7/83.6
C105	4030011600	S.CER C1608 JB 1E 104K-T	B	201.6/91
C106	4030011600	S.CER C1608 JB 1E 104K-T	T	206.6/87.4
C108	4510008550	S.ELE EEE1HA010SR	T	202.9/83.6
C110	4510008540	S.ELE EEE1CA100SR	T	209.8/63.3
C113	4510008540	S.ELE EEE1CA100SR	T	209.8/73.8
C115	4510008540	S.ELE EEE1CA100SR	T	209.8/48.7
C116	4510008540	S.ELE EEE1CA100SR	T	209.8/38.1
C117	4510009120	S.ELE EEE1VA2R2NR	T	215.7/73.8
C118	4510009120	S.ELE EEE1VA2R2NR	T	203.9/73.8
C120	4510008540	S.ELE EEE1CA100SR	T	223.6/50.7
C121	4510008540	S.ELE EEE1CA100SR	T	214.3/58
C122	4510008540	S.ELE EEE1CA100SR	T	204.7/58
C123	4510008550	S.ELE EEE1HA010SR	T	227/56.1
C124	4510008550	S.ELE EEE1HA010SR	T	227.1/60.9
C125	4510008540	S.ELE EEE1CA100SR	T	218.8/67
C126	4510008540	S.ELE EEE1CA100SR	T	223.6/67
C127	4510008550	S.ELE EEE1HA010SR	T	234.1/60.9
C128	4510008550	S.ELE EEE1HA010SR	T	233.3/56.1
C129	4030008650	S.CER C1608 JB 1H 332K-T	T	215.6/67.3
C130	4030008650	S.CER C1608 JB 1H 332K-T	T	203.8/67.3
C131	4030012600	S.CER C2012 JB 1A 105M-T	T	220.3/52
C132	4030012600	S.CER C2012 JB 1A 105M-T	T	218.5/52
C133	4030008880	S.CER C1608 JB 1H 223K-T	T	232.2/66.6
C134	4030008950	S.CER C2012 JB 1C 823K-T	T	231.3/69
C135	4030008880	S.CER C1608 JB 1H 223K-T	T	234.1/52.3
C136	4030008950	S.CER C2012 JB 1C 823K-T	T	232.4/50.1
C140	4510008550	S.ELE EEE1HA010SR	T	249.6/35.6
C141	4510008190	ELE EUFC1E222S		
C142	4510009080	S.ELE EEE1HAR22SR	T	253.9/59.1
C143	4510008550	S.ELE EEE1CA101WP	T	253.3/67.9
C144	4510008180	ELE EUFC1E102S		
C145	4510008180	ELE EUFC1E102S		
C146	4030011600	S.CER C1608 JB 1E 104K-T	B	252.2/101.3
C147	4030011600	S.CER C1608 JB 1E 104K-T	B	242.4/107.8
C148	4030006880	S.CER C1608 JB 1H 472K-T	B	247.8/97.2
C149	4030006880	S.CER C1608 JB 1H 472K-T	B	252.2/95.4
C150	4030006880	S.CER C1608 JB 1H 472K-T	B	239.9/97.2
C151	4030011600	S.CER C1608 JB 1E 104K-T	T	228.6/73.1
C152	4030011600	S.CER C1608 JB 1E 104K-T	T	233.4/45.5
C180	4510009010	S.ELE EEE1AA221P	T	188.5/50.4
C181	4510008540	S.ELE EEE1CA100SR	T	209.5/58
C182	4510008540	S.ELE EEE1CA100SR	T	199.9/58
C183	4510008540	S.ELE EEE1CA100SR	T	194.4/57.3
C184	4510008540	S.ELE EEE1CA100SR	T	195.8/52.5
C185	4510008540	S.ELE EEE1CA100SR	T	195.8/47.7
C186	4510008540	S.ELE EEE1CA100SR	T	180.2/50.5
C187	4030011600	S.CER C1608 JB 1E 104K-T	T	183.3/39.5
C188	4510008540	S.ELE EEE1CA100SR	T	194.4/42.8
C189	4510008540	S.ELE EEE1CA100SR	T	180.2/45.6
C190	4030011340	S.CER C1608 CH 1H 471J-T	T	194.6/33.4
C191	4030012610	S.CER C2012 JB 1C 474K-T	T	191.1/37.7
C192	4030011340	S.CER C1608 CH 1H 471J-T	T	180.4/35.4
C193	4510008540	S.ELE EEE1CA100SR	T	186.8/31.6
C194	4030012600	S.CER C2012 JB 1A 105M-T	T	180.9/59.4
C195	4030012600	S.CER C2012 JB 1A 105M-T	T	180.7/54.6
C196	4510008500	S.ELE EEE1CA101WP	T	176.1/36.5
C197	4510008500	S.ELE EEE1CA101WP	T	199.7/31.9
C198	4030011600	S.CER C1608 JB 1E 104K-T	T	125.6/95.8
C200	4510008540	S.ELE EEE1CA100SR	T	153.3/80.5
C201	4510008540	S.ELE EEE1CA100SR	T	160.5/80

[MAIN UNIT]

REF NO.	ORDER NO.	DESCRIPTION	M.	H/V LOCATION
C235	4030011600	S.CER C1608 JB 1E 104K-T	T	79.1/22
C241	4510008540	S.ELE EEE1CA100SR	T	232.1/28.1
C242	4510004591	ELE 16 ME 470 HC		
C243	4510008500	S.ELE EEE1CA101WP	T	176.7/63
C244	4030011600	S.CER C1608 JB 1E 104K-T	T	176/56.8
C249	4030011600	S.CER C1608 JB 1E 104K-T	T	160.3/68.3
C250	4030011600	S.CER C1608 JB 1E 104K-T	T	133.1/39.1
C251	4030011600	S.CER C1608 JB 1E 104K-T	T	143.3/32.8
C260	4030011600	S.CER C1608 JB 1E 104K-T	T	133.1/53.5
C261	4030011600	S.CER C1608 JB 1E 104K-T	T	143.2/47.1
C290	4030011600	S.CER C1608 JB 1E 104K-T	T	149.1/28.2
C291	4030011600	S.CER C1608 JB 1E 104K-T	T	142.9/38.1
C310	4030011600	S.CER C1608 JB 1E 104K-T	T	153.7/43.3
C311	4030011600	S.CER C1608 JB 1E 104K-T	T	142.9/52.6
C330	4030011600	S.CER C1608 JB 1E 104K-T	T	154.6/58.5
C331	4030011600	S.CER C1608 JB 1E 104K-T	T	154.6/63.5
C332	4030011600	S.CER C1608 JB 1E 104K-T	T	162.4/55.9
C333	4030011600	S.CER C1608 JB 1E 104K-T	T	164.7/66.8
C340	4030017810	S.CER C1608 CH 1H 102J-T	B	206/97
C341	4030017810	S.CER C1608 CH 1H 102J-T	B	191.2/97
C342	4030011600	S.CER C1608 JB 1E 104K-T	B	199.8/26.2
C343	4030007130	S.CER C1608 CH 1H 101J-T	B	211.8/97
C344	4510008590	S.ELE EEE1AA101SP	T	209.7/30.6
C351	4510008540	S.ELE EEE1CA100SR	T	132.4/89.7
C352	4030011600	S.CER C1608 JB 1E 104K-T	T	127.1/84
C360	4030017810	S.CER C1608 CH 1H 102J-T	B	153.8/96.9
C361	4030017810	S.CER C1608 CH 1H 102J-T	B	141.8/92.7
C362	4030011600	S.CER C1608 JB 1E 104K-T	B	144.7/27.5
C363	4030007130	S.CER C1608 CH 1H 101J-T	B	157.1/96.9
C364	4510008590	S.ELE EEE1AA101SP	T	152.8/14.7
C380	4030017810	S.CER C1608 CH 1H 102J-T	B	27.6/37.6
C381	4030017810	S.CER C1608 CH 1H 102J-T	B	27.7/52.4
C383	4030007130	S.CER C1608 CH 1H 101J-T	B	16.5/52.2
C384	4510008590	S.ELE EEE1AA101SP	T	92.9/45.8
C400	4030006880	S.CER C1608 JB 1H 472K-T	T	240.5/11.7
C401	4030006880	S.CER C1608 JB 1H 472K-T	B	234.8/15.5
C402	4030006880	S.CER C1608 JB 1H 472K-T	B	238.1/15.5
C403	4030006880	S.CER C1608 JB 1H 472K-T	T	230.5/16
C404	4030006880	S.CER C1608 JB 1H 472K-T	T	231.9/13.1
C405	4030006880	S.CER C1608 JB 1H 472K-T	T	43.2/12.9
C406	4030006880	S.CER C1608 JB 1H 472K-T	T	31.1/15.3
C407	4030006880	S.CER C1608 JB 1H 472K-T	T	43.2/11.6
C408	4030006880	S.CER C1608 JB 1H 472K-T	T	32/12.6
C409	4030006880	S.CER C1608 JB 1H 472K-T	T	30.7/12.6
C410	4030006880	S.CER C1608 JB 1H 472K-T	T	14.7/41
C411	4030006880	S.CER C1608 JB 1H 472K-T	B	14.7/39.6
C412	4030006880	S.CER C1608 JB 1H 472K-T	T	14.7/38
C413	4030006880	S.CER C1608 JB 1H 472K-T	B	14.7/36.4
C414	4030006880	S.CER C1608 JB 1H 472K-T	B	12.7/33
C415	4030006880	S.CER C1608 JB 1H 472K-T	T	12.8/32
C416	4030006880	S.CER C1608 JB 1H 472K-T	B	12.8/31
C418	4030006880	S.CER C1608 JB 1H 472K-T	B	12/28.2
C430	4030006880	S.CER C1608 JB 1H 472K-T	B	9/68.9
C431	4030006880	S.CER C1608 JB 1H 472K-T	B	9/70.9
C432	4030006880	S.CER C1608 JB 1H 472K-T	B	9/72.9
C435	4030006880	S.CER C1608 JB 1H 472K-T	B	9/74.5
C440	4030006880	S.CER C1608 JB 1H 472K-T	T	166.2/13.5
C441	4030006880	S.CER C1608 JB 1H 472K-T	T	158.9/13.1
C442	4030006880	S.CER C1608 JB 1H 472K-T	T	162.6/15.7
C450	4030006880	S.CER C1608 JB 1H 472K-T	B	250.3/14.2
C451	4030006880	S.CER C1608 JB 1H 472K-T	T	241.8/10.8
C452	4030006880	S.CER C1608 JB 1H 472K-T	B	244/23.7
C453	4030006880	S.CER C1608 JB 1H 472K-T	B	244/27.3
C454	4030006880	S.CER C1608 JB 1H 472K-T	B	244.1/29
C455	4030006880	S.CER C1608 JB 1H 472K-T	B	244.1/32.3
C456	4030006880	S.CER C1608 JB 1H 472K-T	B	250.4/39.6
C460	4510008550	S.ELE EEE1HA010SR	T	142.1/80.5
C461	4510008550	S.ELE EEE1HA010SR	T	170.6/75.7
C464	4510008540	S.ELE EEE1CA100SR	T	153.3/75.7
C465	4030011600	S.CER C1608 JB 1E 104K-T	B	144.1/75.4
C466	4030011600	S.CER C1608 JB 1E 104K-T	B	148.2/75.4
C467	4030012600	S.CER C2012 JB 1A 105M-T	T	139.3/76.4
C469	4510008550	S.ELE EEE1HA010SR	T	170.6/80.5
C470	4510008550	S.ELE EEE1HA010SR	T	153.3/70.9
C480	4550007320	S.TAN F930J226MAABMA	B	216.6/32.3
C481	4550007320	S.TAN F930J226MAABMA	B	208.7/31.3
C483	4550007320	S.TAN F930J226MAABMA	B	156/16.2
C484	4550007320	S.TAN F930J226MAABMA	B	163.9/15.2
C486	4550007320	S.TAN F930J226MAABMA	B	93.6/55.4
C487	4550007320	S.TAN F930J226MAABMA	B	93.5/47.5
C489	4030011600	S.CER C1608 JB 1E 104K-T	B	220.9/31.1
C490	4030011600	S.CER C1608 JB 1E 104K-T	B	150.2/13.6
C491	4030011600	S.CER C1608 JB 1E 104K-T	B	89.8/57
C492	4030006880	S.CER C1608 JB 1H 472K-T	T	207.6/13
C493	4510008540	S.ELE EEE1CA100SR	T	205.4/3.8
C494	4510004591	ELE 16 ME 470 HC		
C495	4030011600	S.CER C1608 JB 1E 104K-T	B	26.3/123
C496	4030011600	S.CER C1608 JB 1E 104K-T	B	5.7/119.9
C497	4030011600	S.CER C1608 JB 1E 104K-T	T	12.7/122.5
C498	4510004591	ELE 16 ME 470 HC		
C499	4030011600	S.CER C1608 JB 1E 104K-T	B	229.4/26.6
C501	4030011600	S.CER C1608 JB 1E 104K-T	T	19.2/58.3
C502	4030010020	S.CER C1608 JB 1H 122K-T	T	23.7/58.3
C503	4030009980	S.CER C1608 JB 1H 152K-T	T	22.2/60.9
C505	4030011330	S.CER C1608 CH 1H 391J-T	T	25.2/58.3
C506	4030011600	S.CER C1608 JB 1E 104K-T	T	26/64.4
C507	4510008540	S.ELE EEE1CA100SR	T	29.1/66.3
C508	4510008540	S.ELE EEE1CA100SR	T	16.1/66.3
C509	4030011600	S.CER C1608 JB 1E 104K-T	T	19.2/66.5
C510	4030008470	S.CER C1608 JB 1H 272K-T	T	20.7/72.4
C511	4030011280	S.CER C1608 CH 1H 271J-T	T	25.2/72.4
C512	4030011600	S.CER C1608 JB 1E 104K-T	T	26/76.8
C513	4510008540	S.ELE EEE1CA100SR	T	29.1/77.7
C514	4030011600	S.CER C1608 JB 1E 104K-T	T	19.2/78.4

[MAIN UNIT]

REF NO.	ORDER NO.	DESCRIPTION	M.	H/V LOCATION
C515	4510008540	S.ELE EEE1CA100SR	T	16.1/78.2
C516	4030006880	S.CER C1608 JB 1H 102K-T	T	22.7/87.5
C517	4030011600	S.CER C1608 JB 1E 104K-T	T	20.3/91.9
C518	4030011600	S.CER C1608 JB 1E 104K-T	T	25.3/87.5
C519	4030011600	S.CER C1608 JB 1E 104K-T	T	26.6/87.5
C520	4510008540	S.ELE EEE1CA100SR	T	30.4/86.7
C521	4030011600	S.CER C1608 JB 1E 104K-T	T	24/87.5
C522	4030011600	S.CER C1608 JB 1E 104K-T	B	18.6/91.9
C523	4030011600	S.CER C1608 JB 1E 104K-T	B	21.6/91.9
C524	4510008540	S.ELE EEE1CA100SR	T	29.7/97
C525	4030006880	S.CER C1608 JB 1H 472K-T	T	26.1/91.9
C526	4030011600	S.CER C1608 JB 1E 104K-T	B	26.1/87.7
C527	4030006880	S.CER C1608 JB 1H 472K-T	B	29.5/91.9
C528	4030011600	S.CER C1608 JB 1E 104K-T	B	29.5/94.9
C529	4030011600	S.CER C1608 JB 1E 104K-T	B	33.5/87.1
C530	4030011600	S.CER C1608 JB 1E 104K-T	B	33.5/98.8
C531	4030006880	S.CER C1608 JB 1H 472K-T	B	37.2/94.6
C532	4030006880	S.CER C1608 JB 1H 472K-T	B	37.2/91.3
C533	4030006880	S.CER C1608 JB 1H 472K-T	B	46.3/95.1
C534	4030006880	S.CER C1608 JB 1H 472K-T	B	46.3/82
C535	4030006880	S.CER C1608 JB 1H 472K-T	B	47.3/88.5
C536	4030011600	S.CER C1608 JB 1E 104K-T	B	42.7/91.4
C537	4030006880	S.CER C1608 JB 1H 472K-T	B	51.7/82
C538	4030008920	S.CER C1608 JB 1H 473K-T	B	50.5/85.7
C539	4030011600	S.CER C1608 JB 1E 104K-T	T	52.2/84.4
C540	4510008540	S.ELE EEE1CA100SR	T	49.1/84.5
C541	4030011600	S.CER C1608 JB 1E 104K-T	B	49.9/95.1
C544	4030009530	S.CER C1608 CH 1H 030B-T	T	88.8/94.2
C545	4030011600	S.CER C1608 JB 1E 104K-T	T	131.8/108
C546	4030011340	S.CER C1608 CH 1H 471J-T	B	69.8/90.7
C548	4030011600	S.CER C1608 JB 1E 104K-T	T	128.7/102.3
C550	4510008540	S.ELE EEE1CA100SR	T	127.4/108
C551	4030006880	S.CER C1608 JB 1H 472K-T	B	101.6/91.6
C552	4030006880	S.CER C1608 JB 1H 472K-T	B	106.4/82.7
C553	4030011770	S.CER C1608 CH 1H 060B-T	B	104.8/82.7
C554	4030011600	S.CER C1608 JB 1E 104K-T	B	103/79.3
C555	4030007030	S.CER C1608 CH 1H 150J-T	B	97.9/80.1
C556	4030006880	S.CER C1608 JB 1H 472K-T	B	102.9/76.5
C558	4030007040	S.CER C1608 CH 1H 180J-T	T	81.9/69.4
C559	4030006880	S.CER C1608 JB 1H 472K-T	T	108.4/67.1
C560	4030007080	S.CER C1608 CH 1H 390J-T	T	108.4/64.2
C561	4030006880	S.CER C1608 JB 1H 472K-T	T	105/71.3
C562	4030006880	S.CER C1608 JB 1H 102K-T	B	105.6/74.2
C563	4030011600	S.CER C1608 JB 1E 104K-T	T	98.8/61.3
C564	4030007080	S.CER C1608 CH 1H 390J-T	B	75.9/67.2
C565	4030007130	S.CER C1608 CH 1H 101J-T	B	72.5/68.9
C566	4030007120	S.CER C1608 CH 1H 820J-T	B	69.4/68.5
C567	4030007090	S.CER C1608 CH 1H 470J-T	B	69.4/70.3
C568	4030007130	S.CER C1608 CH 1H 101J-T	B	67.1/69.1
C569	4030011600	S.CER C1608 JB 1E 104K-T	B	62.8/68.1
C570	4030006900	S.CER C1608 JB 1H 103K-T	B	62.9/59.2
C571	4030011600	S.CER C1608 JB 1E 104K-T	B	58.8/66
C572	4030006900	S.CER C1608 JB 1H 103K-T	B	60/58.4
C573	4030011600	S.CER C1608 JB 1E 104K-T	B	66.7/59.2
C574	4030011600	S.CER C1608 JB 1E 104K-T	B	53.3/57
C576	4610001590	S.TRI TZC3R100A110R00	T	95.5/95.8
C577	4030011600	S.CER C1608 JB 1E 104K-T	B	54.6/63
C578	4030007100	S.CER C1608 CH 1H 560J-T	B	91.4/74.5
C579	4030006980	S.CER C1608 CH 1H 070D-T	B	89.2/76.8
C580	4030007100	S.CER C1608 CH 1H 560J-T	B	93.2/76.5
C581	4030007050	S.CER C1608 CH 1H 220J-T	B	62.6/69.5
C582	4030007050	S.CER C1608 CH 1H 220J-T	T	20.7/84.6
C583	4030011600	S.CER C1608 JB 1E 104K-T	T	27.2/81.6
C584	4030009650	S.CER C1608 CH 1H 240J-T	B	104.5/67.3
C585	4030006980	S.CER C1608 CH 1H 070D-T	B	102.9/67.3
C586	4030007070	S.CER C1608 CH 1H 330J-T	B	98.5/70.2
C587	4030007010	S.CER C1608 CH 1H 100J-T	B	97/64.9
C588	4030007060	S.CER C1608 CH 1H 270J-T	B	96.5/70.2
C589	4030007020	S.CER C1608 CH 1H 120J-T	B	63.8/72.8
C590	4030007100	S.CER C1608 CH 1H 560J-T	B	62.1/74.5
C601	4030006880	S.CER C1608 JB 1H 102K-T	B	40.9/52.4
C602	4030006880	S.CER C1608 JB 1H 102K-T	B	42.7/52.4
C603	4030011600	S.CER C1608 JB 1E 104K-T	B	40.9/49.1
C604	4030007140	S.CER C1608 CH 1H 121J-T	B	38.1/49.8
C605	4030007060			



[MAIN UNIT]

REF NO.	ORDER NO.	DESCRIPTION	M.	H/V LOCATION
C635	4030011600	S.CER C1608 JB 1E 104K-T	B	62.5/49.1
C636	4030007160	S.CER C1608 CH 1H 181J-T	B	59.7/49.8
C637	4030007070	S.CER C1608 CH 1H 330J-T	B	59.7/48
C638	4030007030	S.CER C1608 CH 1H 150J-T	B	55.4/45.5
C639	4030007120	S.CER C1608 CH 1H 820J-T	B	57.2/45.5
C640	4030007100	S.CER C1608 CH 1H 560J-T	B	59.7/46.2
C641	4030007140	S.CER C1608 CH 1H 121J-T	B	59.7/40.8
C642	4030007030	S.CER C1608 CH 1H 150J-T	B	57.2/41.5
C643	4030007120	S.CER C1608 CH 1H 820J-T	B	55.4/41.5
C644	4030007070	S.CER C1608 CH 1H 330J-T	B	59.7/37.1
C645	4030007160	S.CER C1608 CH 1H 181J-T	B	59.7/39
C646	4030011330	S.CER C1608 CH 1H 391J-T	B	62.5/34.5
C647	4030011600	S.CER C1608 JB 1E 104K-T	B	62.5/37.8
C648	4030017800	S.CER C1608 CH 1H 561J-T	B	64.3/34.5
C649	4030010760	S.CER C1608 CH 1H 331J-T	B	73.4/52.4
C650	4030007150	S.CER C1608 CH 1H 151J-T	B	75.2/52.4
C651	4030011600	S.CER C1608 JB 1E 104K-T	B	73.4/49.1
C652	4030007150	S.CER C1608 CH 1H 151J-T	B	70.5/49.8
C653	4030007060	S.CER C1608 CH 1H 270J-T	B	70.5/48
C654	4030007060	S.CER C1608 CH 1H 270J-T	B	66.2/45.5
C655	4030007140	S.CER C1608 CH 1H 121J-T	B	68/45.5
C656	4030007010	S.CER C1608 CH 1H 100D-T	B	70.5/46.2
C657	4030007150	S.CER C1608 CH 1H 151J-T	B	70.5/40.8
C658	4030007060	S.CER C1608 CH 1H 270J-T	B	68/41.5
C659	4030007140	S.CER C1608 CH 1H 121J-T	B	66.2/41.5
C660	4030007060	S.CER C1608 CH 1H 270J-T	B	70.5/37.1
C661	4030007150	S.CER C1608 CH 1H 151J-T	B	70.5/39
C662	4030007150	S.CER C1608 CH 1H 151J-T	B	73.3/34.5
C663	4030011600	S.CER C1608 JB 1E 104K-T	B	73.3/37.8
C664	4030010760	S.CER C1608 CH 1H 331J-T	B	75.2/34.5
C665	4030007170	S.CER C1608 CH 1H 221J-T	B	84.2/52.4
C666	4030007170	S.CER C1608 CH 1H 221J-T	B	86/52.4
C667	4030011600	S.CER C1608 JB 1E 104K-T	B	84.2/49.1
C668	4030007130	S.CER C1608 CH 1H 101J-T	B	81.4/49.8
C669	4030007050	S.CER C1608 CH 1H 220J-T	B	81.4/48
C670	4030007080	S.CER C1608 CH 1H 390J-T	B	77.1/45.5
C671	4030007070	S.CER C1608 CH 1H 330J-T	B	78.9/45.5
C672	4030007050	S.CER C1608 CH 1H 220J-T	B	81.4/40.8
C673	4030007120	S.CER C1608 CH 1H 820J-T	B	81.4/46.2
C674	4030007080	S.CER C1608 CH 1H 390J-T	B	78.9/41.5
C675	4030007070	S.CER C1608 CH 1H 330J-T	B	77.1/41.5
C676	4030007050	S.CER C1608 CH 1H 220J-T	B	81.4/37.1
C677	4030007130	S.CER C1608 CH 1H 101J-T	B	81.4/39
C678	4030007170	S.CER C1608 CH 1H 221J-T	B	84.2/34.5
C679	4030011600	S.CER C1608 JB 1E 104K-T	B	84.2/37.8
C680	4030007170	S.CER C1608 CH 1H 221J-T	B	86/34.5
C681	4030007170	S.CER C1608 CH 1H 221J-T	T	34.3/50.7
C682	4030007110	S.CER C1608 CH 1H 680J-T	T	35.6/50.7
C683	4030011600	S.CER C1608 JB 1E 104K-T	T	35.6/47.9
C684	4030007090	S.CER C1608 CH 1H 470J-T	T	38.3/47.1
C685	4030007090	S.CER C1608 CH 1H 470J-T	T	38.3/45.8
C686	4030007070	S.CER C1608 CH 1H 330J-T	T	40.4/46.4
C687	4030007070	S.CER C1608 CH 1H 330J-T	T	41.7/46.4
C688	4030007010	S.CER C1608 CH 1H 100D-T	T	36.1/43.5
C689	4030007120	S.CER C1608 CH 1H 820J-T	T	37.4/43.5
C690	4030007070	S.CER C1608 CH 1H 330J-T	T	41.7/40.5
C691	4030007070	S.CER C1608 CH 1H 330J-T	T	40.4/40.5
C692	4030007090	S.CER C1608 CH 1H 470J-T	T	37.8/41
C693	4030007090	S.CER C1608 CH 1H 470J-T	T	37.8/39.7
C694	4030007110	S.CER C1608 CH 1H 680J-T	T	34.3/36.2
C695	4030011600	S.CER C1608 JB 1E 104K-T	T	35.6/39
C696	4030007050	S.CER C1608 CH 1H 220J-T	T	35.6/36.2
C697	4030007160	S.CER C1608 CH 1H 181J-T	T	44/51.4
C698	4030007090	S.CER C1608 CH 1H 470J-T	T	44/50.1
C699	4030011600	S.CER C1608 JB 1E 104K-T	T	44.6/47.9
C700	4030007090	S.CER C1608 CH 1H 470J-T	T	46.8/47.1
C701	4030007040	S.CER C1608 CH 1H 180J-T	T	46.8/45.8
C702	4030007030	S.CER C1608 CH 1H 150J-T	T	49.3/46.4
C703	4030007050	S.CER C1608 CH 1H 220J-T	T	50.7/46.4
C704	4030006990	S.CER C1608 CH 1H 080D-T	T	46.4/43.5
C705	4030007090	S.CER C1608 CH 1H 470J-T	T	45.1/43.5
C706	4030007030	S.CER C1608 CH 1H 150J-T	T	49.3/40.5
C707	4030007050	S.CER C1608 CH 1H 220J-T	T	50.7/40.5
C708	4030007040	S.CER C1608 CH 1H 180J-T	T	46.8/41
C709	4030007090	S.CER C1608 CH 1H 470J-T	T	46.8/39.7
C710	4030007090	S.CER C1608 CH 1H 470J-T	T	43.3/36.2
C711	4030011600	S.CER C1608 JB 1E 104K-T	T	44.6/39
C712	4030007160	S.CER C1608 CH 1H 181J-T	T	44.6/36.2
C713	4030007140	S.CER C1608 CH 1H 121J-T	T	53.6/50.7
C714	4030007040	S.CER C1608 CH 1H 180J-T	T	52.3/50.7
C715	4030011600	S.CER C1608 JB 1E 104K-T	T	53.6/47.9
C716	4030007070	S.CER C1608 CH 1H 330J-T	T	55.8/47.1
C717	4030007040	S.CER C1608 CH 1H 180J-T	T	55.8/45.8
C718	4030007010	S.CER C1608 CH 1H 100D-T	T	58.4/46.4
C719	4030007070	S.CER C1608 CH 1H 330J-T	T	59.7/46.4
C720	4030007010	S.CER C1608 CH 1H 100D-T	T	54.1/43.5
C721	4030007090	S.CER C1608 CH 1H 470J-T	T	55.4/43.5
C722	4030007010	S.CER C1608 CH 1H 100D-T	T	58.4/40.5
C723	4030007070	S.CER C1608 CH 1H 330J-T	T	59.7/40.5
C724	4030007040	S.CER C1608 CH 1H 180J-T	T	55.8/41
C725	4030007070	S.CER C1608 CH 1H 330J-T	T	55.8/39.7
C726	4030007040	S.CER C1608 CH 1H 180J-T	T	52.3/36.2
C727	4030011600	S.CER C1608 JB 1E 104K-T	T	53.6/39
C728	4030007140	S.CER C1608 CH 1H 121J-T	T	53.6/36.2
C729	4030007130	S.CER C1608 CH 1H 101J-T	T	62.6/50.7
C730	4030007030	S.CER C1608 CH 1H 150J-T	T	61.3/50.7
C731	4030011600	S.CER C1608 JB 1E 104K-T	T	62.6/47.9
C732	4030007050	S.CER C1608 CH 1H 220J-T	T	64.8/47.1
C733	4030007020	S.CER C1608 CH 1H 120J-T	T	64.8/45.8
C734	4030009500	S.CER C1608 CH 1H 0R5B-T	T	67.4/46.4
C735	4030007050	S.CER C1608 CH 1H 220J-T	T	68.7/46.4
C736	4030006980	S.CER C1608 CH 1H 070D-T	T	63.1/43.5
C737	4030007050	S.CER C1608 CH 1H 220J-T	T	64.4/43.5
C738	4030009500	S.CER C1608 CH 1H 0R5B-T	T	67.4/40.5

[MAIN UNIT]

REF NO.	ORDER NO.	DESCRIPTION	M.	H/V LOCATION
C739	4030007050	S.CER C1608 CH 1H 220J-T	T	68.7/40.5
C740	4030007020	S.CER C1608 CH 1H 120J-T	T	64.8/41
C741	4030007050	S.CER C1608 CH 1H 220J-T	T	64.8/39.7
C742	4030007030	S.CER C1608 CH 1H 150J-T	T	61.3/36.2
C743	4030011600	S.CER C1608 JB 1E 104K-T	T	62.6/39
C744	4030007130	S.CER C1608 CH 1H 101J-T	T	62.6/36.2
C745	4030007140	S.CER C1608 CH 1H 121J-T	T	73.5/49.6
C747	4030011600	S.CER C1608 JB 1E 104K-T	T	71.5/48.8
C749	4030009550	S.CER C1608 CH 1H 2R5B-T	T	75.9/46.2
C750	4030011770	S.CER C1608 CH 1H 060B-T	T	73.8/46.9
C751	4030007010	S.CER C1608 CH 1H 100D-T	T	73.8/45.5
C755	4030009550	S.CER C1608 CH 1H 2R5B-T	T	75.9/41
C756	4030011770	S.CER C1608 CH 1H 060B-T	T	73.8/40.2
C758	4030011600	S.CER C1608 JB 1E 104K-T	T	71.5/38.1
C759	4030007140	S.CER C1608 CH 1H 121J-T	T	73.5/37.3
C760	4030011770	S.CER C1608 CH 1H 060B-T	T	73.8/48.2
C761	4030011770	S.CER C1608 CH 1H 060B-T	T	73.8/41.8
C801	4030006880	S.CER C1608 JB 1H 472K-T	T	37.2/20.6
C802	4030011600	S.CER C1608 JB 1E 104K-T	T	37.2/27.5
C803	4030011600	S.CER C1608 JB 1E 104K-T	B	37.2/20.5
C804	4030011600	S.CER C1608 JB 1E 104K-T	T	46.9/19.9
C805	4030011600	S.CER C1608 JB 1E 104K-T	B	52/24.6
C806	4030006900	S.CER C1608 JB 1H 103K-T	B	48.5/23.7
C807	4030011600	S.CER C1608 JB 1E 104K-T	T	48.5/23.9
C812	4030006900	S.CER C1608 JB 1H 103K-T	B	86.2/84.7
C813	4030006880	S.CER C1608 JB 1H 472K-T	T	31.2/27.5
C814	4030012600	S.CER C2012 JB 1A 105M-T	T	27.7/25.5
C815	4030006990	S.CER C1608 CH 1H 080D-T	B	44.3/21
C816	4030012600	S.CER C2012 JB 1A 105M-T	T	30.9/29
C817	4030011330	S.CER C1608 CH 1H 391J-T	T	85.2/55.1
C818	4030017810	S.CER C1608 CH 1H 102J-T	T	83.2/53.2
C819	4030009920	S.CER C1608 CH 1H 050B-T	T	83.2/55.8
C820	4030006900	S.CER C1608 JB 1H 103K-T	T	74.6/62.1
C821	4030011600	S.CER C1608 JB 1E 104K-T	T	87.4/62.8
C822	4030011600	S.CER C1608 JB 1E 104K-T	T	78.3/58.6
C823	4030012600	S.CER C2012 JB 1A 105M-T	T	86.2/51.5
C824	4030006900	S.CER C1608 JB 1H 103K-T	T	83.6/49.8
C825	4030008880	S.CER C1608 JB 1H 223K-T	T	84.4/47.8
C826	4030008850	S.CER C1608 JB 1H 123K-T	T	82.3/46.8
C827	4030008850	S.CER C1608 JB 1H 123K-T	T	82.3/45.5
C828	4030006900	S.CER C1608 JB 1H 103K-T	T	85.7/42.7
C829	4030008860	S.CER C1608 JB 1H 153K-T	T	82.3/42.7
C830	4030008860	S.CER C1608 JB 1H 153K-T	T	82.3/41.4
C831	4030008650	S.CER C1608 JB 1H 332K-T	T	84.4/39.8
C832	4030006900	S.CER C1608 JB 1H 103K-T	T	82.3/39.6
C833	4030006900	S.CER C1608 JB 1H 103K-T	T	82.3/38.3
C834	4030012600	S.CER C2012 JB 1A 105M-T	T	82.1/35.4
C835	4030011600	S.CER C1608 JB 1E 104K-T	T	82.3/37
C836	4030009920	S.CER C1608 CH 1H 050B-T	T	89.5/57.9
C837	4550006470	S.TAN TEESVB2 1D 106M8R	T	72.9/58.7
C838	4550006470	S.TAN TEESVB2 1D 106M8R	T	91.8/61.6
C839	4030006880	S.CER C1608 JB 1H 472K-T	B	85.3/74.2
C840	4030011600	S.CER C1608 JB 1E 104K-T	B	86/81.4
C841	4030006880	S.CER C1608 JB 1H 472K-T	B	81.2/78.3
C845	4030011600	S.CER C1608 JB 1E 104K-T	T	35.3/69.8
C846	4030011600	S.CER C1608 JB 1E 104K-T	T	38.1/74.7
C847	4510008540	S.ELE EEE1CA100SR	T	37.1/77.8
C901	4030006880	S.CER C1608 JB 1H 472K-T	B	125.2/1.8
C902	4030006880	S.CER C1608 JB 1H 472K-T	T	124.2/1.8
C903	4030006880	S.CER C1608 JB 1H 472K-T	B	123.2/1.8
C904	4030006880	S.CER C1608 JB 1H 472K-T	T	122.2/1.8
C905	4030006880	S.CER C1608 JB 1H 472K-T	B	121.2/1.8
C906	4030006880	S.CER C1608 JB 1H 472K-T	T	120.2/1.8
C907	4030006880	S.CER C1608 JB 1H 472K-T	B	119.2/1.8
C908	4030006880	S.CER C1608 JB 1H 472K-T	T	118.2/1.8
C909	4030006880	S.CER C1608 JB 1H 472K-T	B	117.2/1.8
C922	4030006880	S.CER C1608 JB 1H 472K-T	T	123.7/18.9
C923	4030006880	S.CER C1608 JB 1H 472K-T	B	122.7/19.4
C924	4030006880	S.CER C1608 JB 1H 472K-T	T	121.7/18.9
C925	4030006880	S.CER C1608 JB 1H 472K-T	B	120.7/19.4
C926	4030006880	S.CER C1608 JB 1H 472K-T	T	119.7/18.9
C927	4030006880	S.CER C1608 JB 1H 472K-T	B	118.



[MAIN UNIT]

REF NO.	ORDER NO.	DESCRIPTION	M.	H/V LOCATION
CP81	6910009670	S.CHK HK3-S-T	T	129.3/16.1
CP82	6910009670	S.CHK HK3-S-T	T	116.4/75.1
CP495	6910009670	S.CHK HK3-S-T	T	129.1/5.8
CP496	6910009670	S.CHK HK3-S-T	T	107.1/5.8
J1	6510023671	CNR TCS4480-0141577		
J2	6510023661	CNR TCS4470-0141577		
J3	6510023671	CNR TCS4480-0141577		
J4	6510023661	CNR TCS4470-0141577		
J5	6450001130	CNR JPJ2042-01-110		
J6	6510023730	CNR LGY6502-0600C		
J7	6510023730	CNR LGY6502-0600C		
J8	6510023740	CNR LGR4609-7000		
J9	6510024940	CNR HEC2305-016250		
J140	6510023720	CNR LGY6501-0600C		
J141	6510023720	CNR LGY6501-0600C		
J142	6510018961	S.CNR B2B-PH-SM4-TB (LF) (SN)	T	256.2/96.5
J340	6510022811	CNR IMSA-9180B-22B-PT1		
J341	6510021651	CNR IMSA-9180B-30B-PT1		
J360	6510022811	CNR IMSA-9180B-22B-PT1		
J361	6510021651	CNR IMSA-9180B-30B-PT1		
J380	6510022811	CNR IMSA-9180B-22B-PT1		
J381	6510021651	CNR IMSA-9180B-30B-PT1		
J399	6510007020	CNR TMP-J01X-V6		
J400	6510019981	S.CNR 52808-1671 (1690)	T	232.7/5
J401	6510022191	S.CNR B3B-PH-SM4-TB (LF) (SN)	T	232.7/98.9
J403	6510019981	S.CNR 52808-1671 (1690)	T	32.5/5
J404	6510022191	S.CNR B3B-PH-SM4-TB (LF) (SN)	T	143.8/115.4
J410	6510020001	S.CNR 52808-3071 (3090)	T	5.5/42.5
J411	6510019971	S.CNR 52808-1071	T	5.6/98.7
J430	6510022311	S.CNR B5B-PH-SM4-TB (LF) (SN)	T	5/72.9
J440	6510018921	S.CNR B8B-PH-SM4-TB (LF) (SN)	T	154.5/5
J450	6510003471	CNR B11B-EH-S (LF) (SN)		
J451	6510018941	S.CNR B13B-PH-SM4-TB (LF) (SN)	T	184.2/5
J490	6510023750	CNR 01K1971-10		
J491	6510007020	CNR TMP-J01X-V6		
J492	6510014961	S.CNR B2B-ZR-SM4-TF (LF) (SN)	T	202.6/11.5
J495	6510023701	CNR TORX178S (F)		
J496	6510023711	CNR TOTX178S (F)		
J501	6510007020	CNR TMP-J01X-V6		
J502	6510007020	CNR TMP-J01X-V6		
J503	6510007020	CNR TMP-J01X-V6		
J801	6510007020	CNR TMP-J01X-V6		
J802	6510007020	CNR TMP-J01X-V6		
J808	6510007020	CNR TMP-J01X-V6		
J900	6510022471	S.CNR 40FLT-SM2-TB (LF) (SN)	T	116.5/10.6
J901	6510015541	S.CNR B4B-ZR-SM4-TF (LF) (SN)	T	9.2/113
J940	6510022471	S.CNR 40FLT-SM2-TB (LF) (SN)	T	84.6/10.6
F1	5220000230	HOL S-N5054 #01		
F2	5220000230	HOL S-N5054 #01		
F3	5210000041	FUS FGB 2A PBF (FGB0 125V)		
W1	9024801019	JMP 74/98/020/X98/X98		
EP50	6910012350	S.BEA MMZ1608Y 102BT	B	78.1/126.8
EP51	6910012350	S.BEA MMZ1608Y 102BT	B	95.6/118.7
EP52	6910012350	S.BEA MMZ1608Y 102BT	B	90.1/126.1
EP403	6910012350	S.BEA MMZ1608Y 102BT	T	233.2/10.4
EP404	6910012350	S.BEA MMZ1608Y 102BT	T	231.9/10.4
EP408	6910012350	S.BEA MMZ1608Y 102BT	T	32.1/10
EP409	6910012350	S.BEA MMZ1608Y 102BT	T	30.8/10
EP414	6910012350	S.BEA MMZ1608Y 102BT	T	9.9/34
EP415	6910012350	S.BEA MMZ1608Y 102BT	B	9.9/31
EP416	6910012350	S.BEA MMZ1608Y 102BT	B	10.2/95
EP417	6910012350	S.BEA MMZ1608Y 102BT	T	10.2/96.2
EP420	6910012350	S.BEA MMZ1608Y 102BT	B	10.1/101.2
EP421	6910012350	S.BEA MMZ1608Y 102BT	T	10.1/102.2
EP430	6910012350	S.BEA MMZ1608Y 102BT	B	5.8/68.9
EP431	6910012350	S.BEA MMZ1608Y 102BT	B	5.8/70.9
EP432	6910012350	S.BEA MMZ1608Y 102BT	B	5.8/72.9
EP501	9088000010	TUB IRRAX 1.5 (d) L=12 mm		
EP905	6910012350	S.BEA MMZ1608Y 102BT	B	121.2/5.8
EP907	6910012350	S.BEA MMZ1608Y 102BT	B	119.2/5.8

[DSP-A UNIT]

REF NO.	ORDER NO.	DESCRIPTION	M.	H/V LOCATION
IC1	1140012211	S.IC TMS320C6713BZDP225	T	28.1/20.4
IC151	1130008361	S.IC TC7SHU04FU (TE85LJF)	B	45.5/8.1
IC171	1130008041	S.IC TC7SH04FU (TE85LJF)	T	41.3/4.6
IC181	1130011150	S.IC SN74AHC2G08HDCTR	T	30.2/1.9
IC191	1130011150	S.IC SN74AHC2G08HDCTR	T	24/3.5
IC201	1130013492	S.IC AT29LV040A-15TU	B	29/42
IC203	1110006411	S.IC R3111N111A-TR-F	T	30/36.5
IC301	1110006100	S.IC NJM5534MD-TE1	T	72.3/44.7
IC331	1130009981	S.IC TC7W53FK (TE85L,F)	T	76.9/34.1
IC341	1110006100	S.IC NJM5534MD-TE1	T	70.3/35.5
IC371	1110006100	S.IC NJM5534MD-TE1	T	59.4/44.3
IC401	1110006111	S.IC AK5394AVSP/P	T	54.2/31
IC451	1130006891	S.IC TC7S04FU (TE85R,F)	T	43.5/41
IC452	1130012160	S.IC SN74LVC1GU04DCKR	T	42.8/38.5
IC501	1110001901	S.IC uPC4570G2-E1-A	T	71.6/27.4
IC551	1130013090	S.IC AK4396VFP-E2/P	T	54.6/7.3
IC601	1110006100	S.IC NJM5534MD-TE1	T	63.6/17.3
IC651	1110006100	S.IC NJM5534MD-TE1	T	66.8/7.2
IC701	1110006100	S.IC NJM5534MD-TE1	T	74.1/17.5
IC771	1110004770	S.IC BU9480F-E2	T	51.7/18.4
Q1	1590000680	S.TR DTC114EUA T106	T	45.7/16.5
D501	1730002320	S.ZEN MA8051-M (TX)	B	76.5/29.5
F1101	2040000790	S.LC EXCCET103U	T	36.5/2.8
X151	6050011660	S.XTL CR-754 (30.000 MHz)	B	40.5/2.9
L1	6200003950	S.COL HF50ACC 322513-T	B	43.2/34.8
L2	6180003501	S.COL SLF6028T-100M1R3-PF	B	13.6/35.7
L3	6200003640	S.COL MLF1608E 100K-T	B	12.2/8.2
L401	6200003950	S.COL HF50ACC 322513-T	T	49.3/42.9
L921	6200003950	S.COL HF50ACC 322513-T	T	73.7/4.4
L922	6200003950	S.COL HF50ACC 322513-T	T	77.9/9.5
L924	6200003950	S.COL HF50ACC 322513-T	T	74.1/9.5
L925	6200003950	S.COL HF50ACC 322513-T	T	77.5/4.4
L961	6200003950	S.COL HF50ACC 322513-T	B	11.3/12.2
L962	6200003950	S.COL HF50ACC 322513-T	B	12.8/24.6
R1	7030003560	S.RES ERJ3GEYJ 103 V (10 k)	B	42.5/22.3
R2	7030003560	S.RES ERJ3GEYJ 103 V (10 k)	B	41.8/24.2
R3	7030003560	S.RES ERJ3GEYJ 103 V (10 k)	B	42.5/21
R4	7030003560	S.RES ERJ3GEYJ 103 V (10 k)	B	41.8/13.7
R5	7030003440	S.RES ERJ3GEYJ 102 V (1 k)	B	23.2/6
R6	7030003440	S.RES ERJ3GEYJ 102 V (1 k)	B	21.9/6
R7	7030003640	S.RES ERJ3GEYJ 473 V (47 k)	B	20/6.7
R8	7030003440	S.RES ERJ3GEYJ 102 V (1 k)	B	14.1/8.2
R9	7030003640	S.RES ERJ3GEYJ 473 V (47 k)	B	14.5/11.6
R10	7030003640	S.RES ERJ3GEYJ 473 V (47 k)	T	43.8/13.1
R11	7030003460	S.RES ERJ3GEYJ 152 V (1.5 k)	B	48.2/9.7
R12	7030003560	S.RES ERJ3GEYJ 103 V (10 k)	B	26.8/13.3
R151	7030003320	S.RES ERJ3GEYJ 101 V (100)	T	44.3/5.3
R152	7030003800	S.RES ERJ3GEYJ 105 V (1 M)	B	43.5/6.2
R171	7030003320	S.RES ERJ3GEYJ 101 V (100)	T	41.3/1.4
R181	7030003560	S.RES ERJ3GEYJ 103 V (10 k)	T	9.1/7
R182	7030003560	S.RES ERJ3GEYJ 103 V (10 k)	T	6.3/7
R183	7030003560	S.RES ERJ3GEYJ 103 V (10 k)	T	11.9/3.2
R184	7030003560	S.RES ERJ3GEYJ 103 V (10 k)	T	11.9/7
R201	7030003860	S.RES ERJ3GE JPW V	T	30.8/39.2
R301	7030003860	S.RES ERJ3GE JPW V	T	79.5/38.4
R302	7030009591	S.RES ERA3YED 472V (4.7 k)	T	77.6/46.9
R303	7030009591	S.RES ERA3YED 472V (4.7 k)	T	75.7/46.1
R304	7030003320	S.RES ERJ3GEYJ 101 V (100)	T	78.1/40.7
R305	7030003860	S.RES ERJ3GE JPW V	T	75.7/43.5
R306	7030003320	S.RES ERJ3GEYJ 101 V (100)	T	68.9/46.1
R331	7030003500	S.RES ERJ3GEYJ 332 V (3.3 k)	T	64.4/39.9
R332	7030003480	S.RES ERJ3GEYJ 222 V (2.2 k)	T	65.7/39.9
R333	7030003640	S.RES ERJ3GEYJ 473 V (47 k)	T	75/33.2
R341	7030003320	S.RES ERJ3GEYJ 101 V (100)	T	73.7/34.8
R342	7030003320	S.RES ERJ3GEYJ 101 V (100)	T	66.9/37.3
R343	7030006601	S.RES ERA3YED 272V (2.7 k)	T	73.7/37.4
R344	7030010390	S.RES ERA3YED 821V (820)	T	65.6/33.6
R345	7030009691	S.RES ERA3YED 101V (100)	T	66.2/31.7
R371	7030003320	S.RES ERJ3GEYJ 101 V (100)	T	63.4/43.8
R372	7030003320	S.RES ERJ3GEYJ 101 V (100)	T	55.3/46.3
R373	7030006601	S.RES ERA3YED 272V (2.7 k)	T	63.4/45.6
R374	7030010390	S.RES ERA3YED 821V (820)	T	54.7/41.8
R375	7030009691	S.RES ERA3YED 101V (100)	T	56/40.5
R401	7030009591	S.RES ERA3YED 472V (4.7 k)	T	53.1/42.5
R402	7030009591	S.RES ERA3YED 472V (4.7 k)	T	51.8/44.4
R403	7030003640	S.RES ERJ3GEYJ 473 V (47 k)	T	54.1/38.7
R404	7030003200	S.RES ERJ3GEYJ 100 V (10)	T	50/40
R405	7030003320	S.RES ERJ3GEYJ 101 V (100)	T	51.1/38.1
R406	7030003640	S.RES ERJ3GEYJ 473 V (47 k)	T	49.8/38.1
R407	7030003460	S.RES ERJ3GEYJ 152 V (1.5 k)	B	46.8/36
R409	7030003640	S.RES ERJ3GEYJ 473 V (47 k)	T	52.3/23.8
R410	7030003640	S.RES ERJ3GEYJ 473 V (47 k)	T	47.2/23.8
R411	7030003640	S.RES ERJ3GEYJ 473 V (47 k)	T	49.8/23.8
R412	7030003520	S.RES ERJ3GEYJ 472 V (4.7 k)	T	56/22.3
R413	7030003520	S.RES ERJ3GEYJ 472 V (4.7 k)	T	54.1/21.9
R451	7030003800	S.RES ERJ3GEYJ 105 V (1 M)	T	42.6/36.6
R501	7030006521	S.RES ERA3YED 561V (560)	T	76.1/29.9
R502	7030003360	S.RES ERJ3GEYJ 221 V (220)	T	70.3/23.4
R503	7030003380	S.RES ERJ3GEYJ 331 V (330)	T	65.3/28.9
R504	7030003680	S.RES ERJ3GEYJ 104 V (100 k)	T	65.3/27.6
R551	7030003320	S.RES ERJ3GEYJ 101 V (100)	T	49.5/8.6
R559	7030003640	S.RES ERJ3GEYJ 473 V (47 k)	T	59.8/10.5

M.=Mounted side (T: Mounted on the Top side, B: Mounted on the Bottom side)  
S.=Surface mount

[DSP-A BOARD]

REF NO.	ORDER NO.	DESCRIPTION	M.	H/V LOCATION
R601	7030006521	S.RES ERA3YED 561V (560)	T	63.1/20.7
R602	7030007661	S.RES ERA3YED 331V (330)	T	64/22
R603	7030007661	S.RES ERA3YED 331V (330)	T	59/19.8
R604	7030009961	S.RES ERA3YED 221V (220)	T	68.7/21
R605	7030007661	S.RES ERA3YED 331V (330)	T	65.7/20.7
R606	7030003320	S.RES ERJ3GEYJ 101 V (100)	T	67.1/13.9
R607	7030003320	S.RES ERJ3GEYJ 101 V (100)	T	61.9/13.9
R651	7030006521	S.RES ERA3YED 561V (560)	T	64.3/10.6
R652	7030007661	S.RES ERA3YED 331V (330)	T	65.3/11.9
R653	7030007661	S.RES ERA3YED 331V (330)	T	62.1/10.1
R654	7030009961	S.RES ERA3YED 221V (220)	T	69.5/10.6
R655	7030007661	S.RES ERA3YED 331V (330)	T	66.9/10.6
R658	7030003320	S.RES ERJ3GEYJ 101 V (100)	T	67.7/3.8
R659	7030003320	S.RES ERJ3GEYJ 101 V (100)	T	64/3.8
R701	7030010770	S.RES ERA3YED 681V (680)	T	71.3/21
R702	7030009861	S.RES ERA3YED 471V (470)	T	74.8/22.7
R703	7030010770	S.RES ERA3YED 681V (680)	T	70.5/13.5
R704	7030009861	S.RES ERA3YED 471V (470)	T	77.2/13.3
R705	7030009691	S.RES ERA3YED 101V (100)	T	77.4/22.2
R706	7030003320	S.RES ERJ3GEYJ 101 V (100)	T	77.3/20.9
R707	7030003320	S.RES ERJ3GEYJ 101 V (100)	T	74.1/14.1
R801	7030003650	S.RES ERJ3GEYJ 563 V (56 k)	T	78/27.2
R802	7030003680	S.RES ERJ3GEYJ 104 V (100 k)	T	78/25.9
R803	7030003480	S.RES ERJ3GEYJ 222 V (2.2 k)	T	78.7/24
R804	7030003490	S.RES ERJ3GEYJ 272 V (2.7 k)	T	78/29.8
R805	7030003340	S.RES ERJ3GEYJ 151 V (150)	T	78/28.5
R901	7030003860	S.RES ERJ3GE JPW V	T	46.6/21
R962	7030003320	S.RES ERJ3GEYJ 101 V (100)	T	12.1/16.8
R963	7030003320	S.RES ERJ3GEYJ 101 V (100)	T	11.9/15.5
R964	7030003320	S.RES ERJ3GEYJ 101 V (100)	T	11.9/14.2
R965	7030003320	S.RES ERJ3GEYJ 101 V (100)	T	11.9/12.9
R967	7030003320	S.RES ERJ3GEYJ 101 V (100)	T	13.6/37.8
R968	7030003320	S.RES ERJ3GEYJ 101 V (100)	T	11.9/11.6
R969	7030003320	S.RES ERJ3GEYJ 101 V (100)	T	13.6/48.2
R970	7030003320	S.RES ERJ3GEYJ 101 V (100)	T	13.6/46.9
R971	7030003320	S.RES ERJ3GEYJ 101 V (100)	T	13.6/45.6
R972	7030003320	S.RES ERJ3GEYJ 101 V (100)	T	13.6/44.3
R973	7030003320	S.RES ERJ3GEYJ 101 V (100)	T	13.6/43
R974	7030003320	S.RES ERJ3GEYJ 101 V (100)	T	13.6/41.7
R975	7030003320	S.RES ERJ3GEYJ 101 V (100)	T	13.6/40.4
R976	7030003320	S.RES ERJ3GEYJ 101 V (100)	T	13.6/39.1
C1	4030011600	S.CER C1608 JB 1E 104K-T	B	15.2/30.5
C2	4030011600	S.CER C1608 JB 1E 104K-T	B	41.8/30.7
C3	4030011600	S.CER C1608 JB 1E 104K-T	B	18/32.9
C4	4030011600	S.CER C1608 JB 1E 104K-T	B	39.4/32.9
C5	4030011600	S.CER C1608 JB 1E 104K-T	B	23/26.3
C6	4030011600	S.CER C1608 JB 1E 104K-T	B	24.3/26.3
C7	4030011600	S.CER C1608 JB 1E 104K-T	B	28.6/26.3
C8	4030011600	S.CER C1608 JB 1E 104K-T	B	29.9/26.3
C9	4030011600	S.CER C1608 JB 1E 104K-T	B	33.8/26.3
C10	4030011600	S.CER C1608 JB 1E 104K-T	B	21.5/23.3
C11	4030011600	S.CER C1608 JB 1E 104K-T	B	36/23.7
C12	4030011600	S.CER C1608 JB 1E 104K-T	T	13.7/21
C13	4030011600	S.CER C1608 JB 1E 104K-T	B	22.2/20.2
C14	4030011600	S.CER C1608 JB 1E 104K-T	B	36/21.1
C15	4030011600	S.CER C1608 JB 1E 104K-T	B	22.2/18.9
C16	4030011600	S.CER C1608 JB 1E 104K-T	B	36/18.5
C17	4030011600	S.CER C1608 JB 1E 104K-T	T	43.5/20
C18	4030011600	S.CER C1608 JB 1E 104K-T	B	22.2/15.2
C19	4030011600	S.CER C1608 JB 1E 104K-T	B	34.7/14.4
C20	4030011600	S.CER C1608 JB 1E 104K-T	B	23.1/13.3
C21	4030011600	S.CER C1608 JB 1E 104K-T	B	24.4/13.3
C22	4030011600	S.CER C1608 JB 1E 104K-T	B	28.1/13.3
C23	4030011600	S.CER C1608 JB 1E 104K-T	B	32.6/12.6
C24	4030011600	S.CER C1608 JB 1E 104K-T	B	35.2/12.6
C25	4030011600	S.CER C1608 JB 1E 104K-T	B	17.3/6.7
C26	4030011600	S.CER C1608 JB 1E 104K-T	B	33.1/6.8
C27	4030011600	S.CER C1608 JB 1E 104K-T	B	41.8/11.1
C28	4030011600	S.CER C1608 JB 1E 104K-T	B	15.4/8.2
C29	4030011600	S.CER C1608 JB 1E 104K-T	B	40.9/6.8
C30	4030011600	S.CER C1608 JB 1E 104K-T	T	35.2/5
C31	4030011600	S.CER C1608 JB 1E 104K-T	T	28.5/5.2
C32	4030011600	S.CER C1608 JB 1E 104K-T	T	37.8/5
C33	4030011600	S.CER C1608 JB 1E 104K-T	T	18.5/35.2
C34	4030011600	S.CER C1608 JB 1E 104K-T	T	36.4/35
C35	4030011600	S.CER C1608 JB 1E 104K-T	B	26/32.9
C36	4030011600	S.CER C1608 JB 1E 104K-T	B	29.3/32.9
C37	4030011600	S.CER C1608 JB 1E 104K-T	B	36.8/32.9
C38	4030011600	S.CER C1608 JB 1E 104K-T	B	15.2/27.9
C39	4030011600	S.CER C1608 JB 1E 104K-T	B	22.4/32.9
C40	4030011600	S.CER C1608 JB 1E 104K-T	B	26/26.3
C41	4030011600	S.CER C1608 JB 1E 104K-T	B	21.7/26.3
C42	4030011600	S.CER C1608 JB 1E 104K-T	B	27.3/26.3
C43	4030011600	S.CER C1608 JB 1E 104K-T	B	32.5/26.3
C44	4030011600	S.CER C1608 JB 1E 104K-T	B	35.1/26.3
C45	4030011600	S.CER C1608 JB 1E 104K-T	B	41.8/26.8
C46	4030011600	S.CER C1608 JB 1E 104K-T	B	15.3/24.9
C47	4030011600	S.CER C1608 JB 1E 104K-T	T	43.5/29
C48	4030011600	S.CER C1608 JB 1E 104K-T	B	22.2/21.5
C49	4030011600	S.CER C1608 JB 1E 104K-T	B	41.8/17.9
C50	4030011600	S.CER C1608 JB 1E 104K-T	B	22.2/17.6
C51	4030011600	S.CER C1608 JB 1E 104K-T	B	36/15.9
C52	4030011600	S.CER C1608 JB 1E 104K-T	B	15.8/11.6
C53	4030011600	S.CER C1608 JB 1E 104K-T	B	21.8/13.3
C54	4030011600	S.CER C1608 JB 1E 104K-T	T	42.9/9.9
C55	4030011600	S.CER C1608 JB 1E 104K-T	B	29.4/13.3
C56	4030011600	S.CER C1608 JB 1E 104K-T	B	25/6.7
C57	4030011600	S.CER C1608 JB 1E 104K-T	B	29.8/6.8
C58	4030011600	S.CER C1608 JB 1E 104K-T	B	38.3/6.8
C59	4030011600	S.CER C1608 JB 1E 104K-T	T	20.3/5.3
C60	4510007130	S.ELE EEFCO QJ 470R	T	19.6/44
C61	4550007480	S.TAN F930J106MAABMA	B	44.8/29.7

[DSP-A BOARD]

REF NO.	ORDER NO.	DESCRIPTION	M.	H/V LOCATION
C62	4510007130	S.ELE EEFCO QJ 470R	T	25.7/43.9
C101	4030011600	S.CER C1608 JB 1E 104K-T	B	35.7/6.8
C151	4030011600	S.CER C1608 JB 1E 104K-T	B	45.6/10
C152	4030007030	S.CER C1608 CH 1H 150J-T	B	46.1/6.2
C153	4030007030	S.CER C1608 CH 1H 150J-T	B	43.1/8
C171	4030011600	S.CER C1608 JB 1E 104K-T	T	41.3/2.7
C181	4030011600	S.CER C1608 JB 1E 104K-T	T	31/4.3
C191	4030011600	S.CER C1608 JB 1E 104K-T	T	22.6/1.2
C201	4030011600	S.CER C1608 JB 1E 104K-T	B	41.4/43.3
C301	4340000250	S.MLR ECHU 1C 104JX5	T	77.9/44
C302	4550007500	S.TAN F931D106MBABMA	B	76.5/43.7
C303	4030011600	S.CER C1608 JB 1E 104K-T	T	75.6/40.9
C304	4550007500	S.TAN F931D106MBABMA	B	71.7/43.7
C305	4030011600	S.CER C1608 JB 1E 104K-T	T	67.6/46.1
C306	4030007050	S.CER C1608 CH 1H 220J-T	T	72.4/40.1
C331	4030011600	S.CER C1608 JB 1E 104K-T	T	78.8/32.8
C332	4550007520	S.TAN F931A106MAABMA	B	67.9/35.2
C333	4030011600	S.CER C1608 JB 1E 104K-T	T	79.5/35.8
C341	4550007500	S.TAN F931D106MBABMA	B	73.1/32.4
C342	4030011600	S.CER C1608 JB 1E 104K-T	T	73.7/31.6
C343	4550007500	S.TAN F931D106MBABMA	B	73.2/38.1
C344	4030011600	S.CER C1608 JB 1E 104K-T	T	65.6/37.3
C345	4340000250	S.MLR ECHU 1C 104JX5	T	76.7/38.1
C346	4030018580	S.CER C1608 CH 1H 821J-T	T	66.9/33.6
C347	4030011600	S.CER C1608 JB 1E 104K-T	T	66.1/35.5
C348	4030007050	S.CER C1608 CH 1H 220J-T	T	70.9/30.9
C371	4550007500	S.TAN F931D106MBABMA	B	59.8/43.8
C372	4030011600	S.CER C1608 JB 1E 104K-T	T	63.4/42.5
C373	4550007500	S.TAN F931D106MBABMA	B	50.1/43.9
C374	4030011600	S.CER C1608 JB 1E 104K-T	T	53.4/45.5
C375	4340000250	S.MLR ECHU 1C 104JX5	T	68.1/42.6
C376	4030018580	S.CER C1608 CH 1H 821J-T	T	56/43.1
C377	4030011600	S.CER C1608 JB 1E 104K-T	T	55.3/45
C378	4030007050	S.CER C1608 CH 1H 220J-T	T	59.4/39.5
C401	4550007520	S.TAN F931A106MAABMA	B	54.9/43.8
C402	4030017840	S.CER C2012 CH 1H 222J-T	T	58.1/37.6
C403	4550007480	S.TAN F930J106MAABMA	B	63.1/35.2
C404	4030011810	S.CER C1608 JB 1A 224K-T	T	61.5/37.4
C405	4550007480	S.TAN F930J106MAABMA	B	58.3/35.2
C406	4030011810	S.CER C1608 JB 1A 224K-T	T	63.5/36.7
C407	4550007480	S.TAN F930J106MAABMA	B	50.4/36.1
C408	4030011600	S.CER C1608 JB 1E 104K-T	T	54.1/37.4
C409	4030011600	S.CER C1608 JB 1E 104K-T	T	54.1/23.2
C410	4030009000	S.CER C2012 JB 1C 224K-T	T	62.1/24.2
C411	4550007480	S.TAN F930J106MAABMA	B	63.1/28.4
C412	4550007480	S.TAN F930J106MAABMA	B	58.3/29.1
C413	4030009000	S.CER C2012 JB 1C 224K-T	T	59/22.5
C414	4030011600	S.CER C1608 JB 1E 104K-T	T	54.1/24.5
C415	4550007520	S.TAN F931A106MAABMA	B	53/26.5
C416	4550007520	S.TAN F931A106MAABMA	B	53/31.3
C417	4030017840	S.CER C2012 CH 1H 222J-T	T	58/24.2
C450	4030011600	S.CER C1608 JB 1E 104K-T	T	43.1/35.3
C451	4030011600	S.CER C1608 JB 1E 104K-T	T	43.6/42.9
C452	4030006860	S.CER C1608 JB 1H 102K-T	T	40.8/39.6
C501	4030011600	S.CER C1608 JB 1E 104K-T	T	74.8/24
C502	4550007500	S.TAN F931D106MBABMA	B	77.5/33.1
C503	4030011600	S.CER C1608 JB 1E 104K-T	T	71.6/23.4
C504	4550007500	S.TAN F931D106MBABMA	B	67.9/29.1
C506	4030007090	S.CER C1608 CH 1H 470J-T	T	67.1/28.4
C507	4030007090	S.CER C1608 CH 1H 470J-T	T	76.1/27.3
C551	4550007520	S.TAN F931A106MAABMA	B	50.3/8.7
C552	4030011600	S.CER C1608 JB 1E 104K-T	T	49.5/5.5
C553	4550007520	S.TAN F931A106MAABMA	B	55/13.3
C554	4030011600	S.CER C1608 JB 1E 104K-T	T	60/7.6
C555	4030011600	S.CER C1608 JB 1E 104K-T	T	59.8/4.6
C556	4550007480	S.TAN F930J106MAABMA	B	53.6/7.1
C557	4030011600	S.CER C1608 JB 1E 104K-T	T	60.7/2.8
C558	4550007520	S.TAN F931A106MAABMA	B	53.6/4.3
C601	4550007480	S.TAN F930J106MAABMA	B	61.3/17.2
C602	4030018510	S.CER C2012 CH 1H 682J-T	T	58.8/16.5
C603	4550007500	S.TAN F931D106MBABMA	B	68.2/15
C604	4030011600	S.CER C1608 JB 1E 104K-T	T	58.2/14.2
C605	4030011600	S.CER C1608 JB 1E 104K-T	T	64.5/13.9
C606	4550007500	S.TAN F931D106MBABMA	B	69.2/19.2
C607	4030018510	S.CER C2012 CH 1H 682J-T	T	67/22.5
C608	4030007050	S.CER C1608 CH 1H 220J-T	T	68.3/16.7
C651	4550007480	S.TAN F930J106MAABMA	B	60.1/9.2
C652	4030018510	S.CER C2012 CH 1H 682J-T	T	61.9/6.6
C653	4550007500	S.TAN F931D106MBAB		

[DSP-A BOARD]

REF NO.	ORDER NO.	DESCRIPTION	M.	H/V LOCATION
C963	4030011600	S.CER C1608 JB 1E 104K-T	B	10.7/25.4
C964	4550007520	S.TAN F931A106MAABMA	B	11.4/29.4
J921	6910013900	CNR IMSA-9180S-22A		
J961	6910012460	CNR IMSA-9180S-30A		

[DSP-B BOARD]

REF NO.	ORDER NO.	DESCRIPTION	M.	H/V LOCATION
IC1	1140012211	S.IC TMS320C6713BZDP225	T	28.1/20.4
IC151	1130008361	S.IC TC7SHU04FU (TE85L,JF)	B	45.5/8.1
IC171	1130008041	S.IC TC7SH04FU (TE85L,JF)	T	41.3/4.6
IC181	1130011150	S.IC SN74AHC2G08HDCTR	T	30.2/1.9
IC191	1130011150	S.IC SN74AHC2G08HDCTR	T	24/3.5
IC201	1130013492	S.IC AT29LV040A-15TU	B	29/42
IC203	1110006411	S.IC R3111N111A-TR-F	T	30/36.5
IC301	1110006100	S.IC NJM5534MD-TE1	T	72.3/44.7
IC331	1130009981	S.IC TC7W53FK (TE85L,F)	T	76.9/34.1
IC341	1110006100	S.IC NJM5534MD-TE1	T	70.3/35.5
IC371	1110006100	S.IC NJM5534MD-TE1	T	59.4/44.3
IC401	1110006111	S.IC AK5394AVSP/P	T	54.2/31
IC451	1130006891	S.IC TC7S04FU (TE85R,F)	T	43.5/41
IC452	1130012160	S.IC SN74LVC1GU04DCKR	T	42.8/38.5
IC501	1110001901	S.IC uPC4570G2-E1-A	T	71.6/27.4
IC551	1130013090	S.IC AK4396VFP-E2/P	T	54.6/7.3
IC601	1110006100	S.IC NJM5534MD-TE1	T	63.6/17.3
IC651	1110006100	S.IC NJM5534MD-TE1	T	66.8/7.2
IC701	1110006100	S.IC NJM5534MD-TE1	T	74.1/17.5
IC771	1110004770	S.IC BU9480F-E2	T	51.7/18.4
Q1	1590000680	S.TR DTC114EUA T106	T	45.7/16.5
D501	1730002320	S.ZEN MA8051-M (TX)	B	76.5/29.5
FI101	2040000790	S.LC EXCCET103U	T	36.5/2.8
X151	6050011660	S.XTL CR-754 (30.000 MHz)	B	40.5/2.9
L1	6200003950	S.COL HF50ACC 322513-T	B	43.2/34.8
L2	6180003501	S.COL SLF6028T-100M1R3-PF	B	13.6/35.7
L3	6200003640	S.COL MLF1608E 100K-T	B	12.2/8.2
L401	6200003950	S.COL HF50ACC 322513-T	T	49.3/42.9
L921	6200003950	S.COL HF50ACC 322513-T	T	73.7/4.4
L922	6200003950	S.COL HF50ACC 322513-T	T	77.9/9.5
L924	6200003950	S.COL HF50ACC 322513-T	T	74.1/9.5
L925	6200003950	S.COL HF50ACC 322513-T	T	77.5/4.4
L961	6200003950	S.COL HF50ACC 322513-T	B	11.3/12.2
L962	6200003950	S.COL HF50ACC 322513-T	B	12.8/24.6
R1	7030003560	S.RES ERJ3GEYJ 103 V (10 k)	B	42.5/22.3
R2	7030003560	S.RES ERJ3GEYJ 103 V (10 k)	B	41.8/24.2
R3	7030003560	S.RES ERJ3GEYJ 103 V (10 k)	B	42.5/21
R4	7030003560	S.RES ERJ3GEYJ 103 V (10 k)	B	41.8/13.7
R5	7030003440	S.RES ERJ3GEYJ 102 V (1 k)	B	23.2/6
R6	7030003440	S.RES ERJ3GEYJ 102 V (1 k)	B	21.9/6
R7	7030003640	S.RES ERJ3GEYJ 473 V (47 k)	B	20/6.7
R8	7030003440	S.RES ERJ3GEYJ 102 V (1 k)	B	14.1/8.2
R9	7030003640	S.RES ERJ3GEYJ 473 V (47 k)	B	14.5/11.6
R10	7030003640	S.RES ERJ3GEYJ 473 V (47 k)	T	43.8/13.1
R11	7030003460	S.RES ERJ3GEYJ 152 V (1.5 k)	B	48.2/9.7
R12	7030003560	S.RES ERJ3GEYJ 103 V (10 k)	B	26.8/13.3
R151	7030003320	S.RES ERJ3GEYJ 101 V (100)	T	44.3/5.3
R152	7030003800	S.RES ERJ3GEYJ 105 V (1 M)	B	43.5/6.2
R171	7030003320	S.RES ERJ3GEYJ 101 V (100)	T	41.3/1.4
R181	7030003560	S.RES ERJ3GEYJ 103 V (10 k)	T	9.1/7
R182	7030003560	S.RES ERJ3GEYJ 103 V (10 k)	T	6.3/7
R183	7030003560	S.RES ERJ3GEYJ 103 V (10 k)	T	11.9/8.3
R184	7030003560	S.RES ERJ3GEYJ 103 V (10 k)	T	11.9/7
R201	7030003860	S.RES ERJ3GE JPW V	T	30.8/39.2
R301	7030003860	S.RES ERJ3GE JPW V	T	79.5/38.4
R302	7030009591	S.RES ERA3YED 472V (4.7 k)	T	77.6/46.9
R303	7030009591	S.RES ERA3YED 472V (4.7 k)	T	75.7/46.1
R304	7030003320	S.RES ERJ3GEYJ 101 V (100)	T	78.1/40.7
R305	7030003860	S.RES ERJ3GE JPW V	T	75.7/43.5
R306	7030003320	S.RES ERJ3GEYJ 101 V (100)	T	68.9/46.1
R331	7030003500	S.RES ERJ3GEYJ 332 V (3.3 k)	T	64.4/39.9
R332	7030003480	S.RES ERJ3GEYJ 222 V (2.2 k)	T	65.7/39.9
R333	7030003640	S.RES ERJ3GEYJ 473 V (47 k)	T	75/33.2
R341	7030003320	S.RES ERJ3GEYJ 101 V (100)	T	73.7/34.8
R342	7030003320	S.RES ERJ3GEYJ 101 V (100)	T	66.9/37.3
R343	7030006601	S.RES ERA3YED 272V (2.7 k)	T	73.7/37.4
R344	7030010390	S.RES ERA3YED 821V (820)	T	65.6/33.6
R345	7030009691	S.RES ERA3YED 101V (100)	T	66.2/31.7
R371	7030003320	S.RES ERJ3GEYJ 101 V (100)	T	63.4/43.8
R372	7030003320	S.RES ERJ3GEYJ 101 V (100)	T	55.3/46.3
R373	7030006601	S.RES ERA3YED 272V (2.7 k)	T	63.4/45.6
R374	7030010390	S.RES ERA3YED 821V (820)	T	54.7/41.8
R375	7030009691	S.RES ERA3YED 101V (100)	T	56/40.5
R401	7030009591	S.RES ERA3YED 472V (4.7 k)	T	53.1/42.5
R402	7030009591	S.RES ERA3YED 472V (4.7 k)	T	51.8/44
R403	7030003640	S.RES ERJ3GEYJ 473 V (47 k)	T	54.1/38.7

[DSP-B BOARD]

REF NO.	ORDER NO.	DESCRIPTION	M.	H/V LOCATION
R404	7030003200	S.RES ERJ3GEYJ 100 V (10)	T	50/40
R405	7030003320	S.RES ERJ3GEYJ 101 V (100)	T	51.1/38.1
R406	7030003640	S.RES ERJ3GEYJ 473 V (47 k)	T	49.8/38.1
R407	7030003460	S.RES ERJ3GEYJ 152 V (1.5 k)	B	46.8/36
R409	7030003640	S.RES ERJ3GEYJ 473 V (47 k)	T	52.3/23.8
R410	7030003640	S.RES ERJ3GEYJ 473 V (47 k)	T	47.2/23.8
R411	7030003640	S.RES ERJ3GEYJ 473 V (47 k)	T	49.8/23.8
R412	7030003520	S.RES ERJ3GEYJ 472 V (4.7 k)	T	56/22.3
R413	7030003520	S.RES ERJ3GEYJ 472 V (4.7 k)	T	54.1/21.9
R451	7030003800	S.RES ERJ3GEYJ 105 V (1 M)	T	42.6/36.6
R501	7030006521	S.RES ERA3YED 561V (560)	T	76.1/29.9
R502	7030003360	S.RES ERJ3GEYJ 221 V (220)	T	70.3/23.4
R503	7030003380	S.RES ERJ3GEYJ 331 V (330)	T	65.3/28.9
R504	7030003680	S.RES ERJ3GEYJ 104 V (100 k)	T	65.3/27.6
R551	7030003320	S.RES ERJ3GEYJ 101 V (100)	T	49.5/8.6
R559	7030003640	S.RES ERJ3GEYJ 473 V (47 k)	T	59.8/10.5
R601	7030006521	S.RES ERA3YED 561V (560)	T	63.1/20.7
R602	7030007661	S.RES ERA3YED 331V (330)	T	64/22
R603	7030007661	S.RES ERA3YED 331V (330)	T	59/19.8
R604	7030009961	S.RES ERA3YED 221V (220)	T	68.7/21
R605	7030007661	S.RES ERA3YED 331V (330)	T	65.7/20.7
R606	7030003320	S.RES ERJ3GEYJ 101 V (100)	T	67.1/13.9
R607	7030003320	S.RES ERJ3GEYJ 101 V (100)	T	61.9/13.9
R651	7030006521	S.RES ERA3YED 561V (560)	T	64.3/10.6
R652	7030007661	S.RES ERA3YED 331V (330)	T	65.3/11.9
R653	7030007661	S.RES ERA3YED 331V (330)	T	62.1/10.1
R654	7030009961	S.RES ERA3YED 221V (220)	T	69.5/10.6
R655	7030007661	S.RES ERA3YED 331V (330)	T	66.9/10.6
R658	7030003320	S.RES ERJ3GEYJ 101 V (100)	T	67.7/3.8
R659	7030003320	S.RES ERJ3GEYJ 101 V (100)	T	64/3.8
R701	7030010770	S.RES ERA3YED 681V (680)	T	71.3/21
R702	7030009861	S.RES ERA3YED 471V (470)	T	74.8/27.2
R703	7030010770	S.RES ERA3YED 681V (680)	T	70.5/13.5
R704	7030009861	S.RES ERA3YED 471V (470)	T	77.2/13.3
R705	7030009691	S.RES ERA3YED 101V (100)	T	77.4/22.2
R706	7030003320	S.RES ERJ3GEYJ 101 V (100)	T	77.3/20.9
R707	7030003320	S.RES ERJ3GEYJ 101 V (100)	T	74.1/14.1
R801	7030003650	S.RES ERJ3GEYJ 563 V (56 k)	T	78/27.2
R802	7030003680	S.RES ERJ3GEYJ 104 V (100 k)	T	78/25.9
R803	7030003480	S.RES ERJ3GEYJ 222 V (2.2 k)	T	78.7/24
R804	7030003490	S.RES ERJ3GEYJ 272 V (2.7 k)	T	78/28.8
R805	7030003340	S.RES ERJ3GEYJ 151 V (150)	T	46.6/21
R901	7030003860	S.RES ERJ3GE JPW V	T	12.1/16.8
R962	7030003320	S.RES ERJ3GEYJ 101 V (100)	T	11.9/15.5
R963	7030003320	S.RES ERJ3GEYJ 101 V (100)	T	11.9/14.2
R964	7030003320	S.RES ERJ3GEYJ 101 V (100)	T	11.9/12.9
R965	7030003320	S.RES ERJ3GEYJ 101 V (100)	T	13.6/37.8
R967	7030003320	S.RES ERJ3GEYJ 101 V (100)	T	11.9/11.6
R968	7030003320	S.RES ERJ3GEYJ 101 V (100)	T	13.6/48.2
R969	7030003320	S.RES ERJ3GEYJ 101 V (100)	T	13.6/46.9
R970	7030003320	S.RES ERJ3GEYJ 101 V (100)	T	13.6/45.6
R971	7030003320	S.RES ERJ3GEYJ 101 V (100)	T	13.6/44.3
R972	7030003320	S.RES ERJ3GEYJ 101 V (100)	T	13.6/43
R973	7030003320	S.RES ERJ3GEYJ 101 V (100)	T	13.6/41.7
R974	7030003320	S.RES ERJ3GEYJ 101 V (100)	T	13.6/40.4
R975	7030003320	S.RES ERJ3GEYJ 101 V (100)	T	13.6/39.1
R976	7030003320	S.RES ERJ3GEYJ 101 V (100)	T	
C1	4030011600	S.CER C1608 JB 1E 104K-T	B	15.2/30.5
C2	4030011600	S.CER C1608 JB 1E 104K-T	B	41.8/30.7
C3	4030011600	S.CER C1608 JB 1E 104K-T	B	18/32.9
C4	4030011600	S.CER C1608 JB 1E 104K-T	B	39.4/32.9
C5	4030011600	S.CER C1608 JB 1E 104K-T	B	23/26.3
C6	4030011600	S.CER C1608 JB 1E 104K-T	B	24.3/26.3
C7	4030011600	S.CER C1608 JB 1E 104K-T	B	28.6/26.3
C8	4030011600	S.CER C1608 JB 1E 104K-T	B	29.9/26.3
C9	4030011600	S.CER C1608 JB 1E 104K-T	B	33.8/26.3
C10	4030011600	S.CER C1608 JB 1E 104K-T	B	21.5/23.3
C11	4030011600	S.CER C1608 JB 1E 104K-T	B	36/23.7
C12	4030011600	S.CER C1608 JB 1E 104K-T	T	13.7/21
C13	4030011600	S.CER C1608 JB 1E 104K-T	B	22.2/20.2
C14	4030011600	S.CER C1608 JB 1E 104K-T	B	36/21.1
C15	4030011600	S.CER C1608 JB 1E 104K-T	B	22.2/18.9
C16	4030011600	S.CER C1608 JB 1E 104K-T	B	36/18.5
C17	4030011600	S.CER C1608 JB 1E 104K-T	T	43.5/20
C18	4030011600	S.CER C1608 JB 1E 104K-T	B	22.2/15.2
C19	4030011600	S.CER C1608 JB 1E 104K-T	B	34.7/14.4
C20	4030011600	S.CER C1608 JB 1E 104K-T	B	23.1/13.3
C21	4030011600	S.CER C1608 JB 1E 104K-T	B	24.4/13.3
C22	4030011600	S.CER C1608 JB 1E 104K-T	B	28.1/13.3
C23	4030011600	S.CER C1608 JB 1E 104K-T	B	32.6/12.6
C24	4030011600	S.CER C1608 JB 1E 104K-T	B	35.2/12.6
C25	4030011600	S.CER C1608 JB 1E 104K-T	B	17.3/6.7
C26	4030011600	S.CER C1608 JB 1E 104K-T	B	33.1/6.8
C27	4030011600	S.CER C1608 JB 1E 104K-T	B	41.8/11.1



[DSP-B BOARD]

REF NO.	ORDER NO.	DESCRIPTION	M.	H/V LOCATION
C46	4030011600	S.CER C1608 JB 1E 104K-T	B	15.3/24.9
C47	4030011600	S.CER C1608 JB 1E 104K-T	T	43.5/29
C48	4030011600	S.CER C1608 JB 1E 104K-T	B	22.2/21.5
C49	4030011600	S.CER C1608 JB 1E 104K-T	B	41.8/17.9
C50	4030011600	S.CER C1608 JB 1E 104K-T	B	22.2/17.6
C51	4030011600	S.CER C1608 JB 1E 104K-T	B	36/15.9
C52	4030011600	S.CER C1608 JB 1E 104K-T	B	15.8/11.6
C53	4030011600	S.CER C1608 JB 1E 104K-T	B	21.8/13.3
C54	4030011600	S.CER C1608 JB 1E 104K-T	T	42.9/9.9
C55	4030011600	S.CER C1608 JB 1E 104K-T	B	29.4/13.3
C56	4030011600	S.CER C1608 JB 1E 104K-T	B	25/6.7
C57	4030011600	S.CER C1608 JB 1E 104K-T	B	29.8/6.8
C58	4030011600	S.CER C1608 JB 1E 104K-T	B	38.3/6.8
C59	4030011600	S.CER C1608 JB 1E 104K-T	T	20.3/5.3
C60	4510007130	S.ELE EEFC0 QJ 470R	T	19.6/44
C61	4550007480	S.TAN F930J106MAABMA	B	44.8/29.7
C62	4510007130	S.ELE EEFC0 QJ 470R	T	25.7/43.9
C101	4030011600	S.CER C1608 JB 1E 104K-T	B	35.7/6.8
C102	4550007480	S.TAN F930J106MAABMA	B	30.6/2.6
C151	4030011600	S.CER C1608 JB 1E 104K-T	B	45.6/10
C152	4030007030	S.CER C1608 CH 1H 150J-T	B	46.1/6.2
C153	4030007030	S.CER C1608 CH 1H 150J-T	B	43.1/8
C171	4030011600	S.CER C1608 JB 1E 104K-T	T	41.3/2.7
C181	4030011600	S.CER C1608 JB 1E 104K-T	T	31/4.3
C191	4030011600	S.CER C1608 JB 1E 104K-T	T	22.6/1.2
C201	4030011600	S.CER C1608 JB 1E 104K-T	B	41.4/43.3
C301	4340000250	S.MLR ECHU 1C 104JX5	T	77.9/44
C302	4550007500	S.TAN F931D106MBAABMA	B	76.5/43.7
C303	4030011600	S.CER C1608 JB 1E 104K-T	T	75.6/40.9
C304	4550007500	S.TAN F931D106MBAABMA	B	71.7/43.7
C305	4030011600	S.CER C1608 JB 1E 104K-T	T	67.6/46.1
C306	4030007050	S.CER C1608 CH 1H 220J-T	T	72.4/40.1
C331	4030011600	S.CER C1608 JB 1E 104K-T	T	78.8/32.8
C332	4550007520	S.TAN F931A106MAABMA	B	67.9/35.2
C333	4030011600	S.CER C1608 JB 1E 104K-T	T	79.5/35.8
C341	4550007500	S.TAN F931D106MBAABMA	B	73.1/32.4
C342	4030011600	S.CER C1608 JB 1E 104K-T	T	73.7/31.6
C343	4550007500	S.TAN F931D106MBAABMA	B	73.2/38.1
C344	4030011600	S.CER C1608 JB 1E 104K-T	T	65.6/37.3
C345	4340000250	S.MLR ECHU 1C 104JX5	T	76.7/38.1
C346	4030018580	S.CER C1608 CH 1H 821J-T	T	66.9/33.6
C347	4030011600	S.CER C1608 JB 1E 104K-T	T	66.1/35.5
C348	4030007050	S.CER C1608 CH 1H 220J-T	T	70.9/30.9
C371	4550007500	S.TAN F931D106MBAABMA	B	59.8/43.8
C372	4030011600	S.CER C1608 JB 1E 104K-T	T	63.4/42.5
C373	4550007500	S.TAN F931D106MBAABMA	B	50.1/43.9
C374	4030011600	S.CER C1608 JB 1E 104K-T	T	53.4/45.5
C375	4340000250	S.MLR ECHU 1C 104JX5	T	68.1/42.6
C376	4030018580	S.CER C1608 CH 1H 821J-T	T	56/43.1
C377	4030011600	S.CER C1608 JB 1E 104K-T	T	55.3/45
C378	4030007050	S.CER C1608 CH 1H 220J-T	T	59.4/39.5
C401	4550007520	S.TAN F931A106MAABMA	B	54.9/43.8
C402	4030017840	S.CER C2012 CH 1H 222J-T	T	58.1/37.6
C403	4550007480	S.TAN F930J106MAABMA	B	63.1/35.2
C404	4030011810	S.CER C1608 JB 1A 224K-T	T	61.5/37.4
C405	4550007480	S.TAN F930J106MAABMA	B	58.3/35.2
C406	4030011810	S.CER C1608 JB 1A 224K-T	T	63.5/36.7
C407	4550007480	S.TAN F930J106MAABMA	B	50.4/36.1
C408	4030011600	S.CER C1608 JB 1E 104K-T	T	54.1/37.4
C409	4030011600	S.CER C1608 JB 1E 104K-T	T	54.1/23.2
C410	4030009000	S.CER C2012 JB 1C 224K-T	T	62.1/24.2
C411	4550007480	S.TAN F930J106MAABMA	B	63.1/28.4
C412	4550007480	S.TAN F930J106MAABMA	B	58.3/29.1
C413	4030009000	S.CER C2012 JB 1C 224K-T	T	59/22.5
C414	4030011600	S.CER C1608 JB 1E 104K-T	T	54.1/24.5
C415	4550007520	S.TAN F931A106MAABMA	B	53/26.5
C416	4550007520	S.TAN F931A106MAABMA	B	53/31.3
C417	4030017840	S.CER C2012 CH 1H 222J-T	T	58/24.2
C450	4030011600	S.CER C1608 JB 1E 104K-T	T	43.1/35.3
C451	4030011600	S.CER C1608 JB 1E 104K-T	T	43.6/42.9
C452	4030006860	S.CER C1608 JB 1H 102K-T	T	40.8/39.6
C501	4030011600	S.CER C1608 JB 1E 104K-T	T	74.8/24
C502	4550007500	S.TAN F931D106MBAABMA	B	77.5/33.1
C503	4030011600	S.CER C1608 JB 1E 104K-T	T	71.6/23.4
C504	4550007500	S.TAN F931D106MBAABMA	B	67.9/29.1
C506	4030007090	S.CER C1608 CH 1H 470J-T	T	71.1/28.4
C507	4030007090	S.CER C1608 CH 1H 470J-T	T	76.1/27.3
C551	4550007520	S.TAN F931A106MAABMA	B	50.3/8.7
C552	4030011600	S.CER C1608 JB 1E 104K-T	T	49.5/5.5
C553	4550007520	S.TAN F931A106MAABMA	B	55/13.3
C554	4030011600	S.CER C1608 JB 1E 104K-T	T	60/7.6
C555	4030011600	S.CER C1608 JB 1E 104K-T	T	59.8/4.6
C556	4550007480	S.TAN F930J106MAABMA	B	53.6/7.1
C557	4030011600	S.CER C1608 JB 1E 104K-T	T	60.7/2.8
C558	4550007520	S.TAN F931A106MAABMA	B	53.6/4.3
C601	4550007480	S.TAN F930J106MAABMA	B	61.3/17.2
C602	4030018510	S.CER C2012 CH 1H 682J-T	T	58.8/16.5
C603	4550007500	S.TAN F931D106MBAABMA	B	68.2/15
C604	4030011600	S.CER C1608 JB 1E 104K-T	T	58.2/14.2
C605	4030011600	S.CER C1608 JB 1E 104K-T	T	64.5/13.9
C606	4550007500	S.TAN F931D106MBAABMA	B	69.2/19.2
C607	4030018510	S.CER C2012 CH 1H 682J-T	T	67/22.5
C608	4030007050	S.CER C1608 CH 1H 220J-T	T	68.3/16.7
C651	4550007480	S.TAN F930J106MAABMA	B	60.1/9.2
C652	4030018510	S.CER C2012 CH 1H 682J-T	T	61.9/6.6
C653	4550007500	S.TAN F931D106MBAABMA	B	59.9/2.6
C654	4030011600	S.CER C1608 JB 1E 104K-T	T	64/2.5
C655	4030011600	S.CER C1608 JB 1E 104K-T	T	67.7/2.5
C656	4550007500	S.TAN F931D106MBAABMA	B	59.9/6
C657	4030018510	S.CER C2012 CH 1H 682J-T	T	63.3/12.2
C658	4030007050	S.CER C1608 CH 1H 220J-T	T	71.4/6.9
C701	4030017840	S.CER C2012 CH 1H 222J-T	T	74.3/21.1
C702	4030017840	S.CER C2012 CH 1H 222J-T	T	78.9/13.4
C703	4550007500	S.TAN F931D106MBAABMA	B	75.3/15.7

[DSP-B BOARD]

REF NO.	ORDER NO.	DESCRIPTION	M.	H/V LOCATION
C704	4030011600	S.CER C1608 JB 1E 104K-T	T	75.9/12.8
C705	4030011600	S.CER C1608 JB 1E 104K-T	T	79.4/20.6
C706	4550007500	S.TAN F931D106MBAABMA	B	75.6/21.1
C707	4030007050	S.CER C1608 CH 1H 220J-T	T	78.7/18
C771	4550007480	S.TAN F930J106MAABMA	B	49.8/14.1
C772	4030011600	S.CER C1608 JB 1E 104K-T	T	49.5/15
C773	4550007480	S.TAN F930J106MAABMA	B	55/18.1
C801	4030011600	S.CER C1608 JB 1E 104K-T	T	77.4/24
C921	4550007510	S.TAN F931C106MBAABMA	B	66.5/2.6
C922	4030011600	S.CER C1608 JB 1E 104K-T	T	71/3.6
C923	4550002830	S.TAN TEESVD2 1V 685M12R	B	78.3/6.5
C924	4030011600	S.CER C1608 JB 1E 104K-T	T	80.1/8.6
C925	4550007510	S.TAN F931C106MBAABMA	B	67.1/10.5
C926	4030011600	S.CER C1608 JB 1E 104K-T	T	71.8/12.7
C927	4550002830	S.TAN TEESVD2 1V 685M12R	B	72.6/6.5
C928	4030011600	S.CER C1608 JB 1E 104K-T	T	79.6/5.2
C961	4030011600	S.CER C1608 JB 1E 104K-T	B	11.2/15.7
C962	4550007520	S.TAN F931A106MAABMA	B	12/18.8
C963	4030011600	S.CER C1608 JB 1E 104K-T	B	10.7/25.4
C964	4550007520	S.TAN F931A106MAABMA	B	11.4/29.4
J921	6910013900	CNR IMSA-9180S-22A		
J961	6910012460	CNR IMSA-9180S-30A		

[DSP-TX BOARD]

REF NO.	ORDER NO.	DESCRIPTION	M.	H/V LOCATION
IC1	1140012211	S.IC TMS320C6713BZDP225	T	28.1/20.4
IC151	1130008361	S.IC TC7SHU04FU (TE85LJF)	B	45.5/8.1
IC171	1130008041	S.IC TC7SH04FU (TE85LJF)	T	41.3/4.6
IC181	1130011150	S.IC SN74AHC2G08HDCR	T	30.2/11.9
IC191	1130011150	S.IC SN74AHC2G08HDCR	T	24/3.5
IC201	1130012205	S.IC AT29LV040A-15TU (SX-2590F-4)	B	29.3/4.2
IC203	1110006411	S.IC R3111N111A-TR-F	T	30.2/36.6
IC301	1110006100	S.IC NJM5534MD-TE1	T	72.3/44.4
IC341	1110006100	S.IC NJM5534MD-TE1	T	72.1/35.2
IC371	1110006100	S.IC NJM5534MD-TE1	T	59.4/44.4
IC401	1110006111	S.IC AK5394AVSP/P	T	54.2/31
IC451	1130006891	S.IC TC7S04FU (TE85R,F)	T	42.8/35.8
IC452	1130012160	S.IC SN74LVC1G04DCKR	T	42.3/39.8
IC551	1190002090	S.IC AD1854JRSZRL	T	53.3/5.8
IC601	1110006100	S.IC NJM5534MD-TE1	T	53.1/15.2
IC651	1110006100	S.IC NJM5534MD-TE1	T	65.3/5
IC701	1110006100	S.IC NJM5534MD-TE1	T	63.2/14.8
IC801	1110006100	S.IC NJM5534MD-TE1	T	68.4/25.8
IC831	1110006100	S.IC NJM5534MD-TE1	T	73.1/15.8
IC871	1110006100	S.IC NJM5534MD-TE1	T	77/26.1
F1101	2040000790	S.LC EXCET103U	T	36.5/2.2
X151	6050011660	S.XTL CR-754 (30.000 MHz)	B	40.5/2.9
L1	6200003950	S.COL HF50ACC 322513-T	B	45/39.6
L2	6180003501	S.COL SLF6028T-100M1R3-PF	B	13.6/35.4
L3	6200003640	S.COL MLF1608E 100K-T	B	10.9/7.7
L401	6200003950	S.COL HF50ACC 322513-T	T	49.4/43.1
L921	6200003950	S.COL HF50ACC 322513-T	T	75/3.7
L922	6200003950	S.COL HF50ACC 322513-T	T	79.7/8.8
L924	6200003950	S.COL HF50ACC 322513-T	T	75/8.8
L925	6200003950	S.COL HF50ACC 322513-T	T	79.7/3.7
L961	6200003950	S.COL HF50ACC 322513-T	B	11.5/11.9
L962	6200003950	S.COL HF50ACC 322513-T	B	12.6/24
R1	7030003560	S.RES ERJ3GEYJ 103 V (10 k)	B	43/22.2
R2	7030003560	S.RES ERJ3GEYJ 103 V (10 k)	B	42.2/24.2
R3	7030003560	S.RES ERJ3GEYJ 103 V (10 k)	B	43/20.9
R4	7030003560	S.RES ERJ3GEYJ 103 V (10 k)	B	42.4/13.7
R5	7030003440	S.RES ERJ3GEYJ 102 V (1 k)	B	23.2/5.5
R6	7030003440	S.RES ERJ3GEYJ 102 V (1 k)	B	21.9/5.5
R7	7030003640	S.RES ERJ3GEYJ 473 V (47 k)	B	20.6/5.5
R8	7030003440	S.RES ERJ3GEYJ 102 V (1 k)	B	13.7/8.1
R9	7030003640	S.RES ERJ3GEYJ 473 V (47 k)	B	13.7/11.5
R10	7030003640	S.RES ERJ3GEYJ 473 V (47 k)	T	43.8/13.1
R11	7030003460	S.RES ERJ3GEYJ 152 V (1.5 k)	B	41.8/8.5
R12	7030003560	S.RES ERJ3GEYJ 103 V (10 k)	B	26.8/13.6
R151	7030003320	S.RES ERJ3GEYJ 101 V (100)	T	44.6/5.3
R152	7030003800	S.RES ERJ3GEYJ 105 V (1 M)	T	43.5/6.2
R171	7030003320	S.RES ERJ3GEYJ 101 V (100)	T	41.3/1.4
R181	7030003560	S.RES ERJ3GEYJ 103 V (10 k)	T	6.4/7
R182	7030003560	S.RES ERJ3GEYJ 103 V (10 k)	T	9.2/7
R183	7030003560	S.RES ERJ3GEYJ 103 V (10 k)	T	11.8/8.3
R184	7030003560	S.RES ERJ3GEYJ 103 V (10 k)	T	11.8/7
R201	7030003860	S.RES ERJ3GE JPW V	T	30.8/39.3
R301	7030003440	S.RES ERJ3GEYJ 102 V (1 k)	T	79.5/37.7
R302	7030009591	S.RES ERA3YED 472V (4.7 k)	T	77.6/46.9
R303	703000959			

[DSP-TX BOARD]

REF NO.	ORDER NO.	DESCRIPTION	M.	H/V LOCATION
R373	7030005321	S.RES ERA3YED 103V (10 k)	T	63.7/46.2
R374	7030009591	S.RES ERA3YED 472V (4.7 k)	T	54.7/41.8
R375	7030009691	S.RES ERA3YED 101V (100)	T	56/40.5
R401	7030009591	S.RES ERA3YED 472V (4.7 k)	T	53.1/42.5
R402	7030009591	S.RES ERA3YED 472V (4.7 k)	T	51.6/44
R403	7030003640	S.RES ERJ3GEYJ 473 V (47 k)	T	54.1/38.7
R404	7030003200	S.RES ERJ3GEYJ 100 V (10)	T	50/40
R405	7030003320	S.RES ERJ3GEYJ 101 V (100)	T	51.1/38.1
R406	7030003640	S.RES ERJ3GEYJ 473 V (47 k)	T	49.8/38.1
R407	7030003460	S.RES ERJ3GEYJ 152 V (1.5 k)	B	48/35.4
R409	7030003640	S.RES ERJ3GEYJ 473 V (47 k)	T	51.9/23.8
R410	7030003640	S.RES ERJ3GEYJ 473 V (47 k)	T	50.6/23.8
R411	7030003640	S.RES ERJ3GEYJ 473 V (47 k)	T	49/23.8
R412	7030003520	S.RES ERJ3GEYJ 472 V (4.7 k)	T	57.2/22.2
R413	7030003520	S.RES ERJ3GEYJ 472 V (4.7 k)	T	57.2/20.9
R414	7030003360	S.RES ERJ3GEYJ 221 V (220)	T	46/38.2
R451	7030003800	S.RES ERJ3GEYJ 105 V (1 M)	T	40.4/41.1
R452	7030003440	S.RES ERJ3GEYJ 102 V (1 k)	B	45.8/35.5
R551	7030003360	S.RES ERJ3GEYJ 221 V (220)	B	54/9.3
R601	7030006521	S.RES ERA3YED 561V (560)	T	50.2/18.6
R602	7030007661	S.RES ERA3YED 331V (330)	T	50.2/19.9
R603	7030007661	S.RES ERA3YED 331V (330)	T	48.3/17.1
R604	7030009961	S.RES ERA3YED 221V (220)	T	55.4/18.6
R605	7030007661	S.RES ERA3YED 331V (330)	T	52.8/18.6
R606	7030003320	S.RES ERJ3GEYJ 101 V (100)	B	51.4/24.7
R607	7030003320	S.RES ERJ3GEYJ 101 V (100)	B	52.2/13.1
R651	7030006521	S.RES ERA3YED 561V (560)	T	62.5/8.4
R652	7030007661	S.RES ERA3YED 331V (330)	T	63.5/9.7
R653	7030007661	S.RES ERA3YED 331V (330)	T	60.3/8.2
R654	7030009961	S.RES ERA3YED 221V (220)	T	67.7/8.4
R655	7030007661	S.RES ERA3YED 331V (330)	T	65.1/8.4
R656	7030003320	S.RES ERJ3GEYJ 101 V (100)	B	67.2/8.2
R657	7030003320	S.RES ERJ3GEYJ 101 V (100)	B	65.1/2.8
R701	7030010770	S.RES ERA3YED 681V (680)	T	58/18.2
R702	7030009861	S.RES ERA3YED 471V (470)	T	62.1/20
R703	7030010770	S.RES ERA3YED 681V (680)	T	70.7/9.3
R704	7030009861	S.RES ERA3YED 471V (470)	T	55.6/11.8
R705	7030009691	S.RES ERA3YED 101V (100)	T	69/12
R706	7030003320	S.RES ERJ3GEYJ 101 V (100)	B	61/23.1
R707	7030003320	S.RES ERJ3GEYJ 101 V (100)	B	54.7/14.5
R801	7030009591	S.RES ERA3YED 472V (4.7 k)	T	65/22.8
R802	7030003320	S.RES ERJ3GEYJ 101 V (100)	T	63.5/22.8
R803	7030005321	S.RES ERA3YED 103V (10 k)	T	68.6/21.1
R804	7030003320	S.RES ERJ3GEYJ 101 V (100)	B	69.7/31.7
R805	7030003320	S.RES ERJ3GEYJ 101 V (100)	B	72.4/21.7
R831	7030009591	S.RES ERA3YED 472V (4.7 k)	T	68.4/17.9
R832	7030003320	S.RES ERJ3GEYJ 101 V (100)	T	68.6/19.7
R833	7030005321	S.RES ERA3YED 103V (10 k)	T	69.7/15.3
R834	7030003320	S.RES ERJ3GEYJ 101 V (100)	B	64/23.2
R835	7030003320	S.RES ERJ3GEYJ 101 V (100)	B	73.4/13.3
R871	7030003520	S.RES ERJ3GEYJ 472 V (4.7 k)	T	77.8/13.7
R872	7030003520	S.RES ERJ3GEYJ 472 V (4.7 k)	T	79.1/18.7
R874	7030003320	S.RES ERJ3GEYJ 101 V (100)	B	71.3/31.7
R875	7030003320	S.RES ERJ3GEYJ 101 V (100)	B	74.4/21.3
R901	7030003860	S.RES ERJ3GE JPW V	T	52.7/22
R903	7030003860	S.RES ERJ3GE JPW V	B	47.7/38
R904	7030003860	S.RES ERJ3GE JPW V	T	47.1/4.2
R905	7030003860	S.RES ERJ3GE JPW V	B	48.1/10.2
R962	7030003320	S.RES ERJ3GEYJ 101 V (100)	T	12.1/17.5
R963	7030003320	S.RES ERJ3GEYJ 101 V (100)	T	11.9/16.2
R964	7030003320	S.RES ERJ3GEYJ 101 V (100)	T	11.9/14.9
R967	7030003320	S.RES ERJ3GEYJ 101 V (100)	T	13.6/38.7
R968	7030003320	S.RES ERJ3GEYJ 101 V (100)	T	11.9/12.3
R969	7030003320	S.RES ERJ3GEYJ 101 V (100)	T	13.6/47.8
R970	7030003320	S.RES ERJ3GEYJ 101 V (100)	T	13.6/46.5
R971	7030003320	S.RES ERJ3GEYJ 101 V (100)	T	13.6/45.2
R972	7030003320	S.RES ERJ3GEYJ 101 V (100)	T	13.6/43.9
R973	7030003320	S.RES ERJ3GEYJ 101 V (100)	T	13.6/42.6
R974	7030003320	S.RES ERJ3GEYJ 101 V (100)	T	13.6/41.3
R975	7030003320	S.RES ERJ3GEYJ 101 V (100)	T	13.6/40
R976	7030003320	S.RES ERJ3GEYJ 101 V (100)	T	11.9/13.6
C1	4030011600	S.CER C1608 JB 1E 104K-T	B	15.2/30.4
C2	4030011600	S.CER C1608 JB 1E 104K-T	B	42.2/30.7
C3	4030011600	S.CER C1608 JB 1E 104K-T	B	18/32.9
C4	4030011600	S.CER C1608 JB 1E 104K-T	B	39.4/32.9
C5	4030011600	S.CER C1608 JB 1E 104K-T	B	23.3/25.8
C6	4030011600	S.CER C1608 JB 1E 104K-T	B	24.6/25.8
C7	4030011600	S.CER C1608 JB 1E 104K-T	B	28.7/25.8
C8	4030011600	S.CER C1608 JB 1E 104K-T	B	30/25.8
C9	4030011600	S.CER C1608 JB 1E 104K-T	B	33.8/25.8
C10	4030011600	S.CER C1608 JB 1E 104K-T	B	22.7/23.8
C11	4030011600	S.CER C1608 JB 1E 104K-T	B	35.5/23.2
C12	4030011600	S.CER C1608 JB 1E 104K-T	T	12.6/20.7
C13	4030011600	S.CER C1608 JB 1E 104K-T	B	22.7/20.2
C14	4030011600	S.CER C1608 JB 1E 104K-T	B	35.5/20.6
C15	4030011600	S.CER C1608 JB 1E 104K-T	B	22.7/18.9
C16	4030011600	S.CER C1608 JB 1E 104K-T	B	34.2/18.4
C17	4030011600	S.CER C1608 JB 1E 104K-T	T	43.5/20
C18	4030011600	S.CER C1608 JB 1E 104K-T	B	22.7/15.7
C19	4030011600	S.CER C1608 JB 1E 104K-T	B	34.2/14.9
C20	4030011600	S.CER C1608 JB 1E 104K-T	B	23.3/13.8
C21	4030011600	S.CER C1608 JB 1E 104K-T	B	24.6/13.8
C22	4030011600	S.CER C1608 JB 1E 104K-T	B	28.1/13.8
C23	4030011600	S.CER C1608 JB 1E 104K-T	B	32.6/13.1
C24	4030011600	S.CER C1608 JB 1E 104K-T	B	35.2/13.1
C25	4030011600	S.CER C1608 JB 1E 104K-T	B	17.3/6.7
C26	4030011600	S.CER C1608 JB 1E 104K-T	B	33.1/6.3
C27	4030011600	S.CER C1608 JB 1E 104K-T	B	42.4/11.1
C28	4030011600	S.CER C1608 JB 1E 104K-T	B	15/8.1
C29	4030011600	S.CER C1608 JB 1E 104K-T	B	40.9/6.6
C30	4030011600	S.CER C1608 JB 1E 104K-T	T	35.2/5
C31	4030011600	S.CER C1608 JB 1E 104K-T	T	28.5/5.2

[DSP-TX BOARD]

REF NO.	ORDER NO.	DESCRIPTION	M.	H/V LOCATION
C32	4030011600	S.CER C1608 JB 1E 104K-T	T	37.8/5
C33	4030011600	S.CER C1608 JB 1E 104K-T	T	18.6/35.5
C34	4030011600	S.CER C1608 JB 1E 104K-T	T	37.5/35.5
C35	4030011600	S.CER C1608 JB 1E 104K-T	B	26/32.9
C36	4030011600	S.CER C1608 JB 1E 104K-T	B	29.3/32.9
C37	4030011600	S.CER C1608 JB 1E 104K-T	B	36.8/32.9
C38	4030011600	S.CER C1608 JB 1E 104K-T	B	15.2/27.7
C39	4030011600	S.CER C1608 JB 1E 104K-T	B	22.4/32.9
C40	4030011600	S.CER C1608 JB 1E 104K-T	B	26.1/25.8
C41	4030011600	S.CER C1608 JB 1E 104K-T	B	22/25.8
C42	4030011600	S.CER C1608 JB 1E 104K-T	B	27.4/25.8
C43	4030011600	S.CER C1608 JB 1E 104K-T	B	32.5/25.8
C44	4030011600	S.CER C1608 JB 1E 104K-T	B	35.1/25.8
C45	4030011600	S.CER C1608 JB 1E 104K-T	B	42.2/26.8
C46	4030011600	S.CER C1608 JB 1E 104K-T	B	15.3/24.9
C47	4030011600	S.CER C1608 JB 1E 104K-T	T	43.5/29
C48	4030011600	S.CER C1608 JB 1E 104K-T	B	22.7/21.5
C49	4030011600	S.CER C1608 JB 1E 104K-T	B	42.4/17.9
C50	4030011600	S.CER C1608 JB 1E 104K-T	B	22.7/17.6
C51	4030011600	S.CER C1608 JB 1E 104K-T	B	35.5/17.5
C52	4030011600	S.CER C1608 JB 1E 104K-T	B	15.1/11.5
C53	4030011600	S.CER C1608 JB 1E 104K-T	B	22/13.8
C54	4030011600	S.CER C1608 JB 1E 104K-T	T	43.3/9.9
C55	4030011600	S.CER C1608 JB 1E 104K-T	B	29.4/13.8
C56	4030011600	S.CER C1608 JB 1E 104K-T	B	25.1/6.6
C57	4030011600	S.CER C1608 JB 1E 104K-T	B	29.8/6.2
C58	4030011600	S.CER C1608 JB 1E 104K-T	B	38.3/6.6
C59	4030011600	S.CER C1608 JB 1E 104K-T	T	20.3/5.3
C60	4510007130	S.ELE EEFCD 0J 470R	T	25.4/41.7
C61	4550007480	S.TAN F930J106MAABMA	B	45.2/29.7
C62	4510007130	S.ELE EEFCD 0J 470R	T	19.5/41.7
C101	4030011600	S.CER C1608 JB 1E 104K-T	B	35.7/6.5
C102	4550007480	S.TAN F930J106MAABMA	B	30.6/2.6
C151	4030011600	S.CER C1608 JB 1E 104K-T	B	45.5/10.2
C152	4030007030	S.CER C1608 CH 1H 150J-T	B	46.1/6.2
C153	4030007030	S.CER C1608 CH 1H 150J-T	B	43.1/8
C171	4030011600	S.CER C1608 JB 1E 104K-T	T	41.3/2.7
C181	4030011600	S.CER C1608 JB 1E 104K-T	T	31/4.3
C191	4030011600	S.CER C1608 JB 1E 104K-T	T	22.6/1.2
C201	4030011600	S.CER C1608 JB 1E 104K-T	B	42.3/44.3
C301	4550007660	S.TAN F931E105MAABMA	B	80.4/44.1
C302	4550007500	S.TAN F931D106MBABMA	B	75.6/44.1
C303	4030011600	S.CER C1608 JB 1E 104K-T	T	75.7/40.7
C304	4550007500	S.TAN F931D106MBABMA	B	71.5/44.1
C305	4030011600	S.CER C1608 JB 1E 104K-T	T	67.6/46.1
C306	4030007050	S.CER C1608 CH 1H 220J-T	T	72.3/39.8
C341	4550007500	S.TAN F931D106MBABMA	B	74/34.6
C342	4030011600	S.CER C1608 JB 1E 104K-T	T	75.5/32.8
C343	4550007500	S.TAN F931D106MBABMA	B	66.9/36.8
C344	4030011600	S.CER C1608 JB 1E 104K-T	T	67.2/38.4
C345	4550007660	S.TAN F931E105MAABMA	B	76.8/38.7
C346	4030007140	S.CER C1608 CH 1H 121J-T	T	68.5/33.9
C347	4030011600	S.CER C1608 JB 1E 104K-T	T	67.7/35.9
C348	4030007050	S.CER C1608 CH 1H 220J-T	T	72/30.6
C371	4550007500	S.TAN F931D106MBABMA	B	59.8/43.8
C372	4030011600	S.CER C1608 JB 1E 104K-T	T	63.7/42.9
C373	4550007500	S.TAN F931D106MBABMA	B	50.1/43.9
C374	4030011600	S.CER C1608 JB 1E 104K-T	T	53.4/45.5
C375	4550007660	S.TAN F931E105MAABMA	B	66/43.7
C376	4030007140	S.CER C1608 CH 1H 121J-T	T	56/43.1
C377	4030011600	S.CER C1608 JB 1E 104K-T	T	55.3/45
C378	4030007050	S.CER C1608 CH 1H 220J-T	T	59.4/39.8
C401	4550007480	S.TAN F930J106MAABMA	B	54.9/43.8
C402	4030017840	S.CER C2012 CH 1H 222J-T	T	58.1/37.6
C403	4550007480	S.TAN F930J106MAABMA	B	63.1/35.2
C404	4030011810	S.CER C1608 JB 1A 224K-T	T	61.5/37.4
C405	4550007480	S.TAN F930J106MAABMA	B	58.3/36
C406	4030011810	S.CER C1608 JB 1A 224K-T	T	64.5/32
C407	4550007480	S.TAN F930J106MAABMA	B	51.1/36.1
C408	4030011600	S.CER C1608 JB 1E 104K-T	T	54.1/37.4
C410	4030009000	S.CER C2012 JB 1C 224K-T	T	61/24
C411	4550007480	S.TAN F930J106MAABMA	B	62.5/28.3
C412	4550007480	S.TAN F930J106MAABMA	B	58.3/29.9
C413	4030009000	S.CER C2012 JB 1C 224K-T	T	64.7/28.6
C414	4030011600	S.CER C1608 JB 1E 104K-T	T	54.2/24.5
C415	4550007520	S.TAN F931A106MAABMA	B	52.6/29.2
C416	4550007480	S.TAN F930J106MAABMA	B	56.1/24.4
C417	4030017840	S.CER C2012 CH 1H 222J-T	T	57.4/24
C450	4030011600	S.CER C1608 JB 1E 104K-T	T	44.2/39

[DSP-TX BOARD]

REF NO.	ORDER NO.	DESCRIPTION	M.	H/V LOCATION
C658	4030007050	S.CER C1608 CH 1H 220J-T	T	69.9/4.4
C701	4030017840	S.CER C2012 CH 1H 222J-T	T	62.1/18.5
C702	4030017840	S.CER C2012 CH 1H 222J-T	T	59.2/11.1
C703	4550007500	S.TAN F931D106MBABMA	B	58.7/15.3
C704	4030011600	S.CER C1608 JB 1E 104K-T	T	62.4/11.3
C705	4030011600	S.CER C1608 JB 1E 104K-T	T	65.5/18.2
C706	4550007500	S.TAN F931D106MBABMA	B	57.7/19.3
C707	4030007050	S.CER C1608 CH 1H 220J-T	T	67.8/14.1
C801	4030006860	S.CER C1608 JB 1H 102K-T	T	64.2/24.6
C802	4030011600	S.CER C1608 JB 1E 104K-T	T	73.3/25
C803	4550007480	S.TAN F930J106MAABMA	B	76.7/16.6
C804	4030011600	S.CER C1608 JB 1E 104K-T	T	72/27.9
C805	4550007520	S.TAN F931A106MAABMA	B	67.2/28.6
C806	4030011600	S.CER C1608 JB 1E 104K-T	T	72.5/23.1
C807	4550007500	S.TAN F931D106MBABMA	B	68.4/23.6
C808	4030007050	S.CER C1608 CH 1H 220J-T	T	69/30.4
C831	4030006860	S.CER C1608 JB 1H 102K-T	T	69.7/17.9
C832	4030011600	S.CER C1608 JB 1E 104K-T	T	76.5/16.3
C833	4550007480	S.TAN F930J106MAABMA	B	69.7/16.8
C834	4030011600	S.CER C1608 JB 1E 104K-T	T	77.8/17.2
C835	4550007520	S.TAN F931A106MAABMA	B	64/19.7
C836	4030011600	S.CER C1608 JB 1E 104K-T	T	76.5/13.7
C837	4550007500	S.TAN F931D106MBABMA	B	64.7/15.3
C838	4030007050	S.CER C1608 CH 1H 220J-T	T	73.6/20.5
C871	4550007520	S.TAN F931A106MAABMA	B	75.5/29.4
C872	4030011600	S.CER C1608 JB 1E 104K-T	T	73.5/27.9
C873	4550007500	S.TAN F931D106MBABMA	B	75.6/24.3
C874	4030011600	S.CER C1608 JB 1E 104K-T	T	78.2/21.5
C875	4030007050	S.CER C1608 CH 1H 220J-T	T	77.2/30.9
C921	4550007510	S.TAN F931C106MBABMA	B	69.3/3.8
C922	4030011600	S.CER C1608 JB 1E 104K-T	T	72.8/3.5
C923	4550002830	S.TAN TEESVD2 1V 685M12R	B	75.4/6
C924	4030011600	S.CER C1608 JB 1E 104K-T	T	81.8/8
C925	4550007510	S.TAN F931C106MBABMA	B	71.1/9.3
C926	4030011600	S.CER C1608 JB 1E 104K-T	T	72.8/9
C927	4550002830	S.TAN TEESVD2 1V 685M12R	B	80.7/6
C928	4030011600	S.CER C1608 JB 1E 104K-T	T	81.8/4.6
C961	4030011600	S.CER C1608 JB 1E 104K-T	B	11.4/14.9
C962	4550007520	S.TAN F931A106MAABMA	B	12.2/18.6
C963	4030011600	S.CER C1608 JB 1E 104K-T	B	10.4/24.8
C964	4550007520	S.TAN F931A106MAABMA	B	11.4/28.9
J921	6910013900	CNR IMSA-9180S-22A		
J961	6910012460	CNR IMSA-9180S-30A		

[SCOPE BOARD]

REF NO.	ORDER NO.	DESCRIPTION	M.	H/V LOCATION
IC1	1110006180	S.IC UPG2009TB-E3	T	85.1/9.6
IC2	1180001771	S.IC TA79L05F (TE12L,F)	T	24.5/95.6
IC31	1110006180	S.IC UPG2009TB-E3	T	86.5/14.1
IC201	1180002650	S.REG SI-3012KS-TL	T	116.4/64.6
IC401	1110006131	S.IC uPC4094G2-E1-A	T	15.6/88.6
IC403	1110006131	S.IC uPC4094G2-E1-A	T	26.9/88.6
IC404	1110006131	S.IC uPC4094G2-E1-A	T	44/87.6
IC405	1110002700	S.IC NJM2904M-TE1-#FMZB	T	39.2/70.4
IC501	1190002031	S.IC AD7650ASTZ	T	55.5/79.2
IC502	1130006891	S.IC TC7S04FU (TE85R,F)	T	57.7/88.1
IC505	1180002631	S.REG AD1582BRTZ-REEL7	T	55.4/94.6
IC601	1140012221	S.IC TMS320C6711DZDP200	T	88.4/81.4
IC602	1130011930	S.IC SN74LVC1G04DCKR	T	68.2/67.4
IC603	1130011930	S.IC SN74LVC1G04DCKR	T	70.7/70.3
IC604	1110008041	S.IC TC7SH04FU (TE85L,JF)	B	67.4/74.6
IC607	1110006411	S.IC R3111N111A-TR-F	B	104.1/81.1
IC671	1130012394	S.IC AT49BV001AN-55TU	T	112.8/82.9
IC801	1130009230	S.IC LMX2306TMX/NOBP	T	65.6/36.5
IC803	1130009691	S.IC TC74HCT7007AF (F)	B	68/29
IC820	1190001961	S.IC AD9857ASTZ	T	93.7/35.6
IC903	1120002921	S.IC ADM202EARNZ	T	96.9/109.1
IC904	1130005721	S.IC TC7W04F (TE12L,F)	T	107.5/113
IC905	1130005252	S.IC TC74HC08AF (EL,F)	B	97/109.6
IC906	1130009831	S.IC TC74VHCT04AF (F)	B	108.4/109.6
Q1	1530002060	S.TR 2SC4081 T106 R	T	67.4/6.3
Q2	1530003851	S.TR 2SC5551A-F-E	T	45.7/7.4
Q11	1590000680	S.TR DTC114EUA T106	T	78.2/7.4
Q12	1590000680	S.TR DTC114EUA T106	T	92.1/6.5
Q31	1590000680	S.TR DTC114EUA T106	T	78.4/3.5
Q32	1590000680	S.TR DTC114EUA T106	T	92.7/3.5
Q33	1590000680	S.TR DTC114EUA T106	T	93/15.3
Q101	1530003151	S.TR 2SC4673D-TD-E	T	28.8/18.2
Q201	1560000561	S.FET 2SK882-GR (TE85L,F)	T	11.4/40.4
Q202	1560000561	S.FET 2SK882-GR (TE85L,F)	T	10.1/45.2
Q301	1530003151	S.TR 2SC4673D-TD-E	T	21.4/67.9
Q701	1530003221	S.TR 2SC4406-4-TL-E	T	75.3/54.2
Q720	1530003221	S.TR 2SC4406-4-TL-E	T	101.9/45.5
Q810	1530003221	S.TR 2SC4406-4-TL-E	T	73.1/37.7
Q821	1560000331	S.FET 2SK210-GR (TE85R,F)	T	43.3/45.7
Q841	1530002060	S.TR 2SC4081 T106 R	T	41.5/37.2
Q842	1530003432	S.TR 2SC5226A-4-TL-E	T	27.4/31.6
Q843	1530003432	S.TR 2SC5226A-4-TL-E	T	25/39.9
Q872	1590000680	S.TR DTC114EUA T106	T	30.2/32.6
Q903	1530002280	S.TR 2SC4081 T106 S	B	130.2/111.8
Q904	1510000510	S.TR 2SA1576A T106R	B	126.1/105.7
Q921	1590001330	S.TR DTA114EUA T106	T	54.5/112.7
Q922	1590000680	S.TR DTC114EUA T106	T	50.7/112.7
Q923	1590001330	S.TR DTA114EUA T106	T	42.9/113.5
Q924	1590000680	S.TR DTC114EUA T106	T	40.3/113.5
D1	1750000971	S.DIO CPH5513-TL-E	T	79.7/14.9
D2	1750000971	S.DIO CPH5513-TL-E	T	72.5/15.9
D3	1750000441	S.DIO 1SV263-TL-E	T	72.1/12.8
D4	1750000431	S.DIO HSB88WSTR-E	T	10.3/68.3
D11	1790000620	S.DIO MA77 (TX)	T	83.2/4.5
D12	1790000620	S.DIO MA77 (TX)	T	87.2/4.5
D101	1750000431	S.DIO HSB88WSTR-E	T	25.7/8.2
D201	1710000840	S.DIO 1SR154-400 TE25	B	120.3/65
D401	1790001250	S.DIO MA2S1110G-(TX)	T	41.2/77.1
D402	1790001250	S.DIO MA2S1110G-(TX)	T	39.9/75.2
D403	1790001250	S.DIO MA2S1110G-(TX)	T	33.4/69.5
D821	1750000681	S.VCP 1SV232 (TPH2,F)	T	57.9/43.2
D822	1750000681	S.VCP 1SV232 (TPH2,F)	T	57.9/44.9
D902	1750000550	S.DIO 1SS355 TE-17	B	129.7/109.5
FI201	2030000290	S.MLH FL-357 (45 MHz)	T	9.3/29.6
FI501	2040000790	S.LC EXCCET103U	T	71.2/76
L1	6200001831	S.COL NLV32T-100J	T	76.3/12.8
L2	6200001831	S.COL NLV32T-100J	T	75.1/19.1
L3	6200001831	S.COL NLV32T-100J	B	70.7/15.1
L4	6200001831	S.COL NLV32T-100J	T	67.3/12.1
L5	6150004280	COL LS-484B (C-14927)		
L6	6150004280	COL LS-484B (C-14927)		
L7	6200003261	S.COL NLV32T-101J	T	52/16.6
L8	6140003790	COL LR-442		
L9	6200001831	S.COL NLV32T-100J	T	41.2/7.5
L10	6200001831	S.COL NLV32T-100J	T	41.2/3.2
L11	6200001831	S.COL NLV32T-100J	T	57.3/3.5
L12	6200010450	S.COL C2520C-R82G-A (0.82U)	T	57.6/15.5
L13	6200010940	S.COL C2520C-39NG-A	T	68.3/20
L14	6200010860	S.COL C2520C-R10G-A (0.1U)	T	64.1/19.2
L31	6200001831	S.COL NLV32T-100J	B	82.6/1.8
L32	6200001831	S.COL NLV32T-100J	B	78.8/5.2
L33	6200001831	S.COL NLV32T-100J	B	86.6/6
L34	6200001831	S.COL NLV32T-100J	B	90.7/3.6
L51	6200001831	S.COL NLV32T-100J	B	120.5/26
L52	6200001831	S.COL NLV32T-100J	B	126.5/39.4
L53	6200001831	S.COL NLV32T-100J	T	47.7/64.3
L54	6200001831	S.COL NLV32T-100J	T	50.7/64.3
L55	6200003950	S.COL HF50ACC 322513-T	B	119.3/33.5
L56	6200003950	S.COL HF50ACC 322513-T	T	116.1/44.6
L57	6200003950	S.COL HF50ACC 322513-T	T	121.2/27.1
L58	6200003950	S.COL HF50ACC 322513-T	B	119.3/39.1
L59	6200003950	S.COL HF50ACC 322513-T	T	119.6/34.4
L60	6200003950	S.COL HF50ACC 322513-T	T	119.6/37.6
L101	6140003530	COL LR-395		
L102	6140003530	COL LR-395		
L103	6200003021	S.COL NLV32T-R33J	T	22.3/19.7

M.=Mounted side (T: Mounted on the Top side, B: Mounted on the Bottom side)  
S.=Surface mount



[SCOPE UNIT]

REF NO.	ORDER NO.	DESCRIPTION	M.	H/V LOCATION
L104	6200001920	S.COL ELJNC R15K-F	B	22.7/16.4
L201	6150004250	COL LS-471A (C-14922)		
L202	6150004280	COL LS-484B (C-14927)		
L203	6150004280	COL LS-484B (C-14927)		
L204	6200001831	S.COL NLV32T-100J	B	3.3/46.6
L205	6200002431	S.COL NLV25T-082J	B	10.4/17.6
L301	6140003530	COL LR-395		
L302	6140003530	COL LR-395		
L303	6200003041	S.COL NLV32T-R68J	T	21/74.1
L304	6200001831	S.COL NLV32T-100J	B	23.2/72.6
L401	6200003171	S.COL NLV32T-330J	T	10.4/83.2
L501	6200001831	S.COL NLV32T-100J	T	53.8/64.3
L502	6200001831	S.COL NLV32T-100J	B	57.6/69.6
L551	6180003501	S.COL SLF6028T-100M1R3-PF	T	105.8/64.4
L552	6200001831	S.COL NLV32T-100J	T	106.3/69.9
L671	6200001831	S.COL NLV32T-100J	T	110.9/69.9
L701	6200005491	S.COL NLV32T-331J	T	76/51.4
L720	6200001831	S.COL NLV32T-100J	T	82/34.6
L721	6200001831	S.COL NLV32T-100J	T	109.4/41
L722	6200001831	S.COL NLV32T-100J	T	110.8/45.2
L761	6200003011	S.COL NLV32T-R27J	T	106.3/22.3
L762	6200003021	S.COL NLV32T-R33J	T	102.7/23
L763	6200003251	S.COL NLV32T-R39J	T	97.9/22.4
L764	6200003251	S.COL NLV32T-R39J	T	93.6/23.4
L801	6200005491	S.COL NLV32T-331J	T	69.7/40.9
L802	6200005491	S.COL NLV32T-331J	T	70.3/26.7
L821	6200001831	S.COL NLV32T-100J	T	61.7/45.7
L822	6190001441	COL #E526GN-110504		
L823	6200001851	S.COL NLV32T-5R6J	T	40.7/42.2
L825	6200003261	S.COL NLV32T-101J	T	51.7/52.2
L841	6200003261	S.COL NLV32T-101J	T	B26.8/33
L842	6200003031	S.COL NLV32T-R47J	T	26.8/34.5
L851	6200003431	S.COL NLV32T-R10J	T	27.4/45
L852	6200001471	S.COL NLV32T-R12J	T	27/48.9
L902	6200003241	S.COL NLV32T-221J	T	128.1/107.7
R1	7030003360	S.RES ERJ3GEYJ 221 V (220)	T	79.6/12.5
R2	7030003480	S.RES ERJ3GEYJ 222 V (2.2 k)	T	70.7/10.8
R3	7030003440	S.RES ERJ3GEYJ 102 V (1 k)	T	70.7/9.5
R4	7030003460	S.RES ERJ3GEYJ 152 V (1.5 k)	T	67.8/8.2
R5	7030003520	S.RES ERJ3GEYJ 472 V (4.7 k)	T	66.6/4.4
R6	7030003440	S.RES ERJ3GEYJ 102 V (1 k)	T	69.4/5
R7	7030003290	S.RES ERJ3GEYJ 560 V (56 k)	T	49.8/17.3
R8	7030003440	S.RES ERJ3GEYJ 102 V (1 k)	T	48.4/3.5
R9	7030003500	S.RES ERJ3GEYJ 332 V (3.3 k)	T	46.2/4.0
R11	7310005550	S.TRI TMC3ADCJ4X 22K	T	61.7/3.8
R12	7030003320	S.RES ERJ3GEYJ 101 V (100)	T	46.7/10.6
R14	7030003340	S.RES ERJ3GEYJ 151 V (150)	T	82.3/2.4
R16	7030003440	S.RES ERJ3GEYJ 102 V (1 k)	T	80.2/6.7
R17	7030003440	S.RES ERJ3GEYJ 102 V (1 k)	T	81.5/6.7
R18	7030003340	S.RES ERJ3GEYJ 151 V (150)	T	87.4/2.4
R20	7030003440	S.RES ERJ3GEYJ 102 V (1 k)	T	90.2/6.7
R21	7030003440	S.RES ERJ3GEYJ 102 V (1 k)	T	88.9/6.7
R34	7030003440	S.RES ERJ3GEYJ 102 V (1 k)	T	78.4/5.5
R35	7030003440	S.RES ERJ3GEYJ 102 V (1 k)	T	89.4/3.5
R36	7030003520	S.RES ERJ3GEYJ 472 V (4.7 k)	T	91/14.7
R37	7030003500	S.RES ERJ3GEYJ 332 V (3.3 k)	T	89.7/14.7
R38	7030003520	S.RES ERJ3GEYJ 472 V (4.7 k)	T	82/13.9
R39	7030003500	S.RES ERJ3GEYJ 332 V (3.3 k)	T	83.3/13.9
R51	7030003520	S.RES ERJ3GEYJ 472 V (4.7 k)	T	80.6/9.8
R52	7030003520	S.RES ERJ3GEYJ 472 V (4.7 k)	T	90.3/9.9
R53	7030003320	S.RES ERJ3GEYJ 101 V (100)	B	126/32.3
R54	7030003500	S.RES ERJ3GEYJ 332 V (3.3 k)	T	81.9/9.8
R55	7030003500	S.RES ERJ3GEYJ 332 V (3.3 k)	T	88.4/9.8
R61	7030003320	S.RES ERJ3GEYJ 101 V (100)	B	128.7/49
R62	7030003320	S.RES ERJ3GEYJ 101 V (100)	T	122.3/50.4
R63	7030003320	S.RES ERJ3GEYJ 101 V (100)	B	128.7/51
R64	7030003320	S.RES ERJ3GEYJ 101 V (100)	T	122.3/53.3
R65	7030003320	S.RES ERJ3GEYJ 101 V (100)	B	128.7/53
R66	7030003320	S.RES ERJ3GEYJ 101 V (100)	T	123.6/56.7
R71	7030003320	S.RES ERJ3GEYJ 101 V (100)	B	128.7/55
R72	7030003320	S.RES ERJ3GEYJ 101 V (100)	T	121.7/47.4
R73	7030003320	S.RES ERJ3GEYJ 101 V (100)	T	121.7/43.3
R74	7030003320	S.RES ERJ3GEYJ 101 V (100)	B	128.7/43.4
R75	7030003320	S.RES ERJ3GEYJ 101 V (100)	T	121.7/44.7
R76	7030003320	S.RES ERJ3GEYJ 101 V (100)	B	128.7/45.4
R77	7030003320	S.RES ERJ3GEYJ 101 V (100)	T	121.7/46
R81	7030010520	S.RES ERJ1TYJ 101U (100)	B	122.9/46.2
R103	7030003480	S.RES ERJ3GEYJ 222 V (2.2 k)	T	33.8/18
R104	7030003320	S.RES ERJ3GEYJ 101 V (100)	T	25.9/21.9
R105	7030003370	S.RES ERJ3GEYJ 271 V (270)	B	18.3/14.3
R106	7030003230	S.RES ERJ3GEYJ 180 V (18)	B	19.1/11.9
R107	7030003370	S.RES ERJ3GEYJ 271 V (270)	B	18.3/8.4
R108	7030003370	S.RES ERJ3GEYJ 271 V (270)	B	14.6/8.4
R109	7030003230	S.RES ERJ3GEYJ 180 V (18)	B	11.2/9.7
R110	7030003370	S.RES ERJ3GEYJ 271 V (270)	T	11.2/12
R111	7030003550	S.RES ERJ3GEYJ 822 V (8.2 k)	T	29.8/14.9
R112	7030003320	S.RES ERJ3GEYJ 101 V (100)	T	33.8/19.3
R113	7030003860	S.RES ERJ3GE JPW V	B	19.5/18
R201	7030003430	S.RES ERJ3GEYJ 821 V (820)	T	11.3/37.1
R202	7030003430	S.RES ERJ3GEYJ 821 V (820)	T	11.3/35.8
R203	7030003280	S.RES ERJ3GEYJ 470 V (47)	B	3.1/39.8
R204	7030003560	S.RES ERJ3GEYJ 103 V (10 k)	T	12/45
R205	7030003280	S.RES ERJ3GEYJ 470 V (47)	B	6.3/46.6
R206	7030003380	S.RES ERJ3GEYJ 331 V (330)	B	11.4/54.9
R207	7030003220	S.RES ERJ3GEYJ 150 V (15)	B	9.3/55.7
R208	7030003380	S.RES ERJ3GEYJ 331 V (330)	B	10.1/57.7
R209	7030003640	S.RES ERJ3GEYJ 473 V (47 k)	B	9.9/46.6
R210	7030003600	S.RES ERJ3GEYJ 223 V (22 k)	T	112.9/63.4
R301	7030003320	S.RES ERJ3GEYJ 101 V (100)	T	9.8/86.7
R302	7030003370	S.RES ERJ3GEYJ 271 V (270)	B	10.3/75.4
R303	7030003230	S.RES ERJ3GEYJ 180 V (18)	B	15.2/74.6
R304	7030003370	S.RES ERJ3GEYJ 271 V (270)	B	19.1/75.4

[SCOPE UNIT]

REF NO.	ORDER NO.	DESCRIPTION	M.	H/V LOCATION
R305	7030003320	S.RES ERJ3GEYJ 101 V (100)	T	23.7/73.9
R306	7030003480	S.RES ERJ3GEYJ 222 V (2.2 k)	T	21.4/63.4
R307	7030003550	S.RES ERJ3GEYJ 822 V (8.2 k)	T	18.3/66.9
R308	7030003340	S.RES ERJ3GEYJ 151 V (150)	T	24.4/63.4
R402	7030003440	S.RES ERJ3GEYJ 102 V (1 k)	B	13.4/89.7
R403	7030003440	S.RES ERJ3GEYJ 102 V (1 k)	B	16.3/90.4
R404	7030003440	S.RES ERJ3GEYJ 102 V (1 k)	B	19/86.7
R405	7030003440	S.RES ERJ3GEYJ 102 V (1 k)	B	22.4/90.5
R410	7030003560	S.RES ERJ3GEYJ 103 V (10 k)	T	21.3/85.8
R411	7030003560	S.RES ERJ3GEYJ 103 V (10 k)	T	9.2/91.1
R412	7030003560	S.RES ERJ3GEYJ 103 V (10 k)	T	13.4/92.1
R413	7030003730	S.RES ERJ3GEYJ 274 V (270 k)	T	9.8/89.3
R414	7030003560	S.RES ERJ3GEYJ 103 V (10 k)	B	26.9/88
R415	7030003560	S.RES ERJ3GEYJ 103 V (10 k)	T	31.6/90
R416	7310005510	S.TRI TMC3ADC5S5X 470K	T	34.5/87
R417	7030003630	S.RES ERJ3GEYJ 393 V (39 k)	T	43.1/95.4
R418	7030003570	S.RES ERJ3GEYJ 123 V (12 k)	T	45.4/92.2
R419	7030003220	S.RES ERJ3GEYJ 150 V (15)	T	47.9/92.3
R420	7030003580	S.RES ERJ3GEYJ 153 V (15 k)	T	40.9/81.7
R421	7030003560	S.RES ERJ3GEYJ 103 V (10 k)	T	40.5/85.5
R422	7030003560	S.RES ERJ3GEYJ 103 V (10 k)	T	42.6/92.2
R423	7030003540	S.RES ERJ3GEYJ 682 V (6.8 k)	T	43.1/94.1
R425	7310005540	S.TRI TMC3ADC14X 10K	T	45.3/81.2
R426	7030003560	S.RES ERJ3GEYJ 103 V (10 k)	T	48.7/76.5
R427	7030003560	S.RES ERJ3GEYJ 103 V (10 k)	T	39.9/77.2
R428	7030003680	S.RES ERJ3GEYJ 104 V (100 k)	T	37/75.7
R429	7030003650	S.RES ERJ3GEYJ 563 V (56 k)	T	34.7/67.7
R430	7030003740	S.RES ERJ3GEYJ 334 V (330 k)	T	38.8/73.9
R431	7030003740	S.RES ERJ3GEYJ 334 V (330 k)	T	36.2/73.9
R432	7030003640	S.RES ERJ3GEYJ 473 V (47 k)	T	39.6/81.7
R433	7030003680	S.RES ERJ3GEYJ 104 V (100 k)	T	38.8/66.4
R434	7030003320	S.RES ERJ3GEYJ 101 V (100)	T	33.4/66.9
R435	7030003680	S.RES ERJ3GEYJ 104 V (100 k)	T	40.1/66.4
R436	7030003680	S.RES ERJ3GEYJ 104 V (100 k)	T	36.9/67
R437	7030003680	S.RES ERJ3GEYJ 104 V (100 k)	T	43.8/67.7
R438	7030003680	S.RES ERJ3GEYJ 104 V (100 k)	T	43.8/70.4
R500	7030003860	S.RES ERJ3GE JPW V	T	53.2/71.7
R501	7030003320	S.RES ERJ3GEYJ 101 V (100)	T	55.1/73
R502	7030003560	S.RES ERJ3GEYJ 103 V (10 k)	B	56.3/74.6
R503	7030003560	S.RES ERJ3GEYJ 103 V (10 k)	B	59.2/75.4
R504	7030003560	S.RES ERJ3GEYJ 103 V (10 k)	T	60.8/74.2
R505	7030003560	S.RES ERJ3GEYJ 103 V (10 k)	T	61.6/76
R506	7030003560	S.RES ERJ3GEYJ 103 V (10 k)	B	57.3/78.2
R507	7030003320	S.RES ERJ3GEYJ 101 V (100)	T	61.5/87.1
R509	7030003640	S.RES ERJ3GEYJ 473 V (47 k)	T	60.5/89.8
R602	7030003560	S.RES ERJ3GEYJ 103 V (10 k)	B	101.3/75.6
R603	7030003440	S.RES ERJ3GEYJ 102 V (1 k)	B	83.7/77.3
R604	7030003560	S.RES ERJ3GEYJ 103 V (10 k)	B	92.1/67.4
R605	7030003560	S.RES ERJ3GEYJ 103 V (10 k)	B	89.8/65.8
R606	7030003440	S.RES ERJ3GEYJ 102 V (1 k)	T	79.6/95.8
R607	7030003440	S.RES ERJ3GEYJ 102 V (1 k)	B	77.6/95.9
R608	7030003440	S.RES ERJ3GEYJ 102 V (1 k)	B	71.8/88.2
R609	7030003560	S.RES ERJ3GEYJ 103 V (10 k)	T	83.5/65.8
R610	7030003800	S.RES ERJ3GEYJ 105 V (1 M)	T	70.5/67.6
R611	7030004040	S.RES ERJ3GEYJ 4R7 V (4.7)	T	66.2/70.3
R612	7030004040	S.RES ERJ3GEYJ 4R7 V (4.7)	T	67.5/70.3
R615	7030003320	S.RES ERJ3GEYJ 101 V (100)	T	72.9/65.7
R616	7030003520	S.RES ERJ3GEYJ 472 V (4.7 k)	T	73.7/93.5
R617	7030003520	S.RES ERJ3GEYJ 472 V (4.7 k)	T	72.4/93.5
R618	7030003560	S.RES ERJ3GEYJ 103 V (10 k)	B	81.8/66.8
R619	7030003560	S.RES ERJ3GEYJ 103 V (10 k)	B	88/66.8
R620	7030003440	S.RES ERJ3GEYJ 102 V (1 k)	B	73.2/88.9
R621	7030003440	S.RES ERJ3GEYJ 102 V (1 k)	B	72.6/84.7
R622	7030003860	S.RES ERJ3GE JPW V	B	111.9/79.5
R623	7030003860	S.RES ERJ3GE JPW V	B	106.1/78.5
R633	7030003560	S.RES ERJ3GEYJ 103 V (10 k)	B	74.7/74.4
R634	7030003860	S.RES ERJ3GE JPW V	T	74/70.4
R635	7030003280	S.RES ERJ3GEYJ 470 V (47)	T	73.4/68.4
R636	7030003280	S.RES ERJ3GEYJ 470 V (47)	T	72.7/70.4
R701	7030003240	S.RES ERJ3GEYJ 220 V (22)	T	73/51.7
R702	7030003560	S.RES ERJ3GEYJ 103 V (10 k)	T	77.3/54.4
R703	7030003320	S.RES ERJ3GEYJ 101 V (100)	T	72.7/55.1
R704	7030003280	S.RES ERJ3GEYJ 470 V (47)	T	73.3/57
R705	7030003340	S.RES ERJ3GEYJ 151 V (150)	T	77.4/57
R720	7030003370	S.RES ERJ3GEYJ 271 V (270)	T	107/43.2
R721	7030003560	S.RES ERJ3GEYJ 103 V (10 k)	T	104/45.3
R722	7030003340	S.RES ERJ3GEYJ 151 V (150)	T	107.2/45.9
R723	7030003440	S.RES ERJ3GEYJ 102 V (1 k)	B	91.7/28.7
R724	7030003440	S.RES ERJ3GEYJ 102 V (1 k)	B	91.1/30.6
R725	7030003440	S.RES ERJ3GEYJ 102 V (1 k)	B	87.6/28.5
R726	7030003440	S.RES ERJ3GEYJ 102 V (1 k)	B	91.2/26.8
R727	7030003440	S.RES ERJ3GEYJ 102 V (1 k)	B	

[SCOPE UNIT]

REF NO.	ORDER NO.	DESCRIPTION	M.	H/V LOCATION
R803	7030003440	S.RES ERJ3GEYJ 102 V (1 k)	B	68.1/35.7
R806	7030003520	S.RES ERJ3GEYJ 472 V (4.7 k)	T	62.4/40.1
R808	7030003600	S.RES ERJ3GEYJ 223 V (22 k)	T	61.7/42.6
R809	7030003840	S.RES ERJ3GEYJ 225 V (2.2 M)	T	63.9/41.6
R810	7030003370	S.RES ERJ3GEYJ 271 V (270)	T	74.1/35.2
R811	7030003560	S.RES ERJ3GEYJ 103 V (10 k)	T	73.8/40.2
R812	7030003280	S.RES ERJ3GEYJ 470 V (47)	T	71/31.6
R813	7030003340	S.RES ERJ3GEYJ 151 V (150)	T	73.8/45.4
R814	7030003500	S.RES ERJ3GEYJ 332 V (3.3 k)	T	60.3/41.1
R821	7030003680	S.RES ERJ3GEYJ 104 V (100 k)	T	39.3/45.9
R822	7030003680	S.RES ERJ3GEYJ 104 V (100 k)	T	46.8/44.6
R823	7030003370	S.RES ERJ3GEYJ 271 V (270)	T	43.5/41.7
R841	7030003200	S.RES ERJ3GEYJ 100 V (10)	T	37.9/39.9
R842	7030003360	S.RES ERJ3GEYJ 221 V (220)	T	42.2/35
R843	7030003500	S.RES ERJ3GEYJ 332 V (3.3 k)	T	40.1/39.1
R844	7030003540	S.RES ERJ3GEYJ 682 V (6.8 k)	T	38.6/37.8
R845	7030003360	S.RES ERJ3GEYJ 221 V (220)	T	38.6/36.5
R846	7030003380	S.RES ERJ3GEYJ 331 V (330)	T	40.4/32
R847	7030003370	S.RES ERJ3GEYJ 271 V (270)	T	30.5/30
R848	7030003540	S.RES ERJ3GEYJ 682 V (6.8 k)	T	28.4/37.3
R849	7030003500	S.RES ERJ3GEYJ 332 V (3.3 k)	T	30.3/34.8
R850	7030003390	S.RES ERJ3GEYJ 391 V (390)	T	26.5/37.9
R851	7030003360	S.RES ERJ3GEYJ 221 V (220)	T	24.4/37.1
R852	7030003490	S.RES ERJ3GEYJ 272 V (2.7 k)	T	28.4/40
R853	7030003510	S.RES ERJ3GEYJ 392 V (3.9 k)	T	30.3/41
R854	7030003360	S.RES ERJ3GEYJ 221 V (220)	T	30.1/42.4
R855	7030008180	S.RES ERJ12VJ331U (330)	T	42.5/52.9
R856	7030003370	S.RES ERJ3GEYJ 271 V (270)	T	22.9/60.3
R857	7030003230	S.RES ERJ3GEYJ 180 V (18)	T	20.7/59.6
R858	7030003320	S.RES ERJ3GEYJ 101 V (100)	T	20.7/61.1
R859	7030003260	S.RES ERJ3GEYJ 330 V (33)	T	24.4/44.2
R860	7030003400	S.RES ERJ3GEYJ 471 V (470)	T	42.4/32
R861	7030003860	S.RES ERJ3GE JPW V	T	24.4/60.3
R905	7030003620	S.RES ERJ3GEYJ 333 V (33 k)	B	127.1/108.8
R906	7030003540	S.RES ERJ3GEYJ 682 V (6.8 k)	B	128.6/105.8
R907	7030003580	S.RES ERJ3GEYJ 153 V (15 k)	B	127.2/111.2
R908	7030003640	S.RES ERJ3GEYJ 473 V (47 k)	B	124.9/108.8
R913	7030003370	S.RES ERJ3GEYJ 271 V (270)	T	57.4/112.7
R914	7030003370	S.RES ERJ3GEYJ 271 V (270)	T	45.9/113.5
R951	7030003860	S.RES ERJ3GE JPW V	B	120.4/122.7
R952	7030003860	S.RES ERJ3GE JPW V	B	97.5/126.3
R953	7030003860	S.RES ERJ3GE JPW V	B	97.5/124.7
R954	7030003860	S.RES ERJ3GE JPW V	B	114.7/103.6
R955	7030003860	S.RES ERJ3GE JPW V	T	48.6/112.9
R956	7030003860	S.RES ERJ3GE JPW V	T	39.7/110.6
C1	4030006880	S.CER C1608 JB 1H 472K-T	T	84.1/6.7
C2	4030006880	S.CER C1608 JB 1H 472K-T	T	86.1/6.7
C3	4030006880	S.CER C1608 JB 1H 472K-T	T	82.8/15.8
C4	4030011340	S.CER C1608 CH 1H 471J-T	T	76.6/16.1
C5	4030011340	S.CER C1608 CH 1H 471J-T	T	74.1/12.9
C6	4030006880	S.CER C1608 JB 1H 472K-T	T	74.9/16.1
C7	4030006880	S.CER C1608 JB 1H 472K-T	T	70.1/12.8
C8	4030006880	S.CER C1608 JB 1H 472K-T	T	71.3/20
C9	4030006880	S.CER C1608 JB 1H 472K-T	T	70.1/15.7
C10	4030011600	S.CER C1608 JB 1E 104K-T	T	67.8/9.5
C11	4030009510	S.CER C1608 CH 1H 010B-T	B	58.9/16.3
C12	4030007040	S.CER C1608 CH 1H 180J-T	B	61.9/10
C13	4030007040	S.CER C1608 CH 1H 180J-T	B	53.2/10
C14	4030011340	S.CER C1608 CH 1H 471J-T	B	47.6/15
C15	4030006880	S.CER C1608 JB 1H 472K-T	T	40.2/16
C16	4030006880	S.CER C1608 JB 1H 472K-T	T	49.9/3.5
C17	4030006880	S.CER C1608 JB 1H 472K-T	T	38.6/10
C18	4030006960	S.CER C1608 CH 1H 050C-T	T	44/10.6
C21	4030006880	S.CER C1608 JB 1H 472K-T	T	78.8/57
C22	4030006880	S.CER C1608 JB 1H 472K-T	B	93.1/11.6
C23	4030011600	S.CER C1608 JB 1E 104K-T	T	90.5/12.8
C24	4030006880	S.CER C1608 JB 1H 472K-T	T	85.4/11.8
C31	4030006880	S.CER C1608 JB 1H 472K-T	T	78.3/9.4
C32	4030006880	S.CER C1608 JB 1H 472K-T	T	82.8/6.7
C33	4030006880	S.CER C1608 JB 1H 472K-T	T	90.3/8.6
C34	4030006880	S.CER C1608 JB 1H 472K-T	T	87.6/6.7
C35	4030006900	S.CER C1608 JB 1H 103K-T	T	83.6/2.4
C36	4030006900	S.CER C1608 JB 1H 103K-T	T	80.3/3.3
C37	4030006900	S.CER C1608 JB 1H 103K-T	T	86.1/2.4
C38	4030006900	S.CER C1608 JB 1H 103K-T	T	90.7/3.5
C39	4030006860	S.CER C1608 JB 1H 102K-T	T	88.4/14.7
C40	4030006860	S.CER C1608 JB 1H 102K-T	T	84.6/13.9
C41	4610001830	S.TRI TZB4S100AB10R00	T	57.5/19.3
C42	4030007030	S.CER C1608 CH 1H 150J-T	T	68.7/15.7
C43	4030007120	S.CER C1608 CH 1H 820J-T	T	67.9/17.7
C44	4030007100	S.CER C1608 CH 1H 560J-T	T	67/15.7
C45	4030007040	S.CER C1608 CH 1H 180J-T	T	64.9/16.4
C46	4030008750	S.CER C1608 CH 1H 360J-T	T	64.9/14.9
C51	4030006860	S.CER C1608 JB 1H 102K-T	T	83.2/9.8
C52	4030006860	S.CER C1608 JB 1H 102K-T	T	87.1/9.8
C53	4510008540	S.ELE EEE1CA100SR	T	31.7/95.8
C54	4510008540	S.ELE EEE1CA100SR	T	46.9/69.3
C55	4030011600	S.CER C1608 JB 1E 104K-T	T	20.4/94.8
C56	4510008540	S.ELE EEE1CA100SR	T	16.6/95.8
C57	4030011600	S.CER C1608 JB 1E 104K-T	T	27.9/95.9
C101	4030006880	S.CER C1608 JB 1H 472K-T	T	33.8/16.7
C102	4030007150	S.CER C1608 CH 1H 151J-T	T	24.6/19
C103	4030011600	S.CER C1608 JB 1E 104K-T	T	24.6/21.9
C106	4030006880	S.CER C1608 JB 1H 472K-T	T	33.8/20.6
C107	4030007100	S.CER C1608 CH 1H 560J-T	T	23.1/16.4
C108	4030007110	S.CER C1608 CH 1H 680J-T	T	23.7/21.2
C109	4030007140	S.CER C1608 CH 1H 121J-T	B	22.4/18.7
C110	4030007110	S.CER C1608 CH 1H 680J-T	B	21.6/21.2
C201	4030007040	S.CER C1608 CH 1H 180J-T	T	10.8/24.5
C202	4030007040	S.CER C1608 CH 1H 180J-T	T	4.7/30.3
C204	4030006880	S.CER C1608 JB 1H 472K-T	T	11.3/34.5
C205	4030007070	S.CER C1608 CH 1H 330J-T	B	5.8/39.8

[SCOPE UNIT]

REF NO.	ORDER NO.	DESCRIPTION	M.	H/V LOCATION
C206	4030006880	S.CER C1608 JB 1H 472K-T	T	11.3/38.5
C207	4030006960	S.CER C1608 CH 1H 050C-T	T	11.2/42.3
C208	4030007070	S.CER C1608 CH 1H 330J-T	B	8.4/51
C209	4030006880	S.CER C1608 JB 1H 472K-T	T	7.6/46.1
C210	4030011600	S.CER C1608 JB 1E 104K-T	T	2.1/50.2
C211	4030009550	S.CER C1608 CH 1H 2R5B-T	T	10.8/23.2
C212	4030006940	S.CER C1608 CH 1H 030C-T	T	4.7/28.9
C213	4550007320	S.TAN F930J226MAABMA	T	111.2/63.3
C214	4550007320	S.TAN F930J226MAABMA	B	117.7/65.4
C215	4030011600	S.CER C1608 JB 1E 104K-T	T	119.9/66.4
C216	4030017490	S.CER C1608 JB 1A 105K-T	T	112.9/66.4
C301	4030007040	S.CER C1608 CH 1H 180J-T	T	18.8/70.5
C302	4030006880	S.CER C1608 JB 1H 472K-T	T	23.7/71.1
C303	4030006880	S.CER C1608 JB 1H 472K-T	T	19.9/63.4
C304	4030006880	S.CER C1608 JB 1H 472K-T	T	22.9/63.4
C401	4030008850	S.CER C1608 JB 1H 123K-T	T	11.1/86.7
C403	4030018610	S.CER C1608 CH 1H 82J-T	B	15.6/87.5
C404	4030018580	S.CER C1608 CH 1H 821J-T	T	20.9/89.2
C405	4030007140	S.CER C1608 CH 1H 121J-T	T	20.9/87.9
C406	4030017840	S.CER C2012 CH 1H 222J-T	B	22.6/86.7
C407	4030017840	S.CER C2012 CH 1H 222J-T	B	22.6/88.7
C408	4030007010	S.CER C1608 CH 1E 100K-T	T	21.6/90.5
C409	4030007140	S.CER C1608 CH 1H 121J-T	T	21.6/91.8
C410	4030011600	S.CER C1608 JB 1E 104K-T	T	17.7/92.1
C411	4030011600	S.CER C1608 JB 1E 104K-T	T	13.4/85.2
C420	4030011600	S.CER C1608 JB 1E 104K-T	T	8.5/89.3
C421	4030006920	S.CER C1608 CH 1H 010C-T	T	11.1/89.3
C422	4030006920	S.CER C1608 CH 1H 010C-T	T	31.6/87.2
C423	4030011600	S.CER C1608 JB 1E 104K-T	T	29/92.1
C424	4030011600	S.CER C1608 JB 1E 104K-T	T	24.7/85.2
C425	4030011600	S.CER C1608 JB 1E 104K-T	T	40.2/95.4
C426	4030006900	S.CER C1608 JB 1H 103K-T	T	47.4/89.7
C427	4030011600	S.CER C1608 JB 1E 104K-T	T	35.9/81
C428	4510008550	S.ELE EEE1HA010SR	T	38/92.2
C429	4030011600	S.CER C1608 JB 1E 104K-T	T	47.4/85.4
C431	4030006900	S.CER C1608 JB 1H 103K-T	T	38.5/77.2
C432	4030011600	S.CER C1608 JB 1E 104K-T	T	41.4/73.9
C433	4510008540	S.ELE EEE1CA100SR	T	31.4/73.2
C434	4030011600	S.CER C1608 JB 1E 104K-T	T	40.5/88.5
C501	4030011600	S.CER C1608 JB 1E 104K-T	T	52.5/73
C502	4510008540	S.ELE EEE1CA100SR	T	52.2/68.5
C503	4510008540	S.ELE EEE1CA100SR	T	59.3/70.5
C504	4030011600	S.CER C1608 JB 1E 104K-T	T	62/78.6
C505	4510008540	S.ELE EEE1CA100SR	T	59.5/64.5
C506	4030011600	S.CER C1608 JB 1E 104K-T	T	61.6/81.8
C507	4510008580	S.ELE EEE0JA470SR	T	51/87.4
C508	4030017490	S.CER C1608 JB 1A 105K-T	T	49.3/82.9
C509	4030011600	S.CER C1608 JB 1E 104K-T	T	59.6/87.9
C521	4510009280	S.ELE EEE1EA4R7SR	T	59.6/93.9
C522	4030011600	S.CER C1608 JB 1E 104K-T	T	55.5/92.2
C523	4510008550	S.ELE EEE1HA010SR	T	51.1/93.9
C524	4030011600	S.CER C1608 JB 1E 104K-T	T	55.2/97
C551	4550006960	S.TAN TEESVB2 0G 107M8R	T	99.1/64.3
C601	4030011600	S.CER C1608 JB 1E 104K-T	B	99.4/93.9
C602	4030011600	S.CER C1608 JB 1E 104K-T	B	98.6/67.3
C603	4030011600	S.CER C1608 JB 1E 104K-T	B	100.9/91.6
C604	4030011600	S.CER C1608 JB 1E 104K-T	B	101.5/68.5
C605	4030011600	S.CER C1608 JB 1E 104K-T	B	93.2/85.9
C606	4030011600	S.CER C1608 JB 1E 104K-T	B	93.8/84.5
C607	4030011600	S.CER C1608 JB 1E 104K-T	B	93/80.1
C608	4030011600	S.CER C1608 JB 1E 104K-T	B	93.8/78.8
C609	4030011600	S.CER C1608 JB 1E 104K-T	B	93.7/75.8
C610	4030011600	S.CER C1608 JB 1E 104K-T	B	91.3/86.8
C611	4030011600	S.CER C1608 JB 1E 104K-T	B	90.3/75.9
C612	4030011600	S.CER C1608 JB 1E 104K-T	B	87.8/93.9
C613	4030011600	S.CER C1608 JB 1E 104K-T	B	88.4/86.8
C614	4030011600	S.CER C1608 JB 1E 104K-T	B	88.5/74
C615	4030011600	S.CER C1608 JB 1E 104K-T	B	86.9/86
C616	4030011600	S.CER C1608 JB 1E 104K-T	B	87.1/75.9
C617	4030011600	S.CER C1608 JB 1E 104K-T	B	87.9/67
C618	4030011600	S.CER C1608 JB 1E 104K-T	B	83.9/86
C619	4030011600	S.CER C1608 JB 1E 104K-T	B	83.5/75.7
C620	4030011600	S.CER C1608 JB 1E 104K-T	B	81.1/86
C621	4030011600	S.CER C1608 JB 1E 104K-T	B	81.9/83.6
C622	4030011600	S.CER C1608 JB 1E 104K-T	B	81.9/81.9
C623	4030011600	S.CER C1608 JB 1E 104K-T	B	81/77.2
C624	4030011600	S.CER C1608 JB 1E 104K-T	B	81/74.5
C625	4030011600			

[SCOPE UNIT]

REF NO.	ORDER NO.	DESCRIPTION	M.	H/V LOCATION
C652	4030011600	S.CER C1608 JB 1E 104K-T	B	79.4/93.8
C653	4030011600	S.CER C1608 JB 1E 104K-T	B	82.5/86.8
C654	4030011600	S.CER C1608 JB 1E 104K-T	T	78.7/66.9
C655	4030011600	S.CER C1608 JB 1E 104K-T	B	81.9/79.9
C656	4030011600	S.CER C1608 JB 1E 104K-T	B	74.5/84.6
C657	4030011600	S.CER C1608 JB 1E 104K-T	B	74.5/80.3
C658	4030011600	S.CER C1608 JB 1E 104K-T	B	74.6/71.4
C659	4030011600	S.CER C1608 JB 1E 104K-T	B	74.5/88.1
C660	4510008540	S.ELE EEE1CA100SR	T	67.6/75
C661	4030011600	S.CER C1608 JB 1E 104K-T	B	72.8/74.7
C662	4030011600	S.CER C1608 JB 1E 104K-T	T	88.3/95.9
C663	4030011600	S.CER C1608 JB 1E 104K-T	T	68.8/70.3
C664	4030011600	S.CER C1608 JB 1E 104K-T	T	66.2/67.6
C665	4030011600	S.CER C1608 JB 1E 104K-T	B	67.5/76.8
C666	4550007310	S.TAN F930J227MNMBA	B	108.6/73.9
C667	4550007310	S.TAN F930J227MNMBA	B	108.6/68.6
C671	4030011600	S.CER C1608 JB 1E 104K-T	T	114.2/70.1
C672	4030006880	S.CER C1608 JB 1H 472K-T	T	72.9/64.4
C701	4030011600	S.CER C1608 JB 1E 104K-T	T	76/57
C702	4030011600	S.CER C1608 JB 1E 104K-T	T	72.7/53.6
C703	4030011600	S.CER C1608 JB 1E 104K-T	T	74.6/57
C720	4030006880	S.CER C1608 JB 1H 472K-T	T	82.9/38.1
C721	4030011600	S.CER C1608 JB 1E 104K-T	T	83.2/40.2
C722	4510008540	S.ELE EEE1CA100SR	T	82.6/44.1
C723	4030006880	S.CER C1608 JB 1H 472K-T	T	109.9/37.4
C724	4030011600	S.CER C1608 JB 1E 104K-T	T	109.9/38.9
C725	4510008540	S.ELE EEE1CA100SR	T	110.1/33.2
C726	4030006880	S.CER C1608 JB 1H 472K-T	T	108.6/45.9
C727	4030006880	S.CER C1608 JB 1H 472K-T	T	105.6/45.3
C730	4030011600	S.CER C1608 JB 1E 104K-T	T	84.2/35.3
C731	4030011600	S.CER C1608 JB 1E 104K-T	T	84.2/38.1
C733	4030011600	S.CER C1608 JB 1E 104K-T	T	93.4/26.3
C734	4030011600	S.CER C1608 JB 1E 104K-T	T	103.1/29.9
C736	4030011600	S.CER C1608 JB 1E 104K-T	T	96.8/44.8
C737	4030011600	S.CER C1608 JB 1E 104K-T	T	103/40.9
C738	4030011600	S.CER C1608 JB 1E 104K-T	T	96.5/26.3
C739	4030011600	S.CER C1608 JB 1E 104K-T	T	99.6/26.3
C740	4030011600	S.CER C1608 JB 1E 104K-T	T	103.1/37.4
C741	4030011600	S.CER C1608 JB 1E 104K-T	T	92.6/45.1
C742	4030011600	S.CER C1608 JB 1E 104K-T	T	90/45.1
C750	4030006900	S.CER C1608 JB 1H 103K-T	T	103.2/34.5
C751	4030006900	S.CER C1608 JB 1H 103K-T	T	105.1/37.3
C760	4030006880	S.CER C1608 JB 1H 472K-T	T	110.9/20.8
C761	4030007150	S.CER C1608 CH 1H 151J-T	T	110.1/22.8
C762	4030007110	S.CER C1608 CH 1H 680J-T	T	108.4/21.6
C763	4030011280	S.CER C1608 CH 1H 271J-T	T	106/25.1
C764	4030007080	S.CER C1608 CH 1H 390J-T	T	103.4/20.8
C765	4030011830	S.CER C1608 CH 1H 301J-T	T	100/24.3
C766	4030007020	S.CER C1608 CH 1H 120J-T	T	100/21.7
C767	4030007170	S.CER C1608 CH 1H 221J-T	T	95.7/24.3
C768	4030011280	S.CER C1608 CH 1H 271J-T	T	93.5/20.4
C769	4030006860	S.CER C1608 JB 1H 102K-T	T	91.4/21.3
C770	4030011280	S.CER C1608 CH 1H 271J-T	T	89.3/20.5
C801	4030006880	S.CER C1608 JB 1H 472K-T	T	66.2/40
C802	4510008540	S.ELE EEE1CA100SR	T	69/44.8
C803	4030006900	S.CER C1608 JB 1H 103K-T	T	60.4/37.1
C805	4550007660	S.TAN F931E105MAABMA	T	58.5/38.7
C806	4340000240	S.MLR ECHU 1C 682JX5	T	64.2/43.3
C807	4030006880	S.CER C1608 JB 1H 472K-T	T	69.6/33.3
C808	4030006880	S.CER C1608 JB 1H 472K-T	B	62.7/32
C809	4510008540	S.ELE EEE1CA100SR	T	64.9/25.7
C810	4030006880	S.CER C1608 JB 1H 472K-T	T	73.8/42.8
C811	4030006880	S.CER C1608 JB 1H 472K-T	T	73.3/32.9
C812	4030006880	S.CER C1608 JB 1H 472K-T	T	73.8/30.9
C813	4030011600	S.CER C1608 JB 1E 104K-T	T	65.9/31.8
C821	4030007060	S.CER C1608 CH 1H 270J-T	T	57.8/46.5
C822	4030007100	S.CER C1608 CH 1H 560J-T	T	54.4/45.7
C823	4030006960	S.CER C1608 CH 1H 050C-T	T	55.7/45.7
C824	4610001850	S.TRI TZB4R200AB10R00	T	50.6/44.7
C825	4030007130	S.CER C1608 CH 1H 101J-T	T	46.9/46.8
C826	4030007060	S.CER C1608 CH 1H 270J-T	T	40.9/45.9
C827	4030007020	S.CER C1608 CH 1H 120J-T	T	45.5/44.6
C828	4030006880	S.CER C1608 JB 1H 472K-T	T	43.5/43.1
C829	4030009500	S.CER C1608 CH 1H 0R5B-T	T	37.9/42.9
C830	4030006860	S.CER C1608 JB 1H 102K-T	T	47.9/52.8
C831	4030006880	S.CER C1608 JB 1H 472K-T	T	46.4/52.8
C832	4510008500	S.ELE EEE1CA101WSP	T	49.3/57.6
C833	4510008540	S.ELE EEE1CA100SR	T	40.3/58
C842	4030006880	S.CER C1608 JB 1H 472K-T	T	39.4/35
C843	4030006860	S.CER C1608 JB 1H 102K-T	T	23.8/34.3
C844	4030006880	S.CER C1608 JB 1H 472K-T	T	24.5/32.4
C845	4510008520	S.ELE EEE1CA470SP	T	17.7/35.3
C846	4030006880	S.CER C1608 JB 1H 472K-T	T	38.4/31.3
C847	4030006880	S.CER C1608 JB 1H 472K-T	T	30.3/36.1
C848	4030006880	S.CER C1608 JB 1H 472K-T	T	30.3/38.3
C849	4030006880	S.CER C1608 JB 1H 472K-T	T	27/40
C850	4030006880	S.CER C1608 JB 1H 472K-T	T	30.3/39.7
C851	4030006880	S.CER C1608 JB 1H 472K-T	T	25.1/42.3
C852	4030007120	S.CER C1608 CH 1H 820J-T	T	30/44.2
C853	4030007070	S.CER C1608 CH 1H 330J-T	T	24.4/46.8
C854	4030007140	S.CER C1608 CH 1H 121J-T	T	30/45.8
C855	4030007020	S.CER C1608 CH 1H 120J-T	T	30.1/48.1
C856	4030007090	S.CER C1608 CH 1H 470J-T	T	30.2/50.4
C862	4030006880	S.CER C1608 JB 1H 472K-T	T	60.4/34.5
C911	4030008680	S.CER C2012 JF 1C 105Z-T	T	92.4/112.7
C912	4030008680	S.CER C2012 JF 1C 105Z-T	T	92.4/109
C913	4030008680	S.CER C2012 JF 1C 105Z-T	T	92.4/105.5
C914	4030008680	S.CER C2012 JF 1C 105Z-T	T	96.8/115.2
C915	4030008680	S.CER C2012 JF 1C 105Z-T	T	101.5/114.1
C916	4030011600	S.CER C1608 JB 1E 104K-T	T	108.7/116.4
C917	4030011600	S.CER C1608 JB 1E 104K-T	B	108.2/115.9
C918	4030011600	S.CER C1608 JB 1E 104K-T	B	91.3/112.6

[SCOPE UNIT]

REF NO.	ORDER NO.	DESCRIPTION	M.	H/V LOCATION
J1	6510007020	CNR TMP-J01X-V6		
J2	6510007020	CNR TMP-J01X-V6		
J3	6510007020	CNR TMP-J01X-V6		
J4	6510020001	S.CNR 52808-3071 (3090)	T	127.9/41.5
J11	6510007020	CNR TMP-J01X-V6		
J901	6510023720	CNR LGY6501-0600C		
J902	6510023120	CNR CD6109SA1J0 <CVI>		
J903	6510024040	CNR TM11R-5M2-88-LP		
J904	6510024032	CNR UBA-4R-D10T-4D (LF) (SN)		
J905	6450001941	CNR KEY-15S-2A3A (LF) (SN)		
J906	6510019971	S.CNR 52808-1071	T	129/97.7
J907	6510020251	S.CNR B9B-PH-SM4-TB (LF) (SN)	T	50.7/105.2
J908	6510022311	S.CNR B5B-PH-SM4-TB (LF) (SN)	T	88.7/110.1
J909	6510003471	CNR B11B-EH-S (LF) (SN)		
J910	6510019421	S.CNR B8B-ZR-SM4-TF (LF) (SN)	T	109.6/104.7
DS901	5040002930	S.LED SML-512MW T86	T	57.1/115.2
DS902	5040002930	S.LED SML-512MW T86	T	46/115.1
EP901	6910012350	S.BEA MMZ1608Y 102BT	B	131.1/119.6
EP902	6910012350	S.BEA MMZ1608Y 102BT	B	122.5/122.7
EP903	6910012350	S.BEA MMZ1608Y 102BT	T	81.3/114.1
EP904	6910012350	S.BEA MMZ1608Y 102BT	T	82.6/114.1
EP905	6910012350	S.BEA MMZ1608Y 102BT	B	79.7/113.7
EP906	6910012350	S.BEA MMZ1608Y 102BT	T	81.9/110.1
EP907	6910012350	S.BEA MMZ1608Y 102BT	B	83.8/111.5
EP908	6910012350	S.BEA MMZ1608Y 102BT	B	85.1/111.5

M.=Mounted side (T: Mounted on the Top side, B: Mounted on the Bottom side)  
S.=Surface mount



[LOGIC UNIT]

REF NO.	ORDER NO.	DESCRIPTION	M.	H/V LOCATION
IC1	1130014630	S.IC MT48LC16M16A2P IT	B	59.3/91.9
IC2	1130014630	S.IC MT48LC16M16A2P IT	T	59.3/99
IC51	1130011591	S.IC IDT70V24L15PFG	B	95.5/56
IC52	1140009781	S.IC XC9572XL-10TQG100C	B	116.5/56
IC53	1110005821	S.IC R3112N281A-TR-F	T	142.2/100.9
IC54	1130007431	S.IC TC7S14FU (TE85R,F)	T	146.5/100.63
IC55	1130008041	S.IC TC7SH04FU (TE85L,JF)	T	97.9/34.4
IC56	1130010111	S.IC TC7WH04FU (TE12L,F)	B	35/25.1
IC101	1130011010	S.IC SN74CBTLV3257PWR <ACE>	T	25.2/75.3
IC102	1130006441	S.IC TC7S08F (TE85R,F)	T	62/39
IC103	1140011561	S.IC HD6417751RBP200V	T	53.5/64.9
IC104	1130008361	S.IC TC7SHU04FU (TE85L,JF)	T	8.1/60.8
IC105	1130012241	S.IC CY2292FXC (SX-2590J)	T	12.6/69
IC106	1130011110	S.IC TC74VCX04FT (EL)	T	10/77.1
IC201	1130014630	S.IC MT48LC16M16A2P IT	B	128/77.3
IC202	1130014630	S.IC MT48LC16M16A2P IT	B	128.1/95.5
IC203	1140011571	S.IC HD64404BTDV	T	97.4/78.4
IC204	1140011581	S.IC ADV7123KSTZ50	T	207.1/29.6
IC205	1130011941	S.IC TC7SZ04F (TE85L,F)	T	195.9/26.4
IC206	1130012150	S.IC SN74ACT04PWR	T	196/19.9
IC207	1130005721	S.IC TC7W04F (TE12L,F)	B	212.2/38.2
IC208	1130014080	S.IC BD6517F-E2	B	219.1/39.2
IC209	1190001920	S.IC AK5355-VT-E2	B	109.8/22.9
IC210	1190001920	S.IC AK5355-VT-E2	B	120.7/22.9
IC211	1190001910	S.IC AK4384-VT-E2	B	131.3/32.6
IC212	1190001910	S.IC AK4384-VT-E2	B	119.1/33.4
IC401	1130010970	S.IC PCL1410APGE	B	23.5/48.5
IC402	1130011960	S.IC TPS2211AIDBR	B	21.8/31.2
IC403	1130009570	S.IC BR93LC46F-WE2	T	24.2/67.3
IC404	1130010990	S.IC RTL8139C	B	23/76.5
IC601	1130008041	S.IC TC7SH04FU (TE85L,JF)	B	169.3/55.8
IC602	1130008711	S.IC TC7SET04FU (T5L,JF)	B	169.3/53.3
IC603	1110004770	S.IC BU9480F-E2	T	176/57
IC604	1140011590	S.IC HD64F2377VFQ33V	B	87/30.5
IC605	1140009781	S.IC XC9572XL-10TQG100C	B	141/57
IC607	1130006441	S.IC TC7S08F (TE85R,F)	B	59.6/22.6
IC608	1130006441	S.IC TC7S08F (TE85R,F)	B	63.3/22.6
IC609	1130005252	S.IC TC74HC08AF (EL,F)	B	60/29.8
IC610	1140008650	S.IC HN58X2464TI	B	54/37.4
IC801	1180002020	S.REG BA033FP-E2	B	144.2/112.5
IC802	1180001541	S.IC TA78L08F (TE12L,F)	T	131.1/111.6
IC821	1110002700	S.IC NJM2904M-TE1-#FMZB	B	16.9/105
IC851	1110003870	S.IC NJM2058M-TE1	B	186.3/56.1
IC852	1110003870	S.IC NJM2058M-TE1	B	135.5/12.6
IC853	1110003870	S.IC NJM2058M-TE1	B	114.5/10.1
IC854	1130005721	S.IC TC7W04F (TE12L,F)	B	161.4/40.6
Q601	1530002060	S.TR 2SC4081 T106 R	B	173.3/53.3
Q602	1510000510	S.TR 2SA1576A T106R	B	173.2/57.2
Q802	1530002060	S.TR 2SC4081 T106 R	T	159.1/70.3
Q803	1540000441	S.TR 2SD1619T-TD-E	B	160.1/70.9
Q804	1540000441	S.TR 2SD1619T-TD-E	B	166.7/70.8
Q805	1530002060	S.TR 2SC4081 T106 R	T	165.7/70.3
Q806	1540000441	S.TR 2SD1619T-TD-E	B	173.3/70.8
Q807	1530002060	S.TR 2SC4081 T106 R	T	172.3/70.3
Q808	1590001330	S.TR DTA114EUA T106	B	157.7/30.1
Q809	1590001330	S.TR DTA114EUA T106	B	157.7/27.5
Q810	1540000550	S.TR 2SD1664 T100Q	T	160.2/78
Q821	1520000651	S.TR 2SB1201S-TL-E	B	28.9/108.4
Q822	1530002060	S.TR 2SC4081 T106 R	B	25.5/103.6
Q901	1590001960	S.TR XP4311 (TX)	B	187.9/88.3
Q902	1590001960	S.TR XP4311 (TX)	B	188.9/79.7
Q903	1590001960	S.TR XP4311 (TX)	B	193.9/88.3
Q904	1590001960	S.TR XP4311 (TX)	B	192.9/79.7
D51	1750000550	S.DIO 1SS355 TE-17	T	126.1/48.7
D52	1750000550	S.DIO 1SS355 TE-17	T	126.1/50.5
D53	1750000550	S.DIO 1SS355 TE-17	T	126.1/52.3
D54	1750000550	S.DIO 1SS355 TE-17	T	126.1/54.1
D55	1750000550	S.DIO 1SS355 TE-17	T	124.7/55.9
D56	1750000550	S.DIO 1SS355 TE-17	T	124.7/57.7
D57	1750000550	S.DIO 1SS355 TE-17	T	124.7/59.5
D58	1750000550	S.DIO 1SS355 TE-17	T	124.7/61.3
D59	1750000550	S.DIO 1SS355 TE-17	T	124.7/63.1
D60	1750000550	S.DIO 1SS355 TE-17	T	130.1/48.7
D61	1750000550	S.DIO 1SS355 TE-17	T	130.1/50.5
D62	1750000550	S.DIO 1SS355 TE-17	T	130.1/52.3
D65	1750000550	S.DIO 1SS355 TE-17	T	128.9/57.7
D66	1750000550	S.DIO 1SS355 TE-17	T	128.9/59.5
D67	1750000550	S.DIO 1SS355 TE-17	T	128.9/61.3
D68	1750000550	S.DIO 1SS355 TE-17	T	128.9/63.1
D201	1790000980	S.DIO MA3J7420GL (TX)	B	214.6/32.4
D202	1790000980	S.DIO MA3J7420GL (TX)	B	214.6/29.4
D203	1790000980	S.DIO MA3J7420GL (TX)	B	214.6/26.4
D204	1790000980	S.DIO MA3J7420GL (TX)	T	201.5/19.8
D205	1790000980	S.DIO MA3J7420GL (TX)	T	201.5/19.8
D206	1790000980	S.DIO MA3J7420GL (TX)	B	218/7.4
D207	1790000980	S.DIO MA3J7420GL (TX)	B	220.9/7.4
D208	1790000980	S.DIO MA3J7420GL (TX)	B	228/7.4
D209	1790000980	S.DIO MA3J7420GL (TX)	B	230.8/7.4
D601	1750000550	S.DIO 1SS355 TE-17	B	175.5/62.5
D801	1750000370	S.DIO DA221 TL	B	159.1/66.5
D802	1750000370	S.DIO DA221 TL	B	165.7/66.5
D803	1750000370	S.DIO DA221 TL	B	172.3/66.5
D804	1750000271	S.DIO 1SS301 (TE85L,F)	B	170/64.1
D805	1790001611	S.DIO 1SS385 (TE85L,F)	B	157.3/38.2
D806	1790001611	S.DIO 1SS385 (TE85L,F)	B	157.3/40.3
D821	1730002340	S.ZEN MA8047-M (TX)	B	22.4/104.6
D851	1750000550	S.DIO 1SS355 TE-17	B	180.9/50.2
D852	1750000550	S.DIO 1SS355 TE-17	B	191.8/50
D853	1790000980	S.DIO MA3J7420GL (TX)	B	122/18.5
D854	1790000980	S.DIO MA3J7420GL (TX)	B	119.5/18.5

[LOGIC UNIT]

REF NO.	ORDER NO.	DESCRIPTION	M.	H/V LOCATION
D855	1790000980	S.DIO MA3J7420GL (TX)	B	107/18.4
D856	1790000980	S.DIO MA3J7420GL (TX)	B	104.5/18.4
D857	1750000550	S.DIO 1SS355 TE-17	B	189.9/61.9
D858	1750000550	S.DIO 1SS355 TE-17	B	182.2/61.9
D860	1790000980	S.DIO MA3J7420GL (TX)	T	97.5/26.3
D861	1790000980	S.DIO MA3J7420GL (TX)	T	97.5/31.3
D862	1790000980	S.DIO MA3J7420GL (TX)	T	97.9/23.7
D863	1790000980	S.DIO MA3J7420GL (TX)	T	97.5/28.8
D864	1790000980	S.DIO MA3J7420GL (TX)	T	100.4/23.7
D865	1790000980	S.DIO MA3J7420GL (TX)	T	94.3/27.2
D866	1790000980	S.DIO MA3J7420GL (TX)	T	94.3/27.2
D867	1790000980	S.DIO MA3J7420GL (TX)	T	102.9/23.7
D901	1790000980	S.DIO MA3J7420GL (TX)	T	188/31.2
X101	6050011610	S.XTL CR-751 (25.000 MHz)	T	2.9/63.1
X201	6050011610	S.XTL CR-628 (24.576 MHz)	T	103.9/94.6
X202	6050011980	S.XTL CR-780 (48 MHz)	T	100.2/60.6
X601	6050011810	S.XTL CR-755 (15.9744 MHz)	T	81.9/13.6
L203	6200002631	S.COL NLV25T-R10J	B	222.2/32.6
L204	6200002631	S.COL NLV25T-R10J	B	222.2/29.6
L205	6200002631	S.COL NLV25T-R10J	B	222.2/26.6
L801	6200003261	S.COL NLV32T-101J	B	66.9/123.5
L803	6180003321	S.COL SLF6028T-150M1R0-PF	B	88.7/112.9
L804	6180003321	S.COL SLF6028T-150M1R0-PF	B	102.5/112.9
L805	6180003321	S.COL SLF6028T-150M1R0-PF	B	95.8/112.9
L806	6180003321	S.COL SLF6028T-150M1R0-PF	B	109/112.9
L807	6180003321	S.COL SLF6028T-150M1R0-PF	B	115.7/112.9
L808	6200003590	S.COL EXCCL3225U1	B	92.1/115.8
L809	6200003590	S.COL EXCCL3225U1	B	93.1/123.1
L810	6200003590	S.COL EXCCL3225U1	B	87.7/123.2
L811	6200001831	S.COL NLV32T-100J	B	127.9/22.6
L821	6200003590	S.COL EXCCL3225U1	B	121.2/112.7
L822	6200003590	S.COL EXCCL3225U1	T	125/115.8
L823	6200009790	S.COL BLM31PG121SN1	T	18.2/25.6
L824	6200003590	S.COL EXCCL3225U1	B	130.1/115.5
L825	6200003590	S.COL EXCCL3225U1	B	133.6/116.1
L826	6180003321	S.COL SLF6028T-150M1R0-PF	B	179.9/15.5
L827	6200003590	S.COL EXCCL3225U1	T	120.4/115.8
L832	6200003590	S.COL EXCCL3225U1	B	80.1/122.1
L833	6200003590	S.COL EXCCL3225U1	B	75.6/122.1
L834	6200003590	S.COL EXCCL3225U1	B	125.6/112.2
L835	6200003590	S.COL EXCCL3225U1	B	125.6/115.3
L901	6200003590	S.COL EXCCL3225U1	B	214.4/74.4
L902	6200003590	S.COL EXCCL3225U1	B	214.4/78.2
L903	6200003590	S.COL EXCCL3225U1	B	206.5/80
L904	6200003590	S.COL EXCCL3225U1	B	214.4/81.2
L905	6200003590	S.COL EXCCL3225U1	B	211/114.8
L906	6200003590	S.COL EXCCL3225U1	B	24/114.8
L907	6200003590	S.COL EXCCL3225U1	B	27/114.8
L908	6200003590	S.COL EXCCL3225U1	B	30/114.8
L909	6200003261	S.COL NLV32T-101J	B	181.3/82.6
L910	6200003590	S.COL EXCCL3225U1	B	195.7/82.4
L911	6200003590	S.COL EXCCL3225U1	B	221.8/76.5
L912	6200003590	S.COL EXCCL3225U1	B	230.4/76.8
L913	6200003590	S.COL EXCCL3225U1	B	230.4/63
L914	6200003590	S.COL EXCCL3225U1	B	221.8/64
L915	6200003590	S.COL EXCCL3225U1	B	230.4/66
L916	6200003590	S.COL EXCCL3225U1	B	221.8/67
L917	6200003590	S.COL EXCCL3225U1	T	162.2/21.7
L918	6200003590	S.COL EXCCL3225U1	T	186.4/18.7
L919	6200003590	S.COL EXCCL3225U1	T	186.4/22.4
L920	6200003590	S.COL EXCCL3225U1	T	162.3/24.7
L1101	6200003590	S.COL EXCCL3225U1	T	40.5/25.8
R1	7030003520	S.RES ERJ3GEYJ 472 V (4.7 k)	T	91.5/101.3
R51	7030003520	S.RES ERJ3GEYJ 472 V (4.7 k)	T	143/76.8
R52	7030003560	S.RES ERJ3GEYJ 103 V (10 k)	T	138.6/100.6
R55	7030003440	S.RES ERJ3GEYJ 102 V (1 k)	B	126.4/51.5
R56	7030003440	S.RES ERJ3GEYJ 102 V (1 k)	B	123.5/46.1
R57	7030003680	S.RES ERJ3GEYJ 104 V (100 k)	B	31.3/25
R58	7030003680	S.RES ERJ3GEYJ 104 V (100 k)	B	30/25
R101	7030003680	S.RES ERJ3GEYJ 104 V (100 k)	T	19.3/74.8
R102	7030003520	S.RES ERJ3GEYJ 472 V (4.7 k)	T	31/73.7
R103	7030003520	S.RES ERJ3GEYJ 472 V (4.7 k)	T	31/75.7
R104	7030003520	S.RES ERJ3GEYJ 472 V (4.7 k)	T	19.3/73.5
R105	7030003520	S.RES ERJ3GEYJ 472 V (4.7 k)	T	19.3/76.1
R106	7030003560	S.RES ERJ3GEYJ 103 V (10 k)	B	54.6/60.1
R107	7030003560	S.RES ERJ3GEYJ 103 V (10 k)	B	49.4/60.1
R108	7030003560	S.RES ERJ3GEYJ 103 V (10 k)	B	48.4/49.5
R109	7030003560	S.RES ERJ3GEYJ 103 V (10 k)	B	52/60.1
R110	7030003560	S.RES ERJ3GEYJ 103 V (10 k)	T	54.9/49.3
R111	7030003560	S.RES ERJ3GEYJ 103 V (10 k)	B	54.6/58.8
R112	7030003560	S.RES ERJ3GEYJ 103 V (10 k)	T	53.6/49.3
R113	7030003560	S.RES ERJ3GEYJ 103 V (10 k)	B	49.4/58.8
R114	7030003560	S.RES ERJ3GEYJ 103 V (10 k)	B	45.8/49.5
R115	7030003560	S.RES ERJ3GEYJ 103 V (10 k)	B	49.4/62.7
R116	7030003560	S.RES ERJ3GEYJ 103 V (10 k)	B	49.4/61.4
R117	7030003260	S.RES ERJ3GEYJ 330 V (33)	B	43.2/49.5
R118	70300			

[LOGIC UNIT]

REF NO.	ORDER NO.	DESCRIPTION	M.	H/V LOCATION
R130	7030003560	S.RES ERJ3GEYJ 103 V (10 k)	B	56.4/50.5
R131	7030003560	S.RES ERJ3GEYJ 103 V (10 k)	B	54.6/61.4
R132	7030003560	S.RES ERJ3GEYJ 103 V (10 k)	T	56.2/49.3
R133	7030003560	S.RES ERJ3GEYJ 103 V (10 k)	T	56.2/46.7
R134	7030003200	S.RES ERJ3GEYJ 100 V (10)	B	57.2/58.8
R135	7030003200	S.RES ERJ3GEYJ 100 V (10)	B	57.2/60.1
R136	7030003200	S.RES ERJ3GEYJ 100 V (10)	B	70.1/50.5
R137	7030004050	S.RES ERJ3GEYJ 1R0 V (1)	B	49.4/68
R138	7030003560	S.RES ERJ3GEYJ 103 V (10 k)	B	49.4/69.3
R139	7030003560	S.RES ERJ3GEYJ 103 V (10 k)	B	49.7/78
R140	7410000990	S.ARY EXB-V8V 470JV (47)	T	47/82.7
R141	7410000990	S.ARY EXB-V8V 470JV (47)	T	43.3/82.7
R142	7410000990	S.ARY EXB-V8V 470JV (47)	T	54.4/82.7
R143	7410000990	S.ARY EXB-V8V 470JV (47)	T	61.8/82.7
R144	7410000990	S.ARY EXB-V8V 470JV (47)	T	50.7/82.7
R145	7410000990	S.ARY EXB-V8V 470JV (47)	T	58.1/82.7
R146	7030003280	S.RES ERJ3GEYJ 470 V (47)	T	70/81.8
R147	7030003280	S.RES ERJ3GEYJ 470 V (47)	T	70/80.5
R148	7410000990	S.ARY EXB-V8V 470JV (47)	T	65.5/82.7
R149	7410000990	S.ARY EXB-V8V 470JV (47)	T	70/54.9
R150	7410000990	S.ARY EXB-V8V 470JV (47)	T	70/58.6
R151	7410000990	S.ARY EXB-V8V 470JV (47)	T	70/62.3
R152	7410000990	S.ARY EXB-V8V 470JV (47)	T	70/66
R153	7030003200	S.RES ERJ3GEYJ 100 V (10)	T	70/83.1
R154	7410000990	S.ARY EXB-V8V 470JV (47)	T	70/69.7
R155	7410000990	S.ARY EXB-V8V 470JV (47)	T	70/73.4
R156	7410000990	S.ARY EXB-V8V 470JV (47)	T	70/78
R157	7410000800	S.ARY EXB-V8V 103JV (10 k)	T	77.4/38.7
R158	7030003560	S.RES ERJ3GEYJ 103 V (10 k)	T	77.4/36.2
R159	7030003560	S.RES ERJ3GEYJ 103 V (10 k)	T	64.3/41.3
R161	7030003250	S.RES ERJ3GEYJ 270 V (27)	T	9.1/64.6
R162	7030003800	S.RES ERJ3GEYJ 105 V (1 M)	T	6.2/59.5
R163	7030003320	S.RES ERJ3GEYJ 101 V (100)	T	12.5/73.7
R164	7030003250	S.RES ERJ3GEYJ 270 V (27)	B	10.8/68.3
R165	7030003860	S.RES ERJ3GE JPW V	T	4.3/76.8
R166	7030003860	S.RES ERJ3GE JPW V	T	8.5/81.2
R167	7030003860	S.RES ERJ3GE JPW V	T	14.9/78.1
R170	7030003600	S.RES ERJ3GEYJ 223 V (22 k)	B	38.5/38.6
R171	7030003600	S.RES ERJ3GEYJ 223 V (22 k)	B	35.3/75.2
R172	7030003600	S.RES ERJ3GEYJ 223 V (22 k)	B	35.3/76.5
R173	7030003600	S.RES ERJ3GEYJ 223 V (22 k)	B	39.4/78.2
R174	7030003600	S.RES ERJ3GEYJ 223 V (22 k)	B	37.4/79
R175	7030003600	S.RES ERJ3GEYJ 223 V (22 k)	B	37.4/80.3
R176	7030003600	S.RES ERJ3GEYJ 223 V (22 k)	B	35.3/73.9
R201	7030003560	S.RES ERJ3GEYJ 103 V (10 k)	T	114.5/85.1
R202	7030003560	S.RES ERJ3GEYJ 103 V (10 k)	T	111.3/85.1
R203	7030003560	S.RES ERJ3GEYJ 103 V (10 k)	T	118.4/86.4
R204	7030003560	S.RES ERJ3GEYJ 103 V (10 k)	T	118.4/85.1
R205	7030003560	S.RES ERJ3GEYJ 103 V (10 k)	T	114.5/82.5
R206	7030003560	S.RES ERJ3GEYJ 103 V (10 k)	T	111.3/83.8
R207	7030003560	S.RES ERJ3GEYJ 103 V (10 k)	T	118.4/83.8
R208	7030003560	S.RES ERJ3GEYJ 103 V (10 k)	T	118.4/82.5
R209	7030003560	S.RES ERJ3GEYJ 103 V (10 k)	T	114.5/83.8
R212	7030003640	S.RES ERJ3GEYJ 473 V (47 k)	T	83.7/82
R213	7030003640	S.RES ERJ3GEYJ 473 V (47 k)	T	83.7/83.3
R218	7030003520	S.RES ERJ3GEYJ 472 V (4.7 k)	T	116.9/49
R219	7030003520	S.RES ERJ3GEYJ 472 V (4.7 k)	T	83.7/79.4
R220	7030003520	S.RES ERJ3GEYJ 472 V (4.7 k)	B	94.1/74.4
R221	7030003560	S.RES ERJ3GEYJ 103 V (10 k)	T	83.7/73.7
R225	7030003560	S.RES ERJ3GEYJ 103 V (10 k)	B	94.1/79.6
R226	7030003560	S.RES ERJ3GEYJ 103 V (10 k)	B	94.1/80.9
R227	7030003560	S.RES ERJ3GEYJ 103 V (10 k)	T	92/98.2
R228	7030003560	S.RES ERJ3GEYJ 103 V (10 k)	T	92/95.1
R229	7030003560	S.RES ERJ3GEYJ 103 V (10 k)	T	91.2/92
R230	7030003560	S.RES ERJ3GEYJ 103 V (10 k)	T	93.3/95.1
R231	7030003560	S.RES ERJ3GEYJ 103 V (10 k)	T	92.5/92.2
R232	7030003560	S.RES ERJ3GEYJ 103 V (10 k)	B	93.4/83.2
R233	7030003560	S.RES ERJ3GEYJ 103 V (10 k)	T	93.3/98.2
R234	7030003560	S.RES ERJ3GEYJ 103 V (10 k)	T	93.8/92.2
R235	7030003560	S.RES ERJ3GEYJ 103 V (10 k)	T	94.6/95.1
R236	7030003560	S.RES ERJ3GEYJ 103 V (10 k)	T	94.6/98.2
R237	7030003560	S.RES ERJ3GEYJ 103 V (10 k)	B	94.7/83.2
R238	7030003560	S.RES ERJ3GEYJ 103 V (10 k)	T	95.1/92.2
R239	7030003560	S.RES ERJ3GEYJ 103 V (10 k)	T	95.9/95.1
R240	7030003560	S.RES ERJ3GEYJ 103 V (10 k)	T	95.9/98.2
R241	7030003560	S.RES ERJ3GEYJ 103 V (10 k)	B	97/89.4
R242	7030003560	S.RES ERJ3GEYJ 103 V (10 k)	T	96.6/92
R243	7030003560	S.RES ERJ3GEYJ 103 V (10 k)	B	96/83.2
R244	7030003560	S.RES ERJ3GEYJ 103 V (10 k)	T	96.6/64.7
R245	7030003560	S.RES ERJ3GEYJ 103 V (10 k)	T	90.1/64.7
R246	7030003560	S.RES ERJ3GEYJ 103 V (10 k)	T	88.8/61.6
R247	7030003560	S.RES ERJ3GEYJ 103 V (10 k)	B	96.7/74.4
R248	7030003560	S.RES ERJ3GEYJ 103 V (10 k)	T	91.4/64.7
R249	7030003560	S.RES ERJ3GEYJ 103 V (10 k)	T	86.2/64.7
R250	7030003560	S.RES ERJ3GEYJ 103 V (10 k)	T	87.5/64.7
R251	7030003560	S.RES ERJ3GEYJ 103 V (10 k)	T	90.1/61.6
R252	7030003560	S.RES ERJ3GEYJ 103 V (10 k)	T	87.5/61.6
R253	7030003560	S.RES ERJ3GEYJ 103 V (10 k)	T	83.7/75
R254	7030003560	S.RES ERJ3GEYJ 103 V (10 k)	T	88.8/64.7
R255	7030003560	S.RES ERJ3GEYJ 103 V (10 k)	T	86.2/61.6
R256	7030003560	S.RES ERJ3GEYJ 103 V (10 k)	B	96.7/77
R257	7030003560	S.RES ERJ3GEYJ 103 V (10 k)	T	92.7/64.7
R258	7030003560	S.RES ERJ3GEYJ 103 V (10 k)	B	96.7/78.3
R259	7030003560	S.RES ERJ3GEYJ 103 V (10 k)	T	92.7/61.6
R260	7030003560	S.RES ERJ3GEYJ 103 V (10 k)	B	96.7/79.6
R261	7030003560	S.RES ERJ3GEYJ 103 V (10 k)	T	94/61.6
R262	7030003560	S.RES ERJ3GEYJ 103 V (10 k)	B	96.7/80.9
R263	7030003560	S.RES ERJ3GEYJ 103 V (10 k)	B	94/66.6
R264	7030003560	S.RES ERJ3GEYJ 103 V (10 k)	B	98/72.6
R265	7030003560	S.RES ERJ3GEYJ 103 V (10 k)	T	92.7/59
R266	7030003560	S.RES ERJ3GEYJ 103 V (10 k)	T	94/59
R267	7030003560	S.RES ERJ3GEYJ 103 V (10 k)	T	95.3/64.7
R268	7030003560	S.RES ERJ3GEYJ 103 V (10 k)	B	91.4/66.6
R269	7030003560	S.RES ERJ3GEYJ 103 V (10 k)	T	94/64.7

[LOGIC UNIT]

REF NO.	ORDER NO.	DESCRIPTION	M.	H/V LOCATION
R270	7030003560	S.RES ERJ3GEYJ 103 V (10 k)	T	91.4/61.6
R271	7030003560	S.RES ERJ3GEYJ 103 V (10 k)	T	91.4/59
R272	7030003560	S.RES ERJ3GEYJ 103 V (10 k)	B	114.7/71.1
R273	7030003560	S.RES ERJ3GEYJ 103 V (10 k)	T	114/68.2
R274	7030003560	S.RES ERJ3GEYJ 103 V (10 k)	B	99.9/79.7
R275	7030003560	S.RES ERJ3GEYJ 103 V (10 k)	T	111/69.5
R276	7030003560	S.RES ERJ3GEYJ 103 V (10 k)	T	108.7/64.8
R277	7030003560	S.RES ERJ3GEYJ 103 V (10 k)	T	114/69.9
R278	7030003560	S.RES ERJ3GEYJ 103 V (10 k)	T	114/65.6
R279	7030003560	S.RES ERJ3GEYJ 103 V (10 k)	B	99.9/81
R280	7030003560	S.RES ERJ3GEYJ 103 V (10 k)	T	114/69.5
R281	7030003560	S.RES ERJ3GEYJ 103 V (10 k)	B	100.6/75.2
R282	7030003560	S.RES ERJ3GEYJ 103 V (10 k)	B	99.3/75.2
R283	7030003560	S.RES ERJ3GEYJ 103 V (10 k)	B	105.6/65.2
R284	7030003560	S.RES ERJ3GEYJ 103 V (10 k)	B	105.6/66.5
R285	7030003560	S.RES ERJ3GEYJ 103 V (10 k)	B	99.9/78.4
R286	7030003560	S.RES ERJ3GEYJ 103 V (10 k)	T	114/64.3
R287	7030003560	S.RES ERJ3GEYJ 103 V (10 k)	T	103.5/65.6
R288	7030003560	S.RES ERJ3GEYJ 103 V (10 k)	T	108.7/63.4
R289	7030003560	S.RES ERJ3GEYJ 103 V (10 k)	T	100.9/65.5
R290	7030003560	S.RES ERJ3GEYJ 103 V (10 k)	B	99.9/77
R291	7030003560	S.RES ERJ3GEYJ 103 V (10 k)	T	106.1/65.5
R292	7030003560	S.RES ERJ3GEYJ 103 V (10 k)	B	94.1/75.7
R293	7030003560	S.RES ERJ3GEYJ 103 V (10 k)	B	94.1/77
R294	7030003560	S.RES ERJ3GEYJ 103 V (10 k)	B	94.1/78.3
R295	7030003640	S.RES ERJ3GEYJ 473 V (47 k)	B	96.7/75.7
R296	7030003560	S.RES ERJ3GEYJ 103 V (10 k)	T	111.3/87.7
R297	7030003560	S.RES ERJ3GEYJ 103 V (10 k)	T	111.3/91.6
R298	7030003560	S.RES ERJ3GEYJ 103 V (10 k)	T	118.4/91.6
R299	7030003560	S.RES ERJ3GEYJ 103 V (10 k)	T	111.3/90.3
R300	7030003560	S.RES ERJ3GEYJ 103 V (10 k)	T	114.5/90.3
R301	7030003560	S.RES ERJ3GEYJ 103 V (10 k)	T	118.4/90.3
R302	7030003560	S.RES ERJ3GEYJ 103 V (10 k)	T	114.5/91.6
R303	7030003560	S.RES ERJ3GEYJ 103 V (10 k)	T	118.4/89
R304	7030003560	S.RES ERJ3GEYJ 103 V (10 k)	T	114.5/89
R305	7030003560	S.RES ERJ3GEYJ 103 V (10 k)	T	111.3/89
R306	7030003560	S.RES ERJ3GEYJ 103 V (10 k)	T	111.3/86.4
R307	7030003560	S.RES ERJ3GEYJ 103 V (10 k)	T	114.5/86.4
R308	7030003560	S.RES ERJ3GEYJ 103 V (10 k)	T	118.4/87.7
R309	7030003560	S.RES ERJ3GEYJ 103 V (10 k)	T	114.5/87.7
R310	7030003560	S.RES ERJ3GEYJ 103 V (10 k)	T	111/68.2
R311	7030003560	S.RES ERJ3GEYJ 103 V (10 k)	B	116.1/71.1
R313	7030003410	S.RES ERJ3GEYJ 561 V (560)	T	209.8/36.7
R314	7030003340	S.RES ERJ3GEYJ 151 V (150)	B	216.8/32.5
R315	7030003340	S.RES ERJ3GEYJ 151 V (150)	B	218.1/32.5
R316	7030003340	S.RES ERJ3GEYJ 151 V (150)	B	216.8/29.5
R317	7030003340	S.RES ERJ3GEYJ 151 V (150)	B	218.1/29.5
R318	7030003340	S.RES ERJ3GEYJ 151 V (150)	B	216.8/26.5
R319	7030003340	S.RES ERJ3GEYJ 151 V (150)	B	218.1/26.5
R320	7030003240	S.RES ERJ3GEYJ 220 V (22)	T	203.9/17.8
R321	7030003240	S.RES ERJ3GEYJ 220 V (22)	T	203.9/20.7
R322	7030003250	S.RES ERJ3GEYJ 270 V (27)	B	213.9/7.4
R323	7030003250	S.RES ERJ3GEYJ 270 V (27)	B	215.9/3.3
R324	7030003580	S.RES ERJ3GEYJ 153 V (15 k)	B	213.9/6.1
R325	7030003580	S.RES ERJ3GEYJ 153 V (15 k)	B	215.9/4.6
R326	7030003250	S.RES ERJ3GEYJ 270 V (27)	B	227.4/4.9
R327	7030003250	S.RES ERJ3GEYJ 270 V (27)	B	230/4.9
R328	7030003580	S.RES ERJ3GEYJ 153 V (15 k)	B	228.1/3.1
R329	7030003580	S.RES ERJ3GEYJ 153 V (15 k)	B	230.7/3.1
R330	7030003560	S.RES ERJ3GEYJ 103 V (10 k)	B	222.6/38.8
R331	7030003560	S.RES ERJ3GEYJ 103 V (10 k)	B	223.9/38.8
R332	7030003640	S.RES ERJ3GEYJ 473 V (47 k)	B	104.6/25.8
R333	7030003640	S.RES ERJ3GEYJ 473 V (47 k)	B	113.9/19.1
R334	7030003640	S.RES ERJ3GEYJ 473 V (47 k)	B	110.7/19.5
R335	7030003280	S.RES ERJ3GEYJ 470 V (47)	B	109.8/26.4
R336	7030003640	S.RES ERJ3GEYJ 473 V (47 k)	B	115.5/25.8
R337	7030003640	S.RES ERJ3GEYJ 473 V (47 k)	B	125.1/23.6
R338	7030003640	S.RES ERJ3GEYJ 473 V (47 k)	B	125.2/20.6
R339	7030003280	S.RES ERJ3GEYJ 470 V (47)	B	120.1/27.7
R340	7030003280	S.RES ERJ3GEYJ 470 V (47)	B	130.8/38.1
R341	7030003640	S.RES ERJ3GEYJ 473 V (47 k)	B	135.7/33.5
R342	7030003280	S.RES ERJ3GEYJ 470 V (47)	B	121.7/36.9
R343	7030003640	S.RES ERJ3GEYJ 473 V (47 k)	B	119.5/30
R344	7030003520	S.RES ERJ3GEYJ 472 V (4.7 k)	B	129.1/29.1
R345	7030003520	S.RES ERJ3GEYJ 472 V (4.7 k)	B	116.9/30</



[LOGIC UNIT]

REF NO.	ORDER NO.	DESCRIPTION	M.	H/V LOCATION
R425	7030003380	S.RES ERJ3GEYJ 331 V (330)	T	9.3/96.4
R426	7030003380	S.RES ERJ3GEYJ 331 V (330)	T	9.3/94.9
R427	7030003380	S.RES ERJ3GEYJ 331 V (330)	T	9.3/93.1
R428	7030003320	S.RES ERJ3GEYJ 101 V (100)	B	147.4/21.2
R429	7030003320	S.RES ERJ3GEYJ 101 V (100)	B	148.7/21.2
R430	7030003320	S.RES ERJ3GEYJ 101 V (100)	B	151.3/21.2
R431	7030003320	S.RES ERJ3GEYJ 101 V (100)	B	150.2/21.2
R432	7030003320	S.RES ERJ3GEYJ 101 V (100)	B	154.3/15.2
R433	7030003320	S.RES ERJ3GEYJ 101 V (100)	B	155.6/15.2
R434	7030003320	S.RES ERJ3GEYJ 101 V (100)	B	155.6/18.4
R435	7030003320	S.RES ERJ3GEYJ 101 V (100)	B	154.3/18.4
R436	7030003340	S.RES ERJ3GEYJ 151 V (150)	B	156.5/6.7
R437	7030003340	S.RES ERJ3GEYJ 151 V (150)	B	158.5/6.7
R438	7030003340	S.RES ERJ3GEYJ 151 V (150)	B	162.5/6.7
R439	7030003340	S.RES ERJ3GEYJ 151 V (150)	B	164.5/6.7
R440	7030003340	S.RES ERJ3GEYJ 151 V (150)	B	156.5/4.1
R441	7030003340	S.RES ERJ3GEYJ 151 V (150)	B	158.5/4.1
R442	7030003340	S.RES ERJ3GEYJ 151 V (150)	B	164.5/4.1
R443	7030003340	S.RES ERJ3GEYJ 151 V (150)	B	162.5/4.1
R450	7030003860	S.RES ERJ3GGE JPW V	T	36.8/35.4
R601	7030003620	S.RES ERJ3GEYJ 333 V (33 k)	B	175/55.4
R602	7030003590	S.RES ERJ3GEYJ 183 V (18 k)	B	171.3/53.1
R603	7030003540	S.RES ERJ3GEYJ 682 V (6.8 k)	B	173.1/55.2
R604	7030003640	S.RES ERJ3GEYJ 473 V (47 k)	B	171.3/55.7
R605	7030003680	S.RES ERJ3GEYJ 104 V (100 k)	B	167.3/55
R606	7030003680	S.RES ERJ3GEYJ 104 V (100 k)	B	102.8/31.6
R607	7030003350	S.RES ERJ3GEYJ 181 V (180)	B	87.7/14.2
R608	7030003520	S.RES ERJ3GEYJ 472 V (4.7 k)	B	90.5/14.2
R609	7030003440	S.RES ERJ3GEYJ 102 V (1 k)	T	80.8/23.6
R610	7030003440	S.RES ERJ3GEYJ 102 V (1 k)	T	80.8/24.9
R611	7030003440	S.RES ERJ3GEYJ 102 V (1 k)	T	80.8/26.2
R612	7030003440	S.RES ERJ3GEYJ 102 V (1 k)	T	80.1/27.5
R613	7030003440	S.RES ERJ3GEYJ 102 V (1 k)	T	83.4/27.9
R614	7030003440	S.RES ERJ3GEYJ 102 V (1 k)	T	83.4/29.2
R615	7030003440	S.RES ERJ3GEYJ 102 V (1 k)	T	83.4/30.5
R616	7030003440	S.RES ERJ3GEYJ 102 V (1 k)	T	83.4/31.8
R617	7030003800	S.RES ERJ3GEYJ 105 V (1 M)	T	86.5/31.8
R618	7030003800	S.RES ERJ3GEYJ 105 V (1 M)	T	86.5/30.5
R619	7030003800	S.RES ERJ3GEYJ 105 V (1 M)	T	86.5/29.2
R620	7030003800	S.RES ERJ3GEYJ 105 V (1 M)	T	86.5/27.9
R621	7030003800	S.RES ERJ3GEYJ 105 V (1 M)	T	84.1/26.6
R622	7030003800	S.RES ERJ3GEYJ 105 V (1 M)	T	84.1/25.3
R623	7030003800	S.RES ERJ3GEYJ 105 V (1 M)	T	84.3/23.6
R624	7030003800	S.RES ERJ3GEYJ 105 V (1 M)	T	84.3/22.3
R625	7030003640	S.RES ERJ3GEYJ 473 V (47 k)	B	68.6/27.3
R626	7030003600	S.RES ERJ3GEYJ 223 V (22 k)	B	68.6/28.6
R627	7030003640	S.RES ERJ3GEYJ 473 V (47 k)	B	66.3/36.4
R628	7030003640	S.RES ERJ3GEYJ 473 V (47 k)	B	66.3/35.1
R629	7030003640	S.RES ERJ3GEYJ 473 V (47 k)	B	71.2/34.9
R630	7030003520	S.RES ERJ3GEYJ 472 V (4.7 k)	B	68.6/32.5
R631	7030003520	S.RES ERJ3GEYJ 472 V (4.7 k)	T	67.4/27
R632	7030003520	S.RES ERJ3GEYJ 472 V (4.7 k)	T	67.4/30.9
R633	7030003520	S.RES ERJ3GEYJ 472 V (4.7 k)	T	67.4/28.3
R634	7030003520	S.RES ERJ3GEYJ 472 V (4.7 k)	B	66.3/33.8
R635	7030003520	S.RES ERJ3GEYJ 472 V (4.7 k)	T	67.4/29.6
R636	7030003640	S.RES ERJ3GEYJ 473 V (47 k)	B	58.1/19.5
R637	7030003640	S.RES ERJ3GEYJ 473 V (47 k)	B	61.8/19.5
R639	7030003640	S.RES ERJ3GEYJ 473 V (47 k)	T	99.1/19
R640	7030003640	S.RES ERJ3GEYJ 473 V (47 k)	T	97.8/19
R641	7030003640	S.RES ERJ3GEYJ 473 V (47 k)	T	96.5/19
R642	7030003640	S.RES ERJ3GEYJ 473 V (47 k)	T	95.2/19
R643	7030003600	S.RES ERJ3GEYJ 223 V (22 k)	B	80.9/46.3
R644	7030003560	S.RES ERJ3GEYJ 103 V (10 k)	B	82.2/46.3
R645	7030003520	S.RES ERJ3GEYJ 472 V (4.7 k)	B	93.1/40.9
R646	7030003720	S.RES ERJ3GEYJ 224 V (220 k)	B	101.8/41.5
R647	7030003720	S.RES ERJ3GEYJ 224 V (220 k)	B	102.8/44.1
R648	7030003720	S.RES ERJ3GEYJ 224 V (220 k)	B	103.8/41.5
R649	7030003720	S.RES ERJ3GEYJ 224 V (220 k)	B	104.8/44.1
R650	7030003720	S.RES ERJ3GEYJ 224 V (220 k)	B	105.8/41.5
R651	7030003720	S.RES ERJ3GEYJ 224 V (220 k)	B	106.8/44.1
R652	7030003720	S.RES ERJ3GEYJ 224 V (220 k)	B	107.8/41.5
R653	7030003720	S.RES ERJ3GEYJ 224 V (220 k)	B	108.7/44.1
R654	7030003520	S.RES ERJ3GEYJ 472 V (4.7 k)	B	102.8/39.2
R655	7030003520	S.RES ERJ3GEYJ 472 V (4.7 k)	B	102.8/37.7
R656	7030003520	S.RES ERJ3GEYJ 472 V (4.7 k)	T	144.4/59.9
R657	7030003720	S.RES ERJ3GEYJ 224 V (220 k)	B	68.6/26
R658	7030003640	S.RES ERJ3GEYJ 473 V (47 k)	B	84.2/44.2
R659	7030003640	S.RES ERJ3GEYJ 473 V (47 k)	B	84.2/45.5
R660	7030003640	S.RES ERJ3GEYJ 473 V (47 k)	B	69.8/29.5
R661	7030003640	S.RES ERJ3GEYJ 473 V (47 k)	B	102.4/16.4
R662	7030003640	S.RES ERJ3GEYJ 473 V (47 k)	B	89.2/14.2
R663	7030003640	S.RES ERJ3GEYJ 473 V (47 k)	B	71.2/15.9
R664	7030003640	S.RES ERJ3GEYJ 473 V (47 k)	B	71.2/17.2
R665	7030003560	S.RES ERJ3GEYJ 103 V (10 k)	B	93.1/14.2
R666	7030003560	S.RES ERJ3GEYJ 103 V (10 k)	B	78.3/16.5
R667	7030003560	S.RES ERJ3GEYJ 103 V (10 k)	B	77/16
R668	7030003640	S.RES ERJ3GEYJ 473 V (47 k)	B	84.9/16.8
R669	7030003640	S.RES ERJ3GEYJ 473 V (47 k)	B	71.2/14.6
R670	7030003640	S.RES ERJ3GEYJ 473 V (47 k)	T	94.4/43.5
R671	7030003640	S.RES ERJ3GEYJ 473 V (47 k)	T	95.7/43.5
R672	7030003640	S.RES ERJ3GEYJ 473 V (47 k)	B	75.7/16.8
R673	7030003640	S.RES ERJ3GEYJ 473 V (47 k)	B	74.4/16.8
R674	7030003640	S.RES ERJ3GEYJ 473 V (47 k)	T	91.3/36.8
R675	7030003640	S.RES ERJ3GEYJ 473 V (47 k)	T	89.1/31.8
R676	7030003640	S.RES ERJ3GEYJ 473 V (47 k)	B	94.4/14.2
R677	7030003520	S.RES ERJ3GEYJ 472 V (4.7 k)	T	146.1/65.1
R678	7030003720	S.RES ERJ3GEYJ 224 V (220 k)	B	68.6/22.1
R679	7030003640	S.RES ERJ3GEYJ 473 V (47 k)	B	91.8/14.2
R680	7030003520	S.RES ERJ3GEYJ 472 V (4.7 k)	T	144.6/65.1
R681	7030003520	S.RES ERJ3GEYJ 472 V (4.7 k)	T	147.5/65.1
R682	7030003520	S.RES ERJ3GEYJ 472 V (4.7 k)	B	152.7/60.8
R683	7030003720	S.RES ERJ3GEYJ 224 V (220 k)	B	68.6/23.4
R684	7030003640	S.RES ERJ3GEYJ 473 V (47 k)	B	80.2/16.2
R685	7030003520	S.RES ERJ3GEYJ 472 V (4.7 k)	B	152.7/62.1

[LOGIC UNIT]

REF NO.	ORDER NO.	DESCRIPTION	M.	H/V LOCATION
R686	7030003520	S.RES ERJ3GEYJ 472 V (4.7 k)	B	152.7/59.5
R687	7030003520	S.RES ERJ3GEYJ 472 V (4.7 k)	B	152.1/53.6
R688	7030003720	S.RES ERJ3GEYJ 224 V (220 k)	B	68.6/24.7
R689	7030003520	S.RES ERJ3GEYJ 472 V (4.7 k)	B	153/56.2
R690	7030003520	S.RES ERJ3GEYJ 472 V (4.7 k)	B	153/54.9
R691	7030003640	S.RES ERJ3GEYJ 473 V (47 k)	B	66/31.9
R701	7030003860	S.RES ERJ3GGE JPW V	T	93.1/43.5
R801	7030003560	S.RES ERJ3GEYJ 103 V (10 k)	T	158.2/72.8
R802	7030006210	S.RES ERJ12YJ4R7U (4.7)	T	162.3/71.2
R803	7030003440	S.RES ERJ3GEYJ 102 V (1 k)	T	159.5/72.8
R804	7030006210	S.RES ERJ12YJ4R7U (4.7)	T	168.9/71.2
R805	7030003440	S.RES ERJ3GEYJ 102 V (1 k)	T	166.1/72.8
R806	7030003560	S.RES ERJ3GEYJ 103 V (10 k)	T	164.8/72.8
R807	7030006210	S.RES ERJ12YJ4R7U (4.7)	T	175.5/71.2
R808	7030003440	S.RES ERJ3GEYJ 102 V (1 k)	T	173/72.8
R809	7030003560	S.RES ERJ3GEYJ 103 V (10 k)	T	171.6/72.8
R810	7030003320	S.RES ERJ3GEYJ 101 V (100)	B	154.9/29.9
R811	7030003320	S.RES ERJ3GEYJ 101 V (100)	B	154.9/27.5
R812	7030010440	S.RES ERJ1TYJ 680U (68)	B	133/111.2
R813	7030003560	S.RES ERJ3GEYJ 103 V (10 k)	B	192.6/10
R814	7030003440	S.RES ERJ3GEYJ 102 V (1 k)	T	105.6/116.6
R816	7030003560	S.RES ERJ3GEYJ 103 V (10 k)	T	158.9/74.7
R817	7030003560	S.RES ERJ3GEYJ 103 V (10 k)	T	161.5/74.7
R818	7030000140	S.RES MCR10EZHJ 10 (100)	T	155.6/78.2
R819	7030007190	S.RES ERJ12YJ220U (22)	T	135.4/111
R821	7030003370	S.RES ERJ3GEYJ 271 V (270)	B	15.3/100
R822	7030009720	S.RES ERJ12YJ102U (1 k)	T	19.9/103.2
R823	7030003810	S.RES ERJ3GEYJ 125 V (1.2 M)	B	16.8/109.5
R824	7030003810	S.RES ERJ3GEYJ 125 V (1.2 M)	B	13.5/107.1
R825	7030008170	S.RES ERJ12YJ1R0U (1)	B	37/112.2
R826	7030003610	S.RES ERJ3GEYJ 273 V (27 k)	B	16.8/110.8
R827	7030003610	S.RES ERJ3GEYJ 273 V (27 k)	B	13.5/109.9
R828	7030003560	S.RES ERJ3GEYJ 103 V (10 k)	B	25.4/101.5
R829	7030000340	S.RES MCR10EZHJ 407 (471)	B	20.6/104.5
R830	7030003600	S.RES ERJ3GEYJ 223 V (22 k)	B	18.5/100
R832	7030003600	S.RES ERJ3GEYJ 223 V (22 k)	B	18.5/98.7
R833	7030003560	S.RES ERJ3GEYJ 103 V (10 k)	B	18.5/97.4
R850	7030003860	S.RES ERJ3GGE JPW V	B	182.4/50.2
R851	7030003680	S.RES ERJ3GEYJ 104 V (100 k)	B	187.1/61.9
R852	7030003680	S.RES ERJ3GEYJ 104 V (100 k)	B	185/61.9
R853	7030003770	S.RES ERJ3GEYJ 564 V (560 k)	B	183.7/61.9
R854	7030003770	S.RES ERJ3GEYJ 564 V (560 k)	B	188.4/61.9
R855	7030003520	S.RES ERJ3GEYJ 472 V (4.7 k)	B	191.5/61.9
R856	7030003520	S.RES ERJ3GEYJ 472 V (4.7 k)	B	180.6/61.9
R857	7030003560	S.RES ERJ3GEYJ 103 V (10 k)	B	144.7/14.2
R858	7030003460	S.RES ERJ3GEYJ 152 V (1.5 k)	B	144.7/12.9
R859	7030003470	S.RES ERJ3GEYJ 182 V (1.8 k)	B	142.1/12.9
R860	7030003500	S.RES ERJ3GEYJ 332 V (3.3 k)	B	144.7/15.5
R861	7030003480	S.RES ERJ3GEYJ 222 V (2.2 k)	B	141.4/14.9
R862	7030003380	S.RES ERJ3GEYJ 331 V (330)	B	147.7/31.8
R863	7030003560	S.RES ERJ3GEYJ 103 V (10 k)	B	134.5/21.1
R864	7030003460	S.RES ERJ3GEYJ 152 V (1.5 k)	B	134.5/19.8
R865	7030003470	S.RES ERJ3GEYJ 182 V (1.8 k)	B	134.5/18.5
R866	7030003500	S.RES ERJ3GEYJ 332 V (3.3 k)	B	131.7/17.2
R867	7030003480	S.RES ERJ3GEYJ 222 V (2.2 k)	B	131.7/18.5
R868	7030003380	S.RES ERJ3GEYJ 331 V (330)	B	134.1/73.8
R869	7030003560	S.RES ERJ3GEYJ 103 V (10 k)	B	114.1/30
R870	7030003560	S.RES ERJ3GEYJ 103 V (10 k)	B	144.7/7.2
R871	7030003460	S.RES ERJ3GEYJ 152 V (1.5 k)	B	143.4/7.2
R872	7030003470	S.RES ERJ3GEYJ 182 V (1.8 k)	B	142.1/7.2
R873	7030003500	S.RES ERJ3GEYJ 332 V (3.3 k)	B	138.2/17.2
R874	7030003480	S.RES ERJ3GEYJ 222 V (2.2 k)	B	139.5/7.2
R875	7030003380	S.RES ERJ3GEYJ 331 V (330)	B	140.9/3.8
R876	7030003410	S.RES ERJ3GEYJ 561 V (560)	B	120.5/14.9
R877	7030003700	S.RES ERJ3GEYJ 154 V (150 k)	B	120.5/13.6
R878	7030003520	S.RES ERJ3GEYJ 472 V (4.7 k)	B	120.5/12.3
R879	7030003550	S.RES ERJ3GEYJ 822 V (8.2 k)	B	117.9/4.5
R880	7030003690	S.RES ERJ3GEYJ 124 V (12 k)	B	119.7/5
R881	7030003520	S.RES ERJ3GEYJ 472 V (4.7 k)	B	122.3/5
R882	7030003410	S.RES ERJ3GEYJ 561 V (560)	B	108.9/15.9
R883	7030003550	S.RES ERJ3GEYJ 822 V (8.2 k)	B	108.9/14.6
R884	7030003520	S.RES ERJ3GEYJ 472 V (4.7 k)	B	108.9/13.3
R885	7030003410	S.RES ERJ3GEYJ 561 V (560)	B	108.9



[LOGIC UNIT]

REF NO.	ORDER NO.	DESCRIPTION	M.	H/V LOCATION
R921	7030003200	S.RES ERJ3GEYJ 100 V (10)	T	176.1/30.8
R922	7030003200	S.RES ERJ3GEYJ 100 V (10)	T	176.6/40.3
R923	7030003200	S.RES ERJ3GEYJ 100 V (10)	T	177.1/28.2
R924	7030003200	S.RES ERJ3GEYJ 100 V (10)	T	177.6/37.7
R925	7030003200	S.RES ERJ3GEYJ 100 V (10)	T	178.1/30.8
R926	7030003200	S.RES ERJ3GEYJ 100 V (10)	T	178.6/40.3
R927	7030003200	S.RES ERJ3GEYJ 100 V (10)	T	179.1/28.2
R928	7030003200	S.RES ERJ3GEYJ 100 V (10)	T	179.6/37.7
R929	7030003200	S.RES ERJ3GEYJ 100 V (10)	T	180.1/30.8
R930	7030003200	S.RES ERJ3GEYJ 100 V (10)	T	180.6/40.3
R931	7030003200	S.RES ERJ3GEYJ 100 V (10)	T	181.1/28.2
R932	7030003200	S.RES ERJ3GEYJ 100 V (10)	T	182.1/30.8
R933	7030003200	S.RES ERJ3GEYJ 100 V (10)	T	182.6/40.3
R934	7030003200	S.RES ERJ3GEYJ 100 V (10)	T	183.1/28.2
R935	7030003200	S.RES ERJ3GEYJ 100 V (10)	T	183.6/37.7
R936	7030003200	S.RES ERJ3GEYJ 100 V (10)	T	184.1/30.8
R937	7030003200	S.RES ERJ3GEYJ 100 V (10)	T	185.1/28.2
R938	7030003200	S.RES ERJ3GEYJ 100 V (10)	T	133/37.7
R939	7030003200	S.RES ERJ3GEYJ 100 V (10)	T	134.2/30.8
R940	7030003200	S.RES ERJ3GEYJ 100 V (10)	T	134.4/37.8
R941	7030003200	S.RES ERJ3GEYJ 100 V (10)	T	135.2/28.3
R942	7030003200	S.RES ERJ3GEYJ 100 V (10)	T	135.7/37.7
R943	7030003200	S.RES ERJ3GEYJ 100 V (10)	T	136.2/30.8
R944	7030003200	S.RES ERJ3GEYJ 100 V (10)	T	136.7/40.3
R945	7030003200	S.RES ERJ3GEYJ 100 V (10)	T	137.2/28.3
R946	7030003200	S.RES ERJ3GEYJ 100 V (10)	T	137.7/37.7
R947	7030003200	S.RES ERJ3GEYJ 100 V (10)	T	138.2/30.8
R949	7030003200	S.RES ERJ3GEYJ 100 V (10)	T	139.2/28.3
R950	7030003200	S.RES ERJ3GEYJ 100 V (10)	T	139.7/37.7
R951	7030003200	S.RES ERJ3GEYJ 100 V (10)	T	140.2/30.8
R952	7030003200	S.RES ERJ3GEYJ 100 V (10)	T	140.7/40.3
R953	7030003200	S.RES ERJ3GEYJ 100 V (10)	T	141.2/28.3
R954	7030003200	S.RES ERJ3GEYJ 100 V (10)	T	141.7/37.7
R955	7030003200	S.RES ERJ3GEYJ 100 V (10)	T	142.2/30.8
R956	7030003200	S.RES ERJ3GEYJ 100 V (10)	T	142.7/40.3
R957	7030003200	S.RES ERJ3GEYJ 100 V (10)	T	143.2/28.3
R958	7030003200	S.RES ERJ3GEYJ 100 V (10)	T	143.7/37.7
R959	7030003200	S.RES ERJ3GEYJ 100 V (10)	T	144.2/30.8
R960	7030003200	S.RES ERJ3GEYJ 100 V (10)	T	144.7/40.3
R961	7030003200	S.RES ERJ3GEYJ 100 V (10)	T	145.7/37.7
R962	7030003200	S.RES ERJ3GEYJ 100 V (10)	T	146.2/30.8
R963	7030003200	S.RES ERJ3GEYJ 100 V (10)	T	146.7/40.3
R964	7030003200	S.RES ERJ3GEYJ 100 V (10)	T	147.2/28.3
R965	7030003200	S.RES ERJ3GEYJ 100 V (10)	T	147.7/37.7
R966	7030003200	S.RES ERJ3GEYJ 100 V (10)	T	148.2/30.8
R967	7030003200	S.RES ERJ3GEYJ 100 V (10)	T	148.7/40.3
R968	7030003200	S.RES ERJ3GEYJ 100 V (10)	T	149.7/37.7
R969	7030003200	S.RES ERJ3GEYJ 100 V (10)	T	150.2/28.3
R970	7030003200	S.RES ERJ3GEYJ 100 V (10)	T	150.7/40.3
R971	7030003200	S.RES ERJ3GEYJ 100 V (10)	T	151.2/30.8
R974	7030003200	S.RES ERJ3GEYJ 100 V (10)	T	153.2/30.8
R975	7030003200	S.RES ERJ3GEYJ 100 V (10)	B	214.5/83.4
R976	7030003200	S.RES ERJ3GEYJ 100 V (10)	B	220.6/83
R977	7030003200	S.RES ERJ3GEYJ 100 V (10)	B	214.5/86
R978	7030003200	S.RES ERJ3GEYJ 100 V (10)	B	220.6/87
R979	7030003200	S.RES ERJ3GEYJ 100 V (10)	B	214.5/88
R980	7030003200	S.RES ERJ3GEYJ 100 V (10)	B	220.6/89
R981	7030003200	S.RES ERJ3GEYJ 100 V (10)	B	220.6/91
R982	7030003200	S.RES ERJ3GEYJ 100 V (10)	B	220.6/93
R983	7030003200	S.RES ERJ3GEYJ 100 V (10)	B	214.5/94
R984	7030003200	S.RES ERJ3GEYJ 100 V (10)	B	12.2/115.7
R985	7030003200	S.RES ERJ3GEYJ 100 V (10)	B	13.6/115.7
R986	7030003200	S.RES ERJ3GEYJ 100 V (10)	B	14.9/115.7
R987	7030003200	S.RES ERJ3GEYJ 100 V (10)	B	16.2/115.7
R988	7030003200	S.RES ERJ3GEYJ 100 V (10)	B	17.5/115.7
R989	7030003200	S.RES ERJ3GEYJ 100 V (10)	T	181.6/37.7
R990	7030003440	S.RES ERJ3GEYJ 102 V (1 k)	B	182.5/92.1
R991	7030003440	S.RES ERJ3GEYJ 102 V (1 k)	B	183.5/83.5
R992	7030003440	S.RES ERJ3GEYJ 102 V (1 k)	B	184.5/92.1
R993	7030003440	S.RES ERJ3GEYJ 102 V (1 k)	B	185.5/83.5
R994	7030003440	S.RES ERJ3GEYJ 102 V (1 k)	B	186.5/92.1
R995	7030003440	S.RES ERJ3GEYJ 102 V (1 k)	B	187.5/83.5
R996	7030003200	S.RES ERJ3GEYJ 100 V (10)	B	220.6/95.6
R998	7030003440	S.RES ERJ3GEYJ 102 V (1 k)	B	190.5/92.1
R999	7030003440	S.RES ERJ3GEYJ 102 V (1 k)	B	191.5/83.5
R1000	7030003440	S.RES ERJ3GEYJ 102 V (1 k)	B	192.5/92.1
R1003	7030003200	S.RES ERJ3GEYJ 100 V (10)	B	231.3/83
R1004	7030003200	S.RES ERJ3GEYJ 100 V (10)	B	225.9/82.7
R1005	7030003200	S.RES ERJ3GEYJ 100 V (10)	B	231.3/81
R1006	7030003200	S.RES ERJ3GEYJ 100 V (10)	B	222.7/80
R1007	7030003200	S.RES ERJ3GEYJ 100 V (10)	B	231.3/79
R1008	7030003200	S.RES ERJ3GEYJ 100 V (10)	B	222.7/48.5
R1009	7030003200	S.RES ERJ3GEYJ 100 V (10)	B	231.3/49.5
R1010	7030003200	S.RES ERJ3GEYJ 100 V (10)	B	222.7/52.5
R1011	7030003200	S.RES ERJ3GEYJ 100 V (10)	B	231.3/53.5
R1012	7030003200	S.RES ERJ3GEYJ 100 V (10)	B	222.7/56.5
R1013	7030003200	S.RES ERJ3GEYJ 100 V (10)	B	231.3/57.5
R1014	7030003200	S.RES ERJ3GEYJ 100 V (10)	B	222.7/58.5
R1015	7030003200	S.RES ERJ3GEYJ 100 V (10)	B	231.3/59.5
R1016	7030003200	S.RES ERJ3GEYJ 100 V (10)	T	181/22.1
R1017	7030003200	S.RES ERJ3GEYJ 100 V (10)	T	179.7/22.1
R1018	7030003200	S.RES ERJ3GEYJ 100 V (10)	T	176.7/22.1
R1019	7030003200	S.RES ERJ3GEYJ 100 V (10)	T	174.7/22.2
R1020	7030003200	S.RES ERJ3GEYJ 100 V (10)	T	173.4/22.2
R1021	7030003200	S.RES ERJ3GEYJ 100 V (10)	T	172.1/22.2
R1022	7030003200	S.RES ERJ3GEYJ 100 V (10)	T	170.8/22.2
R1023	7030003200	S.RES ERJ3GEYJ 100 V (10)	T	169.5/22.2
R1024	7030003200	S.RES ERJ3GEYJ 100 V (10)	B	220.7/85
R1025	7030003320	S.RES ERJ3GEYJ 101 V (100)	B	120.5/9.7
R1026	7030003320	S.RES ERJ3GEYJ 101 V (100)	B	108.9/8.1
R1027	7030003320	S.RES ERJ3GEYJ 101 V (100)	B	137.3/17.2
R1028	7030003320	S.RES ERJ3GEYJ 101 V (100)	B	135.6/7.2
R1029	7030003520	S.RES ERJ3GEYJ 472 V (4.7 k)	B	120.5/11
R1030	7030003520	S.RES ERJ3GEYJ 472 V (4.7 k)	B	120.5/7.1

[LOGIC UNIT]

REF NO.	ORDER NO.	DESCRIPTION	M.	H/V LOCATION
R1031	7030003520	S.RES ERJ3GEYJ 472 V (4.7 k)	B	108.9/12
R1032	7030003520	S.RES ERJ3GEYJ 472 V (4.7 k)	B	108.9/9.4
R1033	7030003860	S.RES ERJ3GE JPW V	T	188.9/62.5
R1035	7030003540	S.RES ERJ3GEYJ 682 V (6.8 k)	B	192.2/60.1
R1036	7030003540	S.RES ERJ3GEYJ 682 V (6.8 k)	B	184.5/64.7
R1041	7030003520	S.RES ERJ3GEYJ 472 V (4.7 k)	B	173.8/28.2
R1042	7030003550	S.RES ERJ3GEYJ 822 V (8.2 k)	T	115.2/16.6
R1052	7030008240	S.RES ERJ12Y0R00U	T	86.1/114.3
R1053	7030008240	S.RES ERJ12Y0R00U	T	67.5/114.4
R1054	7030008240	S.RES ERJ12Y0R00U	T	9.4/116.7
R1056	7030003860	S.RES ERJ3GE JPW V	T	138.7/40.3
R1057	7030003860	S.RES ERJ3GE JPW V	B	123.1/17.1
R1101	7030003280	S.RES ERJ3GEYJ 470 V (47)	T	18.7/30.5
R1102	7030003280	S.RES ERJ3GEYJ 470 V (47)	T	18.7/33.1
R1103	7030003280	S.RES ERJ3GEYJ 470 V (47)	T	18.7/35.7
R1104	7030003280	S.RES ERJ3GEYJ 470 V (47)	T	20.5/30.5
R1105	7030003280	S.RES ERJ3GEYJ 470 V (47)	T	20.5/33.1
R1106	7030003280	S.RES ERJ3GEYJ 470 V (47)	T	20.5/35.7
R1107	7030003280	S.RES ERJ3GEYJ 470 V (47)	T	22.3/30.5
R1108	7030003280	S.RES ERJ3GEYJ 470 V (47)	T	22.3/33.1
R1109	7030003280	S.RES ERJ3GEYJ 470 V (47)	T	22.3/35.7
R1110	7030003280	S.RES ERJ3GEYJ 470 V (47)	T	24.1/27.9
R1111	7030003280	S.RES ERJ3GEYJ 470 V (47)	T	24.1/30.5
R1112	7030003280	S.RES ERJ3GEYJ 470 V (47)	T	24.1/33.1
R1113	7030003280	S.RES ERJ3GEYJ 470 V (47)	T	25.9/27.9
R1114	7030003280	S.RES ERJ3GEYJ 470 V (47)	T	25.9/30.5
R1115	7030003280	S.RES ERJ3GEYJ 470 V (47)	T	25.9/33.1
R1116	7030003280	S.RES ERJ3GEYJ 470 V (47)	T	27.3/30.5
R1117	7030003280	S.RES ERJ3GEYJ 470 V (47)	T	28.6/30.5
R1118	7030003280	S.RES ERJ3GEYJ 470 V (47)	T	29.9/30.5
R1119	7030003280	S.RES ERJ3GEYJ 470 V (47)	T	31.2/30.5
R1120	7030003280	S.RES ERJ3GEYJ 470 V (47)	T	32.5/30.5
R1121	7030003280	S.RES ERJ3GEYJ 470 V (47)	T	33.8/30.5
R1122	7030003280	S.RES ERJ3GEYJ 470 V (47)	T	35.1/30.5
R1123	7030003280	S.RES ERJ3GEYJ 470 V (47)	T	40.5/29.6
R1124	7030003280	S.RES ERJ3GEYJ 470 V (47)	T	42.8/34.8
R1125	7030003280	S.RES ERJ3GEYJ 470 V (47)	T	43.5/32.2
R1126	7030003280	S.RES ERJ3GEYJ 470 V (47)	T	44.2/34.8
R1127	7030003280	S.RES ERJ3GEYJ 470 V (47)	T	44.9/32.2
R1128	7030003280	S.RES ERJ3GEYJ 470 V (47)	T	45.6/34.8
R1129	7030003280	S.RES ERJ3GEYJ 470 V (47)	T	46.3/32.2
R1130	7030003280	S.RES ERJ3GEYJ 470 V (47)	T	47/34.8
R1131	7030003280	S.RES ERJ3GEYJ 470 V (47)	T	47.7/32.2
R1132	7030003280	S.RES ERJ3GEYJ 470 V (47)	T	48.4/34.8
R1133	7030003280	S.RES ERJ3GEYJ 470 V (47)	T	49.1/32.2
R1134	7030003280	S.RES ERJ3GEYJ 470 V (47)	T	49.8/34.8
R1135	7030003280	S.RES ERJ3GEYJ 470 V (47)	T	50.5/32.2
R1136	7030003280	S.RES ERJ3GEYJ 470 V (47)	T	51.2/34.8
R1137	7030003280	S.RES ERJ3GEYJ 470 V (47)	T	51.9/32.2
R1138	7030003280	S.RES ERJ3GEYJ 470 V (47)	T	52.6/34.8
R1139	7030003280	S.RES ERJ3GEYJ 470 V (47)	T	53.3/32.2
R1140	7030003280	S.RES ERJ3GEYJ 470 V (47)	T	54/34.8
R1141	7030003280	S.RES ERJ3GEYJ 470 V (47)	T	54.7/32.2
R1142	7030003280	S.RES ERJ3GEYJ 470 V (47)	T	55.4/34.8
R1143	7030003280	S.RES ERJ3GEYJ 470 V (47)	T	56.1/32.2
R1144	7030003280	S.RES ERJ3GEYJ 470 V (47)	T	56.8/34.8
R1145	7030003280	S.RES ERJ3GEYJ 470 V (47)	T	57.5/32.2
R1146	7030003280	S.RES ERJ3GEYJ 470 V (47)	T	58.2/34.8
R1151	7030003290	S.RES ERJ3GEYJ 560 V (56)	T	205.2/11.7
R1152	7030003320	S.RES ERJ3GEYJ 101 V (100)	T	203.6/11.7
R1153	7030003320	S.RES ERJ3GEYJ 101 V (100)	T	200.8/13.2
R1154	7030003320	S.RES ERJ3GEYJ 101 V (100)	T	199.5/13.2
R1155	7030003320	S.RES ERJ3GEYJ 101 V (100)	B	201.4/10.8
R1156	7030003320	S.RES ERJ3GEYJ 101 V (100)	T	198.2/13.2
R1157	7030003320	S.RES ERJ3GEYJ 101 V (100)	B	200.1/10.8
R1158	7030003320	S.RES ERJ3GEYJ 101 V (100)	T	196.9/13.2
R1159	7030003320	S.RES ERJ3GEYJ 101 V (100)	B	198.8/10.8
R1160	7030003320	S.RES ERJ3GEYJ 101 V (100)	T	195.6/13.2
R1161	7030003320	S.RES ERJ3GEYJ 101 V (100)	B	197.5/10.8
R1162	7030003320	S.RES ERJ3GEYJ 101 V (100)	B	196.2/10.8
R1163	7030003320	S.RES ERJ3GEYJ 101 V (100)	T	194.3/13.2
R1164	7030003320	S.RES ERJ3GEYJ 101 V (100)	T	193/13.2
R1165	7030003320	S.RES ERJ3GEYJ 101 V (100)	T	191.1/14.9
R1166	7030003320	S		

[LOGIC UNIT]

REF NO.	ORDER NO.	DESCRIPTION	M.	H/V LOCATION
C61	4030009990	S.CER C1608 CH 1H 200J-T	T	143/78.1
C62	4030011600	S.CER C1608 JB 1E 104K-T	T	139.9/100.6
C63	4030008890	S.CER C1608 JB 1H 273K-T	T	144.5/100.6
C64	4030011600	S.CER C1608 JB 1E 104K-T	T	146.7/102.5
C65	4030011600	S.CER C1608 JB 1E 104K-T	T	96/34.2
C66	4030011600	S.CER C1608 JB 1E 104K-T	B	34.1/27.4
C101	4030011600	S.CER C1608 JB 1E 104K-T	T	23.3/71.9
C102	4030011600	S.CER C1608 JB 1E 104K-T	B	43.2/48.2
C103	4030011600	S.CER C1608 JB 1E 104K-T	B	47.1/77.8
C104	4030011600	S.CER C1608 JB 1E 104K-T	B	46.8/58.8
C105	4030011600	S.CER C1608 JB 1E 104K-T	B	49.5/71
C106	4030011600	S.CER C1608 JB 1E 104K-T	B	46.8/57.5
C107	4030011600	S.CER C1608 JB 1E 104K-T	B	52/57.5
C108	4030011600	S.CER C1608 JB 1E 104K-T	B	57.7/57.5
C109	4030011600	S.CER C1608 JB 1E 104K-T	B	59.6/60.8
C110	4030011600	S.CER C1608 JB 1E 104K-T	B	46.8/68
C111	4550007520	S.TAN F931A106MAABMA	B	57.7/48.8
C112	4030011600	S.CER C1608 JB 1E 104K-T	B	59/50.5
C113	4550007520	S.TAN F931A106MAABMA	B	63.6/48.8
C114	4030011600	S.CER C1608 JB 1E 104K-T	B	62/50.5
C115	4550007520	S.TAN F931A106MAABMA	B	68.8/48.8
C116	4030011600	S.CER C1608 JB 1E 104K-T	B	64.9/50.5
C117	4030011600	S.CER C1608 JB 1E 104K-T	B	46.9/71
C118	4030011600	S.CER C1608 JB 1E 104K-T	B	46.8/61.4
C119	4030011600	S.CER C1608 JB 1E 104K-T	B	46.8/69.3
C120	4030011600	S.CER C1608 JB 1E 104K-T	B	59.6/69.4
C121	4030011600	S.CER C1608 JB 1E 104K-T	B	57.8/70.2
C122	4030011600	S.CER C1608 JB 1E 104K-T	B	56.5/70.2
C123	4030006860	S.CER C1608 JB 1H 102K-T	B	57.3/78
C124	4030011600	S.CER C1608 JB 1E 104K-T	B	52.1/71
C125	4030011600	S.CER C1608 JB 1E 104K-T	B	54.7/71
C126	4030011600	S.CER C1608 JB 1E 104K-T	B	46.8/66.7
C127	4030011600	S.CER C1608 JB 1E 104K-T	B	43.2/50.8
C128	4030011600	S.CER C1608 JB 1E 104K-T	B	52.2/50.8
C129	4030011600	S.CER C1608 JB 1E 104K-T	B	46.1/64.8
C130	4030011600	S.CER C1608 JB 1E 104K-T	B	59.6/66.8
C131	4030011600	S.CER C1608 JB 1E 104K-T	B	66.4/68.7
C132	4030011600	S.CER C1608 JB 1E 104K-T	B	59.6/63.6
C133	4030011600	S.CER C1608 JB 1E 104K-T	B	47.1/50.9
C134	4030011600	S.CER C1608 JB 1E 104K-T	B	39.3/58.6
C135	4030011600	S.CER C1608 JB 1E 104K-T	B	46.8/60.1
C136	4030011600	S.CER C1608 JB 1E 104K-T	B	54.6/57.5
C137	4030011600	S.CER C1608 JB 1E 104K-T	B	49.4/57.5
C138	4030011600	S.CER C1608 JB 1E 104K-T	B	54.7/69.3
C139	4030011600	S.CER C1608 JB 1E 104K-T	B	59.6/58.2
C140	4030006900	S.CER C1608 JB 1H 103K-T	B	66.4/58.5
C141	4030011600	S.CER C1608 JB 1E 104K-T	T	64.3/38.6
C142	4030011600	S.CER C1608 JB 1E 104K-T	T	76.8/32.5
C144	4030011600	S.CER C1608 JB 1E 104K-T	T	7.9/62.8
C145	4030011600	S.CER C1608 JB 1E 104K-T	T	10/62.1
C146	4030007020	S.CER C1608 CH 1H 120J-T	T	8.1/58.8
C147	4030007020	S.CER C1608 CH 1H 120J-T	T	10/59.5
C148	4030011600	S.CER C1608 JB 1E 104K-T	T	6.7/70.5
C149	4030011600	S.CER C1608 JB 1E 104K-T	T	7.4/73.7
C201	4030011600	S.CER C1608 JB 1E 104K-T	B	118.1/103.3
C202	4030011600	S.CER C1608 JB 1E 104K-T	B	120.7/103.3
C203	4030011600	S.CER C1608 JB 1E 104K-T	B	124.2/103.3
C204	4030011600	S.CER C1608 JB 1E 104K-T	B	127.3/103.3
C205	4030011600	S.CER C1608 JB 1E 104K-T	B	137.4/103.5
C206	4030011600	S.CER C1608 JB 1E 104K-T	B	120.7/87.6
C207	4030011600	S.CER C1608 JB 1E 104K-T	B	125.5/87.7
C208	4030011600	S.CER C1608 JB 1E 104K-T	B	117.7/85.8
C209	4030011600	S.CER C1608 JB 1E 104K-T	B	119.2/85.8
C210	4030011600	S.CER C1608 JB 1E 104K-T	B	124/85.8
C211	4030011600	S.CER C1608 JB 1E 104K-T	B	128/85.8
C212	4030011600	S.CER C1608 JB 1E 104K-T	B	138.4/85.8
C213	4030011600	S.CER C1608 JB 1E 104K-T	B	120.7/70
C214	4030011600	S.CER C1608 JB 1E 104K-T	B	124.1/70
C215	4030011600	S.CER C1608 JB 1E 104K-T	B	89.4/90.4
C216	4030011600	S.CER C1608 JB 1E 104K-T	B	85.6/71.6
C217	4030011600	S.CER C1608 JB 1E 104K-T	B	91.5/79.6
C218	4030011600	S.CER C1608 JB 1E 104K-T	B	92.1/72.6
C219	4030011600	S.CER C1608 JB 1E 104K-T	B	94.7/72.6
C220	4030011600	S.CER C1608 JB 1E 104K-T	B	90.8/72.6
C221	4030011600	S.CER C1608 JB 1E 104K-T	B	96.6/66.6
C222	4030011600	S.CER C1608 JB 1E 104K-T	B	94.4/89.4
C223	4030011600	S.CER C1608 JB 1E 104K-T	B	90.8/83.4
C224	4030011600	S.CER C1608 JB 1E 104K-T	B	85.6/83.7
C225	4030011600	S.CER C1608 JB 1E 104K-T	B	91.5/77
C226	4030011600	S.CER C1608 JB 1E 104K-T	B	91.5/75.7
C227	4030011600	S.CER C1608 JB 1E 104K-T	B	96.7/72.6
C228	4030011600	S.CER C1608 JB 1E 104K-T	B	91.5/74.4
C229	4030011600	S.CER C1608 JB 1E 104K-T	B	100.6/89.4
C230	4030011600	S.CER C1608 JB 1E 104K-T	B	97.3/83.2
C231	4030011600	S.CER C1608 JB 1E 104K-T	B	102.5/83.6
C232	4030011600	S.CER C1608 JB 1E 104K-T	B	91.5/80.9
C233	4030011600	S.CER C1608 JB 1E 104K-T	B	102.5/77.1
C234	4030011600	S.CER C1608 JB 1E 104K-T	B	99.3/72.6
C235	4030011600	S.CER C1608 JB 1E 104K-T	B	102.2/66.4
C236	4030011600	S.CER C1608 JB 1E 104K-T	B	102.5/82.3
C237	4030011600	S.CER C1608 JB 1E 104K-T	B	102.5/81
C238	4030011600	S.CER C1608 JB 1E 104K-T	B	102.5/79.7
C239	4030011600	S.CER C1608 JB 1E 104K-T	B	85.6/81.1
C240	4030011600	S.CER C1608 JB 1E 104K-T	B	102.5/75.8
C241	4030011600	S.CER C1608 JB 1E 104K-T	B	102.5/74.5
C242	4030011600	S.CER C1608 JB 1E 104K-T	B	103.2/72.6
C243	4030011600	S.CER C1608 JB 1E 104K-T	B	101.9/72.6
C244	4030011600	S.CER C1608 JB 1E 104K-T	B	91.5/78.3
C245	4030011600	S.CER C1608 JB 1E 104K-T	B	92.1/83.2
C246	4030011600	S.CER C1608 JB 1E 104K-T	B	102.5/78.4
C247	4030011600	S.CER C1608 JB 1E 104K-T	B	99.3/83.2
C248	4030011600	S.CER C1608 JB 1E 104K-T	B	100.6/72.6
C249	4030011600	S.CER C1608 JB 1E 104K-T	B	93.4/72.6
C250	4030007050	S.CER C1608 CH 1H 220J-T	T	101/91.3

[LOGIC UNIT]

REF NO.	ORDER NO.	DESCRIPTION	M.	H/V LOCATION
C251	4030007050	S.CER C1608 CH 1H 220J-T	T	98.4/91.3
C252	4030006990	S.CER C1608 CH 1H 080D-T	T	98.9/63.9
C253	4030006990	S.CER C1608 CH 1H 080D-T	T	101.5/63.9
C254	4030006900	S.CER C1608 JB 1H 103K-T	T	83.7/84.6
C255	4510008520	S.ELE EEE1CA470SP	T	101.3/100.8
C256	4030006900	S.CER C1608 JB 1H 103K-T	T	83/64.1
C257	4510007130	S.ELE EEFCD 0J 470R	T	78.5/66.3
C258	4030011600	S.CER C1608 JB 1E 104K-T	T	84.9/61
C259	4030011600	S.CER C1608 JB 1E 104K-T	B	85.6/76.9
C260	4030011600	S.CER C1608 JB 1E 104K-T	T	214.2/33
C261	4030011600	S.CER C1608 JB 1E 104K-T	T	214.2/31.7
C262	4030011600	S.CER C1608 JB 1E 104K-T	T	214.2/29.7
C263	4030011600	S.CER C1608 JB 1E 104K-T	T	214.2/28.4
C264	4030011600	S.CER C1608 JB 1E 104K-T	T	205.4/23.2
C265	4510008540	S.ELE EEE1CA100SR	T	214.2/36.7
C266	4030011600	S.CER C1608 JB 1E 104K-T	T	196.3/28.7
C267	4030007100	S.CER C1608 CH 1H 560J-T	B	219.4/32.5
C268	4030007100	S.CER C1608 CH 1H 560J-T	B	219.4/29.5
C269	4030007100	S.CER C1608 CH 1H 560J-T	B	219.4/26.5
C270	4030007050	S.CER C1608 CH 1H 220J-T	B	225/32.5
C271	4030007050	S.CER C1608 CH 1H 220J-T	B	225/29.5
C272	4030007050	S.CER C1608 CH 1H 220J-T	B	225/26.5
C273	4030011600	S.CER C1608 JB 1E 104K-T	T	194.2/16.5
C274	4030007170	S.CER C1608 CH 1H 221J-T	T	203.9/16.5
C275	4030007170	S.CER C1608 CH 1H 221J-T	T	203.9/19.4
C276	4030007050	S.CER C1608 CH 1H 220J-T	B	217.8/9.3
C277	4030007050	S.CER C1608 CH 1H 220J-T	B	220.7/9.3
C278	4510008500	S.ELE EEE1CA101WP	T	223.4/38.4
C279	4030007050	S.CER C1608 CH 1H 220J-T	B	227.8/9.3
C280	4030007050	S.CER C1608 CH 1H 220J-T	B	230.7/9.3
C281	4510008500	S.ELE EEE1CA101WP	T	223.4/30.6
C282	4030011600	S.CER C1608 JB 1E 104K-T	B	215.6/39.1
C283	4510008550	S.ELE EEE1HA010SR	T	217.2/42
C284	4030011600	S.CER C1608 JB 1E 104K-T	B	104.6/21.2
C285	4510008540	S.ELE EEE1CA100SR	T	105.6/37.4
C286	4510008540	S.ELE EEE1CA100SR	T	105.6/32.6
C287	4030011600	S.CER C1608 JB 1E 104K-T	B	104.6/23.2
C288	4510008540	S.ELE EEE1CA100SR	T	105.6/27.8
C289	4030011600	S.CER C1608 JB 1E 104K-T	B	104.6/24.5
C290	4030011600	S.CER C1608 JB 1E 104K-T	B	115.5/21.2
C291	4510008540	S.ELE EEE1CA100SR	T	111.7/37.4
C292	4510008540	S.ELE EEE1CA100SR	T	111.7/32.6
C293	4030011600	S.CER C1608 JB 1E 104K-T	B	115.5/23.2
C294	4510008540	S.ELE EEE1CA100SR	T	111.7/27.8
C295	4030011600	S.CER C1608 JB 1E 104K-T	B	115.5/24.5
C296	4030011600	S.CER C1608 JB 1E 104K-T	B	126.3/33.9
C297	4510008540	S.ELE EEE1CA100SR	T	123.9/39.8
C298	4030011600	S.CER C1608 JB 1E 104K-T	B	126.3/31.3
C299	4510008540	S.ELE EEE1CA100SR	T	123.9/35
C300	4030011600	S.CER C1608 JB 1E 104K-T	B	114/34.6
C301	4510008540	S.ELE EEE1CA100SR	T	117.8/39.8
C302	4030011600	S.CER C1608 JB 1E 104K-T	B	113.3/32.5
C303	4510008540	S.ELE EEE1CA100SR	T	117.8/35
C401	4030011600	S.CER C1608 JB 1E 104K-T	B	28.2/61.5
C402	4030011600	S.CER C1608 JB 1E 104K-T	B	22.3/61.5
C403	4030011600	S.CER C1608 JB 1E 104K-T	B	8.7/53.3
C404	4030011600	S.CER C1608 JB 1E 104K-T	B	8.7/45.6
C405	4030011600	S.CER C1608 JB 1E 104K-T	B	20.2/35.6
C406	4030011600	S.CER C1608 JB 1E 104K-T	B	25.4/35.6
C407	4030011600	S.CER C1608 JB 1E 104K-T	B	29.7/35.6
C408	4030011600	S.CER C1608 JB 1E 104K-T	B	38.5/42.3
C409	4030011600	S.CER C1608 JB 1E 104K-T	B	38.7/47.5
C410	4030011600	S.CER C1608 JB 1E 104K-T	B	38.7/51
C411	4030011600	S.CER C1608 JB 1E 104K-T	B	40.9/36.2
C412	4030006860	S.CER C1608 JB 1H 102K-T	T	29.3/44.7
C413	4030006900	S.CER C1608 JB 1H 103K-T	T	26.7/44.7
C414	4030007150	S.CER C1608 CH 1H 151J-T	T	28/44.7
C415	4030011600	S.CER C1608 JB 1E 104K-T	B	15.2/30.5
C416	4510008540	S.ELE EEE1CA100SR	T	13.7/28.8
C417	4030011600	S.CER C1608 JB 1E 104K-T	B	15.2/31.8
C418	4510008540	S.ELE EEE1CA100SR	T	13.7/33.6
C419	4030006900	S.CER C1608 JB 1H 103K-T	T	36.9/26.6
C420	4030007150	S.CER C1608 CH 1H 151J-T	T	36.9/



[LOGIC UNIT]

REF NO.	ORDER NO.	DESCRIPTION	M.	H/V LOCATION
C612	4030007010	S.CER C1608 CH 1H 100D-T	T	80.9/16.9
C613	4030007010	S.CER C1608 CH 1H 100D-T	T	83.5/16.9
C614	4030011600	S.CER C1608 JB 1E 104K-T	B	86.2/14.2
C615	4030006880	S.CER C1608 JB 1H 472K-T	B	71.2/31.2
C616	4030006880	S.CER C1608 JB 1H 472K-T	B	71.2/29.9
C617	4030006880	S.CER C1608 JB 1H 472K-T	B	71.2/28.6
C618	4030006880	S.CER C1608 JB 1H 472K-T	B	71.2/27.3
C619	4030006880	S.CER C1608 JB 1H 472K-T	B	71.2/26
C620	4030006880	S.CER C1608 JB 1H 472K-T	B	71.2/24.7
C621	4030006880	S.CER C1608 JB 1H 472K-T	B	71.2/23.4
C622	4030006880	S.CER C1608 JB 1H 472K-T	B	71.2/22.1
C623	4510008540	S.ELE EEE1CA100SR	T	178.6/62.5
C624	4030011600	S.CER C1608 JB 1E 104K-T	T	174.9/60.6
C625	4510008540	S.ELE EEE1CA100SR	T	184.7/62.5
C626	4030011600	S.CER C1608 JB 1E 104K-T	B	63.7/20.3
C627	4030011600	S.CER C1608 JB 1E 104K-T	B	60/20.3
C628	4030011600	S.CER C1608 JB 1E 104K-T	B	73.6/39
C629	4030011600	S.CER C1608 JB 1E 104K-T	B	57.2/39.8
C630	4030011600	S.CER C1608 JB 1E 104K-T	B	150.9/51.7
C631	4030011600	S.CER C1608 JB 1E 104K-T	B	148.9/48.1
C632	4030011600	S.CER C1608 JB 1E 104K-T	B	131.8/66
C633	4030011600	S.CER C1608 JB 1E 104K-T	B	138.2/66.7
C634	4030011600	S.CER C1608 JB 1E 104K-T	B	150.9/58
C635	4030011600	S.CER C1608 JB 1E 104K-T	B	131.1/58.5
C636	4030011600	S.CER C1608 JB 1E 104K-T	B	131.1/52.1
C801	4510008540	S.ELE EEE1CA100SR	T	141/114.6
C802	4030011600	S.CER C1608 JB 1E 104K-T	B	138.5/110.6
C803	4030011600	S.CER C1608 JB 1E 104K-T	B	138.5/113.3
C804	4510008520	S.ELE EEE1CA470SP	T	147.2/113.8
C805	4510008870	S.ELE EEE1AA471UP	T	100.2/110.4
C806	4510008870	S.ELE EEE1AA471UP	T	109.5/110.4
C807	4510008870	S.ELE EEE1AA471UP	T	119.4/100.6
C808	4510008870	S.ELE EEE1AA471UP	T	119.9/109.6
C809	4510008560	S.ELE EEE1HAR47SR	T	160/65.3
C810	4510008560	S.ELE EEE1HAR47SR	T	166.6/65.3
C811	4510008560	S.ELE EEE1HAR47SR	T	173.2/65.3
C812	4030006860	S.CER C1608 JB 1H 102K-T	B	66.8/117.7
C813	4030006860	S.CER C1608 JB 1H 102K-T	B	84.9/122.3
C814	4030006860	S.CER C1608 JB 1H 102K-T	B	83.6/116.9
C815	4030006860	S.CER C1608 JB 1H 102K-T	B	88.8/115.9
C816	4030006860	S.CER C1608 JB 1H 102K-T	B	97.3/121.4
C817	4030006860	S.CER C1608 JB 1H 102K-T	B	100.6/122.1
C818	4030006860	S.CER C1608 JB 1H 102K-T	B	103.1/122.1
C819	4030006860	S.CER C1608 JB 1H 102K-T	B	105.6/122.1
C820	4030006860	S.CER C1608 JB 1H 102K-T	B	108.8/121.4
C821	4510008520	S.ELE EEE1CA470SP	T	211/16
C822	4510008500	S.ELE EEE1CA101WP	T	14.3/109.4
C823	4030006880	S.CER C1608 JB 1H 472K-T	B	33.9/114.5
C824	4030006860	S.CER C1608 JB 1H 102K-T	T	20/24.5
C825	4030011600	S.CER C1608 JB 1E 104K-T	B	20.4/107.6
C826	4030006860	S.CER C1608 JB 1H 102K-T	T	122.2/118.1
C827	4030006860	S.CER C1608 JB 1H 102K-T	T	117.6/118.7
C828	4030007130	S.CER C1608 CH 1H 101J-T	T	118.9/118.7
C829	4030006860	S.CER C1608 JB 1H 102K-T	T	127.2/116
C830	4030007130	S.CER C1608 CH 1H 101J-T	T	128.5/116
C831	4030006860	S.CER C1608 JB 1H 102K-T	T	130.5/115.5
C832	4030007130	S.CER C1608 CH 1H 101J-T	T	130.5/116.8
C833	4030006860	S.CER C1608 JB 1H 102K-T	T	133.9/116
C834	4030007130	S.CER C1608 CH 1H 101J-T	T	132.6/116
C835	4030011600	S.CER C1608 JB 1E 104K-T	T	127.8/110.6
C836	4510008540	S.ELE EEE1CA100SR	T	127.8/106
C837	4030011600	S.CER C1608 JB 1E 104K-T	T	135.7/106.8
C838	4510008540	S.ELE EEE1CA100SR	T	132.6/106
C850	4030011600	S.CER C1608 JB 1E 104K-T	B	165/40.9
C851	4510008540	S.ELE EEE1CA100SR	T	128/31.2
C852	4030009490	S.CER C1608 JB 1H 821K-T	B	142.1/11.6
C853	4030009490	S.CER C1608 JB 1H 821K-T	B	142.7/14.9
C855	4510008540	S.ELE EEE1CA100SR	T	117.7/29.1
C856	4030009490	S.CER C1608 JB 1H 821K-T	B	134.5/17.2
C857	4030009490	S.CER C1608 JB 1H 821K-T	B	131.7/19.8
C859	4510008540	S.ELE EEE1CA100SR	T	123.2/29.1
C860	4030009490	S.CER C1608 JB 1H 821K-T	B	136.9/7.2
C861	4030009490	S.CER C1608 JB 1H 821K-T	B	140.8/7.2
C865	4510008540	S.ELE EEE1CA100SR	T	119.4/22.2
C866	4030007160	S.CER C1608 CH 1H 181J-T	B	121/5
C867	4030009880	S.CER C1608 JB 1H 682K-T	T	115.2/17.9
C868	4030008880	S.CER C1608 JB 1H 223K-T	T	115.2/15.3
C869	4510008540	S.ELE EEE1CA100SR	T	109.4/16.3
C871	4510008540	S.ELE EEE1CA100SR	T	104.6/16.2
C873	4030011600	S.CER C1608 JB 1E 104K-T	B	120.5/8.4
C874	4030011600	S.CER C1608 JB 1E 104K-T	B	108.9/10.7
C875	4510008540	S.ELE EEE1CA100SR	T	114.6/22.2
C876	4510008540	S.ELE EEE1CA100SR	T	119/16.3
C877	4030011600	S.CER C1608 JB 1E 104K-T	B	137.3/18.5
C878	4030011600	S.CER C1608 JB 1E 104K-T	B	134.3/7.2
C879	4510008540	S.ELE EEE1CA100SR	T	124.2/22.2
C880	4510008540	S.ELE EEE1CA100SR	T	124.2/16.3
C883	4510008560	S.ELE EEE1HAR47SR	T	184.7/67.3
C884	4510008560	S.ELE EEE1HAR47SR	T	180.1/71.1
C901	4510008540	S.ELE EEE1CA100SR	T	183.7/50.9
C902	4510008540	S.ELE EEE1CA100SR	T	188.9/50.9
C903	4030011600	S.CER C1608 JB 1E 104K-T	B	186.3/50.2
C904	4030011600	S.CER C1608 JB 1E 104K-T	B	193.7/57.5
C905	4510008540	S.ELE EEE1CA100SR	T	188.9/57
C906	4510008540	S.ELE EEE1CA100SR	T	183.7/57
C907	4030006860	S.CER C1608 JB 1H 102K-T	B	170.6/40.3
C908	4030006860	S.CER C1608 JB 1H 102K-T	B	171.6/37.7
C909	4030006860	S.CER C1608 JB 1H 102K-T	B	173.6/37.7
C910	4030006860	S.CER C1608 JB 1H 102K-T	B	175.1/28.2
C911	4030006860	S.CER C1608 JB 1H 102K-T	B	176.1/30.8
C912	4030006860	S.CER C1608 JB 1H 102K-T	B	177.6/37.7
C913	4030006860	S.CER C1608 JB 1H 102K-T	B	178.6/40.3
C914	4030006860	S.CER C1608 JB 1H 102K-T	B	179.6/37.7
C915	4030006860	S.CER C1608 JB 1H 102K-T	B	180.1/30.8

[LOGIC UNIT]

REF NO.	ORDER NO.	DESCRIPTION	M.	H/V LOCATION
C916	4030006860	S.CER C1608 JB 1H 102K-T	B	180.6/40.3
C917	4030006860	S.CER C1608 JB 1H 102K-T	B	181.1/28.2
C918	4030006860	S.CER C1608 JB 1H 102K-T	B	182.1/30.8
C919	4030006860	S.CER C1608 JB 1H 102K-T	B	182.6/40.3
C920	4030006860	S.CER C1608 JB 1H 102K-T	B	183.1/28.2
C921	4030006860	S.CER C1608 JB 1H 102K-T	B	183.6/37.7
C922	4030006860	S.CER C1608 JB 1H 102K-T	B	184.1/30.8
C923	4030006860	S.CER C1608 JB 1H 102K-T	B	183.7/37.7
C924	4030006860	S.CER C1608 JB 1H 102K-T	B	134.7/40.3
C925	4030006860	S.CER C1608 JB 1H 102K-T	B	135.7/37.7
C926	4030006860	S.CER C1608 JB 1H 102K-T	B	136.2/30.8
C927	4030006860	S.CER C1608 JB 1H 102K-T	B	136.7/40.3
C928	4030006860	S.CER C1608 JB 1H 102K-T	B	137.2/25.5
C929	4030006860	S.CER C1608 JB 1H 102K-T	B	137.7/37.7
C930	4030006860	S.CER C1608 JB 1H 102K-T	B	138.2/28.1
C931	4030006860	S.CER C1608 JB 1H 102K-T	B	138.7/40.3
C932	4030006860	S.CER C1608 JB 1H 102K-T	B	139.2/25.5
C933	4030006860	S.CER C1608 JB 1H 102K-T	B	139.7/37.7
C934	4030006860	S.CER C1608 JB 1H 102K-T	B	140.2/28.1
C935	4030006860	S.CER C1608 JB 1H 102K-T	B	140.7/40.3
C936	4030006860	S.CER C1608 JB 1H 102K-T	B	141.2/25.5
C937	4030006860	S.CER C1608 JB 1H 102K-T	B	141.7/37.7
C938	4030006860	S.CER C1608 JB 1H 102K-T	B	142.2/22.9
C939	4030006860	S.CER C1608 JB 1H 102K-T	B	142.7/40.3
C940	4030006860	S.CER C1608 JB 1H 102K-T	B	143.2/25.5
C941	4030006860	S.CER C1608 JB 1H 102K-T	B	144.2/22.9
C942	4030006860	S.CER C1608 JB 1H 102K-T	B	146.2/30.8
C943	4030006860	S.CER C1608 JB 1H 102K-T	B	147.2/28.3
C944	4030006860	S.CER C1608 JB 1H 102K-T	B	148.2/30.9
C945	4030006860	S.CER C1608 JB 1H 102K-T	B	150.2/28.3
C946	4030006860	S.CER C1608 JB 1H 102K-T	B	151.2/30.9
C947	4030006860	S.CER C1608 JB 1H 102K-T	B	214.5/84.7
C948	4030006860	S.CER C1608 JB 1H 102K-T	B	220.6/81.7
C949	4030006860	S.CER C1608 JB 1H 102K-T	B	223/91.7
C950	4030006860	S.CER C1608 JB 1H 102K-T	B	220.6/94.3
C951	4030006860	S.CER C1608 JB 1H 102K-T	B	214.5/92.7
C952	4030006860	S.CER C1608 JB 1H 102K-T	B	213.6/72.3
C953	4030006860	S.CER C1608 JB 1H 102K-T	B	211.5/76.1
C954	4030006860	S.CER C1608 JB 1H 102K-T	B	205.7/77.8
C955	4030006860	S.CER C1608 JB 1H 102K-T	B	211.5/79.5
C956	4030006860	S.CER C1608 JB 1H 102K-T	T	21/113.9
C957	4030006860	S.CER C1608 JB 1H 102K-T	T	24/113.9
C958	4030006860	S.CER C1608 JB 1H 102K-T	T	27/113.9
C959	4030006860	S.CER C1608 JB 1H 102K-T	T	30/113.8
C960	4030006860	S.CER C1608 JB 1H 102K-T	B	180.6/79.6
C961	4030006860	S.CER C1608 JB 1H 102K-T	B	183.2/90.3
C962	4030006860	S.CER C1608 JB 1H 102K-T	B	187.7/90.3
C963	4030006860	S.CER C1608 JB 1H 102K-T	B	188.7/81.7
C964	4030006860	S.CER C1608 JB 1H 102K-T	B	193/81.7
C965	4030006860	S.CER C1608 JB 1H 102K-T	B	193.7/90.3
C966	4030006860	S.CER C1608 JB 1H 102K-T	B	194.9/78.8
C967	4030006860	S.CER C1608 JB 1H 102K-T	B	222.7/78.7
C968	4030006860	S.CER C1608 JB 1H 102K-T	B	228.7/79
C969	4030006860	S.CER C1608 JB 1H 102K-T	B	222/74.4
C970	4030006860	S.CER C1608 JB 1H 102K-T	B	229.9/74.4
C971	4030006860	S.CER C1608 JB 1H 102K-T	B	220.9/49.2
C972	4030006860	S.CER C1608 JB 1H 102K-T	B	229.5/50.2
C973	4030006860	S.CER C1608 JB 1H 102K-T	B	227.1/62.2
C974	4030006860	S.CER C1608 JB 1H 102K-T	B	218.4/63.2
C975	4030006860	S.CER C1608 JB 1H 102K-T	B	227.1/66.7
C976	4030006860	S.CER C1608 JB 1H 102K-T	B	218.4/68.1
C977	4030006860	S.CER C1608 JB 1H 102K-T	T	181.7/23.9
C978	4030006860	S.CER C1608 JB 1H 102K-T	T	159.4/28.6
C979	4030006860	S.CER C1608 JB 1H 102K-T	T	190.4/18.9
C980	4030006860	S.CER C1608 JB 1H 102K-T	T	188.7/24.5
C981	4030006860	S.CER C1608 JB 1H 102K-T	T	166.1/22.6
C982	4030006860	S.CER C1608 JB 1H 102K-T	T	173.3/42.7
C983	4030011600	S.CER C1608 JB 1E 104K-T	T	180.7/84.3
C984	4030010210	S.CER C3216 JB 1C 105M-T	B	198.6/85.6
C985	4030011600	S.CER C1608 JB 1E 104K-T	T	195.5/83.6
C991	4030006880	S.CER C1608 JB 1H 472K-T	T	208.4/92
C992	4030006880	S.CER C1608 JB 1H 472K-T	T	208.4/94
C993	4030006880	S.CER C1608		



[LOGIC UNIT]

REF NO.	ORDER NO.	DESCRIPTION	M.	H/V LOCATION
J824	6510024100	CNR SC25-02WL		
J825	6510019421	S.CNR B8B-ZR-SM4-TF (LF) (SN)	T	29.4/20.8
J826	6510023801	S.CNR S4B-ZR-SM4A-TF (LF) (SN)	T	141.3/4.5
DS401	5040002930	S.LED SML-512MW T86	T	11.9/96.4
DS402	5040002930	S.LED SML-512MW T86	T	11.9/94.9
DS403	5040002930	S.LED SML-512MW T86	T	11.9/93.1
S51	2260001890	S.SW SKQDPA	T	142.6/106.8
T401	5920000841	S.TSM H1102NL	T	150/20
EP101	6910013310	S.BEA MMZ1608D121B	T	3.6/74.9
EP102	6910013310	S.BEA MMZ1608D121B	T	10.3/80.5
EP103	6910013310	S.BEA MMZ1608D121B	T	14.9/80.7
EP201	6910012350	S.BEA MMZ1608Y 102BT	T	201.5/22.1
EP202	6910012350	S.BEA MMZ1608Y 102BT	T	198.3/28
EP203	6910012350	S.BEA MMZ1608Y 102BT	T	83.7/86.4
EP204	6910012350	S.BEA MMZ1608Y 102BT	T	79.6/72.4
EP401	6910013310	S.BEA MMZ1608D121B	T	19.4/79.6
EP402	6910013310	S.BEA MMZ1608D121B	T	17.3/75.6
EP403	6910013310	S.BEA MMZ1608D121B	T	19.4/82.5
EP801	6910013310	S.BEA MMZ1608D121B	T	204.4/9.8
EP802	6910013310	S.BEA MMZ1608D121B	T	202.1/10.6
EP803	6910013310	S.BEA MMZ1608D121B	T	200.8/10.6
EP804	6910013310	S.BEA MMZ1608D121B	T	199.5/10.6
EP805	6910013310	S.BEA MMZ1608D121B	B	201.4/8.2
EP806	6910013310	S.BEA MMZ1608D121B	T	198.2/10.6
EP807	6910013310	S.BEA MMZ1608D121B	B	200.1/8.2
EP808	6910013310	S.BEA MMZ1608D121B	T	196.9/10.6
EP809	6910013310	S.BEA MMZ1608D121B	B	198.8/8.2
EP810	6910013310	S.BEA MMZ1608D121B	T	195.6/10.6
EP811	6910013310	S.BEA MMZ1608D121B	B	197.5/8.2
EP812	6910013310	S.BEA MMZ1608D121B	B	196.2/8.2
EP813	6910013310	S.BEA MMZ1608D121B	T	194.3/10.6
EP814	6910013310	S.BEA MMZ1608D121B	T	193/10.6
EP815	6910013310	S.BEA MMZ1608D121B	T	191.7/10.9
EP816	6910013310	S.BEA MMZ1608D121B	T	190.4/11.6
EP817	6910013310	S.BEA MMZ1608D121B	T	189.1/12.3
EP818	6910013310	S.BEA MMZ1608D121B	T	187.8/12
EP819	6910013310	S.BEA MMZ1608D121B	T	186.5/11.6
EP820	6910013310	S.BEA MMZ1608D121B	T	183.5/10
EP821	6910015980	S.BEA MMZ1608S 181CT-AS	T	71.1/116.5
EP822	6910015980	S.BEA MMZ1608S 181CT-AS	T	72.5/116.5
EP826	6910012350	S.BEA MMZ1608Y 102BT	T	133.2/118.1
EP827	6910012350	S.BEA MMZ1608Y 102BT	B	137.3/124.5
EP828	6910012350	S.BEA MMZ1608Y 102BT	B	137.3/123.1
EP829	6910012350	S.BEA MMZ1608Y 102BT	T	135.2/117.3
EP972	6910015970	S.BEA MMZ1608B 301CT-AS	T	139/11.1
EP973	6910015970	S.BEA MMZ1608B 301CT-AS	T	142/11.1
EP996	6910015970	S.BEA MMZ1608B 301CT-AS	B	188.5/92.1
EP997	6910015970	S.BEA MMZ1608B 301CT-AS	B	189.5/83.5
EP1001	6910015970	S.BEA MMZ1608B 301CT-AS	B	193.5/83.5
EP1002	6910015970	S.BEA MMZ1608B 301CT-AS	B	194.5/92.1
EP1101	6910013310	S.BEA MMZ1608D121B	T	39.4/13.9
EP1102	6910013310	S.BEA MMZ1608D121B	T	40.1/16.6
EP1103	6910013310	S.BEA MMZ1608D121B	T	40.8/13.9
EP1104	6910013310	S.BEA MMZ1608D121B	T	41.5/16.6
EP1105	6910013310	S.BEA MMZ1608D121B	T	42.2/13.9
EP1106	6910013310	S.BEA MMZ1608D121B	T	42.9/16.6
EP1107	6910013310	S.BEA MMZ1608D121B	T	43.6/13.9
EP1108	6910013310	S.BEA MMZ1608D121B	T	44.3/16.6
EP1109	6910013310	S.BEA MMZ1608D121B	T	45/13.9
EP1110	6910013310	S.BEA MMZ1608D121B	T	45.7/16.6
EP1111	6910013310	S.BEA MMZ1608D121B	T	46.4/13.9
EP1112	6910013310	S.BEA MMZ1608D121B	T	47.1/16.6
EP1113	6910013310	S.BEA MMZ1608D121B	T	47.8/13.9
EP1114	6910013310	S.BEA MMZ1608D121B	T	48.5/16.6
EP1115	6910013310	S.BEA MMZ1608D121B	T	49.2/13.9
EP1116	6910013310	S.BEA MMZ1608D121B	T	49.9/16.6
EP1117	6910013310	S.BEA MMZ1608D121B	T	50.6/13.9
EP1118	6910013310	S.BEA MMZ1608D121B	T	51.3/16.6
EP1119	6910013310	S.BEA MMZ1608D121B	T	52/13.9
EP1120	6910013310	S.BEA MMZ1608D121B	T	52.7/16.6
EP1121	6910013310	S.BEA MMZ1608D121B	T	53.4/13.9
EP1122	6910013310	S.BEA MMZ1608D121B	T	54.1/16.6
EP1123	6910013310	S.BEA MMZ1608D121B	T	54.8/13.9
EP1124	6910013310	S.BEA MMZ1608D121B	T	42.8/29.6
EP1125	6910013310	S.BEA MMZ1608D121B	T	43.5/27
EP1126	6910013310	S.BEA MMZ1608D121B	T	44.2/29.6
EP1127	6910013310	S.BEA MMZ1608D121B	T	44.9/27
EP1128	6910013310	S.BEA MMZ1608D121B	T	45.6/29.6
EP1129	6910013310	S.BEA MMZ1608D121B	T	46.3/27
EP1130	6910013310	S.BEA MMZ1608D121B	T	47/29.6
EP1131	6910013310	S.BEA MMZ1608D121B	T	47.7/27
EP1132	6910013310	S.BEA MMZ1608D121B	T	48.4/29.6
EP1133	6910013310	S.BEA MMZ1608D121B	T	49.1/27
EP1134	6910013310	S.BEA MMZ1608D121B	T	49.8/29.6
EP1135	6910013310	S.BEA MMZ1608D121B	T	50.5/27
EP1136	6910013310	S.BEA MMZ1608D121B	T	51.2/29.6
EP1137	6910013310	S.BEA MMZ1608D121B	T	51.9/27
EP1138	6910013310	S.BEA MMZ1608D121B	T	52.6/29.6
EP1139	6910013310	S.BEA MMZ1608D121B	T	53.3/27
EP1140	6910013310	S.BEA MMZ1608D121B	T	54/29.6
EP1141	6910013310	S.BEA MMZ1608D121B	T	54.7/27
EP1142	6910013310	S.BEA MMZ1608D121B	T	55.4/29.6
EP1143	6910013310	S.BEA MMZ1608D121B	T	56.1/27
EP1144	6910013310	S.BEA MMZ1608D121B	T	56.8/29.6
EP1145	6910013310	S.BEA MMZ1608D121B	T	57.5/27
EP1146	6910013310	S.BEA MMZ1608D121B	T	58.2/29.6

[PA UNIT]

REF NO.	ORDER NO.	DESCRIPTION	M.	H/V LOCATION
MF1	2710000770	FAN FCB34AC12A		
W1	8900012790	CBL OPC-1299		

[PA200W BOARD]

REF NO.	ORDER NO.	DESCRIPTION	M.	H/V LOCATION
IC2	1180001541	S.IC TA78L08F (TE12L,F)	T	58.8/15.1
Q1	1520000531	S.TR 2SB1119S-TD-E	T	42.8/19.2
Q2	1590000680	S.TR DTC114EUA T106	T	45.8/13.5
Q101	1560001241	S.FET RD01MUS1-T113	T	5.9/66.4
Q201	1590003051	S.FET PD55003-E	T	20.5/53.1
Q301	1590003350	S.FET SD2918	T	64/45.8
Q401	1590003361	FET SD2931-12		
Q402	1590003361	FET SD2931-12		
D1	1730000561	S.ZEN RD2.7M-T2B-A B1	T	100.6/22.8
D401	1750000271	S.DIO 1SS301 (TE85L,F)	T	116.8/99.1
D402	1750000271	S.DIO 1SS301 (TE85L,F)	T	118.3/35.9
D403	1750000271	S.DIO 1SS301 (TE85L,F)	T	104/98.3
D404	1750000271	S.DIO 1SS301 (TE85L,F)	T	104/35.7
L1	6200005011	S.COL NLV25T-100J	T	14.7/18
L2	6200005011	S.COL NLV25T-100J	T	14.7/20.5
L3	6200005011	S.COL NLV25T-100J	T	14.7/23
L6	6200005011	S.COL NLV25T-100J	T	14.7/25.5
L7	6200010881	S.COL CDRH124NP-330MC	T	77.3/11
L101	6200005131	S.COL NLC453232T-101K-PF	T	5.6/59.6
L102	6200007220	S.COL EXCCL4532U1	T	6/38.4
L201	6180001240	COL LAL 04NA 820K		
L202	6140004350	COL LR-475		
L301	6200003261	S.COL NLV32T-101J	T	46.1/36.4
L303	6200001831	S.COL NLV32T-100J	T	86.9/26.2
L304	2040000490	COL EXC-ELDR25C		
L305	2040000490	COL EXC-ELDR25C		
L306	6140004340	COL LR-474		
L307	6200001831	S.COL NLV32T-100J	T	75.7/100.2
L401	6200003261	S.COL NLV32T-101J	T	100.4/98.3
L402	6200003261	S.COL NLV32T-101J	T	100.1/35.8
L403	6140002590	COL LR-296 (TR18X8X8 D12A)		
L404	6140000720	S.COL LR-95	T	166.4/67
L501	6140002030	COL LR-230 (SK-10M-15Y 120)		
R1	7030003440	S.RES ERJ3GEYJ 102 V (1 k)	T	42.8/12.8
R2	7030003560	S.RES ERJ3GEYJ 103 V (10 k)	T	42.8/14.2
R3	7510001740	TMR DTN-C103F3H-STS-40		
R4	7030000380	S.RES MCR10EZJH 1 k	T	39.7/22.5
R5	7030008061	S.RES ERA3YED 222V (2.2 k)	T	104.3/23.1
R6	7030007210	S.RES ERA3YEB 102V (1 k)	T	103.6/16.5
R7	7030007210	S.RES ERA3YEB 102V (1 k)	T	103.6/17.8
R101	7030003370	S.RES ERJ3GEYJ 271 V (270)	T	6/87.2
R102	7030003220	S.RES ERJ3GEYJ 150 V (15)	T	3.9/86.1
R103	7030003370	S.RES ERJ3GEYJ 271 V (270)	T	6/85
R104	7030003360	S.RES ERJ3GEYJ 221 V (220)	T	4.8/71.3
R105	7030003430	S.RES ERJ3GEYJ 821 V (820)	T	6/73.3
R106	7030003480	S.RES ERJ3GEYJ 222 V (2.2 k)	T	9.2/73.8
R107	7030003440	S.RES ERJ3GEYJ 102 V (1 k)	T	2.2/64.7
R108	7030003200	S.RES ERJ3GEYJ 100 V (10)	T	9.2/68.3
R110	7030000230	S.RES MCR10EZJH 56 (560)	T	11.3/56.6
R111	7030003420	S.RES ERJ3GEYJ 681 V (680)	T	13.3/58.6
R112	7030003510	S.RES ERJ3GEYJ 392 V (3.9 k)	T	12.6/60.1
R113	7030003500	S.RES ERJ3GEYJ 332 V (3.3 k)	T	6.8/75.2
R115	7030003520	S.RES ERJ3GEYJ 472 V (4.7 k)	T	13.1/40.8
R117	7030003530	S.RES ERJ3GEYJ 562 V (5.6 k)	T	7.7/76.5
R118	7030003550	S.RES ERJ3GEYJ 822 V (8.2 k)	T	11.7/40.8
R119	7030008240	S.RES ERJ12Y0R00U	T	5/49.6
R201	7030004050	S.RES ERJ3GEYJ 1R0 V (1)	T	13.8/48.6
R202	7030003410	S.RES ERJ3GEYJ 561 V (560)	T	23.1/43.1
R203	7030010800	S.RES ERJ1TYJ 2R7U (2.7)	T	18.4/65.5
R205	7030006260	S.RES ERJ12YJ471U (470)	T	30.3/55.7
R301	7310005210	TRI VM5CK-PVB 20 k		
R302	7030008180	S.RES ERJ12YJ331U (330)	T	48.3/40.6
R305	7030003530	S.RES ERJ3GEYJ 562 V (5.6 k)	T	49.6/43.5
R307	7070000830	RES ERG3SJ 101 (100)		
R309	7030010570	S.RES ERJ1TYJ 4R7U (4.7)	T	80/45.8
R310	7310005200	TRI VM5CK-PVB 2 k		
R312	7070000830	RES ERG3SJ 101 (100)		
R401	7030010960	S.RES ERJ1TYJ 120U (12)	T	89.8/90.7
R402	7030010960	S.RES ERJ1TYJ 120U (12)	T	93.5/90.7

[PA200W BOARD]

REF NO.	ORDER NO.	DESCRIPTION	M.	H/V LOCATION
R427	7070001200	RES ERG3SJ100P (10)		
R501	7070000890	RES ERG3SJ 150 (15)		
R502	7070000890	RES ERG3SJ 150 (15)		
R503	7030003500	S.RES ERJ3GEYJ 332 V (3.3 k)	T	171.8/16.7
R504	7030003500	S.RES ERJ3GEYJ 332 V (3.3 k)	T	169.9/15.9
R507	7030003500	S.RES ERJ3GEYJ 332 V (3.3 k)	T	139.1/17.9
R508	7030003500	S.RES ERJ3GEYJ 332 V (3.3 k)	T	137.3/19.2
R511	7070000890	RES ERG3SJ 150 (15)		
R512	7070000890	RES ERG3SJ 150 (15)		
R513	7070001000	RES ERG3SJ 821 (820)		
R514	7070001000	RES ERG3SJ 821 (820)		
R521	7030011160	S.RES RL7520WT-R010-F	T	165.2/20.2
R522	7030011160	S.RES RL7520WT-R010-F	T	159.6/20.2
R523	7030011160	S.RES RL7520WT-R010-F	T	154.2/20.2
C1	4030011600	S.CER C1608 JB 1E 104K-T	T	18.9/18
C2	4030006880	S.CER C1608 JB 1H 472K-T	T	18.9/20.5
C3	4030006880	S.CER C1608 JB 1H 472K-T	T	18.9/23
C6	4030006880	S.CER C1608 JB 1H 472K-T	T	18.9/25.5
C7	4030006900	S.CER C1608 JB 1H 103K-T	T	70/6.8
C8	4030006880	S.CER C1608 JB 1H 472K-T	T	42.8/15.6
C9	4030011600	S.CER C1608 JB 1E 104K-T	T	57.6/11.4
C10	4510008520	S.ELE EEE1CA470SP	T	52/15.5
C11	4030006900	S.CER C1608 JB 1H 103K-T	T	60.4/11.4
C12	4510008520	S.ELE EEE1CA470SP	T	64.9/15.5
C15	4030006880	S.CER C1608 JB 1H 472K-T	T	104.3/20.4
C16	4030006880	S.CER C1608 JB 1H 472K-T	T	103/23.1
C17	4510008550	S.ELE EEE1HA010SR	T	95.9/22.8
C102	4030017810	S.CER C1608 CH 1H 102J-T	T	4.1/76.2
C103	4030011600	S.CER C1608 JB 1E 104K-T	T	9.2/72.5
C104	4030011600	S.CER C1608 JB 1E 104K-T	T	9.5/75.2
C106	4030017320	S.CER GRM21BB11H104KA01	T	2.2/67.7
C107	4030011600	S.CER C1608 JB 1E 104K-T	T	9.2/70.9
C108	4030017810	S.CER C1608 CH 1H 102J-T	T	9.2/69.6
C109	4030017320	S.CER GRM21BB11H104KA01L	T	8.1/62.6
C110	4030017810	S.CER C1608 CH 1H 102J-T	T	9/64.2
C111	4030017810	S.CER C1608 CH 1H 102J-T	T	9/56.4
C112	4030017320	S.CER GRM21BB11H104KA01L	T	8.7/54.8
C113	4030011600	S.CER C1608 JB 1E 104K-T	T	5.3/102.4
C114	4030011600	S.CER C1608 JB 1E 104K-T	T	13.9/60.6
C201	4030017320	S.CER GRM21BB11H104KA01L	T	18.2/43.1
C202	4030017810	S.CER C1608 CH 1H 102J-T	T	15.7/61.3
C204	4030008490	S.CER C2012 JB 1H 682K-T	T	31.2/61.6
C206	4030008700	S.CER GRM21BB11H473KA01L	T	29.3/61.7
C207	4030008700	S.CER GRM21BB11H473KA01L	T	34.4/36.7
C301	4030004760	S.CER C2012 JF 1H 104Z-T	T	49.4/45.5
C303	4030011600	S.CER C1608 JB 1E 104K-T	T	43.4/35.4
C305	4030004760	S.CER C2012 JF 1H 104Z-T	T	44.4/42.6
C307	4030017810	S.CER C1608 CH 1H 102J-T	T	39.7/31.7
C309	4030011600	S.CER C1608 JB 1E 104K-T	T	41.1/31.7
C311	4030018750	S.CER C3225 CH 2J 682K-T	T	54.1/58.9
C313	4030011600	S.CER C1608 JB 1E 104K-T	T	89.1/26.9
C314	4510008050	ELE 63 ME 220 CZ		
C317	4030018790	S.CER C3225 JB 2E 104K-T	T	76.8/34
C318	4030011600	S.CER C1608 JB 1E 104K-T	T	77.2/96.7
C319	4030018790	S.CER C3225 JB 2E 104K-T	T	70.4/79
C401	4030011790	S.CER GRM55RF52A684ZD01L	T	92.4/82.2
C402	4030011790	S.CER GRM55RF52A684ZD01L	T	92.4/51.8
C403	4030011600	S.CER C1608 JB 1E 104K-T	T	79.9/100.1
C404	4030011600	S.CER C1608 JB 1E 104K-T	T	88.6/30.3
C405	4030006900	S.CER C1608 JB 1H 103K-T	T	79.9/98.8
C406	4030006900	S.CER C1608 JB 1H 103K-T	T	88.6/31.6
C407	4030017810	S.CER C1608 CH 1H 102J-T	T	79.9/97.5
C408	4030017810	S.CER C1608 CH 1H 102J-T	T	88.6/32.9
C409	4030018790	S.CER C3225 JB 2E 104K-T	T	111.3/100.2
C410	4030018790	S.CER C3225 JB 2E 104K-T	T	111.2/33.9
C411	4030006880	S.CER C1608 JB 1H 472K-T	T	114.9/99.1
C412	4030006880	S.CER C1608 JB 1H 472K-T	T	116.3/35
C413	4030011600	S.CER C1608 JB 1E 104K-T	T	97.8/99.1
C414	4030011600	S.CER C1608 JB 1E 104K-T	T	97.4/36.5
C415	4030011790	S.CER GRM55RF52A684ZD01L	T	102.8/88.8
C416	4030011790	S.CER GRM55RF52A684ZD01L	T	103.8/49
C417	4030018760	S.CER C4532 CH 2A 104K-T	T	190.2/82.6
C418	4030018760	S.CER C4532 CH 2A 104K-T	T	193.9/82.6
C419	4030018760	S.CER C4532 CH 2A 104K-T	T	190.2/53.4
C420	4030018760	S.CER C4532 CH 2A 104K-T	T	193.9/53.4
C501	4030018790	S.CER C3225 JB 2E 104K-T	T	183.8/32
C502	4030018780	S.CER C3225 JB 2J 473K-T	T	180.4/32
C503	4030018770	S.CER C3216 CH 2J 102J-T	T	177.3/32
C504	4510006830	ELE 63 ME 470CZ		
C505	4510006830	ELE 63 ME 470CZ		
C506	4030006880	S.CER C1608 JB 1H 472K-T	T	173.7/15.9
C507	4030006880	S.CER C1608 JB 1H 472K-T	T	137.2/17
C510	4030018790	S.CER C3225 JB 2E 104K-T	T	170.2/13.6
C511	4030018780	S.CER C3225 JB 2J 473K-T	T	170.2/10.6
C512	4030018770	S.CER C3216 CH 2J 102J-T	T	169.9/7.2
C513	4510008050	ELE 63 ME 220 CZ		
C514	4030011790	S.CER GRM55RF52A684ZD01L	T	164.8/6.7
C515	4030011790	S.CER GRM55RF52A684ZD01L	T	148.4/6.6
J1	6510007020	CNR TMP-J01X-V6		
J2	6510022311	S.CNR B5B-PH-SM4-TB (LF) (SN)	T	6/23
J5	6510020421	S.CNR S4B-PH-SM4-TB (LF) (SN)	T	93/4.5
J401	6510017920	CNR 1811P342		
J402	6910001040	CNR IPS-1136		
W401	9025900670	WIR 23/05/060/B21/W07		
W501	9040401001	JMP 74/98/050/X98/X98		
EP501	6910011330	TER OT-009 M3		
EP502	6910011330	TER OT-009 M3		
EP503	6910000640	BEA FSRH090160RN000B		

[DC-DC BOARD]

REF NO.	ORDER NO.	DESCRIPTION	M.	H/V LOCATION
IC21	1180002510	S.REG LM2673S-3.3	T	130/20.9
IC41	1180002510	S.REG LM2673S-3.3	T	97.6/94.7
IC61	1180002520	S.REG LM2673S-5.0	T	97.6/59.8
IC81	1180002520	S.REG LM2673S-5.0	T	38/13.5
IC101	1180002500	S.REG LM2673S-ADJ	T	96.6/26.6
IC121	1180002530	S.REG LM2594M-12	T	128.6/69.2
Q141	1590003310	S.TR DTD113ZK T146	T	7.8/95.4
D21	1750000960	S.DIO RB081L-20	T	125.2/32.8
D41	1750000960	S.DIO RB081L-20	T	85.7/88.1
D61	1750000960	S.DIO RB081L-20	T	88.6/54.3
D81	1750000960	S.DIO RB081L-20	T	31.2/22
D101	1750000960	S.DIO RB081L-20	T	87.6/21.9
D121	1710000840	S.DIO 1SR154-400 TE25	T	145.3/70.6
D122	1750001011	S.DIO MBRD835LT4G	T	120.6/82.8
D123	1750000960	S.DIO RB081L-20	T	132.6/86.1
D141	1750000520	S.DIO DAN222TL	T	11.3/94.8
L21	6200003950	S.COL HF50ACC 322513-T	T	117.9/55.1
L22	6200010891	S.COL CDRH124NP-150MC	T	115.5/34.2
L23	6200010881	S.COL CDRH124NP-330MC	T	130/50.7
L41	6200009790	S.COL BLM31PG121SN1	T	63.2/81.3
L42	6200010891	S.COL CDRH124NP-150MC	T	84.7/80.3
L43	6200010881	S.COL CDRH124NP-330MC	T	68.3/94
L44	6200009790	S.COL BLM31PG121SN1	T	63.2/83.6
L61	6200003950	S.COL HF50ACC 322513-T	T	62.9/46.6
L62	6200010901	S.COL CDRH104RNP-100NC	T	80.4/45
L63	6200010881	S.COL CDRH124NP-330MC	T	66.5/58
L81	6200003950	S.COL HF50ACC 322513-T	T	27.4/47.8
L82	6200010901	S.COL CDRH104RNP-100NC	T	22.7/42.7
L83	6200010881	S.COL CDRH124NP-330MC	T	36.1/43.1
L101	6200003950	S.COL HF50ACC 322513-T	T	62.9/16.6
L102	6200010881	S.COL CDRH124NP-330MC	T	84.9/12.1
L103	6190001191	S.COL D10F-#A814AY-101K	T	65.5/26.6
L121	6190001640	S.COL SLF12555T-101M1R1	T	119.3/72.3
L122	6190001191	S.COL D10F-#A814AY-101K	T	141.6/80.9
L141	6200001831	S.COL NLV32T-100J	T	10.5/99.4
L142	6200010901	S.COL CDRH104RNP-100NC	T	97.3/109
R21	7030006091	S.RES ERA3YED 822V (8.2 k)	T	119.1/19.7
R41	7030006091	S.RES ERA3YED 822V (8.2 k)	T	98.9/83.8
R61	7030006091	S.RES ERA3YED 822V (8.2 k)	T	98.8/48.5
R81	7030006091	S.RES ERA3YED 822V (8.2 k)	T	27/12.2
R101	7030009851	S.RES ERA3YED 271V (2.7 k)	T	102/17.9
R102	7030007230	S.RES ERA3YED 102V (1 k)	T	102/20.8
R103	7030006091	S.RES ERA3YED 822V (8.2 k)	T	97.9/15.7
R121	7030003640	S.RES ERJ3GEYJ 473 V (47 k)	T	133.3/72.6
R122	7030003640	S.RES ERJ3GEYJ 473 V (47 k)	T	132/71.8
R141	7030008190	S.RES ERJ12YJ330U (33)	T	14.7/99
C9	4510008910	S.ELE EEEFC1C101P	T	138.5/69.7
C21	4030011600	S.CER C1608 JB 1E 104K-T	T	125.3/40.8
C22	4510008610	S.ELE 10SVP150MX	T	131.1/38.1
C23	4030011340	S.CER C1608 CH 1H 471J-T	T	119.1/17.1
C24	4030004750	S.CER C2012 JB 1H 103K-T	T	119.7/23.7
C25	4030005110	S.CER C2012 JB 1E 473K-T	T	125.3/27.5
C26	4550006770	S.TAN TEESVD2 1C 476M-12R	T	132.1/30
C27	4510008610	S.ELE 10SVP150MX	T	115.3/47.4
C41	4030011600	S.CER C1608 JB 1E 104K-T	T	77.5/89.5
C42	4510008610	S.ELE 10SVP150MX	T	80.8/95.2
C43	4030011340	S.CER C1608 CH 1H 471J-T	T	101.4/83.8
C44	4030004750	S.CER C2012 JB 1H 103K-T	T	94.8/84.1
C45	4030005110	S.CER C2012 JB 1E 473K-T	T	91.4/90.6
C46	4550007140	S.TAN TEESVD 1C 107M12R	T	87.6/96.4
C47	4510008610	S.ELE 10SVP150MX	T	70.5/79.1
C61	4030011600	S.CER C1608 JB 1E 104K-T	T	81.5/56
C62	4510008610	S.ELE 10SVP150MX	T	77.3/60.9
C63	4030011340	S.CER C1608 CH 1H 471J-T	T	101.4/48.5
C64	4030004750	S.CER C2012 JB 1H 103K-T	T	94.8/49.1
C65	4030011600	S.CER C1608 JB 1E 104K-T	T	91.1/55.4
C66	4550006770	S.TAN TEESVD2 1C 476M-12R	T	85.6/61.7
C67	4510008610	S.ELE 10SVP150MX	T	69.6/44
C81	4030011600	S.CER C1608 JB 1E 104K-T	T	33.1/28.4
C82	4510008610	S.ELE 10SVP150MX	T	37.9/32.4
C83	4030011340	S.CER C1608 CH 1H 471J-T	T	26.9/9.7
C84	4030004750	S.CER C2012 JB 1H 103K-T	T	27.7/16.1
C85	4030011600	S.CER C1608 JB 1E 104K-T	T	33.4/19.8
C86	4550006770	S.TAN TEESVD2 1C 476M-12R	T	38/25.1
C87	4510008610	S.ELE 10SVP150MX	T	21.7/42.7
C101	4030011600	S.CER C1608 JB 1E 104K-T	T	80.1/22.7
C102	4510008610	S.ELE 10SVP150MX	T	75.7/27.3
C103	4030011340	S.CER C1608 CH 1H 471J-T	T	100.4/15.6
C104	4030004750	S.CER C2012 JB 1H 103K-T	T	93.8/16.2
C105	4030005110	S.CER C2012 JB 1E 473K-T	T	90.1/22.5
C106	4550006770	S.TAN TEESVD2 1C 476M-12R	T	83.8/28.2
C107	4510008610	S.ELE 10SVP150MX	T	68.6/11.3
C122	4030011600	S.CER C1608 JB 1E 104K-T	T	132/69.3
C123	4510008940	S.ELE EEEFC1V470P	T	131.7/79.3
C124	4030006880	S.CER C1608 JB 1H 472K-T	T	120.8/95.1
C141	4030011600	S.CER C1608 JB 1E 104K-T	T	7.6/97.9
RL142	6330001760	RLY AW3023		
J2	6510003471	CNR B11		

[TUNER UNIT]

REF NO.	ORDER NO.	DESCRIPTION	M.	H/V LOCATION
MF1	2710000780	MTR MP24Z (STEPPING MOTOR)		
MF2	2710000780	MTR MP24Z (STEPPING MOTOR)		
MF3	2710000470	FAN MF60B-12H901		
W1	8900012901	CBL OPC-1345R		
W2	8900012901	CBL OPC-1345R		
W3	8900017140	CBL OPC-927A (P1,N24,L100)		
W51	8600037090	CBL SX2590 P51		

[CTRL UNIT]

REF NO.	ORDER NO.	DESCRIPTION	M.	H/V LOCATION
IC1	1140004120	S.IC M38022M2-138FP	T	65.7/81.8
IC2	1130010390	S.IC HN58X2416TI	T	54/86.9
IC3	1130003921	S.IC TC4S69F (TE85R,F)	T	55.9/58.2
IC4	1180001071	S.IC TA7805F (TE16L,Q)	B	63/57.7
IC5	1130009691	S.IC TC74HCT7007AF (F)	B	92.5/91.6
IC6	1130006441	S.IC TC7S08F (TE85R,F)	T	81.7/70.3
IC51	1130011530	S.IC CD74HC4094M96	T	42.2/72.4
IC52	1130007690	S.IC BU4066BCF-E2	B	12.5/76.8
IC55	1130011530	S.IC CD74HC4094M96	B	100.2/76.1
IC56	1130011530	S.IC CD74HC4094M96	B	114.3/76.1
IC57	1160000131	S.IC TD62783AFG (S,EL)	T	99.6/73.1
IC58	1160000131	S.IC TD62783AFG (S,EL)	T	113.7/73.1
IC101	1110000960	S.IC NJM4558M-TE1-#FMZB	T	19.4/37.8
IC151	1120002301	S.IC TC74AC04F (F)	B	35.3/44.3
IC153	1130012011	S.IC TC7SZ32F (TE85L,F)	T	31.2/47.3
IC154	1130012011	S.IC TC7SZ32F (TE85L,F)	T	42.4/45.8
IC155	1130012011	S.IC TC7SZ32F (TE85L,F)	T	36/47.5
IC156	1130012021	S.IC TC74ACT112F (EL,F)	T	38.4/56.5
IC201	1110000960	S.IC NJM4558M-TE1-#FMZB	T	19/54.7
IC301	1110002690	S.IC NJM2903M-TE1-#FMZB	T	73.4/59
IC401	1160000131	S.IC TD62783AFG (S,EL)	T	13.6/86.1
IC402	1160000131	S.IC TD62783AFG (S,EL)	T	31.6/84.7
Q1	1590001330	S.TR DTA114EUA T106	T	78.5/75.2
Q2	1590000680	S.TR DTC114EUA T106	T	77.8/71.2
Q3	1590000680	S.TR DTC114EUA T106	T	128.4/74.5
Q4	1590000680	S.TR DTC114EUA T106	T	128.4/77
Q5	1590000680	S.TR DTC114EUA T106	T	128.4/81.3
Q6	1590000680	S.TR DTC114EUA T106	T	128.4/83.8
Q7	1590000680	S.TR DTC114EUA T106	T	128.4/88.5
Q8	1590000680	S.TR DTC114EUA T106	T	128.4/91
Q9	1590000680	S.TR DTC114EUA T106	T	128.4/95.7
Q10	1590000680	S.TR DTC114EUA T106	T	128.4/100.5
Q11	1590000680	S.TR DTC114EUA T106	B	85.7/99.8
Q51	1590000680	S.TR DTC114EUA T106	T	6.1/78.6
Q52	1590000680	S.TR DTC114EUA T106	T	12.5/78.6
Q53	1590000680	S.TR DTC114EUA T106	B	6.6/72.8
Q54	1560001260	S.FET 2SK3018 T106	B	121.2/80.2
Q55	1590000680	S.TR DTC114EUA T106	B	130.2/68.9
Q59	1590000680	S.TR DTC114EUA T106	T	56.8/69.5
Q201	1560000871	S.FET 2SK515-T1B-A (X33)	T	52.6/43
Q251	1590000680	S.TR DTC114EUA T106	T	74.2/34.9
D1	1730000411	S.ZEN RD5.1M-T2B-A B2	T	63.4/58.4
D2	1710000780	S.DIO MA114 (TX)	T	67.7/55.9
D3	1750000201	S.DIO 1SS319 (TE85R,F)	B	129.5/98.1
D4	1750000201	S.DIO 1SS319 (TE85R,F)	B	129.5/90
D5	1750000201	S.DIO 1SS319 (TE85R,F)	B	129.5/82.8
D6	1750000201	S.DIO 1SS319 (TE85R,F)	B	129.5/76
D7	1730000031	S.ZEN RD5.6M-T2B-A B2	T	63.6/54.9
D101	1790000491	S.DIO HSM88ASTR-E	T	14.7/24.3
D102	1790000491	S.DIO HSM88ASTR-E	T	25.6/29.5
D103	1750000201	S.DIO 1SS319 (TE85R,F)	T	19.3/42.1
D151	1790000491	S.DIO HSM88ASTR-E	T	32/38.2
D152	1790000491	S.DIO HSM88ASTR-E	T	39.4/38.2
D153	1790000491	S.DIO HSM88ASTR-E	T	28.4/57.2
D154	1790000491	S.DIO HSM88ASTR-E	T	29.6/53.4
D201	1790000491	S.DIO HSM88ASTR-E	T	57.6/37.2
D202	1790000491	S.DIO HSM88ASTR-E	T	48.5/37.1
D203	1750000201	S.DIO 1SS319 (TE85R,F)	T	18/60.9
D251	1750000271	S.DIO 1SS301 (TE85L,F)	T	72.1/36.5
D301	1790000491	S.DIO HSM88ASTR-E	T	81.5/58.3
D302	1790000491	S.DIO HSM88ASTR-E	T	88.4/59.6
X1	6050009890	S.XTL CR-569 (6.144 MHz)	T	83.2/79.5
L1	6200003261	S.COL NLV32T-101J	T	51.1/76.5
L2	6200003261	S.COL NLV32T-101J	T	54.5/77.8
L4	2040000490	COL EXC-ELDR25C		
L5	6200005131	S.COL NLC453232T-101K-PF	T	121.6/100.3
L6	6200003590	S.COL EXCCL3225U1	T	109.3/91.1
L7	6200003590	S.COL EXCCL3225U1	T	106.3/91.2
L8	6200003590	S.COL EXCCL3225U1	T	103.3/91.1
L9	6200003950	S.COL HF50ACC 322513-T	B	92/101
L51	6200003261	S.COL NLV32T-101J	T	106.3/86.9
L52	6200005131	S.COL NLC453232T-101K-PF	T	114.9/88.1
L101	6140004410	COL LR-502		
L102	6200001831	S.COL NLV32T-100J	T	20.9/66.5
L103	6200003261	S.COL NLV32T-101J	T	15.2/66.4
L151	6140004410	COL LR-502		
L152	6200001831	S.COL NLV32T-100J	T	41.4/63
L201	6140004410	COL LR-502		
L202	6180003300	COL T6-222J (2.2M)		
L301	6140004410	COL LR-502		
L302	6200003261	S.COL NLV32T-101J	B	69.4/61.2
L401	6200003950	S.COL HF50ACC 322513-T	T	26.4/101.5
L402	6200003950	S.COL HF50ACC 322513-T	T	18.5/101.5
R2	7030003680	S.RES ERJ3GEYJ 104 V (100 k)	T	63/71
R3	7030003680	S.RES ERJ3GEYJ 104 V (100 k)	T	64.3/71
R4	7030003680	S.RES ERJ3GEYJ 104 V (100 k)	T	65.6/71
R5	7030003680	S.RES ERJ3GEYJ 104 V (100 k)	T	66.9/71
R6	7030003560	S.RES ERJ3GEYJ 103 V (10 k)	T	74.7/71
R7	7030003440	S.RES ERJ3GEYJ 102 V (1 k)	T	73.4/71
R8	7030003680	S.RES ERJ3GEYJ 104 V (100 k)	T	55.4/72.8
R9	7030003680	S.RES ERJ3GEYJ 104 V (100 k)	T	54.7/74.7
R10	7030003680	S.RES ERJ3GEYJ 104 V (100 k)	T	57.3/72.9
R11	7030003680	S.RES ERJ3GEYJ 104 V (100 k)	T	53.4/74.7
R12	7030003440	S.RES ERJ3GEYJ 102 V (1 k)	T	78.3/83.9
R13	7030003680	S.RES ERJ3GEYJ 104 V (100 k)	T	76.6/75.6
R14	7030003680	S.RES ERJ3GEYJ 104 V (100 k)	T	78.5/78.2
R15	7030003440	S.RES ERJ3GEYJ 102 V (1 k)	T	55.6/60.7
R16	7030003320	S.RES ERJ3GEYJ 101 V (100)	T	54.8/55.2
R17	7030003560	S.RES ERJ3GEYJ 103 V (10 k)	T	54.1/82.2

M.=Mounted side (T: Mounted on the Top side, B: Mounted on the Bottom side)  
S.=Surface mount



[CTRL BOARD]

REF NO.	ORDER NO.	DESCRIPTION	M.	H/V LOCATION
R18	7030003560	S.RES ERJ3GEYJ 103 V (10 k)	T	54.1/80.9
R19	7030003680	S.RES ERJ3GEYJ 104 V (100 k)	T	58.3/58.2
R20	7030003570	S.RES ERJ3GEYJ 123 V (12 k)	T	59.6/60.6
R21	7030003650	S.RES ERJ3GEYJ 563 V (56 k)	T	59.6/58.2
R22	7030003450	S.RES ERJ3GEYJ 122 V (1.2 k)	T	66.3/58.5
R23	7030003560	S.RES ERJ3GEYJ 103 V (10 k)	B	105.1/100
R24	7030003440	S.RES ERJ3GEYJ 102 V (1 k)	B	102.9/98.8
R25	7030003380	S.RES ERJ3GEYJ 331 V (330)	B	126/99.1
R26	7030003380	S.RES ERJ3GEYJ 331 V (330)	B	126/97.1
R27	7030003380	S.RES ERJ3GEYJ 331 V (330)	B	126/91
R28	7030003380	S.RES ERJ3GEYJ 331 V (330)	B	126/89
R29	7030003380	S.RES ERJ3GEYJ 331 V (330)	B	126/83.8
R30	7030003380	S.RES ERJ3GEYJ 331 V (330)	B	126/81.8
R31	7030003380	S.RES ERJ3GEYJ 331 V (330)	B	126/77
R32	7030003380	S.RES ERJ3GEYJ 331 V (330)	B	126/75
R40	7030003440	S.RES ERJ3GEYJ 102 V (1 k)	T	61.2/99.9
R42	7030003860	S.RES ERJ3GE JPW V	T	60.4/71
R43	7030003860	S.RES ERJ3GE JPW V	T	60.7/69
R44	7030003860	S.RES ERJ3GE JPW V	T	68.2/71
R45	7030003860	S.RES ERJ3GE JPW V	T	65.7/68.5
R46	7030003860	S.RES ERJ3GE JPW V	T	70.6/68.9
R51	7030003440	S.RES ERJ3GEYJ 102 V (1 k)	B	35.8/80.1
R52	7030003440	S.RES ERJ3GEYJ 102 V (1 k)	B	34.3/80.1
R53	7030003440	S.RES ERJ3GEYJ 102 V (1 k)	B	32.8/80.1
R54	7030003440	S.RES ERJ3GEYJ 102 V (1 k)	B	31.2/80.1
R55	7030003440	S.RES ERJ3GEYJ 102 V (1 k)	B	29.6/80.1
R56	7030003440	S.RES ERJ3GEYJ 102 V (1 k)	B	28/80.1
R57	7030003440	S.RES ERJ3GEYJ 102 V (1 k)	B	26.4/80.1
R58	7030003440	S.RES ERJ3GEYJ 102 V (1 k)	B	24.8/80.1
R59	7030003440	S.RES ERJ3GEYJ 102 V (1 k)	T	18.3/78.7
R60	7030003440	S.RES ERJ3GEYJ 102 V (1 k)	T	17/76
R61	7030003440	S.RES ERJ3GEYJ 102 V (1 k)	T	15.7/77
R62	7030003440	S.RES ERJ3GEYJ 102 V (1 k)	T	14.4/78.7
R63	7030003440	S.RES ERJ3GEYJ 102 V (1 k)	T	10.6/78.7
R64	7030003440	S.RES ERJ3GEYJ 102 V (1 k)	T	9.3/74.8
R65	7030003440	S.RES ERJ3GEYJ 102 V (1 k)	T	8/74.8
R66	7030003520	S.RES ERJ3GEYJ 472 V (4.7 k)	B	15.6/81.6
R67	7030003200	S.RES ERJ3GEYJ 100 V (10)	T	99.8/90.4
R68	7030003200	S.RES ERJ3GEYJ 100 V (10)	T	98.5/90.4
R69	7030003200	S.RES ERJ3GEYJ 100 V (10)	T	97.2/90.4
R70	7030004040	S.RES ERJ3GEYJ 4R7 V (4.7)	T	104.8/65.9
R71	7030004040	S.RES ERJ3GEYJ 4R7 V (4.7)	T	103.5/65.9
R72	7030004040	S.RES ERJ3GEYJ 4R7 V (4.7)	T	102.2/65.9
R73	7030004040	S.RES ERJ3GEYJ 4R7 V (4.7)	T	100.9/65.9
R74	7030004040	S.RES ERJ3GEYJ 4R7 V (4.7)	T	99.6/65.9
R75	7030004040	S.RES ERJ3GEYJ 4R7 V (4.7)	T	98.3/65.9
R76	7030004040	S.RES ERJ3GEYJ 4R7 V (4.7)	T	97/65.9
R77	7030004040	S.RES ERJ3GEYJ 4R7 V (4.7)	T	95.7/65.9
R78	7030004040	S.RES ERJ3GEYJ 4R7 V (4.7)	B	120.1/64.6
R84	7030004040	S.RES ERJ3GEYJ 4R7 V (4.7)	B	110.5/64.6
R85	7030004040	S.RES ERJ3GEYJ 4R7 V (4.7)	B	108.9/64.6
R86	7030003560	S.RES ERJ3GEYJ 103 V (10 k)	B	116.1/83.6
R87	7030003860	S.RES ERJ3GE JPW V	T	32.5/76
R88	7030003860	S.RES ERJ3GE JPW V	T	31.2/76
R89	7030003860	S.RES ERJ3GE JPW V	T	29.9/76
R90	7030003860	S.RES ERJ3GE JPW V	T	28.6/76
R91	7030003860	S.RES ERJ3GE JPW V	T	27.3/76
R92	7030003860	S.RES ERJ3GE JPW V	T	26/76
R95	7030003860	S.RES ERJ3GE JPW V	T	15.7/78.7
R97	7030003860	S.RES ERJ3GE JPW V	T	8/78.7
R101	7030010950	S.RES ERJ1TYJ 100U (10)	T	18.6/29.5
R102	7030010950	S.RES ERJ1TYJ 100U (10)	T	22.3/29.5
R103	7030003560	S.RES ERJ3GEYJ 103 V (10 k)	T	12.2/34.7
R104	7030003560	S.RES ERJ3GEYJ 103 V (10 k)	T	27.6/34.9
R105	7030003720	S.RES ERJ3GEYJ 224 V (220 k)	T	12.2/37.3
R106	7030003720	S.RES ERJ3GEYJ 224 V (220 k)	T	25/36.7
R107	7030003660	S.RES ERJ3GEYJ 683 V (68 k)	T	14.1/36.5
R108	7030003660	S.RES ERJ3GEYJ 683 V (68 k)	T	23.2/34.8
R109	7030003720	S.RES ERJ3GEYJ 224 V (220 k)	T	13.3/38.7
R110	7030003720	S.RES ERJ3GEYJ 224 V (220 k)	T	25/37.9
R111	7030009340	S.RES ERJ3GEYJ 275V (2.7 M)	T	13.7/40.6
R112	7030003810	S.RES ERJ3GEYJ 125 V (1.2 M)	T	25/39.1
R115	7030009340	S.RES ERJ3GEYJ 275V (2.7 M)	T	12.4/40.6
R151	7030007190	S.RES ERJ12YJ220U (22)	T	37.6/27.2
R152	7030010620	S.RES ERJ12YJ180U (18)	B	38.1/26.8
R153	7030007190	S.RES ERJ12YJ220U (22)	T	37.6/31.8
R154	7030010620	S.RES ERJ12YJ180U (18)	B	38.1/31.8
R155	7030003320	S.RES ERJ3GEYJ 101 V (100)	T	37/39.6
R157	7030003320	S.RES ERJ3GEYJ 101 V (100)	T	30.3/40.1
R158	7030003560	S.RES ERJ3GEYJ 103 V (10 k)	T	31.8/41.5
R159	7030003560	S.RES ERJ3GEYJ 103 V (10 k)	T	38.4/41.5
R160	7030003280	S.RES ERJ3GEYJ 470 V (47)	T	30/42.3
R161	7030003280	S.RES ERJ3GEYJ 470 V (47)	T	39.7/43
R162	7030003440	S.RES ERJ3GEYJ 102 V (1 k)	T	30.9/44.9
R163	7030003440	S.RES ERJ3GEYJ 102 V (1 k)	T	42/43.3
R164	7030003280	S.RES ERJ3GEYJ 470 V (47)	T	33.6/47.7
R165	7030003280	S.RES ERJ3GEYJ 470 V (47)	T	39.2/46.4
R166	7030003440	S.RES ERJ3GEYJ 102 V (1 k)	T	34.3/44.7
R167	7030003440	S.RES ERJ3GEYJ 102 V (1 k)	T	39.2/45.1
R168	7030003280	S.RES ERJ3GEYJ 470 V (47)	T	38.8/49.8
R169	7030003440	S.RES ERJ3GEYJ 102 V (1 k)	T	38.8/51.1
R170	7030003280	S.RES ERJ3GEYJ 470 V (47)	T	31.5/58.2
R171	7030003280	S.RES ERJ3GEYJ 470 V (47)	T	31.5/56.9
R172	7030003480	S.RES ERJ3GEYJ 222 V (2.2 k)	T	32/53.7
R173	7030003500	S.RES ERJ3GEYJ 332 V (3.3 k)	T	27.2/54.9
R174	7030003360	S.RES ERJ3GEYJ 221 V (220)	T	27.2/52.3
R201	7030010420	S.RES ERJ1TYJ 560U (56)	T	49/29.7
R202	7030010420	S.RES ERJ1TYJ 560U (56)	B	49.3/29.4
R203	7030010420	S.RES ERJ1TYJ 560U (56)	T	49/33.7
R204	7030010420	S.RES ERJ1TYJ 560U (56)	B	49.3/34
R205	7030003560	S.RES ERJ3GEYJ 103 V (10 k)	T	52.3/45.4
R206	7030003560	S.RES ERJ3GEYJ 103 V (10 k)	T	57.4/41.5
R207	7030003800	S.RES ERJ3GEYJ 105 V (1 M)	T	50.1/41.9
R208	7030003560	S.RES ERJ3GEYJ 103 V (10 k)	T	54.8/42.6

[CTRL BOARD]

REF NO.	ORDER NO.	DESCRIPTION	M.	H/V LOCATION
R209	7030003520	S.RES ERJ3GEYJ 472 V (4.7 k)	T	54.8/40
R210	7030003440	S.RES ERJ3GEYJ 102 V (1 k)	T	56.1/42.7
R211	7030003480	S.RES ERJ3GEYJ 222 V (2.2 k)	T	13.1/49.4
R212	7030003560	S.RES ERJ3GEYJ 103 V (10 k)	T	25.1/49.4
R213	7030005331	S.RES ERA3YED 562V (5.6 k)	T	17.8/49.9
R214	7030005331	S.RES ERA3YED 562V (5.6 k)	T	16.5/49.9
R215	7030005871	S.RES ERA3YKD 104V (100 k)	T	14/53
R216	7030008121	S.RES ERA3YED 682V (6.8 k)	T	20.6/50
R217	7030008121	S.RES ERA3YED 682V (6.8 k)	T	22.3/48.1
R218	7030005871	S.RES ERA3YKD 104V (100 k)	T	23.8/57
R221	7030003670	S.RES ERJ3GEYJ 823 V (82 k)	B	17.1/57
R222	7030003680	S.RES ERJ3GEYJ 104 V (100 k)	T	20.9/51.3
R223	7030003820	S.RES ERJ3GEYJ 155 V (1.5 M)	T	14/55.8
R224	7030003820	S.RES ERJ3GEYJ 155 V (1.5 M)	T	23.8/54.6
R225	7030003560	S.RES ERJ3GEYJ 103 V (10 k)	T	14/61.4
R226	7030003560	S.RES ERJ3GEYJ 103 V (10 k)	T	21.9/61.4
R227	7030003560	S.RES ERJ3GEYJ 103 V (10 k)	T	14.7/63.4
R228	7030003560	S.RES ERJ3GEYJ 103 V (10 k)	T	21.3/63.4
R252	7030000230	S.RES MCR10EZHJ 56 (560)	T	70.8/31.9
R253	7030000230	S.RES MCR10EZHJ 56 (560)	T	69.9/35.2
R254	7030000230	S.RES MCR10EZHJ 56 (560)	T	70.8/38.7
R255	7030000220	S.RES MCR10EZHJ 47 (470)	T	72.2/40.8
R256	7030000230	S.RES MCR10EZHJ 56 (560)	T	72.4/31
R301	7030003560	S.RES ERJ3GEYJ 103 V (10 k)	T	83.7/57.6
R302	7030003670	S.RES ERJ3GEYJ 823 V (82 k)	T	81.9/61.2
R303	7030010910	S.RES ERJ1TYJ 150U (15)	B	90.1/60.7
R304	7030003560	S.RES ERJ3GEYJ 103 V (10 k)	T	85.5/62
R305	7030003720	S.RES ERJ3GEYJ 224 V (220 k)	T	80.6/61.2
R306	7030003660	S.RES ERJ3GEYJ 683 V (68 k)	T	78.7/57.2
R307	7030003660	S.RES ERJ3GEYJ 683 V (68 k)	T	79.2/59.7
R308	7030003840	S.RES ERJ3GEYJ 225 V (2.2 M)	B	76.5/58.3
R309	7030003720	S.RES ERJ3GEYJ 224 V (220 k)	T	76.1/53.9
R310	7030003840	S.RES ERJ3GEYJ 225 V (2.2 M)	T	73.4/54
R311	7030003440	S.RES ERJ3GEYJ 102 V (1 k)	T	76/55.5
R312	7030003560	S.RES ERJ3GEYJ 103 V (10 k)	T	73.4/55.5
R313	7030003700	S.RES ERJ3GEYJ 154 V (150 k)	T	78.5/61.6
R345	7030003560	S.RES ERJ3GEYJ 103 V (10 k)	T	88.3/83.2
R401	7030004040	S.RES ERJ3GEYJ 4R7 V (4.7)	T	17.5/93.4
R402	7030004040	S.RES ERJ3GEYJ 4R7 V (4.7)	T	16.2/93.4
R403	7030004040	S.RES ERJ3GEYJ 4R7 V (4.7)	T	14.9/93.4
R404	7030004040	S.RES ERJ3GEYJ 4R7 V (4.7)	T	13.6/93.4
R405	7030004040	S.RES ERJ3GEYJ 4R7 V (4.7)	T	12.3/93.4
R406	7030004040	S.RES ERJ3GEYJ 4R7 V (4.7)	T	11/93.4
R407	7030004040	S.RES ERJ3GEYJ 4R7 V (4.7)	T	9.7/93.4
R408	7030004040	S.RES ERJ3GEYJ 4R7 V (4.7)	T	8.4/93.4
R409	7030004040	S.RES ERJ3GEYJ 4R7 V (4.7)	B	36.6/86.7
R410	7030004040	S.RES ERJ3GEYJ 4R7 V (4.7)	B	35.1/86.7
R411	7030004040	S.RES ERJ3GEYJ 4R7 V (4.7)	B	33.6/86.7
R412	7030004040	S.RES ERJ3GEYJ 4R7 V (4.7)	B	32/86.7
R413	7030004040	S.RES ERJ3GEYJ 4R7 V (4.7)	B	30.4/86.7
R414	7030004040	S.RES ERJ3GEYJ 4R7 V (4.7)	B	28.8/86.7
R415	7030004040	S.RES ERJ3GEYJ 4R7 V (4.7)	B	27.2/86.7
R416	7030004040	S.RES ERJ3GEYJ 4R7 V (4.7)	B	25.6/86.7
R417	7030003440	S.RES ERJ3GEYJ 102 V (1 k)	B	31.3/98.5
R418	7030003440	S.RES ERJ3GEYJ 102 V (1 k)	B	44.8/98.5
R419	7030003440	S.RES ERJ3GEYJ 102 V (1 k)	B	32.9/98.5
R420	7030003440	S.RES ERJ3GEYJ 102 V (1 k)	B	46.4/98.5
R421	7030003440	S.RES ERJ3GEYJ 102 V (1 k)	B	34.5/98.5
R422	7030003440	S.RES ERJ3GEYJ 102 V (1 k)	B	48/98.5
R423	7030003440	S.RES ERJ3GEYJ 102 V (1 k)	B	36.1/98.5
R424	7030003440	S.RES ERJ3GEYJ 102 V (1 k)	B	49.6/98.5
R425	7030003440	S.RES ERJ3GEYJ 102 V (1 k)	B	37.7/98.5
R426	7030003440	S.RES ERJ3GEYJ 102 V (1 k)	B	51.2/98.5
R427	7030003440	S.RES ERJ3GEYJ 102 V (1 k)	B	39.3/98.5
R428	7030003440	S.RES ERJ3GEYJ 102 V (1 k)	B	52.8/98.5
R429	7030003440	S.RES ERJ3GEYJ 102 V (1 k)	B	40.9/98.5
R430	7030003440	S.RES ERJ3GEYJ 102 V (1 k)	B	54.4/98.5
R431	7030003440	S.RES ERJ3GEYJ 102 V (1 k)	B	42.5/98.5
R432	7030003440	S.RES ERJ3GEYJ 102 V (1 k)	B	56/98.5
C1	4510008540	S.ELE EEE1CA100SR	T	42.6/80.3
C2	4030011600	S.CER C1608 JB 1E 104K-T	T	45.8/82.3
C3	4030006880	S.CER C1608 JB 1H 472K-T	B	89.5/100
C4	4030006900	S.CER C1608 JB 1H 103K-T	T	56/74.7
C5	4030006900	S.CER C1608 JB 1H 103K-T	T	58.6/72.9
C6	4030006880	S.CER C1608 JB 1H 472K-T	T	74.6/74.7
C7	4030017810	S.CER C1608 CH 1H 102J-T	T	75.3/76.6
C8	4030011600	S.CER C1608 JB 1E 104K-T	T	56/81.3
C9	4030009990	S.CER C1608 CH 1H 200J-T	T	75.3/80.5
C10	4030011600	S.CER C1608 JB 1E 104K-T	T	

[CTRL BOARD]

REF NO.	ORDER NO.	DESCRIPTION	M.	H/V LOCATION
C70	4030011600	S.CER C1608 JB 1E 104K-T	T	95.8/80.5
C71	4030011600	S.CER C1608 JB 1E 104K-T	T	106.9/77.6
C72	4510008540	S.ELE EEE1CA100SR	T	111.6/83.3
C88	4030011600	S.CER C1608 JB 1E 104K-T	B	7.8/81.8
C102	4010005530	CER HM60SJ SL 020C 500V		
C103	4010005530	CER HM60SJ SL 020C 500V		
C104	4610002250	TRI TZ03R200Y169B00		
C105	4030011540	S.CER C1608 CH 1H 750J-T	B	13.1/28.5
C106	4030011540	S.CER C1608 CH 1H 750J-T	T	25.8/33.1
C107	4030017810	S.CER C1608 CH 1H 102J-T	T	12.2/36
C108	4030017810	S.CER C1608 CH 1H 102J-T	T	25.8/35.5
C109	4030006880	S.CER C1608 JB 1H 472K-T	B	21.6/38.4
C110	4030006880	S.CER C1608 JB 1H 472K-T	B	18.5/38.4
C111	4510008540	S.ELE EEE1CA100SR	T	25.4/45.8
C112	4510008540	S.ELE EEE1CA100SR	T	18.8/46.4
C113	4030006880	S.CER C1608 JB 1H 472K-T	T	16.3/41.8
C114	4030006880	S.CER C1608 JB 1H 472K-T	T	23/41.8
C115	4030007100	S.CER C1608 CH 1H 560J-T	B	13.1/26.9
C116	4030011540	S.CER C1608 CH 1H 750J-T	T	25.8/34.3
C119	4030007100	S.CER C1608 CH 1H 560J-T	T	16.9/24.1
C151	4010005540	CER HM60SJ SL 030C 500V		
C152	4030007070	S.CER C1608 CH 1H 330J-T	T	33/34.3
C153	4030007120	S.CER C1608 CH 1H 820J-T	T	32.3/35.6
C154	4030007070	S.CER C1608 CH 1H 330J-T	T	38.5/34.5
C155	4030007120	S.CER C1608 CH 1H 820J-T	T	35.9/34.5
C156	4030006880	S.CER C1608 JB 1H 472K-T	T	29.8/37.5
C157	4030006880	S.CER C1608 JB 1H 472K-T	T	41.6/38.4
C158	4030007060	S.CER C1608 CH 1H 270J-T	T	29.7/35.6
C159	4030006880	S.CER C1608 JB 1H 472K-T	T	34.4/38.4
C161	4030006880	S.CER C1608 JB 1H 472K-T	T	45.2/51.5
C162	4550003120	S.TAN TEESVD2 1A 476M12R	T	46.7/46.3
C163	4030007170	S.CER C1608 CH 1H 221J-T	T	30.1/59.5
C164	4030007170	S.CER C1608 CH 1H 221J-T	T	31.5/55.6
C165	4030006880	S.CER C1608 JB 1H 472K-T	T	31.5/51.7
C171	4030006880	S.CER C1608 JB 1H 472K-T	B	40.2/37.7
C173	4030006880	S.CER C1608 JB 1H 472K-T	T	28.3/48.4
C174	4030006880	S.CER C1608 JB 1H 472K-T	T	42.2/49.6
C175	4030006880	S.CER C1608 JB 1H 472K-T	T	35.9/49.8
C180	4030011600	S.CER C1608 JB 1E 104K-T	T	28.3/49.7
C181	4030011600	S.CER C1608 JB 1E 104K-T	T	42.2/48.3
C201	4010005580	CER HM60SJ SL 070D 500V		
C202	4010005520	CER HM60SJ SL 010C 500V		
C204	4030011570	S.CER CM105 CH 101G 50AT	T	55.3/36.9
C205	4030016550	S.CER CM105 CH 151G 50AT	T	51.4/36.9
C206	4030009530	S.CER C1608 CH 1H 030B-T	T	52.7/36.9
C207	4030006880	S.CER C1608 JB 1H 472K-T	T	49.8/39.3
C208	4030006880	S.CER C1608 JB 1H 472K-T	T	56.1/40
C209	4030017810	S.CER C1608 CH 1H 102J-T	T	51.7/40
C210	4030006880	S.CER C1608 JB 1H 472K-T	T	53.5/40
C211	4030006880	S.CER C1608 JB 1H 472K-T	T	14.4/49.4
C212	4030006880	S.CER C1608 JB 1H 472K-T	T	23.8/49.4
C213	4030006880	S.CER C1608 JB 1H 472K-T	B	19.7/55.7
C214	4030007170	S.CER C1608 CH 1H 221J-T	T	14.7/59.4
C215	4030007170	S.CER C1608 CH 1H 221J-T	T	21.4/59.4
C216	4030011340	S.CER C1608 CH 1H 471J-T	T	15.4/61.4
C217	4030011340	S.CER C1608 CH 1H 471J-T	T	20.6/61.4
C218	4030006880	S.CER C1608 JB 1H 472K-T	B	18.2/54.1
C252	4030006880	S.CER C1608 JB 1H 472K-T	T	72.9/33.3
C253	4030006880	S.CER C1608 JB 1H 472K-T	T	76.6/38.3
C254	4030006880	S.CER C1608 JB 1H 472K-T	T	72.9/48.1
C255	4030006880	S.CER C1608 JB 1H 472K-T	T	73/38.2
C301	4010005520	CER HM60SJ SL 010C 500V		
C302	4030007030	S.CER C1608 CH 1H 150J-T	T	85.5/56.6
C303	4030007050	S.CER C1608 CH 1H 220J-T	T	85.5/59.2
C304	4030017810	S.CER C1608 CH 1H 102J-T	T	83.7/60.5
C305	4030017810	S.CER C1608 CH 1H 102J-T	T	90.3/61.3
C307	4030006880	S.CER C1608 JB 1H 472K-T	T	78.7/55.8
C308	4030006880	S.CER C1608 JB 1H 472K-T	T	77.9/59.7
C309	4030011600	S.CER C1608 JB 1E 104K-T	T	68.8/59.8
C310	4030009530	S.CER C1608 CH 1H 030B-T	T	85.5/57.9
C417	4510008540	S.ELE EEE1CA100SR	T	22.6/77.6
C418	4510008540	S.ELE EEE1CA100SR	T	40.6/85.6
C419	4030006880	S.CER C1608 JB 1H 472K-T	T	19.6/78.7
C420	4030006880	S.CER C1608 JB 1H 472K-T	T	38.4/79.2
RL251	6330001530	RLY NR-HD (5V) AE5349		
RL252	6330001460	RLY FTR-F1CA012V		
RL253	6330001460	RLY FTR-F1CA012V		
CP1	6910009670	S.CHK HK3-S-T	T	67.7/100.1
CP101	6910009670	S.CHK HK3-S-T	T	5/83.4
J1	6510023771	S.CNR 52793-2470 (2490)	T	101.8/99.6
J2	6510023761	S.CNR S10B-PH-SM4-TB (LF) (SN)	T	148.3/82.8
J51	6510023771	S.CNR 52793-2470 (2490)	T	43.9/99.6
J52	6510022031	S.CNR B10B-ZR-SM4-TF (LF) (SN)	T	133/2.9
J53	6510021431	S.CNR S8B-ZR-SM4A-TF (LF) (SN)	T	134.6/65
J101	6510017920	CNR 1811P342		
J251	6510017920	CNR 1811P342		
J252	6510017920	CNR 1811P342		
J301	6510017920	CNR 1811P342		
J351	6510007020	CNR TMP-J01X-V6		
W1	9029804001	WIR 72/99/040/X98/X98		
EP1	9040902903	TUB IRRAX 0.7 (d) L=22 mm		

[ANT-SW UNIT]

REF NO.	ORDER NO.	DESCRIPTION	M.	H/V LOCATION
IC11	1130011510	S.IC BU2099FV-E2	T	160.6/33.6
IC12	1180002391	S.REG S-812C33AMC-C2N-G	T	152.4/28.7
Q11	1590001001	S.TR RN2427(RE85R,F)	T	156.9/38.6
Q12	1590001001	S.TR RN2427(RE85R,F)	T	152.3/36.9
Q13	1590001001	S.TR RN2427(RE85R,F)	T	164.7/38.5
Q14	1590001001	S.TR RN2427(RE85R,F)	T	164.7/17.5
D51	1750000550	S.DIO 1SS355 TE-17	T	161.9/13.3
D52	1750000550	S.DIO 1SS355 TE-17	T	140.3/42.9
D53	1750000550	S.DIO 1SS355 TE-17	T	115.1/41.4
D61	1750000550	S.DIO 1SS355 TE-17	T	118.9/19.7
D62	1750000550	S.DIO 1SS355 TE-17	T	107.1/43
D63	1750000550	S.DIO 1SS355 TE-17	T	79/43.6
D71	1750000550	S.DIO 1SS355 TE-17	T	68.7/21.4
D72	1750000550	S.DIO 1SS355 TE-17	T	61.6/42.9
D73	1750000550	S.DIO 1SS355 TE-17	T	65.8/43.4
D81	1750000550	S.DIO 1SS355 TE-17	T	36.9/19.7
D82	1750000550	S.DIO 1SS355 TE-17	T	41.4/45.2
D83	1750000550	S.DIO 1SS355 TE-17	T	28.2/45.3
D84	1750000550	S.DIO 1SS355 TE-17	T	25.8/43
L1	6200003590	S.COL EXCCL3225U1	T	155.7/27.5
L2	6110001670	COL LA-253		
R1	7540000100	ABS SRYH-350L		
R2	7540000130	ABS 2P-50A-301		
R3	7540000130	ABS 2P-50A-301		
R11	7030003320	S.RES ERJ3GEYJ 101 V (100)	T	165.5/27.4
R12	7030003320	S.RES ERJ3GEYJ 101 V (100)	T	164.2/27.4
R13	7030003320	S.RES ERJ3GEYJ 101 V (100)	T	162.9/27.4
R14	7030003320	S.RES ERJ3GEYJ 101 V (100)	T	166.2/33.9
R15	7030003320	S.RES ERJ3GEYJ 101 V (100)	T	148.7/31.6
R16	7030003320	S.RES ERJ3GEYJ 101 V (100)	T	151.5/31.6
R17	7030003320	S.RES ERJ3GEYJ 101 V (100)	T	154.7/39.4
R18	7030003320	S.RES ERJ3GEYJ 101 V (100)	T	151.4/32.9
R19	7030003320	S.RES ERJ3GEYJ 101 V (100)	T	151.4/34.2
R20	7030003320	S.RES ERJ3GEYJ 101 V (100)	T	152.1/39.1
R21	7030003320	S.RES ERJ3GEYJ 101 V (100)	T	154.7/36.6
R22	7030003320	S.RES ERJ3GEYJ 101 V (100)	T	166.9/38.7
R23	7030003320	S.RES ERJ3GEYJ 101 V (100)	T	162.3/38.9
R24	7030003320	S.RES ERJ3GEYJ 101 V (100)	T	161/39.1
R25	7030003320	S.RES ERJ3GEYJ 101 V (100)	T	159.7/39.1
R26	7030003320	S.RES ERJ3GEYJ 101 V (100)	T	162.7/15.6
C1	4010005610	CER HM60SJ SL 100D 500V		
C2	4010005660	CER HM60SJ SL 220J 500V		
C11	4030011600	S.CER C1608 JB 1E 104K-T	T	160/27.6
C12	4030011600	S.CER C1608 JB 1E 104K-T	T	158.7/27.6
C51	4030006880	S.CER C1608 JB 1H 472K-T	T	163.5/13.6
C52	4030006880	S.CER C1608 JB 1H 472K-T	T	144.5/41.3
C53	4030006880	S.CER C1608 JB 1H 472K-T	T	113.5/41.7
C61	4030006880	S.CER C1608 JB 1H 472K-T	T	119.2/21.3
C62	4030006880	S.CER C1608 JB 1H 472K-T	T	107.4/44.5
C63	4030006880	S.CER C1608 JB 1H 472K-T	T	77.5/43.6
C71	4030006880	S.CER C1608 JB 1H 472K-T	T	69/19.9
C72	4030006880	S.CER C1608 JB 1H 472K-T	T	61.6/44.5
C73	4030006880	S.CER C1608 JB 1H 472K-T	T	73/43.4
C81	4030006880	S.CER C1608 JB 1H 472K-T	T	37.2/21.3
C82	4030006880	S.CER C1608 JB 1H 472K-T	T	42.9/45.2
C83	4030006880	S.CER C1608 JB 1H 472K-T	T	26.6/45.6
C84	4030006880	S.CER C1608 JB 1H 472K-T	T	25/45.6
RL51	6330001460	RLY FTR-F1CA012V		
RL52	6330001780	RLY FTR-MYAA012D		
RL53	6330001780	RLY FTR-MYAA012D		
RL61	6330001460	RLY FTR-F1CA012V		
RL62	6330001780	RLY FTR-MYAA012D		
RL63	6330001780	RLY FTR-MYAA012D		
RL71	6330001460	RLY FTR-F1CA012V		
RL72	6330001780	RLY FTR-MYAA012D		
RL73	6330001780	RLY FTR-MYAA012D		
RL81	6330001460	RLY FTR-F1CA012V		
RL82	6330001780	RLY FTR-MYAA012D		
RL83	6330001780	RLY FTR-MYAA012D		
RL84	6330001780	RLY FTR-MYAA012D		
J1	6510017930	CNR 1771P145-20		
J2	6510007020	CNR TMP-J01X-V6		
J3	6510007020	CNR TMP-J01X-V6		
J4	6510019971	S.CNR 52808-1071	T	153/22
J51	6510000410	CNR MR-DS-E 02		
J61	6510000410	CNR MR-DS-E 02		
J71	6510000410	CNR MR-DS-E 02		
J81	6510000410	CNR MR-DS-E 02		

M.=Mounted side (T: Mounted on the Top side, B: Mounted on the Bottom side)

S.=Surface mount

[OSC UNIT]

REF NO.	ORDER NO.	DESCRIPTION	M.	H/V LOCATION
IC10	1180002610	S.REG BA12FP-E2	T	37.8/20
IC91	1190002001	S.IC AD5260BRUZ50	T	26.8/12
IC92	1130005721	S.IC TC7W04F (TE12L,F)	T	23.7/6.1
Q10	1590000680	S.TR DTC114EUA T106	T	32.4/35
Q11	1590000680	S.TR DTC114EUA T106	T	22.1/42.4
Q12	1590000680	S.TR DTC114EUA T106	T	29.1/41.5
Q13	1590000680	S.TR DTC114EUA T106	T	31.6/41.5
Q21	1530002060	S.TR 2SC4081 T106 R	T	11.3/6.3
Q22	1530002601	S.TR 2SC4215-O (TE85R,F)	T	10.4/17.8
Q23	1590000680	S.TR DTC114EUA T106	T	13/11
Q42	1530002601	S.TR 2SC4215-O (TE85R,F)	T	18.8/18.8
Q43	1590000680	S.TR DTC114EUA T106	T	19.6/11.7
Q61	1530002060	S.TR 2SC4081 T106 R	T	26.1/36.1
Q62	1530002060	S.TR 2SC4081 T106 R	T	20.6/38.6
Q70	1530002060	S.TR 2SC4081 T106 R	T	9.9/41.2
Q101	1530002700	S.TR 2SC4097 T106Q	T	36.7/40
D10	1790001250	S.DIO MA2S1110G-(TX)	T	31.4/31.7
D11	1790001250	S.DIO MA2S1110G-(TX)	T	16.5/38.2
D71	1750000381	S.DIO 1SS312 (TE85L,F)	T	29.8/34.9
D72	1750000381	S.DIO 1SS312 (TE85L,F)	T	29.9/37.6
X1	6050012210	XTL CR-772.OCVXO-148A		
L1	6200003950	S.COL HF50ACC 322513-T	T	38.8/43.7
L2	6200003950	S.COL HF50ACC 322513-T	T	35.8/43.7
L10	6200003950	S.COL HF50ACC 322513-T	T	94.7/30.6
L20	6200005491	S.COL NLV32T-331J	T	14.7/1.9
L21	6200003261	S.COL NLV32T-101J	T	6.9/11.2
L22	6200003261	S.COL NLV32T-101J	T	7.9/14.7
L23	6200003041	S.COL NLV32T-FR68J	T	6.9/20.3
L24	6200003051	S.COL NLV32T-FR82J	T	6.2/23.8
L41	6200003261	S.COL NLV32T-101J	T	15.3/13.7
L42	6200003261	S.COL NLV32T-101J	T	14.7/17.2
L43	6200003041	S.COL NLV32T-FR68J	T	15.3/22.4
L44	6200003051	S.COL NLV32T-FR82J	T	18.8/24.2
L61	6150004170	COL LS-476		
L62	6150004170	COL LS-476		
L91	6200003950	S.COL HF50ACC 322513-T	T	23.6/20.3
L92	6200003950	S.COL HF50ACC 322513-T	T	19.4/4.3
R1	7030003440	S.RES ERJ3GEYJ 102 V (1 k)	T	32.4/44.3
R2	7030003440	S.RES ERJ3GEYJ 102 V (1 k)	T	29.8/44.2
R3	7030003440	S.RES ERJ3GEYJ 102 V (1 k)	T	25.8/44.2
R11	7030003200	S.RES ERJ3GEYJ 100 V (10)	T	33.3/32.3
R12	7030003200	S.RES ERJ3GEYJ 100 V (10)	T	16.7/40.3
R13	7030003440	S.RES ERJ3GEYJ 102 V (1 k)	T	16.8/11.6
R20	7030003240	S.RES ERJ3GEYJ 220 V (22)	T	11.3/1.8
R21	7030003560	S.RES ERJ3GEYJ 103 V (10 k)	T	11.1/4.4
R22	7030003370	S.RES ERJ3GEYJ 271 V (270)	T	15.5/7.9
R23	7030004040	S.RES ERJ3GEYJ 4R7 V (4.7)	T	11.4/14
R24	7030003370	S.RES ERJ3GEYJ 271 V (270)	T	12.3/17.7
R25	7030003500	S.RES ERJ3GEYJ 332 V (3.3 k)	T	10.1/14.2
R26	7030003480	S.RES ERJ3GEYJ 222 V (2.2 k)	T	12.8/9.1
R27	7030003360	S.RES ERJ3GEYJ 221 V (220)	T	5.8/13.9
R28	7030003440	S.RES ERJ3GEYJ 102 V (1 k)	T	10.2/11.9
R43	7030003240	S.RES ERJ3GEYJ 220 V (22)	T	19.7/14.2
R44	7030003370	S.RES ERJ3GEYJ 271 V (270)	T	20.7/18.6
R45	7030003500	S.RES ERJ3GEYJ 332 V (3.3 k)	T	17.9/15.1
R46	7030003480	S.RES ERJ3GEYJ 222 V (2.2 k)	T	19.4/9.8
R47	7030003290	S.RES ERJ3GEYJ 560 V (56)	T	16.8/17.9
R61	7030003240	S.RES ERJ3GEYJ 220 V (22)	T	22.2/35.4
R62	7030003560	S.RES ERJ3GEYJ 103 V (10 k)	T	26.3/34.2
R63	7030003380	S.RES ERJ3GEYJ 331 V (330)	T	25.9/38
R64	7030003280	S.RES ERJ3GEYJ 470 V (47)	T	20.8/40.5
R65	7030003400	S.RES ERJ3GEYJ 471 V (470)	T	20/34.8
R67	7030003560	S.RES ERJ3GEYJ 103 V (10 k)	T	19.6/36.7
R68	7030003550	S.RES ERJ3GEYJ 822 V (8.2 k)	T	22.2/36.7
R71	7030003340	S.RES ERJ3GEYJ 151 V (150)	T	32.6/38.2
R72	7030003270	S.RES ERJ3GEYJ 390 V (39)	T	31.2/39.5
R73	7030003340	S.RES ERJ3GEYJ 151 V (150)	T	28.6/39.5
R75	7030003280	S.RES ERJ3GEYJ 470 V (47)	T	16.2/43.1
R77	7030003320	S.RES ERJ3GEYJ 101 V (100)	T	12.5/44.6
R78	7030003470	S.RES ERJ3GEYJ 182 V (1.8 k)	T	8/41
R79	7030003480	S.RES ERJ3GEYJ 222 V (2.2 k)	T	6.1/41.6
R80	7030003360	S.RES ERJ3GEYJ 221 V (220)	T	11.8/41
R82	7030003280	S.RES ERJ3GEYJ 470 V (47)	T	17.5/43.1
R91	7030006091	S.RES ERA3YED 822V (8.2 k)	T	19.5/7.1
R92	7030005341	S.RES ERA3YED 332V (3.3 k)	T	19.5/8.4
R93	7030003560	S.RES ERJ3GEYJ 103 V (10 k)	T	25.6/1.4
R94	7030003540	S.RES ERJ3GEYJ 682 V (6.8 k)	T	25.6/2.7
R95	7030003320	S.RES ERJ3GEYJ 101 V (100)	T	22.4/16.7
R96	7030003440	S.RES ERJ3GEYJ 102 V (1 k)	T	32/14.1
R97	7030003440	S.RES ERJ3GEYJ 102 V (1 k)	T	28.6/16.1
R98	7030003640	S.RES ERJ3GEYJ 473 V (47 k)	T	27.3/16.1
R99	7030003480	S.RES ERJ3GEYJ 222 V (2.2 k)	T	22.4/10.1
R100	7030003640	S.RES ERJ3GEYJ 473 V (47 k)	T	27.2/6.4
R101	7030003360	S.RES ERJ3GEYJ 221 V (220)	T	36.9/38.1
R102	7030005981	S.RES ERA3YED 333V (33 k)	T	32.4/6.7
C1	4030006880	S.CER C1608 JB 1H 472K-T	T	39.6/47.6
C2	4030006880	S.CER C1608 JB 1H 472K-T	T	31.1/44.3

[OSC UNIT]

REF NO.	ORDER NO.	DESCRIPTION	M.	H/V LOCATION
C3	4030006880	S.CER C1608 JB 1H 472K-T	T	33.7/44
C4	4030006880	S.CER C1608 JB 1H 472K-T	T	30.5/8.6
C5	4510008550	S.ELE EEE1HA010SR	T	30.6/2.6
C6	4030006880	S.CER C1608 JB 1H 472K-T	T	35/3.4
C7	4510008550	S.ELE EEE1HA010SR	T	38.7/2.6
C8	4030011600	S.CER C1608 JB 1E 104K-T	T	17.3/2.1
C9	4030006880	S.CER C1608 JB 1H 472K-T	T	27.1/43.1
C10	4510008680	S.ELE EEE1EA220SP	T	39.2/21.3
C11	4030004760	S.CER C2012 JF 1H 104Z-T	T	35.9/13
C12	4030006880	S.CER C1608 JB 1H 472K-T	T	39.2/12.8
C13	4510008680	S.ELE EEE1EA220SP	T	37.1/8.6
C14	4030006880	S.CER C1608 JB 1H 472K-T	T	94.7/33.9
C15	4030011600	S.CER C1608 JB 1E 104K-T	T	39.2/14.1
C16	4030011600	S.CER C1608 JB 1E 104K-T	T	29.6/32.3
C17	4030011600	S.CER C1608 JB 1E 104K-T	T	19.4/41.8
C18	4030011600	S.CER C1608 JB 1E 104K-T	T	17.8/38.3
C19	4030011600	S.CER C1608 JB 1E 104K-T	T	31.5/33
C20	4030011600	S.CER C1608 JB 1E 104K-T	T	13.3/5.2
C21	4030011600	S.CER C1608 JB 1E 104K-T	T	11.3/3.1
C22	4030011600	S.CER C1608 JB 1E 104K-T	T	15/11
C23	4030011600	S.CER C1608 JB 1E 104K-T	T	11.9/15.8
C24	4030011600	S.CER C1608 JB 1E 104K-T	T	12.7/14
C25	4030011600	S.CER C1608 JB 1E 104K-T	T	10.2/19.8
C26	4030017800	S.CER C1608 CH 1H 561J-T	T	10.2/21.1
C27	4030007120	S.CER C1608 CH 1H 820J-T	T	7.7/18.2
C28	4030011340	S.CER C1608 CH 1H 471J-T	T	8.9/22.5
C29	4030011330	S.CER C1608 CH 1H 391J-T	T	10.2/23.8
C30	4030007050	S.CER C1608 CH 1H 220J-T	T	8.4/24.5
C31	4030017800	S.CER C1608 CH 1H 561J-T	T	10.2/25.1
C32	4030011600	S.CER C1608 JB 1E 104K-T	T	10.8/9.2
C33	4030011600	S.CER C1608 JB 1E 104K-T	T	9.5/10.1
C42	4030011600	S.CER C1608 JB 1E 104K-T	T	21.6/12.7
C43	4030011600	S.CER C1608 JB 1E 104K-T	T	20.1/16.8
C44	4030011600	S.CER C1608 JB 1E 104K-T	T	19.9/15.5
C45	4030011600	S.CER C1608 JB 1E 104K-T	T	13.2/20.6
C46	4030017800	S.CER C1608 CH 1H 561J-T	T	15/19.8
C47	4030007120	S.CER C1608 CH 1H 820J-T	T	13.2/23.2
C48	4030011340	S.CER C1608 CH 1H 471J-T	T	17.5/21.5
C49	4030011330	S.CER C1608 CH 1H 391J-T	T	18.8/21.5
C50	4030007050	S.CER C1608 CH 1H 220J-T	T	20.6/22.1
C51	4030017800	S.CER C1608 CH 1H 561J-T	T	21.7/24.4
C52	4030011600	S.CER C1608 JB 1E 104K-T	T	17.6/8.8
C53	4030011600	S.CER C1608 JB 1E 104K-T	T	16.3/9.7
C61	4030011600	S.CER C1608 JB 1E 104K-T	T	26.3/32.9
C62	4030011600	S.CER C1608 JB 1E 104K-T	T	24.1/36.1
C63	4030011600	S.CER C1608 JB 1E 104K-T	T	25.9/39.3
C64	4030011600	S.CER C1608 JB 1E 104K-T	T	22.7/34.1
C66	4030007010	S.CER C1608 CH 1H 100D-T	T	12.8/25.1
C67	4030011600	S.CER C1608 JB 1E 104K-T	T	17/35.4
C71	4030006880	S.CER C1608 JB 1H 472K-T	T	33.8/39.5
C72	4030006880	S.CER C1608 JB 1H 472K-T	T	14.4/45.4
C73	4030006880	S.CER C1608 JB 1H 472K-T	T	6.1/40.3
C74	4030006880	S.CER C1608 JB 1H 472K-T	T	10/43.2
C75	4030006880	S.CER C1608 JB 1H 472K-T	T	13.1/40.9
C76	4030006880	S.CER C1608 JB 1H 472K-T	T	19.4/45.4
C77	4030011600	S.CER C1608 JB 1E 104K-T	T	10.7/44.6
C91	4030006880	S.CER C1608 JB 1H 472K-T	T	25.5/16.4
C92	4030006880	S.CER C1608 JB 1H 472K-T	T	17.3/4.7
C93	4030006880	S.CER C1608 JB 1H 472K-T	T	22.1/2.7
C94	4030006880	S.CER C1608 JB 1H 472K-T	T	27.9/8.6
C101	4550006480	S.TAN TEESVA 1C 475M8R	T	40/38.9
RL10	6330001750	RLY FTR-B4CA012Z		
RL11	6330001750	RLY FTR-B4CA012Z		
J2	6510019971	S.CNR 52808-1071	T	30.5/48.8
J71	6510007020	CNR TMP-J01X-V6		
J72	6510007020	CNR TMP-J01X-V6		
J73	6510007020	CNR TMP-J01X-V6		

M.=Mounted side (T: Mounted on the Top side, B: Mounted on the Bottom side)  
S.=Surface mount



[DIGISEL UNIT]

REF NO.	ORDER NO.	DESCRIPTION	M.	H/V LOCATION
IC1	1130014370	S.IC CAT24C256XI	B	18.9/51.9
IC4	1130011510	S.IC BU2099FV-E2	T	29.9/55.8
IC5	1130011510	S.IC BU2099FV-E2	T	18.5/55.8
IC501	1130014370	S.IC CAT24C256XI	B	17.5/26.4
IC504	1130011510	S.IC BU2099FV-E2	T	28.3/29.2
IC505	1130011510	S.IC BU2099FV-E2	T	18.1/29.3
Q201	1530003851	S.TR 2SC5551A-F-E	T	48.5/52.8
Q701	1530003851	S.TR 2SC5551A-F-E	T	49.7/21.3
D21	1750000550	S.DIO 1SS355 TE-17	B	28.5/45.9
D51	1750000550	S.DIO 1SS355 TE-17	B	60.7/57.2
D52	1750000550	S.DIO 1SS355 TE-17	B	61.6/44.8
D53	1750000550	S.DIO 1SS355 TE-17	T	53.1/59.2
D54	1750000550	S.DIO 1SS355 TE-17	B	90.2/68.2
D55	1750000550	S.DIO 1SS355 TE-17	B	69.5/68.4
D56	1750000550	S.DIO 1SS355 TE-17	B	67.3/55.1
D57	1750000550	S.DIO 1SS355 TE-17	T	66/48.7
D58	1750000550	S.DIO 1SS355 TE-17	B	114.3/50.2
D59	1750000550	S.DIO 1SS355 TE-17	B	90.5/51
D60	1750000550	S.DIO 1SS355 TE-17	B	90.5/54.4
D61	1750000550	S.DIO 1SS355 TE-17	B	114.3/53.5
D62	1750000550	S.DIO 1SS355 TE-17	B	138.2/50.2
D63	1750000550	S.DIO 1SS355 TE-17	B	138.2/53.7
D64	1750000550	S.DIO 1SS355 TE-17	B	162.1/50.1
D65	1750000550	S.DIO 1SS355 TE-17	B	162.1/53.7
D66	1750000550	S.DIO 1SS355 TE-17	B	180.9/47.7
D67	1750000550	S.DIO 1SS355 TE-17	B	114.3/57.2
D68	1750000550	S.DIO 1SS355 TE-17	T	85.8/64.1
D69	1750000550	S.DIO 1SS355 TE-17	B	183.4/63
D70	1750000550	S.DIO 1SS355 TE-17	B	162.1/61.3
D71	1750000550	S.DIO 1SS355 TE-17	B	162.1/57.5
D72	1750000550	S.DIO 1SS355 TE-17	B	138.2/61.3
D73	1750000550	S.DIO 1SS355 TE-17	B	138.2/57.5
D74	1750000550	S.DIO 1SS355 TE-17	B	114.3/61.4
D75	1750000550	S.DIO 1SS355 TE-17	B	90.5/59.1
D201	1710001240	DIO L204BBB		
D202	1710001240	DIO L204BBB		
D203	1750000550	S.DIO 1SS355 TE-17	B	48.3/73.3
D204	1750000550	S.DIO 1SS355 TE-17	B	46.1/73.3
D205	1750000550	S.DIO 1SS355 TE-17	B	44.8/69.7
D521	1750000550	S.DIO 1SS355 TE-17	B	25/35.2
D551	1750000550	S.DIO 1SS355 TE-17	B	63.7/9.2
D552	1750000550	S.DIO 1SS355 TE-17	B	61.7/23
D553	1750000550	S.DIO 1SS355 TE-17	B	58/8.5
D554	1750000550	S.DIO 1SS355 TE-17	B	91/12.8
D555	1750000550	S.DIO 1SS355 TE-17	T	68.6/11.7
D556	1750000550	S.DIO 1SS355 TE-17	B	67.2/24.9
D557	1750000550	S.DIO 1SS355 TE-17	B	70.2/36.4
D558	1750000550	S.DIO 1SS355 TE-17	B	114.3/27.1
D559	1750000550	S.DIO 1SS355 TE-17	B	90.6/26.8
D560	1750000550	S.DIO 1SS355 TE-17	B	90.6/30.3
D561	1750000550	S.DIO 1SS355 TE-17	B	114.3/30.5
D562	1750000550	S.DIO 1SS355 TE-17	B	138.2/27.1
D563	1750000550	S.DIO 1SS355 TE-17	B	138.2/30.5
D564	1750000550	S.DIO 1SS355 TE-17	B	162.1/27.1
D565	1750000550	S.DIO 1SS355 TE-17	B	162.1/30.6
D566	1750000550	S.DIO 1SS355 TE-17	B	182.5/33.5
D567	1750000550	S.DIO 1SS355 TE-17	B	114.3/19.6
D568	1750000550	S.DIO 1SS355 TE-17	B	90.7/19.6
D569	1750000550	S.DIO 1SS355 TE-17	B	183.6/17.1
D570	1750000550	S.DIO 1SS355 TE-17	B	162.1/19.7
D571	1750000550	S.DIO 1SS355 TE-17	B	162.1/23.5
D572	1750000550	S.DIO 1SS355 TE-17	B	138.2/23.5
D573	1750000550	S.DIO 1SS355 TE-17	B	138.2/19.6
D574	1750000550	S.DIO 1SS355 TE-17	B	114.3/23.4
D575	1750000550	S.DIO 1SS355 TE-17	B	90.7/22.9
D701	1710001240	DIO L204BBB		
D702	1710001240	DIO L204BBB		
D703	1750000550	S.DIO 1SS355 TE-17	B	47/9
D704	1750000550	S.DIO 1SS355 TE-17	B	44.9/9
D705	1750000550	S.DIO 1SS355 TE-17	T	51.8/34.3
L1	6200003261	S.COL NLV32T-101J	B	4.5/52
L2	6200003950	S.COL HF50ACC 322513-T	B	4.7/40
L3	6200003261	S.COL NLV32T-101J	B	4.5/48
L4	6200003261	S.COL NLV32T-101J	B	4.5/44
L101	6140003980	COL LR-476		
L102	6140003990	COL LR-477		
L103	6140004001	COL LR-478A		
L104	6140004010	COL LR-479		
L105	6140004020	COL LR-480		
L106	6140004030	COL LR-481		
L107	6110003930	COL LA-595		
L201	6180000920	COL LAL 03NA 221K		
L203	6140003940	COL LR-493		
L503	6200003261	S.COL NLV32T-101J	B	4.5/36
L504	6200003261	S.COL NLV32T-101J	B	4.5/32
L601	6140003980	COL LR-476		
L602	6140003990	COL LR-477		
L603	6140004001	COL LR-478A		
L604	6140004010	COL LR-479		
L605	6140004020	COL LR-480		
L606	6140004030	COL LR-481		
L607	6110003930	COL LA-595		
L701	6180000920	COL LAL 03NA 221K		
L703	6140003940	COL LR-493		
R1	7030003680	S.RES ERJ3GEYJ 104 V (100 k)	B	17.3/60.8
R2	7030003560	S.RES ERJ3GEYJ 103 V (10 k)	B	12.6/54.5

[DIGISEL UNIT]

REF NO.	ORDER NO.	DESCRIPTION	M.	H/V LOCATION
R3	7030003560	S.RES ERJ3GEYJ 103 V (10 k)	T	26.1/51.6
R4	7030003440	S.RES ERJ3GEYJ 102 V (1 k)	T	14.3/47.4
R5	7030003440	S.RES ERJ3GEYJ 102 V (1 k)	T	15.7/44.8
R6	7030003440	S.RES ERJ3GEYJ 102 V (1 k)	T	15.1/46.1
R7	7030003440	S.RES ERJ3GEYJ 102 V (1 k)	T	4/52.9
R8	7030003440	S.RES ERJ3GEYJ 102 V (1 k)	T	13.3/51.8
R9	7030003360	S.RES ERJ3GEYJ 221 V (220)	B	32/45.9
R10	7030003360	S.RES ERJ3GEYJ 221 V (220)	T	34.6/60
R35	7030003360	S.RES ERJ3GEYJ 221 V (220)	T	27.9/62.4
R36	7030003360	S.RES ERJ3GEYJ 221 V (220)	T	28.6/65.8
R37	7030003360	S.RES ERJ3GEYJ 221 V (220)	T	29.3/62.4
R38	7030003360	S.RES ERJ3GEYJ 221 V (220)	T	30/65.8
R39	7030003360	S.RES ERJ3GEYJ 221 V (220)	T	30.7/62.4
R40	7030003360	S.RES ERJ3GEYJ 221 V (220)	T	26.5/62.4
R41	7030003360	S.RES ERJ3GEYJ 221 V (220)	T	27.2/65.8
R42	7030003360	S.RES ERJ3GEYJ 221 V (220)	T	25.8/65.8
R43	7030003360	S.RES ERJ3GEYJ 221 V (220)	T	25.1/62.4
R44	7030003360	S.RES ERJ3GEYJ 221 V (220)	T	24.4/65.8
R45	7030003360	S.RES ERJ3GEYJ 221 V (220)	T	23.7/62.4
R46	7030003360	S.RES ERJ3GEYJ 221 V (220)	T	23/65.8
R47	7030003360	S.RES ERJ3GEYJ 221 V (220)	T	21.2/62.4
R48	7030003360	S.RES ERJ3GEYJ 221 V (220)	T	19.1/65.8
R49	7030003360	S.RES ERJ3GEYJ 221 V (220)	T	18.4/62.4
R50	7030003360	S.RES ERJ3GEYJ 221 V (220)	T	19.8/62.4
R51	7030003360	S.RES ERJ3GEYJ 221 V (220)	T	20.5/65.8
R52	7030003360	S.RES ERJ3GEYJ 221 V (220)	T	15.6/62.4
R53	7030003360	S.RES ERJ3GEYJ 221 V (220)	T	14.9/65.8
R54	7030003360	S.RES ERJ3GEYJ 221 V (220)	T	14.2/62.4
R55	7030003360	S.RES ERJ3GEYJ 221 V (220)	T	16.3/65.8
R56	7030003360	S.RES ERJ3GEYJ 221 V (220)	T	17/62.4
R57	7030003360	S.RES ERJ3GEYJ 221 V (220)	T	17.7/65.8
R58	7030003360	S.RES ERJ3GEYJ 221 V (220)	T	20.9/46.4
R59	7030003440	S.RES ERJ3GEYJ 102 V (1 k)	T	14.9/49.7
R100	7030000010	S.RES MCR10EZHZ JPW (000)	B	26/47.3
R104	7030003560	S.RES ERJ3GEYJ 103 V (10 k)	B	145.1/64.1
R105	7030003560	S.RES ERJ3GEYJ 103 V (10 k)	B	131.1/62.7
R201	7030000380	S.RES MCR10EZHZ 1 k	B	49.4/55.6
R202	7030000290	S.RES MCR10EZHZ 180 (181)	B	49.4/51.8
R203	7030000220	S.RES MCR10EZHZ 47 (470)	B	49.4/53.7
R204	7030003360	S.RES ERJ3GEYJ 221 V (220)	B	48.2/69.7
R205	7030003350	S.RES ERJ3GEYJ 181 V (180)	T	54.5/46.5
R206	7030003370	S.RES ERJ3GEYJ 271 V (270)	B	49.4/48.7
R207	7030003560	S.RES ERJ3GEYJ 103 V (10 k)	T	57.6/48.7
R208	7030000200	S.RES MCR10EZHZ 33 (330)	B	45.4/56.9
R209	7030003240	S.RES ERJ3GEYJ 220 V (22)	T	44.2/53.9
R210	7030003370	S.RES ERJ3GEYJ 271 V (270)	B	45.2/49.5
R211	7030003370	S.RES ERJ3GEYJ 271 V (270)	B	45.2/50.8
R213	7030000220	S.RES MCR10EZHZ 47 (470)	B	38.1/55.9
R214	7030003460	S.RES ERJ3GEYJ 152 V (1.5 k)	B	51.6/60
R215	7030003460	S.RES ERJ3GEYJ 152 V (1.5 k)	B	52.4/58
R216	7030003680	S.RES ERJ3GEYJ 104 V (100 k)	B	17.3/66.4
R501	7030003680	S.RES ERJ3GEYJ 104 V (100 k)	B	14.5/21.2
R502	7030003560	S.RES ERJ3GEYJ 103 V (10 k)	B	25.7/25.3
R503	7030003560	S.RES ERJ3GEYJ 103 V (10 k)	B	24.4/25.3
R504	7030003440	S.RES ERJ3GEYJ 102 V (1 k)	B	9.7/44.5
R505	7030003440	S.RES ERJ3GEYJ 102 V (1 k)	T	9.3/42.5
R506	7030003440	S.RES ERJ3GEYJ 102 V (1 k)	T	3.7/28.1
R507	7030003440	S.RES ERJ3GEYJ 102 V (1 k)	B	4.4/28
R508	7030003440	S.RES ERJ3GEYJ 102 V (1 k)	T	12.9/30.8
R509	7030003360	S.RES ERJ3GEYJ 221 V (220)	T	31.1/34.8
R510	7030003360	S.RES ERJ3GEYJ 221 V (220)	T	32.2/21.9
R535	7030003360	S.RES ERJ3GEYJ 221 V (220)	T	26.4/21.9
R536	7030003360	S.RES ERJ3GEYJ 221 V (220)	T	25.7/19
R537	7030003360	S.RES ERJ3GEYJ 221 V (220)	T	23.6/21.9
R538	7030003360	S.RES ERJ3GEYJ 221 V (220)	T	24.3/19
R539	7030003360	S.RES ERJ3GEYJ 221 V (220)	T	25/21.8
R540	7030003360	S.RES ERJ3GEYJ 221 V (220)	T	30.1/19
R541	7030003360	S.RES ERJ3GEYJ 221 V (220)	T	29.4/21.9
R542	7030003360	S.RES ERJ3GEYJ 221 V (220)	T	28.7/19
R543	7030003360	S.RES ERJ3GEYJ 221 V (220)	T	27.9/21.9
R544	7030003360	S.RES ERJ3GEYJ 221 V (220)	T	27.2/19
R545	7030003360	S.RES ERJ3GEYJ 221 V (220)	T	30.8/21.9
R546	7030003360	S.RES ERJ3GEYJ 221 V (220)	T	31.5/19
R547	7030003360	S.RES ERJ3GEYJ 221 V (220)	T	18/21.9
R548	7030003360	S.RES ERJ3GEYJ 221 V (220)	T	17.3/19.1
R549	7030003360	S.RES ERJ3GEYJ 221 V (220)	T	15.2/21.9
R550	7030003360	S.RES ERJ3GEYJ 221 V (220)	T	16.6/21.9
R551	7030003360	S.RES ERJ3GEYJ 221 V (220)	T	15.9/19.1
R552	7030003360	S.RES ERJ3GEYJ 221 V (220)	T	20.1/19.2
R553	7030003360	S.RES ERJ3GEYJ 221 V (220)	T	19.4/21.9
R554	7030003360	S.RES ERJ3GEYJ 221 V (220)	T	18.7/19.1
R555	7030003360	S.RES ERJ3GEYJ 221 V (220)	T	20.9/21.9
R556	7030003360	S.RES ERJ3GEYJ 221 V (220)	T	21.6/19.2
R557	7030003360	S.RES ERJ3GEYJ 221 V (220)	T	22.3/21.9
R558	7030003360	S.RES ERJ3GEYJ 221 V (220)	T	23.5/34.2
R600	7030000010	S.RES MCR10EZHZ JPW (000)	B	30.9/33.9
R604	7030003560	S.RES ERJ3GEYJ 103 V (10 k)	B	145.1/17.1
R605	7030003560	S.RES ERJ3GEYJ 103 V (10 k)	B	129.1/17.1
R701	7030000380	S.RES MCR10EZHZ 1 k	T	53.2/20.4
R702	7030000290	S.RES MCR10EZHZ 180 (181)	T	51.6/15.9
R703	7030000220	S.RES MCR10EZHZ 47 (470)	T	51.6/13.8
R704	7030003360	S.RES ERJ3GEYJ 221 V (220)	T	52.9/31.9
R705	7030003350	S.RES ERJ3GEYJ 181 V (180)	B	49.4/9
R706	7030003370	S.RES ERJ3GEYJ 271 V (270)	B	42.4/10
R707	7030003560	S.RES ERJ3GEYJ 103 V (10 k)	T	51.3/12.2
R				

[DIGISEL UNIT]

REF NO.	ORDER NO.	DESCRIPTION	M.	H/V LOCATION
C1	4030011600	S.CER C1608 JB 1E 104K-T	B	15.2/55.4
C2	4030011600	S.CER C1608 JB 1E 104K-T	T	7.9/31.8
C4	4030011600	S.CER C1608 JB 1E 104K-T	T	31.8/50.7
C5	4030011600	S.CER C1608 JB 1E 104K-T	T	16/51.6
C21	4030006880	S.CER C1608 JB 1H 472K-T	B	30.4/45.9
C35	4030006880	S.CER C1608 JB 1H 472K-T	T	32.1/65.3
C51	4030006880	S.CER C1608 JB 1H 472K-T	B	64.8/57.2
C52	4030006880	S.CER C1608 JB 1H 472K-T	T	57.6/45.8
C53	4030006880	S.CER C1608 JB 1H 472K-T	T	51.5/59.2
C54	4030006880	S.CER C1608 JB 1H 472K-T	T	87.3/72.3
C55	4030006880	S.CER C1608 JB 1H 472K-T	B	67.1/63.5
C56	4030006880	S.CER C1608 JB 1H 472K-T	T	66.5/54.9
C57	4030006880	S.CER C1608 JB 1H 472K-T	B	66.2/45.6
C58	4030006880	S.CER C1608 JB 1H 472K-T	T	114.3/50.4
C59	4030006880	S.CER C1608 JB 1H 472K-T	T	90.4/51.4
C60	4030006880	S.CER C1608 JB 1H 472K-T	T	90.4/54.4
C61	4030006880	S.CER C1608 JB 1H 472K-T	T	114.3/53.7
C62	4030006880	S.CER C1608 JB 1H 472K-T	T	138.2/51.1
C63	4030006880	S.CER C1608 JB 1H 472K-T	T	138.2/54.4
C64	4030006880	S.CER C1608 JB 1H 472K-T	T	162.1/50.8
C65	4030006880	S.CER C1608 JB 1H 472K-T	T	162.1/53.9
C66	4030006880	S.CER C1608 JB 1H 472K-T	B	182.5/47.7
C67	4030006880	S.CER C1608 JB 1H 472K-T	T	114.3/57.2
C68	4030006880	S.CER C1608 JB 1H 472K-T	T	88.3/63
C69	4030006880	S.CER C1608 JB 1H 472K-T	B	183.7/64.8
C70	4030006880	S.CER C1608 JB 1H 472K-T	T	162.1/60.2
C71	4030006880	S.CER C1608 JB 1H 472K-T	T	162.1/57.3
C72	4030006880	S.CER C1608 JB 1H 472K-T	T	138.2/59.5
C73	4030006880	S.CER C1608 JB 1H 472K-T	T	135.8/63
C74	4030006880	S.CER C1608 JB 1H 472K-T	T	114.3/60.4
C75	4030006880	S.CER C1608 JB 1H 472K-T	T	90.5/59.6
C101	4030011340	S.CER C1608 CH 1H 471J-T	T	68.2/68.4
C102	4030011280	S.CER C1608 CH 1H 271J-T	T	59.5/69.2
C103	4030011280	S.CER C1608 CH 1H 271J-T	T	60.5/56.7
C104	4030007130	S.CER C1608 CH 1H 101J-T	T	57.7/52.7
C105	4030006940	S.CER C1608 CH 1H 030C-T	B	65.7/51.9
C106	4030007150	S.CER C1608 CH 1H 151J-T	B	56.4/70.2
C107	4030007150	S.CER C1608 CH 1H 151J-T	B	60.3/70.6
C108	4030007150	S.CER C1608 CH 1H 151J-T	B	62.4/70.6
C109	4030007150	S.CER C1608 CH 1H 151J-T	B	56.4/68.8
C110	4030009520	S.CER C1608 CH 1H 020B-T	T	77.2/69.1
C111	4030009550	S.CER C1608 CH 1H 2R5B-T	T	77.2/67.8
C113	4030007000	S.CER C1608 CH 1H 090D-T	T	73.7/58.9
C114	4030007040	S.CER C1608 CH 1H 180J-T	T	71.7/59.5
C115	4030007040	S.CER C1608 CH 1H 180J-T	T	70.4/59.5
C116	4030007040	S.CER C1608 CH 1H 180J-T	T	69.1/59.5
C117	4030007070	S.CER C1608 CH 1H 330J-T	T	77.2/70.4
C118	4030007090	S.CER C1608 CH 1H 470J-T	B	76.7/59.8
C119	4030007040	S.CER C1608 CH 1H 180J-T	B	66.1/48.1
C120	4030007040	S.CER C1608 CH 1H 180J-T	B	66.1/49.8
C121	4030007040	S.CER C1608 CH 1H 180J-T	B	74.4/59.7
C122	4030007000	S.CER C1608 CH 1H 090D-T	B	74.3/70.3
C124	4030009520	S.CER C1608 CH 1H 020B-T	B	77.4/68.9
C125	4030009550	S.CER C1608 CH 1H 2R5B-T	B	76.1/68.9
C126	4030008360	S.CER C1608 UJ 1H 101J-T	B	124.5/63.3
C128	4030009500	S.CER C1608 CH 1H 0R5B-T	B	107.2/55.4
C129	4030009510	S.CER C1608 CH 1H 010B-T	B	83.2/55.8
C130	4030009520	S.CER C1608 CH 1H 020B-T	B	97.6/55.5
C131	4030009910	S.CER C1608 CH 1H 040B-T	B	121.5/55.6
C132	4030006990	S.CER C1608 CH 1H 080D-T	B	131/55.6
C133	4030007040	S.CER C1608 CH 1H 180J-T	B	145.4/55.7
C134	4030008750	S.CER C1608 CH 1H 360J-T	B	154.9/55.7
C135	4030007110	S.CER C1608 CH 1H 680J-T	B	169.3/55.7
C136	4030007140	S.CER C1608 CH 1H 121J-T	B	178.8/55.7
C137	4030007140	S.CER C1608 CH 1H 121J-T	B	107.4/63.8
C138	4030007130	S.CER C1608 CH 1H 101J-T	B	107.4/62.5
C139	4030007160	S.CER C1608 CH 1H 181J-T	B	83.6/62.7
C140	4030007160	S.CER C1608 CH 1H 181J-T	B	83.6/64.5
C141	4030008330	S.CER C1608 UJ 1H 560J-T	B	177.2/63.2
C142	4030008330	S.CER C1608 UJ 1H 560J-T	B	169.3/63.2
C143	4030007090	S.CER C1608 CH 1H 470J-T	B	155.2/63.2
C201	4030011600	S.CER C1608 JB 1E 104K-T	B	49.1/57.2
C202	4030006900	S.CER C1608 JB 1H 103K-T	T	57.7/55.4
C203	4030011600	S.CER C1608 JB 1E 104K-T	B	50.4/46.3
C204	4030011600	S.CER C1608 JB 1E 104K-T	B	53.2/45.4
C205	4030011600	S.CER C1608 JB 1E 104K-T	B	43.4/59.6
C206	4030011600	S.CER C1608 JB 1E 104K-T	B	44.4/54.6
C207	4030006880	S.CER C1608 JB 1H 472K-T	B	41.1/59.6
C208	4030007010	S.CER C1608 CH 1H 100D-T	T	45/56.1
C209	4030006880	S.CER C1608 JB 1H 472K-T	B	38.1/59.6
C210	4030006900	S.CER C1608 JB 1H 103K-T	B	45.2/52.1
C211	4030009000	S.CER C2012 JB 1C 224K-T	B	45.6/47.9
C212	4030006880	S.CER C1608 JB 1H 472K-T	B	52.4/62
C213	4030006880	S.CER C1608 JB 1H 472K-T	T	54.5/45.1
C214	4030006880	S.CER C1608 JB 1H 472K-T	B	48.5/46.3
C215	4030006880	S.CER C1608 JB 1H 472K-T	T	43.8/68.4
C501	4030011600	S.CER C1608 JB 1E 104K-T	B	27/25.3
C504	4030011600	S.CER C1608 JB 1E 104K-T	T	30.8/33.4
C505	4030011600	S.CER C1608 JB 1E 104K-T	T	19.5/33.7
C521	4030006880	S.CER C1608 JB 1H 472K-T	B	28/35
C535	4030006880	S.CER C1608 JB 1H 472K-T	T	33.5/21.9
C551	4030006880	S.CER C1608 JB 1H 472K-T	B	63.6/10.9
C552	4030006880	S.CER C1608 JB 1H 472K-T	T	61.5/22.9
C553	4030006880	S.CER C1608 JB 1H 472K-T	B	58/10.2
C554	4030006880	S.CER C1608 JB 1H 472K-T	T	90.3/12.9
C555	4030006880	S.CER C1608 JB 1H 472K-T	B	68.8/12.6
C556	4030006880	S.CER C1608 JB 1H 472K-T	B	69.8/27.9
C557	4030006880	S.CER C1608 JB 1H 472K-T	B	67.4/32.9
C558	4030006880	S.CER C1608 JB 1H 472K-T	T	114.3/25.9
C559	4030006880	S.CER C1608 JB 1H 472K-T	T	90.4/27.1
C560	4030006880	S.CER C1608 JB 1H 472K-T	T	90.4/30.5
C561	4030006880	S.CER C1608 JB 1H 472K-T	T	114.3/29.9
C562	4030006880	S.CER C1608 JB 1H 472K-T	T	138.2/27.1
C563	4030006880	S.CER C1608 JB 1H 472K-T	T	138.2/30.5

[DIGISEL UNIT]

REF NO.	ORDER NO.	DESCRIPTION	M.	H/V LOCATION
C564	4030006880	S.CER C1608 JB 1H 472K-T	T	162.1/27.2
C565	4030006880	S.CER C1608 JB 1H 472K-T	T	162.1/30.4
C566	4030006880	S.CER C1608 JB 1H 472K-T	B	180.9/33.5
C567	4030006880	S.CER C1608 JB 1H 472K-T	T	109.8/17.8
C568	4030006880	S.CER C1608 JB 1H 472K-T	T	90.4/19.5
C569	4030006880	S.CER C1608 JB 1H 472K-T	B	181.8/17.1
C570	4030006880	S.CER C1608 JB 1H 472K-T	T	162.1/22.4
C571	4030006880	S.CER C1608 JB 1H 472K-T	T	158.5/17.6
C572	4030006880	S.CER C1608 JB 1H 472K-T	T	138.2/23.1
C573	4030006880	S.CER C1608 JB 1H 472K-T	T	134.8/17.5
C574	4030006880	S.CER C1608 JB 1H 472K-T	T	114.3/20.6
C575	4030006880	S.CER C1608 JB 1H 472K-T	T	90.4/23.5
C601	4030011340	S.CER C1608 CH 1H 471J-T	B	66/22.5
C602	4030011280	S.CER C1608 CH 1H 271J-T	B	65.2/26.7
C603	4030011280	S.CER C1608 CH 1H 271J-T	T	59.1/35.6
C604	4030007130	S.CER C1608 CH 1H 101J-T	T	57.7/33
C605	4030006940	S.CER C1608 CH 1H 030C-T	T	57.2/29
C606	4030007150	S.CER C1608 CH 1H 151J-T	T	55.6/30.7
C607	4030007150	S.CER C1608 CH 1H 151J-T	T	57.2/25.4
C608	4030007150	S.CER C1608 CH 1H 151J-T	T	57.2/23.8
C609	4030007150	S.CER C1608 CH 1H 151J-T	T	56.8/22.5
C610	4030009520	S.CER C1608 CH 1H 020B-T	B	77.3/11.3
C611	4030009550	S.CER C1608 CH 1H 2R5B-T	B	76/11.3
C613	4030007000	S.CER C1608 CH 1H 090D-T	B	73.8/12.5
C614	4030007040	S.CER C1608 CH 1H 180J-T	B	73.7/21.1
C615	4030007040	S.CER C1608 CH 1H 180J-T	B	73.9/28.2
C616	4030007040	S.CER C1608 CH 1H 180J-T	B	73.9/29.7
C617	4030007070	S.CER C1608 CH 1H 330J-T	B	76/19.4
C618	4030007090	S.CER C1608 CH 1H 470J-T	T	75.5/20.7
C619	4030007040	S.CER C1608 CH 1H 180J-T	T	65.6/35.3
C620	4030007040	S.CER C1608 CH 1H 180J-T	T	65.7/36.7
C621	4030007040	S.CER C1608 CH 1H 180J-T	T	73.7/28.3
C622	4030007000	S.CER C1608 CH 1H 090D-T	T	73.2/20.2
C624	4030009520	S.CER C1608 CH 1H 020B-T	T	76.9/10.6
C625	4030009550	S.CER C1608 CH 1H 2R5B-T	T	76.9/12
C626	4030008360	S.CER C1608 UJ 1H 101J-T	B	124.5/17.4
C628	4030009500	S.CER C1608 CH 1H 0R5B-T	B	107.4/25.3
C629	4030009510	S.CER C1608 CH 1H 010B-T	B	83.3/25.5
C630	4030009520	S.CER C1608 CH 1H 020B-T	B	97.8/25.3
C631	4030009910	S.CER C1608 CH 1H 040B-T	B	121.2/25.3
C632	4030006990	S.CER C1608 CH 1H 080D-T	B	131.3/25.3
C633	4030007040	S.CER C1608 CH 1H 180J-T	B	145.2/25.3
C634	4030008750	S.CER C1608 CH 1H 360J-T	B	155.2/25.3
C635	4030007110	S.CER C1608 CH 1H 680J-T	B	169/25.3
C636	4030007140	S.CER C1608 CH 1H 121J-T	B	179.1/25.3
C637	4030007140	S.CER C1608 CH 1H 121J-T	B	107.4/18.3
C638	4030007130	S.CER C1608 CH 1H 101J-T	B	107.4/16.5
C639	4030007160	S.CER C1608 CH 1H 181J-T	B	83.9/18.1
C640	4030007160	S.CER C1608 CH 1H 181J-T	B	84.7/16.3
C641	4030008330	S.CER C1608 UJ 1H 560J-T	B	177/17.9
C642	4030008330	S.CER C1608 UJ 1H 560J-T	B	169/18
C643	4030007090	S.CER C1608 CH 1H 470J-T	B	155.5/18
C701	4030011600	S.CER C1608 JB 1E 104K-T	T	52.3/17.7
C702	4030006900	S.CER C1608 JB 1H 103K-T	T	54.6/27.3
C703	4030011600	S.CER C1608 JB 1E 104K-T	B	40.3/10.4
C704	4030011600	S.CER C1608 JB 1E 104K-T	B	52.1/9.8
C705	4030011600	S.CER C1608 JB 1E 104K-T	B	44/28.1
C706	4030011600	S.CER C1608 JB 1E 104K-T	T	45.1/22.6
C707	4030006880	S.CER C1608 JB 1H 472K-T	B	42.7/28.1
C708	4030007010	S.CER C1608 CH 1H 100D-T	T	46.5/22.7
C709	4030006880	S.CER C1608 JB 1H 472K-T	B	40.6/28.9
C710	4030006900	S.CER C1608 JB 1H 103K-T	B	45.6/22.4
C711	4030009000	S.CER C2012 JB 1C 224K-T	B	45.7/24.4
C712	4030006880	S.CER C1608 JB 1H 472K-T	T	54.8/32.3
C713	4030006880	S.CER C1608 JB 1H 472K-T	B	52.1/7.9
C714	4030006880	S.CER C1608 JB 1H 472K-T	B	42.4/6.5
C715	4030006880	S.CER C1608 JB 1H 472K-T	T	54.2/34.3
RL2	6330001750	RLY FTR-B4CA012Z		
RL21	6330001750	RLY FTR-B4CA012Z		
RL51	6330001750	RLY FTR-B4CA012Z		
RL52	6330001750	RLY FTR-B4CA012Z		
RL53	6330001750	RLY FTR-B4CA012Z		
RL54	6330001750	RLY FTR-B4CA012Z		

[DIGISEL UNIT]

REF NO.	ORDER NO.	DESCRIPTION	M.	H/V LOCATION
RL556	6330001750	RLY FTR-B4CA012Z		
RL557	6330001750	RLY FTR-B4CA012Z		
RL558	6330001750	RLY FTR-B4CA012Z		
RL559	6330001750	RLY FTR-B4CA012Z		
RL560	6330001750	RLY FTR-B4CA012Z		
RL561	6330001750	RLY FTR-B4CA012Z		
RL562	6330001750	RLY FTR-B4CA012Z		
RL563	6330001750	RLY FTR-B4CA012Z		
RL564	6330001750	RLY FTR-B4CA012Z		
RL565	6330001750	RLY FTR-B4CA012Z		
RL566	6330001750	RLY FTR-B4CA012Z		
RL567	6330001750	RLY FTR-B4CA012Z		
RL569	6330001750	RLY FTR-B4CA012Z		
RL570	6330001750	RLY FTR-B4CA012Z		
RL571	6330001750	RLY FTR-B4CA012Z		
RL572	6330001750	RLY FTR-B4CA012Z		
RL573	6330001750	RLY FTR-B4CA012Z		
RL574	6330001750	RLY FTR-B4CA012Z		
RL575	6330001750	RLY FTR-B4CA012Z		
RL576	6330001750	RLY FTR-B4CA012Z		
RL701	6330001750	RLY FTR-B4CA012Z		
J1	6510007020	CNR TMP-J01X-V6		
J2	6510007020	CNR TMP-J01X-V6		
J10	6510020081	S.CNR 52808-2071 (2090)	T	4.5/40.5
J501	6510007020	CNR TMP-J01X-V6		
J502	6510007020	CNR TMP-J01X-V6		

[NETWORK UNIT]

REF NO.	ORDER NO.	DESCRIPTION	M.	H/V LOCATION
Q300	1520000561	S.TR 2SB1123 T-D-E	T	205.7/10.5
Q301	1590000680	S.TR DTC114EUA T106	T	201.4/9.1
L50	6110003950	COL LA-598		
L60	6110003910	COL LA-593		
L70	6110003050	COL LA-492		
L80	6110003050	COL LA-492		
L90	6110003060	COL LA-493		
L100	6110003070	COL LA-494		
L110	6110003920	COL LA-594		
L120	6140004460	COL LR-504		
L130	6140004470	COL LR-505		
L131	6140004470	COL LR-505		
L300	6180000990	COL LAL 04NA 101K		
R300	7030000420	S.RES MCR10EZHZJ 2.2 k	T	202.8/6.9
R301	7030000420	S.RES MCR10EZHZJ 2.2 k	T	201.5/11.3
R302	7030000420	S.RES MCR10EZHZJ 2.2 k	T	206.2/6.9
R303	7030009800	S.RES ERJ12YJ121U (120)	T	209.7/5
C1	4620000150	VAR KB-150-07 150P		
C2	4620000150	VAR KB-150-07 150P		
C3	4010007580	CER HT20SJ SL 201J 3KV		
C4	4010007580	CER HT20SJ SL 201J 3KV		
C5	4010007580	CER HT20SJ SL 201J 3KV		
C6	4010007580	CER HT20SJ SL 201J 3KV		
C7	4010007580	CER HT20SJ SL 201J 3KV		
C8	4010007580	CER HT20SJ SL 201J 3KV		
C9	4010007580	CER HT20SJ SL 201J 3KV		
C10	4010007580	CER HT20SJ SL 201J 3KV		
C20	4010007570	CER HT15SJ SL 151J 3KV		
C21	4010007570	CER HT15SJ SL 151J 3KV		
C22	4010007570	CER HT15SJ SL 151J 3KV		
C23	4010007570	CER HT15SJ SL 151J 3KV		
C24	4010007570	CER HT15SJ SL 151J 3KV		
C25	4010007570	CER HT15SJ SL 151J 3KV		
C26	4010007570	CER HT15SJ SL 151J 3KV		
C27	4010007570	CER HT15SJ SL 151J 3KV		
C30	4010007550	CER HT11SJ SL 820J 3KV		
C31	4010007550	CER HT11SJ SL 820J 3KV		
C32	4010007550	CER HT11SJ SL 820J 3KV		
C33	4010007550	CER HT11SJ SL 820J 3KV		
C34	4010007550	CER HT11SJ SL 820J 3KV		
C35	4010007550	CER HT11SJ SL 820J 3KV		
C36	4010007550	CER HT11SJ SL 820J 3KV		
C37	4010007550	CER HT11SJ SL 820J 3KV		
C40	4010008550	CER DEA1X3F390JC3B		
C41	4010008550	CER DEA1X3F390JC3B		
C42	4010008550	CER DEA1X3F390JC3B		
C43	4010008550	CER DEA1X3F390JC3B		
C44	4010008550	CER DEA1X3F390JC3B		
C45	4010008550	CER DEA1X3F390JC3B		
C46	4010008550	CER DEA1X3F390JC3B		
C47	4010008550	CER DEA1X3F390JC3B		
C50	4030006880	S.CER C1608 JB 1H 472K-T	T	140.7/12
C60	4030006880	S.CER C1608 JB 1H 472K-T	T	154.1/12
C70	4030006880	S.CER C1608 JB 1H 472K-T	T	167.5/16.1
C80	4030006880	S.CER C1608 JB 1H 472K-T	T	181.9/21.5
C90	4030006880	S.CER C1608 JB 1H 472K-T	T	195.3/21.3
C100	4030006880	S.CER C1608 JB 1H 472K-T	T	204.4/20.7
C110	4030006880	S.CER C1608 JB 1H 472K-T	T	205.8/20.7
C120	4030006880	S.CER C1608 JB 1H 472K-T	T	207.2/20.6
C202	4030006880	S.CER C1608 JB 1H 472K-T	T	187.4/13.2
C203	4030006880	S.CER C1608 JB 1H 472K-T	T	188.4/15.7
C204	4030006880	S.CER C1608 JB 1H 472K-T	T	189.4/13.2
C205	4030006880	S.CER C1608 JB 1H 472K-T	T	190.4/15.7
C206	4030006880	S.CER C1608 JB 1H 472K-T	T	191.4/13.2
C207	4030006880	S.CER C1608 JB 1H 472K-T	T	192.4/15.7
C208	4030006880	S.CER C1608 JB 1H 472K-T	T	193.4/13.2
C209	4030006880	S.CER C1608 JB 1H 472K-T	T	194.4/15.7
C252	4030006880	S.CER C1608 JB 1H 472K-T	T	175.4/13.2
C253	4030006880	S.CER C1608 JB 1H 472K-T	T	176.4/15.7
C254	4030006880	S.CER C1608 JB 1H 472K-T	T	177.4/13.2
C255	4030006880	S.CER C1608 JB 1H 472K-T	T	178.4/15.7
C256	4030006880	S.CER C1608 JB 1H 472K-T	T	179.4/13.2
C257	4030006880	S.CER C1608 JB 1H 472K-T	T	180.4/15.7
C258	4030006880	S.CER C1608 JB 1H 472K-T	T	181.4/13.2
C259	4030006880	S.CER C1608 JB 1H 472K-T	T	182.4/15.7
C300	4030006880	S.CER C1608 JB 1H 472K-T	T	184.4/13.2
C301	4030006880	S.CER C1608 JB 1H 472K-T	T	210.5/10.1
RL10	6330001200	RLY VS-12MBU-UC		
RL11	6330001200	RLY VS-12MBU-UC		
RL20	6330001200	RLY VS-12MBU-UC		
RL21	6330001200	RLY VS-12MBU-UC		
RL30	6330001200	RLY VS-12MBU-UC		
RL31	6330001200	RLY VS-12MBU-UC		
RL40	6330001200	RLY VS-12MBU-UC		
RL41	6330001200	RLY VS-12MBU-UC		
RL50	6330001460	RLY FTR-F1CA012V		
RL60	6330001200	RLY VS-12MBU-UC		
RL70	6330001200	RLY VS-12MBU-UC		
RL80	6330001200	RLY VS-12MBU-UC		
RL90	6330001200	RLY VS-12MBU-UC		
RL100	6330001200	RLY VS-12MBU-UC		
RL110	6330001200	RLY VS-12MBU-UC		
RL120	6330001200	RLY VS-12MBU-UC		
J1	6510021561	S.CNR 52808-2470 (2490)	T	184.9/7.4
J2	6510017930	CNR 1771P145-20		
J3	6510017930	CNR 1771P145-20		
J4	6510003521	CNR S04B-EH-S (LF) (SN)		

M.=Mounted side (T: Mounted on the Top side, B: Mounted on the Bottom side)  
S.=Surface mount



[FILTER UNIT]

REF NO.	ORDER NO.	DESCRIPTION	M.	H/V LOCATION
D402	1750000271	S.DIO 1SS301 (TE85L,F)	T	11.8/24.3
D452	1750000271	S.DIO 1SS301 (TE85L,F)	T	32/20.5
D502	1750000271	S.DIO 1SS301 (TE85L,F)	T	54.8/30.3
D552	1750000271	S.DIO 1SS301 (TE85L,F)	T	155.6/29.1
D602	1750000271	S.DIO 1SS301 (TE85L,F)	T	130.1/20.3
D652	1750000271	S.DIO 1SS301 (TE85L,F)	T	93.8/33
D702	1750000271	S.DIO 1SS301 (TE85L,F)	T	69.6/20.3
D752	1750000271	S.DIO 1SS301 (TE85L,F)	T	113.1/33
D802	1750000271	S.DIO 1SS301 (TE85L,F)	T	173.6/25.9
L401	6200005131	S.COL NLC453232T-101K-PF	T	25.4/136.7
L402	6140004310	COL LR-471		
L403	6140004300	COL LR-470		
L404	6140004300	COL LR-470		
L405	6200005131	S.COL NLC453232T-101K-PF	T	7.3/24.6
L451	6200005131	S.COL NLC453232T-101K-PF	T	4.4/143.9
L452	6140004270	COL LR-467		
L453	6140004290	COL LR-469		
L454	6140004290	COL LR-469		
L455	6200005131	S.COL NLC453232T-101K-PF	T	28.4/29.9
L501	6200005131	S.COL NLC453232T-101K-PF	T	46.3/133.8
L502	6140004280	COL LR-468		
L503	6140004270	COL LR-467		
L504	6140004270	COL LR-467		
L505	6200005131	S.COL NLC453232T-101K-PF	T	50.2/29.6
L551	6200005131	S.COL NLC453232T-101K-PF	T	150.7/133.8
L552	6140004260	COL LR-466		
L553	6140004280	COL LR-468		
L554	6140004280	COL LR-468		
L555	6200005131	S.COL NLC453232T-101K-PF	T	151/29.7
L601	6200005131	S.COL NLC453232T-101K-PF	T	129.9/133.8
L602	6140004250	COL LR-465		
L603	6140004240	COL LR-464		
L604	6140004240	COL LR-464		
L605	6200005131	S.COL NLC453232T-101K-PF	T	130.1/14.2
L651	6200005131	S.COL NLC453232T-101K-PF	T	88.2/133.8
L652	6140004200	COL LR-463		
L653	6140004170	COL LR-462		
L654	6140004170	COL LR-462		
L655	6200005131	S.COL NLC453232T-101K-PF	T	92.3/29.8
L701	6200005131	S.COL NLC453232T-101K-PF	T	67.2/133.8
L702	6140004130	COL LR-461		
L703	6140004070	COL LR-460		
L704	6140004070	COL LR-460		
L705	6200005131	S.COL NLC453232T-101K-PF	T	69.6/14.1
L751	6200005131	S.COL NLC453232T-101K-PF	T	109.1/133.8
L752	6110003900	COL LA-592		
L753	6110003890	COL LA-591		
L754	6110003890	COL LA-591		
L755	6200005131	S.COL NLC453232T-101K-PF	T	111.4/29.8
L801	6200001831	S.COL NLV32T-100J	T	165.9/163.4
L802	6110003880	COL LA-590		
L803	6110003870	COL LA-589		
L804	6110003870	COL LA-589		
L805	6200001831	S.COL NLV32T-100J	T	173.9/22.8
C401	4030006880	S.CER C1608 JB 1H 472K-T	T	25.4/130.4
C402	4010008200	CER HM11TJ SL 331J 500V		
C403	4010008200	CER HM11TJ SL 331J 500V		
C404	4010008300	CER HM11TJ SL 391J 500V		
C405	4010008300	CER HM11TJ SL 391J 500V		
C406	4010008210	CER HM60TJ SL 560J 500V		
C407	4010007590	CER HM15SJ SL 681J 500V		
C408	4010007590	CER HM15SJ SL 681J 500V		
C409	4010007590	CER HM15SJ SL 681J 500V		
C410	4010005870	CER HM95SJ SL 221J 500V		
C411	4010008280	CER HM95TJ SL 221J 500V		
C412	4010008370	CER HM60TJ SL 150J 500V		
C413	4010007590	CER HM15SJ SL 681J 500V		
C414	4010007590	CER HM15SJ SL 681J 500V		
C415	4010007590	CER HM15SJ SL 681J 500V		
C416	4010008300	CER HM11TJ SL 391J 500V		
C417	4010008230	CER HM60TJ SL 820J 500V		
C418	4010007590	CER HM15SJ SL 681J 500V		
C419	4010007590	CER HM15SJ SL 681J 500V		
C420	4030006880	S.CER C1608 JB 1H 472K-T	T	11.6/26.3
C451	4030006880	S.CER C1608 JB 1H 472K-T	T	26.6/127.9
C452	4010008290	CER HM95TJ SL 271J 500V		
C453	4010008280	CER HM95TJ SL 221J 500V		
C454	4010008240	CER HM60TJ SL 101J 500V		
C455	4010005810	CER HM74SJ SL 111J 500V		
C456	4010007490	CER HM15SJ SL 561J 500V		
C457	4010006410	CER HM13SJ SL 471J 500V		
C458	4010008250	CER HM74TJ SL 121J 500V		
C459	4010005810	CER HM74SJ SL 111J 500V		
C461	4010007490	CER HM15SJ SL 561J 500V		
C462	4010007490	CER HM15SJ SL 561J 500V		
C463	4010008340	CER HM60TJ SL 270J 500V		
C464	4010008320	CER HM60TJ SL 390J 500V		
C465	4010007490	CER HM15SJ SL 561J 500V		
C466	4010008220	CER HM60TJ SL 680J 500V		
C467	4030006880	S.CER C1608 JB 1H 472K-T	T	32.4/23.4
C468	4010008230	CER HM60TJ SL 820J 500V		
C501	4030006880	S.CER C1608 JB 1H 472K-T	T	47.6/127.3
C502	4010008280	CER HM95TJ SL 221J 500V		
C503	4010008260	CER HM74TJ SL 151J 500V		
C504	4010008280	CER HM95TJ SL 221J 500V		
C506	4010008200	CER HM11TJ SL 331J 500V		
C507	4010008280	CER HM95TJ SL 221J 500V		
C508	4010008280	CER HM95TJ SL 221J 500V		
C509	4010005810	CER HM74SJ SL 111J 500V		
C511	4010008300	CER HM11TJ SL 391J 500V		
C512	4010008300	CER HM11TJ SL 391J 500V		
C513	4010008260	CER HM74TJ SL 151J 500V		

[FILTER UNIT]

REF NO.	ORDER NO.	DESCRIPTION	M.	H/V LOCATION
C514	4010008320	CER HM60TJ SL 390J 500V		
C515	4010008280	CER HM95TJ SL 221J 500V		
C516	4010008280	CER HM95TJ SL 221J 500V		
C517	4030006880	S.CER C1608 JB 1H 472K-T	T	54.7/28.4
C518	4010008340	CER HM60TJ SL 270J 500V		
C551	4030006880	S.CER C1608 JB 1H 472K-T	T	149.9/122.5
C552	4010005860	CER HM95SJ SL 201J 500V		
C554	4010008230	CER HM60TJ SL 820J 500V		
C555	4010008370	CER HM60TJ SL 150J 500V		
C556	4010008290	CER HM95TJ SL 271J 500V		
C557	4010008290	CER HM95TJ SL 271J 500V		
C558	4010008320	CER HM60TJ SL 390J 500V		
C559	4010008330	CER HM60TJ SL 330J 500V		
C560	4010008340	CER HM60TJ SL 270J 500V		
C561	4010008200	CER HM11TJ SL 331J 500V		
C562	4010008290	CER HM95TJ SL 271J 500V		
C563	4010008330	CER HM60TJ SL 330J 500V		
C564	4010005650	CER HM60SJ SL 200J 500V		
C565	4010008280	CER HM95TJ SL 221J 500V		
C566	4010008350	CER HM60TJ SL 220J 500V		
C567	4030006880	S.CER C1608 JB 1H 472K-T	T	152.2/32.2
C601	4030006880	S.CER C1608 JB 1H 472K-T	T	130.2/125
C604	4010008230	CER HM60TJ SL 820J 500V		
C605	4010008370	CER HM60TJ SL 150J 500V		
C606	4010008280	CER HM95TJ SL 221J 500V		
C607	4010008220	CER HM60TJ SL 680J 500V		
C608	4010008350	CER HM60TJ SL 220J 500V		
C609	4010008340	CER HM60TJ SL 270J 500V		
C610	4010008200	CER HM11TJ SL 331J 500V		
C611	4010008230	CER HM60TJ SL 820J 500V		
C612	4010008360	CER HM60TJ SL 180J 500V		
C613	4010008260	CER HM74TJ SL 151J 500V		
C614	4010008230	CER HM60TJ SL 820J 500V		
C615	4030006880	S.CER C1608 JB 1H 472K-T	T	130.2/18.3
C651	4030006880	S.CER C1608 JB 1H 472K-T	T	88.3/124.9
C654	4010008360	CER HM60TJ SL 180J 500V		
C655	4010008320	CER HM60TJ SL 390J 500V		
C656	4010008280	CER HM95TJ SL 221J 500V		
C657	4010008220	CER HM60TJ SL 680J 500V		
C658	4010008360	CER HM60TJ SL 180J 500V		
C659	4010008380	CER HM60TJ SL 120J 500V		
C660	4010008280	CER HM95TJ SL 221J 500V		
C661	4010008240	CER HM60TJ SL 101J 500V		
C662	4010008390	CER HM60TJ SL 100D 500V		
C663	4010008250	CER HM74TJ SL 121J 500V		
C664	4010008320	CER HM60TJ SL 390J 500V		
C665	4030006880	S.CER C1608 JB 1H 472K-T	T	96.6/28.6
C701	4030006880	S.CER C1608 JB 1H 472K-T	T	68.6/127.5
C703	4010008370	CER HM60TJ SL 150J 500V		
C704	4010008350	CER HM60TJ SL 220J 500V		
C705	4010005650	CER HM60SJ SL 200J 500V		
C706	4010005860	CER HM95SJ SL 201J 500V		
C707	4010008310	CER HM60TJ SL 470J 500V		
C708	4010008370	CER HM60TJ SL 150J 500V		
C709	4010008280	CER HM95TJ SL 221J 500V		
C710	4010008350	CER HM60TJ SL 220J 500V		
C712	4010008330	CER HM60TJ SL 330J 500V		
C713	4010008310	CER HM60TJ SL 470J 500V		
C714	4030006880	S.CER C1608 JB 1H 472K-T	T	69.6/18.3
C715	4010008360	CER HM60TJ SL 180J 500V		
C751	4030006880	S.CER C1608 JB 1H 472K-T	T	109.1/125
C755	4010008240	CER HM60TJ SL 101J 500V		
C756	4010008230	CER HM60TJ SL 820J 500V		
C757	4010008360	CER HM60TJ SL 180J 500V		
C758	4010008210	CER HM60TJ SL 560J 500V		
C759	4010008240	CER HM60TJ SL 101J 500V		
C760	4010008400	CER HM60TJ SL 060D 500V		
C761	4010008310	CER HM60TJ SL 470J 500V		
C763	4030006880	S.CER C1608 JB 1H 472K-T	T	115.6/28.6
C764	4010005650	CER HM60SJ SL 200J 500V		
C765	4010008370	CER HM60TJ SL 150J 500V		
C801	4030006880	S.CER C1608 JB 1H 472K-T	T	168.6/158.6
C804	4010008360	CER HM60TJ SL 180J 500V		
C805	4010008320	CER HM60TJ SL 390J 500V		
C806	4010008310	CER HM60TJ SL 470J 500V		
C807	4010005600	CER HM60SJ SL 090D 500V		
C808	4010008330	CER HM60TJ SL 330J 500V		
C809	4010008320	CER HM60TJ SL 390J 500V		
C810	4010008410	CER HM60TJ SL 030C 500V		
C811	4010005560	CER HM60SJ SL 050C 500V		
C813	4030006880	S.CER C1608 JB 1H 472K-T	T	175.6/26
RL401	6330001471	RLY AJS1311F-K2		
RL402	6330001471	RLY AJS1311F-K2		
RL451	6330001471	RLY AJS1311F-K2		
RL452	6330001471	RLY AJS1311F-K2		
RL501	6330001471	RLY AJS1311F-K2		
RL502	6330001471	RLY AJS1311F-K2		
RL551	6330001471	RLY AJS1311F-K2		
RL552	6330001471	RLY AJS1311F-K2		
RL601	6330001471	RLY AJS1311F-K2		
RL602	6330001471	RLY AJS1311F-K2		
RL651	6330001471	RLY AJS1311F-K2		
RL652	6330001471	RLY AJS1311F-K2		
RL701	6330001471	RLY AJS1311F-K2		
RL702	6330001471	RLY AJS1311F-K2		
RL751	6330001471	RLY AJS1311F-K2		
RL752	6330001471	RLY AJS1311F-K2		
RL801	6330001460	RLY FTR-F1CA012V		
RL802	6330001460	RLY FTR-F1CA012V		
J901	6510017930	CNR 1771P145-20		
J902	6510022031	S.CNR B10B-ZR-SM4-TF (LF) (SN)	T	145.3/165.2
J903	6510019971	S.CNR 52808-1071	T	4/156

M.=Mounted side (T: Mounted on the Top side, B: Mounted on the Bottom side) S.=Surface mount

**[MEMORY BOARD]**

REF NO.	ORDER NO.	DESCRIPTION	M.	H/V LOCATION
J904	6510017930	CNR 1771P145-20		
J905	6510019421	S.CNR B8B-ZR-SM4-TF (LF) (SN)	T	146.8/160.2
IC1	1130013514	S.IC JS28F128J3D-75(SX-2590A-8)	T	39.8/26.2
IC2	1130013515	S.IC JS28F128J3D-75(SX-2590A-9)	T	24/26.2
C1	4030011600	S.CER C1608 JB 1E 104K-T	T	41.8/38.8
C2	4030011600	S.CER C1608 JB 1E 104K-T	T	39.9/13.2
C3	4030011600	S.CER C1608 JB 1E 104K-T	T	36.8/13.2
C4	4030011600	S.CER C1608 JB 1E 104K-T	T	26/38.8
C5	4030011600	S.CER C1608 JB 1E 104K-T	T	24/13.2
C6	4030011600	S.CER C1608 JB 1E 104K-T	T	21/13.2
J1	6510024210	S.CNR AXK6S30435P	T	55/20
J2	6510024200	S.CNR AXK6S40435P	T	10/20

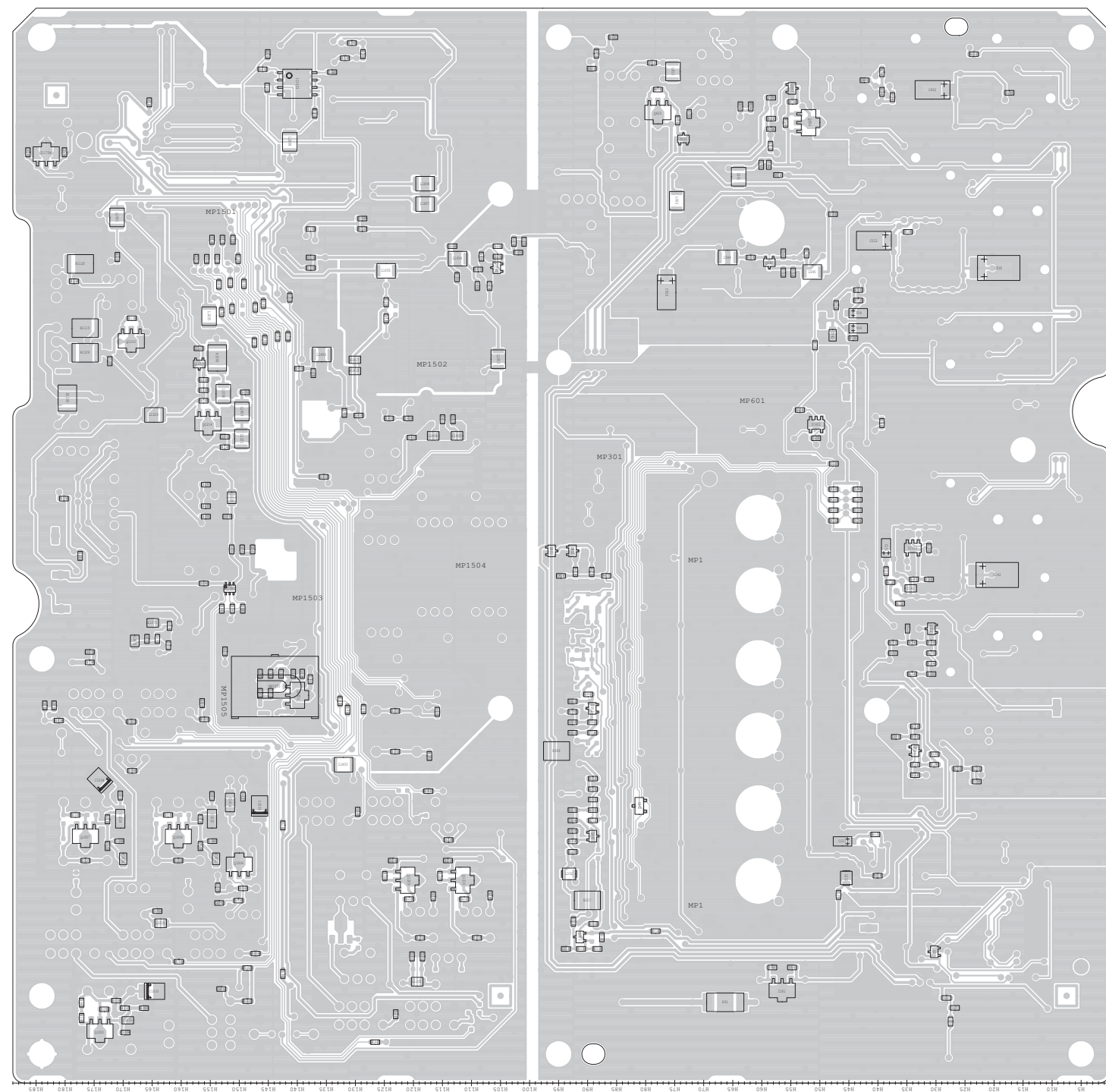
M.=Mounted side (T: Mounted on the Top side, B: Mounted on the Bottom side)

S.=Surface mount





• RXPLL-A UNIT  
(BOTTOM VIEW)



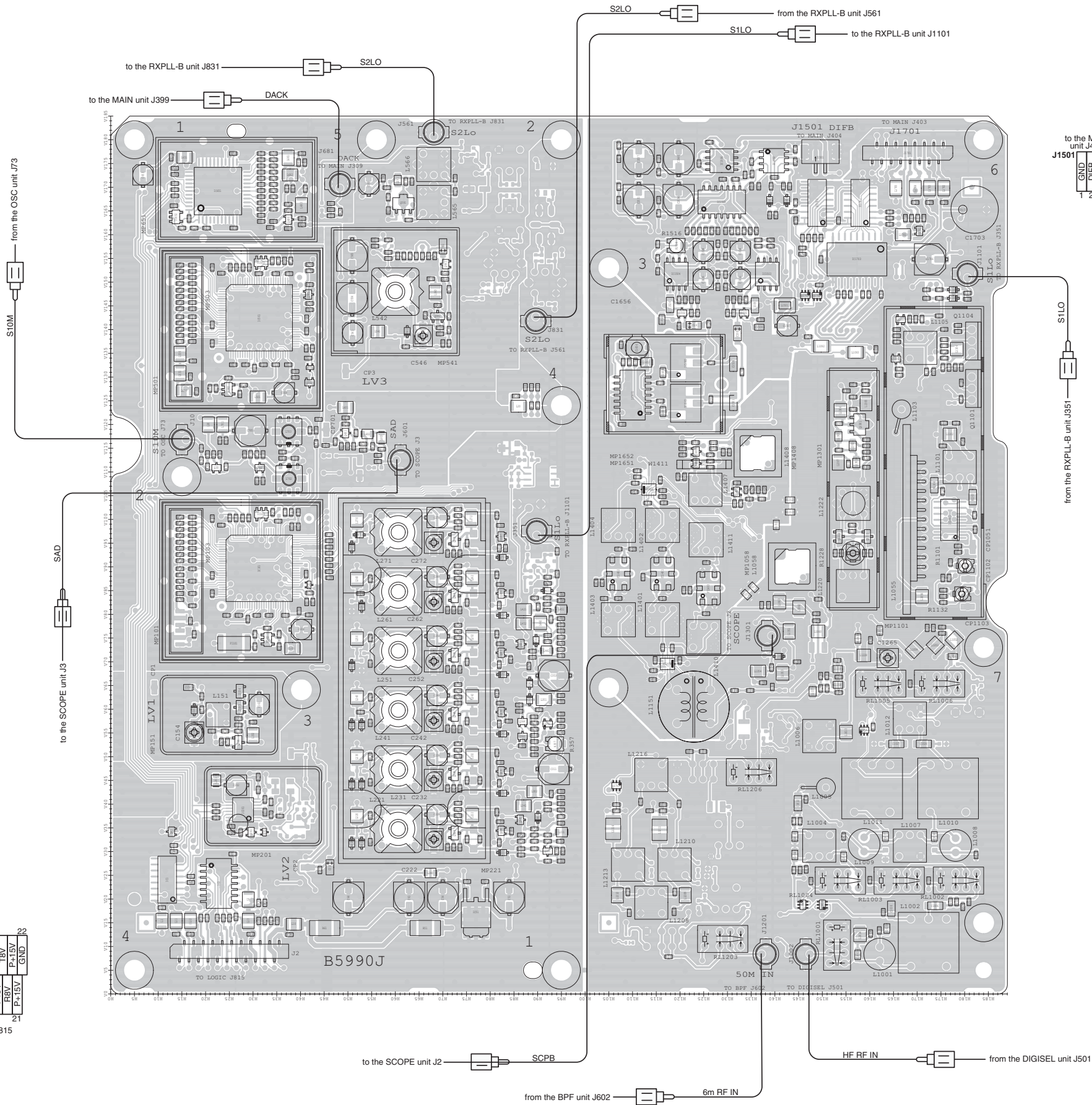
The combination of this side and the bottom side shows the board layout in the same configuration as the actual P.C.Board.

The combination of this side and the bottom side shows the board layout in the same configuration as the actual P.C.Board.

• RXPLL-B UNIT (TOP VIEW)

2	UNLK B	22
1	DRES	21
	GND	
	PIA1 B	
	PCKB	
	GND	
	C2B1	
	C2B2	
	PS1 B	
	GND	
	P+5V	
	P+5V	
	RVV	
	P+15V	
	GND	

to the LOGIC unit J815



to the MAIN unit J404	J1501	1	2
	GND		
	DIFEB		

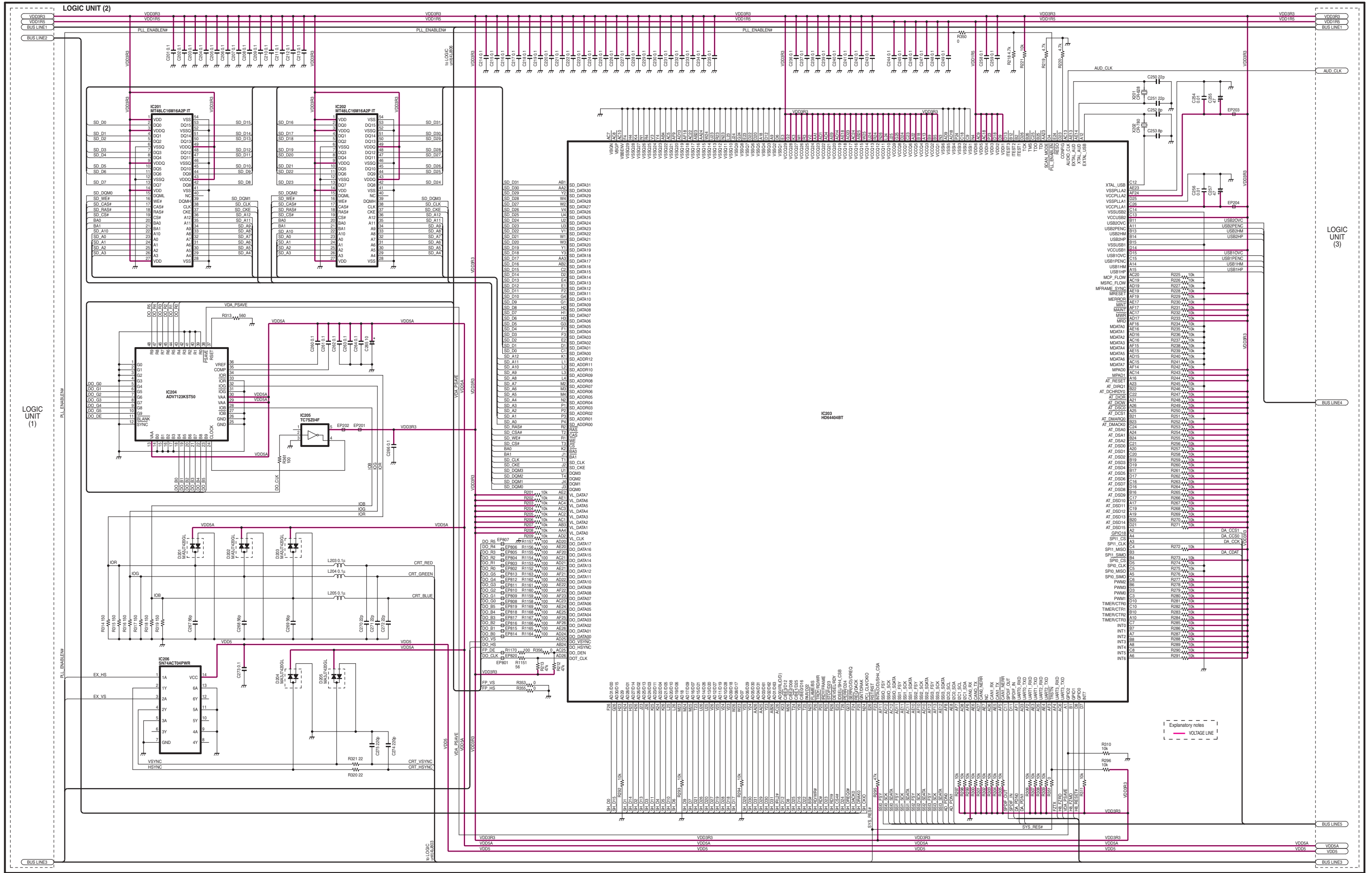
to the MAIN unit J403	J1701	1	15
	GND		
	RSTBB		
	MCK		
	GND		
	+3V		
	AGCIB		
	+3R3V		
	-12V		
	NC		
	+15V		
	GND		





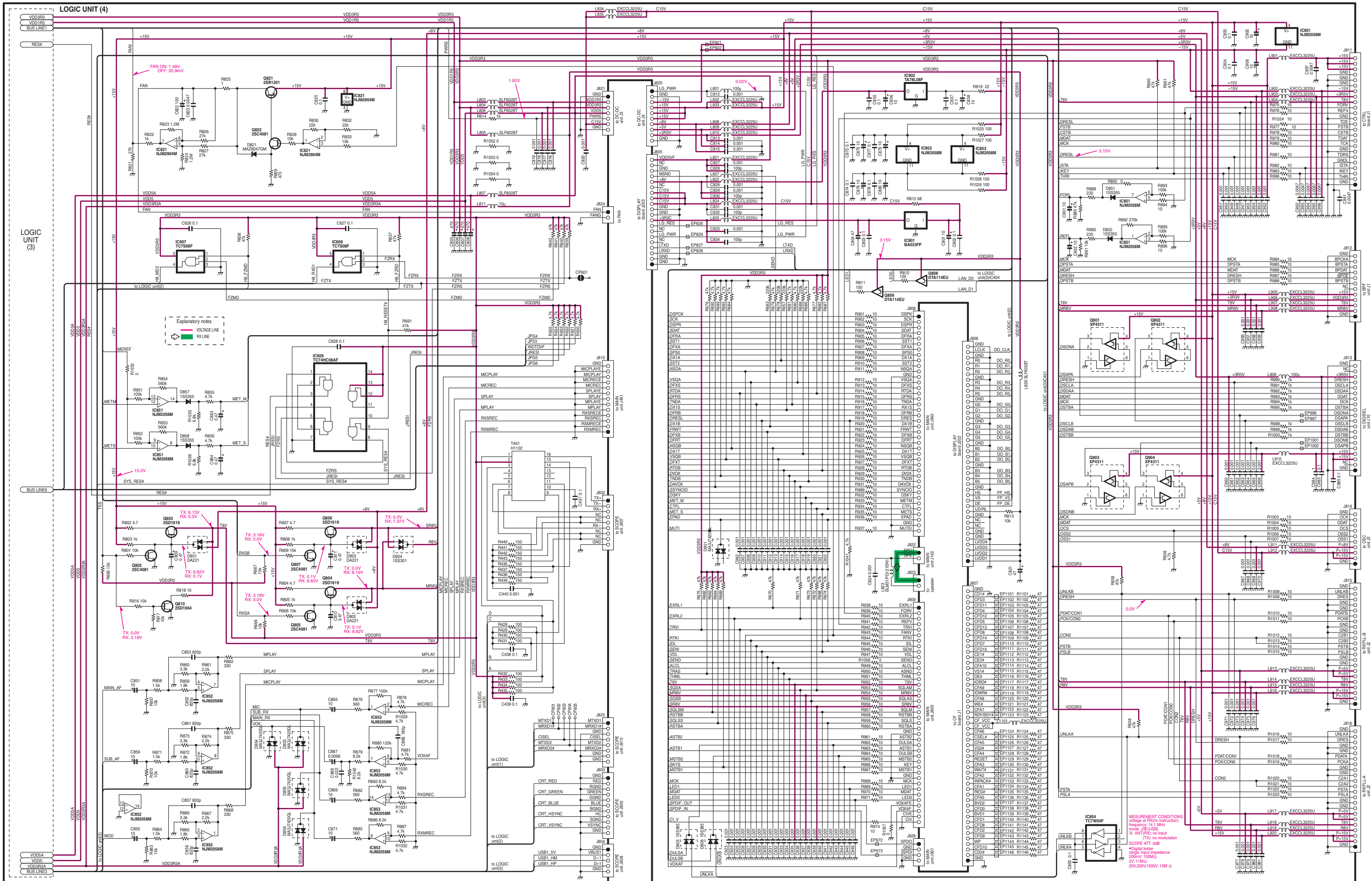




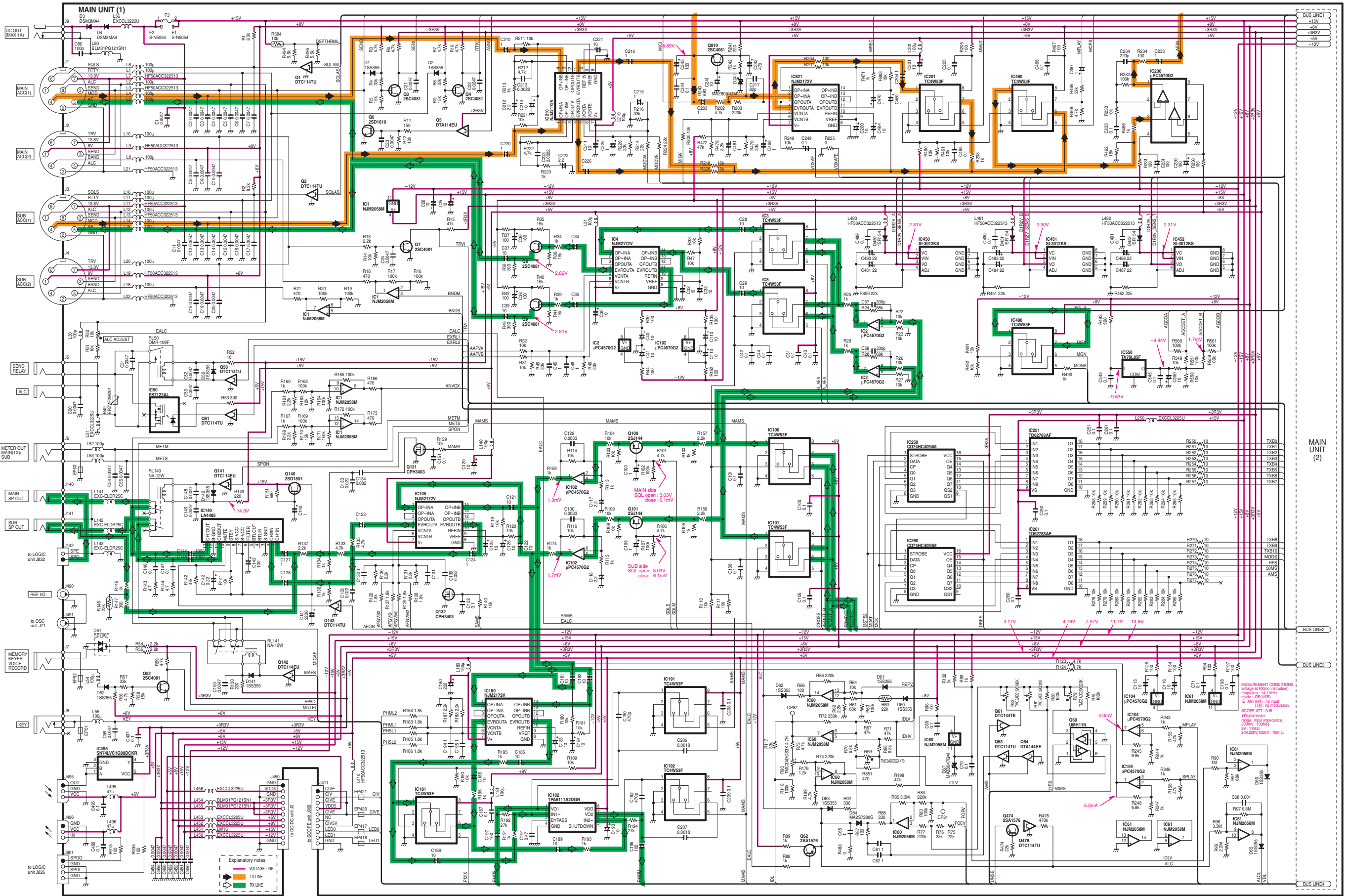






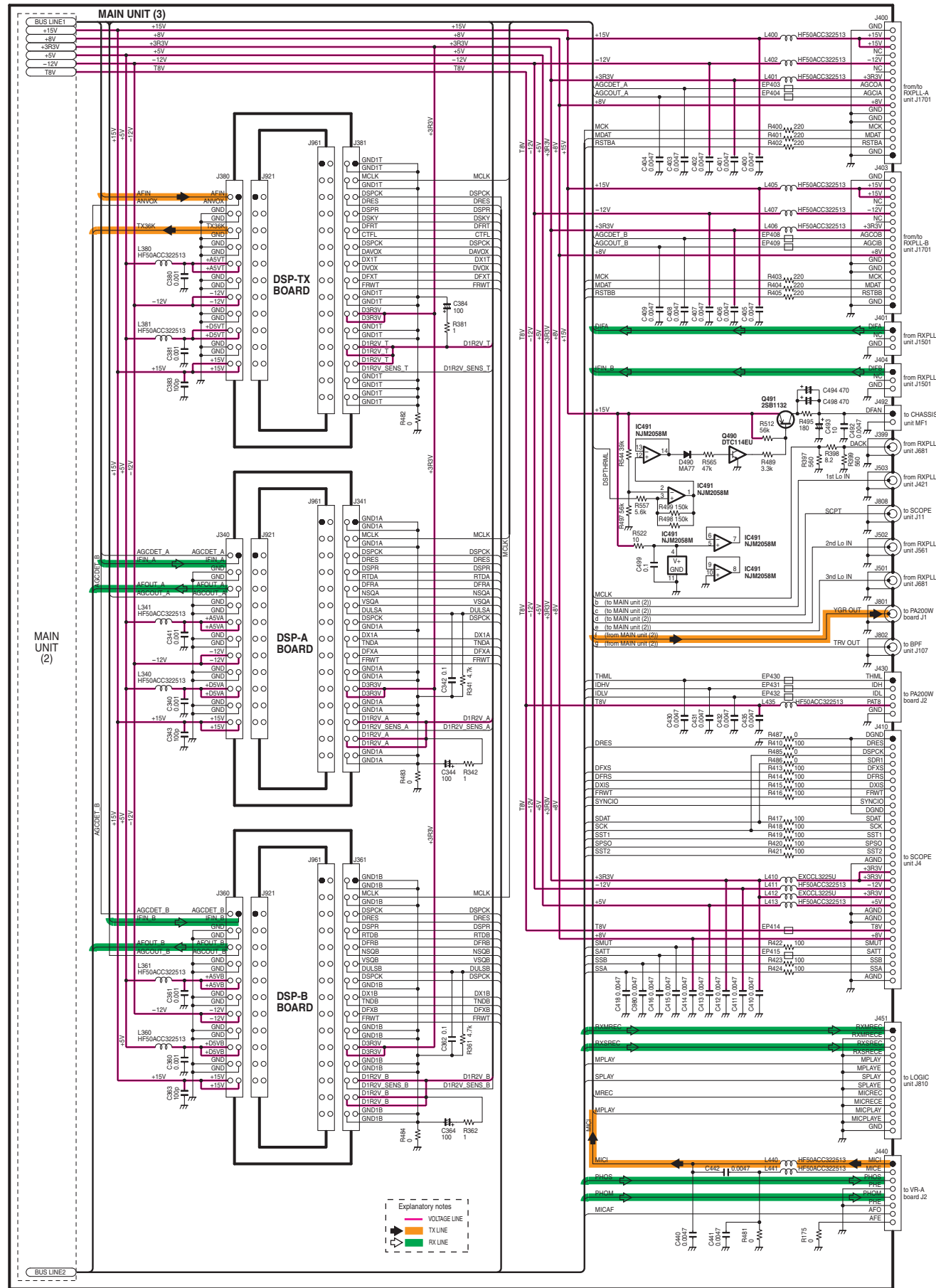




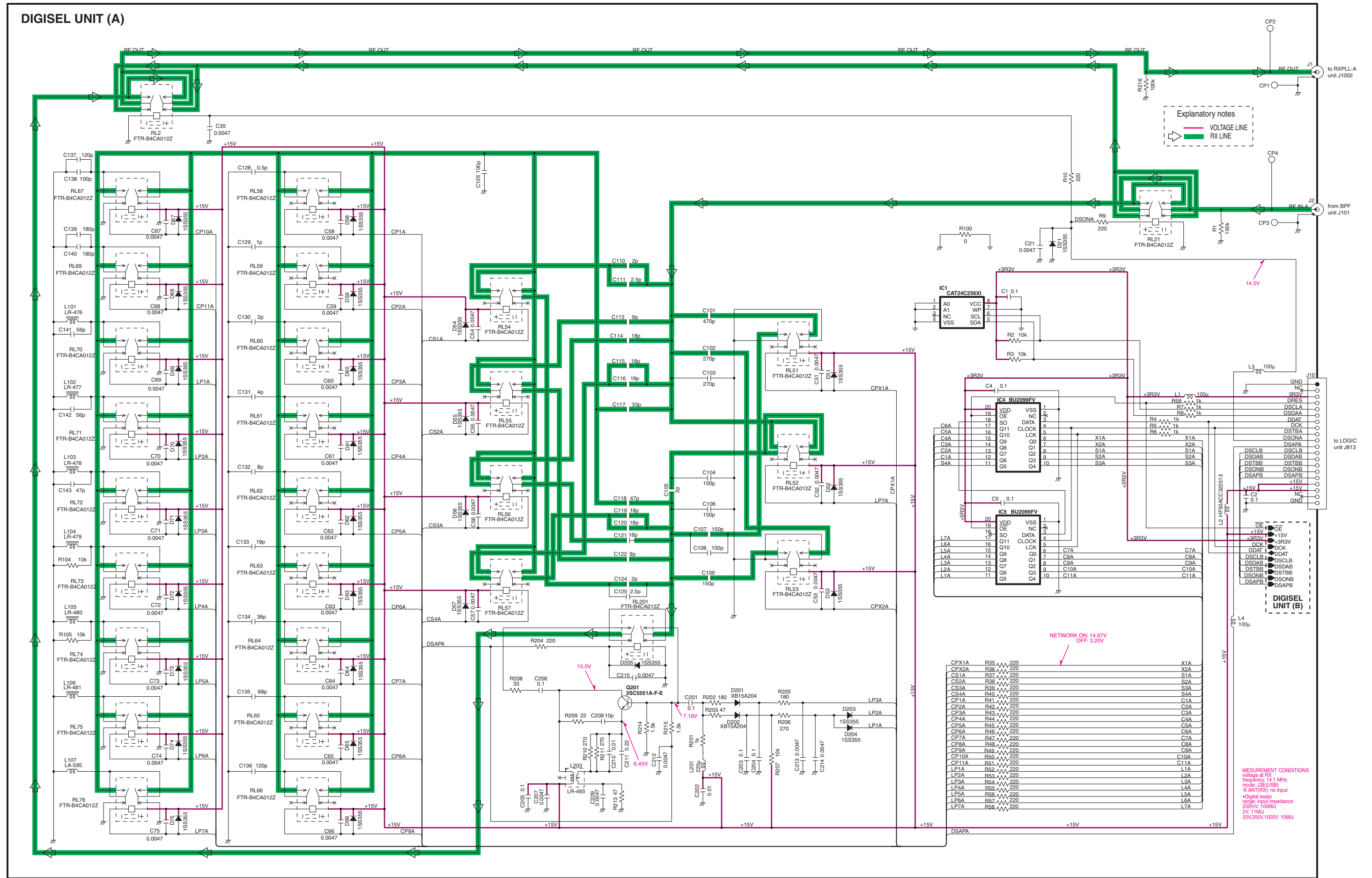






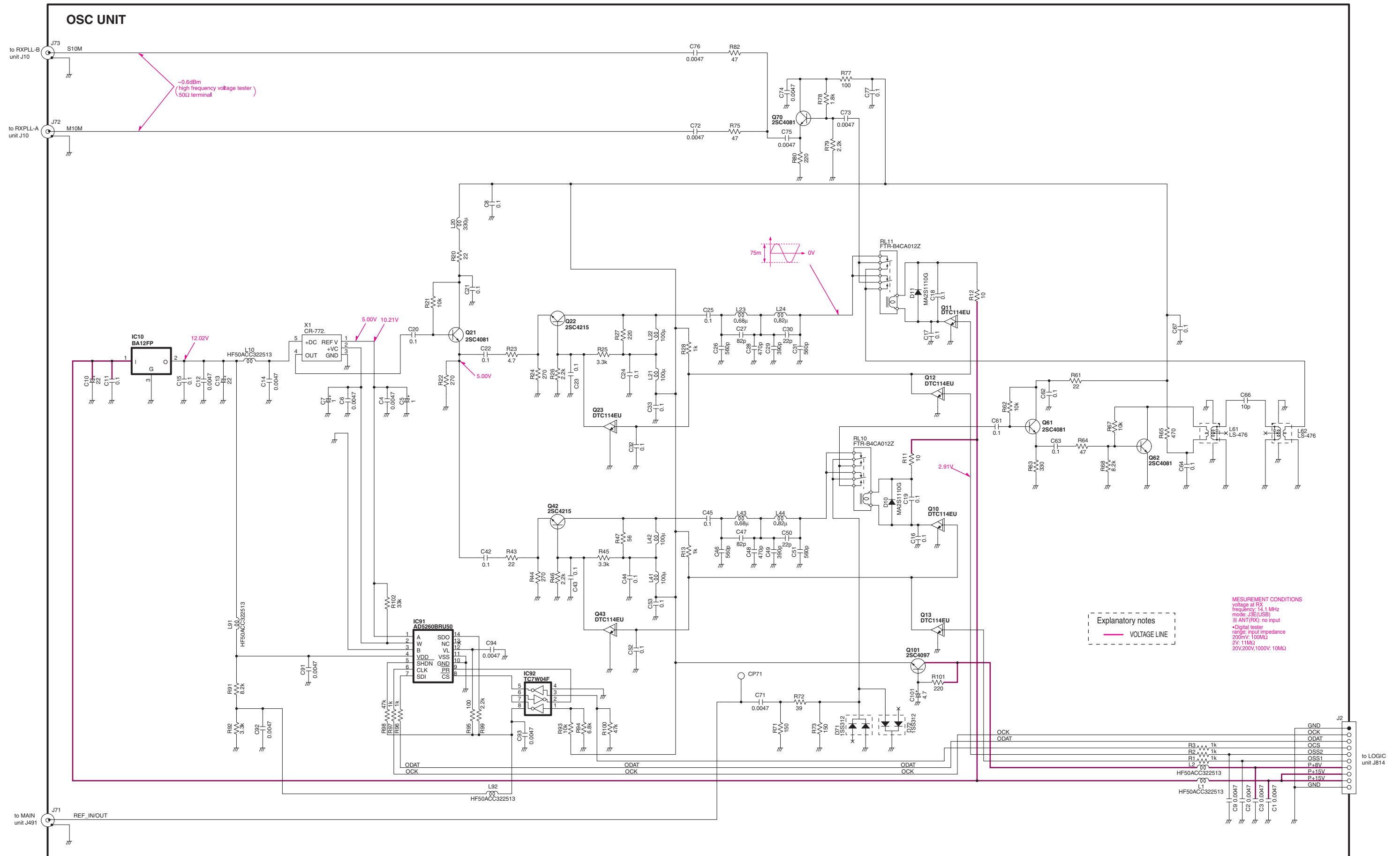


# DIGISEL UNIT (A)

















Aug. 2008



# SERVICE MANUAL ADDENDUM

---

## IC-7800

---

### CONTENTS

PARTS LIST .....	1
BOARD LAYOUTS .....	57
VOLTAGE DIAGRAM .....	59



# PARTS LIST

## [REPLACEMENT UNITS]

ORDER NO.	UNIT NAME
0325900101	U 7800 BPF
0325900102	U 7800 RXPLL-A
0325900103	U 7800 RXPLL-B
0325900104	U 7800 FILTER
0325900105	U 7800 DIDSEL
0325900106	U 7800 DC-DC
0325900107	U 7800 OSC
0325900108	U 7800 PA
0325900109	U 7800 TUNER
0325900110	U 7800 FRONT

## [VR-A BOARD]

REF NO.	ORDER NO.	DESCRIPTION	M.	H/V LOCATION
R1	7210002890	VAR RK161221005J/RV-308		
R2	7210002890	VAR RK161221005J/RV-308		
R3	7210002890	VAR RK161221005J/RV-308		
R4	7210002890	VAR RK161221005J/RV-308		
R11	7030003520	S.RES ERJ3GEYJ 472 V (4.7 k)	B	44.6/27
R12	7030003520	S.RES ERJ3GEYJ 472 V (4.7 k)	B	44.6/25.7
R13	7030003520	S.RES ERJ3GEYJ 472 V (4.7 k)	B	59.4/29.9
R14	7030003520	S.RES ERJ3GEYJ 472 V (4.7 k)	B	44.6/24.4
R15	7030003520	S.RES ERJ3GEYJ 472 V (4.7 k)	B	44.6/21.8
R16	7030003520	S.RES ERJ3GEYJ 472 V (4.7 k)	B	44.6/23.1
R17	7030003520	S.RES ERJ3GEYJ 472 V (4.7 k)	B	63.2/9.5
R18	7030003520	S.RES ERJ3GEYJ 472 V (4.7 k)	B	44.6/20.5
R21	7030003860	S.RES ERJ3GE JPW V	B	49.7/41.4
R22	7030003860	S.RES ERJ3GE JPW V	B	52.3/42.4
R23	7030003860	S.RES ERJ3GE JPW V	B	62.8/42.9
R24	7030003860	S.RES ERJ3GE JPW V	B	56.4/31.1
R25	7030003860	S.RES ERJ3GE JPW V	B	52.3/44.4
R26	7030003860	S.RES ERJ3GE JPW V	B	27.7/10.6
C11	4030006880	S.CER C1608 JB 1H 472K-T	B	49.7/36.4
C12	4030006880	S.CER C1608 JB 1H 472K-T	B	65.4/36.9
C13	4030006880	S.CER C1608 JB 1H 472K-T	B	52.3/37.4
C14	4030006880	S.CER C1608 JB 1H 472K-T	B	62.8/37.9
C15	4030006880	S.CER C1608 JB 1H 472K-T	B	49.7/38.4
C16	4030006880	S.CER C1608 JB 1H 472K-T	B	65.4/38.9
C17	4030006880	S.CER C1608 JB 1H 472K-T	B	52.3/39.4
C18	4030006880	S.CER C1608 JB 1H 472K-T	B	62.8/39.9
J1	6510021721	S.CNR 30FLT-SM2-TB (LF) (SN)	B	57.6/41.1
J2	6510018921	S.CNR B8B-PH-SM4-TB (LF) (SN)	B	20/4.5
J3	6510019971	S.CNR 52808-1071	B	9.5/33.1
J4	6510019971	S.CNR 52808-1071	B	9.5/17.9
EP2	6910012350	S.BEA MMZ1608Y 102BT	B	13.6/29.6
EP3	6910012350	S.BEA MMZ1608Y 102BT	B	16.5/30.6
EP5	6910012350	S.BEA MMZ1608Y 102BT	B	16.5/32.6
EP6	6910012350	S.BEA MMZ1608Y 102BT	B	13.7/34.7
EP7	6910012350	S.BEA MMZ1608Y 102BT	B	13.7/36.6
EP8	6910012350	S.BEA MMZ1608Y 102BT	B	16.5/35.7
EP9	6910012350	S.BEA MMZ1608Y 102BT	B	13.7/33.4
EP10	6910012350	S.BEA MMZ1608Y 102BT	B	13.6/23.7
EP11	6910012350	S.BEA MMZ1608Y 102BT	B	13.6/22.4
EP12	6910012350	S.BEA MMZ1608Y 102BT	B	5.3/21.5
EP13	6910012350	S.BEA MMZ1608Y 102BT	B	13.6/20.4
EP14	6910012350	S.BEA MMZ1608Y 102BT	B	5.3/19.3
EP15	6910012350	S.BEA MMZ1608Y 102BT	B	13.6/18.4
EP16	6910012350	S.BEA MMZ1608Y 102BT	B	16.1/17.4
EP17	6910012350	S.BEA MMZ1608Y 102BT	B	13.6/16.4
EP18	6910012350	S.BEA MMZ1608Y 102BT	B	16.1/15.5
EP19	6910012350	S.BEA MMZ1608Y 102BT	B	13.6/14.6
EP20	6910012350	S.BEA MMZ1608Y 102BT	B	12.5/13.2
EP21	6910012350	S.BEA MMZ1608Y 102BT	B	13.6/25

## [VR-B BOARD]

REF NO.	ORDER NO.	DESCRIPTION	M.	H/V LOCATION
R1	7210003160	VAR RV-317 (RK0972210)		
R2	7210003160	VAR RV-317 (RK0972210)		
R3	7030003520	S.RES ERJ3GEYJ 472 V (4.7 k)	T	28.6/2.7
R4	7030003520	S.RES ERJ3GEYJ 472 V (4.7 k)	T	27.8/8.4
R5	7030003520	S.RES ERJ3GEYJ 472 V (4.7 k)	T	10.5/2.7
R6	7030003520	S.RES ERJ3GEYJ 472 V (4.7 k)	T	11.1/8.4
C1	4030006880	S.CER C1608 JB 1H 472K-T	T	12.4/8.4
C2	4030006880	S.CER C1608 JB 1H 472K-T	T	11.8/2.7
C3	4030006880	S.CER C1608 JB 1H 472K-T	T	26.5/8.4
C4	4030006880	S.CER C1608 JB 1H 472K-T	T	27.3/2.7
J1	6510019971	S.CNR 52808-1071	T	19.5/5

## [VR-C BOARD]

REF NO.	ORDER NO.	DESCRIPTION	M.	H/V LOCATION
R1	7210003160	VAR RV-317 (RK0972210)		
R2	7210003160	VAR RV-317 (RK0972210)		
R3	7030003520	S.RES ERJ3GEYJ 472 V (4.7 k)	T	28.6/2.7
R4	7030003520	S.RES ERJ3GEYJ 472 V (4.7 k)	T	27.8/8.4
R5	7030003520	S.RES ERJ3GEYJ 472 V (4.7 k)	T	10.5/2.7
R6	7030003520	S.RES ERJ3GEYJ 472 V (4.7 k)	T	11.1/8.4
C1	4030006880	S.CER C1608 JB 1H 472K-T	T	12.4/8.4
C2	4030006880	S.CER C1608 JB 1H 472K-T	T	11.8/2.7
C3	4030006880	S.CER C1608 JB 1H 472K-T	T	26.5/8.4
C4	4030006880	S.CER C1608 JB 1H 472K-T	T	27.3/2.7
J1	6510019971	S.CNR 52808-1071	T	19.5/5

## [VR-D BOARD]

REF NO.	ORDER NO.	DESCRIPTION	M.	H/V LOCATION
R1	7210001130	VAR RK097111T005A (10KB)		
R2	7210001130	VAR RK097111T005A (10KB)		
R3	7210001130	VAR RK097111T005A (10KB)		
R4	7210001130	VAR RK097111T005A (10KB)		
R5	7210001130	VAR RK097111T005A (10KB)		
R6	7210001130	VAR RK097111T005A (10KB)		
R7	7210001130	VAR RK097111T005A (10KB)		
R11	7030003520	S.RES ERJ3GEYJ 472 V (4.7 k)	B	11.3/3.6
R12	7030003520	S.RES ERJ3GEYJ 472 V (4.7 k)	B	28.4/3.6
R13	7030003520	S.RES ERJ3GEYJ 472 V (4.7 k)	B	45.2/3.6
R14	7030003520	S.RES ERJ3GEYJ 472 V (4.7 k)	B	62.3/3.6
R15	7030003520	S.RES ERJ3GEYJ 472 V (4.7 k)	B	79.2/3.6
R16	7030003520	S.RES ERJ3GEYJ 472 V (4.7 k)	B	96.3/3.6
R17	7030003520	S.RES ERJ3GEYJ 472 V (4.7 k)	B	100.5/6.5
C11	4030006880	S.CER C1608 JB 1H 472K-T	B	11.3/2
C12	4030006880	S.CER C1608 JB 1H 472K-T	B	28.4/2
C13	4030006880	S.CER C1608 JB 1H 472K-T	B	45.2/2
C14	4030006880	S.CER C1608 JB 1H 472K-T	B	62.3/2
C15	4030006880	S.CER C1608 JB 1H 472K-T	B	79.2/2
C16	4030006880	S.CER C1608 JB 1H 472K-T	B	96.3/2
C17	4030006880	S.CER C1608 JB 1H 472K-T	B	100.5/4.9
J1	6510019971	S.CNR 52808-1071	B	43/16

## [FRONT UNIT]

REF NO.	ORDER NO.	DESCRIPTION	M.	H/V LOCATION
W1	8900015930	CBL OPC-886A (P1,N10,L75)		
W2	8900015930	CBL OPC-886A (P1,N10,L75)		
W3	8900012870	CBL OPC-1331 (N=40,L=70)		
W4	8900008670	CBL OPC-849 (N:30 L:70)		
W5	8900015930	CBL OPC-886A (P1,N10,L75)		
W6	8900015930	CBL OPC-886A (P1,N10,L75)		
W7	8900012880	CBL OPC-1336 (N=18,L=70)		
W8	8900015930	CBL OPC-886A (P1,N10,L75)		
W9	8900014871	CBL OPC-1332A-1 (P0.5,N40,L100)		
W10	8900014730	CBL OPC-683A (P1,N10,L110)		
W11	8900008670	CBL OPC-849 (N:30 L:70)		
W12	8900008670	CBL OPC-849 (N:30 L:70)		
W13	8900015930	CBL OPC-886A (P1,N10,L75)		
W14	8900008670	CBL OPC-849 (N:30 L:70)		
W15	8900015930	CBL OPC-886A (P1,N10,L75)		
W51	9025900020			
EP1	6910015291	UBD LTA070B790F		
EP11	6910011090	SUT RMS20-250-201-P		
EP12	6910011090	SUT RMS20-250-201-P		
EP13	0880001460	UBD EX-2500 #03		
EP101	6910015650	E.OTH S-G2218-3#01 (MOUNT PLATE)		
EP102	6910015650	E.OTH S-G2218-3#01 (MOUNT PLATE)		

M.=Mounted side (T: Mounted on the Top side, B: Mounted on the Bottom side)  
S.=Surface mount

[SW-A BOARD]

REF NO.	ORDER NO.	DESCRIPTION	M.	H/V LOCATION
R2	7030003400	S.RES ERJ3GEYJ 471 V (470)	B	8.3/85.5
R3	7030003420	S.RES ERJ3GEYJ 681 V (680)	B	8.3/53.1
R4	7030003400	S.RES ERJ3GEYJ 471 V (470)	B	8.3/56.1
R6	7030003400	S.RES ERJ3GEYJ 471 V (470)	B	26.8/42.4
R7	7030003400	S.RES ERJ3GEYJ 471 V (470)	B	33/41.6
R8	7030003400	S.RES ERJ3GEYJ 471 V (470)	B	51.6/40.4
R9	7030003400	S.RES ERJ3GEYJ 471 V (470)	B	62.5/36
R10	7030003400	S.RES ERJ3GEYJ 471 V (470)	B	75.6/36
R11	7030003400	S.RES ERJ3GEYJ 471 V (470)	B	90/37.5
R12	7030003400	S.RES ERJ3GEYJ 471 V (470)	B	57.8/82.8
R13	7030003480	S.RES ERJ3GEYJ 222 V (2.2 k)	B	3.6/40.8
R14	7030003520	S.RES ERJ3GEYJ 472 V (4.7 k)	B	48.4/80.4
R15	7030003480	S.RES ERJ3GEYJ 222 V (2.2 k)	B	29.6/39.4
R16	7030003520	S.RES ERJ3GEYJ 472 V (4.7 k)	B	41.1/39.4
R17	7030003480	S.RES ERJ3GEYJ 222 V (2.2 k)	B	66.3/36
R18	7030003520	S.RES ERJ3GEYJ 472 V (4.7 k)	B	79.5/38.1
R19	7030003540	S.RES ERJ3GEYJ 682 V (6.8 k)	B	57.3/40.5
R20	7030003540	S.RES ERJ3GEYJ 682 V (6.8 k)	B	29.6/40.7
R21	7030003540	S.RES ERJ3GEYJ 682 V (6.8 k)	B	2.4/38.1
R22	7030003480	S.RES ERJ3GEYJ 222 V (2.2 k)	B	100.2/66.5
R23	7030003520	S.RES ERJ3GEYJ 472 V (4.7 k)	B	101.5/63.3
R24	7030003580	S.RES ERJ3GEYJ 153 V (15 k)	B	98.6/41.5
R25	7030003480	S.RES ERJ3GEYJ 222 V (2.2 k)	B	100.3/19.2
R26	7030003520	S.RES ERJ3GEYJ 472 V (4.7 k)	B	100.3/7.2
R27	7030003540	S.RES ERJ3GEYJ 682 V (6.8 k)	B	98.6/77.5
R28	7030003540	S.RES ERJ3GEYJ 682 V (6.8 k)	B	96.2/35.2
R29	7030003580	S.RES ERJ3GEYJ 153 V (15 k)	B	51.2/53.1
R30	7030003400	S.RES ERJ3GEYJ 471 V (470)	B	47/58
C1	4030011600	S.CER C1608 JB 1E 104K-T	B	99.2/63
C2	4030011600	S.CER C1608 JB 1E 104K-T	B	88.8/59.1
C3	4030011600	S.CER C1608 JB 1E 104K-T	B	99.4/60.4
C4	4030011600	S.CER C1608 JB 1E 104K-T	B	90.1/59.1
C5	4030011600	S.CER C1608 JB 1E 104K-T	B	98.9/59
C6	4030011600	S.CER C1608 JB 1E 104K-T	B	53.3/77.2
C7	4030011600	S.CER C1608 JB 1E 104K-T	B	84.8/80.1
C8	4030011600	S.CER C1608 JB 1E 104K-T	B	83.5/65.3
C9	4030011600	S.CER C1608 JB 1E 104K-T	B	88/52.2
J1	6510019971	S.CNR 52808-1071	B	46.7/72.7
J2	6510019971	S.CNR 52808-1071	B	83.7/72.7
J3	6510022471	S.CNR 40FLT-SM2-TB (LF) (SN)	B	94.3/58.7
DS5	5040002980	S.LED SML-512DW-T86	T	8.5/87.6
DS6	5040002930	S.LED SML-512MW T86	T	8.5/86.3
DS7	5040002930	S.LED SML-512MW T86	T	8.5/41.4
DS8	5040002930	S.LED SML-512MW T86	T	26.2/43
DS9	5040002930	S.LED SML-512MW T86	T	37.7/43
DS10	5040002930	S.LED SML-512MW T86	T	49.2/43
DS11	5040002930	S.LED SML-512MW T86	T	63.2/43
DS12	5040002930	S.LED SML-512MW T86	T	56.2/84.4
DS13	5040002930	S.LED SML-512MW T86	T	74.7/43
DS14	5040002930	S.LED SML-512MW T86	T	86.2/43
DS15	5040002990	S.LED SML-512UWT86	T	8.5/56.4
DS16	5040002930	S.LED SML-512MW T86	T	8.5/55.1
DS17	5040002930	S.LED SML-512MW T86	T	56.2/56.4
S1	2260002740	S.SW LS8J2M-T	T	9.7/77.2
S2	2260002740	S.SW LS8J2M-T	T	8.2/62.5
S3	2260002740	S.SW LS8J2M-T	T	8.2/48.8
S4	2260002740	S.SW LS8J2M-T	T	8.2/35.1
S5	2260002740	S.SW LS8J2M-T	T	37.5/38.9
S6	2260002740	S.SW LS8J2M-T	T	26/38.9
S7	2260002740	S.SW LS8J2M-T	T	49/38.9
S8	2260002740	S.SW LS8J2M-T	T	63/38.9
S11	2260002740	S.SW LS8J2M-T	T	56/79
S12	2260002740	S.SW LS8J2M-T	T	74.5/38.9
S13	2260002740	S.SW LS8J2M-T	T	86/38.9
S14	2260002740	S.SW LS8J2M-T	T	100.3/82.7
S15	2260002740	S.SW LS8J2M-T	T	100.3/70.7
S16	2260002740	S.SW LS8J2M-T	T	100.3/58.7
S17	2260002740	S.SW LS8J2M-T	T	100.3/46.7
S18	2260002740	S.SW LS8J2M-T	T	100.3/34.7
S19	2260002740	S.SW LS8J2M-T	T	100.3/22.7
S20	2260002740	S.SW LS8J2M-T	T	100.3/10.7
S21	2260002740	S.SW LS8J2M-T	T	56/51

[SW-B BOARD]

REF NO.	ORDER NO.	DESCRIPTION	M.	H/V LOCATION
J1	6510020531	S.CNR 52808-1871	B	112/20.3
S1	2260002740	S.SW LS8J2M-T	T	16.8/24.6
S2	2260002740	S.SW LS8J2M-T	T	38.8/24.6
S3	2260002740	S.SW LS8J2M-T	T	60.8/24.6
S4	2260002740	S.SW LS8J2M-T	T	82.8/24.6
S5	2260002740	S.SW LS8J2M-T	T	104.8/24.6
S6	2260002740	S.SW LS8J2M-T	T	126.8/24.6
S7	2260002740	S.SW LS8J2M-T	T	148.8/24.6
S8	2260002740	S.SW LS8J2M-T	T	16.8/15.2
S9	2260002740	S.SW LS8J2M-T	T	38.8/15.2
S10	2260002740	S.SW LS8J2M-T	T	60.8/15.2
S11	2260002740	S.SW LS8J2M-T	T	82.8/15.2
S12	2260002740	S.SW LS8J2M-T	T	104.8/15.2
S13	2260002740	S.SW LS8J2M-T	T	126.8/15.2
S14	2260002740	S.SW LS8J2M-T	T	148.8/15.2
S15	2260002740	S.SW LS8J2M-T	T	125.5/3.1
S16	2260002740	S.SW LS8J2M-T	T	145.2/3.1
S17	2260002740	S.SW LS8J2M-T	T	167.3/3.1

[SW-C BOARD]

REF NO.	ORDER NO.	DESCRIPTION	M.	H/V LOCATION
R1	7030003480	S.RES ERJ3GEYJ 222 V (2.2 k)	B	32.7/126.7
R2	7030003520	S.RES ERJ3GEYJ 472 V (4.7 k)	B	30.7/122.6
R3	7030003580	S.RES ERJ3GEYJ 153 V (15 k)	B	30.7/118.1
R4	7030003540	S.RES ERJ3GEYJ 682 V (6.8 k)	B	30.6/125.7
R5	7030003480	S.RES ERJ3GEYJ 222 V (2.2 k)	B	30.6/100.4
R6	7030003520	S.RES ERJ3GEYJ 472 V (4.7 k)	B	30.6/97.1
R7	7030003580	S.RES ERJ3GEYJ 153 V (15 k)	B	31.9/94.7
R8	7030003540	S.RES ERJ3GEYJ 682 V (6.8 k)	B	31.9/101.7
R9	7030003480	S.RES ERJ3GEYJ 222 V (2.2 k)	B	34.8/71.3
R10	7030003520	S.RES ERJ3GEYJ 472 V (4.7 k)	B	35.5/69.3
R11	7030003580	S.RES ERJ3GEYJ 153 V (15 k)	B	35.5/66.6
R12	7030003540	S.RES ERJ3GEYJ 682 V (6.8 k)	B	32.7/84.5
R13	7030003480	S.RES ERJ3GEYJ 222 V (2.2 k)	B	43.1/46.9
R14	7030003520	S.RES ERJ3GEYJ 472 V (4.7 k)	B	49.2/44.4
R15	7030003540	S.RES ERJ3GEYJ 682 V (6.8 k)	B	43.1/50.6
R51	7030003400	S.RES ERJ3GEYJ 471 V (470)	B	38.3/124.2
R52	7030003400	S.RES ERJ3GEYJ 471 V (470)	B	41.2/124.2
R53	7030003400	S.RES ERJ3GEYJ 471 V (470)	B	37.9/107.7
R54	7030003400	S.RES ERJ3GEYJ 471 V (470)	B	46.6/102.1
R55	7030003400	S.RES ERJ3GEYJ 471 V (470)	B	43.2/98.8
R56	7030003400	S.RES ERJ3GEYJ 471 V (470)	B	46.6/99.4
R57	7030003400	S.RES ERJ3GEYJ 471 V (470)	B	48.7/89.9
R58	7030003400	S.RES ERJ3GEYJ 471 V (470)	B	48.7/93.3
C1	4030011600	S.CER C1608 JB 1E 104K-T	B	28.9/94.5
C2	4030011600	S.CER C1608 JB 1E 104K-T	B	41.2/82
C3	4030011600	S.CER C1608 JB 1E 104K-T	B	32.1/71.3
C4	4030011600	S.CER C1608 JB 1E 104K-T	B	43.5/82.4
J1	6510021721	S.CNR 30FLT-SM2-TB (LF) (SN)	B	37.9/89
J2	6510019971	S.CNR 52808-1071	B	44.2/113.1
DS51	5040002930	S.LED SML-512MW T86	T	36.5/123.3
DS52	5040002930	S.LED SML-512MW T86	T	48/123.3
DS53	5040002930	S.LED SML-512MW T86	T	36.5/104.8
DS54	5040002930	S.LED SML-512MW T86	T	48/104.8
DS55	5040002930	S.LED SML-512MW T86	T	36.5/94.8
DS56	5040002930	S.LED SML-512MW T86	T	48/94.8
DS57	5040002930	S.LED SML-512MW T86	T	36.5/84.8
DS58	5040002930	S.LED SML-512MW T86	T	48/84.8
S1	2260002740	S.SW LS8J2M-T	T	36.7/129.1
S2	2260002740	S.SW LS8J2M-T	T	48.2/129.1
S3	2260002740	S.SW LS8J2M-T	T	36.7/118.9
S4	2260002740	S.SW LS8J2M-T	T	48.2/118.9
S5	2260002740	S.SW LS8J2M-T	T	36.7/100.4
S6	2260002740	S.SW LS8J2M-T	T	48.2/100.4
S7	2260002740	S.SW LS8J2M-T	T	36.7/90.4
S8	2260002740	S.SW LS8J2M-T	T	48.2/90.4
S9	2260002740	S.SW LS8J2M-T	T	36.7/80.4
S10	2260002740	S.SW LS8J2M-T	T	48.2/80.4
S11	2260002740	S.SW LS8J2M-T	T	36.7/70
S12	2260002740	S.SW LS8J2M-T	T	36.7/61.2
S13	2260002740	S.SW LS8J2M-T	T	36.7/52.4
S14	2260002740	S.SW LS8J2M-T	T	36.5/42.7
S15	2260002740	S.SW LS8J2M-T	T	61.5/42.7
S16	2260002740	S.SW LS8J2M-T	T	12.2/32.4
S17	2260002740	S.SW LS8J2M-T	T	74.3/27.4
S18	2260002740	S.SW LS8J2M-T	T	12.2/14.7
S19	2260002740	S.SW LS8J2M-T	T	75.2/14.2
S20	2260002740	S.SW LS8J2M-T	T	12.2/2.3
S21	2260002740	S.SW LS8J2M-T	T	75.2/2.3
S22	2260002740	S.SW LS8J2M-T	T	25.7/2.3

M.=Mounted side (T: Mounted on the Top side, B: Mounted on the Bottom side)  
S.=Surface mount

[JACK BOARD]

REF NO.	ORDER NO.	DESCRIPTION	M.	H/V LOCATION
L1	6200003950	S.COL HF50ACC 322513-T	T	33/7.8
L2	6200003950	S.COL HF50ACC 322513-T	T	23.5/2.7
L3	6200003950	S.COL HF50ACC 322513-T	T	16.2/2
L4	6180000900	COL LAL 03NA 101K		
L5	6180000900	COL LAL 03NA 101K		
L6	6180000900	COL LAL 03NA 101K		
L101	6180000900	COL LAL 03NA 101K		
L102	6180000900	COL LAL 03NA 101K		
L103	6180000900	COL LAL 03NA 101K		
R1	7030006060	S.RES ERJ12YJ100U (10)	T	24.1/6.1
R2	7030006060	S.RES ERJ12YJ100U (10)	T	16.8/5.4
C1	4030006880	S.CER C1608 JB 1H 472K-T	B	26.4/2.1
C2	4030006880	S.CER C1608 JB 1H 472K-T	B	26.4/4.8
C3	4030006880	S.CER C1608 JB 1H 472K-T	B	20.7/6.9
C101	4030006880	S.CER C1608 JB 1H 472K-T	B	15.3/6.9
C102	4030006880	S.CER C1608 JB 1H 472K-T	B	11.6/2.1
J1	6510019971	S.CNR 52808-1071	B	19/3.2
J2	6510023891	CNR S-G4617#01F		
J102	6510023900	CNR LGR4619-7000		
EP101	6910012350	S.BEA MMZ1608Y 102BT	B	15.3/8.2
EP102	6910012350	S.BEA MMZ1608Y 102BT	B	10.3/2.1

[MIC BOARD]

REF NO.	ORDER NO.	DESCRIPTION	M.	H/V LOCATION
L1	6200003261	S.COL NLV32T-101J	B	4.5/17.8
L2	6200003261	S.COL NLV32T-101J	B	2.4/12.5
L3	6200003261	S.COL NLV32T-101J	B	4.5/2
L4	6200003950	S.COL HF50ACC 322513-T	B	15.2/15.1
C1	4030006880	S.CER C1608 JB 1H 472K-T	B	8.6/16.1
C2	4030006880	S.CER C1608 JB 1H 472K-T	B	2.8/5.5
C3	4030006880	S.CER C1608 JB 1H 472K-T	B	14.2/12.3
C4	4030007130	S.CER C1608 CH 1H 101J-T	B	10.1/11.2
C5	4030006880	S.CER C1608 JB 1H 472K-T	B	1.5/5.5
C6	4030006880	S.CER C1608 JB 1H 472K-T	B	9.6/9
C7	4030006880	S.CER C1608 JB 1H 472K-T	B	7.7/10.1
C8	4030007090	S.CER C1608 CH 1H 470J-T	B	9.4/13.9
J1	6510000191	CNR FM214-8SS (P) -1		
J2	6510019971	S.CNR 52808-1071	B	12.7/20.2
EP2	6910012350	S.BEA MMZ1608Y 102BT	B	4.1/6.3
EP3	6910012350	S.BEA MMZ1608Y 102BT	B	7.6/2
EP4	6910012350	S.BEA MMZ1608Y 102BT	B	10.4/16
EP5	6910012350	S.BEA MMZ1608Y 102BT	B	2.7/8.1
EP6	6910012350	S.BEA MMZ1608Y 102BT	B	7.7/7.7
EP7	6910015130	S.BEA MMZ1608D 301BT	B	17.2/10.8
EP8	6910015130	S.BEA MMZ1608D 301BT	B	15.9/10.8
EP9	6910015130	S.BEA MMZ1608D 301BT	B	10.2/6.9
EP10	6910015130	S.BEA MMZ1608D 301BT	B	11.5/9.1
EP11	6910012350	S.BEA MMZ1608Y 102BT	B	5.4/14.1

[TENKEY BOARD]

REF NO.	ORDER NO.	DESCRIPTION	M.	H/V LOCATION
IC1	1130011510	S.IC BU2099FV-E2	B	37.5/67.3
IC2	1130011510	S.IC BU2099FV-E2	B	33.5/31.8
R1	7030003480	S.RES ERJ3GEYJ 222 V (2.2 k)	B	16.3/75.9
R2	7030003520	S.RES ERJ3GEYJ 472 V (4.7 k)	B	16.6/67.7
R3	7030003580	S.RES ERJ3GEYJ 153 V (15 k)	B	13.8/47.4
R4	7030003540	S.RES ERJ3GEYJ 682 V (6.8 k)	B	16.3/79.3
R5	7030003480	S.RES ERJ3GEYJ 222 V (2.2 k)	B	31.5/67.4
R6	7030003520	S.RES ERJ3GEYJ 472 V (4.7 k)	B	30.7/65.6
R7	7030003580	S.RES ERJ3GEYJ 153 V (15 k)	B	32.3/49.9
R8	7030003540	S.RES ERJ3GEYJ 682 V (6.8 k)	B	30.3/78.3
R9	7030003480	S.RES ERJ3GEYJ 222 V (2.2 k)	B	49.8/70.1
R10	7030003520	S.RES ERJ3GEYJ 472 V (4.7 k)	B	49.8/62.2
R11	7030003580	S.RES ERJ3GEYJ 153 V (15 k)	B	47.6/52.6
R12	7030003540	S.RES ERJ3GEYJ 682 V (6.8 k)	B	49.8/78.4
R51	7030003390	S.RES ERJ3GEYJ 391 V (390)	B	8/78
R52	7030003390	S.RES ERJ3GEYJ 391 V (390)	B	8/75.3
R53	7030003390	S.RES ERJ3GEYJ 391 V (390)	B	8/70.9
R54	7030003390	S.RES ERJ3GEYJ 391 V (390)	B	8/72.9
R55	7030003390	S.RES ERJ3GEYJ 391 V (390)	B	10.7/58.2
R56	7030003390	S.RES ERJ3GEYJ 391 V (390)	B	12/58.2
R57	7030003390	S.RES ERJ3GEYJ 391 V (390)	B	8/49.5
R58	7030003390	S.RES ERJ3GEYJ 391 V (390)	B	8/46.8
R59	7030003390	S.RES ERJ3GEYJ 391 V (390)	B	19.1/78
R60	7030003390	S.RES ERJ3GEYJ 391 V (390)	B	19.1/75.3
R61	7030003390	S.RES ERJ3GEYJ 391 V (390)	B	25.5/64.5
R62	7030003390	S.RES ERJ3GEYJ 391 V (390)	B	25.5/65.8
R63	7030003390	S.RES ERJ3GEYJ 391 V (390)	B	25.5/51.7
R64	7030003390	S.RES ERJ3GEYJ 391 V (390)	B	25.5/53
R65	7030003390	S.RES ERJ3GEYJ 391 V (390)	B	25.5/49.5
R66	7030003390	S.RES ERJ3GEYJ 391 V (390)	B	25.5/47
R67	7030003390	S.RES ERJ3GEYJ 391 V (390)	B	43/78
R68	7030003390	S.RES ERJ3GEYJ 391 V (390)	B	43/75.3
R69	7030003390	S.RES ERJ3GEYJ 391 V (390)	B	43.8/68.5
R70	7030003390	S.RES ERJ3GEYJ 391 V (390)	B	43.8/67.2
R71	7030003390	S.RES ERJ3GEYJ 391 V (390)	B	43/59
R72	7030003390	S.RES ERJ3GEYJ 391 V (390)	B	43/56.3
R73	7030003390	S.RES ERJ3GEYJ 391 V (390)	B	44.4/51.3
R74	7030003390	S.RES ERJ3GEYJ 391 V (390)	B	44.4/52.6
R75	7030003460	S.RES ERJ3GEYJ 152 V (1.5 k)	B	29.7/21
R76	7030003460	S.RES ERJ3GEYJ 152 V (1.5 k)	B	44.3/18.1
C1	4030011600	S.CER C1608 JB 1E 104K-T	B	8.5/66.9
C2	4030011600	S.CER C1608 JB 1E 104K-T	B	5.4/69.3
C3	4030011600	S.CER C1608 JB 1E 104K-T	B	11/67.4
C4	4030011600	S.CER C1608 JB 1E 104K-T	B	35.9/71.5
C5	4030011600	S.CER C1608 JB 1E 104K-T	B	31.7/35.9
J1	6510021721	S.CNR 30FLT-SM2-TB (LF) (SN)	B	5.2/60
J2	6510021721	S.CNR 30FLT-SM2-TB (LF) (SN)	B	5.2/31.6
J3	6510021721	S.CNR 30FLT-SM2-TB (LF) (SN)	B	49.9/33
J4	6510019971	S.CNR 52808-1071	B	53.9/57
J5	6510019971	S.CNR 52808-1071	B	24.5/74.7
J6	6510003401	CNR B04B-EH-S (LF) (SN)		
J7	6510018971	S.CNR B4B-PH-SM4-TB (LF) (SN)	B	36.5/3
DS1	5040002980	S.LED SML-512DW-T86	T	29.5/19
DS2	5040002980	S.LED SML-512DW-T86	T	45.5/19
S1	2260002740	S.SW LS8J2M-T	T	9.5/34
S2	2260002740	S.SW LS8J2M-T	T	9.5/26
S3	2260002740	S.SW LS8J2M-T	T	29.5/34
S4	2260002740	S.SW LS8J2M-T	T	29.5/26
S5	2260002740	S.SW LS8J2M-T	T	45.5/34
S6	2260002740	S.SW LS8J2M-T	T	45.5/26
S7	2260002740	S.SW LS8J2M-T	T	9.5/12.7
S8	2260002740	S.SW LS8J2M-T	T	29.5/16
S9	2260002740	S.SW LS8J2M-T	T	29.5/7.5
S11	2260002820	S.SW LS9J2M-2D/D-T	T	10.5/76.2
S12	2260002820	S.SW LS9J2M-2D/D-T	T	10.5/66.7
S13	2260002820	S.SW LS9J2M-2D/D-T	T	10.5/57.2
S14	2260002820	S.SW LS9J2M-2D/D-T	T	10.5/47.7
S15	2260002820	S.SW LS9J2M-2D/D-T	T	28/76.2
S16	2260002820	S.SW LS9J2M-2D/D-T	T	28/66.7
S17	2260002820	S.SW LS9J2M-2D/D-T	T	28/57.2
S18	2260002820	S.SW LS9J2M-2D/D-T	T	28/47.7
S19	2260002820	S.SW LS9J2M-2D/D-T	T	45.5/76.2
S20	2260002820	S.SW LS9J2M-2D/D-T	T	45.5/66.7
S21	2260002820	S.SW LS9J2M-2D/D-T	T	45.5/57.2
S22	2260002820	S.SW LS9J2M-2D/D-T	T	45.5/47.7
S23	2260002740	S.SW LS8J2M-T	T	45.5/16
S24	2260002740	S.SW LS8J2M-T	T	45.5/7.5

M.=Mounted side (T: Mounted on the Top side, B: Mounted on the Bottom side) S.=Surface mount



[PBT1 BOARD]

REF NO.	ORDER NO.	DESCRIPTION	M.	H/V LOCATION
R1	7210003180	VAR RV-319 (RK0972210)		
R2	7030003520	S.RES ERJ3GEYJ 472 V (4.7 k)	T	13.5/6.5
R3	7030003520	S.RES ERJ3GEYJ 472 V (4.7 k)	T	13.5/10
C1	4030006880	S.CER C1608 JB 1H 472K-T	T	15.6/10
C2	4030006880	S.CER C1608 JB 1H 472K-T	T	15.6/6.5
J1	6510019971	S.CNR 52808-1071	T	24.5/7
S1	2250000410	ECR TP90D96E20-30F-2178-1		

[PBT2 BOARD]

REF NO.	ORDER NO.	DESCRIPTION	M.	H/V LOCATION
R1	7210003180	VAR RV-319 (RK0972210)		
R2	7210003170	VAR RV-318 (RK09L1120CON)		
R3	7030003520	S.RES ERJ3GEYJ 472 V (4.7 k)	T	47.4/8.5
R4	7030003520	S.RES ERJ3GEYJ 472 V (4.7 k)	T	47.4/9.8
R5	7030003520	S.RES ERJ3GEYJ 472 V (4.7 k)	T	16.2/12.3
C1	4030006880	S.CER C1608 JB 1H 472K-T	T	52.5/10.2
C2	4030006880	S.CER C1608 JB 1H 472K-T	T	50.6/10.2
C3	4030006880	S.CER C1608 JB 1H 472K-T	T	16.2/11
J1	6510019971	S.CNR 52808-1071	T	59.1/5.1
S1	2250000410	ECR TP90D96E20-30F-2178-1		

[LED BOARD]

REF NO.	ORDER NO.	DESCRIPTION	M.	H/V LOCATION
R1	7030003470	S.RES ERJ3GEYJ 182 V (1.8 k)	T	9.1/14.9
R2	7030003420	S.RES ERJ3GEYJ 681 V (680)	T	21/14.9
R3	7030003440	S.RES ERJ3GEYJ 102 V (1 k)	T	32.1/14.9
R4	7030003400	S.RES ERJ3GEYJ 471 V (470)	T	80.2/14.9
R5	7030003470	S.RES ERJ3GEYJ 182 V (1.8 k)	T	126/14.9
R6	7030003420	S.RES ERJ3GEYJ 681 V (680)	T	139/14.9
R7	7030003440	S.RES ERJ3GEYJ 102 V (1 k)	T	149.8/14.9
J1	6510020711	S.CNR 52793-1070 (1090)	T	111.3/2.6
DS1	5040003000	S.LED SML-A12UT-T86	T	5.6/15.9
DS2	5040002961	S.LED SML-A12MT T86J	T	17.6/15.9
DS3	5040003010	S.LED SML-A12WT	T	29.6/15.9
DS4	5040002970	S.LED CL-270WB-D-TS	T	76.6/15.9
DS5	5040003000	S.LED SML-A12UT-T86	T	123.6/15.9
DS6	5040002961	S.LED SML-A12MT T86J	T	135.6/15.9
DS7	5040003010	S.LED SML-A12WT	T	147.6/15.9

[CF BOARD]

REF NO.	ORDER NO.	DESCRIPTION	M.	H/V LOCATION
R1	7030003470	S.RES ERJ3GEYJ 182 V (1.8 k)	T	8.8/8.7
J1	6510024151	S.CNR 50FY-BMT-TB (LF) (SN)	T	34.5/4.4
J2	6510025670	S.CNR 31-5620-050-719-871	T	34.5/13.6
J3	6510021601	S.CNR S2B-PH-SM4-TB (LF) (SN)	T	13.7/3.7
DS1	5040002990	S.LED SML-512UWT86	T	61.2/40.5
EP2	6910015640	E.OTH 30-5610-000-002-000		

[DISPLAY BOARD]

REF NO.	ORDER NO.	DESCRIPTION	M.	H/V LOCATION
IC1	1130009640	S.IC BU4051BCFV-E2	T	121.9/76.4
IC2	1130009640	S.IC BU4051BCFV-E2	T	110.5/10.9
IC3	1130009640	S.IC BU4051BCFV-E2	T	76.7/20
IC4	1130009640	S.IC BU4051BCFV-E2	T	24/61.2
IC5	1130009640	S.IC BU4051BCFV-E2	T	106.8/77.4
IC6	1140011820	S.IC M30620FCMGP D5	T	48.1/27.7
IC7	1130011510	S.IC BU2099FV-E2	T	124/59.8
IC201	1130009301	S.IC TC7SET08FU (T5L,JF)	T	71.1/51.8
IC202	1130009301	S.IC TC7SET08FU (T5L,JF)	T	107.2/58.5
IC601	1130011551	S.IC RX-4581NB-F	T	39/45.9
IC651	1110005821	S.IC R3112N281A-TR-F	T	47.9/91.1
Q200	1590000430	S.TR DTC144EUA T106	T	40.8/89.7
Q201	1530003301	S.TR 2SC3647S-TD-E	T	91.1/47.1
Q202	1530003301	S.TR 2SC3647S-TD-E	T	91.1/26.5
Q203	1530002060	S.TR 2SC4081 T106 R	T	73.9/61.5
Q204	1520000651	S.TR 2SB1201S-TL-E	T	79.5/65.1
Q205	1590000680	S.TR DTC114EUA T106	T	70.8/57.1
Q206	1590000680	S.TR DTC114EUA T106	T	113/19.4
Q208	1590001330	S.TR DTA114EUA T106	T	120/68.5
Q209	1520000651	S.TR 2SB1201S-TL-E	T	113.9/59.9
Q210	1530002060	S.TR 2SC4081 T106 R	T	107.3/55.3
Q211	1590001330	S.TR DTA114EUA T106	T	122.5/65.4
Q212	1590000680	S.TR DTC114EUA T106	T	72.5/54.3
Q501	1590000680	S.TR DTC114EUA T106	T	86/88.8
Q502	1590000680	S.TR DTC114EUA T106	T	86/92.5
Q503	1590000680	S.TR DTC114EUA T106	T	82.8/90.8
Q504	1590001330	S.TR DTA114EUA T106	T	89.2/88.8
Q505	1590000680	S.TR DTC114EUA T106	T	125/66.6
Q601	1510000501	S.TR 2SA1162-GR (TE85R,F)	T	41.4/85.2
D7	1750000520	S.DIO DAN222TL	T	122.4/18.7
D8	1160000140	S.DIO DAP222 TL	T	122.4/15.3
D9	1730002340	S.ZEN MA8047-M (TX)	T	74.3/59.3
D10	1730002590	S.ZEN MA8033-H (TX)	T	109.5/56.9
D11	1790001670	S.DIO RB706F-40T106	T	121.3/10.6
D12	1790001670	S.DIO RB706F-40T106	T	60/31
D601	1790001250	S.DIO MA2S111-(TX)	T	42.2/82.8
D602	1790001250	S.DIO MA2S111-(TX)	T	39/85.9
D603	1790001250	S.DIO MA2S111-(TX)	T	39/83.4
X1	6050009870	S.XTL CR-567 (9.8304 MHz)	T	49.7/44.5
L201	6200001831	S.COL NLV32T-100J	T	112/85.8
L203	6200003950	S.COL HF50ACC 322513-T	T	115.2/85.6
L204	6200001831	S.COL NLV32T-100J	T	126.9/91.6
L205	6200003950	S.COL HF50ACC 322513-T	T	61.2/36.6
L207	6200003950	S.COL HF50ACC 322513-T	T	117.4/17.1
L208	6200003950	S.COL HF50ACC 322513-T	T	118.4/85.6
L209	6200003950	S.COL HF50ACC 322513-T	T	9.9/64
L210	6190001191	S.COL D10F-#A814AY-101K	T	86.6/79.7
L211	6190001191	S.COL D10F-#A814AY-101K	T	81.2/38.2
L601	6200001831	S.COL NLV32T-100J	T	34.7/83.8
R200	7030003440	S.RES ERJ3GEYJ 102 V (1 k)	T	73.1/51.7
R201	7030003470	S.RES ERJ3GEYJ 182 V (1.8 k)	T	96.6/43.6
R202	7030003470	S.RES ERJ3GEYJ 182 V (1.8 k)	T	96.6/32.9
R203	7030003800	S.RES ERJ3GEYJ 105 V (1 M)	T	49.7/41.2
R208	7030003360	S.RES ERJ3GEYJ 221 V (220)	T	75/57
R209	7030003860	S.RES ERJ3GE JPW V	T	14.6/25
R210	7030003860	S.RES ERJ3GE JPW V	T	22/24.4
R212	7030003660	S.RES ERJ3GEYJ 683 V (68 k)	T	67.8/57.6
R213	7030003580	S.RES ERJ3GEYJ 153 V (15 k)	T	70.3/54.7
R214	7030003440	S.RES ERJ3GEYJ 102 V (1 k)	T	40.7/13.4
R215	7030003440	S.RES ERJ3GEYJ 102 V (1 k)	T	39.4/13.4
R216	7030003440	S.RES ERJ3GEYJ 102 V (1 k)	T	38.1/13.4
R217	7030003440	S.RES ERJ3GEYJ 102 V (1 k)	T	36.8/13.4
R218	7030003440	S.RES ERJ3GEYJ 102 V (1 k)	T	35.5/13.4
R219	7030003440	S.RES ERJ3GEYJ 102 V (1 k)	T	34.2/13.4
R220	7030003440	S.RES ERJ3GEYJ 102 V (1 k)	T	31.6/13.4
R221	7030003440	S.RES ERJ3GEYJ 102 V (1 k)	T	32.9/13.4
R222	7030003440	S.RES ERJ3GEYJ 102 V (1 k)	T	30.6/16.1
R223	7030003440	S.RES ERJ3GEYJ 102 V (1 k)	T	29.8/13.5
R224	7030003440	S.RES ERJ3GEYJ 102 V (1 k)	T	29.1/16.1
R225	7030003440	S.RES ERJ3GEYJ 102 V (1 k)	T	28.3/13.4
R226	7030003440	S.RES ERJ3GEYJ 102 V (1 k)	T	27.6/16.1
R227	7030003440	S.RES ERJ3GEYJ 102 V (1 k)	T	26.8/13.4
R228	7030003440	S.RES ERJ3GEYJ 102 V (1 k)	T	25.5/13.4
R229	7030003440	S.RES ERJ3GEYJ 102 V (1 k)	T	22.9/13.4
R230	7030003440	S.RES ERJ3GEYJ 102 V (1 k)	T	24.2/13.4
R232	7030003440	S.RES ERJ3GEYJ 102 V (1 k)	T	74.1/13.4
R233	7030003440	S.RES ERJ3GEYJ 102 V (1 k)	T	76.9/13.4
R234	7030003440	S.RES ERJ3GEYJ 102 V (1 k)	T	75.4/13.4
R235	7030003440	S.RES ERJ3GEYJ 102 V (1 k)	T	78.2/13.4
R236	7030003440	S.RES ERJ3GEYJ 102 V (1 k)	T	79.5/13.4
R237	7030003440	S.RES ERJ3GEYJ 102 V (1 k)	T	80.8/13.4
R238	7030003440	S.RES ERJ3GEYJ 102 V (1 k)	T	82.1/13.4
R239	7030003440	S.RES ERJ3GEYJ 102 V (1 k)	T	107.3/86.7
R240	7030003440	S.RES ERJ3GEYJ 102 V (1 k)	T	105.9/86.7
R241	7030003680	S.RES ERJ3GEYJ 104 V (100 k)	T	108.6/86.6
R242	7030003680	S.RES ERJ3GEYJ 104 V (100 k)	T	104.5/86.7
R246	7030003440	S.RES ERJ3GEYJ 102 V (1 k)	T	59.5/13.3
R247	7030003440	S.RES ERJ3GEYJ 102 V (1 k)	T	58.2/13.3
R248	7030003440	S.RES ERJ3GEYJ 102 V (1 k)	T	56.9/13.3
R249	7030003440	S.RES ERJ3GEYJ 102 V (1 k)	T	55.6/13.3
R250	7030003440	S.RES ERJ3GEYJ 102 V (1 k)	T	54.3/13.3
R251	7030003320	S.RES ERJ3GEYJ 101 V (100)	T	52.8/13.3
R252	7030003440	S.RES ERJ3GEYJ 102 V (1 k)	T	51.5/13.3
R253	7030003440	S.RES ERJ3GEYJ 102 V (1 k)	T	50.2/13.3

M.=Mounted side (T: Mounted on the Top side, B: Mounted on the Bottom side) S.=Surface mount

[DISPLAY BOARD]

REF NO.	ORDER NO.	DESCRIPTION	M.	H/V LOCATION
R254	7030003680	S.RES ERJ3GEYJ 104 V (100 k)	T	48.4/13.3
R255	7030003640	S.RES ERJ3GEYJ 473 V (47 k)	T	12.6/14.1
R256	7030003640	S.RES ERJ3GEYJ 473 V (47 k)	T	16.5/14.1
R257	7030003670	S.RES ERJ3GEYJ 823 V (82 k)	T	13.9/14.1
R258	7030003670	S.RES ERJ3GEYJ 823 V (82 k)	T	15.2/14.1
R259	7030003440	S.RES ERJ3GEYJ 102 V (1 k)	T	12.8/90.1
R260	7030003440	S.RES ERJ3GEYJ 102 V (1 k)	T	19.4/87.2
R261	7030003440	S.RES ERJ3GEYJ 102 V (1 k)	T	10.1/88.5
R262	7030003440	S.RES ERJ3GEYJ 102 V (1 k)	T	7.1/79.8
R263	7030003440	S.RES ERJ3GEYJ 102 V (1 k)	T	18/81.9
R264	7030003440	S.RES ERJ3GEYJ 102 V (1 k)	T	7.1/78.5
R265	7030003440	S.RES ERJ3GEYJ 102 V (1 k)	T	18/80.6
R266	7030003440	S.RES ERJ3GEYJ 102 V (1 k)	T	7.1/77.2
R267	7030003440	S.RES ERJ3GEYJ 102 V (1 k)	T	18/79.3
R268	7030003440	S.RES ERJ3GEYJ 102 V (1 k)	T	7.1/75.9
R269	7030003440	S.RES ERJ3GEYJ 102 V (1 k)	T	18/78
R270	7030003440	S.RES ERJ3GEYJ 102 V (1 k)	T	7.1/74.6
R271	7030003440	S.RES ERJ3GEYJ 102 V (1 k)	T	18/76.7
R272	7030003440	S.RES ERJ3GEYJ 102 V (1 k)	T	7.1/73.3
R273	7030003440	S.RES ERJ3GEYJ 102 V (1 k)	T	7.1/72
R274	7030003440	S.RES ERJ3GEYJ 102 V (1 k)	T	18/75.4
R275	7030003440	S.RES ERJ3GEYJ 102 V (1 k)	T	7.1/70.7
R276	7030003440	S.RES ERJ3GEYJ 102 V (1 k)	T	18/74.1
R278	7030003440	S.RES ERJ3GEYJ 102 V (1 k)	T	13.4/42.7
R279	7030003440	S.RES ERJ3GEYJ 102 V (1 k)	T	4/43.9
R280	7030003440	S.RES ERJ3GEYJ 102 V (1 k)	T	13.4/44
R281	7030003440	S.RES ERJ3GEYJ 102 V (1 k)	T	4/45.2
R282	7030003440	S.RES ERJ3GEYJ 102 V (1 k)	T	13.4/45.3
R283	7030003440	S.RES ERJ3GEYJ 102 V (1 k)	T	4/46.5
R284	7030003520	S.RES ERJ3GEYJ 472 V (4.7 k)	T	13.4/46.6
R285	7030003440	S.RES ERJ3GEYJ 102 V (1 k)	T	4/47.8
R286	7030003440	S.RES ERJ3GEYJ 102 V (1 k)	T	13.4/47.9
R287	7030003440	S.RES ERJ3GEYJ 102 V (1 k)	T	4/49.1
R288	7030003440	S.RES ERJ3GEYJ 102 V (1 k)	T	13.4/49.2
R289	7030003440	S.RES ERJ3GEYJ 102 V (1 k)	T	13.4/50.5
R290	7030003440	S.RES ERJ3GEYJ 102 V (1 k)	T	4/51.7
R291	7030003440	S.RES ERJ3GEYJ 102 V (1 k)	T	13.4/51.8
R292	7030003440	S.RES ERJ3GEYJ 102 V (1 k)	T	4/53
R293	7030003440	S.RES ERJ3GEYJ 102 V (1 k)	T	13.4/54.4
R294	7030003440	S.RES ERJ3GEYJ 102 V (1 k)	T	4/55.6
R295	7030003440	S.RES ERJ3GEYJ 102 V (1 k)	T	4/58.2
R296	7030003440	S.RES ERJ3GEYJ 102 V (1 k)	T	13.4/58.3
R297	7030003440	S.RES ERJ3GEYJ 102 V (1 k)	T	4/60.8
R298	7030003440	S.RES ERJ3GEYJ 102 V (1 k)	T	13.4/59.6
R299	7030003440	S.RES ERJ3GEYJ 102 V (1 k)	T	4/50.4
R300	7030003440	S.RES ERJ3GEYJ 102 V (1 k)	T	4/63.4
R301	7030003440	S.RES ERJ3GEYJ 102 V (1 k)	T	13.4/62.2
R302	7030003560	S.RES ERJ3GEYJ 103 V (10 k)	T	13.4/60.9
R303	7030003560	S.RES ERJ3GEYJ 103 V (10 k)	T	4/62.1
R304	7030003560	S.RES ERJ3GEYJ 103 V (10 k)	T	13.4/57
R305	7030003560	S.RES ERJ3GEYJ 103 V (10 k)	T	4/59.5
R306	7030003560	S.RES ERJ3GEYJ 103 V (10 k)	T	4/56.9
R307	7030003560	S.RES ERJ3GEYJ 103 V (10 k)	T	13.4/55.7
R308	7030003560	S.RES ERJ3GEYJ 103 V (10 k)	T	4/54.3
R309	7030003560	S.RES ERJ3GEYJ 103 V (10 k)	T	13.4/53.1
R310	7030003440	S.RES ERJ3GEYJ 102 V (1 k)	T	24.2/32
R311	7030003440	S.RES ERJ3GEYJ 102 V (1 k)	T	22.9/32
R312	7030003440	S.RES ERJ3GEYJ 102 V (1 k)	T	104.9/9.4
R313	7030003440	S.RES ERJ3GEYJ 102 V (1 k)	T	104.9/10.7
R314	7030003440	S.RES ERJ3GEYJ 102 V (1 k)	T	104.1/12.2
R315	7030003440	S.RES ERJ3GEYJ 102 V (1 k)	T	104.9/6.8
R316	7030003440	S.RES ERJ3GEYJ 102 V (1 k)	T	116.1/13.7
R317	7030003440	S.RES ERJ3GEYJ 102 V (1 k)	T	116.7/8.3
R318	7030003440	S.RES ERJ3GEYJ 102 V (1 k)	T	116.1/11.7
R319	7030003440	S.RES ERJ3GEYJ 102 V (1 k)	T	116.6/9.6
R320	7030003440	S.RES ERJ3GEYJ 102 V (1 k)	T	135.2/23.4
R321	7030003440	S.RES ERJ3GEYJ 102 V (1 k)	T	127.7/20.8
R322	7030003440	S.RES ERJ3GEYJ 102 V (1 k)	T	126.4/20.8
R323	7030003560	S.RES ERJ3GEYJ 103 V (10 k)	T	114.9/18.7
R325	7030003380	S.RES ERJ3GEYJ 331 V (330)	T	106.9/63.6
R326	7030003360	S.RES ERJ3GEYJ 221 V (220)	T	109.8/54.4
R327	7030003580	S.RES ERJ3GEYJ 153 V (15 k)	T	105.4/55.1
R328	7030003660	S.RES ERJ3GEYJ 683 V (68 k)	T	105.1/61.2
R329	7030003560	S.RES ERJ3GEYJ 103 V (10 k)	T	38/33.3
R330	7030003480	S.RES ERJ3GEYJ 222 V (2.2 k)	T	128.8/54.1
R331	7030003640	S.RES ERJ3GEYJ 473 V (47 k)	T	18/84.5
R332	7030003640	S.RES ERJ3GEYJ 473 V (47 k)	T	9.1/84.8
R333	7030003640	S.RES ERJ3GEYJ 473 V (47 k)	T	18/83.2
R334	7030003640	S.RES ERJ3GEYJ 473 V (47 k)	T	9.1/83.5
R335	7030003670	S.RES ERJ3GEYJ 823 V (82 k)	T	21.4/84.5
R336	7030003670	S.RES ERJ3GEYJ 823 V (82 k)	T	8.4/86.9
R337	7030003670	S.RES ERJ3GEYJ 823 V (82 k)	T	20.7/83.2
R338	7030003670	S.RES ERJ3GEYJ 823 V (82 k)	T	8.1/81.1
R339	7070000261	RES ERG2SJ 220 (22)		
R340	7070000261	RES ERG2SJ 220 (22)		
R342	7030003640	S.RES ERJ3GEYJ 473 V (47 k)	T	35.4/38.4
R343	7030003640	S.RES ERJ3GEYJ 473 V (47 k)	T	105.1/57.7
R351	7030003440	S.RES ERJ3GEYJ 102 V (1 k)	T	123.2/70.3
R352	7030003440	S.RES ERJ3GEYJ 102 V (1 k)	T	101.2/80.6
R353	7030003440	S.RES ERJ3GEYJ 102 V (1 k)	T	102.3/75
R354	7030003440	S.RES ERJ3GEYJ 102 V (1 k)	T	100.2/78
R355	7030003440	S.RES ERJ3GEYJ 102 V (1 k)	T	101/75.2
R356	7030003440	S.RES ERJ3GEYJ 102 V (1 k)	T	128.4/78.7
R357	7030003440	S.RES ERJ3GEYJ 102 V (1 k)	T	126.7/72.1
R358	7030003440	S.RES ERJ3GEYJ 102 V (1 k)	T	114.8/75.7
R359	7030003440	S.RES ERJ3GEYJ 102 V (1 k)	T	116.1/75.4
R360	7030003440	S.RES ERJ3GEYJ 102 V (1 k)	T	130.1/77.2
R361	7030003440	S.RES ERJ3GEYJ 102 V (1 k)	T	129.4/74
R362	7030003440	S.RES ERJ3GEYJ 102 V (1 k)	T	116.4/79.3
R363	7030003440	S.RES ERJ3GEYJ 102 V (1 k)	T	117.4/75.5
R364	7030003640	S.RES ERJ3GEYJ 473 V (47 k)	T	61.2/29
R365	7030004730	S.RES ERJ3GEYF 222 V (2.2 k)	T	61.9/33
R366	7030003440	S.RES ERJ3GEYJ 102 V (1 k)	T	128.4/64.2
R369	7030003860	S.RES ERJ3GE JPW V	T	55.7/37.4

[DISPLAY BOARD]

REF NO.	ORDER NO.	DESCRIPTION	M.	H/V LOCATION
R501	7030003640	S.RES ERJ3GEYJ 473 V (47 k)	T	68.5/16.9
R502	7030003640	S.RES ERJ3GEYJ 473 V (47 k)	T	67.2/16.9
R503	7030003640	S.RES ERJ3GEYJ 473 V (47 k)	T	36.1/32.5
R504	7030003440	S.RES ERJ3GEYJ 102 V (1 k)	T	135.3/62.2
R505	7030003360	S.RES ERJ3GEYJ 221 V (220)	T	89.2/86.9
R601	7030003860	S.RES ERJ3GE JPW V	T	44.1/89.8
R602	7030003520	S.RES ERJ3GEYJ 472 V (4.7 k)	T	41.6/87.6
R603	7030003640	S.RES ERJ3GEYJ 473 V (47 k)	T	32.4/45.4
R604	7030003560	S.RES ERJ3GEYJ 103 V (10 k)	T	32.4/46.9
R651	7030003650	S.RES ERJ3GEYJ 563 V (56 k)	T	114.8/95
R652	7030003620	S.RES ERJ3GEYJ 333 V (33 k)	T	118.6/95
R653	7030003520	S.RES ERJ3GEYJ 472 V (4.7 k)	T	44.1/86.1
C8	4030011600	S.CER C1608 JB 1E 104K-T	T	134.5/74.9
C201	4310001170	MLR ECQE1A 124JBB		
C202	4030016880	S.CER C4520 CH 3F 150KT-A	T	125.1/37.2
C203	4030007020	S.CER C1608 CH 1H 120J-T	T	50.5/39.9
C204	4030007020	S.CER C1608 CH 1H 120J-T	T	47.9/40
C205	4030011600	S.CER C1608 JB 1E 104K-T	T	27.7/64.4
C206	4030011600	S.CER C1608 JB 1E 104K-T	T	109/80.8
C207	4030011600	S.CER C1608 JB 1E 104K-T	T	73.2/22.2
C208	4030011600	S.CER C1608 JB 1E 104K-T	T	109.5/6.1
C209	4030011600	S.CER C1608 JB 1E 104K-T	T	124.1/79.9
C210	4030011600	S.CER C1608 JB 1E 104K-T	T	67.8/56.3
C211	4030011600	S.CER C1608 JB 1E 104K-T	T	107.7/61.2
C212	4510008800	S.ELE EEE1EA100SR	T	68.8/61.3
C213	4510009150	S.ELE EEE1EA470WP	T	77.8/52
C214	4510008800	S.ELE EEE1EA100SR	T	72.2/67.1
C215	4030011600	S.CER C1608 JB 1E 104K-T	T	120.9/85.8
C216	4030011600	S.CER C1608 JB 1E 104K-T	T	58.7/5.2
C217	4030011600	S.CER C1608 JB 1E 104K-T	T	108.3/83.3
C218	4510009150	S.ELE EEE1EA470WP	T	99.6/84.8
C219	4030006860	S.CER C1608 JB 1H 102K-T	T	109.8/83.3
C220	4030011600	S.CER C1608 JB 1E 104K-T	T	126.2/88.8
C221	4030011600	S.CER C1608 JB 1E 104K-T	T	103.2/55.1
C222	4030011600	S.CER C1608 JB 1E 104K-T	T	127.7/15.4
C223	4030011600	S.CER C1608 JB 1E 104K-T	T	134.7/27.7
C224	4030011600	S.CER C1608 JB 1E 104K-T	T	48.1/38.2
C225	4030011600	S.CER C1608 JB 1E 104K-T	T	119.8/61.5
C226	4030011600	S.CER C1608 JB 1E 104K-T	T	17.2/87.2
C227	4030011600	S.CER C1608 JB 1E 104K-T	T	120.9/82.9
C228	4510008800	S.ELE EEE1EA100SR	T	125.5/83.6
C229	4030011600	S.CER C1608 JB 1E 104K-T	T	7.3/65.1
C230	4030006880	S.CER C1608 JB 1H 472K-T	T	58.6/29
C231	4030011600	S.CER C1608 JB 1E 104K-T	T	47.6/17.4
C232	4030011600	S.CER C1608 JB 1E 104K-T	T	58/31.2
C241	4030011600	S.CER C1608 JB 1E 104K-T	T	118.9/80.3
C242	4030011600	S.CER C1608 JB 1E 104K-T	T	116.4/81.2
C243	4030011600	S.CER C1608 JB 1E 104K-T	T	120.2/80.3
C244	4030011600	S.CER C1608 JB 1E 104K-T	T	121.1/77.3
C245	4030011600	S.CER C1608 JB 1E 104K-T	T	128.4/80
C246	4030011600	S.CER C1608 JB 1E 104K-T	T	131.3/74.6
C247	4030011600	S.CER C1608 JB 1E 104K-T	T	130.1/75.9
C248	4030011600	S.CER C1608 JB 1E 104K-T	T	124.8/73
C249	4030011600	S.CER C1608 JB 1E 104K-T	T	112.1/6.1
C250	4030011600	S.CER C1608 JB 1E 104K-T	T	113.5/14.3
C251	4030011600	S.CER C1608 JB 1E 104K-T	T	112.1/7.4
C252	4030011600	S.CER C1608 JB 1E 104K-T	T	115.9/6.9
C253	4030011600	S.CER C1608 JB 1E 104K-T	T	104.1/13.5
C254	4030011600	S.CER C1608 JB 1E 104K-T	T	109.5/7.4
C255	4030011600	S.CER C1608 JB 1E 104K-T	T	104.9/8.1
C256	4030011600	S.CER C1608 JB 1E 104K-T	T	104.9/5.5
C257	4030011600	S.CER C1608 JB 1E 104K-T	T	72.8/13.4
C258	4030011600	S.CER C1608 JB 1E 104K-T	T	72.7/16.2
C259	4030011600	S.CER C1608 JB 1E 104K-T	T	80.2/19
C260	4030011600	S.CER C1608 JB 1E 104K-T	T	72.4/19.4
C261	4030011600	S.CER C1608 JB 1E 104K-T	T	76.4/28.1
C262	4030011600	S.CER C1608 JB 1E 104K-T	T	75.1/28.1
C263	4030011600	S.CER C1608 JB 1E 104K-T	T	73.3/27.3
C264	4030011600	S.CER C1608 JB 1E 104K-T	T	72.5/25.5
C265	4030011600	S.CER C1608 JB 1E 104K-T	T	20.9/52.3
C266	4030011600	S.CER C1608 JB 1E 104K-T	T	28.4/62.5
C267	4030011600	S.CER C1608 JB 1E 104K-T	T	21.6/55.8
C268	4030011600	S.CER C1608 JB 1E 104K-T	T	21.6/57.1
C601	4510008800	S.ELE EEE1EA100SR	T	29.4/86.2
C602	4030011600	S.CER C1608 JB 1E 104K-T	T	39.2/41.8
C651	4030008890	S.CER C1608 JB 1H 273K-T	T	47.9/93.5
C652	40			

[RXPLL-A UNIT]

REF NO.	ORDER NO.	DESCRIPTION	M.	H/V LOCATION
IC1	1130011530	S.IC CD74HC4094M96	T	11.9/24.1
IC2	1130009691	S.IC TC74HCT7007AF (F)	T	22.8/23.3
IC51	1180001251	S.IC TA7808F (TE16L,Q)	T	77/16.7
IC61	1180000421	S.IC TA78L05F (TE12R,F)	B	56.5/16
IC101	1140007881	S.IC TC190G08EFG0046JDZ/SC1246A	T	31.3/89.7
IC102	1130003831	S.IC TC7S04F (TE85R,F)	T	33.1/74.7
IC104	1130003831	S.IC TC7S04F (TE85R,F)	T	31.7/101.1
IC201	1130009230	S.IC LMX2306TMX/NOPB	T	27.9/38.8
IC501	1140007881	S.IC TC190G08EFG0046JDZ/SC1246A	T	31.3/142.5
IC502	1130003831	S.IC TC7S04F (TE85R,F)	T	24.8/127.4
IC503	1130003831	S.IC TC7S04F (TE85R,F)	T	31.7/154.1
IC651	1140004550	S.IC M65343FP/SC1287	T	22.6/169.2
IC652	1130003831	S.IC TC7S04F (TE85R,F)	T	13.7/163.1
IC1051	1190002010	S.IC SD5400CY <TOMO>	T	176.9/99.9
IC1081	1110006180	S.IC UPG2009TB-E3	B	151.6/85.1
IC1402	1190002110	S.IC NJG1519KC1-TE3	T	117.3/69.5
IC1403	1190002110	S.IC NJG1519KC1-TE3	T	113.4/106.3
IC1501	1110006121	S.IC DBM9A41-G-TR	T	121.2/124.5
IC1502	1110006121	S.IC DBM9A41-G-TR	T	121.2/133
IC1503	1110006100	S.IC NJM5534MD-TE1	T	138.4/151.7
IC1504	1110006100	S.IC NJM5534MD-TE1	T	119.2/151.7
IC1505	1110006190	S.IC NJM074M-TE1	T	128.8/166.9
IC1506	1110006100	S.IC NJM5534MD-TE1	T	128.8/175.6
IC1651	1130011921	S.IC TC74LXC00F (EL,F)	T	110/126.2
IC1652	1110005420	S.IC BA15532F-E2	T	139.8/175.6
IC1653	1110005100	S.IC NJM072BM-TE1	B	140/172
IC1701	1130011530	S.IC CD74HC4094M96	T	158/166.7
IC1702	1130011530	S.IC CD74HC4094M96	T	148.9/166.7
IC1703	1160000131	S.IC TD62783AFG (S,EL)	T	157.3/154.8
IC1704	1180000790	S.IC AN78L10M (E1)	B	183.2/159.8
Q1	1590001050	S.STR DTC114TUA T106	B	30.3/22.6
Q30	1530002060	S.STR 2SC4081 T106 R	T	22.3/110.9
Q41	1590000680	S.STR DTC114EUA T106	T	12.8/34.2
Q150	1560000331	S.FET 2SK210-GR (TE85R,F)	T	26.9/53
Q151	1530002280	S.STR 2SC4081 T106 S	B	33.6/57.2
Q152	1530002280	S.STR 2SC4081 T106 S	B	30.8/78.2
Q201	1590001330	S.STR DTA114EUA T106	T	29.6/34.1
Q220	1560000331	S.FET 2SK210-GR (TE85R,F)	T	72.5/33.9
Q230	1560000331	S.FET 2SK210-GR (TE85R,F)	T	72.5/46.4
Q240	1560000331	S.FET 2SK210-GR (TE85R,F)	T	72.5/58.9
Q250	1560000331	S.FET 2SK210-GR (TE85R,F)	T	72.5/71.4
Q260	1560000331	S.FET 2SK210-GR (TE85R,F)	T	72.5/83.9
Q270	1560000331	S.FET 2SK210-GR (TE85R,F)	T	72.5/95.8
Q280	1590000680	S.STR DTC114EUA T106	T	82.3/34.4
Q281	1590000680	S.STR DTC114EUA T106	T	82.3/46.9
Q282	1590000680	S.STR DTC114EUA T106	T	82.3/59.4
Q283	1590000680	S.STR DTC114EUA T106	T	82.3/71.9
Q284	1590000680	S.STR DTC114EUA T106	T	82.3/84.4
Q285	1590000680	S.STR DTC114EUA T106	T	82.3/96.4
Q301	1530003432	S.STR 2SC5226A-4-TL-E	T	92.1/30.1
Q302	1530003432	S.STR 2SC5226A-4-TL-E	B	89.1/42.5
Q303	1530003432	S.STR 2SC5226A-4-TL-E	B	91.3/25.1
Q341	1590000680	S.STR DTC114EUA T106	T	86.3/36.7
Q351	1580000751	S.FET 3SK294 (TE85L,F)	T	92.1/56.9
Q352	1530003432	S.STR 2SC5226A-4-TL-E	B	89.2/64.5
Q363	1590000680	S.STR DTC114EUA T106	T	86.8/54.3
Q364	1590001330	S.STR DTA114EUA T106	T	86.8/57.4
Q441	1590000680	S.STR DTC114EUA T106	T	86.5/73.7
Q502	1590000680	S.STR DTC114EUA T106	T	41.9/128.8
Q540	1530002060	S.STR 2SC4081 T106 R	B	58.7/141.2
Q541	1560000331	S.FET 2SK210-GR (TE85R,F)	T	68.9/142.8
Q561	1530003432	S.STR 2SC5226A-4-TL-E	T	70.6/153.8
Q580	1530003432	S.STR 2SC5226A-4-TL-E	T	41.7/147.4
Q591	1530003151	S.STR 2SC4673D-TD-E	T	61.7/166.5
Q592	1520000561	S.STR 2SB1123 T-TD-E	B	52/165.3
Q593	1590000680	S.STR DTC114EUA T106	B	54.8/171.2
Q680	1530002060	S.STR 2SC4081 T106 R	T	37.5/163.2
Q702	1530002601	S.STR 2SC4215-O (TE85R,F)	T	31.4/110.9
Q1001	1530003851	S.STR 2SC5551F-TD-E	B	174/9
Q1004	1590001960	S.STR XP4311 (TX)	T	150/18.8
Q1005	1590001960	S.STR XP4311 (TX)	T	145.9/18.8
Q1006	1530003851	S.STR 2SC5551F-TD-E	B	150/37.6
Q1007	1530003851	S.STR 2SC5551F-TD-E	B	176.5/42.5
Q1008	1530003851	S.STR 2SC5551F-TD-E	B	160.5/42.5
Q1101	1530003860	TR 2SC3950D		
Q1102	1590000680	S.STR DTC114EUA T106	T	165.5/133.8
Q1103	1520000561	S.STR 2SB1123 T-TD-E	B	168.6/127.8
Q1104	1530003860	TR 2SC3950D		
Q1105	1530003842	S.STR 2SC5501A-4-TR-E	T	166.5/142.1
Q1205	1590001960	S.STR XP4311 (TX)	T	158.8/55.6
Q1209	1530003851	S.STR 2SC5551F-TD-E	B	121/34.9
Q1210	1530003851	S.STR 2SC5551F-TD-E	B	111.5/34.9
Q1211	1560001311	S.FET MMBFU310LT1G	T	159.5/96.4
Q1212	1560001311	S.FET MMBFU310LT1G	T	153.5/96.4
Q1213	1590000680	S.STR DTC114EUA T106	B	156.9/123.7
Q1214	1520000561	S.STR 2SB1123 T-TD-E	B	155.4/113.5
Q1301	1530003151	S.STR 2SC4673D-TD-E	T	157.8/120
Q1352	1530003851	S.STR 2SC5551F-TD-E	B	140/66.7
Q1401	1530003842	S.STR 2SC5501A-4-TR-E	T	131.9/105.8
Q1402	1530003021	S.STR 2SC4402-3-TL-E	T	123.4/111.8
Q1403	1530003021	S.STR 2SC4402-3-TL-E	T	123.4/114.3
Q1501	1530003450	S.STR 2SC4835-R (TX)	T	133.5/143.5
Q1502	1530003450	S.STR 2SC4835-R (TX)	T	120.4/143.5
Q1651	1530002601	S.STR 2SC4215-O (TE85R,F)	B	105.6/140.3
Q1701	1590001960	S.STR XP4311 (TX)	T	106.6/43.9
Q1702	1590001960	S.STR XP4311 (TX)	T	148.9/147.2
Q1703	1590001960	S.STR XP4311 (TX)	T	146.4/147.2
D101	1750000520	S.DIO DAN222TL	T	41.8/86.2
D152	1720000590	S.VCP MA357 (TX)	T	17.6/59.9
D153	1790000491	S.DIO HSM88ASTR-E	T	27.2/60.4

[RXPLL-A UNIT]

REF NO.	ORDER NO.	DESCRIPTION	M.	H/V LOCATION
D154	1790000491	S.DIO HSM88ASTR-E	T	27.2/63.8
D201	1750000520	S.DIO DAN222TL	T	32.4/34.1
D220	1720000590	S.VCP MA357 (TX)	T	50.8/31.8
D221	1720000590	S.VCP MA357 (TX)	T	52.9/31.8
D222	1790000620	S.DIO MA77 (TX)	T	82.6/29.8
D230	1720000590	S.VCP MA357 (TX)	T	50.8/44.2
D231	1720000590	S.VCP MA357 (TX)	T	52.9/44.2
D232	1790000620	S.DIO MA77 (TX)	T	82.6/42.3
D240	1720000590	S.VCP MA357 (TX)	T	50.8/56.7
D241	1720000590	S.VCP MA357 (TX)	T	52.9/56.7
D242	1790000620	S.DIO MA77 (TX)	T	82.6/54.8
D250	1720000590	S.VCP MA357 (TX)	T	50.8/69.2
D252	1790000620	S.DIO MA77 (TX)	T	82.6/67.3
D261	1720000590	S.VCP MA357 (TX)	T	52.9/81.7
D262	1790000620	S.DIO MA77 (TX)	T	82.6/79.8
D270	1720000590	S.VCP MA357 (TX)	T	50.8/94.2
D271	1720000590	S.VCP MA357 (TX)	T	52.4/96.7
D272	1790000620	S.DIO MA77 (TX)	T	82.5/92
D341	1790000620	S.DIO MA77 (TX)	T	90/37.2
D342	1160000070	S.DIO DAN202K T146	B	81.1/47.7
D362	1790000620	S.DIO MA77 (TX)	T	88.3/65.5
D363	1790000620	S.DIO MA77 (TX)	T	88.3/62
D421	1790000620	S.DIO MA77 (TX)	T	91.9/85
D441	1790000620	S.DIO MA77 (TX)	T	89.6/74.4
D501	1750000520	S.DIO DAN222TL	T	42/132
D542	1720000590	S.VCP MA357 (TX)	T	62.5/139.6
D1101	1790000620	S.DIO MA77 (TX)	T	177.6/146.6
D1102	1790000620	S.DIO MA77 (TX)	T	177.6/148.4
D1351	1750000581	S.DIO 1SV307 (TPH3,F)	T	140.8/71.1
D1653	1750000550	S.DIO 1S355 TE-17	T	138.9/167.2
D1654	1750000550	S.DIO 1S355 TE-17	T	142.5/167.2
D1701	1790001670	S.DIO RB706F-40T106	T	170.5/160.8
L1	6200003261	S.COL NLV32T-101J	T	10.8/15.4
L2	6200003261	S.COL NLV32T-101J	T	29/19.9
L10	6200003950	S.COL HF50ACC 322513-T	T	38.6/14.7
L11	6200003950	S.COL HF50ACC 322513-T	T	13.8/15.4
L12	6200003950	S.COL HF50ACC 322513-T	T	16.8/15.4
L13	6200003950	S.COL HF50ACC 322513-T	T	29/15.4
L20	6200003321	S.COL NLV32T-3R3J	T	85.9/123.8
L30	6200005491	S.COL NLV32T-331J	T	20.6/120
L101	6200001831	S.COL NLV32T-100J	T	38.3/72.8
L151	6130002970	COL LB-343		
L152	6200001831	S.COL NLV32T-100J	T	30/54.5
L201	6200005011	S.COL NLV25T-100J	T	22.2/45
L211	6200003661	S.COL NLV25T-R68J	B	45.4/35.3
L220	62000010790	S.COL C2520C-3R9G-A	T	51.9/37.5
L221	6190001421	COL #E526GN-110502		
L222	62000010790	S.COL C2520C-3R9G-A	T	76.2/37.7
L230	62000010830	S.COL C2520C-3R3G-A	T	51.9/50
L231	6190001421	COL #E526GN-110502		
L232	62000010830	S.COL C2520C-3R3G-A	T	76.2/50.2
L240	62000010830	S.COL C2520C-3R3G-A	T	51.9/62.4
L241	6190001421	COL #E526GN-110502		
L242	62000010830	S.COL C2520C-3R3G-A	T	76.2/62.7
L250	62000010820	S.COL C2520C-2R7G-A	T	51.9/74.9
L251	6190001421	COL #E526GN-110502		
L252	62000010820	S.COL C2520C-2R7G-A	T	76.2/75.2
L260	62000010820	S.COL C2520C-2R7G-A	T	51.9/87.4
L261	6190001411	COL #E526GN-110501		
L262	62000010820	S.COL C2520C-2R7G-A	T	76.2/87.7
L270	62000010810	S.COL C2520C-2R2G-A	T	51.9/99.8
L271	6190001411	COL #E526GN-110501		
L272	62000010810	S.COL C2520C-2R2G-A	T	76/100.2
L280	6200005011	S.COL NLV25T-100J	T	67.4/25.5
L302	6200001831	S.COL NLV32T-100J	T	89.3/42.6
L331	6200002641	S.COL NLV25T-R15J	T	95.1/34.1
L332	6200002411	S.COL NLV25T-056J	B	93.2/36
L341	6200003261	S.COL NLV32T-101J	T	87/39.6
L351	6200001831	S.COL NLV32T-100J	T	91.3/62
L421	6200008641	S.COL NLV32T-391J	T	87/81
L441	6200002601	S.COL NLV25T-047J	T	91.9/72.3
L442	62000010730	S.COL C2520C-68NG-A	T	90.5/78.2
L451	6200002641	S.COL NLV25T-R15J	T	95/81
L452	6200003261	S.COL NLV32T-101J	T	87/78
L501	6200001831	S.COL NLV32T-100J	T	31/125.8
L530	6200003171	S.COL NLV32T-330J	T	14.6/134.9
L531	6200003171	S.COL NLV32T-330J	T	14.6/130.8
L532	6200003171	S.COL NLV32T-330J	T	15.5/127.1
L541	62000010790	S.COL C2520C-3R9G-A	T	56.3/139.6
L542	6190001421	COL #E526GN-110502		
L543	62000010790	S.COL C2520C-3R9G-A	T	68.4/147.9
L544	6200003261	S.COL NLV32T-101J	B	65.9/142.1
L545	6200003261	S.COL NLV32T-101J	B	51.3/139.6
L561	6200003261	S.COL NLV32T-101J	B	64/156
L562	6200001831	S.COL NLV32T-100J	B	74.6/151.8
L565	6150004250	COL LS-471A (C-14922)		
L566	6150004250	COL LS-471A (C-14922)		
L591	6200007790	S.COL LQW2BHN15J03L	T	60.5/171.5
L651	6200001831			



[RXPLL-A UNIT]

REF NO.	ORDER NO.	DESCRIPTION	M.	H/V LOCATION
L1009	6190001650	COL ELC06D102E		
L1010	6140003880	COL LR-486		
L1011	6140003880	COL LR-486		
L1012	6140003800	COL LR-439		
L1013	6200010680	S.COL C2520C-R22G-A (0.22U)	T	155/55.2
L1014	6200010680	S.COL C2520C-R22G-A (0.22U)	T	157.9/12.4
L1015	6200007790	S.COL LQW2BHN15J03L	B	163.5/27.5
L1052	6200010740	S.COL C2520C-R27G-A	T	177.8/74.6
L1053	6200010740	S.COL C2520C-R27G-A	T	173.8/73.5
L1054	6200010740	S.COL C2520C-R27G-A	T	169.4/72.6
L1055	6140003960	COL LR-495		
L1056	6200010730	S.COL C2520C-68NG-A	T	171/83.8
L1058	6190001631	COL #E544EN-100021		
L1060	6200010730	S.COL C2520C-68NG-A	T	149.1/76.4
L1062	6200011450	S.COL C2520C-R39G-A	T	145.1/81.4
L1063	6200010650	S.COL C2520C-R12G-A (0.12U)	T	140.9/82.5
L1071	6200007780	S.COL LQW2BHN12J03L	B	164.9/79.2
L1072	6200007780	S.COL LQW2BHN12J03L	B	168/76.1
L1091	6200003950	S.COL HF50ACC 322513-T	B	171/149
L1092	6200003950	S.COL HF50ACC 322513-T	T	149.7/136.5
L1093	6200003950	S.COL HF50ACC 322513-T	T	157/135.2
L1101	6140003920	COL LR-491		
L1102	6200010650	S.COL C2520C-R12G-A (0.12U)	T	176.9/117.9
L1103	6180001250	COL LAL 04NA 3R3K		
L1104	6200010870	S.COL C2520C-R33G-A (0.33U)	T	178.3/135.9
L1105	6140003910	COL LR-490		
L1151	6140004640	COL LR-519		
L1201	6200007780	S.COL LQW2BHN12J03L	B	119.3/17.4
L1208	6140003800	COL LR-439		
L1209	6200001831	S.COL NLV32T-100J	T	121.1/20.8
L1210	6140004440	COL LR-503		
L1211	6200009690	S.COL LQH43CN101K03L	T	115.7/34.6
L1212	6200001831	S.COL NLV32T-100J	T	106.8/20.8
L1213	6140004440	COL LR-503		
L1214	6200009690	S.COL LQH43CN101K03L	T	105.9/34.8
L1216	6140003800	COL LR-439		
L1217	6200007750	S.COL LQW2BHN56NJ03L	T	147.9/63.7
L1218	6200007770	S.COL LQW2BHN10J03L	T	153.3/65.1
L1219	6200007790	S.COL LQW2BHN15J03L	T	153.2/68.4
L1220	6140000930	COL LR-116		
L1221	6200003261	S.COL NLV32T-101J	B	149.5/110.9
L1222	6150001770	COL LS-198		
L1223	6200007750	S.COL LQW2BHN56NJ03L	B	151.3/100.7
L1228	6200010870	S.COL C2520C-R33G-A (0.33U)	T	158.7/71.3
L1229	6200003950	S.COL HF50ACC 322513-T	B	164.7/11.5
L1301	6200008090	S.COL LQW2BHN68NJ03L	T	157.1/111.9
L1302	6200008090	S.COL LQW2BHN68NJ03L	T	156.4/115.5
L1303	6200008090	S.COL LQW2BHN68NJ03L	T	153.4/117.5
L1304	6200010870	S.COL C2520C-R33G-A (0.33U)	T	153.8/123
L1305	6200003001	S.COL NLV32T-R22J	T	159.2/124.5
L1306	6200001831	S.COL NLV32T-100J	B	152.7/118.6
L1307	6200003001	S.COL NLV32T-R22J	T	153.3/112
L1351	6200001831	S.COL NLV32T-100J	T	143/76.4
L1353	6200010740	S.COL C2520C-R27G-A	T	141.6/67.5
L1354	6200001831	S.COL NLV32T-100J	T	136.4/68
L1401	6150004280	COL LS-484B (C-14927)		
L1402	6150004280	COL LS-484B (C-14927)		
L1403	6150004280	COL LS-484B (C-14927)		
L1404	6150004280	COL LS-484B (C-14927)		
L1405	6200007770	S.COL LQW2BHN10J03L	B	112.5/111.4
L1406	6200007750	S.COL LQW2BHN56NJ03L	B	116.6/111.4
L1407	6140003930	COL LR-492		
L1408	6190001621	COL #E544EN-100028		
L1409	6200003191	S.COL NLV32T-470J	B	135.8/125.4
L1410	6150004280	COL LS-484B (C-14927)		
L1411	6150004280	COL LS-484B (C-14927)		
L1501	6200003520	S.COL ELJFB 102K-F	T	142.1/145.1
L1652	6200002520	S.COL ELJNC R18K-F	T	112.9/133.1
L1653	6200001831	S.COL NLV32T-100J	B	105.4/124.6
L1654	6200001831	S.COL NLV32T-100J	B	112.4/141.9
L1655	6200001831	S.COL NLV32T-100J	B	124.7/139.8
L1701	6200001831	S.COL NLV32T-100J	T	167/160
L1702	6200003950	S.COL HF50ACC 322513-T	T	175.6/169.8
L1703	6200003950	S.COL HF50ACC 322513-T	T	172.6/169.8
L1704	6200003950	S.COL HF50ACC 322513-T	T	169.6/169.8
L1705	6200003950	S.COL HF50ACC 322513-T	T	165.5/169.8
L1803	6200003950	S.COL HF50ACC 322513-T	B	132/54.8
L1804	6200003950	S.COL HF50ACC 322513-T	B	118/154.8
L1805	6200003950	S.COL HF50ACC 322513-T	B	155.2/132
L1807	6200003950	S.COL HF50ACC 322513-T	B	118/151.3
L1808	6200003950	S.COL HF50ACC 322513-T	B	141.3/162
L1809	6200003950	S.COL HF50ACC 322513-T	B	149.5/115.6
R1	7030005871	S.RES ERA3YKD 104V (100 k)	T	32.5/19.2
R2	7030005321	S.RES ERA3YED 103V (10 k)	T	31.2/19.2
R3	7030003550	S.RES ERJ3GEYJ 822 V (8.2 k)	T	16.9/23.5
R4	7030003550	S.RES ERJ3GEYJ 822 V (8.2 k)	T	16.9/24.8
R5	7030003550	S.RES ERJ3GEYJ 822 V (8.2 k)	T	13.3/31.3
R6	7030003550	S.RES ERJ3GEYJ 822 V (8.2 k)	T	13.3/30
R7	7030003500	S.RES ERJ3GEYJ 332 V (3.3 k)	B	26.7/12.9
R8	7030003470	S.RES ERJ3GEYJ 182 V (1.8 k)	B	28.2/14.6
R9	7030003680	S.RES ERJ3GEYJ 104 V (100 k)	T	27.5/10.6
R10	7030003360	S.RES ERJ3GEYJ 221 V (220)	T	19/16
R11	7030003360	S.RES ERJ3GEYJ 221 V (220)	T	20.3/16
R12	7030003360	S.RES ERJ3GEYJ 221 V (220)	T	22.4/16
R13	7030003360	S.RES ERJ3GEYJ 221 V (220)	T	23.7/16
R14	7030003360	S.RES ERJ3GEYJ 221 V (220)	T	25/16
R15	7030003360	S.RES ERJ3GEYJ 221 V (220)	T	26.4/16.2
R16	7030003360	S.RES ERJ3GEYJ 221 V (220)	T	32.5/15.4
R17	7030003360	S.RES ERJ3GEYJ 221 V (220)	T	33.8/15.4
R30	7030003240	S.RES ERJ3GEYJ 220 V (22)	T	21.7/113.7
R31	7030003600	S.RES ERJ3GEYJ 223 V (22 k)	T	20.4/111.1
R32	7030003320	S.RES ERJ3GEYJ 101 V (100)	T	23/113.7

[RXPLL-A UNIT]

REF NO.	ORDER NO.	DESCRIPTION	M.	H/V LOCATION
R33	7030003340	S.RES ERJ3GEYJ 151 V (150)	T	19.1/115
R51	7030011030	S.RES ERJ1TYJ 270U (27)	T	66.3/13.9
R61	7030011030	S.RES ERJ1TYJ 270U (27)	T	45.1/13.9
R101	7030003740	S.RES 330K ERJ3GE	T	34.1/101.5
R103	7030007230	S.RES ERA3YED 102V (1 k)	T	25.1/100.3
R104	7030007230	S.RES ERA3YED 102V (1 k)	T	26.4/100.3
R105	7030007230	S.RES ERA3YED 102V (1 k)	T	27.8/100.3
R106	7030003360	S.RES ERJ3GEYJ 221 V (220)	T	29.1/100.3
R107	7030003320	S.RES ERJ3GEYJ 101 V (100)	T	38/101.5
R108	7030007230	S.RES ERA3YED 102V (1 k)	T	28.9/79
R109	7030007230	S.RES ERA3YED 102V (1 k)	T	41.9/84.5
R110	7030007220	S.RES ERA3YED 202V (2 k)	T	14.6/100.5
R111	7030007220	S.RES ERA3YED 202V (2 k)	T	17.2/100.5
R112	7030007220	S.RES ERA3YED 202V (2 k)	T	17.2/99.2
R113	7030007220	S.RES ERA3YED 202V (2 k)	T	17.2/97.9
R114	7030007220	S.RES ERA3YED 202V (2 k)	T	17.2/96.6
R115	7030007220	S.RES ERA3YED 202V (2 k)	T	17.2/95.2
R116	7030007220	S.RES ERA3YED 202V (2 k)	T	17.2/93.9
R117	7030007220	S.RES ERA3YED 202V (2 k)	T	17.2/92.6
R118	7030007200	S.RES ERA3YEB 202V (2 k)	T	17.2/91.3
R119	7030007200	S.RES ERA3YEB 202V (2 k)	T	17.2/89.6
R120	7030007200	S.RES ERA3YEB 202V (2 k)	T	17.2/87
R121	7030007200	S.RES ERA3YEB 202V (2 k)	T	17.2/84.4
R122	7030007200	S.RES ERA3YEB 202V (2 k)	T	17.2/81.8
R123	7030007230	S.RES ERA3YED 102V (1 k)	T	14.6/99.2
R124	7030007230	S.RES ERA3YED 102V (1 k)	T	14.6/97.9
R125	7030007230	S.RES ERA3YED 102V (1 k)	T	14.6/96.6
R126	7030007230	S.RES ERA3YED 102V (1 k)	T	14.6/95.2
R127	7030007230	S.RES ERA3YED 102V (1 k)	T	14.6/93.9
R128	7030007230	S.RES ERA3YED 102V (1 k)	T	14.6/92.6
R129	7030007210	S.RES ERA3YEB 102V (1 k)	T	14.6/91.3
R130	7030007210	S.RES ERA3YEB 102V (1 k)	T	14.6/89.6
R131	7030007210	S.RES ERA3YEB 102V (1 k)	T	14.6/88.3
R132	7030007210	S.RES ERA3YEB 102V (1 k)	T	14.6/87
R133	7030007210	S.RES ERA3YEB 102V (1 k)	T	14.6/85.7
R134	7030009861	S.RES ERA3YED 471V (470)	T	14.6/84.4
R135	7030003860	S.RES ERJ3GE JPW V	T	30.4/75.2
R136	7030003800	S.RES ERJ3GEYJ 105 V (1 M)	T	33/77.1
R137	7030003200	S.RES ERJ3GEYJ 100 V (10)	T	35.5/70.8
R138	7030003860	S.RES ERJ3GE JPW V	T	16.8/78.6
R139	7030003860	S.RES ERJ3GE JPW V	T	17.6/75.8
R150	7030003330	S.RES ERJ3GEYJ 121 V (120)	B	37.8/86.2
R151	7030003220	S.RES ERJ3GEYJ 150 V (15)	B	38.6/88.1
R152	7030005871	S.RES ERA3YKD 104V (100 k)	B	36.2/82.5
R153	7030005321	S.RES ERA3YED 103V (10 k)	T	19.2/62.7
R154	7030003320	S.RES ERJ3GEYJ 101 V (100)	B	26.3/54.1
R155	7030003350	S.RES ERJ3GEYJ 181 V (180)	B	23/54.1
R156	7030005871	S.RES ERA3YKD 104V (100 k)	T	24.6/53.1
R157	7030005871	S.RES ERA3YKD 104V (100 k)	T	26.9/58
R158	7030003340	S.RES ERJ3GEYJ 151 V (150)	T	30/57.3
R159	7030003320	S.RES ERJ3GEYJ 101 V (100)	B	33.6/61.4
R160	7030003360	S.RES ERJ3GEYJ 221 V (220)	B	33.6/59.6
R161	7030003640	S.RES ERJ3GEYJ 473 V (47 k)	B	33.6/54.8
R163	7030003220	S.RES ERJ3GEYJ 150 V (15)	B	30.2/56.6
R164	7030003310	S.RES ERJ3GEYJ 820 V (82)	B	34.1/70.4
R165	7030003320	S.RES ERJ3GEYJ 101 V (100)	B	30.8/70.4
R166	7030003320	S.RES ERJ3GEYJ 101 V (100)	B	30.8/72.2
R167	7030003240	S.RES ERJ3GEYJ 220 V (22)	B	37.4/75.8
R168	7030003360	S.RES ERJ3GEYJ 221 V (220)	B	34.1/75.8
R169	7030003640	S.RES ERJ3GEYJ 473 V (47 k)	B	30.8/75.8
R202	7030007230	S.RES ERA3YED 102V (1 k)	T	22.2/39.7
R203	7030007230	S.RES ERA3YED 102V (1 k)	T	22.2/38.4
R204	7030003360	S.RES ERJ3GEYJ 221 V (220)	T	22.2/37.1
R205	7030005321	S.RES ERA3YED 103V (10 k)	T	27.4/34
R206	7030003220	S.RES ERJ3GEYJ 150 V (15)	T	31.1/45.7
R210	7030005351	S.RES ERA3YED 182V (1.8 k)	T	35.6/37.5
R217	7030009651	S.RES ERA3YHD 820V (82)	B	40.4/42.8
R219	7030009691	S.RES ERA3YED 101V (100)	B	40/35.7
R220	7030005871	S.RES ERA3YKD 104V (100 k)	T	73.2/37.6
R221	7030005871	S.RES ERA3YKD 104V (100 k)	T	72.3/30.9
R222	7030003400	S.RES ERJ3GEYJ 471 V (470)	T	81.4/38.3
R223	7030007230	S.RES ERA3YED 102V (1 k)	T	81.9/31.9
R224	7030003320	S.RES ERJ3GEYJ 101 V (100)	T	73.2/40.2
R230	7030005871	S.RES ERA3YKD 104V (100 k)	T	73.2/50.1
R231	7030005871	S.RES ERA3YKD 104V (100 k)	T	72.3/43.3
R232	7030003360	S.RES ERJ3GEYJ 221 V (220)	T	81.4/50.8
R233	7030007230	S.RES ERA3YED 102V (1 k)	T	81.9/44.4
R234	7030003320	S.RES ERJ3GEYJ 101 V (100)	T	73.2/52.7
R240	7030005871	S.RES ERA3YKD 104V (100 k)	T	73.2/62.6
R241	7030005871	S.RES ERA3YKD 104V (100 k)	T	72.3/55.8
R242	7030003360	S.RES ERJ3GEYJ 221 V (220)	T	81.4/63.3
R243	7030007230	S.RES ERA3YED 102V (1 k)	T	81.9/56.9
R244	7030003320	S.RES ERJ3GEYJ 101 V (100)	T	73.2/65.2
R250	7030005871	S.RES ERA3YKD 104V (100 k)	T	73.2/75.1
R251	7030005871	S.RES ERA3YKD 104V (100 k)	T	72.3/68.4
R252	7030003360	S.RES ERJ3GEYJ 221 V (220)		

[RXPLL-A UNIT]

REF NO.	ORDER NO.	DESCRIPTION	M.	H/V LOCATION
R307	7030009841	S.RES ERA3YHD 330V (33)	T	92.1/32.2
R308	7030009851	S.RES ERA3YED 271V (270)	B	92.6/43.4
R309	7030003540	S.RES ERJ3GEYJ 682 V (6.8 k)	B	89.1/47
R310	7030003500	S.RES ERJ3GEYJ 332 V (3.3 k)	B	92.6/47
R311	7030003350	S.RES ERJ3GEYJ 181 V (180)	B	89.1/45.2
R312	7030003360	S.RES ERJ3GEYJ 221 V (220)	B	92.4/27.8
R313	7030003490	S.RES ERJ3GEYJ 272 V (2.7 k)	B	91.1/23.1
R314	7030003510	S.RES ERJ3GEYJ 392 V (3.9 k)	B	88.3/23.1
R315	7030003360	S.RES ERJ3GEYJ 221 V (220)	B	87.5/25.1
R316	7030003280	S.RES ERJ3GEYJ 470 V (47)	B	78.3/26.1
R317	7030006220	S.RES ERJ12YJ470U (47)	B	90/31.4
R318	7030009841	S.RES ERA3YHD 330V (33)	B	92.6/41.6
R341	7030007230	S.RES ERA3YED 102V (1 k)	T	92.1/40.1
R342	7030005321	S.RES ERA3YED 103V (10 k)	T	86.5/32.2
R343	7030007230	S.RES ERA3YED 102V (1 k)	T	89.3/34.8
R351	7030003200	S.RES ERJ3GEYJ 100 V (10)	B	89.1/52.4
R352	7030010980	S.RES ERA3YHD 470V (47)	T	89.3/55.8
R353	7030009591	S.RES ERA3YED 472V (4.7 k)	T	89.3/54.5
R354	7030009591	S.RES ERA3YED 472V (4.7 k)	T	89.3/50.4
R355	7030009591	S.RES ERA3YED 472V (4.7 k)	T	89.3/53.2
R356	7030003320	S.RES ERJ3GEYJ 101 V (100)	T	89.3/57.1
R357	7310005580	S.TRI TMC3ADCS3X 4.7K	T	93.6/52.7
R358	7030010980	S.RES ERA3YHD 470V (47)	T	94.9/56.4
R359	7030003320	S.RES ERJ3GEYJ 101 V (100)	T	94.9/59
R360	7030003320	S.RES ERJ3GEYJ 101 V (100)	B	92.6/63.9
R361	7030003490	S.RES ERJ3GEYJ 272 V (2.7 k)	B	89.2/62.1
R362	7030003510	S.RES ERJ3GEYJ 392 V (3.9 k)	B	92.6/60.3
R363	7030003320	S.RES ERJ3GEYJ 101 V (100)	B	92.6/65.7
R364	7030003410	S.RES ERJ3GEYJ 561 V (560)	T	94.9/82.9
R365	7030007860	S.RES ERJ3GEYJ 8R2V (8.2)	T	92/83.4
R366	7030003410	S.RES ERJ3GEYJ 561 V (560)	T	94.9/84.2
R368	7030005321	S.RES ERA3YED 103V (10 k)	B	86.1/59.6
R369	7030008240	S.RES ERJ12Y0R00U	B	95.3/57.1
R421	7030007230	S.RES ERA3YED 102V (1 k)	T	92.1/87.8
R425	7030003410	S.RES ERJ3GEYJ 561 V (560)	T	90.1/81.6
R427	7030003320	S.RES ERJ3GEYJ 101 V (100)	B	86.8/87.3
R428	7030009861	S.RES ERA3YED 471V (470)	B	92.1/88
R441	7030007230	S.RES ERA3YED 102V (1 k)	T	92.1/75.5
R442	7030005321	S.RES ERA3YED 103V (10 k)	T	88.9/70.9
R443	7030007230	S.RES ERA3YED 102V (1 k)	T	88.9/72.2
R501	7030003360	S.RES ERJ3GEYJ 221 V (220)	T	29.2/153.1
R502	7030007230	S.RES ERA3YED 102V (1 k)	T	27.9/153.1
R503	7030007230	S.RES ERA3YED 102V (1 k)	T	26.5/153.1
R504	7030007230	S.RES ERA3YED 102V (1 k)	T	25.2/153.1
R506	7030003800	S.RES ERJ3GEYJ 105 V (1 M)	T	34/154.5
R509	7030007230	S.RES ERA3YED 102V (1 k)	T	42.5/136
R510	7030007220	S.RES ERA3YED 202V (2 k)	T	14.6/153.6
R511	7030007220	S.RES ERA3YED 202V (2 k)	T	17.2/153.6
R512	7030007220	S.RES ERA3YED 202V (2 k)	T	17.2/152.3
R513	7030007220	S.RES ERA3YED 202V (2 k)	T	17.2/151
R514	7030007220	S.RES ERA3YED 202V (2 k)	T	17.2/149.7
R515	7030007220	S.RES ERA3YED 202V (2 k)	T	17.2/148.3
R516	7030007220	S.RES ERA3YED 202V (2 k)	T	17.2/147
R517	7030007220	S.RES ERA3YED 202V (2 k)	T	17.2/145.7
R518	7030007200	S.RES ERA3YEB 202V (2 k)	T	17.2/144.4
R519	7030007200	S.RES ERA3YEB 202V (2 k)	T	17.2/142.7
R520	7030007200	S.RES ERA3YEB 202V (2 k)	T	17.2/141.4
R521	7030007200	S.RES ERA3YEB 202V (2 k)	T	17.2/140.1
R522	7030007200	S.RES ERA3YEB 202V (2 k)	T	17.2/138.8
R523	7030007230	S.RES ERA3YED 102V (1 k)	T	14.6/152.3
R524	7030007230	S.RES ERA3YED 102V (1 k)	T	14.6/151
R525	7030007230	S.RES ERA3YED 102V (1 k)	T	14.6/149.7
R526	7030007230	S.RES ERA3YED 102V (1 k)	T	14.6/148.3
R527	7030007230	S.RES ERA3YED 102V (1 k)	T	14.6/147
R528	7030007230	S.RES ERA3YED 102V (1 k)	T	14.6/145.7
R529	7030007210	S.RES ERA3YEB 102V (1 k)	T	14.6/144.4
R530	7030007210	S.RES ERA3YEB 102V (1 k)	T	14.6/142.7
R531	7030007210	S.RES ERA3YEB 102V (1 k)	T	14.6/141.4
R532	7030007210	S.RES ERA3YEB 102V (1 k)	T	14.6/140.1
R533	7030007210	S.RES ERA3YEB 102V (1 k)	T	14.6/138.8
R534	7030003860	S.RES ERJ3GE JPW V	T	22.2/127.6
R535	7030003800	S.RES ERJ3GEYJ 105 V (1 M)	T	24.8/129.8
R536	7030003200	S.RES ERJ3GEYJ 100 V (10)	T	28/128.3
R537	7030007230	S.RES ERA3YED 102V (1 k)	T	30.3/131.9
R538	7030003360	S.RES ERJ3GEYJ 221 V (220)	B	34.8/146.5
R540	7030007230	S.RES ERA3YED 102V (1 k)	T	33.2/142.8
R544	7030005871	S.RES ERA3YKD 104V (100 k)	T	69.4/140.4
R545	7030005871	S.RES ERA3YKD 104V (100 k)	T	69.4/139.1
R546	7030009861	S.RES ERA3YED 471V (470)	T	67.4/150.7
R548	7030009591	S.RES ERA3YED 472V (4.7 k)	B	43.4/136.5
R550	7030009691	S.RES ERA3YED 101V (100)	B	43.4/134.7
R554	7030009891	S.RES ERA3YED 151V (150)	B	47.2/133.9
R555	7030003380	S.RES ERJ3GEYJ 331 V (330)	B	61.9/142.1
R556	7030005981	S.RES ERA3YED 333V (33 k)	B	44.2/128.2
R561	7030003200	S.RES ERJ3GEYJ 100 V (10)	T	71.3/148.5
R562	7030003360	S.RES ERJ3GEYJ 221 V (220)	T	65.7/155.5
R563	7030003490	S.RES ERJ3GEYJ 272 V (2.7 k)	T	70.4/151.9
R564	7030003510	S.RES ERJ3GEYJ 392 V (3.9 k)	T	70.4/150.6
R565	7030003360	S.RES ERJ3GEYJ 221 V (220)	T	67/155.5
R570	7030003230	S.RES ERJ3GEYJ 180 V (18)	T	63.1/155.5
R571	7030003230	S.RES ERJ3GEYJ 180 V (18)	T	58.5/155
R572	7030003290	S.RES ERJ3GEYJ 560 V (56)	B	57.2/156.3
R580	7030009861	S.RES ERA3YED 471V (470)	T	41.9/153.7
R581	7030003360	S.RES ERJ3GEYJ 221 V (220)	T	41.9/145.5
R582	7030003600	S.RES ERJ3GEYJ 223 V (22 k)	T	41.9/149.5
R591	7030003320	S.RES ERJ3GEYJ 101 V (100)	T	58.2/169.9
R592	7030005321	S.RES ERA3YED 103V (10 k)	T	58.5/167.9
R593	7030003480	S.RES ERJ3GEYJ 222 V (2.2 k)	T	58.5/165.1
R594	7030003320	S.RES ERJ3GEYJ 101 V (100)	B	61.9/168.1
R595	7030003640	S.RES ERJ3GEYJ 473 V (47 k)	B	55.9/165.3
R596	7030003540	S.RES ERJ3GEYJ 682 V (6.8 k)	B	54.7/168.9
R651	7030007230	S.RES ERA3YED 102V (1 k)	B	23.5/177.1
R652	7030003360	S.RES ERJ3GEYJ 221 V (220)	T	13.5/170.8
R653	7030007230	S.RES ERA3YED 102V (1 k)	T	13.5/169.5

[RXPLL-A UNIT]

REF NO.	ORDER NO.	DESCRIPTION	M.	H/V LOCATION
R654	7030007230	S.RES ERA3YED 102V (1 k)	T	13.5/168.2
R656	7030003800	S.RES ERJ3GEYJ 105 V (1 M)	T	13.4/165.6
R657	7030003320	S.RES ERJ3GEYJ 101 V (100)	T	20.2/161.4
R661	7030007220	S.RES ERA3YED 202V (2 k)	T	31.7/162.8
R662	7030007220	S.RES ERA3YED 202V (2 k)	T	31.7/164.1
R663	7030007220	S.RES ERA3YED 202V (2 k)	T	31.7/165.4
R664	7030007220	S.RES ERA3YED 202V (2 k)	T	31.7/166.7
R665	7030007220	S.RES ERA3YED 202V (2 k)	T	31.7/168
R666	7030007220	S.RES ERA3YED 202V (2 k)	T	31.7/169.3
R667	7030007220	S.RES ERA3YED 202V (2 k)	T	31.7/170.6
R668	7030007220	S.RES ERA3YED 202V (2 k)	T	31.7/171.9
R669	7030007200	S.RES ERA3YEB 202V (2 k)	T	31.7/173.2
R670	7030007200	S.RES ERA3YEB 202V (2 k)	T	31.7/174.5
R671	7030007200	S.RES ERA3YEB 202V (2 k)	T	31.7/175.8
R673	7030007230	S.RES ERA3YED 102V (1 k)	T	34.3/165.4
R674	7030007230	S.RES ERA3YED 102V (1 k)	T	34.3/166.7
R675	7030007230	S.RES ERA3YED 102V (1 k)	T	34.3/168
R676	7030007230	S.RES ERA3YED 102V (1 k)	T	34.3/169.3
R677	7030007230	S.RES ERA3YED 102V (1 k)	T	34.3/170.6
R678	7030007230	S.RES ERA3YED 102V (1 k)	T	34.3/171.9
R679	7030007210	S.RES ERA3YEB 102V (1 k)	T	34.3/173.2
R680	7030007210	S.RES ERA3YEB 102V (1 k)	T	34.3/174.5
R681	7030007210	S.RES ERA3YEB 102V (1 k)	T	34.3/175.8
R685	7030003460	S.RES ERJ3GEYJ 152 V (1.5 k)	T	38.4/169.7
R686	7030003320	S.RES ERJ3GEYJ 101 V (100)	T	40.3/163.4
R687	7030003470	S.RES ERJ3GEYJ 182 V (1.8 k)	T	37.4/165.1
R688	7030003480	S.RES ERJ3GEYJ 222 V (2.2 k)	T	34.3/162.8
R689	7030003360	S.RES ERJ3GEYJ 221 V (220)	T	33.6/161.5
R690	7030009851	S.RES ERA3YED 271V (270)	T	46.4/165.3
R691	7030003230	S.RES ERJ3GEYJ 180 V (18)	T	48.4/164.8
R692	7030009851	S.RES ERA3YED 271V (270)	T	46.4/166.6
R704	7030009841	S.RES ERA3YHD 330V (33)	T	30.8/113.7
R705	7030003600	S.RES ERJ3GEYJ 105 V (22 k)	T	29.5/113.7
R706	7030005321	S.RES ERA3YED 103V (10 k)	T	28.2/113.7
R707	7030009861	S.RES ERA3YED 471V (470)	T	30.8/108.1
R708	7030003410	S.RES ERJ3GEYJ 561 V (560)	T	43.3/118.8
R709	7030007860	S.RES ERJ3GEYJ 8R2V (8.2)	T	43.3/116
R710	7030003410	S.RES ERJ3GEYJ 561 V (560)	T	43.8/121.1
R711	7030003320	S.RES ERJ3GEYJ 101 V (100)	T	37.9/154.5
R1000	7030003320	S.RES ERJ3GEYJ 101 V (100)	B	177.1/11.2
R1003	7030010980	S.RES ERA3YHD 470V (47)	T	162/13.4
R1004	7030007230	S.RES ERA3YED 102V (1 k)	B	166.4/12.9
R1005	7030003350	S.RES ERJ3GEYJ 822 V (8.2 k)	T	144/26.1
R1006	7030007230	S.RES ERA3YED 102V (1 k)	T	145.3/26.1
R1007	7030004030	S.RES ERJ3GEYJ 5R6 V (5.6)	B	153.7/33.6
R1008	7030003240	S.RES ERJ3GEYJ 220 V (22)	T	144/36.4
R1009	7030010980	S.RES ERA3YHD 470V (47)	T	182.4/29.3
R1010	7030010980	S.RES ERA3YHD 470V (47)	T	154.5/33.2
R1013	7030007220	S.RES ERA3YED 102V (1 k)	B	172.7/40.8
R1014	7030007230	S.RES ERA3YED 102V (1 k)	B	156.7/40.8
R1015	7030003530	S.RES ERJ3GEYJ 562 V (5.6 k)	B	172.7/45.4
R1016	7030003530	S.RES ERJ3GEYJ 562 V (5.6 k)	B	156.7/45.4
R1017	7030003530	S.RES ERJ3GEYJ 562 V (5.6 k)	B	169.7/12.9
R1020	7030003390	S.RES ERJ3GEYJ 391 V (390)	T	179.6/18.3
R1021	7030003220	S.RES ERJ3GEYJ 150 V (15)	T	177/19.4
R1022	7030003390	S.RES ERJ3GEYJ 391 V (390)	T	180.9/19.4
R1023	7030010980	S.RES ERA3YHD 470V (47)	B	149.3/33.5
R1024	7030003200	S.RES ERJ3GEYJ 100 V (10)	B	150.1/31.4
R1025	7030003300	S.RES ERJ3GEYJ 680 V (68)	T	178.3/19.4
R1026	7030003480	S.RES ERJ3GEYJ 222 V (2.2 k)	B	171.2/14.2
R1027	7030003200	S.RES ERJ3GEYJ 100 V (10)	B	176.5/38.3
R1028	7030003200	S.RES ERJ3GEYJ 100 V (10)	B	160.5/38.3
R1029	7030010980	S.RES ERA3YHD 470V (47)	B	178.2/46.1
R1030	7030010980	S.RES ERA3YHD 470V (47)	B	162.2/46.1
R1051	7030003800	S.RES ERJ3GEYJ 105 V (1 M)	T	178.6/93.1
R1054	7030011500	S.RES ERA3YHD 270V (27)	T	149.1/83.2
R1055	7030000010	S.RES MCR10EZJH JPW (000)	T	162.1/76.6
R1056	7030000010	S.RES MCR10EZJH JPW (000)	T	177.5/71.1
R1071	7030010980	S.RES ERA3YHD 470V (47)	B	165.9/76.4
R1072	7030000010	S.RES MCR10EZJH JPW (000)	T	133.9/84.1
R1073	7030000010	S.RES MCR10EZJH JPW (000)	T	135.5/85.7
R1101	73100040860	S.TRI EVM-3YSX50 B53 (502)	T	180.1/90.2
R1102	7030005871	S.RES ERA3YKD 104V (100 k)	B	180.2/100.6
R1103	7030007680	S.RES ERJ8ENF 47R0V (47)	T	181.7/104.7
R1104	7030007680	S.RES ERJ8ENF 47R0V (47)	T	173.6/107.2
R1105	7030003500	S.RES ERJ3GEYJ 332 V (3.3 k)	T	



[RXPLL-A UNIT]

REF NO.	ORDER NO.	DESCRIPTION	M.	H/V LOCATION
R1151	7030003280	S.RES ERJ3GEYJ 470 V (47)	T	134.8/63.9
R1152	7030003280	S.RES ERJ3GEYJ 470 V (47)	B	117.2/56.3
R1203	7030000010	S.RES MCR10EZHH JPW (000)	T	157.5/74.9
R1211	7030003860	S.RES ERJ3GE JPW V	T	117.6/7.8
R1212	7030003860	S.RES ERJ3GE JPW V	T	124.8/51.1
R1213	7030003200	S.RES ERJ3GEYJ 100 V (10)	B	118.8/25
R1214	7030003200	S.RES ERJ3GEYJ 100 V (10)	B	109/25
R1216	7030010980	S.RES ERA3YHD 470V (47)	B	120.7/31.6
R1217	7030010980	S.RES ERA3YHD 470V (47)	B	111.2/31.6
R1220	7030010980	S.RES ERA3YHD 470V (47)	T	118.7/17.3
R1221	7030007230	S.RES ERA3YED 102V (1 k)	T	116.4/39.9
R1222	7030003530	S.RES ERJ3GEYJ 562 V (5.6 k)	T	116.4/38.6
R1223	7030010980	S.RES ERA3YHD 470V (47)	T	109.3/17.1
R1224	7030007230	S.RES ERA3YED 102V (1 k)	T	106.6/39.9
R1225	7030003530	S.RES ERJ3GEYJ 562 V (5.6 k)	T	106.6/38.6
R1226	7030003410	S.RES ERJ3GEYJ 561 V (560)	T	158.9/92.9
R1227	7030003410	S.RES ERJ3GEYJ 561 V (560)	T	154/92.9
R1228	7310004860	S.TRI EVM-3YXS50 B53 (502)	T	156.4/92.9
R1229	7030003480	S.RES ERJ3GEYJ 222 V (2.2 k)	B	156.1/117.4
R1230	7030003480	S.RES ERJ3GEYJ 222 V (2.2 k)	B	156.1/119.2
R1231	7030003480	S.RES ERJ3GEYJ 222 V (2.2 k)	B	156.1/121
R1232	7030003600	S.RES ERJ3GEYJ 223 V (2.2 k)	T	156.3/97.5
R1233	7030010980	S.RES ERA3YHD 470V (47)	B	152.5/109.4
R1301	7030010980	S.RES ERA3YHD 470V (47)	B	155.7/97.5
R1302	7030003860	S.RES ERJ3GE JPW V	T	159.3/116.8
R1304	7030003620	S.RES ERJ3GEYJ 333 V (33 k)	T	156.5/123.2
R1306	7030006230	S.RES ERJ12YJ151U (150)	B	153.8/124.8
R1307	7030003300	S.RES ERJ3GEYJ 680 V (68)	T	156.5/128.4
R1311	7030000010	S.RES MCR10EZHH JPW (000)	T	140.3/98.8
R1312	7030000010	S.RES MCR10EZHH JPW (000)	T	143.2/104.1
R1313	7030000010	S.RES MCR10EZHH JPW (000)	T	143.2/101.5
R1357	7030007230	S.RES ERA3YED 102V (1 k)	B	140.7/70.4
R1358	7030003530	S.RES ERJ3GEYJ 562 V (5.6 k)	B	142.8/70.4
R1359	7030010980	S.RES ERA3YHD 470V (47)	T	139.4/64.7
R1360	7030007230	S.RES ERA3YED 102V (1 k)	B	146.4/67.1
R1361	7030003380	S.RES ERJ3GEYJ 331 V (330)	T	139.3/68.8
R1362	7030005871	S.RES ERA3YKD 104V (100 k)	B	144.6/70.4
R1401	7030003200	S.RES ERJ3GEYJ 100 V (10)	T	131.5/103.3
R1402	7030003300	S.RES ERJ3GEYJ 680 V (68)	T	126.4/111
R1403	7030007230	S.RES ERA3YED 102V (1 k)	T	132/107.7
R1404	7030009861	S.RES ERA3YED 471V (470)	T	134.6/104.3
R1405	7030003340	S.RES ERJ3GEYJ 151 V (150)	T	137.2/104.3
R1406	7030009591	S.RES ERA3YED 472V (4.7 k)	T	135.2/106.2
R1407	7030003550	S.RES ERJ3GEYJ 822 V (8.2 k)	B	135.4/104.3
R1408	7030003200	S.RES ERJ3GEYJ 100 V (10)	T	120.9/109
R1409	7030009591	S.RES ERA3YED 472V (4.7 k)	T	120.5/114.9
R1410	7030006091	S.RES ERA3YED 822V (8.2 k)	B	124.2/114.4
R1411	7030005871	S.RES ERA3YKD 104V (100 k)	T	123.2/116.2
R1412	7030003200	S.RES ERJ3GEYJ 100 V (10)	T	126.4/112.3
R1413	7030003200	S.RES ERJ3GEYJ 100 V (10)	T	126.4/113.6
R1414	7030005871	S.RES ERA3YKD 104V (100 k)	B	120.9/114.4
R1415	7030010980	S.RES ERA3YHD 470V (47)	T	127/114.9
R1416	7030003320	S.RES ERJ3GEYJ 101 V (100)	B	139.7/122.9
R1417	7030000010	S.RES MCR10EZHH JPW (000)	B	130.1/124.5
R1418	7030000010	S.RES MCR10EZHH JPW (000)	B	130.1/122.5
R1419	7030003860	S.RES ERJ3GE JPW V	B	129.4/114.9
R1501	7030010980	S.RES ERA3YHD 470V (47)	T	126.5/125.2
R1502	7030009841	S.RES ERA3YHD 330V (33)	T	133/131
R1503	7030009851	S.RES ERA3YED 271V (270)	T	130/146.3
R1504	7030011050	S.RES ERA3YHD 100V (10)	T	131.3/143.5
R1505	7030006091	S.RES ERA3YED 822V (8.2 k)	B	137.7/140.3
R1506	7030007230	S.RES ERA3YED 102V (1 k)	B	137.7/147
R1507	7030007230	S.RES ERA3YED 102V (1 k)	T	132.6/146.3
R1508	7030007230	S.RES ERA3YED 102V (1 k)	T	133.9/146.3
R1509	7030007230	S.RES ERA3YED 102V (1 k)	T	139.1/158.9
R1510	7030005321	S.RES ERA3YED 103V (10 k)	T	139.1/157.6
R1511	7030009861	S.RES ERA3YED 471V (470)	T	136.5/157.6
R1512	7030003380	S.RES ERJ3GEYJ 331 V (330)	T	129.6/151.6
R1513	7030003380	S.RES ERJ3GEYJ 331 V (330)	T	129.6/155.5
R1514	7030005321	S.RES ERA3YED 103V (10 k)	T	129.6/160.8
R1515	7030005321	S.RES ERA3YED 103V (10 k)	T	133.5/160.8
R1516	7310005610	S.TRI TMC3ADC13X 1K	T	119.2/157.7
R1517	7030005321	S.RES ERA3YED 103V (10 k)	T	115.3/158
R1518	7030005321	S.RES ERA3YED 103V (10 k)	T	134.8/160.8
R1519	7030005321	S.RES ERA3YED 103V (10 k)	T	131.7/171.7
R1520	7030005321	S.RES ERA3YED 103V (10 k)	T	136.1/160.8
R1521	7030010980	S.RES ERA3YHD 470V (47)	T	126.5/133
R1522	7030009841	S.RES ERA3YHD 330V (33)	T	126/141.1
R1523	7030009851	S.RES ERA3YED 271V (270)	T	123.7/146.3
R1524	7030011050	S.RES ERA3YHD 100V (10)	T	122.4/143.5
R1525	7030007230	S.RES ERA3YED 102V (1 k)	B	128.8/147
R1526	7030003460	S.RES ERJ3GEYJ 152 V (1.5 k)	B	137.7/142.1
R1527	7030007230	S.RES ERA3YED 102V (1 k)	T	119.8/146.3
R1528	7030007230	S.RES ERA3YED 102V (1 k)	T	121.1/146.3
R1529	7030007230	S.RES ERA3YED 102V (1 k)	T	115.3/152.3
R1530	7030003380	S.RES ERJ3GEYJ 331 V (330)	T	128/151.6
R1531	7030003380	S.RES ERJ3GEYJ 331 V (330)	T	128/155.5
R1532	7030005321	S.RES ERA3YED 103V (10 k)	T	124.1/160.8
R1533	7030005321	S.RES ERA3YED 103V (10 k)	T	128/160.8
R1534	7030005321	S.RES ERA3YED 103V (10 k)	T	122.8/160.8
R1535	7030005321	S.RES ERA3YED 103V (10 k)	T	121.5/160.8
R1536	7030005321	S.RES ERA3YED 103V (10 k)	T	129/171.7
R1537	7030003320	S.RES ERJ3GEYJ 101 V (100)	T	115.5/164.5
R1538	7030003320	S.RES ERJ3GEYJ 101 V (100)	T	107.1/170.1
R1539	7030008061	S.RES ERA3YED 222V (2.2 k)	B	131.8/176.4
R1540	7030010390	S.RES ERA3YED 821V (820)	B	128.7/177.1
R1541	7030003320	S.RES ERJ3GEYJ 101 V (100)	T	107.1/178.8
R1542	7030003320	S.RES ERJ3GEYJ 101 V (100)	T	115.5/173.2
R1543	7030009691	S.RES ERA3YED 101V (100)	B	130.6/179
R1651	7030003380	S.RES ERJ3GEYJ 331 V (330)	B	100.9/144.8
R1652	7030003220	S.RES ERJ3GEYJ 150 V (15)	B	102.7/144.8
R1653	7030003380	S.RES ERJ3GEYJ 331 V (330)	B	101.9/142.9
R1654	7030010980	S.RES ERA3YHD 470V (47)	B	105.5/142.2
R1655	7030009861	S.RES ERA3YED 471V (470)	B	108.8/140

[RXPLL-A UNIT]

REF NO.	ORDER NO.	DESCRIPTION	M.	H/V LOCATION
R1656	7030003630	S.RES ERJ3GEYJ 393 V (39 k)	B	108.3/142.2
R1657	7030005871	S.RES ERA3YKD 104V (100 k)	T	108/133.1
R1658	7030003320	S.RES ERJ3GEYJ 101 V (100)	T	110.6/133.1
R1659	7030009691	S.RES ERA3YED 101V (100)	T	115.8/124.9
R1660	7030009691	S.RES ERA3YED 101V (100)	T	115.8/128.7
R1661	7030005321	S.RES ERA3YED 103V (10 k)	T	135.1/175.4
R1662	7030005321	S.RES ERA3YED 103V (10 k)	T	135.2/172.8
R1663	7030005321	S.RES ERA3YED 103V (10 k)	T	144.3/175.4
R1664	7030005321	S.RES ERA3YED 103V (10 k)	T	139.9/172.1
R1665	7030003320	S.RES ERJ3GEYJ 101 V (100)	T	109.3/133.1
R1667	7030003360	S.RES ERJ3GEYJ 221 V (220)	T	139.2/170.2
R1668	7030003360	S.RES ERJ3GEYJ 221 V (220)	T	141.8/170.2
R1670	7030003800	S.RES ERJ3GEYJ 105 V (1 M)	T	140.2/164.1
R1673	7030007230	S.RES ERA3YED 102V (1 k)	B	146/174.5
R1674	7030009851	S.RES ERA3YED 271V (270)	B	145.1/177.1
R1675	7030009591	S.RES ERA3YED 472V (4.7 k)	T	136.6/170.2
R1677	7030009591	S.RES ERA3YED 472V (4.7 k)	T	143.1/170.2
R1701	7030003360	S.RES ERJ3GEYJ 221 V (220)	T	162.4/147.4
R1703	7030003360	S.RES ERJ3GEYJ 221 V (220)	T	159.8/147.4
R1704	7030003360	S.RES ERJ3GEYJ 221 V (220)	T	158.5/147.4
R1706	7030003360	S.RES ERJ3GEYJ 221 V (220)	T	155.9/147.4
R1707	7030003360	S.RES ERJ3GEYJ 221 V (220)	T	154.6/147.4
R1708	7030003360	S.RES ERJ3GEYJ 221 V (220)	T	153.3/147.4
R1709	7030003480	S.RES ERJ3GEYJ 222 V (2.2 k)	T	149.7/159.3
R1710	7030003480	S.RES ERJ3GEYJ 222 V (2.2 k)	T	148.4/159.3
R1711	7030003540	S.RES ERJ3GEYJ 682 V (6.8 k)	T	147.1/159.3
R1712	7030003540	S.RES ERJ3GEYJ 682 V (6.8 k)	T	145.8/159.3
R1713	7030003660	S.RES ERJ3GEYJ 683 V (68 k)	T	145.8/157.2
R1714	7030003660	S.RES ERJ3GEYJ 683 V (68 k)	T	145.8/155.9
R1715	7030003540	S.RES ERJ3GEYJ 682 V (6.8 k)	T	143.9/164.8
R1716	7030007230	S.RES ERA3YED 102V (1 k)	T	164.2/164.8
R1717	7030007230	S.RES ERA3YED 102V (1 k)	T	164.2/163.5
R1718	7030007230	S.RES ERA3YED 102V (1 k)	T	164.2/162.2
R1719	7030003660	S.RES ERJ3GEYJ 683 V (68 k)	T	144.3/166.8
C1	4030011600	S.CER C1608 JB 1E 104K-T	T	10.8/18.2
C2	4030006880	S.CER C1608 JB 1H 472K-T	T	25.7/29.5
C14	4030006880	S.CER C1608 JB 1H 472K-T	T	37.7/12.5
C15	4030006880	S.CER C1608 JB 1H 472K-T	T	31.2/15.4
C16	4030006880	S.CER C1608 JB 1H 472K-T	T	35.1/15.4
C17	4030006880	S.CER C1608 JB 1H 472K-T	T	13.8/12.6
C18	4030006880	S.CER C1608 JB 1H 472K-T	T	16.8/12.6
C19	4030006880	S.CER C1608 JB 1H 472K-T	T	29.5/12.6
C20	4030006880	S.CER C1608 JB 1H 472K-T	T	87.4/127.8
C21	4030006880	S.CER C1608 JB 1H 472K-T	T	88.7/127.8
C22	4030006880	S.CER C1608 JB 1H 472K-T	T	90/127.8
C30	4030011600	S.CER C1608 JB 1E 104K-T	T	19.1/112.4
C31	4030011600	S.CER C1608 JB 1E 104K-T	T	20.4/113.7
C32	4030011600	S.CER C1608 JB 1E 104K-T	T	24.3/111.1
C51	4510008520	S.ELE EEE1CA470SP	T	84/20.3
C52	4030011600	S.CER C1608 JB 1E 104K-T	T	78.9/23.7
C53	4030011600	S.CER C1608 JB 1E 104K-T	T	75.1/23.7
C54	4510008500	S.ELE EEE1CA101WP	T	70/20.3
C61	4510008520	S.ELE EEE1CA470SP	T	62.9/20.3
C62	4030011600	S.CER C1608 JB 1E 104K-T	B	58.2/19.9
C63	4030011600	S.CER C1608 JB 1E 104K-T	B	54.8/19.9
C64	4510008500	S.ELE EEE1CA101WP	T	50.1/20.3
C101	4030006880	S.CER C1608 JB 1H 472K-T	T	39.7/80.7
C102	4030011600	S.CER C1608 JB 1E 104K-T	T	41.8/79.9
C103	4510008540	S.ELE EEE1CA100SR	T	40.2/76.8
C104	4030011600	S.CER C1608 JB 1E 104K-T	T	21.4/100.2
C105	4030011600	S.CER C1608 JB 1E 104K-T	T	21.4/88.2
C106	4030011600	S.CER C1608 JB 1E 104K-T	T	21.4/84.4
C107	4030011600	S.CER C1608 JB 1E 104K-T	T	24.4/79.8
C108	4030011600	S.CER C1608 JB 1E 104K-T	T	27/79.8
C109	4030011600	S.CER C1608 JB 1E 104K-T	T	30.8/79.8
C110	4030011600	S.CER C1608 JB 1E 104K-T	T	36.2/79.8
C111	4030011600	S.CER C1608 JB 1E 104K-T	T	41.2/88.5
C112	4030011600	S.CER C1608 JB 1E 104K-T	T	41.3/82.6
C114	4030011600	S.CER C1608 JB 1E 104K-T	T	39.5/98.4
C115	4030011600	S.CER C1608 JB 1E 104K-T	T	38.1/98.4
C116	4030011600	S.CER C1608 JB 1E 104K-T	T	35.3/99.6
C117	4030011600	S.CER C1608 JB 1E 104K-T	T	23.3/98.8



[RXPLL-A UNIT]

REF NO.	ORDER NO.	DESCRIPTION	M.	H/V LOCATION
C165	4030006880	S.CER C1608 JB 1H 472K-T	B	30.8/74
C166	4030011600	S.CER C1608 JB 1E 104K-T	B	34.9/78.2
C167	4030006880	S.CER C1608 JB 1H 472K-T	B	37.4/74
C201	4030011340	S.CER C1608 CH 1H 471J-T	T	33.8/40.4
C202	4510009280	S.ELE EEE1EA4R7SR	T	26.5/44
C203	4030006900	S.CER C1608 JB 1H 103K-T	T	32.5/38.3
C204	4030006880	S.CER C1608 JB 1H 472K-T	T	25.4/35.3
C205	4030006880	S.CER C1608 JB 1H 472K-T	T	25.4/34
C206	4030006880	S.CER C1608 JB 1H 472K-T	T	31.1/43
C207	4030007030	S.CER C1608 CH 1H 150J-T	B	46.8/32.4
C208	4030007030	S.CER C1608 CH 1H 150J-T	T	32.5/41
C209	4030011340	S.CER C1608 CH 1H 471J-T	T	44.1/26.1
C210	4550007620	S.TAN F931V224MAABMA	T	46.2/26.7
C211	4550007300	S.TAN F931A335MAABMA	B	46.1/41.6
C219	4030006880	S.CER C1608 JB 1H 472K-T	T	33.8/37.8
C220	4030007130	S.CER C1608 CH 1H 101J-T	T	54.7/37.6
C221	4030009520	S.CER C1608 CH 1H 020B-T	T	54.7/32
C222	4610001860	S.TRI TZB4Z060AB10R00	T	68.1/32.6
C223	4030007080	S.CER C1608 CH 1H 390J-T	T	73.2/36.3
C224	4030007010	S.CER C1608 CH 1H 100D-T	T	73.2/38.9
C225	4030007050	S.CER C1608 CH 1H 220J-T	T	73.6/30.9
C226	4030006880	S.CER C1608 JB 1H 472K-T	T	71/30.9
C227	4030009920	S.CER C1608 CH 1H 050B-T	T	75.1/32.6
C228	4510008540	S.ELE EEE1CA100SR	T	68.8/37.8
C229	4030009530	S.CER C1608 CH 1H 030B-T	T	77.8/32.6
C230	4030007100	S.CER C1608 CH 1H 560J-T	T	54.7/50
C231	4030009510	S.CER C1608 CH 1H 010B-T	T	54.7/44.6
C232	4610001860	S.TRI TZB4Z060AB10R00	T	68.1/45.1
C233	4030007070	S.CER C1608 CH 1H 330J-T	T	73.2/48.8
C234	4030009920	S.CER C1608 CH 1H 050B-T	T	73.2/51.4
C235	4030007020	S.CER C1608 CH 1H 120J-T	T	73.6/43.3
C236	4030006880	S.CER C1608 JB 1H 472K-T	T	71/43.3
C237	4030009910	S.CER C1608 CH 1H 040B-T	T	75.1/45
C238	4510008540	S.ELE EEE1CA100SR	T	68.8/50.3
C239	4030009910	S.CER C1608 CH 1H 040B-T	T	77.8/45
C240	4030007080	S.CER C1608 CH 1H 390J-T	T	54.7/62.5
C241	4030009510	S.CER C1608 CH 1H 010B-T	T	54.7/57.1
C242	4610001860	S.TRI TZB4Z060AB10R00	T	68.1/57.6
C243	4030007060	S.CER C1608 CH 1H 270J-T	T	73.2/61.3
C244	4030009910	S.CER C1608 CH 1H 040B-T	T	73.2/63.9
C245	4030009920	S.CER C1608 CH 1H 050B-T	T	73.6/55.8
C246	4030006880	S.CER C1608 JB 1H 472K-T	T	71/55.9
C247	4030009530	S.CER C1608 CH 1H 030B-T	T	75.1/57.5
C248	4510008540	S.ELE EEE1CA100SR	T	68.8/62.9
C250	4030007100	S.CER C1608 CH 1H 560J-T	T	54.7/75
C251	4030009540	S.CER C1608 CH 1H 1R5B-T	T	54.7/69.6
C252	4610001810	S.TRI TZB4Z030AB10R00	T	68.1/70.1
C253	4030007080	S.CER C1608 CH 1H 390J-T	T	73.2/73.8
C254	4030009530	S.CER C1608 CH 1H 030B-T	T	73.2/76.4
C255	4030006990	S.CER C1608 CH 1H 080D-T	T	73.6/68.4
C256	4030006880	S.CER C1608 JB 1H 472K-T	T	71/68.4
C257	4030007010	S.CER C1608 CH 1H 100D-T	T	75.1/70
C258	4510008540	S.ELE EEE1CA100SR	T	68.8/75.4
C260	4030007110	S.CER C1608 CH 1H 680J-T	T	54.7/87.5
C262	4610001810	S.TRI TZB4Z030AB10R00	T	68.1/82.6
C263	4030007080	S.CER C1608 CH 1H 390J-T	T	73.2/86.3
C264	4030009530	S.CER C1608 CH 1H 030B-T	T	73.2/88.9
C265	4030011770	S.CER C1608 CH 1H 060B-T	T	73.6/80.9
C266	4030006880	S.CER C1608 JB 1H 472K-T	T	71/80.9
C267	4030007010	S.CER C1608 CH 1H 100D-T	T	75.1/82.5
C268	4510008540	S.ELE EEE1CA100SR	T	68.8/87.9
C272	4610001860	S.TRI TZB4Z060AB10R00	T	68.1/95.1
C273	4030007050	S.CER C1608 CH 1H 220J-T	T	73.2/98.2
C274	4030009530	S.CER C1608 CH 1H 030B-T	T	73.2/100.8
C275	4030009920	S.CER C1608 CH 1H 050B-T	T	73.6/92.8
C276	4030006880	S.CER C1608 JB 1H 472K-T	T	71/92.8
C277	4030007010	S.CER C1608 CH 1H 100D-T	T	75.1/95
C278	4510008540	S.ELE EEE1CA100SR	T	68.8/100.4
C283	4030017810	S.CER C1608 CH 1H 102J-T	T	82.1/36.3
C284	4030006880	S.CER C1608 JB 1H 472K-T	T	84.5/34.3
C285	4030017810	S.CER C1608 CH 1H 102J-T	T	82.1/48.8
C286	4030006880	S.CER C1608 JB 1H 472K-T	T	84.5/46.9
C287	4030017810	S.CER C1608 CH 1H 102J-T	T	82.1/61.3
C288	4030006880	S.CER C1608 JB 1H 472K-T	T	83.9/57.5
C289	4030017810	S.CER C1608 CH 1H 102J-T	T	82.1/73.8
C290	4030006880	S.CER C1608 JB 1H 472K-T	T	84.3/70.4
C291	4030017810	S.CER C1608 CH 1H 102J-T	T	82.1/86.3
C292	4030006880	S.CER C1608 JB 1H 472K-T	T	84.4/84.4
C293	4030017810	S.CER C1608 CH 1H 102J-T	T	82.1/98.7
C294	4030006880	S.CER C1608 JB 1H 472K-T	T	83.2/93.9
C297	4030009920	S.CER C1608 CH 1H 050B-T	T	52.6/59.4
C299	4030007050	S.CER C1608 CH 1H 220J-T	T	52.6/84.4
C301	4030006880	S.CER C1608 JB 1H 472K-T	T	89.3/30.6
C302	4030006880	S.CER C1608 JB 1H 472K-T	T	94.9/28
C303	4030006880	S.CER C1608 JB 1H 472K-T	B	92.6/39.8
C304	4030006880	S.CER C1608 JB 1H 472K-T	B	92.6/45.2
C305	4030006880	S.CER C1608 JB 1H 472K-T	B	89.1/48.8
C306	4030006880	S.CER C1608 JB 1H 472K-T	B	89.1/50.6
C309	4030017810	S.CER C1608 CH 1H 102J-T	T	94.9/42.7
C310	4030011600	S.CER C1608 JB 1E 104K-T	T	92.8/42.1
C311	4510008520	S.ELE EEE1CA470SP	T	93.4/47.4
C312	4030006880	S.CER C1608 JB 1H 472K-T	B	89/27.4
C313	4030006880	S.CER C1608 JB 1H 472K-T	B	93.7/23.1
C331	4030007110	S.CER C1608 CH 1H 680J-T	T	89.3/32.2
C332	4030007160	S.CER C1608 CH 1H 181J-T	T	92.1/33.5
C333	4030007110	S.CER C1608 CH 1H 680J-T	T	89.3/33.5
C334	4030007050	S.CER C1608 CH 1H 220J-T	T	94.9/36
C335	4030006980	S.CER C1608 CH 1H 070D-T	T	94.9/37.4
C336	4030007030	S.CER C1608 CH 1H 150J-T	T	92.1/38.8
C337	4030007050	S.CER C1608 CH 1H 220J-T	T	94.9/38.8
C341	4030006880	S.CER C1608 JB 1H 472K-T	T	94.9/40.1
C342	4030006880	S.CER C1608 JB 1H 472K-T	T	86.5/33.5
C344	4030011600	S.CER C1608 JB 1E 104K-T	T	94.9/41.4
C351	4030017810	S.CER C1608 CH 1H 102J-T	T	94.9/61.6

[RXPLL-A UNIT]

REF NO.	ORDER NO.	DESCRIPTION	M.	H/V LOCATION
C352	4030011600	S.CER C1608 JB 1E 104K-T	T	94.9/62.9
C353	4510008520	S.ELE EEE1CA470SP	T	93.4/67.1
C354	4030006880	S.CER C1608 JB 1H 472K-T	T	89.3/51.7
C355	4030006880	S.CER C1608 JB 1H 472K-T	T	94.9/55.1
C356	4030006880	S.CER C1608 JB 1H 472K-T	T	89.2/58.4
C357	4030006880	S.CER C1608 JB 1H 472K-T	T	94.9/57.7
C358	4030006880	S.CER C1608 JB 1H 472K-T	B	89.2/60.3
C359	4030006880	S.CER C1608 JB 1H 472K-T	B	92.6/61.2
C360	4030006880	S.CER C1608 JB 1H 472K-T	B	89.9/66.9
C361	4030006880	S.CER C1608 JB 1H 472K-T	T	89.3/83.4
C363	4030006880	S.CER C1608 JB 1H 472K-T	T	86.1/60.9
C364	4030017810	S.CER C1608 CH 1H 102J-T	T	86.7/52.3
C365	4030006880	S.CER C1608 JB 1H 472K-T	T	90.3/59.9
C421	4030006880	S.CER C1608 JB 1H 472K-T	T	94.1/88.5
C423	4030006880	S.CER C1608 JB 1H 472K-T	T	94.1/93.3
C426	4030006880	S.CER C1608 JB 1H 472K-T	B	94.6/87.3
C427	4030006880	S.CER C1608 JB 1H 472K-T	T	92.1/86.5
C441	4030007040	S.CER C1608 CH 1H 180J-T	T	94.9/71.3
C442	4030007040	S.CER C1608 CH 1H 180J-T	T	94.9/72.6
C443	4030007020	S.CER C1608 CH 1H 120J-T	T	92.1/74.2
C444	4030007080	S.CER C1608 CH 1H 390J-T	T	94.9/73.9
C445	4030011770	S.CER C1608 CH 1H 060B-T	T	94.9/75.2
C446	4030007060	S.CER C1608 CH 1H 270J-T	T	94.9/79.1
C447	4030007110	S.CER C1608 CH 1H 680J-T	T	92.8/78.9
C448	4030006880	S.CER C1608 JB 1H 472K-T	T	94.9/76.5
C449	4030006880	S.CER C1608 JB 1H 472K-T	T	88.1/69.1
C451	4030007110	S.CER C1608 CH 1H 680J-T	T	92/82.1
C452	4030007160	S.CER C1608 CH 1H 181J-T	T	92/80.8
C453	4030011600	S.CER C1608 JB 1E 104K-T	T	94.9/77.8
C501	4030006880	S.CER C1608 JB 1H 472K-T	T	38.9/131.2
C502	4030011600	S.CER C1608 JB 1E 104K-T	T	38.9/129.9
C503	4510008540	S.ELE EEE1CA100SR	T	36.6/126.7
C504	4030011600	S.CER C1608 JB 1E 104K-T	T	21.4/153.1
C505	4550007470	S.TAN F931A107MNBMA	B	19.2/140.3
C506	4030011600	S.CER C1608 JB 1E 104K-T	T	21.4/141
C507	4030011600	S.CER C1608 JB 1E 104K-T	T	21.4/137.1
C509	4030011600	S.CER C1608 JB 1E 104K-T	T	25.8/132.6
C510	4030011600	S.CER C1608 JB 1E 104K-T	T	28.4/132.6
C511	4030011600	S.CER C1608 JB 1E 104K-T	T	32.2/132.6
C512	4030011600	S.CER C1608 JB 1E 104K-T	T	34.8/132.6
C513	4030011600	S.CER C1608 JB 1E 104K-T	T	37.4/132.6
C514	4030011600	S.CER C1608 JB 1E 104K-T	T	41.2/136
C515	4030011600	S.CER C1608 JB 1E 104K-T	T	41.3/139.7
C516	4030011600	S.CER C1608 JB 1E 104K-T	T	41.3/142.3
C517	4030011600	S.CER C1608 JB 1E 104K-T	T	37.6/151.8
C518	4030011600	S.CER C1608 JB 1E 104K-T	T	34.8/151.8
C519	4030011600	S.CER C1608 JB 1E 104K-T	T	31.2/151.8
C520	4030011600	S.CER C1608 JB 1E 104K-T	T	23.3/151.9
C521	4030011600	S.CER C1608 JB 1E 104K-T	T	41.6/134
C522	4550007220	S.TAN F931A476MCMBMA	B	40.7/145
C525	4030006880	S.CER C1608 JB 1H 472K-T	T	35.3/154.5
C526	4030011600	S.CER C1608 JB 1E 104K-T	T	36.6/154.5
C531	4030006880	S.CER C1608 JB 1H 472K-T	T	14.6/137.5
C532	4030007070	S.CER C1608 CH 1H 330J-T	T	17.2/137.5
C533	4030007110	S.CER C1608 CH 1H 680J-T	T	17.3/133.4
C534	4030007110	S.CER C1608 CH 1H 680J-T	T	16.8/130.1
C535	4030007070	S.CER C1608 CH 1H 330J-T	T	18.1/127
C536	4030006880	S.CER C1608 JB 1H 472K-T	T	20.9/127.6
C537	4030006880	S.CER C1608 JB 1H 472K-T	T	27.2/126.4
C540	4030006880	S.CER C1608 JB 1H 472K-T	B	56.3/142.8
C541	4510008540	S.ELE EEE1CA100SR	T	51/139.3
C542	4340000260	S.MLR ECPU1C104MA5	T	47.8/128.7
C543	4030007060	S.CER C1608 CH 1H 270J-T	T	62.2/136.4
C545	4030007060	S.CER 27P C1608 CH	T	70/137.1
C546	4610001830	S.TRI TZB4S100AB10R00	T	65.8/138.7
C547	4030007130	S.CER C1608 CH 1H 101J-T	T	71.3/137.1
C548	4030007010	S.CER C1608 CH 1H 100D-T	T	71.3/139.9
C549	4030007050	S.CER C1608 CH 1H 220J-T	T	68.9/145.1
C550	4030006880	S.CER C1608 JB 1H 472K-T	T	66.3/142
C551	4030009520	S.CER C1608 CH 1H 020B-T	T	71.3/143.8
C552	4030017810	S.CER C1608 CH 1H 102J-T	B	54.6/139.5
C553	4030006880	S.CER C1608 JB 1H 472K-T	B	56.3/139.5
C554	4510008500	S.ELE EEE1CA101WSP	T	50.9/146.6

[RXPLL-A UNIT]

REF NO.	ORDER NO.	DESCRIPTION	M.	H/V LOCATION
C660	4030006880	S.CER C1608 JB 1H 472K-T	T	17.6/161.4
C661	4030011600	S.CER C1608 JB 1E 104K-T	T	13.5/166.9
C662	4550007220	S.TAN F931A476MCMBMA	B	30.5/169.4
C680	4030006880	S.CER C1608 JB 1H 472K-T	T	34.3/177.1
C689	4030011600	S.CER C1608 JB 1E 104K-T	T	37.4/166.4
C690	4030011600	S.CER C1608 JB 1E 104K-T	T	37.4/161.3
C691	4030011600	S.CER C1608 JB 1E 104K-T	T	46.4/164
C692	4030006880	S.CER C1608 JB 1H 472K-T	T	40.3/162.1
C693	4030006880	S.CER C1608 JB 1H 472K-T	B	58.4/169.6
C694	4030006880	S.CER C1608 JB 1H 472K-T	B	58.4/164.2
C703	4030017810	S.CER C1608 CH 1H 102J-T	T	24.3/116.6
C704	4030006880	S.CER C1608 JB 1H 472K-T	T	23/116.6
C705	4510008500	S.ELE EEE1CA101WP	T	29.4/118.7
C707	4030011600	S.CER C1608 JB 1E 104K-T	T	32.1/113.7
C708	4030011600	S.CER C1608 JB 1E 104K-T	T	32.1/108.1
C709	4030007070	S.CER C1608 CH 1H 330J-T	T	38.8/112.9
C710	4030006880	S.CER C1608 JB 1H 472K-T	T	36.2/112.9
C711	4030009540	S.CER C1608 CH 1H 1R5B-T	B	39.3/113.6
C712	4030007070	S.CER C1608 CH 1H 330J-T	T	36.2/114.2
C713	4030006880	S.CER C1608 JB 1H 472K-T	T	42/118.8
C1000	4030007050	S.CER C1608 CH 1H 220J-T	B	177.1/13.8
C1002	4030006880	S.CER C1608 JB 1H 472K-T	B	153.1/16.2
C1003	4030012600	S.CER C2012 JB 1A 105M-T	T	157.4/8.2
C1004	4030011600	S.CER C1608 JB 1E 104K-T	B	169.6/8.7
C1005	4030011600	S.CER C1608 JB 1E 104K-T	T	162.8/17.2
C1006	4030010210	S.CER C3216 JB 1C 105M-T	T	173.8/18.6
C1007	4030006880	S.CER C1608 JB 1H 472K-T	T	172.4/23.9
C1008	4030006880	S.CER C1608 JB 1H 472K-T	T	160/24
C1009	4030006880	S.CER C1608 JB 1H 472K-T	T	147.6/23.8
C1010	4030012600	S.CER C2012 JB 1A 105M-T	T	154.5/28.9
C1011	4030012600	S.CER C2012 JB 1A 105M-T	T	144.2/29.3
C1012	4030010210	S.CER C3216 JB 1C 105M-T	T	144.8/40.2
C1013	4030012600	S.CER C2012 JB 1A 105M-T	T	144.2/33.2
C1014	4030018810	S.CER C3216 CH 1H 333J-T	B	151.6/48.3
C1015	4030012600	S.CER C2012 JB 1A 105M-T	T	163.6/13.8
C1016	4030012600	S.CER C2012 JB 1A 105M-T	T	173.6/33.2
C1017	4030012600	S.CER C2012 JB 1A 105M-T	T	163.3/33.2
C1020	4030012600	S.CER C2012 JB 1A 105M-T	B	170/38.6
C1021	4030012600	S.CER C2012 JB 1A 105M-T	B	154/38.6
C1024	4030010210	S.CER C3216 JB 1C 105M-T	B	170.5/45.5
C1025	4030010210	S.CER C3216 JB 1C 105M-T	B	154.7/45.5
C1026	4030010210	S.CER C3216 JB 1C 105M-T	T	171.4/52.7
C1027	4030010210	S.CER C3216 JB 1C 105M-T	T	165.6/52.7
C1028	4030006880	S.CER C1608 JB 1H 472K-T	B	156.4/65.4
C1029	4030006880	S.CER C1608 JB 1H 472K-T	T	168.5/65.4
C1030	4030010210	S.CER C3216 JB 1C 105M-T	T	164.5/18
C1031	4030012600	S.CER C2012 JB 1A 105M-T	B	169.2/10.8
C1033	4550006470	S.TAN TEESVB2 1D 106M8R	B	146.5/47.7
C1034	4550006470	S.TAN TEESVB2 1D 106M8R	B	174/52.1
C1035	4550006470	S.TAN TEESVB2 1D 106M8R	B	164.6/15.8
C1036	4030007120	S.CER C1608 CH 1H 820J-T	T	160.2/12.7
C1037	4030007090	S.CER C1608 CH 1H 470J-T	B	149.3/49.3
C1038	4030017810	S.CER C1608 CH 1H 102J-T	T	146.6/26.2
C1039	4030017810	S.CER C1608 CH 1H 102J-T	T	146.5/41
C1040	4030017810	S.CER C1608 CH 1H 102J-T	T	145.3/36.4
C1041	4030006990	S.CER C1608 CH 1H 080D-T	B	153.4/31
C1046	4030007010	S.CER C1608 CH 1H 100D-T	B	168.4/53.7
C1048	4030006880	S.CER C1608 JB 1H 472K-T	B	170.6/41.6
C1049	4030006880	S.CER C1608 JB 1H 472K-T	B	154.6/41.6
C1050	4030017810	S.CER C1608 CH 1H 102J-T	B	170.5/49.5
C1051	4030017810	S.CER C1608 CH 1H 102J-T	B	154.7/49.4
C1052	4030007060	S.CER C1608 CH 1H 270J-T	B	164.1/29.6
C1053	4030007110	S.CER C1608 CH 1H 680J-T	T	175.2/77.3
C1054	4030007010	S.CER C1608 CH 1H 100D-T	B	175.7/72.4
C1055	4030007140	S.CER C1608 CH 1H 121J-T	B	175.7/72.4
C1056	4030007050	S.CER C1608 CH 1H 220J-T	T	175.2/76
C1057	4030007130	S.CER C1608 CH 1H 101J-T	T	172.1/77.1
C1058	4030009920	S.CER C1608 CH 1H 050B-T	B	173.2/12.7
C1060	4030017810	S.CER C1608 CH 1H 102J-T	T	178.6/94.4
C1061	4030007090	S.CER C1608 CH 1H 470J-T	B	147.7/91.8
C1062	4030007170	S.CER C1608 CH 1H 221J-T	B	149.5/91.8
C1064	4030007090	S.CER C1608 CH 1H 470J-T	T	148.7/80.1
C1066	4030007010	S.CER C1608 CH 1H 100D-T	T	138.6/81.9
C1067	4030007010	S.CER C1608 CH 1H 100D-T	T	173.4/77.1
C1070	4030006980	S.CER C1608 CH 1H 070D-T	T	137.2/81.9
C1071	4030007100	S.CER C1608 CH 1H 560J-T	B	162.2/75.3
C1072	4030007170	S.CER C1608 CH 1H 221J-T	B	162/78.7
C1073	4030007080	S.CER C1608 CH 1H 390J-T	B	164.1/76.4
C1074	4030007060	S.CER C1608 CH 1H 270J-T	T	148.7/78.6
C1081	4030006900	S.CER C1608 JB 1H 103K-T	B	156.1/86
C1082	4030006900	S.CER C1608 JB 1H 103K-T	B	151.3/91.8
C1083	4030006900	S.CER C1608 JB 1H 103K-T	B	151.2/81.6
C1084	4030006880	S.CER C1608 JB 1H 472K-T	B	149.4/81.6
C1085	4030006880	S.CER C1608 JB 1H 472K-T	B	153/81.6
C1091	4030006880	S.CER C1608 JB 1H 472K-T	T	149.3/149.4
C1092	4030006880	S.CER C1608 JB 1H 472K-T	T	147/138.5
C1093	4030006880	S.CER C1608 JB 1H 472K-T	T	161.3/135.8
C1101	4030006900	S.CER C1608 JB 1H 103K-T	T	177/90.9
C1102	4030006900	S.CER C1608 JB 1H 103K-T	T	175.4/115.5
C1103	4030011600	S.CER C1608 JB 1E 104K-T	T	179.6/116.4
C1104	4030011600	S.CER C1608 JB 1E 104K-T	T	175.4/87.7
C1106	4030011600	S.CER C1608 JB 1E 104K-T	T	179.3/128.8
C1107	4030011600	S.CER C1608 JB 1E 104K-T	B	172.3/124.2
C1109	4030007090	S.CER C1608 CH 1H 470J-T	T	175.7/137.9
C1110	4030006900	S.CER C1608 JB 1H 103K-T	T	175.7/136.6
C1111	4030011600	S.CER C1608 JB 1E 104K-T	T	176.7/132
C1112	4030006900	S.CER C1608 JB 1H 103K-T	T	179.3/132
C1113	4030007090	S.CER C1608 CH 1H 470J-T	T	178.6/140.9
C1114	4030006900	S.CER C1608 JB 1H 103K-T	B	178.4/138
C1115	4030011600	S.CER C1608 JB 1E 104K-T	T	175.7/140
C1116	4030006900	S.CER C1608 JB 1H 103K-T	T	165.7/138.7
C1117	4030007010	S.CER C1608 CH 1H 100D-T	T	169.7/142.2
C1118	4030011600	S.CER C1608 JB 1E 104K-T	T	171/142.2
C1119	4030006880	S.CER C1608 JB 1H 472K-T	T	171.9/146.6

[RXPLL-A UNIT]

REF NO.	ORDER NO.	DESCRIPTION	M.	H/V LOCATION
C1120	4030006880	S.CER C1608 JB 1H 472K-T	T	171.9/148.4
C1121	4030011600	S.CER C1608 JB 1E 104K-T	T	180.6/147.7
C1122	4030009530	S.CER C1608 CH 1H 030B-T	T	178.2/120.3
C1123	4030006900	S.CER C1608 JB 1H 103K-T	T	182.1/100.9
C1124	4030006900	S.CER C1608 JB 1H 103K-T	T	175.3/105.9
C1125	4030006900	S.CER C1608 JB 1H 103K-T	T	175.5/85.1
C1126	4030011600	S.CER C1608 JB 1E 104K-T	T	173.4/131.1
C1151	4030007110	S.CER C1608 CH 1H 680J-T	B	123.1/64
C1152	4030007110	S.CER C1608 CH 1H 680J-T	B	123.1/57
C1153	4030017810	S.CER C1608 CH 1H 102J-T	T	131.5/63.9
C1201	4030007110	S.CER C1608 CH 1H 680J-T	B	120.2/21.8
C1202	4030007110	S.CER C1608 CH 1H 680J-T	B	118.4/21.8
C1207	4030006880	S.CER C1608 JB 1H 472K-T	B	123/11.8
C1226	4030009500	S.CER C1608 CH 1H 0R5B-T	B	124.9/35.6
C1227	4030009500	S.CER C1608 CH 1H 0R5B-T	B	115.4/35.6
C1228	4030009920	S.CER C1608 CH 1H 050B-T	B	113.9/41.8
C1231	4030006900	S.CER C1608 JB 1H 103K-T	T	118.9/21.5
C1232	4030006900	S.CER C1608 JB 1H 103K-T	T	109/21.5
C1234	4030006900	S.CER C1608 JB 1H 103K-T	B	123.5/38.3
C1235	4030006880	S.CER C1608 JB 1H 472K-T	B	116.6/32.1
C1236	4030006900	S.CER C1608 JB 1H 103K-T	T	119.8/40
C1238	4030006900	S.CER C1608 JB 1H 103K-T	B	114/38.3
C1239	4030006880	S.CER C1608 JB 1H 472K-T	B	106.8/32.3
C1240	4030006900	S.CER C1608 JB 1H 103K-T	T	111.7/40.5
C1241	4030006900	S.CER C1608 JB 1H 103K-T	T	113.6/38.6
C1243	4030006880	S.CER C1608 JB 1H 472K-T	B	129.6/46.7
C1244	4030007080	S.CER C1608 CH 1H 390J-T	T	149.6/67
C1245	4030007130	S.CER C1608 CH 1H 101J-T	T	151/64.4
C1246	4030007120	S.CER C1608 CH 1H 820J-T	T	150.9/67
C1247	4030007090	S.CER C1608 CH 1H 470J-T	T	153.4/63.5
C1248	4030007130	S.CER C1608 CH 1H 101J-T	T	153.4/66.8
C1249	4030007020	S.CER C1608 CH 1H 120J-T	T	153.1/70.3
C1250	4030007100	S.CER C1608 CH 1H 560J-T	B	152.4/74.3
C1251	4030006900	S.CER C1608 JB 1H 103K-T	T	160.2/92.9
C1252	4030006900	S.CER C1608 JB 1H 103K-T	T	152.7/92.9
C1253	4030006900	S.CER C1608 JB 1H 103K-T	B	152.5/111.2
C1255	4030017810	S.CER C1608 CH 1H 102J-T	B	155.7/99.3
C1256	4030007010	S.CER C1608 CH 1H 100D-T	T	156.3/98.8
C1257	4030011600	S.CER C1608 JB 1E 104K-T	B	155.7/103
C1258	4030007080	S.CER C1608 CH 1H 390J-T	B	152/97.5
C1264	4030007110	S.CER C1608 CH 1H 680J-T	T	122/51.1
C1265	4610001830	S.TRI TZB4S100AB10R00	T	163.8/70.8
C1266	4030007020	S.CER C1608 CH 1H 120J-T	T	160.1/74.5
C1267	4030006880	S.CER C1608 JB 1H 472K-T	B	157/126.4
C1268	4030006980	S.CER C1608 CH 1H 070D-T	T	149.6/64.4
C1302	4030007060	S.CER C1608 CH 1H 270J-T	T	159.3/111
C1303	4030006980	S.CER C1608 CH 1H 070D-T	T	159.3/112.9
C1304	4030007070	S.CER C1608 CH 1H 330J-T	T	159.3/114.2
C1305	4030007100	S.CER C1608 CH 1H 100D-T	T	153.5/114.6
C1306	4030009650	S.CER C1608 CH 1H 240J-T	T	159.3/115.5
C1307	4030007030	S.CER C1608 CH 1H 150J-T	T	153.5/120.2
C1308	4030006900	S.CER C1608 JB 1H 103K-T	T	155.1/127.1
C1309	4030007080	S.CER C1608 CH 1H 390J-T	T	156.5/125.8
C1310	4030007080	S.CER C1608 CH 1H 390J-T	T	159.1/128.4
C1311	4030006900	S.CER C1608 JB 1H 103K-T	B	149/118.9
C1312	4030007060	S.CER C1608 CH 1H 270J-T	T	155.5/111.7
C1313	4030007060	S.CER C1608 CH 1H 270J-T	T	159.1/127.1
C1355	4030006880	S.CER C1608 JB 1H 472K-T	T	144.7/70
C1357	4030007000	S.CER C1608 CH 1H 090D-T	B	144.6/67.1
C1358	4030011600	S.CER C1608 JB 1E 104K-T	B	139.1/70.4
C1360	4030011600	S.CER C1608 JB 1E 104K-T	B	146.4/70.4
C1361	4030007020	S.CER C1608 CH 1H 120J-T	B	137.7/69.5
C1362	4030011600	S.CER C1608 JB 1E 104K-T	T	137.5/65.6
C1403	4030017810	S.CER C1608 CH 1H 102J-T	T	114.7/70.3
C1404	4030017810	S.CER C1608 CH 1H 102J-T	T	116.3/104.8
C1405	4030006900	S.CER C1608 JB 1H 103K-T	B	115.9/63.9
C1406	4030017810	S.CER C1608 CH 1H 102J-T	T	114.2/66.2
C1				



[RXPLL-A UNIT]

REF NO.	ORDER NO.	DESCRIPTION	M.	H/V LOCATION
C1457	4030006900	S.CER C1608 JB 1H 103K-T	T	118.3/72.9
C1458	4030006900	S.CER C1608 JB 1H 103K-T	T	116.6/103.5
C1501	4030018530	S.CER C3216 CH 1H 103J-T	T	131.2/124.5
C1502	4550003220	S.TAN TEESVA 1E 105M8R	T	132.1/139.2
C1503	4030006900	S.CER C1608 JB 1H 103K-T	T	137/142.1
C1504	4030012610	S.CER C2012 JB 1C 474K-T	T	136.7/140.5
C1505	4030007010	S.CER C1608 CH 1H 100D-T	T	130/143.5
C1506	4030010760	S.CER C1608 CH 1H 331J-T	T	131.3/146.3
C1507	4510008540	S.ELE EEE1CA100SR	T	142.6/140.8
C1508	4030011600	S.CER C1608 JB 1E 104K-T	B	128.8/148.8
C1509	4030018800	S.CER C3216 CH 1H 223J-T	T	135.8/145.1
C1510	4030007110	S.CER C1608 CH 1H 680J-T	T	136.5/158.9
C1511	4510008540	S.ELE EEE1CA100SR	T	132.7/150.6
C1512	4030011600	S.CER C1608 JB 1E 104K-T	T	129.6/149
C1513	4030011600	S.CER C1608 JB 1E 104K-T	T	129.6/158.1
C1514	4510008540	S.ELE EEE1CA100SR	T	132.7/156.5
C1515	4030007160	S.CER C1608 CH 1H 181J-T	T	132.2/160.8
C1516	4030009350	S.CER C1608 CH 1H 3R5B-T	T	130.9/160.8
C1517	4030007110	S.CER C1608 CH 1H 680J-T	T	115.3/155
C1518	4030018530	S.CER C3216 CH 1H 103J-T	T	131.2/132.8
C1519	4550003220	S.TAN TEESVA 1E 105M8R	T	122.9/140.9
C1520	4030006900	S.CER C1608 JB 1H 103K-T	T	119.8/140.7
C1521	4030012610	S.CER C2012 JB 1C 474K-T	T	116.2/142.1
C1522	4030007010	S.CER C1608 CH 1H 100D-T	T	123.7/143.5
C1523	4030010760	S.CER C1608 CH 1H 331J-T	T	122.4/146.3
C1524	4030018800	S.CER C3216 CH 1H 223J-T	T	117.9/145.2
C1525	4510008540	S.ELE EEE1CA100SR	T	124.9/150.6
C1526	4030011600	S.CER C1608 JB 1E 104K-T	T	128/149
C1527	4030011600	S.CER C1608 JB 1E 104K-T	T	128/158.1
C1528	4510008540	S.ELE EEE1CA100SR	T	124.9/156.5
C1529	4030017870	S.CER C1608 CH 1H 681J-T	T	125.4/160.8
C1530	4030011330	S.CER C1608 CH 1H 391J-T	T	126.7/160.8
C1531	4510008500	S.ELE EEE1CA101WP	T	111.3/167.3
C1532	4030011600	S.CER C1608 JB 1E 104K-T	T	107.1/167.3
C1533	4030011600	S.CER C1608 JB 1E 104K-T	T	115.5/167.3
C1534	4510008500	S.ELE EEE1CA101WP	T	119.7/167.3
C1535	4030011600	S.CER C1608 JB 1E 104K-T	T	133.7/172.6
C1536	4030017870	S.CER C1608 CH 1H 681J-T	T	126.2/179.5
C1537	4510008500	S.ELE EEE1CA101WP	T	111.3/176
C1538	4030011600	S.CER C1608 JB 1E 104K-T	T	107.1/176
C1539	4030011600	S.CER C1608 JB 1E 104K-T	T	115.5/176
C1540	4510008500	S.ELE EEE1CA101WP	T	119.7/176
C1541	4030007050	S.CER C1608 CH 1H 220J-T	T	124/175
C1651	4030006880	S.CER C1608 JB 1H 472K-T	B	105.5/144
C1653	4030006880	S.CER C1608 JB 1H 472K-T	B	109/137.2
C1654	4030017810	S.CER C1608 CH 1H 102J-T	B	106.9/137.2
C1655	4030009530	S.CER C1608 CH 1H 030B-T	T	107.6/136.8
C1656	4610001970	S.TRI TZC3P200A110R00	T	110.9/136.2
C1657	4030010220	S.CER C2012 CH 1H 102J-T	T	116.4/122.7
C1658	4030010220	S.CER C2012 CH 1H 102J-T	T	116.4/130.9
C1659	4030011600	S.CER C1608 JB 1E 104K-T	T	107.8/120
C1660	4030011600	S.CER C1608 JB 1E 104K-T	B	134/174
C1661	4030011600	S.CER C1608 JB 1E 104K-T	B	145.2/171.3
C1662	4030011600	S.CER C1608 JB 1E 104K-T	T	144.3/178
C1663	4030011600	S.CER C1608 JB 1E 104K-T	T	135.1/170.2
C1665	4030006900	S.CER C1608 JB 1H 103K-T	T	138.9/164.1
C1666	4030006880	S.CER C1608 JB 1H 472K-T	B	113.3/144
C1701	4030011600	S.CER C1608 JB 1E 104K-T	T	153.4/163
C1702	4030011600	S.CER C1608 JB 1E 104K-T	T	144.4/163
C1703	4510004601	S.ELE 16 ME 1000 HC	T	
C1704	4030011600	S.CER C1608 JB 1E 104K-T	B	180.1/160.2
C1705	4030011600	S.CER C1608 JB 1E 104K-T	B	186.4/160.2
C1706	4510008520	S.ELE EEE1CA470SP	T	172.7/154.8
C1707	4030011600	S.CER C1608 JB 1E 104K-T	T	149.7/154.8
C1708	4030006880	S.CER C1608 JB 1H 472K-T	T	175.7/166.8
C1709	4030006880	S.CER C1608 JB 1H 472K-T	T	172.6/166.8
C1710	4030006880	S.CER C1608 JB 1H 472K-T	T	169.6/166.8
C1711	4030011340	S.CER C1608 CH 1H 471J-T	T	171.4/163.5
C1712	4030011340	S.CER C1608 CH 1H 471J-T	T	167.5/163.5
C1713	4030006880	S.CER C1608 JB 1H 472K-T	B	165.5/168.8
C1714	4030006880	S.CER C1608 JB 1H 472K-T	B	153.8/141.8
C1716	4030006880	S.CER C1608 JB 1H 472K-T	B	154.7/145.1
C1717	4030006880	S.CER C1608 JB 1H 472K-T	B	152.9/145.1
C1719	4030006880	S.CER C1608 JB 1H 472K-T	B	151.1/145.1
C1720	4030006880	S.CER C1608 JB 1H 472K-T	B	155.6/141.8
C1721	4030006880	S.CER C1608 JB 1H 472K-T	B	157.4/141.8
RL1001	6330001750	R.LY FTR-B4CA012Z		
RL1002	6330001750	R.LY FTR-B4CA012Z		
RL1003	6330001750	R.LY FTR-B4CA012Z		
RL1004	6330001750	R.LY FTR-B4CA012Z		
RL1005	6330001750	R.LY FTR-B4CA012Z		
RL1006	6330001750	R.LY FTR-B4CA012Z		
RL1203	6330001750	R.LY FTR-B4CA012Z		
RL1206	6330001750	R.LY FTR-B4CA012Z		
J2	6510019991	S.CNR 52808-2271 (2291)	T	25/9
J10	6510007020	CNR TMP-J01X-V6		
J351	6510007020	CNR TMP-J01X-V6		
J561	6510007020	CNR TMP-J01X-V6		
J601	6510007020	CNR TMP-J01X-V6		
J681	6510007020	CNR TMP-J01X-V6		
J831	6510007020	CNR TMP-J01X-V6		
J1002	6510007020	CNR TMP-J01X-V6		
J1101	6510007020	CNR TMP-J01X-V6		
J1201	6510007020	CNR TMP-J01X-V6		
J1301	6510007020	CNR TMP-J01X-V6		
J1501	6510018961	S.CNR B2B-PH-SM4-TB (LF) (SN)	T	149.6/177.5
J1701	6510019981	S.CNR 52808-1671 (1690)	T	168/177.2
W1052	9016201006	WIR 73/98/025/X98/X98		
W1401	9029495075	JMP 73/98/020/X98/X98		
W1411	7120000480	S.JMP MJP-0-4-T	T	125.1/111.6

[RXPLL-B UNIT]

REF NO.	ORDER NO.	DESCRIPTION	M.	H/V LOCATION
IC1	1130011530	S.IC CD74HC4094M96	T	11.9/24.1
IC2	1130009691	S.IC TC74HCT7007AF (F)	T	22.8/23.3
IC51	1180001251	S.IC TA7808F (TE16L,Q)	T	77/16.7
IC61	1180000421	S.IC TA78L05F (TE12R,F)	B	56.5/16
IC101	1140007881	S.IC TC190G08EFG0046JDZ/SC1246A	T	31.3/89.7
IC102	1130003831	S.IC TC7S04F (TE85R,F)	T	33.1/74.7
IC104	1130003831	S.IC TC7S04F (TE85R,F)	T	31.7/101.1
IC201	1130009230	S.IC LMX2306TMX/NOPB	T	27.9/38.8
IC501	1140007881	S.IC TC190G08EFG0046JDZ/SC1246A	T	31.3/142.5
IC502	1130003831	S.IC TC7S04F (TE85R,F)	T	24.8/127.4
IC503	1130003831	S.IC TC7S04F (TE85R,F)	T	31.7/154.1
IC651	1140004550	S.IC M65343FP/SC1287	T	22.6/169.2
IC652	1130003831	S.IC TC7S04F (TE85R,F)	T	13.7/163.1
IC1051	1190002010	S.IC SD5400CY <TOMO>	T	176.9/99.9
IC1081	1110006180	S.IC UPG2009TB-E3	B	151.6/85.1
IC1402	1190002110	S.IC NJG1519KC1-TE3	T	117.3/69.5
IC1403	1190002110	S.IC NJG1519KC1-TE3	T	113.4/106.3
IC1501	1110006121	S.IC DBM9A41-G-TR	T	121.2/124.5
IC1502	1110006121	S.IC DBM9A41-G-TR	T	121.2/133
IC1503	1110006100	S.IC NJM5534MD-TE1	T	138.4/151.7
IC1504	1110006100	S.IC NJM5534MD-TE1	T	119.2/151.7
IC1505	1110006190	S.IC NJM074M-TE1	T	128.8/166.9
IC1506	1110006100	S.IC NJM5534MD-TE1	T	128.8/175.6
IC1651	1130011921	S.IC TC74LCX00F (EL,F)	T	110/126.2
IC1652	1110005420	S.IC BA15532MD-TE1	T	139.8/175.6
IC1653	1110005100	S.IC NJM072BM-TE1	B	140/172
IC1701	1130011530	S.IC CD74HC4094M96	T	158/166.7
IC1702	1130011530	S.IC CD74HC4094M96	T	148.9/166.7
IC1703	1160000131	S.IC TD62783AFG (S,EL)	T	157.3/154.8
IC1704	1180000790	S.IC AN78L10M (E1)	B	183.2/159.8
Q1	1590001050	S.TR DTC114EUA T106	B	30.3/22.6
Q30	1530002060	S.TR 2SC4081 T106 R	T	22.3/110.9
Q41	1590000680	S.TR DTC114EUA T106	T	12.8/34.2
Q150	1560000331	S.FET 2SK210-GR (TE85R,F)	T	26.9/53
Q151	1530002280	S.TR 2SC4081 T106 S	B	33.6/57.2
Q152	1530002280	S.TR 2SC4081 T106 S	B	30.8/78.2
Q201	1590001330	S.TR DTA114EUA T106	T	29.6/34.1
Q220	1560000331	S.FET 2SK210-GR (TE85R,F)	T	72.5/33.9
Q230	1560000331	S.FET 2SK210-GR (TE85R,F)	T	72.5/46.4
Q240	1560000331	S.FET 2SK210-GR (TE85R,F)	T	72.5/58.9
Q250	1560000331	S.FET 2SK210-GR (TE85R,F)	T	72.5/71.4
Q260	1560000331	S.FET 2SK210-GR (TE85R,F)	T	72.5/83.9
Q270	1560000331	S.FET 2SK210-GR (TE85R,F)	T	72.5/95.8
Q280	1590000680	S.TR DTC114EUA T106	T	82.3/34.4
Q281	1590000680	S.TR DTC114EUA T106	T	82.3/46.9
Q282	1590000680	S.TR DTC114EUA T106	T	82.3/59.4
Q283	1590000680	S.TR DTC114EUA T106	T	82.3/71.9
Q284	1590000680	S.TR DTC114EUA T106	T	82.3/84.4
Q285	1590000680	S.TR DTC114EUA T106	T	82.3/96.4
Q301	1530003432	S.TR 2SC5226A-4-TL-E	T	92.1/30.1
Q302	1530003432	S.TR 2SC5226A-4-TL-E	B	89.1/42.5
Q303	1530003432	S.TR 2SC5226A-4-TL-E	B	91.3/25.1
Q341	1590000680	S.TR DTC114EUA T106	T	86.3/36.7
Q351	1580000751	S.FET 3SK294 (TE85L,F)	T	92.1/56.9
Q352	1530003432	S.TR 2SC5226A-4-TL-E	B	89.2/64.5
Q363	1590000680	S.TR DTC114EUA T106	T	86.8/54.3
Q364	1590001330	S.TR DTA114EUA T106	T	86.8/57.4
Q441	1590000680	S.TR DTC114EUA T106	T	86.5/73.7
Q502	1590000680	S.TR DTC114EUA T106	T	41.9/128.8
Q540	1530002060	S.TR 2SC4081 T106 R	T	68.5/141.2
Q541	1560000331	S.FET 2SK210-GR (TE85R,F)	T	68.9/142.8
Q561	1530003432	S.TR 2SC5226A-4-TL-E	T	70.6/153.8
Q580	1530003432	S.TR 2SC5226A-4-TL-E	T	41.7/147.4
Q591	1530003151	S.TR 2SC4673D-TD-E	T	61.7/166.5
Q592	1520000561	S.TR 2SB1123 T-TD-E	B	52/165.3
Q593	1590000680	S.TR DTC114EUA T106	B	54.8/171.2
Q601	1530002601	S.TR 2SC4215-O (TE85R,F)	T	49.5/118.2
Q680	1530002060	S.TR 2SC4081 T106 R	T	37.5/163.2
Q702	1530002601	S.TR 2SC4215-O (TE85R,F)	T	31.4/110.9
Q1001	1530003851	S.TR 2SC5551F-TD-E	B	174/9
Q1004	1590001960	S.TR XP4311 (TX)	T	150/18.8
Q1005	1590001960	S.TR XP4311 (TX)	T	145.9/18.8
Q1006	1530003851	S.TR 2SC5551F-TD-E	B	150/37.6
Q1007	1530003851	S.TR 2SC5551F-TD-E	B	176.5/42.5
Q1008	1530003851	S.TR 2SC5551F-TD-E	B	160.5/42.5
Q1101	1530003860	TR 2SC3950D		
Q1102	1590000680	S.TR DTC114EUA T106	T	165.5/133.8
Q1103	1520000561	S.TR 2SB1123 T-TD-E	B	168.6/127.8
Q1104	1530003860	TR 2SC3950D		
Q1105	1530003842	S.TR 2SC5501A-4-TR-E	T	166.5/142.1
Q1205	1590001960	S.TR XP4311 (TX)	T	158.8/55.6
Q1209	1530003851	S.TR 2SC5551F-TD-E	B	121/34.9



[RXPLL-B UNIT]

REF NO.	ORDER NO.	DESCRIPTION	M.	H/V LOCATION
D153	1790000491	S.DIO HSM88ASTR-E	T	27.2/60.4
D154	1790000491	S.DIO HSM88ASTR-E	T	27.2/63.8
D201	1750000520	S.DIO DAN222TL	T	32.4/34.1
D220	1720000590	S.VCP MA357 (TX)	T	50.8/31.8
D221	1720000590	S.VCP MA357 (TX)	T	52.9/31.8
D222	1790000620	S.DIO MA77 (TX)	T	82.6/29.8
D230	1720000590	S.VCP MA357 (TX)	T	50.8/44.2
D231	1720000590	S.VCP MA357 (TX)	T	52.9/44.2
D232	1790000620	S.DIO MA77 (TX)	T	82.6/42.3
D240	1720000590	S.VCP MA357 (TX)	T	50.8/56.7
D241	1720000590	S.VCP MA357 (TX)	T	52.9/56.7
D242	1790000620	S.DIO MA77 (TX)	T	82.6/54.8
D250	1720000590	S.VCP MA357 (TX)	T	50.8/69.2
D252	1790000620	S.DIO MA77 (TX)	T	82.6/67.3
D261	1720000590	S.VCP MA357 (TX)	T	52.9/81.7
D262	1790000620	S.DIO MA77 (TX)	T	82.6/79.8
D270	1720000590	S.VCP MA357 (TX)	T	50.8/94.2
D271	1720000590	S.VCP MA357 (TX)	T	52.4/96.7
D272	1790000620	S.DIO MA77 (TX)	T	82.5/92
D341	1790000620	S.DIO MA77 (TX)	T	90/37.2
D342	1160000070	S.DIO DAN202K T146	B	81.1/47.7
D362	1790000620	S.DIO MA77 (TX)	T	88.3/65.5
D363	1790000620	S.DIO MA77 (TX)	T	88.3/62
D421	1790000620	S.DIO MA77 (TX)	T	91.9/85
D441	1790000620	S.DIO MA77 (TX)	T	89.6/74.4
D501	1750000520	S.DIO DAN222TL	T	42/132
D542	1720000590	S.VCP MA357 (TX)	T	62.5/139.6
D1101	1790000620	S.DIO MA77 (TX)	T	177.6/146.6
D1102	1790000620	S.DIO MA77 (TX)	T	177.6/148.4
D1351	1750000581	S.DIO 1SV307 (TPH3,F)	T	140.8/71.1
D1653	1750000550	S.DIO 1S5355 TE-17	T	138.9/167.2
D1654	1750000550	S.DIO 1S5355 TE-17	T	142.5/167.2
D1701	1790001670	S.DIO RB706F-40T106	T	170.5/160.8
FI101	2020002090	S.CER SFECV10M7FD00-R0	T	26/73.9
FI1401	2030000321	S.MLH FL-359A (64.555 MHz)	T	116.3/88.5
FI1402	2030000311	S.MLH FL-360A (64.555 MHz)	T	107/88.5
FI1403	2030000520	S.MLH DSF753SDF 64.555 (FL-397)	T	126/85.5
L1	6200003261	S.COL NLV32T-101J	T	10.8/15.4
L2	6200003261	S.COL NLV32T-101J	T	29/19.9
L10	6200003950	S.COL HF50ACC 322513-T	T	38.6/14.7
L11	6200003950	S.COL HF50ACC 322513-T	T	13.8/15.4
L12	6200003950	S.COL HF50ACC 322513-T	T	16.8/15.4
L13	6200003950	S.COL HF50ACC 322513-T	T	29/15.4
L20	6200003321	S.COL NLV32T-3R3J	T	85.9/123.8
L30	6200005491	S.COL NLV32T-331J	T	20.6/120
L101	6200001831	S.COL NLV32T-100J	T	38.3/72.8
L151	6130002970	COL LB-343		
L152	6200001831	S.COL NLV32T-100J	T	30/54.5
L201	6200005011	S.COL NLV25T-100J	T	22.2/45
L211	6200003661	S.COL NLV25T-R68J	B	45.4/35.3
L220	6200010790	S.COL C2520C-3R9G-A	T	51.9/37.5
L221	6190001421	COL #E526GN-110502		
L222	6200010790	S.COL C2520C-3R9G-A	T	76.2/37.7
L230	6200010830	S.COL C2520C-3R3G-A	T	51.9/50
L231	6190001421	COL #E526GN-110502		
L232	6200010830	S.COL C2520C-3R3G-A	T	76.2/50.2
L240	6200010830	S.COL C2520C-3R3G-A	T	51.9/62.4
L241	6190001421	COL #E526GN-110502		
L242	6200010830	S.COL C2520C-3R3G-A	T	76.2/62.7
L250	6200010820	S.COL C2520C-2R7G-A	T	51.9/74.9
L251	6190001421	COL #E526GN-110502		
L252	6200010820	S.COL C2520C-2R7G-A	T	76.2/75.2
L260	6200010820	S.COL C2520C-2R7G-A	T	51.9/87.4
L261	6190001411	COL #E526GN-110501		
L262	6200010820	S.COL C2520C-2R7G-A	T	76.2/87.7
L270	6200010810	S.COL C2520C-2R2G-A	T	51.9/99.8
L271	6190001411	COL #E526GN-110501		
L272	6200010810	S.COL C2520C-2R2G-A	T	76/100.2
L280	6200005011	S.COL NLV25T-100J	T	67.4/25.5
L302	6200001831	S.COL NLV32T-100J	T	89.3/42.6
L331	6200002641	S.COL NLV25T-R15J	T	95.1/34.1
L332	6200002411	S.COL NLV25T-056J	B	93.2/36
L341	6200003261	S.COL NLV32T-101J	T	87/39.6
L351	6200001831	S.COL NLV32T-100J	T	91.3/62
L421	6200008641	S.COL NLV32T-391J	T	87/81
L441	6200002601	S.COL NLV25T-047J	T	91.9/72.3
L442	6200010730	S.COL C2520C-68NG-A	T	90.5/78.2
L451	6200002641	S.COL NLV25T-R15J	T	95/81
L452	6200003261	S.COL NLV32T-101J	T	87/78
L501	6200001831	S.COL NLV32T-100J	T	31/125.8
L530	6200003171	S.COL NLV32T-330J	T	14.6/134.9
L531	6200003171	S.COL NLV32T-330J	T	14.6/130.8
L532	6200003171	S.COL NLV32T-330J	T	15.5/127.1
L541	6200010790	S.COL C2520C-3R9G-A	T	56.3/139.6
L542	6190001421	COL #E526GN-110502		
L543	6200010790	S.COL C2520C-3R9G-A	T	68.4/147.9
L544	6200003261	S.COL NLV32T-101J	B	65.9/142.1
L545	6200003261	S.COL NLV32T-101J	B	51.3/139.6
L561	6200003261	S.COL NLV32T-101J	B	64/156
L562	6200001831	S.COL NLV32T-100J	B	74.6/151.8
L565	6150004250	COL LS-471A (C-14922)		
L566	6150004250	COL LS-471A (C-14922)		
L591	6200007790	S.COL LQW2BHN15J03L	T	60.5/171.5
L601	6200001831	S.COL NLV32T-100J	T	49.5/123.6
L602	6200002641	S.COL NLV25T-R15J	T	54.1/118
L603	6200002841	S.COL NLV25T-R22J	T	57.1/117.2
L651	6200001831	S.COL NLV32T-100J	T	15.5/176.2
L681	6200002981	S.COL NLV32T-R56J	T	37.4/176.2
L682	6200003041	S.COL NLV32T-R68J	T	37.8/172.6
L683	6200003051	S.COL NLV32T-R82J	T	40.2/166.2

[RXPLL-B UNIT]

REF NO.	ORDER NO.	DESCRIPTION	M.	H/V LOCATION
L701	6200003261	S.COL NLV32T-101J	T	23.6/120
L702	6150004971	S.COL LS-522-LF	T	37.6/108.6
L703	6150004971	S.COL LS-522-LF	T	37.5/118.5
L1001	6190001650	COL ELC06D102E		
L1002	6140004400	COL LR-499		
L1004	6140003890	COL LR-488		
L1005	6180001000	COL LAL 04NA 102K		
L1006	6140003900	COL LR-489		
L1007	6140003800	COL LR-439		
L1008	6190001650	COL ELC06D102E		
L1009	6190001650	COL ELC06D102E		
L1010	6140003880	COL LR-486		
L1011	6140003880	COL LR-486		
L1012	6140003800	COL LR-439		
L1013	6200010680	S.COL C2520C-R22G-A (0.22U)	T	155/55.2
L1014	6200010680	S.COL C2520C-R22G-A (0.22U)	T	157.9/12.4
L1015	6200007790	S.COL LQW2BHN15J03L	B	163.5/27.5
L1052	6200010740	S.COL C2520C-R27G-A	T	177.8/74.6
L1053	6200010740	S.COL C2520C-R27G-A	T	173.8/73.5
L1054	6200010740	S.COL C2520C-R27G-A	T	169.4/72.6
L1055	6140003960	COL LR-495		
L1056	6200010730	S.COL C2520C-68NG-A	T	171/83.8
L1058	6190001631	COL #E544EN-100021		
L1060	6200010730	S.COL C2520C-68NG-A	T	149.1/76.4
L1062	6200011450	S.COL C2520C-R39G-A	T	145.1/81.4
L1063	6200010650	S.COL C2520C-R12G-A (0.12U)	T	140.9/82.5
L1071	6200007780	S.COL LQW2BHN12J03L	B	164.9/79.2
L1072	6200007780	S.COL LQW2BHN12J03L	B	168/76.1
L1091	6200003950	S.COL HF50ACC 322513-T	B	171/149
L1092	6200003950	S.COL HF50ACC 322513-T	T	149.7/136.5
L1093	6200003950	S.COL HF50ACC 322513-T	T	157/135.2
L1101	6140003920	COL LR-491		
L1102	6200010650	S.COL C2520C-R12G-A (0.12U)	T	176.9/117.9
L1103	6180001250	COL LAL 04NA 3R3K		
L1104	6200010870	S.COL C2520C-R33G-A (0.33U)	T	178.3/135.9
L1105	6140003910	COL LR-490		
L1151	6140004640	COL LR-519		
L1201	6200007780	S.COL LQW2BHN12J03L	B	119.3/17.4
L1208	6140003800	COL LR-439		
L1209	6200001831	S.COL NLV32T-100J	T	121.1/20.8
L1210	6140004440	COL LR-503		
L1211	6200009690	S.COL LQH43CN101K03L	T	115.7/34.6
L1212	6200001831	S.COL NLV32T-100J	T	106.8/20.8
L1213	6140004440	COL LR-503		
L1214	6200009690	S.COL LQH43CN101K03L	T	105.9/34.8
L1216	6140003800	COL LR-439		
L1217	6200007750	S.COL LQW2BHN56NJ03L	T	147.9/63.7
L1218	6200007770	S.COL LQW2BHN10J03L	T	153.3/65.1
L1219	6200007790	S.COL LQW2BHN15J03L	T	153.2/78.4
L1220	6140000930	COL LR-116		
L1221	6200003261	S.COL NLV32T-101J	B	149.5/110.9
L1222	6150001770	COL LS-198		
L1223	6200007750	S.COL LQW2BHN56NJ03L	B	151.3/100.7
L1228	6200010870	S.COL C2520C-R33G-A (0.33U)	T	158.7/71.3
L1229	6200003950	S.COL HF50ACC 322513-T	B	164.7/115
L1301	6200008090	S.COL LQW2BHN68NJ03L	T	157.1/111.9
L1302	6200008090	S.COL LQW2BHN68NJ03L	T	156.4/115.5
L1303	6200008090	S.COL LQW2BHN68NJ03L	T	153.4/117.5
L1304	6200010870	S.COL C2520C-R33G-A (0.33U)	T	153.8/123
L1305	6200003001	S.COL NLV32T-R22J	T	159.2/124.5
L1306	6200001831	S.COL NLV32T-100J	B	152.7/118.6
L1307	6200003001	S.COL NLV32T-R22J	T	153.3/112
L1351	6200001831	S.COL NLV32T-100J	T	143/76.4
L1353	6200010740	S.COL C2520C-R27G-A	T	141.6/67.5
L1354	6200001831	S.COL NLV32T-100J	T	136.4/68
L1401	6150004280	COL LS-484B (C-14927)		
L1402	6150004280	COL LS-484B (C-14927)		
L1403	6150004280	COL LS-484B (C-14927)		
L1404	6150004280	COL LS-484B (C-14927)		
L1405	6200007770	S.COL LQW2BHN10J03L	B	112.5/111.4
L1406	6200007750	S.COL LQW2BHN56NJ03L	B	116.6/111.4
L1407	6140003930	COL LR-492		
L1408	6190001621	COL #E544EN-100028		
L1409	6200003191	S.COL NLV32T-470J	B	135.8/125.4
L1410	6150004280	COL LS-484B (C-14927)		
L1411	6150004280	COL LS-484B (C-14927)		
L1501	6200003520	S.COL ELJFB 102K-F	T	142.1/145.1
L1652	6200002520	S.COL ELJNC R18K-F	T	112.9/133.1
L1653	6200001831	S.COL NLV32T-100J	B	105.4/124.6
L1654	6200001831	S.COL NLV32T-100J	B	112.4/141.9
L1655	6200001831	S.COL NLV32T-100J	B	124.7/139.8
L1701	6200001831	S.COL NLV32T-100J	T	167/160
L1702	6200003950	S.COL HF50ACC 322513-T	T	175.6/169.8
L1703	6200003950	S.COL HF50ACC 322513-T	T	172.6/169.8
L1704	6200003950	S.COL HF50ACC 322513-T	T	169.6/169.8
L1705	6200003950	S.COL HF50ACC 322513-T	T	165.5/169.8
L1803	6200003950	S.COL HF50ACC 322513-T	B	132/54.8
L1804	6200003950	S.COL HF50ACC 322513-T	B	118/154.8
L1805	6200003950	S.COL HF50ACC 322513-T	B	155.2/132
L1807	6200003950	S.COL HF50ACC 322513-T	B	118/151.3
L1808	6200003950	S.COL HF50ACC 322513-T	B	141.3/162
L1809	6200003950	S.COL HF50ACC 322513-T	B	149.5/115.6
R1	7030005871	S.RES ERA3YKD 104V (100 k)	T	32.5/19.2
R2	7030005321	S.RES ERA3YKD 103V (10 k)	T	31.2/19.2
R3	7030003550	S.RES ERJ3GEYJ 822 V (8.2 k)	T	16.9/23.5
R4	7030003550	S.RES ERJ3GEYJ 822 V (8.2 k)	T	16.9/24.8

[RXPLL-B UNIT]

REF NO.	ORDER NO.	DESCRIPTION	M.	H/V LOCATION
R11	7030003360	S.RES ERJ3GEYJ 221 V (220)	T	20.3/16
R12	7030003360	S.RES ERJ3GEYJ 221 V (220)	T	22.4/16
R13	7030003360	S.RES ERJ3GEYJ 221 V (220)	T	23.7/16
R14	7030003360	S.RES ERJ3GEYJ 221 V (220)	T	25/16
R15	7030003360	S.RES ERJ3GEYJ 221 V (220)	T	26.4/16.2
R16	7030003360	S.RES ERJ3GEYJ 221 V (220)	T	32.5/15.4
R17	7030003360	S.RES ERJ3GEYJ 221 V (220)	T	33.8/15.4
R30	7030003240	S.RES ERJ3GEYJ 220 V (220)	T	21.7/113.7
R31	7030003600	S.RES ERJ3GEYJ 223 V (22 k)	T	20.4/111.1
R32	7030003320	S.RES ERJ3GEYJ 101 V (100)	T	23/113.7
R33	7030003340	S.RES ERJ3GEYJ 151 V (150)	T	19.1/115
R51	7030011030	S.RES ERJ1TYJ 270U (27)	T	66.3/13.9
R61	7030011030	S.RES ERJ1TYJ 270U (27)	T	45.1/13.9
R101	7030003800	S.RES ERJ3GEYJ 105 V (1 M)	T	34.1/101.5
R102	7030003860	S.RES ERJ3GE JPW V	B	35.6/88.6
R103	7030007230	S.RES ERA3YED 102V (1 k)	T	25.1/100.3
R104	7030007230	S.RES ERA3YED 102V (1 k)	T	26.4/100.3
R105	7030007230	S.RES ERA3YED 102V (1 k)	T	27.8/100.3
R106	7030003360	S.RES ERJ3GEYJ 221 V (220)	T	29.1/100.3
R107	7030003320	S.RES ERJ3GEYJ 101 V (100)	T	38/101.5
R108	7030007230	S.RES ERA3YED 102V (1 k)	T	28.9/79
R109	7030007230	S.RES ERA3YED 102V (1 k)	T	41.9/84.5
R110	7030007220	S.RES ERA3YED 202V (2 k)	T	14.6/100.5
R111	7030007220	S.RES ERA3YED 202V (2 k)	T	17.2/100.5
R112	7030007220	S.RES ERA3YED 202V (2 k)	T	17.2/99.2
R113	7030007220	S.RES ERA3YED 202V (2 k)	T	17.2/97.9
R114	7030007220	S.RES ERA3YED 202V (2 k)	T	17.2/96.6
R115	7030007220	S.RES ERA3YED 202V (2 k)	T	17.2/95.2
R116	7030007220	S.RES ERA3YED 202V (2 k)	T	17.2/93.9
R117	7030007220	S.RES ERA3YED 202V (2 k)	T	17.2/92.6
R118	7030007200	S.RES ERA3YEB 202V (2 k)	T	17.2/91.3
R119	7030007200	S.RES ERA3YEB 202V (2 k)	T	17.2/89.6
R120	7030007200	S.RES ERA3YEB 202V (2 k)	T	17.2/87
R121	7030007200	S.RES ERA3YEB 202V (2 k)	T	17.2/84.4
R122	7030007200	S.RES ERA3YEB 202V (2 k)	T	17.2/81.8
R123	7030007230	S.RES ERA3YED 102V (1 k)	T	14.6/99.2
R124	7030007230	S.RES ERA3YED 102V (1 k)	T	14.6/97.9
R125	7030007230	S.RES ERA3YED 102V (1 k)	T	14.6/96.6
R126	7030007230	S.RES ERA3YED 102V (1 k)	T	14.6/95.2
R127	7030007230	S.RES ERA3YED 102V (1 k)	T	14.6/93.9
R128	7030007230	S.RES ERA3YED 102V (1 k)	T	14.6/92.6
R129	7030007210	S.RES ERA3YEB 102V (1 k)	T	14.6/91.3
R130	7030007210	S.RES ERA3YEB 102V (1 k)	T	14.6/89.6
R131	7030007210	S.RES ERA3YEB 102V (1 k)	T	14.6/88.3
R132	7030007210	S.RES ERA3YEB 102V (1 k)	T	14.6/87
R133	7030007210	S.RES ERA3YEB 102V (1 k)	T	14.6/85.7
R134	7030009861	S.RES ERA3YED 471V (470)	T	14.6/84.4
R135	7030003860	S.RES ERJ3GE JPW V	T	30.4/75.8
R136	7030003800	S.RES ERJ3GEYJ 105 V (1 M)	T	33.7/77.1
R137	7030003200	S.RES ERJ3GEYJ 100 V (10)	T	35.5/75.8
R138	7030003860	S.RES ERJ3GE JPW V	T	16.8/78.6
R139	7030003860	S.RES ERJ3GE JPW V	T	17.6/75.8
R150	7030003330	S.RES ERJ3GEYJ 121 V (120)	B	37.8/86.2
R151	7030003220	S.RES ERJ3GEYJ 150 V (15)	B	38.6/88.1
R152	7030005871	S.RES ERA3YKD 104V (100 k)	B	36.2/82.5
R153	7030005321	S.RES ERA3YED 103V (10 k)	B	19.2/62.7
R154	7030003320	S.RES ERJ3GEYJ 101 V (100)	B	26.3/54.1
R155	7030003350	S.RES ERJ3GEYJ 181 V (180)	B	23/54.1
R156	7030005871	S.RES ERA3YKD 104V (100 k)	T	24.6/53.1
R157	7030005871	S.RES ERA3YKD 104V (100 k)	T	26.9/58
R158	7030003340	S.RES ERJ3GEYJ 151 V (150)	T	30/57.3
R159	7030003320	S.RES ERJ3GEYJ 101 V (100)	B	33.6/61.4
R160	7030003360	S.RES ERJ3GEYJ 221 V (220)	B	33.6/59.6
R161	7030003640	S.RES ERJ3GEYJ 473 V (47 k)	B	33.6/54.8
R163	7030003220	S.RES ERJ3GEYJ 150 V (15)	B	30.2/56.6
R164	7030003310	S.RES ERJ3GEYJ 820 V (82)	B	34.1/70.4
R165	7030003320	S.RES ERJ3GEYJ 101 V (100)	B	30.8/70.4
R166	7030003320	S.RES ERJ3GEYJ 101 V (100)	B	30.8/72.2
R167	7030003240	S.RES ERJ3GEYJ 220 V (22)	B	37.4/75.8
R168	7030003360	S.RES ERJ3GEYJ 221 V (220)	B	34.1/75.8
R169	7030003640	S.RES ERJ3GEYJ 473 V (47 k)	B	30.8/75.8
R202	7030007230	S.RES ERA3YED 102V (1 k)	T	22.2/39.7
R203	7030007230	S.RES ERA3YED 102V (1 k)	T	22.2/38.4
R204	7030003360	S.RES ERJ3GEYJ 221 V (220)	T	22.2/37.1
R205	7030005321	S.RES ERA3YED 103V (10 k)	T	27.4/34
R206	7030003220	S.RES ERJ3GEYJ 150 V (15)	T	31.1/45.7
R210	7030005351	S.RES ERA3YED 182V (1.8 k)	T	35.6/37.5
R217	7030009651	S.RES ERA3YHD 820V (82)	B	40.4/42.8
R219	7030009691	S.RES ERA3YED 101V (100)	B	40/35.7
R220	7030005871	S.RES ERA3YKD 104V (100 k)	T	73.2/37.6
R221	7030005871	S.RES ERA3YKD 104V (100 k)	T	72.3/30.9
R222	7030003400	S.RES ERJ3GEYJ 471 V (470)	T	81.4/38.3
R223	7030007230	S.RES ERA3YED 102V (1 k)	T	81.9/31.9
R224	7030003320	S.RES ERJ3GEYJ 101 V (100)	T	73.2/40.2
R230	7030005871	S.RES ERA3YKD 104V (100 k)	T	73.2/50.1
R231	7030005871	S.RES ERA3YKD 104V (100 k)	T	72.3/43.3
R232	7030003360	S.RES ERJ3GEYJ 221 V (220)	T	81.4/50.8
R233	7030007230	S.RES ERA3YED 102V (1 k)	T	81.9/44.4
R234	7030003320	S.RES ERJ3GEYJ 101 V (100)	T	73.2/52.7
R240	7030005871	S.RES ERA3YKD 104V (100 k)	T	73.2/62.6
R241	7030005871	S.RES ERA3YKD 104V (100 k)	T	72.3/55.8
R242	7030003360	S.RES ERJ3GEYJ 221 V (220)	T	81.4/63.3
R243	7030007230	S.RES ERA3YED 102V (1 k)	T	81.9/56.9
R244	7030003320	S.RES ERJ3GEYJ 101 V (100)	T	73.2/65.2
R250	7030005871	S.RES ERA3YKD 104V (100 k)	T	73.2/75.1
R251	7030005871	S.RES ERA3YKD 104V (100 k)	T	72.3/68.4
R252	7030003360	S.RES ERJ3GEYJ 221 V (220)	T	81.4/75.8
R253	7030007230	S.RES ERA3YED 102V (1 k)	T	81.9/69.4
R254	7030003320	S.RES ERJ3GEYJ 101 V (100)	T	73.2/77.7
R260	7030005871	S.RES ERA3YKD 104V (100 k)	T	73.2/87.6
R261	7030005871	S.RES ERA3YKD 104V (100 k)	T	72.3/80.9
R262	7030003400	S.RES ERJ3GEYJ 471 V (470)	T	81.4/88.3
R263	7030007230	S.RES ERA3YED 102V (1 k)	T	81.9/81.9
R264	7030003320	S.RES ERJ3GEYJ 101 V (100)	T	73.2/90.2

[RXPLL-B UNIT]

REF NO.	ORDER NO.	DESCRIPTION	M.	H/V LOCATION
R270	7030005871	S.RES ERA3YKD 104V (100 k)	T	73.2/99.5
R271	7030005871	S.RES ERA3YKD 104V (100 k)	T	72.3/92.8
R272	7030003360	S.RES ERJ3GEYJ 221 V (220)	T	81.4/100.8
R273	7030007230	S.RES ERA3YED 102V (1 k)	T	81.9/93.9
R274	7030003320	S.RES ERJ3GEYJ 101 V (100)	T	73.2/102.1
R301	7030003200	S.RES ERJ3GEYJ 100 V (10)	T	86.5/30.6
R302	7030007230	S.RES ERA3YED 102V (1 k)	T	86.5/29.3
R303	7030003360	S.RES ERJ3GEYJ 221 V (220)	T	92.1/28
R304	7030003490	S.RES ERJ3GEYJ 272 V (2.7 k)	T	94/30.1
R305	7030003510	S.RES ERJ3GEYJ 392 V (3.9 k)	T	95.3/30.1
R306	7030003360	S.RES ERJ3GEYJ 221 V (220)	T	94.7/32.2
R307	7030009841	S.RES ERA3YHD 330V (33)	T	92.1/32.2
R308	7030009851	S.RES ERA3YED 271V (270)	B	92.6/43.4
R309	7030003540	S.RES ERJ3GEYJ 682 V (6.8 k)	B	89.1/47
R310	7030003500	S.RES ERJ3GEYJ 332 V (3.3 k)	B	92.6/47
R311	7030003350	S.RES ERJ3GEYJ 181 V (180)	B	89.1/45.2
R312	7030003360	S.RES ERJ3GEYJ 221 V (220)	B	92.4/27.8
R313	7030003490	S.RES ERJ3GEYJ 272 V (2.7 k)	B	91.1/23.1
R314	7030003510	S.RES ERJ3GEYJ 392 V (3.9 k)	B	88.3/23.1
R315	7030003360	S.RES ERJ3GEYJ 221 V (220)	B	87.5/25.1
R316	7030003280	S.RES ERJ3GEYJ 470 V (47)	B	78.3/26.1
R317	7030006220	S.RES ERJ12YJ470U (47)	B	90/31.4
R318	7030009841	S.RES ERA3YHD 330V (33)	B	92.6/41.6
R341	7030007230	S.RES ERA3YED 102V (1 k)	T	92.1/40.1
R342	7030005321	S.RES ERA3YED 103V (10 k)	T	86.5/32.2
R343	7030007230	S.RES ERA3YED 102V (1 k)	T	89.3/34.8
R351	7030003200	S.RES ERJ3GEYJ 100 V (10)	B	89.1/52.4
R352	7030010980	S.RES ERA3YHD 470V (47)	T	89.3/55.8
R353	7030009591	S.RES ERA3YED 472V (4.7 k)	T	89.3/54.5
R354	7030009591	S.RES ERA3YED 472V (4.7 k)	T	89.3/50.4
R355	7030009591	S.RES ERA3YED 472V (4.7 k)	T	89.3/53.2
R356	7030003320	S.RES ERJ3GEYJ 101 V (100)	T	89.3/57.1
R357	7310005580	S.TRI TMC3ADCS3X 4.7K	T	93.6/52.7
R358	7030010980	S.RES ERA3YHD 470V (47)	T	94.9/56.4
R359	7030003320	S.RES ERJ3GEYJ 101 V (100)	T	94.9/59
R360	7030003320	S.RES ERJ3GEYJ 101 V (100)	B	92.6/63.9
R361	7030003490	S.RES ERJ3GEYJ 272 V (2.7 k)	B	89.2/62.1
R362	7030003510	S.RES ERJ3GEYJ 392 V (3.9 k)	B	92.6/60.3
R363	7030003320	S.RES ERJ3GEYJ 101 V (100)	B	92.6/65.7
R364	7030003410	S.RES ERJ3GEYJ 561 V (560)	T	94.9/82.9
R365	7030007860	S.RES ERJ3GEYJ 8R2V (8.2)	T	92/83.4
R366	7030003410	S.RES ERJ3GEYJ 561 V (560)	T	94.9/84.2
R368	7030005321	S.RES ERA3YED 103V (10 k)	T	86.1/59.6
R369	7030008240	S.RES ERJ12Y0R00U	B	95.3/57.1
R421	7030007230	S.RES ERA3YED 102V (1 k)	T	92.1/87.8
R425	7030003410	S.RES ERJ3GEYJ 561 V (560)	T	90.1/81.6
R427	7030003320	S.RES ERJ3GEYJ 101 V (100)	B	86.8/87.3
R428	7030009861	S.RES ERA3YED 471V (470)	B	92.1/88
R441	7030007230	S.RES ERA3YED 102V (1 k)	T	92.1/75.5
R442	7030005321	S.RES ERA3YED 103V (10 k)	T	88.9/70.9
R443	7030007230	S.RES ERA3YED 102V (1 k)	T	88.9/72.2
R501	7030003360	S.RES ERJ3GEYJ 221 V (220)	T	29.2/153.1
R502	7030007230	S.RES ERA3YED 102V (1 k)	T	27.9/153.1
R503	7030007230	S.RES ERA3YED 102V (1 k)	T	26.5/153.1
R504	7030007230	S.RES ERA3YED 102V (1 k)	T	25.2/153.1
R506	7030003800	S.RES ERJ3GEYJ 105 V (1 M)	T	34/154.5
R509	7030007230	S.RES ERA3YED 102V (1 k)	T	42.5/136
R510	7030007220	S.RES ERA3YED 202V (2 k)	T	14.6/153.6
R511	7030007220	S.RES ERA3YED 202V (2 k)	T	17.2/153.6
R512	7030007220	S.RES ERA3YED 202V (2 k)	T	17.2/152.3
R513	7030007220	S.RES ERA3YED 202V (2 k)	T	17.2/151
R514	7030007220	S.RES ERA3YED 202V (2 k)	T	17.2/149.7
R515	7030007220	S.RES ERA3YED 202V (2 k)	T	17.2/148.3
R516	7030007220	S.RES ERA3YED 202V (2 k)	T	17.2/147
R517	7030007220	S.RES ERA3YED 202V (2 k)	T	17.2/145.7
R518	7030007200	S.RES ERA3YEB 202V (2 k)	T	17.2/144.4
R519	7030007200	S.RES ERA3YEB 202V (2 k)	T	17.2/142.7
R520	7030007200	S.RES ERA3YEB 202V (2 k)	T	17.2/141.4
R521	7030007200	S.RES ERA3YEB 202V (2 k)	T	17.2/140.1
R522	7030007200	S.RES ERA3YEB 202V (2 k)	T	17.2/138.8
R523	7030007230	S.RES ERA3YED 102V (1 k)	T	14.6/152.3
R524	7030007230	S.RES ERA3YED 102V (1 k)	T	14.6/151
R525	7030007230	S.RES ERA3YED 102V (1 k)	T	14.6/149.7
R526	7030007230	S.RES ERA3YED 102V (1 k)	T	14.6/148.3
R527	7030007230	S.RES ERA3YED 102V (1 k)	T	14.6/147
R528	7030007230	S.RES ERA3YED 102V (1 k)	T	14.6/145.7
R529	7030007210	S.RES ERA3YEB 102V (1 k)	T	14.6/144.4
R530	7030007210	S.RES ERA3YEB 102V (1 k)	T	14.6/142.7
R531	7030007210	S.RES ERA3YEB 1		



[RXPLL-B UNIT]

REF NO.	ORDER NO.	DESCRIPTION	M.	H/V LOCATION
R574	7030003240	S.RES ERJ3GEYJ 220 V (22)	T	60.5/155.5
R575	7030003270	S.RES ERJ3GEYJ 390 V (39)	T	58.5/156.3
R580	7030009861	S.RES ERA3YED 471V (470)	T	41.9/153.7
R581	7030003360	S.RES ERJ3GEYJ 221 V (220)	T	41.9/145.5
R582	7030003600	S.RES ERJ3GEYJ 223 V (22 k)	T	41.9/149.5
R587	7030003300	S.RES ERJ3GEYJ 680 V (68)	T	55.7/157.6
R588	7030003340	S.RES ERJ3GEYJ 151 V (150)	T	58.5/158.9
R589	7030003300	S.RES ERJ3GEYJ 680 V (68)	T	55.7/158.9
R591	7030003320	S.RES ERA3YED 101 V (100)	T	58.2/169.9
R592	7030005321	S.RES ERA3YED 103V (10 k)	T	58.5/167.9
R593	7030003480	S.RES ERJ3GEYJ 222 V (2.2 k)	T	58.5/165.1
R594	7030003320	S.RES ERJ3GEYJ 101 V (100)	B	61.9/168.1
R595	7030003640	S.RES ERA3YED 473 V (47 k)	B	55.9/165.3
R596	7030003540	S.RES ERJ3GEYJ 682 V (6.8 k)	B	54.7/168.9
R601	7030009851	S.RES ERA3YED 271V (270)	T	51.7/118.2
R602	7030003470	S.RES ERJ3GEYJ 182 V (1.8 k)	T	49.5/120.1
R606	7030003360	S.RES ERJ3GEYJ 221 V (2.2 k)	T	45.3/115.6
R607	7030003480	S.RES ERJ3GEYJ 222 V (2.2 k)	T	48.6/115.4
R608	7030007230	S.RES ERA3YED 102V (1 k)	T	49.9/115.4
R651	7030007230	S.RES ERA3YED 102V (1 k)	B	23.5/177.1
R652	7030003360	S.RES ERJ3GEYJ 221 V (220)	T	13.5/170.8
R653	7030007230	S.RES ERA3YED 102V (1 k)	T	13.5/169.5
R654	7030007230	S.RES ERA3YED 102V (1 k)	T	13.5/168.2
R656	7030003800	S.RES ERJ3GEYJ 105 V (1 M)	T	13.4/165.6
R657	7030003320	S.RES ERJ3GEYJ 101 V (100)	T	20.2/161.4
R661	7030007220	S.RES ERA3YED 202V (2 k)	T	31.7/162.8
R662	7030007220	S.RES ERA3YED 202V (2 k)	T	31.7/164.1
R663	7030007220	S.RES ERA3YED 202V (2 k)	T	31.7/165.4
R664	7030007220	S.RES ERA3YED 202V (2 k)	T	31.7/166.7
R665	7030007220	S.RES ERA3YED 202V (2 k)	T	31.7/168
R666	7030007220	S.RES ERA3YED 202V (2 k)	T	31.7/169.3
R667	7030007220	S.RES ERA3YED 202V (2 k)	T	31.7/170.6
R668	7030007220	S.RES ERA3YED 202V (2 k)	T	31.7/171.9
R669	7030007200	S.RES ERA3YEB 202V (2 k)	T	31.7/173.2
R670	7030007200	S.RES ERA3YEB 202V (2 k)	T	31.7/174.5
R671	7030007200	S.RES ERA3YEB 202V (2 k)	T	31.7/175.8
R673	7030007230	S.RES ERA3YED 102V (1 k)	T	34.3/165.4
R674	7030007230	S.RES ERA3YED 102V (1 k)	T	34.3/166.7
R675	7030007230	S.RES ERA3YED 102V (1 k)	T	34.3/168
R676	7030007230	S.RES ERA3YED 102V (1 k)	T	34.3/169.3
R677	7030007230	S.RES ERA3YED 102V (1 k)	T	34.3/170.6
R678	7030007230	S.RES ERA3YED 102V (1 k)	T	34.3/171.9
R679	7030007210	S.RES ERA3YEB 102V (1 k)	T	34.3/173.2
R680	7030007210	S.RES ERA3YEB 102V (1 k)	T	34.3/174.5
R681	7030007210	S.RES ERA3YEB 102V (1 k)	T	34.3/175.8
R683	7030003860	S.RES ERJ3GE JPW V	B	58.4/167.8
R685	7030003460	S.RES ERJ3GEYJ 152 V (1.5 k)	T	38.4/169.7
R686	7030003320	S.RES ERJ3GEYJ 101 V (100)	T	40.3/163.4
R687	7030003470	S.RES ERJ3GEYJ 182 V (1.8 k)	T	37.4/165.1
R688	7030003480	S.RES ERJ3GEYJ 222 V (2.2 k)	T	34.3/162.8
R689	7030003360	S.RES ERJ3GEYJ 221 V (220)	T	33.6/161.5
R690	7030009851	S.RES ERA3YED 271V (270)	T	46.4/165.3
R691	7030003230	S.RES ERJ3GEYJ 180 V (18)	T	48.4/164.8
R692	7030009851	S.RES ERA3YED 271V (270)	T	46.4/166.6
R693	7030003360	S.RES ERJ3GEYJ 221 V (220)	T	37.1/169.7
R704	7030009841	S.RES ERA3YHD 330V (33)	T	30.8/113.7
R705	7030003600	S.RES ERJ3GEYJ 223 V (22 k)	T	29.5/113.7
R706	7030005321	S.RES ERA3YED 103V (10 k)	T	28.2/113.7
R707	7030009861	S.RES ERA3YED 471V (470)	T	30.8/108.1
R708	7030003410	S.RES ERJ3GEYJ 561 V (560)	T	43.3/118.8
R709	7030007860	S.RES ERJ3GEYJ 8R2V (8.2)	T	43.3/116
R710	7030003410	S.RES ERJ3GEYJ 561 V (560)	T	43.8/121.1
R711	7030003320	S.RES ERJ3GEYJ 101 V (100)	T	37.9/154.5
R1000	7030003320	S.RES ERJ3GEYJ 101 V (100)	B	177.1/11.2
R1003	7030010980	S.RES ERA3YHD 470V (47)	T	162/13.4
R1004	7030007230	S.RES ERA3YED 102V (1 k)	B	166.4/12.9
R1005	7030003550	S.RES ERJ3GEYJ 822 V (8.2 k)	T	144/26.1
R1006	7030007230	S.RES ERA3YED 102V (1 k)	T	145.3/26.1
R1007	7030004030	S.RES ERJ3GEYJ 5R6 V (5.6)	B	153.7/33.6
R1008	7030003240	S.RES ERJ3GEYJ 220 V (22)	T	147/36.4
R1009	7030010980	S.RES ERA3YHD 470V (47)	T	182.4/29.3
R1010	7030010980	S.RES ERA3YHD 470V (47)	T	154.5/33.2
R1013	7030007230	S.RES ERA3YED 102V (1 k)	B	172.7/40.8
R1014	7030007230	S.RES ERA3YED 102V (1 k)	B	156.7/40.8
R1015	7030003530	S.RES ERJ3GEYJ 562 V (5.6 k)	B	172.7/45.4
R1016	7030003530	S.RES ERJ3GEYJ 562 V (5.6 k)	B	156.7/45.4
R1017	7030003530	S.RES ERJ3GEYJ 562 V (5.6 k)	B	169.7/12.9
R1020	7030003390	S.RES ERJ3GEYJ 391 V (390)	T	179.6/18.3
R1021	7030003220	S.RES ERJ3GEYJ 150 V (15)	T	177/19.4
R1022	7030003390	S.RES ERJ3GEYJ 391 V (390)	T	180.9/19.4
R1023	7030010980	S.RES ERA3YHD 470V (47)	B	149.3/33.5
R1024	7030003200	S.RES ERJ3GEYJ 100 V (10)	B	150.1/31.4
R1025	7030003300	S.RES ERJ3GEYJ 680 V (68)	T	178.3/19.4
R1026	7030003480	S.RES ERJ3GEYJ 222 V (2.2 k)	B	171.2/14.2
R1027	7030003200	S.RES ERJ3GEYJ 100 V (10)	B	176.5/38.3
R1028	7030003200	S.RES ERJ3GEYJ 100 V (10)	B	160.5/38.3
R1029	7030010980	S.RES ERA3YHD 470V (47)	B	178.2/46.1
R1030	7030010980	S.RES ERA3YHD 470V (47)	B	162.2/46.1
R1051	7030003800	S.RES ERJ3GEYJ 105 V (1 M)	T	178.6/93.1
R1054	7030011500	S.RES ERA3YHD 270V (27)	T	149.1/83.2
R1055	7030000010	S.RES MCR10EZHJ JPW (000)	T	162.1/76.6
R1056	7030000010	S.RES MCR10EZHJ JPW (000)	T	177.5/71.1
R1071	7030010980	S.RES ERA3YHD 470V (47)	B	165.9/76.4
R1072	7030000010	S.RES MCR10EZHJ JPW (000)	T	133.9/84.1
R1073	7030000010	S.RES MCR10EZHJ JPW (000)	T	135.5/85.7
R1101	7310004860	S.TRI EVM-3YSX50 B53 (502)	T	180.1/90.2
R1102	7030005871	S.RES ERA3YKD 104V (100 k)	B	180.2/100.6
R1103	7030007680	S.RES ERJ8ENF 47R0V (47)	T	181.7/104.7
R1104	7030007680	S.RES ERJ8ENF 47R0V (47)	T	173.6/107.2
R1105	7030003500	S.RES ERJ3GEYJ 332 V (3.3 k)	T	176.7/87.7
R1106	7030009620	S.RES ERJ12YJ120U (12)	B	179.6/117.9
R1107	7030010980	S.RES ERA3YHD 470V (47)	T	175.6/120.3
R1109	7030007180	S.RES ERJ12YJ150U (15)	B	176.5/125.7
R1110	7030003480	S.RES ERJ3GEYJ 222 V (2.2 k)	B	168.5/131.6

[RXPLL-B UNIT]

REF NO.	ORDER NO.	DESCRIPTION	M.	H/V LOCATION
R1111	7030003480	S.RES ERJ3GEYJ 222 V (2.2 k)	T	166.2/130.4
R1113	7030003480	S.RES ERJ3GEYJ 222 V (2.2 k)	T	166.2/131.7
R1114	7030004040	S.RES ERJ3GEYJ 4R7 V (4.7)	T	179.2/125.3
R1115	7030006240	S.RES ERJ12YJ181U (180)	B	176.5/129.9
R1116	7030007230	S.RES ERA3YED 102V (1 k)	T	175.7/135.3
R1117	7030004040	S.RES ERJ3GEYJ 4R7 V (4.7)	T	175.7/134
R1118	7030003480	S.RES ERJ3GEYJ 222 V (2.2 k)	T	175.4/132
R1119	7030003470	S.RES ERJ3GEYJ 182 V (1.8 k)	T	178/132
R1120	7030006070	S.RES ERJ12YJ101U (100)	B	177.3/141
R1121	7030003240	S.RES ERJ3GEYJ 220 V (22)	T	178.6/139.6
R1122	7030010980	S.RES ERA3YHD 470V (47)	T	171.9/131.1
R1123	7030003480	S.RES ERJ3GEYJ 222 V (2.2 k)	T	165.7/137.4
R1124	7030003460	S.RES ERJ3GEYJ 152 V (1.5 k)	T	165.7/140
R1125	7030003420	S.RES ERJ3GEYJ 681 V (680)	B	171/142.2
R1126	7030003200	S.RES ERJ3GEYJ 100 V (10)	T	168.4/142.2
R1127	7030010980	S.RES ERA3YHD 470V (47)	T	174.6/142.9
R1128	7030003470	S.RES ERJ3GEYJ 182 V (1.8 k)	T	174.6/146.6
R1129	7030003470	S.RES ERJ3GEYJ 182 V (1.8 k)	T	174.6/148.4
R1130	7030003480	S.RES ERJ3GEYJ 222 V (2.2 k)	T	180.6/146.4
R1131	7030003640	S.RES ERJ3GEYJ 473 V (47 k)	B	177.4/90.7
R1132	7310004860	S.TRI EVM-3YSX50 B53 (502)	T	179.4/84.3
R1133	7030003500	S.RES ERJ3GEYJ 332 V (3.3 k)	T	175.5/82.5
R1134	7030003640	S.RES ERJ3GEYJ 473 V (47 k)	T	175.5/83.8
R1135	7030005871	S.RES ERA3YKD 104V (100 k)	T	182.2/97.8
R1151	7030003280	S.RES ERJ3GEYJ 150 V (15)	T	134.8/63.9
R1152	7030003280	S.RES ERJ3GEYJ 470 V (47)	B	117.2/56.3
R1203	7030000010	S.RES MCR10EZHJ JPW (000)	T	157.5/74.9
R1211	7030003860	S.RES ERJ3GE JPW V	T	117.6/7.8
R1212	7030003860	S.RES ERJ3GE JPW V	T	124.8/51.1
R1213	7030003200	S.RES ERJ3GEYJ 100 V (10)	B	118.8/25
R1214	7030003200	S.RES ERJ3GEYJ 100 V (10)	B	109/25
R1216	7030010980	S.RES ERA3YHD 470V (47)	B	120.7/31.6
R1217	7030010980	S.RES ERA3YHD 470V (47)	B	111.2/31.6
R1220	7030010980	S.RES ERA3YHD 470V (47)	T	118.7/17.3
R1221	7030007230	S.RES ERA3YED 102V (1 k)	T	116.4/39.9
R1222	7030003530	S.RES ERJ3GEYJ 562 V (5.6 k)	T	116.4/38.6
R1223	7030010980	S.RES ERA3YHD 470V (47)	T	109.3/17.1
R1224	7030007230	S.RES ERA3YED 102V (1 k)	T	106.6/39.9
R1225	7030003530	S.RES ERJ3GEYJ 562 V (5.6 k)	T	106.6/38.6
R1226	7030003410	S.RES ERJ3GEYJ 561 V (560)	T	158.9/92.9
R1227	7030003410	S.RES ERJ3GEYJ 561 V (560)	T	154/92.9
R1228	7310004860	S.TRI EVM-3YSX50 B53 (502)	T	156.4/92.9
R1229	7030003480	S.RES ERJ3GEYJ 222 V (2.2 k)	B	156.1/117.4
R1230	7030003480	S.RES ERJ3GEYJ 222 V (2.2 k)	B	156.1/119.2
R1231	7030003480	S.RES ERJ3GEYJ 222 V (2.2 k)	B	156.1/121
R1232	7030003600	S.RES ERJ3GEYJ 223 V (22 k)	T	156.3/97.5
R1233	7030010980	S.RES ERA3YHD 470V (47)	B	152.5/109.4
R1301	7030010980	S.RES ERA3YHD 470V (47)	B	155.7/97.5
R1302	7030003860	S.RES ERJ3GE JPW V	T	159.3/116.8
R1304	7030003620	S.RES ERJ3GEYJ 333 V (33 k)	T	156.5/123.2
R1306	7030006230	S.RES ERJ12YJ151U (150)	B	153.8/124.8
R1307	7030003300	S.RES ERJ3GEYJ 680 V (68)	T	156.5/128.4
R1311	7030000010	S.RES MCR10EZHJ JPW (000)	T	140.3/98.8
R1312	7030000010	S.RES MCR10EZHJ JPW (000)	T	143.2/104.1
R1313	7030000010	S.RES MCR10EZHJ JPW (000)	T	143.2/101.5
R1357	7030007230	S.RES ERA3YED 102V (1 k)	B	140.7/70.4
R1358	7030003530	S.RES ERJ3GEYJ 562 V (5.6 k)	B	142.8/70.4
R1359	7030010980	S.RES ERA3YHD 470V (47)	T	139.4/64.7
R1360	7030007230	S.RES ERA3YED 102V (1 k)	B	146.4/67.1
R1361	7030003380	S.RES ERJ3GEYJ 331 V (330)	T	139.3/68.8
R1362	7030005871	S.RES ERA3YKD 104V (100 k)	B	144.6/70.4
R1401	7030003200	S.RES ERJ3GEYJ 100 V (10)	T	131.5/103.3
R1402	7030003300	S.RES ERJ3GEYJ 680 V (68)	T	126.4/111
R1403	7030007230	S.RES ERA3YED 102V (1 k)	T	132/107.7
R1404	7030009860	S.RES ERA3YED 471V (47 k)	T	134.6/104.3
R1405	7030003340	S.RES ERJ3GEYJ 151 V (150)	T	137.2/104.3
R1406	7030009591	S.RES ERA3YED 472V (4.7 k)	T	135.2/106.2
R1407	7030003550	S.RES ERJ3GEYJ 822 V (8.2 k)	B	135.4/104.3
R1408	7030003200	S.RES ERJ3GEYJ 100 V (10)	T	120.9/109
R1409	7030009591	S.RES ERA3YED 472V (4.7 k)	T	120.5/114.9
R1410	7030006091	S.RES ERA3YED 822V (8.2 k)	B	124.2/114.4
R1411	7030005871	S.RES ERA3YKD 104V (100 k)	T	123.2/116.2
R1412	7030003200	S.RES ERJ3GEYJ 100 V (10)		



[RXPLL-B UNIT]

REF NO.	ORDER NO.	DESCRIPTION	M.	H/V LOCATION
R1525	7030007230	S.RES ERA3YED 102V (1 k)	B	128.8/147
R1526	7030003460	S.RES ERJ3GEYJ 152 V (1.5 k)	B	137.7/142.1
R1527	7030007230	S.RES ERA3YED 102V (1 k)	T	119.8/146.3
R1528	7030007230	S.RES ERA3YED 102V (1 k)	T	121.1/146.3
R1529	7030007230	S.RES ERA3YED 102V (1 k)	T	115.3/152.3
R1530	7030003380	S.RES ERJ3GEYJ 331 V (330)	T	128/151.6
R1531	7030003380	S.RES ERJ3GEYJ 331 V (330)	T	128/155.5
R1532	7030005321	S.RES ERA3YED 103V (10 k)	T	124.1/160.8
R1533	7030005321	S.RES ERA3YED 103V (10 k)	T	128/160.8
R1534	7030005321	S.RES ERA3YED 103V (10 k)	T	122.8/160.8
R1535	7030005321	S.RES ERA3YED 103V (10 k)	T	121.5/160.8
R1536	7030005321	S.RES ERA3YED 103V (10 k)	T	129/171.7
R1537	7030003320	S.RES ERJ3GEYJ 101 V (100)	T	115.5/164.5
R1538	7030003320	S.RES ERJ3GEYJ 101 V (100)	T	107.1/170.1
R1539	7030008061	S.RES ERA3YED 222V (2.2 k)	B	131.8/176.4
R1540	7030010390	S.RES ERA3YED 821V (820)	B	128.7/177.1
R1541	7030003320	S.RES ERJ3GEYJ 101 V (100)	T	107.1/178.8
R1542	7030003320	S.RES ERJ3GEYJ 101 V (100)	T	115.5/173.2
R1543	7030009691	S.RES ERA3YED 101V (100)	B	130.6/179
R1651	7030003380	S.RES ERJ3GEYJ 331 V (330)	B	100.9/144.8
R1652	7030003220	S.RES ERJ3GEYJ 150 V (15)	B	102.7/144.8
R1653	7030003380	S.RES ERJ3GEYJ 331 V (330)	B	101.9/142.9
R1654	7030010980	S.RES ERA3YHD 470V (47)	B	105.5/142.2
R1655	7030009861	S.RES ERA3YED 471V (470)	B	108.8/140
R1656	7030003630	S.RES ERJ3GEYJ 393 V (39 k)	B	108.3/142.2
R1657	7030005871	S.RES ERA3YKD 104V (100 k)	T	108/133.1
R1658	7030003320	S.RES ERJ3GEYJ 101 V (100)	T	110.6/133.1
R1659	7030009691	S.RES ERA3YED 101V (100)	T	115.8/124.9
R1660	7030009691	S.RES ERA3YED 101V (100)	T	115.8/128.7
R1661	7030005321	S.RES ERA3YED 103V (10 k)	T	135.1/175.4
R1662	7030005321	S.RES ERA3YED 103V (10 k)	T	135.2/172.8
R1663	7030005321	S.RES ERA3YED 103V (10 k)	T	144.3/175.4
R1664	7030005321	S.RES ERA3YED 103V (10 k)	T	139.9/172.1
R1665	7030003320	S.RES ERJ3GEYJ 101 V (100)	T	109.3/133.1
R1667	7030003360	S.RES ERJ3GEYJ 221 V (220)	T	139.2/170.2
R1668	7030003360	S.RES ERJ3GEYJ 221 V (220)	T	141.8/170.2
R1670	7030003800	S.RES ERJ3GEYJ 105 V (1 M)	T	140.2/164.1
R1673	7030007230	S.RES ERA3YED 102V (1 k)	B	146/174.5
R1674	7030009851	S.RES ERA3YED 271V (270)	B	145.1/177.1
R1675	7030009591	S.RES ERA3YED 472V (4.7 k)	T	136.6/170.2
R1677	7030009591	S.RES ERA3YED 472V (4.7 k)	T	143.1/170.2
R1701	7030003360	S.RES ERJ3GEYJ 221 V (220)	T	162.4/147.4
R1703	7030003360	S.RES ERJ3GEYJ 221 V (220)	T	159.8/147.4
R1704	7030003360	S.RES ERJ3GEYJ 221 V (220)	T	158.5/147.4
R1706	7030003360	S.RES ERJ3GEYJ 221 V (220)	T	155.9/147.4
R1707	7030003360	S.RES ERJ3GEYJ 221 V (220)	T	154.6/147.4
R1708	7030003360	S.RES ERJ3GEYJ 221 V (220)	T	153.3/147.4
R1709	7030003480	S.RES ERJ3GEYJ 222 V (2.2 k)	T	149.7/159.3
R1710	7030003480	S.RES ERJ3GEYJ 222 V (2.2 k)	T	148.4/159.4
R1711	7030003540	S.RES ERJ3GEYJ 682 V (6.8 k)	T	147.1/159.3
R1712	7030003540	S.RES ERJ3GEYJ 682 V (6.8 k)	T	145.8/159.3
R1713	7030003660	S.RES ERJ3GEYJ 683 V (68 k)	T	145.8/157.2
R1714	7030003660	S.RES ERJ3GEYJ 683 V (68 k)	T	145.8/155.9
R1715	7030003540	S.RES ERJ3GEYJ 682 V (6.8 k)	T	143.9/164.8
R1716	7030007230	S.RES ERA3YED 102V (1 k)	T	164.2/164.8
R1717	7030007230	S.RES ERA3YED 102V (1 k)	T	164.2/163.5
R1718	7030007230	S.RES ERA3YED 102V (1 k)	T	164.2/162.2
R1719	7030003660	S.RES ERJ3GEYJ 683 V (68 k)	T	144.3/166.8
C1	4030011600	S.CER C1608 JB 1E 104K-T	T	10.8/18.2
C2	4030006880	S.CER C1608 JB 1H 472K-T	T	25.7/29.5
C14	4030006880	S.CER C1608 JB 1H 472K-T	T	37.7/12.5
C15	4030006880	S.CER C1608 JB 1H 472K-T	T	31.2/15.4
C16	4030006880	S.CER C1608 JB 1H 472K-T	T	35.1/15.4
C17	4030006880	S.CER C1608 JB 1H 472K-T	T	13.8/12.6
C18	4030006880	S.CER C1608 JB 1H 472K-T	T	16.8/12.6
C19	4030006880	S.CER C1608 JB 1H 472K-T	T	29.5/12.6
C20	4030006880	S.CER C1608 JB 1H 472K-T	T	87.4/127.8
C21	4030006880	S.CER C1608 JB 1H 472K-T	T	88.7/127.8
C22	4030006880	S.CER C1608 JB 1H 472K-T	T	90/127.8
C30	4030011600	S.CER C1608 JB 1E 104K-T	T	19.1/112.4
C31	4030011600	S.CER C1608 JB 1E 104K-T	T	20.4/113.7
C32	4030011600	S.CER C1608 JB 1E 104K-T	T	24.3/111.1
C51	4510008520	S.ELE EEE1CA47OSP	T	84/20.3
C52	4030011600	S.CER C1608 JB 1E 104K-T	T	78.9/23.7
C53	4030011600	S.CER C1608 JB 1E 104K-T	T	75.1/23.7
C54	4510008500	S.ELE EEE1CA101WP	T	70/20.3
C61	4510008520	S.ELE EEE1CA47OSP	T	62.9/20.3
C62	4030011600	S.CER C1608 JB 1E 104K-T	B	58.2/19.9
C63	4030011600	S.CER C1608 JB 1E 104K-T	B	54.8/19.9
C64	4510008500	S.ELE EEE1CA101WP	T	50.1/20.3
C101	4030006880	S.CER C1608 JB 1H 472K-T	T	39.7/80.7
C102	4030011600	S.CER C1608 JB 1E 104K-T	T	41.8/79.9
C103	4510008540	S.ELE EEE1CA100SR	T	40.2/76.8
C104	4030011600	S.CER C1608 JB 1E 104K-T	T	21.4/100.2
C105	4030011600	S.CER C1608 JB 1E 104K-T	T	21.4/88.2
C106	4030011600	S.CER C1608 JB 1E 104K-T	T	21.4/84.4
C107	4030011600	S.CER C1608 JB 1E 104K-T	T	24.4/79.8
C108	4030011600	S.CER C1608 JB 1E 104K-T	T	27/79.8
C109	4030011600	S.CER C1608 JB 1E 104K-T	T	30.8/79.8
C110	4030011600	S.CER C1608 JB 1E 104K-T	T	36.8/79.8
C111	4030011600	S.CER C1608 JB 1E 104K-T	T	41.2/88.5
C112	4030011600	S.CER C1608 JB 1E 104K-T	T	41.3/82.6
C114	4030011600	S.CER C1608 JB 1E 104K-T	T	39.5/98.4
C115	4030011600	S.CER C1608 JB 1E 104K-T	T	38.1/98.4
C116	4030011600	S.CER C1608 JB 1E 104K-T	T	35.3/99.6
C117	4030011600	S.CER C1608 JB 1E 104K-T	T	23.3/98.8
C118	4030011600	S.CER C1608 JB 1E 104K-T	T	46.2/82.6
C120	4030006880	S.CER C1608 JB 1H 472K-T	T	36.7/101.5
C121	4030011600	S.CER C1608 JB 1E 104K-T	T	39.5/101.5
C125	4030011600	S.CER C1608 JB 1E 104K-T	T	14.6/83.1
C129	4030011600	S.CER C1608 JB 1E 104K-T	T	33.4/79.8
C130	4030017810	S.CER C1608 CH 1H 102J-T	B	47.6/106.6

[RXPLL-B UNIT]

REF NO.	ORDER NO.	DESCRIPTION	M.	H/V LOCATION
C131	4030011600	S.CER C1608 JB 1E 104K-T	T	30.4/73.2
C132	4030011600	S.CER C1608 JB 1E 104K-T	T	35.5/73.2
C133	4030006880	S.CER C1608 JB 1H 472K-T	B	43.5/98.6
C134	4030006880	S.CER C1608 JB 1H 472K-T	B	43.5/96.8
C135	4030006880	S.CER C1608 JB 1H 472K-T	T	46/95.5
C136	4030006880	S.CER C1608 JB 1H 472K-T	T	46/94.2
C137	4030006880	S.CER C1608 JB 1H 472K-T	T	46/90.3
C138	4030006880	S.CER C1608 JB 1H 472K-T	T	46.1/87.7
C139	4030006880	S.CER C1608 JB 1H 472K-T	B	43.5/100.4
C141	4030004740	S.CER C2012 JB 1H 472K-T	B	34.3/85.1
C142	4550007470	S.TAN F931A107MNMNBMA	B	19.4/87.4
C150	4340000050	S.MLR ECH-U 1C472JB5	T	16.3/64.6
C151	4550007520	S.TAN F931A106MAABMA	B	38.6/92.1
C152	4030007070	S.CER C1608 CH 1H 300J-T	T	19.2/59.9
C153	4030009910	S.CER C1608 CH 1H 040B-T	T	21.3/55.4
C154	4610001850	S.TRI TZB4R200AB10R00	T	17.6/55.1
C155	4030016550	S.CER CM105 CH 151G 50AT	T	24.1/55.4
C156	4030016550	S.CER CM105 CH 151G 50AT	T	26.9/55.4
C157	4030016550	S.CER CM105 CH 151G 50AT	T	26.9/56.7
C158	4030006880	S.CER C1608 JB 1H 472K-T	T	23.3/53.1
C159	4030006880	S.CER C1608 JB 1H 472K-T	B	23/51.9
C161	4510008540	S.ELE EEE1CA100SR	T	31.3/61
C162	4030009920	S.CER C1608 CH 1H 050B-T	B	33.6/53
C163	4030011600	S.CER C1608 JB 1E 104K-T	B	36.9/59.6
C164	4030006880	S.CER C1608 JB 1H 472K-T	B	30.3/54.8
C165	4030006880	S.CER C1608 JB 1H 472K-T	B	30.8/74
C166	4030011600	S.CER C1608 JB 1E 104K-T	B	34.9/78.2
C167	4030006880	S.CER C1608 JB 1H 472K-T	B	37.4/74
C201	4030011340	S.CER C1608 CH 1H 471J-T	T	33.8/40.4
C202	4510009280	S.ELE EEE1EA4R7SR	T	26.5/44
C203	4030006900	S.CER C1608 JB 1H 103K-T	T	32.5/38.3
C204	4030006880	S.CER C1608 JB 1H 472K-T	T	25.4/35.3
C205	4030006880	S.CER C1608 JB 1H 472K-T	T	25.4/34
C206	4030006880	S.CER C1608 JB 1H 472K-T	T	31.1/43
C207	4030007030	S.CER C1608 CH 1H 150J-T	B	46.8/32.4
C208	4030007030	S.CER C1608 CH 1H 150J-T	T	32.5/41
C209	4030011340	S.CER C1608 CH 1H 471J-T	T	44.1/26.1
C210	4550007620	S.TAN F931V224MAABMA	T	46.2/26.7
C211	4550007300	S.TAN F931A335MAABMA	B	46.1/41.6
C219	4030006880	S.CER C1608 JB 1H 472K-T	T	33.8/37.8
C220	4030007130	S.CER C1608 CH 1H 101J-T	T	54.7/37.6
C221	4030009520	S.CER C1608 CH 1H 020B-T	T	54.7/32
C222	4610001860	S.TRI TZB4Z060AB10R00	T	68.1/32.6
C223	4030007080	S.CER C1608 CH 1H 390J-T	T	73.2/36.3
C224	4030007010	S.CER C1608 CH 1H 100D-T	T	73.2/38.9
C225	4030007050	S.CER C1608 CH 1H 220J-T	T	73.6/30.9
C226	4030006880	S.CER C1608 JB 1H 472K-T	T	71/30.9
C227	4030009920	S.CER C1608 CH 1H 050B-T	T	75.1/32.6
C228	4510008540	S.ELE EEE1CA100SR	T	68.8/37.8
C229	4030009530	S.CER C1608 CH 1H 030B-T	T	77.8/32.6
C230	4030007100	S.CER C1608 CH 1H 560J-T	T	54.7/50
C231	4030009510	S.CER C1608 CH 1H 010B-T	T	54.7/44.6
C232	4610001860	S.TRI TZB4Z060AB10R00	T	68.1/45.1
C233	4030007070	S.CER C1608 CH 1H 330J-T	T	73.2/48.8
C234	4030009920	S.CER C1608 CH 1H 050B-T	T	73.2/51.4
C235	4030007020	S.CER C1608 CH 1H 120J-T	T	73.6/43.3
C236	4030006880	S.CER C1608 JB 1H 472K-T	T	71/43.3
C237	4030009910	S.CER C1608 CH 1H 040B-T	T	75.1/45
C238	4510008540	S.ELE EEE1CA100SR	T	68.8/50.3
C239	4030009910	S.CER C1608 CH 1H 040B-T	T	77.8/45
C240	4030007080	S.CER C1608 CH 1H 390J-T	T	54.7/62.5
C241	4030009510	S.CER C1608 CH 1H 010B-T	T	54.7/57.1
C242	4610001860	S.TRI TZB4Z060AB10R00	T	68.1/57.6
C243	4030007060	S.CER C1608 CH 1H 270J-T	T	73.2/61.3
C244	4030009910	S.CER C1608 CH 1H 040B-T	T	73.2/63.9
C245	4030009920	S.CER C1608 CH 1H 050B-T	T	73.6/55.8
C246	4030006880	S.CER C1608 JB 1H 472K-T	T	71/55.9
C247	4030009530	S.CER C1608 CH 1H 030B-T	T	75.1/57.5
C248	4510008540	S.ELE EEE1CA100SR	T	68.8/62.9
C250	4030007100	S.CER C1608 CH 1H 560J-T	T	54.7/75
C251	4030009540	S.CER C1608 CH 1H 1R5B-T	T	54.7/69.6
C252	4610001810	S.TRI TZB4Z030AB10R00	T	68.1/70.1
C253	4030007080	S.CER C1608 CH 1H 390J-T	T	73.2/73.8
C254	4030009530	S.CER C1608 CH 1H 030B-T	T	73.2/76.4
C255	4030006990	S.CER C1608 CH 1H 080D-T	T	

[RXPLL-B UNIT]

REF NO.	ORDER NO.	DESCRIPTION	M.	H/V LOCATION
C294	4030006880	S.CER C1608 JB 1H 472K-T	T	83.2/93.9
C297	4030009920	S.CER C1608 CH 1H 050B-T	T	52.6/59.4
C299	4030007050	S.CER C1608 CH 1H 220J-T	T	52.6/84.4
C301	4030006880	S.CER C1608 JB 1H 472K-T	T	89.3/30.6
C302	4030006880	S.CER C1608 JB 1H 472K-T	T	94.9/28
C303	4030006880	S.CER C1608 JB 1H 472K-T	B	92.6/39.8
C304	4030006880	S.CER C1608 JB 1H 472K-T	B	92.6/45.2
C305	4030006880	S.CER C1608 JB 1H 472K-T	B	89.1/48.8
C306	4030006880	S.CER C1608 JB 1H 472K-T	B	89.1/50.6
C309	4030017810	S.CER C1608 CH 1H 102J-T	T	94.9/42.7
C310	4030011600	S.CER C1608 JB 1E 104K-T	T	92.8/42.1
C311	4510008520	S.ELE EEE1CA470SP	T	93.4/47.4
C312	4030006880	S.CER C1608 JB 1H 472K-T	B	89/27.4
C313	4030006880	S.CER C1608 JB 1H 472K-T	B	93.7/23.1
C331	4030007110	S.CER C1608 CH 1H 680J-T	T	89.3/32.2
C332	4030007160	S.CER C1608 CH 1H 181J-T	T	92.1/33.5
C333	4030007110	S.CER C1608 CH 1H 680J-T	T	89.3/33.5
C334	4030007050	S.CER C1608 CH 1H 220J-T	T	94.9/36
C335	4030006980	S.CER C1608 CH 1H 070D-T	T	94.9/37.4
C336	4030007030	S.CER C1608 CH 1H 150J-T	T	92.1/38.8
C337	4030007050	S.CER C1608 CH 1H 220J-T	T	94.9/38.8
C341	4030006880	S.CER C1608 JB 1H 472K-T	T	94.9/40.1
C342	4030006880	S.CER C1608 JB 1H 472K-T	T	86.5/33.5
C344	4030011600	S.CER C1608 JB 1E 104K-T	T	94.9/41.4
C351	4030017810	S.CER C1608 CH 1H 102J-T	T	94.9/61.6
C352	4030011600	S.CER C1608 JB 1E 104K-T	T	94.9/62.9
C353	4510008520	S.ELE EEE1CA470SP	T	93.4/67.1
C354	4030006880	S.CER C1608 JB 1H 472K-T	T	89.3/51.7
C355	4030006880	S.CER C1608 JB 1H 472K-T	T	94.9/55.1
C356	4030006880	S.CER C1608 JB 1H 472K-T	T	89.2/58.4
C357	4030006880	S.CER C1608 JB 1H 472K-T	T	94.9/57.7
C358	4030006880	S.CER C1608 JB 1H 472K-T	B	89.2/60.3
C359	4030006880	S.CER C1608 JB 1H 472K-T	B	92.6/62.1
C360	4030006880	S.CER C1608 JB 1H 472K-T	B	89.9/66.9
C361	4030006880	S.CER C1608 JB 1H 472K-T	T	89.3/83.4
C363	4030006880	S.CER C1608 JB 1H 472K-T	T	86.1/60.9
C364	4030017810	S.CER C1608 CH 1H 102J-T	T	86.7/52.3
C365	4030006880	S.CER C1608 JB 1H 472K-T	T	90.3/59.9
C421	4030006880	S.CER C1608 JB 1H 472K-T	T	94.1/88.5
C423	4030006880	S.CER C1608 JB 1H 472K-T	T	94.1/93.3
C426	4030006880	S.CER C1608 JB 1H 472K-T	B	94.6/87.3
C427	4030006880	S.CER C1608 JB 1H 472K-T	T	92.1/86.5
C441	4030007040	S.CER C1608 CH 1H 180J-T	T	94.9/71.3
C442	4030007040	S.CER C1608 CH 1H 180J-T	T	94.9/72.6
C443	4030007020	S.CER C1608 CH 1H 120J-T	T	92.1/74.2
C444	4030007080	S.CER C1608 CH 1H 390J-T	T	94.9/73.9
C445	4030011770	S.CER C1608 CH 1H 060B-T	T	94.9/75.2
C446	4030007060	S.CER C1608 CH 1H 270J-T	T	94.9/79.1
C447	4030007110	S.CER C1608 CH 1H 680J-T	T	92.8/78.9
C448	4030006880	S.CER C1608 JB 1H 472K-T	T	94.9/76.5
C449	4030006880	S.CER C1608 JB 1H 472K-T	T	88.1/69.1
C451	4030007110	S.CER C1608 CH 1H 680J-T	T	92/82.1
C452	4030007160	S.CER C1608 CH 1H 181J-T	T	92/80.8
C453	4030011600	S.CER C1608 JB 1E 104K-T	T	94.9/77.8
C501	4030006880	S.CER C1608 JB 1H 472K-T	T	38.9/131.2
C502	4030011600	S.CER C1608 JB 1E 104K-T	T	38.9/129.9
C503	4510008540	S.ELE EEE1CA100SR	T	36.6/126.7
C504	4030011600	S.CER C1608 JB 1E 104K-T	T	21.4/153.1
C505	4550007470	S.TAN F931A107MNMBA	B	19.2/140.3
C506	4030011600	S.CER C1608 JB 1E 104K-T	T	21.4/141
C507	4030011600	S.CER C1608 JB 1E 104K-T	T	21.4/137.1
C509	4030011600	S.CER C1608 JB 1E 104K-T	T	25.8/132.6
C510	4030011600	S.CER C1608 JB 1E 104K-T	T	28.4/132.6
C511	4030011600	S.CER C1608 JB 1E 104K-T	T	32.2/132.6
C512	4030011600	S.CER C1608 JB 1E 104K-T	T	34.8/132.6
C513	4030011600	S.CER C1608 JB 1E 104K-T	T	37.4/132.6
C514	4030011600	S.CER C1608 JB 1E 104K-T	T	41.2/136
C515	4030011600	S.CER C1608 JB 1E 104K-T	T	41.3/139.7
C516	4030011600	S.CER C1608 JB 1E 104K-T	T	41.3/142.3
C517	4030011600	S.CER C1608 JB 1E 104K-T	T	37.6/151.8
C518	4030011600	S.CER C1608 JB 1E 104K-T	T	34.8/151.8
C519	4030011600	S.CER C1608 JB 1E 104K-T	T	31.2/151.8
C520	4030011600	S.CER C1608 JB 1E 104K-T	T	23.3/151.9
C521	4030011600	S.CER C1608 JB 1E 104K-T	T	41.6/134
C522	4550007220	S.TAN F931A476MCMBA	B	40.7/145
C525	4030006880	S.CER C1608 JB 1H 472K-T	T	35.3/154.5
C526	4030011600	S.CER C1608 JB 1E 104K-T	T	36.6/154.5
C531	4030006880	S.CER C1608 JB 1H 472K-T	T	14.6/137.5
C532	4030007070	S.CER C1608 CH 1H 330J-T	T	17.2/137.5
C533	4030007110	S.CER C1608 CH 1H 680J-T	T	17.3/133.4
C534	4030007110	S.CER C1608 CH 1H 680J-T	T	16.8/130.1
C535	4030007070	S.CER C1608 CH 1H 330J-T	T	18.1/127
C536	4030006880	S.CER C1608 JB 1H 472K-T	T	20.9/127.6
C537	4030006880	S.CER C1608 JB 1H 472K-T	T	27.2/126.4
C540	4030006880	S.CER C1608 JB 1H 472K-T	B	56.3/142.8
C541	4510008540	S.ELE EEE1CA100SR	T	51/139.3
C542	4340000260	S.MLR ECU1C104MA5	B	47.8/124.7
C543	4030007060	S.CER C1608 CH 1H 270J-T	T	62.2/136.4
C545	4030008560	S.CER C1608 CH 1H 300J-T	T	70/137.1
C546	4610001830	S.TRI TZB4S100AB10R00	T	65.8/138.7
C547	4030007130	S.CER C1608 CH 1H 101J-T	T	71.3/137.1
C548	4030007010	S.CER C1608 CH 1H 100D-T	T	71.3/139.9
C549	4030007050	S.CER C1608 CH 1H 220J-T	T	68.9/145.1
C550	4030006880	S.CER C1608 JB 1H 472K-T	T	66.3/143
C551	4030009520	S.CER C1608 CH 1H 020B-T	T	71.3/142.8
C552	4030017810	S.CER C1608 CH 1H 102J-T	B	54.6/139.5
C553	4030006880	S.CER C1608 JB 1H 472K-T	B	56.3/139.5
C554	4510008500	S.ELE EEE1CA101WP	T	50.9/146.6
C555	4030006880	S.CER C1608 JB 1H 472K-T	B	47.7/149.5
C556	4550007220	S.TAN F931A476MCMBA	B	76.4/136.1
C558	4550007520	S.TAN F931A106MAABMA	B	43.4/132.5
C559	4550007400	S.TAN F931A225MAABMA	B	43.4/129.9
C561	4550007520	S.TAN F931A106MAABMA	T	70/157.5
C562	4030006880	S.CER C1608 JB 1H 472K-T	T	68.3/155.5

[RXPLL-B UNIT]

REF NO.	ORDER NO.	DESCRIPTION	M.	H/V LOCATION
C563	4030017810	S.CER C1608 CH 1H 102J-T	B	60.1/158
C564	4030006880	S.CER C1608 JB 1H 472K-T	B	58.8/158
C565	4510008520	S.ELE EEE1CA470SP	T	50.9/155.6
C566	4030006880	S.CER C1608 JB 1H 472K-T	T	64.4/155.5
C571	4030006880	S.CER C1608 JB 1H 472K-T	B	58.5/161.3
C573	4030007040	S.CER C1608 CH 1H 180J-T	B	72.5/166.8
C574	4030009510	S.CER C1608 CH 1H 010B-T	T	72.6/169.1
C575	4030007040	S.CER C1608 CH 1H 180J-T	T	72.6/171.9
C580	4030006880	S.CER C1608 JB 1H 472K-T	T	41.9/152.4
C581	4030006880	S.CER C1608 JB 1H 472K-T	T	41.9/144.2
C591	4030006880	S.CER C1608 JB 1H 472K-T	T	63.5/171.2
C592	4030007060	S.CER C1608 CH 1H 270J-T	T	62.8/163.1
C593	4510008540	S.ELE EEE1CA100SR	T	54.4/170.7
C594	4030006880	S.CER C1608 JB 1H 472K-T	T	57.4/171.9
C596	4030006880	S.CER C1608 JB 1H 472K-T	B	63.7/168.1
C597	4030007050	S.CER C1608 CH 1H 220J-T	T	62.2/171.2
C601	4030006880	S.CER C1608 JB 1H 472K-T	T	47.3/116.4
C602	4030006880	S.CER C1608 JB 1H 472K-T	T	49.5/121.4
C607	4030006880	S.CER C1608 JB 1H 472K-T	T	51.2/115.4
C608	4030006880	S.CER C1608 JB 1H 472K-T	T	53.2/115.9
C609	4030007100	S.CER C1608 CH 1H 560J-T	T	53.2/114.6
C610	4030008750	S.CER C1608 CH 1H 360J-T	T	55.2/115.4
C611	4030007140	S.CER C1608 CH 1H 121J-T	T	56.3/113.5
C612	4030007020	S.CER C1608 CH 1H 120J-T	T	57.1/114.8
C613	4030007110	S.CER C1608 CH 1H 680J-T	T	56.3/112.2
C651	4030006880	S.CER C1608 JB 1H 472K-T	T	13.5/174
C652	4030011600	S.CER C1608 JB 1E 104K-T	T	12.9/176.3
C653	4510008540	S.ELE EEE1CA100SR	T	6.8/172.6
C654	4030011600	S.CER C1608 JB 1E 104K-T	T	22.8/161.4
C655	4030011600	S.CER C1608 JB 1E 104K-T	T	25.9/161.4
C656	4030011600	S.CER C1608 JB 1E 104K-T	T	25.8/177.1
C657	4030011600	S.CER C1608 JB 1E 104K-T	T	22.7/177.1
C658	4030011600	S.CER C1608 JB 1E 104K-T	T	13.5/172.7
C659	4030011600	S.CER C1608 JB 1E 104K-T	T	16.5/163.4
C660	4030006880	S.CER C1608 JB 1H 472K-T	T	17.6/161.4
C661	4030011600	S.CER C1608 JB 1E 104K-T	T	13.5/166.9
C662	4550007220	S.TAN F931A476MCMBA	B	30.5/169.4
C680	4030006880	S.CER C1608 JB 1H 472K-T	T	34.3/177.1
C681	4030007160	S.CER C1608 CH 1H 181J-T	T	40.3/177.1
C682	4030007140	S.CER C1608 CH 1H 121J-T	T	39.6/175.2
C683	4030011330	S.CER C1608 CH 1H 391J-T	T	40.9/175.2
C684	4030007080	S.CER C1608 CH 1H 390J-T	B	39.3/174
C685	4030011280	S.CER C1608 CH 1H 271J-T	B	42.3/172.6
C686	4030010760	S.CER C1608 CH 1H 331J-T	B	39.3/170.6
C687	4030018580	S.CER C1608 CH 1H 821J-T	T	41/169.7
C688	4030010760	S.CER C1608 CH 1H 331J-T	B	37.5/169.7
C689	4030011600	S.CER C1608 JB 1E 104K-T	T	37.4/166.4
C690	4030011600	S.CER C1608 JB 1E 104K-T	T	37.4/161.3
C691	4030011600	S.CER C1608 JB 1E 104K-T	T	46.4/164
C692	4030006880	S.CER C1608 JB 1H 472K-T	T	40.3/162.1
C693	4030006880	S.CER C1608 JB 1H 472K-T	B	58.4/169.6
C694	4030006880	S.CER C1608 JB 1H 472K-T	B	58.4/164.2
C703	4030017810	S.CER C1608 CH 1H 102J-T	T	24.3/116.6
C704	4030006880	S.CER C1608 JB 1H 472K-T	T	23/116.6
C705	4510008500	S.ELE EEE1CA101WP	T	29.4/118.7
C707	4030011600	S.CER C1608 JB 1E 104K-T	T	32.1/113.7
C708	4030011600	S.CER C1608 JB 1E 104K-T	T	32.1/108.1
C709	4030007070	S.CER C1608 CH 1H 330J-T	T	38.8/12.9
C710	4030006880	S.CER C1608 JB 1H 472K-T	T	36.2/112.9
C711	4030009540	S.CER C1608 CH 1H 1R5B-T	B	39.3/113.6
C712	4030007070	S.CER C1608 CH 1H 330J-T	T	36.2/114.2
C713	4030006880	S.CER C1608 JB 1H 472K-T	T	42/118.8
C1000	4030007050	S.CER C1608 CH 1H 220J-T	B	177.1/13.8
C1002	4030006880	S.CER C1608 JB 1H 472K-T	B	153.1/16.2
C1003	4030012600	S.CER C2012 JB 1A 105M-T	T	157.4/8.2
C1004	4030011600	S.CER C1608 JB 1E 104K-T	B	169.6/8.7
C1005	4030011600	S.CER C1608 JB 1E 104K-T	T	162.8/17.2
C1006	4030010210	S.CER C3216 JB 1C 105M-T	T	173.8/18.6
C1007	4030006880	S.CER C1608 JB 1H 472K-T	T	172.4/23.9
C1008	4030006880	S.CER C1608 JB 1H 472K-T	T	160/24
C1009	4030006880	S.CER C1608 JB 1H 472K-T	T	147.6/23.8
C1010	403001			



[RXPLL-B UNIT]

REF NO.	ORDER NO.	DESCRIPTION	M.	H/V LOCATION
C1053	4030007110	S.CER C1608 CH 1H 680J-T	T	175.2/77.3
C1054	4030007010	S.CER C1608 CH 1H 100D-T	B	175.7/72.4
C1055	4030007140	S.CER C1608 CH 1H 121J-T	B	175.7/74.2
C1056	4030007050	S.CER C1608 CH 1H 220J-T	T	175.2/76
C1057	4030007130	S.CER C1608 CH 1H 101J-T	T	172.1/77.1
C1058	4030009920	S.CER C1608 CH 1H 050B-T	B	173.2/12.7
C1060	4030017810	S.CER C1608 CH 1H 102J-T	T	178.6/94.4
C1061	4030007090	S.CER C1608 CH 1H 470J-T	B	147.7/91.8
C1062	4030007170	S.CER C1608 CH 1H 221J-T	B	149.5/91.8
C1064	4030007090	S.CER C1608 CH 1H 470J-T	T	148.7/80.8
C1066	4030007010	S.CER C1608 CH 1H 100D-T	T	138.6/81.9
C1067	4030007010	S.CER C1608 CH 1H 100D-T	T	173.4/77.1
C1070	4030006980	S.CER C1608 CH 1H 070D-T	T	137.2/81.9
C1071	4030007100	S.CER C1608 CH 1H 560J-T	B	162.2/75.3
C1072	4030007170	S.CER C1608 CH 1H 221J-T	B	162/78.7
C1073	4030007080	S.CER C1608 CH 1H 390J-T	B	164.1/76.4
C1074	4030007060	S.CER C1608 CH 1H 270J-T	T	148.7/78.6
C1081	4030006900	S.CER C1608 JB 1H 103K-T	B	156.1/86
C1082	4030006900	S.CER C1608 JB 1H 103K-T	B	151.3/91.8
C1083	4030006900	S.CER C1608 JB 1H 103K-T	B	151.2/81.6
C1084	4030006880	S.CER C1608 JB 1H 472K-T	B	149.4/81.6
C1085	4030006880	S.CER C1608 JB 1H 472K-T	B	153/81.6
C1091	4030006880	S.CER C1608 JB 1H 472K-T	T	149.3/149.4
C1092	4030006880	S.CER C1608 JB 1H 472K-T	T	147/138.5
C1093	4030006880	S.CER C1608 JB 1H 472K-T	T	161.3/135.8
C1101	4030006900	S.CER C1608 JB 1H 103K-T	T	177/90.9
C1102	4030006900	S.CER C1608 JB 1H 103K-T	T	175.4/115.5
C1103	4030011600	S.CER C1608 JB 1E 104K-T	T	179.6/116.4
C1104	4030011600	S.CER C1608 JB 1E 104K-T	T	175.4/87.7
C1106	4030011600	S.CER C1608 JB 1E 104K-T	T	179.3/128.8
C1107	4030011600	S.CER C1608 JB 1E 104K-T	B	172.3/124.2
C1109	4030007090	S.CER C1608 CH 1H 470J-T	T	175.7/137.9
C1110	4030006900	S.CER C1608 JB 1H 103K-T	T	175.7/136.6
C1111	4030011600	S.CER C1608 JB 1E 104K-T	T	176.7/132
C1112	4030006900	S.CER C1608 JB 1H 103K-T	T	179.3/132
C1113	4030007090	S.CER C1608 CH 1H 470J-T	T	178.6/140.9
C1114	4030006900	S.CER C1608 JB 1H 103K-T	B	178.4/138
C1115	4030011600	S.CER C1608 JB 1E 104K-T	T	175.7/140
C1116	4030006900	S.CER C1608 JB 1H 103K-T	T	165.7/138.7
C1117	4030007010	S.CER C1608 CH 1H 100D-T	T	169.7/142.2
C1118	4030011600	S.CER C1608 JB 1E 104K-T	T	171/142.2
C1119	4030006880	S.CER C1608 JB 1H 472K-T	T	171.9/146.6
C1120	4030006880	S.CER C1608 JB 1H 472K-T	T	171.9/148.4
C1121	4030011600	S.CER C1608 JB 1E 104K-T	T	180.6/147.7
C1122	4030009530	S.CER C1608 CH 1H 030B-T	T	178.2/120.3
C1123	4030006900	S.CER C1608 JB 1H 103K-T	T	182.1/100.9
C1124	4030006900	S.CER C1608 JB 1H 103K-T	T	175.3/105.9
C1125	4030006900	S.CER C1608 JB 1H 103K-T	T	175.5/85.1
C1126	4030011600	S.CER C1608 JB 1E 104K-T	T	173.4/131.1
C1151	4030007110	S.CER C1608 CH 1H 680J-T	B	123.1/64
C1152	4030007110	S.CER C1608 CH 1H 680J-T	B	123.1/57
C1153	4030017810	S.CER C1608 CH 1H 102J-T	T	131.5/63.9
C1201	4030007110	S.CER C1608 CH 1H 680J-T	B	120.2/21.8
C1202	4030007110	S.CER C1608 CH 1H 680J-T	B	118.4/21.8
C1207	4030006880	S.CER C1608 JB 1H 472K-T	B	123/111.8
C1226	4030009500	S.CER C1608 CH 1H 0R5B-T	B	124.9/35.6
C1227	4030009500	S.CER C1608 CH 1H 0R5B-T	B	115.4/35.6
C1228	4030009920	S.CER C1608 CH 1H 050B-T	B	113.9/41.8
C1231	4030006900	S.CER C1608 JB 1H 103K-T	T	118.9/21.5
C1232	4030006900	S.CER C1608 JB 1H 103K-T	T	109/21.5
C1234	4030006900	S.CER C1608 JB 1H 103K-T	B	123.5/38.3
C1235	4030006880	S.CER C1608 JB 1H 472K-T	B	116.6/32.1
C1236	4030006900	S.CER C1608 JB 1H 103K-T	T	119.8/40
C1238	4030006900	S.CER C1608 JB 1H 103K-T	B	114/38.3
C1239	4030006880	S.CER C1608 JB 1H 472K-T	B	106.8/32.3
C1240	4030006900	S.CER C1608 JB 1H 103K-T	T	111.7/40.5
C1241	4030006900	S.CER C1608 JB 1H 103K-T	T	113.6/38.6
C1243	4030006880	S.CER C1608 JB 1H 472K-T	B	129.6/46.7
C1244	4030007080	S.CER C1608 CH 1H 390J-T	T	149.6/67
C1245	4030007130	S.CER C1608 CH 1H 101J-T	T	151/64.4
C1246	4030007120	S.CER C1608 CH 1H 820J-T	T	150.9/67
C1247	4030007090	S.CER C1608 CH 1H 470J-T	T	153.4/63.5
C1248	4030007130	S.CER C1608 CH 1H 101J-T	T	153.4/66.8
C1249	4030007020	S.CER C1608 CH 1H 120J-T	T	153.1/70.3
C1250	4030007100	S.CER C1608 CH 1H 560J-T	B	152.4/74.3
C1251	4030006900	S.CER C1608 JB 1H 103K-T	T	160.2/92.9
C1252	4030006900	S.CER C1608 JB 1H 103K-T	T	152.7/92.9
C1253	4030006900	S.CER C1608 JB 1H 103K-T	B	152.5/111.2
C1255	4030017810	S.CER C1608 CH 1H 102J-T	B	155.7/99.3
C1256	4030007010	S.CER C1608 CH 1H 100D-T	T	156.3/98.8
C1257	4030011600	S.CER C1608 JB 1E 104K-T	B	155.7/103
C1258	4030007080	S.CER C1608 CH 1H 390J-T	B	152/97.5
C1264	4030007110	S.CER C1608 CH 1H 680J-T	T	122/51.1
C1265	4610001830	S.TRI TZB4S100AB10R00	T	163.8/70.8
C1266	4030007020	S.CER C1608 CH 1H 120J-T	T	160.1/74.5
C1267	4030006880	S.CER C1608 JB 1H 472K-T	B	157/126.4
C1268	4030006980	S.CER C1608 CH 1H 070D-T	T	149.6/64.4
C1302	4030007060	S.CER C1608 CH 1H 270J-T	T	159.3/111
C1303	4030006980	S.CER C1608 CH 1H 070D-T	T	159.3/112.9
C1304	4030007070	S.CER C1608 CH 1H 330J-T	T	159.3/114.2
C1305	4030007010	S.CER C1608 CH 1H 100D-T	T	153.5/114.6
C1306	4030009650	S.CER C1608 CH 1H 240J-T	T	159.3/115.5
C1307	4030007030	S.CER C1608 CH 1H 150J-T	T	153.5/120.2
C1308	4030006900	S.CER C1608 JB 1H 103K-T	T	155.1/127.1
C1309	4030007080	S.CER C1608 CH 1H 390J-T	T	156.5/125.8
C1310	4030007080	S.CER C1608 CH 1H 390J-T	T	159.1/128.4
C1311	4030006900	S.CER C1608 JB 1H 103K-T	B	149/118.9
C1312	4030007060	S.CER C1608 CH 1H 270J-T	T	155.5/111.7
C1313	4030007060	S.CER C1608 CH 1H 270J-T	T	159.1/127.1
C1355	4030006880	S.CER C1608 JB 1H 472K-T	T	144.7/70
C1357	4030007000	S.CER C1608 CH 1H 090D-T	B	144.6/67.1
C1358	4030011600	S.CER C1608 JB 1E 104K-T	B	139.1/70.4
C1360	4030011600	S.CER C1608 JB 1E 104K-T	B	146.4/70.4
C1361	4030007020	S.CER C1608 CH 1H 120J-T	B	137.7/69.5

[RXPLL-B UNIT]

REF NO.	ORDER NO.	DESCRIPTION	M.	H/V LOCATION
C1362	4030011600	S.CER C1608 JB 1E 104K-T	T	137.5/65.6
C1403	4030017810	S.CER C1608 CH 1H 102J-T	T	114.7/70.3
C1404	4030017810	S.CER C1608 CH 1H 102J-T	T	116.3/104.8
C1405	4030006900	S.CER C1608 JB 1H 103K-T	B	115.9/63.9
C1406	4030017810	S.CER C1608 CH 1H 102J-T	T	114.2/66.2
C1407	4030017810	S.CER C1608 CH 1H 102J-T	T	119.9/70.3
C1408	4030006900	S.CER C1608 JB 1H 103K-T	T	116.3/73
C1409	4030006900	S.CER C1608 JB 1H 103K-T	T	114.4/68.1
C1410	4030007030	S.CER C1608 CH 1H 150J-T	T	116.3/83.3
C1411	4030006990	S.CER C1608 CH 1H 080D-T	T	112.2/87.8
C1412	4030007030	S.CER C1608 CH 1H 150J-T	T	116.3/93.7
C1413	4030007020	S.CER C1608 CH 1H 120J-T	T	107/83.3
C1414	4030006990	S.CER C1608 CH 1H 080D-T	T	103.6/86.6
C1415	4030007020	S.CER C1608 CH 1H 120J-T	T	107/93.7
C1416	4030006900	S.CER C1608 JB 1H 103K-T	T	113.2/103.4
C1417	4030006900	S.CER C1608 JB 1H 103K-T	T	110.5/107.6
C1418	4030017810	S.CER C1608 CH 1H 102J-T	T	110.4/105.8
C1419	4030017810	S.CER C1608 CH 1H 102J-T	T	111/108.9
C1420	4030007120	S.CER C1608 CH 1H 820J-T	B	113.2/114.2
C1421	4030007150	S.CER C1608 CH 1H 151J-T	B	115.2/114.2
C1423	4030010750	S.CER C1608 CH 1H 201J-T	B	120.3/111.1
C1424	4030007010	S.CER C1608 CH 1H 100D-T	T	132.8/103.3
C1425	4030011600	S.CER C1608 JB 1E 104K-T	T	136.5/106.2
C1426	4030011600	S.CER C1608 JB 1E 104K-T	T	137.8/106.2
C1427	4030006900	S.CER C1608 JB 1H 103K-T	T	133.9/106.2
C1428	4030006980	S.CER C1608 CH 1H 070D-T	T	119.5/109
C1429	4030006900	S.CER C1608 JB 1H 103K-T	T	120.5/113.6
C1430	4030007040	S.CER C1608 CH 1H 180J-T	B	131.9/115.3
C1431	4030017810	S.CER C1608 CH 1H 102J-T	T	127/116.2
C1432	4030009980	S.CER C1608 JB 1H 152K-T	T	129.1/114.1
C1433	4030011600	S.CER C1608 JB 1E 104K-T	T	130.4/114.1
C1434	4030009920	S.CER C1608 CH 1H 050B-T	B	124.7/134.4
C1435	4030009920	S.CER C1608 CH 1H 050B-T	B	124.7/131.6
C1436	4030011600	S.CER C1608 JB 1E 104K-T	B	137.2/122.2
C1437	4030009920	S.CER C1608 CH 1H 050B-T	T	104/83.3
C1438	4030009920	S.CER C1608 CH 1H 050B-T	T	102.3/86.6
C1439	4030009920	S.CER C1608 CH 1H 050B-T	T	110/93.7
C1441	4030006880	S.CER C1608 JB 1H 472K-T	T	120.5/116.2
C1451	4030007020	S.CER C1608 CH 1H 120J-T	T	125.5/80.1
C1453	4030007030	S.CER C1608 CH 1H 150J-T	T	122.1/85.1
C1454	4030007030	S.CER C1608 CH 1H 150J-T	T	120.8/85.1
C1456	4030007020	S.CER C1608 CH 1H 120J-T	T	125.5/90.9
C1457	4030006900	S.CER C1608 JB 1H 103K-T	T	118.3/72.9
C1458	4030006900	S.CER C1608 JB 1H 103K-T	T	116.6/103.5
C1501	4030018530	S.CER C3216 CH 1H 103J-T	T	131.2/124.5
C1502	4550003220	S.TAN TEESVA 1E 105M8R	T	132.1/139.2
C1503	4030006900	S.CER C1608 JB 1H 103K-T	T	137/142.1
C1504	4030012610	S.CER C2012 JB 1C 474K-T	T	136.7/140.5
C1505	4030007110	S.CER C1608 CH 1H 100D-T	T	130/143.5
C1506	4030010760	S.CER C1608 CH 1H 331J-T	T	131.3/146.3
C1507	4510008540	S.ELE EEE1CA100SR	T	142.6/140.8
C1508	4030011600	S.CER C1608 JB 1E 104K-T	B	128.8/148.8
C1509	4030018800	S.CER C3216 CH 1H 223J-T	T	135.8/145.1
C1510	4030007110	S.CER C1608 CH 1H 680J-T	T	136.5/158.9
C1511	4510008540	S.ELE EEE1CA100SR	T	132.7/150.6
C1512	4030011600	S.CER C1608 JB 1E 104K-T	T	129.6/149
C1513	4030011600	S.CER C1608 JB 1E 104K-T	T	129.6/158.1
C1514	4510008540	S.ELE EEE1CA100SR	T	132.7/156.5
C1515	4030007160	S.CER C1608 CH 1H 181J-T	T	132.2/160.8
C1516	4030009350	S.CER C1608 CH 1H 3R5B-T	T	130.9/160.8
C1517	4030007110	S.CER C1608 CH 1H 680J-T	T	115.3/155
C1518	4030018530	S.CER C3216 CH 1H 103J-T	T	131.2/132.8
C1519	4550003220	S.TAN TEESVA 1E 105M8R	T	122.9/140.9
C1520	4030006900	S.CER C1608 JB 1H 103K-T	T	119.8/140.7
C1521	4030012610	S.CER C2012 JB 1C 474K-T	T	116.2/142.1
C1522	4030007010	S.CER C1608 CH 1H 100D-T	T	123.7/143.5
C1523	4030010760			



[RXPLL-B UNIT]

REF NO.	ORDER NO.	DESCRIPTION	M.	H/V LOCATION
C1706	4510008520	S.ELE EEE1CA470SP	T	172.7/154.8
C1707	4030011600	S.CER C1608 JB 1E 104K-T	T	149.7/154.8
C1708	4030006880	S.CER C1608 JB 1H 472K-T	T	175.7/166.8
C1709	4030006880	S.CER C1608 JB 1H 472K-T	T	172.6/166.8
C1710	4030006880	S.CER C1608 JB 1H 472K-T	T	169.6/166.8
C1711	4030011340	S.CER C1608 CH 1H 471J-T	T	171.4/163.5
C1712	4030011340	S.CER C1608 CH 1H 471J-T	T	167.5/163.5
C1713	4030006880	S.CER C1608 JB 1H 472K-T	B	165.5/168.8
C1714	4030006880	S.CER C1608 JB 1H 472K-T	B	153.8/141.8
C1716	4030006880	S.CER C1608 JB 1H 472K-T	B	154.7/145.1
C1717	4030006880	S.CER C1608 JB 1H 472K-T	B	152.9/145.1
C1719	4030006880	S.CER C1608 JB 1H 472K-T	B	151.1/145.1
C1720	4030006880	S.CER C1608 JB 1H 472K-T	B	155.6/141.8
C1721	4030006880	S.CER C1608 JB 1H 472K-T	B	157.4/141.8
RL1001	6330001750	RLY FTR-B4CA012Z		
RL1002	6330001750	RLY FTR-B4CA012Z		
RL1003	6330001750	RLY FTR-B4CA012Z		
RL1004	6330001750	RLY FTR-B4CA012Z		
RL1005	6330001750	RLY FTR-B4CA012Z		
RL1006	6330001750	RLY FTR-B4CA012Z		
RL1203	6330001750	RLY FTR-B4CA012Z		
RL1206	6330001750	RLY FTR-B4CA012Z		
J2	6510019991	S.CNR 52808-2271 (2291)	T	25/9
J10	6510007020	CNR TMP-J01X-V6		
J351	6510007020	CNR TMP-J01X-V6		
J561	6510007020	CNR TMP-J01X-V6		
J601	6510007020	CNR TMP-J01X-V6		
J681	6510007020	CNR TMP-J01X-V6		
J831	6510007020	CNR TMP-J01X-V6		
J1002	6510007020	CNR TMP-J01X-V6		
J1101	6510007020	CNR TMP-J01X-V6		
J1201	6510007020	CNR TMP-J01X-V6		
J1301	6510007020	CNR TMP-J01X-V6		
J1501	6510018961	S.CNR B2B-PH-SM4-TB (LF) (SN)	T	149.6/177.5
J1701	6510019981	S.CNR 52808-1671 (1690)	T	168/177.2
W1052	9016201006	WIR 73/98/025/X98/X98		
W1401	9029495075	JMP 73/98/020/X98/X98		
W1411	7120000480	S.JMP MJP-0.4-T	T	125.1/111.6
EP20	6910012350	S.BEA MMZ1608Y 102BT	T	85.4/126
EP21	6910012350	S.BEA MMZ1608Y 102BT	T	88.7/124
EP22	6910012350	S.BEA MMZ1608Y 102BT	T	90/124
EP101	6910012350	S.BEA MMZ1608Y 102BT	B	47.6/98.6
EP102	6910012350	S.BEA MMZ1608Y 102BT	B	47.6/96.8
EP103	6910012350	S.BEA MMZ1608Y 102BT	T	46/96.8
EP104	6910012350	S.BEA MMZ1608Y 102BT	T	46/92.9
EP105	6910012350	S.BEA MMZ1608Y 102BT	T	46/91.6
EP106	6910012350	S.BEA MMZ1608Y 102BT	T	46/89
EP107	6910012350	S.BEA MMZ1608Y 102BT	B	47.6/100.4
EP1701	6910012350	S.BEA MMZ1608Y 102BT	T	170.1/163.5
EP1702	6910012350	S.BEA MMZ1608Y 102BT	T	168.8/163.5
EP1801	6910012350	S.BEA MMZ1608Y 102BT	B	153/132.7
EP1802	6910012350	S.BEA MMZ1608Y 102BT	B	142.5/18.8
EP1804	6910012350	S.BEA MMZ1608Y 102BT	B	112.5/138.7
EP1805	6910012350	S.BEA MMZ1608Y 102BT	B	150.2/141.8
EP1806	6910012350	S.BEA MMZ1608Y 102BT	B	128.6/64.3
EP1807	6910012350	S.BEA MMZ1608Y 102BT	B	117.4/50.2
EP1808	6910012350	S.BEA MMZ1608Y 102BT	B	137/166.9
EP1809	6910012350	S.BEA MMZ1608Y 102BT	B	147.4/127.4
EP1810	6910012350	S.BEA MMZ1608Y 102BT	B	131.3/64.2
EP1811	6910012350	S.BEA MMZ1608Y 102BT	T	160.7/56.3
EP1812	6910012350	S.BEA MMZ1608Y 102BT	B	153.5/137.4
EP1813	6910012350	S.BEA MMZ1608Y 102BT	B	132.6/65.7
EP1814	6910012350	S.BEA MMZ1608Y 102BT	B	147.2/22.3
EP1815	6910012350	S.BEA MMZ1608Y 102BT	B	156/62.6
EP1816	6910012350	S.BEA MMZ1608Y 102BT	B	160.4/20.9
EP1817	6910012350	S.BEA MMZ1608Y 102BT	B	168.6/62.2
EP1818	6910012350	S.BEA MMZ1608Y 102BT	B	151.2/133.2
EP1819	6910012350	S.BEA MMZ1608Y 102BT	B	145.6/127.9
EP1820	6910012350	S.BEA MMZ1608Y 102BT	B	148.6/19.8
EP1821	6910012350	S.BEA MMZ1608Y 102BT	B	148.6/14.1
EP1825	6910012350	S.BEA MMZ1608Y 102BT	B	126.6/7
EP1826	6910012350	S.BEA MMZ1608Y 102BT	B	151.5/137.7
EP1830	6910012350	S.BEA MMZ1608Y 102BT	B	141.3/135.2
EP1831	6910012350	S.BEA MMZ1608Y 102BT	B	143.4/128.5
EP1832	6910012350	S.BEA MMZ1608Y 102BT	B	149.2/137.5
EP1833	6910012350	S.BEA MMZ1608Y 102BT	B	147.2/133.5
EP1834	6910012350	S.BEA MMZ1608Y 102BT	T	115.8/108.3
EP1835	6910012350	S.BEA MMZ1608Y 102BT	B	141.6/128.5
EP1836	6910012350	S.BEA MMZ1608Y 102BT	T	111/110.2
EP1837	6910012350	S.BEA MMZ1608Y 102BT	B	145.8/134.1
EP1838	6910012350	S.BEA MMZ1608Y 102BT	T	116.3/106.1

[BPF UNIT]

REF NO.	ORDER NO.	DESCRIPTION	M.	H/V LOCATION
IC101	1130011510	S.IC BU2099FV-E2	T	9.5/77.6
IC102	1130011510	S.IC BU2099FV-E2	T	9.7/100.9
IC401	1130011510	S.IC BU2099FV-E2	T	10.3/39.3
IC402	1130011510	S.IC BU2099FV-E2	T	9.6/59.4
Q355	1590001330	S.TR DTA114EUA T106	T	191.6/68.1
Q381	1590000680	S.TR DTC114EUA T106	T	232/60.3
Q383	1590000680	S.TR DTC114EUA T106	T	229.2/51.9
Q384	1590000680	S.TR DTC114EUA T106	T	226.2/51.9
Q385	1590000680	S.TR DTC114EUA T106	T	233.1/54.7
Q386	1590000430	S.TR DTC144EUA T106	T	230.1/54.7
Q387	1590000680	S.TR DTC114EUA T106	T	228.8/60.2
Q401	1530002841	S.TR 2SC4116-Y (TE85R,F)	T	234.5/108.2
Q402	1530002060	S.TR 2SC4081 T106 R	B	224.2/99.2
Q403	1590001330	S.TR DTA114EUA T106	B	227.6/100.2
Q404	1590000430	S.TR DTC144EUA T106	T	232/108.2
Q855	1590001330	S.TR DTA114EUA T106	T	192/53
Q871	1590001330	S.TR DTA114EUA T106	B	234.6/18.8
Q872	1530002060	S.TR 2SC4081 T106 R	B	231.2/19.5
Q873	1530002841	S.TR 2SC4116-Y (TE85R,F)	B	231.2/16.6
Q874	1590000430	S.TR DTC144EUA T106	T	195.7/57.4
Q900	1590001330	S.TR DTA114EUA T106	B	217.4/116.1
Q901	1530003851	S.TR 2SC5551F-TD-E	T	210.3/113.5
Q902	1590001330	S.TR DTA114EUA T106	T	200.6/115.1
Q903	1530003851	S.TR 2SC5551F-TD-E	T	189.4/113.5
Q950	1590001330	S.TR DTA114EUA T106	B	215/3.2
Q951	1530003851	S.TR 2SC5551F-TD-E	T	209.8/17.6
Q952	1590001330	S.TR DTA114EUA T106	B	199.1/4
Q953	1530003851	S.TR 2SC5551F-TD-E	T	188.6/17.6
D1	1790001250	S.DIO MA2S111-(TX)	T	184/75.2
D21	1790001250	S.DIO MA2S111-(TX)	B	167.1/177.7
D51	1790001250	S.DIO MA2S111-(TX)	T	163.7/68.6
D81	1790001250	S.DIO MA2S111-(TX)	B	141.5/68.1
D111	1790001250	S.DIO MA2S111-(TX)	T	107.4/67.6
D141	1790001250	S.DIO MA2S111-(TX)	T	94.7/70.3
D171	1790001250	S.DIO MA2S111-(TX)	B	81.6/74.3
D201	1790001250	S.DIO MA2S111-(TX)	B	70.2/73.1
D231	1790001250	S.DIO MA2S111-(TX)	T	49.4/69.1
D261	1790001250	S.DIO MA2S111-(TX)	B	35.4/70.1
D291	1790001250	S.DIO MA2S111-(TX)	B	203.9/71.9
D321	1790001250	S.DIO MA2S111-(TX)	T	204/97.5
D351	1790001250	S.DIO MA2S111-(TX)	T	189/94.9
D352	1790001250	S.DIO MA2S111-(TX)	T	189/88.7
D353	1790001250	S.DIO MA2S111-(TX)	T	189/82.5
D354	1790001250	S.DIO MA2S111-(TX)	T	189/76.3
D355	1790001250	S.DIO MA2S111-(TX)	T	193.9/66.2
D371	1790001250	S.DIO MA2S111-(TX)	T	218.5/69.9
D373	1790001250	S.DIO MA2S111-(TX)	B	239.8/116.1
D391	1750000581	S.DIO 1SV307 (TPH3,F)	B	233.2/49.9
D392	1750000581	S.DIO 1SV307 (TPH3,F)	B	236/52.9
D393	1750000581	S.DIO 1SV307 (TPH3,F)	B	235.3/63.7
D401	1790001250	S.DIO MA2S111-(TX)	B	225.6/95.5
D402	1790000980	S.DIO MA742 (TX)	B	233.9/113.2
D501	1790001250	S.DIO MA2S111-(TX)	B	184.1/45.6
D531	1790001250	S.DIO MA2S111-(TX)	B	167.7/53.7
D561	1790001250	S.DIO MA2S111-(TX)	B	164.4/42.5
D591	1790001250	S.DIO MA2S111-(TX)	B	144.1/53.4
D621	1790001250	S.DIO MA2S111-(TX)	T	107.6/52.6
D651	1790001250	S.DIO MA2S111-(TX)	T	94.9/49.6
D681	1790001250	S.DIO MA2S111-(TX)	B	81.5/45.7
D711	1790001250	S.DIO MA2S111-(TX)	B	70/44.3
D741	1790001250	S.DIO MA2S111-(TX)	B	51.4/50.5
D771	1790001250	S.DIO MA2S111-(TX)	B	36.5/43.7
D801	1790001250	S.DIO MA2S111-(TX)	B	203.8/47.4
D831	1790001250	S.DIO MA2S111-(TX)	T	203.7/22.1
D851	1790001250	S.DIO MA2S111-(TX)	T	189/27.9
D852	1790001250	S.DIO MA2S111-(TX)	T	189/33.1
D853	1790001250	S.DIO MA2S111-(TX)	T	189/39.3
D854	1790001250	S.DIO MA2S111-(TX)	T	189/45.5
D855	1790001250	S.DIO MA2S111-(TX)	T	194/52.8
D871	1790001250	S.DIO MA2S111-(TX)	B	241.4/18
D872	1790000980	S.DIO MA742 (TX)	B	247.7/15.6
D873	1790001250	S.DIO MA2S111-(TX)	B	243/94.1
D900	1790001250	S.DIO MA2S111-(TX)	B	218.9/100.4
D901	1790001250	S.DIO MA2S111-(TX)	T	207.9/100.7
D902	1790001250	S.DIO MA2S111-(TX)	B	197/100.2
D903	1790001250	S.DIO MA2S111-(TX)	B	186.4/100.5
D950	1790001250	S.DIO MA2S111-(TX)	B	212.3/3.9
D951	1790001250	S.DIO MA2S111-(TX)	T	204.4/4.5
D952	1790001250	S.DIO MA2S111-(TX)	B	195.7/4.9
D953	1790001250	S.DIO MA2S111-(TX)	B	182.6/5.3
D954	1790001250	S.DIO MA2S111-(TX)	T	235.4/16.2
L1	6200005521	S.COL NLV25T-470J	T	186.7/100.6
L2	6200005521	S.COL NLV25T-470J	B	183.8/77.2
L3	6200010830	S.COL C2520C-3R3G-A	T	179.2/88.5
L4	6200010830	S.COL C2520C-3R3G-A	T	179.2/80.2
L5	6200010830	S.COL C2520C-3R3G-A	T	178.2/84.3
L6	6200010830	S.COL C2520C-3R3G-A	T	178/76.2
L21	6200005521	S.COL NLV25T-470J	B	166/107.5
L22	6200005521	S.COL NLV25T-470J	B	163/107.5
L23	6140004040	COL LR-443		
L24	6140004050	COL LR-444		
L25	6140004050	COL LR-444		
L26	6140004050	COL LR-444		
L27	6140004040	COL LR-443		
L51	6200005521	S.COL NLV25T-470J	B	154.3/111.3
L52	6200005521	S.COL NLV25T-470J	B	151.3/107.2
L53	6140004060	COL LR-445		
L54	6140004080	COL LR-446		

M.=Mounted side (T: Mounted on the Top side, B: Mounted on the Bottom side)  
S.=Surface mount

[BPF UNIT]

REF NO.	ORDER NO.	DESCRIPTION	M.	H/V LOCATION
L55	6140004080	COL LR-446		
L56	6140004080	COL LR-446		
L57	6140004060	COL LR-445		
L81	6200005521	S.COL NLV25T-470J	B	142.1/109.6
L82	6200005521	S.COL NLV25T-470J	B	139.1/107.3
L83	6140004090	COL LR-447		
L84	6140004230	COL LR-458		
L85	6140004230	COL LR-458		
L86	6140004230	COL LR-458		
L87	6140004090	COL LR-447		
L111	6200005521	S.COL NLV25T-470J	B	118.1/109.1
L112	6200005521	S.COL NLV25T-470J	B	114.5/109.1
L113	6140004090	COL LR-447		
L114	6140004100	COL LR-448		
L115	6140004100	COL LR-448		
L116	6140004100	COL LR-448		
L117	6140004090	COL LR-447		
L141	6200005521	S.COL NLV25T-470J	B	106.8/111.4
L142	6200005521	S.COL NLV25T-470J	B	100.3/107.6
L143	6140004110	COL LR-449		
L144	6140004120	COL LR-450		
L145	6140004120	COL LR-450		
L146	6140004120	COL LR-450		
L147	6140004110	COL LR-449		
L171	6200005521	S.COL NLV25T-470J	B	84.9/116.9
L172	6200005521	S.COL NLV25T-470J	B	81.8/115.4
L173	6140004140	COL LR-451		
L174	6140004150	COL LR-452		
L175	6140004150	COL LR-452		
L176	6140004150	COL LR-452		
L177	6140004140	COL LR-451		
L201	6200007021	S.COL NLV25T-270J	B	61.9/112
L202	6200007021	S.COL NLV25T-270J	B	59.4/109.7
L203	6140004160	COL LR-453		
L204	6140004180	COL LR-454		
L205	6140004180	COL LR-454		
L206	6140004180	COL LR-454		
L207	6140004160	COL LR-453		
L231	6200005011	S.COL NLV25T-100J	B	44.2/116.9
L232	6200005011	S.COL NLV25T-100J	B	44.1/114.3
L233	6140004190	COL LR-455		
L234	6140004210	COL LR-456		
L235	6140004210	COL LR-456		
L236	6140004210	COL LR-456		
L237	6140004190	COL LR-455		
L261	6200009141	S.COL NLV25T-6R8J	B	27.3/111.4
L262	6200009141	S.COL NLV25T-6R8J	B	24.8/109.7
L263	6140004220	COL LR-457		
L264	6140004160	COL LR-453		
L265	6140004160	COL LR-453		
L266	6140004160	COL LR-453		
L267	6140004220	COL LR-457		
L291	6200003281	S.COL NLV25T-2R2J	B	222.8/74.1
L292	6200003281	S.COL NLV25T-2R2J	B	214/75.1
L293	6200008090	S.COL LQW2BHN68NJ03L	T	214.7/79.6
L294	6200003041	S.COL NLV32T-R68J	T	213.5/82.7
L295	6200008090	S.COL LQW2BHN68NJ03L	T	210.1/79.6
L296	6200010870	S.COL C2520C-R33G-A (0.33U)	T	209.9/76.6
L321	6200003281	S.COL NLV25T-2R2J	B	209.5/93.5
L322	6200003281	S.COL NLV25T-2R2J	B	213.2/95.3
L323	6200003011	S.COL NLV32T-R27J	T	214.2/91
L324	6200003001	S.COL NLV32T-R22J	T	209.7/87.1
L325	6200003011	S.COL NLV32T-R27J	T	209.6/93.2
L371	6140004390	COL LR-459		
L372	6140004390	COL LR-459		
L373	6140003530	COL LR-395		
L391	6200005491	S.COL NLV32T-331J	T	230.2/48.4
L392	6200005491	S.COL NLV32T-331J	T	231.7/64
L393	6200003211	S.COL NLV32T-820J	B	231.7/42.7
L394	6200005491	S.COL NLV32T-331J	B	236.2/46.6
L395	6200005491	S.COL NLV32T-331J	B	225.5/48.3
L501	6200005521	S.COL NLV25T-470J	B	183.7/36.2
L502	6200005521	S.COL NLV25T-470J	B	184.6/41
L504	6200010830	S.COL C2520C-3R3G-A	T	178.7/33.1
L505	6200010830	S.COL C2520C-3R3G-A	T	177.8/41.5
L506	6200010830	S.COL C2520C-3R3G-A	T	178.9/37.6
L507	6200010830	S.COL C2520C-3R3G-A	T	179.1/45
L531	6200005521	S.COL NLV25T-470J	B	167.5/13
L532	6200005521	S.COL NLV25T-470J	B	170.5/13
L533	6140004040	COL LR-443		
L534	6140004050	COL LR-444		
L535	6140004050	COL LR-444		
L536	6140004050	COL LR-444		
L537	6140004040	COL LR-443		
L561	6200005521	S.COL NLV25T-470J	B	149.9/12.4
L562	6200005521	S.COL NLV25T-470J	B	153.8/16.5
L563	6140004060	COL LR-445		
L564	6140004080	COL LR-446		
L565	6140004080	COL LR-446		
L566	6140004080	COL LR-446		
L567	6140004060	COL LR-445		
L591	6200005521	S.COL NLV25T-470J	B	139.9/9.2
L592	6200005521	S.COL NLV25T-470J	B	142.7/9.2
L593	6140004090	COL LR-447		
L594	6140004230	COL LR-458		
L595	6140004230	COL LR-458		
L596	6140004230	COL LR-458		
L597	6140004090	COL LR-447		
L621	6200005521	S.COL NLV25T-470J	B	116.8/9.5
L622	6200005521	S.COL NLV25T-470J	B	122.4/6.3
L623	6140004090	COL LR-447		
L624	6140004100	COL LR-448		
L625	6140004100	COL LR-448		
L626	6140004100	COL LR-448		

[BPF UNIT]

REF NO.	ORDER NO.	DESCRIPTION	M.	H/V LOCATION
L627	6140004090	COL LR-447		
L651	6200005521	S.COL NLV25T-470J	B	105.4/13
L652	6200005521	S.COL NLV25T-470J	B	108/9.5
L653	6140004110	COL LR-449		
L654	6140004120	COL LR-450		
L655	6140004120	COL LR-450		
L656	6140004120	COL LR-450		
L657	6140004110	COL LR-449		
L681	6200005521	S.COL NLV25T-470J	B	77.4/6.2
L682	6200005521	S.COL NLV25T-470J	B	80.4/3.8
L683	6140004140	COL LR-451		
L684	6140004150	COL LR-452		
L685	6140004150	COL LR-452		
L686	6140004150	COL LR-452		
L687	6140004140	COL LR-451		
L711	6200007021	S.COL NLV25T-270J	B	56.4/10.8
L712	6200007021	S.COL NLV25T-270J	B	61.1/8.8
L713	6140004160	COL LR-453		
L714	6140004180	COL LR-454		
L715	6140004180	COL LR-454		
L716	6140004180	COL LR-454		
L717	6140004160	COL LR-453		
L741	6200005011	S.COL NLV25T-100J	B	44.2/6.2
L742	6200005011	S.COL NLV25T-100J	B	46.2/3.4
L743	6140004190	COL LR-455		
L744	6140004210	COL LR-456		
L745	6140004210	COL LR-456		
L746	6140004210	COL LR-456		
L747	6140004190	COL LR-455		
L771	6200009141	S.COL NLV25T-6R8J	B	23.4/10.6
L772	6200009141	S.COL NLV25T-6R8J	B	27.1/9
L773	6140004220	COL LR-457		
L774	6140004160	COL LR-453		
L775	6140004160	COL LR-453		
L776	6140004160	COL LR-453		
L777	6140004220	COL LR-457		
L801	6200003281	S.COL NLV25T-2R2J	B	214.4/45.7
L802	6200003281	S.COL NLV25T-2R2J	B	211.8/42.4
L805	6200008090	S.COL LQW2BHN68NJ03L	T	214.6/41.4
L806	6200003041	S.COL NLV32T-R68J	T	211.5/36.9
L807	6200008090	S.COL LQW2BHN68NJ03L	T	209.7/40
L808	6200010870	S.COL C2520C-R33G-A (0.33U)	T	209.8/43
L831	6200003281	S.COL NLV25T-2R2J	B	211.6/26.7
L832	6200003281	S.COL NLV25T-2R2J	B	213.2/23.7
L833	6200003011	S.COL NLV32T-R27J	T	214.2/29.7
L834	6200003001	S.COL NLV32T-R22J	T	209.7/32.9
L835	6200003011	S.COL NLV32T-R27J	T	209.4/27.3
L900	6200001831	S.COL NLV32T-100J	B	213.2/113.1
L901	6200003950	S.COL HF50ACC 322513-T	B	11.6/20.4
L902	6200003950	S.COL HF50ACC 322513-T	B	11.7/16.4
L903	6200001831	S.COL NLV32T-100J	T	7.4/27.5
L904	6200001831	S.COL NLV32T-100J	T	11.6/27.5
L905	6140004380	COL LR-498		
L906	6200009690	S.COL LQH43CN101K03L	T	216.9/114.5
L907	6200001831	S.COL NLV32T-100J	B	193.1/113.1
L908	6140004380	COL LR-498		
L909	6200009690	S.COL LQH43CN101K03L	T	196/115.1
L950	6200001831	S.COL NLV32T-100J	B	211.8/17
L951	6140004380	COL LR-498		
L952	6200009690	S.COL LQH43CN101K03L	T	213.8/3.4
L953	6200001831	S.COL NLV32T-100J	B	191.1/71.7
L954	6140004380	COL LR-498		
L955	6200009690	S.COL LQH43CN101K03L	T	196/3.3
R1	7030003640	S.RES ERJ3GEYJ 473 V (47 k)	T	181.4/92.2
R3	7030003860	S.RES ERJ3GE JPW V	T	182.1/90.3
R101	7030003320	S.RES ERJ3GEYJ 101 V (100)	T	7.2/67.9
R102	7030003320	S.RES ERJ3GEYJ 101 V (100)	T	7.9/71.3
R103	7030003320	S.RES ERJ3GEYJ 101 V (100)	T	8.7/67.9
R104	7030003320	S.RES ERJ3GEYJ 101 V (100)	T	9.3/71
R105	7030003320	S.RES ERJ3GEYJ 101 V (100)	T	10.6/71
R106	7030003320	S.RES ERJ3GEYJ 101 V (100)	T	11.3/89.9
R107	7030003320	S.RES ERJ3GEYJ 101 V (100)	T	11.6/87.9
R108	7030003320	S.RES ERJ3GEYJ 101 V (100)	T	11.1/83.2
R117	7030003320	S.RES ERJ3GEYJ 101 V (100)	T	9.8/83.5
R118	7030003320	S.RES ERJ3GEYJ 101 V (100)	T	8.5/83.5
R119	7030003320	S.RES ERJ3GEYJ 101 V (100)	T	7.4/87.2
R120	7030003320	S.RES ERJ3GEYJ 101 V (100)	T	6.7/83.2
R121	7030003320	S.RES ERJ3GEYJ 101 V (100)	T	6.9/92.2
R122	7030003320	S.RES ERJ3GEYJ 101 V (100)	T	7.1/94.8
R123	7030003320	S.RES ERJ3GEYJ 101 V (100)	B	10/95.5
R124	7030003320	S.RES ERJ3GEYJ 101 V (100)	T	11/94.3
R133	7030003560	S.RES ERJ3GEYJ 103 V (10 k)	T	191.2/55.8
R134	7030003320	S.RES ERJ3GEYJ 101 V (100)	B	10/98.9
R141	7030003360	S.RES ERJ3GEYJ 221 V (220)	B	5.6/14
R142	7030003360	S.RES ERJ3GEYJ 221 V (220)	B	5.6/15.7
R143	7030003360	S.RES ERJ3GEYJ 221 V (220)	B	5.1/19.2
R351	7030003340	S.RES ERJ3GEYJ 151 V (150)	B	197.7/90.7
R352	7030003300	S.RES ERJ3GEYJ 680 V (68)	B	193.9/87.5
R354	7030003280	S.RES ERJ3GEYJ 470 V (47)	B	200.9/84.8
R355	7030003320	S.RES ERJ3GEYJ 101 V (100)	B	193.9/81.3
R357	7030003240	S.RES ERJ3GEYJ 220 V (22)	B	197.8/71.6
R358	7030003350	S.RES ERJ3GEYJ 181 V (180)	B	194.4/70.3
R360	7030003320	S.RES ERJ3GEYJ 101 V (100)	T	191.8/66.1
R371	7030003320	S.RES ERJ3GEYJ 101 V (100)	T	217.4/71.2
R372	7030003320	S.RES ERJ3GEYJ 101 V (100)	B	209.5/61.9
R373	7030003320	S.RES ERJ3GEYJ 101 V (100)	B	209.5/58.9
R381	7030003520	S.RES ERJ3GEYJ 472 V (4.7 k)	T	231.4/51.9
R382	7030003360	S.RES ERJ3GEYJ 221 V (220)	B	239.8/112.7
R383	7030003680	S.RES ERJ3GEYJ 104 V (100 k)	T	232.3/49.1
R384	7030003420	S.RES ERJ3GEYJ 681 V (680)	B	236/49.9
R385	7030003420	S.RES ERJ3GEYJ 681 V (680)	B	231.3/46.7
R386	7030003480	S.RES ERJ3GEYJ 222 V (2.2 k)	B	237.6/62.6

M.=Mounted side (T: Mounted on the Top side, B: Mounted on the Bottom side)  
S.=Surface mount

[BPF UNIT]

REF NO.	ORDER NO.	DESCRIPTION	M.	H/V LOCATION
R387	7030003560	S.RES ERJ3GEYJ 103 V (10 k)	B	238.8/55.5
R388	7540000130	ABS 2P-50A-301		
R389	7030003420	S.RES ERJ3GEYJ 681 V (680)	T	235/65.4
R390	7030003560	S.RES ERJ3GEYJ 103 V (10 k)	T	233/51.9
R391	7030003680	S.RES ERJ3GEYJ 104 V (100 k)	T	234.3/51.9
R392	7030003420	S.RES ERJ3GEYJ 681 V (680)	B	234.7/49.9
R393	7030003420	S.RES ERJ3GEYJ 681 V (680)	B	231.3/48
R394	7030003420	S.RES ERJ3GEYJ 681 V (680)	T	235/64.1
R395	7030003420	S.RES ERJ3GEYJ 681 V (680)	B	235.2/56.4
R396	7030003420	S.RES ERJ3GEYJ 681 V (680)	B	235.2/55.1
R401	7030003360	S.RES ERJ3GEYJ 221 V (220)	B	227.6/96.2
R402	7030003680	S.RES ERJ3GEYJ 104 V (100 k)	T	234.5/111.6
R403	7030003480	S.RES ERJ3GEYJ 222 V (2.2 k)	T	231.9/110.3
R404	7030003860	S.RES ERJ3GE JPW V	T	234.5/110.3
R441	7030003360	S.RES ERJ3GEYJ 221 V (220)	B	11/24.4
R442	7030003360	S.RES ERJ3GEYJ 221 V (220)	B	8.2/23.4
R451	7030003320	S.RES ERJ3GEYJ 101 V (100)	T	10.6/32.9
R452	7030003320	S.RES ERJ3GEYJ 101 V (100)	T	11.9/33.1
R453	7030003320	S.RES ERJ3GEYJ 101 V (100)	T	13.2/33.1
R454	7030003320	S.RES ERJ3GEYJ 101 V (100)	T	14.5/33.1
R455	7030003320	S.RES ERJ3GEYJ 101 V (100)	T	14.5/36.9
R456	7030003320	S.RES ERJ3GEYJ 101 V (100)	T	11.1/46.9
R457	7030003320	S.RES ERJ3GEYJ 101 V (100)	T	8.9/46.3
R458	7030003320	S.RES ERJ3GEYJ 101 V (100)	T	8.9/47.6
R467	7030003320	S.RES ERJ3GEYJ 101 V (100)	T	10.6/49.6
R468	7030003320	S.RES ERJ3GEYJ 101 V (100)	T	13.6/50.2
R469	7030003320	S.RES ERJ3GEYJ 101 V (100)	T	7.6/49.4
R470	7030003320	S.RES ERJ3GEYJ 101 V (100)	T	6.9/50.7
R471	7030003320	S.RES ERJ3GEYJ 101 V (100)	T	6.2/52.6
R472	7030003320	S.RES ERJ3GEYJ 101 V (100)	T	9.2/53
R473	7030003320	S.RES ERJ3GEYJ 101 V (100)	T	10.5/53.7
R474	7030003320	S.RES ERJ3GEYJ 101 V (100)	T	11.8/54.2
R475	7030003320	S.RES ERJ3GEYJ 101 V (100)	T	10.7/63.9
R481	7030003560	S.RES ERJ3GEYJ 103 V (10 k)	B	196.9/55.9
R501	7030003640	S.RES ERJ3GEYJ 473 V (47 k)	T	183/30
R503	7030003860	S.RES ERJ3GE JPW V	T	182.2/31.9
R851	7030003340	S.RES ERJ3GEYJ 151 V (150)	B	198.2/32.1
R852	7030003300	S.RES ERJ3GEYJ 680 V (68)	B	193.5/32.1
R854	7030003280	S.RES ERJ3GEYJ 470 V (47)	B	200.9/34.7
R855	7030003320	S.RES ERJ3GEYJ 101 V (100)	B	193.5/38.3
R857	7030003240	S.RES ERJ3GEYJ 220 V (22)	B	197.9/48.2
R858	7030003350	S.RES ERJ3GEYJ 181 V (180)	B	193.8/49.7
R860	7030003320	S.RES ERJ3GEYJ 101 V (100)	T	192/51
R871	7030003360	S.RES ERJ3GEYJ 221 V (220)	B	238/19.5
R872	7030003680	S.RES ERJ3GEYJ 104 V (100 k)	B	236.5/14.4
R873	7030003480	S.RES ERJ3GEYJ 222 V (2.2 k)	B	239.6/16
R874	7030003860	S.RES ERJ3GE JPW V	B	236.5/16
R900	7030003280	S.RES ERJ3GEYJ 470 V (47)	B	212.8/117.1
R901	7030003440	S.RES ERJ3GEYJ 102 V (1 k)	B	207.2/117.4
R902	7030003530	S.RES ERJ3GEYJ 562 V (5.6 k)	T	210.4/116.6
R903	7030003380	S.RES ERJ3GEYJ 331 V (330)	B	203.9/113.3
R904	7030003220	S.RES ERJ3GEYJ 150 V (15)	B	206.3/111.6
R905	7030003380	S.RES ERJ3GEYJ 331 V (330)	B	203.3/111.8
R906	7030003320	S.RES ERJ3GEYJ 101 V (100)	T	12.5/92.8
R907	7030003320	S.RES ERJ3GEYJ 101 V (100)	T	13.8/92.8
R908	7030003280	S.RES ERJ3GEYJ 470 V (47)	B	194.5/116.4
R909	7030003440	S.RES ERJ3GEYJ 102 V (1 k)	T	185.4/115.9
R910	7030003530	S.RES ERJ3GEYJ 562 V (5.6 k)	T	189.6/116.7
R911	7030003320	S.RES ERJ3GEYJ 101 V (100)	B	209.4/110.8
R912	7030003320	S.RES ERJ3GEYJ 101 V (100)	B	187.5/111.2
R913	7030004050	S.RES ERJ3GEYJ 1R0 V (1)	B	189.7/106.1
R950	7030003280	S.RES ERJ3GEYJ 470 V (47)	B	210.2/20
R951	7030003440	S.RES ERJ3GEYJ 102 V (1 k)	T	207.7/21.4
R952	7030003530	S.RES ERJ3GEYJ 562 V (5.6 k)	T	211/20.8
R953	7030003380	S.RES ERJ3GEYJ 331 V (330)	B	203.4/18.4
R954	7030003220	S.RES ERJ3GEYJ 150 V (15)	B	205.6/16.7
R955	7030003380	S.RES ERJ3GEYJ 331 V (330)	B	202.8/16.7
R956	7030003320	S.RES ERJ3GEYJ 101 V (100)	T	8.3/65
R957	7030003320	S.RES ERJ3GEYJ 101 V (100)	B	11.6/60.5
R958	7030003280	S.RES ERJ3GEYJ 470 V (47)	B	189.5/19.9
R959	7030003440	S.RES ERJ3GEYJ 102 V (1 k)	T	186.5/21.4
R960	7030003530	S.RES ERJ3GEYJ 562 V (5.6 k)	T	191.5/20
R961	7030003320	S.RES ERJ3GEYJ 101 V (100)	B	208.3/16.4
R962	7030003320	S.RES ERJ3GEYJ 101 V (100)	B	187.7/16.4
R963	7030004050	S.RES ERJ3GEYJ 1R0 V (1)	B	181.4/16.5
C1	4030006880	S.CER C1608 JB 1H 472K-T	B	183.4/92.3
C2	4030006880	S.CER C1608 JB 1H 472K-T	T	185.3/91.5
C3	4030006880	S.CER C1608 JB 1H 472K-T	T	184.1/99.8
C4	4030006880	S.CER C1608 JB 1H 472K-T	B	183.1/73.9
C5	4030006880	S.CER C1608 JB 1H 472K-T	B	182.5/66.5
C6	4030006880	S.CER C1608 JB 1H 472K-T	T	183.9/73.9
C7	4030017840	S.CER C2012 CH 1H 222J-T	T	182.8/86.4
C8	4030017850	S.CER C2012 CH 1H 272J-T	T	182.9/84.1
C9	4030017820	S.CER C2012 CH 1H 122J-T	T	182.9/82.3
C10	4030017840	S.CER C2012 CH 1H 222J-T	T	182.8/77.5
C21	4030006880	S.CER C1608 JB 1H 472K-T	B	165.3/112.2
C22	4030006880	S.CER C1608 JB 1H 472K-T	B	162.3/112.2
C23	4030006880	S.CER C1608 JB 1H 472K-T	B	166.8/110.5
C24	4030006880	S.CER C1608 JB 1H 472K-T	T	163.7/81.5
C25	4030006880	S.CER C1608 JB 1H 472K-T	B	171.5/76.9
C26	4030006880	S.CER C1608 JB 1H 472K-T	B	168.9/77.7
C27	4030017810	S.CER C1608 CH 1H 102J-T	B	162.6/104.3
C28	4030017810	S.CER C1608 CH 1H 102J-T	B	162.6/102.4
C29	4030010760	S.CER C1608 CH 1H 331J-T	B	168.7/98.4
C30	4030007140	S.CER C1608 CH 1H 121J-T	B	168.7/96.1
C31	4030007160	S.CER C1608 CH 1H 181J-T	B	164.1/93.9
C32	4030007060	S.CER C1608 CH 1H 270J-T	B	166.1/94
C33	4030010760	S.CER C1608 CH 1H 331J-T	B	168.7/93.2
C34	4030007090	S.CER C1608 CH 1H 470J-T	B	168.7/90.8
C35	4030007160	S.CER C1608 CH 1H 181J-T	B	164.3/89.3
C36	4030007060	S.CER C1608 CH 1H 270J-T	B	164.2/91
C38	4030010760	S.CER C1608 CH 1H 331J-T	B	165.6/83.4

[BPF UNIT]

REF NO.	ORDER NO.	DESCRIPTION	M.	H/V LOCATION
C39	4030007140	S.CER C1608 CH 1H 121J-T	B	165.6/85.5
C40	4030017810	S.CER C1608 CH 1H 102J-T	B	170.7/74.5
C41	4030017810	S.CER C1608 CH 1H 102J-T	B	170.7/72.7
C51	4030006880	S.CER C1608 JB 1H 472K-T	T	153.8/116
C52	4030006880	S.CER C1608 JB 1H 472K-T	B	150.6/112.3
C53	4030006880	S.CER C1608 JB 1H 472K-T	B	153.8/116
C54	4030006880	S.CER C1608 JB 1H 472K-T	B	160.3/71.9
C55	4030006880	S.CER C1608 JB 1H 472K-T	B	160.2/65.2
C56	4030006880	S.CER C1608 JB 1H 472K-T	T	165.1/68.5
C57	4030017800	S.CER C1608 CH 1H 561J-T	B	143.6/99.3
C58	4030010760	S.CER C1608 CH 1H 331J-T	B	143.6/97.2
C59	4030010760	S.CER C1608 CH 1H 331J-T	B	144.2/94.6
C60	4030007080	S.CER C1608 CH 1H 390J-T	B	144.2/92.2
C61	4030007100	S.CER C1608 CH 1H 560J-T	B	141.8/90.2
C62	4030010760	S.CER C1608 CH 1H 331J-T	B	139.5/90.2
C63	4030010760	S.CER C1608 CH 1H 331J-T	B	143.8/83
C64	4030007090	S.CER C1608 CH 1H 470J-T	B	143.8/85.3
C65	4030010760	S.CER C1608 CH 1H 331J-T	B	141.1/82
C66	4030007100	S.CER C1608 CH 1H 560J-T	B	138.9/82
C67	4030010760	S.CER C1608 CH 1H 331J-T	B	143.7/78.7
C68	4030007080	S.CER C1608 CH 1H 390J-T	B	143.7/81.1
C69	4030017800	S.CER C1608 CH 1H 561J-T	B	144/75.1
C70	4030010760	S.CER C1608 CH 1H 331J-T	B	144/77.1
C81	4030006880	S.CER C1608 JB 1H 472K-T	B	139.9/115
C82	4030006880	S.CER C1608 JB 1H 472K-T	B	138.1/111.8
C83	4030006880	S.CER C1608 JB 1H 472K-T	B	140.7/117
C84	4030006880	S.CER C1608 JB 1H 472K-T	B	138.4/72.1
C85	4030006880	S.CER C1608 JB 1H 472K-T	B	144.9/66.5
C86	4030006880	S.CER C1608 JB 1H 472K-T	B	143/68.1
C87	4030017800	S.CER C1608 CH 1H 561J-T	B	126.7/116.6
C88	4030011330	S.CER C1608 CH 1H 391J-T	B	126.7/114.8
C89	4030007160	S.CER C1608 CH 1H 181J-T	B	126.8/104.3
C90	4030007070	S.CER C1608 CH 1H 330J-T	B	126.8/106.2
C91	4030007030	S.CER C1608 CH 1H 150J-T	B	130.7/102.1
C92	4030007120	S.CER C1608 CH 1H 820J-T	B	128.9/102.1
C93	4030007140	S.CER C1608 CH 1H 121J-T	B	126.6/101.3
C94	4030007100	S.CER C1608 CH 1H 560J-T	B	126.6/99.6
C95	4030007120	S.CER C1608 CH 1H 820J-T	B	129.4/92.5
C96	4030007030	S.CER C1608 CH 1H 150J-T	B	131.4/92.5
C97	4030007160	S.CER C1608 CH 1H 181J-T	B	126.7/89.6
C98	4030007070	S.CER C1608 CH 1H 330J-T	B	126.7/88
C99	4030017800	S.CER C1608 CH 1H 561J-T	B	126.7/86.1
C100	4030011330	S.CER C1608 CH 1H 391J-T	B	126.7/84.3
C111	4030006880	S.CER C1608 JB 1H 472K-T	B	118.1/115.2
C112	4030006880	S.CER C1608 JB 1H 472K-T	B	115.2/112.4
C113	4030006880	S.CER C1608 JB 1H 472K-T	B	118.9/117.6
C114	4030006880	S.CER C1608 JB 1H 472K-T	B	107.7/69.4
C115	4030006880	S.CER C1608 JB 1H 472K-T	B	104.3/65.9
C116	4030006880	S.CER C1608 JB 1H 472K-T	T	108.7/67.5
C117	4030010760	S.CER C1608 CH 1H 331J-T	B	110.3/109.3
C118	4030007150	S.CER C1608 CH 1H 151J-T	B	110.3/107.8
C119	4030007150	S.CER C1608 CH 1H 151J-T	B	110.3/96.6
C120	4030007060	S.CER C1608 CH 1H 270J-T	B	110.3/98.3
C121	4030007060	S.CER C1608 CH 1H 270J-T	B	106.8/95
C122	4030007140	S.CER C1608 CH 1H 121J-T	B	105.2/95
C123	4030007150	S.CER C1608 CH 1H 151J-T	B	110.3/94.3
C124	4030007010	S.CER C1608 CH 1H 100J-T	B	110.3/92.7
C125	4030007140	S.CER C1608 CH 1H 121J-T	B	109.6/84.4
C126	4030007060	S.CER C1608 CH 1H 270J-T	B	107.5/84.4
C127	4030007150	S.CER C1608 CH 1H 151J-T	B	110.3/80.6
C128	4030007060	S.CER C1608 CH 1H 270J-T	B	110.3/78.7
C129	4030010760	S.CER C1608 CH 1H 331J-T	B	110.3/73.7
C130	4030007150	S.CER C1608 CH 1H 151J-T	B	110.4/72
C141	4030006880	S.CER C1608 JB 1H 472K-T	B	105.2/115.2
C142	4030006880	S.CER C1608 JB 1H 472K-T	B	97.2/108.7
C143	4030006880	S.CER C1608 JB 1H 472K-T	B	105.6/117.6
C144	4030006880	S.CER C1608 JB 1H 472K-T	B	91/72.9
C145	4030006880	S.CER C1608 JB 1H 472K-T	B	90.2/65.9
C146	4030006880	S.CER C1608 JB 1H 472K-T	T	93.4/70.3
C147	4030007170	S.CER C1608 CH 1H 221J-T	B	92.3/109.8
C148	4030007170	S.CER C1608 CH 1H 221J-T	B	92.3/108
C149	4030007130	S.CER C1608 CH 1H 101J-T	B	92.4/104.5
C150	4030007050	S.CER C1608 CH 1H 220J-T	B	92.4/102.6
C151	4030007070	S.CER C1608 CH 1H 330J-T	B	93.1/99.9
C152	403000708			



[BPF UNIT]

REF NO.	ORDER NO.	DESCRIPTION	M.	H/V LOCATION
C203	4030006880	S.CER C1608 JB 1H 472K-T	B	58.2/116.1
C204	4030006880	S.CER C1608 JB 1H 472K-T	B	66.4/76.6
C205	4030006880	S.CER C1608 JB 1H 472K-T	B	71.2/80.2
C206	4030006880	S.CER C1608 JB 1H 472K-T	B	70.2/74.8
C207	4030007160	S.CER C1608 CH 1H 181J-T	B	57.7/103.6
C208	4030007090	S.CER C1608 CH 1H 470J-T	B	57.7/102
C209	4030007090	S.CER C1608 CH 1H 470J-T	B	64.8/95.3
C210	4030007040	S.CER C1608 CH 1H 180J-T	B	63.2/95.3
C211	4030007030	S.CER C1608 CH 1H 150J-T	B	60.8/94.5
C212	4030007050	S.CER C1608 CH 1H 220J-T	B	60.8/92.9
C213	4030007090	S.CER C1608 CH 1H 470J-T	B	57.7/92.9
C214	4030006990	S.CER C1608 CH 1H 080D-T	B	57.7/94.5
C215	4030007050	S.CER C1608 CH 1H 220J-T	B	60.1/85.1
C216	4030007030	S.CER C1608 CH 1H 150J-T	B	58.5/85.1
C217	4030007090	S.CER C1608 CH 1H 470J-T	B	57.7/82.7
C218	4030007040	S.CER C1608 CH 1H 180J-T	B	57.7/81.1
C219	4030007160	S.CER C1608 CH 1H 181J-T	B	57.7/79.5
C220	4030007090	S.CER C1608 CH 1H 470J-T	B	57.7/77.9
C231	4030006880	S.CER C1608 JB 1H 472K-T	B	39.4/115.3
C232	4030006880	S.CER C1608 JB 1H 472K-T	B	36.6/112.4
C233	4030006880	S.CER C1608 JB 1H 472K-T	B	40.3/117.5
C234	4030006880	S.CER C1608 JB 1H 472K-T	B	46.2/73.5
C235	4030006880	S.CER C1608 JB 1H 472K-T	B	49/69.2
C236	4030006880	S.CER C1608 JB 1H 472K-T	B	50.4/69.1
C237	4030007140	S.CER C1608 CH 1H 121J-T	B	41.2/109.8
C238	4030007040	S.CER C1608 CH 1H 180J-T	B	41.2/108.2
C239	4030007070	S.CER C1608 CH 1H 330J-T	B	41.2/103.8
C240	4030007040	S.CER C1608 CH 1H 180J-T	B	41.2/102.2
C241	4030007010	S.CER C1608 CH 1H 100D-T	B	40.5/99.8
C242	4030007070	S.CER C1608 CH 1H 330J-T	B	38.9/99.8
C243	4030007090	S.CER C1608 CH 1H 470J-T	B	41.2/94.8
C245	4030007070	S.CER C1608 CH 1H 330J-T	B	40.5/91.3
C246	4030007010	S.CER C1608 CH 1H 100D-T	B	38.9/91.3
C247	4030007070	S.CER C1608 CH 1H 330J-T	B	41.2/88.9
C248	4030007040	S.CER C1608 CH 1H 180J-T	B	41.2/87.3
C249	4030007140	S.CER C1608 CH 1H 121J-T	B	41.2/85.7
C250	4030007040	S.CER C1608 CH 1H 180J-T	B	41.2/84.1
C261	4030006880	S.CER C1608 JB 1H 472K-T	B	27/115.2
C262	4030006880	S.CER C1608 JB 1H 472K-T	B	24.3/112.4
C263	4030006880	S.CER C1608 JB 1H 472K-T	B	29.7/111.6
C264	4030006880	S.CER C1608 JB 1H 472K-T	T	36.5/70.9
C265	4030006880	S.CER C1608 JB 1H 472K-T	T	36.6/67.9
C266	4030006880	S.CER C1608 JB 1H 472K-T	B	36.7/70
C267	4030007130	S.CER C1608 CH 1H 101J-T	B	23.2/103.5
C268	4030007030	S.CER C1608 CH 1H 150J-T	B	23.2/101.9
C269	4030007050	S.CER C1608 CH 1H 220J-T	B	30.3/95.3
C270	4030007020	S.CER C1608 CH 1H 120J-T	B	28.7/95.3
C271	4030007050	S.CER C1608 CH 1H 220J-T	B	26.3/94.5
C273	4030007050	S.CER C1608 CH 1H 220J-T	B	23.2/94.5
C274	4030006980	S.CER C1608 CH 1H 070D-T	B	23.2/92.9
C275	4030007050	S.CER C1608 CH 1H 220J-T	B	24/85.1
C277	4030007050	S.CER C1608 CH 1H 220J-T	B	23.2/81.1
C278	4030007020	S.CER C1608 CH 1H 120J-T	B	23.2/82.7
C279	4030007130	S.CER C1608 CH 1H 101J-T	B	23.3/73.6
C280	4030007030	S.CER C1608 CH 1H 150J-T	B	23.3/77.9
C291	4030006880	S.CER C1608 JB 1H 472K-T	B	218.9/73.3
C292	4030006880	S.CER C1608 JB 1H 472K-T	B	214.4/77.4
C293	4030006880	S.CER C1608 JB 1H 472K-T	B	222.7/76.6
C294	4030006880	S.CER C1608 JB 1H 472K-T	B	209.7/73
C295	4030006880	S.CER C1608 JB 1H 472K-T	B	207.6/77.5
C296	4030006880	S.CER C1608 JB 1H 472K-T	B	203.9/73.5
C297	4030007150	S.CER C1608 CH 1H 151J-T	T	213/79.9
C302	4030007030	S.CER C1608 CH 1H 150J-T	T	210.2/82.7
C303	4030007130	S.CER C1608 CH 1H 101J-T	T	211.7/79.9
C304	4030007040	S.CER C1608 CH 1H 180J-T	T	208.4/79.9
C321	4030006880	S.CER C1608 JB 1H 472K-T	T	218.8/97.4
C322	4030006880	S.CER C1608 JB 1H 472K-T	T	218.8/98.7
C323	4030006880	S.CER C1608 JB 1H 472K-T	B	213/91
C324	4030006880	S.CER C1608 JB 1H 472K-T	B	209.3/90.7
C325	4030006880	S.CER C1608 JB 1H 472K-T	T	206.6/98.8
C326	4030006880	S.CER C1608 JB 1H 472K-T	T	204/98.8
C327	4030007100	S.CER C1608 CH 1H 560J-T	T	210.7/90.3
C329	4030007110	S.CER C1608 CH 1H 680J-T	T	208.1/90.3
C331	4030007100	S.CER C1608 CH 1H 560J-T	T	208.8/96.6
C353	4030006880	S.CER C1608 JB 1H 472K-T	B	189.1/91.2
C354	4030006880	S.CER C1608 JB 1H 472K-T	B	189.5/94.6
C355	4030006880	S.CER C1608 JB 1H 472K-T	T	189/92.4
C356	4030006880	S.CER C1608 JB 1H 472K-T	B	189.5/86.4
C357	4030006880	S.CER C1608 JB 1H 472K-T	T	189/86.1
C358	4030006880	S.CER C1608 JB 1H 472K-T	B	189.1/89.1
C359	4030006880	S.CER C1608 JB 1H 472K-T	T	189/79.9
C360	4030006880	S.CER C1608 JB 1H 472K-T	B	189.5/80.2
C361	4030006880	S.CER C1608 JB 1H 472K-T	B	189.5/83
C362	4030006880	S.CER C1608 JB 1H 472K-T	T	189/73.7
C363	4030006880	S.CER C1608 JB 1H 472K-T	B	189.5/74
C364	4030006880	S.CER C1608 JB 1H 472K-T	B	189.5/76.8
C365	4030006880	S.CER C1608 JB 1H 472K-T	T	194/68.8
C371	4030006880	S.CER C1608 JB 1H 472K-T	T	215.9/69.9
C388	4030006880	S.CER C1608 JB 1H 472K-T	B	239.8/114.3
C389	4030010210	S.CER C3216 JB 1C 105M-T	B	247.3/111.1
C390	4030011600	S.CER C1608 JB 1E 104K-T	T	226.2/49.8
C391	4030011600	S.CER C1608 JB 1E 104K-T	B	237.5/53.2
C392	4030011600	S.CER C1608 JB 1E 104K-T	T	228.9/62.5
C393	4030008860	S.CER C1608 JB 1H 153K-T	B	233.2/45.5
C394	4030010210	S.CER C3216 JB 1C 105M-T	B	235.1/59.6
C395	4030008860	S.CER C1608 JB 1H 153K-T	B	233.2/40
C396	4030011600	S.CER C1608 JB 1E 104K-T	B	235.5/43.8
C397	4550006470	S.STAN TEESVB2 1D 106M8R	B	227/44
C398	4030011600	S.CER C1608 JB 1E 104K-T	T	5.4/102.8
C399	4030011600	S.CER C1608 JB 1E 104K-T	T	5.3/77.8
C401	4030006880	S.CER C1608 JB 1H 472K-T	B	223.9/95.5
C402	4030010210	S.CER C3216 JB 1C 105M-T	B	234/107.1
C403	4030009520	S.CER C1608 CH 1H 020B-T	B	233.9/109.3
C404	4030007050	S.CER C1608 CH 1H 220J-T	B	233.9/110.9

[BPF UNIT]

REF NO.	ORDER NO.	DESCRIPTION	M.	H/V LOCATION
C405	4030010760	S.CER C1608 CH 1H 331J-T	B	236.1/113.4
C498	4030011600	S.CER C1608 JB 1E 104K-T	T	5.3/60.4
C499	4030011600	S.CER C1608 JB 1E 104K-T	T	6.1/39.7
C501	4030006880	S.CER C1608 JB 1H 472K-T	B	184.9/22
C502	4030006880	S.CER C1608 JB 1H 472K-T	B	181.6/22
C503	4030006880	S.CER C1608 JB 1H 472K-T	B	183.9/31.7
C504	4030006880	S.CER C1608 JB 1H 472K-T	B	183.7/54.7
C505	4030006880	S.CER C1608 JB 1H 472K-T	T	185.3/47.1
C506	4030006880	S.CER C1608 JB 1H 472K-T	B	184.1/47.2
C507	4030017840	S.CER C2012 CH 1H 222J-T	T	183/35.4
C508	4030017850	S.CER C2012 CH 1H 272J-T	T	182.9/37.7
C509	4030017820	S.CER C2012 CH 1H 122J-T	T	182.9/39.5
C510	4030017840	S.CER C2012 CH 1H 222J-T	T	182.9/44.3
C531	4030006880	S.CER C1608 JB 1H 472K-T	B	165.7/5.6
C532	4030006880	S.CER C1608 JB 1H 472K-T	B	165.2/2.3
C533	4030006880	S.CER C1608 JB 1H 472K-T	B	164.5/9
C534	4030006880	S.CER C1608 JB 1H 472K-T	B	164/54.6
C535	4030006880	S.CER C1608 JB 1H 472K-T	B	167.7/49.6
C536	4030006880	S.CER C1608 JB 1H 472K-T	B	169.4/53.7
C537	4030017810	S.CER C1608 CH 1H 102J-T	B	168.6/20.1
C538	4030017810	S.CER C1608 CH 1H 102J-T	B	168.6/21.9
C539	4030010760	S.CER C1608 CH 1H 331J-T	B	168.3/24.5
C540	4030007140	S.CER C1608 CH 1H 121J-T	B	168.3/26.7
C541	4030007160	S.CER C1608 CH 1H 181J-T	B	165.3/27.6
C542	4030007060	S.CER C1608 CH 1H 270J-T	B	162.5/27.7
C543	4030010760	S.CER C1608 CH 1H 331J-T	B	168.3/28.8
C544	4030007090	S.CER C1608 CH 1H 470J-T	B	168.3/30.6
C545	4030007160	S.CER C1608 CH 1H 181J-T	B	162.9/34.2
C546	4030007060	S.CER C1608 CH 1H 270J-T	B	164.9/34.1
C547	4030010760	S.CER C1608 CH 1H 331J-T	B	168.1/35.1
C548	4030007140	S.CER C1608 CH 1H 121J-T	B	168.1/36.7
C549	4030017810	S.CER C1608 CH 1H 102J-T	B	170.3/43.4
C550	4030017810	S.CER C1608 CH 1H 102J-T	B	170.3/45.9
C561	4030006880	S.CER C1608 JB 1H 472K-T	B	153/8
C562	4030006880	S.CER C1608 JB 1H 472K-T	B	153/11.9
C563	4030006880	S.CER C1608 JB 1H 472K-T	B	152/10
C564	4030006880	S.CER C1608 JB 1H 472K-T	T	161.4/46.3
C565	4030006880	S.CER C1608 JB 1H 472K-T	B	162.2/38.8
C566	4030006880	S.CER C1608 JB 1H 472K-T	T	165.5/42.4
C567	4030017800	S.CER C1608 CH 1H 561J-T	B	147.9/17.4
C568	4030010760	S.CER C1608 CH 1H 331J-T	B	148.5/15.2
C569	4030010760	S.CER C1608 CH 1H 331J-T	B	144.6/25.7
C570	4030007080	S.CER C1608 CH 1H 390J-T	B	144.6/27.4
C571	4030007100	S.CER C1608 CH 1H 560J-T	B	141.6/28.1
C572	4030010760	S.CER C1608 CH 1H 331J-T	B	139.8/28.1
C573	4030010760	S.CER C1608 CH 1H 331J-T	B	144.3/34.2
C574	4030007090	S.CER C1608 CH 1H 470J-T	B	144.3/35.7
C575	4030010760	S.CER C1608 CH 1H 331J-T	B	141.5/38.6
C576	4030007100	S.CER C1608 CH 1H 560J-T	B	139.8/38.6
C577	4030010760	S.CER C1608 CH 1H 331J-T	B	144.3/43.2
C578	4030007080	S.CER C1608 CH 1H 390J-T	B	144.3/40.9
C579	4030017800	S.CER C1608 CH 1H 561J-T	B	149.7/45.2
C580	4030010760	S.CER C1608 CH 1H 331J-T	B	147.9/45.2
C591	4030006880	S.CER C1608 JB 1H 472K-T	B	140.2/5.1
C592	4030006880	S.CER C1608 JB 1H 472K-T	B	142.2/5.1
C593	4030006880	S.CER C1608 JB 1H 472K-T	B	133/8.5
C594	4030006880	S.CER C1608 JB 1H 472K-T	B	140.4/54.3
C595	4030006880	S.CER C1608 JB 1H 472K-T	B	148.6/52.7
C596	4030006880	S.CER C1608 JB 1H 472K-T	B	146/53.4
C597	4030017800	S.CER C1608 CH 1H 561J-T	B	126.7/3.2
C598	4030011330	S.CER C1608 CH 1H 391J-T	B	126.7/5.4
C599	4030007160	S.CER C1608 CH 1H 181J-T	B	126.7/15.1
C600	4030007070	S.CER C1608 CH 1H 330J-T	B	126.7/17.3
C601	4030007030	S.CER C1608 CH 1H 150J-T	B	129.6/18.2
C602	4030007120	S.CER C1608 CH 1H 820J-T	B	131.6/18.2
C603	4030007140	S.CER C1608 CH 1H 121J-T	B	126.8/20.5
C604	4030007100	S.CER C1608 CH 1H 560J-T	B	126.8/18.9
C605	4030007120	S.CER C1608 CH 1H 820J-T	B	131.4/26.8
C606	4030007030	S.CER C1608 CH 1H 150J-T	B	129.6/26.8
C607	4030007160	S.CER C1608 CH 1H 181J-T	B	127.3/29
C608	40			

[BPF UNIT]

REF NO.	ORDER NO.	DESCRIPTION	M.	H/V LOCATION
C662	4030007080	S.CER C1608 CH 1H 390J-T	B	93.2/19.6
C663	4030007120	S.CER C1608 CH 1H 820J-T	B	92.6/27.6
C664	4030007050	S.CER C1608 CH 1H 220J-T	B	92.6/25.4
C665	4030007080	S.CER C1608 CH 1H 390J-T	B	95.7/28.3
C666	4030007070	S.CER C1608 CH 1H 330J-T	B	97.5/28.3
C667	4030007130	S.CER C1608 CH 1H 101J-T	B	92.2/29.9
C668	4030007050	S.CER C1608 CH 1H 220J-T	B	92.2/31.8
C669	4030007170	S.CER C1608 CH 1H 221J-T	B	92.2/33.5
C670	4030007170	S.CER C1608 CH 1H 221J-T	B	92.2/35.6
C681	4030006880	S.CER C1608 JB 1H 472K-T	B	74.4/5.1
C682	4030006880	S.CER C1608 JB 1H 472K-T	B	77.1/3.1
C683	4030006880	S.CER C1608 JB 1H 472K-T	B	71.5/8.1
C684	4030006880	S.CER C1608 JB 1H 472K-T	T	78.9/54.1
C685	4030006880	S.CER C1608 JB 1H 472K-T	B	79.1/46.9
C686	4030006880	S.CER C1608 JB 1H 472K-T	B	81.6/44
C687	4030007170	S.CER C1608 CH 1H 221J-T	B	75.5/11
C688	4030007110	S.CER C1608 CH 1H 680J-T	B	75.5/13.4
C689	4030007090	S.CER C1608 CH 1H 470J-T	B	70.8/15.2
C690	4030007090	S.CER C1608 CH 1H 470J-T	B	73/15.2
C691	4030007070	S.CER C1608 CH 1H 330J-T	B	71/18.7
C692	4030007070	S.CER C1608 CH 1H 330J-T	B	73/18.7
C693	4030007120	S.CER C1608 CH 1H 820J-T	B	75.7/21.1
C695	4030007070	S.CER C1608 CH 1H 330J-T	B	72.6/27
C696	4030007070	S.CER C1608 CH 1H 330J-T	B	70.9/27
C697	4030007090	S.CER C1608 CH 1H 470J-T	B	75.6/29.6
C698	4030007090	S.CER C1608 CH 1H 470J-T	B	75.6/31.7
C699	4030007170	S.CER C1608 CH 1H 221J-T	B	75.6/35.8
C700	4030007110	S.CER C1608 CH 1H 680J-T	B	75.6/33.9
C711	4030006880	S.CER C1608 JB 1H 472K-T	B	62/5.2
C712	4030006880	S.CER C1608 JB 1H 472K-T	B	63/7.9
C713	4030006880	S.CER C1608 JB 1H 472K-T	B	58.6/8.3
C714	4030006880	S.CER C1608 JB 1H 472K-T	T	68.2/54.2
C715	4030006880	S.CER C1608 JB 1H 472K-T	B	68.4/42.7
C716	4030006880	S.CER C1608 JB 1H 472K-T	B	70/46.3
C717	4030007160	S.CER C1608 CH 1H 181J-T	B	57.7/20.1
C718	4030007090	S.CER C1608 CH 1H 470J-T	B	57.7/17.6
C719	4030007090	S.CER C1608 CH 1H 470J-T	B	57.4/23.2
C720	4030007040	S.CER C1608 CH 1H 180J-T	B	57.4/25.2
C721	4030007030	S.CER C1608 CH 1H 150J-T	B	61/27
C722	4030007050	S.CER C1608 CH 1H 220J-T	B	63.2/27
C723	4030007090	S.CER C1608 CH 1H 470J-T	B	57.7/33.7
C724	4030006990	S.CER C1608 CH 1H 080D-T	B	57.7/31.6
C725	4030007050	S.CER C1608 CH 1H 220J-T	B	63.3/37.6
C726	4030007030	S.CER C1608 CH 1H 150J-T	B	61.3/37.6
C727	4030007090	S.CER C1608 CH 1H 470J-T	B	57.7/38.3
C728	4030007040	S.CER C1608 CH 1H 180J-T	B	57.7/40.6
C729	4030007160	S.CER C1608 CH 1H 181J-T	B	57.7/46.2
C730	4030007090	S.CER C1608 CH 1H 470J-T	B	57.7/48.6
C741	4030006880	S.CER C1608 JB 1H 472K-T	B	40.8/5.4
C742	4030006880	S.CER C1608 JB 1H 472K-T	B	42.7/3.4
C743	4030006880	S.CER C1608 JB 1H 472K-T	B	37/8
C744	4030006880	S.CER C1608 JB 1H 472K-T	T	46.2/54.2
C745	4030006880	S.CER C1608 JB 1H 472K-T	T	46.2/46.6
C746	4030006880	S.CER C1608 JB 1H 472K-T	B	49.5/50.4
C747	4030007140	S.CER C1608 CH 1H 121J-T	B	41.2/13.3
C748	4030007040	S.CER C1608 CH 1H 180J-T	B	41.2/10.8
C749	4030007070	S.CER C1608 CH 1H 330J-T	B	41/18.4
C750	4030007040	S.CER C1608 CH 1H 180J-T	B	41/16.4
C751	4030007010	S.CER C1608 CH 1H 100D-T	B	35.3/17.1
C752	4030007070	S.CER C1608 CH 1H 330J-T	B	37.5/17.1
C753	4030007090	S.CER C1608 CH 1H 470J-T	B	41/20.3
C755	4030007070	S.CER C1608 CH 1H 330J-T	B	35.4/25.5
C756	4030007010	S.CER C1608 CH 1H 100D-T	B	37.5/25.5
C757	4030007070	S.CER C1608 CH 1H 330J-T	B	41/27.5
C758	4030007040	S.CER C1608 CH 1H 180J-T	B	41.1/29.4
C759	4030007140	S.CER C1608 CH 1H 121J-T	B	41.2/32.6
C760	4030007040	S.CER C1608 CH 1H 180J-T	B	41.2/34.9
C771	4030006880	S.CER C1608 JB 1H 472K-T	B	27.6/5.5
C772	4030006880	S.CER C1608 JB 1H 472K-T	B	29.2/8.5
C773	4030006880	S.CER C1608 JB 1H 472K-T	B	23.5/8.2
C774	4030006880	S.CER C1608 JB 1H 472K-T	T	35.9/54.4
C775	4030006880	S.CER C1608 JB 1H 472K-T	B	34.2/44.5
C776	4030006880	S.CER C1608 JB 1H 472K-T	B	36.4/46.1
C777	4030007130	S.CER C1608 CH 1H 101J-T	B	24.1/20
C778	4030007030	S.CER C1608 CH 1H 150J-T	B	24.1/17.9
C779	4030007050	S.CER C1608 CH 1H 220J-T	B	24/23.6
C780	4030007020	S.CER C1608 CH 1H 120J-T	B	23.9/25.6
C781	4030007050	S.CER C1608 CH 1H 220J-T	B	27.5/26.4
C783	4030007050	S.CER C1608 CH 1H 220J-T	B	24.2/32.3
C784	4030006980	S.CER C1608 CH 1H 070D-T	B	24.2/34.3
C785	4030007050	S.CER C1608 CH 1H 220J-T	B	27.8/37.7
C787	4030007050	S.CER C1608 CH 1H 220J-T	B	24.5/38.5
C788	4030007020	S.CER C1608 CH 1H 120J-T	B	24.5/40.7
C789	4030007130	S.CER C1608 CH 1H 101J-T	B	24/46.8
C790	4030007030	S.CER C1608 CH 1H 150J-T	B	24.1/49.1
C801	4030006880	S.CER C1608 JB 1H 472K-T	B	218.8/46.3
C802	4030006880	S.CER C1608 JB 1H 472K-T	B	223/44.4
C803	4030006880	S.CER C1608 JB 1H 472K-T	B	211.6/44.7
C804	4030006880	S.CER C1608 JB 1H 472K-T	B	208.8/27.5
C805	4030006880	S.CER C1608 JB 1H 472K-T	B	208.3/43.7
C806	4030006880	S.CER C1608 JB 1H 472K-T	B	203.8/46.1
C813	4030007150	S.CER C1608 CH 1H 151J-T	T	212.6/41.2
C816	4030007030	S.CER C1608 CH 1H 150J-T	T	213.7/39.1
C820	4030007130	S.CER C1608 CH 1H 101J-T	T	211.3/39.8
C821	4030007040	S.CER C1608 CH 1H 180J-T	T	208/39.8
C831	4030006880	S.CER C1608 JB 1H 472K-T	T	218.9/22.1
C832	4030006880	S.CER C1608 JB 1H 472K-T	T	218.9/20.8
C833	4030006880	S.CER C1608 JB 1H 472K-T	B	214.5/27.5
C834	4030006880	S.CER C1608 JB 1H 472K-T	B	209.8/46.9
C835	4030006880	S.CER C1608 JB 1H 472K-T	T	201/20.7
C836	4030006880	S.CER C1608 JB 1H 472K-T	T	203.7/20.7
C837	4030007100	S.CER C1608 CH 1H 560J-T	T	212/30
C839	4030007110	S.CER C1608 CH 1H 680J-T	T	207.9/30
C841	4030007100	S.CER C1608 CH 1H 560J-T	T	208.7/25.1

[BPF UNIT]

REF NO.	ORDER NO.	DESCRIPTION	M.	H/V LOCATION
C853	4030006880	S.CER C1608 JB 1H 472K-T	B	188.8/25.1
C854	4030006880	S.CER C1608 JB 1H 472K-T	B	189.5/27.6
C855	4030006880	S.CER C1608 JB 1H 472K-T	T	189/25.3
C856	4030006880	S.CER C1608 JB 1H 472K-T	B	189.5/30.5
C857	4030006880	S.CER C1608 JB 1H 472K-T	T	189/30.5
C858	4030006880	S.CER C1608 JB 1H 472K-T	B	189.5/33.8
C859	4030006880	S.CER C1608 JB 1H 472K-T	T	189/36.7
C860	4030006880	S.CER C1608 JB 1H 472K-T	B	189.5/37.2
C861	4030006880	S.CER C1608 JB 1H 472K-T	B	189.5/40
C862	4030006880	S.CER C1608 JB 1H 472K-T	T	189/42.9
C863	4030006880	S.CER C1608 JB 1H 472K-T	B	189.5/42.9
C864	4030006880	S.CER C1608 JB 1H 472K-T	B	189.5/45.8
C865	4030006880	S.CER C1608 JB 1H 472K-T	T	194/50.2
C876	4030006880	S.CER C1608 JB 1H 472K-T	B	241.3/19.5
C878	4030010760	S.CER C1608 CH 1H 331J-T	B	245.1/17.9
C879	4030007050	S.CER C1608 CH 1H 220J-T	B	245.1/19.5
C880	4030009520	S.CER C1608 CH 1H 020B-T	B	247.9/19.5
C881	4030010210	S.CER C3216 JB 1C 105M-T	B	244/34
C900	4030006880	S.CER C1608 JB 1H 472K-T	B	215.5/99.5
C901	4030005110	S.CER C2012 JB 1E 473K-T	T	15.1/26.8
C902	4510008520	S.ELE EEE1CA470SP	T	12.3/21.7
C903	4030005110	S.CER C2012 JB 1E 473K-T	B	12.3/12.9
C904	4510009150	S.ELE EEE1EA470WP	T	12.3/13.4
C905	4030006880	S.CER C1608 JB 1H 472K-T	B	244.7/94
C906	4030006880	S.CER C1608 JB 1H 472K-T	B	244.7/91.2
C907	4030006900	S.CER C1608 JB 1H 103K-T	B	213.8/106.2
C908	4030011600	S.CER C1608 JB 1E 104K-T	B	212.8/115.6
C909	4030006880	S.CER C1608 JB 1H 472K-T	B	218.7/113.5
C910	4030006900	S.CER C1608 JB 1H 103K-T	B	215.5/117.9
C911	4030006900	S.CER C1608 JB 1H 103K-T	B	210.6/106.3
C912	4030006880	S.CER C1608 JB 1H 472K-T	B	201.9/99.6
C914	4030006880	S.CER C1608 JB 1H 472K-T	B	194.7/99.4
C915	4030006900	S.CER C1608 JB 1H 103K-T	B	192.6/110.6
C916	4030006880	S.CER C1608 JB 1H 472K-T	T	200.3/118.3
C917	4030006900	S.CER C1608 JB 1H 103K-T	T	197.8/117.6
C918	4030006900	S.CER C1608 JB 1H 103K-T	B	187.3/106.3
C919	4030006880	S.CER C1608 JB 1H 472K-T	B	180/99.9
C921	4030006880	S.CER C1608 JB 1H 472K-T	T	201.6/118.3
C922	4030011600	S.CER C1608 JB 1E 104K-T	T	208.5/117.4
C923	4030011600	S.CER C1608 JB 1E 104K-T	T	212.3/117.4
C924	4030011600	S.CER C1608 JB 1E 104K-T	B	192.9/116.4
C925	4030011600	S.CER C1608 JB 1E 104K-T	T	187.7/117.4
C926	4030011600	S.CER C1608 JB 1E 104K-T	T	191.6/117.5
C927	4030006960	S.CER C1608 CH 1H 050C-T	B	209.4/113.7
C928	4030006960	S.CER C1608 CH 1H 050C-T	B	187.5/114.2
C950	4030006880	S.CER C1608 JB 1H 472K-T	B	206.3/4.6
C951	4030006900	S.CER C1608 JB 1H 103K-T	B	215.7/17.8
C952	4030011600	S.CER C1608 JB 1E 104K-T	B	211.9/20
C953	4030006880	S.CER C1608 JB 1H 472K-T	B	205.3/2.8
C954	4030006900	S.CER C1608 JB 1H 103K-T	B	218.6/2.5
C955	4030006900	S.CER C1608 JB 1H 103K-T	B	208.6/11.4
C956	4030006880	S.CER C1608 JB 1H 472K-T	T	203.5/2.3
C958	4030006880	S.CER C1608 JB 1H 472K-T	B	190/4.9
C959	4030006900	S.CER C1608 JB 1H 103K-T	B	195.2/16.5
C960	4030006880	S.CER C1608 JB 1H 472K-T	B	196.3/2.3
C961	4030006900	S.CER C1608 JB 1H 103K-T	B	202.2/4
C962	4030006900	S.CER C1608 JB 1H 103K-T	B	184/16.5
C963	4030006880	S.CER C1608 JB 1H 472K-T	B	181/3.9
C965	4030006880	S.CER C1608 JB 1H 472K-T	T	208.4/3.9
C967	4030011600	S.CER C1608 JB 1E 104K-T	T	209/21.4
C968	4030011600	S.CER C1608 JB 1E 104K-T	T	213/21.4
C969	4030011600	S.CER C1608 JB 1E 104K-T	B	191.6/19.9
C970	4030011600	S.CER C1608 JB 1E 104K-T	T	187.9/21.4
C971	4030011600	S.CER C1608 JB 1E 104K-T	T	193/19.8
C972	4030006960	S.CER C1608 CH 1H 050C-T	B	208.3/19.3
C973	4030006960	S.CER C1608 CH 1H 050C-T	B	187.7/19.3
C974	4030006880	S.CER C1608 JB 1H 472K-T	B	235.8/11.5
RL1	6330001750	RLY FTR-B4CA012Z		
RL2	6330001750	RLY FTR-B4CA012Z		
RL21	6330001750	RLY FTR-B4CA012Z		
RL22	6330001750	RLY FTR-B4CA012Z		
RL51	6330001750	RLY FTR-B4CA012Z		
RL52	6330001750	RLY FTR-B4CA012Z		

[BPF UNIT]

REF NO.	ORDER NO.	DESCRIPTION	M.	H/V LOCATION
RL531	6330001750	RLY FTR-B4CA012Z		
RL532	6330001750	RLY FTR-B4CA012Z		
RL561	6330001750	RLY FTR-B4CA012Z		
RL562	6330001750	RLY FTR-B4CA012Z		
RL591	6330001750	RLY FTR-B4CA012Z		
RL592	6330001750	RLY FTR-B4CA012Z		
RL621	6330001750	RLY FTR-B4CA012Z		
RL622	6330001750	RLY FTR-B4CA012Z		
RL651	6330001750	RLY FTR-B4CA012Z		
RL652	6330001750	RLY FTR-B4CA012Z		
RL681	6330001750	RLY FTR-B4CA012Z		
RL682	6330001750	RLY FTR-B4CA012Z		
RL711	6330001750	RLY FTR-B4CA012Z		
RL712	6330001750	RLY FTR-B4CA012Z		
RL741	6330001750	RLY FTR-B4CA012Z		
RL742	6330001750	RLY FTR-B4CA012Z		
RL771	6330001750	RLY FTR-B4CA012Z		
RL772	6330001750	RLY FTR-B4CA012Z		
RL801	6330001750	RLY FTR-B4CA012Z		
RL802	6330001750	RLY FTR-B4CA012Z		
RL831	6330001750	RLY FTR-B4CA012Z		
RL832	6330001750	RLY FTR-B4CA012Z		
RL851	6330001750	RLY FTR-B4CA012Z		
RL852	6330001750	RLY FTR-B4CA012Z		
RL853	6330001750	RLY FTR-B4CA012Z		
RL854	6330001750	RLY FTR-B4CA012Z		
RL855	6330001750	RLY FTR-B4CA012Z		
RL871	6330001770	RLY SIP-1A-12Y		
RL900	6330001750	RLY FTR-B4CA012Z		
RL901	6330001750	RLY FTR-B4CA012Z		
RL902	6330001750	RLY FTR-B4CA012Z		
RL903	6330001750	RLY FTR-B4CA012Z		
RL950	6330001750	RLY FTR-B4CA012Z		
RL951	6330001750	RLY FTR-B4CA012Z		
RL952	6330001750	RLY FTR-B4CA012Z		
RL953	6330001750	RLY FTR-B4CA012Z		
RL954	6330001750	RLY FTR-B4CA012Z		
J1	6510020521	S.CNR 52808-1271 (1290)	T	6/17
J101	6510007020	CNR TMP-J01X-V6		
J102	6510007020	CNR TMP-J01X-V6		
J103	6510023750	CNR 01K1971-10		
J104	6510023750	CNR 01K1971-10		
J105	6510023750	CNR 01K1971-10		
J106	6510007020	CNR TMP-J01X-V6		
J107	6510007020	CNR TMP-J01X-V6		
J108	6510007020	CNR TMP-J01X-V6		
J504	6510023750	CNR 01K1971-10		
J505	6510023750	CNR 01K1971-10		
J506	6510007020	CNR TMP-J01X-V6		
J601	6510007020	CNR TMP-J01X-V6		
J602	6510007020	CNR TMP-J01X-V6		
EP900	6910012350	S.BEA MMZ1608Y 102BT	B	218.9/98.8
EP901	6910012350	S.BEA MMZ1608Y 102BT	B	204.2/100.3
EP902	6910012350	S.BEA MMZ1608Y 102BT	B	197.2/98.7
EP903	6910012350	S.BEA MMZ1608Y 102BT	B	189.7/100.1
EP950	6910012350	S.BEA MMZ1608Y 102BT	B	208.8/3.5
EP951	6910012350	S.BEA MMZ1608Y 102BT	T	205.4/3.2
EP952	6910012350	S.BEA MMZ1608Y 102BT	B	193.3/3
EP953	6910012350	S.BEA MMZ1608Y 102BT	B	184.6/3.8

[MAIN UNIT]

REF NO.	ORDER NO.	DESCRIPTION	M.	H/V LOCATION
IC1	1110003870	S.IC NJM2058M-TE1	T	226/83.5
IC2	1110001901	S.IC uPC4570G2-E1-A	T	187/68.8
IC3	1130005641	S.IC TC4W53F (TE12L,F)	T	191.1/75.2
IC4	1110006300	S.IC NJM2172V-TE1	T	186.6/85.7
IC5	1130005641	S.IC TC4W53F (TE12L,F)	T	184.3/75.2
IC50	1190001930	S.IC PS7122AL-1A-E3	B	114.4/109.1
IC60	1110003870	S.IC NJM2058M-TE1	B	116.1/87.4
IC61	1110003870	S.IC NJM2058M-TE1	B	129.6/94.8
IC100	1130005641	S.IC TC4W53F (TE12L,F)	T	211.8/91
IC101	1130005641	S.IC TC4W53F (TE12L,F)	T	205/91
IC102	1110001901	S.IC uPC4570G2-E1-A	T	209.7/68.5
IC104	1110001901	S.IC uPC4570G2-E1-A	T	209.8/43.4
IC105	1110006300	S.IC NJM2172V-TE1	T	220.4/58.4
IC140	1110006141	IC LA4485-E		
IC180	1110006300	S.IC NJM2172V-TE1	T	187/57.6
IC181	1130005641	S.IC TC4W53F (TE12L,F)	T	186.9/40.3
IC182	1110006160	S.IC TPA6111A2DGN	T	186.8/35.8
IC191	1130005641	S.IC TC4W53F (TE12L,F)	T	193.3/30
IC192	1130005641	S.IC TC4W53F (TE12L,F)	T	180.6/30.2
IC201	1130005641	S.IC TC4W53F (TE12L,F)	T	147.7/71.6
IC210	1110006300	S.IC NJM2172V-TE1	T	160.5/90.1
IC230	1110001901	S.IC uPC4570G2-E1-A	T	68.3/22.2
IC250	1130011530	S.IC CD74HC4094M96	T	137.4/32.2
IC251	1160000131	S.IC TD62783AFG (S,EL)	T	125.7/34
IC260	1130011530	S.IC CD74HC4094M96	T	137.4/46.6
IC261	1160000131	S.IC TD62783AFG (S,EL)	T	125.7/48.3
IC290	1130011530	S.IC CD74HC4094M96	T	149.4/35.6
IC291	1160000131	S.IC TD62783AFG (S,EL)	T	161.1/34
IC310	1130011530	S.IC CD74HC4094M96	T	149.4/50.1
IC311	1160000131	S.IC TD62783AFG (S,EL)	T	161.1/48.4
IC330	1130012000	S.IC M62352AGP C60Q	T	150.4/61
IC331	1130012000	S.IC M62352AGP C60Q	T	161.1/61.1
IC450	1180002650	S.REG SI-3012KS-TL	B	212.6/31.3
IC451	1180002650	S.REG SI-3012KS-TL	B	160/15.2
IC452	1180002650	S.REG SI-3012KS-TL	B	93.6/51.5
IC460	1130005641	S.IC TC4W53F (TE12L,F)	T	147.7/80
IC490	1130005641	S.IC TC4W53F (TE12L,F)	B	163.4/61.6
IC491	1110003870	S.IC NJM2058M-TE1	B	236.2/21.9
IC495	1130011990	S.IC SN74LVC1G08DCKR	T	14.6/122.5
IC501	1110006100	S.IC NJM5534MD-TE1	T	22.6/66.4
IC502	1110006100	S.IC NJM5534MD-TE1	T	22.6/78.5
IC503	1110005461	S.IC TA4107F (TE12L,F)	T	23.2/91.9
IC550	1180001771	S.IC TA79L05F (TE12L,F)	T	125.5/103.1
IC820	1110006131	S.IC uPC4094G2-E1-A	T	83.5/59.3
IC821	1110006300	S.IC NJM2172V-TE1	T	160.5/74.8
Q1	1590001050	S.TR DTC114TUA T106	B	217/105.3
Q2	1590001050	S.TR DTC114TUA T106	B	174.9/102.8
Q3	1530002060	S.TR 2SC4081 T106 R	B	161.8/96.7
Q4	1530002060	S.TR 2SC4081 T106 R	B	172.7/98
Q5	1590001330	S.TR DTA114EUA T106	B	167.1/92
Q6	1540000441	S.TR 2SD1619T-TD-E	B	166.4/102.1
Q7	1530002060	S.TR 2SC4081 T106 R	B	147.8/110.4
Q8	1530002060	S.TR 2SC4081 T106 R	T	222.2/99.7
Q9	1530002060	S.TR 2SC4081 T106 R	T	179.3/101
Q50	1590001050	S.TR DTC114TUA T106	B	119/96.6
Q51	1590001050	S.TR DTC114TUA T106	B	118.6/100.4
Q52	1530002060	S.TR 2SC4081 T106 R	T	83.5/107.6
Q60	1590002710	S.TR UMH11NTN	T	118.7/87.6
Q61	1590002150	S.TR DTC144TE TL	T	117.8/80.2
Q62	1510000510	S.TR 2SA1576A T106R	T	123.1/93.8
Q63	1590001050	S.TR DTC114TUA T106	T	120.2/79.9
Q64	1590002430	S.TR DTA144EE TL	T	120.2/82.2
Q100	1590001451	S.FET 2SJ144-GR (TE85R,F)	T	214.2/79.1
Q101	1590001451	S.FET 2SJ144-GR (TE85R,F)	T	204.6/79.1
Q131	1560001131	S.FET CPH3403-TL-E	T	228.6/70.9
Q132	1560001131	S.FET CPH3403-TL-E	T	233.4/47.7
Q140	1540000471	S.TR 2SD1801S-TL-E	T	241.8/37.3
Q141	1590000680	S.TR DTC114EUA T106	B	247.8/92.4
Q142	1590000680	S.TR DTC114EUA T106	B	239.9/92.4
Q143	1590001050	S.TR DTC114TUA T106	T	255.3/55.4
Q351	1560001260	S.FET 2SK3018 T106	T	129.8/85.1
Q352	1530002060	S.TR 2SC4081 T106 R	T	132.7/85.1
Q474	1510000510	S.TR 2SA1576A T106R	T	132.4/77.2
Q476	1590001050	S.TR DTC114TUA T106	T	129.4/77.1
Q490	1590000680	S.TR DTC114EUA T106	B	232.2/4.5
Q491	1520000460	S.TR 2SB1132 T100 R	B	224.3/4.2
Q501	1580000751	S.FET 3SK294 (TE85L,F)	B	26.9/91.8
Q502	1590000680	S.TR DTC114EUA T106	T	47.1/79.4
Q503	1590002710	S.TR UMH11NTN	T	47.3/75.9
Q504	1560000561	S.FET 2SK882-GR (TE85L,F)	B	49.3/91.2
Q506	1560000561	S.FET 2SK882-GR (TE85L,F)	B	102.7/82.6
Q507	1530003151	S.TR 2SC4673D-TD-E	T	103.9/65.5
Q508	1530003842	S.TR 2SC5501A-4-TR-E	T	58.8/68.8
Q801	1530003851	S.TR 2SC5551F-TD-E	T	43.1/18.2
Q802	1520000531	S.TR 2SB1119S-TD-E	B	89.9/83.7
Q803	1590000680	S.TR DTC114EUA T106	B	83.7/84.8
Q804	1590002710	S.TR UMH11NTN	T	33.9/20.3
Q805	1590000680	S.TR DTC114EUA T106	T	30.9/21.6
Q806	1530002060	S.TR 2SC4081 T106 R	T	35.5/73.8
Q808	1590001330	S.TR DTA114EUA T106	T	45.6/70.2
Q809	1590000680	S.TR DTC114EUA T106	T	48.7/70.2
Q810	1530002060	S.TR 2SC4081 T106 R	T	231.4/34.2
D1	1750000550	S.DIO 1SS355 TE-17	B	162.9/104.2
D2	1750000550	S.DIO 1SS355 TE-17	B	170.6/104.2
D3	1790001750	S.DIO DSM3MA4	B	65.5/122.7
D4	1790001750	S.DIO DSM3MA4	B	65.5/113.6
D50	1750000550	S.DIO 1SS355 TE-17	B	114.5/100.6
D51	1790001670	S.DIO RB706F-40T106	T	90.8/112.8
D52	1750000550	S.DIO 1SS355 TE-17	T	88.4/112.8
D60	1750000550	S.DIO 1SS355 TE-17	B	126.8/86.8

M.=Mounted side (T: Mounted on the Top side, B: Mounted on the Bottom side)  
S.=Surface mount



[MAIN UNIT]

REF NO.	ORDER NO.	DESCRIPTION	M.	H/V LOCATION
D61	1750000550	S.DIO 1SS355 TE-17	B	126.6/83.4
D62	1750000550	S.DIO 1SS355 TE-17	B	120.6/77.6
D63	1750000550	S.DIO 1SS355 TE-17	B	116.5/93.6
D64	1790001240	S.DIO MA2S728-(TX)	B	108.1/78.3
D65	1750000550	S.DIO 1SS355 TE-17	B	123.1/100.1
D66	1750000550	S.DIO 1SS355 TE-17	B	134.3/89.4
D67	1730002340	S.ZEN MA8047-M (TX)	B	122.8/95.8
D140	1750000550	S.DIO 1SS355 TE-17	B	247.8/95.1
D141	1750000550	S.DIO 1SS355 TE-17	B	239.9/95.1
D241	1730002280	S.ZEN MA8091-M (TX)	T	231.2/32
D351	1790001250	S.DIO MA2S111-(TX)	T	129.7/83.2
D450	1710000840	S.DIO 1SR154-400 TE25	B	218.9/28
D451	1710000840	S.DIO 1SR154-400 TE25	B	153.4/16
D452	1710000840	S.DIO 1SR154-400 TE25	B	93.6/58
D490	1790000620	S.DIO MA77 (TX)	B	237.5/5.4
D501	1790000620	S.DIO MA77 (TX)	B	34.3/94.1
D502	1790000620	S.DIO MA77 (TX)	B	34.3/91.8
D503	1790000620	S.DIO MA77 (TX)	B	46.6/91.4
D504	1790000620	S.DIO MA77 (TX)	B	46.7/85.3
D505	1750000431	S.DIO HSB88WSTR-E	T	70.2/90.8
D506	1750000431	S.DIO HSB88WSTR-E	T	84.3/69.4
D601	1790000620	S.DIO MA77 (TX)	B	34.7/54
D602	1790000620	S.DIO MA77 (TX)	B	34.7/33
D603	1790000620	S.DIO MA77 (TX)	B	45.5/54
D604	1790000620	S.DIO MA77 (TX)	B	45.5/33
D605	1790000620	S.DIO MA77 (TX)	B	56.3/54
D606	1790000620	S.DIO MA77 (TX)	B	56.3/33
D607	1790000620	S.DIO MA77 (TX)	B	67.1/54
D608	1790000620	S.DIO MA77 (TX)	B	67.1/33
D609	1790000620	S.DIO MA77 (TX)	B	78/54
D610	1790000620	S.DIO MA77 (TX)	B	78/33
D611	1790000620	S.DIO MA77 (TX)	T	40.8/54
D612	1790000620	S.DIO MA77 (TX)	T	40.8/33
D613	1790000620	S.DIO MA77 (TX)	T	48.7/54
D614	1790000620	S.DIO MA77 (TX)	T	49.8/33
D615	1790000620	S.DIO MA77 (TX)	T	58.9/54
D616	1790000620	S.DIO MA77 (TX)	T	58.8/33
D617	1790000620	S.DIO MA77 (TX)	T	67.8/54
D618	1790000620	S.DIO MA77 (TX)	T	67.8/33
D619	1790000620	S.DIO MA77 (TX)	T	76.8/54
D620	1790000620	S.DIO MA77 (TX)	T	76.8/33
D801	1790000620	S.DIO MA77 (TX)	T	36.5/29.9
D802	1750000581	S.DIO 1SV307 (TPH3,F)	T	34.7/29.9
D806	1790000620	S.DIO MA77 (TX)	B	84.2/76.6
D820	1750000581	S.DIO 1SV307 (TPH3,F)	T	86/33
FI501	2020001070	CER CFWLA455KJFA-B0 (CFWS455D)		
FI502	2020001510	CER CFWLA455KJFA-B0 (CFWS455IT)		
FI503	2010002580	S.FIL FL-348 (64.455 MHz)	T	93.4/90.8
L1	6200003261	S.COL NLV32T-101J	B	211.7/110.3
L2	6200003261	S.COL NLV32T-101J	B	222.2/110.3
L3	6200003950	S.COL HF50ACC 322513-T	B	204.7/110.3
L4	6200003261	S.COL NLV32T-101J	T	218.7/109.6
L5	6200003261	S.COL NLV32T-101J	B	225.7/110.3
L6	6200003261	S.COL NLV32T-101J	B	215.2/110.3
L7	6200003950	S.COL HF50ACC 322513-T	T	208.2/109.6
L8	6200003261	S.COL NLV32T-101J	B	200.4/110.3
L9	6200003950	S.COL HF50ACC 322513-T	B	193.4/110
L10	6200003261	S.COL NLV32T-101J	B	196.9/110.3
L11	6200003261	S.COL NLV32T-101J	B	169.7/110.3
L12	6200003261	S.COL NLV32T-101J	B	180.2/110.3
L13	6200003950	S.COL HF50ACC 322513-T	B	162.7/110.3
L14	6200003261	S.COL NLV32T-101J	T	176.7/109.7
L15	6200003261	S.COL NLV32T-101J	B	183.7/110.3
L16	6200003261	S.COL NLV32T-101J	B	173.2/110.3
L17	6200003950	S.COL HF50ACC 322513-T	T	166.2/109.2
L18	6200003261	S.COL NLV32T-101J	B	158.4/110.3
L19	6200003950	S.COL HF50ACC 322513-T	B	151.4/110
L20	6200003261	S.COL NLV32T-101J	B	154.9/110.3
L21	6200003950	S.COL HF50ACC 322513-T	B	211.7/124.6
L22	6200003950	S.COL HF50ACC 322513-T	B	169.7/124.5
L31	6200003261	S.COL NLV32T-101J	B	194.2/88.9
L50	6200003261	S.COL NLV32T-101J	B	139.6/122.6
L51	6200003590	S.COL EXCCL3225U1	B	122.1/107.2
L52	6200003261	S.COL NLV32T-101J	B	77.2/122.3
L53	6200003261	S.COL NLV32T-101J	B	77.2/117.4
L54	6200003261	S.COL NLV32T-101J	T	85.8/112.8
L55	6200003261	S.COL NLV32T-101J	B	95.6/107.2
L56	6200003590	S.COL EXCCL3225U1	B	63.9/107.4
L80	6200009790	S.COL BLM31PG121SN1	B	53.4/118.4
L140	6200003261	S.COL NLV32T-101J	T	219.7/48.1
L141	2040000490	COL EXC-ELDR25C		
L142	2040000490	COL EXC-ELDR25C		
L143	2040000490	COL EXC-ELDR25C		
L180	6200003261	S.COL NLV32T-101J	T	186.9/44.5
L181	6200003261	S.COL NLV32T-101J	T	181.2/40.1
L201	6200003261	S.COL NLV32T-101J	T	165/81.4
L210	6200003261	S.COL NLV32T-101J	T	156.1/85.2
L250	6200003590	S.COL EXCCL3225U1	T	134.6/55.7
L290	6200003590	S.COL EXCCL3225U1	T	152/28.2
L330	6200001831	S.COL NLV32T-100J	B	161.4/68.9
L331	6200001831	S.COL NLV32T-100J	B	164.8/68.9
L340	6200003950	S.COL HF50ACC 322513-T	B	201.7/96.1
L341	6200003950	S.COL HF50ACC 322513-T	B	195.5/96.1
L360	6200003950	S.COL HF50ACC 322513-T	B	149.7/96.1
L361	6200003950	S.COL HF50ACC 322513-T	B	143.5/96.1
L380	6200003950	S.COL HF50ACC 322513-T	B	28.5/41.9
L381	6200003950	S.COL HF50ACC 322513-T	B	28.5/48.1
L400	6200003950	S.COL HF50ACC 322513-T	T	238.3/10.9
L401	6200003950	S.COL HF50ACC 322513-T	B	234/11.2
L402	6200003950	S.COL HF50ACC 322513-T	B	237.3/11.2

[MAIN UNIT]

REF NO.	ORDER NO.	DESCRIPTION	M.	H/V LOCATION
L405	6200003950	S.COL HF50ACC 322513-T	T	40.3/11.3
L406	6200003950	S.COL HF50ACC 322513-T	T	34.3/11.3
L407	6200003950	S.COL HF50ACC 322513-T	T	37.3/11.3
L410	6200003590	S.COL EXCCL3225U1	T	10.9/41
L411	6200003950	S.COL HF50ACC 322513-T	B	10.9/39.6
L412	6200003590	S.COL EXCCL3225U1	T	10.9/38
L413	6200003950	S.COL HF50ACC 322513-T	B	10.9/36.4
L418	6200003950	S.COL HF50ACC 322513-T	B	11.1/97.2
L435	6200003950	S.COL HF50ACC 322513-T	B	6.7/76.7
L440	6200003950	S.COL HF50ACC 322513-T	T	164.1/12.7
L441	6200003950	S.COL HF50ACC 322513-T	T	161.1/12.7
L450	6200003590	S.COL EXCCL3225U1	B	251.2/16.8
L451	6170000150	COL LW-16		
L452	6200003590	S.COL EXCCL3225U1	T	250.2/25.4
L453	6200003590	S.COL EXCCL3225U1	T	250.2/28.4
L454	6200009790	S.COL BLM31PG121SN1	B	250.6/30.2
L455	6200009790	S.COL BLM31PG121SN1	B	250.6/32.5
L456	6200003590	S.COL EXCCL3225U1	T	250.4/39.6
L480	6200003950	S.COL HF50ACC 322513-T	B	220.6/24
L481	6200003950	S.COL HF50ACC 322513-T	B	149.8/17.1
L482	6200003950	S.COL HF50ACC 322513-T	B	94.1/61.2
L495	6200003191	S.COL NLV32T-470J	B	24.9/119.2
L496	6200003191	S.COL NLV32T-470J	B	9.8/119
L501	6200003261	S.COL NLV32T-101J	T	24.4/101.3
L502	6200003261	S.COL NLV32T-101J	T	21.4/97.1
L503	6200003261	S.COL NLV32T-101J	T	24.4/97.1
L504	6200003520	S.COL ELJFB 102K-F	T	30.6/92.2
L505	6150004090	COL LS-469 (C-13969)		
L507	6140003530	COL LR-395		
L508	6140003210	S.COL LR-358	T	75.9/90.8
L509	6140003770	S.COL LR-414 4KBL (STP-01435)	T	85.2/90.8
L510	6140003770	S.COL LR-414 4KBL (STP-01435)	T	101.6/90.8
L511	6200003031	S.COL NLV32T-R47J	B	101.9/85.8
L512	6150004280	COL LS-484B (C-14927)		
L513	6140002551	S.COL #617DB-1919=P3	T	90.6/69.4
L514	6140002551	S.COL #617DB-1919=P3	T	78/69.4
L515	6200003001	S.COL NLV32T-R22J	T	111.3/65.7
L516	6200003021	S.COL NLV32T-R33J	T	102.8/71.4
L517	6200001831	S.COL NLV32T-100J	T	99.4/73.5
L518	6200010720	S.COL C2520C-56NG-A	T	71.2/69.1
L519	6200010860	S.COL C2520C-R10G-A (0.1U)	T	67.6/70.3
L521	6140003900	COL LR-489		
L522	6140003890	COL LR-488		
L523	6200010381	S.COL ELJRE R15JFA	B	90.6/76.8
L524	6180002971	S.COL NLV32T-068J	B	102.6/63.5
L525	6180002971	S.COL NLV32T-068J	B	100.7/67.3
L526	6180002971	S.COL NLV32T-068J	B	97/67.2
L527	6200010660	S.COL C2520C-R15G-A (0.15U)	T	64/71.6
L528	6200003261	S.COL NLV32T-101J	T	33.6/96.3
L529	6200010381	S.COL ELJRE R15JFA	B	93.2/78.1
L601	6200003101	S.COL NLV32T-3R9J	B	38.2/53.1
L602	6200003131	S.COL NLV32T-120J	B	34.7/49.6
L603	6200003131	S.COL NLV32T-120J	B	38.9/43.2
L604	6200003131	S.COL NLV32T-120J	B	34.7/37.4
L605	6200003101	S.COL NLV32T-3R9J	B	38.2/33.8
L606	6200002961	S.COL NLV32T-4R7J	B	49/53.1
L607	6200001851	S.COL NLV32T-5R6J	B	45.5/49.6
L608	6200001851	S.COL NLV32T-5R6J	B	49.7/43.5
L609	6200001851	S.COL NLV32T-5R6J	B	45.5/37.4
L610	6200002961	S.COL NLV32T-4R7J	B	49/33.8
L611	6200002961	S.COL NLV32T-2R2J	B	59.8/53.1
L612	6200003111	S.COL NLV32T-6R8J	B	56.3/49.6
L613	6200003111	S.COL NLV32T-6R8J	B	60.5/43.5
L614	6200003111	S.COL NLV32T-6R8J	B	56.3/37.4
L615	6200002991	S.COL NLV32T-2R2J	B	59.8/33.8
L616	6200002991	S.COL NLV32T-2R2J	B	70.7/53.1
L617	6200003321	S.COL NLV32T-3R3J	B	67.1/49.6
L618	6200003321	S.COL NLV32T-3R3J	B	71.3/43.5
L619	6200003321	S.COL NLV32T-3R3J	B	67.1/37.4
L620	6200002991	S.COL NLV32T-2R2J	B	70.6/33.8
L621	6200003061	S.COL NLV32T-1R2J	B	81.5/53.1
L622	6200003091	S.COL NLV32T-2R7J	B	78/49.6
L623	6200003091	S.COL NLV32T-2R7J	B	82.2/43.5
L624	6200003091	S.COL NLV32T-2R7J	B	78/37.4
L625	6200003061	S.COL NLV32T-1R2J	B	81.5/33.8
L626	6200003331	S.COL NLV32T-1R0J	T	37.8/50
L627	6200003081	S.COL NLV32T-1R8J	T	40.8/50
L628	6200003081	S.COL NLV32T-1R8J	T	40.2/43.5
L629	6200003081	S.COL NLV32T-1R8J	T	40.8/36.9
L630	6200003331	S.COL NLV32T-1R0J	T	37.8/36.9
L631	6200003041	S.COL NLV32T-R68J	T	46.8/50
L632	6200003071	S.COL NLV32T-1R5J	T	49.8/50
L633	6200003071	S.COL NLV32T-1R5J	T	49.2/43.5
L634	6200003071	S.COL NLV32T-1R5J	T	49.8/36.9
L635	6200003041	S.COL NLV32T-R68J	T	46.8/36.9
L636	6200002981	S.COL NLV32T-R56J	T	55.8/50
L637	6200003051	S.COL NLV32T-R82J	T	58.9/50
L638	6200003051	S.COL NLV32T-R82J	T	58.2/43.5
L639	6200003051	S.COL NLV32T-R82J	T	58.8/36.9
L640	6200002981	S.COL NLV32T-R56J	T	55.8/36.9
L641	6200003021	S.COL NLV32T-R33J	T	64.8/50
L642	6200003041	S.COL NLV32T-R68J	T	67.8/50
L643	6200003041	S.COL NLV32T-R68J	T	67.2/43.5
L644	6200003041	S.COL NLV32T-R68J	T	67.8/36.9
L645	6200003021	S.COL NLV32T-R33J	T	64.8/36.9</

[MAIN UNIT]

REF NO.	ORDER NO.	DESCRIPTION	M.	H/V LOCATION
L804	6200003241	S.COL NLV32T-221J	B	49.2/26
L820	6200003161	S.COL NLV32T-270J	T	86.6/48.4
L821	6200003191	S.COL NLV32T-470J	T	85.8/44.9
L822	6200003201	S.COL NLV32T-560J	T	86.6/39.8
R1	7030003550	S.RES ERJ3GEYJ 822 V (8.2 k)	B	214.8/107.3
R2	7030003550	S.RES ERJ3GEYJ 822 V (8.2 k)	B	174.1/104.9
R3	7030003520	S.RES ERJ3GEYJ 472 V (4.7 k)	B	161.1/103.9
R4	7030003620	S.RES ERJ3GEYJ 333 V (33 k)	B	161.1/101.1
R5	7030003580	S.RES ERJ3GEYJ 153 V (15 k)	B	161.9/99.1
R6	7030003520	S.RES ERJ3GEYJ 472 V (4.7 k)	B	161.8/93.8
R7	7030003520	S.RES ERJ3GEYJ 472 V (4.7 k)	B	172.2/104.2
R8	7030003620	S.RES ERJ3GEYJ 333 V (33 k)	B	170.6/101.2
R9	7030003580	S.RES ERJ3GEYJ 153 V (15 k)	B	172.8/100.4
R10	7030003520	S.RES ERJ3GEYJ 472 V (4.7 k)	B	172.7/95.1
R11	7030009891	S.RES ERA3YED 151V (150)	B	167.1/94.5
R12	7030003560	S.RES ERJ3GEYJ 103 V (10 k)	B	167.1/96.3
R13	7030003480	S.RES ERJ3GEYJ 222 V (2.2 k)	B	148.7/106.9
R14	7030003560	S.RES ERJ3GEYJ 103 V (10 k)	B	146.9/106.9
R15	7030003640	S.RES ERJ3GEYJ 473 V (47 k)	B	145.1/110.4
R16	7030003680	S.RES ERJ3GEYJ 104 V (100 k)	T	224.8/77.8
R17	7030003680	S.RES ERJ3GEYJ 104 V (100 k)	T	223.4/77.8
R18	7030003400	S.RES ERJ3GEYJ 471 V (470)	T	222.1/77.8
R19	7030003680	S.RES ERJ3GEYJ 104 V (100 k)	T	227.2/77.8
R20	7030003680	S.RES ERJ3GEYJ 104 V (100 k)	T	228.6/77.8
R21	7030003400	S.RES ERJ3GEYJ 471 V (470)	T	230.7/77.8
R22	7030003560	S.RES ERJ3GEYJ 103 V (10 k)	T	180.8/69.6
R23	7030003560	S.RES ERJ3GEYJ 103 V (10 k)	T	181.6/67.8
R24	7030003660	S.RES ERJ3GEYJ 683 V (68 k)	T	182.3/67.9
R25	7030003440	S.RES ERJ3GEYJ 102 V (1 k)	T	181.6/71.6
R26	7030003560	S.RES ERJ3GEYJ 103 V (10 k)	T	193.3/69.7
R27	7030003560	S.RES ERJ3GEYJ 103 V (10 k)	T	192.5/67.8
R28	7030003660	S.RES ERJ3GEYJ 683 V (68 k)	T	191.8/69.7
R29	7030003440	S.RES ERJ3GEYJ 102 V (1 k)	T	192.5/71.6
R30	7030003320	S.RES ERJ3GEYJ 101 V (100)	T	192.5/66.5
R31	7030003560	S.RES ERJ3GEYJ 103 V (10 k)	T	192.9/88
R32	7030003560	S.RES ERJ3GEYJ 103 V (10 k)	T	192.9/86.7
R33	7030003560	S.RES ERJ3GEYJ 103 V (10 k)	B	188.8/83.7
R34	7030003440	S.RES ERJ3GEYJ 102 V (1 k)	T	222.3/96.5
R35	7030003580	S.RES ERJ3GEYJ 153 V (15 k)	T	222.3/97.8
R36	7030003580	S.RES ERJ3GEYJ 153 V (15 k)	T	225.1/99.9
R37	7030003320	S.RES ERJ3GEYJ 101 V (100)	T	219.7/97.8
R38	7030003390	S.RES ERJ3GEYJ 391 V (390)	T	225.1/100.39
R39	7030003440	S.RES ERJ3GEYJ 102 V (1 k)	T	179.3/97.8
R40	7030003580	S.RES ERJ3GEYJ 153 V (15 k)	T	179.3/99.1
R41	7030003580	S.RES ERJ3GEYJ 153 V (15 k)	T	182.3/100.3
R42	7030003320	S.RES ERJ3GEYJ 101 V (100)	T	176.5/99.1
R43	7030003390	S.RES ERJ3GEYJ 391 V (390)	T	182.3/101.6
R44	7030003320	S.RES ERJ3GEYJ 101 V (100)	T	181.6/66.5
R45	7030003620	S.RES ERJ3GEYJ 333 V (33 k)	T	192.9/85.4
R46	7030003620	S.RES ERJ3GEYJ 333 V (33 k)	T	192.9/89.3
R47	7030003560	S.RES ERJ3GEYJ 103 V (10 k)	B	185.5/83.7
R49	7540000270	S.ASB ERZVF2M201	B	110.1/123.5
R50	7310003820	TRI EVN-D2AA03 B14		
R51	7030003560	S.RES ERJ3GEYJ 103 V (10 k)	B	152/123.2
R52	7030003200	S.RES ERJ3GEYJ 100 V (10)	B	109.6/98.6
R53	7030003390	S.RES ERJ3GEYJ 391 V (390)	B	118.6/102.4
R54	7030003480	S.RES ERJ3GEYJ 222 V (2.2 k)	T	89.9/109.6
R55	7030003480	S.RES ERJ3GEYJ 222 V (2.2 k)	T	91.3/109.6
R56	7030003520	S.RES ERJ3GEYJ 472 V (4.7 k)	T	88.4/109.6
R57	7030003620	S.RES ERJ3GEYJ 333 V (33 k)	T	86.1/109.9
R58	7030003580	S.RES ERJ3GEYJ 153 V (15 k)	T	83.5/109.9
R59	7030003520	S.RES ERJ3GEYJ 472 V (4.7 k)	T	85.4/107.6
R60	7510001511	S.TMR NTCG16 4LH 223JT	B	125/86.8
R61	7030003660	S.RES ERJ3GEYJ 683 V (68 k)	B	123.2/86.8
R62	7030003480	S.RES ERJ3GEYJ 222 V (2.2 k)	B	121.4/86.8
R63	7030003680	S.RES ERJ3GEYJ 104 V (100 k)	B	124/82.5
R64	7030003560	S.RES ERJ3GEYJ 103 V (10 k)	B	124/84.3
R65	7030003720	S.RES ERJ3GEYJ 224 V (220 k)	B	121.4/83.5
R66	7030003320	S.RES ERJ3GEYJ 101 V (100)	B	121.4/80.2
R67	7030005681	S.RES ERA3YKD 473V (47 k)	B	105.3/90.5
R68	7030008121	S.RES ERA3YED 682V (6.8 k)	B	110.8/79.9
R69	7310005530	S.TRI TMC3ADC52X (470)	T	108.9/90
R70	7030008121	S.RES ERA3YED 682V (6.8 k)	B	108.9/90.5
R71	7030005681	S.RES ERA3YKD 473V (47 k)	B	107.1/90.5
R72	7030003740	S.RES ERJ3GEYJ 334 V (330 k)	B	110.7/90.5
R73	7030003520	S.RES ERJ3GEYJ 472 V (4.7 k)	T	109/78
R74	7030003720	S.RES ERJ3GEYJ 224 V (220 k)	B	121.4/91.9
R75	7030003600	S.RES ERJ3GEYJ 223 V (22 k)	T	108/86.3
R76	7030003620	S.RES ERJ3GEYJ 333 V (33 k)	T	110.6/86.3
R77	7030003720	S.RES ERJ3GEYJ 224 V (220 k)	B	110.7/85.6
R78	7030003680	S.RES ERJ3GEYJ 104 V (100 k)	T	118/90.4
R79	7310005590	S.TRI TMC3ADC5X (220 k)	T	114.5/90
R80	7030003680	S.RES ERJ3GEYJ 104 V (100 k)	T	118.7/84.6
R81	7310005590	S.TRI TMC3ADC5X (220 k)	T	114.5/85.1
R82	7310005570	S.TRI TMC3ADC15X (100 k)	T	114.5/80.2
R83	7030003680	S.RES ERJ3GEYJ 104 V (100 k)	B	116.6/79.2
R84	7030003720	S.RES ERJ3GEYJ 224 V (220 k)	B	116.6/81
R85	7030009920	S.RES ERJ3GEYJ 335 V (3.3 M)	B	113.3/81
R86	7030003380	S.RES ERJ3GEYJ 331 V (330)	B	110.7/80.2
R87	7030003320	S.RES ERJ3GEYJ 101 V (100)	T	116.1/77.8
R88	7030003440	S.RES ERJ3GEYJ 102 V (1 k)	T	123/95.8
R89	7030003440	S.RES ERJ3GEYJ 102 V (1 k)	T	125.6/93.2
R90	7030003800	S.RES ERJ3GEYJ 105 V (1 M)	B	129.6/85.8
R91	7030003660	S.RES ERJ3GEYJ 683 V (68 k)	B	129.6/88.6
R92	7030003380	S.RES ERJ3GEYJ 331 V (330)	B	119.5/93.4
R93	7310005580	S.TRI TMC3ADC53X (4.7 k)	T	108.9/80.4
R94	7030003320	S.RES ERJ3GEYJ 101 V (100)	B	136.8/95
R95	7030003840	S.RES ERJ3GEYJ 225 V (2.2 M)	B	129.7/100.1
R96	7030009920	S.RES ERJ3GEYJ 335 V (3.3 M)	B	126.4/103.7
R97	7030011040	S.RES ERJ3GEYJ 685 V (6.8 M)	B	126.4/100.1
R98	7030003320	S.RES ERJ3GEYJ 101 V (100)	T	122.8/89.8
R99	7030003380	S.RES MCR10EZJH 1 k	B	126.2/89.4

[MAIN UNIT]

REF NO.	ORDER NO.	DESCRIPTION	M.	H/V LOCATION
R100	7030003440	S.RES ERJ3GEYJ 102 V (1 k)	T	216.4/79.1
R101	7030003520	S.RES ERJ3GEYJ 472 V (4.7 k)	T	210.7/79.1
R102	7030003680	S.RES ERJ3GEYJ 104 V (100 k)	T	212/79.1
R103	7030003560	S.RES ERJ3GEYJ 103 V (10 k)	T	215.7/77
R104	7030003560	S.RES ERJ3GEYJ 103 V (10 k)	T	214.3/70
R105	7030003440	S.RES ERJ3GEYJ 102 V (1 k)	T	206.8/79.1
R106	7030003520	S.RES ERJ3GEYJ 472 V (4.7 k)	T	201.1/79.1
R107	7030003680	S.RES ERJ3GEYJ 104 V (100 k)	T	202.4/79.1
R108	7030003560	S.RES ERJ3GEYJ 103 V (10 k)	T	206.1/77
R109	7030003560	S.RES ERJ3GEYJ 103 V (10 k)	T	205.1/70
R110	7030003560	S.RES ERJ3GEYJ 103 V (10 k)	T	216.5/91
R111	7030003560	S.RES ERJ3GEYJ 103 V (10 k)	T	215.2/91
R113	7030003440	S.RES ERJ3GEYJ 102 V (1 k)	T	215.6/70
R114	7030003560	S.RES ERJ3GEYJ 103 V (10 k)	T	214.3/67.3
R115	7030003440	S.RES ERJ3GEYJ 102 V (1 k)	T	203.8/70
R116	7030003560	S.RES ERJ3GEYJ 103 V (10 k)	T	205.1/67.3
R117	7030003620	S.RES ERJ3GEYJ 333 V (33 k)	T	124.7/75
R118	7030003680	S.RES ERJ3GEYJ 104 V (100 k)	T	126/75
R119	7030003560	S.RES ERJ3GEYJ 103 V (10 k)	B	217/60.1
R120	7030003560	S.RES ERJ3GEYJ 103 V (10 k)	B	217/56.7
R123	7030003520	S.RES ERJ3GEYJ 472 V (4.7 k)	T	214.5/46.3
R124	7030003520	S.RES ERJ3GEYJ 472 V (4.7 k)	T	205.3/47.2
R125	7030003320	S.RES ERJ3GEYJ 101 V (100)	T	213.6/48.8
R126	7030003470	S.RES ERJ3GEYJ 182 V (1.8 k)	T	167.3/61.4
R127	7030003470	S.RES ERJ3GEYJ 182 V (1.8 k)	T	167.3/62.8
R128	7030003470	S.RES ERJ3GEYJ 182 V (1.8 k)	T	167.3/64.1
R129	7030003470	S.RES ERJ3GEYJ 182 V (1.8 k)	T	167.3/65.4
R130	7030003480	S.RES ERJ3GEYJ 222 V (2.2 k)	B	219.7/57.7
R131	7030003480	S.RES ERJ3GEYJ 222 V (2.2 k)	B	219.6/59.2
R132	7030000380	S.RES MCR10EZJH 1 k	B	123.4/92.5
R133	7030003520	S.RES ERJ3GEYJ 472 V (4.7 k)	T	230.6/61.6
R134	7030003440	S.RES ERJ3GEYJ 102 V (1 k)	T	232.2/65.3
R135	7030003520	S.RES ERJ3GEYJ 472 V (4.7 k)	T	232/53
R136	7030003440	S.RES ERJ3GEYJ 102 V (1 k)	T	232/51.7
R137	7030003480	S.RES ERJ3GEYJ 222 V (2.2 k)	T	232.2/64
R138	7030003320	S.RES ERJ3GEYJ 101 V (100)	B	204.5/64.9
R139	7030003560	S.RES ERJ3GEYJ 103 V (10 k)	T	226.2/71
R140	7030003560	S.RES ERJ3GEYJ 103 V (10 k)	T	230.4/46.7
R141	7030003560	S.RES ERJ3GEYJ 103 V (10 k)	B	256.3/59.4
R142	7030003640	S.RES ERJ3GEYJ 473 V (47 k)	B	254.5/59.4
R143	7030004040	S.RES ERJ3GEYJ 4R7 V (4.7)	B	252.4/98.6
R144	7030004040	S.RES ERJ3GEYJ 4R7 V (4.7)	B	244.1/109.8
R145	7030003440	S.RES ERJ3GEYJ 102 V (1 k)	T	234.8/76.9
R146	7510001511	S.TMR NTCG16 4LH 223JT	T	232.2/76.9
R147	7030003750	S.RES ERJ3GEYJ 394 V (390 k)	T	233.7/75.6
R149	7030003360	S.RES ERJ3GEYJ 221 V (220)	B	252.2/92.4
R150	7030003360	S.RES ERJ3GEYJ 221 V (220)	B	243.8/92.4
R151	7030003410	S.RES ERJ3GEYJ 561 V (560)	T	243.8/33.1
R152	7030003320	S.RES ERJ3GEYJ 101 V (100)	B	215.1/71.9
R154	7030003320	S.RES ERJ3GEYJ 101 V (100)	T	206.3/37.3
R155	7030003640	S.RES ERJ3GEYJ 473 V (47 k)	T	215.3/42.8
R156	7030003640	S.RES ERJ3GEYJ 473 V (47 k)	T	204.5/39.8
R157	7030003480	S.RES ERJ3GEYJ 222 V (2.2 k)	T	214.9/82.1
R158	7030003480	S.RES ERJ3GEYJ 222 V (2.2 k)	T	206/82.6
R159	7030003440	S.RES ERJ3GEYJ 102 V (1 k)	T	214.3/64.6
R160	7030003440	S.RES ERJ3GEYJ 102 V (1 k)	T	226.7/92.1
R161	7030003480	S.RES ERJ3GEYJ 222 V (2.2 k)	T	228/92.1
R162	7030003680	S.RES ERJ3GEYJ 104 V (100 k)	T	226.7/89.3
R163	7030003570	S.RES ERJ3GEYJ 123 V (12 k)	T	228/89.3
R164	7030003680	S.RES ERJ3GEYJ 104 V (100 k)	T	229.3/89.3
R165	7030003680	S.RES ERJ3GEYJ 104 V (100 k)	T	230.6/89.3
R166	7030003400	S.RES ERJ3GEYJ 471 V (470)	T	231.9/89.3
R167	7030003440	S.RES ERJ3GEYJ 102 V (1 k)	T	225.4/92.1
R168	7030003480	S.RES ERJ3GEYJ 222 V (2.2 k)	T	224.1/92.1
R169	7030003680	S.RES ERJ3GEYJ 104 V (100 k)	T	225.4/89.3
R170	7030003570	S.RES ERJ3GEYJ 123 V (12 k)	T	224.1/89.3
R171	7030003680	S.RES ERJ3GEYJ 104 V (100 k)	T	222.8/89.3
R172	7030003680	S.RES ERJ3GEYJ 104 V (100 k)	T	221.5/89.3
R173	7030003400	S.RES ERJ3GEYJ 471 V (470)	T	220.2/89.3
R174	7030003440	S.RES ERJ3GEYJ 102 V (1 k)	T	205.1/64.5
R175	7030003860	S.RES ERJ3GE JPW V	B	192.6/39.4
R176	7030003450	S.RES ERJ3GEYJ 122 V (1.2 k)	T	107.8/82.8
R180	7030003560	S.RES ERJ3GEYJ 103 V (10 k)	B	190.2/57
R181	7030003560	S.RES ERJ3GEYJ 103 V (10 k)	B	191.8/57
R183	7030003470	S.RES ERJ3GEYJ 182 V (1.8 k)	T	167.3/60.1
R184	7030003470	S.RES ERJ3GEYJ 182 V (1.8 k)	T	167.3/58.8
R18				



[MAIN UNIT]

REF NO.	ORDER NO.	DESCRIPTION	M.	H/V LOCATION
R221	7030003560	S.RES ERJ3GEYJ 103 V (10 k)	T	158.5/93.7
R222	7030003520	S.RES ERJ3GEYJ 472 V (4.7 k)	T	155.9/91.5
R223	7030003440	S.RES ERJ3GEYJ 102 V (1 k)	T	155.9/94.1
R224	7030003600	S.RES ERJ3GEYJ 223 V (22 k)	B	152.9/89.3
R226	7030003620	S.RES ERJ3GEYJ 333 V (33 k)	B	152.9/87.5
R228	7030003580	S.RES ERJ3GEYJ 153 V (15 k)	T	138.3/90.2
R230	7030003320	S.RES ERJ3GEYJ 101 V (100)	T	66.5/5.7
R231	7030003320	S.RES ERJ3GEYJ 101 V (100)	T	73.9/23.8
R232	7030003680	S.RES ERJ3GEYJ 104 V (100 k)	T	74.3/20.3
R233	7030003560	S.RES ERJ3GEYJ 103 V (10 k)	T	76.4/22
R234	7030003320	S.RES ERJ3GEYJ 101 V (100)	T	73.3/17.2
R235	7030003860	S.RES ERJ3GE JPW V	T	155.9/58.5
R240	7030003420	S.RES ERJ3GEYJ 681 V (680)	T	177.1/58.1
R241	7030003360	S.RES ERJ3GEYJ 221 V (220)	T	233.5/35.2
R242	7030003440	S.RES ERJ3GEYJ 102 V (1 k)	T	233.4/32.7
R243	7030003440	S.RES ERJ3GEYJ 102 V (1 k)	T	213.8/40.1
R244	7030003440	S.RES ERJ3GEYJ 102 V (1 k)	T	217.1/43.5
R245	7030003540	S.RES ERJ3GEYJ 682 V (6.8 k)	T	215.3/44.3
R246	7030003440	S.RES ERJ3GEYJ 102 V (1 k)	T	205.3/41.8
R247	7030003440	S.RES ERJ3GEYJ 102 V (1 k)	T	204/44.6
R248	7030003540	S.RES ERJ3GEYJ 682 V (6.8 k)	T	205.3/44.6
R249	7030003560	S.RES ERJ3GEYJ 103 V (10 k)	T	163.3/70.9
R250	7030003200	S.RES ERJ3GEYJ 100 V (10)	B	117.1/28.7
R251	7030003200	S.RES ERJ3GEYJ 100 V (10)	B	117.8/30.1
R252	7030003200	S.RES ERJ3GEYJ 100 V (10)	B	117.1/31.5
R253	7030003200	S.RES ERJ3GEYJ 100 V (10)	B	117.8/32.9
R254	7030003200	S.RES ERJ3GEYJ 100 V (10)	B	117.1/34.3
R255	7030003200	S.RES ERJ3GEYJ 100 V (10)	B	117.8/35.7
R256	7030003200	S.RES ERJ3GEYJ 100 V (10)	B	117.1/37.1
R257	7030003200	S.RES ERJ3GEYJ 100 V (10)	B	117.8/38.5
R258	7030003560	S.RES ERJ3GEYJ 103 V (10 k)	B	120.4/28.7
R259	7030003560	S.RES ERJ3GEYJ 103 V (10 k)	B	121.2/30.1
R260	7030003560	S.RES ERJ3GEYJ 103 V (10 k)	B	120.4/31.5
R261	7030003560	S.RES ERJ3GEYJ 103 V (10 k)	B	121.2/32.9
R262	7030003560	S.RES ERJ3GEYJ 103 V (10 k)	B	120.4/34.3
R263	7030003560	S.RES ERJ3GEYJ 103 V (10 k)	B	121.2/35.7
R264	7030003560	S.RES ERJ3GEYJ 103 V (10 k)	B	120.4/37.1
R265	7030003560	S.RES ERJ3GEYJ 103 V (10 k)	B	121.2/38.5
R270	7030003200	S.RES ERJ3GEYJ 100 V (10)	B	120.6/42.8
R271	7030003200	S.RES ERJ3GEYJ 100 V (10)	B	121.3/44.2
R272	7030003200	S.RES ERJ3GEYJ 100 V (10)	B	120.6/45.6
R273	7030003200	S.RES ERJ3GEYJ 100 V (10)	B	121.3/47
R274	7030003200	S.RES ERJ3GEYJ 100 V (10)	B	120.6/48.4
R275	7030003200	S.RES ERJ3GEYJ 100 V (10)	B	121.3/49.8
R276	7030003200	S.RES ERJ3GEYJ 100 V (10)	B	120.6/51.2
R277	7030003200	S.RES ERJ3GEYJ 100 V (10)	B	124.2/54.7
R278	7030003560	S.RES ERJ3GEYJ 103 V (10 k)	B	124.3/42.8
R279	7030003560	S.RES ERJ3GEYJ 103 V (10 k)	B	125/44.2
R280	7030003560	S.RES ERJ3GEYJ 103 V (10 k)	B	124.3/45.6
R281	7030003560	S.RES ERJ3GEYJ 103 V (10 k)	B	125/47
R282	7030003560	S.RES ERJ3GEYJ 103 V (10 k)	B	124.3/48.4
R283	7030003560	S.RES ERJ3GEYJ 103 V (10 k)	B	125/49.8
R284	7030003560	S.RES ERJ3GEYJ 103 V (10 k)	B	124.3/51.2
R285	7030003560	S.RES ERJ3GEYJ 103 V (10 k)	B	125/52.6
R290	7030003200	S.RES ERJ3GEYJ 100 V (10)	B	164.1/41.5
R291	7030003200	S.RES ERJ3GEYJ 100 V (10)	B	164.1/39.7
R292	7030003200	S.RES ERJ3GEYJ 100 V (10)	B	164.1/37.9
R293	7030003200	S.RES ERJ3GEYJ 100 V (10)	B	164.1/36.1
R294	7030003200	S.RES ERJ3GEYJ 100 V (10)	B	164.1/34.3
R295	7030003200	S.RES ERJ3GEYJ 100 V (10)	B	164.1/32.5
R296	7030003200	S.RES ERJ3GEYJ 100 V (10)	B	164.1/30.7
R298	7030003560	S.RES ERJ3GEYJ 103 V (10 k)	B	160.8/41.5
R299	7030003560	S.RES ERJ3GEYJ 103 V (10 k)	B	160.8/39.7
R300	7030003560	S.RES ERJ3GEYJ 103 V (10 k)	B	160.8/37.9
R301	7030003560	S.RES ERJ3GEYJ 103 V (10 k)	B	160.8/36.1
R302	7030003560	S.RES ERJ3GEYJ 103 V (10 k)	B	160.8/34.3
R303	7030003560	S.RES ERJ3GEYJ 103 V (10 k)	B	160.8/32.5
R304	7030003560	S.RES ERJ3GEYJ 103 V (10 k)	B	160.8/30.7
R310	7030003200	S.RES ERJ3GEYJ 100 V (10)	B	166.1/55.9
R311	7030003200	S.RES ERJ3GEYJ 100 V (10)	B	163.5/54.1
R312	7030003200	S.RES ERJ3GEYJ 100 V (10)	B	164.1/52.3
R313	7030003200	S.RES ERJ3GEYJ 100 V (10)	B	164.1/50.5
R314	7030003200	S.RES ERJ3GEYJ 100 V (10)	B	164.1/48.7
R315	7030003200	S.RES ERJ3GEYJ 100 V (10)	B	164.1/46.9
R316	7030003200	S.RES ERJ3GEYJ 100 V (10)	B	164.1/45.1
R317	7030003200	S.RES ERJ3GEYJ 100 V (10)	B	164.1/43.3
R318	7030003560	S.RES ERJ3GEYJ 103 V (10 k)	B	162.1/55.9
R319	7030003560	S.RES ERJ3GEYJ 103 V (10 k)	B	160.2/54.1
R320	7030003560	S.RES ERJ3GEYJ 103 V (10 k)	B	160.8/52.3
R321	7030003560	S.RES ERJ3GEYJ 103 V (10 k)	B	160.8/50.5
R322	7030003560	S.RES ERJ3GEYJ 103 V (10 k)	B	160.8/48.7
R323	7030003560	S.RES ERJ3GEYJ 103 V (10 k)	B	160.8/46.9
R324	7030003560	S.RES ERJ3GEYJ 103 V (10 k)	B	160.8/45.1
R325	7030003560	S.RES ERJ3GEYJ 103 V (10 k)	B	160.8/43.3
R330	7030009891	S.RES ERA3YED 151V (150)	T	155/65.5
R331	7030009851	S.RES ERA3YED 271V (270)	T	152.4/65.5
R341	7030003520	S.RES ERJ3GEYJ 472 V (4.7 k)	B	199.8/27.5
R342	7030004050	S.RES ERJ3GEYJ 1R0 V (1)	T	214.6/28.5
R351	7030003680	S.RES ERJ3GEYJ 104 V (100 k)	T	129.6/81.6
R352	7030003640	S.RES ERJ3GEYJ 473 V (47 k)	T	132.5/83.2
R353	7030003560	S.RES ERJ3GEYJ 103 V (10 k)	T	134.7/83.7
R361	7030003520	S.RES ERJ3GEYJ 472 V (4.7 k)	B	144.7/26.2
R362	7030004050	S.RES ERJ3GEYJ 1R0 V (1)	T	157.7/16.5
R381	7030004050	S.RES ERJ3GEYJ 1R0 V (1)	T	93.7/50.7
R397	7030003410	S.RES ERJ3GEYJ 561 V (560)	B	108.3/36.7
R398	7030007860	S.RES ERJ3GEYJ 8R2V (8.2)	B	110.2/38.7
R399	7030003410	S.RES ERJ3GEYJ 561 V (560)	B	108.3/39.6
R400	7030003360	S.RES ERJ3GEYJ 221 V (220)	B	228.3/9.9
R401	7030003360	S.RES ERJ3GEYJ 221 V (220)	B	227.3/9.9
R402	7030003360	S.RES ERJ3GEYJ 221 V (220)	T	226.3/9.9
R403	7030003360	S.RES ERJ3GEYJ 221 V (220)	T	28.3/9.9
R404	7030003360	S.RES ERJ3GEYJ 221 V (220)	T	27/9.9
R405	7030003360	S.RES ERJ3GEYJ 221 V (220)	T	25.7/9.9
R410	7030003320	S.RES ERJ3GEYJ 101 V (100)	T	9.9/56

[MAIN UNIT]

REF NO.	ORDER NO.	DESCRIPTION	M.	H/V LOCATION
R413	7030003320	S.RES ERJ3GEYJ 101 V (100)	B	9.9/53
R414	7030003320	S.RES ERJ3GEYJ 101 V (100)	T	9.9/52
R415	7030003320	S.RES ERJ3GEYJ 101 V (100)	B	9.9/51
R416	7030003320	S.RES ERJ3GEYJ 101 V (100)	T	9.9/50
R417	7030003320	S.RES ERJ3GEYJ 101 V (100)	B	9.9/47
R418	7030003320	S.RES ERJ3GEYJ 101 V (100)	T	9.9/46
R419	7030003320	S.RES ERJ3GEYJ 101 V (100)	B	9.9/45
R420	7030003320	S.RES ERJ3GEYJ 101 V (100)	T	9.9/44
R421	7030003320	S.RES ERJ3GEYJ 101 V (100)	B	9.9/43
R422	7030003320	S.RES ERJ3GEYJ 101 V (100)	T	9.9/32
R423	7030003320	S.RES ERJ3GEYJ 101 V (100)	T	9.9/30
R424	7030003320	S.RES ERJ3GEYJ 101 V (100)	B	9.9/29
R450	7030003600	S.RES ERJ3GEYJ 223 V (22 k)	B	205.8/28
R451	7030003600	S.RES ERJ3GEYJ 223 V (22 k)	B	166.9/18.4
R452	7030003600	S.RES ERJ3GEYJ 223 V (22 k)	B	94.3/43.7
R460	7030003560	S.RES ERJ3GEYJ 103 V (10 k)	B	144.4/79.4
R461	7030003560	S.RES ERJ3GEYJ 103 V (10 k)	B	144.1/73.6
R462	7030003580	S.RES ERJ3GEYJ 153 V (15 k)	T	79.1/23.3
R463	7030003560	S.RES ERJ3GEYJ 103 V (10 k)	T	158.6/71.4
R466	7030003440	S.RES ERJ3GEYJ 102 V (1 k)	T	73.7/22.2
R467	7030003320	S.RES ERJ3GEYJ 101 V (100)	B	148.2/73.6
R468	7030003620	S.RES ERJ3GEYJ 333 V (33 k)	T	142.2/77.4
R469	7030003520	S.RES ERJ3GEYJ 472 V (4.7 k)	T	143/75.7
R470	7030003620	S.RES ERJ3GEYJ 333 V (33 k)	T	165.9/78.4
R471	7030003440	S.RES ERJ3GEYJ 102 V (1 k)	T	152.2/67.8
R472	7030003640	S.RES ERJ3GEYJ 473 V (47 k)	T	165.9/77.1
R474	7030003600	S.RES ERJ3GEYJ 223 V (22 k)	T	132.5/75.3
R476	7030003760	S.RES ERJ3GEYJ 474 V (470 k)	T	126.5/77.5
R479	7030003550	S.RES ERJ3GEYJ 822 V (8.2 k)	B	170.5/73.6
R481	7030003860	S.RES ERJ3GE JPW V	B	170.5/70.8
R482	7030000010	S.RES MCR10EZJH JPW (000)	B	108.8/46
R483	7030000010	S.RES MCR10EZJH JPW (000)	B	206.6/18.3
R484	7030000010	S.RES MCR10EZJH JPW (000)	B	151.6/27.6
R485	7030003860	S.RES ERJ3GE JPW V	T	9.9/48
R486	7030003860	S.RES ERJ3GE JPW V	B	9.9/49
R487	7030000010	S.RES MCR10EZJH JPW (000)	T	9.9/58.1
R488	7030003860	S.RES ERJ3GE JPW V	B	111.4/76.2
R489	7030003500	S.RES ERJ3GEYJ 332 V (3.3 k)	B	229/6
R490	7030003440	S.RES ERJ3GEYJ 102 V (1 k)	B	159.4/63.3
R491	7030003560	S.RES ERJ3GEYJ 103 V (10 k)	B	157.7/59.6
R492	7030003560	S.RES ERJ3GEYJ 103 V (10 k)	B	159.5/59.6
R493	7030003410	S.RES ERJ3GEYJ 561 V (560)	T	130.7/103
R494	7030005331	S.RES ERA3YED 562V (5.6 k)	T	218.4/78.6
R495	7030010480	S.RES ERJ1TYJ 181U (180)	T	212.4/2.3
R496	7030005331	S.RES ERA3YED 562V (5.6 k)	T	218.4/77.3
R497	7030007911	S.RES ERA3YKD 563V (5.6 k)	B	228.6/16.1
R498	7030005631	S.RES ERA3YKD 154V (150 k)	B	228.6/20.2
R499	7030005631	S.RES ERA3YKD 154V (150 k)	B	230.4/20.2
R501	7030003440	S.RES ERJ3GEYJ 102 V (1 k)	T	20.7/58.3
R502	7030003560	S.RES ERJ3GEYJ 103 V (10 k)	T	19.2/60.9
R503	7030003440	S.RES ERJ3GEYJ 102 V (1 k)	T	22.2/58.3
R504	7030003440	S.RES ERJ3GEYJ 102 V (1 k)	T	23.7/60.9
R505	7030003320	S.RES ERJ3GEYJ 101 V (100)	T	26/61.7
R506	7030003320	S.RES ERJ3GEYJ 101 V (100)	T	16.1/70.6
R507	7030003440	S.RES ERJ3GEYJ 102 V (1 k)	T	22.2/72.4
R508	7030003440	S.RES ERJ3GEYJ 102 V (1 k)	T	23.7/72.4
R509	7030003320	S.RES ERJ3GEYJ 101 V (100)	T	26.7/72.4
R510	7030003320	S.RES ERJ3GEYJ 101 V (100)	T	19.2/81.2
R511	7030003320	S.RES ERJ3GEYJ 101 V (100)	T	21.4/87.5
R512	7030003650	S.RES ERJ3GEYJ 563 V (56 k)	B	228.2/3.1
R513	7030003860	S.RES ERJ3GE JPW V	T	103.9/68.7
R514	7030003440	S.RES ERJ3GEYJ 102 V (1 k)	T	19.2/96.4
R515	7030003410	S.RES ERJ3GEYJ 561 V (560)	T	26.6/96.4
R516	7030003440	S.RES ERJ3GEYJ 102 V (1 k)	T	25.3/84.6
R517	7030003520	S.RES ERJ3GEYJ 472 V (4.7 k)	T	23.2/84.6
R518	7030003400	S.RES ERJ3GEYJ 471 V (470)	B	20.1/91.9
R519	7030003560	S.RES ERJ3GEYJ 103 V (10 k)	B	20.1/89
R520	7030003630	S.RES ERJ3GEYJ 393 V (39 k)	B	24.3/91.9
R521	7030003600	S.RES ERJ3GEYJ 223 V (22 k)	B	24.3/87.7
R522	7030003200	S.RES ERJ3GEYJ 100 V (10)	B	230.4/24.8
R523	7030003360	S.RES ERJ3GEYJ 221 V (220)	B	27.9/87.7
R524	7030003560	S.RES ERJ3GEYJ 103 V (10 k)	B	27.1/93.9
R525	7030003480	S.RES ERJ3GEYJ 222 V (2.2 k)	B	31.3/91.9
R526	7030003440	S.RES ERJ3GEYJ 102 V (1 k)	B	31.3/98.2
R527	7030003560	S.RES ERJ3GEYJ 103 V (10 k)		



[MAIN UNIT]

REF NO.	ORDER NO.	DESCRIPTION	M.	H/V LOCATION
R558	7030003320	S.RES ERJ3GEYJ 101 V (100)	B	102.9/74.8
R559	7030003680	S.RES ERJ3GEYJ 104 V (100 k)	T	132.8/105.2
R560	7030003680	S.RES ERJ3GEYJ 104 V (100 k)	T	188.5/103.4
R561	7030003680	S.RES ERJ3GEYJ 104 V (100 k)	T	133.6/102.4
R562	7030003320	S.RES ERJ3GEYJ 101 V (100)	B	77.5/69.5
R563	7030003300	S.RES ERJ3GEYJ 680 V (68)	T	110/62.7
R564	7030003620	S.RES ERJ3GEYJ 333 V (33 k)	T	107.1/64.2
R565	7030003640	S.RES ERJ3GEYJ 473 V (47 k)	B	234.6/4.6
R566	7030003330	S.RES ERJ3GEYJ 121 V (120)	T	102.8/74.1
R567	7030003230	S.RES ERJ3GEYJ 180 V (18)	B	91.4/67.6
R568	7030009851	S.RES ERA3YED 271V (270)	B	93.4/66.8
R569	7030009851	S.RES ERA3YED 271V (270)	B	89.3/66.8
R570	7030003520	S.RES ERJ3GEYJ 472 V (4.7 k)	T	59.8/60.7
R571	7030003560	S.RES ERJ3GEYJ 103 V (10 k)	B	64.5/59.2
R572	7030004040	S.RES ERJ3GEYJ 4R7 V (4.7)	T	61.5/68.2
R573	7030003400	S.RES ERJ3GEYJ 471 V (470)	B	68.2/59.2
R574	7030003280	S.RES ERJ3GEYJ 470 V (47)	T	69.8/63.8
R575	7030009851	S.RES ERA3YED 271V (270)	B	56.7/59.3
R576	7030003230	S.RES ERJ3GEYJ 180 V (18)	B	54.6/58.5
R577	7030009851	S.RES ERA3YED 271V (270)	B	56.7/57.7
R578	7030003230	S.RES ERJ3GEYJ 180 V (18)	B	61.6/72
R579	7030009851	S.RES ERA3YED 271V (270)	B	57.9/72.8
R580	7030009851	S.RES ERA3YED 271V (270)	B	57.9/71
R581	7030003430	S.RES ERJ3GEYJ 821 V (820)	B	92.6/72.9
R582	7030004030	S.RES ERJ3GEYJ 5R6 V (5.6)	B	91.8/70.9
R583	7030003430	S.RES ERJ3GEYJ 821 V (820)	B	94.2/70.8
R584	7510001671	S.TMR NTCG16 4BH 103JT	T	218.4/79.9
R585	7030003600	S.RES ERJ3GEYJ 223 V (22 k)	B	25/89.8
R587	7030003200	S.RES ERJ3GEYJ 100 V (10)	B	61.5/68.1
R589	7030003400	S.RES ERJ3GEYJ 471 V (470)	B	64.5/63.7
R590	7030003430	S.RES ERJ3GEYJ 821 V (820)	B	79.8/91.7
R591	7030003430	S.RES ERJ3GEYJ 821 V (820)	B	81.5/91.7
R592	7030000300	S.RES MCR10EZHH 220 (221)	B	59.4/61.8
R601	7030000260	S.RES MCR10EZHH 100 (101)	B	42.7/43.5
R602	7030000260	S.RES MCR10EZHH 100 (101)	B	53.5/43.5
R603	7030000260	S.RES MCR10EZHH 100 (101)	B	64.3/43.5
R604	7030000260	S.RES MCR10EZHH 100 (101)	B	75.2/43.5
R605	7030000260	S.RES MCR10EZHH 100 (101)	B	86/43.5
R606	7030000260	S.RES MCR10EZHH 100 (101)	T	34.3/43.5
R607	7030000260	S.RES MCR10EZHH 100 (101)	T	43.3/43.5
R608	7030000260	S.RES MCR10EZHH 100 (101)	T	52.3/43.5
R609	7030000260	S.RES MCR10EZHH 100 (101)	T	61.3/43.5
R610	7030003400	S.RES ERJ3GEYJ 471 V (470)	T	79.8/54
R611	7030000260	S.RES MCR10EZHH 100 (101)	T	70.3/43.5
R612	7030009851	S.RES ERA3YED 271V (270)	T	44/54
R613	7030003230	S.RES ERJ3GEYJ 180 V (18)	T	46.2/53.3
R614	7030009851	S.RES ERA3YED 271V (270)	T	44/52.7
R801	7030003380	S.RES ERJ3GEYJ 331 V (330)	T	37.2/26.2
R802	7030009891	S.RES ERA3YED 151V (150)	B	37.2/18.7
R803	7030003440	S.RES ERJ3GEYJ 102 V (1 k)	B	49.7/21
R804	7030003490	S.RES ERJ3GEYJ 272 V (2.7 k)	B	47.8/21.7
R805	7030003300	S.RES ERJ3GEYJ 680 V (68)	T	57.6/18.7
R806	7030003320	S.RES ERJ3GEYJ 101 V (100)	T	56.2/18.7
R807	7030003320	S.RES ERJ3GEYJ 101 V (100)	T	56.9/16.5
R808	7030003640	S.RES ERJ3GEYJ 473 V (47 k)	B	89.9/87.6
R809	7030003460	S.RES ERJ3GEYJ 152 V (1.5 k)	B	84.7/87.6
R810	7030003680	S.RES ERJ3GEYJ 104 V (100 k)	T	34/22.3
R811	7030003560	S.RES ERJ3GEYJ 103 V (10 k)	T	30.8/19.6
R812	7030009851	S.RES ERA3YED 271V (270)	T	34/27.5
R813	7030003230	S.RES ERJ3GEYJ 180 V (18)	T	34/26.2
R814	7030009851	S.RES ERA3YED 271V (270)	T	34/29.9
R815	7030003320	S.RES ERJ3GEYJ 101 V (100)	T	31.9/25.5
R816	7030003680	S.RES ERJ3GEYJ 104 V (100 k)	T	31.2/23.6
R817	7030003860	S.RES ERJ3GE JPW V	T	52.7/23.9
R818	7030003320	S.RES ERJ3GEYJ 101 V (100)	B	41.7/21
R820	7030003440	S.RES ERJ3GEYJ 102 V (1 k)	T	77.7/62.7
R821	7030003320	S.RES ERJ3GEYJ 101 V (100)	T	88.2/60.9
R822	7030003620	S.RES ERJ3GEYJ 333 V (33 k)	T	88.2/57.9
R823	7030003280	S.RES ERJ3GEYJ 470 V (47)	T	83.2/51.5
R824	7030003320	S.RES ERJ3GEYJ 101 V (100)	T	77/58.6
R825	7030003320	S.RES ERJ3GEYJ 101 V (100)	T	82.3/33.8
R826	7030003230	S.RES ERJ3GEYJ 180 V (18)	T	87.2/36.2
R827	7030009851	S.RES ERA3YED 271V (270)	T	85.2/37
R828	7030009851	S.RES ERA3YED 271V (270)	T	85.2/35.5
R829	7030003400	S.RES ERJ3GEYJ 471 V (470)	T	86.5/55.1
R830	7030003330	S.RES ERJ3GEYJ 121 V (120)	T	86/53.2
R831	7030003600	S.RES ERJ3GEYJ 223 V (22 k)	T	83.2/54.5
R832	7030003290	S.RES ERJ3GEYJ 560 V (56)	B	87.3/71.1
R833	7030003480	S.RES ERJ3GEYJ 222 V (2.2 k)	B	89.4/71.8
R834	7030003440	S.RES ERJ3GEYJ 102 V (1 k)	B	85.3/79.2
R835	7030003440	S.RES ERJ3GEYJ 102 V (1 k)	B	83.1/74.2
R836	7030003500	S.RES ERJ3GEYJ 332 V (3.3 k)	B	83.2/79.1
R837	7030003480	S.RES ERJ3GEYJ 222 V (2.2 k)	T	29.8/81.6
R838	7030003510	S.RES ERJ3GEYJ 392 V (3.9 k)	T	33.6/73.8
R839	7030003480	S.RES ERJ3GEYJ 222 V (2.2 k)	T	38.1/73.4
R840	7030003400	S.RES ERJ3GEYJ 471 V (470)	T	38.1/72.1
R841	7030003300	S.RES ERJ3GEYJ 680 V (68)	T	35.3/71.6
R851	7030009861	S.RES ERA3YED 471V (470)	T	110/87.6
R852	7030003560	S.RES ERJ3GEYJ 103 V (10 k)	T	37.9/69.8
R900	7030003320	S.RES ERJ3GEYJ 101 V (100)	B	126.2/5.8
R901	7030003320	S.RES ERJ3GEYJ 101 V (100)	B	125.2/5.8
R902	7030003320	S.RES ERJ3GEYJ 101 V (100)	T	124.2/5.8
R903	7030003320	S.RES ERJ3GEYJ 101 V (100)	B	123.2/5.8
R904	7030003320	S.RES ERJ3GEYJ 101 V (100)	T	122.2/5.8
R906	7030003320	S.RES ERJ3GEYJ 101 V (100)	T	120.2/5.8
R908	7030003320	S.RES ERJ3GEYJ 101 V (100)	T	118.2/5.8
R909	7030003320	S.RES ERJ3GEYJ 101 V (100)	B	117.2/5.8
R910	7030003320	S.RES ERJ3GEYJ 101 V (100)	T	116.2/5.8
R911	7030003320	S.RES ERJ3GEYJ 101 V (100)	B	115.2/5.8
R912	7030003320	S.RES ERJ3GEYJ 101 V (100)	T	114.2/5.8
R913	7030003320	S.RES ERJ3GEYJ 101 V (100)	B	113.2/5.8
R914	7030003320	S.RES ERJ3GEYJ 101 V (100)	T	112.2/5.8
R915	7030003320	S.RES ERJ3GEYJ 101 V (100)	B	111.2/5.8
R916	7030003320	S.RES ERJ3GEYJ 101 V (100)	T	110.2/5.8

[MAIN UNIT]

REF NO.	ORDER NO.	DESCRIPTION	M.	H/V LOCATION
R917	7030003320	S.RES ERJ3GEYJ 101 V (100)	B	109.2/5.8
R918	7030003320	S.RES ERJ3GEYJ 101 V (100)	T	13.8/119.5
R920	7030003320	S.RES ERJ3GEYJ 101 V (100)	T	125.7/15.4
R921	7030003320	S.RES ERJ3GEYJ 101 V (100)	B	124.7/15.4
R922	7030003320	S.RES ERJ3GEYJ 101 V (100)	T	123.7/15.4
R923	7030003320	S.RES ERJ3GEYJ 101 V (100)	B	122.7/15.4
R924	7030003320	S.RES ERJ3GEYJ 101 V (100)	T	121.7/15.4
R925	7030003320	S.RES ERJ3GEYJ 101 V (100)	B	120.7/15.4
R926	7030003320	S.RES ERJ3GEYJ 101 V (100)	T	119.7/15.4
R927	7030003320	S.RES ERJ3GEYJ 101 V (100)	B	118.7/15.4
R928	7030003320	S.RES ERJ3GEYJ 101 V (100)	T	117.7/15.4
R929	7030003320	S.RES ERJ3GEYJ 101 V (100)	B	116.7/15.4
R930	7030003320	S.RES ERJ3GEYJ 101 V (100)	T	115.7/15.4
R932	7030003320	S.RES ERJ3GEYJ 101 V (100)	T	113.7/15.4
R933	7030003320	S.RES ERJ3GEYJ 101 V (100)	B	112.7/15.4
R934	7030003320	S.RES ERJ3GEYJ 101 V (100)	T	111.7/15.4
R936	7030003320	S.RES ERJ3GEYJ 101 V (100)	T	109.7/15.4
R937	7030003320	S.RES ERJ3GEYJ 101 V (100)	B	108.7/15.4
R938	7030003320	S.RES ERJ3GEYJ 101 V (100)	T	12.5/119.5
R940	7030003320	S.RES ERJ3GEYJ 101 V (100)	T	94.3/5.8
R941	7030003320	S.RES ERJ3GEYJ 101 V (100)	B	93.3/5.8
R942	7030003320	S.RES ERJ3GEYJ 101 V (100)	T	92.3/5.8
R943	7030003320	S.RES ERJ3GEYJ 101 V (100)	B	91.3/5.8
R944	7030003320	S.RES ERJ3GEYJ 101 V (100)	T	90.3/5.8
R945	7030003320	S.RES ERJ3GEYJ 101 V (100)	B	89.3/5.8
R946	7030003320	S.RES ERJ3GEYJ 101 V (100)	T	88.3/5.8
R947	7030003320	S.RES ERJ3GEYJ 101 V (100)	B	87.3/5.8
R948	7030003320	S.RES ERJ3GEYJ 101 V (100)	T	86.3/5.8
R949	7030003320	S.RES ERJ3GEYJ 101 V (100)	B	85.3/5.8
R950	7030003320	S.RES ERJ3GEYJ 101 V (100)	T	84.3/5.8
R951	7030003320	S.RES ERJ3GEYJ 101 V (100)	B	83.3/5.8
R952	7030003320	S.RES ERJ3GEYJ 101 V (100)	T	82.3/5.8
R953	7030003320	S.RES ERJ3GEYJ 101 V (100)	B	81.3/5.8
R954	7030003320	S.RES ERJ3GEYJ 101 V (100)	T	80.3/5.8
R955	7030003320	S.RES ERJ3GEYJ 101 V (100)	B	79.3/5.8
R957	7030003320	S.RES ERJ3GEYJ 101 V (100)	B	77.3/5.8
R958	7030003320	S.RES ERJ3GEYJ 101 V (100)	T	76.3/5.8
R960	7030003320	S.RES ERJ3GEYJ 101 V (100)	T	93.8/15.3
R961	7030003320	S.RES ERJ3GEYJ 101 V (100)	B	92.8/15.4
R962	7030003320	S.RES ERJ3GEYJ 101 V (100)	T	91.8/15.3
R963	7030003320	S.RES ERJ3GEYJ 101 V (100)	B	90.8/15.4
R964	7030003320	S.RES ERJ3GEYJ 101 V (100)	T	89.8/15.3
R966	7030003320	S.RES ERJ3GEYJ 101 V (100)	T	87.8/15.3
R967	7030003320	S.RES ERJ3GEYJ 101 V (100)	B	86.8/15.4
R968	7030003320	S.RES ERJ3GEYJ 101 V (100)	T	85.8/15.3
R969	7030003320	S.RES ERJ3GEYJ 101 V (100)	B	84.8/15.4
R970	7030003320	S.RES ERJ3GEYJ 101 V (100)	T	83.8/15.3
R971	7030003320	S.RES ERJ3GEYJ 101 V (100)	B	82.8/15.4
R972	7030003320	S.RES ERJ3GEYJ 101 V (100)	T	81.8/15.4
R973	7030003320	S.RES ERJ3GEYJ 101 V (100)	B	80.8/15.4
R974	7030003320	S.RES ERJ3GEYJ 101 V (100)	T	79.8/15.4
R975	7030003320	S.RES ERJ3GEYJ 101 V (100)	B	78.8/15.4
R976	7030003320	S.RES ERJ3GEYJ 101 V (100)	T	77.8/15.4
R977	7030003320	S.RES ERJ3GEYJ 101 V (100)	B	76.8/15.4
R978	7030003320	S.RES ERJ3GEYJ 101 V (100)	T	75.8/15.4
R979	7030003320	S.RES ERJ3GEYJ 101 V (100)	B	74.8/15.4
C1	4030006880	S.CER C1608 JB 1H 472K-T	B	207.5/109.2
C2	4030006880	S.CER C1608 JB 1H 472K-T	B	225.7/110.3
C3	4030006880	S.CER C1608 JB 1H 472K-T	B	220.4/106.6
C4	4030006880	S.CER C1608 JB 1H 472K-T	T	204.7/110.3
C5	4030006880	S.CER C1608 JB 1H 472K-T	T	222.2/110.3
C6	4030006880	S.CER C1608 JB 1H 472K-T	T	211.7/110.3
C7	4030006880	S.CER C1608 JB 1H 472K-T	T	215.2/110.3
C8	4030006880	S.CER C1608 JB 1H 472K-T	T	200.4/110.3
C9	4030006880	S.CER C1608 JB 1H 472K-T	T	193.4/110.3
C10	4030006880	S.CER C1608 JB 1H 472K-T	T	196.9/110.3
C11	4030006880	S.CER C1608 JB 1H 472K-T	B	168/106.8
C12	4030006880	S.CER C1608 JB 1H 472K-T	T	183.7/110.3
C13	4030006880	S.CER C1608 JB 1H 472K-T	B	178.4/106.6
C14	4030006880	S.CER C1608 JB 1H 472K-T	T	162.7/110.3
C15	4030006880	S.CER C1608 JB 1H 472K-T	T	180.2/110.3
C16	4030006880	S.CER C1608 JB 1H 472K-T	T	169.7/110.3
C17	4030006880	S.CER C1608 JB 1H 472K-T	T	173.2/110.3
C18	4030006880	S.CER C1608 JB 1H 472K-T	T	158.4/110.3
C19	4030006880	S		

[MAIN UNIT]

REF NO.	ORDER NO.	DESCRIPTION	M.	H/V LOCATION
C51	4010005380	S.CER HM13SJ YB 472K 500V		
C52	4030006880	S.CER C1608 JB 1H 472K-T	B	114.5/98.6
C53	4030006880	S.CER C1608 JB 1H 472K-T	B	116.2/96.3
C54	4030006880	S.CER C1608 JB 1H 472K-T	B	79.9/123.6
C55	4030006880	S.CER C1608 JB 1H 472K-T	B	79.9/118.7
C56	4030006880	S.CER C1608 JB 1H 472K-T	B	92.8/106.5
C57	4030010760	S.CER C1608 CH 1H 331J-T	T	179.5/70.9
C58	4030010760	S.CER C1608 CH 1H 331J-T	T	194.6/70.7
C61	4030012600	S.CER C2012 JB 1A 105M-T	T	119.1/77.8
C62	4030012600	S.CER C2012 JB 1A 105M-T	T	119.1/76
C65	4030012600	S.CER C2012 JB 1A 105M-T	B	108.1/76.2
C68	4030006860	S.CER C1608 JB 1H 102K-T	B	126.4/101.9
C69	4030011600	S.CER C1608 JB 1E 104K-T	T	121.5/90.8
C70	4030011600	S.CER C1608 JB 1E 104K-T	B	122.1/89.4
C71	4030011600	S.CER C1608 JB 1E 104K-T	B	136.8/96.8
C80	4030007130	S.CER C1608 CH 1H 101J-T	B	59.2/122.2
C100	4030011600	S.CER C1608 JB 1E 104K-T	B	208.4/91
C101	4030011600	S.CER C1608 JB 1E 104K-T	T	213.4/87.4
C103	4510008550	S.ELE EEE1HA010SR	T	210.7/83.6
C105	4030011600	S.CER C1608 JB 1E 104K-T	B	201.6/91
C106	4030011600	S.CER C1608 JB 1E 104K-T	T	206.6/87.4
C108	4510008550	S.ELE EEE1HA010SR	T	202.9/83.6
C110	4510008540	S.ELE EEE1CA100SR	T	209.8/63.3
C113	4510008540	S.ELE EEE1CA100SR	T	209.8/73.8
C115	4510008540	S.ELE EEE1CA100SR	T	209.8/48.7
C116	4510008540	S.ELE EEE1CA100SR	T	209.8/38.1
C117	4510009120	S.ELE EEE1VA2R2NR	T	215.7/73.8
C118	4510009120	S.ELE EEE1VA2R2NR	T	203.9/73.8
C120	4510008540	S.ELE EEE1CA100SR	T	223.6/50.7
C121	4510008540	S.ELE EEE1CA100SR	T	214.3/58
C122	4510008540	S.ELE EEE1CA100SR	T	204.7/58
C123	4510008550	S.ELE EEE1HA010SR	T	227/56.1
C124	4510008550	S.ELE EEE1HA010SR	T	227.1/60.9
C125	4510008540	S.ELE EEE1CA100SR	T	218.8/67
C126	4510008540	S.ELE EEE1CA100SR	T	223.6/67
C127	4510008550	S.ELE EEE1HA010SR	T	234.1/60.9
C128	4510008550	S.ELE EEE1HA010SR	T	233.3/56.1
C129	4030008650	S.CER C1608 JB 1H 332K-T	T	215.6/67.3
C130	4030008650	S.CER C1608 JB 1H 332K-T	T	203.8/67.3
C131	4030012600	S.CER C2012 JB 1A 105M-T	T	220.3/52
C132	4030012600	S.CER C2012 JB 1A 105M-T	T	218.5/52
C133	4030008880	S.CER C1608 JB 1H 223K-T	T	232.2/66.6
C134	4030008950	S.CER C2012 JB 1C 823K-T	T	231.3/69
C135	4030008880	S.CER C1608 JB 1H 223K-T	T	234.1/52.3
C136	4030008950	S.CER C2012 JB 1C 823K-T	T	232.4/50.1
C140	4510008550	S.ELE EEE1HA010SR	T	249.6/35.6
C141	4510008190	ELE EUUFC1E222S		
C142	4510009080	S.ELE EEE1HA2R2SR	T	253.9/59.1
C143	4510008500	S.ELE EEE1CA101WP	T	253.3/67.9
C144	4510008180	ELE EUUFC1E102S		
C145	4510008180	ELE EUUFC1E102S		
C146	4030011600	S.CER C1608 JB 1E 104K-T	B	252.2/101.3
C147	4030011600	S.CER C1608 JB 1E 104K-T	B	242.4/107.8
C148	4030006880	S.CER C1608 JB 1H 472K-T	B	247.8/97.2
C149	4030006880	S.CER C1608 JB 1H 472K-T	B	252.2/95.4
C150	4030006880	S.CER C1608 JB 1H 472K-T	B	239.9/97.2
C151	4030011600	S.CER C1608 JB 1E 104K-T	T	228.6/73.1
C152	4030011600	S.CER C1608 JB 1E 104K-T	T	233.4/45.5
C180	4510009010	S.ELE EEE1AA221P	T	188.5/50.4
C181	4510008540	S.ELE EEE1CA100SR	T	209.5/58
C182	4510008540	S.ELE EEE1CA100SR	T	199.9/58
C183	4510008540	S.ELE EEE1CA100SR	T	194.4/57.3
C184	4510008540	S.ELE EEE1CA100SR	T	195.8/52.5
C185	4510008540	S.ELE EEE1CA100SR	T	195.8/47.7
C186	4510008540	S.ELE EEE1CA100SR	T	180.2/50.5
C187	4030011600	S.CER C1608 JB 1E 104K-T	T	183.3/39.5
C188	4510008540	S.ELE EEE1CA100SR	T	194.4/42.8
C189	4510008540	S.ELE EEE1CA100SR	T	180.2/45.6
C190	4030011340	S.CER C1608 CH 1H 471J-T	T	194.6/33.4
C191	4030012610	S.CER C2012 JB 1C 474K-T	T	191.1/37.7
C192	4030011340	S.CER C1608 CH 1H 471J-T	T	180.4/35.4
C193	4510008540	S.ELE EEE1CA100SR	T	186.8/31.6
C194	4030012600	S.CER C2012 JB 1A 105M-T	T	180.9/59.4
C195	4030012600	S.CER C2012 JB 1A 105M-T	T	180.7/54.6
C196	4510008550	S.ELE EEE1CA101WP	T	176.1/36.5
C197	4510008500	S.ELE EEE1CA101WP	T	199.7/31.9
C198	4030011600	S.CER C1608 JB 1E 104K-T	T	125.6/95.8
C200	4510008540	S.ELE EEE1CA100SR	T	153.3/80.5
C201	4510008540	S.ELE EEE1CA100SR	T	160.5/80
C203	4510008550	S.ELE EEE1HA010SR	T	170.6/70.7
C204	4510008550	S.ELE EEE1HA010SR	T	142.1/70.9
C205	4030011600	S.CER C1608 JB 1E 104K-T	B	148.2/71.8
C206	4030009970	S.CER C1608 JB 1H 182K-T	T	192/33.4
C207	4030009970	S.CER C1608 JB 1H 182K-T	T	181.1/33.6
C208	4030011600	S.CER C1608 JB 1E 104K-T	T	219/42.5
C209	4030011600	S.CER C1608 JB 1E 104K-T	B	244/25.5
C210	4510008550	S.ELE EEE1HA010SR	T	168.1/100.5
C211	4510008540	S.ELE EEE1CA100SR	T	160.5/84.8
C212	4510008530	S.ELE EEE1HA2R2SR	T	169.7/94.9
C213	4030017840	S.CER C2012 CH 1H 222J-T	T	166.7/91.5
C214	4510008540	S.ELE EEE1CA100SR	T	170.6/85.3
C215	4510008550	S.ELE EEE1HA010SR	T	150.5/85.3
C216	4510008550	S.ELE EEE1HA010SR	T	142.6/85.3
C217	4030007120	S.CER C1608 CH 1H 820J-T	T	164.9/73.5
C220	4510008550	S.ELE EEE1HA010SR	T	163.3/100.5
C221	4510008540	S.ELE EEE1CA100SR	T	170.6/90.1
C222	4510008530	S.ELE EEE1HA2R2SR	T	151.3/94.9
C223	4030017840	S.CER C2012 CH 1H 222J-T	T	154.3/91.5
C225	4510008550	S.ELE EEE1HA010SR	T	150.5/90.1
C226	4510008550	S.ELE EEE1HA010SR	T	142.6/90.2
C230	4510008500	S.ELE EEE1CA101WP	T	68.9/10.5
C231	4510008500	S.ELE EEE1CA101WP	T	84.1/21.9
C233	4510008550	S.ELE EEE1HA010SR	T	69.8/16.5
C234	4030007170	S.CER C1608 CH 1H 221J-T	T	73/20.3

[MAIN UNIT]

REF NO.	ORDER NO.	DESCRIPTION	M.	H/V LOCATION
C235	4030011600	S.CER C1608 JB 1E 104K-T	T	79.1/22
C241	4510008540	S.ELE EEE1CA100SR	T	232.1/28.1
C242	4510004591	ELE 16 ME 470 HC		
C243	4510008500	S.ELE EEE1CA101WP	T	176.7/63
C244	4030011600	S.CER C1608 JB 1E 104K-T	T	176/56.8
C249	4030011600	S.CER C1608 JB 1E 104K-T	T	160.3/68.3
C250	4030011600	S.CER C1608 JB 1E 104K-T	T	133.1/39.1
C251	4030011600	S.CER C1608 JB 1E 104K-T	T	143.3/32.8
C260	4030011600	S.CER C1608 JB 1E 104K-T	T	133.1/53.5
C261	4030011600	S.CER C1608 JB 1E 104K-T	T	143.2/47.1
C290	4030011600	S.CER C1608 JB 1E 104K-T	T	149.1/28.2
C291	4030011600	S.CER C1608 JB 1E 104K-T	T	142.9/38.1
C310	4030011600	S.CER C1608 JB 1E 104K-T	T	153.7/43.3
C311	4030011600	S.CER C1608 JB 1E 104K-T	T	142.9/52.6
C330	4030011600	S.CER C1608 JB 1E 104K-T	T	154.6/58.5
C331	4030011600	S.CER C1608 JB 1E 104K-T	T	154.6/63.5
C332	4030011600	S.CER C1608 JB 1E 104K-T	T	162.4/55.9
C333	4030011600	S.CER C1608 JB 1E 104K-T	T	164.7/66.8
C340	4030017810	S.CER C1608 CH 1H 102J-T	B	206/97
C341	4030017810	S.CER C1608 CH 1H 102J-T	B	191.2/97
C342	4030011600	S.CER C1608 JB 1E 104K-T	B	199.8/26.2
C343	4030007130	S.CER C1608 CH 1H 101J-T	B	211.8/97
C344	4510008590	S.ELE EEE1AA101SP	T	209.7/30.6
C351	4510008540	S.ELE EEE1CA100SR	T	132.4/89.7
C352	4030011600	S.CER C1608 JB 1E 104K-T	T	127.1/84
C360	4030017810	S.CER C1608 CH 1H 102J-T	B	153.8/96.9
C361	4030017810	S.CER C1608 CH 1H 102J-T	B	141.8/92.7
C362	4030011600	S.CER C1608 JB 1E 104K-T	B	144.7/27.5
C363	4030007130	S.CER C1608 CH 1H 101J-T	T	157.1/96.9
C364	4510008590	S.ELE EEE1AA101SP	T	152.8/14.7
C380	4030017810	S.CER C1608 CH 1H 102J-T	B	27.6/37.6
C381	4030017810	S.CER C1608 CH 1H 102J-T	B	27.7/52.4
C383	4030007130	S.CER C1608 CH 1H 101J-T	B	16.5/52.2
C384	4510008590	S.ELE EEE1AA101SP	T	92.9/45.8
C400	4030006880	S.CER C1608 JB 1H 472K-T	T	240.5/11.7
C401	4030006880	S.CER C1608 JB 1H 472K-T	B	234.8/15.5
C402	4030006880	S.CER C1608 JB 1H 472K-T	B	238.1/15.5
C403	4030006880	S.CER C1608 JB 1H 472K-T	T	230.5/16
C404	4030006880	S.CER C1608 JB 1H 472K-T	T	231.9/13.1
C405	4030006880	S.CER C1608 JB 1H 472K-T	T	43.2/12.9
C406	4030006880	S.CER C1608 JB 1H 472K-T	T	31.1/15.3
C407	4030006880	S.CER C1608 JB 1H 472K-T	T	43.2/11.6
C408	4030006880	S.CER C1608 JB 1H 472K-T	T	32/12.6
C409	4030006880	S.CER C1608 JB 1H 472K-T	T	30.7/12.6
C410	4030006880	S.CER C1608 JB 1H 472K-T	T	14.7/41
C411	4030006880	S.CER C1608 JB 1H 472K-T	B	14.7/39.6
C412	4030006880	S.CER C1608 JB 1H 472K-T	T	14.7/38
C413	4030006880	S.CER C1608 JB 1H 472K-T	B	14.7/36.4
C414	4030006880	S.CER C1608 JB 1H 472K-T	B	12.7/33.4
C415	4030006880	S.CER C1608 JB 1H 472K-T	T	12.8/32
C416	4030006880	S.CER C1608 JB 1H 472K-T	B	12.8/31
C418	4030006880	S.CER C1608 JB 1H 472K-T	B	12/28.2
C430	4030006880	S.CER C1608 JB 1H 472K-T	B	9/68.9
C431	4030006880	S.CER C1608 JB 1H 472K-T	B	9/70.9
C432	4030006880	S.CER C1608 JB 1H 472K-T	B	9/72.9
C435	4030006880	S.CER C1608 JB 1H 472K-T	B	9/74.5
C440	4030006880	S.CER C1608 JB 1H 472K-T	T	166.2/13.5
C441	4030006880	S.CER C1608 JB 1H 472K-T	T	158.9/13.1
C442	4030006880	S.CER C1608 JB 1H 472K-T	T	162.6/15.7
C450	4030006880	S.CER C1608 JB 1H 472K-T	B	250.3/14.2
C451	4030006880	S.CER C1608 JB 1H 472K-T	T	241.8/10.8
C452	4030006880	S.CER C1608 JB 1H 472K-T	B	244/23.7
C453	4030006880	S.CER C1608 JB 1H 472K-T	B	244/27.3
C454	4030006880	S.CER C1608 JB 1H 472K-T	B	244.1/29
C455	4030006880	S.CER C1608 JB 1H 472K-T	B	244.1/32.3
C456	4030006880	S.CER C1608 JB 1H 472K-T	B	250.4/39.6
C460	4510008550	S.ELE EEE1HA010SR	T	142.1/80.5
C461	4510008550	S.ELE EEE1HA010SR	T	170.6/75.7
C464	4510008540	S.ELE EEE1CA100SR	T	153.3/75.7
C465	4030011600	S.CER C1608 JB 1E 104K-T	B	144.1/75.4
C466	4030011600	S.CER C1608 JB 1E 104K-T	B	148.2/75.4
C467	4030012600	S.CER C2012 JB 1A 105M-T	T	139.3/76.4
C469	4510008550	S.ELE EEE1HA010SR	T	170.6/80.5
C470	4510008550	S.ELE EEE1HA010SR	T	153.3/70.9
C480	4550007320	S.TAN F930J226MAABMA	B	216.6/32.3
C481	4550007320	S.TAN F930J226MAABMA	B	208.7/31.3
C483	4550007320	S.TAN F930J226MAABMA	B	156/16.2
C484	4550007320	S.TAN F930J226MAABMA	B	163.9/



[MAIN UNIT]

REF NO.	ORDER NO.	DESCRIPTION	M.	H/V LOCATION
C515	4510008540	S.ELE EEE1CA100SR	T	16.1/78.2
C516	4030006860	S.CER C1608 JB 1H 102K-T	T	22.7/87.5
C517	4030011600	S.CER C1608 JB 1E 104K-T	T	20.3/91.9
C518	4030011600	S.CER C1608 JB 1E 104K-T	T	25.3/87.5
C519	4030011600	S.CER C1608 JB 1E 104K-T	T	26.6/87.5
C520	4510008540	S.ELE EEE1CA100SR	T	30.4/86.7
C521	4030011600	S.CER C1608 JB 1E 104K-T	T	24/87.5
C522	4030011600	S.CER C1608 JB 1E 104K-T	B	18.6/91.9
C523	4030011600	S.CER C1608 JB 1E 104K-T	B	21.6/91.9
C524	4510008540	S.ELE EEE1CA100SR	T	29.7/97
C525	4030006880	S.CER C1608 JB 1H 472K-T	T	26.1/91.9
C526	4030011600	S.CER C1608 JB 1E 104K-T	B	26.1/87.7
C527	4030006880	S.CER C1608 JB 1H 472K-T	B	29.5/91.9
C528	4030011600	S.CER C1608 JB 1E 104K-T	B	29.5/94.9
C529	4030011600	S.CER C1608 JB 1E 104K-T	B	33.5/87.1
C530	4030011600	S.CER C1608 JB 1E 104K-T	B	33.5/98.8
C531	4030006880	S.CER C1608 JB 1H 472K-T	B	37.2/94.6
C532	4030006880	S.CER C1608 JB 1H 472K-T	B	37.2/91.3
C533	4030006880	S.CER C1608 JB 1H 472K-T	B	46.3/95.1
C534	4030006880	S.CER C1608 JB 1H 472K-T	B	46.3/82
C535	4030006880	S.CER C1608 JB 1H 472K-T	B	47.3/88.5
C536	4030011600	S.CER C1608 JB 1E 104K-T	B	42.7/91.4
C537	4030006880	S.CER C1608 JB 1H 472K-T	B	51.7/82
C538	4030008920	S.CER C1608 JB 1H 473K-T	B	50.5/85.7
C539	4030011600	S.CER C1608 JB 1E 104K-T	T	52.2/84.4
C540	4510008540	S.ELE EEE1CA100SR	T	49.1/84.5
C541	4030011600	S.CER C1608 JB 1E 104K-T	B	49.9/95.1
C544	4030009530	S.CER C1608 CH 1H 030B-T	T	88.8/94.2
C545	4030011600	S.CER C1608 JB 1E 104K-T	T	131.8/108
C546	4030011340	S.CER C1608 CH 1H 471J-T	B	69.8/90.7
C548	4030011600	S.CER C1608 JB 1E 104K-T	T	128.7/102.3
C550	4510008540	S.ELE EEE1CA100SR	T	127.4/108
C551	4030006880	S.CER C1608 JB 1H 472K-T	B	101.6/91.6
C552	4030006860	S.CER C1608 JB 1H 102K-T	B	106.4/82.7
C553	4030011770	S.CER C1608 CH 1H 060B-T	B	104.8/82.7
C554	4030011600	S.CER C1608 JB 1E 104K-T	B	103/79.3
C555	4030007030	S.CER C1608 CH 1H 150J-T	B	97.9/80.1
C556	4030006880	S.CER C1608 JB 1H 472K-T	B	102.9/76.5
C558	4030007040	S.CER C1608 CH 1H 180J-T	T	81.9/69.4
C559	4030006880	S.CER C1608 JB 1H 472K-T	T	108.4/67.1
C560	4030007080	S.CER C1608 CH 1H 390J-T	T	108.4/64.2
C561	4030006880	S.CER C1608 JB 1H 472K-T	T	105/71.3
C562	4030006860	S.CER C1608 JB 1H 102K-T	B	105.6/64.2
C563	4030011600	S.CER C1608 JB 1E 104K-T	T	98.8/71.3
C564	4030007080	S.CER C1608 CH 1H 390J-T	B	75.9/67.2
C565	4030007130	S.CER C1608 CH 1H 101J-T	B	72.5/68.9
C566	4030007120	S.CER C1608 CH 1H 820J-T	B	69.4/68.5
C567	4030007090	S.CER C1608 CH 1H 470J-T	B	69.4/70.3
C568	4030007130	S.CER C1608 CH 1H 101J-T	B	67.1/69.1
C569	4030011600	S.CER C1608 JB 1E 104K-T	B	62.8/68.1
C570	4030006900	S.CER C1608 JB 1H 103K-T	B	62.9/59.2
C571	4030011600	S.CER C1608 JB 1E 104K-T	B	58.8/66
C572	4030006900	S.CER C1608 JB 1H 103K-T	B	60/58.4
C573	4030011600	S.CER C1608 JB 1E 104K-T	B	66.7/59.2
C574	4030011600	S.CER C1608 JB 1E 104K-T	B	53.3/57
C576	4610001590	S.TRI TZC3R100A110R00	T	95.5/95.8
C577	4030011600	S.CER C1608 JB 1E 104K-T	B	54.6/63
C578	4030007100	S.CER C1608 CH 1H 560J-T	B	91.4/74.5
C579	4030006980	S.CER C1608 CH 1H 070D-T	B	89.2/76.8
C580	4030007100	S.CER C1608 CH 1H 560J-T	B	93.2/76.5
C581	4030007050	S.CER C1608 CH 1H 220J-T	B	22.6/69.5
C582	4030007050	S.CER C1608 CH 1H 220J-T	T	20.7/84.6
C583	4030011600	S.CER C1608 JB 1E 104K-T	T	27.2/81.6
C584	4030009650	S.CER C1608 CH 1H 240J-T	B	104.5/67.3
C585	4030006980	S.CER C1608 CH 1H 070D-T	B	102.9/67.3
C586	4030007070	S.CER C1608 CH 1H 330J-T	B	98.5/70.2
C587	4030007010	S.CER C1608 CH 1H 100D-T	B	97/64.9
C588	4030007060	S.CER C1608 CH 1H 270J-T	B	96.5/70.2
C589	4030007020	S.CER C1608 CH 1H 120J-T	B	63.8/72.8
C590	4030007100	S.CER C1608 CH 1H 560J-T	B	62.1/74.5
C601	4030006860	S.CER C1608 JB 1H 102K-T	B	40.9/52.4
C602	4030006860	S.CER C1608 JB 1H 102K-T	B	42.7/52.4
C603	4030011600	S.CER C1608 JB 1E 104K-T	B	40.9/49.1
C604	4030007140	S.CER C1608 CH 1H 121J-T	B	38.1/49.8
C605	4030010760	S.CER C1608 CH 1H 331J-T	B	38.1/48
C606	4030007160	S.CER C1608 CH 1H 181J-T	B	33.8/45.5
C607	4030007060	S.CER C1608 CH 1H 270J-T	B	35.6/45.5
C608	4030010760	S.CER C1608 CH 1H 331J-T	B	38.1/46.2
C609	4030007090	S.CER C1608 CH 1H 470J-T	B	38.1/40.8
C610	4030007160	S.CER C1608 CH 1H 181J-T	B	35.6/41.5
C611	4030007060	S.CER C1608 CH 1H 270J-T	B	33.8/41.5
C612	4030007140	S.CER C1608 CH 1H 121J-T	B	38.1/37.1
C613	4030010760	S.CER C1608 CH 1H 331J-T	B	38.1/39
C614	4030006860	S.CER C1608 JB 1H 102K-T	B	40.9/34.5
C615	4030011600	S.CER C1608 JB 1E 104K-T	B	40.9/37.8
C616	4030006860	S.CER C1608 JB 1H 102K-T	B	42.7/34.5
C617	4030010040	S.CER C1608 JB 1H 561K-T	B	51.7/52.4
C618	4030010760	S.CER C1608 CH 1H 331J-T	B	53.5/52.4
C619	4030011600	S.CER C1608 JB 1E 104K-T	B	51.7/49.1
C620	4030010760	S.CER C1608 CH 1H 331J-T	B	48.9/49.8
C621	4030007080	S.CER C1608 CH 1H 390J-T	B	48.9/48
C622	4030007080	S.CER C1608 CH 1H 390J-T	B	44.5/45.5
C623	4030010760	S.CER C1608 CH 1H 331J-T	B	46.4/45.5
C624	4030007090	S.CER C1608 CH 1H 470J-T	B	48.9/46.2
C625	4030010760	S.CER C1608 CH 1H 331J-T	B	48.9/40.8
C626	4030007080	S.CER C1608 CH 1H 390J-T	B	46.4/41.5
C627	4030010760	S.CER C1608 CH 1H 331J-T	B	44.6/41.5
C628	4030007080	S.CER C1608 CH 1H 390J-T	B	48.9/37.1
C629	4030010760	S.CER C1608 CH 1H 331J-T	B	48.9/39
C630	4030010760	S.CER C1608 CH 1H 331J-T	B	51.7/34.5
C631	4030011600	S.CER C1608 JB 1E 104K-T	B	51.7/37.8
C632	4030010040	S.CER C1608 JB 1H 561K-T	B	53.5/34.5
C633	4030010040	S.CER C1608 JB 1H 561K-T	B	62.5/52.4
C634	4030011330	S.CER C1608 CH 1H 391J-T	B	64.3/52.4

[MAIN UNIT]

REF NO.	ORDER NO.	DESCRIPTION	M.	H/V LOCATION
C635	4030011600	S.CER C1608 JB 1E 104K-T	B	62.5/49.1
C636	4030007160	S.CER C1608 CH 1H 181J-T	B	59.7/49.8
C637	4030007070	S.CER C1608 CH 1H 330J-T	B	59.7/48
C638	4030007030	S.CER C1608 CH 1H 150J-T	B	55.4/45.5
C639	4030007120	S.CER C1608 CH 1H 820J-T	B	57.2/45.5
C640	4030007100	S.CER C1608 CH 1H 560J-T	B	59.7/46.2
C641	4030007140	S.CER C1608 CH 1H 121J-T	B	59.7/40.8
C642	4030007030	S.CER C1608 CH 1H 150J-T	B	57.2/41.5
C643	4030007120	S.CER C1608 CH 1H 820J-T	B	55.4/41.5
C644	4030007070	S.CER C1608 CH 1H 330J-T	B	59.7/37.1
C645	4030007160	S.CER C1608 CH 1H 181J-T	B	59.7/39
C646	4030011330	S.CER C1608 CH 1H 391J-T	B	62.5/34.5
C647	4030011600	S.CER C1608 JB 1E 104K-T	B	62.5/37.8
C648	4030017800	S.CER C1608 CH 1H 561J-T	B	64.3/34.5
C649	4030010760	S.CER C1608 CH 1H 331J-T	B	73.4/52.4
C650	4030007150	S.CER C1608 CH 1H 151J-T	B	75.2/52.4
C651	4030011600	S.CER C1608 JB 1E 104K-T	B	73.4/49.1
C652	4030007150	S.CER C1608 CH 1H 151J-T	B	70.5/49.8
C653	4030007060	S.CER C1608 CH 1H 270J-T	B	70.5/48
C654	4030007060	S.CER C1608 CH 1H 270J-T	B	66.2/45.5
C655	4030007140	S.CER C1608 CH 1H 121J-T	B	68/45.5
C656	4030007010	S.CER C1608 CH 1H 100D-T	B	70.5/46.2
C657	4030007150	S.CER C1608 CH 1H 151J-T	B	70.5/40.8
C658	4030007060	S.CER C1608 CH 1H 270J-T	B	68/41.5
C659	4030007140	S.CER C1608 CH 1H 121J-T	B	66.2/41.5
C660	4030007060	S.CER C1608 CH 1H 270J-T	B	70.5/37.1
C661	4030007150	S.CER C1608 CH 1H 151J-T	B	70.5/39
C662	4030007150	S.CER C1608 CH 1H 151J-T	B	73.3/34.5
C663	4030011600	S.CER C1608 JB 1E 104K-T	B	73.3/37.8
C664	4030010760	S.CER C1608 CH 1H 331J-T	B	75.2/34.5
C665	4030007170	S.CER C1608 CH 1H 221J-T	B	84.2/52.4
C666	4030007170	S.CER C1608 CH 1H 221J-T	B	86/52.4
C667	4030011600	S.CER C1608 JB 1E 104K-T	B	84.2/49.1
C668	4030007130	S.CER C1608 CH 1H 101J-T	B	81.4/49.8
C669	4030007050	S.CER C1608 CH 1H 220J-T	B	81.4/48
C670	4030007080	S.CER C1608 CH 1H 390J-T	B	77.1/45.5
C671	4030007070	S.CER C1608 CH 1H 330J-T	B	78.9/45.5
C672	4030007050	S.CER C1608 CH 1H 220J-T	B	81.4/40.8
C673	4030007120	S.CER C1608 CH 1H 820J-T	B	81.4/46.2
C674	4030007080	S.CER C1608 CH 1H 390J-T	B	78.9/41.5
C675	4030007070	S.CER C1608 CH 1H 330J-T	B	77.1/45.5
C676	4030007050	S.CER C1608 CH 1H 220J-T	B	81.4/37.1
C677	4030007130	S.CER C1608 CH 1H 101J-T	B	81.4/39
C678	4030007170	S.CER C1608 CH 1H 221J-T	B	84.2/34.5
C679	4030011600	S.CER C1608 JB 1E 104K-T	B	84.2/37.8
C680	4030007170	S.CER C1608 CH 1H 221J-T	B	86/34.5
C681	4030007170	S.CER C1608 CH 1H 221J-T	T	34.3/50.7
C682	4030007110	S.CER C1608 CH 1H 680J-T	T	35.6/50.7
C683	4030011600	S.CER C1608 JB 1E 104K-T	T	35.6/47.9
C684	4030007090	S.CER C1608 CH 1H 470J-T	T	38.3/47.1
C685	4030007090	S.CER C1608 CH 1H 470J-T	T	38.3/45.8
C686	4030007070	S.CER C1608 CH 1H 330J-T	T	40.4/46.4
C687	4030007070	S.CER C1608 CH 1H 330J-T	T	41.7/46.4
C688	4030007010	S.CER C1608 CH 1H 100D-T	T	36.1/43.5
C689	4030007120	S.CER C1608 CH 1H 820J-T	T	37.4/43.5
C690	4030007070	S.CER C1608 CH 1H 330J-T	T	41.7/40.5
C691	4030007070	S.CER C1608 CH 1H 330J-T	T	40.4/40.5
C692	4030007090	S.CER C1608 CH 1H 470J-T	T	37.8/41
C693	4030007090	S.CER C1608 CH 1H 470J-T	T	37.8/39.7
C694	4030007110	S.CER C1608 CH 1H 680J-T	T	34.3/36.2
C695	4030011600	S.CER C1608 JB 1E 104K-T	T	35.6/39
C696	4030007050	S.CER C1608 CH 1H 220J-T	T	35.6/36.2
C697	4030007160	S.CER C1608 CH 1H 181J-T	T	44.5/41
C698	4030007090	S.CER C1608 CH 1H 470J-T	T	44/50.1
C699	4030011600	S.CER C1608 JB 1E 104K-T	T	44.6/47.9
C700	4030007090	S.CER C1608 CH 1H 470J-T	T	46.8/47.1
C701	4030007040	S.CER C1608 CH 1H 180J-T	T	46.8/45.8
C702	4030007030	S.CER C1608 CH 1H 150J-T	T	49.3/46.4
C703	4030007050	S.CER C1608 CH 1H 220J-T	T	50.7/46.4
C704	4030006990	S.CER C1608 CH 1H 080D-T	T	46.4/43.5
C705	4030007090	S.CER C1608 CH 1H 470J-T	T	45.1/43.5
C706	4030007030	S.CER C1608 CH 1H 150J-T	T	49.3/40.5
C707	40			



[MAIN UNIT]

REF NO.	ORDER NO.	DESCRIPTION	M.	H/V LOCATION
C739	4030007050	S.CER C1608 CH 1H 220J-T	T	68.7/40.5
C740	4030007020	S.CER C1608 CH 1H 120J-T	T	64.8/41
C741	4030007050	S.CER C1608 CH 1H 220J-T	T	64.8/39.7
C742	4030007030	S.CER C1608 CH 1H 150J-T	T	61.3/36.2
C743	4030011600	S.CER C1608 JB 1E 104K-T	T	62.6/39
C744	4030007130	S.CER C1608 CH 1H 101J-T	T	62.6/36.2
C745	4030007140	S.CER C1608 CH 1H 121J-T	T	73.5/49.6
C747	4030011600	S.CER C1608 JB 1E 104K-T	T	71.5/48.8
C749	4030009550	S.CER C1608 CH 1H 2R5B-T	T	75.9/46.2
C750	4030011770	S.CER C1608 CH 1H 060B-T	T	73.8/46.9
C751	4030007010	S.CER C1608 CH 1H 100D-T	T	73.8/45.5
C755	4030009550	S.CER C1608 CH 1H 2R5B-T	T	75.9/41
C756	4030011770	S.CER C1608 CH 1H 060B-T	T	73.8/40.2
C758	4030011600	S.CER C1608 JB 1E 104K-T	T	71.5/38.1
C759	4030007140	S.CER C1608 CH 1H 121J-T	T	73.5/37.3
C760	4030011770	S.CER C1608 CH 1H 060B-T	T	73.8/48.2
C761	4030011770	S.CER C1608 CH 1H 060B-T	T	73.8/41.8
C801	4030006880	S.CER C1608 JB 1H 472K-T	T	37.2/20.6
C802	4030011600	S.CER C1608 JB 1E 104K-T	T	37.2/27.5
C803	4030011600	S.CER C1608 JB 1E 104K-T	B	37.2/20.5
C804	4030011600	S.CER C1608 JB 1E 104K-T	T	46.9/19.9
C805	4030011600	S.CER C1608 JB 1E 104K-T	B	52/24.6
C806	4030006900	S.CER C1608 JB 1H 103K-T	B	48.5/23.7
C807	4030011600	S.CER C1608 JB 1E 104K-T	T	48.5/23.9
C812	4030006900	S.CER C1608 JB 1H 103K-T	B	86.2/84.7
C813	4030006880	S.CER C1608 JB 1H 472K-T	T	31.2/27.5
C814	4030012600	S.CER C2012 JB 1A 105M-T	T	27.7/25.5
C815	4030006990	S.CER C1608 CH 1H 080D-T	B	44.3/21
C816	4030012600	S.CER C2012 JB 1A 105M-T	T	30.9/29
C817	4030011330	S.CER C1608 CH 1H 391J-T	T	85.2/55.1
C818	4030017810	S.CER C1608 CH 1H 102J-T	T	83.2/53.2
C819	4030009920	S.CER C1608 CH 1H 050B-T	T	83.2/55.8
C820	4030006900	S.CER C1608 JB 1H 103K-T	T	74.6/62.1
C821	4030011600	S.CER C1608 JB 1E 104K-T	T	87.4/62.8
C822	4030011600	S.CER C1608 JB 1E 104K-T	T	78.3/58.6
C823	4030012600	S.CER C2012 JB 1A 105M-T	T	86.2/51.5
C824	4030006900	S.CER C1608 JB 1H 103K-T	T	83.6/49.8
C825	4030008880	S.CER C1608 JB 1H 223K-T	T	84.4/47.8
C826	4030008850	S.CER C1608 JB 1H 123K-T	T	82.3/46.8
C827	4030008850	S.CER C1608 JB 1H 123K-T	T	82.3/45.5
C828	4030006900	S.CER C1608 JB 1H 103K-T	T	85.7/42.7
C829	4030008860	S.CER C1608 JB 1H 153K-T	T	82.3/42.7
C830	4030008860	S.CER C1608 JB 1H 153K-T	T	82.3/41.4
C831	4030008650	S.CER C1608 JB 1H 332K-T	T	84.4/39.8
C832	4030006900	S.CER C1608 JB 1H 103K-T	T	82.3/39.6
C833	4030006900	S.CER C1608 JB 1H 103K-T	T	82.3/38.3
C834	4030012600	S.CER C2012 JB 1A 105M-T	T	82.1/35.4
C835	4030011600	S.CER C1608 JB 1E 104K-T	T	82.3/37
C836	4030009920	S.CER C1608 CH 1H 050B-T	T	89.5/57.9
C837	4550006470	S.TAN TEESVB2 1D 106M8R	T	72.9/58.7
C838	4550006470	S.TAN TEESVB2 1D 106M8R	T	91.8/61.6
C839	4030006880	S.CER C1608 JB 1H 472K-T	B	85.3/74.2
C840	4030011600	S.CER C1608 JB 1E 104K-T	B	86/81.4
C841	4030006880	S.CER C1608 JB 1H 472K-T	B	81.2/78.3
C845	4030011600	S.CER C1608 JB 1E 104K-T	T	35.3/69.8
C846	4030011600	S.CER C1608 JB 1E 104K-T	T	38.1/74.7
C847	4510008540	S.ELE EEE1CA100SR	T	37.1/77.8
C901	4030006880	S.CER C1608 JB 1H 472K-T	B	125.2/1.8
C902	4030006880	S.CER C1608 JB 1H 472K-T	T	124.2/1.8
C903	4030006880	S.CER C1608 JB 1H 472K-T	B	123.2/1.8
C904	4030006880	S.CER C1608 JB 1H 472K-T	T	122.2/1.8
C905	4030006880	S.CER C1608 JB 1H 472K-T	B	121.2/1.8
C906	4030006880	S.CER C1608 JB 1H 472K-T	T	120.2/1.8
C907	4030006880	S.CER C1608 JB 1H 472K-T	B	119.2/1.8
C908	4030006880	S.CER C1608 JB 1H 472K-T	T	118.2/1.8
C909	4030006880	S.CER C1608 JB 1H 472K-T	B	117.2/1.8
C922	4030006880	S.CER C1608 JB 1H 472K-T	T	123.7/18.9
C923	4030006880	S.CER C1608 JB 1H 472K-T	B	122.7/19.4
C924	4030006880	S.CER C1608 JB 1H 472K-T	T	121.7/18.9
C925	4030006880	S.CER C1608 JB 1H 472K-T	B	120.7/19.4
C926	4030006880	S.CER C1608 JB 1H 472K-T	T	119.7/18.9
C927	4030006880	S.CER C1608 JB 1H 472K-T	B	118.7/19.4
C928	4030006880	S.CER C1608 JB 1H 472K-T	T	117.7/18.9
C929	4030006880	S.CER C1608 JB 1H 472K-T	B	116.7/19.4
C930	4030006880	S.CER C1608 JB 1H 472K-T	T	115.7/18.9
C932	4030006880	S.CER C1608 JB 1H 472K-T	T	113.7/18.9
C933	4030006880	S.CER C1608 JB 1H 472K-T	B	112.7/19.4
C934	4030006880	S.CER C1608 JB 1H 472K-T	T	111.7/18.9
C936	4030006880	S.CER C1608 JB 1H 472K-T	T	109.7/18.9
C937	4030006880	S.CER C1608 JB 1H 472K-T	B	108.7/19.4
C945	4030006880	S.CER C1608 JB 1H 472K-T	B	89.3/1.8
C946	4030006880	S.CER C1608 JB 1H 472K-T	T	88.3/1.8
C947	4030006880	S.CER C1608 JB 1H 472K-T	B	87.3/1.8
C948	4030006880	S.CER C1608 JB 1H 472K-T	T	86.3/1.8
C952	4030006880	S.CER C1608 JB 1H 472K-T	T	82.3/1.8
C953	4030006880	S.CER C1608 JB 1H 472K-T	B	81.3/1.8
C954	4030006880	S.CER C1608 JB 1H 472K-T	T	80.3/1.8
C955	4030006880	S.CER C1608 JB 1H 472K-T	B	79.3/1.8
C957	4030006880	S.CER C1608 JB 1H 472K-T	B	77.3/1.8
C958	4030006880	S.CER C1608 JB 1H 472K-T	T	76.3/1.9
C974	4030006880	S.CER C1608 JB 1H 472K-T	T	79.8/19.4
C975	4030006880	S.CER C1608 JB 1H 472K-T	B	78.8/19.3
C976	4030006880	S.CER C1608 JB 1H 472K-T	T	77.8/19.4
C977	4030006880	S.CER C1608 JB 1H 472K-T	B	76.8/19.3
C978	4030006880	S.CER C1608 JB 1H 472K-T	T	75.8/19.4
C979	4030006880	S.CER C1608 JB 1H 472K-T	B	74.8/19.3
C980	4030006880	S.CER C1608 JB 1H 472K-T	T	12.8/30
C981	4030006880	S.CER C1608 JB 1H 472K-T	T	126.2/1.8
RL50	6330000540	RLY 2-1419131-2 (OMR-109F)		
RL140	6330001430	RLY NA-12W-K		
RL141	6330001430	RLY NA-12W-K		

[MAIN UNIT]

REF NO.	ORDER NO.	DESCRIPTION	M.	H/V LOCATION
CP81	6910009670	S.CHK HK3-S-T	T	129.3/16.1
CP82	6910009670	S.CHK HK3-S-T	T	116.4/75.1
CP495	6910009670	S.CHK HK3-S-T	T	129.1/5.8
CP496	6910009670	S.CHK HK3-S-T	T	107.1/5.8
J1	6510023671	CNR TCS4480-0141577		
J2	6510023661	CNR TCS4470-0141577		
J3	6510023671	CNR TCS4480-0141577		
J4	6510023661	CNR TCS4470-0141577		
J5	6450001130	CNR JPJ2042-01-110		
J6	6510023730	CNR LGY6502-0600C		
J7	6510023730	CNR LGY6502-0600C		
J8	6510023740	CNR LGR4609-7000		
J9	6510024940	CNR HEC2305-016250		
J140	6510023720	CNR LGY6501-0600C		
J141	6510023720	CNR LGY6501-0600C		
J142	6510018961	S.CNR B2B-PH-SM4-TB (LF) (SN)	T	256.2/96.5
J340	6510022811	CNR IMSA-9180B-22B-PT1		
J341	6510021651	CNR IMSA-9180B-30B-PT1		
J360	6510022811	CNR IMSA-9180B-22B-PT1		
J361	6510021651	CNR IMSA-9180B-30B-PT1		
J380	6510022811	CNR IMSA-9180B-22B-PT1		
J381	6510021651	CNR IMSA-9180B-30B-PT1		
J399	6510007020	CNR TMP-J01X-V6		
J400	6510019981	S.CNR 52808-1671 (1690)	T	232.7/5
J401	6510022191	S.CNR B3B-PH-SM4-TB (LF) (SN)	T	232.7/98.9
J403	6510019981	S.CNR 52808-1671 (1690)	T	32.5/5
J404	6510022191	S.CNR B3B-PH-SM4-TB (LF) (SN)	T	143.8/115.4
J410	6510020001	S.CNR 52808-3071 (3090)	T	5.5/42.5
J411	6510019971	S.CNR 52808-1071	T	5.6/98.7
J430	6510022311	S.CNR B5B-PH-SM4-TB (LF) (SN)	T	5/72.9
J440	6510018921	S.CNR B8B-PH-SM4-TB (LF) (SN)	T	154.5/5
J450	6510003471	CNR B11B-EH-S (LF) (SN)		
J451	6510018941	S.CNR B13B-PH-SM4-TB (LF) (SN)	T	184.2/5
J490	6510023750	CNR 01K1971-10		
J491	6510007020	CNR TMP-J01X-V6		
J492	6510014961	S.CNR B2B-ZR-SM4-TF (LF) (SN)	T	202.6/11.5
J495	6510023701	CNR TORX178S (F)		
J496	6510023711	CNR TOTX178S (F)		
J501	6510007020	CNR TMP-J01X-V6		
J502	6510007020	CNR TMP-J01X-V6		
J503	6510007020	CNR TMP-J01X-V6		
J801	6510007020	CNR TMP-J01X-V6		
J802	6510007020	CNR TMP-J01X-V6		
J808	6510007020	CNR TMP-J01X-V6		
J900	6510022471	S.CNR 40FLT-SM2-TB (LF) (SN)	T	116.5/10.6
J901	6510015541	S.CNR B4B-ZR-SM4-TF (LF) (SN)	T	9.2/113
J940	6510022471	S.CNR 40FLT-SM2-TB (LF) (SN)	T	84.6/10.6
F1	5220000230	HOL S-N5054 #01		
F2	5220000230	HOL S-N5054 #01		
F3	5210000041	FUS FGB 2A PBF (FGB0 125V)		
W1	9024801019	JMP 74/98/020/X98/X98		
EP50	6910012350	S.BEA MMZ1608Y 102BT	B	78.1/126.8
EP51	6910012350	S.BEA MMZ1608Y 102BT	B	95.6/118.7
EP52	6910012350	S.BEA MMZ1608Y 102BT	B	90.1/126.1
EP403	6910012350	S.BEA MMZ1608Y 102BT	T	233.2/10.4
EP404	6910012350	S.BEA MMZ1608Y 102BT	T	231.9/10.4
EP408	6910012350	S.BEA MMZ1608Y 102BT	T	32.1/10
EP409	6910012350	S.BEA MMZ1608Y 102BT	T	30.8/10
EP414	6910012350	S.BEA MMZ1608Y 102BT	T	9.9/34
EP415	6910012350	S.BEA MMZ1608Y 102BT	B	9.9/31
EP416	6910012350	S.BEA MMZ1608Y 102BT	B	10.2/95
EP417	6910012350	S.BEA MMZ1608Y 102BT	T	10.2/96.2
EP420	6910012350	S.BEA MMZ1608Y 102BT	B	10.1/101.2
EP421	6910012350	S.BEA MMZ1608Y 102BT	T	10.1/102.2
EP430	6910012350	S.BEA MMZ1608Y 102BT	B	5.8/68.9
EP431	6910012350	S.BEA MMZ1608Y 102BT	B	5.8/70.9
EP432	6910012350	S.BEA MMZ1608Y 102BT	B	5.8/72.9
EP501	9088000010	TUB IRRAX 1.5 (d) L=12 mm		
EP905	6910012350	S.BEA MMZ1608Y 102BT	B	121.2/5.8
EP907	6910012350	S.BEA MMZ1608Y 102BT	B	119.2/5.8

M.=Mounted side (T: Mounted on the Top side, B: Mounted on the Bottom side)  
S.=Surface mount

[DSP-A BOARD]

REF NO.	ORDER NO.	DESCRIPTION	M.	H/V LOCATION
IC1	1140012211	S.IC TMS320C6713BZDP225	T	28.1/20.4
IC151	1130008361	S.IC TC7SHU04FU (TE85L,JF)	B	45.5/8.1
IC171	1130008041	S.IC TC7SH04FU (TE85L,JF)	T	41.3/4.6
IC181	1130011150	S.IC SN74AHC2G08HDCCTR	T	30.2/1.9
IC191	1130011150	S.IC SN74AHC2G08HDCCTR	T	24/3.5
IC201	1130013492	S.IC AT29LV040A-15TU	B	29/4.2
IC203	1110006411	S.IC R3111N111A-TR-F	T	30/36.5
IC301	1110006100	S.IC NJM5534MD-TE1	T	72.3/44.7
IC331	1130009981	S.IC TC7W53FK (TE85L,F)	T	76.9/34.1
IC341	1110006100	S.IC NJM5534MD-TE1	T	70.3/35.5
IC371	1110006100	S.IC NJM5534MD-TE1	T	59.4/44.3
IC401	1110006111	S.IC AK5394AVSP/P	T	54.2/31
IC451	1130006891	S.IC TC7S04FU (TE85R,F)	T	45.3/41
IC452	1130012160	S.IC SN74LVC1GU04DCKR	T	42.8/38.5
IC501	1110001901	S.IC uPC4570G2-E1-A	T	71.6/27.4
IC551	1130013090	S.IC AK4396VFP-E2/P	T	54.6/7.3
IC601	1110006100	S.IC NJM5534MD-TE1	T	66.8/17.3
IC651	1110006100	S.IC NJM5534MD-TE1	T	66.8/7.2
IC701	1110006100	S.IC NJM5534MD-TE1	T	74.1/17.5
IC771	1110004770	S.IC BU9480F-E2	T	51.7/18.4
Q1	1590000680	S.TR DTC114EUA T106	T	45.7/16.5
D501	1730002320	S.ZEN MA8051-M (TX)	B	76.5/29.5
FI101	2040000790	S.LC EXCCET103U	T	36.5/2.8
X151	6050011660	S.XTL CR-754 (30.000 MHz)	B	40.5/2.9
L1	6200003950	S.COL HF50ACC 322513-T	B	43.2/34.8
L2	6180003501	S.COL SLF6028T-100M1R3-PF	B	13.6/35.7
L3	6200003640	S.COL MLF1608E 100K-T	B	12.2/8.2
L401	6200003950	S.COL HF50ACC 322513-T	T	49.3/42.9
L921	6200003950	S.COL HF50ACC 322513-T	T	73.7/4.4
L922	6200003950	S.COL HF50ACC 322513-T	T	77.9/9.5
L924	6200003950	S.COL HF50ACC 322513-T	T	74.1/9.5
L925	6200003950	S.COL HF50ACC 322513-T	T	77.5/4.4
L961	6200003950	S.COL HF50ACC 322513-T	B	11.3/12.2
L962	6200003950	S.COL HF50ACC 322513-T	B	12.8/24.6
R1	7030003560	S.RES ERJ3GEYJ 103 V (10 k)	B	42.5/22.3
R2	7030003560	S.RES ERJ3GEYJ 103 V (10 k)	B	41.8/24.2
R3	7030003560	S.RES ERJ3GEYJ 103 V (10 k)	B	42.5/21
R4	7030003560	S.RES ERJ3GEYJ 103 V (10 k)	B	41.8/13.7
R5	7030003440	S.RES ERJ3GEYJ 102 V (1 k)	B	23.2/6
R6	7030003440	S.RES ERJ3GEYJ 102 V (1 k)	B	21.9/6
R7	7030003640	S.RES ERJ3GEYJ 473 V (47 k)	B	20/6.7
R8	7030003440	S.RES ERJ3GEYJ 102 V (1 k)	B	14.1/8.2
R9	7030003640	S.RES ERJ3GEYJ 473 V (47 k)	B	14.5/11.6
R10	7030003640	S.RES ERJ3GEYJ 473 V (47 k)	T	43.8/13.1
R11	7030003460	S.RES ERJ3GEYJ 152 V (1.5 k)	B	48.2/9.7
R12	7030003560	S.RES ERJ3GEYJ 103 V (10 k)	B	26.8/13.3
R151	7030003320	S.RES ERJ3GEYJ 101 V (100)	T	44.3/5.3
R152	7030003800	S.RES ERJ3GEYJ 105 V (1 M)	B	43.5/6.2
R171	7030003320	S.RES ERJ3GEYJ 101 V (100)	T	41.3/1.4
R181	7030003560	S.RES ERJ3GEYJ 103 V (10 k)	T	9.1/7
R182	7030003560	S.RES ERJ3GEYJ 103 V (10 k)	T	6.3/7
R183	7030003560	S.RES ERJ3GEYJ 103 V (10 k)	T	11.9/8.3
R184	7030003560	S.RES ERJ3GEYJ 103 V (10 k)	T	11.9/7
R201	7030003860	S.RES ERJ3GE JPW V	T	30.8/39.2
R301	7030003860	S.RES ERJ3GE JPW V	T	79.5/38.4
R302	7030009591	S.RES ERA3YED 472V (4.7 k)	T	77.6/46.9
R303	7030009591	S.RES ERA3YED 472V (4.7 k)	T	75.7/46.1
R304	7030003320	S.RES ERJ3GEYJ 101 V (100)	T	78.1/40.7
R305	7030003860	S.RES ERJ3GE JPW V	T	75.7/43.5
R306	7030003320	S.RES ERJ3GEYJ 101 V (100)	T	68.9/46.1
R331	7030003500	S.RES ERJ3GEYJ 332 V (3.3 k)	T	64.4/39.9
R332	7030003480	S.RES ERJ3GEYJ 222 V (2.2 k)	T	65.7/39.9
R333	7030003640	S.RES ERJ3GEYJ 473 V (47 k)	T	75/33.2
R341	7030003320	S.RES ERJ3GEYJ 101 V (100)	T	73.7/34.8
R342	7030003320	S.RES ERJ3GEYJ 101 V (100)	T	66.9/37.3
R343	7030006601	S.RES ERA3YED 272V (2.7 k)	T	73.7/37.4
R344	7030010390	S.RES ERA3YED 821V (820)	T	65.6/33.6
R345	7030009691	S.RES ERA3YED 101V (100)	T	66.2/31.7
R371	7030003320	S.RES ERJ3GEYJ 101 V (100)	T	63.4/43.8
R372	7030003320	S.RES ERJ3GEYJ 101 V (100)	T	55.3/46.3
R373	7030006601	S.RES ERA3YED 272V (2.7 k)	T	63.4/45.6
R374	7030010390	S.RES ERA3YED 821V (820)	T	54.7/41.8
R375	7030009691	S.RES ERA3YED 101V (100)	T	56/40.5
R401	7030009591	S.RES ERA3YED 472V (4.7 k)	T	53.1/42.5
R402	7030009591	S.RES ERA3YED 472V (4.7 k)	T	51.8/44
R403	7030003640	S.RES ERJ3GEYJ 473 V (47 k)	T	54.1/38.7
R404	7030003200	S.RES ERJ3GEYJ 100 V (10)	T	50/40
R405	7030003320	S.RES ERJ3GEYJ 101 V (100)	T	51.1/38.1
R406	7030003640	S.RES ERJ3GEYJ 473 V (47 k)	T	49.8/38.1
R407	7030003460	S.RES ERJ3GEYJ 152 V (1.5 k)	B	46.8/36
R409	7030003640	S.RES ERJ3GEYJ 473 V (47 k)	T	52.3/23.8
R410	7030003640	S.RES ERJ3GEYJ 473 V (47 k)	T	47.2/23.8
R411	7030003640	S.RES ERJ3GEYJ 473 V (47 k)	T	49.8/23.8
R412	7030003520	S.RES ERJ3GEYJ 472 V (4.7 k)	T	56/22.3
R413	7030003520	S.RES ERJ3GEYJ 472 V (4.7 k)	T	54.1/21.9
R451	7030003800	S.RES ERJ3GEYJ 105 V (1 M)	T	42.6/36.6
R501	7030006521	S.RES ERA3YED 561V (560)	T	76.1/29.9
R502	7030003360	S.RES ERJ3GEYJ 221 V (220)	T	70.3/23.4
R503	7030003380	S.RES ERJ3GEYJ 331 V (330)	T	65.3/28.9
R504	7030003680	S.RES ERJ3GEYJ 104 V (100 k)	T	65.3/27.6
R551	7030003320	S.RES ERJ3GEYJ 101 V (100)	T	49.5/8.6
R559	7030003640	S.RES ERJ3GEYJ 473 V (47 k)	T	59.8/10.5
R601	7030006521	S.RES ERA3YED 561V (560)	T	63.1/20.7
R602	7030007661	S.RES ERA3YED 331V (330)	T	64/22
R603	7030007661	S.RES ERA3YED 331V (330)	T	59/19.8
R604	7030009961	S.RES ERA3YED 221V (220)	T	68.7/21
R605	7030007661	S.RES ERA3YED 331V (330)	T	65.7/20.7
R606	7030003320	S.RES ERJ3GEYJ 101 V (100)	T	67.1/13.9

[DSP-A BOARD]

REF NO.	ORDER NO.	DESCRIPTION	M.	H/V LOCATION
R607	7030003320	S.RES ERJ3GEYJ 101 V (100)	T	61.9/13.9
R651	7030006521	S.RES ERA3YED 561V (560)	T	64.3/10.6
R652	7030007661	S.RES ERA3YED 331V (330)	T	65.3/11.9
R653	7030007661	S.RES ERA3YED 331V (330)	T	62.1/10.1
R654	7030009961	S.RES ERA3YED 221V (220)	T	69.5/10.6
R655	7030007661	S.RES ERA3YED 331V (330)	T	66.9/10.6
R658	7030003320	S.RES ERJ3GEYJ 101 V (100)	T	67.7/3.8
R659	7030003320	S.RES ERJ3GEYJ 101 V (100)	T	64/3.8
R701	7030010770	S.RES ERA3YED 681V (680)	T	71.3/21
R702	7030009861	S.RES ERA3YED 471V (470)	T	74.8/22.7
R703	7030010770	S.RES ERA3YED 681V (680)	T	70.5/13.5
R704	7030009861	S.RES ERA3YED 471V (470)	T	77.2/13.3
R705	7030009861	S.RES ERA3YED 101V (100)	T	77.4/22.2
R706	7030003320	S.RES ERJ3GEYJ 101 V (100)	T	77.3/20.9
R707	7030003320	S.RES ERJ3GEYJ 101 V (100)	T	74.1/14.1
R801	7030003650	S.RES ERJ3GEYJ 563 V (56 k)	T	78/27.2
R802	7030003680	S.RES ERJ3GEYJ 104 V (100 k)	T	78/25.9
R803	7030003480	S.RES ERJ3GEYJ 222 V (2.2 k)	T	78.7/24
R804	7030003490	S.RES ERJ3GEYJ 272 V (2.7 k)	T	78/29.8
R805	7030003340	S.RES ERJ3GEYJ 151 V (150)	T	78/28.5
R901	7030003860	S.RES ERJ3GE JPW V	T	46.6/21
R962	7030003320	S.RES ERJ3GEYJ 101 V (100)	T	12.1/16.8
R963	7030003320	S.RES ERJ3GEYJ 101 V (100)	T	11.9/15.5
R964	7030003320	S.RES ERJ3GEYJ 101 V (100)	T	11.9/14.2
R965	7030003320	S.RES ERJ3GEYJ 101 V (100)	T	11.9/12.9
R967	7030003320	S.RES ERJ3GEYJ 101 V (100)	T	13.6/37.8
R968	7030003320	S.RES ERJ3GEYJ 101 V (100)	T	11.9/11.6
R969	7030003320	S.RES ERJ3GEYJ 101 V (100)	T	13.6/48.2
R970	7030003320	S.RES ERJ3GEYJ 101 V (100)	T	13.6/46.9
R971	7030003320	S.RES ERJ3GEYJ 101 V (100)	T	13.6/45.6
R972	7030003320	S.RES ERJ3GEYJ 101 V (100)	T	13.6/44.3
R973	7030003320	S.RES ERJ3GEYJ 101 V (100)	T	13.6/43
R974	7030003320	S.RES ERJ3GEYJ 101 V (100)	T	13.6/41.7
R975	7030003320	S.RES ERJ3GEYJ 101 V (100)	T	13.6/40.4
R976	7030003320	S.RES ERJ3GEYJ 101 V (100)	T	13.6/39.1
C1	4030011600	S.CER C1608 JB 1E 104K-T	B	15.2/30.5
C2	4030011600	S.CER C1608 JB 1E 104K-T	B	41.8/30.7
C3	4030011600	S.CER C1608 JB 1E 104K-T	B	18/32.9
C4	4030011600	S.CER C1608 JB 1E 104K-T	B	39.4/32.9
C5	4030011600	S.CER C1608 JB 1E 104K-T	B	23/26.3
C6	4030011600	S.CER C1608 JB 1E 104K-T	B	24.3/26.3
C7	4030011600	S.CER C1608 JB 1E 104K-T	B	28.6/26.3
C8	4030011600	S.CER C1608 JB 1E 104K-T	B	29.9/26.3
C9	4030011600	S.CER C1608 JB 1E 104K-T	B	33.8/26.3
C10	4030011600	S.CER C1608 JB 1E 104K-T	B	21.5/23.3
C11	4030011600	S.CER C1608 JB 1E 104K-T	B	36/23.7
C12	4030011600	S.CER C1608 JB 1E 104K-T	T	13.7/21
C13	4030011600	S.CER C1608 JB 1E 104K-T	B	22.2/20.2
C14	4030011600	S.CER C1608 JB 1E 104K-T	B	36/21.1
C15	4030011600	S.CER C1608 JB 1E 104K-T	B	22.2/18.9
C16	4030011600	S.CER C1608 JB 1E 104K-T	B	36/18.5
C17	4030011600	S.CER C1608 JB 1E 104K-T	T	43.5/20
C18	4030011600	S.CER C1608 JB 1E 104K-T	B	22.2/15.2
C19	4030011600	S.CER C1608 JB 1E 104K-T	B	34.7/11.4
C20	4030011600	S.CER C1608 JB 1E 104K-T	B	23.1/13.3
C21	4030011600	S.CER C1608 JB 1E 104K-T	B	24.4/13.3
C22	4030011600	S.CER C1608 JB 1E 104K-T	B	28.1/13.3
C23	4030011600	S.CER C1608 JB 1E 104K-T	B	32.6/12.6
C24	4030011600	S.CER C1608 JB 1E 104K-T	B	35.2/12.6
C25	4030011600	S.CER C1608 JB 1E 104K-T	B	17.3/6.7
C26	4030011600	S.CER C1608 JB 1E 104K-T	B	33.1/6.8
C27	4030011600	S.CER C1608 JB 1E 104K-T	B	41.8/11.1
C28	4030011600	S.CER C1608 JB 1E 104K-T	B	15.4/8.2
C29	4030011600	S.CER C1608 JB 1E 104K-T	B	40.9/6.8
C30	4030011600	S.CER C1608 JB 1E 104K-T	T	35.2/5
C31	4030011600	S.CER C1608 JB 1E 104K-T	T	28.5/5.2
C32	4030011600	S.CER C1608 JB 1E 104K-T	T	37.8/5
C33	4030011600	S.CER C1608 JB 1E 104K-T	T	18.5/35.2
C34	4030011600	S.CER C1608 JB 1E 104K-T	T	36.4/35
C35	4030011600	S.CER C1608 JB 1E 104K-T	B	26/32.9
C36	4030011600	S.CER C1608 JB 1E 104K-T	B	29.3/32.9
C37	4030011600	S.CER C1608 JB 1E 104K-T	B	36.8/32.9
C38	4030011600	S.CER C1608 JB 1E 104K-T	B	15.2/27.9
C39	4030011600	S.CER C1608 JB 1E 104K-T	B	22.4/32.9
C40	4030011600	S.CER C1608 JB 1E 104K-T	B	26/26.3
C41	4030011600	S.CER C1608 JB 1E 104K-T	B	21.7/26.3
C42	4030011600	S.CER C1608 JB 1E 104K-T	B	27.3/26.3
C43	4030011600	S.CER C1608 JB 1E 104K-T	B	32.5/26.3
C44	4030011600	S.CER C1608 JB 1E 104K-T	B	35.1/26.3
C45	4030011600	S.CER C1608 JB 1E 104K-T	B	41.8/26.8
C46	4030011600	S.CER C1608 JB 1E 104K-T	B	15.3/24.9
C47	4030011600	S.CER C1608 JB 1E 104K-T	T	43.5/29
C48	4030011600	S.CER C1608 JB 1E 104K-T	B	22.2/21.5
C49	4030011600	S.CER C1608 JB 1E 104K-T	B	41.8/17.9
C50	4030011600	S.CER C1608 JB 1		



[DSP-A BOARD]

REF NO.	ORDER NO.	DESCRIPTION	M.	H/V LOCATION
C191	4030011600	S.CER C1608 JB 1E 104K-T	T	22.6/1.2
C201	4030011600	S.CER C1608 JB 1E 104K-T	B	41.4/43.3
C301	4340000250	S.MLR ECHU 1C 104JX5	T	77.9/44
C302	4550007500	S.TAN F931D106MBABMA	B	76.5/43.7
C303	4030011600	S.CER C1608 JB 1E 104K-T	T	75.6/40.9
C304	4550007500	S.TAN F931D106MBABMA	B	71.7/43.7
C305	4030011600	S.CER C1608 JB 1E 104K-T	T	67.6/46.1
C306	4030007050	S.CER C1608 CH 1H 220J-T	T	72.4/40.1
C331	4030011600	S.CER C1608 JB 1E 104K-T	T	78.8/32.8
C332	4550007520	S.TAN F931A106MAABMA	B	67.9/35.2
C333	4030011600	S.CER C1608 JB 1E 104K-T	T	79.5/35.8
C341	4550007500	S.TAN F931D106MBABMA	B	73.1/32.4
C342	4030011600	S.CER C1608 JB 1E 104K-T	T	73.7/31.6
C343	4550007500	S.TAN F931D106MBABMA	B	73.2/38.1
C344	4030011600	S.CER C1608 JB 1E 104K-T	T	65.6/37.3
C345	4340000250	S.MLR ECHU 1C 104JX5	T	76.7/38.1
C346	4030018580	S.CER C1608 CH 1H 821J-T	T	66.9/33.6
C347	4030011600	S.CER C1608 JB 1E 104K-T	T	66.1/35.5
C348	4030007050	S.CER C1608 CH 1H 220J-T	T	70.9/30.9
C371	4550007500	S.TAN F931D106MBABMA	B	59.8/43.8
C372	4030011600	S.CER C1608 JB 1E 104K-T	T	63.4/42.5
C373	4550007500	S.TAN F931D106MBABMA	B	50.1/43.9
C374	4030011600	S.CER C1608 JB 1E 104K-T	T	53.4/45.5
C375	4340000250	S.MLR ECHU 1C 104JX5	T	68.1/42.6
C376	4030018580	S.CER C1608 CH 1H 821J-T	T	56/43.1
C377	4030011600	S.CER C1608 JB 1E 104K-T	T	55.3/45
C378	4030007050	S.CER C1608 CH 1H 220J-T	T	59.4/39.5
C401	4550007520	S.TAN F931A106MAABMA	B	54.9/43.8
C402	4030017840	S.CER C2012 CH 1H 222J-T	T	58.1/37.6
C403	4550007480	S.TAN F930J106MAABMA	B	63.1/35.2
C404	4030011810	S.CER C1608 JB 1A 224K-T	T	61.5/37.4
C405	4550007480	S.TAN F930J106MAABMA	B	58.3/35.2
C406	4030011810	S.CER C1608 JB 1A 224K-T	T	63.5/36.7
C407	4550007480	S.TAN F930J106MAABMA	B	50.4/36.1
C408	4030011600	S.CER C1608 JB 1E 104K-T	T	54.1/37.4
C409	4030011600	S.CER C1608 JB 1E 104K-T	T	54.1/23.2
C410	4030009000	S.CER C2012 JB 1C 224K-T	T	62.1/24.2
C411	4550007480	S.TAN F930J106MAABMA	B	63.1/28.4
C412	4550007480	S.TAN F930J106MAABMA	B	58.3/29.1
C413	4030009000	S.CER C2012 JB 1C 224K-T	T	59/22.5
C414	4030011600	S.CER C1608 JB 1E 104K-T	T	54.1/24.5
C415	4550007520	S.TAN F931A106MAABMA	B	53/26.5
C416	4550007520	S.TAN F931A106MAABMA	B	53/31.3
C417	4030017840	S.CER C2012 CH 1H 222J-T	T	58/24.2
C450	4030011600	S.CER C1608 JB 1E 104K-T	T	43.1/35.3
C451	4030011600	S.CER C1608 JB 1E 104K-T	T	43.6/42.9
C452	4030006860	S.CER C1608 JB 1H 102K-T	T	40.8/39.6
C501	4030011600	S.CER C1608 JB 1E 104K-T	T	74.8/24
C502	4550007500	S.TAN F931D106MBABMA	B	71.5/33.1
C503	4030011600	S.CER C1608 JB 1E 104K-T	T	71.6/23.4
C504	4550007500	S.TAN F931D106MBABMA	B	67.9/29.1
C506	4030007090	S.CER C1608 CH 1H 470J-T	T	67.1/28.4
C507	4030007090	S.CER C1608 CH 1H 470J-T	T	76.1/27.3
C551	4550007520	S.TAN F931A106MAABMA	B	50.3/8.7
C552	4030011600	S.CER C1608 JB 1E 104K-T	T	49.5/5.5
C553	4550007520	S.TAN F931A106MAABMA	B	55/13.3
C554	4030011600	S.CER C1608 JB 1E 104K-T	T	60/7.6
C555	4030011600	S.CER C1608 JB 1E 104K-T	T	59.8/4.6
C556	4550007480	S.TAN F930J106MAABMA	B	53.6/7.1
C557	4030011600	S.CER C1608 JB 1E 104K-T	T	60.7/2.8
C558	4550007520	S.TAN F931A106MAABMA	B	53.6/4.3
C601	4550007480	S.TAN F930J106MAABMA	B	61.3/17.2
C602	4030018510	S.CER C2012 CH 1H 682J-T	T	58.8/16.5
C603	4550007500	S.TAN F931D106MBABMA	B	68.2/15
C604	4030011600	S.CER C1608 JB 1E 104K-T	T	58.2/14.2
C605	4030011600	S.CER C1608 JB 1E 104K-T	T	64.5/13.9
C606	4550007500	S.TAN F931D106MBABMA	B	69.2/19.2
C607	4030018510	S.CER C2012 CH 1H 682J-T	T	67/22.5
C608	4030007050	S.CER C1608 CH 1H 220J-T	T	68.3/16.7
C651	4550007480	S.TAN F930J106MAABMA	B	60.1/9.2
C652	4030018510	S.CER C2012 CH 1H 682J-T	T	61.9/6.6
C653	4550007500	S.TAN F931D106MBABMA	B	59.9/2.6
C654	4030011600	S.CER C1608 JB 1E 104K-T	T	64/2.5
C655	4030011600	S.CER C1608 JB 1E 104K-T	T	67.7/2.5
C656	4550007500	S.TAN F931D106MBABMA	B	59.9/6
C657	4030018510	S.CER C2012 CH 1H 682J-T	T	68.3/12.2
C658	4030007050	S.CER C1608 CH 1H 220J-T	T	71.4/6.9
C701	4030017840	S.CER C2012 CH 1H 222J-T	T	74.3/21.1
C702	4030017840	S.CER C2012 CH 1H 222J-T	T	78.9/13.4
C703	4550007500	S.TAN F931D106MBABMA	B	75.3/15.7
C704	4030011600	S.CER C1608 JB 1E 104K-T	T	75.9/12.8
C705	4030011600	S.CER C1608 JB 1E 104K-T	T	79.4/20.6
C706	4550007500	S.TAN F931D106MBABMA	B	75.6/21.1
C707	4030007050	S.CER C1608 CH 1H 220J-T	T	78.7/18
C771	4550007480	S.TAN F930J106MAABMA	B	49.8/14.1
C772	4030011600	S.CER C1608 JB 1E 104K-T	T	49.5/15
C773	4550007480	S.TAN F930J106MAABMA	B	55/18.1
C801	4030011600	S.CER C1608 JB 1E 104K-T	T	77.4/24
C921	4550007510	S.TAN F931C106MBABMA	B	66.5/2.6
C922	4030011600	S.CER C1608 JB 1E 104K-T	T	71/3.6
C923	4550002830	S.TAN TEESVD2 1V 685M12R	B	78.3/6.5
C924	4030011600	S.CER C1608 JB 1E 104K-T	T	80.1/8.6
C925	4550007510	S.TAN F931C106MBABMA	B	67.1/10.5
C926	4030011600	S.CER C1608 JB 1E 104K-T	T	71.8/12.7
C927	4550002830	S.TAN TEESVD2 1V 685M12R	B	72.6/6.5
C928	4030011600	S.CER C1608 JB 1E 104K-T	T	79.6/5.2
C961	4030011600	S.CER C1608 JB 1E 104K-T	B	11.2/15.7
C962	4550007520	S.TAN F931A106MAABMA	B	12/18.8
C963	4030011600	S.CER C1608 JB 1E 104K-T	B	10.7/25.4
C964	4550007520	S.TAN F931A106MAABMA	B	11.4/29.4
J921	6910013900	CNR IMSA-9180S-22A		
J961	6910012460	CNR IMSA-9180S-30A		

[DSP-B BOARD]

REF NO.	ORDER NO.	DESCRIPTION	M.	H/V LOCATION
IC1	1140012211	S.IC TMS320C6713BZDP225	T	28.1/20.4
IC151	1130008361	S.IC TC7SHU04FU (TE85L,JF)	B	45.5/8.1
IC171	1130008041	S.IC TC7SH04FU (TE85L,JF)	T	41.3/4.6
IC181	1130011150	S.IC SN74AHC2G08HDCTR	T	30.2/1.9
IC191	1130011150	S.IC SN74AHC2G08HDCTR	T	24/3.5
IC201	1130013492	S.IC AT29LV040A-15TU	B	29/42
IC203	1110006411	S.IC R3111N111A-TR-F	T	30/36.5
IC301	1110006100	S.IC NJM5534MD-TE1	T	72.3/44.7
IC331	1130009981	S.IC TC7W53FK (TE85L,F)	T	76.9/34.1
IC341	1110006100	S.IC NJM5534MD-TE1	T	70.3/35.5
IC371	1110006100	S.IC NJM5534MD-TE1	T	59.4/44.3
IC401	1110006111	S.IC AK5394AVSP/P	T	54.2/31
IC451	1130006891	S.IC TC7S04FU (TE85R,F)	T	43.5/41
IC452	1130012160	S.IC SN74LVC1GU04DCKR	T	42.8/38.5
IC501	1110001901	S.IC uPC4570G2-E1-A	T	71.6/27.4
IC551	1130013090	S.IC AK4396VFP-E2/P	T	54.6/7.3
IC601	1110006100	S.IC NJM5534MD-TE1	T	63.6/17.3
IC651	1110006100	S.IC NJM5534MD-TE1	T	66.8/7.2
IC701	1110006100	S.IC NJM5534MD-TE1	T	74.1/17.5
IC771	1110004770	S.IC BU9480F-E2	T	51.7/18.4
Q1	1590000680	S.TR DTC114EUA T106	T	45.7/16.5
D501	1730002320	S.ZEN MA8051-M (TX)	B	76.5/29.5
F101	2040000790	S.LC EXCCET103U	T	36.5/2.8
X151	6050011660	S.XTL CR-754 (30.000 MHz)	B	40.5/2.9
L1	6200003950	S.COL HF50ACC 322513-T	B	43.2/34.8
L2	6180003501	S.COL SLF6028T-100M1R3-PF	B	13.6/35.7
L3	6200003640	S.COL MLF1608E 100K-T	B	12.2/8.2
L401	6200003950	S.COL HF50ACC 322513-T	T	49.3/42.9
L921	6200003950	S.COL HF50ACC 322513-T	T	73.7/4.4
L922	6200003950	S.COL HF50ACC 322513-T	T	77.9/9.5
L924	6200003950	S.COL HF50ACC 322513-T	T	74.1/9.5
L925	6200003950	S.COL HF50ACC 322513-T	T	77.5/4.4
L961	6200003950	S.COL HF50ACC 322513-T	B	11.3/12.2
L962	6200003950	S.COL HF50ACC 322513-T	B	12.8/24.6
R1	7030003560	S.RES ERJ3GEYJ 103 V (10 k)	B	42.5/22.3
R2	7030003560	S.RES ERJ3GEYJ 103 V (10 k)	B	41.8/24.2
R3	7030003560	S.RES ERJ3GEYJ 103 V (10 k)	B	42.5/21
R4	7030003560	S.RES ERJ3GEYJ 103 V (10 k)	B	41.8/13.7
R5	7030003440	S.RES ERJ3GEYJ 102 V (1 k)	B	23.2/6
R6	7030003440	S.RES ERJ3GEYJ 102 V (1 k)	B	21.9/6
R7	7030003640	S.RES ERJ3GEYJ 473 V (47 k)	B	20/6.7
R8	7030003440	S.RES ERJ3GEYJ 102 V (1 k)	B	14.1/8.2
R9	7030003640	S.RES ERJ3GEYJ 473 V (47 k)	B	14.5/11.6
R10	7030003640	S.RES ERJ3GEYJ 473 V (47 k)	T	43.8/13.1
R11	7030003460	S.RES ERJ3GEYJ 152 V (1.5 k)	B	48.2/9.7
R12	7030003560	S.RES ERJ3GEYJ 103 V (10 k)	B	26.8/13.3
R151	7030003320	S.RES ERJ3GEYJ 101 V (100)	T	44.3/5.3
R152	7030003800	S.RES ERJ3GEYJ 105 V (1 M)	B	43.5/6.2
R171	7030003320	S.RES ERJ3GEYJ 101 V (100)	T	41.3/1.4
R181	7030003560	S.RES ERJ3GEYJ 103 V (10 k)	T	9.1/7
R182	7030003560	S.RES ERJ3GEYJ 103 V (10 k)	T	6.3/7
R183	7030003560	S.RES ERJ3GEYJ 103 V (10 k)	T	11.9/8.3
R184	7030003560	S.RES ERJ3GEYJ 103 V (10 k)	T	11.9/7
R201	7030003860	S.RES ERJ3GE JPW V	T	30.8/39.2
R301	7030003860	S.RES ERJ3GE JPW V	T	79.5/38.4
R302	7030009591	S.RES ERA3YED 472V (4.7 k)	T	77.6/46.9
R303	7030009591	S.RES ERA3YED 472V (4.7 k)	T	75.7/46.1
R304	7030003320	S.RES ERJ3GEYJ 101 V (100)	T	78.1/40.7
R305	7030003860	S.RES ERJ3GE JPW V	T	75.7/43.5
R306	7030003320	S.RES ERJ3GEYJ 101 V (100)	T	68.9/46.1
R331	7030003500	S.RES ERJ3GEYJ 332 V (3.3 k)	T	64.4/39.9
R332	7030003480	S.RES ERJ3GEYJ 222 V (2.2 k)	T	65.7/39.9
R333	7030003640	S.RES ERJ3GEYJ 473 V (47 k)	T	75/33.2
R341	7030003320	S.RES ERJ3GEYJ 101 V (100)	T	73.7/34.8
R342	7030003320	S.RES ERJ3GEYJ 101 V (100)	T	66.9/37.3
R343	7030006601	S.RES ERA3YED 272V (2.7 k)	T	73.7/37.4
R344	7030010390	S.RES ERA3YED 821V (820)	T	65.6/33.6
R345	7030009691	S.RES ERA3YED 101V (100)	T	66.2/31.7
R371	7030003320	S.RES ERJ3GEYJ 101 V (100)	T	63.4/43.8
R372	7030003320	S.RES ERJ3GEYJ 101 V (100)	T	55.3/46.3
R373	7030006601	S.RES ERA3YED 272V (2.7 k)	T	63.4/45.6
R374	7030010390	S.RES ERA3YED 821V (820)	T	54.7/41.8
R375	7030009691	S.RES ERA3YED 101V (100)	T	56/40.5
R401	7030009591	S.RES ERA3YED 472V (4.7 k)	T	53.1/42.5
R402	7030009591	S.RES ERA3YED 472V (4.7 k)	T	51.8/44
R403	7030003640	S.RES ERJ3GEYJ 473 V (47 k)	T	54.1/38.7
R404	7030003200	S.RES ERJ3GEYJ 100 V (10)	T	50/40
R405	7030003320	S.RES ERJ3GEYJ 101 V (100)	T	51.1/38.1
R406	7030003640	S.RES ERJ3GEYJ 473 V (47 k)	T	49.8/38.1
R407	7030003460	S.RES ERJ3GEYJ 152 V (1.5 k)	B	46.8/36
R409	7030003640	S.RES ERJ3GEYJ 473 V (47 k)	T	52.3/23.8



[DSP-B BOARD]

REF NO.	ORDER NO.	DESCRIPTION	M.	H/V LOCATION
R607	7030003320	S.RES ERJ3GEYJ 101 V (100)	T	61.9/13.9
R651	7030006521	S.RES ERA3YED 561V (560)	T	64.3/10.6
R652	7030007661	S.RES ERA3YED 331V (330)	T	65.3/11.9
R653	7030007661	S.RES ERA3YED 331V (330)	T	62.1/10.1
R654	7030009961	S.RES ERA3YED 221V (220)	T	69.5/10.6
R655	7030007661	S.RES ERA3YED 331V (330)	T	66.9/10.6
R658	7030003320	S.RES ERJ3GEYJ 101 V (100)	T	67.7/3.8
R659	7030003320	S.RES ERJ3GEYJ 101 V (100)	T	64.3/8
R701	7030010770	S.RES ERA3YED 681V (680)	T	71.3/21
R702	7030009861	S.RES ERA3YED 471V (470)	T	74.8/22.7
R703	7030010770	S.RES ERA3YED 681V (680)	T	70.5/13.5
R704	7030009861	S.RES ERA3YED 471V (470)	T	77.2/13.3
R705	7030009691	S.RES ERA3YED 101V (100)	T	77.4/22.2
R706	7030003320	S.RES ERJ3GEYJ 101 V (100)	T	77.3/20.9
R707	7030003320	S.RES ERJ3GEYJ 101 V (100)	T	74.1/14.1
R801	7030003650	S.RES ERJ3GEYJ 563 V (56 k)	T	78/27.2
R802	7030003680	S.RES ERJ3GEYJ 104 V (100 k)	T	78/25.9
R803	7030003480	S.RES ERJ3GEYJ 222 V (2.2 k)	T	78.7/24
R804	7030003490	S.RES ERJ3GEYJ 272 V (2.7 k)	T	78/29.8
R805	7030003340	S.RES ERJ3GEYJ 151 V (150)	T	78/28.5
R901	7030003860	S.RES ERJ3GE JPW V	T	46.6/21
R962	7030003320	S.RES ERJ3GEYJ 101 V (100)	T	12.1/16.8
R963	7030003320	S.RES ERJ3GEYJ 101 V (100)	T	11.9/15.5
R964	7030003320	S.RES ERJ3GEYJ 101 V (100)	T	11.9/14.2
R965	7030003320	S.RES ERJ3GEYJ 101 V (100)	T	11.9/12.9
R967	7030003320	S.RES ERJ3GEYJ 101 V (100)	T	13.6/37.8
R968	7030003320	S.RES ERJ3GEYJ 101 V (100)	T	11.9/11.6
R969	7030003320	S.RES ERJ3GEYJ 101 V (100)	T	13.6/48.2
R970	7030003320	S.RES ERJ3GEYJ 101 V (100)	T	13.6/46.9
R971	7030003320	S.RES ERJ3GEYJ 101 V (100)	T	13.6/45.6
R972	7030003320	S.RES ERJ3GEYJ 101 V (100)	T	13.6/44.3
R973	7030003320	S.RES ERJ3GEYJ 101 V (100)	T	13.6/43
R974	7030003320	S.RES ERJ3GEYJ 101 V (100)	T	13.6/41.7
R975	7030003320	S.RES ERJ3GEYJ 101 V (100)	T	13.6/40.4
R976	7030003320	S.RES ERJ3GEYJ 101 V (100)	T	13.6/39.1
C1	4030011600	S.CER C1608 JB 1E 104K-T	B	15.2/30.5
C2	4030011600	S.CER C1608 JB 1E 104K-T	B	41.8/30.7
C3	4030011600	S.CER C1608 JB 1E 104K-T	B	18/32.9
C4	4030011600	S.CER C1608 JB 1E 104K-T	B	39.4/32.9
C5	4030011600	S.CER C1608 JB 1E 104K-T	B	23/26.3
C6	4030011600	S.CER C1608 JB 1E 104K-T	B	24.3/26.3
C7	4030011600	S.CER C1608 JB 1E 104K-T	B	28.6/26.3
C8	4030011600	S.CER C1608 JB 1E 104K-T	B	29.9/26.3
C9	4030011600	S.CER C1608 JB 1E 104K-T	B	33.8/26.3
C10	4030011600	S.CER C1608 JB 1E 104K-T	B	21.5/23.3
C11	4030011600	S.CER C1608 JB 1E 104K-T	B	36/23.7
C12	4030011600	S.CER C1608 JB 1E 104K-T	T	13.7/21
C13	4030011600	S.CER C1608 JB 1E 104K-T	B	22.2/20.2
C14	4030011600	S.CER C1608 JB 1E 104K-T	B	36/21.1
C15	4030011600	S.CER C1608 JB 1E 104K-T	B	22.2/18.9
C16	4030011600	S.CER C1608 JB 1E 104K-T	B	36/18.5
C17	4030011600	S.CER C1608 JB 1E 104K-T	T	43.5/20
C18	4030011600	S.CER C1608 JB 1E 104K-T	B	22.2/15.2
C19	4030011600	S.CER C1608 JB 1E 104K-T	B	34.7/14.4
C20	4030011600	S.CER C1608 JB 1E 104K-T	B	23.1/13.3
C21	4030011600	S.CER C1608 JB 1E 104K-T	B	24.4/13.3
C22	4030011600	S.CER C1608 JB 1E 104K-T	B	28.1/13.3
C23	4030011600	S.CER C1608 JB 1E 104K-T	B	32.6/12.6
C24	4030011600	S.CER C1608 JB 1E 104K-T	B	35.2/12.6
C25	4030011600	S.CER C1608 JB 1E 104K-T	B	17.3/6.7
C26	4030011600	S.CER C1608 JB 1E 104K-T	B	33.1/6.8
C27	4030011600	S.CER C1608 JB 1E 104K-T	B	41.8/11.1
C28	4030011600	S.CER C1608 JB 1E 104K-T	B	15.4/8.2
C29	4030011600	S.CER C1608 JB 1E 104K-T	B	40.9/6.8
C30	4030011600	S.CER C1608 JB 1E 104K-T	T	35.2/5
C31	4030011600	S.CER C1608 JB 1E 104K-T	T	28.5/5.2
C32	4030011600	S.CER C1608 JB 1E 104K-T	T	37.8/5
C33	4030011600	S.CER C1608 JB 1E 104K-T	T	18.5/35.2
C34	4030011600	S.CER C1608 JB 1E 104K-T	T	36.4/35
C35	4030011600	S.CER C1608 JB 1E 104K-T	B	26/32.9
C36	4030011600	S.CER C1608 JB 1E 104K-T	B	29.3/32.9
C37	4030011600	S.CER C1608 JB 1E 104K-T	B	36.8/32.9
C38	4030011600	S.CER C1608 JB 1E 104K-T	B	15.2/27.9
C39	4030011600	S.CER C1608 JB 1E 104K-T	B	22.4/32.9
C40	4030011600	S.CER C1608 JB 1E 104K-T	B	26/26.3
C41	4030011600	S.CER C1608 JB 1E 104K-T	B	21.7/26.3
C42	4030011600	S.CER C1608 JB 1E 104K-T	B	27.3/26.3
C43	4030011600	S.CER C1608 JB 1E 104K-T	B	32.5/26.3
C44	4030011600	S.CER C1608 JB 1E 104K-T	B	35.1/26.3
C45	4030011600	S.CER C1608 JB 1E 104K-T	B	41.8/26.8
C46	4030011600	S.CER C1608 JB 1E 104K-T	B	15.3/24.9
C47	4030011600	S.CER C1608 JB 1E 104K-T	T	43.5/29
C48	4030011600	S.CER C1608 JB 1E 104K-T	B	22.2/21.5
C49	4030011600	S.CER C1608 JB 1E 104K-T	B	41.8/17.9
C50	4030011600	S.CER C1608 JB 1E 104K-T	B	22.2/17.6
C51	4030011600	S.CER C1608 JB 1E 104K-T	B	36/15.9
C52	4030011600	S.CER C1608 JB 1E 104K-T	B	15.8/11.6
C53	4030011600	S.CER C1608 JB 1E 104K-T	B	21.8/13.3
C54	4030011600	S.CER C1608 JB 1E 104K-T	T	42.9/9.9
C55	4030011600	S.CER C1608 JB 1E 104K-T	B	29.4/13.3
C56	4030011600	S.CER C1608 JB 1E 104K-T	B	25/6.7
C57	4030011600	S.CER C1608 JB 1E 104K-T	B	29.8/6.8
C58	4030011600	S.CER C1608 JB 1E 104K-T	B	38.3/6.8
C59	4030011600	S.CER C1608 JB 1E 104K-T	T	20.3/5.3
C60	4510007130	S.ELE EEFCD 0J 470R	T	19.6/44
C61	4550007480	S.TAN F930J106MAABMA	B	44.8/29.7
C62	4510007130	S.ELE EEFCD 0J 470R	T	25.7/43.9
C101	4030011600	S.CER C1608 JB 1E 104K-T	B	35.7/6.8
C102	4550007480	S.TAN F930J106MAABMA	B	30.6/2.6
C151	4030011600	S.CER C1608 JB 1E 104K-T	B	45.6/10
C152	4030007030	S.CER C1608 CH 1H 150J-T	B	46.1/6.2
C153	4030007030	S.CER C1608 CH 1H 150J-T	B	43.1/8
C171	4030011600	S.CER C1608 JB 1E 104K-T	T	41.3/2.7

[DSP-B BOARD]

REF NO.	ORDER NO.	DESCRIPTION	M.	H/V LOCATION
C181	4030011600	S.CER C1608 JB 1E 104K-T	T	31/4.3
C191	4030011600	S.CER C1608 JB 1E 104K-T	T	22.6/1.2
C201	4030011600	S.CER C1608 JB 1E 104K-T	B	41.4/43.3
C301	4340000250	S.MLR ECHU 1C 104JX5	T	77.9/44
C302	4550007500	S.TAN F931D106MBABMA	B	76.5/43.7
C303	4030011600	S.CER C1608 JB 1E 104K-T	T	75.6/40.9
C304	4550007500	S.TAN F931D106MBABMA	B	71.7/43.7
C305	4030011600	S.CER C1608 JB 1E 104K-T	T	67.6/46.1
C306	4030007050	S.CER C1608 CH 1H 220J-T	T	72.4/40.1
C331	4030011600	S.CER C1608 JB 1E 104K-T	T	78.8/32.8
C332	4550007520	S.TAN F931A106MAABMA	B	67.9/35.2
C333	4030011600	S.CER C1608 JB 1E 104K-T	T	79.5/35.8
C341	4550007500	S.TAN F931D106MBABMA	B	73.1/32.4
C342	4030011600	S.CER C1608 JB 1E 104K-T	T	73.7/31.6
C343	4550007500	S.TAN F931D106MBABMA	B	73.2/38.1
C344	4030011600	S.CER C1608 JB 1E 104K-T	T	65.6/37.3
C345	4340000250	S.MLR ECHU 1C 104JX5	T	76.7/38.1
C346	4030018580	S.CER C1608 CH 1H 821J-T	T	66.9/33.6
C347	4030011600	S.CER C1608 JB 1E 104K-T	T	66.1/35.5
C348	4030007050	S.CER C1608 JB 1E 220J-T	T	70.9/30.9
C371	4550007500	S.TAN F931D106MBABMA	B	59.8/43.8
C372	4030011600	S.CER C1608 JB 1E 104K-T	T	63.4/42.5
C373	4550007500	S.TAN F931D106MBABMA	B	50.1/43.9
C374	4030011600	S.CER C1608 JB 1E 104K-T	T	53.4/45.5
C375	4340000250	S.MLR ECHU 1C 104JX5	T	68.1/42.6
C376	4030018580	S.CER C1608 CH 1H 821J-T	T	56/43.1
C377	4030011600	S.CER C1608 JB 1E 104K-T	T	55.3/45
C378	4030007050	S.CER C1608 CH 1H 220J-T	T	59.4/39.5
C401	4550007520	S.TAN F931A106MAABMA	B	54.9/43.8
C402	4030017840	S.CER C2012 CH 1H 222J-T	T	58.1/37.6
C403	4550007480	S.TAN F930J106MAABMA	B	63.1/35.2
C404	4030011810	S.CER C1608 JB 1A 224K-T	T	61.5/37.4
C405	4550007480	S.TAN F930J106MAABMA	B	58.3/35.2
C406	4030011810	S.CER C1608 JB 1A 224K-T	T	63.5/36.7
C407	4550007480	S.TAN F930J106MAABMA	B	50.4/36.1
C408	4030011600	S.CER C1608 JB 1E 104K-T	T	54.1/37.4
C409	4030011600	S.CER C1608 JB 1E 104K-T	T	54.1/23.2
C410	4030009000	S.CER C2012 JB 1C 224K-T	T	62.1/24.2
C411	4550007480	S.TAN F930J106MAABMA	B	63.1/28.4
C412	4550007480	S.TAN F930J106MAABMA	B	58.3/29.1
C413	4030009000	S.CER C2012 JB 1C 224K-T	T	59/22.5
C414	4030011600	S.CER C1608 JB 1E 104K-T	T	54.1/24.5
C415	4550007520	S.TAN F931A106MAABMA	B	53/26.5
C416	4550007520	S.TAN F931A106MAABMA	B	53/31.3
C417	4030017840	S.CER C2012 CH 1H 222J-T	T	58/24.2
C450	4030011600	S.CER C1608 JB 1E 104K-T	T	43.1/35.3
C451	4030011600	S.CER C1608 JB 1E 104K-T	T	43.6/42.9
C452	4030006860	S.CER C1608 JB 1H 102K-T	T	40.8/39.6
C501	4030011600	S.CER C1608 JB 1E 104K-T	T	74.8/24
C502	4550007500	S.TAN F931D106MBABMA	B	77.5/33.1
C503	4030011600	S.CER C1608 JB 1E 104K-T	T	71.6/23.4
C504	4550007500	S.TAN F931D106MBABMA	B	67.9/29.1
C506	4030007090	S.CER C1608 CH 1H 470J-T	T	67.1/28.4
C507	4030007090	S.CER C1608 CH 1H 470J-T	T	76.1/27.3
C551	4550007520	S.TAN F931A106MAABMA	B	50.3/8.7
C552	4030011600	S.CER C1608 JB 1E 104K-T	T	49.5/5.5
C553	4550007520	S.TAN F931A106MAABMA	B	55/13.3
C554	4030011600	S.CER C1608 JB 1E 104K-T	T	60/7.6
C555	4030011600	S.CER C1608 JB 1E 104K-T	T	59.8/4.6
C556	4550007480	S.TAN F930J106MAABMA	B	53.6/7.1
C557	4030011600	S.CER C1608 JB 1E 104K-T	T	60.7/2.8
C558	4550007520	S.TAN F931A106MAABMA	B	53.6/4.3
C601	4550007480	S.TAN F930J106MAABMA	B	61.3/17.2
C602	4030018510	S.CER C2012 CH 1H 682J-T	T	58.8/16.5
C603	4550007500	S.TAN F931D106MBABMA	B	68.2/15
C604	4030011600	S.CER C1608 JB 1E 104K-T	T	58.2/14.2
C605	4030011600	S.CER C1608 JB 1E 104K-T	T	64.5/13.9
C606	4550007500	S.TAN F931D106MBABMA	B	69.2/19.2
C607	4030018510	S.CER C2012 CH 1H 682J-T	T	67/22.5
C608	4030007050	S.CER C1608 CH 1H 220J-T	T	68.3/16.7
C651	4550007480	S.TAN F930J106MAABMA	B	60.1/9.2
C652	4030018510	S.CER C2012 CH 1H 682J-T	T	61.9/6.6
C653	4550007500	S.TAN F931D106MBABMA	B	59.9/2.6
C654	4030011600	S.CER C1608 JB 1E 104K-T	T	64/2.5
C655	4030011600	S.CER C1608 JB 1E 104K-T	T	67.7/2.5
C656	4550007500	S.TAN F931D106MBABMA	B	59.9/6
C657	4030018510	S.CER C2012 CH 1H 682J-T	T	68.3/12.2
C658	4030007050	S.CER C1608		

[DSP-TX BOARD]

REF NO.	ORDER NO.	DESCRIPTION	M.	H/V LOCATION
IC1	1140012211	S.IC TMS320C6713BZDP225	T	28.1/20.4
IC151	1130008361	S.IC TC7SHU04FU (TE85L_JF)	B	45.5/8.1
IC171	1130008041	S.IC TC7SHU04FU (TE85L_JF)	T	41.3/4.6
IC181	1130011150	S.IC SN74AHC2G08HDCCTR	T	30.2/1.9
IC191	1130011150	S.IC SN74AHC2G08HDCCTR	T	24/3.5
IC201	1130012205	S.IC AT29LV040A-15TU (SX-2590F-4)	B	29.3/4.2
IC203	1110006411	S.IC R3111N111A-TR-F	T	30.2/36.6
IC301	1110006100	S.IC NJM5534MD-TE1	T	72.3/44.4
IC341	1110006100	S.IC NJM5534MD-TE1	T	72.1/35.2
IC371	1110006100	S.IC NJM5534MD-TE1	T	59.4/44.4
IC401	1110006111	S.IC AK5394AVSP/P	T	54.2/31
IC451	1130006891	S.IC TC7S04FU (TE85R_F)	T	42.8/35.8
IC452	1130012160	S.IC SN74LVC1GU04DCKR	T	42.3/39.8
IC551	1190002090	S.IC AD1854JRSZRL	T	53.3/5.8
IC601	1110006100	S.IC NJM5534MD-TE1	T	53.1/15.2
IC651	1110006100	S.IC NJM5534MD-TE1	T	65.3/5
IC701	1110006100	S.IC NJM5534MD-TE1	T	63.2/14.8
IC801	1110006100	S.IC NJM5534MD-TE1	T	68.4/25.8
IC831	1110006100	S.IC NJM5534MD-TE1	T	73.1/15.8
IC871	1110006100	S.IC NJM5534MD-TE1	T	77/26.1
FI101	2040000790	S.LC EXC0ET103U	T	36.5/2.2
X151	6050011660	S.XTL CR-754 (30.000 MHz)	B	40.5/2.9
L1	6200003950	S.COL HF50ACC 322513-T	B	45/39.6
L2	6180003501	S.COL SLF6028T-100M1R3-PF	B	13.6/35.4
L3	6200003640	S.COL MLF1608E 100K-T	B	10.9/7.7
L401	6200003950	S.COL HF50ACC 322513-T	T	49.4/43.1
L921	6200003950	S.COL HF50ACC 322513-T	T	75/3.7
L922	6200003950	S.COL HF50ACC 322513-T	T	79.7/8.8
L924	6200003950	S.COL HF50ACC 322513-T	T	75/8.8
L925	6200003950	S.COL HF50ACC 322513-T	T	79.7/3.7
L961	6200003950	S.COL HF50ACC 322513-T	B	11.5/11.9
L962	6200003950	S.COL HF50ACC 322513-T	B	12.6/24
R1	7030003560	S.RES ERJ3GEYJ 103 V (10 k)	B	43/22.2
R2	7030003560	S.RES ERJ3GEYJ 103 V (10 k)	B	42.2/24.2
R3	7030003560	S.RES ERJ3GEYJ 103 V (10 k)	B	43/20.9
R4	7030003560	S.RES ERJ3GEYJ 103 V (10 k)	B	42.4/13.7
R5	7030003440	S.RES ERJ3GEYJ 102 V (1 k)	B	23.2/5.5
R6	7030003440	S.RES ERJ3GEYJ 102 V (1 k)	B	21.9/5.5
R7	7030003640	S.RES ERJ3GEYJ 473 V (47 k)	B	20.6/5.5
R8	7030003440	S.RES ERJ3GEYJ 102 V (1 k)	B	13.7/8.1
R9	7030003640	S.RES ERJ3GEYJ 473 V (47 k)	B	13.7/11.5
R10	7030003640	S.RES ERJ3GEYJ 473 V (47 k)	T	43.8/13.1
R11	7030003460	S.RES ERJ3GEYJ 152 V (1.5 k)	B	41.8/8.5
R12	7030003560	S.RES ERJ3GEYJ 103 V (10 k)	B	26.8/13.8
R151	7030003320	S.RES ERJ3GEYJ 101 V (100)	T	44.6/5.3
R152	7030003800	S.RES ERJ3GEYJ 105 V (1 M)	T	43.5/6.2
R171	7030003320	S.RES ERJ3GEYJ 101 V (100)	B	41.3/1.4
R181	7030003560	S.RES ERJ3GEYJ 103 V (10 k)	T	6.4/7
R182	7030003560	S.RES ERJ3GEYJ 103 V (10 k)	T	9.2/7
R183	7030003560	S.RES ERJ3GEYJ 103 V (10 k)	T	11.8/8.3
R184	7030003560	S.RES ERJ3GEYJ 103 V (10 k)	T	11.8/7
R201	7030003860	S.RES ERJ3GE JPW V	T	30.8/39.3
R301	7030003440	S.RES ERJ3GEYJ 102 V (1 k)	T	79.5/37.7
R302	7030009591	S.RES ERA3YED 472V (4.7 k)	T	77.6/46.9
R303	7030009591	S.RES ERA3YED 472V (4.7 k)	T	75.7/46.1
R304	7030003320	S.RES ERJ3GEYJ 101 V (100)	T	78.1/40.1
R305	7030003440	S.RES ERJ3GEYJ 102 V (1 k)	T	75.7/43.5
R306	7030003320	S.RES ERJ3GEYJ 101 V (100)	T	68.9/46.1
R341	7030003320	S.RES ERJ3GEYJ 101 V (100)	T	76.2/34.6
R342	7030003320	S.RES ERJ3GEYJ 101 V (100)	T	68.5/38.4
R343	7030005321	S.RES ERA3YED 103V (10 k)	T	64.5/34.6
R344	7030009591	S.RES ERA3YED 472V (4.7 k)	T	67/33.9
R345	7030009691	S.RES ERA3YED 101V (100)	T	67.7/31.9
R371	7030003320	S.RES ERJ3GEYJ 101 V (100)	B	62.9/42.1
R372	7030003320	S.RES ERJ3GEYJ 101 V (100)	T	55.3/46.3
R373	7030005321	S.RES ERA3YED 103V (10 k)	T	63.7/46.2
R374	7030009591	S.RES ERA3YED 472V (4.7 k)	T	54.7/41.8
R375	7030009691	S.RES ERA3YED 101V (100)	T	56/40.5
R401	7030009591	S.RES ERA3YED 472V (4.7 k)	T	53.1/42.5
R402	7030009591	S.RES ERA3YED 472V (4.7 k)	T	51.6/44
R403	7030003640	S.RES ERJ3GEYJ 473 V (47 k)	T	54.1/38.7
R404	7030003200	S.RES ERJ3GEYJ 100 V (10)	T	50/40
R405	7030003320	S.RES ERJ3GEYJ 101 V (100)	T	51.1/38.1
R406	7030003640	S.RES ERJ3GEYJ 473 V (47 k)	T	49.8/38.1
R407	7030003460	S.RES ERJ3GEYJ 152 V (1.5 k)	B	48/35.4
R409	7030003640	S.RES ERJ3GEYJ 473 V (47 k)	T	51.9/23.8
R410	7030003640	S.RES ERJ3GEYJ 473 V (47 k)	T	50.6/23.8
R411	7030003640	S.RES ERJ3GEYJ 473 V (47 k)	T	49/23.8
R412	7030003520	S.RES ERJ3GEYJ 472 V (4.7 k)	T	57.2/22.2
R413	7030003520	S.RES ERJ3GEYJ 472 V (4.7 k)	T	57.2/20.9
R414	7030003360	S.RES ERJ3GEYJ 221 V (220)	T	46/38.2
R451	7030003800	S.RES ERJ3GEYJ 105 V (1 M)	T	40.4/41.1
R452	7030003440	S.RES ERJ3GEYJ 102 V (1 k)	B	45.8/35.5
R551	7030003360	S.RES ERJ3GEYJ 221 V (220)	B	54/9.3
R601	7030006521	S.RES ERA3YED 561V (560)	T	50.2/18.6
R602	7030007661	S.RES ERA3YED 331V (330)	T	50.2/19.9
R603	7030007661	S.RES ERA3YED 331V (330)	T	48.3/17.1
R604	7030009961	S.RES ERA3YED 221V (220)	T	55.4/18.6
R605	7030007661	S.RES ERA3YED 331V (330)	T	52.8/18.6
R606	7030003320	S.RES ERJ3GEYJ 101 V (100)	B	51.4/24.7
R607	7030003320	S.RES ERJ3GEYJ 101 V (100)	B	52.2/13.1
R651	7030006521	S.RES ERA3YED 561V (560)	T	62.5/8.4
R652	7030007661	S.RES ERA3YED 331V (330)	T	63.5/9.7
R653	7030007661	S.RES ERA3YED 331V (330)	T	60.3/8.2
R654	7030009961	S.RES ERA3YED 221V (220)	T	67.7/8.4
R655	7030007661	S.RES ERA3YED 331V (330)	T	65.1/8.4
R656	7030003320	S.RES ERJ3GEYJ 101 V (100)	B	67.2/8.2
R657	7030003320	S.RES ERJ3GEYJ 101 V (100)	B	65.1/2.8
R701	7030010770	S.RES ERA3YED 681V (680)	T	58/18.2
R702	7030009861	S.RES ERA3YED 471V (470)	T	62.1/20

[DSP-TX BOARD]

REF NO.	ORDER NO.	DESCRIPTION	M.	H/V LOCATION
R703	7030010770	S.RES ERA3YED 681V (680)	T	70.7/9.3
R704	7030009861	S.RES ERA3YED 471V (470)	T	55.6/11.8
R705	7030009691	S.RES ERA3YED 101V (100)	T	69/12
R706	7030003320	S.RES ERJ3GEYJ 101 V (100)	B	61/23.1
R707	7030003320	S.RES ERJ3GEYJ 101 V (100)	B	54.7/14.5
R801	7030009591	S.RES ERA3YED 472V (4.7 k)	T	65/22.8
R802	7030003320	S.RES ERJ3GEYJ 101 V (100)	T	63.5/22.8
R803	7030005321	S.RES ERA3YED 103V (10 k)	T	68.6/21.1
R804	7030003320	S.RES ERJ3GEYJ 101 V (100)	B	69.7/31.7
R805	7030003320	S.RES ERJ3GEYJ 101 V (100)	B	72.4/21.7
R831	7030009591	S.RES ERA3YED 472V (4.7 k)	T	68.4/17.9
R832	7030003320	S.RES ERJ3GEYJ 101 V (100)	T	68.6/19.7
R833	7030005321	S.RES ERA3YED 103V (10 k)	T	69.7/15.31
R834	7030003320	S.RES ERJ3GEYJ 101 V (100)	B	64/23.2
R835	7030003320	S.RES ERJ3GEYJ 101 V (100)	B	73.4/13.3
R871	7030003520	S.RES ERJ3GEYJ 472 V (4.7 k)	T	77.8/13.7
R872	7030003520	S.RES ERJ3GEYJ 472 V (4.7 k)	T	79.1/18.7
R874	7030003320	S.RES ERJ3GEYJ 101 V (100)	B	71.3/31.7
R875	7030003320	S.RES ERJ3GEYJ 101 V (100)	B	74.4/21.3
R901	7030003860	S.RES ERJ3GE JPW V	T	52.7/2.2
R903	7030003860	S.RES ERJ3GE JPW V	B	47.7/38
R904	7030003860	S.RES ERJ3GE JPW V	T	47.1/4.2
R905	7030003860	S.RES ERJ3GE JPW V	B	48.1/10.2
R962	7030003320	S.RES ERJ3GEYJ 101 V (100)	T	12.1/17.5
R963	7030003320	S.RES ERJ3GEYJ 101 V (100)	T	11.9/16.2
R964	7030003320	S.RES ERJ3GEYJ 101 V (100)	T	11.9/14.9
R967	7030003320	S.RES ERJ3GEYJ 101 V (100)	T	13.6/38.7
R968	7030003320	S.RES ERJ3GEYJ 101 V (100)	T	11.9/12.3
R969	7030003320	S.RES ERJ3GEYJ 101 V (100)	T	13.6/47.8
R970	7030003320	S.RES ERJ3GEYJ 101 V (100)	T	13.6/46.5
R971	7030003320	S.RES ERJ3GEYJ 101 V (100)	T	13.6/45.2
R972	7030003320	S.RES ERJ3GEYJ 101 V (100)	T	13.6/43.9
R973	7030003320	S.RES ERJ3GEYJ 101 V (100)	T	13.6/42.6
R974	7030003320	S.RES ERJ3GEYJ 101 V (100)	T	13.6/41.3
R975	7030003320	S.RES ERJ3GEYJ 101 V (100)	T	13.6/40
R976	7030003320	S.RES ERJ3GEYJ 101 V (100)	T	11.9/13.6
C1	4030011600	S.CER C1608 JB 1E 104K-T	B	15.2/30.4
C2	4030011600	S.CER C1608 JB 1E 104K-T	B	42.2/30.7
C3	4030011600	S.CER C1608 JB 1E 104K-T	B	18/32.9
C4	4030011600	S.CER C1608 JB 1E 104K-T	B	39.4/32.9
C5	4030011600	S.CER C1608 JB 1E 104K-T	B	23.3/25.8
C6	4030011600	S.CER C1608 JB 1E 104K-T	B	24.6/25.8
C7	4030011600	S.CER C1608 JB 1E 104K-T	B	28.7/25.8
C8	4030011600	S.CER C1608 JB 1E 104K-T	B	30/25.8
C9	4030011600	S.CER C1608 JB 1E 104K-T	B	33.8/25.8
C10	4030011600	S.CER C1608 JB 1E 104K-T	B	22.7/23.8
C11	4030011600	S.CER C1608 JB 1E 104K-T	B	35.5/23.2
C12	4030011600	S.CER C1608 JB 1E 104K-T	T	12.6/20.7
C13	4030011600	S.CER C1608 JB 1E 104K-T	B	22.7/20.2
C14	4030011600	S.CER C1608 JB 1E 104K-T	B	35.5/20.6
C15	4030011600	S.CER C1608 JB 1E 104K-T	B	22.7/18.9
C16	4030011600	S.CER C1608 JB 1E 104K-T	B	34.2/18.4
C17	4030011600	S.CER C1608 JB 1E 104K-T	T	43.5/20
C18	4030011600	S.CER C1608 JB 1E 104K-T	B	22.7/15.7
C19	4030011600	S.CER C1608 JB 1E 104K-T	B	34.2/14.9
C20	4030011600	S.CER C1608 JB 1E 104K-T	B	23.3/13.8
C21	4030011600	S.CER C1608 JB 1E 104K-T	B	24.6/13.8
C22	4030011600	S.CER C1608 JB 1E 104K-T	B	28.1/13.8
C23	4030011600	S.CER C1608 JB 1E 104K-T	B	32.6/13.1
C24	4030011600	S.CER C1608 JB 1E 104K-T	B	35.2/13.1
C25	4030011600	S.CER C1608 JB 1E 104K-T	B	17.3/6.7
C26	4030011600	S.CER C1608 JB 1E 104K-T	B	33.1/6.3
C27	4030011600	S.CER C1608 JB 1E 104K-T	B	42.4/11.1
C28	4030011600	S.CER C1608 JB 1E 104K-T	B	15/8.1
C29	4030011600	S.CER C1608 JB 1E 104K-T	B	40.9/6.6
C30	4030011600	S.CER C1608 JB 1E 104K-T	T	35.2/5
C31	4030011600	S.CER C1608 JB 1E 104K-T	T	28.5/2.2
C32	4030011600	S.CER C1608 JB 1E 104K-T	T	37.8/5
C33	4030011600	S.CER C1608 JB 1E 104K-T	T	18.6/35.5
C34	4030011600	S.CER C1608 JB 1E 104K-T	T	37.5/35.5
C35	4030011600	S.CER C1608 JB 1E 104K-T	B	26/32.9
C36	4030011600	S.CER C1608 JB 1E 104K-T	B	29.3/32.9
C37	4030011600	S.CER C1608 JB 1E 104K-T	B	36.8/32.9
C38	4030011600	S.CER C1608 JB 1E 104K-T	B	15.2/27.7
C39	4030011600	S.CER C1608 JB 1E 104K-T	B	22.4/32.9
C40	4030011600	S.CER C1608 JB 1E 104K-T	B	26.1/25.8
C41	4030011600	S.CER C1608 JB 1E 104K-T	B	22/25.8
C42	4030011600	S.CER C1608 JB 1E 104K-T	B	27.4/25.8
C43	4030011600	S.CER C1608 JB 1E 104K-T	B	32.5/25.8
C44	4030011600	S.CER C1608 JB 1E 104K-T	B	35.1/25.8
C45	4030011600	S.CER C1608 JB 1E 104K-T	B	42.2/26.8
C46	4030011600	S.CER C1608 JB 1E 104K-T	B	15.3/24.9
C47	4030011600	S.C		

[DSP-TX BOARD]

REF NO.	ORDER NO.	DESCRIPTION	M.	H/V LOCATION
C171	4030011600	S.CER C1608 JB 1E 104K-T	T	41.3/2.7
C181	4030011600	S.CER C1608 JB 1E 104K-T	T	31/4.3
C191	4030011600	S.CER C1608 JB 1E 104K-T	T	22.6/1.2
C201	4030011600	S.CER C1608 JB 1E 104K-T	B	42.3/44.3
C301	4550007660	S.TAN F931E105MAABMA	B	80.4/44.1
C302	4550007500	S.TAN F931D106MBABMA	B	75.6/44.1
C303	4030011600	S.CER C1608 JB 1E 104K-T	T	75.7/40.7
C304	4550007500	S.TAN F931D106MBABMA	B	71.5/44.1
C305	4030011600	S.CER C1608 JB 1E 104K-T	T	67.6/46.1
C306	4030007050	S.CER C1608 CH 1H 220J-T	T	72.3/39.8
C341	4550007500	S.TAN F931D106MBABMA	B	74/34.6
C342	4030011600	S.CER C1608 JB 1E 104K-T	T	75.5/32.8
C343	4550007500	S.TAN F931D106MBABMA	B	66.9/36.8
C344	4030011600	S.CER C1608 JB 1E 104K-T	T	67.2/38.4
C345	4550007660	S.TAN F931E105MAABMA	B	76.8/38.7
C346	4030007140	S.CER C1608 CH 1H 121J-T	T	68.5/33.9
C347	4030011600	S.CER C1608 JB 1E 104K-T	T	67.7/35.9
C348	4030007050	S.CER C1608 CH 1H 220J-T	T	72/30.6
C371	4550007500	S.TAN F931D106MBABMA	B	59.8/43.8
C372	4030011600	S.CER C1608 JB 1E 104K-T	T	63.7/42.9
C373	4550007500	S.TAN F931D106MBABMA	B	50.1/43.9
C374	4030011600	S.CER C1608 JB 1E 104K-T	T	53.4/45.5
C375	4550007660	S.TAN F931E105MAABMA	B	66/43.7
C376	4030007140	S.CER C1608 CH 1H 121J-T	T	56/43.1
C377	4030011600	S.CER C1608 JB 1E 104K-T	T	55.3/45
C378	4030007050	S.CER C1608 CH 1H 220J-T	T	59.4/39.8
C401	4550007480	S.TAN F930J106MAABMA	B	54.9/43.8
C402	4030017840	S.CER C2012 CH 1H 222J-T	T	58.1/37.6
C403	4550007480	S.TAN F930J106MAABMA	B	63.1/35.2
C404	4030011810	S.CER C1608 JB 1A 224K-T	T	61.5/37.4
C405	4550007480	S.TAN F930J106MAABMA	B	58.3/36
C406	4030011810	S.CER C1608 JB 1A 224K-T	T	64.5/32
C407	4550007480	S.TAN F930J106MAABMA	B	51.1/36.1
C408	4030011600	S.CER C1608 JB 1E 104K-T	T	54.1/37.4
C410	4030009000	S.CER C2012 JB 1C 224K-T	T	61/24
C411	4550007480	S.TAN F930J106MAABMA	B	62.5/28.3
C412	4550007480	S.TAN F930J106MAABMA	B	58.3/29.9
C413	4030009000	S.CER C2012 JB 1C 224K-T	T	64.7/28.6
C414	4030011600	S.CER C1608 JB 1E 104K-T	T	54.2/24.5
C415	4550007520	S.TAN F931A106MAABMA	B	52.6/29.2
C416	4550007480	S.TAN F930J106MAABMA	B	56.1/24.4
C417	4030017840	S.CER C2012 CH 1H 222J-T	T	57.4/24
C450	4030011600	S.CER C1608 JB 1E 104K-T	T	44.2/39.7
C451	4030011600	S.CER C1608 JB 1E 104K-T	T	42.9/37.8
C452	4030006860	S.CER C1608 JB 1H 102K-T	T	42.9/41.9
C453	4030007050	S.CER C1608 CH 1H 220J	B	45.8/36.8
C551	4030011600	S.CER C1608 JB 1E 104K-T	T	48/1.7
C552	4550007520	S.TAN F931A106MAABMA	B	49.8/3.3
C553	4550007520	S.TAN F931A106MAABMA	B	57.2/8.9
C554	4550007520	S.TAN F931A106MAABMA	B	55/3.3
C555	4030011600	S.CER C1608 JB 1E 104K-T	T	58.6/2.5
C556	4030011600	S.CER C1608 JB 1E 104K-T	T	58.6/5.8
C557	4030011600	S.CER C1608 JB 1E 104K-T	B	57.7/4.1
C601	4550007660	S.TAN F931E105MAABMA	B	50.5/9.4
C602	4030018510	S.CER C2012 CH 1H 682J-T	T	48.3/14.2
C603	4550007500	S.TAN F931D106MBABMA	B	50.4/15.8
C604	4030011600	S.CER C1608 JB 1E 104K-T	T	49.6/11.8
C605	4030011600	S.CER C1608 JB 1E 104K-T	T	52.7/11.8
C606	4550007500	S.TAN F931D106MBABMA	B	51/20.8
C607	4030018510	S.CER C2012 CH 1H 682J-T	T	53.2/20.1
C608	4030007050	S.CER C1608 CH 1H 220J-T	T	57.6/14.5
C651	4550007660	S.TAN F931E105MAABMA	B	60/8.9
C652	4030018510	S.CER C2012 CH 1H 682J-T	T	60.1/5.3
C653	4550007500	S.TAN F931D106MBABMA	B	62.5/3.3
C654	4030011600	S.CER C1608 JB 1E 104K-T	T	62.5/1.6
C655	4030011600	S.CER C1608 JB 1E 104K-T	T	69.8/1.6
C656	4550007500	S.TAN F931D106MBABMA	B	63.6/9.2
C657	4030018510	S.CER C2012 CH 1H 682J-T	T	66.4/10
C658	4030007050	S.CER C1608 CH 1H 220J-T	T	69.9/4.4
C701	4030017840	S.CER C2012 CH 1H 222J-T	T	62.1/18.5
C702	4030017840	S.CER C2012 CH 1H 222J-T	T	59.2/11.1
C703	4550007500	S.TAN F931D106MBABMA	B	58.7/15.3
C704	4030011600	S.CER C1608 JB 1E 104K-T	T	62.4/11.3
C705	4030011600	S.CER C1608 JB 1E 104K-T	T	65.5/18.2
C706	4550007500	S.TAN F931D106MBABMA	B	57.7/19.3
C707	4030007050	S.CER C1608 CH 1H 220J-T	T	67.8/14.1
C801	4030006860	S.CER C1608 JB 1H 102K-T	T	64.2/24.6
C802	4030011600	S.CER C1608 JB 1E 104K-T	T	73.3/25
C803	4550007480	S.TAN F930J106MAABMA	B	76.7/16.6
C804	4030011600	S.CER C1608 JB 1E 104K-T	T	72/27.9
C805	4550007520	S.TAN F931A106MAABMA	B	67.2/28.6
C806	4030011600	S.CER C1608 JB 1E 104K-T	T	72.5/23.1
C807	4550007500	S.TAN F931D106MBABMA	B	68.4/23.6
C808	4030007050	S.CER C1608 CH 1H 220J-T	T	69/30.4
C831	4030006860	S.CER C1608 JB 1H 102K-T	T	69.7/17.9
C832	4030011600	S.CER C1608 JB 1E 104K-T	T	76.5/16.3
C833	4550007480	S.TAN F930J106MAABMA	B	69.7/16.8
C834	4030011600	S.CER C1608 JB 1E 104K-T	T	77.8/17.2
C835	4550007520	S.TAN F931A106MAABMA	B	64/19.7
C836	4030011600	S.CER C1608 JB 1E 104K-T	T	76.5/13.7
C837	4550007500	S.TAN F931D106MBABMA	B	64.7/15.3
C838	4030007050	S.CER C1608 CH 1H 220J-T	T	73.6/20.5
C871	4550007520	S.TAN F931A106MAABMA	B	75.5/29.4
C872	4030011600	S.CER C1608 JB 1E 104K-T	T	73.5/27.9
C873	4550007500	S.TAN F931D106MBABMA	B	75.6/24.3
C874	4030011600	S.CER C1608 JB 1E 104K-T	T	78.2/21.5
C875	4030007050	S.CER C1608 CH 1H 220J-T	T	77.2/30.9
C921	4550007510	S.TAN F931C106MBABMA	B	69.3/3.8
C922	4030011600	S.CER C1608 JB 1E 104K-T	T	72.8/3.5
C923	4550002830	S.TAN TEESVD2 1V 685M12R	B	75.4/6
C924	4030011600	S.CER C1608 JB 1E 104K-T	T	81.8/8
C925	4550007510	S.TAN F931C106MBABMA	B	71.1/9.3
C926	4030011600	S.CER C1608 JB 1E 104K-T	T	72.8/9
C927	4550002830	S.TAN TEESVD2 1V 685M12R	B	80.7/6

[DSP-TX BOARD]

REF NO.	ORDER NO.	DESCRIPTION	M.	H/V LOCATION
C928	4030011600	S.CER C1608 JB 1E 104K-T	T	81.8/4.6
C961	4030011600	S.CER C1608 JB 1E 104K-T	B	11.4/14.9
C962	4550007520	S.TAN F931A106MAABMA	B	12.2/18.6
C963	4030011600	S.CER C1608 JB 1E 104K-T	B	10.4/24.8
C964	4550007520	S.TAN F931A106MAABMA	B	11.4/28.9
J921	6910013900	CNR IMSA-9180S-22A		
J961	6910012460	CNR IMSA-9180S-30A		

M.=Mounted side (T: Mounted on the Top side, B: Mounted on the Bottom side)  
S.=Surface mount



[SCOPE UNIT]

REF NO.	ORDER NO.	DESCRIPTION	M.	H/V LOCATION
IC1	1110006180	S.IC UPG2009TB-E3	T	85.1/9.6
IC2	1180001771	S.IC TA79L05F (TE12L,F)	T	24.5/95.6
IC31	1110006180	S.IC UPG2009TB-E3	T	86.5/14.1
IC201	1180002650	S.REG SI-3012KS-TL	T	116.4/64.6
IC401	1110006131	S.IC uPC4094G2-E1-A	T	15.6/88.6
IC403	1110006131	S.IC uPC4094G2-E1-A	T	26.8/88.6
IC404	1110006131	S.IC uPC4094G2-E1-A	T	44/87.6
IC405	1110002700	S.IC NJM2904M-TE1-#FMZB	T	39.2/70.4
IC501	1190002031	S.IC AD7650ASTZ	T	55.5/79.2
IC502	1130006891	S.IC TC7S04FU (TE85R,F)	T	57.7/88
IC505	1180002631	S.REG AD1582BRTZ-REEL7	T	55.4/94.6
IC601	1140012221	S.IC TMS320C6711DZDP200	T	88.4/81.4
IC602	1130011930	S.IC SN74LVC1G04DCKR	T	68.2/67.4
IC603	1130011930	S.IC SN74LVC1G04DCKR	T	70.7/70.3
IC604	1130008041	S.IC TC7SH04FU (TE85L,JF)	B	67.4/74.6
IC607	1110006411	S.IC R3111N111A-TR-F	B	104.1/81.1
IC671	1130012394	S.IC AT49BV001AN-55TU	T	112.8/82.9
IC801	1130009230	S.IC LMX2306TMX/NOPB	T	65.6/36.5
IC803	1130009691	S.IC TC74HCT7007AF (F)	B	68/29
IC820	1190001961	S.IC AD9857ASTZ	T	93.7/35.6
IC903	1120002921	S.IC ADM202EARNZ	T	96.9/109.1
IC904	1130005721	S.IC TC7W04F (TE12L,F)	T	107.5/113
IC905	1130005252	S.IC TC74HC08AF (EL,F)	B	97/109.6
IC906	1130009831	S.IC TC74VHC04AF (F)	B	108.4/109.6
Q1	1530002060	S.TR 2SC4081 T106 R	T	67.4/6.3
Q2	1530003851	S.TR 2SC5551F-TD-E	T	45.7/7.4
Q11	1590000680	S.TR DTC114EUA T106	T	78.2/7.4
Q12	1590000680	S.TR DTC114EUA T106	T	92.1/6.5
Q31	1590000680	S.TR DTC114EUA T106	T	78.4/3.5
Q32	1590000680	S.TR DTC114EUA T106	T	92.7/3.5
Q33	1590000680	S.TR DTC114EUA T106	T	93/15.3
Q101	1530003151	S.TR 2SC4673D-TD-E	T	28.8/18.2
Q201	1560000561	S.FET 2SK882-GR (TE85L,F)	T	11.4/40.4
Q202	1560000561	S.FET 2SK882-GR (TE85L,F)	T	10.1/45.2
Q301	1530003151	S.TR 2SC4673D-TD-E	T	21.4/67.9
Q701	1530003221	S.TR 2SC4406-4-TL-E	T	75.3/54.2
Q720	1530003221	S.TR 2SC4406-4-TL-E	T	101.9/45.5
Q810	1530003221	S.TR 2SC4406-4-TL-E	T	73.1/37.7
Q821	1560000331	S.FET 2SK210-GR (TE85R,F)	T	43.3/45.7
Q841	1530002060	S.TR 2SC4081 T106 R	T	41.5/37.2
Q842	1530003432	S.TR 2SC5226A-4-TL-E	T	27.4/31.6
Q843	1530003432	S.TR 2SC5226A-4-TL-E	T	25/39.9
Q872	1590000680	S.TR DTC114EUA T106	T	30.2/32.6
Q903	1530002280	S.TR 2SC4081 T106 S	B	130.2/111.8
Q904	1510000510	S.TR 2SA1576A T106R	B	126.1/105.7
Q921	1590001330	S.TR DTA114EUA T106	T	54.5/112.7
Q922	1590000680	S.TR DTC114EUA T106	T	50.7/112.7
Q923	1590001330	S.TR DTA114EUA T106	T	42.9/113.5
Q924	1590000680	S.TR DTC114EUA T106	T	40.3/113.5
D1	1750000971	S.DIO CPH5513-TL-E	T	79.7/14.9
D2	1750000971	S.DIO CPH5513-TL-E	T	72.5/15.9
D3	1750000441	S.DIO 1SV263-TL-E	T	72.1/12.8
D4	1750000431	S.DIO HSB88WSTR-E	T	10.3/68.3
D11	1790000620	S.DIO MA77 (TX)	T	83.2/4.5
D12	1790000620	S.DIO MA77 (TX)	T	87.2/4.5
D101	1750000431	S.DIO HSB88WSTR-E	T	25.7/8.2
D201	1710000840	S.DIO 1SR154-400 TE25	B	120.3/65
D401	1790001250	S.DIO MA25111-(TX)	T	41.2/77.1
D402	1790001250	S.DIO MA25111-(TX)	T	39.9/75.2
D403	1790001250	S.DIO MA25111-(TX)	T	33.4/69.5
D821	1750000681	S.VCP 1SV232 (TPH2,F)	T	57.9/43.2
D822	1750000681	S.VCP 1SV232 (TPH2,F)	T	57.9/44.9
D902	1750000550	S.DIO 1SS355 TE-17	B	129.7/109.5
FI201	2030000290	S.MLH FL-357 (45 MHz)	T	9.3/29.6
FI501	2040000790	S.LC EXCCET103U	T	71.2/76
L1	6200001831	S.COL NLV32T-100J	T	76.3/12.8
L2	6200001831	S.COL NLV32T-100J	T	75.1/19.1
L3	6200001831	S.COL NLV32T-100J	B	70.7/15.1
L4	6200001831	S.COL NLV32T-100J	T	67.3/12.1
L5	6150004280	COL LS-484B (C-14927)		
L6	6150004280	COL LS-484B (C-14927)		
L7	6200003261	S.COL NLV32T-101J	T	52/16.6
L8	6140003790	COL LR-442		
L9	6200001831	S.COL NLV32T-100J	T	41.2/7.5
L10	6200001831	S.COL NLV32T-100J	T	41.2/3.2
L11	6200001831	S.COL NLV32T-100J	T	57.3/3.5
L12	6200010450	S.COL C2520C-R82G-A (0.82U)	T	57.6/15.5
L13	6200010940	S.COL C2520C-39NG-A	T	68.3/20
L14	6200010860	S.COL C2520C-R10G-A (0.1U)	T	64.1/19.2
L31	6200001831	S.COL NLV32T-100J	B	82.6/1.8
L32	6200001831	S.COL NLV32T-100J	B	78.8/5.2
L33	6200001831	S.COL NLV32T-100J	B	86.6/6
L34	6200001831	S.COL NLV32T-100J	B	90.7/3.6
L51	6200001831	S.COL NLV32T-100J	B	120.5/26
L52	6200001831	S.COL NLV32T-100J	B	126.5/39.4
L53	6200001831	S.COL NLV32T-100J	T	47.7/64.3
L54	6200001831	S.COL NLV32T-100J	T	50.7/64.3
L55	6200003950	S.COL HF50ACC 322513-T	B	119.3/33.5
L56	6200003950	S.COL HF50ACC 322513-T	T	116.1/44.6
L57	6200003950	S.COL HF50ACC 322513-T	T	121.2/27.1
L58	6200003950	S.COL HF50ACC 322513-T	B	119.3/39.1
L59	6200003950	S.COL HF50ACC 322513-T	T	119.6/34.4
L60	6200003950	S.COL HF50ACC 322513-T	T	119.6/37.6
L101	6140003530	COL LR-395		
L102	6140003530	COL LR-395		
L103	6200003021	S.COL NLV32T-R33J	T	22.3/19.7

[SCOPE UNIT]

REF NO.	ORDER NO.	DESCRIPTION	M.	H/V LOCATION
L104	6200001920	S.COL ELJNC R15K-F	B	22.7/16.4
L201	6150004250	COL LS-471A (C-14922)		
L202	6150004280	COL LS-484B (C-14927)		
L203	6150004280	COL LS-484B (C-14927)		
L204	6200001831	S.COL NLV32T-100J	B	3.3/46.6
L205	6200002431	S.COL NLV25T-082J	B	10.4/17.6
L301	6140003530	COL LR-395		
L302	6140003530	COL LR-395		
L303	6200003041	S.COL NLV32T-R68J	T	21/74.1
L304	6200001831	S.COL NLV32T-100J	B	23.2/72.6
L401	6200003171	S.COL NLV32T-330J	T	10.4/83.2
L501	6200001831	S.COL NLV32T-100J	T	53.8/64.3
L502	6200001831	S.COL NLV32T-100J	B	57.6/69.6
L551	6180003501	S.COL SLF6028T-100M1R3-PF	T	105.8/64.4
L552	6200001831	S.COL NLV32T-100J	T	106.3/69.9
L671	6200001831	S.COL NLV32T-100J	T	110.9/69.9
L701	6200005491	S.COL NLV32T-331J	T	76/51.4
L720	6200001831	S.COL NLV32T-100J	T	82/34.6
L721	6200001831	S.COL NLV32T-100J	T	109.4/41
L722	6200001831	S.COL NLV32T-100J	T	110.8/45.2
L761	6200003011	S.COL NLV32T-R27J	T	106.3/22.3
L762	6200003021	S.COL NLV32T-R33J	T	102.7/23
L763	6200003251	S.COL NLV32T-R39J	T	97.9/22.4
L764	6200003251	S.COL NLV32T-R39J	T	93.6/23.4
L801	6200005491	S.COL NLV32T-331J	T	69.7/40.9
L802	6200005491	S.COL NLV32T-331J	T	70.3/26.7
L821	6200001831	S.COL NLV32T-100J	T	61.7/45.7
L822	6190001441	COL #E526GN-110504		
L823	6200001851	S.COL NLV32T-5R6J	T	40.7/42.2
L825	6200003261	S.COL NLV32T-101J	T	51.7/52.2
L841	6200003261	S.COL NLV32T-101J		B26.8/33
L842	6200003031	S.COL NLV32T-R47J	T	26.8/34.5
L851	6200003431	S.COL NLV32T-R10J	T	27.4/45
L852	6200001471	S.COL NLV32T-R12J	T	27/48.9
L902	6200003241	S.COL NLV32T-221J	T	128.1/107.7
R1	7030003360	S.RES ERJ3GEYJ 221 V (220)	T	79.6/12.5
R2	7030003480	S.RES ERJ3GEYJ 222 V (2.2 k)	T	70.7/10.8
R3	7030003440	S.RES ERJ3GEYJ 102 V (1 k)	T	70.7/9.5
R4	7030003460	S.RES ERJ3GEYJ 152 V (1.5 k)	T	67.8/8.2
R5	7030003520	S.RES ERJ3GEYJ 472 V (4.7 k)	T	66.6/4.4
R6	7030003440	S.RES ERJ3GEYJ 102 V (1 k)	T	69.4/5
R7	7030003290	S.RES ERJ3GEYJ 560 V (56)	T	49.8/17.3
R8	7030003440	S.RES ERJ3GEYJ 102 V (1 k)	T	48.4/3.5
R9	7030003500	S.RES ERJ3GEYJ 332 V (3.3 k)	T	46/4.2
R11	7310005550	S.TRI TMC3ADCJ4X 22K	T	61.7/3.8
R12	7030003320	S.RES ERJ3GEYJ 101 V (100)	T	46.7/10.6
R14	7030003340	S.RES ERJ3GEYJ 151 V (150)	T	82.3/2.4
R16	7030003440	S.RES ERJ3GEYJ 102 V (1 k)	T	80.2/6.7
R17	7030003440	S.RES ERJ3GEYJ 102 V (1 k)	T	81.5/6.7
R18	7030003340	S.RES ERJ3GEYJ 151 V (150)	T	87.4/2.4
R20	7030003440	S.RES ERJ3GEYJ 102 V (1 k)	T	90.2/6.7
R21	7030003440	S.RES ERJ3GEYJ 102 V (1 k)	T	88.9/6.7
R34	7030003440	S.RES ERJ3GEYJ 102 V (1 k)	T	78.4/5.5
R35	7030003440	S.RES ERJ3GEYJ 102 V (1 k)	T	89.4/3.5
R36	7030003520	S.RES ERJ3GEYJ 472 V (4.7 k)	T	91/14.7
R37	7030003500	S.RES ERJ3GEYJ 332 V (3.3 k)	T	89.7/14.7
R38	7030003520	S.RES ERJ3GEYJ 472 V (4.7 k)	T	82/13.9
R39	7030003500	S.RES ERJ3GEYJ 332 V (3.3 k)	T	83.3/13.9
R51	7030003520	S.RES ERJ3GEYJ 472 V (4.7 k)	T	80.6/9.8
R52	7030003520	S.RES ERJ3GEYJ 472 V (4.7 k)	T	90.3/9.9
R53	7030003320	S.RES ERJ3GEYJ 101 V (100)	B	126/32.3
R54	7030003500	S.RES ERJ3GEYJ 332 V (3.3 k)	T	81.9/9.8
R55	7030003500	S.RES ERJ3GEYJ 332 V (3.3 k)	T	88.4/9.8
R61	7030003320	S.RES ERJ3GEYJ 101 V (100)	B	128.7/49
R62	7030003320	S.RES ERJ3GEYJ 101 V (100)	T	122.3/50.4
R63	7030003320	S.RES ERJ3GEYJ 101 V (100)	B	128.7/51
R64	7030003320	S.RES ERJ3GEYJ 101 V (100)	T	122.3/53.3
R65	7030003320	S.RES ERJ3GEYJ 101 V (100)	B	128.7/53
R66	7030003320	S.RES ERJ3GEYJ 101 V (100)	T	123.6/56.7
R71	7030003320	S.RES ERJ3GEYJ 101 V (100)	B	128.7/55
R72	7030003320	S.RES ERJ3GEYJ 101 V (100)	T	121.7/47.4
R73	7030003320	S.RES ERJ3GEYJ 101 V (100)	T	121.7/43.3
R74	7030003320	S.RES ERJ3GEYJ 101 V (100)	B	128.7/43.4
R75	7030003320	S.RES ERJ3GEYJ 101 V (100)	T	121.7/44.7
R76	7030003320	S.RES ERJ3GEYJ 101 V (100)	B	128.7/45.4
R77	7030003320	S.RES ERJ3GEYJ 101 V (100)	T	121.7/46
R81	7030010520	S.RES ERJ1TYJ 101U (100)	B	122.9/46.2
R103	7030003480	S.RES ERJ3GEYJ 222 V (2.2 k)	T	33.8/18
R104	7030003320	S.RES ERJ3GEYJ 101 V (100)	T	25.9/21.9
R105	7030003370	S.RES ERJ3GEYJ 271 V (270)	B	18.3/14.3
R106	7030003230	S.RES ERJ3GEYJ 180 V (18)	B	19.1/11.9
R107	7030003370	S.RES ERJ3GEYJ 271 V (270)	B	18.3/8.4
R108	7030003370	S.RES ERJ3GEYJ 271 V (270)	B	14.6/8.4
R109	7030003230	S.RES ERJ3GEYJ 180 V (18)	B	11.2/9.7
R110	7030003370	S.RES ERJ3GEYJ 271 V (270)	B	11.2/12
R111	7030003550	S.RES ERJ3GEYJ 822 V (8.2 k)	T	29.8/14.9
R112	7030003320	S.RES ERJ3GEYJ 101 V (100)	T	33.8/19.3
R113	7030003860	S.RES ERJ3GE JPW V	B	19.5/18
R201	7030003430	S.RES ERJ3GEYJ 821 V (820)	T	11.3/37.1
R202	7030003430	S.RES ERJ3GEYJ 821 V (820)	T	11.3/35.8
R203	7030003280	S.RES ERJ3GEYJ 470 V (47)	B	3.1/39.8
R204	7030003560	S.RES ERJ3GEYJ 103 V (10 k)	T	12/45
R205	7030003280	S.RES ERJ3GEYJ 470 V (47)	B	6.3/46.6
R206	7030003380	S.RES ERJ3GEYJ 331 V (330)	B</	

[SCOPE UNIT]

REF NO.	ORDER NO.	DESCRIPTION	M.	H/V LOCATION
R305	7030003320	S.RES ERJ3GEYJ 101 V (100)	T	23.7/73.9
R306	7030003480	S.RES ERJ3GEYJ 222 V (2.2 k)	T	21.4/63.4
R307	7030003550	S.RES ERJ3GEYJ 822 V (8.2 k)	T	18.3/66.9
R308	7030003340	S.RES ERJ3GEYJ 151 V (150)	T	24.4/63.4
R402	7030003440	S.RES ERJ3GEYJ 102 V (1 k)	B	13.4/89.7
R403	7030003440	S.RES ERJ3GEYJ 102 V (1 k)	B	16.3/90.4
R404	7030003440	S.RES ERJ3GEYJ 102 V (1 k)	B	19/86.7
R405	7030003440	S.RES ERJ3GEYJ 102 V (1 k)	B	22.4/90.5
R410	7030003560	S.RES ERJ3GEYJ 103 V (10 k)	T	21.3/85.8
R411	7030003560	S.RES ERJ3GEYJ 103 V (10 k)	T	9.2/91.1
R412	7030003560	S.RES ERJ3GEYJ 103 V (10 k)	T	13.4/92.1
R413	7030003730	S.RES ERJ3GEYJ 274 V (270 k)	T	9.8/89.3
R414	7030003560	S.RES ERJ3GEYJ 103 V (10 k)	B	26.9/88
R415	7030003560	S.RES ERJ3GEYJ 103 V (10 k)	T	31.6/90
R416	7310005510	S.TRI TMC3ADC55X 470K	T	34.5/87
R417	7030003630	S.RES ERJ3GEYJ 393 V (39 k)	T	43.1/95.4
R418	7030003570	S.RES ERJ3GEYJ 123 V (12 k)	T	45.4/92.2
R419	7030003220	S.RES ERJ3GEYJ 150 V (15)	T	47.9/92.3
R420	7030003580	S.RES ERJ3GEYJ 153 V (15 k)	T	40.9/81.7
R421	7030003560	S.RES ERJ3GEYJ 103 V (10 k)	T	40.5/85.5
R422	7030003560	S.RES ERJ3GEYJ 103 V (10 k)	T	42.6/92.2
R423	7030003540	S.RES ERJ3GEYJ 682 V (6.8 k)	T	43.1/94.1
R425	7310005540	S.TRI TMC3ADC14X 10K	T	45.3/81.2
R426	7030003560	S.RES ERJ3GEYJ 103 V (10 k)	T	48.7/76.5
R427	7030003560	S.RES ERJ3GEYJ 103 V (10 k)	T	39.9/77.2
R428	7030003680	S.RES ERJ3GEYJ 104 V (100 k)	T	37/75
R429	7030003650	S.RES ERJ3GEYJ 563 V (56 k)	T	34.7/67.7
R430	7030003740	S.RES ERJ3GEYJ 334 V (330 k)	T	38.8/73.9
R431	7030003740	S.RES ERJ3GEYJ 334 V (330 k)	T	36.2/73.9
R432	7030003640	S.RES ERJ3GEYJ 473 V (47 k)	T	39.6/81.7
R433	7030003680	S.RES ERJ3GEYJ 104 V (100 k)	T	38.8/66.4
R434	7030003320	S.RES ERJ3GEYJ 101 V (100)	T	33.4/66.9
R435	7030003680	S.RES ERJ3GEYJ 104 V (100 k)	T	40.1/66.4
R436	7030003680	S.RES ERJ3GEYJ 104 V (100 k)	T	36.9/67
R437	7030003680	S.RES ERJ3GEYJ 104 V (100 k)	T	43.8/67.7
R438	7030003680	S.RES ERJ3GEYJ 104 V (100 k)	T	43.8/70.4
R500	7030003860	S.RES ERJ3GGE JPW V	T	53.2/71.7
R501	7030003320	S.RES ERJ3GEYJ 101 V (100)	T	55.1/73
R502	7030003560	S.RES ERJ3GEYJ 103 V (10 k)	B	56.3/74.6
R503	7030003560	S.RES ERJ3GEYJ 103 V (10 k)	B	59.2/75.4
R504	7030003560	S.RES ERJ3GEYJ 103 V (10 k)	T	60.8/74.2
R505	7030003560	S.RES ERJ3GEYJ 103 V (10 k)	T	61.6/76
R506	7030003560	S.RES ERJ3GEYJ 103 V (10 k)	B	57.3/78.2
R507	7030003320	S.RES ERJ3GEYJ 101 V (100)	T	61.5/87.1
R509	7030003640	S.RES ERJ3GEYJ 473 V (47 k)	T	60.5/89.8
R602	7030003560	S.RES ERJ3GEYJ 103 V (10 k)	B	101.3/75.6
R603	7030003440	S.RES ERJ3GEYJ 102 V (1 k)	B	83.7/77.3
R604	7030003560	S.RES ERJ3GEYJ 103 V (10 k)	B	92.1/67.4
R605	7030003560	S.RES ERJ3GEYJ 103 V (10 k)	B	89.8/65.8
R606	7030003440	S.RES ERJ3GEYJ 102 V (1 k)	T	79.6/95.8
R607	7030003440	S.RES ERJ3GEYJ 102 V (1 k)	B	77.6/95.9
R608	7030003440	S.RES ERJ3GEYJ 102 V (1 k)	B	71.8/88.2
R609	7030003560	S.RES ERJ3GEYJ 103 V (10 k)	T	83.5/65.8
R610	7030003800	S.RES ERJ3GEYJ 105 V (1 M)	T	70.5/67.6
R611	7030004040	S.RES ERJ3GEYJ 4R7 V (4.7)	T	66.2/70.3
R612	7030004040	S.RES ERJ3GEYJ 4R7 V (4.7)	T	67.5/70.3
R615	7030003320	S.RES ERJ3GEYJ 101 V (100)	T	72.9/65.7
R616	7030003520	S.RES ERJ3GEYJ 472 V (4.7 k)	T	73.7/93.5
R617	7030003520	S.RES ERJ3GEYJ 472 V (4.7 k)	T	72.4/93.5
R618	7030003560	S.RES ERJ3GEYJ 103 V (10 k)	B	81.8/66.8
R619	7030003560	S.RES ERJ3GEYJ 103 V (10 k)	B	88/66.8
R620	7030003440	S.RES ERJ3GEYJ 102 V (1 k)	B	73.2/88.9
R621	7030003440	S.RES ERJ3GEYJ 102 V (1 k)	B	72.6/84.7
R622	7030003860	S.RES ERJ3GGE JPW V	B	111.9/79.5
R623	7030003860	S.RES ERJ3GGE JPW V	B	106.1/78.5
R633	7030003560	S.RES ERJ3GEYJ 103 V (10 k)	B	74.7/74.4
R634	7030003860	S.RES ERJ3GGE JPW V	T	74/70.4
R635	7030003280	S.RES ERJ3GEYJ 470 V (47)	T	73.4/68.4
R636	7030003280	S.RES ERJ3GEYJ 470 V (47)	T	72.7/70.4
R701	7030003240	S.RES ERJ3GEYJ 220 V (22)	T	73/51.7
R702	7030003560	S.RES ERJ3GEYJ 103 V (10 k)	T	77.3/54.4
R703	7030003320	S.RES ERJ3GEYJ 101 V (100)	T	72.7/55.1
R704	7030003280	S.RES ERJ3GEYJ 470 V (47)	T	73.3/57
R705	7030003340	S.RES ERJ3GEYJ 151 V (150)	T	77.4/57
R720	7030003370	S.RES ERJ3GEYJ 271 V (270)	T	107/43.2
R721	7030003560	S.RES ERJ3GEYJ 103 V (10 k)	T	104/43.5
R722	7030003340	S.RES ERJ3GEYJ 151 V (150)	T	107.2/45.9
R723	7030003440	S.RES ERJ3GEYJ 102 V (1 k)	B	91.7/28.7
R724	7030003440	S.RES ERJ3GEYJ 102 V (1 k)	B	91.1/30.6
R725	7030003440	S.RES ERJ3GEYJ 102 V (1 k)	B	87.6/28.5
R726	7030003440	S.RES ERJ3GEYJ 102 V (1 k)	B	91.2/26.8
R727	7030003440	S.RES ERJ3GEYJ 102 V (1 k)	B	94.8/43
R729	7030003280	S.RES ERJ3GEYJ 470 V (47)	T	98.7/45.6
R730	7030003560	S.RES ERJ3GEYJ 103 V (10 k)	B	96.4/40.1
R731	7030003460	S.RES ERJ3GEYJ 152 V (1.5 k)	T	105.1/38.6
R732	7030003510	S.RES ERJ3GEYJ 392 V (3.9 k)	T	106.5/34.2
R734	7030003510	S.RES ERJ3GEYJ 392 V (3.9 k)	T	102.5/42.7
R735	7030003280	S.RES ERJ3GEYJ 470 V (47)	T	106.5/30.9
R736	7030003280	S.RES ERJ3GEYJ 470 V (47)	T	106.5/32.2
R737	7030003440	S.RES ERJ3GEYJ 102 V (1 k)	T	88.4/24
R738	7030003640	S.RES ERJ3GEYJ 473 V (47 k)	T	88.1/46.1
R739	7030003510	S.RES ERJ3GEYJ 392 V (3.9 k)	T	106.5/35.5
R741	7030003860	S.RES ERJ3GGE JPW V	B	109.8/26.2
R742	7030003860	S.RES ERJ3GGE JPW V	T	86.8/46
R744	7030003860	S.RES ERJ3GGE JPW V	T	87.7/26.2
R745	7030003860	S.RES ERJ3GGE JPW V	T	85/27.5
R748	7030003860	S.RES ERJ3GGE JPW V	T	89.7/24
R764	7030003370	S.RES ERJ3GEYJ 271 V (270)	T	48/21.5
R765	7030003230	S.RES ERJ3GEYJ 180 V (18)	T	45.6/20.8
R766	7030003370	S.RES ERJ3GEYJ 271 V (270)	T	43.4/21.5
R767	7030003860	S.RES ERJ3GGE JPW V	T	95.7/21.5
R771	7030003860	S.RES ERJ3GGE JPW V	T	41/20.8
R801	7030003440	S.RES ERJ3GEYJ 102 V (1 k)	B	68.1/38
R802	7030003440	S.RES ERJ3GEYJ 102 V (1 k)	B	71.2/35.6

[SCOPE UNIT]

REF NO.	ORDER NO.	DESCRIPTION	M.	H/V LOCATION
R803	7030003440	S.RES ERJ3GEYJ 102 V (1 k)	B	68.1/35.7
R806	7030003520	S.RES ERJ3GEYJ 472 V (4.7 k)	T	62.4/40.1
R808	7030003600	S.RES ERJ3GEYJ 223 V (22 k)	T	61.7/42.6
R809	7030003840	S.RES ERJ3GEYJ 225 V (2.2 M)	T	63.9/41.6
R810	7030003370	S.RES ERJ3GEYJ 271 V (270)	T	74.1/35.2
R811	7030003560	S.RES ERJ3GEYJ 103 V (10 k)	T	73.8/40.2
R812	7030003280	S.RES ERJ3GEYJ 470 V (47)	T	71/31.6
R813	7030003340	S.RES ERJ3GEYJ 151 V (150)	T	73.8/45.4
R814	7030003500	S.RES ERJ3GEYJ 332 V (3.3 k)	T	60.3/41.1
R821	7030003680	S.RES ERJ3GEYJ 104 V (100 k)	T	39.3/45.9
R822	7030003680	S.RES ERJ3GEYJ 104 V (100 k)	T	46.8/44.6
R823	7030003370	S.RES ERJ3GEYJ 271 V (270)	T	43.5/41.7
R841	7030003200	S.RES ERJ3GEYJ 100 V (10)	T	37.9/39.9
R842	7030003360	S.RES ERJ3GEYJ 221 V (220)	T	42.2/35
R843	7030003500	S.RES ERJ3GEYJ 332 V (3.3 k)	T	40.1/39.1
R844	7030003540	S.RES ERJ3GEYJ 682 V (6.8 k)	T	38.6/37.8
R845	7030003360	S.RES ERJ3GEYJ 221 V (220)	T	38.6/36.5
R846	7030003380	S.RES ERJ3GEYJ 331 V (330)	T	40.3/42.7
R847	7030003370	S.RES ERJ3GEYJ 271 V (270)	T	30.5/30
R848	7030003540	S.RES ERJ3GEYJ 682 V (6.8 k)	T	28.4/37.3
R849	7030003500	S.RES ERJ3GEYJ 332 V (3.3 k)	T	30.3/34.8
R850	7030003390	S.RES ERJ3GEYJ 391 V (390)	T	26.5/37.9
R851	7030003360	S.RES ERJ3GEYJ 221 V (220)	T	24.4/37.1
R852	7030003490	S.RES ERJ3GEYJ 272 V (2.7 k)	T	28.4/40
R853	7030003510	S.RES ERJ3GEYJ 392 V (3.9 k)	T	30.3/41
R854	7030003360	S.RES ERJ3GEYJ 221 V (220)	T	30.1/42.4
R855	7030008180	S.RES ERJ12YJ331U (330)	T	42.5/52.9
R856	7030003370	S.RES ERJ3GEYJ 271 V (270)	T	22.9/60.3
R857	7030003230	S.RES ERJ3GEYJ 180 V (18)	T	20.7/59.6
R858	7030003320	S.RES ERJ3GEYJ 101 V (100)	T	20.7/61.1
R859	7030003260	S.RES ERJ3GEYJ 330 V (33)	T	24.4/44.2
R860	7030003400	S.RES ERJ3GEYJ 471 V (470)	T	42.4/32
R861	7030003860	S.RES ERJ3GGE JPW V	T	24.4/60.3
R905	7030003620	S.RES ERJ3GEYJ 333 V (33 k)	B	127.1/108.8
R906	7030003540	S.RES ERJ3GEYJ 682 V (6.8 k)	B	128.6/105.8
R907	7030003580	S.RES ERJ3GEYJ 153 V (15 k)	B	127.2/111.2
R908	7030003640	S.RES ERJ3GEYJ 473 V (47 k)	B	124.9/108.8
R913	7030003370	S.RES ERJ3GEYJ 271 V (270)	T	57.4/112.7
R914	7030003370	S.RES ERJ3GEYJ 271 V (270)	T	45.9/113.5
R951	7030003860	S.RES ERJ3GGE JPW V	B	120.4/122.7
R952	7030003860	S.RES ERJ3GGE JPW V	B	97.5/126.3
R953	7030003860	S.RES ERJ3GGE JPW V	B	97.5/124.7
R954	7030003860	S.RES ERJ3GGE JPW V	B	114.7/103.6
R955	7030003860	S.RES ERJ3GGE JPW V	T	48.6/112.9
R956	7030003860	S.RES ERJ3GGE JPW V	T	39.7/110.6
C1	4030006880	S.CER C1608 JB 1H 472K-T	T	84.1/6.7
C2	4030006880	S.CER C1608 JB 1H 472K-T	T	86.1/6.7
C3	4030006880	S.CER C1608 JB 1H 472K-T	T	82.8/15.8
C4	4030011340	S.CER C1608 CH 1H 471J-T	T	76.6/13.1
C5	4030011340	S.CER C1608 CH 1H 471J-T	T	74.1/12.9
C6	4030006880	S.CER C1608 JB 1H 472K-T	T	74.9/16.1
C7	4030006880	S.CER C1608 JB 1H 472K-T	T	70.1/12.8
C8	4030006880	S.CER C1608 JB 1H 472K-T	T	71.3/20
C9	4030006880	S.CER C1608 JB 1H 472K-T	T	70.1/5.7
C10	4030011600	S.CER C1608 JB 1E 104K-T	T	67.8/9.5
C11	4030009510	S.CER C1608 CH 1H 010B-T	B	58.9/16.3
C12	4030007040	S.CER C1608 CH 1H 180J-T	B	61.9/10
C13	4030007040	S.CER C1608 CH 1H 180J-T	B	53.2/10
C14	4030011340	S.CER C1608 CH 1H 471J-T	B	47.6/15
C15	4030006880	S.CER C1608 JB 1H 472K-T	T	40.2/16
C16	4030006880	S.CER C1608 JB 1H 472K-T	T	49.9/3.5
C17	4030006880	S.CER C1608 JB 1H 472K-T	T	38.6/10
C18	4030006960	S.CER C1608 CH 1H 050C-T	T	44/10.6
C21	4030006880	S.CER C1608 JB 1H 472K-T	T	78.8/57
C22	4030006880	S.CER C1608 JB 1H 472K-T	B	93.1/11.6
C23	4030011600	S.CER C1608 JB 1E 104K-T	T	90.5/12.8
C24	4030006880	S.CER C1608 JB 1H 472K-T	T	85.4/11.8
C31	4030006880	S.CER C1608 JB 1H 472K-T	T	78.3/9.4
C32	4030006880	S.CER C1608 JB 1H 472K-T	T	82.8/6.7
C33	4030006880	S.CER C1608 JB 1H 472K-T	T	90.3/8.6
C34	4030006880	S.CER C1608 JB 1H 472K-T	T	87.6/6.7
C35	4030006900	S.CER C1608 JB 1H 103K-T	T	83.6/2.4
C36	4030006900	S.CER C1608 JB 1H 103K-T	T	80.3/3.3
C37	4030006900	S.CER C1608 JB 1H 103K-T	T	86.1/2.4
C38	4030006900	S.CER C1608 JB 1H 103K-T	T	90.7/3.5
C39	4030006860	S.CER C1608 JB 1H 102K-T	T	88.4/14.7
C40	4030006860	S.CER C1608 JB 1H 1		



[SCOPE UNIT]

REF NO.	ORDER NO.	DESCRIPTION	M.	H/V LOCATION
C206	4030006880	S.CER C1608 JB 1H 472K-T	T	11.3/38.5
C207	4030006960	S.CER C1608 CH 1H 050C-T	T	11.2/42.3
C208	4030007070	S.CER C1608 CH 1H 330J-T	B	8.4/51
C209	4030006880	S.CER C1608 JB 1H 472K-T	T	7.6/46.1
C210	4030011600	S.CER C1608 JB 1E 104K-T	B	2.1/50.2
C211	4030009550	S.CER C1608 CH 1H 2R5B-T	T	10.8/23.2
C212	4030006940	S.CER C1608 CH 1H 030C-T	T	4.7/28.9
C213	4550007320	S.TAN F930J226MAABMA	T	111.2/63.3
C214	4550007320	S.TAN F930J226MAABMA	B	117.7/65.4
C215	4030011600	S.CER C1608 JB 1E 104K-T	T	119.9/66.4
C216	4030017490	S.CER C1608 JB 1A 105K-T	T	112.9/66.4
C301	4030007040	S.CER C1608 CH 1H 180J-T	T	18.8/70.5
C302	4030006880	S.CER C1608 JB 1H 472K-T	T	23.7/71.1
C303	4030006880	S.CER C1608 JB 1H 472K-T	T	19.9/63.4
C304	4030006880	S.CER C1608 JB 1H 472K-T	T	22.9/63.4
C401	4030008850	S.CER C1608 JB 1H 123K-T	T	11.1/86.7
C403	4030018610	S.CER C1608 CH 1H 182J-T	B	15.6/87.5
C404	4030018580	S.CER C1608 CH 1H 821J-T	T	20.9/89.2
C405	4030007140	S.CER C1608 CH 1H 121J-T	T	20.9/87.9
C406	4030017840	S.CER C2012 CH 1H 222J-T	B	22.6/86.7
C407	4030017840	S.CER C2012 CH 1H 222J-T	B	22.6/88.7
C408	4030007010	S.CER C1608 CH 1H 100D-T	T	21.6/90.5
C409	4030007140	S.CER C1608 CH 1H 121J-T	T	21.6/91.8
C410	4030011600	S.CER C1608 JB 1E 104K-T	T	17.7/92.1
C411	4030011600	S.CER C1608 JB 1E 104K-T	T	13.4/85.2
C420	4030011600	S.CER C1608 JB 1E 104K-T	T	8.5/89.3
C421	4030006920	S.CER C1608 CH 1H 010C-T	T	11.1/89.3
C422	4030006920	S.CER C1608 CH 1H 010C-T	T	31.6/87.2
C423	4030011600	S.CER C1608 JB 1E 104K-T	T	29.9/2.1
C424	4030011600	S.CER C1608 JB 1E 104K-T	T	24.7/85.2
C425	4030011600	S.CER C1608 JB 1E 104K-T	T	40.2/95.4
C426	4030006900	S.CER C1608 JB 1H 103K-T	T	47.4/89.7
C427	4030011600	S.CER C1608 JB 1E 104K-T	T	35.9/81
C428	4510008550	S.ELE EEE1HA010SR	T	38.9/2.2
C429	4030011600	S.CER C1608 JB 1E 104K-T	T	47.4/85.4
C431	4030006900	S.CER C1608 JB 1H 103K-T	T	38.5/77.2
C432	4030011600	S.CER C1608 JB 1E 104K-T	T	41.4/73.9
C433	4510008540	S.ELE EEE1CA100SR	T	31.4/73.2
C434	4030011600	S.CER C1608 JB 1E 104K-T	T	40.5/88.5
C501	4030011600	S.CER C1608 JB 1E 104K-T	T	52.5/73
C502	4510008540	S.ELE EEE1CA100SR	T	52.2/68.5
C503	4510008540	S.ELE EEE1CA100SR	T	59.3/70.5
C504	4030011600	S.CER C1608 JB 1E 104K-T	T	62.7/8.6
C505	4510008540	S.ELE EEE1CA100SR	T	59.5/64.5
C506	4030011600	S.CER C1608 JB 1E 104K-T	T	61.6/81.8
C507	4510008580	S.ELE EEE0JA470SR	T	51.8/7.4
C508	4030017490	S.CER C1608 JB 1A 105K-T	T	49.3/82.9
C509	4030011600	S.CER C1608 JB 1E 104K-T	T	59.6/87.9
C521	4510009280	S.ELE EEE1EA4R7SR	T	59.6/93.9
C522	4030011600	S.CER C1608 JB 1E 104K-T	T	55.5/92.2
C523	4510008550	S.ELE EEE1HA010SR	T	51.1/93.9
C524	4030011600	S.CER C1608 JB 1E 104K-T	T	55.2/97
C551	4550006960	S.TAN TEESVB2 0G 107M8R	T	99.1/64.3
C601	4030011600	S.CER C1608 JB 1E 104K-T	B	99.4/93.9
C602	4030011600	S.CER C1608 JB 1E 104K-T	B	98.6/67.3
C603	4030011600	S.CER C1608 JB 1E 104K-T	B	100.9/91.6
C604	4030011600	S.CER C1608 JB 1E 104K-T	B	101.5/68.5
C605	4030011600	S.CER C1608 JB 1E 104K-T	B	93.2/85.9
C606	4030011600	S.CER C1608 JB 1E 104K-T	B	93.8/84.5
C607	4030011600	S.CER C1608 JB 1E 104K-T	B	93/80.1
C608	4030011600	S.CER C1608 JB 1E 104K-T	B	93.8/78.8
C609	4030011600	S.CER C1608 JB 1E 104K-T	B	93.7/75.8
C610	4030011600	S.CER C1608 JB 1E 104K-T	B	91.3/86.8
C611	4030011600	S.CER C1608 JB 1E 104K-T	B	90.3/75.9
C612	4030011600	S.CER C1608 JB 1E 104K-T	B	87.8/93.9
C613	4030011600	S.CER C1608 JB 1E 104K-T	B	88.4/86.8
C614	4030011600	S.CER C1608 JB 1E 104K-T	B	88.5/74
C615	4030011600	S.CER C1608 JB 1E 104K-T	B	86.9/86
C616	4030011600	S.CER C1608 JB 1E 104K-T	B	87.1/75.9
C617	4030011600	S.CER C1608 JB 1E 104K-T	B	87.9/67
C618	4030011600	S.CER C1608 JB 1E 104K-T	B	83.9/86
C619	4030011600	S.CER C1608 JB 1E 104K-T	B	83.5/75.7
C620	4030011600	S.CER C1608 JB 1E 104K-T	B	81.1/86
C621	4030011600	S.CER C1608 JB 1E 104K-T	B	81.9/83.6
C622	4030011600	S.CER C1608 JB 1E 104K-T	B	81.9/81.9
C623	4030011600	S.CER C1608 JB 1E 104K-T	B	81/77.2
C624	4030011600	S.CER C1608 JB 1E 104K-T	B	81/74.5
C625	4030011600	S.CER C1608 JB 1E 104K-T	B	74.5/91.6
C626	4030011600	S.CER C1608 JB 1E 104K-T	B	74.5/77.2
C627	4030011600	S.CER C1608 JB 1E 104K-T	B	78.3/67.4
C628	4030011600	S.CER C1608 JB 1E 104K-T	B	75.5/93.8
C629	4030011600	S.CER C1608 JB 1E 104K-T	B	73.8/69.4
C630	4030011600	S.CER C1608 JB 1E 104K-T	T	74/76.5
C631	4030011600	S.CER C1608 JB 1E 104K-T	T	74/80.8
C632	4030011600	S.CER C1608 JB 1E 104K-T	T	73.9/73.2
C633	4030011600	S.CER C1608 JB 1E 104K-T	T	102.8/90.4
C634	4030011600	S.CER C1608 JB 1E 104K-T	T	102.9/76.2
C635	4030011600	S.CER C1608 JB 1E 104K-T	B	101.2/83.5
C636	4030011600	S.CER C1608 JB 1E 104K-T	B	101.2/80.3
C637	4030011600	S.CER C1608 JB 1E 104K-T	B	101.4/72
C638	4030011600	S.CER C1608 JB 1E 104K-T	B	96/93.9
C639	4030011600	S.CER C1608 JB 1E 104K-T	B	104/87.3
C640	4030011600	S.CER C1608 JB 1E 104K-T	B	93/82.8
C641	4030011600	S.CER C1608 JB 1E 104K-T	B	93.8/87.5
C642	4030011600	S.CER C1608 JB 1E 104K-T	B	93.8/81.4
C643	4030011600	S.CER C1608 JB 1E 104K-T	B	93/77.2
C644	4030011600	S.CER C1608 JB 1E 104K-T	B	93/74.5
C645	4030011600	S.CER C1608 JB 1E 104K-T	B	94.8/67.4
C646	4030011600	S.CER C1608 JB 1E 104K-T	B	92.8/93.9
C647	4030011600	S.CER C1608 JB 1E 104K-T	T	94.3/67
C648	4030011600	S.CER C1608 JB 1E 104K-T	B	89.7/86
C649	4030011600	S.CER C1608 JB 1E 104K-T	B	85.4/67.5
C650	4030011600	S.CER C1608 JB 1E 104K-T	B	85.5/86.7
C651	4030011600	S.CER C1608 JB 1E 104K-T	B	85.4/74

[SCOPE UNIT]

REF NO.	ORDER NO.	DESCRIPTION	M.	H/V LOCATION
C652	4030011600	S.CER C1608 JB 1E 104K-T	B	79.4/93.8
C653	4030011600	S.CER C1608 JB 1E 104K-T	B	82.5/86.8
C654	4030011600	S.CER C1608 JB 1E 104K-T	B	78.7/66.9
C655	4030011600	S.CER C1608 JB 1E 104K-T	B	81.9/79.9
C656	4030011600	S.CER C1608 JB 1E 104K-T	B	74.5/84.6
C657	4030011600	S.CER C1608 JB 1E 104K-T	B	74.5/80.3
C658	4030011600	S.CER C1608 JB 1E 104K-T	B	74.6/71.4
C659	4030011600	S.CER C1608 JB 1E 104K-T	B	74.5/88.1
C660	4510008540	S.ELE EEE1CA100SR	T	67.6/75
C661	4030011600	S.CER C1608 JB 1E 104K-T	B	72.8/74.7
C662	4030011600	S.CER C1608 JB 1E 104K-T	T	88.3/95.9
C663	4030011600	S.CER C1608 JB 1E 104K-T	T	68.8/70.3
C664	4030011600	S.CER C1608 JB 1E 104K-T	T	66.2/67.6
C665	4030011600	S.CER C1608 JB 1E 104K-T	B	67.5/76.8
C666	4550007310	S.TAN F930J227MNMBA	B	108.6/73.9
C667	4550007310	S.TAN F930J227MNMBA	B	108.6/68.6
C671	4030011600	S.CER C1608 JB 1E 104K-T	T	114.2/70.1
C672	4030006880	S.CER C1608 JB 1H 472K-T	T	72.9/64.4
C701	4030011600	S.CER C1608 JB 1E 104K-T	T	76/57
C702	4030011600	S.CER C1608 JB 1E 104K-T	T	72.7/53.6
C703	4030011600	S.CER C1608 JB 1E 104K-T	T	74.6/57
C720	4030006880	S.CER C1608 JB 1H 472K-T	T	82.9/38.1
C721	4030011600	S.CER C1608 JB 1E 104K-T	T	83.2/40.2
C722	4510008540	S.ELE EEE1CA100SR	T	82.6/44.1
C723	4030006880	S.CER C1608 JB 1H 472K-T	T	109.9/37.4
C724	4030011600	S.CER C1608 JB 1E 104K-T	T	109.9/38.9
C725	4510008540	S.ELE EEE1CA100SR	T	110.1/33.2
C726	4030006880	S.CER C1608 JB 1H 472K-T	T	108.6/45.9
C727	4030006880	S.CER C1608 JB 1H 472K-T	T	105.6/45.3
C730	4030011600	S.CER C1608 JB 1E 104K-T	T	84.2/35.3
C731	4030011600	S.CER C1608 JB 1E 104K-T	T	84.2/38.1
C733	4030011600	S.CER C1608 JB 1E 104K-T	T	93.4/26.3
C734	4030011600	S.CER C1608 JB 1E 104K-T	T	103.1/29.9
C736	4030011600	S.CER C1608 JB 1E 104K-T	T	96.8/44.8
C737	4030011600	S.CER C1608 JB 1E 104K-T	T	103/40.9
C738	4030011600	S.CER C1608 JB 1E 104K-T	T	96.5/26.3
C739	4030011600	S.CER C1608 JB 1E 104K-T	T	99.6/26.3
C740	4030011600	S.CER C1608 JB 1E 104K-T	T	103.1/37.4
C741	4030011600	S.CER C1608 JB 1E 104K-T	T	92.6/45.1
C742	4030011600	S.CER C1608 JB 1E 104K-T	T	90/45.1
C750	4030006900	S.CER C1608 JB 1H 103K-T	T	103.2/34.5
C751	4030006900	S.CER C1608 JB 1H 103K-T	T	105.1/37.3
C760	4030006880	S.CER C1608 JB 1H 472K-T	T	110.9/20.8
C761	4030007150	S.CER C1608 CH 1H 151J-T	T	110.1/22.8
C762	4030007110	S.CER C1608 CH 1H 680J-T	T	108.4/21.6
C763	4030011280	S.CER C1608 CH 1H 271J-T	T	106/25.1
C764	4030007080	S.CER C1608 CH 1H 390J-T	T	103.4/20.8
C765	4030011830	S.CER C1608 CH 1H 301J-T	T	100/24.3
C766	4030007020	S.CER C1608 CH 1H 120J-T	T	100/21.7
C767	4030007170	S.CER C1608 CH 1H 221J-T	T	95.7/24.3
C768	4030011280	S.CER C1608 CH 1H 102K-T	T	93.5/20.4
C769	4030006860	S.CER C1608 JB 1H 102K-T	T	91.4/21.3
C770	4030011280	S.CER C1608 CH 1H 271J-T	T	89.3/20.5
C801	4030006880	S.CER C1608 JB 1H 472K-T	T	66.2/40
C802	4510008540	S.ELE EEE1CA100SR	T	69/44.7
C803	4030006900	S.CER C1608 JB 1H 103K-T	T	60.4/37.1
C805	4550007660	S.TAN F931E105MAABMA	T	58.5/38.7
C806	4340000240	S.MLR ECHU 1C 682JX5	T	64.2/43.3
C807	4030006880	S.CER C1608 JB 1H 472K-T	T	69.6/33.3
C808	4030006880	S.CER C1608 JB 1H 472K-T	B	62.7/32
C809	4510008540	S.ELE EEE1CA100SR	T	64.9/25.7
C810	4030006880	S.CER C1608 JB 1H 472K-T	T	73.8/42.8
C811	4030006880	S.CER C1608 JB 1H 472K-T	T	73.3/32.9
C812	4030006880	S.CER C1608 JB 1H 472K-T	T	73.8/30.9
C813	4030011600	S.CER C1608 JB 1E 104K-T	T	65.9/31.8
C821	4030007060	S.CER C1608 CH 1H 270J-T	T	57.8/46.5
C822	4030007100	S.CER C1608 CH 1H 560J-T	T	54.4/45.7
C823	4030006960	S.CER C1608 CH 1H 050C-T	T	55.7/45.7
C824	4610001850	S.TRI TZB4R200AB10R00	T	50.6/44.7
C825	4030007130	S.CER C1608 CH 1H 102K-T	T	46.9/46.8
C826	4030007060	S.CER C1608 CH 1H 270J-T	T	40.9/45.9
C827	4030007020	S.CER C1608 CH 1H 120J-T	T	45.5/44.6
C828	4030006880	S.CER C1608 JB 1H 472K-T	T	43.5/43.1
C829	4030009500			



[SCOPE UNIT]

REF NO.	ORDER NO.	DESCRIPTION	M.	H/V LOCATION
J1	6510007020	CNR TMP-J01X-V6		
J2	6510007020	CNR TMP-J01X-V6		
J3	6510007020	CNR TMP-J01X-V6		
J4	6510020001	S.CNR 52808-3071 (3090)	T	127.9/41.5
J11	6510007020	CNR TMP-J01X-V6		
J901	6510023720	CNR LGY6501-0600C		
J902	6510023120	CNR CD6109SA1J0 <CVI>		
J903	6510024040	CNR TM11R-5M2-88-LP		
J904	6510024032	CNR UBA-4R-D10T-4D (LF) (SN)		
J905	6450001941	CNR KEY-15S-2A3A (LF) (SN)		
J906	6510019971	S.CNR 52808-1071	T	129/97.7
J907	6510020251	S.CNR B9B-PH-SM4-TB (LF) (SN)	T	50.7/105.2
J908	6510022311	S.CNR B5B-PH-SM4-TB (LF) (SN)	T	88.7/110.1
J909	6510003471	CNR B11B-EH-S (LF) (SN)		
J910	6510019421	S.CNR B8B-ZR-SM4-TF (LF) (SN)	T	109.6/104.7
DS901	5040002930	S.LED SML-512MW T86	T	57.1/115.2
DS902	5040002930	S.LED SML-512MW T86	T	46/115.1
EP901	6910012350	S.BEA MMZ1608Y 102BT	B	131.1/119.6
EP902	6910012350	S.BEA MMZ1608Y 102BT	B	122.5/122.7
EP903	6910012350	S.BEA MMZ1608Y 102BT	T	81.3/114.1
EP904	6910012350	S.BEA MMZ1608Y 102BT	T	82.6/114.1
EP905	6910012350	S.BEA MMZ1608Y 102BT	B	79.7/113.7
EP906	6910012350	S.BEA MMZ1608Y 102BT	T	81.9/110.1
EP907	6910012350	S.BEA MMZ1608Y 102BT	B	83.8/111.5
EP908	6910012350	S.BEA MMZ1608Y 102BT	B	85.1/111.5

[LOGIC UNIT]

REF NO.	ORDER NO.	DESCRIPTION	M.	H/V LOCATION
IC1	1130014630	S.IC MT48LC16M16A2P IT	B	59.3/91.9
IC2	1130014630	S.IC MT48LC16M16A2P IT	T	59.3/99
IC51	1130011591	S.IC IDT70V24L15PFG	B	95.5/56
IC52	1140009781	S.IC XC9572XL-10TQG100C	B	116.5/56
IC53	1110005821	S.IC R3112N281A-TR-F	T	142.2/100.9
IC54	1130007431	S.IC TC7S14FU (TE85R,F)	T	146.5/100.6
IC55	1130008041	S.IC TC7SH04FU (TE85L,JF)	T	97.9/34.4
IC56	1130010111	S.IC TC7WH04FU (TE12L,F)	B	35/25.1
IC101	1130011010	S.IC SN74CBLTV3257PWR <ACE>	T	25.2/75.3
IC102	1130006441	S.IC TC7S08F (TE85R,F)	T	62/39
IC103	1140011561	S.IC HD6417751RBP200V	T	53.5/64.9
IC104	1130008361	S.IC TC7SHU04FU (TE85L,JF)	T	8.1/60.8
IC105	1130012241	S.IC CY2292FXC (SX-2590J)	T	12.6/69
IC106	1130011110	S.IC TC74VCX04FT (EL)	T	10/77.1
IC201	1130014630	S.IC MT48LC16M16A2P IT	B	128/77.3
IC202	1130014630	S.IC MT48LC16M16A2P IT	B	128.1/95.5
IC203	1140011571	S.IC HD64404BTDV	T	97.4/78.4
IC204	1140011581	S.IC ADV7123KSTZ50	T	207.1/29.6
IC205	1130011941	S.IC TC7SZ04F (TE85L,F)	T	195.9/26.4
IC206	1130012150	S.IC SN74ACT04PWR	T	196/19.9
IC207	1130005721	S.IC TC7W04F (TE12L,F)	B	212.2/38.2
IC208	1130014080	S.IC BD6517F-E2	B	219.1/39.2
IC209	1190001920	S.IC AK5355-VT-E2	B	109.8/22.9
IC210	1190001920	S.IC AK5355-VT-E2	B	120.7/22.9
IC211	1190001910	S.IC AK4384-VT-E2	B	131.3/32.6
IC212	1190001910	S.IC AK4384-VT-E2	B	119.1/33.4
IC401	1130010970	S.IC PCI1410APGE	B	23.5/48.5
IC402	1130011960	S.IC TPS2211AIDBR	B	21.8/31.2
IC403	1130009570	S.IC BR93LC46F-WE2	T	24.2/67.3
IC404	1130010990	S.IC RTL8139C	B	23/76.5
IC601	1130008041	S.IC TC7SH04FU (TE85L,JF)	B	169.3/55.8
IC602	1130008711	S.IC TC7SET04FU (T5L,JF)	B	169.3/53.3
IC603	1110004770	S.IC BU9480F-E2	T	176/57
IC604	1140011590	S.IC HD64F2377VFQ33V	B	87/30.5
IC605	1140009781	S.IC XC9572XL-10TQG100C	B	141/57
IC607	1130006441	S.IC TC7S08F (TE85R,F)	B	59.6/22.6
IC608	1130006441	S.IC TC7S08F (TE85R,F)	B	63.3/22.6
IC609	1130005252	S.IC TC74HC08AF (EL,F)	B	60/29.8
IC610	1140008650	S.IC HN58X2464TI	B	54/37.4
IC801	1180002020	S.REG BA033FP-E2	B	144.2/112.5
IC802	1180001541	S.IC TA78L08F (TE12L,F)	T	131.1/111.6
IC821	1110002700	S.IC NJM2904M-TE1-#FMZB	B	16.9/105
IC851	1110003870	S.IC NJM2058M-TE1	B	186.3/56.1
IC852	1110003870	S.IC NJM2058M-TE1	B	135.5/12.6
IC853	1110003870	S.IC NJM2058M-TE1	B	114.5/10.1
IC854	1130005721	S.IC TC7W04F (TE12L,F)	B	161.4/40.6
Q601	1530002060	S.TR 2SC4081 T106 R	B	173.3/53.3
Q602	1510000510	S.TR 2SA1576A T106R	B	173.2/57.2
Q802	1530002060	S.TR 2SC4081 T106 R	T	159.1/70.3
Q803	1540000441	S.TR 2SD1619T-TD-E	B	160.1/70.9
Q804	1540000441	S.TR 2SD1619T-TD-E	B	166.7/70.8
Q805	1530002060	S.TR 2SC4081 T106 R	T	165.7/70.3
Q806	1540000441	S.TR 2SD1619T-TD-E	B	173.3/70.8
Q807	1530002060	S.TR 2SC4081 T106 R	T	172.3/70.3
Q808	1590001330	S.TR DTA114EUA T106	B	157.7/30.1
Q809	1590001330	S.TR DTA114EUA T106	B	157.7/27.5
Q810	1540000550	S.TR 2SD1664 T100Q	T	160.2/78
Q821	1520000651	S.TR 2SB1201S-TL-E	B	28.9/108.4
Q822	1530002060	S.TR 2SC4081 T106 R	B	25.5/103.6
Q901	1590001960	S.TR XP4311 (TX)	B	187.9/88.3
Q902	1590001960	S.TR XP4311 (TX)	B	188.9/79.7
Q903	1590001960	S.TR XP4311 (TX)	B	193.9/88.3
Q904	1590001960	S.TR XP4311 (TX)	B	192.9/79.7
D51	1750000550	S.DIO 1SS355 TE-17	T	126.1/48.7
D52	1750000550	S.DIO 1SS355 TE-17	T	126.1/50.5
D53	1750000550	S.DIO 1SS355 TE-17	T	126.1/52.3
D54	1750000550	S.DIO 1SS355 TE-17	T	126.1/54.1
D55	1750000550	S.DIO 1SS355 TE-17	T	124.7/55.9
D56	1750000550	S.DIO 1SS355 TE-17	T	124.7/57.7
D57	1750000550	S.DIO 1SS355 TE-17	T	124.7/59.5
D58	1750000550	S.DIO 1SS355 TE-17	T	124.7/61.3
D59	1750000550	S.DIO 1SS355 TE-17	T	124.7/63.1
D60	1750000550	S.DIO 1SS355 TE-17	T	130.1/48.7
D61	1750000550	S.DIO 1SS355 TE-17	T	130.1/50.5
D62	1750000550	S.DIO 1SS355 TE-17	T	130.1/52.3
D65	1750000550	S.DIO 1SS355 TE-17	T	128.9/57.7
D66	1750000550	S.DIO 1SS355 TE-17	T	128.9/59.5
D67	1750000550	S.DIO 1SS355 TE-17	T	128.9/61.3
D68	1750000550	S.DIO 1SS355 TE-17	T	128.9/63.1
D201	1790000980	S.DIO MA742 (TX)	B	214.6/32.4
D202	1790000980	S.DIO MA742 (TX)	B	214.6/29.4
D203	1790000980	S.DIO MA742 (TX)	B	214.6/26.4
D204	1790000980	S.DIO MA742 (TX)	T	201.5/16.9
D205	1790000980	S.DIO MA742 (TX)	T	201.5/19.8
D206	1790000980	S.DIO MA742 (TX)	B	218/7.4
D207	1790000980	S.DIO MA742 (TX)	B	220.9/7.4
D208	1790000980	S.DIO MA742 (TX)	B	228/7.4
D209	1790000980	S.DIO MA742 (TX)	B	230.8/7.4
D601	1750000550	S.DIO 1SS355 TE-17	B	175.5/52.5
D801	1750000370	S.DIO DA221 TL	B	159.1/66.5
D802	1750000370	S.DIO DA221 TL	B	165.7/66.5
D803	1750000370	S.DIO DA221 TL	B	172.3/66.5
D804	1750000271	S.DIO 1SS301 (TE85L,F)	B	170/64.1
D805	1790001611	S.DIO 1SS385 (TE85L,F)	B	157.3/38.2
D806	1790001611	S.DIO 1SS385 (TE85L,F)	B	157.3/40.3
D821	1730002340	S.ZEN MA8047-M (TX)	B	22.4/104.6
D851	1750000550	S.DIO 1SS355 TE-17	B	180.9/50.2
D852	1750000550	S.DIO 1SS355 TE-17	B	191.8/50
D853	1790000980	S.DIO MA742 (TX)	B	122/18.5
D854	1790000980	S.DIO MA742 (TX)	B	119.5/18.5

M.=Mounted side (T: Mounted on the Top side, B: Mounted on the Bottom side)  
S.=Surface mount

[LOGIC UNIT]

REF NO.	ORDER NO.	DESCRIPTION	M.	H/V LOCATION
D855	1790000980	S.DIO MA742 (TX)	B	107/18.4
D856	1790000980	S.DIO MA742 (TX)	B	104.5/18.4
D857	1750000550	S.DIO 1SS355 TE-17	B	189.9/61.9
D858	1750000550	S.DIO 1SS355 TE-17	B	182.2/61.9
D860	1790000980	S.DIO MA742 (TX)	T	97.5/26.3
D861	1790000980	S.DIO MA742 (TX)	T	97.5/31.3
D862	1790000980	S.DIO MA742 (TX)	T	97.9/23.7
D863	1790000980	S.DIO MA742 (TX)	T	97.5/28.8
D864	1790000980	S.DIO MA742 (TX)	T	100.4/23.7
D865	1790000980	S.DIO MA742 (TX)	T	94.3/24.7
D866	1790000980	S.DIO MA742 (TX)	T	94.3/27.2
D867	1790000980	S.DIO MA742 (TX)	T	102.9/23.7
D901	1790000980	S.DIO MA742 (TX)	T	188/31.2
X101	6050011610	S.XTL CR-751 (25.000 MHz)	T	2.9/63.1
X201	6050010680	S.XTL CR-628 (24.576 MHz)	T	103.9/94.6
X202	6050011910	S.XTL CR-780 (48 MHz)	T	100.2/60.6
X601	6050011810	S.XTL CR-755 (15.9744 MHz)	T	81.9/13.6
L203	6200002631	S.COL NLV25T-R10J	B	222.2/32.6
L204	6200002631	S.COL NLV25T-R10J	B	222.2/29.6
L205	6200002631	S.COL NLV25T-R10J	B	222.2/26.6
L801	6200003261	S.COL NLV32T-101J	B	66.9/123.5
L803	6180003321	S.COL SLF6028T-150M1R0-PF	B	88.7/112.9
L804	6180003321	S.COL SLF6028T-150M1R0-PF	B	102.5/112.9
L805	6180003321	S.COL SLF6028T-150M1R0-PF	B	95.8/112.9
L806	6180003321	S.COL SLF6028T-150M1R0-PF	B	109/112.9
L807	6180003321	S.COL SLF6028T-150M1R0-PF	B	115.7/112.9
L808	6200003590	S.COL EXCCL3225U1	T	92.1/115.8
L809	6200003590	S.COL EXCCL3225U1	B	93.1/123.1
L810	6200003590	S.COL EXCCL3225U1	B	87.7/123.2
L811	6200001831	S.COL NLV32T-100J	B	127.9/22.6
L821	6200003590	S.COL EXCCL3225U1	B	121.2/112.7
L822	6200003590	S.COL EXCCL3225U1	T	125/115.8
L823	6200009790	S.COL BLM31PG121SN1	T	18.2/25.6
L824	6200003590	S.COL EXCCL3225U1	B	130.1/115.5
L825	6200003590	S.COL EXCCL3225U1	B	133.6/116.1
L826	6180003321	S.COL SLF6028T-150M1R0-PF	B	179.9/15.5
L827	6200003590	S.COL EXCCL3225U1	T	120.4/115.8
L832	6200003590	S.COL EXCCL3225U1	B	80.1/122.1
L833	6200003590	S.COL EXCCL3225U1	B	75.6/122.1
L834	6200003590	S.COL EXCCL3225U1	B	125.6/112.2
L835	6200003590	S.COL EXCCL3225U1	B	125.6/115.4
L901	6200003590	S.COL EXCCL3225U1	B	214.4/74.3
L902	6200003590	S.COL EXCCL3225U1	B	214.4/78.2
L903	6200003590	S.COL EXCCL3225U1	B	206.5/80
L904	6200003590	S.COL EXCCL3225U1	B	214.4/81.2
L905	6200003590	S.COL EXCCL3225U1	B	21/114.8
L906	6200003590	S.COL EXCCL3225U1	B	24/114.8
L907	6200003590	S.COL EXCCL3225U1	B	27/114.8
L908	6200003590	S.COL EXCCL3225U1	B	30/114.8
L909	6200003261	S.COL NLV32T-101J	B	181.3/82.6
L910	6200003590	S.COL EXCCL3225U1	B	195.7/82.4
L911	6200003590	S.COL EXCCL3225U1	B	221.8/76.5
L912	6200003590	S.COL EXCCL3225U1	B	230.4/76.8
L913	6200003590	S.COL EXCCL3225U1	B	230.4/63
L914	6200003590	S.COL EXCCL3225U1	B	221.8/64
L915	6200003590	S.COL EXCCL3225U1	B	230.4/66
L916	6200003590	S.COL EXCCL3225U1	B	221.8/67
L917	6200003590	S.COL EXCCL3225U1	T	162.2/21.7
L918	6200003590	S.COL EXCCL3225U1	T	186.4/18.7
L919	6200003590	S.COL EXCCL3225U1	T	186.4/22.4
L920	6200003590	S.COL EXCCL3225U1	T	162.3/24.7
L1101	6200003590	S.COL EXCCL3225U1	T	40.5/25.8
R1	7030003520	S.RES ERJ3GEYJ 472 V (4.7 k)	T	91.5/101.3
R51	7030003520	S.RES ERJ3GEYJ 472 V (4.7 k)	T	143/76.8
R52	7030003560	S.RES ERJ3GEYJ 103 V (10 k)	T	138.6/100.6
R55	7030003440	S.RES ERJ3GEYJ 102 V (1 k)	B	126.4/51.5
R56	7030003440	S.RES ERJ3GEYJ 102 V (1 k)	B	123.5/46.1
R57	7030003680	S.RES ERJ3GEYJ 104 V (100 k)	B	31.3/25
R58	7030003680	S.RES ERJ3GEYJ 104 V (100 k)	B	30/25
R101	7030003680	S.RES ERJ3GEYJ 104 V (100 k)	T	19.3/74.8
R102	7030003520	S.RES ERJ3GEYJ 472 V (4.7 k)	T	31/73.7
R103	7030003520	S.RES ERJ3GEYJ 472 V (4.7 k)	T	31/75.7
R104	7030003520	S.RES ERJ3GEYJ 472 V (4.7 k)	T	19.3/73.5
R105	7030003520	S.RES ERJ3GEYJ 472 V (4.7 k)	T	19.3/76.1
R106	7030003560	S.RES ERJ3GEYJ 103 V (10 k)	B	54.6/60.1
R107	7030003560	S.RES ERJ3GEYJ 103 V (10 k)	B	49.4/60.1
R108	7030003560	S.RES ERJ3GEYJ 103 V (10 k)	B	48.4/49.5
R109	7030003560	S.RES ERJ3GEYJ 103 V (10 k)	B	52/60.1
R110	7030003560	S.RES ERJ3GEYJ 103 V (10 k)	T	54.9/49.3
R111	7030003560	S.RES ERJ3GEYJ 103 V (10 k)	B	54.6/58.8
R112	7030003560	S.RES ERJ3GEYJ 103 V (10 k)	T	53.6/49.3
R113	7030003560	S.RES ERJ3GEYJ 103 V (10 k)	B	49.4/58.8
R114	7030003560	S.RES ERJ3GEYJ 103 V (10 k)	B	45.8/49.5
R115	7030003560	S.RES ERJ3GEYJ 103 V (10 k)	B	49.4/62.7
R116	7030003560	S.RES ERJ3GEYJ 103 V (10 k)	B	49.4/61.4
R117	7030003260	S.RES ERJ3GEYJ 330 V (33 k)	B	43.2/49.5
R118	7030003560	S.RES ERJ3GEYJ 103 V (10 k)	B	49.4/64
R119	7030003560	S.RES ERJ3GEYJ 103 V (10 k)	B	41.4/50
R120	7030003560	S.RES ERJ3GEYJ 103 V (10 k)	B	49.4/65.3
R121	7030003560	S.RES ERJ3GEYJ 103 V (10 k)	B	43.2/46.9
R122	7030003560	S.RES ERJ3GEYJ 103 V (10 k)	B	39.3/56
R123	7030003560	S.RES ERJ3GEYJ 103 V (10 k)	B	43.2/45.6
R124	7030003680	S.RES ERJ3GEYJ 104 V (100 k)	T	51/49.3
R125	7030003520	S.RES ERJ3GEYJ 472 V (4.7 k)	T	52.3/49.3
R126	7030003560	S.RES ERJ3GEYJ 103 V (10 k)	B	52/61.4
R127	7030003560	S.RES ERJ3GEYJ 103 V (10 k)	B	52/58.8
R128	7030003560	S.RES ERJ3GEYJ 103 V (10 k)	T	53.6/45.7
R129	7030003560	S.RES ERJ3GEYJ 103 V (10 k)	T	54.9/46.7

[LOGIC UNIT]

REF NO.	ORDER NO.	DESCRIPTION	M.	H/V LOCATION
R130	7030003560	S.RES ERJ3GEYJ 103 V (10 k)	B	56.4/50.5
R131	7030003560	S.RES ERJ3GEYJ 103 V (10 k)	B	54.6/61.4
R132	7030003560	S.RES ERJ3GEYJ 103 V (10 k)	T	56.2/49.3
R133	7030003560	S.RES ERJ3GEYJ 103 V (10 k)	T	56.2/46.7
R134	7030003200	S.RES ERJ3GEYJ 100 V (10)	B	57.2/58.8
R135	7030003200	S.RES ERJ3GEYJ 100 V (10)	B	57.2/60.1
R136	7030003200	S.RES ERJ3GEYJ 100 V (10)	B	70.1/50.5
R137	7030004050	S.RES ERJ3GEYJ 1R0 V (1)	B	49.4/68
R138	7030003560	S.RES ERJ3GEYJ 103 V (10 k)	B	49.4/69.3
R139	7030003560	S.RES ERJ3GEYJ 103 V (10 k)	B	49.7/78
R140	7410000990	S.ARY EXB-V8V 470JV (47)	T	47/82.7
R141	7410000990	S.ARY EXB-V8V 470JV (47)	T	43.3/82.7
R142	7410000990	S.ARY EXB-V8V 470JV (47)	T	54.4/82.7
R143	7410000990	S.ARY EXB-V8V 470JV (47)	T	61.8/82.7
R144	7410000990	S.ARY EXB-V8V 470JV (47)	T	50.7/82.7
R145	7410000990	S.ARY EXB-V8V 470JV (47)	T	58.1/82.7
R146	7030003280	S.RES ERJ3GEYJ 470 V (47)	T	70/81.8
R147	7030003280	S.RES ERJ3GEYJ 470 V (47)	T	70/80.5
R148	7410000990	S.ARY EXB-V8V 470JV (47)	T	65.5/82.7
R149	7410000990	S.ARY EXB-V8V 470JV (47)	T	70/54.9
R150	7410000990	S.ARY EXB-V8V 470JV (47)	T	70/58.6
R151	7410000990	S.ARY EXB-V8V 470JV (47)	T	70/62.3
R152	7410000990	S.ARY EXB-V8V 470JV (47)	T	70/66
R153	7030003200	S.RES ERJ3GEYJ 100 V (10)	T	70/83.1
R154	7410000990	S.ARY EXB-V8V 470JV (47)	T	70/69.7
R155	7410000990	S.ARY EXB-V8V 470JV (47)	T	70/73.4
R156	7410000990	S.ARY EXB-V8V 470JV (47)	T	70/78
R157	7410000800	S.ARY EXB-V8V 103JV (10 k)	T	77.4/38.7
R158	7030003560	S.RES ERJ3GEYJ 103 V (10 k)	T	77.4/36.2
R159	7030003560	S.RES ERJ3GEYJ 103 V (10 k)	T	64.3/41.3
R161	7030003250	S.RES ERJ3GEYJ 270 V (27)	T	9.1/64.6
R162	7030003800	S.RES ERJ3GEYJ 105 V (1 M)	T	6.2/59.5
R163	7030003320	S.RES ERJ3GEYJ 101 V (100)	T	12.5/73.7
R164	7030003250	S.RES ERJ3GEYJ 270 V (27)	B	10.8/68.3
R165	7030003860	S.RES ERJ3GE JPW V	T	4.3/76.8
R166	7030003860	S.RES ERJ3GE JPW V	T	8.5/81.2
R167	7030003860	S.RES ERJ3GE JPW V	T	14.9/78.1
R170	7030003600	S.RES ERJ3GEYJ 223 V (22 k)	B	38.5/38.6
R171	7030003600	S.RES ERJ3GEYJ 223 V (22 k)	B	35.3/75.2
R172	7030003600	S.RES ERJ3GEYJ 223 V (22 k)	B	35.3/76.5
R173	7030003600	S.RES ERJ3GEYJ 223 V (22 k)	B	39.4/78.2
R174	7030003600	S.RES ERJ3GEYJ 223 V (22 k)	B	37.4/79
R175	7030003600	S.RES ERJ3GEYJ 223 V (22 k)	B	37.4/80.3
R176	7030003600	S.RES ERJ3GEYJ 223 V (22 k)	B	35.3/73.9
R201	7030003560	S.RES ERJ3GEYJ 103 V (10 k)	T	114.5/85.1
R202	7030003560	S.RES ERJ3GEYJ 103 V (10 k)	T	111.3/85.1
R203	7030003560	S.RES ERJ3GEYJ 103 V (10 k)	T	118.4/86.4
R204	7030003560	S.RES ERJ3GEYJ 103 V (10 k)	T	118.4/85.1
R205	7030003560	S.RES ERJ3GEYJ 103 V (10 k)	T	114.5/82.5
R206	7030003560	S.RES ERJ3GEYJ 103 V (10 k)	T	111.3/83.8
R207	7030003560	S.RES ERJ3GEYJ 103 V (10 k)	T	118.4/83.8
R208	7030003560	S.RES ERJ3GEYJ 103 V (10 k)	T	118.4/82.5
R209	7030003560	S.RES ERJ3GEYJ 103 V (10 k)	T	114.5/83.8
R212	7030003640	S.RES ERJ3GEYJ 473 V (47 k)	T	83.7/82
R213	7030003640	S.RES ERJ3GEYJ 473 V (47 k)	T	83.7/83.3
R218	7030003520	S.RES ERJ3GEYJ 472 V (4.7 k)	T	116.9/49
R219	7030003520	S.RES ERJ3GEYJ 472 V (4.7 k)	T	83.7/79.4
R220	7030003520	S.RES ERJ3GEYJ 472 V (4.7 k)	B	94.1/74.4
R221	7030003560	S.RES ERJ3GEYJ 103 V (10 k)	T	83.7/73.7
R225	7030003560	S.RES ERJ3GEYJ 103 V (10 k)	B	94.1/79.6
R226	7030003560	S.RES ERJ3GEYJ 103 V (10 k)	B	94.1/80.9
R227	7030003560	S.RES ERJ3GEYJ 103 V (10 k)	T	92/98.2
R228	7030003560	S.RES ERJ3GEYJ 103 V (10 k)	T	92/95.1
R229	7030003560	S.RES ERJ3GEYJ 103 V (10 k)	T	91.2/92
R230	7030003560	S.RES ERJ3GEYJ 103 V (10 k)	T	93.3/95.1
R231	7030003560	S.RES ERJ3GEYJ 103 V (10 k)	T	92.5/92.2
R232	7030003560	S.RES ERJ3GEYJ 103 V (10 k)	B	93.4/83.2
R233	7030003560	S.RES ERJ3GEYJ 103 V (10 k)	T	93.3/98.2
R234	7030003560	S.RES ERJ3GEYJ 103 V (10 k)	T	93.8/92.2
R235	7030003560	S.RES ERJ3GEYJ 103 V (10 k)	T	94.6/95.1
R236	7030003560	S.RES ERJ3GEYJ 103 V (10 k)	T	94.6/98.2
R237	7030003560	S.RES ERJ3GEYJ 103 V (10 k)	B	94.7/83.2
R238	7030003560	S.RES ERJ3GEYJ 103 V (10 k)	T	95.1/92.2
R239	7030003560	S.RES ERJ3GEYJ 103 V (10 k)	T	95.9/95.1
R240	7030003560	S.RES ERJ3GEYJ 103 V (10 k)	T	95.9/98.2
R241	7030003560	S.RES ERJ3GEYJ 103 V (10 k)	B	97/89.4
R242	7030003560	S.RES ERJ3GEYJ 103 V (10 k)	T	96.6/92
R243	7030003560	S.RES ERJ3GEYJ 103 V (10 k)	B	96/83.2
R244	7030003560	S.RES ERJ3GEYJ 103 V (10 k)	T	96.6/64.7
R245	7030003560	S.RES ERJ3GEYJ 103 V (10 k)	T	90.1/64.7
R246	7030003560	S.RES ERJ3GEYJ 103 V (10 k)	T	88.8/61.6
R247	7030003560	S.RES ERJ3GEYJ 103 V (10 k)	B	96.7/74.4
R248	7030003560	S.RES ERJ3GEYJ 103 V (10 k)	T	91.4/64.7
R249	7030003560	S.RES ERJ3GEYJ 103 V (10 k)	T	86.2/64.7
R250	7030003560	S.RES ERJ3GEYJ 103 V (10 k)	T	87.5/64.7
R251	7030003560</			

[LOGIC UNIT]

REF NO.	ORDER NO.	DESCRIPTION	M.	H/V LOCATION
R270	7030003560	S.RES ERJ3GEYJ 103 V (10 k)	T	91.4/61.6
R271	7030003560	S.RES ERJ3GEYJ 103 V (10 k)	T	91.4/59.5
R272	7030003560	S.RES ERJ3GEYJ 103 V (10 k)	B	114.7/71.1
R273	7030003560	S.RES ERJ3GEYJ 103 V (10 k)	T	114/68.2
R274	7030003560	S.RES ERJ3GEYJ 103 V (10 k)	B	99.9/79.7
R275	7030003560	S.RES ERJ3GEYJ 103 V (10 k)	T	111/69.5
R276	7030003560	S.RES ERJ3GEYJ 103 V (10 k)	T	108.7/64.8
R277	7030003560	S.RES ERJ3GEYJ 103 V (10 k)	T	114/66.9
R278	7030003560	S.RES ERJ3GEYJ 103 V (10 k)	T	114/65.6
R279	7030003560	S.RES ERJ3GEYJ 103 V (10 k)	B	99.9/81
R280	7030003560	S.RES ERJ3GEYJ 103 V (10 k)	T	114/69.5
R281	7030003560	S.RES ERJ3GEYJ 103 V (10 k)	B	100.6/75.2
R282	7030003560	S.RES ERJ3GEYJ 103 V (10 k)	B	99.3/75.2
R283	7030003560	S.RES ERJ3GEYJ 103 V (10 k)	B	105.6/65.2
R284	7030003560	S.RES ERJ3GEYJ 103 V (10 k)	B	105.6/66.5
R285	7030003560	S.RES ERJ3GEYJ 103 V (10 k)	B	99.9/78.4
R286	7030003560	S.RES ERJ3GEYJ 103 V (10 k)	T	114/64.3
R287	7030003560	S.RES ERJ3GEYJ 103 V (10 k)	T	103.5/65.6
R288	7030003560	S.RES ERJ3GEYJ 103 V (10 k)	T	108.7/63.4
R289	7030003560	S.RES ERJ3GEYJ 103 V (10 k)	T	100.9/65.5
R290	7030003560	S.RES ERJ3GEYJ 103 V (10 k)	B	99.9/77
R291	7030003560	S.RES ERJ3GEYJ 103 V (10 k)	T	106.1/65.5
R292	7030003560	S.RES ERJ3GEYJ 103 V (10 k)	B	94.1/75.7
R293	7030003560	S.RES ERJ3GEYJ 103 V (10 k)	B	94.1/77
R294	7030003560	S.RES ERJ3GEYJ 103 V (10 k)	B	94.1/78.3
R295	7030003640	S.RES ERJ3GEYJ 473 V (47 k)	B	96.7/75.7
R296	7030003560	S.RES ERJ3GEYJ 103 V (10 k)	T	111.3/87.7
R297	7030003560	S.RES ERJ3GEYJ 103 V (10 k)	T	111.3/91.6
R298	7030003560	S.RES ERJ3GEYJ 103 V (10 k)	T	118.4/91.6
R299	7030003560	S.RES ERJ3GEYJ 103 V (10 k)	T	111.3/90.3
R300	7030003560	S.RES ERJ3GEYJ 103 V (10 k)	T	114.5/90.3
R301	7030003560	S.RES ERJ3GEYJ 103 V (10 k)	T	118.4/90.3
R302	7030003560	S.RES ERJ3GEYJ 103 V (10 k)	T	114.5/91.6
R303	7030003560	S.RES ERJ3GEYJ 103 V (10 k)	T	118.4/89
R304	7030003560	S.RES ERJ3GEYJ 103 V (10 k)	T	114.5/89
R305	7030003560	S.RES ERJ3GEYJ 103 V (10 k)	T	111.3/89
R306	7030003560	S.RES ERJ3GEYJ 103 V (10 k)	T	111.3/86.4
R307	7030003560	S.RES ERJ3GEYJ 103 V (10 k)	T	114.5/86.4
R308	7030003560	S.RES ERJ3GEYJ 103 V (10 k)	T	118.4/87.7
R309	7030003560	S.RES ERJ3GEYJ 103 V (10 k)	T	114.5/87.7
R310	7030003560	S.RES ERJ3GEYJ 103 V (10 k)	T	111/68.2
R311	7030003560	S.RES ERJ3GEYJ 103 V (10 k)	B	116.1/71.1
R313	7030003410	S.RES ERJ3GEYJ 561 V (560)	T	209.8/36.7
R314	7030003340	S.RES ERJ3GEYJ 151 V (150)	B	216.8/32.5
R315	7030003340	S.RES ERJ3GEYJ 151 V (150)	B	218.1/32.5
R316	7030003340	S.RES ERJ3GEYJ 151 V (150)	B	216.8/29.5
R317	7030003340	S.RES ERJ3GEYJ 151 V (150)	B	218.1/29.5
R318	7030003340	S.RES ERJ3GEYJ 151 V (150)	B	216.8/26.5
R319	7030003340	S.RES ERJ3GEYJ 151 V (150)	B	218.1/26.5
R320	7030003240	S.RES ERJ3GEYJ 220 V (22)	T	203.9/17.8
R321	7030003240	S.RES ERJ3GEYJ 220 V (22)	T	203.9/20.7
R322	7030003250	S.RES ERJ3GEYJ 270 V (27)	B	213.9/7.4
R323	7030003250	S.RES ERJ3GEYJ 270 V (27)	B	215.9/3.3
R324	7030003580	S.RES ERJ3GEYJ 153 V (15 k)	B	213.9/6.1
R325	7030003580	S.RES ERJ3GEYJ 153 V (15 k)	B	215.9/4.6
R326	7030003250	S.RES ERJ3GEYJ 270 V (27)	B	227.4/4.9
R327	7030003250	S.RES ERJ3GEYJ 270 V (27)	B	230/4.9
R328	7030003580	S.RES ERJ3GEYJ 153 V (15 k)	B	228.1/3.1
R329	7030003580	S.RES ERJ3GEYJ 153 V (15 k)	B	230.7/3.1
R330	7030003560	S.RES ERJ3GEYJ 103 V (10 k)	B	222.6/38.8
R331	7030003560	S.RES ERJ3GEYJ 103 V (10 k)	B	223.9/38.8
R332	7030003640	S.RES ERJ3GEYJ 473 V (47 k)	B	104.6/25.8
R333	7030003640	S.RES ERJ3GEYJ 473 V (47 k)	B	113.9/19.1
R334	7030003640	S.RES ERJ3GEYJ 473 V (47 k)	B	117.0/19.5
R335	7030003280	S.RES ERJ3GEYJ 470 V (47)	B	109.8/26.4
R336	7030003640	S.RES ERJ3GEYJ 473 V (47 k)	B	115.5/25.8
R337	7030003640	S.RES ERJ3GEYJ 473 V (47 k)	B	125.1/23.6
R338	7030003640	S.RES ERJ3GEYJ 473 V (47 k)	B	125.2/20.6
R339	7030003280	S.RES ERJ3GEYJ 470 V (47)	B	120.1/27.7
R340	7030003280	S.RES ERJ3GEYJ 470 V (47)	B	130.8/38.1
R341	7030003640	S.RES ERJ3GEYJ 473 V (47 k)	B	135.7/33.5
R342	7030003280	S.RES ERJ3GEYJ 470 V (47)	B	121.7/36.9
R343	7030003640	S.RES ERJ3GEYJ 473 V (47 k)	B	119.5/30
R344	7030003520	S.RES ERJ3GEYJ 472 V (4.7 k)	B	129.1/29.1
R345	7030003520	S.RES ERJ3GEYJ 472 V (4.7 k)	B	116.9/30
R350	7030003860	S.RES ERJ3GE JPW V	T	119.5/49
R351	7030003860	S.RES ERJ3GE JPW V	B	100.6/83.2
R353	7030003860	S.RES ERJ3GE JPW V	B	187.5/12.3
R355	7030003860	S.RES ERJ3GE JPW V	B	187.5/13.6
R356	7030003860	S.RES ERJ3GE JPW V	B	185.3/9.9
R361	7030003320	S.RES ERJ3GEYJ 101 V (100)	T	193.5/25.6
R401	7030003320	S.RES ERJ3GEYJ 101 V (100)	B	39.9/44.9
R403	7030003560	S.RES ERJ3GEYJ 103 V (10 k)	B	16.5/35.6
R404	7030003560	S.RES ERJ3GEYJ 103 V (10 k)	B	22.8/35.6
R405	7030003560	S.RES ERJ3GEYJ 103 V (10 k)	B	7.9/40.8
R406	7030003560	S.RES ERJ3GEYJ 103 V (10 k)	T	24.3/46.5
R407	7030003560	S.RES ERJ3GEYJ 103 V (10 k)	T	22.5/47.2
R408	7030003560	S.RES ERJ3GEYJ 103 V (10 k)	T	28.1/51.8
R409	7030003560	S.RES ERJ3GEYJ 103 V (10 k)	T	22.9/57
R410	7030003560	S.RES ERJ3GEYJ 103 V (10 k)	T	20.3/57
R411	7030003560	S.RES ERJ3GEYJ 103 V (10 k)	T	24.2/57
R412	7030003560	S.RES ERJ3GEYJ 103 V (10 k)	T	25.5/57
R413	7030003560	S.RES ERJ3GEYJ 103 V (10 k)	T	26.8/57
R414	7030003560	S.RES ERJ3GEYJ 103 V (10 k)	T	21.6/57
R415	7030003560	S.RES ERJ3GEYJ 103 V (10 k)	B	25.6/26.2
R416	7030003560	S.RES ERJ3GEYJ 103 V (10 k)	B	24.3/26.2
R417	7030003560	S.RES ERJ3GEYJ 103 V (10 k)	B	23/26.2
R418	7030003320	S.RES ERJ3GEYJ 101 V (100)	B	36.1/82.5
R419	7030003440	S.RES ERJ3GEYJ 102 V (1 k)	B	10.4/83.3
R420	7030003580	S.RES ERJ3GEYJ 153 V (15 k)	B	11/81.5
R421	7030003470	S.RES ERJ3GEYJ 182 V (1.8 k)	B	12.3/76.4
R422	7030003250	S.RES ERJ3GEYJ 270 V (27)	B	11.5/74.2
R423	7030003560	S.RES ERJ3GEYJ 103 V (10 k)	B	14.6/90.2
R424	7030003560	S.RES ERJ3GEYJ 103 V (10 k)	B	11.5/85.7

[LOGIC UNIT]

REF NO.	ORDER NO.	DESCRIPTION	M.	H/V LOCATION
R425	7030003380	S.RES ERJ3GEYJ 331 V (330)	T	9.3/96.4
R426	7030003380	S.RES ERJ3GEYJ 331 V (330)	T	9.3/94.9
R427	7030003380	S.RES ERJ3GEYJ 331 V (330)	T	9.3/93.1
R428	7030003320	S.RES ERJ3GEYJ 101 V (100)	B	147.4/21.2
R429	7030003320	S.RES ERJ3GEYJ 101 V (100)	B	148.7/21.2
R430	7030003320	S.RES ERJ3GEYJ 101 V (100)	B	151.3/21.2
R431	7030003320	S.RES ERJ3GEYJ 101 V (100)	B	150/21.2
R432	7030003320	S.RES ERJ3GEYJ 101 V (100)	B	154.3/15.2
R433	7030003320	S.RES ERJ3GEYJ 101 V (100)	B	155.6/15.2
R434	7030003320	S.RES ERJ3GEYJ 101 V (100)	B	155.6/18.4
R435	7030003320	S.RES ERJ3GEYJ 101 V (100)	B	154.3/18.4
R436	7030003340	S.RES ERJ3GEYJ 151 V (150)	B	156.5/6.7
R437	7030003340	S.RES ERJ3GEYJ 151 V (150)	B	158.5/6.7
R438	7030003340	S.RES ERJ3GEYJ 151 V (150)	B	162.5/6.7
R439	7030003340	S.RES ERJ3GEYJ 151 V (150)	B	164.5/6.7
R440	7030003340	S.RES ERJ3GEYJ 151 V (150)	B	156.5/4.1
R441	7030003340	S.RES ERJ3GEYJ 151 V (150)	B	158.5/4.1
R442	7030003340	S.RES ERJ3GEYJ 151 V (150)	B	164.5/4.1
R443	7030003340	S.RES ERJ3GEYJ 151 V (150)	B	162.5/4.1
R450	7030003860	S.RES ERJ3GE JPW V	T	36.8/35.4
R601	7030003620	S.RES ERJ3GEYJ 333 V (33 k)	B	175/55.4
R602	7030003590	S.RES ERJ3GEYJ 183 V (18 k)	B	171.3/53.1
R603	7030003540	S.RES ERJ3GEYJ 682 V (6.8 k)	B	173.1/55.2
R604	7030003640	S.RES ERJ3GEYJ 473 V (47 k)	B	171.3/55.7
R605	7030003680	S.RES ERJ3GEYJ 104 V (100 k)	B	167.3/55
R606	7030003680	S.RES ERJ3GEYJ 104 V (100 k)	B	102.8/31.6
R607	7030003350	S.RES ERJ3GEYJ 181 V (18 k)	B	87.7/14.2
R608	7030003520	S.RES ERJ3GEYJ 472 V (4.7 k)	B	90.5/14.2
R609	7030003440	S.RES ERJ3GEYJ 102 V (1 k)	T	80.8/23.6
R610	7030003440	S.RES ERJ3GEYJ 102 V (1 k)	T	80.8/24.9
R611	7030003440	S.RES ERJ3GEYJ 102 V (1 k)	T	80.8/26.2
R612	7030003440	S.RES ERJ3GEYJ 102 V (1 k)	T	80.1/27.5
R613	7030003440	S.RES ERJ3GEYJ 102 V (1 k)	T	83.4/27.9
R614	7030003440	S.RES ERJ3GEYJ 102 V (1 k)	T	83.4/29.2
R615	7030003440	S.RES ERJ3GEYJ 102 V (1 k)	T	83.4/30.5
R616	7030003440	S.RES ERJ3GEYJ 102 V (1 k)	T	83.4/31.8
R617	7030003800	S.RES ERJ3GEYJ 105 V (1 M)	T	86.5/30.5
R618	7030003800	S.RES ERJ3GEYJ 105 V (1 M)	T	86.5/29.2
R619	7030003800	S.RES ERJ3GEYJ 105 V (1 M)	T	86.5/27.9
R620	7030003800	S.RES ERJ3GEYJ 105 V (1 M)	T	86.5/27.9
R621	7030003800	S.RES ERJ3GEYJ 105 V (1 M)	T	84.1/26.6
R622	7030003800	S.RES ERJ3GEYJ 105 V (1 M)	T	84.1/25.3
R623	7030003800	S.RES ERJ3GEYJ 105 V (1 M)	T	84.3/23.6
R624	7030003800	S.RES ERJ3GEYJ 105 V (1 M)	T	84.3/22.3
R625	7030003640	S.RES ERJ3GEYJ 473 V (47 k)	B	68.6/27.3
R626	7030003600	S.RES ERJ3GEYJ 223 V (22 k)	B	68.6/28.6
R627	7030003640	S.RES ERJ3GEYJ 473 V (47 k)	B	66.3/36.4
R628	7030003640	S.RES ERJ3GEYJ 473 V (47 k)	B	66.3/35.1
R629	7030003640	S.RES ERJ3GEYJ 473 V (47 k)	B	71.2/34.9
R630	7030003520	S.RES ERJ3GEYJ 472 V (4.7 k)	B	68.6/32.5
R631	7030003520	S.RES ERJ3GEYJ 472 V (4.7 k)	T	67.4/27
R632	7030003520	S.RES ERJ3GEYJ 472 V (4.7 k)	T	67.4/30.9
R633	7030003520	S.RES ERJ3GEYJ 472 V (4.7 k)	T	67.4/28.3
R634	7030003520	S.RES ERJ3GEYJ 472 V (4.7 k)	B	66.3/33.8
R635	7030003520	S.RES ERJ3GEYJ 472 V (4.7 k)	T	67.4/29.6
R636	7030003640	S.RES ERJ3GEYJ 473 V (47 k)	B	58.1/19.5
R637	7030003640	S.RES ERJ3GEYJ 473 V (47 k)	B	61.8/19.5
R639	7030003640	S.RES ERJ3GEYJ 473 V (47 k)	T	99.1/19
R640	7030003640	S.RES ERJ3GEYJ 473 V (47 k)	T	97.8/19
R641	7030003640	S.RES ERJ3GEYJ 473 V (47 k)	T	96.5/19
R642	7030003640	S.RES ERJ3GEYJ 473 V (47 k)	T	95.2/19
R643	7030003600	S.RES ERJ3GEYJ 223 V (22 k)	B	80.9/46.3
R644	7030003560	S.RES ERJ3GEYJ 103 V (10 k)	B	82.2/46.3
R645	7030003520	S.RES ERJ3GEYJ 472 V (4.7 k)	T	93.1/40.9
R646	7030003720	S.RES ERJ3GEYJ 224 V (220 k)	B	101.8/41.5
R647	7030003720	S.RES ERJ3GEYJ 224 V (220 k)	B	102.8/44.1
R648	7030003720	S.RES ERJ3GEYJ 224 V (220 k)	B	103.8/41.5
R649	7030003720	S.RES ERJ3GEYJ 224 V (220 k)	B	104.8/44.1
R650	7030003720	S.RES ERJ3GEYJ 224 V (220 k)	B	105.8/41.5
R651	7030003720	S.RES ERJ3GEYJ 224 V (220 k)	B	106.8/44.1
R652	7030003720	S.RES ERJ3GEYJ 224 V (220 k)	B	107.8/41.5
R653	7030003720	S.RES ERJ3GEYJ 224 V (220 k)	B	108.7/44.1
R654	7030003520	S.RES ERJ3GEYJ 472 V (4.7 k)	B	102.8/39.2
R655	7030003520	S.RES ERJ3GEYJ 472 V (4.7 k)	B	102.8/37.7
R656</				



[LOGIC UNIT]

REF NO.	ORDER NO.	DESCRIPTION	M.	H/V LOCATION
R686	7030003520	S.RES ERJ3GEYJ 472 V (4.7 k)	B	152.7/59.5
R687	7030003520	S.RES ERJ3GEYJ 472 V (4.7 k)	B	152.1/53.6
R688	7030003720	S.RES ERJ3GEYJ 224 V (220 k)	B	68.6/24.7
R689	7030003520	S.RES ERJ3GEYJ 472 V (4.7 k)	B	153/56.2
R690	7030003520	S.RES ERJ3GEYJ 472 V (4.7 k)	B	153/54.9
R691	7030003640	S.RES ERJ3GEYJ 473 V (47 k)	B	66/31.9
R701	7030003860	S.RES ERJ3GE JPW V	T	93.1/43.5
R801	7030003560	S.RES ERJ3GEYJ 103 V (10 k)	T	158.2/72.8
R802	7030006210	S.RES ERJ12YJ4R7U (4.7)	T	162.3/71.2
R803	7030003440	S.RES ERJ3GEYJ 102 V (1 k)	T	159.5/72.8
R804	7030006210	S.RES ERJ12YJ4R7U (4.7)	T	168.9/71.2
R805	7030003440	S.RES ERJ3GEYJ 102 V (1 k)	T	166.1/72.8
R806	7030003560	S.RES ERJ3GEYJ 103 V (10 k)	T	164.8/72.8
R807	7030006210	S.RES ERJ12YJ4R7U (4.7)	T	175.5/71.2
R808	7030003440	S.RES ERJ3GEYJ 102 V (1 k)	T	173/72.8
R809	7030003560	S.RES ERJ3GEYJ 103 V (10 k)	T	171.6/72.8
R810	7030003320	S.RES ERJ3GEYJ 101 V (100)	B	154.9/29.9
R811	7030003320	S.RES ERJ3GEYJ 101 V (100)	B	154.9/27.5
R812	7030010440	S.RES ERJ1TYJ 680U (68)	B	133/111.2
R813	7030003560	S.RES ERJ3GEYJ 103 V (10 k)	B	192.6/10
R814	7030003440	S.RES ERJ3GEYJ 102 V (1 k)	T	105.6/116.6
R816	7030003560	S.RES ERJ3GEYJ 103 V (10 k)	T	158.9/74.7
R817	7030003560	S.RES ERJ3GEYJ 103 V (10 k)	T	161.5/74.7
R818	7030000140	S.RES MCR10EZJH 10 (100)	T	155.6/78.2
R819	7030007190	S.RES ERJ12YJ220U (22)	T	135.4/111
R821	7030003370	S.RES ERJ3GEYJ 271 V (270)	B	15.3/100
R822	7030009720	S.RES ERJ12YJ102U (1 k)	T	19.9/103.2
R823	7030003810	S.RES ERJ3GEYJ 125 V (1.2 M)	B	16.8/109.5
R824	7030003810	S.RES ERJ3GEYJ 125 V (1.2 M)	B	13.5/107.1
R825	7030008170	S.RES ERJ12YJ1R0U (1)	B	37/112.2
R826	7030003610	S.RES ERJ3GEYJ 273 V (27 k)	B	16.8/110.8
R827	7030003610	S.RES ERJ3GEYJ 273 V (27 k)	B	13.5/109.9
R828	7030003560	S.RES ERJ3GEYJ 103 V (10 k)	B	25.4/101.5
R829	7030000340	S.RES MCR10EZJH 470 (471)	B	20.6/104.5
R830	7030003600	S.RES ERJ3GEYJ 223 V (22 k)	B	18.5/100
R832	7030003600	S.RES ERJ3GEYJ 223 V (22 k)	B	18.5/98.7
R833	7030003560	S.RES ERJ3GEYJ 103 V (10 k)	B	18.5/97.4
R850	7030003860	S.RES ERJ3GE JPW V	B	182.4/50.9
R851	7030003680	S.RES ERJ3GEYJ 104 V (100 k)	B	187.1/61.9
R852	7030003680	S.RES ERJ3GEYJ 104 V (100 k)	B	185/61.9
R853	7030003770	S.RES ERJ3GEYJ 564 V (560 k)	B	183.7/61.9
R854	7030003770	S.RES ERJ3GEYJ 564 V (560 k)	B	188.4/61.9
R855	7030003520	S.RES ERJ3GEYJ 472 V (4.7 k)	B	191.5/61.9
R856	7030003520	S.RES ERJ3GEYJ 472 V (4.7 k)	B	180.6/61.9
R857	7030003560	S.RES ERJ3GEYJ 103 V (10 k)	B	144.7/14.2
R858	7030003460	S.RES ERJ3GEYJ 152 V (1.5 k)	B	144.7/12.9
R859	7030003470	S.RES ERJ3GEYJ 182 V (1.8 k)	B	142.1/12.9
R860	7030003500	S.RES ERJ3GEYJ 332 V (3.3 k)	B	144.7/15.5
R861	7030003480	S.RES ERJ3GEYJ 222 V (2.2 k)	B	141.4/14.9
R862	7030003380	S.RES ERJ3GEYJ 331 V (330)	B	147.7/3.8
R863	7030003560	S.RES ERJ3GEYJ 103 V (10 k)	B	134.5/21.1
R864	7030003460	S.RES ERJ3GEYJ 152 V (1.5 k)	B	134.5/19.8
R865	7030003470	S.RES ERJ3GEYJ 182 V (1.8 k)	B	134.5/18.5
R866	7030003500	S.RES ERJ3GEYJ 332 V (3.3 k)	B	131.7/17.2
R867	7030003480	S.RES ERJ3GEYJ 222 V (2.2 k)	B	131.7/18.5
R868	7030003380	S.RES ERJ3GEYJ 331 V (330)	B	134.1/3.8
R869	7030003560	S.RES ERJ3GEYJ 103 V (10 k)	B	114.1/30
R870	7030003560	S.RES ERJ3GEYJ 103 V (10 k)	B	144.7/7.2
R871	7030003460	S.RES ERJ3GEYJ 152 V (1.5 k)	B	143.4/7.2
R872	7030003470	S.RES ERJ3GEYJ 182 V (1.8 k)	B	142.1/7.2
R873	7030003500	S.RES ERJ3GEYJ 332 V (3.3 k)	B	138.2/7.2
R874	7030003480	S.RES ERJ3GEYJ 222 V (2.2 k)	B	139.5/7.2
R875	7030003380	S.RES ERJ3GEYJ 331 V (330)	B	140.9/3.8
R876	7030003410	S.RES ERJ3GEYJ 561 V (560)	B	120.5/14.9
R877	7030003700	S.RES ERJ3GEYJ 154 V (150 k)	B	120.5/13.6
R878	7030003520	S.RES ERJ3GEYJ 472 V (4.7 k)	B	120.5/12.3
R879	7030003550	S.RES ERJ3GEYJ 822 V (8.2 k)	B	117.9/4.2
R880	7030003690	S.RES ERJ3GEYJ 124 V (120 k)	B	119.7/7.5
R881	7030003520	S.RES ERJ3GEYJ 472 V (4.7 k)	B	122.3/3.5
R882	7030003410	S.RES ERJ3GEYJ 561 V (560)	B	108.9/15.9
R883	7030003550	S.RES ERJ3GEYJ 822 V (8.2 k)	B	108.9/14.6
R884	7030003520	S.RES ERJ3GEYJ 472 V (4.7 k)	B	108.9/13.3
R885	7030003410	S.RES ERJ3GEYJ 561 V (560)	B	108.9/4.1
R886	7030003550	S.RES ERJ3GEYJ 822 V (8.2 k)	B	109.7/6.2
R887	7030003520	S.RES ERJ3GEYJ 472 V (4.7 k)	B	108.4/6.2
R888	7030003360	S.RES ERJ3GEYJ 221 V (220)	B	181.6/48
R889	7030003640	S.RES ERJ3GEYJ 473 V (47 k)	B	184.5/48.3
R890	7030003360	S.RES ERJ3GEYJ 221 V (220)	B	191/47.8
R891	7030003560	S.RES ERJ3GEYJ 103 V (10 k)	B	188.2/48.3
R892	7030003730	S.RES ERJ3GEYJ 274 V (270 k)	B	190.2/50.2
R893	7030003680	S.RES ERJ3GEYJ 104 V (100 k)	B	183.7/50.2
R894	7030003200	S.RES ERJ3GEYJ 100 V (10)	B	193.2/55.7
R895	7030003680	S.RES ERJ3GEYJ 104 V (100 k)	B	188.9/50.2
R896	7030003200	S.RES ERJ3GEYJ 100 V (10)	B	192.9/52.8
R901	7030003200	S.RES ERJ3GEYJ 100 V (10)	T	165.7/37.7
R902	7030003200	S.RES ERJ3GEYJ 100 V (10)	T	166.1/30.8
R903	7030003200	S.RES ERJ3GEYJ 100 V (10)	T	166.6/40.3
R904	7030003200	S.RES ERJ3GEYJ 100 V (10)	T	167.1/28.2
R905	7030003200	S.RES ERJ3GEYJ 100 V (10)	T	167.6/37.7
R906	7030003200	S.RES ERJ3GEYJ 100 V (10)	T	168.1/30.8
R907	7030003200	S.RES ERJ3GEYJ 100 V (10)	T	168.6/40.3
R908	7030003200	S.RES ERJ3GEYJ 100 V (10)	T	169.1/28.2
R909	7030003200	S.RES ERJ3GEYJ 100 V (10)	T	169.6/37.7
R910	7030003200	S.RES ERJ3GEYJ 100 V (10)	T	170.1/30.8
R911	7030003200	S.RES ERJ3GEYJ 100 V (10)	T	170.6/40.3
R912	7030003200	S.RES ERJ3GEYJ 100 V (10)	T	171.6/37.7
R913	7030003200	S.RES ERJ3GEYJ 100 V (10)	T	172.1/30.8
R914	7030003200	S.RES ERJ3GEYJ 100 V (10)	T	172.6/40.3
R915	7030003200	S.RES ERJ3GEYJ 100 V (10)	T	173.1/28.2
R916	7030003200	S.RES ERJ3GEYJ 100 V (10)	T	173.6/37.7
R917	7030003200	S.RES ERJ3GEYJ 100 V (10)	T	174.1/30.8
R918	7030003200	S.RES ERJ3GEYJ 100 V (10)	T	174.6/40.3
R919	7030003200	S.RES ERJ3GEYJ 100 V (10)	T	175.1/28.2
R920	7030003200	S.RES ERJ3GEYJ 100 V (10)	T	175.6/37.7

[LOGIC UNIT]

REF NO.	ORDER NO.	DESCRIPTION	M.	H/V LOCATION
R921	7030003200	S.RES ERJ3GEYJ 100 V (10)	T	176.1/30.8
R922	7030003200	S.RES ERJ3GEYJ 100 V (10)	T	176.6/40.3
R923	7030003200	S.RES ERJ3GEYJ 100 V (10)	T	177.1/28.2
R924	7030003200	S.RES ERJ3GEYJ 100 V (10)	T	177.6/37.7
R925	7030003200	S.RES ERJ3GEYJ 100 V (10)	T	178.1/30.8
R926	7030003200	S.RES ERJ3GEYJ 100 V (10)	T	178.6/40.3
R927	7030003200	S.RES ERJ3GEYJ 100 V (10)	T	179.1/28.2
R928	7030003200	S.RES ERJ3GEYJ 100 V (10)	T	179.6/37.7
R929	7030003200	S.RES ERJ3GEYJ 100 V (10)	T	180.1/30.8
R930	7030003200	S.RES ERJ3GEYJ 100 V (10)	T	180.6/40.3
R931	7030003200	S.RES ERJ3GEYJ 100 V (10)	T	181.1/28.2
R932	7030003200	S.RES ERJ3GEYJ 100 V (10)	T	182.1/30.8
R933	7030003200	S.RES ERJ3GEYJ 100 V (10)	T	182.6/40.3
R934	7030003200	S.RES ERJ3GEYJ 100 V (10)	T	183.1/28.2
R935	7030003200	S.RES ERJ3GEYJ 100 V (10)	T	183.6/37.7
R936	7030003200	S.RES ERJ3GEYJ 100 V (10)	T	184.1/30.8
R937	7030003200	S.RES ERJ3GEYJ 100 V (10)	T	185.1/28.2
R938	7030003200	S.RES ERJ3GEYJ 100 V (10)	T	133/37.7
R939	7030003200	S.RES ERJ3GEYJ 100 V (10)	T	134.2/30.8
R940	7030003200	S.RES ERJ3GEYJ 100 V (10)	T	134.4/37.8
R941	7030003200	S.RES ERJ3GEYJ 100 V (10)	T	135.2/28.3
R942	7030003200	S.RES ERJ3GEYJ 100 V (10)	T	135.7/37.7
R943	7030003200	S.RES ERJ3GEYJ 100 V (10)	T	136.2/30.8
R944	7030003200	S.RES ERJ3GEYJ 100 V (10)	T	136.7/40.3
R945	7030003200	S.RES ERJ3GEYJ 100 V (10)	T	137.2/28.3
R946	7030003200	S.RES ERJ3GEYJ 100 V (10)	T	137.7/37.7
R947	7030003200	S.RES ERJ3GEYJ 100 V (10)	T	138.2/30.8
R949	7030003200	S.RES ERJ3GEYJ 100 V (10)	T	139.2/28.3
R950	7030003200	S.RES ERJ3GEYJ 100 V (10)	T	139.7/37.7
R951	7030003200	S.RES ERJ3GEYJ 100 V (10)	T	140.2/30.8
R952	7030003200	S.RES ERJ3GEYJ 100 V (10)	T	140.7/40.3
R953	7030003200	S.RES ERJ3GEYJ 100 V (10)	T	141.2/28.3
R954	7030003200	S.RES ERJ3GEYJ 100 V (10)	T	141.7/37.7
R955	7030003200	S.RES ERJ3GEYJ 100 V (10)	T	142.2/30.8
R956	7030003200	S.RES ERJ3GEYJ 100 V (10)	T	142.7/40.3
R957	7030003200	S.RES ERJ3GEYJ 100 V (10)	T	143.2/28.3
R958	7030003200	S.RES ERJ3GEYJ 100 V (10)	T	143.7/37.7
R959	7030003200	S.RES ERJ3GEYJ 100 V (10)	T	144.2/30.8
R960	7030003200	S.RES ERJ3GEYJ 100 V (10)	T	144.7/40.3
R961	7030003200	S.RES ERJ3GEYJ 100 V (10)	T	145.2/37.7
R962	7030003200	S.RES ERJ3GEYJ 100 V (10)	T	146.2/30.8
R963	7030003200	S.RES ERJ3GEYJ 100 V (10)	T	146.7/40.3
R964	7030003200	S.RES ERJ3GEYJ 100 V (10)	T	147.2/28.3
R965	7030003200	S.RES ERJ3GEYJ 100 V (10)	T	147.7/37.7
R966	7030003200	S.RES ERJ3GEYJ 100 V (10)	T	148.2/30.8
R967	7030003200	S.RES ERJ3GEYJ 100 V (10)	T	148.7/40.3
R968	7030003200	S.RES ERJ3GEYJ 100 V (10)	T	149.7/37.7
R969	7030003200	S.RES ERJ3GEYJ 100 V (10)	T	150.2/28.3
R970	7030003200	S.RES ERJ3GEYJ 100 V (10)	T	150.7/40.3
R971	7030003200	S.RES ERJ3GEYJ 100 V (10)	T	151.2/30.8
R974	7030003200	S.RES ERJ3GEYJ 100 V (10)	T	153.2/30.8
R975	7030003200	S.RES ERJ3GEYJ 100 V (10)	B	214.5/83.4
R976	7030003200	S.RES ERJ3GEYJ 100 V (10)	B	220.6/83
R977	7030003200	S.RES ERJ3GEYJ 100 V (10)	B	214.5/86
R978	7030003200	S.RES ERJ3GEYJ 100 V (10)	B	220.6/87
R979	7030003200	S.RES ERJ3GEYJ 100 V (10)	B	214.5/88
R980	7030003200	S.RES ERJ3GEYJ 100 V (10)	B	220.6/89
R981	7030003200	S.RES ERJ3GEYJ 100 V (10)	B	220.6/91
R982	7030003200	S.RES ERJ3GEYJ 100 V (10)	B	220.6/93
R983	7030003200	S.RES ERJ3GEYJ 100 V (10)	B	214.5/94
R984	7030003200	S.RES ERJ3GEYJ 100 V (10)	B	12.2/115.7
R985	7030003200	S.RES ERJ3GEYJ 100 V (10)	B	13.6/115.7
R986	7030003200	S.RES ERJ3GEYJ 100 V (10)	B	14.9/115.7
R987	7030003200	S.RES ERJ3GEYJ 100 V (10)	B	16.2/115.7
R988	7030003200	S.RES ERJ3GEYJ 100 V (10)	B	17.5/115.7
R989	7030003200	S.RES ERJ3GEYJ 100 V (10)	T	181.6/37.7
R990	7030003440	S.RES ERJ3GEYJ 102 V (1 k)	B	182.5/92.1
R991	7030003440	S.RES ERJ3GEYJ 102 V (1 k)	B	183.5/83.5
R992	7030003440	S.RES ERJ3GEYJ 102 V (1 k)	B	184.5/92.1
R993	7030003440	S.RES ERJ3GEYJ 102 V (1 k)	B	185.5/83.5
R994	7030003440	S.RES ERJ3GEYJ 102 V (1 k)	B	186.5/92.1
R995	7030003440	S.RES ERJ3GEYJ 102 V (1 k)	B	187.5/83.5
R996	7030003200	S.RES ERJ3GEYJ 100 V (10)	B	220.6/95.6
R998	703			

[LOGIC UNIT]

REF NO.	ORDER NO.	DESCRIPTION	M.	H/V LOCATION
R1031	7030003520	S.RES ERJ3GEYJ 472 V (4.7 k)	B	108.9/12
R1032	7030003520	S.RES ERJ3GEYJ 472 V (4.7 k)	B	108.9/9.4
R1033	7030003860	S.RES ERJ3GE JPW V	T	188.9/62.5
R1035	7030003540	S.RES ERJ3GEYJ 682 V (6.8 k)	B	192.2/60.1
R1036	7030003540	S.RES ERJ3GEYJ 682 V (6.8 k)	B	184.5/64.7
R1041	7030003520	S.RES ERJ3GEYJ 472 V (4.7 k)	B	173.8/28.2
R1042	7030003550	S.RES ERJ3GEYJ 822 V (8.2 k)	T	115.2/16.6
R1052	7030008240	S.RES ERJ12Y0R00U	T	86.1/114.3
R1053	7030008240	S.RES ERJ12Y0R00U	T	67.5/114.4
R1054	7030008240	S.RES ERJ12Y0R00U	T	9.4/116.7
R1056	7030003860	S.RES ERJ3GE JPW V	T	138.7/40.3
R1057	7030003860	S.RES ERJ3GE JPW V	B	123.1/7.1
R1101	7030003280	S.RES ERJ3GEYJ 470 V (47)	T	18.7/30.5
R1102	7030003280	S.RES ERJ3GEYJ 470 V (47)	T	18.7/33.1
R1103	7030003280	S.RES ERJ3GEYJ 470 V (47)	T	18.7/35.7
R1104	7030003280	S.RES ERJ3GEYJ 470 V (47)	T	20.5/30.5
R1105	7030003280	S.RES ERJ3GEYJ 470 V (47)	T	20.5/33.1
R1106	7030003280	S.RES ERJ3GEYJ 470 V (47)	T	20.5/35.7
R1107	7030003280	S.RES ERJ3GEYJ 470 V (47)	T	22.3/30.5
R1108	7030003280	S.RES ERJ3GEYJ 470 V (47)	T	22.3/33.1
R1109	7030003280	S.RES ERJ3GEYJ 470 V (47)	T	22.3/35.7
R1110	7030003280	S.RES ERJ3GEYJ 470 V (47)	T	24.1/27.9
R1111	7030003280	S.RES ERJ3GEYJ 470 V (47)	T	24.1/30.5
R1112	7030003280	S.RES ERJ3GEYJ 470 V (47)	T	24.1/33.1
R1113	7030003280	S.RES ERJ3GEYJ 470 V (47)	T	25.9/27.9
R1114	7030003280	S.RES ERJ3GEYJ 470 V (47)	T	25.9/30.5
R1115	7030003280	S.RES ERJ3GEYJ 470 V (47)	T	25.9/33.1
R1116	7030003280	S.RES ERJ3GEYJ 470 V (47)	T	27.3/30.5
R1117	7030003280	S.RES ERJ3GEYJ 470 V (47)	T	28.6/30.5
R1118	7030003280	S.RES ERJ3GEYJ 470 V (47)	T	29.9/30.5
R1119	7030003280	S.RES ERJ3GEYJ 470 V (47)	T	31.2/30.5
R1120	7030003280	S.RES ERJ3GEYJ 470 V (47)	T	32.5/30.5
R1121	7030003280	S.RES ERJ3GEYJ 470 V (47)	T	33.8/30.5
R1122	7030003280	S.RES ERJ3GEYJ 470 V (47)	T	35.1/30.5
R1123	7030003280	S.RES ERJ3GEYJ 470 V (47)	T	40.5/29.6
R1124	7030003280	S.RES ERJ3GEYJ 470 V (47)	T	42.8/34.8
R1125	7030003280	S.RES ERJ3GEYJ 470 V (47)	T	43.5/32.2
R1126	7030003280	S.RES ERJ3GEYJ 470 V (47)	T	44.2/34.8
R1127	7030003280	S.RES ERJ3GEYJ 470 V (47)	T	44.9/32.2
R1128	7030003280	S.RES ERJ3GEYJ 470 V (47)	T	45.6/34.8
R1129	7030003280	S.RES ERJ3GEYJ 470 V (47)	T	46.3/32.2
R1130	7030003280	S.RES ERJ3GEYJ 470 V (47)	T	47/34.8
R1131	7030003280	S.RES ERJ3GEYJ 470 V (47)	T	47.7/32.2
R1132	7030003280	S.RES ERJ3GEYJ 470 V (47)	T	48.4/34.8
R1133	7030003280	S.RES ERJ3GEYJ 470 V (47)	T	49.1/32.2
R1134	7030003280	S.RES ERJ3GEYJ 470 V (47)	T	49.8/34.8
R1135	7030003280	S.RES ERJ3GEYJ 470 V (47)	T	50.5/32.2
R1136	7030003280	S.RES ERJ3GEYJ 470 V (47)	T	51.2/34.8
R1137	7030003280	S.RES ERJ3GEYJ 470 V (47)	T	51.9/32.2
R1138	7030003280	S.RES ERJ3GEYJ 470 V (47)	T	52.6/34.8
R1139	7030003280	S.RES ERJ3GEYJ 470 V (47)	T	53.3/32.2
R1140	7030003280	S.RES ERJ3GEYJ 470 V (47)	T	54/34.8
R1141	7030003280	S.RES ERJ3GEYJ 470 V (47)	T	54.7/32.2
R1142	7030003280	S.RES ERJ3GEYJ 470 V (47)	T	55.4/34.8
R1143	7030003280	S.RES ERJ3GEYJ 470 V (47)	T	56.1/32.2
R1144	7030003280	S.RES ERJ3GEYJ 470 V (47)	T	56.8/34.8
R1145	7030003280	S.RES ERJ3GEYJ 470 V (47)	T	57.5/32.2
R1146	7030003280	S.RES ERJ3GEYJ 470 V (47)	T	58.2/34.8
R1151	7030003290	S.RES ERJ3GEYJ 560 V (56)	T	205.2/11.7
R1152	7030003320	S.RES ERJ3GEYJ 101 V (100)	T	203.6/11.7
R1153	7030003320	S.RES ERJ3GEYJ 101 V (100)	T	200.8/13.2
R1154	7030003320	S.RES ERJ3GEYJ 101 V (100)	T	199.5/13.2
R1155	7030003320	S.RES ERJ3GEYJ 101 V (100)	B	201.4/10.8
R1156	7030003320	S.RES ERJ3GEYJ 101 V (100)	T	198.2/13.2
R1157	7030003320	S.RES ERJ3GEYJ 101 V (100)	B	200.1/10.8
R1158	7030003320	S.RES ERJ3GEYJ 101 V (100)	T	196.9/13.2
R1159	7030003320	S.RES ERJ3GEYJ 101 V (100)	B	198.8/10.8
R1160	7030003320	S.RES ERJ3GEYJ 101 V (100)	T	195.6/13.2
R1161	7030003320	S.RES ERJ3GEYJ 101 V (100)	B	197.5/10.8
R1162	7030003320	S.RES ERJ3GEYJ 101 V (100)	B	196.2/10.8
R1163	7030003320	S.RES ERJ3GEYJ 101 V (100)	T	194.3/13.2
R1164	7030003320	S.RES ERJ3GEYJ 101 V (100)	T	193/13.2
R1165	7030003320	S.RES ERJ3GEYJ 101 V (100)	T	191.1/14.9
R1166	7030003320	S.RES ERJ3GEYJ 101 V (100)	T	189.8/14.9
R1167	7030003320	S.RES ERJ3GEYJ 101 V (100)	T	188.5/14.9
R1168	7030003320	S.RES ERJ3GEYJ 101 V (100)	T	187.2/14.9
R1169	7030003320	S.RES ERJ3GEYJ 101 V (100)	T	185.9/14.9
R1170	7030003320	S.RES ERJ3GEYJ 101 V (100)	T	181.4/9.5
C1	4030011600	S.CER C1608 JB 1E 104K-T	B	69.7/83.3
C2	4030011600	S.CER C1608 JB 1E 104K-T	B	68.1/83.3
C3	4030011600	S.CER C1608 JB 1E 104K-T	B	63.3/83.3
C4	4030011600	S.CER C1608 JB 1E 104K-T	B	59.3/83.3
C5	4030011600	S.CER C1608 JB 1E 104K-T	B	48.9/83.3
C6	4030011600	S.CER C1608 JB 1E 104K-T	B	66.9/100.4
C7	4030011600	S.CER C1608 JB 1E 104K-T	B	62.1/100.4
C8	4030011600	S.CER C1608 JB 1E 104K-T	T	69.7/107.5
C9	4030011600	S.CER C1608 JB 1E 104K-T	T	68.1/107.5
C10	4030011600	S.CER C1608 JB 1E 104K-T	T	63.3/107.5
C11	4030011600	S.CER C1608 JB 1E 104K-T	T	59.3/107.5
C12	4030011600	S.CER C1608 JB 1E 104K-T	T	48.9/107.5
C13	4030011600	S.CER C1608 JB 1E 104K-T	T	66.6/90.9
C14	4030011600	S.CER C1608 JB 1E 104K-T	T	61.9/90.9
C15	4030011600	S.CER C1608 JB 1E 104K-T	B	105.5/54.7
C16	4030011600	S.CER C1608 JB 1E 104K-T	B	97.1/46.1
C17	4030011600	S.CER C1608 JB 1E 104K-T	B	94.4/46.1
C18	4030011600	S.CER C1608 JB 1E 104K-T	B	106.6/51
C19	4030011600	S.CER C1608 JB 1E 104K-T	B	109/65.9
C20	4030011600	S.CER C1608 JB 1E 104K-T	B	114/65.9
C21	4030011600	S.CER C1608 JB 1E 104K-T	B	127.6/63.1
C22	4030011600	S.CER C1608 JB 1E 104K-T	B	127.7/55.9
C23	4030011600	S.CER C1608 JB 1E 104K-T	B	117.5/46.1
C24	4030011600	S.CER C1608 JB 1E 104K-T	B	111.5/46.1

[LOGIC UNIT]

REF NO.	ORDER NO.	DESCRIPTION	M.	H/V LOCATION
C61	4030009990	S.CER C1608 CH 1H 200J-T	T	143/78.1
C62	4030011600	S.CER C1608 JB 1E 104K-T	T	139.9/100.6
C63	4030008890	S.CER C1608 JB 1H 273K-T	T	144.5/100.6
C64	4030011600	S.CER C1608 JB 1E 104K-T	T	146.7/102.5
C65	4030011600	S.CER C1608 JB 1E 104K-T	T	96/34.2
C66	4030011600	S.CER C1608 JB 1E 104K-T	B	34.1/27.4
C101	4030011600	S.CER C1608 JB 1E 104K-T	T	23.3/71.9
C102	4030011600	S.CER C1608 JB 1E 104K-T	B	43.2/48.2
C103	4030011600	S.CER C1608 JB 1E 104K-T	B	47.1/78
C104	4030011600	S.CER C1608 JB 1E 104K-T	B	46.8/58.8
C105	4030011600	S.CER C1608 JB 1E 104K-T	B	49.5/71
C106	4030011600	S.CER C1608 JB 1E 104K-T	B	46.8/57.5
C107	4030011600	S.CER C1608 JB 1E 104K-T	B	52/57.5
C108	4030011600	S.CER C1608 JB 1E 104K-T	B	57.7/57.5
C109	4030011600	S.CER C1608 JB 1E 104K-T	B	59.6/60.8
C110	4030011600	S.CER C1608 JB 1E 104K-T	B	46.8/68
C111	4550007520	S.TAN F931A106MAABMA	B	57.7/48.8
C112	4030011600	S.CER C1608 JB 1E 104K-T	B	59/50.5
C113	4550007520	S.TAN F931A106MAABMA	B	63.6/48.8
C114	4030011600	S.CER C1608 JB 1E 104K-T	B	62/50.5
C115	4550007520	S.TAN F931A106MAABMA	B	68.8/48.8
C116	4030011600	S.CER C1608 JB 1E 104K-T	B	64.9/50.5
C117	4030011600	S.CER C1608 JB 1E 104K-T	B	46.9/71
C118	4030011600	S.CER C1608 JB 1E 104K-T	B	46.8/61.4
C119	4030011600	S.CER C1608 JB 1E 104K-T	B	46.8/69.3
C120	4030011600	S.CER C1608 JB 1E 104K-T	B	59.6/69.4
C121	4030011600	S.CER C1608 JB 1E 104K-T	B	57.8/70.2
C122	4030011600	S.CER C1608 JB 1E 104K-T	B	56.5/70.2
C123	4030006860	S.CER C1608 JB 1H 102K-T	B	57.3/78
C124	4030011600	S.CER C1608 JB 1E 104K-T	B	52.1/71
C125	4030011600	S.CER C1608 JB 1E 104K-T	B	54.7/71
C126	4030011600	S.CER C1608 JB 1E 104K-T	B	46.8/66.7
C127	4030011600	S.CER C1608 JB 1E 104K-T	B	43.2/50.8
C128	4030011600	S.CER C1608 JB 1E 104K-T	B	52.2/50.8
C129	4030011600	S.CER C1608 JB 1E 104K-T	B	46.1/64.8
C130	4030011600	S.CER C1608 JB 1E 104K-T	B	59.6/66.8
C131	4030011600	S.CER C1608 JB 1E 104K-T	B	66.4/67.0
C132	4030011600	S.CER C1608 JB 1E 104K-T	B	59.6/63.6
C133	4030011600	S.CER C1608 JB 1E 104K-T	B	47.1/50.9
C134	4030011600	S.CER C1608 JB 1E 104K-T	B	39.3/58.6
C135	4030011600	S.CER C1608 JB 1E 104K-T	B	46.8/60.1
C136	4030011600	S.CER C1608 JB 1E 104K-T	B	54.6/57.5
C137	4030011600	S.CER C1608 JB 1E 104K-T	B	49.4/57.5
C138	4030011600	S.CER C1608 JB 1E 104K-T	B	54.7/69.3
C139	4030011600	S.CER C1608 JB 1E 104K-T	B	59.6/58.2
C140	4030006900	S.CER C1608 JB 1H 103K-T	B	66.4/58.5
C141	4030011600	S.CER C1608 JB 1E 104K-T	T	64.3/38.6
C142	4030011600	S.CER C1608 JB 1E 104K-T	T	76.8/32.5
C144	4030011600	S.CER C1608 JB 1E 104K-T	T	7.9/62.8
C145	4030011600	S.CER C1608 JB 1E 104K-T	T	10/62.1
C146	4030007020	S.CER C1608 CH 1H 120J-T	T	8.1/58.8
C147	4030007020	S.CER C1608 CH 1H 120J-T	T	10/59.5
C148	4030011600	S.CER C1608 JB 1E 104K-T	T	6.7/70.5
C149	4030011600	S.CER C1608 JB 1E 104K-T	T	7.4/73.7
C201	4030011600	S.CER C1608 JB 1E 104K-T	B	118.1/103.3
C202	4030011600	S.CER C1608 JB 1E 104K-T	B	120.7/103.3
C203	4030011600	S.CER C1608 JB 1E 104K-T	B	124.2/103.3
C204	4030011600	S.CER C1608 JB 1E 104K-T	B	127.3/103.3
C205	4030011600	S.CER C1608 JB 1E 104K-T	B	137.4/103.5
C206	4030011600	S.CER C1608 JB 1E 104K-T	B	120.7/87.6
C207	4030011600	S.CER C1608 JB 1E 104K-T	B	125.5/87.7
C208	4030011600	S.CER C1608 JB 1E 104K-T	B	117.7/85.8
C209	4030011600	S.CER C1608 JB 1E 104K-T	B	119.2/85.8
C210	4030011600	S.CER C1608 JB 1E 104K-T	B	124/85.8
C211	4030011600	S.CER C1608 JB 1E 104K-T	B	128/85.8
C212	4030011600	S.CER C1608 JB 1E 104K-T	B	138.4/85.8
C213	4030011600	S.CER C1608 JB 1E 104K-T	B	120.7/770
C214	4030011600	S.CER C1608 JB 1E 104K-T	B	124.1/770
C215	4030011600	S.CER C1608 JB 1E 104K-T	B	89.4/90.4
C216	4030011600	S.CER C1608 JB 1E 104K-T	B	85.6/71.6
C217	4030011600	S.CER C1608 JB 1E 104K-T	B	91.5/79.6
C218	4030011600	S.CER C1608 JB 1E 104K-T	B	92.1/72.6
C219	4030011600	S.CER C1608 JB 1E 104K-T	B	94.7/72.6
C220	4030011600	S.CER C1608 JB 1E 104K-T	B	90.8/72.6
C221	4030011600	S.CER C1608 JB 1E 104K-T</		



[LOGIC UNIT]

REF NO.	ORDER NO.	DESCRIPTION	M.	H/V LOCATION
C251	4030007050	S.CER C1608 CH 1H 220J-T	T	98.4/91.3
C252	4030006990	S.CER C1608 CH 1H 080D-T	T	98.9/63.9
C253	4030006990	S.CER C1608 CH 1H 080D-T	T	101.5/63.9
C254	4030006900	S.CER C1608 JB 1H 103K-T	T	83.7/84.6
C255	4510008520	S.ELE EEE1CA470SP	T	101.3/100.8
C256	4030006900	S.CER C1608 JB 1H 103K-T	T	83/64.1
C257	4510007130	S.ELE EEFCD 0J 470R	T	78.5/66.3
C258	4030011600	S.CER C1608 JB 1E 104K-T	T	84.9/61
C259	4030011600	S.CER C1608 JB 1E 104K-T	B	85.6/76.9
C260	4030011600	S.CER C1608 JB 1E 104K-T	T	214.2/33
C261	4030011600	S.CER C1608 JB 1E 104K-T	T	214.2/31.7
C262	4030011600	S.CER C1608 JB 1E 104K-T	T	214.2/29.7
C263	4030011600	S.CER C1608 JB 1E 104K-T	T	214.2/28.4
C264	4030011600	S.CER C1608 JB 1E 104K-T	T	205.4/23.2
C265	4510008540	S.ELE EEE1CA100SR	T	214.2/36.7
C266	4030011600	S.CER C1608 JB 1E 104K-T	T	196.3/28.7
C267	4030007100	S.CER C1608 CH 1H 560J-T	B	219.4/32.5
C268	4030007100	S.CER C1608 CH 1H 560J-T	B	219.4/29.5
C269	4030007100	S.CER C1608 CH 1H 560J-T	B	219.4/26.5
C270	4030007050	S.CER C1608 CH 1H 220J-T	B	225/32.5
C271	4030007050	S.CER C1608 CH 1H 220J-T	B	225/29.5
C272	4030007050	S.CER C1608 CH 1H 220J-T	B	225/26.5
C273	4030011600	S.CER C1608 JB 1E 104K-T	T	194.2/16.5
C274	4030007170	S.CER C1608 CH 1H 221J-T	T	203.9/16.5
C275	4030007170	S.CER C1608 CH 1H 221J-T	T	203.9/19.4
C276	4030007050	S.CER C1608 CH 1H 220J-T	B	217.8/9.3
C277	4030007050	S.CER C1608 CH 1H 220J-T	B	220.7/9.3
C278	4510008500	S.ELE EEE1CA101WP	T	223.4/38.4
C279	4030007050	S.CER C1608 CH 1H 220J-T	B	227.8/9.3
C280	4030007050	S.CER C1608 CH 1H 220J-T	B	230.7/9.3
C281	4510008500	S.ELE EEE1CA101WP	T	223.4/30.6
C282	4030011600	S.CER C1608 JB 1E 104K-T	B	215.6/39.1
C283	4510008550	S.ELE EEE1HA010SR	T	217.2/42
C284	4030011600	S.CER C1608 JB 1E 104K-T	B	104.6/21.2
C285	4510008540	S.ELE EEE1CA100SR	T	105.6/37.4
C286	4510008540	S.ELE EEE1CA100SR	T	105.6/32.6
C287	4030011600	S.CER C1608 JB 1E 104K-T	B	104.6/23.2
C288	4510008540	S.ELE EEE1CA100SR	T	105.6/27.8
C289	4030011600	S.CER C1608 JB 1E 104K-T	B	104.6/24.5
C290	4030011600	S.CER C1608 JB 1E 104K-T	B	115.5/21.2
C291	4510008540	S.ELE EEE1CA100SR	T	111.7/37.4
C292	4510008540	S.ELE EEE1CA100SR	T	111.7/32.6
C293	4030011600	S.CER C1608 JB 1E 104K-T	B	115.5/23.2
C294	4510008540	S.ELE EEE1CA100SR	T	111.7/27.8
C295	4030011600	S.CER C1608 JB 1E 104K-T	B	115.5/24.5
C296	4030011600	S.CER C1608 JB 1E 104K-T	B	126.3/33.9
C297	4510008540	S.ELE EEE1CA100SR	T	123.9/39.8
C298	4030011600	S.CER C1608 JB 1E 104K-T	B	126.3/31.3
C299	4510008540	S.ELE EEE1CA100SR	T	123.9/35
C300	4030011600	S.CER C1608 JB 1E 104K-T	B	114/34.6
C301	4510008540	S.ELE EEE1CA100SR	T	117.8/39.8
C302	4030011600	S.CER C1608 JB 1E 104K-T	B	113.3/32.5
C303	4510008540	S.ELE EEE1CA100SR	T	117.8/35
C401	4030011600	S.CER C1608 JB 1E 104K-T	B	28.2/61.5
C402	4030011600	S.CER C1608 JB 1E 104K-T	B	22.3/61.5
C403	4030011600	S.CER C1608 JB 1E 104K-T	B	8.7/53.3
C404	4030011600	S.CER C1608 JB 1E 104K-T	B	8.7/45.6
C405	4030011600	S.CER C1608 JB 1E 104K-T	B	20.2/35.6
C406	4030011600	S.CER C1608 JB 1E 104K-T	B	25.4/35.6
C407	4030011600	S.CER C1608 JB 1E 104K-T	B	29.7/35.6
C408	4030011600	S.CER C1608 JB 1E 104K-T	B	38.5/42.3
C409	4030011600	S.CER C1608 JB 1E 104K-T	B	38.7/47.5
C410	4030011600	S.CER C1608 JB 1E 104K-T	B	38.7/51
C411	4030011600	S.CER C1608 JB 1E 104K-T	B	40.9/36.2
C412	4030006860	S.CER C1608 JB 1H 102K-T	T	29.3/44.7
C413	4030006900	S.CER C1608 JB 1H 103K-T	T	26.7/44.7
C414	4030007150	S.CER C1608 CH 1H 151J-T	T	28/44.7
C415	4030011600	S.CER C1608 JB 1E 104K-T	B	15.2/30.5
C416	4510008540	S.ELE EEE1CA100SR	T	13.7/28.8
C417	4030011600	S.CER C1608 JB 1E 104K-T	B	15.2/31.8
C418	4510008540	S.ELE EEE1CA100SR	T	13.7/33.6
C419	4030006900	S.CER C1608 JB 1H 103K-T	T	36.9/26.6
C420	4030007150	S.CER C1608 CH 1H 151J-T	T	36.9/25.3
C421	4550007520	S.TAN F931A106MAABMA	B	19.7/26.8
C422	4030011600	S.CER C1608 JB 1E 104K-T	T	20.8/66.3
C423	4030011600	S.CER C1608 JB 1E 104K-T	B	35.3/85.1
C424	4030011600	S.CER C1608 JB 1E 104K-T	B	38.1/77.1
C425	4030011600	S.CER C1608 JB 1E 104K-T	B	34.6/71.4
C426	4030011600	S.CER C1608 JB 1E 104K-T	B	34.8/67.7
C427	4030011600	S.CER C1608 JB 1E 104K-T	B	26.8/62.8
C428	4030011600	S.CER C1608 JB 1E 104K-T	B	20.8/62.8
C429	4030011600	S.CER C1608 JB 1E 104K-T	B	18.2/62.8
C430	4030011600	S.CER C1608 JB 1E 104K-T	B	9.7/81.5
C431	4030011600	S.CER C1608 JB 1E 104K-T	B	12.3/72.4
C432	4030011600	S.CER C1608 JB 1E 104K-T	B	12.3/79
C433	4030011600	S.CER C1608 JB 1E 104K-T	B	12.3/82.2
C434	4030011600	S.CER C1608 JB 1E 104K-T	B	17.2/90.2
C435	4030011600	S.CER C1608 JB 1E 104K-T	B	20.8/90.2
C436	4030011600	S.CER C1608 JB 1E 104K-T	B	25.7/90.2
C437	4030011600	S.CER C1608 JB 1E 104K-T	B	146.1/21.2
C438	4030011600	S.CER C1608 JB 1E 104K-T	B	152.6/21.2
C439	4030011600	S.CER C1608 JB 1E 104K-T	B	153/18.4
C440	4010008500	CER DEBB3D102KA2B		
C601	4030011600	S.CER C1608 JB 1E 104K-T	B	169.4/51.4
C602	4030011600	S.CER C1608 JB 1E 104K-T	B	169.1/57.7
C603	4030011600	S.CER C1608 JB 1E 104K-T	B	79.6/44.7
C604	4030011600	S.CER C1608 JB 1E 104K-T	B	99.9/36.7
C605	4030011600	S.CER C1608 JB 1E 104K-T	B	102/21.3
C606	4030011600	S.CER C1608 JB 1E 104K-T	B	83.2/16.8
C607	4030011600	S.CER C1608 JB 1E 104K-T	B	81.5/16.8
C608	4510008540	S.ELE EEE1CA100SR	T	67/16.3
C609	4510008540	S.ELE EEE1CA100SR	T	62.4/34
C610	4030006900	S.CER C1608 JB 1H 103K-T	B	71.2/19.5
C611	4030006900	S.CER C1608 JB 1H 103K-T	B	71.2/20.8

[LOGIC UNIT]

REF NO.	ORDER NO.	DESCRIPTION	M.	H/V LOCATION
C612	4030007010	S.CER C1608 CH 1H 100D-T	T	80.9/16.9
C613	4030007010	S.CER C1608 CH 1H 100D-T	T	83.5/16.9
C614	4030011600	S.CER C1608 JB 1E 104K-T	B	86.2/14.2
C615	4030006880	S.CER C1608 JB 1H 472K-T	B	71.2/31.2
C616	4030006880	S.CER C1608 JB 1H 472K-T	B	71.2/29.9
C617	4030006880	S.CER C1608 JB 1H 472K-T	B	71.2/28.6
C618	4030006880	S.CER C1608 JB 1H 472K-T	B	71.2/27.3
C619	4030006880	S.CER C1608 JB 1H 472K-T	B	71.2/26
C620	4030006880	S.CER C1608 JB 1H 472K-T	B	71.2/24.7
C621	4030006880	S.CER C1608 JB 1H 472K-T	B	71.2/23.4
C622	4030006880	S.CER C1608 JB 1H 472K-T	B	71.2/22.1
C623	4510008540	S.ELE EEE1CA100SR	T	178.6/62.5
C624	4030011600	S.CER C1608 JB 1E 104K-T	T	174.9/60.6
C625	4510008540	S.ELE EEE1CA100SR	T	184.7/62.5
C626	4030011600	S.CER C1608 JB 1E 104K-T	B	63.7/20.3
C627	4030011600	S.CER C1608 JB 1E 104K-T	B	60.6/20.3
C628	4030011600	S.CER C1608 JB 1E 104K-T	B	73.6/39
C629	4030011600	S.CER C1608 JB 1E 104K-T	B	57.2/39.8
C630	4030011600	S.CER C1608 JB 1E 104K-T	B	150.9/51.7
C631	4030011600	S.CER C1608 JB 1E 104K-T	B	148.9/48.1
C632	4030011600	S.CER C1608 JB 1E 104K-T	B	131.8/66
C633	4030011600	S.CER C1608 JB 1E 104K-T	B	138.2/66.7
C634	4030011600	S.CER C1608 JB 1E 104K-T	B	150.9/58
C635	4030011600	S.CER C1608 JB 1E 104K-T	B	131.1/58.5
C636	4030011600	S.CER C1608 JB 1E 104K-T	B	131.1/52.1
C801	4510008540	S.ELE EEE1CA100SR	T	141/114.6
C802	4030011600	S.CER C1608 JB 1E 104K-T	B	138.5/110.6
C803	4030011600	S.CER C1608 JB 1E 104K-T	B	138.5/113.3
C804	4510008520	S.ELE EEE1CA470SP	T	147.2/113.8
C805	4510008870	S.ELE EEE1AA471UP	T	100.2/110.4
C806	4510008870	S.ELE EEE1AA471UP	T	109.5/110.4
C807	4510008870	S.ELE EEE1AA471UP	T	119.4/100.6
C808	4510008870	S.ELE EEE1AA471UP	T	119.9/109.6
C809	4510008560	S.ELE EEE1HAR47SR	T	160/65.3
C810	4510008560	S.ELE EEE1HAR47SR	T	166.6/65.3
C811	4510008560	S.ELE EEE1HAR47SR	T	173.2/65.3
C812	4030006860	S.CER C1608 JB 1H 102K-T	B	66.8/117.7
C813	4030006860	S.CER C1608 JB 1H 102K-T	B	84.9/122.3
C814	4030006860	S.CER C1608 JB 1H 102K-T	B	83.6/116.9
C815	4030006860	S.CER C1608 JB 1H 102K-T	B	88.8/115.9
C816	4030006860	S.CER C1608 JB 1H 102K-T	B	97.3/121.4
C817	4030006860	S.CER C1608 JB 1H 102K-T	B	100.6/122.1
C818	4030006860	S.CER C1608 JB 1H 102K-T	B	103.1/122.1
C819	4030006860	S.CER C1608 JB 1H 102K-T	B	105.6/122.1
C820	4030006860	S.CER C1608 JB 1H 102K-T	B	108.8/121.4
C821	4510008520	S.ELE EEE1CA470SP	T	211/16
C822	4510008500	S.ELE EEE1CA101WP	T	14.3/109.4
C823	4030006880	S.CER C1608 JB 1H 472K-T	B	33.9/114.5
C824	4030006860	S.CER C1608 JB 1H 102K-T	B	20/24.5
C825	4030011600	S.CER C1608 JB 1E 104K-T	B	20.4/107.6
C826	4030006860	S.CER C1608 JB 1H 102K-T	T	122.2/118.1
C827	4030006860	S.CER C1608 JB 1H 102K-T	T	117.6/118.7
C828	4030007130	S.CER C1608 CH 1H 101J-T	T	118.9/118.7
C829	4030006860	S.CER C1608 JB 1H 102K-T	T	127.2/116
C830	4030007130	S.CER C1608 CH 1H 101J-T	T	128.5/116
C831	4030006860	S.CER C1608 JB 1H 102K-T	T	130.5/115.5
C832	4030007130	S.CER C1608 CH 1H 101J-T	T	130.5/116.8
C833	4030006860	S.CER C1608 JB 1H 102K-T	T	133.9/116
C834	4030007130	S.CER C1608 CH 1H 101J-T	T	132.6/116
C835	4030011600	S.CER C1608 JB 1E 104K-T	T	127.8/110.6
C836	4510008540	S.ELE EEE1CA100SR	T	127.8/106
C837	4030011600	S.CER C1608 JB 1E 104K-T	T	135.7/106.8
C838	4510008540	S.ELE EEE1CA100SR	T	132.6/106
C850	4030011600	S.CER C1608 JB 1E 104K-T	B	165/40.9
C851	4510008540	S.ELE EEE1CA100SR	T	128/31.2
C852	4030009490	S.CER C1608 JB 1H 821K-T	B	142.1/11.6
C853	4030009490	S.CER C1608 JB 1H 821K-T	B	142.7/14.9
C855	4510008540	S.ELE EEE1CA100SR	T	117.7/29.1
C856	4030009490	S.CER C1608 JB 1H 821K-T	B	134.5/17.2
C857	4030009490	S.CER C1608 JB 1H 821K-T	B	131.7/19.8
C859	4510008540	S.ELE EEE1CA100SR	T	123.2/29.1
C860	4030009490	S.CER C1608 JB 1H 821K-T	B	136.9/7.2
C861	4030009490	S.CER C1608 JB 1H 821K-T	B	140.8/7.2
C865	4510008540	S.ELE EEE1CA100SR	T	119.4/22.2
C866	4030007160			



[LOGIC UNIT]

REF NO.	ORDER NO.	DESCRIPTION	M.	H/V LOCATION
C916	4030006860	S.CER C1608 JB 1H 102K-T	B	180.6/40.3
C917	4030006860	S.CER C1608 JB 1H 102K-T	B	181.1/28.2
C918	4030006860	S.CER C1608 JB 1H 102K-T	B	182.1/30.8
C919	4030006860	S.CER C1608 JB 1H 102K-T	B	182.6/40.3
C920	4030006860	S.CER C1608 JB 1H 102K-T	B	183.1/28.2
C921	4030006860	S.CER C1608 JB 1H 102K-T	B	183.6/37.7
C922	4030006860	S.CER C1608 JB 1H 102K-T	B	184.1/30.8
C923	4030006860	S.CER C1608 JB 1H 102K-T	B	133.7/37.7
C924	4030006860	S.CER C1608 JB 1H 102K-T	B	134.7/40.3
C925	4030006860	S.CER C1608 JB 1H 102K-T	B	135.7/37.7
C926	4030006860	S.CER C1608 JB 1H 102K-T	B	136.2/30.8
C927	4030006860	S.CER C1608 JB 1H 102K-T	B	136.7/40.3
C928	4030006860	S.CER C1608 JB 1H 102K-T	B	137.2/25.5
C929	4030006860	S.CER C1608 JB 1H 102K-T	B	137.7/37.7
C930	4030006860	S.CER C1608 JB 1H 102K-T	B	138.2/28.1
C931	4030006860	S.CER C1608 JB 1H 102K-T	B	138.7/40.3
C932	4030006860	S.CER C1608 JB 1H 102K-T	B	139.2/25.5
C933	4030006860	S.CER C1608 JB 1H 102K-T	B	139.7/37.7
C934	4030006860	S.CER C1608 JB 1H 102K-T	B	140.2/28.1
C935	4030006860	S.CER C1608 JB 1H 102K-T	B	140.7/40.3
C936	4030006860	S.CER C1608 JB 1H 102K-T	B	141.2/25.5
C937	4030006860	S.CER C1608 JB 1H 102K-T	B	141.7/37.7
C938	4030006860	S.CER C1608 JB 1H 102K-T	B	142.2/22.9
C939	4030006860	S.CER C1608 JB 1H 102K-T	B	142.7/40.3
C940	4030006860	S.CER C1608 JB 1H 102K-T	B	143.2/25.5
C941	4030006860	S.CER C1608 JB 1H 102K-T	B	144.2/22.9
C942	4030006860	S.CER C1608 JB 1H 102K-T	B	146.2/30.8
C943	4030006860	S.CER C1608 JB 1H 102K-T	B	147.2/28.3
C944	4030006860	S.CER C1608 JB 1H 102K-T	B	148.2/30.9
C945	4030006860	S.CER C1608 JB 1H 102K-T	B	150.2/28.3
C946	4030006860	S.CER C1608 JB 1H 102K-T	B	151.2/30.9
C947	4030006860	S.CER C1608 JB 1H 102K-T	B	214.5/84.7
C948	4030006860	S.CER C1608 JB 1H 102K-T	B	220.6/81.7
C949	4030006860	S.CER C1608 JB 1H 102K-T	B	223/91.7
C950	4030006860	S.CER C1608 JB 1H 102K-T	B	220.6/94.3
C951	4030006860	S.CER C1608 JB 1H 102K-T	B	214.5/92.7
C952	4030006860	S.CER C1608 JB 1H 102K-T	B	213.6/72.3
C953	4030006860	S.CER C1608 JB 1H 102K-T	B	211.5/76.1
C954	4030006860	S.CER C1608 JB 1H 102K-T	B	205.7/77.8
C955	4030006860	S.CER C1608 JB 1H 102K-T	B	211.5/79.5
C956	4030006860	S.CER C1608 JB 1H 102K-T	T	211/113.9
C957	4030006860	S.CER C1608 JB 1H 102K-T	T	24/113.9
C958	4030006860	S.CER C1608 JB 1H 102K-T	T	27/113.9
C959	4030006860	S.CER C1608 JB 1H 102K-T	T	30/113.8
C960	4030006860	S.CER C1608 JB 1H 102K-T	B	180.6/79.6
C961	4030006860	S.CER C1608 JB 1H 102K-T	B	183.2/90.3
C962	4030006860	S.CER C1608 JB 1H 102K-T	B	187.7/90.3
C963	4030006860	S.CER C1608 JB 1H 102K-T	B	188.7/81.7
C964	4030006860	S.CER C1608 JB 1H 102K-T	B	193/81.7
C965	4030006860	S.CER C1608 JB 1H 102K-T	B	193.7/90.3
C966	4030006860	S.CER C1608 JB 1H 102K-T	B	194.9/78.8
C967	4030006860	S.CER C1608 JB 1H 102K-T	B	222.7/78.7
C968	4030006860	S.CER C1608 JB 1H 102K-T	B	228.7/79
C969	4030006860	S.CER C1608 JB 1H 102K-T	B	222/74.4
C970	4030006860	S.CER C1608 JB 1H 102K-T	B	229.9/74.4
C971	4030006860	S.CER C1608 JB 1H 102K-T	B	220.9/49.2
C972	4030006860	S.CER C1608 JB 1H 102K-T	B	229.5/50.2
C973	4030006860	S.CER C1608 JB 1H 102K-T	B	227.1/62.2
C974	4030006860	S.CER C1608 JB 1H 102K-T	B	218.4/63.2
C975	4030006860	S.CER C1608 JB 1H 102K-T	B	227.1/66.7
C976	4030006860	S.CER C1608 JB 1H 102K-T	B	218.4/68.1
C977	4030006860	S.CER C1608 JB 1H 102K-T	T	181.7/23.9
C978	4030006860	S.CER C1608 JB 1H 102K-T	T	159.4/23.6
C979	4030006860	S.CER C1608 JB 1H 102K-T	T	190.4/18.9
C980	4030006860	S.CER C1608 JB 1H 102K-T	T	188.7/24.5
C981	4030006860	S.CER C1608 JB 1H 102K-T	T	166.1/22.6
C982	4030006860	S.CER C1608 JB 1H 102K-T	T	173.3/42.7
C983	4030011600	S.CER C1608 JB 1E 104K-T	T	180.7/84.3
C984	4030010210	S.CER C3216 JB 1C 105M-T	B	198.6/85.6
C985	4030011600	S.CER S11B-EH (LF) (SN)	T	195.5/83.6
C991	4030006880	S.CER C1608 JB 1H 472K-T	T	208.4/92
C992	4030006880	S.CER C1608 JB 1H 472K-T	T	208.4/94
C993	4030006880	S.CER C1608 JB 1H 472K-T	T	220.2/93
C994	4030006880	S.CER C1608 JB 1H 472K-T	T	220.2/81.4
C995	4030006880	S.CER C1608 JB 1H 472K-T	T	208.3/80
C996	4030006880	S.CER C1608 JB 1H 472K-T	T	220.2/78.6
C997	4030006880	S.CER C1608 JB 1H 472K-T	T	218.4/73.2
J1	6510022490	S.CNR AXK5S30045P	T	40/98
J2	6510019870	S.CNR AXK5S40045P	T	85/98
J51	6910014251	CNR IMSA-9202B-2-06Z041-PT1		
J102	6510019981	S.CNR 52808-1671 (1690)	T	72.5/40
J602	6510019971	S.CNR 52808-1071	T	95.5/14.5
J604	6510019971	S.CNR 52808-1071	T	72.5/23
J802	6510024261	S.CNR S9B-PH-SM4-TB (LF) (SN)	T	158.5/5
J803	6510024401	CNR S11B-EH (LF) (SN)		
J804	6510024251	S.CNR S5B-PH-SM4-TB (LF) (SN)	T	213.2/5
J805	6510024111	S.CNR 52793-2070 (2090)	T	129.5/123.9
J806	6510024131	S.CNR IMSA-9637S-40Y905	T	193/4.7
J807	6510024151	S.CNR 50FY-BMT-TB (LF) (SN)	T	53.6/22
J808	6510022471	S.CNR 40FLT-SM2-TB (LF) (SN)	T	175.3/34.3
J809	6510022471	S.CNR 40FLT-SM2-TB (LF) (SN)	T	143.4/34.3
J810	6510022731	S.CNR S13B-PH-SM4-TB (LF) (SN)	T	120/7
J811	6510021561	S.CNR 52808-2470 (2490)	T	214.3/84.5
J812	6510020701	S.CNR 52793-1270 (1290)	T	19.5/123.9
J813	6510020081	S.CNR 52808-2071 (2090)	T	189/89.8
J814	6510019971	S.CNR 52808-1071	T	229/79.5
J815	6510019991	S.CNR 52808-2271 (2291)	T	229/58
J816	6510019991	S.CNR 52808-2271 (2291)	T	171.2/17.5
J820	6510003581	CNR S10B-EH-S (LF) (SN)		
J821	6510003551	CNR S07B-EH-S (LF) (SN)		
J822	6510021601	S.CNR S2B-PH-SM4-TB (LF) (SN)	T	15.5/18
J823	6510021601	S.CNR S2B-PH-SM4-TB (LF) (SN)	T	53.8/122.6

[LOGIC UNIT]

REF NO.	ORDER NO.	DESCRIPTION	M.	H/V LOCATION
J824	6510024100	CNR SC25-02WL		
J825	6510019421	S.CNR B8B-ZR-SM4-TF (LF) (SN)	T	29.4/20.8
J826	6510023801	S.CNR S4B-ZR-SM4A-TF (LF) (SN)	T	141.3/4.5
DS401	5040002930	S.LED SML-512MW T86	T	11.9/96.4
DS402	5040002930	S.LED SML-512MW T86	T	11.9/94.9
DS403	5040002930	S.LED SML-512MW T86	T	11.9/93.1
S51	2260001890	S.SW SKQDPA	T	142.6/106.8
T401	5920000841	S.TSM H1102NL	T	150/20
EP101	6910013310	S.BEA MMZ1608D121B	T	3.6/74.9
EP102	6910013310	S.BEA MMZ1608D121B	T	10.3/80.5
EP103	6910013310	S.BEA MMZ1608D121B	T	14.9/80.7
EP201	6910012350	S.BEA MMZ1608Y 102BT	T	201.5/22.1
EP202	6910012350	S.BEA MMZ1608Y 102BT	T	198.3/28
EP203	6910012350	S.BEA MMZ1608Y 102BT	T	83.7/86.4
EP204	6910012350	S.BEA MMZ1608Y 102BT	T	79.6/72.4
EP401	6910013310	S.BEA MMZ1608D121B	T	19.4/79.6
EP402	6910013310	S.BEA MMZ1608D121B	T	17.3/75.6
EP403	6910013310	S.BEA MMZ1608D121B	T	19.4/82.5
EP801	6910013310	S.BEA MMZ1608D121B	T	204.4/9.8
EP802	6910013310	S.BEA MMZ1608D121B	T	202.1/10.6
EP803	6910013310	S.BEA MMZ1608D121B	T	200.8/10.6
EP804	6910013310	S.BEA MMZ1608D121B	T	199.5/10.6
EP805	6910013310	S.BEA MMZ1608D121B	B	201.4/8.2
EP806	6910013310	S.BEA MMZ1608D121B	T	198.2/10.6
EP807	6910013310	S.BEA MMZ1608D121B	B	200.1/8.2
EP808	6910013310	S.BEA MMZ1608D121B	T	196.9/10.6
EP809	6910013310	S.BEA MMZ1608D121B	B	198.8/8.2
EP810	6910013310	S.BEA MMZ1608D121B	T	195.6/10.6
EP811	6910013310	S.BEA MMZ1608D121B	B	197.5/8.2
EP812	6910013310	S.BEA MMZ1608D121B	B	196.2/8.2
EP813	6910013310	S.BEA MMZ1608D121B	T	194.3/10.6
EP814	6910013310	S.BEA MMZ1608D121B	T	193/10.6
EP815	6910013310	S.BEA MMZ1608D121B	T	191.7/10.9
EP816	6910013310	S.BEA MMZ1608D121B	T	190.4/11.6
EP817	6910013310	S.BEA MMZ1608D121B	T	189.1/12.3
EP818	6910013310	S.BEA MMZ1608D121B	T	187.8/12
EP819	6910013310	S.BEA MMZ1608D121B	T	186.5/11.6
EP820	6910013310	S.BEA MMZ1608D121B	T	183.5/10
EP821	6910015980	S.BEA MMZ1608S 181CT-AS	T	71.1/116.5
EP822	6910015980	S.BEA MMZ1608S 181CT-AS	T	72.5/116.5
EP826	6910012350	S.BEA MMZ1608Y 102BT	T	133.2/118.1
EP827	6910012350	S.BEA MMZ1608Y 102BT	B	137.3/124.5
EP828	6910012350	S.BEA MMZ1608Y 102BT	B	137.3/123.1
EP829	6910012350	S.BEA MMZ1608Y 102BT	T	135.2/117.3
EP972	6910015970	S.BEA MMZ1608B 301CT-AS	T	139/11.1
EP973	6910015970	S.BEA MMZ1608B 301CT-AS	T	142/11.1
EP996	6910015970	S.BEA MMZ1608B 301CT-AS	B	188.5/92.1
EP997	6910015970	S.BEA MMZ1608B 301CT-AS	B	189.5/83.5
EP1001	6910015970	S.BEA MMZ1608B 301CT-AS	B	193.5/83.5
EP1002	6910015970	S.BEA MMZ1608B 301CT-AS	B	194.5/92.1
EP1101	6910013310	S.BEA MMZ1608D121B	T	39.4/13.9
EP1102	6910013310	S.BEA MMZ1608D121B	T	40.1/16.6
EP1103	6910013310	S.BEA MMZ1608D121B	T	40.8/13.9
EP1104	6910013310	S.BEA MMZ1608D121B	T	41.5/16.6
EP1105	6910013310	S.BEA MMZ1608D121B	T	42.2/13.9
EP1106	6910013310	S.BEA MMZ1608D121B	T	42.9/16.6
EP1107	6910013310	S.BEA MMZ1608D121B	T	43.6/13.9
EP1108	6910013310	S.BEA MMZ1608D121B	T	44.3/16.6
EP1109	6910013310	S.BEA MMZ1608D121B	T	45/13.9
EP1110	6910013310	S.BEA MMZ1608D121B	T	45.7/16.6
EP1111	6910013310	S.BEA MMZ1608D121B	T	46.4/13.9
EP1112	6910013310	S.BEA MMZ1608D121B	T	47.1/16.6
EP1113	6910013310	S.BEA MMZ1608D121B	T	47.8/13.9
EP1114	6910013310	S.BEA MMZ1608D121B	T	48.5/16.6
EP1115	6910013310	S.BEA MMZ1608D121B	T	49.2/13.9
EP1116	6910013310	S.BEA MMZ1608D121B	T	49.9/16.6
EP1117	6910013310	S.BEA MMZ1608D121B	T	50.6/13.9
EP1118	6910013310	S.BEA MMZ1608D121B	T	51.3/16.6
EP1119	6910013310	S.BEA MMZ1608D121B	T	52/13.9
EP1120	6910013310	S.BEA MMZ1608D121B	T	52.7/16.6
EP1121	6910013310	S.BEA MMZ1608D121B	T	53.4/13.9
EP1122	6910013310	S.BEA MMZ1608D121B	T	54.1/16.6
EP1123	6910013310	S.BEA MMZ1608D121B	T	54.8/13.9
EP1124	6910013310	S.BEA MMZ1608D121B	T	42.8/29.6
EP1125	6910013310	S.BEA MMZ1608D121B	T	43.5/27
EP1126	6910013310	S.BEA MMZ1608D121B	T	44.2/29.6
EP1127	6910013310			

[PA UNIT]

REF NO.	ORDER NO.	DESCRIPTION	M.	H/V LOCATION
MF1	2710000770	FAN FCB34AC12A		
W1	8900012790	CBL OPC-1299		

[PA200W BOARD]

REF NO.	ORDER NO.	DESCRIPTION	M.	H/V LOCATION
IC2	1180001541	S.IC TA78L08F (TE12L,F)	T	58.8/15.1
Q1	1520000531	S.TR 2SB1119S-TD-E	T	42.8/19.2
Q2	1590000680	S.TR DTC114EUA T106	T	45.8/13.5
Q101	1560001241	S.FET RD01MUS1-T113	T	5.9/66.4
Q201	1590003051	S.FET PD55003-E	T	20.5/53.1
Q301	1590003350	S.FET SD2918	T	64/45.8
Q401	1590003361	FET SD2931-12		
Q402	1590003361	FET SD2931-12		
D1	1730000561	S.ZEN RD2.7M-T2B-A B1	T	100.6/22.8
D401	1750000271	S.DIO 1SS301 (TE85L,F)	T	116.8/99.1
D402	1750000271	S.DIO 1SS301 (TE85L,F)	T	118.3/35.9
D403	1750000271	S.DIO 1SS301 (TE85L,F)	T	104/98.3
D404	1750000271	S.DIO 1SS301 (TE85L,F)	T	104/35.7
L1	6200005011	S.COL NLV25T-100J	T	14.7/18
L2	6200005011	S.COL NLV25T-100J	T	14.7/20.5
L3	6200005011	S.COL NLV25T-100J	T	14.7/23
L6	6200005011	S.COL NLV25T-100J	T	14.7/25.5
L7	6200010881	S.COL CDRH124NP-330MC	T	77.3/11
L101	6200005131	S.COL NLC453232T-101K-PF	T	5.6/59.6
L102	6200007220	S.COL EXCCCL4532U1	T	6/38.4
L201	6180001240	COL LAL 04NA 820K		
L202	6140004350	COL LR-475		
L301	6200003261	S.COL NLV32T-101J	T	46.1/36.4
L303	6200001831	S.COL NLV32T-100J	T	86.9/26.2
L304	2040000490	COL EXC-ELDR25C		
L305	2040000490	COL EXC-ELDR25C		
L306	6140004340	COL LR-474		
L307	6200001831	S.COL NLV32T-100J	T	75.7/100.2
L401	6200003261	S.COL NLV32T-101J	T	100.4/98.3
L402	6200003261	S.COL NLV32T-101J	T	100.1/35.8
L403	6140002590	COL LR-296 (TR18X8X8 D12A)		
L404	6140000720	S.COL LR-95	T	166.4/67
L501	6140002030	COL LR-230 (SK-10M-15Y 120)		
R1	7030003440	S.RES ERJ3GEYJ 102 V (1 k)	T	42.8/12.8
R2	7030003560	S.RES ERJ3GEYJ 103 V (10 k)	T	42.8/14.2
R3	7510001740	TMR DTN-C103F3H-STS-40		
R4	7030000380	S.RES MCR10EZJH 1 k	T	39.7/22.5
R5	7030008061	S.RES ERA3YEB 222V (2.2 k)	T	104.3/23.1
R6	7030007210	S.RES ERA3YEB 102V (1 k)	T	103.6/16.5
R7	7030007210	S.RES ERA3YEB 102V (1 k)	T	103.6/17.8
R101	7030003370	S.RES ERJ3GEYJ 271 V (270)	T	6/87.2
R102	7030003220	S.RES ERJ3GEYJ 150 V (15)	T	3.9/86.1
R103	7030003370	S.RES ERJ3GEYJ 271 V (270)	T	6/85
R104	7030003360	S.RES ERJ3GEYJ 221 V (220)	T	4.8/71.3
R105	7030003430	S.RES ERJ3GEYJ 821 V (820)	T	6/73.3
R106	7030003480	S.RES ERJ3GEYJ 222 V (2.2 k)	T	9.2/73.8
R107	7030003440	S.RES ERJ3GEYJ 102 V (1 k)	T	2.2/64.7
R108	7030003200	S.RES ERJ3GEYJ 100 V (10)	T	9.2/68.3
R110	7030000230	S.RES MCR10EZJH 56 (560)	T	11.3/56.6
R111	7030003420	S.RES ERJ3GEYJ 681 V (680)	T	13.3/58.6
R112	7030003510	S.RES ERJ3GEYJ 392 V (3.9 k)	T	12.6/60.6
R113	7030003500	S.RES ERJ3GEYJ 332 V (3.3 k)	T	6.8/75.2
R115	7030003520	S.RES ERJ3GEYJ 472 V (4.7 k)	T	13.1/40.8
R117	7030003530	S.RES ERJ3GEYJ 562 V (5.6 k)	T	7.7/76.5
R118	7030003550	S.RES ERJ3GEYJ 822 V (8.2 k)	T	11.7/40.8
R119	7030008240	S.RES ERJ12YR000U	T	5/49.6
R201	7030004050	S.RES ERJ3GEYJ 1R0 V (1)	T	13.8/48.6
R202	7030003410	S.RES ERJ3GEYJ 561 V (560)	T	23.1/43.1
R203	7030010800	S.RES ERJ1TYJ 2R7U (2.7)	T	18.4/65.5
R205	7030006260	S.RES ERJ12YJ471U (470)	T	30.3/55.7
R301	7310005210	TRI VM5CK-PVB 20 k		
R302	7030008180	S.RES ERJ12YJ331U (330)	T	48.3/40.6
R305	7030003530	S.RES ERJ3GEYJ 562 V (5.6 k)	T	49.6/43.5
R307	7070000830	RES ERG3SJ 101 (100)		
R309	7030010570	S.RES ERJ1TYJ 4R7U (4.7)	T	80/45.8
R310	7310005200	TRI VM5CK-PVB 2 k		
R312	7070000830	RES ERG3SJ 101 (100)		
R401	7030010960	S.RES ERJ1TYJ 120U (12)	T	89.8/90.7
R402	7030010960	S.RES ERJ1TYJ 120U (12)	T	93.5/90.7
R403	7030010960	S.RES ERJ1TYJ 120U (12)	T	97.2/90.7
R404	7030010960	S.RES ERJ1TYJ 120U (12)	T	90.8/43.3
R405	7030010960	S.RES ERJ1TYJ 120U (12)	T	94.5/43.3
R406	7030010960	S.RES ERJ1TYJ 120U (12)	T	98.2/43.3
R407	7310005230	TRI VM5CK-PVB 10 k		
R408	7030000420	S.RES MCR10EZJH 2.2 k	T	116.3/96
R409	7030000420	S.RES MCR10EZJH 2.2 k	T	116.3/38
R410	7310005230	TRI VM5CK-PVB 10 k		
R411	7030010520	S.RES ERJ1TYJ 101U (100)	T	107.6/93.9
R412	7030010520	S.RES ERJ1TYJ 101U (100)	T	107.5/40.2
R413	7030010520	S.RES ERJ1TYJ 101U (100)	T	111.3/93.9
R414	7030010520	S.RES ERJ1TYJ 101U (100)	T	111.2/40.2
R416	7070000890	RES ERG3SJ 150 (15)		
R418	7070001190	RES ERG3SJ180 (18)		
R420	7070000890	RES ERG3SJ 150 (15)		
R422	7070001190	RES ERG3SJ180 (18)		
R423	7030003460	S.RES ERJ3GEYJ 152 V (1.5 k)	T	95.9/98.4
R424	7030003460	S.RES ERJ3GEYJ 152 V (1.5 k)	T	99.4/33.6
R425	7310005200	TRI VM5CK-PVB 2 k		
R426	7310005200	TRI VM5CK-PVB 2 k		

[PA200W BOARD]

REF NO.	ORDER NO.	DESCRIPTION	M.	H/V LOCATION
R427	7070001200	RES ERG3SJ100P (10)		
R501	7070000890	RES ERG3SJ 150 (15)		
R502	7070000890	RES ERG3SJ 150 (15)		
R503	7030003500	S.RES ERJ3GEYJ 332 V (3.3 k)	T	171.8/16.7
R504	7030003500	S.RES ERJ3GEYJ 332 V (3.3 k)	T	169.9/15.9
R507	7030003500	S.RES ERJ3GEYJ 332 V (3.3 k)	T	139.1/17.9
R508	7030003500	S.RES ERJ3GEYJ 332 V (3.3 k)	T	137.3/19.2
R511	7070000890	RES ERG3SJ 150 (15)		
R512	7070000890	RES ERG3SJ 150 (15)		
R513	7070001000	RES ERG3SJ 821 (820)		
R514	7070001000	RES ERG3SJ 821 (820)		
R521	7030011160	S.RES RL7520WT-R010-F	T	165.2/20.2
R522	7030011160	S.RES RL7520WT-R010-F	T	159.6/20.2
R523	7030011160	S.RES RL7520WT-R010-F	T	154/20.2
C1	4030011600	S.CER C1608 JB 1E 104K-T	T	18.9/18
C2	4030006880	S.CER C1608 JB 1H 472K-T	T	18.9/20.5
C3	4030006880	S.CER C1608 JB 1H 472K-T	T	18.9/23
C6	4030006880	S.CER C1608 JB 1H 472K-T	T	18.9/25.5
C7	4030006900	S.CER C1608 JB 1H 103K-T	T	70/6.8
C8	4030006880	S.CER C1608 JB 1H 472K-T	T	42.8/15.6
C9	4030011600	S.CER C1608 JB 1E 104K-T	T	57.6/11.4
C10	4510008520	S.ELE EEE1CA470SP	T	52/15.5
C11	4030006900	S.CER C1608 JB 1H 103K-T	T	60.4/11.4
C12	4510008520	S.ELE EEE1CA470SP	T	64.9/15.5
C15	4030006880	S.CER C1608 JB 1H 472K-T	T	104.3/20.4
C16	4030006880	S.CER C1608 JB 1H 472K-T	T	103/23.1
C17	4510008550	S.ELE EEE1HA010SR	T	95.9/22.8
C102	4030017810	S.CER C1608 CH 1H 102J-T	T	4.1/76.2
C103	4030011600	S.CER C1608 JB 1E 104K-T	T	9.2/72.5
C104	4030011600	S.CER C1608 JB 1E 104K-T	T	9.5/75.2
C106	4030017320	S.CER GRM21BB11H104KA01	T	2.2/67.7
C107	4030011600	S.CER C1608 JB 1E 104K-T	T	9.2/70.9
C108	4030017810	S.CER C1608 CH 1H 102J-T	T	9.2/69.6
C109	4030017320	S.CER GRM21BB11H104KA01L	T	8.1/62.6
C110	4030017810	S.CER C1608 CH 1H 102J-T	T	9/64.2
C111	4030017810	S.CER C1608 CH 1H 102J-T	T	9/56.4
C112	4030017320	S.CER GRM21BB11H104KA01L	T	8.7/54.8
C113	4030011600	S.CER C1608 JB 1E 104K-T	T	5.3/102.4
C114	4030011600	S.CER C1608 JB 1E 104K-T	T	13.9/60.6
C201	4030017320	S.CER GRM21BB11H104KA01L	T	18.2/43.1
C202	4030017810	S.CER C1608 CH 1H 102J-T	T	15.7/61.3
C204	4030008490	S.CER C2012 JB 1H 682K-T	T	31.2/61.6
C206	4030008700	S.CER GRM21BB11H473KA01L	T	29.3/61.6
C207	4030008700	S.CER GRM21BB11H473KA01L	T	34.4/36.7
C301	4030004760	S.CER C2012 JF 1H 104Z-T	T	49.4/45.5
C303	4030011600	S.CER C1608 JB 1E 104K-T	T	43.4/35.4
C305	4030004760	S.CER C2012 JF 1H 104Z-T	T	44.4/42.6
C307	4030017810	S.CER C1608 CH 1H 102J-T	T	39.7/31.7
C309	4030011600	S.CER C1608 JB 1E 104K-T	T	41.1/31.7
C311	4030018750	S.CER C3225 CH 2J 682K-T	T	54.1/58.9
C313	4030011600	S.CER C1608 JB 1E 104K-T	T	89.1/26.9
C314	4510008050	ELE 63 ME 220 CZ		
C317	4030018790	S.CER C3225 JB 2E 104K-T	T	76.8/34
C318	4030011600	S.CER C1608 JB 1E 104K-T	T	77.2/96.7
C319	4030018790	S.CER C3225 JB 2E 104K-T	T	70.4/79
C401	4030011790	S.CER GRM55RF52A684ZD01L	T	92.4/82.2
C402	4030011790	S.CER GRM55RF52A684ZD01L	T	92.4/51.8
C403	4030011600	S.CER C1608 JB 1E 104K-T	T	79.9/100.1
C404	4030011600	S.CER C1608 JB 1E 104K-T	T	88.6/30.3
C405	4030006900	S.CER C1608 JB 1H 103K-T	T	79.9/98.8
C406	4030006900	S.CER C1608 JB 1H 103K-T	T	88.6/31.6
C407	4030017810	S.CER C1608 CH 1H 102J-T	T	79.9/97.5
C408	4030017810	S.CER C1608 CH 1H 102J-T	T	88.6/32.9
C409	4030018790	S.CER C3225 JB 2E 104K-T	T	111.3/100.2
C410	4030018790	S.CER C3225 JB 2E 104K-T	T	111.2/33.9
C411	4030006880	S.CER C1608 JB 1H 472K-T	T	114.9/99.1
C412	4030006880	S.CER C1608 JB 1H 472K-T	T	116.3/35
C413	4030011600	S.CER C1608 JB 1E 104K-T	T	97.8/99.1
C414	4030011600	S.CER C1608 JB 1E 104K-T	T	97.4/36.5
C415	4030011790	S.CER GRM55RF52A684ZD01L	T	102.8/88.8
C416	4030011790	S.CER GRM55RF52A684ZD01L	T	103.8/49
C417	4030018760	S.CER C4532 CH 2A 104K-T	T	190.2/82.6
C418	4030018760	S.CER C4532 CH 2A 104K-T	T	193.9/82.6
C419	4030018760	S.CER C4532 CH 2A 104K-T	T	190.2/53.4
C420	4030018760	S.CER C4532 CH 2A 104K-T	T	193.9/53.4
C501	4030018790	S.CER C3225 JB 2E 104K-T	T	183.8/32
C502	4030018780	S.CER C3225 JB 2J 473K-T	T	180.4/32
C503	4030018770	S.CER C3216 CH		

[DC-DC UNIT]

REF NO.	ORDER NO.	DESCRIPTION	M.	H/V LOCATION
IC21	1180002510	S.REG LM2673S-3.3	T	130/20.9
IC41	1180002510	S.REG LM2673S-3.3	T	97.6/94.7
IC61	1180002520	S.REG LM2673S-5.0	T	97.6/59.8
IC81	1180002520	S.REG LM2673S-5.0	T	38/13.5
IC101	1180002500	S.REG LM2673S-ADJ	T	96.6/26.6
IC121	1180002530	S.REG LM2594M-12	T	128.6/69.2
Q141	1590003310	S.TR DTD113ZK T146	T	7.8/95.4
D21	1750000960	S.DIO RB081L-20	T	125.2/32.8
D41	1750000960	S.DIO RB081L-20	T	85.7/88.1
D61	1750000960	S.DIO RB081L-20	T	88.6/54.3
D81	1750000960	S.DIO RB081L-20	T	31.2/22
D101	1750000960	S.DIO RB081L-20	T	87.6/21.9
D121	1710000840	S.DIO 1SR154-400 TE25	T	145.3/70.6
D122	1750001011	S.DIO MBRD835LT4G	T	120.6/82.8
D123	1750000960	S.DIO RB081L-20	T	132.6/86.1
D141	1750000520	S.DIO DAN222TL	T	11.3/94.8
L21	6200003950	S.COL HF50ACC 322513-T	T	117.9/55.1
L22	6200010891	S.COL CDRH124NP-150MC	T	115.5/34.2
L23	6200010881	S.COL CDRH124NP-330MC	T	130/50.7
L41	6200009790	S.COL BLM31PG121SN1	T	63.2/81.3
L42	6200010891	S.COL CDRH124NP-150MC	T	84.7/80.3
L43	6200010881	S.COL CDRH124NP-330MC	T	68.3/94
L44	6200009790	S.COL BLM31PG121SN1	T	63.2/83.6
L61	6200003950	S.COL HF50ACC 322513-T	T	62.9/46.6
L62	6200010901	S.COL CDRH104RNP-100NC	T	80.4/45
L63	6200010881	S.COL CDRH124NP-330MC	T	66.5/58
L81	6200003950	S.COL HF50ACC 322513-T	T	27.4/47.8
L82	6200010901	S.COL CDRH104RNP-100NC	T	22.7/32
L83	6200010881	S.COL CDRH124NP-330MC	T	36.1/43.1
L101	6200003950	S.COL HF50ACC 322513-T	T	62.9/16.6
L102	6200010881	S.COL CDRH124NP-330MC	T	84.9/12.1
L103	6190001191	S.COL D10F-#A814AY-101K	T	65.5/26.6
L121	6190001640	S.COL SLF12555T-101M1R1	T	119.3/72.3
L122	6190001191	S.COL D10F-#A814AY-101K	T	141.6/80.9
L141	6200001831	S.COL NLV32T-100J	T	10.5/99.4
L142	6200010901	S.COL CDRH104RNP-100NC	T	97.3/109
R21	7030006091	S.RES ERA3YED 822V (8.2 k)	T	119.1/19.7
R41	7030006091	S.RES ERA3YED 822V (8.2 k)	T	98.9/83.8
R61	7030006091	S.RES ERA3YED 822V (8.2 k)	T	98.8/48.5
R81	7030006091	S.RES ERA3YED 822V (8.2 k)	T	27/12.2
R101	7030009851	S.RES ERA3YED 271V (270)	T	102/17.9
R102	7030007230	S.RES ERA3YED 102V (1 k)	T	102/20.8
R103	7030006091	S.RES ERA3YED 822V (8.2 k)	T	97.9/15.7
R121	7030003640	S.RES ERJ3GEYJ 473 V (47 k)	T	133.3/72.6
R122	7030003640	S.RES ERJ3GEYJ 473 V (47 k)	T	132/71.8
R141	7030008190	S.RES ERJ12YJ330U (33)	T	14.7/99
C9	4510008910	S.ELE EEEFC1C101P	T	138.5/69.7
C21	4030011600	S.CER C1608 JB 1E 104K-T	T	125.3/40.8
C22	4510008610	S.ELE 10SVP150MX	T	131.1/38.1
C23	4030011340	S.CER C1608 CH 1H 471J-T	T	119.1/17.1
C24	4030004750	S.CER C2012 JB 1H 103K-T	T	119.7/23.7
C25	4030005110	S.CER C2012 JB 1E 473K-T	T	125.3/27.5
C26	4550006770	S.TAN TEESVD2 1C 476M-12R	T	132.1/30
C27	4510008610	S.ELE 10SVP150MX	T	115.3/47.4
C41	4030011600	S.CER C1608 JB 1E 104K-T	T	77.5/89.5
C42	4510008610	S.ELE 10SVP150MX	T	80.8/95.2
C43	4030011340	S.CER C1608 CH 1H 471J-T	T	101.4/83.8
C44	4030004750	S.CER C2012 JB 1H 103K-T	T	94.8/84.1
C45	4030005110	S.CER C2012 JB 1E 473K-T	T	91.4/90.6
C46	4550007140	S.TAN TEESVD 1C 107M12R	T	87.6/96.4
C47	4510008610	S.ELE 10SVP150MX	T	70.5/79.1
C61	4030011600	S.CER C1608 JB 1E 104K-T	T	81.5/56
C62	4510008610	S.ELE 10SVP150MX	T	77.3/60.9
C63	4030011340	S.CER C1608 CH 1H 471J-T	T	101.4/48.5
C64	4030004750	S.CER C2012 JB 1H 103K-T	T	94.8/49.1
C65	4030011600	S.CER C1608 JB 1E 104K-T	T	91.1/55.4
C66	4550006770	S.TAN TEESVD2 1C 476M-12R	T	85.6/61.7
C67	4510008610	S.ELE 10SVP150MX	T	69.6/44
C81	4030011600	S.CER C1608 JB 1E 104K-T	T	33.1/28.4
C82	4510008610	S.ELE 10SVP150MX	T	37.9/32.4
C83	4030011340	S.CER C1608 CH 1H 471J-T	T	26.9/9.7
C84	4030004750	S.CER C2012 JB 1H 103K-T	T	27.7/16.1
C85	4030011600	S.CER C1608 JB 1E 104K-T	T	33.4/19.8
C86	4550006770	S.TAN TEESVD2 1C 476M-12R	T	38/25.1
C87	4510008610	S.ELE 10SVP150MX	T	21.7/42.7
C101	4030011600	S.CER C1608 JB 1E 104K-T	T	80.1/22.7
C102	4510008610	S.ELE 10SVP150MX	T	75.7/27.3
C103	4030011340	S.CER C1608 CH 1H 471J-T	T	100.4/15.6
C104	4030004750	S.CER C2012 JB 1H 103K-T	T	93.8/16.2
C105	4030005110	S.CER C2012 JB 1E 473K-T	T	90.1/22.5
C106	4550006770	S.TAN TEESVD2 1C 476M-12R	T	83.8/28.2
C107	4510008610	S.ELE 10SVP150MX	T	68.6/11.3
C122	4030011600	S.CER C1608 JB 1E 104K-T	T	132/69.2
C123	4510008940	S.ELE EEEFC1V470P	T	131.7/79.3
C124	4030006880	S.CER C1608 JB 1H 472K-T	T	120.8/95.1
C141	4030011600	S.CER C1608 JB 1E 104K-T	T	7.6/97.9
RL142	6330001760	RLY AW3023		
J2	6510003471	CNR B11B-EH-S (LF) (SN)		
J3	6510003431	CNR B07B-EH-S (LF) (SN)		
J4	6510003461	CNR B10B-EH-S (LF) (SN)		
J5	6510020421	S.CNR S4B-PH-SM4-TB (LF) (SN)	T	128.2/97.5
W1	8900012780	CBL OPC-1298		

[TUNER UNIT]

REF NO.	ORDER NO.	DESCRIPTION	M.	H/V LOCATION
MF1	2710000780	MTR MP24Z (STEPPING MOTOR)		
MF2	2710000780	MTR MP24Z (STEPPING MOTOR)		
MF3	2710000470	FAN MF60B-12H901		
W1	8900012901	CBL OPC-1345R		
W2	8900012901	CBL OPC-1345R		
W3	8900017140	CBL OPC-927A (P1,N24,L100)		
W51	8600037090	CBL SX2590 P51		

M.=Mounted side (T: Mounted on the Top side, B: Mounted on the Bottom side)  
S.=Surface mount



[CTRL BOARD]

REF NO.	ORDER NO.	DESCRIPTION	M.	H/V LOCATION
IC1	1140004120	S.IC M38022M2-138FP	T	65.7/81.8
IC2	1130010390	S.IC HN58X2416T1	T	54/86.9
IC3	1130003921	S.IC TC4S69F (TE85R,F)	T	55.9/58.2
IC4	1180001071	S.IC TA7805F (TE16L,Q)	B	63/57.7
IC5	1130009691	S.IC TC74HCT7007AF (F)	B	92.5/91.6
IC6	1130006441	S.IC TC7S08F (TE85R,F)	T	81.7/70.3
IC51	1130011530	S.IC CD74HC4094M96	T	42.2/72.4
IC52	1130007690	S.IC BU4066BCF-E2	B	125.1/76.8
IC55	1130011530	S.IC CD74HC4094M96	B	100.2/76.1
IC56	1130011530	S.IC CD74HC4094M96	B	114.3/76.1
IC57	1160000131	S.IC TD62783AFG (S,EL)	T	99.6/73.1
IC58	1160000131	S.IC TD62783AFG (S,EL)	T	113.7/73.1
IC101	1110000960	S.IC NJM4558M-TE1-#FMZB	T	19.4/37.8
IC151	1120002301	S.IC TC74AC04F (F)	B	35.3/44.3
IC153	1130012011	S.IC TC7SZ32F (TE85L,F)	T	31.2/47.3
IC154	1130012011	S.IC TC7SZ32F (TE85L,F)	T	42.4/45.8
IC155	1130012011	S.IC TC7SZ32F (TE85L,F)	T	36/47.5
IC156	1130012021	S.IC TC74ACT112F (EL,F)	T	38.4/56.5
IC201	1110000960	S.IC NJM4558M-TE1-#FMZB	T	19/54.7
IC301	1110002690	S.IC NJM2903M-TE1-#FMZB	T	73.4/59
IC401	1160000131	S.IC TD62783AFG (S,EL)	T	13.6/86.1
IC402	1160000131	S.IC TD62783AFG (S,EL)	T	31.6/84.7
Q1	1590001330	S.TR DTA114EUA T106	T	78.5/75.2
Q2	1590000680	S.TR DTC114EUA T106	T	77.8/71.2
Q3	1590000680	S.TR DTC114EUA T106	T	128.4/74.5
Q4	1590000680	S.TR DTC114EUA T106	T	128.4/77
Q5	1590000680	S.TR DTC114EUA T106	T	128.4/81.3
Q6	1590000680	S.TR DTC114EUA T106	T	128.4/83.8
Q7	1590000680	S.TR DTC114EUA T106	T	128.4/88.5
Q8	1590000680	S.TR DTC114EUA T106	T	128.4/91
Q9	1590000680	S.TR DTC114EUA T106	T	128.4/95.7
Q10	1590000680	S.TR DTC114EUA T106	T	128.4/100.5
Q11	1590000680	S.TR DTC114EUA T106	B	85.7/99.8
Q51	1590000680	S.TR DTC114EUA T106	T	6.1/78.6
Q52	1590000680	S.TR DTC114EUA T106	T	12.5/78.6
Q53	1590000680	S.TR DTC114EUA T106	B	6.6/72.8
Q54	1560001260	S.FET 2SK3018 T106	B	121.2/80.2
Q55	1590000680	S.TR DTC114EUA T106	B	130.2/68.9
Q59	1590000680	S.TR DTC114EUA T106	T	56.8/69.5
Q201	1560000871	S.FET 2SK515-T1B-A (X33)	T	52.6/43
Q251	1590000680	S.TR DTC114EUA T106	T	74.2/34.9
D1	1730000411	S.ZEN RD5.1M-T2B-A B2	T	63.4/58.4
D2	1710000780	S.DIO MA114 (TX)	T	67.7/55.9
D3	1750000201	S.DIO 1SS319 (TE85R,F)	B	129.5/98.1
D4	1750000201	S.DIO 1SS319 (TE85R,F)	B	129.5/90
D5	1750000201	S.DIO 1SS319 (TE85R,F)	B	129.5/82.8
D6	1750000201	S.DIO 1SS319 (TE85R,F)	B	129.5/76
D7	1730000031	S.ZEN RD5.6M-T2B-A B2	T	63.6/54.9
D101	1790000491	S.DIO HSM88ASTR-E	T	14.7/24.3
D102	1790000491	S.DIO HSM88ASTR-E	T	25.6/29.5
D103	1750000201	S.DIO 1SS319 (TE85R,F)	T	19.3/42.1
D151	1790000491	S.DIO HSM88ASTR-E	T	32/38.2
D152	1790000491	S.DIO HSM88ASTR-E	T	39.4/38.2
D153	1790000491	S.DIO HSM88ASTR-E	T	28.4/57.2
D154	1790000491	S.DIO HSM88ASTR-E	T	29.6/53.4
D201	1790000491	S.DIO HSM88ASTR-E	T	57.6/37.2
D202	1790000491	S.DIO HSM88ASTR-E	T	48.5/37.1
D203	1750000201	S.DIO 1SS319 (TE85R,F)	T	18/60.9
D251	1750000271	S.DIO 1SS301 (TE85L,F)	T	72.1/36.5
D301	1790000491	S.DIO HSM88ASTR-E	T	81.5/58.3
D302	1790000491	S.DIO HSM88ASTR-E	T	88.4/59.6
X1	6050009890	S.XTL CR-569 (6.144 MHz)	T	83.2/79.5
L1	6200003261	S.COL NLV32T-101J	T	51.1/76.5
L2	6200003261	S.COL NLV32T-101J	T	54.5/77.8
L4	2040000490	COL EXC-ELDR25C	T	
L5	6200005131	S.COL NLC453232T-101K-PF	T	121.6/100.3
L6	6200003590	S.COL EXCCL3225U1	T	109.3/91.1
L7	6200003590	S.COL EXCCL3225U1	T	106.3/91.2
L8	6200003590	S.COL EXCCL3225U1	T	103.3/91.1
L9	6200003950	S.COL HF50ACC 322513-T	B	92/101
L51	6200003261	S.COL NLV32T-101J	T	106.3/86.9
L52	6200005131	S.COL NLC453232T-101K-PF	T	114.9/88.1
L101	6140004410	COL LR-502	T	
L102	6200001831	S.COL NLV32T-100J	T	20.9/66.5
L103	6200003261	S.COL NLV32T-101J	T	15.2/66.4
L151	6140004410	COL LR-502	T	
L152	6200001831	S.COL NLV32T-100J	T	41.4/63
L201	6140004410	COL LR-502	T	
L202	6180003300	COL T6-222J (2.2M)	T	
L301	6140004410	COL LR-502	T	
L302	6200003261	S.COL NLV32T-101J	T	69.4/61.2
L401	6200003950	S.COL HF50ACC 322513-T	T	26.4/101.5
L402	6200003950	S.COL HF50ACC 322513-T	T	18.5/101.5
R2	7030003680	S.RES ERJ3GEYJ 104 V (100 k)	T	63/71
R3	7030003680	S.RES ERJ3GEYJ 104 V (100 k)	T	64.3/71
R4	7030003680	S.RES ERJ3GEYJ 104 V (100 k)	T	65.6/71
R5	7030003680	S.RES ERJ3GEYJ 104 V (100 k)	T	66.9/71
R6	7030003560	S.RES ERJ3GEYJ 103 V (10 k)	T	74.7/71
R7	7030003440	S.RES ERJ3GEYJ 102 V (1 k)	T	73.4/71
R8	7030003680	S.RES ERJ3GEYJ 104 V (100 k)	T	55.4/72.8
R9	7030003680	S.RES ERJ3GEYJ 104 V (100 k)	T	54.7/74.7
R10	7030003680	S.RES ERJ3GEYJ 104 V (100 k)	T	57.3/72.9
R11	7030003680	S.RES ERJ3GEYJ 104 V (100 k)	T	53.4/74.7
R12	7030003440	S.RES ERJ3GEYJ 102 V (1 k)	T	78.3/83.9
R13	7030003680	S.RES ERJ3GEYJ 104 V (100 k)	T	76.6/75.6
R14	7030003680	S.RES ERJ3GEYJ 104 V (100 k)	T	78.5/78.2
R15	7030003440	S.RES ERJ3GEYJ 102 V (1 k)	T	55.6/60.7
R16	7030003320	S.RES ERJ3GEYJ 101 V (100)	T	54.8/55.2
R17	7030003560	S.RES ERJ3GEYJ 103 V (10 k)	T	54.1/82.2
R18	7030003560	S.RES ERJ3GEYJ 103 V (10 k)	T	54.1/80.9
R19	7030003680	S.RES ERJ3GEYJ 104 V (100 k)	T	58.3/58.2
R20	7030003570	S.RES ERJ3GEYJ 123 V (12 k)	T	59.6/60.6
R21	7030003650	S.RES ERJ3GEYJ 563 V (56 k)	T	59.6/58.2
R22	7030003450	S.RES ERJ3GEYJ 122 V (1.2 k)	T	66.3/58.5
R23	7030003560	S.RES ERJ3GEYJ 103 V (10 k)	B	105.1/100
R24	7030003440	S.RES ERJ3GEYJ 102 V (1 k)	B	102.9/98.8
R25	7030003380	S.RES ERJ3GEYJ 331 V (330)	B	126/99.1
R26	7030003380	S.RES ERJ3GEYJ 331 V (330)	B	126/97.1
R27	7030003380	S.RES ERJ3GEYJ 331 V (330)	B	126/91
R28	7030003380	S.RES ERJ3GEYJ 331 V (330)	B	126/89
R29	7030003380	S.RES ERJ3GEYJ 331 V (330)	B	126/83.8
R30	7030003380	S.RES ERJ3GEYJ 331 V (330)	B	126/81.8
R31	7030003380	S.RES ERJ3GEYJ 331 V (330)	B	126/77
R32	7030003380	S.RES ERJ3GEYJ 331 V (330)	B	126/75
R40	7030003440	S.RES ERJ3GEYJ 102 V (1 k)	T	61.2/99.9
R42	7030003860	S.RES ERJ3GE JPW V	T	60.4/71
R43	7030003860	S.RES ERJ3GE JPW V	T	60.7/69
R44	7030003860	S.RES ERJ3GE JPW V	T	68.2/71
R45	7030003860	S.RES ERJ3GE JPW V	T	65.7/68.5
R46	7030003860	S.RES ERJ3GE JPW V	T	70.6/68.9
R51	7030003440	S.RES ERJ3GEYJ 102 V (1 k)	B	35.8/80.1
R52	7030003440	S.RES ERJ3GEYJ 102 V (1 k)	B	34.3/80.1
R53	7030003440	S.RES ERJ3GEYJ 102 V (1 k)	B	32.8/80.1
R54	7030003440	S.RES ERJ3GEYJ 102 V (1 k)	B	31.2/80.1
R55	7030003440	S.RES ERJ3GEYJ 102 V (1 k)	B	29.6/80.1
R56	7030003440	S.RES ERJ3GEYJ 102 V (1 k)	B	28/80.1
R57	7030003440	S.RES ERJ3GEYJ 102 V (1 k)	B	26.4/80.1
R58	7030003440	S.RES ERJ3GEYJ 102 V (1 k)	B	24.8/80.1
R59	7030003440	S.RES ERJ3GEYJ 102 V (1 k)	T	18.3/78.7
R60	7030003440	S.RES ERJ3GEYJ 102 V (1 k)	T	17/76
R61	7030003440	S.RES ERJ3GEYJ 102 V (1 k)	T	15.7/76
R62	7030003440	S.RES ERJ3GEYJ 102 V (1 k)	T	14.4/78.7
R63	7030003440	S.RES ERJ3GEYJ 102 V (1 k)	T	10.6/78.7
R64	7030003440	S.RES ERJ3GEYJ 102 V (1 k)	T	9.3/74.8
R65	7030003440	S.RES ERJ3GEYJ 102 V (1 k)	T	8/74.8
R66	7030003520	S.RES ERJ3GEYJ 472 V (4.7 k)	B	15.6/81.6
R67	7030003200	S.RES ERJ3GEYJ 100 V (10)	T	99.8/90.4
R68	7030003200	S.RES ERJ3GEYJ 100 V (10)	T	98.5/90.4
R69	7030003200	S.RES ERJ3GEYJ 100 V (10)	T	97.2/90.4
R70	7030004040	S.RES ERJ3GEYJ 4R7 V (4.7)	T	104.8/65.9
R71	7030004040	S.RES ERJ3GEYJ 4R7 V (4.7)	T	103.5/65.9
R72	7030004040	S.RES ERJ3GEYJ 4R7 V (4.7)	T	102.2/65.9
R73	7030004040	S.RES ERJ3GEYJ 4R7 V (4.7)	T	100.9/65.9
R74	7030004040	S.RES ERJ3GEYJ 4R7 V (4.7)	T	99.6/65.9
R75	7030004040	S.RES ERJ3GEYJ 4R7 V (4.7)	T	98.3/65.9
R76	7030004040	S.RES ERJ3GEYJ 4R7 V (4.7)	T	97/65.9
R77	7030004040	S.RES ERJ3GEYJ 4R7 V (4.7)	T	95.7/65.9
R78	7030004040	S.RES ERJ3GEYJ 4R7 V (4.7)	B	120.1/64.6
R84	7030004040	S.RES ERJ3GEYJ 4R7 V (4.7)	B	110.5/64.6
R85	7030004040	S.RES ERJ3GEYJ 4R7 V (4.7)	B	108.9/64.6
R86	7030003560	S.RES ERJ3GEYJ 103 V (10 k)	B	116.1/83.6
R87	7030003860	S.RES ERJ3GE JPW V	T	32.5/76
R88	7030003860	S.RES ERJ3GE JPW V	T	31.2/76
R89	7030003860	S.RES ERJ3GE JPW V	T	29.9/76
R90	7030003860	S.RES ERJ3GE JPW V	T	28.6/76
R91	7030003860	S.RES ERJ3GE JPW V	T	27.3/76
R92	7030003860	S.RES ERJ3GE JPW V	T	26/76
R95	7030003860	S.RES ERJ3GE JPW V	T	15.7/78.7
R97	7030003860	S.RES ERJ3GE JPW V	T	8/78.7
R101	7030010950	S.RES ERJ1TYJ 100U (10)	T	18.6/29.5
R102	7030010950	S.RES ERJ1TYJ 100U (10)	T	22.3/29.5
R103	7030003560	S.RES ERJ3GEYJ 103 V (10 k)	T	12.2/34.7
R104	7030003560	S.RES ERJ3GEYJ 103 V (10 k)	T	27.6/34.9
R105	7030003720	S.RES ERJ3GEYJ 224 V (220 k)	T	12.2/37.3
R106	7030003720	S.RES ERJ3GEYJ 224 V (220 k)	T	25/36.7
R107	7030003660	S.RES ERJ3GEYJ 683 V (68 k)	T	14.1/36.5
R108	7030003660	S.RES ERJ3GEYJ 683 V (68 k)	T	23.2/34.8
R109	7030003720	S.RES ERJ3GEYJ 224 V (220 k)	T	13.3/38.7
R110	7030003720	S.RES ERJ3GEYJ 224 V (220 k)	T	25/37.9
R111	7030009340	S.RES ERJ3GEYJ 275V (2.7 M)	T	13.7/40.6
R112	7030003810	S.RES ERJ3GEYJ 125 V (1.2 M)	T	25/39.1
R115	7030009340	S.RES ERJ3GEYJ 275V (2.7 M)	T	12.4/40.6
R151	7030007190	S.RES ERJ12YJ220U (22)	T	37.6/27.2
R152	7030010620	S.RES ERJ12YJ180U (18)	B	38.1/26.8
R153	7030007190	S.RES ERJ12YJ220U (22)	T	37.6/31.8
R154	7030010620	S.RES ERJ12YJ180U (18)	B	38.1/31.8
R155	7030003320	S.RES ERJ3GEYJ 101 V (100)	T	37/39.6
R157	7030003320	S.RES ERJ3GEYJ 101 V (100)	T	30.3/40.1
R158	7030003560	S.RES ERJ3GEYJ 103 V (10 k)	T	31.8/41.5
R159	7030003560	S.RES ERJ3GEYJ 103 V (10 k)	T	38.4/41.5
R160	7030003280	S.RES ERJ3GEYJ 470 V (47)	T	30/42.3
R161	7030003280	S.RES ERJ3GEYJ 470 V (47)	T	39.7/43
R162	7030003440	S.RES ERJ3GEYJ 102 V (1 k)	T	30.9/44.9
R163	7030003440	S.RES ERJ3GEYJ 102 V (1 k)	T	42/43.3
R164	7030003280	S.RES ERJ3GEYJ 470 V (47)	T	33.6/47.7
R165	7030003280	S.RES ERJ3GEYJ 470 V (47)	T	39.2/46.4
R166	7030003440	S.RES ERJ3GEYJ 102 V (1 k)	T	34.3/44.7
R167	7030003440	S.RES ERJ3GEYJ 102 V (1 k)	T	39.2/45.1
R168	7030003280	S.RES ERJ3GEYJ 470 V (47)	T	38.8/49.8
R169	7030003440	S.RES ERJ3GEYJ 102 V (1 k)	T	38.8/51.1
R170	7030003280	S.RES		

[CTRL BOARD]

REF NO.	ORDER NO.	DESCRIPTION	M.	H/V LOCATION
R208	7030003560	S.RES ERJ3GEYJ 103 V (10 k)	T	54.8/42.6
R209	7030003520	S.RES ERJ3GEYJ 472 V (4.7 k)	T	54.8/40
R210	7030003440	S.RES ERJ3GEYJ 102 V (1 k)	T	56.1/42.7
R211	7030003480	S.RES ERJ3GEYJ 222 V (2.2 k)	T	13.1/49.4
R212	7030003560	S.RES ERJ3GEYJ 103 V (10 k)	T	25.1/49.4
R213	7030005331	S.RES ERA3YED 562V (5.6 k)	T	17.8/49.9
R214	7030005331	S.RES ERA3YED 562V (5.6 k)	T	16.5/49.9
R215	7030005871	S.RES ERA3YKD 104V (100 k)	T	14/53
R216	7030008121	S.RES ERA3YED 682V (6.8 k)	T	20.6/50
R217	7030008121	S.RES ERA3YED 682V (6.8 k)	T	22.3/48.1
R218	7030005871	S.RES ERA3YKD 104V (100 k)	T	23.8/52
R221	7030003670	S.RES ERJ3GEYJ 823 V (82 k)	B	17.1/57
R222	7030003680	S.RES ERJ3GEYJ 104 V (100 k)	T	20.9/51.3
R223	7030003820	S.RES ERJ3GEYJ 155 V (1.5 M)	T	14/55.8
R224	7030003820	S.RES ERJ3GEYJ 155 V (1.5 M)	T	23.8/54.6
R225	7030003560	S.RES ERJ3GEYJ 103 V (10 k)	T	14/61.4
R226	7030003560	S.RES ERJ3GEYJ 103 V (10 k)	T	21.9/61.4
R227	7030003560	S.RES ERJ3GEYJ 103 V (10 k)	T	14.7/63.4
R228	7030003560	S.RES ERJ3GEYJ 103 V (10 k)	T	21.3/63.4
R252	7030000230	S.RES MCR10EZJH 56 (560)	T	70.8/31.9
R253	7030000230	S.RES MCR10EZJH 56 (560)	T	69.9/35.2
R254	7030000230	S.RES MCR10EZJH 56 (560)	T	70.8/38.7
R255	7030000220	S.RES MCR10EZJH 47 (470)	T	72.2/40.8
R256	7030000230	S.RES MCR10EZJH 56 (560)	T	72.4/31
R301	7030003560	S.RES ERJ3GEYJ 103 V (10 k)	T	83.7/57.6
R302	7030003670	S.RES ERJ3GEYJ 823 V (82 k)	T	81.9/61.2
R303	7030010910	S.RES ERJ1TVJ 150U (15)	B	90.1/60.7
R304	7030003560	S.RES ERJ3GEYJ 103 V (10 k)	T	85.5/62
R305	7030003720	S.RES ERJ3GEYJ 224 V (220 k)	T	80.6/61.2
R306	7030003660	S.RES ERJ3GEYJ 683 V (68 k)	T	78.7/57.2
R307	7030003660	S.RES ERJ3GEYJ 683 V (68 k)	T	79.2/59.7
R308	7030003840	S.RES ERJ3GEYJ 225 V (2.2 M)	B	76.5/58.3
R309	7030003720	S.RES ERJ3GEYJ 224 V (220 k)	T	76.1/53.9
R310	7030003840	S.RES ERJ3GEYJ 225 V (2.2 M)	T	73.4/54
R311	7030003440	S.RES ERJ3GEYJ 102 V (1 k)	T	76/55.5
R312	7030003560	S.RES ERJ3GEYJ 103 V (10 k)	T	73.4/55.5
R313	7030003700	S.RES ERJ3GEYJ 154 V (150 k)	T	78.5/61.6
R345	7030003560	S.RES ERJ3GEYJ 103 V (10 k)	T	88.3/83.7
R401	7030004040	S.RES ERJ3GEYJ 4R7 V (4.7)	T	17.5/93.4
R402	7030004040	S.RES ERJ3GEYJ 4R7 V (4.7)	T	16.2/93.4
R403	7030004040	S.RES ERJ3GEYJ 4R7 V (4.7)	T	14.9/93.4
R404	7030004040	S.RES ERJ3GEYJ 4R7 V (4.7)	T	17.0/93.4
R405	7030004040	S.RES ERJ3GEYJ 4R7 V (4.7)	T	12.3/93.4
R406	7030004040	S.RES ERJ3GEYJ 4R7 V (4.7)	T	11/93.4
R407	7030004040	S.RES ERJ3GEYJ 4R7 V (4.7)	T	9.7/93.4
R408	7030004040	S.RES ERJ3GEYJ 4R7 V (4.7)	T	8.4/93.4
R409	7030004040	S.RES ERJ3GEYJ 4R7 V (4.7)	B	36.6/86.7
R410	7030004040	S.RES ERJ3GEYJ 4R7 V (4.7)	B	35.1/86.7
R411	7030004040	S.RES ERJ3GEYJ 4R7 V (4.7)	B	33.6/86.7
R412	7030004040	S.RES ERJ3GEYJ 4R7 V (4.7)	B	32/86.7
R413	7030004040	S.RES ERJ3GEYJ 4R7 V (4.7)	B	30.4/86.7
R414	7030004040	S.RES ERJ3GEYJ 4R7 V (4.7)	B	28.8/86.7
R415	7030004040	S.RES ERJ3GEYJ 4R7 V (4.7)	B	27.2/86.7
R416	7030004040	S.RES ERJ3GEYJ 4R7 V (4.7)	B	25.6/86.7
R417	7030003440	S.RES ERJ3GEYJ 102 V (1 k)	B	31.3/98.5
R418	7030003440	S.RES ERJ3GEYJ 102 V (1 k)	B	44.8/98.5
R419	7030003440	S.RES ERJ3GEYJ 102 V (1 k)	B	32.9/98.5
R420	7030003440	S.RES ERJ3GEYJ 102 V (1 k)	B	46.4/98.5
R421	7030003440	S.RES ERJ3GEYJ 102 V (1 k)	B	34.5/98.5
R422	7030003440	S.RES ERJ3GEYJ 102 V (1 k)	B	48/98.5
R423	7030003440	S.RES ERJ3GEYJ 102 V (1 k)	B	36.1/98.5
R424	7030003440	S.RES ERJ3GEYJ 102 V (1 k)	B	49.6/98.5
R425	7030003440	S.RES ERJ3GEYJ 102 V (1 k)	B	37.7/98.5
R426	7030003440	S.RES ERJ3GEYJ 102 V (1 k)	B	51.2/98.5
R427	7030003440	S.RES ERJ3GEYJ 102 V (1 k)	B	39.3/98.5
R428	7030003440	S.RES ERJ3GEYJ 102 V (1 k)	B	52.8/98.5
R429	7030003440	S.RES ERJ3GEYJ 102 V (1 k)	B	40.9/98.5
R430	7030003440	S.RES ERJ3GEYJ 102 V (1 k)	B	54.4/98.5
R431	7030003440	S.RES ERJ3GEYJ 102 V (1 k)	B	42.5/98.5
R432	7030003440	S.RES ERJ3GEYJ 102 V (1 k)	B	56/98.5
C1	4510008540	S.ELE EEE1CA100SR	T	42.6/80.3
C2	4030011600	S.CER C1608 JB 1E 104K-T	T	45.8/82.3
C3	4030006880	S.CER C1608 JB 1H 472K-T	B	89.5/100
C4	4030006900	S.CER C1608 JB 1H 103K-T	T	56/74.7
C5	4030006900	S.CER C1608 JB 1H 103K-T	T	58.6/72.9
C6	4030006880	S.CER C1608 JB 1H 472K-T	T	74.6/74.7
C7	4030017810	S.CER C1608 CH 1H 102J-T	T	75.3/76.6
C8	4030011600	S.CER C1608 JB 1E 104K-T	T	56/81.3
C9	4030009990	S.CER C1608 CH 1H 200J-T	T	75.3/80.5
C10	4030011600	S.CER C1608 JB 1E 104K-T	T	51.7/79.8
C11	4030006880	S.CER C1608 JB 1H 472K-T	T	76.6/78.2
C12	4030009990	S.CER C1608 CH 1H 200J-T	T	76.6/81.5
C13	4510008870	S.ELE EEE1AA471UP	T	48.5/56.6
C14	4030011600	S.CER C1608 JB 1E 104K-T	T	60.7/55.3
C15	4030011600	S.CER C1608 JB 1E 104K-T	T	67.3/53.7
C16	4510008500	S.ELE EEE1CA101WIP	T	66.6/48.8
C17	4510008550	S.ELE EEE1HA010SR	T	133.3/100.5
C18	4510008550	S.ELE EEE1HA010SR	T	133.3/95.7
C19	4510008550	S.ELE EEE1HA010SR	T	138.4/91.9
C20	4510008550	S.ELE EEE1HA010SR	T	133.3/89.7
C21	4510008550	S.ELE EEE1HA010SR	T	138.4/85.3
C22	4510008550	S.ELE EEE1HA010SR	T	133.3/83.1
C23	4510008550	S.ELE EEE1HA010SR	T	138.4/78.6
C24	4510008550	S.ELE EEE1HA010SR	T	133.3/76.5
C25	4030011600	S.CER C1608 JB 1E 104K-T	T	53.6/57.7
C26	4030006880	S.CER C1608 JB 1H 472K-T	T	61/58.2
C38	4030011600	S.CER C1608 JB 1E 104K-T	T	91.3/87.5
C39	4510008870	S.ELE EEE1AA471UP	T	57.9/49.8
C40	4030011600	S.CER C1608 JB 1E 104K-T	T	84/70.6
C41	4030011600	S.CER C1608 JB 1E 104K-T	T	78.5/73.2
C43	4030006880	S.CER C1608 JB 1H 472K-T	T	88.8/95.5
C66	4510008540	S.ELE EEE1CA100SR	T	106.6/81.6
C68	4030011600	S.CER C1608 JB 1E 104K-T	B	103.6/82.8

[CTRL BOARD]

REF NO.	ORDER NO.	DESCRIPTION	M.	H/V LOCATION
C69	4030011600	S.CER C1608 JB 1E 104K-T	T	118.4/79.9
C70	4030011600	S.CER C1608 JB 1E 104K-T	T	95.8/80.5
C71	4030011600	S.CER C1608 JB 1E 104K-T	T	106.9/77.6
C72	4510008540	S.ELE EEE1CA100SR	T	111.6/83.3
C88	4030011600	S.CER C1608 JB 1E 104K-T	B	7.8/81.8
C102	4010005530	CER HM60SJ SL 020C 500V		
C103	4010005530	CER HM60SJ SL 020C 500V		
C104	4610002250	TRI T203R200Y169B00		
C105	4030011540	S.CER C1608 CH 1H 750J-T	B	13.1/28.5
C106	4030011540	S.CER C1608 CH 1H 750J-T	T	25.8/33.1
C107	4030017810	S.CER C1608 CH 1H 102J-T	T	12.2/36
C108	4030017810	S.CER C1608 CH 1H 102J-T	T	25.8/35.5
C109	4030006880	S.CER C1608 JB 1H 472K-T	B	21.6/38.4
C110	4030006880	S.CER C1608 JB 1H 472K-T	B	18.5/38.4
C111	4510008540	S.ELE EEE1CA100SR	T	25.4/45.8
C112	4510008540	S.ELE EEE1CA100SR	T	18.8/46.4
C113	4030006880	S.CER C1608 JB 1H 472K-T	T	16.3/41.8
C114	4030006880	S.CER C1608 JB 1H 472K-T	T	23/41.8
C115	4030007100	S.CER C1608 CH 1H 560J-T	B	13.1/26.9
C116	4030011540	S.CER C1608 CH 1H 750J-T	T	25.8/34.3
C119	4030007100	S.CER C1608 CH 1H 560J-T	T	16.9/24.1
C151	4010005540	CER HM60SJ SL 030C 500V		
C152	4030007070	S.CER C1608 CH 1H 330J-T	T	33/34.3
C153	4030007120	S.CER C1608 CH 1H 820J-T	T	32.3/35.6
C154	4030007070	S.CER C1608 CH 1H 330J-T	T	38.5/34.0
C155	4030007120	S.CER C1608 CH 1H 820J-T	T	35.9/34.5
C156	4030006880	S.CER C1608 JB 1H 472K-T	T	29.8/37.5
C157	4030006880	S.CER C1608 JB 1H 472K-T	T	41.6/38.4
C158	4030007060	S.CER C1608 CH 1H 270J-T	T	29.7/35.6
C159	4030006880	S.CER C1608 JB 1H 472K-T	T	34.4/38.4
C161	4030006880	S.CER C1608 JB 1H 472K-T	T	45.2/51.5
C162	4550003120	S.TAN TEESVD2 1A 476M12R	T	46.7/46.3
C163	4030007170	S.CER C1608 CH 1H 221J-T	T	30.1/59.5
C164	4030007170	S.CER C1608 CH 1H 221J-T	T	31.5/55.6
C165	4030006880	S.CER C1608 JB 1H 472K-T	T	31.5/51.7
C171	4030006880	S.CER C1608 JB 1H 472K-T	B	40.2/37.7
C173	4030006880	S.CER C1608 JB 1H 472K-T	T	28.3/48.4
C174	4030006880	S.CER C1608 JB 1H 472K-T	T	42.2/49.6
C175	4030006880	S.CER C1608 JB 1H 472K-T	T	35.9/49.8
C180	4030011600	S.CER C1608 JB 1E 104K-T	T	28.3/49.7
C181	4030011600	S.CER C1608 JB 1E 104K-T	T	42.2/48.3
C201	4010005580	CER HM60SJ SL 010C 500V		
C202	4010005520	CER HM60SJ SL 010C 500V		
C204	4030011570	S.CER CM105 CH 101G 50AT	T	55.3/36.9
C205	4030016550	S.CER CM105 CH 151G 50AT	T	51.4/36.9
C206	4030009530	S.CER C1608 CH 1H 030B-T	T	52.7/36.9
C207	4030006880	S.CER C1608 JB 1H 472K-T	T	49.8/39.3
C208	4030006880	S.CER C1608 JB 1H 472K-T	T	56.1/40
C209	4030017810	S.CER C1608 CH 1H 102J-T	T	51.7/40
C210	4030006880	S.CER C1608 JB 1H 472K-T	T	53.5/40
C211	4030006880	S.CER C1608 JB 1H 472K-T	T	14.4/49.4
C212	4030006880	S.CER C1608 JB 1H 472K-T	T	23.8/49.4
C213	4030006880	S.CER C1608 JB 1H 472K-T	B	19.7/55.7
C214	4030007170	S.CER C1608 CH 1H 221J-T	T	14.7/59.4
C215	4030007170	S.CER C1608 CH 1H 221J-T	T	21.4/59.4
C216	4030011340	S.CER C1608 CH 1H 471J-T	T	15.4/61.4
C217	4030011340	S.CER C1608 CH 1H 471J-T	T	20.6/61.4
C218	4030006880	S.CER C1608 JB 1H 472K-T	B	18.2/51.4
C252	4030006880	S.CER C1608 JB 1H 472K-T	T	72.9/33.3
C253	4030006880	S.CER C1608 JB 1H 472K-T	T	76.6/38.3
C254	4030006880	S.CER C1608 JB 1H 472K-T	T	72.9/48.1
C255	4030006880	S.CER C1608 JB 1H 472K-T	T	73/38.2
C301	4010005520	CER HM60SJ SL 010C 500V		
C302	4030007030	S.CER C1608 CH 1H 150J-T	T	85.5/56.6
C303	4030007050	S.CER C1608 CH 1H 220J-T	T	85.5/59.2
C304	4030017810	S.CER C1608 CH 1H 102J-T	T	83.7/60.5
C305	4030017810	S.CER C1608 CH 1H 102J-T	T	90.3/61.3
C307	4030006880	S.CER C1608 JB 1H 472K-T	T	78.7/55.8
C308	4030006880	S.CER C1608 JB 1H 472K-T	T	77.9/59.7
C309	4030011600	S.CER C1608 JB 1E 104K-T	T	68.8/59.8
C310	4030009530	S.CER C1608 CH 1H 030B-T	T	85.5/57.9
C417	4510008540	S.ELE EEE1CA100SR	T	22.6/77.6
C418	4510008540	S.ELE EEE1CA100SR	T	40.6/85.6
C419	4030006880	S.CER C1608 JB 1H 472K-T	T	19.6/78.7
C420	4030006880	S.CER C1608 JB 1H 472K-T	T	38.4/79.2
RL251	6330001530	RLY NR-HD (5V) AE5349		
RL252	6330001460	RLY FTR-F1CA012V		
RL253	6330001460	RLY FTR-F1CA012V		
CP1	6910009670	S		

[ANT-SW UNIT]

REF NO.	ORDER NO.	DESCRIPTION	M.	H/V LOCATION
IC11	1130011510	S.IC BU2099FV-E2	T	160.6/33.6
IC12	1180002391	S.REG S-812C33AMC-C2N-G	T	152.4/28.7
Q11	1590001001	S.TR RN2427(RE85R,F)	T	156.9/38.6
Q12	1590001001	S.TR RN2427(RE85R,F)	T	152.3/36.9
Q13	1590001001	S.TR RN2427(RE85R,F)	T	164.7/38.5
Q14	1590001001	S.TR RN2427(RE85R,F)	T	164.7/17.5
D51	1750000550	S.DIO 1SS355 TE-17	T	161.9/13.3
D52	1750000550	S.DIO 1SS355 TE-17	T	140.3/42.9
D53	1750000550	S.DIO 1SS355 TE-17	T	115.1/41.4
D61	1750000550	S.DIO 1SS355 TE-17	T	118.9/19.7
D62	1750000550	S.DIO 1SS355 TE-17	T	107.1/43
D63	1750000550	S.DIO 1SS355 TE-17	T	79/43.6
D71	1750000550	S.DIO 1SS355 TE-17	T	68.7/21.4
D72	1750000550	S.DIO 1SS355 TE-17	T	61.6/42.9
D73	1750000550	S.DIO 1SS355 TE-17	T	65.8/43.4
D81	1750000550	S.DIO 1SS355 TE-17	T	36.9/19.7
D82	1750000550	S.DIO 1SS355 TE-17	T	41.4/45.2
D83	1750000550	S.DIO 1SS355 TE-17	T	28.2/45.3
D84	1750000550	S.DIO 1SS355 TE-17	T	25.8/43
L1	6200003590	S.COL EXCCL3225U1	T	155.7/27.5
L2	6110001670	COL LA-253		
R1	7540000100	ABS SRYH-350L		
R2	7540000130	ABS 2P-50A-301		
R3	7540000130	ABS 2P-50A-301		
R11	7030003320	S.RES ERJ3GEYJ 101 V (100)	T	165.5/27.4
R12	7030003320	S.RES ERJ3GEYJ 101 V (100)	T	164.2/27.4
R13	7030003320	S.RES ERJ3GEYJ 101 V (100)	T	162.9/27.4
R14	7030003320	S.RES ERJ3GEYJ 101 V (100)	T	166.2/33.9
R15	7030003320	S.RES ERJ3GEYJ 101 V (100)	T	148.7/31.6
R16	7030003320	S.RES ERJ3GEYJ 101 V (100)	T	151.5/31.6
R17	7030003320	S.RES ERJ3GEYJ 101 V (100)	T	154.7/39.4
R18	7030003320	S.RES ERJ3GEYJ 101 V (100)	T	151.4/32.9
R19	7030003320	S.RES ERJ3GEYJ 101 V (100)	T	151.4/34.2
R20	7030003320	S.RES ERJ3GEYJ 101 V (100)	T	152.1/39.1
R21	7030003320	S.RES ERJ3GEYJ 101 V (100)	T	154.7/36.6
R22	7030003320	S.RES ERJ3GEYJ 101 V (100)	T	166.9/38.7
R23	7030003320	S.RES ERJ3GEYJ 101 V (100)	T	162.3/38.9
R24	7030003320	S.RES ERJ3GEYJ 101 V (100)	T	161/39.1
R25	7030003320	S.RES ERJ3GEYJ 101 V (100)	T	159.7/39.1
R26	7030003320	S.RES ERJ3GEYJ 101 V (100)	T	162.7/15.6
C1	4010005610	CER HM60SJ SL 100D 500V		
C2	4010005660	CER HM60SJ SL 220J 500V		
C11	4030011600	S.CER C1608 JB 1E 104K-T	T	160/27.6
C12	4030011600	S.CER C1608 JB 1E 104K-T	T	158.7/27.6
C51	4030006880	S.CER C1608 JB 1H 472K-T	T	163.5/13.6
C52	4030006880	S.CER C1608 JB 1H 472K-T	T	144.5/41.3
C53	4030006880	S.CER C1608 JB 1H 472K-T	T	113.5/41.7
C61	4030006880	S.CER C1608 JB 1H 472K-T	T	119.2/21.3
C62	4030006880	S.CER C1608 JB 1H 472K-T	T	107.4/44.5
C63	4030006880	S.CER C1608 JB 1H 472K-T	T	77.5/43.6
C71	4030006880	S.CER C1608 JB 1H 472K-T	T	69/19.9
C72	4030006880	S.CER C1608 JB 1H 472K-T	T	61.6/44.5
C73	4030006880	S.CER C1608 JB 1H 472K-T	T	73/43.4
C81	4030006880	S.CER C1608 JB 1H 472K-T	T	37.2/21.3
C82	4030006880	S.CER C1608 JB 1H 472K-T	T	42.9/45.2
C83	4030006880	S.CER C1608 JB 1H 472K-T	T	26.6/45.6
C84	4030006880	S.CER C1608 JB 1H 472K-T	T	25/45.6
RL51	6330001460	RLY FTR-F1CA012V		
RL52	6330001780	RLY FTR-MYAA012D		
RL53	6330001780	RLY FTR-MYAA012D		
RL61	6330001460	RLY FTR-F1CA012V		
RL62	6330001780	RLY FTR-MYAA012D		
RL63	6330001780	RLY FTR-MYAA012D		
RL71	6330001460	RLY FTR-F1CA012V		
RL72	6330001780	RLY FTR-MYAA012D		
RL73	6330001780	RLY FTR-MYAA012D		
RL81	6330001460	RLY FTR-F1CA012V		
RL82	6330001780	RLY FTR-MYAA012D		
RL83	6330001780	RLY FTR-MYAA012D		
RL84	6330001780	RLY FTR-MYAA012D		
J1	6510017930	CNR 1771P145-20		
J2	6510007020	CNR TMP-J01X-V6		
J3	6510007020	CNR TMP-J01X-V6		
J4	6510019971	S.CNR 52808-1071	T	153/22
J51	6510000410	CNR MR-DS-E 02		
J61	6510000410	CNR MR-DS-E 02		
J71	6510000410	CNR MR-DS-E 02		
J81	6510000410	CNR MR-DS-E 02		

[OSC UNIT]

REF NO.	ORDER NO.	DESCRIPTION	M.	H/V LOCATION
IC10	1180002610	S.REG BA12FP-E2	T	37.8/20
IC91	1190002001	S.IC AD5260BRUZ50	T	26.8/12
IC92	1130005721	S.IC TC7W04F (TE12L,F)	T	23.7/6.1
Q10	1590000680	S.TR DTC114EUA T106	T	32.4/35
Q11	1590000680	S.TR DTC114EUA T106	T	22.1/42.4
Q12	1590000680	S.TR DTC114EUA T106	T	29.1/41.5
Q13	1590000680	S.TR DTC114EUA T106	T	31.6/41.5
Q21	1530002060	S.TR 2SC4081 T106 R	T	11.3/6.3
Q22	1530002601	S.TR 2SC4215-O (TE85R,F)	T	10.4/17.8
Q23	1590000680	S.TR DTC114EUA T106	T	13/11
Q42	1530002601	S.TR 2SC4215-O (TE85R,F)	T	18.8/18.8
Q43	1590000680	S.TR DTC114EUA T106	T	19.6/11.7
Q61	1530002060	S.TR 2SC4081 T106 R	T	26.1/36.1
Q62	1530002060	S.TR 2SC4081 T106 R	T	20.6/38.6
Q70	1530002060	S.TR 2SC4081 T106 R	T	9.9/41.2
Q101	1530002700	S.TR 2SC4097 T106Q	T	36.7/40
D10	1790001250	S.DIO MA2S111-(TX)	T	31.4/31.7
D11	1790001250	S.DIO MA2S111-(TX)	T	16.5/38.2
D71	1750000381	S.DIO 1SS312 (TE85L,F)	T	29.8/34.9
D72	1750000381	S.DIO 1SS312 (TE85L,F)	T	29.9/37.6
X1	6050012210	XTL CR-772.OCVXO-148A		
L1	6200003950	S.COL HF50ACC 322513-T	T	38.8/43.7
L2	6200003950	S.COL HF50ACC 322513-T	T	35.8/43.7
L10	6200003950	S.COL HF50ACC 322513-T	T	94.7/30.6
L20	6200005491	S.COL NLV32T-331J	T	14.7/1.9
L21	6200003261	S.COL NLV32T-101J	T	6.9/11.2
L22	6200003261	S.COL NLV32T-101J	T	7.9/14.7
L23	6200003041	S.COL NLV32T-R88J	T	6.9/20.3
L24	6200003051	S.COL NLV32T-R82J	T	6.2/23.8
L41	6200003261	S.COL NLV32T-101J	T	15.3/13.7
L42	6200003261	S.COL NLV32T-101J	T	14.7/17.2
L43	6200003041	S.COL NLV32T-R88J	T	15.3/22.4
L44	6200003051	S.COL NLV32T-R82J	T	18.8/24.2
L61	6150004170	COL LS-476		
L62	6150004170	COL LS-476		
L91	6200003950	S.COL HF50ACC 322513-T	T	23.6/20.3
L92	6200003950	S.COL HF50ACC 322513-T	T	19.4/4.3
R1	7030003440	S.RES ERJ3GEYJ 102 V (1 k)	T	32.4/44.3
R2	7030003440	S.RES ERJ3GEYJ 102 V (1 k)	T	29.8/44.2
R3	7030003440	S.RES ERJ3GEYJ 102 V (1 k)	T	25.8/44.2
R11	7030003200	S.RES ERJ3GEYJ 100 V (10)	T	33.3/32.3
R12	7030003200	S.RES ERJ3GEYJ 100 V (10)	T	16.7/40.3
R13	7030003440	S.RES ERJ3GEYJ 102 V (1 k)	T	16.8/11.6
R20	7030003240	S.RES ERJ3GEYJ 220 V (22)	T	11.3/1.8
R21	7030003560	S.RES ERJ3GEYJ 103 V (10 k)	T	11.1/4.4
R22	7030003370	S.RES ERJ3GEYJ 271 V (270)	T	15.5/7.9
R23	7030004040	S.RES ERJ3GEYJ 4R7 V (4.7)	T	11.4/14
R24	7030003370	S.RES ERJ3GEYJ 271 V (270)	T	12.3/17.7
R25	7030003500	S.RES ERJ3GEYJ 332 V (3.3 k)	T	10.1/14.2
R26	7030003480	S.RES ERJ3GEYJ 222 V (2.2 k)	T	12.8/9.1
R27	7030003360	S.RES ERJ3GEYJ 221 V (220)	T	5.8/13.9
R28	7030003440	S.RES ERJ3GEYJ 102 V (1 k)	T	10.2/11.9
R43	7030003240	S.RES ERJ3GEYJ 220 V (22)	T	19.7/14.2
R44	7030003370	S.RES ERJ3GEYJ 271 V (270)	T	20.7/18.6
R45	7030003500	S.RES ERJ3GEYJ 332 V (3.3 k)	T	17.9/15.1
R46	7030003480	S.RES ERJ3GEYJ 222 V (2.2 k)	T	19.4/9.8
R47	7030003290	S.RES ERJ3GEYJ 560 V (56)	T	16.8/17.9
R61	7030003240	S.RES ERJ3GEYJ 220 V (22)	T	22.2/35.4
R62	7030003560	S.RES ERJ3GEYJ 103 V (10 k)	T	26.3/34.2
R63	7030003380	S.RES ERJ3GEYJ 331 V (330)	T	25.9/38
R64	7030003280	S.RES ERJ3GEYJ 470 V (47)	T	20.8/40.5
R65	7030003400	S.RES ERJ3GEYJ 471 V (470)	T	20/34.8
R67	7030003560	S.RES ERJ3GEYJ 103 V (10 k)	T	19.6/36.7
R68	7030003550	S.RES ERJ3GEYJ 822 V (8.2 k)	T	22.2/36.7
R71	7030003340	S.RES ERJ3GEYJ 151 V (150)	T	32.6/38.2
R72	7030003270	S.RES ERJ3GEYJ 390 V (39)	T	31.2/39.5
R73	7030003340	S.RES ERJ3GEYJ 151 V (150)	T	28.6/39.5
R75	7030003280	S.RES ERJ3GEYJ 470 V (47)	T	16.2/43.1
R77	7030003320	S.RES ERJ3GEYJ 101 V (100)	T	12.5/44.6
R78	7030003470	S.RES ERJ3GEYJ 182 V (18 k)	T	8/41
R79	7030003480	S.RES ERJ3GEYJ 222 V (2.2 k)	T	6.1/41.6
R80	7030003360	S.RES ERJ3GEYJ 221 V (220)	T	11.8/41
R82	7030003280	S.RES ERJ3GEYJ 470 V (47)	T	17.5/43.1
R91	7030006091	S.RES ERA3YED 822V (8.2 k)	T	19.5/7.1
R92	7030005341	S.RES ERA3YED 332V (3.3 k)	T	19.5/8.4
R93	7030003560	S.RES ERJ3GEYJ 103 V (10 k)	T	25.6/1.4
R94	7030003540	S.RES ERJ3GEYJ 682 V (6.8 k)	T	25.6/2.7
R95	7030003320	S.RES ERJ3GEYJ 101 V (100)	T	22.4/16.7
R96	7030003440	S.RES ERJ3GEYJ 102 V (1 k)	T	32/14.1
R97	7030003440	S.RES ERJ3GEYJ 102 V (1 k)	T	28.6/16.1
R98	7030003640	S.RES ERJ3GEYJ 473 V (47 k)	T	27.3/16.1
R99	7030003480	S.RES ERJ3GEYJ 222 V (2.2 k)	T	22.4/10.1
R100	7030003640	S.RES ERJ3GEYJ 473 V (47 k)	T	27.2/6.4
R101	7030003360	S.RES ERJ3GEYJ 221 V (220)	T	36.9/38.1
R102	7030005981	S.RES ERA3YED 333V (33 k)	T	32.4/6.7
C1	4030006880	S.CER C1608 JB 1H 472K-T	T	39.6/47.6
C2	4030006880	S.CER C1608 JB 1H 472K-T	T	31.1/44.3
C3	4030006880	S.CER C1608 JB 1H 472K-T	T	33.7/44
C4	4030006880	S.CER C1608 JB 1H 472K-T	T	30.5/8.6
C5	4510008550	S.ELE EEE1HA010SR	T	30.6/2.6
C6	4030006880	S.CER C1608 JB 1H 472K-T	T	35/3.4
C7	4510008550	S.ELE EEE1HA010SR	T	38.7/2.6

M.=Mounted side (T: Mounted on the Top side, B: Mounted on the Bottom side) S.=Surface mount



[OSC UNIT]

REF NO.	ORDER NO.	DESCRIPTION	M.	H/V LOCATION
C8	4030011600	S.CER C1608 JB 1E 104K-T	T	17.3/2.1
C9	4030006880	S.CER C1608 JB 1H 472K-T	T	27.1/43.1
C10	4510008680	S.ELE EEE1EA220SP	T	29.7/21.3
C11	4030004760	S.CER C2012 JF 1H 104Z-T	T	35.9/13
C12	4030006880	S.CER C1608 JB 1H 472K-T	T	39.2/12.8
C13	4510008680	S.ELE EEE1EA220SP	T	37.1/8.6
C14	4030006880	S.CER C1608 JB 1H 472K-T	T	94.7/33.9
C15	4030011600	S.CER C1608 JB 1E 104K-T	T	39.2/14.1
C16	4030011600	S.CER C1608 JB 1E 104K-T	T	29.6/32.3
C17	4030011600	S.CER C1608 JB 1E 104K-T	T	19.4/41.8
C18	4030011600	S.CER C1608 JB 1E 104K-T	T	17.8/38.3
C19	4030011600	S.CER C1608 JB 1E 104K-T	T	31.5/33
C20	4030011600	S.CER C1608 JB 1E 104K-T	T	13.3/5.2
C21	4030011600	S.CER C1608 JB 1E 104K-T	T	11.3/3.1
C22	4030011600	S.CER C1608 JB 1E 104K-T	T	15/11
C23	4030011600	S.CER C1608 JB 1E 104K-T	T	11.9/15.8
C24	4030011600	S.CER C1608 JB 1E 104K-T	T	12.7/14
C25	4030011600	S.CER C1608 JB 1E 104K-T	T	10.2/19.8
C26	4030017800	S.CER C1608 CH 1H 561J-T	T	10.2/21.1
C27	4030007120	S.CER C1608 CH 1H 820J-T	T	7.7/18.2
C28	4030011340	S.CER C1608 CH 1H 471J-T	T	8.9/22.5
C29	4030011330	S.CER C1608 CH 1H 391J-T	T	10.2/23.8
C30	4030007050	S.CER C1608 CH 1H 220J-T	T	8.4/24.5
C31	4030017800	S.CER C1608 CH 1H 561J-T	T	10.2/25.1
C32	4030011600	S.CER C1608 JB 1E 104K-T	T	10.8/9.2
C33	4030011600	S.CER C1608 JB 1E 104K-T	T	9.5/10.1
C42	4030011600	S.CER C1608 JB 1E 104K-T	T	21.6/12.7
C43	4030011600	S.CER C1608 JB 1E 104K-T	T	20.1/16.8
C44	4030011600	S.CER C1608 JB 1E 104K-T	T	19.9/15.5
C45	4030011600	S.CER C1608 JB 1E 104K-T	T	13.2/20.6
C46	4030017800	S.CER C1608 CH 1H 561J-T	T	15/19.8
C47	4030007120	S.CER C1608 CH 1H 820J-T	T	13.2/23.2
C48	4030011340	S.CER C1608 CH 1H 471J-T	T	17.5/21.5
C49	4030011330	S.CER C1608 CH 1H 391J-T	T	18.8/21.5
C50	4030007050	S.CER C1608 CH 1H 220J-T	T	20.6/22.1
C51	4030017800	S.CER C1608 CH 1H 561J-T	T	21.7/24.4
C52	4030011600	S.CER C1608 JB 1E 104K-T	T	17.6/8.8
C53	4030011600	S.CER C1608 JB 1E 104K-T	T	16.3/9.7
C61	4030011600	S.CER C1608 JB 1E 104K-T	T	26.3/32.9
C62	4030011600	S.CER C1608 JB 1E 104K-T	T	24.1/36.1
C63	4030011600	S.CER C1608 JB 1E 104K-T	T	25.9/39.3
C64	4030011600	S.CER C1608 JB 1E 104K-T	T	22.7/34.1
C66	4030007010	S.CER C1608 CH 1H 100D-T	T	12.8/25.1
C67	4030011600	S.CER C1608 JB 1E 104K-T	T	17/35.4
C71	4030006880	S.CER C1608 JB 1H 472K-T	T	33.8/39.5
C72	4030006880	S.CER C1608 JB 1H 472K-T	T	14.4/45.4
C73	4030006880	S.CER C1608 JB 1H 472K-T	T	6.1/40.3
C74	4030006880	S.CER C1608 JB 1H 472K-T	T	10/43.2
C75	4030006880	S.CER C1608 JB 1H 472K-T	T	13.1/40.9
C76	4030006880	S.CER C1608 JB 1H 472K-T	T	19.4/45.4
C77	4030011600	S.CER C1608 JB 1E 104K-T	T	10.7/44.6
C91	4030006880	S.CER C1608 JB 1H 472K-T	T	25.5/16.4
C92	4030006880	S.CER C1608 JB 1H 472K-T	T	17.3/4.7
C93	4030006880	S.CER C1608 JB 1H 472K-T	T	22.1/2.7
C94	4030006880	S.CER C1608 JB 1H 472K-T	T	27.9/8.6
C101	4550006480	S.TAN TEESVA 1C 475M8R	T	40/38.9
RL10	6330001750	R.LY FTR-B4CA012Z		
RL11	6330001750	R.LY FTR-B4CA012Z		
J2	6510019971	S.CNR 52808-1071	T	30.5/48.8
J71	6510007020	CNR TMP-J01X-V6		
J72	6510007020	CNR TMP-J01X-V6		
J73	6510007020	CNR TMP-J01X-V6		

[DIGISEL UNIT]

REF NO.	ORDER NO.	DESCRIPTION	M.	H/V LOCATION
IC1	1130014370	S.IC CAT24C256XI	B	18.9/51.9
IC4	1130011510	S.IC BU2099FV-E2	T	29.9/55.8
IC5	1130011510	S.IC BU2099FV-E2	T	18.5/55.8
IC501	1130014370	S.IC CAT24C256XI	B	17.5/26.4
IC504	1130011510	S.IC BU2099FV-E2	T	28.3/29.2
IC505	1130011510	S.IC BU2099FV-E2	T	18.1/29.3
Q201	1530003851	S.TR 2SC5551F-TD-E	T	48.5/52.8
Q701	1530003851	S.TR 2SC5551F-TD-E	T	49.7/21.3
D21	1750000550	S.DIO 1SS355 TE-17	B	28.5/45.9
D51	1750000550	S.DIO 1SS355 TE-17	B	60.7/57.2
D52	1750000550	S.DIO 1SS355 TE-17	B	61.6/44.8
D53	1750000550	S.DIO 1SS355 TE-17	T	53.1/59.2
D54	1750000550	S.DIO 1SS355 TE-17	B	90.2/68.2
D55	1750000550	S.DIO 1SS355 TE-17	B	69.5/68.4
D56	1750000550	S.DIO 1SS355 TE-17	B	67.3/55.1
D57	1750000550	S.DIO 1SS355 TE-17	T	66/48.7
D58	1750000550	S.DIO 1SS355 TE-17	B	114.3/50.2
D59	1750000550	S.DIO 1SS355 TE-17	B	90.5/51
D60	1750000550	S.DIO 1SS355 TE-17	B	90.5/54.4
D61	1750000550	S.DIO 1SS355 TE-17	B	114.3/53.5
D62	1750000550	S.DIO 1SS355 TE-17	B	138.2/50.2
D63	1750000550	S.DIO 1SS355 TE-17	B	138.2/53.7
D64	1750000550	S.DIO 1SS355 TE-17	B	162.1/50.1
D65	1750000550	S.DIO 1SS355 TE-17	B	162.1/53.7
D66	1750000550	S.DIO 1SS355 TE-17	B	180.9/47.7
D67	1750000550	S.DIO 1SS355 TE-17	B	114.3/57.2
D68	1750000550	S.DIO 1SS355 TE-17	T	85.8/64.1
D69	1750000550	S.DIO 1SS355 TE-17	B	183.4/63
D70	1750000550	S.DIO 1SS355 TE-17	B	162.1/61.3
D71	1750000550	S.DIO 1SS355 TE-17	B	162.1/57.5
D72	1750000550	S.DIO 1SS355 TE-17	B	138.2/61.3
D73	1750000550	S.DIO 1SS355 TE-17	B	138.2/57.5
D74	1750000550	S.DIO 1SS355 TE-17	B	114.3/61.4
D75	1750000550	S.DIO 1SS355 TE-17	B	90.5/59.1
D201	1710001240	DIO L204BBB		
D202	1710001240	DIO L204BBB		
D203	1750000550	S.DIO 1SS355 TE-17	B	48.3/73.3
D204	1750000550	S.DIO 1SS355 TE-17	B	46.1/73.3
D205	1750000550	S.DIO 1SS355 TE-17	B	44.8/69.7
D521	1750000550	S.DIO 1SS355 TE-17	B	25/35.2
D551	1750000550	S.DIO 1SS355 TE-17	B	63.7/9.2
D552	1750000550	S.DIO 1SS355 TE-17	B	61.7/23
D553	1750000550	S.DIO 1SS355 TE-17	B	58/8.5
D554	1750000550	S.DIO 1SS355 TE-17	B	91/12.8
D555	1750000550	S.DIO 1SS355 TE-17	T	68.6/11.7
D556	1750000550	S.DIO 1SS355 TE-17	B	67.2/24.9
D557	1750000550	S.DIO 1SS355 TE-17	B	70.2/36.4
D558	1750000550	S.DIO 1SS355 TE-17	B	114.3/27.1
D559	1750000550	S.DIO 1SS355 TE-17	B	90.6/26.8
D560	1750000550	S.DIO 1SS355 TE-17	B	90.6/30.3
D561	1750000550	S.DIO 1SS355 TE-17	B	114.3/30.5
D562	1750000550	S.DIO 1SS355 TE-17	B	138.2/27.1
D563	1750000550	S.DIO 1SS355 TE-17	B	138.2/30.5
D564	1750000550	S.DIO 1SS355 TE-17	B	162.1/27.1
D565	1750000550	S.DIO 1SS355 TE-17	B	162.1/30.6
D566	1750000550	S.DIO 1SS355 TE-17	B	182.5/33.5
D567	1750000550	S.DIO 1SS355 TE-17	B	114.3/19.6
D568	1750000550	S.DIO 1SS355 TE-17	B	90.7/19.6
D569	1750000550	S.DIO 1SS355 TE-17	B	183.6/17.1
D570	1750000550	S.DIO 1SS355 TE-17	B	162.1/19.7
D571	1750000550	S.DIO 1SS355 TE-17	B	162.1/23.5
D572	1750000550	S.DIO 1SS355 TE-17	B	138.2/23.5
D573	1750000550	S.DIO 1SS355 TE-17	B	138.2/19.6
D574	1750000550	S.DIO 1SS355 TE-17	B	114.3/23.4
D575	1750000550	S.DIO 1SS355 TE-17	B	90.7/22.9
D701	1710001240	DIO L204BBB		
D702	1710001240	DIO L204BBB		
D703	1750000550	S.DIO 1SS355 TE-17	B	47/9
D704	1750000550	S.DIO 1SS355 TE-17	B	44.9/9
D705	1750000550	S.DIO 1SS355 TE-17	T	51.8/34.3
L1	6200003261	S.COL NLV32T-101J	B	4.5/52
L2	6200003950	S.COL HF50ACC 322513-T	B	4.7/40
L3	6200003261	S.COL NLV32T-101J	B	4.5/48
L4	6200003261	S.COL NLV32T-101J	B	4.5/44
L101	6140003980	COL LR-476		
L102	6140003990	COL LR-477		
L103	6140004001	COL LR-478A		
L104	6140004010	COL LR-479		
L105	6140004020	COL LR-480		
L106	6140004030	COL LR-481		
L107	6110003930	COL LA-595		
L201	6180000920	COL LAL 03NA 221K		
L203	6140003940	COL LR-493		
L503	6200003261	S.COL NLV32T-101J	B	4.5/36
L504	6200003261	S.COL NLV32T-101J	B	4.5/32
L601	6140003980	COL LR-476		
L602	6140003990	COL LR-477		
L603	6140004001	COL LR-478A		
L604	6140004010	COL LR-479		
L605	6140004020	COL LR-480		
L606	6140004030	COL LR-481		
L607	6110003930	COL LA-595		
L701	6180000920	COL LAL 03NA 221K		
L703	6140003940	COL LR-493		
R1	7030003680	S.RES ERJ3GEYJ 104 V (100 k)	B	17.3/60.8
R2	7030003560	S.RES ERJ3GEYJ 103 V (10 k)	B	12.6/54.5

M.=Mounted side (T: Mounted on the Top side, B: Mounted on the Bottom side)  
S.=Surface mount

[DIGISEL UNIT]

REF NO.	ORDER NO.	DESCRIPTION	M.	H/V LOCATION
R3	7030003560	S.RES ERJ3GEYJ 103 V (10 k)	T	26.1/51.6
R4	7030003440	S.RES ERJ3GEYJ 102 V (1 k)	T	14.3/47.4
R5	7030003440	S.RES ERJ3GEYJ 102 V (1 k)	T	15.7/44.8
R6	7030003440	S.RES ERJ3GEYJ 102 V (1 k)	T	15.1/46.1
R7	7030003440	S.RES ERJ3GEYJ 102 V (1 k)	T	4/52.9
R8	7030003440	S.RES ERJ3GEYJ 102 V (1 k)	T	13.3/51.8
R9	7030003360	S.RES ERJ3GEYJ 221 V (220)	B	32/45.9
R10	7030003360	S.RES ERJ3GEYJ 221 V (220)	T	34.6/60
R35	7030003360	S.RES ERJ3GEYJ 221 V (220)	T	27.9/62.4
R36	7030003360	S.RES ERJ3GEYJ 221 V (220)	T	28.6/65.8
R37	7030003360	S.RES ERJ3GEYJ 221 V (220)	T	29.3/62.4
R38	7030003360	S.RES ERJ3GEYJ 221 V (220)	T	30/65.8
R39	7030003360	S.RES ERJ3GEYJ 221 V (220)	T	30.7/62.4
R40	7030003360	S.RES ERJ3GEYJ 221 V (220)	T	26.5/62.4
R41	7030003360	S.RES ERJ3GEYJ 221 V (220)	T	27.2/65.8
R42	7030003360	S.RES ERJ3GEYJ 221 V (220)	T	25.8/65.8
R43	7030003360	S.RES ERJ3GEYJ 221 V (220)	T	25.1/62.4
R44	7030003360	S.RES ERJ3GEYJ 221 V (220)	T	24.4/65.8
R45	7030003360	S.RES ERJ3GEYJ 221 V (220)	T	23.7/62.4
R46	7030003360	S.RES ERJ3GEYJ 221 V (220)	T	23/65.8
R47	7030003360	S.RES ERJ3GEYJ 221 V (220)	T	21.2/62.4
R48	7030003360	S.RES ERJ3GEYJ 221 V (220)	T	19.1/65.8
R49	7030003360	S.RES ERJ3GEYJ 221 V (220)	T	18.4/62.4
R50	7030003360	S.RES ERJ3GEYJ 221 V (220)	T	19.8/62.4
R51	7030003360	S.RES ERJ3GEYJ 221 V (220)	T	20.5/65.8
R52	7030003360	S.RES ERJ3GEYJ 221 V (220)	T	15.6/62.4
R53	7030003360	S.RES ERJ3GEYJ 221 V (220)	T	14.9/65.8
R54	7030003360	S.RES ERJ3GEYJ 221 V (220)	T	14.2/62.4
R55	7030003360	S.RES ERJ3GEYJ 221 V (220)	T	16.3/65.8
R56	7030003360	S.RES ERJ3GEYJ 221 V (220)	T	17/62.4
R57	7030003360	S.RES ERJ3GEYJ 221 V (220)	T	17.7/65.8
R58	7030003360	S.RES ERJ3GEYJ 221 V (220)	T	20.9/46.4
R59	7030003440	S.RES ERJ3GEYJ 102 V (1 k)	T	14.9/49.7
R100	7030000010	S.RES MCR10EZHH JPW (000)	B	26/47.3
R104	7030003560	S.RES ERJ3GEYJ 103 V (10 k)	B	145.1/64.1
R105	7030003560	S.RES ERJ3GEYJ 103 V (10 k)	B	131.1/62.7
R201	7030000380	S.RES MCR10EZHH 1 k	B	49.4/55.6
R202	7030000290	S.RES MCR10EZHH 180 (181)	B	49.4/51.8
R203	7030000220	S.RES MCR10EZHH 47 (470)	B	49.4/53.7
R204	7030003360	S.RES ERJ3GEYJ 221 V (220)	B	48.2/69.7
R205	7030003350	S.RES ERJ3GEYJ 181 V (180)	T	54.5/46.5
R206	7030003370	S.RES ERJ3GEYJ 271 V (270)	B	49.4/48.7
R207	7030003560	S.RES ERJ3GEYJ 103 V (10 k)	T	57.6/48.7
R208	7030000200	S.RES MCR10EZHH 33 (330)	B	45.4/56.9
R209	7030003240	S.RES ERJ3GEYJ 220 V (22)	T	44.2/53.9
R210	7030003370	S.RES ERJ3GEYJ 271 V (270)	B	45.2/49.5
R211	7030003370	S.RES ERJ3GEYJ 271 V (270)	B	45.2/50.8
R213	7030000220	S.RES MCR10EZHH 47 (470)	B	38.1/55.9
R214	7030003460	S.RES ERJ3GEYJ 152 V (1.5 k)	B	51.6/60
R215	7030003460	S.RES ERJ3GEYJ 152 V (1.5 k)	B	52.4/58
R216	7030003680	S.RES ERJ3GEYJ 104 V (100 k)	B	17.3/66.4
R501	7030003680	S.RES ERJ3GEYJ 104 V (100 k)	B	14.5/21.2
R502	7030003560	S.RES ERJ3GEYJ 103 V (10 k)	B	25.7/25.3
R503	7030003560	S.RES ERJ3GEYJ 103 V (10 k)	B	24.4/25.3
R504	7030003440	S.RES ERJ3GEYJ 102 V (1 k)	B	9.7/44.5
R505	7030003440	S.RES ERJ3GEYJ 102 V (1 k)	T	9.3/42.5
R506	7030003440	S.RES ERJ3GEYJ 102 V (1 k)	T	3.7/28.1
R507	7030003440	S.RES ERJ3GEYJ 102 V (1 k)	B	4.4/28
R508	7030003440	S.RES ERJ3GEYJ 102 V (1 k)	T	12.9/30.8
R509	7030003360	S.RES ERJ3GEYJ 221 V (220)	T	31.1/34.8
R510	7030003360	S.RES ERJ3GEYJ 221 V (220)	T	32.2/21.9
R535	7030003360	S.RES ERJ3GEYJ 221 V (220)	T	26.4/21.9
R536	7030003360	S.RES ERJ3GEYJ 221 V (220)	T	25.7/19
R537	7030003360	S.RES ERJ3GEYJ 221 V (220)	T	23.6/21.9
R538	7030003360	S.RES ERJ3GEYJ 221 V (220)	T	24.3/19
R539	7030003360	S.RES ERJ3GEYJ 221 V (220)	T	25/21.8
R540	7030003360	S.RES ERJ3GEYJ 221 V (220)	T	30.1/19
R541	7030003360	S.RES ERJ3GEYJ 221 V (220)	T	29.4/21.9
R542	7030003360	S.RES ERJ3GEYJ 221 V (220)	T	28.7/19
R543	7030003360	S.RES ERJ3GEYJ 221 V (220)	T	27.9/21.9
R544	7030003360	S.RES ERJ3GEYJ 221 V (220)	T	27.2/19
R545	7030003360	S.RES ERJ3GEYJ 221 V (220)	T	30.8/21.9
R546	7030003360	S.RES ERJ3GEYJ 221 V (220)	T	31.5/19
R547	7030003360	S.RES ERJ3GEYJ 221 V (220)	T	18/21.9
R548	7030003360	S.RES ERJ3GEYJ 221 V (220)	T	17.3/19.1
R549	7030003360	S.RES ERJ3GEYJ 221 V (220)	T	15.2/21.9
R550	7030003360	S.RES ERJ3GEYJ 221 V (220)	T	16.6/21.9
R551	7030003360	S.RES ERJ3GEYJ 221 V (220)	T	15.9/19.1
R552	7030003360	S.RES ERJ3GEYJ 221 V (220)	T	20.1/19.2
R553	7030003360	S.RES ERJ3GEYJ 221 V (220)	T	17.4/21.9
R554	7030003360	S.RES ERJ3GEYJ 221 V (220)	T	18.7/19.1
R555	7030003360	S.RES ERJ3GEYJ 221 V (220)	T	20.9/21.9
R556	7030003360	S.RES ERJ3GEYJ 221 V (220)	T	21.6/19.2
R557	7030003360	S.RES ERJ3GEYJ 221 V (220)	T	22.3/21.9
R558	7030003360	S.RES ERJ3GEYJ 221 V (220)	T	23.5/34.2
R600	7030000010	S.RES MCR10EZHH JPW (000)	B	30.9/33.9
R604	7030003560	S.RES ERJ3GEYJ 103 V (10 k)	B	145.1/17.1
R605	7030003560	S.RES ERJ3GEYJ 103 V (10 k)	B	129.1/17.1
R701	7030000380	S.RES MCR10EZHH 1 k	T	53.2/20.4
R702	7030000290	S.RES MCR10EZHH 180 (181)	T	51.6/15.9
R703	7030000220	S.RES MCR10EZHH 47 (470)	T	51.6/13.8
R704	7030003360	S.RES ERJ3GEYJ 221 V (220)	T	52.9/31.9
R705	7030003350	S.RES ERJ3GEYJ 181 V (180)	B	49.4/9
R706	7030003370	S.RES ERJ3GEYJ 271 V (270)	B	42.4/10.1
R707	7030003560	S.RES ERJ3GEYJ 103 V (10 k)	T	51.3/12.2
R708	7030000200	S.RES MCR10EZHH 33 (330)	T	43.8/25.6
R709	7030003240	S.RES ERJ3GEYJ 220 V (22)	T	46.5/19.8
R710	7030003370	S.RES ERJ3GEYJ 271 V (270)	B	45.6/19.4
R711	7030003370	S.RES ERJ3GEYJ 271 V (270)	B	45.6/21
R713	7030000220	S.RES MCR10EZHH 47 (470)	B	38.8/27.4
R714	7030003460	S.RES ERJ3GEYJ 152 V (1.5 k)	T	53.5/29.2
R715	7030003460	S.RES ERJ3GEYJ 152 V (1.5 k)	T	51.6/30
R716	7030003680	S.RES ERJ3GEYJ 104 V (100 k)	B	14.5/15.5

[DIGISEL UNIT]

REF NO.	ORDER NO.	DESCRIPTION	M.	H/V LOCATION
C1	4030011600	S.CER C1608 JB 1E 104K-T	B	15.2/55.4
C2	4030011600	S.CER C1608 JB 1E 104K-T	T	7.9/31.8
C4	4030011600	S.CER C1608 JB 1E 104K-T	T	31.8/50.7
C5	4030011600	S.CER C1608 JB 1E 104K-T	T	16/51.6
C21	4030006880	S.CER C1608 JB 1H 472K-T	B	30.4/45.9
C35	4030006880	S.CER C1608 JB 1H 472K-T	T	32.1/65.3
C51	4030006880	S.CER C1608 JB 1H 472K-T	B	64.8/57.2
C52	4030006880	S.CER C1608 JB 1H 472K-T	T	57.6/45.8
C53	4030006880	S.CER C1608 JB 1H 472K-T	T	51.5/59.2
C54	4030006880	S.CER C1608 JB 1H 472K-T	T	87.3/72.3
C55	4030006880	S.CER C1608 JB 1H 472K-T	B	67.1/63.5
C56	4030006880	S.CER C1608 JB 1H 472K-T	T	66.5/54.9
C57	4030006880	S.CER C1608 JB 1H 472K-T	B	66.2/45.6
C58	4030006880	S.CER C1608 JB 1H 472K-T	T	114.3/50.4
C59	4030006880	S.CER C1608 JB 1H 472K-T	T	90.4/51.4
C60	4030006880	S.CER C1608 JB 1H 472K-T	T	90.4/54.4
C61	4030006880	S.CER C1608 JB 1H 472K-T	T	114.3/53.7
C62	4030006880	S.CER C1608 JB 1H 472K-T	T	138.2/51.1
C63	4030006880	S.CER C1608 JB 1H 472K-T	T	138.2/54.4
C64	4030006880	S.CER C1608 JB 1H 472K-T	T	162.1/50.8
C65	4030006880	S.CER C1608 JB 1H 472K-T	T	162.1/53.9
C66	4030006880	S.CER C1608 JB 1H 472K-T	B	182.5/47.7
C67	4030006880	S.CER C1608 JB 1H 472K-T	T	114.3/57.2
C68	4030006880	S.CER C1608 JB 1H 472K-T	T	88.3/63
C69	4030006880	S.CER C1608 JB 1H 472K-T	B	183.7/64.8
C70	4030006880	S.CER C1608 JB 1H 472K-T	T	162.1/60.2
C71	4030006880	S.CER C1608 JB 1H 472K-T	T	162.1/57.3
C72	4030006880	S.CER C1608 JB 1H 472K-T	T	138.2/59.5
C73	4030006880	S.CER C1608 JB 1H 472K-T	T	135.8/63
C74	4030006880	S.CER C1608 JB 1H 472K-T	T	114.3/60.4
C75	4030006880	S.CER C1608 JB 1H 472K-T	T	90.5/59.6
C101	4030011340	S.CER C1608 CH 1H 471J-T	T	68.2/68.4
C102	4030011280	S.CER C1608 CH 1H 271J-T	T	59.5/69.2
C103	4030011280	S.CER C1608 CH 1H 271J-T	T	60.5/56.7
C104	4030007130	S.CER C1608 CH 1H 101J-T	T	57.7/52.7
C105	4030006940	S.CER C1608 CH 1H 030C-T	B	65.7/51.9
C106	4030007150	S.CER C1608 CH 1H 151J-T	B	56.4/70.2
C107	4030007150	S.CER C1608 CH 1H 151J-T	B	60.3/70.6
C108	4030007150	S.CER C1608 CH 1H 151J-T	B	62.4/70.6
C109	4030007150	S.CER C1608 CH 1H 151J-T	B	56.4/68.8
C110	4030009520	S.CER C1608 CH 1H 020B-T	T	77.2/61.0
C111	4030009550	S.CER C1608 CH 1H 2R5B-T	T	77.2/67.8
C113	4030007000	S.CER C1608 CH 1H 090D-T	T	73.7/58.9
C114	4030007040	S.CER C1608 CH 1H 180J-T	T	71.7/59.5
C115	4030007040	S.CER C1608 CH 1H 180J-T	T	70.4/59.5
C116	4030007040	S.CER C1608 CH 1H 180J-T	T	69.1/59.5
C117	4030007070	S.CER C1608 CH 1H 330J-T	T	77.2/70.4
C118	4030007090	S.CER C1608 CH 1H 470J-T	B	76.7/59.8
C119	4030007040	S.CER C1608 CH 1H 180J-T	B	66.1/48.1
C120	4030007040	S.CER C1608 CH 1H 180J-T	B	66.1/49.8
C121	4030007040	S.CER C1608 CH 1H 180J-T	B	74.4/59.7
C122	4030007000	S.CER C1608 CH 1H 090D-T	B	74.3/70.3
C124	4030009520	S.CER C1608 CH 1H 020B-T	B	77.4/68.9
C125	4030009550	S.CER C1608 CH 1H 2R5B-T	B	76.1/68.9
C126	4030008360	S.CER C1608 UJ 1H 101J-T	B	124.5/63.3
C128	4030009500	S.CER C1608 CH 1H 0R5B-T	B	107.2/55.4
C129	4030009510	S.CER C1608 CH 1H 010B-T	B	83.2/55.8
C130	4030009520	S.CER C1608 CH 1H 020B-T	B	97.6/55.5
C131	4030009910	S.CER C1608 CH 1H 040B-T	B	121.5/55.6
C132	4030006990	S.CER C1608 CH 1H 080D-T	B	131/55.6
C133	4030007040	S.CER C1608 CH 1H 180J-T	B	145.4/55.7
C134	4030008750	S.CER C1608 CH 1H 360J-T	B	154.9/55.7
C135	4030007110	S.CER C1608 CH 1H 680J-T	B	169.3/55.7
C136	4030007140	S.CER C1608 CH 1H 121J-T	B	178.8/55.7
C137	4030007140	S.CER C1608 CH 1H 121J-T	B	107.4/63.8
C138	4030007130	S.CER C1608 CH 1H 101J-T	B	107.4/62.5
C139	4030007160	S.CER C1608 CH 1H 181J-T	B	83.6/62.7
C140	4030007160	S.CER C1608 CH 1H 181J-T	B	83.6/64.5
C141	4030008330	S.CER C1608 UJ 1H 560J-T	B	177.2/63.2
C142	4030008330	S.CER C1608 UJ 1H 560J-T	B	169.3/63.2
C143	4030007090	S.CER C1608 CH 1H 470J-T	B	155.2/63.2
C201	4030011600	S.CER C1608 JB 1E 104K-T	B	49.1/57.2
C202	4030006900	S.CER C1608 JB 1E 103K-T	T	57.7/55.4
C203	4030011600	S.CER C1608 JB 1E 104K-T	B	50.4/46.3
C204	4030011600	S.CER C1608 JB 1E 104K-T	B	53.2/45.4
C205	4030011600	S.CER C		

[DIGISEL UNIT]

REF NO.	ORDER NO.	DESCRIPTION	M.	H/V LOCATION
C564	4030006880	S.CER C1608 JB 1H 472K-T	T	162.1/27.2
C565	4030006880	S.CER C1608 JB 1H 472K-T	T	162.1/30.4
C566	4030006880	S.CER C1608 JB 1H 472K-T	B	180.9/33.5
C567	4030006880	S.CER C1608 JB 1H 472K-T	T	109.8/17.8
C568	4030006880	S.CER C1608 JB 1H 472K-T	T	90.4/19.5
C569	4030006880	S.CER C1608 JB 1H 472K-T	B	181.8/17.1
C570	4030006880	S.CER C1608 JB 1H 472K-T	T	162.1/22.4
C571	4030006880	S.CER C1608 JB 1H 472K-T	T	158.5/17.6
C572	4030006880	S.CER C1608 JB 1H 472K-T	T	138.2/23.1
C573	4030006880	S.CER C1608 JB 1H 472K-T	T	134.8/17.5
C574	4030006880	S.CER C1608 JB 1H 472K-T	T	114.3/20.6
C575	4030006880	S.CER C1608 JB 1H 472K-T	T	90.4/23.3
C601	4030011340	S.CER C1608 CH 1H 471J-T	B	66/22.5
C602	4030011280	S.CER C1608 CH 1H 271J-T	B	65.2/26.7
C603	4030011280	S.CER C1608 CH 1H 271J-T	T	59.1/35.6
C604	4030007130	S.CER C1608 CH 1H 101J-T	T	57.7/33
C605	4030006940	S.CER C1608 CH 1H 030C-T	T	57.2/29
C606	4030007150	S.CER C1608 CH 1H 151J-T	T	55.6/30.7
C607	4030007150	S.CER C1608 CH 1H 151J-T	T	57.2/25.4
C608	4030007150	S.CER C1608 CH 1H 151J-T	T	57.2/23.8
C609	4030007150	S.CER C1608 CH 1H 151J-T	T	56.8/22.5
C610	4030009520	S.CER C1608 CH 1H 020B-T	B	77.3/11.3
C611	4030009550	S.CER C1608 CH 1H 2R5B-T	B	76/11.3
C613	4030007000	S.CER C1608 CH 1H 090D-T	B	73.8/12.5
C614	4030007040	S.CER C1608 CH 1H 180J-T	B	73.7/21.1
C615	4030007040	S.CER C1608 CH 1H 180J-T	B	73.9/28.2
C616	4030007040	S.CER C1608 CH 1H 180J-T	B	73.9/29.7
C617	4030007070	S.CER C1608 CH 1H 330J-T	B	76/19.4
C618	4030007090	S.CER C1608 CH 1H 470J-T	T	75.5/20.7
C619	4030007040	S.CER C1608 CH 1H 180J-T	T	65.6/35.3
C620	4030007040	S.CER C1608 CH 1H 180J-T	T	65.7/36.7
C621	4030007040	S.CER C1608 CH 1H 180J-T	T	73.7/28.3
C622	4030007000	S.CER C1608 CH 1H 090D-T	T	73.2/20.2
C624	4030009520	S.CER C1608 CH 1H 020B-T	T	76.9/10.6
C625	4030009550	S.CER C1608 CH 1H 2R5B-T	T	76.9/12
C626	4030008360	S.CER C1608 UJ 1H 101J-T	B	124.5/17.4
C628	4030009500	S.CER C1608 CH 1H 0R5B-T	B	107.4/25.3
C629	4030009510	S.CER C1608 CH 1H 010B-T	B	83.3/25.5
C630	4030009520	S.CER C1608 CH 1H 020B-T	B	97.8/25.3
C631	4030009910	S.CER C1608 CH 1H 040B-T	B	121.2/25.3
C632	4030006990	S.CER C1608 CH 1H 080D-T	B	131.3/25.3
C633	4030007040	S.CER C1608 CH 1H 180J-T	B	145.2/25.3
C634	4030008750	S.CER C1608 CH 1H 360J-T	B	155.2/25.3
C635	4030007110	S.CER C1608 CH 1H 680J-T	B	169/25.3
C636	4030007140	S.CER C1608 CH 1H 121J-T	B	179.1/25.3
C637	4030007140	S.CER C1608 CH 1H 121J-T	B	107.4/18.3
C638	4030007130	S.CER C1608 CH 1H 101J-T	B	107.4/16.5
C639	4030007160	S.CER C1608 CH 1H 181J-T	B	83.9/18.1
C640	4030007160	S.CER C1608 CH 1H 181J-T	B	84.7/16.3
C641	4030008330	S.CER C1608 UJ 1H 560J-T	B	177/17.9
C642	4030008330	S.CER C1608 UJ 1H 560J-T	B	169/18
C643	4030007090	S.CER C1608 CH 1H 470J-T	B	155.5/18
C701	4030011600	S.CER C1608 JB 1E 104K-T	T	52.3/17.7
C702	4030006900	S.CER C1608 JB 1H 103K-T	T	54.6/27.3
C703	4030011600	S.CER C1608 JB 1E 104K-T	B	40.3/10.4
C704	4030011600	S.CER C1608 JB 1E 104K-T	B	52.1/9.8
C705	4030011600	S.CER C1608 JB 1E 104K-T	B	44/28.1
C706	4030011600	S.CER C1608 JB 1E 104K-T	T	45.1/22.6
C707	4030006880	S.CER C1608 JB 1H 472K-T	B	42.7/28.1
C708	4030007010	S.CER C1608 CH 1H 100D-T	T	46.5/22.7
C709	4030006880	S.CER C1608 JB 1H 472K-T	B	40.6/28.9
C710	4030006900	S.CER C1608 JB 1H 103K-T	B	45.6/22.7
C711	4030009000	S.CER C2012 JB 1C 224K-T	B	45.7/24.4
C712	4030006880	S.CER C1608 JB 1H 472K-T	T	54.8/32.3
C713	4030006880	S.CER C1608 JB 1H 472K-T	B	52.1/7.9
C714	4030006880	S.CER C1608 JB 1H 472K-T	B	42.4/6.5
C715	4030006880	S.CER C1608 JB 1H 472K-T	T	54.2/34.3
RL2	6330001750	RLY FTR-B4CA012Z		
RL21	6330001750	RLY FTR-B4CA012Z		
RL51	6330001750	RLY FTR-B4CA012Z		
RL52	6330001750	RLY FTR-B4CA012Z		
RL53	6330001750	RLY FTR-B4CA012Z		
RL54	6330001750	RLY FTR-B4CA012Z		
RL55	6330001750	RLY FTR-B4CA012Z		
RL56	6330001750	RLY FTR-B4CA012Z		
RL57	6330001750	RLY FTR-B4CA012Z		
RL58	6330001750	RLY FTR-B4CA012Z		
RL59	6330001750	RLY FTR-B4CA012Z		
RL60	6330001750	RLY FTR-B4CA012Z		
RL61	6330001750	RLY FTR-B4CA012Z		
RL62	6330001750	RLY FTR-B4CA012Z		
RL63	6330001750	RLY FTR-B4CA012Z		
RL64	6330001750	RLY FTR-B4CA012Z		
RL65	6330001750	RLY FTR-B4CA012Z		
RL66	6330001750	RLY FTR-B4CA012Z		
RL67	6330001750	RLY FTR-B4CA012Z		
RL69	6330001750	RLY FTR-B4CA012Z		
RL70	6330001750	RLY FTR-B4CA012Z		
RL71	6330001750	RLY FTR-B4CA012Z		
RL72	6330001750	RLY FTR-B4CA012Z		
RL73	6330001750	RLY FTR-B4CA012Z		
RL74	6330001750	RLY FTR-B4CA012Z		
RL75	6330001750	RLY FTR-B4CA012Z		
RL76	6330001750	RLY FTR-B4CA012Z		
RL201	6330001750	RLY FTR-B4CA012Z		
RL502	6330001750	RLY FTR-B4CA012Z		
RL521	6330001750	RLY FTR-B4CA012Z		
RL551	6330001750	RLY FTR-B4CA012Z		
RL552	6330001750	RLY FTR-B4CA012Z		
RL553	6330001750	RLY FTR-B4CA012Z		
RL554	6330001750	RLY FTR-B4CA012Z		
RL555	6330001750	RLY FTR-B4CA012Z		

[DIGISEL UNIT]

REF NO.	ORDER NO.	DESCRIPTION	M.	H/V LOCATION
RL556	6330001750	RLY FTR-B4CA012Z		
RL557	6330001750	RLY FTR-B4CA012Z		
RL558	6330001750	RLY FTR-B4CA012Z		
RL559	6330001750	RLY FTR-B4CA012Z		
RL560	6330001750	RLY FTR-B4CA012Z		
RL561	6330001750	RLY FTR-B4CA012Z		
RL562	6330001750	RLY FTR-B4CA012Z		
RL563	6330001750	RLY FTR-B4CA012Z		
RL564	6330001750	RLY FTR-B4CA012Z		
RL565	6330001750	RLY FTR-B4CA012Z		
RL566	6330001750	RLY FTR-B4CA012Z		
RL567	6330001750	RLY FTR-B4CA012Z		
RL569	6330001750	RLY FTR-B4CA012Z		
RL570	6330001750	RLY FTR-B4CA012Z		
RL571	6330001750	RLY FTR-B4CA012Z		
RL572	6330001750	RLY FTR-B4CA012Z		
RL573	6330001750	RLY FTR-B4CA012Z		
RL574	6330001750	RLY FTR-B4CA012Z		
RL575	6330001750	RLY FTR-B4CA012Z		
RL576	6330001750	RLY FTR-B4CA012Z		
RL701	6330001750	RLY FTR-B4CA012Z		
J1	6510007020	CNR TMP-J01X-V6		
J2	6510007020	CNR TMP-J01X-V6		
J10	6510020081	S.CNR 52808-2071 (2090)	T	4.5/40.5
J501	6510007020	CNR TMP-J01X-V6		
J502	6510007020	CNR TMP-J01X-V6		
Q300	1520000561	S.TR 2SB1123 T-D-E	T	205.7/10.5

M.=Mounted side (T: Mounted on the Top side, B: Mounted on the Bottom side)  
S.=Surface mount



[NETWORK UNIT]

REF NO.	ORDER NO.	DESCRIPTION	M.	H/V LOCATION
Q301	1590000680	S.TR DTC114EUA T106	T	201.4/9.1
L50	6110003950	COL LA-598		
L60	6110003910	COL LA-593		
L70	6110003050	COL LA-492		
L80	6110003050	COL LA-492		
L90	6110003060	COL LA-493		
L100	6110003070	COL LA-494		
L110	6110003920	COL LA-594		
L120	6140004460	COL LR-504		
L130	6140004470	COL LR-505		
L131	6140004470	COL LR-505		
L300	6180000990	COL LAL 04NA 101K		
R300	7030000420	S.RES MCR10EZHJ 2.2 k	T	202.8/6.9
R301	7030000420	S.RES MCR10EZHJ 2.2 k	T	201.5/11.3
R302	7030000420	S.RES MCR10EZHJ 2.2 k	T	206.2/6.9
R303	7030009800	S.RES ERJ12YJ121U (120)	T	209.7/5
C1	4620000150	VAR KB-150-07 150P		
C2	4620000150	VAR KB-150-07 150P		
C3	4010007580	CER HT20SJ SL 201J 3KV		
C4	4010007580	CER HT20SJ SL 201J 3KV		
C5	4010007580	CER HT20SJ SL 201J 3KV		
C6	4010007580	CER HT20SJ SL 201J 3KV		
C7	4010007580	CER HT20SJ SL 201J 3KV		
C8	4010007580	CER HT20SJ SL 201J 3KV		
C9	4010007580	CER HT20SJ SL 201J 3KV		
C10	4010007580	CER HT20SJ SL 201J 3KV		
C20	4010007570	CER HT15SJ SL 151J 3KV		
C21	4010007570	CER HT15SJ SL 151J 3KV		
C22	4010007570	CER HT15SJ SL 151J 3KV		
C23	4010007570	CER HT15SJ SL 151J 3KV		
C24	4010007570	CER HT15SJ SL 151J 3KV		
C25	4010007570	CER HT15SJ SL 151J 3KV		
C26	4010007570	CER HT15SJ SL 151J 3KV		
C27	4010007570	CER HT15SJ SL 151J 3KV		
C30	4010007550	CER HT11SJ SL 820J 3KV		
C31	4010007550	CER HT11SJ SL 820J 3KV		
C32	4010007550	CER HT11SJ SL 820J 3KV		
C33	4010007550	CER HT11SJ SL 820J 3KV		
C34	4010007550	CER HT11SJ SL 820J 3KV		
C35	4010007550	CER HT11SJ SL 820J 3KV		
C36	4010007550	CER HT11SJ SL 820J 3KV		
C37	4010007550	CER HT11SJ SL 820J 3KV		
C40	4010008550	CER DEA1X3F390JC3B		
C41	4010008550	CER DEA1X3F390JC3B		
C42	4010008550	CER DEA1X3F390JC3B		
C43	4010008550	CER DEA1X3F390JC3B		
C44	4010008550	CER DEA1X3F390JC3B		
C45	4010008550	CER DEA1X3F390JC3B		
C46	4010008550	CER DEA1X3F390JC3B		
C47	4010008550	CER DEA1X3F390JC3B		
C50	4030006880	S.CER C1608 JB 1H 472K-T	T	140.7/12
C60	4030006880	S.CER C1608 JB 1H 472K-T	T	154.1/12
C70	4030006880	S.CER C1608 JB 1H 472K-T	T	167.5/16.1
C80	4030006880	S.CER C1608 JB 1H 472K-T	T	181.9/21.5
C90	4030006880	S.CER C1608 JB 1H 472K-T	T	195.3/21.3
C100	4030006880	S.CER C1608 JB 1H 472K-T	T	204.4/20.7
C110	4030006880	S.CER C1608 JB 1H 472K-T	T	205.8/20.7
C120	4030006880	S.CER C1608 JB 1H 472K-T	T	207.2/20.6
C202	4030006880	S.CER C1608 JB 1H 472K-T	T	187.4/13.2
C203	4030006880	S.CER C1608 JB 1H 472K-T	T	188.4/15.7
C204	4030006880	S.CER C1608 JB 1H 472K-T	T	189.4/13.2
C205	4030006880	S.CER C1608 JB 1H 472K-T	T	190.4/15.7
C206	4030006880	S.CER C1608 JB 1H 472K-T	T	191.4/13.2
C207	4030006880	S.CER C1608 JB 1H 472K-T	T	192.4/15.7
C208	4030006880	S.CER C1608 JB 1H 472K-T	T	193.4/13.2
C209	4030006880	S.CER C1608 JB 1H 472K-T	T	194.4/15.7
C252	4030006880	S.CER C1608 JB 1H 472K-T	T	175.4/13.2
C253	4030006880	S.CER C1608 JB 1H 472K-T	T	176.4/15.7
C254	4030006880	S.CER C1608 JB 1H 472K-T	T	177.4/13.2
C255	4030006880	S.CER C1608 JB 1H 472K-T	T	178.4/15.7
C256	4030006880	S.CER C1608 JB 1H 472K-T	T	179.4/13.2
C257	4030006880	S.CER C1608 JB 1H 472K-T	T	180.4/15.7
C258	4030006880	S.CER C1608 JB 1H 472K-T	T	181.4/13.2
C259	4030006880	S.CER C1608 JB 1H 472K-T	T	182.4/15.7
C300	4030006880	S.CER C1608 JB 1H 472K-T	T	184.4/13.2
C301	4030006880	S.CER C1608 JB 1H 472K-T	T	210.5/10.1
RL10	6330001200	RLY VS-12MBU-UC		
RL11	6330001200	RLY VS-12MBU-UC		
RL20	6330001200	RLY VS-12MBU-UC		
RL21	6330001200	RLY VS-12MBU-UC		
RL30	6330001200	RLY VS-12MBU-UC		
RL31	6330001200	RLY VS-12MBU-UC		
RL40	6330001200	RLY VS-12MBU-UC		
RL41	6330001200	RLY VS-12MBU-UC		
RL50	6330001460	RLY FTR-F1CA012V		
RL60	6330001200	RLY VS-12MBU-UC		
RL70	6330001200	RLY VS-12MBU-UC		
RL80	6330001200	RLY VS-12MBU-UC		
RL90	6330001200	RLY VS-12MBU-UC		
RL100	6330001200	RLY VS-12MBU-UC		
RL110	6330001200	RLY VS-12MBU-UC		
RL120	6330001200	RLY VS-12MBU-UC		
J1	6510021561	S.CNR 52808-2470 (2490)	T	184.9/7.4
J2	6510017930	CNR 1771P145-20		
J3	6510017930	CNR 1771P145-20		
J4	6510003521	CNR S04B-EH-S (LF) (SN)		
D402	1750000271	S.DIO 1SS301 (TE85L,F)	T	11.8/24.3

[FILTER UNIT]

REF NO.	ORDER NO.	DESCRIPTION	M.	H/V LOCATION
D452	1750000271	S.DIO 1SS301 (TE85L,F)	T	32/20.5
D502	1750000271	S.DIO 1SS301 (TE85L,F)	T	54.8/30.3
D552	1750000271	S.DIO 1SS301 (TE85L,F)	T	155.6/29.1
D602	1750000271	S.DIO 1SS301 (TE85L,F)	T	130.1/20.3
D652	1750000271	S.DIO 1SS301 (TE85L,F)	T	93.8/33
D702	1750000271	S.DIO 1SS301 (TE85L,F)	T	69.6/20.3
D752	1750000271	S.DIO 1SS301 (TE85L,F)	T	113.1/33
D802	1750000271	S.DIO 1SS301 (TE85L,F)	T	173.6/25.9
L401	6200005131	S.COL NLC453232T-101K-PF	T	25.4/136.7
L402	6140004310	COL LR-471		
L403	6140004300	COL LR-470		
L404	6140004300	COL LR-470		
L405	6200005131	S.COL NLC453232T-101K-PF	T	7.3/24.6
L451	6200005131	S.COL NLC453232T-101K-PF	T	4.4/143.9
L452	6140004270	COL LR-467		
L453	6140004290	COL LR-469		
L454	6140004290	COL LR-469		
L455	6200005131	S.COL NLC453232T-101K-PF	T	28.4/29.9
L501	6200005131	S.COL NLC453232T-101K-PF	T	46.3/133.8
L502	6140004280	COL LR-468		
L503	6140004270	COL LR-467		
L504	6140004270	COL LR-467		
L505	6200005131	S.COL NLC453232T-101K-PF	T	50.2/29.6
L551	6200005131	S.COL NLC453232T-101K-PF	T	150.7/133.8
L552	6140004260	COL LR-466		
L553	6140004280	COL LR-468		
L554	6140004280	COL LR-468		
L555	6200005131	S.COL NLC453232T-101K-PF	T	151/29.7
L601	6200005131	S.COL NLC453232T-101K-PF	T	129.9/133.8
L602	6140004250	COL LR-465		
L603	6140004240	COL LR-464		
L604	6140004240	COL LR-464		
L605	6200005131	S.COL NLC453232T-101K-PF	T	130.1/14.2
L651	6200005131	S.COL NLC453232T-101K-PF	T	88.2/133.8
L652	6140004200	COL LR-463		
L653	6140004170	COL LR-462		
L654	6140004170	COL LR-462		
L655	6200005131	S.COL NLC453232T-101K-PF	T	92.3/29.8
L701	6200005131	S.COL NLC453232T-101K-PF	T	67.2/133.8
L702	6140004130	COL LR-461		
L703	6140004070	COL LR-460		
L704	6140004070	COL LR-460		
L705	6200005131	S.COL NLC453232T-101K-PF	T	69.6/14.1
L751	6200005131	S.COL NLC453232T-101K-PF	T	109.1/133.8
L752	6110003900	COL LA-592		
L753	6110003890	COL LA-591		
L754	6110003890	COL LA-591		
L755	6200005131	S.COL NLC453232T-101K-PF	T	111.4/29.8
L801	6200001831	S.COL NLV32T-100J	T	165.9/163.4
L802	6110003880	COL LA-590		
L803	6110003870	COL LA-589		
L804	6110003870	COL LA-589		
L805	6200001831	S.COL NLV32T-100J	T	173.9/22.8
C401	4030006880	S.CER C1608 JB 1H 472K-T	T	25.4/130.4
C402	4010008200	CER HM11TJ SL 331J 500V		
C403	4010008200	CER HM11TJ SL 331J 500V		
C404	4010008300	CER HM11TJ SL 391J 500V		
C405	4010008300	CER HM11TJ SL 391J 500V		
C406	4010008210	CER HM60TJ SL 560J 500V		
C407	4010007590	CER HM15SJ SL 681J 500V		
C408	4010007590	CER HM15SJ SL 681J 500V		
C409	4010007590	CER HM15SJ SL 681J 500V		
C410	4010005870	CER HM95SJ SL 221J 500V		
C411	4010008280	CER HM95TJ SL 221J 500V		
C412	4010008370	CER HM60TJ SL 150J 500V		
C413	4010007590	CER HM15SJ SL 681J 500V		
C414	4010007590	CER HM15SJ SL 681J 500V		
C415	4010007590	CER HM15SJ SL 681J 500V		
C416	4010008300	CER HM11TJ SL 391J 500V		
C417	4010008230	CER HM60TJ SL 820J 500V		
C418	4010007590	CER HM15SJ SL 681J 500V		
C419	4010007590	CER HM15SJ SL 681J 500V		
C420	4030006880	S.CER C1608 JB 1H 472K-T	T	11.6/26.3
C451	4030006880	S.CER C1608 JB 1H 472K-T	T	26.6/127.9
C452	4010008290	CER HM95TJ SL 221J 500V		
C453	4010008280	CER HM95TJ SL 221J 500V		
C454	4010008240	CER HM60TJ SL 101J 500V		
C455	4010005810	CER HM74SJ SL 111J 500V		
C456	4010007490	CER HM15SJ SL 561J 500V		
C457	4010006410	CER HM13SJ SL 471J 500V		
C458	4010008250	CER HM74TJ SL 121J 500V		
C459	4010005810	CER HM74SJ SL 111J 500V		
C461	4010007490	CER HM15SJ SL 561J 500V		
C462	4010007490	CER HM15SJ SL 561J 500V		
C463	4010008340	CER HM60TJ SL 270J 500V		
C464	4010008320	CER HM60TJ SL 390J 500V		
C465	4010007490	CER HM15SJ SL 561J 500V		
C466	4010008220	CER HM60TJ SL 680J 500V		
C467	4030006880	S.CER C1608 JB 1H 472K-T	T	32.4/23.4
C468	4010008230	CER HM60TJ SL 820J		

[FILTER UNIT]

REF NO.	ORDER NO.	DESCRIPTION	M.	H/V LOCATION
C515	4010008280	CER HM95TJ SL 221J 500V		
C516	4010008280	CER HM95TJ SL 221J 500V		
C517	4030006880	S.CER C1608 JB 1H 472K-T	T	54.7/28.4
C518	4010008340	CER HM60TJ SL 270J 500V		
C551	4030006880	S.CER C1608 JB 1H 472K-T	T	149.9/122.5
C552	4010005860	CER HM95SJ SL 201J 500V		
C554	4010008230	CER HM60TJ SL 820J 500V		
C555	4010008370	CER HM60TJ SL 150J 500V		
C556	4010008290	CER HM95TJ SL 271J 500V		
C557	4010008290	CER HM95TJ SL 271J 500V		
C558	4010008320	CER HM60TJ SL 390J 500V		
C559	4010008330	CER HM60TJ SL 330J 500V		
C560	4010008340	CER HM60TJ SL 270J 500V		
C561	4010008200	CER HM11TJ SL 331J 500V		
C562	4010008290	CER HM95TJ SL 271J 500V		
C563	4010008330	CER HM60TJ SL 330J 500V		
C564	4010005650	CER HM60SJ SL 200J 500V		
C565	4010008280	CER HM95TJ SL 221J 500V		
C566	4010008350	CER HM60TJ SL 220J 500V		
C567	4030006880	S.CER C1608 JB 1H 472K-T	T	152.2/32.2
C601	4030006880	S.CER C1608 JB 1H 472K-T	T	130.2/125
C604	4010008230	CER HM60TJ SL 820J 500V		
C605	4010008370	CER HM60TJ SL 150J 500V		
C606	4010008280	CER HM95TJ SL 221J 500V		
C607	4010008220	CER HM60TJ SL 680J 500V		
C608	4010008350	CER HM60TJ SL 220J 500V		
C609	4010008340	CER HM60TJ SL 270J 500V		
C610	4010008200	CER HM11TJ SL 331J 500V		
C611	4010008230	CER HM60TJ SL 820J 500V		
C612	4010008360	CER HM60TJ SL 180J 500V		
C613	4010008260	CER HM74TJ SL 151J 500V		
C614	4010008230	CER HM60TJ SL 820J 500V		
C615	4030006880	S.CER C1608 JB 1H 472K-T	T	130.2/18.3
C651	4030006880	S.CER C1608 JB 1H 472K-T	T	88.3/124.9
C654	4010008360	CER HM60TJ SL 180J 500V		
C655	4010008320	CER HM60TJ SL 390J 500V		
C656	4010008280	CER HM95TJ SL 221J 500V		
C657	4010008220	CER HM60TJ SL 680J 500V		
C658	4010008360	CER HM60TJ SL 180J 500V		
C659	4010008380	CER HM60TJ SL 120J 500V		
C660	4010008280	CER HM95TJ SL 221J 500V		
C661	4010008240	CER HM60TJ SL 101J 500V		
C662	4010008390	CER HM60TJ SL 100D 500V		
C663	4010008250	CER HM74TJ SL 121J 500V		
C664	4010008320	CER HM60TJ SL 390J 500V		
C665	4030006880	S.CER C1608 JB 1H 472K-T	T	96.6/28.6
C701	4030006880	S.CER C1608 JB 1H 472K-T	T	68.6/127.5
C703	4010008370	CER HM60TJ SL 150J 500V		
C704	4010008350	CER HM60TJ SL 220J 500V		
C705	4010005650	CER HM60SJ SL 200J 500V		
C706	4010005860	CER HM95SJ SL 201J 500V		
C707	4010008310	CER HM60TJ SL 470J 500V		
C708	4010008370	CER HM60TJ SL 150J 500V		
C709	4010008280	CER HM95TJ SL 221J 500V		
C710	4010008350	CER HM60TJ SL 220J 500V		
C712	4010008330	CER HM60TJ SL 330J 500V		
C713	4010008310	CER HM60TJ SL 470J 500V		
C714	4030006880	S.CER C1608 JB 1H 472K-T	T	69.6/18.3
C715	4010008360	CER HM60TJ SL 180J 500V		
C751	4030006880	S.CER C1608 JB 1H 472K-T	T	109.1/125
C755	4010008240	CER HM60TJ SL 101J 500V		
C756	4010008230	CER HM60TJ SL 820J 500V		
C757	4010008360	CER HM60TJ SL 180J 500V		
C758	4010008210	CER HM60TJ SL 560J 500V		
C759	4010008240	CER HM60TJ SL 101J 500V		
C760	4010008400	CER HM60TJ SL 060D 500V		
C761	4010008310	CER HM60TJ SL 470J 500V		
C763	4030006880	S.CER C1608 JB 1H 472K-T	T	115.6/28.6
C764	4010005650	CER HM60SJ SL 200J 500V		
C765	4010008370	CER HM60TJ SL 150J 500V		
C801	4030006880	S.CER C1608 JB 1H 472K-T	T	168.6/158.6
C804	4010008360	CER HM60TJ SL 180J 500V		
C805	4010008320	CER HM60TJ SL 390J 500V		
C806	4010008310	CER HM60TJ SL 470J 500V		
C807	4010005600	CER HM60SJ SL 090D 500V		
C808	4010008330	CER HM60TJ SL 330J 500V		
C809	4010008320	CER HM60TJ SL 390J 500V		
C810	4010008410	CER HM60TJ SL 030C 500V		
C811	4010005560	CER HM60SJ SL 050C 500V		
C813	4030006880	S.CER C1608 JB 1H 472K-T	T	175.6/26
RL401	6330001471	RLY AJS1311F-K2		
RL402	6330001471	RLY AJS1311F-K2		
RL451	6330001471	RLY AJS1311F-K2		
RL452	6330001471	RLY AJS1311F-K2		
RL501	6330001471	RLY AJS1311F-K2		
RL502	6330001471	RLY AJS1311F-K2		
RL551	6330001471	RLY AJS1311F-K2		
RL552	6330001471	RLY AJS1311F-K2		
RL601	6330001471	RLY AJS1311F-K2		
RL602	6330001471	RLY AJS1311F-K2		
RL651	6330001471	RLY AJS1311F-K2		
RL652	6330001471	RLY AJS1311F-K2		
RL701	6330001471	RLY AJS1311F-K2		
RL702	6330001471	RLY AJS1311F-K2		
RL751	6330001471	RLY AJS1311F-K2		
RL752	6330001471	RLY AJS1311F-K2		
RL801	6330001460	RLY FTR-F1CA012V		
RL802	6330001460	RLY FTR-F1CA012V		
J901	6510017930	CNR 1771P145-20		
J902	6510022031	S.CNR B10B-ZR-SM4-TF (LF) (SN)	T	145.3/165.2
J903	6510019971	S.CNR 52808-1071	T	4/156
J904	6510017930	CNR 1771P145-20		

[FILTER UNIT]

REF NO.	ORDER NO.	DESCRIPTION	M.	H/V LOCATION
J905	6510019421	S.CNR B8B-ZR-SM4-TF (LF) (SN)	T	146.8/160.2

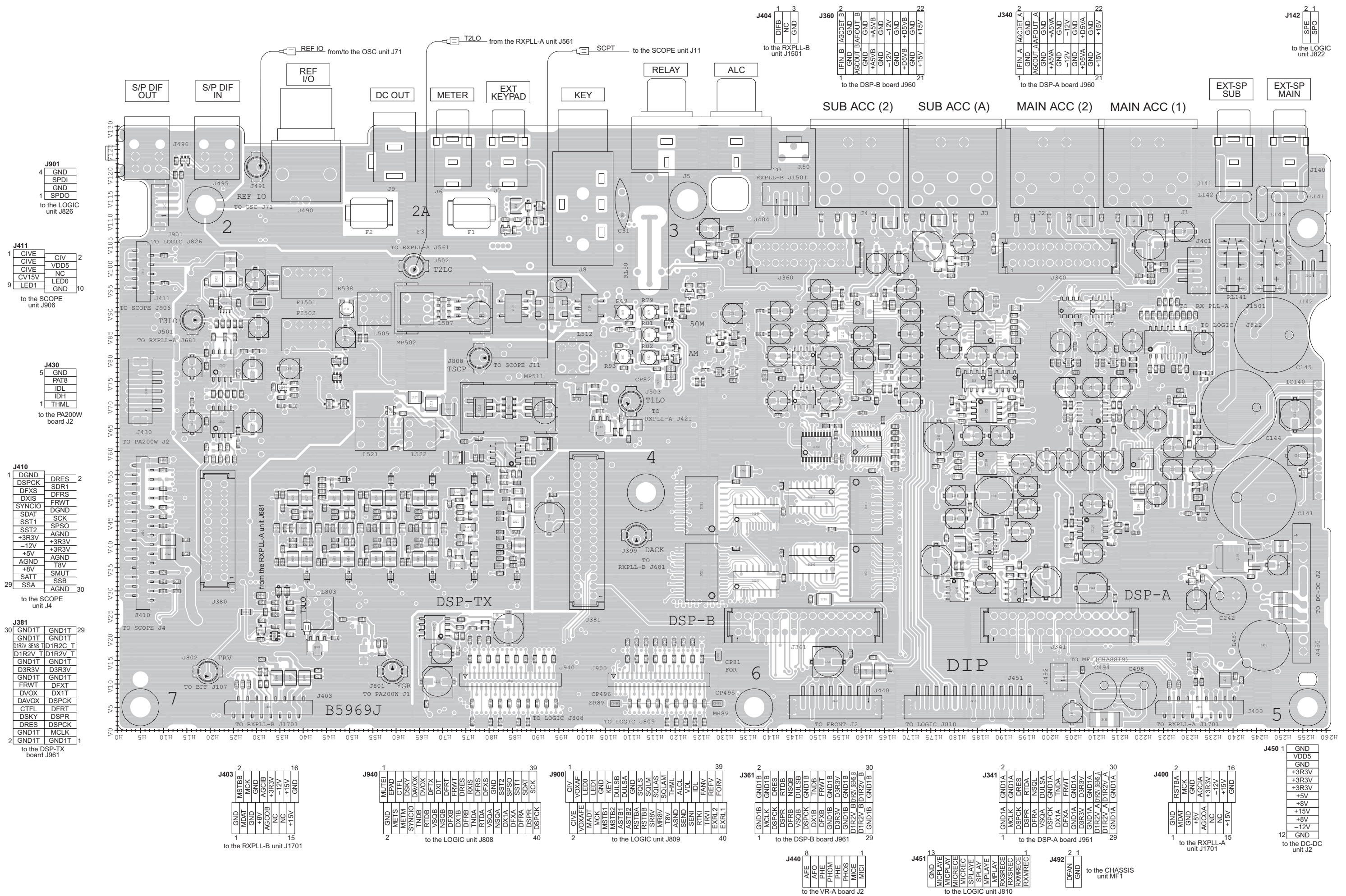
[MEMORY BOARD]

REF NO.	ORDER NO.	DESCRIPTION	M.	H/V LOCATION
IC1	1130013514	S.IC JS28F128J3D-75(SX-2590A-8)	T	39.8/26.2
IC2	1130013515	S.IC JS28F128J3D-75(SX-2590A-9)	T	24/26.2
C1	4030011600	S.CER C1608 JB 1E 104K-T	T	41.8/38.8
C2	4030011600	S.CER C1608 JB 1E 104K-T	T	39.9/13.2
C3	4030011600	S.CER C1608 JB 1E 104K-T	T	36.8/13.2
C4	4030011600	S.CER C1608 JB 1E 104K-T	T	26/38.8
C5	4030011600	S.CER C1608 JB 1E 104K-T	T	24/13.2
C6	4030011600	S.CER C1608 JB 1E 104K-T	T	21/13.2
J1	6510024210	S.CNR AXK6S30435P	T	55/20
J2	6510024200	S.CNR AXK6S40435P	T	10/20

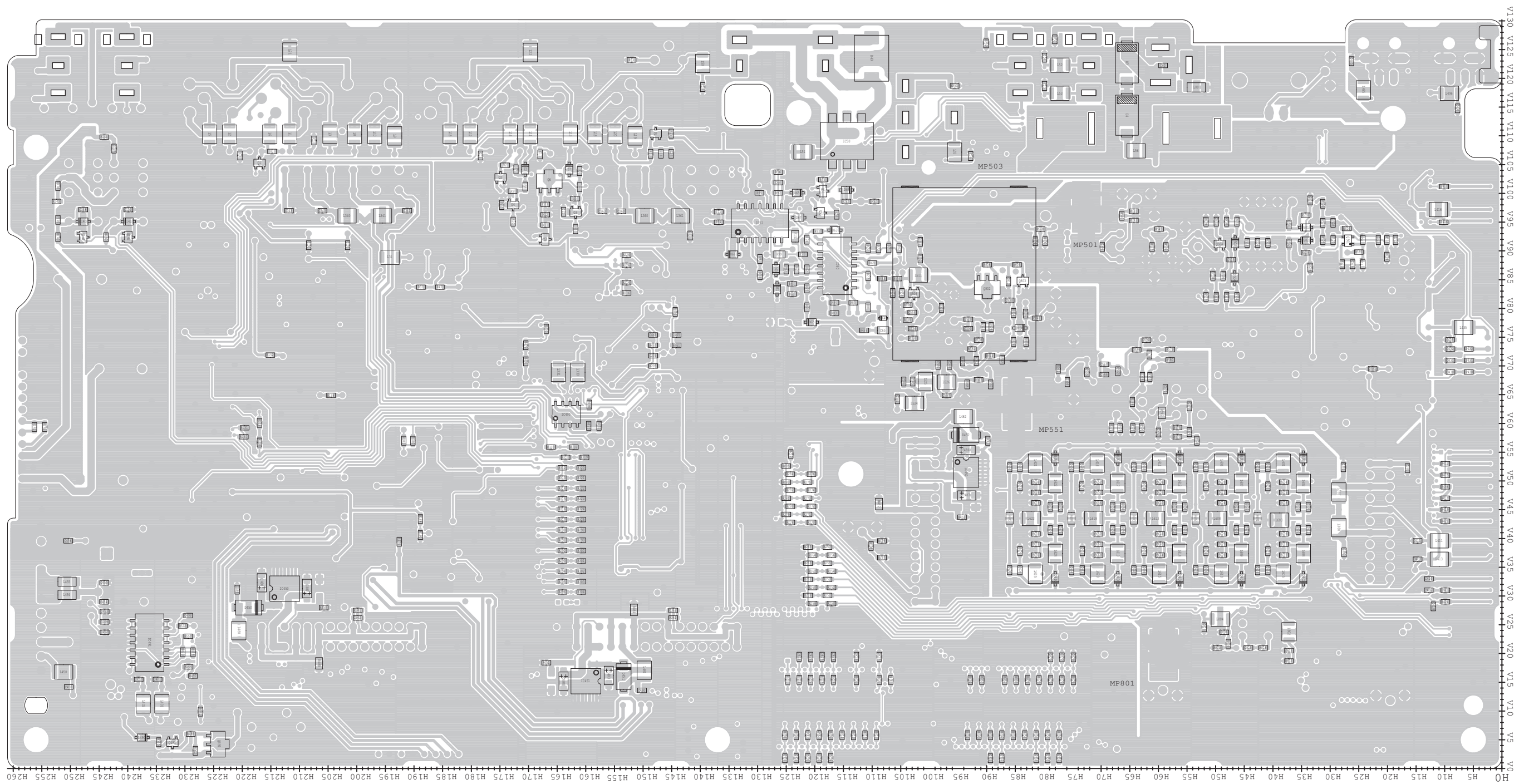
M.=Mounted side (T: Mounted on the Top side, B: Mounted on the Bottom side)  
S.=Surface mount



# BOARD LAYOUTS

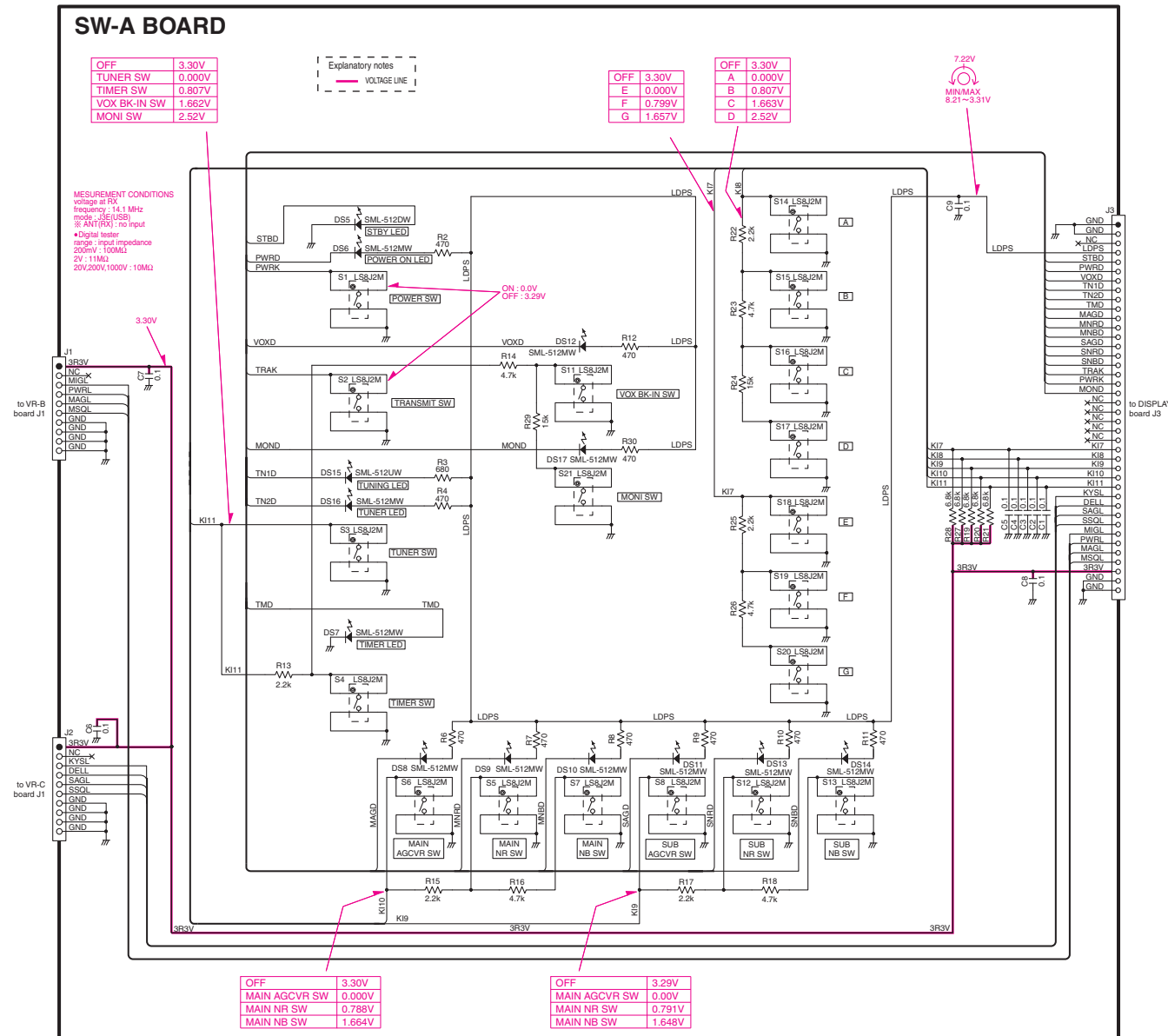




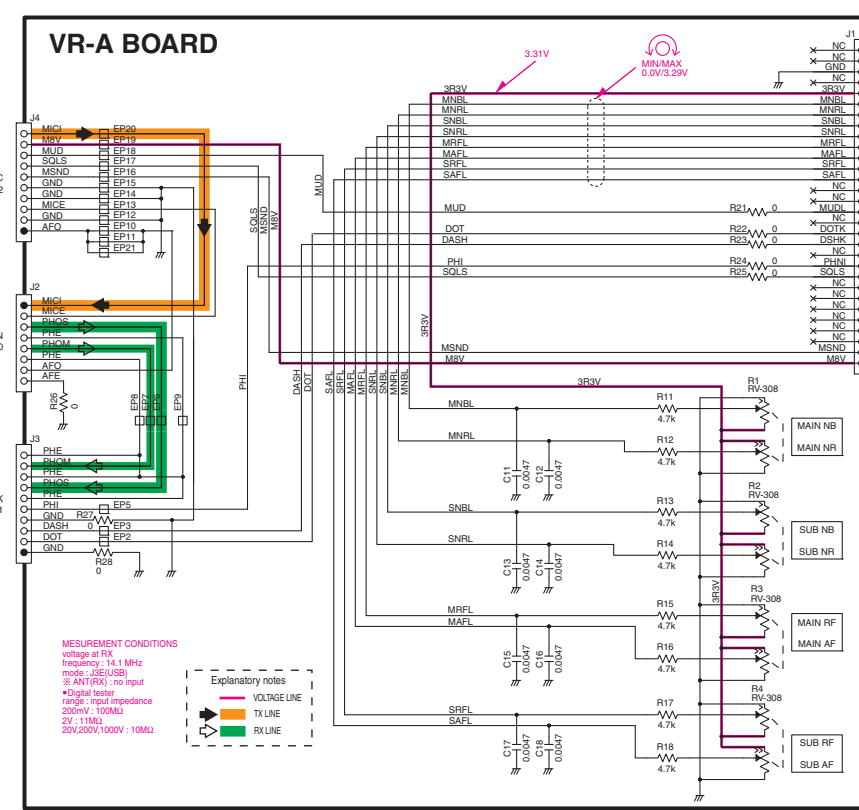




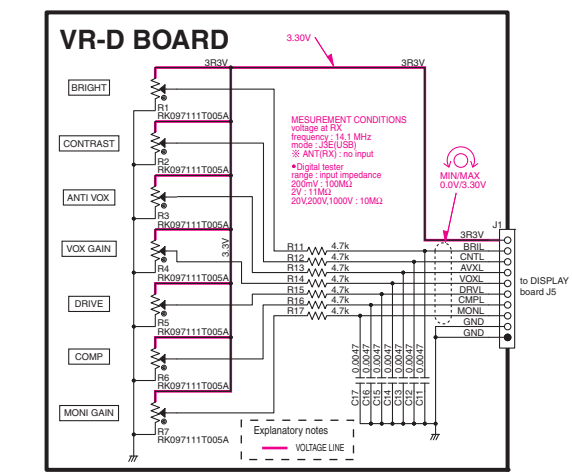
# SW-A BOARD



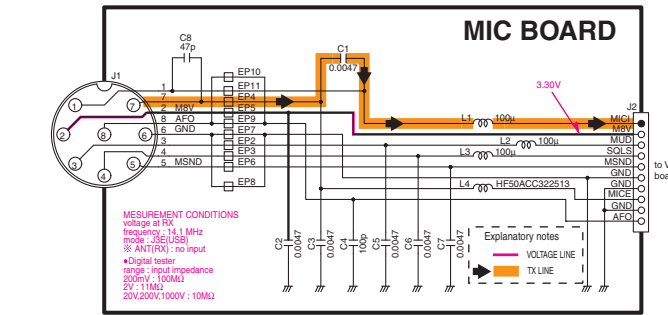
# VR-A BOARD



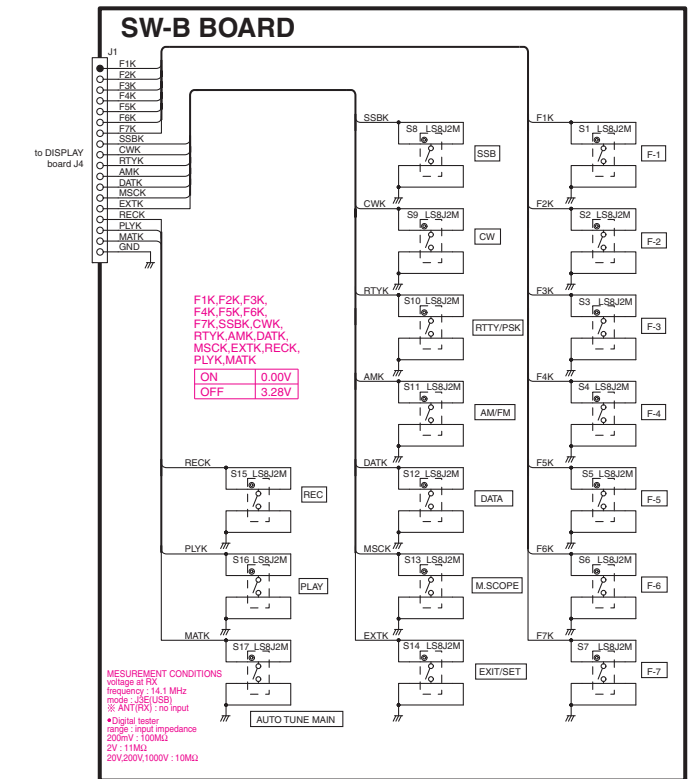
# VR-D BOARD



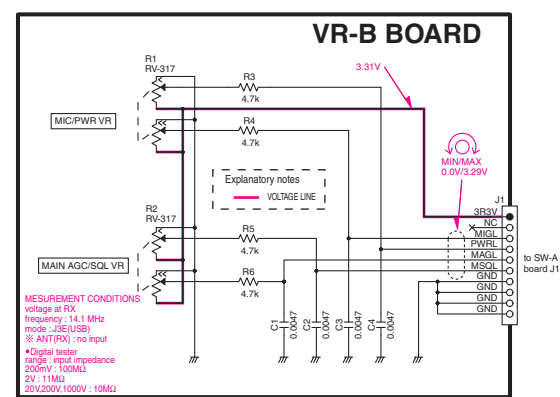
# MIC BOARD



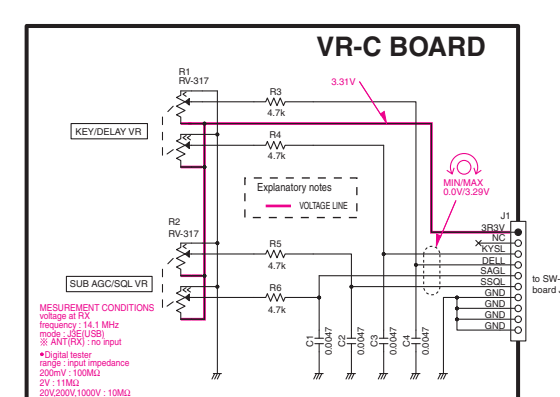
# SW-B BOARD



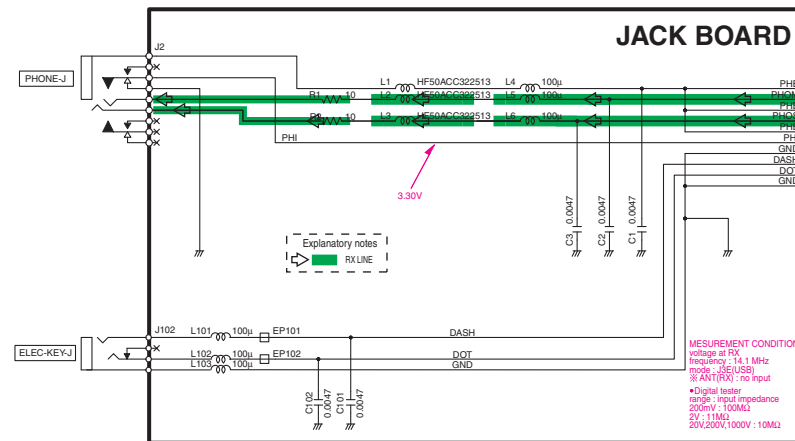
# VR-B BOARD



# VR-C BOARD

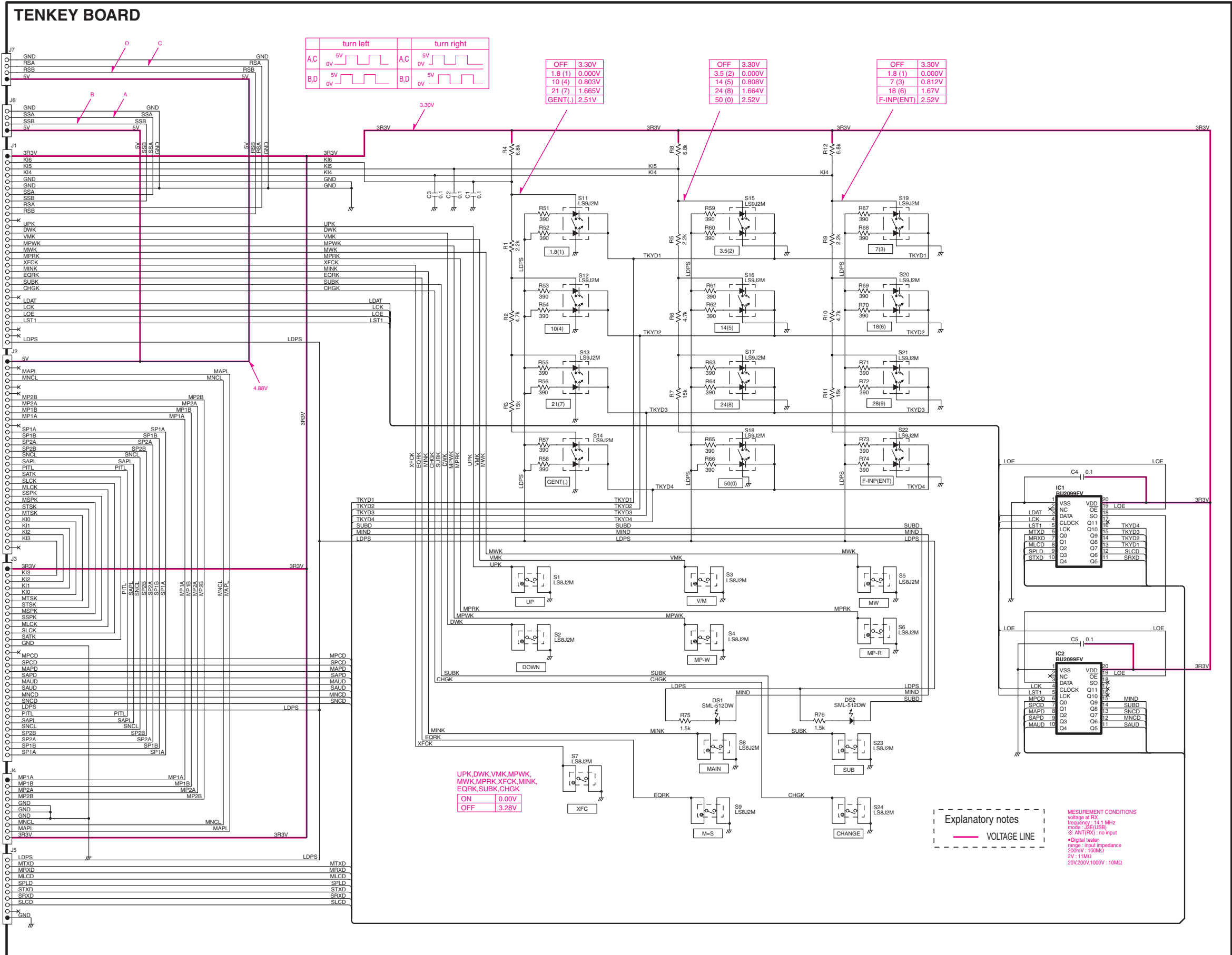
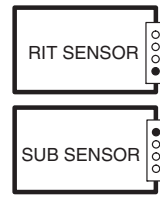


# JACK BOARD

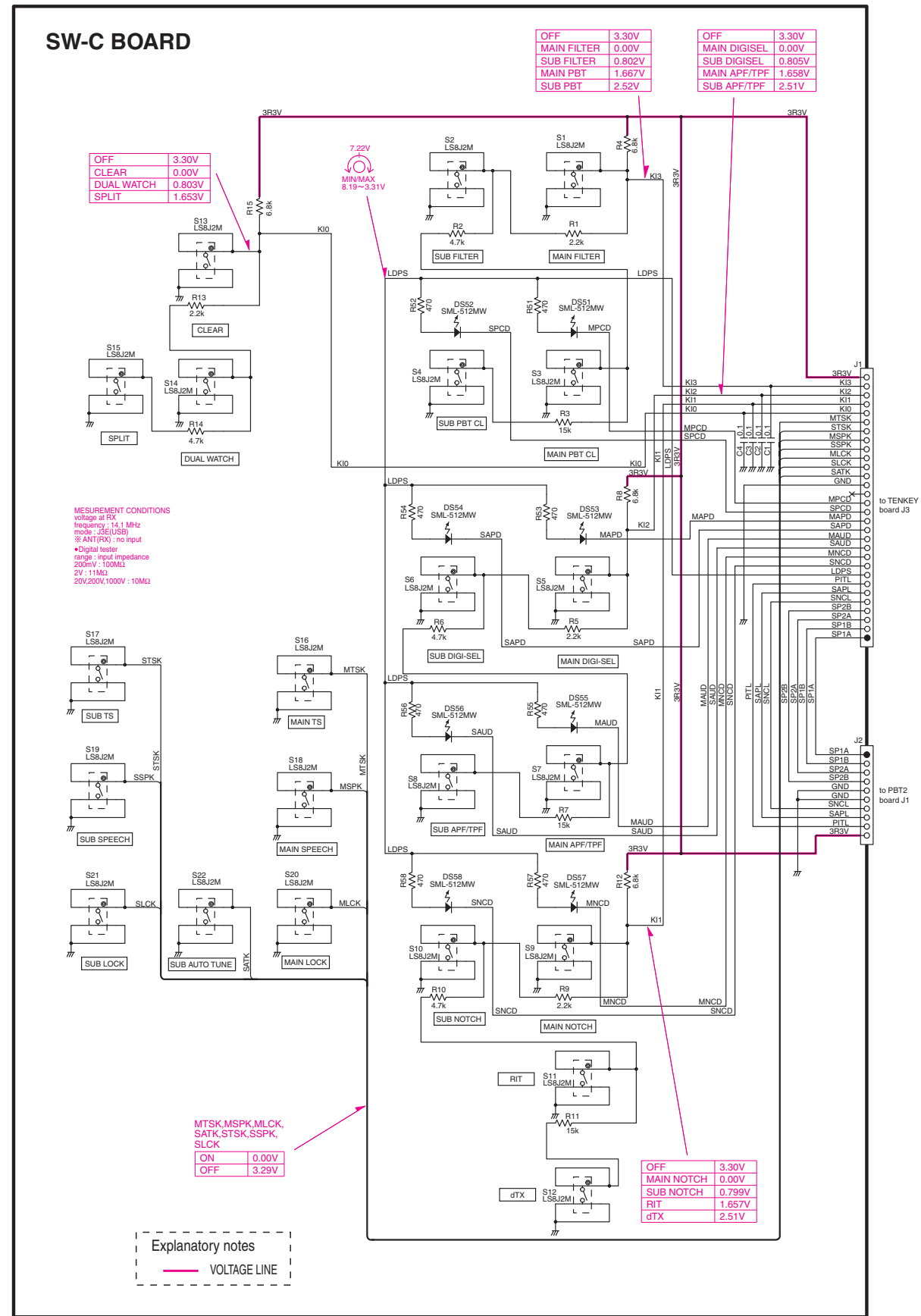




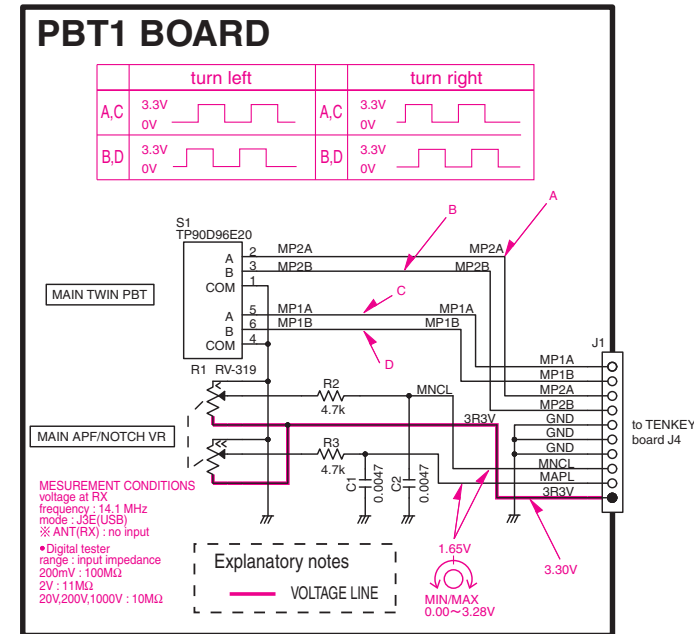
# TENKEY BOARD



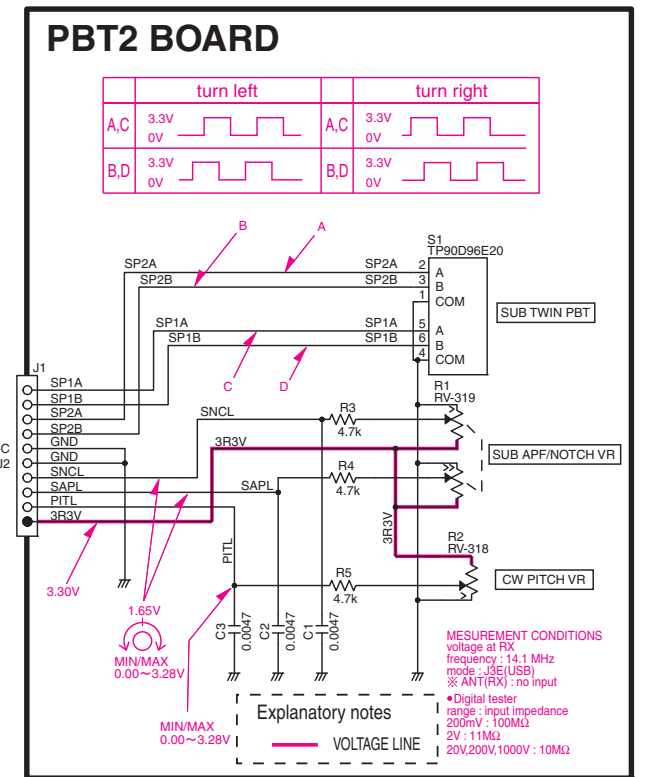
SW-C BOARD



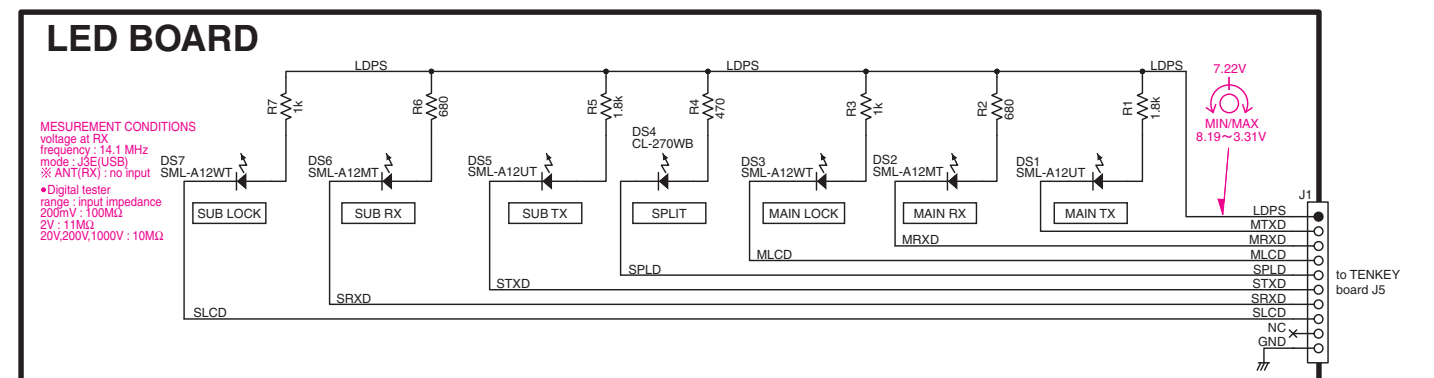
PBT1 BOARD



PBT2 BOARD

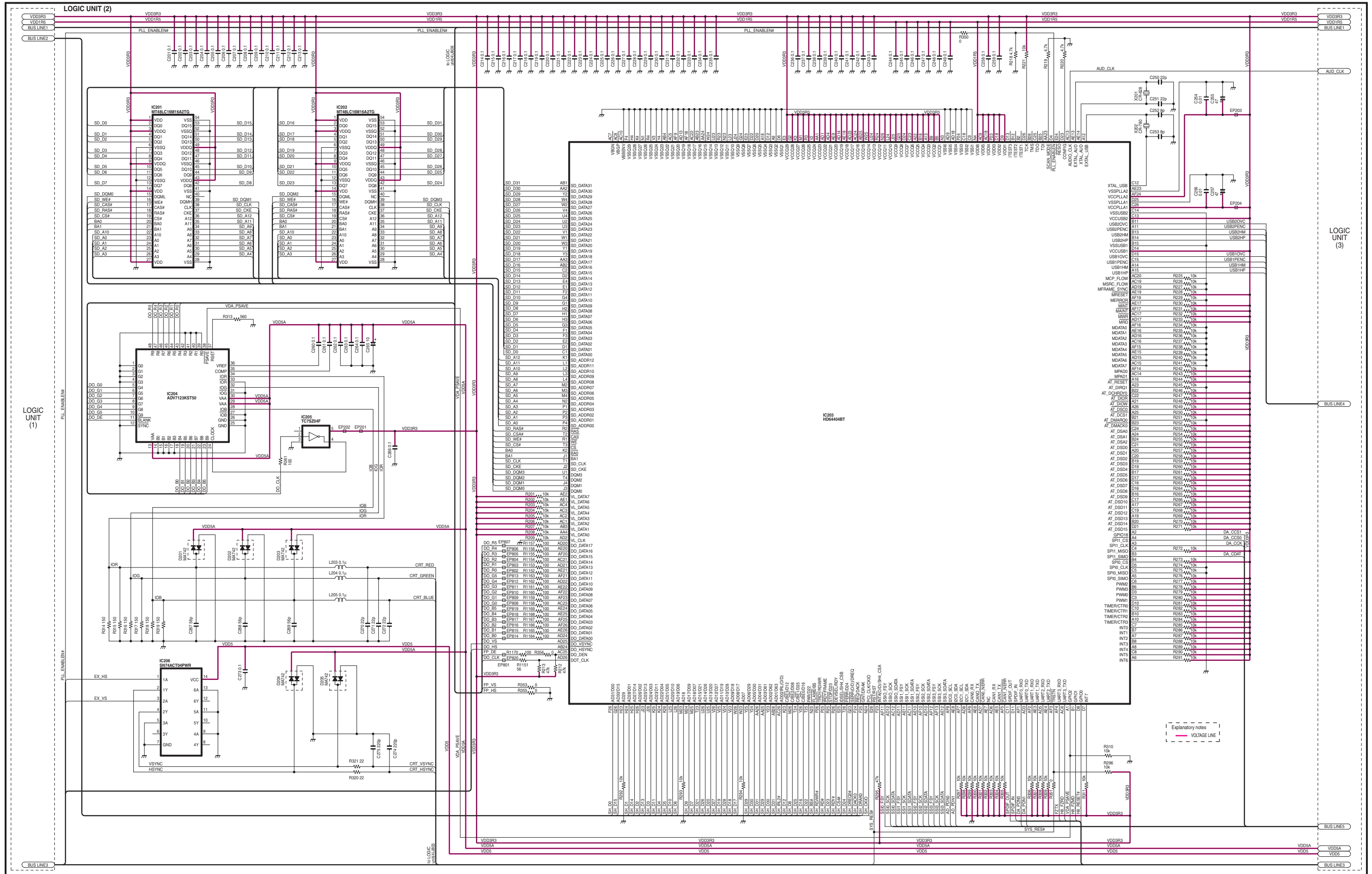


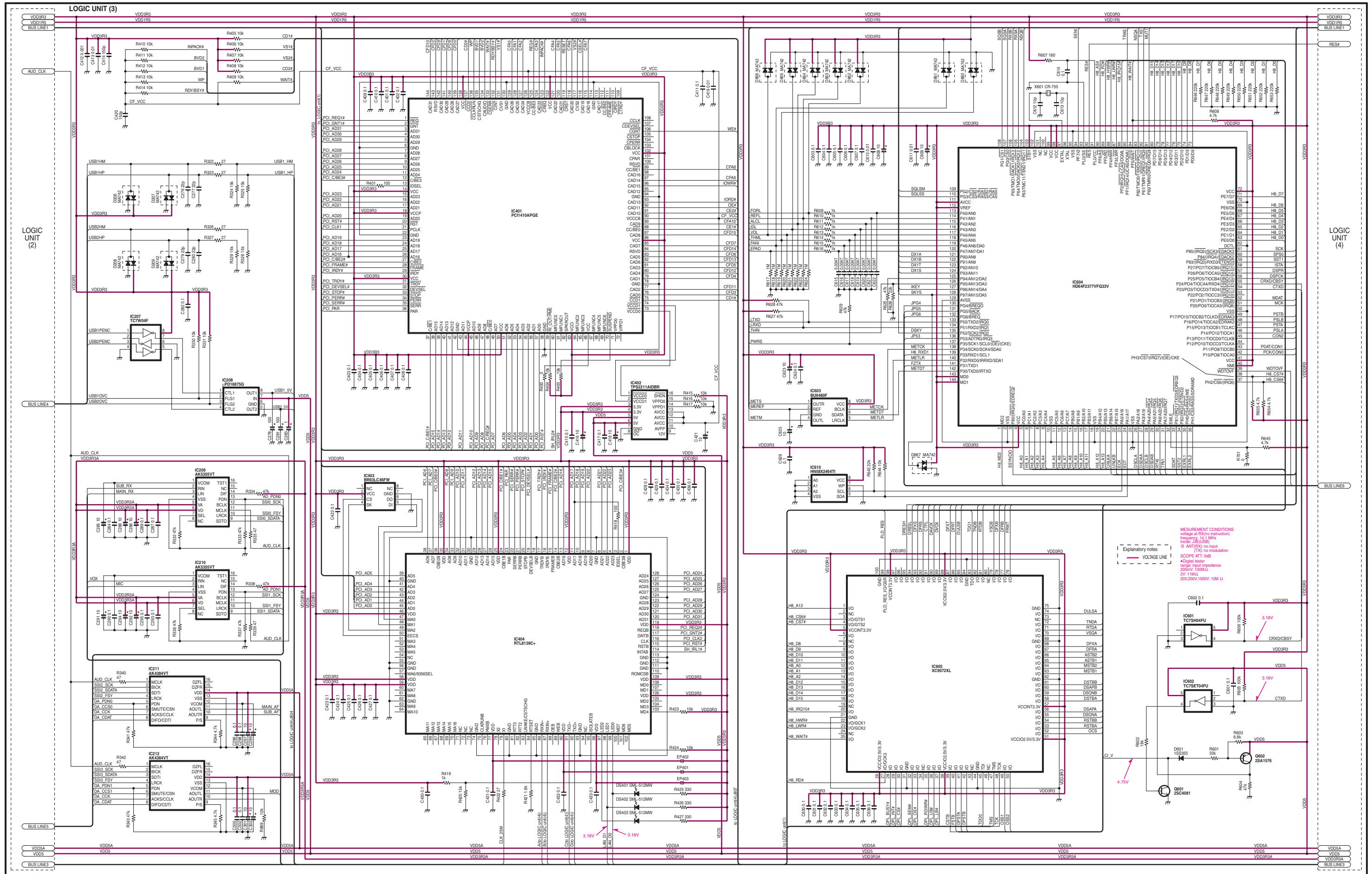
LED BOARD

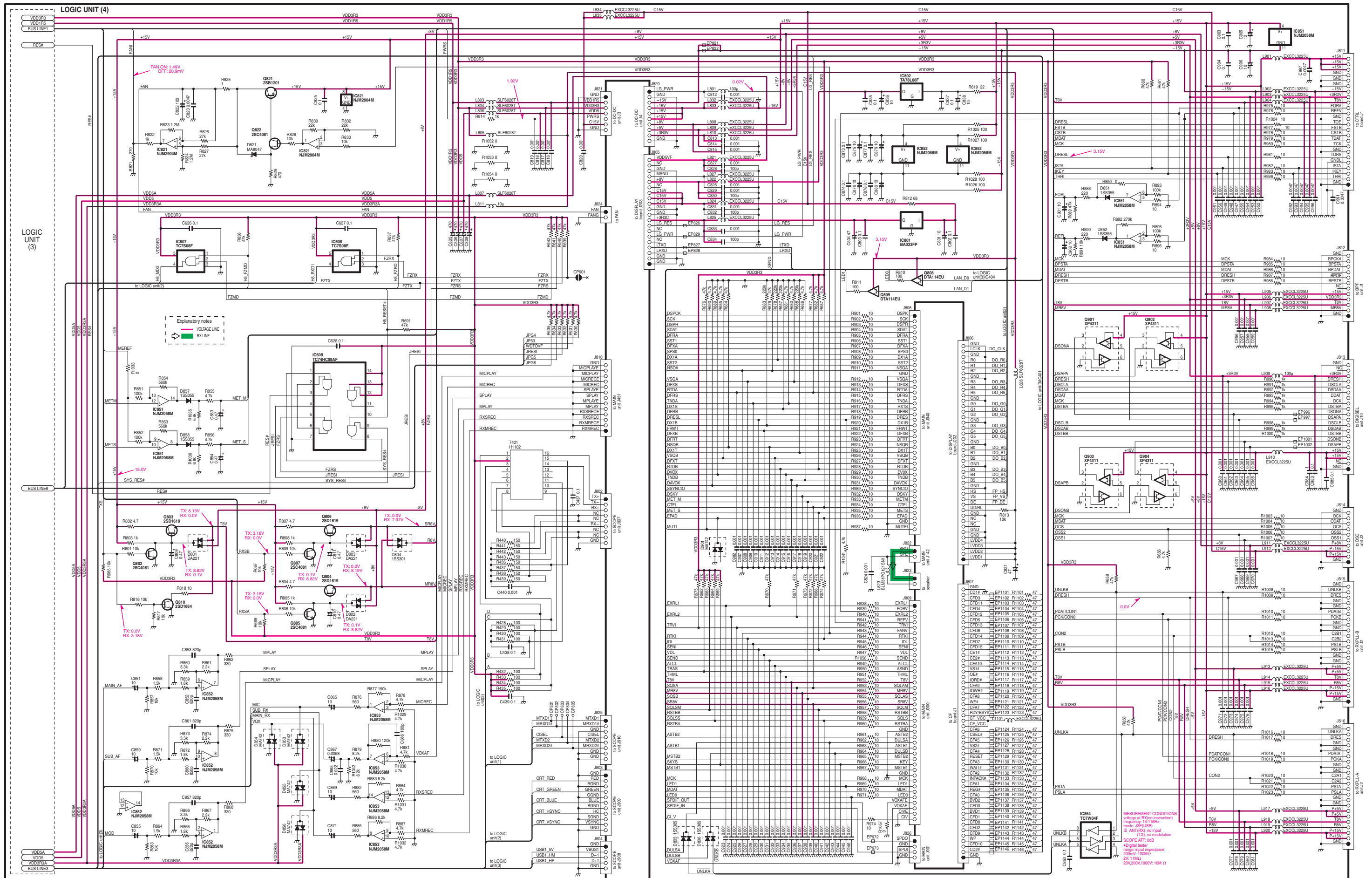








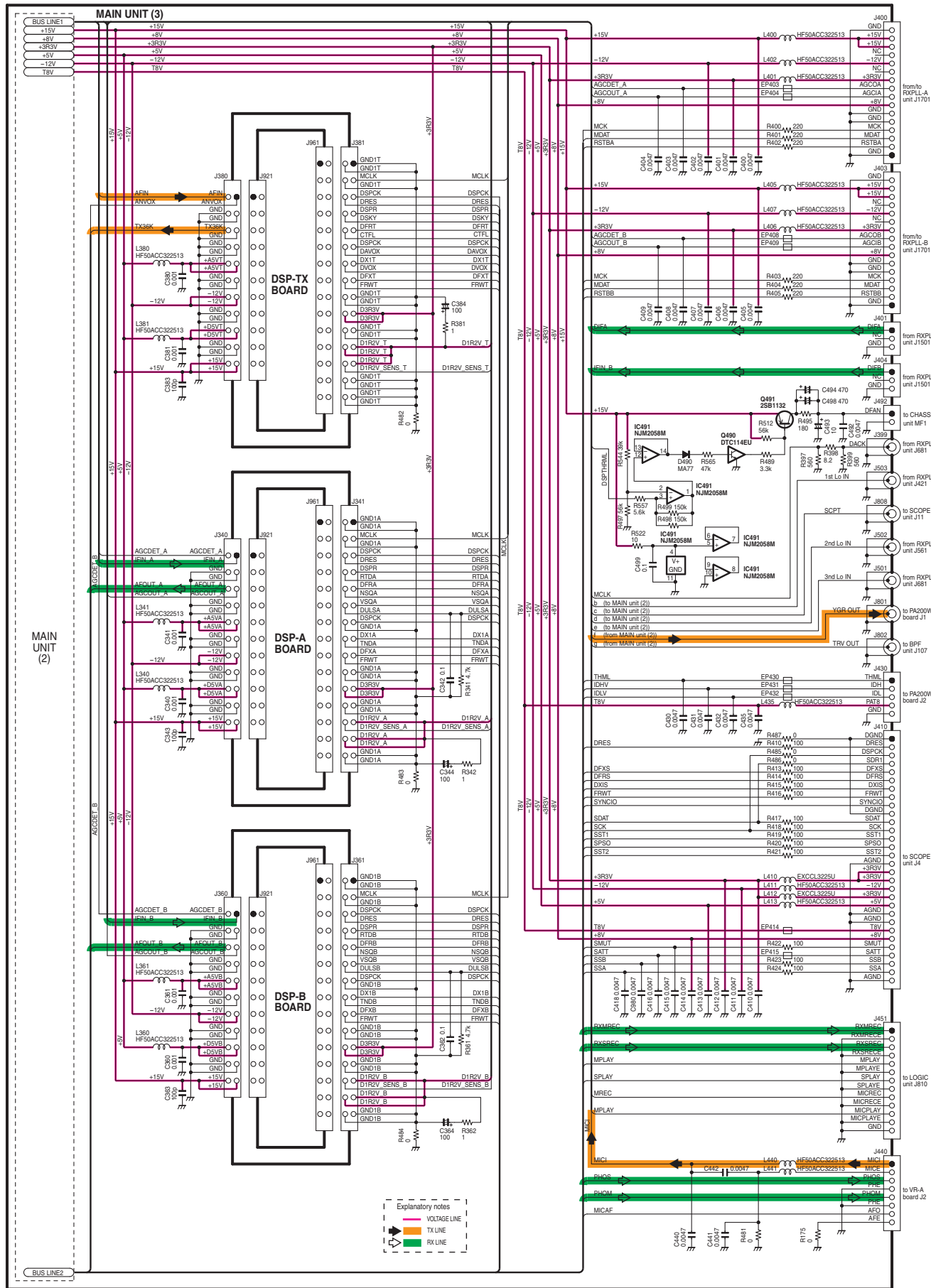












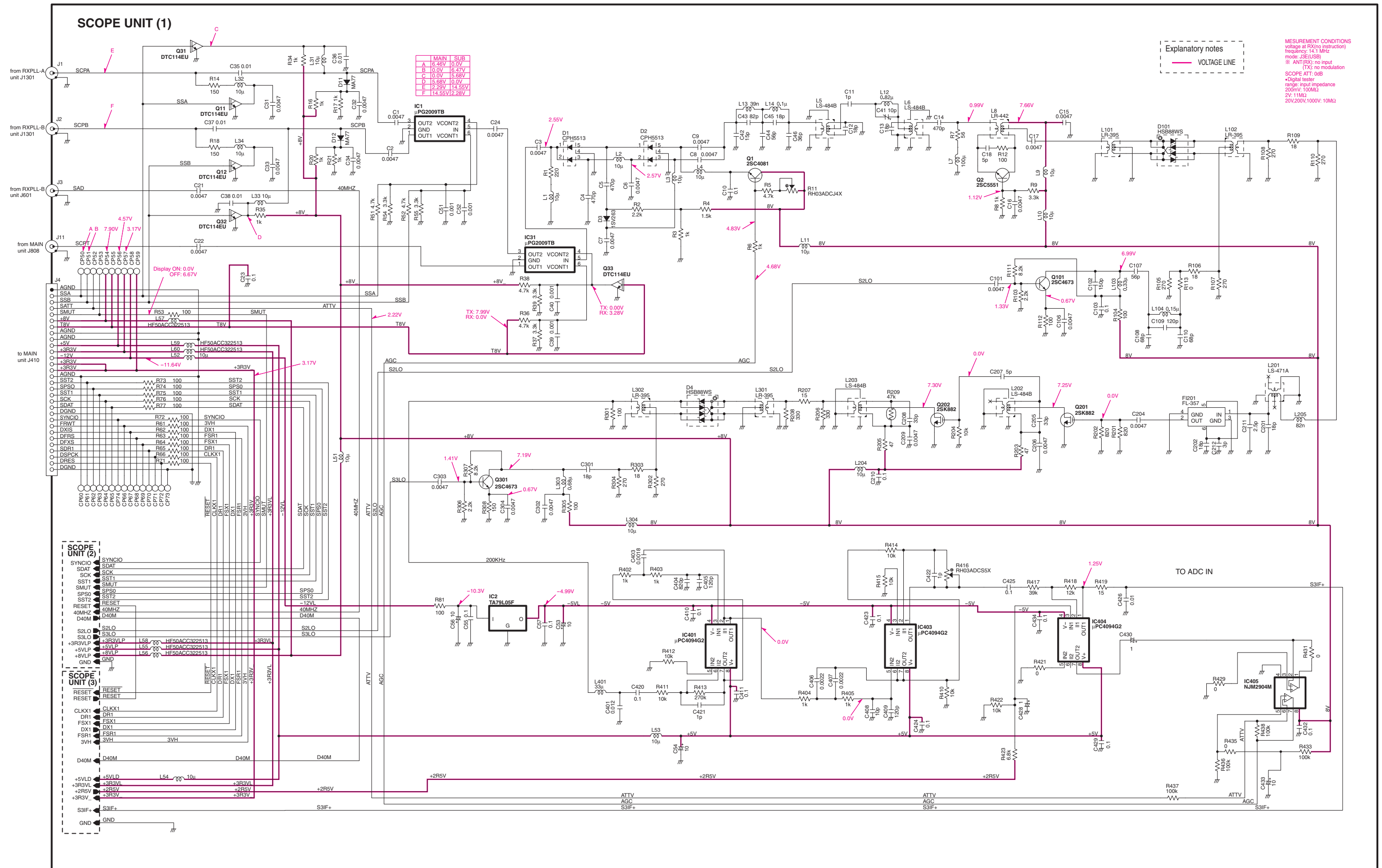
Explanatory notes  
— VOLTAGE LINE  
— TX LINE  
- - - RX LINE





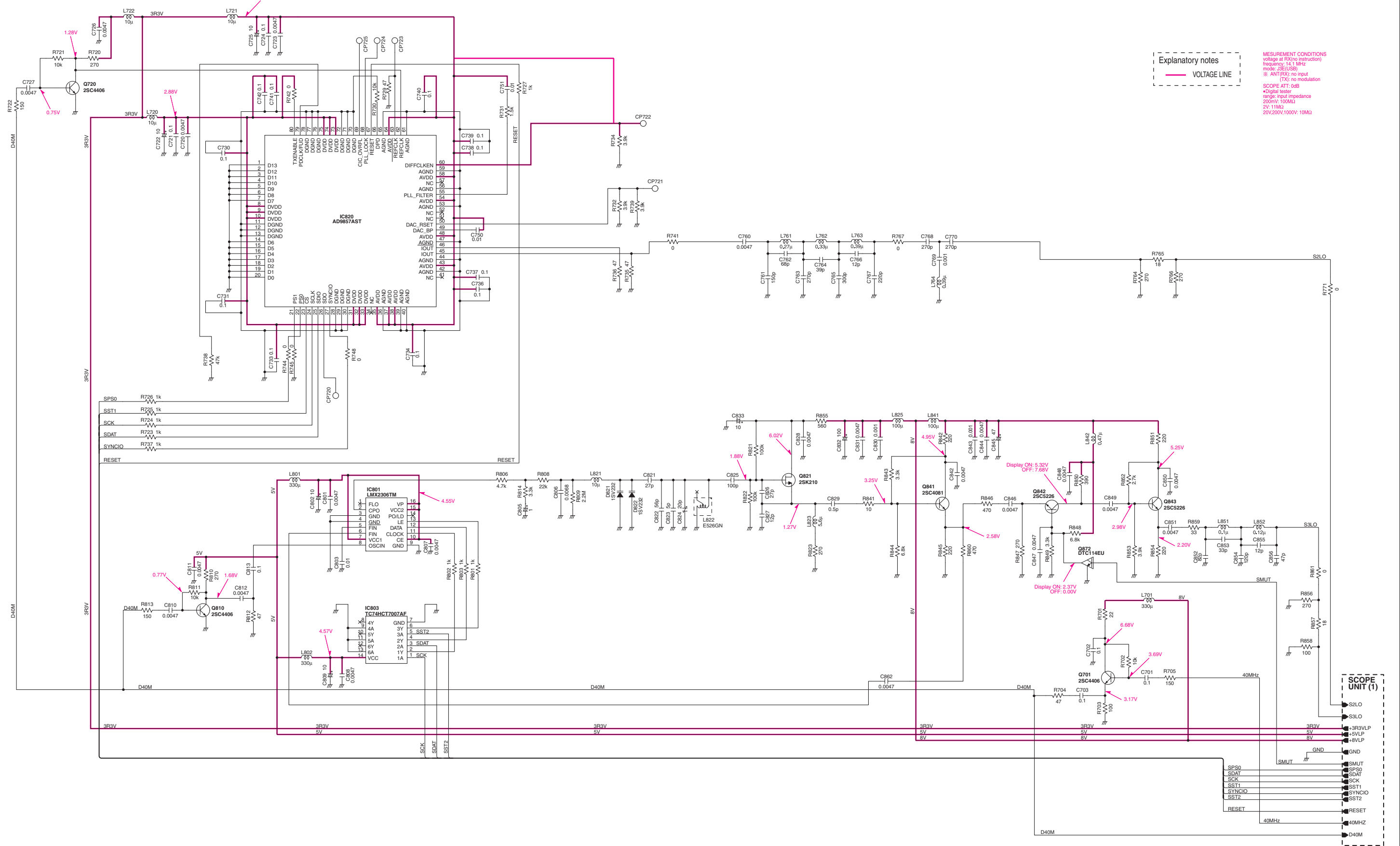


# SCOPE UNIT



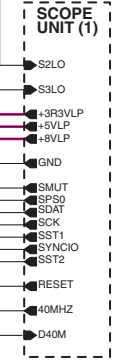


# SCOPE UNIT (2)



Explanatory notes  
 — VOLTAGE LINE

MEASUREMENT CONDITIONS  
 voltage at RX (no instruction)  
 frequency: 14.1 MHz  
 mode: JRE(LSB)  
 ANTRX: no input  
 SCOPE ATT: 0dB  
 Digital tester  
 range: input impedance  
 200WV: 100MΩ  
 2V: 11MΩ  
 20V/200V/1000V: 10MΩ



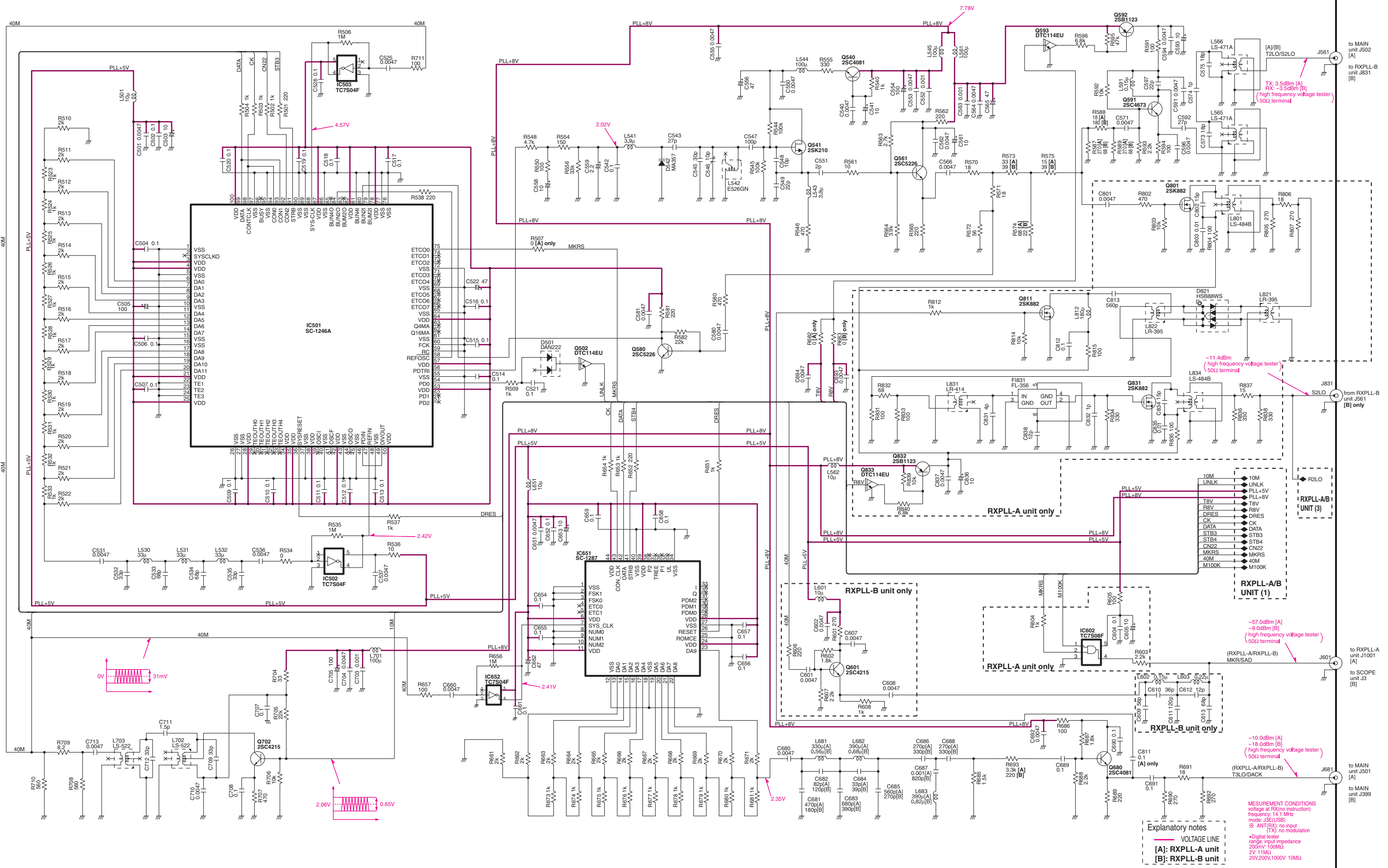








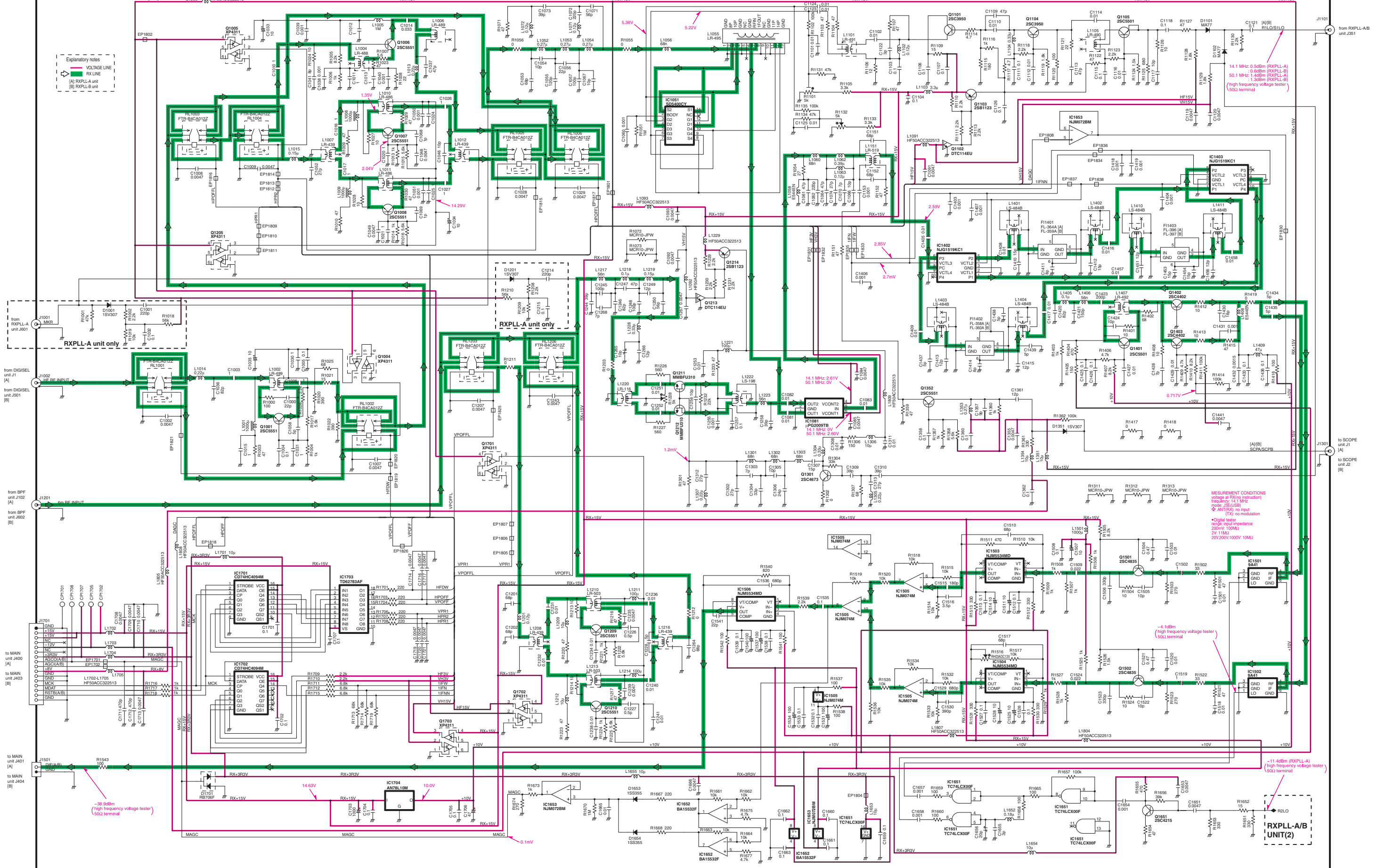
# RXPLL-A/B UNIT (2)



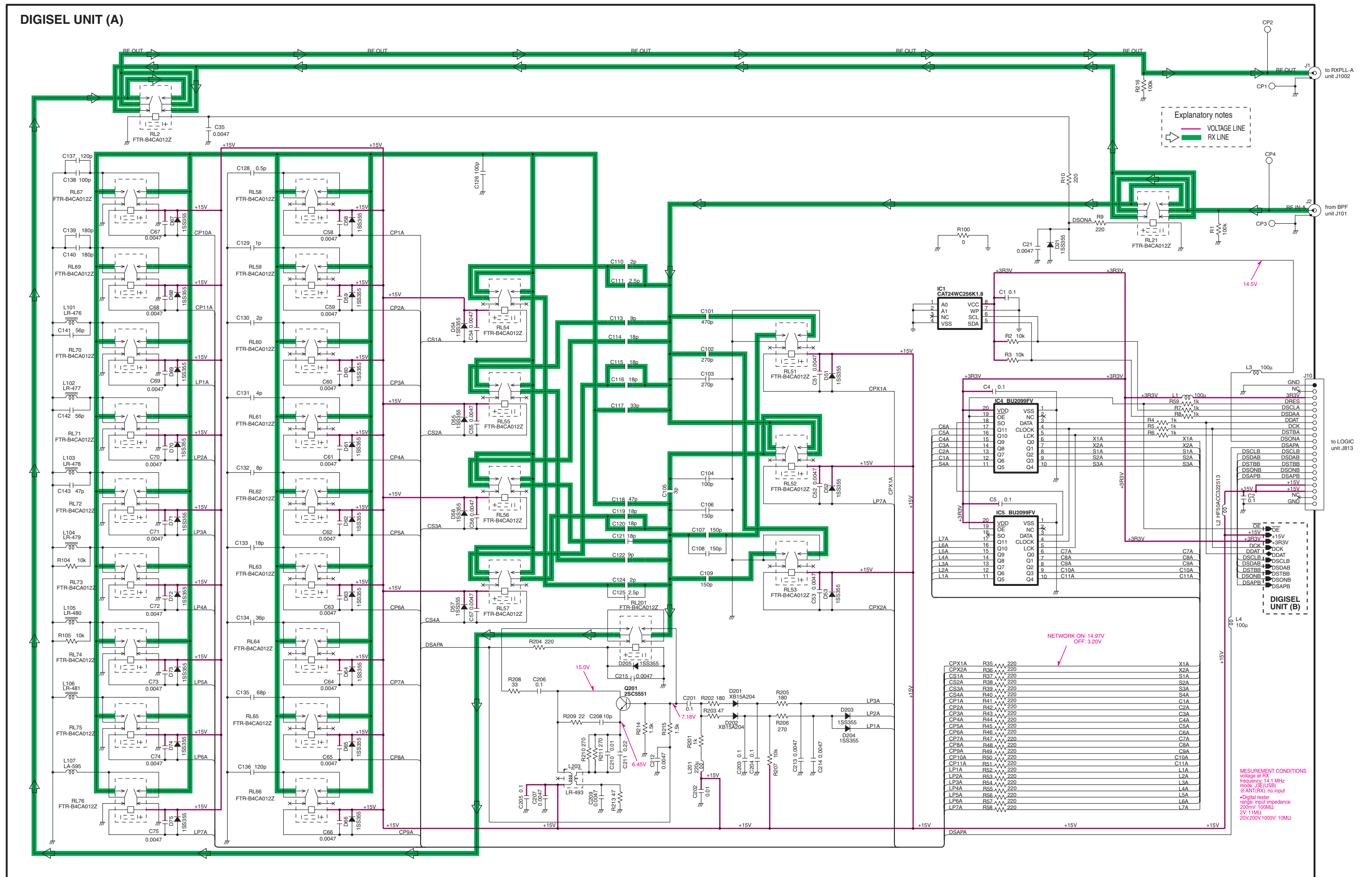
**Explanatory notes**  
 — VOLTAGE LINE  
 [A]: RXPLL-A unit  
 [B]: RXPLL-B unit

MESUREMENT CONDITIONS  
 voltage at RX (no instruction)  
 frequency: 14.1 MHz  
 mode: JSE(USB)  
 \* ANT (RX): no input (TX): no modulation  
 \* Digital tester  
 range: input impedance  
 200mV: 100kΩ  
 2V: 11MΩ  
 20V/200V: 100V: 10MΩ

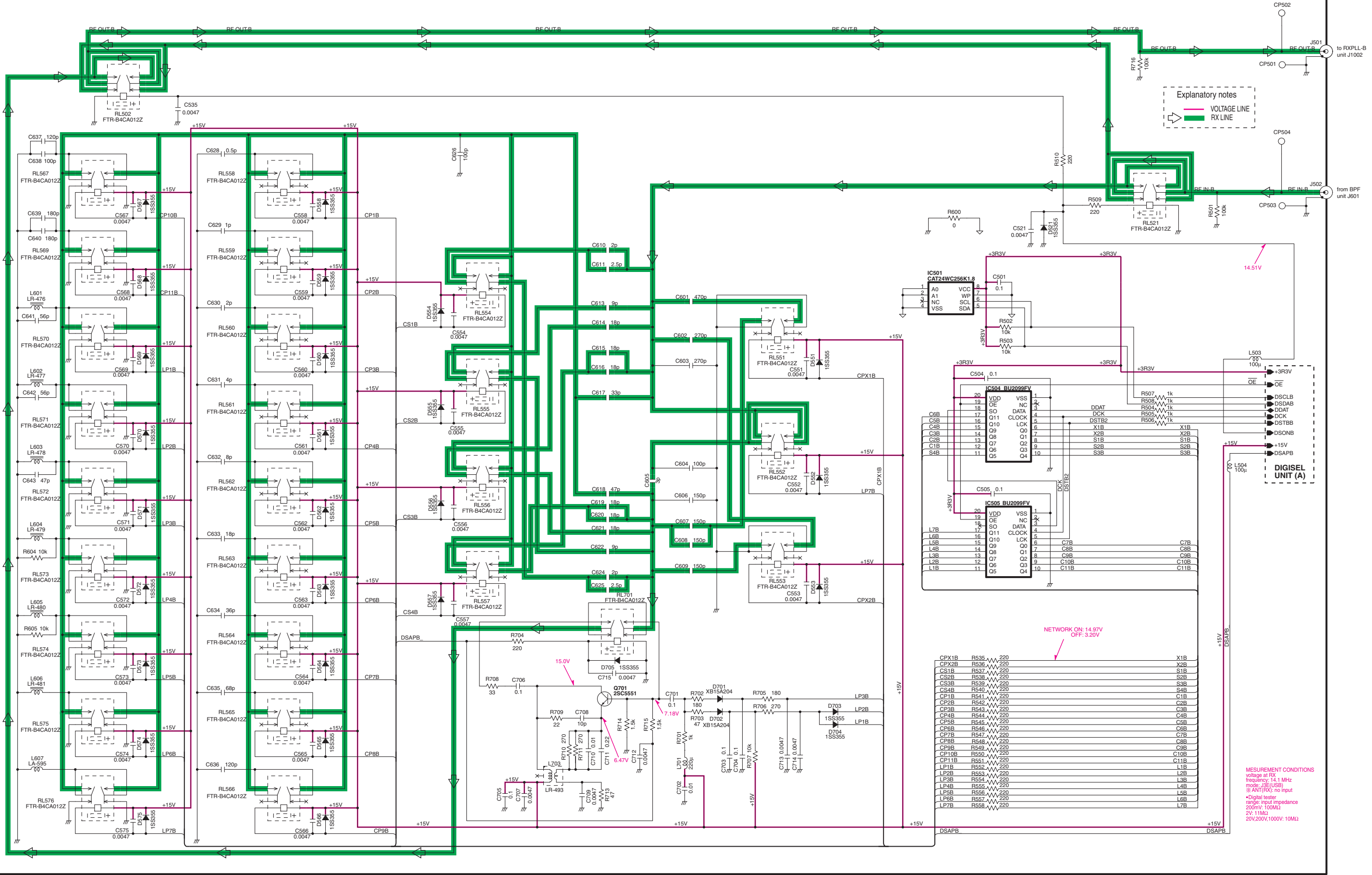
# RXPLL-A/B UNIT (3)



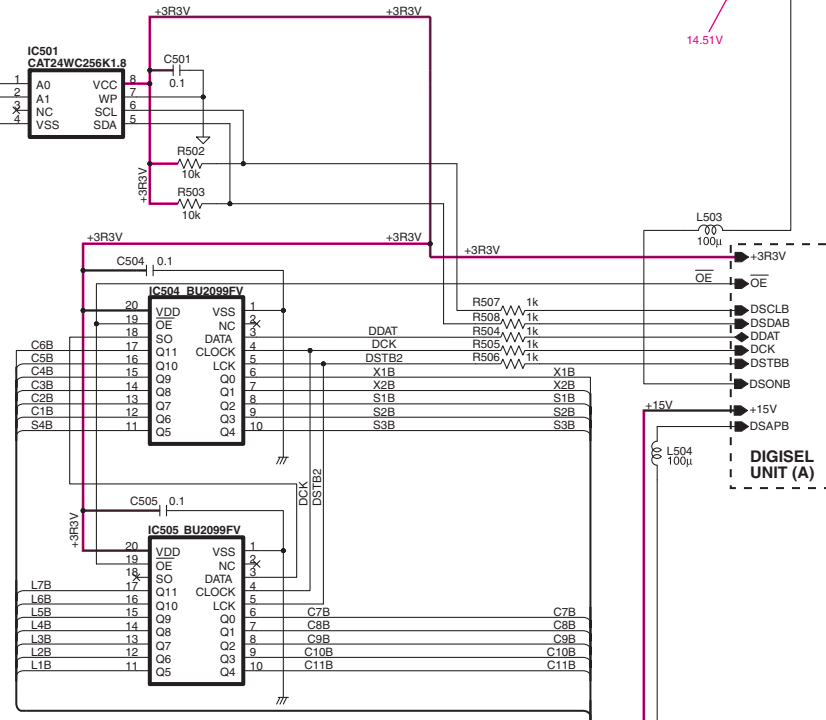




**DIGISEL UNIT (B)**

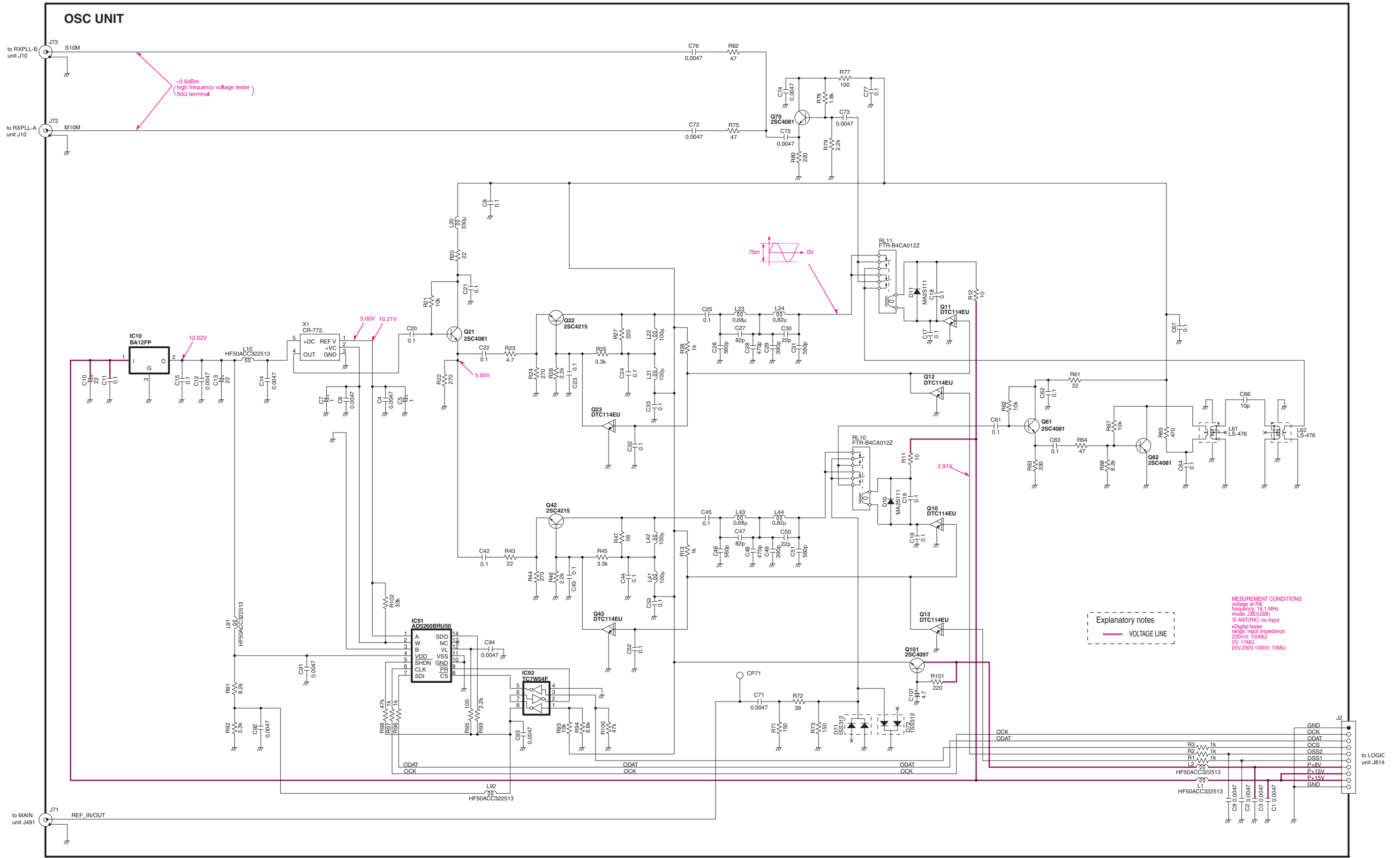


Explanatory notes  
 — VOLTAGE LINE  
 — RX LINE



**MEASUREMENT CONDITIONS**  
 voltage at RX  
 frequency: 14.1 MHz  
 mode: (S) USB  
 \* ANT(RX): no input  
 \* Digital tester  
 range: input impedance  
 200mV: 100MΩ  
 2V: 11MΩ  
 20V/200V/1000V: 10MΩ

# OSC UNIT

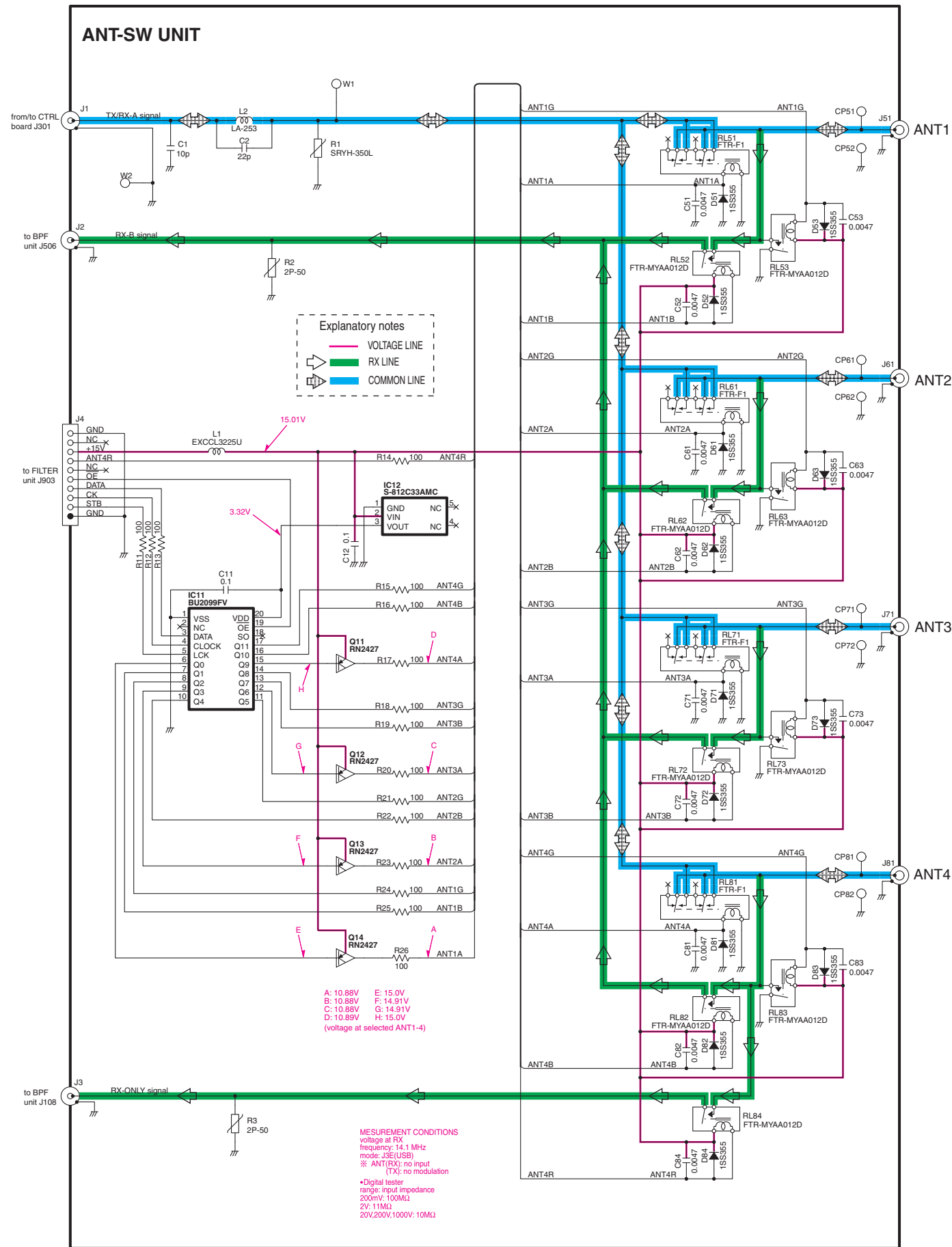


Explanatory notes  
— VOLTAGE LINE

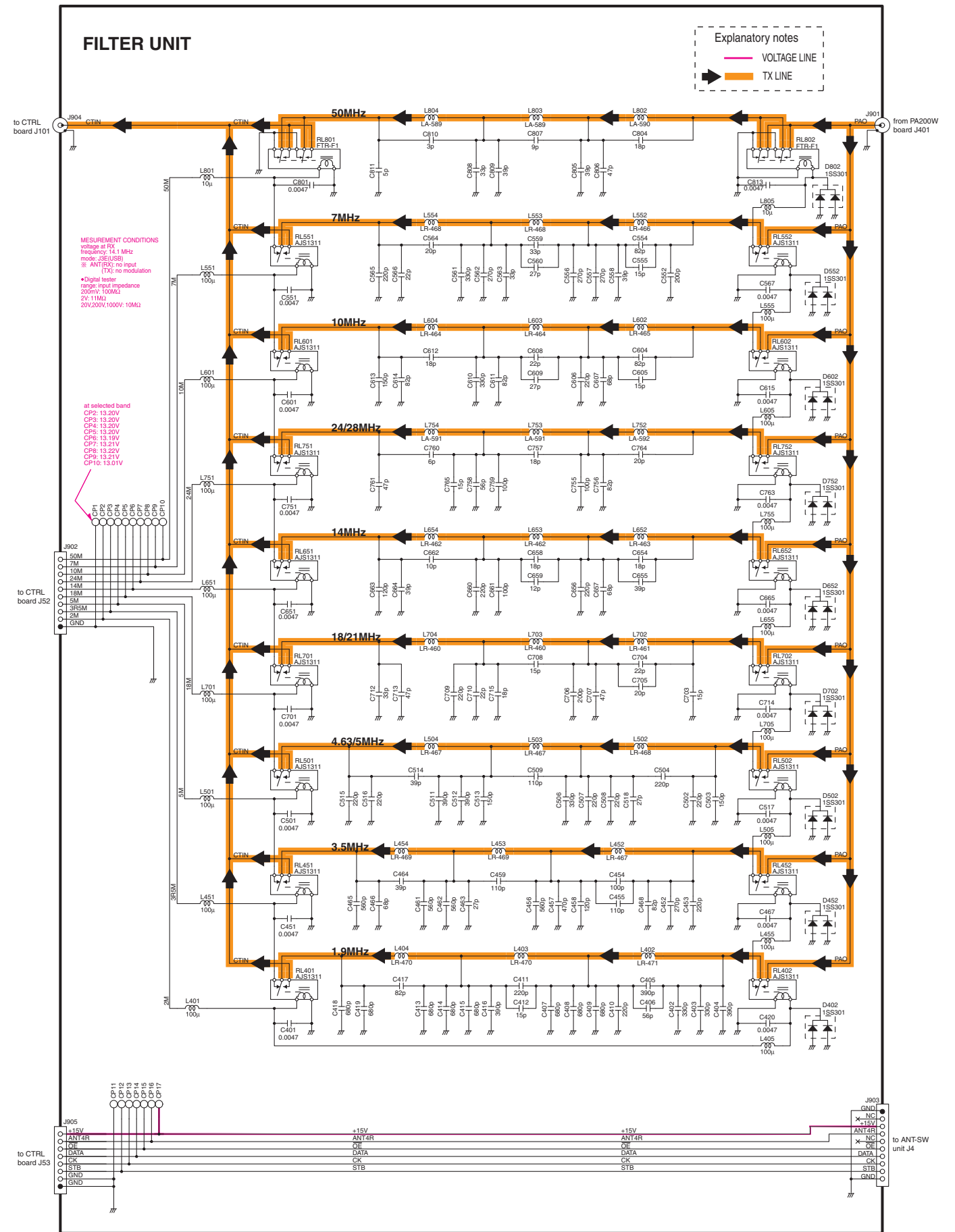
MESUREMENT CONDITIONS  
voltage at RX  
frequency: 14.1 MHz  
mode: JSE(USB)  
% ANT(RX): no input  
\*Digital tester  
range: input impedance  
200mV: 100MΩ  
2V: 11MΩ  
20V/200V: 100V: 10MΩ

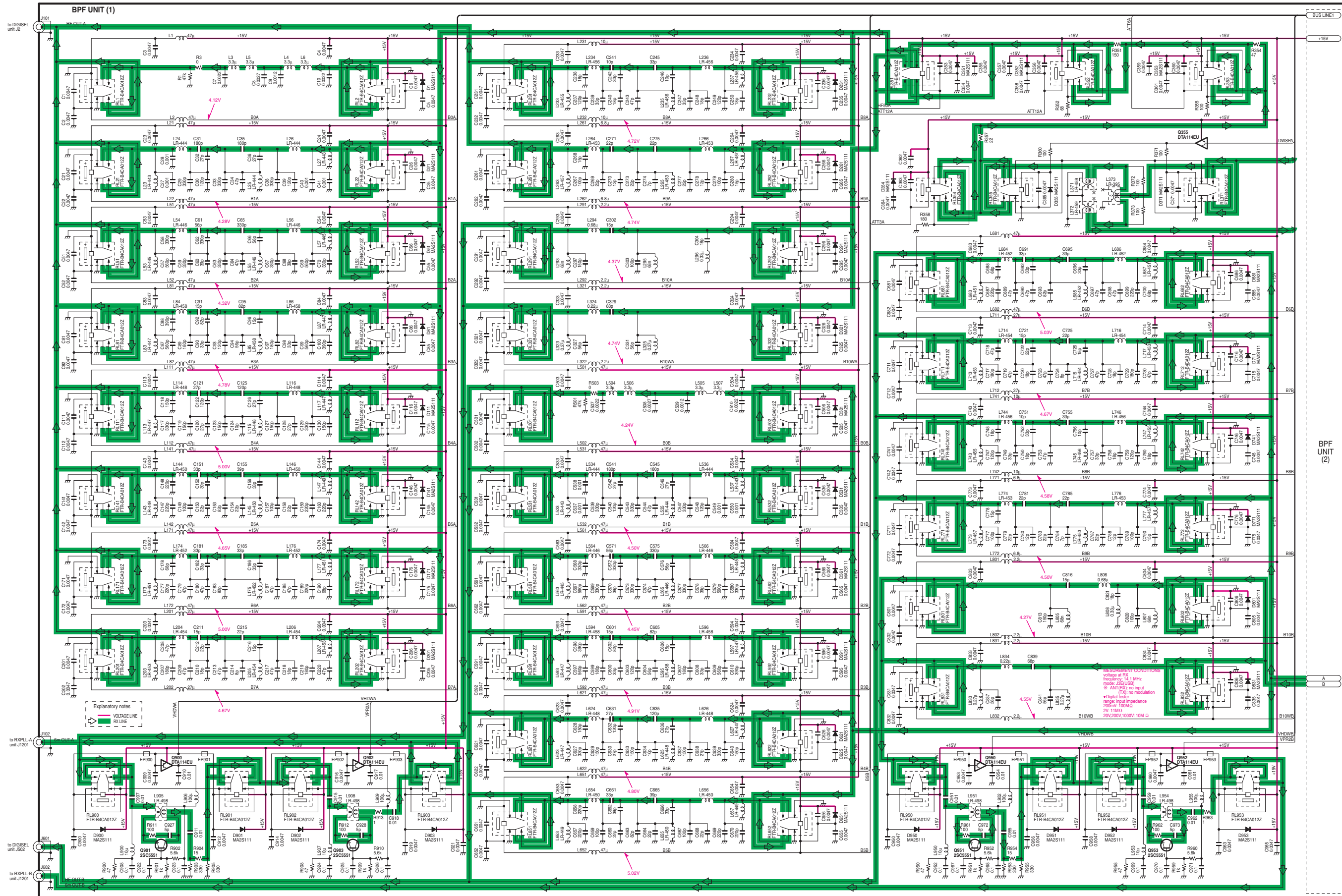


# ANT-SW UNIT

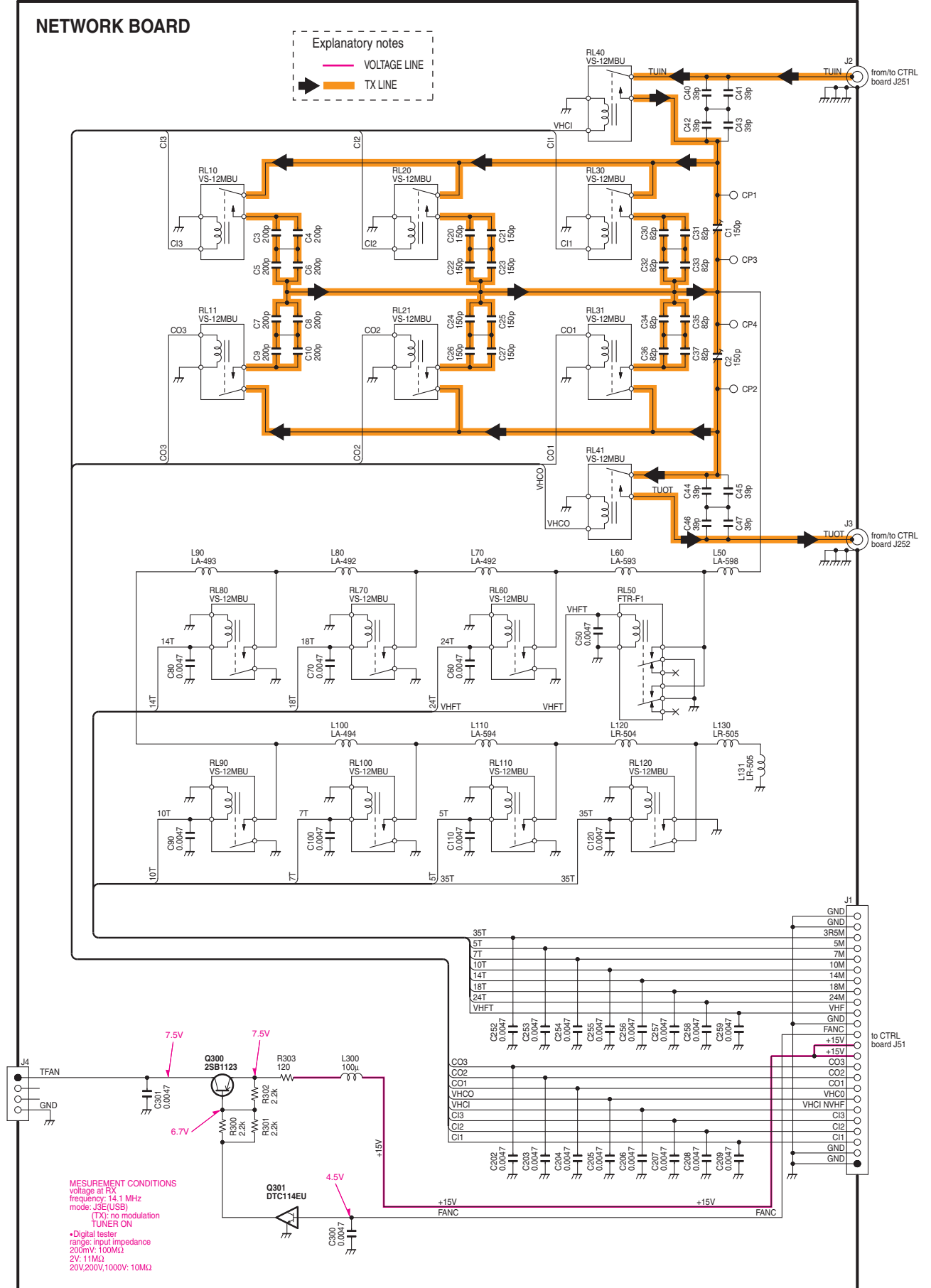
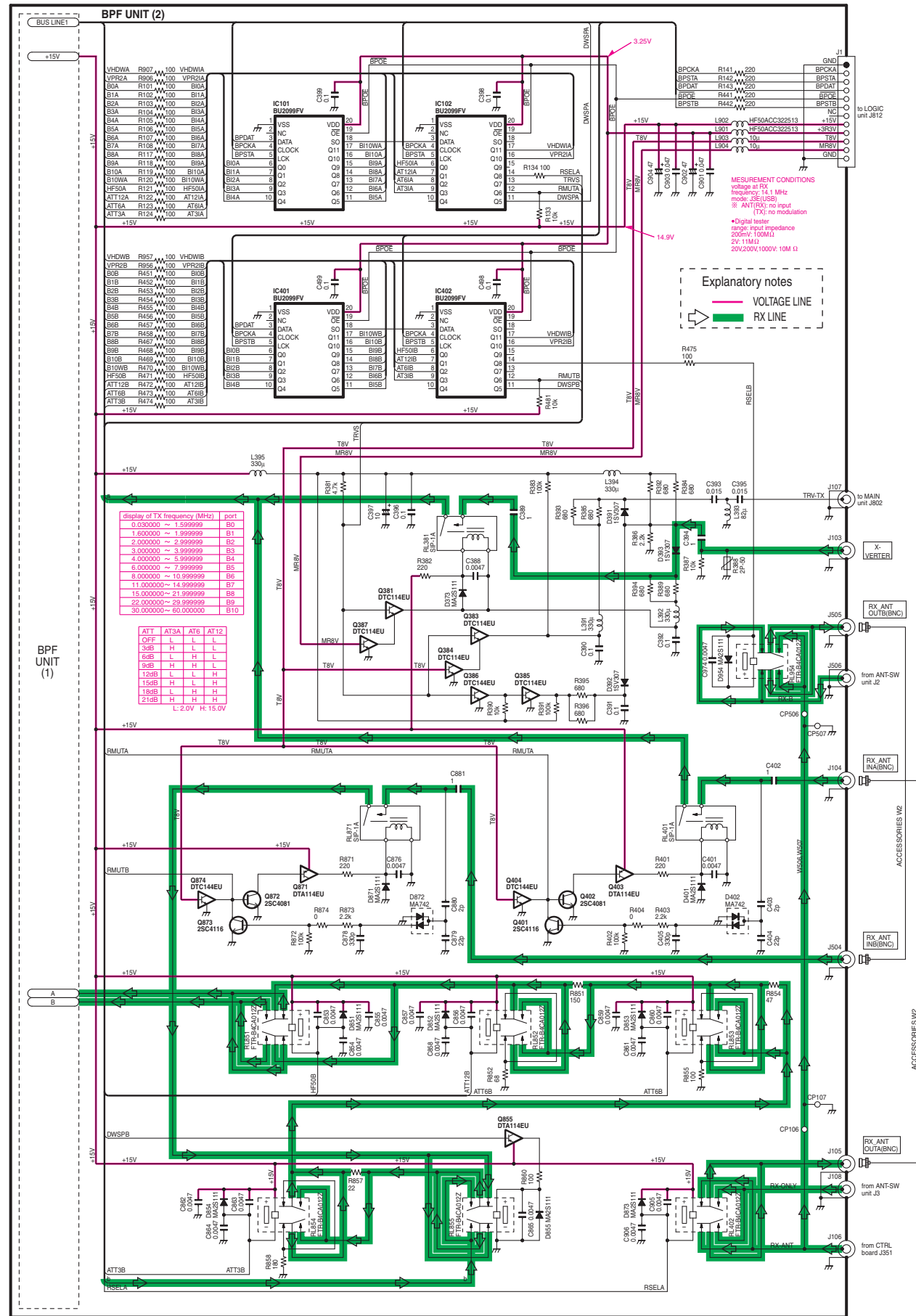


# FILTER UNIT





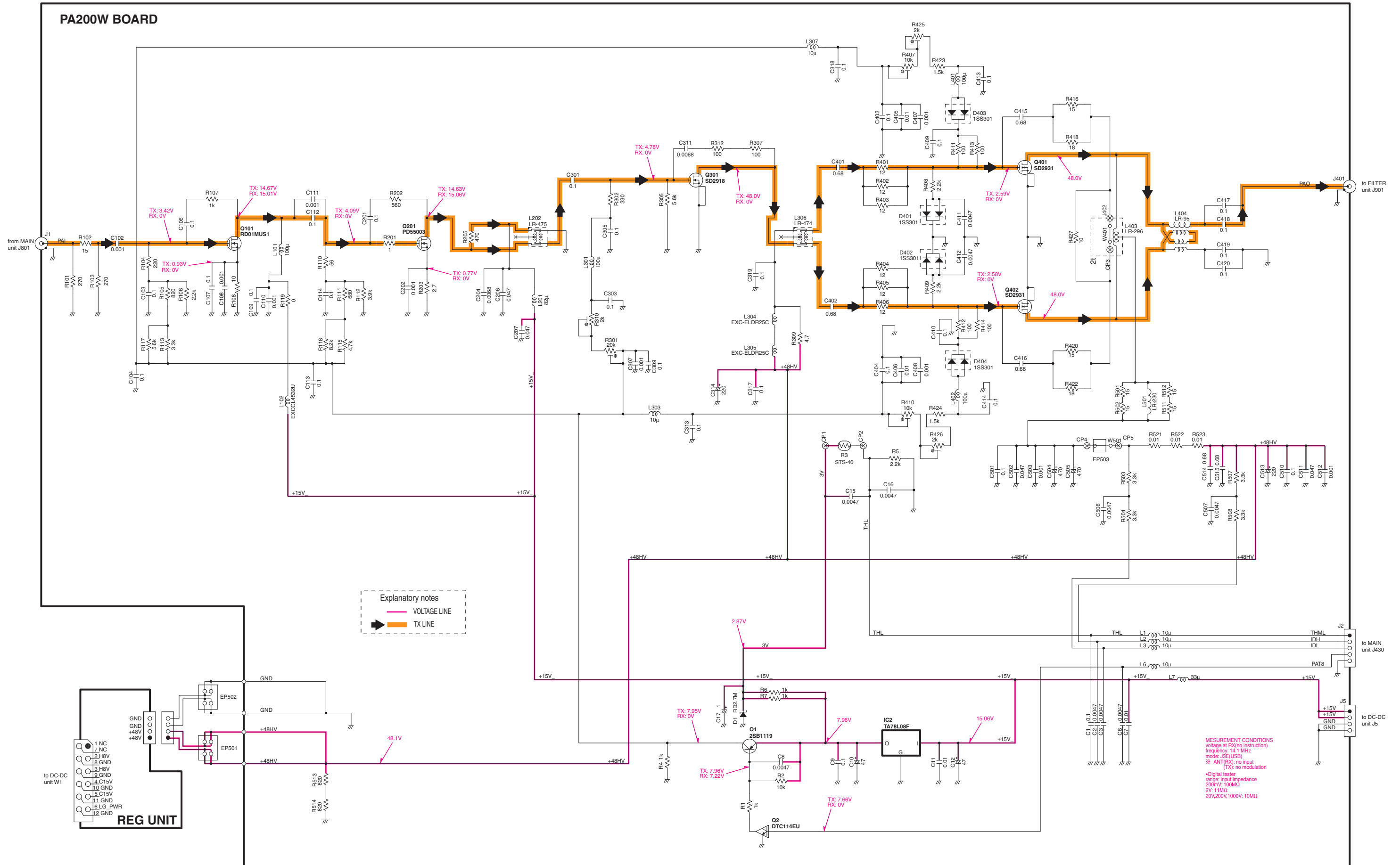
# NETWORK BOARD



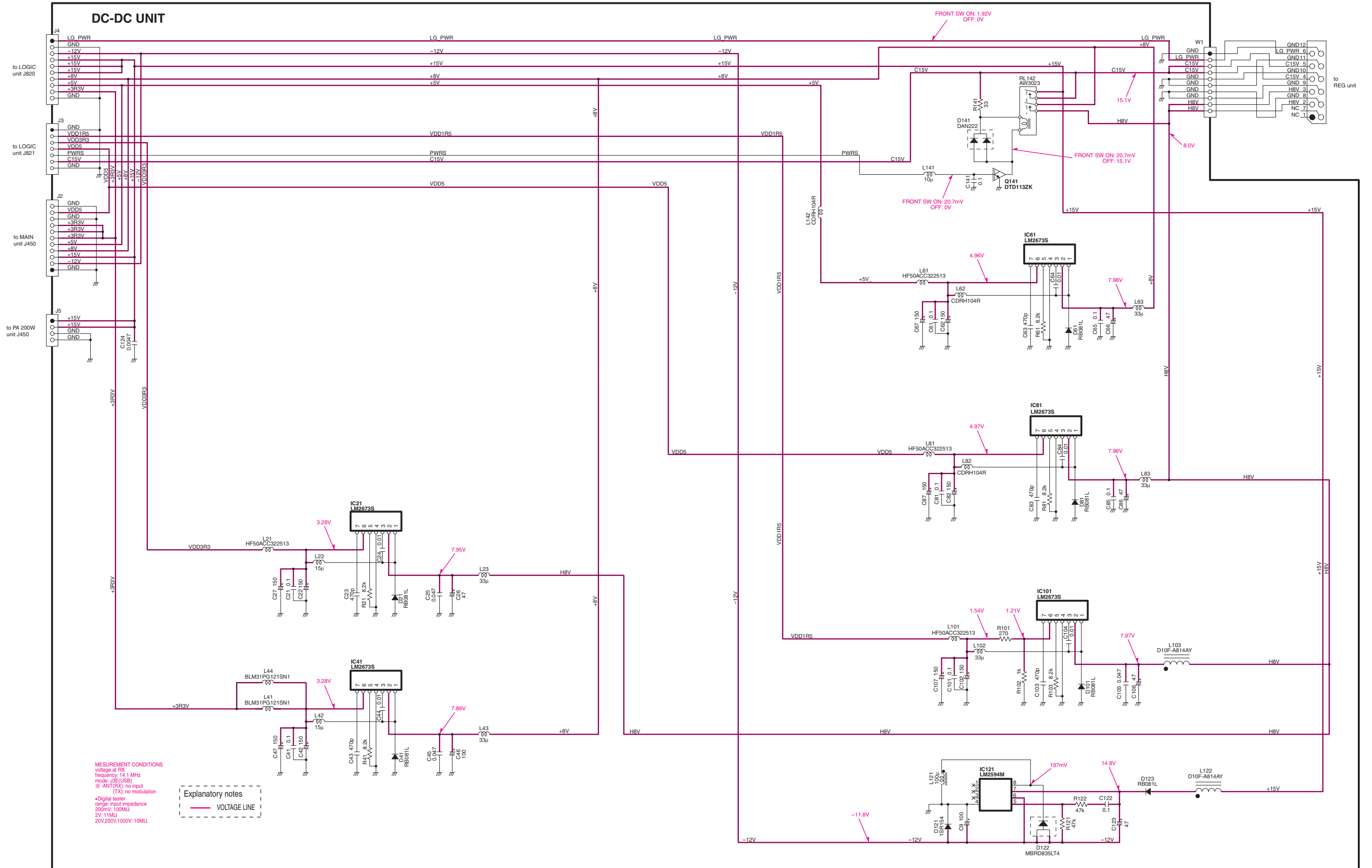




# PA200W BOARD



# DC-DC UNIT



MESUREMENT CONDITIONS  
voltage at RX  
frequency: 14.1 MHz  
mode: JRE(JSB)  
※ ANT(RX): no input  
(TX): no modulation  
+Digital tester  
range: input impedance  
200mV: 100MΩ  
2V, 20V, 100V: 10MΩ

Explanatory notes  
— VOLTAGE LINE



Jul. 2008



# SERVICE MANUAL ADDENDUM

---

## IC-7800

---

### CONTENTS

PARTS LIST .....	1
BOARD LAYOUTS .....	57
VOLTAGE DIAGRAM .....	59

# PARTS LIST

## [REPLACEMENT UNITS]

ORDER NO.	UNIT NAME
0325900101	U 7800 BPF
0325900102	U 7800 RXPLL-A
0325900103	U 7800 RXPLL-B
0325900104	U 7800 FILTER
0325900105	U 7800 DIDSEL
0325900106	U 7800 DC-DC
0325900107	U 7800 OSC
0325900108	U 7800 PA
0325900109	U 7800 TUNER
0325900110	U 7800 FRONT

## [VR-A BOARD]

REF NO.	ORDER NO.	DESCRIPTION	M.	H/V LOCATION
R1	7210002890	VAR RK161221005J/RV-308		
R2	7210002890	VAR RK161221005J/RV-308		
R3	7210002890	VAR RK161221005J/RV-308		
R4	7210002890	VAR RK161221005J/RV-308		
R11	7030003520	S.RES ERJ3GEYJ 472 V (4.7 k)	B	44.6/27
R12	7030003520	S.RES ERJ3GEYJ 472 V (4.7 k)	B	44.6/25.7
R13	7030003520	S.RES ERJ3GEYJ 472 V (4.7 k)	B	59.4/29.9
R14	7030003520	S.RES ERJ3GEYJ 472 V (4.7 k)	B	44.6/24.4
R15	7030003520	S.RES ERJ3GEYJ 472 V (4.7 k)	B	44.6/21.8
R16	7030003520	S.RES ERJ3GEYJ 472 V (4.7 k)	B	44.6/23.1
R17	7030003520	S.RES ERJ3GEYJ 472 V (4.7 k)	B	63.2/9.5
R18	7030003520	S.RES ERJ3GEYJ 472 V (4.7 k)	B	44.6/20.5
R21	7030003860	S.RES ERJ3GE JPW V	B	49.7/41.4
R22	7030003860	S.RES ERJ3GE JPW V	B	52.3/42.4
R23	7030003860	S.RES ERJ3GE JPW V	B	62.8/42.9
R24	7030003860	S.RES ERJ3GE JPW V	B	56.4/31.1
R25	7030003860	S.RES ERJ3GE JPW V	B	52.3/44.4
R26	7030003860	S.RES ERJ3GE JPW V	B	27.7/10.6
C11	4030006880	S.CER C1608 JB 1H 472K-T	B	49.7/36.4
C12	4030006880	S.CER C1608 JB 1H 472K-T	B	65.4/36.9
C13	4030006880	S.CER C1608 JB 1H 472K-T	B	52.3/37.4
C14	4030006880	S.CER C1608 JB 1H 472K-T	B	62.8/37.9
C15	4030006880	S.CER C1608 JB 1H 472K-T	B	49.7/38.4
C16	4030006880	S.CER C1608 JB 1H 472K-T	B	65.4/38.9
C17	4030006880	S.CER C1608 JB 1H 472K-T	B	52.3/39.4
C18	4030006880	S.CER C1608 JB 1H 472K-T	B	62.8/39.9
J1	6510021721	S.CNR 30FLT-SM2-TB (LF) (SN)	B	57.6/41.1
J2	6510018921	S.CNR B8B-PH-SM4-TB (LF) (SN)	B	20/4.5
J3	6510019971	S.CNR 52808-1071	B	9.5/33.1
J4	6510019971	S.CNR 52808-1071	B	9.5/17.9
EP2	6910012350	S.BEA MMZ1608Y 102BT	B	13.6/29.6
EP3	6910012350	S.BEA MMZ1608Y 102BT	B	16.5/30.6
EP5	6910012350	S.BEA MMZ1608Y 102BT	B	16.5/32.6
EP6	6910012350	S.BEA MMZ1608Y 102BT	B	13.7/34.7
EP7	6910012350	S.BEA MMZ1608Y 102BT	B	13.7/36.6
EP8	6910012350	S.BEA MMZ1608Y 102BT	B	16.5/35.7
EP9	6910012350	S.BEA MMZ1608Y 102BT	B	13.7/33.4
EP10	6910012350	S.BEA MMZ1608Y 102BT	B	13.6/23.7
EP11	6910012350	S.BEA MMZ1608Y 102BT	B	13.6/22.4
EP12	6910012350	S.BEA MMZ1608Y 102BT	B	5.3/21.5
EP13	6910012350	S.BEA MMZ1608Y 102BT	B	13.6/20.4
EP14	6910012350	S.BEA MMZ1608Y 102BT	B	5.3/19.3
EP15	6910012350	S.BEA MMZ1608Y 102BT	B	13.6/18.4
EP16	6910012350	S.BEA MMZ1608Y 102BT	B	16.1/17.4
EP17	6910012350	S.BEA MMZ1608Y 102BT	B	13.6/16.4
EP18	6910012350	S.BEA MMZ1608Y 102BT	B	16.1/15.5
EP19	6910012350	S.BEA MMZ1608Y 102BT	B	13.6/14.6
EP20	6910012350	S.BEA MMZ1608Y 102BT	B	12.5/13.2
EP21	6910012350	S.BEA MMZ1608Y 102BT	B	13.6/25

## [VR-B BOARD]

REF NO.	ORDER NO.	DESCRIPTION	M.	H/V LOCATION
R1	7210003160	VAR RV-317 (RK0972210)		
R2	7210003160	VAR RV-317 (RK0972210)		
R3	7030003520	S.RES ERJ3GEYJ 472 V (4.7 k)	T	28.6/2.7
R4	7030003520	S.RES ERJ3GEYJ 472 V (4.7 k)	T	27.8/8.4
R5	7030003520	S.RES ERJ3GEYJ 472 V (4.7 k)	T	10.5/2.7
R6	7030003520	S.RES ERJ3GEYJ 472 V (4.7 k)	T	11.1/8.4
C1	4030006880	S.CER C1608 JB 1H 472K-T	T	12.4/8.4
C2	4030006880	S.CER C1608 JB 1H 472K-T	T	11.8/2.7
C3	4030006880	S.CER C1608 JB 1H 472K-T	T	26.5/8.4
C4	4030006880	S.CER C1608 JB 1H 472K-T	T	27.3/2.7
J1	6510019971	S.CNR 52808-1071	T	19.5/5

## [VR-C BOARD]

REF NO.	ORDER NO.	DESCRIPTION	M.	H/V LOCATION
R1	7210003160	VAR RV-317 (RK0972210)		
R2	7210003160	VAR RV-317 (RK0972210)		
R3	7030003520	S.RES ERJ3GEYJ 472 V (4.7 k)	T	28.6/2.7
R4	7030003520	S.RES ERJ3GEYJ 472 V (4.7 k)	T	27.8/8.4
R5	7030003520	S.RES ERJ3GEYJ 472 V (4.7 k)	T	10.5/2.7
R6	7030003520	S.RES ERJ3GEYJ 472 V (4.7 k)	T	11.1/8.4
C1	4030006880	S.CER C1608 JB 1H 472K-T	T	12.4/8.4
C2	4030006880	S.CER C1608 JB 1H 472K-T	T	11.8/2.7
C3	4030006880	S.CER C1608 JB 1H 472K-T	T	26.5/8.4
C4	4030006880	S.CER C1608 JB 1H 472K-T	T	27.3/2.7
J1	6510019971	S.CNR 52808-1071	T	19.5/5

## [VR-D BOARD]

REF NO.	ORDER NO.	DESCRIPTION	M.	H/V LOCATION
R1	7210001130	VAR RK097111T005A (10KB)		
R2	7210001130	VAR RK097111T005A (10KB)		
R3	7210001130	VAR RK097111T005A (10KB)		
R4	7210001130	VAR RK097111T005A (10KB)		
R5	7210001130	VAR RK097111T005A (10KB)		
R6	7210001130	VAR RK097111T005A (10KB)		
R7	7210001130	VAR RK097111T005A (10KB)		
R11	7030003520	S.RES ERJ3GEYJ 472 V (4.7 k)	B	11.3/3.6
R12	7030003520	S.RES ERJ3GEYJ 472 V (4.7 k)	B	28.4/3.6
R13	7030003520	S.RES ERJ3GEYJ 472 V (4.7 k)	B	45.2/3.6
R14	7030003520	S.RES ERJ3GEYJ 472 V (4.7 k)	B	62.3/3.6
R15	7030003520	S.RES ERJ3GEYJ 472 V (4.7 k)	B	79.2/3.6
R16	7030003520	S.RES ERJ3GEYJ 472 V (4.7 k)	B	96.3/3.6
R17	7030003520	S.RES ERJ3GEYJ 472 V (4.7 k)	B	100.5/6.5
C11	4030006880	S.CER C1608 JB 1H 472K-T	B	11.3/2
C12	4030006880	S.CER C1608 JB 1H 472K-T	B	28.4/2
C13	4030006880	S.CER C1608 JB 1H 472K-T	B	45.2/2
C14	4030006880	S.CER C1608 JB 1H 472K-T	B	62.3/2
C15	4030006880	S.CER C1608 JB 1H 472K-T	B	79.2/2
C16	4030006880	S.CER C1608 JB 1H 472K-T	B	96.3/2
C17	4030006880	S.CER C1608 JB 1H 472K-T	B	100.5/4.9
J1	6510019971	S.CNR 52808-1071	B	43/16

## [FRONT UNIT]

REF NO.	ORDER NO.	DESCRIPTION	M.	H/V LOCATION
W1	8900015930	CBL OPC-886A (P1,N10,L75)		
W2	8900015930	CBL OPC-886A (P1,N10,L75)		
W3	8900012870	CBL OPC-1331 (N=40,L=70)		
W4	8900008670	CBL OPC-849 (N:30 L:70)		
W5	8900015930	CBL OPC-886A (P1,N10,L75)		
W6	8900015930	CBL OPC-886A (P1,N10,L75)		
W7	8900012880	CBL OPC-1336 (N=18,L=70)		
W8	8900015930	CBL OPC-886A (P1,N10,L75)		
W9	8900014871	CBL OPC-1332A-1 (P0.5,N40,L100)		
W10	8900014730	CBL OPC-683A (P1,N10,L110)		
W11	8900008670	CBL OPC-849 (N:30 L:70)		
W12	8900008670	CBL OPC-849 (N:30 L:70)		
W13	8900015930	CBL OPC-886A (P1,N10,L75)		
W14	8900008670	CBL OPC-849 (N:30 L:70)		
W15	8900015930	CBL OPC-886A (P1,N10,L75)		
W51	9025900020			
EP1	6910015291	UBD LTA070B790F		
EP11	6910011090	SUT RMS20-250-201-P		
EP12	6910011090	SUT RMS20-250-201-P		
EP13	0880001460	UBD EX-2500 #03		
EP101	6910015650	E.OTH S-G2218-3#01 (MOUNT PLATE)		
EP102	6910015650	E.OTH S-G2218-3#01 (MOUNT PLATE)		

M.=Mounted side (T: Mounted on the Top side, B: Mounted on the Bottom side)  
S.=Surface mount

[SW-A BOARD]

REF NO.	ORDER NO.	DESCRIPTION	M.	H/V LOCATION
R2	7030003400	S.RES ERJ3GEYJ 471 V (470)	B	8.3/85.5
R3	7030003420	S.RES ERJ3GEYJ 681 V (680)	B	8.3/53.1
R4	7030003400	S.RES ERJ3GEYJ 471 V (470)	B	8.3/56.1
R6	7030003400	S.RES ERJ3GEYJ 471 V (470)	B	26.8/42.4
R7	7030003400	S.RES ERJ3GEYJ 471 V (470)	B	33/41.6
R8	7030003400	S.RES ERJ3GEYJ 471 V (470)	B	51.6/40.4
R9	7030003400	S.RES ERJ3GEYJ 471 V (470)	B	62.5/36
R10	7030003400	S.RES ERJ3GEYJ 471 V (470)	B	75.6/36
R11	7030003400	S.RES ERJ3GEYJ 471 V (470)	B	90/37.5
R12	7030003400	S.RES ERJ3GEYJ 471 V (470)	B	57.8/82.8
R13	7030003480	S.RES ERJ3GEYJ 222 V (2.2 k)	B	3.6/40.8
R14	7030003520	S.RES ERJ3GEYJ 472 V (4.7 k)	B	48.4/80.4
R15	7030003480	S.RES ERJ3GEYJ 222 V (2.2 k)	B	29.6/39.4
R16	7030003520	S.RES ERJ3GEYJ 472 V (4.7 k)	B	41.1/39.4
R17	7030003480	S.RES ERJ3GEYJ 222 V (2.2 k)	B	66.3/36
R18	7030003520	S.RES ERJ3GEYJ 472 V (4.7 k)	B	79.5/38.1
R19	7030003540	S.RES ERJ3GEYJ 682 V (6.8 k)	B	57.3/40.5
R20	7030003540	S.RES ERJ3GEYJ 682 V (6.8 k)	B	29.6/40.7
R21	7030003540	S.RES ERJ3GEYJ 682 V (6.8 k)	B	2.4/38.1
R22	7030003480	S.RES ERJ3GEYJ 222 V (2.2 k)	B	100.2/66.5
R23	7030003520	S.RES ERJ3GEYJ 472 V (4.7 k)	B	101.5/63.3
R24	7030003580	S.RES ERJ3GEYJ 153 V (15 k)	B	98.6/41.5
R25	7030003480	S.RES ERJ3GEYJ 222 V (2.2 k)	B	100.3/19.2
R26	7030003520	S.RES ERJ3GEYJ 472 V (4.7 k)	B	100.3/7.2
R27	7030003540	S.RES ERJ3GEYJ 682 V (6.8 k)	B	98.6/77.5
R28	7030003540	S.RES ERJ3GEYJ 682 V (6.8 k)	B	96.2/35.2
R29	7030003580	S.RES ERJ3GEYJ 153 V (15 k)	B	51.2/53.1
R30	7030003400	S.RES ERJ3GEYJ 471 V (470)	B	47/58
C1	4030011600	S.CER C1608 JB 1E 104K-T	B	99.2/63
C2	4030011600	S.CER C1608 JB 1E 104K-T	B	88.8/59.1
C3	4030011600	S.CER C1608 JB 1E 104K-T	B	99.4/60.4
C4	4030011600	S.CER C1608 JB 1E 104K-T	B	90.1/59.1
C5	4030011600	S.CER C1608 JB 1E 104K-T	B	98.9/59
C6	4030011600	S.CER C1608 JB 1E 104K-T	B	53.3/77.2
C7	4030011600	S.CER C1608 JB 1E 104K-T	B	84.8/80.1
C8	4030011600	S.CER C1608 JB 1E 104K-T	B	83.5/65.3
C9	4030011600	S.CER C1608 JB 1E 104K-T	B	88/52.2
J1	6510019971	S.CNR 52808-1071	B	46.7/72.7
J2	6510019971	S.CNR 52808-1071	B	83.7/72.7
J3	6510022471	S.CNR 40FLT-SM2-TB (LF) (SN)	B	94.3/58.7
DS5	5040002980	S.LED SML-512DW-T86	T	8.5/87.6
DS6	5040002930	S.LED SML-512MW T86	T	8.5/86.3
DS7	5040002930	S.LED SML-512MW T86	T	8.5/41.4
DS8	5040002930	S.LED SML-512MW T86	T	26.2/43
DS9	5040002930	S.LED SML-512MW T86	T	37.7/43
DS10	5040002930	S.LED SML-512MW T86	T	49.2/43
DS11	5040002930	S.LED SML-512MW T86	T	63.2/43
DS12	5040002930	S.LED SML-512MW T86	T	56.2/84.4
DS13	5040002930	S.LED SML-512MW T86	T	74.7/43
DS14	5040002930	S.LED SML-512MW T86	T	86.2/43
DS15	5040002990	S.LED SML-512UWT86	T	8.5/56.4
DS16	5040002930	S.LED SML-512MW T86	T	8.5/55.1
DS17	5040002930	S.LED SML-512MW T86	T	56.2/56.4
S1	2260002740	S.SW LS8J2M-T	T	9.7/77.2
S2	2260002740	S.SW LS8J2M-T	T	8.2/62.5
S3	2260002740	S.SW LS8J2M-T	T	8.2/48.8
S4	2260002740	S.SW LS8J2M-T	T	8.2/35.1
S5	2260002740	S.SW LS8J2M-T	T	37.5/38.9
S6	2260002740	S.SW LS8J2M-T	T	26/38.9
S7	2260002740	S.SW LS8J2M-T	T	49/38.9
S8	2260002740	S.SW LS8J2M-T	T	63/38.9
S11	2260002740	S.SW LS8J2M-T	T	56/79
S12	2260002740	S.SW LS8J2M-T	T	74.5/38.9
S13	2260002740	S.SW LS8J2M-T	T	86/38.9
S14	2260002740	S.SW LS8J2M-T	T	100.3/82.7
S15	2260002740	S.SW LS8J2M-T	T	100.3/70.7
S16	2260002740	S.SW LS8J2M-T	T	100.3/58.7
S17	2260002740	S.SW LS8J2M-T	T	100.3/46.7
S18	2260002740	S.SW LS8J2M-T	T	100.3/34.7
S19	2260002740	S.SW LS8J2M-T	T	100.3/22.7
S20	2260002740	S.SW LS8J2M-T	T	100.3/10.7
S21	2260002740	S.SW LS8J2M-T	T	56/51

[SW-B BOARD]

REF NO.	ORDER NO.	DESCRIPTION	M.	H/V LOCATION
J1	6510020531	S.CNR 52808-1871	B	112/20.3
S1	2260002740	S.SW LS8J2M-T	T	16.8/24.6
S2	2260002740	S.SW LS8J2M-T	T	38.8/24.6
S3	2260002740	S.SW LS8J2M-T	T	60.8/24.6
S4	2260002740	S.SW LS8J2M-T	T	82.8/24.6
S5	2260002740	S.SW LS8J2M-T	T	104.8/24.6
S6	2260002740	S.SW LS8J2M-T	T	126.8/24.6
S7	2260002740	S.SW LS8J2M-T	T	148.8/24.6
S8	2260002740	S.SW LS8J2M-T	T	16.8/15.2
S9	2260002740	S.SW LS8J2M-T	T	38.8/15.2
S10	2260002740	S.SW LS8J2M-T	T	60.8/15.2
S11	2260002740	S.SW LS8J2M-T	T	82.8/15.2
S12	2260002740	S.SW LS8J2M-T	T	104.8/15.2
S13	2260002740	S.SW LS8J2M-T	T	126.8/15.2
S14	2260002740	S.SW LS8J2M-T	T	148.8/15.2
S15	2260002740	S.SW LS8J2M-T	T	125.5/3.1
S16	2260002740	S.SW LS8J2M-T	T	145.2/3.1
S17	2260002740	S.SW LS8J2M-T	T	167.3/3.1

[SW-C BOARD]

REF NO.	ORDER NO.	DESCRIPTION	M.	H/V LOCATION
R1	7030003480	S.RES ERJ3GEYJ 222 V (2.2 k)	B	32.7/126.7
R2	7030003520	S.RES ERJ3GEYJ 472 V (4.7 k)	B	30.7/122.6
R3	7030003580	S.RES ERJ3GEYJ 153 V (15 k)	B	30.7/118.1
R4	7030003540	S.RES ERJ3GEYJ 682 V (6.8 k)	B	30.6/125.7
R5	7030003480	S.RES ERJ3GEYJ 222 V (2.2 k)	B	30.6/100.4
R6	7030003520	S.RES ERJ3GEYJ 472 V (4.7 k)	B	30.6/97.4
R7	7030003580	S.RES ERJ3GEYJ 153 V (15 k)	B	31.9/94.7
R8	7030003540	S.RES ERJ3GEYJ 682 V (6.8 k)	B	31.9/101.7
R9	7030003480	S.RES ERJ3GEYJ 222 V (2.2 k)	B	34.8/71.3
R10	7030003520	S.RES ERJ3GEYJ 472 V (4.7 k)	B	35.5/69.3
R11	7030003580	S.RES ERJ3GEYJ 153 V (15 k)	B	35.5/66.6
R12	7030003540	S.RES ERJ3GEYJ 682 V (6.8 k)	B	32.7/84.5
R13	7030003480	S.RES ERJ3GEYJ 222 V (2.2 k)	B	43.1/46.9
R14	7030003520	S.RES ERJ3GEYJ 472 V (4.7 k)	B	49.2/44.4
R15	7030003540	S.RES ERJ3GEYJ 682 V (6.8 k)	B	43.1/50.6
R51	7030003400	S.RES ERJ3GEYJ 471 V (470)	B	38.3/124.2
R52	7030003400	S.RES ERJ3GEYJ 471 V (470)	B	41.2/124.2
R53	7030003400	S.RES ERJ3GEYJ 471 V (470)	B	37.9/107.7
R54	7030003400	S.RES ERJ3GEYJ 471 V (470)	B	46.6/102.1
R55	7030003400	S.RES ERJ3GEYJ 471 V (470)	B	43.2/98.8
R56	7030003400	S.RES ERJ3GEYJ 471 V (470)	B	46.6/99.4
R57	7030003400	S.RES ERJ3GEYJ 471 V (470)	B	48.7/89.9
R58	7030003400	S.RES ERJ3GEYJ 471 V (470)	B	48.7/93.3
C1	4030011600	S.CER C1608 JB 1E 104K-T	B	28.9/94.5
C2	4030011600	S.CER C1608 JB 1E 104K-T	B	41.2/82
C3	4030011600	S.CER C1608 JB 1E 104K-T	B	32.1/71.3
C4	4030011600	S.CER C1608 JB 1E 104K-T	B	43.5/82.4
J1	6510021721	S.CNR 30FLT-SM2-TB (LF) (SN)	B	37.9/89
J2	6510019971	S.CNR 52808-1071	B	44.2/113.1
DS51	5040002930	S.LED SML-512MW T86	T	36.5/123.3
DS52	5040002930	S.LED SML-512MW T86	T	48/123.3
DS53	5040002930	S.LED SML-512MW T86	T	36.5/104.8
DS54	5040002930	S.LED SML-512MW T86	T	48/104.8
DS55	5040002930	S.LED SML-512MW T86	T	36.5/94.8
DS56	5040002930	S.LED SML-512MW T86	T	48/94.8
DS57	5040002930	S.LED SML-512MW T86	T	36.5/84.8
DS58	5040002930	S.LED SML-512MW T86	T	48/84.8
S1	2260002740	S.SW LS8J2M-T	T	36.7/129.1
S2	2260002740	S.SW LS8J2M-T	T	48.2/129.1
S3	2260002740	S.SW LS8J2M-T	T	36.7/118.9
S4	2260002740	S.SW LS8J2M-T	T	48.2/118.9
S5	2260002740	S.SW LS8J2M-T	T	36.7/100.4
S6	2260002740	S.SW LS8J2M-T	T	48.2/100.4
S7	2260002740	S.SW LS8J2M-T	T	36.7/90.4
S8	2260002740	S.SW LS8J2M-T	T	48.2/90.4
S9	2260002740	S.SW LS8J2M-T	T	36.7/80.4
S10	2260002740	S.SW LS8J2M-T	T	48.2/80.4
S11	2260002740	S.SW LS8J2M-T	T	36.7/70
S12	2260002740	S.SW LS8J2M-T	T	36.7/61.2
S13	2260002740	S.SW LS8J2M-T	T	36.7/52.4
S14	2260002740	S.SW LS8J2M-T	T	36.5/42.7
S15	2260002740	S.SW LS8J2M-T	T	61.5/42.7
S16	2260002740	S.SW LS8J2M-T	T	12.2/32.4
S17	2260002740	S.SW LS8J2M-T	T	74.3/27.4
S18	2260002740	S.SW LS8J2M-T	T	12.2/14.7
S19	2260002740	S.SW LS8J2M-T	T	75.2/14.2
S20	2260002740	S.SW LS8J2M-T	T	12.2/2.3
S21	2260002740	S.SW LS8J2M-T	T	75.2/2.3
S22	2260002740	S.SW LS8J2M-T	T	25.7/2.3

M.=Mounted side (T: Mounted on the Top side, B: Mounted on the Bottom side)  
S.=Surface mount



[JACK BOARD]

REF NO.	ORDER NO.	DESCRIPTION	M.	H/V LOCATION
L1	6200003950	S.COL HF50ACC 322513-T	T	33/7.8
L2	6200003950	S.COL HF50ACC 322513-T	T	23.5/2.7
L3	6200003950	S.COL HF50ACC 322513-T	T	16.2/2
L4	6180000900	COL LAL 03NA 101K		
L5	6180000900	COL LAL 03NA 101K		
L6	6180000900	COL LAL 03NA 101K		
L101	6180000900	COL LAL 03NA 101K		
L102	6180000900	COL LAL 03NA 101K		
L103	6180000900	COL LAL 03NA 101K		
R1	7030006060	S.RES ERJ12YJ100U (10)	T	24.1/6.1
R2	7030006060	S.RES ERJ12YJ100U (10)	T	16.8/5.4
C1	4030006880	S.CER C1608 JB 1H 472K-T	B	26.4/2.1
C2	4030006880	S.CER C1608 JB 1H 472K-T	B	26.4/4.8
C3	4030006880	S.CER C1608 JB 1H 472K-T	B	20.7/6.9
C101	4030006880	S.CER C1608 JB 1H 472K-T	B	15.3/6.9
C102	4030006880	S.CER C1608 JB 1H 472K-T	B	11.6/2.1
J1	6510019971	S.CNR 52808-1071	B	19/3.2
J2	6510023891	CNR S-G4617#01F		
J102	6510023900	CNR LGR4619-7000		
EP101	6910012350	S.BEA MMZ1608Y 102BT	B	15.3/8.2
EP102	6910012350	S.BEA MMZ1608Y 102BT	B	10.3/2.1

[MIC BOARD]

REF NO.	ORDER NO.	DESCRIPTION	M.	H/V LOCATION
L1	6200003261	S.COL NLV32T-101J	B	4.5/17.8
L2	6200003261	S.COL NLV32T-101J	B	2.4/12.5
L3	6200003261	S.COL NLV32T-101J	B	4.5/2
L4	6200003950	S.COL HF50ACC 322513-T	B	15.2/15.1
C1	4030006880	S.CER C1608 JB 1H 472K-T	B	8.6/16.1
C2	4030006880	S.CER C1608 JB 1H 472K-T	B	2.8/5.5
C3	4030006880	S.CER C1608 JB 1H 472K-T	B	14.2/12.3
C4	4030007130	S.CER C1608 CH 1H 101J-T	B	10.1/11.2
C5	4030006880	S.CER C1608 JB 1H 472K-T	B	1.5/5.5
C6	4030006880	S.CER C1608 JB 1H 472K-T	B	9.6/9
C7	4030006880	S.CER C1608 JB 1H 472K-T	B	7.7/10.1
C8	4030007090	S.CER C1608 CH 1H 470J-T	B	9.4/13.9
J1	6510000191	CNR FM214-8SS (P) -1		
J2	6510019971	S.CNR 52808-1071	B	12.7/20.2
EP2	6910012350	S.BEA MMZ1608Y 102BT	B	4.1/6.3
EP3	6910012350	S.BEA MMZ1608Y 102BT	B	7.6/2
EP4	6910012350	S.BEA MMZ1608Y 102BT	B	10.4/16
EP5	6910012350	S.BEA MMZ1608Y 102BT	B	2.7/8.1
EP6	6910012350	S.BEA MMZ1608Y 102BT	B	7.7/7.7
EP7	6910015130	S.BEA MMZ1608D 301BT	B	17.2/10.8
EP8	6910015130	S.BEA MMZ1608D 301BT	B	15.9/10.8
EP9	6910015130	S.BEA MMZ1608D 301BT	B	10.2/6.9
EP10	6910015130	S.BEA MMZ1608D 301BT	B	11.5/9.1
EP11	6910012350	S.BEA MMZ1608Y 102BT	B	5.4/14.1

[TENKEY BOARD]

REF NO.	ORDER NO.	DESCRIPTION	M.	H/V LOCATION
IC1	1130011510	S.IC BU2099FV-E2	B	37.5/67.3
IC2	1130011510	S.IC BU2099FV-E2	B	33.5/31.8
R1	7030003480	S.RES ERJ3GEYJ 222 V (2.2 k)	B	16.3/75.9
R2	7030003520	S.RES ERJ3GEYJ 472 V (4.7 k)	B	16.6/67.7
R3	7030003580	S.RES ERJ3GEYJ 153 V (15 k)	B	13.8/47.4
R4	7030003540	S.RES ERJ3GEYJ 682 V (6.8 k)	B	16.3/79.3
R5	7030003480	S.RES ERJ3GEYJ 222 V (2.2 k)	B	31.5/67.4
R6	7030003520	S.RES ERJ3GEYJ 472 V (4.7 k)	B	30.7/65.6
R7	7030003580	S.RES ERJ3GEYJ 153 V (15 k)	B	32.3/49.9
R8	7030003540	S.RES ERJ3GEYJ 682 V (6.8 k)	B	30.3/78.3
R9	7030003480	S.RES ERJ3GEYJ 222 V (2.2 k)	B	49.8/70.1
R10	7030003520	S.RES ERJ3GEYJ 472 V (4.7 k)	B	49.8/62.2
R11	7030003580	S.RES ERJ3GEYJ 153 V (15 k)	B	47.6/52.6
R12	7030003540	S.RES ERJ3GEYJ 682 V (6.8 k)	B	49.8/78.4
R51	7030003390	S.RES ERJ3GEYJ 391 V (390)	B	8/78
R52	7030003390	S.RES ERJ3GEYJ 391 V (390)	B	8/75.3
R53	7030003390	S.RES ERJ3GEYJ 391 V (390)	B	8/70.9
R54	7030003390	S.RES ERJ3GEYJ 391 V (390)	B	8/72.9
R55	7030003390	S.RES ERJ3GEYJ 391 V (390)	B	10.7/58.2
R56	7030003390	S.RES ERJ3GEYJ 391 V (390)	B	12/58.2
R57	7030003390	S.RES ERJ3GEYJ 391 V (390)	B	8/49.5
R58	7030003390	S.RES ERJ3GEYJ 391 V (390)	B	8/46.8
R59	7030003390	S.RES ERJ3GEYJ 391 V (390)	B	19.1/78
R60	7030003390	S.RES ERJ3GEYJ 391 V (390)	B	19.1/75.3
R61	7030003390	S.RES ERJ3GEYJ 391 V (390)	B	25.5/64.5
R62	7030003390	S.RES ERJ3GEYJ 391 V (390)	B	25.5/65.8
R63	7030003390	S.RES ERJ3GEYJ 391 V (390)	B	25.5/51.7
R64	7030003390	S.RES ERJ3GEYJ 391 V (390)	B	25.5/53
R65	7030003390	S.RES ERJ3GEYJ 391 V (390)	B	25.5/49.5
R66	7030003390	S.RES ERJ3GEYJ 391 V (390)	B	25.5/47
R67	7030003390	S.RES ERJ3GEYJ 391 V (390)	B	43/78
R68	7030003390	S.RES ERJ3GEYJ 391 V (390)	B	43/75.3
R69	7030003390	S.RES ERJ3GEYJ 391 V (390)	B	43.8/68.5
R70	7030003390	S.RES ERJ3GEYJ 391 V (390)	B	43.8/67.2
R71	7030003390	S.RES ERJ3GEYJ 391 V (390)	B	43/59
R72	7030003390	S.RES ERJ3GEYJ 391 V (390)	B	43/56.3
R73	7030003390	S.RES ERJ3GEYJ 391 V (390)	B	44.4/51.3
R74	7030003390	S.RES ERJ3GEYJ 391 V (390)	B	44.4/52.6
R75	7030003460	S.RES ERJ3GEYJ 152 V (1.5 k)	B	29.7/21
R76	7030003460	S.RES ERJ3GEYJ 152 V (1.5 k)	B	44.3/18.1
C1	4030011600	S.CER C1608 JB 1E 104K-T	B	8.5/66.9
C2	4030011600	S.CER C1608 JB 1E 104K-T	B	5.4/69.3
C3	4030011600	S.CER C1608 JB 1E 104K-T	B	11/67.4
C4	4030011600	S.CER C1608 JB 1E 104K-T	B	35.9/71.5
C5	4030011600	S.CER C1608 JB 1E 104K-T	B	31.7/35.9
J1	6510021721	S.CNR 30FLT-SM2-TB (LF) (SN)	B	5.2/60
J2	6510021721	S.CNR 30FLT-SM2-TB (LF) (SN)	B	5.2/31.6
J3	6510021721	S.CNR 30FLT-SM2-TB (LF) (SN)	B	49.9/33
J4	6510019971	S.CNR 52808-1071	B	53.9/57
J5	6510019971	S.CNR 52808-1071	B	24.5/74.7
J6	6510003401	CNR B04B-EH-S (LF) (SN)		
J7	6510018971	S.CNR B4B-PH-SM4-TB (LF) (SN)	B	36.5/3
DS1	5040002980	S.LED SML-512DW-T86	T	29.5/19
DS2	5040002980	S.LED SML-512DW-T86	T	45.5/19
S1	2260002740	S.SW LS8J2M-T	T	9.5/34
S2	2260002740	S.SW LS8J2M-T	T	9.5/26
S3	2260002740	S.SW LS8J2M-T	T	29.5/34
S4	2260002740	S.SW LS8J2M-T	T	29.5/26
S5	2260002740	S.SW LS8J2M-T	T	45.5/34
S6	2260002740	S.SW LS8J2M-T	T	45.5/26
S7	2260002740	S.SW LS8J2M-T	T	9.5/12.7
S8	2260002740	S.SW LS8J2M-T	T	29.5/16
S9	2260002740	S.SW LS8J2M-T	T	29.5/7.5
S11	2260002820	S.SW LS9J2M-2D/D-T	T	10.5/76.2
S12	2260002820	S.SW LS9J2M-2D/D-T	T	10.5/66.7
S13	2260002820	S.SW LS9J2M-2D/D-T	T	10.5/57.2
S14	2260002820	S.SW LS9J2M-2D/D-T	T	10.5/47.7
S15	2260002820	S.SW LS9J2M-2D/D-T	T	28/76.2
S16	2260002820	S.SW LS9J2M-2D/D-T	T	28/66.7
S17	2260002820	S.SW LS9J2M-2D/D-T	T	28/57.2
S18	2260002820	S.SW LS9J2M-2D/D-T	T	28/47.7
S19	2260002820	S.SW LS9J2M-2D/D-T	T	45.5/76.2
S20	2260002820	S.SW LS9J2M-2D/D-T	T	45.5/66.7
S21	2260002820	S.SW LS9J2M-2D/D-T	T	45.5/57.2
S22	2260002820	S.SW LS9J2M-2D/D-T	T	45.5/47.7
S23	2260002740	S.SW LS8J2M-T	T	45.5/16
S24	2260002740	S.SW LS8J2M-T	T	45.5/7.5

M.=Mounted side (T: Mounted on the Top side, B: Mounted on the Bottom side) S.=Surface mount

[PBT1 BOARD]

REF NO.	ORDER NO.	DESCRIPTION	M.	H/V LOCATION
R1	7210003180	VAR RV-319 (RK0972210)		
R2	7030003520	S.RES ERJ3GEYJ 472 V (4.7 k)	T	13.5/6.5
R3	7030003520	S.RES ERJ3GEYJ 472 V (4.7 k)	T	13.5/10
C1	4030006880	S.CER C1608 JB 1H 472K-T	T	15.6/10
C2	4030006880	S.CER C1608 JB 1H 472K-T	T	15.6/6.5
J1	6510019971	S.CNR 52808-1071	T	24.5/7
S1	2250000410	ECR TP90D96E20-30F-2178-1		

[PBT2 BOARD]

REF NO.	ORDER NO.	DESCRIPTION	M.	H/V LOCATION
R1	7210003180	VAR RV-319 (RK0972210)		
R2	7210003170	VAR RV-318 (RK09L1120CON)		
R3	7030003520	S.RES ERJ3GEYJ 472 V (4.7 k)	T	47.4/8.5
R4	7030003520	S.RES ERJ3GEYJ 472 V (4.7 k)	T	47.4/9.8
R5	7030003520	S.RES ERJ3GEYJ 472 V (4.7 k)	T	16.2/12.3
C1	4030006880	S.CER C1608 JB 1H 472K-T	T	52.5/10.2
C2	4030006880	S.CER C1608 JB 1H 472K-T	T	50.6/10.2
C3	4030006880	S.CER C1608 JB 1H 472K-T	T	16.2/11
J1	6510019971	S.CNR 52808-1071	T	59.1/5.1
S1	2250000410	ECR TP90D96E20-30F-2178-1		

[LED BOARD]

REF NO.	ORDER NO.	DESCRIPTION	M.	H/V LOCATION
R1	7030003470	S.RES ERJ3GEYJ 182 V (1.8 k)	T	9.1/14.9
R2	7030003420	S.RES ERJ3GEYJ 681 V (680)	T	21/14.9
R3	7030003440	S.RES ERJ3GEYJ 102 V (1 k)	T	32.1/14.9
R4	7030003400	S.RES ERJ3GEYJ 471 V (470)	T	80.2/14.9
R5	7030003470	S.RES ERJ3GEYJ 182 V (1.8 k)	T	126/14.9
R6	7030003420	S.RES ERJ3GEYJ 681 V (680)	T	139/14.9
R7	7030003440	S.RES ERJ3GEYJ 102 V (1 k)	T	149.8/14.9
J1	6510020711	S.CNR 52793-1070 (1090)	T	111.3/2.6
DS1	5040003000	S.LED SML-A12UT-T86	T	5.6/15.9
DS2	5040002961	S.LED SML-A12MT T86J	T	17.6/15.9
DS3	5040003010	S.LED SML-A12WT	T	29.6/15.9
DS4	5040002970	S.LED CL-270WB-D-TS	T	76.6/15.9
DS5	5040003000	S.LED SML-A12UT-T86	T	123.6/15.9
DS6	5040002961	S.LED SML-A12MT T86J	T	135.6/15.9
DS7	5040003010	S.LED SML-A12WT	T	147.6/15.9

[CF BOARD]

REF NO.	ORDER NO.	DESCRIPTION	M.	H/V LOCATION
R1	7030003470	S.RES ERJ3GEYJ 182 V (1.8 k)	T	8.8/8.7
J1	6510024151	S.CNR 50FY-BMT-TB (LF) (SN)	T	34.5/4.4
J2	6510025670	S.CNR 31-5620-050-719-871	T	34.5/13.6
J3	6510021601	S.CNR S2B-PH-SM4-TB (LF) (SN)	T	13.7/3.7
DS1	5040002990	S.LED SML-512UWT86	T	61.2/40.5
EP2	6910015640	E.OTH 30-5610-000-002-000		

[DISPLAY BOARD]

REF NO.	ORDER NO.	DESCRIPTION	M.	H/V LOCATION
IC1	1130009640	S.IC BU4051BCFV-E2	T	121.9/76.4
IC2	1130009640	S.IC BU4051BCFV-E2	T	110.5/10.9
IC3	1130009640	S.IC BU4051BCFV-E2	T	76.7/20
IC4	1130009640	S.IC BU4051BCFV-E2	T	24/61.2
IC5	1130009640	S.IC BU4051BCFV-E2	T	106.8/77.4
IC6	1140011820	S.IC M30620FCMGP D5	T	48.1/27.7
IC7	1130011510	S.IC BU2099FV-E2	T	124/59.8
IC201	1130009301	S.IC TC7SET08FU (T5L,JF)	T	71.1/51.8
IC202	1130009301	S.IC TC7SET08FU (T5L,JF)	T	107.2/58.5
IC601	1130011551	S.IC RX-4581NB-F	T	39/45.9
IC651	1110005821	S.IC R3112N281A-TR-F	T	47.9/91.1
Q200	1590000430	S.TR DTC144EUA T106	T	40.8/89.7
Q201	1530003301	S.TR 2SC3647S-TD-E	T	91.1/47.1
Q202	1530003301	S.TR 2SC3647S-TD-E	T	91.1/26.5
Q203	1530002060	S.TR 2SC4081 T106 R	T	73.9/61.5
Q204	1520000651	S.TR 2SB1201S-TL-E	T	79.5/65.1
Q205	1590000680	S.TR DTC114EUA T106	T	70.8/57.1
Q206	1590000680	S.TR DTC114EUA T106	T	113/19.4
Q208	1590001330	S.TR DTA114EUA T106	T	120/68.5
Q209	1520000651	S.TR 2SB1201S-TL-E	T	113.9/59.9
Q210	1530002060	S.TR 2SC4081 T106 R	T	107.3/55.3
Q211	1590001330	S.TR DTA114EUA T106	T	122.5/65.4
Q212	1590000680	S.TR DTC114EUA T106	T	72.5/54.3
Q501	1590000680	S.TR DTC114EUA T106	T	86/88.8
Q502	1590000680	S.TR DTC114EUA T106	T	86/92.5
Q503	1590000680	S.TR DTC114EUA T106	T	82.8/90.8
Q504	1590001330	S.TR DTA114EUA T106	T	89.2/88.8
Q505	1590000680	S.TR DTC114EUA T106	T	125/66.6
Q601	1510000501	S.TR 2SA1162-GR (TE85R,F)	T	41.4/85.2
D7	1750000520	S.DIO DAN222TL	T	122.4/18.7
D8	1160000140	S.DIO DAP222 TL	T	122.4/15.3
D9	1730002340	S.ZEN MA8047-M (TX)	T	74.3/59.3
D10	1730002590	S.ZEN MA8033-H (TX)	T	109.5/56.9
D11	1790001670	S.DIO RB706F-40T106	T	121.3/10.6
D12	1790001670	S.DIO RB706F-40T106	T	60/31
D601	1790001250	S.DIO MA2S111-(TX)	T	42.2/82.8
D602	1790001250	S.DIO MA2S111-(TX)	T	39/85.9
D603	1790001250	S.DIO MA2S111-(TX)	T	39/83.4
X1	6050009870	S.XTL CR-567 (9.8304 MHz)	T	49.7/44.5
L201	6200001831	S.COL NLV32T-100J	T	112/85.8
L203	6200003950	S.COL HF50ACC 322513-T	T	115.2/85.6
L204	6200001831	S.COL NLV32T-100J	T	126.9/91.6
L205	6200003950	S.COL HF50ACC 322513-T	T	61.2/36.6
L207	6200003950	S.COL HF50ACC 322513-T	T	117.4/17.1
L208	6200003950	S.COL HF50ACC 322513-T	T	118.4/85.6
L209	6200003950	S.COL HF50ACC 322513-T	T	9.9/64
L210	6190001191	S.COL D10F-#A814AY-101K	T	86.6/79.7
L211	6190001191	S.COL D10F-#A814AY-101K	T	81.2/38.2
L601	6200001831	S.COL NLV32T-100J	T	34.7/83.8
R200	7030003440	S.RES ERJ3GEYJ 102 V (1 k)	T	73.1/51.7
R201	7030003470	S.RES ERJ3GEYJ 182 V (1.8 k)	T	96.6/43.6
R202	7030003470	S.RES ERJ3GEYJ 182 V (1.8 k)	T	96.6/32.9
R203	7030003800	S.RES ERJ3GEYJ 105 V (1 M)	T	49.7/41.2
R208	7030003360	S.RES ERJ3GEYJ 221 V (220)	T	75/57
R209	7030003860	S.RES ERJ3GE JPW V	T	14.6/25
R210	7030003860	S.RES ERJ3GE JPW V	T	22/24.4
R212	7030003660	S.RES ERJ3GEYJ 683 V (68 k)	T	67.8/57.6
R213	7030003580	S.RES ERJ3GEYJ 153 V (15 k)	T	70.3/54.7
R214	7030003440	S.RES ERJ3GEYJ 102 V (1 k)	T	40.7/13.4
R215	7030003440	S.RES ERJ3GEYJ 102 V (1 k)	T	39.4/13.4
R216	7030003440	S.RES ERJ3GEYJ 102 V (1 k)	T	38.1/13.4
R217	7030003440	S.RES ERJ3GEYJ 102 V (1 k)	T	36.8/13.4
R218	7030003440	S.RES ERJ3GEYJ 102 V (1 k)	T	35.5/13.4
R219	7030003440	S.RES ERJ3GEYJ 102 V (1 k)	T	34.2/13.4
R220	7030003440	S.RES ERJ3GEYJ 102 V (1 k)	T	31.6/13.4
R221	7030003440	S.RES ERJ3GEYJ 102 V (1 k)	T	32.9/13.4
R222	7030003440	S.RES ERJ3GEYJ 102 V (1 k)	T	30.6/16.1
R223	7030003440	S.RES ERJ3GEYJ 102 V (1 k)	T	29.8/13.5
R224	7030003440	S.RES ERJ3GEYJ 102 V (1 k)	T	29.1/16.1
R225	7030003440	S.RES ERJ3GEYJ 102 V (1 k)	T	28.3/13.4
R226	7030003440	S.RES ERJ3GEYJ 102 V (1 k)	T	27.6/16.1
R227	7030003440	S.RES ERJ3GEYJ 102 V (1 k)	T	26.8/13.4
R228	7030003440	S.RES ERJ3GEYJ 102 V (1 k)	T	25.5/13.4
R229	7030003440	S.RES ERJ3GEYJ 102 V (1 k)	T	22.9/13.4
R230	7030003440	S.RES ERJ3GEYJ 102 V (1 k)	T	24.2/13.4
R232	7030003440	S.RES ERJ3GEYJ 102 V (1 k)	T	74.1/13.4
R233	7030003440	S.RES ERJ3GEYJ 102 V (1 k)	T	76.9/13.4
R234	7030003440	S.RES ERJ3GEYJ 102 V (1 k)	T	75.4/13.4
R235	7030003440	S.RES ERJ3GEYJ 102 V (1 k)	T	78.2/13.4
R236	7030003440	S.RES ERJ3GEYJ 102 V (1 k)	T	79.5/13.4
R237	7030003440	S.RES ERJ3GEYJ 102 V (1 k)	T	80.8/13.4
R238	7030003440	S.RES ERJ3GEYJ 102 V (1 k)	T	82.1/13.4
R239	7030003440	S.RES ERJ3GEYJ 102 V (1 k)	T	107.3/86.7
R240	7030003440	S.RES ERJ3GEYJ 102 V (1 k)	T	105.9/86.7
R241	7030003680	S.RES ERJ3GEYJ 104 V (100 k)	T	108.6/86.6
R242	7030003680	S.RES ERJ3GEYJ 104 V (100 k)	T	104.5/86.7
R246	7030003440	S.RES ERJ3GEYJ 102 V (1 k)	T	59.5/13.3
R247	7030003440	S.RES ERJ3GEYJ 102 V (1 k)	T	58.2/13.3
R248	7030003440	S.RES ERJ3GEYJ 102 V (1 k)	T	56.9/13.3
R249	7030003440	S.RES ERJ3GEYJ 102 V (1 k)	T	55.6/13.3
R250	7030003440	S.RES ERJ3GEYJ 102 V (1 k)	T	54.3/13.3
R251	7030003320	S.RES ERJ3GEYJ 101 V (100)	T	52.8/13.3
R252	7030003440	S.RES ERJ3GEYJ 102 V (1 k)	T	51.5/13.3
R253	7030003440	S.RES ERJ3GEYJ 102 V (1 k)	T	50.2/13.3

M.=Mounted side (T: Mounted on the Top side, B: Mounted on the Bottom side)  
S.=Surface mount

[DISPLAY BOARD]

REF NO.	ORDER NO.	DESCRIPTION	M.	H/V LOCATION
R254	7030003680	S.RES ERJ3GEYJ 104 V (100 k)	T	48.4/13.3
R255	7030003640	S.RES ERJ3GEYJ 473 V (47 k)	T	12.6/14.1
R256	7030003640	S.RES ERJ3GEYJ 473 V (47 k)	T	16.5/14.1
R257	7030003670	S.RES ERJ3GEYJ 823 V (82 k)	T	13.9/14.1
R258	7030003670	S.RES ERJ3GEYJ 823 V (82 k)	T	15.2/14.1
R259	7030003440	S.RES ERJ3GEYJ 102 V (1 k)	T	12.8/90.1
R260	7030003440	S.RES ERJ3GEYJ 102 V (1 k)	T	19.4/87.2
R261	7030003440	S.RES ERJ3GEYJ 102 V (1 k)	T	10.1/88.5
R262	7030003440	S.RES ERJ3GEYJ 102 V (1 k)	T	7.1/79.8
R263	7030003440	S.RES ERJ3GEYJ 102 V (1 k)	T	18/81.9
R264	7030003440	S.RES ERJ3GEYJ 102 V (1 k)	T	7.1/78.5
R265	7030003440	S.RES ERJ3GEYJ 102 V (1 k)	T	18/80.6
R266	7030003440	S.RES ERJ3GEYJ 102 V (1 k)	T	7.1/77.2
R267	7030003440	S.RES ERJ3GEYJ 102 V (1 k)	T	18/79.3
R268	7030003440	S.RES ERJ3GEYJ 102 V (1 k)	T	7.1/75.9
R269	7030003440	S.RES ERJ3GEYJ 102 V (1 k)	T	18/78
R270	7030003440	S.RES ERJ3GEYJ 102 V (1 k)	T	7.1/74.6
R271	7030003440	S.RES ERJ3GEYJ 102 V (1 k)	T	18/76.7
R272	7030003440	S.RES ERJ3GEYJ 102 V (1 k)	T	7.1/73.3
R273	7030003440	S.RES ERJ3GEYJ 102 V (1 k)	T	7.1/72
R274	7030003440	S.RES ERJ3GEYJ 102 V (1 k)	T	18/75.4
R275	7030003440	S.RES ERJ3GEYJ 102 V (1 k)	T	7.1/70.7
R276	7030003440	S.RES ERJ3GEYJ 102 V (1 k)	T	18/74.1
R278	7030003440	S.RES ERJ3GEYJ 102 V (1 k)	T	13.4/42.7
R279	7030003440	S.RES ERJ3GEYJ 102 V (1 k)	T	4/43.9
R280	7030003440	S.RES ERJ3GEYJ 102 V (1 k)	T	13.4/44
R281	7030003440	S.RES ERJ3GEYJ 102 V (1 k)	T	4/45.2
R282	7030003440	S.RES ERJ3GEYJ 102 V (1 k)	T	13.4/45.3
R283	7030003440	S.RES ERJ3GEYJ 102 V (1 k)	T	4/46.5
R284	7030003520	S.RES ERJ3GEYJ 472 V (4.7 k)	T	13.4/46.6
R285	7030003440	S.RES ERJ3GEYJ 102 V (1 k)	T	4/47.8
R286	7030003440	S.RES ERJ3GEYJ 102 V (1 k)	T	13.4/47.9
R287	7030003440	S.RES ERJ3GEYJ 102 V (1 k)	T	4/49.1
R288	7030003440	S.RES ERJ3GEYJ 102 V (1 k)	T	13.4/49.2
R289	7030003440	S.RES ERJ3GEYJ 102 V (1 k)	T	13.4/50.5
R290	7030003440	S.RES ERJ3GEYJ 102 V (1 k)	T	4/51.7
R291	7030003440	S.RES ERJ3GEYJ 102 V (1 k)	T	13.4/51.8
R292	7030003440	S.RES ERJ3GEYJ 102 V (1 k)	T	4/53
R293	7030003440	S.RES ERJ3GEYJ 102 V (1 k)	T	13.4/54.4
R294	7030003440	S.RES ERJ3GEYJ 102 V (1 k)	T	4/55.6
R295	7030003440	S.RES ERJ3GEYJ 102 V (1 k)	T	4/58.2
R296	7030003440	S.RES ERJ3GEYJ 102 V (1 k)	T	13.4/58.3
R297	7030003440	S.RES ERJ3GEYJ 102 V (1 k)	T	4/60.8
R298	7030003440	S.RES ERJ3GEYJ 102 V (1 k)	T	13.4/59.6
R299	7030003440	S.RES ERJ3GEYJ 102 V (1 k)	T	4/50.4
R300	7030003440	S.RES ERJ3GEYJ 102 V (1 k)	T	4/63.4
R301	7030003440	S.RES ERJ3GEYJ 102 V (1 k)	T	13.4/62.2
R302	7030003560	S.RES ERJ3GEYJ 103 V (10 k)	T	13.4/60.9
R303	7030003560	S.RES ERJ3GEYJ 103 V (10 k)	T	4/62.1
R304	7030003560	S.RES ERJ3GEYJ 103 V (10 k)	T	13.4/57
R305	7030003560	S.RES ERJ3GEYJ 103 V (10 k)	T	4/59.5
R306	7030003560	S.RES ERJ3GEYJ 103 V (10 k)	T	4/56.9
R307	7030003560	S.RES ERJ3GEYJ 103 V (10 k)	T	13.4/55.7
R308	7030003560	S.RES ERJ3GEYJ 103 V (10 k)	T	4/54.3
R309	7030003560	S.RES ERJ3GEYJ 103 V (10 k)	T	13.4/53.1
R310	7030003440	S.RES ERJ3GEYJ 102 V (1 k)	T	24.2/32
R311	7030003440	S.RES ERJ3GEYJ 102 V (1 k)	T	22.9/32
R312	7030003440	S.RES ERJ3GEYJ 102 V (1 k)	T	104.9/9.4
R313	7030003440	S.RES ERJ3GEYJ 102 V (1 k)	T	104.9/10.7
R314	7030003440	S.RES ERJ3GEYJ 102 V (1 k)	T	104.1/12.2
R315	7030003440	S.RES ERJ3GEYJ 102 V (1 k)	T	104.9/6.8
R316	7030003440	S.RES ERJ3GEYJ 102 V (1 k)	T	116.1/13.7
R317	7030003440	S.RES ERJ3GEYJ 102 V (1 k)	T	116.7/8.3
R318	7030003440	S.RES ERJ3GEYJ 102 V (1 k)	T	116.1/11.7
R319	7030003440	S.RES ERJ3GEYJ 102 V (1 k)	T	116.6/9.6
R320	7030003440	S.RES ERJ3GEYJ 102 V (1 k)	T	135.2/23.4
R321	7030003440	S.RES ERJ3GEYJ 102 V (1 k)	T	127.7/20.8
R322	7030003440	S.RES ERJ3GEYJ 102 V (1 k)	T	126.4/20.8
R323	7030003560	S.RES ERJ3GEYJ 103 V (10 k)	T	114.9/18.7
R325	7030003380	S.RES ERJ3GEYJ 331 V (330)	T	106.9/69.6
R326	7030003360	S.RES ERJ3GEYJ 221 V (220)	T	109.8/54.4
R327	7030003580	S.RES ERJ3GEYJ 153 V (15 k)	T	105.4/55.1
R328	7030003660	S.RES ERJ3GEYJ 683 V (68 k)	T	105.1/61.2
R329	7030003560	S.RES ERJ3GEYJ 103 V (10 k)	T	38/33.3
R330	7030003480	S.RES ERJ3GEYJ 222 V (2.2 k)	T	128.8/54.1
R331	7030003640	S.RES ERJ3GEYJ 473 V (47 k)	T	18/84.5
R332	7030003640	S.RES ERJ3GEYJ 473 V (47 k)	T	9.1/84.8
R333	7030003640	S.RES ERJ3GEYJ 473 V (47 k)	T	18/83.2
R334	7030003640	S.RES ERJ3GEYJ 473 V (47 k)	T	9.1/83.5
R335	7030003670	S.RES ERJ3GEYJ 823 V (82 k)	T	21.4/84.5
R336	7030003670	S.RES ERJ3GEYJ 823 V (82 k)	T	8.4/86.9
R337	7030003670	S.RES ERJ3GEYJ 823 V (82 k)	T	20.7/83.2
R338	7030003670	S.RES ERJ3GEYJ 823 V (82 k)	T	8.1/81.1
R339	7070000261	RES ERG2SJ 220 (22)		
R340	7070000261	RES ERG2SJ 220 (22)		
R342	7030003640	S.RES ERJ3GEYJ 473 V (47 k)	T	35.4/38.4
R343	7030003640	S.RES ERJ3GEYJ 473 V (47 k)	T	105.1/57.7
R351	7030003440	S.RES ERJ3GEYJ 102 V (1 k)	T	123.2/70.3
R352	7030003440	S.RES ERJ3GEYJ 102 V (1 k)	T	101.2/80.6
R353	7030003440	S.RES ERJ3GEYJ 102 V (1 k)	T	102.3/75
R354	7030003440	S.RES ERJ3GEYJ 102 V (1 k)	T	100.2/78
R355	7030003440	S.RES ERJ3GEYJ 102 V (1 k)	T	101/75.2
R356	7030003440	S.RES ERJ3GEYJ 102 V (1 k)	T	128.4/78.7
R357	7030003440	S.RES ERJ3GEYJ 102 V (1 k)	T	126.7/72.1
R358	7030003440	S.RES ERJ3GEYJ 102 V (1 k)	T	114.8/75.7
R359	7030003440	S.RES ERJ3GEYJ 102 V (1 k)	T	116.1/75.4
R360	7030003440	S.RES ERJ3GEYJ 102 V (1 k)	T	130.1/77.2
R361	7030003440	S.RES ERJ3GEYJ 102 V (1 k)	T	129.4/74
R362	7030003440	S.RES ERJ3GEYJ 102 V (1 k)	T	116.4/79.3
R363	7030003440	S.RES ERJ3GEYJ 102 V (1 k)	T	117.4/75.5
R364	7030003640	S.RES ERJ3GEYJ 473 V (47 k)	T	61.2/29
R365	7030004730	S.RES ERJ3GEYF 222 V (2.2 k)	T	61.9/33
R366	7030003440	S.RES ERJ3GEYJ 102 V (1 k)	T	128.4/64.2
R369	7030003860	S.RES ERJ3GE JPW V	T	55.7/37.4

[DISPLAY BOARD]

REF NO.	ORDER NO.	DESCRIPTION	M.	H/V LOCATION
R501	7030003640	S.RES ERJ3GEYJ 473 V (47 k)	T	68.5/16.9
R502	7030003640	S.RES ERJ3GEYJ 473 V (47 k)	T	67.2/16.9
R503	7030003640	S.RES ERJ3GEYJ 473 V (47 k)	T	36.1/32.5
R504	7030003440	S.RES ERJ3GEYJ 102 V (1 k)	T	135.3/62.2
R505	7030003360	S.RES ERJ3GEYJ 221 V (220)	T	89.2/86.9
R601	7030003860	S.RES ERJ3GE JPW V	T	44.1/89.8
R602	7030003520	S.RES ERJ3GEYJ 472 V (4.7 k)	T	41.6/87.6
R603	7030003640	S.RES ERJ3GEYJ 473 V (47 k)	T	32.4/45.4
R604	7030003560	S.RES ERJ3GEYJ 103 V (10 k)	T	32.4/46.9
R651	7030003650	S.RES ERJ3GEYJ 563 V (56 k)	T	114.8/95
R652	7030003620	S.RES ERJ3GEYJ 333 V (33 k)	T	118.6/95
R653	7030003520	S.RES ERJ3GEYJ 472 V (4.7 k)	T	44.1/86.1
C8	4030011600	S.CER C1608 JB 1E 104K-T	T	134.5/74.9
C201	4310001170	MLR ECQE1A 124JBB		
C202	4030016880	S.CER C4520 CH 3F 150KT-A	T	125.1/37.2
C203	4030007020	S.CER C1608 CH 1H 120J-T	T	50.5/39.9
C204	4030007020	S.CER C1608 CH 1H 120J-T	T	47.9/40
C205	4030011600	S.CER C1608 JB 1E 104K-T	T	27.7/64.4
C206	4030011600	S.CER C1608 JB 1E 104K-T	T	109/80.8
C207	4030011600	S.CER C1608 JB 1E 104K-T	T	73.2/22.2
C208	4030011600	S.CER C1608 JB 1E 104K-T	T	109.5/6.1
C209	4030011600	S.CER C1608 JB 1E 104K-T	T	124.1/79.9
C210	4030011600	S.CER C1608 JB 1E 104K-T	T	67.8/56.3
C211	4030011600	S.CER C1608 JB 1E 104K-T	T	107.7/61.2
C212	4510008800	S.ELE EEE1EA100SR	T	68.8/61.3
C213	4510009150	S.ELE EEE1EA470WP	T	77.8/52
C214	4510008800	S.ELE EEE1EA100SR	T	72.2/67.1
C215	4030011600	S.CER C1608 JB 1E 104K-T	T	120.9/85.8
C216	4030011600	S.CER C1608 JB 1E 104K-T	T	58.7/5.2
C217	4030011600	S.CER C1608 JB 1E 104K-T	T	108.3/83.3
C218	4510009150	S.ELE EEE1EA470WP	T	99.6/84.8
C219	4030006860	S.CER C1608 JB 1H 102K-T	T	109.8/83.3
C220	4030011600	S.CER C1608 JB 1E 104K-T	T	126.2/88.8
C221	4030011600	S.CER C1608 JB 1E 104K-T	T	103.2/55.1
C222	4030011600	S.CER C1608 JB 1E 104K-T	T	127.7/15.4
C223	4030011600	S.CER C1608 JB 1E 104K-T	T	134.7/27.7
C224	4030011600	S.CER C1608 JB 1E 104K-T	T	48.1/38.2
C225	4030011600	S.CER C1608 JB 1E 104K-T	T	119.8/61.5
C226	4030011600	S.CER C1608 JB 1E 104K-T	T	17.2/87.2
C227	4030011600	S.CER C1608 JB 1E 104K-T	T	120.9/82.9
C228	4510008800	S.ELE EEE1EA100SR	T	125.5/83.6
C229	4030011600	S.CER C1608 JB 1E 104K-T	T	7.3/65.1
C230	4030006880	S.CER C1608 JB 1H 472K-T	T	58.6/29
C231	4030011600	S.CER C1608 JB 1E 104K-T	T	47.6/17.4
C232	4030011600	S.CER C1608 JB 1E 104K-T	T	58/31.2
C241	4030011600	S.CER C1608 JB 1E 104K-T	T	118.9/80.3
C242	4030011600	S.CER C1608 JB 1E 104K-T	T	116.4/81.2
C243	4030011600	S.CER C1608 JB 1E 104K-T	T	120.2/80.3
C244	4030011600	S.CER C1608 JB 1E 104K-T	T	121.1/773
C245	4030011600	S.CER C1608 JB 1E 104K-T	T	128.4/80
C246	4030011600	S.CER C1608 JB 1E 104K-T	T	131.3/74.6
C247	4030011600	S.CER C1608 JB 1E 104K-T	T	130.1/75.9
C248	4030011600	S.CER C1608 JB 1E 104K-T	T	124.8/73
C249	4030011600	S.CER C1608 JB 1E 104K-T	T	112.1/6.1
C250	4030011600	S.CER C1608 JB 1E 104K-T	T	113.5/14.3
C251	4030011600	S.CER C1608 JB 1E 104K-T	T	112.1/7.4
C252	4030011600	S.CER C1608 JB 1E 104K-T	T	115.9/6.9
C253	4030011600	S.CER C1608 JB 1E 104K-T	T	104.1/13.5
C254	4030011600	S.CER C1608 JB 1E 104K-T	T	109.5/7.4
C255	4030011600	S.CER C1608 JB 1E 104K-T	T	104.9/8.1
C256	4030011600	S.CER C1608 JB 1E 104K-T	T	104.9/5.5
C257	4030011600	S.CER C1608 JB 1E 104K-T	T	72.8/13.4
C258	4030011600	S.CER C1608 JB 1E 104K-T	T	72.7/16.2
C259	4030011600	S.CER C1608 JB 1E 104K-T	T	80.2/19
C260	4030011600	S.CER C1608 JB 1E 104K-T	T	72.4/19.4
C261	4030011600	S.CER C1608 JB 1E 104K-T	T	76.4/28.1
C262	4030011600	S.CER C1608 JB 1E 104K-T	T	75.1/28.1
C263	4030011600	S.CER C1608 JB 1E 104K-T	T	73.3/27.3
C264	4030011600	S.CER C1608 JB 1E 104K-T	T	72.5/25.5
C265	4030011600	S.CER C1608 JB 1E 104K-T	T	20.9/52.3
C266	4030011600	S.CER C1608 JB 1E 104K-T	T	28.4/62.5
C267	4030011600	S.CER C1608 JB 1E 104K-T	T	21.6/55.8
C268	4030011600	S.CER C1608 JB 1E 104K-T	T	21.6/57.1
C601	4510008800	S.ELE EEE1EA100SR	T	29.4/86.2
C602	4030011600	S.CER C1608 JB 1E 104K-T	T	39.2/41.8
C651	4030008890	S.CER C1608 JB 1H 273K-T	T	47.9/93.5
C652	403			



[RXPLL-A UNIT]

REF NO.	ORDER NO.	DESCRIPTION	M.	H/V LOCATION
IC1	1130011530	S.IC CD74HC4094M96	T	11.9/24.1
IC2	1130009691	S.IC TC74HCT7007AF (F)	T	22.8/23.3
IC51	1180001251	S.IC TA7808F (TE16L,Q)	T	77/16.7
IC61	1180000421	S.IC TA78L05F (TE12R,F)	B	56.5/16
IC101	1140007881	S.IC TC190G08EFG0046JDZ/SC1246A	T	31.3/89.7
IC102	1130003831	S.IC TC7S04F (TE85R,F)	T	33.1/74.7
IC104	1130003831	S.IC TC7S04F (TE85R,F)	T	31.7/101.1
IC201	1130009230	S.IC LMX2306TMX/NOPB	T	27.9/38.8
IC501	1140007881	S.IC TC190G08EFG0046JDZ/SC1246A	T	31.3/142.5
IC502	1130003831	S.IC TC7S04F (TE85R,F)	T	24.8/127.4
IC503	1130003831	S.IC TC7S04F (TE85R,F)	T	31.7/154.1
IC651	1140004550	S.IC M65343FP/SC1287	T	22.6/169.2
IC652	1130003831	S.IC TC7S04F (TE85R,F)	T	13.7/163.1
IC1051	1190002010	S.IC SD5400CY <TOMO>	T	176.9/99.9
IC1081	1110006180	S.IC UPG2009TB-E3	B	151.6/85.1
IC1402	1190002110	S.IC NJG1519KC1-TE3	T	117.3/69.5
IC1403	1190002110	S.IC NJG1519KC1-TE3	T	113.4/106.3
IC1501	1110006121	S.IC DBM9A41-G-TR	T	121.2/124.5
IC1502	1110006121	S.IC DBM9A41-G-TR	T	121.2/133
IC1503	1110006100	S.IC NJM5534MD-TE1	T	138.4/151.7
IC1504	1110006100	S.IC NJM5534MD-TE1	T	119.2/151.7
IC1505	1110006190	S.IC NJM074M-TE1	T	128.8/166.9
IC1506	1110006100	S.IC NJM5534MD-TE1	T	128.8/175.6
IC1651	1130011921	S.IC TC74LXC00F (EL,F)	T	110/126.2
IC1652	1110005420	S.IC BA15532F-E2	T	139.8/175.6
IC1653	1110005100	S.IC NJM072BM-TE1	B	140/172
IC1701	1130011530	S.IC CD74HC4094M96	T	158/166.7
IC1702	1130011530	S.IC CD74HC4094M96	T	148.9/166.7
IC1703	1160000131	S.IC TD62783AFG (S,EL)	T	157.3/154.8
IC1704	1180000790	S.IC AN78L10M (E1)	B	183.2/159.8
Q1	1590001050	S.STR DTC114TUA T106	B	30.3/22.6
Q30	1530002060	S.STR 2SC4081 T106 R	T	22.3/110.9
Q41	1590000680	S.STR DTC114EUA T106	T	12.8/34.2
Q150	1560000331	S.FET 2SK210-GR (TE85R,F)	T	26.9/53
Q151	1530002280	S.STR 2SC4081 T106 S	B	33.6/57.2
Q152	1530002280	S.STR 2SC4081 T106 S	B	30.8/78.2
Q201	1590001330	S.STR DTA114EUA T106	T	29.6/34.1
Q220	1560000331	S.FET 2SK210-GR (TE85R,F)	T	72.5/33.9
Q230	1560000331	S.FET 2SK210-GR (TE85R,F)	T	72.5/46.4
Q240	1560000331	S.FET 2SK210-GR (TE85R,F)	T	72.5/58.9
Q250	1560000331	S.FET 2SK210-GR (TE85R,F)	T	72.5/71.4
Q260	1560000331	S.FET 2SK210-GR (TE85R,F)	T	72.5/83.9
Q270	1560000331	S.FET 2SK210-GR (TE85R,F)	T	72.5/95.8
Q280	1590000680	S.STR DTC114EUA T106	T	82.3/34.4
Q281	1590000680	S.STR DTC114EUA T106	T	82.3/46.9
Q282	1590000680	S.STR DTC114EUA T106	T	82.3/59.4
Q283	1590000680	S.STR DTC114EUA T106	T	82.3/71.9
Q284	1590000680	S.STR DTC114EUA T106	T	82.3/84.4
Q285	1590000680	S.STR DTC114EUA T106	T	82.3/96.4
Q301	1530003431	S.STR 2SC5226-4-TL-E	T	92.1/30.1
Q302	1530003431	S.STR 2SC5226-4-TL-E	B	89.1/42.5
Q303	1530003431	S.STR 2SC5226-4-TL-E	B	91.3/25.1
Q341	1590000680	S.STR DTC114EUA T106	T	86.3/36.7
Q351	1580000751	S.FET 3SK294 (TE85L,F)	T	92.1/56.9
Q352	1530003431	S.STR 2SC5226-4-TL-E	B	89.2/64.5
Q363	1590000680	S.STR DTC114EUA T106	T	86.8/54.3
Q364	1590001330	S.STR DTA114EUA T106	T	86.8/57.4
Q441	1590000680	S.STR DTC114EUA T106	T	86.5/73.7
Q502	1590000680	S.STR DTC114EUA T106	T	41.9/128.8
Q540	1530002060	S.STR 2SC4081 T106 R	B	58.7/141.2
Q541	1560000331	S.FET 2SK210-GR (TE85R,F)	T	68.9/142.8
Q561	1530003431	S.STR 2SC5226-4-TL-E	T	70.6/153.8
Q580	1530003431	S.STR 2SC5226-4-TL-E	T	41.7/147.4
Q591	1530003151	S.STR 2SC4673D-TD-E	T	61.7/166.5
Q592	1520000561	S.STR 2SB1123 T-TD-E	B	52/165.3
Q593	1590000680	S.STR DTC114EUA T106	B	54.8/171.2
Q680	1530002060	S.STR 2SC4081 T106 R	T	37.5/163.2
Q702	1530002601	S.STR 2SC4215-O (TE85R,F)	T	31.4/110.9
Q1001	1530003851	S.STR 2SC5551F-TD-E	B	174/9
Q1004	1590001960	S.STR XP4311 (TX)	T	150/18.8
Q1005	1590001960	S.STR XP4311 (TX)	T	145.9/18.8
Q1006	1530003851	S.STR 2SC5551F-TD-E	B	150/37.6
Q1007	1530003851	S.STR 2SC5551F-TD-E	B	176.5/42.5
Q1008	1530003851	S.STR 2SC5551F-TD-E	B	160.5/42.5
Q1101	1530003860	TR 2SC3950D		
Q1102	1590000680	S.STR DTC114EUA T106	T	165.5/133.8
Q1103	1520000561	S.STR 2SB1123 T-TD-E	B	168.6/127.8
Q1104	1530003860	TR 2SC3950D		
Q1105	1530003841	S.STR 2SC5501-4-TR-E	T	166.5/142.1
Q1205	1590001960	S.STR XP4311 (TX)	T	158.8/55.6
Q1209	1530003851	S.STR 2SC5551F-TD-E	B	121/34.9
Q1210	1530003851	S.STR 2SC5551F-TD-E	B	111.5/34.9
Q1211	1560001311	S.FET MMBFU310LT1G	T	159.5/96.4
Q1212	1560001311	S.FET MMBFU310LT1G	T	153.5/96.4
Q1213	1590000680	S.STR DTC114EUA T106	B	156.9/123.7
Q1214	1520000561	S.STR 2SB1123 T-TD-E	B	155.4/113.5
Q1301	1530003151	S.STR 2SC4673D-TD-E	T	157.8/120
Q1352	1530003851	S.STR 2SC5551F-TD-E	B	140/66.7
Q1401	1530003841	S.STR 2SC5501-4-TR-E	T	131.9/105.8
Q1402	1530003021	S.STR 2SC4402-3-TL-E	T	123.4/111.8
Q1403	1530003021	S.STR 2SC4402-3-TL-E	T	123.4/114.3
Q1501	1530003450	S.STR 2SC4835-R (TX)	T	133.5/143.5
Q1502	1530003450	S.STR 2SC4835-R (TX)	T	120.4/143.5
Q1651	1530002601	S.STR 2SC4215-O (TE85R,F)	B	105.6/140.3
Q1701	1590001960	S.STR XP4311 (TX)	T	106.6/43.9
Q1702	1590001960	S.STR XP4311 (TX)	T	148.9/147.2
Q1703	1590001960	S.STR XP4311 (TX)	T	146.4/147.2
D101	1750000520	S.DIO DAN222TL	T	41.8/86.2
D152	1720000590	S.VCP MA357 (TX)	T	17.6/59.9
D153	1790000491	S.DIO HSM88ASTR-E	T	27.2/60.4

[RXPLL-A UNIT]

REF NO.	ORDER NO.	DESCRIPTION	M.	H/V LOCATION
D154	1790000491	S.DIO HSM88ASTR-E	T	27.2/63.8
D201	1750000520	S.DIO DAN222TL	T	32.4/34.1
D220	1720000590	S.VCP MA357 (TX)	T	50.8/31.8
D221	1720000590	S.VCP MA357 (TX)	T	52.9/31.8
D222	1790000620	S.DIO MA77 (TX)	T	82.6/29.8
D230	1720000590	S.VCP MA357 (TX)	T	50.8/44.2
D231	1720000590	S.VCP MA357 (TX)	T	52.9/44.2
D232	1790000620	S.DIO MA77 (TX)	T	82.6/42.3
D240	1720000590	S.VCP MA357 (TX)	T	50.8/56.7
D241	1720000590	S.VCP MA357 (TX)	T	52.9/56.7
D242	1790000620	S.DIO MA77 (TX)	T	82.6/54.8
D250	1720000590	S.VCP MA357 (TX)	T	50.8/69.2
D252	1790000620	S.DIO MA77 (TX)	T	82.6/67.3
D261	1720000590	S.VCP MA357 (TX)	T	52.9/81.7
D262	1790000620	S.DIO MA77 (TX)	T	82.6/79.8
D270	1720000590	S.VCP MA357 (TX)	T	50.8/94.2
D271	1720000590	S.VCP MA357 (TX)	T	52.4/96.7
D272	1790000620	S.DIO MA77 (TX)	T	82.5/92
D341	1790000620	S.DIO MA77 (TX)	T	90/37.2
D342	1160000070	S.DIO DAN202K T146	B	81.1/47.7
D362	1790000620	S.DIO MA77 (TX)	T	88.3/65.5
D363	1790000620	S.DIO MA77 (TX)	T	88.3/62
D421	1790000620	S.DIO MA77 (TX)	T	91.9/85
D441	1790000620	S.DIO MA77 (TX)	T	89.6/74.4
D501	1750000520	S.DIO DAN222TL	T	42/132
D542	1720000590	S.VCP MA357 (TX)	T	62.5/139.6
D1101	1790000620	S.DIO MA77 (TX)	T	177.6/146.6
D1102	1790000620	S.DIO MA77 (TX)	T	177.6/148.4
D1351	1750000581	S.DIO 1SV307 (TPH3,F)	T	140.8/71.1
D1653	1750000550	S.DIO 1S355 TE-17	T	138.9/167.2
D1654	1750000550	S.DIO 1S355 TE-17	T	142.5/167.2
D1701	1790001670	S.DIO RB706F-40T106	T	170.5/160.8
L1	6200003261	S.COL NLV32T-101J	T	10.8/15.4
L2	6200003261	S.COL NLV32T-101J	T	29/19.9
L10	6200003950	S.COL HF50ACC 322513-T	T	38.6/14.7
L11	6200003950	S.COL HF50ACC 322513-T	T	13.8/15.4
L12	6200003950	S.COL HF50ACC 322513-T	T	16.8/15.4
L13	6200003950	S.COL HF50ACC 322513-T	T	29/15.4
L20	6200003321	S.COL NLV32T-3R3J	T	85.9/123.8
L30	6200005491	S.COL NLV32T-331J	T	20.6/120
L101	6200001831	S.COL NLV32T-100J	T	38.3/72.8
L151	6130002970	COL LB-343		
L152	6200001831	S.COL NLV32T-100J	T	30/54.5
L201	6200005011	S.COL NLV25T-100J	T	22.2/45
L211	6200003661	S.COL NLV25T-R68J	B	45.4/35.3
L220	6200010790	S.COL C2520C-3R9G-A	T	51.9/37.5
L221	6190001421	COL #E526GN-110502		
L222	6200010790	S.COL C2520C-3R9G-A	T	76.2/37.7
L230	6200010830	S.COL C2520C-3R3G-A	T	51.9/50
L231	6190001421	COL #E526GN-110502		
L232	6200010830	S.COL C2520C-3R3G-A	T	76.2/50.2
L240	6200010830	S.COL C2520C-3R3G-A	T	51.9/62.4
L241	6190001421	COL #E526GN-110502		
L242	6200010830	S.COL C2520C-3R3G-A	T	76.2/62.7
L250	6200010820	S.COL C2520C-2R7G-A	T	51.9/74.9
L251	6190001421	COL #E526GN-110502		
L252	6200010820	S.COL C2520C-2R7G-A	T	76.2/75.2
L260	6200010820	S.COL C2520C-2R7G-A	T	51.9/87.4
L261	6190001411	COL #E526GN-110501		
L262	6200010820	S.COL C2520C-2R7G-A	T	76.2/87.7
L270	6200010810	S.COL C2520C-2R2G-A	T	51.9/99.8
L271	6190001411	COL #E526GN-110501		
L272	6200010810	S.COL C2520C-2R2G-A	T	76/100.2
L280	6200005011	S.COL NLV25T-100J	T	67.4/25.5
L302	6200001831	S.COL NLV32T-100J	T	89.3/42.6
L331	6200002641	S.COL NLV25T-R15J	T	95.1/34.1
L332	6200002411	S.COL NLV25T-056J	B	93.2/36
L341	6200003261	S.COL NLV32T-101J	T	87/39.6
L351	6200001831	S.COL NLV32T-100J	T	91.3/62
L421	6200008641	S.COL NLV32T-391J	T	87/81
L441	6200002601	S.COL NLV25T-047J	T	91.9/72.3
L442	6200010730	S.COL C2520C-68NG-A	T	90.5/78.2
L451	6200002641	S.COL NLV25T-R15J	T	95/81
L452	6200003261	S.COL NLV32T-101J	T	87/78
L501	6200001831	S.COL NLV32T-100J	T	31/125.8
L530	6200003171	S.COL NLV32T-330J	T	14.6/134.9
L531	6200003171	S.COL NLV32T-330J	T	14.6/130.8
L532	6200003171	S.COL NLV32T-330J	T	15.5/127.1
L541	6200010790	S.COL C2520C-3R9G-A	T	56.3/139.6
L542	6190001421	COL #E526GN-110502		
L543	6200010790	S.COL C2520C-3R9G-A	T	68.4/147.9
L544	6200003261	S.COL NLV32T-101J	B	65.9/142.1
L545	6200003261	S.COL NLV32T-101J	B	51.3/139.6
L561	6200003261	S.COL NLV32T-101J	B	64/156
L562	6200001831	S.COL NLV32T-100J	B	74.6/151.8
L565	6150004250	COL LS-471A (C-14922)		
L566	6150004250	COL LS-471A (C-14922)		
L591	6200007790	S.COL LQW2BHN15J03L	T	60.5/171.5
L651	6200001831	S.COL NLV32T-100J	T	

[RXPLL-A UNIT]

REF NO.	ORDER NO.	DESCRIPTION	M.	H/V LOCATION
L1009	6190001650	COL ELC06D102E		
L1010	6140003880	COL LR-486		
L1011	6140003880	COL LR-486		
L1012	6140003800	COL LR-439		
L1013	6200010680	S.COL C2520C-R22G-A (0.22U)	T	155/55.2
L1014	6200010680	S.COL C2520C-R22G-A (0.22U)	T	157.9/12.4
L1015	6200007790	S.COL LQW2BHN15J03L	B	163.5/27.5
L1052	6200010740	S.COL C2520C-R27G-A	T	177.8/74.6
L1053	6200010740	S.COL C2520C-R27G-A	T	173.8/73.5
L1054	6200010740	S.COL C2520C-R27G-A	T	169.4/72.6
L1055	6140003960	COL LR-495		
L1056	6200010730	S.COL C2520C-68NG-A	T	171/83.8
L1058	6190001631	COL #E544EN-100021		
L1060	6200010730	S.COL C2520C-68NG-A	T	149.1/76.4
L1062	6200011450	S.COL C2520C-R39G-A	T	145.1/81.4
L1063	6200010650	S.COL C2520C-R12G-A (0.12U)	T	140.9/82.5
L1071	6200007780	S.COL LQW2BHN12J03L	B	164.9/79.2
L1072	6200007780	S.COL LQW2BHN12J03L	B	168/76.1
L1091	6200003950	S.COL HF50ACC 322513-T	B	171/149
L1092	6200003950	S.COL HF50ACC 322513-T	T	149.7/136.5
L1093	6200003950	S.COL HF50ACC 322513-T	T	157/135.2
L1101	6140003920	COL LR-491		
L1102	6200010650	S.COL C2520C-R12G-A (0.12U)	T	176.9/117.9
L1103	6180001250	COL LAL 04NA 3R3K		
L1104	6200010870	S.COL C2520C-R33G-A (0.33U)	T	178.3/135.9
L1105	6140003910	COL LR-490		
L1151	6140004640	COL LR-519		
L1201	6200007780	S.COL LQW2BHN12J03L	B	119.3/17.4
L1208	6140003800	COL LR-439		
L1209	6200001831	S.COL NLV32T-100J	T	121.1/20.8
L1210	6140004440	COL LR-503		
L1211	6200009690	S.COL LQH43CN101K03L	T	115.7/34.6
L1212	6200001831	S.COL NLV32T-100J	T	106.8/20.8
L1213	6140004440	COL LR-503		
L1214	6200009690	S.COL LQH43CN101K03L	T	105.9/34.8
L1216	6140003800	COL LR-439		
L1217	6200007750	S.COL LQW2BHN56NJ03L	T	147.9/63.7
L1218	6200007770	S.COL LQW2BHN10J03L	T	153.3/65.1
L1219	6200007790	S.COL LQW2BHN15J03L	T	153.2/68.4
L1220	6140000930	COL LR-116		
L1221	6200003261	S.COL NLV32T-101J	B	149.5/110.9
L1222	6150001770	COL LS-198		
L1223	6200007750	S.COL LQW2BHN56NJ03L	B	151.3/100.7
L1228	6200010870	S.COL C2520C-R33G-A (0.33U)	T	158.7/71.3
L1229	6200003950	S.COL HF50ACC 322513-T	B	164.7/11.5
L1301	6200008090	S.COL LQW2BHN68NJ03L	T	157.1/111.9
L1302	6200008090	S.COL LQW2BHN68NJ03L	T	156.4/115.5
L1303	6200008090	S.COL LQW2BHN68NJ03L	T	153.4/117.5
L1304	6200010870	S.COL C2520C-R33G-A (0.33U)	T	153.8/123
L1305	6200003001	S.COL NLV32T-R22J	T	159.2/124.5
L1306	6200001831	S.COL NLV32T-100J	B	152.7/118.6
L1307	6200003001	S.COL NLV32T-R22J	T	153.3/112
L1351	6200001831	S.COL NLV32T-100J	T	143/76.4
L1353	6200010740	S.COL C2520C-R27G-A	T	141.6/67.5
L1354	6200001831	S.COL NLV32T-100J	T	136.4/68
L1401	6150004280	COL LS-484B (C-14927)		
L1402	6150004280	COL LS-484B (C-14927)		
L1403	6150004280	COL LS-484B (C-14927)		
L1404	6150004280	COL LS-484B (C-14927)		
L1405	6200007770	S.COL LQW2BHN10J03L	B	112.5/111.4
L1406	6200007750	S.COL LQW2BHN56NJ03L	B	116.6/111.4
L1407	6140003930	COL LR-492		
L1408	6190001621	COL #E544EN-100028		
L1409	6200003191	S.COL NLV32T-470J	B	135.8/125.4
L1410	6150004280	COL LS-484B (C-14927)		
L1411	6150004280	COL LS-484B (C-14927)		
L1501	6200003520	S.COL ELJFB 102K-F	T	142.1/145.1
L1652	6200002520	S.COL ELJNC R18K-F	T	112.9/133.1
L1653	6200001831	S.COL NLV32T-100J	B	105.4/124.6
L1654	6200001831	S.COL NLV32T-100J	B	112.4/141.9
L1655	6200001831	S.COL NLV32T-100J	B	124.7/139.8
L1701	6200001831	S.COL NLV32T-100J	T	167/160
L1702	6200003950	S.COL HF50ACC 322513-T	T	175.6/169.8
L1703	6200003950	S.COL HF50ACC 322513-T	T	172.6/169.8
L1704	6200003950	S.COL HF50ACC 322513-T	T	169.6/169.8
L1705	6200003950	S.COL HF50ACC 322513-T	T	165.5/169.8
L1803	6200003950	S.COL HF50ACC 322513-T	B	132/54.8
L1804	6200003950	S.COL HF50ACC 322513-T	B	118/154.8
L1805	6200003950	S.COL HF50ACC 322513-T	B	155.2/132
L1807	6200003950	S.COL HF50ACC 322513-T	B	118/151.3
L1808	6200003950	S.COL HF50ACC 322513-T	B	141.3/162
L1809	6200003950	S.COL HF50ACC 322513-T	B	149.5/115.6
R1	7030005871	S.RES ERA3YKD 104V (100 k)	T	32.5/19.2
R2	7030005321	S.RES ERA3YED 103V (10 k)	T	31.2/19.2
R3	7030003550	S.RES ERJ3GEYJ 822 V (8.2 k)	T	16.9/23.5
R4	7030003550	S.RES ERJ3GEYJ 822 V (8.2 k)	T	16.9/24.8
R5	7030003550	S.RES ERJ3GEYJ 822 V (8.2 k)	T	13.3/31.3
R6	7030003550	S.RES ERJ3GEYJ 822 V (8.2 k)	T	13.3/30
R7	7030003500	S.RES ERJ3GEYJ 332 V (3.3 k)	B	26.7/12.9
R8	7030003470	S.RES ERJ3GEYJ 182 V (1.8 k)	B	28.2/14.6
R9	7030003680	S.RES ERJ3GEYJ 104 V (100 k)	T	27.5/10.6
R10	7030003360	S.RES ERJ3GEYJ 221 V (220)	T	19/16
R11	7030003360	S.RES ERJ3GEYJ 221 V (220)	T	20.3/16
R12	7030003360	S.RES ERJ3GEYJ 221 V (220)	T	22.4/16
R13	7030003360	S.RES ERJ3GEYJ 221 V (220)	T	23.7/16
R14	7030003360	S.RES ERJ3GEYJ 221 V (220)	T	25/16
R15	7030003360	S.RES ERJ3GEYJ 221 V (220)	T	26.4/16.2
R16	7030003360	S.RES ERJ3GEYJ 221 V (220)	T	32.5/15.4
R17	7030003360	S.RES ERJ3GEYJ 221 V (220)	T	33.8/15.4
R30	7030003240	S.RES ERJ3GEYJ 220 V (22)	T	21.7/113.7
R31	7030003600	S.RES ERJ3GEYJ 223 V (22 k)	T	20.4/111.1
R32	7030003320	S.RES ERJ3GEYJ 101 V (100)	T	23/113.7

[RXPLL-A UNIT]

REF NO.	ORDER NO.	DESCRIPTION	M.	H/V LOCATION
R33	7030003340	S.RES ERJ3GEYJ 151 V (150)	T	19.1/115
R51	7030011030	S.RES ERJ1TYJ 270U (27)	T	66.3/13.9
R61	7030011030	S.RES ERJ1TYJ 270U (27)	T	45.1/13.9
R101	7030003740	S.RES 330K ERJ3GE	T	34.1/101.5
R103	7030007230	S.RES ERA3YED 102V (1 k)	T	25.1/100.3
R104	7030007230	S.RES ERA3YED 102V (1 k)	T	26.4/100.3
R105	7030007230	S.RES ERA3YED 102V (1 k)	T	27.8/100.3
R106	7030003360	S.RES ERJ3GEYJ 221 V (220)	T	29.1/100.3
R107	7030003320	S.RES ERJ3GEYJ 101 V (100)	T	38/101.5
R108	7030007230	S.RES ERA3YED 102V (1 k)	T	28.9/79
R109	7030007230	S.RES ERA3YED 102V (1 k)	T	41.9/84.5
R110	7030007220	S.RES ERA3YED 202V (2 k)	T	14.6/100.5
R111	7030007220	S.RES ERA3YED 202V (2 k)	T	17.2/100.5
R112	7030007220	S.RES ERA3YED 202V (2 k)	T	17.2/99.2
R113	7030007220	S.RES ERA3YED 202V (2 k)	T	17.2/97.9
R114	7030007220	S.RES ERA3YED 202V (2 k)	T	17.2/96.6
R115	7030007220	S.RES ERA3YED 202V (2 k)	T	17.2/95.2
R116	7030007220	S.RES ERA3YED 202V (2 k)	T	17.2/93.9
R117	7030007220	S.RES ERA3YED 202V (2 k)	T	17.2/92.6
R118	7030007200	S.RES ERA3YEB 202V (2 k)	T	17.2/91.3
R119	7030007200	S.RES ERA3YEB 202V (2 k)	T	17.2/89.6
R120	7030007200	S.RES ERA3YEB 202V (2 k)	T	17.2/87
R121	7030007200	S.RES ERA3YEB 202V (2 k)	T	17.2/84.4
R122	7030007200	S.RES ERA3YEB 202V (2 k)	T	17.2/81.8
R123	7030007230	S.RES ERA3YED 102V (1 k)	T	14.6/99.2
R124	7030007230	S.RES ERA3YED 102V (1 k)	T	14.6/97.9
R125	7030007230	S.RES ERA3YED 102V (1 k)	T	14.6/96.6
R126	7030007230	S.RES ERA3YED 102V (1 k)	T	14.6/95.2
R127	7030007230	S.RES ERA3YED 102V (1 k)	T	14.6/93.9
R128	7030007230	S.RES ERA3YED 102V (1 k)	T	14.6/92.6
R129	7030007210	S.RES ERA3YEB 102V (1 k)	T	14.6/91.3
R130	7030007210	S.RES ERA3YEB 102V (1 k)	T	14.6/89.6
R131	7030007210	S.RES ERA3YEB 102V (1 k)	T	14.6/88.3
R132	7030007210	S.RES ERA3YEB 102V (1 k)	T	14.6/87
R133	7030007210	S.RES ERA3YEB 102V (1 k)	T	14.6/85.7
R134	7030009861	S.RES ERA3YED 471V (470)	T	14.6/84.4
R135	7030003860	S.RES ERJ3GE JPW V	T	30.4/75.2
R136	7030003800	S.RES ERJ3GEYJ 105 V (1 M)	T	33/77.1
R137	7030003200	S.RES ERJ3GEYJ 100 V (10)	T	35.5/70.8
R138	7030003860	S.RES ERJ3GE JPW V	T	16.8/78.6
R139	7030003860	S.RES ERJ3GE JPW V	T	17.6/75.8
R150	7030003330	S.RES ERJ3GEYJ 121 V (120)	B	37.8/86.2
R151	7030003220	S.RES ERJ3GEYJ 150 V (15)	B	38.6/88.1
R152	7030005871	S.RES ERA3YKD 104V (100 k)	B	36.2/82.5
R153	7030005321	S.RES ERA3YED 103V (10 k)	T	19.2/62.7
R154	7030003320	S.RES ERJ3GEYJ 101 V (100)	B	26.3/54.1
R155	7030003350	S.RES ERJ3GEYJ 181 V (180)	B	23/54.1
R156	7030005871	S.RES ERA3YKD 104V (100 k)	T	24.6/53.1
R157	7030005871	S.RES ERA3YKD 104V (100 k)	T	26.9/58
R158	7030003340	S.RES ERJ3GEYJ 151 V (150)	T	30/57.3
R159	7030003320	S.RES ERJ3GEYJ 101 V (100)	B	33.6/61.4
R160	7030003360	S.RES ERJ3GEYJ 221 V (220)	B	33.6/59.6
R161	7030003640	S.RES ERJ3GEYJ 473 V (47 k)	B	33.6/54.8
R163	7030003220	S.RES ERJ3GEYJ 150 V (15)	B	30.2/56.6
R164	7030003310	S.RES ERJ3GEYJ 820 V (82)	B	34.1/70.4
R165	7030003320	S.RES ERJ3GEYJ 101 V (100)	B	30.8/70.4
R166	7030003320	S.RES ERJ3GEYJ 101 V (100)	B	30.8/72.2
R167	7030003240	S.RES ERJ3GEYJ 220 V (22)	B	37.4/75.8
R168	7030003360	S.RES ERJ3GEYJ 221 V (220)	B	34.1/75.8
R169	7030003640	S.RES ERJ3GEYJ 473 V (47 k)	B	30.8/75.8
R202	7030007230	S.RES ERA3YED 102V (1 k)	T	22.2/39.7
R203	7030007230	S.RES ERA3YED 102V (1 k)	T	22.2/38.4
R204	7030003360	S.RES ERJ3GEYJ 221 V (220)	T	22.2/37.1
R205	7030005321	S.RES ERA3YED 103V (10 k)	T	27.4/34
R206	7030003220	S.RES ERJ3GEYJ 150 V (15)	T	31.1/45.7
R210	7030005351	S.RES ERA3YED 182V (1.8 k)	T	35.6/37.5
R217	7030009651	S.RES ERA3YHD 820V (82)	B	40.4/42.8
R219	7030009691	S.RES ERA3YED 101V (100)	B	40/35.7
R220	7030005871	S.RES ERA3YKD 104V (100 k)	T	73.2/37.6
R221	7030005871	S.RES ERA3YKD 104V (100 k)	T	72.3/30.9
R222	7030003400	S.RES ERJ3GEYJ 471 V (470)	T	81.4/38.3
R223	7030007230	S.RES ERA3YED 102V (1 k)	T	81.9/31.9
R224	7030003320	S.RES ERJ3GEYJ 101 V (100)	T	73.2/40.2
R230	7030005871	S.RES ERA3YKD 104V (100 k)	T	73.2/50.1
R231	7030005871	S.RES ERA3YKD 104V (100 k)	T	72.3/43.3
R232	7030003360	S.RES ERJ3GEYJ 221 V (220)	T	81.4/50.8
R233	7030007230	S.RES ERA3YED 102V (1 k)	T	81.9/44.4
R234	7030003320	S.RES ERJ3GEYJ 101 V (100)	T	73.2/52.7
R240	7030005871	S.RES ERA3YKD 104V (100 k)	T	73.2/62.6
R241	7030005871	S.RES ERA3YKD 104V (100 k)	T	72.3/55.8
R242	7030003360	S.RES ERJ3GEYJ 221 V (220)	T	81.4/63.3
R243	7030007230	S.RES ERA3YED 102V (1 k)	T	81.9/56.9
R244	7030003320	S.RES ERJ3GEYJ 101 V (100)	T	73.2/65.2
R250	7030005871	S.RES ERA3YKD 104V (100 k)	T	73.2/75.1
R251	7030005871	S.RES ERA3YKD 104V (100 k)	T	72.3/68.4
R252	7030003360	S.RES ERJ3GEYJ 221 V (220)		



[RXPLL-A UNIT]

REF NO.	ORDER NO.	DESCRIPTION	M.	H/V LOCATION
R307	7030009841	S.RES ERA3YHD 330V (33)	T	92.1/32.2
R308	7030009851	S.RES ERA3YED 271V (270)	B	92.6/43.4
R309	7030003540	S.RES ERJ3GEYJ 682 V (6.8 k)	B	89.1/47
R310	7030003500	S.RES ERJ3GEYJ 332 V (3.3 k)	B	92.6/47
R311	7030003350	S.RES ERJ3GEYJ 181 V (180)	B	89.1/45.2
R312	7030003360	S.RES ERJ3GEYJ 221 V (220)	B	92.4/27.8
R313	7030003490	S.RES ERJ3GEYJ 272 V (2.7 k)	B	91.1/23.1
R314	7030003510	S.RES ERJ3GEYJ 392 V (3.9 k)	B	88.3/23.1
R315	7030003360	S.RES ERJ3GEYJ 221 V (220)	B	87.5/25.1
R316	7030003280	S.RES ERJ3GEYJ 470 V (47)	B	78.3/26.1
R317	7030006220	S.RES ERJ12YJ470U (47)	B	90/31.4
R318	7030009841	S.RES ERA3YHD 330V (33)	B	92.6/41.6
R341	7030007230	S.RES ERA3YED 102V (1 k)	T	92.1/40.1
R342	7030005321	S.RES ERA3YED 103V (10 k)	T	86.5/32.2
R343	7030007230	S.RES ERA3YED 102V (1 k)	T	89.3/34.8
R351	7030003200	S.RES ERJ3GEYJ 100 V (10)	B	89.1/52.4
R352	7030010980	S.RES ERA3YHD 470V (47)	T	89.3/55.8
R353	7030009591	S.RES ERA3YED 472V (4.7 k)	T	89.3/54.5
R354	7030009591	S.RES ERA3YED 472V (4.7 k)	T	89.3/50.4
R355	7030009591	S.RES ERA3YED 472V (4.7 k)	T	89.3/53.2
R356	7030003320	S.RES ERJ3GEYJ 101 V (100)	T	89.3/57.1
R357	7310005580	S.TRI TMC3ADCS3X 4.7K	T	93.6/52.7
R358	7030010980	S.RES ERA3YHD 470V (47)	T	94.9/56.4
R359	7030003320	S.RES ERJ3GEYJ 101 V (100)	T	94.9/59
R360	7030003320	S.RES ERJ3GEYJ 101 V (100)	B	92.6/63.9
R361	7030003490	S.RES ERJ3GEYJ 272 V (2.7 k)	B	89.2/62.1
R362	7030003510	S.RES ERJ3GEYJ 392 V (3.9 k)	B	92.6/60.3
R363	7030003320	S.RES ERJ3GEYJ 101 V (100)	B	92.6/65.7
R364	7030003410	S.RES ERJ3GEYJ 561 V (560)	T	94.9/82.9
R365	7030007860	S.RES ERJ3GEYJ 8R2V (8.2)	T	92/83.4
R366	7030003410	S.RES ERJ3GEYJ 561 V (560)	T	94.9/84.2
R368	7030005321	S.RES ERA3YED 103V (10 k)	B	86.1/59.6
R369	7030008240	S.RES ERJ12YR000U	B	95.3/57.1
R421	7030007230	S.RES ERA3YED 102V (1 k)	T	92.1/87.8
R425	7030003410	S.RES ERJ3GEYJ 561 V (560)	T	90.1/81.6
R427	7030003320	S.RES ERJ3GEYJ 101 V (100)	B	86.8/87.3
R428	7030009861	S.RES ERA3YED 471V (470)	B	92.1/88
R441	7030007230	S.RES ERA3YED 102V (1 k)	T	92.1/75.5
R442	7030005321	S.RES ERA3YED 103V (10 k)	T	88.9/70.9
R443	7030007230	S.RES ERA3YED 102V (1 k)	T	88.9/72.2
R501	7030003360	S.RES ERJ3GEYJ 221 V (220)	T	29.2/153.1
R502	7030007230	S.RES ERA3YED 102V (1 k)	T	27.9/153.1
R503	7030007230	S.RES ERA3YED 102V (1 k)	T	26.5/153.1
R504	7030007230	S.RES ERA3YED 102V (1 k)	T	25.2/153.1
R506	7030003800	S.RES ERJ3GEYJ 105 V (1 M)	T	34/154.5
R509	7030007230	S.RES ERA3YED 102V (1 k)	T	42.5/136
R510	7030007220	S.RES ERA3YED 202V (2 k)	T	14.6/153.6
R511	7030007220	S.RES ERA3YED 202V (2 k)	T	17.2/153.6
R512	7030007220	S.RES ERA3YED 202V (2 k)	T	17.2/152.3
R513	7030007220	S.RES ERA3YED 202V (2 k)	T	17.2/151
R514	7030007220	S.RES ERA3YED 202V (2 k)	T	17.2/149.7
R515	7030007220	S.RES ERA3YED 202V (2 k)	T	17.2/148.3
R516	7030007220	S.RES ERA3YED 202V (2 k)	T	17.2/147
R517	7030007220	S.RES ERA3YED 202V (2 k)	T	17.2/145.7
R518	7030007200	S.RES ERA3YEB 202V (2 k)	T	17.2/144.4
R519	7030007200	S.RES ERA3YEB 202V (2 k)	T	17.2/142.7
R520	7030007200	S.RES ERA3YEB 202V (2 k)	T	17.2/141.4
R521	7030007200	S.RES ERA3YEB 202V (2 k)	T	17.2/140.1
R522	7030007200	S.RES ERA3YEB 202V (2 k)	T	17.2/138.8
R523	7030007230	S.RES ERA3YED 102V (1 k)	T	14.6/152.3
R524	7030007230	S.RES ERA3YED 102V (1 k)	T	14.6/151
R525	7030007230	S.RES ERA3YED 102V (1 k)	T	14.6/149.7
R526	7030007230	S.RES ERA3YED 102V (1 k)	T	14.6/148.3
R527	7030007230	S.RES ERA3YED 102V (1 k)	T	14.6/147
R528	7030007230	S.RES ERA3YED 102V (1 k)	T	14.6/145.7
R529	7030007210	S.RES ERA3YEB 102V (1 k)	T	14.6/144.4
R530	7030007210	S.RES ERA3YEB 102V (1 k)	T	14.6/142.7
R531	7030007210	S.RES ERA3YEB 102V (1 k)	T	14.6/141.4
R532	7030007210	S.RES ERA3YEB 102V (1 k)	T	14.6/140.1
R533	7030007210	S.RES ERA3YEB 102V (1 k)	T	14.6/138.8
R534	7030003860	S.RES ERJ3GE JPW V	T	22.2/127.6
R535	7030003800	S.RES ERJ3GEYJ 105 V (1 M)	T	24.8/129.8
R536	7030003200	S.RES ERJ3GEYJ 100 V (10)	T	28/128.3
R537	7030007230	S.RES ERA3YED 102V (1 k)	T	30.3/131.9
R538	7030003360	S.RES ERJ3GEYJ 221 V (220)	B	34.8/146.5
R540	7030007230	S.RES ERA3YED 102V (1 k)	T	33.2/142.8
R544	7030005871	S.RES ERA3YKD 104V (100 k)	T	69.4/140.4
R545	7030005871	S.RES ERA3YKD 104V (100 k)	T	69.4/139.1
R546	7030009861	S.RES ERA3YED 471V (470)	T	67.4/150.7
R548	7030009591	S.RES ERA3YED 472V (4.7 k)	B	43.4/136.5
R550	7030009691	S.RES ERA3YED 101V (100)	B	43.4/134.7
R554	7030009891	S.RES ERA3YED 151V (150)	B	47.2/133.9
R555	7030003380	S.RES ERJ3GEYJ 331 V (330)	B	61.9/142.1
R556	7030005981	S.RES ERA3YED 333V (33 k)	B	44.2/128.2
R561	7030003200	S.RES ERJ3GEYJ 100 V (10)	T	71.3/148.5
R562	7030003360	S.RES ERJ3GEYJ 221 V (220)	T	65.7/155.5
R563	7030003490	S.RES ERJ3GEYJ 272 V (2.7 k)	T	70.4/151.9
R564	7030003510	S.RES ERJ3GEYJ 392 V (3.9 k)	T	70.4/150.6
R565	7030003360	S.RES ERJ3GEYJ 221 V (220)	T	67/155.5
R570	7030003230	S.RES ERJ3GEYJ 180 V (18)	T	63.1/155.5
R571	7030003230	S.RES ERJ3GEYJ 180 V (18)	T	58.5/155
R572	7030003290	S.RES ERJ3GEYJ 560 V (56)	B	57.2/156.3
R580	7030009861	S.RES ERA3YED 471V (470)	T	41.9/153.7
R581	7030003360	S.RES ERJ3GEYJ 221 V (220)	T	41.9/145.5
R582	7030003600	S.RES ERJ3GEYJ 223 V (22 k)	T	41.9/149.5
R591	7030003320	S.RES ERJ3GEYJ 101 V (100)	T	58.2/169.9
R592	7030005321	S.RES ERA3YED 103V (10 k)	T	58.5/167.9
R593	7030003480	S.RES ERJ3GEYJ 222 V (2.2 k)	T	58.5/165.1
R594	7030003320	S.RES ERJ3GEYJ 101 V (100)	B	61.9/168.1
R595	7030003640	S.RES ERJ3GEYJ 473 V (47 k)	B	55.9/165.3
R596	7030003540	S.RES ERJ3GEYJ 682 V (6.8 k)	B	54.7/168.9
R651	7030007230	S.RES ERA3YED 102V (1 k)	B	23.5/177.1
R652	7030003360	S.RES ERJ3GEYJ 221 V (220)	T	13.5/170.8
R653	7030007230	S.RES ERA3YED 102V (1 k)	T	13.5/169.5

[RXPLL-A UNIT]

REF NO.	ORDER NO.	DESCRIPTION	M.	H/V LOCATION
R654	7030007230	S.RES ERA3YED 102V (1 k)	T	13.5/168.2
R656	7030003800	S.RES ERJ3GEYJ 105 V (1 M)	T	13.4/165.6
R657	7030003320	S.RES ERJ3GEYJ 101 V (100)	T	20.2/161.4
R661	7030007220	S.RES ERA3YED 202V (2 k)	T	31.7/162.8
R662	7030007220	S.RES ERA3YED 202V (2 k)	T	31.7/164.1
R663	7030007220	S.RES ERA3YED 202V (2 k)	T	31.7/165.4
R664	7030007220	S.RES ERA3YED 202V (2 k)	T	31.7/166.7
R665	7030007220	S.RES ERA3YED 202V (2 k)	T	31.7/168
R666	7030007220	S.RES ERA3YED 202V (2 k)	T	31.7/169.3
R667	7030007220	S.RES ERA3YED 202V (2 k)	T	31.7/170.6
R668	7030007220	S.RES ERA3YED 202V (2 k)	T	31.7/171.9
R669	7030007200	S.RES ERA3YEB 202V (2 k)	T	31.7/173.2
R670	7030007200	S.RES ERA3YEB 202V (2 k)	T	31.7/174.5
R671	7030007200	S.RES ERA3YEB 202V (2 k)	T	31.7/175.8
R673	7030007230	S.RES ERA3YED 102V (1 k)	T	34.3/165.4
R674	7030007230	S.RES ERA3YED 102V (1 k)	T	34.3/166.7
R675	7030007230	S.RES ERA3YED 102V (1 k)	T	34.3/168
R676	7030007230	S.RES ERA3YED 102V (1 k)	T	34.3/169.3
R677	7030007230	S.RES ERA3YED 102V (1 k)	T	34.3/170.6
R678	7030007230	S.RES ERA3YED 102V (1 k)	T	34.3/171.9
R679	7030007210	S.RES ERA3YEB 102V (1 k)	T	34.3/173.2
R680	7030007210	S.RES ERA3YEB 102V (1 k)	T	34.3/174.5
R681	7030007210	S.RES ERA3YEB 102V (1 k)	T	34.3/175.8
R685	7030003460	S.RES ERJ3GEYJ 152 V (1.5 k)	T	38.4/169.7
R686	7030003320	S.RES ERJ3GEYJ 101 V (100)	T	40.3/163.4
R687	7030003470	S.RES ERJ3GEYJ 182 V (1.8 k)	T	37.4/165.1
R688	7030003480	S.RES ERJ3GEYJ 222 V (2.2 k)	T	34.3/162.8
R689	7030003360	S.RES ERJ3GEYJ 221 V (220)	T	33.6/161.5
R690	7030009851	S.RES ERA3YED 271V (270)	T	46.4/165.3
R691	7030003230	S.RES ERJ3GEYJ 180 V (18)	T	48.4/164.8
R692	7030009851	S.RES ERA3YED 271V (270)	T	46.4/166.6
R704	7030009841	S.RES ERA3YHD 330V (33)	T	30.8/113.7
R705	7030003600	S.RES ERJ3GEYJ 102 V (22 k)	T	29.5/113.7
R706	7030005321	S.RES ERA3YED 103V (10 k)	T	28.2/113.7
R707	7030009861	S.RES ERA3YED 471V (470)	T	30.8/108.1
R708	7030003410	S.RES ERJ3GEYJ 561 V (560)	T	43.3/118.8
R709	7030007860	S.RES ERJ3GEYJ 8R2V (8.2)	T	43.3/116
R710	7030003410	S.RES ERJ3GEYJ 561 V (560)	T	43.8/121.1
R711	7030003320	S.RES ERJ3GEYJ 101 V (100)	T	37.9/154.5
R1000	7030003320	S.RES ERJ3GEYJ 101 V (100)	B	177.1/11.2
R1003	7030010980	S.RES ERA3YHD 470V (47)	T	162/13.4
R1004	7030007230	S.RES ERA3YED 102V (1 k)	B	166.4/12.9
R1005	7030003350	S.RES ERJ3GEYJ 822 V (8.2 k)	T	144/26.1
R1006	7030007230	S.RES ERA3YED 102V (1 k)	T	145.3/26.1
R1007	7030004030	S.RES ERJ3GEYJ 5R6 V (5.6)	B	153.7/33.6
R1008	7030003240	S.RES ERJ3GEYJ 220 V (22)	T	144/36.4
R1009	7030010980	S.RES ERA3YHD 470V (47)	T	182.4/29.3
R1010	7030010980	S.RES ERA3YHD 470V (47)	T	154.5/33.2
R1013	7030007230	S.RES ERA3YED 102V (1 k)	B	172.7/40.8
R1014	7030007230	S.RES ERA3YED 102V (1 k)	B	156.7/40.8
R1015	7030003530	S.RES ERJ3GEYJ 562 V (5.6 k)	B	172.7/45.4
R1016	7030003530	S.RES ERJ3GEYJ 562 V (5.6 k)	B	156.7/45.4
R1017	7030003530	S.RES ERJ3GEYJ 562 V (5.6 k)	B	169.7/12.9
R1020	7030003390	S.RES ERJ3GEYJ 391 V (390)	T	179.6/18.3
R1021	7030003220	S.RES ERJ3GEYJ 150 V (15)	T	177/19.4
R1022	7030003390	S.RES ERJ3GEYJ 391 V (390)	T	180.9/19.4
R1023	7030010980	S.RES ERA3YHD 470V (47)	B	149.3/33.5
R1024	7030003200	S.RES ERJ3GEYJ 100 V (10)	B	150.1/31.4
R1025	7030003300	S.RES ERJ3GEYJ 680 V (68)	T	178.3/19.4
R1026	7030003480	S.RES ERJ3GEYJ 222 V (2.2 k)	B	171.2/14.2
R1027	7030003200	S.RES ERJ3GEYJ 100 V (10)	B	176.5/38.3
R1028	7030003200	S.RES ERJ3GEYJ 100 V (10)	B	160.5/38.3
R1029	7030010980	S.RES ERA3YHD 470V (47)	B	178.2/46.1
R1030	7030010980	S.RES ERA3YHD 470V (47)	B	162.2/46.1
R1051	7030003800	S.RES ERJ3GEYJ 105 V (1 M)	T	178.6/93.1
R1054	7030011500	S.RES ERA3YHD 270V (27)	T	149.1/83.2
R1055	7030000010	S.RES MCR10EZJH JPW (000)	T	162.1/76.6
R1056	7030000010	S.RES MCR10EZJH JPW (000)	T	177.5/71.1
R1071	7030010980	S.RES ERA3YHD 470V (47)	B	165.9/76.4
R1072	7030000010	S.RES MCR10EZJH JPW (000)	T	133.9/84.1
R1073	7030000010	S.RES MCR10EZJH JPW (000)	T	135.5/85.7
R1101	73100040860	S.TRI EVM-3YSX50 B53 (502)	T	180.1/90.2
R1102	7030005871	S.RES ERA3YKD 104V (100 k)	B	180.2/100.6
R1103	7030007680	S.RES ERJ8ENF 47R0V (47)	T	181.7/104.7
R1104	7030007680	S.RES ERJ8ENF 47R0V (47)	T	173.6/107.2
R1105	7030003500	S.RES ERJ3GEYJ 332 V (3.3 k)	T	



[RXPLL-A UNIT]

REF NO.	ORDER NO.	DESCRIPTION	M.	H/V LOCATION
R1151	7030003280	S.RES ERJ3GEYJ 470 V (47)	T	134.8/63.9
R1152	7030003280	S.RES ERJ3GEYJ 470 V (47)	B	117.2/56.3
R1203	7030000010	S.RES MCR10EZHH JPW (000)	T	157.5/74.9
R1211	7030003860	S.RES ERJ3GE JPW V	T	117.6/7.8
R1212	7030003860	S.RES ERJ3GE JPW V	T	124.8/51.1
R1213	7030003200	S.RES ERJ3GEYJ 100 V (10)	B	118.8/25
R1214	7030003200	S.RES ERJ3GEYJ 100 V (10)	B	109/25
R1216	7030010980	S.RES ERA3YHD 470V (47)	B	120.7/31.6
R1217	7030010980	S.RES ERA3YHD 470V (47)	B	111.2/31.6
R1220	7030010980	S.RES ERA3YHD 470V (47)	T	118.7/17.3
R1221	7030007230	S.RES ERA3YED 102V (1 k)	T	116.4/39.9
R1222	7030003530	S.RES ERJ3GEYJ 562 V (5.6 k)	T	116.4/38.6
R1223	7030010980	S.RES ERA3YHD 470V (47)	T	109.3/17.1
R1224	7030007230	S.RES ERA3YED 102V (1 k)	T	106.6/39.9
R1225	7030003530	S.RES ERJ3GEYJ 562 V (5.6 k)	T	106.6/38.6
R1226	7030003410	S.RES ERJ3GEYJ 561 V (560)	T	158.9/92.9
R1227	7030003410	S.RES ERJ3GEYJ 561 V (560)	T	154/92.9
R1228	7310004860	S.TRI EVM-3YXS50 B53 (502)	T	156.4/92.9
R1229	7030003480	S.RES ERJ3GEYJ 222 V (2.2 k)	B	156.1/117.4
R1230	7030003480	S.RES ERJ3GEYJ 222 V (2.2 k)	B	156.1/119.2
R1231	7030003480	S.RES ERJ3GEYJ 222 V (2.2 k)	B	156.1/121
R1232	7030003600	S.RES ERJ3GEYJ 223 V (2.2 k)	T	156.3/97.5
R1233	7030010980	S.RES ERA3YHD 470V (47)	B	152.5/109.4
R1301	7030010980	S.RES ERA3YHD 470V (47)	B	155.7/97.5
R1302	7030003860	S.RES ERJ3GE JPW V	T	159.3/116.8
R1304	7030003620	S.RES ERJ3GEYJ 333 V (33 k)	T	156.5/123.2
R1306	7030006230	S.RES ERJ12YJ151U (150)	B	153.8/124.8
R1307	7030003300	S.RES ERJ3GEYJ 680 V (68)	T	156.5/128.4
R1311	7030000010	S.RES MCR10EZHH JPW (000)	T	140.3/98.8
R1312	7030000010	S.RES MCR10EZHH JPW (000)	T	143.2/104.1
R1313	7030000010	S.RES MCR10EZHH JPW (000)	T	143.2/101.5
R1357	7030007230	S.RES ERA3YED 102V (1 k)	B	140.7/70.4
R1358	7030003530	S.RES ERJ3GEYJ 562 V (5.6 k)	B	142.8/70.4
R1359	7030010980	S.RES ERA3YHD 470V (47)	T	139.4/64.7
R1360	7030007230	S.RES ERA3YED 102V (1 k)	B	146.4/67.1
R1361	7030003380	S.RES ERJ3GEYJ 331 V (330)	T	139.3/68.8
R1362	7030005871	S.RES ERA3YKD 104V (100 k)	B	144.6/70.4
R1401	7030003200	S.RES ERJ3GEYJ 100 V (10)	T	131.5/103.3
R1402	7030003300	S.RES ERJ3GEYJ 680 V (68)	T	126.4/111
R1403	7030007230	S.RES ERA3YED 102V (1 k)	T	132/107.7
R1404	7030009861	S.RES ERA3YED 471V (470)	T	134.6/104.3
R1405	7030003340	S.RES ERJ3GEYJ 151 V (150)	T	137.2/104.3
R1406	7030009591	S.RES ERA3YED 472V (4.7 k)	T	135.2/106.2
R1407	7030003550	S.RES ERJ3GEYJ 822 V (8.2 k)	B	135.4/104.3
R1408	7030003200	S.RES ERJ3GEYJ 100 V (10)	T	120.9/109
R1409	7030009591	S.RES ERA3YED 472V (4.7 k)	T	120.5/114.9
R1410	7030006091	S.RES ERA3YED 822V (8.2 k)	B	124.2/114.4
R1411	7030005871	S.RES ERA3YKD 104V (100 k)	T	123.2/116.2
R1412	7030003200	S.RES ERJ3GEYJ 100 V (10)	T	126.4/112.3
R1413	7030003200	S.RES ERJ3GEYJ 100 V (10)	T	126.4/113.6
R1414	7030005871	S.RES ERA3YKD 104V (100 k)	B	120.9/114.4
R1415	7030010980	S.RES ERA3YHD 470V (47)	T	127/114.9
R1416	7030003320	S.RES ERJ3GEYJ 101 V (100)	B	139.7/122.9
R1417	7030000010	S.RES MCR10EZHH JPW (000)	B	130.1/124.5
R1418	7030000010	S.RES MCR10EZHH JPW (000)	B	130.1/122.5
R1419	7030003860	S.RES ERJ3GE JPW V	B	129.4/114.9
R1501	7030010980	S.RES ERA3YHD 470V (47)	T	126.5/125.2
R1502	7030009841	S.RES ERA3YHD 330V (33)	T	133/131
R1503	7030009851	S.RES ERA3YED 271V (270)	T	130/146.3
R1504	7030011050	S.RES ERA3YHD 100V (10)	T	131.3/143.5
R1505	7030006091	S.RES ERA3YED 822V (8.2 k)	B	137.7/140.3
R1506	7030007230	S.RES ERA3YED 102V (1 k)	B	137.7/147
R1507	7030007230	S.RES ERA3YED 102V (1 k)	T	132.6/146.3
R1508	7030007230	S.RES ERA3YED 102V (1 k)	T	133.9/146.3
R1509	7030007230	S.RES ERA3YED 102V (1 k)	T	139.1/158.9
R1510	7030005321	S.RES ERA3YED 103V (10 k)	T	139.1/157.6
R1511	7030009861	S.RES ERA3YED 471V (470)	T	136.5/157.6
R1512	7030003380	S.RES ERJ3GEYJ 331 V (330)	T	129.6/151.6
R1513	7030003380	S.RES ERJ3GEYJ 331 V (330)	T	129.6/155.5
R1514	7030005321	S.RES ERA3YED 103V (10 k)	T	129.6/160.8
R1515	7030005321	S.RES ERA3YED 103V (10 k)	T	133.5/160.8
R1516	7310005610	S.TRI TMC3ADC13X 1K	T	119.2/157.7
R1517	7030005321	S.RES ERA3YED 103V (10 k)	T	115.3/158
R1518	7030005321	S.RES ERA3YED 103V (10 k)	T	134.8/160.8
R1519	7030005321	S.RES ERA3YED 103V (10 k)	T	131.7/171.7
R1520	7030005321	S.RES ERA3YED 103V (10 k)	T	136.1/160.8
R1521	7030010980	S.RES ERA3YHD 470V (47)	T	126.5/133
R1522	7030009841	S.RES ERA3YHD 330V (33)	T	126/141.1
R1523	7030009851	S.RES ERA3YED 271V (270)	T	123.7/146.3
R1524	7030011050	S.RES ERA3YHD 100V (10)	T	122.4/143.5
R1525	7030007230	S.RES ERA3YED 102V (1 k)	B	128.8/147
R1526	7030003460	S.RES ERJ3GEYJ 152 V (1.5 k)	B	137.7/142.1
R1527	7030007230	S.RES ERA3YED 102V (1 k)	T	119.8/146.3
R1528	7030007230	S.RES ERA3YED 102V (1 k)	T	121.1/146.3
R1529	7030007230	S.RES ERA3YED 102V (1 k)	T	115.3/152.3
R1530	7030003380	S.RES ERJ3GEYJ 331 V (330)	T	128/151.6
R1531	7030003380	S.RES ERJ3GEYJ 331 V (330)	T	128/155.5
R1532	7030005321	S.RES ERA3YED 103V (10 k)	T	124.1/160.8
R1533	7030005321	S.RES ERA3YED 103V (10 k)	T	128/160.8
R1534	7030005321	S.RES ERA3YED 103V (10 k)	T	122.8/160.8
R1535	7030005321	S.RES ERA3YED 103V (10 k)	T	121.5/160.8
R1536	7030005321	S.RES ERA3YED 103V (10 k)	T	129/171.7
R1537	7030003320	S.RES ERJ3GEYJ 101 V (100)	T	115.5/164.5
R1538	7030003320	S.RES ERJ3GEYJ 101 V (100)	T	107.1/170.1
R1539	7030008061	S.RES ERA3YED 222V (2.2 k)	B	131.8/176.4
R1540	7030010390	S.RES ERA3YED 821V (820)	B	128.7/177.1
R1541	7030003320	S.RES ERJ3GEYJ 101 V (100)	T	107.1/178.8
R1542	7030003320	S.RES ERJ3GEYJ 101 V (100)	T	115.5/173.2
R1543	7030009691	S.RES ERA3YED 101V (100)	B	130.6/179
R1651	7030003380	S.RES ERJ3GEYJ 331 V (330)	B	100.9/144.8
R1652	7030003220	S.RES ERJ3GEYJ 150 V (15)	B	102.7/144.8
R1653	7030003380	S.RES ERJ3GEYJ 331 V (330)	B	101.9/142.9
R1654	7030010980	S.RES ERA3YHD 470V (47)	B	105.5/142.2
R1655	7030009861	S.RES ERA3YED 471V (470)	B	108.8/140

[RXPLL-A UNIT]

REF NO.	ORDER NO.	DESCRIPTION	M.	H/V LOCATION
R1656	7030003630	S.RES ERJ3GEYJ 393 V (39 k)	B	108.3/142.2
R1657	7030005871	S.RES ERA3YKD 104V (100 k)	T	108/133.1
R1658	7030003320	S.RES ERJ3GEYJ 101 V (100)	T	110.6/133.1
R1659	7030009691	S.RES ERA3YED 101V (100)	T	115.8/124.9
R1660	7030009691	S.RES ERA3YED 101V (100)	T	115.8/128.7
R1661	7030005321	S.RES ERA3YED 103V (10 k)	T	135.1/175.4
R1662	7030005321	S.RES ERA3YED 103V (10 k)	T	135.2/172.8
R1663	7030005321	S.RES ERA3YED 103V (10 k)	T	144.3/175.4
R1664	7030005321	S.RES ERA3YED 103V (10 k)	T	139.9/172.1
R1665	7030003320	S.RES ERJ3GEYJ 101 V (100)	T	109.3/133.1
R1667	7030003360	S.RES ERJ3GEYJ 221 V (220)	T	139.2/170.2
R1668	7030003360	S.RES ERJ3GEYJ 221 V (220)	T	141.8/170.2
R1670	7030003800	S.RES ERJ3GEYJ 105 V (1 M)	T	140.2/164.1
R1673	7030007230	S.RES ERA3YED 102V (1 k)	B	146/174.5
R1674	7030009851	S.RES ERA3YED 271V (270)	B	145.1/177.1
R1675	7030009591	S.RES ERA3YED 472V (4.7 k)	T	136.6/170.2
R1677	7030009591	S.RES ERA3YED 472V (4.7 k)	T	143.1/170.2
R1701	7030003360	S.RES ERJ3GEYJ 221 V (220)	T	162.4/147.4
R1703	7030003360	S.RES ERJ3GEYJ 221 V (220)	T	159.8/147.4
R1704	7030003360	S.RES ERJ3GEYJ 221 V (220)	T	158.5/147.4
R1706	7030003360	S.RES ERJ3GEYJ 221 V (220)	T	155.9/147.4
R1707	7030003360	S.RES ERJ3GEYJ 221 V (220)	T	154.6/147.4
R1708	7030003360	S.RES ERJ3GEYJ 221 V (220)	T	153.3/147.4
R1709	7030003480	S.RES ERJ3GEYJ 222 V (2.2 k)	T	149.7/159.3
R1710	7030003480	S.RES ERJ3GEYJ 222 V (2.2 k)	T	148.4/159.3
R1711	7030003540	S.RES ERJ3GEYJ 682 V (6.8 k)	T	147.1/159.3
R1712	7030003540	S.RES ERJ3GEYJ 682 V (6.8 k)	T	145.8/159.3
R1713	7030003660	S.RES ERJ3GEYJ 683 V (68 k)	T	145.8/157.2
R1714	7030003660	S.RES ERJ3GEYJ 683 V (68 k)	T	145.8/155.9
R1715	7030003540	S.RES ERJ3GEYJ 682 V (6.8 k)	T	143.9/164.8
R1716	7030007230	S.RES ERA3YED 102V (1 k)	T	164.2/164.8
R1717	7030007230	S.RES ERA3YED 102V (1 k)	T	164.2/163.5
R1718	7030007230	S.RES ERA3YED 102V (1 k)	T	164.2/162.2
R1719	7030003660	S.RES ERJ3GEYJ 683 V (68 k)	T	144.3/166.8
C1	4030011600	S.CER C1608 JB 1E 104K-T	T	10.8/18.2
C2	4030006880	S.CER C1608 JB 1H 472K-T	T	25.7/29.5
C14	4030006880	S.CER C1608 JB 1H 472K-T	T	37.7/12.5
C15	4030006880	S.CER C1608 JB 1H 472K-T	T	31.2/15.4
C16	4030006880	S.CER C1608 JB 1H 472K-T	T	35.1/15.4
C17	4030006880	S.CER C1608 JB 1H 472K-T	T	13.8/12.6
C18	4030006880	S.CER C1608 JB 1H 472K-T	T	16.8/12.6
C19	4030006880	S.CER C1608 JB 1H 472K-T	T	29.5/12.6
C20	4030006880	S.CER C1608 JB 1H 472K-T	T	87.4/127.8
C21	4030006880	S.CER C1608 JB 1H 472K-T	T	88.7/127.8
C22	4030006880	S.CER C1608 JB 1H 472K-T	T	90/127.8
C30	4030011600	S.CER C1608 JB 1E 104K-T	T	19.1/112.4
C31	4030011600	S.CER C1608 JB 1E 104K-T	T	20.4/113.7
C32	4030011600	S.CER C1608 JB 1E 104K-T	T	24.3/111.1
C51	4510008520	S.ELE EEE1CA470SP	T	84/20.3
C52	4030011600	S.CER C1608 JB 1E 104K-T	T	78.9/23.7
C53	4030011600	S.CER C1608 JB 1E 104K-T	T	75.1/23.7
C54	4510008500	S.ELE EEE1CA101WP	T	70/20.3
C61	4510008520	S.ELE EEE1CA470SP	T	62.9/20.3
C62	4030011600	S.CER C1608 JB 1E 104K-T	B	58.2/19.9
C63	4030011600	S.CER C1608 JB 1E 104K-T	B	54.8/19.9
C64	4510008500	S.ELE EEE1CA101WP	T	50.1/20.3
C101	4030006880	S.CER C1608 JB 1H 472K-T	T	39.7/80.7
C102	4030011600	S.CER C1608 JB 1E 104K-T	T	41.8/79.9
C103	4510008540	S.ELE EEE1CA100SR	T	40.2/76.8
C104	4030011600	S.CER C1608 JB 1E 104K-T	T	21.4/100.2
C105	4030011600	S.CER C1608 JB 1E 104K-T	T	21.4/88.2
C106	4030011600	S.CER C1608 JB 1E 104K-T	T	21.4/84.4
C107	4030011600	S.CER C1608 JB 1E 104K-T	T	24.4/79.8
C108	4030011600	S.CER C1608 JB 1E 104K-T	T	27/79.8
C109	4030011600	S.CER C1608 JB 1E 104K-T	T	30.8/79.8
C110	4030011600	S.CER C1608 JB 1E 104K-T	T	36.2/79.8
C111	4030011600	S.CER C1608 JB 1E 104K-T	T	41.8/88.5
C112	4030011600	S.CER C1608 JB 1E 104K-T	T	41.3/82.6
C114	4030011600	S.CER C1608 JB 1E 104K-T	T	39.5/98.4
C115	4030011600	S.CER C1608 JB 1E 104K-T	T	38.1/98.4
C116	4030011600	S.CER C1608 JB 1E 104K-T	T	35.3/99.6
C117	4030011600	S.CER C1608 JB 1E 104K-T	T	23.3/98.8

[RXPLL-A UNIT]

REF NO.	ORDER NO.	DESCRIPTION	M.	H/V LOCATION
C165	4030006880	S.CER C1608 JB 1H 472K-T	B	30.8/74
C166	4030011600	S.CER C1608 JB 1E 104K-T	B	34.9/78.2
C167	4030006880	S.CER C1608 JB 1H 472K-T	B	37.4/74
C201	4030011340	S.CER C1608 CH 1H 471J-T	T	33.8/40.4
C202	4510009280	S.ELE EEE1EA4R7SR	T	26.5/44
C203	4030006900	S.CER C1608 JB 1H 103K-T	T	32.5/38.3
C204	4030006880	S.CER C1608 JB 1H 472K-T	T	25.4/35.3
C205	4030006880	S.CER C1608 JB 1H 472K-T	T	25.4/34
C206	4030006880	S.CER C1608 JB 1H 472K-T	T	31.1/43
C207	4030007030	S.CER C1608 CH 1H 150J-T	B	46.8/32.4
C208	4030007030	S.CER C1608 CH 1H 150J-T	T	32.5/41
C209	4030011340	S.CER C1608 CH 1H 471J-T	T	44.1/26.1
C210	4550007620	S.TAN F931V224MAABMA	T	46.2/26.7
C211	4550007300	S.TAN F931A335MAABMA	B	46.1/41.6
C219	4030006880	S.CER C1608 JB 1H 472K-T	T	33.8/37.8
C220	4030007130	S.CER C1608 CH 1H 101J-T	T	54.7/37.6
C221	4030009520	S.CER C1608 CH 1H 020B-T	T	54.7/32
C222	4610001860	S.TRI TZB4Z060AB10R00	T	68.1/32.6
C223	4030007080	S.CER C1608 CH 1H 390J-T	T	73.2/36.3
C224	4030007010	S.CER C1608 CH 1H 100D-T	T	73.2/38.9
C225	4030007050	S.CER C1608 CH 1H 220J-T	T	73.6/30.9
C226	4030006880	S.CER C1608 JB 1H 472K-T	T	71/30.9
C227	4030009920	S.CER C1608 CH 1H 050B-T	T	75.1/32.6
C228	4510008540	S.ELE EEE1CA100SR	T	68.8/37.8
C229	4030009530	S.CER C1608 CH 1H 030B-T	T	77.8/32.6
C230	4030007100	S.CER C1608 CH 1H 560J-T	T	54.7/50
C231	4030009510	S.CER C1608 CH 1H 010B-T	T	54.7/44.6
C232	4610001860	S.TRI TZB4Z060AB10R00	T	68.1/45.1
C233	4030007070	S.CER C1608 CH 1H 330J-T	T	73.2/48.8
C234	4030009920	S.CER C1608 CH 1H 050B-T	T	73.2/51.4
C235	4030007020	S.CER C1608 CH 1H 120J-T	T	73.6/43.3
C236	4030006880	S.CER C1608 JB 1H 472K-T	T	71/43.3
C237	4030009910	S.CER C1608 CH 1H 040B-T	T	75.1/45
C238	4510008540	S.ELE EEE1CA100SR	T	68.8/50.3
C239	4030009910	S.CER C1608 CH 1H 040B-T	T	77.8/45
C240	4030007080	S.CER C1608 CH 1H 390J-T	T	54.7/62.5
C241	4030009510	S.CER C1608 CH 1H 010B-T	T	54.7/57.1
C242	4610001860	S.TRI TZB4Z060AB10R00	T	68.1/57.6
C243	4030007060	S.CER C1608 CH 1H 270J-T	T	73.2/61.3
C244	4030009910	S.CER C1608 CH 1H 040B-T	T	73.2/63.9
C245	4030009920	S.CER C1608 CH 1H 050B-T	T	73.6/55.8
C246	4030006880	S.CER C1608 JB 1H 472K-T	T	71/55.9
C247	4030009530	S.CER C1608 CH 1H 030B-T	T	75.1/57.5
C248	4510008540	S.ELE EEE1CA100SR	T	68.8/62.9
C250	4030007100	S.CER C1608 CH 1H 560J-T	T	54.7/75
C251	4030009540	S.CER C1608 CH 1H 1R5B-T	T	54.7/69.6
C252	4610001810	S.TRI TZB4Z030AB10R00	T	68.1/70.1
C253	4030007080	S.CER C1608 CH 1H 390J-T	T	73.2/73.8
C254	4030009530	S.CER C1608 CH 1H 030B-T	T	73.2/76.4
C255	4030006990	S.CER C1608 CH 1H 080D-T	T	73.6/68.4
C256	4030006880	S.CER C1608 JB 1H 472K-T	T	71/68.4
C257	4030007010	S.CER C1608 CH 1H 100D-T	T	75.1/70
C258	4510008540	S.ELE EEE1CA100SR	T	68.8/75.4
C260	4030007110	S.CER C1608 CH 1H 680J-T	T	54.7/87.5
C262	4610001810	S.TRI TZB4Z030AB10R00	T	68.1/82.6
C263	4030007080	S.CER C1608 CH 1H 390J-T	T	73.2/86.3
C264	4030009530	S.CER C1608 CH 1H 030B-T	T	73.2/88.9
C265	4030011770	S.CER C1608 CH 1H 060B-T	T	73.6/80.9
C266	4030006880	S.CER C1608 JB 1H 472K-T	T	71/80.9
C267	4030007010	S.CER C1608 CH 1H 100D-T	T	75.1/82.5
C268	4510008540	S.ELE EEE1CA100SR	T	68.8/87.9
C272	4610001860	S.TRI TZB4Z060AB10R00	T	68.1/95.1
C273	4030007050	S.CER C1608 CH 1H 220J-T	T	73.2/98.2
C274	4030009530	S.CER C1608 CH 1H 030B-T	T	73.2/100.8
C275	4030009920	S.CER C1608 CH 1H 050B-T	T	73.6/92.8
C276	4030006880	S.CER C1608 JB 1H 472K-T	T	71/92.8
C277	4030007010	S.CER C1608 CH 1H 100D-T	T	75.1/95
C278	4510008540	S.ELE EEE1CA100SR	T	68.8/100.4
C283	4030017810	S.CER C1608 CH 1H 102J-T	T	82.1/36.3
C284	4030006880	S.CER C1608 JB 1H 472K-T	T	84.5/34.3
C285	4030017810	S.CER C1608 CH 1H 102J-T	T	82.1/48.8
C286	4030006880	S.CER C1608 JB 1H 472K-T	T	84.5/46.9
C287	4030017810	S.CER C1608 CH 1H 102J-T	T	82.1/61.3
C288	4030006880	S.CER C1608 JB 1H 472K-T	T	83.9/57.5
C289	4030017810	S.CER C1608 CH 1H 102J-T	T	82.1/73.8
C290	4030006880	S.CER C1608 JB 1H 472K-T	T	84.3/70.4
C291	4030017810	S.CER C1608 CH 1H 102J-T	T	82.1/86.3
C292	4030006880	S.CER C1608 JB 1H 472K-T	T	84.4/84.4
C293	4030017810	S.CER C1608 CH 1H 102J-T	T	82.1/98.7
C294	4030006880	S.CER C1608 JB 1H 472K-T	T	83.2/93.9
C297	4030009920	S.CER C1608 CH 1H 050B-T	T	52.6/59.4
C299	4030007050	S.CER C1608 CH 1H 220J-T	T	52.6/84.4
C301	4030006880	S.CER C1608 JB 1H 472K-T	T	89.3/30.6
C302	4030006880	S.CER C1608 JB 1H 472K-T	T	94.9/28
C303	4030006880	S.CER C1608 JB 1H 472K-T	B	92.6/39.8
C304	4030006880	S.CER C1608 JB 1H 472K-T	B	92.6/45.2
C305	4030006880	S.CER C1608 JB 1H 472K-T	B	89.1/48.8
C306	4030006880	S.CER C1608 JB 1H 472K-T	B	89.1/50.6
C309	4030017810	S.CER C1608 CH 1H 102J-T	T	94.9/42.7
C310	4030011600	S.CER C1608 JB 1E 104K-T	T	92.8/42.1
C311	4510008520	S.ELE EEE1CA470SP	T	93.4/47.4
C312	4030006880	S.CER C1608 JB 1H 472K-T	B	89/27.4
C313	4030006880	S.CER C1608 JB 1H 472K-T	B	93.7/23.1
C331	4030007110	S.CER C1608 CH 1H 680J-T	T	89.3/32.2
C332	4030007160	S.CER C1608 CH 1H 181J-T	T	92.1/33.5
C333	4030007110	S.CER C1608 CH 1H 680J-T	T	89.3/33.5
C334	4030007050	S.CER C1608 CH 1H 220J-T	T	94.9/36
C335	4030006980	S.CER C1608 CH 1H 070D-T	T	94.9/37.4
C336	4030007030	S.CER C1608 CH 1H 150J-T	T	92.1/38.8
C337	4030007050	S.CER C1608 CH 1H 220J-T	T	94.9/38.8
C341	4030006880	S.CER C1608 JB 1H 472K-T	T	94.9/40.1
C342	4030006880	S.CER C1608 JB 1H 472K-T	T	86.5/33.5
C344	4030011600	S.CER C1608 JB 1E 104K-T	T	94.9/41.4
C351	4030017810	S.CER C1608 CH 1H 102J-T	T	94.9/61.6

[RXPLL-A UNIT]

REF NO.	ORDER NO.	DESCRIPTION	M.	H/V LOCATION
C352	4030011600	S.CER C1608 JB 1E 104K-T	T	94.9/62.9
C353	4510008520	S.ELE EEE1CA470SP	T	93.4/67.1
C354	4030006880	S.CER C1608 JB 1H 472K-T	T	89.3/51.7
C355	4030006880	S.CER C1608 JB 1H 472K-T	T	94.9/55.1
C356	4030006880	S.CER C1608 JB 1H 472K-T	T	89.2/58.4
C357	4030006880	S.CER C1608 JB 1H 472K-T	T	94.9/57.7
C358	4030006880	S.CER C1608 JB 1H 472K-T	B	89.2/60.3
C359	4030006880	S.CER C1608 JB 1H 472K-T	B	92.6/61.2
C360	4030006880	S.CER C1608 JB 1H 472K-T	B	89.9/66.9
C361	4030006880	S.CER C1608 JB 1H 472K-T	T	89.3/83.4
C363	4030006880	S.CER C1608 JB 1H 472K-T	T	86.1/60.9
C364	4030017810	S.CER C1608 CH 1H 102J-T	T	86.7/52.3
C365	4030006880	S.CER C1608 JB 1H 472K-T	T	90.3/59.9
C421	4030006880	S.CER C1608 JB 1H 472K-T	T	94.1/88.5
C423	4030006880	S.CER C1608 JB 1H 472K-T	T	94.1/93.3
C426	4030006880	S.CER C1608 JB 1H 472K-T	B	94.6/87.3
C427	4030006880	S.CER C1608 JB 1H 472K-T	T	92.1/86.5
C441	4030007040	S.CER C1608 CH 1H 180J-T	T	94.9/71.3
C442	4030007040	S.CER C1608 CH 1H 180J-T	T	94.9/72.6
C443	4030007020	S.CER C1608 CH 1H 120J-T	T	92.1/74.2
C444	4030007080	S.CER C1608 CH 1H 390J-T	T	94.9/73.9
C445	4030011770	S.CER C1608 CH 1H 060B-T	T	94.9/75.2
C446	4030007060	S.CER C1608 CH 1H 270J-T	T	94.9/79.1
C447	4030007110	S.CER C1608 CH 1H 680J-T	T	92.8/78.9
C448	4030006880	S.CER C1608 JB 1H 472K-T	T	94.9/76.5
C449	4030006880	S.CER C1608 JB 1H 472K-T	T	88.1/69.1
C451	4030007110	S.CER C1608 CH 1H 680J-T	T	92/82.1
C452	4030007160	S.CER C1608 CH 1H 181J-T	T	92/80.8
C453	4030011600	S.CER C1608 JB 1E 104K-T	T	94.9/77.8
C501	4030006880	S.CER C1608 JB 1H 472K-T	T	38.9/131.2
C502	4030011600	S.CER C1608 JB 1E 104K-T	T	38.9/129.9
C503	4510008540	S.ELE EEE1CA100SR	T	36.6/126.7
C504	4030011600	S.CER C1608 JB 1E 104K-T	T	21.4/153.1
C505	4550007470	S.TAN F931A107MNMABMA	B	19.2/140.3
C506	4030011600	S.CER C1608 JB 1E 104K-T	T	21.4/141
C507	4030011600	S.CER C1608 JB 1E 104K-T	T	21.4/137.1
C509	4030011600	S.CER C1608 JB 1E 104K-T	T	25.8/132.6
C510	4030011600	S.CER C1608 JB 1E 104K-T	T	28.4/132.6
C511	4030011600	S.CER C1608 JB 1E 104K-T	T	32.2/132.6
C512	4030011600	S.CER C1608 JB 1E 104K-T	T	34.8/132.6
C513	4030011600	S.CER C1608 JB 1E 104K-T	T	37.4/132.6
C514	4030011600	S.CER C1608 JB 1E 104K-T	T	41.2/136
C515	4030011600	S.CER C1608 JB 1E 104K-T	T	41.3/139.7
C516	4030011600	S.CER C1608 JB 1E 104K-T	T	41.3/142.3
C517	4030011600	S.CER C1608 JB 1E 104K-T	T	37.6/151.8
C518	4030011600	S.CER C1608 JB 1E 104K-T	T	34.8/151.8
C519	4030011600	S.CER C1608 JB 1E 104K-T	T	31.2/151.8
C520	4030011600	S.CER C1608 JB 1E 104K-T	T	23.3/151.9
C521	4030011600	S.CER C1608 JB 1E 104K-T	T	41.6/134
C522	4550007220	S.TAN F931A476MCMABMA	B	40.7/145
C525	4030006880	S.CER C1608 JB 1H 472K-T	T	35.3/154.5
C526	4030011600	S.CER C1608 JB 1E 104K-T	T	36.6/154.5
C531	4030006880	S.CER C1608 JB 1H 472K-T	T	14.6/137.5
C532	4030007070	S.CER C1608 CH 1H 330J-T	T	17.2/137.5
C533	4030007110	S.CER C1608 CH 1H 680J-T	T	17.3/133.4
C534	4030007110	S.CER C1608 CH 1H 680J-T	T	16.8/130.1
C535	4030007070	S.CER C1608 CH 1H 330J-T	T	18.1/127
C536	4030006880	S.CER C1608 JB 1H 472K-T	T	20.9/127.6
C537	4030006880	S.CER C1608 JB 1H 472K-T	T	27.2/126.4
C540	4030006880	S.CER C1608 JB 1H 472K-T	B	56.3/142.8
C541	4510008540	S.ELE EEE1CA100SR	T	51/139.3
C542	4340000260	S.MLR ECPU1C104MA5	B	47.8/128.7
C543	4030007060	S.CER C1608 CH 1H 270J-T	T	62.2/136.4
C545	4030007060	S.CER 27P C1608 CH	T	70/137.1
C546	4610001830	S.TRI TZB4S100AB10R00	T	65.8/138.7
C547	4030007130	S.CER C1608 CH 1H 101J-T	T	71.3/137.1
C548	4030007010	S.CER C1608 CH 1H 100D-T	T	71.3/139.9
C549	4030007050	S.CER C1608 CH 1H 220J-T	T	68.9/145.1
C550	4030006880	S.CER C1608 JB 1H 472K-T	T	66.3/142
C551	4030009520	S.CER C1608 CH 1H 020B-T	T	71.3/143.8
C552	4030017810	S.CER C1608 CH 1H 102J-T	B	54.6/139.5
C553	4030006880	S.CER C1608 JB 1H 472K-T	B	56.3/139.5
C554	4510008500	S.ELE EEE1CA101WP	T	50.9/146.6



[RXPLL-A UNIT]

REF NO.	ORDER NO.	DESCRIPTION	M.	H/V LOCATION
C660	4030006880	S.CER C1608 JB 1H 472K-T	T	17.6/161.4
C661	4030011600	S.CER C1608 JB 1E 104K-T	T	13.5/166.9
C662	4550007220	S.TAN F931A476MCMBMA	B	30.5/169.4
C680	4030006880	S.CER C1608 JB 1H 472K-T	T	34.3/177.1
C689	4030011600	S.CER C1608 JB 1E 104K-T	T	37.4/166.4
C690	4030011600	S.CER C1608 JB 1E 104K-T	T	37.4/161.3
C691	4030011600	S.CER C1608 JB 1E 104K-T	T	46.4/164
C692	4030006880	S.CER C1608 JB 1H 472K-T	T	40.3/162.1
C693	4030006880	S.CER C1608 JB 1H 472K-T	B	58.4/169.6
C694	4030006880	S.CER C1608 JB 1H 472K-T	B	58.4/164.2
C703	4030017810	S.CER C1608 CH 1H 102J-T	T	24.3/116.6
C704	4030006880	S.CER C1608 JB 1H 472K-T	T	23/116.6
C705	4510008500	S.ELE EEE1CA101WP	T	29.4/118.7
C707	4030011600	S.CER C1608 JB 1E 104K-T	T	32.1/113.7
C708	4030011600	S.CER C1608 JB 1E 104K-T	T	32.1/108.1
C709	4030007070	S.CER C1608 CH 1H 330J-T	T	38.8/112.9
C710	4030006880	S.CER C1608 JB 1H 472K-T	T	36.2/112.9
C711	4030009540	S.CER C1608 CH 1H 1R5B-T	B	39.3/113.6
C712	4030007070	S.CER C1608 CH 1H 330J-T	T	36.2/114.2
C713	4030006880	S.CER C1608 JB 1H 472K-T	T	42/118.8
C1000	4030007050	S.CER C1608 CH 1H 220J-T	B	177.1/13.8
C1002	4030006880	S.CER C1608 JB 1H 472K-T	B	153.1/16.2
C1003	4030012600	S.CER C2012 JB 1A 105M-T	T	157.4/8.2
C1004	4030011600	S.CER C1608 JB 1E 104K-T	B	169.6/8.7
C1005	4030011600	S.CER C1608 JB 1E 104K-T	T	162.8/17.2
C1006	4030010210	S.CER C3216 JB 1C 105M-T	T	173.8/18.6
C1007	4030006880	S.CER C1608 JB 1H 472K-T	T	172.4/23.9
C1008	4030006880	S.CER C1608 JB 1H 472K-T	T	160/24
C1009	4030006880	S.CER C1608 JB 1H 472K-T	T	147.6/23.8
C1010	4030012600	S.CER C2012 JB 1A 105M-T	T	154.5/28.9
C1011	4030012600	S.CER C2012 JB 1A 105M-T	T	144.2/29.3
C1012	4030010210	S.CER C3216 JB 1C 105M-T	T	144.8/40.2
C1013	4030012600	S.CER C2012 JB 1A 105M-T	T	144.2/33.2
C1014	4030018810	S.CER C3216 CH 1H 333J-T	B	151.6/48.3
C1015	4030012600	S.CER C2012 JB 1A 105M-T	T	163.6/13.8
C1016	4030012600	S.CER C2012 JB 1A 105M-T	T	173.6/33.2
C1017	4030012600	S.CER C2012 JB 1A 105M-T	T	163.3/33.2
C1020	4030012600	S.CER C2012 JB 1A 105M-T	B	170/38.6
C1021	4030012600	S.CER C2012 JB 1A 105M-T	B	154/38.6
C1024	4030010210	S.CER C3216 JB 1C 105M-T	B	170.5/45.5
C1025	4030010210	S.CER C3216 JB 1C 105M-T	B	154.7/45.5
C1026	4030010210	S.CER C3216 JB 1C 105M-T	T	171.4/52.7
C1027	4030010210	S.CER C3216 JB 1C 105M-T	T	165.6/52.7
C1028	4030006880	S.CER C1608 JB 1H 472K-T	B	156.4/65.4
C1029	4030006880	S.CER C1608 JB 1H 472K-T	T	168.5/65.4
C1030	4030010210	S.CER C3216 JB 1C 105M-T	T	164.5/18
C1031	4030012600	S.CER C2012 JB 1A 105M-T	B	169.2/10.8
C1033	4550006470	S.TAN TEESVB2 1D 106M8R	B	146.5/47.7
C1034	4550006470	S.TAN TEESVB2 1D 106M8R	B	174/52.1
C1035	4550006470	S.TAN TEESVB2 1D 106M8R	B	164.6/15.8
C1036	4030007120	S.CER C1608 CH 1H 820J-T	T	160.2/12.7
C1037	4030007090	S.CER C1608 CH 1H 470J-T	B	149.3/49.3
C1038	4030017810	S.CER C1608 CH 1H 102J-T	T	146.6/26.2
C1039	4030017810	S.CER C1608 CH 1H 102J-T	T	146.5/41
C1040	4030017810	S.CER C1608 CH 1H 102J-T	T	145.3/36.4
C1041	4030006990	S.CER C1608 CH 1H 080D-T	B	153.4/31
C1046	4030007010	S.CER C1608 CH 1H 100D-T	B	168.4/53.7
C1048	4030006880	S.CER C1608 JB 1H 472K-T	B	170.6/41.6
C1049	4030006880	S.CER C1608 JB 1H 472K-T	B	154.6/41.6
C1050	4030017810	S.CER C1608 CH 1H 102J-T	B	170.5/49.5
C1051	4030017810	S.CER C1608 CH 1H 102J-T	B	154.7/49.4
C1052	4030007060	S.CER C1608 CH 1H 270J-T	B	164.1/29.6
C1053	4030007110	S.CER C1608 CH 1H 680J-T	T	175.2/77.3
C1054	4030007010	S.CER C1608 CH 1H 100D-T	B	175.7/72.4
C1055	4030007140	S.CER C1608 CH 1H 121J-T	B	175.7/72.4
C1056	4030007050	S.CER C1608 CH 1H 220J-T	T	175.2/76
C1057	4030007130	S.CER C1608 CH 1H 101J-T	T	172.1/77.1
C1058	4030009920	S.CER C1608 CH 1H 050B-T	B	173.2/12.7
C1060	4030017810	S.CER C1608 CH 1H 102J-T	T	178.6/94.4
C1061	4030007090	S.CER C1608 CH 1H 470J-T	B	147.7/91.8
C1062	4030007170	S.CER C1608 CH 1H 221J-T	B	149.5/91.8
C1064	4030007090	S.CER C1608 CH 1H 470J-T	T	148.7/80.1
C1066	4030007010	S.CER C1608 CH 1H 100D-T	T	138.6/81.9
C1067	4030007010	S.CER C1608 CH 1H 100D-T	T	173.4/77.1
C1070	4030006980	S.CER C1608 CH 1H 070D-T	T	137.2/81.9
C1071	4030007100	S.CER C1608 CH 1H 560J-T	B	162.2/75.3
C1072	4030007170	S.CER C1608 CH 1H 221J-T	B	162/78.7
C1073	4030007080	S.CER C1608 CH 1H 390J-T	B	164.1/76.4
C1074	4030007060	S.CER C1608 CH 1H 270J-T	T	148.7/78.6
C1081	4030006900	S.CER C1608 JB 1H 103K-T	B	156.1/86
C1082	4030006900	S.CER C1608 JB 1H 103K-T	B	151.3/91.8
C1083	4030006900	S.CER C1608 JB 1H 103K-T	B	151.2/81.6
C1084	4030006880	S.CER C1608 JB 1H 472K-T	B	149.4/81.6
C1085	4030006880	S.CER C1608 JB 1H 472K-T	B	153/81.6
C1091	4030006880	S.CER C1608 JB 1H 472K-T	T	149.3/149.4
C1092	4030006880	S.CER C1608 JB 1H 472K-T	T	147/138.5
C1093	4030006880	S.CER C1608 JB 1H 472K-T	T	161.3/135.8
C1101	4030006900	S.CER C1608 JB 1H 103K-T	T	177/90.9
C1102	4030006900	S.CER C1608 JB 1H 103K-T	T	175.4/115.5
C1103	4030011600	S.CER C1608 JB 1E 104K-T	T	179.6/116.4
C1104	4030011600	S.CER C1608 JB 1E 104K-T	T	175.4/87.7
C1106	4030011600	S.CER C1608 JB 1E 104K-T	T	179.3/128.8
C1107	4030011600	S.CER C1608 JB 1E 104K-T	B	172.3/124.2
C1109	4030007090	S.CER C1608 CH 1H 470J-T	T	175.7/137.9
C1110	4030006900	S.CER C1608 JB 1H 103K-T	T	175.7/136.6
C1111	4030011600	S.CER C1608 JB 1E 104K-T	T	176.7/132
C1112	4030006900	S.CER C1608 JB 1H 103K-T	T	179.3/132
C1113	4030007090	S.CER C1608 CH 1H 470J-T	T	178.6/140.9
C1114	4030006900	S.CER C1608 JB 1H 103K-T	B	178.4/138
C1115	4030011600	S.CER C1608 JB 1E 104K-T	T	175.7/140
C1116	4030006900	S.CER C1608 JB 1H 103K-T	T	165.7/138.7
C1117	4030007010	S.CER C1608 CH 1H 100D-T	T	169.7/142.2
C1118	4030011600	S.CER C1608 JB 1E 104K-T	T	171/142.2
C1119	4030006880	S.CER C1608 JB 1H 472K-T	T	171.9/146.6

[RXPLL-A UNIT]

REF NO.	ORDER NO.	DESCRIPTION	M.	H/V LOCATION
C1120	4030006880	S.CER C1608 JB 1H 472K-T	T	171.9/148.4
C1121	4030011600	S.CER C1608 JB 1E 104K-T	T	180.6/147.7
C1122	4030009530	S.CER C1608 CH 1H 030B-T	T	178.2/120.3
C1123	4030006900	S.CER C1608 JB 1H 103K-T	T	182.1/100.9
C1124	4030006900	S.CER C1608 JB 1H 103K-T	T	175.3/105.9
C1125	4030006900	S.CER C1608 JB 1H 103K-T	T	175.5/85.1
C1126	4030011600	S.CER C1608 JB 1E 104K-T	T	173.4/131.1
C1151	4030007110	S.CER C1608 CH 1H 680J-T	B	123.1/64
C1152	4030007110	S.CER C1608 CH 1H 680J-T	B	123.1/57
C1153	4030017810	S.CER C1608 CH 1H 102J-T	T	131.5/63.9
C1201	4030007110	S.CER C1608 CH 1H 680J-T	B	120.2/21.8
C1202	4030007110	S.CER C1608 CH 1H 680J-T	B	118.4/21.8
C1207	4030006880	S.CER C1608 JB 1H 472K-T	B	123/11.8
C1226	4030009500	S.CER C1608 CH 1H 0R5B-T	B	124.9/35.6
C1227	4030009500	S.CER C1608 CH 1H 0R5B-T	B	115.4/35.6
C1228	4030009920	S.CER C1608 CH 1H 050B-T	B	113.9/41.8
C1231	4030006900	S.CER C1608 JB 1H 103K-T	T	118.9/21.5
C1232	4030006900	S.CER C1608 JB 1H 103K-T	T	109/21.5
C1234	4030006900	S.CER C1608 JB 1H 103K-T	B	123.5/38.3
C1235	4030006880	S.CER C1608 JB 1H 472K-T	B	116.6/32.1
C1236	4030006900	S.CER C1608 JB 1H 103K-T	T	119.8/40
C1238	4030006900	S.CER C1608 JB 1H 103K-T	B	114/38.3
C1239	4030006880	S.CER C1608 JB 1H 472K-T	B	106.8/32.3
C1240	4030006900	S.CER C1608 JB 1H 103K-T	T	111.7/40.5
C1241	4030006900	S.CER C1608 JB 1H 103K-T	T	113.6/38.6
C1243	4030006880	S.CER C1608 JB 1H 472K-T	B	129.6/46.7
C1244	4030007080	S.CER C1608 CH 1H 390J-T	T	149.6/67
C1245	4030007130	S.CER C1608 CH 1H 101J-T	T	151/64.4
C1246	4030007120	S.CER C1608 CH 1H 820J-T	T	150.9/67
C1247	4030007090	S.CER C1608 CH 1H 470J-T	T	153.4/63.5
C1248	4030007130	S.CER C1608 CH 1H 101J-T	T	153.4/66.8
C1249	4030007020	S.CER C1608 CH 1H 120J-T	T	153.1/70.3
C1250	4030007100	S.CER C1608 CH 1H 560J-T	B	152.4/74.3
C1251	4030006900	S.CER C1608 JB 1H 103K-T	T	160.2/92.9
C1252	4030006900	S.CER C1608 JB 1H 103K-T	T	152.7/92.9
C1253	4030006900	S.CER C1608 JB 1H 103K-T	B	152.5/111.2
C1255	4030017810	S.CER C1608 CH 1H 102J-T	B	155.7/99.3
C1256	4030007010	S.CER C1608 CH 1H 100D-T	T	156.3/98.8
C1257	4030011600	S.CER C1608 JB 1E 104K-T	B	155.7/103
C1258	4030007080	S.CER C1608 CH 1H 390J-T	B	152/97.5
C1264	4030007110	S.CER C1608 CH 1H 680J-T	T	122/51.1
C1265	4610001830	S.TRI TZB4S100AB10R00	T	163.8/70.8
C1266	4030007020	S.CER C1608 CH 1H 120J-T	T	160.1/74.5
C1267	4030006880	S.CER C1608 JB 1H 472K-T	B	157/126.4
C1268	4030006980	S.CER C1608 CH 1H 070D-T	T	149.6/64.4
C1302	4030007060	S.CER C1608 CH 1H 270J-T	T	159.3/111
C1303	4030006980	S.CER C1608 CH 1H 070D-T	T	159.3/112.9
C1304	4030007070	S.CER C1608 CH 1H 330J-T	T	159.3/114.2
C1305	4030007100	S.CER C1608 CH 1H 100D-T	T	153.5/114.6
C1306	4030009650	S.CER C1608 CH 1H 240J-T	T	159.3/115.5
C1307	4030007030	S.CER C1608 CH 1H 150J-T	T	153.5/120.2
C1308	4030006900	S.CER C1608 JB 1H 103K-T	T	155.1/127.1
C1309	4030007080	S.CER C1608 CH 1H 390J-T	T	156.5/125.8
C1310	4030007080	S.CER C1608 CH 1H 390J-T	T	159.1/128.4
C1311	4030006900	S.CER C1608 JB 1H 103K-T	B	149/118.9
C1312	4030007060	S.CER C1608 CH 1H 270J-T	T	155.5/111.7
C1313	4030007060	S.CER C1608 CH 1H 270J-T	T	159.1/127.1
C1355	4030006880	S.CER C1608 JB 1H 472K-T	T	144.7/70
C1357	4030007000	S.CER C1608 CH 1H 090D-T	B	144.6/67.1
C1358	4030011600	S.CER C1608 JB 1E 104K-T	B	139.1/70.4
C1360	4030011600	S.CER C1608 JB 1E 104K-T	B	146.4/70.4
C1361	4030007020	S.CER C1608 CH 1H 120J-T	B	137.7/69.5
C1362	4030011600	S.CER C1608 JB 1E 104K-T	T	137.5/65.6
C1403	4030017810	S.CER C1608 CH 1H 102J-T	T	114.7/70.3
C1404	4030017810	S.CER C1608 CH 1H 102J-T	T	116.3/104.8
C1405	4030006900	S.CER C1608 JB 1H 103K-T	B	115.9/63.9
C1406	4030017810	S.CER C1608 CH 1H 102J-T	T	114.2/66.2
C1				



[RXPLL-A UNIT]

REF NO.	ORDER NO.	DESCRIPTION	M.	H/V LOCATION
C1457	4030006900	S.CER C1608 JB 1H 103K-T	T	118.3/72.9
C1458	4030006900	S.CER C1608 JB 1H 103K-T	T	116.6/103.5
C1501	4030018530	S.CER C3216 CH 1H 103J-T	T	131.2/124.5
C1502	4550003220	S.TAN TEESVA 1E 105M8R	T	132.1/139.2
C1503	4030006900	S.CER C1608 JB 1H 103K-T	T	137/142.1
C1504	4030012610	S.CER C2012 JB 1C 474K-T	T	136.7/140.5
C1505	4030007010	S.CER C1608 CH 1H 100D-T	T	130/143.5
C1506	4030010760	S.CER C1608 CH 1H 331J-T	T	131.3/146.3
C1507	4510008540	S.ELE EEE1CA100SR	T	142.6/140.8
C1508	4030011600	S.CER C1608 JB 1E 104K-T	B	128.8/148.8
C1509	4030018800	S.CER C3216 CH 1H 223J-T	T	135.8/145.1
C1510	4030007110	S.CER C1608 CH 1H 680J-T	T	136.5/158.9
C1511	4510008540	S.ELE EEE1CA100SR	T	132.7/150.6
C1512	4030011600	S.CER C1608 JB 1E 104K-T	T	129.6/149
C1513	4030011600	S.CER C1608 JB 1E 104K-T	T	129.6/158.1
C1514	4510008540	S.ELE EEE1CA100SR	T	132.7/156.5
C1515	4030007160	S.CER C1608 CH 1H 181J-T	T	132.2/160.8
C1516	4030009350	S.CER C1608 CH 1H 3R5B-T	T	130.9/160.8
C1517	4030007110	S.CER C1608 CH 1H 680J-T	T	115.3/155
C1518	4030018530	S.CER C3216 CH 1H 103J-T	T	131.2/132.8
C1519	4550003220	S.TAN TEESVA 1E 105M8R	T	122.9/140.9
C1520	4030006900	S.CER C1608 JB 1H 103K-T	T	119.8/140.7
C1521	4030012610	S.CER C2012 JB 1C 474K-T	T	116.2/142.1
C1522	4030007010	S.CER C1608 CH 1H 100D-T	T	123.7/143.5
C1523	4030010760	S.CER C1608 CH 1H 331J-T	T	122.4/146.3
C1524	4030018800	S.CER C3216 CH 1H 223J-T	T	117.9/145.2
C1525	4510008540	S.ELE EEE1CA100SR	T	124.9/150.6
C1526	4030011600	S.CER C1608 JB 1E 104K-T	T	128/149
C1527	4030011600	S.CER C1608 JB 1E 104K-T	T	128/158.1
C1528	4510008540	S.ELE EEE1CA100SR	T	124.9/156.5
C1529	4030017870	S.CER C1608 CH 1H 681J-T	T	125.4/160.8
C1530	4030011330	S.CER C1608 CH 1H 391J-T	T	126.7/160.8
C1531	4510008500	S.ELE EEE1CA101WP	T	111.3/167.3
C1532	4030011600	S.CER C1608 JB 1E 104K-T	T	107.1/167.3
C1533	4030011600	S.CER C1608 JB 1E 104K-T	T	115.5/167.3
C1534	4510008500	S.ELE EEE1CA101WP	T	119.7/167.3
C1535	4030011600	S.CER C1608 JB 1E 104K-T	T	133.7/172.6
C1536	4030017870	S.CER C1608 CH 1H 681J-T	T	126.2/179.5
C1537	4510008500	S.ELE EEE1CA101WP	T	111.3/176
C1538	4030011600	S.CER C1608 JB 1E 104K-T	T	107.1/176
C1539	4030011600	S.CER C1608 JB 1E 104K-T	T	115.5/176
C1540	4510008500	S.ELE EEE1CA101WP	T	119.7/176
C1541	4030007050	S.CER C1608 CH 1H 220J-T	T	124/175
C1651	4030006880	S.CER C1608 JB 1H 472K-T	B	105.5/144
C1653	4030006880	S.CER C1608 JB 1H 472K-T	B	109/137.2
C1654	4030017810	S.CER C1608 CH 1H 102J-T	B	106.9/137.2
C1655	4030009530	S.CER C1608 CH 1H 030B-T	T	107.6/136.8
C1656	4610001970	S.TRI TZC3P200A110R00	T	110.9/136.2
C1657	4030010220	S.CER C2012 CH 1H 102J-T	T	116.4/122.7
C1658	4030010220	S.CER C2012 CH 1H 102J-T	T	116.4/130.9
C1659	4030011600	S.CER C1608 JB 1E 104K-T	T	107.8/120
C1660	4030011600	S.CER C1608 JB 1E 104K-T	B	134/174
C1661	4030011600	S.CER C1608 JB 1E 104K-T	B	145.2/171.3
C1662	4030011600	S.CER C1608 JB 1E 104K-T	T	144.3/178
C1663	4030011600	S.CER C1608 JB 1E 104K-T	T	135.1/170.2
C1665	4030006900	S.CER C1608 JB 1H 103K-T	T	138.9/164.1
C1666	4030006880	S.CER C1608 JB 1H 472K-T	B	113.3/144
C1701	4030011600	S.CER C1608 JB 1E 104K-T	T	153.4/163
C1702	4030011600	S.CER C1608 JB 1E 104K-T	T	144.4/163
C1703	4510004601	S.ELE 16 ME 1000 HC	T	
C1704	4030011600	S.CER C1608 JB 1E 104K-T	B	180.1/160.2
C1705	4030011600	S.CER C1608 JB 1E 104K-T	B	186.4/160.2
C1706	4510008520	S.ELE EEE1CA470SP	T	172.7/154.8
C1707	4030011600	S.CER C1608 JB 1E 104K-T	T	149.7/154.8
C1708	4030006880	S.CER C1608 JB 1H 472K-T	T	175.7/166.8
C1709	4030006880	S.CER C1608 JB 1H 472K-T	T	172.6/166.8
C1710	4030006880	S.CER C1608 JB 1H 472K-T	T	169.6/166.8
C1711	4030011340	S.CER C1608 CH 1H 471J-T	T	171.4/163.5
C1712	4030011340	S.CER C1608 CH 1H 471J-T	T	167.5/163.5
C1713	4030006880	S.CER C1608 JB 1H 472K-T	B	165.5/168.8
C1714	4030006880	S.CER C1608 JB 1H 472K-T	B	153.8/141.8
C1716	4030006880	S.CER C1608 JB 1H 472K-T	B	154.7/145.1
C1717	4030006880	S.CER C1608 JB 1H 472K-T	B	152.9/145.1
C1719	4030006880	S.CER C1608 JB 1H 472K-T	B	151.1/145.1
C1720	4030006880	S.CER C1608 JB 1H 472K-T	B	155.6/141.8
C1721	4030006880	S.CER C1608 JB 1H 472K-T	B	157.4/141.8
RL1001	6330001750	R.LY FTR-B4CA012Z		
RL1002	6330001750	R.LY FTR-B4CA012Z		
RL1003	6330001750	R.LY FTR-B4CA012Z		
RL1004	6330001750	R.LY FTR-B4CA012Z		
RL1005	6330001750	R.LY FTR-B4CA012Z		
RL1006	6330001750	R.LY FTR-B4CA012Z		
RL1203	6330001750	R.LY FTR-B4CA012Z		
RL1206	6330001750	R.LY FTR-B4CA012Z		
J2	6510019991	S.CNR 52808-2271 (2291)	T	25/9
J10	6510007020	CNR TMP-J01X-V6		
J351	6510007020	CNR TMP-J01X-V6		
J561	6510007020	CNR TMP-J01X-V6		
J601	6510007020	CNR TMP-J01X-V6		
J681	6510007020	CNR TMP-J01X-V6		
J831	6510007020	CNR TMP-J01X-V6		
J1002	6510007020	CNR TMP-J01X-V6		
J1101	6510007020	CNR TMP-J01X-V6		
J1201	6510007020	CNR TMP-J01X-V6		
J1301	6510007020	CNR TMP-J01X-V6		
J1501	6510018961	S.CNR B2B-PH-SM4-TB (LF) (SN)	T	149.6/177.5
J1701	6510019981	S.CNR 52808-1671 (1690)	T	168/177.2
W1052	9016201006	WIR 73/98/025/X98/X98		
W1401	9029495075	JMP 73/98/020/X98/X98		
W1411	7120000480	S.JMP MJP-0-4-T	T	125.1/111.6

[RXPLL-B UNIT]

REF NO.	ORDER NO.	DESCRIPTION	M.	H/V LOCATION
IC1	1130011530	S.IC CD74HC4094M96	T	11.9/24.1
IC2	1130009691	S.IC TC74HCT7007AF (F)	T	22.8/23.3
IC51	1180001251	S.IC TA7808F (TE16L,Q)	T	77/16.7
IC61	1180000421	S.IC TA78L05F (TE12R,F)	B	56.5/16
IC101	1140007881	S.IC TC190G08EFG0046JDZ/SC1246A	T	31.3/89.7
IC102	1130003831	S.IC TC7S04F (TE85R,F)	T	33.1/74.7
IC104	1130003831	S.IC TC7S04F (TE85R,F)	T	31.7/101.1
IC201	1130009230	S.IC LMX2306TMX/NOPB	T	27.9/38.8
IC501	1140007881	S.IC TC190G08EFG0046JDZ/SC1246A	T	31.3/142.5
IC502	1130003831	S.IC TC7S04F (TE85R,F)	T	24.8/127.4
IC503	1130003831	S.IC TC7S04F (TE85R,F)	T	31.7/154.1
IC651	1140004550	S.IC M65343FP/SC1287	T	22.6/169.2
IC652	1130003831	S.IC TC7S04F (TE85R,F)	T	13.7/163.1
IC1051	1190002010	S.IC SD5400CY <TOMO>	T	176.9/99.9
IC1081	1110006180	S.IC UPG2009TB-E3	B	151.6/85.1
IC1402	1190002110	S.IC NJG1519KC1-TE3	T	117.3/69.5
IC1403	1190002110	S.IC NJG1519KC1-TE3	T	113.4/106.3
IC1501	1110006121	S.IC DBM9A41-G-TR	T	121.2/124.5
IC1502	1110006121	S.IC DBM9A41-G-TR	T	121.2/133
IC1503	1110006100	S.IC NJM5534MD-TE1	T	138.4/151.7
IC1504	1110006100	S.IC NJM5534MD-TE1	T	119.2/151.7
IC1505	1110006190	S.IC NJM074M-TE1	T	128.8/166.9
IC1506	1110006100	S.IC NJM5534MD-TE1	T	128.8/175.6
IC1651	1130011921	S.IC TC74LCX00F (EL,F)	T	110/126.2
IC1652	1110005420	S.IC BA15532MD-TE1	T	139.8/175.6
IC1653	1110005100	S.IC NJM072BM-TE1	B	140/172
IC1701	1130011530	S.IC CD74HC4094M96	T	158/166.7
IC1702	1130011530	S.IC CD74HC4094M96	T	148.9/166.7
IC1703	1160000131	S.IC TD62783AFG (S,EL)	T	157.3/154.8
IC1704	1180000790	S.IC AN78L10M (E1)	B	183.2/159.8
Q1	1590001050	S.TR DTC114EUA T106	B	30.3/22.6
Q30	1530002060	S.TR 2SC4081 T106 R	T	22.3/110.9
Q41	1590000680	S.TR DTC114EUA T106	T	12.8/34.2
Q150	1560000331	S.FET 2SK210-GR (TE85R,F)	T	26.9/53
Q151	1530002280	S.TR 2SC4081 T106 S	B	33.6/57.2
Q152	1530002280	S.TR 2SC4081 T106 S	B	30.8/78.2
Q201	1590001330	S.TR DTA114EUA T106	T	29.6/34.1
Q220	1560000331	S.FET 2SK210-GR (TE85R,F)	T	72.5/33.9
Q230	1560000331	S.FET 2SK210-GR (TE85R,F)	T	72.5/46.4
Q240	1560000331	S.FET 2SK210-GR (TE85R,F)	T	72.5/58.9
Q250	1560000331	S.FET 2SK210-GR (TE85R,F)	T	72.5/71.4
Q260	1560000331	S.FET 2SK210-GR (TE85R,F)	T	72.5/83.9
Q270	1560000331	S.FET 2SK210-GR (TE85R,F)	T	72.5/95.8
Q280	1590000680	S.TR DTC114EUA T106	T	82.3/34.4
Q281	1590000680	S.TR DTC114EUA T106	T	82.3/46.9
Q282	1590000680	S.TR DTC114EUA T106	T	82.3/59.4
Q283	1590000680	S.TR DTC114EUA T106	T	82.3/71.9
Q284	1590000680	S.TR DTC114EUA T106	T	82.3/84.4
Q285	1590000680	S.TR DTC114EUA T106	T	82.3/96.4
Q301	1530003431	S.TR 2SC5226-4-TL-E	T	92.1/30.1
Q302	1530003431	S.TR 2SC5226-4-TL-E	B	89.1/42.5
Q303	1530003431	S.TR 2SC5226-4-TL-E	B	91.3/25.1
Q341	1590000680	S.TR DTC114EUA T106	T	86.3/36.7
Q351	1580000751	S.FET 3SK294 (TE85L,F)	T	92.1/56.9
Q352	1530003431	S.TR 2SC5226-4-TL-E	B	89.2/64.5
Q363	1590000680	S.TR DTC114EUA T106	T	86.8/54.3
Q364	1590001330	S.TR DTA114EUA T106	T	86.8/57.4
Q441	1590000680	S.TR DTC114EUA T106	T	86.5/73.7
Q502	1590000680	S.TR DTC114EUA T106	T	41.9/128.8
Q540	1530002060	S.TR 2SC4081 T106 R	T	68.5/141.2
Q541	1560000331	S.FET 2SK210-GR (TE85R,F)	T	58.9/142.8
Q561	1530003431	S.TR 2SC5226-4-TL-E	T	70.6/153.8
Q580	1530003431	S.TR 2SC5226-4-TL-E	T	41.7/147.4
Q591	1530003151	S.TR 2SC4673D-TD-E	T	61.7/166.5
Q592	1520000561	S.TR 2SB1123 T-TD-E	B	52/165.3
Q593	1590000680	S.TR DTC114EUA T106	B	54.8/171.2
Q601	1530002601	S.TR 2SC4215-O (TE85R,F)	T	49.5/118.2
Q680	1530002060	S.TR 2SC4081 T106 R	T	37.5/163.2
Q702	1530002601	S.TR 2SC4215-O (TE85R,F)	T	31.4/110.9
Q1001	1530003851	S.TR 2SC5551F-TD-E	B	174/9
Q1004	1590001960	S.TR XP4311 (TX)	T	150/18.8
Q1005	1590001960	S.TR XP4311 (TX)	T	145.9/18.8
Q1006	1530003851	S.TR 2SC5551F-TD-E	B	150/37.6
Q1007	1530003851	S.TR 2SC5551F-TD-E	B	176.5/42.5
Q1008	1530003851	S.TR 2SC5551F-TD-E	B	160.5/42.5
Q1101	1530003860	TR 2SC3950D		
Q1102	1590000680	S.TR DTC114EUA T106	T	165.5/133.8
Q1103	1520000561	S.TR 2SB1123 T-TD-E	B	168.6/127.8
Q1104	1530003860	TR 2SC3950D		
Q1105	1530003841	S.TR 2SC5501-4-TR-E	T	166.5/142.1
Q1205	1590001960	S.TR XP4311 (TX)	T	158.8/55.6
Q1209	1530003851	S.TR 2SC5551F-TD-E	B	121/34.9
Q				

[RXPLL-B UNIT]

REF NO.	ORDER NO.	DESCRIPTION	M.	H/V LOCATION
D153	1790000491	S.DIO HSM88ASTR-E	T	27.2/60.4
D154	1790000491	S.DIO HSM88ASTR-E	T	27.2/63.8
D201	1750000520	S.DIO DAN222TL	T	32.4/34.1
D220	1720000590	S.VCP MA357 (TX)	T	50.8/31.8
D221	1720000590	S.VCP MA357 (TX)	T	52.9/31.8
D222	1790000620	S.DIO MA77 (TX)	T	82.6/29.8
D230	1720000590	S.VCP MA357 (TX)	T	50.8/44.2
D231	1720000590	S.VCP MA357 (TX)	T	52.9/44.2
D232	1790000620	S.DIO MA77 (TX)	T	82.6/42.3
D240	1720000590	S.VCP MA357 (TX)	T	50.8/56.7
D241	1720000590	S.VCP MA357 (TX)	T	52.9/56.7
D242	1790000620	S.DIO MA77 (TX)	T	82.6/54.8
D250	1720000590	S.VCP MA357 (TX)	T	50.8/69.2
D252	1790000620	S.DIO MA77 (TX)	T	82.6/67.3
D261	1720000590	S.VCP MA357 (TX)	T	52.9/81.7
D262	1790000620	S.DIO MA77 (TX)	T	82.6/79.8
D270	1720000590	S.VCP MA357 (TX)	T	50.8/94.2
D271	1720000590	S.VCP MA357 (TX)	T	52.4/96.7
D272	1790000620	S.DIO MA77 (TX)	T	82.5/92
D341	1790000620	S.DIO MA77 (TX)	T	90/37.2
D342	1160000070	S.DIO DAN202K T146	B	81.1/47.7
D362	1790000620	S.DIO MA77 (TX)	T	88.3/65.5
D363	1790000620	S.DIO MA77 (TX)	T	88.3/62
D421	1790000620	S.DIO MA77 (TX)	T	91.9/85
D441	1790000620	S.DIO MA77 (TX)	T	89.6/74.4
D501	1750000520	S.DIO DAN222TL	T	42/132
D542	1720000590	S.VCP MA357 (TX)	T	62.5/139.6
D1101	1790000620	S.DIO MA77 (TX)	T	177.6/146.6
D1102	1790000620	S.DIO MA77 (TX)	T	177.6/148.4
D1351	1750000581	S.DIO 1SV307 (TPH3,F)	T	140.8/71.1
D1653	1750000550	S.DIO 1S5355 TE-17	T	138.9/167.2
D1654	1750000550	S.DIO 1S5355 TE-17	T	142.5/167.2
D1701	1790001670	S.DIO RB706F-40T106	T	170.5/160.8
FI101	2020002090	S.CER SFECV10M7FD00-R0	T	26/73.9
FI1401	2030000321	S.MLH FL-359A (64.555 MHz)	T	116.3/88.5
FI1402	2030000311	S.MLH FL-360A (64.555 MHz)	T	107/88.5
FI1403	2030000520	S.MLH DSF753SDF 64.555 (FL-397)	T	126/85.5
L1	6200003261	S.COL NLV32T-101J	T	10.8/15.4
L2	6200003261	S.COL NLV32T-101J	T	29/19.9
L10	6200003950	S.COL HF50ACC 322513-T	T	38.6/14.7
L11	6200003950	S.COL HF50ACC 322513-T	T	13.8/15.4
L12	6200003950	S.COL HF50ACC 322513-T	T	16.8/15.4
L13	6200003950	S.COL HF50ACC 322513-T	T	29/15.4
L20	6200003321	S.COL NLV32T-3R3J	T	85.9/123.8
L30	6200005491	S.COL NLV32T-331J	T	20.6/120
L101	6200001831	S.COL NLV32T-100J	T	38.3/72.8
L151	6130002970	COL LB-343		
L152	6200001831	S.COL NLV32T-100J	T	30/54.5
L201	6200005011	S.COL NLV25T-100J	T	22.2/45
L211	6200003661	S.COL NLV25T-R68J	B	45.4/35.3
L220	6200010790	S.COL C2520C-3R9G-A	T	51.9/37.5
L221	6190001421	COL #E526GN-110502		
L222	6200010790	S.COL C2520C-3R9G-A	T	76.2/37.7
L230	6200010830	S.COL C2520C-3R3G-A	T	51.9/50
L231	6190001421	COL #E526GN-110502		
L232	6200010830	S.COL C2520C-3R3G-A	T	76.2/50.2
L240	6200010830	S.COL C2520C-3R3G-A	T	51.9/62.4
L241	6190001421	COL #E526GN-110502		
L242	6200010830	S.COL C2520C-3R3G-A	T	76.2/62.7
L250	6200010820	S.COL C2520C-2R7G-A	T	51.9/74.9
L251	6190001421	COL #E526GN-110502		
L252	6200010820	S.COL C2520C-2R7G-A	T	76.2/75.2
L260	6200010820	S.COL C2520C-2R7G-A	T	51.9/87.4
L261	6190001411	COL #E526GN-110501		
L262	6200010820	S.COL C2520C-2R7G-A	T	76.2/87.7
L270	6200010810	S.COL C2520C-2R2G-A	T	51.9/99.8
L271	6190001411	COL #E526GN-110501		
L272	6200010810	S.COL C2520C-2R2G-A	T	76/100.2
L280	6200005011	S.COL NLV25T-100J	T	67.4/25.5
L302	6200001831	S.COL NLV32T-100J	T	89.3/42.6
L331	6200002641	S.COL NLV25T-R15J	T	95.1/34.1
L332	6200002411	S.COL NLV25T-056J	B	93.2/36
L341	6200003261	S.COL NLV32T-101J	T	87/39.6
L351	6200001831	S.COL NLV32T-100J	T	91.3/62
L421	6200008641	S.COL NLV32T-391J	T	87/81
L441	6200002601	S.COL NLV25T-047J	T	91.9/72.3
L442	6200010730	S.COL C2520C-68NG-A	T	90.5/78.2
L451	6200002641	S.COL NLV25T-R15J	T	95/81
L452	6200003261	S.COL NLV32T-101J	T	87/78
L501	6200001831	S.COL NLV32T-100J	T	31/125.8
L530	6200003171	S.COL NLV32T-330J	T	14.6/134.9
L531	6200003171	S.COL NLV32T-330J	T	14.6/130.8
L532	6200003171	S.COL NLV32T-330J	T	15.5/127.1
L541	6200010790	S.COL C2520C-3R9G-A	T	56.3/139.6
L542	6190001421	COL #E526GN-110502		
L543	6200010790	S.COL C2520C-3R9G-A	T	68.4/147.9
L544	6200003261	S.COL NLV32T-101J	B	65.9/142.1
L545	6200003261	S.COL NLV32T-101J	B	51.3/139.6
L561	6200003261	S.COL NLV32T-101J	B	64/156
L562	6200001831	S.COL NLV32T-100J	B	74.6/151.8
L565	6150004250	COL LS-471A (C-14922)		
L566	6150004250	COL LS-471A (C-14922)		
L591	6200007790	S.COL LQW2BHN15J03L	T	60.5/171.5
L601	6200001831	S.COL NLV32T-100J	T	49.5/123.6
L602	6200002641	S.COL NLV25T-R15J	T	54.1/118
L603	6200002841	S.COL NLV25T-R22J	T	57.1/117.2
L651	6200001831	S.COL NLV32T-100J	T	15.5/176.2
L681	6200002981	S.COL NLV32T-R56J	T	37.4/176.2
L682	6200003041	S.COL NLV32T-R68J	T	37.8/172.6
L683	6200003051	S.COL NLV32T-R82J	T	40.2/166.2

[RXPLL-B UNIT]

REF NO.	ORDER NO.	DESCRIPTION	M.	H/V LOCATION
L701	6200003261	S.COL NLV32T-101J	T	23.6/120
L702	6150004971	S.COL LS-522-LF	T	37.6/108.6
L703	6150004971	S.COL LS-522-LF	T	37.5/118.5
L1001	6190001650	COL ELC06D102E		
L1002	6140004400	COL LR-499		
L1004	6140003890	COL LR-488		
L1005	6180001000	COL LAL 04NA 102K		
L1006	6140003900	COL LR-489		
L1007	6140003800	COL LR-439		
L1008	6190001650	COL ELC06D102E		
L1009	6190001650	COL ELC06D102E		
L1010	6140003880	COL LR-486		
L1011	6140003880	COL LR-486		
L1012	6140003800	COL LR-439		
L1013	6200010680	S.COL C2520C-R22G-A (0.22U)	T	155/55.2
L1014	6200010680	S.COL C2520C-R22G-A (0.22U)	T	157.9/12.4
L1015	6200007790	S.COL LQW2BHN15J03L	B	163.5/27.5
L1052	6200010740	S.COL C2520C-R27G-A	T	177.8/74.6
L1053	6200010740	S.COL C2520C-R27G-A	T	173.8/73.5
L1054	6200010740	S.COL C2520C-R27G-A	T	169.4/72.6
L1055	6140003960	COL LR-495		
L1056	6200010730	S.COL C2520C-68NG-A	T	171/83.8
L1058	6190001631	COL #E544EN-100021		
L1060	6200010730	S.COL C2520C-68NG-A	T	149.1/76.4
L1062	6200011450	S.COL C2520C-R39G-A	T	145.1/81.4
L1063	6200010650	S.COL C2520C-R12G-A (0.12U)	T	140.9/82.5
L1071	6200007780	S.COL LQW2BHN12J03L	B	164.9/79.2
L1072	6200007780	S.COL LQW2BHN12J03L	B	168/76.1
L1091	6200003950	S.COL HF50ACC 322513-T	B	171/149
L1092	6200003950	S.COL HF50ACC 322513-T	T	149.7/136.5
L1093	6200003950	S.COL HF50ACC 322513-T	T	157/135.2
L1101	6140003920	COL LR-491		
L1102	6200010650	S.COL C2520C-R12G-A (0.12U)	T	176.9/117.9
L1103	6180001250	COL LAL 04NA 3R3K		
L1104	6200010870	S.COL C2520C-R33G-A (0.33U)	T	178.3/135.9
L1105	6140003910	COL LR-490		
L1151	6140004640	COL LR-519		
L1201	6200007780	S.COL LQW2BHN12J03L	B	119.3/17.4
L1208	6140003800	COL LR-439		
L1209	6200001831	S.COL NLV32T-100J	T	121.1/20.8
L1210	6140004440	COL LR-503		
L1211	6200009690	S.COL LQH43CN101K03L	T	115.7/34.6
L1212	6200001831	S.COL NLV32T-100J	T	106.8/20.8
L1213	6140004440	COL LR-503		
L1214	6200009690	S.COL LQH43CN101K03L	T	105.9/34.8
L1216	6140003800	COL LR-439		
L1217	6200007750	S.COL LQW2BHN56NJ03L	T	147.9/63.7
L1218	6200007770	S.COL LQW2BHN10J03L	T	153.3/65.1
L1219	6200007790	S.COL LQW2BHN15J03L	T	153.2/79.4
L1220	6140000930	COL LR-116		
L1221	6200003261	S.COL NLV32T-101J	B	149.5/110.9
L1222	6150001770	COL LS-198		
L1223	6200007750	S.COL LQW2BHN56NJ03L	B	151.3/100.7
L1228	6200010870	S.COL C2520C-R33G-A (0.33U)	T	158.7/71.3
L1229	6200003950	S.COL HF50ACC 322513-T	B	164.7/115
L1301	6200008090	S.COL LQW2BHN68NJ03L	T	157.1/111.9
L1302	6200008090	S.COL LQW2BHN68NJ03L	T	156.4/115.5
L1303	6200008090	S.COL LQW2BHN68NJ03L	T	153.4/117.5
L1304	6200010870	S.COL C2520C-R33G-A (0.33U)	T	153.8/123
L1305	6200003001	S.COL NLV32T-R22J	T	159.2/124.5
L1306	6200001831	S.COL NLV32T-100J	B	152.7/118.6
L1307	6200003001	S.COL NLV32T-R22J	T	153.3/112
L1351	6200001831	S.COL NLV32T-100J	T	143/76.4
L1353	6200010740	S.COL C2520C-R27G-A	T	141.6/67.5
L1354	6200001831	S.COL NLV32T-100J	T	136.4/68
L1401	6150004280	COL LS-484B (C-14927)		
L1402	6150004280	COL LS-484B (C-14927)		
L1403	6150004280	COL LS-484B (C-14927)		
L1404	6150004280	COL LS-484B (C-14927)		
L1405	6200007770	S.COL LQW2BHN10J03L	B	112.5/111.4
L1406	6200007750	S.COL LQW2BHN56NJ03L	B	116.6/111.4
L1407	6140003930	COL LR-492		
L1408	6190001621	COL #E544EN-100028		
L1409	6200003191	S.COL NLV32T-470J	B	135.8/125.4
L1410	6150004280	COL LS-484B (C-14927)		
L1411	6150004280	COL LS-484B (C-14927)		
L1501	6200003520	S.COL ELJFB 102K-F	T	142.1/145.1
L1652	6200002520	S.COL ELJNC R18K-F	T	112.9/133.1
L1653	6200001831	S.COL NLV32T-100J	B	105.4/124.6
L1654	6200001831	S.COL NLV32T-100J	B	112.4/141.9
L1655	6200001831	S.COL NLV32T-100J	B	124.7/139.8
L1701	6200001831	S.COL NLV32T-100J	T	167/160
L1702	6200003950	S.COL HF50ACC 322513-T	T	175.6/169.8
L1703	6200003950	S.COL HF50ACC 322513-T	T	172.6/169.8
L1704	6200003950	S.COL HF50ACC 322513-T	T	169.6/169.8
L1705	6200003950	S.COL HF50ACC 322513-T	T	165.5/169.8
L1803	6200003950	S.COL HF50ACC 322513-T	B	132/54.8
L1804	6200003950	S.COL HF50ACC 322513-T	B	118/154.8
L1805	6200003950	S.COL HF50ACC 322513-T	B	155.2/132
L1807	6200003950	S.COL HF50ACC 322513-T	B	118/151.3
L1808	6200003950	S.COL HF50ACC 322513-T	B	141.3/162
L1809	6200003950	S.COL HF50ACC 322513-T	B	149.5/115.6
R1	7030005871	S.RES ERA3YKD 104V (100 k)	T	32.5/19.2
R2	7030005321	S.RES ERA3YKD 103V (10 k)	T	31.2/19.2
R3	7030003550	S.RES ERJ3GEYJ 822 V (8.2 k)	T	16.9/23.5
R4	7030003550	S.RES ERJ3GEYJ 822 V (8.2 k)	T	16.9/24.8



[RXPLL-B UNIT]

REF NO.	ORDER NO.	DESCRIPTION	M.	H/V LOCATION
R11	7030003360	S.RES ERJ3GEYJ 221 V (220)	T	20.3/16
R12	7030003360	S.RES ERJ3GEYJ 221 V (220)	T	22.4/16
R13	7030003360	S.RES ERJ3GEYJ 221 V (220)	T	23.7/16
R14	7030003360	S.RES ERJ3GEYJ 221 V (220)	T	25/16
R15	7030003360	S.RES ERJ3GEYJ 221 V (220)	T	26.4/16.2
R16	7030003360	S.RES ERJ3GEYJ 221 V (220)	T	32.5/15.4
R17	7030003360	S.RES ERJ3GEYJ 221 V (220)	T	33.8/15.4
R30	7030003240	S.RES ERJ3GEYJ 220 V (22)	T	21.7/113.7
R31	7030003600	S.RES ERJ3GEYJ 223 V (22 k)	T	20.4/111.1
R32	7030003320	S.RES ERJ3GEYJ 101 V (100)	T	23/113.7
R33	7030003340	S.RES ERJ3GEYJ 151 V (150)	T	19.1/115
R51	7030011030	S.RES ERJ1TYJ 270U (27)	T	66.3/13.9
R61	7030011030	S.RES ERJ1TYJ 270U (27)	T	45.1/13.9
R101	7030003800	S.RES ERJ3GEYJ 105 V (1 M)	T	34.1/101.5
R102	7030003860	S.RES ERJ3GE JPW V	B	35.6/88.6
R103	7030007230	S.RES ERA3YED 102V (1 k)	T	25.1/100.3
R104	7030007230	S.RES ERA3YED 102V (1 k)	T	26.4/100.3
R105	7030007230	S.RES ERA3YED 102V (1 k)	T	27.8/100.3
R106	7030003360	S.RES ERJ3GEYJ 221 V (220)	T	29.1/100.3
R107	7030003320	S.RES ERJ3GEYJ 101 V (100)	T	38/101.5
R108	7030007230	S.RES ERA3YED 102V (1 k)	T	28.9/79
R109	7030007230	S.RES ERA3YED 102V (1 k)	T	41.9/84.5
R110	7030007220	S.RES ERA3YED 202V (2 k)	T	14.6/100.5
R111	7030007220	S.RES ERA3YED 202V (2 k)	T	17.2/100.5
R112	7030007220	S.RES ERA3YED 202V (2 k)	T	17.2/99.2
R113	7030007220	S.RES ERA3YED 202V (2 k)	T	17.2/97.9
R114	7030007220	S.RES ERA3YED 202V (2 k)	T	17.2/96.6
R115	7030007220	S.RES ERA3YED 202V (2 k)	T	17.2/95.2
R116	7030007220	S.RES ERA3YED 202V (2 k)	T	17.2/93.9
R117	7030007220	S.RES ERA3YED 202V (2 k)	T	17.2/92.6
R118	7030007200	S.RES ERA3YEB 202V (2 k)	T	17.2/91.3
R119	7030007200	S.RES ERA3YEB 202V (2 k)	T	17.2/89.6
R120	7030007200	S.RES ERA3YEB 202V (2 k)	T	17.2/87
R121	7030007200	S.RES ERA3YEB 202V (2 k)	T	17.2/84.4
R122	7030007200	S.RES ERA3YEB 202V (2 k)	T	17.2/81.8
R123	7030007230	S.RES ERA3YED 102V (1 k)	T	14.6/99.2
R124	7030007230	S.RES ERA3YED 102V (1 k)	T	14.6/97.9
R125	7030007230	S.RES ERA3YED 102V (1 k)	T	14.6/96.6
R126	7030007230	S.RES ERA3YED 102V (1 k)	T	14.6/95.2
R127	7030007230	S.RES ERA3YED 102V (1 k)	T	14.6/93.9
R128	7030007230	S.RES ERA3YED 102V (1 k)	T	14.6/92.6
R129	7030007210	S.RES ERA3YEB 102V (1 k)	T	14.6/91.3
R130	7030007210	S.RES ERA3YEB 102V (1 k)	T	14.6/89.6
R131	7030007210	S.RES ERA3YEB 102V (1 k)	T	14.6/88.3
R132	7030007210	S.RES ERA3YEB 102V (1 k)	T	14.6/87
R133	7030007210	S.RES ERA3YEB 102V (1 k)	T	14.6/85.7
R134	7030009861	S.RES ERA3YED 471V (470)	T	14.6/84.4
R135	7030003860	S.RES ERJ3GE JPW V	T	30.4/75.8
R136	7030003800	S.RES ERJ3GEYJ 105 V (1 M)	T	33/77.1
R137	7030003200	S.RES ERJ3GEYJ 100 V (10)	T	35.5/75.8
R138	7030003860	S.RES ERJ3GE JPW V	T	16.8/78.6
R139	7030003860	S.RES ERJ3GE JPW V	T	17.6/75.8
R150	7030003330	S.RES ERJ3GEYJ 121 V (120)	B	37.8/86.2
R151	7030003220	S.RES ERJ3GEYJ 150 V (15)	B	38.6/88.1
R152	7030005871	S.RES ERA3YKD 104V (100 k)	B	36.2/82.5
R153	7030005321	S.RES ERA3YED 103V (10 k)	B	19.2/62.7
R154	7030003320	S.RES ERJ3GEYJ 101 V (100)	B	26.3/54.1
R155	7030003350	S.RES ERJ3GEYJ 181 V (180)	B	23/54.1
R156	7030005871	S.RES ERA3YKD 104V (100 k)	T	24.6/53.1
R157	7030005871	S.RES ERA3YKD 104V (100 k)	T	26.9/58
R158	7030003340	S.RES ERJ3GEYJ 151 V (150)	T	30/57.3
R159	7030003320	S.RES ERJ3GEYJ 101 V (100)	B	33.6/61.4
R160	7030003360	S.RES ERJ3GEYJ 221 V (220)	B	33.6/59.6
R161	7030003640	S.RES ERJ3GEYJ 473 V (47 k)	B	33.6/54.8
R163	7030003220	S.RES ERJ3GEYJ 150 V (15)	B	30.2/56.6
R164	7030003310	S.RES ERJ3GEYJ 820 V (82)	B	34.1/70.4
R165	7030003320	S.RES ERJ3GEYJ 101 V (100)	B	30.8/70.4
R166	7030003320	S.RES ERJ3GEYJ 101 V (100)	B	30.8/72.2
R167	7030003240	S.RES ERJ3GEYJ 220 V (22)	B	37.4/75.8
R168	7030003360	S.RES ERJ3GEYJ 221 V (220)	B	34.1/75.8
R169	7030003640	S.RES ERJ3GEYJ 473 V (47 k)	B	30.8/75.8
R202	7030007230	S.RES ERA3YED 102V (1 k)	T	22.2/39.7
R203	7030007230	S.RES ERA3YED 102V (1 k)	T	22.2/38.4
R204	7030003360	S.RES ERJ3GEYJ 221 V (220)	T	22.2/37.1
R205	7030005321	S.RES ERA3YED 103V (10 k)	T	27.4/34
R206	7030003220	S.RES ERJ3GEYJ 150 V (15)	T	31.1/45.7
R210	7030005351	S.RES ERA3YED 182V (1.8 k)	T	35.6/37.5
R217	7030009651	S.RES ERA3YHD 820V (82)	B	40.4/42.8
R219	7030009691	S.RES ERA3YED 101V (100)	B	40/35.7
R220	7030005871	S.RES ERA3YKD 104V (100 k)	T	73.2/37.6
R221	7030005871	S.RES ERA3YKD 104V (100 k)	T	72.3/30.9
R222	7030003400	S.RES ERJ3GEYJ 471 V (470)	T	81.4/38.3
R223	7030007230	S.RES ERA3YED 102V (1 k)	T	81.9/31.9
R224	7030003320	S.RES ERJ3GEYJ 101 V (100)	T	73.2/40.2
R230	7030005871	S.RES ERA3YKD 104V (100 k)	T	73.2/50.1
R231	7030005871	S.RES ERA3YKD 104V (100 k)	T	72.3/43.3
R232	7030003360	S.RES ERJ3GEYJ 221 V (220)	T	81.4/50.8
R233	7030007230	S.RES ERA3YED 102V (1 k)	T	81.9/44.4
R234	7030003320	S.RES ERJ3GEYJ 101 V (100)	T	73.2/52.7
R240	7030005871	S.RES ERA3YKD 104V (100 k)	T	73.2/62.6
R241	7030005871	S.RES ERA3YKD 104V (100 k)	T	72.3/55.8
R242	7030003360	S.RES ERJ3GEYJ 221 V (220)	T	81.4/63.3
R243	7030007230	S.RES ERA3YED 102V (1 k)	T	81.9/56.9
R244	7030003320	S.RES ERJ3GEYJ 101 V (100)	T	73.2/65.2
R250	7030005871	S.RES ERA3YKD 104V (100 k)	T	73.2/75.1
R251	7030005871	S.RES ERA3YKD 104V (100 k)	T	72.3/68.4
R252	7030003360	S.RES ERJ3GEYJ 221 V (220)	T	81.4/75.8
R253	7030007230	S.RES ERA3YED 102V (1 k)	T	81.9/69.4
R254	7030003320	S.RES ERJ3GEYJ 101 V (100)	T	73.2/77.7
R260	7030005871	S.RES ERA3YKD 104V (100 k)	T	73.2/87.6
R261	7030005871	S.RES ERA3YKD 104V (100 k)	T	72.3/80.9
R262	7030003400	S.RES ERJ3GEYJ 471 V (470)	T	81.4/88.3
R263	7030007230	S.RES ERA3YED 102V (1 k)	T	81.9/81.9
R264	7030003320	S.RES ERJ3GEYJ 101 V (100)	T	73.2/90.2

[RXPLL-B UNIT]

REF NO.	ORDER NO.	DESCRIPTION	M.	H/V LOCATION
R270	7030005871	S.RES ERA3YKD 104V (100 k)	T	73.2/99.5
R271	7030005871	S.RES ERA3YKD 104V (100 k)	T	72.3/92.8
R272	7030003360	S.RES ERJ3GEYJ 221 V (220)	T	81.4/100.8
R273	7030007230	S.RES ERA3YED 102V (1 k)	T	81.9/93.9
R274	7030003320	S.RES ERJ3GEYJ 101 V (100)	T	73.2/102.1
R301	7030003200	S.RES ERJ3GEYJ 100 V (10)	T	86.5/30.6
R302	7030007230	S.RES ERA3YED 102V (1 k)	T	86.5/29.3
R303	7030003360	S.RES ERJ3GEYJ 221 V (220)	T	92.1/28
R304	7030003490	S.RES ERJ3GEYJ 272 V (2.7 k)	T	94/30.1
R305	7030003510	S.RES ERJ3GEYJ 392 V (3.9 k)	T	95.3/30.1
R306	7030003360	S.RES ERJ3GEYJ 221 V (220)	T	94.7/32.2
R307	7030009841	S.RES ERA3YHD 330V (33)	T	92.1/32.2
R308	7030009851	S.RES ERA3YED 271V (270)	B	92.6/43.4
R309	7030003540	S.RES ERJ3GEYJ 682 V (6.8 k)	B	89.1/47
R310	7030003500	S.RES ERJ3GEYJ 332 V (3.3 k)	B	92.6/47
R311	7030003350	S.RES ERJ3GEYJ 181 V (180)	B	89.1/45.2
R312	7030003360	S.RES ERJ3GEYJ 221 V (220)	B	92.4/27.8
R313	7030003490	S.RES ERJ3GEYJ 272 V (2.7 k)	B	91.1/23.1
R314	7030003510	S.RES ERJ3GEYJ 392 V (3.9 k)	B	88.3/23.1
R315	7030003360	S.RES ERJ3GEYJ 221 V (220)	B	87.5/25.1
R316	7030003280	S.RES ERJ3GEYJ 470 V (47)	B	78.3/26.1
R317	7030006220	S.RES ERJ12YJ470U (47)	B	90/31.4
R318	7030009841	S.RES ERA3YHD 330V (33)	B	92.6/41.6
R341	7030007230	S.RES ERA3YED 102V (1 k)	T	92.1/40.1
R342	7030005321	S.RES ERA3YED 103V (10 k)	T	86.5/32.2
R343	7030007230	S.RES ERA3YED 102V (1 k)	T	89.3/34.8
R351	7030003200	S.RES ERJ3GEYJ 100 V (10)	B	89.1/52.4
R352	7030010980	S.RES ERA3YHD 470V (47)	T	89.3/55.8
R353	7030009591	S.RES ERA3YED 472V (4.7 k)	T	89.3/54.5
R354	7030009591	S.RES ERA3YED 472V (4.7 k)	T	89.3/50.4
R355	7030009591	S.RES ERA3YED 472V (4.7 k)	T	89.3/53.2
R356	7030003320	S.RES ERJ3GEYJ 101 V (100)	T	89.3/57.1
R357	7310005580	S.TRI TMC3ADCS3X 4.7K	T	93.6/52.7
R358	7030010980	S.RES ERA3YHD 470V (47)	T	94.9/56.4
R359	7030003320	S.RES ERJ3GEYJ 101 V (100)	T	94.9/59
R360	7030003320	S.RES ERJ3GEYJ 101 V (100)	B	92.6/63.9
R361	7030003490	S.RES ERJ3GEYJ 272 V (2.7 k)	B	89.2/62.1
R362	7030003510	S.RES ERJ3GEYJ 392 V (3.9 k)	B	92.6/60.3
R363	7030003320	S.RES ERJ3GEYJ 101 V (100)	B	92.6/65.7
R364	7030003410	S.RES ERJ3GEYJ 561 V (560)	T	94.9/82.9
R365	7030007860	S.RES ERJ3GEYJ 8R2V (8.2)	T	92/83.4
R366	7030003410	S.RES ERJ3GEYJ 561 V (560)	T	94.9/84.2
R368	7030005321	S.RES ERA3YED 103V (10 k)	T	86.1/59.6
R369	7030008240	S.RES ERJ12YOR00U	B	95.3/57.1
R421	7030007230	S.RES ERA3YED 102V (1 k)	T	92.1/87.8
R425	7030003410	S.RES ERJ3GEYJ 561 V (560)	T	90.1/81.6
R427	7030003320	S.RES ERJ3GEYJ 101 V (100)	B	86.8/87.3
R428	7030009861	S.RES ERA3YED 471V (470)	B	92.1/88
R441	7030007230	S.RES ERA3YED 102V (1 k)	T	92.1/75.5
R442	7030005321	S.RES ERA3YED 103V (10 k)	T	88.9/70.9
R443	7030007230	S.RES ERA3YED 102V (1 k)	T	88.9/72.2
R501	7030003360	S.RES ERJ3GEYJ 221 V (220)	T	29.2/153.1
R502	7030007230	S.RES ERA3YED 102V (1 k)	T	27.9/153.1
R503	7030007230	S.RES ERA3YED 102V (1 k)	T	26.5/153.1
R504	7030007230	S.RES ERA3YED 102V (1 k)	T	25.2/153.1
R506	7030003800	S.RES ERJ3GEYJ 105 V (1 M)	T	34/154.5
R509	7030007230	S.RES ERA3YED 102V (1 k)	T	42.5/136
R510	7030007220	S.RES ERA3YED 202V (2 k)	T	14.6/153.6
R511	7030007220	S.RES ERA3YED 202V (2 k)	T	17.2/153.6
R512	7030007220	S.RES ERA3YED 202V (2 k)	T	17.2/152.3
R513	7030007220	S.RES ERA3YED 202V (2 k)	T	17.2/151
R514	7030007220	S.RES ERA3YED 202V (2 k)	T	17.2/149.7
R515	7030007220	S.RES ERA3YED 202V (2 k)	T	17.2/148.3
R516	7030007220	S.RES ERA3YED 202V (2 k)	T	17.2/147
R517	7030007220	S.RES ERA3YED 202V (2 k)	T	17.2/145.7
R518	7030007200	S.RES ERA3YEB 202V (2 k)	T	17.2/144.4
R519	7030007200	S.RES ERA3YEB 202V (2 k)	T	17.2/142.7
R520	7030007200	S.RES ERA3YEB 202V (2 k)	T	17.2/141.4
R521	7030007200	S.RES ERA3YEB 202V (2 k)	T	17.2/140.1
R522	7030007200	S.RES ERA3YEB 202V (2 k)	T	17.2/138.8
R523	7030007230	S.RES ERA3YED 102V (1 k)	T	14.6/152.3
R524	7030007230	S.RES ERA3YED 102V (1 k)	T	14.6/151
R525	7030007230	S.RES ERA3YED 102V (1 k)	T	14.6/149.7
R526	7030007230	S.RES ERA3YED 102V (1 k)	T	14.6/148.3
R527	7030007230	S.RES ERA3YED 102V (1 k)	T	14.6/147
R528	7030007230	S.RES ERA3YED 102V (1 k)	T	14.6/145.7
R529	7030007210	S.RES ERA3YEB 102V (1 k)	T	14.6/144.4
R530	7030007210	S.RES ERA3YEB 102V (1 k)	T	14.6/142.7
R531	7030007210	S.RES ERA3YEB 102V (		



[RXPLL-B UNIT]

REF NO.	ORDER NO.	DESCRIPTION	M.	H/V LOCATION
R574	7030003240	S.RES ERJ3GEYJ 220 V (22)	T	60.5/155.5
R575	7030003270	S.RES ERJ3GEYJ 390 V (39)	T	58.5/156.3
R580	7030009861	S.RES ERA3YED 471V (470)	T	41.9/153.7
R581	7030003360	S.RES ERJ3GEYJ 221 V (220)	T	41.9/145.5
R582	7030003600	S.RES ERJ3GEYJ 223 V (22 k)	T	41.9/149.5
R587	7030003300	S.RES ERJ3GEYJ 680 V (68)	T	55.7/157.6
R588	7030003340	S.RES ERJ3GEYJ 151 V (150)	T	58.5/158.9
R589	7030003300	S.RES ERJ3GEYJ 680 V (68)	T	55.7/158.9
R591	7030003320	S.RES ERJ3GEYJ 101 V (100)	T	58.2/169.9
R592	7030005321	S.RES ERA3YED 103V (10 k)	T	58.5/167.9
R593	7030003480	S.RES ERJ3GEYJ 222 V (2.2 k)	T	58.5/165.1
R594	7030003320	S.RES ERJ3GEYJ 101 V (100)	B	61.9/168.1
R595	7030003640	S.RES ERJ3GEYJ 473 V (47 k)	B	55.9/165.3
R596	7030003540	S.RES ERJ3GEYJ 682 V (6.8 k)	B	54.7/168.9
R601	7030009851	S.RES ERA3YED 271V (270)	T	51.7/118.2
R602	7030003470	S.RES ERJ3GEYJ 182 V (1.8 k)	T	49.5/120.1
R606	7030003360	S.RES ERJ3GEYJ 221 V (2.2 k)	T	45.3/115.6
R607	7030003480	S.RES ERJ3GEYJ 222 V (2.2 k)	T	48.6/115.4
R608	7030007230	S.RES ERA3YED 102V (1 k)	T	49.9/115.4
R651	7030007230	S.RES ERA3YED 102V (1 k)	B	23.5/177.1
R652	7030003360	S.RES ERJ3GEYJ 221 V (220)	T	13.5/170.8
R653	7030007230	S.RES ERA3YED 102V (1 k)	T	13.5/169.5
R654	7030007230	S.RES ERA3YED 102V (1 k)	T	13.5/168.2
R656	7030003800	S.RES ERJ3GEYJ 105 V (1 M)	T	13.4/165.6
R657	7030003320	S.RES ERJ3GEYJ 101 V (100)	T	20.2/161.4
R661	7030007220	S.RES ERA3YED 202V (2 k)	T	31.7/162.8
R662	7030007220	S.RES ERA3YED 202V (2 k)	T	31.7/164.1
R663	7030007220	S.RES ERA3YED 202V (2 k)	T	31.7/165.4
R664	7030007220	S.RES ERA3YED 202V (2 k)	T	31.7/166.7
R665	7030007220	S.RES ERA3YED 202V (2 k)	T	31.7/168
R666	7030007220	S.RES ERA3YED 202V (2 k)	T	31.7/169.3
R667	7030007220	S.RES ERA3YED 202V (2 k)	T	31.7/170.6
R668	7030007220	S.RES ERA3YED 202V (2 k)	T	31.7/171.9
R669	7030007200	S.RES ERA3YEB 202V (2 k)	T	31.7/173.2
R670	7030007200	S.RES ERA3YEB 202V (2 k)	T	31.7/174.5
R671	7030007200	S.RES ERA3YEB 202V (2 k)	T	31.7/175.8
R673	7030007230	S.RES ERA3YED 102V (1 k)	T	34.3/165.4
R674	7030007230	S.RES ERA3YED 102V (1 k)	T	34.3/166.7
R675	7030007230	S.RES ERA3YED 102V (1 k)	T	34.3/168
R676	7030007230	S.RES ERA3YED 102V (1 k)	T	34.3/169.3
R677	7030007230	S.RES ERA3YED 102V (1 k)	T	34.3/170.6
R678	7030007230	S.RES ERA3YED 102V (1 k)	T	34.3/171.9
R679	7030007210	S.RES ERA3YEB 102V (1 k)	T	34.3/173.2
R680	7030007210	S.RES ERA3YEB 102V (1 k)	T	34.3/174.5
R681	7030007210	S.RES ERA3YEB 102V (1 k)	T	34.3/175.8
R683	7030003860	S.RES ERJ3GE JPW V	B	58.4/167.8
R685	7030003460	S.RES ERJ3GEYJ 152 V (1.5 k)	T	38.4/169.7
R686	7030003320	S.RES ERJ3GEYJ 101 V (100)	T	40.3/163.4
R687	7030003470	S.RES ERJ3GEYJ 182 V (1.8 k)	T	37.4/165.1
R688	7030003480	S.RES ERJ3GEYJ 222 V (2.2 k)	T	34.3/162.8
R689	7030003360	S.RES ERJ3GEYJ 221 V (220)	T	33.6/161.5
R690	7030009851	S.RES ERA3YED 271V (270)	T	46.4/165.3
R691	7030003230	S.RES ERJ3GEYJ 180 V (18)	T	48.4/164.8
R692	7030009851	S.RES ERA3YED 271V (270)	T	46.4/166.6
R693	7030003360	S.RES ERJ3GEYJ 221 V (220)	T	37.1/169.7
R704	7030009841	S.RES ERA3YHD 330V (33)	T	30.8/113.7
R705	7030003600	S.RES ERJ3GEYJ 223 V (22 k)	T	29.5/113.7
R706	7030005321	S.RES ERA3YED 103V (10 k)	T	28.2/113.7
R707	7030009861	S.RES ERA3YED 471V (470)	T	30.8/108.1
R708	7030003410	S.RES ERJ3GEYJ 561 V (560)	T	43.3/118.8
R709	7030007860	S.RES ERJ3GEYJ 8R2V (8.2)	T	43.3/116
R710	7030003410	S.RES ERJ3GEYJ 561 V (560)	T	43.8/121.1
R711	7030003320	S.RES ERJ3GEYJ 101 V (100)	T	37.9/154.5
R1000	7030003320	S.RES ERJ3GEYJ 101 V (100)	B	177.1/11.2
R1003	7030010980	S.RES ERA3YHD 470V (47)	T	162/13.4
R1004	7030007230	S.RES ERA3YED 102V (1 k)	B	166.4/12.9
R1005	7030003550	S.RES ERJ3GEYJ 822 V (8.2 k)	T	144/26.1
R1006	7030007230	S.RES ERA3YED 102V (1 k)	T	145.3/26.1
R1007	7030004030	S.RES ERJ3GEYJ 5R6 V (5.6)	B	153.7/33.6
R1008	7030003240	S.RES ERJ3GEYJ 220 V (22)	T	147/46.4
R1009	7030010980	S.RES ERA3YHD 470V (47)	T	182.4/29.3
R1010	7030010980	S.RES ERA3YHD 470V (47)	T	154.5/33.2
R1013	7030007230	S.RES ERA3YED 102V (1 k)	B	172.7/40.8
R1014	7030007230	S.RES ERA3YED 102V (1 k)	B	156.7/40.8
R1015	7030003530	S.RES ERJ3GEYJ 562 V (5.6 k)	B	172.7/45.4
R1016	7030003530	S.RES ERJ3GEYJ 562 V (5.6 k)	B	156.7/45.4
R1017	7030003530	S.RES ERJ3GEYJ 562 V (5.6 k)	B	169.7/12.9
R1020	7030003390	S.RES ERJ3GEYJ 391 V (390)	T	179.6/18.3
R1021	7030003220	S.RES ERJ3GEYJ 150 V (15)	T	177/19.4
R1022	7030003390	S.RES ERJ3GEYJ 391 V (390)	T	180.9/19.4
R1023	7030010980	S.RES ERA3YHD 470V (47)	B	149.3/33.5
R1024	7030003200	S.RES ERJ3GEYJ 100 V (10)	B	150.1/31.4
R1025	7030003300	S.RES ERJ3GEYJ 680 V (68)	T	178.3/19.4
R1026	7030003480	S.RES ERJ3GEYJ 222 V (2.2 k)	B	171.2/14.2
R1027	7030003200	S.RES ERJ3GEYJ 100 V (10)	B	176.5/38.3
R1028	7030003200	S.RES ERJ3GEYJ 100 V (10)	B	160.5/38.3
R1029	7030010980	S.RES ERA3YHD 470V (47)	B	178.2/46.1
R1030	7030010980	S.RES ERA3YHD 470V (47)	B	162.2/46.1
R1051	7030003800	S.RES ERJ3GEYJ 105 V (1 M)	T	178.6/93.1
R1054	7030011500	S.RES ERA3YHD 270V (27)	T	149.1/83.2
R1055	7030000010	S.RES MCR10EZHJ JPW (000)	T	162.1/76.6
R1056	7030000010	S.RES MCR10EZHJ JPW (000)	T	177.5/71.1
R1071	7030010980	S.RES ERA3YHD 470V (47)	B	165.9/76.4
R1072	7030000010	S.RES MCR10EZHJ JPW (000)	T	133.9/84.1
R1073	7030000010	S.RES MCR10EZHJ JPW (000)	T	135.5/85.7
R1101	7310004860	S.TRI EVM-3YSX50 B53 (502)	T	180.1/90.2
R1102	7030005871	S.RES ERA3YKD 104V (100 k)	B	180.2/100.6
R1103	7030007680	S.RES ERJ8ENF 47R0V (47)	T	181.7/104.7
R1104	7030007680	S.RES ERJ8ENF 47R0V (47)	T	173.6/107.2
R1105	7030003500	S.RES ERJ3GEYJ 332 V (3.3 k)	T	176.7/87.7
R1106	7030009620	S.RES ERJ12YJ120U (12)	B	179.6/117.9
R1107	7030010980	S.RES ERA3YHD 470V (47)	T	175.6/120.3
R1109	7030007180	S.RES ERJ12YJ150U (15)	B	175.5/125.7
R1110	7030003480	S.RES ERJ3GEYJ 222 V (2.2 k)	B	168.5/131.6

[RXPLL-B UNIT]

REF NO.	ORDER NO.	DESCRIPTION	M.	H/V LOCATION
R1111	7030003480	S.RES ERJ3GEYJ 222 V (2.2 k)	T	166.2/130.4
R1113	7030003480	S.RES ERJ3GEYJ 222 V (2.2 k)	T	166.2/131.7
R1114	7030004040	S.RES ERJ3GEYJ 4R7 V (4.7)	T	179.2/125.3
R1115	7030006240	S.RES ERJ12YJ181U (180)	B	176.5/129.9
R1116	7030007230	S.RES ERA3YED 102V (1 k)	T	175.7/135.3
R1117	7030004040	S.RES ERJ3GEYJ 4R7 V (4.7)	T	175.7/134
R1118	7030003480	S.RES ERJ3GEYJ 222 V (2.2 k)	T	175.4/132
R1119	7030003470	S.RES ERJ3GEYJ 182 V (1.8 k)	T	178/132
R1120	7030006070	S.RES ERJ12YJ101U (100)	B	177.3/141
R1121	7030003240	S.RES ERJ3GEYJ 220 V (22)	T	178.6/139.6
R1122	7030010980	S.RES ERA3YHD 470V (47)	T	171.9/131.1
R1123	7030003480	S.RES ERJ3GEYJ 222 V (2.2 k)	T	165.7/137.4
R1124	7030003460	S.RES ERJ3GEYJ 152 V (1.5 k)	T	165.7/140
R1125	7030003420	S.RES ERJ3GEYJ 681 V (680)	B	171/142.2
R1126	7030003200	S.RES ERJ3GEYJ 100 V (10)	T	168.4/142.2
R1127	7030010980	S.RES ERA3YHD 470V (47)	T	174.6/142.9
R1128	7030003470	S.RES ERJ3GEYJ 182 V (1.8 k)	T	174.6/146.6
R1129	7030003470	S.RES ERJ3GEYJ 182 V (1.8 k)	T	174.6/148.4
R1130	7030003480	S.RES ERJ3GEYJ 222 V (2.2 k)	T	180.6/146.4
R1131	7030003640	S.RES ERJ3GEYJ 473 V (47 k)	B	177.4/90.7
R1132	7310004860	S.TRI EVM-3YSX50 B53 (502)	T	179.4/84.3
R1133	7030003500	S.RES ERJ3GEYJ 332 V (3.3 k)	T	175.5/82.5
R1134	7030003640	S.RES ERJ3GEYJ 473 V (47 k)	T	175.5/83.8
R1135	7030005871	S.RES ERA3YKD 104V (100 k)	T	182.2/97.8
R1151	7030003280	S.RES ERJ3GEYJ 150 V (15)	T	134.8/63.9
R1152	7030003280	S.RES ERJ3GEYJ 470 V (47)	B	117.2/56.3
R1203	7030000010	S.RES MCR10EZHJ JPW (000)	T	157.5/74.9
R1211	7030003860	S.RES ERJ3GE JPW V	T	117.6/7.8
R1212	7030003860	S.RES ERJ3GE JPW V	T	124.8/51.1
R1213	7030003200	S.RES ERJ3GEYJ 100 V (10)	B	118.8/25
R1214	7030003200	S.RES ERJ3GEYJ 100 V (10)	B	109/25
R1216	7030010980	S.RES ERA3YHD 470V (47)	B	120.7/31.6
R1217	7030010980	S.RES ERA3YHD 470V (47)	B	111.2/31.6
R1220	7030010980	S.RES ERA3YHD 470V (47)	T	118.7/17.3
R1221	7030007230	S.RES ERA3YED 102V (1 k)	T	116.4/39.9
R1222	7030003530	S.RES ERJ3GEYJ 562 V (5.6 k)	T	116.4/38.6
R1223	7030010980	S.RES ERA3YHD 470V (47)	T	109.3/17.1
R1224	7030007230	S.RES ERA3YED 102V (1 k)	T	106.6/39.9
R1225	7030003530	S.RES ERJ3GEYJ 562 V (5.6 k)	T	106.6/38.6
R1226	7030003410	S.RES ERJ3GEYJ 561 V (560)	T	158.9/92.9
R1227	7030003410	S.RES ERJ3GEYJ 561 V (560)	T	154/92.9
R1228	7310004860	S.TRI EVM-3YSX50 B53 (502)	T	156.4/92.9
R1229	7030003480	S.RES ERJ3GEYJ 222 V (2.2 k)	B	156.1/117.4
R1230	7030003480	S.RES ERJ3GEYJ 222 V (2.2 k)	B	156.1/119.2
R1231	7030003480	S.RES ERJ3GEYJ 222 V (2.2 k)	B	156.1/121
R1232	7030003600	S.RES ERJ3GEYJ 223 V (22 k)	T	156.3/97.5
R1233	7030010980	S.RES ERA3YHD 470V (47)	B	152.5/109.4
R1301	7030010980	S.RES ERA3YHD 470V (47)	B	155.7/97.5
R1302	7030003860	S.RES ERJ3GE JPW V	T	159.3/116.8
R1304	7030003620	S.RES ERJ3GEYJ 333 V (33 k)	T	156.5/123.2
R1306	7030006230	S.RES ERJ12YJ151U (150)	B	153.8/124.8
R1307	7030003300	S.RES ERJ3GEYJ 680 V (68)	T	156.5/128.4
R1311	7030000010	S.RES MCR10EZHJ JPW (000)	T	140.3/98.8
R1312	7030000010	S.RES MCR10EZHJ JPW (000)	T	143.2/104.1
R1313	7030000010	S.RES MCR10EZHJ JPW (000)	T	143.2/101.5
R1357	7030007230	S.RES ERA3YED 102V (1 k)	B	140.7/70.4
R1358	7030003530	S.RES ERJ3GEYJ 562 V (5.6 k)	B	142.8/70.4
R1359	7030010980	S.RES ERA3YHD 470V (47)	T	139.4/64.7
R1360	7030007230	S.RES ERA3YED 102V (1 k)	B	146.4/67.1
R1361	7030003380	S.RES ERJ3GEYJ 331 V (330)	T	139.3/68.8
R1362	7030005871	S.RES ERA3YKD 104V (100 k)	B	144.6/70.4
R1401	7030003200	S.RES ERJ3GEYJ 100 V (10)	T	131.5/103.3
R1402	7030003300	S.RES ERJ3GEYJ 680 V (68)	T	126.4/111
R1403	7030007230	S.RES ERA3YED 102V (1 k)	T	132/107.7
R1404	7030009860	S.RES ERA3YED 471V (470)	T	134.6/104.3
R1405	7030003340	S.RES ERJ3GEYJ 151 V (150)	T	137.2/104.3
R1406	7030009591	S.RES ERA3YED 472V (4.7 k)	T	135.2/106.2
R1407	7030003550	S.RES ERJ3GEYJ 822 V (8.2 k)	B	135.4/104.3
R1408	7030003200	S.RES ERJ3GEYJ 100 V (10)	T	120.9/109
R1409	7030009591	S.RES ERA3YED 472V (4.7 k)	T	120.5/114.9
R1410	7030006091	S.RES ERA3YED 822V (8.2 k)	B	124.2/114.4
R1411	7030005871	S.RES ERA3YKD 104V (100 k)	T	123.2/116.2
R1412	7030003200	S.RES ERJ3GEYJ 100 V (		

[RXPLL-B UNIT]

REF NO.	ORDER NO.	DESCRIPTION	M.	H/V LOCATION
R1525	7030007230	S.RES ERA3YED 102V (1 k)	B	128.8/147
R1526	7030003460	S.RES ERJ3GEYJ 152 V (1.5 k)	B	137.7/142.1
R1527	7030007230	S.RES ERA3YED 102V (1 k)	T	119.8/146.3
R1528	7030007230	S.RES ERA3YED 102V (1 k)	T	121.1/146.3
R1529	7030007230	S.RES ERA3YED 102V (1 k)	T	115.3/152.3
R1530	7030003380	S.RES ERJ3GEYJ 331 V (330)	T	128/151.6
R1531	7030003380	S.RES ERJ3GEYJ 331 V (330)	T	128/155.5
R1532	7030005321	S.RES ERA3YED 103V (10 k)	T	124.1/160.8
R1533	7030005321	S.RES ERA3YED 103V (10 k)	T	128/160.8
R1534	7030005321	S.RES ERA3YED 103V (10 k)	T	122.8/160.8
R1535	7030005321	S.RES ERA3YED 103V (10 k)	T	121.5/160.8
R1536	7030005321	S.RES ERA3YED 103V (10 k)	T	129/171.7
R1537	7030003320	S.RES ERJ3GEYJ 101 V (100)	T	115.5/164.5
R1538	7030003320	S.RES ERJ3GEYJ 101 V (100)	T	107.1/170.1
R1539	7030008061	S.RES ERA3YED 222V (2.2 k)	B	131.8/176.4
R1540	7030010390	S.RES ERA3YED 821V (820)	B	128.7/177.1
R1541	7030003320	S.RES ERJ3GEYJ 101 V (100)	T	107.1/178.8
R1542	7030003320	S.RES ERJ3GEYJ 101 V (100)	T	115.5/173.2
R1543	7030009691	S.RES ERA3YED 101V (100)	B	130.6/179
R1651	7030003380	S.RES ERJ3GEYJ 331 V (330)	B	100.9/144.8
R1652	7030003220	S.RES ERJ3GEYJ 150 V (15)	B	102.7/144.8
R1653	7030003380	S.RES ERJ3GEYJ 331 V (330)	B	101.9/142.9
R1654	7030010980	S.RES ERA3YHD 470V (47)	B	105.5/142.2
R1655	7030009861	S.RES ERA3YED 471V (470)	B	108.8/140
R1656	7030003630	S.RES ERJ3GEYJ 393 V (39 k)	B	108.3/142.2
R1657	7030005871	S.RES ERA3YKD 104V (100 k)	T	108/133.1
R1658	7030003320	S.RES ERJ3GEYJ 101 V (100)	T	110.6/133.1
R1659	7030009691	S.RES ERA3YED 101V (100)	T	115.8/124.9
R1660	7030009691	S.RES ERA3YED 101V (100)	T	115.8/128.7
R1661	7030005321	S.RES ERA3YED 103V (10 k)	T	135.1/175.4
R1662	7030005321	S.RES ERA3YED 103V (10 k)	T	135.2/172.8
R1663	7030005321	S.RES ERA3YED 103V (10 k)	T	144.3/175.4
R1664	7030005321	S.RES ERA3YED 103V (10 k)	T	139.9/172.1
R1665	7030003320	S.RES ERJ3GEYJ 101 V (100)	T	109.3/133.1
R1667	7030003360	S.RES ERJ3GEYJ 221 V (220)	T	139.2/170.2
R1668	7030003360	S.RES ERJ3GEYJ 221 V (220)	T	141.8/170.2
R1670	7030003800	S.RES ERJ3GEYJ 105 V (1 M)	T	140.2/164.1
R1673	7030007230	S.RES ERA3YED 102V (1 k)	B	146/174.5
R1674	7030009851	S.RES ERA3YED 271V (270)	B	145.1/177.1
R1675	7030009591	S.RES ERA3YED 472V (4.7 k)	T	136.6/170.2
R1677	7030009591	S.RES ERA3YED 472V (4.7 k)	T	143.1/170.2
R1701	7030003360	S.RES ERJ3GEYJ 221 V (220)	T	162.4/147.4
R1703	7030003360	S.RES ERJ3GEYJ 221 V (220)	T	159.8/147.4
R1704	7030003360	S.RES ERJ3GEYJ 221 V (220)	T	158.5/147.4
R1706	7030003360	S.RES ERJ3GEYJ 221 V (220)	T	155.9/147.4
R1707	7030003360	S.RES ERJ3GEYJ 221 V (220)	T	154.6/147.4
R1708	7030003360	S.RES ERJ3GEYJ 221 V (220)	T	153.3/147.4
R1709	7030003480	S.RES ERJ3GEYJ 222 V (2.2 k)	T	149.7/159.3
R1710	7030003480	S.RES ERJ3GEYJ 222 V (2.2 k)	T	148.4/159.3
R1711	7030003540	S.RES ERJ3GEYJ 682 V (6.8 k)	T	147.1/159.3
R1712	7030003540	S.RES ERJ3GEYJ 682 V (6.8 k)	T	145.8/159.3
R1713	7030003660	S.RES ERJ3GEYJ 683 V (68 k)	T	145.8/157.2
R1714	7030003660	S.RES ERJ3GEYJ 683 V (68 k)	T	145.8/155.9
R1715	7030003540	S.RES ERJ3GEYJ 682 V (6.8 k)	T	143.9/164.8
R1716	7030007230	S.RES ERA3YED 102V (1 k)	T	164.2/164.8
R1717	7030007230	S.RES ERA3YED 102V (1 k)	T	164.2/163.5
R1718	7030007230	S.RES ERA3YED 102V (1 k)	T	164.2/162.2
R1719	7030003660	S.RES ERJ3GEYJ 683 V (68 k)	T	144.3/166.8
C1	4030011600	S.CER C1608 JB 1E 104K-T	T	10.8/18.2
C2	4030006880	S.CER C1608 JB 1H 472K-T	T	25.7/29.5
C14	4030006880	S.CER C1608 JB 1H 472K-T	T	37.7/12.5
C15	4030006880	S.CER C1608 JB 1H 472K-T	T	31.2/15.4
C16	4030006880	S.CER C1608 JB 1H 472K-T	T	35.1/15.4
C17	4030006880	S.CER C1608 JB 1H 472K-T	T	13.8/12.6
C18	4030006880	S.CER C1608 JB 1H 472K-T	T	16.8/12.6
C19	4030006880	S.CER C1608 JB 1H 472K-T	T	29.5/12.6
C20	4030006880	S.CER C1608 JB 1H 472K-T	T	87.4/127.8
C21	4030006880	S.CER C1608 JB 1H 472K-T	T	88.7/127.8
C22	4030006880	S.CER C1608 JB 1H 472K-T	T	90/127.8
C30	4030011600	S.CER C1608 JB 1E 104K-T	T	19.1/112.4
C31	4030011600	S.CER C1608 JB 1E 104K-T	T	20.4/113.7
C32	4030011600	S.CER C1608 JB 1E 104K-T	T	24.3/111.1
C51	4510008520	S.ELE EEE1CA470SP	T	84/20.3
C52	4030011600	S.CER C1608 JB 1E 104K-T	T	78.9/23.7
C53	4030011600	S.CER C1608 JB 1E 104K-T	T	75.1/23.7
C54	4510008500	S.ELE EEE1CA101WP	T	70/20.3
C61	4510008520	S.ELE EEE1CA470SP	T	62.9/20.3
C62	4030011600	S.CER C1608 JB 1E 104K-T	B	58.2/19.9
C63	4030011600	S.CER C1608 JB 1E 104K-T	B	54.8/19.9
C64	4510008500	S.ELE EEE1CA101WP	T	50.1/20.3
C101	4030006880	S.CER C1608 JB 1H 472K-T	T	39.7/80.7
C102	4030011600	S.CER C1608 JB 1E 104K-T	T	41.8/79.9
C103	4510008540	S.ELE EEE1CA100SR	T	40.2/76.8
C104	4030011600	S.CER C1608 JB 1E 104K-T	T	21.4/100.2
C105	4030011600	S.CER C1608 JB 1E 104K-T	T	21.4/88.2
C106	4030011600	S.CER C1608 JB 1E 104K-T	T	21.4/84.4
C107	4030011600	S.CER C1608 JB 1E 104K-T	T	24.4/79.8
C108	4030011600	S.CER C1608 JB 1E 104K-T	T	27/79.8
C109	4030011600	S.CER C1608 JB 1E 104K-T	T	30.8/79.8
C110	4030011600	S.CER C1608 JB 1E 104K-T	T	36.8/79.8
C111	4030011600	S.CER C1608 JB 1E 104K-T	T	41.2/88.5
C112	4030011600	S.CER C1608 JB 1E 104K-T	T	41.3/82.6
C114	4030011600	S.CER C1608 JB 1E 104K-T	T	39.5/98.4
C115	4030011600	S.CER C1608 JB 1E 104K-T	T	38.1/98.4
C116	4030011600	S.CER C1608 JB 1E 104K-T	T	35.3/99.6
C117	4030011600	S.CER C1608 JB 1E 104K-T	T	23.3/98.8
C118	4030011600	S.CER C1608 JB 1E 104K-T	T	46.2/82.6
C120	4030006880	S.CER C1608 JB 1H 472K-T	T	36.7/101.5
C121	4030011600	S.CER C1608 JB 1E 104K-T	T	39.5/101.5
C125	4030011600	S.CER C1608 JB 1E 104K-T	T	14.6/83.1
C129	4030011600	S.CER C1608 JB 1E 104K-T	T	33.4/79.8
C130	40300117810	S.CER C1608 CH 1H 102J-T	B	47.6/106.6

[RXPLL-B UNIT]

REF NO.	ORDER NO.	DESCRIPTION	M.	H/V LOCATION
C131	4030011600	S.CER C1608 JB 1E 104K-T	T	30.4/73.2
C132	4030011600	S.CER C1608 JB 1E 104K-T	T	35.5/73.2
C133	4030006880	S.CER C1608 JB 1H 472K-T	B	43.5/98.6
C134	4030006880	S.CER C1608 JB 1H 472K-T	B	43.5/96.8
C135	4030006880	S.CER C1608 JB 1H 472K-T	T	46/95.5
C136	4030006880	S.CER C1608 JB 1H 472K-T	T	46/94.2
C137	4030006880	S.CER C1608 JB 1H 472K-T	T	46/90.3
C138	4030006880	S.CER C1608 JB 1H 472K-T	T	46.1/87.7
C139	4030006880	S.CER C1608 JB 1H 472K-T	B	43.5/100.4
C141	4030004740	S.CER C2012 JB 1H 472K-T	B	34.3/85.1
C142	4550007470	S.TAN F931A107MNMNBMA	B	19.4/87.4
C150	4340000050	S.MLR ECH-U 1C472JB5	T	16.3/64.6
C151	4550007520	S.TAN F931A106MAABMA	B	38.6/92.1
C152	4030007070	S.CER C1608 CH 1H 300J-T	T	19.2/59.9
C153	4030009910	S.CER C1608 CH 1H 040B-T	T	21.3/55.4
C154	4610001850	S.TRI TZB4R200AB10R00	T	17.6/55.1
C155	4030016550	S.CER CM105 CH 151G 50AT	T	24.1/55.4
C156	4030016550	S.CER CM105 CH 151G 50AT	T	26.9/55.4
C157	4030016550	S.CER CM105 CH 151G 50AT	T	26.9/56.7
C158	4030006880	S.CER C1608 JB 1H 472K-T	T	23.3/53.1
C159	4030006880	S.CER C1608 JB 1H 472K-T	B	23/51.9
C161	4510008540	S.ELE EEE1CA100SR	T	31.3/61
C162	4030009920	S.CER C1608 CH 1H 050B-T	B	33.6/53
C163	4030011600	S.CER C1608 JB 1E 104K-T	B	36.9/59.6
C164	4030006880	S.CER C1608 JB 1H 472K-T	B	30.3/54.8
C165	4030006880	S.CER C1608 JB 1H 472K-T	B	30.8/74
C166	4030011600	S.CER C1608 JB 1E 104K-T	B	34.9/78.2
C167	4030006880	S.CER C1608 JB 1H 472K-T	B	37.4/74
C201	4030011340	S.CER C1608 CH 1H 471J-T	T	33.8/40.4
C202	4510009280	S.ELE EEE1EA4R7SR	T	26.5/44
C203	4030006900	S.CER C1608 JB 1H 103K-T	T	32.5/38.3
C204	4030006880	S.CER C1608 JB 1H 472K-T	T	25.4/35.3
C205	4030006880	S.CER C1608 JB 1H 472K-T	T	25.4/34
C206	4030006880	S.CER C1608 JB 1H 472K-T	T	31.1/43
C207	4030007030	S.CER C1608 CH 1H 150J-T	B	46.8/32.4
C208	4030007030	S.CER C1608 CH 1H 150J-T	T	32.5/41
C209	4030011340	S.CER C1608 CH 1H 471J-T	T	44.1/26.1
C210	4550007620	S.TAN F931V224MAABMA	T	46.2/26.7
C211	4550007300	S.TAN F931A335MAABMA	B	46.1/41.6
C219	4030006880	S.CER C1608 JB 1H 472K-T	T	33.8/37.8
C220	4030007130	S.CER C1608 CH 1H 101J-T	T	54.7/37.6
C221	4030009520	S.CER C1608 CH 1H 020B-T	T	54.7/32
C222	4610001860	S.TRI TZB4Z060AB10R00	T	68.1/32.6
C223	4030007080	S.CER C1608 CH 1H 390J-T	T	73.2/36.3
C224	4030007010	S.CER C1608 CH 1H 100D-T	T	73.2/38.9
C225	4030007050	S.CER C1608 CH 1H 220J-T	T	73.6/30.9
C226	4030006880	S.CER C1608 JB 1H 472K-T	T	71/30.9
C227	4030009920	S.CER C1608 CH 1H 050B-T	T	75.1/32.6
C228	4510008540	S.ELE EEE1CA100SR	T	68.8/37.8
C229	4030009530	S.CER C1608 CH 1H 030B-T	T	77.8/32.6
C230	4030007100	S.CER C1608 CH 1H 560J-T	T	54.7/75
C231	4030009510	S.CER C1608 CH 1H 010B-T	T	54.7/44.6
C232	4610001860	S.TRI TZB4Z060AB10R00	T	68.1/45.1
C233	4030007070	S.CER C1608 CH 1H 330J-T	T	73.2/48.8
C234	4030009920	S.CER C1608 CH 1H 050B-T	T	73.2/51.4
C235	4030007020	S.CER C1608 CH 1H 120J-T	T	73.6/43.3
C236	4030006880	S.CER C1608 JB 1H 472K-T	T	71/43.3
C237	4030009910	S.CER C1608 CH 1H 040B-T	T	75.1/45
C238	4510008540	S.ELE EEE1CA100SR	T	68.8/50.3
C239	4030009910	S.CER C1608 CH 1H 040B-T	T	77.8/45
C240	4030007080	S.CER C1608 CH 1H 390J-T	T	54.7/62.5
C241	4030009510	S.CER C1608 CH 1H 010B-T	T	54.7/57.1
C242	4610001860	S.TRI TZB4Z060AB10R00	T	68.1/57.6
C243	4030007060	S.CER C1608 CH 1H 270J-T	T	73.2/61.3
C244	4030009910	S.CER C1608 CH 1H 040B-T	T	73.2/63.9
C245	4030009920	S.CER C1608 CH 1H 050B-T	T	73.6/55.8
C246	4030006880	S.CER C1608 JB 1H 472K-T	T	71/55.9
C247	4030009530	S.CER C1608 CH 1H 030B-T	T	75.1/57.5
C248	4510008540	S.ELE EEE1CA100SR	T	68.8/62.9
C250	4030007100	S.CER C1608 CH 1H 560J-T	T	54.7/75
C251	4030009540	S.CER C1608 CH 1H 1R5B-T	T	54.7/69.6
C252	4610001810	S.TRI TZB4Z030AB10R00	T	68.1/70.1
C253	4030007080	S.CER C1608 CH 1H 390J-T	T	73.2/73.8
C254	4030009530	S.CER C1608 CH 1H 030B-T	T	73.2/76.4
C255	4030006990	S.CER C1608 CH 1H 080D-T	T</	



[RXPLL-B UNIT]

REF NO.	ORDER NO.	DESCRIPTION	M.	H/V LOCATION
C294	4030006880	S.CER C1608 JB 1H 472K-T	T	83.2/93.9
C297	4030009920	S.CER C1608 CH 1H 050B-T	T	52.6/59.4
C299	4030007050	S.CER C1608 CH 1H 220J-T	T	52.6/84.4
C301	4030006880	S.CER C1608 JB 1H 472K-T	T	89.3/30.6
C302	4030006880	S.CER C1608 JB 1H 472K-T	T	94.9/28
C303	4030006880	S.CER C1608 JB 1H 472K-T	B	92.6/39.8
C304	4030006880	S.CER C1608 JB 1H 472K-T	B	92.6/45.2
C305	4030006880	S.CER C1608 JB 1H 472K-T	B	89.1/48.8
C306	4030006880	S.CER C1608 JB 1H 472K-T	B	89.1/50.6
C309	4030017810	S.CER C1608 CH 1H 102J-T	T	94.9/42.7
C310	4030011600	S.CER C1608 JB 1E 104K-T	T	92.8/42.1
C311	4510008520	S.ELE EEE1CA470SP	T	93.4/47.4
C312	4030006880	S.CER C1608 JB 1H 472K-T	B	89/27.4
C313	4030006880	S.CER C1608 JB 1H 472K-T	B	93.7/23.1
C331	4030007110	S.CER C1608 CH 1H 680J-T	T	89.3/32.2
C332	4030007160	S.CER C1608 CH 1H 181J-T	T	92.1/33.5
C333	4030007110	S.CER C1608 CH 1H 680J-T	T	89.3/33.5
C334	4030007050	S.CER C1608 CH 1H 220J-T	T	94.9/36
C335	4030006980	S.CER C1608 CH 1H 070D-T	T	94.9/37.4
C336	4030007030	S.CER C1608 CH 1H 150J-T	T	92.1/38.8
C337	4030007050	S.CER C1608 CH 1H 220J-T	T	94.9/38.8
C341	4030006880	S.CER C1608 JB 1H 472K-T	T	94.9/40.1
C342	4030006880	S.CER C1608 JB 1H 472K-T	T	86.5/33.5
C344	4030011600	S.CER C1608 JB 1E 104K-T	T	94.9/41.4
C351	4030017810	S.CER C1608 CH 1H 102J-T	T	94.9/61.6
C352	4030011600	S.CER C1608 JB 1E 104K-T	T	94.9/62.9
C353	4510008520	S.ELE EEE1CA470SP	T	93.4/67.1
C354	4030006880	S.CER C1608 JB 1H 472K-T	T	89.3/51.7
C355	4030006880	S.CER C1608 JB 1H 472K-T	T	94.9/55.1
C356	4030006880	S.CER C1608 JB 1H 472K-T	T	89.2/58.4
C357	4030006880	S.CER C1608 JB 1H 472K-T	T	94.9/57.7
C358	4030006880	S.CER C1608 JB 1H 472K-T	B	89.2/60.3
C359	4030006880	S.CER C1608 JB 1H 472K-T	B	92.6/62.1
C360	4030006880	S.CER C1608 JB 1H 472K-T	B	89.9/66.9
C361	4030006880	S.CER C1608 JB 1H 472K-T	T	89.3/83.4
C363	4030006880	S.CER C1608 JB 1H 472K-T	T	86.1/60.9
C364	4030017810	S.CER C1608 CH 1H 102J-T	T	86.7/52.3
C365	4030006880	S.CER C1608 JB 1H 472K-T	T	90.3/59.9
C421	4030006880	S.CER C1608 JB 1H 472K-T	T	94.1/88.5
C423	4030006880	S.CER C1608 JB 1H 472K-T	T	94.1/93.3
C426	4030006880	S.CER C1608 JB 1H 472K-T	B	94.6/87.3
C427	4030006880	S.CER C1608 JB 1H 472K-T	T	92.1/86.5
C441	4030007040	S.CER C1608 CH 1H 180J-T	T	94.9/71.3
C442	4030007040	S.CER C1608 CH 1H 180J-T	T	94.9/72.6
C443	4030007020	S.CER C1608 CH 1H 120J-T	T	92.1/74.2
C444	4030007080	S.CER C1608 CH 1H 390J-T	T	94.9/73.9
C445	4030011770	S.CER C1608 CH 1H 060B-T	T	94.9/75.2
C446	4030007060	S.CER C1608 CH 1H 270J-T	T	94.9/79.1
C447	4030007110	S.CER C1608 CH 1H 680J-T	T	92.8/78.9
C448	4030006880	S.CER C1608 JB 1H 472K-T	T	94.9/76.5
C449	4030006880	S.CER C1608 JB 1H 472K-T	T	88.1/69.1
C451	4030007110	S.CER C1608 CH 1H 680J-T	T	92/82.1
C452	4030007160	S.CER C1608 CH 1H 181J-T	T	92/80.8
C453	4030011600	S.CER C1608 JB 1E 104K-T	T	94.9/77.8
C501	4030006880	S.CER C1608 JB 1H 472K-T	T	38.9/131.2
C502	4030011600	S.CER C1608 JB 1E 104K-T	T	38.9/129.9
C503	4510008540	S.ELE EEE1CA100SR	T	36.6/126.7
C504	4030011600	S.CER C1608 JB 1E 104K-T	T	21.4/153.1
C505	4550007470	S.TAN F931A107MNMBA	B	19.2/140.3
C506	4030011600	S.CER C1608 JB 1E 104K-T	T	21.4/141
C507	4030011600	S.CER C1608 JB 1E 104K-T	T	21.4/137.1
C509	4030011600	S.CER C1608 JB 1E 104K-T	T	25.8/132.6
C510	4030011600	S.CER C1608 JB 1E 104K-T	T	28.4/132.6
C511	4030011600	S.CER C1608 JB 1E 104K-T	T	32.2/132.6
C512	4030011600	S.CER C1608 JB 1E 104K-T	T	34.8/132.6
C513	4030011600	S.CER C1608 JB 1E 104K-T	T	37.4/132.6
C514	4030011600	S.CER C1608 JB 1E 104K-T	T	41.2/136
C515	4030011600	S.CER C1608 JB 1E 104K-T	T	41.3/139.7
C516	4030011600	S.CER C1608 JB 1E 104K-T	T	41.3/142.3
C517	4030011600	S.CER C1608 JB 1E 104K-T	T	37.6/151.8
C518	4030011600	S.CER C1608 JB 1E 104K-T	T	34.8/151.8
C519	4030011600	S.CER C1608 JB 1E 104K-T	T	31.2/151.8
C520	4030011600	S.CER C1608 JB 1E 104K-T	T	23.3/151.9
C521	4030011600	S.CER C1608 JB 1E 104K-T	T	41.6/134
C522	4550007220	S.TAN F931A476MCMBA	B	40.7/145
C525	4030006880	S.CER C1608 JB 1H 472K-T	T	35.3/154.5
C526	4030011600	S.CER C1608 JB 1E 104K-T	T	36.6/154.5
C531	4030006880	S.CER C1608 JB 1H 472K-T	T	14.6/137.5
C532	4030007070	S.CER C1608 CH 1H 330J-T	T	17.2/137.5
C533	4030007110	S.CER C1608 CH 1H 680J-T	T	17.3/133.4
C534	4030007110	S.CER C1608 CH 1H 680J-T	T	16.8/130.1
C535	4030007070	S.CER C1608 CH 1H 330J-T	T	18.1/127
C536	4030006880	S.CER C1608 JB 1H 472K-T	T	20.9/127.6
C537	4030006880	S.CER C1608 JB 1H 472K-T	T	27.2/126.4
C540	4030006880	S.CER C1608 JB 1H 472K-T	B	56.3/142.8
C541	4510008540	S.ELE EEE1CA100SR	T	51/139.3
C542	4340000260	S.MLR ECU1C104MA5	B	47.8/127
C543	4030007060	S.CER C1608 CH 1H 270J-T	T	62.2/136.4
C545	4030008560	S.CER C1608 CH 1H 300J-T	T	70/137.1
C546	4610001830	S.TRI TZB4S100AB10R00	T	65.8/138.7
C547	4030007130	S.CER C1608 CH 1H 101J-T	T	71.3/137.1
C548	4030007010	S.CER C1608 CH 1H 100D-T	T	71.3/139.9
C549	4030007050	S.CER C1608 CH 1H 220J-T	T	68.9/145.1
C550	4030006880	S.CER C1608 JB 1H 472K-T	T	66.3/143
C551	4030009520	S.CER C1608 CH 1H 020B-T	T	71.3/142.8
C552	4030017810	S.CER C1608 CH 1H 102J-T	B	54.6/139.5
C553	4030006880	S.CER C1608 JB 1H 472K-T	B	56.3/139.5
C554	4510008500	S.ELE EEE1CA101WP	T	50.9/146.6
C555	4030006880	S.CER C1608 JB 1H 472K-T	B	47.7/149.5
C556	4550007220	S.TAN F931A476MCMBA	B	76.4/136.1
C558	4550007520	S.TAN F931A106MAABMA	B	43.4/132.5
C559	4550007400	S.TAN F931A225MAABMA	B	43.4/129.9
C561	4550007520	S.TAN F931A106MAABMA	T	70/157.5
C562	4030006880	S.CER C1608 JB 1H 472K-T	T	68.3/155.5

[RXPLL-B UNIT]

REF NO.	ORDER NO.	DESCRIPTION	M.	H/V LOCATION
C563	4030017810	S.CER C1608 CH 1H 102J-T	B	60.1/158
C564	4030006880	S.CER C1608 JB 1H 472K-T	B	58.8/158
C565	4510008520	S.ELE EEE1CA470SP	T	50.9/155.6
C566	4030006880	S.CER C1608 JB 1H 472K-T	T	64.4/155.5
C571	4030006880	S.CER C1608 JB 1H 472K-T	B	58.5/161.3
C573	4030007040	S.CER C1608 CH 1H 180J-T	B	72.5/166.8
C574	4030009510	S.CER C1608 CH 1H 010B-T	T	72.6/169.1
C575	4030007040	S.CER C1608 CH 1H 180J-T	T	72.6/171.9
C580	4030006880	S.CER C1608 JB 1H 472K-T	T	41.9/152.4
C581	4030006880	S.CER C1608 JB 1H 472K-T	T	41.9/144.2
C591	4030006880	S.CER C1608 JB 1H 472K-T	T	63.5/171.2
C592	4030007060	S.CER C1608 CH 1H 270J-T	T	62.8/163.1
C593	4510008540	S.ELE EEE1CA100SR	T	54.4/170.7
C594	4030006880	S.CER C1608 JB 1H 472K-T	T	57.4/171.9
C596	4030006880	S.CER C1608 JB 1H 472K-T	B	63.7/168.1
C597	4030007050	S.CER C1608 CH 1H 220J-T	T	62.2/171.2
C601	4030006880	S.CER C1608 JB 1H 472K-T	T	47.3/116.4
C602	4030006880	S.CER C1608 JB 1H 472K-T	T	49.5/121.4
C607	4030006880	S.CER C1608 JB 1H 472K-T	T	51.2/115.4
C608	4030006880	S.CER C1608 JB 1H 472K-T	T	53.2/115.9
C609	4030007100	S.CER C1608 CH 1H 560J-T	T	53.2/114.6
C610	4030008750	S.CER C1608 CH 1H 360J-T	T	55.2/115.4
C611	4030007140	S.CER C1608 CH 1H 121J-T	T	56.3/113.5
C612	4030007020	S.CER C1608 CH 1H 120J-T	T	57.1/114.8
C613	4030007110	S.CER C1608 CH 1H 680J-T	T	56.3/112.2
C651	4030006880	S.CER C1608 JB 1H 472K-T	T	13.5/174
C652	4030011600	S.CER C1608 JB 1E 104K-T	T	12.9/176.3
C653	4510008540	S.ELE EEE1CA100SR	T	6.8/172.6
C654	4030011600	S.CER C1608 JB 1E 104K-T	T	22.8/161.4
C655	4030011600	S.CER C1608 JB 1E 104K-T	T	25.9/161.4
C656	4030011600	S.CER C1608 JB 1E 104K-T	T	25.8/177.1
C657	4030011600	S.CER C1608 JB 1E 104K-T	T	22.7/177.1
C658	4030011600	S.CER C1608 JB 1E 104K-T	T	13.5/172.7
C659	4030011600	S.CER C1608 JB 1E 104K-T	T	16.5/163.4
C660	4030006880	S.CER C1608 JB 1H 472K-T	T	17.6/161.4
C661	4030011600	S.CER C1608 JB 1E 104K-T	T	13.5/166.9
C662	4550007220	S.TAN F931A476MCMBA	B	30.5/169.4
C680	4030006880	S.CER C1608 JB 1H 472K-T	T	34.3/177.1
C681	4030007160	S.CER C1608 CH 1H 181J-T	T	40.3/177.1
C682	4030007140	S.CER C1608 CH 1H 121J-T	T	39.6/175.2
C683	4030011330	S.CER C1608 CH 1H 391J-T	T	40.9/175.2
C684	4030007080	S.CER C1608 CH 1H 390J-T	B	39.3/174
C685	4030011280	S.CER C1608 CH 1H 271J-T	B	42.3/172.6
C686	4030010760	S.CER C1608 CH 1H 331J-T	B	39.3/170.6
C687	4030018580	S.CER C1608 CH 1H 821J-T	T	41/169.7
C688	4030010760	S.CER C1608 CH 1H 331J-T	B	37.5/169.7
C689	4030011600	S.CER C1608 JB 1E 104K-T	T	37.4/166.4
C690	4030011600	S.CER C1608 JB 1E 104K-T	T	37.4/161.3
C691	4030011600	S.CER C1608 JB 1E 104K-T	T	46.4/164
C692	4030006880	S.CER C1608 JB 1H 472K-T	T	40.3/162.1
C693	4030006880	S.CER C1608 JB 1H 472K-T	B	58.4/169.6
C694	4030006880	S.CER C1608 JB 1H 472K-T	B	58.4/164.2
C703	4030017810	S.CER C1608 CH 1H 102J-T	T	24.3/116.6
C704	4030006880	S.CER C1608 JB 1H 472K-T	T	23/116.6
C705	4510008500	S.ELE EEE1CA101WP	T	29.4/118.7
C707	4030011600	S.CER C1608 JB 1E 104K-T	T	32.1/113.7
C708	4030011600	S.CER C1608 JB 1E 104K-T	T	32.1/108.1
C709	4030007070	S.CER C1608 CH 1H 330J-T	T	38.8/12.9
C710	4030006880	S.CER C1608 JB 1H 472K-T	T	36.2/112.9
C711	4030009540	S.CER C1608 CH 1H 1R5B-T	B	39.3/113.6
C712	4030007070	S.CER C1608 CH 1H 330J-T	T	36.2/114.2
C713	4030006880	S.CER C1608 JB 1H 472K-T	T	42/118.8
C1000	4030007050	S.CER C1608 CH 1H 220J-T	B	177.1/13.8
C1002	4030006880	S.CER C1608 JB 1H 472K-T	B	153.1/16.2
C1003	4030012600	S.CER C2012 JB 1A 105M-T	T	157.4/8.2
C1004	4030011600	S.CER C1608 JB 1E 104K-T	B	169.6/8.7
C1005	4030011600	S.CER C1608 JB 1E 104K-T	T	162.8/17.2
C1006	4030010210	S.CER C3216 JB 1C 105M-T	T	173.8/18.6
C1007	4030006880	S.CER C1608 JB 1H 472K-T	T	172.4/23.9
C1008	4030006880	S.CER C1608 JB 1H 472K-T	T	160/24
C1009	4030006880	S.CER C1608 JB 1H 472K-T	T	147.6/23.8
C1010	40300126			



[RXPLL-B UNIT]

REF NO.	ORDER NO.	DESCRIPTION	M.	H/V LOCATION
C1053	4030007110	S.CER C1608 CH 1H 680J-T	T	175.2/77.3
C1054	4030007010	S.CER C1608 CH 1H 100D-T	B	175.7/72.4
C1055	4030007140	S.CER C1608 CH 1H 121J-T	B	175.7/74.2
C1056	4030007050	S.CER C1608 CH 1H 220J-T	T	175.2/76
C1057	4030007130	S.CER C1608 CH 1H 101J-T	T	172.1/77.1
C1058	4030009920	S.CER C1608 CH 1H 050B-T	B	173.2/12.7
C1060	4030017810	S.CER C1608 CH 1H 102J-T	T	178.6/94.4
C1061	4030007090	S.CER C1608 CH 1H 470J-T	B	147.7/91.8
C1062	4030007170	S.CER C1608 CH 1H 221J-T	B	149.5/91.8
C1064	4030007090	S.CER C1608 CH 1H 470J-T	T	148.7/80.8
C1066	4030007010	S.CER C1608 CH 1H 100D-T	T	138.6/81.9
C1067	4030007010	S.CER C1608 CH 1H 100D-T	T	173.4/77.1
C1070	4030006980	S.CER C1608 CH 1H 070D-T	T	137.2/81.9
C1071	4030007100	S.CER C1608 CH 1H 560J-T	B	162.2/75.3
C1072	4030007170	S.CER C1608 CH 1H 221J-T	B	162/78.7
C1073	4030007080	S.CER C1608 CH 1H 390J-T	B	164.1/76.4
C1074	4030007060	S.CER C1608 CH 1H 270J-T	T	148.7/78.6
C1081	4030006900	S.CER C1608 JB 1H 103K-T	B	156.1/86
C1082	4030006900	S.CER C1608 JB 1H 103K-T	B	151.3/91.8
C1083	4030006900	S.CER C1608 JB 1H 103K-T	B	151.2/81.6
C1084	4030006880	S.CER C1608 JB 1H 472K-T	B	149.4/81.6
C1085	4030006880	S.CER C1608 JB 1H 472K-T	B	153/81.6
C1091	4030006880	S.CER C1608 JB 1H 472K-T	T	149.3/149.4
C1092	4030006880	S.CER C1608 JB 1H 472K-T	T	147/138.5
C1093	4030006880	S.CER C1608 JB 1H 472K-T	T	161.3/135.8
C1101	4030006900	S.CER C1608 JB 1H 103K-T	T	177/90.9
C1102	4030006900	S.CER C1608 JB 1H 103K-T	T	175.4/115.5
C1103	4030011600	S.CER C1608 JB 1E 104K-T	T	179.6/116.4
C1104	4030011600	S.CER C1608 JB 1E 104K-T	T	175.4/87.7
C1106	4030011600	S.CER C1608 JB 1E 104K-T	T	179.3/128.8
C1107	4030011600	S.CER C1608 JB 1E 104K-T	B	172.3/124.2
C1109	4030007090	S.CER C1608 CH 1H 470J-T	T	175.7/137.9
C1110	4030006900	S.CER C1608 JB 1H 103K-T	T	175.7/136.6
C1111	4030011600	S.CER C1608 JB 1E 104K-T	T	176.7/132
C1112	4030006900	S.CER C1608 JB 1H 103K-T	T	179.3/132
C1113	4030007090	S.CER C1608 CH 1H 470J-T	T	178.6/140.9
C1114	4030006900	S.CER C1608 JB 1H 103K-T	B	178.4/138
C1115	4030011600	S.CER C1608 JB 1E 104K-T	T	175.7/140
C1116	4030006900	S.CER C1608 JB 1H 103K-T	T	165.7/138.7
C1117	4030007010	S.CER C1608 CH 1H 100D-T	T	169.7/142.2
C1118	4030011600	S.CER C1608 JB 1E 104K-T	T	171/142.2
C1119	4030006880	S.CER C1608 JB 1H 472K-T	T	171.9/146.6
C1120	4030006880	S.CER C1608 JB 1H 472K-T	T	171.9/148.4
C1121	4030011600	S.CER C1608 JB 1E 104K-T	T	180.6/147.7
C1122	4030009530	S.CER C1608 CH 1H 030B-T	T	178.2/120.3
C1123	4030006900	S.CER C1608 JB 1H 103K-T	T	182.1/100.9
C1124	4030006900	S.CER C1608 JB 1H 103K-T	T	175.3/105.9
C1125	4030006900	S.CER C1608 JB 1H 103K-T	T	175.5/85.1
C1126	4030011600	S.CER C1608 JB 1E 104K-T	T	173.4/131.1
C1151	4030007110	S.CER C1608 CH 1H 680J-T	B	123.1/64
C1152	4030007110	S.CER C1608 CH 1H 680J-T	B	123.1/57
C1153	4030017810	S.CER C1608 CH 1H 102J-T	T	131.5/63.9
C1201	4030007110	S.CER C1608 CH 1H 680J-T	B	120.2/21.8
C1202	4030007110	S.CER C1608 CH 1H 680J-T	B	118.4/21.8
C1207	4030006880	S.CER C1608 JB 1H 472K-T	B	123/111.8
C1226	4030009500	S.CER C1608 CH 1H 0R5B-T	B	124.9/35.6
C1227	4030009500	S.CER C1608 CH 1H 0R5B-T	B	115.4/35.6
C1228	4030009920	S.CER C1608 CH 1H 050B-T	B	113.9/41.8
C1231	4030006900	S.CER C1608 JB 1H 103K-T	T	118.9/21.5
C1232	4030006900	S.CER C1608 JB 1H 103K-T	T	109/21.5
C1234	4030006900	S.CER C1608 JB 1H 103K-T	B	123.5/38.3
C1235	4030006880	S.CER C1608 JB 1H 472K-T	B	116.6/32.1
C1236	4030006900	S.CER C1608 JB 1H 103K-T	T	119.8/40
C1238	4030006900	S.CER C1608 JB 1H 103K-T	B	114/38.3
C1239	4030006880	S.CER C1608 JB 1H 472K-T	B	106.8/32.3
C1240	4030006900	S.CER C1608 JB 1H 103K-T	T	111.7/40.5
C1241	4030006900	S.CER C1608 JB 1H 103K-T	T	113.6/38.6
C1243	4030006880	S.CER C1608 JB 1H 472K-T	B	129.6/46.7
C1244	4030007080	S.CER C1608 CH 1H 390J-T	T	149.6/67
C1245	4030007130	S.CER C1608 CH 1H 101J-T	T	151/64.4
C1246	4030007120	S.CER C1608 CH 1H 820J-T	T	150.9/67
C1247	4030007090	S.CER C1608 CH 1H 470J-T	T	153.4/63.5
C1248	4030007130	S.CER C1608 CH 1H 101J-T	T	153.4/66.8
C1249	4030007020	S.CER C1608 CH 1H 120J-T	T	153.1/70.3
C1250	4030007100	S.CER C1608 CH 1H 560J-T	B	152.4/74.3
C1251	4030006900	S.CER C1608 JB 1H 103K-T	T	160.2/92.9
C1252	4030006900	S.CER C1608 JB 1H 103K-T	T	152.7/92.9
C1253	4030006900	S.CER C1608 JB 1H 103K-T	B	152.5/111.2
C1255	4030017810	S.CER C1608 CH 1H 102J-T	B	155.7/99.3
C1256	4030007010	S.CER C1608 CH 1H 100D-T	T	156.3/98.8
C1257	4030011600	S.CER C1608 JB 1E 104K-T	B	155.7/103
C1258	4030007080	S.CER C1608 CH 1H 390J-T	B	152/97.5
C1264	4030007110	S.CER C1608 CH 1H 680J-T	T	122/51.1
C1265	4610001830	S.TRI TZB4S100AB10R00	T	163.8/70.8
C1266	4030007020	S.CER C1608 CH 1H 120J-T	T	160.1/74.5
C1267	4030006880	S.CER C1608 JB 1H 472K-T	B	157/126.4
C1268	4030006980	S.CER C1608 CH 1H 070D-T	T	149.6/64.4
C1302	4030007060	S.CER C1608 CH 1H 270J-T	T	159.3/111
C1303	4030006980	S.CER C1608 CH 1H 070D-T	T	159.3/112.9
C1304	4030007070	S.CER C1608 CH 1H 330J-T	T	159.3/114.2
C1305	4030007010	S.CER C1608 CH 1H 100D-T	T	153.5/114.6
C1306	4030009650	S.CER C1608 CH 1H 240J-T	T	159.3/115.5
C1307	4030007030	S.CER C1608 CH 1H 150J-T	T	153.5/120.2
C1308	4030006900	S.CER C1608 JB 1H 103K-T	T	155.1/127.1
C1309	4030007080	S.CER C1608 CH 1H 390J-T	T	156.5/125.8
C1310	4030007080	S.CER C1608 CH 1H 390J-T	T	159.1/128.4
C1311	4030006900	S.CER C1608 JB 1H 103K-T	B	149/118.9
C1312	4030007060	S.CER C1608 CH 1H 270J-T	T	155.5/111.7
C1313	4030007060	S.CER C1608 CH 1H 270J-T	T	159.1/127.1
C1355	4030006880	S.CER C1608 JB 1H 472K-T	T	144.7/70
C1357	4030007000	S.CER C1608 CH 1H 090D-T	B	144.6/67.1
C1358	4030011600	S.CER C1608 JB 1E 104K-T	B	139.1/70.4
C1360	4030011600	S.CER C1608 JB 1E 104K-T	B	146.4/70.4
C1361	4030007020	S.CER C1608 CH 1H 120J-T	B	137.7/69.5

[RXPLL-B UNIT]

REF NO.	ORDER NO.	DESCRIPTION	M.	H/V LOCATION
C1362	4030011600	S.CER C1608 JB 1E 104K-T	T	137.5/65.6
C1403	4030017810	S.CER C1608 CH 1H 102J-T	T	114.7/70.3
C1404	4030017810	S.CER C1608 CH 1H 102J-T	T	116.3/104.8
C1405	4030006900	S.CER C1608 JB 1H 103K-T	B	115.9/63.9
C1406	4030017810	S.CER C1608 CH 1H 102J-T	T	114.2/66.2
C1407	4030017810	S.CER C1608 CH 1H 102J-T	T	119.9/70.3
C1408	4030006900	S.CER C1608 JB 1H 103K-T	T	116.3/73
C1409	4030006900	S.CER C1608 JB 1H 103K-T	T	114.4/68.1
C1410	4030007030	S.CER C1608 CH 1H 150J-T	T	116.3/83.3
C1411	4030006990	S.CER C1608 CH 1H 080D-T	T	112.2/87.8
C1412	4030007030	S.CER C1608 CH 1H 150J-T	T	116.3/93.7
C1413	4030007020	S.CER C1608 CH 1H 120J-T	T	107/83.3
C1414	4030006990	S.CER C1608 CH 1H 080D-T	T	103.6/86.6
C1415	4030007020	S.CER C1608 CH 1H 120J-T	T	107/93.7
C1416	4030006900	S.CER C1608 JB 1H 103K-T	T	113.2/103.4
C1417	4030006900	S.CER C1608 JB 1H 103K-T	T	110.5/107.6
C1418	4030017810	S.CER C1608 CH 1H 102J-T	T	110.4/105.8
C1419	4030017810	S.CER C1608 CH 1H 102J-T	T	111/108.9
C1420	4030007120	S.CER C1608 CH 1H 820J-T	B	113.2/114.2
C1421	4030007150	S.CER C1608 CH 1H 151J-T	B	115.2/114.2
C1423	4030010750	S.CER C1608 CH 1H 201J-T	B	120.3/111.3
C1424	4030007010	S.CER C1608 CH 1H 100D-T	T	132.8/103.3
C1425	4030011600	S.CER C1608 JB 1E 104K-T	T	136.5/106.2
C1426	4030011600	S.CER C1608 JB 1E 104K-T	T	137.8/106.2
C1427	4030006900	S.CER C1608 JB 1H 103K-T	T	133.9/106.2
C1428	4030006980	S.CER C1608 CH 1H 070D-T	T	119.5/109
C1429	4030006900	S.CER C1608 JB 1H 103K-T	T	120.5/113.6
C1430	4030007040	S.CER C1608 CH 1H 180J-T	B	131.9/115.3
C1431	4030017810	S.CER C1608 CH 1H 102J-T	T	127/116.2
C1432	4030009980	S.CER C1608 JB 1H 152K-T	T	129.1/114.1
C1433	4030011600	S.CER C1608 JB 1E 104K-T	T	130.4/114.1
C1434	4030009920	S.CER C1608 CH 1H 050B-T	B	124.7/134.4
C1435	4030009920	S.CER C1608 CH 1H 050B-T	B	124.7/131.6
C1436	4030011600	S.CER C1608 JB 1E 104K-T	B	137.2/122.2
C1437	4030009920	S.CER C1608 CH 1H 050B-T	T	104/83.3
C1438	4030009920	S.CER C1608 CH 1H 050B-T	T	102.3/86.6
C1439	4030009920	S.CER C1608 CH 1H 050B-T	T	110/93.7
C1441	4030006880	S.CER C1608 JB 1H 472K-T	T	120.5/116.2
C1451	4030007020	S.CER C1608 CH 1H 120J-T	T	125.5/80.1
C1453	4030007030	S.CER C1608 CH 1H 150J-T	T	122.1/85.1
C1454	4030007030	S.CER C1608 CH 1H 150J-T	T	120.8/85.1
C1456	4030007020	S.CER C1608 CH 1H 120J-T	T	125.5/90.9
C1457	4030006900	S.CER C1608 JB 1H 103K-T	T	118.3/72.9
C1458	4030006900	S.CER C1608 JB 1H 103K-T	T	116.6/103.5
C1501	4030018530	S.CER C3216 CH 1H 103J-T	T	131.2/124.5
C1502	4550003220	S.TAN TEESVA 1E 105M8R	T	132.1/139.2
C1503	4030006900	S.CER C1608 JB 1H 103K-T	T	137/142.1
C1504	4030012610	S.CER C2012 JB 1C 474K-T	T	136.7/140.5
C1505	4030007110	S.CER C1608 CH 1H 100D-T	T	130/143.5
C1506	4030010760	S.CER C1608 CH 1H 331J-T	T	131.3/146.3
C1507	4510008540	S.ELE EEE1CA100SR	T	142.6/140.8
C1508	4030011600	S.CER C1608 JB 1E 104K-T	B	128.8/148.8
C1509	4030018800	S.CER C3216 CH 1H 223J-T	T	135.8/145.1
C1510	4030007110	S.CER C1608 CH 1H 680J-T	T	136.5/158.9
C1511	4510008540	S.ELE EEE1CA100SR	T	132.7/150.6
C1512	4030011600	S.CER C1608 JB 1E 104K-T	T	129.6/149
C1513	4030011600	S.CER C1608 JB 1E 104K-T	T	129.6/158.1
C1514	4510008540	S.ELE EEE1CA100SR	T	132.7/156.5
C1515	4030007160	S.CER C1608 CH 1H 181J-T	T	132.2/160.8
C1516	4030009350	S.CER C1608 CH 1H 3R5B-T	T	130.9/160.8
C1517	4030007110	S.CER C1608 CH 1H 680J-T	T	115.3/155
C1518	4030018530	S.CER C3216 CH 1H 103J-T	T	131.2/132.8
C1519	4550003220	S.TAN TEESVA 1E 105M8R	T	122.9/140.9
C1520	4030006900	S.CER C1608 JB 1H 103K-T	T	119.8/140.7
C1521	4030012610	S.CER C2012 JB 1C 474K-T	T	116.2/142.1
C1522	4030007010	S.CER C1608 CH 1H 100D-T	T	123.7/143.5
C1523	4030010760			

[RXPLL-B UNIT]

REF NO.	ORDER NO.	DESCRIPTION	M.	H/V LOCATION
C1706	4510008520	S.ELE EEE1CA470SP	T	172.7/154.8
C1707	4030011600	S.CER C1608 JB 1E 104K-T	T	149.7/154.8
C1708	4030006880	S.CER C1608 JB 1H 472K-T	T	175.7/166.8
C1709	4030006880	S.CER C1608 JB 1H 472K-T	T	172.6/166.8
C1710	4030006880	S.CER C1608 JB 1H 472K-T	T	169.6/166.8
C1711	4030011340	S.CER C1608 CH 1H 471J-T	T	171.4/163.5
C1712	4030011340	S.CER C1608 CH 1H 471J-T	T	167.5/163.5
C1713	4030006880	S.CER C1608 JB 1H 472K-T	B	165.5/168.8
C1714	4030006880	S.CER C1608 JB 1H 472K-T	B	153.8/141.8
C1716	4030006880	S.CER C1608 JB 1H 472K-T	B	154.7/145.1
C1717	4030006880	S.CER C1608 JB 1H 472K-T	B	152.9/145.1
C1719	4030006880	S.CER C1608 JB 1H 472K-T	B	151.1/145.1
C1720	4030006880	S.CER C1608 JB 1H 472K-T	B	155.6/141.8
C1721	4030006880	S.CER C1608 JB 1H 472K-T	B	157.4/141.8
RL1001	6330001750	RLY FTR-B4CA012Z		
RL1002	6330001750	RLY FTR-B4CA012Z		
RL1003	6330001750	RLY FTR-B4CA012Z		
RL1004	6330001750	RLY FTR-B4CA012Z		
RL1005	6330001750	RLY FTR-B4CA012Z		
RL1006	6330001750	RLY FTR-B4CA012Z		
RL1203	6330001750	RLY FTR-B4CA012Z		
RL1206	6330001750	RLY FTR-B4CA012Z		
J2	6510019991	S.CNR 52808-2271 (2291)	T	25/9
J10	6510007020	CNR TMP-J01X-V6		
J351	6510007020	CNR TMP-J01X-V6		
J561	6510007020	CNR TMP-J01X-V6		
J601	6510007020	CNR TMP-J01X-V6		
J681	6510007020	CNR TMP-J01X-V6		
J831	6510007020	CNR TMP-J01X-V6		
J1002	6510007020	CNR TMP-J01X-V6		
J1101	6510007020	CNR TMP-J01X-V6		
J1201	6510007020	CNR TMP-J01X-V6		
J1301	6510007020	CNR TMP-J01X-V6		
J1501	6510018961	S.CNR B2B-PH-SM4-TB (LF) (SN)	T	149.6/177.5
J1701	6510019981	S.CNR 52808-1671 (1690)	T	168/177.2
W1052	9016201006	WIR 73/98/025/X98/X98		
W1401	9029495075	JMP 73/98/020/X98/X98		
W1411	7120000480	S.JMP MJP-0.4-T	T	125.1/111.6
EP20	6910012350	S.BEA MMZ1608Y 102BT	T	85.4/126
EP21	6910012350	S.BEA MMZ1608Y 102BT	T	88.7/124
EP22	6910012350	S.BEA MMZ1608Y 102BT	T	90/124
EP101	6910012350	S.BEA MMZ1608Y 102BT	B	47.6/98.6
EP102	6910012350	S.BEA MMZ1608Y 102BT	B	47.6/96.8
EP103	6910012350	S.BEA MMZ1608Y 102BT	T	46/96.8
EP104	6910012350	S.BEA MMZ1608Y 102BT	T	46/92.9
EP105	6910012350	S.BEA MMZ1608Y 102BT	T	46/91.6
EP106	6910012350	S.BEA MMZ1608Y 102BT	T	46/89
EP107	6910012350	S.BEA MMZ1608Y 102BT	B	47.6/100.4
EP1701	6910012350	S.BEA MMZ1608Y 102BT	T	170.1/163.5
EP1702	6910012350	S.BEA MMZ1608Y 102BT	T	168.8/163.5
EP1801	6910012350	S.BEA MMZ1608Y 102BT	B	153/132.7
EP1802	6910012350	S.BEA MMZ1608Y 102BT	B	142.5/18.8
EP1804	6910012350	S.BEA MMZ1608Y 102BT	B	112.5/138.7
EP1805	6910012350	S.BEA MMZ1608Y 102BT	B	150.2/141.8
EP1806	6910012350	S.BEA MMZ1608Y 102BT	B	128.6/64.3
EP1807	6910012350	S.BEA MMZ1608Y 102BT	B	117.4/50.2
EP1808	6910012350	S.BEA MMZ1608Y 102BT	B	137/166.9
EP1809	6910012350	S.BEA MMZ1608Y 102BT	B	147.4/127.4
EP1810	6910012350	S.BEA MMZ1608Y 102BT	B	131.3/64.2
EP1811	6910012350	S.BEA MMZ1608Y 102BT	T	160.7/56.3
EP1812	6910012350	S.BEA MMZ1608Y 102BT	B	153.5/137.4
EP1813	6910012350	S.BEA MMZ1608Y 102BT	B	132.6/65.7
EP1814	6910012350	S.BEA MMZ1608Y 102BT	B	147.2/22.3
EP1815	6910012350	S.BEA MMZ1608Y 102BT	B	156/62.6
EP1816	6910012350	S.BEA MMZ1608Y 102BT	B	160.4/20.9
EP1817	6910012350	S.BEA MMZ1608Y 102BT	B	168.6/62.2
EP1818	6910012350	S.BEA MMZ1608Y 102BT	B	151.2/133.2
EP1819	6910012350	S.BEA MMZ1608Y 102BT	B	145.6/127.9
EP1820	6910012350	S.BEA MMZ1608Y 102BT	B	148.6/19.8
EP1821	6910012350	S.BEA MMZ1608Y 102BT	B	148.6/14.1
EP1825	6910012350	S.BEA MMZ1608Y 102BT	B	126.6/7
EP1826	6910012350	S.BEA MMZ1608Y 102BT	B	151.5/137.7
EP1830	6910012350	S.BEA MMZ1608Y 102BT	B	141.3/135.2
EP1831	6910012350	S.BEA MMZ1608Y 102BT	B	143.4/128.5
EP1832	6910012350	S.BEA MMZ1608Y 102BT	B	149.2/137.5
EP1833	6910012350	S.BEA MMZ1608Y 102BT	B	147.2/133.5
EP1834	6910012350	S.BEA MMZ1608Y 102BT	T	115.8/108.3
EP1835	6910012350	S.BEA MMZ1608Y 102BT	B	141.6/128.5
EP1836	6910012350	S.BEA MMZ1608Y 102BT	T	111/110.2
EP1837	6910012350	S.BEA MMZ1608Y 102BT	B	145.8/134.1
EP1838	6910012350	S.BEA MMZ1608Y 102BT	T	116.3/106.1

[BPF UNIT]

REF NO.	ORDER NO.	DESCRIPTION	M.	H/V LOCATION
IC101	1130011510	S.IC BU2099FV-E2	T	9.5/77.6
IC102	1130011510	S.IC BU2099FV-E2	T	9.7/100.9
IC401	1130011510	S.IC BU2099FV-E2	T	10.3/39.3
IC402	1130011510	S.IC BU2099FV-E2	T	9.6/59.4
Q355	1590001330	S.TR DTA114EUA T106	T	191.6/68.1
Q381	1590000680	S.TR DTC114EUA T106	T	232/60.3
Q383	1590000680	S.TR DTC114EUA T106	T	229.2/51.9
Q384	1590000680	S.TR DTC114EUA T106	T	226.2/51.9
Q385	1590000680	S.TR DTC114EUA T106	T	233.1/54.7
Q386	1590000430	S.TR DTC144EUA T106	T	230.1/54.7
Q387	1590000680	S.TR DTC114EUA T106	T	228.8/60.2
Q401	1530002841	S.TR 2SC4116-Y (TE85R,F)	T	234.5/108.2
Q402	1530002060	S.TR 2SC4081 T106 R	B	224.2/99.2
Q403	1590001330	S.TR DTA114EUA T106	B	227.6/100.2
Q404	1590000430	S.TR DTC144EUA T106	T	232/108.2
Q855	1590001330	S.TR DTA114EUA T106	T	192/53
Q871	1590001330	S.TR DTA114EUA T106	B	234.6/18.8
Q872	1530002060	S.TR 2SC4081 T106 R	B	231.2/19.5
Q873	1530002841	S.TR 2SC4116-Y (TE85R,F)	B	231.2/16.6
Q874	1590000430	S.TR DTC144EUA T106	T	195.7/57.4
Q900	1590001330	S.TR DTA114EUA T106	B	217.4/116.1
Q901	1530003851	S.TR 2SC5551F-TD-E	T	210.3/113.5
Q902	1590001330	S.TR DTA114EUA T106	T	200.6/115.1
Q903	1530003851	S.TR 2SC5551F-TD-E	T	189.4/113.5
Q950	1590001330	S.TR DTA114EUA T106	B	215/3.2
Q951	1530003851	S.TR 2SC5551F-TD-E	T	209.8/17.6
Q952	1590001330	S.TR DTA114EUA T106	B	199.1/4
Q953	1530003851	S.TR 2SC5551F-TD-E	T	188.6/17.6
D1	1790001250	S.DIO MA2S111-(TX)	T	184/75.2
D21	1790001250	S.DIO MA2S111-(TX)	B	167.1/177.7
D51	1790001250	S.DIO MA2S111-(TX)	T	163.7/68.6
D81	1790001250	S.DIO MA2S111-(TX)	B	141.5/68.1
D111	1790001250	S.DIO MA2S111-(TX)	T	107.4/67.6
D141	1790001250	S.DIO MA2S111-(TX)	T	94.7/70.3
D171	1790001250	S.DIO MA2S111-(TX)	B	81.6/74.3
D201	1790001250	S.DIO MA2S111-(TX)	B	70.2/73.1
D231	1790001250	S.DIO MA2S111-(TX)	T	49.4/69.1
D261	1790001250	S.DIO MA2S111-(TX)	B	35.4/70.1
D291	1790001250	S.DIO MA2S111-(TX)	B	203.9/71.9
D321	1790001250	S.DIO MA2S111-(TX)	T	204/97.5
D351	1790001250	S.DIO MA2S111-(TX)	T	189/94.9
D352	1790001250	S.DIO MA2S111-(TX)	T	189/88.7
D353	1790001250	S.DIO MA2S111-(TX)	T	189/82.5
D354	1790001250	S.DIO MA2S111-(TX)	T	189/76.3
D355	1790001250	S.DIO MA2S111-(TX)	T	193.9/66.2
D371	1790001250	S.DIO MA2S111-(TX)	T	218.5/69.9
D373	1790001250	S.DIO MA2S111-(TX)	B	239.8/116.1
D391	1750000581	S.DIO 1SV307 (TPH3,F)	B	233.2/49.9
D392	1750000581	S.DIO 1SV307 (TPH3,F)	B	236/52.9
D393	1750000581	S.DIO 1SV307 (TPH3,F)	B	235.3/63.7
D401	1790001250	S.DIO MA2S111-(TX)	B	225.6/95.5
D402	1790000980	S.DIO MA742 (TX)	B	233.9/113.2
D501	1790001250	S.DIO MA2S111-(TX)	B	184.1/45.6
D531	1790001250	S.DIO MA2S111-(TX)	B	167.7/53.7
D561	1790001250	S.DIO MA2S111-(TX)	B	164.4/42.5
D591	1790001250	S.DIO MA2S111-(TX)	B	144.1/53.4
D621	1790001250	S.DIO MA2S111-(TX)	T	107.6/52.6
D651	1790001250	S.DIO MA2S111-(TX)	T	94.9/49.6
D681	1790001250	S.DIO MA2S111-(TX)	B	81.5/45.7
D711	1790001250	S.DIO MA2S111-(TX)	B	70/44.3
D741	1790001250	S.DIO MA2S111-(TX)	B	51.4/50.5
D771	1790001250	S.DIO MA2S111-(TX)	B	36.5/43.7
D801	1790001250	S.DIO MA2S111-(TX)	B	203.8/47.4
D831	1790001250	S.DIO MA2S111-(TX)	T	203.7/22.1
D851	1790001250	S.DIO MA2S111-(TX)	T	189/27.9
D852	1790001250	S.DIO MA2S111-(TX)	T	189/33.1
D853	1790001250	S.DIO MA2S111-(TX)	T	189/39.3
D854	1790001250	S.DIO MA2S111-(TX)	T	189/45.5
D855	1790001250	S.DIO MA2S111-(TX)	T	194/52.8
D871	1790001250	S.DIO MA2S111-(TX)	B	241.4/18
D872	1790000980	S.DIO MA742 (TX)	B	247.7/15.6
D873	1790001250	S.DIO MA2S111-(TX)	B	243/94.1
D900	1790001250	S.DIO MA2S111-(TX)	B	218.9/100.4
D901	1790001250	S.DIO MA2S111-(TX)	T	207.9/100.7
D902	1790001250	S.DIO MA2S111-(TX)	B	197/100.2
D903	1790001250	S.DIO MA2S111-(TX)	B	186.4/100.5
D950	1790001250	S.DIO MA2S111-(TX)	B	212.3/3.9
D951	1790001250	S.DIO MA2S111-(TX)	T	204.4/4.5
D952	1790001250	S.DIO MA2S111-(TX)	B	195.7/4.9
D953	1790001250	S.DIO MA2S111-(TX)	B	182.6/5.3
D954	1790001250	S.DIO MA2S111-(TX)	T	235.4/16.2
L1	6200005521	S.COL NLV25T-470J	T	186.7/100.6
L2	6200005521	S.COL NLV25T-470J	B	183.8/77.2
L3	6200010830	S.COL C2520C-3R3G-A	T	179.2/88.5
L4	6200010830	S.COL C2520C-3R3G-A	T	179.2/80.2
L5	6200010830	S.COL C2520C-3R3G-A	T	178.2/84.3
L6	6200010830	S.COL C2520C-3R3G-A	T	178/76.2
L21	6200005521	S.COL NLV25T-470J	B	166/107.5
L22	6200005521	S.COL NLV25T-470J	B	163/107.5
L23	6140004040	COL LR-443		
L24	6140004050	COL LR-444		
L25	6140004050	COL LR-444		
L26	6140004050	COL LR-444		
L27	6140004040	COL LR-443		
L51	6200005521	S.COL NLV25T-470J	B	154.3/111.3
L52	6200005521	S.COL NLV25T-470J	B	151.3/107.2
L53	6140004060	COL LR-445		
L54	6140004080	COL LR-446		

M.=Mounted side (T: Mounted on the Top side, B: Mounted on the Bottom side)  
S.=Surface mount

[BPF UNIT]

REF NO.	ORDER NO.	DESCRIPTION	M.	H/V LOCATION
L55	6140004080	COL LR-446		
L56	6140004080	COL LR-446		
L57	6140004060	COL LR-445		
L81	6200005521	S.COL NLV25T-470J	B	142.1/109.6
L82	6200005521	S.COL NLV25T-470J	B	139.1/107.3
L83	6140004090	COL LR-447		
L84	6140004230	COL LR-458		
L85	6140004230	COL LR-458		
L86	6140004230	COL LR-458		
L87	6140004090	COL LR-447		
L111	6200005521	S.COL NLV25T-470J	B	118.1/109.1
L112	6200005521	S.COL NLV25T-470J	B	114.5/109.1
L113	6140004090	COL LR-447		
L114	6140004100	COL LR-448		
L115	6140004100	COL LR-448		
L116	6140004100	COL LR-448		
L117	6140004090	COL LR-447		
L141	6200005521	S.COL NLV25T-470J	B	106.8/111.4
L142	6200005521	S.COL NLV25T-470J	B	100.3/107.6
L143	6140004110	COL LR-449		
L144	6140004120	COL LR-450		
L145	6140004120	COL LR-450		
L146	6140004120	COL LR-450		
L147	6140004110	COL LR-449		
L171	6200005521	S.COL NLV25T-470J	B	84.9/116.9
L172	6200005521	S.COL NLV25T-470J	B	81.8/115.4
L173	6140004140	COL LR-451		
L174	6140004150	COL LR-452		
L175	6140004150	COL LR-452		
L176	6140004150	COL LR-452		
L177	6140004140	COL LR-451		
L201	6200007021	S.COL NLV25T-270J	B	61.9/112
L202	6200007021	S.COL NLV25T-270J	B	59.4/109.7
L203	6140004160	COL LR-453		
L204	6140004180	COL LR-454		
L205	6140004180	COL LR-454		
L206	6140004180	COL LR-454		
L207	6140004160	COL LR-453		
L231	6200005011	S.COL NLV25T-100J	B	44.2/116.9
L232	6200005011	S.COL NLV25T-100J	B	44.1/114.3
L233	6140004190	COL LR-455		
L234	6140004210	COL LR-456		
L235	6140004210	COL LR-456		
L236	6140004210	COL LR-456		
L237	6140004190	COL LR-455		
L261	6200009141	S.COL NLV25T-6R8J	B	27.3/111.4
L262	6200009141	S.COL NLV25T-6R8J	B	24.8/109.7
L263	6140004220	COL LR-457		
L264	6140004160	COL LR-453		
L265	6140004160	COL LR-453		
L266	6140004160	COL LR-453		
L267	6140004220	COL LR-457		
L291	6200003281	S.COL NLV25T-2R2J	B	222.8/74.1
L292	6200003281	S.COL NLV25T-2R2J	B	214/75.1
L293	6200008090	S.COL LQW2BHN68NJ03L	T	214.7/79.6
L294	6200003041	S.COL NLV32T-R68J	T	213.5/82.7
L295	6200008090	S.COL LQW2BHN68NJ03L	T	210.1/79.6
L296	6200010870	S.COL C2520C-R33G-A (0.33U)	T	209.9/76.6
L321	6200003281	S.COL NLV25T-2R2J	B	209.5/93.5
L322	6200003281	S.COL NLV25T-2R2J	B	213.2/95.3
L323	6200003011	S.COL NLV32T-R27J	T	214.2/91
L324	6200003001	S.COL NLV32T-R22J	T	209.7/87.1
L325	6200003011	S.COL NLV32T-R27J	T	209.6/93.2
L371	6140004390	COL LR-459		
L372	6140004390	COL LR-459		
L373	6140003530	COL LR-395		
L391	6200005491	S.COL NLV32T-331J	T	230.2/48.4
L392	6200005491	S.COL NLV32T-331J	T	231.7/64
L393	6200003211	S.COL NLV32T-820J	B	231.7/42.7
L394	6200005491	S.COL NLV32T-331J	B	236.2/46.6
L395	6200005491	S.COL NLV32T-331J	B	225.5/48.3
L501	6200005521	S.COL NLV25T-470J	B	183.7/36.2
L502	6200005521	S.COL NLV25T-470J	B	184.6/41
L504	6200010830	S.COL C2520C-3R3G-A	T	178.7/33.1
L505	6200010830	S.COL C2520C-3R3G-A	T	177.8/41.5
L506	6200010830	S.COL C2520C-3R3G-A	T	178.9/37.6
L507	6200010830	S.COL C2520C-3R3G-A	T	179.1/45
L531	6200005521	S.COL NLV25T-470J	B	167.5/13
L532	6200005521	S.COL NLV25T-470J	B	170.5/13
L533	6140004040	COL LR-443		
L534	6140004050	COL LR-444		
L535	6140004050	COL LR-444		
L536	6140004050	COL LR-444		
L537	6140004040	COL LR-443		
L561	6200005521	S.COL NLV25T-470J	B	149.9/12.4
L562	6200005521	S.COL NLV25T-470J	B	153.8/16.5
L563	6140004060	COL LR-445		
L564	6140004080	COL LR-446		
L565	6140004080	COL LR-446		
L566	6140004080	COL LR-446		
L567	6140004060	COL LR-445		
L591	6200005521	S.COL NLV25T-470J	B	139.9/9.2
L592	6200005521	S.COL NLV25T-470J	B	142.7/9.2
L593	6140004090	COL LR-447		
L594	6140004230	COL LR-458		
L595	6140004230	COL LR-458		
L596	6140004230	COL LR-458		
L597	6140004090	COL LR-447		
L621	6200005521	S.COL NLV25T-470J	B	116.8/9.5
L622	6200005521	S.COL NLV25T-470J	B	122.4/6.3
L623	6140004090	COL LR-447		
L624	6140004100	COL LR-448		
L625	6140004100	COL LR-448		
L626	6140004100	COL LR-448		

[BPF UNIT]

REF NO.	ORDER NO.	DESCRIPTION	M.	H/V LOCATION
L627	6140004090	COL LR-447		
L651	6200005521	S.COL NLV25T-470J	B	105.4/13
L652	6200005521	S.COL NLV25T-470J	B	108/9.5
L653	6140004110	COL LR-449		
L654	6140004120	COL LR-450		
L655	6140004120	COL LR-450		
L656	6140004120	COL LR-450		
L657	6140004110	COL LR-449		
L681	6200005521	S.COL NLV25T-470J	B	77.4/6.2
L682	6200005521	S.COL NLV25T-470J	B	80.4/3.8
L683	6140004140	COL LR-451		
L684	6140004150	COL LR-452		
L685	6140004150	COL LR-452		
L686	6140004150	COL LR-452		
L687	6140004140	COL LR-451		
L711	6200007021	S.COL NLV25T-270J	B	56.4/10.8
L712	6200007021	S.COL NLV25T-270J	B	61.1/8.8
L713	6140004160	COL LR-453		
L714	6140004180	COL LR-454		
L715	6140004180	COL LR-454		
L716	6140004180	COL LR-454		
L717	6140004160	COL LR-453		
L741	6200005011	S.COL NLV25T-100J	B	44.2/6.2
L742	6200005011	S.COL NLV25T-100J	B	46.2/3.4
L743	6140004190	COL LR-455		
L744	6140004210	COL LR-456		
L745	6140004210	COL LR-456		
L746	6140004210	COL LR-456		
L747	6140004190	COL LR-455		
L771	6200009141	S.COL NLV25T-6R8J	B	23.4/10.6
L772	6200009141	S.COL NLV25T-6R8J	B	27.1/9
L773	6140004220	COL LR-457		
L774	6140004160	COL LR-453		
L775	6140004160	COL LR-453		
L776	6140004160	COL LR-453		
L777	6140004220	COL LR-457		
L801	6200003281	S.COL NLV25T-2R2J	B	214.4/45.7
L802	6200003281	S.COL NLV25T-2R2J	B	211.8/42.4
L805	6200008090	S.COL LQW2BHN68NJ03L	T	214.6/41.4
L806	6200003041	S.COL NLV32T-R68J	T	211.5/36.9
L807	6200008090	S.COL LQW2BHN68NJ03L	T	209.7/40
L808	6200010870	S.COL C2520C-R33G-A (0.33U)	T	209.8/43
L831	6200003281	S.COL NLV25T-2R2J	B	211.6/26.7
L832	6200003281	S.COL NLV25T-2R2J	B	213.2/23.7
L833	6200003011	S.COL NLV32T-R27J	T	214.2/29.7
L834	6200003001	S.COL NLV32T-R22J	T	209.7/32.9
L835	6200003011	S.COL NLV32T-R27J	T	209.4/27.3
L900	6200001831	S.COL NLV32T-100J	B	213.2/113.1
L901	6200003950	S.COL HF50ACC 322513-T	B	11.6/20.4
L902	6200003950	S.COL HF50ACC 322513-T	B	11.7/16.4
L903	6200001831	S.COL NLV32T-100J	T	7.4/27.5
L904	6200001831	S.COL NLV32T-100J	T	11.6/27.5
L905	6140004380	COL LR-498		
L906	6200009690	S.COL LQH43CN101K03L	T	216.9/114.5
L907	6200001831	S.COL NLV32T-100J	B	193.1/113.1
L908	6140004380	COL LR-498		
L909	6200009690	S.COL LQH43CN101K03L	T	196/115.1
L950	6200001831	S.COL NLV32T-100J	B	211.8/17
L951	6140004380	COL LR-498		
L952	6200009690	S.COL LQH43CN101K03L	T	213.8/3.4
L953	6200001831	S.COL NLV32T-100J	B	191.1/71
L954	6140004380	COL LR-498		
L955	6200009690	S.COL LQH43CN101K03L	T	196/3.3
R1	7030003640	S.RES ERJ3GEYJ 473 V (47 k)	T	181.4/92.2
R3	7030003860	S.RES ERJ3GE JPW V	T	182.1/90.3
R101	7030003320	S.RES ERJ3GEYJ 101 V (100)	T	7.2/67.9
R102	7030003320	S.RES ERJ3GEYJ 101 V (100)	T	7.9/71.3
R103	7030003320	S.RES ERJ3GEYJ 101 V (100)	T	8.7/67.9
R104	7030003320	S.RES ERJ3GEYJ 101 V (100)	T	9.3/71
R105	7030003320	S.RES ERJ3GEYJ 101 V (100)	T	10.6/71
R106	7030003320	S.RES ERJ3GEYJ 101 V (100)	T	11.3/89.9
R107	7030003320	S.RES ERJ3GEYJ 101 V (100)	T	11.6/87.9
R108	7030003320	S.RES ERJ3GEYJ 101 V (100)	T	11.1/83.2
R117	7030003320	S.RES ERJ3GEYJ 101 V (100)	T	9.8/83.5
R118	7030003320	S.RES ERJ3GEYJ 101 V (100)	T	8.5/83.5
R119	7030003320	S.RES ERJ3GEYJ 101 V (100)	T	7.4/87.2
R120	7030003320	S.RES ERJ3GEYJ 101 V (100)	T	6.7/83.2
R121	7030003320	S.RES ERJ3GEYJ 101 V (100)	T	6.9/92.2
R122	7030003320	S.RES ERJ3GEYJ 101 V (100)	T	7.1/94.8
R123	7030003320	S.RES ERJ3GEYJ 101 V (100)	B	10/95.5
R124	7030003320	S.RES ERJ3GEYJ 101 V (100)	T	11/94.3
R133	7030003560	S.RES ERJ3GEYJ 103 V (10 k)	T	191.2/55.8
R134	7030003320	S.RES ERJ3GEYJ 101 V (100)	B	10/98.9
R141	7030003360	S.RES ERJ3GEYJ 221 V (220)	B	5.6/14
R142	7030003360	S.RES ERJ3GEYJ 221 V (220)	B	5.6/15.7
R143	7030003360	S.RES ERJ3GEYJ 221 V (220)	B	5.1/19.2
R351	7030003340	S.RES ERJ3GEYJ 151 V (150)	B	197.7/90.7
R352	7030003300	S.RES ERJ3GEYJ 680 V (68)	B	193.9/87.5
R354	7030003280	S.RES ERJ3GEYJ 470 V (47)	B	200.9/84.8
R355	7030003320	S.RES ERJ3GEYJ 101 V (100)	B	193.9/81.3
R357	7030003240	S.RES ERJ3GEYJ 220 V (22)	B	197.8/71.6
R358	7030003350	S.RES ERJ3GEYJ 181 V (180)	B	194.4/70.3
R360	7030003320	S.RES ERJ3GEYJ 101 V (100)	T	191.8/66.1
R371	7030003320	S.RES ERJ3GEYJ 101 V (100)	T	217.4/71.2
R372	7030003320	S.RES ERJ3GEYJ 101 V (100)	B	209.5/61.9
R373	7030003320	S.RES ERJ3GEYJ 101 V (100)	B	209.5/58.9
R381	7030003520	S.RES ERJ3GEYJ 472 V (4.7 k)	T	231.4/51.9
R382	7030003360	S.RES ERJ3GEYJ 221 V (220)	B	239.8/112.7
R383	7030003680	S.RES ERJ3GEYJ 104 V (100 k)	T	232.3/49.1
R384	7030003420	S.RES ERJ3GEYJ 681 V (680)	B	236/49.9
R385	7030003420	S.RES ERJ3GEYJ 681 V (680)	B	231.3/46.7
R386	7030003480	S.RES ERJ3GEYJ 222 V (2.2 k)	B	237.6/62.6

M.=Mounted side (T: Mounted on the Top side, B: Mounted on the Bottom side)  
S.=Surface mount



[BPF UNIT]

REF NO.	ORDER NO.	DESCRIPTION	M.	H/V LOCATION
R387	7030003560	S.RES ERJ3GEYJ 103 V (10 k)	B	238.8/55.5
R388	7540000130	ABS 2P-50A-301		
R389	7030003420	S.RES ERJ3GEYJ 681 V (680)	T	235/65.4
R390	7030003560	S.RES ERJ3GEYJ 103 V (10 k)	T	233/51.9
R391	7030003680	S.RES ERJ3GEYJ 104 V (100 k)	T	234.3/51.9
R392	7030003420	S.RES ERJ3GEYJ 681 V (680)	B	234.7/49.9
R393	7030003420	S.RES ERJ3GEYJ 681 V (680)	B	231.3/48
R394	7030003420	S.RES ERJ3GEYJ 681 V (680)	T	235/64.1
R395	7030003420	S.RES ERJ3GEYJ 681 V (680)	B	235.2/56.4
R396	7030003420	S.RES ERJ3GEYJ 681 V (680)	B	235.2/55.1
R401	7030003360	S.RES ERJ3GEYJ 221 V (220)	B	227.6/96.2
R402	7030003680	S.RES ERJ3GEYJ 104 V (100 k)	T	234.5/111.6
R403	7030003480	S.RES ERJ3GEYJ 222 V (2.2 k)	T	231.9/110.3
R404	7030003860	S.RES ERJ3GE JPW V	T	234.5/110.3
R441	7030003360	S.RES ERJ3GEYJ 221 V (220)	B	11/24.4
R442	7030003360	S.RES ERJ3GEYJ 221 V (220)	B	8.2/23.4
R451	7030003320	S.RES ERJ3GEYJ 101 V (100)	T	10.6/32.9
R452	7030003320	S.RES ERJ3GEYJ 101 V (100)	T	11.9/33.1
R453	7030003320	S.RES ERJ3GEYJ 101 V (100)	T	13.2/33.1
R454	7030003320	S.RES ERJ3GEYJ 101 V (100)	T	14.5/33.1
R455	7030003320	S.RES ERJ3GEYJ 101 V (100)	T	14.5/36.9
R456	7030003320	S.RES ERJ3GEYJ 101 V (100)	T	11.1/46.9
R457	7030003320	S.RES ERJ3GEYJ 101 V (100)	T	8.9/46.3
R458	7030003320	S.RES ERJ3GEYJ 101 V (100)	T	8.9/47.6
R467	7030003320	S.RES ERJ3GEYJ 101 V (100)	T	10.6/49.6
R468	7030003320	S.RES ERJ3GEYJ 101 V (100)	T	13.6/50.2
R469	7030003320	S.RES ERJ3GEYJ 101 V (100)	T	7.6/49.4
R470	7030003320	S.RES ERJ3GEYJ 101 V (100)	T	6.9/50.7
R471	7030003320	S.RES ERJ3GEYJ 101 V (100)	T	6.2/52.6
R472	7030003320	S.RES ERJ3GEYJ 101 V (100)	T	9.2/53
R473	7030003320	S.RES ERJ3GEYJ 101 V (100)	T	10.5/53.7
R474	7030003320	S.RES ERJ3GEYJ 101 V (100)	T	11.8/54.2
R475	7030003320	S.RES ERJ3GEYJ 101 V (100)	T	10.7/63.9
R481	7030003560	S.RES ERJ3GEYJ 103 V (10 k)	B	196.9/55.9
R501	7030003640	S.RES ERJ3GEYJ 473 V (47 k)	T	183/30
R503	7030003860	S.RES ERJ3GE JPW V	T	182.2/31.9
R851	7030003340	S.RES ERJ3GEYJ 151 V (150)	B	198.2/32.1
R852	7030003300	S.RES ERJ3GEYJ 680 V (68)	B	193.5/32.1
R854	7030003280	S.RES ERJ3GEYJ 470 V (47)	B	200.9/34.7
R855	7030003320	S.RES ERJ3GEYJ 101 V (100)	B	193.5/38.3
R857	7030003240	S.RES ERJ3GEYJ 220 V (22)	B	197.9/48.2
R858	7030003350	S.RES ERJ3GEYJ 181 V (180)	B	193.8/49.7
R860	7030003320	S.RES ERJ3GEYJ 101 V (100)	T	192/51
R871	7030003360	S.RES ERJ3GEYJ 221 V (220)	B	238/19.5
R872	7030003680	S.RES ERJ3GEYJ 104 V (100 k)	B	236.5/14.4
R873	7030003480	S.RES ERJ3GEYJ 222 V (2.2 k)	B	239.6/16
R874	7030003860	S.RES ERJ3GE JPW V	B	236.5/16
R900	7030003280	S.RES ERJ3GEYJ 470 V (47)	B	212.8/117.1
R901	7030003440	S.RES ERJ3GEYJ 102 V (1 k)	B	207.2/117.4
R902	7030003530	S.RES ERJ3GEYJ 562 V (5.6 k)	T	210.4/116.6
R903	7030003380	S.RES ERJ3GEYJ 331 V (330)	B	203.9/113.3
R904	7030003220	S.RES ERJ3GEYJ 150 V (15)	B	206.3/111.6
R905	7030003380	S.RES ERJ3GEYJ 331 V (330)	B	203.3/111.8
R906	7030003320	S.RES ERJ3GEYJ 101 V (100)	T	12.5/92.8
R907	7030003320	S.RES ERJ3GEYJ 101 V (100)	T	13.8/92.8
R908	7030003280	S.RES ERJ3GEYJ 470 V (47)	B	194.5/116.4
R909	7030003440	S.RES ERJ3GEYJ 102 V (1 k)	T	185.4/115.9
R910	7030003530	S.RES ERJ3GEYJ 562 V (5.6 k)	T	189.6/116.7
R911	7030003320	S.RES ERJ3GEYJ 101 V (100)	B	209.4/110.8
R912	7030003320	S.RES ERJ3GEYJ 101 V (100)	B	187.5/111.2
R913	7030004050	S.RES ERJ3GEYJ 1R0 V (1)	B	189.7/106.1
R950	7030003280	S.RES ERJ3GEYJ 470 V (47)	B	210.2/20
R951	7030003440	S.RES ERJ3GEYJ 102 V (1 k)	T	207.7/21.4
R952	7030003530	S.RES ERJ3GEYJ 562 V (5.6 k)	T	211/20.8
R953	7030003380	S.RES ERJ3GEYJ 331 V (330)	B	203.4/18.4
R954	7030003220	S.RES ERJ3GEYJ 150 V (15)	B	205.6/16.7
R955	7030003380	S.RES ERJ3GEYJ 331 V (330)	B	202.8/16.7
R956	7030003320	S.RES ERJ3GEYJ 101 V (100)	T	8.3/65
R957	7030003320	S.RES ERJ3GEYJ 101 V (100)	B	11.6/60.5
R958	7030003280	S.RES ERJ3GEYJ 470 V (47)	B	189.5/19.9
R959	7030003440	S.RES ERJ3GEYJ 102 V (1 k)	T	186.5/21.4
R960	7030003530	S.RES ERJ3GEYJ 562 V (5.6 k)	T	191.5/20
R961	7030003320	S.RES ERJ3GEYJ 101 V (100)	B	208.3/16.4
R962	7030003320	S.RES ERJ3GEYJ 101 V (100)	B	187.7/16.4
R963	7030004050	S.RES ERJ3GEYJ 1R0 V (1)	B	181.4/16.5
C1	4030006880	S.CER C1608 JB 1H 472K-T	B	183.4/92.3
C2	4030006880	S.CER C1608 JB 1H 472K-T	T	185.3/91.5
C3	4030006880	S.CER C1608 JB 1H 472K-T	T	184.1/99.8
C4	4030006880	S.CER C1608 JB 1H 472K-T	B	183.1/73.9
C5	4030006880	S.CER C1608 JB 1H 472K-T	B	182.5/66.5
C6	4030006880	S.CER C1608 JB 1H 472K-T	T	183.9/73.9
C7	4030017840	S.CER C2012 CH 1H 222J-T	T	182.8/86.4
C8	4030017850	S.CER C2012 CH 1H 272J-T	T	182.9/84.1
C9	4030017820	S.CER C2012 CH 1H 122J-T	T	182.9/82.3
C10	4030017840	S.CER C2012 CH 1H 222J-T	T	182.8/77.5
C21	4030006880	S.CER C1608 JB 1H 472K-T	B	165.3/112.2
C22	4030006880	S.CER C1608 JB 1H 472K-T	B	162.3/112.2
C23	4030006880	S.CER C1608 JB 1H 472K-T	B	166.8/110.5
C24	4030006880	S.CER C1608 JB 1H 472K-T	T	163.7/81.5
C25	4030006880	S.CER C1608 JB 1H 472K-T	B	171.5/76.9
C26	4030006880	S.CER C1608 JB 1H 472K-T	B	168.9/77.7
C27	4030017810	S.CER C1608 CH 1H 102J-T	B	162.6/104.3
C28	4030017810	S.CER C1608 CH 1H 102J-T	B	162.6/102.4
C29	4030010760	S.CER C1608 CH 1H 331J-T	B	168.7/92.8
C30	4030007140	S.CER C1608 CH 1H 121J-T	B	168.7/96.1
C31	4030007160	S.CER C1608 CH 1H 181J-T	B	164.1/93.9
C32	4030007060	S.CER C1608 CH 1H 270J-T	B	166.1/94
C33	4030010760	S.CER C1608 CH 1H 331J-T	B	168.7/93.2
C34	4030007090	S.CER C1608 CH 1H 470J-T	B	168.7/90.8
C35	4030007160	S.CER C1608 CH 1H 181J-T	B	164.3/89.3
C36	4030007060	S.CER C1608 CH 1H 270J-T	B	164.2/91
C38	4030010760	S.CER C1608 CH 1H 331J-T	B	165.6/83.4

[BPF UNIT]

REF NO.	ORDER NO.	DESCRIPTION	M.	H/V LOCATION
C39	4030007140	S.CER C1608 CH 1H 121J-T	B	165.6/85.5
C40	4030017810	S.CER C1608 CH 1H 102J-T	B	170.7/74.5
C41	4030017810	S.CER C1608 CH 1H 102J-T	B	170.7/72.7
C51	4030006880	S.CER C1608 JB 1H 472K-T	T	153.8/116
C52	4030006880	S.CER C1608 JB 1H 472K-T	B	150.6/112.3
C53	4030006880	S.CER C1608 JB 1H 472K-T	B	153.8/116
C54	4030006880	S.CER C1608 JB 1H 472K-T	B	160.3/71.9
C55	4030006880	S.CER C1608 JB 1H 472K-T	B	160.2/65.2
C56	4030006880	S.CER C1608 JB 1H 472K-T	T	165.1/68.5
C57	4030017800	S.CER C1608 CH 1H 561J-T	B	143.6/99.3
C58	4030010760	S.CER C1608 CH 1H 331J-T	B	143.6/97.2
C59	4030010760	S.CER C1608 CH 1H 331J-T	B	144.2/94.6
C60	4030007080	S.CER C1608 CH 1H 390J-T	B	144.2/92.2
C61	4030007100	S.CER C1608 CH 1H 560J-T	B	141.8/90.2
C62	4030010760	S.CER C1608 CH 1H 331J-T	B	139.5/90.2
C63	4030010760	S.CER C1608 CH 1H 331J-T	B	143.8/83
C64	4030007090	S.CER C1608 CH 1H 470J-T	B	143.8/85.3
C65	4030010760	S.CER C1608 CH 1H 331J-T	B	141.1/82
C66	4030007100	S.CER C1608 CH 1H 560J-T	B	138.9/82
C67	4030010760	S.CER C1608 CH 1H 331J-T	B	143.7/78.7
C68	4030007080	S.CER C1608 CH 1H 390J-T	B	143.7/81.1
C69	4030017800	S.CER C1608 CH 1H 561J-T	B	144/75.1
C70	4030010760	S.CER C1608 CH 1H 331J-T	B	144/77.1
C81	4030006880	S.CER C1608 JB 1H 472K-T	B	139.9/115
C82	4030006880	S.CER C1608 JB 1H 472K-T	B	138.1/111.8
C83	4030006880	S.CER C1608 JB 1H 472K-T	B	140.7/117
C84	4030006880	S.CER C1608 JB 1H 472K-T	B	138.4/72.1
C85	4030006880	S.CER C1608 JB 1H 472K-T	B	144.9/66.5
C86	4030006880	S.CER C1608 JB 1H 472K-T	B	143/68.1
C87	4030017800	S.CER C1608 CH 1H 561J-T	B	126.7/116.6
C88	4030011330	S.CER C1608 CH 1H 391J-T	B	126.7/114.8
C89	4030007160	S.CER C1608 CH 1H 181J-T	B	126.8/104.3
C90	4030007070	S.CER C1608 CH 1H 330J-T	B	126.8/106.2
C91	4030007030	S.CER C1608 CH 1H 150J-T	B	130.7/102.1
C92	4030007120	S.CER C1608 CH 1H 820J-T	B	128.9/102.1
C93	4030007140	S.CER C1608 CH 1H 121J-T	B	126.6/101.3
C94	4030007100	S.CER C1608 CH 1H 560J-T	B	126.6/99.6
C95	4030007120	S.CER C1608 CH 1H 820J-T	B	129.4/92.5
C96	4030007030	S.CER C1608 CH 1H 150J-T	B	131.4/92.5
C97	4030007160	S.CER C1608 CH 1H 181J-T	B	126.7/89.6
C98	4030007070	S.CER C1608 CH 1H 330J-T	B	126.7/88
C99	4030017800	S.CER C1608 CH 1H 561J-T	B	126.7/86.1
C100	4030011330	S.CER C1608 CH 1H 391J-T	B	126.7/84.3
C111	4030006880	S.CER C1608 JB 1H 472K-T	B	118.1/115.2
C112	4030006880	S.CER C1608 JB 1H 472K-T	B	115.2/112.4
C113	4030006880	S.CER C1608 JB 1H 472K-T	B	118.9/117.6
C114	4030006880	S.CER C1608 JB 1H 472K-T	B	107.7/69.4
C115	4030006880	S.CER C1608 JB 1H 472K-T	B	104.3/65.9
C116	4030006880	S.CER C1608 JB 1H 472K-T	T	108.7/67.5
C117	4030010760	S.CER C1608 CH 1H 331J-T	B	110.3/109.3
C118	4030007150	S.CER C1608 CH 1H 151J-T	B	110.3/107.8
C119	4030007150	S.CER C1608 CH 1H 151J-T	B	110.3/96.6
C120	4030007060	S.CER C1608 CH 1H 270J-T	B	110.3/98.3
C121	4030007060	S.CER C1608 CH 1H 270J-T	B	106.8/95
C122	4030007140	S.CER C1608 CH 1H 121J-T	B	105.2/95
C123	4030007150	S.CER C1608 CH 1H 151J-T	B	110.3/94.3
C124	4030007010	S.CER C1608 CH 1H 100J-T	B	110.3/92.7
C125	4030007140	S.CER C1608 CH 1H 121J-T	B	109.6/84.4
C126	4030007060	S.CER C1608 CH 1H 270J-T	B	107.5/84.4
C127	4030007150	S.CER C1608 CH 1H 151J-T	B	110.3/80.6
C128	4030007060	S.CER C1608 CH 1H 270J-T	B	110.3/78.7
C129	4030010760	S.CER C1608 CH 1H 331J-T	B	110.3/73.7
C130	4030007150	S.CER C1608 CH 1H 151J-T	B	110.4/72
C141	4030006880	S.CER C1608 JB 1H 472K-T	B	105.2/115.2
C142	4030006880	S.CER C1608 JB 1H 472K-T	B	97.2/108.7
C143	4030006880	S.CER C1608 JB 1H 472K-T	B	105.6/117.6
C144	4030006880	S.CER C1608 JB 1H 472K-T	B	91/72.9
C145	4030006880	S.CER C1608 JB 1H 472K-T	B	90.2/65.9
C146	4030006880	S.CER C1608 JB 1H 472K-T	T	93.4/70.3
C147	4030007170	S.CER C1608 CH 1H 221J-T	B	92.3/109.8
C148	4030007170	S.CER C1608 CH 1H 221J-T	B	92.3/108
C149	4030007130	S.CER C1608 CH 1H 101J-T	B	92.4/104.5
C150	4030007050	S.CER C1608 CH 1H 220J-T	B	92.4/102.6
C151	4030007070	S.CER C1608 CH 1H 330J-T	B	93.1/99.9
C152	403000708			

[BPF UNIT]

REF NO.	ORDER NO.	DESCRIPTION	M.	H/V LOCATION
C203	4030006880	S.CER C1608 JB 1H 472K-T	B	58.2/116.1
C204	4030006880	S.CER C1608 JB 1H 472K-T	B	66.4/76.6
C205	4030006880	S.CER C1608 JB 1H 472K-T	B	71.2/80.2
C206	4030006880	S.CER C1608 JB 1H 472K-T	B	70.2/74.8
C207	4030007160	S.CER C1608 CH 1H 181J-T	B	57.7/103.6
C208	4030007090	S.CER C1608 CH 1H 470J-T	B	57.7/102
C209	4030007090	S.CER C1608 CH 1H 470J-T	B	64.8/95.3
C210	4030007040	S.CER C1608 CH 1H 180J-T	B	63.2/95.3
C211	4030007030	S.CER C1608 CH 1H 150J-T	B	60.8/94.5
C212	4030007050	S.CER C1608 CH 1H 220J-T	B	60.8/92.9
C213	4030007090	S.CER C1608 CH 1H 470J-T	B	57.7/92.9
C214	4030006990	S.CER C1608 CH 1H 080D-T	B	57.7/94.5
C215	4030007050	S.CER C1608 CH 1H 220J-T	B	60.1/85.1
C216	4030007030	S.CER C1608 CH 1H 150J-T	B	58.5/85.1
C217	4030007090	S.CER C1608 CH 1H 470J-T	B	57.7/82.7
C218	4030007040	S.CER C1608 CH 1H 180J-T	B	57.7/81.1
C219	4030007160	S.CER C1608 CH 1H 181J-T	B	57.7/79.5
C220	4030007090	S.CER C1608 CH 1H 470J-T	B	57.7/77.9
C231	4030006880	S.CER C1608 JB 1H 472K-T	B	39.4/115.3
C232	4030006880	S.CER C1608 JB 1H 472K-T	B	36.6/112.4
C233	4030006880	S.CER C1608 JB 1H 472K-T	B	40.3/117.5
C234	4030006880	S.CER C1608 JB 1H 472K-T	B	46.2/73.5
C235	4030006880	S.CER C1608 JB 1H 472K-T	B	49/69.2
C236	4030006880	S.CER C1608 JB 1H 472K-T	B	50.4/69.1
C237	4030007140	S.CER C1608 CH 1H 121J-T	B	41.2/109.8
C238	4030007040	S.CER C1608 CH 1H 180J-T	B	41.2/108.2
C239	4030007070	S.CER C1608 CH 1H 330J-T	B	41.2/103.8
C240	4030007040	S.CER C1608 CH 1H 180J-T	B	41.2/102.2
C241	4030007010	S.CER C1608 CH 1H 100D-T	B	40.5/99.8
C242	4030007070	S.CER C1608 CH 1H 330J-T	B	38.9/99.8
C243	4030007090	S.CER C1608 CH 1H 470J-T	B	41.2/94.8
C245	4030007070	S.CER C1608 CH 1H 330J-T	B	40.5/91.3
C246	4030007010	S.CER C1608 CH 1H 100D-T	B	38.9/91.3
C247	4030007070	S.CER C1608 CH 1H 330J-T	B	41.2/88.9
C248	4030007040	S.CER C1608 CH 1H 180J-T	B	41.2/87.3
C249	4030007140	S.CER C1608 CH 1H 121J-T	B	41.2/85.7
C250	4030007040	S.CER C1608 CH 1H 180J-T	B	41.2/84.1
C261	4030006880	S.CER C1608 JB 1H 472K-T	B	27/115.2
C262	4030006880	S.CER C1608 JB 1H 472K-T	B	24.3/112.4
C263	4030006880	S.CER C1608 JB 1H 472K-T	B	29.7/111.6
C264	4030006880	S.CER C1608 JB 1H 472K-T	T	36.5/70.9
C265	4030006880	S.CER C1608 JB 1H 472K-T	T	36.6/67.9
C266	4030006880	S.CER C1608 JB 1H 472K-T	B	36.7/70
C267	4030007130	S.CER C1608 CH 1H 101J-T	B	23.2/103.5
C268	4030007030	S.CER C1608 CH 1H 150J-T	B	23.2/101.9
C269	4030007050	S.CER C1608 CH 1H 220J-T	B	30.3/95.3
C270	4030007020	S.CER C1608 CH 1H 120J-T	B	28.7/95.3
C271	4030007050	S.CER C1608 CH 1H 220J-T	B	26.3/94.5
C273	4030007050	S.CER C1608 CH 1H 220J-T	B	23.2/94.5
C274	4030006980	S.CER C1608 CH 1H 070D-T	B	23.2/92.9
C275	4030007050	S.CER C1608 CH 1H 220J-T	B	24/85.1
C277	4030007050	S.CER C1608 CH 1H 220J-T	B	23.2/81.1
C278	4030007020	S.CER C1608 CH 1H 120J-T	B	23.2/82.7
C279	4030007130	S.CER C1608 CH 1H 101J-T	B	23.3/73.6
C280	4030007030	S.CER C1608 CH 1H 150J-T	B	23.3/77.9
C291	4030006880	S.CER C1608 JB 1H 472K-T	B	218.9/73.3
C292	4030006880	S.CER C1608 JB 1H 472K-T	B	214.4/77.4
C293	4030006880	S.CER C1608 JB 1H 472K-T	B	222.7/76.6
C294	4030006880	S.CER C1608 JB 1H 472K-T	B	209.7/73
C295	4030006880	S.CER C1608 JB 1H 472K-T	B	207.6/77.5
C296	4030006880	S.CER C1608 JB 1H 472K-T	B	203.9/73.5
C297	4030007150	S.CER C1608 CH 1H 151J-T	T	213/79.9
C302	4030007030	S.CER C1608 CH 1H 150J-T	T	210.2/82.7
C303	4030007130	S.CER C1608 CH 1H 101J-T	T	211.7/79.9
C304	4030007040	S.CER C1608 CH 1H 180J-T	T	208.4/79.9
C321	4030006880	S.CER C1608 JB 1H 472K-T	T	218.8/97.4
C322	4030006880	S.CER C1608 JB 1H 472K-T	T	218.8/98.7
C323	4030006880	S.CER C1608 JB 1H 472K-T	B	213/91
C324	4030006880	S.CER C1608 JB 1H 472K-T	B	209.3/90.7
C325	4030006880	S.CER C1608 JB 1H 472K-T	T	206.6/98.8
C326	4030006880	S.CER C1608 JB 1H 472K-T	T	204/98.8
C327	4030007100	S.CER C1608 CH 1H 560J-T	T	210.7/90.3
C329	4030007110	S.CER C1608 CH 1H 680J-T	T	208.1/90.3
C331	4030007100	S.CER C1608 CH 1H 560J-T	T	208.8/96.6
C353	4030006880	S.CER C1608 JB 1H 472K-T	B	189.1/91.2
C354	4030006880	S.CER C1608 JB 1H 472K-T	B	189.5/94.6
C355	4030006880	S.CER C1608 JB 1H 472K-T	T	189/92.4
C356	4030006880	S.CER C1608 JB 1H 472K-T	B	189.5/86.4
C357	4030006880	S.CER C1608 JB 1H 472K-T	T	189/86.1
C358	4030006880	S.CER C1608 JB 1H 472K-T	B	189.1/89.1
C359	4030006880	S.CER C1608 JB 1H 472K-T	T	189/79.9
C360	4030006880	S.CER C1608 JB 1H 472K-T	B	189.5/80.2
C361	4030006880	S.CER C1608 JB 1H 472K-T	B	189.5/83
C362	4030006880	S.CER C1608 JB 1H 472K-T	T	189/73.7
C363	4030006880	S.CER C1608 JB 1H 472K-T	B	189.5/74
C364	4030006880	S.CER C1608 JB 1H 472K-T	B	189.5/76.8
C365	4030006880	S.CER C1608 JB 1H 472K-T	T	194/68.8
C371	4030006880	S.CER C1608 JB 1H 472K-T	T	215.9/69.9
C388	4030006880	S.CER C1608 JB 1H 472K-T	B	239.8/114.3
C389	4030010210	S.CER C3216 JB 1C 105M-T	B	247.3/111.1
C390	4030011600	S.CER C1608 JB 1E 104K-T	T	226.2/49.8
C391	4030011600	S.CER C1608 JB 1E 104K-T	B	237.5/53.2
C392	4030011600	S.CER C1608 JB 1E 104K-T	T	228.9/62.5
C393	4030008860	S.CER C1608 JB 1H 153K-T	B	233.2/45.5
C394	4030010210	S.CER C3216 JB 1C 105M-T	B	235.1/59.6
C395	4030008860	S.CER C1608 JB 1H 153K-T	B	233.2/40
C396	4030011600	S.CER C1608 JB 1E 104K-T	B	235.5/43.8
C397	4550006470	S.STAN TEESVB2 1D 106M8R	B	227/44
C398	4030011600	S.CER C1608 JB 1E 104K-T	T	5.4/102.8
C399	4030011600	S.CER C1608 JB 1E 104K-T	T	5.3/77.8
C401	4030006880	S.CER C1608 JB 1H 472K-T	B	223.9/95.5
C402	4030010210	S.CER C3216 JB 1C 105M-T	B	234/107.1
C403	4030009520	S.CER C1608 CH 1H 020B-T	B	233.9/109.3
C404	4030007050	S.CER C1608 CH 1H 220J-T	B	233.9/110.9

[BPF UNIT]

REF NO.	ORDER NO.	DESCRIPTION	M.	H/V LOCATION
C405	4030010760	S.CER C1608 CH 1H 331J-T	B	236.1/113.4
C498	4030011600	S.CER C1608 JB 1E 104K-T	T	5.3/60.4
C499	4030011600	S.CER C1608 JB 1E 104K-T	T	6.1/39.7
C501	4030006880	S.CER C1608 JB 1H 472K-T	B	184.9/22
C502	4030006880	S.CER C1608 JB 1H 472K-T	B	181.6/22
C503	4030006880	S.CER C1608 JB 1H 472K-T	B	183.9/31.7
C504	4030006880	S.CER C1608 JB 1H 472K-T	B	183.7/54.7
C505	4030006880	S.CER C1608 JB 1H 472K-T	T	185.3/47.1
C506	4030006880	S.CER C1608 JB 1H 472K-T	B	184.1/47.2
C507	4030017840	S.CER C2012 CH 1H 222J-T	T	183/35.4
C508	4030017850	S.CER C2012 CH 1H 272J-T	T	182.9/37.7
C509	4030017820	S.CER C2012 CH 1H 122J-T	T	182.9/39.5
C510	4030017840	S.CER C2012 CH 1H 222J-T	T	182.9/44.3
C531	4030006880	S.CER C1608 JB 1H 472K-T	B	165.7/5.6
C532	4030006880	S.CER C1608 JB 1H 472K-T	B	165.2/2.3
C533	4030006880	S.CER C1608 JB 1H 472K-T	B	164.5/9
C534	4030006880	S.CER C1608 JB 1H 472K-T	B	164/54.6
C535	4030006880	S.CER C1608 JB 1H 472K-T	B	167.7/49.6
C536	4030006880	S.CER C1608 JB 1H 472K-T	B	169.4/53.7
C537	4030017810	S.CER C1608 CH 1H 102J-T	B	168.6/20.1
C538	4030017810	S.CER C1608 CH 1H 102J-T	B	168.6/21.9
C539	4030010760	S.CER C1608 CH 1H 331J-T	B	168.3/24.5
C540	4030007140	S.CER C1608 CH 1H 121J-T	B	168.3/26.7
C541	4030007160	S.CER C1608 CH 1H 181J-T	B	165.3/27.6
C542	4030007060	S.CER C1608 CH 1H 270J-T	B	162.5/27.7
C543	4030010760	S.CER C1608 CH 1H 331J-T	B	168.3/28.8
C544	4030007090	S.CER C1608 CH 1H 470J-T	B	168.3/30.6
C545	4030007160	S.CER C1608 CH 1H 181J-T	B	162.9/34.2
C546	4030007060	S.CER C1608 CH 1H 270J-T	B	164.9/34.1
C547	4030010760	S.CER C1608 CH 1H 331J-T	B	168.1/35.1
C548	4030007140	S.CER C1608 CH 1H 121J-T	B	168.1/36.7
C549	4030017810	S.CER C1608 CH 1H 102J-T	B	170.3/43.4
C550	4030017810	S.CER C1608 CH 1H 102J-T	B	170.3/45.9
C561	4030006880	S.CER C1608 JB 1H 472K-T	B	153/8
C562	4030006880	S.CER C1608 JB 1H 472K-T	B	153/11.9
C563	4030006880	S.CER C1608 JB 1H 472K-T	B	152/10
C564	4030006880	S.CER C1608 JB 1H 472K-T	T	161.4/46.3
C565	4030006880	S.CER C1608 JB 1H 472K-T	B	162.2/38.8
C566	4030006880	S.CER C1608 JB 1H 472K-T	T	165.5/42.4
C567	4030017800	S.CER C1608 CH 1H 561J-T	B	147.9/17.4
C568	4030010760	S.CER C1608 CH 1H 331J-T	B	148.5/15.2
C569	4030010760	S.CER C1608 CH 1H 331J-T	B	144.6/25.7
C570	4030007080	S.CER C1608 CH 1H 390J-T	B	144.6/27.4
C571	4030007100	S.CER C1608 CH 1H 560J-T	B	141.6/28.1
C572	4030010760	S.CER C1608 CH 1H 331J-T	B	139.8/28.1
C573	4030010760	S.CER C1608 CH 1H 331J-T	B	144.3/34.2
C574	4030007090	S.CER C1608 CH 1H 470J-T	B	144.3/35.7
C575	4030010760	S.CER C1608 CH 1H 331J-T	B	141.5/38.6
C576	4030007100	S.CER C1608 CH 1H 560J-T	B	139.8/38.6
C577	4030010760	S.CER C1608 CH 1H 331J-T	B	144.3/43.2
C578	4030007080	S.CER C1608 CH 1H 390J-T	B	144.3/40.9
C579	4030017800	S.CER C1608 CH 1H 561J-T	B	149.7/45.2
C580	4030010760	S.CER C1608 CH 1H 331J-T	B	147.9/45.2
C591	4030006880	S.CER C1608 JB 1H 472K-T	B	140.2/5.1
C592	4030006880	S.CER C1608 JB 1H 472K-T	B	142.2/5.1
C593	4030006880	S.CER C1608 JB 1H 472K-T	B	133/8.5
C594	4030006880	S.CER C1608 JB 1H 472K-T	B	140.4/54.3
C595	4030006880	S.CER C1608 JB 1H 472K-T	B	148.6/52.7
C596	4030006880	S.CER C1608 JB 1H 472K-T	B	146/53.4
C597	4030017800	S.CER C1608 CH 1H 561J-T	B	126.7/3.2
C598	4030011330	S.CER C1608 CH 1H 391J-T	B	126.7/5.4
C599	4030007160	S.CER C1608 CH 1H 181J-T	B	126.7/15.1
C600	4030007070	S.CER C1608 CH 1H 330J-T	B	126.7/17.3
C601	4030007030	S.CER C1608 CH 1H 150J-T	B	129.6/18.2
C602	4030007120	S.CER C1608 CH 1H 820J-T	B	131.6/18.2
C603	4030007140	S.CER C1608 CH 1H 121J-T	B	126.8/20.5
C604	4030007100	S.CER C1608 CH 1H 560J-T	B	126.8/18.9
C605	4030007120	S.CER C1608 CH 1H 820J-T	B	131.4/26.8
C606	4030007030	S.CER C1608 CH 1H 150J-T	B	129.6/26.8
C607	4030007160	S.CER C1608 CH 1H 181J-T	B	127.3/29
C608	40			



[BPF UNIT]

REF NO.	ORDER NO.	DESCRIPTION	M.	H/V LOCATION
C662	4030007080	S.CER C1608 CH 1H 390J-T	B	93.2/19.6
C663	4030007120	S.CER C1608 CH 1H 820J-T	B	92.6/27.6
C664	4030007050	S.CER C1608 CH 1H 220J-T	B	92.6/25.4
C665	4030007080	S.CER C1608 CH 1H 390J-T	B	95.7/28.3
C666	4030007070	S.CER C1608 CH 1H 330J-T	B	97.5/28.3
C667	4030007130	S.CER C1608 CH 1H 101J-T	B	92.2/29.9
C668	4030007050	S.CER C1608 CH 1H 220J-T	B	92.2/31.8
C669	4030007170	S.CER C1608 CH 1H 221J-T	B	92.2/33.5
C670	4030007170	S.CER C1608 CH 1H 221J-T	B	92.2/35.6
C681	4030006880	S.CER C1608 JB 1H 472K-T	B	74.4/5.1
C682	4030006880	S.CER C1608 JB 1H 472K-T	B	77.1/3.1
C683	4030006880	S.CER C1608 JB 1H 472K-T	B	71.5/8.1
C684	4030006880	S.CER C1608 JB 1H 472K-T	T	78.9/54.1
C685	4030006880	S.CER C1608 JB 1H 472K-T	B	79.1/46.9
C686	4030006880	S.CER C1608 JB 1H 472K-T	B	81.6/44
C687	4030007170	S.CER C1608 CH 1H 221J-T	B	75.5/11
C688	4030007110	S.CER C1608 CH 1H 680J-T	B	75.5/13.4
C689	4030007090	S.CER C1608 CH 1H 470J-T	B	70.8/15.2
C690	4030007090	S.CER C1608 CH 1H 470J-T	B	73/15.2
C691	4030007070	S.CER C1608 CH 1H 330J-T	B	71/18.7
C692	4030007070	S.CER C1608 CH 1H 330J-T	B	73/18.7
C693	4030007120	S.CER C1608 CH 1H 820J-T	B	75.7/21.1
C695	4030007070	S.CER C1608 CH 1H 330J-T	B	72.6/27
C696	4030007070	S.CER C1608 CH 1H 330J-T	B	70.9/27
C697	4030007090	S.CER C1608 CH 1H 470J-T	B	75.6/29.6
C698	4030007090	S.CER C1608 CH 1H 470J-T	B	75.6/31.7
C699	4030007170	S.CER C1608 CH 1H 221J-T	B	75.6/35.8
C700	4030007110	S.CER C1608 CH 1H 680J-T	B	75.6/33.9
C711	4030006880	S.CER C1608 JB 1H 472K-T	B	62/5.2
C712	4030006880	S.CER C1608 JB 1H 472K-T	B	63/7.9
C713	4030006880	S.CER C1608 JB 1H 472K-T	B	58.6/8.3
C714	4030006880	S.CER C1608 JB 1H 472K-T	T	68.2/54.2
C715	4030006880	S.CER C1608 JB 1H 472K-T	B	68.4/42.7
C716	4030006880	S.CER C1608 JB 1H 472K-T	B	70/46.3
C717	4030007160	S.CER C1608 CH 1H 181J-T	B	57.7/20.1
C718	4030007090	S.CER C1608 CH 1H 470J-T	B	57.7/17.6
C719	4030007090	S.CER C1608 CH 1H 470J-T	B	57.4/23.2
C720	4030007040	S.CER C1608 CH 1H 180J-T	B	57.4/25.2
C721	4030007030	S.CER C1608 CH 1H 150J-T	B	61/27
C722	4030007050	S.CER C1608 CH 1H 220J-T	B	63.2/27
C723	4030007090	S.CER C1608 CH 1H 470J-T	B	57.7/33.7
C724	4030006990	S.CER C1608 CH 1H 080D-T	B	57.7/31.6
C725	4030007050	S.CER C1608 CH 1H 220J-T	B	63.3/37.6
C726	4030007030	S.CER C1608 CH 1H 150J-T	B	61.3/37.6
C727	4030007090	S.CER C1608 CH 1H 470J-T	B	57.7/38.3
C728	4030007040	S.CER C1608 CH 1H 180J-T	B	57.7/40.6
C729	4030007160	S.CER C1608 CH 1H 181J-T	B	57.7/46.2
C730	4030007090	S.CER C1608 CH 1H 470J-T	B	57.7/48.6
C741	4030006880	S.CER C1608 JB 1H 472K-T	B	40.8/5.4
C742	4030006880	S.CER C1608 JB 1H 472K-T	B	42.7/3.4
C743	4030006880	S.CER C1608 JB 1H 472K-T	B	37/8
C744	4030006880	S.CER C1608 JB 1H 472K-T	T	46.2/54.2
C745	4030006880	S.CER C1608 JB 1H 472K-T	T	46.2/46.6
C746	4030006880	S.CER C1608 JB 1H 472K-T	B	49.5/50.4
C747	4030007140	S.CER C1608 CH 1H 121J-T	B	41.2/13.3
C748	4030007040	S.CER C1608 CH 1H 180J-T	B	41.2/10.8
C749	4030007070	S.CER C1608 CH 1H 330J-T	B	41/18.4
C750	4030007040	S.CER C1608 CH 1H 180J-T	B	41/16.4
C751	4030007010	S.CER C1608 CH 1H 100D-T	B	35.3/17.1
C752	4030007070	S.CER C1608 CH 1H 330J-T	B	37.5/17.1
C753	4030007090	S.CER C1608 CH 1H 470J-T	B	41/20.3
C755	4030007070	S.CER C1608 CH 1H 330J-T	B	35.4/25.5
C756	4030007010	S.CER C1608 CH 1H 100D-T	B	37.5/25.5
C757	4030007070	S.CER C1608 CH 1H 330J-T	B	41/27.5
C758	4030007040	S.CER C1608 CH 1H 180J-T	B	41.1/29.4
C759	4030007140	S.CER C1608 CH 1H 121J-T	B	41.2/32.6
C760	4030007040	S.CER C1608 CH 1H 180J-T	B	41.2/34.9
C771	4030006880	S.CER C1608 JB 1H 472K-T	B	27.6/5.5
C772	4030006880	S.CER C1608 JB 1H 472K-T	B	29.2/8.5
C773	4030006880	S.CER C1608 JB 1H 472K-T	B	23.5/8.2
C774	4030006880	S.CER C1608 JB 1H 472K-T	T	35.9/54.4
C775	4030006880	S.CER C1608 JB 1H 472K-T	B	34.2/44.5
C776	4030006880	S.CER C1608 JB 1H 472K-T	B	36.4/46.1
C777	4030007130	S.CER C1608 CH 1H 101J-T	B	24.1/20
C778	4030007030	S.CER C1608 CH 1H 150J-T	B	24.1/17.9
C779	4030007050	S.CER C1608 CH 1H 220J-T	B	24/23.6
C780	4030007020	S.CER C1608 CH 1H 120J-T	B	23.9/25.6
C781	4030007050	S.CER C1608 CH 1H 220J-T	B	27.5/26.4
C783	4030007050	S.CER C1608 CH 1H 220J-T	B	24.2/32.3
C784	4030006980	S.CER C1608 CH 1H 070D-T	B	24.2/34.3
C785	4030007050	S.CER C1608 CH 1H 220J-T	B	27.8/37.7
C787	4030007050	S.CER C1608 CH 1H 220J-T	B	24.5/38.5
C788	4030007020	S.CER C1608 CH 1H 120J-T	B	24.5/40.7
C789	4030007130	S.CER C1608 CH 1H 101J-T	B	24/46.8
C790	4030007030	S.CER C1608 CH 1H 150J-T	B	24.1/49.1
C801	4030006880	S.CER C1608 JB 1H 472K-T	B	218.8/46.3
C802	4030006880	S.CER C1608 JB 1H 472K-T	B	223/44.4
C803	4030006880	S.CER C1608 JB 1H 472K-T	B	211.6/44.7
C804	4030006880	S.CER C1608 JB 1H 472K-T	B	208.8/27.5
C805	4030006880	S.CER C1608 JB 1H 472K-T	B	208.3/43.7
C806	4030006880	S.CER C1608 JB 1H 472K-T	B	203.8/46.1
C813	4030007150	S.CER C1608 CH 1H 151J-T	T	212.6/41.2
C816	4030007030	S.CER C1608 CH 1H 150J-T	T	213.7/39.1
C820	4030007130	S.CER C1608 CH 1H 101J-T	T	211.3/39.8
C821	4030007040	S.CER C1608 CH 1H 180J-T	T	208/39.8
C831	4030006880	S.CER C1608 JB 1H 472K-T	T	218.9/22.1
C832	4030006880	S.CER C1608 JB 1H 472K-T	T	218.9/20.8
C833	4030006880	S.CER C1608 JB 1H 472K-T	B	214.5/27.5
C834	4030006880	S.CER C1608 JB 1H 472K-T	B	209.8/46.9
C835	4030006880	S.CER C1608 JB 1H 472K-T	T	201/20.7
C836	4030006880	S.CER C1608 JB 1H 472K-T	T	203.7/20.7
C837	4030007100	S.CER C1608 CH 1H 560J-T	T	212/30
C839	4030007110	S.CER C1608 CH 1H 680J-T	T	207.9/30
C841	4030007100	S.CER C1608 CH 1H 560J-T	T	208.7/25.1

[BPF UNIT]

REF NO.	ORDER NO.	DESCRIPTION	M.	H/V LOCATION
C853	4030006880	S.CER C1608 JB 1H 472K-T	B	188.8/25.1
C854	4030006880	S.CER C1608 JB 1H 472K-T	B	189.5/27.6
C855	4030006880	S.CER C1608 JB 1H 472K-T	T	189/25.3
C856	4030006880	S.CER C1608 JB 1H 472K-T	B	189.5/30.5
C857	4030006880	S.CER C1608 JB 1H 472K-T	T	189/30.5
C858	4030006880	S.CER C1608 JB 1H 472K-T	B	189.5/33.8
C859	4030006880	S.CER C1608 JB 1H 472K-T	T	189/36.7
C860	4030006880	S.CER C1608 JB 1H 472K-T	B	189.5/37.2
C861	4030006880	S.CER C1608 JB 1H 472K-T	B	189.5/40
C862	4030006880	S.CER C1608 JB 1H 472K-T	T	189/42.9
C863	4030006880	S.CER C1608 JB 1H 472K-T	B	189.5/42.9
C864	4030006880	S.CER C1608 JB 1H 472K-T	B	189.5/45.8
C865	4030006880	S.CER C1608 JB 1H 472K-T	T	194/50.2
C876	4030006880	S.CER C1608 JB 1H 472K-T	B	241.3/19.5
C878	4030010760	S.CER C1608 CH 1H 331J-T	B	245.1/17.9
C879	4030007050	S.CER C1608 CH 1H 220J-T	B	245.1/19.5
C880	4030009520	S.CER C1608 CH 1H 020B-T	B	247.9/19.5
C881	4030010210	S.CER C3216 JB 1C 105M-T	B	244/34
C900	4030006880	S.CER C1608 JB 1H 472K-T	B	215.5/99.5
C901	4030005110	S.CER C2012 JB 1E 473K-T	T	15.1/26.8
C902	4510008520	S.ELE EEE1CA470SP	T	12.3/21.7
C903	4030005110	S.CER C2012 JB 1E 473K-T	B	12.3/12.9
C904	4510009150	S.ELE EEE1EA470WP	T	12.3/13.4
C905	4030006880	S.CER C1608 JB 1H 472K-T	B	244.7/94
C906	4030006880	S.CER C1608 JB 1H 472K-T	B	244.7/91.2
C907	4030006900	S.CER C1608 JB 1H 103K-T	B	213.8/106.2
C908	4030011600	S.CER C1608 JB 1E 104K-T	B	212.8/115.6
C909	4030006880	S.CER C1608 JB 1H 472K-T	B	218.7/113.5
C910	4030006900	S.CER C1608 JB 1H 103K-T	B	215.5/117.9
C911	4030006900	S.CER C1608 JB 1H 103K-T	B	210.6/106.3
C912	4030006880	S.CER C1608 JB 1H 472K-T	B	201.9/99.6
C914	4030006880	S.CER C1608 JB 1H 472K-T	B	194.7/99.4
C915	4030006900	S.CER C1608 JB 1H 103K-T	B	192.6/110.6
C916	4030006880	S.CER C1608 JB 1H 472K-T	T	200.3/118.3
C917	4030006900	S.CER C1608 JB 1H 103K-T	T	197.8/117.6
C918	4030006900	S.CER C1608 JB 1H 103K-T	B	187.3/106.3
C919	4030006880	S.CER C1608 JB 1H 472K-T	B	180/99.9
C921	4030006880	S.CER C1608 JB 1H 472K-T	T	201.6/118.3
C922	4030011600	S.CER C1608 JB 1E 104K-T	T	208.5/117.4
C923	4030011600	S.CER C1608 JB 1E 104K-T	T	212.3/117.4
C924	4030011600	S.CER C1608 JB 1E 104K-T	B	192.9/116.4
C925	4030011600	S.CER C1608 JB 1E 104K-T	T	187.7/117.4
C926	4030011600	S.CER C1608 JB 1E 104K-T	T	191.6/117.5
C927	4030006960	S.CER C1608 CH 1H 050C-T	B	209.4/113.7
C928	4030006960	S.CER C1608 CH 1H 050C-T	B	187.5/114.2
C950	4030006880	S.CER C1608 JB 1H 472K-T	B	206.3/4.6
C951	4030006900	S.CER C1608 JB 1H 103K-T	B	215.7/17.8
C952	4030011600	S.CER C1608 JB 1E 104K-T	B	211.9/20
C953	4030006880	S.CER C1608 JB 1H 472K-T	B	205.3/2.8
C954	4030006900	S.CER C1608 JB 1H 103K-T	B	218.6/2.5
C955	4030006900	S.CER C1608 JB 1H 103K-T	B	208.6/11.4
C956	4030006880	S.CER C1608 JB 1H 472K-T	T	203.5/2.3
C958	4030006880	S.CER C1608 JB 1H 472K-T	B	190/4.9
C959	4030006900	S.CER C1608 JB 1H 103K-T	B	195.2/16.5
C960	4030006880	S.CER C1608 JB 1H 472K-T	B	196.3/2.3
C961	4030006900	S.CER C1608 JB 1H 103K-T	B	202.2/4
C962	4030006900	S.CER C1608 JB 1H 103K-T	B	184/16.5
C963	4030006880	S.CER C1608 JB 1H 472K-T	B	181/3.9
C965	4030006880	S.CER C1608 JB 1H 472K-T	T	208.4/3.9
C967	4030011600	S.CER C1608 JB 1E 104K-T	T	209/21.4
C968	4030011600	S.CER C1608 JB 1E 104K-T	T	213/21.4
C969	4030011600	S.CER C1608 JB 1E 104K-T	B	191.6/19.9
C970	4030011600	S.CER C1608 JB 1E 104K-T	T	187.9/21.4
C971	4030011600	S.CER C1608 JB 1E 104K-T	T	193/19.8
C972	4030006960	S.CER C1608 CH 1H 050C-T	B	208.3/19.3
C973	4030006960	S.CER C1608 CH 1H 050C-T	B	187.7/19.3
C974	4030006880	S.CER C1608 JB 1H 472K-T	B	235.8/11.5
RL1	6330001750	RLY FTR-B4CA012Z		
RL2	6330001750	RLY FTR-B4CA012Z		
RL21	6330001750	RLY FTR-B4CA012Z		
RL22	6330001750	RLY FTR-B4CA012Z		
RL51	6330001750	RLY FTR-B4CA012Z		
RL52	6330001750	RLY FTR-B4CA012Z		



[BPF UNIT]

REF NO.	ORDER NO.	DESCRIPTION	M.	H/V LOCATION
RL531	6330001750	RLY FTR-B4CA012Z		
RL532	6330001750	RLY FTR-B4CA012Z		
RL561	6330001750	RLY FTR-B4CA012Z		
RL562	6330001750	RLY FTR-B4CA012Z		
RL591	6330001750	RLY FTR-B4CA012Z		
RL592	6330001750	RLY FTR-B4CA012Z		
RL621	6330001750	RLY FTR-B4CA012Z		
RL622	6330001750	RLY FTR-B4CA012Z		
RL651	6330001750	RLY FTR-B4CA012Z		
RL652	6330001750	RLY FTR-B4CA012Z		
RL681	6330001750	RLY FTR-B4CA012Z		
RL682	6330001750	RLY FTR-B4CA012Z		
RL711	6330001750	RLY FTR-B4CA012Z		
RL712	6330001750	RLY FTR-B4CA012Z		
RL741	6330001750	RLY FTR-B4CA012Z		
RL742	6330001750	RLY FTR-B4CA012Z		
RL771	6330001750	RLY FTR-B4CA012Z		
RL772	6330001750	RLY FTR-B4CA012Z		
RL801	6330001750	RLY FTR-B4CA012Z		
RL802	6330001750	RLY FTR-B4CA012Z		
RL831	6330001750	RLY FTR-B4CA012Z		
RL832	6330001750	RLY FTR-B4CA012Z		
RL851	6330001750	RLY FTR-B4CA012Z		
RL852	6330001750	RLY FTR-B4CA012Z		
RL853	6330001750	RLY FTR-B4CA012Z		
RL854	6330001750	RLY FTR-B4CA012Z		
RL855	6330001750	RLY FTR-B4CA012Z		
RL871	6330001770	RLY SIP-1A-12Y		
RL900	6330001750	RLY FTR-B4CA012Z		
RL901	6330001750	RLY FTR-B4CA012Z		
RL902	6330001750	RLY FTR-B4CA012Z		
RL903	6330001750	RLY FTR-B4CA012Z		
RL950	6330001750	RLY FTR-B4CA012Z		
RL951	6330001750	RLY FTR-B4CA012Z		
RL952	6330001750	RLY FTR-B4CA012Z		
RL953	6330001750	RLY FTR-B4CA012Z		
RL954	6330001750	RLY FTR-B4CA012Z		
J1	6510020521	S.CNR 52808-1271 (1290)	T	6/17
J101	6510007020	CNR TMP-J01X-V6		
J102	6510007020	CNR TMP-J01X-V6		
J103	6510023750	CNR 01K1971-10		
J104	6510023750	CNR 01K1971-10		
J105	6510023750	CNR 01K1971-10		
J106	6510007020	CNR TMP-J01X-V6		
J107	6510007020	CNR TMP-J01X-V6		
J108	6510007020	CNR TMP-J01X-V6		
J504	6510023750	CNR 01K1971-10		
J505	6510023750	CNR 01K1971-10		
J506	6510007020	CNR TMP-J01X-V6		
J601	6510007020	CNR TMP-J01X-V6		
J602	6510007020	CNR TMP-J01X-V6		
EP900	6910012350	S.BEA MMZ1608Y 102BT	B	218.9/98.8
EP901	6910012350	S.BEA MMZ1608Y 102BT	B	204.2/100.3
EP902	6910012350	S.BEA MMZ1608Y 102BT	B	197.2/98.7
EP903	6910012350	S.BEA MMZ1608Y 102BT	B	189.7/100.1
EP950	6910012350	S.BEA MMZ1608Y 102BT	B	208.8/3.5
EP951	6910012350	S.BEA MMZ1608Y 102BT	T	205.4/3.2
EP952	6910012350	S.BEA MMZ1608Y 102BT	B	193.3/3
EP953	6910012350	S.BEA MMZ1608Y 102BT	B	184.6/3.8

[MAIN UNIT]

REF NO.	ORDER NO.	DESCRIPTION	M.	H/V LOCATION
IC1	1110003870	S.IC NJM2058M-TE1	T	226/83.5
IC2	1110001901	S.IC uPC4570G2-E1-A	T	187/68.8
IC3	1130005641	S.IC TC4W53F (TE12L,F)	T	191.1/75.2
IC4	1110006300	S.IC NJM2172V-TE1	T	186.6/85.7
IC5	1130005641	S.IC TC4W53F (TE12L,F)	T	184.3/75.2
IC50	1190001930	S.IC PS7122AL-1A-E3	B	114.4/109.1
IC60	1110003870	S.IC NJM2058M-TE1	B	116.1/87.4
IC61	1110003870	S.IC NJM2058M-TE1	B	129.6/94.8
IC100	1130005641	S.IC TC4W53F (TE12L,F)	T	211.8/91
IC101	1130005641	S.IC TC4W53F (TE12L,F)	T	205/91
IC102	1110001901	S.IC uPC4570G2-E1-A	T	209.7/68.5
IC104	1110001901	S.IC uPC4570G2-E1-A	T	209.8/43.4
IC105	1110006300	S.IC NJM2172V-TE1	T	220.4/58.4
IC140	1110006141	IC LA4485-E		
IC180	1110006300	S.IC NJM2172V-TE1	T	187/57.6
IC181	1130005641	S.IC TC4W53F (TE12L,F)	T	186.9/40.3
IC182	1110006160	S.IC TPA6111A2DGN	T	186.8/35.8
IC191	1130005641	S.IC TC4W53F (TE12L,F)	T	193.3/30
IC192	1130005641	S.IC TC4W53F (TE12L,F)	T	180.6/30.2
IC201	1130005641	S.IC TC4W53F (TE12L,F)	T	147.7/71.6
IC210	1110006300	S.IC NJM2172V-TE1	T	160.5/90.1
IC230	1110001901	S.IC uPC4570G2-E1-A	T	68.3/22.2
IC250	1130011530	S.IC CD74HC4094M96	T	137.4/32.2
IC251	1160000131	S.IC TD62783AFG (S,EL)	T	125.7/34
IC260	1130011530	S.IC CD74HC4094M96	T	137.4/46.6
IC261	1160000131	S.IC TD62783AFG (S,EL)	T	125.7/48.3
IC290	1130011530	S.IC CD74HC4094M96	T	149.4/35.6
IC291	1160000131	S.IC TD62783AFG (S,EL)	T	161.1/34
IC310	1130011530	S.IC CD74HC4094M96	T	149.4/50.1
IC311	1160000131	S.IC TD62783AFG (S,EL)	T	161.1/48.4
IC330	1130012000	S.IC M62352AGP C60Q	T	150.4/61
IC331	1130012000	S.IC M62352AGP C60Q	T	161.1/61.1
IC450	1180002650	S.REG SI-3012KS-TL	B	212.6/31.3
IC451	1180002650	S.REG SI-3012KS-TL	B	160/15.2
IC452	1180002650	S.REG SI-3012KS-TL	B	93.6/51.5
IC460	1130005641	S.IC TC4W53F (TE12L,F)	T	147.7/80
IC490	1130005641	S.IC TC4W53F (TE12L,F)	B	163.4/61.6
IC491	1110003870	S.IC NJM2058M-TE1	B	236.2/21.9
IC495	1130011990	S.IC SN74LVC1G08DCKR	T	14.6/122.5
IC501	1110006100	S.IC NJM5534MD-TE1	T	22.6/66.4
IC502	1110006100	S.IC NJM5534MD-TE1	T	22.6/78.5
IC503	1110005461	S.IC TA4107F (TE12L,F)	T	23.2/91.9
IC550	1180001771	S.IC TA79L05F (TE12L,F)	T	125.5/103.1
IC820	1110006131	S.IC uPC4094G2-E1-A	T	83.5/59.3
IC821	1110006300	S.IC NJM2172V-TE1	T	160.5/74.8
Q1	1590001050	S.TR DTC114TUA T106	B	217/105.3
Q2	1590001050	S.TR DTC114TUA T106	B	174.9/102.8
Q3	1530002060	S.TR 2SC4081 T106 R	B	161.8/96.7
Q4	1530002060	S.TR 2SC4081 T106 R	B	172.7/98
Q5	1590001330	S.TR DTA114EUA T106	B	167.1/92
Q6	1540000441	S.TR 2SD1619T-TD-E	B	166.4/102.1
Q7	1530002060	S.TR 2SC4081 T106 R	B	147.8/110.4
Q8	1530002060	S.TR 2SC4081 T106 R	T	222.2/99.7
Q9	1530002060	S.TR 2SC4081 T106 R	T	179.3/101
Q50	1590001050	S.TR DTC114TUA T106	B	119/96.6
Q51	1590001050	S.TR DTC114TUA T106	B	118.6/100.4
Q52	1530002060	S.TR 2SC4081 T106 R	T	83.5/107.6
Q60	1590002710	S.TR UMH11NTN	T	118.7/87.6
Q61	1590002150	S.TR DTC144TE TL	T	117.8/80.2
Q62	1510000510	S.TR 2SA1576A T106R	T	123.1/93.8
Q63	1590001050	S.TR DTC114TUA T106	T	120.2/79.9
Q64	1590002430	S.TR DTA144EE TL	T	120.2/82.2
Q100	1590001451	S.FET 2SJ144-GR (TE85R,F)	T	214.2/79.1
Q101	1590001451	S.FET 2SJ144-GR (TE85R,F)	T	204.6/79.1
Q131	1560001131	S.FET CPH3403-TL-E	T	228.6/70.9
Q132	1560001131	S.FET CPH3403-TL-E	T	233.4/47.7
Q140	1540000471	S.TR 2SD1801S-TL-E	T	241.8/37.3
Q141	1590000680	S.TR DTC114EUA T106	B	247.8/92.4
Q142	1590000680	S.TR DTC114EUA T106	B	239.9/92.4
Q143	1590001050	S.TR DTC114TUA T106	T	255.3/55.4
Q351	1560001260	S.FET 2SK3018 T106	T	129.8/85.1
Q352	1530002060	S.TR 2SC4081 T106 R	T	132.7/85.1
Q474	1510000510	S.TR 2SA1576A T106R	T	132.4/77.2
Q476	1590001050	S.TR DTC114TUA T106	T	129.4/77.1
Q490	1590000680	S.TR DTC114EUA T106	B	232.2/4.5
Q491	1520000460	S.TR 2SB1132 T100 R	B	224.3/4.2
Q501	1580000751	S.FET 3SK294 (TE85L,F)	B	26.9/91.8
Q502	1590000680	S.TR DTC114EUA T106	T	47.1/79.4
Q503	1590002710	S.TR UMH11NTN	T	47.3/75.9
Q504	1560000561	S.FET 2SK882-GR (TE85L,F)	B	49.3/91.2
Q506	1560000561	S.FET 2SK882-GR (TE85L,F)	B	102.7/82.6
Q507	1530003151	S.TR 2SC4673D-TD-E	T	103.9/65.5
Q508	1530003841	S.TR 2SC5501-4-TR-E	T	58.8/68.8
Q801	1530003851	S.TR 2SC5551F-TD-E	T	43.1/18.2
Q802	1520000531	S.TR 2SB1119S-TD-E	B	89.9/83.7
Q803	1590000680	S.TR DTC114EUA T106	B	83.7/84.8
Q804	1590002710	S.TR UMH11NTN	T	33.9/20.3
Q805	1590000680	S.TR DTC114EUA T106	T	30.9/21.6
Q806	1530002060	S.TR 2SC4081 T106 R	T	35.5/73.8
Q808	1590001330	S.TR DTA114EUA T106	T	45.6/70.2
Q809	1590000680	S.TR DTC114EUA T106	T	48.7/70.2
Q810	1530002060	S.TR 2SC4081 T106 R	T	231.4/34.2
D1	1750000550	S.DIO 1SS355 TE-17	B	162.9/104.2
D2	1750000550	S.DIO 1SS355 TE-17	B	170.6/104.2
D3	1790001750	S.DIO DSM3MA4	B	65.5/122.7
D4	1790001750	S.DIO DSM3MA4	B	65.5/113.6
D50	1750000550	S.DIO 1SS355 TE-17	B	114.5/100.6
D51	1790001670	S.DIO RB706F-40T106	T	90.8/112.8
D52	1750000550	S.DIO 1SS355 TE-17	T	88.4/112.8
D60	1750000550	S.DIO 1SS355 TE-17	B	126.8/86.8

M.=Mounted side (T: Mounted on the Top side, B: Mounted on the Bottom side)  
S.=Surface mount

[MAIN UNIT]

REF NO.	ORDER NO.	DESCRIPTION	M.	H/V LOCATION
D61	1750000550	S.DIO 1SS355 TE-17	B	126.6/83.4
D62	1750000550	S.DIO 1SS355 TE-17	B	120.6/77.6
D63	1750000550	S.DIO 1SS355 TE-17	B	116.5/93.6
D64	1790001240	S.DIO MA2S728-(TX)	B	108.1/78.3
D65	1750000550	S.DIO 1SS355 TE-17	B	123.1/100.1
D66	1750000550	S.DIO 1SS355 TE-17	B	134.3/89.4
D67	1730002340	S.ZEN MA8047-M (TX)	B	122.8/95.8
D140	1750000550	S.DIO 1SS355 TE-17	B	247.8/95.1
D141	1750000550	S.DIO 1SS355 TE-17	B	239.9/95.1
D241	1730002280	S.ZEN MA8091-M (TX)	T	231.2/32
D351	1790001250	S.DIO MA2S111-(TX)	T	129.7/83.2
D450	1710000840	S.DIO 1SR154-400 TE25	B	218.9/28
D451	1710000840	S.DIO 1SR154-400 TE25	B	153.4/16
D452	1710000840	S.DIO 1SR154-400 TE25	B	93.6/58
D490	1790000620	S.DIO MA77 (TX)	B	237.5/5.4
D501	1790000620	S.DIO MA77 (TX)	B	34.3/94.1
D502	1790000620	S.DIO MA77 (TX)	B	34.3/91.8
D503	1790000620	S.DIO MA77 (TX)	B	46.6/91.4
D504	1790000620	S.DIO MA77 (TX)	B	46.7/85.3
D505	1750000431	S.DIO HSB88WSTR-E	T	70.2/90.8
D506	1750000431	S.DIO HSB88WSTR-E	T	84.3/69.4
D601	1790000620	S.DIO MA77 (TX)	B	34.7/54
D602	1790000620	S.DIO MA77 (TX)	B	34.7/33
D603	1790000620	S.DIO MA77 (TX)	B	45.5/54
D604	1790000620	S.DIO MA77 (TX)	B	45.5/33
D605	1790000620	S.DIO MA77 (TX)	B	56.3/54
D606	1790000620	S.DIO MA77 (TX)	B	56.3/33
D607	1790000620	S.DIO MA77 (TX)	B	67.1/54
D608	1790000620	S.DIO MA77 (TX)	B	67.1/33
D609	1790000620	S.DIO MA77 (TX)	B	78/54
D610	1790000620	S.DIO MA77 (TX)	B	78/33
D611	1790000620	S.DIO MA77 (TX)	T	40.8/54
D612	1790000620	S.DIO MA77 (TX)	T	40.8/33
D613	1790000620	S.DIO MA77 (TX)	T	48.7/54
D614	1790000620	S.DIO MA77 (TX)	T	49.8/33
D615	1790000620	S.DIO MA77 (TX)	T	58.9/54
D616	1790000620	S.DIO MA77 (TX)	T	58.8/33
D617	1790000620	S.DIO MA77 (TX)	T	67.8/54
D618	1790000620	S.DIO MA77 (TX)	T	67.8/33
D619	1790000620	S.DIO MA77 (TX)	T	76.8/54
D620	1790000620	S.DIO MA77 (TX)	T	76.8/33
D801	1790000620	S.DIO MA77 (TX)	T	36.5/29.9
D802	1750000581	S.DIO 1SV307 (TPH3,F)	T	34.7/29.9
D806	1790000620	S.DIO MA77 (TX)	B	84.2/76.6
D820	1750000581	S.DIO 1SV307 (TPH3,F)	T	86/33
FI501	2020001070	CER CFWLA455KJFA-B0 (CFWS455D)		
FI502	2020001510	CER CFWLA455KJFA-B0 (CFWS455IT)		
FI503	2010002580	S.FIL FL-348 (64.455 MHz)	T	93.4/90.8
L1	6200003261	S.COL NLV32T-101J	B	211.7/110.3
L2	6200003261	S.COL NLV32T-101J	B	222.2/110.3
L3	6200003950	S.COL HF50ACC 322513-T	B	204.7/110.3
L4	6200003261	S.COL NLV32T-101J	T	218.7/109.6
L5	6200003261	S.COL NLV32T-101J	B	225.7/110.3
L6	6200003261	S.COL NLV32T-101J	B	215.2/110.3
L7	6200003950	S.COL HF50ACC 322513-T	T	208.2/109.6
L8	6200003261	S.COL NLV32T-101J	B	200.4/110.3
L9	6200003950	S.COL HF50ACC 322513-T	B	193.4/110
L10	6200003261	S.COL NLV32T-101J	B	196.9/110.3
L11	6200003261	S.COL NLV32T-101J	B	169.7/110.3
L12	6200003261	S.COL NLV32T-101J	B	180.2/110.3
L13	6200003950	S.COL HF50ACC 322513-T	B	162.7/110.3
L14	6200003261	S.COL NLV32T-101J	T	176.7/109.7
L15	6200003261	S.COL NLV32T-101J	B	183.7/110.3
L16	6200003261	S.COL NLV32T-101J	B	173.2/110.3
L17	6200003950	S.COL HF50ACC 322513-T	T	166.2/109.2
L18	6200003261	S.COL NLV32T-101J	B	158.4/110.3
L19	6200003950	S.COL HF50ACC 322513-T	B	151.4/110
L20	6200003261	S.COL NLV32T-101J	B	154.9/110.3
L21	6200003950	S.COL HF50ACC 322513-T	B	211.7/124.6
L22	6200003950	S.COL HF50ACC 322513-T	B	169.7/124.5
L31	6200003261	S.COL NLV32T-101J	B	194.2/88.9
L50	6200003261	S.COL NLV32T-101J	B	139.6/122.6
L51	6200003590	S.COL EXCCL3225U1	B	122.1/107.2
L52	6200003261	S.COL NLV32T-101J	B	77.2/122.3
L53	6200003261	S.COL NLV32T-101J	B	77.2/117.4
L54	6200003261	S.COL NLV32T-101J	T	85.8/112.8
L55	6200003261	S.COL NLV32T-101J	B	95.6/107.2
L56	6200003590	S.COL EXCCL3225U1	B	63.9/107.4
L80	6200009790	S.COL BLM31PG121SN1	B	53.4/118.4
L140	6200003261	S.COL NLV32T-101J	T	219.7/48.1
L141	2040000490	COL EXC-ELDR25C		
L142	2040000490	COL EXC-ELDR25C		
L143	2040000490	COL EXC-ELDR25C		
L180	6200003261	S.COL NLV32T-101J	T	186.9/44.5
L181	6200003261	S.COL NLV32T-101J	T	181.2/40.1
L201	6200003261	S.COL NLV32T-101J	T	165/81.4
L210	6200003261	S.COL NLV32T-101J	T	156.1/85.2
L250	6200003590	S.COL EXCCL3225U1	T	134.6/55.7
L290	6200003590	S.COL EXCCL3225U1	T	152/28.2
L330	6200001831	S.COL NLV32T-100J	B	161.4/68.9
L331	6200001831	S.COL NLV32T-100J	B	164.8/68.9
L340	6200003950	S.COL HF50ACC 322513-T	B	201.7/96.1
L341	6200003950	S.COL HF50ACC 322513-T	B	195.5/96.1
L360	6200003950	S.COL HF50ACC 322513-T	B	149.7/96.1
L361	6200003950	S.COL HF50ACC 322513-T	B	143.5/96.1
L380	6200003950	S.COL HF50ACC 322513-T	B	28.5/41.9
L381	6200003950	S.COL HF50ACC 322513-T	B	28.5/48.1
L400	6200003950	S.COL HF50ACC 322513-T	T	238.3/10.9
L401	6200003950	S.COL HF50ACC 322513-T	B	234/11.2
L402	6200003950	S.COL HF50ACC 322513-T	B	237.3/11.2

[MAIN UNIT]

REF NO.	ORDER NO.	DESCRIPTION	M.	H/V LOCATION
L405	6200003950	S.COL HF50ACC 322513-T	T	40.3/11.3
L406	6200003950	S.COL HF50ACC 322513-T	T	34.3/11.3
L407	6200003950	S.COL HF50ACC 322513-T	T	37.3/11.3
L410	6200003590	S.COL EXCCL3225U1	T	10.9/41
L411	6200003950	S.COL HF50ACC 322513-T	B	10.9/39.6
L412	6200003590	S.COL EXCCL3225U1	T	10.9/38
L413	6200003950	S.COL HF50ACC 322513-T	B	10.9/36.4
L418	6200003950	S.COL HF50ACC 322513-T	B	11.1/97.2
L435	6200003950	S.COL HF50ACC 322513-T	B	6.7/76.7
L440	6200003950	S.COL HF50ACC 322513-T	T	164.1/12.7
L441	6200003950	S.COL HF50ACC 322513-T	T	161.1/12.7
L450	6200003590	S.COL EXCCL3225U1	B	251.2/16.8
L451	6170000150	COL LW-16		
L452	6200003590	S.COL EXCCL3225U1	T	250.2/25.4
L453	6200003590	S.COL EXCCL3225U1	T	250.2/28.4
L454	6200009790	S.COL BLM31PG121SN1	B	250.6/30.2
L455	6200009790	S.COL BLM31PG121SN1	B	250.6/32.5
L456	6200003590	S.COL EXCCL3225U1	T	250.4/39.6
L480	6200003950	S.COL HF50ACC 322513-T	B	220.6/24
L481	6200003950	S.COL HF50ACC 322513-T	B	149.8/17.1
L482	6200003950	S.COL HF50ACC 322513-T	B	94.1/61.2
L495	6200003191	S.COL NLV32T-470J	B	24.9/119.2
L496	6200003191	S.COL NLV32T-470J	B	9.8/119
L501	6200003261	S.COL NLV32T-101J	T	24.4/101.3
L502	6200003261	S.COL NLV32T-101J	T	21.4/97.1
L503	6200003261	S.COL NLV32T-101J	T	24.4/97.1
L504	6200003520	S.COL ELJFB 102K-F	T	30.6/92.2
L505	6150004090	COL LS-469 (C-13969)		
L507	6140003530	COL LR-395		
L508	6140003210	S.COL LR-358	T	75.9/90.8
L509	6140003770	S.COL LR-414 4KBL (STP-01435)	T	85.2/90.8
L510	6140003770	S.COL LR-414 4KBL (STP-01435)	T	101.6/90.8
L511	6200003031	S.COL NLV32T-R47J	B	101.9/85.8
L512	6150004280	COL LS-484B (C-14927)		
L513	6140002551	S.COL #617DB-1919=P3	T	90.6/69.4
L514	6140002551	S.COL #617DB-1919=P3	T	78/69.4
L515	6200003001	S.COL NLV32T-R22J	T	111.3/65.7
L516	6200003021	S.COL NLV32T-R33J	T	102.8/71.4
L517	6200001831	S.COL NLV32T-100J	T	99.4/73.5
L518	6200010720	S.COL C2520C-56NG-A	T	71.2/69.1
L519	6200010860	S.COL C2520C-R10G-A (0.1U)	T	67.6/70.3
L521	6140003900	COL LR-489		
L522	6140003890	COL LR-488		
L523	6200010381	S.COL ELJRE R15JFA	B	90.6/76.8
L524	6180002971	S.COL NLV32T-068J	B	102.6/63.5
L525	6180002971	S.COL NLV32T-068J	B	100.7/67.3
L526	6180002971	S.COL NLV32T-068J	B	97/67.2
L527	6200010660	S.COL C2520C-R15G-A (0.15U)	T	64/71.6
L528	6200003261	S.COL NLV32T-101J	T	33.6/96.3
L529	6200010381	S.COL ELJRE R15JFA	B	93.2/78.1
L601	6200003101	S.COL NLV32T-3R9J	B	38.2/53.1
L602	6200003131	S.COL NLV32T-120J	B	34.7/49.6
L603	6200003131	S.COL NLV32T-120J	B	38.9/43.2
L604	6200003131	S.COL NLV32T-120J	B	34.7/37.4
L605	6200003101	S.COL NLV32T-3R9J	B	38.2/33.8
L606	6200002961	S.COL NLV32T-4R7J	B	49/53.1
L607	6200001851	S.COL NLV32T-5R6J	B	45.5/49.6
L608	6200001851	S.COL NLV32T-5R6J	B	49.7/43.5
L609	6200001851	S.COL NLV32T-5R6J	B	45.5/37.4
L610	6200002961	S.COL NLV32T-4R7J	B	49/33.8
L611	6200002961	S.COL NLV32T-2R2J	B	59.8/53.1
L612	6200003111	S.COL NLV32T-6R8J	B	56.3/49.6
L613	6200003111	S.COL NLV32T-6R8J	B	60.5/43.5
L614	6200003111	S.COL NLV32T-6R8J	B	56.3/37.4
L615	6200002991	S.COL NLV32T-2R2J	B	59.8/33.8
L616	6200002991	S.COL NLV32T-2R2J	B	70.7/53.1
L617	6200003321	S.COL NLV32T-3R3J	B	67.1/49.6
L618	6200003321	S.COL NLV32T-3R3J	B	71.3/43.5
L619	6200003321	S.COL NLV32T-3R3J	B	67.1/37.4
L620	6200002991	S.COL NLV32T-2R2J	B	70.6/33.8
L621	6200003061	S.COL NLV32T-1R2J	B	81.5/53.1
L622	6200003091	S.COL NLV32T-2R7J	B	78/49.6
L623	6200003091	S.COL NLV32T-2R7J	B	82.2/43.5
L624	6200003091	S.COL NLV32T-2R7J	B	78/37.4
L625	6200003061	S.COL NLV32T-1R2J	B	81.5/33.8
L626	6200003331	S.COL NLV32T-1R0J	T	37.8/50
L627	6200003081	S.COL NLV32T-1R8J	T	40.8/50
L628	6200003081	S.COL NLV32T-1R8J	T	40.2/43.5
L629	6200003081	S.COL NLV32T-1R8J	T	40.8/36.9
L630	6200003331	S.COL NLV32T-1R0J	T	37.8/36.9
L631	6200003041	S.COL NLV32T-R68J	T	46.8/50
L632	6200003071	S.COL NLV32T-1R5J	T	49.8/50
L633	6200003071	S.COL NLV32T-1R5J	T	49.2/43.5
L634	6200003071	S.COL NLV32T-1R5J	T	49.8/36.9
L635	6200003041	S.COL NLV32T-R68J	T	46.8/36.9
L636	6200002981	S.COL NLV32T-R56J	T	55.8/50
L637	6200003051	S.COL NLV32T-R82J	T	58.9/50
L638	6200003051	S.COL NLV32T-R82J	T	58.2/43.5
L639	6200003051	S.COL NLV32T-R82J	T	58.8/36.9
L640	6200002981	S.COL NLV32T-R56J	T	55.8/36.9
L641	6200003021	S.COL NLV32T-R33J	T	64.8/50
L642	6200003041	S.COL NLV32T-R68J	T	67.8/50
L643	6200003041	S.COL NLV32T-R68J	T	67.2/43.5
L644	6200003041	S.COL NLV32T-R68J	T	67.8/36.9
L645	6200003021	S.COL NLV32T-R33J	T	64.8/36.9</

[MAIN UNIT]

REF NO.	ORDER NO.	DESCRIPTION	M.	H/V LOCATION
L804	6200003241	S.COL NLV32T-221J	B	49.2/26
L820	6200003161	S.COL NLV32T-270J	T	86.6/48.4
L821	6200003191	S.COL NLV32T-470J	T	85.8/44.9
L822	6200003201	S.COL NLV32T-560J	T	86.6/39.8
R1	7030003550	S.RES ERJ3GEYJ 822 V (8.2 k)	B	214.8/107.3
R2	7030003550	S.RES ERJ3GEYJ 822 V (8.2 k)	B	174.1/104.9
R3	7030003520	S.RES ERJ3GEYJ 472 V (4.7 k)	B	161.1/103.9
R4	7030003620	S.RES ERJ3GEYJ 333 V (33 k)	B	161.1/101.1
R5	7030003580	S.RES ERJ3GEYJ 153 V (15 k)	B	161.9/99.1
R6	7030003520	S.RES ERJ3GEYJ 472 V (4.7 k)	B	161.8/93.8
R7	7030003520	S.RES ERJ3GEYJ 472 V (4.7 k)	B	172.2/104.2
R8	7030003620	S.RES ERJ3GEYJ 333 V (33 k)	B	170.6/101.2
R9	7030003580	S.RES ERJ3GEYJ 153 V (15 k)	B	172.8/100.4
R10	7030003520	S.RES ERJ3GEYJ 472 V (4.7 k)	B	172.7/95.1
R11	7030009891	S.RES ERA3YED 151V (150)	B	167.1/94.5
R12	7030003560	S.RES ERJ3GEYJ 103 V (10 k)	B	167.1/96.3
R13	7030003480	S.RES ERJ3GEYJ 222 V (2.2 k)	B	148.7/106.9
R14	7030003560	S.RES ERJ3GEYJ 103 V (10 k)	B	146.9/106.9
R15	7030003640	S.RES ERJ3GEYJ 473 V (47 k)	B	145.1/110.4
R16	7030003680	S.RES ERJ3GEYJ 104 V (100 k)	T	224.8/77.8
R17	7030003680	S.RES ERJ3GEYJ 104 V (100 k)	T	223.4/77.8
R18	7030003400	S.RES ERJ3GEYJ 471 V (470)	T	222.1/77.8
R19	7030003680	S.RES ERJ3GEYJ 104 V (100 k)	T	227.2/77.8
R20	7030003680	S.RES ERJ3GEYJ 104 V (100 k)	T	228.6/77.8
R21	7030003400	S.RES ERJ3GEYJ 471 V (470)	T	230.7/77.8
R22	7030003560	S.RES ERJ3GEYJ 103 V (10 k)	T	180.8/69.6
R23	7030003560	S.RES ERJ3GEYJ 103 V (10 k)	T	181.6/67.8
R24	7030003660	S.RES ERJ3GEYJ 683 V (68 k)	T	182.3/67.9
R25	7030003440	S.RES ERJ3GEYJ 102 V (1 k)	T	181.6/71.6
R26	7030003560	S.RES ERJ3GEYJ 103 V (10 k)	T	193.3/69.7
R27	7030003560	S.RES ERJ3GEYJ 103 V (10 k)	T	192.5/67.8
R28	7030003660	S.RES ERJ3GEYJ 683 V (68 k)	T	191.8/69.7
R29	7030003440	S.RES ERJ3GEYJ 102 V (1 k)	T	192.5/71.6
R30	7030003320	S.RES ERJ3GEYJ 101 V (100)	T	192.5/66.5
R31	7030003560	S.RES ERJ3GEYJ 103 V (10 k)	T	192.9/88
R32	7030003560	S.RES ERJ3GEYJ 103 V (10 k)	T	192.9/86.7
R33	7030003560	S.RES ERJ3GEYJ 103 V (10 k)	B	188.8/83.7
R34	7030003440	S.RES ERJ3GEYJ 102 V (1 k)	T	222.3/96.5
R35	7030003580	S.RES ERJ3GEYJ 153 V (15 k)	T	222.3/97.8
R36	7030003580	S.RES ERJ3GEYJ 153 V (15 k)	T	225.1/99.9
R37	7030003320	S.RES ERJ3GEYJ 101 V (100)	T	219.7/97.8
R38	7030003390	S.RES ERJ3GEYJ 391 V (390)	T	225.1/100.3
R39	7030003440	S.RES ERJ3GEYJ 102 V (1 k)	T	179.3/97.8
R40	7030003580	S.RES ERJ3GEYJ 153 V (15 k)	T	179.3/99.1
R41	7030003580	S.RES ERJ3GEYJ 153 V (15 k)	T	182.3/100.3
R42	7030003320	S.RES ERJ3GEYJ 101 V (100)	T	176.5/99.1
R43	7030003390	S.RES ERJ3GEYJ 391 V (390)	T	182.3/101.6
R44	7030003320	S.RES ERJ3GEYJ 101 V (100)	T	181.6/66.5
R45	7030003620	S.RES ERJ3GEYJ 333 V (33 k)	T	192.9/85.4
R46	7030003620	S.RES ERJ3GEYJ 333 V (33 k)	T	192.9/89.3
R47	7030003560	S.RES ERJ3GEYJ 103 V (10 k)	B	185.5/83.7
R49	7540000270	S.ASB ERZVF2M201	B	110.1/123.5
R50	7310003820	TRI EVN-D2AA03 B14		
R51	7030003560	S.RES ERJ3GEYJ 103 V (10 k)	B	152/123.2
R52	7030003200	S.RES ERJ3GEYJ 100 V (10)	B	109.6/98.6
R53	7030003390	S.RES ERJ3GEYJ 391 V (390)	B	118.6/102.4
R54	7030003480	S.RES ERJ3GEYJ 222 V (2.2 k)	T	89.9/109.6
R55	7030003480	S.RES ERJ3GEYJ 222 V (2.2 k)	T	91.3/109.6
R56	7030003520	S.RES ERJ3GEYJ 472 V (4.7 k)	T	88.4/109.6
R57	7030003620	S.RES ERJ3GEYJ 333 V (33 k)	T	86.1/109.9
R58	7030003580	S.RES ERJ3GEYJ 153 V (15 k)	T	83.5/109.9
R59	7030003520	S.RES ERJ3GEYJ 472 V (4.7 k)	T	85.4/107.6
R60	7510001511	S.TMR NTCG16 4LH 223JT	B	125/86.8
R61	7030003660	S.RES ERJ3GEYJ 683 V (68 k)	B	123.2/86.8
R62	7030003480	S.RES ERJ3GEYJ 222 V (2.2 k)	B	121.4/86.8
R63	7030003680	S.RES ERJ3GEYJ 104 V (100 k)	B	124/82.5
R64	7030003560	S.RES ERJ3GEYJ 103 V (10 k)	B	124/84.3
R65	7030003720	S.RES ERJ3GEYJ 224 V (220 k)	B	121.4/83.5
R66	7030003320	S.RES ERJ3GEYJ 101 V (100)	B	121.4/80.2
R67	7030005681	S.RES ERA3YKD 473V (47 k)	B	105.3/90.5
R68	7030008121	S.RES ERA3YED 682V (6.8 k)	B	110.8/79.9
R69	7310005530	S.TRI TMC3ADC52X (470)	T	108.9/90
R70	7030008121	S.RES ERA3YED 682V (6.8 k)	B	108.9/90.5
R71	7030005681	S.RES ERA3YKD 473V (47 k)	B	107.1/90.5
R72	7030003740	S.RES ERJ3GEYJ 334 V (330 k)	B	110.7/90.5
R73	7030003520	S.RES ERJ3GEYJ 472 V (4.7 k)	T	109/78
R74	7030003720	S.RES ERJ3GEYJ 224 V (220 k)	B	121.4/91.9
R75	7030003600	S.RES ERJ3GEYJ 223 V (22 k)	T	108/86.3
R76	7030003620	S.RES ERJ3GEYJ 333 V (33 k)	T	110.6/86.3
R77	7030003720	S.RES ERJ3GEYJ 224 V (220 k)	B	110.7/85.6
R78	7030003680	S.RES ERJ3GEYJ 104 V (100 k)	T	118/90.4
R79	7310005590	S.TRI TMC3ADC5X (220 k)	T	114.5/90
R80	7030003680	S.RES ERJ3GEYJ 104 V (100 k)	T	118.7/84.6
R81	7310005590	S.TRI TMC3ADC5X (220 k)	T	114.5/85.1
R82	7310005570	S.TRI TMC3ADC15X (100 k)	T	114.5/80.2
R83	7030003680	S.RES ERJ3GEYJ 104 V (100 k)	B	116.6/79.2
R84	7030003720	S.RES ERJ3GEYJ 224 V (220 k)	B	116.6/81
R85	7030009920	S.RES ERJ3GEYJ 335 V (3.3 M)	B	113.3/81
R86	7030003380	S.RES ERJ3GEYJ 331 V (330)	B	110.7/80.2
R87	7030003320	S.RES ERJ3GEYJ 101 V (100)	T	116.1/77.8
R88	7030003440	S.RES ERJ3GEYJ 102 V (1 k)	T	123/95.8
R89	7030003440	S.RES ERJ3GEYJ 102 V (1 k)	T	125.6/93.2
R90	7030003800	S.RES ERJ3GEYJ 105 V (1 M)	B	129.6/85.8
R91	7030003660	S.RES ERJ3GEYJ 683 V (68 k)	B	129.6/88.6
R92	7030003380	S.RES ERJ3GEYJ 331 V (330)	B	119.5/93.4
R93	7310005580	S.TRI TMC3ADC53X (4.7 k)	T	108.9/80.4
R94	7030003320	S.RES ERJ3GEYJ 101 V (100)	B	136.8/95
R95	7030003840	S.RES ERJ3GEYJ 225 V (2.2 M)	B	129.7/100.1
R96	7030009920	S.RES ERJ3GEYJ 335 V (3.3 M)	B	126.4/103.7
R97	7030011040	S.RES ERJ3GEYJ 685 V (6.8 M)	B	126.4/100.1
R98	7030003320	S.RES ERJ3GEYJ 101 V (100)	T	122.8/89.8
R99	7030003380	S.RES MCR10EZJH 1 k	B	126.2/80.4

[MAIN UNIT]

REF NO.	ORDER NO.	DESCRIPTION	M.	H/V LOCATION
R100	7030003440	S.RES ERJ3GEYJ 102 V (1 k)	T	216.4/79.1
R101	7030003520	S.RES ERJ3GEYJ 472 V (4.7 k)	T	210.7/79.1
R102	7030003680	S.RES ERJ3GEYJ 104 V (100 k)	T	212/79.1
R103	7030003560	S.RES ERJ3GEYJ 103 V (10 k)	T	215.7/77
R104	7030003560	S.RES ERJ3GEYJ 103 V (10 k)	T	214.3/70
R105	7030003440	S.RES ERJ3GEYJ 102 V (1 k)	T	206.8/79.1
R106	7030003520	S.RES ERJ3GEYJ 472 V (4.7 k)	T	201.1/79.1
R107	7030003680	S.RES ERJ3GEYJ 104 V (100 k)	T	202.4/79.1
R108	7030003560	S.RES ERJ3GEYJ 103 V (10 k)	T	206.1/77
R109	7030003560	S.RES ERJ3GEYJ 103 V (10 k)	T	205.1/70
R110	7030003560	S.RES ERJ3GEYJ 103 V (10 k)	T	216.5/91
R111	7030003560	S.RES ERJ3GEYJ 103 V (10 k)	T	215.2/91
R113	7030003440	S.RES ERJ3GEYJ 102 V (1 k)	T	215.6/70
R114	7030003560	S.RES ERJ3GEYJ 103 V (10 k)	T	214.3/67.3
R115	7030003440	S.RES ERJ3GEYJ 102 V (1 k)	T	203.8/70
R116	7030003560	S.RES ERJ3GEYJ 103 V (10 k)	T	205.1/67.3
R117	7030003620	S.RES ERJ3GEYJ 333 V (33 k)	T	124.7/75
R118	7030003680	S.RES ERJ3GEYJ 104 V (100 k)	T	126/75
R119	7030003560	S.RES ERJ3GEYJ 103 V (10 k)	B	217/60.1
R120	7030003560	S.RES ERJ3GEYJ 103 V (10 k)	B	217/56.7
R123	7030003520	S.RES ERJ3GEYJ 472 V (4.7 k)	T	214.5/46.3
R124	7030003520	S.RES ERJ3GEYJ 472 V (4.7 k)	T	205.3/47.2
R125	7030003320	S.RES ERJ3GEYJ 101 V (100)	T	213.6/48.8
R126	7030003470	S.RES ERJ3GEYJ 182 V (1.8 k)	T	167.3/61.4
R127	7030003470	S.RES ERJ3GEYJ 182 V (1.8 k)	T	167.3/62.8
R128	7030003470	S.RES ERJ3GEYJ 182 V (1.8 k)	T	167.3/64.1
R129	7030003470	S.RES ERJ3GEYJ 182 V (1.8 k)	T	167.3/65.4
R130	7030003480	S.RES ERJ3GEYJ 222 V (2.2 k)	B	219.7/57.7
R131	7030003480	S.RES ERJ3GEYJ 222 V (2.2 k)	B	219.6/59.2
R132	7030000380	S.RES MCR10EZJH 1 k	B	123.4/92.5
R133	7030003520	S.RES ERJ3GEYJ 472 V (4.7 k)	T	230.6/61.6
R134	7030003440	S.RES ERJ3GEYJ 102 V (1 k)	T	232.2/65.3
R135	7030003520	S.RES ERJ3GEYJ 472 V (4.7 k)	T	232/53
R136	7030003440	S.RES ERJ3GEYJ 102 V (1 k)	T	232/51.7
R137	7030003480	S.RES ERJ3GEYJ 222 V (2.2 k)	T	232.2/64
R138	7030003320	S.RES ERJ3GEYJ 101 V (100)	B	204.5/64.9
R139	7030003560	S.RES ERJ3GEYJ 103 V (10 k)	T	226.2/71
R140	7030003560	S.RES ERJ3GEYJ 103 V (10 k)	T	230.4/46.7
R141	7030003560	S.RES ERJ3GEYJ 103 V (10 k)	B	256.3/59.4
R142	7030003640	S.RES ERJ3GEYJ 473 V (47 k)	B	254.5/59.4
R143	7030004040	S.RES ERJ3GEYJ 4R7 V (4.7)	B	252.4/98.6
R144	7030004040	S.RES ERJ3GEYJ 4R7 V (4.7)	B	244.1/109.8
R145	7030003440	S.RES ERJ3GEYJ 102 V (1 k)	T	234.8/76.9
R146	7510001511	S.TMR NTCG16 4LH 223JT	T	232.2/76.9
R147	7030003750	S.RES ERJ3GEYJ 394 V (390 k)	T	233.7/75.6
R149	7030003360	S.RES ERJ3GEYJ 221 V (220)	B	252.2/92.4
R150	7030003360	S.RES ERJ3GEYJ 221 V (220)	B	243.8/92.4
R151	7030003410	S.RES ERJ3GEYJ 561 V (560)	T	243.8/33.1
R152	7030003320	S.RES ERJ3GEYJ 101 V (100)	B	215.1/71.9
R154	7030003320	S.RES ERJ3GEYJ 101 V (100)	T	206.3/37.3
R155	7030003640	S.RES ERJ3GEYJ 473 V (47 k)	T	215.3/42.8
R156	7030003640	S.RES ERJ3GEYJ 473 V (47 k)	T	204.5/39.8
R157	7030003480	S.RES ERJ3GEYJ 222 V (2.2 k)	T	214.9/82.1
R158	7030003480	S.RES ERJ3GEYJ 222 V (2.2 k)	T	206/82.6
R159	7030003440	S.RES ERJ3GEYJ 102 V (1 k)	T	214.3/64.6
R160	7030003440	S.RES ERJ3GEYJ 102 V (1 k)	T	226.7/92.1
R161	7030003480	S.RES ERJ3GEYJ 222 V (2.2 k)	T	228/92.1
R162	7030003680	S.RES ERJ3GEYJ 104 V (100 k)	T	226.7/89.3
R163	7030003570	S.RES ERJ3GEYJ 123 V (12 k)	T	228/89.3
R164	7030003680	S.RES ERJ3GEYJ 104 V (100 k)	T	229.3/89.3
R165	7030003680	S.RES ERJ3GEYJ 104 V (100 k)	T	230.6/89.3
R166	7030003400	S.RES ERJ3GEYJ 471 V (470)	T	231.9/89.3
R167	7030003440	S.RES ERJ3GEYJ 102 V (1 k)	T	225.4/92.1
R168	7030003480	S.RES ERJ3GEYJ 222 V (2.2 k)	T	224.1/92.1
R169	7030003680	S.RES ERJ3GEYJ 104 V (100 k)	T	225.4/89.3
R170	7030003570	S.RES ERJ3GEYJ 123 V (12 k)	T	224.1/89.3
R171	7030003680	S.RES ERJ3GEYJ 104 V (100 k)	T	222.8/89.3
R172	7030003680	S.RES ERJ3GEYJ 104 V (100 k)	T	221.5/89.3
R173	7030003400	S.RES ERJ3GEYJ 471 V (470)	T	220.2/89.3
R174	7030003440	S.RES ERJ3GEYJ 102 V (1 k)	T	205.1/64.5
R175	7030003860	S.RES ERJ3GE JPW V	B	192.6/39.4
R176	7030003450	S.RES ERJ3GEYJ 122 V (1.2 k)	T	107.8/82.8
R180	7030003560	S.RES ERJ3GEYJ 103 V (10 k)	B	190.2/57
R181	7030003560	S.RES ERJ3GEYJ 103 V (10 k)	B	191.8/57
R183	7030003470	S.RES ERJ3GEYJ 182 V (1.8 k)	T	167.3/60.1
R184	7030003470	S.RES ERJ3GEYJ 182 V (1.8 k)	T	167.3/58.8
R185				



[MAIN UNIT]

REF NO.	ORDER NO.	DESCRIPTION	M.	H/V LOCATION
R221	7030003560	S.RES ERJ3GEYJ 103 V (10 k)	T	158.5/93.7
R222	7030003520	S.RES ERJ3GEYJ 472 V (4.7 k)	T	155.9/91.5
R223	7030003440	S.RES ERJ3GEYJ 102 V (1 k)	T	155.9/94.1
R224	7030003600	S.RES ERJ3GEYJ 223 V (22 k)	B	152.9/89.3
R226	7030003620	S.RES ERJ3GEYJ 333 V (33 k)	B	152.9/87.5
R228	7030003580	S.RES ERJ3GEYJ 153 V (15 k)	T	138.3/90.2
R230	7030003320	S.RES ERJ3GEYJ 101 V (100)	T	66.5/5.7
R231	7030003320	S.RES ERJ3GEYJ 101 V (100)	T	73.9/23.8
R232	7030003680	S.RES ERJ3GEYJ 104 V (100 k)	T	74.3/20.3
R233	7030003560	S.RES ERJ3GEYJ 103 V (10 k)	T	76.4/22
R234	7030003320	S.RES ERJ3GEYJ 101 V (100)	T	73.3/17.2
R235	7030003860	S.RES ERJ3GE JPW V	T	155.9/58.5
R240	7030003420	S.RES ERJ3GEYJ 681 V (680)	T	177.1/58.1
R241	7030003360	S.RES ERJ3GEYJ 221 V (220)	T	233.5/35.2
R242	7030003440	S.RES ERJ3GEYJ 102 V (1 k)	T	233.4/32.7
R243	7030003440	S.RES ERJ3GEYJ 102 V (1 k)	T	213.8/40.1
R244	7030003440	S.RES ERJ3GEYJ 102 V (1 k)	T	217.1/43.5
R245	7030003540	S.RES ERJ3GEYJ 682 V (6.8 k)	T	215.3/44.3
R246	7030003440	S.RES ERJ3GEYJ 102 V (1 k)	T	205.3/41.8
R247	7030003440	S.RES ERJ3GEYJ 102 V (1 k)	T	204/44.6
R248	7030003540	S.RES ERJ3GEYJ 682 V (6.8 k)	T	205.3/44.6
R249	7030003560	S.RES ERJ3GEYJ 103 V (10 k)	T	163.3/70.9
R250	7030003200	S.RES ERJ3GEYJ 100 V (10)	B	117.1/28.7
R251	7030003200	S.RES ERJ3GEYJ 100 V (10)	B	117.8/30.1
R252	7030003200	S.RES ERJ3GEYJ 100 V (10)	B	117.1/31.5
R253	7030003200	S.RES ERJ3GEYJ 100 V (10)	B	117.8/32.9
R254	7030003200	S.RES ERJ3GEYJ 100 V (10)	B	117.1/34.3
R255	7030003200	S.RES ERJ3GEYJ 100 V (10)	B	117.8/35.7
R256	7030003200	S.RES ERJ3GEYJ 100 V (10)	B	117.1/37.1
R257	7030003200	S.RES ERJ3GEYJ 100 V (10)	B	117.8/38.5
R258	7030003560	S.RES ERJ3GEYJ 103 V (10 k)	B	120.4/28.7
R259	7030003560	S.RES ERJ3GEYJ 103 V (10 k)	B	121.2/30.1
R260	7030003560	S.RES ERJ3GEYJ 103 V (10 k)	B	120.4/31.5
R261	7030003560	S.RES ERJ3GEYJ 103 V (10 k)	B	121.2/32.9
R262	7030003560	S.RES ERJ3GEYJ 103 V (10 k)	B	120.4/34.3
R263	7030003560	S.RES ERJ3GEYJ 103 V (10 k)	B	121.2/35.7
R264	7030003560	S.RES ERJ3GEYJ 103 V (10 k)	B	120.4/37.1
R265	7030003560	S.RES ERJ3GEYJ 103 V (10 k)	B	121.2/38.5
R270	7030003200	S.RES ERJ3GEYJ 100 V (10)	B	120.6/42.8
R271	7030003200	S.RES ERJ3GEYJ 100 V (10)	B	121.3/44.2
R272	7030003200	S.RES ERJ3GEYJ 100 V (10)	B	120.6/45.6
R273	7030003200	S.RES ERJ3GEYJ 100 V (10)	B	121.3/47
R274	7030003200	S.RES ERJ3GEYJ 100 V (10)	B	120.6/48.4
R275	7030003200	S.RES ERJ3GEYJ 100 V (10)	B	121.3/49.8
R276	7030003200	S.RES ERJ3GEYJ 100 V (10)	B	120.6/51.2
R277	7030003200	S.RES ERJ3GEYJ 100 V (10)	B	124.2/54.7
R278	7030003560	S.RES ERJ3GEYJ 103 V (10 k)	B	124.3/42.8
R279	7030003560	S.RES ERJ3GEYJ 103 V (10 k)	B	125/44.2
R280	7030003560	S.RES ERJ3GEYJ 103 V (10 k)	B	124.3/45.6
R281	7030003560	S.RES ERJ3GEYJ 103 V (10 k)	B	125/47
R282	7030003560	S.RES ERJ3GEYJ 103 V (10 k)	B	124.3/48.4
R283	7030003560	S.RES ERJ3GEYJ 103 V (10 k)	B	125/49.8
R284	7030003560	S.RES ERJ3GEYJ 103 V (10 k)	B	124.3/51.2
R285	7030003560	S.RES ERJ3GEYJ 103 V (10 k)	B	125/52.6
R290	7030003200	S.RES ERJ3GEYJ 100 V (10)	B	164.1/41.5
R291	7030003200	S.RES ERJ3GEYJ 100 V (10)	B	164.1/39.7
R292	7030003200	S.RES ERJ3GEYJ 100 V (10)	B	164.1/37.9
R293	7030003200	S.RES ERJ3GEYJ 100 V (10)	B	164.1/36.1
R294	7030003200	S.RES ERJ3GEYJ 100 V (10)	B	164.1/34.3
R295	7030003200	S.RES ERJ3GEYJ 100 V (10)	B	164.1/32.5
R296	7030003200	S.RES ERJ3GEYJ 100 V (10)	B	164.1/30.7
R298	7030003560	S.RES ERJ3GEYJ 103 V (10 k)	B	160.8/41.5
R299	7030003560	S.RES ERJ3GEYJ 103 V (10 k)	B	160.8/39.7
R300	7030003560	S.RES ERJ3GEYJ 103 V (10 k)	B	160.8/37.9
R301	7030003560	S.RES ERJ3GEYJ 103 V (10 k)	B	160.8/36.1
R302	7030003560	S.RES ERJ3GEYJ 103 V (10 k)	B	160.8/34.3
R303	7030003560	S.RES ERJ3GEYJ 103 V (10 k)	B	160.8/32.5
R304	7030003560	S.RES ERJ3GEYJ 103 V (10 k)	B	160.8/30.7
R310	7030003200	S.RES ERJ3GEYJ 100 V (10)	B	166.1/55.9
R311	7030003200	S.RES ERJ3GEYJ 100 V (10)	B	163.5/54.1
R312	7030003200	S.RES ERJ3GEYJ 100 V (10)	B	164.1/52.3
R313	7030003200	S.RES ERJ3GEYJ 100 V (10)	B	164.1/50.5
R314	7030003200	S.RES ERJ3GEYJ 100 V (10)	B	164.1/48.7
R315	7030003200	S.RES ERJ3GEYJ 100 V (10)	B	164.1/46.9
R316	7030003200	S.RES ERJ3GEYJ 100 V (10)	B	164.1/45.1
R317	7030003200	S.RES ERJ3GEYJ 100 V (10)	B	164.1/43.3
R318	7030003560	S.RES ERJ3GEYJ 103 V (10 k)	B	162.1/55.9
R319	7030003560	S.RES ERJ3GEYJ 103 V (10 k)	B	160.2/54.1
R320	7030003560	S.RES ERJ3GEYJ 103 V (10 k)	B	160.8/52.3
R321	7030003560	S.RES ERJ3GEYJ 103 V (10 k)	B	160.8/50.5
R322	7030003560	S.RES ERJ3GEYJ 103 V (10 k)	B	160.8/48.7
R323	7030003560	S.RES ERJ3GEYJ 103 V (10 k)	B	160.8/46.9
R324	7030003560	S.RES ERJ3GEYJ 103 V (10 k)	B	160.8/45.1
R325	7030003560	S.RES ERJ3GEYJ 103 V (10 k)	B	160.8/43.3
R330	7030009891	S.RES ERA3YED 151V (150)	T	155/65.5
R331	7030009851	S.RES ERA3YED 271V (270)	T	152.4/65.5
R341	7030003520	S.RES ERJ3GEYJ 472 V (4.7 k)	B	199.8/27.5
R342	7030004050	S.RES ERJ3GEYJ 1R0 V (1)	T	214.6/28.5
R351	7030003680	S.RES ERJ3GEYJ 104 V (100 k)	T	129.6/81.6
R352	7030003640	S.RES ERJ3GEYJ 473 V (47 k)	T	132.5/83.2
R353	7030003560	S.RES ERJ3GEYJ 103 V (10 k)	T	134.7/83.7
R361	7030003520	S.RES ERJ3GEYJ 472 V (4.7 k)	B	144.7/26.2
R362	7030004050	S.RES ERJ3GEYJ 1R0 V (1)	T	157.7/16.5
R381	7030004050	S.RES ERJ3GEYJ 1R0 V (1)	T	93.7/50.7
R397	7030003410	S.RES ERJ3GEYJ 561 V (560)	B	108.3/36.7
R398	7030007860	S.RES ERJ3GEYJ 8R2V (8.2)	B	110.2/38.7
R399	7030003410	S.RES ERJ3GEYJ 561 V (560)	B	108.3/39.6
R400	7030003360	S.RES ERJ3GEYJ 221 V (220)	B	228.3/9.9
R401	7030003360	S.RES ERJ3GEYJ 221 V (220)	B	227.3/9.9
R402	7030003360	S.RES ERJ3GEYJ 221 V (220)	T	226.3/9.9
R403	7030003360	S.RES ERJ3GEYJ 221 V (220)	T	28.3/9.9
R404	7030003360	S.RES ERJ3GEYJ 221 V (220)	T	27/9.9
R405	7030003360	S.RES ERJ3GEYJ 221 V (220)	T	25.7/9.9
R410	7030003320	S.RES ERJ3GEYJ 101 V (100)	T	9.9/56

[MAIN UNIT]

REF NO.	ORDER NO.	DESCRIPTION	M.	H/V LOCATION
R413	7030003320	S.RES ERJ3GEYJ 101 V (100)	B	9.9/53
R414	7030003320	S.RES ERJ3GEYJ 101 V (100)	T	9.9/52
R415	7030003320	S.RES ERJ3GEYJ 101 V (100)	B	9.9/51
R416	7030003320	S.RES ERJ3GEYJ 101 V (100)	T	9.9/50
R417	7030003320	S.RES ERJ3GEYJ 101 V (100)	B	9.9/47
R418	7030003320	S.RES ERJ3GEYJ 101 V (100)	T	9.9/46
R419	7030003320	S.RES ERJ3GEYJ 101 V (100)	B	9.9/45
R420	7030003320	S.RES ERJ3GEYJ 101 V (100)	T	9.9/44
R421	7030003320	S.RES ERJ3GEYJ 101 V (100)	B	9.9/43
R422	7030003320	S.RES ERJ3GEYJ 101 V (100)	T	9.9/32
R423	7030003320	S.RES ERJ3GEYJ 101 V (100)	T	9.9/30
R424	7030003320	S.RES ERJ3GEYJ 101 V (100)	B	9.9/29
R450	7030003600	S.RES ERJ3GEYJ 223 V (22 k)	B	205.8/28
R451	7030003600	S.RES ERJ3GEYJ 223 V (22 k)	B	166.9/18.4
R452	7030003600	S.RES ERJ3GEYJ 223 V (22 k)	B	94.3/43.7
R460	7030003560	S.RES ERJ3GEYJ 103 V (10 k)	B	144.4/79.4
R461	7030003560	S.RES ERJ3GEYJ 103 V (10 k)	B	144.1/73.6
R462	7030003580	S.RES ERJ3GEYJ 153 V (15 k)	T	79.1/23.3
R463	7030003560	S.RES ERJ3GEYJ 103 V (10 k)	T	158.6/71.4
R466	7030003440	S.RES ERJ3GEYJ 102 V (1 k)	T	73.7/22.2
R467	7030003320	S.RES ERJ3GEYJ 101 V (100)	B	148.2/73.6
R468	7030003620	S.RES ERJ3GEYJ 333 V (33 k)	T	142.2/77.4
R469	7030003520	S.RES ERJ3GEYJ 472 V (4.7 k)	T	143/75.7
R470	7030003620	S.RES ERJ3GEYJ 333 V (33 k)	T	165.9/78.4
R471	7030003440	S.RES ERJ3GEYJ 102 V (1 k)	T	152.2/67.8
R472	7030003640	S.RES ERJ3GEYJ 473 V (47 k)	T	165.9/77.1
R474	7030003600	S.RES ERJ3GEYJ 223 V (22 k)	T	132.5/75.3
R476	7030003760	S.RES ERJ3GEYJ 474 V (470 k)	T	126.5/77.5
R479	7030003550	S.RES ERJ3GEYJ 822 V (8.2 k)	B	170.5/73.6
R481	7030003860	S.RES ERJ3GE JPW V	B	170.5/70.8
R482	7030000010	S.RES MCR10EZJH JPW (000)	B	108.8/46
R483	7030000010	S.RES MCR10EZJH JPW (000)	B	206.6/18.3
R484	7030000010	S.RES MCR10EZJH JPW (000)	B	151.6/27.6
R485	7030003860	S.RES ERJ3GE JPW V	T	9.9/48
R486	7030003860	S.RES ERJ3GE JPW V	B	9.9/49
R487	7030000010	S.RES MCR10EZJH JPW (000)	T	9.9/58.1
R488	7030003860	S.RES ERJ3GE JPW V	B	111.4/76.2
R489	7030003500	S.RES ERJ3GEYJ 332 V (3.3 k)	B	229/6
R490	7030003440	S.RES ERJ3GEYJ 102 V (1 k)	B	159.4/63.3
R491	7030003560	S.RES ERJ3GEYJ 103 V (10 k)	B	157.7/59.6
R492	7030003560	S.RES ERJ3GEYJ 103 V (10 k)	B	159.5/59.6
R493	7030003410	S.RES ERJ3GEYJ 561 V (560)	T	130.7/103
R494	7030005331	S.RES ERA3YED 562V (5.6 k)	T	218.4/78.6
R495	7030010480	S.RES ERJ1TYJ 181U (180)	T	212.4/2.3
R496	7030005331	S.RES ERA3YED 562V (5.6 k)	T	218.4/77.3
R497	7030007911	S.RES ERA3YKD 563V (5.6 k)	B	228.6/16.1
R498	7030005631	S.RES ERA3YKD 154V (150 k)	B	228.6/20.2
R499	7030005631	S.RES ERA3YKD 154V (150 k)	B	230.4/20.2
R501	7030003440	S.RES ERJ3GEYJ 102 V (1 k)	T	20.7/58.3
R502	7030003560	S.RES ERJ3GEYJ 103 V (10 k)	T	19.2/60.9
R503	7030003440	S.RES ERJ3GEYJ 102 V (1 k)	T	22.2/58.3
R504	7030003440	S.RES ERJ3GEYJ 102 V (1 k)	T	23.7/60.9
R505	7030003320	S.RES ERJ3GEYJ 101 V (100)	T	26/61.7
R506	7030003320	S.RES ERJ3GEYJ 101 V (100)	T	16.1/70.6
R507	7030003440	S.RES ERJ3GEYJ 102 V (1 k)	T	22.2/72.4
R508	7030003440	S.RES ERJ3GEYJ 102 V (1 k)	T	23.7/72.4
R509	7030003320	S.RES ERJ3GEYJ 101 V (100)	T	26.7/72.4
R510	7030003320	S.RES ERJ3GEYJ 101 V (100)	T	19.2/81.2
R511	7030003320	S.RES ERJ3GEYJ 101 V (100)	T	21.4/87.5
R512	7030003650	S.RES ERJ3GEYJ 563 V (56 k)	B	228.2/3.1
R513	7030003860	S.RES ERJ3GE JPW V	T	103.9/68.7
R514	7030003440	S.RES ERJ3GEYJ 102 V (1 k)	T	19.2/96.4
R515	7030003410	S.RES ERJ3GEYJ 561 V (560)	T	26.6/96.4
R516	7030003440	S.RES ERJ3GEYJ 102 V (1 k)	T	25.3/84.6
R517	7030003520	S.RES ERJ3GEYJ 472 V (4.7 k)	T	23.2/84.6
R518	7030003400	S.RES ERJ3GEYJ 471 V (470)	B	20.1/91.9
R519	7030003560	S.RES ERJ3GEYJ 103 V (10 k)	B	20.1/89
R520	7030003630	S.RES ERJ3GEYJ 393 V (39 k)	B	24.3/91.9
R521	7030003600	S.RES ERJ3GEYJ 223 V (22 k)	B	24.3/87.7
R522	7030003200	S.RES ERJ3GEYJ 100 V (10)	B	230.4/24.8
R523	7030003360	S.RES ERJ3GEYJ 221 V (220)	B	27.9/87.7
R524	7030003560	S.RES ERJ3GEYJ 103 V (10 k)	B	27.1/93.9
R525	7030003480	S.RES ERJ3GEYJ 222 V (2.2 k)	B	31.3/91.9
R526	7030003440	S.RES ERJ3GEYJ 102 V (1 k)	B	31.3/98.2
R527	7030003560	S.RES ERJ3GEYJ 103 V (10 k)		

[MAIN UNIT]

REF NO.	ORDER NO.	DESCRIPTION	M.	H/V LOCATION
R558	7030003320	S.RES ERJ3GEYJ 101 V (100)	B	102.9/74.8
R559	7030003680	S.RES ERJ3GEYJ 104 V (100 k)	T	132.8/105.2
R560	7030003680	S.RES ERJ3GEYJ 104 V (100 k)	T	188.5/103.4
R561	7030003680	S.RES ERJ3GEYJ 104 V (100 k)	T	133.6/102.4
R562	7030003320	S.RES ERJ3GEYJ 101 V (100)	B	77.5/69.5
R563	7030003300	S.RES ERJ3GEYJ 680 V (68)	T	110/62.7
R564	7030003620	S.RES ERJ3GEYJ 333 V (33 k)	T	107.1/64.2
R565	7030003640	S.RES ERJ3GEYJ 473 V (47 k)	B	234.6/4.6
R566	7030003330	S.RES ERJ3GEYJ 121 V (120)	T	102.8/74.1
R567	7030003230	S.RES ERJ3GEYJ 180 V (18)	B	91.4/67.6
R568	7030009851	S.RES ERA3YED 271V (270)	B	93.4/66.8
R569	7030009851	S.RES ERA3YED 271V (270)	B	89.3/66.8
R570	7030003520	S.RES ERJ3GEYJ 472 V (4.7 k)	T	59.8/60.7
R571	7030003560	S.RES ERJ3GEYJ 103 V (10 k)	B	64.5/59.2
R572	7030004040	S.RES ERJ3GEYJ 4R7 V (4.7)	T	61.5/68.2
R573	7030003400	S.RES ERJ3GEYJ 471 V (470)	B	68.2/59.2
R574	7030003280	S.RES ERJ3GEYJ 470 V (47)	T	69.8/63.8
R575	7030009851	S.RES ERA3YED 271V (270)	B	56.7/59.3
R576	7030003230	S.RES ERJ3GEYJ 180 V (18)	B	54.6/58.5
R577	7030009851	S.RES ERA3YED 271V (270)	B	56.7/57.7
R578	7030003230	S.RES ERJ3GEYJ 180 V (18)	B	61.6/72
R579	7030009851	S.RES ERA3YED 271V (270)	B	57.9/72.8
R580	7030009851	S.RES ERA3YED 271V (270)	B	57.9/71
R581	7030003430	S.RES ERJ3GEYJ 821 V (820)	B	92.6/72.9
R582	7030004030	S.RES ERJ3GEYJ 5R6 V (5.6)	B	91.8/70.9
R583	7030003430	S.RES ERJ3GEYJ 821 V (820)	B	94.2/70.8
R584	7510001671	S.TMR NTCG16 4BH 103JT	T	218.4/79.9
R585	7030003600	S.RES ERJ3GEYJ 223 V (22 k)	B	25/89.8
R587	7030003200	S.RES ERJ3GEYJ 100 V (10)	B	61.5/68.1
R589	7030003400	S.RES ERJ3GEYJ 471 V (470)	B	64.5/63.7
R590	7030003430	S.RES ERJ3GEYJ 821 V (820)	B	79.8/91.7
R591	7030003430	S.RES ERJ3GEYJ 821 V (820)	B	81.5/91.7
R592	7030000300	S.RES MCR10EZHH 220 (221)	B	59.4/61.8
R601	7030000260	S.RES MCR10EZHH 100 (101)	B	42.7/43.5
R602	7030000260	S.RES MCR10EZHH 100 (101)	B	53.5/43.5
R603	7030000260	S.RES MCR10EZHH 100 (101)	B	64.3/43.5
R604	7030000260	S.RES MCR10EZHH 100 (101)	B	75.2/43.5
R605	7030000260	S.RES MCR10EZHH 100 (101)	B	86/43.5
R606	7030000260	S.RES MCR10EZHH 100 (101)	T	34.3/43.5
R607	7030000260	S.RES MCR10EZHH 100 (101)	T	43.3/43.5
R608	7030000260	S.RES MCR10EZHH 100 (101)	T	52.3/43.5
R609	7030000260	S.RES MCR10EZHH 100 (101)	T	61.3/43.5
R610	7030003400	S.RES ERJ3GEYJ 471 V (470)	T	79.8/54
R611	7030000260	S.RES MCR10EZHH 100 (101)	T	70.3/43.5
R612	7030009851	S.RES ERA3YED 271V (270)	T	44/54
R613	7030003230	S.RES ERJ3GEYJ 180 V (18)	T	46.2/53.3
R614	7030009851	S.RES ERA3YED 271V (270)	T	44/52.7
R801	7030003380	S.RES ERJ3GEYJ 331 V (330)	T	37.2/26.2
R802	7030009891	S.RES ERA3YED 151V (150)	B	37.2/18.7
R803	7030003440	S.RES ERJ3GEYJ 102 V (1 k)	B	49.7/21
R804	7030003490	S.RES ERJ3GEYJ 272 V (2.7 k)	B	47.8/21.7
R805	7030003300	S.RES ERJ3GEYJ 680 V (68)	T	57.6/18.7
R806	7030003320	S.RES ERJ3GEYJ 101 V (100)	T	56.2/18.7
R807	7030003320	S.RES ERJ3GEYJ 101 V (100)	T	56.9/16.5
R808	7030003640	S.RES ERJ3GEYJ 473 V (47 k)	B	89.9/87.6
R809	7030003460	S.RES ERJ3GEYJ 152 V (1.5 k)	B	84.7/87.6
R810	7030003680	S.RES ERJ3GEYJ 104 V (100 k)	T	34/22.3
R811	7030003560	S.RES ERJ3GEYJ 103 V (10 k)	T	30.8/19.6
R812	7030009851	S.RES ERA3YED 271V (270)	T	34/27.5
R813	7030003230	S.RES ERJ3GEYJ 180 V (18)	T	34/26.2
R814	7030009851	S.RES ERA3YED 271V (270)	T	34/29.9
R815	7030003320	S.RES ERJ3GEYJ 101 V (100)	T	31.9/25.5
R816	7030003680	S.RES ERJ3GEYJ 104 V (100 k)	T	31.2/23.6
R817	7030003860	S.RES ERJ3GE JPW V	T	52.7/23.9
R818	7030003320	S.RES ERJ3GEYJ 101 V (100)	B	41.7/21
R820	7030003440	S.RES ERJ3GEYJ 102 V (1 k)	T	77.7/62.7
R821	7030003320	S.RES ERJ3GEYJ 101 V (100)	T	88.2/60.9
R822	7030003620	S.RES ERJ3GEYJ 333 V (33 k)	T	88.2/57.9
R823	7030003280	S.RES ERJ3GEYJ 470 V (47)	T	83.2/51.5
R824	7030003320	S.RES ERJ3GEYJ 101 V (100)	T	77/58.6
R825	7030003320	S.RES ERJ3GEYJ 101 V (100)	T	82.3/33.8
R826	7030003230	S.RES ERJ3GEYJ 180 V (18)	T	87.2/36.2
R827	7030009851	S.RES ERA3YED 271V (270)	T	85.2/37
R828	7030009851	S.RES ERA3YED 271V (270)	T	85.2/35.5
R829	7030003400	S.RES ERJ3GEYJ 471 V (470)	T	86.5/55.1
R830	7030003330	S.RES ERJ3GEYJ 121 V (120)	T	86/53.2
R831	7030003600	S.RES ERJ3GEYJ 223 V (22 k)	T	83.2/54.5
R832	7030003290	S.RES ERJ3GEYJ 560 V (56)	B	87.3/71.1
R833	7030003480	S.RES ERJ3GEYJ 222 V (2.2 k)	B	89.4/71.8
R834	7030003440	S.RES ERJ3GEYJ 102 V (1 k)	B	85.3/79.2
R835	7030003440	S.RES ERJ3GEYJ 102 V (1 k)	B	83.1/74.2
R836	7030003500	S.RES ERJ3GEYJ 332 V (3.3 k)	B	83.2/79.1
R837	7030003480	S.RES ERJ3GEYJ 222 V (2.2 k)	T	29.8/81.6
R838	7030003510	S.RES ERJ3GEYJ 392 V (3.9 k)	T	33.6/73.8
R839	7030003480	S.RES ERJ3GEYJ 222 V (2.2 k)	T	38.1/73.4
R840	7030003400	S.RES ERJ3GEYJ 471 V (470)	T	38.1/72.1
R841	7030003300	S.RES ERJ3GEYJ 680 V (68)	T	35.3/71.6
R851	7030009861	S.RES ERA3YED 471V (470)	T	110/87.6
R852	7030003560	S.RES ERJ3GEYJ 103 V (10 k)	T	37.9/69.8
R900	7030003320	S.RES ERJ3GEYJ 101 V (100)	B	126.2/5.8
R901	7030003320	S.RES ERJ3GEYJ 101 V (100)	B	125.2/5.8
R902	7030003320	S.RES ERJ3GEYJ 101 V (100)	T	124.2/5.8
R903	7030003320	S.RES ERJ3GEYJ 101 V (100)	B	123.2/5.8
R904	7030003320	S.RES ERJ3GEYJ 101 V (100)	T	122.2/5.8
R906	7030003320	S.RES ERJ3GEYJ 101 V (100)	T	120.2/5.8
R908	7030003320	S.RES ERJ3GEYJ 101 V (100)	T	118.2/5.8
R909	7030003320	S.RES ERJ3GEYJ 101 V (100)	B	117.2/5.8
R910	7030003320	S.RES ERJ3GEYJ 101 V (100)	T	116.2/5.8
R911	7030003320	S.RES ERJ3GEYJ 101 V (100)	B	115.2/5.8
R912	7030003320	S.RES ERJ3GEYJ 101 V (100)	T	114.2/5.8
R913	7030003320	S.RES ERJ3GEYJ 101 V (100)	B	113.2/5.8
R914	7030003320	S.RES ERJ3GEYJ 101 V (100)	T	112.2/5.8
R915	7030003320	S.RES ERJ3GEYJ 101 V (100)	B	111.2/5.8
R916	7030003320	S.RES ERJ3GEYJ 101 V (100)	T	110.2/5.8

[MAIN UNIT]

REF NO.	ORDER NO.	DESCRIPTION	M.	H/V LOCATION
R917	7030003320	S.RES ERJ3GEYJ 101 V (100)	B	109.2/5.8
R918	7030003320	S.RES ERJ3GEYJ 101 V (100)	T	13.8/119.5
R920	7030003320	S.RES ERJ3GEYJ 101 V (100)	T	125.7/15.4
R921	7030003320	S.RES ERJ3GEYJ 101 V (100)	B	124.7/15.4
R922	7030003320	S.RES ERJ3GEYJ 101 V (100)	T	123.7/15.4
R923	7030003320	S.RES ERJ3GEYJ 101 V (100)	B	122.7/15.4
R924	7030003320	S.RES ERJ3GEYJ 101 V (100)	T	121.7/15.4
R925	7030003320	S.RES ERJ3GEYJ 101 V (100)	B	120.7/15.4
R926	7030003320	S.RES ERJ3GEYJ 101 V (100)	T	119.7/15.4
R927	7030003320	S.RES ERJ3GEYJ 101 V (100)	B	118.7/15.4
R928	7030003320	S.RES ERJ3GEYJ 101 V (100)	T	117.7/15.4
R929	7030003320	S.RES ERJ3GEYJ 101 V (100)	B	116.7/15.4
R930	7030003320	S.RES ERJ3GEYJ 101 V (100)	T	115.7/15.4
R932	7030003320	S.RES ERJ3GEYJ 101 V (100)	T	113.7/15.4
R933	7030003320	S.RES ERJ3GEYJ 101 V (100)	B	112.7/15.4
R934	7030003320	S.RES ERJ3GEYJ 101 V (100)	T	111.7/15.4
R936	7030003320	S.RES ERJ3GEYJ 101 V (100)	T	109.7/15.4
R937	7030003320	S.RES ERJ3GEYJ 101 V (100)	B	108.7/15.4
R938	7030003320	S.RES ERJ3GEYJ 101 V (100)	T	12.5/119.5
R940	7030003320	S.RES ERJ3GEYJ 101 V (100)	T	94.3/5.8
R941	7030003320	S.RES ERJ3GEYJ 101 V (100)	B	93.3/5.8
R942	7030003320	S.RES ERJ3GEYJ 101 V (100)	T	92.3/5.8
R943	7030003320	S.RES ERJ3GEYJ 101 V (100)	B	91.3/5.8
R944	7030003320	S.RES ERJ3GEYJ 101 V (100)	T	90.3/5.8
R945	7030003320	S.RES ERJ3GEYJ 101 V (100)	B	89.3/5.8
R946	7030003320	S.RES ERJ3GEYJ 101 V (100)	T	88.3/5.8
R947	7030003320	S.RES ERJ3GEYJ 101 V (100)	B	87.3/5.8
R948	7030003320	S.RES ERJ3GEYJ 101 V (100)	T	86.3/5.8
R949	7030003320	S.RES ERJ3GEYJ 101 V (100)	B	85.3/5.8
R950	7030003320	S.RES ERJ3GEYJ 101 V (100)	T	84.3/5.8
R951	7030003320	S.RES ERJ3GEYJ 101 V (100)	B	83.3/5.8
R952	7030003320	S.RES ERJ3GEYJ 101 V (100)	T	82.3/5.8
R953	7030003320	S.RES ERJ3GEYJ 101 V (100)	B	81.3/5.8
R954	7030003320	S.RES ERJ3GEYJ 101 V (100)	T	80.3/5.8
R955	7030003320	S.RES ERJ3GEYJ 101 V (100)	B	79.3/5.8
R957	7030003320	S.RES ERJ3GEYJ 101 V (100)	B	77.3/5.8
R958	7030003320	S.RES ERJ3GEYJ 101 V (100)	T	76.3/5.8
R960	7030003320	S.RES ERJ3GEYJ 101 V (100)	T	93.8/15.3
R961	7030003320	S.RES ERJ3GEYJ 101 V (100)	B	92.8/15.4
R962	7030003320	S.RES ERJ3GEYJ 101 V (100)	T	91.8/15.3
R963	7030003320	S.RES ERJ3GEYJ 101 V (100)	B	90.8/15.4
R964	7030003320	S.RES ERJ3GEYJ 101 V (100)	T	89.8/15.3
R966	7030003320	S.RES ERJ3GEYJ 101 V (100)	T	87.8/15.3
R967	7030003320	S.RES ERJ3GEYJ 101 V (100)	B	86.8/15.4
R968	7030003320	S.RES ERJ3GEYJ 101 V (100)	T	85.8/15.3
R969	7030003320	S.RES ERJ3GEYJ 101 V (100)	B	84.8/15.4
R970	7030003320	S.RES ERJ3GEYJ 101 V (100)	T	83.8/15.3
R971	7030003320	S.RES ERJ3GEYJ 101 V (100)	B	82.8/15.4
R972	7030003320	S.RES ERJ3GEYJ 101 V (100)	T	81.8/15.4
R973	7030003320	S.RES ERJ3GEYJ 101 V (100)	B	80.8/15.4
R974	7030003320	S.RES ERJ3GEYJ 101 V (100)	T	79.8/15.4
R975	7030003320	S.RES ERJ3GEYJ 101 V (100)	B	78.8/15.4
R976	7030003320	S.RES ERJ3GEYJ 101 V (100)	T	77.8/15.4
R977	7030003320	S.RES ERJ3GEYJ 101 V (100)	B	76.8/15.4
R978	7030003320	S.RES ERJ3GEYJ 101 V (100)	T	75.8/15.4
R979	7030003320	S.RES ERJ3GEYJ 101 V (100)	B	74.8/15.4
C1	4030006880	S.CER C1608 JB 1H 472K-T	B	207.5/109.2
C2	4030006880	S.CER C1608 JB 1H 472K-T	T	225.7/110.3
C3	4030006880	S.CER C1608 JB 1H 472K-T	B	220.4/106.6
C4	4030006880	S.CER C1608 JB 1H 472K-T	T	204.7/110.3
C5	4030006880	S.CER C1608 JB 1H 472K-T	T	222.2/110.3
C6	4030006880	S.CER C1608 JB 1H 472K-T	T	211.7/110.3
C7	4030006880	S.CER C1608 JB 1H 472K-T	T	215.2/110.3
C8	4030006880	S.CER C1608 JB 1H 472K-T	T	200.4/110.3
C9	4030006880	S.CER C1608 JB 1H 472K-T	T	193.4/110.3
C10	4030006880	S.CER C1608 JB 1H 472K-T	T	196.9/110.3
C11	4030006880	S.CER C1608 JB 1H 472K-T	B	168/106.8
C12	4030006880	S.CER C1608 JB 1H 472K-T	T	183.7/110.3
C13	4030006880	S.CER C1608 JB 1H 472K-T	B	178.4/106.6
C14	4030006880	S.CER C1608 JB 1H 472K-T	T	162.7/110.3
C15	4030006880	S.CER C1608 JB 1H 472K-T	T	180.2/110.3
C16	4030006880	S.CER C1608 JB 1H 472K-T	T	169.7/110.3
C17	4030006880	S.CER C1608 JB 1H 472K-T	T	173.2/110.3
C18	4030006880	S.CER C1608 JB 1H 472K-T	T	158.4/110.3
C19	4030006880	S		



[MAIN UNIT]

REF NO.	ORDER NO.	DESCRIPTION	M.	H/V LOCATION
C51	4010005380	S.CER HM13SJ YB 472K 500V		
C52	4030006880	S.CER C1608 JB 1H 472K-T	B	114.5/98.6
C53	4030006880	S.CER C1608 JB 1H 472K-T	B	116.2/96.3
C54	4030006880	S.CER C1608 JB 1H 472K-T	B	79.9/123.6
C55	4030006880	S.CER C1608 JB 1H 472K-T	B	79.9/118.7
C56	4030006880	S.CER C1608 JB 1H 472K-T	B	92.8/106.5
C57	4030010760	S.CER C1608 CH 1H 331J-T	T	179.5/70.9
C58	4030010760	S.CER C1608 CH 1H 331J-T	T	194.6/70.7
C61	4030012600	S.CER C2012 JB 1A 105M-T	T	119.1/77.8
C62	4030012600	S.CER C2012 JB 1A 105M-T	T	119.1/76
C65	4030012600	S.CER C2012 JB 1A 105M-T	B	108.1/76.2
C68	4030006880	S.CER C1608 JB 1H 102K-T	B	126.4/101.9
C69	4030011600	S.CER C1608 JB 1E 104K-T	T	121.5/90.8
C70	4030011600	S.CER C1608 JB 1E 104K-T	B	122.1/89.4
C71	4030011600	S.CER C1608 JB 1E 104K-T	B	136.8/96.8
C80	4030007130	S.CER C1608 CH 1H 101J-T	B	59.2/122.2
C100	4030011600	S.CER C1608 JB 1E 104K-T	B	208.4/91
C101	4030011600	S.CER C1608 JB 1E 104K-T	T	213.4/87.4
C103	4510008550	S.ELE EEE1HA010SR	T	210.7/83.6
C105	4030011600	S.CER C1608 JB 1E 104K-T	B	201.6/91
C106	4030011600	S.CER C1608 JB 1E 104K-T	T	206.6/87.4
C108	4510008550	S.ELE EEE1HA010SR	T	202.9/83.6
C110	4510008540	S.ELE EEE1CA100SR	T	209.8/63.3
C113	4510008540	S.ELE EEE1CA100SR	T	209.8/73.8
C115	4510008540	S.ELE EEE1CA100SR	T	209.8/48.7
C116	4510008540	S.ELE EEE1CA100SR	T	209.8/38.1
C117	4510009120	S.ELE EEE1VA2R2NR	T	215.7/73.8
C118	4510009120	S.ELE EEE1VA2R2NR	T	203.9/73.8
C120	4510008540	S.ELE EEE1CA100SR	T	223.6/50.7
C121	4510008540	S.ELE EEE1CA100SR	T	214.3/58
C122	4510008540	S.ELE EEE1CA100SR	T	204.7/58
C123	4510008550	S.ELE EEE1HA010SR	T	227/56.1
C124	4510008550	S.ELE EEE1HA010SR	T	227.1/60.9
C125	4510008540	S.ELE EEE1CA100SR	T	218.8/67
C126	4510008540	S.ELE EEE1CA100SR	T	223.6/67
C127	4510008550	S.ELE EEE1HA010SR	T	234.1/60.9
C128	4510008550	S.ELE EEE1HA010SR	T	233.3/56.1
C129	4030008650	S.CER C1608 JB 1H 332K-T	T	215.6/67.3
C130	4030008650	S.CER C1608 JB 1H 332K-T	T	203.8/67.3
C131	4030012600	S.CER C2012 JB 1A 105M-T	T	220.3/52
C132	4030012600	S.CER C2012 JB 1A 105M-T	T	218.5/52
C133	4030008880	S.CER C1608 JB 1H 223K-T	T	232.2/66.6
C134	4030008950	S.CER C2012 JB 1C 823K-T	T	231.3/69
C135	4030008880	S.CER C1608 JB 1H 223K-T	T	234.1/52.3
C136	4030008950	S.CER C2012 JB 1C 823K-T	T	232.4/50.1
C140	4510008550	S.ELE EEE1HA010SR	T	249.6/35.6
C141	4510008190	ELE EUUFC1E222S		
C142	4510009080	S.ELE EEE1HA2R2SR	T	253.9/59.1
C143	4510008500	S.ELE EEE1CA101WP	T	253.3/67.9
C144	4510008180	ELE EUUFC1E102S		
C145	4510008180	ELE EUUFC1E102S		
C146	4030011600	S.CER C1608 JB 1E 104K-T	B	252.2/101.3
C147	4030011600	S.CER C1608 JB 1E 104K-T	B	242.4/107.8
C148	4030006880	S.CER C1608 JB 1H 472K-T	B	247.8/97.2
C149	4030006880	S.CER C1608 JB 1H 472K-T	B	252.2/95.4
C150	4030006880	S.CER C1608 JB 1H 472K-T	B	239.9/97.2
C151	4030011600	S.CER C1608 JB 1E 104K-T	T	228.6/73.1
C152	4030011600	S.CER C1608 JB 1E 104K-T	T	233.4/45.5
C180	4510009010	S.ELE EEE1AA221P	T	188.5/50.4
C181	4510008540	S.ELE EEE1CA100SR	T	209.5/58
C182	4510008540	S.ELE EEE1CA100SR	T	199.9/58
C183	4510008540	S.ELE EEE1CA100SR	T	194.4/57.3
C184	4510008540	S.ELE EEE1CA100SR	T	195.8/52.5
C185	4510008540	S.ELE EEE1CA100SR	T	195.8/47.7
C186	4510008540	S.ELE EEE1CA100SR	T	180.2/50.5
C187	4030011600	S.CER C1608 JB 1E 104K-T	T	183.3/39.5
C188	4510008540	S.ELE EEE1CA100SR	T	194.4/42.8
C189	4510008540	S.ELE EEE1CA100SR	T	180.2/45.6
C190	4030011340	S.CER C1608 CH 1H 471J-T	T	194.6/33.4
C191	4030012610	S.CER C2012 JB 1C 474K-T	T	191.1/37.7
C192	4030011340	S.CER C1608 CH 1H 471J-T	T	180.4/35.4
C193	4510008540	S.ELE EEE1CA100SR	T	186.8/31.6
C194	4030012600	S.CER C2012 JB 1A 105M-T	T	180.9/59.4
C195	4030012600	S.CER C2012 JB 1A 105M-T	T	180.7/54.6
C196	4510008550	S.ELE EEE1CA101WP	T	176.1/36.5
C197	4510008500	S.ELE EEE1CA101WP	T	199.7/31.9
C198	4030011600	S.CER C1608 JB 1E 104K-T	T	125.6/95.8
C200	4510008540	S.ELE EEE1CA100SR	T	153.3/80.5
C201	4510008540	S.ELE EEE1CA100SR	T	160.5/80
C203	4510008550	S.ELE EEE1HA010SR	T	170.6/70.7
C204	4510008550	S.ELE EEE1HA010SR	T	142.1/70.9
C205	4030011600	S.CER C1608 JB 1E 104K-T	B	148.2/71.8
C206	4030009970	S.CER C1608 JB 1H 182K-T	T	192/33.4
C207	4030009970	S.CER C1608 JB 1H 182K-T	T	181.1/33.6
C208	4030011600	S.CER C1608 JB 1E 104K-T	T	219/42.5
C209	4030011600	S.CER C1608 JB 1E 104K-T	B	244/25.5
C210	4510008550	S.ELE EEE1HA010SR	T	168.1/100.5
C211	4510008540	S.ELE EEE1CA100SR	T	160.5/84.8
C212	4510008530	S.ELE EEE1HA2R2SR	T	169.7/94.9
C213	4030017840	S.CER C2012 CH 1H 222J-T	T	166.7/91.5
C214	4510008540	S.ELE EEE1CA100SR	T	170.6/85.3
C215	4510008550	S.ELE EEE1HA010SR	T	150.5/85.3
C216	4510008550	S.ELE EEE1HA010SR	T	142.6/85.3
C217	4030007120	S.CER C1608 CH 1H 820J-T	T	164.9/73.5
C220	4510008550	S.ELE EEE1HA010SR	T	163.3/100.5
C221	4510008540	S.ELE EEE1CA100SR	T	170.6/90.1
C222	4510008530	S.ELE EEE1HA2R2SR	T	151.3/94.9
C223	4030017840	S.CER C2012 CH 1H 222J-T	T	154.3/91.5
C225	4510008550	S.ELE EEE1HA010SR	T	150.5/90.1
C226	4510008550	S.ELE EEE1HA010SR	T	142.6/90.2
C230	4510008500	S.ELE EEE1CA101WP	T	68.9/10.5
C231	4510008500	S.ELE EEE1CA101WP	T	84.1/21.9
C233	4510008550	S.ELE EEE1HA010SR	T	69.8/16.5
C234	4030007170	S.CER C1608 CH 1H 221J-T	T	73/20.3

[MAIN UNIT]

REF NO.	ORDER NO.	DESCRIPTION	M.	H/V LOCATION
C235	4030011600	S.CER C1608 JB 1E 104K-T	T	79.1/22
C241	4510008540	S.ELE EEE1CA100SR	T	232.1/28.1
C242	4510004591	ELE 16 ME 470 HC		
C243	4510008500	S.ELE EEE1CA101WP	T	176.7/63
C244	4030011600	S.CER C1608 JB 1E 104K-T	T	176/56.8
C249	4030011600	S.CER C1608 JB 1E 104K-T	T	160.3/68.3
C250	4030011600	S.CER C1608 JB 1E 104K-T	T	133.1/39.1
C251	4030011600	S.CER C1608 JB 1E 104K-T	T	143.3/32.8
C260	4030011600	S.CER C1608 JB 1E 104K-T	T	133.1/53.5
C261	4030011600	S.CER C1608 JB 1E 104K-T	T	143.2/47.1
C290	4030011600	S.CER C1608 JB 1E 104K-T	T	149.1/28.2
C291	4030011600	S.CER C1608 JB 1E 104K-T	T	142.9/38.1
C310	4030011600	S.CER C1608 JB 1E 104K-T	T	153.7/43.3
C311	4030011600	S.CER C1608 JB 1E 104K-T	T	142.9/52.6
C330	4030011600	S.CER C1608 JB 1E 104K-T	T	154.6/58.5
C331	4030011600	S.CER C1608 JB 1E 104K-T	T	154.6/63.5
C332	4030011600	S.CER C1608 JB 1E 104K-T	T	162.4/55.9
C333	4030011600	S.CER C1608 JB 1E 104K-T	T	164.7/66.8
C340	4030017810	S.CER C1608 CH 1H 102J-T	B	206/97
C341	4030017810	S.CER C1608 CH 1H 102J-T	B	191.2/97
C342	4030011600	S.CER C1608 JB 1E 104K-T	B	199.8/26.2
C343	4030007130	S.CER C1608 CH 1H 101J-T	B	211.8/97
C344	4510008590	S.ELE EEE1AA101SP	T	209.7/30.6
C351	4510008540	S.ELE EEE1CA100SR	T	132.4/89.7
C352	4030011600	S.CER C1608 JB 1E 104K-T	T	127.1/84
C360	4030017810	S.CER C1608 CH 1H 102J-T	B	153.8/96.9
C361	4030017810	S.CER C1608 CH 1H 102J-T	B	141.8/92.7
C362	4030011600	S.CER C1608 JB 1E 104K-T	B	144.7/27.5
C363	4030007130	S.CER C1608 CH 1H 101J-T	T	157.1/96.9
C364	4510008590	S.ELE EEE1AA101SP	T	152.8/14.7
C380	4030017810	S.CER C1608 CH 1H 102J-T	B	27.6/37.6
C381	4030017810	S.CER C1608 CH 1H 102J-T	B	27.7/52.4
C383	4030007130	S.CER C1608 CH 1H 101J-T	B	16.5/52.2
C384	4510008590	S.ELE EEE1AA101SP	T	92.9/45.8
C400	4030006880	S.CER C1608 JB 1H 472K-T	T	240.5/11.7
C401	4030006880	S.CER C1608 JB 1H 472K-T	B	234.8/15.5
C402	4030006880	S.CER C1608 JB 1H 472K-T	B	238.1/15.5
C403	4030006880	S.CER C1608 JB 1H 472K-T	T	230.5/16
C404	4030006880	S.CER C1608 JB 1H 472K-T	T	231.9/13.1
C405	4030006880	S.CER C1608 JB 1H 472K-T	T	43.2/12.9
C406	4030006880	S.CER C1608 JB 1H 472K-T	T	31.1/15.3
C407	4030006880	S.CER C1608 JB 1H 472K-T	T	43.2/11.6
C408	4030006880	S.CER C1608 JB 1H 472K-T	T	32/12.6
C409	4030006880	S.CER C1608 JB 1H 472K-T	T	30.7/12.6
C410	4030006880	S.CER C1608 JB 1H 472K-T	T	14.7/41
C411	4030006880	S.CER C1608 JB 1H 472K-T	B	14.7/39.6
C412	4030006880	S.CER C1608 JB 1H 472K-T	T	14.7/38
C413	4030006880	S.CER C1608 JB 1H 472K-T	B	14.7/36.4
C414	4030006880	S.CER C1608 JB 1H 472K-T	B	12.7/33.4
C415	4030006880	S.CER C1608 JB 1H 472K-T	T	12.8/32
C416	4030006880	S.CER C1608 JB 1H 472K-T	B	12.8/31
C418	4030006880	S.CER C1608 JB 1H 472K-T	B	12/28.2
C430	4030006880	S.CER C1608 JB 1H 472K-T	B	9/68.9
C431	4030006880	S.CER C1608 JB 1H 472K-T	B	9/70.9
C432	4030006880	S.CER C1608 JB 1H 472K-T	B	9/72.9
C435	4030006880	S.CER C1608 JB 1H 472K-T	B	9/74.5
C440	4030006880	S.CER C1608 JB 1H 472K-T	T	166.2/13.5
C441	4030006880	S.CER C1608 JB 1H 472K-T	T	158.9/13.1
C442	4030006880	S.CER C1608 JB 1H 472K-T	T	162.6/15.7
C450	4030006880	S.CER C1608 JB 1H 472K-T	B	250.3/14.2
C451	4030006880	S.CER C1608 JB 1H 472K-T	T	241.8/10.8
C452	4030006880	S.CER C1608 JB 1H 472K-T	B	244/23.7
C453	4030006880	S.CER C1608 JB 1H 472K-T	B	244/27.3
C454	4030006880	S.CER C1608 JB 1H 472K-T	B	244.1/29
C455	4030006880	S.CER C1608 JB 1H 472K-T	B	244.1/32.3
C456	4030006880	S.CER C1608 JB 1H 472K-T	B	250.4/39.6
C460	4510008550	S.ELE EEE1HA010SR	T	142.1/80.5
C461	4510008550	S.ELE EEE1HA010SR	T	170.6/75.7
C464	4510008540	S.ELE EEE1CA100SR	T	153.3/75.7
C465	4030011600	S.CER C1608 JB 1E 104K-T	B	144.1/75.4
C466	4030011600	S.CER C1608 JB 1E 104K-T	B	148.2/75.4
C467	4030012600	S.CER C2012 JB 1A 105M-T	T	139.3/76.4
C469	4510008550	S.ELE EEE1HA010SR	T	170.6/80.5
C470	4510008550	S.ELE EEE1HA010SR	T	153.3/70.9
C480	4550007320	S.TAN F930J226MAABMA	B	216.6/32.3
C481	4550007320	S.TAN F930J226MAABMA	B	208.7/31.3
C483	4550007320	S.TAN F930J226MAABMA	B	156/16.2
C484	4550007320	S.TAN F930J226MAABMA	B	163.9/



[MAIN UNIT]

REF NO.	ORDER NO.	DESCRIPTION	M.	H/V LOCATION
C515	4510008540	S.ELE EEE1CA100SR	T	16.1/78.2
C516	4030006860	S.CER C1608 JB 1H 102K-T	T	22.7/87.5
C517	4030011600	S.CER C1608 JB 1E 104K-T	T	20.3/91.9
C518	4030011600	S.CER C1608 JB 1E 104K-T	T	25.3/87.5
C519	4030011600	S.CER C1608 JB 1E 104K-T	T	26.6/87.5
C520	4510008540	S.ELE EEE1CA100SR	T	30.4/86.7
C521	4030011600	S.CER C1608 JB 1E 104K-T	T	24/87.5
C522	4030011600	S.CER C1608 JB 1E 104K-T	B	18.6/91.9
C523	4030011600	S.CER C1608 JB 1E 104K-T	B	21.6/91.9
C524	4510008540	S.ELE EEE1CA100SR	T	29.7/97
C525	4030006880	S.CER C1608 JB 1H 472K-T	T	26.1/91.9
C526	4030011600	S.CER C1608 JB 1E 104K-T	B	26.1/87.7
C527	4030006880	S.CER C1608 JB 1H 472K-T	B	29.5/91.9
C528	4030011600	S.CER C1608 JB 1E 104K-T	B	29.5/94.9
C529	4030011600	S.CER C1608 JB 1E 104K-T	B	33.5/87.1
C530	4030011600	S.CER C1608 JB 1E 104K-T	B	33.5/98.8
C531	4030006880	S.CER C1608 JB 1H 472K-T	B	37.2/94.6
C532	4030006880	S.CER C1608 JB 1H 472K-T	B	37.2/91.3
C533	4030006880	S.CER C1608 JB 1H 472K-T	B	46.3/95.1
C534	4030006880	S.CER C1608 JB 1H 472K-T	B	46.3/82
C535	4030006880	S.CER C1608 JB 1H 472K-T	B	47.3/88.5
C536	4030011600	S.CER C1608 JB 1E 104K-T	B	42.7/91.4
C537	4030006880	S.CER C1608 JB 1H 472K-T	B	51.7/82
C538	4030008920	S.CER C1608 JB 1H 473K-T	B	50.5/85.7
C539	4030011600	S.CER C1608 JB 1E 104K-T	T	52.2/84.4
C540	4510008540	S.ELE EEE1CA100SR	T	49.1/84.5
C541	4030011600	S.CER C1608 JB 1E 104K-T	B	49.9/95.1
C544	4030009530	S.CER C1608 CH 1H 030B-T	T	88.8/94.2
C545	4030011600	S.CER C1608 JB 1E 104K-T	T	131.8/108
C546	4030011340	S.CER C1608 CH 1H 471J-T	B	69.8/90.7
C548	4030011600	S.CER C1608 JB 1E 104K-T	T	128.7/102.3
C550	4510008540	S.ELE EEE1CA100SR	T	127.4/108
C551	4030006880	S.CER C1608 JB 1H 472K-T	B	101.6/91.6
C552	4030006860	S.CER C1608 JB 1H 102K-T	B	106.4/82.7
C553	4030011770	S.CER C1608 CH 1H 060B-T	B	104.8/82.7
C554	4030011600	S.CER C1608 JB 1E 104K-T	B	103/79.3
C555	4030007030	S.CER C1608 CH 1H 150J-T	B	97.9/80.1
C556	4030006880	S.CER C1608 JB 1H 472K-T	B	102.9/76.5
C558	4030007040	S.CER C1608 CH 1H 180J-T	T	81.9/69.4
C559	4030006880	S.CER C1608 JB 1H 472K-T	T	108.4/67.1
C560	4030007080	S.CER C1608 CH 1H 390J-T	T	108.4/64.2
C561	4030006880	S.CER C1608 JB 1H 472K-T	T	105/71.3
C562	4030006860	S.CER C1608 JB 1H 102K-T	B	105.6/64.2
C563	4030011600	S.CER C1608 JB 1E 104K-T	T	98.8/71.3
C564	4030007080	S.CER C1608 CH 1H 390J-T	B	75.9/67.2
C565	4030007130	S.CER C1608 CH 1H 101J-T	B	72.5/68.9
C566	4030007120	S.CER C1608 CH 1H 820J-T	B	69.4/68.5
C567	4030007090	S.CER C1608 CH 1H 470J-T	B	69.4/70.3
C568	4030007130	S.CER C1608 CH 1H 101J-T	B	67.1/69.1
C569	4030011600	S.CER C1608 JB 1E 104K-T	B	62.8/68.1
C570	4030006900	S.CER C1608 JB 1H 103K-T	B	62.9/59.2
C571	4030011600	S.CER C1608 JB 1E 104K-T	B	58.8/66
C572	4030006900	S.CER C1608 JB 1H 103K-T	B	60/58.4
C573	4030011600	S.CER C1608 JB 1E 104K-T	B	66.7/59.2
C574	4030011600	S.CER C1608 JB 1E 104K-T	B	53.3/57
C576	4610001590	S.TRI TZC3R100A110R00	T	95.5/95.8
C577	4030011600	S.CER C1608 JB 1E 104K-T	B	54.6/63
C578	4030007100	S.CER C1608 CH 1H 560J-T	B	91.4/74.5
C579	4030006980	S.CER C1608 CH 1H 070D-T	B	89.2/76.8
C580	4030007100	S.CER C1608 CH 1H 560J-T	B	93.2/76.5
C581	4030007050	S.CER C1608 CH 1H 220J-T	B	22.6/69.5
C582	4030007050	S.CER C1608 CH 1H 220J-T	T	20.7/84.6
C583	4030011600	S.CER C1608 JB 1E 104K-T	T	27.2/81.6
C584	4030009650	S.CER C1608 CH 1H 240J-T	B	104.5/67.3
C585	4030006980	S.CER C1608 CH 1H 070D-T	B	102.9/67.3
C586	4030007070	S.CER C1608 CH 1H 330J-T	B	98.5/70.2
C587	4030007010	S.CER C1608 CH 1H 100D-T	B	97/64.9
C588	4030007060	S.CER C1608 CH 1H 270J-T	B	96.5/70.2
C589	4030007020	S.CER C1608 CH 1H 120J-T	B	63.8/72.8
C590	4030007100	S.CER C1608 CH 1H 560J-T	B	62.1/74.5
C601	4030006860	S.CER C1608 JB 1H 102K-T	B	40.9/52.4
C602	4030006860	S.CER C1608 JB 1H 102K-T	B	42.7/52.4
C603	4030011600	S.CER C1608 JB 1E 104K-T	B	40.9/49.1
C604	4030007140	S.CER C1608 CH 1H 121J-T	B	38.1/49.8
C605	4030010760	S.CER C1608 CH 1H 331J-T	B	38.1/48
C606	4030007160	S.CER C1608 CH 1H 181J-T	B	33.8/45.5
C607	4030007060	S.CER C1608 CH 1H 270J-T	B	35.6/45.5
C608	4030010760	S.CER C1608 CH 1H 331J-T	B	38.1/46.2
C609	4030007090	S.CER C1608 CH 1H 470J-T	B	38.1/40.8
C610	4030007160	S.CER C1608 CH 1H 181J-T	B	35.6/41.5
C611	4030007060	S.CER C1608 CH 1H 270J-T	B	33.8/41.5
C612	4030007140	S.CER C1608 CH 1H 121J-T	B	38.1/37.1
C613	4030010760	S.CER C1608 CH 1H 331J-T	B	38.1/39
C614	4030006860	S.CER C1608 JB 1H 102K-T	B	40.9/34.5
C615	4030011600	S.CER C1608 JB 1E 104K-T	B	40.9/37.8
C616	4030006860	S.CER C1608 JB 1H 102K-T	B	42.7/34.5
C617	4030010040	S.CER C1608 JB 1H 561K-T	B	51.7/52.4
C618	4030010760	S.CER C1608 CH 1H 331J-T	B	53.5/52.4
C619	4030011600	S.CER C1608 JB 1E 104K-T	B	51.7/49.1
C620	4030010760	S.CER C1608 CH 1H 331J-T	B	48.9/49.8
C621	4030007080	S.CER C1608 CH 1H 390J-T	B	48.9/48
C622	4030007080	S.CER C1608 CH 1H 390J-T	B	44.5/45.5
C623	4030010760	S.CER C1608 CH 1H 331J-T	B	46.4/45.5
C624	4030007090	S.CER C1608 CH 1H 470J-T	B	48.9/46.2
C625	4030010760	S.CER C1608 CH 1H 331J-T	B	48.9/40.8
C626	4030007080	S.CER C1608 CH 1H 390J-T	B	46.4/41.5
C627	4030010760	S.CER C1608 CH 1H 331J-T	B	44.6/41.5
C628	4030007080	S.CER C1608 CH 1H 390J-T	B	48.9/37.1
C629	4030010760	S.CER C1608 CH 1H 331J-T	B	48.9/39
C630	4030010760	S.CER C1608 CH 1H 331J-T	B	51.7/34.5
C631	4030011600	S.CER C1608 JB 1E 104K-T	B	51.7/37.8
C632	4030010040	S.CER C1608 JB 1H 561K-T	B	53.5/34.5
C633	4030010040	S.CER C1608 JB 1H 561K-T	B	62.5/52.4
C634	4030011330	S.CER C1608 CH 1H 391J-T	B	64.3/52.4

[MAIN UNIT]

REF NO.	ORDER NO.	DESCRIPTION	M.	H/V LOCATION
C635	4030011600	S.CER C1608 JB 1E 104K-T	B	62.5/49.1
C636	4030007160	S.CER C1608 CH 1H 181J-T	B	59.7/49.8
C637	4030007070	S.CER C1608 CH 1H 330J-T	B	59.7/48
C638	4030007030	S.CER C1608 CH 1H 150J-T	B	55.4/45.5
C639	4030007120	S.CER C1608 CH 1H 820J-T	B	57.2/45.5
C640	4030007100	S.CER C1608 CH 1H 560J-T	B	59.7/46.2
C641	4030007140	S.CER C1608 CH 1H 121J-T	B	59.7/40.8
C642	4030007030	S.CER C1608 CH 1H 150J-T	B	57.2/41.5
C643	4030007120	S.CER C1608 CH 1H 820J-T	B	55.4/41.5
C644	4030007070	S.CER C1608 CH 1H 330J-T	B	59.7/37.1
C645	4030007160	S.CER C1608 CH 1H 181J-T	B	59.7/39
C646	4030011330	S.CER C1608 CH 1H 391J-T	B	62.5/34.5
C647	4030011600	S.CER C1608 JB 1E 104K-T	B	62.5/37.8
C648	4030017800	S.CER C1608 CH 1H 561J-T	B	64.3/34.5
C649	4030010760	S.CER C1608 CH 1H 331J-T	B	73.4/52.4
C650	4030007150	S.CER C1608 CH 1H 151J-T	B	75.2/52.4
C651	4030011600	S.CER C1608 JB 1E 104K-T	B	73.4/49.1
C652	4030007150	S.CER C1608 CH 1H 151J-T	B	70.5/49.8
C653	4030007060	S.CER C1608 CH 1H 270J-T	B	70.5/48
C654	4030007060	S.CER C1608 CH 1H 270J-T	B	66.2/45.5
C655	4030007140	S.CER C1608 CH 1H 121J-T	B	68/45.5
C656	4030007010	S.CER C1608 CH 1H 100D-T	B	70.5/46.2
C657	4030007150	S.CER C1608 CH 1H 151J-T	B	70.5/40.8
C658	4030007060	S.CER C1608 CH 1H 270J-T	B	68/41.5
C659	4030007140	S.CER C1608 CH 1H 121J-T	B	66.2/41.5
C660	4030007060	S.CER C1608 CH 1H 270J-T	B	70.5/37.1
C661	4030007150	S.CER C1608 CH 1H 151J-T	B	70.5/39
C662	4030007150	S.CER C1608 CH 1H 151J-T	B	73.3/34.5
C663	4030011600	S.CER C1608 JB 1E 104K-T	B	73.3/37.8
C664	4030010760	S.CER C1608 CH 1H 331J-T	B	75.2/34.5
C665	4030007170	S.CER C1608 CH 1H 221J-T	B	84.2/52.4
C666	4030007170	S.CER C1608 CH 1H 221J-T	B	86/52.4
C667	4030011600	S.CER C1608 JB 1E 104K-T	B	84.2/49.1
C668	4030007130	S.CER C1608 CH 1H 101J-T	B	81.4/49.8
C669	4030007050	S.CER C1608 CH 1H 220J-T	B	81.4/48
C670	4030007080	S.CER C1608 CH 1H 390J-T	B	77.1/45.5
C671	4030007070	S.CER C1608 CH 1H 330J-T	B	78.9/45.5
C672	4030007050	S.CER C1608 CH 1H 220J-T	B	81.4/40.8
C673	4030007120	S.CER C1608 CH 1H 820J-T	B	81.4/46.2
C674	4030007080	S.CER C1608 CH 1H 390J-T	B	78.9/41.5
C675	4030007070	S.CER C1608 CH 1H 330J-T	B	77.1/45.5
C676	4030007050	S.CER C1608 CH 1H 220J-T	B	81.4/37.1
C677	4030007130	S.CER C1608 CH 1H 101J-T	B	81.4/39
C678	4030007170	S.CER C1608 CH 1H 221J-T	B	84.2/34.5
C679	4030011600	S.CER C1608 JB 1E 104K-T	B	84.2/37.8
C680	4030007170	S.CER C1608 CH 1H 221J-T	B	86/34.5
C681	4030007170	S.CER C1608 CH 1H 221J-T	T	34.3/50.7
C682	4030007110	S.CER C1608 CH 1H 680J-T	T	35.6/50.7
C683	4030011600	S.CER C1608 JB 1E 104K-T	T	35.6/47.9
C684	4030007090	S.CER C1608 CH 1H 470J-T	T	38.3/47.1
C685	4030007090	S.CER C1608 CH 1H 470J-T	T	38.3/45.8
C686	4030007070	S.CER C1608 CH 1H 330J-T	T	40.4/46.4
C687	4030007070	S.CER C1608 CH 1H 330J-T	T	41.7/46.4
C688	4030007010	S.CER C1608 CH 1H 100D-T	T	36.1/43.5
C689	4030007120	S.CER C1608 CH 1H 820J-T	T	37.4/43.5
C690	4030007070	S.CER C1608 CH 1H 330J-T	T	41.7/40.5
C691	4030007070	S.CER C1608 CH 1H 330J-T	T	40.4/40.5
C692	4030007090	S.CER C1608 CH 1H 470J-T	T	37.8/41
C693	4030007090	S.CER C1608 CH 1H 470J-T	T	37.8/39.7
C694	4030007110	S.CER C1608 CH 1H 680J-T	T	34.3/36.2
C695	4030011600	S.CER C1608 JB 1E 104K-T	T	35.6/39
C696	4030007050	S.CER C1608 CH 1H 220J-T	T	35.6/36.2
C697	4030007160	S.CER C1608 CH 1H 181J-T	T	44.5/41.5
C698	4030007090	S.CER C1608 CH 1H 470J-T	T	44/50.1
C699	4030011600	S.CER C1608 JB 1E 104K-T	T	44.6/47.9
C700	4030007090	S.CER C1608 CH 1H 470J-T	T	46.8/47.1
C701	4030007040	S.CER C1608 CH 1H 180J-T	T	46.8/45.8
C702	4030007030	S.CER C1608 CH 1H 150J-T	T	49.3/46.4
C703	4030007050	S.CER C1608 CH 1H 220J-T	T	50.7/46.4
C704	4030006990	S.CER C1608 CH 1H 080D-T	T	46.4/43.5
C705	4030007090	S.CER C1608 CH 1H 470J-T	T	45.1/43.5
C706	4030007030	S.CER C1608 CH 1H 150J-T	T	49.3/40.5
C707				

[MAIN UNIT]

REF NO.	ORDER NO.	DESCRIPTION	M.	H/V LOCATION
C739	4030007050	S.CER C1608 CH 1H 220J-T	T	68.7/40.5
C740	4030007020	S.CER C1608 CH 1H 120J-T	T	64.8/41
C741	4030007050	S.CER C1608 CH 1H 220J-T	T	64.8/39.7
C742	4030007030	S.CER C1608 CH 1H 150J-T	T	61.3/36.2
C743	4030011600	S.CER C1608 JB 1E 104K-T	T	62.6/39
C744	4030007130	S.CER C1608 CH 1H 101J-T	T	62.6/36.2
C745	4030007140	S.CER C1608 CH 1H 121J-T	T	73.5/49.6
C747	4030011600	S.CER C1608 JB 1E 104K-T	T	71.5/48.8
C749	4030009550	S.CER C1608 CH 1H 2R5B-T	T	75.9/46.2
C750	4030011770	S.CER C1608 CH 1H 060B-T	T	73.8/46.9
C751	4030007010	S.CER C1608 CH 1H 100D-T	T	73.8/45.5
C755	4030009550	S.CER C1608 CH 1H 2R5B-T	T	75.9/41
C756	4030011770	S.CER C1608 CH 1H 060B-T	T	73.8/40.2
C758	4030011600	S.CER C1608 JB 1E 104K-T	T	71.5/38.1
C759	4030007140	S.CER C1608 CH 1H 121J-T	T	73.5/37.3
C760	4030011770	S.CER C1608 CH 1H 060B-T	T	73.8/48.2
C761	4030011770	S.CER C1608 CH 1H 060B-T	T	73.8/41.8
C801	4030006880	S.CER C1608 JB 1H 472K-T	T	37.2/20.6
C802	4030011600	S.CER C1608 JB 1E 104K-T	T	37.2/27.5
C803	4030011600	S.CER C1608 JB 1E 104K-T	B	37.2/20.5
C804	4030011600	S.CER C1608 JB 1E 104K-T	T	46.9/19.9
C805	4030011600	S.CER C1608 JB 1E 104K-T	B	52/24.6
C806	4030006900	S.CER C1608 JB 1H 103K-T	B	48.5/23.7
C807	4030011600	S.CER C1608 JB 1E 104K-T	T	48.5/23.9
C812	4030006900	S.CER C1608 JB 1H 103K-T	B	86.2/84.7
C813	4030006880	S.CER C1608 JB 1H 472K-T	T	31.2/27.5
C814	4030012600	S.CER C2012 JB 1A 105M-T	T	27.7/25.5
C815	4030006990	S.CER C1608 CH 1H 080D-T	B	44.3/21
C816	4030012600	S.CER C2012 JB 1A 105M-T	T	30.9/29
C817	4030011330	S.CER C1608 CH 1H 391J-T	T	85.2/55.1
C818	4030017810	S.CER C1608 CH 1H 102J-T	T	83.2/53.2
C819	4030009920	S.CER C1608 CH 1H 050B-T	T	83.2/55.8
C820	4030006900	S.CER C1608 JB 1H 103K-T	T	74.6/62.1
C821	4030011600	S.CER C1608 JB 1E 104K-T	T	87.4/62.8
C822	4030011600	S.CER C1608 JB 1E 104K-T	T	78.3/58.6
C823	4030012600	S.CER C2012 JB 1A 105M-T	T	86.2/51.5
C824	4030006900	S.CER C1608 JB 1H 103K-T	T	83.6/49.8
C825	4030008880	S.CER C1608 JB 1H 223K-T	T	84.4/47.8
C826	4030008850	S.CER C1608 JB 1H 123K-T	T	82.3/46.8
C827	4030008850	S.CER C1608 JB 1H 123K-T	T	82.3/45.5
C828	4030006900	S.CER C1608 JB 1H 103K-T	T	85.7/42.7
C829	4030008860	S.CER C1608 JB 1H 153K-T	T	82.3/42.7
C830	4030008860	S.CER C1608 JB 1H 153K-T	T	82.3/41.4
C831	4030008650	S.CER C1608 JB 1H 332K-T	T	84.4/39.8
C832	4030006900	S.CER C1608 JB 1H 103K-T	T	82.3/39.6
C833	4030006900	S.CER C1608 JB 1H 103K-T	T	82.3/38.3
C834	4030012600	S.CER C2012 JB 1A 105M-T	T	82.1/35.4
C835	4030011600	S.CER C1608 JB 1E 104K-T	T	82.3/37
C836	4030009920	S.CER C1608 CH 1H 050B-T	T	89.5/57.9
C837	4550006470	S.TAN TEESVB2 1D 106M8R	T	72.9/58.7
C838	4550006470	S.TAN TEESVB2 1D 106M8R	T	91.8/61.6
C839	4030006880	S.CER C1608 JB 1H 472K-T	B	85.3/74.2
C840	4030011600	S.CER C1608 JB 1E 104K-T	B	86/81.4
C841	4030006880	S.CER C1608 JB 1H 472K-T	B	81.2/78.3
C845	4030011600	S.CER C1608 JB 1E 104K-T	T	35.3/69.8
C846	4030011600	S.CER C1608 JB 1E 104K-T	T	38.1/74.7
C847	4510008540	S.ELE EEE1CA100SR	T	37.1/77.8
C901	4030006880	S.CER C1608 JB 1H 472K-T	B	125.2/1.8
C902	4030006880	S.CER C1608 JB 1H 472K-T	T	124.2/1.8
C903	4030006880	S.CER C1608 JB 1H 472K-T	B	123.2/1.8
C904	4030006880	S.CER C1608 JB 1H 472K-T	T	122.2/1.8
C905	4030006880	S.CER C1608 JB 1H 472K-T	B	121.2/1.8
C906	4030006880	S.CER C1608 JB 1H 472K-T	T	120.2/1.8
C907	4030006880	S.CER C1608 JB 1H 472K-T	B	119.2/1.8
C908	4030006880	S.CER C1608 JB 1H 472K-T	T	118.2/1.8
C909	4030006880	S.CER C1608 JB 1H 472K-T	B	117.2/1.8
C922	4030006880	S.CER C1608 JB 1H 472K-T	T	123.7/18.9
C923	4030006880	S.CER C1608 JB 1H 472K-T	B	122.7/19.4
C924	4030006880	S.CER C1608 JB 1H 472K-T	T	121.7/18.9
C925	4030006880	S.CER C1608 JB 1H 472K-T	B	120.7/19.4
C926	4030006880	S.CER C1608 JB 1H 472K-T	T	119.7/18.9
C927	4030006880	S.CER C1608 JB 1H 472K-T	B	118.7/19.4
C928	4030006880	S.CER C1608 JB 1H 472K-T	T	117.7/18.9
C929	4030006880	S.CER C1608 JB 1H 472K-T	B	116.7/19.4
C930	4030006880	S.CER C1608 JB 1H 472K-T	T	115.7/18.9
C932	4030006880	S.CER C1608 JB 1H 472K-T	T	113.7/18.9
C933	4030006880	S.CER C1608 JB 1H 472K-T	B	112.7/19.4
C934	4030006880	S.CER C1608 JB 1H 472K-T	T	111.7/18.9
C936	4030006880	S.CER C1608 JB 1H 472K-T	T	109.7/18.9
C937	4030006880	S.CER C1608 JB 1H 472K-T	B	108.7/19.4
C945	4030006880	S.CER C1608 JB 1H 472K-T	B	89.3/1.8
C946	4030006880	S.CER C1608 JB 1H 472K-T	T	88.3/1.8
C947	4030006880	S.CER C1608 JB 1H 472K-T	B	87.3/1.8
C948	4030006880	S.CER C1608 JB 1H 472K-T	T	86.3/1.8
C952	4030006880	S.CER C1608 JB 1H 472K-T	T	82.3/1.8
C953	4030006880	S.CER C1608 JB 1H 472K-T	B	81.3/1.8
C954	4030006880	S.CER C1608 JB 1H 472K-T	T	80.3/1.8
C955	4030006880	S.CER C1608 JB 1H 472K-T	B	79.3/1.8
C957	4030006880	S.CER C1608 JB 1H 472K-T	B	77.3/1.8
C958	4030006880	S.CER C1608 JB 1H 472K-T	T	76.3/1.9
C974	4030006880	S.CER C1608 JB 1H 472K-T	T	79.8/19.4
C975	4030006880	S.CER C1608 JB 1H 472K-T	B	78.8/19.3
C976	4030006880	S.CER C1608 JB 1H 472K-T	T	77.8/19.4
C977	4030006880	S.CER C1608 JB 1H 472K-T	B	76.8/19.3
C978	4030006880	S.CER C1608 JB 1H 472K-T	T	75.8/19.4
C979	4030006880	S.CER C1608 JB 1H 472K-T	B	74.8/19.3
C980	4030006880	S.CER C1608 JB 1H 472K-T	T	12.8/30
C981	4030006880	S.CER C1608 JB 1H 472K-T	T	126.2/1.8
RL50	6330000540	RLY 2-1419131-2 (OMR-109F)		
RL140	6330001430	RLY NA-12W-K		
RL141	6330001430	RLY NA-12W-K		

[MAIN UNIT]

REF NO.	ORDER NO.	DESCRIPTION	M.	H/V LOCATION
CP81	6910009670	S.CHK HK3-S-T	T	129.3/16.1
CP82	6910009670	S.CHK HK3-S-T	T	116.4/75.1
CP495	6910009670	S.CHK HK3-S-T	T	129.1/5.8
CP496	6910009670	S.CHK HK3-S-T	T	107.1/5.8
J1	6510023671	CNR TCS4480-0141577		
J2	6510023661	CNR TCS4470-0141577		
J3	6510023671	CNR TCS4480-0141577		
J4	6510023661	CNR TCS4470-0141577		
J5	6450001130	CNR JPJ2042-01-110		
J6	6510023730	CNR LGY6502-0600C		
J7	6510023730	CNR LGY6502-0600C		
J8	6510023740	CNR LGR4609-7000		
J9	6510024940	CNR HEC2305-016250		
J140	6510023720	CNR LGY6501-0600C		
J141	6510023720	CNR LGY6501-0600C		
J142	6510018961	S.CNR B2B-PH-SM4-TB (LF) (SN)	T	256.2/96.5
J340	6510022811	CNR IMSA-9180B-22B-PT1		
J341	6510021651	CNR IMSA-9180B-30B-PT1		
J360	6510022811	CNR IMSA-9180B-22B-PT1		
J361	6510021651	CNR IMSA-9180B-30B-PT1		
J380	6510022811	CNR IMSA-9180B-22B-PT1		
J381	6510021651	CNR IMSA-9180B-30B-PT1		
J399	6510007020	CNR TMP-J01X-V6		
J400	6510019981	S.CNR 52808-1671 (1690)	T	232.7/5
J401	6510022191	S.CNR B3B-PH-SM4-TB (LF) (SN)	T	232.7/98.9
J403	6510019981	S.CNR 52808-1671 (1690)	T	32.5/5
J404	6510022191	S.CNR B3B-PH-SM4-TB (LF) (SN)	T	143.8/115.4
J410	6510020001	S.CNR 52808-3071 (3090)	T	5.5/42.5
J411	6510019971	S.CNR 52808-1071	T	5.6/98.7
J430	6510022311	S.CNR B5B-PH-SM4-TB (LF) (SN)	T	5/72.9
J440	6510018921	S.CNR B8B-PH-SM4-TB (LF) (SN)	T	154.5/5
J450	6510003471	CNR B11B-EH-S (LF) (SN)		
J451	6510018941	S.CNR B13B-PH-SM4-TB (LF) (SN)	T	184.2/5
J490	6510023750	CNR 01K1971-10		
J491	6510007020	CNR TMP-J01X-V6		
J492	6510014961	S.CNR B2B-ZR-SM4-TF (LF) (SN)	T	202.6/11.5
J495	6510023701	CNR TORX178S (F)		
J496	6510023711	CNR TOTX178S (F)		
J501	6510007020	CNR TMP-J01X-V6		
J502	6510007020	CNR TMP-J01X-V6		
J503	6510007020	CNR TMP-J01X-V6		
J801	6510007020	CNR TMP-J01X-V6		
J802	6510007020	CNR TMP-J01X-V6		
J808	6510007020	CNR TMP-J01X-V6		
J900	6510022471	S.CNR 40FLT-SM2-TB (LF) (SN)	T	116.5/10.6
J901	6510015541	S.CNR B4B-ZR-SM4-TF (LF) (SN)	T	9.2/113
J940	6510022471	S.CNR 40FLT-SM2-TB (LF) (SN)	T	84.6/10.6
F1	5220000230	HOL S-N5054 #01		
F2	5220000230	HOL S-N5054 #01		
F3	5210000041	FUS FGB 2A PBF (FGB0 125V)		
W1	9024801019	JMP 74/98/020/X98/X98		
EP50	6910012350	S.BEA MMZ1608Y 102BT	B	78.1/126.8
EP51	6910012350	S.BEA MMZ1608Y 102BT	B	95.6/118.7
EP52	6910012350	S.BEA MMZ1608Y 102BT	B	90.1/126.1
EP403	6910012350	S.BEA MMZ1608Y 102BT	T	233.2/10.4
EP404	6910012350	S.BEA MMZ1608Y 102BT	T	231.9/10.4
EP408	6910012350	S.BEA MMZ1608Y 102BT	T	32.1/10
EP409	6910012350	S.BEA MMZ1608Y 102BT	T	30.8/10
EP414	6910012350	S.BEA MMZ1608Y 102BT	T	9.9/34
EP415	6910012350	S.BEA MMZ1608Y 102BT	B	9.9/31
EP416	6910012350	S.BEA MMZ1608Y 102BT	B	10.2/95
EP417	6910012350	S.BEA MMZ1608Y 102BT	T	10.2/96.2
EP420	6910012350	S.BEA MMZ1608Y 102BT	B	10.1/101.2
EP421	6910012350	S.BEA MMZ1608Y 102BT	T	10.1/102.2
EP430	6910012350	S.BEA MMZ1608Y 102BT	B	5.8/68.9
EP431	6910012350	S.BEA MMZ1608Y 102BT	B	5.8/70.9
EP432	6910012350	S.BEA MMZ1608Y 102BT	B	5.8/72.9
EP501	9088000010	TUB IRRAX 1.5 (d) L=12 mm		
EP905	6910012350	S.BEA MMZ1608Y 102BT	B	121.2/5.8
EP907	6910012350	S.BEA MMZ1608Y 102BT	B	119.2/5.8

M.=Mounted side (T: Mounted on the Top side, B: Mounted on the Bottom side)  
S.=Surface mount

[DSP-A BOARD]

REF NO.	ORDER NO.	DESCRIPTION	M.	H/V LOCATION
IC1	1140012211	S.IC TMS320C6713BZDP225	T	28.1/20.4
IC151	1130008361	S.IC TC7SHU04FU (TE85L,JF)	B	45.5/8.1
IC171	1130008041	S.IC TC7SH04FU (TE85L,JF)	T	41.3/4.6
IC181	1130011150	S.IC SN74AHC2G08HDCTR	T	30.2/1.9
IC191	1130011150	S.IC SN74AHC2G08HDCTR	T	24/3.5
IC201	1130013492	S.IC AT29LV040A-15TU	B	29/4.2
IC203	1110006411	S.IC R3111N111A-TR-F	T	30/36.5
IC301	1110006100	S.IC NJM5534MD-TE1	T	72.3/44.7
IC331	1130009981	S.IC TC7W53FK (TE85L,F)	T	76.9/34.1
IC341	1110006100	S.IC NJM5534MD-TE1	T	70.3/35.5
IC371	1110006100	S.IC NJM5534MD-TE1	T	59.4/44.3
IC401	1110006111	S.IC AK5394AVSP/P	T	54.2/31
IC451	1130006891	S.IC TC7S04FU (TE85R,F)	T	43.5/41
IC452	1130012160	S.IC SN74LVC1GU04DCKR	T	42.8/38.5
IC501	1110001901	S.IC uPC4570G2-E1-A	T	71.6/27.4
IC551	1130013090	S.IC AK4396VFP-E2/P	T	54.6/7.3
IC601	1110006100	S.IC NJM5534MD-TE1	T	66.8/17.3
IC651	1110006100	S.IC NJM5534MD-TE1	T	66.8/7.2
IC701	1110006100	S.IC NJM5534MD-TE1	T	74.1/17.5
IC771	1110004770	S.IC BU9480F-E2	T	51.7/18.4
Q1	1590000680	S.TR DTC114EUA T106	T	45.7/16.5
D501	1730002320	S.ZEN MA8051-M (TX)	B	76.5/29.5
FI101	2040000790	S.LC EXCCET103U	T	36.5/2.8
X151	6050011660	S.XTL CR-754 (30.000 MHz)	B	40.5/2.9
L1	6200003950	S.COL HF50ACC 322513-T	B	43.2/34.8
L2	6180003501	S.COL SLF6028T-100M1R3-PF	B	13.6/35.7
L3	6200003640	S.COL MLF1608E 100K-T	B	12.2/8.2
L401	6200003950	S.COL HF50ACC 322513-T	T	49.3/42.9
L921	6200003950	S.COL HF50ACC 322513-T	T	73.7/4.4
L922	6200003950	S.COL HF50ACC 322513-T	T	77.9/9.5
L924	6200003950	S.COL HF50ACC 322513-T	T	74.1/9.5
L925	6200003950	S.COL HF50ACC 322513-T	T	77.5/4.4
L961	6200003950	S.COL HF50ACC 322513-T	B	11.3/12.2
L962	6200003950	S.COL HF50ACC 322513-T	B	12.8/24.6
R1	7030003560	S.RES ERJ3GEYJ 103 V (10 k)	B	42.5/22.3
R2	7030003560	S.RES ERJ3GEYJ 103 V (10 k)	B	41.8/24.2
R3	7030003560	S.RES ERJ3GEYJ 103 V (10 k)	B	42.5/21
R4	7030003560	S.RES ERJ3GEYJ 103 V (10 k)	B	41.8/13.7
R5	7030003440	S.RES ERJ3GEYJ 102 V (1 k)	B	23.2/6
R6	7030003440	S.RES ERJ3GEYJ 102 V (1 k)	B	21.9/6
R7	7030003640	S.RES ERJ3GEYJ 473 V (47 k)	B	20/6.7
R8	7030003440	S.RES ERJ3GEYJ 102 V (1 k)	B	14.1/8.2
R9	7030003640	S.RES ERJ3GEYJ 473 V (47 k)	B	14.5/11.6
R10	7030003640	S.RES ERJ3GEYJ 473 V (47 k)	T	43.8/13.1
R11	7030003460	S.RES ERJ3GEYJ 152 V (1.5 k)	B	48.2/9.7
R12	7030003560	S.RES ERJ3GEYJ 103 V (10 k)	B	26.8/13.3
R151	7030003320	S.RES ERJ3GEYJ 101 V (100)	T	44.3/5.3
R152	7030003800	S.RES ERJ3GEYJ 105 V (1 M)	B	43.5/6.2
R171	7030003320	S.RES ERJ3GEYJ 101 V (100)	T	41.3/1.4
R181	7030003560	S.RES ERJ3GEYJ 103 V (10 k)	T	9.1/7
R182	7030003560	S.RES ERJ3GEYJ 103 V (10 k)	T	6.3/7
R183	7030003560	S.RES ERJ3GEYJ 103 V (10 k)	T	11.9/8.3
R184	7030003560	S.RES ERJ3GEYJ 103 V (10 k)	T	11.9/7
R201	7030003860	S.RES ERJ3GE JPW V	T	30.8/39.2
R301	7030003860	S.RES ERJ3GE JPW V	T	79.5/38.4
R302	7030009591	S.RES ERA3YED 472V (4.7 k)	T	77.6/46.9
R303	7030009591	S.RES ERA3YED 472V (4.7 k)	T	75.7/46.1
R304	7030003320	S.RES ERJ3GEYJ 101 V (100)	T	78.1/40.7
R305	7030003860	S.RES ERJ3GE JPW V	T	75.7/43.5
R306	7030003320	S.RES ERJ3GEYJ 101 V (100)	T	68.9/46.1
R331	7030003500	S.RES ERJ3GEYJ 332 V (3.3 k)	T	64.4/39.9
R332	7030003480	S.RES ERJ3GEYJ 222 V (2.2 k)	T	65.7/39.9
R333	7030003640	S.RES ERJ3GEYJ 473 V (47 k)	T	75/33.2
R341	7030003320	S.RES ERJ3GEYJ 101 V (100)	T	73.7/34.8
R342	7030003320	S.RES ERJ3GEYJ 101 V (100)	T	66.9/37.3
R343	7030006601	S.RES ERA3YED 272V (2.7 k)	T	73.7/37.4
R344	7030010390	S.RES ERA3YED 821V (820)	T	65.6/33.6
R345	7030009691	S.RES ERA3YED 101V (100)	T	66.2/31.7
R371	7030003320	S.RES ERJ3GEYJ 101 V (100)	T	63.4/43.8
R372	7030003320	S.RES ERJ3GEYJ 101 V (100)	T	55.3/46.3
R373	7030006601	S.RES ERA3YED 272V (2.7 k)	T	63.4/45.6
R374	7030010390	S.RES ERA3YED 821V (820)	T	54.7/41.8
R375	7030009691	S.RES ERA3YED 101V (100)	T	56/40.5
R401	7030009591	S.RES ERA3YED 472V (4.7 k)	T	53.1/42.5
R402	7030009591	S.RES ERA3YED 472V (4.7 k)	T	51.8/44
R403	7030003640	S.RES ERJ3GEYJ 473 V (47 k)	T	54.1/38.7
R404	7030003200	S.RES ERJ3GEYJ 100 V (10)	T	50/40
R405	7030003320	S.RES ERJ3GEYJ 101 V (100)	T	51.1/38.1
R406	7030003640	S.RES ERJ3GEYJ 473 V (47 k)	T	49.8/38.1
R407	7030003460	S.RES ERJ3GEYJ 152 V (1.5 k)	B	46.8/36
R409	7030003640	S.RES ERJ3GEYJ 473 V (47 k)	T	52.3/23.8
R410	7030003640	S.RES ERJ3GEYJ 473 V (47 k)	T	47.2/23.8
R411	7030003640	S.RES ERJ3GEYJ 473 V (47 k)	T	49.8/23.8
R412	7030003520	S.RES ERJ3GEYJ 472 V (4.7 k)	T	56/22.3
R413	7030003520	S.RES ERJ3GEYJ 472 V (4.7 k)	T	54.1/21.9
R451	7030003800	S.RES ERJ3GEYJ 105 V (1 M)	T	42.6/36.6
R501	7030006521	S.RES ERA3YED 561V (560)	T	76.1/29.9
R502	7030003360	S.RES ERJ3GEYJ 221 V (220)	T	70.3/23.4
R503	7030003380	S.RES ERJ3GEYJ 331 V (330)	T	65.3/28.9
R504	7030003680	S.RES ERJ3GEYJ 104 V (100 k)	T	65.3/27.6
R551	7030003320	S.RES ERJ3GEYJ 101 V (100)	T	49.5/8.6
R559	7030003640	S.RES ERJ3GEYJ 473 V (47 k)	T	59.8/10.5
R601	7030006521	S.RES ERA3YED 561V (560)	T	63.1/20.7
R602	7030007661	S.RES ERA3YED 331V (330)	T	64/22
R603	7030007661	S.RES ERA3YED 331V (330)	T	59/19.8
R604	7030009961	S.RES ERA3YED 221V (220)	T	68.7/21
R605	7030007661	S.RES ERA3YED 331V (330)	T	65.7/20.7
R606	7030003320	S.RES ERJ3GEYJ 101 V (100)	T	67.1/13.9

[DSP-A BOARD]

REF NO.	ORDER NO.	DESCRIPTION	M.	H/V LOCATION
R607	7030003320	S.RES ERJ3GEYJ 101 V (100)	T	61.9/13.9
R651	7030006521	S.RES ERA3YED 561V (560)	T	64.3/10.6
R652	7030007661	S.RES ERA3YED 331V (330)	T	65.3/11.9
R653	7030007661	S.RES ERA3YED 331V (330)	T	62.1/10.1
R654	7030009961	S.RES ERA3YED 221V (220)	T	69.5/10.6
R655	7030007661	S.RES ERA3YED 331V (330)	T	66.9/10.6
R658	7030003320	S.RES ERJ3GEYJ 101 V (100)	T	67.7/3.8
R659	7030003320	S.RES ERJ3GEYJ 101 V (100)	T	64/3.8
R701	7030010770	S.RES ERA3YED 681V (680)	T	71.3/21
R702	7030009861	S.RES ERA3YED 471V (470)	T	74.8/22.7
R703	7030010770	S.RES ERA3YED 681V (680)	T	70.5/13.5
R704	7030009861	S.RES ERA3YED 471V (470)	T	77.2/13.3
R705	7030009861	S.RES ERA3YED 101V (100)	T	77.4/22.2
R706	7030003320	S.RES ERJ3GEYJ 101 V (100)	T	77.3/20.9
R707	7030003320	S.RES ERJ3GEYJ 101 V (100)	T	74.1/14.1
R801	7030003650	S.RES ERJ3GEYJ 563 V (56 k)	T	78/27.2
R802	7030003680	S.RES ERJ3GEYJ 104 V (100 k)	T	78/25.9
R803	7030003480	S.RES ERJ3GEYJ 222 V (2.2 k)	T	78.7/24
R804	7030003490	S.RES ERJ3GEYJ 272 V (2.7 k)	T	78/29.8
R805	7030003340	S.RES ERJ3GEYJ 151 V (150)	T	78/28.5
R901	7030003860	S.RES ERJ3GE JPW V	T	46.6/21
R962	7030003320	S.RES ERJ3GEYJ 101 V (100)	T	12.1/16.8
R963	7030003320	S.RES ERJ3GEYJ 101 V (100)	T	11.9/15.5
R964	7030003320	S.RES ERJ3GEYJ 101 V (100)	T	11.9/14.2
R965	7030003320	S.RES ERJ3GEYJ 101 V (100)	T	11.9/12.9
R967	7030003320	S.RES ERJ3GEYJ 101 V (100)	T	13.6/37.8
R968	7030003320	S.RES ERJ3GEYJ 101 V (100)	T	11.9/11.6
R969	7030003320	S.RES ERJ3GEYJ 101 V (100)	T	13.6/48.2
R970	7030003320	S.RES ERJ3GEYJ 101 V (100)	T	13.6/46.9
R971	7030003320	S.RES ERJ3GEYJ 101 V (100)	T	13.6/45.6
R972	7030003320	S.RES ERJ3GEYJ 101 V (100)	T	13.6/44.3
R973	7030003320	S.RES ERJ3GEYJ 101 V (100)	T	13.6/43
R974	7030003320	S.RES ERJ3GEYJ 101 V (100)	T	13.6/41.7
R975	7030003320	S.RES ERJ3GEYJ 101 V (100)	T	13.6/40.4
R976	7030003320	S.RES ERJ3GEYJ 101 V (100)	T	13.6/39.1
C1	4030011600	S.CER C1608 JB 1E 104K-T	B	15.2/30.5
C2	4030011600	S.CER C1608 JB 1E 104K-T	B	41.8/30.7
C3	4030011600	S.CER C1608 JB 1E 104K-T	B	18/32.9
C4	4030011600	S.CER C1608 JB 1E 104K-T	B	39.4/32.9
C5	4030011600	S.CER C1608 JB 1E 104K-T	B	23/26.3
C6	4030011600	S.CER C1608 JB 1E 104K-T	B	24.3/26.3
C7	4030011600	S.CER C1608 JB 1E 104K-T	B	28.6/26.3
C8	4030011600	S.CER C1608 JB 1E 104K-T	B	29.9/26.3
C9	4030011600	S.CER C1608 JB 1E 104K-T	B	33.8/26.3
C10	4030011600	S.CER C1608 JB 1E 104K-T	B	21.5/23.3
C11	4030011600	S.CER C1608 JB 1E 104K-T	B	36/23.7
C12	4030011600	S.CER C1608 JB 1E 104K-T	T	13.7/21
C13	4030011600	S.CER C1608 JB 1E 104K-T	B	22.2/20.2
C14	4030011600	S.CER C1608 JB 1E 104K-T	B	36/21.1
C15	4030011600	S.CER C1608 JB 1E 104K-T	B	22.2/18.9
C16	4030011600	S.CER C1608 JB 1E 104K-T	B	36/18.5
C17	4030011600	S.CER C1608 JB 1E 104K-T	T	43.5/20
C18	4030011600	S.CER C1608 JB 1E 104K-T	B	22.2/15.2
C19	4030011600	S.CER C1608 JB 1E 104K-T	B	34.7/14.4
C20	4030011600	S.CER C1608 JB 1E 104K-T	B	23.1/13.3
C21	4030011600	S.CER C1608 JB 1E 104K-T	B	24.4/13.3
C22	4030011600	S.CER C1608 JB 1E 104K-T	B	28.1/13.3
C23	4030011600	S.CER C1608 JB 1E 104K-T	B	32.6/12.6
C24	4030011600	S.CER C1608 JB 1E 104K-T	B	35.2/12.6
C25	4030011600	S.CER C1608 JB 1E 104K-T	B	17.3/6.7
C26	4030011600	S.CER C1608 JB 1E 104K-T	B	33.1/6.8
C27	4030011600	S.CER C1608 JB 1E 104K-T	B	41.8/11.1
C28	4030011600	S.CER C1608 JB 1E 104K-T	B	15.4/8.2
C29	4030011600	S.CER C1608 JB 1E 104K-T	B	40.9/6.8
C30	4030011600	S.CER C1608 JB 1E 104K-T	T	35.2/5
C31	4030011600	S.CER C1608 JB 1E 104K-T	T	28.5/5.2
C32	4030011600	S.CER C1608 JB 1E 104K-T	T	37.8/5
C33	4030011600	S.CER C1608 JB 1E 104K-T	T	18.5/35.2
C34	4030011600	S.CER C1608 JB 1E 104K-T	T	36.4/35
C35	4030011600	S.CER C1608 JB 1E 104K-T	B	26/32.9
C36	4030011600	S.CER C1608 JB 1E 104K-T	B	29.3/32.9
C37	4030011600	S.CER C1608 JB 1E 104K-T	B	36.8/32.9
C38	4030011600	S.CER C1608 JB 1E 104K-T	B	15.2/27.9
C39	4030011600	S.CER C1608 JB 1E 104K-T	B	22.4/32.9
C40	4030011600	S.CER C1608 JB 1E 104K-T	B	26/26.3
C41	4030011600	S.CER C1608 JB 1E 104K-T	B	21.7/26.3
C42	4030011600	S.CER C1608 JB 1E 104K-T	B	27.3/26.3
C43	4030011600	S.CER C1608 JB 1E 104K-T	B	32.5/26.3
C44	4030011600	S.CER C1608 JB 1E 104K-T	B	35.1/26.3
C45	4030011600	S.CER C1608 JB 1E 104K-T	B	41.8/26.8
C46	4030011600	S.CER C1608 JB 1E 104K-T	B	15.3/24.9
C47	4030011600	S.CER C1608 JB 1E 104K-T	T	43.5/29
C48	4030011600	S.CER C1608 JB 1E 104K-T	B	22.2/21.5
C49	4030011600	S.CER C1608 JB 1E 104K-T	B	41.8/17.9
C50	4030011600	S.CER C1608 JB 1E		



[DSP-A BOARD]

REF NO.	ORDER NO.	DESCRIPTION	M.	H/V LOCATION
C191	4030011600	S.CER C1608 JB 1E 104K-T	T	22.6/1.2
C201	4030011600	S.CER C1608 JB 1E 104K-T	B	41.4/43.3
C301	4340000250	S.MLR ECHU 1C 104JX5	T	77.9/44
C302	4550007500	S.TAN F931D106MBABMA	B	76.5/43.7
C303	4030011600	S.CER C1608 JB 1E 104K-T	T	75.6/40.9
C304	4550007500	S.TAN F931D106MBABMA	B	71.7/43.7
C305	4030011600	S.CER C1608 JB 1E 104K-T	T	67.6/46.1
C306	4030007050	S.CER C1608 CH 1H 220J-T	T	72.4/40.1
C331	4030011600	S.CER C1608 JB 1E 104K-T	T	78.8/32.8
C332	4550007520	S.TAN F931A106MAABMA	B	67.9/35.2
C333	4030011600	S.CER C1608 JB 1E 104K-T	T	79.5/35.8
C341	4550007500	S.TAN F931D106MBABMA	B	73.1/32.4
C342	4030011600	S.CER C1608 JB 1E 104K-T	T	73.7/31.6
C343	4550007500	S.TAN F931D106MBABMA	B	73.2/38.1
C344	4030011600	S.CER C1608 JB 1E 104K-T	T	65.6/37.3
C345	4340000250	S.MLR ECHU 1C 104JX5	T	76.7/38.1
C346	4030018580	S.CER C1608 CH 1H 821J-T	T	66.9/33.6
C347	4030011600	S.CER C1608 JB 1E 104K-T	T	66.1/35.5
C348	4030007050	S.CER C1608 CH 1H 220J-T	T	70.9/30.9
C371	4550007500	S.TAN F931D106MBABMA	B	59.8/43.8
C372	4030011600	S.CER C1608 JB 1E 104K-T	T	63.4/42.5
C373	4550007500	S.TAN F931D106MBABMA	B	50.1/43.9
C374	4030011600	S.CER C1608 JB 1E 104K-T	T	53.4/45.5
C375	4340000250	S.MLR ECHU 1C 104JX5	T	68.1/42.6
C376	4030018580	S.CER C1608 CH 1H 821J-T	T	56/43.1
C377	4030011600	S.CER C1608 JB 1E 104K-T	T	55.3/45
C378	4030007050	S.CER C1608 CH 1H 220J-T	T	59.4/39.5
C401	4550007520	S.TAN F931A106MAABMA	B	54.9/43.8
C402	4030017840	S.CER C2012 CH 1H 222J-T	T	58.1/37.6
C403	4550007480	S.TAN F930J106MAABMA	B	63.1/35.2
C404	4030011810	S.CER C1608 JB 1A 224K-T	T	61.5/37.4
C405	4550007480	S.TAN F930J106MAABMA	B	58.3/35.2
C406	4030011810	S.CER C1608 JB 1A 224K-T	T	63.5/36.7
C407	4550007480	S.TAN F930J106MAABMA	B	50.4/36.1
C408	4030011600	S.CER C1608 JB 1E 104K-T	T	54.1/37.4
C409	4030011600	S.CER C1608 JB 1E 104K-T	T	54.1/23.2
C410	4030009000	S.CER C2012 JB 1C 224K-T	T	62.1/24.2
C411	4550007480	S.TAN F930J106MAABMA	B	63.1/28.4
C412	4550007480	S.TAN F930J106MAABMA	B	58.3/29.1
C413	4030009000	S.CER C2012 JB 1C 224K-T	T	59/22.5
C414	4030011600	S.CER C1608 JB 1E 104K-T	T	54.1/24.5
C415	4550007520	S.TAN F931A106MAABMA	B	53/26.5
C416	4550007520	S.TAN F931A106MAABMA	B	53/31.3
C417	4030017840	S.CER C2012 CH 1H 222J-T	T	58/24.2
C450	4030011600	S.CER C1608 JB 1E 104K-T	T	43.1/35.3
C451	4030011600	S.CER C1608 JB 1E 104K-T	T	43.6/42.9
C452	4030006860	S.CER C1608 JB 1H 102K-T	T	40.8/39.6
C501	4030011600	S.CER C1608 JB 1E 104K-T	T	74.8/24
C502	4550007500	S.TAN F931D106MBABMA	B	71.5/33.1
C503	4030011600	S.CER C1608 JB 1E 104K-T	T	71.6/23.4
C504	4550007500	S.TAN F931D106MBABMA	B	67.9/29.1
C506	4030007090	S.CER C1608 CH 1H 470J-T	T	67.1/28.4
C507	4030007090	S.CER C1608 CH 1H 470J-T	T	76.1/27.3
C551	4550007520	S.TAN F931A106MAABMA	B	50.3/8.7
C552	4030011600	S.CER C1608 JB 1E 104K-T	T	49.5/5.5
C553	4550007520	S.TAN F931A106MAABMA	B	55/13.3
C554	4030011600	S.CER C1608 JB 1E 104K-T	T	60/7.6
C555	4030011600	S.CER C1608 JB 1E 104K-T	T	59.8/4.6
C556	4550007480	S.TAN F930J106MAABMA	B	53.6/7.1
C557	4030011600	S.CER C1608 JB 1E 104K-T	T	60.7/2.8
C558	4550007520	S.TAN F931A106MAABMA	B	53.6/4.3
C601	4550007480	S.TAN F930J106MAABMA	B	61.3/17.2
C602	4030018510	S.CER C2012 CH 1H 682J-T	T	58.8/16.5
C603	4550007500	S.TAN F931D106MBABMA	B	68.2/15
C604	4030011600	S.CER C1608 JB 1E 104K-T	T	58.2/14.2
C605	4030011600	S.CER C1608 JB 1E 104K-T	T	64.5/13.9
C606	4550007500	S.TAN F931D106MBABMA	B	69.2/19.2
C607	4030018510	S.CER C2012 CH 1H 682J-T	T	67/22.5
C608	4030007050	S.CER C1608 CH 1H 220J-T	T	68.3/16.7
C651	4550007480	S.TAN F930J106MAABMA	B	60.1/9.2
C652	4030018510	S.CER C2012 CH 1H 682J-T	T	61.9/6.6
C653	4550007500	S.TAN F931D106MBABMA	B	59.9/2.6
C654	4030011600	S.CER C1608 JB 1E 104K-T	T	64/2.5
C655	4030011600	S.CER C1608 JB 1E 104K-T	T	67.7/2.5
C656	4550007500	S.TAN F931D106MBABMA	B	59.9/6
C657	4030018510	S.CER C2012 CH 1H 682J-T	T	68.3/12.2
C658	4030007050	S.CER C1608 CH 1H 220J-T	T	71.4/6.9
C701	4030017840	S.CER C2012 CH 1H 222J-T	T	74.3/21.1
C702	4030017840	S.CER C2012 CH 1H 222J-T	T	78.9/13.4
C703	4550007500	S.TAN F931D106MBABMA	B	75.3/15.7
C704	4030011600	S.CER C1608 JB 1E 104K-T	T	75.9/12.8
C705	4030011600	S.CER C1608 JB 1E 104K-T	T	79.4/20.6
C706	4550007500	S.TAN F931D106MBABMA	B	75.6/21.1
C707	4030007050	S.CER C1608 CH 1H 220J-T	T	78.7/18
C771	4550007480	S.TAN F930J106MAABMA	B	49.8/14.1
C772	4030011600	S.CER C1608 JB 1E 104K-T	T	49.5/15
C773	4550007480	S.TAN F930J106MAABMA	B	55/18.1
C801	4030011600	S.CER C1608 JB 1E 104K-T	T	77.4/24
C921	4550007510	S.TAN F931C106MBABMA	B	66.5/2.6
C922	4030011600	S.CER C1608 JB 1E 104K-T	T	71/3.6
C923	4550002830	S.TAN TEESVD2 1V 685M12R	B	78.3/6.5
C924	4030011600	S.CER C1608 JB 1E 104K-T	T	80.1/8.6
C925	4550007510	S.TAN F931C106MBABMA	B	67.1/10.5
C926	4030011600	S.CER C1608 JB 1E 104K-T	T	71.8/12.7
C927	4550002830	S.TAN TEESVD2 1V 685M12R	B	72.6/6.5
C928	4030011600	S.CER C1608 JB 1E 104K-T	T	79.6/5.2
C961	4030011600	S.CER C1608 JB 1E 104K-T	B	11.2/15.7
C962	4550007520	S.TAN F931A106MAABMA	B	12/18.8
C963	4030011600	S.CER C1608 JB 1E 104K-T	B	10.7/25.4
C964	4550007520	S.TAN F931A106MAABMA	B	11.4/29.4
J921	6910013900	CNR IMSA-9180S-22A		
J961	6910012460	CNR IMSA-9180S-30A		

[DSP-B BOARD]

REF NO.	ORDER NO.	DESCRIPTION	M.	H/V LOCATION
IC1	1140012211	S.IC TMS320C6713BZDP225	T	28.1/20.4
IC151	1130008361	S.IC TC7SHU04FU (TE85L,JF)	B	45.5/8.1
IC171	1130008041	S.IC TC7SH04FU (TE85L,JF)	T	41.3/4.6
IC181	1130011150	S.IC SN74AHC2G08HDCTR	T	30.2/1.9
IC191	1130011150	S.IC SN74AHC2G08HDCTR	T	24/3.5
IC201	1130013492	S.IC AT29LV040A-15TU	B	29/42
IC203	1110006411	S.IC R3111N111A-TR-F	T	30/36.5
IC301	1110006100	S.IC NJM5534MD-TE1	T	72.3/44.7
IC331	1130009981	S.IC TC7W53FK (TE85L,F)	T	76.9/34.1
IC341	1110006100	S.IC NJM5534MD-TE1	T	70.3/35.5
IC371	1110006100	S.IC NJM5534MD-TE1	T	59.4/44.3
IC401	1110006111	S.IC AK5394AVSP/P	T	54.2/31
IC451	1130006891	S.IC TC7S04FU (TE85R,F)	T	43.5/41
IC452	1130012160	S.IC SN74LVC1GU04DCKR	T	42.8/38.5
IC501	1110001901	S.IC uPC4570G2-E1-A	T	71.6/27.4
IC551	1130013090	S.IC AK4396VFP-E2/P	T	54.6/7.3
IC601	1110006100	S.IC NJM5534MD-TE1	T	63.6/17.3
IC651	1110006100	S.IC NJM5534MD-TE1	T	66.8/7.2
IC701	1110006100	S.IC NJM5534MD-TE1	T	74.1/17.5
IC771	1110004770	S.IC BU9480F-E2	T	51.7/18.4
Q1	1590000680	S.TR DTC114EUA T106	T	45.7/16.5
D501	1730002320	S.ZEN MA8051-M (TX)	B	76.5/29.5
F101	2040000790	S.LC EXCET103U	T	36.5/2.8
X151	6050011660	S.XTL CR-754 (30.000 MHz)	B	40.5/2.9
L1	6200003950	S.COL HF50ACC 322513-T	B	43.2/34.8
L2	6180003501	S.COL SLF6028T-100M1R3-PF	B	13.6/35.7
L3	6200003640	S.COL MLF1608E 100K-T	B	12.2/8.2
L401	6200003950	S.COL HF50ACC 322513-T	T	49.3/42.9
L921	6200003950	S.COL HF50ACC 322513-T	T	73.7/4.4
L922	6200003950	S.COL HF50ACC 322513-T	T	77.9/9.5
L924	6200003950	S.COL HF50ACC 322513-T	T	74.1/9.5
L925	6200003950	S.COL HF50ACC 322513-T	T	77.5/4.4
L961	6200003950	S.COL HF50ACC 322513-T	B	11.3/12.2
L962	6200003950	S.COL HF50ACC 322513-T	B	12.8/24.6
R1	7030003560	S.RES ERJ3GEYJ 103 V (10 k)	B	42.5/22.3
R2	7030003560	S.RES ERJ3GEYJ 103 V (10 k)	B	41.8/24.2
R3	7030003560	S.RES ERJ3GEYJ 103 V (10 k)	B	42.5/21
R4	7030003560	S.RES ERJ3GEYJ 103 V (10 k)	B	41.8/13.7
R5	7030003440	S.RES ERJ3GEYJ 102 V (1 k)	B	23.2/6
R6	7030003440	S.RES ERJ3GEYJ 102 V (1 k)	B	21.9/6
R7	7030003640	S.RES ERJ3GEYJ 473 V (47 k)	B	20/6.7
R8	7030003440	S.RES ERJ3GEYJ 102 V (1 k)	B	14.1/8.2
R9	7030003640	S.RES ERJ3GEYJ 473 V (47 k)	B	14.5/11.6
R10	7030003640	S.RES ERJ3GEYJ 473 V (47 k)	T	43.8/13.1
R11	7030003460	S.RES ERJ3GEYJ 152 V (1.5 k)	B	48.2/9.7
R12	7030003560	S.RES ERJ3GEYJ 103 V (10 k)	B	26.8/13.3
R151	7030003320	S.RES ERJ3GEYJ 101 V (100)	T	44.3/5.3
R152	7030003800	S.RES ERJ3GEYJ 105 V (1 M)	B	43.5/6.2
R171	7030003320	S.RES ERJ3GEYJ 101 V (100)	T	41.3/1.4
R181	7030003560	S.RES ERJ3GEYJ 103 V (10 k)	T	9.1/7
R182	7030003560	S.RES ERJ3GEYJ 103 V (10 k)	T	6.3/7
R183	7030003560	S.RES ERJ3GEYJ 103 V (10 k)	T	11.9/8.3
R184	7030003560	S.RES ERJ3GEYJ 103 V (10 k)	T	11.9/7
R201	7030003860	S.RES ERJ3GE JPW V	T	30.8/39.2
R301	7030003860	S.RES ERJ3GE JPW V	T	79.5/38.4
R302	7030009591	S.RES ERA3YED 472V (4.7 k)	T	77.6/46.9
R303	7030009591	S.RES ERA3YED 472V (4.7 k)	T	75.7/46.1
R304	7030003320	S.RES ERJ3GEYJ 101 V (100)	T	78.1/40.7
R305	7030003860	S.RES ERJ3GE JPW V	T	75.7/43.5
R306	7030003320	S.RES ERJ3GEYJ 101 V (100)	T	68.9/46.1
R331	7030003500	S.RES ERJ3GEYJ 332 V (3.3 k)	T	64.4/39.9
R332	7030003480	S.RES ERJ3GEYJ 222 V (2.2 k)	T	65.7/39.9
R333	7030003640	S.RES ERJ3GEYJ 473 V (47 k)	T	75/33.2
R341	7030003320	S.RES ERJ3GEYJ 101 V (100)	T	73.7/34.8
R342	7030003320	S.RES ERJ3GEYJ 101 V (100)	T	66.9/37.3
R343	7030006601	S.RES ERA3YED 272V (2.7 k)	T	73.7/37.4
R344	7030010390	S.RES ERA3YED 821V (820)	T	65.6/33.6
R345	7030009691	S.RES ERA3YED 101V (100)	T	66.2/31.7
R371	7030003320	S.RES ERJ3GEYJ 101 V (100)	T	63.4/43.8
R372	7030003320	S.RES ERJ3GEYJ 101 V (100)	T	55.3/46.3
R373	7030006601	S.RES ERA3YED 272V (2.7 k)	T	63.4/45.6
R374	7030010390	S.RES ERA3YED 821V (820)	T	54.7/41.8
R375	7030009691	S.RES ERA3YED 101V (100)	T	56/40.5
R401	7030009591	S.RES ERA3YED 472V (4.7 k)	T	53.1/42.5
R402	7030009591	S.RES ERA3YED 472V (4.7 k)	T	51.8/44
R403	7030003640	S.RES ERJ3GEYJ 473 V (47 k)	T	54.1/38.7
R404	7030003200	S.RES ERJ3GEYJ 100 V (10)	T	50/40
R405	7030003320	S.RES ERJ3GEYJ 101 V (100)	T	51.1/38.1
R406	7030003640	S.RES ERJ3GEYJ 473 V (47 k)	T	49.8/38.1
R407	7030003460	S.RES ERJ3GEYJ 152 V (1.5 k)	B	46.8/36
R409	7030003640	S.RES ERJ3GEYJ 473 V (47 k)	T	52.3/23.8

[DSP-B BOARD]

REF NO.	ORDER NO.	DESCRIPTION	M.	H/V LOCATION
R607	7030003320	S.RES ERJ3GEYJ 101 V (100)	T	61.9/13.9
R651	7030006521	S.RES ERA3YED 561V (560)	T	64.3/10.6
R652	7030007661	S.RES ERA3YED 331V (330)	T	65.3/11.9
R653	7030007661	S.RES ERA3YED 331V (330)	T	62.1/10.1
R654	7030009961	S.RES ERA3YED 221V (220)	T	69.5/10.6
R655	7030007661	S.RES ERA3YED 331V (330)	T	66.9/10.6
R658	7030003320	S.RES ERJ3GEYJ 101 V (100)	T	67.7/3.8
R659	7030003320	S.RES ERJ3GEYJ 101 V (100)	T	64.3/8
R701	7030010770	S.RES ERA3YED 681V (680)	T	71.3/21
R702	7030009861	S.RES ERA3YED 471V (470)	T	74.8/22.7
R703	7030010770	S.RES ERA3YED 681V (680)	T	70.5/13.5
R704	7030009861	S.RES ERA3YED 471V (470)	T	77.2/13.3
R705	7030009691	S.RES ERA3YED 101V (100)	T	77.4/22.2
R706	7030003320	S.RES ERJ3GEYJ 101 V (100)	T	77.3/20.9
R707	7030003320	S.RES ERJ3GEYJ 101 V (100)	T	74.1/14.1
R801	7030003650	S.RES ERJ3GEYJ 563 V (56 k)	T	78/27.2
R802	7030003680	S.RES ERJ3GEYJ 104 V (100 k)	T	78/25.9
R803	7030003480	S.RES ERJ3GEYJ 222 V (2.2 k)	T	78.7/24
R804	7030003490	S.RES ERJ3GEYJ 272 V (2.7 k)	T	78/29.8
R805	7030003340	S.RES ERJ3GEYJ 151 V (150)	T	78/28.5
R901	7030003860	S.RES ERJ3GE JPW V	T	46.6/21
R962	7030003320	S.RES ERJ3GEYJ 101 V (100)	T	12.1/16.8
R963	7030003320	S.RES ERJ3GEYJ 101 V (100)	T	11.9/15.5
R964	7030003320	S.RES ERJ3GEYJ 101 V (100)	T	11.9/14.2
R965	7030003320	S.RES ERJ3GEYJ 101 V (100)	T	11.9/12.9
R967	7030003320	S.RES ERJ3GEYJ 101 V (100)	T	13.6/37.8
R968	7030003320	S.RES ERJ3GEYJ 101 V (100)	T	11.9/11.6
R969	7030003320	S.RES ERJ3GEYJ 101 V (100)	T	13.6/48.2
R970	7030003320	S.RES ERJ3GEYJ 101 V (100)	T	13.6/46.9
R971	7030003320	S.RES ERJ3GEYJ 101 V (100)	T	13.6/45.6
R972	7030003320	S.RES ERJ3GEYJ 101 V (100)	T	13.6/44.3
R973	7030003320	S.RES ERJ3GEYJ 101 V (100)	T	13.6/43
R974	7030003320	S.RES ERJ3GEYJ 101 V (100)	T	13.6/41.7
R975	7030003320	S.RES ERJ3GEYJ 101 V (100)	T	13.6/40.4
R976	7030003320	S.RES ERJ3GEYJ 101 V (100)	T	13.6/39.1
C1	4030011600	S.CER C1608 JB 1E 104K-T	B	15.2/30.5
C2	4030011600	S.CER C1608 JB 1E 104K-T	B	41.8/30.7
C3	4030011600	S.CER C1608 JB 1E 104K-T	B	18/32.9
C4	4030011600	S.CER C1608 JB 1E 104K-T	B	39.4/32.9
C5	4030011600	S.CER C1608 JB 1E 104K-T	B	23/26.3
C6	4030011600	S.CER C1608 JB 1E 104K-T	B	24.3/26.3
C7	4030011600	S.CER C1608 JB 1E 104K-T	B	28.6/26.3
C8	4030011600	S.CER C1608 JB 1E 104K-T	B	29.9/26.3
C9	4030011600	S.CER C1608 JB 1E 104K-T	B	33.8/26.3
C10	4030011600	S.CER C1608 JB 1E 104K-T	B	21.5/23.3
C11	4030011600	S.CER C1608 JB 1E 104K-T	B	36/23.7
C12	4030011600	S.CER C1608 JB 1E 104K-T	B	13.7/21
C13	4030011600	S.CER C1608 JB 1E 104K-T	B	22.2/20.2
C14	4030011600	S.CER C1608 JB 1E 104K-T	B	36/21.1
C15	4030011600	S.CER C1608 JB 1E 104K-T	B	22.2/18.9
C16	4030011600	S.CER C1608 JB 1E 104K-T	B	36/18.5
C17	4030011600	S.CER C1608 JB 1E 104K-T	T	43.5/20
C18	4030011600	S.CER C1608 JB 1E 104K-T	B	22.2/15.2
C19	4030011600	S.CER C1608 JB 1E 104K-T	B	34.7/14.4
C20	4030011600	S.CER C1608 JB 1E 104K-T	B	23.1/13.3
C21	4030011600	S.CER C1608 JB 1E 104K-T	B	24.4/13.3
C22	4030011600	S.CER C1608 JB 1E 104K-T	B	28.1/13.3
C23	4030011600	S.CER C1608 JB 1E 104K-T	B	32.6/12.6
C24	4030011600	S.CER C1608 JB 1E 104K-T	B	35.2/12.6
C25	4030011600	S.CER C1608 JB 1E 104K-T	B	17.3/6.7
C26	4030011600	S.CER C1608 JB 1E 104K-T	B	33.1/6.8
C27	4030011600	S.CER C1608 JB 1E 104K-T	B	41.8/11.1
C28	4030011600	S.CER C1608 JB 1E 104K-T	B	15.4/8.2
C29	4030011600	S.CER C1608 JB 1E 104K-T	B	40.9/6.8
C30	4030011600	S.CER C1608 JB 1E 104K-T	T	35.2/5
C31	4030011600	S.CER C1608 JB 1E 104K-T	T	28.5/5.2
C32	4030011600	S.CER C1608 JB 1E 104K-T	T	37.8/5
C33	4030011600	S.CER C1608 JB 1E 104K-T	T	18.5/35.2
C34	4030011600	S.CER C1608 JB 1E 104K-T	T	36.4/35
C35	4030011600	S.CER C1608 JB 1E 104K-T	B	26/32.9
C36	4030011600	S.CER C1608 JB 1E 104K-T	B	29.3/32.9
C37	4030011600	S.CER C1608 JB 1E 104K-T	B	36.8/32.9
C38	4030011600	S.CER C1608 JB 1E 104K-T	B	15.2/27.9
C39	4030011600	S.CER C1608 JB 1E 104K-T	B	22.4/32.9
C40	4030011600	S.CER C1608 JB 1E 104K-T	B	26/26.3
C41	4030011600	S.CER C1608 JB 1E 104K-T	B	21.7/26.3
C42	4030011600	S.CER C1608 JB 1E 104K-T	B	27.3/26.3
C43	4030011600	S.CER C1608 JB 1E 104K-T	B	32.5/26.3
C44	4030011600	S.CER C1608 JB 1E 104K-T	B	35.1/26.3
C45	4030011600	S.CER C1608 JB 1E 104K-T	B	41.8/26.8
C46	4030011600	S.CER C1608 JB 1E 104K-T	B	15.3/24.9
C47	4030011600	S.CER C1608 JB 1E 104K-T	T	43.5/29
C48	4030011600	S.CER C1608 JB 1E 104K-T	B	22.2/21.5
C49	4030011600	S.CER C1608 JB 1E 104K-T	B	41.8/17.9
C50	4030011600	S.CER C1608 JB 1E 104K-T	B	22.2/17.6
C51	4030011600	S.CER C1608 JB 1E 104K-T	B	36/15.9
C52	4030011600	S.CER C1608 JB 1E 104K-T	B	15.8/11.6
C53	4030011600	S.CER C1608 JB 1E 104K-T	B	21.8/13.3
C54	4030011600	S.CER C1608 JB 1E 104K-T	T	42.9/9.9
C55	4030011600	S.CER C1608 JB 1E 104K-T	B	29.4/13.3
C56	4030011600	S.CER C1608 JB 1E 104K-T	B	25/6.7
C57	4030011600	S.CER C1608 JB 1E 104K-T	B	29.8/6.8
C58	4030011600	S.CER C1608 JB 1E 104K-T	B	38.3/6.8
C59	4030011600	S.CER C1608 JB 1E 104K-T	T	20.3/5.3
C60	4510007130	S.ELE EEFCD 0J 470R	T	19.6/44
C61	4550007480	S.TAN F930J106MAABMA	B	44.8/29.7
C62	4510007130	S.ELE EEFCD 0J 470R	T	25.7/43.9
C101	4030011600	S.CER C1608 JB 1E 104K-T	B	35.7/6.8
C102	4550007480	S.TAN F930J106MAABMA	B	30.6/2.6
C151	4030011600	S.CER C1608 JB 1E 104K-T	B	45.6/10
C152	4030007030	S.CER C1608 CH 1H 150J-T	B	46.1/6.2
C153	4030007030	S.CER C1608 CH 1H 150J-T	B	43.1/8
C171	4030011600	S.CER C1608 JB 1E 104K-T	T	41.3/2.7

[DSP-B BOARD]

REF NO.	ORDER NO.	DESCRIPTION	M.	H/V LOCATION
C181	4030011600	S.CER C1608 JB 1E 104K-T	T	31/4.3
C191	4030011600	S.CER C1608 JB 1E 104K-T	T	22.6/1.2
C201	4030011600	S.CER C1608 JB 1E 104K-T	B	41.4/43.3
C301	4340000250	S.MLR ECHU 1C 104JX5	T	77.9/44
C302	4550007500	S.TAN F931D106MBABMA	B	76.5/43.7
C303	4030011600	S.CER C1608 JB 1E 104K-T	T	75.6/40.9
C304	4550007500	S.TAN F931D106MBABMA	B	71.7/43.7
C305	4030011600	S.CER C1608 JB 1E 104K-T	T	67.6/46.1
C306	4030007050	S.CER C1608 CH 1H 220J-T	T	72.4/40.1
C331	4030011600	S.CER C1608 JB 1E 104K-T	T	78.8/32.8
C332	4550007520	S.TAN F931A106MAABMA	B	67.9/35.2
C333	4030011600	S.CER C1608 JB 1E 104K-T	T	79.5/35.8
C341	4550007500	S.TAN F931D106MBABMA	B	73.1/32.4
C342	4030011600	S.CER C1608 JB 1E 104K-T	T	73.7/31.6
C343	4550007500	S.TAN F931D106MBABMA	B	73.2/38.1
C344	4030011600	S.CER C1608 JB 1E 104K-T	T	65.6/37.3
C345	4340000250	S.MLR ECHU 1C 104JX5	T	76.7/38.1
C346	4030018580	S.CER C1608 CH 1H 821J-T	T	66.9/33.6
C347	4030011600	S.CER C1608 JB 1E 104K-T	T	66.1/35.5
C348	4030007050	S.CER C1608 JB 1E 220J-T	T	70.9/30.9
C371	4550007500	S.TAN F931D106MBABMA	B	59.8/43.8
C372	4030011600	S.CER C1608 JB 1E 104K-T	T	63.4/42.5
C373	4550007500	S.TAN F931D106MBABMA	B	50.1/43.9
C374	4030011600	S.CER C1608 JB 1E 104K-T	T	53.4/45.5
C375	4340000250	S.MLR ECHU 1C 104JX5	T	68.1/42.6
C376	4030018580	S.CER C1608 CH 1H 821J-T	T	56/43.1
C377	4030011600	S.CER C1608 JB 1E 104K-T	T	55.3/45
C378	4030007050	S.CER C1608 CH 1H 220J-T	T	59.4/39.5
C401	4550007520	S.TAN F931A106MAABMA	B	54.9/43.8
C402	4030017840	S.CER C2012 CH 1H 222J-T	T	58.1/37.6
C403	4550007480	S.TAN F930J106MAABMA	B	63.1/35.2
C404	4030011810	S.CER C1608 JB 1A 224K-T	T	61.5/37.4
C405	4550007480	S.TAN F930J106MAABMA	B	58.3/35.2
C406	4030011810	S.CER C1608 JB 1A 224K-T	T	63.5/36.7
C407	4550007480	S.TAN F930J106MAABMA	B	50.4/36.1
C408	4030011600	S.CER C1608 JB 1E 104K-T	T	54.1/37.4
C409	4030011600	S.CER C1608 JB 1E 104K-T	T	54.1/23.2
C410	4030009000	S.CER C2012 JB 1C 224K-T	T	62.1/24.2
C411	4550007480	S.TAN F930J106MAABMA	B	63.1/28.4
C412	4550007480	S.TAN F930J106MAABMA	B	58.3/29.1
C413	4030009000	S.CER C2012 JB 1C 224K-T	T	59/22.5
C414	4030011600	S.CER C1608 JB 1E 104K-T	T	54.1/24.5
C415	4550007520	S.TAN F931A106MAABMA	B	53/26.5
C416	4550007520	S.TAN F931A106MAABMA	B	53/31.3
C417	4030017840	S.CER C2012 CH 1H 222J-T	T	58/24.2
C450	4030011600	S.CER C1608 JB 1E 104K-T	T	43.1/35.3
C451	4030011600	S.CER C1608 JB 1E 104K-T	T	43.6/42.9
C452	4030006860	S.CER C1608 JB 1H 102K-T	T	40.8/39.6
C501	4030011600	S.CER C1608 JB 1E 104K-T	T	74.8/24
C502	4550007500	S.TAN F931D106MBABMA	B	77.5/33.1
C503	4030011600	S.CER C1608 JB 1E 104K-T	T	71.6/23.4
C504	4550007500	S.TAN F931D106MBABMA	B	67.9/29.1
C506	4030007090	S.CER C1608 CH 1H 470J-T	T	67.1/28.4
C507	4030007090	S.CER C1608 CH 1H 470J-T	T	76.1/27.3
C551	4550007520	S.TAN F931A106MAABMA	B	50.3/8.7
C552	4030011600	S.CER C1608 JB 1E 104K-T	T	49.5/5.5
C553	4550007520	S.TAN F931A106MAABMA	B	55/13.3
C554	4030011600	S.CER C1608 JB 1E 104K-T	T	60/7.6
C555	4030011600	S.CER C1608 JB 1E 104K-T	T	59.8/4.6
C556	4550007480	S.TAN F930J106MAABMA	B	53.6/7.1
C557	4030011600	S.CER C1608 JB 1E 104K-T	T	60.7/2.8
C558	4550007520	S.TAN F931A106MAABMA	B	53.6/4.3
C601	4550007480	S.TAN F930J106MAABMA	B	61.3/17.2
C602	4030018510	S.CER C2012 CH 1H 682J-T	T	58.8/16.5
C603	4550007500	S.TAN F931D106MBABMA	B	68.2/15
C604	4030011600	S.CER C1608 JB 1E 104K-T	T	58.2/14.2
C605	4030011600	S.CER C1608 JB 1E 104K-T	T	64.5/13.9
C606	4550007500	S.TAN F931D106MBABMA	B	69.2/19.2
C607	4030018510	S.CER C2012 CH 1H 682J-T	T	67/22.5
C608	4030007050	S.CER C1608 CH 1H 220J-T	T	68.3/16.7
C651	4550007480	S.TAN F930J106MAABMA	B	60.1/9.2
C652	4030018510	S.CER C2012 CH 1H 682J-T	T	61.9/6.6
C653	4550007500	S.TAN F931D106MBABMA	B	59.9/2.6
C654	4030011600	S.CER C1608 JB 1E 104K-T	T	64/2.5
C655	4030011600	S.CER C1608 JB 1E 104K-T	T	67.7/2.5
C656	4550007500	S.TAN F931D106MBABMA	B	59.9/6
C657	4030018510	S.CER C2012 CH 1H 682J-T	T	68.3/12.2
C658	4030007050	S.CER C1608		



[DSP-TX BOARD]

REF NO.	ORDER NO.	DESCRIPTION	M.	H/V LOCATION
IC1	1140012211	S.IC TMS320C6713BZDP225	T	28.1/20.4
IC151	1130008361	S.IC TC7SHU04FU (TE85L_JF)	B	45.5/8.1
IC171	1130008041	S.IC TC7SHU04FU (TE85L_JF)	T	41.3/4.6
IC181	1130011150	S.IC SN74AHC2G08HDCTR	T	30.2/1.9
IC191	1130011150	S.IC SN74AHC2G08HDCTR	T	24/3.5
IC201	1130012205	S.IC AT29LV040A-15TU (SX-2590F-4)	B	29.3/4.2
IC203	1110006411	S.IC R3111N111A-TR-F	T	30.2/36.6
IC301	1110006100	S.IC NJM5534MD-TE1	T	72.3/44.4
IC341	1110006100	S.IC NJM5534MD-TE1	T	72.1/35.2
IC371	1110006100	S.IC NJM5534MD-TE1	T	59.4/44.4
IC401	1110006111	S.IC AK5394AVSP/P	T	54.2/31
IC451	1130006891	S.IC TC7S04FU (TE85R_F)	T	42.8/35.8
IC452	1130012160	S.IC SN74LVC1GU04DCKR	T	42.3/39.8
IC551	1190002090	S.IC AD1854JRSZRL	T	53.3/5.8
IC601	1110006100	S.IC NJM5534MD-TE1	T	53.1/15.2
IC651	1110006100	S.IC NJM5534MD-TE1	T	65.3/5
IC701	1110006100	S.IC NJM5534MD-TE1	T	63.2/14.8
IC801	1110006100	S.IC NJM5534MD-TE1	T	68.4/25.8
IC831	1110006100	S.IC NJM5534MD-TE1	T	73.1/15.8
IC871	1110006100	S.IC NJM5534MD-TE1	T	77/26.1
FI101	2040000790	S.LC EXC0ET103U	T	36.5/2.2
X151	6050011660	S.XTL CR-754 (30.000 MHz)	B	40.5/2.9
L1	6200003950	S.COL HF50ACC 322513-T	B	45/39.6
L2	6180003501	S.COL SLF6028T-100M1R3-PF	B	13.6/35.4
L3	6200003640	S.COL MLF1608E 100K-T	B	10.9/7.7
L401	6200003950	S.COL HF50ACC 322513-T	T	49.4/43.1
L921	6200003950	S.COL HF50ACC 322513-T	T	75/3.7
L922	6200003950	S.COL HF50ACC 322513-T	T	79.7/8.8
L924	6200003950	S.COL HF50ACC 322513-T	T	75/8.8
L925	6200003950	S.COL HF50ACC 322513-T	T	79.7/3.7
L961	6200003950	S.COL HF50ACC 322513-T	B	11.5/11.9
L962	6200003950	S.COL HF50ACC 322513-T	B	12.6/24
R1	7030003560	S.RES ERJ3GEYJ 103 V (10 k)	B	43/22.2
R2	7030003560	S.RES ERJ3GEYJ 103 V (10 k)	B	42.2/24.2
R3	7030003560	S.RES ERJ3GEYJ 103 V (10 k)	B	43/20.9
R4	7030003560	S.RES ERJ3GEYJ 103 V (10 k)	B	42.4/13.7
R5	7030003440	S.RES ERJ3GEYJ 102 V (1 k)	B	23.2/5.5
R6	7030003440	S.RES ERJ3GEYJ 102 V (1 k)	B	21.9/5.5
R7	7030003640	S.RES ERJ3GEYJ 473 V (47 k)	B	20.6/5.5
R8	7030003440	S.RES ERJ3GEYJ 102 V (1 k)	B	13.7/8.1
R9	7030003640	S.RES ERJ3GEYJ 473 V (47 k)	B	13.7/11.5
R10	7030003640	S.RES ERJ3GEYJ 473 V (47 k)	T	43.8/13.1
R11	7030003460	S.RES ERJ3GEYJ 152 V (1.5 k)	B	41.8/8.5
R12	7030003560	S.RES ERJ3GEYJ 103 V (10 k)	B	26.8/13.8
R151	7030003320	S.RES ERJ3GEYJ 101 V (100)	T	44.6/5.3
R152	7030003800	S.RES ERJ3GEYJ 105 V (1 M)	T	43.5/6.2
R171	7030003320	S.RES ERJ3GEYJ 101 V (100)	B	41.3/1.4
R181	7030003560	S.RES ERJ3GEYJ 103 V (10 k)	T	6.4/7
R182	7030003560	S.RES ERJ3GEYJ 103 V (10 k)	T	9.2/7
R183	7030003560	S.RES ERJ3GEYJ 103 V (10 k)	T	11.8/8.3
R184	7030003560	S.RES ERJ3GEYJ 103 V (10 k)	T	11.8/7
R201	7030003860	S.RES ERJ3GE JPW V	T	30.8/39.3
R301	7030003440	S.RES ERJ3GEYJ 102 V (1 k)	T	79.5/37.7
R302	7030009591	S.RES ERA3YED 472V (4.7 k)	T	77.6/46.9
R303	7030009591	S.RES ERA3YED 472V (4.7 k)	T	75.7/46.1
R304	7030003320	S.RES ERJ3GEYJ 101 V (100)	T	78.1/40.1
R305	7030003440	S.RES ERJ3GEYJ 102 V (1 k)	T	75.7/43.5
R306	7030003320	S.RES ERJ3GEYJ 101 V (100)	T	68.9/46.1
R341	7030003320	S.RES ERJ3GEYJ 101 V (100)	T	76.2/34.6
R342	7030003320	S.RES ERJ3GEYJ 101 V (100)	T	68.5/38.4
R343	7030005321	S.RES ERA3YED 103V (10 k)	T	64.5/34.6
R344	7030009591	S.RES ERA3YED 472V (4.7 k)	T	67/33.9
R345	7030009691	S.RES ERA3YED 101V (100)	T	67.7/31.9
R371	7030003320	S.RES ERJ3GEYJ 101 V (100)	B	62.9/42.1
R372	7030003320	S.RES ERJ3GEYJ 101 V (100)	T	55.3/46.3
R373	7030005321	S.RES ERA3YED 103V (10 k)	T	63.7/46.2
R374	7030009591	S.RES ERA3YED 472V (4.7 k)	T	54.7/41.8
R375	7030009691	S.RES ERA3YED 101V (100)	T	56/40.5
R401	7030009591	S.RES ERA3YED 472V (4.7 k)	T	53.1/42.5
R402	7030009591	S.RES ERA3YED 472V (4.7 k)	T	51.6/44
R403	7030003640	S.RES ERJ3GEYJ 473 V (47 k)	T	54.1/38.7
R404	7030003200	S.RES ERJ3GEYJ 100 V (10)	T	50/40
R405	7030003320	S.RES ERJ3GEYJ 101 V (100)	T	51.1/38.1
R406	7030003640	S.RES ERJ3GEYJ 473 V (47 k)	T	49.8/38.1
R407	7030003460	S.RES ERJ3GEYJ 152 V (1.5 k)	B	48/35.4
R409	7030003640	S.RES ERJ3GEYJ 473 V (47 k)	T	51.9/23.8
R410	7030003640	S.RES ERJ3GEYJ 473 V (47 k)	T	50.6/23.8
R411	7030003640	S.RES ERJ3GEYJ 473 V (47 k)	T	49/23.8
R412	7030003520	S.RES ERJ3GEYJ 472 V (4.7 k)	T	57.2/22.2
R413	7030003520	S.RES ERJ3GEYJ 472 V (4.7 k)	T	57.2/20.9
R414	7030003360	S.RES ERJ3GEYJ 221 V (220)	T	46/38.2
R451	7030003800	S.RES ERJ3GEYJ 105 V (1 M)	T	40.4/41.1
R452	7030003440	S.RES ERJ3GEYJ 102 V (1 k)	B	45.8/35.5
R551	7030003360	S.RES ERJ3GEYJ 221 V (220)	B	54/9.3
R601	7030006521	S.RES ERA3YED 561V (560)	T	50.2/18.6
R602	7030007661	S.RES ERA3YED 331V (330)	T	50.2/19.9
R603	7030007661	S.RES ERA3YED 331V (330)	T	48.3/17.1
R604	7030009961	S.RES ERA3YED 221V (220)	T	55.4/18.6
R605	7030007661	S.RES ERA3YED 331V (330)	T	52.8/18.6
R606	7030003320	S.RES ERJ3GEYJ 101 V (100)	B	51.4/24.7
R607	7030003320	S.RES ERJ3GEYJ 101 V (100)	B	52.2/13.1
R651	7030006521	S.RES ERA3YED 561V (560)	T	62.5/8.4
R652	7030007661	S.RES ERA3YED 331V (330)	T	63.5/9.7
R653	7030007661	S.RES ERA3YED 331V (330)	T	60.3/8.2
R654	7030009961	S.RES ERA3YED 221V (220)	T	67.7/8.4
R655	7030007661	S.RES ERA3YED 331V (330)	T	65.1/8.4
R656	7030003320	S.RES ERJ3GEYJ 101 V (100)	B	67.2/8.2
R657	7030003320	S.RES ERJ3GEYJ 101 V (100)	B	65.1/2.8
R701	7030010770	S.RES ERA3YED 681V (680)	T	58/18.2
R702	7030009861	S.RES ERA3YED 471V (470)	T	62.1/20

[DSP-TX BOARD]

REF NO.	ORDER NO.	DESCRIPTION	M.	H/V LOCATION
R703	7030010770	S.RES ERA3YED 681V (680)	T	70.7/9.3
R704	7030009861	S.RES ERA3YED 471V (470)	T	55.6/11.8
R705	7030009691	S.RES ERA3YED 101V (100)	T	69/12
R706	7030003320	S.RES ERJ3GEYJ 101 V (100)	B	61/23.1
R707	7030003320	S.RES ERJ3GEYJ 101 V (100)	B	54.7/14.5
R801	7030009591	S.RES ERA3YED 472V (4.7 k)	T	65/22.8
R802	7030003320	S.RES ERJ3GEYJ 101 V (100)	T	63.5/22.8
R803	7030005321	S.RES ERA3YED 103V (10 k)	T	68.6/21.1
R804	7030003320	S.RES ERJ3GEYJ 101 V (100)	B	69.7/31.7
R805	7030003320	S.RES ERJ3GEYJ 101 V (100)	B	72.4/21.7
R831	7030009591	S.RES ERA3YED 472V (4.7 k)	T	68.4/17.9
R832	7030003320	S.RES ERJ3GEYJ 101 V (100)	T	68.6/19.7
R833	7030005321	S.RES ERA3YED 103V (10 k)	T	69.7/15.31
R834	7030003320	S.RES ERJ3GEYJ 101 V (100)	B	64/23.2
R835	7030003320	S.RES ERJ3GEYJ 101 V (100)	B	73.4/13.3
R871	7030003520	S.RES ERJ3GEYJ 472 V (4.7 k)	T	77.8/13.7
R872	7030003520	S.RES ERJ3GEYJ 472 V (4.7 k)	T	79.1/18.7
R874	7030003320	S.RES ERJ3GEYJ 101 V (100)	B	71.3/31.7
R875	7030003320	S.RES ERJ3GEYJ 101 V (100)	B	74.4/21.3
R901	7030003860	S.RES ERJ3GE JPW V	T	52.7/22.2
R903	7030003860	S.RES ERJ3GE JPW V	B	47.7/38
R904	7030003860	S.RES ERJ3GE JPW V	T	47.1/42
R905	7030003860	S.RES ERJ3GE JPW V	B	48.1/10.2
R962	7030003320	S.RES ERJ3GEYJ 101 V (100)	T	12.1/17.5
R963	7030003320	S.RES ERJ3GEYJ 101 V (100)	T	11.9/16.2
R964	7030003320	S.RES ERJ3GEYJ 101 V (100)	T	11.9/14.9
R967	7030003320	S.RES ERJ3GEYJ 101 V (100)	T	13.6/38.7
R968	7030003320	S.RES ERJ3GEYJ 101 V (100)	T	11.9/12.3
R969	7030003320	S.RES ERJ3GEYJ 101 V (100)	T	13.6/47.8
R970	7030003320	S.RES ERJ3GEYJ 101 V (100)	T	13.6/46.5
R971	7030003320	S.RES ERJ3GEYJ 101 V (100)	T	13.6/45.2
R972	7030003320	S.RES ERJ3GEYJ 101 V (100)	T	13.6/43.9
R973	7030003320	S.RES ERJ3GEYJ 101 V (100)	T	13.6/42.6
R974	7030003320	S.RES ERJ3GEYJ 101 V (100)	T	13.6/41.3
R975	7030003320	S.RES ERJ3GEYJ 101 V (100)	T	13.6/40
R976	7030003320	S.RES ERJ3GEYJ 101 V (100)	T	11.9/13.6
C1	4030011600	S.CER C1608 JB 1E 104K-T	B	15.2/30.4
C2	4030011600	S.CER C1608 JB 1E 104K-T	B	42.2/30.7
C3	4030011600	S.CER C1608 JB 1E 104K-T	B	18/32.9
C4	4030011600	S.CER C1608 JB 1E 104K-T	B	39.4/32.9
C5	4030011600	S.CER C1608 JB 1E 104K-T	B	23.3/25.8
C6	4030011600	S.CER C1608 JB 1E 104K-T	B	24.6/25.8
C7	4030011600	S.CER C1608 JB 1E 104K-T	B	28.7/25.8
C8	4030011600	S.CER C1608 JB 1E 104K-T	B	30/25.8
C9	4030011600	S.CER C1608 JB 1E 104K-T	B	33.8/25.8
C10	4030011600	S.CER C1608 JB 1E 104K-T	B	22.7/23.8
C11	4030011600	S.CER C1608 JB 1E 104K-T	B	35.5/23.2
C12	4030011600	S.CER C1608 JB 1E 104K-T	T	12.6/20.7
C13	4030011600	S.CER C1608 JB 1E 104K-T	B	22.7/20.2
C14	4030011600	S.CER C1608 JB 1E 104K-T	B	35.5/20.6
C15	4030011600	S.CER C1608 JB 1E 104K-T	B	22.7/18.9
C16	4030011600	S.CER C1608 JB 1E 104K-T	B	34.2/18.4
C17	4030011600	S.CER C1608 JB 1E 104K-T	T	43.5/20
C18	4030011600	S.CER C1608 JB 1E 104K-T	B	22.7/15.7
C19	4030011600	S.CER C1608 JB 1E 104K-T	B	34.2/14.9
C20	4030011600	S.CER C1608 JB 1E 104K-T	B	23.3/13.8
C21	4030011600	S.CER C1608 JB 1E 104K-T	B	24.6/13.8
C22	4030011600	S.CER C1608 JB 1E 104K-T	B	28.1/13.8
C23	4030011600	S.CER C1608 JB 1E 104K-T	B	32.6/13.1
C24	4030011600	S.CER C1608 JB 1E 104K-T	B	35.2/13.1
C25	4030011600	S.CER C1608 JB 1E 104K-T	B	17.3/6.7
C26	4030011600	S.CER C1608 JB 1E 104K-T	B	33.1/6.3
C27	4030011600	S.CER C1608 JB 1E 104K-T	B	42.4/11.1
C28	4030011600	S.CER C1608 JB 1E 104K-T	B	15/8.1
C29	4030011600	S.CER C1608 JB 1E 104K-T	B	40.9/6.6
C30	4030011600	S.CER C1608 JB 1E 104K-T	T	35.2/5
C31	4030011600	S.CER C1608 JB 1E 104K-T	T	28.5/2.2
C32	4030011600	S.CER C1608 JB 1E 104K-T	T	37.8/5
C33	4030011600	S.CER C1608 JB 1E 104K-T	T	18.6/35.5
C34	4030011600	S.CER C1608 JB 1E 104K-T	T	37.5/35.5
C35	4030011600	S.CER C1608 JB 1E 104K-T	B	26/32.9
C36	4030011600	S.CER C1608 JB 1E 104K-T	B	29.3/32.9
C37	4030011600	S.CER C1608 JB 1E 104K-T	B	36.8/32.9
C38	4030011600	S.CER C1608 JB 1E 104K-T	B	15.2/27.7
C39	4030011600	S.CER C1608 JB 1E 104K-T	B	22.4/32.9
C40	4030011600	S.CER C1608 JB 1E 104K-T	B	26.1/25.8
C41	4030011600	S.CER C1608 JB 1E 104K-T	B	22/25.8
C42	4030011600	S.CER C1608 JB 1E 104K-T	B	27.4/25.8
C43	4030011600	S.CER C1608 JB 1E 104K-T	B	32.5/25.8
C44	4030011600	S.CER C1608 JB 1E 104K-T	B	35.1/25.8
C45	4030011600	S.CER C1608 JB 1E 104K-T	B	42.2/26.8
C46	4030011600	S.CER C1608 JB 1E 104K-T	B	15.3/24.9
C47	4030011600	S.CER C		



[DSP-TX BOARD]

REF NO.	ORDER NO.	DESCRIPTION	M.	H/V LOCATION
C171	4030011600	S.CER C1608 JB 1E 104K-T	T	41.3/2.7
C181	4030011600	S.CER C1608 JB 1E 104K-T	T	31/4.3
C191	4030011600	S.CER C1608 JB 1E 104K-T	T	22.6/1.2
C201	4030011600	S.CER C1608 JB 1E 104K-T	B	42.3/44.3
C301	4550007660	S.TAN F931E105MAABMA	B	80.4/44.1
C302	4550007500	S.TAN F931D106MBABMA	B	75.6/44.1
C303	4030011600	S.CER C1608 JB 1E 104K-T	T	75.7/40.7
C304	4550007500	S.TAN F931D106MBABMA	B	71.5/44.1
C305	4030011600	S.CER C1608 JB 1E 104K-T	T	67.6/46.1
C306	4030007050	S.CER C1608 CH 1H 220J-T	T	72.3/39.8
C341	4550007500	S.TAN F931D106MBABMA	B	74/34.6
C342	4030011600	S.CER C1608 JB 1E 104K-T	T	75.5/32.8
C343	4550007500	S.TAN F931D106MBABMA	B	66.9/36.8
C344	4030011600	S.CER C1608 JB 1E 104K-T	T	67.2/38.4
C345	4550007660	S.TAN F931E105MAABMA	B	76.8/38.7
C346	4030007140	S.CER C1608 CH 1H 121J-T	T	68.5/33.9
C347	4030011600	S.CER C1608 JB 1E 104K-T	T	67.7/35.9
C348	4030007050	S.CER C1608 CH 1H 220J-T	T	72/30.6
C371	4550007500	S.TAN F931D106MBABMA	B	59.8/43.8
C372	4030011600	S.CER C1608 JB 1E 104K-T	T	63.7/42.9
C373	4550007500	S.TAN F931D106MBABMA	B	50.1/43.9
C374	4030011600	S.CER C1608 JB 1E 104K-T	T	53.4/45.5
C375	4550007660	S.TAN F931E105MAABMA	B	66/43.7
C376	4030007140	S.CER C1608 CH 1H 121J-T	T	56/43.1
C377	4030011600	S.CER C1608 JB 1E 104K-T	T	55.3/45
C378	4030007050	S.CER C1608 CH 1H 220J-T	T	59.4/39.8
C401	4550007480	S.TAN F930J106MAABMA	B	54.9/43.8
C402	4030017840	S.CER C2012 CH 1H 222J-T	T	58.1/37.6
C403	4550007480	S.TAN F930J106MAABMA	B	63.1/35.2
C404	4030011810	S.CER C1608 JB 1A 224K-T	T	61.5/37.4
C405	4550007480	S.TAN F930J106MAABMA	B	58.3/36
C406	4030011810	S.CER C1608 JB 1A 224K-T	T	64.5/32
C407	4550007480	S.TAN F930J106MAABMA	B	51.1/36.1
C408	4030011600	S.CER C1608 JB 1E 104K-T	T	54.1/37.4
C410	4030009000	S.CER C2012 JB 1C 224K-T	T	61/24
C411	4550007480	S.TAN F930J106MAABMA	B	62.5/28.3
C412	4550007480	S.TAN F930J106MAABMA	B	58.3/29.9
C413	4030009000	S.CER C2012 JB 1C 224K-T	T	64.7/28.6
C414	4030011600	S.CER C1608 JB 1E 104K-T	T	54.2/24.5
C415	4550007520	S.TAN F931A106MAABMA	B	52.6/29.2
C416	4550007480	S.TAN F930J106MAABMA	B	56.1/24.4
C417	4030017840	S.CER C2012 CH 1H 222J-T	T	57.4/24
C450	4030011600	S.CER C1608 JB 1E 104K-T	T	44.2/39.7
C451	4030011600	S.CER C1608 JB 1E 104K-T	T	42.9/37.8
C452	4030006860	S.CER C1608 JB 1H 102K-T	T	42.9/41.9
C453	4030007050	S.CER C1608 CH 1H 220J	B	45.8/36.8
C551	4030011600	S.CER C1608 JB 1E 104K-T	T	48/1.7
C552	4550007520	S.TAN F931A106MAABMA	B	49.8/3.3
C553	4550007520	S.TAN F931A106MAABMA	B	57.2/8.9
C554	4550007520	S.TAN F931A106MAABMA	B	55/3.3
C555	4030011600	S.CER C1608 JB 1E 104K-T	T	58.6/2.5
C556	4030011600	S.CER C1608 JB 1E 104K-T	T	58.6/5.8
C557	4030011600	S.CER C1608 JB 1E 104K-T	B	57.7/4.1
C601	4550007660	S.TAN F931E105MAABMA	B	50.5/9.4
C602	4030018510	S.CER C2012 CH 1H 682J-T	T	48.3/14.2
C603	4550007500	S.TAN F931D106MBABMA	B	50.4/15.8
C604	4030011600	S.CER C1608 JB 1E 104K-T	T	49.6/11.8
C605	4030011600	S.CER C1608 JB 1E 104K-T	T	52.7/11.8
C606	4550007500	S.TAN F931D106MBABMA	B	51/20.8
C607	4030018510	S.CER C2012 CH 1H 682J-T	T	53.2/20.1
C608	4030007050	S.CER C1608 CH 1H 220J-T	T	57.6/14.5
C651	4550007660	S.TAN F931E105MAABMA	B	60/8.9
C652	4030018510	S.CER C2012 CH 1H 682J-T	T	60.1/5.3
C653	4550007500	S.TAN F931D106MBABMA	B	62.5/3.3
C654	4030011600	S.CER C1608 JB 1E 104K-T	T	62.5/1.6
C655	4030011600	S.CER C1608 JB 1E 104K-T	T	69.8/1.6
C656	4550007500	S.TAN F931D106MBABMA	B	63.6/9.2
C657	4030018510	S.CER C2012 CH 1H 682J-T	T	66.4/10
C658	4030007050	S.CER C1608 CH 1H 220J-T	T	69.9/4.4
C701	4030017840	S.CER C2012 CH 1H 222J-T	T	62.1/18.5
C702	4030017840	S.CER C2012 CH 1H 222J-T	T	59.2/11.1
C703	4550007500	S.TAN F931D106MBABMA	B	58.7/15.3
C704	4030011600	S.CER C1608 JB 1E 104K-T	T	62.4/11.3
C705	4030011600	S.CER C1608 JB 1E 104K-T	T	65.5/18.2
C706	4550007500	S.TAN F931D106MBABMA	B	57.7/19.3
C707	4030007050	S.CER C1608 CH 1H 220J-T	T	67.8/14.1
C801	4030006860	S.CER C1608 JB 1H 102K-T	T	64.2/24.6
C802	4030011600	S.CER C1608 JB 1E 104K-T	T	73.3/25
C803	4550007480	S.TAN F930J106MAABMA	B	76.7/16.6
C804	4030011600	S.CER C1608 JB 1E 104K-T	T	72/27.9
C805	4550007520	S.TAN F931A106MAABMA	B	67.2/28.6
C806	4030011600	S.CER C1608 JB 1E 104K-T	T	72.5/23.1
C807	4550007500	S.TAN F931D106MBABMA	B	68.4/23.6
C808	4030007050	S.CER C1608 CH 1H 220J-T	T	69/30.4
C831	4030006860	S.CER C1608 JB 1H 102K-T	T	69.7/17.9
C832	4030011600	S.CER C1608 JB 1E 104K-T	T	76.5/16.3
C833	4550007480	S.TAN F930J106MAABMA	B	69.7/16.8
C834	4030011600	S.CER C1608 JB 1E 104K-T	T	77.8/17.2
C835	4550007520	S.TAN F931A106MAABMA	B	64/19.7
C836	4030011600	S.CER C1608 JB 1E 104K-T	T	76.5/13.7
C837	4550007500	S.TAN F931D106MBABMA	B	64.7/15.3
C838	4030007050	S.CER C1608 CH 1H 220J-T	T	73.6/20.5
C871	4550007520	S.TAN F931A106MAABMA	B	75.5/29.4
C872	4030011600	S.CER C1608 JB 1E 104K-T	T	73.5/27.9
C873	4550007500	S.TAN F931D106MBABMA	B	75.6/24.3
C874	4030011600	S.CER C1608 JB 1E 104K-T	T	78.2/21.5
C875	4030007050	S.CER C1608 CH 1H 220J-T	T	77.2/30.9
C921	4550007510	S.TAN F931C106MBABMA	B	69.3/3.8
C922	4030011600	S.CER C1608 JB 1E 104K-T	T	72.8/3.5
C923	4550002830	S.TAN TEESVD2 1V 685M12R	B	75.4/6
C924	4030011600	S.CER C1608 JB 1E 104K-T	T	81.8/8
C925	4550007510	S.TAN F931C106MBABMA	B	71.1/9.3
C926	4030011600	S.CER C1608 JB 1E 104K-T	T	72.8/9
C927	4550002830	S.TAN TEESVD2 1V 685M12R	B	80.7/6

[DSP-TX BOARD]

REF NO.	ORDER NO.	DESCRIPTION	M.	H/V LOCATION
C928	4030011600	S.CER C1608 JB 1E 104K-T	T	81.8/4.6
C961	4030011600	S.CER C1608 JB 1E 104K-T	B	11.4/14.9
C962	4550007520	S.TAN F931A106MAABMA	B	12.2/18.6
C963	4030011600	S.CER C1608 JB 1E 104K-T	B	10.4/24.8
C964	4550007520	S.TAN F931A106MAABMA	B	11.4/28.9
J921	6910013900	CNR IMSA-9180S-22A		
J961	6910012460	CNR IMSA-9180S-30A		

M.=Mounted side (T: Mounted on the Top side, B: Mounted on the Bottom side)  
S.=Surface mount

[SCOPE UNIT]

REF NO.	ORDER NO.	DESCRIPTION	M.	H/V LOCATION
IC1	1110006180	S.IC UPG2009TB-E3	T	85.1/9.6
IC2	1180001771	S.IC TA79L05F (TE12L,F)	T	24.5/95.6
IC31	1110006180	S.IC UPG2009TB-E3	T	86.5/14.1
IC201	1180002650	S.REG SI-3012KS-TL	T	116.4/64.6
IC401	1110006131	S.IC uPC4094G2-E1-A	T	15.6/88.6
IC403	1110006131	S.IC uPC4094G2-E1-A	T	25.9/88.6
IC404	1110006131	S.IC uPC4094G2-E1-A	T	44/87.6
IC405	1110002700	S.IC NJM2904M-TE1-#FMZB	T	39.2/70.4
IC501	1190002031	S.IC AD7650ASTZ	T	55.5/79.2
IC502	1130006891	S.IC TC7S04FU (TE85R,F)	T	57.7/88
IC505	1180002631	S.REG AD1582BRTZ-REEL7	T	55.4/94.6
IC601	1140012221	S.IC TMS320C6711DZDP200	T	88.4/81.4
IC602	1130011930	S.IC SN74LVC1G04DCKR	T	68.2/67.4
IC603	1130011930	S.IC SN74LVC1G04DCKR	T	70.7/70.3
IC604	1130008041	S.IC TC7SH04FU (TE85L,JF)	B	67.4/74.6
IC607	1110006411	S.IC R3111N111A-TR-F	B	104.1/81.1
IC671	1130012394	S.IC AT49BV001AN-55TU	T	112.8/82.9
IC801	1130009230	S.IC LMX2306TMX/NOPB	T	65.6/36.5
IC803	1130009691	S.IC TC74HCT7007AF (F)	B	68/29
IC820	1190001961	S.IC AD985ASTZ	T	93.7/35.6
IC903	1120002921	S.IC ADM202EARNZ	T	96.9/109.1
IC904	1130005721	S.IC TC7W04F (TE12L,F)	T	107.5/113
IC905	1130005252	S.IC TC74HC08AF (EL,F)	B	97/109.6
IC906	1130009831	S.IC TC74VHC04AF (F)	B	108.4/109.6
Q1	1530002060	S.TR 2SC4081 T106 R	T	67.4/6.3
Q2	1530003851	S.TR 2SC5551F-TD-E	T	45.7/7.4
Q11	1590000680	S.TR DTC114EUA T106	T	78.2/7.4
Q12	1590000680	S.TR DTC114EUA T106	T	92.1/6.5
Q31	1590000680	S.TR DTC114EUA T106	T	78.4/3.5
Q32	1590000680	S.TR DTC114EUA T106	T	92.7/3.5
Q33	1590000680	S.TR DTC114EUA T106	T	93/15.3
Q101	1530003151	S.TR 2SC4673D-TD-E	T	28.8/18.2
Q201	1560000561	S.FET 2SK882-GR (TE85L,F)	T	11.4/40.4
Q202	1560000561	S.FET 2SK882-GR (TE85L,F)	T	10.1/45.2
Q301	1530003151	S.TR 2SC4673D-TD-E	T	21.4/67.9
Q701	1530003221	S.TR 2SC4406-4-TL-E	T	75.3/54.2
Q720	1530003221	S.TR 2SC4406-4-TL-E	T	101.9/45.5
Q810	1530003221	S.TR 2SC4406-4-TL-E	T	73.1/37.7
Q821	1560000331	S.FET 2SK210-GR (TE85R,F)	T	43.3/45.7
Q841	1530002060	S.TR 2SC4081 T106 R	T	41.5/37.2
Q842	1530003431	S.TR 2SC5226-4-TL-E	T	27.4/31.6
Q843	1530003431	S.TR 2SC5226-4-TL-E	T	25/39.9
Q872	1590000680	S.TR DTC114EUA T106	T	30.2/32.6
Q903	1530002280	S.TR 2SC4081 T106 S	B	130.2/111.8
Q904	1510000510	S.TR 2SA1576A T106R	B	126.1/105.7
Q921	1590001330	S.TR DTA114EUA T106	T	54.5/112.7
Q922	1590000680	S.TR DTC114EUA T106	T	50.7/112.7
Q923	1590001330	S.TR DTA114EUA T106	T	42.9/113.5
Q924	1590000680	S.TR DTC114EUA T106	T	40.3/113.5
D1	1750000971	S.DIO CPH5513-TL-E	T	79.7/14.9
D2	1750000971	S.DIO CPH5513-TL-E	T	72.5/15.9
D3	1750000441	S.DIO 1SV263-TL-E	T	72.1/12.8
D4	1750000431	S.DIO HSB88WSTR-E	T	10.3/68.3
D11	1790000620	S.DIO MA77 (TX)	T	83.2/4.5
D12	1790000620	S.DIO MA77 (TX)	T	87.2/4.5
D101	1750000431	S.DIO HSB88WSTR-E	T	25.7/8.2
D201	1710000840	S.DIO 1SR154-400 TE25	B	120.3/65
D401	1790001250	S.DIO MA25111-(TX)	T	41.2/77.1
D402	1790001250	S.DIO MA25111-(TX)	T	39.9/75.2
D403	1790001250	S.DIO MA25111-(TX)	T	33.4/69.5
D821	1750000681	S.VCP 1SV232 (TPH2,F)	T	57.9/43.2
D822	1750000681	S.VCP 1SV232 (TPH2,F)	T	57.9/44.9
D902	1750000550	S.DIO 1SS355 TE-17	B	129.7/109.5
FI201	2030000290	S.MLH FL-357 (45 MHz)	T	9.3/29.6
FI501	2040000790	S.LC EXCCET103U	T	71.2/76
L1	6200001831	S.COL NLV32T-100J	T	76.3/12.8
L2	6200001831	S.COL NLV32T-100J	T	75.1/19.1
L3	6200001831	S.COL NLV32T-100J	B	70.7/15.1
L4	6200001831	S.COL NLV32T-100J	T	67.3/12.1
L5	6150004280	COL LS-484B (C-14927)		
L6	6150004280	COL LS-484B (C-14927)		
L7	6200003261	S.COL NLV32T-101J	T	52/16.6
L8	6140003790	COL LR-442		
L9	6200001831	S.COL NLV32T-100J	T	41.2/7.5
L10	6200001831	S.COL NLV32T-100J	T	41.2/3.2
L11	6200001831	S.COL NLV32T-100J	T	57.3/3.5
L12	6200010450	S.COL C2520C-R82G-A (0.82U)	T	57.6/15.5
L13	6200010940	S.COL C2520C-39NG-A	T	68.3/20
L14	6200010860	S.COL C2520C-R10G-A (0.1U)	T	64.1/19.2
L31	6200001831	S.COL NLV32T-100J	B	82.6/1.8
L32	6200001831	S.COL NLV32T-100J	B	78.8/5.2
L33	6200001831	S.COL NLV32T-100J	B	86.6/6
L34	6200001831	S.COL NLV32T-100J	B	90.7/3.6
L51	6200001831	S.COL NLV32T-100J	B	120.5/26
L52	6200001831	S.COL NLV32T-100J	B	126.5/39.4
L53	6200001831	S.COL NLV32T-100J	T	47.7/64.3
L54	6200001831	S.COL NLV32T-100J	T	50.7/64.3
L55	6200003950	S.COL HF50ACC 322513-T	B	119.3/33.5
L56	6200003950	S.COL HF50ACC 322513-T	T	116.1/44.6
L57	6200003950	S.COL HF50ACC 322513-T	T	121.2/27.1
L58	6200003950	S.COL HF50ACC 322513-T	B	119.3/39.1
L59	6200003950	S.COL HF50ACC 322513-T	T	119.6/34.4
L60	6200003950	S.COL HF50ACC 322513-T	T	119.6/37.6
L101	6140003530	COL LR-395		
L102	6140003530	COL LR-395		
L103	6200003021	S.COL NLV32T-R33J	T	22.3/19.7

[SCOPE UNIT]

REF NO.	ORDER NO.	DESCRIPTION	M.	H/V LOCATION
L104	6200001920	S.COL ELJNC R15K-F	B	22.7/16.4
L201	6150004250	COL LS-471A (C-14922)		
L202	6150004280	COL LS-484B (C-14927)		
L203	6150004280	COL LS-484B (C-14927)		
L204	6200001831	S.COL NLV32T-100J	B	3.3/46.6
L205	6200002431	S.COL NLV25T-082J	B	10.4/17.6
L301	6140003530	COL LR-395		
L302	6140003530	COL LR-395		
L303	6200003041	S.COL NLV32T-R68J	T	21/74.1
L304	6200001831	S.COL NLV32T-100J	B	23.2/72.6
L401	6200003171	S.COL NLV32T-330J	T	10.4/83.2
L501	6200001831	S.COL NLV32T-100J	T	53.8/64.3
L502	6200001831	S.COL NLV32T-100J	B	57.6/69.6
L551	6180003501	S.COL SLF6028T-100M1R3-PF	T	105.8/64.4
L552	6200001831	S.COL NLV32T-100J	T	106.3/69.9
L671	6200001831	S.COL NLV32T-100J	T	110.9/69.9
L701	6200005491	S.COL NLV32T-331J	T	76/51.4
L720	6200001831	S.COL NLV32T-100J	T	82/34.6
L721	6200001831	S.COL NLV32T-100J	T	109.4/41
L722	6200001831	S.COL NLV32T-100J	T	110.8/45.2
L761	6200003011	S.COL NLV32T-R27J	T	106.3/22.3
L762	6200003021	S.COL NLV32T-R33J	T	102.7/23
L763	6200003251	S.COL NLV32T-R39J	T	97.9/22.4
L764	6200003251	S.COL NLV32T-R39J	T	93.6/23.4
L801	6200005491	S.COL NLV32T-331J	T	69.7/40.9
L802	6200005491	S.COL NLV32T-331J	T	70.3/26.7
L821	6200001831	S.COL NLV32T-100J	T	61.7/45.7
L822	6190001441	COL #E526GN-110504		
L823	6200001851	S.COL NLV32T-5R6J	T	40.7/42.2
L825	6200003261	S.COL NLV32T-101J	T	51.7/52.2
L841	6200003261	S.COL NLV32T-101J	T	B26.8/33
L842	6200003031	S.COL NLV32T-R47J	T	26.8/34.5
L851	6200003431	S.COL NLV32T-R10J	T	27.4/45
L852	6200001471	S.COL NLV32T-R12J	T	27/48.9
L902	6200003241	S.COL NLV32T-221J	T	128.1/107.7
R1	7030003360	S.RES ERJ3GEYJ 221 V (220)	T	79.6/12.5
R2	7030003480	S.RES ERJ3GEYJ 222 V (2.2 k)	T	70.7/10.8
R3	7030003440	S.RES ERJ3GEYJ 102 V (1 k)	T	70.7/9.5
R4	7030003460	S.RES ERJ3GEYJ 152 V (1.5 k)	T	67.8/8.2
R5	7030003520	S.RES ERJ3GEYJ 472 V (4.7 k)	T	66.6/4.4
R6	7030003440	S.RES ERJ3GEYJ 102 V (1 k)	T	69.4/5
R7	7030003290	S.RES ERJ3GEYJ 560 V (56)	T	49.8/17.3
R8	7030003440	S.RES ERJ3GEYJ 102 V (1 k)	T	48.4/3.5
R9	7030003500	S.RES ERJ3GEYJ 332 V (3.3 k)	T	46/4.2
R11	7310005550	S.TRI TMC3ADCJ4X 22K	T	61.7/3.8
R12	7030003320	S.RES ERJ3GEYJ 101 V (100)	T	46.7/10.6
R14	7030003340	S.RES ERJ3GEYJ 151 V (150)	T	82.3/2.4
R16	7030003440	S.RES ERJ3GEYJ 102 V (1 k)	T	80.2/6.7
R17	7030003440	S.RES ERJ3GEYJ 102 V (1 k)	T	81.5/6.7
R18	7030003340	S.RES ERJ3GEYJ 151 V (150)	T	87.4/2.4
R20	7030003440	S.RES ERJ3GEYJ 102 V (1 k)	T	90.2/6.7
R21	7030003440	S.RES ERJ3GEYJ 102 V (1 k)	T	88.9/6.7
R34	7030003440	S.RES ERJ3GEYJ 102 V (1 k)	T	78.4/5.5
R35	7030003440	S.RES ERJ3GEYJ 102 V (1 k)	T	89.4/3.5
R36	7030003520	S.RES ERJ3GEYJ 472 V (4.7 k)	T	91/14.7
R37	7030003500	S.RES ERJ3GEYJ 332 V (3.3 k)	T	89.7/14.7
R38	7030003520	S.RES ERJ3GEYJ 472 V (4.7 k)	T	82/13.9
R39	7030003500	S.RES ERJ3GEYJ 332 V (3.3 k)	T	83.3/13.9
R51	7030003520	S.RES ERJ3GEYJ 472 V (4.7 k)	T	80.6/9.8
R52	7030003520	S.RES ERJ3GEYJ 472 V (4.7 k)	T	90.3/9.9
R53	7030003320	S.RES ERJ3GEYJ 101 V (100)	B	126/32.3
R54	7030003500	S.RES ERJ3GEYJ 332 V (3.3 k)	T	81.9/9.8
R55	7030003500	S.RES ERJ3GEYJ 332 V (3.3 k)	T	88.4/9.8
R61	7030003320	S.RES ERJ3GEYJ 101 V (100)	B	128.7/49
R62	7030003320	S.RES ERJ3GEYJ 101 V (100)	T	122.3/50.4
R63	7030003320	S.RES ERJ3GEYJ 101 V (100)	B	128.7/51
R64	7030003320	S.RES ERJ3GEYJ 101 V (100)	T	122.3/53.3
R65	7030003320	S.RES ERJ3GEYJ 101 V (100)	B	128.7/53
R66	7030003320	S.RES ERJ3GEYJ 101 V (100)	T	123.6/56.7
R71	7030003320	S.RES ERJ3GEYJ 101 V (100)	B	128.7/55
R72	7030003320	S.RES ERJ3GEYJ 101 V (100)	T	121.7/47.4
R73	7030003320	S.RES ERJ3GEYJ 101 V (100)	T	121.7/43.3
R74	7030003320	S.RES ERJ3GEYJ 101 V (100)	B	128.7/43.4
R75	7030003320	S.RES ERJ3GEYJ 101 V (100)	T	121.7/44.7
R76	7030003320	S.RES ERJ3GEYJ 101 V (100)	B	128.7/45.4
R77	7030003320	S.RES ERJ3GEYJ 101 V (100)	T	121.7/46
R81	7030010520	S.RES ERJ1TYJ 101U (100)	B	122.9/46.2
R103	7030003480	S.RES ERJ3GEYJ 222 V (2.2 k)	T	33.8/18
R104	7030003320	S.RES ERJ3GEYJ 101 V (100)	T	25.9/21.9
R105	7030003370	S.RES ERJ3GEYJ 271 V (270)	B	18.3/14.3
R106	7030003230	S.RES ERJ3GEYJ 180 V (18)	B	19.1/11.9
R107	7030003370	S.RES ERJ3GEYJ 271 V (270)	B	18.3/8.4
R108	7030003370	S.RES ERJ3GEYJ 271 V (270)	B	14.6/8.4
R109	7030003230	S.RES ERJ3GEYJ 180 V (18)	B	11.2/9.7
R110	7030003370	S.RES ERJ3GEYJ 271 V (270)	B	11.2/12
R111	7030003550	S.RES ERJ3GEYJ 822 V (8.2 k)	T	29.8/14.9
R112	7030003320	S.RES ERJ3GEYJ 101 V (100)	T	33.8/19.3
R113	7030003860	S.RES ERJ3GE JPW V	B	19.5/18
R201	7030003430	S.RES ERJ3GEYJ 821 V (820)	T	11.3/37.1
R202	7030003430	S.RES ERJ3GEYJ 821 V (820)	T	11.3/35.8
R203	7030003280	S.RES ERJ3GEYJ 470 V (47)	B	3.1/39.8
R204	7030003560	S.RES ERJ3GEYJ 103 V (10 k)	T	12/45
R205	7030003280	S.RES ERJ3GEYJ 470 V (47)	B	6.3/46.6
R206	7030003380	S.RES ERJ3GEYJ 331 V (330)	B	

[SCOPE UNIT]

REF NO.	ORDER NO.	DESCRIPTION	M.	H/V LOCATION
R305	7030003320	S.RES ERJ3GEYJ 101 V (100)	T	23.7/73.9
R306	7030003480	S.RES ERJ3GEYJ 222 V (2.2 k)	T	21.4/63.4
R307	7030003550	S.RES ERJ3GEYJ 822 V (8.2 k)	T	18.3/66.9
R308	7030003340	S.RES ERJ3GEYJ 151 V (150)	T	24.4/63.4
R402	7030003440	S.RES ERJ3GEYJ 102 V (1 k)	B	13.4/89.7
R403	7030003440	S.RES ERJ3GEYJ 102 V (1 k)	B	16.3/90.4
R404	7030003440	S.RES ERJ3GEYJ 102 V (1 k)	B	19/86.7
R405	7030003440	S.RES ERJ3GEYJ 102 V (1 k)	B	22.4/90.5
R410	7030003560	S.RES ERJ3GEYJ 103 V (10 k)	T	21.3/85.8
R411	7030003560	S.RES ERJ3GEYJ 103 V (10 k)	T	9.2/91.1
R412	7030003560	S.RES ERJ3GEYJ 103 V (10 k)	T	13.4/92.1
R413	7030003730	S.RES ERJ3GEYJ 274 V (270 k)	T	9.8/89.3
R414	7030003560	S.RES ERJ3GEYJ 103 V (10 k)	B	26.9/88
R415	7030003560	S.RES ERJ3GEYJ 103 V (10 k)	T	31.6/90
R416	7310005510	S.TRI TMC3ADC55X 470K	T	34.5/87
R417	7030003630	S.RES ERJ3GEYJ 393 V (39 k)	T	43.1/95.4
R418	7030003570	S.RES ERJ3GEYJ 123 V (12 k)	T	45.4/92.2
R419	7030003220	S.RES ERJ3GEYJ 150 V (15)	T	47.9/92.3
R420	7030003580	S.RES ERJ3GEYJ 153 V (15 k)	T	40.9/81.7
R421	7030003560	S.RES ERJ3GEYJ 103 V (10 k)	T	40.5/85.5
R422	7030003560	S.RES ERJ3GEYJ 103 V (10 k)	T	42.6/92.2
R423	7030003540	S.RES ERJ3GEYJ 682 V (6.8 k)	T	43.1/94.1
R425	7310005540	S.TRI TMC3ADC14X 10K	T	45.3/81.2
R426	7030003560	S.RES ERJ3GEYJ 103 V (10 k)	T	48.7/76.5
R427	7030003560	S.RES ERJ3GEYJ 103 V (10 k)	T	39.9/77.2
R428	7030003680	S.RES ERJ3GEYJ 104 V (100 k)	T	37/75
R429	7030003650	S.RES ERJ3GEYJ 563 V (56 k)	T	34.7/67.7
R430	7030003740	S.RES ERJ3GEYJ 334 V (330 k)	T	38.8/73.9
R431	7030003740	S.RES ERJ3GEYJ 334 V (330 k)	T	36.2/73.9
R432	7030003640	S.RES ERJ3GEYJ 473 V (47 k)	T	39.6/81.7
R433	7030003680	S.RES ERJ3GEYJ 104 V (100 k)	T	38.8/66.4
R434	7030003320	S.RES ERJ3GEYJ 101 V (100)	T	33.4/66.9
R435	7030003680	S.RES ERJ3GEYJ 104 V (100 k)	T	40.1/66.4
R436	7030003680	S.RES ERJ3GEYJ 104 V (100 k)	T	36.9/67
R437	7030003680	S.RES ERJ3GEYJ 104 V (100 k)	T	43.8/67.7
R438	7030003680	S.RES ERJ3GEYJ 104 V (100 k)	T	43.8/70.4
R500	7030003860	S.RES ERJ3GE JPW V	T	53.2/71.7
R501	7030003320	S.RES ERJ3GEYJ 101 V (100)	T	55.1/73
R502	7030003560	S.RES ERJ3GEYJ 103 V (10 k)	B	56.3/74.6
R503	7030003560	S.RES ERJ3GEYJ 103 V (10 k)	B	59.2/75.4
R504	7030003560	S.RES ERJ3GEYJ 103 V (10 k)	T	60.8/74.2
R505	7030003560	S.RES ERJ3GEYJ 103 V (10 k)	T	61.6/76
R506	7030003560	S.RES ERJ3GEYJ 103 V (10 k)	B	57.3/78.2
R507	7030003320	S.RES ERJ3GEYJ 101 V (100)	T	61.5/87.1
R509	7030003640	S.RES ERJ3GEYJ 473 V (47 k)	T	60.5/89.8
R602	7030003560	S.RES ERJ3GEYJ 103 V (10 k)	B	101.3/75.6
R603	7030003440	S.RES ERJ3GEYJ 102 V (1 k)	B	83.7/77.3
R604	7030003560	S.RES ERJ3GEYJ 103 V (10 k)	B	92.1/67.4
R605	7030003560	S.RES ERJ3GEYJ 103 V (10 k)	B	89.8/65.8
R606	7030003440	S.RES ERJ3GEYJ 102 V (1 k)	T	79.6/95.8
R607	7030003440	S.RES ERJ3GEYJ 102 V (1 k)	B	77.6/95.9
R608	7030003440	S.RES ERJ3GEYJ 102 V (1 k)	B	71.8/88.2
R609	7030003560	S.RES ERJ3GEYJ 103 V (10 k)	T	83.5/65.8
R610	7030003800	S.RES ERJ3GEYJ 105 V (1 M)	T	70.5/67.6
R611	7030004040	S.RES ERJ3GEYJ 4R7 V (4.7)	T	66.2/70.3
R612	7030004040	S.RES ERJ3GEYJ 4R7 V (4.7)	T	67.5/70.3
R615	7030003320	S.RES ERJ3GEYJ 101 V (100)	T	72.9/65.7
R616	7030003520	S.RES ERJ3GEYJ 472 V (4.7 k)	T	73.7/93.5
R617	7030003520	S.RES ERJ3GEYJ 472 V (4.7 k)	T	72.4/93.5
R618	7030003560	S.RES ERJ3GEYJ 103 V (10 k)	B	81.8/66.8
R619	7030003560	S.RES ERJ3GEYJ 103 V (10 k)	B	88/66.8
R620	7030003440	S.RES ERJ3GEYJ 102 V (1 k)	B	73.2/88.9
R621	7030003440	S.RES ERJ3GEYJ 102 V (1 k)	B	72.6/84.7
R622	7030003860	S.RES ERJ3GE JPW V	B	111.9/79.5
R623	7030003860	S.RES ERJ3GE JPW V	B	106.1/78.5
R633	7030003560	S.RES ERJ3GEYJ 103 V (10 k)	B	74.7/74.4
R634	7030003860	S.RES ERJ3GE JPW V	T	74/70.4
R635	7030003280	S.RES ERJ3GEYJ 470 V (47)	T	73.4/68.4
R636	7030003280	S.RES ERJ3GEYJ 470 V (47)	T	72.7/70.4
R701	7030003240	S.RES ERJ3GEYJ 220 V (22)	T	73/51.7
R702	7030003560	S.RES ERJ3GEYJ 103 V (10 k)	T	77.3/54.4
R703	7030003320	S.RES ERJ3GEYJ 101 V (100)	T	72.7/55.1
R704	7030003280	S.RES ERJ3GEYJ 470 V (47)	T	73.3/57
R705	7030003340	S.RES ERJ3GEYJ 151 V (150)	T	77.4/57
R720	7030003370	S.RES ERJ3GEYJ 271 V (270)	T	107/43.2
R721	7030003560	S.RES ERJ3GEYJ 103 V (10 k)	T	104/43.5
R722	7030003340	S.RES ERJ3GEYJ 151 V (150)	T	107.2/45.9
R723	7030003440	S.RES ERJ3GEYJ 102 V (1 k)	B	91.7/28.7
R724	7030003440	S.RES ERJ3GEYJ 102 V (1 k)	B	91.1/30.6
R725	7030003440	S.RES ERJ3GEYJ 102 V (1 k)	B	87.6/28.5
R726	7030003440	S.RES ERJ3GEYJ 102 V (1 k)	B	91.2/26.8
R727	7030003440	S.RES ERJ3GEYJ 102 V (1 k)	B	94.8/43
R729	7030003280	S.RES ERJ3GEYJ 470 V (47)	T	98.7/45.6
R730	7030003560	S.RES ERJ3GEYJ 103 V (10 k)	B	96.4/40.1
R731	7030003460	S.RES ERJ3GEYJ 152 V (1.5 k)	T	105.1/38.6
R732	7030003510	S.RES ERJ3GEYJ 392 V (3.9 k)	T	106.5/34.2
R734	7030003510	S.RES ERJ3GEYJ 392 V (3.9 k)	T	102.5/42.7
R735	7030003280	S.RES ERJ3GEYJ 470 V (47)	T	106.5/30.9
R736	7030003280	S.RES ERJ3GEYJ 470 V (47)	T	106.5/32.2
R737	7030003440	S.RES ERJ3GEYJ 102 V (1 k)	T	88.4/24
R738	7030003640	S.RES ERJ3GEYJ 473 V (47 k)	T	88.1/46.1
R739	7030003510	S.RES ERJ3GEYJ 392 V (3.9 k)	T	106.5/35.5
R741	7030003860	S.RES ERJ3GE JPW V	B	109.8/26.2
R742	7030003860	S.RES ERJ3GE JPW V	T	86.8/46
R744	7030003860	S.RES ERJ3GE JPW V	T	87.7/26.2
R745	7030003860	S.RES ERJ3GE JPW V	T	85/27.5
R748	7030003860	S.RES ERJ3GE JPW V	T	89.7/24
R764	7030003370	S.RES ERJ3GEYJ 271 V (270)	T	48/21.5
R765	7030003230	S.RES ERJ3GEYJ 180 V (18)	T	45.6/20.8
R766	7030003370	S.RES ERJ3GEYJ 271 V (270)	T	43.4/21.5
R767	7030003860	S.RES ERJ3GE JPW V	T	95.7/21.5
R771	7030003860	S.RES ERJ3GE JPW V	T	41/20.8
R801	7030003440	S.RES ERJ3GEYJ 102 V (1 k)	B	68.1/38
R802	7030003440	S.RES ERJ3GEYJ 102 V (1 k)	B	71.2/35.6

[SCOPE UNIT]

REF NO.	ORDER NO.	DESCRIPTION	M.	H/V LOCATION
R803	7030003440	S.RES ERJ3GEYJ 102 V (1 k)	B	68.1/35.7
R806	7030003520	S.RES ERJ3GEYJ 472 V (4.7 k)	T	62.4/40.1
R808	7030003600	S.RES ERJ3GEYJ 223 V (22 k)	T	61.7/42.6
R809	7030003840	S.RES ERJ3GEYJ 225 V (2.2 M)	T	63.9/41.6
R810	7030003370	S.RES ERJ3GEYJ 271 V (270)	T	74.1/35.2
R811	7030003560	S.RES ERJ3GEYJ 103 V (10 k)	T	73.8/40.2
R812	7030003280	S.RES ERJ3GEYJ 470 V (47)	T	71/31.6
R813	7030003340	S.RES ERJ3GEYJ 151 V (150)	T	73.8/45.4
R814	7030003500	S.RES ERJ3GEYJ 332 V (3.3 k)	T	60.3/41.1
R821	7030003680	S.RES ERJ3GEYJ 104 V (100 k)	T	39.3/45.9
R822	7030003680	S.RES ERJ3GEYJ 104 V (100 k)	T	46.8/44.6
R823	7030003370	S.RES ERJ3GEYJ 271 V (270)	T	43.5/41.7
R841	7030003200	S.RES ERJ3GEYJ 100 V (10)	T	37.9/39.9
R842	7030003360	S.RES ERJ3GEYJ 221 V (220)	T	42.2/35
R843	7030003500	S.RES ERJ3GEYJ 332 V (3.3 k)	T	40.1/39.1
R844	7030003540	S.RES ERJ3GEYJ 682 V (6.8 k)	T	38.6/37.8
R845	7030003360	S.RES ERJ3GEYJ 221 V (220)	T	38.6/36.5
R846	7030003380	S.RES ERJ3GEYJ 331 V (330)	T	40.3/41.7
R847	7030003370	S.RES ERJ3GEYJ 271 V (270)	T	30.5/30
R848	7030003540	S.RES ERJ3GEYJ 682 V (6.8 k)	T	28.4/37.3
R849	7030003500	S.RES ERJ3GEYJ 332 V (3.3 k)	T	30.3/34.8
R850	7030003390	S.RES ERJ3GEYJ 391 V (390)	T	26.5/37.9
R851	7030003360	S.RES ERJ3GEYJ 221 V (220)	T	24.4/37.1
R852	7030003490	S.RES ERJ3GEYJ 272 V (2.7 k)	T	28.4/40
R853	7030003510	S.RES ERJ3GEYJ 392 V (3.9 k)	T	30.3/41
R854	7030003360	S.RES ERJ3GEYJ 221 V (220)	T	30.1/42.4
R855	7030008180	S.RES ERJ12YJ331U (330)	T	42.5/52.9
R856	7030003370	S.RES ERJ3GEYJ 271 V (270)	T	22.9/60.3
R857	7030003230	S.RES ERJ3GEYJ 180 V (18)	T	20.7/59.6
R858	7030003320	S.RES ERJ3GEYJ 101 V (100)	T	20.7/61.1
R859	7030003260	S.RES ERJ3GEYJ 330 V (33)	T	24.4/44.2
R860	7030003400	S.RES ERJ3GEYJ 471 V (470)	T	42.4/32
R861	7030003860	S.RES ERJ3GE JPW V	T	24.4/60.3
R905	7030003620	S.RES ERJ3GEYJ 333 V (33 k)	B	127.1/108.8
R906	7030003540	S.RES ERJ3GEYJ 682 V (6.8 k)	B	128.6/105.8
R907	7030003580	S.RES ERJ3GEYJ 153 V (15 k)	B	127.2/111.2
R908	7030003640	S.RES ERJ3GEYJ 473 V (47 k)	B	124.9/108.8
R913	7030003370	S.RES ERJ3GEYJ 271 V (270)	T	57.4/112.7
R914	7030003370	S.RES ERJ3GEYJ 271 V (270)	T	45.9/113.5
R951	7030003860	S.RES ERJ3GE JPW V	B	120.4/122.7
R952	7030003860	S.RES ERJ3GE JPW V	B	97.5/126.3
R953	7030003860	S.RES ERJ3GE JPW V	B	97.5/124.7
R954	7030003860	S.RES ERJ3GE JPW V	B	114.7/103.6
R955	7030003860	S.RES ERJ3GE JPW V	T	48.6/112.9
R956	7030003860	S.RES ERJ3GE JPW V	T	39.7/110.6
C1	4030006880	S.CER C1608 JB 1H 472K-T	T	84.1/6.7
C2	4030006880	S.CER C1608 JB 1H 472K-T	T	86.1/6.7
C3	4030006880	S.CER C1608 JB 1H 472K-T	T	82.8/15.8
C4	4030011340	S.CER C1608 CH 1H 471J-T	T	76.6/13.1
C5	4030011340	S.CER C1608 CH 1H 471J-T	T	74.1/12.9
C6	4030006880	S.CER C1608 JB 1H 472K-T	T	74.9/16.1
C7	4030006880	S.CER C1608 JB 1H 472K-T	T	70.1/12.8
C8	4030006880	S.CER C1608 JB 1H 472K-T	T	71.3/20
C9	4030006880	S.CER C1608 JB 1H 472K-T	T	70/15.7
C10	4030011600	S.CER C1608 JB 1E 104K-T	T	67.8/9.5
C11	4030009510	S.CER C1608 CH 1H 010B-T	B	58.9/16.3
C12	4030007040	S.CER C1608 CH 1H 180J-T	B	61.9/10
C13	4030007040	S.CER C1608 CH 1H 180J-T	B	53.2/10
C14	4030011340	S.CER C1608 CH 1H 471J-T	B	47.6/15
C15	4030006880	S.CER C1608 JB 1H 472K-T	T	40.2/16
C16	4030006880	S.CER C1608 JB 1H 472K-T	T	49.9/3.5
C17	4030006880	S.CER C1608 JB 1H 472K-T	T	38.6/10
C18	4030006960	S.CER C1608 CH 1H 050C-T	T	44/10.6
C21	4030006880	S.CER C1608 JB 1H 472K-T	T	78.8/57
C22	4030006880	S.CER C1608 JB 1H 472K-T	B	93.1/11.6
C23	4030011600	S.CER C1608 JB 1E 104K-T	T	90.5/12.8
C24	4030006880	S.CER C1608 JB 1H 472K-T	T	85.4/11.8
C31	4030006880	S.CER C1608 JB 1H 472K-T	T	78.3/9.4
C32	4030006880	S.CER C1608 JB 1H 472K-T	T	82.8/6.7
C33	4030006880	S.CER C1608 JB 1H 472K-T	T	90.3/8.6
C34	4030006880	S.CER C1608 JB 1H 472K-T	T	87.6/6.7
C35	4030006900	S.CER C1608 JB 1H 103K-T	T	83.6/2.4
C36	4030006900	S.CER C1608 JB 1H 103K-T	T	80.3/3.3
C37	4030006900	S.CER C1608 JB 1H 103K-T	T	86.1/2.4
C38	4030006900	S.CER C1608 JB 1H 103K-T	T	90.7/3.5
C39	4030006860	S.CER C1608 JB 1H 102K-T	T	88.4/14.7
C40	4030006860	S.CER C1608 JB 1H 102K-T	T	84.6/



[SCOPE UNIT]

REF NO.	ORDER NO.	DESCRIPTION	M.	H/V LOCATION
C206	4030006880	S.CER C1608 JB 1H 472K-T	T	11.3/38.5
C207	4030006960	S.CER C1608 CH 1H 050C-T	T	11.2/42.3
C208	4030007070	S.CER C1608 CH 1H 330J-T	B	8.4/51
C209	4030006880	S.CER C1608 JB 1H 472K-T	T	7.6/46.1
C210	4030011600	S.CER C1608 JB 1E 104K-T	B	2.1/50.2
C211	4030009550	S.CER C1608 CH 1H 2R5B-T	T	10.8/23.2
C212	4030006940	S.CER C1608 CH 1H 030C-T	T	4.7/28.9
C213	4550007320	S.TAN F930J226MAABMA	T	111.2/63.3
C214	4550007320	S.TAN F930J226MAABMA	B	117.7/65.4
C215	4030011600	S.CER C1608 JB 1E 104K-T	T	119.9/66.4
C216	4030017490	S.CER C1608 JB 1A 105K-T	T	112.9/66.4
C301	4030007040	S.CER C1608 CH 1H 180J-T	T	18.8/70.5
C302	4030006880	S.CER C1608 JB 1H 472K-T	T	23.7/71.1
C303	4030006880	S.CER C1608 JB 1H 472K-T	T	19.9/63.4
C304	4030006880	S.CER C1608 JB 1H 472K-T	T	22.9/63.4
C401	4030008850	S.CER C1608 JB 1H 123K-T	T	11.1/86.7
C403	4030018610	S.CER C1608 CH 1H 182J-T	B	15.6/87.5
C404	4030018580	S.CER C1608 CH 1H 821J-T	T	20.9/89.2
C405	4030007140	S.CER C1608 CH 1H 121J-T	T	20.9/87.9
C406	4030017840	S.CER C2012 CH 1H 222J-T	B	22.6/86.7
C407	4030017840	S.CER C2012 CH 1H 222J-T	B	22.6/88.7
C408	4030007010	S.CER C1608 CH 1H 100D-T	T	21.6/90.5
C409	4030007140	S.CER C1608 CH 1H 121J-T	T	21.6/91.8
C410	4030011600	S.CER C1608 JB 1E 104K-T	T	17.7/92.1
C411	4030011600	S.CER C1608 JB 1E 104K-T	T	13.4/85.2
C420	4030011600	S.CER C1608 JB 1E 104K-T	T	8.5/89.3
C421	4030006920	S.CER C1608 CH 1H 010C-T	T	11.1/89.3
C422	4030006920	S.CER C1608 CH 1H 010C-T	T	31.6/87.2
C423	4030011600	S.CER C1608 JB 1E 104K-T	T	29.9/2.1
C424	4030011600	S.CER C1608 JB 1E 104K-T	T	24.7/85.2
C425	4030011600	S.CER C1608 JB 1E 104K-T	T	40.2/95.4
C426	4030006900	S.CER C1608 JB 1H 103K-T	T	47.4/89.7
C427	4030011600	S.CER C1608 JB 1E 104K-T	T	35.9/81
C428	4510008550	S.ELE EEE1HA0100SR	T	38.9/2.2
C429	4030011600	S.CER C1608 JB 1E 104K-T	T	47.4/85.4
C431	4030006900	S.CER C1608 JB 1H 103K-T	T	38.5/77.2
C432	4030011600	S.CER C1608 JB 1E 104K-T	T	41.4/73.9
C433	4510008540	S.ELE EEE1CA100SR	T	31.4/73.2
C434	4030011600	S.CER C1608 JB 1E 104K-T	T	40.5/88.5
C501	4030011600	S.CER C1608 JB 1E 104K-T	T	52.5/73
C502	4510008540	S.ELE EEE1CA100SR	T	52.2/68.5
C503	4510008540	S.ELE EEE1CA100SR	T	59.3/70.5
C504	4030011600	S.CER C1608 JB 1E 104K-T	T	62.7/8.6
C505	4510008540	S.ELE EEE1CA100SR	T	59.5/64.5
C506	4030011600	S.CER C1608 JB 1E 104K-T	T	61.6/81.8
C507	4510008580	S.ELE EEE0JA470SR	T	51.8/7.4
C508	4030017490	S.CER C1608 JB 1A 105K-T	T	49.3/82.9
C509	4030011600	S.CER C1608 JB 1E 104K-T	T	59.6/87.9
C521	4510009280	S.ELE EEE1EA4R75R	T	59.6/93.9
C522	4030011600	S.CER C1608 JB 1E 104K-T	T	55.5/92.2
C523	4510008550	S.ELE EEE1HA0100SR	T	51.1/93.9
C524	4030011600	S.CER C1608 JB 1E 104K-T	T	55.2/97
C551	4550006960	S.TAN TEESVB2 0G 107M8R	T	99.1/64.3
C601	4030011600	S.CER C1608 JB 1E 104K-T	B	99.4/93.9
C602	4030011600	S.CER C1608 JB 1E 104K-T	B	98.6/67.3
C603	4030011600	S.CER C1608 JB 1E 104K-T	B	100.9/91.6
C604	4030011600	S.CER C1608 JB 1E 104K-T	B	101.5/68.5
C605	4030011600	S.CER C1608 JB 1E 104K-T	B	93.2/85.9
C606	4030011600	S.CER C1608 JB 1E 104K-T	B	93.8/84.5
C607	4030011600	S.CER C1608 JB 1E 104K-T	B	93/80.1
C608	4030011600	S.CER C1608 JB 1E 104K-T	B	93.8/78.8
C609	4030011600	S.CER C1608 JB 1E 104K-T	B	93.7/75.8
C610	4030011600	S.CER C1608 JB 1E 104K-T	B	91.3/86.8
C611	4030011600	S.CER C1608 JB 1E 104K-T	B	90.3/75.9
C612	4030011600	S.CER C1608 JB 1E 104K-T	B	87.8/93.9
C613	4030011600	S.CER C1608 JB 1E 104K-T	B	88.4/86.8
C614	4030011600	S.CER C1608 JB 1E 104K-T	B	88.5/74
C615	4030011600	S.CER C1608 JB 1E 104K-T	B	86.9/86
C616	4030011600	S.CER C1608 JB 1E 104K-T	B	87.1/75.9
C617	4030011600	S.CER C1608 JB 1E 104K-T	B	87.9/67
C618	4030011600	S.CER C1608 JB 1E 104K-T	B	83.9/86
C619	4030011600	S.CER C1608 JB 1E 104K-T	B	83.5/75.7
C620	4030011600	S.CER C1608 JB 1E 104K-T	B	81.1/86
C621	4030011600	S.CER C1608 JB 1E 104K-T	B	81.9/83.6
C622	4030011600	S.CER C1608 JB 1E 104K-T	B	81.9/81.9
C623	4030011600	S.CER C1608 JB 1E 104K-T	B	81/77.2
C624	4030011600	S.CER C1608 JB 1E 104K-T	B	81/74.5
C625	4030011600	S.CER C1608 JB 1E 104K-T	B	74.5/91.6
C626	4030011600	S.CER C1608 JB 1E 104K-T	B	74.5/77.2
C627	4030011600	S.CER C1608 JB 1E 104K-T	B	78.3/67.4
C628	4030011600	S.CER C1608 JB 1E 104K-T	B	75.5/93.8
C629	4030011600	S.CER C1608 JB 1E 104K-T	B	73.8/69.4
C630	4030011600	S.CER C1608 JB 1E 104K-T	T	74/76.5
C631	4030011600	S.CER C1608 JB 1E 104K-T	T	74/80.8
C632	4030011600	S.CER C1608 JB 1E 104K-T	T	73.9/73.2
C633	4030011600	S.CER C1608 JB 1E 104K-T	T	102.8/90.4
C634	4030011600	S.CER C1608 JB 1E 104K-T	T	102.9/76.2
C635	4030011600	S.CER C1608 JB 1E 104K-T	B	101.2/83.5
C636	4030011600	S.CER C1608 JB 1E 104K-T	B	101.2/80.3
C637	4030011600	S.CER C1608 JB 1E 104K-T	B	101.4/72
C638	4030011600	S.CER C1608 JB 1E 104K-T	B	96/93.9
C639	4030011600	S.CER C1608 JB 1E 104K-T	B	104/87.3
C640	4030011600	S.CER C1608 JB 1E 104K-T	B	93/82.8
C641	4030011600	S.CER C1608 JB 1E 104K-T	B	93.8/87.5
C642	4030011600	S.CER C1608 JB 1E 104K-T	B	93.8/81.4
C643	4030011600	S.CER C1608 JB 1E 104K-T	B	93/77.2
C644	4030011600	S.CER C1608 JB 1E 104K-T	B	93/74.5
C645	4030011600	S.CER C1608 JB 1E 104K-T	B	94.8/67.4
C646	4030011600	S.CER C1608 JB 1E 104K-T	B	92.8/93.9
C647	4030011600	S.CER C1608 JB 1E 104K-T	T	94.3/67
C648	4030011600	S.CER C1608 JB 1E 104K-T	B	89.7/86
C649	4030011600	S.CER C1608 JB 1E 104K-T	B	85.4/67.5
C650	4030011600	S.CER C1608 JB 1E 104K-T	B	85.5/86.7
C651	4030011600	S.CER C1608 JB 1E 104K-T	B	85.4/74

[SCOPE UNIT]

REF NO.	ORDER NO.	DESCRIPTION	M.	H/V LOCATION
C652	4030011600	S.CER C1608 JB 1E 104K-T	B	79.4/93.8
C653	4030011600	S.CER C1608 JB 1E 104K-T	B	82.5/86.8
C654	4030011600	S.CER C1608 JB 1E 104K-T	T	78.7/66.9
C655	4030011600	S.CER C1608 JB 1E 104K-T	B	81.9/79.9
C656	4030011600	S.CER C1608 JB 1E 104K-T	B	74.5/84.6
C657	4030011600	S.CER C1608 JB 1E 104K-T	B	74.5/80.3
C658	4030011600	S.CER C1608 JB 1E 104K-T	B	74.6/71.4
C659	4030011600	S.CER C1608 JB 1E 104K-T	B	74.5/88.1
C660	4510008540	S.ELE EEE1CA100SR	T	67.6/75
C661	4030011600	S.CER C1608 JB 1E 104K-T	B	72.8/74.7
C662	4030011600	S.CER C1608 JB 1E 104K-T	T	88.3/95.9
C663	4030011600	S.CER C1608 JB 1E 104K-T	T	68.8/70.3
C664	4030011600	S.CER C1608 JB 1E 104K-T	T	66.2/67.6
C665	4030011600	S.CER C1608 JB 1E 104K-T	B	67.5/76.8
C666	4550007310	S.TAN F930J227MNMBA	B	108.6/73.9
C667	4550007310	S.TAN F930J227MNMBA	B	108.6/68.6
C671	4030011600	S.CER C1608 JB 1E 104K-T	T	114.2/70.1
C672	4030006880	S.CER C1608 JB 1H 472K-T	T	72.9/64.4
C701	4030011600	S.CER C1608 JB 1E 104K-T	T	76/57
C702	4030011600	S.CER C1608 JB 1E 104K-T	T	72.7/53.6
C703	4030011600	S.CER C1608 JB 1E 104K-T	T	74.6/57
C720	4030006880	S.CER C1608 JB 1H 472K-T	T	82.9/38.1
C721	4030011600	S.CER C1608 JB 1E 104K-T	T	83.2/40.2
C722	4510008540	S.ELE EEE1CA100SR	T	82.6/44.1
C723	4030006880	S.CER C1608 JB 1H 472K-T	T	109.9/37.4
C724	4030011600	S.CER C1608 JB 1E 104K-T	T	109.9/38.9
C725	4510008540	S.ELE EEE1CA100SR	T	110.1/33.2
C726	4030006880	S.CER C1608 JB 1H 472K-T	T	108.6/45.9
C727	4030006880	S.CER C1608 JB 1H 472K-T	T	105.6/45.3
C730	4030011600	S.CER C1608 JB 1E 104K-T	T	84.2/35.3
C731	4030011600	S.CER C1608 JB 1E 104K-T	T	84.2/38.1
C733	4030011600	S.CER C1608 JB 1E 104K-T	T	93.4/20.8
C734	4030011600	S.CER C1608 JB 1E 104K-T	T	103.1/29.9
C736	4030011600	S.CER C1608 JB 1E 104K-T	T	96.8/44.8
C737	4030011600	S.CER C1608 JB 1E 104K-T	T	103/40.9
C738	4030011600	S.CER C1608 JB 1E 104K-T	T	96.5/26.3
C739	4030011600	S.CER C1608 JB 1E 104K-T	T	99.6/26.3
C740	4030011600	S.CER C1608 JB 1E 104K-T	T	103.1/37.4
C741	4030011600	S.CER C1608 JB 1E 104K-T	T	92.6/45.1
C742	4030011600	S.CER C1608 JB 1E 104K-T	T	90/45.1
C750	4030006900	S.CER C1608 JB 1H 103K-T	T	103.2/34.5
C751	4030006900	S.CER C1608 JB 1H 103K-T	T	105.1/37.3
C760	4030006880	S.CER C1608 JB 1H 472K-T	T	110.9/20.8
C761	4030007150	S.CER C1608 CH 1H 151J-T	T	110.1/22.8
C762	4030007110	S.CER C1608 CH 1H 680J-T	T	108.4/21.6
C763	4030011280	S.CER C1608 CH 1H 271J-T	T	106/25.1
C764	4030007080	S.CER C1608 CH 1H 390J-T	T	103.4/20.8
C765	4030011830	S.CER C1608 CH 1H 301J-T	T	100/24.3
C766	4030007020	S.CER C1608 CH 1H 120J-T	T	100/21.7
C767	4030007170	S.CER C1608 CH 1H 221J-T	T	95.7/24.3
C768	4030011280	S.CER C1608 CH 1H 271J-T	T	93.5/20.4
C769	4030006860	S.CER C1608 JB 1H 102K-T	T	91.4/21.3
C770	4030011280	S.CER C1608 CH 1H 271J-T	T	89.3/20.5
C801	4030006880	S.CER C1608 JB 1H 472K-T	T	66.2/40
C802	4510008540	S.ELE EEE1CA100SR	T	69/44.7
C803	4030006900	S.CER C1608 JB 1H 103K-T	T	60.4/37.1
C805	4550007660	S.TAN F931E105MAABMA	T	58.5/38.7
C806	4340000240	S.MLR ECHU 1C 682JX5	T	64.2/43.3
C807	4030006880	S.CER C1608 JB 1H 472K-T	T	69.6/33.3
C808	4030006880	S.CER C1608 JB 1H 472K-T	B	62.7/32
C809	4510008540	S.ELE EEE1CA100SR	T	64.9/25.7
C810	4030006880	S.CER C1608 JB 1H 472K-T	T	73.8/42.8
C811	4030006880	S.CER C1608 JB 1H 472K-T	T	73.3/32.9
C812	4030006880	S.CER C1608 JB 1H 472K-T	T	73.8/30.9
C813	4030011600	S.CER C1608 JB 1E 104K-T	T	65.9/31.8
C821	4030007060	S.CER C1608 CH 1H 270J-T	T	57.8/46.5
C822	4030007100	S.CER C1608 CH 1H 560J-T	T	54.4/45.7
C823	4030006960	S.CER C1608 CH 1H 050C-T	T	55.7/45.7
C824	4610001850	S.TRI TZB4R200AB10R0	T	50.6/44.7
C825	4030007130	S.CER C1608 CH 1H 102K-T	T	46.9/46.8
C826	4030007060	S.CER C1608 CH 1H 270J-T	T	40.9/45.9
C827	4030007020	S.CER C1608 CH 1H 120J-T	T	45.5/44.6
C828	4030006880	S.CER C1608 JB 1H 472K-T	T	43.5/43.1
C829	4030009500</			

[SCOPE UNIT]

REF NO.	ORDER NO.	DESCRIPTION	M.	H/V LOCATION
J1	6510007020	CNR TMP-J01X-V6		
J2	6510007020	CNR TMP-J01X-V6		
J3	6510007020	CNR TMP-J01X-V6		
J4	6510020001	S.CNR 52808-3071 (3090)	T	127.9/41.5
J11	6510007020	CNR TMP-J01X-V6		
J901	6510023720	CNR LGY6501-0600C		
J902	6510023120	CNR CD6109SA1J0 <CVI>		
J903	6510024040	CNR TM11R-5M2-88-LP		
J904	6510024032	CNR UBA-4R-D10T-4D (LF) (SN)		
J905	6450001941	CNR KEY-15S-2A3A (LF) (SN)		
J906	6510019971	S.CNR 52808-1071	T	129/97.7
J907	6510020251	S.CNR B9B-PH-SM4-TB (LF) (SN)	T	50.7/105.2
J908	6510022311	S.CNR B5B-PH-SM4-TB (LF) (SN)	T	88.7/110.1
J909	6510003471	CNR B11B-EH-S (LF) (SN)		
J910	6510019421	S.CNR B8B-ZR-SM4-TF (LF) (SN)	T	109.6/104.7
DS901	5040002930	S.LED SML-512MW T86	T	57.1/115.2
DS902	5040002930	S.LED SML-512MW T86	T	46/115.1
EP901	6910012350	S.BEA MMZ1608Y 102BT	B	131.1/119.6
EP902	6910012350	S.BEA MMZ1608Y 102BT	B	122.5/122.7
EP903	6910012350	S.BEA MMZ1608Y 102BT	T	81.3/114.1
EP904	6910012350	S.BEA MMZ1608Y 102BT	T	82.6/114.1
EP905	6910012350	S.BEA MMZ1608Y 102BT	B	79.7/113.7
EP906	6910012350	S.BEA MMZ1608Y 102BT	T	81.9/110.1
EP907	6910012350	S.BEA MMZ1608Y 102BT	B	83.8/111.5
EP908	6910012350	S.BEA MMZ1608Y 102BT	B	85.1/111.5

[LOGIC UNIT]

REF NO.	ORDER NO.	DESCRIPTION	M.	H/V LOCATION
IC1	1130014630	S.IC MT48LC16M16A2P IT	B	59.3/91.9
IC2	1130014630	S.IC MT48LC16M16A2P IT	T	59.3/99
IC51	1130011591	S.IC IDT70V24L15PFG	B	95.5/56
IC52	1140009781	S.IC XC9572XL-10TQG100C	B	116.5/56
IC53	1110005821	S.IC R3112N281A-TR-F	T	142.2/100.9
IC54	1130007431	S.IC TC7S14FU (TE85R,F)	T	146.5/100.6
IC55	1130008041	S.IC TC7SH04FU (TE85L,JF)	T	97.9/34.4
IC56	1130010111	S.IC TC7WH04FU (TE12L,F)	B	35/25.1
IC101	1130011010	S.IC SN74CBLTV3257PWR <ACE>	T	25.2/75.3
IC102	1130006441	S.IC TC7S08F (TE85R,F)	T	62/39
IC103	1140011561	S.IC HD6417751RBP200V	T	53.5/64.9
IC104	1130008361	S.IC TC7SHU04FU (TE85L,JF)	T	8.1/60.8
IC105	1130012241	S.IC CY2292FXC (SX-2590J)	T	12.6/69
IC106	1130011110	S.IC TC74VCX04FT (EL)	T	10/77.1
IC201	1130014630	S.IC MT48LC16M16A2P IT	B	128/77.3
IC202	1130014630	S.IC MT48LC16M16A2P IT	B	128.1/95.5
IC203	1140011571	S.IC HD64404BTDV	T	97.4/78.4
IC204	1140011581	S.IC ADV7123KSTZ50	T	207.1/29.6
IC205	1130011941	S.IC TC7SZ04F (TE85L,F)	T	195.9/26.4
IC206	1130012150	S.IC SN74ACT04PWR	T	196/19.9
IC207	1130005721	S.IC TC7W04F (TE12L,F)	B	212.2/38.2
IC208	1130014080	S.IC BD6517F-E2	B	219.1/39.2
IC209	1190001920	S.IC AK5355-VT-E2	B	109.8/22.9
IC210	1190001920	S.IC AK5355-VT-E2	B	120.7/22.9
IC211	1190001910	S.IC AK4384-VT-E2	B	131.3/32.6
IC212	1190001910	S.IC AK4384-VT-E2	B	119.1/33.4
IC401	1130010970	S.IC PCI1410APGE	B	23.5/48.5
IC402	1130011960	S.IC TPS2211AIDBR	B	21.8/31.2
IC403	1130009570	S.IC BR93LC46F-WE2	T	24.2/67.3
IC404	1130010990	S.IC RTL8139C	B	23/76.5
IC601	1130008041	S.IC TC7SH04FU (TE85L,JF)	B	169.3/55.8
IC602	1130008711	S.IC TC7SET04FU (T5L,JF)	B	169.3/53.3
IC603	1110004770	S.IC BU9480F-E2	T	176/57
IC604	1140011590	S.IC HD64F2377VFQ33V	B	87/30.5
IC605	1140009781	S.IC XC9572XL-10TQG100C	B	141/57
IC607	1130006441	S.IC TC7S08F (TE85R,F)	B	59.6/22.6
IC608	1130006441	S.IC TC7S08F (TE85R,F)	B	63.3/22.6
IC609	1130005252	S.IC TC74HC08AF (EL,F)	B	60/29.8
IC610	1140008650	S.IC HN58X2464TI	B	54/37.4
IC801	1180002020	S.REG BA033FP-E2	B	144.2/112.5
IC802	1180001541	S.IC TA78L08F (TE12L,F)	T	131.1/111.6
IC821	1110002700	S.IC NJM2904M-TE1-#FMZB	B	16.9/105
IC851	1110003870	S.IC NJM2058M-TE1	B	186.3/56.1
IC852	1110003870	S.IC NJM2058M-TE1	B	135.5/12.6
IC853	1110003870	S.IC NJM2058M-TE1	B	114.5/10.1
IC854	1130005721	S.IC TC7W04F (TE12L,F)	B	161.4/40.6
Q601	1530002060	S.TR 2SC4081 T106 R	B	173.3/53.3
Q602	1510000510	S.TR 2SA1576A T106R	B	173.2/57.2
Q802	1530002060	S.TR 2SC4081 T106 R	T	159.1/70.3
Q803	1540000441	S.TR 2SD1619T-TD-E	B	160.1/70.9
Q804	1540000441	S.TR 2SD1619T-TD-E	B	166.7/70.8
Q805	1530002060	S.TR 2SC4081 T106 R	T	165.7/70.3
Q806	1540000441	S.TR 2SD1619T-TD-E	B	173.3/70.8
Q807	1530002060	S.TR 2SC4081 T106 R	T	172.3/70.3
Q808	1590001330	S.TR DTA114EUA T106	B	157.7/30.1
Q809	1590001330	S.TR DTA114EUA T106	B	157.7/27.5
Q810	1540000550	S.TR 2SD1664 T100Q	T	160.2/78
Q821	1520000651	S.TR 2SB1201S-TL-E	B	28.9/108.4
Q822	1530002060	S.TR 2SC4081 T106 R	B	25.5/103.6
Q901	1590001960	S.TR XP4311 (TX)	B	187.9/88.3
Q902	1590001960	S.TR XP4311 (TX)	B	188.9/79.7
Q903	1590001960	S.TR XP4311 (TX)	B	193.9/88.3
Q904	1590001960	S.TR XP4311 (TX)	B	192.9/79.7
D51	1750000550	S.DIO 1SS355 TE-17	T	126.1/48.7
D52	1750000550	S.DIO 1SS355 TE-17	T	126.1/50.5
D53	1750000550	S.DIO 1SS355 TE-17	T	126.1/52.3
D54	1750000550	S.DIO 1SS355 TE-17	T	126.1/54.1
D55	1750000550	S.DIO 1SS355 TE-17	T	124.7/55.9
D56	1750000550	S.DIO 1SS355 TE-17	T	124.7/57.7
D57	1750000550	S.DIO 1SS355 TE-17	T	124.7/59.5
D58	1750000550	S.DIO 1SS355 TE-17	T	124.7/61.3
D59	1750000550	S.DIO 1SS355 TE-17	T	124.7/63.1
D60	1750000550	S.DIO 1SS355 TE-17	T	130.1/48.7
D61	1750000550	S.DIO 1SS355 TE-17	T	130.1/50.5
D62	1750000550	S.DIO 1SS355 TE-17	T	130.1/52.3
D65	1750000550	S.DIO 1SS355 TE-17	T	128.9/57.7
D66	1750000550	S.DIO 1SS355 TE-17	T	128.9/59.5
D67	1750000550	S.DIO 1SS355 TE-17	T	128.9/61.3
D68	1750000550	S.DIO 1SS355 TE-17	T	128.9/63.1
D201	1790000980	S.DIO MA742 (TX)	B	214.6/32.4
D202	1790000980	S.DIO MA742 (TX)	B	214.6/29.4
D203	1790000980	S.DIO MA742 (TX)	B	214.6/26.4
D204	1790000980	S.DIO MA742 (TX)	T	201.5/16.9
D205	1790000980	S.DIO MA742 (TX)	T	201.5/19.8
D206	1790000980	S.DIO MA742 (TX)	B	218/7.4
D207	1790000980	S.DIO MA742 (TX)	B	220.9/7.4
D208	1790000980	S.DIO MA742 (TX)	B	228/7.4
D209	1790000980	S.DIO MA742 (TX)	B	230.8/7.4
D601	1750000550	S.DIO 1SS355 TE-17	B	175.5/52.5
D801	1750000370	S.DIO DA221 TL	B	159.1/66.5
D802	1750000370	S.DIO DA221 TL	B	165.7/66.5
D803	1750000370	S.DIO DA221 TL	B	172.3/66.5
D804	1750000271	S.DIO 1SS301 (TE85L,F)	B	170/64.1
D805	1790001611	S.DIO 1SS385 (TE85L,F)	B	157.3/38.2
D806	1790001611	S.DIO 1SS385 (TE85L,F)	B	157.3/40.3
D821	1730002340	S.ZEN MA8047-M (TX)	B	22.4/104.6
D851	1750000550	S.DIO 1SS355 TE-17	B	180.9/50.2
D852	1750000550	S.DIO 1SS355 TE-17	B	191.8/50
D853	1790000980	S.DIO MA742 (TX)	B	122/18.5
D854	1790000980	S.DIO MA742 (TX)	B	119.5/18.5

M.=Mounted side (T: Mounted on the Top side, B: Mounted on the Bottom side)  
S.=Surface mount

[LOGIC UNIT]

REF NO.	ORDER NO.	DESCRIPTION	M.	H/V LOCATION
D855	1790000980	S.DIO MA742 (TX)	B	107/18.4
D856	1790000980	S.DIO MA742 (TX)	B	104.5/18.4
D857	1750000550	S.DIO 1SS355 TE-17	B	189.9/61.9
D858	1750000550	S.DIO 1SS355 TE-17	B	182.2/61.9
D860	1790000980	S.DIO MA742 (TX)	T	97.5/26.3
D861	1790000980	S.DIO MA742 (TX)	T	97.5/31.3
D862	1790000980	S.DIO MA742 (TX)	T	97.9/23.7
D863	1790000980	S.DIO MA742 (TX)	T	97.5/28.8
D864	1790000980	S.DIO MA742 (TX)	T	100.4/23.7
D865	1790000980	S.DIO MA742 (TX)	T	94.3/24.7
D866	1790000980	S.DIO MA742 (TX)	T	94.3/27.2
D867	1790000980	S.DIO MA742 (TX)	T	102.9/23.7
D901	1790000980	S.DIO MA742 (TX)	T	188/31.2
X101	6050011610	S.XTL CR-751 (25.000 MHz)	T	2.9/63.1
X201	6050010680	S.XTL CR-628 (24.576 MHz)	T	103.9/94.6
X202	6050011910	S.XTL CR-780 (48 MHz)	T	100.2/60.6
X601	6050011810	S.XTL CR-755 (15.9744 MHz)	T	81.9/13.6
L203	6200002631	S.COL NLV25T-R10J	B	222.2/32.6
L204	6200002631	S.COL NLV25T-R10J	B	222.2/29.6
L205	6200002631	S.COL NLV25T-R10J	B	222.2/26.6
L801	6200003261	S.COL NLV32T-101J	B	66.9/123.5
L803	6180003321	S.COL SLF6028T-150M1R0-PF	B	88.7/112.9
L804	6180003321	S.COL SLF6028T-150M1R0-PF	B	102.5/112.9
L805	6180003321	S.COL SLF6028T-150M1R0-PF	B	95.8/112.9
L806	6180003321	S.COL SLF6028T-150M1R0-PF	B	109/112.9
L807	6180003321	S.COL SLF6028T-150M1R0-PF	B	115.7/112.9
L808	6200003590	S.COL EXCCL3225U1	T	92.1/115.8
L809	6200003590	S.COL EXCCL3225U1	B	93.1/123.1
L810	6200003590	S.COL EXCCL3225U1	B	87.7/123.2
L811	6200001831	S.COL NLV32T-100J	B	127.9/22.6
L821	6200003590	S.COL EXCCL3225U1	B	121.2/112.7
L822	6200003590	S.COL EXCCL3225U1	T	125/115.8
L823	6200009790	S.COL BLM31PG121SN1	T	18.2/25.6
L824	6200003590	S.COL EXCCL3225U1	B	130.1/115.5
L825	6200003590	S.COL EXCCL3225U1	B	133.6/116.1
L826	6180003321	S.COL SLF6028T-150M1R0-PF	B	179.9/15.5
L827	6200003590	S.COL EXCCL3225U1	T	120.4/115.8
L832	6200003590	S.COL EXCCL3225U1	B	80.1/122.1
L833	6200003590	S.COL EXCCL3225U1	B	75.6/122.1
L834	6200003590	S.COL EXCCL3225U1	B	125.6/112.2
L835	6200003590	S.COL EXCCL3225U1	B	125.6/115.4
L901	6200003590	S.COL EXCCL3225U1	B	214.4/74.3
L902	6200003590	S.COL EXCCL3225U1	B	214.4/78.2
L903	6200003590	S.COL EXCCL3225U1	B	206.5/80
L904	6200003590	S.COL EXCCL3225U1	B	214.4/81.2
L905	6200003590	S.COL EXCCL3225U1	B	21/114.8
L906	6200003590	S.COL EXCCL3225U1	B	24/114.8
L907	6200003590	S.COL EXCCL3225U1	B	27/114.8
L908	6200003590	S.COL EXCCL3225U1	B	30/114.8
L909	6200003261	S.COL NLV32T-101J	B	181.3/82.6
L910	6200003590	S.COL EXCCL3225U1	B	195.7/82.4
L911	6200003590	S.COL EXCCL3225U1	B	221.8/76.5
L912	6200003590	S.COL EXCCL3225U1	B	230.4/76.8
L913	6200003590	S.COL EXCCL3225U1	B	230.4/63
L914	6200003590	S.COL EXCCL3225U1	B	221.8/64
L915	6200003590	S.COL EXCCL3225U1	B	230.4/66
L916	6200003590	S.COL EXCCL3225U1	B	221.8/67
L917	6200003590	S.COL EXCCL3225U1	T	162.2/21.7
L918	6200003590	S.COL EXCCL3225U1	T	186.4/18.7
L919	6200003590	S.COL EXCCL3225U1	T	186.4/22.4
L920	6200003590	S.COL EXCCL3225U1	T	162.3/24.7
L1101	6200003590	S.COL EXCCL3225U1	T	40.5/25.8
R1	7030003520	S.RES ERJ3GEYJ 472 V (4.7 k)	T	91.5/101.3
R51	7030003520	S.RES ERJ3GEYJ 472 V (4.7 k)	T	143/76.8
R52	7030003560	S.RES ERJ3GEYJ 103 V (10 k)	T	138.6/100.6
R55	7030003440	S.RES ERJ3GEYJ 102 V (1 k)	B	126.4/51.5
R56	7030003440	S.RES ERJ3GEYJ 102 V (1 k)	B	123.5/46.1
R57	7030003680	S.RES ERJ3GEYJ 104 V (100 k)	B	31.3/25
R58	7030003680	S.RES ERJ3GEYJ 104 V (100 k)	B	30/25
R101	7030003680	S.RES ERJ3GEYJ 104 V (100 k)	T	19.3/74.8
R102	7030003520	S.RES ERJ3GEYJ 472 V (4.7 k)	T	31/73.7
R103	7030003520	S.RES ERJ3GEYJ 472 V (4.7 k)	T	31/75.7
R104	7030003520	S.RES ERJ3GEYJ 472 V (4.7 k)	T	19.3/73.5
R105	7030003520	S.RES ERJ3GEYJ 472 V (4.7 k)	T	19.3/76.1
R106	7030003560	S.RES ERJ3GEYJ 103 V (10 k)	B	54.6/60.1
R107	7030003560	S.RES ERJ3GEYJ 103 V (10 k)	B	49.4/60.1
R108	7030003560	S.RES ERJ3GEYJ 103 V (10 k)	B	48.4/49.5
R109	7030003560	S.RES ERJ3GEYJ 103 V (10 k)	B	52/60.1
R110	7030003560	S.RES ERJ3GEYJ 103 V (10 k)	T	54.9/49.3
R111	7030003560	S.RES ERJ3GEYJ 103 V (10 k)	B	54.6/58.8
R112	7030003560	S.RES ERJ3GEYJ 103 V (10 k)	T	53.6/49.3
R113	7030003560	S.RES ERJ3GEYJ 103 V (10 k)	B	49.4/58.8
R114	7030003560	S.RES ERJ3GEYJ 103 V (10 k)	B	45.8/49.5
R115	7030003560	S.RES ERJ3GEYJ 103 V (10 k)	B	49.4/62.7
R116	7030003560	S.RES ERJ3GEYJ 103 V (10 k)	B	49.4/61.4
R117	7030003260	S.RES ERJ3GEYJ 330 V (33 k)	B	43.2/49.5
R118	7030003560	S.RES ERJ3GEYJ 103 V (10 k)	B	49.4/64
R119	7030003560	S.RES ERJ3GEYJ 103 V (10 k)	B	41.4/50
R120	7030003560	S.RES ERJ3GEYJ 103 V (10 k)	B	49.4/65.3
R121	7030003560	S.RES ERJ3GEYJ 103 V (10 k)	B	43.2/46.9
R122	7030003560	S.RES ERJ3GEYJ 103 V (10 k)	B	39.3/56
R123	7030003560	S.RES ERJ3GEYJ 103 V (10 k)	B	43.2/45.6
R124	7030003680	S.RES ERJ3GEYJ 104 V (100 k)	T	51/49.3
R125	7030003520	S.RES ERJ3GEYJ 472 V (4.7 k)	T	52.3/49.3
R126	7030003560	S.RES ERJ3GEYJ 103 V (10 k)	B	52/61.4
R127	7030003560	S.RES ERJ3GEYJ 103 V (10 k)	B	52/58.8
R128	7030003560	S.RES ERJ3GEYJ 103 V (10 k)	T	53.6/45.7
R129	7030003560	S.RES ERJ3GEYJ 103 V (10 k)	T	54.9/46.7

[LOGIC UNIT]

REF NO.	ORDER NO.	DESCRIPTION	M.	H/V LOCATION
R130	7030003560	S.RES ERJ3GEYJ 103 V (10 k)	B	56.4/50.5
R131	7030003560	S.RES ERJ3GEYJ 103 V (10 k)	B	54.6/61.4
R132	7030003560	S.RES ERJ3GEYJ 103 V (10 k)	T	56.2/49.3
R133	7030003560	S.RES ERJ3GEYJ 103 V (10 k)	T	56.2/46.7
R134	7030003200	S.RES ERJ3GEYJ 100 V (10)	B	57.2/58.8
R135	7030003200	S.RES ERJ3GEYJ 100 V (10)	B	57.2/60.1
R136	7030003200	S.RES ERJ3GEYJ 100 V (10)	B	70.1/50.5
R137	7030004050	S.RES ERJ3GEYJ 1R0 V (1)	B	49.4/68
R138	7030003560	S.RES ERJ3GEYJ 103 V (10 k)	B	49.4/69.3
R139	7030003560	S.RES ERJ3GEYJ 103 V (10 k)	B	49.7/78
R140	7410000990	S.ARY EXB-V8V 470JV (47)	T	47/82.7
R141	7410000990	S.ARY EXB-V8V 470JV (47)	T	43.3/82.7
R142	7410000990	S.ARY EXB-V8V 470JV (47)	T	54.4/82.7
R143	7410000990	S.ARY EXB-V8V 470JV (47)	T	61.8/82.7
R144	7410000990	S.ARY EXB-V8V 470JV (47)	T	50.7/82.7
R145	7410000990	S.ARY EXB-V8V 470JV (47)	T	58.1/82.7
R146	7030003280	S.RES ERJ3GEYJ 470 V (47)	T	70/81.8
R147	7030003280	S.RES ERJ3GEYJ 470 V (47)	T	70/80.5
R148	7410000990	S.ARY EXB-V8V 470JV (47)	T	65.5/82.7
R149	7410000990	S.ARY EXB-V8V 470JV (47)	T	70/54.9
R150	7410000990	S.ARY EXB-V8V 470JV (47)	T	70/58.6
R151	7410000990	S.ARY EXB-V8V 470JV (47)	T	70/62.3
R152	7410000990	S.ARY EXB-V8V 470JV (47)	T	70/66
R153	7030003200	S.RES ERJ3GEYJ 100 V (10)	T	70/83.1
R154	7410000990	S.ARY EXB-V8V 470JV (47)	T	70/69.7
R155	7410000990	S.ARY EXB-V8V 470JV (47)	T	70/73.4
R156	7410000990	S.ARY EXB-V8V 470JV (47)	T	70/78
R157	7410000800	S.ARY EXB-V8V 103JV (10 k)	T	77.4/38.7
R158	7030003560	S.RES ERJ3GEYJ 103 V (10 k)	T	77.4/36.2
R159	7030003560	S.RES ERJ3GEYJ 103 V (10 k)	T	64.3/41.3
R161	7030003250	S.RES ERJ3GEYJ 270 V (27)	T	9.1/64.6
R162	7030003800	S.RES ERJ3GEYJ 105 V (1 M)	T	6.2/59.5
R163	7030003320	S.RES ERJ3GEYJ 101 V (100)	T	12.5/73.7
R164	7030003250	S.RES ERJ3GEYJ 270 V (27)	B	10.8/68.3
R165	7030003860	S.RES ERJ3GE JPW V	T	4.3/76.8
R166	7030003860	S.RES ERJ3GE JPW V	T	8.5/81.2
R167	7030003860	S.RES ERJ3GE JPW V	T	14.9/78.1
R170	7030003600	S.RES ERJ3GEYJ 223 V (22 k)	B	38.5/38.6
R171	7030003600	S.RES ERJ3GEYJ 223 V (22 k)	B	35.3/75.2
R172	7030003600	S.RES ERJ3GEYJ 223 V (22 k)	B	35.3/76.5
R173	7030003600	S.RES ERJ3GEYJ 223 V (22 k)	B	39.4/78.2
R174	7030003600	S.RES ERJ3GEYJ 223 V (22 k)	B	37.4/79
R175	7030003600	S.RES ERJ3GEYJ 223 V (22 k)	B	37.4/80.3
R176	7030003600	S.RES ERJ3GEYJ 223 V (22 k)	B	35.3/73.9
R201	7030003560	S.RES ERJ3GEYJ 103 V (10 k)	T	114.5/85.1
R202	7030003560	S.RES ERJ3GEYJ 103 V (10 k)	T	111.3/85.1
R203	7030003560	S.RES ERJ3GEYJ 103 V (10 k)	T	118.4/86.4
R204	7030003560	S.RES ERJ3GEYJ 103 V (10 k)	T	118.4/85.1
R205	7030003560	S.RES ERJ3GEYJ 103 V (10 k)	T	114.5/82.5
R206	7030003560	S.RES ERJ3GEYJ 103 V (10 k)	T	111.3/83.8
R207	7030003560	S.RES ERJ3GEYJ 103 V (10 k)	T	118.4/83.8
R208	7030003560	S.RES ERJ3GEYJ 103 V (10 k)	T	118.4/82.5
R209	7030003560	S.RES ERJ3GEYJ 103 V (10 k)	T	114.5/83.8
R212	7030003640	S.RES ERJ3GEYJ 473 V (47 k)	T	83.7/82
R213	7030003640	S.RES ERJ3GEYJ 473 V (47 k)	T	83.7/83.3
R218	7030003520	S.RES ERJ3GEYJ 472 V (4.7 k)	T	116.9/49
R219	7030003520	S.RES ERJ3GEYJ 472 V (4.7 k)	T	83.7/79.4
R220	7030003520	S.RES ERJ3GEYJ 472 V (4.7 k)	B	94.1/74.4
R221	7030003560	S.RES ERJ3GEYJ 103 V (10 k)	T	83.7/73.7
R225	7030003560	S.RES ERJ3GEYJ 103 V (10 k)	B	94.1/79.6
R226	7030003560	S.RES ERJ3GEYJ 103 V (10 k)	B	94.1/80.9
R227	7030003560	S.RES ERJ3GEYJ 103 V (10 k)	T	92/98.2
R228	7030003560	S.RES ERJ3GEYJ 103 V (10 k)	T	92/95.1
R229	7030003560	S.RES ERJ3GEYJ 103 V (10 k)	T	91.2/92
R230	7030003560	S.RES ERJ3GEYJ 103 V (10 k)	T	93.3/95.1
R231	7030003560	S.RES ERJ3GEYJ 103 V (10 k)	T	92.5/92.2
R232	7030003560	S.RES ERJ3GEYJ 103 V (10 k)	B	93.4/83.2
R233	7030003560	S.RES ERJ3GEYJ 103 V (10 k)	T	93.3/98.2
R234	7030003560	S.RES ERJ3GEYJ 103 V (10 k)	T	93.8/92.2
R235	7030003560	S.RES ERJ3GEYJ 103 V (10 k)	T	94.6/95.1
R236	7030003560	S.RES ERJ3GEYJ 103 V (10 k)	T	94.6/98.2
R237	7030003560	S.RES ERJ3GEYJ 103 V (10 k)	B	94.7/83.2
R238	7030003560	S.RES ERJ3GEYJ 103 V (10 k)	T	95.1/92.2
R239	7030003560	S.RES ERJ3GEYJ 103 V (10 k)	T	95.9/95.1
R240	7030003560	S.RES ERJ3GEYJ 103 V (10 k)	T	95.9/98.2
R241	7030003560	S.RES ERJ3GEYJ 103 V (10 k)	B	97/89.4
R242	7030003560	S.RES ERJ3GEYJ 103 V (10 k)	T	96.6/92
R243	7030003560	S.RES ERJ3GEYJ 103 V (10 k)	B	96/83.2
R244	7030003560	S.RES ERJ3GEYJ 103 V (10 k)	T	96.6/64.7
R245	7030003560	S.RES ERJ3GEYJ 103 V (10 k)	T	90.1/64.7
R246	7030003560	S.RES ERJ3GEYJ 103 V (10 k)	T	88.8/61.6
R247	7030003560	S.RES ERJ3GEYJ 103 V (10 k)	B	96.7/74.4
R248	7030003560	S.RES ERJ3GEYJ 103 V (10 k)	T	91.4/64.7
R249	7030003560	S.RES ERJ3GEYJ 103 V (10 k)	T	86.2/64.7
R250	7030003560	S.RES ERJ3GEYJ 103 V (10 k)	T	87.5/64.7
R251	7030003560</			



[LOGIC UNIT]

REF NO.	ORDER NO.	DESCRIPTION	M.	H/V LOCATION
R270	7030003560	S.RES ERJ3GEYJ 103 V (10 k)	T	91.4/61.6
R271	7030003560	S.RES ERJ3GEYJ 103 V (10 k)	T	91.4/59.9
R272	7030003560	S.RES ERJ3GEYJ 103 V (10 k)	B	114.7/71.1
R273	7030003560	S.RES ERJ3GEYJ 103 V (10 k)	T	114/68.2
R274	7030003560	S.RES ERJ3GEYJ 103 V (10 k)	B	99.9/79.7
R275	7030003560	S.RES ERJ3GEYJ 103 V (10 k)	T	111/69.5
R276	7030003560	S.RES ERJ3GEYJ 103 V (10 k)	T	108.7/64.8
R277	7030003560	S.RES ERJ3GEYJ 103 V (10 k)	T	114/66.9
R278	7030003560	S.RES ERJ3GEYJ 103 V (10 k)	T	114/65.6
R279	7030003560	S.RES ERJ3GEYJ 103 V (10 k)	B	99.9/81
R280	7030003560	S.RES ERJ3GEYJ 103 V (10 k)	T	114/69.5
R281	7030003560	S.RES ERJ3GEYJ 103 V (10 k)	B	100.6/75.2
R282	7030003560	S.RES ERJ3GEYJ 103 V (10 k)	B	99.3/75.2
R283	7030003560	S.RES ERJ3GEYJ 103 V (10 k)	B	105.6/65.2
R284	7030003560	S.RES ERJ3GEYJ 103 V (10 k)	B	105.6/66.5
R285	7030003560	S.RES ERJ3GEYJ 103 V (10 k)	B	99.9/78.4
R286	7030003560	S.RES ERJ3GEYJ 103 V (10 k)	T	114/64.3
R287	7030003560	S.RES ERJ3GEYJ 103 V (10 k)	T	103.5/65.6
R288	7030003560	S.RES ERJ3GEYJ 103 V (10 k)	T	108.7/63.4
R289	7030003560	S.RES ERJ3GEYJ 103 V (10 k)	T	100.9/65.5
R290	7030003560	S.RES ERJ3GEYJ 103 V (10 k)	B	99.9/77
R291	7030003560	S.RES ERJ3GEYJ 103 V (10 k)	T	106.1/65.5
R292	7030003560	S.RES ERJ3GEYJ 103 V (10 k)	B	94.1/75.7
R293	7030003560	S.RES ERJ3GEYJ 103 V (10 k)	B	94.1/77
R294	7030003560	S.RES ERJ3GEYJ 103 V (10 k)	B	94.1/78.3
R295	7030003640	S.RES ERJ3GEYJ 473 V (47 k)	B	96.7/75.7
R296	7030003560	S.RES ERJ3GEYJ 103 V (10 k)	T	111.3/87.7
R297	7030003560	S.RES ERJ3GEYJ 103 V (10 k)	T	111.3/91.6
R298	7030003560	S.RES ERJ3GEYJ 103 V (10 k)	T	118.4/91.6
R299	7030003560	S.RES ERJ3GEYJ 103 V (10 k)	T	111.3/90.3
R300	7030003560	S.RES ERJ3GEYJ 103 V (10 k)	T	114.5/90.3
R301	7030003560	S.RES ERJ3GEYJ 103 V (10 k)	T	118.4/90.3
R302	7030003560	S.RES ERJ3GEYJ 103 V (10 k)	T	114.5/91.6
R303	7030003560	S.RES ERJ3GEYJ 103 V (10 k)	T	118.4/89
R304	7030003560	S.RES ERJ3GEYJ 103 V (10 k)	T	114.5/89
R305	7030003560	S.RES ERJ3GEYJ 103 V (10 k)	T	111.3/89
R306	7030003560	S.RES ERJ3GEYJ 103 V (10 k)	T	111.3/86.4
R307	7030003560	S.RES ERJ3GEYJ 103 V (10 k)	T	114.5/86.4
R308	7030003560	S.RES ERJ3GEYJ 103 V (10 k)	T	118.4/87.7
R309	7030003560	S.RES ERJ3GEYJ 103 V (10 k)	T	114.5/87.7
R310	7030003560	S.RES ERJ3GEYJ 103 V (10 k)	T	111/68.2
R311	7030003560	S.RES ERJ3GEYJ 103 V (10 k)	B	116.1/71.1
R313	7030003410	S.RES ERJ3GEYJ 561 V (560)	T	209.8/36.7
R314	7030003340	S.RES ERJ3GEYJ 151 V (150)	B	216.8/32.5
R315	7030003340	S.RES ERJ3GEYJ 151 V (150)	B	218.1/32.5
R316	7030003340	S.RES ERJ3GEYJ 151 V (150)	B	216.8/29.5
R317	7030003340	S.RES ERJ3GEYJ 151 V (150)	B	218.1/29.5
R318	7030003340	S.RES ERJ3GEYJ 151 V (150)	B	216.8/26.5
R319	7030003340	S.RES ERJ3GEYJ 151 V (150)	B	218.1/26.5
R320	7030003240	S.RES ERJ3GEYJ 220 V (22)	T	203.9/17.8
R321	7030003240	S.RES ERJ3GEYJ 220 V (22)	T	203.9/20.7
R322	7030003250	S.RES ERJ3GEYJ 270 V (27)	B	213.9/7.4
R323	7030003250	S.RES ERJ3GEYJ 270 V (27)	B	215.9/3.3
R324	7030003580	S.RES ERJ3GEYJ 153 V (15 k)	B	213.9/6.1
R325	7030003580	S.RES ERJ3GEYJ 153 V (15 k)	B	215.9/4.6
R326	7030003250	S.RES ERJ3GEYJ 270 V (27)	B	227.4/4.9
R327	7030003250	S.RES ERJ3GEYJ 270 V (27)	B	230/4.9
R328	7030003580	S.RES ERJ3GEYJ 153 V (15 k)	B	228.1/3.1
R329	7030003580	S.RES ERJ3GEYJ 153 V (15 k)	B	230.7/3.1
R330	7030003560	S.RES ERJ3GEYJ 103 V (10 k)	B	222.6/38.8
R331	7030003560	S.RES ERJ3GEYJ 103 V (10 k)	B	223.9/38.8
R332	7030003640	S.RES ERJ3GEYJ 473 V (47 k)	B	104.6/25.8
R333	7030003640	S.RES ERJ3GEYJ 473 V (47 k)	B	113.9/19.1
R334	7030003640	S.RES ERJ3GEYJ 473 V (47 k)	B	117.0/19.5
R335	7030003280	S.RES ERJ3GEYJ 470 V (47)	B	109.8/26.4
R336	7030003640	S.RES ERJ3GEYJ 473 V (47 k)	B	115.5/25.8
R337	7030003640	S.RES ERJ3GEYJ 473 V (47 k)	B	125.1/23.6
R338	7030003640	S.RES ERJ3GEYJ 473 V (47 k)	B	125.2/20.6
R339	7030003280	S.RES ERJ3GEYJ 470 V (47)	B	120.1/27.7
R340	7030003280	S.RES ERJ3GEYJ 470 V (47)	B	130.8/38.1
R341	7030003640	S.RES ERJ3GEYJ 473 V (47 k)	B	135.7/33.5
R342	7030003280	S.RES ERJ3GEYJ 470 V (47)	B	121.7/36.9
R343	7030003640	S.RES ERJ3GEYJ 473 V (47 k)	B	119.5/30
R344	7030003520	S.RES ERJ3GEYJ 472 V (4.7 k)	B	129.1/29.1
R345	7030003520	S.RES ERJ3GEYJ 472 V (4.7 k)	B	116.9/30
R350	7030003860	S.RES ERJ3GE JPW V	T	119.5/49
R351	7030003860	S.RES ERJ3GE JPW V	B	100.6/83.2
R353	7030003860	S.RES ERJ3GE JPW V	B	187.5/12.3
R355	7030003860	S.RES ERJ3GE JPW V	B	187.5/13.6
R356	7030003860	S.RES ERJ3GE JPW V	B	185.3/9.9
R361	7030003320	S.RES ERJ3GEYJ 101 V (100)	T	193.5/25.6
R401	7030003320	S.RES ERJ3GEYJ 101 V (100)	B	39.9/44.9
R403	7030003560	S.RES ERJ3GEYJ 103 V (10 k)	B	16.5/35.6
R404	7030003560	S.RES ERJ3GEYJ 103 V (10 k)	B	22.8/35.6
R405	7030003560	S.RES ERJ3GEYJ 103 V (10 k)	B	7.9/40.8
R406	7030003560	S.RES ERJ3GEYJ 103 V (10 k)	T	24.3/46.5
R407	7030003560	S.RES ERJ3GEYJ 103 V (10 k)	T	22.5/47.2
R408	7030003560	S.RES ERJ3GEYJ 103 V (10 k)	T	28.1/51.8
R409	7030003560	S.RES ERJ3GEYJ 103 V (10 k)	T	22.9/57
R410	7030003560	S.RES ERJ3GEYJ 103 V (10 k)	T	20.3/57
R411	7030003560	S.RES ERJ3GEYJ 103 V (10 k)	T	24.2/57
R412	7030003560	S.RES ERJ3GEYJ 103 V (10 k)	T	25.5/57
R413	7030003560	S.RES ERJ3GEYJ 103 V (10 k)	T	26.8/57
R414	7030003560	S.RES ERJ3GEYJ 103 V (10 k)	T	21.6/57
R415	7030003560	S.RES ERJ3GEYJ 103 V (10 k)	B	25.6/26.2
R416	7030003560	S.RES ERJ3GEYJ 103 V (10 k)	B	24.3/26.2
R417	7030003560	S.RES ERJ3GEYJ 103 V (10 k)	B	23/26.2
R418	7030003320	S.RES ERJ3GEYJ 101 V (100)	B	36.1/82.5
R419	7030003440	S.RES ERJ3GEYJ 102 V (1 k)	B	10.4/83.3
R420	7030003580	S.RES ERJ3GEYJ 153 V (15 k)	B	11/81.5
R421	7030003470	S.RES ERJ3GEYJ 182 V (1.8 k)	B	12.3/76.4
R422	7030003250	S.RES ERJ3GEYJ 270 V (27)	B	11.5/74.2
R423	7030003560	S.RES ERJ3GEYJ 103 V (10 k)	B	14.6/90.2
R424	7030003560	S.RES ERJ3GEYJ 103 V (10 k)	B	11.5/85.7

[LOGIC UNIT]

REF NO.	ORDER NO.	DESCRIPTION	M.	H/V LOCATION
R425	7030003380	S.RES ERJ3GEYJ 331 V (330)	T	9.3/96.4
R426	7030003380	S.RES ERJ3GEYJ 331 V (330)	T	9.3/94.9
R427	7030003380	S.RES ERJ3GEYJ 331 V (330)	T	9.3/93.1
R428	7030003320	S.RES ERJ3GEYJ 101 V (100)	B	147.4/21.2
R429	7030003320	S.RES ERJ3GEYJ 101 V (100)	B	148.7/21.2
R430	7030003320	S.RES ERJ3GEYJ 101 V (100)	B	151.3/21.2
R431	7030003320	S.RES ERJ3GEYJ 101 V (100)	B	150/21.2
R432	7030003320	S.RES ERJ3GEYJ 101 V (100)	B	154.3/15.2
R433	7030003320	S.RES ERJ3GEYJ 101 V (100)	B	155.6/15.2
R434	7030003320	S.RES ERJ3GEYJ 101 V (100)	B	155.6/18.4
R435	7030003320	S.RES ERJ3GEYJ 101 V (100)	B	154.3/18.4
R436	7030003340	S.RES ERJ3GEYJ 151 V (150)	B	156.5/6.7
R437	7030003340	S.RES ERJ3GEYJ 151 V (150)	B	158.5/6.7
R438	7030003340	S.RES ERJ3GEYJ 151 V (150)	B	162.5/6.7
R439	7030003340	S.RES ERJ3GEYJ 151 V (150)	B	164.5/6.7
R440	7030003340	S.RES ERJ3GEYJ 151 V (150)	B	156.5/4.1
R441	7030003340	S.RES ERJ3GEYJ 151 V (150)	B	158.5/4.1
R442	7030003340	S.RES ERJ3GEYJ 151 V (150)	B	164.5/4.1
R443	7030003340	S.RES ERJ3GEYJ 151 V (150)	B	162.5/4.1
R450	7030003860	S.RES ERJ3GE JPW V	T	36.8/35.4
R601	7030003620	S.RES ERJ3GEYJ 333 V (33 k)	B	175/55.4
R602	7030003590	S.RES ERJ3GEYJ 183 V (18 k)	B	171.3/53.1
R603	7030003540	S.RES ERJ3GEYJ 682 V (6.8 k)	B	173.1/55.2
R604	7030003640	S.RES ERJ3GEYJ 473 V (47 k)	B	171.3/55.7
R605	7030003680	S.RES ERJ3GEYJ 104 V (100 k)	B	167.3/55
R606	7030003680	S.RES ERJ3GEYJ 104 V (100 k)	B	102.8/31.6
R607	7030003350	S.RES ERJ3GEYJ 181 V (180)	B	87.7/14.2
R608	7030003520	S.RES ERJ3GEYJ 472 V (4.7 k)	B	90.5/14.2
R609	7030003440	S.RES ERJ3GEYJ 102 V (1 k)	T	80.8/23.6
R610	7030003440	S.RES ERJ3GEYJ 102 V (1 k)	T	80.8/24.9
R611	7030003440	S.RES ERJ3GEYJ 102 V (1 k)	T	80.8/26.2
R612	7030003440	S.RES ERJ3GEYJ 102 V (1 k)	T	80.1/27.5
R613	7030003440	S.RES ERJ3GEYJ 102 V (1 k)	T	83.4/27.9
R614	7030003440	S.RES ERJ3GEYJ 102 V (1 k)	T	83.4/29.2
R615	7030003440	S.RES ERJ3GEYJ 102 V (1 k)	T	83.4/30.5
R616	7030003440	S.RES ERJ3GEYJ 102 V (1 k)	T	83.4/31.8
R617	7030003800	S.RES ERJ3GEYJ 105 V (1 M)	T	86.5/30.5
R618	7030003800	S.RES ERJ3GEYJ 105 V (1 M)	T	86.5/29.2
R619	7030003800	S.RES ERJ3GEYJ 105 V (1 M)	T	86.5/27.9
R620	7030003800	S.RES ERJ3GEYJ 105 V (1 M)	T	86.5/27.9
R621	7030003800	S.RES ERJ3GEYJ 105 V (1 M)	T	84.1/26.6
R622	7030003800	S.RES ERJ3GEYJ 105 V (1 M)	T	84.1/25.3
R623	7030003800	S.RES ERJ3GEYJ 105 V (1 M)	T	84.3/23.6
R624	7030003800	S.RES ERJ3GEYJ 105 V (1 M)	T	84.3/22.3
R625	7030003640	S.RES ERJ3GEYJ 473 V (47 k)	B	68.6/27.3
R626	7030003600	S.RES ERJ3GEYJ 223 V (22 k)	B	68.6/28.6
R627	7030003640	S.RES ERJ3GEYJ 473 V (47 k)	B	66.3/36.4
R628	7030003640	S.RES ERJ3GEYJ 473 V (47 k)	B	66.3/35.1
R629	7030003640	S.RES ERJ3GEYJ 473 V (47 k)	B	71.2/34.9
R630	7030003520	S.RES ERJ3GEYJ 472 V (4.7 k)	B	68.6/32.5
R631	7030003520	S.RES ERJ3GEYJ 472 V (4.7 k)	T	67.4/27
R632	7030003520	S.RES ERJ3GEYJ 472 V (4.7 k)	T	67.4/30.9
R633	7030003520	S.RES ERJ3GEYJ 472 V (4.7 k)	T	67.4/28.3
R634	7030003520	S.RES ERJ3GEYJ 472 V (4.7 k)	B	66.3/33.8
R635	7030003520	S.RES ERJ3GEYJ 472 V (4.7 k)	T	67.4/29.6
R636	7030003640	S.RES ERJ3GEYJ 473 V (47 k)	B	58.1/19.5
R637	7030003640	S.RES ERJ3GEYJ 473 V (47 k)	B	61.8/19.5
R639	7030003640	S.RES ERJ3GEYJ 473 V (47 k)	T	99.1/19
R640	7030003640	S.RES ERJ3GEYJ 473 V (47 k)	T	97.8/19
R641	7030003640	S.RES ERJ3GEYJ 473 V (47 k)	T	96.5/19
R642	7030003640	S.RES ERJ3GEYJ 473 V (47 k)	T	95.2/19
R643	7030003600	S.RES ERJ3GEYJ 223 V (22 k)	B	80.9/46.3
R644	7030003560	S.RES ERJ3GEYJ 103 V (10 k)	B	82.2/46.3
R645	7030003520	S.RES ERJ3GEYJ 472 V (4.7 k)	T	93.1/40.9
R646	7030003720	S.RES ERJ3GEYJ 224 V (220 k)	B	101.8/41.5
R647	7030003720	S.RES ERJ3GEYJ 224 V (220 k)	B	102.8/44.1
R648	7030003720	S.RES ERJ3GEYJ 224 V (220 k)	B	103.8/41.5
R649	7030003720	S.RES ERJ3GEYJ 224 V (220 k)	B	104.8/44.1
R650	7030003720	S.RES ERJ3GEYJ 224 V (220 k)	B	105.8/41.5
R651	7030003720	S.RES ERJ3GEYJ 224 V (220 k)	B	106.8/44.1
R652	7030003720	S.RES ERJ3GEYJ 224 V (220 k)	B	107.8/41.5
R653	7030003720	S.RES ERJ3GEYJ 224 V (220 k)	B	108.7/44.1
R654	7030003520	S.RES ERJ3GEYJ 472 V (4.7 k)	B	102.8/39.2
R655	7030003520	S.RES ERJ3GEYJ 472 V (4.7 k)	B	102.8/37.9
R656</				

[LOGIC UNIT]

REF NO.	ORDER NO.	DESCRIPTION	M.	H/V LOCATION
R686	7030003520	S.RES ERJ3GEYJ 472 V (4.7 k)	B	152.7/59.5
R687	7030003520	S.RES ERJ3GEYJ 472 V (4.7 k)	B	152.1/53.6
R688	7030003720	S.RES ERJ3GEYJ 224 V (220 k)	B	68.6/24.7
R689	7030003520	S.RES ERJ3GEYJ 472 V (4.7 k)	B	153/56.2
R690	7030003520	S.RES ERJ3GEYJ 472 V (4.7 k)	B	153/54.9
R691	7030003640	S.RES ERJ3GEYJ 473 V (47 k)	B	66/31.9
R701	7030003860	S.RES ERJ3GE JPW V	T	93.1/43.5
R801	7030003560	S.RES ERJ3GEYJ 103 V (10 k)	T	158.2/72.8
R802	7030006210	S.RES ERJ12YJ4R7U (4.7)	T	162.3/71.2
R803	7030003440	S.RES ERJ3GEYJ 102 V (1 k)	T	159.5/72.8
R804	7030006210	S.RES ERJ12YJ4R7U (4.7)	T	168.9/71.2
R805	7030003440	S.RES ERJ3GEYJ 102 V (1 k)	T	166.1/72.8
R806	7030003560	S.RES ERJ3GEYJ 103 V (10 k)	T	164.8/72.8
R807	7030006210	S.RES ERJ12YJ4R7U (4.7)	T	175.5/71.2
R808	7030003440	S.RES ERJ3GEYJ 102 V (1 k)	T	173/72.8
R809	7030003560	S.RES ERJ3GEYJ 103 V (10 k)	T	171.6/72.8
R810	7030003320	S.RES ERJ3GEYJ 101 V (100)	B	154.9/29.9
R811	7030003320	S.RES ERJ3GEYJ 101 V (100)	B	154.9/27.5
R812	7030010440	S.RES ERJ1TYJ 680U (68)	B	133/111.2
R813	7030003560	S.RES ERJ3GEYJ 103 V (10 k)	B	192.6/10
R814	7030003440	S.RES ERJ3GEYJ 102 V (1 k)	T	105.6/116.6
R816	7030003560	S.RES ERJ3GEYJ 103 V (10 k)	T	158.9/74.7
R817	7030003560	S.RES ERJ3GEYJ 103 V (10 k)	T	161.5/74.7
R818	7030000140	S.RES MCR10EZJH 10 (100)	T	155.6/78.2
R819	7030007190	S.RES ERJ12YJ220U (22)	T	135.4/111
R821	7030003370	S.RES ERJ3GEYJ 271 V (270)	B	15.3/100
R822	7030009720	S.RES ERJ12YJ102U (1 k)	T	19.9/103.2
R823	7030003810	S.RES ERJ3GEYJ 125 V (1.2 M)	B	16.8/109.5
R824	7030003810	S.RES ERJ3GEYJ 125 V (1.2 M)	B	13.5/107.1
R825	7030008170	S.RES ERJ12YJ1R0U (1)	B	37/112.2
R826	7030003610	S.RES ERJ3GEYJ 273 V (27 k)	B	16.8/110.8
R827	7030003610	S.RES ERJ3GEYJ 273 V (27 k)	B	13.5/109.9
R828	7030003560	S.RES ERJ3GEYJ 103 V (10 k)	B	25.4/101.5
R829	7030000340	S.RES MCR10EZJH 470 (471)	B	20.6/104.5
R830	7030003600	S.RES ERJ3GEYJ 223 V (22 k)	B	18.5/100
R832	7030003600	S.RES ERJ3GEYJ 223 V (22 k)	B	18.5/98.7
R833	7030003560	S.RES ERJ3GEYJ 103 V (10 k)	B	18.5/97.4
R850	7030003860	S.RES ERJ3GE JPW V	B	182.4/50.9
R851	7030003680	S.RES ERJ3GEYJ 104 V (100 k)	B	187.1/61.9
R852	7030003680	S.RES ERJ3GEYJ 104 V (100 k)	B	185/61.9
R853	7030003770	S.RES ERJ3GEYJ 564 V (560 k)	B	183.7/61.9
R854	7030003770	S.RES ERJ3GEYJ 564 V (560 k)	B	188.4/61.9
R855	7030003520	S.RES ERJ3GEYJ 472 V (4.7 k)	B	191.5/61.9
R856	7030003520	S.RES ERJ3GEYJ 472 V (4.7 k)	B	180.6/61.9
R857	7030003560	S.RES ERJ3GEYJ 103 V (10 k)	B	144.7/14.2
R858	7030003460	S.RES ERJ3GEYJ 152 V (1.5 k)	B	144.7/12.9
R859	7030003470	S.RES ERJ3GEYJ 182 V (1.8 k)	B	142.1/12.9
R860	7030003500	S.RES ERJ3GEYJ 332 V (3.3 k)	B	144.7/15.5
R861	7030003480	S.RES ERJ3GEYJ 222 V (2.2 k)	B	141.4/14.9
R862	7030003380	S.RES ERJ3GEYJ 331 V (330)	B	147.7/3.8
R863	7030003560	S.RES ERJ3GEYJ 103 V (10 k)	B	134.5/21.1
R864	7030003460	S.RES ERJ3GEYJ 152 V (1.5 k)	B	134.5/19.8
R865	7030003470	S.RES ERJ3GEYJ 182 V (1.8 k)	B	134.5/18.5
R866	7030003500	S.RES ERJ3GEYJ 332 V (3.3 k)	B	131.7/17.2
R867	7030003480	S.RES ERJ3GEYJ 222 V (2.2 k)	B	131.7/18.5
R868	7030003380	S.RES ERJ3GEYJ 331 V (330)	B	134.1/3.8
R869	7030003560	S.RES ERJ3GEYJ 103 V (10 k)	B	114.1/30
R870	7030003560	S.RES ERJ3GEYJ 103 V (10 k)	B	144.7/7.2
R871	7030003460	S.RES ERJ3GEYJ 152 V (1.5 k)	B	143.4/7.2
R872	7030003470	S.RES ERJ3GEYJ 182 V (1.8 k)	B	142.1/7.2
R873	7030003500	S.RES ERJ3GEYJ 332 V (3.3 k)	B	138.2/7.2
R874	7030003480	S.RES ERJ3GEYJ 222 V (2.2 k)	B	139.5/7.2
R875	7030003380	S.RES ERJ3GEYJ 331 V (330)	B	140.9/3.8
R876	7030003410	S.RES ERJ3GEYJ 561 V (560)	B	120.5/14.9
R877	7030003700	S.RES ERJ3GEYJ 154 V (150 k)	B	120.5/13.6
R878	7030003520	S.RES ERJ3GEYJ 472 V (4.7 k)	B	120.5/12.3
R879	7030003550	S.RES ERJ3GEYJ 822 V (8.2 k)	B	117.9/4.2
R880	7030003690	S.RES ERJ3GEYJ 124 V (120 k)	B	119.7/7.5
R881	7030003520	S.RES ERJ3GEYJ 472 V (4.7 k)	B	122.3/5
R882	7030003410	S.RES ERJ3GEYJ 561 V (560)	B	108.9/15.9
R883	7030003550	S.RES ERJ3GEYJ 822 V (8.2 k)	B	108.9/14.6
R884	7030003520	S.RES ERJ3GEYJ 472 V (4.7 k)	B	108.9/13.3
R885	7030003410	S.RES ERJ3GEYJ 561 V (560)	B	108.9/4.1
R886	7030003550	S.RES ERJ3GEYJ 822 V (8.2 k)	B	109.7/6.2
R887	7030003520	S.RES ERJ3GEYJ 472 V (4.7 k)	B	108.4/6.2
R888	7030003360	S.RES ERJ3GEYJ 221 V (220)	B	181.6/48
R889	7030003640	S.RES ERJ3GEYJ 473 V (47 k)	B	184.5/48.3
R890	7030003360	S.RES ERJ3GEYJ 221 V (220)	B	191/47.8
R891	7030003560	S.RES ERJ3GEYJ 103 V (10 k)	B	188.2/48.3
R892	7030003730	S.RES ERJ3GEYJ 274 V (270 k)	B	190.2/50.2
R893	7030003680	S.RES ERJ3GEYJ 104 V (100 k)	B	183.7/50.2
R894	7030003200	S.RES ERJ3GEYJ 100 V (10)	B	193.2/55.7
R895	7030003680	S.RES ERJ3GEYJ 104 V (100 k)	B	188.9/50.2
R896	7030003200	S.RES ERJ3GEYJ 100 V (10)	B	192.9/52.8
R901	7030003200	S.RES ERJ3GEYJ 100 V (10)	T	165.7/37.7
R902	7030003200	S.RES ERJ3GEYJ 100 V (10)	T	166.1/30.8
R903	7030003200	S.RES ERJ3GEYJ 100 V (10)	T	166.6/40.3
R904	7030003200	S.RES ERJ3GEYJ 100 V (10)	T	167.1/28.2
R905	7030003200	S.RES ERJ3GEYJ 100 V (10)	T	167.6/37.7
R906	7030003200	S.RES ERJ3GEYJ 100 V (10)	T	168.1/30.8
R907	7030003200	S.RES ERJ3GEYJ 100 V (10)	T	168.6/40.3
R908	7030003200	S.RES ERJ3GEYJ 100 V (10)	T	169.1/28.2
R909	7030003200	S.RES ERJ3GEYJ 100 V (10)	T	169.6/37.7
R910	7030003200	S.RES ERJ3GEYJ 100 V (10)	T	170.1/30.8
R911	7030003200	S.RES ERJ3GEYJ 100 V (10)	T	170.6/40.3
R912	7030003200	S.RES ERJ3GEYJ 100 V (10)	T	171.6/37.7
R913	7030003200	S.RES ERJ3GEYJ 100 V (10)	T	172.1/30.8
R914	7030003200	S.RES ERJ3GEYJ 100 V (10)	T	172.6/40.3
R915	7030003200	S.RES ERJ3GEYJ 100 V (10)	T	173.1/28.2
R916	7030003200	S.RES ERJ3GEYJ 100 V (10)	T	173.6/37.7
R917	7030003200	S.RES ERJ3GEYJ 100 V (10)	T	174.1/30.8
R918	7030003200	S.RES ERJ3GEYJ 100 V (10)	T	174.6/40.3
R919	7030003200	S.RES ERJ3GEYJ 100 V (10)	T	175.1/28.2
R920	7030003200	S.RES ERJ3GEYJ 100 V (10)	T	175.6/37.7

[LOGIC UNIT]

REF NO.	ORDER NO.	DESCRIPTION	M.	H/V LOCATION
R921	7030003200	S.RES ERJ3GEYJ 100 V (10)	T	176.1/30.8
R922	7030003200	S.RES ERJ3GEYJ 100 V (10)	T	176.6/40.3
R923	7030003200	S.RES ERJ3GEYJ 100 V (10)	T	177.1/28.2
R924	7030003200	S.RES ERJ3GEYJ 100 V (10)	T	177.6/37.7
R925	7030003200	S.RES ERJ3GEYJ 100 V (10)	T	178.1/30.8
R926	7030003200	S.RES ERJ3GEYJ 100 V (10)	T	178.6/40.3
R927	7030003200	S.RES ERJ3GEYJ 100 V (10)	T	179.1/28.2
R928	7030003200	S.RES ERJ3GEYJ 100 V (10)	T	179.6/37.7
R929	7030003200	S.RES ERJ3GEYJ 100 V (10)	T	180.1/30.8
R930	7030003200	S.RES ERJ3GEYJ 100 V (10)	T	180.6/40.3
R931	7030003200	S.RES ERJ3GEYJ 100 V (10)	T	181.1/28.2
R932	7030003200	S.RES ERJ3GEYJ 100 V (10)	T	182.1/30.8
R933	7030003200	S.RES ERJ3GEYJ 100 V (10)	T	182.6/40.3
R934	7030003200	S.RES ERJ3GEYJ 100 V (10)	T	183.1/28.2
R935	7030003200	S.RES ERJ3GEYJ 100 V (10)	T	183.6/37.7
R936	7030003200	S.RES ERJ3GEYJ 100 V (10)	T	184.1/30.8
R937	7030003200	S.RES ERJ3GEYJ 100 V (10)	T	185.1/28.2
R938	7030003200	S.RES ERJ3GEYJ 100 V (10)	T	133/37.7
R939	7030003200	S.RES ERJ3GEYJ 100 V (10)	T	134.2/30.8
R940	7030003200	S.RES ERJ3GEYJ 100 V (10)	T	134.4/37.8
R941	7030003200	S.RES ERJ3GEYJ 100 V (10)	T	135.2/28.3
R942	7030003200	S.RES ERJ3GEYJ 100 V (10)	T	135.7/37.7
R943	7030003200	S.RES ERJ3GEYJ 100 V (10)	T	136.2/30.8
R944	7030003200	S.RES ERJ3GEYJ 100 V (10)	T	136.7/40.3
R945	7030003200	S.RES ERJ3GEYJ 100 V (10)	T	137.2/28.3
R946	7030003200	S.RES ERJ3GEYJ 100 V (10)	T	137.7/37.7
R947	7030003200	S.RES ERJ3GEYJ 100 V (10)	T	138.2/30.8
R949	7030003200	S.RES ERJ3GEYJ 100 V (10)	T	139.2/28.3
R950	7030003200	S.RES ERJ3GEYJ 100 V (10)	T	139.7/37.7
R951	7030003200	S.RES ERJ3GEYJ 100 V (10)	T	140.2/30.8
R952	7030003200	S.RES ERJ3GEYJ 100 V (10)	T	140.7/40.3
R953	7030003200	S.RES ERJ3GEYJ 100 V (10)	T	141.2/28.3
R954	7030003200	S.RES ERJ3GEYJ 100 V (10)	T	141.7/37.7
R955	7030003200	S.RES ERJ3GEYJ 100 V (10)	T	142.2/30.8
R956	7030003200	S.RES ERJ3GEYJ 100 V (10)	T	142.7/40.3
R957	7030003200	S.RES ERJ3GEYJ 100 V (10)	T	143.2/28.3
R958	7030003200	S.RES ERJ3GEYJ 100 V (10)	T	143.7/37.7
R959	7030003200	S.RES ERJ3GEYJ 100 V (10)	T	144.2/30.8
R960	7030003200	S.RES ERJ3GEYJ 100 V (10)	T	144.7/40.3
R961	7030003200	S.RES ERJ3GEYJ 100 V (10)	T	145.2/37.7
R962	7030003200	S.RES ERJ3GEYJ 100 V (10)	T	146.2/30.8
R963	7030003200	S.RES ERJ3GEYJ 100 V (10)	T	146.7/40.3
R964	7030003200	S.RES ERJ3GEYJ 100 V (10)	T	147.2/28.3
R965	7030003200	S.RES ERJ3GEYJ 100 V (10)	T	147.7/37.7
R966	7030003200	S.RES ERJ3GEYJ 100 V (10)	T	148.2/30.8
R967	7030003200	S.RES ERJ3GEYJ 100 V (10)	T	148.7/40.3
R968	7030003200	S.RES ERJ3GEYJ 100 V (10)	T	149.7/37.7
R969	7030003200	S.RES ERJ3GEYJ 100 V (10)	T	150.2/28.3
R970	7030003200	S.RES ERJ3GEYJ 100 V (10)	T	150.7/40.3
R971	7030003200	S.RES ERJ3GEYJ 100 V (10)	T	151.2/30.8
R974	7030003200	S.RES ERJ3GEYJ 100 V (10)	T	153.2/30.8
R975	7030003200	S.RES ERJ3GEYJ 100 V (10)	B	214.5/83.4
R976	7030003200	S.RES ERJ3GEYJ 100 V (10)	B	220.6/83
R977	7030003200	S.RES ERJ3GEYJ 100 V (10)	B	214.5/86
R978	7030003200	S.RES ERJ3GEYJ 100 V (10)	B	220.6/87
R979	7030003200	S.RES ERJ3GEYJ 100 V (10)	B	214.5/88
R980	7030003200	S.RES ERJ3GEYJ 100 V (10)	B	220.6/89
R981	7030003200	S.RES ERJ3GEYJ 100 V (10)	B	220.6/91
R982	7030003200	S.RES ERJ3GEYJ 100 V (10)	B	220.6/93
R983	7030003200	S.RES ERJ3GEYJ 100 V (10)	B	214.5/94
R984	7030003200	S.RES ERJ3GEYJ 100 V (10)	B	12.2/115.7
R985	7030003200	S.RES ERJ3GEYJ 100 V (10)	B	13.6/115.7
R986	7030003200	S.RES ERJ3GEYJ 100 V (10)	B	14.9/115.7
R987	7030003200	S.RES ERJ3GEYJ 100 V (10)	B	16.2/115.7
R988	7030003200	S.RES ERJ3GEYJ 100 V (10)	B	17.5/115.7
R989	7030003200	S.RES ERJ3GEYJ 100 V (10)	T	181.6/37.7
R990	7030003440	S.RES ERJ3GEYJ 102 V (1 k)	B	182.5/92.1
R991	7030003440	S.RES ERJ3GEYJ 102 V (1 k)	B	183.5/83.5
R992	7030003440	S.RES ERJ3GEYJ 102 V (1 k)	B	184.5/92.1
R993	7030003440	S.RES ERJ3GEYJ 102 V (1 k)	B	185.5/83.5
R994	7030003440	S.RES ERJ3GEYJ 102 V (1 k)	B	186.5/92.1
R995	7030003440	S.RES ERJ3GEYJ 102 V (1 k)	B	187.5/83.5
R996	7030003200	S.RES ERJ3GEYJ 100 V (10)	B	220.6/95.6
R998	70300			



[LOGIC UNIT]

REF NO.	ORDER NO.	DESCRIPTION	M.	H/V LOCATION
R1031	7030003520	S.RES ERJ3GEYJ 472 V (4.7 k)	B	108.9/12
R1032	7030003520	S.RES ERJ3GEYJ 472 V (4.7 k)	B	108.9/9.4
R1033	7030003860	S.RES ERJ3GE JPW V	T	188.9/62.5
R1035	7030003540	S.RES ERJ3GEYJ 682 V (6.8 k)	B	192.2/60.1
R1036	7030003540	S.RES ERJ3GEYJ 682 V (6.8 k)	B	184.5/64.7
R1041	7030003520	S.RES ERJ3GEYJ 472 V (4.7 k)	B	173.8/28.2
R1042	7030003550	S.RES ERJ3GEYJ 822 V (8.2 k)	T	115.2/16.6
R1052	7030008240	S.RES ERJ12Y0R00U	T	86.1/114.3
R1053	7030008240	S.RES ERJ12Y0R00U	T	67.5/114.4
R1054	7030008240	S.RES ERJ12Y0R00U	T	9.4/116.7
R1056	7030003860	S.RES ERJ3GE JPW V	T	138.7/40.3
R1057	7030003860	S.RES ERJ3GE JPW V	B	123.1/7.1
R1101	7030003280	S.RES ERJ3GEYJ 470 V (47)	T	18.7/30.5
R1102	7030003280	S.RES ERJ3GEYJ 470 V (47)	T	18.7/33.1
R1103	7030003280	S.RES ERJ3GEYJ 470 V (47)	T	18.7/35.7
R1104	7030003280	S.RES ERJ3GEYJ 470 V (47)	T	20.5/30.5
R1105	7030003280	S.RES ERJ3GEYJ 470 V (47)	T	20.5/33.1
R1106	7030003280	S.RES ERJ3GEYJ 470 V (47)	T	20.5/35.7
R1107	7030003280	S.RES ERJ3GEYJ 470 V (47)	T	22.3/30.5
R1108	7030003280	S.RES ERJ3GEYJ 470 V (47)	T	22.3/33.1
R1109	7030003280	S.RES ERJ3GEYJ 470 V (47)	T	22.3/35.7
R1110	7030003280	S.RES ERJ3GEYJ 470 V (47)	T	24.1/27.9
R1111	7030003280	S.RES ERJ3GEYJ 470 V (47)	T	24.1/30.5
R1112	7030003280	S.RES ERJ3GEYJ 470 V (47)	T	24.1/33.1
R1113	7030003280	S.RES ERJ3GEYJ 470 V (47)	T	25.9/27.9
R1114	7030003280	S.RES ERJ3GEYJ 470 V (47)	T	25.9/30.5
R1115	7030003280	S.RES ERJ3GEYJ 470 V (47)	T	25.9/33.1
R1116	7030003280	S.RES ERJ3GEYJ 470 V (47)	T	27.3/30.5
R1117	7030003280	S.RES ERJ3GEYJ 470 V (47)	T	28.6/30.5
R1118	7030003280	S.RES ERJ3GEYJ 470 V (47)	T	29.9/30.5
R1119	7030003280	S.RES ERJ3GEYJ 470 V (47)	T	31.2/30.5
R1120	7030003280	S.RES ERJ3GEYJ 470 V (47)	T	32.5/30.5
R1121	7030003280	S.RES ERJ3GEYJ 470 V (47)	T	33.8/30.5
R1122	7030003280	S.RES ERJ3GEYJ 470 V (47)	T	35.1/30.5
R1123	7030003280	S.RES ERJ3GEYJ 470 V (47)	T	40.5/29.6
R1124	7030003280	S.RES ERJ3GEYJ 470 V (47)	T	42.8/34.8
R1125	7030003280	S.RES ERJ3GEYJ 470 V (47)	T	43.5/32.2
R1126	7030003280	S.RES ERJ3GEYJ 470 V (47)	T	44.2/34.8
R1127	7030003280	S.RES ERJ3GEYJ 470 V (47)	T	44.9/32.2
R1128	7030003280	S.RES ERJ3GEYJ 470 V (47)	T	45.6/34.8
R1129	7030003280	S.RES ERJ3GEYJ 470 V (47)	T	46.3/32.2
R1130	7030003280	S.RES ERJ3GEYJ 470 V (47)	T	47/34.8
R1131	7030003280	S.RES ERJ3GEYJ 470 V (47)	T	47.7/32.2
R1132	7030003280	S.RES ERJ3GEYJ 470 V (47)	T	48.4/34.8
R1133	7030003280	S.RES ERJ3GEYJ 470 V (47)	T	49.1/32.2
R1134	7030003280	S.RES ERJ3GEYJ 470 V (47)	T	49.8/34.8
R1135	7030003280	S.RES ERJ3GEYJ 470 V (47)	T	50.5/32.2
R1136	7030003280	S.RES ERJ3GEYJ 470 V (47)	T	51.2/34.8
R1137	7030003280	S.RES ERJ3GEYJ 470 V (47)	T	51.9/32.2
R1138	7030003280	S.RES ERJ3GEYJ 470 V (47)	T	52.6/34.8
R1139	7030003280	S.RES ERJ3GEYJ 470 V (47)	T	53.3/32.2
R1140	7030003280	S.RES ERJ3GEYJ 470 V (47)	T	54/34.8
R1141	7030003280	S.RES ERJ3GEYJ 470 V (47)	T	54.7/32.2
R1142	7030003280	S.RES ERJ3GEYJ 470 V (47)	T	55.4/34.8
R1143	7030003280	S.RES ERJ3GEYJ 470 V (47)	T	56.1/32.2
R1144	7030003280	S.RES ERJ3GEYJ 470 V (47)	T	56.8/34.8
R1145	7030003280	S.RES ERJ3GEYJ 470 V (47)	T	57.5/32.2
R1146	7030003280	S.RES ERJ3GEYJ 470 V (47)	T	58.2/34.8
R1151	7030003290	S.RES ERJ3GEYJ 560 V (56)	T	205.2/11.7
R1152	7030003320	S.RES ERJ3GEYJ 101 V (100)	T	203.6/11.7
R1153	7030003320	S.RES ERJ3GEYJ 101 V (100)	T	200.8/13.2
R1154	7030003320	S.RES ERJ3GEYJ 101 V (100)	T	199.5/13.2
R1155	7030003320	S.RES ERJ3GEYJ 101 V (100)	B	201.4/10.8
R1156	7030003320	S.RES ERJ3GEYJ 101 V (100)	T	198.2/13.2
R1157	7030003320	S.RES ERJ3GEYJ 101 V (100)	B	200.1/10.8
R1158	7030003320	S.RES ERJ3GEYJ 101 V (100)	T	196.9/13.2
R1159	7030003320	S.RES ERJ3GEYJ 101 V (100)	B	198.8/10.8
R1160	7030003320	S.RES ERJ3GEYJ 101 V (100)	T	195.6/13.2
R1161	7030003320	S.RES ERJ3GEYJ 101 V (100)	B	197.5/10.8
R1162	7030003320	S.RES ERJ3GEYJ 101 V (100)	B	196.2/10.8
R1163	7030003320	S.RES ERJ3GEYJ 101 V (100)	T	194.3/13.2
R1164	7030003320	S.RES ERJ3GEYJ 101 V (100)	T	193/13.2
R1165	7030003320	S.RES ERJ3GEYJ 101 V (100)	T	191.1/14.9
R1166	7030003320	S.RES ERJ3GEYJ 101 V (100)	T	189.8/14.9
R1167	7030003320	S.RES ERJ3GEYJ 101 V (100)	T	188.5/14.9
R1168	7030003320	S.RES ERJ3GEYJ 101 V (100)	T	187.2/14.9
R1169	7030003320	S.RES ERJ3GEYJ 101 V (100)	T	185.9/14.9
R1170	7030003320	S.RES ERJ3GEYJ 101 V (100)	T	181.4/9.5
C1	4030011600	S.CER C1608 JB 1E 104K-T	B	69.7/83.3
C2	4030011600	S.CER C1608 JB 1E 104K-T	B	68.1/83.3
C3	4030011600	S.CER C1608 JB 1E 104K-T	B	63.3/83.3
C4	4030011600	S.CER C1608 JB 1E 104K-T	B	59.3/83.3
C5	4030011600	S.CER C1608 JB 1E 104K-T	B	48.9/83.3
C6	4030011600	S.CER C1608 JB 1E 104K-T	B	66.9/100.4
C7	4030011600	S.CER C1608 JB 1E 104K-T	B	62.1/100.4
C8	4030011600	S.CER C1608 JB 1E 104K-T	T	69.7/107.5
C9	4030011600	S.CER C1608 JB 1E 104K-T	T	68.1/107.5
C10	4030011600	S.CER C1608 JB 1E 104K-T	T	63.3/107.5
C11	4030011600	S.CER C1608 JB 1E 104K-T	T	59.3/107.5
C12	4030011600	S.CER C1608 JB 1E 104K-T	T	48.9/107.5
C13	4030011600	S.CER C1608 JB 1E 104K-T	T	66.6/90.9
C14	4030011600	S.CER C1608 JB 1E 104K-T	T	61.9/90.9
C15	4030011600	S.CER C1608 JB 1E 104K-T	B	105.5/54.7
C16	4030011600	S.CER C1608 JB 1E 104K-T	B	97.1/46.1
C17	4030011600	S.CER C1608 JB 1E 104K-T	B	106.6/51
C18	4030011600	S.CER C1608 JB 1E 104K-T	B	109/65.9
C19	4030011600	S.CER C1608 JB 1E 104K-T	B	114/65.9
C20	4030011600	S.CER C1608 JB 1E 104K-T	B	127.6/63.1
C21	4030011600	S.CER C1608 JB 1E 104K-T	B	127.7/55.9
C22	4030011600	S.CER C1608 JB 1E 104K-T	B	117.5/46.1
C23	4030011600	S.CER C1608 JB 1E 104K-T	B	111.5/46.1

[LOGIC UNIT]

REF NO.	ORDER NO.	DESCRIPTION	M.	H/V LOCATION
C61	4030009990	S.CER C1608 CH 1H 200J-T	T	143/78.1
C62	4030011600	S.CER C1608 JB 1E 104K-T	T	139.9/100.6
C63	4030008890	S.CER C1608 JB 1H 273K-T	T	144.5/100.6
C64	4030011600	S.CER C1608 JB 1E 104K-T	T	146.7/102.5
C65	4030011600	S.CER C1608 JB 1E 104K-T	T	96/34.2
C66	4030011600	S.CER C1608 JB 1E 104K-T	B	34.1/27.4
C101	4030011600	S.CER C1608 JB 1E 104K-T	T	23.3/71.9
C102	4030011600	S.CER C1608 JB 1E 104K-T	B	43.2/48.2
C103	4030011600	S.CER C1608 JB 1E 104K-T	B	47.1/78
C104	4030011600	S.CER C1608 JB 1E 104K-T	B	46.8/58.8
C105	4030011600	S.CER C1608 JB 1E 104K-T	B	49.5/71
C106	4030011600	S.CER C1608 JB 1E 104K-T	B	46.8/57.5
C107	4030011600	S.CER C1608 JB 1E 104K-T	B	52/57.5
C108	4030011600	S.CER C1608 JB 1E 104K-T	B	57.7/57.5
C109	4030011600	S.CER C1608 JB 1E 104K-T	B	59.6/60.8
C110	4030011600	S.CER C1608 JB 1E 104K-T	B	46.8/68
C111	4550007520	S.TAN F931A106MAABMA	B	57.7/48.8
C112	4030011600	S.CER C1608 JB 1E 104K-T	B	59/50.5
C113	4550007520	S.TAN F931A106MAABMA	B	63.6/48.8
C114	4030011600	S.CER C1608 JB 1E 104K-T	B	62/50.5
C115	4550007520	S.TAN F931A106MAABMA	B	68.8/48.8
C116	4030011600	S.CER C1608 JB 1E 104K-T	B	64.9/50.5
C117	4030011600	S.CER C1608 JB 1E 104K-T	B	46.9/71
C118	4030011600	S.CER C1608 JB 1E 104K-T	B	46.8/61.4
C119	4030011600	S.CER C1608 JB 1E 104K-T	B	46.8/69.3
C120	4030011600	S.CER C1608 JB 1E 104K-T	B	59.6/69.4
C121	4030011600	S.CER C1608 JB 1E 104K-T	B	57.8/70.2
C122	4030011600	S.CER C1608 JB 1E 104K-T	B	56.5/70.2
C123	4030006860	S.CER C1608 JB 1H 102K-T	B	57.3/78
C124	4030011600	S.CER C1608 JB 1E 104K-T	B	52.1/71
C125	4030011600	S.CER C1608 JB 1E 104K-T	B	54.7/71
C126	4030011600	S.CER C1608 JB 1E 104K-T	B	46.8/66.7
C127	4030011600	S.CER C1608 JB 1E 104K-T	B	43.2/50.8
C128	4030011600	S.CER C1608 JB 1E 104K-T	B	52.2/50.8
C129	4030011600	S.CER C1608 JB 1E 104K-T	B	46.1/64.8
C130	4030011600	S.CER C1608 JB 1E 104K-T	B	59.6/66.8
C131	4030011600	S.CER C1608 JB 1E 104K-T	B	66.4/67.0
C132	4030011600	S.CER C1608 JB 1E 104K-T	B	59.6/63.6
C133	4030011600	S.CER C1608 JB 1E 104K-T	B	47.1/50.9
C134	4030011600	S.CER C1608 JB 1E 104K-T	B	39.3/58.6
C135	4030011600	S.CER C1608 JB 1E 104K-T	B	46.8/60.1
C136	4030011600	S.CER C1608 JB 1E 104K-T	B	54.6/57.5
C137	4030011600	S.CER C1608 JB 1E 104K-T	B	49.4/57.5
C138	4030011600	S.CER C1608 JB 1E 104K-T	B	54.7/69.3
C139	4030011600	S.CER C1608 JB 1E 104K-T	B	59.6/58.2
C140	4030006900	S.CER C1608 JB 1H 103K-T	B	66.4/58.5
C141	4030011600	S.CER C1608 JB 1E 104K-T	T	64.3/38.6
C142	4030011600	S.CER C1608 JB 1E 104K-T	T	76.8/32.5
C144	4030011600	S.CER C1608 JB 1E 104K-T	T	7.9/62.8
C145	4030011600	S.CER C1608 JB 1E 104K-T	T	10/62.1
C146	4030007020	S.CER C1608 CH 1H 120J-T	T	8.1/58.8
C147	4030007020	S.CER C1608 CH 1H 120J-T	T	10/59.5
C148	4030011600	S.CER C1608 JB 1E 104K-T	T	6.7/70.5
C149	4030011600	S.CER C1608 JB 1E 104K-T	T	7.4/73.7
C201	4030011600	S.CER C1608 JB 1E 104K-T	B	118.1/103.3
C202	4030011600	S.CER C1608 JB 1E 104K-T	B	120.7/103.3
C203	4030011600	S.CER C1608 JB 1E 104K-T	B	124.2/103.3
C204	4030011600	S.CER C1608 JB 1E 104K-T	B	127.3/103.3
C205	4030011600	S.CER C1608 JB 1E 104K-T	B	137.4/103.5
C206	4030011600	S.CER C1608 JB 1E 104K-T	B	120.7/87.6
C207	4030011600	S.CER C1608 JB 1E 104K-T	B	125.5/87.7
C208	4030011600	S.CER C1608 JB 1E 104K-T	B	117.7/85.8
C209	4030011600	S.CER C1608 JB 1E 104K-T	B	119.2/85.8
C210	4030011600	S.CER C1608 JB 1E 104K-T	B	124/85.8
C211	4030011600	S.CER C1608 JB 1E 104K-T	B	128/85.8
C212	4030011600	S.CER C1608 JB 1E 104K-T	B	138.4/85.8
C213	4030011600	S.CER C1608 JB 1E 104K-T	B	120.7/770
C214	4030011600	S.CER C1608 JB 1E 104K-T	B	124.1/770
C215	4030011600	S.CER C1608 JB 1E 104K-T	B	89.4/90.4
C216	4030011600	S.CER C1608 JB 1E 104K-T	B	85.6/71.6
C217	4030011600	S.CER C1608 JB 1E 104K-T	B	91.5/79.6
C218	4030011600	S.CER C1608 JB 1E 104K-T	B	92.1/72.6
C219	4030011600	S.CER C1608 JB 1E 104K-T	B	94.7/72.6
C220	4030011600	S.CER C1608 JB 1E 104K-T	B	90.8/72.6
C221	4030011600	S.CER C1608 JB 1E 104K-T	B	96.6/66.6
C222	4030011600	S.CER C1608 JB 1E 104K-T		



[LOGIC UNIT]

REF NO.	ORDER NO.	DESCRIPTION	M.	H/V LOCATION
C251	4030007050	S.CER C1608 CH 1H 220J-T	T	98.4/91.3
C252	4030006990	S.CER C1608 CH 1H 080D-T	T	98.9/63.9
C253	4030006990	S.CER C1608 CH 1H 080D-T	T	101.5/63.9
C254	4030006900	S.CER C1608 JB 1H 103K-T	T	83.7/84.6
C255	4510008520	S.ELE EEE1CA470SP	T	101.3/100.8
C256	4030006900	S.CER C1608 JB 1H 103K-T	T	83/64.1
C257	4510007130	S.ELE EEFCD 0J 470R	T	78.5/66.3
C258	4030011600	S.CER C1608 JB 1E 104K-T	T	84.9/61
C259	4030011600	S.CER C1608 JB 1E 104K-T	B	85.6/76.9
C260	4030011600	S.CER C1608 JB 1E 104K-T	T	214.2/33
C261	4030011600	S.CER C1608 JB 1E 104K-T	T	214.2/31.7
C262	4030011600	S.CER C1608 JB 1E 104K-T	T	214.2/29.7
C263	4030011600	S.CER C1608 JB 1E 104K-T	T	214.2/28.4
C264	4030011600	S.CER C1608 JB 1E 104K-T	T	205.4/23.2
C265	4510008540	S.ELE EEE1CA100SR	T	214.2/36.7
C266	4030011600	S.CER C1608 JB 1E 104K-T	T	196.3/28.7
C267	4030007100	S.CER C1608 CH 1H 560J-T	B	219.4/32.5
C268	4030007100	S.CER C1608 CH 1H 560J-T	B	219.4/29.5
C269	4030007100	S.CER C1608 CH 1H 560J-T	B	219.4/26.5
C270	4030007050	S.CER C1608 CH 1H 220J-T	B	225/32.5
C271	4030007050	S.CER C1608 CH 1H 220J-T	B	225/29.5
C272	4030007050	S.CER C1608 CH 1H 220J-T	B	225/26.5
C273	4030011600	S.CER C1608 JB 1E 104K-T	T	194.2/16.5
C274	4030007170	S.CER C1608 CH 1H 221J-T	T	203.9/16.5
C275	4030007170	S.CER C1608 CH 1H 221J-T	T	203.9/19.4
C276	4030007050	S.CER C1608 CH 1H 220J-T	B	217.8/9.3
C277	4030007050	S.CER C1608 CH 1H 220J-T	B	220.7/9.3
C278	4510008500	S.ELE EEE1CA101WP	T	223.4/38.4
C279	4030007050	S.CER C1608 CH 1H 220J-T	B	227.8/9.3
C280	4030007050	S.CER C1608 CH 1H 220J-T	B	230.7/9.3
C281	4510008500	S.ELE EEE1CA101WP	T	223.4/30.6
C282	4030011600	S.CER C1608 JB 1E 104K-T	B	215.6/39.1
C283	4510008550	S.ELE EEE1HA010SR	T	217.2/42
C284	4030011600	S.CER C1608 JB 1E 104K-T	B	104.6/21.2
C285	4510008540	S.ELE EEE1CA100SR	T	105.6/37.4
C286	4510008540	S.ELE EEE1CA100SR	T	105.6/32.6
C287	4030011600	S.CER C1608 JB 1E 104K-T	B	104.6/23.2
C288	4510008540	S.ELE EEE1CA100SR	T	105.6/27.8
C289	4030011600	S.CER C1608 JB 1E 104K-T	B	104.6/24.5
C290	4030011600	S.CER C1608 JB 1E 104K-T	B	115.5/21.2
C291	4510008540	S.ELE EEE1CA100SR	T	111.7/37.4
C292	4510008540	S.ELE EEE1CA100SR	T	111.7/32.6
C293	4030011600	S.CER C1608 JB 1E 104K-T	B	115.5/23.2
C294	4510008540	S.ELE EEE1CA100SR	T	111.7/27.8
C295	4030011600	S.CER C1608 JB 1E 104K-T	B	115.5/24.5
C296	4030011600	S.CER C1608 JB 1E 104K-T	B	126.3/33.9
C297	4510008540	S.ELE EEE1CA100SR	T	123.9/39.8
C298	4030011600	S.CER C1608 JB 1E 104K-T	B	126.3/31.3
C299	4510008540	S.ELE EEE1CA100SR	T	123.9/35
C300	4030011600	S.CER C1608 JB 1E 104K-T	B	114/34.6
C301	4510008540	S.ELE EEE1CA100SR	T	117.8/39.8
C302	4030011600	S.CER C1608 JB 1E 104K-T	B	113.3/32.5
C303	4510008540	S.ELE EEE1CA100SR	T	117.8/35
C401	4030011600	S.CER C1608 JB 1E 104K-T	B	28.2/61.5
C402	4030011600	S.CER C1608 JB 1E 104K-T	B	22.3/61.5
C403	4030011600	S.CER C1608 JB 1E 104K-T	B	8.7/53.3
C404	4030011600	S.CER C1608 JB 1E 104K-T	B	8.7/45.6
C405	4030011600	S.CER C1608 JB 1E 104K-T	B	20.2/35.6
C406	4030011600	S.CER C1608 JB 1E 104K-T	B	25.4/35.6
C407	4030011600	S.CER C1608 JB 1E 104K-T	B	29.7/35.6
C408	4030011600	S.CER C1608 JB 1E 104K-T	B	38.5/42.3
C409	4030011600	S.CER C1608 JB 1E 104K-T	B	38.7/47.5
C410	4030011600	S.CER C1608 JB 1E 104K-T	B	38.7/51
C411	4030011600	S.CER C1608 JB 1E 104K-T	B	40.9/36.2
C412	4030006860	S.CER C1608 JB 1H 102K-T	T	29.3/44.7
C413	4030006900	S.CER C1608 JB 1H 103K-T	T	26.7/44.7
C414	4030007150	S.CER C1608 CH 1H 151J-T	T	28/44.7
C415	4030011600	S.CER C1608 JB 1E 104K-T	B	15.2/30.5
C416	4510008540	S.ELE EEE1CA100SR	T	13.7/28.8
C417	4030011600	S.CER C1608 JB 1E 104K-T	B	15.2/31.8
C418	4510008540	S.ELE EEE1CA100SR	T	13.7/33.6
C419	4030006900	S.CER C1608 JB 1H 103K-T	T	36.9/26.6
C420	4030007150	S.CER C1608 CH 1H 151J-T	T	36.9/25.3
C421	4550007520	S.TAN F931A106MAABMA	B	19.7/26.8
C422	4030011600	S.CER C1608 JB 1E 104K-T	T	20.8/66.3
C423	4030011600	S.CER C1608 JB 1E 104K-T	B	35.3/85.1
C424	4030011600	S.CER C1608 JB 1E 104K-T	B	38.1/77.1
C425	4030011600	S.CER C1608 JB 1E 104K-T	B	34.6/71.4
C426	4030011600	S.CER C1608 JB 1E 104K-T	B	34.8/67.7
C427	4030011600	S.CER C1608 JB 1E 104K-T	B	26.8/62.8
C428	4030011600	S.CER C1608 JB 1E 104K-T	B	20.8/62.8
C429	4030011600	S.CER C1608 JB 1E 104K-T	B	18.2/62.8
C430	4030011600	S.CER C1608 JB 1E 104K-T	B	9.7/81.5
C431	4030011600	S.CER C1608 JB 1E 104K-T	B	12.3/72.4
C432	4030011600	S.CER C1608 JB 1E 104K-T	B	12.3/79
C433	4030011600	S.CER C1608 JB 1E 104K-T	B	12.3/82.2
C434	4030011600	S.CER C1608 JB 1E 104K-T	B	17.2/90.2
C435	4030011600	S.CER C1608 JB 1E 104K-T	B	20.8/90.2
C436	4030011600	S.CER C1608 JB 1E 104K-T	B	25.7/90.2
C437	4030011600	S.CER C1608 JB 1E 104K-T	B	146.1/21.2
C438	4030011600	S.CER C1608 JB 1E 104K-T	B	152.6/21.2
C439	4030011600	S.CER C1608 JB 1E 104K-T	B	153/18.4
C440	4010008500	CER DEBB3D102KA2B		
C601	4030011600	S.CER C1608 JB 1E 104K-T	B	169.4/51.4
C602	4030011600	S.CER C1608 JB 1E 104K-T	B	169.1/57.7
C603	4030011600	S.CER C1608 JB 1E 104K-T	B	79.6/44.7
C604	4030011600	S.CER C1608 JB 1E 104K-T	B	99.9/36.7
C605	4030011600	S.CER C1608 JB 1E 104K-T	B	102/21.3
C606	4030011600	S.CER C1608 JB 1E 104K-T	B	83.2/16.8
C607	4030011600	S.CER C1608 JB 1E 104K-T	B	81.5/16.8
C608	4510008540	S.ELE EEE1CA100SR	T	67/16.3
C609	4510008540	S.ELE EEE1CA100SR	T	62.4/34
C610	4030006900	S.CER C1608 JB 1H 103K-T	B	71.2/19.5
C611	4030006900	S.CER C1608 JB 1H 103K-T	B	71.2/20.8

[LOGIC UNIT]

REF NO.	ORDER NO.	DESCRIPTION	M.	H/V LOCATION
C612	4030007010	S.CER C1608 CH 1H 100D-T	T	80.9/16.9
C613	4030007010	S.CER C1608 CH 1H 100D-T	T	83.5/16.9
C614	4030011600	S.CER C1608 JB 1E 104K-T	B	86.2/14.2
C615	4030006880	S.CER C1608 JB 1H 472K-T	B	71.2/31.2
C616	4030006880	S.CER C1608 JB 1H 472K-T	B	71.2/29.9
C617	4030006880	S.CER C1608 JB 1H 472K-T	B	71.2/28.6
C618	4030006880	S.CER C1608 JB 1H 472K-T	B	71.2/27.3
C619	4030006880	S.CER C1608 JB 1H 472K-T	B	71.2/26
C620	4030006880	S.CER C1608 JB 1H 472K-T	B	71.2/24.7
C621	4030006880	S.CER C1608 JB 1H 472K-T	B	71.2/23.4
C622	4030006880	S.CER C1608 JB 1H 472K-T	B	71.2/22.1
C623	4510008540	S.ELE EEE1CA100SR	T	178.6/62.5
C624	4030011600	S.CER C1608 JB 1E 104K-T	T	174.9/60.6
C625	4510008540	S.ELE EEE1CA100SR	T	184.7/62.5
C626	4030011600	S.CER C1608 JB 1E 104K-T	B	63.7/20.3
C627	4030011600	S.CER C1608 JB 1E 104K-T	B	60/20.3
C628	4030011600	S.CER C1608 JB 1E 104K-T	B	73.6/39
C629	4030011600	S.CER C1608 JB 1E 104K-T	B	57.2/39.8
C630	4030011600	S.CER C1608 JB 1E 104K-T	B	150.9/51.7
C631	4030011600	S.CER C1608 JB 1E 104K-T	B	148.9/48.1
C632	4030011600	S.CER C1608 JB 1E 104K-T	B	131.8/66
C633	4030011600	S.CER C1608 JB 1E 104K-T	B	138.2/66.7
C634	4030011600	S.CER C1608 JB 1E 104K-T	B	150.9/58
C635	4030011600	S.CER C1608 JB 1E 104K-T	B	131.1/58.5
C636	4030011600	S.CER C1608 JB 1E 104K-T	B	131.1/52.1
C801	4510008540	S.ELE EEE1CA100SR	T	141/114.6
C802	4030011600	S.CER C1608 JB 1E 104K-T	B	138.5/110.6
C803	4030011600	S.CER C1608 JB 1E 104K-T	B	138.5/113.3
C804	4510008520	S.ELE EEE1CA470SP	T	147.2/113.8
C805	4510008870	S.ELE EEE1AA471UP	T	100.2/110.4
C806	4510008870	S.ELE EEE1AA471UP	T	109.5/110.4
C807	4510008870	S.ELE EEE1AA471UP	T	119.4/100.6
C808	4510008870	S.ELE EEE1AA471UP	T	119.9/109.6
C809	4510008560	S.ELE EEE1HAR47SR	T	160/65.3
C810	4510008560	S.ELE EEE1HAR47SR	T	166.6/65.3
C811	4510008560	S.ELE EEE1HAR47SR	T	173.2/65.3
C812	4030006860	S.CER C1608 JB 1H 102K-T	B	66.8/117.7
C813	4030006860	S.CER C1608 JB 1H 102K-T	B	84.9/122.3
C814	4030006860	S.CER C1608 JB 1H 102K-T	B	83.6/116.9
C815	4030006860	S.CER C1608 JB 1H 102K-T	T	88.8/115.9
C816	4030006860	S.CER C1608 JB 1H 102K-T	B	97.3/121.4
C817	4030006860	S.CER C1608 JB 1H 102K-T	B	100.6/122.1
C818	4030006860	S.CER C1608 JB 1H 102K-T	B	103.1/122.1
C819	4030006860	S.CER C1608 JB 1H 102K-T	B	105.6/122.1
C820	4030006860	S.CER C1608 JB 1H 102K-T	B	108.8/121.4
C821	4510008520	S.ELE EEE1CA470SP	T	211/16
C822	4510008500	S.ELE EEE1CA101WP	T	14.3/109.4
C823	4030006880	S.CER C1608 JB 1H 472K-T	B	33.9/114.5
C824	4030006860	S.CER C1608 JB 1H 102K-T	T	20/24.5
C825	4030011600	S.CER C1608 JB 1E 104K-T	B	20.4/107.6
C826	4030006860	S.CER C1608 JB 1H 102K-T	T	122.2/118.1
C827	4030006860	S.CER C1608 JB 1H 102K-T	T	117.6/118.7
C828	4030007130	S.CER C1608 CH 1H 101J-T	T	118.9/118.7
C829	4030006860	S.CER C1608 JB 1H 102K-T	T	127.2/116
C830	4030007130	S.CER C1608 CH 1H 101J-T	T	128.5/116
C831	4030006860	S.CER C1608 JB 1H 102K-T	T	130.5/115.5
C832	4030007130	S.CER C1608 CH 1H 101J-T	T	130.5/116.8
C833	4030006860	S.CER C1608 JB 1H 102K-T	T	133.9/116
C834	4030007130	S.CER C1608 CH 1H 101J-T	T	132.6/116
C835	4030011600	S.CER C1608 JB 1E 104K-T	T	127.8/110.6
C836	4510008540	S.ELE EEE1CA100SR	T	127.8/106
C837	4030011600	S.CER C1608 JB 1E 104K-T	T	135.7/106.8
C838	4510008540	S.ELE EEE1CA100SR	T	132.6/106
C850	4030011600	S.CER C1608 JB 1E 104K-T	B	165/40.9
C851	4510008540	S.ELE EEE1CA100SR	T	128/31.2
C852	4030009490	S.CER C1608 JB 1H 821K-T	B	142.1/11.6
C853	4030009490	S.CER C1608 JB 1H 821K-T	B	142.7/14.9
C855	4510008540	S.ELE EEE1CA100SR	T	117.7/29.1
C856	4030009490	S.CER C1608 JB 1H 821K-T	B	134.5/17.2
C857	4030009490	S.CER C1608 JB 1H 821K-T	B	131.7/19.8
C859	4510008540	S.ELE EEE1CA100SR	T	123.2/29.1
C860	4030009490	S.CER C1608 JB 1H 821K-T	B	136.9/7.2
C861	4030009490	S.CER C1608 JB 1H 821K-T	B	140.8/7.2
C865	4510008540	S.ELE EEE1CA100SR	T	119.4/22.2
C866	4030007160	S		

[LOGIC UNIT]

REF NO.	ORDER NO.	DESCRIPTION	M.	H/V LOCATION
C916	4030006860	S.CER C1608 JB 1H 102K-T	B	180.6/40.3
C917	4030006860	S.CER C1608 JB 1H 102K-T	B	181.1/28.2
C918	4030006860	S.CER C1608 JB 1H 102K-T	B	182.1/30.8
C919	4030006860	S.CER C1608 JB 1H 102K-T	B	182.6/40.3
C920	4030006860	S.CER C1608 JB 1H 102K-T	B	183.1/28.2
C921	4030006860	S.CER C1608 JB 1H 102K-T	B	183.6/37.7
C922	4030006860	S.CER C1608 JB 1H 102K-T	B	184.1/30.8
C923	4030006860	S.CER C1608 JB 1H 102K-T	B	133.7/37.7
C924	4030006860	S.CER C1608 JB 1H 102K-T	B	134.7/40.3
C925	4030006860	S.CER C1608 JB 1H 102K-T	B	135.7/37.7
C926	4030006860	S.CER C1608 JB 1H 102K-T	B	136.2/30.8
C927	4030006860	S.CER C1608 JB 1H 102K-T	B	136.7/40.3
C928	4030006860	S.CER C1608 JB 1H 102K-T	B	137.2/25.5
C929	4030006860	S.CER C1608 JB 1H 102K-T	B	137.7/37.7
C930	4030006860	S.CER C1608 JB 1H 102K-T	B	138.2/28.1
C931	4030006860	S.CER C1608 JB 1H 102K-T	B	138.7/40.3
C932	4030006860	S.CER C1608 JB 1H 102K-T	B	139.2/25.5
C933	4030006860	S.CER C1608 JB 1H 102K-T	B	139.7/37.7
C934	4030006860	S.CER C1608 JB 1H 102K-T	B	140.2/28.1
C935	4030006860	S.CER C1608 JB 1H 102K-T	B	140.7/40.3
C936	4030006860	S.CER C1608 JB 1H 102K-T	B	141.2/25.5
C937	4030006860	S.CER C1608 JB 1H 102K-T	B	141.7/37.7
C938	4030006860	S.CER C1608 JB 1H 102K-T	B	142.2/22.9
C939	4030006860	S.CER C1608 JB 1H 102K-T	B	142.7/40.3
C940	4030006860	S.CER C1608 JB 1H 102K-T	B	143.2/25.5
C941	4030006860	S.CER C1608 JB 1H 102K-T	B	144.2/22.9
C942	4030006860	S.CER C1608 JB 1H 102K-T	B	146.2/30.8
C943	4030006860	S.CER C1608 JB 1H 102K-T	B	147.2/28.3
C944	4030006860	S.CER C1608 JB 1H 102K-T	B	148.2/30.9
C945	4030006860	S.CER C1608 JB 1H 102K-T	B	150.2/28.3
C946	4030006860	S.CER C1608 JB 1H 102K-T	B	151.2/30.9
C947	4030006860	S.CER C1608 JB 1H 102K-T	B	214.5/84.7
C948	4030006860	S.CER C1608 JB 1H 102K-T	B	220.6/81.7
C949	4030006860	S.CER C1608 JB 1H 102K-T	B	223/91.7
C950	4030006860	S.CER C1608 JB 1H 102K-T	B	220.6/94.3
C951	4030006860	S.CER C1608 JB 1H 102K-T	B	214.5/92.7
C952	4030006860	S.CER C1608 JB 1H 102K-T	B	213.6/72.3
C953	4030006860	S.CER C1608 JB 1H 102K-T	B	211.5/76.1
C954	4030006860	S.CER C1608 JB 1H 102K-T	B	205.7/77.8
C955	4030006860	S.CER C1608 JB 1H 102K-T	B	211.5/79.5
C956	4030006860	S.CER C1608 JB 1H 102K-T	T	211/113.9
C957	4030006860	S.CER C1608 JB 1H 102K-T	T	24/113.9
C958	4030006860	S.CER C1608 JB 1H 102K-T	T	27/113.9
C959	4030006860	S.CER C1608 JB 1H 102K-T	T	30/113.8
C960	4030006860	S.CER C1608 JB 1H 102K-T	B	180.6/79.6
C961	4030006860	S.CER C1608 JB 1H 102K-T	B	183.2/90.3
C962	4030006860	S.CER C1608 JB 1H 102K-T	B	187.7/90.3
C963	4030006860	S.CER C1608 JB 1H 102K-T	B	188.7/81.7
C964	4030006860	S.CER C1608 JB 1H 102K-T	B	193/81.7
C965	4030006860	S.CER C1608 JB 1H 102K-T	B	193.7/90.3
C966	4030006860	S.CER C1608 JB 1H 102K-T	B	194.9/78.8
C967	4030006860	S.CER C1608 JB 1H 102K-T	B	222.7/78.7
C968	4030006860	S.CER C1608 JB 1H 102K-T	B	228.7/79
C969	4030006860	S.CER C1608 JB 1H 102K-T	B	222/74.4
C970	4030006860	S.CER C1608 JB 1H 102K-T	B	229.9/74.4
C971	4030006860	S.CER C1608 JB 1H 102K-T	B	220.9/49.2
C972	4030006860	S.CER C1608 JB 1H 102K-T	B	229.5/50.2
C973	4030006860	S.CER C1608 JB 1H 102K-T	B	227.1/62.2
C974	4030006860	S.CER C1608 JB 1H 102K-T	B	218.4/63.2
C975	4030006860	S.CER C1608 JB 1H 102K-T	B	227.1/66.7
C976	4030006860	S.CER C1608 JB 1H 102K-T	B	218.4/68.1
C977	4030006860	S.CER C1608 JB 1H 102K-T	T	181.7/23.9
C978	4030006860	S.CER C1608 JB 1H 102K-T	T	159.4/23.6
C979	4030006860	S.CER C1608 JB 1H 102K-T	T	190.4/18.9
C980	4030006860	S.CER C1608 JB 1H 102K-T	T	188.7/24.5
C981	4030006860	S.CER C1608 JB 1H 102K-T	T	166.1/22.6
C982	4030006860	S.CER C1608 JB 1H 102K-T	T	173.3/42.7
C983	4030011600	S.CER C1608 JB 1E 104K-T	T	180.7/84.3
C984	4030010210	S.CER C3216 JB 1C 105M-T	B	198.6/85.6
C985	4030011600	S.CER S11B-EH (LF) (SN)	T	195.5/83.6
C991	4030006880	S.CER C1608 JB 1H 472K-T	T	208.4/92
C992	4030006880	S.CER C1608 JB 1H 472K-T	T	208.4/94
C993	4030006880	S.CER C1608 JB 1H 472K-T	T	220.2/93
C994	4030006880	S.CER C1608 JB 1H 472K-T	T	220.2/81.4
C995	4030006880	S.CER C1608 JB 1H 472K-T	T	208.3/80
C996	4030006880	S.CER C1608 JB 1H 472K-T	T	220.2/78.6
C997	4030006880	S.CER C1608 JB 1H 472K-T	T	218.4/73.2
J1	6510022490	S.CNR AXK5S30045P	T	40/98
J2	6510019870	S.CNR AXK5S40045P	T	85/98
J51	6910014251	CNR IMSA-9202B-2-06Z041-PT1	T	
J102	6510019981	S.CNR 52808-1671 (1690)	T	72.5/40
J602	6510019971	S.CNR 52808-1071	T	95.5/14.5
J604	6510019971	S.CNR 52808-1071	T	72.5/23
J802	6510024261	S.CNR S9B-PH-SM4-TB (LF) (SN)	T	158.5/5
J803	6510024401	CNR S11B-EH (LF) (SN)	T	
J804	6510024251	S.CNR S5B-PH-SM4-TB (LF) (SN)	T	213.2/5
J805	6510024111	S.CNR 52793-2070 (2090)	T	129.5/123.9
J806	6510024131	S.CNR IMSA-9637S-40Y905	T	193/4.7
J807	6510024151	S.CNR 50FY-BMT-TB (LF) (SN)	T	53.6/22
J808	6510022471	S.CNR 40FLT-SM2-TB (LF) (SN)	T	175.3/34.3
J809	6510022471	S.CNR 40FLT-SM2-TB (LF) (SN)	T	143.4/34.3
J810	6510022731	S.CNR S13B-PH-SM4-TB (LF) (SN)	T	120/7
J811	6510021561	S.CNR 52808-2470 (2490)	T	214.3/84.5
J812	6510020701	S.CNR 52793-1270 (1290)	T	19.5/123.9
J813	6510020081	S.CNR 52808-2071 (2090)	T	189/89.8
J814	6510019971	S.CNR 52808-1071	T	229/79.5
J815	6510019991	S.CNR 52808-2271 (2291)	T	229/58
J816	6510019991	S.CNR 52808-2271 (2291)	T	171.2/17.5
J820	6510003581	CNR S10B-EH-S (LF) (SN)	T	
J821	6510003551	CNR S07B-EH-S (LF) (SN)	T	
J822	6510021601	S.CNR S2B-PH-SM4-TB (LF) (SN)	T	15.5/18
J823	6510021601	S.CNR S2B-PH-SM4-TB (LF) (SN)	T	53.8/122.6

[LOGIC UNIT]

REF NO.	ORDER NO.	DESCRIPTION	M.	H/V LOCATION
J824	6510024100	CNR SC25-02WL		
J825	6510019421	S.CNR B8B-ZR-SM4-TF (LF) (SN)	T	29.4/20.8
J826	6510023801	S.CNR S4B-ZR-SM4A-TF (LF) (SN)	T	141.3/4.5
DS401	5040002930	S.LED SML-512MW T86	T	11.9/96.4
DS402	5040002930	S.LED SML-512MW T86	T	11.9/94.9
DS403	5040002930	S.LED SML-512MW T86	T	11.9/93.1
S51	2260001890	S.SW SKQDPA	T	142.6/106.8
T401	5920000841	S.TSM H1102NL	T	150/20
EP101	6910013310	S.BEA MMZ1608D121B	T	3.6/74.9
EP102	6910013310	S.BEA MMZ1608D121B	T	10.3/80.5
EP103	6910013310	S.BEA MMZ1608D121B	T	14.9/80.7
EP201	6910012350	S.BEA MMZ1608Y 102BT	T	201.5/22.1
EP202	6910012350	S.BEA MMZ1608Y 102BT	T	198.3/28
EP203	6910012350	S.BEA MMZ1608Y 102BT	T	83.7/86.4
EP204	6910012350	S.BEA MMZ1608Y 102BT	T	79.6/72.4
EP401	6910013310	S.BEA MMZ1608D121B	T	19.4/79.6
EP402	6910013310	S.BEA MMZ1608D121B	T	17.3/75.6
EP403	6910013310	S.BEA MMZ1608D121B	T	19.4/82.5
EP801	6910013310	S.BEA MMZ1608D121B	T	204.4/9.8
EP802	6910013310	S.BEA MMZ1608D121B	T	202.1/10.6
EP803	6910013310	S.BEA MMZ1608D121B	T	200.8/10.6
EP804	6910013310	S.BEA MMZ1608D121B	T	199.5/10.6
EP805	6910013310	S.BEA MMZ1608D121B	B	201.4/8.2
EP806	6910013310	S.BEA MMZ1608D121B	T	198.2/10.6
EP807	6910013310	S.BEA MMZ1608D121B	B	200.1/8.2
EP808	6910013310	S.BEA MMZ1608D121B	T	196.9/10.6
EP809	6910013310	S.BEA MMZ1608D121B	B	198.8/8.2
EP810	6910013310	S.BEA MMZ1608D121B	T	195.6/10.6
EP811	6910013310	S.BEA MMZ1608D121B	B	197.5/8.2
EP812	6910013310	S.BEA MMZ1608D121B	B	196.2/8.2
EP813	6910013310	S.BEA MMZ1608D121B	T	194.3/10.6
EP814	6910013310	S.BEA MMZ1608D121B	T	193/10.6
EP815	6910013310	S.BEA MMZ1608D121B	T	191.7/10.9
EP816	6910013310	S.BEA MMZ1608D121B	T	190.4/11.6
EP817	6910013310	S.BEA MMZ1608D121B	T	189.1/12.3
EP818	6910013310	S.BEA MMZ1608D121B	T	187.8/12
EP819	6910013310	S.BEA MMZ1608D121B	T	186.5/11.6
EP820	6910013310	S.BEA MMZ1608D121B	T	183.5/10
EP821	6910015980	S.BEA MMZ1608S 181CT-AS	T	71.1/116.5
EP822	6910015980	S.BEA MMZ1608S 181CT-AS	T	72.5/116.5
EP826	6910012350	S.BEA MMZ1608Y 102BT	T	133.2/118.1
EP827	6910012350	S.BEA MMZ1608Y 102BT	B	137.3/124.5
EP828	6910012350	S.BEA MMZ1608Y 102BT	B	137.3/123.1
EP829	6910012350	S.BEA MMZ1608Y 102BT	T	135.2/117.3
EP972	6910015970	S.BEA MMZ1608B 301CT-AS	T	139/111
EP973	6910015970	S.BEA MMZ1608B 301CT-AS	T	142/111.1
EP996	6910015970	S.BEA MMZ1608B 301CT-AS	B	188.5/92.1
EP997	6910015970	S.BEA MMZ1608B 301CT-AS	B	189.5/83.5
EP1001	6910015970	S.BEA MMZ1608B 301CT-AS	B	193.5/83.5
EP1002	6910015970	S.BEA MMZ1608B 301CT-AS	B	194.5/92.1
EP1101	6910013310	S.BEA MMZ1608D121B	T	39.4/13.9
EP1102	6910013310	S.BEA MMZ1608D121B	T	40.1/16.6
EP1103	6910013310	S.BEA MMZ1608D121B	T	40.8/13.9
EP1104	6910013310	S.BEA MMZ1608D121B	T	41.5/16.6
EP1105	6910013310	S.BEA MMZ1608D121B	T	42.2/13.9
EP1106	6910013310	S.BEA MMZ1608D121B	T	42.9/16.6
EP1107	6910013310	S.BEA MMZ1608D121B	T	43.6/13.9
EP1108	6910013310	S.BEA MMZ1608D121B	T	44.3/16.6
EP1109	6910013310	S.BEA MMZ1608D121B	T	45/13.9
EP1110	6910013310	S.BEA MMZ1608D121B	T	45.7/16.6
EP1111	6910013310	S.BEA MMZ1608D121B	T	46.4/13.9
EP1112	6910013310	S.BEA MMZ1608D121B	T	47.1/16.6
EP1113	6910013310	S.BEA MMZ1608D121B	T	47.8/13.9
EP1114	6910013310	S.BEA MMZ1608D121B	T	48.5/16.6
EP1115	6910013310	S.BEA MMZ1608D121B	T	49.2/13.9
EP1116	6910013310	S.BEA MMZ1608D121B	T	49.9/16.6
EP1117	6910013310	S.BEA MMZ1608D121B	T	50.6/13.9
EP1118	6910013310	S.BEA MMZ1608D121B	T	51.3/16.6
EP1119	6910013310	S.BEA MMZ1608D121B	T	52/13.9
EP1120	6910013310	S.BEA MMZ1608D121B	T	52.7/16.6
EP1121	6910013310	S.BEA MMZ1608D121B	T	53.4/13.9
EP1122	6910013310	S.BEA MMZ1608D121B	T	54.1/16.6
EP1123	6910013310	S.BEA MMZ1608D121B	T	54.8/13.9
EP1124	6910013310	S.BEA MMZ1608D121B	T	42.8/29.6
EP1125	6910013310	S.BEA MMZ1608D121B	T	43.5/27
EP1126	6910013310	S.BEA MMZ1608D121B	T	44.2/29.6
EP1127	69100133			



[PA UNIT]

REF NO.	ORDER NO.	DESCRIPTION	M.	H/V LOCATION
MF1	2710000770	FAN FCB34AC12A		
W1	8900012790	CBL OPC-1299		

[PA200W BOARD]

REF NO.	ORDER NO.	DESCRIPTION	M.	H/V LOCATION
IC2	1180001541	S.IC TA78L08F (TE12L,F)	T	58.8/15.1
Q1	1520000531	S.TR 2SB1119S-TD-E	T	42.8/19.2
Q2	1590000680	S.TR DTC114EUA T106	T	45.8/13.5
Q101	1560001241	S.FET RD01MUS1-T113	T	5.9/66.4
Q201	1590003051	S.FET PDS55003-E	T	20.5/53.1
Q301	1590003350	S.FET SD2918	T	64/45.8
Q401	1590003361	FET SD2931-12		
Q402	1590003361	FET SD2931-12		
D1	1730000561	S.ZEN RD2.7M-T2B-A B1	T	100.6/22.8
D401	1750000271	S.DIO 1SS301 (TE85L,F)	T	116.8/99.1
D402	1750000271	S.DIO 1SS301 (TE85L,F)	T	118.3/35.9
D403	1750000271	S.DIO 1SS301 (TE85L,F)	T	104/98.3
D404	1750000271	S.DIO 1SS301 (TE85L,F)	T	104/35.7
L1	6200005011	S.COL NLV25T-100J	T	14.7/18
L2	6200005011	S.COL NLV25T-100J	T	14.7/20.5
L3	6200005011	S.COL NLV25T-100J	T	14.7/23
L6	6200005011	S.COL NLV25T-100J	T	14.7/25.5
L7	6200010881	S.COL CDRH124NP-330MC	T	77.3/11
L101	6200005131	S.COL NLC453232T-101K-PF	T	5.6/59.6
L102	6200007220	S.COL EXCCCL4532U1	T	6/38.4
L201	6180001240	COL LAL 04NA 820K		
L202	6140004350	COL LR-475		
L301	6200003261	S.COL NLV32T-101J	T	46.1/36.4
L303	6200001831	S.COL NLV32T-100J	T	86.9/26.2
L304	2040000490	COL EXC-ELDR25C		
L305	2040000490	COL EXC-ELDR25C		
L306	6140004340	COL LR-474		
L307	6200001831	S.COL NLV32T-100J	T	75.7/100.2
L401	6200003261	S.COL NLV32T-101J	T	100.4/98.3
L402	6200003261	S.COL NLV32T-101J	T	100.1/35.8
L403	6140002590	COL LR-296 (TR18X8X8 D12A)		
L404	6140000720	S.COL LR-95	T	166.4/67
L501	6140002030	COL LR-230 (SK-10M-15Y 120)		
R1	7030003440	S.RES ERJ3GEYJ 102 V (1 k)	T	42.8/12.8
R2	7030003560	S.RES ERJ3GEYJ 103 V (10 k)	T	42.8/14.2
R3	7510001740	TMR DTN-C103F3H-STS-40		
R4	7030000380	S.RES MCR10EZJH 1 k	T	39.7/22.5
R5	7030008061	S.RES ERA3YEB 222V (2.2 k)	T	104.3/23.1
R6	7030007210	S.RES ERA3YEB 102V (1 k)	T	103.6/16.5
R7	7030007210	S.RES ERA3YEB 102V (1 k)	T	103.6/17.8
R101	7030003370	S.RES ERJ3GEYJ 271 V (270)	T	6/87.2
R102	7030003220	S.RES ERJ3GEYJ 150 V (15)	T	3.9/86.1
R103	7030003370	S.RES ERJ3GEYJ 271 V (270)	T	6/85
R104	7030003360	S.RES ERJ3GEYJ 221 V (220)	T	4.8/71.3
R105	7030003430	S.RES ERJ3GEYJ 821 V (820)	T	6/73.3
R106	7030003480	S.RES ERJ3GEYJ 222 V (2.2 k)	T	9.2/73.8
R107	7030003440	S.RES ERJ3GEYJ 102 V (1 k)	T	2.2/64.7
R108	7030003200	S.RES ERJ3GEYJ 100 V (10)	T	9.2/68.3
R110	7030000230	S.RES MCR10EZJH 56 (560)	T	11.3/56.6
R111	7030003420	S.RES ERJ3GEYJ 681 V (680)	T	13.3/58.6
R112	7030003510	S.RES ERJ3GEYJ 392 V (3.9 k)	T	12.6/60.6
R113	7030003500	S.RES ERJ3GEYJ 332 V (3.3 k)	T	6.8/75.2
R115	7030003520	S.RES ERJ3GEYJ 472 V (4.7 k)	T	13.1/40.8
R117	7030003530	S.RES ERJ3GEYJ 562 V (5.6 k)	T	7.7/76.5
R118	7030003550	S.RES ERJ3GEYJ 822 V (8.2 k)	T	11.7/40.8
R119	7030008240	S.RES ERJ12YR000U	T	5/49.6
R201	7030004050	S.RES ERJ3GEYJ 1R0 V (1)	T	13.8/48.6
R202	7030003410	S.RES ERJ3GEYJ 561 V (560)	T	23.1/43.1
R203	7030010800	S.RES ERJ1TYJ 2R7U (2.7)	T	18.4/65.5
R205	7030006260	S.RES ERJ12Y471U (470)	T	30.3/55.7
R301	7310005210	TRI VM5CK-PVB 20 k		
R302	7030008180	S.RES ERJ12YJ331U (330)	T	48.3/40.6
R305	7030003530	S.RES ERJ3GEYJ 562 V (5.6 k)	T	49.6/43.5
R307	7070000830	RES ERG3SJ 101 (100)		
R309	7030010570	S.RES ERJ1TYJ 4R7U (4.7)	T	80/45.8
R310	7310005200	TRI VM5CK-PVB 2 k		
R312	7070000830	RES ERG3SJ 101 (100)		
R401	7030010960	S.RES ERJ1TYJ 120U (12)	T	89.8/90.7
R402	7030010960	S.RES ERJ1TYJ 120U (12)	T	93.5/90.7
R403	7030010960	S.RES ERJ1TYJ 120U (12)	T	97.2/90.7
R404	7030010960	S.RES ERJ1TYJ 120U (12)	T	90.8/43.3
R405	7030010960	S.RES ERJ1TYJ 120U (12)	T	94.5/43.3
R406	7030010960	S.RES ERJ1TYJ 120U (12)	T	98.2/43.3
R407	7310005230	TRI VM5CK-PVB 10 k		
R408	7030000420	S.RES MCR10EZJH 2.2 k	T	116.3/96
R409	7030000420	S.RES MCR10EZJH 2.2 k	T	116.3/38
R410	7310005230	TRI VM5CK-PVB 10 k		
R411	7030010520	S.RES ERJ1TYJ 101U (100)	T	107.6/93.9
R412	7030010520	S.RES ERJ1TYJ 101U (100)	T	107.5/40.2
R413	7030010520	S.RES ERJ1TYJ 101U (100)	T	111.3/93.9
R414	7030010520	S.RES ERJ1TYJ 101U (100)	T	111.2/40.2
R416	7070000890	RES ERG3SJ 150 (15)		
R418	7070001190	RES ERG3SJ180 (18)		
R420	7070000890	RES ERG3SJ 150 (15)		
R422	7070001190	RES ERG3SJ180 (18)		
R423	7030003460	S.RES ERJ3GEYJ 152 V (1.5 k)	T	95.9/98.4
R424	7030003460	S.RES ERJ3GEYJ 152 V (1.5 k)	T	99.4/33.6
R425	7310005200	TRI VM5CK-PVB 2 k		
R426	7310005200	TRI VM5CK-PVB 2 k		

[PA200W BOARD]

REF NO.	ORDER NO.	DESCRIPTION	M.	H/V LOCATION
R427	7070001200	RES ERG3SJ100P (10)		
R501	7070000890	RES ERG3SJ 150 (15)		
R502	7070000890	RES ERG3SJ 150 (15)		
R503	7030003500	S.RES ERJ3GEYJ 332 V (3.3 k)	T	171.8/16.7
R504	7030003500	S.RES ERJ3GEYJ 332 V (3.3 k)	T	169.9/15.9
R507	7030003500	S.RES ERJ3GEYJ 332 V (3.3 k)	T	139.1/17.9
R508	7030003500	S.RES ERJ3GEYJ 332 V (3.3 k)	T	137.3/19.2
R511	7070000890	RES ERG3SJ 150 (15)		
R512	7070000890	RES ERG3SJ 150 (15)		
R513	7070001000	RES ERG3SJ 821 (820)		
R514	7070001000	RES ERG3SJ 821 (820)		
R521	7030011160	S.RES RL7520WT-R010-F	T	165.2/20.2
R522	7030011160	S.RES RL7520WT-R010-F	T	159.6/20.2
R523	7030011160	S.RES RL7520WT-R010-F	T	154/20.2
C1	4030011600	S.CER C1608 JB 1E 104K-T	T	18.9/18
C2	4030006880	S.CER C1608 JB 1H 472K-T	T	18.9/20.5
C3	4030006880	S.CER C1608 JB 1H 472K-T	T	18.9/23
C6	4030006880	S.CER C1608 JB 1H 472K-T	T	18.9/25.5
C7	4030006900	S.CER C1608 JB 1H 103K-T	T	70/6.8
C8	4030006880	S.CER C1608 JB 1H 472K-T	T	42.8/15.6
C9	4030011600	S.CER C1608 JB 1E 104K-T	T	57.6/11.4
C10	4510008520	S.ELE EEE1CA470SP	T	52/15.5
C11	4030006900	S.CER C1608 JB 1H 103K-T	T	60.4/11.4
C12	4510008520	S.ELE EEE1CA470SP	T	64.9/15.5
C15	4030006880	S.CER C1608 JB 1H 472K-T	T	104.3/20.4
C16	4030006880	S.CER C1608 JB 1H 472K-T	T	103/23.1
C17	4510008550	S.ELE EEE1HA010SR	T	95.9/22.8
C102	4030017810	S.CER C1608 CH 1H 102J-T	T	4.1/76.2
C103	4030011600	S.CER C1608 JB 1E 104K-T	T	9.2/72.5
C104	4030011600	S.CER C1608 JB 1E 104K-T	T	9.5/75.2
C106	4030017320	S.CER GRM21BB11H104KA01	T	2.2/67.7
C107	4030011600	S.CER C1608 JB 1E 104K-T	T	9.2/70.9
C108	4030017810	S.CER C1608 CH 1H 102J-T	T	9.2/69.6
C109	4030017320	S.CER GRM21BB11H104KA01L	T	8.1/62.6
C110	4030017810	S.CER C1608 CH 1H 102J-T	T	9/64.2
C111	4030017810	S.CER C1608 CH 1H 102J-T	T	9/56.4
C112	4030017320	S.CER GRM21BB11H104KA01L	T	8.7/54.8
C113	4030011600	S.CER C1608 JB 1E 104K-T	T	5.3/102.4
C114	4030011600	S.CER C1608 JB 1E 104K-T	T	13.9/60.6
C201	4030017320	S.CER GRM21BB11H104KA01L	T	18.2/43.1
C202	4030017810	S.CER C1608 CH 1H 102J-T	T	15.7/61.3
C204	4030008490	S.CER C2012 JB 1H 682K-T	T	31.2/61.6
C206	4030008700	S.CER GRM21BB11H473KA01L	T	29.3/61.6
C207	4030008700	S.CER GRM21BB11H473KA01L	T	34.4/36.7
C301	4030004760	S.CER C2012 JF 1H 104Z-T	T	49.4/45.5
C303	4030011600	S.CER C1608 JB 1E 104K-T	T	43.4/35.4
C305	4030004760	S.CER C2012 JF 1H 104Z-T	T	44.4/42.6
C307	4030017810	S.CER C1608 CH 1H 102J-T	T	39.7/31.7
C309	4030011600	S.CER C1608 JB 1E 104K-T	T	41.1/31.7
C311	4030018750	S.CER C3225 CH 2J 682K-T	T	54.1/58.9
C313	4030011600	S.CER C1608 JB 1E 104K-T	T	89.1/26.9
C314	4510008050	ELE 63 ME 220 CZ		
C317	4030018790	S.CER C3225 JB 2E 104K-T	T	76.8/34
C318	4030011600	S.CER C1608 JB 1E 104K-T	T	77.2/96.7
C319	4030018790	S.CER C3225 JB 2E 104K-T	T	70.4/79
C401	4030011790	S.CER GRM55RF52A684ZD01L	T	92.4/82.2
C402	4030011790	S.CER GRM55RF52A684ZD01L	T	92.4/51.8
C403	4030011600	S.CER C1608 JB 1E 104K-T	T	79.9/100.1
C404	4030011600	S.CER C1608 JB 1E 104K-T	T	88.6/30.3
C405	4030006900	S.CER C1608 JB 1H 103K-T	T	79.9/98.8
C406	4030006900	S.CER C1608 JB 1H 103K-T	T	88.6/31.6
C407	4030017810	S.CER C1608 CH 1H 102J-T	T	79.9/97.5
C408	4030017810	S.CER C1608 CH 1H 102J-T	T	88.6/32.9
C409	4030018790	S.CER C3225 JB 2E 104K-T	T	111.3/100.2
C410	4030018790	S.CER C3225 JB 2E 104K-T	T	111.2/33.9
C411	4030006880	S.CER C1608 JB 1H 472K-T	T	114.9/99.1
C412	4030006880	S.CER C1608 JB 1H 472K-T	T	116.3/35
C413	4030011600	S.CER C1608 JB 1E 104K-T	T	97.8/99.1
C414	4030011600	S.CER C1608 JB 1E 104K-T	T	97.4/36.5
C415	4030011790	S.CER GRM55RF52A684ZD01L	T	102.8/88.8
C416	4030011790	S.CER GRM55RF52A684ZD01L	T	103.8/49
C417	4030018760	S.CER C4532 CH 2A 104K-T	T	190.2/82.6
C418	4030018760	S.CER C4532 CH 2A 104K-T	T	193.9/82.6
C419	4030018760	S.CER C4532 CH 2A 104K-T	T	190.2/53.4
C420	4030018760	S.CER C4532 CH 2A 104K-T	T	193.9/53.4
C501	4030018790	S.CER C3225 JB 2E 104K-T	T	183.8/32
C502	4030018780	S.CER C3225 JB 2J 473K-T	T	180.4/32
C503	4030018770	S.CER C3216 CH		



[DC-DC UNIT]

REF NO.	ORDER NO.	DESCRIPTION	M.	H/V LOCATION
IC21	1180002510	S.REG LM2673S-3.3	T	130/20.9
IC41	1180002510	S.REG LM2673S-3.3	T	97.6/94.7
IC61	1180002520	S.REG LM2673S-5.0	T	97.6/59.8
IC81	1180002520	S.REG LM2673S-5.0	T	38/13.5
IC101	1180002500	S.REG LM2673S-ADJ	T	96.6/26.6
IC121	1180002530	S.REG LM2594M-12	T	128.6/69.2
Q141	1590003310	S.TR DTD113ZK T146	T	7.8/95.4
D21	1750000960	S.DIO RB081L-20	T	125.2/32.8
D41	1750000960	S.DIO RB081L-20	T	85.7/88.1
D61	1750000960	S.DIO RB081L-20	T	88.6/54.3
D81	1750000960	S.DIO RB081L-20	T	31.2/22
D101	1750000960	S.DIO RB081L-20	T	87.6/21.9
D121	1710000840	S.DIO 1SR154-400 TE25	T	145.3/70.6
D122	1750001011	S.DIO MBRD835LT4G	T	120.6/82.8
D123	1750000960	S.DIO RB081L-20	T	132.6/86.1
D141	1750000520	S.DIO DAN222TL	T	11.3/94.8
L21	6200003950	S.COL HF50ACC 322513-T	T	117.9/55.1
L22	6200010891	S.COL CDRH124NP-150MC	T	115.5/34.2
L23	6200010881	S.COL CDRH124NP-330MC	T	130/50.7
L41	6200009790	S.COL BLM31PG121SN1	T	63.2/81.3
L42	6200010891	S.COL CDRH124NP-150MC	T	84.7/80.3
L43	6200010881	S.COL CDRH124NP-330MC	T	68.3/94
L44	6200009790	S.COL BLM31PG121SN1	T	63.2/83.6
L61	6200003950	S.COL HF50ACC 322513-T	T	62.9/46.6
L62	6200010901	S.COL CDRH104RNP-100NC	T	80.4/45
L63	6200010881	S.COL CDRH124NP-330MC	T	66.5/58
L81	6200003950	S.COL HF50ACC 322513-T	T	27.4/47.8
L82	6200010901	S.COL CDRH104RNP-100NC	T	22.7/32
L83	6200010881	S.COL CDRH124NP-330MC	T	36.1/43.1
L101	6200003950	S.COL HF50ACC 322513-T	T	62.9/16.6
L102	6200010881	S.COL CDRH124NP-330MC	T	84.9/12.1
L103	6190001191	S.COL D10F-#A814AY-101K	T	65.5/26.6
L121	6190001640	S.COL SLF12555T-101M1R1	T	119.3/72.3
L122	6190001191	S.COL D10F-#A814AY-101K	T	141.6/80.9
L141	6200001831	S.COL NLV32T-100J	T	10.5/99.4
L142	6200010901	S.COL CDRH104RNP-100NC	T	97.3/109
R21	7030006091	S.RES ERA3YED 822V (8.2 k)	T	119.1/19.7
R41	7030006091	S.RES ERA3YED 822V (8.2 k)	T	98.9/83.8
R61	7030006091	S.RES ERA3YED 822V (8.2 k)	T	98.8/48.5
R81	7030006091	S.RES ERA3YED 822V (8.2 k)	T	27/12.2
R101	7030009851	S.RES ERA3YED 271V (270)	T	102/17.9
R102	7030007230	S.RES ERA3YED 102V (1 k)	T	102/20.8
R103	7030006091	S.RES ERA3YED 822V (8.2 k)	T	97.9/15.7
R121	7030003640	S.RES ERJ3GEYJ 473 V (47 k)	T	133.3/72.6
R122	7030003640	S.RES ERJ3GEYJ 473 V (47 k)	T	132/71.8
R141	7030008190	S.RES ERJ12YJ330U (33)	T	14.7/99
C9	4510008910	S.ELE EEEFC1C101P	T	138.5/69.7
C21	4030011600	S.CER C1608 JB 1E 104K-T	T	125.3/40.8
C22	4510008610	S.ELE 10SVP150MX	T	131.1/38.1
C23	4030011340	S.CER C1608 CH 1H 471J-T	T	119.1/17.1
C24	4030004750	S.CER C2012 JB 1H 103K-T	T	119.7/23.7
C25	4030005110	S.CER C2012 JB 1E 473K-T	T	125.3/27.5
C26	4550006770	S.TAN TEESVD2 1C 476M-12R	T	132.1/30
C27	4510008610	S.ELE 10SVP150MX	T	115.3/47.4
C41	4030011600	S.CER C1608 JB 1E 104K-T	T	77.5/89.5
C42	4510008610	S.ELE 10SVP150MX	T	80.8/95.2
C43	4030011340	S.CER C1608 CH 1H 471J-T	T	101.4/83.8
C44	4030004750	S.CER C2012 JB 1H 103K-T	T	94.8/84.1
C45	4030005110	S.CER C2012 JB 1E 473K-T	T	91.4/90.6
C46	4550007140	S.TAN TEESVD 1C 107M12R	T	87.6/96.4
C47	4510008610	S.ELE 10SVP150MX	T	70.5/79.1
C61	4030011600	S.CER C1608 JB 1E 104K-T	T	81.5/56
C62	4510008610	S.ELE 10SVP150MX	T	77.3/60.9
C63	4030011340	S.CER C1608 CH 1H 471J-T	T	101.4/48.5
C64	4030004750	S.CER C2012 JB 1H 103K-T	T	94.8/49.1
C65	4030011600	S.CER C1608 JB 1E 104K-T	T	91.1/55.4
C66	4550006770	S.TAN TEESVD2 1C 476M-12R	T	85.6/61.7
C67	4510008610	S.ELE 10SVP150MX	T	69.6/44
C81	4030011600	S.CER C1608 JB 1E 104K-T	T	33.1/28.4
C82	4510008610	S.ELE 10SVP150MX	T	37.9/32.4
C83	4030011340	S.CER C1608 CH 1H 471J-T	T	26.9/9.7
C84	4030004750	S.CER C2012 JB 1H 103K-T	T	27.7/16.1
C85	4030011600	S.CER C1608 JB 1E 104K-T	T	33.4/19.8
C86	4550006770	S.TAN TEESVD2 1C 476M-12R	T	38/25.1
C87	4510008610	S.ELE 10SVP150MX	T	21.7/42.7
C101	4030011600	S.CER C1608 JB 1E 104K-T	T	80.1/22.7
C102	4510008610	S.ELE 10SVP150MX	T	75.7/27.3
C103	4030011340	S.CER C1608 CH 1H 471J-T	T	100.4/15.6
C104	4030004750	S.CER C2012 JB 1H 103K-T	T	93.8/16.2
C105	4030005110	S.CER C2012 JB 1E 473K-T	T	90.1/22.5
C106	4550006770	S.TAN TEESVD2 1C 476M-12R	T	83.8/28.2
C107	4510008610	S.ELE 10SVP150MX	T	68.6/11.3
C122	4030011600	S.CER C1608 JB 1E 104K-T	T	132/69.2
C123	4510008940	S.ELE EEEFC1V470P	T	131.7/79.3
C124	4030006880	S.CER C1608 JB 1H 472K-T	T	120.8/95.1
C141	4030011600	S.CER C1608 JB 1E 104K-T	T	7.6/97.9
RL142	6330001760	RLY AW3023		
J2	6510003471	CNR B11B-EH-S (LF) (SN)		
J3	6510003431	CNR B07B-EH-S (LF) (SN)		
J4	6510003461	CNR B10B-EH-S (LF) (SN)		
J5	6510020421	S.CNR S4B-PH-SM4-TB (LF) (SN)	T	128.2/97.5
W1	8900012780	CBL OPC-1298		

[TUNER UNIT]

REF NO.	ORDER NO.	DESCRIPTION	M.	H/V LOCATION
MF1	2710000780	MTR MP24Z (STEPPING MOTOR)		
MF2	2710000780	MTR MP24Z (STEPPING MOTOR)		
MF3	2710000470	FAN MF60B-12H901		
W1	8900012901	CBL OPC-1345R		
W2	8900012901	CBL OPC-1345R		
W3	8900017140	CBL OPC-927A (P1,N24,L100)		
W51	8600037090	CBL SX2590 P51		

M.=Mounted side (T: Mounted on the Top side, B: Mounted on the Bottom side)  
S.=Surface mount

[CTRL BOARD]

REF NO.	ORDER NO.	DESCRIPTION	M.	H/V LOCATION
IC1	1140004120	S.IC M38022M2-138FP	T	65.7/81.8
IC2	1130010390	S.IC HN58X2416T1	T	54/86.9
IC3	1130003921	S.IC TC4S69F (TE85R,F)	T	55.9/58.2
IC4	1180001071	S.IC TA7805F (TE16L,Q)	B	63/57.7
IC5	1130009691	S.IC TC74HCT7007AF (F)	B	92.5/91.6
IC6	1130006441	S.IC TC7S08F (TE85R,F)	T	81.7/70.3
IC51	1130011530	S.IC CD74HC4094M96	T	42.2/72.4
IC52	1130007690	S.IC BU4066BCF-E2	B	125.1/76.8
IC55	1130011530	S.IC CD74HC4094M96	B	100.2/76.1
IC56	1130011530	S.IC CD74HC4094M96	B	114.3/76.1
IC57	1160000131	S.IC TD62783AFG (S,EL)	T	99.6/73.1
IC58	1160000131	S.IC TD62783AFG (S,EL)	T	113.7/73.1
IC101	1110000960	S.IC NJM4558M-TE1-#FMZB	T	19.4/37.8
IC151	1120002301	S.IC TC74AC04F (F)	B	35.3/44.3
IC153	1130012011	S.IC TC7SZ32F (TE85L,F)	T	31.2/47.3
IC154	1130012011	S.IC TC7SZ32F (TE85L,F)	T	42.4/45.8
IC155	1130012011	S.IC TC7SZ32F (TE85L,F)	T	36/47.5
IC156	1130012021	S.IC TC74ACT112F (EL,F)	T	38.4/56.5
IC201	1110000960	S.IC NJM4558M-TE1-#FMZB	T	19/54.7
IC301	1110002690	S.IC NJM2903M-TE1-#FMZB	T	73.4/59.1
IC401	1160000131	S.IC TD62783AFG (S,EL)	T	13.6/86.1
IC402	1160000131	S.IC TD62783AFG (S,EL)	T	31.6/84.7
Q1	1590001330	S.TR DTA114EUA T106	T	78.5/75.2
Q2	1590000680	S.TR DTC114EUA T106	T	77.8/71.2
Q3	1590000680	S.TR DTC114EUA T106	T	128.4/74.5
Q4	1590000680	S.TR DTC114EUA T106	T	128.4/77
Q5	1590000680	S.TR DTC114EUA T106	T	128.4/81.3
Q6	1590000680	S.TR DTC114EUA T106	T	128.4/83.8
Q7	1590000680	S.TR DTC114EUA T106	T	128.4/88.5
Q8	1590000680	S.TR DTC114EUA T106	T	128.4/91
Q9	1590000680	S.TR DTC114EUA T106	T	128.4/95.7
Q10	1590000680	S.TR DTC114EUA T106	T	128.4/100.5
Q11	1590000680	S.TR DTC114EUA T106	B	85.7/99.8
Q51	1590000680	S.TR DTC114EUA T106	T	6.1/78.6
Q52	1590000680	S.TR DTC114EUA T106	T	12.5/78.6
Q53	1590000680	S.TR DTC114EUA T106	B	6.6/72.8
Q54	1560001260	S.FET 2SK3018 T106	B	121.2/80.2
Q55	1590000680	S.TR DTC114EUA T106	B	130.2/68.9
Q59	1590000680	S.TR DTC114EUA T106	T	56.8/69.5
Q201	1560000871	S.FET 2SK515-T1B-A (X33)	T	52.6/43
Q251	1590000680	S.TR DTC114EUA T106	T	74.2/34.9
D1	1730000411	S.ZEN RD5.1M-T2B-A B2	T	63.4/58.4
D2	1710000780	S.DIO MA114 (TX)	T	67.7/55.9
D3	1750000201	S.DIO 1SS319 (TE85R,F)	B	129.5/98.1
D4	1750000201	S.DIO 1SS319 (TE85R,F)	B	129.5/90
D5	1750000201	S.DIO 1SS319 (TE85R,F)	B	129.5/82.8
D6	1750000201	S.DIO 1SS319 (TE85R,F)	B	129.5/76
D7	1730000031	S.ZEN RD5.6M-T2B-A B2	T	63.6/54.9
D101	1790000491	S.DIO HSM88ASTR-E	T	14.7/24.3
D102	1790000491	S.DIO HSM88ASTR-E	T	25.6/29.5
D103	1750000201	S.DIO 1SS319 (TE85R,F)	T	19.3/42.1
D151	1790000491	S.DIO HSM88ASTR-E	T	32/38.2
D152	1790000491	S.DIO HSM88ASTR-E	T	39.4/38.2
D153	1790000491	S.DIO HSM88ASTR-E	T	28.4/57.2
D154	1790000491	S.DIO HSM88ASTR-E	T	29.6/53.4
D201	1790000491	S.DIO HSM88ASTR-E	T	57.6/37.2
D202	1790000491	S.DIO HSM88ASTR-E	T	48.5/37.1
D203	1750000201	S.DIO 1SS319 (TE85R,F)	T	18/60.9
D251	1750000271	S.DIO 1SS301 (TE85L,F)	T	72.1/36.5
D301	1790000491	S.DIO HSM88ASTR-E	T	81.5/58.3
D302	1790000491	S.DIO HSM88ASTR-E	T	88.4/59.6
X1	6050009890	S.XTL CR-569 (6.144 MHz)	T	83.2/79.5
L1	6200003261	S.COL NLV32T-101J	T	51.1/76.5
L2	6200003261	S.COL NLV32T-101J	T	54.5/77.8
L4	2040000490	S.COL EXC-ELDR25C	T	
L5	6200005131	S.COL NLC453232T-101K-PF	T	121.6/100.3
L6	6200003590	S.COL EXCCL3225U1	T	109.3/91.1
L7	6200003590	S.COL EXCCL3225U1	T	106.3/91.2
L8	6200003590	S.COL EXCCL3225U1	T	103.3/91.1
L9	6200003950	S.COL HF50ACC 322513-T	B	92/101
L51	6200003261	S.COL NLV32T-101J	T	106.3/86.9
L52	6200005131	S.COL NLC453232T-101K-PF	T	114.9/88.1
L101	6140004410	S.COL LR-502	T	
L102	6200001831	S.COL NLV32T-100J	T	20.9/66.5
L103	6200003261	S.COL NLV32T-101J	T	15.2/66.4
L151	6140004410	S.COL LR-502	T	
L152	6200001831	S.COL NLV32T-100J	T	41.4/63
L201	6140004410	S.COL LR-502	T	
L202	6180003300	S.COL T6-222J (2.2M)	T	
L301	6140004410	S.COL LR-502	T	
L302	6200003261	S.COL NLV32T-101J	T	69.4/61.2
L401	6200003950	S.COL HF50ACC 322513-T	T	26.4/101.5
L402	6200003950	S.COL HF50ACC 322513-T	T	18.5/101.5
R2	7030003680	S.RES ERJ3GEYJ 104 V (100 k)	T	63/71
R3	7030003680	S.RES ERJ3GEYJ 104 V (100 k)	T	64.3/71
R4	7030003680	S.RES ERJ3GEYJ 104 V (100 k)	T	65.6/71
R5	7030003680	S.RES ERJ3GEYJ 104 V (100 k)	T	66.9/71
R6	7030003560	S.RES ERJ3GEYJ 103 V (10 k)	T	74.7/71
R7	7030003440	S.RES ERJ3GEYJ 102 V (1 k)	T	73.4/71
R8	7030003680	S.RES ERJ3GEYJ 104 V (100 k)	T	55.4/72.8
R9	7030003680	S.RES ERJ3GEYJ 104 V (100 k)	T	54.7/74.7
R10	7030003680	S.RES ERJ3GEYJ 104 V (100 k)	T	57.3/72.9
R11	7030003680	S.RES ERJ3GEYJ 104 V (100 k)	T	53.4/74.7
R12	7030003440	S.RES ERJ3GEYJ 102 V (1 k)	T	78.3/83.9
R13	7030003680	S.RES ERJ3GEYJ 104 V (100 k)	T	76.6/75.6
R14	7030003680	S.RES ERJ3GEYJ 104 V (100 k)	T	78.5/78.2
R15	7030003440	S.RES ERJ3GEYJ 102 V (1 k)	T	55.6/60.7
R16	7030003320	S.RES ERJ3GEYJ 101 V (100)	T	54.8/55.2
R17	7030003560	S.RES ERJ3GEYJ 103 V (10 k)	T	54.1/82.2
R18	7030003560	S.RES ERJ3GEYJ 103 V (10 k)	T	54.1/80.9
R19	7030003680	S.RES ERJ3GEYJ 104 V (100 k)	T	58.3/58.2
R20	7030003570	S.RES ERJ3GEYJ 123 V (12 k)	T	59.6/60.6
R21	7030003650	S.RES ERJ3GEYJ 563 V (56 k)	T	59.6/58.2
R22	7030003450	S.RES ERJ3GEYJ 122 V (1.2 k)	T	66.3/58.5
R23	7030003560	S.RES ERJ3GEYJ 103 V (10 k)	B	105.1/100
R24	7030003440	S.RES ERJ3GEYJ 102 V (1 k)	B	102.9/98.8
R25	7030003380	S.RES ERJ3GEYJ 331 V (330)	B	126/99.1
R26	7030003380	S.RES ERJ3GEYJ 331 V (330)	B	126/97.1
R27	7030003380	S.RES ERJ3GEYJ 331 V (330)	B	126/91
R28	7030003380	S.RES ERJ3GEYJ 331 V (330)	B	126/89
R29	7030003380	S.RES ERJ3GEYJ 331 V (330)	B	126/83.8
R30	7030003380	S.RES ERJ3GEYJ 331 V (330)	B	126/81.8
R31	7030003380	S.RES ERJ3GEYJ 331 V (330)	B	126/77
R32	7030003380	S.RES ERJ3GEYJ 331 V (330)	B	126/75
R40	7030003440	S.RES ERJ3GEYJ 102 V (1 k)	T	61.2/99.5
R42	7030003860	S.RES ERJ3GE JPW V	T	60.4/71
R43	7030003860	S.RES ERJ3GE JPW V	T	60.7/69
R44	7030003860	S.RES ERJ3GE JPW V	T	68.2/71
R45	7030003860	S.RES ERJ3GE JPW V	T	65.7/68.5
R46	7030003860	S.RES ERJ3GE JPW V	T	70.6/68.9
R51	7030003440	S.RES ERJ3GEYJ 102 V (1 k)	B	35.8/80.1
R52	7030003440	S.RES ERJ3GEYJ 102 V (1 k)	B	34.3/80.1
R53	7030003440	S.RES ERJ3GEYJ 102 V (1 k)	B	32.8/80.1
R54	7030003440	S.RES ERJ3GEYJ 102 V (1 k)	B	31.2/80.1
R55	7030003440	S.RES ERJ3GEYJ 102 V (1 k)	B	29.6/80.1
R56	7030003440	S.RES ERJ3GEYJ 102 V (1 k)	B	28/80.1
R57	7030003440	S.RES ERJ3GEYJ 102 V (1 k)	B	26.4/80.1
R58	7030003440	S.RES ERJ3GEYJ 102 V (1 k)	B	24.8/80.1
R59	7030003440	S.RES ERJ3GEYJ 102 V (1 k)	T	18.3/78.7
R60	7030003440	S.RES ERJ3GEYJ 102 V (1 k)	T	17/76
R61	7030003440	S.RES ERJ3GEYJ 102 V (1 k)	T	15.7/76
R62	7030003440	S.RES ERJ3GEYJ 102 V (1 k)	T	14.4/78.7
R63	7030003440	S.RES ERJ3GEYJ 102 V (1 k)	T	10.6/78.7
R64	7030003440	S.RES ERJ3GEYJ 102 V (1 k)	T	9.3/74.8
R65	7030003440	S.RES ERJ3GEYJ 102 V (1 k)	T	8/74.8
R66	7030003520	S.RES ERJ3GEYJ 472 V (4.7 k)	B	15.6/81.6
R67	7030003200	S.RES ERJ3GEYJ 100 V (10)	T	99.8/90.4
R68	7030003200	S.RES ERJ3GEYJ 100 V (10)	T	98.5/90.4
R69	7030003200	S.RES ERJ3GEYJ 100 V (10)	T	97.2/90.4
R70	7030004040	S.RES ERJ3GEYJ 4R7 V (4.7)	T	104.8/65.9
R71	7030004040	S.RES ERJ3GEYJ 4R7 V (4.7)	T	103.5/65.9
R72	7030004040	S.RES ERJ3GEYJ 4R7 V (4.7)	T	102.2/65.9
R73	7030004040	S.RES ERJ3GEYJ 4R7 V (4.7)	T	100.9/65.9
R74	7030004040	S.RES ERJ3GEYJ 4R7 V (4.7)	T	99.6/65.9
R75	7030004040	S.RES ERJ3GEYJ 4R7 V (4.7)	T	98.3/65.9
R76	7030004040	S.RES ERJ3GEYJ 4R7 V (4.7)	T	97/65.9
R77	7030004040	S.RES ERJ3GEYJ 4R7 V (4.7)	T	95.7/65.9
R78	7030004040	S.RES ERJ3GEYJ 4R7 V (4.7)	B	120.1/64.6
R84	7030004040	S.RES ERJ3GEYJ 4R7 V (4.7)	B	110.5/64.6
R85	7030004040	S.RES ERJ3GEYJ 4R7 V (4.7)	B	108.9/64.6
R86	7030003560	S.RES ERJ3GEYJ 103 V (10 k)	B	116.1/83.6
R87	7030003860	S.RES ERJ3GE JPW V	T	32.5/76
R88	7030003860	S.RES ERJ3GE JPW V	T	31.2/76
R89	7030003860	S.RES ERJ3GE JPW V	T	29.9/76
R90	7030003860	S.RES ERJ3GE JPW V	T	28.6/76
R91	7030003860	S.RES ERJ3GE JPW V	T	27.3/76
R92	7030003860	S.RES ERJ3GE JPW V	T	26/76
R95	7030003860	S.RES ERJ3GE JPW V	T	15.7/78.7
R97	7030003860	S.RES ERJ3GE JPW V	T	8/78.7
R101	7030010950	S.RES ERJ1TYJ 100U (10)	T	18.6/29.5
R102	7030010950	S.RES ERJ1TYJ 100U (10)	T	22.3/29.5
R103	7030003560	S.RES ERJ3GEYJ 103 V (10 k)	T	12.2/34.7
R104	7030003560	S.RES ERJ3GEYJ 103 V (10 k)	T	27.6/34.9
R105	7030003720	S.RES ERJ3GEYJ 224 V (220 k)	T	12.2/37.3
R106	7030003720	S.RES ERJ3GEYJ 224 V (220 k)	T	25/36.7
R107	7030003660	S.RES ERJ3GEYJ 683 V (68 k)	T	14.1/36.5
R108	7030003660	S.RES ERJ3GEYJ 683 V (68 k)	T	23.2/34.8
R109	7030003720	S.RES ERJ3GEYJ 224 V (220 k)	T	13.3/38.7
R110	7030003720	S.RES ERJ3GEYJ 224 V (220 k)	T	25/37.9
R111	7030009340	S.RES ERJ3GEYJ 275V (2.7 M)	T	13.7/40.6
R112	7030003810	S.RES ERJ3GEYJ 125 V (1.2 M)	T	25/39.1
R115	7030009340	S.RES ERJ3GEYJ 275V (2.7 M)	T	12.4/40.6
R151	7030007190	S.RES ERJ12YJ220U (22)	T	37.6/27.2
R152	7030010620	S.RES ERJ12YJ180U (18)	B	38.1/26.8
R153	7030007190	S.RES ERJ12YJ220U (22)	T	37.6/31.8
R154	7030010620	S.RES ERJ12YJ180U (18)	B	38.1/31.8
R155	7030003320	S.RES ERJ3GEYJ 101 V (100)	T	37/39.6
R157	7030003320	S.RES ERJ3GEYJ 101 V (100)	T	30.3/40.1
R158	7030003560	S.RES ERJ3GEYJ 103 V (10 k)	T	31.8/41.5
R159	7030003560	S.RES ERJ3GEYJ 103 V (10 k)	T	38.4/41.5
R160	7030003280	S.RES ERJ3GEYJ 470 V (47)	T	30/42.3
R161	7030003280	S.RES ERJ3GEYJ 470 V (47)	T	39.7/43
R162	7030003440	S.RES ERJ3GEYJ 102 V (1 k)	T	30.9/44.9
R163	7030003440	S.RES ERJ3GEYJ 102 V (1 k)	T	42/43.3
R164	7030003280	S.RES ERJ3GEYJ 470 V (47)	T	33.6/47.7
R165	7030003280	S.RES ERJ3GEYJ 470 V (47)	T	39.2/46.4
R166	7030003440	S.RES ERJ3GEYJ 102 V (1 k)	T	34.3/44.7
R167	7030003440	S.RES ERJ3GEYJ 102 V (1 k)	T	39.2/45.1
R168	7030003280	S.RES ERJ3GEYJ 470 V (47)	T	38.8/49.8
R169	7030003440	S.RES ERJ3GEYJ 102 V (1 k)	T	38.8/51.1
R170	7030003280			

[CTRL BOARD]

REF NO.	ORDER NO.	DESCRIPTION	M.	H/V LOCATION
R208	7030003560	S.RES ERJ3GEYJ 103 V (10 k)	T	54.8/42.6
R209	7030003520	S.RES ERJ3GEYJ 472 V (4.7 k)	T	54.8/40
R210	7030003440	S.RES ERJ3GEYJ 102 V (1 k)	T	56.1/42.7
R211	7030003480	S.RES ERJ3GEYJ 222 V (2.2 k)	T	13.1/49.4
R212	7030003560	S.RES ERJ3GEYJ 103 V (10 k)	T	25.1/49.4
R213	7030005331	S.RES ERA3YED 562V (5.6 k)	T	17.8/49.9
R214	7030005331	S.RES ERA3YED 562V (5.6 k)	T	16.5/49.9
R215	7030005871	S.RES ERA3YKD 104V (100 k)	T	14/53
R216	7030008121	S.RES ERA3YED 682V (6.8 k)	T	20.6/50
R217	7030008121	S.RES ERA3YED 682V (6.8 k)	T	22.3/48.1
R218	7030005871	S.RES ERA3YKD 104V (100 k)	T	23.8/52
R221	7030003670	S.RES ERJ3GEYJ 823 V (82 k)	B	17.1/57
R222	7030003680	S.RES ERJ3GEYJ 104 V (100 k)	T	20.9/51.3
R223	7030003820	S.RES ERJ3GEYJ 155 V (1.5 M)	T	14/55.8
R224	7030003820	S.RES ERJ3GEYJ 155 V (1.5 M)	T	23.8/54.6
R225	7030003560	S.RES ERJ3GEYJ 103 V (10 k)	T	14/61.4
R226	7030003560	S.RES ERJ3GEYJ 103 V (10 k)	T	21.9/61.4
R227	7030003560	S.RES ERJ3GEYJ 103 V (10 k)	T	14.7/63.4
R228	7030003560	S.RES ERJ3GEYJ 103 V (10 k)	T	21.3/63.4
R252	7030000230	S.RES MCR10EZJH 56 (560)	T	70.8/31.9
R253	7030000230	S.RES MCR10EZJH 56 (560)	T	69.9/35.2
R254	7030000230	S.RES MCR10EZJH 56 (560)	T	70.8/38.7
R255	7030000220	S.RES MCR10EZJH 47 (470)	T	72.2/40.8
R256	7030000230	S.RES MCR10EZJH 56 (560)	T	72.4/31
R301	7030003560	S.RES ERJ3GEYJ 103 V (10 k)	T	83.7/57.6
R302	7030003670	S.RES ERJ3GEYJ 823 V (82 k)	T	81.9/61.2
R303	7030010910	S.RES ERJ1TVJ 150U (15)	B	90.1/60.7
R304	7030003560	S.RES ERJ3GEYJ 103 V (10 k)	T	85.5/62
R305	7030003720	S.RES ERJ3GEYJ 224 V (220 k)	T	80.6/61.2
R306	7030003660	S.RES ERJ3GEYJ 683 V (68 k)	T	78.7/57.2
R307	7030003660	S.RES ERJ3GEYJ 683 V (68 k)	T	79.2/59.7
R308	7030003840	S.RES ERJ3GEYJ 225 V (2.2 M)	B	76.5/58.3
R309	7030003720	S.RES ERJ3GEYJ 224 V (220 k)	T	76.1/53.9
R310	7030003840	S.RES ERJ3GEYJ 225 V (2.2 M)	T	73.4/54
R311	7030003440	S.RES ERJ3GEYJ 102 V (1 k)	T	76/55.5
R312	7030003560	S.RES ERJ3GEYJ 103 V (10 k)	T	73.4/55.5
R313	7030003700	S.RES ERJ3GEYJ 154 V (150 k)	T	78.5/61.6
R345	7030003560	S.RES ERJ3GEYJ 103 V (10 k)	T	88.3/83.7
R401	7030004040	S.RES ERJ3GEYJ 4R7 V (4.7)	T	17.5/93.4
R402	7030004040	S.RES ERJ3GEYJ 4R7 V (4.7)	T	16.2/93.4
R403	7030004040	S.RES ERJ3GEYJ 4R7 V (4.7)	T	14.9/93.4
R404	7030004040	S.RES ERJ3GEYJ 4R7 V (4.7)	T	17.0/93.4
R405	7030004040	S.RES ERJ3GEYJ 4R7 V (4.7)	T	12.3/93.4
R406	7030004040	S.RES ERJ3GEYJ 4R7 V (4.7)	T	11/93.4
R407	7030004040	S.RES ERJ3GEYJ 4R7 V (4.7)	T	9.7/93.4
R408	7030004040	S.RES ERJ3GEYJ 4R7 V (4.7)	T	8.4/93.4
R409	7030004040	S.RES ERJ3GEYJ 4R7 V (4.7)	B	36.6/86.7
R410	7030004040	S.RES ERJ3GEYJ 4R7 V (4.7)	B	35.1/86.7
R411	7030004040	S.RES ERJ3GEYJ 4R7 V (4.7)	B	33.6/86.7
R412	7030004040	S.RES ERJ3GEYJ 4R7 V (4.7)	B	32/86.7
R413	7030004040	S.RES ERJ3GEYJ 4R7 V (4.7)	B	30.4/86.7
R414	7030004040	S.RES ERJ3GEYJ 4R7 V (4.7)	B	28.8/86.7
R415	7030004040	S.RES ERJ3GEYJ 4R7 V (4.7)	B	27.2/86.7
R416	7030004040	S.RES ERJ3GEYJ 4R7 V (4.7)	B	25.6/86.7
R417	7030003440	S.RES ERJ3GEYJ 102 V (1 k)	B	31.3/98.5
R418	7030003440	S.RES ERJ3GEYJ 102 V (1 k)	B	44.8/98.5
R419	7030003440	S.RES ERJ3GEYJ 102 V (1 k)	B	32.9/98.5
R420	7030003440	S.RES ERJ3GEYJ 102 V (1 k)	B	46.4/98.5
R421	7030003440	S.RES ERJ3GEYJ 102 V (1 k)	B	34.5/98.5
R422	7030003440	S.RES ERJ3GEYJ 102 V (1 k)	B	48/98.5
R423	7030003440	S.RES ERJ3GEYJ 102 V (1 k)	B	36.1/98.5
R424	7030003440	S.RES ERJ3GEYJ 102 V (1 k)	B	49.6/98.5
R425	7030003440	S.RES ERJ3GEYJ 102 V (1 k)	B	37.7/98.5
R426	7030003440	S.RES ERJ3GEYJ 102 V (1 k)	B	51.2/98.5
R427	7030003440	S.RES ERJ3GEYJ 102 V (1 k)	B	39.3/98.5
R428	7030003440	S.RES ERJ3GEYJ 102 V (1 k)	B	52.8/98.5
R429	7030003440	S.RES ERJ3GEYJ 102 V (1 k)	B	40.9/98.5
R430	7030003440	S.RES ERJ3GEYJ 102 V (1 k)	B	54.4/98.5
R431	7030003440	S.RES ERJ3GEYJ 102 V (1 k)	B	42.5/98.5
R432	7030003440	S.RES ERJ3GEYJ 102 V (1 k)	B	56/98.5
C1	4510008540	S.ELE EEE1CA100SR	T	42.6/80.3
C2	4030011600	S.CER C1608 JB 1E 104K-T	T	45.8/82.3
C3	4030006880	S.CER C1608 JB 1H 472K-T	B	89.5/100
C4	4030006900	S.CER C1608 JB 1H 103K-T	T	56/74.7
C5	4030006900	S.CER C1608 JB 1H 103K-T	T	58.6/72.9
C6	4030006880	S.CER C1608 JB 1H 472K-T	T	74.6/74.7
C7	4030017810	S.CER C1608 CH 1H 102J-T	T	75.3/76.6
C8	4030011600	S.CER C1608 JB 1E 104K-T	T	56/81.3
C9	4030009990	S.CER C1608 CH 1H 200J-T	T	75.3/80.5
C10	4030011600	S.CER C1608 JB 1E 104K-T	T	51.7/79.8
C11	4030006880	S.CER C1608 JB 1H 472K-T	T	76.6/78.2
C12	4030009990	S.CER C1608 CH 1H 200J-T	T	76.6/81.5
C13	4510008870	S.ELE EEE1AA471UP	T	48.5/56.6
C14	4030011600	S.CER C1608 JB 1E 104K-T	T	60.7/55.3
C15	4030011600	S.CER C1608 JB 1E 104K-T	T	67.3/53.7
C16	4510008500	S.ELE EEE1CA101WIP	T	66.6/48.8
C17	4510008550	S.ELE EEE1HA010SR	T	133.3/100.5
C18	4510008550	S.ELE EEE1HA010SR	T	133.3/95.7
C19	4510008550	S.ELE EEE1HA010SR	T	138.4/91.9
C20	4510008550	S.ELE EEE1HA010SR	T	133.3/89.7
C21	4510008550	S.ELE EEE1HA010SR	T	138.4/85.3
C22	4510008550	S.ELE EEE1HA010SR	T	133.3/83.1
C23	4510008550	S.ELE EEE1HA010SR	T	138.4/78.6
C24	4510008550	S.ELE EEE1HA010SR	T	133.3/76.5
C25	4030011600	S.CER C1608 JB 1E 104K-T	T	53.6/57.7
C26	4030006880	S.CER C1608 JB 1H 472K-T	T	61/58.2
C38	4030011600	S.CER C1608 JB 1E 104K-T	T	91.3/87.5
C39	4510008870	S.ELE EEE1AA471UP	T	57.9/49.8
C40	4030011600	S.CER C1608 JB 1E 104K-T	T	84/70.6
C41	4030011600	S.CER C1608 JB 1E 104K-T	T	78.5/73.2
C43	4030006880	S.CER C1608 JB 1H 472K-T	T	88.8/95.5
C66	4510008540	S.ELE EEE1CA100SR	T	106.6/81.6
C68	4030011600	S.CER C1608 JB 1E 104K-T	B	103.6/82.8

[CTRL BOARD]

REF NO.	ORDER NO.	DESCRIPTION	M.	H/V LOCATION
C69	4030011600	S.CER C1608 JB 1E 104K-T	T	118.4/79.9
C70	4030011600	S.CER C1608 JB 1E 104K-T	T	95.8/80.5
C71	4030011600	S.CER C1608 JB 1E 104K-T	T	106.9/77.6
C72	4510008540	S.ELE EEE1CA100SR	T	111.6/83.3
C88	4030011600	S.CER C1608 JB 1E 104K-T	B	7.8/81.8
C102	4010005530	CER HM60SJ SL 020C 500V		
C103	4010005530	CER HM60SJ SL 020C 500V		
C104	4610002250	TRI T203R200Y169B00		
C105	4030011540	S.CER C1608 CH 1H 750J-T	B	13.1/28.5
C106	4030011540	S.CER C1608 CH 1H 750J-T	T	25.8/33.1
C107	4030017810	S.CER C1608 CH 1H 102J-T	T	12.2/36
C108	4030017810	S.CER C1608 CH 1H 102J-T	T	25.8/35.5
C109	4030006880	S.CER C1608 JB 1H 472K-T	B	21.6/38.4
C110	4030006880	S.CER C1608 JB 1H 472K-T	B	18.5/38.4
C111	4510008540	S.ELE EEE1CA100SR	T	25.4/45.8
C112	4510008540	S.ELE EEE1CA100SR	T	18.8/46.4
C113	4030006880	S.CER C1608 JB 1H 472K-T	T	16.3/41.8
C114	4030006880	S.CER C1608 JB 1H 472K-T	T	23/41.8
C115	4030007100	S.CER C1608 CH 1H 560J-T	B	13.1/26.9
C116	4030011540	S.CER C1608 CH 1H 750J-T	T	25.8/34.3
C119	4030007100	S.CER C1608 CH 1H 560J-T	T	16.9/24.1
C151	4010005540	CER HM60SJ SL 030C 500V		
C152	4030007070	S.CER C1608 CH 1H 330J-T	T	33/34.3
C153	4030007120	S.CER C1608 CH 1H 820J-T	T	32.3/35.6
C154	4030007070	S.CER C1608 CH 1H 330J-T	T	38.5/34.0
C155	4030007120	S.CER C1608 CH 1H 820J-T	T	35.9/34.5
C156	4030006880	S.CER C1608 JB 1H 472K-T	T	29.8/37.5
C157	4030006880	S.CER C1608 JB 1H 472K-T	T	41.6/38.4
C158	4030007060	S.CER C1608 CH 1H 270J-T	T	29.7/35.6
C159	4030006880	S.CER C1608 JB 1H 472K-T	T	34.4/38.4
C161	4030006880	S.CER C1608 JB 1H 472K-T	T	45.2/51.5
C162	4550003120	S.TAN TEESVD2 1A 476M12R	T	46.7/46.3
C163	4030007170	S.CER C1608 CH 1H 221J-T	T	30.1/59.5
C164	4030007170	S.CER C1608 CH 1H 221J-T	T	31.5/55.6
C165	4030006880	S.CER C1608 JB 1H 472K-T	T	31.5/51.7
C171	4030006880	S.CER C1608 JB 1H 472K-T	B	40.2/37.7
C173	4030006880	S.CER C1608 JB 1H 472K-T	T	28.3/48.4
C174	4030006880	S.CER C1608 JB 1H 472K-T	T	42.2/49.6
C175	4030006880	S.CER C1608 JB 1H 472K-T	T	35.9/49.8
C180	4030011600	S.CER C1608 JB 1E 104K-T	T	28.3/49.7
C181	4030011600	S.CER C1608 JB 1E 104K-T	T	42.2/48.3
C201	4010005580	CER HM60SJ SL 010C 500V		
C202	4010005520	CER HM60SJ SL 010C 500V		
C204	4030011570	S.CER CM105 CH 101G 50AT	T	55.3/36.9
C205	4030016550	S.CER CM105 CH 151G 50AT	T	51.4/36.9
C206	4030009530	S.CER C1608 CH 1H 030B-T	T	52.7/36.9
C207	4030006880	S.CER C1608 JB 1H 472K-T	T	49.8/39.3
C208	4030006880	S.CER C1608 JB 1H 472K-T	T	56.1/40
C209	4030017810	S.CER C1608 CH 1H 102J-T	T	51.7/40
C210	4030006880	S.CER C1608 JB 1H 472K-T	T	53.5/40
C211	4030006880	S.CER C1608 JB 1H 472K-T	T	14.4/49.4
C212	4030006880	S.CER C1608 JB 1H 472K-T	T	23.8/49.4
C213	4030006880	S.CER C1608 JB 1H 472K-T	B	19.7/55.7
C214	4030007170	S.CER C1608 CH 1H 221J-T	T	14.7/59.4
C215	4030007170	S.CER C1608 CH 1H 221J-T	T	21.4/59.4
C216	4030011340	S.CER C1608 CH 1H 471J-T	T	15.4/61.4
C217	4030011340	S.CER C1608 CH 1H 471J-T	T	20.6/61.4
C218	4030006880	S.CER C1608 JB 1H 472K-T	B	18.2/51.4
C252	4030006880	S.CER C1608 JB 1H 472K-T	T	72.9/33.3
C253	4030006880	S.CER C1608 JB 1H 472K-T	T	76.6/38.3
C254	4030006880	S.CER C1608 JB 1H 472K-T	T	72.9/48.1
C255	4030006880	S.CER C1608 JB 1H 472K-T	T	73/38.2
C301	4010005520	CER HM60SJ SL 010C 500V		
C302	4030007030	S.CER C1608 CH 1H 150J-T	T	85.5/56.6
C303	4030007050	S.CER C1608 CH 1H 220J-T	T	85.5/59.2
C304	4030017810	S.CER C1608 CH 1H 102J-T	T	83.7/60.5
C305	4030017810	S.CER C1608 CH 1H 102J-T	T	90.3/61.3
C307	4030006880	S.CER C1608 JB 1H 472K-T	T	78.7/55.8
C308	4030006880	S.CER C1608 JB 1H 472K-T	T	77.9/59.7
C309	4030011600	S.CER C1608 JB 1E 104K-T	T	68.8/59.8
C310	4030009530	S.CER C1608 CH 1H 030B-T	T	85.5/57.9
C417	4510008540	S.ELE EEE1CA100SR	T	22.6/77.6
C418	4510008540	S.ELE EEE1CA100SR	T	40.6/85.6
C419	4030006880	S.CER C1608 JB 1H 472K-T	T	19.6/78.7
C420	4030006880	S.CER C1608 JB 1H 472K-T	T	38.4/79.2
RL251	6330001530	RLY NR-HD (5V) AE5349		
RL252	6330001460	RLY FTR-F1CA012V		
RL253	6330001460	RLY FTR-F1CA012V		
CP1	6910009670	S		



[ANT-SW UNIT]

REF NO.	ORDER NO.	DESCRIPTION	M.	H/V LOCATION
IC11	1130011510	S.IC BU2099FV-E2	T	160.6/33.6
IC12	1180002391	S.REG S-812C33AMC-C2N-G	T	152.4/28.7
Q11	1590001001	S.TR RN2427(RE85R,F)	T	156.9/38.6
Q12	1590001001	S.TR RN2427(RE85R,F)	T	152.3/36.9
Q13	1590001001	S.TR RN2427(RE85R,F)	T	164.7/38.5
Q14	1590001001	S.TR RN2427(RE85R,F)	T	164.7/17.5
D51	1750000550	S.DIO 1SS355 TE-17	T	161.9/13.3
D52	1750000550	S.DIO 1SS355 TE-17	T	140.3/42.9
D53	1750000550	S.DIO 1SS355 TE-17	T	115.1/41.4
D61	1750000550	S.DIO 1SS355 TE-17	T	118.9/19.7
D62	1750000550	S.DIO 1SS355 TE-17	T	107.1/43
D63	1750000550	S.DIO 1SS355 TE-17	T	79/43.6
D71	1750000550	S.DIO 1SS355 TE-17	T	68.7/21.4
D72	1750000550	S.DIO 1SS355 TE-17	T	61.6/42.9
D73	1750000550	S.DIO 1SS355 TE-17	T	65.8/43.4
D81	1750000550	S.DIO 1SS355 TE-17	T	36.9/19.7
D82	1750000550	S.DIO 1SS355 TE-17	T	41.4/45.2
D83	1750000550	S.DIO 1SS355 TE-17	T	28.2/45.3
D84	1750000550	S.DIO 1SS355 TE-17	T	25.8/43
L1	6200003590	S.COL EXCLL3225U1	T	155.7/27.5
L2	6110001670	COL LA-253		
R1	7540000100	ABS SRYH-350L		
R2	7540000130	ABS 2P-50A-301		
R3	7540000130	ABS 2P-50A-301		
R11	7030003320	S.RES ERJ3GEYJ 101 V (100)	T	165.5/27.4
R12	7030003320	S.RES ERJ3GEYJ 101 V (100)	T	164.2/27.4
R13	7030003320	S.RES ERJ3GEYJ 101 V (100)	T	162.9/27.4
R14	7030003320	S.RES ERJ3GEYJ 101 V (100)	T	166.2/33.9
R15	7030003320	S.RES ERJ3GEYJ 101 V (100)	T	148.7/31.6
R16	7030003320	S.RES ERJ3GEYJ 101 V (100)	T	151.5/31.6
R17	7030003320	S.RES ERJ3GEYJ 101 V (100)	T	154.7/39.4
R18	7030003320	S.RES ERJ3GEYJ 101 V (100)	T	151.4/32.9
R19	7030003320	S.RES ERJ3GEYJ 101 V (100)	T	151.4/34.2
R20	7030003320	S.RES ERJ3GEYJ 101 V (100)	T	152.1/39.1
R21	7030003320	S.RES ERJ3GEYJ 101 V (100)	T	154.7/36.6
R22	7030003320	S.RES ERJ3GEYJ 101 V (100)	T	166.9/38.7
R23	7030003320	S.RES ERJ3GEYJ 101 V (100)	T	162.3/38.9
R24	7030003320	S.RES ERJ3GEYJ 101 V (100)	T	161/39.1
R25	7030003320	S.RES ERJ3GEYJ 101 V (100)	T	159.7/39.1
R26	7030003320	S.RES ERJ3GEYJ 101 V (100)	T	162.7/15.6
C1	4010005610	CER HM60SJ SL 100D 500V		
C2	4010005660	CER HM60SJ SL 220J 500V		
C11	4030011600	S.CER C1608 JB 1E 104K-T	T	160/27.6
C12	4030011600	S.CER C1608 JB 1E 104K-T	T	158.7/27.6
C51	4030006880	S.CER C1608 JB 1H 472K-T	T	163.5/13.6
C52	4030006880	S.CER C1608 JB 1H 472K-T	T	144.5/41.3
C53	4030006880	S.CER C1608 JB 1H 472K-T	T	113.5/41.7
C61	4030006880	S.CER C1608 JB 1H 472K-T	T	119.2/21.3
C62	4030006880	S.CER C1608 JB 1H 472K-T	T	107.4/44.5
C63	4030006880	S.CER C1608 JB 1H 472K-T	T	77.5/43.6
C71	4030006880	S.CER C1608 JB 1H 472K-T	T	69/19.9
C72	4030006880	S.CER C1608 JB 1H 472K-T	T	61.6/44.5
C73	4030006880	S.CER C1608 JB 1H 472K-T	T	73/43.4
C81	4030006880	S.CER C1608 JB 1H 472K-T	T	37.2/21.3
C82	4030006880	S.CER C1608 JB 1H 472K-T	T	42.9/45.2
C83	4030006880	S.CER C1608 JB 1H 472K-T	T	26.6/45.6
C84	4030006880	S.CER C1608 JB 1H 472K-T	T	25/45.6
RL51	6330001460	RLY FTR-F1CA012V		
RL52	6330001780	RLY FTR-MYAA012D		
RL53	6330001780	RLY FTR-MYAA012D		
RL61	6330001460	RLY FTR-F1CA012V		
RL62	6330001780	RLY FTR-MYAA012D		
RL63	6330001780	RLY FTR-MYAA012D		
RL71	6330001460	RLY FTR-F1CA012V		
RL72	6330001780	RLY FTR-MYAA012D		
RL73	6330001780	RLY FTR-MYAA012D		
RL81	6330001460	RLY FTR-F1CA012V		
RL82	6330001780	RLY FTR-MYAA012D		
RL83	6330001780	RLY FTR-MYAA012D		
RL84	6330001780	RLY FTR-MYAA012D		
J1	6510017930	CNR 1771P145-20		
J2	6510007020	CNR TMP-J01X-V6		
J3	6510007020	CNR TMP-J01X-V6		
J4	6510019971	S.CNR 52808-1071	T	153/22
J51	6510000410	CNR MR-DS-E 02		
J61	6510000410	CNR MR-DS-E 02		
J71	6510000410	CNR MR-DS-E 02		
J81	6510000410	CNR MR-DS-E 02		

[OSC UNIT]

REF NO.	ORDER NO.	DESCRIPTION	M.	H/V LOCATION
IC10	1180002610	S.REG BA12FP-E2	T	37.8/20
IC91	1190002001	S.IC AD5260BRUZ50	T	26.8/12
IC92	1130005721	S.IC TC7W04F (TE12L,F)	T	23.7/6.1
Q10	1590000680	S.TR DTC114EUA T106	T	32.4/35
Q11	1590000680	S.TR DTC114EUA T106	T	22.1/42.4
Q12	1590000680	S.TR DTC114EUA T106	T	29.1/41.5
Q13	1590000680	S.TR DTC114EUA T106	T	31.6/41.5
Q21	1530002060	S.TR 2SC4081 T106 R	T	11.3/6.3
Q22	1530002601	S.TR 2SC4215-O (TE85R,F)	T	10.4/17.8
Q23	1590000680	S.TR DTC114EUA T106	T	13/11
Q42	1530002601	S.TR 2SC4215-O (TE85R,F)	T	18.8/18.8
Q43	1590000680	S.TR DTC114EUA T106	T	19.6/11.7
Q61	1530002060	S.TR 2SC4081 T106 R	T	26.1/36.1
Q62	1530002060	S.TR 2SC4081 T106 R	T	20.6/38.6
Q70	1530002060	S.TR 2SC4081 T106 R	T	9.9/41.2
Q101	1530002700	S.TR 2SC4097 T106Q	T	36.7/40
D10	1790001250	S.DIO MA2S111-(TX)	T	31.4/31.7
D11	1790001250	S.DIO MA2S111-(TX)	T	16.5/38.2
D71	1750000381	S.DIO 1SS312 (TE85L,F)	T	29.8/34.9
D72	1750000381	S.DIO 1SS312 (TE85L,F)	T	29.9/37.6
X1	6050012210	XTL CR-772.OCVXO-148A		
L1	6200003950	S.COL HF50ACC 322513-T	T	38.8/43.7
L2	6200003950	S.COL HF50ACC 322513-T	T	35.8/43.7
L10	6200003950	S.COL HF50ACC 322513-T	T	94.7/30.6
L20	6200005491	S.COL NLV32T-331J	T	14.7/1.9
L21	6200003261	S.COL NLV32T-101J	T	6.9/11.2
L22	6200003261	S.COL NLV32T-101J	T	7.9/14.7
L23	6200003041	S.COL NLV32T-R88J	T	6.9/20.3
L24	6200003051	S.COL NLV32T-R82J	T	6.2/23.8
L41	6200003261	S.COL NLV32T-101J	T	15.3/13.7
L42	6200003261	S.COL NLV32T-101J	T	14.7/17.2
L43	6200003041	S.COL NLV32T-R88J	T	15.3/22.4
L44	6200003051	S.COL NLV32T-R82J	T	18.8/24.2
L61	6150004170	COL LS-476		
L62	6150004170	COL LS-476		
L91	6200003950	S.COL HF50ACC 322513-T	T	23.6/20.3
L92	6200003950	S.COL HF50ACC 322513-T	T	19.4/4.3
R1	7030003440	S.RES ERJ3GEYJ 102 V (1 k)	T	32.4/44.3
R2	7030003440	S.RES ERJ3GEYJ 102 V (1 k)	T	29.8/44.2
R3	7030003440	S.RES ERJ3GEYJ 102 V (1 k)	T	25.8/44.2
R11	7030003200	S.RES ERJ3GEYJ 100 V (10)	T	33.3/32.3
R12	7030003200	S.RES ERJ3GEYJ 100 V (10)	T	16.7/40.3
R13	7030003440	S.RES ERJ3GEYJ 102 V (1 k)	T	16.8/11.6
R20	7030003240	S.RES ERJ3GEYJ 220 V (22)	T	11.3/1.8
R21	7030003560	S.RES ERJ3GEYJ 103 V (10 k)	T	11.1/4.4
R22	7030003370	S.RES ERJ3GEYJ 271 V (270)	T	15.5/7.9
R23	7030004040	S.RES ERJ3GEYJ 4R7 V (4.7)	T	11.4/14
R24	7030003370	S.RES ERJ3GEYJ 271 V (270)	T	12.3/17.7
R25	7030003500	S.RES ERJ3GEYJ 332 V (3.3 k)	T	10.1/14.2
R26	7030003480	S.RES ERJ3GEYJ 222 V (2.2 k)	T	12.8/9.1
R27	7030003360	S.RES ERJ3GEYJ 221 V (220)	T	5.8/13.9
R28	7030003440	S.RES ERJ3GEYJ 102 V (1 k)	T	10.2/11.9
R43	7030003240	S.RES ERJ3GEYJ 220 V (22)	T	19.7/14.2
R44	7030003370	S.RES ERJ3GEYJ 271 V (270)	T	20.7/18.6
R45	7030003500	S.RES ERJ3GEYJ 332 V (3.3 k)	T	17.9/15.1
R46	7030003480	S.RES ERJ3GEYJ 222 V (2.2 k)	T	19.4/9.8
R47	7030003290	S.RES ERJ3GEYJ 560 V (56)	T	16.8/17.9
R61	7030003240	S.RES ERJ3GEYJ 220 V (22)	T	22.2/35.4
R62	7030003560	S.RES ERJ3GEYJ 103 V (10 k)	T	26.3/34.2
R63	7030003380	S.RES ERJ3GEYJ 331 V (330)	T	25.9/38
R64	7030003280	S.RES ERJ3GEYJ 470 V (47)	T	20.8/40.5
R65	7030003400	S.RES ERJ3GEYJ 471 V (470)	T	20/34.8
R67	7030003560	S.RES ERJ3GEYJ 103 V (10 k)	T	19.6/36.7
R68	7030003550	S.RES ERJ3GEYJ 822 V (8.2 k)	T	22.2/36.7
R71	7030003340	S.RES ERJ3GEYJ 151 V (150)	T	32.6/38.2
R72	7030003270	S.RES ERJ3GEYJ 390 V (39)	T	31.2/39.5
R73	7030003340	S.RES ERJ3GEYJ 151 V (150)	T	28.6/39.5
R75	7030003280	S.RES ERJ3GEYJ 470 V (47)	T	16.2/43.1
R77	7030003320	S.RES ERJ3GEYJ 101 V (100)	T	12.5/44.6
R78	7030003470	S.RES ERJ3GEYJ 182 V (18 k)	T	8/41
R79	7030003480	S.RES ERJ3GEYJ 222 V (2.2 k)	T	6.1/41.6
R80	7030003360	S.RES ERJ3GEYJ 221 V (220)	T	11.8/41
R82	7030003280	S.RES ERJ3GEYJ 470 V (47)	T	17.5/43.1
R91	7030006091	S.RES ERA3YED 822V (8.2 k)	T	19.5/7.1
R92	7030005341	S.RES ERA3YED 332V (3.3 k)	T	19.5/8.4
R93	7030003560	S.RES ERJ3GEYJ 103 V (10 k)	T	25.6/1.4
R94	7030003540	S.RES ERJ3GEYJ 682 V (6.8 k)	T	25.6/2.7
R95	7030003320	S.RES ERJ3GEYJ 101 V (100)	T	22.4/16.7
R96	7030003440	S.RES ERJ3GEYJ 102 V (1 k)	T	32/14.1
R97	7030003440	S.RES ERJ3GEYJ 102 V (1 k)	T	28.6/16.1
R98	7030003640	S.RES ERJ3GEYJ 473 V (47 k)	T	27.3/16.1
R99	7030003480	S.RES ERJ3GEYJ 222 V (2.2 k)	T	22.4/10.1
R100	7030003640	S.RES ERJ3GEYJ 473 V (47 k)	T	27.2/6.4
R101	7030003360	S.RES ERJ3GEYJ 221 V (220)	T	36.9/38.1
R102	7030005981	S.RES ERA3YED 333V (33 k)	T	32.4/6.7
C1	4030006880	S.CER C1608 JB 1H 472K-T	T	39.6/47.6
C2	4030006880	S.CER C1608 JB 1H 472K-T	T	31.1/44.3
C3	4030006880	S.CER C1608 JB 1H 472K-T	T	33.7/44
C4	4030006880	S.CER C1608 JB 1H 472K-T	T	30.5/8.6
C5	4510008550	S.ELE EEE1HA010SR	T	30.6/2.6
C6	4030006880	S.CER C1608 JB 1H 472K-T	T	35/3.4
C7	4510008550	S.ELE EEE1HA010SR	T	38.7/2.6

M.=Mounted side (T: Mounted on the Top side, B: Mounted on the Bottom side) S.=Surface mount

[OSC UNIT]

REF NO.	ORDER NO.	DESCRIPTION	M.	H/V LOCATION
C8	4030011600	S.CER C1608 JB 1E 104K-T	T	17.3/2.1
C9	4030006880	S.CER C1608 JB 1H 472K-T	T	27.1/43.1
C10	4510008680	S.ELE EEE1EA220SP	T	29.7/21.3
C11	4030004760	S.CER C2012 JF 1H 104Z-T	T	35.9/13
C12	4030006880	S.CER C1608 JB 1H 472K-T	T	39.2/12.8
C13	4510008680	S.ELE EEE1EA220SP	T	37.1/8.6
C14	4030006880	S.CER C1608 JB 1H 472K-T	T	94.7/33.9
C15	4030011600	S.CER C1608 JB 1E 104K-T	T	39.2/14.1
C16	4030011600	S.CER C1608 JB 1E 104K-T	T	29.6/32.3
C17	4030011600	S.CER C1608 JB 1E 104K-T	T	19.4/41.8
C18	4030011600	S.CER C1608 JB 1E 104K-T	T	17.8/38.3
C19	4030011600	S.CER C1608 JB 1E 104K-T	T	31.5/33
C20	4030011600	S.CER C1608 JB 1E 104K-T	T	13.3/5.2
C21	4030011600	S.CER C1608 JB 1E 104K-T	T	11.3/3.1
C22	4030011600	S.CER C1608 JB 1E 104K-T	T	15/11
C23	4030011600	S.CER C1608 JB 1E 104K-T	T	11.9/15.8
C24	4030011600	S.CER C1608 JB 1E 104K-T	T	12.7/14
C25	4030011600	S.CER C1608 JB 1E 104K-T	T	10.2/19.8
C26	4030017800	S.CER C1608 CH 1H 561J-T	T	10.2/21.1
C27	4030007120	S.CER C1608 CH 1H 820J-T	T	7.7/18.2
C28	4030011340	S.CER C1608 CH 1H 471J-T	T	8.9/22.5
C29	4030011330	S.CER C1608 CH 1H 391J-T	T	10.2/23.8
C30	4030007050	S.CER C1608 CH 1H 220J-T	T	8.4/24.5
C31	4030017800	S.CER C1608 CH 1H 561J-T	T	10.2/25.1
C32	4030011600	S.CER C1608 JB 1E 104K-T	T	10.8/9.2
C33	4030011600	S.CER C1608 JB 1E 104K-T	T	9.5/10.1
C42	4030011600	S.CER C1608 JB 1E 104K-T	T	21.6/12.7
C43	4030011600	S.CER C1608 JB 1E 104K-T	T	20.1/16.8
C44	4030011600	S.CER C1608 JB 1E 104K-T	T	19.9/15.5
C45	4030011600	S.CER C1608 JB 1E 104K-T	T	13.2/20.6
C46	4030017800	S.CER C1608 CH 1H 561J-T	T	15/19.8
C47	4030007120	S.CER C1608 CH 1H 820J-T	T	13.2/23.2
C48	4030011340	S.CER C1608 CH 1H 471J-T	T	17.5/21.5
C49	4030011330	S.CER C1608 CH 1H 391J-T	T	18.8/21.5
C50	4030007050	S.CER C1608 CH 1H 220J-T	T	20.6/22.1
C51	4030017800	S.CER C1608 CH 1H 561J-T	T	21.7/24.4
C52	4030011600	S.CER C1608 JB 1E 104K-T	T	17.6/8.8
C53	4030011600	S.CER C1608 JB 1E 104K-T	T	16.3/9.7
C61	4030011600	S.CER C1608 JB 1E 104K-T	T	26.3/32.9
C62	4030011600	S.CER C1608 JB 1E 104K-T	T	24.1/36.1
C63	4030011600	S.CER C1608 JB 1E 104K-T	T	25.9/39.3
C64	4030011600	S.CER C1608 JB 1E 104K-T	T	22.7/34.1
C66	4030007010	S.CER C1608 CH 1H 100D-T	T	12.8/25.1
C67	4030011600	S.CER C1608 JB 1E 104K-T	T	17/35.4
C71	4030006880	S.CER C1608 JB 1H 472K-T	T	33.8/39.5
C72	4030006880	S.CER C1608 JB 1H 472K-T	T	14.4/45.4
C73	4030006880	S.CER C1608 JB 1H 472K-T	T	6.1/40.3
C74	4030006880	S.CER C1608 JB 1H 472K-T	T	10/43.2
C75	4030006880	S.CER C1608 JB 1H 472K-T	T	13.1/40.9
C76	4030006880	S.CER C1608 JB 1H 472K-T	T	19.4/45.4
C77	4030011600	S.CER C1608 JB 1E 104K-T	T	10.7/44.6
C91	4030006880	S.CER C1608 JB 1H 472K-T	T	25.5/16.4
C92	4030006880	S.CER C1608 JB 1H 472K-T	T	17.3/4.7
C93	4030006880	S.CER C1608 JB 1H 472K-T	T	22.1/2.7
C94	4030006880	S.CER C1608 JB 1H 472K-T	T	27.9/8.6
C101	4550006480	S.TAN TEESVA 1C 475M8R	T	40/38.9
RL10	6330001750	R.LY FTR-B4CA012Z		
RL11	6330001750	R.LY FTR-B4CA012Z		
J2	6510019971	S.CNR 52808-1071	T	30.5/48.8
J71	6510007020	CNR TMP-J01X-V6		
J72	6510007020	CNR TMP-J01X-V6		
J73	6510007020	CNR TMP-J01X-V6		

[DIGISEL UNIT]

REF NO.	ORDER NO.	DESCRIPTION	M.	H/V LOCATION
IC1	1130014370	S.IC CAT24C256XI	B	18.9/51.9
IC4	1130011510	S.IC BU2099FV-E2	T	29.9/55.8
IC5	1130011510	S.IC BU2099FV-E2	T	18.5/55.8
IC501	1130014370	S.IC CAT24C256XI	B	17.5/26.4
IC504	1130011510	S.IC BU2099FV-E2	T	28.3/29.2
IC505	1130011510	S.IC BU2099FV-E2	T	18.1/29.3
Q201	1530003851	S.TR 2SC5551F-TD-E	T	48.5/52.8
Q701	1530003851	S.TR 2SC5551F-TD-E	T	49.7/21.3
D21	1750000550	S.DIO 1SS355 TE-17	B	28.5/45.9
D51	1750000550	S.DIO 1SS355 TE-17	B	60.7/57.2
D52	1750000550	S.DIO 1SS355 TE-17	B	61.6/44.8
D53	1750000550	S.DIO 1SS355 TE-17	T	53.1/59.2
D54	1750000550	S.DIO 1SS355 TE-17	B	90.2/68.2
D55	1750000550	S.DIO 1SS355 TE-17	B	69.5/68.4
D56	1750000550	S.DIO 1SS355 TE-17	B	67.3/55.1
D57	1750000550	S.DIO 1SS355 TE-17	T	66/48.7
D58	1750000550	S.DIO 1SS355 TE-17	B	114.3/50.2
D59	1750000550	S.DIO 1SS355 TE-17	B	90.5/51
D60	1750000550	S.DIO 1SS355 TE-17	B	90.5/54.4
D61	1750000550	S.DIO 1SS355 TE-17	B	114.3/53.5
D62	1750000550	S.DIO 1SS355 TE-17	B	138.2/50.2
D63	1750000550	S.DIO 1SS355 TE-17	B	138.2/53.7
D64	1750000550	S.DIO 1SS355 TE-17	B	162.1/50.1
D65	1750000550	S.DIO 1SS355 TE-17	B	162.1/53.7
D66	1750000550	S.DIO 1SS355 TE-17	B	180.9/47.7
D67	1750000550	S.DIO 1SS355 TE-17	B	114.3/57.2
D68	1750000550	S.DIO 1SS355 TE-17	T	85.8/64.1
D69	1750000550	S.DIO 1SS355 TE-17	B	183.4/63
D70	1750000550	S.DIO 1SS355 TE-17	B	162.1/61.3
D71	1750000550	S.DIO 1SS355 TE-17	B	162.1/57.5
D72	1750000550	S.DIO 1SS355 TE-17	B	138.2/61.3
D73	1750000550	S.DIO 1SS355 TE-17	B	138.2/57.5
D74	1750000550	S.DIO 1SS355 TE-17	B	114.3/61.4
D75	1750000550	S.DIO 1SS355 TE-17	B	90.5/59.1
D201	1710001240	DIO L204BBB		
D202	1710001240	DIO L204BBB		
D203	1750000550	S.DIO 1SS355 TE-17	B	48.3/73.3
D204	1750000550	S.DIO 1SS355 TE-17	B	46.1/73.3
D205	1750000550	S.DIO 1SS355 TE-17	B	44.8/69.7
D521	1750000550	S.DIO 1SS355 TE-17	B	25/35.2
D551	1750000550	S.DIO 1SS355 TE-17	B	63.7/9.2
D552	1750000550	S.DIO 1SS355 TE-17	B	61.7/23
D553	1750000550	S.DIO 1SS355 TE-17	B	58/8.5
D554	1750000550	S.DIO 1SS355 TE-17	B	91/12.8
D555	1750000550	S.DIO 1SS355 TE-17	T	68.6/11.7
D556	1750000550	S.DIO 1SS355 TE-17	B	67.2/24.9
D557	1750000550	S.DIO 1SS355 TE-17	B	70.2/36.4
D558	1750000550	S.DIO 1SS355 TE-17	B	114.3/27.1
D559	1750000550	S.DIO 1SS355 TE-17	B	90.6/26.8
D560	1750000550	S.DIO 1SS355 TE-17	B	90.6/30.3
D561	1750000550	S.DIO 1SS355 TE-17	B	114.3/30.5
D562	1750000550	S.DIO 1SS355 TE-17	B	138.2/27.1
D563	1750000550	S.DIO 1SS355 TE-17	B	138.2/30.5
D564	1750000550	S.DIO 1SS355 TE-17	B	162.1/27.1
D565	1750000550	S.DIO 1SS355 TE-17	B	162.1/30.6
D566	1750000550	S.DIO 1SS355 TE-17	B	182.5/33.5
D567	1750000550	S.DIO 1SS355 TE-17	B	114.3/19.6
D568	1750000550	S.DIO 1SS355 TE-17	B	90.7/19.6
D569	1750000550	S.DIO 1SS355 TE-17	B	183.6/17.1
D570	1750000550	S.DIO 1SS355 TE-17	B	162.1/19.7
D571	1750000550	S.DIO 1SS355 TE-17	B	162.1/23.5
D572	1750000550	S.DIO 1SS355 TE-17	B	138.2/23.5
D573	1750000550	S.DIO 1SS355 TE-17	B	138.2/19.6
D574	1750000550	S.DIO 1SS355 TE-17	B	114.3/23.4
D575	1750000550	S.DIO 1SS355 TE-17	B	90.7/22.9
D701	1710001240	DIO L204BBB		
D702	1710001240	DIO L204BBB		
D703	1750000550	S.DIO 1SS355 TE-17	B	47/9
D704	1750000550	S.DIO 1SS355 TE-17	B	44.9/9
D705	1750000550	S.DIO 1SS355 TE-17	T	51.8/34.3
L1	6200003261	S.COL NLV32T-101J	B	4.5/52
L2	6200003950	S.COL HF50ACC 322513-T	B	4.7/40
L3	6200003261	S.COL NLV32T-101J	B	4.5/48
L4	6200003261	S.COL NLV32T-101J	B	4.5/44
L101	6140003980	COL LR-476		
L102	6140003990	COL LR-477		
L103	6140004001	COL LR-478A		
L104	6140004010	COL LR-479		
L105	6140004020	COL LR-480		
L106	6140004030	COL LR-481		
L107	6110003930	COL LA-595		
L201	6180000920	COL LAL 03NA 221K		
L203	6140003940	COL LR-493		
L503	6200003261	S.COL NLV32T-101J	B	4.5/36
L504	6200003261	S.COL NLV32T-101J	B	4.5/32
L601	6140003980	COL LR-476		
L602	6140003990	COL LR-477		
L603	6140004001	COL LR-478A		
L604	6140004010	COL LR-479		
L605	6140004020	COL LR-480		
L606	6140004030	COL LR-481		
L607	6110003930	COL LA-595		
L701	6180000920	COL LAL 03NA 221K		
L703	6140003940	COL LR-493		
R1	7030003680	S.RES ERJ3GEYJ 104 V (100 k)	B	17.3/60.8
R2	7030003560	S.RES ERJ3GEYJ 103 V (10 k)	B	12.6/54.5

M.=Mounted side (T: Mounted on the Top side, B: Mounted on the Bottom side)  
S.=Surface mount

[DIGISEL UNIT]

REF NO.	ORDER NO.	DESCRIPTION	M.	H/V LOCATION
R3	7030003560	S.RES ERJ3GEYJ 103 V (10 k)	T	26.1/51.6
R4	7030003440	S.RES ERJ3GEYJ 102 V (1 k)	T	14.3/47.4
R5	7030003440	S.RES ERJ3GEYJ 102 V (1 k)	T	15.7/44.8
R6	7030003440	S.RES ERJ3GEYJ 102 V (1 k)	T	15.1/46.1
R7	7030003440	S.RES ERJ3GEYJ 102 V (1 k)	T	4/52.9
R8	7030003440	S.RES ERJ3GEYJ 102 V (1 k)	T	13.3/51.8
R9	7030003360	S.RES ERJ3GEYJ 221 V (220)	B	32/45.9
R10	7030003360	S.RES ERJ3GEYJ 221 V (220)	T	34.6/60
R35	7030003360	S.RES ERJ3GEYJ 221 V (220)	T	27.9/62.4
R36	7030003360	S.RES ERJ3GEYJ 221 V (220)	T	28.6/65.8
R37	7030003360	S.RES ERJ3GEYJ 221 V (220)	T	29.3/62.4
R38	7030003360	S.RES ERJ3GEYJ 221 V (220)	T	30/65.8
R39	7030003360	S.RES ERJ3GEYJ 221 V (220)	T	30.7/62.4
R40	7030003360	S.RES ERJ3GEYJ 221 V (220)	T	26.5/62.4
R41	7030003360	S.RES ERJ3GEYJ 221 V (220)	T	27.2/65.8
R42	7030003360	S.RES ERJ3GEYJ 221 V (220)	T	25.8/65.8
R43	7030003360	S.RES ERJ3GEYJ 221 V (220)	T	25.1/62.4
R44	7030003360	S.RES ERJ3GEYJ 221 V (220)	T	24.4/65.8
R45	7030003360	S.RES ERJ3GEYJ 221 V (220)	T	23.7/62.4
R46	7030003360	S.RES ERJ3GEYJ 221 V (220)	T	23/65.8
R47	7030003360	S.RES ERJ3GEYJ 221 V (220)	T	21.2/62.4
R48	7030003360	S.RES ERJ3GEYJ 221 V (220)	T	19.1/65.8
R49	7030003360	S.RES ERJ3GEYJ 221 V (220)	T	18.4/62.4
R50	7030003360	S.RES ERJ3GEYJ 221 V (220)	T	19.8/62.4
R51	7030003360	S.RES ERJ3GEYJ 221 V (220)	T	20.5/65.8
R52	7030003360	S.RES ERJ3GEYJ 221 V (220)	T	15.6/62.4
R53	7030003360	S.RES ERJ3GEYJ 221 V (220)	T	14.9/65.8
R54	7030003360	S.RES ERJ3GEYJ 221 V (220)	T	14.2/62.4
R55	7030003360	S.RES ERJ3GEYJ 221 V (220)	T	16.3/65.8
R56	7030003360	S.RES ERJ3GEYJ 221 V (220)	T	17/62.4
R57	7030003360	S.RES ERJ3GEYJ 221 V (220)	T	17.7/65.8
R58	7030003360	S.RES ERJ3GEYJ 221 V (220)	T	20.9/46.4
R59	7030003440	S.RES ERJ3GEYJ 102 V (1 k)	T	14.9/49.7
R100	7030000010	S.RES MCR10EZHH JPW (000)	B	26/47.3
R104	7030003560	S.RES ERJ3GEYJ 103 V (10 k)	B	145.1/64.1
R105	7030003560	S.RES ERJ3GEYJ 103 V (10 k)	B	131.1/62.7
R201	7030000380	S.RES MCR10EZHH 1 k	B	49.4/55.6
R202	7030000290	S.RES MCR10EZHH 180 (181)	B	49.4/51.8
R203	7030000220	S.RES MCR10EZHH 47 (470)	B	49.4/53.7
R204	7030003360	S.RES ERJ3GEYJ 221 V (220)	B	48.2/69.7
R205	7030003350	S.RES ERJ3GEYJ 181 V (180)	T	54.5/46.5
R206	7030003370	S.RES ERJ3GEYJ 271 V (270)	B	49.4/48.7
R207	7030003560	S.RES ERJ3GEYJ 103 V (10 k)	T	57.6/48.7
R208	7030000200	S.RES MCR10EZHH 33 (330)	B	45.4/56.9
R209	7030003240	S.RES ERJ3GEYJ 220 V (22)	T	44.2/53.9
R210	7030003370	S.RES ERJ3GEYJ 271 V (270)	B	45.2/49.5
R211	7030003370	S.RES ERJ3GEYJ 271 V (270)	B	45.2/50.8
R213	7030000220	S.RES MCR10EZHH 47 (470)	B	38.1/55.9
R214	7030003460	S.RES ERJ3GEYJ 152 V (1.5 k)	B	51.6/60
R215	7030003460	S.RES ERJ3GEYJ 152 V (1.5 k)	B	52.4/58
R216	7030003680	S.RES ERJ3GEYJ 104 V (100 k)	B	17.3/66.4
R501	7030003680	S.RES ERJ3GEYJ 104 V (100 k)	B	14.5/21.2
R502	7030003560	S.RES ERJ3GEYJ 103 V (10 k)	B	25.7/25.3
R503	7030003560	S.RES ERJ3GEYJ 103 V (10 k)	B	24.4/25.3
R504	7030003440	S.RES ERJ3GEYJ 102 V (1 k)	B	9.7/44.5
R505	7030003440	S.RES ERJ3GEYJ 102 V (1 k)	T	9.3/42.5
R506	7030003440	S.RES ERJ3GEYJ 102 V (1 k)	T	3.7/28.1
R507	7030003440	S.RES ERJ3GEYJ 102 V (1 k)	B	4.4/28
R508	7030003440	S.RES ERJ3GEYJ 102 V (1 k)	T	12.9/30.8
R509	7030003360	S.RES ERJ3GEYJ 221 V (220)	T	31.1/34.8
R510	7030003360	S.RES ERJ3GEYJ 221 V (220)	T	32.2/21.9
R535	7030003360	S.RES ERJ3GEYJ 221 V (220)	T	26.4/21.9
R536	7030003360	S.RES ERJ3GEYJ 221 V (220)	T	25.7/19
R537	7030003360	S.RES ERJ3GEYJ 221 V (220)	T	23.6/21.9
R538	7030003360	S.RES ERJ3GEYJ 221 V (220)	T	24.3/19
R539	7030003360	S.RES ERJ3GEYJ 221 V (220)	T	25/21.8
R540	7030003360	S.RES ERJ3GEYJ 221 V (220)	T	30.1/19
R541	7030003360	S.RES ERJ3GEYJ 221 V (220)	T	29.4/21.9
R542	7030003360	S.RES ERJ3GEYJ 221 V (220)	T	28.7/19
R543	7030003360	S.RES ERJ3GEYJ 221 V (220)	T	27.9/21.9
R544	7030003360	S.RES ERJ3GEYJ 221 V (220)	T	27.2/19
R545	7030003360	S.RES ERJ3GEYJ 221 V (220)	T	30.8/21.9
R546	7030003360	S.RES ERJ3GEYJ 221 V (220)	T	31.5/19
R547	7030003360	S.RES ERJ3GEYJ 221 V (220)	T	18/21.9
R548	7030003360	S.RES ERJ3GEYJ 221 V (220)	T	17.3/19.1
R549	7030003360	S.RES ERJ3GEYJ 221 V (220)	T	15.2/21.9
R550	7030003360	S.RES ERJ3GEYJ 221 V (220)	T	16.6/21.9
R551	7030003360	S.RES ERJ3GEYJ 221 V (220)	T	15.9/19.1
R552	7030003360	S.RES ERJ3GEYJ 221 V (220)	T	20.1/19.2
R553	7030003360	S.RES ERJ3GEYJ 221 V (220)	T	17.4/21.9
R554	7030003360	S.RES ERJ3GEYJ 221 V (220)	T	18.7/19.1
R555	7030003360	S.RES ERJ3GEYJ 221 V (220)	T	20.9/21.9
R556	7030003360	S.RES ERJ3GEYJ 221 V (220)	T	21.6/19.2
R557	7030003360	S.RES ERJ3GEYJ 221 V (220)	T	22.3/21.9
R558	7030003360	S.RES ERJ3GEYJ 221 V (220)	T	23.5/34.2
R600	7030000010	S.RES MCR10EZHH JPW (000)	B	30.9/33.9
R604	7030003560	S.RES ERJ3GEYJ 103 V (10 k)	B	145.1/17.1
R605	7030003560	S.RES ERJ3GEYJ 103 V (10 k)	B	129.1/17.1
R701	7030000380	S.RES MCR10EZHH 1 k	T	53.2/20.4
R702	7030000290	S.RES MCR10EZHH 180 (181)	T	51.6/15.9
R703	7030000220	S.RES MCR10EZHH 47 (470)	T	51.6/13.8
R704	7030003360	S.RES ERJ3GEYJ 221 V (220)	T	52.9/31.9
R705	7030003350	S.RES ERJ3GEYJ 181 V (180)	B	49.4/9
R706	7030003370	S.RES ERJ3GEYJ 271 V (270)	B	42.4/10.1
R707	7030003560	S.RES ERJ3GEYJ 103 V (10 k)	T	51.3/12.2
R708	7030000200	S.RES MCR10EZHH 33 (330)	T	43.8/25.6
R709	7030003240	S.RES ERJ3GEYJ 220 V (22)	T	46.5/19.8
R710	7030003370	S.RES ERJ3GEYJ 271 V (270)	B	45.6/19.4
R711	7030003370	S.RES ERJ3GEYJ 271 V (270)	B	45.6/21
R713	7030000220	S.RES MCR10EZHH 47 (470)	B	38.8/27.4
R714	7030003460	S.RES ERJ3GEYJ 152 V (1.5 k)	T	53.5/29.2
R715	7030003460	S.RES ERJ3GEYJ 152 V (1.5 k)	T	51.6/30
R716	7030003680	S.RES ERJ3GEYJ 104 V (100 k)	B	14.5/15.5

[DIGISEL UNIT]

REF NO.	ORDER NO.	DESCRIPTION	M.	H/V LOCATION
C1	4030011600	S.CER C1608 JB 1E 104K-T	B	15.2/55.4
C2	4030011600	S.CER C1608 JB 1E 104K-T	T	7.9/31.8
C4	4030011600	S.CER C1608 JB 1E 104K-T	T	31.8/50.7
C5	4030011600	S.CER C1608 JB 1E 104K-T	T	16/51.6
C21	4030006880	S.CER C1608 JB 1H 472K-T	B	30.4/45.9
C35	4030006880	S.CER C1608 JB 1H 472K-T	T	32.1/65.3
C51	4030006880	S.CER C1608 JB 1H 472K-T	B	64.8/57.2
C52	4030006880	S.CER C1608 JB 1H 472K-T	T	57.6/45.8
C53	4030006880	S.CER C1608 JB 1H 472K-T	T	51.5/59.2
C54	4030006880	S.CER C1608 JB 1H 472K-T	T	87.3/72.3
C55	4030006880	S.CER C1608 JB 1H 472K-T	B	67.1/63.5
C56	4030006880	S.CER C1608 JB 1H 472K-T	T	66.5/54.9
C57	4030006880	S.CER C1608 JB 1H 472K-T	B	66.2/45.6
C58	4030006880	S.CER C1608 JB 1H 472K-T	T	114.3/50.4
C59	4030006880	S.CER C1608 JB 1H 472K-T	T	90.4/51.4
C60	4030006880	S.CER C1608 JB 1H 472K-T	T	90.4/54.4
C61	4030006880	S.CER C1608 JB 1H 472K-T	T	114.3/53.7
C62	4030006880	S.CER C1608 JB 1H 472K-T	T	138.2/51.1
C63	4030006880	S.CER C1608 JB 1H 472K-T	T	138.2/54.4
C64	4030006880	S.CER C1608 JB 1H 472K-T	T	162.1/50.8
C65	4030006880	S.CER C1608 JB 1H 472K-T	T	162.1/53.9
C66	4030006880	S.CER C1608 JB 1H 472K-T	B	182.5/47.7
C67	4030006880	S.CER C1608 JB 1H 472K-T	T	114.3/57.2
C68	4030006880	S.CER C1608 JB 1H 472K-T	T	88.3/63
C69	4030006880	S.CER C1608 JB 1H 472K-T	B	183.7/64.8
C70	4030006880	S.CER C1608 JB 1H 472K-T	T	162.1/60.2
C71	4030006880	S.CER C1608 JB 1H 472K-T	T	162.1/57.3
C72	4030006880	S.CER C1608 JB 1H 472K-T	T	138.2/59.5
C73	4030006880	S.CER C1608 JB 1H 472K-T	T	135.8/63
C74	4030006880	S.CER C1608 JB 1H 472K-T	T	114.3/60.4
C75	4030006880	S.CER C1608 JB 1H 472K-T	T	90.5/59.6
C101	4030011340	S.CER C1608 CH 1H 471J-T	T	68.2/68.4
C102	4030011280	S.CER C1608 CH 1H 271J-T	T	59.5/69.2
C103	4030011280	S.CER C1608 CH 1H 271J-T	T	60.5/56.7
C104	4030007130	S.CER C1608 CH 1H 101J-T	T	57.7/52.7
C105	4030006940	S.CER C1608 CH 1H 030C-T	B	65.7/51.9
C106	4030007150	S.CER C1608 CH 1H 151J-T	B	56.4/70.2
C107	4030007150	S.CER C1608 CH 1H 151J-T	B	60.3/70.6
C108	4030007150	S.CER C1608 CH 1H 151J-T	B	62.4/70.6
C109	4030007150	S.CER C1608 CH 1H 151J-T	B	56.4/68.8
C110	4030009520	S.CER C1608 CH 1H 020B-T	T	77.2/61.0
C111	4030009550	S.CER C1608 CH 1H 2R5B-T	T	77.2/67.8
C113	4030007000	S.CER C1608 CH 1H 090D-T	T	73.7/58.9
C114	4030007040	S.CER C1608 CH 1H 180J-T	T	71.7/59.5
C115	4030007040	S.CER C1608 CH 1H 180J-T	T	70.4/59.5
C116	4030007040	S.CER C1608 CH 1H 180J-T	T	69.1/59.5
C117	4030007070	S.CER C1608 CH 1H 330J-T	T	77.2/70.4
C118	4030007090	S.CER C1608 CH 1H 470J-T	B	76.7/59.8
C119	4030007040	S.CER C1608 CH 1H 180J-T	B	66.1/48.1
C120	4030007040	S.CER C1608 CH 1H 180J-T	B	66.1/49.8
C121	4030007040	S.CER C1608 CH 1H 180J-T	B	74.4/59.7
C122	4030007000	S.CER C1608 CH 1H 090D-T	B	74.3/70.3
C124	4030009520	S.CER C1608 CH 1H 020B-T	B	77.4/68.9
C125	4030009550	S.CER C1608 CH 1H 2R5B-T	B	76.1/68.9
C126	4030008360	S.CER C1608 UJ 1H 101J-T	B	124.5/63.3
C128	4030009500	S.CER C1608 CH 1H 0R5B-T	B	107.2/55.4
C129	4030009510	S.CER C1608 CH 1H 010B-T	B	83.2/55.8
C130	4030009520	S.CER C1608 CH 1H 020B-T	B	97.6/55.5
C131	4030009910	S.CER C1608 CH 1H 040B-T	B	121.5/55.6
C132	4030006990	S.CER C1608 CH 1H 080D-T	B	131/55.6
C133	4030007040	S.CER C1608 CH 1H 180J-T	B	145.4/55.7
C134	4030008750	S.CER C1608 CH 1H 360J-T	B	154.9/55.7
C135	4030007110	S.CER C1608 CH 1H 680J-T	B	169.3/55.7
C136	4030007140	S.CER C1608 CH 1H 121J-T	B	178.8/55.7
C137	4030007140	S.CER C1608 CH 1H 121J-T	B	107.4/63.8
C138	4030007130	S.CER C1608 CH 1H 101J-T	B	107.4/62.5
C139	4030007160	S.CER C1608 CH 1H 181J-T	B	83.6/62.7
C140	4030007160	S.CER C1608 CH 1H 181J-T	B	83.6/64.5
C141	4030008330	S.CER C1608 UJ 1H 560J-T	B	177.2/63.2
C142	4030008330	S.CER C1608 UJ 1H 560J-T	B	169.3/63.2
C143	4030007090	S.CER C1608 CH 1H 470J-T	B	155.2/63.2
C201	4030011600	S.CER C1608 JB 1E 104K-T	B	49.1/57.2
C202	4030006900	S.CER C1608 JB 1E 103K-T	T	57.7/55.4
C203	4030011600	S.CER C1608 JB 1E 104K-T	B	50.4/46.3
C204	4030011600	S.CER C1608 JB 1E 104K-T	B	53.2/45.4
C205	4030011600	S.CER C		



[DIGISEL UNIT]

REF NO.	ORDER NO.	DESCRIPTION	M.	H/V LOCATION
C564	4030006880	S.CER C1608 JB 1H 472K-T	T	162.1/27.2
C565	4030006880	S.CER C1608 JB 1H 472K-T	T	162.1/30.4
C566	4030006880	S.CER C1608 JB 1H 472K-T	B	180.9/33.5
C567	4030006880	S.CER C1608 JB 1H 472K-T	T	109.8/17.8
C568	4030006880	S.CER C1608 JB 1H 472K-T	T	90.4/19.5
C569	4030006880	S.CER C1608 JB 1H 472K-T	B	181.8/17.1
C570	4030006880	S.CER C1608 JB 1H 472K-T	T	162.1/22.4
C571	4030006880	S.CER C1608 JB 1H 472K-T	T	158.5/17.6
C572	4030006880	S.CER C1608 JB 1H 472K-T	T	138.2/23.1
C573	4030006880	S.CER C1608 JB 1H 472K-T	T	134.8/17.5
C574	4030006880	S.CER C1608 JB 1H 472K-T	T	114.3/20.6
C575	4030006880	S.CER C1608 JB 1H 472K-T	T	90.4/23.3
C601	4030011340	S.CER C1608 CH 1H 471J-T	B	66/22.5
C602	4030011280	S.CER C1608 CH 1H 271J-T	B	65.2/26.7
C603	4030011280	S.CER C1608 CH 1H 271J-T	T	59.1/35.6
C604	4030007130	S.CER C1608 CH 1H 101J-T	T	57.7/33
C605	4030006940	S.CER C1608 CH 1H 030C-T	T	57.2/29
C606	4030007150	S.CER C1608 CH 1H 151J-T	T	55.6/30.7
C607	4030007150	S.CER C1608 CH 1H 151J-T	T	57.2/25.4
C608	4030007150	S.CER C1608 CH 1H 151J-T	T	57.2/23.8
C609	4030007150	S.CER C1608 CH 1H 151J-T	T	56.8/22.5
C610	4030009520	S.CER C1608 CH 1H 020B-T	B	77.3/11.3
C611	4030009550	S.CER C1608 CH 1H 2R5B-T	B	76/11.3
C613	4030007000	S.CER C1608 CH 1H 090D-T	B	73.8/12.5
C614	4030007040	S.CER C1608 CH 1H 180J-T	B	73.7/21.1
C615	4030007040	S.CER C1608 CH 1H 180J-T	B	73.9/28.2
C616	4030007040	S.CER C1608 CH 1H 180J-T	B	73.9/29.7
C617	4030007070	S.CER C1608 CH 1H 330J-T	B	76/19.4
C618	4030007090	S.CER C1608 CH 1H 470J-T	T	75.5/20.7
C619	4030007040	S.CER C1608 CH 1H 180J-T	T	65.6/35.3
C620	4030007040	S.CER C1608 CH 1H 180J-T	T	65.7/36.7
C621	4030007040	S.CER C1608 CH 1H 180J-T	T	73.7/28.3
C622	4030007000	S.CER C1608 CH 1H 090D-T	T	73.2/20.2
C624	4030009520	S.CER C1608 CH 1H 020B-T	T	76.9/10.6
C625	4030009550	S.CER C1608 CH 1H 2R5B-T	T	76.9/12
C626	4030008360	S.CER C1608 UJ 1H 101J-T	B	124.5/17.4
C628	4030009500	S.CER C1608 CH 1H 0R5B-T	B	107.4/25.3
C629	4030009510	S.CER C1608 CH 1H 010B-T	B	83.3/25.5
C630	4030009520	S.CER C1608 CH 1H 020B-T	B	97.8/25.3
C631	4030009910	S.CER C1608 CH 1H 040B-T	B	121.2/25.3
C632	4030006990	S.CER C1608 CH 1H 080D-T	B	131.3/25.3
C633	4030007040	S.CER C1608 CH 1H 180J-T	B	145.2/25.3
C634	4030008750	S.CER C1608 CH 1H 360J-T	B	155.2/25.3
C635	4030007110	S.CER C1608 CH 1H 680J-T	B	169/25.3
C636	4030007140	S.CER C1608 CH 1H 121J-T	B	179.1/25.3
C637	4030007140	S.CER C1608 CH 1H 121J-T	B	107.4/18.3
C638	4030007130	S.CER C1608 CH 1H 101J-T	B	107.4/16.5
C639	4030007160	S.CER C1608 CH 1H 181J-T	B	83.9/18.1
C640	4030007160	S.CER C1608 CH 1H 181J-T	B	84.7/16.3
C641	4030008330	S.CER C1608 UJ 1H 560J-T	B	177/17.9
C642	4030008330	S.CER C1608 UJ 1H 560J-T	B	169/18
C643	4030007090	S.CER C1608 CH 1H 470J-T	B	155.5/18
C701	4030011600	S.CER C1608 JB 1E 104K-T	T	52.3/17.7
C702	4030006900	S.CER C1608 JB 1H 103K-T	T	54.6/27.3
C703	4030011600	S.CER C1608 JB 1E 104K-T	B	40.3/10.4
C704	4030011600	S.CER C1608 JB 1E 104K-T	B	52.1/9.8
C705	4030011600	S.CER C1608 JB 1E 104K-T	B	44/28.1
C706	4030011600	S.CER C1608 JB 1E 104K-T	T	45.1/22.6
C707	4030006880	S.CER C1608 JB 1H 472K-T	B	42.7/28.1
C708	4030007010	S.CER C1608 CH 1H 100D-T	T	46.5/22.7
C709	4030006880	S.CER C1608 JB 1H 472K-T	B	40.6/28.9
C710	4030006900	S.CER C1608 JB 1H 103K-T	B	45.6/22.7
C711	4030009000	S.CER C2012 JB 1C 224K-T	B	45.7/24.4
C712	4030006880	S.CER C1608 JB 1H 472K-T	T	54.8/32.3
C713	4030006880	S.CER C1608 JB 1H 472K-T	B	52.1/7.9
C714	4030006880	S.CER C1608 JB 1H 472K-T	B	42.4/6.5
C715	4030006880	S.CER C1608 JB 1H 472K-T	T	54.2/34.3
RL2	6330001750	RLY FTR-B4CA012Z		
RL21	6330001750	RLY FTR-B4CA012Z		
RL51	6330001750	RLY FTR-B4CA012Z		
RL52	6330001750	RLY FTR-B4CA012Z		
RL53	6330001750	RLY FTR-B4CA012Z		
RL54	6330001750	RLY FTR-B4CA012Z		
RL55	6330001750	RLY FTR-B4CA012Z		
RL56	6330001750	RLY FTR-B4CA012Z		
RL57	6330001750	RLY FTR-B4CA012Z		
RL58	6330001750	RLY FTR-B4CA012Z		
RL59	6330001750	RLY FTR-B4CA012Z		
RL60	6330001750	RLY FTR-B4CA012Z		
RL61	6330001750	RLY FTR-B4CA012Z		
RL62	6330001750	RLY FTR-B4CA012Z		
RL63	6330001750	RLY FTR-B4CA012Z		
RL64	6330001750	RLY FTR-B4CA012Z		
RL65	6330001750	RLY FTR-B4CA012Z		
RL66	6330001750	RLY FTR-B4CA012Z		
RL67	6330001750	RLY FTR-B4CA012Z		
RL69	6330001750	RLY FTR-B4CA012Z		
RL70	6330001750	RLY FTR-B4CA012Z		
RL71	6330001750	RLY FTR-B4CA012Z		
RL72	6330001750	RLY FTR-B4CA012Z		
RL73	6330001750	RLY FTR-B4CA012Z		
RL74	6330001750	RLY FTR-B4CA012Z		
RL75	6330001750	RLY FTR-B4CA012Z		
RL76	6330001750	RLY FTR-B4CA012Z		
RL201	6330001750	RLY FTR-B4CA012Z		
RL502	6330001750	RLY FTR-B4CA012Z		
RL521	6330001750	RLY FTR-B4CA012Z		
RL551	6330001750	RLY FTR-B4CA012Z		
RL552	6330001750	RLY FTR-B4CA012Z		
RL553	6330001750	RLY FTR-B4CA012Z		
RL554	6330001750	RLY FTR-B4CA012Z		
RL555	6330001750	RLY FTR-B4CA012Z		

[DIGISEL UNIT]

REF NO.	ORDER NO.	DESCRIPTION	M.	H/V LOCATION
RL556	6330001750	RLY FTR-B4CA012Z		
RL557	6330001750	RLY FTR-B4CA012Z		
RL558	6330001750	RLY FTR-B4CA012Z		
RL559	6330001750	RLY FTR-B4CA012Z		
RL560	6330001750	RLY FTR-B4CA012Z		
RL561	6330001750	RLY FTR-B4CA012Z		
RL562	6330001750	RLY FTR-B4CA012Z		
RL563	6330001750	RLY FTR-B4CA012Z		
RL564	6330001750	RLY FTR-B4CA012Z		
RL565	6330001750	RLY FTR-B4CA012Z		
RL566	6330001750	RLY FTR-B4CA012Z		
RL567	6330001750	RLY FTR-B4CA012Z		
RL569	6330001750	RLY FTR-B4CA012Z		
RL570	6330001750	RLY FTR-B4CA012Z		
RL571	6330001750	RLY FTR-B4CA012Z		
RL572	6330001750	RLY FTR-B4CA012Z		
RL573	6330001750	RLY FTR-B4CA012Z		
RL574	6330001750	RLY FTR-B4CA012Z		
RL575	6330001750	RLY FTR-B4CA012Z		
RL576	6330001750	RLY FTR-B4CA012Z		
RL701	6330001750	RLY FTR-B4CA012Z		
J1	6510007020	CNR TMP-J01X-V6		
J2	6510007020	CNR TMP-J01X-V6		
J10	6510020081	S.CNR 52808-2071 (2090)	T	4.5/40.5
J501	6510007020	CNR TMP-J01X-V6		
J502	6510007020	CNR TMP-J01X-V6		
Q300	1520000561	S.TR 2SB1123 T-D-E	T	205.7/10.5

M.=Mounted side (T: Mounted on the Top side, B: Mounted on the Bottom side)  
S.=Surface mount

[NETWORK UNIT]

REF NO.	ORDER NO.	DESCRIPTION	M.	H/V LOCATION
Q301	1590000680	S.TR DTC114EUA T106	T	201.4/9.1
L50	6110003950	COL LA-598		
L60	6110003910	COL LA-593		
L70	6110003050	COL LA-492		
L80	6110003050	COL LA-492		
L90	6110003060	COL LA-493		
L100	6110003070	COL LA-494		
L110	6110003920	COL LA-594		
L120	6140004460	COL LR-504		
L130	6140004470	COL LR-505		
L131	6140004470	COL LR-505		
L300	6180000990	COL LAL 04NA 101K		
R300	7030000420	S.RES MCR10EZHJ 2.2 k	T	202.8/6.9
R301	7030000420	S.RES MCR10EZHJ 2.2 k	T	201.5/11.3
R302	7030000420	S.RES MCR10EZHJ 2.2 k	T	206.2/6.9
R303	7030009800	S.RES ERJ12YJ121U (120)	T	209.7/5
C1	4620000150	VAR KB-150-07 150P		
C2	4620000150	VAR KB-150-07 150P		
C3	4010007580	CER HT20SJ SL 201J 3KV		
C4	4010007580	CER HT20SJ SL 201J 3KV		
C5	4010007580	CER HT20SJ SL 201J 3KV		
C6	4010007580	CER HT20SJ SL 201J 3KV		
C7	4010007580	CER HT20SJ SL 201J 3KV		
C8	4010007580	CER HT20SJ SL 201J 3KV		
C9	4010007580	CER HT20SJ SL 201J 3KV		
C10	4010007580	CER HT20SJ SL 201J 3KV		
C20	4010007570	CER HT15SJ SL 151J 3KV		
C21	4010007570	CER HT15SJ SL 151J 3KV		
C22	4010007570	CER HT15SJ SL 151J 3KV		
C23	4010007570	CER HT15SJ SL 151J 3KV		
C24	4010007570	CER HT15SJ SL 151J 3KV		
C25	4010007570	CER HT15SJ SL 151J 3KV		
C26	4010007570	CER HT15SJ SL 151J 3KV		
C27	4010007570	CER HT15SJ SL 151J 3KV		
C30	4010007550	CER HT11SJ SL 820J 3KV		
C31	4010007550	CER HT11SJ SL 820J 3KV		
C32	4010007550	CER HT11SJ SL 820J 3KV		
C33	4010007550	CER HT11SJ SL 820J 3KV		
C34	4010007550	CER HT11SJ SL 820J 3KV		
C35	4010007550	CER HT11SJ SL 820J 3KV		
C36	4010007550	CER HT11SJ SL 820J 3KV		
C37	4010007550	CER HT11SJ SL 820J 3KV		
C40	4010008550	CER DEA1X3F390JC3B		
C41	4010008550	CER DEA1X3F390JC3B		
C42	4010008550	CER DEA1X3F390JC3B		
C43	4010008550	CER DEA1X3F390JC3B		
C44	4010008550	CER DEA1X3F390JC3B		
C45	4010008550	CER DEA1X3F390JC3B		
C46	4010008550	CER DEA1X3F390JC3B		
C47	4010008550	CER DEA1X3F390JC3B		
C50	4030006880	S.CER C1608 JB 1H 472K-T	T	140.7/12
C60	4030006880	S.CER C1608 JB 1H 472K-T	T	154.1/12
C70	4030006880	S.CER C1608 JB 1H 472K-T	T	167.5/16.1
C80	4030006880	S.CER C1608 JB 1H 472K-T	T	181.9/21.5
C90	4030006880	S.CER C1608 JB 1H 472K-T	T	195.3/21.3
C100	4030006880	S.CER C1608 JB 1H 472K-T	T	204.4/20.7
C110	4030006880	S.CER C1608 JB 1H 472K-T	T	205.8/20.7
C120	4030006880	S.CER C1608 JB 1H 472K-T	T	207.2/20.6
C202	4030006880	S.CER C1608 JB 1H 472K-T	T	187.4/13.2
C203	4030006880	S.CER C1608 JB 1H 472K-T	T	188.4/15.7
C204	4030006880	S.CER C1608 JB 1H 472K-T	T	189.4/13.2
C205	4030006880	S.CER C1608 JB 1H 472K-T	T	190.4/15.7
C206	4030006880	S.CER C1608 JB 1H 472K-T	T	191.4/13.2
C207	4030006880	S.CER C1608 JB 1H 472K-T	T	192.4/15.7
C208	4030006880	S.CER C1608 JB 1H 472K-T	T	193.4/13.2
C209	4030006880	S.CER C1608 JB 1H 472K-T	T	194.4/15.7
C252	4030006880	S.CER C1608 JB 1H 472K-T	T	175.4/13.2
C253	4030006880	S.CER C1608 JB 1H 472K-T	T	176.4/15.7
C254	4030006880	S.CER C1608 JB 1H 472K-T	T	177.4/13.2
C255	4030006880	S.CER C1608 JB 1H 472K-T	T	178.4/15.7
C256	4030006880	S.CER C1608 JB 1H 472K-T	T	179.4/13.2
C257	4030006880	S.CER C1608 JB 1H 472K-T	T	180.4/15.7
C258	4030006880	S.CER C1608 JB 1H 472K-T	T	181.4/13.2
C259	4030006880	S.CER C1608 JB 1H 472K-T	T	182.4/15.7
C300	4030006880	S.CER C1608 JB 1H 472K-T	T	184.4/13.2
C301	4030006880	S.CER C1608 JB 1H 472K-T	T	210.5/10.1
RL10	6330001200	RLY VS-12MBU-UC		
RL11	6330001200	RLY VS-12MBU-UC		
RL20	6330001200	RLY VS-12MBU-UC		
RL21	6330001200	RLY VS-12MBU-UC		
RL30	6330001200	RLY VS-12MBU-UC		
RL31	6330001200	RLY VS-12MBU-UC		
RL40	6330001200	RLY VS-12MBU-UC		
RL41	6330001200	RLY VS-12MBU-UC		
RL50	6330001460	RLY FTR-F1CA012V		
RL60	6330001200	RLY VS-12MBU-UC		
RL70	6330001200	RLY VS-12MBU-UC		
RL80	6330001200	RLY VS-12MBU-UC		
RL90	6330001200	RLY VS-12MBU-UC		
RL100	6330001200	RLY VS-12MBU-UC		
RL110	6330001200	RLY VS-12MBU-UC		
RL120	6330001200	RLY VS-12MBU-UC		
J1	6510021561	S.CNR 52808-2470 (2490)	T	184.9/7.4
J2	6510017930	CNR 1771P145-20		
J3	6510017930	CNR 1771P145-20		
J4	6510003521	CNR S04B-EH-S (LF) (SN)		
D402	1750000271	S.DIO 1SS301 (TE85L,F)	T	11.8/24.3

[FILTER UNIT]

REF NO.	ORDER NO.	DESCRIPTION	M.	H/V LOCATION
D452	1750000271	S.DIO 1SS301 (TE85L,F)	T	32/20.5
D502	1750000271	S.DIO 1SS301 (TE85L,F)	T	54.8/30.3
D552	1750000271	S.DIO 1SS301 (TE85L,F)	T	155.6/29.1
D602	1750000271	S.DIO 1SS301 (TE85L,F)	T	130.1/20.3
D652	1750000271	S.DIO 1SS301 (TE85L,F)	T	93.8/33
D702	1750000271	S.DIO 1SS301 (TE85L,F)	T	69.6/20.3
D752	1750000271	S.DIO 1SS301 (TE85L,F)	T	113.1/33
D802	1750000271	S.DIO 1SS301 (TE85L,F)	T	173.6/25.9
L401	6200005131	S.COL NLC453232T-101K-PF	T	25.4/136.7
L402	6140004310	COL LR-471		
L403	6140004300	COL LR-470		
L404	6140004300	COL LR-470		
L405	6200005131	S.COL NLC453232T-101K-PF	T	7.3/24.6
L451	6200005131	S.COL NLC453232T-101K-PF	T	4.4/143.9
L452	6140004270	COL LR-467		
L453	6140004290	COL LR-469		
L454	6140004290	COL LR-469		
L455	6200005131	S.COL NLC453232T-101K-PF	T	28.4/29.9
L501	6200005131	S.COL NLC453232T-101K-PF	T	46.3/133.8
L502	6140004280	COL LR-468		
L503	6140004270	COL LR-467		
L504	6140004270	COL LR-467		
L505	6200005131	S.COL NLC453232T-101K-PF	T	50.2/29.6
L551	6200005131	S.COL NLC453232T-101K-PF	T	150.7/133.8
L552	6140004260	COL LR-466		
L553	6140004280	COL LR-468		
L554	6140004280	COL LR-468		
L555	6200005131	S.COL NLC453232T-101K-PF	T	151/29.7
L601	6200005131	S.COL NLC453232T-101K-PF	T	129.9/133.8
L602	6140004250	COL LR-465		
L603	6140004240	COL LR-464		
L604	6140004240	COL LR-464		
L605	6200005131	S.COL NLC453232T-101K-PF	T	130.1/14.2
L651	6200005131	S.COL NLC453232T-101K-PF	T	88.2/133.8
L652	6140004200	COL LR-463		
L653	6140004170	COL LR-462		
L654	6140004170	COL LR-462		
L655	6200005131	S.COL NLC453232T-101K-PF	T	92.3/29.8
L701	6200005131	S.COL NLC453232T-101K-PF	T	67.2/133.8
L702	6140004130	COL LR-461		
L703	6140004070	COL LR-460		
L704	6140004070	COL LR-460		
L705	6200005131	S.COL NLC453232T-101K-PF	T	69.6/14.1
L751	6200005131	S.COL NLC453232T-101K-PF	T	109.1/133.8
L752	6110003900	COL LA-592		
L753	6110003890	COL LA-591		
L754	6110003890	COL LA-591		
L755	6200005131	S.COL NLC453232T-101K-PF	T	111.4/29.8
L801	6200001831	S.COL NLV32T-100J	T	165.9/163.4
L802	6110003880	COL LA-590		
L803	6110003870	COL LA-589		
L804	6110003870	COL LA-589		
L805	6200001831	S.COL NLV32T-100J	T	173.9/22.8
C401	4030006880	S.CER C1608 JB 1H 472K-T	T	25.4/130.4
C402	4010008200	CER HM11TJ SL 331J 500V		
C403	4010008200	CER HM11TJ SL 331J 500V		
C404	4010008300	CER HM11TJ SL 391J 500V		
C405	4010008300	CER HM11TJ SL 391J 500V		
C406	4010008210	CER HM60TJ SL 560J 500V		
C407	4010007590	CER HM15SJ SL 681J 500V		
C408	4010007590	CER HM15SJ SL 681J 500V		
C409	4010007590	CER HM15SJ SL 681J 500V		
C410	4010005870	CER HM95SJ SL 221J 500V		
C411	4010008280	CER HM95TJ SL 221J 500V		
C412	4010008370	CER HM60TJ SL 150J 500V		
C413	4010007590	CER HM15SJ SL 681J 500V		
C414	4010007590	CER HM15SJ SL 681J 500V		
C415	4010007590	CER HM15SJ SL 681J 500V		
C416	4010008300	CER HM11TJ SL 391J 500V		
C417	4010008230	CER HM60TJ SL 820J 500V		
C418	4010007590	CER HM15SJ SL 681J 500V		
C419	4010007590	CER HM15SJ SL 681J 500V		
C420	4030006880	S.CER C1608 JB 1H 472K-T	T	11.6/26.3
C451	4030006880	S.CER C1608 JB 1H 472K-T	T	26.6/127.9
C452	4010008290	CER HM95TJ SL 221J 500V		
C453	4010008280	CER HM95TJ SL 221J 500V		
C454	4010008240	CER HM60TJ SL 101J 500V		
C455	4010005810	CER HM74SJ SL 111J 500V		
C456	4010007490	CER HM15SJ SL 561J 500V		
C457	4010006410	CER HM13SJ SL 471J 500V		
C458	4010008250	CER HM74TJ SL 121J 500V		
C459	4010005810	CER HM74SJ SL 111J 500V		
C461	4010007490	CER HM15SJ SL 561J 500V		
C462	4010007490	CER HM15SJ SL 561J 500V		
C463	4010008340	CER HM60TJ SL 270J 500V		
C464	4010008320	CER HM60TJ SL 390J 500V		
C465	4010007490	CER HM15SJ SL 561J 500V		
C466	4010008220	CER HM60TJ SL 680J 500V		
C467	4030006880	S.CER C1608 JB 1H 472K-T	T	32.4/23.4
C468	4010008230	CER HM60TJ SL 820J		

[FILTER UNIT]

REF NO.	ORDER NO.	DESCRIPTION	M.	H/V LOCATION
C515	4010008280	CER HM95TJ SL 221J 500V		
C516	4010008280	CER HM95TJ SL 221J 500V		
C517	4030006880	S.CER C1608 JB 1H 472K-T	T	54.7/28.4
C518	4010008340	CER HM60TJ SL 270J 500V		
C551	4030006880	S.CER C1608 JB 1H 472K-T	T	149.9/122.5
C552	4010005860	CER HM95SJ SL 201J 500V		
C554	4010008230	CER HM60TJ SL 820J 500V		
C555	4010008370	CER HM60TJ SL 150J 500V		
C556	4010008290	CER HM95TJ SL 271J 500V		
C557	4010008290	CER HM95TJ SL 271J 500V		
C558	4010008320	CER HM60TJ SL 390J 500V		
C559	4010008330	CER HM60TJ SL 330J 500V		
C560	4010008340	CER HM60TJ SL 270J 500V		
C561	4010008200	CER HM11TJ SL 331J 500V		
C562	4010008290	CER HM95TJ SL 271J 500V		
C563	4010008330	CER HM60TJ SL 330J 500V		
C564	4010005650	CER HM60SJ SL 200J 500V		
C565	4010008280	CER HM95TJ SL 221J 500V		
C566	4010008350	CER HM60TJ SL 220J 500V		
C567	4030006880	S.CER C1608 JB 1H 472K-T	T	152.2/32.2
C601	4030006880	S.CER C1608 JB 1H 472K-T	T	130.2/125
C604	4010008230	CER HM60TJ SL 820J 500V		
C605	4010008370	CER HM60TJ SL 150J 500V		
C606	4010008280	CER HM95TJ SL 221J 500V		
C607	4010008220	CER HM60TJ SL 680J 500V		
C608	4010008350	CER HM60TJ SL 220J 500V		
C609	4010008340	CER HM60TJ SL 270J 500V		
C610	4010008200	CER HM11TJ SL 331J 500V		
C611	4010008230	CER HM60TJ SL 820J 500V		
C612	4010008360	CER HM60TJ SL 180J 500V		
C613	4010008260	CER HM74TJ SL 151J 500V		
C614	4010008230	CER HM60TJ SL 820J 500V		
C615	4030006880	S.CER C1608 JB 1H 472K-T	T	130.2/18.3
C651	4030006880	S.CER C1608 JB 1H 472K-T	T	88.3/124.9
C654	4010008360	CER HM60TJ SL 180J 500V		
C655	4010008320	CER HM60TJ SL 390J 500V		
C656	4010008280	CER HM95TJ SL 221J 500V		
C657	4010008220	CER HM60TJ SL 680J 500V		
C658	4010008360	CER HM60TJ SL 180J 500V		
C659	4010008380	CER HM60TJ SL 120J 500V		
C660	4010008280	CER HM95TJ SL 221J 500V		
C661	4010008240	CER HM60TJ SL 101J 500V		
C662	4010008390	CER HM60TJ SL 100D 500V		
C663	4010008250	CER HM74TJ SL 121J 500V		
C664	4010008320	CER HM60TJ SL 390J 500V		
C665	4030006880	S.CER C1608 JB 1H 472K-T	T	96.6/28.6
C701	4030006880	S.CER C1608 JB 1H 472K-T	T	68.6/127.5
C703	4010008370	CER HM60TJ SL 150J 500V		
C704	4010008350	CER HM60TJ SL 220J 500V		
C705	4010005650	CER HM60SJ SL 200J 500V		
C706	4010005860	CER HM95SJ SL 201J 500V		
C707	4010008310	CER HM60TJ SL 470J 500V		
C708	4010008370	CER HM60TJ SL 150J 500V		
C709	4010008280	CER HM95TJ SL 221J 500V		
C710	4010008350	CER HM60TJ SL 220J 500V		
C712	4010008330	CER HM60TJ SL 330J 500V		
C713	4010008310	CER HM60TJ SL 470J 500V		
C714	4030006880	S.CER C1608 JB 1H 472K-T	T	69.6/18.3
C715	4010008360	CER HM60TJ SL 180J 500V		
C751	4030006880	S.CER C1608 JB 1H 472K-T	T	109.1/125
C755	4010008240	CER HM60TJ SL 101J 500V		
C756	4010008230	CER HM60TJ SL 820J 500V		
C757	4010008360	CER HM60TJ SL 180J 500V		
C758	4010008210	CER HM60TJ SL 560J 500V		
C759	4010008240	CER HM60TJ SL 101J 500V		
C760	4010008400	CER HM60TJ SL 060D 500V		
C761	4010008310	CER HM60TJ SL 470J 500V		
C763	4030006880	S.CER C1608 JB 1H 472K-T	T	115.6/28.6
C764	4010005650	CER HM60SJ SL 200J 500V		
C765	4010008370	CER HM60TJ SL 150J 500V		
C801	4030006880	S.CER C1608 JB 1H 472K-T	T	168.6/158.6
C804	4010008360	CER HM60TJ SL 180J 500V		
C805	4010008320	CER HM60TJ SL 390J 500V		
C806	4010008310	CER HM60TJ SL 470J 500V		
C807	4010005600	CER HM60SJ SL 090D 500V		
C808	4010008330	CER HM60TJ SL 330J 500V		
C809	4010008320	CER HM60TJ SL 390J 500V		
C810	4010008410	CER HM60TJ SL 030C 500V		
C811	4010005560	CER HM60SJ SL 050C 500V		
C813	4030006880	S.CER C1608 JB 1H 472K-T	T	175.6/26
RL401	6330001471	RLY AJS1311F-K2		
RL402	6330001471	RLY AJS1311F-K2		
RL451	6330001471	RLY AJS1311F-K2		
RL452	6330001471	RLY AJS1311F-K2		
RL501	6330001471	RLY AJS1311F-K2		
RL502	6330001471	RLY AJS1311F-K2		
RL551	6330001471	RLY AJS1311F-K2		
RL552	6330001471	RLY AJS1311F-K2		
RL601	6330001471	RLY AJS1311F-K2		
RL602	6330001471	RLY AJS1311F-K2		
RL651	6330001471	RLY AJS1311F-K2		
RL652	6330001471	RLY AJS1311F-K2		
RL701	6330001471	RLY AJS1311F-K2		
RL702	6330001471	RLY AJS1311F-K2		
RL751	6330001471	RLY AJS1311F-K2		
RL752	6330001471	RLY AJS1311F-K2		
RL801	6330001460	RLY FTR-F1CA012V		
RL802	6330001460	RLY FTR-F1CA012V		
J901	6510017930	CNR 1771P145-20		
J902	6510022031	S.CNR B10B-ZR-SM4-TF (LF) (SN)	T	145.3/165.2
J903	6510019971	S.CNR 52808-1071	T	4/156
J904	6510017930	CNR 1771P145-20		

[FILTER UNIT]

REF NO.	ORDER NO.	DESCRIPTION	M.	H/V LOCATION
J905	6510019421	S.CNR B8B-ZR-SM4-TF (LF) (SN)	T	146.8/160.2

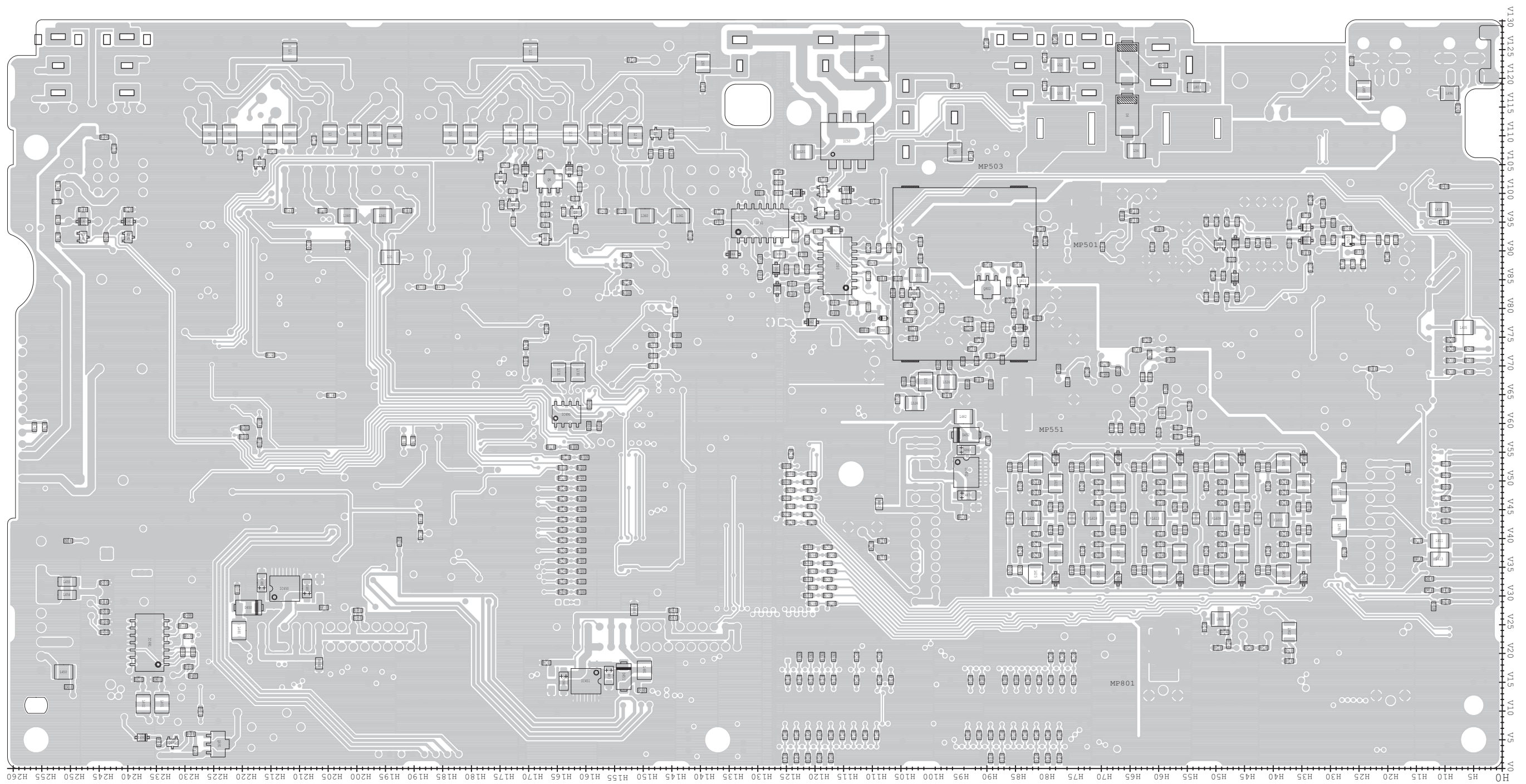
[MEMORY BOARD]

REF NO.	ORDER NO.	DESCRIPTION	M.	H/V LOCATION
IC1	1130013514	S.IC JS28F128J3D-75(SX-2590A-8)	T	39.8/26.2
IC2	1130013515	S.IC JS28F128J3D-75(SX-2590A-9)	T	24/26.2
C1	4030011600	S.CER C1608 JB 1E 104K-T	T	41.8/38.8
C2	4030011600	S.CER C1608 JB 1E 104K-T	T	39.9/13.2
C3	4030011600	S.CER C1608 JB 1E 104K-T	T	36.8/13.2
C4	4030011600	S.CER C1608 JB 1E 104K-T	T	26/38.8
C5	4030011600	S.CER C1608 JB 1E 104K-T	T	24/13.2
C6	4030011600	S.CER C1608 JB 1E 104K-T	T	21/13.2
J1	6510024210	S.CNR AXK6S30435P	T	55/20
J2	6510024200	S.CNR AXK6S40435P	T	10/20

M.=Mounted side (T: Mounted on the Top side, B: Mounted on the Bottom side)  
S.=Surface mount



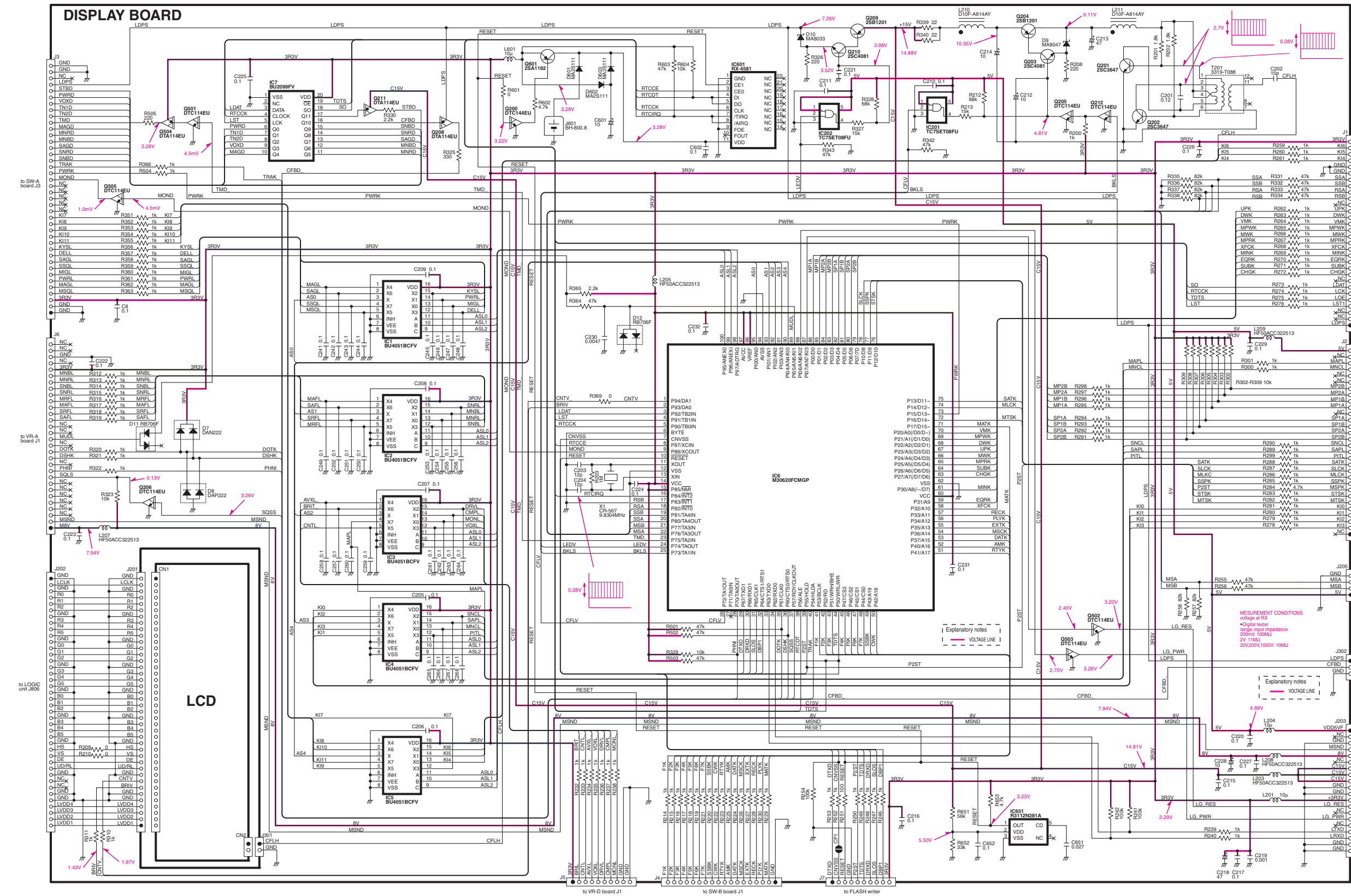




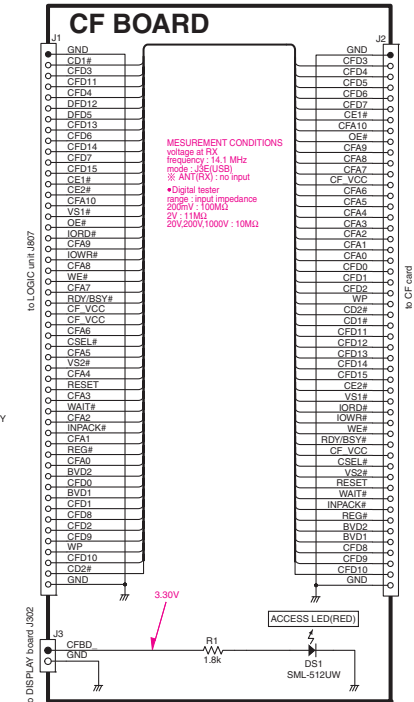


# SECTION 11 VOLTAGE DIAGRAMS

## DISPLAY BOARD

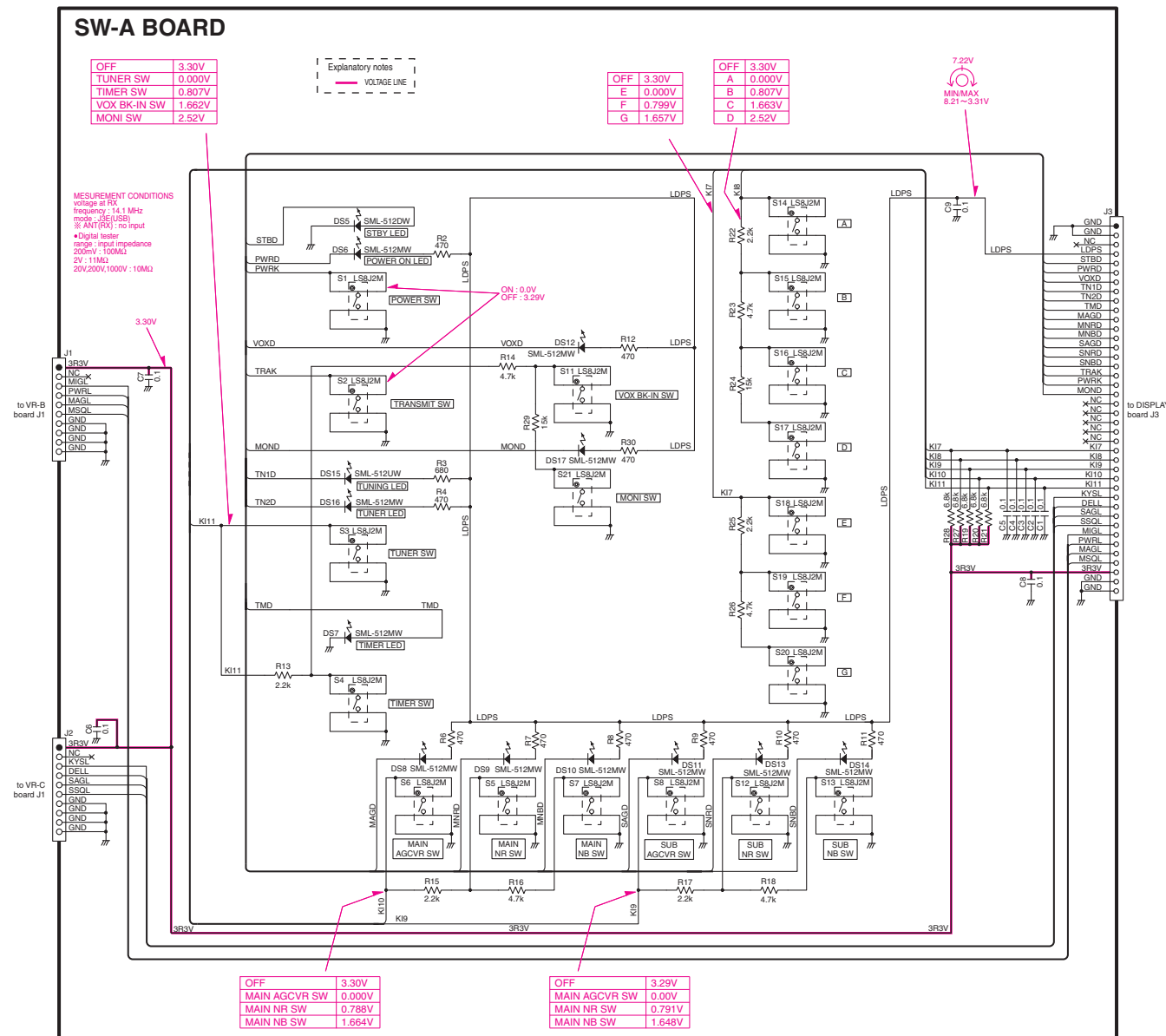


## CF BOARD

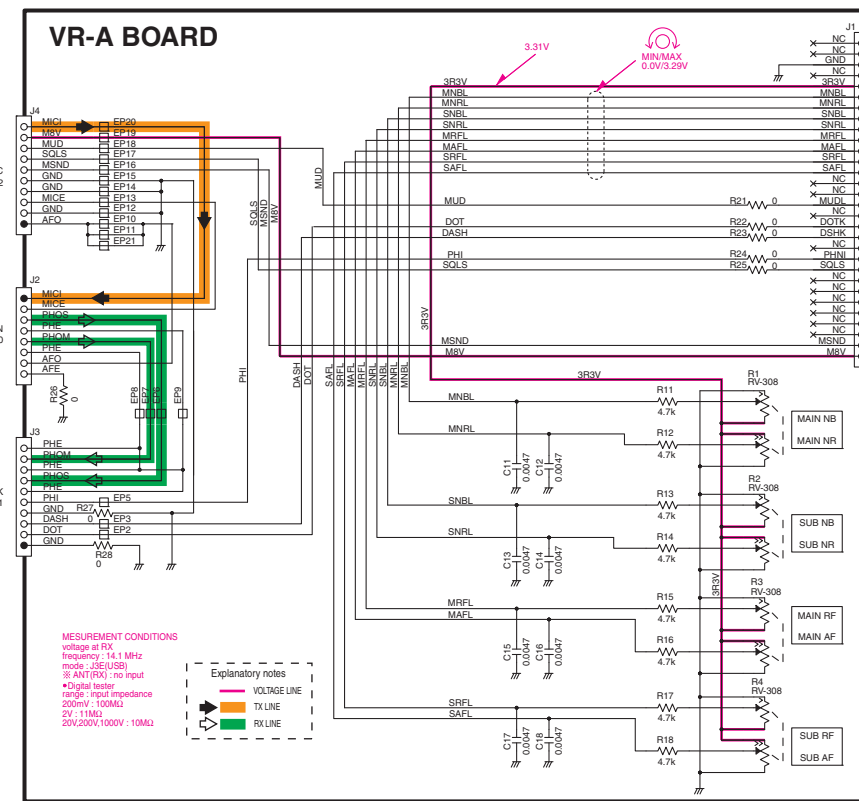




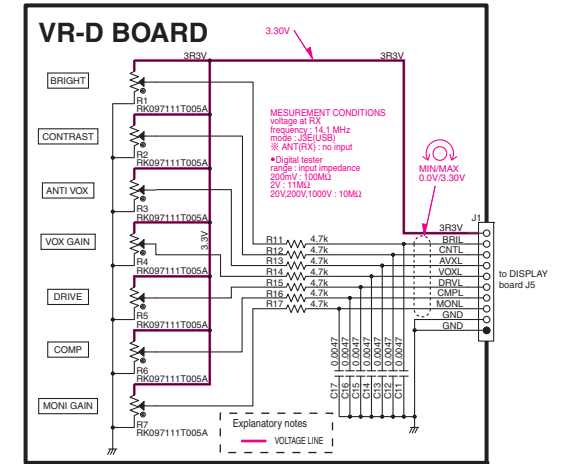
# SW-A BOARD



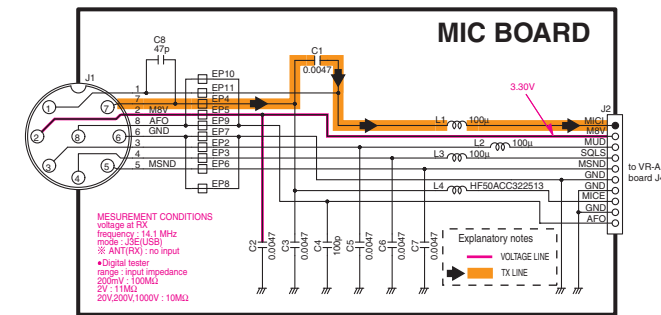
# VR-A BOARD



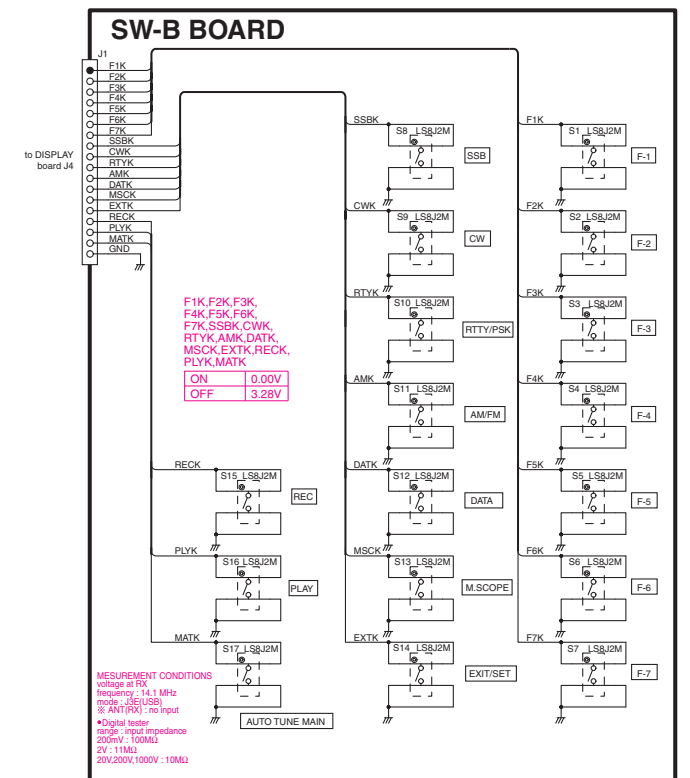
# VR-D BOARD



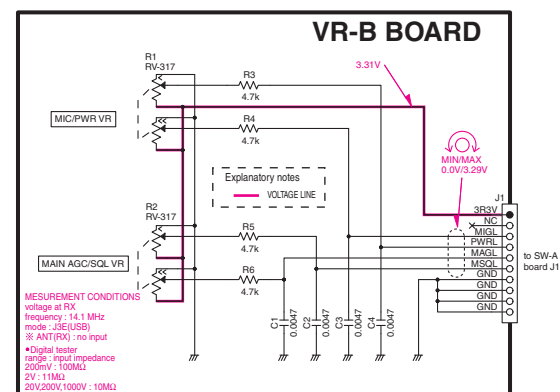
# MIC BOARD



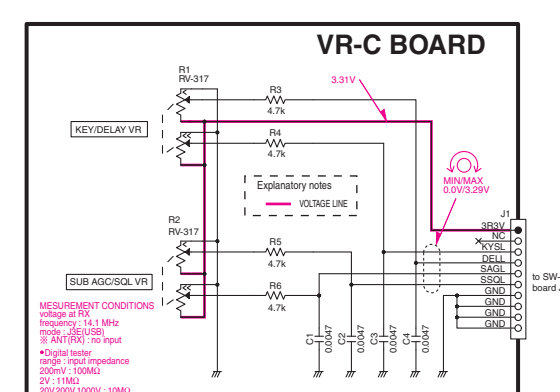
# SW-B BOARD



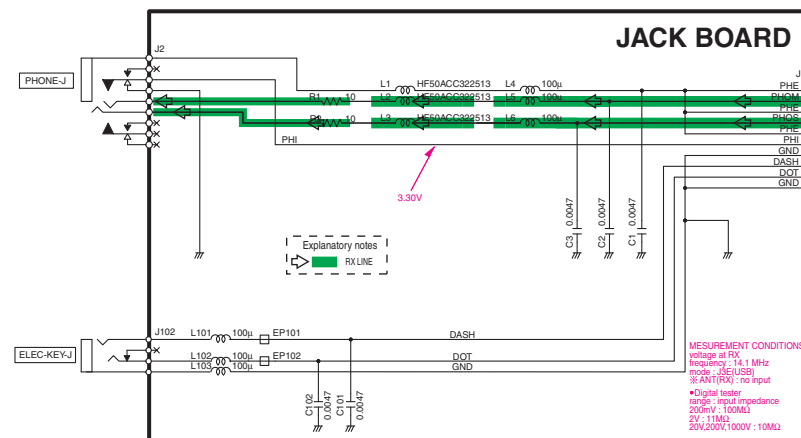
# VR-B BOARD



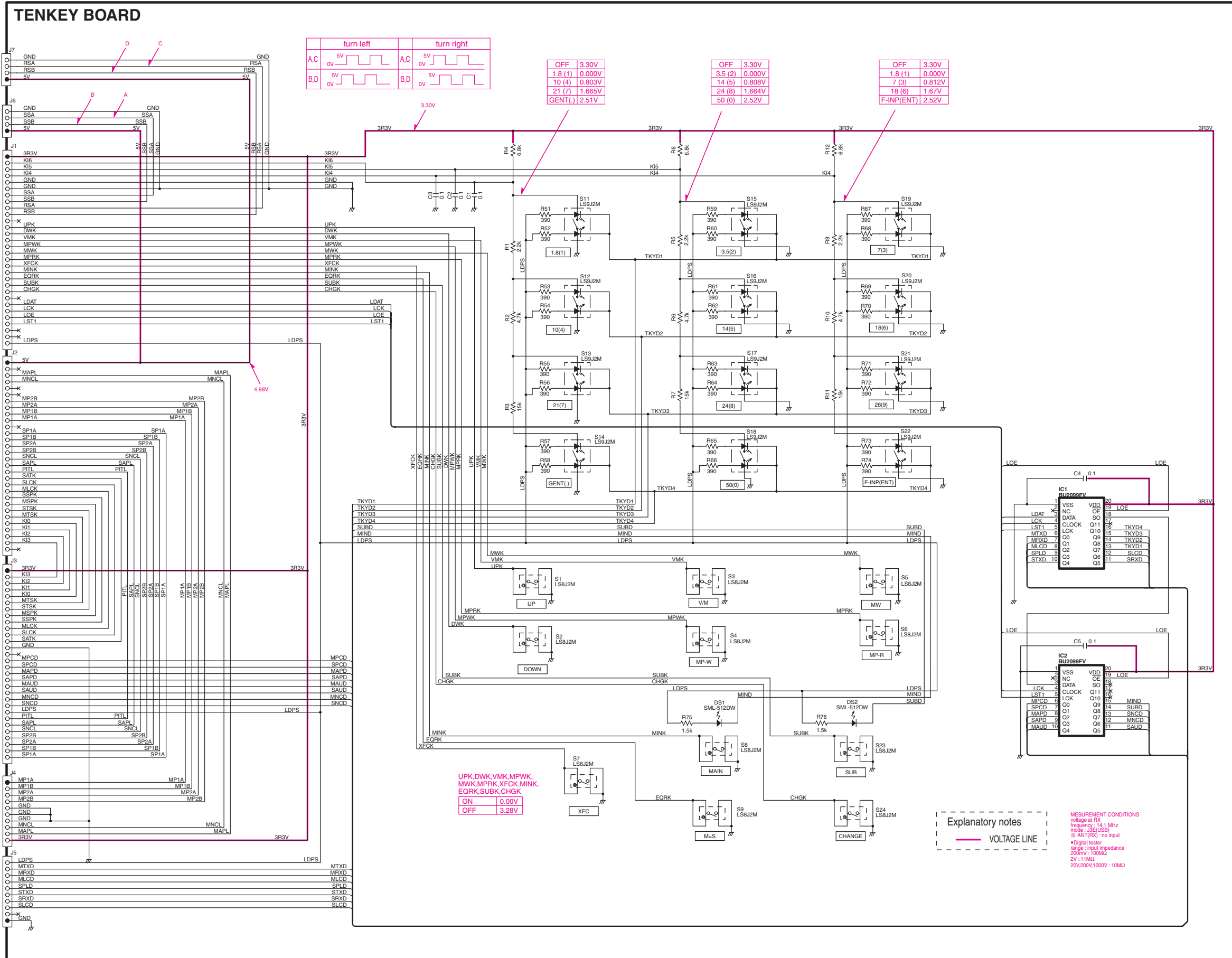
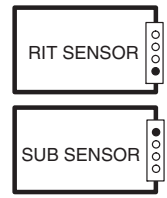
# VR-C BOARD



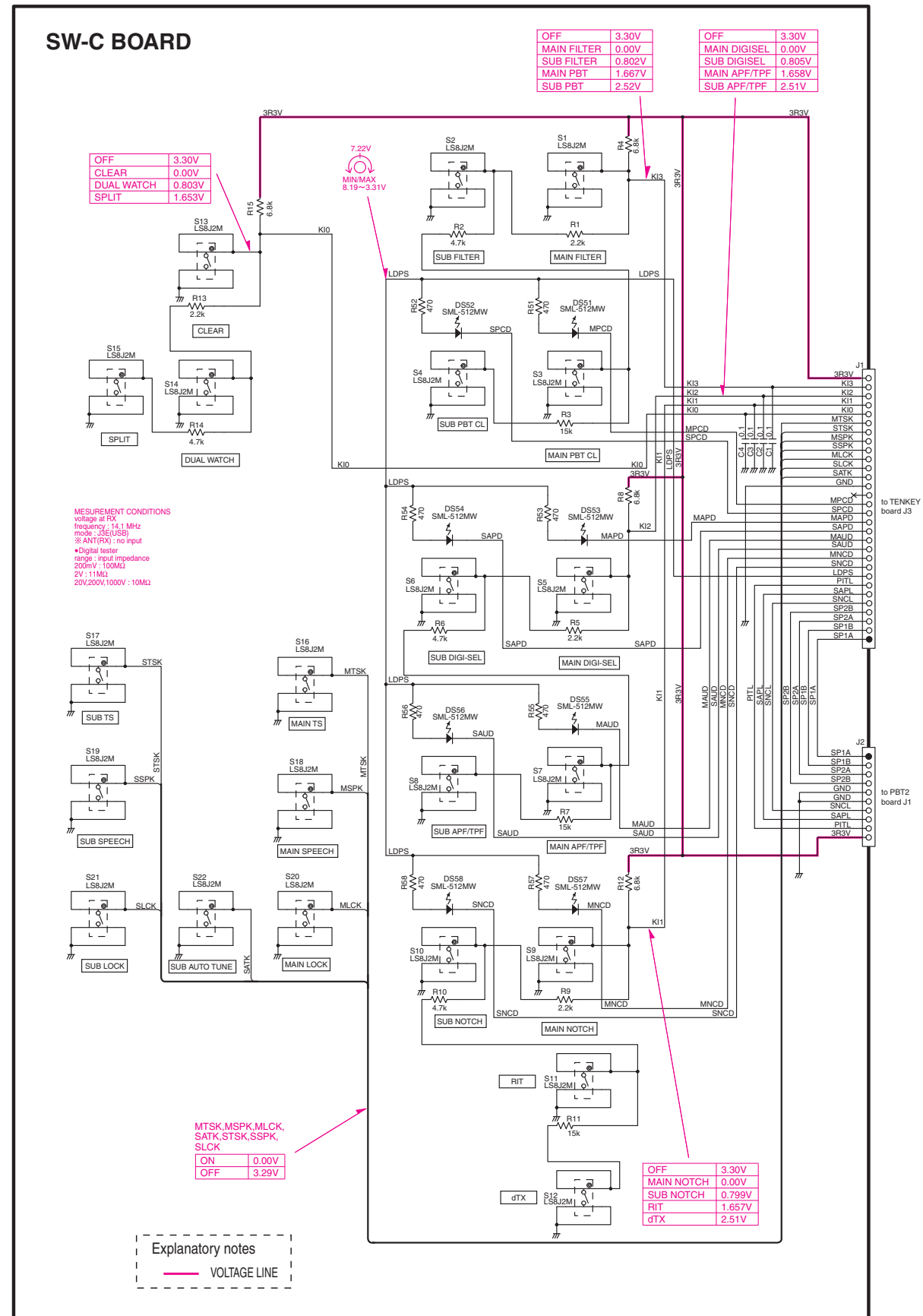
# JACK BOARD



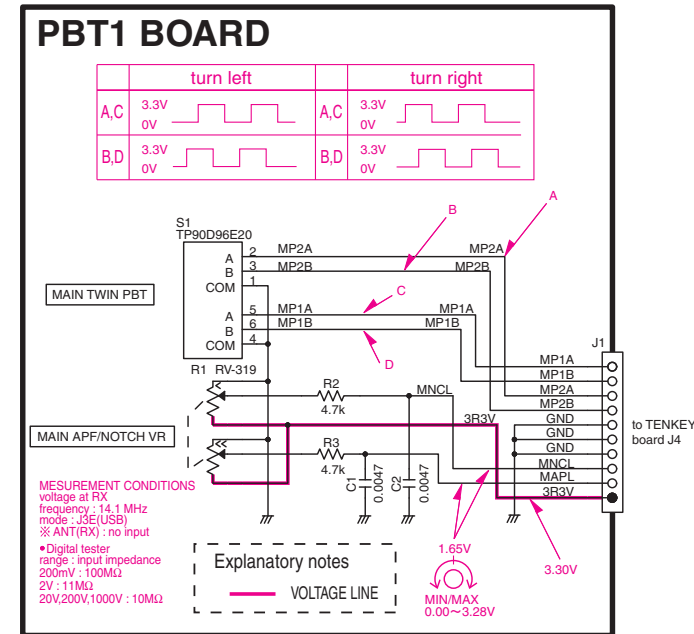
# TENKEY BOARD



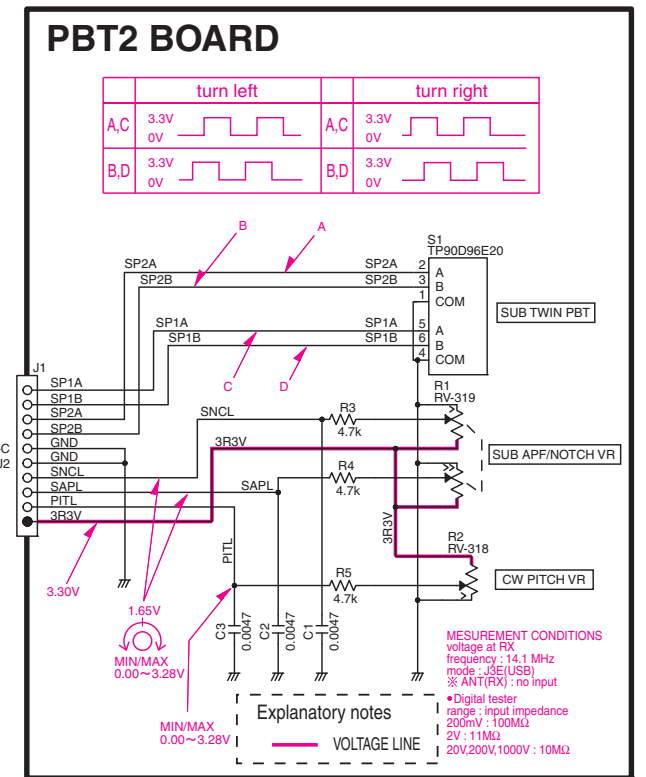
SW-C BOARD



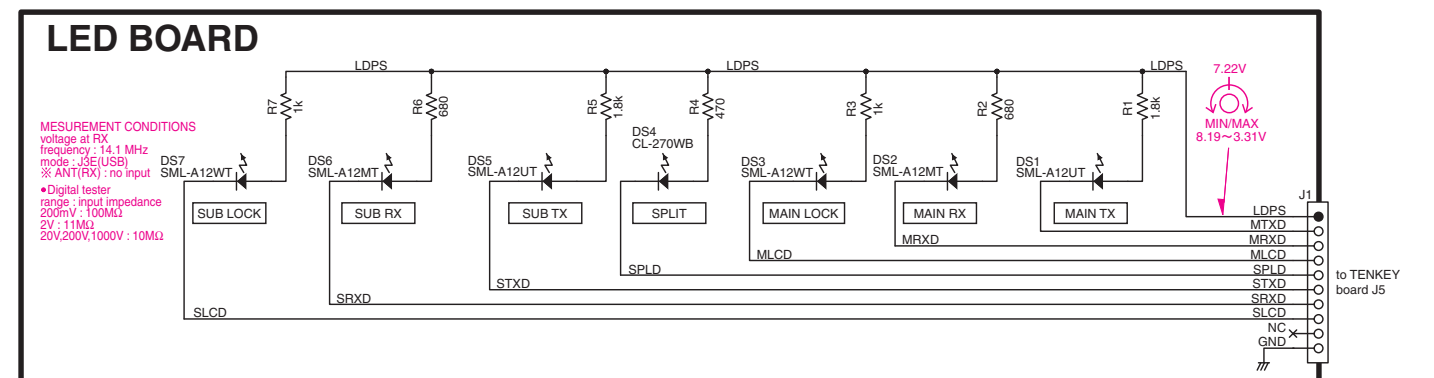
PBT1 BOARD



PBT2 BOARD

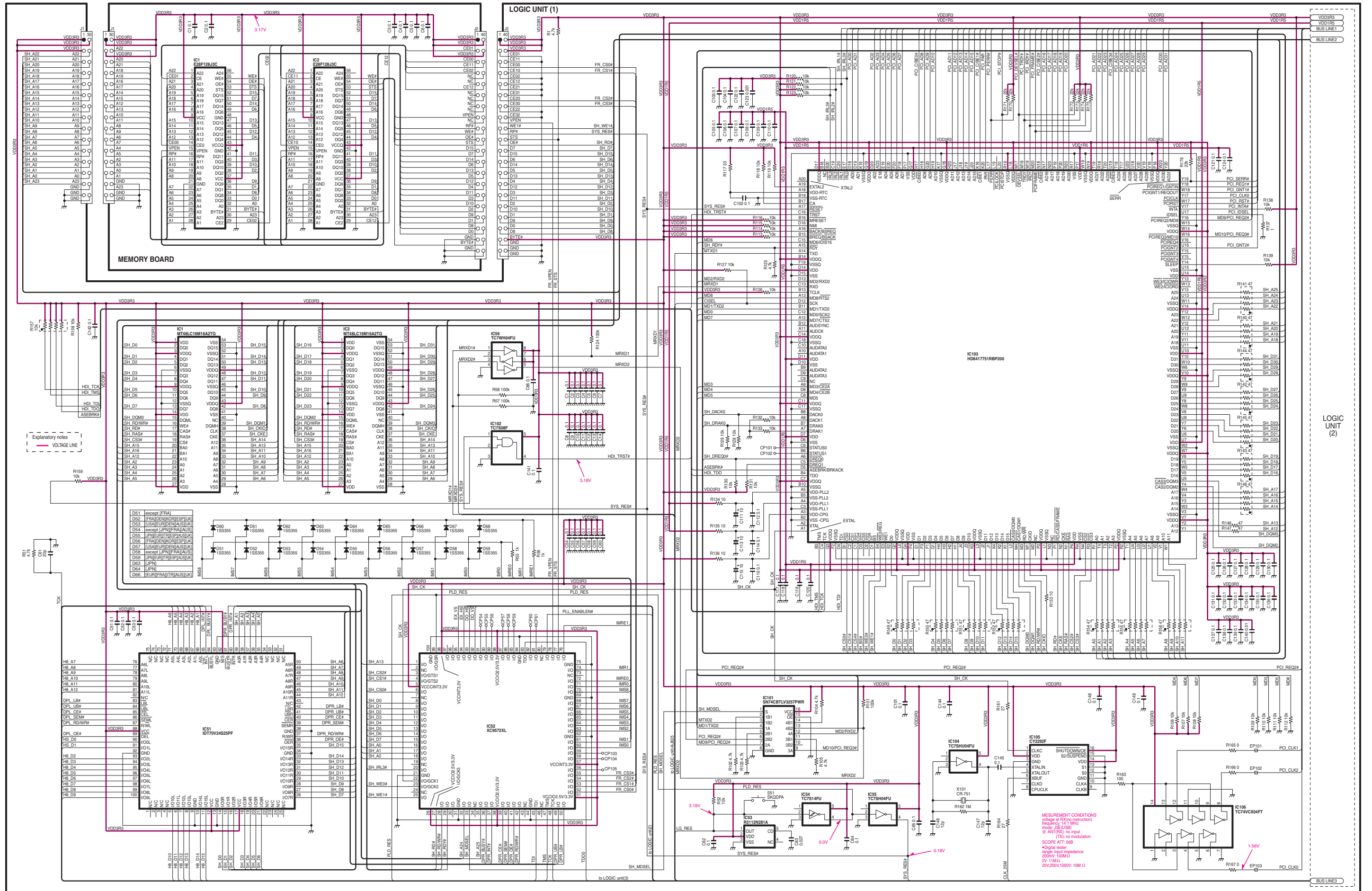


LED BOARD





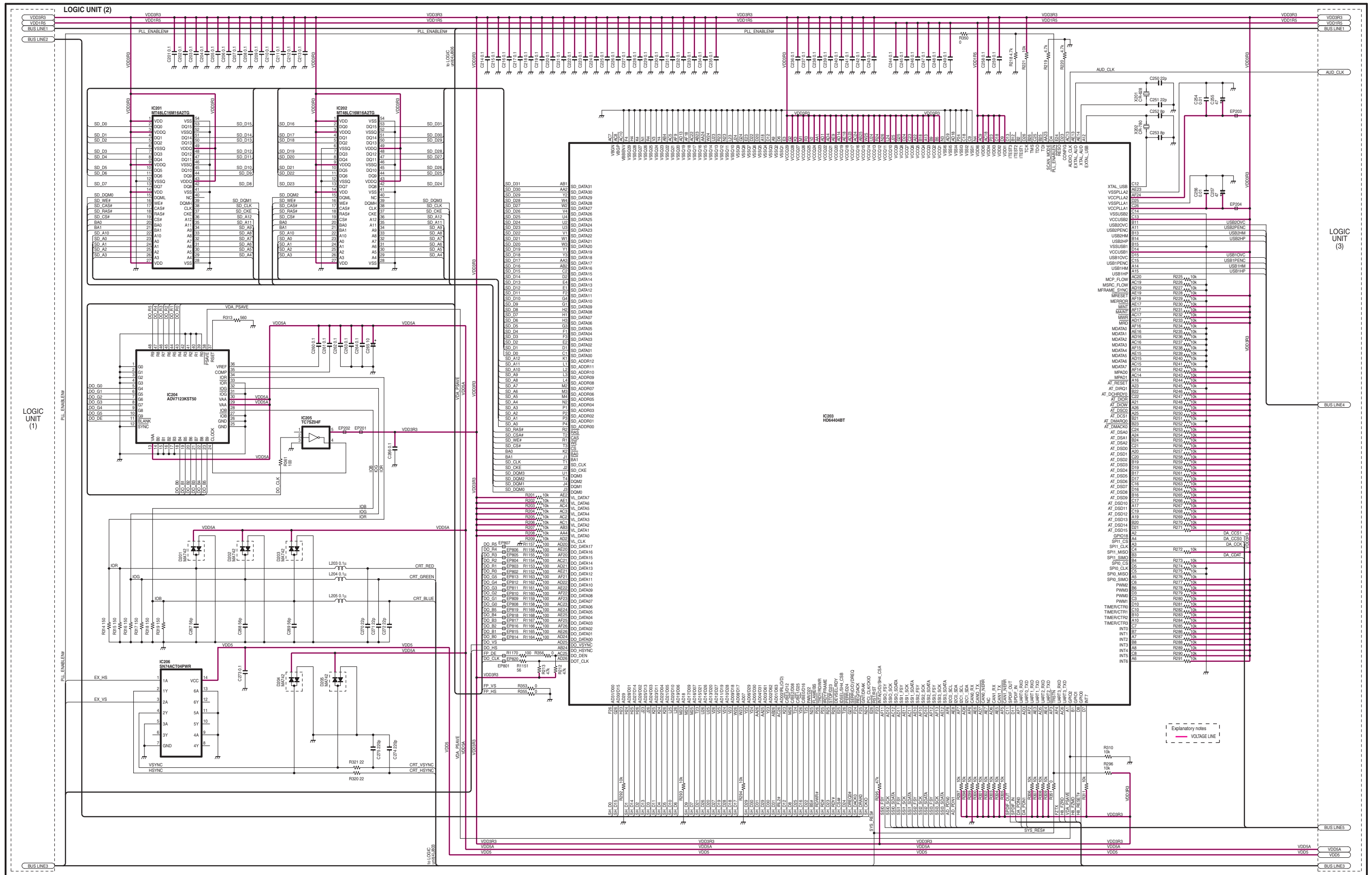
# LOGIC UNIT AND MEMORY BOARD

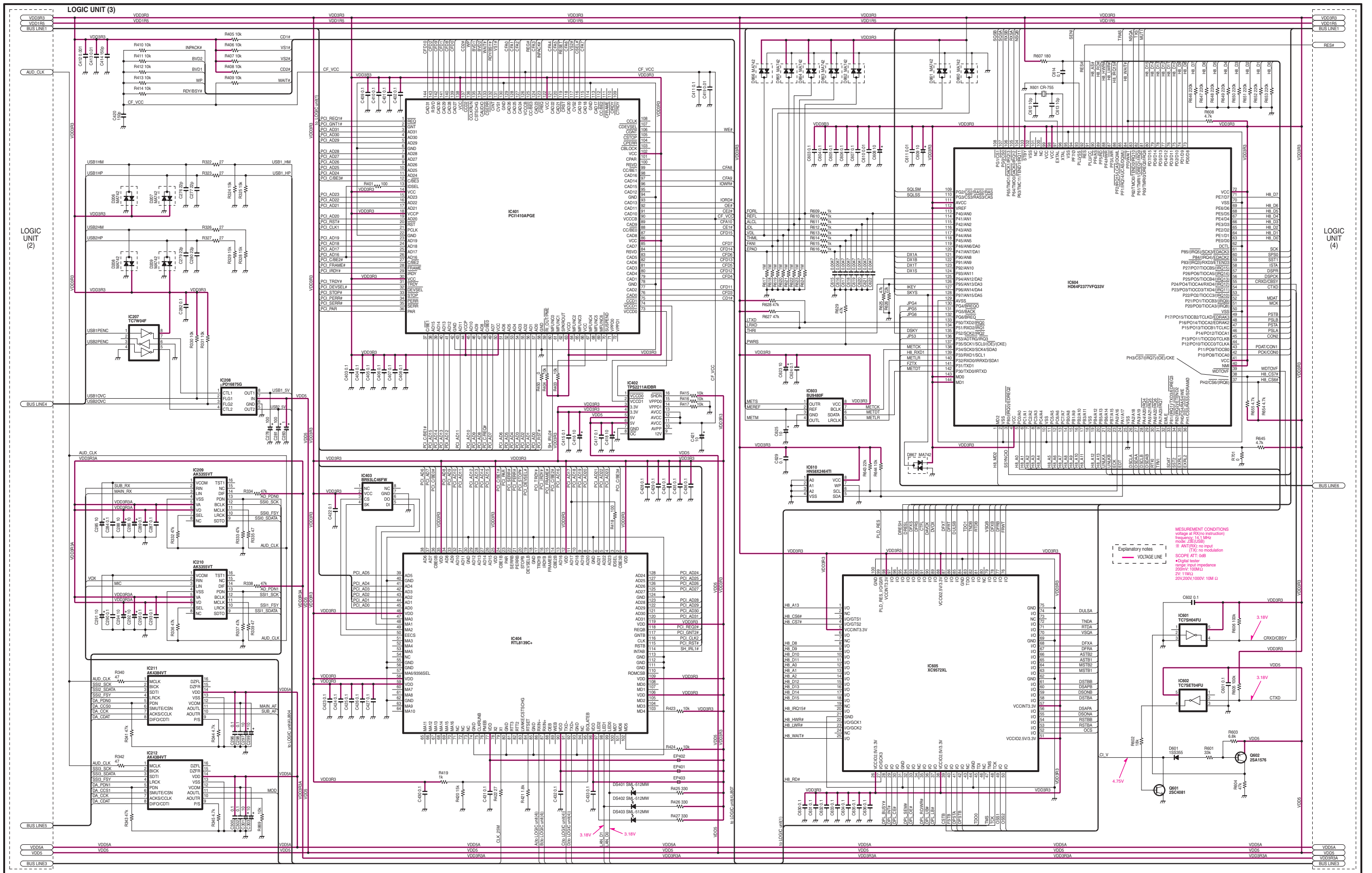


Explanatory notes  
VOLTAGE LINE

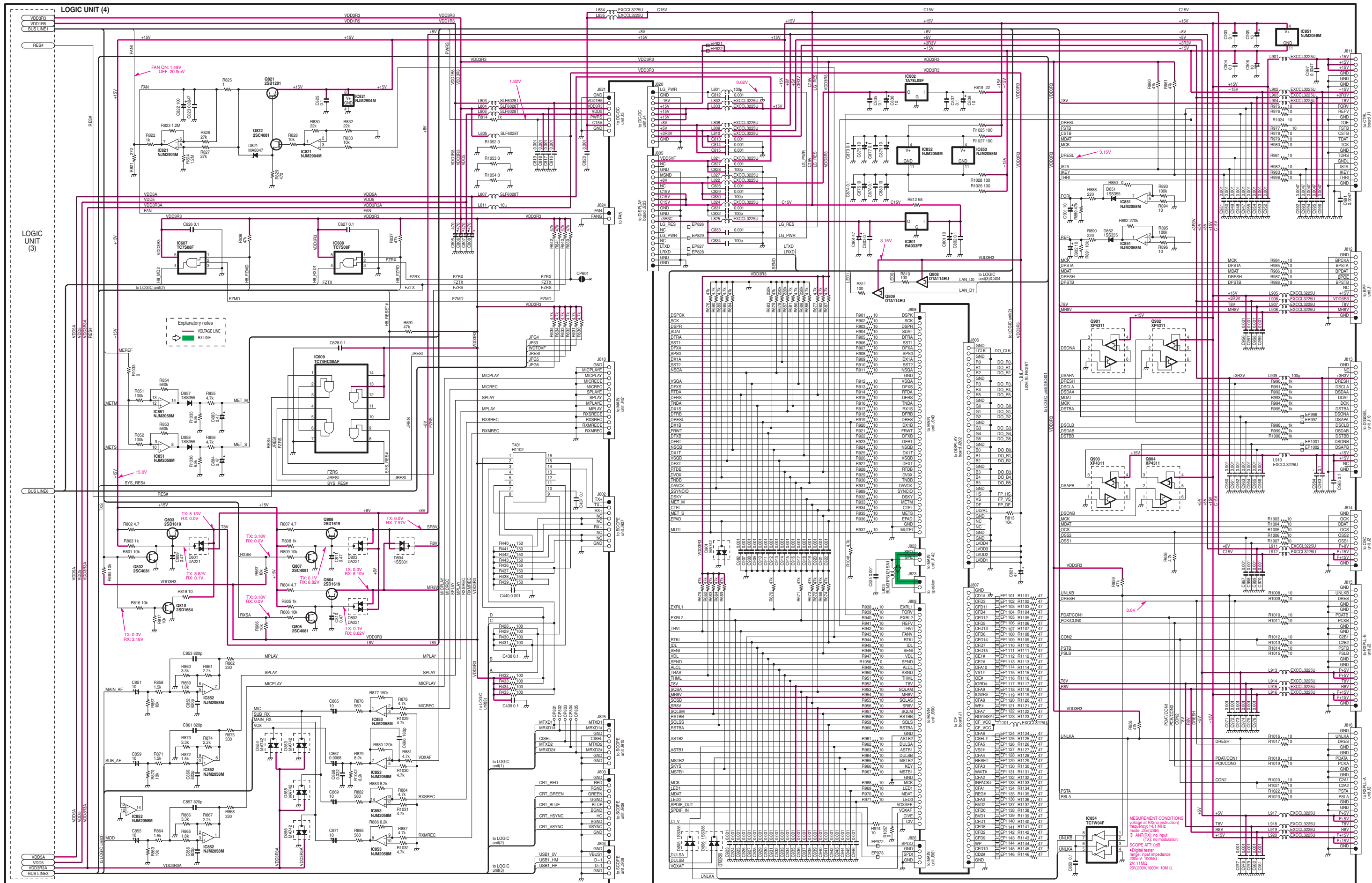
D51	excipf	IFRAN
D52	excipf	FRAN
D53	excipf	FRAN
D54	excipf	FRAN
D55	excipf	FRAN
D56	excipf	FRAN
D57	excipf	FRAN
D58	excipf	FRAN
D59	excipf	FRAN
D60	excipf	FRAN
D61	excipf	FRAN
D62	excipf	FRAN
D63	excipf	FRAN
D64	excipf	FRAN
D65	excipf	FRAN
D66	excipf	FRAN
D67	excipf	FRAN
D68	excipf	FRAN
D69	excipf	FRAN
D70	excipf	FRAN
D71	excipf	FRAN
D72	excipf	FRAN
D73	excipf	FRAN
D74	excipf	FRAN
D75	excipf	FRAN
D76	excipf	FRAN
D77	excipf	FRAN
D78	excipf	FRAN
D79	excipf	FRAN
D80	excipf	FRAN

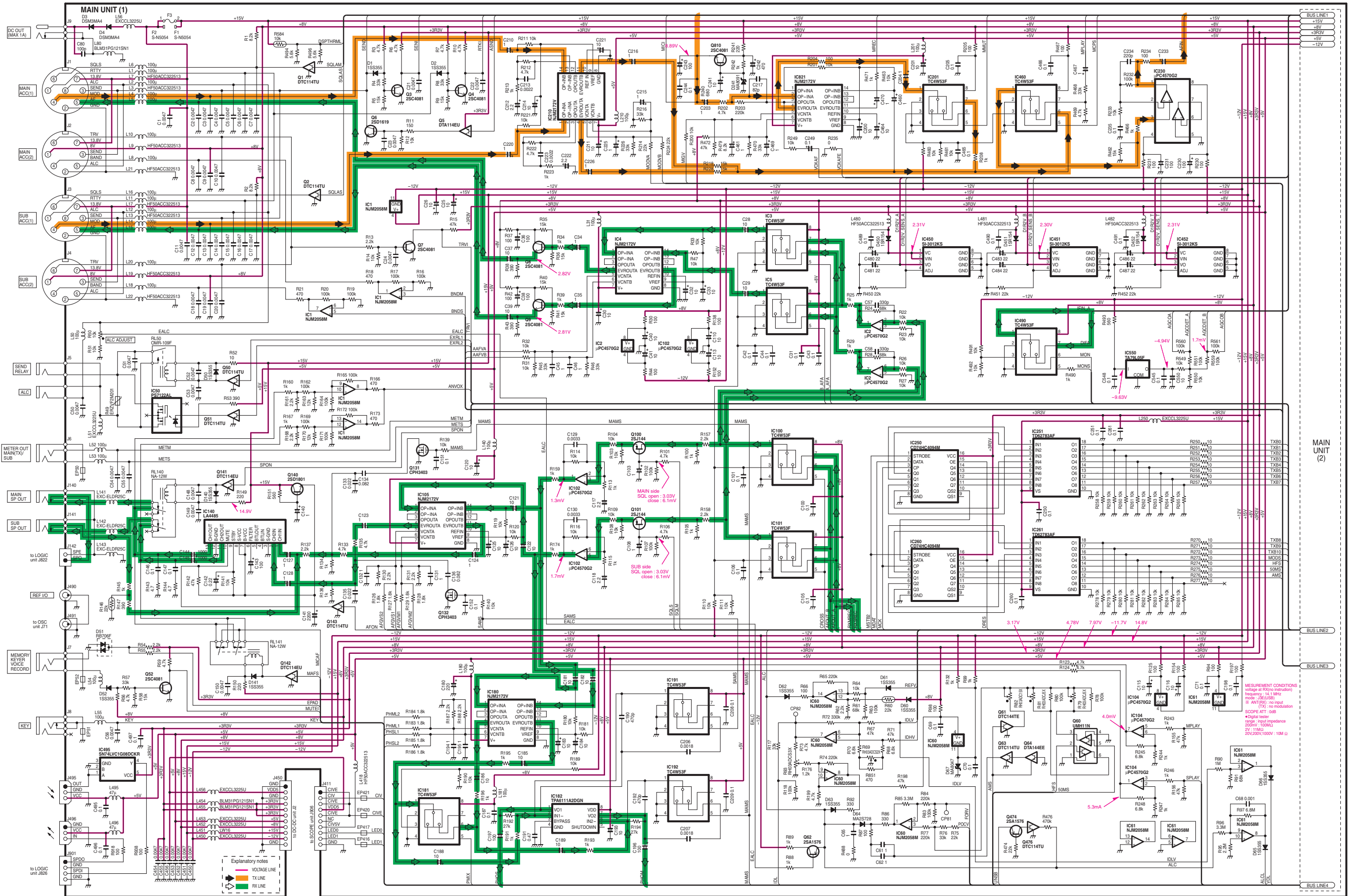
MEASUREMENT CONDITIONS  
Voltage at RX (no instruction)  
Frequency: 1.1 MHz  
mode: (3) (3) (3)  
\* ANTENNA: no input  
(TX): no modulation  
SCOPE: AT: 0.8  
\* Digital tester  
range: input impedance  
200Ω/100MΩ  
2V/11MΩ  
20/200N/100V/10MΩ







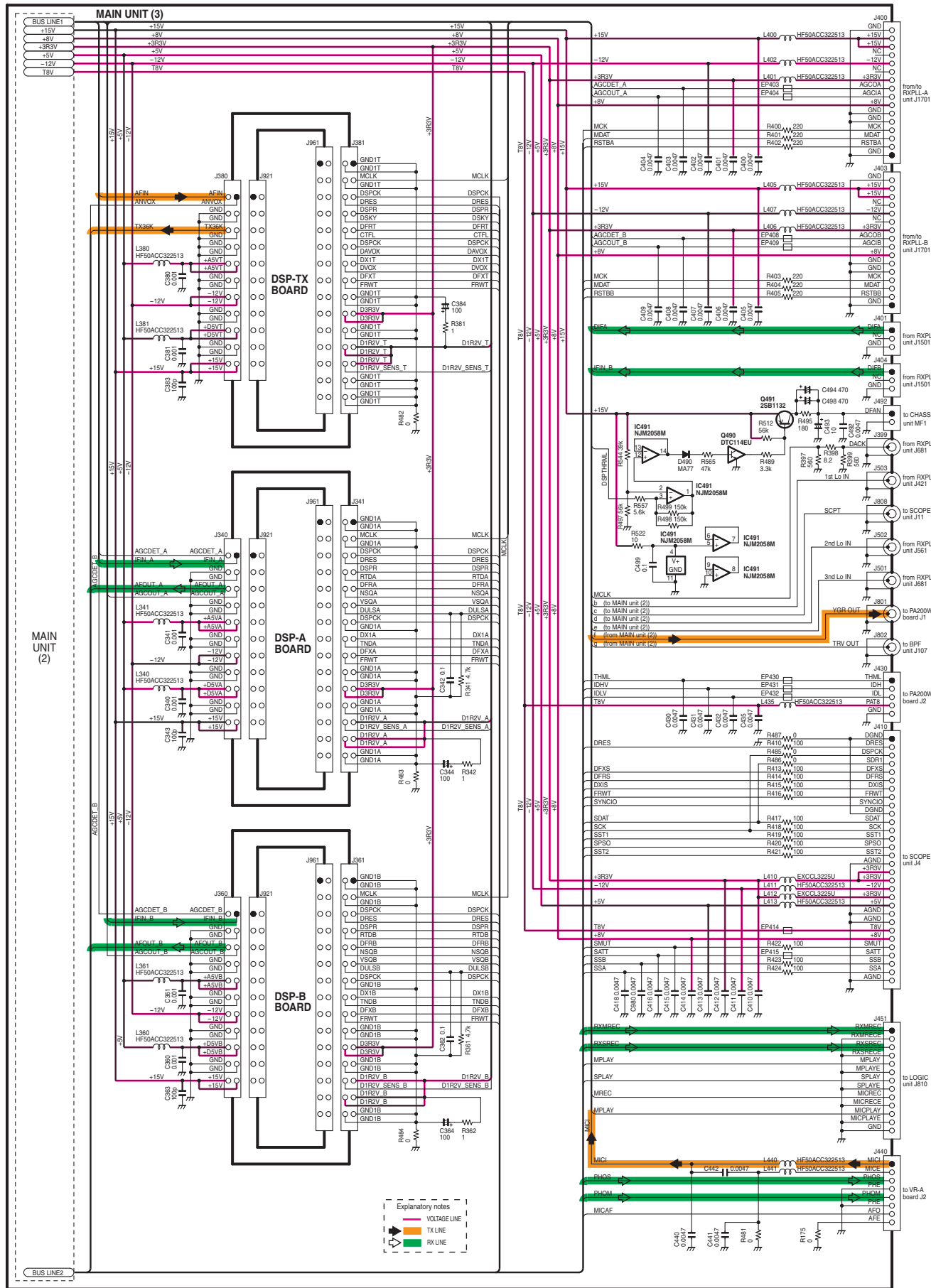






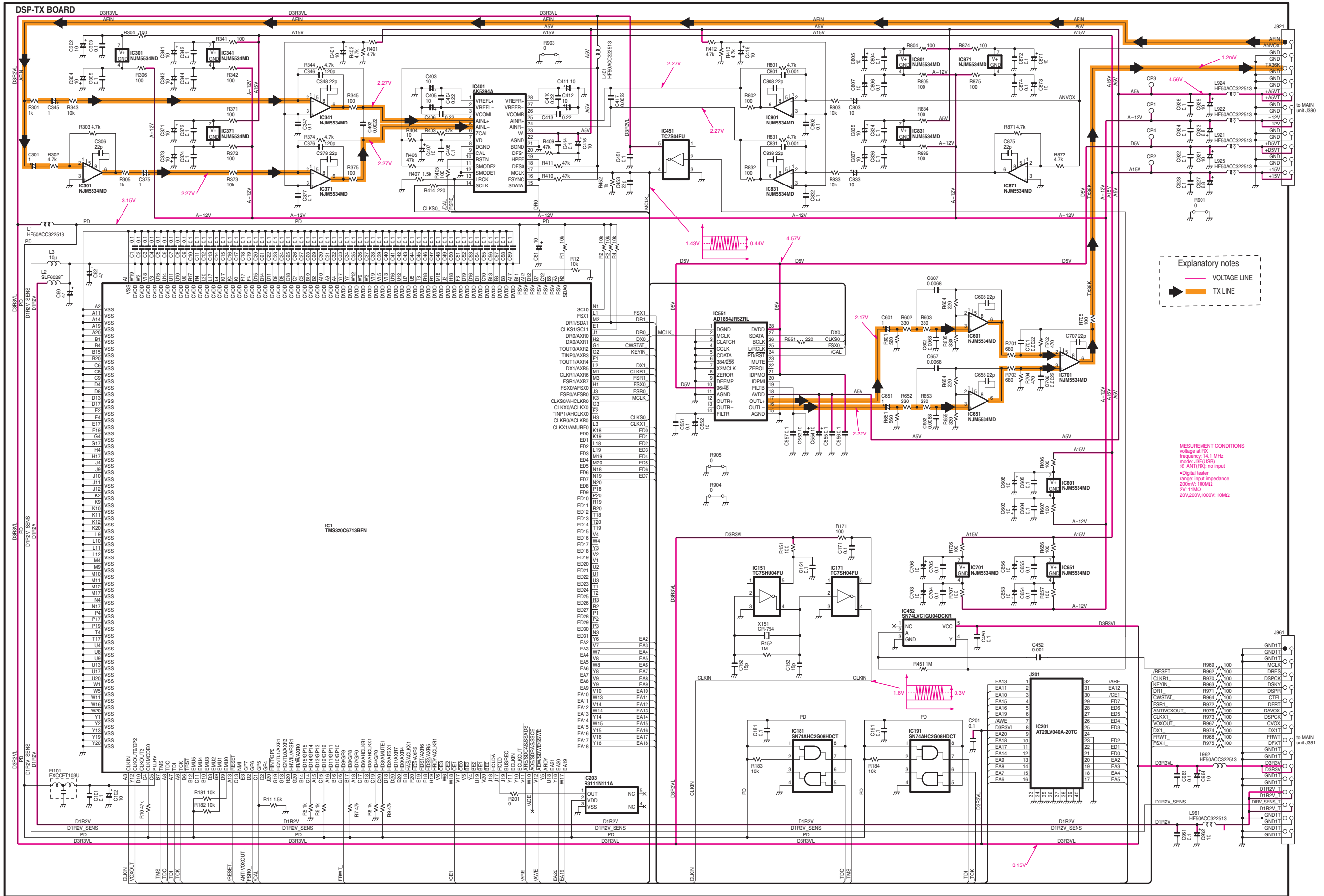








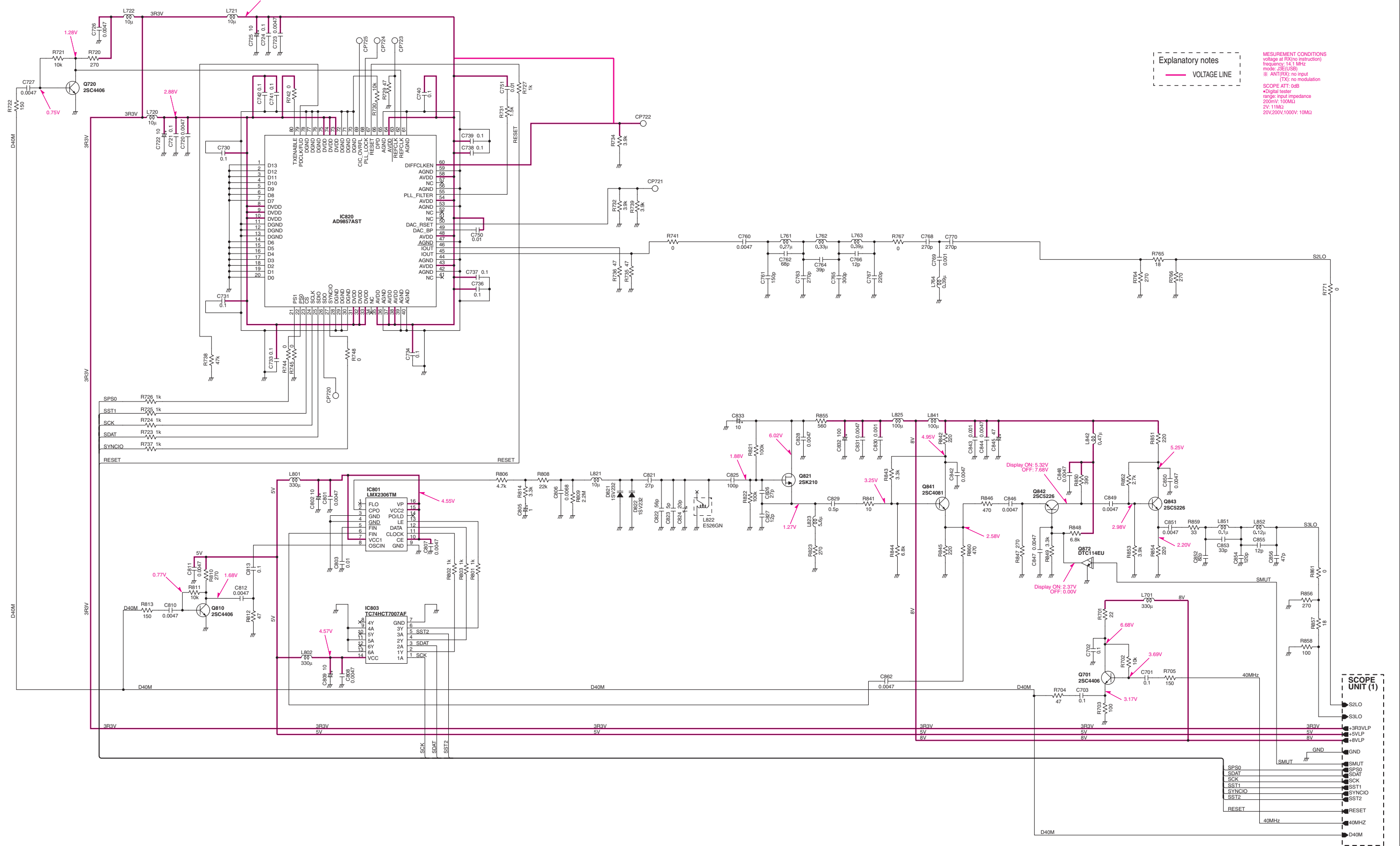
# DSP-TX BOARD





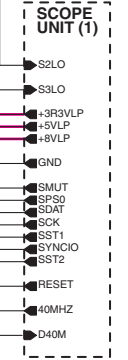


# SCOPE UNIT (2)



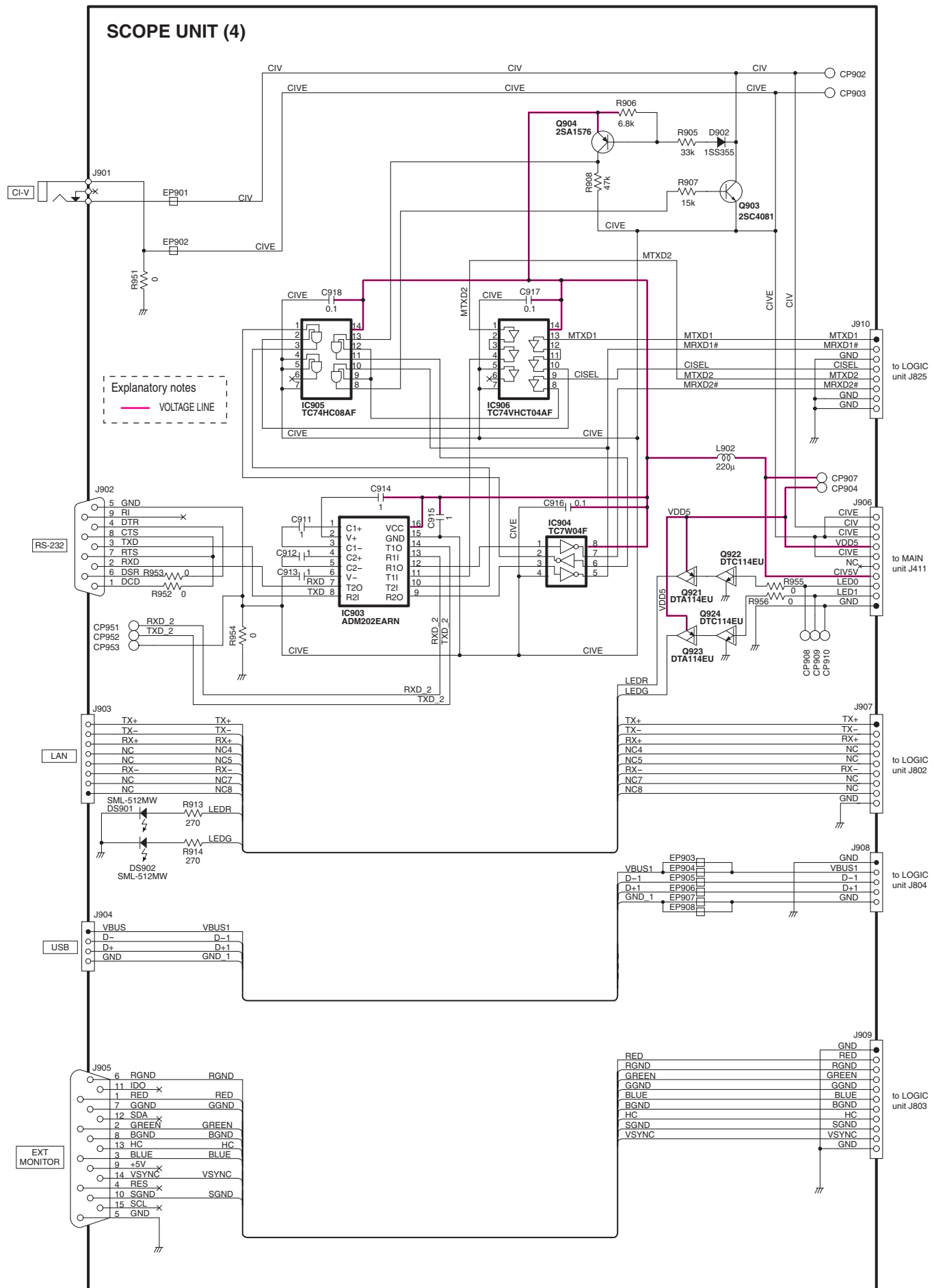
Explanatory notes  
 — VOLTAGE LINE

MEASUREMENT CONDITIONS  
 voltage at RX (no instruction)  
 frequency: 14.1 MHz  
 mode: JRE(USB)  
 TX: no input  
 SCOPE ATT: 0dB  
 Digital tester  
 range: input impedance  
 200WV: 100MΩ  
 2V: 11MΩ  
 20V/200V/1000V: 10MΩ



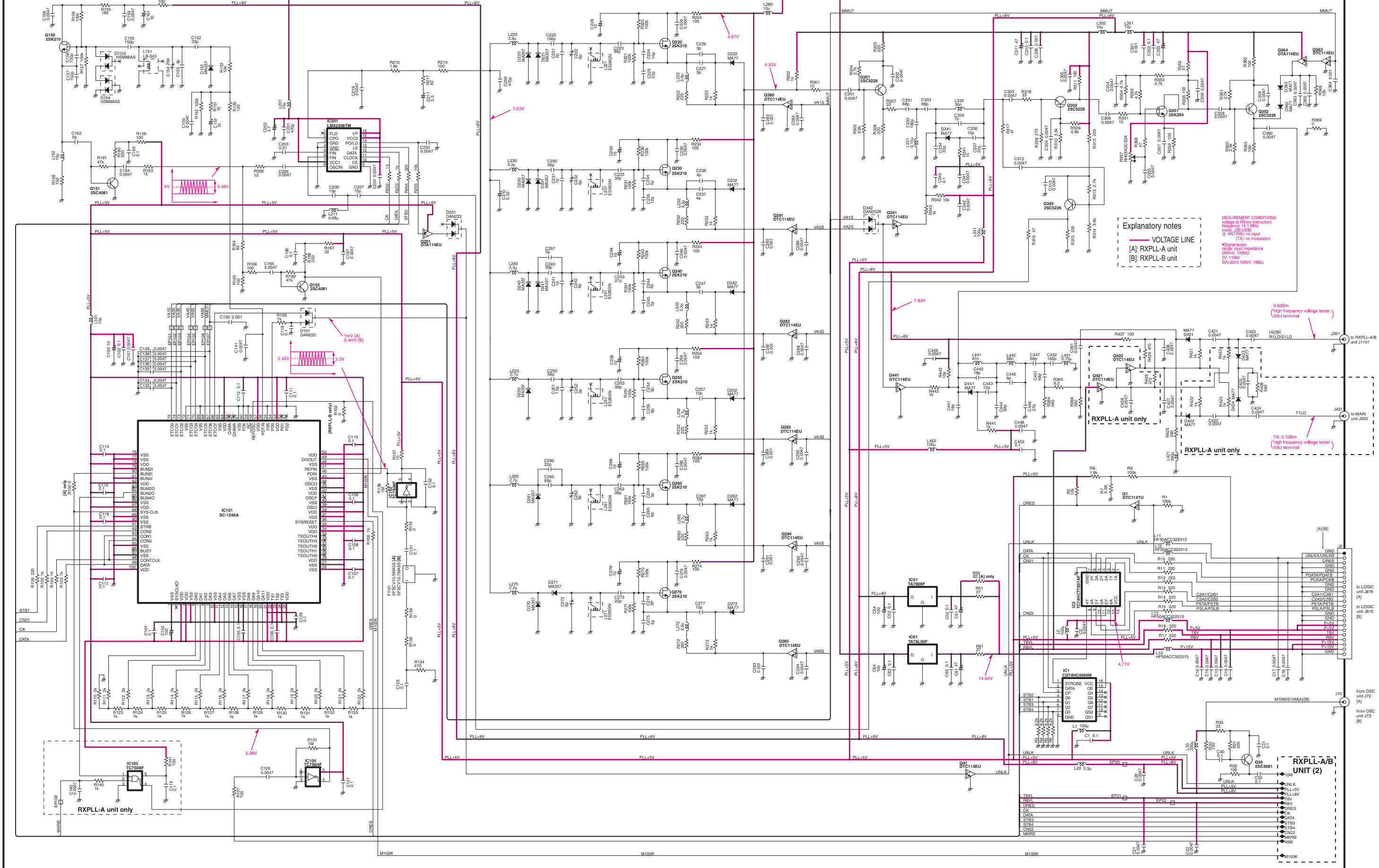






# RXPLL-A/RXPLL-B UNITS

## RXPLL-A/B UNIT (1)



**Explanatory notes**  
— VOLTAGE LINE  
[A]: RXPLL-A unit  
[B]: RXPLL-B unit

**MEASUREMENT CONDITIONS**  
Voltage at PLL reference input  
Frequency: 14.3 MHz  
Modulation: (FSK) 100%  
TX: no modulation  
\*Digital tester  
High frequency impedance  
200ohm, 100pF  
2V, 11MHz  
30V/200V/1000V/10MΩ

0.6dBm  
(high frequency voltage tester)  
50Ω terminal

0.7dBm  
(high frequency voltage tester)  
50Ω terminal

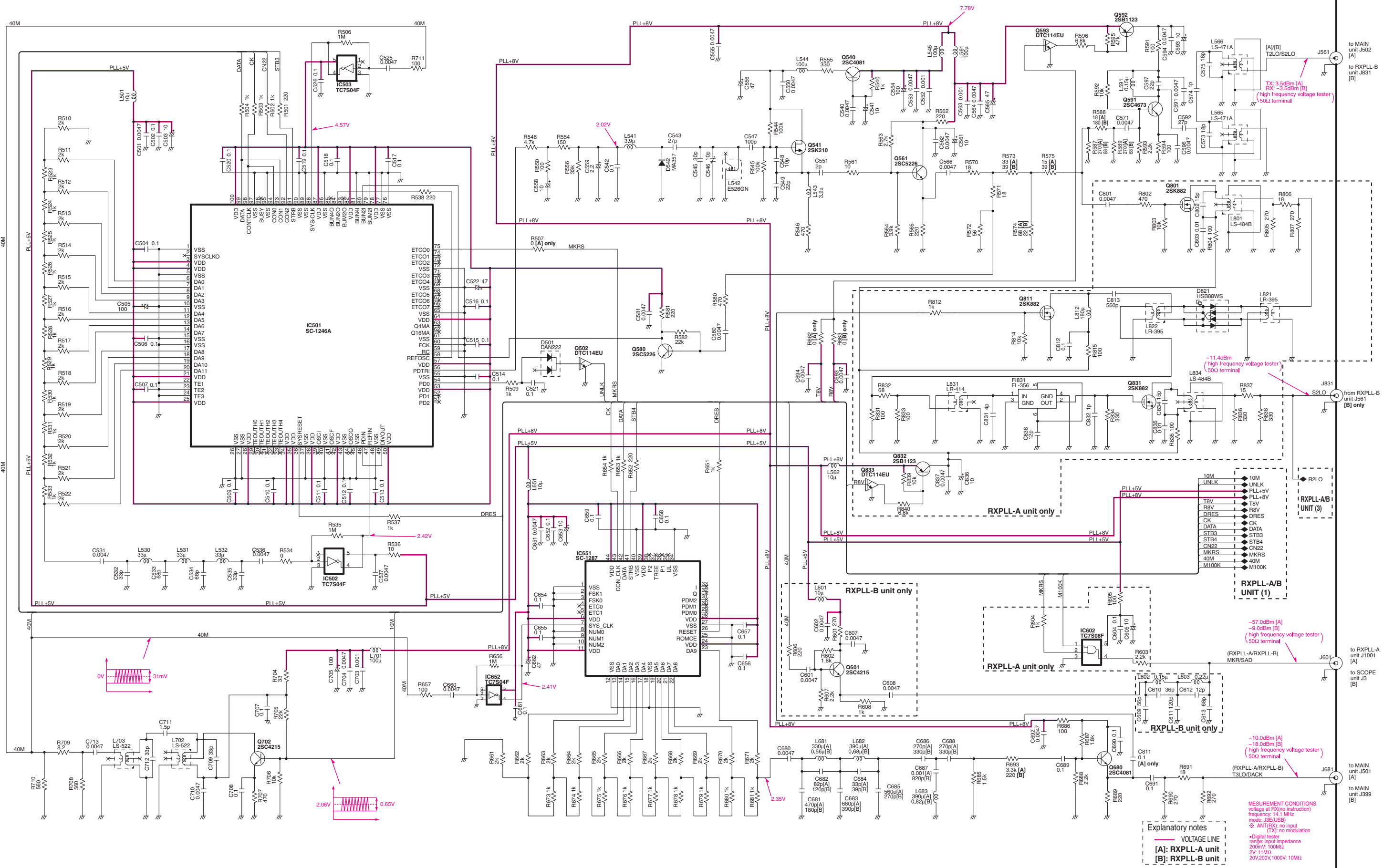
RXPLL-A unit only

RXPLL-A unit only

RXPLL-A unit only

RXPLL-A/B  
UNIT (2)

# RXPLL-A/B UNIT (2)



**Explanatory notes**

— VOLTAGE LINE

[A]: RXPLL-A unit

[B]: RXPLL-B unit

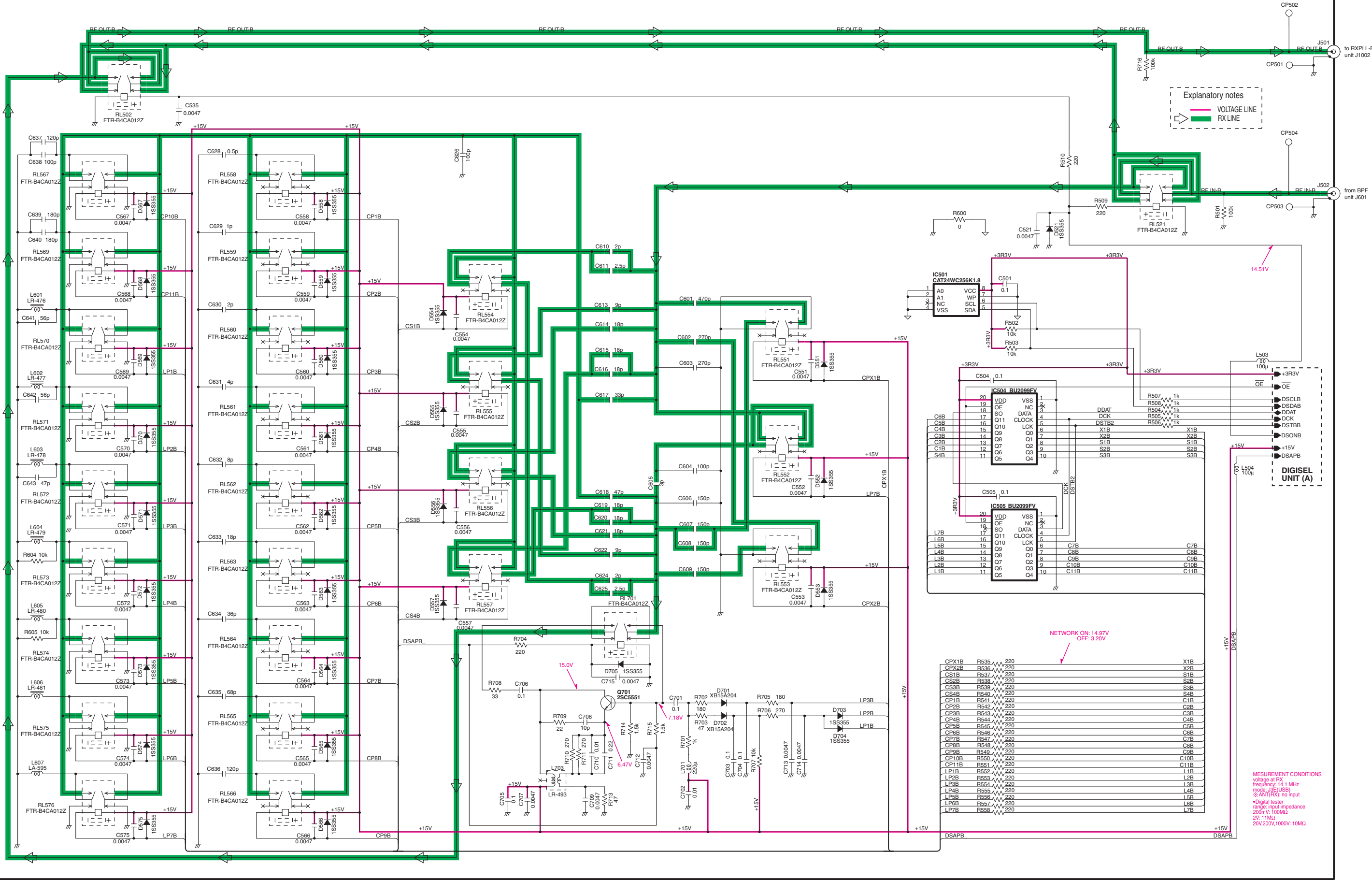
MESUREMENT CONDITIONS  
 voltage at RX (no instruction)  
 frequency: 14.1 MHz  
 mode: JSE(USB)  
 \* ANT (RX): no input (TX): no modulation  
 \* Digital tester  
 range: input impedance 200ΩV, 100kΩ  
 2V, 11MΩ  
 20V, 200V, 1000V, 10MΩ



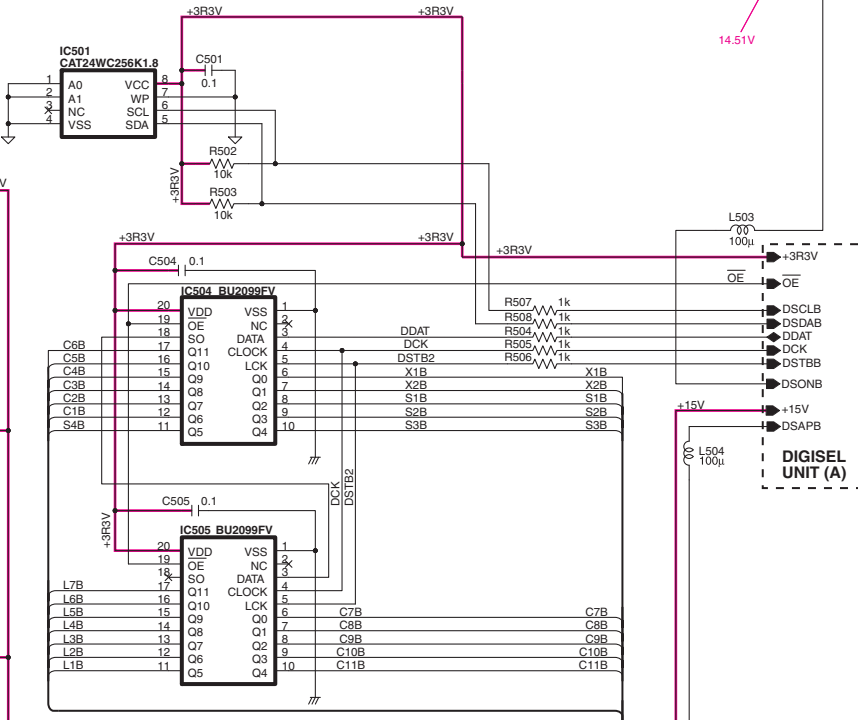




DIGISEL UNIT (B)



Explanatory notes  
 — VOLTAGE LINE  
 — RX LINE

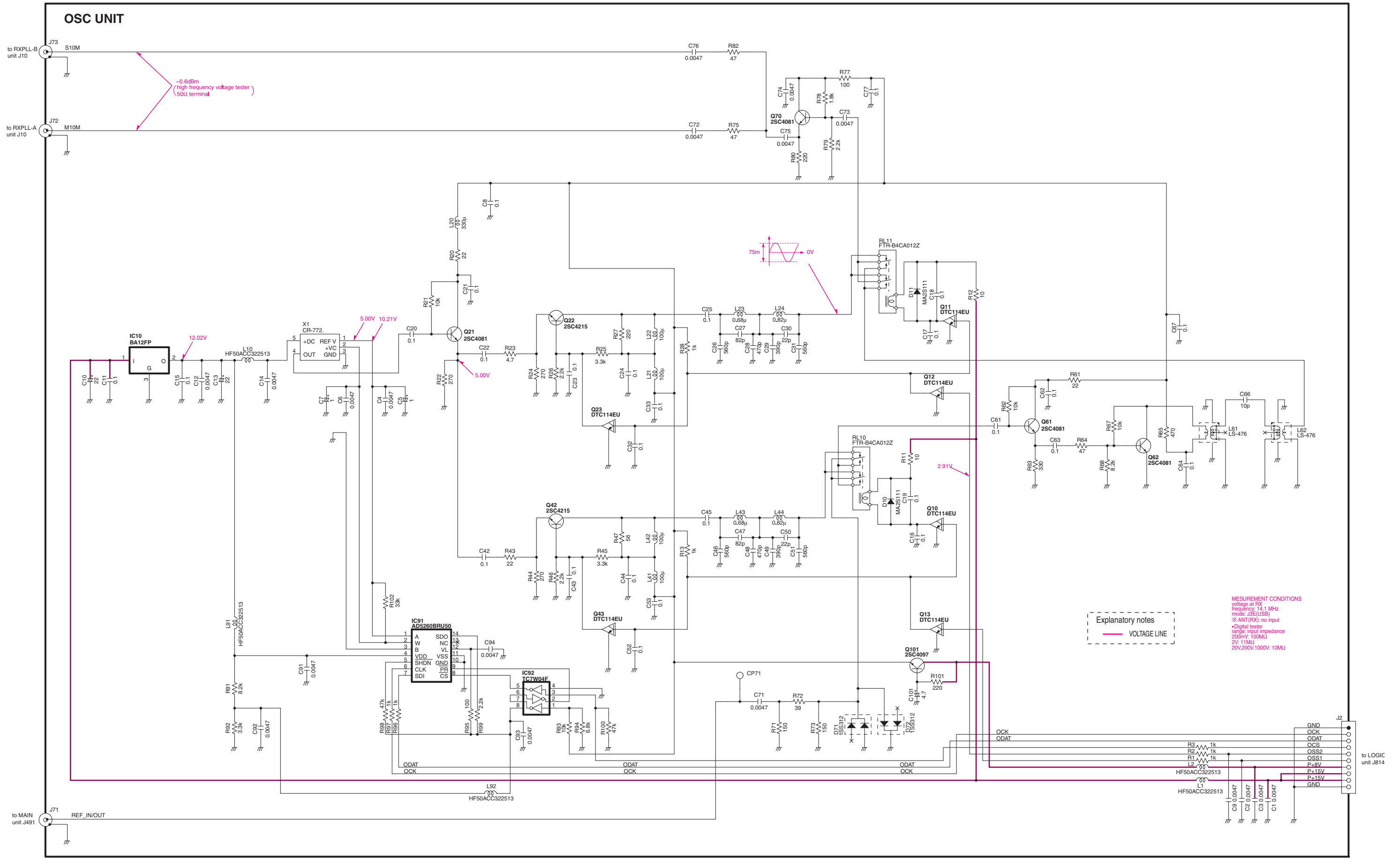


NETWORK ON: 14.97V  
 OFF: 3.20V

MEASUREMENT CONDITIONS  
 voltage at RX  
 frequency: 14.1 MHz  
 mode: 320 (USB)  
 \* ANT(RX): no input  
 \* Digital tester  
 range: input impedance  
 200mV: 100MΩ  
 2V: 11MΩ  
 20V/200V/1000V: 10MΩ

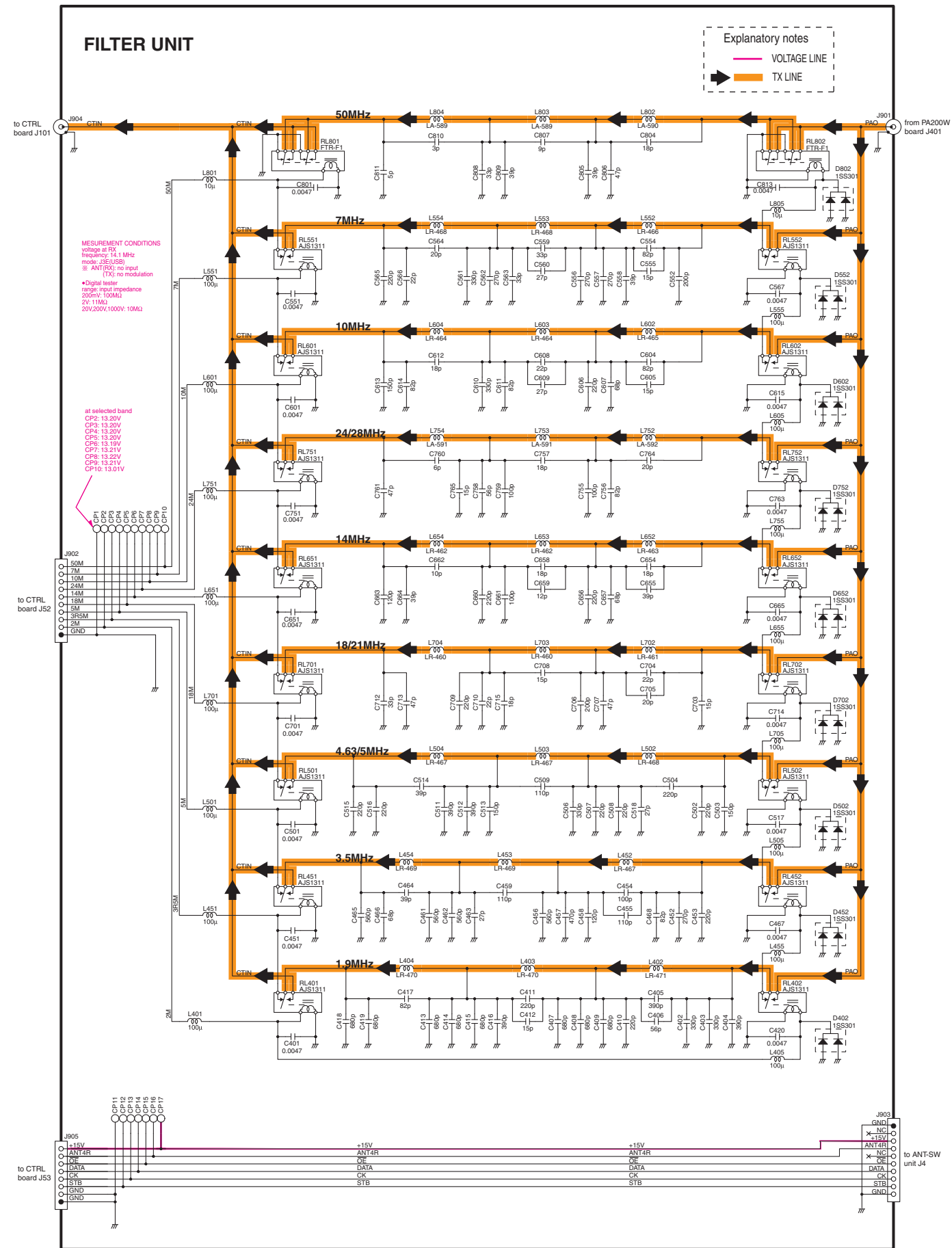
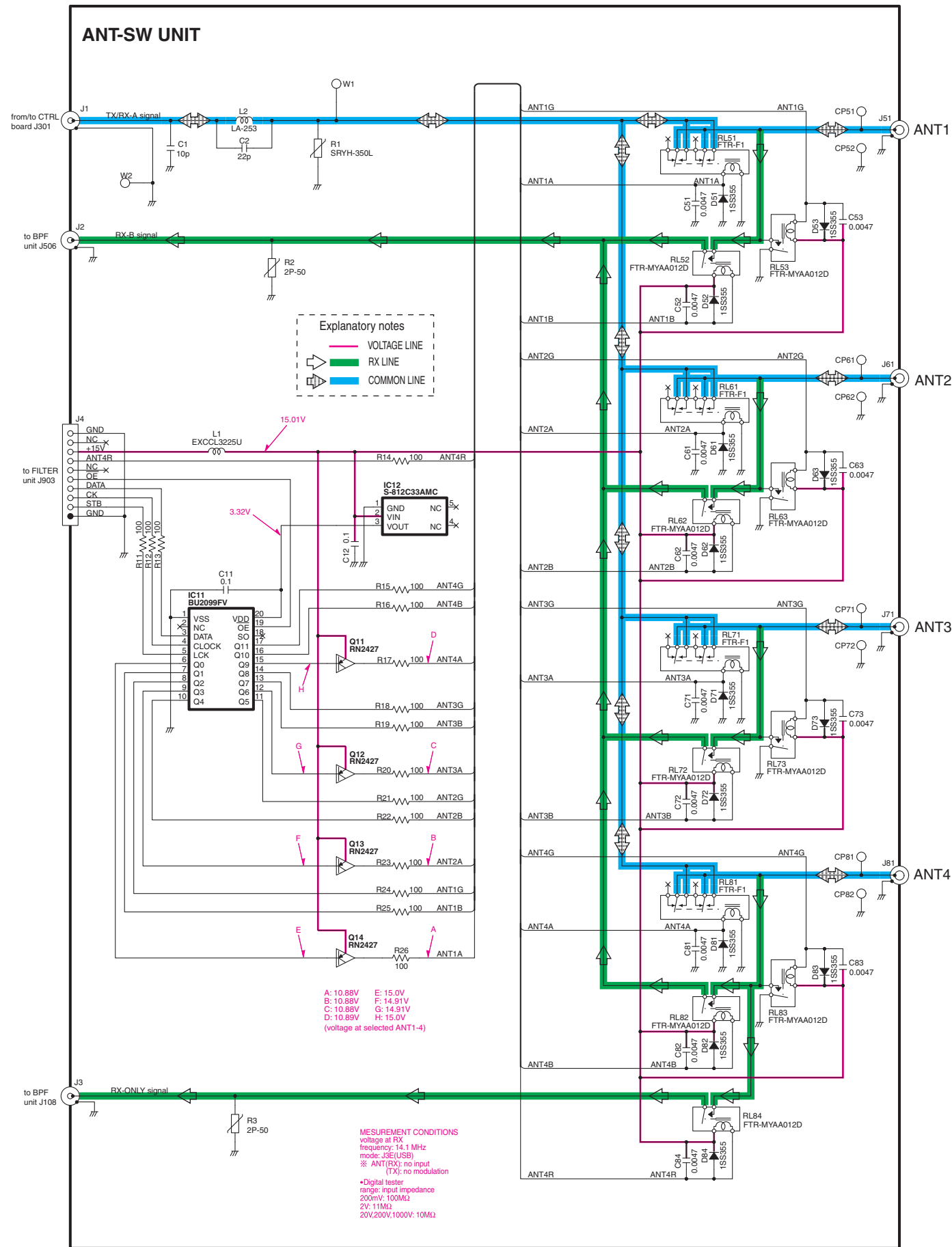


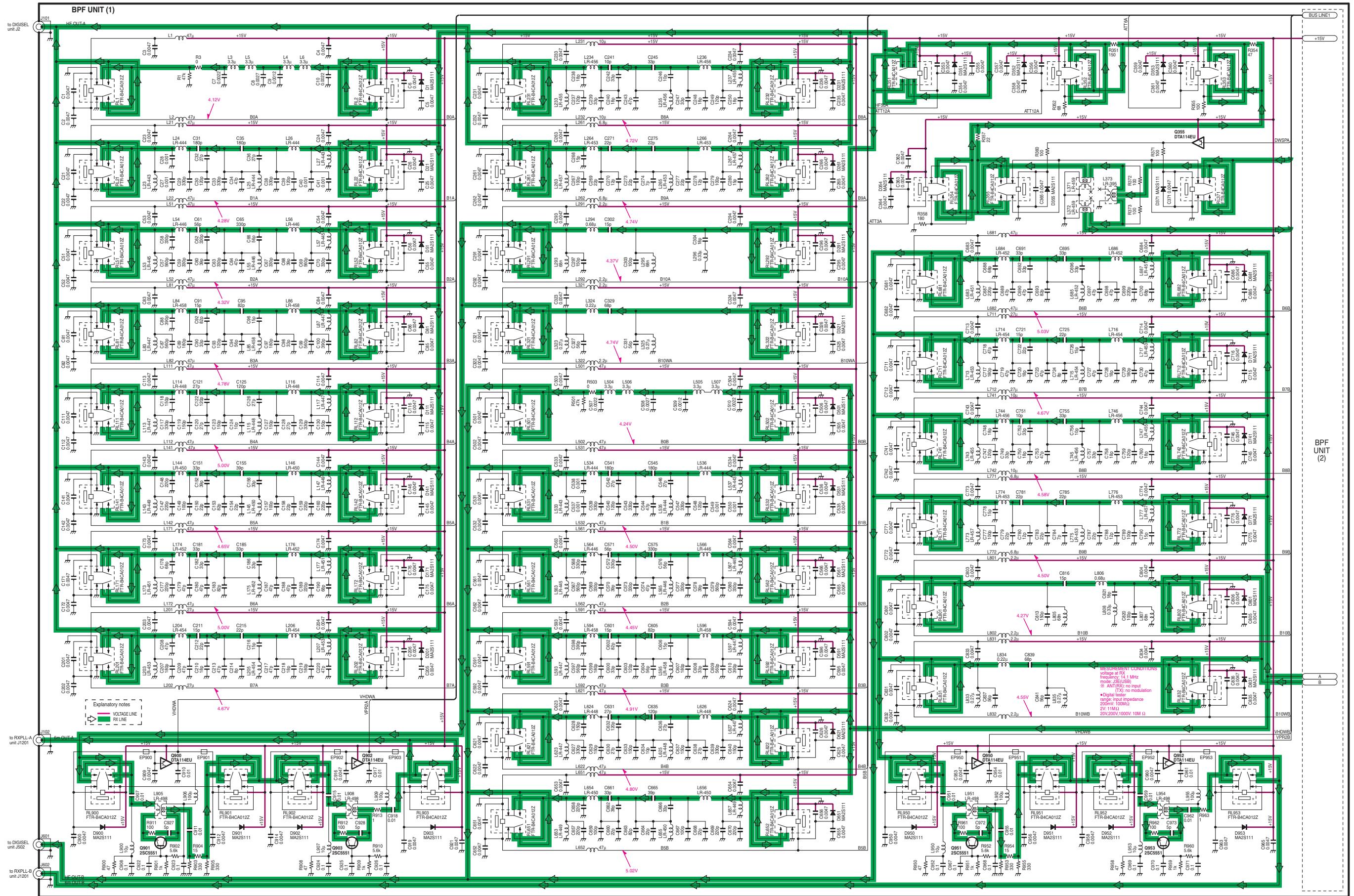
# OSC UNIT



Explanatory notes  
— VOLTAGE LINE

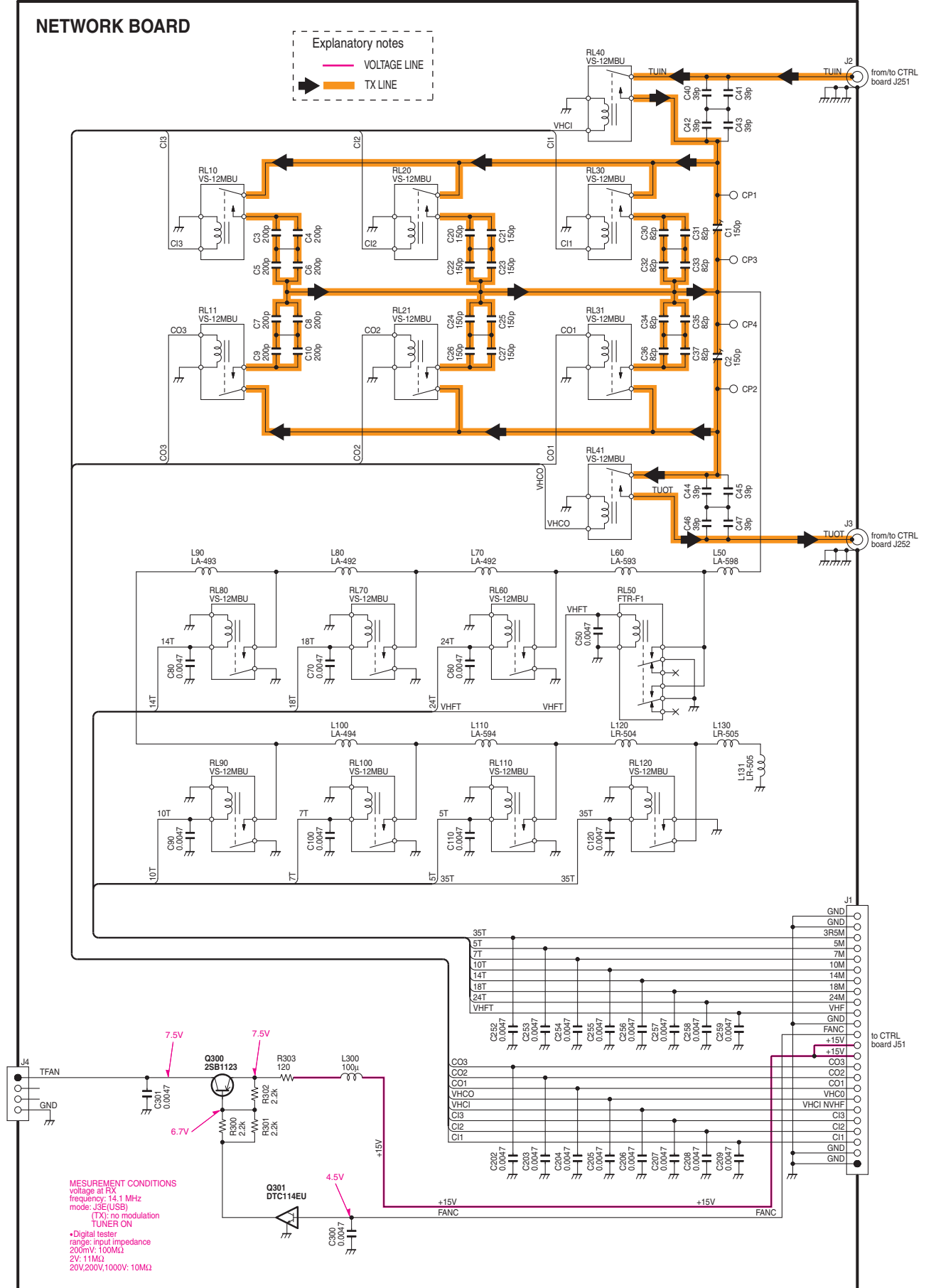
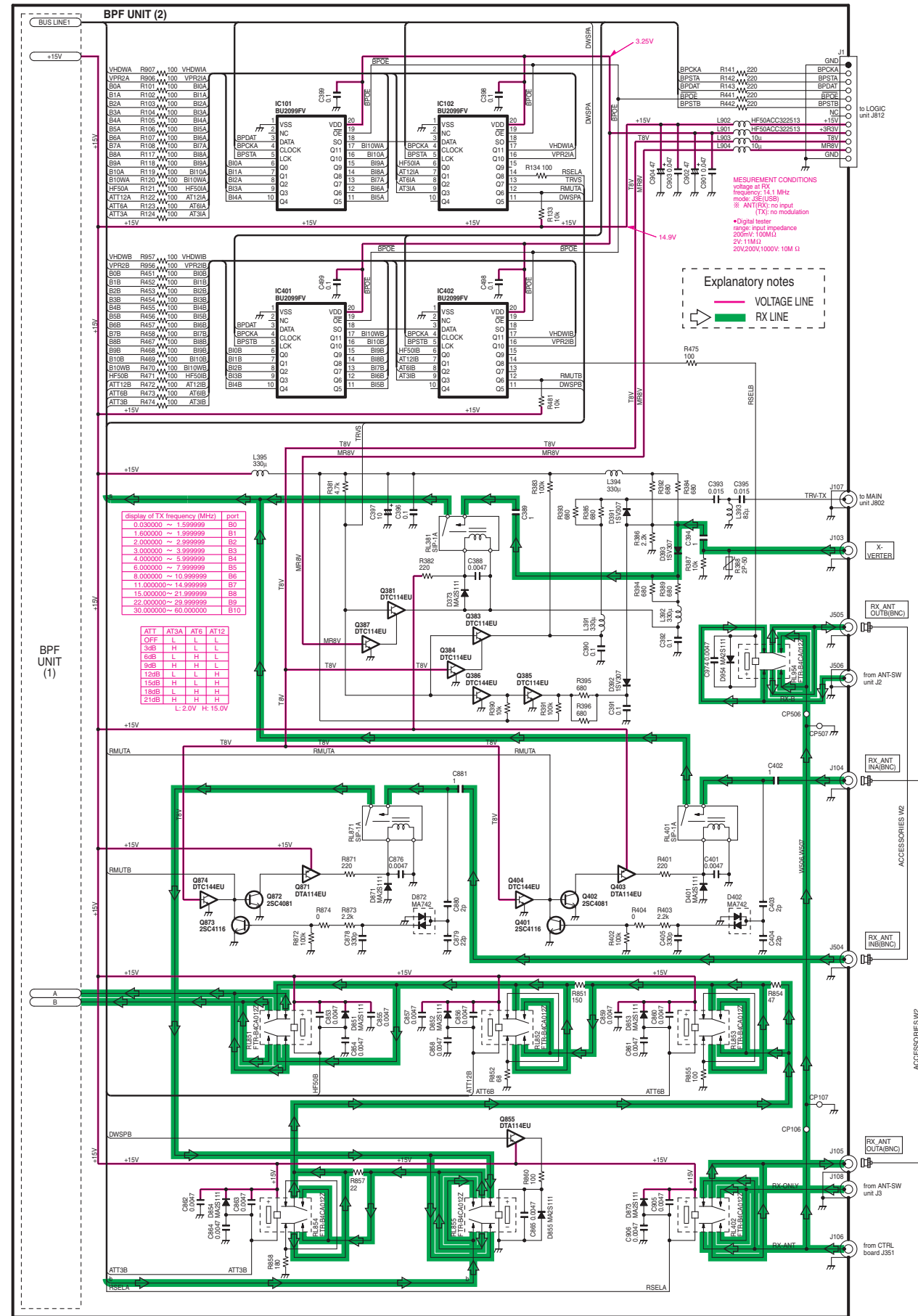
MESUREMENT CONDITIONS  
voltage at RX  
frequency: 14.1 MHz  
mode: JSE(USB)  
% ANT(RX): no input  
\*Digital tester  
range: input impedance  
200mV: 100MΩ  
2V: 11MΩ  
20V/200V/1000V: 10MΩ





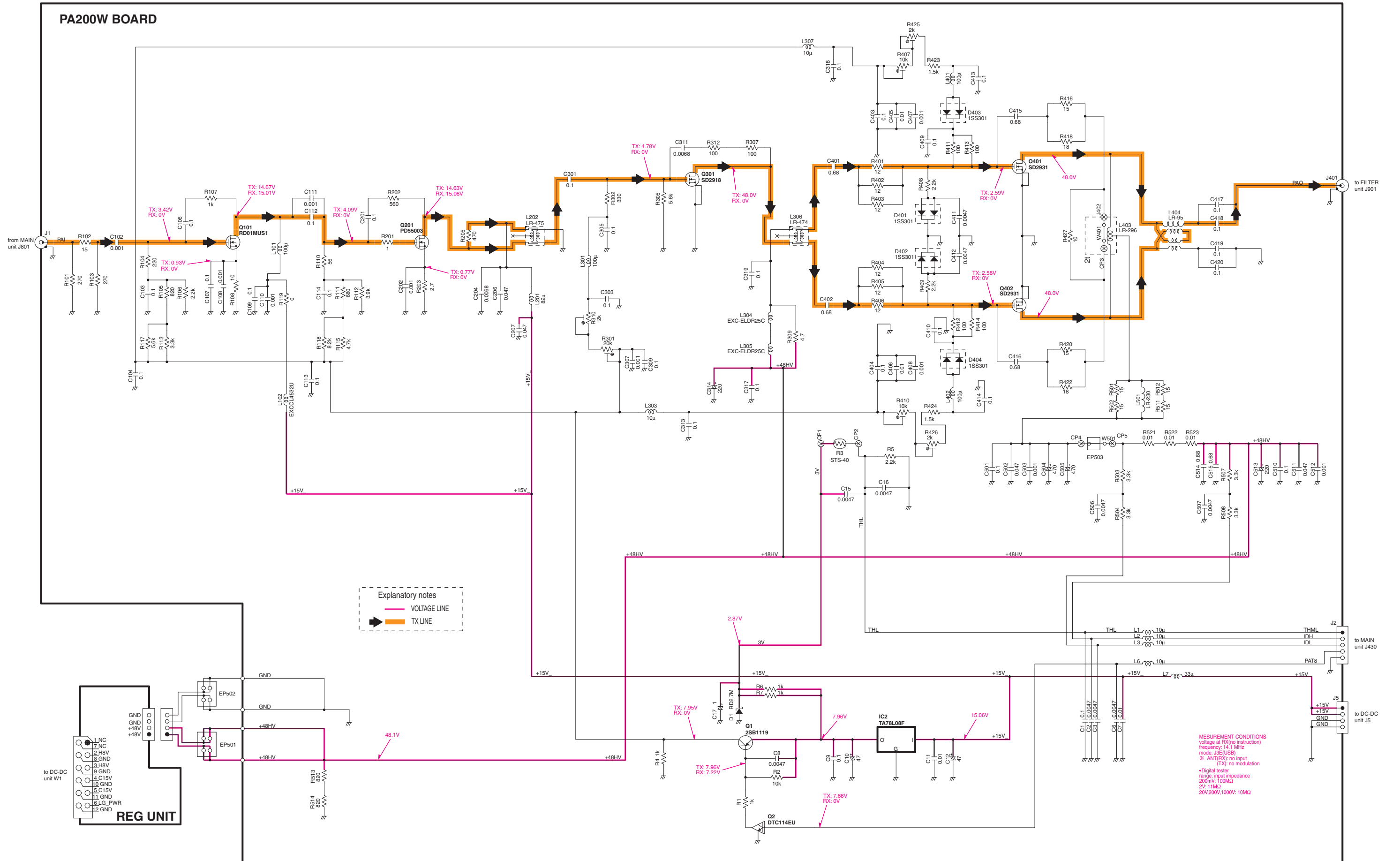


# NETWORK BOARD





# PA200W BOARD









# SERVICE MANUAL

THE TRANSCEIVER

# IC-7800

---

---

---

---

---

---

---

---

S-14015HZ-C1-②  
Mar. 2006

Icom Inc.

---

## INTRODUCTION

This service manual describes the latest service information for the **IC-7800 THE TRANSCEIVER** at the time of publication (include FCC and R&TTE versions).

MODEL	SYMBOL	VERSION
IC-7800	USA	U.S.A.
	EUR	Europe
	FRA	France
	ITR	Italy
	KOR	Korea
	ESP	Spain
	UK	United Kingdom

To upgrade quality, any electrical or mechanical parts and internal circuits are subject to change without notice or obligation.

## DANGER

**NEVER** connect the transceiver to an DC power supply or to an AC outlet that uses more than 265 V. This will ruin the transceiver.

**DO NOT** expose the transceiver to rain, snow or any liquids.

**DO NOT** apply an RF signal of more than 20 dBm (100 mW) to the antenna connector. This could damage the transceiver's front end.



## ORDERING PARTS

Be sure to include the following four points when ordering replacement parts:

- 10-digit order numbers
- Component part number and name
- Equipment model name and unit name
- Quantity required

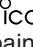
### <SAMPLE ORDER>

1110003870	S.IC	NJM2058M	IC-7800	MAIN UNIT	5 pieces
8810008450	Screw	BiH M4x8 ZK	IC-7800	Top cover	10 pieces

Addresses are provided on the inside back cover for your convenience.

## REPAIR NOTES

1. Make sure a problem is internal before disassembling the transceiver.
2. **DO NOT** open the transceiver until the transceiver is disconnected from its power source.
3. **DO NOT** force any of the variable components. Turn them slowly and smoothly.
4. **DO NOT** short any circuits or electronic parts. An insulated tuning tool **MUST** be used for all adjustments.
5. **DO NOT** keep power ON for a long time when the transceiver is defective.
6. **DO NOT** transmit power into a signal generator or a sweep generator.
7. **ALWAYS** connect a 50 dB to 60 dB attenuator between the transceiver and a deviation meter or spectrum analyzer when using such test equipment.
8. **READ** the instructions of test equipment thoroughly before connecting equipment to the transceiver.

Icom, Icom Inc. and  are registered trademarks of Icom Incorporated (Japan) in the United States, the United Kingdom, Germany, France, Spain, Russia and/or other countries.



---

## TABLE OF CONTENTS

---

### SECTION 1 SPECIFICATIONS

### SECTION 2 INSIDE VIEWS

2 - 1	UPPER SIDE .....	2 - 1
2 - 2	LOWER SIDE .....	2 - 1
2 - 3	TOP VIEW .....	2 - 2
2 - 4	BOTTOM VIEW .....	2 - 2
2 - 5	MAIN UNIT .....	2 - 3
2 - 6	DSP-A/DSP-B BOARDS .....	2 - 4
2 - 7	DSP-TX BOARD .....	2 - 4
2 - 8	LOGIC UNIT .....	2 - 5
2 - 9	SCOPE UNIT .....	2 - 5
2 - 10	RXPLL-A UNIT .....	2 - 6
2 - 11	RXPLL-B UNIT .....	2 - 6
2 - 12	OSC UNIT .....	2 - 7
2 - 13	PA200W BOARD .....	2 - 7

### SECTION 3 CIRCUIT DESCRIPTION

### SECTION 4 ADJUSTMENT PROCEDURES

### SECTION 5 PARTS LIST

### SECTION 6 MECHANICAL PARTS AND DISASSEMBLY

### SECTION 7 SEMI-CONDUCTOR INFORMATION

### SECTION 8 BOARD LAYOUTS

8 - 1	DISPLAY BOARD .....	8 - 1
8 - 2	SW-A BOARD .....	8 - 3
8 - 3	SW-B BOARD .....	8 - 3
8 - 4	SW-C BOARD .....	8 - 3
8 - 5	VR-A BOARD .....	8 - 5
8 - 6	VR-B BOARD .....	8 - 5
8 - 7	VR-C BOARD .....	8 - 5
8 - 8	VR-D BOARD .....	8 - 5
8 - 9	JACK BOARD .....	8 - 5
8 - 10	MIC BOARD .....	8 - 5
8 - 11	CF BOARD .....	8 - 5
8 - 12	TENKEY BOARD .....	8 - 7
8 - 13	LED BOARD .....	8 - 7
8 - 14	PBT1 BOARD .....	8 - 7
8 - 15	PBT2 BOARD .....	8 - 7
8 - 16	LOGIC UNIT .....	8 - 9
8 - 17	MEMORY BOARD .....	8 - 11
8 - 18	MAIN UNIT .....	8 - 13
8 - 19	DSP-A/DSP-B BOARDS .....	8 - 15

8 - 20	DSP-TX BOARD	8 - 17
8 - 21	SCOPE UNIT	8 - 19
8 - 22	RXPLL-A UNIT	8 - 21
8 - 23	RXPLL-B UNIT	8 - 23
8 - 24	DIGISEL UNIT	8 - 25
8 - 25	OSC UNIT	8 - 27
8 - 26	ANT-SW UNIT	8 - 29
8 - 27	FILTER UNIT	8 - 31
8 - 28	NETWORK BOARD	8 - 33
8 - 29	CTRL BOARD	8 - 35
8 - 30	BPF UNIT	8 - 37
8 - 31	PA200W BOARD	8 - 39
8 - 32	DC-DC UNIT	8 - 41

## **SECTION 9 BLOCK DIAGRAMS**

## **SECTION 10 WIRING DIAGRAMS**

## **SECTION 11 VOLTAGE DIAGRAMS**

11 - 1	DISPLAY BOARD	11 - 1
11 - 2	CF BOARD	11 - 1
11 - 3	SW-A BOARD	11 - 2
11 - 4	VR-B BOARD	11 - 2
11 - 5	VR-C BOARD	11 - 2
11 - 6	VR-A BOARD	11 - 2
11 - 7	MIC BOARD	11 - 2
11 - 8	JACK BOARD	11 - 2
11 - 9	VR-D BOARD	11 - 2
11 - 10	SW-B BOARD	11 - 2
11 - 11	TENKEY BOARD	11 - 3
11 - 12	SW-C BOARD	11 - 4
11 - 13	PBT1 BOARD	11 - 4
11 - 14	PBT2 BOARD	11 - 4
11 - 15	LED BOARD	11 - 4
11 - 16	LOGIC UNIT AND MEMORY BOARD	11 - 5
11 - 17	MAIN UNIT	11 - 9
11 - 18	DSP-A/DSP-B BOARDS	11 - 12
11 - 19	DSP-TX BOARD	11 - 13
11 - 20	SCOPE UNIT	11 - 14
11 - 21	RXPLL-A/RXPLL-B UNITS	11 - 18
11 - 22	DIGISEL UNIT	11 - 21
11 - 23	OSC UNIT	11 - 23
11 - 24	ANT-SW UNIT	11 - 24
11 - 25	FILTER UNIT	11 - 24
11 - 26	BPF UNIT	11 - 25
11 - 27	NETWORK BOARD	11 - 26
11 - 28	CTRL BOARD	11 - 27
11 - 29	PA200W BOARD	11 - 28
11 - 30	DC-DC UNIT	11 - 29

# SECTION 1 SPECIFICATIONS

## ■ GENERAL

- Frequency coverage:
  - Receive 0.030–60.000 MHz<sup>\*1, \*2</sup>
  - Transmit 0.1357–0.1378 MHz<sup>\*2</sup> 1.800–1.999 MHz<sup>\*2</sup>
  - 3.500–3.999 MHz<sup>\*2</sup>
  - 5.3305, 5.3465, 5.3665, 5.3715, 5.4035 MHz<sup>\*2</sup>
  - 7.000–7.300 MHz<sup>\*2</sup> 10.100–10.150 MHz<sup>\*2</sup>
  - 14.000–14.350 MHz<sup>\*2</sup> 18.068–18.168 MHz<sup>\*2</sup>
  - 21.000–21.450 MHz<sup>\*2</sup> 24.890–24.990 MHz<sup>\*2</sup>
  - 28.000–29.700 MHz<sup>\*2</sup> 50.000–54.000 MHz<sup>\*2</sup>
- <sup>\*1</sup> Some frequency bands are not guaranteed.
- <sup>\*2</sup> Depending on version.
- Mode : USB, LSB, CW, RTTY, AM, FM, PSK31
- Number of memory channels : 101 (99 regular, 2 scan edges)
- Antenna connector : SO-239 × 4 [antenna impedance; 50 Ω]
- Usable temp. range: 0°C to +50°C (32°F to 122°F)
- Frequency stability : Less than ±0.05 ppm  
(IC-7800's condition: After 5 min. since turns power ON on the rear panel)
- Freq. resolution : 1 Hz
- Power supply : 85–265 V AC (universal input) voltage
- Power consumption :
  - Transmit at 200 W 800 VA
  - Receive stand-by 200 VA (typical)
  - max. audio 210 VA (typical)
- Dimensions : 424 (W) × 149(H) × 435(D) mm  
(Proj. not included) 16<sup>11</sup>/<sub>16</sub>(W) × 5<sup>7</sup>/<sub>8</sub>(H) × 17<sup>1</sup>/<sub>8</sub>(D) in
- Weight : Approximate 25 kg (55 lb)
- ACC 1 connector : 8-pin DIN connector
- ACC 2 connector : 7-pin DIN connector
- CI-V connector : 2-conductor 3.5(d) mm (1/8")
- Display : 7-inch diagonal wide TFT color LCD (800 × 480)

## ■ TRANSMITTER

- Output power :
  - HF: SSB/CW/RTTY/FM/PSK31 5–200 W
  - AM 5–50 W
  - 137 kHz: CW More than –20 dBm  
(except for [USA] and [KOR])
- Modulation system :
  - SSB PSN modulation
  - AM Low power modulation
  - FM Phase modulation
- Spurious emission : More than 60 dB (HF bands)  
More than 70 dB (50 MHz band)
- Carrier suppression: More than 63 dB (HF bands)  
More than 73 dB (50 MHz band)
- Unwanted sideband suppression: More than 80 dB
- Mic. connector : 8-pin connector (600 Ω)
- ELE-KEY connector: 3-conductor 6.35(d) mm (1/4")
- KEY connector : 3-conductor 6.35(d) mm (1/4")
- SEND connector : Phono (RCA)
- ALC connector : Phono (RCA)

## ■ RECEIVER

- Receive system : Double-conversion superheterodyne
- Intermediate frequencies:
  - 1st IF frequency 64.455 MHz (Main band)  
64.555 kHz (Sub band)
  - 2nd IF frequency 36 kHz
- Sensitivity (Typ.) :
  - SSB, CW, RTTY (at 2.4 kHz bandwidth)
    - 0.1–1.799 MHz<sup>\*1</sup> 0.5 μV (10 dB S/N)
    - 1.8–29.99 MHz<sup>\*1</sup> 0.16 μV (10 dB S/N)
    - 50.0–54.0 MHz<sup>\*2</sup> 0.13 μV (10 dB S/N)
  - AM (at 6.0 kHz bandwidth)
    - 0.1–1.799 MHz<sup>\*1</sup> 6.3 μV (10 dB S/N)
    - 1.8–29.99 MHz<sup>\*1</sup> 2.0 μV (10 dB S/N)
    - 50.0–54.0 MHz<sup>\*2</sup> 1.0 μV (10 dB S/N)
  - FM (at 15 kHz bandwidth)
    - 28.0–29.99 MHz<sup>\*1</sup> 0.5 μV (12 dB SINAD)
    - 50.0–54.0 MHz<sup>\*2</sup> 0.32 μV (12 dB SINAD)
- <sup>\*1</sup> Pre-amp1 is ON <sup>\*2</sup> Pre-amp2 is ON
- Squelch sensitivity : (Pre-amp OFF)
  - SSB/CW/RTTY/PSK31 Less than 5.6 μV
  - FM Less than 1.0 μV
- Selectivity :
  - SSB/RTTY (at 2.4 kHz bandwidth)
    - More than 2.4 kHz/–3 dB
    - Less than 3.6 kHz/–60 dB
  - CW (at 500 Hz bandwidth)
    - More than 500 Hz/–3 dB
    - Less than 700 Hz/–60 dB
  - AM (at 6 kHz bandwidth)
    - More than 6.0 kHz/–3 dB
    - Less than 15.0 kHz/–60 dB
  - FM (at 15 kHz bandwidth)
    - More than 12 kHz/–6 dB
    - Less than 20 kHz/–60 dB
- Spurious and image rejection response ratio: More than 70 dB
- RIT variable range : ±9.999 kHz
- Audio output power : More than 2.6 W at 10 % distortion with an 8 Ω load
- PHONES connector: 3-conductor 6.35 (d) mm (1/4")
- EXT SP connector : 2-conductor 3.5 (d) mm (1/8") 8 Ω × 2 (for Main and Sub)

## ■ ANTENNA TUNER

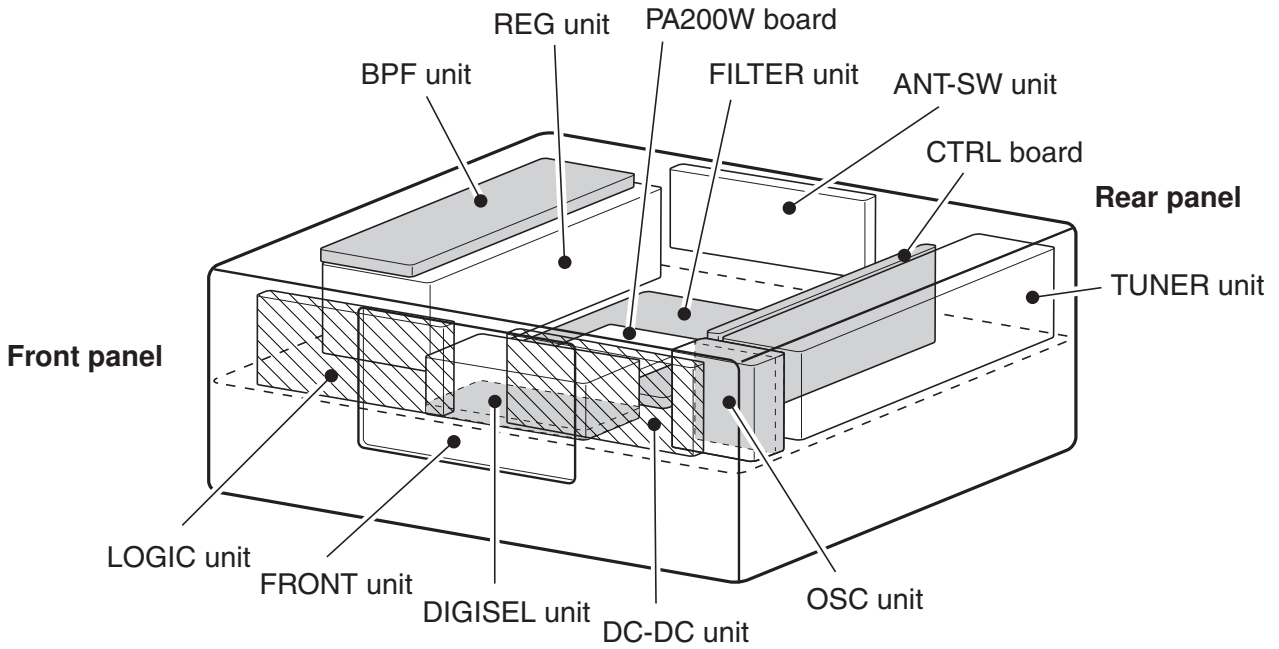
- Output matching range:
  - HF bands 16.7–50 Ω unbalanced<sup>\*1</sup>
  - 50 MHz band 20–125 Ω unbalanced<sup>\*2</sup>
- <sup>\*1</sup> VSWR better than 3:1; <sup>\*2</sup> VSWR better than 2.5:1
- Minimum operating input power:
  - HF bands : 8 W
  - 50 MHz band : 15 W
- Tuning accuracy : VSWR 1.5:1 or better
- Insertion loss : Less than 1.0 dB (after tuning)

All stated specifications are subject to change without notice or obligation.

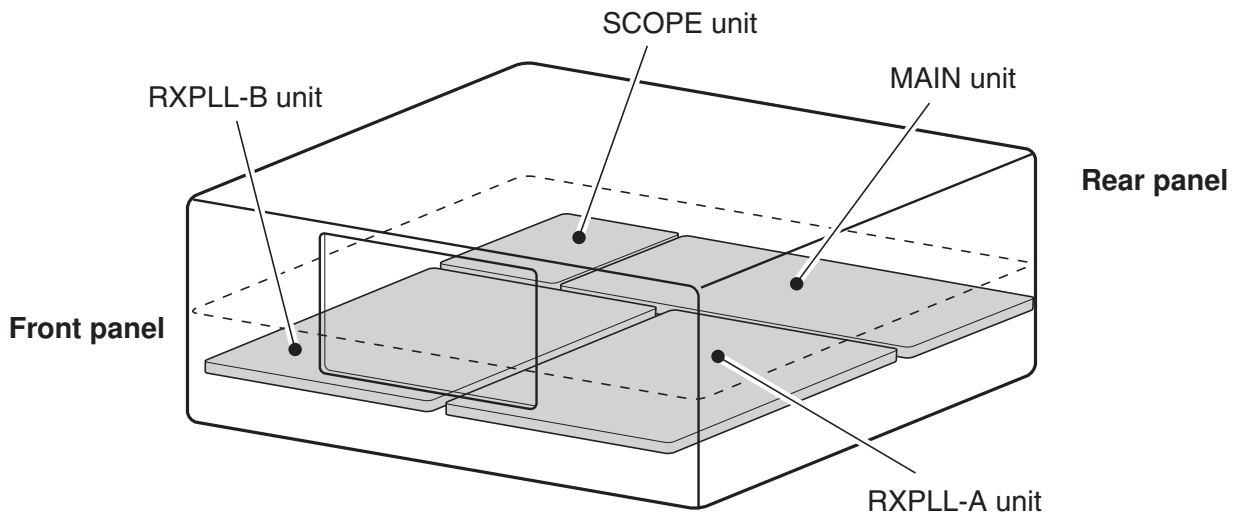


## SECTION 2 INSIDE VIEWS

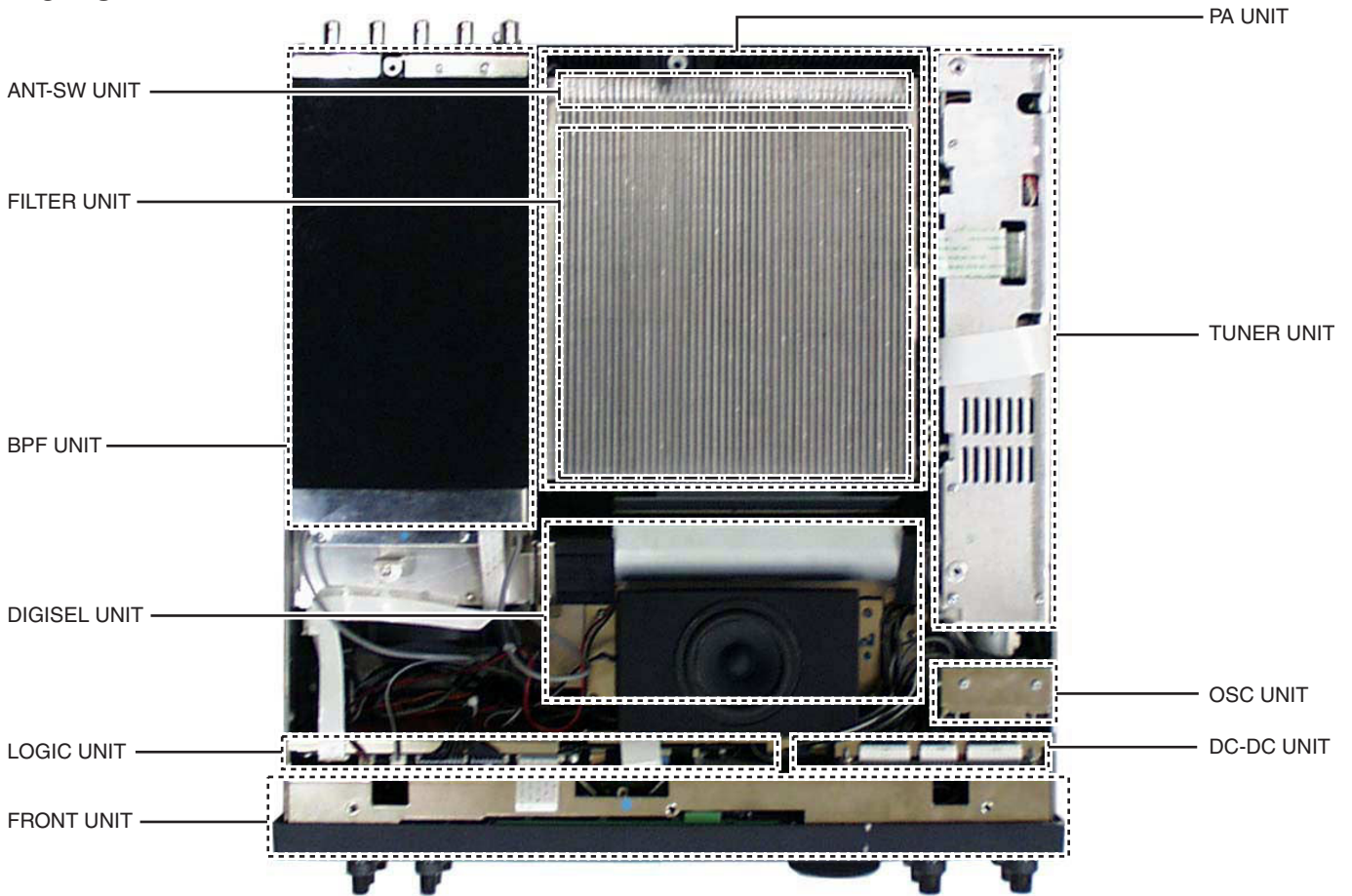
### 2-1 UPPER SIDE



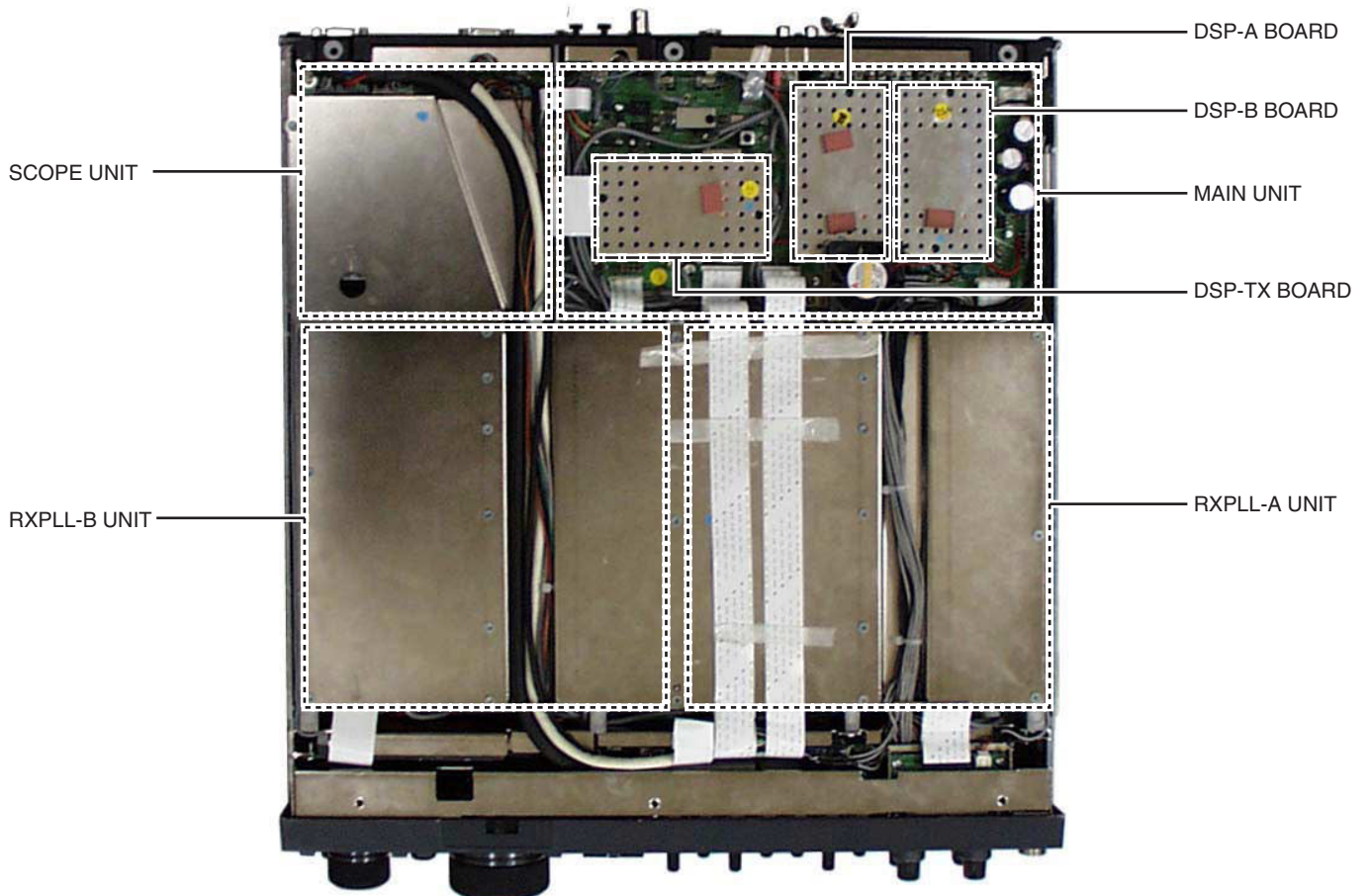
### 2-2 LOWER SIDE



## 2-3 TOP VIEW

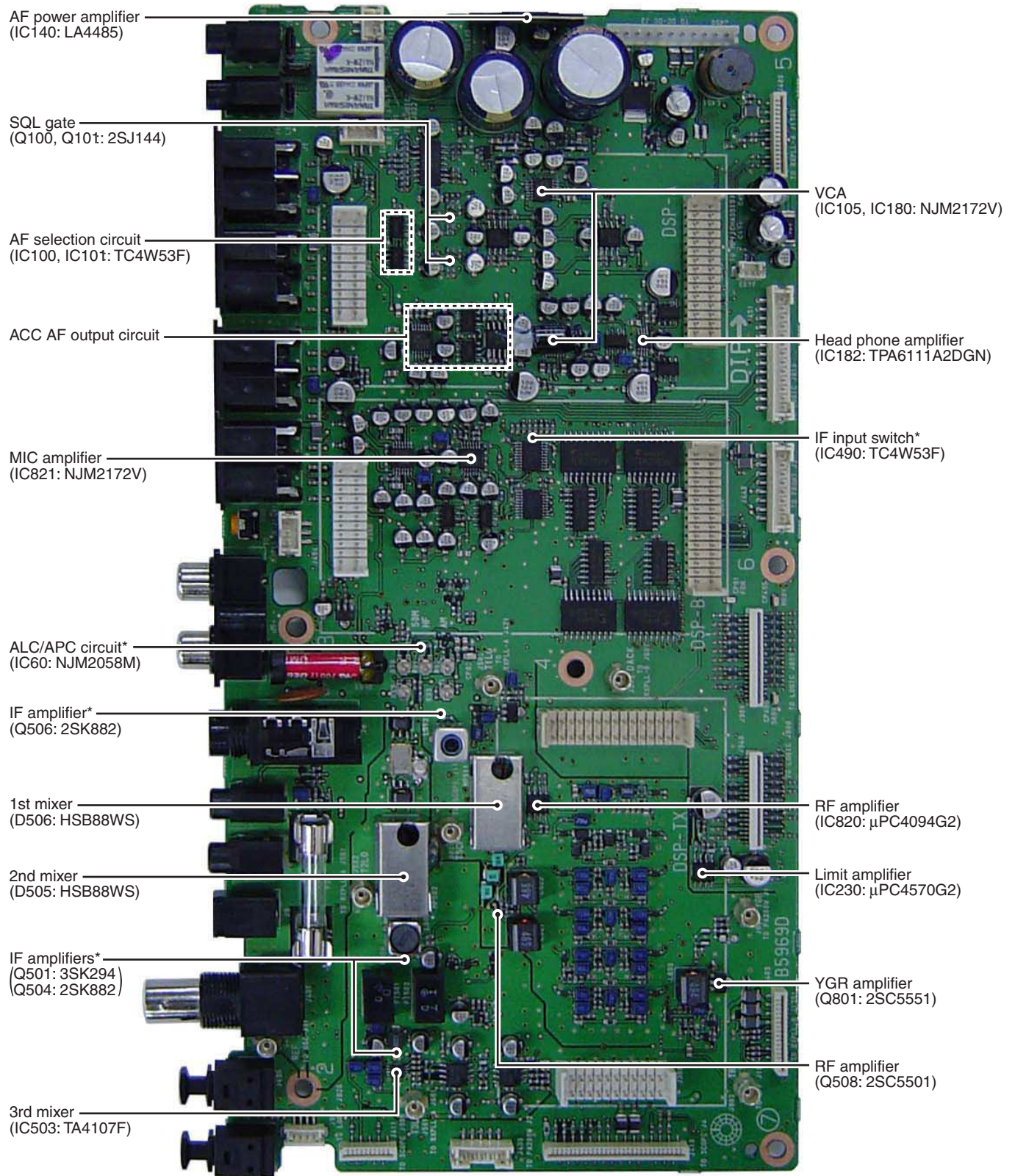


## 2-4 BOTTOM VIEW





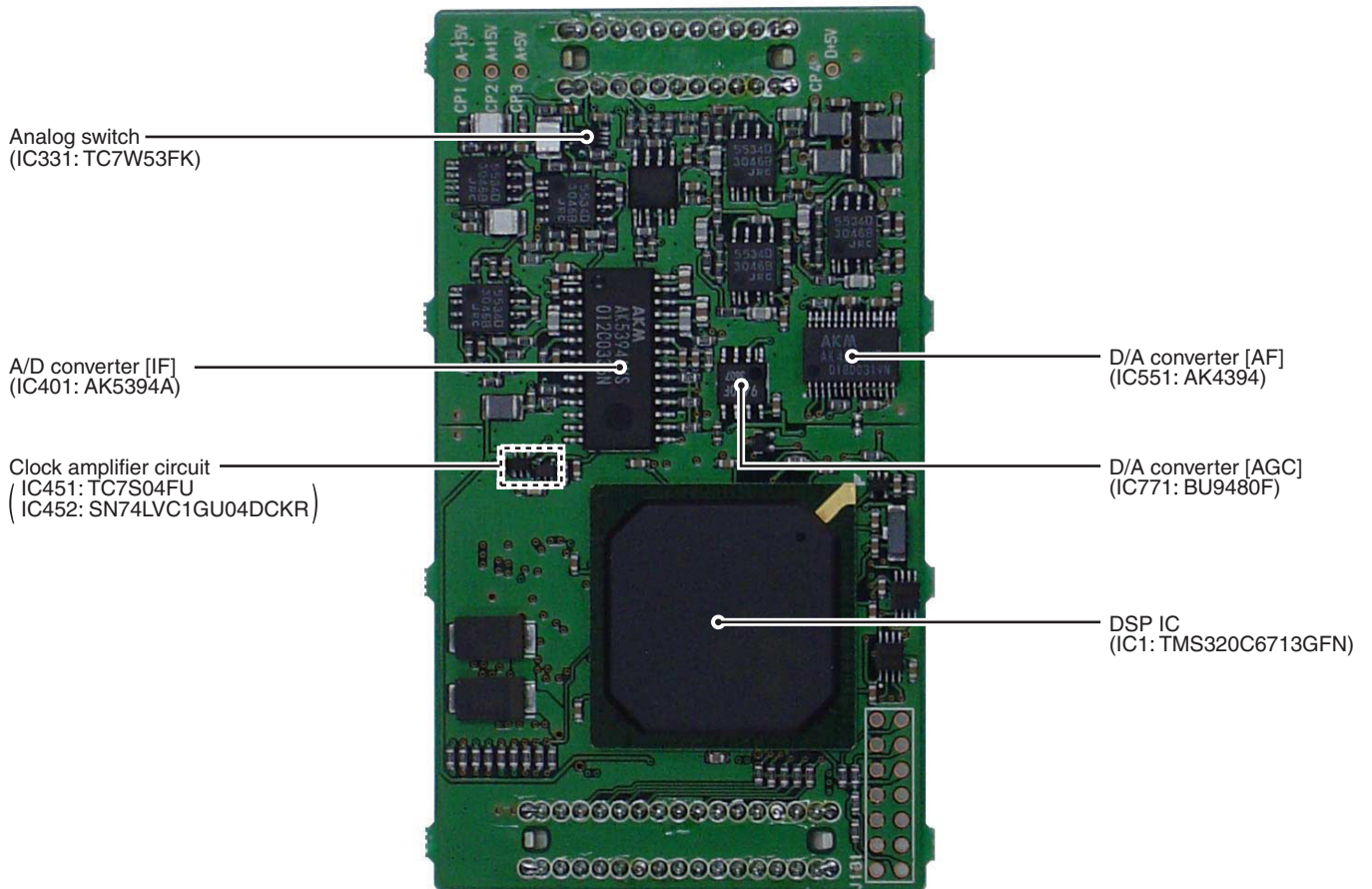
## 2-5 MAIN UNIT



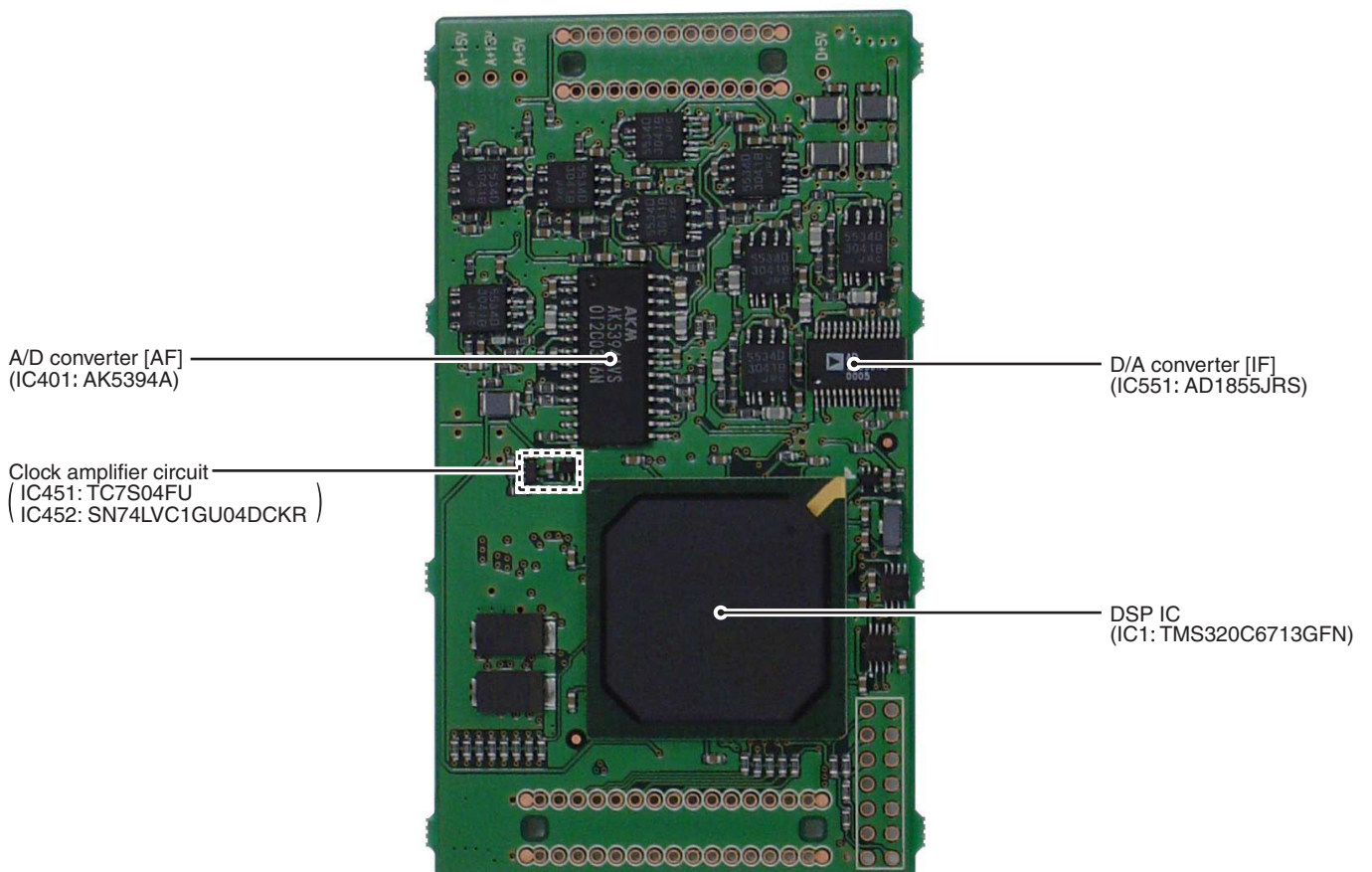
\*Located under side of the point



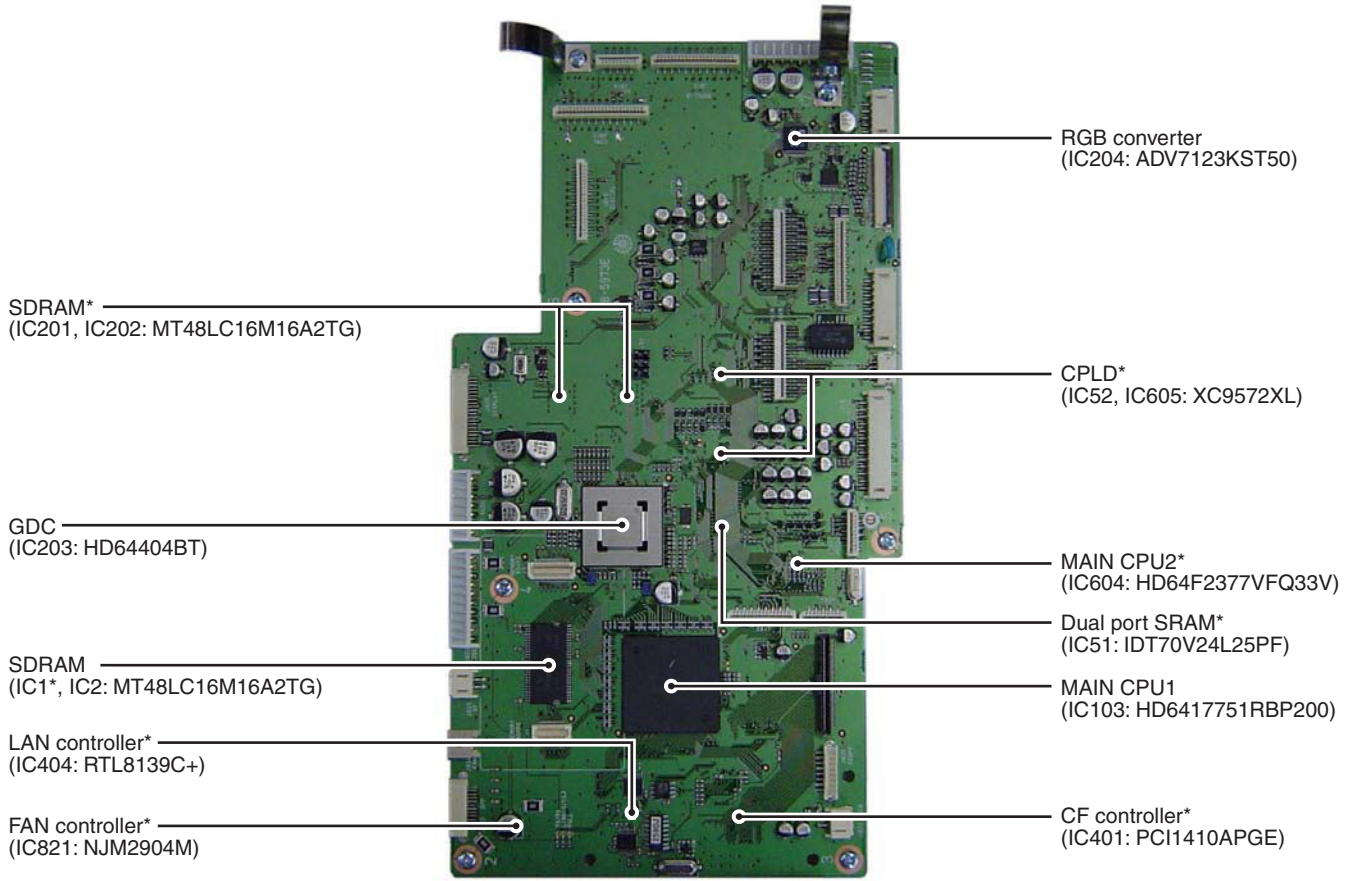
## 2-6 DSP-A/DSP-B BOARDS



## 2-7 DSP-TX BOARD

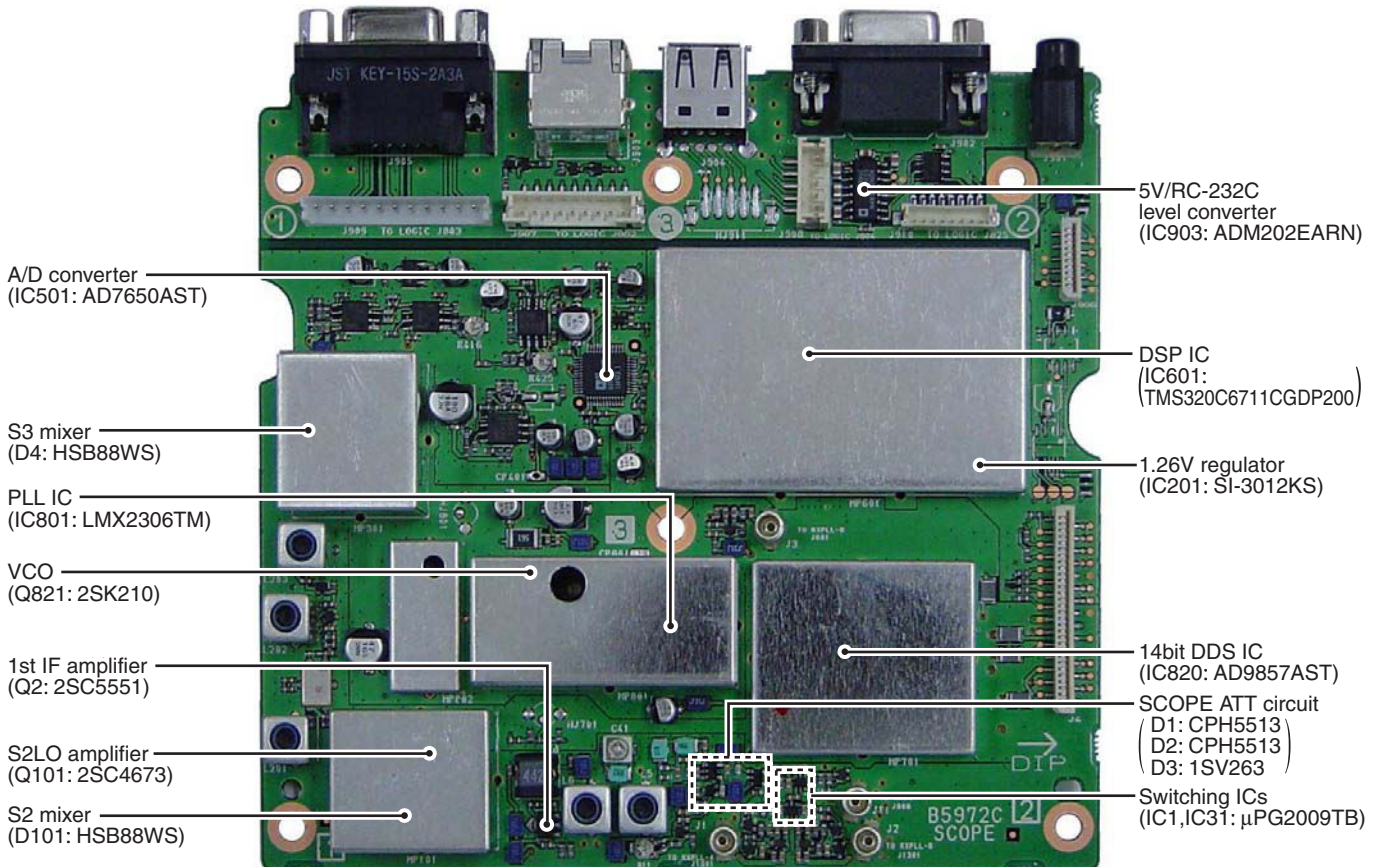


## 2-8 LOGIC UNIT



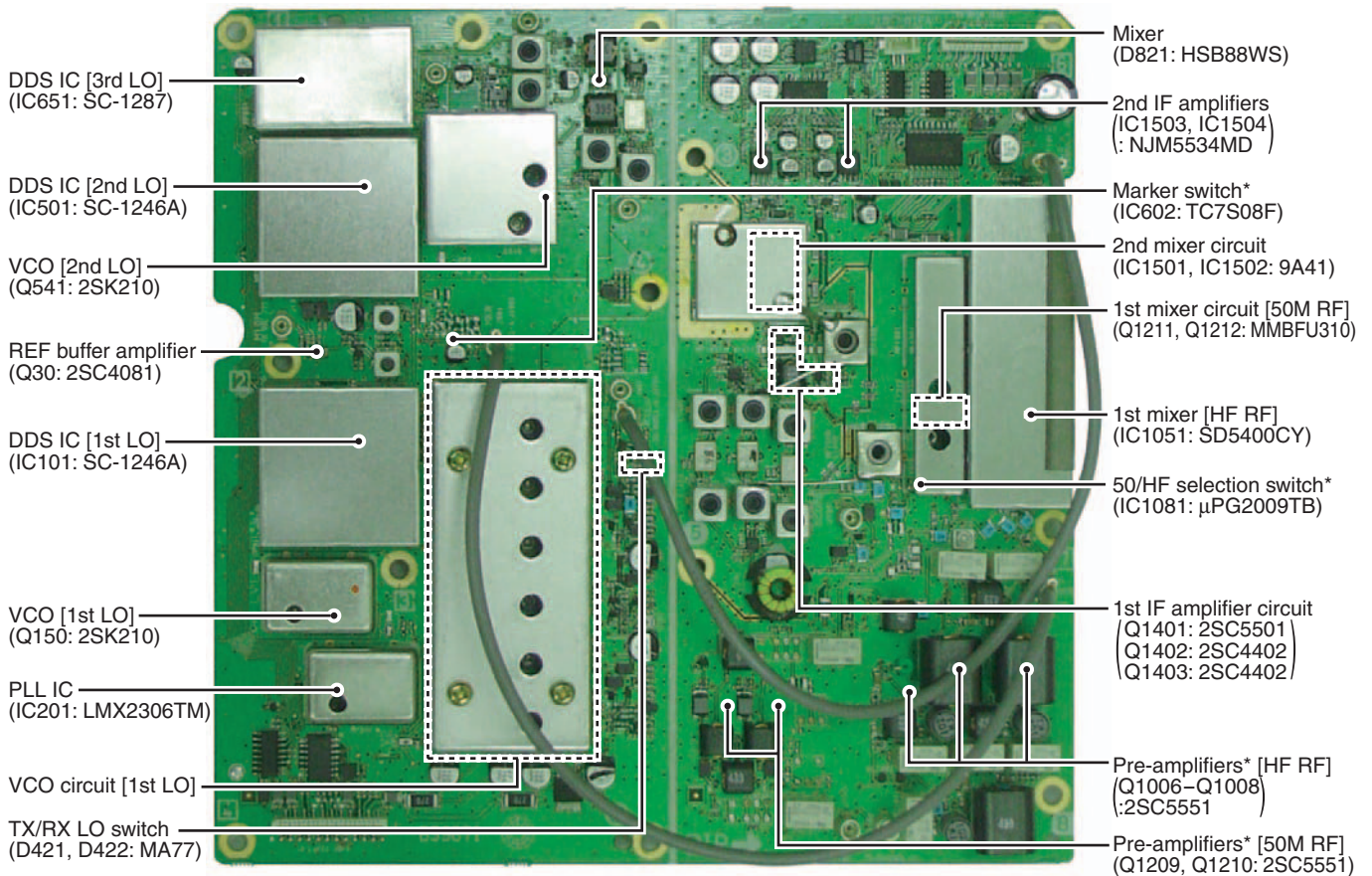
\*Located under side of the point

## 2-9 SCOPE UNIT



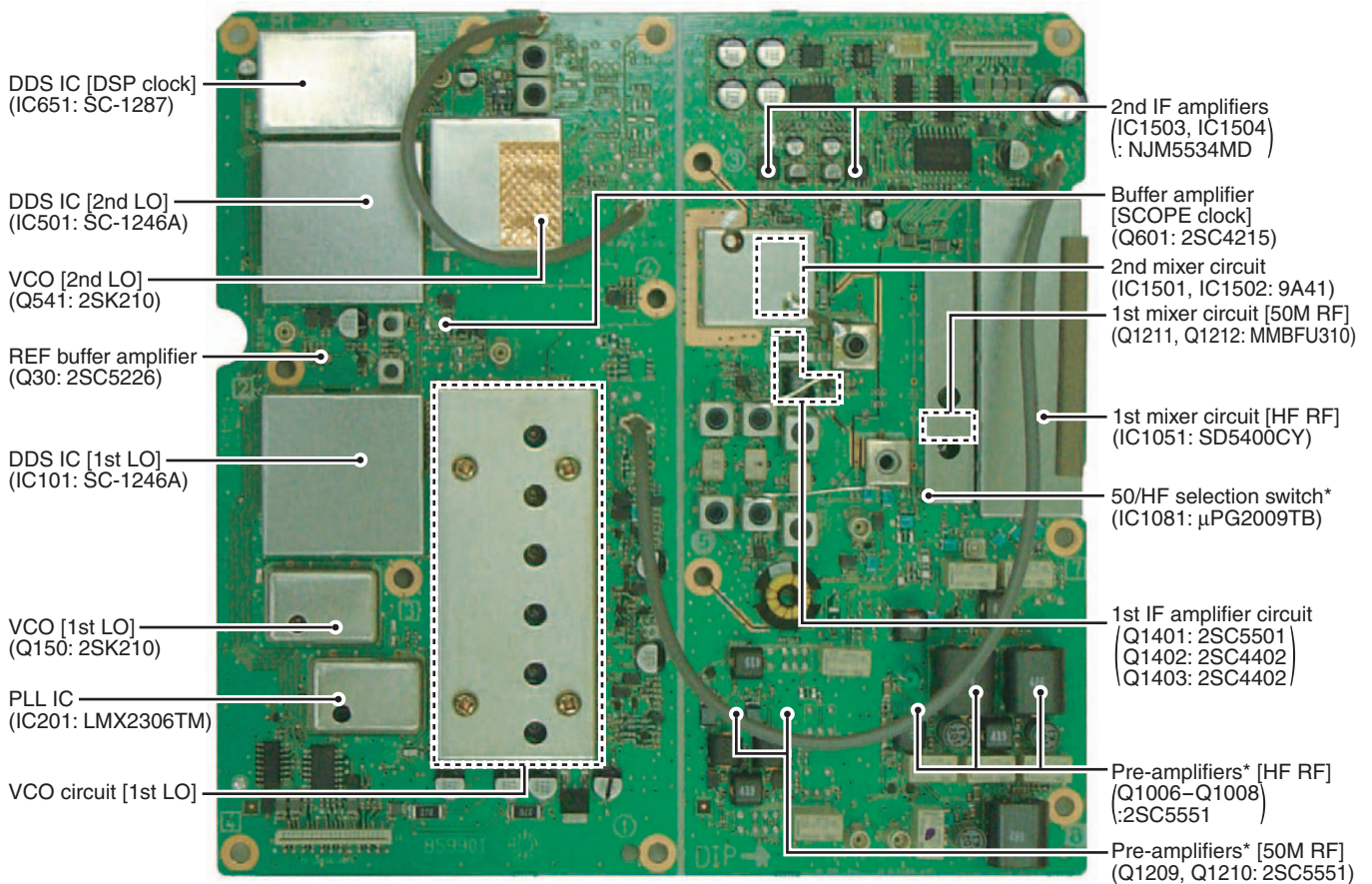


## 2-10 RXPLL-A UNIT



\*Located under side of the point

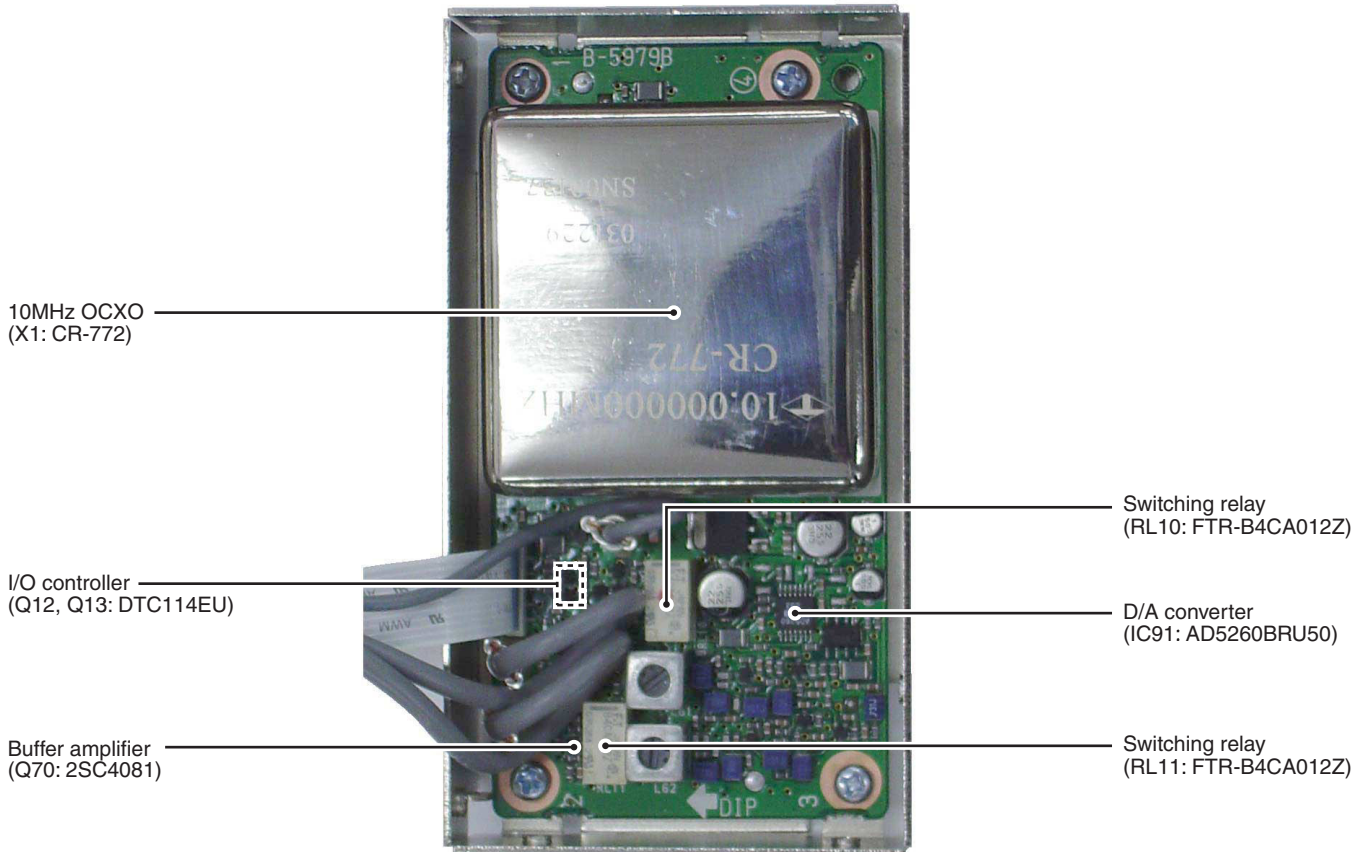
## 2-11 RXPLL-B UNIT



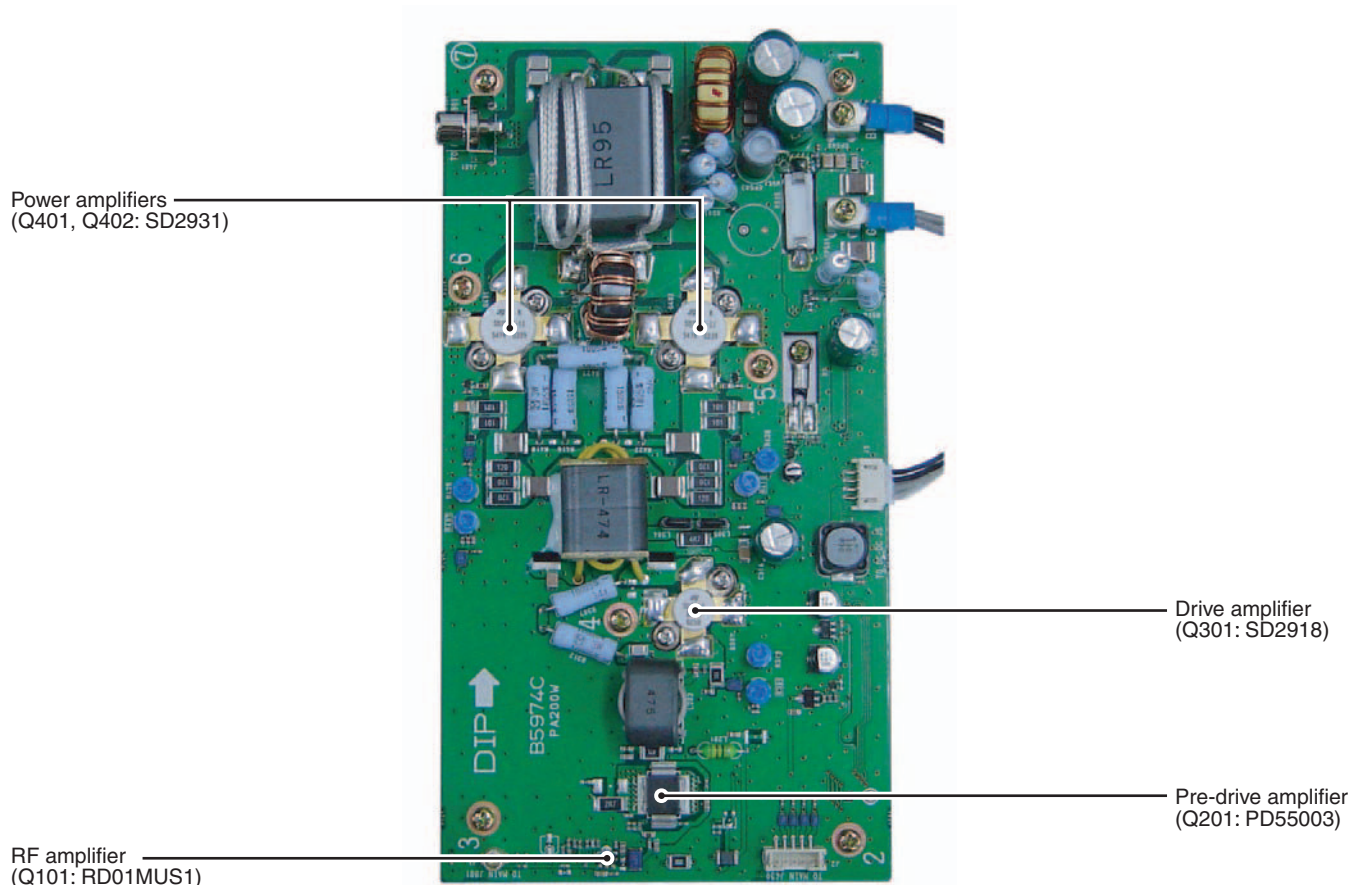
\*Located under side of the point



## 2-12 OSC UNIT



## 2-13 PA200W BOARD



## SECTION 3 CIRCUIT DESCRIPTION

### 3-1 RECEIVER CIRCUITS

#### 3-1-1 ANTENNA SWITCHING CIRCUIT (ANT-SW UNIT)

The ANTENNA switching circuit leads receive signals to bandpass filters from an antenna connector while receiving. However, the circuit leads the signal from the RF power amplifier to the antenna connector while transmitting. RF signals are applied to the RX-A, RX-B or RX-ONLY circuits.

##### • RX-A CIRCUIT

RF signals from [ANT1], [ANT2], [ANT3] or [ANT4] pass through one of the antenna selectors (RL51; passing through [ANT1], RL61; passing through [ANT2], RL71; passing through [ANT3], RL81; passing through [ANT4]), and are then applied to the CTRL board via J1.

The RF signals pass through the current detector (CTRL board; D301, D302), and are then applied to the BPF unit via J351 on the CTRL board.

##### • RX-B CIRCUIT

RF signals from [ANT1], [ANT2], [ANT3] or [ANT4] pass through one of the antenna selectors (RL52; passing through [ANT1], RL62; passing through [ANT2], RL72; passing through [ANT3], RL82; passing through the ANT4), and are then applied to the BPF unit via J2.

##### • RX-ONLY CIRCUIT

RF signals from [ANT4] pass through the antenna selector (RL84), and are then applied to the BPF unit via J3.

#### 3-1-2 BANDPASS FILTER CIRCUIT (BPF, AND DIGISEL UNITS)

RF bandpass filters pass only the desired band signals and suppress any undesired band signals. The RF circuit has 11 bandpass filters and 1 low-pass filter.

##### • RX-A OR RX-ONLY CIRCUITS

RF signals from RX-A circuit (CTRL board; J351) or RX-ONLY circuit (ANT-SW unit; J3) are applied to the RF signal switching circuit (BPF unit; RL402). The filtered signals pass through (or bypass) splitter (BPF unit; L371–L373) via the RL371 and RL355 (BPF unit), and are then attenuated at RL354 (3 dB), RL353 (6 dB) and RL352 (12 dB) on the BPF unit. A portion of the filtered signals are separated at the splitter, and are then applied to the RX-B circuit's DW selector (BPF unit; RL855).

The attenuated signals pass through the low-pass filter or one of the bandpass filters via the 6M selector (BPF unit; RL851).

##### (1) 0.03–30 MHz (BPF AND DIGISEL UNITS)

The signals pass through the low-pass filter or one of the 9 bandpass filters. The filtered signals pass through (or bypass) the bandpass filter and the RF amplifier (DIGISEL unit; Q201) via the D\_S\_THRU selectors (RL21, RL2) on the DIGISEL unit, and are then applied to the pre-amplifier circuit on the RXPLL-A unit.

##### (2) 50–60 MHz (BPF UNIT)

The signals pass through the one of the 2 bandpass filters, and are then amplified (or bypass) at the DW amplifier (Q901) via the DW selectors (RL900, RL901). The signals are applied to (or bypass) the pre-amplifier circuit.

##### • RX-B CIRCUIT

RF signals from RX-B circuit (ANT-SW unit; J2) pass through the REV\_Po detector (BPF unit; Q873, D872). The signals are applied to the DW selector (BPF unit; RL855). A portion of RF signals from RX-A or RX-ONLY circuits are applied to the this selector too.

The signals are attenuated at RL854 (3 dB), RL853 (6 dB) and RL852 (12 dB) on the BPF unit, and are then applied to the 6M selector (BPF unit; RL851).

The attenuated signals pass through the low-pass filter or one of the bandpass filters.

##### (1) 0.03–30 MHz (BPF AND DIGISEL UNITS)

The signals pass through the low-pass filter or one of the 9 bandpass filters. The filtered signals pass through (or bypass) the bandpass filter and the RF amplifier (DIGISEL unit; Q701) via the D\_S\_THRU selectors (RL521, RL502) on the DIGISEL unit, and are then applied to the pre-amplifier circuit on the RXPLL-B unit.

##### (2) 50–60 MHz (BPF UNIT)

The signals pass through the one of the 2 bandpass filter, and are then amplified (or bypass) at the DW amplifier (Q951) via the DW selectors (RL950, RL951). The signals are applied to the pre-amplifier circuit.

#### 3-1-3 PRE-AMPLIFIER CIRCUITS (BPF, RXPLL-A, AND RXPLL-B UNITS)

The IC-7800 has 2 gain levels of pre-amplifier circuits which is composed of the pre-amplifier1 and pre-amplifier2. The circuit is controlled by [P.AMP] switch.

##### • RX-A OR RX-ONLY CIRCUITS

##### (1) 0.03–30 MHz (RXPLL-A UNIT)

The RF signals from the DIGISEL unit are applied to (or bypass) the DW amplifier (Q1001) via the DW selectors (RL1001, RL1002), and are then applied to the pre-amplifier circuit.

When [P.AMP] switch is set to [P.AMP 1] or [P.AMP 2], the signals are applied to the pre-amplifier1 (Q1007, Q1008) or pre-amplifier2 (Q1006) circuit via the P.AMP\_ON selectors (RL1003, RL1006) and P.AMP selectors (RL1004, RL1005), respectively. Pre-amplified or bypassed signals are applied to the 1st mixer circuit after being passed through the low-pass filter (L1052–L1054, C1053–C1057, C1067).

**(2) 50–60 MHz (BPF AND RXPLL-A UNITS)**

When [P.AMP] switch is set to [P.AMP 1] or [P.AMP 2], the amplified signals from the DW amplifier (BPF unit; Q901) are applied to the pre-amplifier2 (BPF unit; Q903) or pre-amplifier1 (RXPLL-A unit; Q1209, Q1210) via the P.AMP2\_ON selectors (BPF unit; RL902, RL903) and P.AMP1\_ON selectors (RXPLL-A unit; RL1203, RL1206), respectively. Pre-amplified or bypassed signals are applied to the 1st mixer circuit after being passed through the low-pass filter (RXPLL-A unit; L1217–L1219, C1244–C1250, C1268).

**• RX-B CIRCUIT**

**(1) 0.03–30 MHz (RXPLL-B UNIT)**

The RF signals from the DIGISEL via the DW selectors (RL1001, RL1002), and are then applied to the pre-amplifier circuit.

When [P.AMP] switch is set to [P.AMP 1] or [P.AMP 2], the signals are applied to the pre-amplifier1 (Q1007, Q1008) or pre-amplifier2 (Q1006) circuit via the P.AMP\_ON selectors (RL1003, RL1006) and P.AMP selectors (RL1004, RL1005), respectively. Pre-amplified or bypassed signals are applied to the 1st mixer circuit after being passed through the low-pass filter (L1052–L1054, C1053–C1057, C1067).

**(2) 50–60 MHz (BPF AND RXPLL-B UNITS)**

When [P.AMP] switch is set to [P.AMP 1] or [P.AMP 2], the amplified signals from the DW amplifier (BPF unit; Q961) are applied to the pre-amplifier2 (BPF unit; Q953) or pre-amplifier1 (RXPLL-B unit; Q1209, Q1210) via the P.AMP2\_ON selectors (BPF unit; RL952, RL953) and P.AMP1\_ON selectors (RXPLL-B unit; RL1203, RL1206), respectively. Pre-amplified or bypassed signals are applied to the 1st mixer circuit after being passed through the low-pass filter (RXPLL-B unit; L1217–L1219, C1244–C1250, C1268).

**3-1-4 1ST MIXER CIRCUIT (RXPLL-A AND RXPLL-B UNITS)**

The 1st mixer circuit mixes the receive signals with the 1st LO signal to convert the receive signal frequencies into a 64.455 MHz (main) or 64.555 MHz (sub) 1st IF signal. The IC-7800 has four 1st mixer circuits for the dualwatch function.

**• RX-A OR RX-ONLY CIRCUITS (RXPLL-A UNIT)**

**(1) 0.03–30 MHz**

The filtered signals pass through the L1055, and are then applied to the 1st mixer circuit (IC1051). The applied signals are mixed with 1st LO signal from the RXPLL-A circuit to convert into a fixed 64.455 MHz 1st IF signal.

The converted 1st IF signal is applied to the 50/HF selector (IC1081, pin 1).

**(2) 50–60 MHz**

The filtered signals pass through the L1220, and are then applied to the 1st mixer circuit (Q1211, Q1212). The applied signals are mixed with 1st LO signal from the RXPLL-A circuit to convert into a fixed 64.455 MHz 1st IF signal.

The converted 1st IF signal is applied to the 50/HF selector (IC1081, pin 3).

The selected 1st IF signal passes through the low-pass filter (L1058, L1060, L1062, L1063, C1061, C1062, C1064, C1066, C1070, C1074, R1054), and is then applied to the 1st IF circuit.

**• RX-B CIRCUIT (RXPLL-B UNIT)**

**(1) 0.03–30 MHz**

The filtered signals pass through the L1055, and are then applied to the 1st mixer circuit (IC1051). The applied signals are mixed with 1st LO signal from the RXPLL-B circuit to convert into a fixed 64.555 MHz 1st IF signal.

The converted 1st IF signal is applied to the 50/HF selector (IC1081, pin 1).

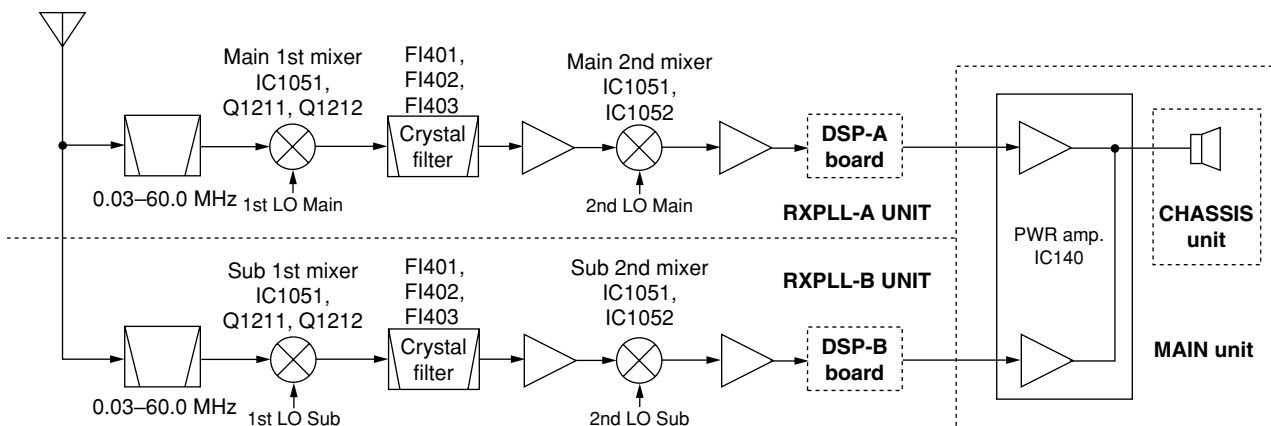
**(2) 50–60 MHz**

The filtered signals pass through the L1220, and are then applied to the 1st mixer circuit (Q1211, Q1212). The applied signals are mixed with 1st LO signal from the RXPLL-B circuit to into a fixed 64.555 MHz 1st IF signal.

The converted 1st IF signal is applied to the 50/HF selector (IC1081, pin 3).

The selected 1st IF signal passes through the low-pass filter (L1058, L1060, L1062, L1063, C1061, C1062, C1064, C1066, C1070, C1074, R1054), and is then applied to the 1st IF circuit.

**• RECEIVER CONSTRUCTION**





### 3-1-5 1ST IF CIRCUIT (RXPLL-A AND RXPLL-B UNITS)

The 1st IF circuit filters and amplifies the 1st IF signal. The 1st IF signal from the 1st mixer circuit is applied to an MCF (Monolithic Crystal Filter) to suppress out-of-band signals.

#### • RX-A OR RX-ONLY CIRCUITS (RXPLL-A UNIT)

The filtered 1st IF signal from the low-pass filter passes through the one of the three crystal bandpass (roofing) filters (FI1401: bandwidth is 15 kHz, FI402: bandwidth is 6 kHz or FI403: bandwidth is 3 kHz) via the FIL selectors (IC1402, IC1403). The filtered signal is amplified at the 1st IF amplifiers (Q1401–Q1403) via the low-pass filter (L1405, L1406, C1420, C1421). The amplified 1st IF signal is applied to the 2nd mixer circuit.

#### • RX-B CIRCUIT (RXPLL-B UNIT)

The filtered 1st IF signals from the low-pass filter passes through the one of the three crystal bandpass (roofing) filters (FI1401: bandwidth is 15 kHz, FI1402: bandwidth is 6 kHz or FI1403: bandwidth is 3 kHz) via the FIL selectors (IC1402, IC1403). The filtered signal is amplified at the 1st IF amplifiers (Q1401–Q1403) via the low-pass filter (L1405, L1406, C1420, C1421), and is then applied to the 2nd mixer circuit.

### 3-1-6 2ND MIXER CIRCUIT (RXPLL-A AND RXPLL-B UNITS)

The 2nd mixer circuit mixes the amplified 1st IF signal and 2nd LO signal for conversion into the 2nd IF signal.

#### • RX-A OR RX-ONLY CIRCUITS (RXPLL-A UNIT)

The 1st IF signal from the 1st IF amplifiers (Q1401–Q1403) is applied to the 2nd mixer circuit (IC1501, pin 4, IC1502, pin 4) respectively. The applied signals are mixed with 2nd LO signal from the RXPLL-A circuit to convert into 36 kHz 2nd IF signal.

The 2nd IF signal from the 2nd mixer circuit (IC1501, pin 5) is amplified at the buffer amplifier (Q1501), and is then applied to the 2nd IF amplifier (IC1503, pin 3). The signal is applied to the 90 degrees transphasor (IC1505, pin 6).

The 2nd IF signal from the other 2nd mixer circuit (IC1502, pin 5) is amplified at the buffer amplifier (Q1502), and is then applied to the 2nd IF amplifier (IC1504, pin 3). The signal is applied to the 90 degrees transphasor (IC1505, pin 2).

The signals from the 90 degrees transphasor (IC1505, pins 1, 7) are applied to the compositor (IC1505, pins 9, 10). The signal is amplified at other 2nd IF amplifier (IC1506), and is then applied to the DSP-A board to demodulate 2nd IF signal.

A portion of 2nd IF signal from the compositor (IC1505, pin 8) is applied to the AGC detector circuit.

The 2nd mixer circuit has 2 mixers and 90 degrees transphasor to improve image rejection ratio.

#### • RX-B CIRCUIT (RXPLL-B UNIT)

The 1st IF signal from the 1st IF amplifiers (Q1401–Q1403) is applied to the 2nd mixer circuit (IC1501, pin 4, IC1502, pin 4) respectively. The applied signals are mixed with 2nd LO signal from the RX-B circuit to convert into 36 kHz 2nd IF signal.

The 2nd IF signal from the 2nd mixer circuit (IC1501, pin 5) is amplified at the buffer amplifier (Q1501), and is then applied to the 2nd IF amplifier (IC1503, pin 3). The signal is applied to the 90 degrees transphasor (IC1505, pin 6).

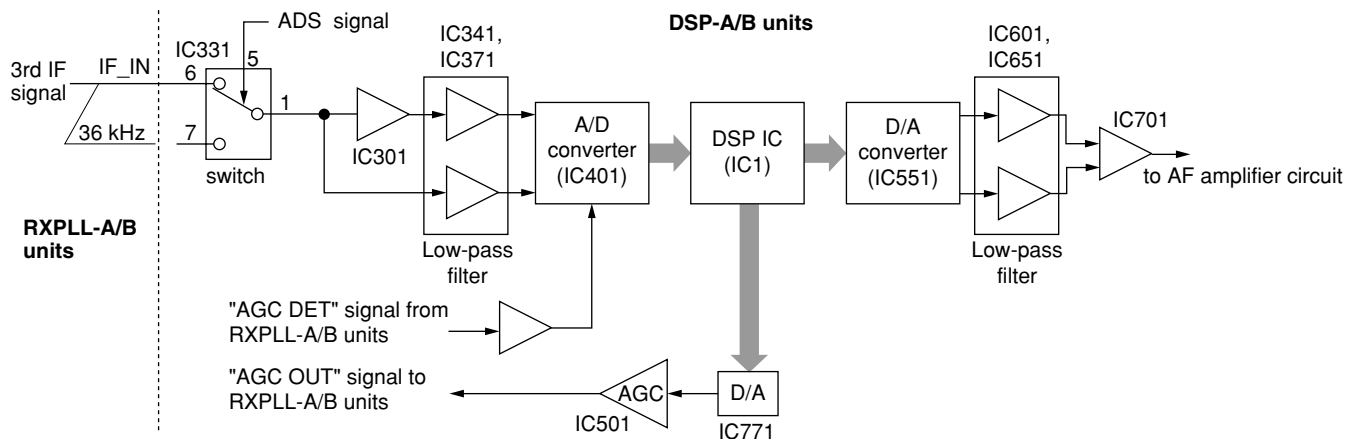
The 2nd IF signal from the other 2nd mixer circuit (IC1502, pin 5) is amplified at the buffer amplifier (Q1502), and is then applied to the 2nd IF amplifier (IC1504, pin 3). The signal is applied to the 90 degrees transphasor (IC1505, pin 2).

The signals from the 90 degrees transphasor (IC1505, pins 1, 7) are applied to the compositor (IC1505, pins 9, 10). The signal is amplified at other 2nd IF amplifier (IC1506), and is then applied to the DSP-B board to demodulate 2nd IF signal.

A portion of 2nd IF signal from the compositor (IC1505, pin 8) is applied to the AGC detector circuit.

The 2nd mixer circuit has 2 mixers and 90 degrees transphasor to improve image rejection ratio.

#### • DSP CIRCUIT (RECEIVER)



### 3-1-7 DSP RECEIVER CIRCUIT (DSP-A AND DSP-B BOARDS)

The DSP (Digital Signal Processor) circuit enables digital IF filter, digital noise reduction, digital PSN (Phase Shift Network)/Low Power/Phase demodulation, digital automatic notch, etc.

#### • RX-A AND RX-ONLY CIRCUITS (DSP-A BOARD)

The 36 kHz 2nd IF signal from the 2nd IF amplifier (RXPLL-A unit, IC1506) passes through the analog switch (IC331, pins 1, 7) with limiter function, and is then applied to the buffer amplifiers (IC301, pin 2, IC341, pin 2, IC371, pin 2) to convert to balancing signal. The signal is applied to the A/D convertor (IC401, pins 4, 5).

The converted digital signals are applied to the DSP IC (IC1) to do filtering, demodulate and so on. The demodulated digital signals are applied to the D/A convertor (IC551) to convert into analog AF signals.

The converted analog AF signals pass through the low-pass filter (IC601, pins 3, 6, IC651, pins 3, 6), and are then applied to the buffer amplifier (IC701, pins 2, 3) to convert into unbalancing signals.

The signals are applied to the AF amplifier circuit.

#### • RX-B CIRCUIT (DSP-B BOARD)

The 36 kHz 2nd IF signal from the 2nd IF amplifier (RXPLL-B unit, IC1506) passes through the analog switch (IC331, pins 1, 7) with limiter function, and is then applied to the buffer amplifiers (IC301, pin 2, IC341, pin 2, IC371, pin 2) to convert to balancing signal. The signal is applied to the A/D convertor (IC401, pins 4, 5).

The converted digital signals are applied to the DSP IC (IC1) to do filtering, demodulate and so on. The demodulated digital signals are applied to the D/A convertor (IC551) to convert into analog AF signals.

The converted analog AF signals pass through the low-pass filter (IC601, pins 3, 6, IC651, pins 3, 6), and are then applied to the buffer amplifier (IC701, pins 2, 3) to convert into unbalancing signals.

The signals are applied to the AF amplifier circuit.

### 3-1-8 AF AMPLIFIER CIRCUITS (MAIN UNIT)

The AF amplifier circuits amplifies the AF input signals to the suitable driving level for the speaker.

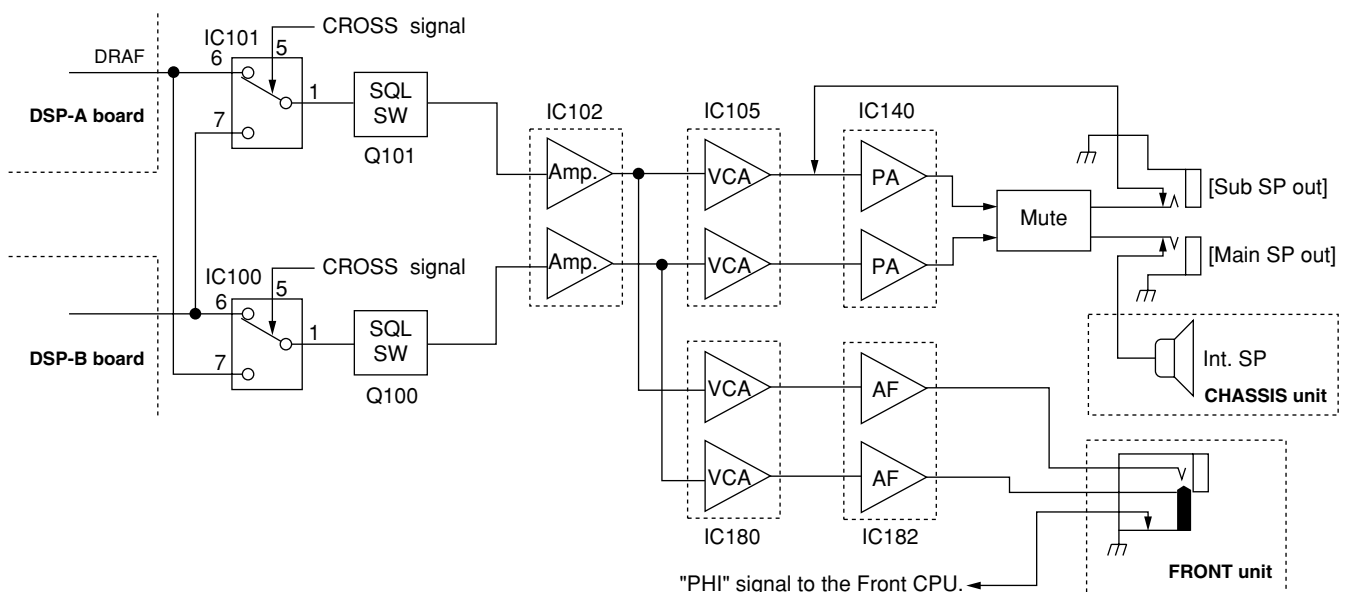
#### • MAIN SPEAKER OUTPUT

The AF signals from the DSP-A and DSP-B boards are applied to the AF switch (MAIN unit: IC100, pin 7 for DSP-A, pin 6 for DSP-B), and pass through the SQL switch (Q100) which is controlled by "SQLM" signal. The signals are applied to the buffer amplifier (IC102, pin 3), and are then amplified at the VCA (Voltage Control Amplifier) circuit (IC105, pin 14). The amplified signals from the VCA circuit (pin 11) are applied to the AF power amplifier (IC140, pin 1) to obtain the suitable driving level for speaker. The output signals from pin 13 pass through the mute switch (Q141, RL140), and are then applied to the internal speaker jack (J142, pin 1) via the MAIN speaker phone jack (J140).

#### • SUB SPEAKER OUTPUT

The AF signals from the DSP-A and DSP-B boards are applied to the AF switch (MAIN unit: IC101, pin 6 for DSP-A, pin 7 for DSP-B), and pass through the SQL switch (Q101) which is controlled by "SQLS" signal. The signals are applied to the buffer amplifier (IC102, pin 5), and are then amplified at the VCA (Voltage Control Amplifier) circuit (IC105, pin 1). The amplified signals from VCA circuit from pin 4 are applied to the AF power amplifier (IC140, pin 2) to obtain the suitable driving level for speaker. The output signals from pin 12 pass through the mute switch (Q141, RL140), and are then applied to the SUB speaker jack (J141).

#### • AF AMPLIFIER CIRCUIT



### 3-1-9 AGC CIRCUIT (RXPLL-A AND RXPLL-B UNITS AND DSP-A AND DSP-B BOARDS)

The AGC (Automatic Gain Control) circuit reduces IF amplifier gain and attenuates IF signal to keep the audio output at a constant level.

#### • RX-A CIRCUIT (RXPLL-A UNIT AND DSP-A BOARD)

A part of signals from the compositor circuit (RXPLL-A unit; IC1505, pin 8) are applied to the AGC detector circuit (IC1652, D1653), and are then amplified at the AGC amplifier (RXPLL-A unit; IC1653, pin 3). The amplified signals are applied to the DSP-A board via the J921, pin 1 on the DSP-A board as "AGCDET\_A" line.

The amplified signals are applied to the amplifier (DSP-A board; IC501, pin 2), and are then applied to the A/D converter (DSP-A board; IC401, pin 25). The converted digital signals are applied to the DSP IC (DSP-A board; IC1), and then applied to the D/A converter (DSP-A board; IC771). The converted analog signals are amplified at the AGC amplifier (DSP-A board; IC501, pin 5), and are then applied to the MAIN unit via the J921, pin 6 as "AGCOUT\_A" line.

The amplified signals are applied to the RXPLL-A unit via the J1701, pin 9 as "DAGC" line after being passed through the J400, pin 8 on MAIN unit as "AGC1A" line. The applied signals are amplified at the AGC amplifier (RXPLL\_A unit; IC1653, pin 5), and are then applied to the IF amplifier (RXPLL-A unit; Q1403) as AGC signal.

#### • RX-B CIRCUIT (RXPLL-B UNIT AND DSP-B BOARD)

A part of signals from the compositor circuit (RXPLL-B unit; IC1505, pin 8) are applied to the AGC detector circuit (IC1652, D1653), and are then amplified at the AGC amplifier (RXPLL-B unit; IC1653, pin 3). The amplified signals are applied to the DSP-B board via the J921, pin 1 on the DSP-B board as "AGCDET\_B" line.

The amplified signals are applied to the amplifier (DSP-B board; IC501, pin 2), and are then applied to the A/D converter (DSP-B board; IC401, pin 25). The converted digital signals are applied to the DSP IC (DSP-B board; IC1), and then applied to the D/A converter (DSP-B board; IC771). The converted analog signals are amplified at the AGC amplifier (DSP-B board; IC501, pin 5), and are then applied to the MAIN unit via the J921, pin 6 as "AGCOUT\_B" line.

The amplified signals are applied to the RXPLL-B unit via the J1701, pin 9 as "DAGC" line after being passed through the J400, pin 8 on MAIN unit as "AGC1B" line. The applied signals are amplified at the AGC amplifier (RXPLL\_B unit; IC1653, pin 5), and are then applied to the IF amplifier (RXPLL-B unit; Q1403) as AGC signal.

## 3-2 TRANSMITTER CIRCUITS

### 3-2-1 MICROPHONE AMPLIFIER CIRCUIT (MAIN UNIT)

The microphone amplifier circuit amplifies microphone audio signals to a level needed for the DSP circuit.

Audio signals from [MIC] connector (MIC board; J1, pin 1) are amplified at the audio amplifier section in IC821 (pin 2), then applied to the VCA section. The gain controlled signals are output from (IC821, pin 4) and passed through the analog switch (IC201, pins 1, 7). The signals pass through the analog switch (IC460, pins 1, 6), and are then applied to the DSP circuit after being passed through the limiter amplifier (IC230, pins 1, 3) as the "AFIN" signal.

The VCA section in IC821 controls microphone input gain according to [MIC GAIN] control level using the MIGV signal coming from the main CPU via the I/O expander (IC330, pin 2).

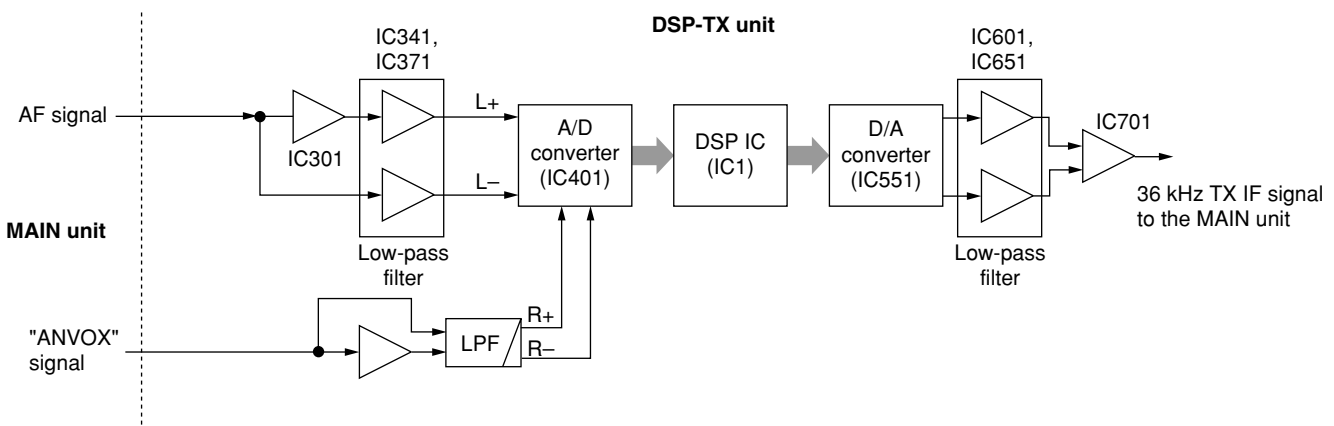
### 3-2-2 DSP TRANSMITTER CIRCUIT (DSP-TX BOARD)

The DSP (Digital Signal Processor) circuit enables digital IF filter, digital noise reduction, digital PSN (Phase Shift Network)/Low Power/Phase demodulation, digital automatic notch, and etc.

The AF signals from the limiter amplifier (MAIN unit; IC230, pin 1) are then applied to the buffer amplifiers (IC301; pins 2, 6, IC341, pins 2, 6, IC371, pins 2, 6) to convert to balancing signal. The signals are applied to the A/D convertor (IC401, pins 4, 5).

The converted digital signals are applied to the DSP IC (IC1) to do filtering, modulate and so on. The modulated signals are applied to the D/A converter (IC551) to convert into a 36 kHz IF signal.

### • DSP TRANSMITTER CIRCUIT





The converted analog IF signal passes through the low-pass filter (IC601, pins 3, 6, IC651, pins 3, 6), and is then applied to the IF amplifier (IC701, pins 2, 3) to convert to unbalancing IF signal.

The 36 kHz IF signal from the IF amplifier (pin 6) is applied to the 3rd mixer circuit.

### 3-2-3 3RD MIXER CIRCUIT (MAIN UNIT)

The modulated 36 kHz IF signal from the DSP-TX board pass through the two low-pass filters (IC501, pins 3, 6, IC502, pins 3, 6), and is then applied to the 3rd mixer circuit (IC503, pin 3). The 36 kHz IF signal is mixed with 491 kHz 3rd LO signal (from RXPLL-A unit) to produce the 455 kHz 3rd IF signal.

The signal is amplified at the IF amplifier (Q501), and passes through the one of the ceramic bandpass filters (FI501; 20 kHz, FI502; 4 kHz). The filtered signal is amplified at the other IF amplifier (Q504), and is then applied to the 2nd mixer circuit via the attenuator (R545–R547).

### 3-2-4 2ND MIXER CIRCUIT (MAIN UNIT)

The 3rd IF signal from the 3rd mixer circuit is applied to the 2nd mixer circuit (D505). The applied 3rd IF signal is mixed with 64 MHz 2nd LO signal (from the RXPLL-A unit) to produce the 64.455 MHz 2nd IF signal.

The signal passes through the bandpass filter (FI503;  $F_c=64.455$  MHz) to suppress unwanted signals, and is then applied to the IF amplifier (Q506). The 2nd IF signal is applied to the 1st mixer circuit.

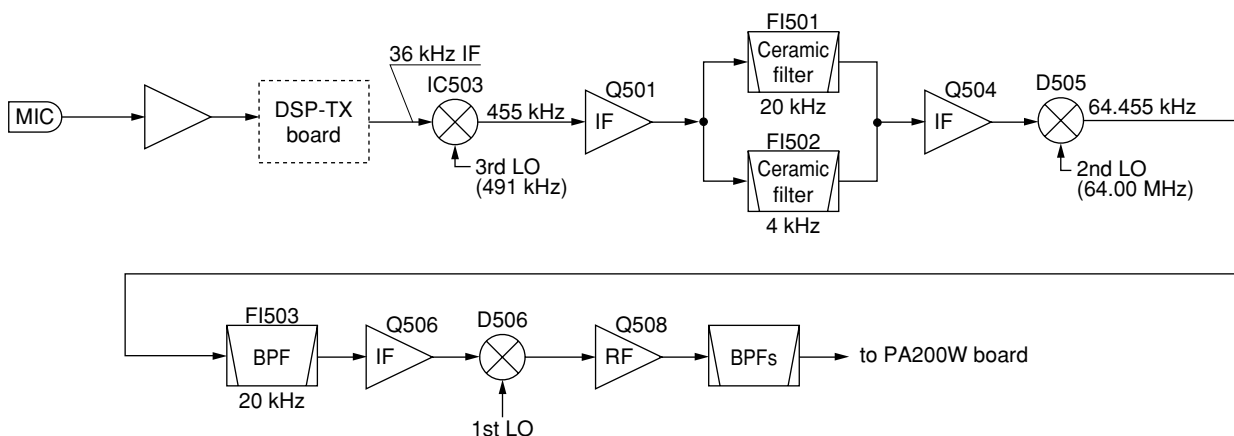
### 3-2-5 1ST MIXER AND RF CIRCUITS (MAIN UNIT)

The 2nd IF signal from the 2nd mixer circuit is applied to the 1st mixer circuit (D506). The 1st IF signal is mixed with 1st LO signal (from the RXPLL-A unit) to produce the RF signal. The RF signal passes through the low-pass filter (L518, L519, C564–C568) and 3 dB attenuator (R578–R580). The signal is then applied to the RF amplifier and bandpass filter circuits.

### 3-2-6 RF AMPLIFIER AND BANDPASS FILTER CIRCUITS (MAIN UNIT)

The RF signal is amplified at the RF amplifier (Q508), and applied to the one of the 10 bandpass filters via the 5 dB attenuator (R575–R577).

## • TRANSMITTER CONSTRUCTION



The filtered signal is applied to the YGR amplifier (Q801), and passes through the 3 dB attenuator (R805–R807). The signal is applied to the power amplifier circuit via the J801.

### 3-2-7 POWER AMPLIFIER CIRCUIT (PA200W BOARD)

The signal from the attenuator (MAIN unit; R805–R807) passes through the 3 dB attenuator (R101–R103) via the J1, and is then amplified at the RF amplifier (Q101). The signal is applied to the pre-drive (Q201) and drive amplifier (Q301), and is then amplified at the power amplifier (Q401, Q402) to obtain 200 W output power.

The output signal is applied to the FILTER circuit via the J401.

### 3-2-8 FILTER CIRCUIT (FILTER UNIT)

The power amplified signal passes through the one of the 9 low-pass filters which is depended on the RF frequencies to suppress the unwanted frequency components. The filtered signal is applied to the CONTROL circuit via the J904.

### 3-2-9 CONTROL CIRCUIT (CTRL BOARD)

The filtered signal from the FILTER unit is applied to the SWR-DET circuit (D101, D102) to detect SWR level, and then passes through the P-DET (D151, D152) and R-DET circuit (D201, D202). The signal is applied to the T/R switch (RL251), and is then applied to (or bypass) the antenna tuner circuit (NETWORK board) via the antenna tuner selector switch (RL252, RL253).

The tuned signal from J252 (or bypass signal) passes through the CRNT DET circuit (D301, D302) to detect the driving current, and is then applied to the antenna switching circuit.

The detected signal at CRNT DET circuit is amplified at the amplifier (IC301, pin 3), and is then applied to the TUNER\_CPU (IC1, pin 16).

### 3-2-10 ANTENNA SWITCHING CIRCUIT (ANT-SW UNIT)

The signal from the CTRL board is applied to the ANT-SW unit via the J1, and is applied to the one of the 4 relays (RL51, RL61, RL71, RL81). The signal is output from the one of the 4 antenna connectors, J51, J61, J71 or J81.

The antenna switching relays are controlled by the RL-CTRL CPU (IC11, pins 6, 9, 12, 15) as the "ANT1A", "ANT2A", "ANT3A" and "ANT4A" signals respectively.

### **3-2-11 ALC CIRCUIT (CTRL BOARD, LOGIC AND MAIN UNITS)**

The ALC (Automatic Level Control) circuit controls the gain of IF amplifiers in order for the IC-7800 to output a constant RF power set by [RF PWR] control even when the supplied voltage shifts, etc.

The RF power level is detected at one of the SWR detector circuits (CTRL board; D102) to be converted into DC voltage and applied to the MAIN unit as the FORV signal via the LOGIC unit.

The FORV signal from the LOGIC unit is applied to the comparator (MAIN unit; IC60, pin 2). The POCV signal, controlled by [RF POWER] control via the I/O expander (MAIN unit; IC330, pin 4), is also applied to the other input (pin 3) for reference. The compared signal is output from pin 1 and applied to the IF amplifiers (MAIN unit; Q504, Q506) to control amplifying gain.

When the FORV signal exceeds the POCV voltage, ALC bias voltage from the comparator controls the IF amplifiers. This adjusts the output power to a specified level from [RF POWER] control until the FORV and POCV voltages are equalized.

In AM mode, the comparator operates as an averaging ALC amplifier. Q61 (MAIN unit) turns ON and shift the POCV voltage to adjust the TX output power for 50 W (maximum) through R82.

The ALC bias voltage is also applied to the ALC meter amplifier (MAIN unit; IC61, pin 9) to obtain an ALC meter signal (ALCL). The amplified signal is applied to the main CPU2 (LOGIC unit; IC604, pin 115) to drive the S/RF meter via the front CPU (IC6) on the DISPLAY board.

An external ALC input from [ALC] jack, [ACC1] or [ACC2] sockets is applied to the ALC amplifier (Q62). External ALC operation is identical to that of the internal ALC.

The FORV signal is also applied to the power meter amplifier (LOGIC unit; IC851, pin 5). The amplified signal is applied to the main CPU2 (LOGIC unit; IC604, pin 113) to drive the S/RF meter as an FORL signal when the power meter is selected.

### **3-2-12 APC CIRCUIT (MAIN UNIT, CTRL AND PA200W BOARDS)**

The APC (Automatic Power Control) circuit protects the power amplifiers on the PA 200W board from high SWR and excessive current.

The reflected wave signal appears and increases when the connected antenna is mismatched to 50  $\Omega$ . The SWR detector (CTRL board; D101) detects the reflected signal, and applies it to the APC circuit (MAIN unit; IC60, pin 13) as a REFV signal via the LOGIC unit.

When the REFV signal level increases, the APC circuit decreases the ALC voltage to activate the APC.

For the current APC, the power transistor current is obtained by detecting the voltages (IDH and IDL) which appear at both terminals of the ID detector (PA200W board; R521–R523). The detected voltages are applied to the differential amplifier (IC60, pins 5, 6). When the current of transistors is increased, the amplifier controls the ALC line to prevent excessive current flow.

### **3-2-13 TEMPERATURE PROTECTION CIRCUIT (PA200W BOARD)**

The cooling fan (CHASSIS; MF1) is activated while transmitting or when the temperature of the power amplifier exceeds the preset value. The temperature protection circuit consists of IC604, IC330, IC821, Q821, Q822 and R3.

While transmitting, IC821 and Q821 are turned ON, and provide a voltage to the cooling fan to rotate at medium speed. The thermistor (R3) detects the temperature of the power amplifiers (Q401, Q402). The detected signal is applied to the CPU (IC604, pin 118) to analyze the power amplifier's temperature via "THML" signal. The signal is applied to the D/A converter (IC330), and is then applied to the FAN controller (IC821, pin 1, Q821, Q822) via "FANI" signal. The control signal outputs from the controller (IC821, pin 7) as "FANV" signal, and then controls cooling fan via the J824.

## **3-3 PLL CIRCUITS**

### **3-3-1 GENERAL**

The PLL circuits consist of OSC, RXPLL-A and RXPLL-B units.

The OSC unit oscillates 10 MHz reference frequency for RXPLL-A, RXPLL-B units and external reference frequency.

The RXPLL-A unit oscillates 6 LO frequencies for the RX-A unit's receive 1st and 2nd LO frequencies, MAIN unit's transmit 1st, 2nd and 3rd LO frequencies, marker frequency.

The RXPLL-B unit oscillates 6 LO frequencies for the RX-B unit's receive 1st and 2nd LO frequencies, SCOPE unit's reference frequency, clock signal of DSP-TX, DSP-A and DSP-B board.

1st and 2nd LO frequency lists for RX, 3rd IF and LO frequency lists and 2nd IF and LO frequency list are shown at page 3-28.

1st IF and 1st LO frequency lists for TX are shown at page 3-29.

### **3-3-2 OSCILLATOR CIRCUIT (OSC UNIT)**

The reference oscillator (IC91, X1) generates a 10 MHz frequency which field intensity is 0 dBm. The signal is used for the RXPLL-A and RXPLL-B unit's system clock, etc.

#### **• IN CASE OF USING AS RXPLL-A AND RXPLL-B UNIT'S SYSTEM CLOCK**

The oscillated signal is amplified at the buffer amplifier (Q21), and is applied to the amplifier (Q22). The amplified signal passes through the oscillated signal selector (RL11), and is then amplified at the buffer amplifier (Q70). The amplified signal is applied to the RXPLL-A and RXPLL-B units via the J72 and J73, respectively.

**• IN CASE OF USING REFERENCE SIGNAL TO EXTERNAL**

The oscillated signal is amplified at the buffer amplifier (Q21), and is then applied to the amplifier (Q42). The amplified signal is applied to the input-output switch (RL10) via the low-pass filter (L43, L44, C46–C51), and is then output from J71 after being passed through the 6 dB attenuator (R71–R73).

**• IN CASE OF USING REFERENCE SIGNAL FROM EXTERNAL**

The reference signal from the external equipment is applied to the J71, and is then applied to the input-output switch (RL10) via the 6 dB attenuator (R71–R73). The signal is applied to the amplifier (Q61, Q62), and passes through the bandpass filter (L61, L62, C66). The filtered signal is applied to the reference signal switch (RL11), and is then amplified at the buffer amplifier (Q70). The amplified signal is applied to the RXPLL-A and RXPLL-B units via the J72 and J73, respectively.

**3-3-3 RXPLL-A CIRCUIT (RXPLL-A UNIT)**

The 10 MHz oscillated signal from the OSC unit is applied to the amplifier (Q30) via the J10, and is then amplified at the quadrupler (Q702) to produce 40 MHz reference signal. The amplified signal passes through the bandpass filter (L702, L703, C709–C713), and is then applied to the 1st LO, maker, 2nd LO and 3rd LO circuits, respectively.

**• 1ST LO CIRCUIT**

The 40 MHz reference signal is applied to the amplifier (Q104) via the “40M” line, and is then applied to the DDS IC (IC101, pin 88) as the system clock signal. The output signals from pins 7–20 pass through the D/A convertor (R110–R133). The converted signal passes through the ceramic filter (F1101) to pass the 10.5 MHz signal, and is then applied to the amplifier (IC102, pin 2). The amplified signal is applied to the DDS IC (IC101, pin 47) again, and is then applied to the phase detector section of the DDS IC. The signal which outputs from the DDS IC (IC101, pin 56) passes through the loop filter (L151, C152–C155), and is then applied to the oscillator circuit (Q150). The circuit oscillates 10.4122038–10.4963312 MHz signal.

The oscillated signal is applied to the amplifier (Q151), and is then applied to the PLL IC (IC201).

A part of the oscillated signal is fed back to the DDS IC (IC101, pin 46) via the amplifier (Q152) as the comparison signal.

The amplified signal from Q151 is applied to the PLL IC’s 1/21 divider section (IC201, pin 8), and is then applied to the PLL section. The signal outputs from pin 2, and passes through the loop filter (L211, C221, C222). The filtered signal is applied to the one of the 6 VCOs as follow.

**RXPLL-A 1ST LO VCO TABLE**

VCO No.	Parts No.	Oscillating frequencies
1	Q220	64.485–72.454999 MHz
2	Q230	72.455–79.454999 MHz
3	Q240	79.455–86.454999 MHz
4	Q250	86.455–94.454999 MHz
5	Q260	94.455–109.454999 MHz
6	Q270	109.455–124.455 MHz

The oscillated signal is amplified at the buffer amplifier (Q301), and passes through the high-pass (L331, C331–C333) and low-pass (D341, L332, C334–C337) filters. The filtered signal is applied to the amplifier (Q302).

A portion of buffer amplified signal from Q301 is fed back to the PLL IC’s 1/N (N=130–250) divider section (IC201, pin 6) via the buffer amplifier (Q303).

The amplified signal from Q302 is applied to another amplifier (Q351), and is then amplified at the buffer amplifier (Q352). The signal passes through the low-pass (D441, L441, L442, C442–C446) and high-pass (L451, C447, C451, C452) filters and attenuator (R364–R366), and is then output from J351/J421 as the RX 1st LO signal (64.485–124.455 MHz)/TX 1st LO signal (64.485–124.455 MHz) to the TX/RX-A circuits respectively via the LO switches (D421, D422).

**• MARKER CIRCUIT**

The 40 MHz reference signal is applied to the amplifier (Q104) via the “40M” line, and is then applied to the DDS IC (IC101, pin 88) as the system clock signal.

The signal passes through the DDS IC’s 1/400 divider section, and outputs from the IC (pin 49). The signal is applied to the marker switch (IC602, pin 1), and is then output from the IC (pin 4) as the 100 kHz marker signal.

**• 2ND LO CIRCUIT**

The 40 MHz reference signal is applied to the amplifier (IC503) via the “40M” line, and is then applied to the DDS IC (IC501, pin 88) as the system clock signal. The signals which are output from pins 6–20 are applied to the D/A convertor (R510–R533), and then passes through the low-pass filter (L530–L532, C531–C536) to suppress more than 4.5 MHz signals. The filtered signal (4.0–4.0306875 MHz) is applied to the amplifier (IC502, pin 2), and is then applied to the DDS IC’s phase detector section (IC501, pin 47). The output signal from pin 56 passes through the loop filter (D542, L541, C543, C543–C547, R548, R554), and is then applied to the oscillator circuit (Q541) to oscillate the 64 MHz reference signal.

The 64 MHz signal is applied to the buffer amplifier (Q561) and the hybrid divider and then applied to the TX or RX 2nd LO circuits.

A portion of 64 MHz signal passes through the attenuator (R571, R572), and is then applied to the amplifier (Q580). The amplified signal is applied to the DDS IC’s quarter detector section (IC501, pin 80) as the comparison signal.

**(1) TX 2ND LO CIRCUIT**

The signal from the hybrid divider passes through the attenuator (R587–R589), and is then applied the amplifier (Q591). The signal passes through the bandpass filter (L565, L566, C573–C575) to suppress unwanted signals, and is then applied to the TX 2nd mixer circuit (RX-A unit; D505) via the J561.



## (2) RX 2ND LO CIRCUIT

The signal from the hybrid divider passes through the attenuator (R802, R803), and is then applied to the amplifier (Q801). The signal passes through the attenuator (R805–R807), and is then applied to the mixer circuit (D821) to mix with TX 3rd LO signal. The mixed signal passes through the attenuator (R831–R833) and bandpass filter (F1831), and is then applied to the amplifier (Q831). The signal passes through the attenuator (R836–R838), and is then applied to the LO (Q1651) and buffer (IC1651, pins 9, 10) amplifiers. The amplified signal is applied to the buffer amplifier (IC1651, pins 1, 2), and is then applied to the 2nd mixer circuit (IC1501, pin 1) as 2nd LO signal.

A part of amplified signal from buffer amplifier (IC1651, pin 8) passes through the 90 degrees phase inversion circuit (L1652, C1655 and C1656), and is then amplified at the buffer amplifier (IC1651, pins 4, 5). The amplified signal is applied to the 2nd mixer circuit (IC1502, pin 1) as 2nd LO signal.

### • TX 3RD LO CIRCUIT

The 40 MHz reference signal is applied to the amplifier (Q652) via the “40M” line, and is then applied to the DDS IC (IC651, pin 7) as the system clock signal. The signals which are output from pins 13–22 are applied to the D/A convertor (R661–R671, R673–R681), and then passes through the low-pass filter (L681, L682, C680–C685) to suppress more than 0.5 MHz signals. The signal is amplified at the buffer amplifier (Q680), and passes through the attenuator (R690–R692). The signal is applied to the TX 3rd mixer circuit (MAIN unit; IC503, pin 1) via the J681.

## 3-3-4 RXPLL-B CIRCUIT (RXPLL-B UNIT)

The 10 MHz oscillated signal from the OSC unit is applied to the amplifier (Q30) via the J10, and is then amplified at the quadrupler (Q702) to produce 40 MHz reference signal. The amplified signal passes through the attenuator (R708–R710), and is then applied to the 1st LO, 2nd LO, DSP system clock and scope unit system clock circuits, respectively.

### • 1ST LO CIRCUIT

The 40 MHz reference signal is applied to the amplifier (Q104) via the “40M” line, and is then applied to the DDS IC (IC101, pin 88) as the system clock signal. The output signals from pins 7–20 pass through the D/A convertor (R110–R133). The converted signal passes through the ceramic filter (F1101) to pass the 10.7 MHz signal, and is then applied to the amplifier (IC102, pin 2). The amplified signal is applied to the DDS IC (IC101, pin 47) again, and is then applied to the phase detector section of the DDS IC. The signal which outputs from the DDS IC (IC101, pin 56) passes through the loop filter (D152–D154, L151, C152–C155), and is then applied to the oscillator circuit (Q150). The circuit oscillates 10.5813219–10.7408384 MHz signal.

The oscillated signal is applied to the amplifier (Q151), and is then applied to the PLL IC (IC201).

A part of the oscillated signal is fed back to the DDS IC (IC101, pin 46) via the amplifier (Q152) as the comparison signal.

The amplified signal from Q151 is applied to the PLL IC’s 1/21 divider section (IC201, pin 8), and is then applied to the PLL section. The signal outputs from pin 2, and passes through the loop filter (L221, C221, C222). The filtered signal is applied to the one of the 6 VCOs circuits as follow.

## RXPLL-B 1ST LO VCO TABLE

VCO No.	Parts No.	Oscillating frequencies
1	Q220	64.585–72.554999 MHz
2	Q230	72.555–79.554999 MHz
3	Q240	79.555–86.554999 MHz
4	Q250	86.555–94.554999 MHz
5	Q260	94.555–109.554999 MHz
6	Q270	109.555–124.555 MHz

The oscillated signal is amplified at the buffer amplifier (Q301), and passes through the high-pass (L331, C331–C333) and low-pass (D341, L332, C334–C337) filters. The signal is applied to the amplifier (Q302).

A portion of buffer amplified signal from Q301 is fed back to the PLL IC’s 1/N (N=130–250) divider section (IC201, pin 6) as the comparison signal via the buffer amplifier (Q303).

The amplified signal from Q302 is applied to another amplifier (Q351), and is then amplified at the buffer amplifier (Q352). The signal passes through the low-pass filter (D441, L441, L442, C441–C446) and attenuator (R364–R366), and is then output from J351 as the RX 1st LO signal (64.585–124.555 MHz) to the RX-B circuit.

### • 2ND LO CIRCUIT

The 40 MHz reference signal is applied to the amplifier (Q503) via the “40M” line, and is then applied to the DDS IC (IC501, pin 88) as the system clock signal. The signals which are output from pins 6–20 are applied to the D/A convertor (R510–R533), and then passes through the low-pass filter (L530–L532, C531–C536) to suppress more than 4.5 MHz signals. The filtered signal (4.0–4.0369735 MHz) is applied to the amplifier (IC502, pin 2), and is then applied to the DDS IC’s phase detector section (IC501, pin 47). The output signal from pin 56 passes through the loop filter (D542, L541, C543, C543–C547, R548, R554), and is then applied to the oscillator circuit (Q541) to oscillate the 64.591 MHz reference signal.

The 64.591 MHz signal is amplified at the buffer amplifier (Q561), and is then applied to the hybrid divider.

A portion of 64.591 MHz signal passes through the attenuator (R571, R572), and is then applied to the amplifier (Q580). The amplified signal is applied to the DDS IC’s quarter detector section (IC501, pin 80) as the comparison signal.

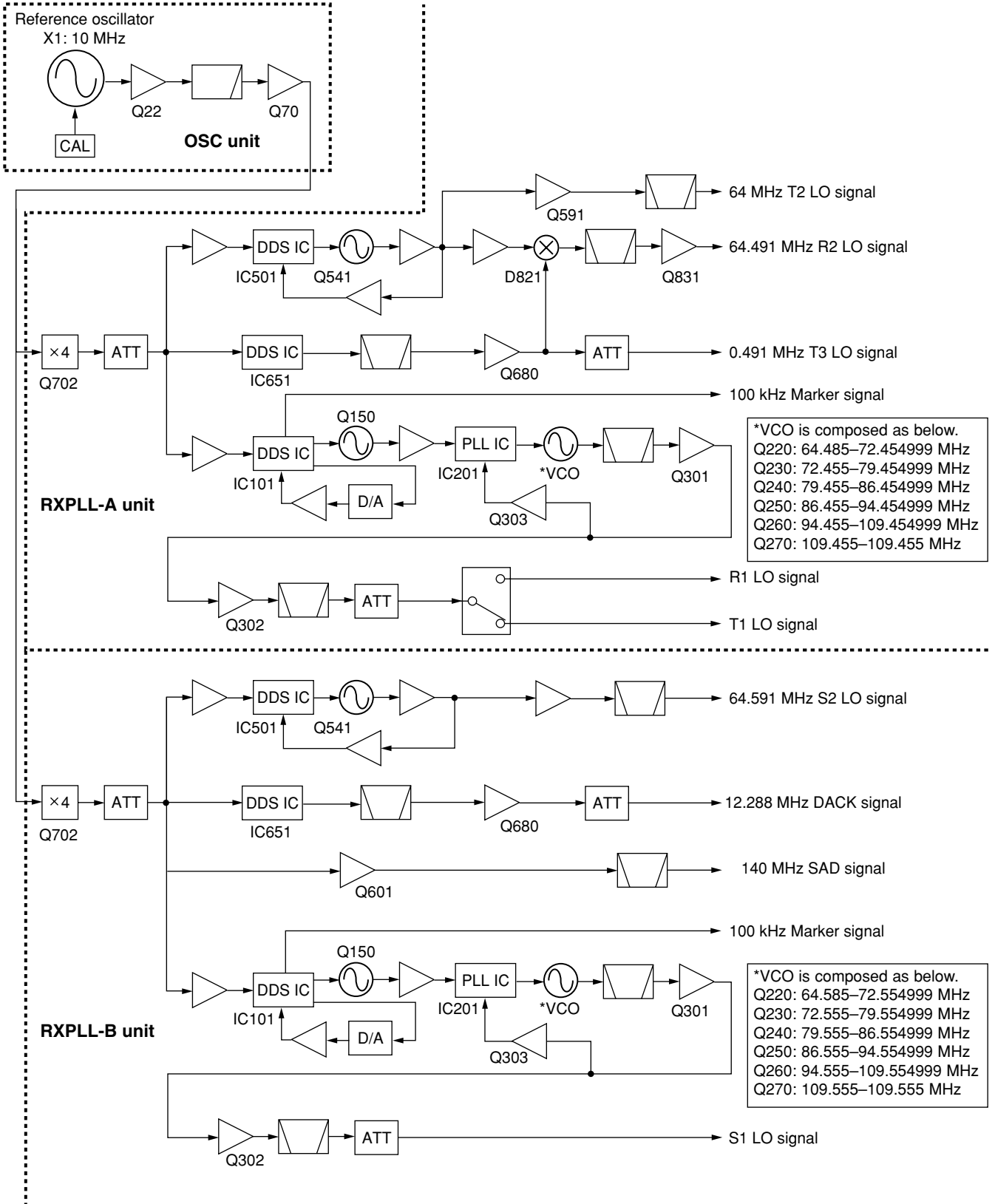
The 64.591 MHz signal from the hybrid divider passes through the attenuator (R587–R589), and is then applied to the amplifier (Q591). The amplified signal passes through the bandpass filter to suppress unwanted signals, and is then applied to the RX 2nd mixer circuit (IC1501, IC1502) as 2nd LO signal via the J561.

**• DSP SYSTEM CLOCK CIRCUIT**

The 40 MHz reference signal is applied to the amplifier (IC652) via the "40M" line, and is then applied to the DDS IC (IC651, pin 7) as the system clock signal. The signals which are output from pins 14–22 are applied to the D/A converter (R661–R671, R673–R681), and then passes through the low-pass (L681, L682, C680–C685) and high-pass (L683,

C686–C688) filters to suppress unwanted signals. The filtered signal is amplified at the buffer amplifier (Q680), and passes through the attenuator (R690–R692). The signal is applied to the DSP IC for TX (DSP-TX board; IC1), RX-A (DSP-A board; IC1) and RX-B (DSP-B board; IC1) as 12.288 MHz system clock signal via the A/D converters.

**• RXPLL-A/B CIRCUITS**



• **SCOPE UNIT SYSTEM CLOCK CIRCUIT**

The 40 MHz reference signal is amplified at the buffer amplifier (Q601) via the “40M” line, and then passes through the low-pass filter (L602, L603, C609–C613). The filtered signal is applied to the buffer amplifier (SCOPE unit; Q701) as the 40 MHz system clock via the J601.

**3-4 ANTENNA TUNER CIRCUITS**

**3-4-1 MATCHING CIRCUIT (NETWORK BOARD)**

The matching circuit is a T-network. Using 2 tuning motors, the matching circuit obtains rapid overall tuning speed.

Using relays (RL50, RL60, RL70, RL80, RL90, RL100, RL110, RL120), the relay control signals from the antenna tuner CPU (CTRL board; IC1) via the buffer amplifier (IC402) ground one of the taps of L50, L60, L70, L80, L90, L100, L110, L120. After selecting the coils, 2 motors (TUNER unit; MF1, MF2) adjust C1 and C2 using the antenna tuner CPU (CTRL board; IC1) and the motor controller (CTRL board; Q3–Q10, D3–D6) to obtain a low SWR (Standing Wave Ratio).

**3-4-2 DETECTOR CIRCUIT (CTRL BOARD)**

**(1) SWR DETECTOR**

Forward and reflected power are picked up by a current transformer (L101), detected by D101 and D102, and then amplified at IC101, pin 3 and pin 5, respectively. The amplified voltages are applied to the antenna tuner CPU (IC1, pins 2, 3) via “AN0” and “AN1” lines. The tuner CPU detects the SWR.

**(2) REACTANCE COMPONENTS DETECTOR**

Reactance components are picked up by comparing the phases of the RF current and RF voltage. The RF current is detected by L151 and R151–R154 and buffer-amplified at IC151, pin 13 and IC154, pin 1 and then applied to the phase comparator (IC156, pin 1). RF voltages are detected by C151–C153, C158 and then applied to the phase comparator (IC156, pin 13) after being amplified at the buffer amplifiers (IC151, IC153). The output signal from the phase comparator (IC156, pin 6 for RF current, IC156 pin 7 for RF voltage) is rectified at D154 and D153 for conversion into DC voltage. The rectified voltage signals are combined, then amplified at the differential amplifier (IC201, pin 2), then applied to the antenna tuner CPU (IC1, pin 64) via the “AN3” line.

A C-MOS IC is used for the buffer amplifier (IC151) to improve functionable sensitivity; the differential amplifier (IC201) is very responsive even with a low signal level input. Together, these ensure quick and stable signal detection even at low RF signal level input.

**(3) RESISTANCE COMPONENTS DETECTOR**

Resistance components are picked up by L201, and detected by D201, D202 and Q201. The detected resistance components are amplified at the differential amplifier (IC201, pin 6), and then applied to the antenna tuner CPU (IC1, pin 1) via the “AN2” line.

**3-4-3 MOTOR CONTROL CIRCUIT (CTRL BOARD AND TUNER UNIT)**

The control circuit of the internal antenna tuner consists of the CPU, EEPROM (Electrically-Erasable Programmable Read Only Memory), tuning motors and tuning relays.

**(1) CPU AND EEPROM (CTRL BOARD)**

The antenna tuner CPU (IC1) controls the tuning motors via the motor controller (Q3–Q10, D3–D6) and tuning relays, and memorizes the best preset position in 100 kHz steps. The memory contents are stored in the EEPROM (IC2) without a backup battery.

**(2) TUNING MOTORS (CTRL BOARD)**

A motor controller (Q3–Q10 D3–D6) rotates the tuning motors (TUNER unit; MF1, MF2) to obtain a low SWR.

**(3) TUNING RELAYS (TUNER UNIT)**

According to the operating frequency band and antenna condition, tuning relays select the capacitors and coils.

**3-4-4 ANTENNA TUNER CPU PORT ALLOCATION (CTRL BOARD; IC1)**

Pin number	Port name	Description
1	AN2	Input port for the resistance components detection voltage.
2	AN1	Input port for the reflected RF power voltage.
13	IKEY	Outputs tuner data signal.
15	IKEYB	Input port for the serial signal.
17	THRU	Input port for [TUNER] ON/OFF signal.
21	TRC	Input port for the TX/RX switching signal.
22, 23	#CL1, CL2	Input port for the antenna tuner CPU system clock.
26	VHF	Outputs the coil selection signal. High : While 46–60 MHz band is displayed.
27–32	L24M, L18M, L14M, L10M, L7M, L3.5M	Output the coil selection signal.
34–40	CO3, CO2, CO1, CI3, CI2, CI1	Output the capacitor selection signal.
41–48	AZ, AY, AX, AW, PZ, PY, PX, PW	Output pulse-type control signals for the tuning motors (MF1, MF2).
64	AN3	Input port for the reactance components detection voltage.



### 3-5 SCOPE CIRCUITS

#### 3-5-1 SCOPE RECEIVER CIRCUIT (SCOPE UNIT)

A portion of the 64.455 MHz 1st IF signal from the 1st mixer circuit (RXPLL-A/B units; IC1051, Q1211, Q1212: while receiving) or IF amplifier (MAIN unit; Q506: while transmitting) passes through the switches (IC1, IC31). The switched signal is passed through the PIN attenuator (D1, D2), low-pass filter (L13, L14, C42–C46) and bandpass filter (L5, L6, C11–C13, C41) and then amplified at the IF amplifiers (Q2). The amplified signal is mixed with the 18.455–20.455 MHz scope 2nd LO (S2LO) signal at the mixer circuit (D101) to produce the 45 MHz IF signal. The mixed IF signal is passed through the ceramic bandpass filter (FI201) to suppress unwanted signals. The filtered IF signal is applied to other mixer (D4) after amplifying at 2 amplifiers (Q201, Q202). The signal is applied to the amplifier (IC401, pin 6), and then passes through the low-pass filter (IC403, pins 1, 6). The filtered signal is amplified at the amplifier (IC404, pin 6), and is then applied to the DSP IC (IC601) via the A/D converter (IC501, pin 43). The DSP IC analyzes digital signals, and then outputs digital data to the CPU.

#### 3-5-2 SCOPE UNIT AGC CIRCUIT (SCOPE UNIT)

A part of the filtered signal at the low-pass filter (IC403, pin 1) is applied to the amplifier (IC404, pin 6). The amplified signal is applied to the AGC detector (D401, D402), and is then applied to the AGC amplifier (IC405, pin 2). The amplified signal is applied to the comparator section to compare with "ATTV" signal. The signal is amplified at the AGC amplifier (Q1), and is then applied to the PIN attenuator (D1, D2) to keep same gain.

#### 3-5-3 SWEEP LO CIRCUIT (SCOPE UNIT)

The 40 MHz signal is applied to the J3 from the RXPLL-B unit. The signal is used for reference system clock of each circuits.

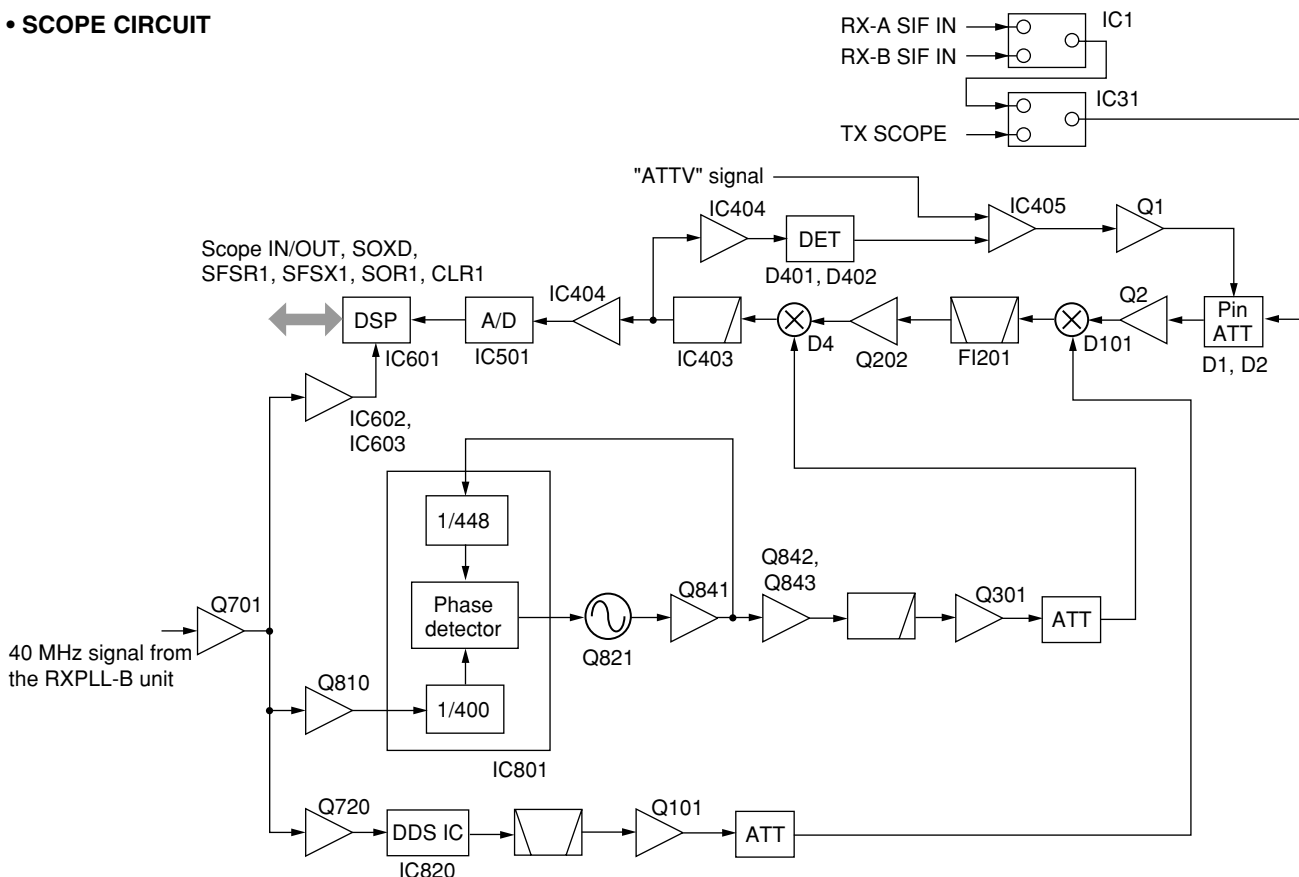
##### (1) S2 LO CIRCUIT

The 40 MHz reference system clock is amplified at the amplifiers (Q701 and Q720). The amplified signal is applied to the 14 bits DDS IC (IC820, pin 62). The DDS IC which is controlled by the CPU outputs 19.555 MHz (for MAIN RX) or 19.555±0.5 MHz (for SUB RX) system clock from pin 45, and then passes through the low-pass filter (L761–L763, C761–C767), high-pass filter (L764, C768–C770) and attenuator (R764–R766). The attenuated signal is applied to the LO amplifier (Q101), and then passes through the low-pass filter (L104, C108–C110) and attenuator (R105–R107). The attenuated signal is applied to the mixer circuit (D101) as S2 LO signal (19.555–20.455 MHz).

##### (2) S3 LO CIRCUIT

The 40 MHz reference system clock is amplified at the amplifiers (Q701, Q810). The amplified signal is applied to the PLL IC (IC801, pin 8). The applied signal passes through the 1/400 divider and phase detector circuits of the IC, and is then applied to the VCO circuit (Q821) via the loop filter to produce 44.8 MHz signal. The 44.8 MHz signal is amplified at the buffer amplifiers (Q841–Q843), and then passes through the low-pass filter (L851, L852, C852–C856) to suppress high-harmonics components. The filtered signal passes through the attenuator (R856–R858), and is then amplified at the amplifier (Q301). The signal passes through the other attenuator (R302–R304), and is then applied to the mixer circuit (D4) as S3 LO signal.

#### • SCOPE CIRCUIT



### (3) DDS LO CIRCUIT

The 40 MHz reference system clock is amplified at the amplifiers (Q701, IC602, IC603), and is then applied to the DSP IC (IC601). The applied signal is quintupled in the IC, then uses 200 MHz DSP system clock signal.

The 200 MHz clock signal is divided 1/400, and then uses as the 500 kHz sampling frequency of the A/D converter (IC501).

## 3-6 POWER SUPPLY CIRCUITS

### 3-6-1 VOLTAGE LINES (DC-DC UNIT)

LINE	DESCRIPTION
C15V	Common 15 V line from the REG unit. The voltage is applied to the LOGIC unit via the J3, pin 6.
H8V	Common 8 V from the REG unit. The signal is applied to the regulator circuits on the DC-DC unit.
+15V	The same voltage as the +15 line passed through the switching relay (RL142). The voltage is applied to the PA200W board (via J420, pins 1 and 2), LOGIC (via the J820, pins 4–6) and MAIN (via the J450, pin 3) units.
-12V	Common -12 V converted from the +15 V line and regulated by the -12V regulator circuit (IC121). The voltage is applied to the LOGIC (via the J820, pin 3) and MAIN (via the J450, pin 2) units.
VDD1R5	Common 5 V converted from the H8V line and regulated by the VDD1R5 regulator circuit (IC101). The voltage is applied to the LOGIC unit via the J821, pin 2.
5V	Common 5 V converted from the H8V line and regulated by the VDD5 regulator circuit (IC81). The voltage is applied to the LOGIC (via the J821, pin 4) and MAIN (via the J450, pin 10) units.
+8V	The same voltage as the H8V line passed through the switching relay (RL142). The voltage is applied to LOGIC (via the J820, pin 7) and MAIN (via the J450, pin 4) units.
+5V	Common 5 V converted from the +8V line and regulated by the +5V regulator circuit (IC61). The voltage is applied to the LOGIC (via the J820, pin 8) and MAIN (via the J450, pin 4) units.
+3R3V	Common 3 V converted from the +8V line and regulated by the +3R3V regulator circuit (IC41). The voltage is applied to the LOGIC (via the J820, pin 9) and MAIN (via the J450, pins 6–8) units.
VDD3R3	Common 3 V converted from the H8V line and regulated by the VDD3R3 regulator circuit (IC21). The voltage is applied to the LOGIC unit via the J821, pin 3.

### 3-7 PORT ALLOCATIONS

#### 3-7-1 MAIN CPU2 PORT ALLOCATIONS (LOGIC UNIT; IC604)

Pin number	Port name	Description
5-9 11-17 19, 20	H8_A0-A4 H8_A5-A11 H8-A12, A13	Output address bus signals.
21	UNLKA	Input port for the PLL unlock signal from the RXPLL-A unit.
22	UNLKB	Input port for the PLL unlock signal from the RXPLL-B unit.
23	ECK	Outputs clock signal to the EEPROM.
24	EDT	I/O port for the data signal from/to the EEPROM.
26	DSCLA	Outputs clock signal to the EEPROM on the DIGISEL-A unit.
27	DSDAA	I/O port for the data signal from/to the EEPROM on the DIGISEL-A unit.
28	DSCLB	Outputs clock signal to the EEPROM on the DIGISEL-B unit.
29	DSDAB	I/O port for the data signal from/to the EEPROM on the DIGISEL-B unit.
30	RTKI	Input port for the RTTY keying signal.
31	TRVI	Input port for the transverter control signal from ACC jack on the rear panel.
33	SDAT	Outputs data signals to the DDS, PLL and DSP ICs on the SCOPE unit.
34	SST2	Outputs strobe signal to the PLL IC on the SCOPE unit.
35	EXRL1	Outputs external SEND relay (lead type) control signal. High : The relay switches ON.
36	EXRL2	Outputs external SEND relay (semiconductor type) control signal. High : The relay switches ON.
42	PCK/CON0	Outputs clock signal to the RXPLL-A/B ICs .
43	PDAT/CON1	Outputs data signal to the RXPLL-A/B ICs.
46	PSLA	Outputs strobe select signal to the PLL-A IC.
47	PSTA	Outputs strobe signal to the RXPLL-A IC.
48	PSLB	Outputs strobe select signal to the PLL-B IC.
49	PSTB	Outputs strobe signal to the RXPLL-B IC.
51	MCK	Outputs clock signal to the ICs (other than PLL, scope and DSP ICs).
52	DAT	Outputs data signal to the ICs (other than PLL, scope and DSP ICs).
54	CTXD	Output port for the CI-V data.
55	CRXD/CBSY	Input port for the CI-V data and CI-V bus busy signals.

Pin number	Port name	Description
56	DSPCK	Outputs clock signal to the DSP IC.
57	DSPR	Outputs data signal to the DSP IC.
58	ISTA	Outputs start signal to the internal antenna tuner.
59	SST1	Outputs chip select signal to the DDS IC on the SCOPE unit.
60	SPS0	Outputs profile select signal to the DDS IC on the SCOPE unit.
61	SCK	Outputs clock signals to the DDS, PLL and DSP ICs on the SCOPE unit.
63-69, 71, 73-80	H8_D0-H8_D15	I/O port for data bus signals.
81	MUTI	Input port for the external mute control signal. High : Mute ON.
82	TXS	Outputs control signal to the TX circuit power supply. Low : While transmitting.
83	NSQA	Input port for the noise pulse signal from the RX-A circuit.
85	TRAS	Outputs control signal for transmission (other than PTT and the control signal from ACC).
104	NSQB	Input port for the noise pulse signal from the RX-B circuit.
105	RXSA	Outputs control signal to the RX-A circuit power supply. Low : While the RX-A circuit is activated.
106	RXSB	Outputs control signal to the RX-B circuit power supply. Low : While the RX-B circuit is activated.
107	SQSA	Outputs RX-A circuit squelch control signal to the ACC jack. High : RX LED lights ON.
108	SQSB	Outputs RX-B circuit squelch control signal to the ACC jack. High : RX LED lights ON.
109	SQLSM	Outputs AF mute control signal to the MAIN RX circuit. Low : Squelch is open.
110	SQLSS	Outputs AF mute control signal to the SUB RX circuit. Low : Squelch is open.
113	FORL	Input port for the "FOR" signal.
114	REFL	Input port for the "REF" signal.
115	ALCL	Input port for the ALC meter control signal.
116	IDL	Input port for the ID meter control signal.
117	VDL	Input port for the VD meter control signal.
118	THML	Input port for the PA unit temperature detect signal.



<b>Pin number</b>	<b>Port name</b>	<b>Description</b>
119	FANI	Input port for the driving current detect signal at the cooling fan.
120	EPAD	Input port for the external keypad on the rear panel.
121	DX1A	Input port for the data signal from the DSP IC on the DSP-A board.
122	DX1B	Input port for the data signal from the DSP IC on the DSP-B board.
123	DX1T	Input port for the data signal from the DSP IC on the DSP-TX board.
124	DX1S	Input port for the data signal from the DSP IC on the SCOPE unit.
127	IKEY	Input port for the internal antenna tuner KEY signal.
128	SKYS	Input port for the straight key.
135	DSKY	Outputs CW/RTTY keying signal to the DSP IC.
137	PWRS	Outputs power control signal to the linear circuit. High: The linear circuit is ON.
138	METCK	Outputs clock signal to the D/A converter (IC603) for the external meter.
140	METLR	Outputs clock signal to the D/A converter (IC603) for the external meter.
142	METDT	Outputs data signal to the D/A converter (IC603) for the external meter.

### 3-7-2 FRONT CPU (DISPLAY BOARD; IC6)

Pin number	Port name	Description
1	CNTV	Outputs LCD contrast control signal.
2	BRIV	Outputs LCD brightness control signal.
3	LDAT	Outputs data signal to the SERI PARA IC (IC7, pin 3).
4	LST	Outputs strobe signal to the SERI PARA IC (IC7, pin 5).
5	RTCCK	Outputs clock signal to the clock IC (IC601, pin 6).
8	RTCCE	Outputs the clock IC (IC601, pin 3) select signal. High : The clock IC is selected.
9	MOND	Outputs [MONITOR] LED control signal.
17	RSB	Input port for B phase signal from [RIT] control (150 pulse).
18	RSA	Input port for A phase signal from [RIT] control (150 pulse).
19	SSB	Input port for B phase signal from sub dial (1000 pulse).
20	SSA	Input port for A phase signal from sub dial (1000 pulse).
21	MSB	Input port for B phase signal from main dial (1000 pulse).
22	MSA	Input port for A phase signal from main dial (1000 pulse).
23	TMD	Outputs [TIMER] LED control signal. High : While lighting.
24	LEDV	Outputs LED brightness control signal.
25	BKLS	Outputs LCD backlight control signal. High : While lighting.
26	CFLV	Outputs CFL backlight control signal.
28	PHNI	Input port for the detecting signal whether the headphones are connected or not. High : Headphones are connected.
33	LTXD	Outputs data signals by 38400 bps.
34	LRXD	Input port for data signals by 38400 bps.
35	DOTK	Input port for the connected electric keyer DOT signal.
36	DSHK	Input port for the connected electric keyer DASH signal.
37	SQSS	Outputs squelch signal to [MIC] jack.
38	RTCDDT	I/O port for data signals from/to the clock IC (IC601, pins 4 or 5).
39	MSPK	Input port for [SPEECH] for the main band.
40	TRAK	Input port for [TRANSMIT].
41	F1K	Input port for [F-1].
42	F2K	Input port for [F-2].
43	F3K	Input port for [F-3].
45	F4K	Input port for [F-4].

Pin number	Port name	Description
46	F5K	Input port for [F-5].
47	F6K	Input port for [F-6].
48	F7K	Input port for [F-7].
49	SSBK	Input port for [SSB].
50	CWK	Input port for [CW].
51	RTYK	Input port for [RTTY/PSK].
52	AMK	Input port for [AM/FM].
53	DATA	Input port for [DATA].
54	MSCK	Input port for [M.SCOPE].
55	EXTK	Input port for [EXIT/SET].
56	PLYK	Input port for [PLAY].
57	RECK	Input port for [REC].
58	XFCK	Input port for [XFC].
59	EQRK	Input port for [M=S].
61	MINK	Input port for [MAIN].
63	CHGK	Input port for [CHANGE].
64	SUBK	Input port for [SUB].
65	MPRK	Input port for [MP-R].
66	MWK	Input port for [MW].
67	UPK	Input port for [▲].
68	DWK	Input port for [▼].
69	MPWK	Input port for [MP-W].
70	VMK	Input port for [V/M].
71	MATK	Input port for [AUTO TUNE] for main band.
72	MTSK	Input port for [TS] for main band.
73	PWRK	Input port for [POWER].
74	MLCK	Input port for [LOCK] for main band.
75	SATK	Input port for [AUTO TUNE] for sub band.
76	STSK	Input port for [TS] for sub band.
77	SSPK	Input port for [SPEECH] for sub band.
78	SLCK	Input port for [LOCK] for sub band.
79	SP2B	Input port for B phase signal from [PBT2] dial for sub band.
80	SP2A	Input port for A phase signal from [PBT2] dial for sub band.
81	SP1B	Input port for B phase signal from [PBT1] dial for sub band.
82	SP1A	Input port for A phase signal from [PBT1] dial for sub band.
83	MP2B	Input port for B phase signal from [PBT2] dial for main band.
84	MP2A	Input port for A phase signal from [PBT2] dial for main band.
85	MP1B	Input port for B phase signal from [PBT1] dial for main band.
86	MP1A	Input port for A phase signal from [MAIN PBT1] dial.

### 3-7-3 CPDL CPU (LOGIC UNIT; IC605)

Pin number	Port name	Description
39	CSTB	Outputs strobe signal to the band controller (CTRL board; IC51; pin 1).
40	FSTB	Outputs strobe signals to the relay controllers (CTRL board; IC55 and IC56, pin 1).
41	DPSTA	Outputs strobe signals to the relay controllers (BPF unit; IC101 and IC102, pin 5).
42	DPSTB	Outputs strobe signals to the relay controller2 (BPF unit; IC401 and IC402, pin 5).
49	OSS1	Outputs the reference signal switching signal. High : Outputs reference signal.
50	OSS2	Outputs internal/external reference signal select signal. Low : The external reference signal is selected.
52	OCS	Outputs chip select signal to adjust the OXCO reference on the OSC unit.
53	RSTBA	Outputs strobe signals to the RX-A circuit.
54	RSTBB	Outputs strobe signals to the RX-B circuit.
55	DSONA	Outputs the DIGISEL-A unit control signal.
56	DSAPA	Outputs the amplifier control signal to the DIGISEL-A unit.
58	DSTBA	Outputs strobe signals to the DIGISEL-A unit.
59	DSONB	Outputs the DIGISEL-B unit control signal.
60	DSAPB	Outputs the amplifier control signal to the DIGISEL-B unit.
61	DSTBB	Outputs strobe signals to the DIGISEL-B unit.
63 64	MSTB1 MSTB2	Output strobe signals to the MAIN unit.
65	ASTB1	Outputs strobe signal to the D/A converter (MAIN unit; IC330; pin 15).
66	ASTB2	Outputs strobe signal to the D/A converter (MAIN unit; IC331, pin 15).
67	DFRA	Outputs frame signal for data setting to the DSP-A unit.
68	DFXA	Outputs frame signal for data reading to the DSP-A unit.
70	VSQA	Input port for voice squelch control signal from the DSP-A board. High : Voice squelch is open.
71	RTDA	Input port for RTTY, BPSK and QPSK decoded data signal from the DSP-A board.
72	TNDA	Input port for the tone squelch control or QPSK decoding data signals. High : Tone squelch is open.

Pin number	Port name	Description
74	DULSA	Outputs unlock signal to the DSP-A board. High : Unlock.
77	DFRB	Outputs frame signal for data setting to the DSP-B unit.
78	DFXB	Outputs frame signal for data reading to the DSP-B unit.
79	VSQB	Input port for voice squelch control signal from the DSP-B board. High : Voice squelch is open.
81	RTDB	Input port for RTTY, BPSK and QPSK decoded data signal from the DSP-B board.
82	TNDB	Input port for the tone squelch control or QPSK decoding data signals from the DSP-B board. High : Tone squelch is open
85	DULSB	Outputs unlock signal to the DSP-B board. High : Unlock.
86	DFRT	Outputs frame signal for data setting to the DSP-TX unit.
87	DFXT	Outputs frame signal for data reading to the DSP-TX unit.
90	DAVOX	Input port for the ANT VOX control signal. High : While receiving.
91	CTFL	Input port for the CW transmitting status signal.
92	DFRS	Outputs frame signal for data setting to the DSP-SCOPE unit.
93	DFXS	Outputs frame signal for data reading data to the DSP-SCOPE unit.
94 95	DRESL DRESH	Output reset signals to the DDS and DSP ICs.



### 3-7-4 MAIN CPU1 (LOGIC UNIT; IC103 )

Pin number	Port name	Description
1	TMS	Input port for the mode signal.
2	TCK	Input port for the clock signal.
5	TDI	Input port for the data signal.
6–10	CS0 CS1 CS4 CS5 CS6	Output chip select signals.
11	BS	Outputs bus starting signal.
12	WE0/REG	Outputs D7–D0 select signal.
13	WE1	Outputs D15–D8 select signal.
14	D0	I/O port for the data signal.
19–28, 31–35	D1–D10, D11–D15	I/O ports for the data signals.
36	CAS0/DQM0	Outputs D7–D0 select signal.
37	CAS1/DQM1	Outputs D15–D8 select signal.
38	RD/WR	Outputs read/write control signal.
39	CKIO	Outputs clock signal.
49, 50	CS2, CS3	Output chip select signals.
51–54, 57–66, 69–72	A0–A3, A4–A13, A14–A17	Output address signals.
73	CAS2/DQM2	Outputs D23–D16 select signal.
74	CAS3/DQM3	Outputs D31–D24 select signal.
75–78, 83–92, 95, 96	D16–D19, D20–D29, D30, D31	I/O ports for the data signals.
99–104, 107, 108	A18–A23, A24, A25	Output address signals.
109	WE2/ICIORD	Outputs D23–D16 select signal.
110	WE3/ICIOWR	Outputs D31–D24 select signal.
113	SLEEP	Input port for the sleep signal.
125	PCICLK	Input port for the clock signal from the buffer amplifier (IC106).
128	SERR	I/O port for the system error signal.
129, 130, 133–138, 140–142, 147–151	AD31, AD30, AD29–AD24, AD23–AD21, AD20–AD16	I/O ports for the buffer amplifier (IC106) address signals.
156	DEVSEL	I/O port for the device selecting signal.
164–168, 171–173, 177–182, 185, 186	AD15–AD11, AD10–AD8, AD7–AD2, AD1, AD0	I/O ports for the buffer amplifier (IC106) address signals.
187–190	IRL0–IRL3	Input ports for the interrupt signals.
193	XTAL2	Output port for the crystal oscillator.
194	EXTAL2	Input port for the crystal oscillator signal.
197	CA	Input port for the hardware stand-by signal.

Pin number	Port name	Description
198, 199	RESET, TRST	Input ports for the reset signal.
200	MRESET	Input port for the manual reset signal.
206	TXD	Outputs the buffer amplifier (IC106) data signal.
212	RXD	Input port for the buffer amplifier (IC106) data signal.
215	SCK	I/O port for the buffer amplifier (IC106) clock signal.
246	TDO	Outputs the data signal.
255	XTAL	Output port for the crystal oscillator.
256	EXTAL	Input port for the crystal oscillator signal.

### 3-7-5 RELAY CONTROLLER (CTRL BOARD; IC55)

Pin number	Port name	Description
4	LPF2	Outputs the low-pass filter (2–4 MHz) select signal.
5	LPF8	Outputs the low-pass filter (22–30 MHz) select signal.
6	LPF4	Outputs the low-pass filter (6.9–10 MHz) select signal.
7	LPF7	Outputs the low-pass filter (18–22 MHz) select signal.
11	LPF5	Outputs the low-pass filter (10–14 MHz) select signal.
12	LPF9	Outputs the low-pass filter (30–60 MHz) select signal.
13	LPF6	Outputs the low-pass filter (14–18 MHz) select signal.
14	LPF3	Outputs the low-pass filter (4–6.9 MHz) select signal.

### 3-7-6 RELAY CONTROLLER (CTRL BOARD; IC56)

Pin number	Port name	Description
4	LPF1	Outputs the low-pass filter (0.03–2 MHz) select signal.
5	ANT4R	Outputs the antenna ([ANT 4]; RX only) select signal for main band.

**3-7-7 RELAY CONTROLLER (ANT-SW UNIT; IC11)**

Pin number	Port name	Description
6	ANT1A	Outputs the antenna ([ANT 1]) select signal for main band.
7	ANT1B	Outputs the antenna ([ANT 1]) select signal for sub band.
8	ANT1G	Outputs the control signal to connect the antenna ([ANT 1]) to [GND].
9	ANT2A	Outputs the antenna ([ANT 2]) select signal for main band.
10	ANT2B	Outputs the antenna ([ANT 2]) select signal for sub band.
11	ANT2G	Outputs the control signal to connect the antenna ([ANT 2]) to [GND].
12	ANT3A	Outputs the antenna ([ANT 3]) select signal for main band.
13	ANT3B	Outputs the antenna ([ANT 3]) select signal for sub band.
14	ANT3G	Outputs the control signal to connect the antenna ([ANT 3]) to [GND].
15	ANT4A	Outputs the antenna ([ANT 4]) select signal for main band.
16	ANT4B	Outputs the antenna ([ANT 4]) select signal for sub band.
17	ANT4G	Outputs the control signal to connect the antenna ([ANT 4]) to [GND].

**3-7-8 RELAY CONTROLLER (BPF UNIT; IC101)**

Pin number	Port name	Description
6	B0A	Outputs the RX-A circuit bandpass filter (0.03–1.6 MHz) select signal.
7	B1A	Outputs the RX-A circuit bandpass filter (1.6–2 MHz) select signal.
8	B2A	Outputs the RX-A circuit bandpass filter (2–3 MHz) select signal.
9	B3A	Outputs the RX-A circuit bandpass filter (3–4 MHz) select signal.
10	B4A	Outputs the RX-A circuit bandpass filter (4–6 MHz) select signal.
11	B5A	Outputs the RX-A circuit bandpass filter (6–8 MHz) select signal.
12	B6A	Outputs the RX-A circuit bandpass filter (8–11 MHz) select signal.
13	B7A	Outputs the RX-A circuit bandpass filter (11–15 MHz) select signal.
14	B8A	Outputs the RX-A circuit bandpass filter (15–22 MHz) select signal.
15	B9A	Outputs the RX-A circuit bandpass filter (22–30 MHz) select signal.
16	B10A	Outputs the RX-A circuit bandpass filter (50–54 MHz) select signal.
17	B10WA	Outputs the RX-A circuit bandpass filter (30–50 MHz and 54–60 MHz) select signal.

**3-7-9 RELAY CONTROLLER (BPF UNIT; IC102)**

Pin number	Port name	Description
6	HF50A	Outputs the RX-A circuit bandpass filter group select signal. Low : While receiving on 30–60 MHz.
7	AT12A	Outputs the RX-A circuit 12 dB attenuator control signal. High : The 12 dB attenuator is ON.
8	AT6A	Outputs the RX-A circuit 6 dB attenuator control signal. High : The 6 dB attenuator is ON.
9	AT3A	Outputs the RX-A circuit 3 dB attenuator control signal. High : The 3 dB attenuator is ON.
11	DWSPA	Outputs the RX-A circuit split function control signal. Low : The split function is ON.
12	RMUTA	Outputs the RX-A circuit mute control signal. Low : While the RX-A circuit is muting.
13	TRVS	Outputs the transverter's receiver circuit control signal. High : The transverter is ON.
14	RSELA	Outputs receive antenna ([ANT 4]) select signal. Low : [ANT 4] is selected.
16	VPR2A	Outputs the RX-A circuit 50 MHz pre-amplifier 2 control signal. Low : The pre-amplifier 2 is ON.
17	VDWA	Outputs the RX-A circuit 50 MHz correction amplifier control signal. Low : The pre-amplifier 2 is ON (Receive 50 MHz band).

**3-7-10 RELAY CONTROLLER (BPF UNIT; IC401)**

Pin number	Port name	Description
6	B0B	Outputs the RX-B circuit bandpass filter (0.03–1.6 MHz) select signal.
7	B1B	Outputs the RX-B circuit bandpass filter (1.6–2 MHz) select signal.
8	B2B	Outputs the RX-B circuit bandpass filter (2–3 MHz) select signal.
9	B3B	Outputs the RX-B circuit bandpass filter (3–4 MHz) select signal.
10	B4B	Outputs the RX-B circuit bandpass filter (4–6 MHz) select signal.
11	B5B	Outputs the RX-B circuit bandpass filter (6–8 MHz) select signal.
12	B6B	Outputs the RX-B circuit bandpass filter (8–11 MHz) select signal.
13	B7B	Outputs the RX-B circuit bandpass filter (11–15 MHz) select signal.
14	B8B	Outputs the RX-B circuit bandpass filter (15–22 MHz) select signal.
15	B9B	Outputs the RX-B circuit bandpass filter (22–30 MHz) select signal.
16	B10B	Outputs the RX-B circuit bandpass filter (50–54 MHz) select signal.
17	B10WB	Outputs the RX-B circuit bandpass filter (30–50 MHz and 54–60 MHz) select signal.



### 3-7-11 RELAY CONTROLLER (BPF UNIT; IC402)

Pin number	Port name	Description
6	HF50B	Outputs the RX-B circuit bandpass filter group select signal. Low : While receiving on 30–60 MHz.
7	AT12B	Outputs the RX-B circuit 12 dB attenuator control signal. High : The 12 dB attenuator is ON.
8	AT6B	Outputs the RX-B circuit 6 dB attenuator control signal. High : The 6 dB attenuator is ON.
9	AT3B	Outputs the RX-B circuit 3 dB attenuator control signal. High : The 3 dB attenuator is ON.
11	DWSPB	Outputs the RX-B circuit receive signals switch signal. Low : The splitter function is ON.
12	RMUTB	Outputs the RX-B circuit mute control signal. Low : While the RX-B circuit is muting.
16	VPR2B	Outputs the RX-B circuit 50 MHz pre-amplifier 2 control signal. Low : The pre-amplifier2 is ON.
17	VDWB	Outputs the RX-B circuit 50 MHz correction amplifier control signal. Low : The pre-amplifier 2 is ON (Receive on 50 MHz band).

### 3-7-12 CONTROLLER IC (DIGISEL-A UNIT; IC4)

Pin number	Port name	Description
6, 7	X1A, X2A	Outputs the network serial reactance control signals.
8–11	S1A–S4A	Output the network I/O capacitance control signals.
12–17	C1A–C6A	Output the network capacitance control signals.

### 3-7-13 CONTROLLER IC (DIGISEL-A UNIT; IC5)

Pin number	Port name	Description
6–10	C7A–C11A	Output the network capacitance control signals.
11–17	L1A–L7A	Output the network reactance control signals.

### 3-7-14 CONTROLLER IC (DIGISEL-B UNIT; IC504)

Pin number	Port name	Description
6, 7	X1B, X2B	Output the network serial reactance control signals.
8–11	S1B–S4B	Output the network I/O capacitance control signals.
12–17	C1B–C6B	Output the network capacitance control signals.

### 3-7-15 CONTROLLER IC (DIGISEL-B UNIT; IC505)

Pin number	Port name	Description
6–10	C7B–C11B	Output the network capacitance control signals.
11–17	L1B–L7B	Output the network reactance control signals.

### 3-7-16 RELAY CONTROLLER (RXPLL-A UNIT; IC1701)

Pin number	Port name	Description
7	HFOFA	Outputs the HF band's pre-amplifier 2 control signal for the RX-A circuit. High : The pre-amplifiers are OFF.
11	VP1A	Outputs the 50 MHz band's pre-amplifier 1 control signal for the RX-A circuit. High : The pre-amplifier 1 is ON.
12	HP2A	Outputs the HF band's pre-amplifier 2 control signal for the RX-A circuit. High : The pre-amplifier 2 is ON.
13	HP1A	Outputs the HF band's pre-amplifier 1 control signal for the RX-A circuit. High : The pre-amplifier 1 is ON.
14	VPOFA	Outputs the 50 MHz band's pre-amplifier control signal for the RX-A circuit. High : The pre-amplifier is OFF.

### 3-7-17 RELAY CONTROLLER (RXPLL-A UNIT; IC1702)

Pin number	Port name	Description
4	HSEL	Outputs the 1st IF control signal for the RX-A circuit. High : While receiving on HF band.
5	VSEL	Outputs the 1st IF control signal for the RX-A circuit. High : While receiving on 50 MHz.
6	IFW	Outputs 1st IF filter (F11401) select signal for the RX-A circuit. High : Select 15 kHz IF filter.
7	IFN	Outputs 1st IF filter (F11402) select signal for the RX-A circuit. High : Select 6 kHz IF filter.
14	IFNN	Outputs 1st IF filter (F11403) select signal for the RX-A circuit. High : Select 3 kHz IF filter.

**3-7-18 RELAY CONTROLLER (RXPLL-B UNIT; IC1701)**

Pin number	Port name	Description
7	HFOFB	Outputs the HF band's pre-amplifier 2 control signal for the RX-B circuit. High : The pre-amplifiers are OFF.
11	VP1B	Outputs the 50 MHz band's pre-amplifier 1 control signal for the RX-B circuit. High : The pre-amplifier1 is ON.
12	HP2B	Outputs the HF band's pre-amplifier 2 control signal for the RX-B circuit. High : The pre-amplifier 2 is ON.
13	HP1B	Outputs the HF band's pre-amplifier 1 control signal for the RX-B circuit. High : The pre-amplifier 1 is ON.
14	VPOFB	Outputs the 50 MHz band's pre-amplifier control signal for the RX-B circuit. High : The pre-amplifier is OFF.

**3-7-19 RELAY CONTROLLER (RXPLL-B UNIT; IC1702)**

Pin number	Port name	Description
4	HSEL	Outputs the 1st IF control signal for the RX-B circuit. High : While receiving on HF band.
5	VSEL	Outputs the 1st IF control signal for the RX-B circuit. High : While receiving on 50 MHz.
6	IFW	Outputs 1st IF filter (F11401) select signal for the RX-B circuit. High : Select 16 kHz IF filter.
7	IFN	Outputs 1st IF filter (F11402) select signal for the RX-B circuit. High : Select 6 kHz IF filter.
14	IFNN	Outputs 1st IF filter (F11403) select signal for the RX-B circuit. High : Select 3 kHz IF filter.

**3-7-20 BUFFER IC (MAIN UNIT; IC291)**

Pin number	Port name	Description
12	TRVSM	Outputs the transmit signal switching signal. High : The transverter is ON.
13	SMUT	Outputs the SCOPE 3rd LO muting signal. High : While muting.
14	SSB	Outputs the scope IF signal switching signal. High : Input from the RX-B circuit.
15	SSA	Outputs the scope IF signal switching signal. High : Input from the RX-A circuit.
16	MONS	Outputs the transmitting monitor control signal. High : Transmitting monitor is ON.
17	MCPS	Outputs modulation input signal control signal. High : Input from the microphone or ACC jack.
18	MMUT	Outputs the microphone mute control signal. High : While muting.

**3-7-21 BUFFER IC (MAIN UNIT; IC311)**

Pin number	Port name	Description
11	FMS	Outputs FM mode select signal.
12	UNSB	Outputs mode selecting signal other than SSB and AM modes.
13	B_AFA	Outputs AF signals select signal. High : While outputs AF signals to the ACC-B connector.
14	A_AFA	Outputs AF signals select signal. High : While outputs AF signals to the ACC-A connector.
15	SPON	Outputs the internal speaker switching signal. High : While no headphones are connected.
16	PMIX	Outputs phone L/R mixer control signal. High : While mixing.
17	MAFS	Outputs AF signal selecting signal from the MAIN pin or the SUB pin of [MIC] jack. High : The SUB pin is selected.
18	CROSS	Outputs receiver circuits switch signal while split operating. High : Set to [MAIN] to B-channel. : Set to [SUB] to A-channel.

### 3-7-22 BUFFER IC (MAIN UNIT; IC251)

Pin number	Port name	Description
11	TXB7	Outputs the bandpass filter (B7) selecting signal during transmit. High : While transmitting on 11–15 MHz.
12	TXB6	Outputs the bandpass filter (B6) selecting signal during transmit. High : While transmitting on 8–11 MHz.
13	TXB5	Outputs the bandpass filter (B5) selecting signal during transmit. High : While transmitting on 6–8 MHz.
14	TXB4	Outputs the bandpass filter (B4) selecting signal during transmit. High : While transmitting on 4–6 MHz.
15	TXB3	Outputs the bandpass filter (B3) selecting signal during transmit. High : While transmitting on 3–4 MHz.
16	TXB2	Outputs the bandpass filter (B2) selecting signal during transmit. High : While transmitting on 2–3 MHz.
17	TXB1	Outputs the bandpass filter (B1) selecting signal during transmit. High : While transmitting on 1.6–2 MHz.
18	TXB0	Outputs the bandpass filter (B0) selecting signal during transmit. High : While transmitting on 0.03–1.6 MHz.

### 3-7-23 BUFFER IC (MAIN UNIT; IC261)

Pin number	Port name	Description
12	AMS	Outputs the transmit output power control signal. High : Transmitting in AM mode.
13	50MS	Outputs the transmit output power control signal. High : Transmitting in 50 MHz band.
14	HFS	Outputs the HF band transmitting power control signal.
16	TXB10	Outputs the bandpass filter (B10) selecting signal. High : While transmitting on 30–60 MHz.
17	TXB9	Outputs the bandpass filter (B9) selecting signal. High : While transmitting on 22–30 MHz.
18	TXB8	Outputs the bandpass filter (B8) selecting signal. High : While transmitting on 15–22 MHz.

### 3-7-24 SERIAL/PARAMETER IC (RXPLL-A UNIT; IC1)

Pin number	Port name	Description
4	PST2A	Outputs the strobe signals to the 1st LO PLL IC on the RXPLL-A unit.
5	PST1A	Outputs the strobe signals to the 1st LO DDS IC on the RXPLL-A unit.
6	PST3A	Outputs the strobe signals to the 2nd LO DDS IC on the RXPLL-A unit.
7	PST4A	Outputs the strobe signals to the T3 LO DDS IC on the RXPLL-A unit.

### 3-7-25 SERIAL/PARAMETER IC (RXPLL-B UNIT; IC1)

Pin number	Port name	Description
4	PST2B	Outputs the strobe signals to the 1st LO PLL IC on the RXPLL-B unit.
5	PST1B	Outputs the strobe signals to the 1st LO DDS IC on the RXPLL-B unit.
6	PST3B	Outputs the strobe signals to the 2nd LO DDS IC on the RXPLL-B unit.
7	PST4B	Outputs the strobe signals to the T3 LO DDS IC on the RXPLL-B unit.

### 3-7-26 DDS IC (RXPLL-A UNIT; IC101)

Pin number	Port name	Description
67	MUTA	Outputs the 1st LO muting signal to the RXPLL-A unit. High : While muting.
68	VA6S	Outputs the 1st LO VCO (VCO6) control signal to the RXPLL-A unit. High : While receiving on 45–60 MHz.
70	VA5S	Outputs the 1st LO VCO (VCO5) control signal to the RXPLL-A unit. High : While receiving on 30–45 MHz.
71	VA4S	Outputs the 1st LO VCO (VCO4) control signal to the RXPLL-A unit. High : While receiving on 22–30 MHz.
73	VA3S	Outputs the 1st LO VCO (VCO3) control signal to the RXPLL-A unit. High : While receiving on 15–22 MHz.
74	VA2S	Outputs the 1st LO VCO (VCO2) control signal to the RXPLL-A unit. High : While receiving on 8–15 MHz.
75	VA1S	Outputs the 1st LO VCO (VCO1) control signal to the RXPLL-A unit. High : While receiving on 0.03–8 MHz.



### 3-7-27 DDS IC (RXPLL-B UNIT; IC101)

Pin number	Port name	Description
67	MUTB	Outputs the 1st LO muting signal to the RXPLL-B unit. High : While muting.
68	VB6S	Outputs the 1st LO VCO (VCO6) control signal to the RXPLL-B unit. High : While receiving on 45–60 MHz.
70	VB5S	Outputs the 1st LO VCO (VCO5) control signal to the RXPLL-B unit. High : While receiving on 30–45 MHz.
71	VB4S	Outputs the 1st LO VCO (VCO4) control signal to the RXPLL-B unit. High : While receiving on 22–30 MHz.
73	VB3S	Outputs the 1st LO VCO (VCO3) control signal to the RXPLL-B unit. High : While receiving on 15–22 MHz.
74	VB2S	Outputs the 1st LO VCO (VCO2) control signal to the RXPLL-B unit. High : While receiving on 8–15 MHz.
75	VB1S	Outputs the 1st LO VCO (VCO1) control signal to the RXPLL-B unit. High : While receiving on 0.03–8 MHz.

### 3-7-28 D/A CONVERTER IC (MAIN UNIT; IC330)

Pin number	Port name	Description
2	MICV	Outputs the modulation level from the microphone control signal.
3	DRIV	Outputs the drive gain control signal.
4	POCV	Outputs the transmit output power control signal.
5	BNDM	Outputs the operating band control signal for main band.
6	BNDS	Outputs the operating band control signal for sub band.
7	SATT	Outputs attenuator control signal to the SCOPE unit.
8	FANV	Outputs the PA cooling fan control signal.
18	MODVA	Outputs modulation input level from [ACC A] control signal.
19	MODVB	Outputs modulation input level from [ACC B] control signal.

### 3-7-29 D/A CONVERTER IC (MAIN UNIT; IC331)

Pin number	Port name	Description
2	AFGVS1	Outputs the AF gain control signal for sub band (primary control).
3	AFGVS2	Outputs the AF gain control signal for sub band (secondary control).
4	PHML1	Outputs the main band's AF gain control signal for [PHONES] (primary control).
5	PHML2	Outputs the main band's AF gain control signal for [PHONES] (secondary control).
6	PHSL1	Outputs the sub band's AF gain control signal for [PHONES] (primary control).
7	PHSL2	Outputs the sub band's AF gain control signal for [PHONES] (secondary control).
8	AAFVA	Outputs [ACC-A] AF output level control signal.
9	AAFVB	Outputs [ACC-B] AF output level control signal.
12	MAMS	Outputs AM mode selecting signal for main band. Low : While selecting AM mode in main band.
13	SAMS	Outputs AM mode selecting signal for sub band. Low : While selecting AM mode in sub band.
18	AFGVM1	Outputs AF gain control signal for main band (primary control).
19	AFGVM2	Outputs AF gain control signal for main band (secondary control).

### 3-7-30 D/A CONVERTER IC (LOGIC UNIT; IC603)

Pin number	Port name	Description
1	METS	Outputs external meter control signal for sub band.
4	METM	Outputs external meter control signal for main band.

### 3-7-31 CPLD IC (LOGIC UNIT; IC52)

Pin number	Port name	Description
60, 61 63–68, 70	IMS0–IMS8	Output the matrix/strobe signals.
71	IMR0	Input port for the matrix return signal.
72	IMRE0	Outputs permit signal to read the matrix return signal.
74	IMR1	Input port for the matrix return signal.
76	IMRE1	Outputs permit signal to read the matrix return signal.
77	FR_STS	Input port for the writing status signal to the flash ROM (MEMORY board; IC2, pin 5).
78	FR_VPEN	Outputs permit signal to write data to the flash ROM (MEMORY board; IC2, pin 15).
92	DO_VS	Input port for the “VS” signal from the GDC IC (IC203).
93	DO_HS	Input port for the “HS” signal from the GDC IC (IC203).
94	EX_HS	Outputs “HS” signal for the external monitor.
95	EX_VS	Outputs “VS” signal for the external monitor.

### 3-7-32 EXPANDER IC (TENKEY BOARD; IC1)

Pin number	Port name	Description
6	MTXD	Outputs [TX] LED for main band control signal. Low : While transmitting.
7	MRXD	Outputs [RX] LED fir main band control signal. Low : While receiving a signal or squelch is opened in main band.
8	MLCD	Outputs [DIAL LOCK] LED for main dial control signal. Low : [MAIN DIAL] is locked.
9	SPLD	Outputs [SPLIT] LED control signal. Low : During spilt operation.
10	STXD	Outputs [TX] LED for sub band control signal. Low : While transmitting in split operation.
11	SRXD	Outputs [RX] LED for sub band control signal. Low : While receiving a signal or squelch is opened in sub band.
12	MLCD	Outputs [DIAL LOCK] LED for sub dial control signal. Low : [SUB DIAL] is locked.
13–16	TKYD1, TKYD2, TKYD3, TKYD4	Output tenkey backlight control signals.

### 3-7-33 EXPANDER IC (TENKEY BOARD; IC2)

Pin number	Port name	Description
6	MPCD	Outputs [PBT CLEAR] LED for main band control signal. Low : While using the PBT function in main band.
7	SPCD	Outputs [PBT CLEAR] LED for sub band control signal. Low : While using PBT function in sub band.
8	MAPD	Outputs [APF/TPF] LED for main band control signal. Low : While using [APF/TPF] function in main band .
9	SAPD	Outputs [APF/TPF] LED for sub band control signal. Low : While using [APF/TPF] function in sub band .
12	MNCD	Outputs [NOTCH ON] LED for main band control signal. Low : While using [NOTCH] function in main band .
13	SNCD	Outputs [NOTCH ON] LED for sub band control signal. Low : While using [NOTCH] function in sub band .
14	SUBD	Outputs [SUB] LED control signal. Low : While sub band access is enabled.
15	MIND	Outputs [MAIN] LED control signal. Low : While main band access is enabled.

**3-7-34 SERIAL/PARAMETER IC  
(DISPLAY BOARD; IC7)**

Pin number	Port name	Description
7	TN1D	Outputs [TUNER] LED control signal. Low : While tuning.
8	TN2D	Outputs [TUNER] LED control signal. Low : While the antenna is tuned.
9	VOXD	Outputs [VOX/BKIN] LED control signal. Low : While using the VOX/break-in function.
10	MAGD	Outputs [AGC VR] LED for main band control signal. Low : When setting the AGC with [AGC] control for main band.
11	MNRD	Outputs [NR] LED control signal. Low : When the noise reduction is used in main band..
12	MNBD	Outputs [NB] LED control signal. Low : When the noise blanker is used in main band.
13	SAGD	Outputs [AGC VR] LED control signal. Low : When setting the AGC with [AGC] control for sub band.
14	SNRD	Outputs [NR] LED control signal. Low : When the noise reduction is used in sub band.
15	SNBD	Outputs [NB] LED control signal. Low : When the noise blanker is used in sub band.
16	CFBD	Outputs CF memory card accessing indicator control signal. Low : When the transceiver reading/writing data from/to the CF memory card.
17	STBD	Outputs [POWER] LED control signal. Low : While the main power is ON and the transceiver's power is OFF.

**3-7-35 EXPANDER IC (DISPLAY BOARD; IC1)**

Pin number	Port name	Description
1	MAGL	Input port for [AGC] control signal for main band.
2	SAGL	Input port for [AGC] control signal for sub band.
4	SSQL	Input port for [SQL] control signal for sub band.
5	MSQL	Input port for [SQL] control signal for main band.
12	DELL	Input port for [DELAY] control signal.
13	MICL	Input port for [MIC] control signal.
14	PWRL	Input port for [RF] control signal.
15	KYSL	Input port for [KEY SPEED] control signal.

**3-7-36 EXPANDER IC (DISPLAY BOARD; IC2)**

Pin number	Port name	Description
1	MAFL	Input port for [AF] control for main band signal.
2	SAFL	Input port for [AF] control for sub band signal.
4	SRFL	Input port for [RF] control for sub band signal.
5	MRFL	Input port for [RF] control for main band signal.
12	SNBL	Input port for [NB] control for sub band signal.
13	MNRL	Input port for [NR] control for main band signal.
14	MNBL	Input port for [NB] control for main band signal.
15	SNRL	Input port for [NR] control for sub band signal.

**3-7-37 EXPANDER IC (DISPLAY BOARD; IC3)**

Pin number	Port name	Description
1	AVXL	Input port for [ANTI VOX] control signal.
2	BRIL	Input port for [BRIGHT] control signal.
4	MDGL	Input port for [DIGISEL] control for main band signal.
5	CNTL	Input port for [CONTRAST] control signal.
12	VOXL	Input port for [VOX GAIN] control signal.
13	MONL	Input port for [MONI GAIN] control signal.
14	CMPL	Input port for [COMP] control signal.
15	DRVL	Input port for [DRIVE] control signal.



**3-7-38 EXPANDER IC (DISPLAY BOARD; IC4)**

Pin number	Port name	Description
1	KI0	Input port for [CLEAR], [DUAL WATCH] and [SPLIT].
2	KI2	Input port for both main and sub bands [APF/TPF].
4	KI3	Input port for both main and sub bands [FILTER] and [PBT CLEAR].
5	KI1	Input port for both main and sub bands [NOTCH], [RIT] and [ΔTX].
12	PITL	Input port for [CW PITCH] control signal.
13	MNCL	Input port for [NOTCH] control for main band signal.
14	SDGL	Input port for [DIGI-SEL] control for sub band signal.
15	SNCL	Input port for [NOTCH] control for sub band signal.

**3-7-39 EXPANDER IC (DISPLAY BOARD; IC5)**

Pin number	Port name	Description
1	KI8	Input port for [▶] switches from first to fourth.
2	KI10	Input port for [AGC VR], [NR] and [NB] switches for main band.
4	KI11	Input port for [MONI], [TUNER] and [TIMER].
5	KI9	Input port for [AGC VR], [NR] and [NB] switches for sub band.
12	KI7	Input port for [▶] switches from fifth to seventh.
13	KI4	Input port for [7 (3)], [18 (6)], [28 (9)] and [F-INP (ENT)].
14	KI5	Input port for [3.5 (2)], [14 (5)], [24 (8)] and [50 (0)].
15	KI6	Input port for [1.8 (1)], [10 (4)], [21 (7)] and [GENE (.)].

### 3-8 IF AND LO FREQUENCIES LIST

#### 3-8-1 MAIN AND SUB 1ST LO FREQUENCIES LIST (FOR RECEIVING)

MODE	MAIN 1ST LO FREQUENCY (MHz)	SUB 1ST LO FREQUENCY (MHz)
USB	64.4865–124.4565	64.5865–124.5565
LSB	64.4835–124.4535	64.5835–124.5535
CW	64.4850–124.4550	64.5850–124.5550
RTTY	64.48483–124.45483	64.58483–124.55483
PSK31	64.4850–124.4550	64.5850–124.5550
AM	64.4850–124.4550	64.5850–124.5550
FM	64.4850–124.4550	64.5850–124.5550

#### 3-8-2 MAIN AND SUB 2ND LO FREQUENCIES LIST (FOR RECEIVING)

MODE	MAIN 2ND LO FREQUENCY (kHz)	SUB 2ND LO FREQUENCY (MHz)
USB	64.4925	64.5925
LSB	64.4895	64.5985
CW* <sup>1</sup>	64.4910 - CW PITCH	64.5910 - CW PITCH
RTTY* <sup>2</sup>	64.48868	64.58868
PSK31	64.4925	64.5925
AM	64.4910	64.5910
FM	64.4910	64.5910

\*<sup>1</sup>CW-PITCH: 300–900 Hz, \*<sup>2</sup>RTTY TONE: 21.25 Hz; SHIFT: 170 Hz

#### 3-8-3 3RD IF AND LO FREQUENCIES LIST (FOR TRANSMITTING)

MODE	3RD IF FREQUENCY (kHz)	3RD LO FREQUENCY (kHz)
USB	36.000	492.500
LSB	36.000	489.500
CW	36.000	491.000
RTTY*	33.875	488.705
PSK31	36.000	491.000
AM	36.000	491.000
FM	36.000	491.000

\*RTTY TONE: 21.25 Hz; SHIFT: 170 Hz

#### 3-8-4 2ND IF AND LO FREQUENCIES LIST (FOR TRANSMITTING)

MODE	2ND IF FREQUENCY (kHz)	2ND LO FREQUENCY (MHz)
USB	456.500	64.000
LSB	453.500	
CW	455.000	
RTTY	454.830	
PSK31	455.000	
AM	455.000	
FM	455.000	

**3-8-5 1ST IF FREQUENCIES LIST (FOR TRANSMITTING)**

<b>MODE</b>	<b>1ST IF FREQUENCY (MHz)</b>
<b>USB</b>	64.45650
<b>LSB</b>	64.45350
<b>CW</b>	64.45500
<b>RTTY</b>	64.45483
<b>PSK31</b>	64.45500
<b>AM</b>	64.45500
<b>FM</b>	64.45500

**3-8-6 1ST LO FREQUENCIES LIST (FOR TRANSMITTING)**

<b>BAND (MHz)</b>	<b>LO FREQUENCY (MHz)</b>	<b>BAND (MHz)</b>	<b>LO FREQUENCY (MHz)</b>
<b>1.9</b>	66.2580–66.2800	<b>10</b>	66.2580–66.2800
	66.3625–66.3675	<b>14</b>	66.3625–66.3675
<b>3.5</b>	67.9550–68.0300	<b>18</b>	67.9550–68.0300
<b>3.8</b>	68.2020–68.2090	<b>21</b>	68.2020–68.2090
	68.2460–68.2600	<b>24</b>	68.2460–68.2600
<b>4.63</b>	69.0850	<b>28</b>	69.0850
<b>7</b>	71.4550–71.5550	<b>50</b>	71.4550–71.5550



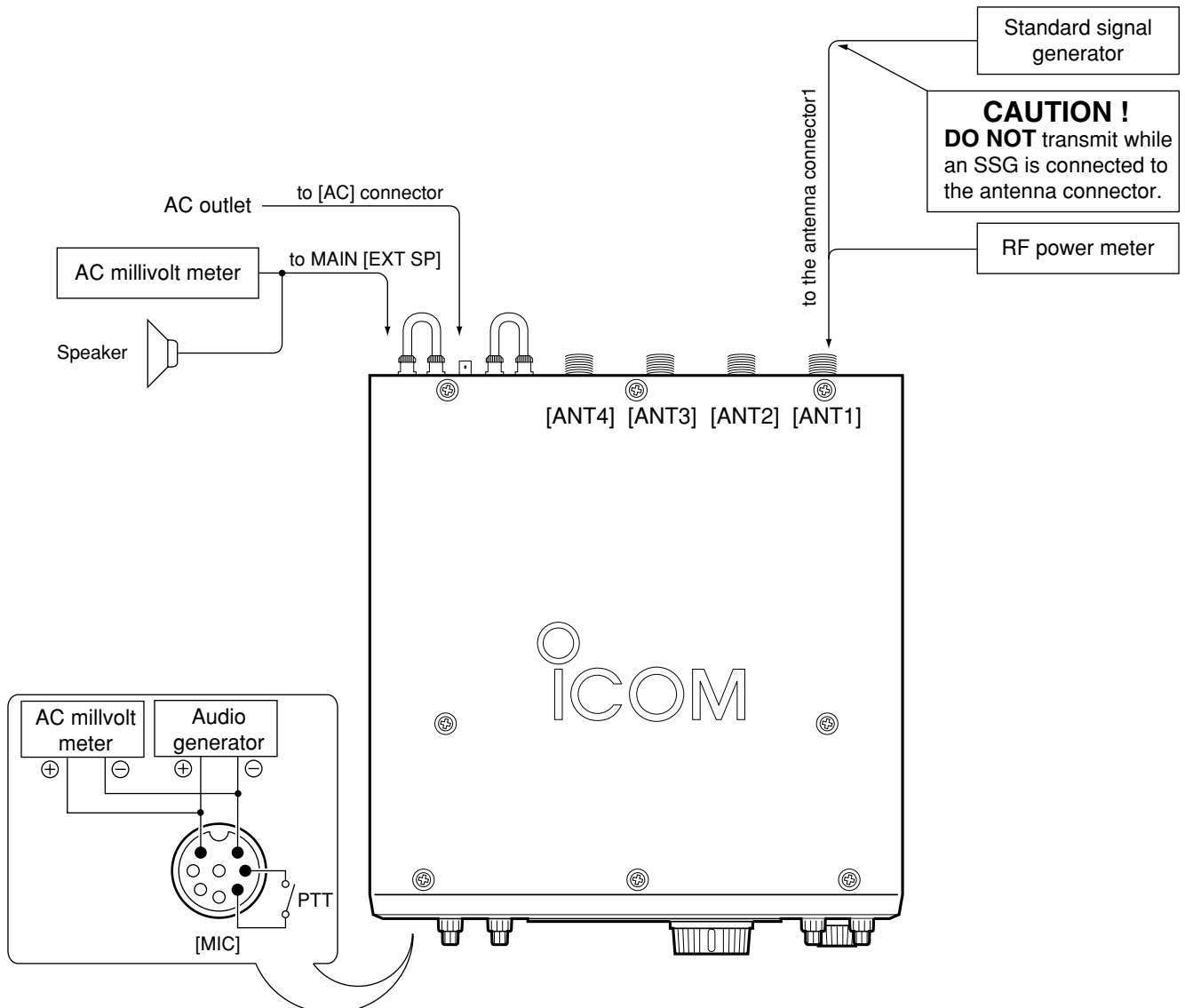
# SECTION 4 ADJUSTMENT PROCEDURES

## 4-1 PREPARATION BEFORE SERVICING

### ■ REQUIRED TEST EQUIPMENT

EQUIPMENT	GRADE AND RANGE	EQUIPMENT	GRADE AND RANGE
AC outlet	Voltage : 85–265 V	Audio generator	Frequency range : 300–3000 Hz Measuring range : 1–500 mV
RF power meter (terminated type)	Measuring range : 250–300 W Frequency range : 1.8–100 MHz Impedance : 50 Ω SWR : Less than 1.2 : 1	Standard signal generator (SSG)	Frequency range : 0.1–100 MHz Output level : 0.1 μV to 32 mV (–127 to –17 dBm)
Frequency counter	Frequency range : 0.1–100 MHz Frequency accuracy : ±0.5 ppm or better Sensitivity : 100 mV or better	Digital multimeter	Input impedance : 10 MΩ/DC or more
RF voltmeter	Frequency range : 0.1–100 MHz Measuring range : 0.01–10 V	DC voltmeter	Input impedance : 50 kΩ/V DC or better
AC millivolt meter	Measuring range : 10 mV to 10 V	DC ammeter	Measurement capability: 5 A/30 A
Attenuator	Power attenuation : 50 or 60 dB Capacity : 200 W	Spectrum analyzer	Frequency range : At least 90 MHz Spectrum bandwidth : 100 kHz or more
Oscilloscope	Frequency range : DC to 20 MHz Measuring range : 0.01–20 V	External speaker	Input impedance : 8 Ω Capacity : 5 W or more
		Dummy load	Input impedance : 50 and 100 Ω Capacity : 200 W or more

### ■ CONNECTIONS



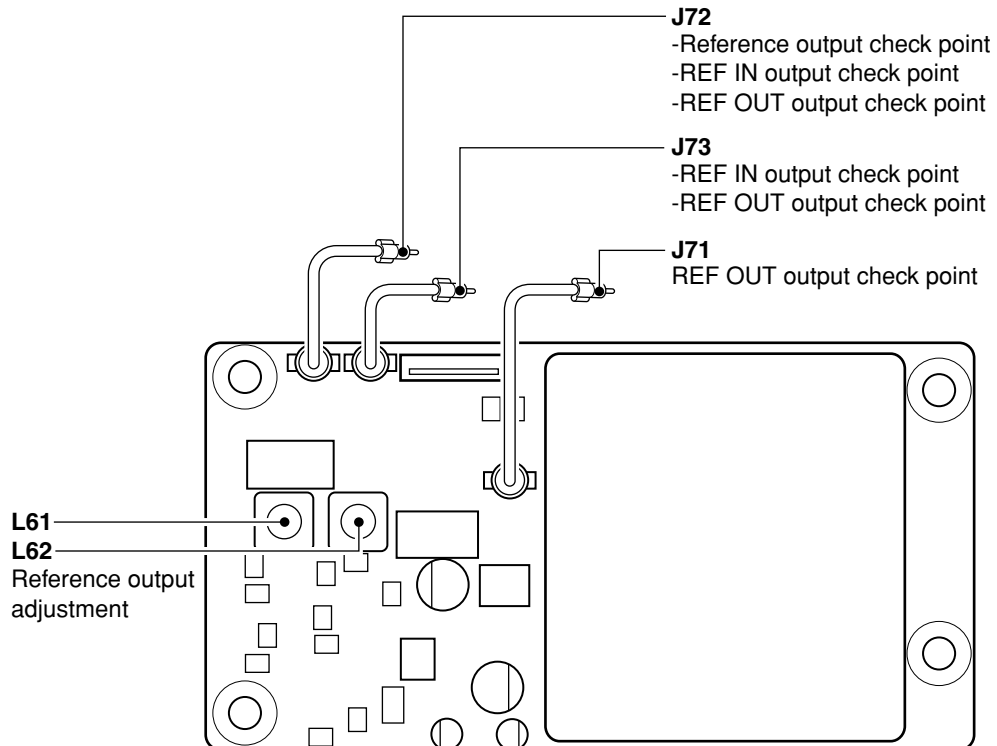
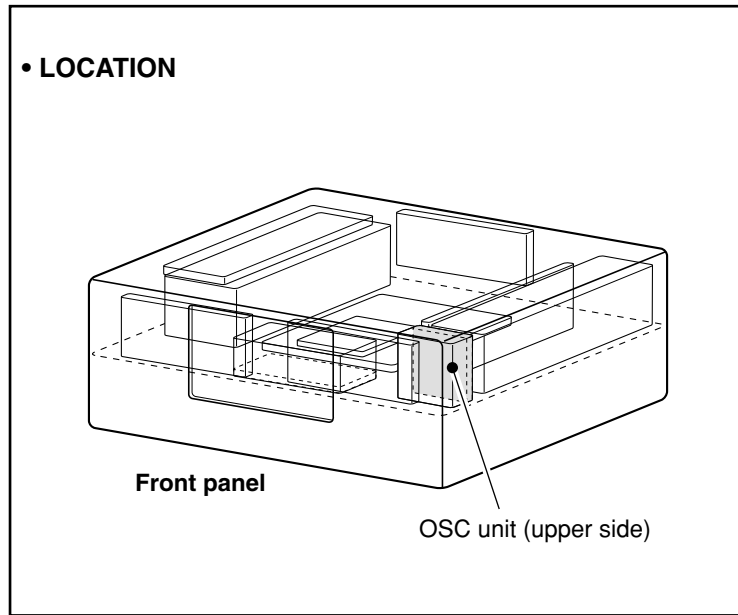
## 4-2 OSC UNIT ADJUSTMENTS

ADJUSTMENT		ADJUSTMENT CONDITION	MEASUREMENT		VALUE	ADJUSTMENT POINT	
			UNIT	LOCATION		UNIT	ADJUST
REFERENCE OUTPUT	1	<ul style="list-style-type: none"> <li>• Set the OSC unit to the external reference mode on the set mode.</li> <li>• MAIN display frequency : 10.000 MHz</li> <li>• Connect an SSG to J71 on the OSC unit and set as;                             <ul style="list-style-type: none"> <li>Frequency : 10.000 MHz</li> <li>Level : 71 mV* (-10 dBm)</li> <li>Modulation : OFF</li> </ul> </li> <li>• Terminates J73 with 50 Ω.</li> <li>• Receiving</li> </ul>	OSC	Connect an RF voltmeter to J72.	Maximum voltage	OSC	Adjust repeatedly L61, L62
REF IN OUTPUT	2	<ul style="list-style-type: none"> <li>• Receiving</li> </ul>	OSC	Connect an RF voltmeter to J72.	0 dBm ±3.0 dB		Verify
		<ul style="list-style-type: none"> <li>• Terminates J72 with 50 Ω.</li> <li>• Receiving</li> </ul>		Connect an RF voltmeter to J73.	0 dBm ±3.0 dB		Verify
REF OUT OUTPUT	3	<ul style="list-style-type: none"> <li>• Set the OSC unit to the internal reference mode on the set mode.</li> <li>• Receiving</li> </ul>	OSC	Connect an RF voltmeter to J71.	-10.0 dBm ±3.0 dB		Verify
		<ul style="list-style-type: none"> <li>• Terminates J73 with 50 Ω.</li> <li>• Receiving</li> </ul>		Connect an RF voltmeter to J72.	0 dBm ±3.0 dB		Verify
		<ul style="list-style-type: none"> <li>• Terminates J72 with 50 Ω.</li> <li>• Receiving</li> </ul>		Connect an RF voltmeter to J73.	0 dBm ±3.0 dB		Verify

\*This output level of a standard signal generator (SSG) is indicated as SSG's open circuit.

• OSC UNIT TOP VIEW

• LOCATION

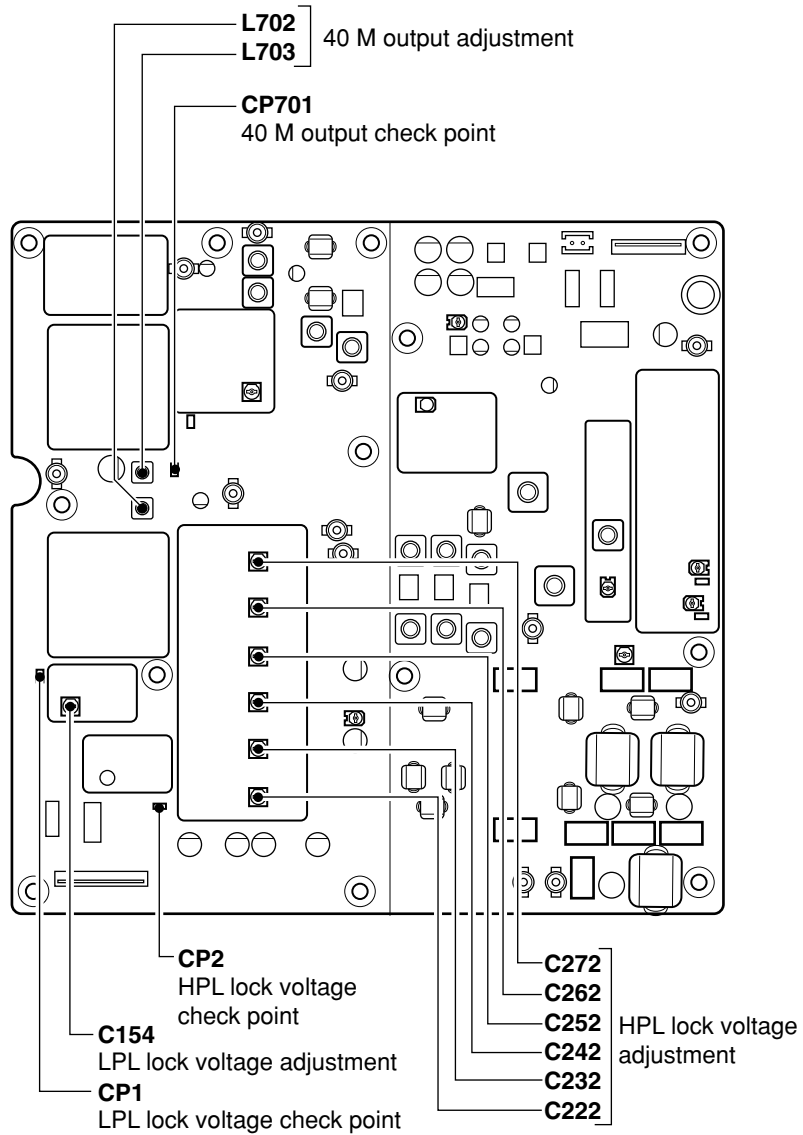
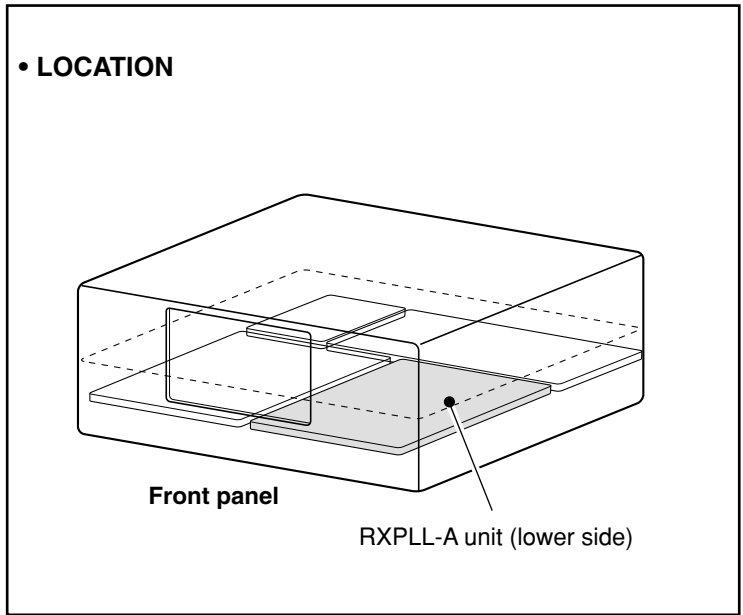




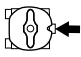
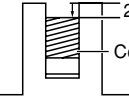
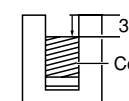
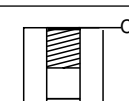
### 4-3 RXPLL-A UNIT ADJUSTMENTS

ADJUSTMENT	ADJUSTMENT CONDITION	MEASUREMENT		VALUE	ADJUSTMENT POINT	
		UNIT	LOCATION		UNIT	ADJUST
40M OUTPUT	1 • MAIN display frequency : 0.030 MHz • Mode : USB • Receiving	RX PLL-A	Connect an RF voltmeter to CP701 (40 MHz).	Maximum voltage	RX PLL-A	Adjust repeatedly L702, L703
LPL LOCK VOLTAGE	1 • MAIN display frequency : 0.030 MHz • Mode : USB • Receiving	RX PLL-A	Connect a DC voltmeter to CP1 (LV1).	2.0 V ±0.1 V	RX PLL-A	C154
	2 • MAIN display frequency : 7.999 MHz • Mode : USB • Receiving			Less than 3.0 V		Verify
HPL LOCK VOLTAGE (VCO1)	1 • MAIN display frequency : 7.999 MHz • Mode : USB • Receiving	RX PLL-A	Connect a DC voltmeter to CP2 (LV2).	4.0 V ±0.1 V	RX PLL-A	C222
(VCO2)	2 • MAIN display frequency : 14.999 MHz • Mode : USB • Receiving			4.0 V ±0.1 V		C232
(VCO3)	3 • MAIN display frequency : 21.999 MHz • Mode : USB • Receiving			4.0 V ±0.1 V		C242
(VCO4)	4 • MAIN display frequency : 29.999 MHz • Mode : USB • Receiving			4.0 V ±0.1 V		C252
(VCO5)	5 • MAIN display frequency : 44.999 MHz • Mode : USB • Receiving			4.0 V ±0.1 V		C262
(VCO6)	6 • MAIN display frequency : 60.000 MHz • Mode : USB • Receiving			4.0 V ±0.1 V		C272
(VCO1)	7 • MAIN display frequency : 0.030 MHz • Mode : USB • Receiving			RX PLL-A		Connect a DC voltmeter to CP2 (LV2).
(VCO2)	8 • MAIN display frequency : 8.000 MHz • Mode : USB • Receiving	1.2 V–2.0 V	Verify			
(VCO3)	9 • MAIN display frequency : 15.000 MHz • Mode : USB • Receiving	1.2 V–2.0 V	Verify			
(VCO4)	10 • MAIN display frequency : 22.000 MHz • Mode : USB • Receiving	1.2 V–2.0 V	Verify			
(VCO5)	11 • MAIN display frequency : 30.000 MHz • Mode : USB • Receiving	1.2 V–2.0 V	Verify			

• RXPLL-A UNIT TOP VIEW



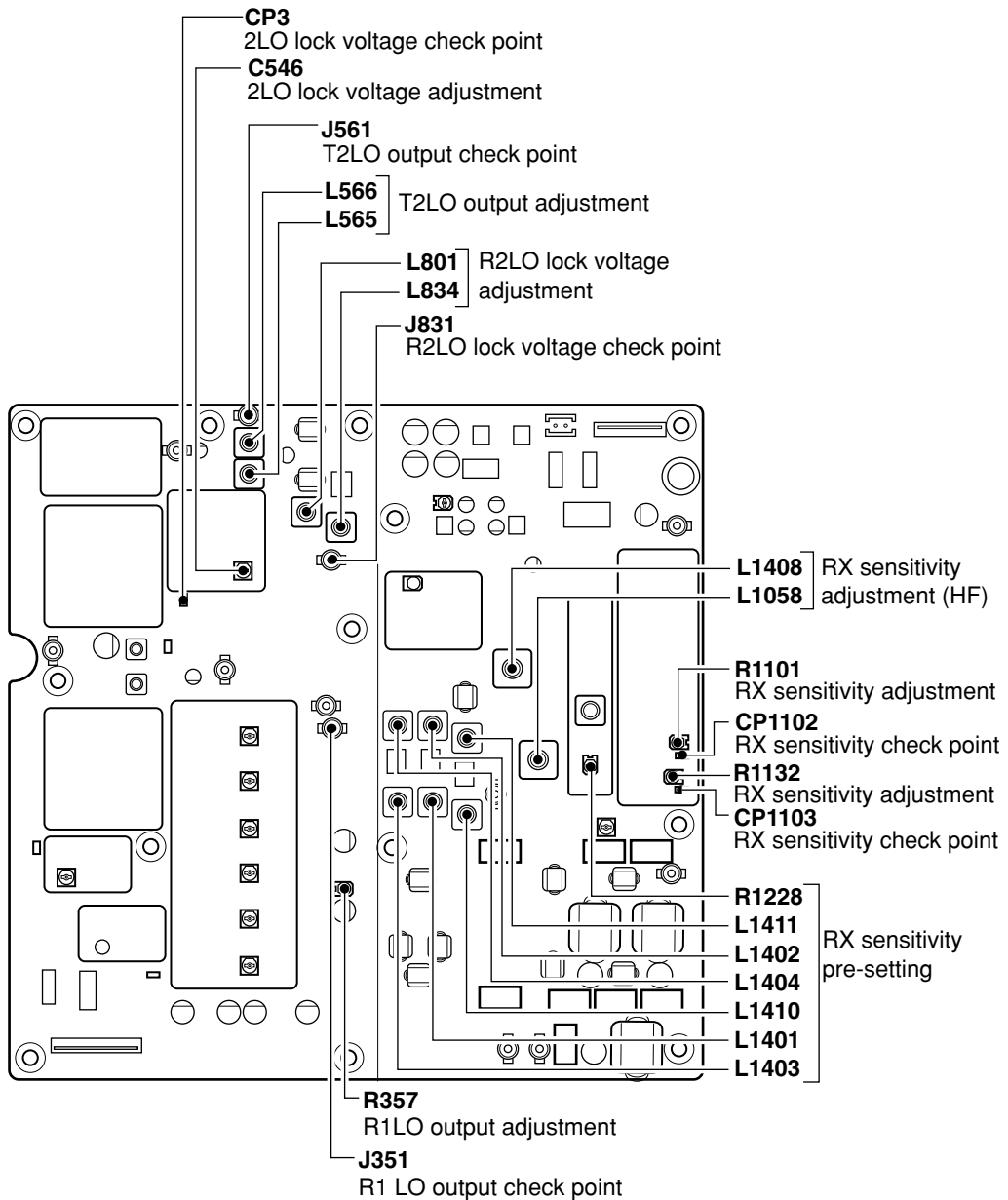
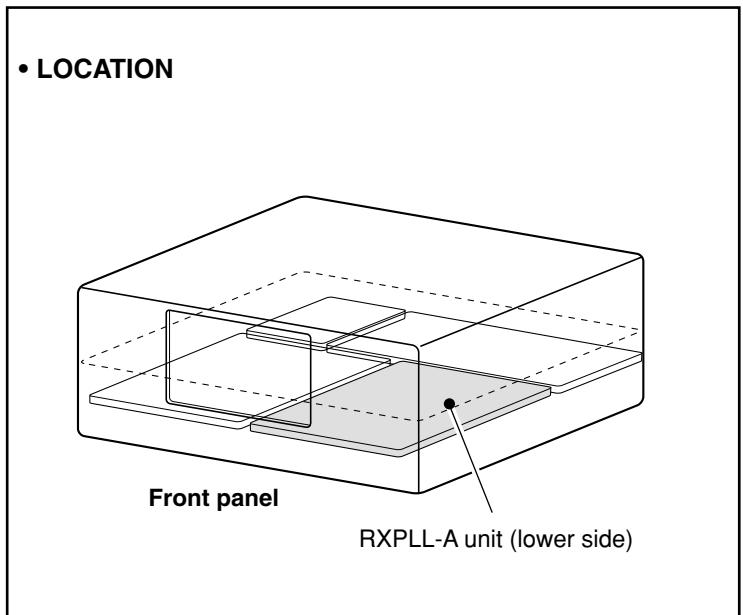
## RXPLL-A UNIT ADJUSTMENTS—Continued

ADJUSTMENT	ADJUSTMENT CONDITION	MEASUREMENT		VALUE	ADJUSTMENT POINT	
		UNIT	LOCATION		UNIT	ADJUST
HPL LOCK VOLTAGE (VCO6)	12 <ul style="list-style-type: none"> <li>MAIN display frequency : 45.000 MHz</li> <li>Mode : USB</li> <li>Receiving</li> </ul>	RX PLL-A	Connect a DC voltmeter to CP2 (LV2).	1.2 V–2.0 V	RX PLL-A	Verify
R1 LO OUTPUT	1 <ul style="list-style-type: none"> <li>MAIN display frequency : 14.999 MHz</li> <li>Mode : USB</li> <li>Receiving</li> </ul>	RX PLL-A	Connect an RF voltmeter to J351 (R1LO).	2.25 dBm $\pm$ 0.25 dB	RX PLL-A	R357
ZLO LOCK VOLTAGE	1 <ul style="list-style-type: none"> <li>MAIN display frequency : 14.100 MHz</li> <li>Mode : USB</li> <li>Receiving</li> </ul>	RX PLL-A	Connect a DC voltmeter to CP3.	3.0 V $\pm$ 0.3 V	RX PLL-A	C546
R2 LO OUTPUT	1 <ul style="list-style-type: none"> <li>MAIN display frequency : 14.100 MHz</li> <li>Mode : USB</li> <li>Receiving</li> </ul>	RX PLL-A	Connect a spectrum analyzer to J831 (R2LO).	Maximum level (–10 dBm $\pm$ 3.0 dB)	RX PLL-A	L801, L834
T2 LO OUTPUT	1 <ul style="list-style-type: none"> <li>MAIN display frequency : 14.100 MHz</li> <li>Mode : USB</li> <li>Receiving</li> </ul>	RX PLL-A	Connect a spectrum analyzer to J561 (T2LO).	Maximum level (3.0 dBm $\pm$ 3.0 dB)	RX PLL-A	Adjust repeatedly L565, L566
RX SENSITIVITY (HF)	1 <ul style="list-style-type: none"> <li>Pre-set the IC-7800 as the following condition.</li> <li>MAIN display frequency : 14.150 MHz</li> <li>Mode : USB</li> <li>Dualwatch : OFF</li> <li>MAIN Ant. : ANT1</li> <li>Pre-amp. 1 : ON</li> <li>SUB AF : Minimum level</li> <li>Receiving</li> </ul>	RX PLL-A	Connect a DC voltmeter to CP1102.	4.5 V $\pm$ 0.1 V	RX PLL-A	R1101
			Connect a DC voltmeter to CP1103.	4.5 V $\pm$ 0.1 V	RX PLL-A	R1132
			Per-set L1401, L1402, L1403, L1404, L1405 and L1406 as the illustration at right.	 Center position	RX PLL-A	R1228
			 2 rotations Core	RX PLL-A	L1401, L1402	
			 3.5 rotations Core	RX PLL-A	L1403, L1404	
			 Core's top	RX PLL-A	L1410, L1411	
	2 <ul style="list-style-type: none"> <li>MAIN display frequency : 14.150 MHz</li> <li>Mode : USB</li> <li>Connect an SSG to [ANT1] connector and set as; <ul style="list-style-type: none"> <li>Frequency : 14.1515 MHz</li> <li>Level : 1 <math>\mu</math>V* (–107 dBm)</li> <li>Modulation: OFF</li> </ul> </li> <li>Receiving</li> </ul>	Rear panel	Connect an AC millivolt meter to [EXT SP] jack with 8 $\Omega$ load.	Maximum audio level	RX PLL-A	L1408, L1058

\*This output level of a standard signal generator (SSG) is indicated as SSG's open circuit.



• RXPLL-A UNIT TOP VIEW

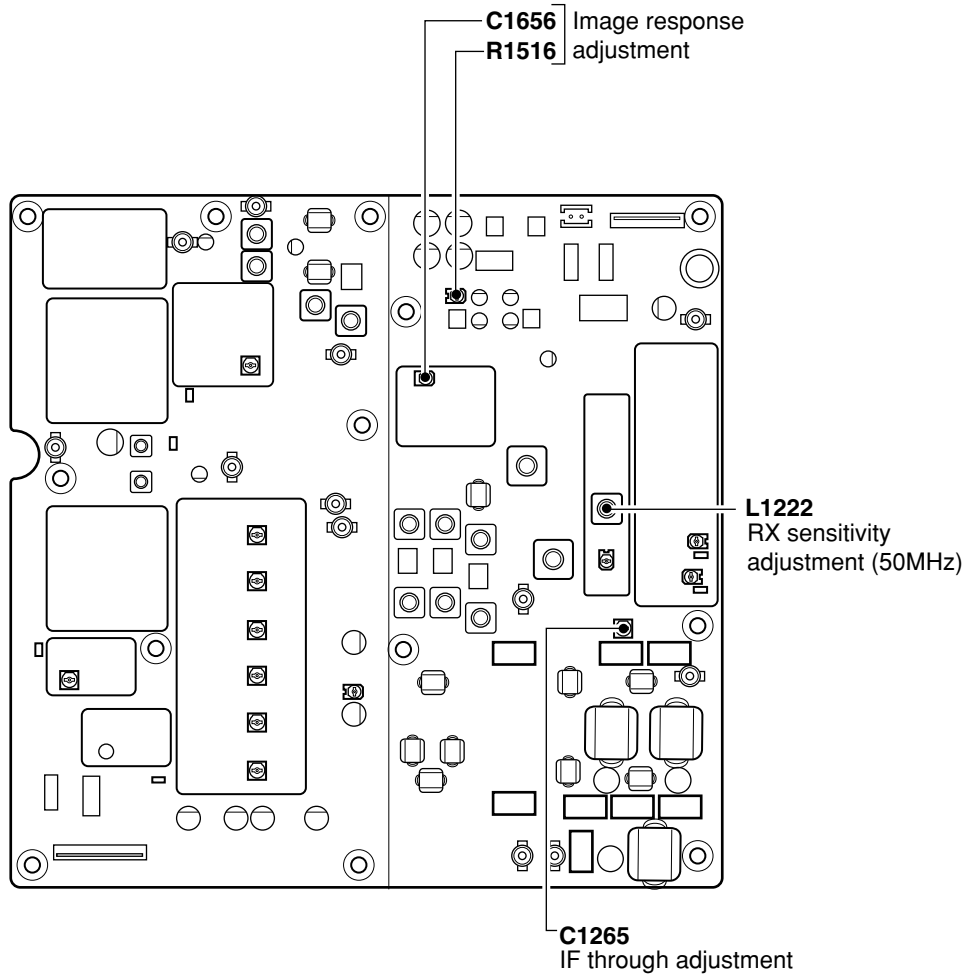
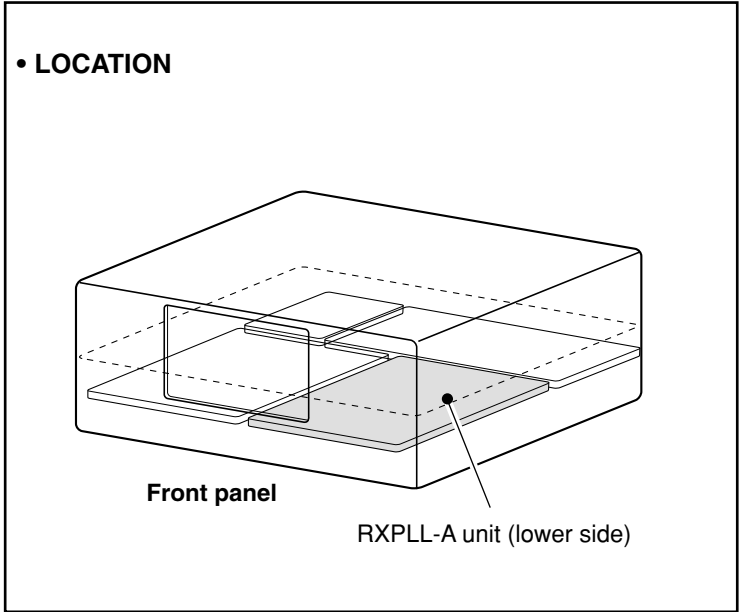


## RXPLL-A UNIT ADJUSTMENTS—Continued

ADJUSTMENT	ADJUSTMENT CONDITION	MEASUREMENT		VALUE	ADJUSTMENT POINT	
		UNIT	LOCATION		UNIT	ADJUST
IMAGE RESPONSE	1 <ul style="list-style-type: none"> <li>• MAIN display frequency : 14.150 MHz</li> <li>• Mode : USB</li> <li>• Connect an SSG to [ANT1] connector and set as;               <ul style="list-style-type: none"> <li>Frequency : 14.0765 MHz</li> <li>Level : 50 mV* (-13 dBm)</li> <li>Modulation: OFF</li> </ul> </li> <li>• Receiving</li> </ul>	Rear panel	Connect an AC millivolt meter to [EXT SP] jack with 8 $\Omega$ load.	Minimum audio level	RX PLL-A	Adjust repeatedly R1516, C1656
RX SENSITIVITY (50 MHz)	1 <ul style="list-style-type: none"> <li>• MAIN display frequency : 50.020 MHz</li> <li>• Mode : USB</li> <li>• Pre-amp. 2 : ON</li> <li>• Connect an SSG to [ANT1] connector and set as;               <ul style="list-style-type: none"> <li>Frequency : 50.0215 MHz</li> <li>Level : 0.32 <math>\mu</math>V* (-117 dBm)</li> <li>Modulation : OFF</li> </ul> </li> <li>• Receiving</li> </ul>	Rear panel	Connect an AC millivolt meter to [EXT SP] jack with 8 $\Omega$ load.	Maximum audio level	RX PLL-A	L1222
IF THROUGH (50 MHz)	1 <ul style="list-style-type: none"> <li>• MAIN display frequency : 50.020 MHz</li> <li>• Mode : USB</li> <li>• Connect an SSG to [ANT1] connector and set as;               <ul style="list-style-type: none"> <li>Frequency : 64.455 MHz</li> <li>Level : 50 mV* (-13 dBm)</li> <li>Modulation: OFF</li> </ul> </li> <li>• Receiving</li> </ul>	Front panel	S-meter	Minimum level	RX PLL-A	C1265

\*This output level of a standard signal generator (SSG) is indicated as SSG's open circuit.

• RXPLL-A UNIT TOP VIEW

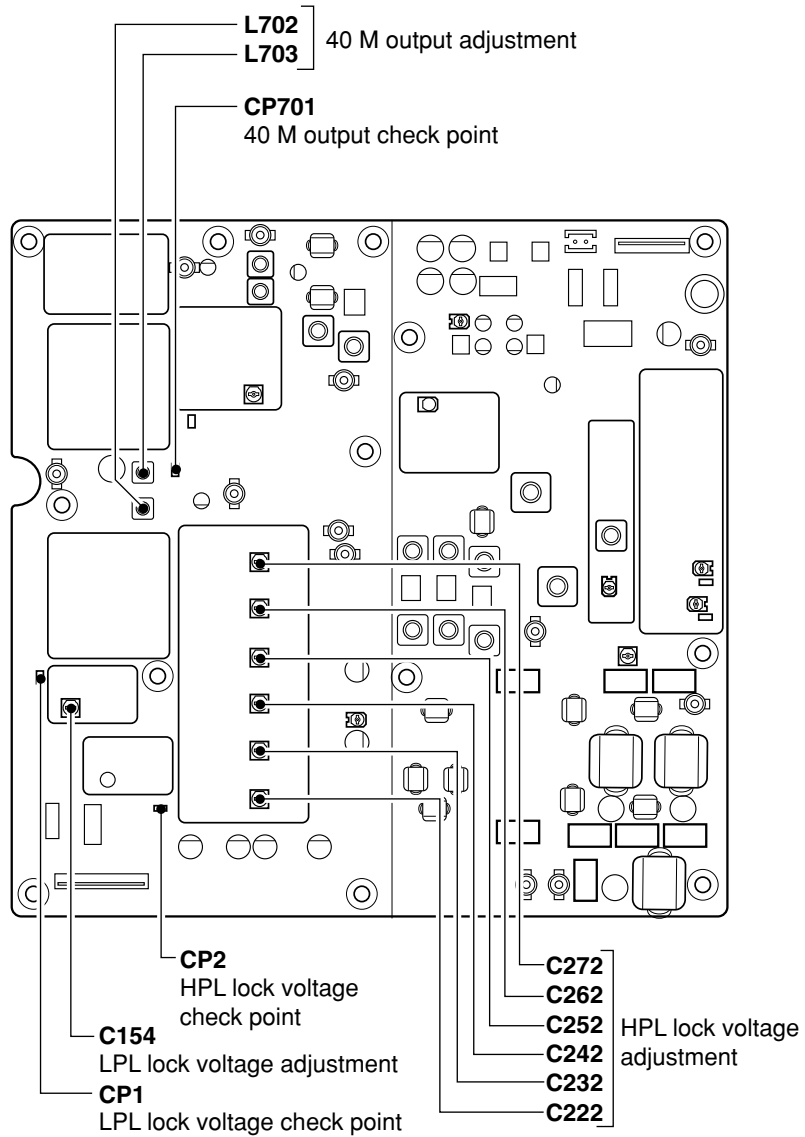
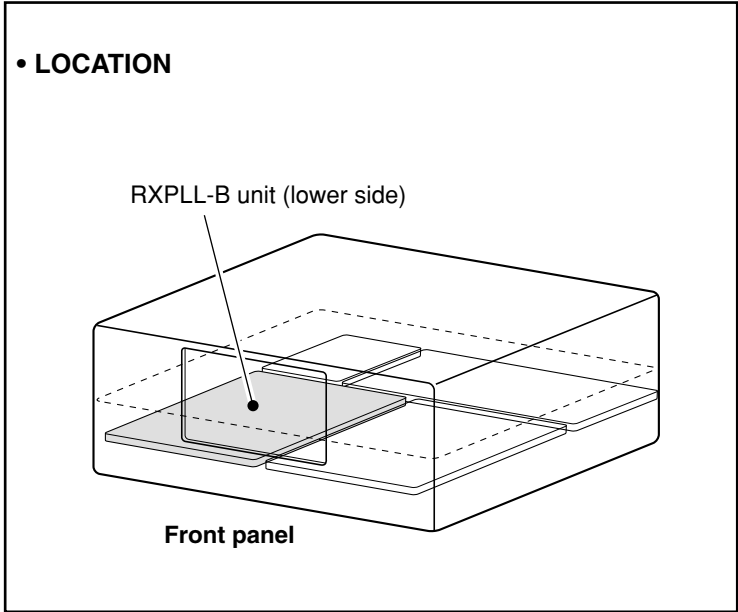




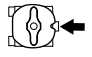
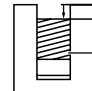
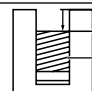
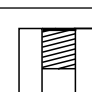
## 4-4 RXPLL-B UNIT ADJUSTMENTS

ADJUSTMENT	ADJUSTMENT CONDITION	MEASUREMENT		VALUE	ADJUSTMENT POINT	
		UNIT	LOCATION		UNIT	ADJUST
40M OUTPUT	1 <ul style="list-style-type: none"> <li>• Dualwatch : ON</li> <li>• SUB display frequency : 60.000 MHz</li> <li>• Mode : USB</li> <li>• Receiving</li> </ul>	RX PLL-B	Connect an RF voltmeter to CP701 (40 MHz).	Maximum voltage	RX PLL-B	Adjust repeatedly L702, L703
LPL LOCK VOLTAGE	1 <ul style="list-style-type: none"> <li>• SUB display frequency : 60.000 MHz</li> <li>• Mode : USB</li> <li>• Receiving</li> </ul>	RX PLL-B	Connect a DC voltmeter to CP1 (LV1).	2.0 V $\pm$ 0.1 V	RX PLL-B	C154
	2 <ul style="list-style-type: none"> <li>• SUB display frequency : 1.499 MHz</li> <li>• Mode : USB</li> <li>• Receiving</li> </ul>			Less than 4.0 V		Verify
HPL LOCK VOLTAGE (VCO1)	1 <ul style="list-style-type: none"> <li>• SUB display frequency : 7.999 MHz</li> <li>• Mode : USB</li> <li>• Receiving</li> </ul>	RX PLL-B	Connect a DC voltmeter to CP2 (LV2).	4.0 V $\pm$ 0.1 V	RX PLL-B	C222
(VCO2)	2 <ul style="list-style-type: none"> <li>• SUB display frequency : 14.999 MHz</li> <li>• Mode : USB</li> <li>• Receiving</li> </ul>			4.0 V $\pm$ 0.1 V		C232
(VCO3)	3 <ul style="list-style-type: none"> <li>• SUB display frequency : 21.999 MHz</li> <li>• Mode : USB</li> <li>• Receiving</li> </ul>			4.0 V $\pm$ 0.1 V		C242
(VCO4)	4 <ul style="list-style-type: none"> <li>• SUB display frequency : 29.999 MHz</li> <li>• Mode : USB</li> <li>• Receiving</li> </ul>			4.0 V $\pm$ 0.1 V		C252
(VCO5)	5 <ul style="list-style-type: none"> <li>• SUB display frequency : 44.999 MHz</li> <li>• Mode : USB</li> <li>• Receiving</li> </ul>			4.0 V $\pm$ 0.1 V		C262
(VCO6)	6 <ul style="list-style-type: none"> <li>• SUB display frequency : 60.000 MHz</li> <li>• Mode : USB</li> <li>• Receiving</li> </ul>			4.0 V $\pm$ 0.1 V		C272
(VCO1)	7 <ul style="list-style-type: none"> <li>• SUB display frequency : 0.030 MHz</li> <li>• Mode : USB</li> <li>• Receiving</li> </ul>	RX PLL-B	Connect a DC voltmeter to CP2 (LV2).	1.2 V–2.0 V	RX PLL-B	Verify
(VCO2)	8 <ul style="list-style-type: none"> <li>• SUB display frequency : 8.000 MHz</li> <li>• Mode : USB</li> <li>• Receiving</li> </ul>			1.2 V–2.0 V		Verify
(VCO3)	9 <ul style="list-style-type: none"> <li>• SUB display frequency : 15.000 MHz</li> <li>• Mode : USB</li> <li>• Receiving</li> </ul>			1.2 V–2.0 V		Verify
(VCO4)	10 <ul style="list-style-type: none"> <li>• SUB display frequency : 22.000 MHz</li> <li>• Mode : USB</li> <li>• Receiving</li> </ul>			1.2 V–2.0 V		Verify
(VCO5)	11 <ul style="list-style-type: none"> <li>• SUB display frequency : 30.000 MHz</li> <li>• Mode : USB</li> <li>• Receiving</li> </ul>			1.2 V–2.0 V		Verify

• RXPLL-B UNIT TOP VIEW



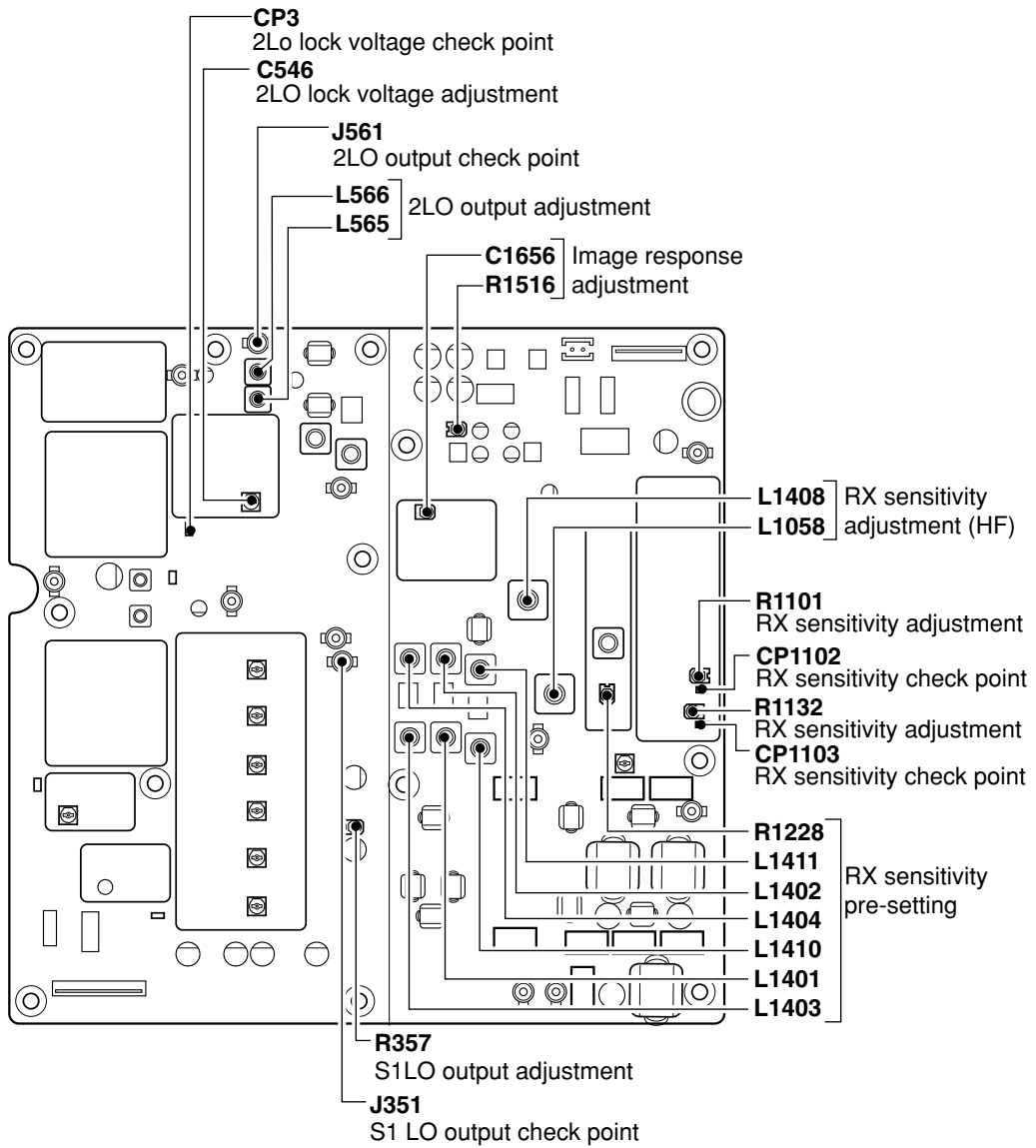
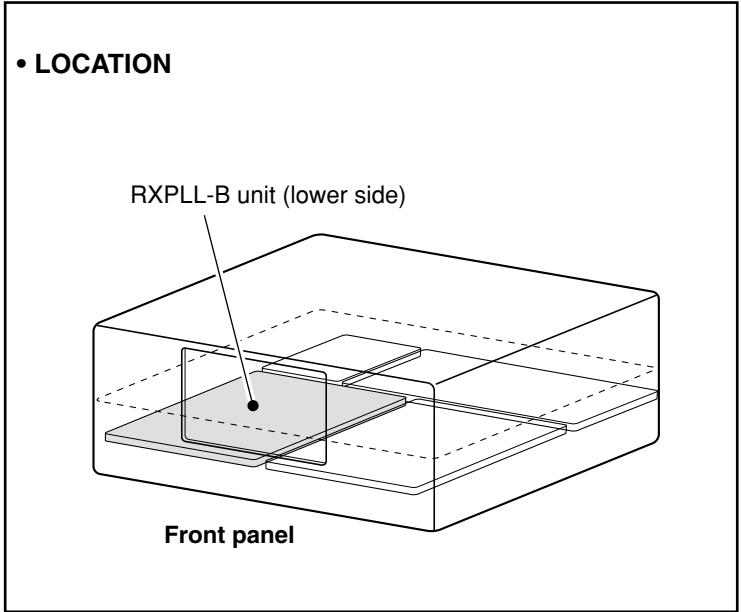
## RXPLL-B UNIT ADJUSTMENTS—Continued

ADJUSTMENT	ADJUSTMENT CONDITION	MEASUREMENT		VALUE	ADJUSTMENT POINT	
		UNIT	LOCATION		UNIT	ADJUST
HPL LOCK VOLTAGE (VCO6)	12 <ul style="list-style-type: none"> <li>SUB display frequency : 45.000 MHz</li> <li>Mode : USB</li> <li>Receiving</li> </ul>	RX PLL-B	Connect a DC voltmeter to CP2 (LV2).	1.2 V–2.0 V	RX PLL-B	Verify
S1 LO OUTPUT	1 <ul style="list-style-type: none"> <li>SUB display frequency : 14.999 MHz</li> <li>Mode : USB</li> <li>Receiving</li> </ul>	RX PLL-B	Connect an RF voltmeter to J351 (S1LO).	2.25 dBm $\pm$ 0.25 dB	RX PLL-B	R357
2LO LOCK VOLTAGE	1 <ul style="list-style-type: none"> <li>SUB display frequency : 14.100 MHz</li> <li>Mode : USB</li> <li>Receiving</li> </ul>	RX PLL-B	Connect a DC voltmeter to CP3.	3.0 V $\pm$ 0.3 V	RX PLL-B	C546
2LO OUTPUT	1 <ul style="list-style-type: none"> <li>MAIN display frequency : 14.100 MHz</li> <li>Mode : USB</li> <li>Receiving</li> </ul>	RX PLL-B	Connect a spectrum analyzer to J561 (2LO).	Maximum level (–9.0 dBm $\pm$ 3.0 dB)	RX PLL-B	Adjust repeatedly L565, L566
RX SENSITIVITY (HF)	1 <ul style="list-style-type: none"> <li>Pre-set the IC-7800 as the following condition.</li> <li>SUB display frequency : 14.150 MHz</li> <li>Mode : USB</li> <li>Dualwatch : ON</li> <li>MAIN Ant. : ANT2</li> <li>SUB Ant. : ANT1</li> <li>Pre-amp. 1 : ON</li> <li>MAIN AF : Minimum level</li> <li>Receiving</li> </ul>	RX PLL-B	Connect a DC voltmeter to CP1102.	4.5 V $\pm$ 0.1 V	RX PLL-B	R1101
			Connect a DC voltmeter to CP1103.	4.5 V $\pm$ 0.1 V	RX PLL-B	R1132
			Per-set L1401, L1402, L1403, L1404, L1405 and L1406 as the illustration at right.	 Center position	RX PLL-B	R1228
				 2 rotations Core	RX PLL-B	L1401, L1402
				 3.5 rotations Core	RX PLL-B	L1403, L1404
				 Core's top	RX PLL-B	L1410, L1411
2 <ul style="list-style-type: none"> <li>SUB display frequency : 14.150 MHz</li> <li>Mode : USB</li> <li>Connect an SSG to [ANT1] connector and set as; <ul style="list-style-type: none"> <li>Frequency : 14.1515 MHz</li> <li>Level : 1 <math>\mu</math>V* (–107 dBm)</li> <li>Modulation: OFF</li> </ul> </li> <li>Receiving</li> </ul>	Rear panel	Connect an AC millivolt meter to [EXT SP] jack with 8 $\Omega$ load.	Maximum audio level	RX PLL-B	L1408, L1058	
IMAGE RESPONSE	1 <ul style="list-style-type: none"> <li>SUB display frequency : 14.150 MHz</li> <li>Mode : USB</li> <li>Connect an SSG to [ANT1] connector and set as; <ul style="list-style-type: none"> <li>Frequency : 14.0765 MHz</li> <li>Level : 50 mV* (–13 dBm)</li> <li>Modulation: OFF</li> </ul> </li> <li>Receiving</li> </ul>	Rear panel	Connect an AC millivolt meter to [EXT SP] jack with 8 $\Omega$ load.	Minimum audio level	RX PLL-B	R1516, C1656

\*This output level of a standard signal generator (SSG) is indicated as SSG's open circuit.



• RXPLL-B UNIT TOP VIEW

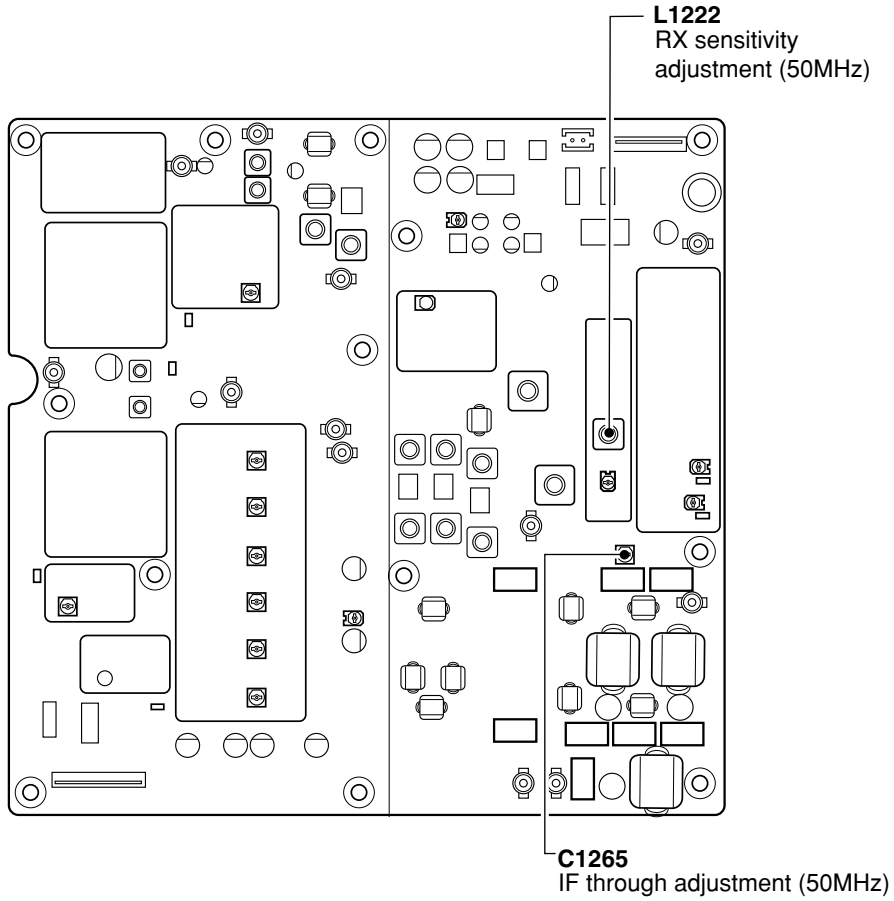
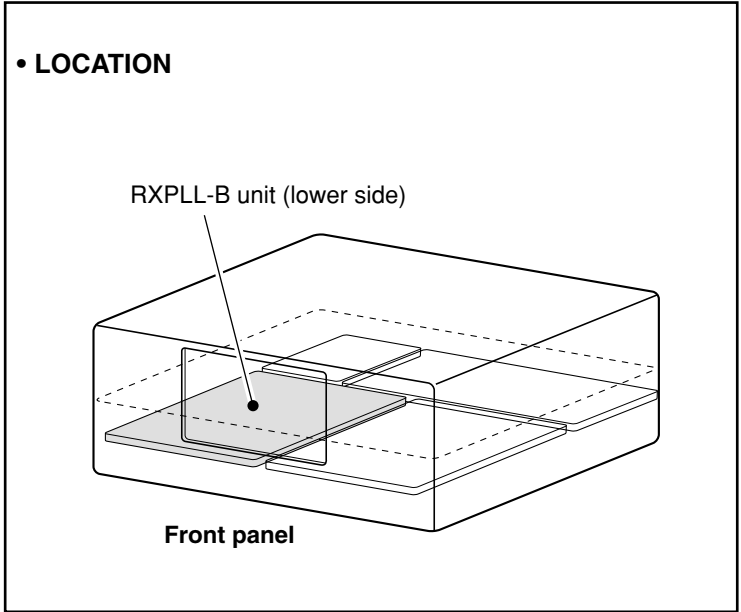


## RXPLL-B UNIT ADJUSTMENTS—Continued

ADJUSTMENT	ADJUSTMENT CONDITION	MEASUREMENT		VALUE	ADJUSTMENT POINT	
		UNIT	LOCATION		UNIT	ADJUST
RX SENSITIVITY (50 MHz)	1 <ul style="list-style-type: none"> <li>• SUB display frequency : 50.020 MHz</li> <li>• Mode : USB</li> <li>• Pre-amp. 2 : ON</li> <li>• Connect an SSG to [ANT1] connector and set as; <ul style="list-style-type: none"> <li>Frequency : 50.0215 MHz</li> <li>Level : 0.32 <math>\mu</math>V* (-117 dBm)</li> <li>Modulation: OFF</li> </ul> </li> <li>• Receiving</li> </ul>	Rear panel	Connect an AC millivolt meter to [EXT SP] jack with 8 $\Omega$ load.	Maximum audio level	RX PLL-B	L1222
IF THROUGH (50 MHz)	1 <ul style="list-style-type: none"> <li>• SUB display frequency : 50.020 MHz</li> <li>• Mode : USB</li> <li>• Connect an SSG to [ANT1] connector and set as; <ul style="list-style-type: none"> <li>Frequency : 64.555 MHz</li> <li>Level : 50 mV* (-13 dBm)</li> <li>Modulation: OFF</li> </ul> </li> <li>• Receiving</li> </ul>	Front panel	S-meter	Minimum level	RX PLL-B	C1265

\*This output level of a standard signal generator (SSG) is indicated as SSG's open circuit.

• RXPLL-B UNIT TOP VIEW



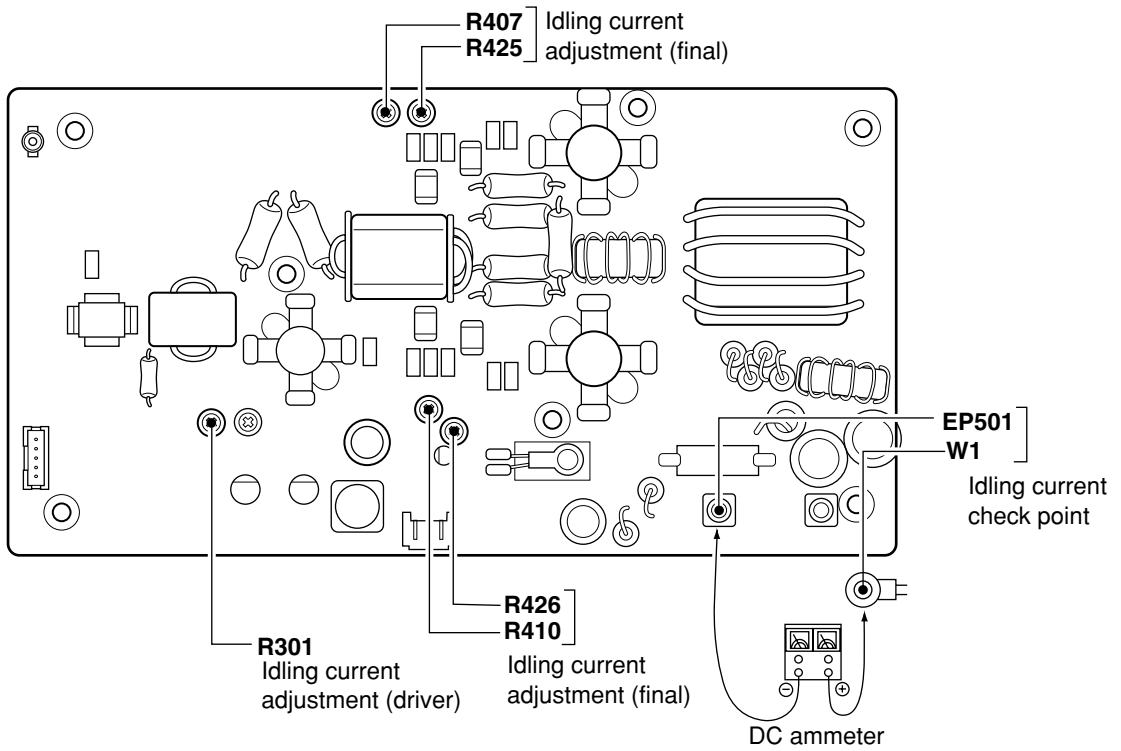
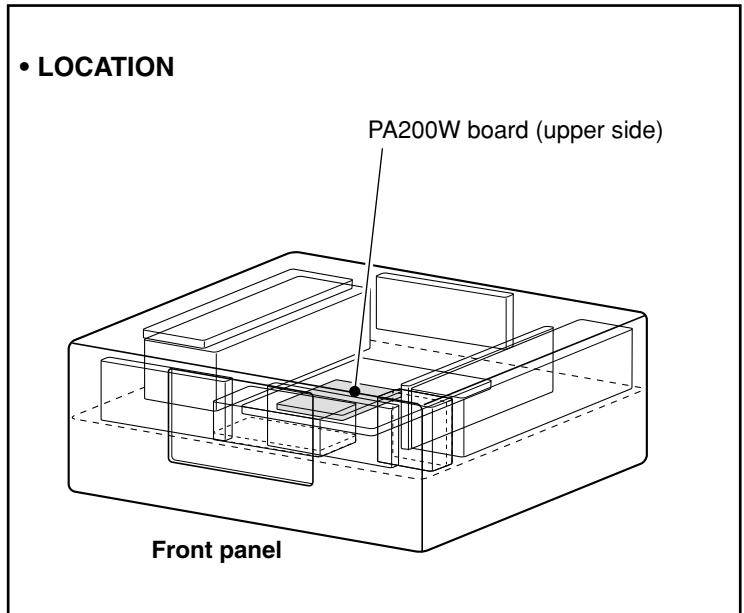


## 4-5 PA200W BOARD ADJUSTMENTS

ADJUSTMENT		ADJUSTMENT CONDITION	MEASUREMENT		VALUE	ADJUSTMENT POINT	
			UNIT	LOCATION		UNIT	ADJUST
IDLING CURRENT (For driver) <hr/> (For final amplifier)	1	<ul style="list-style-type: none"> <li>• Preset R301, R407 and R410 on the PA200W unit to max. CCW.*</li> <li>• [MIC] gain : max. CCW*</li> <li>• Main display frequency : 14.100 MHz</li> <li>• Mode : USB</li> <li>• Apply no audio signals to [MIC] connector.</li> <li>• Transmitting</li> </ul>	PA200W	Connect a DC ammeter between W1 and EP501.	1.0 A higher from the previous value of the adjustment.	PA200W	R301
	2						R407, R425
	3						R410, R426

\*CCW: Counter clockwise

• PA200W BOARD TOP VIEW

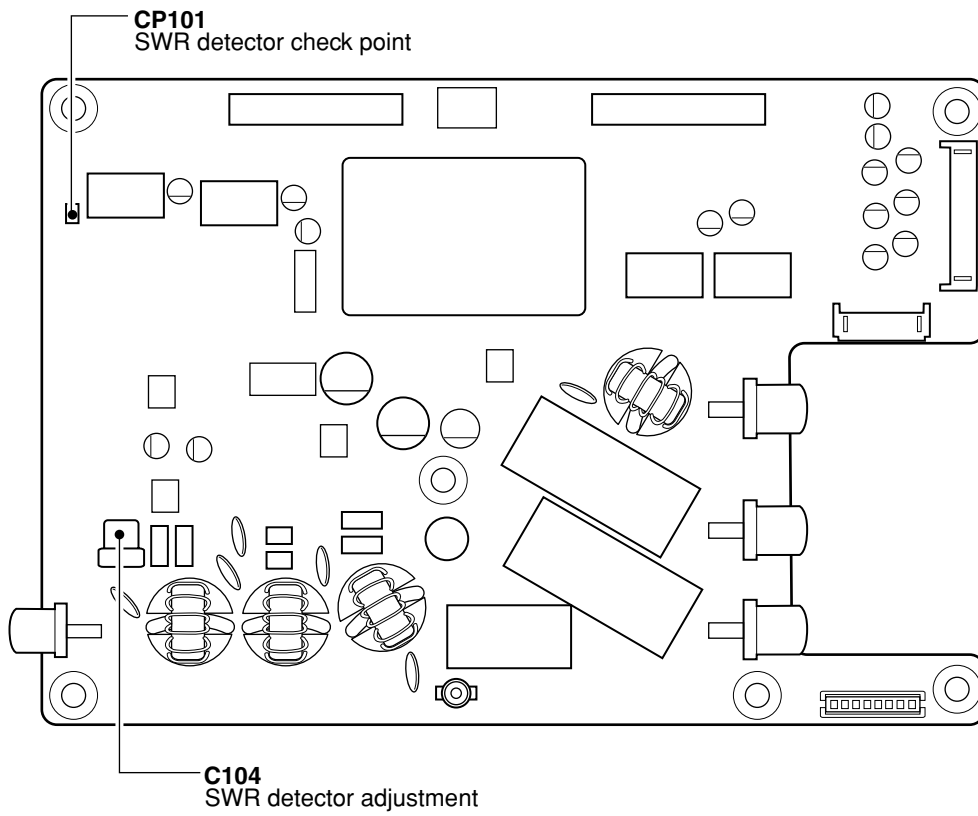
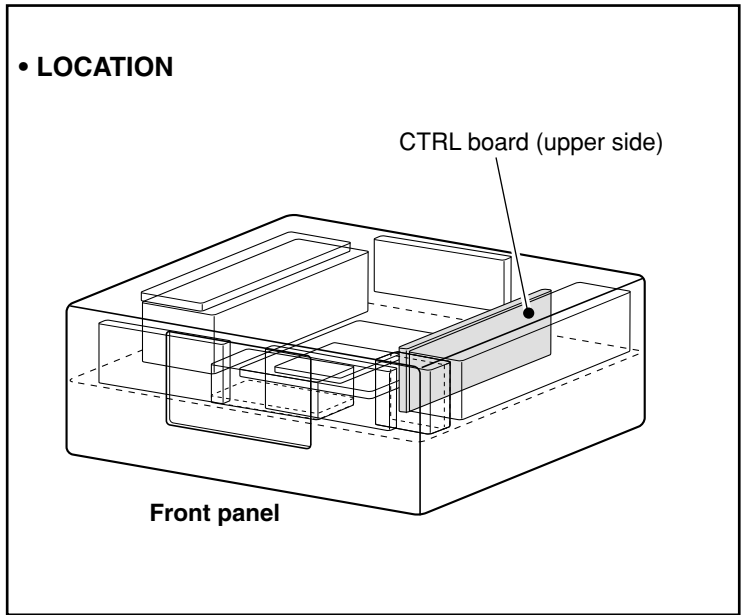


## 4-6 TUNER ADJUSTMENT

ADJUSTMENT	ADJUSTMENT CONDITION	MEASUREMENT		VALUE	ADJUSTMENT POINT		
		UNIT	LOCATION		UNIT	ADJUST	
SWR DETECTOR	1	<ul style="list-style-type: none"> <li>• Main display frequency : 24.950 MHz</li> <li>• Mode : FM</li> <li>• [RF POWER] : Max. CW (200W)</li> <li>• [TUNER] : Through</li> <li>• APC : OFF</li> <li>• Connect a 50 Ω dummy load to [ANT1] connector.</li> <li>• Transmitting</li> </ul>	CTRL	Connect a DC voltmeter or oscilloscope to CP101 (REF).	Minimum voltage	CTRL	C104
		<b>ADJUSTMENT CONDITION</b>	<b>DISPLAY</b>		<b>OPERATION</b>		
TUNER REFERENCE	1	<ul style="list-style-type: none"> <li>• Enter the tuner adjustment mode:               <ol style="list-style-type: none"> <li>① Turn power OFF.</li> <li>② Terminate [REMOTE] jack with a 2-conductor 3.5(d) mm mini-plug.</li> <li>③ While pushing [M.SCOPE] and [EXIT/SET], turn power ON.</li> </ol> </li> </ul>	TUNER-ADJUST MODE		Push [F-7 (START)] to start tuning.		
	2		-- TUNER -- Adjusting Now		Verify the display shows "Adjusting Now".		
	3		-- TUNER -- OK		Verify the display shows "OK".		



• CTRL BOARD TOP VIEW

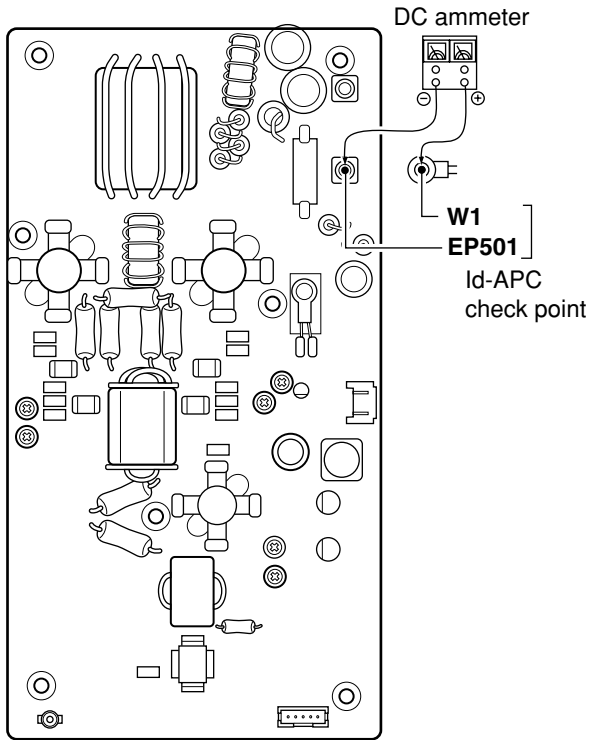


## 4-7 MAIN UNIT ADJUSTMENTS

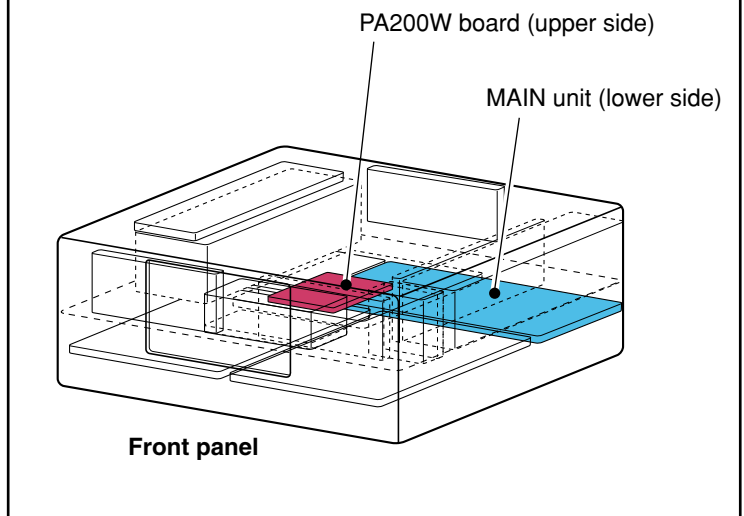
ADJUSTMENT	ADJUSTMENT CONDITION	MEASUREMENT		VALUE	ADJUSTMENT POINT	
		UNIT	LOCATION		UNIT	ADJUST
MAXIMUM OUTPUT POWER	1 <ul style="list-style-type: none"> <li>• Turn the power OFF</li> <li>• Perform the all reset operation; push and hold [F-INP] and [MW], then power ON.</li> <li><b>NOTE:</b> Save the memory contents and set mode setting conditions into the CF memory card is recommended.</li> <li>• Preset R93 to 3 o'clock position.</li> <li>• Receiving</li> </ul>	MAIN	Connect a digital multimeter or oscilloscope to CP82.	0.5 V $\pm$ 0.2 V	MAIN	R69
	2 <ul style="list-style-type: none"> <li>• Connect an audio generator to [MIC] connector and set as; Frequency : 1.5 kHz Level : 1 mV</li> <li>• Transmitting</li> </ul>	Rear panel	Connect an RF power meter to [ANT1] connector.	Maximum output power	MAIN	Adjust in sequence repeatedly L505, C576, L512
RESIDUAL AM	1 <ul style="list-style-type: none"> <li>• Mode : FM</li> <li>• Connect an audio generator to [MIC] connector and set as; Frequency : 1.0 kHz Level : 10 mV</li> <li>• Transmitting</li> </ul>	Rear panel	Connect an RF power meter to [ANT1] connector.	Minimum level difference between an audio generator is ON and OFF.	MAIN	C576
TX TOTAL GAIN	1 <ul style="list-style-type: none"> <li>• MAIN display frequency : 14.100 MHz</li> <li>• Mode : USB</li> <li>• [MIC] gain : 12 o'clock position</li> <li>• Connect an audio generator to [MIC] connector and set as; Frequency : 1.5 kHz Level : 1 mV</li> <li>• Transmitting</li> </ul>	Rear panel	Connect an RF power meter to [ANT1] connector.	130 W	MAIN	R538
HIGH POWER (HF)	1 <ul style="list-style-type: none"> <li>• MAIN display frequency : 14.100 MHz</li> <li>• Mode : RTTY</li> <li>• Transmitting</li> </ul>	Rear panel	Connect an RF power meter to [ANT1] connector.	200 W	MAIN	R81
(50 MHz)	2 <ul style="list-style-type: none"> <li>• MAIN display frequency : 50.100 MHz</li> <li>• Mode : RTTY</li> <li>• Transmitting</li> </ul>			200 W		R79
AM CARRIER POWER	1 <ul style="list-style-type: none"> <li>• MAIN display frequency : 14.100 MHz</li> <li>• Mode : AM</li> <li>• Apply no audio signals to [MIC] connector.</li> <li>• Transmitting</li> </ul>	Rear panel	Connect an RF power meter to [ANT1] connector.	55 W	MAIN	R82
Id-APC	1 <ul style="list-style-type: none"> <li>• MAIN display frequency : 14.100 MHz</li> <li>• Mode : RTTY</li> <li>• Connect CP81 to GND.</li> <li>• Preset R93 to 90° CCW.*</li> <li>• Transmitting</li> </ul>	PA	Connect a DC ammeter between W1 and EP501.	12 A	MAIN	R93

\*CCW: Counter clockwise

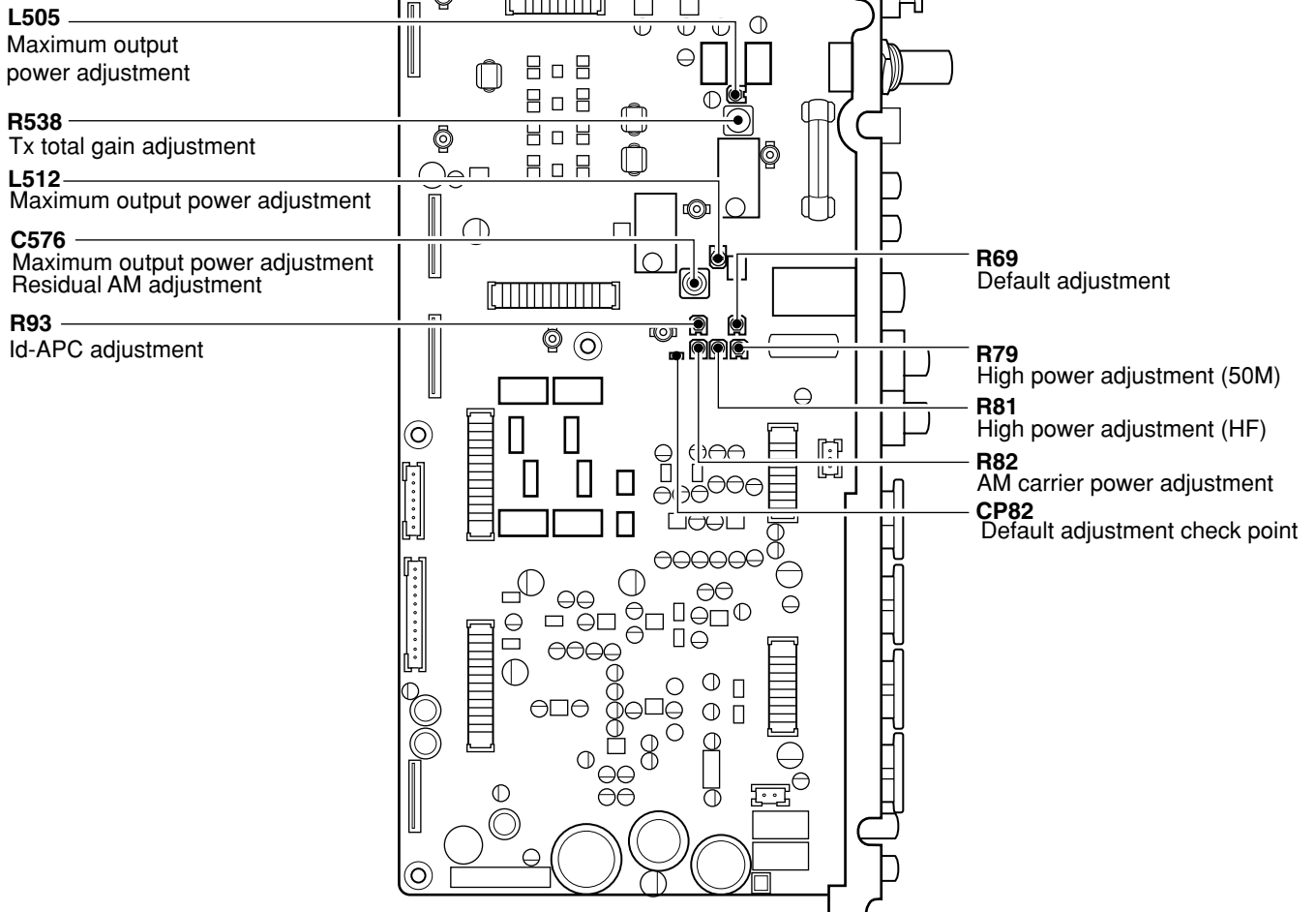
• PA200W BOARD TOP VIEW



• LOCATION

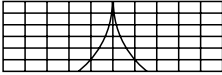
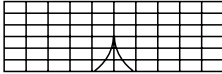


• MAIN UNIT TOP VIEW



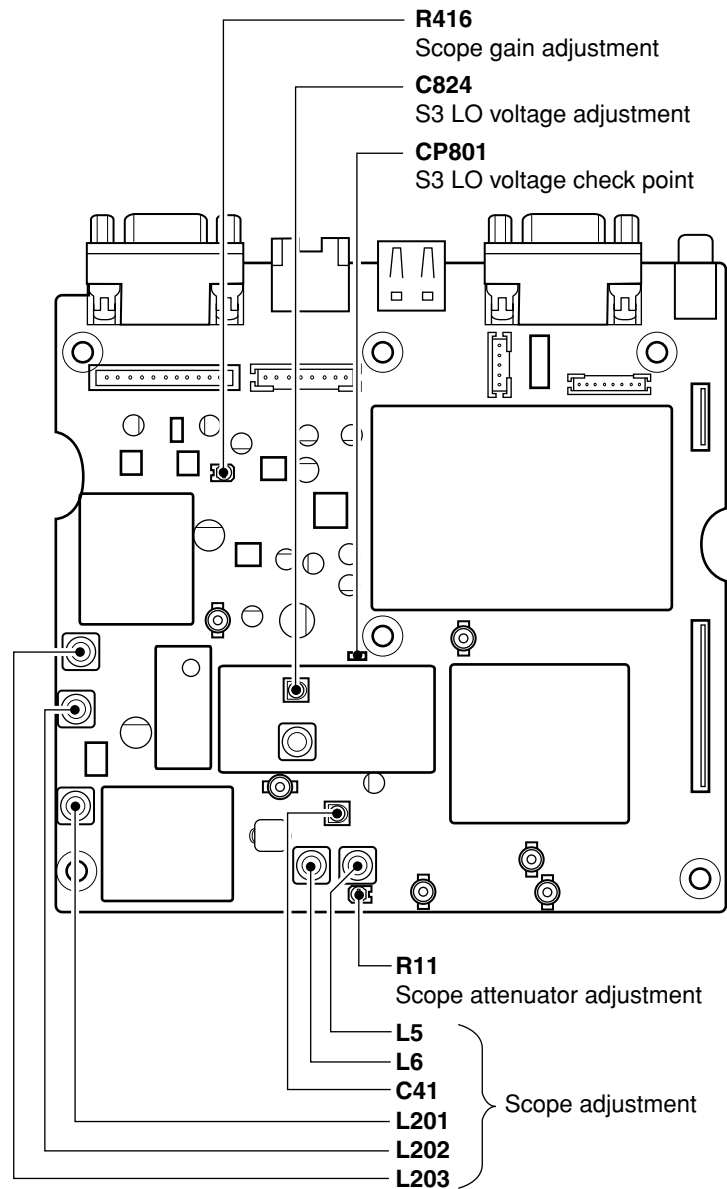
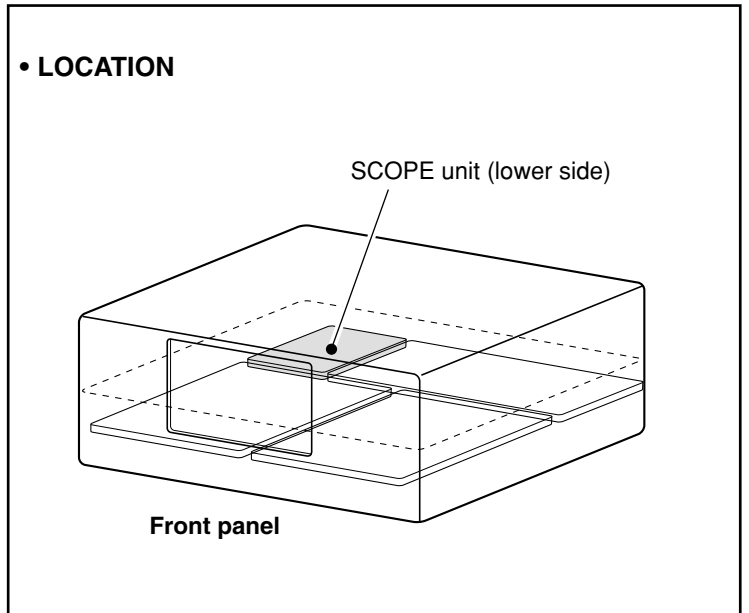


## 4-8 SCOPE UNIT ADJUSTMENTS

ADJUSTMENT	ADJUSTMENT CONDITION	MEASUREMENT		VALUE	ADJUSTMENT POINT	
		UNIT	LOCATION		UNIT	ADJUST
S3 LO LOCK VOLTAGE	1 Pre-set the IC-7800 as the following condition. • MAIN display frequency : 14.200 MHz • Mode : CW • Dualwatch : OFF • Pre-amp. : OFF • Attenuator : OFF • Scope : ON • Scope attenuator: OFF • Span : $\pm 25$ kHz • Receiving	SCOPE	Connect a digital voltmeter to CP801.	2.5 V	SCOPE	C824
SCOPE	1 • Connect an SSG to [ANT1] connector and set as; Frequency : 14.200 MHz Level : 500 $\mu$ V* (-53 dBm) Modulation: OFF • Receiving	Front panel	Scope wave on the LCD.	Maximum wave form	SCOPE	Adjust in sequence L203, L202, L201, L5, L6, C41, and repeatedly adjust L5, L6 and C41 in sequence.
	Minimum wave form			C41		
	Maximum wave form			Adjust L5, L6, repeatedly.		
SCOPE GAIN	2 • Connect an SSG to J1 and set as; Frequency : 71.715 MHz Level : 100 mV* (-7 dBm) Modulation: OFF • Receiving	Front panel	Scope wave on the LCD.	Set peak of scope wave form to 6 scales in the scope screen	SCOPE	R416
	3 • Connect an SSG to [ANT1] connector and set as; Frequency : 14.200 MHz Level : 500 $\mu$ V* (-53 dBm) Modulation: OFF • Receiving					
	1 • MAIN display frequency : 14.200 MHz • Mode : CW • Connect an SSG to [ANT1] connector and set as; Frequency : 14.200 MHz Level : 500 $\mu$ V* (-53 dBm) Modulation: OFF • Receiving					
SCOPE ATTENUATOR	1 • MAIN display frequency : 14.200 MHz • Mode : CW • Scope attenuator: 30 dB • Connect an SSG to [ANT1] connector and set as; Frequency : 14.200 MHz Level : 500 $\mu$ V* (-53 dBm) Modulation: OFF • Receiving	Front panel	Scope wave on the LCD.	Set peak of scope wave form to 3 scales in the scope screen.	SCOPE	R11

\*This output level of a standard signal generator (SSG) is indicated as SSG's open circuit.

• SCOPE UNIT TOP VIEW



## 4-9 SOFTWARE ADJUSTMENTS

ADJUSTMENT	ADJUSTMENT CONDITION	DISPLAY	OPERATION
ENTERING ADJUSTMENT MODE	1	ADJUST MODE	<p>Push [F-2 (REF)], [F-3 (TX)] or [F-4 (RX)] to select each adjustment mode. Once entering adjustment mode, use [F-1 (▲)] to return items, [F-2 (▼)] to skip items, or [F-3 (EXIT)] to return the opening screen.</p>
	<ul style="list-style-type: none"> <li>• Enter the adjustment mode:               <ol style="list-style-type: none"> <li>① Turn power OFF.</li> <li>② Terminate [REMOTE] jack with a 2-conductor 3.5(d) mm mini-plug.</li> <li>③ While pushing [SSB] and [CW], turn power ON.</li> </ol> </li> </ul> <p><b>CAUTION:</b>  <b>NEVER</b> push [F-3 (TX)] when an SSG is connected to the transceiver. Because transceiver automatically transmits when [F-3 (TX)] is pushed.</p>		
HF PO METER	1	POWER HF/50M 0W	Push [F-7 (SET)] to store the “0 W” meter indication into memory, and selects the next adjustment item.
	2	POWER HF 10W	Rotate [MAIN DIAL] to set the RF output power become 10 W. Push [F-7 (SET)] to set 10 W power meter indication and selects the next adjustment item.
	3	POWER HF 50W	Rotate [MAIN DIAL] to set the RF output power become 50 W. Push [F-7 (SET)] to set 50 W power meter indication and selects the next adjustment item.
	4	POWER HF 100W	Rotate [MAIN DIAL] to set the RF output power become 100 W. Push [F-7 (SET)] to set 100 W power meter indication and selects the next adjustment item.
	5	POWER HF 150W	Rotate [MAIN DIAL] to set the RF output power become 150 W. Push [F-7 (SET)] to set 150 W power meter indication and selects the next adjustment item.
	6	POWER HF 200W	Rotate [MAIN DIAL] to set the RF output power become 195 W. Push [F-7 (SET)] to set 200 W power meter indication and selects the next adjustment item.
50 MHz PO METER	1	POWER 50M 10W	Rotate [MAIN DIAL] to set the RF output power become 10 W. Push [F-7 (SET)] to set 10 W power meter indication and selects the next adjustment item.
	2	POWER 50M 50W	Rotate [MAIN DIAL] to set the RF output power become 50 W. Push [F-7 (SET)] to set 50 W power meter indication and selects the next adjustment item.
	3	POWER 50M 100W	Rotate [MAIN DIAL] to set the RF output power become 100 W. Push [F-7 (SET)] to set 100 W power meter indication and selects the next adjustment item.
	4	POWER 50M 150W	Rotate [MAIN DIAL] to set the RF output power become 150 W. Push [F-7 (SET)] to set 150 W power meter indication and move to the next step.
	5	POWER 50M 200W	Rotate [MAIN DIAL] to set the RF output power become 195 W. Push [F-7 (SET)] to set 200 W power meter indication and selects the next adjustment item.
RESERVE POWER SET	1	RESERVE POWER SET	Push [F-7 (SET)] to memorize the setting, and selects the next adjustment item.
POWER SET (power down)	1	Power for Power Down HF/50M	Set the RF output power to 100 W with [MAIN DIAL]. Push [F-7 (SET)] to set the RF power level and selects the next adjustment item.
ALC METER	1	ALC	Push [F-7 (SET)] to set the ALC meter and selects the next adjustment item.



## SOFTWARE ADJUSTMENTS—Continued

ADJUSTMENT	ADJUSTMENT CONDITION	DISPLAY	OPERATION
DRIVE LEVEL	1	DRIVE	Push [F-7 (SET)] to set the DRIVE level and selects the next adjustment item.
Vd METER	1	Vd48V	Push [F-7 (SET)] to set the Vd meter indication and selects the next adjustment item.
Id METER	1	Id 0A	Push [F-7 (SET)] to set the 0 A meter indication and selects the next adjustment item.
	2	Id 5A	Rotate [MAIN DIAL] to set the driving current become 5 A. Push [F-7 (SET)] to set the 5 A meter indication and selects the next adjustment item
	3	Id 10A	Rotate [MAIN DIAL] to set the driving current become 10 A. Push [F-7 (SET)] to set the 10 A meter indication and selects the next adjustment item
SWR METER	1	SWR	Push [F-7 (SET)] to set the SWR meter indication and return to the opening screen.
TOTAL GAIN	1	Total Gain A HF PRE OFF	• Push [F4 (RX)] to enter the RX adjustment mode. • Connect an SSG to [ANT1] connector and set as; Frequency : 14.1515 MHz Level : 1 mV* (-47 dBm) • Connect an AC millivolt meter to [SP] jack with an 8 $\Omega$ load.
	2	Total Gain A HF PRE ON	Rotate [MAIN DIAL] to set 30dB of AF level difference between 1 mV and no signal input from the SSG. Push [F-7 (SET)] to set the HF A total gain and selects the next adjustment item.
	3	Total Gain A 50M PRE OFF	• Set an SSG as; Frequency : 50.1515 MHz Level : 1 mV* (-47 dBm)
	4	Total Gain A 50M PRE ON	Rotate [MAIN DIAL] to set 30dB of AF level difference between 1 mV and no signal input from the SSG. Push [F-7 (SET)] to set the 50 M A total gain and selects the next adjustment item.
	5	Total Gain B HF PRE OFF	• Set an SSG as; Frequency : 14.1515 MHz Level : 1 mV* (-47 dBm)
	6	Total Gain B HF PRE ON	Rotate [MAIN DIAL] to set 30dB of AF level difference between 1 mV and no signal input from the SSG. Push [F-7 (SET)] to set the HF B total gain and selects the next adjustment item.
	7	Total Gain B 50M PRE OFF	• Set an SSG as; Frequency : 50.1515 MHz Level : 1 mV* (-47 dBm)
	8	Total Gain B 50M PRE ON	Rotate [MAIN DIAL] to set 30dB of AF level difference between 1 mV and no signal input from the SSG. Push [F-7 (SET)] to set the 50 M B total gain and selects the next adjustment item.

\*This output level of a standard signal generator (SSG) is indicated as SSG's open circuit.

## SOFTWARE ADJUSTMENTS—Continued

ADJUSTMENT	ADJUSTMENT CONDITION	DISPLAY	OPERATION
EXTERNAL AGC	1 • Connect an SSG to [ANT1] connector and set as;	AGC(RX-DSP)A	Push [F-7 (SET)] to set the external AGC level and selects the next adjustment item.
	2 Frequency : 14.1515 MHz Level : 3.2 mV* (-37 dBm) Modulation : OFF	AGC(RX-DSP)B	Push [F-7 (SET)] to set the external AGC level and selects the next adjustment item.
HF S-METER	1 • Set the SSG as; Frequency : 14.1515 MHz Level : OFF	HF S0 LEVEL	• Push [F-7 (SET)] to set the HF S0 meter indication and selects the next adjustment item. <b>NEVER</b> change the SSG output level until 2 short beeps are sound.
	2 • Set the SSG as; Level : 50 $\mu$ V* (-73 dBm)	HF S9 LEVEL	• Push [F-7 (SET)] to set the HF S9 meter indication and selects the next adjustment item. <b>NEVER</b> change the SSG output level until 2 short beeps are sound.
	3 • Set the SSG as; Level : 50 mV* (-13 dBm)	S9+60 LEVEL	• Push [F-7 (SET)] to set the HF S9+60 meter indication and selects the next adjustment item. <b>NEVER</b> change the SSG output level until 2 short beeps are sound.
50 MHz S-METER	1 • Set an SSG as; Frequency : 51.1515 MHz Level : OFF	50M S0 LEVEL	• Push [F-7 (SET)] to set the 50 MHz S0 meter indication and selects the next adjustment item. <b>NEVER</b> change the SSG output level until 2 short beeps are sound.
	2 • Set an SSG as; Level : 50 $\mu$ V* (-73 dBm)	50M S9 LEVEL	• Push [F-7 (SET)] to set the 50MHz S9 meter indication and selects the next adjustment item. <b>NEVER</b> change the SSG output level until 2 short beeps are sound.
	3 • Set an SSG as; Level : 50 mV* (-13 dBm)	S9+60 LEVEL	• Push [F-7 (SET)] to set the 50 MHz S9+60 meter indication and selects the opening screen. <b>NEVER</b> change the SSG output level until 2 short beeps are sound.
REFERENCE FREQUENCY	1 • Connect a frequency counter to the J490 (MAIN unit). • Push [F2 (REF)] to enter the REF adjustment mode.  <div style="border: 1px solid black; padding: 2px;"><b>NOTE:</b> Adjust the reference frequency at least 5 minutes has been past from the IC-7800's main power (on the rear panel) is turned ON.</div>	REF OSC	Rotate [MAIN DIAL] to set the reference frequency to 10.000000 MHz. Push [F-7 (SET)] to set the frequency and return to the opening screen.
After adjustment exiting from the adjustment mode when the transceiver is power OFF.			

\*This output level of a standard signal generator (SSG) is indicated as SSG's open circuit.

# SECTION 5 PARTS LIST

## [REPLACEMENT UNITS]

ORDER NO.	UNIT NAME
0325900101	U 7800 BPF
0325900102	U 7800 RXPLL-A
0325900103	U 7800 RXPLL-B
0325900104	U 7800 FILTER
0325900105	U 7800 DIDSEL
0325900106	U 7800 DC-DC
0325900107	U 7800 OSC
0325900108	U 7800 PA
0325900109	U 7800 TUNER
0325900110	U 7800 FRONT

## [FRONT UNIT]

REF NO.	ORDER NO.	DESCRIPTION	M.	H/V LOCATION
W1	8900008940	CBL OPC-886 (P=1, N=10, L=75)		
W2	8900008940	CBL OPC-886 (P=1, N=10, L=75)		
W3	8900012870	CBL OPC-1331 (N=40, L=70)		
W4	8900008670	CBL OPC-849 (N=30, L=70)		
W5	8900008940	CBL OPC-886 (P=1, N=10, L=75)		
W6	8900008940	CBL OPC-886 (P=1, N=10, L=75)		
W7	8900012880	CBL OPC-1336 (N=18, L=70)		
W8	8900008940	CBL OPC-886 (P=1, N=10, L=75)		
W9	8900014870	CBL OPC-1332A (P=0.5, N=40, L=100)		
W10	8900014730	CBL OPC-683A (P=1, N=10, L=110)		
W11	8900008670	CBL OPC-849 (N=30, L=70)		
W12	8900008670	CBL OPC-849 (N=30, L=70)		
W13	8900008940	CBL OPC-886 (P=1, N=10, L=75)		
W14	8900008670	CBL OPC-849 (N=30, L=70)		
W15	8900008940	CBL OPC-886 (P=1, N=10, L=75)		
W51	9025900020			
EP1	6910015291	UBD LTA070B790F		
EP11	6910011090	SUT RMS20-250-201-P		
EP12	6910011090	SUT RMS20-250-201-P		
EP13	0880001460	UBD EX-2500		
EP101	6910015650	E.OTH S-G2218-3 (MOUNT PLATE)		
EP102	6910015650	E.OTH S-G2218-3 (MOUNT PLATE)		

## [VR-A BOARD]

REF NO.	ORDER NO.	DESCRIPTION	M.	H/V LOCATION
R1	7210002890	VAR RK161221005J/RV-308		
R2	7210002890	VAR RK161221005J/RV-308		
R3	7210002890	VAR RK161221005J/RV-308		
R4	7210002890	VAR RK161221005J/RV-308		
R11	7030003520	S.RES ERJ3GEYJ 472 V (4.7 k)	B	44.6/27
R12	7030003520	S.RES ERJ3GEYJ 472 V (4.7 k)	B	44.6/25.7
R13	7030003520	S.RES ERJ3GEYJ 472 V (4.7 k)	B	59.4/29.9
R14	7030003520	S.RES ERJ3GEYJ 472 V (4.7 k)	B	44.6/24.4
R15	7030003520	S.RES ERJ3GEYJ 472 V (4.7 k)	B	44.6/21.8
R16	7030003520	S.RES ERJ3GEYJ 472 V (4.7 k)	B	44.6/23.1
R17	7030003520	S.RES ERJ3GEYJ 472 V (4.7 k)	B	63.2/9.5
R18	7030003520	S.RES ERJ3GEYJ 472 V (4.7 k)	B	44.6/20.5
R21	7030003860	S.RES ERJ3GE JPW V	B	49.7/41.4
R22	7030003860	S.RES ERJ3GE JPW V	B	52.3/42.4
R23	7030003860	S.RES ERJ3GE JPW V	B	62.8/42.9
R24	7030003860	S.RES ERJ3GE JPW V	B	56.4/31.1
R25	7030003860	S.RES ERJ3GE JPW V	B	52.3/44.4
R26	7030003860	S.RES ERJ3GE JPW V	B	27.7/10.6
R27	7030003860	S.RES ERJ3GE JPW V		
R28	7030003860	S.RES ERJ3GE JPW V		
C11	4030006880	S.CER C1608 JB 1H 472K-T	B	49.7/36.4
C12	4030006880	S.CER C1608 JB 1H 472K-T	B	65.4/36.9
C13	4030006880	S.CER C1608 JB 1H 472K-T	B	52.3/37.4
C14	4030006880	S.CER C1608 JB 1H 472K-T	B	62.8/37.9
C15	4030006880	S.CER C1608 JB 1H 472K-T	B	49.7/38.4
C16	4030006880	S.CER C1608 JB 1H 472K-T	B	65.4/38.9
C17	4030006880	S.CER C1608 JB 1H 472K-T	B	52.3/39.4
C18	4030006880	S.CER C1608 JB 1H 472K-T	B	62.8/39.9

## [VR-A BOARD]

REF NO.	ORDER NO.	DESCRIPTION	M.	H/V LOCATION
J1	6510021720	S.CNR 30FLT-SM1-TB	B	57.6/41.1
J2	6510018921	S.CNR B8B-PH-SM4-TB (LF) (SN)	B	20/4.5
J3	6510019971	S.CNR 52808-1071	B	9.5/33.1
J4	6510019971	S.CNR 52808-1071	B	9.5/17.9
EP2	6910012350	S.BEA MMZ1608Y 102BT	B	13.6/29.6
EP3	6910012350	S.BEA MMZ1608Y 102BT	B	16.5/30.6
EP5	6910012350	S.BEA MMZ1608Y 102BT	B	16.5/32.6
EP6	6910012350	S.BEA MMZ1608Y 102BT	B	13.7/34.7
EP7	6910012350	S.BEA MMZ1608Y 102BT	B	13.7/36.6
EP8	6910012350	S.BEA MMZ1608Y 102BT	B	16.5/35.7
EP9	6910012350	S.BEA MMZ1608Y 102BT	B	13.7/33.4
EP10	6910012350	S.BEA MMZ1608Y 102BT	B	13.6/23.7
EP11	6910012350	S.BEA MMZ1608Y 102BT	B	13.6/22.4
EP12	6910012350	S.BEA MMZ1608Y 102BT	B	5.3/21.5
EP13	6910012350	S.BEA MMZ1608Y 102BT	B	13.6/20.4
EP14	6910012350	S.BEA MMZ1608Y 102BT	B	5.3/19.3
EP15	6910012350	S.BEA MMZ1608Y 102BT	B	13.6/18.4
EP16	6910012350	S.BEA MMZ1608Y 102BT	B	16.1/17.4
EP17	6910012350	S.BEA MMZ1608Y 102BT	B	13.6/16.4
EP18	6910012350	S.BEA MMZ1608Y 102BT	B	16.1/15.5
EP19	6910012350	S.BEA MMZ1608Y 102BT	B	13.6/14.6
EP20	6910012350	S.BEA MMZ1608Y 102BT	B	12.5/13.2
EP21	6910012350	S.BEA MMZ1608Y 102BT	B	13.6/25

## [VR-B BOARD]

REF NO.	ORDER NO.	DESCRIPTION	M.	H/V LOCATION
R1	7210003160	VAR RV-317 (RK0972210)		
R2	7210003160	VAR RV-317 (RK0972210)		
R3	7030003520	S.RES ERJ3GEYJ 472 V (4.7 k)	T	28.6/2.7
R4	7030003520	S.RES ERJ3GEYJ 472 V (4.7 k)	T	27.8/8.4
R5	7030003520	S.RES ERJ3GEYJ 472 V (4.7 k)	T	10.5/2.7
R6	7030003520	S.RES ERJ3GEYJ 472 V (4.7 k)	T	11.1/8.4
C1	4030006880	S.CER C1608 JB 1H 472K-T	T	12.4/8.4
C2	4030006880	S.CER C1608 JB 1H 472K-T	T	11.8/2.7
C3	4030006880	S.CER C1608 JB 1H 472K-T	T	26.5/8.4
C4	4030006880	S.CER C1608 JB 1H 472K-T	T	27.3/2.7
J1	6510019971	S.CNR 52808-1071	T	19.5/5

## [VR-C BOARD]

REF NO.	ORDER NO.	DESCRIPTION	M.	H/V LOCATION
R1	7210003160	VAR RV-317 (RK0972210)		
R2	7210003160	VAR RV-317 (RK0972210)		
R3	7030003520	S.RES ERJ3GEYJ 472 V (4.7 k)	T	28.6/2.7
R4	7030003520	S.RES ERJ3GEYJ 472 V (4.7 k)	T	27.8/8.4
R5	7030003520	S.RES ERJ3GEYJ 472 V (4.7 k)	T	10.5/2.7
R6	7030003520	S.RES ERJ3GEYJ 472 V (4.7 k)	T	11.1/8.4
C1	4030006880	S.CER C1608 JB 1H 472K-T	T	12.4/8.4
C2	4030006880	S.CER C1608 JB 1H 472K-T	T	11.8/2.7
C3	4030006880	S.CER C1608 JB 1H 472K-T	T	26.5/8.4
C4	4030006880	S.CER C1608 JB 1H 472K-T	T	27.3/2.7
J1	6510019971	S.CNR 52808-1071	T	19.5/5

M.=Mounted side (T: Mounted on the Top side, B: Mounted on the Bottom side)  
S.=Surface mount



**[VR-D BOARD]**

REF NO.	ORDER NO.	DESCRIPTION	M.	H/V LOCATION
R1	7210001130	VAR RK097111T005A (10KB)		
R2	7210001130	VAR RK097111T005A (10KB)		
R3	7210001130	VAR RK097111T005A (10KB)		
R4	7210001130	VAR RK097111T005A (10KB)		
R5	7210001130	VAR RK097111T005A (10KB)		
R6	7210001130	VAR RK097111T005A (10KB)		
R7	7210001130	VAR RK097111T005A (10KB)		
R11	7030003520	S.RES ERJ3GEYJ 472 V (4.7 k)	B	11.3/3.6
R12	7030003520	S.RES ERJ3GEYJ 472 V (4.7 k)	B	28.4/3.6
R13	7030003520	S.RES ERJ3GEYJ 472 V (4.7 k)	B	45.2/3.6
R14	7030003520	S.RES ERJ3GEYJ 472 V (4.7 k)	B	62.3/3.6
R15	7030003520	S.RES ERJ3GEYJ 472 V (4.7 k)	B	79.2/3.6
R16	7030003520	S.RES ERJ3GEYJ 472 V (4.7 k)	B	96.3/3.6
R17	7030003520	S.RES ERJ3GEYJ 472 V (4.7 k)	B	100.5/6.5
C11	4030006880	S.CER C1608 JB 1H 472K-T	B	11.3/2
C12	4030006880	S.CER C1608 JB 1H 472K-T	B	28.4/2
C13	4030006880	S.CER C1608 JB 1H 472K-T	B	45.2/2
C14	4030006880	S.CER C1608 JB 1H 472K-T	B	62.3/2
C15	4030006880	S.CER C1608 JB 1H 472K-T	B	79.2/2
C16	4030006880	S.CER C1608 JB 1H 472K-T	B	96.3/2
C17	4030006880	S.CER C1608 JB 1H 472K-T	B	100.5/4.9
J1	6510019971	S.CNR 52808-1071	B	43/16

**[SW-A BOARD]**

REF NO.	ORDER NO.	DESCRIPTION	M.	H/V LOCATION
DS14	5040002930	S.LED SML-512MW T86	T	86.2/43
DS15	5040002990	S.LED SML-512UWT86	T	8.5/56.4
DS16	5040002930	S.LED SML-512MW T86	T	8.5/55.1
DS17	5040002930	S.LED SML-512MW T86	T	56.2/56.4
S1	2260002740	S.SW LS8J2M-T	T	9.7/77.2
S2	2260002740	S.SW LS8J2M-T	T	8.2/62.5
S3	2260002740	S.SW LS8J2M-T	T	8.2/48.8
S4	2260002740	S.SW LS8J2M-T	T	8.2/35.1
S5	2260002740	S.SW LS8J2M-T	T	37.5/38.9
S6	2260002740	S.SW LS8J2M-T	T	26/38.9
S7	2260002740	S.SW LS8J2M-T	T	49/38.9
S8	2260002740	S.SW LS8J2M-T	T	63/38.9
S11	2260002740	S.SW LS8J2M-T	T	56/79
S12	2260002740	S.SW LS8J2M-T	T	74.5/38.9
S13	2260002740	S.SW LS8J2M-T	T	86/38.9
S14	2260002740	S.SW LS8J2M-T	T	100.3/82.7
S15	2260002740	S.SW LS8J2M-T	T	100.3/70.7
S16	2260002740	S.SW LS8J2M-T	T	100.3/58.7
S17	2260002740	S.SW LS8J2M-T	T	100.3/46.7
S18	2260002740	S.SW LS8J2M-T	T	100.3/34.7
S19	2260002740	S.SW LS8J2M-T	T	100.3/22.7
S20	2260002740	S.SW LS8J2M-T	T	100.3/10.7
S21	2260002740	S.SW LS8J2M-T	T	56/51

**[SW-A BOARD]**

REF NO.	ORDER NO.	DESCRIPTION	M.	H/V LOCATION
R2	7030003400	S.RES ERJ3GEYJ 471 V (470)	B	8.3/85.5
R3	7030003420	S.RES ERJ3GEYJ 681 V (680)	B	8.3/53.1
R4	7030003400	S.RES ERJ3GEYJ 471 V (470)	B	8.3/56.1
R6	7030003400	S.RES ERJ3GEYJ 471 V (470)	B	26.8/42.4
R7	7030003400	S.RES ERJ3GEYJ 471 V (470)	B	33/41.6
R8	7030003400	S.RES ERJ3GEYJ 471 V (470)	B	51.6/40.4
R9	7030003400	S.RES ERJ3GEYJ 471 V (470)	B	62.5/36
R10	7030003400	S.RES ERJ3GEYJ 471 V (470)	B	75.6/36
R11	7030003400	S.RES ERJ3GEYJ 471 V (470)	B	90/37.5
R12	7030003400	S.RES ERJ3GEYJ 471 V (470)	B	57.8/82.8
R13	7030003480	S.RES ERJ3GEYJ 222 V (2.2 k)	B	3.6/40.8
R14	7030003520	S.RES ERJ3GEYJ 472 V (4.7 k)	B	48.4/80.4
R15	7030003480	S.RES ERJ3GEYJ 222 V (2.2 k)	B	29.6/39.4
R16	7030003520	S.RES ERJ3GEYJ 472 V (4.7 k)	B	41.1/39.4
R17	7030003480	S.RES ERJ3GEYJ 222 V (2.2 k)	B	66.3/36
R18	7030003520	S.RES ERJ3GEYJ 472 V (4.7 k)	B	79.5/38.1
R19	7030003540	S.RES ERJ3GEYJ 682 V (6.8 k)	B	57.3/40.5
R20	7030003540	S.RES ERJ3GEYJ 682 V (6.8 k)	B	29.6/40.7
R21	7030003540	S.RES ERJ3GEYJ 682 V (6.8 k)	B	2.4/38.1
R22	7030003480	S.RES ERJ3GEYJ 222 V (2.2 k)	B	100.2/66.5
R23	7030003520	S.RES ERJ3GEYJ 472 V (4.7 k)	B	101.5/63.3
R24	7030003580	S.RES ERJ3GEYJ 153 V (15 k)	B	98.6/41.5
R25	7030003480	S.RES ERJ3GEYJ 222 V (2.2 k)	B	100.3/19.2
R26	7030003520	S.RES ERJ3GEYJ 472 V (4.7 k)	B	100.3/7.2
R27	7030003540	S.RES ERJ3GEYJ 682 V (6.8 k)	B	98.6/77.5
R28	7030003540	S.RES ERJ3GEYJ 682 V (6.8 k)	B	96.2/35.2
R29	7030003580	S.RES ERJ3GEYJ 153 V (15 k)	B	51.2/53.1
R30	7030003400	S.RES ERJ3GEYJ 471 V (470)	B	47/58
C1	4030011600	S.CER C1608 JB 1E 104K-T	B	99.2/63
C2	4030011600	S.CER C1608 JB 1E 104K-T	B	88.8/59.1
C3	4030011600	S.CER C1608 JB 1E 104K-T	B	99.4/60.4
C4	4030011600	S.CER C1608 JB 1E 104K-T	B	90.1/59.1
C5	4030011600	S.CER C1608 JB 1E 104K-T	B	98.9/59
C6	4030011600	S.CER C1608 JB 1E 104K-T	B	53.3/77.2
C7	4030011600	S.CER C1608 JB 1E 104K-T	B	84.8/80.1
C8	4030011600	S.CER C1608 JB 1E 104K-T	B	83.5/65.3
C9	4030011600	S.CER C1608 JB 1E 104K-T	B	88/52.2
J1	6510019971	S.CNR 52808-1071	B	46.7/72.7
J2	6510019971	S.CNR 52808-1071	B	83.7/72.7
J3	6510022470	S.CNR 40FLT-SM1-TB	B	94.3/58.7
DS5	5040002980	S.LED SML-512DW-T86	T	8.5/87.6
DS6	5040002930	S.LED SML-512MW T86	T	8.5/86.3
DS7	5040002930	S.LED SML-512MW T86	T	8.5/41.4
DS8	5040002930	S.LED SML-512MW T86	T	26.2/43
DS9	5040002930	S.LED SML-512MW T86	T	37.7/43
DS10	5040002930	S.LED SML-512MW T86	T	49.2/43
DS11	5040002930	S.LED SML-512MW T86	T	63.2/43
DS12	5040002930	S.LED SML-512MW T86	T	56.2/84.4
DS13	5040002930	S.LED SML-512MW T86	T	74.7/43

**[SW-B BOARD]**

REF NO.	ORDER NO.	DESCRIPTION	M.	H/V LOCATION
J1	6510020531	S.CNR 52808-1871	B	112/20.3
S1	2260002740	S.SW LS8J2M-T	T	16.8/24.6
S2	2260002740	S.SW LS8J2M-T	T	38.8/24.6
S3	2260002740	S.SW LS8J2M-T	T	60.8/24.6
S4	2260002740	S.SW LS8J2M-T	T	82.8/24.6
S5	2260002740	S.SW LS8J2M-T	T	104.8/24.6
S6	2260002740	S.SW LS8J2M-T	T	126.8/24.6
S7	2260002740	S.SW LS8J2M-T	T	148.8/24.6
S8	2260002740	S.SW LS8J2M-T	T	16.8/15.2
S9	2260002740	S.SW LS8J2M-T	T	38.8/15.2
S10	2260002740	S.SW LS8J2M-T	T	60.8/15.2
S11	2260002740	S.SW LS8J2M-T	T	82.8/15.2
S12	2260002740	S.SW LS8J2M-T	T	104.8/15.2
S13	2260002740	S.SW LS8J2M-T	T	126.8/15.2
S14	2260002740	S.SW LS8J2M-T	T	148.8/15.2
S15	2260002740	S.SW LS8J2M-T	T	125.5/3.1
S16	2260002740	S.SW LS8J2M-T	T	145.2/3.1
S17	2260002740	S.SW LS8J2M-T	T	167.3/3.1

M.=Mounted side (T: Mounted on the Top side, B: Mounted on the Bottom side)  
S.=Surface mount

[SW-C BOARD]

REF NO.	ORDER NO.	DESCRIPTION	M.	H/V LOCATION
R1	7030003480	S.RES ERJ3GEYJ 222 V (2.2 k)	B	32.7/126.7
R2	7030003520	S.RES ERJ3GEYJ 472 V (4.7 k)	B	30.7/122.6
R3	7030003580	S.RES ERJ3GEYJ 153 V (15 k)	B	30.7/118.1
R4	7030003540	S.RES ERJ3GEYJ 682 V (6.8 k)	B	30.6/125.7
R5	7030003480	S.RES ERJ3GEYJ 222 V (2.2 k)	B	30.6/100.1
R6	7030003520	S.RES ERJ3GEYJ 472 V (4.7 k)	B	30.6/97.4
R7	7030003580	S.RES ERJ3GEYJ 153 V (15 k)	B	31.9/94.7
R8	7030003540	S.RES ERJ3GEYJ 682 V (6.8 k)	B	31.9/101.7
R9	7030003480	S.RES ERJ3GEYJ 222 V (2.2 k)	B	34.8/71.3
R10	7030003520	S.RES ERJ3GEYJ 472 V (4.7 k)	B	35.5/69.3
R11	7030003580	S.RES ERJ3GEYJ 153 V (15 k)	B	35.5/66.6
R12	7030003540	S.RES ERJ3GEYJ 682 V (6.8 k)	B	32.7/84.5
R13	7030003480	S.RES ERJ3GEYJ 222 V (2.2 k)	B	43.1/46.9
R14	7030003520	S.RES ERJ3GEYJ 472 V (4.7 k)	B	49.2/44.4
R15	7030003540	S.RES ERJ3GEYJ 682 V (6.8 k)	B	43.1/50.6
R51	7030003400	S.RES ERJ3GEYJ 471 V (470)	B	38.3/124.2
R52	7030003400	S.RES ERJ3GEYJ 471 V (470)	B	41.2/124.2
R53	7030003400	S.RES ERJ3GEYJ 471 V (470)	B	37.9/107.7
R54	7030003400	S.RES ERJ3GEYJ 471 V (470)	B	46.6/102.1
R55	7030003400	S.RES ERJ3GEYJ 471 V (470)	B	43.2/98.8
R56	7030003400	S.RES ERJ3GEYJ 471 V (470)	B	46.6/99.4
R57	7030003400	S.RES ERJ3GEYJ 471 V (470)	B	48.7/89.9
R58	7030003400	S.RES ERJ3GEYJ 471 V (470)	B	48.7/93.3
C1	4030011600	S.CER C1608 JB 1E 104K-T	B	28.9/94.5
C2	4030011600	S.CER C1608 JB 1E 104K-T	B	41.2/82
C3	4030011600	S.CER C1608 JB 1E 104K-T	B	32.1/71.3
C4	4030011600	S.CER C1608 JB 1E 104K-T	B	43.5/82.4
J1	6510021720	S.CNR 30FLT-SM1-TB	B	37.9/89
J2	6510019971	S.CNR 52808-1071	B	44.2/113.1
DS51	5040002930	S.LED SML-512MW T86	T	36.5/123.3
DS52	5040002930	S.LED SML-512MW T86	T	48/123.3
DS53	5040002930	S.LED SML-512MW T86	T	36.5/104.8
DS54	5040002930	S.LED SML-512MW T86	T	48/104.8
DS55	5040002930	S.LED SML-512MW T86	T	36.5/94.8
DS56	5040002930	S.LED SML-512MW T86	T	48/94.8
DS57	5040002930	S.LED SML-512MW T86	T	36.5/84.8
DS58	5040002930	S.LED SML-512MW T86	T	48/84.8
S1	2260002740	S.SW LS8J2M-T	T	36.7/129.1
S2	2260002740	S.SW LS8J2M-T	T	48.2/129.1
S3	2260002740	S.SW LS8J2M-T	T	36.7/118.9
S4	2260002740	S.SW LS8J2M-T	T	48.2/118.9
S5	2260002740	S.SW LS8J2M-T	T	36.7/100.4
S6	2260002740	S.SW LS8J2M-T	T	48.2/100.4
S7	2260002740	S.SW LS8J2M-T	T	36.7/90.4
S8	2260002740	S.SW LS8J2M-T	T	48.2/90.4
S9	2260002740	S.SW LS8J2M-T	T	36.7/80.4
S10	2260002740	S.SW LS8J2M-T	T	48.2/80.4
S11	2260002740	S.SW LS8J2M-T	T	36.7/70
S12	2260002740	S.SW LS8J2M-T	T	36.7/61.2
S13	2260002740	S.SW LS8J2M-T	T	36.7/52.4
S14	2260002740	S.SW LS8J2M-T	T	36.5/42.7
S15	2260002740	S.SW LS8J2M-T	T	61.5/42.7
S16	2260002740	S.SW LS8J2M-T	T	12.2/32.4
S17	2260002740	S.SW LS8J2M-T	T	74.3/27.4
S18	2260002740	S.SW LS8J2M-T	T	12.2/14.2
S19	2260002740	S.SW LS8J2M-T	T	75.2/14.2
S20	2260002740	S.SW LS8J2M-T	T	12.2/2.3
S21	2260002740	S.SW LS8J2M-T	T	75.2/2.3
S22	2260002740	S.SW LS8J2M-T	T	25.7/2.3

[JACK BOARD]

REF NO.	ORDER NO.	DESCRIPTION	M.	H/V LOCATION
L1	6200003950	S.COL HF50ACC 322513-T	T	33/7.8
L2	6200003950	S.COL HF50ACC 322513-T	T	23.5/2.7
L3	6200003950	S.COL HF50ACC 322513-T	T	16.2/2
L4	6180000900	COL LAL 03NA 101K		
L5	6180000900	COL LAL 03NA 101K		
L6	6180000900	COL LAL 03NA 101K		
R1	7030006060	S.RES ERJ12YJ100U (10)	T	24.1/6.1
R2	7030006060	S.RES ERJ12YJ100U (10)	T	16.8/5.4
C1	4030006880	S.CER C1608 JB 1H 472K-T	B	26.4/2.1
C2	4030006880	S.CER C1608 JB 1H 472K-T	B	26.4/4.8
C3	4030006880	S.CER C1608 JB 1H 472K-T	B	20.7/6.9
C101	4030006880	S.CER C1608 JB 1H 472K-T	B	15.3/6.9
C102	4030006880	S.CER C1608 JB 1H 472K-T	B	11.6/2.1
J1	6510019971	S.CNR 52808-1071	B	19/3.2
J2	6510023891	CNR S-G4617#01F		
J102	6510023900	CNR LGR4619-7000		
EP101	6910012350	S.BEA MMZ1608Y 102BT	B	15.3/8.2
EP102	6910012350	S.BEA MMZ1608Y 102BT	B	10.3/2.1

[MIC BOARD]

REF NO.	ORDER NO.	DESCRIPTION	M.	H/V LOCATION
L1	6200003261	S.COL NLV32T-101J	B	4.5/17.8
L2	6200003261	S.COL NLV32T-101J	B	2.4/12.5
L3	6200003261	S.COL NLV32T-101J	B	4.5/2
L4	6200003950	S.COL HF50ACC 322513-T	B	15.2/15.1
C1	4030006880	S.CER C1608 JB 1H 472K-T	B	8.6/16.1
C2	4030006880	S.CER C1608 JB 1H 472K-T	B	2.8/5.5
C3	4030006880	S.CER C1608 JB 1H 472K-T	B	14.2/12.3
C4	4030007130	S.CER C1608 CH 1H 101J-T	B	10.1/11.2
C5	4030006880	S.CER C1608 JB 1H 472K-T	B	1.5/5.5
C6	4030006880	S.CER C1608 JB 1H 472K-T	B	9.6/9
C7	4030006880	S.CER C1608 JB 1H 472K-T	B	7.7/10.1
C8	4030007090	S.CER C1608 CH 1H 470J-T	B	9.4/13.9
J1	6510000190	CNR FM214-8SS (P)		
J2	6510019971	S.CNR 52808-1071	B	12.7/20.2
EP2	6910012350	S.BEA MMZ1608Y 102BT	B	4.1/6.3
EP3	6910012350	S.BEA MMZ1608Y 102BT	B	7.6/2
EP4	6910012350	S.BEA MMZ1608Y 102BT	B	10.4/16
EP5	6910012350	S.BEA MMZ1608Y 102BT	B	2.7/8.1
EP6	6910012350	S.BEA MMZ1608Y 102BT	B	7.7/7.7
EP7	6910015130	S.BEA MMZ1608D 301BT	B	17.2/10.8
EP8	6910015130	S.BEA MMZ1608D 301BT	B	15.9/10.8
EP9	6910015130	S.BEA MMZ1608D 301BT	B	10.2/6.9
EP10	6910015130	S.BEA MMZ1608D 301BT	B	11.5/9.1
EP11	6910012350	S.BEA MMZ1608Y 102BT	B	5.4/14.1

M.=Mounted side (T: Mounted on the Top side, B: Mounted on the Bottom side)  
S.=Surface mount

**[TENKEY BOARD]**

REF NO.	ORDER NO.	DESCRIPTION	M.	H/V LOCATION
IC1	1130011510	S.IC BU2099FV-E2	B	37.5/67.3
IC2	1130011510	S.IC BU2099FV-E2	B	33.5/31.8
R1	7030003480	S.RES ERJ3GEYJ 222 V (2.2 k)	B	16.3/75.9
R2	7030003520	S.RES ERJ3GEYJ 472 V (4.7 k)	B	16.6/67.7
R3	7030003580	S.RES ERJ3GEYJ 153 V (15 k)	B	13.8/47.4
R4	7030003540	S.RES ERJ3GEYJ 682 V (6.8 k)	B	16.3/79.3
R5	7030003480	S.RES ERJ3GEYJ 222 V (2.2 k)	B	31.5/67.4
R6	7030003520	S.RES ERJ3GEYJ 472 V (4.7 k)	B	30.7/65.6
R7	7030003580	S.RES ERJ3GEYJ 153 V (15 k)	B	32.3/49.9
R8	7030003540	S.RES ERJ3GEYJ 682 V (6.8 k)	B	30.3/78.3
R9	7030003480	S.RES ERJ3GEYJ 222 V (2.2 k)	B	49.8/70.1
R10	7030003520	S.RES ERJ3GEYJ 472 V (4.7 k)	B	49.8/62.2
R11	7030003580	S.RES ERJ3GEYJ 153 V (15 k)	B	47.6/52.6
R12	7030003540	S.RES ERJ3GEYJ 682 V (6.8 k)	B	49.8/78.4
R51	7030003390	S.RES ERJ3GEYJ 391 V (390)	B	8/78
R52	7030003390	S.RES ERJ3GEYJ 391 V (390)	B	8/75.3
R53	7030003390	S.RES ERJ3GEYJ 391 V (390)	B	8/70.9
R54	7030003390	S.RES ERJ3GEYJ 391 V (390)	B	8/72.9
R55	7030003390	S.RES ERJ3GEYJ 391 V (390)	B	10.7/58.2
R56	7030003390	S.RES ERJ3GEYJ 391 V (390)	B	12/58.2
R57	7030003390	S.RES ERJ3GEYJ 391 V (390)	B	8/49.5
R58	7030003390	S.RES ERJ3GEYJ 391 V (390)	B	8/46.8
R59	7030003390	S.RES ERJ3GEYJ 391 V (390)	B	19.1/78
R60	7030003390	S.RES ERJ3GEYJ 391 V (390)	B	19.1/75.3
R61	7030003390	S.RES ERJ3GEYJ 391 V (390)	B	25.5/64.5
R62	7030003390	S.RES ERJ3GEYJ 391 V (390)	B	25.5/65.8
R63	7030003390	S.RES ERJ3GEYJ 391 V (390)	B	25.5/51.7
R64	7030003390	S.RES ERJ3GEYJ 391 V (390)	B	25.5/53
R65	7030003390	S.RES ERJ3GEYJ 391 V (390)	B	25.5/49.5
R66	7030003390	S.RES ERJ3GEYJ 391 V (390)	B	25.5/47
R67	7030003390	S.RES ERJ3GEYJ 391 V (390)	B	43/78
R68	7030003390	S.RES ERJ3GEYJ 391 V (390)	B	43/75.3
R69	7030003390	S.RES ERJ3GEYJ 391 V (390)	B	43.8/68.5
R70	7030003390	S.RES ERJ3GEYJ 391 V (390)	B	43.8/67.2
R71	7030003390	S.RES ERJ3GEYJ 391 V (390)	B	43/59
R72	7030003390	S.RES ERJ3GEYJ 391 V (390)	B	43/56.3
R73	7030003390	S.RES ERJ3GEYJ 391 V (390)	B	44.4/51.3
R74	7030003390	S.RES ERJ3GEYJ 391 V (390)	B	44.4/52.6
R75	7030003460	S.RES ERJ3GEYJ 152 V (1.5 k)	B	29.7/21
R76	7030003460	S.RES ERJ3GEYJ 152 V (1.5 k)	B	44.3/18.1
C1	4030011600	S.CER C1608 JB 1E 104K-T	B	8.5/66.9
C2	4030011600	S.CER C1608 JB 1E 104K-T	B	5.4/69.3
C3	4030011600	S.CER C1608 JB 1E 104K-T	B	11/67.4
C4	4030011600	S.CER C1608 JB 1E 104K-T	B	35.9/71.5
C5	4030011600	S.CER C1608 JB 1E 104K-T	B	31.7/35.9
J1	6510021720	S.CNR 30FLT-SM1-TB	B	5.2/60
J2	6510021720	S.CNR 30FLT-SM1-TB	B	5.2/31.6
J3	6510021720	S.CNR 30FLT-SM1-TB	B	49.9/33
J4	6510019971	S.CNR 52808-1071	B	53.9/57
J5	6510019971	S.CNR 52808-1071	B	24.5/74.7
J6	6510003400	CNR B04B-EH-S	B	
J7	6510018971	S.CNR B4B-PH-SM4-TB (LF) (SN)	B	36.5/3
DS1	5040002980	S.LED SML-512DW-T86	T	29.5/19
DS2	5040002980	S.LED SML-512DW-T86	T	45.5/19
S1	2260002740	S.SW LS8J2M-T	T	9.5/34
S2	2260002740	S.SW LS8J2M-T	T	9.5/26
S3	2260002740	S.SW LS8J2M-T	T	29.5/34
S4	2260002740	S.SW LS8J2M-T	T	29.5/26
S5	2260002740	S.SW LS8J2M-T	T	45.5/34
S6	2260002740	S.SW LS8J2M-T	T	45.5/26
S7	2260002740	S.SW LS8J2M-T	T	9.5/12.7
S8	2260002740	S.SW LS8J2M-T	T	29.5/16
S9	2260002740	S.SW LS8J2M-T	T	29.5/7.5
S11	2260002820	S.SW LS9J2M-2D/D-T	T	10.5/76.2
S12	2260002820	S.SW LS9J2M-2D/D-T	T	10.5/66.7
S13	2260002820	S.SW LS9J2M-2D/D-T	T	10.5/57.2
S14	2260002820	S.SW LS9J2M-2D/D-T	T	10.5/47.7
S15	2260002820	S.SW LS9J2M-2D/D-T	T	28/76.2
S16	2260002820	S.SW LS9J2M-2D/D-T	T	28/66.7
S17	2260002820	S.SW LS9J2M-2D/D-T	T	28/57.2
S18	2260002820	S.SW LS9J2M-2D/D-T	T	28/47.7
S19	2260002820	S.SW LS9J2M-2D/D-T	T	45.5/76.2
S20	2260002820	S.SW LS9J2M-2D/D-T	T	45.5/66.7
S21	2260002820	S.SW LS9J2M-2D/D-T	T	45.5/57.2
S22	2260002820	S.SW LS9J2M-2D/D-T	T	45.5/47.7
S23	2260002740	S.SW LS8J2M-T	T	45.5/16
S24	2260002740	S.SW LS8J2M-T	T	45.5/7.5

**[PBT1 BOARD]**

REF NO.	ORDER NO.	DESCRIPTION	M.	H/V LOCATION
R1	7210003180	VAR RV-319 (RK0972210)		
R2	7030003520	S.RES ERJ3GEYJ 472 V (4.7 k)	T	13.5/6.5
R3	7030003520	S.RES ERJ3GEYJ 472 V (4.7 k)	T	13.5/10
C1	4030006880	S.CER C1608 JB 1H 472K-T	T	15.6/10
C2	4030006880	S.CER C1608 JB 1H 472K-T	T	15.6/6.5
J1	6510019971	S.CNR 52808-1071	T	24.5/7
S1	2250000410	ECR TP90D96E20-30F-2178-1		

**[PBT2 BOARD]**

REF NO.	ORDER NO.	DESCRIPTION	M.	H/V LOCATION
R1	7210003180	VAR RV-319 (RK0972210)		
R2	7210003170	VAR RV-318 (RK09L1120CON)		
R3	7030003520	S.RES ERJ3GEYJ 472 V (4.7 k)	T	47.4/8.5
R4	7030003520	S.RES ERJ3GEYJ 472 V (4.7 k)	T	47.4/9.8
R5	7030003520	S.RES ERJ3GEYJ 472 V (4.7 k)	T	16.2/12.3
C1	4030006880	S.CER C1608 JB 1H 472K-T	T	52.5/10.2
C2	4030006880	S.CER C1608 JB 1H 472K-T	T	50.6/10.2
C3	4030006880	S.CER C1608 JB 1H 472K-T	T	16.2/11
J1	6510019971	S.CNR 52808-1071	T	59.1/5.1
S1	2250000410	ECR TP90D96E20-30F-2178-1		

**[LED BOARD]**

REF NO.	ORDER NO.	DESCRIPTION	M.	H/V LOCATION
R1	7030003470	S.RES ERJ3GEYJ 182 V (1.8 k)	T	9.1/14.9
R2	7030003420	S.RES ERJ3GEYJ 681 V (680)	T	21/14.9
R3	7030003440	S.RES ERJ3GEYJ 102 V (1 k)	T	32.1/14.9
R4	7030003400	S.RES ERJ3GEYJ 471 V (470)	T	80.2/14.9
R5	7030003470	S.RES ERJ3GEYJ 182 V (1.8 k)	T	126/14.9
R6	7030003420	S.RES ERJ3GEYJ 681 V (680)	T	139/14.9
R7	7030003440	S.RES ERJ3GEYJ 102 V (1 k)	T	149.8/14.9
J1	6510020711	S.CNR 52793-1070 (1090)	T	111.3/2.6
DS1	5040003000	S.LED SML-A12UT-T86	T	5.6/15.9
DS2	5040002960	S.LED SML-A12MT T86	T	17.6/15.9
DS3	5040003010	S.LED SML-A12WT	T	29.6/15.9
DS4	5040002970	S.LED CL-270WB-D-TS	T	76.6/15.9
DS5	5040003000	S.LED SML-A12UT-T86	T	123.6/15.9
DS6	5040002960	S.LED SML-A12MT T86	T	135.6/15.9
DS7	5040003010	S.LED SML-A12WT	T	147.6/15.9

M.=Mounted side (T: Mounted on the Top side, B: Mounted on the Bottom side)  
S.=Surface mount



[CF BOARD]

REF NO.	ORDER NO.	DESCRIPTION	M.	H/V LOCATION
R1	7030003470	S.RES ERJ3GEYJ 182 V (1.8 k)	T	8.8/8.7
J1	6510024150	S.CNR 50FY-BMT-TB	T	34.5/4.4
J2	6510024120	S.CNR 31-5620-050-716-871	T	34.5/13.6
J3	6510021601	S.CNR S2B-PH-SM4-TB (LF) (SN)	T	13.7/3.7
DS1	5040002990	S.LED SML-512UWT86	T	61.2/40.5
EP2	6910015640	E.OTH 30-5610-000-002-000		

[DISPLAY BOARD]

REF NO.	ORDER NO.	DESCRIPTION	M.	H/V LOCATION
R215	7030003440	S.RES ERJ3GEYJ 102 V (1 k)	T	39.4/13.4
R216	7030003440	S.RES ERJ3GEYJ 102 V (1 k)	T	38.1/13.4
R217	7030003440	S.RES ERJ3GEYJ 102 V (1 k)	T	36.8/13.4
R218	7030003440	S.RES ERJ3GEYJ 102 V (1 k)	T	35.5/13.4
R219	7030003440	S.RES ERJ3GEYJ 102 V (1 k)	T	34.2/13.4
R220	7030003440	S.RES ERJ3GEYJ 102 V (1 k)	T	31.6/13.6
R221	7030003440	S.RES ERJ3GEYJ 102 V (1 k)	T	32.9/13.4
R222	7030003440	S.RES ERJ3GEYJ 102 V (1 k)	T	30.6/16.1
R223	7030003440	S.RES ERJ3GEYJ 102 V (1 k)	T	29.8/13.5
R224	7030003440	S.RES ERJ3GEYJ 102 V (1 k)	T	29.1/16.1
R225	7030003440	S.RES ERJ3GEYJ 102 V (1 k)	T	28.3/13.4
R226	7030003440	S.RES ERJ3GEYJ 102 V (1 k)	T	27.6/16.1
R227	7030003440	S.RES ERJ3GEYJ 102 V (1 k)	T	26.8/13.4
R228	7030003440	S.RES ERJ3GEYJ 102 V (1 k)	T	25.5/13.4
R229	7030003440	S.RES ERJ3GEYJ 102 V (1 k)	T	22.9/13.4
R230	7030003440	S.RES ERJ3GEYJ 102 V (1 k)	T	24.2/13.4
R232	7030003440	S.RES ERJ3GEYJ 102 V (1 k)	T	74.1/13.4
R233	7030003440	S.RES ERJ3GEYJ 102 V (1 k)	T	76.9/13.4
R234	7030003440	S.RES ERJ3GEYJ 102 V (1 k)	T	75.4/13.4
R235	7030003440	S.RES ERJ3GEYJ 102 V (1 k)	T	78.2/13.4
R236	7030003440	S.RES ERJ3GEYJ 102 V (1 k)	T	79.5/13.4
R237	7030003440	S.RES ERJ3GEYJ 102 V (1 k)	T	80.8/13.4
R238	7030003440	S.RES ERJ3GEYJ 102 V (1 k)	T	82.1/13.4
R239	7030003440	S.RES ERJ3GEYJ 102 V (1 k)	T	107.3/86.7
R240	7030003440	S.RES ERJ3GEYJ 102 V (1 k)	T	105.9/86.7
R241	7030003680	S.RES ERJ3GEYJ 104 V (100 k)	T	108.6/86.6
R242	7030003680	S.RES ERJ3GEYJ 104 V (100 k)	T	104.5/86.7
R246	7030003440	S.RES ERJ3GEYJ 102 V (1 k)	T	59.5/13.3
R247	7030003440	S.RES ERJ3GEYJ 102 V (1 k)	T	58.2/13.3
R248	7030003440	S.RES ERJ3GEYJ 102 V (1 k)	T	56.9/13.3
R249	7030003440	S.RES ERJ3GEYJ 102 V (1 k)	T	55.6/13.3
R250	7030003440	S.RES ERJ3GEYJ 102 V (1 k)	T	54.3/13.3
R251	7030003320	S.RES ERJ3GEYJ 101 V (100)	T	52.8/13.3
R252	7030003440	S.RES ERJ3GEYJ 102 V (1 k)	T	51.5/13.3
R253	7030003440	S.RES ERJ3GEYJ 102 V (1 k)	T	50.2/13.3
R254	7030003680	S.RES ERJ3GEYJ 104 V (100 k)	T	48.4/13.3
R255	7030003640	S.RES ERJ3GEYJ 473 V (47 k)	T	12.6/14.1
R256	7030003640	S.RES ERJ3GEYJ 473 V (47 k)	T	16.5/14.1
R257	7030003670	S.RES ERJ3GEYJ 823 V (82 k)	T	13.9/14.1
R258	7030003670	S.RES ERJ3GEYJ 823 V (82 k)	T	15.2/14.1
R259	7030003440	S.RES ERJ3GEYJ 102 V (1 k)	T	12.8/90.1
R260	7030003440	S.RES ERJ3GEYJ 102 V (1 k)	T	19.4/87.2
R261	7030003440	S.RES ERJ3GEYJ 102 V (1 k)	T	10.1/88.5
R262	7030003440	S.RES ERJ3GEYJ 102 V (1 k)	T	7.1/79.8
R263	7030003440	S.RES ERJ3GEYJ 102 V (1 k)	T	18/81.9
R264	7030003440	S.RES ERJ3GEYJ 102 V (1 k)	T	7.1/78.5
R265	7030003440	S.RES ERJ3GEYJ 102 V (1 k)	T	18/80.6
R266	7030003440	S.RES ERJ3GEYJ 102 V (1 k)	T	7.1/77.2
R267	7030003440	S.RES ERJ3GEYJ 102 V (1 k)	T	18/79.3
R268	7030003440	S.RES ERJ3GEYJ 102 V (1 k)	T	7.1/75.9
R269	7030003440	S.RES ERJ3GEYJ 102 V (1 k)	T	18/78
R270	7030003440	S.RES ERJ3GEYJ 102 V (1 k)	T	7.1/74.6
R271	7030003440	S.RES ERJ3GEYJ 102 V (1 k)	T	18/76.7
R272	7030003440	S.RES ERJ3GEYJ 102 V (1 k)	T	7.1/73.3
R273	7030003440	S.RES ERJ3GEYJ 102 V (1 k)	T	7.1/72
R274	7030003440	S.RES ERJ3GEYJ 102 V (1 k)	T	18/75.4
R275	7030003440	S.RES ERJ3GEYJ 102 V (1 k)	T	7.1/70.7
R276	7030003440	S.RES ERJ3GEYJ 102 V (1 k)	T	18/74.1
R278	7030003440	S.RES ERJ3GEYJ 102 V (1 k)	T	13.4/42.7
R279	7030003440	S.RES ERJ3GEYJ 102 V (1 k)	T	4/43.9
R280	7030003440	S.RES ERJ3GEYJ 102 V (1 k)	T	13.4/44
R281	7030003440	S.RES ERJ3GEYJ 102 V (1 k)	T	4/45.2
R282	7030003440	S.RES ERJ3GEYJ 102 V (1 k)	T	13.4/45.3
R283	7030003440	S.RES ERJ3GEYJ 102 V (1 k)	T	4/46.5
R284	7030003520	S.RES ERJ3GEYJ 472 V (4.7 k)	T	13.4/46.6
R285	7030003440	S.RES ERJ3GEYJ 102 V (1 k)	T	4/47.8
R286	7030003440	S.RES ERJ3GEYJ 102 V (1 k)	T	13.4/47.9
R287	7030003440	S.RES ERJ3GEYJ 102 V (1 k)	T	4/49.1
R288	7030003440	S.RES ERJ3GEYJ 102 V (1 k)	T	13.4/49.2
R289	7030003440	S.RES ERJ3GEYJ 102 V (1 k)	T	13.4/50.5
R290	7030003440	S.RES ERJ3GEYJ 102 V (1 k)	T	4/51.7
R291	7030003440	S.RES ERJ3GEYJ 102 V (1 k)	T	13.4/51.8
R292	7030003440	S.RES ERJ3GEYJ 102 V (1 k)	T	4/53
R293	7030003440	S.RES ERJ3GEYJ 102 V (1 k)	T	13.4/54.4
R294	7030003440	S.RES ERJ3GEYJ 102 V (1 k)	T	4/55.6
R295	7030003440	S.RES ERJ3GEYJ 102 V (1 k)	T	4/58.2
R296	7030003440	S.RES ERJ3GEYJ 102 V (1 k)	T	13.4/58.3
R297	7030003440	S.RES ERJ3GEYJ 102 V (1 k)	T	4/60.8
R298	7030003440	S.RES ERJ3GEYJ 102 V (1 k)	T	13.4/59.6
R299	7030003440	S.RES ERJ3GEYJ 102 V (1 k)	T	4/50.4
R300	7030003440	S.RES ERJ3GEYJ 102 V (1 k)	T	4/63.4
R301	7030003440	S.RES ERJ3GEYJ 102 V (1 k)	T	13.4/62.2
R302	7030003560	S.RES ERJ3GEYJ 103 V (10 k)	T	13.4/60.9
R303	7030003560	S.RES ERJ3GEYJ 103 V (10 k)	T	4/62.1
R304	7030003560	S.RES ERJ3GEYJ 103 V (10 k)	T	13.4/57
R305	7030003560	S.RES ERJ3GEYJ 103 V (10 k)	T	4/59.5
R306	7030003560	S.RES ERJ3GEYJ 103 V (10 k)	T	4/56.9
R307	7030003560	S.RES ERJ3GEYJ 103 V (10 k)	T	13.4/55.7
R308	7030003560	S.RES ERJ3GEYJ 103 V (10 k)	T	4/54.3
R309	7030003560	S.RES ERJ3GEYJ 103 V (10 k)	T	13.4/53.1
R310	7030003440	S.RES ERJ3GEYJ 102 V (1 k)	T	22.2/32
R311	7030003440	S.RES ERJ3GEYJ 102 V (1 k)	T	24.9/32

[DISPLAY BOARD]

REF NO.	ORDER NO.	DESCRIPTION	M.	H/V LOCATION
IC1	1130009640	S.IC BU4051BCFV-E2	T	121.9/76.4
IC2	1130009640	S.IC BU4051BCFV-E2	T	110.5/10.9
IC3	1130009640	S.IC BU4051BCFV-E2	T	76.7/20
IC4	1130009640	S.IC BU4051BCFV-E2	T	24/61.2
IC5	1130009640	S.IC BU4051BCFV-E2	T	106.8/77.4
IC6	1140011820	S.IC M30620FCMGP D5	T	48.1/27.7
IC7	1130011510	S.IC BU2099FV-E2	T	124/59.8
IC201	1130009301	S.IC TC7SET08FU (T5L,JF)	T	71.1/51.8
IC202	1130009301	S.IC TC7SET08FU (T5L,JF)	T	107.2/58.5
IC601	1130011551	S.IC RX-4581NB-F	T	39/45.9
IC651	1110005821	S.IC R3112N281A-TR-F	T	47.9/91.1
Q200	1590000430	S.TR DTC144EUA T106	T	40.8/89.7
Q201	1530003301	S.TR 2SC3647S-TD-E	T	91.1/47.1
Q202	1530003301	S.TR 2SC3647S-TD-E	T	91.1/26.5
Q203	1530002060	S.TR 2SC4081 T106 R	T	73.9/61.5
Q204	1520000651	S.TR 2SB1201S-TL-E	T	79.5/65.1
Q205	1590000680	S.TR DTC114EUA T106	T	70.8/57.1
Q206	1590000680	S.TR DTC114EUA T106	T	113/19.4
Q208	1590001330	S.TR DTA114EUA T106	T	120/68.5
Q209	1520000651	S.TR 2SB1201S-TL-E	T	113.9/59.9
Q210	1530002060	S.TR 2SC4081 T106 R	T	107.3/55.3
Q211	1590001330	S.TR DTA114EUA T106	T	122.5/65.4
Q212	1590000680	S.TR DTC114EUA T106	T	72.5/54.3
Q501	1590000680	S.TR DTC114EUA T106	T	86/88.8
Q502	1590000680	S.TR DTC114EUA T106	T	86/92.5
Q503	1590000680	S.TR DTC114EUA T106	T	82.8/90.8
Q504	1590001330	S.TR DTA114EUA T106	T	89.2/88.8
Q505	1590000680	S.TR DTC114EUA T106	T	125/66.6
Q601	1510000501	S.TR 2SA1162-GR (TE85R,F)	T	41.4/85.2
D7	1750000520	S.DIO DAN222TL	T	122.4/18.7
D8	1160000140	S.DIO DAP222 TL	T	122.4/15.3
D9	1730002340	S.ZEN MA8047-M (TX)	T	74.3/59.3
D10	1730002590	S.ZEN MA8033-H (TX)	T	109.5/56.9
D11	1790001670	S.DIO RB706F-40T106	T	121.3/10.6
D12	1790001670	S.DIO RB706F-40T106	T	60/31
D601	1790001250	S.DIO MA2S111-(TX)	T	42.2/82.8
D602	1790001250	S.DIO MA2S111-(TX)	T	39/85.9
D603	1790001250	S.DIO MA2S111-(TX)	T	39/83.4
X1	6050009870	S.XTL CR-567 (9.8304 MHz)	T	49.7/44.5
L201	6200001831	S.COL NLV32T-100J	T	112/85.8
L203	6200003950	S.COL HF50ACC 322513-T	T	115.2/85.6
L204	6200001831	S.COL NLV32T-100J	T	126.9/91.6
L205	6200003950	S.COL HF50ACC 322513-T	T	61.2/36.6
L207	6200003950	S.COL HF50ACC 322513-T	T	117.4/17.1
L208	6200003950	S.COL HF50ACC 322513-T	T	118.4/85.6
L209	6200003950	S.COL HF50ACC 322513-T	T	9.9/64
L210	6190001191	S.COL D10F-#A814AY-101K	T	86.6/79.7
L211	6190001191	S.COL D10F-#A814AY-101K	T	81.2/38.2
L601	6200001831	S.COL NLV32T-100J	T	34.7/83.8
R200	7030003440	S.RES ERJ3GEYJ 102 V (1 k)	T	73.1/51.7
R201	7030003470	S.RES ERJ3GEYJ 182 V (1.8 k)	T	96.6/43.6
R202	7030003470	S.RES ERJ3GEYJ 182 V (1.8 k)	T	96.6/32.9
R203	7030003800	S.RES ERJ3GEYJ 105 V (1 M)	T	49.7/41.2
R208	7030003360	S.RES ERJ3GEYJ 221 V (220)	T	75/57
R209	7030003860	S.RES ERJ3GE JPW V	T	14.6/25
R210	7030003860	S.RES ERJ3GE JPW V	T	22/24.4
R212	7030003660	S.RES ERJ3GEYJ 683 V (68 k)	T	67.8/57.6
R213	7030003580	S.RES ERJ3GEYJ 153 V (15 k)	T	70.3/54.7
R214	7030003440	S.RES ERJ3GEYJ 102 V (1 k)	T	40.7/13.4

M.=Mounted side (T: Mounted on the Top side, B: Mounted on the Bottom side)  
S.=Surface mount

[DISPLAY BOARD]

REF NO.	ORDER NO.	DESCRIPTION	M.	H/V LOCATION
R312	7030003440	S.RES ERJ3GEYJ 102 V (1 k)	T	104.9/9.4
R313	7030003440	S.RES ERJ3GEYJ 102 V (1 k)	T	104.9/10.7
R314	7030003440	S.RES ERJ3GEYJ 102 V (1 k)	T	104.1/12.2
R315	7030003440	S.RES ERJ3GEYJ 102 V (1 k)	T	104.9/6.8
R316	7030003440	S.RES ERJ3GEYJ 102 V (1 k)	T	116.1/13.7
R317	7030003440	S.RES ERJ3GEYJ 102 V (1 k)	T	116.7/8.3
R318	7030003440	S.RES ERJ3GEYJ 102 V (1 k)	T	116.1/11.7
R319	7030003440	S.RES ERJ3GEYJ 102 V (1 k)	T	116.6/9.6
R320	7030003440	S.RES ERJ3GEYJ 102 V (1 k)	T	135.2/23.4
R321	7030003440	S.RES ERJ3GEYJ 102 V (1 k)	T	127.7/20.8
R322	7030003440	S.RES ERJ3GEYJ 102 V (1 k)	T	126.4/20.8
R323	7030003560	S.RES ERJ3GEYJ 103 V (10 k)	T	114.9/18.7
R325	7030003380	S.RES ERJ3GEYJ 331 V (330)	T	106.9/69.6
R326	7030003360	S.RES ERJ3GEYJ 221 V (220)	T	109.8/54.4
R327	7030003580	S.RES ERJ3GEYJ 153 V (15 k)	T	105.4/55.1
R328	7030003660	S.RES ERJ3GEYJ 683 V (68 k)	T	105.1/61.2
R329	7030003560	S.RES ERJ3GEYJ 103 V (10 k)	T	38/33.3
R330	7030003480	S.RES ERJ3GEYJ 222 V (2.2 k)	T	128.8/54.1
R331	7030003640	S.RES ERJ3GEYJ 473 V (47 k)	T	18/84.5
R332	7030003640	S.RES ERJ3GEYJ 473 V (47 k)	T	9.1/84.8
R333	7030003640	S.RES ERJ3GEYJ 473 V (47 k)	T	18/83.2
R334	7030003640	S.RES ERJ3GEYJ 473 V (47 k)	T	9.1/83.5
R335	7030003670	S.RES ERJ3GEYJ 823 V (82 k)	T	21.4/84.5
R336	7030003670	S.RES ERJ3GEYJ 823 V (82 k)	T	8.4/86.9
R337	7030003670	S.RES ERJ3GEYJ 823 V (82 k)	T	20.7/83.2
R338	7030003670	S.RES ERJ3GEYJ 823 V (82 k)	T	8.1/81.1
R339	7070000261	RES ERG2SJ 220 (22)		
R340	7070000261	RES ERG2SJ 220 (22)		
R342	7030003640	S.RES ERJ3GEYJ 473 V (47 k)	T	35.4/38.4
R343	7030003640	S.RES ERJ3GEYJ 473 V (47 k)	T	105.1/57.7
R351	7030003440	S.RES ERJ3GEYJ 102 V (1 k)	T	123.2/70.3
R352	7030003440	S.RES ERJ3GEYJ 102 V (1 k)	T	101.2/80.6
R353	7030003440	S.RES ERJ3GEYJ 102 V (1 k)	T	102.3/75
R354	7030003440	S.RES ERJ3GEYJ 102 V (1 k)	T	100.2/78
R355	7030003440	S.RES ERJ3GEYJ 102 V (1 k)	T	101.7/5.2
R356	7030003440	S.RES ERJ3GEYJ 102 V (1 k)	T	128.4/78.7
R357	7030003440	S.RES ERJ3GEYJ 102 V (1 k)	T	126.7/72.1
R358	7030003440	S.RES ERJ3GEYJ 102 V (1 k)	T	114.8/75.7
R359	7030003440	S.RES ERJ3GEYJ 102 V (1 k)	T	116.1/75.4
R360	7030003440	S.RES ERJ3GEYJ 102 V (1 k)	T	130.1/77.2
R361	7030003440	S.RES ERJ3GEYJ 102 V (1 k)	T	129.4/74
R362	7030003440	S.RES ERJ3GEYJ 102 V (1 k)	T	116.4/79.3
R363	7030003440	S.RES ERJ3GEYJ 102 V (1 k)	T	117.4/75.5
R364	7030003640	S.RES ERJ3GEYJ 473 V (47 k)	T	61.2/29
R365	7030004730	S.RES ERJ3GEYF 222 V (2.2 k)	T	61.9/33
R366	7030003440	S.RES ERJ3GEYJ 102 V (1 k)	T	128.4/64.2
R369	7030003860	S.RES ERJ3GE JPW V	T	55.7/37.4
R501	7030003640	S.RES ERJ3GEYJ 473 V (47 k)	T	68.5/16.9
R502	7030003640	S.RES ERJ3GEYJ 473 V (47 k)	T	67.2/16.9
R503	7030003640	S.RES ERJ3GEYJ 473 V (47 k)	T	36.1/32.5
R504	7030003440	S.RES ERJ3GEYJ 102 V (1 k)	T	135.3/62.2
R505	7030003360	S.RES ERJ3GEYJ 221 V (220)	T	89.2/86.9
R601	7030003860	S.RES ERJ3GE JPW V	T	44.1/89.8
R602	7030003520	S.RES ERJ3GEYJ 472 V (4.7 k)	T	41.6/87.6
R603	7030003640	S.RES ERJ3GEYJ 473 V (47 k)	T	32.4/45.4
R604	7030003560	S.RES ERJ3GEYJ 103 V (10 k)	T	32.4/46.9
R651	7030003650	S.RES ERJ3GEYJ 563 V (56 k)	T	114.8/95
R652	7030003620	S.RES ERJ3GEYJ 333 V (33 k)	T	118.6/95
R653	7030003520	S.RES ERJ3GEYJ 472 V (4.7 k)	T	44.1/86.1
C8	4030011600	S.CER C1608 JB 1E 104K-T	T	134.5/74.9
C201	4310001170	MLR ECQE1A 124JBB	T	
C202	4030016880	S.CER C4520 CH 3F 150KT-A	T	125.1/37.2
C203	4030007020	S.CER C1608 CH 1H 120J-T	T	50.5/39.9
C204	4030007020	S.CER C1608 CH 1H 120J-T	T	47.9/40
C205	4030011600	S.CER C1608 JB 1E 104K-T	T	27.7/64.4
C206	4030011600	S.CER C1608 JB 1E 104K-T	T	109/80.8
C207	4030011600	S.CER C1608 JB 1E 104K-T	T	73.2/22.2
C208	4030011600	S.CER C1608 JB 1E 104K-T	T	109.5/6.1
C209	4030011600	S.CER C1608 JB 1E 104K-T	T	124.1/79.9
C210	4030011600	S.CER C1608 JB 1E 104K-T	T	67.8/56.3
C211	4030011600	S.CER C1608 JB 1E 104K-T	T	107.7/61.2
C212	4510008800	S.ELE EEE1EA100SR	T	68.8/61.3
C213	4510009150	S.ELE EEE1EA470WP	T	77.8/52
C214	4510008800	S.ELE EEE1EA100SR	T	72.2/67.1
C215	4030011600	S.CER C1608 JB 1E 104K-T	T	120.9/85.8
C216	4030011600	S.CER C1608 JB 1E 104K-T	T	58.7/5.2
C217	4030011600	S.CER C1608 JB 1E 104K-T	T	108.3/83.3
C218	4510009150	S.ELE EEE1EA470WP	T	99.6/84.8
C219	4030006860	S.CER C1608 JB 1H 102K-T	T	109.8/83.3
C220	4030011600	S.CER C1608 JB 1E 104K-T	T	126.2/88.8
C221	4030011600	S.CER C1608 JB 1E 104K-T	T	103.2/55.1
C222	4030011600	S.CER C1608 JB 1E 104K-T	T	127.7/15.4
C223	4030011600	S.CER C1608 JB 1E 104K-T	T	134.7/27.7
C224	4030011600	S.CER C1608 JB 1E 104K-T	T	48.1/38.2
C225	4030011600	S.CER C1608 JB 1E 104K-T	T	119.8/61.5
C226	4030011600	S.CER C1608 JB 1E 104K-T	T	17.2/87.2
C227	4030011600	S.CER C1608 JB 1E 104K-T	T	120.9/82.9
C228	4510008800	S.ELE EEE1EA100SR	T	125.5/83.6
C229	4030011600	S.CER C1608 JB 1E 104K-T	T	7.3/65.1
C230	4030006880	S.CER C1608 JB 1H 472K-T	T	58.6/29

[DISPLAY BOARD]

REF NO.	ORDER NO.	DESCRIPTION	M.	H/V LOCATION
C231	4030011600	S.CER C1608 JB 1E 104K-T	T	47.6/17.4
C232	4030011600	S.CER C1608 JB 1E 104K-T	T	58/31.2
C241	4030011600	S.CER C1608 JB 1E 104K-T	T	118.9/80.3
C242	4030011600	S.CER C1608 JB 1E 104K-T	T	116.4/81.2
C243	4030011600	S.CER C1608 JB 1E 104K-T	T	120.2/80.3
C244	4030011600	S.CER C1608 JB 1E 104K-T	T	121.1/73
C245	4030011600	S.CER C1608 JB 1E 104K-T	T	128.4/80
C246	4030011600	S.CER C1608 JB 1E 104K-T	T	131.3/74.6
C247	4030011600	S.CER C1608 JB 1E 104K-T	T	130.1/75.9
C248	4030011600	S.CER C1608 JB 1E 104K-T	T	124.8/73
C249	4030011600	S.CER C1608 JB 1E 104K-T	T	112.1/6.1
C250	4030011600	S.CER C1608 JB 1E 104K-T	T	113.5/14.3
C251	4030011600	S.CER C1608 JB 1E 104K-T	T	112.1/7.4
C252	4030011600	S.CER C1608 JB 1E 104K-T	T	115.9/6.9
C253	4030011600	S.CER C1608 JB 1E 104K-T	T	104.1/13.5
C254	4030011600	S.CER C1608 JB 1E 104K-T	T	109.5/7.4
C255	4030011600	S.CER C1608 JB 1E 104K-T	T	104.9/8.1
C256	4030011600	S.CER C1608 JB 1E 104K-T	T	104.9/5.5
C257	4030011600	S.CER C1608 JB 1E 104K-T	T	72.8/13.4
C258	4030011600	S.CER C1608 JB 1E 104K-T	T	72.7/16.2
C259	4030011600	S.CER C1608 JB 1E 104K-T	T	80.2/19
C260	4030011600	S.CER C1608 JB 1E 104K-T	T	72.4/19.4
C261	4030011600	S.CER C1608 JB 1E 104K-T	T	76.4/28.1
C262	4030011600	S.CER C1608 JB 1E 104K-T	T	75.1/28.1
C263	4030011600	S.CER C1608 JB 1E 104K-T	T	73.3/27.3
C264	4030011600	S.CER C1608 JB 1E 104K-T	T	72.5/25.5
C265	4030011600	S.CER C1608 JB 1E 104K-T	T	20.9/52.3
C266	4030011600	S.CER C1608 JB 1E 104K-T	T	28.4/62.5
C267	4030011600	S.CER C1608 JB 1E 104K-T	T	21.6/55.8
C268	4030011600	S.CER C1608 JB 1E 104K-T	T	21.6/57.1
C601	4510008800	S.ELE EEE1EA100SR	T	29.4/86.2
C602	4030011600	S.CER C1608 JB 1E 104K-T	T	39.2/41.8
C651	4030008890	S.CER C1608 JB 1H 273K-T	T	47.9/93.5
C652	4030011600	S.CER C1608 JB 1E 104K-T	T	50.3/91.9
J1	6510021720	S.CNR 30FLT-SM1-TB	T	13.2/80.7
J2	6510021720	S.CNR 30FLT-SM1-TB	T	8.7/52.4
J3	6510022470	S.CNR 40FLT-SM1-TB	T	131.5/62.7
J4	6510020531	S.CNR 52808-1871	T	30.8/8.8
J5	6510019971	S.CNR 52808-1071	T	77.7/8.8
J6	6510021720	S.CNR 30FLT-SM1-TB	T	130.9/21.4
J7	6510019971	S.CNR 52808-1071	T	55.4/8.8
J201	6510022470	S.CNR 40FLT-SM1-TB	T	6.2/28.7
J202	6510022470	S.CNR 40FLT-SM1-TB	T	18.1/28.7
J203	6510020081	S.CNR 52808-2071 (2090)	T	113.5/91.2
J205	6510003400	CNR B04B-EH-S		
J301	6510021181	S.CNR SM2(8.0)B-BHS1TB(LF) (SN)	T	131.7/38.9
J302	6510022191	S.CNR B3B-PH-SM4-TB (LF) (SN)	T	94.2/7.5
J601	6510021861	CNR BH-800.8		
T201	5910000981	TSM 3319-T088LF		
BT601	3020000110	LTM CR2032		

M.=Mounted side (T: Mounted on the Top side, B: Mounted on the Bottom side)  
S.=Surface mount

[RXPLL-A UNIT]

REF NO.	ORDER NO.	DESCRIPTION	M.	H/V LOCATION
IC1	1130011530	S.IC CD74HC4094M96	T	11.9/24.1
IC2	1130009691	S.IC TC74HCT7007AF (F)	T	22.8/23.3
IC51	1180001251	S.IC TA7808F (TE16L,Q)	T	77/16.7
IC61	1180000421	S.IC TA78L05F (TE12R,F)	B	56.5/16.7
IC101	1140007881	S.IC TC190G08EFG0046JDZ	T	31.3/89.7
IC102	1130003831	S.IC TC7S04F (TE85R,F)	T	33.1/74.7
IC103	1130006441	S.IC TC7S08F (TE85R,F)	B	34/92.1
IC104	1130003831	S.IC TC7S04F (TE85R,F)	T	31.7/101.1
IC201	1130009230	S.IC LMX2306TMX/NOPB	T	27.9/38.8
IC501	1140007881	S.IC TC190G08EFG0046JDZ	T	31.3/142.5
IC502	1130003831	S.IC TC7S04F (TE85R,F)	T	24.8/127.4
IC503	1130003831	S.IC TC7S04F (TE85R,F)	T	31.7/154.1
IC602	1130006441	S.IC TC7S08F (TE85R,F)	B	50.6/113.3
IC651	1140004550	S.IC M65343FP/SC1287	T	22.6/169.2
IC652	1130003831	S.IC TC7S04F (TE85R,F)	T	13.7/163.1
IC1051	1190002010	S.IC SD5400CY	T	176.9/99.9
IC1081	1110006180	S.IC UPG2009TB-E3	B	151.6/85.1
IC1402	1190002110	S.IC NJG1519KC1-TE3	T	117.3/69.5
IC1403	1190002110	S.IC NJG1519KC1-TE3	T	113.4/106.3
IC1501	1110006121	S.IC DBM9A41-G-TR	T	121.2/124.5
IC1502	1110006121	S.IC DBM9A41-G-TR	T	121.2/133
IC1503	1110006100	S.IC NJM5534MD-TE1	T	138.4/151.7
IC1504	1110006100	S.IC NJM5534MD-TE1	T	119.2/151.7
IC1505	1110006190	S.IC NJM074M-TE1	T	128.8/166.9
IC1506	1110006100	S.IC NJM5534MD-TE1	T	128.8/175.6
IC1651	1130011920	S.IC TC74LXC00F (EL)	T	110/126.2
IC1652	1110005420	S.IC BA15532F-E2	T	139.8/175.6
IC1653	1110005100	S.IC NJM072BM-TE1	B	140/172
IC1701	1130011530	S.IC CD74HC4094M96	T	158/166.7
IC1702	1130011530	S.IC CD74HC4094M96	T	148.9/166.7
IC1703	1160000131	S.IC TD62783AFG (S.EL)	T	157.3/154.8
IC1704	1180000790	S.IC AN78L10M (E1)	B	183.2/159.8
Q1	1590001050	S.TR DTC114TUA T106	B	30.3/22.6
Q30	1530002060	S.TR 2SC4081 T106 R	T	22.3/110.9
Q41	1590000680	S.TR DTC114EUA T106	T	12.8/34.2
Q150	1560000331	S.FET 2SK210-GR (TE85R,F)	T	26.9/53
Q151	1530002280	S.TR 2SC4081 T106 S	B	33.6/57.2
Q152	1530002280	S.TR 2SC4081 T106 S	B	30.8/78.2
Q201	1590001330	S.TR DTA114EUA T106	T	29.6/34.1
Q220	1560000331	S.FET 2SK210-GR (TE85R,F)	T	72.5/33.9
Q230	1560000331	S.FET 2SK210-GR (TE85R,F)	T	72.5/46.4
Q240	1560000331	S.FET 2SK210-GR (TE85R,F)	T	72.5/58.9
Q250	1560000331	S.FET 2SK210-GR (TE85R,F)	T	72.5/71.4
Q260	1560000331	S.FET 2SK210-GR (TE85R,F)	T	72.5/83.9
Q270	1560000331	S.FET 2SK210-GR (TE85R,F)	T	72.5/95.8
Q280	1590000680	S.TR DTC114EUA T106	T	82.3/34.4
Q281	1590000680	S.TR DTC114EUA T106	T	82.3/46.9
Q282	1590000680	S.TR DTC114EUA T106	T	82.3/59.4
Q283	1590000680	S.TR DTC114EUA T106	T	82.3/71.9
Q284	1590000680	S.TR DTC114EUA T106	T	82.3/84.4
Q285	1590000680	S.TR DTC114EUA T106	T	82.3/96.4
Q301	1530003431	S.TR 2SC5226-4-TL-E	T	92.1/30.1
Q302	1530003431	S.TR 2SC5226-4-TL-E	B	89.1/42.5
Q303	1530003431	S.TR 2SC5226-4-TL-E	B	91.3/25.1
Q341	1590000680	S.TR DTC114EUA T106	T	86.3/36.7
Q351	1580000751	S.FET 3SK294 (TE85L,F)	T	92.1/56.9
Q352	1530003431	S.TR 2SC5226-4-TL-E	B	89.2/64.5
Q363	1590000680	S.TR DTC114EUA T106	T	86.8/54.3
Q364	1590001330	S.TR DTA114EUA T106	T	86.8/57.4
Q421	1590000680	S.TR DTC114EUA T106	B	96.2/91.6
Q422	1590000680	S.TR DTC114EUA T106	B	92.6/91.6
Q441	1590000680	S.TR DTC114EUA T106	T	86.5/73.7
Q502	1590000680	S.TR DTC114EUA T106	T	41.9/128.8
Q540	1530002060	S.TR 2SC4081 T106 R	B	58.7/141.2
Q541	1560000331	S.FET 2SK210-GR (TE85R,F)	T	68.9/142.8
Q561	1530003431	S.TR 2SC5226-4-TL-E	T	70.6/153.8
Q580	1530003431	S.TR 2SC5226-4-TL-E	T	41.7/147.4
Q591	1530003151	S.TR 2SC4673D-TD-E	T	61.7/166.5
Q592	1520000561	S.TR 2SB1123 T-TD-E	B	52/165.3
Q593	1590000680	S.TR DTC114EUA T106	B	54.8/171.2
Q680	1530002060	S.TR 2SC4081 T106 R	T	37.5/163.2
Q702	1530002601	S.TR 2SC4215-O (TE85R,F)	T	31.4/110.9
Q801	1560000561	S.FET 2SK882-GR (TE85L,F)	T	82.8/147.3
Q811	1560000561	S.FET 2SK882-GR (TE85L,F)	T	77.4/177.6
Q831	1560000561	S.FET 2SK882-GR (TE85L,F)	T	88.7/155.1
Q832	1520000561	S.TR 2SB1123 T-TD-E	B	77.9/167.1
Q833	1590000680	S.TR DTC114EUA T106	B	73.5/162.5
Q1001	1530003851	S.TR 2SC5551F-TD-E	B	174.9
Q1004	1590001960	S.TR XP4311 (TX)	T	150/18.8
Q1005	1590001960	S.TR XP4311 (TX)	T	145.9/18.8
Q1006	1530003851	S.TR 2SC5551F-TD-E	B	150/37.6
Q1007	1530003851	S.TR 2SC5551F-TD-E	B	176.5/42.5
Q1008	1530003851	S.TR 2SC5551F-TD-E	B	160.5/42.5
Q1101	1530003860	TR 2SC3950D	T	
Q1102	1590000680	S.TR DTC114EUA T106	T	165.5/133.8
Q1103	1520000561	S.TR 2SB1123 T-TD-E	B	168.6/127.8
Q1104	1530003860	TR 2SC3950D	T	
Q1105	1530003841	S.TR 2SC5501-4-TR-E	T	166.5/142.1
Q1205	1590001960	S.TR XP4311 (TX)	T	158.8/55.6
Q1209	1530003851	S.TR 2SC5551F-TD-E	B	121/34.9

[RXPLL-A UNIT]

REF NO.	ORDER NO.	DESCRIPTION	M.	H/V LOCATION
Q1210	1530003851	S.TR 2SC5551F-TD-E	B	111.5/34.9
Q1211	1560001311	S.FET MMBFU310LT1G	T	159.5/96.4
Q1212	1560001311	S.FET MMBFU310LT1G	T	153.5/96.4
Q1213	1590000680	S.TR DTC114EUA T106	B	156.9/123.7
Q1214	1520000561	S.TR 2SB1123 T-TD-E	B	155.4/113.5
Q1301	1530003151	S.TR 2SC4673D-TD-E	T	157.8/120
Q1352	1530003851	S.TR 2SC5551F-TD-E	B	140/66.7
Q1401	1530003841	S.TR 2SC5501-4-TR-E	T	131.9/105.8
Q1402	1530003021	S.TR 2SC4402-3-TL-E	T	123.4/111.8
Q1403	1530003021	S.TR 2SC4402-3-TL-E	T	123.4/114.3
Q1501	1530003450	S.TR 2SC4835-R (TX)	T	133.5/143.5
Q1502	1530003450	S.TR 2SC4835-R (TX)	T	120.4/143.5
Q1651	1530002601	S.TR 2SC4215-O (TE85R,F)	B	105.6/140.3
Q1701	1590001960	S.TR XP4311 (TX)	T	106.6/43.9
Q1702	1590001960	S.TR XP4311 (TX)	T	148.9/147.2
Q1703	1590001960	S.TR XP4311 (TX)	T	146.4/147.2
D101	1750000520	S.DIO DAN222TL	T	41.8/86.2
D152	1720000590	S.VCP MA357 (TX)	T	17.6/59.9
D153	1790000491	S.DIO HSM88ASTR-E	T	27.2/60.4
D154	1790000491	S.DIO HSM88ASTR-E	T	27.2/63.8
D201	1750000520	S.DIO DAN222TL	T	32.4/34.1
D220	1720000590	S.VCP MA357 (TX)	T	50.8/31.8
D221	1720000590	S.VCP MA357 (TX)	T	52.9/31.8
D222	1790000620	S.DIO MA77 (TX)	T	82.6/29.8
D230	1720000590	S.VCP MA357 (TX)	T	50.8/44.2
D231	1720000590	S.VCP MA357 (TX)	T	52.9/42.2
D232	1790000620	S.DIO MA77 (TX)	T	82.6/42.3
D240	1720000590	S.VCP MA357 (TX)	T	50.8/56.7
D241	1720000590	S.VCP MA357 (TX)	T	52.9/56.7
D242	1790000620	S.DIO MA77 (TX)	T	82.6/54.8
D250	1720000590	S.VCP MA357 (TX)	T	50.8/69.2
D252	1790000620	S.DIO MA77 (TX)	T	82.6/67.3
D261	1720000590	S.VCP MA357 (TX)	T	52.9/81.7
D262	1790000620	S.DIO MA77 (TX)	T	82.6/79.8
D270	1720000590	S.VCP MA357 (TX)	T	50.8/94.2
D271	1720000590	S.VCP MA357 (TX)	T	52.4/96.7
D272	1790000620	S.DIO MA77 (TX)	T	82.5/92.2
D341	1790000620	S.DIO MA77 (TX)	T	90/37.2
D342	1160000070	S.DIO DAN202K T146	B	81.1/47.7
D362	1790000620	S.DIO MA77 (TX)	T	88.3/65.5
D363	1790000620	S.DIO MA77 (TX)	T	88.3/62
D421	1790000620	S.DIO MA77 (TX)	T	91.9/85
D422	1790000620	S.DIO MA77 (TX)	T	88.6/85
D423	1790000620	S.DIO MA77 (TX)	T	92.5/91.2
D424	1790000620	S.DIO MA77 (TX)	T	88.9/91.2
D441	1790000620	S.DIO MA77 (TX)	T	89.6/74.4
D501	1750000520	S.DIO DAN222TL	T	42/132
D542	1720000590	S.VCP MA357 (TX)	T	62.5/139.6
D821	1750000431	S.DIO HSB88WSTR-E	T	84.1/169.4
D1001	1750000581	S.DIO 1SV307 (TPH3,F)	T	181.9/65.7
D1101	1790000620	S.DIO MA77 (TX)	T	177.6/146.6
D1102	1790000620	S.DIO MA77 (TX)	T	177.6/148.4
D1201	1750000581	S.DIO 1SV307 (TPH3,F)	T	139.1/57.7
D1351	1750000581	S.DIO 1SV307 (TPH3,F)	T	140.8/71.1
D1653	1750000550	S.DIO 1SS355 TE-17	T	138.9/167.2
D1654	1750000550	S.DIO 1SS355 TE-17	T	142.5/167.2
D1701	1790001670	S.DIO RB706F-40T106	T	170.5/160.8
FI101	2020001820	S.CER SFCEV10M5FA00-R0	T	26/73.9
FI831	2030000300	S.MLH FL-356 (64.491 MHz)	T	91.6/162.1
FI1401	2030000281	S.MLH FL-364A (64.455 MHz)	T	116.3/88.5
FI1402	2030000331	S.MLH FL-358A (64.455 MHz)	T	107/88.5
FI1403	2030000510	S.MLH FL-396 (64.455 MHz)	T	126/85.5
L1	6200003261	S.COL NLV32T-101J	T	10.8/15.4
L2	6200003261	S.COL NLV32T-101J	T	29/19.9
L10	6200003950	S.COL HF50ACC 322513-T	T	38.6/14.7
L11	6200003950	S.COL HF50ACC 322513-T	T	13.8/15.4
L12	6200003950	S.COL HF50ACC 322513-T	T	16.8/15.4
L13	6200003950	S.COL HF50ACC 322513-T	T	29/15.4
L20	6200003321	S.COL NLV32T-3R3J	T	85.9/123.8
L30	6200005491	S.COL NLV32T-331J	T	20.6/120
L101	6200001831	S.COL NLV32T-100J	T	38.3/72.8
L151	6130002970	COL LB-343	T	
L152	6200001831	S.COL NLV32T-100J	T	30/54.5
L201	6200005011	S.COL NLV25T-100J	T	22.2/45
L211	6200003661	S.COL NLV25T-FR68J	B	45.4/35.3
L220	6200010790	S.COL C2520C-3R9G-A	T	51.9/37.5
L221	6190001421	COL #E526GN-110502	T	
L222	6200010790	S.COL C2520C-3R9G-A	T	76.2/37.7
L230	6200010830	S.COL C2520C-3R3G-A	T	51.9/50
L231	6190001421	COL #E526GN-110502	T	
L232	6200010830	S.COL C2520C-3R3G-A	T	76.2/50.2
L240	6200010830	S.COL C2520C-3R3G-A	T	51.9/62.4
L241	6190001421	COL #E526GN-110502	T	
L242	6200010830	S.COL C2520C-3R3G-A	T	76.2/62.7
L250	6200010820	S.COL C2520C-2R7G-A	T	51.9/74.9
L251	6190001421	COL #E526GN-110502	T	

M.=Mounted side (T: Mounted on the Top side, B: Mounted on the Bottom side)  
S.=Surface mount



[RXPLL-A UNIT]

REF NO.	ORDER NO.	DESCRIPTION	M.	H/V LOCATION
L252	6200010820	S.COL C2520C-2R7G-A	T	76.2/75.2
L260	6200010820	S.COL C2520C-2R7G-A	T	51.9/87.4
L261	6190001411	COL #E526GN-110501		
L262	6200010820	S.COL C2520C-2R7G-A	T	76.2/87.7
L270	6200010810	S.COL C2520C-2R2G-A	T	51.9/99.8
L271	6190001411	COL #E526GN-110501		
L272	6200010810	S.COL C2520C-2R2G-A	T	76/100.2
L280	6200005011	S.COL NLV25T-100J	T	67.4/25.5
L302	6200001831	S.COL NLV32T-100J	T	89.3/42.6
L331	6200002641	S.COL NLV25T-R15J	T	95.1/34.1
L332	6200002411	S.COL NLV25T-056J	B	93.2/36
L341	6200003261	S.COL NLV32T-101J	T	87/39.6
L351	6200001831	S.COL NLV32T-100J	T	91.3/62
L421	6200008641	S.COL NLV32T-391J	T	87/81
L441	6200002601	S.COL NLV25T-047J	T	91.9/72.3
L442	6200010730	S.COL C2520C-68NG-A	T	90.5/78.2
L451	6200002641	S.COL NLV25T-R15J	T	95/81
L452	6200003261	S.COL NLV32T-101J	T	87/78
L501	6200001831	S.COL NLV32T-100J	T	31/125.8
L530	6200003171	S.COL NLV32T-330J	T	14.6/134.9
L531	6200003171	S.COL NLV32T-330J	T	14.6/130.8
L532	6200003171	S.COL NLV32T-330J	T	15.5/127.1
L541	6200010790	S.COL C2520C-3R9G-A	T	56.3/139.6
L542	6190001421	COL #E526GN-110502		
L543	6200010790	S.COL C2520C-3R9G-A	T	68.4/147.9
L544	6200003261	S.COL NLV32T-101J	B	65.9/142.1
L545	6200003261	S.COL NLV32T-101J	B	51.3/139.6
L561	6200003261	S.COL NLV32T-101J	B	64/156
L562	6200001831	S.COL NLV32T-100J	B	74.6/151.8
L565	6150004250	COL LS-471A (C-14922)		
L566	6150004250	COL LS-471A (C-14922)		
L591	6200007790	S.COL LQW2BHN15J03L	T	60.5/171.5
L651	6200001831	S.COL NLV32T-100J	T	15.5/176.2
L681	6200005491	S.COL NLV32T-331J	T	37.4/176.2
L682	6200008641	S.COL NLV32T-391J	T	37.8/172.6
L683	6200008641	S.COL NLV32T-391J	T	40.2/166.2
L701	6200003261	S.COL NLV32T-101J	T	23.6/120
L702	6150004971	S.COL LS-522-LF	T	37.6/108.6
L703	6150004971	S.COL LS-522-LF	T	37.5/118.5
L801	6150004280	COL LS-484B (C-14927)		
L812	6200003231	S.COL NLV32T-181J	B	75.3/174.1
L821	6140003530	COL LR-395		
L822	6140003530	COL LR-395		
L831	6140003770	S.COL LR-414 4KBL (STP-01435)	T	91.6/171.6
L834	6150004280	COL LS-484B (C-14927)		
L1001	6190001650	COL ELC06D102E		
L1002	6140004400	COL LR-499		
L1004	6140003890	COL LR-488		
L1005	6180001000	COL LAL 04NA 102K		
L1006	6140003900	COL LR-489		
L1007	6140003800	COL LR-439		
L1008	6190001650	COL ELC06D102E		
L1009	6190001650	COL ELC06D102E		
L1010	6140003880	COL LR-486		
L1011	6140003880	COL LR-486		
L1012	6140003800	COL LR-439		
L1013	6200010680	S.COL C2520C-R22G-A	T	155/55.2
L1014	6200010680	S.COL C2520C-R22G-A	T	157.9/12.4
L1015	6200007790	S.COL LQW2BHN15J03L	B	163.5/27.5
L1052	6200010740	S.COL C2520C-R27G-A	T	177.8/74.6
L1053	6200010740	S.COL C2520C-R27G-A	T	173.8/73.5
L1054	6200010740	S.COL C2520C-R27G-A	T	169.4/72.6
L1055	6140003960	COL LR-495		
L1056	6200010730	S.COL C2520C-68NG-A	T	171/83.8
L1058	6190001631	COL #E544EN-100021		
L1060	6200010730	S.COL C2520C-68NG-A	T	149.1/76.4
L1062	6200011450	S.COL C2520C-R39G-A	T	145.1/81.4
L1063	6200010650	S.COL C2520C-R12G-A	T	140.9/82.5
L1071	6200007780	S.COL LQW2BHN12J03L	B	164.9/79.2
L1072	6200007780	S.COL LQW2BHN12J03L	B	168/76.1
L1091	6200003950	S.COL HF50ACC 322513-T	B	171/149
L1092	6200003950	S.COL HF50ACC 322513-T	T	149.7/136.5
L1093	6200003950	S.COL HF50ACC 322513-T	T	157/135.2
L1101	6140003920	COL LR-491		
L1102	6200010650	S.COL C2520C-R12G-A	T	176.9/117.9
L1103	6180001250	COL LAL 04NA 3R3K		
L1104	6200010870	S.COL C2520C-R33G-A	T	178.3/135.9
L1105	6140003910	COL LR-490		
L1151	6140004640	COL LR-519		
L1201	6200007780	S.COL LQW2BHN12J03L	B	119.3/17.4
L1208	6140003800	COL LR-439		
L1209	6200001831	S.COL NLV32T-100J	T	121.1/20.8
L1210	6140004440	COL LR-503		
L1211	6200009690	S.COL LQH43CN101K03L	T	115.7/34.6
L1212	6200001831	S.COL NLV32T-100J	T	106.8/20.8
L1213	6140004440	COL LR-503		
L1214	6200009690	S.COL LQH43CN101K03L	T	105.9/34.8
L1216	6140003800	COL LR-439		
L1217	6200007750	S.COL LQW2BHN56NJ03L	T	147.9/63.7
L1218	6200007770	S.COL LQW2BHN10J03L	T	153.3/65.1
L1219	6200007790	S.COL LQW2BHN15J03L	T	153.2/68.4
L1220	6140000930	COL LR-116		

[RXPLL-A UNIT]

REF NO.	ORDER NO.	DESCRIPTION	M.	H/V LOCATION
L1221	6200003261	S.COL NLV32T-101J	B	149.5/110.9
L1222	6150001770	COL LS-198		
L1223	6200007750	S.COL LQW2BHN56NJ03L	B	151.3/100.7
L1228	6200010870	S.COL C2520C-R33G-A	T	158.7/71.3
L1229	6200003950	S.COL HF50ACC 322513-T	B	164.7/115
L1301	6200008090	S.COL LQW2BHN68NJ03L	T	157.1/111.9
L1302	6200008090	S.COL LQW2BHN68NJ03L	T	156.4/115.5
L1303	6200008090	S.COL LQW2BHN68NJ03L	T	153.4/117.5
L1304	6200010870	S.COL C2520C-R33G-A	T	153.8/123
L1305	6200003001	S.COL NLV32T-R22J	T	159.2/124.5
L1306	6200001831	S.COL NLV32T-100J	B	152.7/118.6
L1307	6200003001	S.COL NLV32T-R22J	T	153.3/112
L1351	6200001831	S.COL NLV32T-100J	T	143/76.4
L1353	6200010740	S.COL C2520C-R27G-A	T	141.6/67.5
L1354	6200001831	S.COL NLV32T-100J	T	136.4/68
L1401	6150004280	COL LS-484B (C-14927)		
L1402	6150004280	COL LS-484B (C-14927)		
L1403	6150004280	COL LS-484B (C-14927)		
L1404	6150004280	COL LS-484B (C-14927)		
L1405	6200007770	S.COL LQW2BHN10J03L	B	112.5/111.4
L1406	6200007750	S.COL LQW2BHN56NJ03L	B	116.6/111.4
L1407	6140003930	COL LR-492		
L1408	6190001621	COL #E544EN-100028		
L1409	6200003191	S.COL NLV32T-470J	B	135.8/125.4
L1410	6150004280	COL LS-484B (C-14927)		
L1411	6150004280	COL LS-484B (C-14927)		
L1501	6200003520	S.COL ELJFB 102K-F	T	142.1/145.1
L1652	6200002520	S.COL ELJNC R18K-F	T	112.9/133.1
L1653	6200001831	S.COL NLV32T-100J	B	105.4/124.6
L1654	6200001831	S.COL NLV32T-100J	B	112.4/141.9
L1655	6200001831	S.COL NLV32T-100J	B	124.7/139.8
L1701	6200001831	S.COL NLV32T-100J	T	167/160
L1702	6200003950	S.COL HF50ACC 322513-T	T	175.6/169.8
L1703	6200003950	S.COL HF50ACC 322513-T	T	172.6/169.8
L1704	6200003950	S.COL HF50ACC 322513-T	T	169.6/169.8
L1705	6200003950	S.COL HF50ACC 322513-T	T	165.5/169.8
L1803	6200003950	S.COL HF50ACC 322513-T	B	132/54.8
L1804	6200003950	S.COL HF50ACC 322513-T	B	118/154.8
L1805	6200003950	S.COL HF50ACC 322513-T	B	155.2/132
L1807	6200003950	S.COL HF50ACC 322513-T	B	118/151.3
L1808	6200003950	S.COL HF50ACC 322513-T	B	141.3/162
L1809	6200003950	S.COL HF50ACC 322513-T	B	149.5/115.6
R1	7030005871	S.RES ERA3YKD 104V (100 k)	T	32.5/19.2
R2	7030005321	S.RES ERA3YED 103V (10 k)	T	31.2/19.2
R3	7030003550	S.RES ERJ3GEYJ 822 V (8.2 k)	T	16.9/23.5
R4	7030003550	S.RES ERJ3GEYJ 822 V (8.2 k)	T	16.9/24.8
R5	7030003550	S.RES ERJ3GEYJ 822 V (8.2 k)	T	13.3/31.3
R6	7030003550	S.RES ERJ3GEYJ 822 V (8.2 k)	T	13.3/30
R7	7030003500	S.RES ERJ3GEYJ 332 V (3.3 k)	B	26.7/12.9
R8	7030003470	S.RES ERJ3GEYJ 182 V (1.8 k)	B	28.2/14.6
R9	7030003680	S.RES ERJ3GEYJ 104 V (100 k)	B	27.5/10.6
R10	7030003360	S.RES ERJ3GEYJ 221 V (220)	T	19/16
R11	7030003360	S.RES ERJ3GEYJ 221 V (220)	T	20.3/16
R12	7030003360	S.RES ERJ3GEYJ 221 V (220)	T	22.4/16
R13	7030003360	S.RES ERJ3GEYJ 221 V (220)	T	23.7/16
R14	7030003360	S.RES ERJ3GEYJ 221 V (220)	T	25/16
R15	7030003360	S.RES ERJ3GEYJ 221 V (220)	T	26.4/16.2
R16	7030003360	S.RES ERJ3GEYJ 221 V (220)	T	32.5/15.4
R17	7030003360	S.RES ERJ3GEYJ 221 V (220)	T	33.8/15.4
R30	7030003240	S.RES ERJ3GEYJ 220 V (22)	T	21.7/113.7
R31	7030003600	S.RES ERJ3GEYJ 223 V (22 k)	T	20.4/111.1
R32	7030003320	S.RES ERJ3GEYJ 101 V (100)	T	23/113.7
R33	7030003340	S.RES ERJ3GEYJ 151 V (150)	T	19.1/115
R51	7030011030	S.RES ERJ1TYJ 270U (27)	T	66.3/13.9
R52	7030010550	S.RES ERJ1TYJ 820U (82)	B	66.3/13.9
R61	7030011030	S.RES ERJ1TYJ 270U (27)	T	45.1/13.9
R100	7030003860	S.RES ERJ3GE JPW V	T	35.4/101.5
R101	7030003800	S.RES ERJ3GEYJ 105 V (1 M)	T	34.1/101.5
R103	7030007230	S.RES ERA3YED 102V (1 k)	T	25.1/100.3
R104	7030007230	S.RES ERA3YED 102V (1 k)	T	26.4/100.3
R105	7030007230	S.RES ERA3YED 102V (1 k)	T	27.8/100.3
R106	7030003360	S.RES ERJ3GEYJ 221 V (220)	T	29.1/100.3
R107	7030003320	S.RES ERJ3GEYJ 101 V (100)	T	38/101.5
R108	7030007230	S.RES ERA3YED 102V (1 k)	T	28.9/79
R109	7030007230	S.RES ERA3YED 102V (1 k)	T	41.9/84.5
R110	7030007220	S.RES ERA3YED 202V (2 k)	T	14.6/100.5
R111	7030007220	S.RES ERA3YED 202V (2 k)	T	17.2/100.5
R112	7030007220	S.RES ERA3YED 202V (2 k)	T	17.2/99.2
R113	7030007220	S.RES ERA3YED 202V (2 k)	T	17.2/97.9
R114	7030007220	S.RES ERA3YED 202V (2 k)	T	17.2/96.6
R115	7030007220	S.RES ERA3YED 202V (2 k)	T	17.2/95.2
R116	7030007220	S.RES ERA3YED 202V (2 k)	T	17.2/93.9
R117	7030007220	S.RES ERA3YED 202V (2 k)	T	17.2/92.6
R118	7030007200	S.RES ERA3YEB 202V (2 k)	T	17.2/91.3
R119	7030007200	S.RES ERA3YEB 202V (2 k)	T	17.2/89.6
R120	7030007200	S.RES ERA3YEB 202V (2 k)	T	17.2/87
R121	7030007200	S.RES ERA3YEB 202V (2 k)	T	17.2/84.4
R122	7030007200	S.RES ERA3YEB 202V (2 k)	T	17.2/81.8
R123	7030007230	S.RES ERA3YED 102V (1 k)	T	14.6/99.2
R124	7030007230	S.RES ERA3YED 102V (1 k)	T	14.6/97.9

M.=Mounted side (T: Mounted on the Top side, B: Mounted on the Bottom side)  
S.=Surface mount

[RXPLL-A UNIT]

REF NO.	ORDER NO.	DESCRIPTION	M.	H/V LOCATION
R125	7030007230	S.RES ERA3YED 102V (1 k)	T	14.6/96.6
R126	7030007230	S.RES ERA3YED 102V (1 k)	T	14.6/95.2
R127	7030007230	S.RES ERA3YED 102V (1 k)	T	14.6/93.9
R128	7030007230	S.RES ERA3YED 102V (1 k)	T	14.6/92.6
R129	7030007210	S.RES ERA3YEB 102V (1 k)	T	14.6/91.3
R130	7030007210	S.RES ERA3YEB 102V (1 k)	T	14.6/89.6
R131	7030007210	S.RES ERA3YEB 102V (1 k)	T	14.6/88.3
R132	7030007210	S.RES ERA3YEB 102V (1 k)	T	14.6/87
R133	7030007210	S.RES ERA3YEB 102V (1 k)	T	14.6/85.7
R134	7030009861	S.RES ERA3YED 471V (470)	T	14.6/84.4
R135	7030003860	S.RES ERJ3GE JPW V	T	30.4/75.8
R136	7030003800	S.RES ERJ3GEYJ 105 V (1 M)	T	33/77.1
R137	7030003200	S.RES ERJ3GEYJ 100 V (10)	T	35.5/75.8
R138	7030003860	S.RES ERJ3GE JPW V	T	16.8/78.6
R139	7030003860	S.RES ERJ3GE JPW V	T	17.6/75.8
R140	7030007230	S.RES ERA3YED 102V (1 k)	B	31.2/92.1
R141	7030003320	S.RES ERJ3GEYJ 101 V (100)	B	33.8/86.7
R150	7030003330	S.RES ERJ3GEYJ 121 V (120)	B	37.8/86.2
R151	7030003220	S.RES ERJ3GEYJ 150 V (15)	B	38.6/88.1
R152	7030005871	S.RES ERA3YKD 104V (100 k)	B	36.2/82.5
R153	7030005321	S.RES ERA3YED 103V (10 k)	T	19.2/62.7
R154	7030003320	S.RES ERJ3GEYJ 101 V (100)	B	26.3/54.1
R155	7030003350	S.RES ERJ3GEYJ 181 V (180)	B	23/54.1
R156	7030005871	S.RES ERA3YKD 104V (100 k)	T	24.6/53.1
R157	7030005871	S.RES ERA3YKD 104V (100 k)	T	26.9/58
R158	7030003340	S.RES ERJ3GEYJ 151 V (150)	T	30/57.3
R159	7030003320	S.RES ERJ3GEYJ 101 V (100)	B	33.6/61.4
R160	7030003360	S.RES ERJ3GEYJ 221 V (220)	B	33.6/59.6
R161	7030003640	S.RES ERJ3GEYJ 473 V (47 k)	B	33.6/54.8
R163	7030003220	S.RES ERJ3GEYJ 150 V (15)	B	30.2/56.6
R164	7030003310	S.RES ERJ3GEYJ 820 V (82)	B	34.1/70.4
R165	7030003320	S.RES ERJ3GEYJ 101 V (100)	B	30.8/70.4
R166	7030003320	S.RES ERJ3GEYJ 101 V (100)	B	30.8/72.2
R167	7030003240	S.RES ERJ3GEYJ 220 V (22)	B	37.4/75.8
R168	7030003360	S.RES ERJ3GEYJ 221 V (220)	B	34.1/75.8
R169	7030003640	S.RES ERJ3GEYJ 473 V (47 k)	B	30.8/75.8
R202	7030007230	S.RES ERA3YED 102V (1 k)	T	22.2/39.7
R203	7030007230	S.RES ERA3YED 102V (1 k)	T	22.2/38.4
R204	7030003360	S.RES ERJ3GEYJ 221 V (220)	T	22.2/37.1
R205	7030005321	S.RES ERA3YED 103V (10 k)	T	27.4/34
R206	7030003220	S.RES ERJ3GEYJ 150 V (15)	T	31.1/45.7
R210	7030005351	S.RES ERA3YED 182V (1.8 k)	T	35.6/37.5
R217	7030009651	S.RES ERA3YHD 820V (82)	B	40.4/42.8
R219	7030009691	S.RES ERA3YED 101V (100)	B	40/35.7
R220	7030005871	S.RES ERA3YKD 104V (100 k)	T	73.2/37.6
R221	7030005871	S.RES ERA3YKD 104V (100 k)	T	72.3/30.9
R222	7030003360	S.RES ERJ3GEYJ 221 V (220)	T	81.4/38.3
R223	7030007230	S.RES ERA3YED 102V (1 k)	T	81.9/31.9
R224	7030003320	S.RES ERJ3GEYJ 101 V (100)	T	73.2/40.2
R230	7030005871	S.RES ERA3YKD 104V (100 k)	T	73.2/50.1
R231	7030005871	S.RES ERA3YKD 104V (100 k)	T	72.3/43.3
R232	7030003360	S.RES ERJ3GEYJ 221 V (220)	T	81.4/50.8
R233	7030007230	S.RES ERA3YED 102V (1 k)	T	81.9/44.4
R234	7030003320	S.RES ERJ3GEYJ 101 V (100)	T	73.2/52.7
R240	7030005871	S.RES ERA3YKD 104V (100 k)	T	73.2/62.6
R241	7030005871	S.RES ERA3YKD 104V (100 k)	T	72.3/55.8
R242	7030003360	S.RES ERJ3GEYJ 221 V (220)	T	81.4/63.3
R243	7030007230	S.RES ERA3YED 102V (1 k)	T	81.9/56.9
R244	7030003320	S.RES ERJ3GEYJ 101 V (100)	T	73.2/65.2
R250	7030005871	S.RES ERA3YKD 104V (100 k)	T	73.2/75.1
R251	7030005871	S.RES ERA3YKD 104V (100 k)	T	72.3/68.4
R252	7030003360	S.RES ERJ3GEYJ 221 V (220)	T	81.4/75.8
R253	7030007230	S.RES ERA3YED 102V (1 k)	T	81.9/69.4
R254	7030003320	S.RES ERJ3GEYJ 101 V (100)	T	73.2/77.7
R260	7030005871	S.RES ERA3YKD 104V (100 k)	T	73.2/87.6
R261	7030005871	S.RES ERA3YKD 104V (100 k)	T	72.3/80.9
R262	7030003360	S.RES ERJ3GEYJ 221 V (220)	T	81.4/88.3
R263	7030007230	S.RES ERA3YED 102V (1 k)	T	81.9/81.9
R264	7030003320	S.RES ERJ3GEYJ 101 V (100)	T	73.2/90.2
R270	7030005871	S.RES ERA3YKD 104V (100 k)	T	73.2/99.5
R271	7030005871	S.RES ERA3YKD 104V (100 k)	T	72.3/92.8
R272	7030003360	S.RES ERJ3GEYJ 221 V (220)	T	81.4/100.8
R273	7030007230	S.RES ERA3YED 102V (1 k)	T	81.9/93.9
R274	7030003320	S.RES ERJ3GEYJ 101 V (100)	T	73.2/102.1
R301	7030003200	S.RES ERJ3GEYJ 100 V (10)	T	86.5/30.6
R302	7030007230	S.RES ERA3YED 102V (1 k)	T	86.5/29.3
R303	7030003360	S.RES ERJ3GEYJ 221 V (220)	T	92.1/28
R304	7030003490	S.RES ERJ3GEYJ 272 V (2.7 k)	T	94/30.1
R305	7030003510	S.RES ERJ3GEYJ 392 V (3.9 k)	T	95.3/30.1
R306	7030003360	S.RES ERJ3GEYJ 221 V (220)	T	94.7/32.2
R307	7030009841	S.RES ERA3YHD 330V (33)	T	92.1/32.2
R308	7030009851	S.RES ERA3YED 271V (270)	B	92.6/43.4
R309	7030003540	S.RES ERJ3GEYJ 682 V (6.8 k)	B	89.1/47
R310	7030003500	S.RES ERJ3GEYJ 332 V (3.3 k)	B	92.6/47
R311	7030003350	S.RES ERJ3GEYJ 181 V (180)	B	89.1/45.2
R312	7030003360	S.RES ERJ3GEYJ 221 V (220)	B	92.4/27.8
R313	7030003490	S.RES ERJ3GEYJ 272 V (2.7 k)	B	91.1/23.1
R314	7030003510	S.RES ERJ3GEYJ 392 V (3.9 k)	B	88.3/23.1
R315	7030003360	S.RES ERJ3GEYJ 221 V (220)	B	87.5/25.1
R316	7030003280	S.RES ERJ3GEYJ 470 V (47)	B	78.3/26.1
R317	7030006220	S.RES ERJ12YJ470U (47)	B	90/31.4
R318	7030009841	S.RES ERA3YHD 330V (33)	B	92.6/41.6

[RXPLL-A UNIT]

REF NO.	ORDER NO.	DESCRIPTION	M.	H/V LOCATION
R341	7030007230	S.RES ERA3YED 102V (1 k)	T	92.1/40.1
R342	7030005321	S.RES ERA3YED 103V (10 k)	T	86.5/32.2
R343	7030007230	S.RES ERA3YED 102V (1 k)	T	89.3/34.8
R351	7030003200	S.RES ERJ3GEYJ 100 V (10)	B	89.1/52.4
R352	7030010980	S.RES ERA3YHD 470V (47)	T	89.3/55.8
R353	7030009591	S.RES ERA3YED 472V (4.7 k)	T	89.3/54.5
R354	7030009591	S.RES ERA3YED 472V (4.7 k)	T	89.3/50.4
R355	7030009591	S.RES ERA3YED 472V (4.7 k)	T	89.3/53.2
R356	7030003320	S.RES ERJ3GEYJ 101 V (100)	T	89.3/57.1
R357	7310005050	S.TRI RH03ADCS3X (4.7 k)	T	93.6/52.7
R358	7030010980	S.RES ERA3YHD 470V (47)	T	94.9/56.4
R359	7030003320	S.RES ERJ3GEYJ 101 V (100)	T	94.9/59
R360	7030003320	S.RES ERJ3GEYJ 101 V (100)	B	92.6/63.9
R361	7030003490	S.RES ERJ3GEYJ 272 V (2.7 k)	B	89.2/62.1
R362	7030003510	S.RES ERJ3GEYJ 392 V (3.9 k)	B	92.6/60.3
R363	7030003320	S.RES ERJ3GEYJ 101 V (100)	B	92.6/65.7
R364	7030003410	S.RES ERJ3GEYJ 561 V (560)	T	94.9/82.9
R365	7030007860	S.RES ERJ3GEYJ 8R2V (8.2)	T	92/83.4
R366	7030003410	S.RES ERJ3GEYJ 561 V (560)	T	94.9/84.2
R368	7030005321	S.RES ERA3YED 103V (10 k)	T	86.1/59.6
R369	7030008240	S.RES ERJ12YJ0R00U	B	95.3/57.1
R421	7030007230	S.RES ERA3YED 102V (1 k)	T	92.1/87.8
R422	7030007230	S.RES ERA3YED 102V (1 k)	T	89.3/87.8
R423	7030007230	S.RES ERA3YED 102V (1 k)	T	92.1/89.1
R424	7030007230	S.RES ERA3YED 102V (1 k)	T	89.3/89.1
R425	7030003410	S.RES ERJ3GEYJ 561 V (560)	T	90.1/81.6
R426	7030003410	S.RES ERJ3GEYJ 561 V (560)	T	91.5/93.3
R427	7030003320	S.RES ERJ3GEYJ 101 V (100)	B	86.8/87.3
R428	7030009861	S.RES ERA3YED 471V (470)	B	92.1/88
R429	7030009861	S.RES ERA3YED 471V (470)	B	89.3/88
R441	7030007230	S.RES ERA3YED 102V (1K)	T	92.1/75.5
R442	7030005321	S.RES ERA3YED 103V (10 k)	T	88.9/70.9
R443	7030007230	S.RES ERA3YED 102V (1K)	T	88.9/72.2
R501	7030003360	S.RES ERJ3GEYJ 221 V (220)	T	29.2/153.1
R502	7030007230	S.RES ERA3YED 102V (1 k)	T	27.9/153.1
R503	7030007230	S.RES ERA3YED 102V (1 k)	T	26.5/153.1
R504	7030007230	S.RES ERA3YED 102V (1 k)	T	25.2/153.1
R506	7030003800	S.RES ERJ3GEYJ 105 V (1 M)	T	34/154.5
R507	7030003860	S.RES ERJ3GE JPW V	B	50.8/127
R509	7030007230	S.RES ERA3YED 102V (1 k)	T	42.5/136
R510	7030007220	S.RES ERA3YED 202V (2 k)	T	14.6/153.6
R511	7030007220	S.RES ERA3YED 202V (2 k)	T	17.2/153.6
R512	7030007220	S.RES ERA3YED 202V (2 k)	T	17.2/152.3
R513	7030007220	S.RES ERA3YED 202V (2 k)	T	17.2/151
R514	7030007220	S.RES ERA3YED 202V (2 k)	T	17.2/149.7
R515	7030007220	S.RES ERA3YED 202V (2 k)	T	17.2/148.3
R516	7030007220	S.RES ERA3YED 202V (2 k)	T	17.2/147
R517	7030007220	S.RES ERA3YED 202V (2 k)	T	17.2/145.7
R518	7030007200	S.RES ERA3YED 202V (2 k)	T	17.2/144.4
R519	7030007200	S.RES ERA3YED 202V (2 k)	T	17.2/142.7
R520	7030007200	S.RES ERA3YED 202V (2 k)	T	17.2/141.4
R521	7030007200	S.RES ERA3YED 202V (2 k)	T	17.2/140.1
R522	7030007200	S.RES ERA3YED 202V (2 k)	T	17.2/138.8
R523	7030007230	S.RES ERA3YED 102V (1 k)	T	14.6/152.3
R524	7030007230	S.RES ERA3YED 102V (1 k)	T	14.6/151
R525	7030007230	S.RES ERA3YED 102V (1 k)	T	14.6/149.7
R526	7030007230	S.RES ERA3YED 102V (1 k)	T	14.6/148.3
R527	7030007230	S.RES ERA3YED 102V (1 k)	T	14.6/147
R528	7030007230	S.RES ERA3YED 102V (1 k)	T	14.6/145.7
R529	7030007210	S.RES ERA3YED 102V (1 k)	T	14.6/144.4
R530	7030007210	S.RES ERA3YED 102V (1 k)	T	14.6/142.7
R531	7030007210	S.RES ERA3YED 102V (1 k)	T	14.6/141.4
R532	7030007210	S.RES ERA3YED 102V (1 k)	T	14.6/140.1
R533	7030007210	S.RES ERA3YED 102V (1 k)	T	14.6/138.8
R534	7030003860	S.RES ERJ3GE JPW V	T	22.2/127.6
R535	7030003800	S.RES ERJ3GEYJ 105 V (1 M)	T	24.8/129.8
R536	7030003200	S.RES ERJ3GEYJ 100 V (10)	T	28/128.3
R537	7030007230	S.RES ERA3YED 102V (1 k)	T	30.3/131.9
R538	7030003360	S.RES ERJ3GEYJ 221 V (220)	B	34.8/146.5
R540	7030007230	S.RES ERA3YED 102V (1 k)	B	52.3/142.8
R544	7030005871	S.RES ERA3YKD 104V (100 k)	T	69.4/140.4
R545	7030005871	S.RES ERA3YKD 104V (100 k)	T	69.4/139.1
R546	7030009861	S.RES ERA3YED 471V (470)	T	67.4/150.7
R548	7030009591	S.RES ERA3YED 472V (4.7 k)	B	43.4/136.5
R550	7030009691	S.RES ERA3YED 101V (100)	B	43.4/134.7
R554	7030009891	S.RES ERA3YED 151V (150)	B	47.2/139.9
R555	7030003380	S.RES ERJ3GEYJ 331 V (330)	B	61.9/142.1
R556	7030005981	S.RES ERA3YED 333V (33 k)	B	44.2/128.2
R561	7030003200	S.RES ERJ3GEYJ 100 V (10)	T	71.3/148.5
R562	7030003360	S.RES ERJ3GEYJ 221 V (220)	T	65.7/155.5
R563	7030003490	S.RES ERJ3GEYJ 272 V (2.7 k)	T	70.4/151.9
R564	7030003510	S.RES ERJ3GEYJ 392 V (3.9 k)	T	70.4/150.6
R565	7030003360	S.RES ERJ3GEYJ 221 V (220)	T	67/155.5
R570	7030003230	S.RES ERJ3GEYJ 180 V (18)	T	63.1/155.5
R571	7030003230	S.RES ERJ3GEYJ 180 V (18)	T	58.5/155
R572	7030003290	S.RES ERJ3GEYJ 560 V (56)	B	57.2/156.3
R573	7030009841	S.RES ERA3YHD 330V (33)	T	61.8/155.5
R574	7030003300	S.RES ERJ3GEYJ 680 V (68)	T	60.5/155.5
R575	7030003220	S.RES ERJ3GEYJ 150 V (15)	T	58.5/156.3
R580	7030009861	S.RES ERA3YED 471V (470)	T	41.9/153.7
R581	7030003360	S.RES ERJ3		

[RXPLL-A UNIT]

REF NO.	ORDER NO.	DESCRIPTION	M.	H/V LOCATION
R587	7030009851	S.RES ERA3YED 271V (270)	T	55.7/157.6
R588	7030003230	S.RES ERJ3GEYJ 180 V (18)	T	58.5/158.9
R589	7030009851	S.RES ERA3YED 271V (270)	T	55.7/158.9
R591	7030003320	S.RES ERJ3GEYJ 101 V (100)	T	58.2/169.9
R592	7030005321	S.RES ERA3YED 103V (10 k)	T	58.5/167.9
R593	7030003480	S.RES ERJ3GEYJ 222 V (2.2 k)	T	58.5/165.1
R594	7030003320	S.RES ERJ3GEYJ 101 V (100)	B	61.9/168.1
R595	7030003640	S.RES ERJ3GEYJ 473 V (47 k)	B	55.9/165.3
R596	7030003540	S.RES ERJ3GEYJ 682 V (6.8 k)	B	54.7/168.9
R603	7030003480	S.RES ERJ3GEYJ 222 V (2.2 k)	T	56.3/110.9
R604	7030007230	S.RES ERA3YED 102V (1 k)	B	53.4/115.8
R605	7030003320	S.RES ERJ3GEYJ 101 V (100)	T	46.8/113.4
R651	7030007230	S.RES ERA3YED 102V (1 k)	B	23.5/177.1
R652	7030003360	S.RES ERJ3GEYJ 221 V (220)	T	13.5/170.8
R653	7030007230	S.RES ERA3YED 102V (1 k)	T	13.5/169.5
R654	7030007230	S.RES ERA3YED 102V (1 k)	T	13.5/168.2
R656	7030003800	S.RES ERJ3GEYJ 105 V (1 M)	T	13.4/165.6
R657	7030003320	S.RES ERJ3GEYJ 101 V (100)	T	20.2/161.4
R661	7030007220	S.RES ERA3YED 202V (2 k)	T	31.7/162.8
R662	7030007220	S.RES ERA3YED 202V (2 k)	T	31.7/164.1
R663	7030007220	S.RES ERA3YED 202V (2 k)	T	31.7/165.4
R664	7030007220	S.RES ERA3YED 202V (2 k)	T	31.7/166.7
R665	7030007220	S.RES ERA3YED 202V (2 k)	T	31.7/168
R666	7030007220	S.RES ERA3YED 202V (2 k)	T	31.7/169.3
R667	7030007220	S.RES ERA3YED 202V (2 k)	T	31.7/170.6
R668	7030007220	S.RES ERA3YED 202V (2 k)	T	31.7/171.9
R669	7030007200	S.RES ERA3YED 202V (2 k)	T	31.7/173.2
R670	7030007200	S.RES ERA3YEB 202V (2 k)	T	31.7/174.5
R671	7030007200	S.RES ERA3YEB 202V (2 k)	T	31.7/175.8
R673	7030007230	S.RES ERA3YED 102V (1 k)	T	34.3/165.4
R674	7030007230	S.RES ERA3YED 102V (1 k)	T	34.3/166.7
R675	7030007230	S.RES ERA3YED 102V (1 k)	T	34.3/168
R676	7030007230	S.RES ERA3YED 102V (1 k)	T	34.3/169.3
R677	7030007230	S.RES ERA3YED 102V (1 k)	T	34.3/170.6
R678	7030007230	S.RES ERA3YED 102V (1 k)	T	34.3/171.9
R679	7030007210	S.RES ERA3YEB 102V (1 k)	T	34.3/173.2
R680	7030007210	S.RES ERA3YEB 102V (1 k)	T	34.3/174.5
R681	7030007210	S.RES ERA3YEB 102V (1 k)	T	34.3/175.8
R682	7030003860	S.RES ERJ3GE JPW V	B	58.4/166
R685	7030003460	S.RES ERJ3GEYJ 152 V (1.5 k)	T	38.4/169.7
R686	7030003320	S.RES ERJ3GEYJ 101 V (100)	T	40.3/163.4
R687	7030003470	S.RES ERJ3GEYJ 182 V (1.8 k)	T	37.4/165.1
R688	7030003480	S.RES ERJ3GEYJ 222 V (2.2 k)	T	34.3/162.8
R689	7030003360	S.RES ERJ3GEYJ 221 V (220)	T	33.6/161.5
R690	7030009851	S.RES ERA3YED 271V (270)	T	46.4/165.3
R691	7030003230	S.RES ERJ3GEYJ 180 V (18)	T	48.4/164.8
R692	7030009851	S.RES ERA3YED 271V (270)	T	46.4/166.6
R693	7030003500	S.RES ERJ3GEYJ 332 V (3.3 k)	T	37.1/169.7
R704	7030009841	S.RES ERA3YHD 330V (33)	T	30.8/113.7
R705	7030003600	S.RES ERJ3GEYJ 223 V (22 k)	T	29.5/113.7
R706	7030005321	S.RES ERA3YED 103V (10 k)	T	28.2/113.7
R707	7030009861	S.RES ERA3YED 471V (470)	T	30.8/108.1
R708	7030003410	S.RES ERJ3GEYJ 561 V (560)	T	43.3/118.8
R709	7030007860	S.RES ERJ3GEYJ 8R2V (8.2)	T	43.3/116
R710	7030003410	S.RES ERJ3GEYJ 561 V (560)	T	43.8/121.1
R711	7030003320	S.RES ERJ3GEYJ 101 V (100)	T	37.9/154.5
R802	7030009861	S.RES ERA3YED 471V (470)	T	78.3/147.3
R803	7030005321	S.RES ERA3YED 103V (10 k)	T	79.6/147.3
R804	7030003320	S.RES ERJ3GEYJ 101 V (100)	T	80.4/149.5
R805	7030009851	S.RES ERA3YED 271V (270)	T	81.5/158.7
R806	7030003230	S.RES ERJ3GEYJ 180 V (18)	T	84.3/158.7
R807	7030009851	S.RES ERA3YED 271V (270)	T	87.1/158.7
R812	7030007230	S.RES ERA3YED 102V (1 k)	T	73.9/177.6
R814	7030005321	S.RES ERA3YED 103V (10 k)	T	75.2/177.6
R815	7030003320	S.RES ERJ3GEYJ 101 V (100)	T	79.6/173.6
R831	7030003320	S.RES ERJ3GEYJ 101 V (100)	B	85.6/180
R832	7030003300	S.RES ERJ3GEYJ 680 V (68)	B	88.5/177.2
R833	7030003320	S.RES ERJ3GEYJ 101 V (100)	B	89.3/174.6
R834	7030003380	S.RES ERJ3GEYJ 331 V (330)	T	91.6/155.7
R835	7030003320	S.RES ERJ3GEYJ 101 V (100)	T	94.4/155.7
R836	7030003380	S.RES ERJ3GEYJ 331 V (330)	T	88.8/145.4
R837	7030003220	S.RES ERJ3GEYJ 150 V (15)	T	91.6/145.4
R838	7030003380	S.RES ERJ3GEYJ 331 V (330)	T	94.4/145.4
R839	7030005321	S.RES ERA3YED 103V (10 k)	B	77.9/171
R840	7030003540	S.RES ERJ3GEYJ 682 V (6.8 k)	B	74.5/165.7
R1000	7030003320	S.RES ERJ3GEYJ 101 V (100)	B	177.1/11.2
R1001	7030003640	S.RES ERJ3GEYJ 473 V (47 k)	T	182.8/63.5
R1002	7030003480	S.RES ERJ3GEYJ 222 V (2.2 k)	T	183.5/65.7
R1003	7030010980	S.RES ERA3YHD 470V (47)	T	162/13.4
R1004	7030007230	S.RES ERA3YED 102V (1 k)	B	166.4/12.9
R1005	7030003550	S.RES ERJ3GEYJ 822 V (8.2 k)	T	144/26.1
R1006	7030007230	S.RES ERA3YED 102V (1 k)	T	145.3/26.1
R1007	7030004030	S.RES ERJ3GEYJ 5R6 V (5.6)	B	153.7/33.6
R1008	7030003240	S.RES ERJ3GEYJ 220 V (22)	T	144/36.4
R1009	7030010980	S.RES ERA3YHD 470V (47)	T	182.4/29.3
R1010	7030010980	S.RES ERA3YHD 470V (47)	T	154.5/33.2
R1013	7030007230	S.RES ERA3YED 102V (1 k)	B	172.7/40.8
R1014	7030007230	S.RES ERA3YED 102V (1 k)	B	156.7/40.8
R1015	7030003530	S.RES ERJ3GEYJ 562 V (5.6 k)	B	172.7/45.4
R1016	7030003530	S.RES ERJ3GEYJ 562 V (5.6 k)	B	156.7/45.4
R1017	7030003530	S.RES ERJ3GEYJ 562 V (5.6 k)	B	169.7/12.9
R1018	7030003650	S.RES ERJ3GEYJ 563 V (56 k)	B	181.1/62.4

[RXPLL-A UNIT]

REF NO.	ORDER NO.	DESCRIPTION	M.	H/V LOCATION
R1019	7030005321	S.RES ERA3YED 103V (10 k)	B	181.9/65
R1020	7030003390	S.RES ERJ3GEYJ 391 V (390)	T	179.6/18.3
R1021	7030003220	S.RES ERJ3GEYJ 150 V (15)	T	177/19.4
R1022	7030003390	S.RES ERJ3GEYJ 391 V (390)	T	180.9/19.4
R1023	7030010980	S.RES ERA3YHD 470V (47)	B	149.3/33.5
R1024	7030003200	S.RES ERJ3GEYJ 100 V (10)	B	150.1/31.4
R1025	7030003300	S.RES ERJ3GEYJ 680 V (68)	T	178.3/19.4
R1026	7030003480	S.RES ERJ3GEYJ 222 V (2.2 k)	B	171.2/14.2
R1027	7030003200	S.RES ERJ3GEYJ 100 V (10)	B	176.5/38.3
R1028	7030003200	S.RES ERJ3GEYJ 100 V (10)	B	160.5/38.3
R1029	7030010980	S.RES ERA3YHD 470V (47)	B	178.2/46.1
R1030	7030010980	S.RES ERA3YHD 470V (47)	B	162.2/46.1
R1051	7030003800	S.RES ERJ3GEYJ 105 V (1 M)	T	178.6/93.1
R1054	7030011500	S.RES ERA3YHD 270V (27)	T	149.1/83.2
R1055	7030000010	S.RES MCR10EZHH JPW	T	162.1/76.3
R1056	7030000010	S.RES MCR10EZHH JPW	T	177.5/71.1
R1071	7030010980	S.RES ERA3YHD 470V (47)	T	165.9/76.4
R1072	7030000010	S.RES MCR10EZHH JPW	T	133.9/84.1
R1073	7030000010	S.RES MCR10EZHH JPW	T	135.5/85.7
R1101	7310004860	S.TRI EVM-3YSX50 B53 (502)	T	180.1/90.2
R1102	7030005871	S.RES ERA3YKD 104V (100 k)	B	180.2/100.6
R1103	7030007680	S.RES ERJ8ENF 47R0V (47)	T	181.7/104.7
R1104	7030007680	S.RES ERJ8ENF 47R0V (47)	T	173.6/107.2
R1105	7030003500	S.RES ERJ3GEYJ 332 V (3.3 k)	T	176.7/87.7
R1106	7030009620	S.RES ERJ12YJ120U (12)	B	179.6/117.9
R1107	7030010980	S.RES ERA3YHD 470V (47)	T	175.6/120.3
R1109	7030007180	S.RES ERJ12YJ150U (15)	B	176.5/125.7
R1110	7030003480	S.RES ERJ3GEYJ 222 V (2.2 k)	B	168.5/131.6
R1111	7030003480	S.RES ERJ3GEYJ 222 V (2.2 k)	T	166.2/130.4
R1113	7030003480	S.RES ERJ3GEYJ 222 V (2.2 k)	T	166.2/131.7
R1114	7030004040	S.RES ERJ3GEYJ 4R7 V (4.7)	T	179.2/137.6
R1115	7030006240	S.RES ERJ12YJ181U (180)	B	176.5/129.9
R1116	7030007230	S.RES ERA3YED 102V (1 k)	T	175.7/135.3
R1117	7030004040	S.RES ERJ3GEYJ 4R7 V (4.7)	T	175.7/134
R1118	7030003480	S.RES ERJ3GEYJ 222 V (2.2 k)	T	175.4/132
R1119	7030003470	S.RES ERJ3GEYJ 182 V (1.8 k)	T	178/132
R1120	7030006070	S.RES ERJ12YJ101U (100)	B	177.3/141
R1121	7030003240	S.RES ERJ3GEYJ 220 V (22)	T	178.6/139.6
R1122	7030010980	S.RES ERA3YHD 470V (47)	T	171.9/131.1
R1123	7030003480	S.RES ERJ3GEYJ 222 V (2.2 k)	T	165.7/137.4
R1124	7030003460	S.RES ERJ3GEYJ 152 V (1.5 k)	T	165.7/140
R1125	7030003420	S.RES ERJ3GEYJ 681 V (680)	B	171/142.2
R1126	7030003200	S.RES ERJ3GEYJ 100 V (10)	T	168.4/142.2
R1127	7030010980	S.RES ERA3YHD 470V (47)	T	174.6/142.9
R1128	7030003470	S.RES ERJ3GEYJ 182 V (1.8 k)	T	174.6/146.6
R1129	7030003470	S.RES ERJ3GEYJ 182 V (1.8 k)	T	174.6/148.4
R1130	7030003480	S.RES ERJ3GEYJ 222 V (2.2 k)	T	180.6/146.4
R1131	7030003640	S.RES ERJ3GEYJ 473 V (47 k)	B	177.4/90.7
R1132	7310004860	S.TRI EVM-3YSX50 B53 (502)	T	179.4/84.3
R1133	7030003500	S.RES ERJ3GEYJ 332 V (3.3 k)	T	175.5/82.5
R1134	7030003640	S.RES ERJ3GEYJ 473 V (47 k)	T	175.5/83.8
R1135	7030005871	S.RES ERA3YKD 104V (100 k)	T	182.2/97.8
R1151	7030003280	S.RES ERJ3GEYJ 470 V (47)	T	134.8/63.9
R1152	7030003280	S.RES ERJ3GEYJ 470 V (47)	B	117.2/56.3
R1203	7030000010	S.RES MCR10EZHH JPW	T	157.5/74.9
R1208	7030003480	S.RES ERJ3GEYJ 222 V (2.2 k)	T	138.3/53.9
R1209	7030005321	S.RES ERA3YED 103V (10 k)	T	139.1/51.9
R1210	7030003650	S.RES ERJ3GEYJ 563 V (56 k)	B	142.5/44.3
R1211	7030003860	S.RES ERJ3GE JPW V	T	117.6/7.8
R1212	7030003860	S.RES ERJ3GE JPW V	T	124.8/51.1
R1213	7030003200	S.RES ERJ3GEYJ 100 V (10)	B	118.8/25
R1214	7030003200	S.RES ERJ3GEYJ 100 V (10)	B	109/25
R1216	7030010980	S.RES ERA3YHD 470V (47)	B	120.7/31.6
R1217	7030010980	S.RES ERA3YHD 470V (47)	B	111.2/31.6
R1220	7030010980	S.RES ERA3YHD 470V (47)	T	118.7/17.3
R1221	7030007230	S.RES ERA3YED 102V (1 k)	T	116.4/39.9
R1222	7030003530	S.RES ERJ3GEYJ 562 V (5.6 k)	T	116.4/38.6
R1223	7030010980	S.RES ERA3YHD 470V (47)	T	109.3/17.1
R1224	7030007230	S.RES ERA3YED 102V (1 k)	T	106.6/39.9
R1225	7030003530	S.RES ERJ3GEYJ 562 V (5.6 k)	T	106.6/38.6
R1226	7030003410	S.RES ERJ3GEYJ 561 V (560)	T	158.9/92.9
R1227	7030003410	S.RES ERJ3GEYJ 561 V (560)	T	154/92.9
R1228	7310004860	S.TRI EVM-3YSX50 B53 (502)	T	156.4/92.9
R1229	7030003480	S.RES ERJ3GEYJ 222 V (2.2 k)	B	156.1/117.4
R1230	7030003480	S.RES ERJ3GEYJ 222 V (2.2 k)	B	156.1/119.2
R1231	7030003480	S.RES ERJ3GEYJ 222 V (2.2 k)	B	156.1/121
R1232	7030003600	S.RES ERJ3GEYJ 223 V (22 k)	T	156.3/97.5
R1233	7030010980	S.RES ERA3YHD 470V (47)	B	152.5/109.4
R1301	7030010980	S.RES ERA3YHD 470V (47)	B	155.7/97.5
R1302	7030003860	S.RES ERJ3GE JPW V	T	159.3/116.8
R1304	7030003620	S.RES ERJ3GEYJ 333 V (33 k)	T	156.5/123.2
R1306	7030006230	S.RES ERJ12YJ151U (150)	B	153.8/124.8
R1307	7030003300	S.RES ERJ3GEYJ 680 V (68)	T	156.5/128.4
R1311	7030000010	S.RES MCR10EZHH JPW	T	140.3/98.8
R1312	7030000010	S.RES MCR10EZHH JPW	T	143.2/104.1
R1313	7030000010	S.RES MCR10EZHH JPW	T	143.2/101.5
R13				



[RXPLL-A UNIT]

REF NO.	ORDER NO.	DESCRIPTION	M.	H/V LOCATION
R1401	7030003200	S.RES ERJ3GEYJ 100 V (10)	T	131.5/103.3
R1402	7030003300	S.RES ERJ3GEYJ 680 V (68)	T	126.4/111
R1403	7030007230	S.RES ERA3YED 102V (1 k)	T	132/107.7
R1404	7030009861	S.RES ERA3YED 471V (470)	T	134.6/104.3
R1405	7030003340	S.RES ERJ3GEYJ 151 V (150)	T	137.2/104.3
R1406	7030009591	S.RES ERA3YED 472V (4.7 k)	T	135.2/106.2
R1407	7030003550	S.RES ERJ3GEYJ 822 V (8.2 k)	B	135.4/104.3
R1408	7030003200	S.RES ERJ3GEYJ 100 V (10)	T	120.9/109
R1409	7030009591	S.RES ERA3YED 472V (4.7 k)	T	120.5/114.9
R1410	7030006091	S.RES ERA3YED 822V (8.2 k)	B	124.2/114.4
R1411	7030005871	S.RES ERA3YKD 104V (100 k)	T	123.2/116.2
R1412	7030003200	S.RES ERJ3GEYJ 100 V (10)	T	126.4/112.3
R1413	7030003200	S.RES ERJ3GEYJ 100 V (10)	T	126.4/113.6
R1414	7030005871	S.RES ERA3YKD 104V (100 k)	B	120.9/114.4
R1415	7030010980	S.RES ERA3YHD 470V (47)	T	127/114.9
R1416	7030003320	S.RES ERJ3GEYJ 101 V (100)	B	139.7/122.9
R1417	7030000010	S.RES MCR10EZHH JPW	B	130.1/124.5
R1418	7030000010	S.RES MCR10EZHH JPW	B	130.1/122.5
R1419	7030003860	S.RES ERJ3GE JPW V	B	129.4/114.9
R1501	7030010980	S.RES ERA3YHD 470V (47)	T	126.5/125.2
R1502	7030009841	S.RES ERA3YHD 330V (33)	T	133/131
R1503	7030009851	S.RES ERA3YED 271V (270)	T	130/146.3
R1504	7030011050	S.RES ERA3YHD 100V (10)	T	131.3/143.5
R1505	7030006091	S.RES ERA3YED 822V (8.2 k)	B	137.7/140.3
R1506	7030007230	S.RES ERA3YED 102V (1 k)	B	137.7/147
R1507	7030007230	S.RES ERA3YED 102V (1 k)	T	132.6/146.3
R1508	7030007230	S.RES ERA3YED 102V (1 k)	T	133.9/146.3
R1509	7030007230	S.RES ERA3YED 102V (1 k)	T	139.1/158.9
R1510	7030005321	S.RES ERA3YED 103V (10 k)	T	139.1/157.6
R1511	7030009861	S.RES ERA3YED 471V (470)	T	136.5/157.6
R1512	7030003380	S.RES ERA3YED 331 V (330)	T	129.6/151.6
R1513	7030003380	S.RES ERJ3GEYJ 331 V (330)	T	129.6/155.5
R1514	7030005321	S.RES ERA3YED 103V (10 k)	T	129.6/160.8
R1515	7030005321	S.RES ERA3YED 103V (10 k)	T	133.5/160.8
R1516	7310005090	TRI RH03ADC13X (1 k)	T	119.2/157.7
R1517	7030005321	S.RES ERA3YED 103V (10 k)	T	115.3/158
R1518	7030005321	S.RES ERA3YED 103V (10 k)	T	134.8/160.8
R1519	7030005321	S.RES ERA3YED 103V (10 k)	T	131.7/171.7
R1520	7030005321	S.RES ERA3YED 103V (10 k)	T	136.1/160.8
R1521	7030010980	S.RES ERA3YHD 470V (47)	T	126.5/133
R1522	7030009841	S.RES ERA3YHD 330V (33)	T	126/141.1
R1523	7030009851	S.RES ERA3YED 271V (270)	T	123.7/146.3
R1524	7030011050	S.RES ERA3YHD 100V (10)	T	122.4/143.5
R1525	7030007230	S.RES ERA3YED 102V (1 k)	B	128.8/147
R1526	7030003460	S.RES ERJ3GEYJ 152 V (1.5 k)	B	137.7/142.1
R1527	7030007230	S.RES ERA3YED 102V (1 k)	T	119.8/146.3
R1528	7030007230	S.RES ERA3YED 102V (1 k)	T	121.1/146.3
R1529	7030007230	S.RES ERA3YED 102V (1 k)	T	115.3/152.3
R1530	7030003380	S.RES ERJ3GEYJ 331 V (330)	T	128/151.6
R1531	7030003380	S.RES ERJ3GEYJ 331 V (330)	T	128/155.5
R1532	7030005321	S.RES ERA3YED 103V (10 k)	T	124.1/160.8
R1533	7030005321	S.RES ERA3YED 103V (10 k)	T	128/160.8
R1534	7030005321	S.RES ERA3YED 103V (10 k)	T	122.8/160.8
R1535	7030005321	S.RES ERA3YED 103V (10 k)	T	121.5/160.8
R1536	7030005321	S.RES ERA3YED 103V (10 k)	T	129/171.7
R1537	7030003320	S.RES ERJ3GEYJ 101 V (100)	T	115.5/164.5
R1538	7030003320	S.RES ERJ3GEYJ 101 V (100)	T	107.1/170.1
R1539	7030008061	S.RES ERA3YED 222V (2.2 k)	B	131.8/176.4
R1540	7030010390	S.RES ERA3YED 821V (820)	B	128.7/177.1
R1541	7030003320	S.RES ERJ3GEYJ 101 V (100)	T	107.1/178.8
R1542	7030003320	S.RES ERJ3GEYJ 101 V (100)	T	115.5/173.2
R1543	7030009691	S.RES ERA3YED 101V (100)	B	130.6/179
R1651	7030003380	S.RES ERJ3GEYJ 331 V (330)	B	100.9/144.8
R1652	7030003320	S.RES ERJ3GEYJ 150 V (15)	B	102.7/144.8
R1653	7030003380	S.RES ERJ3GEYJ 331 V (330)	B	101.9/142.9
R1654	7030010980	S.RES ERA3YHD 470V (47)	B	105.5/142.2
R1655	7030009861	S.RES ERA3YED 471V (470)	B	108.8/140
R1656	7030003630	S.RES ERJ3GEYJ 393 V (39 k)	B	108.3/142.2
R1657	7030005871	S.RES ERA3YKD 104V (100 k)	T	108/133.1
R1658	7030003320	S.RES ERJ3GEYJ 101 V (100)	T	110.6/133.1
R1659	7030009691	S.RES ERA3YED 101V (100)	T	115.8/124.9
R1660	7030009691	S.RES ERA3YED 101V (100)	T	115.8/128.7
R1661	7030005321	S.RES ERA3YED 103V (10 k)	T	135.1/175.4
R1662	7030005321	S.RES ERA3YED 103V (10 k)	T	135.2/172.8
R1663	7030005321	S.RES ERA3YED 103V (10 k)	T	144.3/175.4
R1664	7030005321	S.RES ERA3YED 103V (10 k)	T	139.9/172.1
R1665	7030003320	S.RES ERJ3GEYJ 101 V (100)	T	109.3/133.1
R1667	7030003360	S.RES ERJ3GEYJ 221 V (220)	T	139.2/170.2
R1668	7030003360	S.RES ERJ3GEYJ 221 V (220)	T	141.8/170.2
R1670	7030003800	S.RES ERJ3GEYJ 105 V (1 M)	T	140.2/164.1
R1673	7030007230	S.RES ERA3YED 102V (1 k)	B	146/174.5
R1674	7030009851	S.RES ERA3YED 271V (270)	B	145.1/177.1
R1675	7030009591	S.RES ERA3YED 472V (4.7 k)	T	136.6/170.2
R1677	7030009591	S.RES ERA3YED 472V (4.7 k)	T	143.1/170.2
R1701	7030003360	S.RES ERJ3GEYJ 221 V (220)	T	162.4/147.4
R1703	7030003360	S.RES ERJ3GEYJ 221 V (220)	T	159.8/147.4
R1704	7030003360	S.RES ERJ3GEYJ 221 V (220)	T	158.5/147.4
R1706	7030003360	S.RES ERJ3GEYJ 221 V (220)	T	155.9/147.4
R1707	7030003360	S.RES ERJ3GEYJ 221 V (220)	T	154.6/147.4
R1708	7030003360	S.RES ERJ3GEYJ 221 V (220)	T	153.3/147.4
R1709	7030003480	S.RES ERJ3GEYJ 222 V (2.2 k)	T	149.7/159.3
R1710	7030003480	S.RES ERJ3GEYJ 222 V (2.2 k)	T	148.4/159.3

[RXPLL-A UNIT]

REF NO.	ORDER NO.	DESCRIPTION	M.	H/V LOCATION
R1711	7030003540	S.RES ERJ3GEYJ 682 V (6.8 k)	T	147.1/159.3
R1712	7030003540	S.RES ERJ3GEYJ 682 V (6.8 k)	T	145.8/159.3
R1713	7030003660	S.RES ERJ3GEYJ 683 V (68 k)	T	145.8/157.2
R1714	7030003660	S.RES ERJ3GEYJ 683 V (68 k)	T	145.8/155.9
R1715	7030003540	S.RES ERJ3GEYJ 682 V (6.8 k)	T	143.9/164.8
R1716	7030007230	S.RES ERA3YED 102V (1 k)	T	164.2/164.8
R1717	7030007230	S.RES ERA3YED 102V (1 k)	T	164.2/163.5
R1718	7030007230	S.RES ERA3YED 102V (1 k)	T	164.2/162.2
R1719	7030003660	S.RES ERJ3GEYJ 683 V (68 k)	T	144.3/166.8
C1	4030011600	S.CER C1608 JB 1E 104K-T	T	10.8/18.2
C2	4030006880	S.CER C1608 JB 1H 472K-T	T	25.7/29.5
C14	4030006880	S.CER C1608 JB 1H 472K-T	T	37.7/12.5
C15	4030006880	S.CER C1608 JB 1H 472K-T	T	31.2/15.4
C16	4030006880	S.CER C1608 JB 1H 472K-T	T	35.1/15.4
C17	4030006880	S.CER C1608 JB 1H 472K-T	T	13.8/12.6
C18	4030006880	S.CER C1608 JB 1H 472K-T	T	16.8/12.6
C19	4030006880	S.CER C1608 JB 1H 472K-T	T	29.5/12.6
C20	4030006880	S.CER C1608 JB 1H 472K-T	T	87.4/127.8
C21	4030006880	S.CER C1608 JB 1H 472K-T	T	88.7/127.8
C22	4030006880	S.CER C1608 JB 1H 472K-T	T	90/127.8
C30	4030011600	S.CER C1608 JB 1E 104K-T	T	19.1/112.4
C31	4030011600	S.CER C1608 JB 1E 104K-T	T	20.4/113.7
C32	4030011600	S.CER C1608 JB 1E 104K-T	T	24.3/111.1
C51	4510008520	S.ELE EEE1CA470SP	T	84/20.3
C52	4030011600	S.CER C1608 JB 1E 104K-T	T	78.9/23.7
C53	4030011600	S.CER C1608 JB 1E 104K-T	T	75.1/23.4
C54	4510008500	S.ELE EEE1CA101WP	T	70/20.3
C61	4510008520	S.ELE EEE1CA470SP	T	62.9/20.3
C62	4030011600	S.CER C1608 JB 1E 104K-T	B	58.2/19.9
C63	4030011600	S.CER C1608 JB 1E 104K-T	B	54.8/19.9
C64	4510008500	S.ELE EEE1CA101WP	T	50.1/20.3
C101	4030006880	S.CER C1608 JB 1H 472K-T	T	39.7/80.7
C102	4030011600	S.CER C1608 JB 1E 104K-T	T	41.8/79.9
C103	4510008540	S.ELE EEE1CA100SR	T	40.2/76.8
C104	4030011600	S.CER C1608 JB 1E 104K-T	T	21.4/100.2
C105	4030011600	S.CER C1608 JB 1E 104K-T	T	21.4/88.4
C106	4030011600	S.CER C1608 JB 1E 104K-T	T	21.4/84.2
C107	4030011600	S.CER C1608 JB 1E 104K-T	T	24.4/79.8
C108	4030011600	S.CER C1608 JB 1E 104K-T	T	27/79.8
C109	4030011600	S.CER C1608 JB 1E 104K-T	T	30.8/79.8
C110	4030011600	S.CER C1608 JB 1E 104K-T	T	36.8/79.8
C111	4030011600	S.CER C1608 JB 1E 104K-T	T	41.2/88.5
C112	4030011600	S.CER C1608 JB 1E 104K-T	T	41.3/82.6
C114	4030011600	S.CER C1608 JB 1E 104K-T	T	39.5/98.4
C115	4030011600	S.CER C1608 JB 1E 104K-T	T	38.1/98.4
C116	4030011600	S.CER C1608 JB 1E 104K-T	T	35.3/99.6
C117	4030011600	S.CER C1608 JB 1E 104K-T	T	23.3/98.8
C118	4030011600	S.CER C1608 JB 1E 104K-T	T	42.6/82.6
C119	4030011600	S.CER C1608 JB 1E 104K-T	B	31.2/86.7
C120	4030006880	S.CER C1608 JB 1H 472K-T	T	36.7/101.5
C121	4030011600	S.CER C1608 JB 1E 104K-T	T	39.5/101.5
C125	4030011600	S.CER C1608 JB 1E 104K-T	T	14.6/83.1
C129	4030011600	S.CER C1608 JB 1E 104K-T	T	33.4/79.8
C130	4030017810	S.CER C1608 CH 1H 102J-T	B	47.6/106.6
C131	4030011600	S.CER C1608 JB 1E 104K-T	T	30.4/73.2
C132	4030011600	S.CER C1608 JB 1E 104K-T	T	35.5/73.2
C133	4030006880	S.CER C1608 JB 1H 472K-T	B	43.5/98.6
C134	4030006880	S.CER C1608 JB 1H 472K-T	B	43.5/98.6
C135	4030006880	S.CER C1608 JB 1H 472K-T	T	46/95.5
C136	4030006880	S.CER C1608 JB 1H 472K-T	T	46/94.2
C137	4030006880	S.CER C1608 JB 1H 472K-T	T	46/90.3
C138	4030006880	S.CER C1608 JB 1H 472K-T	T	46.1/87.7
C139	4030006880	S.CER C1608 JB 1H 472K-T	B	43.5/100.4
C140	4030006880	S.CER C1608 JB 1H 472K-T	B	43.5/102.2
C141	4030004740	S.CER C2012 JB 1H 472K-T	B	34.3/85.1
C142	4550007470	S.TAN F931A107MNMNBMMA	B	19.4/87.4
C150	4340000050	S.MLR ECH-U 1C472JB5	T	16.3/64.6
C151	4550007520	S.TAN F931A106MAABMA	B	38.6/92.1
C152	4030007070	S.CER C1608 CH 1H 330J-T	T	19.2/59.9
C153	4030009910	S.CER C1608 CH 1H 040B-T	T	21.3/55.4
C154	4610001850	S.TRI T2B4R200AB10R00	T	17.6/55.1
C155	4030016550	S.CER CM105 CH 151G 50AT	T	24.1/55.4
C156	4030016550	S.CER CM105 CH 151G 50AT	T	26.9/55.4
C157	4030016550	S.CER CM105 CH 151G 50AT	T	26.9/56.7
C158	4030006880	S.CER C1608 JB 1H 472K-T	T	23.3/53.1
C159	4030006880	S.CER C1608 JB 1H 472K-T	B	23/51.9
C161	4510008540	S.ELE EEE1CA100SR	T	31.3/61
C162	4030009920	S.CER C1608 CH 1H 050B-T	B	33.6/53
C163	4030011600	S.CER C1608 JB 1E 104K-T	B	36.9/59.6
C164	4030006880	S.CER C1608 JB 1H 472K-T	B	30.3/54.8
C165	4030006880	S.CER C1608 JB 1H 472K-T	B	30.8/74
C166	4030011600	S.CER C1608 JB 1E 104K-T	B	34.9/78.2
C167	4030006880	S.CER C1608 JB 1H 472K-T	B	37.4/74
C201	4030011340	S.CER C1608 CH 1H 471J-T	T	33.8/40.4
C202	4510009280	S.ELE EEE1EA4R75R	T	26.5/44</

[RXPLL-A UNIT]

REF NO.	ORDER NO.	DESCRIPTION	M.	H/V LOCATION
C208	4030007030	S.CER C1608 CH 1H 150J-T	T	32.5/41
C209	4030011340	S.CER C1608 CH 1H 471J-T	T	44.1/26.1
C210	4550007620	S.TAN F931V224MAABMA	T	46.2/26.7
C211	4550007300	S.TAN F931A335MAABMA	B	46.1/41.6
C219	4030006880	S.CER C1608 JB 1H 472K-T	T	33.8/37.8
C220	4030007130	S.CER C1608 CH 1H 101J-T	T	54.7/37.6
C221	4030009520	S.CER C1608 CH 1H 020B-T	T	54.7/32
C222	4610001860	S.TRI TZB4Z060AB10R00	T	68.1/32.6
C223	4030007080	S.CER C1608 CH 1H 390J-T	T	73.2/36.3
C224	4030007010	S.CER C1608 CH 1H 100D-T	T	73.2/38.9
C225	4030007050	S.CER C1608 CH 1H 220J-T	T	73.6/30.9
C226	4030006880	S.CER C1608 JB 1H 472K-T	T	71/30.9
C227	4030009920	S.CER C1608 CH 1H 050B-T	T	75.1/32.6
C228	4510008540	S.ELE EEE1CA100SR	T	68.8/37.8
C229	4030009530	S.CER C1608 CH 1H 030B-T	T	77.8/32.6
C230	4030007100	S.CER C1608 CH 1H 560J-T	T	54.7/50
C231	4030009510	S.CER C1608 CH 1H 010B-T	T	54.7/44.6
C232	4610001860	S.TRI TZB4Z060AB10R00	T	68.1/45.1
C233	4030007070	S.CER C1608 CH 1H 330J-T	T	73.2/48.8
C234	4030009920	S.CER C1608 CH 1H 050B-T	T	73.2/51.4
C235	4030007020	S.CER C1608 CH 1H 120J-T	T	73.6/43.3
C236	4030006880	S.CER C1608 JB 1H 472K-T	T	71/43.3
C237	4030009910	S.CER C1608 CH 1H 040B-T	T	75.1/45
C238	4510008540	S.ELE EEE1CA100SR	T	68.8/50.3
C239	4030009910	S.CER C1608 CH 1H 040B-T	T	77.8/45
C240	4030007080	S.CER C1608 CH 1H 390J-T	T	54.7/62.5
C241	4030009510	S.CER C1608 CH 1H 010B-T	T	54.7/57.1
C242	4610001860	S.TRI TZB4Z060AB10R00	T	68.1/57.6
C243	4030007060	S.CER C1608 CH 1H 270J-T	T	73.2/61.3
C244	4030009910	S.CER C1608 CH 1H 040B-T	T	73.2/63.9
C245	4030009920	S.CER C1608 CH 1H 050B-T	T	73.6/55.8
C246	4030006880	S.CER C1608 JB 1H 472K-T	T	71/55.9
C247	4030009530	S.CER C1608 CH 1H 030B-T	T	75.1/57.5
C248	4510008540	S.ELE EEE1CA100SR	T	68.8/62.9
C250	4030007100	S.CER C1608 CH 1H 560J-T	T	54.7/75
C251	4030009540	S.CER C1608 CH 1H 1R5B-T	T	54.7/69.6
C252	4610001810	S.TRI TZB4Z030AB10R00	T	68.1/70.1
C253	4030007080	S.CER C1608 CH 1H 390J-T	T	73.2/73.8
C254	4030009530	S.CER C1608 CH 1H 030B-T	T	73.2/76.4
C255	4030006990	S.CER C1608 CH 1H 080D-T	T	73.6/68.4
C256	4030006880	S.CER C1608 JB 1H 472K-T	T	71/68.4
C257	4030007010	S.CER C1608 CH 1H 100D-T	T	75.1/70
C258	4510008540	S.ELE EEE1CA100SR	T	68.8/75.4
C260	4030007110	S.CER C1608 CH 1H 680J-T	T	54.7/87.5
C262	4610001810	S.TRI TZB4Z030AB10R00	T	68.1/82.6
C263	4030007080	S.CER C1608 CH 1H 390J-T	T	73.2/86.3
C264	4030009530	S.CER C1608 CH 1H 030B-T	T	73.2/88.9
C265	4030011770	S.CER C1608 CH 1H 060B-T	T	73.6/80.9
C266	4030006880	S.CER C1608 JB 1H 472K-T	T	71/80.9
C267	4030007010	S.CER C1608 CH 1H 100D-T	T	75.1/82.5
C268	4510008540	S.ELE EEE1CA100SR	T	68.8/87.9
C272	4610001860	S.TRI TZB4Z060AB10R00	T	68.1/95.1
C273	4030007050	S.CER C1608 CH 1H 220J-T	T	73.2/98.2
C274	4030009530	S.CER C1608 CH 1H 030B-T	T	73.2/100.8
C275	4030009920	S.CER C1608 CH 1H 050B-T	T	73.6/92.8
C276	4030006880	S.CER C1608 JB 1H 472K-T	T	71/92.8
C277	4030007010	S.CER C1608 CH 1H 100D-T	T	75.1/95
C278	4510008540	S.ELE EEE1CA100SR	T	68.8/100.4
C283	4030017810	S.CER C1608 CH 1H 102J-T	T	82.1/36.3
C284	4030006880	S.CER C1608 JB 1H 472K-T	T	84.5/34.3
C285	4030017810	S.CER C1608 CH 1H 102J-T	T	82.1/48.8
C286	4030006880	S.CER C1608 JB 1H 472K-T	T	84.5/46.9
C287	4030017810	S.CER C1608 CH 1H 102J-T	T	82.1/61.3
C288	4030006880	S.CER C1608 JB 1H 472K-T	T	83.9/57.5
C289	4030017810	S.CER C1608 CH 1H 102J-T	T	82.1/73.8
C290	4030006880	S.CER C1608 JB 1H 472K-T	T	84.3/70.4
C291	4030017810	S.CER C1608 CH 1H 102J-T	T	82.1/86.3
C292	4030006880	S.CER C1608 JB 1H 472K-T	T	84.4/84.3
C293	4030017810	S.CER C1608 CH 1H 102J-T	T	82.1/98.7
C294	4030006880	S.CER C1608 JB 1H 472K-T	T	83.2/93.9
C297	4030009920	S.CER C1608 CH 1H 050B-T	T	52.6/59.4
C299	4030007050	S.CER C1608 CH 1H 220J-T	T	52.6/84.4
C301	4030006880	S.CER C1608 JB 1H 472K-T	T	89.3/30.6
C302	4030006880	S.CER C1608 JB 1H 472K-T	T	94.9/28
C303	4030006880	S.CER C1608 JB 1H 472K-T	B	92.6/39.8
C304	4030006880	S.CER C1608 JB 1H 472K-T	B	92.6/45.2
C305	4030006880	S.CER C1608 JB 1H 472K-T	B	89.1/48.8
C306	4030006880	S.CER C1608 JB 1H 472K-T	B	89.1/50.6
C309	4030017810	S.CER C1608 CH 1H 102J-T	T	94.9/42.7
C310	4030011600	S.CER C1608 JB 1E 104K-T	T	92.8/42.1
C311	4510008520	S.ELE EEE1CA470SP	T	93.4/47.4
C312	4030006880	S.CER C1608 JB 1H 472K-T	B	89/27.4
C313	4030006880	S.CER C1608 JB 1H 472K-T	B	93.7/23.1
C331	4030007110	S.CER C1608 CH 1H 680J-T	T	89.3/32.2
C332	4030007160	S.CER C1608 CH 1H 181J-T	T	92.1/33.5
C333	4030007110	S.CER C1608 CH 1H 680J-T	T	89.3/33.5
C334	4030007050	S.CER C1608 CH 1H 220J-T	T	94.9/36
C335	4030006980	S.CER C1608 CH 1H 070D-T	T	94.9/37.4
C336	4030007030	S.CER C1608 CH 1H 150J-T	T	92.1/38.8
C337	4030007050	S.CER C1608 CH 1H 220J-T	T	94.9/38.8
C341	4030006880	S.CER C1608 JB 1H 472K-T	T	94.9/40.1
C342	4030006880	S.CER C1608 JB 1H 472K-T	T	86.5/33.5

[RXPLL-A UNIT]

REF NO.	ORDER NO.	DESCRIPTION	M.	H/V LOCATION
C344	4030011600	S.CER C1608 JB 1E 104K-T	T	94.9/41.4
C351	4030017810	S.CER C1608 CH 1H 102J-T	T	94.9/61.6
C352	4030011600	S.CER C1608 JB 1E 104K-T	T	94.9/62.9
C353	4510008520	S.ELE EEE1CA470SP	T	93.4/67.2
C354	4030006880	S.CER C1608 JB 1H 472K-T	T	89.3/51.7
C355	4030006880	S.CER C1608 JB 1H 472K-T	T	94.9/55.1
C356	4030006880	S.CER C1608 JB 1H 472K-T	T	89.2/58.4
C357	4030006880	S.CER C1608 JB 1H 472K-T	T	94.9/57.7
C358	4030006880	S.CER C1608 JB 1H 472K-T	B	89.2/60.3
C359	4030006880	S.CER C1608 JB 1H 472K-T	B	92.6/62.1
C360	4030006880	S.CER C1608 JB 1H 472K-T	B	89.9/66.9
C361	4030006880	S.CER C1608 JB 1H 472K-T	T	89.3/83.4
C363	4030006880	S.CER C1608 JB 1H 472K-T	T	86.1/60.9
C364	4030017810	S.CER C1608 CH 1H 102J-T	T	86.7/52.3
C365	4030006880	S.CER C1608 JB 1H 472K-T	T	90.3/59.9
C421	4030006880	S.CER C1608 JB 1H 472K-T	T	94.1/88.5
C422	4030006880	S.CER C1608 JB 1H 472K-T	T	87.3/88.5
C423	4030006880	S.CER C1608 JB 1H 472K-T	T	94.1/93.3
C424	4030006880	S.CER C1608 JB 1H 472K-T	T	87.9/93.3
C425	4030006880	S.CER C1608 JB 1H 472K-T	T	92.8/93.3
C426	4030006880	S.CER C1608 JB 1H 472K-T	B	94.6/87.3
C427	4030006880	S.CER C1608 JB 1H 472K-T	T	92.1/86.5
C428	4030006880	S.CER C1608 JB 1H 472K-T	T	89.3/86.5
C441	4030007040	S.CER C1608 CH 1H 180J-T	T	94.9/71.3
C442	4030007040	S.CER C1608 CH 1H 180J-T	T	94.9/72.6
C443	4030007020	S.CER C1608 CH 1H 120J-T	T	92.1/74.2
C444	4030007080	S.CER C1608 CH 1H 390J-T	T	94.9/73.9
C445	4030011770	S.CER C1608 CH 1H 060B-T	T	94.9/75.2
C446	4030007060	S.CER C1608 CH 1H 270J-T	T	94.9/79.1
C447	4030007110	S.CER C1608 CH 1H 680J-T	T	92.8/78.9
C448	4030006880	S.CER C1608 JB 1H 472K-T	T	94.9/76.5
C449	4030006880	S.CER C1608 JB 1H 472K-T	T	88.1/69.1
C451	4030007110	S.CER C1608 CH 1H 680J-T	T	92/82.1
C452	4030007160	S.CER C1608 CH 1H 181J-T	T	92/80.8
C453	4030011600	S.CER C1608 JB 1E 104K-T	T	94.9/77.8
C501	4030006880	S.CER C1608 JB 1H 472K-T	T	38.9/131.2
C502	4030011600	S.CER C1608 JB 1E 104K-T	T	38.9/129.9
C503	4510008540	S.ELE EEE1CA100SR	T	36.6/126.7
C504	4030011600	S.CER C1608 JB 1E 104K-T	T	21.4/153.1
C505	4550007470	S.TAN F931A107MNMABMA	B	19.2/140.3
C506	4030011600	S.CER C1608 JB 1E 104K-T	T	21.4/141
C507	4030011600	S.CER C1608 JB 1E 104K-T	T	21.4/137.1
C509	4030011600	S.CER C1608 JB 1E 104K-T	T	25.8/132.6
C510	4030011600	S.CER C1608 JB 1E 104K-T	T	28.4/132.6
C511	4030011600	S.CER C1608 JB 1E 104K-T	T	32.2/132.6
C512	4030011600	S.CER C1608 JB 1E 104K-T	T	34.8/132.6
C513	4030011600	S.CER C1608 JB 1E 104K-T	T	37.4/132.6
C514	4030011600	S.CER C1608 JB 1E 104K-T	T	41.2/136
C515	4030011600	S.CER C1608 JB 1E 104K-T	T	41.3/139.7
C516	4030011600	S.CER C1608 JB 1E 104K-T	T	41.3/142.3
C517	4030011600	S.CER C1608 JB 1E 104K-T	T	37.6/151.8
C518	4030011600	S.CER C1608 JB 1E 104K-T	T	34.8/151.8
C519	4030011600	S.CER C1608 JB 1E 104K-T	T	31.2/151.8
C520	4030011600	S.CER C1608 JB 1E 104K-T	T	23.3/151.9
C521	4030011600	S.CER C1608 JB 1E 104K-T	T	41.6/134
C522	4550007220	S.TAN F931A476MCMABMA	B	40.7/145
C525	4030006880	S.CER C1608 JB 1H 472K-T	T	35.3/154.5
C526	4030011600	S.CER C1608 JB 1E 104K-T	T	36.6/154.5
C531	4030006880	S.CER C1608 JB 1H 472K-T	T	14.6/137.5
C532	4030007070	S.CER C1608 CH 1H 330J-T	T	17.2/137.5
C533	4030007110	S.CER C1608 CH 1H 680J-T	T	17.3/133.4
C534	4030007110	S.CER C1608 CH 1H 680J-T	T	16.8/130.2
C535	4030007070	S.CER C1608 CH 1H 330J-T	T	18.1/127
C536	4030006880	S.CER C1608 JB 1H 472K-T	T	20.9/127.6
C537	4030006880	S.CER C1608 JB 1H 472K-T	T	27.2/126.4
C540	4030006880	S.CER C1608 JB 1H 472K-T	B	56.3/142.8
C541	4510008540	S.ELE EEE1CA100SR	T	51/139.3
C542	4340000260	S.MLR ECPU1C104MA5	B	47.8/128.7
C543	4030007060	S.CER C1608 CH 1H 270J-T	T	62.2/136.4
C545	4030008560	S.CER C1608 CH 1H 300J-T	T	70/137.1
C546	4610001830	S.TRI TZB4S100AB10R00	T	65.8/138.7
C547	4030007130	S.CER C1608 CH 1H 101J-T	T	71.3/137.1
C548	4030007010	S.CER C1608 CH 1H 100D-T	T	71.3/139.9
C549	4030007050	S.CER C1608 CH 1H 220J-T	T	68.9/145.1
C550	4030006880	S.CER C1608 JB 1H 472K-T	T	66.3/143
C551	4030009520	S.CER C1608 CH 1H 020B-T	T	71.3/142.8
C552	4030017810	S.CER C1608 CH 1H 102J-T	B	54.6/139.5
C553	4030006880	S.CER C1608 JB 1H 472K-T	B	56.3/139.5
C554	4510008500	S.ELE EEE1CA101WP	T	50.9/146.6
C555	4030006880	S.CER C1608 JB 1H 472K-T	B	47.7/149.5
C556	4550007220	S.TAN F931A476MCMABMA	B	76.4/136.1
C558	4550007520	S.TAN F931A106MAABMA	B	43.4/132.5
C559	4550007400	S.TAN F931A225MAABMA	B	43.4/129.9
C561	4550007520	S.TAN F931A106MAABMA	T	70/157.5
C562	4030006880	S.CER C1608 JB 1H 472K-T	T	68.3/155.5
C563	4030017810	S.CER C16		

[RXPLL-A UNIT]

REF NO.	ORDER NO.	DESCRIPTION	M.	H/V LOCATION
C575	4030007040	S.CER C1608 CH 1H 180J-T	T	72.6/171.9
C580	4030006880	S.CER C1608 JB 1H 472K-T	T	41.9/152.4
C581	4030006880	S.CER C1608 JB 1H 472K-T	T	41.9/144.2
C591	4030006880	S.CER C1608 JB 1H 472K-T	T	63.5/171.2
C592	4030007060	S.CER C1608 CH 1H 270J-T	T	62.8/163.1
C593	4510008540	S.ELE EEE1CA100SR	T	54.4/170.7
C594	4030006880	S.CER C1608 JB 1H 472K-T	T	57.4/171.9
C596	4030006880	S.CER C1608 JB 1H 472K-T	B	63.7/168.1
C597	4030007050	S.CER C1608 CH 1H 220J-T	T	62.2/171.2
C604	4030011600	S.CER C1608 JB 1E 104K-T	B	50.6/111
C605	4510008540	S.ELE EEE1CA100SR	T	52.5/110.9
C651	4030006880	S.CER C1608 JB 1H 472K-T	T	13.5/174
C652	4030011600	S.CER C1608 JB 1E 104K-T	T	12.9/176.3
C653	4510008540	S.ELE EEE1CA100SR	T	6.8/172.6
C654	4030011600	S.CER C1608 JB 1E 104K-T	T	22.8/161.4
C655	4030011600	S.CER C1608 JB 1E 104K-T	T	25.9/161.4
C656	4030011600	S.CER C1608 JB 1E 104K-T	T	25.8/177.1
C657	4030011600	S.CER C1608 JB 1E 104K-T	T	22.7/177.1
C658	4030011600	S.CER C1608 JB 1E 104K-T	T	13.5/172.7
C659	4030011600	S.CER C1608 JB 1E 104K-T	T	16.5/163.4
C660	4030006880	S.CER C1608 JB 1H 472K-T	T	17.6/161.4
C661	4030011600	S.CER C1608 JB 1E 104K-T	T	13.5/166.9
C662	4550007220	S.TAN F931A476MCMBMA	B	30.5/169.4
C680	4030006880	S.CER C1608 JB 1H 472K-T	T	34.3/177.1
C681	4030011340	S.CER C1608 CH 1H 471J-T	T	40.3/177.1
C682	4030007120	S.CER C1608 CH 1H 820J-T	T	39.6/175.2
C683	4030017870	S.CER C1608 CH 1H 681J-T	T	40.9/175.2
C684	4030007070	S.CER C1608 CH 1H 330J-T	B	39.3/174
C685	4030017800	S.CER C1608 CH 1H 561J-T	B	42.3/172.6
C686	4030011280	S.CER C1608 CH 1H 271J-T	B	39.3/170.6
C687	4030017810	S.CER C1608 CH 1H 102J-T	T	41/169.7
C688	4030011280	S.CER C1608 CH 1H 271J-T	B	37.5/169.7
C689	4030011600	S.CER C1608 JB 1E 104K-T	T	37.4/166.4
C690	4030011600	S.CER C1608 JB 1E 104K-T	T	37.4/161.3
C691	4030011600	S.CER C1608 JB 1E 104K-T	T	46.4/164
C692	4030006880	S.CER C1608 JB 1H 472K-T	T	40.3/162.1
C693	4030006880	S.CER C1608 JB 1H 472K-T	B	58.4/169.6
C694	4030006880	S.CER C1608 JB 1H 472K-T	B	58.4/164.2
C703	4030017810	S.CER C1608 CH 1H 102J-T	T	24.3/116.6
C704	4030006880	S.CER C1608 JB 1H 472K-T	T	23/116.6
C705	4510008500	S.ELE EEE1CA101WP	T	29.4/118.7
C707	4030011600	S.CER C1608 JB 1E 104K-T	T	32.1/113.7
C708	4030011600	S.CER C1608 JB 1E 104K-T	T	32.1/108.1
C709	4030007070	S.CER C1608 CH 1H 330J-T	T	38.8/112.9
C710	4030006880	S.CER C1608 JB 1H 472K-T	T	36.2/112.9
C711	4030009540	S.CER C1608 CH 1H 1R5B-T	B	39.3/113.6
C712	4030007070	S.CER C1608 CH 1H 330J-T	T	36.2/114.2
C713	4030006880	S.CER C1608 JB 1H 472K-T	T	42/118.8
C801	4030006880	S.CER C1608 JB 1H 472K-T	T	58.5/157.6
C802	4030007030	S.CER C1608 CH 1H 150J-T	T	83.2/149.5
C803	4030006900	S.CER C1608 JB 1H 103K-T	T	80.9/147.3
C811	4030011600	S.CER C1608 JB 1E 104K-T	T	44.5/165.9
C812	4030011600	S.CER C1608 JB 1E 104K-T	T	79.6/177.6
C813	4030017800	S.CER C1608 CH 1H 561J-T	B	78.9/175.6
C831	4030009910	S.CER C1608 CH 1H 040B-T	T	91.6/167.3
C832	4030009510	S.CER C1608 CH 1H 010B-T	T	91.6/157
C834	4030007030	S.CER C1608 CH 1H 150J-T	T	91.6/154.4
C835	4030006900	S.CER C1608 JB 1H 103K-T	T	94.4/154.4
C836	4510008540	S.ELE EEE1CA100SR	T	77.2/169.6
C837	4030006880	S.CER C1608 JB 1H 472K-T	T	74.5/165.8
C838	4030007020	S.CER C1608 CH 1H 120J-T	T	95/160
C1000	4030007050	S.CER C1608 CH 1H 220J-T	B	177.1/13.8
C1001	4030007170	S.CER C1608 CH 1H 221J-T	T	177.8/69.5
C1002	4030006880	S.CER C1608 JB 1H 472K-T	B	153.1/16.2
C1003	4030012600	S.CER C2012 JB 1A 105M-T	T	157.4/8.2
C1004	4030011600	S.CER C1608 JB 1E 104K-T	B	169.6/8.7
C1005	4030011600	S.CER C1608 JB 1E 104K-T	T	162.8/17.2
C1006	4030010210	S.CER C3216 JB 1C 105M-T	T	173.8/18.6
C1007	4030006880	S.CER C1608 JB 1H 472K-T	T	172.4/23.9
C1008	4030006880	S.CER C1608 JB 1H 472K-T	T	160/24
C1009	4030006880	S.CER C1608 JB 1H 472K-T	T	147.6/23.8
C1010	4030012600	S.CER C2012 JB 1A 105M-T	T	154.5/28.9
C1011	4030012600	S.CER C2012 JB 1A 105M-T	T	144.2/29.3
C1012	4030010210	S.CER C3216 JB 1C 105M-T	T	144.8/40.2
C1013	4030012600	S.CER C2012 JB 1A 105M-T	T	144.2/33.2
C1014	4030018810	S.CER C3216 CH 1H 333J-T	B	151.6/48.3
C1015	4030012600	S.CER C2012 JB 1A 105M-T	T	163.6/13.8
C1016	4030012600	S.CER C2012 JB 1A 105M-T	T	173.6/33.2
C1017	4030012600	S.CER C2012 JB 1A 105M-T	T	163.3/33.2
C1020	4030012600	S.CER C2012 JB 1A 105M-T	B	170/38.6
C1021	4030012600	S.CER C2012 JB 1A 105M-T	B	154/38.6
C1024	4030010210	S.CER C3216 JB 1C 105M-T	B	170.5/45.5
C1025	4030010210	S.CER C3216 JB 1C 105M-T	B	154.7/45.5
C1026	4030010210	S.CER C3216 JB 1C 105M-T	T	171.4/52.7
C1027	4030010210	S.CER C3216 JB 1C 105M-T	T	165.6/52.7
C1028	4030006880	S.CER C1608 JB 1H 472K-T	B	156.4/65.4
C1029	4030006880	S.CER C1608 JB 1H 472K-T	T	168.5/65.4
C1030	4030010210	S.CER C3216 JB 1C 105M-T	T	164.5/18
C1031	4030012600	S.CER C2012 JB 1A 105M-T	B	169.2/10.8
C1032	4030011600	S.CER C1608 JB 1E 104K-T	B	183.5/65
C1033	4550006470	S.TAN TEESVB2 1D 106M8R	B	146.5/47.7
C1034	4550006470	S.TAN TEESVB2 1D 106M8R	B	174/52.1

[RXPLL-A UNIT]

REF NO.	ORDER NO.	DESCRIPTION	M.	H/V LOCATION
C1035	4550006470	S.TAN TEESVB2 1D 106M8R	B	164.6/15.8
C1036	4030007120	S.CER C1608 CH 1H 820J-T	T	160.2/12.7
C1037	4030007090	S.CER C1608 CH 1H 470J-T	B	149.3/49.3
C1038	4030017810	S.CER C1608 CH 1H 102J-T	T	146.6/26.2
C1039	4030017810	S.CER C1608 CH 1H 102J-T	T	146.5/41
C1040	4030017810	S.CER C1608 CH 1H 102J-T	T	145.3/36.4
C1041	4030006990	S.CER C1608 CH 1H 080D-T	B	153.4/31
C1046	4030007010	S.CER C1608 CH 1H 100D-T	B	168.4/53.7
C1048	4030017810	S.CER C1608 CH 1H 102J-T	B	170.6/41.6
C1049	4030017810	S.CER C1608 CH 1H 102J-T	B	154.6/41.6
C1050	4030017810	S.CER C1608 CH 1H 102J-T	B	170.5/49.5
C1051	4030017810	S.CER C1608 CH 1H 102J-T	B	154.7/49.4
C1052	4030007100	S.CER C1608 CH 1H 560J-T	B	164.1/29.6
C1053	4030007110	S.CER C1608 CH 1H 680J-T	T	175.2/77.3
C1054	4030007010	S.CER C1608 CH 1H 100D-T	B	175.7/72.4
C1055	4030007140	S.CER C1608 CH 1H 121J-T	B	175.7/74.2
C1056	4030007050	S.CER C1608 CH 1H 220J-T	T	175.2/76
C1057	4030007130	S.CER C1608 CH 1H 101J-T	T	172.1/77.1
C1058	4030009530	S.CER C1608 CH 1H 030B-T	B	173.2/12.7
C1060	4030017810	S.CER C1608 CH 1H 102J-T	T	178.6/94.4
C1061	4030007090	S.CER C1608 CH 1H 470J-T	B	147.7/91.8
C1062	4030007170	S.CER C1608 CH 1H 221J-T	B	149.5/91.8
C1064	4030007090	S.CER C1608 CH 1H 470J-T	T	148.7/80.1
C1066	4030007010	S.CER C1608 CH 1H 100D-T	T	138.6/81.9
C1067	4030007010	S.CER C1608 CH 1H 100D-T	T	173.4/77.1
C1068	4030009510	S.CER C1608 CH 1H 010B-T	B	175.4/46.1
C1069	4030009510	S.CER C1608 CH 1H 010B-T	B	159.4/46.1
C1070	4030006980	S.CER C1608 CH 1H 070D-T	T	137.2/81.9
C1071	4030007100	S.CER C1608 CH 1H 560J-T	B	162.2/75.3
C1072	4030007170	S.CER C1608 CH 1H 221J-T	B	162/78.7
C1073	4030007080	S.CER C1608 CH 1H 390J-T	B	164.1/78.4
C1074	4030007060	S.CER C1608 CH 1H 270J-T	T	148.7/78.6
C1081	4030006900	S.CER C1608 JB 1H 103K-T	B	156.1/86
C1082	4030006900	S.CER C1608 JB 1H 103K-T	B	151.3/91.8
C1083	4030006900	S.CER C1608 JB 1H 103K-T	B	151.2/81.6
C1084	4030006880	S.CER C1608 JB 1H 472K-T	B	149.4/81.6
C1085	4030006880	S.CER C1608 JB 1H 472K-T	B	153/81.6
C1091	4030006880	S.CER C1608 JB 1H 472K-T	T	149.3/149.4
C1092	4030006880	S.CER C1608 JB 1H 472K-T	T	147/138.5
C1093	4030006880	S.CER C1608 JB 1H 472K-T	T	161.3/135.8
C1101	4030006900	S.CER C1608 JB 1H 103K-T	T	177/90.9
C1102	4030006900	S.CER C1608 JB 1H 103K-T	T	175.4/115.5
C1103	4030011600	S.CER C1608 JB 1E 104K-T	T	179.6/116.4
C1104	4030011600	S.CER C1608 JB 1E 104K-T	T	175.4/87.7
C1106	4030011600	S.CER C1608 JB 1E 104K-T	T	179.3/128.8
C1107	4030011600	S.CER C1608 JB 1E 104K-T	B	172.3/124.2
C1109	4030007090	S.CER C1608 CH 1H 470J-T	T	175.7/137.9
C1110	4030006900	S.CER C1608 JB 1H 103K-T	T	175.7/136.6
C1111	4030011600	S.CER C1608 JB 1E 104K-T	T	176.7/132
C1112	4030006900	S.CER C1608 JB 1H 103K-T	T	179.3/132
C1113	4030007090	S.CER C1608 CH 1H 470J-T	T	178.6/140.9
C1114	4030006900	S.CER C1608 JB 1H 103K-T	B	178.4/138
C1115	4030011600	S.CER C1608 JB 1E 104K-T	T	175.7/140
C1116	4030006900	S.CER C1608 JB 1H 103K-T	T	165.7/138.7
C1117	4030007010	S.CER C1608 CH 1H 100D-T	T	169.7/142.2
C1118	4030011600	S.CER C1608 JB 1E 104K-T	T	171/142.2
C1119	4030006880	S.CER C1608 JB 1H 472K-T	T	171.9/146.6
C1120	4030006880	S.CER C1608 JB 1H 472K-T	T	171.9/148.4
C1121	4030011600	S.CER C1608 JB 1E 104K-T	T	180.6/147.7
C1122	4030009530	S.CER C1608 CH 1H 030B-T	T	178.2/120.3
C1123	4030006900	S.CER C1608 JB 1H 103K-T	T	182.1/100.9
C1124	4030006900	S.CER C1608 JB 1H 103K-T	T	175.3/105.9
C1125	4030006900	S.CER C1608 JB 1H 103K-T	T	175.5/85.1
C1126	4030011600	S.CER C1608 JB 1E 104K-T	T	173.4/131.1
C1151	4030007110	S.CER C1608 CH 1H 680J-T	B	123.1/64
C1152	4030007110	S.CER C1608 CH 1H 680J-T	B	123.1/57
C1153	4030017810	S.CER C1608 CH 1H 102J-T	T	131.5/63.9
C1201	4030007110	S.CER C1608 CH 1H 680J-T	B	120.2/21.8
C1202	4030007110	S.CER C1608 CH 1H 680J-T	B	118.4/21.8
C1207	4030006880	S.CER C1608 JB 1H 472K-T	B	123/11.8
C1214	4030007170	S.CER C1608 CH 1H 221J-T	T	137.3/55.3
C1215	4030011600	S.CER C1608 JB 1E 104K-T	T	137.6/51.9
C1226	4030009500	S.CER C1608 CH 1H 0R5B-T	B	124.9/35.6
C1227	4030009500	S.CER C1608 CH 1H 0R5B-T	B	115.4/35.6
C1228	4030009920	S.CER C1608 CH 1H 050B-T	B	113.9/41.8
C1231	4030006900	S.CER C1608 JB 1H 103K-T	T	118.9/21.5
C1232	4030006900	S.CER C1608 JB 1H 103K-T	T	109/21.5
C1234	4030006900	S.CER C1608 JB 1H 103K-T	B	123.5/38.3
C1235	4030006880	S.CER C1608 JB 1H 472K-T	B	116.6/32.1
C1236	4030006900	S.CER C1608 JB 1H 103K-T	T	119.8/40
C1238	4030006900	S.CER C1608 JB 1H 103K-T	B	1



[RXPLL-A UNIT]

REF NO.	ORDER NO.	DESCRIPTION	M.	H/V LOCATION
C1251	4030006900	S.CER C1608 JB 1H 103K-T	T	160.2/92.9
C1252	4030006900	S.CER C1608 JB 1H 103K-T	T	152.7/92.9
C1253	4030006900	S.CER C1608 JB 1H 103K-T	B	152.5/111.2
C1255	4030017810	S.CER C1608 CH 1H 102J-T	B	155.7/99.3
C1256	4030007010	S.CER C1608 CH 1H 100D-T	T	156.3/98.8
C1257	4030011600	S.CER C1608 JB 1E 104K-T	B	155.7/103
C1258	4030007080	S.CER C1608 CH 1H 390J-T	B	152/97.5
C1264	4030007110	S.CER C1608 CH 1H 680J-T	T	122/51.1
C1265	4610001830	S.TRI TZB4S100AB10R00	T	163.8/70.8
C1266	4030007020	S.CER C1608 CH 1H 120J-T	T	160.1/74.5
C1267	4030006880	S.CER C1608 JB 1H 472K-T	B	157/126.4
C1268	4030006980	S.CER C1608 CH 1H 070D-T	T	149.6/64.4
C1302	4030007060	S.CER C1608 CH 1H 270J-T	T	159.3/111
C1303	4030006980	S.CER C1608 CH 1H 070D-T	T	159.3/112.9
C1304	4030007070	S.CER C1608 CH 1H 330J-T	T	159.3/114.2
C1305	4030007010	S.CER C1608 CH 1H 100D-T	T	153.5/114.6
C1306	4030009650	S.CER C1608 CH 1H 240J-T	T	159.3/115.5
C1307	4030007030	S.CER C1608 CH 1H 150J-T	T	153.5/120.2
C1308	4030006900	S.CER C1608 JB 1H 103K-T	T	155.1/127.1
C1309	4030007080	S.CER C1608 CH 1H 390J-T	T	156.5/125.8
C1310	4030007080	S.CER C1608 CH 1H 390J-T	T	159.1/128.4
C1311	4030006900	S.CER C1608 JB 1H 103K-T	B	149/118.9
C1312	4030007060	S.CER C1608 CH 1H 270J-T	T	155.5/111.7
C1313	4030007060	S.CER C1608 CH 1H 270J-T	T	159.1/127.1
C1355	4030006880	S.CER C1608 JB 1H 472K-T	T	144.7/70
C1357	4030007000	S.CER C1608 CH 1H 090D-T	B	144.6/67.1
C1358	4030011600	S.CER C1608 JB 1E 104K-T	B	139.1/70.4
C1360	4030011600	S.CER C1608 JB 1E 104K-T	B	146.4/70.4
C1361	4030007020	S.CER C1608 CH 1H 120J-T	B	137.7/69.5
C1362	4030011600	S.CER C1608 JB 1E 104K-T	T	137.5/65.6
C1403	4030017810	S.CER C1608 CH 1H 102J-T	T	114.7/70.3
C1404	4030017810	S.CER C1608 CH 1H 102J-T	T	116.3/104.8
C1405	4030006900	S.CER C1608 JB 1H 103K-T	B	115.9/63.9
C1406	4030017810	S.CER C1608 CH 1H 102J-T	T	114.2/66.2
C1407	4030017810	S.CER C1608 CH 1H 102J-T	T	119.9/70.3
C1408	4030006900	S.CER C1608 JB 1H 103K-T	T	116.3/73
C1409	4030006900	S.CER C1608 JB 1H 103K-T	T	114.4/68.1
C1410	4030007030	S.CER C1608 CH 1H 150J-T	T	116.3/83.3
C1411	4030006990	S.CER C1608 CH 1H 080D-T	T	112.2/87.8
C1412	4030007030	S.CER C1608 CH 1H 150J-T	T	116.3/93.7
C1413	4030007020	S.CER C1608 CH 1H 120J-T	T	107/83.3
C1414	4030006990	S.CER C1608 CH 1H 080D-T	T	103.6/86.6
C1415	4030007020	S.CER C1608 CH 1H 120J-T	T	107/93.7
C1416	4030006900	S.CER C1608 JB 1H 103K-T	T	113.2/103.4
C1417	4030006900	S.CER C1608 JB 1H 103K-T	T	110.5/107.6
C1418	4030017810	S.CER C1608 CH 1H 102J-T	T	110.4/105.8
C1419	4030017810	S.CER C1608 CH 1H 102J-T	T	111/108.9
C1420	4030007120	S.CER C1608 CH 1H 820J-T	B	113.2/114.2
C1421	4030007150	S.CER C1608 CH 1H 151J-T	B	115/114.2
C1423	4030010750	S.CER C1608 CH 1H 201J-T	B	120.3/111.1
C1424	4030007010	S.CER C1608 CH 1H 100D-T	T	132.8/103.3
C1425	4030011600	S.CER C1608 JB 1E 104K-T	T	136.5/106.2
C1426	4030011600	S.CER C1608 JB 1E 104K-T	T	137.8/106.2
C1427	4030006900	S.CER C1608 JB 1H 103K-T	T	133.9/106.2
C1428	4030006980	S.CER C1608 CH 1H 070D-T	T	119.5/109
C1429	4030006900	S.CER C1608 JB 1H 103K-T	T	120.5/113.6
C1430	4030007040	S.CER C1608 CH 1H 180J-T	B	131.9/115.3
C1431	4030017810	S.CER C1608 CH 1H 102J-T	T	127/116.2
C1432	4030009980	S.CER C1608 JB 1H 152K-T	T	129.1/114.1
C1433	4030011600	S.CER C1608 JB 1E 104K-T	T	130.4/114.1
C1434	4030009920	S.CER C1608 CH 1H 050B-T	B	124.7/134.4
C1435	4030009920	S.CER C1608 CH 1H 050B-T	B	124.7/131.6
C1436	4030011600	S.CER C1608 JB 1E 104K-T	B	137.2/122.2
C1437	4030009920	S.CER C1608 CH 1H 050B-T	T	104/83.3
C1438	4030009920	S.CER C1608 CH 1H 050B-T	T	102.3/86.6
C1439	4030009920	S.CER C1608 CH 1H 050B-T	T	110/93.7
C1441	4030006880	S.CER C1608 JB 1H 472K-T	T	120.5/116.2
C1451	4030007020	S.CER C1608 CH 1H 120J-T	T	125.5/80.1
C1453	4030007030	S.CER C1608 CH 1H 150J-T	T	122.1/85.1
C1454	4030007030	S.CER C1608 CH 1H 150J-T	T	120.8/85.1
C1456	4030007020	S.CER C1608 CH 1H 120J-T	T	125.5/90.9
C1457	4030006900	S.CER C1608 JB 1H 103K-T	T	118.3/72.9
C1458	4030006900	S.CER C1608 JB 1H 103K-T	T	116.6/103.5
C1501	4030018530	S.CER C3216 CH 1H 103J-T	T	131.2/124.5
C1502	4550003220	S.TAN TEESVA 1E 105M8R	T	132.1/139.2
C1503	4030006900	S.CER C1608 JB 1H 103K-T	T	137/142.1
C1504	4030012610	S.CER C2012 JB 1C 474K-T	T	136.7/140.5
C1505	4030007010	S.CER C1608 CH 1H 100D-T	T	130/143.5
C1506	4030010760	S.CER C1608 CH 1H 331J-T	T	131.3/146.3
C1507	4510008540	S.ELE EEE1CA100SR	T	142.6/140.8
C1508	4030011600	S.CER C1608 JB 1E 104K-T	B	128.8/148.8
C1509	4030018800	S.CER C3216 CH 1H 223J-T	T	135.8/145.1
C1510	4030007110	S.CER C1608 CH 1H 680J-T	T	136.5/158.9
C1511	4510008540	S.ELE EEE1CA100SR	T	132.7/150.6
C1512	4030011600	S.CER C1608 JB 1E 104K-T	T	129.6/149
C1513	4030011600	S.CER C1608 JB 1E 104K-T	T	129.6/158.1
C1514	4510008540	S.ELE EEE1CA100SR	T	132.7/156.5
C1515	4030007160	S.CER C1608 CH 1H 181J-T	T	132.2/160.8
C1516	4030009350	S.CER C1608 CH 1H 3R5B-T	T	130.9/160.8
C1517	4030007110	S.CER C1608 CH 1H 680J-T	T	115.3/155
C1518	4030018530	S.CER C3216 CH 1H 103J-T	T	131.2/132.8
C1519	4550003220	S.TAN TEESVA 1E 105M8R	T	122.9/140.9

[RXPLL-A UNIT]

REF NO.	ORDER NO.	DESCRIPTION	M.	H/V LOCATION
C1520	4030006900	S.CER C1608 JB 1H 103K-T	T	119.8/140.7
C1521	4030012610	S.CER C2012 JB 1C 474K-T	T	116.2/142.1
C1522	4030007010	S.CER C1608 CH 1H 100D-T	T	123.7/143.5
C1523	4030010760	S.CER C1608 CH 1H 331J-T	T	122.4/146.3
C1524	4030018800	S.CER C3216 CH 1H 223J-T	T	117.9/145.2
C1525	4510008540	S.ELE EEE1CA100SR	T	124.9/150.6
C1526	4030011600	S.CER C1608 JB 1E 104K-T	T	128/149
C1527	4030011600	S.CER C1608 JB 1E 104K-T	T	128/158.1
C1528	4510008540	S.ELE EEE1CA100SR	T	124.9/156.5
C1529	4030017870	S.CER C1608 CH 1H 681J-T	T	125.4/160.8
C1530	4030011330	S.CER C1608 CH 1H 391J-T	T	126.7/160.8
C1531	4510008500	S.ELE EEE1CA101WP	T	111.3/167.3
C1532	4030011600	S.CER C1608 JB 1E 104K-T	T	107.1/167.3
C1533	4030011600	S.CER C1608 JB 1E 104K-T	T	115.5/167.3
C1534	4510008500	S.ELE EEE1CA101WP	T	119.7/167.3
C1535	4030011600	S.CER C1608 JB 1E 104K-T	T	133.7/172.6
C1536	4030017870	S.CER C1608 CH 1H 681J-T	T	126.2/179.5
C1537	4510008500	S.ELE EEE1CA101WP	T	111.3/176
C1538	4030011600	S.CER C1608 JB 1E 104K-T	T	107.1/176
C1539	4030011600	S.CER C1608 JB 1E 104K-T	T	115.5/176
C1540	4510008500	S.ELE EEE1CA101WP	T	119.7/176
C1541	4030007050	S.CER C1608 CH 1H 220J-T	T	124/175
C1651	4030006880	S.CER C1608 JB 1H 472K-T	B	105.5/144
C1653	4030006880	S.CER C1608 JB 1H 472K-T	B	109/137.2
C1654	4030017810	S.CER C1608 CH 1H 102J-T	T	106.9/137.2
C1655	4030009530	S.CER C1608 CH 1H 030B-T	T	107.6/136.8
C1656	4610001970	S.TRI TZC3P200A110R00	T	110.9/136.2
C1657	4030010220	S.CER C2012 CH 1H 102J-T	T	116.4/122.7
C1658	4030010220	S.CER C2012 CH 1H 102J-T	T	116.4/130.9
C1659	4030011600	S.CER C1608 JB 1E 104K-T	T	107.8/120
C1660	4030011600	S.CER C1608 JB 1E 104K-T	B	134/174
C1661	4030011600	S.CER C1608 JB 1E 104K-T	B	145.2/171.3
C1662	4030011600	S.CER C1608 JB 1E 104K-T	T	144.3/178
C1663	4030011600	S.CER C1608 JB 1E 104K-T	T	135.1/170.2
C1665	4030006900	S.CER C1608 JB 1H 103K-T	T	138.9/164.1
C1666	4030006880	S.CER C1608 JB 1H 472K-T	B	113.3/144
C1701	4030011600	S.CER C1608 JB 1E 104K-T	T	153.4/163
C1702	4030011600	S.CER C1608 JB 1E 104K-T	T	144.4/163
C1703	4510004601	ELE 16 ME 1000 HC		
C1704	4030011600	S.CER C1608 JB 1E 104K-T	B	180.1/160.2
C1705	4030011600	S.CER C1608 JB 1E 104K-T	B	186.4/160.2
C1706	4510008520	S.ELE EEE1CA470SP	T	172.7/154.8
C1707	4030011600	S.CER C1608 JB 1E 104K-T	T	149.7/154.8
C1708	4030006880	S.CER C1608 JB 1H 472K-T	T	175.7/166.8
C1709	4030006880	S.CER C1608 JB 1H 472K-T	T	172.6/166.8
C1710	4030006880	S.CER C1608 JB 1H 472K-T	T	169.6/166.8
C1711	4030011340	S.CER C1608 CH 1H 471J-T	T	171.4/163.5
C1712	4030011340	S.CER C1608 CH 1H 471J-T	T	167.5/163.5
C1713	4030006880	S.CER C1608 JB 1H 472K-T	B	165.5/168.8
C1714	4030006880	S.CER C1608 JB 1H 472K-T	B	153.8/141.8
C1716	4030006880	S.CER C1608 JB 1H 472K-T	B	154.7/145.1
C1717	4030006880	S.CER C1608 JB 1H 472K-T	B	152.9/145.1
C1719	4030006880	S.CER C1608 JB 1H 472K-T	B	151.1/145.1
C1720	4030006880	S.CER C1608 JB 1H 472K-T	B	155.6/141.8
C1721	4030006880	S.CER C1608 JB 1H 472K-T	B	157.4/141.8
RL1001	6330001750	RLY FTR-B4CA012Z		
RL1002	6330001750	RLY FTR-B4CA012Z		
RL1003	6330001750	RLY FTR-B4CA012Z		
RL1004	6330001750	RLY FTR-B4CA012Z		
RL1005	6330001750	RLY FTR-B4CA012Z		
RL1006	6330001750	RLY FTR-B4CA012Z		
RL1203	6330001750	RLY FTR-B4CA012Z		
RL1206	6330001750	RLY FTR-B4CA012Z		
J2	6510019991	S.CNR 52808-2271 (2291)	T	25/9
J10	6510007020	CNR TMP-J01X-V6		
J351	6510007020	CNR TMP-J01X-V6		
J421	6510007020	CNR TMP-J01X-V6		
J561	6510007020	CNR TMP-J01X-V6		
J601	6510007020	CNR TMP-J01X-V6		
J681	6510007020	CNR TMP-J01X-V6		
J831	6510007020	CNR TMP-J01X-V6		
J1001	6510007020	CNR TMP-J01X-V6		
J1002	6510007020	CNR TMP-J01X-V6		
J1101	6510007020	CNR TMP-J01X-V6		
J1201	6510007020	CNR TMP-J01X-V6		
J1301	6510007020	CNR TMP-J01X-V6		
J1501	6510018961	S.CNR B2B-PH-SM4-TB (LF) (SN)	T	149.6/177.5
J1701	6510019981	S.CNR 52808-1671 (1690)	T	168/177.2
W1052	9016201006	WIR 73/98/025/X98/X98		
W1401	9029495075	JMP 73/98/020/X98/X98		
W1411	7120000480	S.JMP MJP-0.4-T	T	125.1/111.6
EP20	6910012350	S.BEA MMZ1608Y 102BT	T	85.4/126
EP21	6910012350	S.BEA MMZ1608Y 102BT	T	88.7/124
EP22	6910012350	S.BEA MMZ1608Y 102BT	T	90/124

M.=Mounted side (T: Mounted on the Top side, B: Mounted on the Bottom side)  
S.=Surface mount

[RXPLL-A UNIT]

REF NO.	ORDER NO.	DESCRIPTION	M.	H/V LOCATION
EP101	6910012350	S.BEA MMZ1608Y 102BT	B	47.6/98.6
EP102	6910012350	S.BEA MMZ1608Y 102BT	B	47.6/96.8
EP103	6910012350	S.BEA MMZ1608Y 102BT	T	46/96.8
EP104	6910012350	S.BEA MMZ1608Y 102BT	T	46/92.9
EP105	6910012350	S.BEA MMZ1608Y 102BT	T	46/91.6
EP106	6910012350	S.BEA MMZ1608Y 102BT	T	46/89
EP107	6910012350	S.BEA MMZ1608Y 102BT	B	47.6/100.4
EP108	6910012350	S.BEA MMZ1608Y 102BT	B	47.6/102.2
EP1701	6910012350	S.BEA MMZ1608Y 102BT	T	170.1/163.5
EP1702	6910012350	S.BEA MMZ1608Y 102BT	T	168.8/163.5
EP1801	6910012350	S.BEA MMZ1608Y 102BT	B	153/132.7
EP1802	6910012350	S.BEA MMZ1608Y 102BT	B	142.5/18.8
EP1804	6910012350	S.BEA MMZ1608Y 102BT	B	112.5/138.7
EP1805	6910012350	S.BEA MMZ1608Y 102BT	B	150.2/141.8
EP1806	6910012350	S.BEA MMZ1608Y 102BT	B	128.6/64.3
EP1807	6910012350	S.BEA MMZ1608Y 102BT	B	117.4/50.2
EP1808	6910012350	S.BEA MMZ1608Y 102BT	B	137/166.9
EP1809	6910012350	S.BEA MMZ1608Y 102BT	B	147.4/127.4
EP1810	6910012350	S.BEA MMZ1608Y 102BT	B	131.3/64.2
EP1811	6910012350	S.BEA MMZ1608Y 102BT	T	160.7/56.3
EP1812	6910012350	S.BEA MMZ1608Y 102BT	B	153.5/137.4
EP1813	6910012350	S.BEA MMZ1608Y 102BT	B	132.6/65.7
EP1814	6910012350	S.BEA MMZ1608Y 102BT	B	147.2/22.3
EP1815	6910012350	S.BEA MMZ1608Y 102BT	B	156/62.6
EP1816	6910012350	S.BEA MMZ1608Y 102BT	B	160.4/20.9
EP1817	6910012350	S.BEA MMZ1608Y 102BT	B	168.6/62.2
EP1818	6910012350	S.BEA MMZ1608Y 102BT	B	151.2/133.2
EP1819	6910012350	S.BEA MMZ1608Y 102BT	B	145.6/127.9
EP1820	6910012350	S.BEA MMZ1608Y 102BT	B	148.6/19.8
EP1821	6910012350	S.BEA MMZ1608Y 102BT	B	148.6/14.1
EP1825	6910012350	S.BEA MMZ1608Y 102BT	B	126.6/7
EP1826	6910012350	S.BEA MMZ1608Y 102BT	B	151.5/137.7
EP1830	6910012350	S.BEA MMZ1608Y 102BT	B	141.3/135.2
EP1831	6910012350	S.BEA MMZ1608Y 102BT	B	143.4/128.5
EP1832	6910012350	S.BEA MMZ1608Y 102BT	B	149.2/137.5
EP1833	6910012350	S.BEA MMZ1608Y 102BT	B	147.2/133.5
EP1834	6910012350	S.BEA MMZ1608Y 102BT	T	115.8/108.3
EP1835	6910012350	S.BEA MMZ1608Y 102BT	B	141.6/128.5
EP1836	6910012350	S.BEA MMZ1608Y 102BT	T	111/110.2
EP1837	6910012350	S.BEA MMZ1608Y 102BT	B	145.8/134.1
EP1838	6910012350	S.BEA MMZ1608Y 102BT	T	116.3/106.1

[RXPLL-B UNIT]

REF NO.	ORDER NO.	DESCRIPTION	M.	H/V LOCATION
IC1	1130011530	S.IC CD74HC4094M96	T	11.9/24.1
IC2	1130009691	S.IC TC74HCT7007AF (F)	T	22.8/23.3
IC51	1180001251	S.IC TA7808F (TE16L,Q)	T	77/16.7
IC61	1180000421	S.IC TA78L05F (TE12R,F)	B	56.5/16
IC101	1140007881	S.IC TC190G08EFG0046JDZ	T	31.3/89.7
IC102	1130003831	S.IC TC7S04F (TE85R,F)	T	33.1/74.7
IC104	1130003831	S.IC TC7S04F (TE85R,F)	T	31.7/101.1
IC201	1130009230	S.IC LMX2306TMX/NOPB	T	27.9/38.8
IC501	1140007881	S.IC TC190G08EFG0046JDZ	T	31.3/142.5
IC502	1130003831	S.IC TC7S04F (TE85R,F)	T	24.8/127.4
IC503	1130003831	S.IC TC7S04F (TE85R,F)	T	31.7/154.1
IC651	1140004550	S.IC M65343FP/SC1287	T	22.6/169.2
IC652	1130003831	S.IC TC7S04F (TE85R,F)	T	13.7/163.1
IC1051	1190002010	S.IC SD5400CY	T	176.9/99.9
IC1081	1110006180	S.IC UPG2009TB-E3	B	151.6/85.1
IC1402	1190002110	S.IC NJG1519KC1-TE3	T	117.3/69.5
IC1403	1190002110	S.IC NJG1519KC1-TE3	T	113.4/106.3
IC1501	1110006121	S.IC DBM9A41-G-TR	T	121.2/124.5
IC1502	1110006121	S.IC DBM9A41-G-TR	T	121.2/133
IC1503	1110006100	S.IC NJM5534MD-TE1	T	138.4/151.7
IC1504	1110006100	S.IC NJM5534MD-TE1	T	119.2/151.7
IC1505	1110006190	S.IC NJM074M-TE1	T	128.8/166.9
IC1506	1110006100	S.IC NJM5534MD-TE1	T	128.8/175.6
IC1651	1130011920	S.IC TC74LXC00F (EL)	T	110/126.2
IC1652	1110005420	S.IC BA15532F-E2	T	139.8/175.6
IC1653	1110005100	S.IC NJM072BM-TE1	B	140/172
IC1701	1130011530	S.IC CD74HC4094M96	T	158/166.7
IC1702	1130011530	S.IC CD74HC4094M96	T	148.9/166.7
IC1703	1160000131	S.IC TD62783AFG (S.EL)	T	157.3/154.8
IC1704	1180000790	S.IC AN78L10M (E1)	B	183.2/159.8
Q1	1590001050	S.TR DTC114TUA T106	B	30.3/22.6
Q30	1530002060	S.TR 2SC4081 T106 R	T	22.3/110.9
Q41	1590000680	S.TR DTC114EUA T106	T	12.8/34.2
Q150	1560000331	S.FET 2SK210-GR (TE85R,F)	T	26.9/53
Q151	1530002280	S.TR 2SC4081 T106 S	B	33.6/57.2
Q152	1530002280	S.TR 2SC4081 T106 S	B	30.8/78.2
Q201	1590001330	S.TR DTA114EUA T106	T	29.6/34.1
Q220	1560000331	S.FET 2SK210-GR (TE85R,F)	T	72.5/33.9
Q230	1560000331	S.FET 2SK210-GR (TE85R,F)	T	72.5/46.4
Q240	1560000331	S.FET 2SK210-GR (TE85R,F)	T	72.5/58.9
Q250	1560000331	S.FET 2SK210-GR (TE85R,F)	T	72.5/71.4
Q260	1560000331	S.FET 2SK210-GR (TE85R,F)	T	72.5/83.9
Q270	1560000331	S.FET 2SK210-GR (TE85R,F)	T	72.5/95.8
Q280	1590000680	S.TR DTC114EUA T106	T	82.3/34.4
Q281	1590000680	S.TR DTC114EUA T106	T	82.3/46.9
Q282	1590000680	S.TR DTC114EUA T106	T	82.3/59.4
Q283	1590000680	S.TR DTC114EUA T106	T	82.3/71.9
Q284	1590000680	S.TR DTC114EUA T106	T	82.3/84.4
Q285	1590000680	S.TR DTC114EUA T106	T	82.3/96.4
Q301	1530003431	S.TR 2SC5226-4-TL-E	T	92.1/30.1
Q302	1530003431	S.TR 2SC5226-4-TL-E	B	89.1/42.5
Q303	1530003431	S.TR 2SC5226-4-TL-E	B	91.3/25.1
Q341	1590000680	S.TR DTC114EUA T106	T	86.3/36.7
Q351	1580000751	S.FET 3SK294 (TE85L,F)	T	92.1/56.9
Q352	1530003431	S.TR 2SC5226-4-TL-E	B	89.2/64.5
Q363	1590000680	S.TR DTC114EUA T106	T	86.8/54.3
Q364	1590001330	S.TR DTA114EUA T106	T	86.8/57.4
Q441	1590000680	S.TR DTC114EUA T106	T	86.5/73.7
Q502	1590000680	S.TR DTC114EUA T106	T	41.9/128.8
Q540	1530002060	S.TR 2SC4081 T106 R	B	58.7/141.2
Q541	1560000331	S.FET 2SK210-GR (TE85R,F)	T	68.9/142.8
Q561	1530003431	S.TR 2SC5226-4-TL-E	T	70.6/153.8
Q580	1530003431	S.TR 2SC5226-4-TL-E	T	41.7/147.4
Q591	1530003151	S.TR 2SC4673D-TD-E	T	61.7/166.5
Q592	1520000561	S.TR 2SB1123 T-TD-E	B	52/165.3
Q593	1590000680	S.TR DTC114EUA T106	B	54.8/171.2
Q601	1530002601	S.TR 2SC4215-O (TE85R,F)	T	49.5/118.2
Q680	1530002060	S.TR 2SC4081 T106 R	T	37.5/163.2
Q702	1530002601	S.TR 2SC4215-O (TE85R,F)	T	31.4/110.9
Q1001	1530003851	S.TR 2SC5551F-TD-E	B	174/9
Q1004	1590001960	S.TR XP4311 (TX)	T	150/18.8
Q1005	1590001960	S.TR XP4311 (TX)	T	145.9/18.8
Q1006	1530003851	S.TR 2SC5551F-TD-E	B	150/37.6
Q1007	1530003851	S.TR 2SC5551F-TD-E	B	176.5/42.5
Q1008	1530003851	S.TR 2SC5551F-TD-E	B	160.5/42.5
Q1101	1530003860	TR 2SC3950D		
Q1102	1590000680	S.TR DTC114EUA T106	T	165.5/133.8
Q1103	1520000561	S.TR 2SB1123 T-TD-E	B	168.6/127.8
Q1104	1530003860	TR 2SC3950D		
Q1105	1530003841	S.TR 2SC5501-4-TR-E	T	166.5/142.1
Q1205	1590001960	S.TR XP4311 (TX)	T	158.8/55.6
Q1209	1530003851	S.TR 2SC5551F-TD-E	B	121/34.9
Q1210	1530003851	S.TR 2SC5551F-TD-E	B	111.5/34.9
Q1211	1560001311	S.FET MMBFU310LT1G	T	159.5/96.4
Q1212	1560001311	S.FET MMBFU310LT1G	T	153.5/96.4
Q1213	1590000680	S.TR DTC114EUA T106	B	156.9/123.7
Q1214	1520000561	S.TR 2SB1123 T-TD-E	B	155.4/113.5
Q1301	1530003151	S.TR 2SC4673D-TD-E	T	157.8/120
Q1352	1530003851	S.TR 2SC5551F-TD-E	B	140/66.7
Q1401	1530003841	S.TR 2SC5501-4-TR-E	T	131.9/105.8

M.=Mounted side (T: Mounted on the Top side, B: Mounted on the Bottom side)  
S.=Surface mount

[RX-PLL-B UNIT]

REF NO.	ORDER NO.	DESCRIPTION	M.	H/V LOCATION
Q1402	1530003021	S.TR 2SC4402-3-TL-E	T	123.4/111.8
Q1403	1530003021	S.TR 2SC4402-3-TL-E	T	123.4/114.3
Q1501	1530003450	S.TR 2SC4835-R (TX)	T	133.5/143.5
Q1502	1530003450	S.TR 2SC4835-R (TX)	T	120.4/143.5
Q1651	1530002601	S.TR 2SC4215-O (TE85R,F)	B	105.6/140.3
Q1701	1590001960	S.TR XP4311 (TX)	T	106.6/43.9
Q1702	1590001960	S.TR XP4311 (TX)	T	148.9/147.2
Q1703	1590001960	S.TR XP4311 (TX)	T	146.4/147.2
D101	1750000520	S.DIO DAN222TL	T	41.8/86.2
D152	1720000590	S.VCP MA357 (TX)	T	17.6/59.9
D153	1790000491	S.DIO HSM88ASTR-E	T	27.2/60.4
D154	1790000491	S.DIO HSM88ASTR-E	T	27.2/63.8
D201	1750000520	S.DIO DAN222TL	T	32.4/34.1
D220	1720000590	S.VCP MA357 (TX)	T	50.8/31.8
D221	1720000590	S.VCP MA357 (TX)	T	52.9/31.8
D222	1790000620	S.DIO MA77 (TX)	T	82.6/29.8
D230	1720000590	S.VCP MA357 (TX)	T	50.8/44.2
D231	1720000590	S.VCP MA357 (TX)	T	52.9/44.2
D232	1790000620	S.DIO MA77 (TX)	T	82.6/42.3
D240	1720000590	S.VCP MA357 (TX)	T	50.8/56.7
D241	1720000590	S.VCP MA357 (TX)	T	52.9/56.7
D242	1790000620	S.DIO MA77 (TX)	T	82.6/54.8
D250	1720000590	S.VCP MA357 (TX)	T	50.8/69.2
D252	1790000620	S.DIO MA77 (TX)	T	82.6/67.3
D261	1720000590	S.VCP MA357 (TX)	T	52.9/81.7
D262	1790000620	S.DIO MA77 (TX)	T	82.6/79.8
D270	1720000590	S.VCP MA357 (TX)	T	50.8/94.2
D271	1720000590	S.VCP MA357 (TX)	T	52.4/96.7
D272	1790000620	S.DIO MA77 (TX)	T	82.5/92
D341	1790000620	S.DIO MA77 (TX)	T	90/37.2
D342	1160000070	S.DIO DAN202K T146	B	81.1/47.7
D362	1790000620	S.DIO MA77 (TX)	T	88.3/65.5
D363	1790000620	S.DIO MA77 (TX)	T	88.3/62
D421	1790000620	S.DIO MA77 (TX)	T	91.9/85
D441	1790000620	S.DIO MA77 (TX)	T	89.6/74.4
D501	1750000520	S.DIO DAN222TL	T	42/132
D542	1720000590	S.VCP MA357 (TX)	T	62.5/139.6
D1101	1790000620	S.DIO MA77 (TX)	T	177.6/146.6
D1102	1790000620	S.DIO MA77 (TX)	T	177.6/148.4
D1351	1750000581	S.DIO 1SV307 (TPH3,F)	T	140.8/71.1
D1653	1750000550	S.DIO 1SS355 TE-17	T	138.9/167.2
D1654	1750000550	S.DIO 1SS355 TE-17	T	142.5/167.2
D1701	1790001670	S.DIO RB706F-40T106	T	170.5/160.8
FI101	2020002090	S.CER SFCEV10M7FD00-R0	T	26/73.9
FI1401	2030000321	S.MLH FL-359A (64.555 MHz)	T	116.3/88.5
FI1402	2030000311	S.MLH FL-360A (64.555 MHz)	T	107/88.5
FI1403	2030000520	S.MLH DSF753SDF	T	126/85.5
L1	6200003261	S.COL NLV32T-101J	T	10.8/15.4
L2	6200003261	S.COL NLV32T-101J	T	29/19.9
L10	6200003950	S.COL HF50ACC 322513-T	T	38.6/14.7
L11	6200003950	S.COL HF50ACC 322513-T	T	13.8/15.4
L12	6200003950	S.COL HF50ACC 322513-T	T	16.8/15.4
L13	6200003950	S.COL HF50ACC 322513-T	T	29/15.4
L20	6200003321	S.COL NLV32T-3R3J	T	85.9/123.8
L30	6200005491	S.COL NLV32T-331J	T	20.6/120
L101	6200001831	S.COL NLV32T-100J	T	38.3/72.8
L151	6130002970	COL LB-343	T	
L152	6200001831	S.COL NLV32T-100J	T	30/54.5
L201	6200005011	S.COL NLV25T-100J	T	22.2/45
L211	6200003661	S.COL NLV25T-R68J	B	45.4/35.3
L220	6200010790	S.COL C2520C-3R9G-A	T	51.9/37.5
L221	6190001421	COL #E526GN-110502	T	
L222	6200010790	S.COL C2520C-3R9G-A	T	76.2/37.7
L230	6200010830	S.COL C2520C-3R3G-A	T	51.9/50
L231	6190001421	COL #E526GN-110502	T	
L232	6200010830	S.COL C2520C-3R3G-A	T	76.2/50.2
L240	6200010830	S.COL C2520C-3R3G-A	T	51.9/62.4
L241	6190001421	COL #E526GN-110502	T	
L242	6200010830	S.COL C2520C-3R3G-A	T	76.2/62.7
L250	6200010820	S.COL C2520C-2R7G-A	T	51.9/74.9
L251	6190001421	COL #E526GN-110502	T	
L252	6200010820	S.COL C2520C-2R7G-A	T	76.2/75.2
L260	6200010820	S.COL C2520C-2R7G-A	T	51.9/87.4
L261	6190001411	COL #E526GN-110501	T	
L262	6200010820	S.COL C2520C-2R7G-A	T	76.2/87.7
L270	6200010810	S.COL C2520C-2R2G-A	T	51.9/99.8
L271	6190001411	COL #E526GN-110501	T	
L272	6200010810	S.COL C2520C-2R2G-A	T	76/100.2
L280	6200005011	S.COL NLV25T-100J	T	67.4/25.5
L302	6200001831	S.COL NLV32T-100J	T	89.3/42.6
L331	6200002641	S.COL NLV25T-R15J	T	95.1/34.1
L332	6200002411	S.COL NLV25T-056J	B	93.2/36
L341	6200003261	S.COL NLV32T-101J	T	87/39.6
L351	6200001831	S.COL NLV32T-100J	T	91.3/62
L421	6200008641	S.COL NLV32T-391J	T	87/81
L441	6200002601	S.COL NLV25T-047J	T	91.9/72.3

[RXPLL-B UNIT]

REF NO.	ORDER NO.	DESCRIPTION	M.	H/V LOCATION
L442	6200010730	S.COL C2520C-68NG-A	T	90.5/78.2
L451	6200002641	S.COL NLV25T-R15J	T	95/81
L452	6200003261	S.COL NLV32T-101J	T	87/78
L501	6200001831	S.COL NLV32T-100J	T	31/125.8
L530	6200003171	S.COL NLV32T-330J	T	14.6/134.9
L531	6200003171	S.COL NLV32T-330J	T	14.6/130.8
L532	6200003171	S.COL NLV32T-330J	T	15.5/127.1
L541	6200010790	S.COL C2520C-3R9G-A	T	56.3/139.6
L542	6190001421	COL #E526GN-110502	T	
L543	6200010790	S.COL C2520C-3R9G-A	T	68.4/147.9
L544	6200003261	S.COL NLV32T-101J	B	65.9/142.1
L545	6200003261	S.COL NLV32T-101J	B	51.3/139.6
L561	6200003261	S.COL NLV32T-101J	B	64/156
L562	6200001831	S.COL NLV32T-100J	B	74.6/151.8
L565	6150004250	COL LS-471A (C-14922)	T	
L566	6150004250	COL LS-471A (C-14922)	T	
L591	6200007790	S.COL LQW2BHN15J03L	T	60.5/171.5
L601	6200001831	S.COL NLV32T-100J	T	49.5/123.6
L602	6200002641	S.COL NLV25T-R15J	T	54.1/118
L603	6200002841	S.COL NLV25T-R22J	T	57.1/117.2
L651	6200001831	S.COL NLV32T-100J	T	15.5/176.2
L681	6200002981	S.COL NLV32T-R56J	T	37.4/176.2
L682	6200003041	S.COL NLV32T-R68J	T	37.8/172.6
L683	6200003051	S.COL NLV32T-R82J	T	40.2/166.2
L701	6200003261	S.COL NLV32T-101J	T	23.6/120
L702	6150004971	S.COL LS-522-LF	T	37.6/108.6
L703	6150004971	S.COL LS-522-LF	T	37.5/118.5
L1001	6190001650	COL ELC06D102E	T	
L1002	6140004400	COL LR-499	T	
L1004	6140003890	COL LR-488	T	
L1005	6180001000	COL LAL 04NA 102K	T	
L1006	6140003900	COL LR-489	T	
L1007	6140003800	COL LR-439	T	
L1008	6190001650	COL ELC06D102E	T	
L1009	6190001650	COL ELC06D102E	T	
L1010	6140003880	COL LR-486	T	
L1011	6140003880	COL LR-486	T	
L1012	6140003800	COL LR-439	T	
L1013	6200010680	S.COL C2520C-R22G-A	T	155/55.2
L1014	6200010680	S.COL C2520C-R22G-A	T	157.9/12.4
L1015	6200007790	S.COL LQW2BHN15J03L	B	163.5/27.5
L1052	6200010740	S.COL C2520C-R27G-A	T	177.8/74.6
L1053	6200010740	S.COL C2520C-R27G-A	T	173.8/73.5
L1054	6200010740	S.COL C2520C-R27G-A	T	169.4/72.6
L1055	6140003960	COL LR-495	T	
L1056	6200010730	S.COL C2520C-68NG-A	T	171/83.8
L1058	6190001631	COL #E544EN-100021	T	
L1060	6200010730	S.COL C2520C-68NG-A	T	149.1/76.4
L1062	6200011450	S.COL C2520C-R39G-A	T	145.1/81.4
L1063	6200010650	S.COL C2520C-R12G-A	T	140.9/82.5
L1071	6200007780	S.COL LQW2BHN12J03L	B	164.9/79.2
L1072	6200007780	S.COL LQW2BHN12J03L	B	168/76.1
L1091	6200003950	S.COL HF50ACC 322513-T	B	171/149
L1092	6200003950	S.COL HF50ACC 322513-T	T	149.7/136.5
L1093	6200003950	S.COL HF50ACC 322513-T	T	157/135.2
L1101	6140003920	COL LR-491	T	
L1102	6200010650	S.COL C2520C-R12G-A	T	176.9/117.9
L1103	6180001250	COL LAL 04NA 3R3K	T	
L1104	6200010870	S.COL C2520C-R33G-A	T	178.3/135.9
L1105	6140003910	COL LR-490	T	
L1151	6140004640	COL LR-519	T	
L1201	6200007780	S.COL LQW2BHN12J03L	B	119.3/17.4
L1208	6140003800	COL LR-439	T	
L1209	6200001831	S.COL NLV32T-100J	T	121.1/20.8
L1210	6140004440	COL LR-503	T	
L1211	6200009690	S.COL LQH43CN101K03L	T	115.7/34.6
L1212	6200001831	S.COL NLV32T-100J	T	106.8/20.8
L1213	6140004440	COL LR-503	T	
L1214	6200009690	S.COL LQH43CN101K03L	T	105.9/34.8
L1216	6140003800	COL LR-439	T	
L1217	6200007750	S.COL LQW2BHN56NJ03L	T	147.9/63.7
L1218	6200007770	S.COL LQW2BHN10J03L	T	153.3/65.1
L1219	6200007790	S.COL LQW2BHN15J03L	T	153.2/68.4
L1220	6140000930	COL LR-116	T	
L1221	6200003261	S.COL NLV32T-101J	B	149.5/110.9
L1222	6150001770	COL LS-198	T	
L1223	6200007750	S.COL LQW2BHN56NJ03L	B	151.3/100.7
L1228	6200010870	S.COL C2520C-R33G-A	T	158.7/71.3
L1229	6200003950	S.COL HF50ACC 322513-T	B	164.7/115
L1301	6200008090	S.COL LQW2BHN68NJ03L	T	157.1/111.9
L1302	6200008090	S.COL LQW2BHN68NJ03L	T	156.4/115.5
L1303	6200008090	S.COL LQW2BHN68NJ03L	T	153.4/117.5
L1304	6200010870	S.COL C2520C-R33G-A	T	153.8/123
L1305	6200003001	S.COL NLV32T-R22J	T	159.2/124.5
L1306	6200001831	S.COL NLV32T-100J	B	152.7/118.6
L1307	6200003001	S.COL NLV32T-R22J	T	153.3/112
L1351	6200001831	S.COL NLV32T-100J	T	143/76.4
L1353	6200010740	S.COL C2520C-R27G-A	T	141.6/67.5
L1354	6200001831	S.COL NLV32T-100J	T	136.4/68
L1401	6150004280	COL LS-484B (C-14927)	T	
L1402	6150004280	COL LS-484B (C-14927)	T	
L1403	6150004280	COL LS-484B (C-14927)	T	

M.=Mounted side (T: Mounted on the Top side, B: Mounted on the Bottom side)  
S.=Surface mount



[RXPLL-B UNIT]

REF NO.	ORDER NO.	DESCRIPTION	M.	H/V LOCATION
L1404	6150004280	COL LS-484B (C-14927)		
L1405	6200007770	S.COL LQW2BHN10J03L	B	112.5/111.4
L1406	6200007750	S.COL LQW2BHN56N03L	B	116.6/111.4
L1407	6140003930	COL LR-492		
L1408	6190001621	COL #E544EN-100028		
L1409	6200003191	S.COL NLV32T-470J	B	135.8/125.4
L1410	6150004280	COL LS-484B (C-14927)		
L1411	6150004280	COL LS-484B (C-14927)		
L1501	6200003520	S.COL ELJFB 102K-F	T	142.1/145.1
L1652	6200002520	S.COL ELJNC R18K-F	T	112.9/133.1
L1653	6200001831	S.COL NLV32T-100J	B	105.4/124.6
L1654	6200001831	S.COL NLV32T-100J	B	112.4/141.9
L1655	6200001831	S.COL NLV32T-100J	B	124.7/139.8
L1701	6200001831	S.COL NLV32T-100J	T	167/160
L1702	6200003950	S.COL HF50ACC 322513-T	T	175.6/169.8
L1703	6200003950	S.COL HF50ACC 322513-T	T	172.6/169.8
L1704	6200003950	S.COL HF50ACC 322513-T	T	169.6/169.8
L1705	6200003950	S.COL HF50ACC 322513-T	T	165.5/169.8
L1803	6200003950	S.COL HF50ACC 322513-T	B	132/54.8
L1804	6200003950	S.COL HF50ACC 322513-T	B	118/154.8
L1805	6200003950	S.COL HF50ACC 322513-T	B	155.2/132
L1807	6200003950	S.COL HF50ACC 322513-T	B	118/151.3
L1808	6200003950	S.COL HF50ACC 322513-T	B	141.3/162
L1809	6200003950	S.COL HF50ACC 322513-T	B	149.5/115.6
R1	7030005871	S.RES ERA3YKD 104V (100 k)	T	32.5/19.2
R2	7030005321	S.RES ERA3YED 103V (10 k)	T	31.2/19.2
R3	7030003550	S.RES ERJ3GEYJ 822 V (8.2 k)	T	16.9/23.5
R4	7030003550	S.RES ERJ3GEYJ 822 V (8.2 k)	T	16.9/24.8
R5	7030003550	S.RES ERJ3GEYJ 822 V (8.2 k)	T	13.3/31.3
R6	7030003550	S.RES ERJ3GEYJ 822 V (8.2 k)	T	13.3/30
R7	7030003500	S.RES ERJ3GEYJ 332 V (3.3 k)	B	26.7/12.9
R8	7030003470	S.RES ERJ3GEYJ 182 V (1.8 k)	B	28.2/14.6
R9	7030003680	S.RES ERJ3GEYJ 104 V (100 k)	B	27.5/10.6
R10	7030003360	S.RES ERJ3GEYJ 221 V (220)	T	19/16
R11	7030003360	S.RES ERJ3GEYJ 221 V (220)	T	20.3/16
R12	7030003360	S.RES ERJ3GEYJ 221 V (220)	T	22.4/16
R13	7030003360	S.RES ERJ3GEYJ 221 V (220)	T	23.7/16
R14	7030003360	S.RES ERJ3GEYJ 221 V (220)	T	25/16
R15	7030003360	S.RES ERJ3GEYJ 221 V (220)	T	26.4/16.2
R16	7030003360	S.RES ERJ3GEYJ 221 V (220)	T	32.5/15.4
R17	7030003360	S.RES ERJ3GEYJ 221 V (220)	T	33.8/15.4
R30	7030003240	S.RES ERJ3GEYJ 220 V (22)	T	21.7/113.7
R31	7030003600	S.RES ERJ3GEYJ 223 V (22 k)	T	20.4/111.1
R32	7030003320	S.RES ERJ3GEYJ 101 V (100)	T	23/113.7
R33	7030003340	S.RES ERJ3GEYJ 151 V (150)	T	19.1/115
R51	7030011030	S.RES ERJ1TVJ 270U (27)	T	66.3/13.9
R61	7030011030	S.RES ERJ1TVJ 270U (27)	T	45.1/13.9
R101	7030003800	S.RES ERJ3GEYJ 105 V (1 M)	T	34.1/101.5
R102	7030003860	S.RES ERJ3GE JPW V	B	35.6/88.6
R103	7030007230	S.RES ERA3YED 102V (1 k)	T	25.1/100.3
R104	7030007230	S.RES ERA3YED 102V (1 k)	T	26.4/100.3
R105	7030007230	S.RES ERA3YED 102V (1 k)	T	27.8/100.3
R106	7030003360	S.RES ERJ3GEYJ 221 V (220)	T	29.1/100.3
R107	7030003320	S.RES ERJ3GEYJ 101 V (100)	T	38/101.5
R108	7030007230	S.RES ERA3YED 102V (1 k)	T	28.9/79
R109	7030007230	S.RES ERA3YED 102V (1 k)	T	41.9/84.5
R110	7030007220	S.RES ERA3YED 202V (2 k)	T	14.6/100.5
R111	7030007220	S.RES ERA3YED 202V (2 k)	T	17.2/100.5
R112	7030007220	S.RES ERA3YED 202V (2 k)	T	17.2/99.2
R113	7030007220	S.RES ERA3YED 202V (2 k)	T	17.2/97.9
R114	7030007220	S.RES ERA3YED 202V (2 k)	T	17.2/96.6
R115	7030007220	S.RES ERA3YED 202V (2 k)	T	17.2/95.2
R116	7030007220	S.RES ERA3YED 202V (2 k)	T	17.2/93.9
R117	7030007220	S.RES ERA3YED 202V (2 k)	T	17.2/92.6
R118	7030007200	S.RES ERA3YEB 202V (2 k)	T	17.2/91.3
R119	7030007200	S.RES ERA3YEB 202V (2 k)	T	17.2/89.6
R120	7030007200	S.RES ERA3YEB 202V (2 k)	T	17.2/87
R121	7030007200	S.RES ERA3YEB 202V (2 k)	T	17.2/84.4
R122	7030007200	S.RES ERA3YEB 202V (2 k)	T	17.2/81.8
R123	7030007230	S.RES ERA3YED 102V (1 k)	T	14.6/99.2
R124	7030007230	S.RES ERA3YED 102V (1 k)	T	14.6/97.9
R125	7030007230	S.RES ERA3YED 102V (1 k)	T	14.6/96.6
R126	7030007230	S.RES ERA3YED 102V (1 k)	T	14.6/95.2
R127	7030007230	S.RES ERA3YED 102V (1 k)	T	14.6/93.9
R128	7030007230	S.RES ERA3YED 102V (1 k)	T	14.6/92.6
R129	7030007210	S.RES ERA3YEB 102V (1 k)	T	14.6/91.3
R130	7030007210	S.RES ERA3YEB 102V (1 k)	T	14.6/89.6
R131	7030007210	S.RES ERA3YEB 102V (1 k)	T	14.6/88.3
R132	7030007210	S.RES ERA3YEB 102V (1 k)	T	14.6/87
R133	7030007210	S.RES ERA3YEB 102V (1 k)	T	14.6/85.7
R134	7030009861	S.RES ERA3YED 471V (470)	T	14.6/84.4
R135	7030003860	S.RES ERJ3GE JPW V	T	30.4/75.8
R136	7030003800	S.RES ERJ3GEYJ 105 V (1 M)	T	33/77.1
R137	7030003200	S.RES ERJ3GEYJ 100 V (10)	T	35.5/75.8
R138	7030003860	S.RES ERJ3GE JPW V	T	16.8/78.6
R139	7030003860	S.RES ERJ3GE JPW V	T	17.6/75.8
R150	7030003330	S.RES ERJ3GEYJ 121 V (120)	B	37.8/86.2
R151	7030003220	S.RES ERJ3GEYJ 150 V (15)	B	38.6/88.1
R152	7030005871	S.RES ERA3YKD 104V (100 k)	B	36.2/82.5
R153	7030005321	S.RES ERA3YED 103V (10 k)	T	19.2/62.7

[RXPLL-B UNIT]

REF NO.	ORDER NO.	DESCRIPTION	M.	H/V LOCATION
R154	7030003320	S.RES ERJ3GEYJ 101 V (100)	B	26.3/54.1
R155	7030003350	S.RES ERJ3GEYJ 181 V (180)	B	23/54.1
R156	7030005871	S.RES ERA3YKD 104V (100 k)	T	24.6/53.1
R157	7030005871	S.RES ERA3YKD 104V (100 k)	T	26.9/58
R158	7030003340	S.RES ERJ3GEYJ 151 V (150)	T	30/57.3
R159	7030003320	S.RES ERJ3GEYJ 101 V (100)	B	33.6/61.4
R160	7030003360	S.RES ERJ3GEYJ 221 V (220)	B	33.6/59.6
R161	7030003640	S.RES ERJ3GEYJ 473 V (47 k)	B	33.6/54.8
R163	7030003220	S.RES ERJ3GEYJ 150 V (15)	B	30.2/56.6
R164	7030003310	S.RES ERJ3GEYJ 820 V (82)	B	34.1/70.4
R165	7030003320	S.RES ERJ3GEYJ 101 V (100)	B	30.8/70.4
R166	7030003320	S.RES ERJ3GEYJ 101 V (100)	B	30.8/72.2
R167	7030003240	S.RES ERJ3GEYJ 220 V (22)	B	37.4/75.8
R168	7030003360	S.RES ERJ3GEYJ 221 V (220)	B	34.1/75.8
R169	7030003640	S.RES ERJ3GEYJ 473 V (47 k)	B	30.8/75.8
R202	7030007230	S.RES ERA3YED 102V (1 k)	T	22.2/39.7
R203	7030007230	S.RES ERA3YED 102V (1 k)	T	22.2/38.4
R204	7030003360	S.RES ERJ3GEYJ 221 V (220)	T	22.2/37.1
R205	7030005321	S.RES ERA3YED 103V (10 k)	T	27.4/34
R206	7030003220	S.RES ERJ3GEYJ 150 V (15)	T	31.1/45.7
R210	7030005351	S.RES ERA3YED 182V (1.8 k)	T	35.6/37.5
R217	7030009651	S.RES ERA3YHD 820V (82)	B	40.4/42.8
R219	7030009691	S.RES ERA3YED 101V (100)	B	40/35.7
R220	7030005871	S.RES ERA3YKD 104V (100 k)	T	73.2/37.6
R221	7030005871	S.RES ERA3YKD 104V (100 k)	T	72.3/30.9
R222	7030003360	S.RES ERJ3GEYJ 221 V (220)	T	81.4/38.3
R223	7030007230	S.RES ERA3YED 102V (1 k)	T	81.9/31.9
R224	7030003320	S.RES ERJ3GEYJ 101 V (100)	T	73.2/40.2
R230	7030005871	S.RES ERA3YKD 104V (100 k)	T	73.2/50.1
R231	7030005871	S.RES ERA3YKD 104V (100 k)	T	72.3/43.3
R232	7030003360	S.RES ERJ3GEYJ 221 V (220)	T	81.4/50.8
R233	7030007230	S.RES ERA3YED 102V (1 k)	T	81.9/44.4
R234	7030003320	S.RES ERJ3GEYJ 101 V (100)	T	73.2/52.7
R240	7030005871	S.RES ERA3YKD 104V (100 k)	T	73.2/62.6
R241	7030005871	S.RES ERA3YKD 104V (100 k)	T	72.3/55.8
R242	7030003360	S.RES ERJ3GEYJ 221 V (220)	T	81.4/63.3
R243	7030007230	S.RES ERA3YED 102V (1 k)	T	81.9/56.9
R244	7030003320	S.RES ERJ3GEYJ 101 V (100)	T	73.2/65.2
R250	7030005871	S.RES ERA3YKD 104V (100 k)	T	73.2/75.1
R251	7030005871	S.RES ERA3YKD 104V (100 k)	T	72.3/68.4
R252	7030003360	S.RES ERJ3GEYJ 221 V (220)	T	81.4/75.8
R253	7030007230	S.RES ERA3YED 102V (1 k)	T	81.9/69.4
R254	7030003320	S.RES ERJ3GEYJ 101 V (100)	T	73.2/77.7
R260	7030005871	S.RES ERA3YKD 104V (100 k)	T	73.2/87.6
R261	7030005871	S.RES ERA3YKD 104V (100 k)	T	72.3/80.9
R262	7030003360	S.RES ERJ3GEYJ 221 V (220)	T	81.4/88.3
R263	7030007230	S.RES ERA3YED 102V (1 k)	T	81.9/81.9
R264	7030003320	S.RES ERJ3GEYJ 101 V (100)	T	73.2/90.2
R270	7030005871	S.RES ERA3YKD 104V (100 k)	T	73.2/99.5
R271	7030005871	S.RES ERA3YKD 104V (100 k)	T	72.3/92.8
R272	7030003360	S.RES ERJ3GEYJ 221 V (220)	T	81.4/100.8
R273	7030007230	S.RES ERA3YED 102V (1 k)	T	81.9/93.9
R274	7030003320	S.RES ERJ3GEYJ 101 V (100)	T	73.2/102.1
R301	7030003200	S.RES ERJ3GEYJ 100 V (10)	T	86.5/30.6
R302	7030007230	S.RES ERA3YED 102V (1 k)	T	86.5/29.3
R303	7030003360	S.RES ERJ3GEYJ 221 V (220)	T	92.1/28
R304	7030003490	S.RES ERJ3GEYJ 292 V (2.7 k)	T	94/30.1
R305	7030003510	S.RES ERJ3GEYJ 372 V (3.9 k)	T	95.3/30.1
R306	7030003360	S.RES ERJ3GEYJ 221 V (220)	T	94.7/32.2
R307	7030009841	S.RES ERA3YHD 330V (33)	T	92.1/32.2
R308	7030009851	S.RES ERA3YED 271V (270)	B	92.6/43.4
R309	7030003540	S.RES ERJ3GEYJ 682 V (6.8 k)	B	89.1/47
R310	7030003500	S.RES ERJ3GEYJ 332 V (3.3 k)	B	92.6/41.6
R311	7030003350	S.RES ERJ3GEYJ 181 V (180)	B	89.1/45.2
R312	7030003360	S.RES ERJ3GEYJ 221 V (220)	B	92.4/27.8
R313	7030003490	S.RES ERJ3GEYJ 272 V (2.7 k)	B	91.1/23.1
R314	7030003510	S.RES ERJ3GEYJ 392 V (3.9 k)	B	88.3/23.1
R315	7030003360	S.RES ERJ3GEYJ 221 V (220)	B	87.5/25.1
R316	7030003280	S.RES ERJ3GEYJ 470 V (47)	B	78.3/26.1
R317	7030006220	S.RES ERJ12YJ470U (47)	B	90/31.4
R318	7030009841	S.RES ERA3YHD 330V (33)	B	92.6/41.6
R341	7030007230	S.RES ERA3YED 102V (1 k)	T	92.1/40.1
R342	7030005321	S.RES ERA3YED 103V (10 k)	T	86.5/32.2
R343	7030007230	S.RES ERA3YED 102V (1 k)	T	89.3/34.8
R351	7030003200	S.RES ERJ3GEYJ 100 V (10)	B	89.1/52.4
R352	7030010980	S.RES ERA3YHD 470V (47)	T	89.3/55.8
R353	7030009591	S.RES ERA3YED 472V (4.7 k)	T	89.3/54.5
R354	7030009591	S.RES ERA3YED 472V (4.7 k)	T	89.3/50.4
R355	7030009591	S.RES ERA3YED 472V (4.7 k)	T	89.3/53.2
R356	7030003320	S.RES ERJ3GEYJ 101 V (100)	T	89.3/57.1
R357	7310005050	S.TRI RH03ADCS3X (4.7 k)	T	93.6/52.7
R358	7030010980	S.RES ERA3YHD 470V (47)	T	94.9/56.4
R359	7030003320	S.RES ERJ3GEYJ 101 V (100)	T	94.9/59
R360	7030003320	S.RES ERJ3GEYJ 101 V (100)	B	92.6/63.9
R361	7030003490	S.RES ERJ3GEYJ 272 V (2.7 k)	B	89.2/62.1
R362	7030003510	S.RES ERJ3GEYJ 392 V (3.9 k)	B	92.6/60.3
R363	7030003320	S.RES ERJ3GEYJ 101 V (100)	B	92.6/65.7
R364	7030003410	S.RES ERJ3GEYJ 561 V (560)	T	94.9/82.9
R365	7030007860	S.RES ERJ3GEYJ 8R2V (8.2)	T	92/83.4
R366	7030003410	S.RES ERJ3GEYJ 561 V (560)	T	94.9/84.2
R368	7030005321	S.RES ERA3YED 103V (10 k)	T	86.1/59.6
R369	7030008240	S.RES ERJ12YJ0R00U	B	95.3/57.1

M.=Mounted side (T: Mounted on the Top side, B: Mounted on the Bottom side)  
S.=Surface mount

[RXPLL-B UNIT]

REF NO.	ORDER NO.	DESCRIPTION	M.	H/V LOCATION
R421	7030007230	S.RES ERA3YED 102V (1 k)	T	92.1/87.8
R425	7030003410	S.RES ERJ3GEYJ 561 V (560)	T	90.1/81.6
R427	7030003320	S.RES ERJ3GEYJ 101 V (100)	B	86.8/87.3
R428	7030009861	S.RES ERA3YED 471V (470)	B	92.1/88.3
R441	7030007230	S.RES ERA3YED 102V (1 k)	T	92.1/75.5
R442	7030005321	S.RES ERA3YED 103V (10 k)	T	88.9/70.9
R443	7030007230	S.RES ERA3YED 102V (1 k)	T	88.9/72.2
R501	7030003360	S.RES ERJ3GEYJ 221 V (220)	T	29.2/153.1
R502	7030007230	S.RES ERA3YED 102V (1 k)	T	27.9/153.1
R503	7030007230	S.RES ERA3YED 102V (1 k)	T	26.5/153.1
R504	7030007230	S.RES ERA3YED 102V (1 k)	T	25.2/153.1
R506	7030003800	S.RES ERJ3GEYJ 105 V (1 M)	T	34/154.5
R509	7030007230	S.RES ERA3YED 102V (1K)	T	42.5/136
R510	7030007220	S.RES ERA3YED 202V (2 k)	T	14.6/153.6
R511	7030007220	S.RES ERA3YED 202V (2 k)	T	17.2/153.6
R512	7030007220	S.RES ERA3YED 202V (2 k)	T	17.2/152.3
R513	7030007220	S.RES ERA3YED 202V (2 k)	T	17.2/151
R514	7030007220	S.RES ERA3YED 202V (2 k)	T	17.2/149.7
R515	7030007220	S.RES ERA3YED 202V (2 k)	T	17.2/148.3
R516	7030007220	S.RES ERA3YED 202V (2 k)	T	17.2/147
R517	7030007220	S.RES ERA3YED 202V (2 k)	T	17.2/145.7
R518	7030007200	S.RES ERA3YEB 202V (2 k)	T	17.2/144.4
R519	7030007200	S.RES ERA3YEB 202V (2 k)	T	17.2/142.7
R520	7030007200	S.RES ERA3YEB 202V (2 k)	T	17.2/141.4
R521	7030007200	S.RES ERA3YEB 202V (2 k)	T	17.2/140.1
R522	7030007200	S.RES ERA3YEB 202V (2 k)	T	17.2/138.8
R523	7030007230	S.RES ERA3YED 102V (1 k)	T	14.6/152.3
R524	7030007230	S.RES ERA3YED 102V (1 k)	T	14.6/151
R525	7030007230	S.RES ERA3YED 102V (1 k)	T	14.6/149.7
R526	7030007230	S.RES ERA3YED 102V (1 k)	T	14.6/148.3
R527	7030007230	S.RES ERA3YED 102V (1 k)	T	14.6/147
R528	7030007230	S.RES ERA3YED 102V (1 k)	T	14.6/145.7
R529	7030007210	S.RES ERA3YEB 102V (1 k)	T	14.6/144.4
R530	7030007210	S.RES ERA3YEB 102V (1 k)	T	14.6/142.7
R531	7030007210	S.RES ERA3YEB 102V (1 k)	T	14.6/141.4
R532	7030007210	S.RES ERA3YEB 102V (1 k)	T	14.6/140.1
R533	7030007210	S.RES ERA3YEB 102V (1 k)	T	14.6/138.8
R534	7030003860	S.RES ERJ3GE JPW V	T	22.2/127.6
R535	7030003800	S.RES ERJ3GEYJ 105 V (1 M)	T	24.8/129.8
R536	7030003200	S.RES ERJ3GEYJ 100 V (10)	T	28/128.3
R537	7030007230	S.RES ERA3YED 102V (1 k)	T	30.3/131.9
R538	7030003360	S.RES ERJ3GEYJ 221 V (220)	B	34.8/146.5
R540	7030007230	S.RES ERA3YED 102V (1 k)	B	52.3/142.8
R544	7030005871	S.RES ERA3YKD 104V (100 k)	T	69.4/140.4
R545	7030005871	S.RES ERA3YKD 104V (100 k)	T	69.4/139.1
R546	7030009861	S.RES ERA3YED 471V (470)	T	67.4/150.7
R548	7030009591	S.RES ERA3YED 472V (4.7 k)	B	43.4/136.5
R550	7030009691	S.RES ERA3YED 101V (100)	B	43.4/134.7
R554	7030009891	S.RES ERA3YED 151V (150)	B	47.2/133.9
R555	7030003380	S.RES ERJ3GEYJ 331 V (330)	B	61.9/142.1
R556	7030005981	S.RES ERA3YED 333V (33 k)	B	44.2/128.2
R561	7030003200	S.RES ERJ3GEYJ 100 V (10)	T	71.3/148.5
R562	7030003360	S.RES ERJ3GEYJ 221 V (220)	T	65.7/155.5
R563	7030003490	S.RES ERJ3GEYJ 272 V (2.7 k)	T	70.4/151.9
R564	7030003510	S.RES ERJ3GEYJ 392 V (3.9 k)	T	70.4/150.6
R565	7030003360	S.RES ERJ3GEYJ 221 V (220)	T	67/155.5
R570	7030003230	S.RES ERJ3GEYJ 180 V (18)	T	63.1/155.5
R571	7030003230	S.RES ERJ3GEYJ 180 V (18)	T	58.5/155
R572	7030003290	S.RES ERJ3GEYJ 560 V (56)	B	57.2/156.3
R573	7030003270	S.RES ERJ3GEYJ 390 V (39)	T	61.8/155.5
R574	7030003240	S.RES ERJ3GEYJ 220 V (22)	T	60.5/155.5
R575	7030003270	S.RES ERJ3GEYJ 390 V (39)	T	58.5/156.3
R580	7030009861	S.RES ERA3YED 471V (470)	T	41.9/153.7
R581	7030003360	S.RES ERJ3GEYJ 221 V (220)	T	41.9/145.5
R582	7030003600	S.RES ERJ3GEYJ 223 V (22 k)	T	41.9/149.5
R587	7030003300	S.RES ERJ3GEYJ 680 V (68)	T	55.7/157.6
R588	7030003340	S.RES ERJ3GEYJ 151 V (150)	T	58.5/158.9
R589	7030003300	S.RES ERJ3GEYJ 680 V (68)	T	55.7/158.9
R591	7030003320	S.RES ERJ3GEYJ 101 V (100)	T	58.2/169.9
R592	7030005321	S.RES ERA3YED 103V (10 k)	T	58.5/167.9
R593	7030003480	S.RES ERJ3GEYJ 222 V (2.2 k)	T	58.5/165.1
R594	7030003320	S.RES ERJ3GEYJ 101 V (100)	B	61.9/168.1
R595	7030003640	S.RES ERJ3GEYJ 473 V (47 k)	B	55.9/165.3
R596	7030003540	S.RES ERJ3GEYJ 682 V (6.8 k)	B	54.7/168.9
R601	7030009851	S.RES ERA3YED 271V (270)	T	51.7/118.2
R602	7030003470	S.RES ERJ3GEYJ 182 V (1.8 k)	T	49.5/120.1
R606	7030003360	S.RES ERJ3GEYJ 221 V (220)	T	45.3/115.6
R607	7030003480	S.RES ERJ3GEYJ 222 V (2.2 k)	T	48.6/115.4
R608	7030007230	S.RES ERA3YED 102V (1 k)	T	49.9/115.4
R651	7030007230	S.RES ERA3YED 102V (1 k)	B	23.5/177.1
R652	7030003360	S.RES ERJ3GEYJ 221 V (220)	T	13.5/170.8
R653	7030007230	S.RES ERA3YED 102V (1 k)	T	13.5/169.5
R654	7030007230	S.RES ERA3YED 102V (1 k)	T	13.5/168.2
R656	7030003800	S.RES ERJ3GEYJ 105 V (1 M)	T	13.4/165.6
R657	7030003320	S.RES ERJ3GEYJ 101 V (100)	T	20.2/161.4
R661	7030007220	S.RES ERA3YED 202V (2 k)	T	31.7/162.8
R662	7030007220	S.RES ERA3YED 202V (2 k)	T	31.7/164.1
R663	7030007220	S.RES ERA3YED 202V (2 k)	T	31.7/165.4
R664	7030007220	S.RES ERA3YED 202V (2 k)	T	31.7/166.7
R665	7030007220	S.RES ERA3YED 202V (2 k)	T	31.7/168
R666	7030007220	S.RES ERA3YED 202V (2 k)	T	31.7/169.3
R667	7030007220	S.RES ERA3YED 202V (2 k)	T	31.7/170.6

[RXPLL-B UNIT]

REF NO.	ORDER NO.	DESCRIPTION	M.	H/V LOCATION
R668	7030007220	S.RES ERA3YED 202V (2 k)	T	31.7/171.9
R669	7030007200	S.RES ERA3YEB 202V (2 k)	T	31.7/173.2
R670	7030007200	S.RES ERA3YEB 202V (2 k)	T	31.7/174.5
R671	7030007200	S.RES ERA3YEB 202V (2 k)	T	31.7/175.8
R673	7030007230	S.RES ERA3YED 102V (1 k)	T	34.3/165.4
R674	7030007230	S.RES ERA3YED 102V (1 k)	T	34.3/166.7
R675	7030007230	S.RES ERA3YED 102V (1 k)	T	34.3/168
R676	7030007230	S.RES ERA3YED 102V (1 k)	T	34.3/169.3
R677	7030007230	S.RES ERA3YED 102V (1 k)	T	34.3/170.6
R678	7030007230	S.RES ERA3YED 102V (1 k)	T	34.3/171.9
R679	7030007210	S.RES ERA3YEB 102V (1 k)	T	34.3/173.2
R680	7030007210	S.RES ERA3YEB 102V (1 k)	T	34.3/174.5
R681	7030007210	S.RES ERA3YEB 102V (1 k)	T	34.3/175.8
R683	7030003860	S.RES ERJ3GE JPW V	B	58.4/167.8
R685	7030003460	S.RES ERJ3GEYJ 152 V (1.5 k)	T	38.9/169.7
R686	7030003320	S.RES ERJ3GEYJ 101 V (100)	T	40.3/163.4
R687	7030003470	S.RES ERJ3GEYJ 182 V (1.8 k)	T	37.4/165.1
R688	7030003480	S.RES ERJ3GEYJ 222 V (2.2 k)	T	34.3/162.8
R689	7030003360	S.RES ERJ3GEYJ 221 V (220)	T	33.6/161.5
R690	7030009851	S.RES ERA3YED 271V (270)	T	46.4/165.3
R691	7030003230	S.RES ERJ3GEYJ 180 V (18)	T	48.4/164.8
R692	7030009851	S.RES ERA3YED 271V (270)	T	46.4/166.6
R693	7030003360	S.RES ERJ3GEYJ 221 V (220)	T	37.1/169.7
R704	7030009841	S.RES ERA3YHD 330V (33)	T	30.8/113.7
R705	7030003600	S.RES ERJ3GEYJ 223 V (22 k)	T	29.5/113.7
R706	7030005321	S.RES ERA3YED 103V (10 k)	T	28.2/113.7
R707	7030009861	S.RES ERA3YED 471V (470)	T	30.8/108.1
R708	7030003410	S.RES ERJ3GEYJ 561 V (560)	T	43.3/118.8
R709	7030007860	S.RES ERJ3GEYJ 8R2V (8.2)	T	43.3/116
R710	7030003410	S.RES ERJ3GEYJ 561 V (560)	T	43.8/121.1
R711	7030003320	S.RES ERJ3GEYJ 101 V (100)	T	37.9/154.5
R1000	7030003320	S.RES ERJ3GEYJ 101 V (100)	B	177.1/11.2
R1003	7030010980	S.RES ERA3YHD 470V (47)	T	162/13.4
R1004	7030007230	S.RES ERA3YED 102V (1 k)	B	166.4/29.0
R1005	7030003550	S.RES ERJ3GEYJ 822 V (8.2 k)	T	144/26.1
R1006	7030007230	S.RES ERA3YED 102V (1 k)	T	145.3/26.1
R1007	7030004030	S.RES ERJ3GEYJ 5R6 V (5.6)	B	153.7/33.6
R1008	7030003240	S.RES ERJ3GEYJ 220 V (22)	T	144/36.4
R1009	7030010980	S.RES ERA3YHD 470V (47)	T	182.4/29.3
R1010	7030010980	S.RES ERA3YHD 470V (47)	T	154.5/33.2
R1013	7030007230	S.RES ERA3YED 102V (1 k)	B	172.7/40.8
R1014	7030007230	S.RES ERA3YED 102V (1 k)	B	156.7/40.8
R1015	7030003530	S.RES ERJ3GEYJ 562 V (5.6 k)	B	172.7/45.4
R1016	7030003530	S.RES ERJ3GEYJ 562 V (5.6 k)	B	156.7/45.4
R1017	7030003530	S.RES ERJ3GEYJ 562 V (5.6 k)	B	169.7/12.9
R1020	7030003390	S.RES ERJ3GEYJ 391 V (390)	T	179.6/18.3
R1021	7030003220	S.RES ERJ3GEYJ 150 V (15)	T	177/19.4
R1022	7030003390	S.RES ERJ3GEYJ 391 V (390)	T	180.9/19.4
R1023	7030010980	S.RES ERA3YHD 470V (47)	B	149.3/33.5
R1024	7030003200	S.RES ERJ3GEYJ 100 V (10)	B	150.1/31.4
R1025	7030003300	S.RES ERJ3GEYJ 680 V (68)	T	178.3/19.4
R1026	7030003480	S.RES ERJ3GEYJ 222 V (2.2 k)	B	171.2/14.2
R1027	7030003200	S.RES ERJ3GEYJ 100 V (10)	B	176.5/38.3
R1028	7030003200	S.RES ERJ3GEYJ 100 V (10)	B	160.5/38.3
R1029	7030010980	S.RES ERA3YHD 470V (47)	B	178.2/46.1
R1030	7030010980	S.RES ERA3YHD 470V (47)	B	162.2/46.1
R1051	7030003800	S.RES ERJ3GEYJ 105 V (1 M)	T	178.6/93.1
R1054	7030011500	S.RES ERA3YHD 270V (27)	T	149.1/83.2
R1055	7030000010	S.RES MCR10EZHH JPW	T	162.1/76.6
R1056	7030000010	S.RES MCR10EZHH JPW	T	177.5/71.1
R1071	7030010980	S.RES ERA3YHD 470V (47)	B	165.9/76.4
R1072	7030000010	S.RES MCR10EZHH JPW	T	133.9/84.1
R1073	7030000010	S.RES MCR10EZHH JPW	T	135.5/85.7
R1101	7310004860	S.TRI EVM-3YSX50 B53 (502)	T	180.1/90.2
R1102	7030005871	S.RES ERA3YKD 104V (100 k)	B	180.2/100.6
R1103	7030007680	S.RES ERJ8ENF 47R0V (47)	T	181.7/104.7
R1104	7030007680	S.RES ERJ8ENF 47R0V (47)	T	173.6/107.2
R1105	7030003500	S.RES ERJ3GEYJ 332 V (3.3 k)	T	176.7/87.7
R1106	7030009620	S.RES ERJ12YJ120U (12)	B	179.6/117.9
R1107	7030010980	S.RES ERA3YHD 470V (47)	T	175.6/120.3
R1109	7030007180	S.RES ERJ12YJ150U (15)	B	176.5/125.7
R1110	7030003480	S.RES ERJ3GEYJ 222 V (2.2 k)	B	168.5/131.6
R1111	7030003480	S.RES ERJ3GEYJ 222 V (2.2 k)	T	166.2/130.4
R1113	7030003480	S.RES ERJ3GEYJ 222 V (2.2 k)	T	166.2/131.7
R1114	7030004040	S.RES ERJ3GEYJ 4R7 V (4.7)	T	179.2/125.3
R1115	7030006240	S.RES ERJ12YJ181U (180)	B	176.5/129.9
R1116	7030007230	S.RES ERA3YED 102V (1 k)	T	175.7/135.3
R1117	7030004040	S.RES ERJ3GEYJ 4R7 V (4.7)	T	175.7/134
R1118	7030003480	S.RES ERJ3GEYJ 222 V (2.2 k)	T	175.4/132
R1119	7030003470	S.RES ERJ3GEYJ 182 V (1.8 k)	T	178/132
R1120	7030006070	S.RES ERJ12YJ101U (100)	B	177.3/141
R1121	7030003240	S.RES ERJ3GEYJ 220 V (22)	T	178.6/139.6
R1122	7030010980	S.RES ERA3YHD 470V (47)	T	171.9/131.1
R1123	7030003480	S.RES ERJ3GEYJ 222 V (2.2 k)	T	165.7/137.4
R1124	7030003460	S.RES ERJ3GEYJ 152 V (1.5 k)	T	165.7/140
R1125	7030003420	S.RES ERJ3GEYJ 681 V (680)	B	171/142.2
R1126	7030003200	S.RES ERJ3GEYJ 100 V (10)	T	168.4/142.2
R1127	7030010980	S.RES ERA3YHD 470V (47		

[RXPLL-B UNIT]

REF NO.	ORDER NO.	DESCRIPTION	M.	H/V LOCATION
R1132	7310004860	S.TRI EVM-3YSX50 B53 (502)	T	179.4/84.3
R1133	7030003500	S.RES ERJ3GEYJ 332 V (3.3 k)	T	175.5/82.5
R1134	7030003640	S.RES ERJ3GEYJ 473 V (47 k)	T	175.5/83.8
R1135	7030005871	S.RES ERA3YKD 104V (100 k)	T	182.2/97.8
R1151	7030003280	S.RES ERJ3GEYJ 470 V (47)	T	134.8/63.9
R1152	7030003280	S.RES ERJ3GEYJ 470 V (47)	B	117.2/56.3
R1203	7030000010	S.RES MCR10EZHH JPW	T	157.5/74.9
R1211	7030003860	S.RES ERJ3GE JPW V	T	117.6/7.8
R1212	7030003860	S.RES ERJ3GE JPW V	T	124.8/51.1
R1213	7030003200	S.RES ERJ3GEYJ 100 V (10)	B	118.8/25
R1214	7030003200	S.RES ERJ3GEYJ 100 V (10)	B	109/25
R1216	7030010980	S.RES ERA3YHD 470V (47)	B	120.7/31.6
R1217	7030010980	S.RES ERA3YHD 470V (47)	B	111.2/31.6
R1220	7030010980	S.RES ERA3YHD 470V (47)	T	118.7/17.3
R1221	7030007230	S.RES ERA3YED 102V (1 k)	T	116.4/39.9
R1222	7030003530	S.RES ERJ3GEYJ 562 V (5.6 k)	T	116.4/38.6
R1223	7030010980	S.RES ERA3YHD 470V (47)	T	109.3/17.1
R1224	7030007230	S.RES ERA3YED 102V (1 k)	T	106.6/39.9
R1225	7030003530	S.RES ERJ3GEYJ 562 V (5.6 k)	T	106.6/38.6
R1226	7030003410	S.RES ERJ3GEYJ 561 V (560)	T	158.9/92.9
R1227	7030003410	S.RES ERJ3GEYJ 561 V (560)	T	154/92.9
R1228	7310004860	S.TRI EVM-3YSX50 B53 (502)	T	156.4/92.9
R1229	7030003480	S.RES ERJ3GEYJ 222 V (2.2 k)	B	156.1/117.4
R1230	7030003480	S.RES ERJ3GEYJ 222 V (2.2 k)	B	156.1/119.2
R1231	7030003480	S.RES ERJ3GEYJ 222 V (2.2 k)	B	156.1/121
R1232	7030003600	S.RES ERJ3GEYJ 223 V (22 k)	T	156.3/97.5
R1233	7030010980	S.RES ERA3YHD 470V (47)	B	152.5/109.4
R1301	7030010980	S.RES ERA3YHD 470V (47)	B	155.7/97.5
R1302	7030003860	S.RES ERJ3GE JPW V	T	159.3/116.8
R1304	7030003620	S.RES ERJ3GEYJ 333 V (33 k)	T	156.5/123.2
R1306	7030006230	S.RES ERJ12YJ151U (150)	B	153.8/124.8
R1307	7030003300	S.RES ERJ3GEYJ 680 V (68)	T	156.5/128.4
R1311	7030000010	S.RES MCR10EZHH JPW	T	140.3/98.8
R1312	7030000010	S.RES MCR10EZHH JPW	T	143.2/104.1
R1313	7030000010	S.RES MCR10EZHH JPW	T	143.2/101.5
R1357	7030007230	S.RES ERA3YED 102V (1 k)	B	140.7/70.4
R1358	7030003530	S.RES ERJ3GEYJ 562 V (5.6 k)	B	142.8/70.4
R1359	7030010980	S.RES ERA3YHD 470V (47)	T	139.4/64.7
R1360	7030007230	S.RES ERA3YED 102V (1 k)	B	146.4/67.1
R1361	7030003380	S.RES ERJ3GEYJ 331 V (330)	T	139.3/68.8
R1362	7030005871	S.RES ERA3YKD 104V (100 k)	B	144.6/70.4
R1401	7030003200	S.RES ERJ3GEYJ 100 V (10)	T	131.5/103.3
R1402	7030003300	S.RES ERJ3GEYJ 680 V (68)	T	126.4/111
R1403	7030007230	S.RES ERA3YED 102V (1 k)	T	132/107.7
R1404	7030009861	S.RES ERA3YED 471V (470)	T	134.6/104.3
R1405	7030003340	S.RES ERJ3GEYJ 151 V (150)	T	137.2/104.3
R1406	7030009591	S.RES ERA3YED 472V (4.7 k)	T	135.2/106.2
R1407	7030003550	S.RES ERJ3GEYJ 822 V (8.2 k)	B	135.4/104.3
R1408	7030003200	S.RES ERJ3GEYJ 100 V (10)	T	120.9/109
R1409	7030009591	S.RES ERA3YED 472V (4.7 k)	T	120.5/114.9
R1410	7030006091	S.RES ERA3YED 822V (8.2 k)	B	124.2/114.4
R1411	7030005871	S.RES ERA3YKD 104V (100 k)	T	123.2/116.2
R1412	7030003200	S.RES ERJ3GEYJ 100 V (10)	T	126.4/112.3
R1413	7030003200	S.RES ERJ3GEYJ 100 V (10)	T	126.4/113.6
R1414	7030005871	S.RES ERA3YKD 104V (100 k)	B	120.9/114.4
R1415	7030010980	S.RES ERA3YHD 470V (47)	T	127/114.9
R1416	7030003320	S.RES ERJ3GEYJ 101 V (100)	B	139.7/122.9
R1417	7030000010	S.RES MCR10EZHH JPW	B	130.1/124.5
R1418	7030000010	S.RES MCR10EZHH JPW	B	130.1/122.5
R1419	7030003860	S.RES ERJ3GE JPW V	B	129.4/114.9
R1501	7030010980	S.RES ERA3YHD 470V (47)	T	126.5/125.2
R1502	7030009841	S.RES ERA3YHD 330V (33)	T	133/131
R1503	7030009851	S.RES ERA3YED 271V (270)	T	130/146.3
R1504	7030011050	S.RES ERA3YHD 100V (10)	T	131.3/143.5
R1505	7030006091	S.RES ERA3YED 822V (8.2 k)	B	137.7/140.3
R1506	7030007230	S.RES ERA3YED 102V (1 k)	B	137.7/147
R1507	7030007230	S.RES ERA3YED 102V (1 k)	T	132.6/146.3
R1508	7030007230	S.RES ERA3YED 102V (1 k)	T	133.9/146.3
R1509	7030007230	S.RES ERA3YED 102V (1 k)	T	139.1/158.9
R1510	7030005321	S.RES ERA3YED 103V (10 k)	T	139.1/157.6
R1511	7030009861	S.RES ERA3YED 471V (470)	T	136.5/157.6
R1512	7030003380	S.RES ERJ3GEYJ 331 V (330)	T	129.6/151.6
R1513	7030003380	S.RES ERJ3GEYJ 331 V (330)	T	129.6/155.5
R1514	7030005321	S.RES ERA3YED 103V (10 k)	T	129.6/160.8
R1515	7030005321	S.RES ERA3YED 103V (10 k)	T	133.5/160.8
R1516	7310005090	S.TRI RH03ADC13X (1 k)	T	119.2/157.9
R1517	7030005321	S.RES ERA3YED 103V (10 k)	T	115.3/158
R1518	7030005321	S.RES ERA3YED 103V (10 k)	T	134.8/160.8
R1519	7030005321	S.RES ERA3YED 103V (10 k)	T	131.7/171.7
R1520	7030005321	S.RES ERA3YED 103V (10 k)	T	136.1/160.8
R1521	7030010980	S.RES ERA3YHD 470V (47)	T	126.5/133
R1522	7030009841	S.RES ERA3YHD 330V (33)	T	126/141.1
R1523	7030009851	S.RES ERA3YED 271V (270)	T	123.7/146.3
R1524	7030011050	S.RES ERA3YHD 100V (10)	T	122.4/143.5
R1525	7030007230	S.RES ERA3YED 102V (1 k)	B	128.8/147
R1526	7030003460	S.RES ERJ3GEYJ 152 V (1.5 k)	B	137.7/142.1
R1527	7030007230	S.RES ERA3YED 102V (1 k)	T	119.8/146.3
R1528	7030007230	S.RES ERA3YED 102V (1 k)	T	121.1/146.3
R1529	7030007230	S.RES ERA3YED 102V (1 k)	T	115.3/152.3
R1530	7030003380	S.RES ERJ3GEYJ 331 V (330)	T	128/151.6
R1531	7030003380	S.RES ERJ3GEYJ 331 V (330)	T	128/155.5
R1532	7030005321	S.RES ERA3YED 103V (10 k)	T	124.1/160.8

[RXPLL-B UNIT]

REF NO.	ORDER NO.	DESCRIPTION	M.	H/V LOCATION
R1533	7030005321	S.RES ERA3YED 103V (10 k)	T	128/160.8
R1534	7030005321	S.RES ERA3YED 103V (10 k)	T	122.8/160.8
R1535	7030005321	S.RES ERA3YED 103V (10 k)	T	121.5/160.8
R1536	7030005321	S.RES ERA3YED 103V (10 k)	T	129/171.7
R1537	7030003320	S.RES ERJ3GEYJ 101 V (100)	T	115.5/164.5
R1538	7030003320	S.RES ERJ3GEYJ 101 V (100)	T	107.1/170.1
R1539	7030008061	S.RES ERA3YED 222V (2.2 k)	B	131.8/176.4
R1540	7030010390	S.RES ERA3YED 821V (820)	B	128.7/177.1
R1541	7030003320	S.RES ERJ3GEYJ 101 V (100)	T	107.1/178.8
R1542	7030003320	S.RES ERJ3GEYJ 101 V (100)	T	115.5/173.2
R1543	7030009691	S.RES ERA3YED 101V (100)	B	130.6/179
R1651	7030003380	S.RES ERJ3GEYJ 331 V (330)	B	100.9/144.8
R1652	7030003220	S.RES ERJ3GEYJ 150 V (15)	B	102.7/144.8
R1653	7030003380	S.RES ERJ3GEYJ 331 V (330)	B	101.9/142.9
R1654	7030010980	S.RES ERA3YHD 470V (47)	B	105.5/142.2
R1655	7030009861	S.RES ERA3YED 471V (470)	B	108.8/140
R1656	7030003630	S.RES ERJ3GEYJ 393 V (39 k)	B	108.3/142.2
R1657	7030005871	S.RES ERA3YKD 104V (100 k)	T	108/133.1
R1658	7030003320	S.RES ERJ3GEYJ 101 V (100)	T	110.6/133.1
R1659	7030009691	S.RES ERA3YED 101V (100)	T	115.8/124.9
R1660	7030009691	S.RES ERA3YED 101V (100)	T	115.8/128.7
R1661	7030005321	S.RES ERA3YED 103V (10 k)	T	135.1/175.4
R1662	7030005321	S.RES ERA3YED 103V (10 k)	T	135.2/172.8
R1663	7030005321	S.RES ERA3YED 103V (10 k)	T	144.3/175.4
R1664	7030005321	S.RES ERA3YED 103V (10 k)	T	139.9/172.1
R1665	7030003320	S.RES ERJ3GEYJ 101 V (100)	T	109.3/133.1
R1667	7030003360	S.RES ERJ3GEYJ 221 V (220)	T	139.2/170.2
R1668	7030003360	S.RES ERJ3GEYJ 221 V (220)	T	141.8/170.2
R1670	7030003800	S.RES ERJ3GEYJ 105 V (1 M)	T	140.2/164.1
R1673	7030007230	S.RES ERA3YED 102V (1 k)	B	146/177.5
R1674	7030009851	S.RES ERA3YED 271V (270)	B	145.1/171.7
R1675	7030009591	S.RES ERA3YED 472V (4.7 k)	T	136.6/170.2
R1677	7030009591	S.RES ERA3YED 472V (4.7 k)	T	143.1/170.2
R1701	7030003360	S.RES ERJ3GEYJ 221 V (220)	T	162.4/147.4
R1703	7030003360	S.RES ERJ3GEYJ 221 V (220)	T	159.8/147.4
R1704	7030003360	S.RES ERJ3GEYJ 221 V (220)	T	158.5/147.4
R1706	7030003360	S.RES ERJ3GEYJ 221 V (220)	T	155.9/147.4
R1707	7030003360	S.RES ERJ3GEYJ 221 V (220)	T	154.6/147.4
R1708	7030003360	S.RES ERJ3GEYJ 221 V (220)	T	153.3/147.4
R1709	7030003480	S.RES ERJ3GEYJ 222 V (2.2 k)	T	149.7/159.3
R1710	7030003480	S.RES ERJ3GEYJ 222 V (2.2 k)	T	148.4/159.3
R1711	7030003540	S.RES ERJ3GEYJ 682 V (6.8 k)	T	147.1/159.3
R1712	7030003540	S.RES ERJ3GEYJ 682 V (6.8 k)	T	145.8/159.3
R1713	7030003660	S.RES ERJ3GEYJ 683 V (68 k)	T	145.8/157.2
R1714	7030003660	S.RES ERJ3GEYJ 683 V (68 k)	T	145.8/155.9
R1715	7030003540	S.RES ERJ3GEYJ 682 V (6.8 k)	T	143.9/164.8
R1716	7030007230	S.RES ERA3YED 102V (1 k)	T	164.2/164.8
R1717	7030007230	S.RES ERA3YED 102V (1 k)	T	164.2/163.5
R1718	7030007230	S.RES ERA3YED 102V (1 k)	T	164.2/162.2
R1719	7030003660	S.RES ERJ3GEYJ 683 V (68 k)	T	144.3/166.8
C1	4030011600	S.CER C1608 JB 1E 104K-T	T	10.8/18.2
C2	4030006880	S.CER C1608 JB 1H 472K-T	T	25.7/29.5
C14	4030006880	S.CER C1608 JB 1H 472K-T	T	37.7/12.5
C15	4030006880	S.CER C1608 JB 1H 472K-T	T	31.2/15.4
C16	4030006880	S.CER C1608 JB 1H 472K-T	T	35.1/15.4
C17	4030006880	S.CER C1608 JB 1H 472K-T	T	13.8/12.6
C18	4030006880	S.CER C1608 JB 1H 472K-T	T	16.8/12.6
C19	4030006880	S.CER C1608 JB 1H 472K-T	T	29.5/12.6
C20	4030006880	S.CER C1608 JB 1H 472K-T	T	87.4/127.8
C21	4030006880	S.CER C1608 JB 1H 472K-T	T	88.7/127.8
C22	4030006880	S.CER C1608 JB 1H 472K-T	T	90/127.8
C30	4030011600	S.CER C1608 JB 1E 104K-T	T	19.1/112.4
C31	4030011600	S.CER C1608 JB 1E 104K-T	T	20.4/113.7
C32	4030011600	S.CER C1608 JB 1E 104K-T	T	24.3/111.1
C51	4510008520	S.ELE EEE1CA470SP	T	84/20.3
C52	4030011600	S.CER C1608 JB 1E 104K-T	T	78.9/23.7
C53	4030011600	S.CER C1608 JB 1E 104K-T	T	75.1/23.7
C54	4510008500	S.ELE EEE1CA101WP	T	70/20.3
C61	4510008520	S.ELE EEE1CA470SP	T	62.9/20.3
C62	4030011600	S.CER C1608 JB 1E 104K-T	B	58.2/19.9
C63	4030011600	S.CER C1608 JB 1E 104K-T	B	54.8/19.9
C64	4510008500	S.ELE EEE1CA101WP	T	50.1/20.3
C101	4030006880	S.CER C1608 JB 1H 472K-T	T	39.7/80.7
C102	4030011600	S.CER C1608 JB 1E 104K-T	T	41.8/79.9
C103	4510008540	S.ELE EEE1CA100SR	T	40.2/76.8
C104	4030011600	S.CER C1608 JB 1E 104K-T	T	21.4/100.2
C105	4030011600	S.CER C1608 JB 1E 104K-T	T	21.4/88.4
C106	4030011600	S.CER C1608 JB 1E 104K-T	T	21.4/84.4
C107	4030011600	S.CER C1608 JB 1E 104K-T	T	24.4/79.8
C108	4030011600	S.CER C1608 JB 1E 104K-T	T	27/79.8
C109	4030011600	S.CER C1608 JB 1E 104K-T	T	30.8/79.8
C110	4030011600	S.CER C1608 JB 1E 104K-T	T	36.8/79.8
C111	4030011600	S.CER C1608 JB 1E 104K-T	T	41.2/88.5
C112	4030011600	S.CER C1608 JB 1E 104K-T	T	41.3/82.6
C114	4030011600	S.CER C1608 JB 1E 104K-T	T	39.5/79.8



[RXPLL-B UNIT]

REF NO.	ORDER NO.	DESCRIPTION	M.	H/V LOCATION
C121	4030011600	S.CER C1608 JB 1E 104K-T	T	39.5/101.5
C125	4030011600	S.CER C1608 JB 1E 104K-T	T	14.6/83.1
C129	4030011600	S.CER C1608 JB 1E 104K-T	T	33.4/79.8
C130	4030017810	S.CER C1608 CH 1H 102J-T	B	47.6/106.6
C131	4030011600	S.CER C1608 JB 1E 104K-T	T	30.4/73.2
C132	4030011600	S.CER C1608 JB 1E 104K-T	T	35.5/73.2
C133	4030006880	S.CER C1608 JB 1H 472K-T	B	43.5/98.6
C134	4030006880	S.CER C1608 JB 1H 472K-T	B	43.5/96.8
C135	4030006880	S.CER C1608 JB 1H 472K-T	T	46/95.5
C136	4030006880	S.CER C1608 JB 1H 472K-T	T	46/94.2
C137	4030006880	S.CER C1608 JB 1H 472K-T	T	46/90.3
C138	4030006880	S.CER C1608 JB 1H 472K-T	T	46.1/87.7
C139	4030006880	S.CER C1608 JB 1H 472K-T	B	43.5/100.4
C141	4030004740	S.CER C2012 JB 1H 472K-T	B	34.3/85.1
C142	4550007470	S.TAN F931A107MNMBA	B	19.4/87.4
C150	4340000050	S.MLR ECH-U 1C472JB5	T	16.3/64.6
C151	4550007520	S.TAN F931A106MAABMA	B	38.6/92.1
C152	4030007070	S.CER C1608 CH 1H 330J-T	T	19.2/59.9
C153	4030009910	S.CER C1608 CH 1H 040B-T	T	21.3/55.4
C154	4610001850	S.TRI TZB4R200AB10R00	T	17.6/55.1
C155	4030016550	S.CER CM105 CH 151G 50AT	T	24.1/55.4
C156	4030016550	S.CER CM105 CH 151G 50AT	T	26.9/55.4
C157	4030016550	S.CER CM105 CH 151G 50AT	T	26.9/56.7
C158	4030006880	S.CER C1608 JB 1H 472K-T	T	23.3/53.1
C159	4030006880	S.CER C1608 JB 1H 472K-T	B	23/51.9
C161	4510008540	S.ELE EEE1CA100SR	T	31.3/61
C162	4030009920	S.CER C1608 CH 1H 050B-T	B	33.6/53
C163	4030011600	S.CER C1608 JB 1E 104K-T	B	36.9/59.6
C164	4030006880	S.CER C1608 JB 1H 472K-T	B	30.3/54.8
C165	4030006880	S.CER C1608 JB 1H 472K-T	B	30.8/74
C166	4030011600	S.CER C1608 JB 1E 104K-T	B	34.9/78.2
C167	4030006880	S.CER C1608 JB 1H 472K-T	B	37.4/74
C201	4030011340	S.CER C1608 CH 1H 471J-T	T	33.8/40.4
C202	4510009280	S.ELE EEE1EA4R7SR	T	26.5/44
C203	4030006900	S.CER C1608 JB 1H 103K-T	T	32.5/38.3
C204	4030006880	S.CER C1608 JB 1H 472K-T	T	25.4/35.3
C205	4030006880	S.CER C1608 JB 1H 472K-T	T	25.4/34
C206	4030006880	S.CER C1608 JB 1H 472K-T	T	31.1/43
C207	4030007030	S.CER C1608 CH 1H 150J-T	B	46.8/32.4
C208	4030007030	S.CER C1608 CH 1H 150J-T	T	32.5/41
C209	4030011340	S.CER C1608 CH 1H 471J-T	T	44.1/26.1
C210	4550007620	S.TAN F931V224MAABMA	T	46.2/26.7
C211	4550007300	S.TAN F931A335MAABMA	B	46.1/41.6
C219	4030006880	S.CER C1608 JB 1H 472K-T	T	33.8/37.8
C220	4030007130	S.CER C1608 CH 1H 101J-T	T	54.7/37.6
C221	4030009520	S.CER C1608 CH 1H 020B-T	T	54.7/32
C222	4610001860	S.TRI TZB4Z060AB10R00	T	68.1/32.6
C223	4030007080	S.CER C1608 CH 1H 390J-T	T	73.2/36.3
C224	4030007010	S.CER C1608 CH 1H 100D-T	T	73.2/38.9
C225	4030007050	S.CER C1608 CH 1H 220J-T	T	73.6/30.9
C226	4030006880	S.CER C1608 JB 1H 472K-T	T	71/30.9
C227	4030009920	S.CER C1608 CH 1H 050B-T	T	75.1/32.6
C228	4510008540	S.ELE EEE1CA100SR	T	68.8/37.8
C229	4030009530	S.CER C1608 CH 1H 030B-T	T	77.8/32.6
C230	4030007100	S.CER C1608 CH 1H 560J-T	T	54.7/50
C231	4030009510	S.CER C1608 CH 1H 010B-T	T	54.7/44.6
C232	4610001860	S.TRI TZB4Z060AB10R00	T	68.1/45.1
C233	4030007070	S.CER C1608 CH 1H 330J-T	T	73.2/48.8
C234	4030009920	S.CER C1608 CH 1H 050B-T	T	73.2/51.4
C235	4030007020	S.CER C1608 CH 1H 120J-T	T	73.6/43.3
C236	4030006880	S.CER C1608 JB 1H 472K-T	T	71/43.3
C237	4030009910	S.CER C1608 CH 1H 040B-T	T	75.1/45
C238	4510008540	S.ELE EEE1CA100SR	T	68.8/50.3
C239	4030009910	S.CER C1608 CH 1H 040B-T	T	77.8/45
C240	4030007080	S.CER C1608 CH 1H 390J-T	T	54.7/62.5
C241	4030009510	S.CER C1608 CH 1H 010B-T	T	54.7/57.1
C242	4610001860	S.TRI TZB4Z060AB10R00	T	68.1/57.6
C243	4030007060	S.CER C1608 CH 1H 270J-T	T	73.2/61.3
C244	4030009910	S.CER C1608 CH 1H 040B-T	T	73.2/63.9
C245	4030009920	S.CER C1608 CH 1H 050B-T	T	73.6/55.8
C246	4030006880	S.CER C1608 JB 1H 472K-T	T	71/55.9
C247	4030009530	S.CER C1608 CH 1H 030B-T	T	75.1/57.5
C248	4510008540	S.ELE EEE1CA100SR	T	68.8/62.9
C250	4030007100	S.CER C1608 CH 1H 560J-T	T	54.7/75
C251	4030009540	S.CER C1608 CH 1H 1R5B-T	T	54.7/69.6
C252	4610001810	S.TRI TZB4Z030AB10R00	T	68.1/70.1
C253	4030007080	S.CER C1608 CH 1H 390J-T	T	73.2/73.8
C254	4030009530	S.CER C1608 CH 1H 030B-T	T	73.2/76.4
C255	4030006990	S.CER C1608 CH 1H 080D-T	T	73.6/68.4
C256	4030006880	S.CER C1608 JB 1H 472K-T	T	71/68.4
C257	4030007010	S.CER C1608 CH 1H 100D-T	T	75.1/70
C258	4510008540	S.ELE EEE1CA100SR	T	68.8/75.4
C260	4030007110	S.CER C1608 CH 1H 680J-T	T	54.7/87.5
C262	4610001810	S.TRI TZB4Z030AB10R00	T	68.1/82.6
C263	4030007080	S.CER C1608 CH 1H 390J-T	T	73.2/86.3
C264	4030009530	S.CER C1608 CH 1H 030B-T	T	73.2/88.9
C265	4030011770	S.CER C1608 CH 1H 060B-T	T	73.6/80.9
C266	4030006880	S.CER C1608 JB 1H 472K-T	T	71/80.9
C267	4030007010	S.CER C1608 CH 1H 100D-T	T	75.1/82.5
C268	4510008540	S.ELE EEE1CA100SR	T	68.8/87.9
C272	4610001860	S.TRI TZB4Z060AB10R00	T	68.1/95.1
C273	4030007050	S.CER C1608 CH 1H 220J-T	T	73.2/98.2

[RXPLL-B UNIT]

REF NO.	ORDER NO.	DESCRIPTION	M.	H/V LOCATION
C274	4030009530	S.CER C1608 CH 1H 030B-T	T	73.2/100.8
C275	4030009920	S.CER C1608 CH 1H 050B-T	T	73.6/92.8
C276	4030006880	S.CER C1608 JB 1H 472K-T	T	71/92.8
C277	4030007010	S.CER C1608 CH 1H 100D-T	T	75.1/95
C278	4510008540	S.ELE EEE1CA100SR	T	68.8/100.4
C283	4030017810	S.CER C1608 CH 1H 102J-T	T	82.1/36.3
C284	4030006880	S.CER C1608 JB 1H 472K-T	T	84.5/34.3
C285	4030017810	S.CER C1608 CH 1H 102J-T	T	82.1/48.8
C286	4030006880	S.CER C1608 JB 1H 472K-T	T	84.5/46.9
C287	4030017810	S.CER C1608 CH 1H 102J-T	T	82.1/61.3
C288	4030006880	S.CER C1608 JB 1H 472K-T	T	83.9/57.5
C289	4030017810	S.CER C1608 CH 1H 102J-T	T	82.1/73.8
C290	4030006880	S.CER C1608 JB 1H 472K-T	T	84.3/70.4
C291	4030017810	S.CER C1608 CH 1H 102J-T	T	82.1/86.3
C292	4030006880	S.CER C1608 JB 1H 472K-T	T	84.4/84.4
C293	4030017810	S.CER C1608 CH 1H 102J-T	T	82.1/98.7
C294	4030006880	S.CER C1608 JB 1H 472K-T	T	83.2/93.9
C297	4030009920	S.CER C1608 CH 1H 050B-T	T	52.6/59.4
C299	4030007050	S.CER C1608 CH 1H 220J-T	T	52.6/84.4
C301	4030006880	S.CER C1608 JB 1H 472K-T	T	89.3/60.6
C302	4030006880	S.CER C1608 JB 1H 472K-T	T	94.9/28
C303	4030006880	S.CER C1608 JB 1H 472K-T	B	92.6/39.8
C304	4030006880	S.CER C1608 JB 1H 472K-T	B	92.6/45.2
C305	4030006880	S.CER C1608 JB 1H 472K-T	B	89.1/48.8
C306	4030006880	S.CER C1608 JB 1H 472K-T	B	89.1/50.6
C309	4030017810	S.CER C1608 CH 1H 102J-T	T	94.9/42.7
C310	4030011600	S.CER C1608 JB 1E 104K-T	T	92.8/42.1
C311	4510008520	S.ELE EEE1CA470SP	T	93.4/47.4
C312	4030006880	S.CER C1608 JB 1H 472K-T	B	89/27.4
C313	4030006880	S.CER C1608 JB 1H 472K-T	B	93.7/23.1
C331	4030007110	S.CER C1608 CH 1H 680J-T	T	89.3/32.2
C332	4030007160	S.CER C1608 CH 1H 181J-T	T	92.1/33.5
C333	4030007110	S.CER C1608 CH 1H 680J-T	T	89.3/33.5
C334	4030007050	S.CER C1608 CH 1H 220J-T	T	94.9/36
C335	4030006980	S.CER C1608 CH 1H 070D-T	T	94.9/37.4
C336	4030007030	S.CER C1608 CH 1H 150J-T	T	92.1/38.8
C337	4030007050	S.CER C1608 CH 1H 220J-T	T	94.9/38.8
C341	4030006880	S.CER C1608 JB 1H 472K-T	T	94.9/40.1
C342	4030006880	S.CER C1608 JB 1H 472K-T	T	86.5/33.5
C344	4030011600	S.CER C1608 JB 1E 104K-T	T	94.9/41.4
C351	4030017810	S.CER C1608 CH 1H 102J-T	T	94.9/61.6
C352	4030011600	S.CER C1608 JB 1E 104K-T	T	94.9/62.9
C353	4510008520	S.ELE EEE1CA470SP	T	93.4/67.1
C354	4030006880	S.CER C1608 JB 1H 472K-T	T	89.3/51.7
C355	4030006880	S.CER C1608 JB 1H 472K-T	T	94.9/55.1
C356	4030006880	S.CER C1608 JB 1H 472K-T	T	89.2/58.4
C357	4030006880	S.CER C1608 JB 1H 472K-T	T	94.9/57.7
C358	4030006880	S.CER C1608 JB 1H 472K-T	B	89.2/60.3
C359	4030006880	S.CER C1608 JB 1H 472K-T	B	92.6/62.1
C360	4030006880	S.CER C1608 JB 1H 472K-T	B	89.9/66.9
C361	4030006880	S.CER C1608 JB 1H 472K-T	T	89.3/83.4
C363	4030006880	S.CER C1608 JB 1H 472K-T	T	86.1/60.8
C364	4030017810	S.CER C1608 CH 1H 102J-T	T	86.7/52.3
C365	4030006880	S.CER C1608 JB 1H 472K-T	T	90.3/59.9
C421	4030006880	S.CER C1608 JB 1H 472K-T	T	94.1/88.5
C423	4030006880	S.CER C1608 JB 1H 472K-T	T	94.1/93.3
C426	4030006880	S.CER C1608 JB 1H 472K-T	B	94.6/87.3
C427	4030006880	S.CER C1608 JB 1H 472K-T	T	92.1/86.5
C441	4030007040	S.CER C1608 CH 1H 180J-T	T	94.9/71.3
C442	4030007040	S.CER C1608 CH 1H 180J-T	T	94.9/72.6
C443	4030007020	S.CER C1608 CH 1H 120J-T	T	92.1/74.2
C444	4030007080	S.CER C1608 CH 1H 390J-T	T	94.9/73.9
C445	4030011770	S.CER C1608 CH 1H 060B-T	T	94.9/75.2
C446	4030007060	S.CER C1608 CH 1H 270J-T	T	94.9/79.1
C447	4030007110	S.CER C1608 CH 1H 680J-T	T	92.8/78.9
C448	4030006880	S.CER C1608 JB 1H 472K-T	T	94.9/76.5
C449	4030006880	S.CER C1608 JB 1H 472K-T	T	88.1/69.1
C451	4030007110	S.CER C1608 CH 1H 680J-T	T	92/82.1
C452	4030007160	S.CER C1608 CH 1H 181J-T	T	92/80.8
C453	4030011600	S.CER C1608 JB 1E 104K-T	T	94.9/77.8
C501	4030006880	S.CER C1608 JB 1H 472K-T	T	38.9/131.2
C502	4030011600	S.CER C1608 JB 1E 104K-T	T	38.9/129.9
C503	4510008540	S.ELE EEE1CA100SR	T	36.6/126.7
C504	4030011600	S.CER C1608 JB 1E 104K-T	T	21.4/153.1
C505	4550007470	S.TAN F931A107MNMBA	B	19.2/140.3
C506	4030011600	S.CER C1608 JB 1E 104K-T	T	21.4/141
C507	4030011600	S.CER C1608 JB 1E 104K-T	T	21.4/137.1
C509	4030011600	S.CER C1608 JB 1E 104K-T	T	25.8/132.6
C510	4030011600	S.CER C1608 JB 1E 104K-T	T	28.4/132.6
C511	4030011600	S.CER C1608 JB 1E 104K-T	T	32.2/132.6
C512	4030011600	S.CER C1608 JB 1E 104K-T	T	34.8/132.6
C513	4030011600	S.CER C1608 JB 1E 104K-T	T	37.4/132.6
C514	4030011600	S.CER C1608 JB 1E 104K-T	T	41.2/136
C515	4030011600	S.CER C1608 JB 1E 104K-T	T	41.3/139.7
C516	4030011600	S.CER C1608 JB 1E 104K-T	T	41.3/142.3
C517	4030011600	S.CER C1608 JB 1E 104K-T	T	37.6/151.8</

[RXPLL-B UNIT]

REF NO.	ORDER NO.	DESCRIPTION	M.	H/V LOCATION
C526	4030011600	S.CER C1608 JB 1E 104K-T	T	36.6/154.5
C531	4030006880	S.CER C1608 JB 1H 472K-T	T	14.6/137.5
C532	4030007070	S.CER C1608 CH 1H 330J-T	T	17.2/137.5
C533	4030007110	S.CER C1608 CH 1H 680J-T	T	17.3/133.4
C534	4030007110	S.CER C1608 CH 1H 680J-T	T	16.8/130.1
C535	4030007070	S.CER C1608 CH 1H 330J-T	T	18.1/127
C536	4030006880	S.CER C1608 JB 1H 472K-T	T	20.9/127.6
C537	4030006880	S.CER C1608 JB 1H 472K-T	T	27.2/126.4
C540	4030006880	S.CER C1608 JB 1H 472K-T	B	56.3/142.8
C541	4510008540	S.ELE EEE1CA100SR	T	51/139.3
C542	4340000260	S.MLR ECPU1C104MA5	B	47.8/128.7
C543	4030007060	S.CER C1608 CH 1H 270J-T	T	62.2/136.4
C545	4030008560	S.CER C1608 CH 1H 300J-T	T	70/137.1
C546	4610001830	S.TRI TZB4S100AB10R00	T	65.8/138.7
C547	4030007130	S.CER C1608 CH 1H 101J-T	T	71.3/137.1
C548	4030007010	S.CER C1608 CH 1H 100D-T	T	71.3/139.9
C549	4030007050	S.CER C1608 CH 1H 220J-T	T	68.9/145.1
C550	4030006880	S.CER C1608 JB 1H 472K-T	T	66.3/143
C551	4030009520	S.CER C1608 CH 1H 020B-T	T	71.3/142.8
C552	4030017810	S.CER C1608 CH 1H 102J-T	B	54.6/139.5
C553	4030006880	S.CER C1608 JB 1H 472K-T	B	56.3/139.5
C554	4510008500	S.ELE EEE1CA101WP	T	50.9/146.6
C555	4030006880	S.CER C1608 JB 1H 472K-T	B	47.7/149.5
C556	4550007220	S.TAN F931A476MCMCMBMA	B	76.4/136.1
C558	4550007520	S.TAN F931A106MAABMA	B	43.4/132.5
C559	4550007400	S.TAN F931A225MAABMA	B	43.4/129.9
C561	4550007520	S.TAN F931A106MAABMA	T	70/157.5
C562	4030006880	S.CER C1608 JB 1H 472K-T	T	68.3/155.5
C563	4030017810	S.CER C1608 CH 1H 102J-T	B	60.1/158
C564	4030006880	S.CER C1608 JB 1H 472K-T	B	58.8/158
C565	4510008520	S.ELE EEE1CA470SP	T	50.9/155.6
C566	4030006880	S.CER C1608 JB 1H 472K-T	T	64.4/155.5
C571	4030006880	S.CER C1608 JB 1H 472K-T	B	58.5/161.3
C573	4030007040	S.CER C1608 CH 1H 180J-T	B	72.5/166.8
C574	4030009510	S.CER C1608 CH 1H 010B-T	T	72.6/169.1
C575	4030007040	S.CER C1608 CH 1H 180J-T	T	72.6/171.9
C580	4030006880	S.CER C1608 JB 1H 472K-T	T	41.9/152.4
C581	4030006880	S.CER C1608 JB 1H 472K-T	T	41.9/144.2
C591	4030006880	S.CER C1608 JB 1H 472K-T	T	63.5/171.2
C592	4030007060	S.CER C1608 CH 1H 270J-T	T	62.8/163.1
C593	4510008540	S.ELE EEE1CA100SR	T	54.4/170.7
C594	4030006880	S.CER C1608 JB 1H 472K-T	T	57.4/171.9
C596	4030006880	S.CER C1608 JB 1H 472K-T	B	63.7/168.1
C597	4030007050	S.CER C1608 CH 1H 220J-T	T	62.2/171.2
C601	4030006880	S.CER C1608 JB 1H 472K-T	T	47.3/116.4
C602	4030006880	S.CER C1608 JB 1H 472K-T	T	49.5/121.4
C607	4030006880	S.CER C1608 JB 1H 472K-T	T	51.2/115.4
C608	4030006880	S.CER C1608 JB 1H 472K-T	T	53.2/115.9
C609	4030007100	S.CER C1608 CH 1H 560J-T	T	53.2/114.6
C610	4030008750	S.CER C1608 CH 1H 360J-T	T	55.2/115.4
C611	4030007140	S.CER C1608 CH 1H 121J-T	T	56.3/113.5
C612	4030007020	S.CER C1608 CH 1H 120J-T	T	57.1/114.8
C613	4030007110	S.CER C1608 CH 1H 680J-T	T	56.3/112.2
C651	4030006880	S.CER C1608 JB 1H 472K-T	T	13.5/174
C652	4030011600	S.CER C1608 JB 1E 104K-T	T	12.9/176.3
C653	4510008540	S.ELE EEE1CA100SR	T	6.8/172.6
C654	4030011600	S.CER C1608 JB 1E 104K-T	T	22.8/161.4
C655	4030011600	S.CER C1608 JB 1E 104K-T	T	25.9/161.4
C656	4030011600	S.CER C1608 JB 1E 104K-T	T	25.8/177.1
C657	4030011600	S.CER C1608 JB 1E 104K-T	T	22.7/177.1
C658	4030011600	S.CER C1608 JB 1E 104K-T	T	13.5/172.7
C659	4030011600	S.CER C1608 JB 1E 104K-T	T	16.5/163.4
C660	4030006880	S.CER C1608 JB 1H 472K-T	T	17.6/161.4
C661	4030011600	S.CER C1608 JB 1E 104K-T	T	13.5/166.9
C662	4550007220	S.TAN F931A476MCMCMBMA	B	30.5/169.4
C680	4030006880	S.CER C1608 JB 1H 472K-T	T	34.3/177.1
C681	4030007160	S.CER C1608 CH 1H 181J-T	T	40.3/177.1
C682	4030007140	S.CER C1608 CH 1H 121J-T	T	39.6/175.2
C683	4030011330	S.CER C1608 CH 1H 391J-T	T	40.9/175.2
C684	4030007080	S.CER C1608 CH 1H 390J-T	B	39.3/174
C685	4030011280	S.CER C1608 CH 1H 271J-T	B	42.3/172.6
C686	4030010760	S.CER C1608 CH 1H 331J-T	B	39.3/170.6
C687	4030018580	S.CER C1608 CH 1H 821J-T	T	41/169.7
C688	4030010760	S.CER C1608 CH 1H 331J-T	B	37.5/169.7
C689	4030011600	S.CER C1608 JB 1E 104K-T	T	37.4/166.4
C690	4030011600	S.CER C1608 JB 1E 104K-T	T	37.4/161.3
C691	4030011600	S.CER C1608 JB 1E 104K-T	T	46.4/164
C692	4030006880	S.CER C1608 JB 1H 472K-T	T	40.3/162.1
C693	4030006880	S.CER C1608 JB 1H 472K-T	B	58.4/169.6
C694	4030006880	S.CER C1608 JB 1H 472K-T	B	58.4/164.2
C703	4030017810	S.CER C1608 CH 1H 102J-T	T	24.3/116.6
C704	4030006880	S.CER C1608 JB 1H 472K-T	T	23/116.6
C705	4510008500	S.ELE EEE1CA101WP	T	29.4/118.7
C707	4030011600	S.CER C1608 JB 1E 104K-T	T	32.1/113.7
C708	4030011600	S.CER C1608 JB 1E 104K-T	T	32.1/108.1
C709	4030007070	S.CER C1608 CH 1H 330J-T	T	38.8/112.9
C710	4030006880	S.CER C1608 JB 1H 472K-T	T	36.2/112.9
C711	4030009540	S.CER C1608 CH 1H 1R5B-T	B	39.3/113.6
C712	4030007070	S.CER C1608 CH 1H 330J-T	T	36.2/114.2
C713	4030006880	S.CER C1608 JB 1H 472K-T	T	42/118.8
C1000	4030007050	S.CER C1608 CH 1H 220J-T	B	177.1/13.8
C1002	4030006880	S.CER C1608 JB 1H 472K-T	B	153.1/16.2

[RXPLL-B UNIT]

REF NO.	ORDER NO.	DESCRIPTION	M.	H/V LOCATION
C1003	4030012600	S.CER C2012 JB 1A 105M-T	T	157.4/8.2
C1004	4030011600	S.CER C1608 JB 1E 104K-T	B	169.6/8.7
C1005	4030011600	S.CER C1608 JB 1E 104K-T	T	162.8/17.2
C1006	4030012600	S.CER C3216 JB 1C 105M-T	T	173.8/18.6
C1007	4030006880	S.CER C1608 JB 1H 472K-T	T	172.4/23.9
C1008	4030006880	S.CER C1608 JB 1H 472K-T	T	160/24
C1009	4030006880	S.CER C1608 JB 1H 472K-T	T	147.6/23.8
C1010	4030012600	S.CER C2012 JB 1A 105M-T	T	154.5/28.9
C1011	4030012600	S.CER C2012 JB 1A 105M-T	T	144.2/29.3
C1012	4030010210	S.CER C3216 JB 1C 105M-T	T	144.8/40.2
C1013	4030012600	S.CER C2012 JB 1A 105M-T	T	144.2/33.2
C1014	4030018810	S.CER C3216 CH 1H 333J-T	B	151.6/48.3
C1015	4030012600	S.CER C2012 JB 1A 105M-T	T	163.6/13.8
C1016	4030012600	S.CER C2012 JB 1A 105M-T	T	173.6/33.2
C1017	4030012600	S.CER C2012 JB 1A 105M-T	T	163.3/33.2
C1020	4030012600	S.CER C2012 JB 1A 105M-T	B	170/38.6
C1021	4030012600	S.CER C2012 JB 1A 105M-T	B	154/38.6
C1024	4030010210	S.CER C3216 JB 1C 105M-T	B	170.5/45.5
C1025	4030010210	S.CER C3216 JB 1C 105M-T	B	154.7/45.5
C1026	4030010210	S.CER C3216 JB 1C 105M-T	T	171.4/52.7
C1027	4030010210	S.CER C3216 JB 1C 105M-T	T	165.6/52.7
C1028	4030006880	S.CER C1608 JB 1H 472K-T	B	156.4/65.4
C1029	4030006880	S.CER C1608 JB 1H 472K-T	T	168.5/65.4
C1030	4030010210	S.CER C3216 JB 1C 105M-T	T	164.5/18
C1031	4030012600	S.CER C2012 JB 1A 105M-T	B	169.2/10.8
C1033	4550006470	S.TAN TEESVB2 1D 106M8R	B	146.5/47.7
C1034	4550006470	S.TAN TEESVB2 1D 106M8R	B	174/52.1
C1035	4550006470	S.TAN TEESVB2 1D 106M8R	B	164.6/15.8
C1036	4030007120	S.CER C1608 CH 1H 820J-T	T	160.2/12.7
C1037	4030007090	S.CER C1608 CH 1H 470J-T	B	149.3/49.3
C1038	4030017810	S.CER C1608 CH 1H 102J-T	T	146.6/26.2
C1039	4030017810	S.CER C1608 CH 1H 102J-T	T	146.5/41
C1040	4030017810	S.CER C1608 CH 1H 102J-T	T	145.3/36.4
C1041	4030006990	S.CER C1608 CH 1H 080D-T	B	153.4/31
C1046	4030007010	S.CER C1608 CH 1H 100D-T	B	168.4/53.7
C1048	4030017810	S.CER C1608 CH 1H 102J-T	B	170.6/41.6
C1049	4030017810	S.CER C1608 CH 1H 102J-T	B	154.6/41.6
C1050	4030017810	S.CER C1608 CH 1H 102J-T	B	170.5/49.5
C1051	4030017810	S.CER C1608 CH 1H 102J-T	B	154.7/49.4
C1052	4030007100	S.CER C1608 CH 1H 560J-T	B	164.1/29.6
C1053	4030007110	S.CER C1608 CH 1H 680J-T	T	175.2/77.3
C1054	4030007010	S.CER C1608 CH 1H 100D-T	B	175.7/72.4
C1055	4030007140	S.CER C1608 CH 1H 121J-T	B	175.7/74.2
C1056	4030007050	S.CER C1608 CH 1H 220J-T	T	175.2/76
C1057	4030007130	S.CER C1608 CH 1H 101J-T	T	172.1/77.1
C1058	4030009530	S.CER C1608 CH 1H 030B-T	B	173.2/12.7
C1060	4030017810	S.CER C1608 CH 1H 102J-T	T	178.6/94.4
C1061	4030007090	S.CER C1608 CH 1H 470J-T	B	147.7/91.8
C1062	4030007170	S.CER C1608 CH 1H 221J-T	B	149.5/91.8
C1064	4030007090	S.CER C1608 CH 1H 470J-T	T	148.7/80.1
C1066	4030007010	S.CER C1608 CH 1H 100D-T	T	138.6/81.9
C1067	4030007010	S.CER C1608 CH 1H 100D-T	T	173.4/77.1
C1068	4030009510	S.CER C1608 CH 1H 010B-T	B	175.4/46.1
C1069	4030009510	S.CER C1608 CH 1H 010B-T	B	159.4/46.1
C1070	4030006980	S.CER C1608 CH 1H 070D-T	T	137.2/81.9
C1071	4030007100	S.CER C1608 CH 1H 560J-T	B	162.2/75.3
C1072	4030007170	S.CER C1608 CH 1H 221J-T	B	162/78.7
C1073	4030007080	S.CER C1608 CH 1H 390J-T	B	164.1/76.4
C1074	4030007060	S.CER C1608 CH 1H 270J-T	T	148.7/78.6
C1081	4030006900	S.CER C1608 JB 1H 103K-T	B	156.1/86
C1082	4030006900	S.CER C1608 JB 1H 103K-T	B	151.3/91.8
C1083	4030006900	S.CER C1608 JB 1H 103K-T	B	151.2/81.6
C1084	4030006880	S.CER C1608 JB 1H 472K-T	B	149.4/81.6
C1085	4030006880	S.CER C1608 JB 1H 472K-T	B	153/81.6
C1091	4030006880	S.CER C1608 JB 1H 472K-T	T	149.3/149.4
C1092	4030006880	S.CER C1608 JB 1H 472K-T	T	147/138.5
C1093	4030006880	S.CER C1608 JB 1H 472K-T	T	161.3/135.8
C1101	4030006900	S.CER C1608 JB 1H 103K-T	T	177/90.9
C1102	4030006900	S.CER C1608 JB 1H 103K-T	T	175.4/115.5
C1103	4030011600	S.CER C1608 JB 1E 104K-T	T	179.6/116.4
C1104	4030011600	S.CER C1608 JB 1E 104K-T	T	175.4/87.7
C1106	4030011600	S.CER C1608 JB 1E 104K-T	T	179.3/128.8
C1107	4030011600	S.CER C1608 JB 1E 104K-T	B	172.3/124.2
C1109	4030007090	S.CER C1608 CH 1H 470J-T	T	175.7/137.9
C1110	4030006900	S.CER C1608 JB 1H 103K-T	T	175.7/136.6
C1111	4030011600	S.CER C1608 JB 1E 104K-T	T	176.7/132
C1112	4030006900	S.CER C1608 JB 1H 103K-T	T	179.3/132
C1113	4030007090	S.CER C1608 CH 1H 470J-T	T	178.6/140.9
C1114	4030006900	S.CER C1608 JB 1H 103K-T	B	178.4/138
C1115	4030011600	S.CER C1608 JB 1E 104K-T	T	175.7/140
C1116	4030006900	S.CER C1608 JB 1H 103K-T	T	165.7/138.7
C1117	4030007010	S.CER C1608 CH 1H 1		

[RXPLL-B UNIT]

REF NO.	ORDER NO.	DESCRIPTION	M.	H/V LOCATION
C1152	4030007110	S.CER C1608 CH 1H 680J-T	B	123.1/57
C1153	4030017810	S.CER C1608 CH 1H 102J-T	T	131.5/63.9
C1201	4030007110	S.CER C1608 CH 1H 680J-T	B	120.2/21.8
C1202	4030007110	S.CER C1608 CH 1H 680J-T	B	118.4/21.8
C1207	4030006880	S.CER C1608 JB 1H 472K-T	B	123/11.8
C1226	4030009500	S.CER C1608 CH 1H 0R5B-T	B	124.9/35.6
C1227	4030009500	S.CER C1608 CH 1H 0R5B-T	B	115.4/35.6
C1228	4030009920	S.CER C1608 CH 1H 050B-T	B	113.9/41.8
C1231	4030006900	S.CER C1608 JB 1H 103K-T	T	118.9/21.5
C1232	4030006900	S.CER C1608 JB 1H 103K-T	T	109/21.5
C1234	4030006900	S.CER C1608 JB 1H 103K-T	B	123.5/38.3
C1235	4030006880	S.CER C1608 JB 1H 472K-T	B	116.6/32.1
C1236	4030006900	S.CER C1608 JB 1H 103K-T	T	119.8/40
C1238	4030006900	S.CER C1608 JB 1H 103K-T	B	114/38.3
C1239	4030006880	S.CER C1608 JB 1H 472K-T	B	106.8/32.3
C1240	4030006900	S.CER C1608 JB 1H 103K-T	T	111.7/40.5
C1241	4030006900	S.CER C1608 JB 1H 103K-T	T	113.6/38.6
C1243	4030006880	S.CER C1608 JB 1H 472K-T	B	129.6/46.7
C1244	4030007080	S.CER C1608 CH 1H 390J-T	T	149.6/67
C1245	4030007130	S.CER C1608 CH 1H 101J-T	T	151/64.4
C1246	4030007120	S.CER C1608 CH 1H 820J-T	T	150.9/67
C1247	4030007090	S.CER C1608 CH 1H 470J-T	T	153.4/63.5
C1248	4030007130	S.CER C1608 CH 1H 101J-T	T	153.4/66.8
C1249	4030007020	S.CER C1608 CH 1H 120J-T	T	153.1/70.3
C1250	4030007100	S.CER C1608 CH 1H 560J-T	B	152.4/74.3
C1251	4030006900	S.CER C1608 JB 1H 103K-T	T	160.2/92.9
C1252	4030006900	S.CER C1608 JB 1H 103K-T	T	152.7/92.9
C1253	4030006900	S.CER C1608 JB 1H 103K-T	B	152.5/111.2
C1255	4030017810	S.CER C1608 CH 1H 102J-T	B	155.7/99.3
C1256	4030007010	S.CER C1608 CH 1H 100D-T	T	156.3/98.8
C1257	4030011600	S.CER C1608 JB 1E 104K-T	B	155.7/103
C1258	4030007080	S.CER C1608 CH 1H 390J-T	B	152/97.5
C1264	4030007110	S.CER C1608 CH 1H 680J-T	T	122/51.1
C1265	4610001830	S.TRI TZB4S100AB10R00	T	163.8/70.8
C1266	4030007020	S.CER C1608 CH 1H 120J-T	T	160.1/74.5
C1267	4030006880	S.CER C1608 JB 1H 472K-T	B	157/126.4
C1268	4030006980	S.CER C1608 CH 1H 070D-T	T	149.6/64.4
C1302	4030007060	S.CER C1608 CH 1H 270J-T	T	159.3/111
C1303	4030006980	S.CER C1608 CH 1H 070D-T	T	159.3/112.9
C1304	4030007070	S.CER C1608 CH 1H 330J-T	T	159.3/114.2
C1305	4030007010	S.CER C1608 CH 1H 100D-T	T	155.5/114.6
C1306	4030009650	S.CER C1608 CH 1H 240J-T	T	159.3/115.5
C1307	4030007030	S.CER C1608 CH 1H 150J-T	T	153.5/120.2
C1308	4030006900	S.CER C1608 JB 1H 103K-T	T	155.1/127.1
C1309	4030007080	S.CER C1608 CH 1H 390J-T	T	156.5/125.8
C1310	4030007080	S.CER C1608 CH 1H 390J-T	T	159.1/128.4
C1311	4030006900	S.CER C1608 JB 1H 103K-T	B	149/118.9
C1312	4030007060	S.CER C1608 CH 1H 270J-T	T	155.5/111.7
C1313	4030007060	S.CER C1608 CH 1H 270J-T	T	159.1/127.1
C1355	4030006880	S.CER C1608 JB 1H 472K-T	T	144.7/70
C1357	4030007000	S.CER C1608 CH 1H 090D-T	B	144.6/67.1
C1358	4030011600	S.CER C1608 JB 1E 104K-T	B	139.1/70.4
C1360	4030011600	S.CER C1608 JB 1E 104K-T	B	146.4/70.4
C1361	4030007020	S.CER C1608 CH 1H 120J-T	B	137.7/69.5
C1362	4030011600	S.CER C1608 JB 1E 104K-T	T	137.5/65.6
C1403	4030017810	S.CER C1608 CH 1H 102J-T	T	114.7/70.3
C1404	4030017810	S.CER C1608 CH 1H 102J-T	T	116.3/104.8
C1405	4030006900	S.CER C1608 JB 1H 103K-T	B	115.9/63.9
C1406	4030017810	S.CER C1608 CH 1H 102J-T	T	114.2/66.2
C1407	4030017810	S.CER C1608 CH 1H 102J-T	T	119.9/70.3
C1408	4030006900	S.CER C1608 JB 1H 103K-T	T	116.3/73
C1409	4030006900	S.CER C1608 JB 1H 103K-T	T	114.4/68.1
C1410	4030007030	S.CER C1608 CH 1H 150J-T	T	116.3/83.3
C1411	4030006990	S.CER C1608 CH 1H 080D-T	T	112.2/87.8
C1412	4030007030	S.CER C1608 CH 1H 150J-T	T	116.3/93.7
C1413	4030007020	S.CER C1608 CH 1H 120J-T	T	107/83.3
C1414	4030006990	S.CER C1608 CH 1H 080D-T	T	103.6/86.6
C1415	4030007020	S.CER C1608 CH 1H 120J-T	T	107/93.7
C1416	4030006900	S.CER C1608 JB 1H 103K-T	T	113.2/103.4
C1417	4030006900	S.CER C1608 JB 1H 103K-T	T	110.5/107.6
C1418	4030017810	S.CER C1608 CH 1H 102J-T	T	110.4/105.8
C1419	4030017810	S.CER C1608 CH 1H 102J-T	T	111/108.9
C1420	4030007120	S.CER C1608 CH 1H 820J-T	B	113.2/114.2
C1421	4030007150	S.CER C1608 CH 1H 151J-T	B	115/114.2
C1423	4030010750	S.CER C1608 CH 1H 201J-T	B	120.3/111.1
C1424	4030007010	S.CER C1608 CH 1H 100D-T	T	132.8/103.3
C1425	4030011600	S.CER C1608 JB 1E 104K-T	T	136.5/106.2
C1426	4030011600	S.CER C1608 JB 1E 104K-T	T	137.8/106.2
C1427	4030006900	S.CER C1608 JB 1H 103K-T	T	133.9/106.2
C1428	4030006980	S.CER C1608 CH 1H 070D-T	T	119.5/109
C1429	4030006900	S.CER C1608 JB 1H 103K-T	T	120.5/113.6
C1430	4030007040	S.CER C1608 CH 1H 180J-T	B	131.9/115.3
C1431	4030017810	S.CER C1608 CH 1H 102J-T	T	127/116.2
C1432	4030009980	S.CER C1608 JB 1H 152K-T	T	129.1/114.1
C1433	4030011600	S.CER C1608 JB 1E 104K-T	T	130.4/114.1
C1434	4030009920	S.CER C1608 CH 1H 050B-T	B	124.7/134.4
C1435	4030009920	S.CER C1608 CH 1H 050B-T	B	124.7/131.6
C1436	4030011600	S.CER C1608 JB 1E 104K-T	B	137.2/122.2
C1437	4030009920	S.CER C1608 CH 1H 050B-T	T	104/83.3
C1438	4030009920	S.CER C1608 CH 1H 050B-T	T	102.3/86.6
C1439	4030009920	S.CER C1608 CH 1H 050B-T	T	110/93.7
C1441	4030006880	S.CER C1608 JB 1H 472K-T	T	120.5/116.2

[RXPLL-B UNIT]

REF NO.	ORDER NO.	DESCRIPTION	M.	H/V LOCATION
C1451	4030007020	S.CER C1608 CH 1H 120J-T	T	125.5/80.1
C1453	4030007030	S.CER C1608 CH 1H 150J-T	T	122.1/85.1
C1454	4030007030	S.CER C1608 CH 1H 150J-T	T	120.8/85.1
C1456	4030007020	S.CER C1608 CH 1H 120J-T	T	125.5/90.9
C1457	4030006900	S.CER C1608 JB 1H 103K-T	T	118.3/72.9
C1458	4030006900	S.CER C1608 JB 1H 103K-T	T	116.6/103.5
C1501	4030018530	S.CER C3216 CH 1H 103J-T	T	131.2/124.5
C1502	4550003220	S.TAN TEESVA 1E 105M8R	T	132.1/139.2
C1503	4030006900	S.CER C1608 JB 1H 103K-T	T	137/142.1
C1504	4030012610	S.CER C2012 JB 1C 474K-T	T	136.7/140.5
C1505	4030007010	S.CER C1608 CH 1H 100D-T	T	130/143.5
C1506	4030010760	S.CER C1608 CH 1H 331J-T	T	131.3/146.3
C1507	4510008540	S.ELE EEE1CA100SR	T	142.6/140.8
C1508	4030011600	S.CER C1608 JB 1E 104K-T	B	128.8/148.8
C1509	4030018800	S.CER C3216 CH 1H 223J-T	T	135.8/145.1
C1510	4030007110	S.CER C1608 CH 1H 680J-T	T	136.5/158.9
C1511	4510008540	S.ELE EEE1CA100SR	T	132.7/150.6
C1512	4030011600	S.CER C1608 JB 1E 104K-T	T	129.6/149
C1513	4030011600	S.CER C1608 JB 1E 104K-T	T	129.6/158.1
C1514	4510008540	S.ELE EEE1CA100SR	T	132.7/156.5
C1515	4030007160	S.CER C1608 CH 1H 181J-T	T	132.2/160.8
C1516	4030009350	S.CER C1608 CH 1H 3R5B-T	T	130.9/160.8
C1517	4030007110	S.CER C1608 CH 1H 680J-T	T	115.3/155
C1518	4030018530	S.CER C3216 CH 1H 103J-T	T	131.2/132.8
C1519	4550003220	S.TAN TEESVA 1E 105M8R	T	122.9/140.9
C1520	4030006900	S.CER C1608 JB 1H 103K-T	T	119.8/140.7
C1521	4030012610	S.CER C2012 JB 1C 474K-T	T	116.2/142.1
C1522	4030007010	S.CER C1608 CH 1H 100D-T	T	123.7/143.5
C1523	4030010760	S.CER C1608 CH 1H 331J-T	T	122.4/146.3
C1524	4030018800	S.CER C3216 CH 1H 223J-T	T	117.9/145.2
C1525	4510008540	S.ELE EEE1CA100SR	T	124.9/150.6
C1526	4030011600	S.CER C1608 JB 1E 104K-T	T	128/149
C1527	4030011600	S.CER C1608 JB 1E 104K-T	T	128/158.1
C1528	4510008540	S.ELE EEE1CA100SR	T	124.9/156.5
C1529	4030017870	S.CER C1608 CH 1H 681J-T	T	125.4/160.8
C1530	4030011330	S.CER C1608 CH 1H 391J-T	T	126.7/160.8
C1531	4510008500	S.ELE EEE1CA101WP	T	111.3/167.3
C1532	4030011600	S.CER C1608 JB 1E 104K-T	T	107.1/167.3
C1533	4030011600	S.CER C1608 JB 1E 104K-T	T	115.5/167.3
C1534	4510008500	S.ELE EEE1CA101WP	T	119.7/167.3
C1535	4030011600	S.CER C1608 JB 1E 104K-T	T	133.7/172.6
C1536	4030017870	S.CER C1608 CH 1H 681J-T	T	126.2/179.5
C1537	4510008500	S.ELE EEE1CA101WP	T	111.3/176
C1538	4030011600	S.CER C1608 JB 1E 104K-T	T	107.1/176
C1539	4030011600	S.CER C1608 JB 1E 104K-T	T	115.5/176
C1540	4510008500	S.ELE EEE1CA101WP	T	119.7/176
C1541	4030007050	S.CER C1608 CH 1H 220J-T	T	124/175
C1651	4030006880	S.CER C1608 JB 1H 472K-T	B	105.5/144
C1653	4030006880	S.CER C1608 JB 1H 472K-T	B	109/137.2
C1654	4030017810	S.CER C1608 CH 1H 102J-T	B	106.9/137.2
C1655	4030009530	S.CER C1608 CH 1H 030B-T	T	107.6/136.8
C1656	4610001970	S.TRI TZC3P200A110R00	T	110.9/136.2
C1657	4030010220	S.CER C2012 CH 1H 102J-T	T	116.4/122.7
C1658	4030010220	S.CER C2012 CH 1H 102J-T	T	116.4/130.9
C1659	4030011600	S.CER C1608 JB 1E 104K-T	T	107.8/120
C1660	4030011600	S.CER C1608 JB 1E 104K-T	B	134/174
C1661	4030011600	S.CER C1608 JB 1E 104K-T	B	145.2/171.3
C1662	4030011600	S.CER C1608 JB 1E 104K-T	T	144.3/178
C1663	4030011600	S.CER C1608 JB 1E 104K-T	T	135.1/170.2
C1665	4030006900	S.CER C1608 JB 1H 103K-T	T	138.9/164.1
C1666	4030006880	S.CER C1608 JB 1H 472K-T	B	113.3/144
C1701	4030011600	S.CER C1608 JB 1E 104K-T	T	153.4/163
C1702	4030011600	S.CER C1608 JB 1E 104K-T	T	144.4/163
C1703	4510004601	ELE 16 ME 1000 HC		
C1704	4030011600	S.CER C1608 JB 1E 104K-T	B	180.1/160.2
C1705	4030011600	S.CER C1608 JB 1E 104K-T	B	186.4/160.2
C1706	4510008520	S.ELE EEE1CA470SP	T	172.7/154.8
C1707	4030011600	S.CER C1608 JB 1E 104K-T	T	149.7/154.8
C1708	4030006880	S.CER C1608 JB 1H 472K-T	T	175.7/166.8
C1709	4030006880	S.CER C1608 JB 1H 472K-T	T	172.6/166.8
C1710	4030006880	S.CER C1608 JB 1H 472K-T	T	169.6/166.8
C1711	4030011340	S.CER C1608 CH 1H 471J-T	T	171.4/163.5
C1712	4030011340	S.CER C1608 CH 1H 471J-T	T	167.5/163.5
C1713	4030006880	S.CER C1608 JB 1H 472K-T	B	165.5/168.8
C1714	4030006880	S.CER C1608 JB 1H 472K-T	B	153.8/141.8
C1716	4030006880	S.CER C1608 JB 1H 472K-T	B	154.7/145.1
C1717	4030006880	S.CER C1608 JB 1H 472K-T	B	152.9/145.1
C1719	4030006880	S.CER C1608 JB 1H 472K-T	B	151.1/145.1
C1720	4030006880	S.CER C1608 JB 1H 472K-T	B	155.6/141.8
C1721	4030006880	S.CER C1608 JB 1H 472K-T	B	



[RXPLL-B UNIT]

REF NO.	ORDER NO.	DESCRIPTION	M.	H/V LOCATION
J2	6510019991	S.CNR 52808-2271 (2291)	T	25/9
J10	6510007020	CNR TMP-J01X-V6		
J351	6510007020	CNR TMP-J01X-V6		
J561	6510007020	CNR TMP-J01X-V6		
J601	6510007020	CNR TMP-J01X-V6		
J681	6510007020	CNR TMP-J01X-V6		
J831	6510007020	CNR TMP-J01X-V6		
J1002	6510007020	CNR TMP-J01X-V6		
J1101	6510007020	CNR TMP-J01X-V6		
J1201	6510007020	CNR TMP-J01X-V6		
J1301	6510007020	CNR TMP-J01X-V6		
J1501	6510018961	S.CNR B2B-PH-SM4-TB (LF) (SN)	T	149.6/177.5
J1701	6510019981	S.CNR 52808-1671 (1690)	T	168/177.2
W1052	9016201006	WIR 73/98/025/X98/X98		
W1401	9029495075	JMP 73/98/020/X98/X98		
W1411	7120000480	S.JMP MJP-0.4-T	T	125.1/111.6
EP20	6910012350	S.BEA MMZ1608Y 102BT	T	85.4/126
EP21	6910012350	S.BEA MMZ1608Y 102BT	T	88.7/124
EP22	6910012350	S.BEA MMZ1608Y 102BT	T	90/124
EP101	6910012350	S.BEA MMZ1608Y 102BT	B	47.6/98.6
EP102	6910012350	S.BEA MMZ1608Y 102BT	B	47.6/96.8
EP103	6910012350	S.BEA MMZ1608Y 102BT	T	46/96.8
EP104	6910012350	S.BEA MMZ1608Y 102BT	T	46/92.9
EP105	6910012350	S.BEA MMZ1608Y 102BT	T	46/91.6
EP106	6910012350	S.BEA MMZ1608Y 102BT	T	46/89
EP107	6910012350	S.BEA MMZ1608Y 102BT	B	47.6/100.4
EP1701	6910012350	S.BEA MMZ1608Y 102BT	T	170.1/163.5
EP1702	6910012350	S.BEA MMZ1608Y 102BT	T	168.8/163.5
EP1801	6910012350	S.BEA MMZ1608Y 102BT	B	153/132.7
EP1802	6910012350	S.BEA MMZ1608Y 102BT	B	142.5/118.8
EP1804	6910012350	S.BEA MMZ1608Y 102BT	B	112.5/138.7
EP1805	6910012350	S.BEA MMZ1608Y 102BT	B	150.2/141.8
EP1806	6910012350	S.BEA MMZ1608Y 102BT	B	128.6/64.3
EP1807	6910012350	S.BEA MMZ1608Y 102BT	B	117.4/50.2
EP1808	6910012350	S.BEA MMZ1608Y 102BT	B	137/166.9
EP1809	6910012350	S.BEA MMZ1608Y 102BT	B	147.4/127.4
EP1810	6910012350	S.BEA MMZ1608Y 102BT	B	131.3/64.2
EP1811	6910012350	S.BEA MMZ1608Y 102BT	T	160.7/56.3
EP1812	6910012350	S.BEA MMZ1608Y 102BT	B	153.5/137.4
EP1813	6910012350	S.BEA MMZ1608Y 102BT	B	132.6/65.7
EP1814	6910012350	S.BEA MMZ1608Y 102BT	B	147.2/22.3
EP1815	6910012350	S.BEA MMZ1608Y 102BT	B	156/62.6
EP1816	6910012350	S.BEA MMZ1608Y 102BT	B	160.4/20.9
EP1817	6910012350	S.BEA MMZ1608Y 102BT	B	168.6/62.2
EP1818	6910012350	S.BEA MMZ1608Y 102BT	B	151.2/133.2
EP1819	6910012350	S.BEA MMZ1608Y 102BT	B	145.6/127.9
EP1820	6910012350	S.BEA MMZ1608Y 102BT	B	148.6/19.8
EP1821	6910012350	S.BEA MMZ1608Y 102BT	B	148.6/14.1
EP1825	6910012350	S.BEA MMZ1608Y 102BT	B	126.6/7
EP1826	6910012350	S.BEA MMZ1608Y 102BT	B	151.5/137.7
EP1830	6910012350	S.BEA MMZ1608Y 102BT	B	141.3/135.2
EP1831	6910012350	S.BEA MMZ1608Y 102BT	B	143.4/128.5
EP1832	6910012350	S.BEA MMZ1608Y 102BT	B	149.2/137.5
EP1833	6910012350	S.BEA MMZ1608Y 102BT	B	147.2/133.5
EP1834	6910012350	S.BEA MMZ1608Y 102BT	T	115.8/108.3
EP1835	6910012350	S.BEA MMZ1608Y 102BT	B	141.6/128.5
EP1836	6910012350	S.BEA MMZ1608Y 102BT	T	111/110.2
EP1837	6910012350	S.BEA MMZ1608Y 102BT	B	145.8/134.1
EP1838	6910012350	S.BEA MMZ1608Y 102BT	T	116.3/106.1

[BPF UNIT]

REF NO.	ORDER NO.	DESCRIPTION	M.	H/V LOCATION
IC101	1130011510	S.IC BU2099FV-E2	T	9.5/77.6
IC102	1130011510	S.IC BU2099FV-E2	T	9.7/100.9
IC401	1130011510	S.IC BU2099FV-E2	T	10.3/39.3
IC402	1130011510	S.IC BU2099FV-E2	T	9.6/59.4
Q355	1590001330	S.TR DTA114EUA T106	T	191.6/68.1
Q381	1590000680	S.TR DTC114EUA T106	T	232/60.3
Q383	1590000680	S.TR DTC114EUA T106	T	229.2/51.9
Q384	1590000680	S.TR DTC114EUA T106	T	226.2/51.9
Q385	1590000680	S.TR DTC114EUA T106	T	233.1/54.7
Q386	1590000430	S.TR DTC114EUA T106	T	230.1/54.7
Q387	1590000680	S.TR DTC114EUA T106	T	228.8/60.2
Q401	1530002841	S.TR 2SC4116-Y (TE85R,F)	T	234.5/108.2
Q402	1530002060	S.TR 2SC4081 T106 R	B	224.2/99.2
Q403	1590001330	S.TR DTA114EUA T106	B	227.6/100.2
Q404	1590000430	S.TR DTC114EUA T106	T	232/108.2
Q855	1590001330	S.TR DTA114EUA T106	T	192/53
Q871	1590001330	S.TR DTA114EUA T106	B	234.6/18.8
Q872	1530002060	S.TR 2SC4081 T106 R	B	231.2/19.5
Q873	1530002841	S.TR 2SC4116-Y (TE85R,F)	B	231.2/16.6
Q874	1590000430	S.TR DTC114EUA T106	T	195.7/57.4
Q900	1590001330	S.TR DTA114EUA T106	B	217.4/116.1
Q901	1530003851	S.TR 2SC5551F-TD-E	T	210.3/113.5
Q902	1590001330	S.TR DTA114EUA T106	T	200.6/115.1
Q903	1530003851	S.TR 2SC5551F-TD-E	T	189.4/113.5
Q950	1590001330	S.TR DTA114EUA T106	B	215/3.2
Q951	1530003851	S.TR 2SC5551F-TD-E	T	209.8/17.6
Q952	1590001330	S.TR DTA114EUA T106	B	199.1/4
Q953	1530003851	S.TR 2SC5551F-TD-E	T	188.6/17.6
D1	1790001250	S.DIO MA2S111-(TX)	T	184/75.2
D21	1790001250	S.DIO MA2S111-(TX)	B	167.1/77.7
D51	1790001250	S.DIO MA2S111-(TX)	T	163.7/68.6
D81	1790001250	S.DIO MA2S111-(TX)	B	141.5/68.1
D111	1790001250	S.DIO MA2S111-(TX)	T	107.4/67.6
D141	1790001250	S.DIO MA2S111-(TX)	T	94.7/70.3
D171	1790001250	S.DIO MA2S111-(TX)	B	81.6/74.3
D201	1790001250	S.DIO MA2S111-(TX)	B	70.2/73.1
D231	1790001250	S.DIO MA2S111-(TX)	T	49.4/69.1
D261	1790001250	S.DIO MA2S111-(TX)	B	35.4/70.1
D291	1790001250	S.DIO MA2S111-(TX)	B	203.9/71.9
D321	1790001250	S.DIO MA2S111-(TX)	T	204/97.5
D351	1790001250	S.DIO MA2S111-(TX)	T	189/94.9
D352	1790001250	S.DIO MA2S111-(TX)	T	189/88.7
D353	1790001250	S.DIO MA2S111-(TX)	T	189/82.5
D354	1790001250	S.DIO MA2S111-(TX)	T	189/76.3
D355	1790001250	S.DIO MA2S111-(TX)	T	193.9/66.2
D371	1790001250	S.DIO MA2S111-(TX)	T	218.5/69.9
D373	1790001250	S.DIO MA2S111-(TX)	B	239.8/116.1
D391	1750000581	S.DIO 1SV307 (TPH3,F)	B	233.2/49.9
D392	1750000581	S.DIO 1SV307 (TPH3,F)	B	236/52.9
D393	1750000581	S.DIO 1SV307 (TPH3,F)	B	235.3/63.7
D401	1790001250	S.DIO MA2S111-(TX)	B	225.6/95.5
D402	1790000980	S.DIO MA742 (TX)	B	233.9/113.2
D501	1790001250	S.DIO MA2S111-(TX)	B	184.1/45.6
D531	1790001250	S.DIO MA2S111-(TX)	B	167.7/53.7
D561	1790001250	S.DIO MA2S111-(TX)	B	164.4/42.5
D591	1790001250	S.DIO MA2S111-(TX)	B	144.1/53.4
D621	1790001250	S.DIO MA2S111-(TX)	T	107.6/52.6
D651	1790001250	S.DIO MA2S111-(TX)	T	94.9/49.6
D681	1790001250	S.DIO MA2S111-(TX)	B	81.5/45.7
D711	1790001250	S.DIO MA2S111-(TX)	B	70/44.3
D741	1790001250	S.DIO MA2S111-(TX)	B	51.4/50.5
D771	1790001250	S.DIO MA2S111-(TX)	B	36.5/43.7
D801	1790001250	S.DIO MA2S111-(TX)	B	203.8/47.4
D831	1790001250	S.DIO MA2S111-(TX)	T	203.7/22.1
D851	1790001250	S.DIO MA2S111-(TX)	T	189/27.9
D852	1790001250	S.DIO MA2S111-(TX)	T	189/33.1
D853	1790001250	S.DIO MA2S111-(TX)	T	189/39.3
D854	1790001250	S.DIO MA2S111-(TX)	T	189/45.5
D855	1790001250	S.DIO MA2S111-(TX)	T	194/52.8
D871	1790001250	S.DIO MA2S111-(TX)	B	241.4/18
D872	1790000980	S.DIO MA742 (TX)	B	247.7/15.6
D873	1790001250	S.DIO MA2S111-(TX)	B	243/94.1
D900	1790001250	S.DIO MA2S111-(TX)	B	218.9/100.4
D901	1790001250	S.DIO MA2S111-(TX)	T	207.9/100.7
D902	1790001250	S.DIO MA2S111-(TX)	B	197/100.2
D903	1790001250	S.DIO MA2S111-(TX)	B	186.4/100.5
D950	1790001250	S.DIO MA2S111-(TX)	B	212.3/93.9
D951	1790001250	S.DIO MA2S111-(TX)	T	204.4/4.5
D952	1790001250	S.DIO MA2S111-(TX)	B	195.7/4.9
D953	1790001250	S.DIO MA2S111-(TX)	B	182.6/5.3
D954	1790001250	S.DIO MA2S111-(TX)	T	235.4/16.2
L1	6200005521	S.COL NLV25T-470J	T	186.7/100.6
L2	6200005521	S.COL NLV25T-470J	B	183.8/77.2
L3	6200010830	S.COL C2520C-3R3G-A	T	179.2/88.5
L4	6200010830	S.COL C2520C-3R3G-A	T	179.2/80.2
L5	6200010830	S.COL C2520C-3R3G-A	T	178.2/84.3

M.=Mounted side (T: Mounted on the Top side, B: Mounted on the Bottom side)  
S.=Surface mount

[BPF UNIT]

REF NO.	ORDER NO.	DESCRIPTION	M.	H/V LOCATION
L6	6200010830	S.COL C2520C-3R3G-A	T	178/76.2
L21	6200005521	S.COL NLV25T-470J	B	166/107.5
L22	6200005521	S.COL NLV25T-470J	B	163/107.5
L23	6140004040	COL LR-443		
L24	6140004050	COL LR-444		
L25	6140004050	COL LR-444		
L26	6140004050	COL LR-444		
L27	6140004040	COL LR-443		
L51	6200005521	S.COL NLV25T-470J	B	154.3/111.3
L52	6200005521	S.COL NLV25T-470J	B	151.3/107.2
L53	6140004060	COL LR-445		
L54	6140004080	COL LR-446		
L55	6140004080	COL LR-446		
L56	6140004080	COL LR-446		
L57	6140004060	COL LR-445		
L81	6200005521	S.COL NLV25T-470J	B	142.1/109.6
L82	6200005521	S.COL NLV25T-470J	B	139.1/107.3
L83	6140004090	COL LR-447		
L84	6140004230	COL LR-458		
L85	6140004230	COL LR-458		
L86	6140004230	COL LR-458		
L87	6140004090	COL LR-447		
L111	6200005521	S.COL NLV25T-470J	B	118.1/109.1
L112	6200005521	S.COL NLV25T-470J	B	114.5/109.1
L113	6140004090	COL LR-447		
L114	6140004100	COL LR-448		
L115	6140004100	COL LR-448		
L116	6140004100	COL LR-448		
L117	6140004090	COL LR-447		
L141	6200005521	S.COL NLV25T-470J	B	106.8/111.4
L142	6200005521	S.COL NLV25T-470J	B	100.3/107.6
L143	6140004110	COL LR-449		
L144	6140004120	COL LR-450		
L145	6140004120	COL LR-450		
L146	6140004120	COL LR-450		
L147	6140004110	COL LR-449		
L171	6200005521	S.COL NLV25T-470J	B	84.9/116.9
L172	6200005521	S.COL NLV25T-470J	B	81.8/115.4
L173	6140004140	COL LR-451		
L174	6140004150	COL LR-452		
L175	6140004150	COL LR-452		
L176	6140004150	COL LR-452		
L177	6140004140	COL LR-451		
L201	6200007021	S.COL NLV25T-270J	B	61.9/112
L202	6200007021	S.COL NLV25T-270J	B	59.4/109.7
L203	6140004160	COL LR-453		
L204	6140004180	COL LR-454		
L205	6140004180	COL LR-454		
L206	6140004180	COL LR-454		
L207	6140004160	COL LR-453		
L231	6200005011	S.COL NLV25T-100J	B	44.2/116.9
L232	6200005011	S.COL NLV25T-100J	B	44.1/114.3
L233	6140004190	COL LR-455		
L234	6140004210	COL LR-456		
L235	6140004210	COL LR-456		
L236	6140004210	COL LR-456		
L237	6140004190	COL LR-455		
L261	6200009141	S.COL NLV25T-6R8J	B	27.3/111.4
L262	6200009141	S.COL NLV25T-6R8J	B	24.8/109.7
L263	6140004220	COL LR-457		
L264	6140004160	COL LR-453		
L265	6140004160	COL LR-453		
L266	6140004160	COL LR-453		
L267	6140004220	COL LR-457		
L291	6200003281	S.COL NLV25T-2R2J	B	222.8/74.1
L292	6200003281	S.COL NLV25T-2R2J	B	214/75.1
L293	6200008090	S.COL LQW2BHN68NJ03L	T	214.7/79.6
L294	6200003041	S.COL NLV32T-R68J	T	213.5/82.7
L295	6200008090	S.COL LQW2BHN68NJ03L	T	210.1/79.6
L296	6200010870	S.COL C2520C-R33G-A	T	209.9/76.6
L321	6200003281	S.COL NLV25T-2R2J	B	209.5/93.5
L322	6200003281	S.COL NLV25T-2R2J	B	213.2/95.3
L323	6200003011	S.COL NLV32T-R27J	T	214.2/91
L324	6200003001	S.COL NLV32T-R22J	T	209.7/87.1
L325	6200003011	S.COL NLV32T-R27J	T	209.6/93.2
L371	6140004390	COL LR-459		
L372	6140004390	COL LR-459		
L373	6140003530	COL LR-395		
L391	6200005491	S.COL NLV32T-331J	T	230.2/48.4
L392	6200005491	S.COL NLV32T-331J	T	231.7/64
L393	6200003211	S.COL NLV32T-820J	B	231.7/42.7
L394	6200005491	S.COL NLV32T-331J	B	236.2/46.6
L395	6200005491	S.COL NLV32T-331J	B	225.5/48.3
L501	6200005521	S.COL NLV25T-470J	B	183.7/36.2
L502	6200005521	S.COL NLV25T-470J	B	184.6/41
L504	6200010830	S.COL C2520C-3R3G-A	T	177.7/33.1
L505	6200010830	S.COL C2520C-3R3G-A	T	178.8/41.5
L506	6200010830	S.COL C2520C-3R3G-A	T	178.9/37.6
L507	6200010830	S.COL C2520C-3R3G-A	T	179.1/45
L531	6200005521	S.COL NLV25T-470J	B	167.5/13
L532	6200005521	S.COL NLV25T-470J	B	170.5/13
L533	6140004040	COL LR-443		

[BPF UNIT]

REF NO.	ORDER NO.	DESCRIPTION	M.	H/V LOCATION
L534	6140004050	COL LR-444		
L535	6140004050	COL LR-444		
L536	6140004050	COL LR-444		
L537	6140004040	COL LR-443		
L561	6200005521	S.COL NLV25T-470J	B	149.9/12.4
L562	6200005521	S.COL NLV25T-470J	B	153.8/16.5
L563	6140004060	COL LR-445		
L564	6140004080	COL LR-446		
L565	6140004080	COL LR-446		
L566	6140004080	COL LR-446		
L567	6140004060	COL LR-445		
L591	6200005521	S.COL NLV25T-470J	B	139.9/9.2
L592	6200005521	S.COL NLV25T-470J	B	142.7/9.2
L593	6140004090	COL LR-447		
L594	6140004230	COL LR-458		
L595	6140004230	COL LR-458		
L596	6140004230	COL LR-458		
L597	6140004090	COL LR-447		
L621	6200005521	S.COL NLV25T-470J	B	116.8/9.5
L622	6200005521	S.COL NLV25T-470J	B	122.4/6.3
L623	6140004090	COL LR-447		
L624	6140004100	COL LR-448		
L625	6140004100	COL LR-448		
L626	6140004100	COL LR-448		
L627	6140004090	COL LR-447		
L651	6200005521	S.COL NLV25T-470J	B	105.4/13
L652	6200005521	S.COL NLV25T-470J	B	108/9.5
L653	6140004110	COL LR-449		
L654	6140004120	COL LR-450		
L655	6140004120	COL LR-450		
L656	6140004120	COL LR-450		
L657	6140004110	COL LR-449		
L681	6200005521	S.COL NLV25T-470J	B	77.4/6.2
L682	6200005521	S.COL NLV25T-470J	B	80.4/3.8
L683	6140004140	COL LR-451		
L684	6140004150	COL LR-452		
L685	6140004150	COL LR-452		
L686	6140004150	COL LR-452		
L687	6140004140	COL LR-451		
L711	6200007021	S.COL NLV25T-270J	B	56.4/10.8
L712	6200007021	S.COL NLV25T-270J	B	61.1/8.8
L713	6140004160	COL LR-453		
L714	6140004180	COL LR-454		
L715	6140004180	COL LR-454		
L716	6140004180	COL LR-454		
L717	6140004160	COL LR-453		
L741	6200005011	S.COL NLV25T-100J	B	44.2/6.2
L742	6200005011	S.COL NLV25T-100J	B	46.2/3.4
L743	6140004190	COL LR-455		
L744	6140004210	COL LR-456		
L745	6140004210	COL LR-456		
L746	6140004210	COL LR-456		
L747	6140004190	COL LR-455		
L771	6200009141	S.COL NLV25T-6R8J	B	23.4/10.6
L772	6200009141	S.COL NLV25T-6R8J	B	27.1/9
L773	6140004220	COL LR-457		
L774	6140004160	COL LR-453		
L775	6140004160	COL LR-453		
L776	6140004160	COL LR-453		
L777	6140004220	COL LR-457		
L801	6200003281	S.COL NLV25T-2R2J	B	214.4/45.7
L802	6200003281	S.COL NLV25T-2R2J	B	211.8/42.4
L805	6200008090	S.COL LQW2BHN68NJ03L	T	214.6/41.4
L806	6200003041	S.COL NLV32T-R68J	T	211.5/36.9
L807	6200008090	S.COL LQW2BHN68NJ03L	T	209.7/40
L808	6200010870	S.COL C2520C-R33G-A	T	209.8/43
L831	6200003281	S.COL NLV25T-2R2J	B	211.6/26.7
L832	6200003281	S.COL NLV25T-2R2J	B	213.2/23.7
L833	6200003011	S.COL NLV32T-R27J	T	214.2/29.7
L834	6200003001	S.COL NLV32T-R22J	T	209.7/32.9
L835	6200003011	S.COL NLV32T-R27J	T	209.4/27.3
L900	6200001831	S.COL NLV32T-100J	B	213.2/113.1
L901	6200003950	S.COL HF50ACC 322513-T	B	11.6/20.4
L902	6200003950	S.COL HF50ACC 322513-T	B	11.7/16.4
L903	6200001831	S.COL NLV32T-100J	T	7.4/27.5
L904	6200001831	S.COL NLV32T-100J	T	11.6/27.5
L905	6140004380	COL LR-498		
L906	6200009690	S.COL LQH43CN101K03L	T	216.9/114.5
L907	6200001831	S.COL NLV32T-100J	B	193.1/113.1
L908	6140004380	COL LR-498		
L909	6200009690	S.COL LQH43CN101K03L	T	196/115.1
L950	6200001831	S.COL NLV32T-100J	B	211.8/17
L951	6140004380	COL LR-498		
L952	6200009690	S.COL LQH43CN101K03L	T	213.8/3.4
L953	6200001831	S.COL NLV32T-100J	B	191.1/17
L954	6140004380	COL LR-498		
L955	6200009690	S.COL LQH43CN101K03L	T	196/3.3
R1	7030003640	S.RES ERJ3GEYJ 473 V (47 k)	T	181.4/92.2
R3	7030003860	S.RES ERJ3GE JPW V	T	182.1/90.3
R101	7030003320	S.RES ERJ3GEYJ 101 V (100)	T	7.2/67.9

M.=Mounted side (T: Mounted on the Top side, B: Mounted on the Bottom side)  
S.=Surface mount

[BPF UNIT]

REF NO.	ORDER NO.	DESCRIPTION	M.	H/V LOCATION
R102	7030003320	S.RES ERJ3GEYJ 101 V (100)	T	7.9/71.3
R103	7030003320	S.RES ERJ3GEYJ 101 V (100)	T	8.7/67.9
R104	7030003320	S.RES ERJ3GEYJ 101 V (100)	T	9.3/71
R105	7030003320	S.RES ERJ3GEYJ 101 V (100)	T	10.6/71
R106	7030003320	S.RES ERJ3GEYJ 101 V (100)	T	11.3/89.9
R107	7030003320	S.RES ERJ3GEYJ 101 V (100)	T	11.6/87.9
R108	7030003320	S.RES ERJ3GEYJ 101 V (100)	T	11.1/83.2
R117	7030003320	S.RES ERJ3GEYJ 101 V (100)	T	9.8/83.5
R118	7030003320	S.RES ERJ3GEYJ 101 V (100)	T	8.5/83.5
R119	7030003320	S.RES ERJ3GEYJ 101 V (100)	T	7.4/87.2
R120	7030003320	S.RES ERJ3GEYJ 101 V (100)	T	6.7/83.2
R121	7030003320	S.RES ERJ3GEYJ 101 V (100)	T	6.9/92.2
R122	7030003320	S.RES ERJ3GEYJ 101 V (100)	T	7.1/94.8
R123	7030003320	S.RES ERJ3GEYJ 101 V (100)	B	10/95.5
R124	7030003320	S.RES ERJ3GEYJ 101 V (100)	T	11/94.3
R133	7030003560	S.RES ERJ3GEYJ 103 V (10 k)	T	191.2/55.8
R134	7030003320	S.RES ERJ3GEYJ 101 V (100)	B	10/98.9
R141	7030003360	S.RES ERJ3GEYJ 221 V (220)	B	5.6/14
R142	7030003360	S.RES ERJ3GEYJ 221 V (220)	B	5.6/15.7
R143	7030003360	S.RES ERJ3GEYJ 221 V (220)	B	5.1/19.2
R351	7030003340	S.RES ERJ3GEYJ 151 V (150)	B	197.7/90.7
R352	7030003300	S.RES ERJ3GEYJ 680 V (68)	B	193.9/87.5
R354	7030003280	S.RES ERJ3GEYJ 470 V (47)	B	200.9/84.8
R355	7030003320	S.RES ERJ3GEYJ 101 V (100)	B	193.9/81.3
R357	7030003240	S.RES ERJ3GEYJ 120 V (22)	B	197.8/71.6
R358	7030003350	S.RES ERJ3GEYJ 181 V (180)	B	194.4/70.3
R360	7030003320	S.RES ERJ3GEYJ 101 V (100)	T	191.8/66.1
R371	7030003320	S.RES ERJ3GEYJ 101 V (100)	T	217.4/71.2
R372	7030003320	S.RES ERJ3GEYJ 101 V (100)	B	209.5/61.9
R373	7030003320	S.RES ERJ3GEYJ 101 V (100)	B	209.5/58.9
R381	7030003520	S.RES ERJ3GEYJ 472 V (4.7 k)	T	231.4/51.9
R382	7030003360	S.RES ERJ3GEYJ 221 V (220)	B	239.8/112.7
R383	7030003680	S.RES ERJ3GEYJ 104 V (100 k)	T	232.3/49.1
R384	7030003420	S.RES ERJ3GEYJ 681 V (680)	B	236/49.9
R385	7030003420	S.RES ERJ3GEYJ 681 V (680)	B	231.3/46.7
R386	7030003480	S.RES ERJ3GEYJ 222 V (2.2 k)	B	237.6/62.6
R387	7030003560	S.RES ERJ3GEYJ 103 V (10 k)	B	238.8/55.5
R388	7540000130	ABS 2P-50A-301		
R389	7030003420	S.RES ERJ3GEYJ 681 V (680)	T	235/65.4
R390	7030003560	S.RES ERJ3GEYJ 103 V (10 k)	T	233/51.9
R391	7030003680	S.RES ERJ3GEYJ 104 V (100 k)	T	234.3/51.9
R392	7030003420	S.RES ERJ3GEYJ 681 V (680)	B	234.7/49.9
R393	7030003420	S.RES ERJ3GEYJ 681 V (680)	B	231.3/48
R394	7030003420	S.RES ERJ3GEYJ 681 V (680)	T	235/64.1
R395	7030003420	S.RES ERJ3GEYJ 681 V (680)	B	235.2/56.4
R396	7030003420	S.RES ERJ3GEYJ 681 V (680)	B	235.2/55.1
R401	7030003360	S.RES ERJ3GEYJ 221 V (220)	B	227.6/96.2
R402	7030003680	S.RES ERJ3GEYJ 104 V (100 k)	T	234.5/111.6
R403	7030003480	S.RES ERJ3GEYJ 222 V (2.2 k)	T	231.9/110.3
R404	7030003860	S.RES ERJ3GE JPW V	T	234.5/110.3
R441	7030003360	S.RES ERJ3GEYJ 221 V (220)	B	11/24.4
R442	7030003360	S.RES ERJ3GEYJ 221 V (220)	B	8.2/23.4
R451	7030003320	S.RES ERJ3GEYJ 101 V (100)	T	10.6/32.9
R452	7030003320	S.RES ERJ3GEYJ 101 V (100)	T	11.9/33.1
R453	7030003320	S.RES ERJ3GEYJ 101 V (100)	T	13.2/33.1
R454	7030003320	S.RES ERJ3GEYJ 101 V (100)	T	14.5/33.1
R455	7030003320	S.RES ERJ3GEYJ 101 V (100)	T	14.5/36.9
R456	7030003320	S.RES ERJ3GEYJ 101 V (100)	T	11.1/46.9
R457	7030003320	S.RES ERJ3GEYJ 101 V (100)	T	8.9/46.3
R458	7030003320	S.RES ERJ3GEYJ 101 V (100)	T	8.9/47.6
R467	7030003320	S.RES ERJ3GEYJ 101 V (100)	T	10.6/49.6
R468	7030003320	S.RES ERJ3GEYJ 101 V (100)	T	13.6/50.2
R469	7030003320	S.RES ERJ3GEYJ 101 V (100)	T	7.6/49.4
R470	7030003320	S.RES ERJ3GEYJ 101 V (100)	T	6.9/50.7
R471	7030003320	S.RES ERJ3GEYJ 101 V (100)	T	6.2/52.6
R472	7030003320	S.RES ERJ3GEYJ 101 V (100)	T	9.2/53
R473	7030003320	S.RES ERJ3GEYJ 101 V (100)	T	10.5/53.7
R474	7030003320	S.RES ERJ3GEYJ 101 V (100)	T	11.8/54.2
R475	7030003320	S.RES ERJ3GEYJ 101 V (100)	T	10.7/63.9
R481	7030003560	S.RES ERJ3GEYJ 103 V (10 k)	B	196.9/55.9
R501	7030003640	S.RES ERJ3GEYJ 473 V (47 k)	T	183/30
R503	7030003860	S.RES ERJ3GE JPW V	T	182.2/31.9
R851	7030003340	S.RES ERJ3GEYJ 151 V (150)	B	198.2/32.1
R852	7030003300	S.RES ERJ3GEYJ 680 V (68)	B	193.5/32.1
R854	7030003280	S.RES ERJ3GEYJ 470 V (47)	B	200.9/34.7
R855	7030003320	S.RES ERJ3GEYJ 101 V (100)	B	193.5/38.3
R857	7030003240	S.RES ERJ3GEYJ 220 V (22)	B	197.9/48.2
R858	7030003350	S.RES ERJ3GEYJ 181 V (180)	B	193.8/49.7
R860	7030003320	S.RES ERJ3GEYJ 101 V (100)	T	192/51
R871	7030003360	S.RES ERJ3GEYJ 221 V (220)	B	238/19.5
R872	7030003680	S.RES ERJ3GEYJ 104 V (100 k)	B	236.5/14.4
R873	7030003480	S.RES ERJ3GEYJ 222 V (2.2 k)	B	239.6/16
R874	7030003860	S.RES ERJ3GE JPW V	B	236.5/16
R900	7030003280	S.RES ERJ3GEYJ 470 V (47)	B	212.8/117.1
R901	7030003440	S.RES ERJ3GEYJ 102 V (1 k)	T	207.2/117.4
R902	7030003530	S.RES ERJ3GEYJ 562 V (5.6 k)	T	210.4/116.6
R903	7030003380	S.RES ERJ3GEYJ 331 V (330)	B	203.9/113.3
R904	7030003220	S.RES ERJ3GEYJ 150 V (15)	B	206.3/111.6
R905	7030003380	S.RES ERJ3GEYJ 331 V (330)	B	203.3/111.8
R906	7030003320	S.RES ERJ3GEYJ 101 V (100)	T	12.5/92.8
R907	7030003320	S.RES ERJ3GEYJ 101 V (100)	T	13.8/92.8
R908	7030003280	S.RES ERJ3GEYJ 470 V (47)	B	194.5/116.4

[BPF UNIT]

REF NO.	ORDER NO.	DESCRIPTION	M.	H/V LOCATION
R909	7030003440	S.RES ERJ3GEYJ 102 V (1 k)	T	185.4/115.9
R910	7030003530	S.RES ERJ3GEYJ 562 V (5.6 k)	T	189.6/116.7
R911	7030003320	S.RES ERJ3GEYJ 101 V (100)	B	209.4/110.8
R912	7030003320	S.RES ERJ3GEYJ 101 V (100)	B	187.5/111.2
R913	7030004050	S.RES ERJ3GEYJ 1R0 V (1)	B	189.7/106.1
R950	7030003280	S.RES ERJ3GEYJ 470 V (47)	B	210.2/20
R951	7030003440	S.RES ERJ3GEYJ 102 V (1 k)	T	207.7/21.4
R952	7030003530	S.RES ERJ3GEYJ 562 V (5.6 k)	T	211/20.8
R953	7030003380	S.RES ERJ3GEYJ 331 V (330)	B	203.4/18.4
R954	7030003220	S.RES ERJ3GEYJ 150 V (15)	B	205.6/16.7
R955	7030003380	S.RES ERJ3GEYJ 331 V (330)	B	202.8/16.7
R956	7030003320	S.RES ERJ3GEYJ 101 V (100)	T	8.3/65
R957	7030003320	S.RES ERJ3GEYJ 101 V (100)	B	11.6/60.5
R958	7030003280	S.RES ERJ3GEYJ 470 V (47)	B	189.5/19.9
R959	7030003440	S.RES ERJ3GEYJ 102 V (1 k)	T	186.5/21.4
R960	7030003530	S.RES ERJ3GEYJ 562 V (5.6 k)	T	191.5/20
R961	7030003320	S.RES ERJ3GEYJ 101 V (100)	B	208.3/16.4
R962	7030003320	S.RES ERJ3GEYJ 101 V (100)	B	187.7/16.4
R963	7030004050	S.RES ERJ3GEYJ 1R0 V (1)	B	181.4/16.5
C1	4030006880	S.CER C1608 JB 1H 472K-T	B	183.4/92.3
C2	4030006880	S.CER C1608 JB 1H 472K-T	T	185.3/91.5
C3	4030006880	S.CER C1608 JB 1H 472K-T	T	184.1/99.8
C4	4030006880	S.CER C1608 JB 1H 472K-T	B	183.1/73.9
C5	4030006880	S.CER C1608 JB 1H 472K-T	B	182.5/66.5
C6	4030006880	S.CER C1608 JB 1H 472K-T	T	183.9/73.9
C7	4030017840	S.CER C2012 CH 1H 222J-T	T	182.8/86.4
C8	4030017850	S.CER C2012 CH 1H 272J-T	T	182.9/84.1
C9	4030017820	S.CER C2012 CH 1H 122J-T	T	182.9/82.3
C10	4030017840	S.CER C2012 CH 1H 222J-T	T	182.8/77.5
C21	4030006880	S.CER C1608 JB 1H 472K-T	B	165.3/112.2
C22	4030006880	S.CER C1608 JB 1H 472K-T	B	162.3/112.2
C23	4030006880	S.CER C1608 JB 1H 472K-T	B	166.8/110.5
C24	4030006880	S.CER C1608 JB 1H 472K-T	T	163.7/81.5
C25	4030006880	S.CER C1608 JB 1H 472K-T	B	171.5/76.9
C26	4030006880	S.CER C1608 JB 1H 472K-T	B	168.9/77.7
C27	4030017810	S.CER C1608 CH 1H 102J-T	B	162.6/104.3
C28	4030017810	S.CER C1608 CH 1H 102J-T	B	162.6/102.4
C29	4030010760	S.CER C1608 CH 1H 331J-T	B	168.7/98
C30	4030007140	S.CER C1608 CH 1H 121J-T	B	168.7/96.1
C31	4030007160	S.CER C1608 CH 1H 181J-T	B	164.1/93.9
C32	4030007060	S.CER C1608 CH 1H 270J-T	B	166.1/94
C33	4030010760	S.CER C1608 CH 1H 331J-T	B	168.7/99.2
C34	4030007090	S.CER C1608 CH 1H 470J-T	B	168.7/90.8
C35	4030007160	S.CER C1608 CH 1H 181J-T	B	164.3/89.3
C36	4030007060	S.CER C1608 CH 1H 270J-T	B	164.2/91
C38	4030010760	S.CER C1608 CH 1H 331J-T	B	165.6/83.4
C39	4030007140	S.CER C1608 CH 1H 121J-T	B	165.6/85.5
C40	4030017810	S.CER C1608 CH 1H 102J-T	B	170/74.5
C41	4030017810	S.CER C1608 CH 1H 102J-T	B	170/72.7
C51	4030006880	S.CER C1608 JB 1H 472K-T	T	153.8/116
C52	4030006880	S.CER C1608 JB 1H 472K-T	B	150.6/112.3
C53	4030006880	S.CER C1608 JB 1H 472K-T	B	153.8/116
C54	4030006880	S.CER C1608 JB 1H 472K-T	B	160.3/71.9
C55	4030006880	S.CER C1608 JB 1H 472K-T	B	160.2/65.2
C56	4030006880	S.CER C1608 JB 1H 472K-T	T	165.1/68.5
C57	4030017800	S.CER C1608 CH 1H 561J-T	B	143.6/99.3
C58	4030010760	S.CER C1608 CH 1H 331J-T	B	143.6/97.2
C59	4030010760	S.CER C1608 CH 1H 331J-T	B	144.2/94.6
C60	4030007080	S.CER C1608 CH 1H 390J-T	B	144.2/92.2
C61	4030007100	S.CER C1608 CH 1H 560J-T	B	141.8/90.2
C62	4030010760	S.CER C1608 CH 1H 331J-T	B	139.5/90.6
C63	4030010760	S.CER C1608 CH 1H 331J-T	B	143.8/83
C64	4030007090	S.CER C1608 CH 1H 470J-T	B	143.8/85.3
C65	4030010760	S.CER C1608 CH 1H 331J-T	B	141.1/82
C66	4030007100	S.CER C1608 CH 1H 560J-T	B	138.9/82
C67	4030010760	S.CER C1608 CH 1H 331J-T	B	143.7/78.7
C68	4030007080	S.CER C1608 CH 1H 390J-T	B	143.7/81.1
C69	4030017800	S.CER C1608 CH 1H 561J-T	B	144/75.1
C70	4030010760	S.CER C1608 CH 1H 331J-T	B	144/77.5
C81	4030006880	S.CER C1608 JB 1H 472K-T	B	139.9/115
C82	4030006880	S.CER C1608 JB 1H 472K-T	B	138.1/111.8
C83	4030006880	S.CER C1608 JB 1H 472K-T	B	140.7/117
C84	4030006880	S.CER C1608 JB 1H 472K-T	B	138.4/72.1
C85	4030006880	S.CER C1608 JB 1H 472K-T	B	144.9/66.5
C86	4030006880	S.CER C1608 JB 1H 472K-T	B	143/68.1
C87	4030017800	S.CER C1608 CH 1H 561J-T	B	126.7/116.6
C88	4030011330	S.CER C1608 CH 1H 391J-T	B	126.7/114.8
C89	4030007160	S.CER C1608 CH 1H 181J-T	B	126.8/104.3
C90	4030007070	S.CER C1608 CH 1H 330J-T	B	126.8/106.2
C91	4030007030	S.CER C1608 CH 1H 150J-T	B	130.7/102.1
C92	4030007120	S.CER C1608 CH 1H 820J-T	B	128.9/102.1
C93	4030007140	S.CER C1608 CH 1H 121J-T	B	126.6/101.3
C94	4030007100	S.CER C1608 CH 1H 560J-T	B	126.6/99.6
C95	4030007120	S.CER C1608 CH 1H 820J-T	B	129.4/92.5
C96	4030007030	S.CER C1608 CH 1H 150J-T	B	131.4/92.5
C97	4030007160	S.CER C1608 CH 1H 181J-T	B	126.7/89.6



[BPF UNIT]

REF NO.	ORDER NO.	DESCRIPTION	M.	H/V LOCATION
C112	4030006880	S.CER C1608 JB 1H 472K-T	B	115.2/112.4
C113	4030006880	S.CER C1608 JB 1H 472K-T	B	118.9/117.6
C114	4030006880	S.CER C1608 JB 1H 472K-T	B	107.7/69.4
C115	4030006880	S.CER C1608 JB 1H 472K-T	B	104.3/65.9
C116	4030006880	S.CER C1608 JB 1H 472K-T	T	108.7/67.5
C117	4030010760	S.CER C1608 CH 1H 331J-T	B	110.3/109.3
C118	4030007150	S.CER C1608 CH 1H 151J-T	B	110.3/107.8
C119	4030007150	S.CER C1608 CH 1H 151J-T	B	110.3/96.6
C120	4030007060	S.CER C1608 CH 1H 270J-T	B	110.3/98.3
C121	4030007060	S.CER C1608 CH 1H 270J-T	B	106.8/95
C122	4030007140	S.CER C1608 CH 1H 121J-T	B	105.2/95
C123	4030007150	S.CER C1608 CH 1H 151J-T	B	110.3/94.3
C124	4030007010	S.CER C1608 CH 1H 100D-T	B	110.3/92.7
C125	4030007140	S.CER C1608 CH 1H 121J-T	B	109.6/84.4
C126	4030007060	S.CER C1608 CH 1H 270J-T	B	107.5/84.4
C127	4030007150	S.CER C1608 CH 1H 151J-T	B	110.3/80.6
C128	4030007060	S.CER C1608 CH 1H 270J-T	B	110.3/78.7
C129	4030010760	S.CER C1608 CH 1H 331J-T	B	110.3/73.7
C130	4030007150	S.CER C1608 CH 1H 151J-T	B	110.4/72
C141	4030006880	S.CER C1608 JB 1H 472K-T	B	105.2/115.2
C142	4030006880	S.CER C1608 JB 1H 472K-T	B	97.2/108.7
C143	4030006880	S.CER C1608 JB 1H 472K-T	B	105.6/117.6
C144	4030006880	S.CER C1608 JB 1H 472K-T	B	91/72.9
C145	4030006880	S.CER C1608 JB 1H 472K-T	B	90.2/65.9
C146	4030006880	S.CER C1608 JB 1H 472K-T	T	93.4/70.3
C147	4030007170	S.CER C1608 CH 1H 221J-T	B	92.3/109.8
C148	4030007170	S.CER C1608 CH 1H 221J-T	B	92.3/108
C149	4030007130	S.CER C1608 CH 1H 101J-T	B	92.4/104.5
C150	4030007050	S.CER C1608 CH 1H 220J-T	B	92.4/102.6
C151	4030007070	S.CER C1608 CH 1H 330J-T	B	93.1/99.9
C152	4030007080	S.CER C1608 CH 1H 390J-T	B	94.8/99.9
C153	4030007120	S.CER C1608 CH 1H 820J-T	B	92.4/94.8
C154	4030007050	S.CER C1608 CH 1H 220J-T	B	92.4/93.3
C155	4030007080	S.CER C1608 CH 1H 390J-T	B	95.5/92.5
C156	4030007070	S.CER C1608 CH 1H 330J-T	B	97.7/92.5
C157	4030007130	S.CER C1608 CH 1H 101J-T	B	92.4/90.8
C158	4030007050	S.CER C1608 CH 1H 220J-T	B	92.4/89.2
C159	4030007170	S.CER C1608 CH 1H 221J-T	B	92.4/79.9
C160	4030007170	S.CER C1608 CH 1H 221J-T	B	92.4/77.8
C171	4030006880	S.CER C1608 JB 1H 472K-T	B	73.9/115.2
C172	4030006880	S.CER C1608 JB 1H 472K-T	B	71.1/112.4
C173	4030006880	S.CER C1608 JB 1H 472K-T	B	74.9/117.6
C174	4030006880	S.CER C1608 JB 1H 472K-T	B	78.9/72.9
C175	4030006880	S.CER C1608 JB 1H 472K-T	B	77.9/65.8
C176	4030006880	S.CER C1608 JB 1H 472K-T	B	81.6/75.9
C177	4030007170	S.CER C1608 CH 1H 221J-T	B	78.3/115.3
C178	4030007110	S.CER C1608 CH 1H 680J-T	B	78.3/112.9
C179	4030007090	S.CER C1608 CH 1H 470J-T	B	74.1/103.9
C180	4030007090	S.CER C1608 CH 1H 470J-T	B	74.1/105.7
C181	4030007070	S.CER C1608 CH 1H 330J-T	B	73.3/101.4
C182	4030007070	S.CER C1608 CH 1H 330J-T	B	71.4/101.4
C183	4030007120	S.CER C1608 CH 1H 820J-T	B	74.1/98.9
C185	4030007070	S.CER C1608 CH 1H 330J-T	B	73.3/93.6
C186	4030007070	S.CER C1608 CH 1H 330J-T	B	71.4/93.6
C187	4030007090	S.CER C1608 CH 1H 470J-T	B	74.1/90.2
C188	4030007090	S.CER C1608 CH 1H 470J-T	B	74.1/88.1
C189	4030007170	S.CER C1608 CH 1H 221J-T	B	74.1/85.9
C190	4030007110	S.CER C1608 CH 1H 680J-T	B	74.1/83.9
C201	4030006880	S.CER C1608 JB 1H 472K-T	B	61.6/115.2
C202	4030006880	S.CER C1608 JB 1H 472K-T	B	58.8/112.4
C203	4030006880	S.CER C1608 JB 1H 472K-T	B	58.2/116.1
C204	4030006880	S.CER C1608 JB 1H 472K-T	B	66.4/76.6
C205	4030006880	S.CER C1608 JB 1H 472K-T	B	71.2/80.2
C206	4030006880	S.CER C1608 JB 1H 472K-T	B	70.2/74.8
C207	4030007160	S.CER C1608 CH 1H 181J-T	B	57.7/103.6
C208	4030007090	S.CER C1608 CH 1H 470J-T	B	57.7/102
C209	4030007090	S.CER C1608 CH 1H 470J-T	B	64.8/95.3
C210	4030007040	S.CER C1608 CH 1H 180J-T	B	63.2/95.3
C211	4030007030	S.CER C1608 CH 1H 150J-T	B	60.8/94.5
C212	4030007050	S.CER C1608 CH 1H 220J-T	B	60.8/92.9
C213	4030007090	S.CER C1608 CH 1H 470J-T	B	57.7/92.9
C214	4030006990	S.CER C1608 CH 1H 080D-T	B	57.7/94.5
C215	4030007050	S.CER C1608 CH 1H 220J-T	B	60.1/85.1
C216	4030007030	S.CER C1608 CH 1H 150J-T	B	58.5/85.1
C217	4030007090	S.CER C1608 CH 1H 470J-T	B	57.7/82.7
C218	4030007040	S.CER C1608 CH 1H 180J-T	B	57.7/81.1
C219	4030007160	S.CER C1608 CH 1H 181J-T	B	57.7/79.5
C220	4030007090	S.CER C1608 CH 1H 470J-T	B	57.7/77.9
C231	4030006880	S.CER C1608 JB 1H 472K-T	B	39.4/115.3
C232	4030006880	S.CER C1608 JB 1H 472K-T	B	36.6/112.4
C233	4030006880	S.CER C1608 JB 1H 472K-T	B	40.3/117.5
C234	4030006880	S.CER C1608 JB 1H 472K-T	B	46.2/73.5
C235	4030006880	S.CER C1608 JB 1H 472K-T	B	49/69.2
C236	4030006880	S.CER C1608 JB 1H 472K-T	B	50.4/69.1
C237	4030007140	S.CER C1608 CH 1H 121J-T	B	41.2/109.8
C238	4030007040	S.CER C1608 CH 1H 180J-T	B	41.2/108.2
C239	4030007070	S.CER C1608 CH 1H 330J-T	B	41.2/103.8
C240	4030007040	S.CER C1608 CH 1H 180J-T	B	41.2/102.2
C241	4030007010	S.CER C1608 CH 1H 100D-T	B	40.5/99.8
C242	4030007070	S.CER C1608 CH 1H 330J-T	B	38.9/99.8
C243	4030007090	S.CER C1608 CH 1H 470J-T	B	41.2/94.8
C245	4030007070	S.CER C1608 CH 1H 330J-T	B	40.5/91.3

[BPF UNIT]

REF NO.	ORDER NO.	DESCRIPTION	M.	H/V LOCATION
C246	4030007010	S.CER C1608 CH 1H 100D-T	B	38.9/91.3
C247	4030007070	S.CER C1608 CH 1H 330J-T	B	41.2/88.9
C248	4030007040	S.CER C1608 CH 1H 180J-T	B	41.2/87.3
C249	4030007140	S.CER C1608 CH 1H 121J-T	B	41.2/85.7
C250	4030007040	S.CER C1608 CH 1H 180J-T	B	41.2/84.1
C261	4030006880	S.CER C1608 JB 1H 472K-T	B	27/115.2
C262	4030006880	S.CER C1608 JB 1H 472K-T	B	24.3/112.4
C263	4030006880	S.CER C1608 JB 1H 472K-T	B	29.7/111.6
C264	4030006880	S.CER C1608 JB 1H 472K-T	T	36.5/70.9
C265	4030006880	S.CER C1608 JB 1H 472K-T	T	36.6/67.9
C266	4030006880	S.CER C1608 JB 1H 472K-T	B	36.7/70
C267	4030007130	S.CER C1608 CH 1H 101J-T	B	23.2/103.5
C268	4030007030	S.CER C1608 CH 1H 150J-T	B	23.2/101.9
C269	4030007050	S.CER C1608 CH 1H 220J-T	B	30.3/95.3
C270	4030007020	S.CER C1608 CH 1H 120J-T	B	28.7/95.3
C271	4030007050	S.CER C1608 CH 1H 220J-T	B	26.3/94.5
C273	4030007050	S.CER C1608 CH 1H 220J-T	B	23.2/94.5
C274	4030006980	S.CER C1608 CH 1H 070D-T	B	23.2/92.9
C275	4030007050	S.CER C1608 CH 1H 220J-T	B	24/85.1
C277	4030007050	S.CER C1608 CH 1H 220J-T	B	23.2/81.1
C278	4030007020	S.CER C1608 CH 1H 120J-T	B	23.2/82.7
C279	4030007130	S.CER C1608 CH 1H 101J-T	B	23.3/73.6
C280	4030007030	S.CER C1608 CH 1H 150J-T	B	23.3/77.9
C291	4030006880	S.CER C1608 JB 1H 472K-T	B	218.9/73.3
C292	4030006880	S.CER C1608 JB 1H 472K-T	B	214.4/77.4
C293	4030006880	S.CER C1608 JB 1H 472K-T	B	222.7/76.6
C294	4030006880	S.CER C1608 JB 1H 472K-T	B	209.7/73
C295	4030006880	S.CER C1608 JB 1H 472K-T	B	207.6/77.5
C296	4030006880	S.CER C1608 JB 1H 472K-T	B	203.9/73.5
C297	4030007150	S.CER C1608 CH 1H 151J-T	T	213/79.9
C302	4030007030	S.CER C1608 CH 1H 150J-T	T	210.2/82.3
C303	4030007130	S.CER C1608 CH 1H 101J-T	T	211.7/79.9
C304	4030007040	S.CER C1608 CH 1H 180J-T	T	208.4/79.9
C321	4030006880	S.CER C1608 JB 1H 472K-T	T	218.8/97.4
C322	4030006880	S.CER C1608 JB 1H 472K-T	T	218.8/98.7
C323	4030006880	S.CER C1608 JB 1H 472K-T	B	213/91
C324	4030006880	S.CER C1608 JB 1H 472K-T	B	209.3/90.7
C325	4030006880	S.CER C1608 JB 1H 472K-T	T	206.6/98.8
C326	4030006880	S.CER C1608 JB 1H 472K-T	T	204/98.8
C327	4030007100	S.CER C1608 CH 1H 560J-T	T	210.7/90.3
C329	4030007110	S.CER C1608 CH 1H 680J-T	T	208.1/90.3
C331	4030007100	S.CER C1608 CH 1H 560J-T	T	208.8/96.6
C353	4030006880	S.CER C1608 JB 1H 472K-T	B	189.1/91.2
C354	4030006880	S.CER C1608 JB 1H 472K-T	B	189.5/94.6
C355	4030006880	S.CER C1608 JB 1H 472K-T	T	189/92.4
C356	4030006880	S.CER C1608 JB 1H 472K-T	T	189.5/86.4
C357	4030006880	S.CER C1608 JB 1H 472K-T	T	189/86.1
C358	4030006880	S.CER C1608 JB 1H 472K-T	B	189.1/89.1
C359	4030006880	S.CER C1608 JB 1H 472K-T	T	189/79.9
C360	4030006880	S.CER C1608 JB 1H 472K-T	B	189.5/80.2
C361	4030006880	S.CER C1608 JB 1H 472K-T	B	189.5/83
C362	4030006880	S.CER C1608 JB 1H 472K-T	T	189/73.7
C363	4030006880	S.CER C1608 JB 1H 472K-T	B	189.5/74
C364	4030006880	S.CER C1608 JB 1H 472K-T	B	189.5/76.8
C365	4030006880	S.CER C1608 JB 1H 472K-T	T	194/68.8
C371	4030006880	S.CER C1608 JB 1H 472K-T	T	215.9/69.9
C388	4030006880	S.CER C1608 JB 1H 472K-T	B	239.8/114.3
C389	4030010210	S.CER C3216 JB 1C 105M-T	B	247.3/111.1
C390	4030011600	S.CER C1608 JB 1E 104K-T	T	226.2/49.8
C391	4030011600	S.CER C1608 JB 1E 104K-T	B	237.5/53.2
C392	4030011600	S.CER C1608 JB 1E 104K-T	T	228.9/62.5
C393	4030008860	S.CER C1608 JB 1H 153K-T	B	233.2/45.5
C394	4030010210	S.CER C3216 JB 1C 105M-T	B	235.1/59.6
C395	4030008860	S.CER C1608 JB 1H 153K-T	B	233.2/40
C396	4030011600	S.CER C1608 JB 1E 104K-T	B	235.5/43.8
C397	4550006470	S.TAN TEESVB2 1D 106M8R	B	227/44
C398	4030011600	S.CER C1608 JB 1E 104K-T	T	5.4/102.8
C399	4030011600	S.CER C1608 JB 1E 104K-T	T	5.3/77.8
C401	4030006880	S.CER C1608 JB 1H 472K-T	B	223.9/95.5
C402	4030010210	S.CER C3216 JB 1C 105M-T	B	234/107.1
C403	4030009520	S.CER C1608 CH 1H 020B-T	B	233.9/109.3
C404	4030007050	S.CER C1608 CH 1H 220J-T	B	233.9/110.9
C405	4030010760	S.CER C1608 CH 1H 331J-T	B	236.1/113.4
C498	4030011600	S.CER C1608 JB 1E 104K-T	T	5.3/60.4
C499	4030011600	S.CER C1608 JB 1E 104K-T	T	6.1/39.7
C501	4030006880	S.CER C1608 JB 1H 472K-T	B	184.9/22
C502	4030006880	S.CER C1608 JB 1H 472K-T	B	181.6/22
C503	4030006880	S.CER C1608 JB 1H 472K-T	B	183.9/31.7
C504	4030006880	S.CER C1608 JB 1H 472K-T	B	183.7/54.7
C505	4030006880	S.CER C1608 JB 1H 472K-T	T	185.3/47.1
C506	4030006880	S.CER C1608 JB 1H 472K-T	B	184.1/47.2
C507	4030017840	S.CER C2012 CH 1H 222J-T	T	183/35.4
C508	4030017850	S.CER C2012 CH 1H 272J-T	T	1

[BPF UNIT]

REF NO.	ORDER NO.	DESCRIPTION	M.	H/V LOCATION
C538	4030017810	S.CER C1608 CH 1H 102J-T	B	168.6/21.9
C539	4030010760	S.CER C1608 CH 1H 331J-T	B	168.3/24.5
C540	4030007140	S.CER C1608 CH 1H 121J-T	B	168.3/26.7
C541	4030007160	S.CER C1608 CH 1H 181J-T	B	165.3/27.6
C542	4030007060	S.CER C1608 CH 1H 270J-T	B	162.5/27.7
C543	4030010760	S.CER C1608 CH 1H 331J-T	B	168.3/28.8
C544	4030007090	S.CER C1608 JB 1H 472K-T	B	168.3/30.6
C545	4030007160	S.CER C1608 CH 1H 181J-T	B	162.9/34.2
C546	4030007060	S.CER C1608 CH 1H 270J-T	B	164.9/34.1
C547	4030010760	S.CER C1608 CH 1H 331J-T	B	168.1/35.1
C548	4030007140	S.CER C1608 CH 1H 121J-T	B	168.1/36.7
C549	4030017810	S.CER C1608 CH 1H 102J-T	B	170.3/43.4
C550	4030017810	S.CER C1608 CH 1H 102J-T	B	170.3/45.9
C561	4030006880	S.CER C1608 JB 1H 472K-T	B	153/8
C562	4030006880	S.CER C1608 JB 1H 472K-T	B	153/11.9
C563	4030006880	S.CER C1608 JB 1H 472K-T	B	152/10
C564	4030006880	S.CER C1608 JB 1H 472K-T	T	161.4/46.3
C565	4030006880	S.CER C1608 JB 1H 472K-T	B	162.2/38.8
C566	4030006880	S.CER C1608 JB 1H 472K-T	T	165.5/42.4
C567	4030017800	S.CER C1608 CH 1H 561J-T	B	147.9/17.4
C568	4030010760	S.CER C1608 CH 1H 331J-T	B	148.5/15.2
C569	4030010760	S.CER C1608 CH 1H 331J-T	B	144.6/25.7
C570	4030007080	S.CER C1608 CH 1H 390J-T	B	144.6/27.4
C571	4030007100	S.CER C1608 CH 1H 560J-T	B	141.6/28.1
C572	4030010760	S.CER C1608 CH 1H 331J-T	B	139.8/28.1
C573	4030010760	S.CER C1608 CH 1H 331J-T	B	144.3/34.2
C574	4030007090	S.CER C1608 CH 1H 470J-T	B	144.3/35.7
C575	4030010760	S.CER C1608 CH 1H 331J-T	B	141.5/38.6
C576	4030007100	S.CER C1608 CH 1H 560J-T	B	139.8/38.6
C577	4030010760	S.CER C1608 CH 1H 331J-T	B	144.3/43.2
C578	4030007080	S.CER C1608 CH 1H 390J-T	B	144.3/40.9
C579	4030017800	S.CER C1608 CH 1H 561J-T	B	149.7/45.2
C580	4030010760	S.CER C1608 CH 1H 331J-T	B	147.9/45.2
C591	4030006880	S.CER C1608 JB 1H 472K-T	B	140.2/5.1
C592	4030006880	S.CER C1608 JB 1H 472K-T	B	142.2/5.1
C593	4030006880	S.CER C1608 JB 1H 472K-T	B	133/8.5
C594	4030006880	S.CER C1608 JB 1H 472K-T	B	140.4/54.3
C595	4030006880	S.CER C1608 JB 1H 472K-T	B	148.6/52.7
C596	4030006880	S.CER C1608 JB 1H 472K-T	B	146/53.4
C597	4030017800	S.CER C1608 CH 1H 561J-T	B	126.7/3.2
C598	4030011330	S.CER C1608 CH 1H 391J-T	B	126.7/5.4
C599	4030007160	S.CER C1608 CH 1H 181J-T	B	126.7/15.1
C600	4030007070	S.CER C1608 CH 1H 330J-T	B	126.7/17.3
C601	4030007030	S.CER C1608 CH 1H 150J-T	B	129.6/18.2
C602	4030007120	S.CER C1608 CH 1H 820J-T	B	131.6/18.2
C603	4030007140	S.CER C1608 CH 1H 121J-T	B	126.8/20.5
C604	4030007100	S.CER C1608 CH 1H 560J-T	B	126.8/18.9
C605	4030007120	S.CER C1608 CH 1H 820J-T	B	131.4/26.8
C606	4030007030	S.CER C1608 CH 1H 150J-T	B	129.6/26.8
C607	4030007160	S.CER C1608 CH 1H 181J-T	B	127.3/29.9
C608	4030007070	S.CER C1608 CH 1H 330J-T	B	127.3/31.3
C609	4030017800	S.CER C1608 CH 1H 561J-T	B	127.3/33.3
C610	4030011330	S.CER C1608 CH 1H 391J-T	B	127.3/35.5
C621	4030006880	S.CER C1608 JB 1H 472K-T	B	118.5/4.7
C622	4030006880	S.CER C1608 JB 1H 472K-T	B	121.2/4
C623	4030006880	S.CER C1608 JB 1H 472K-T	B	113.8/8.2
C624	4030006880	S.CER C1608 JB 1H 472K-T	T	110.3/54.1
C625	4030006880	S.CER C1608 JB 1H 472K-T	B	107.4/51.4
C626	4030006880	S.CER C1608 JB 1H 472K-T	T	109/52.6
C627	4030010760	S.CER C1608 CH 1H 331J-T	B	109.3/17.8
C628	4030007150	S.CER C1608 CH 1H 151J-T	B	109.3/19.7
C629	4030007150	S.CER C1608 CH 1H 151J-T	B	109.2/21.7
C630	4030007060	S.CER C1608 CH 1H 270J-T	B	109.2/23.6
C631	4030007060	S.CER C1608 CH 1H 270J-T	B	105.2/25.8
C632	4030007140	S.CER C1608 CH 1H 121J-T	B	106.9/25.8
C633	4030007150	S.CER C1608 CH 1H 151J-T	B	109.3/33.9
C634	4030007010	S.CER C1608 CH 1H 100D-T	B	109.3/31.7
C635	4030007140	S.CER C1608 CH 1H 121J-T	B	108.5/37.9
C636	4030007060	S.CER C1608 CH 1H 270J-T	B	105.9/37.9
C637	4030007150	S.CER C1608 CH 1H 151J-T	B	109.3/40.4
C638	4030007060	S.CER C1608 JB 1H 270J-T	B	109.3/42.2
C639	4030010760	S.CER C1608 CH 1H 331J-T	B	110.2/46.5
C640	4030007150	S.CER C1608 CH 1H 151J-T	B	110.2/48.5
C651	4030006880	S.CER C1608 JB 1H 472K-T	B	105.1/7.8
C652	4030006880	S.CER C1608 JB 1H 472K-T	B	105.1/4.1
C653	4030006880	S.CER C1608 JB 1H 472K-T	B	103/10.2
C654	4030006880	S.CER C1608 JB 1H 472K-T	T	90.4/54.2
C655	4030006880	S.CER C1608 JB 1H 472K-T	B	92.1/46.9
C656	4030006880	S.CER C1608 JB 1H 472K-T	T	93.5/49.6
C657	4030007170	S.CER C1608 CH 1H 221J-T	B	92.2/6
C658	4030007170	S.CER C1608 CH 1H 221J-T	B	92.2/4.4
C659	4030007130	S.CER C1608 CH 1H 101J-T	B	92.5/14.8
C660	4030007050	S.CER C1608 CH 1H 220J-T	B	92.5/17
C661	4030007070	S.CER C1608 CH 1H 330J-T	B	95.2/19.6
C662	4030007080	S.CER C1608 CH 1H 390J-T	B	93.2/19.6
C663	4030007120	S.CER C1608 CH 1H 820J-T	B	92.6/27.6
C664	4030007050	S.CER C1608 CH 1H 220J-T	B	92.6/25.4
C665	4030007080	S.CER C1608 CH 1H 390J-T	B	95.7/28.3
C666	4030007070	S.CER C1608 CH 1H 330J-T	B	97.5/28.3
C667	4030007130	S.CER C1608 CH 1H 101J-T	B	92.2/29.9
C668	4030007050	S.CER C1608 CH 1H 220J-T	B	92.2/31.8
C669	4030007170	S.CER C1608 CH 1H 221J-T	B	92.2/33.5

[BPF UNIT]

REF NO.	ORDER NO.	DESCRIPTION	M.	H/V LOCATION
C670	4030007170	S.CER C1608 CH 1H 221J-T	B	92.2/35.6
C681	4030006880	S.CER C1608 JB 1H 472K-T	B	74.4/5.1
C682	4030006880	S.CER C1608 JB 1H 472K-T	B	77.1/3.1
C683	4030006880	S.CER C1608 JB 1H 472K-T	B	71.5/8.1
C684	4030006880	S.CER C1608 JB 1H 472K-T	T	78.9/54.1
C685	4030006880	S.CER C1608 JB 1H 472K-T	B	79.1/46.9
C686	4030006880	S.CER C1608 JB 1H 472K-T	B	81.6/44.4
C687	4030007170	S.CER C1608 CH 1H 221J-T	B	75.5/11
C688	4030007110	S.CER C1608 CH 1H 680J-T	B	75.5/13.4
C689	4030007090	S.CER C1608 CH 1H 470J-T	B	70.8/15.2
C690	4030007090	S.CER C1608 CH 1H 470J-T	B	73/15.2
C691	4030007070	S.CER C1608 CH 1H 330J-T	B	71/18.7
C692	4030007070	S.CER C1608 CH 1H 330J-T	B	73/18.7
C693	4030007120	S.CER C1608 CH 1H 820J-T	B	75.7/21.1
C695	4030007070	S.CER C1608 CH 1H 330J-T	B	72.6/27
C696	4030007070	S.CER C1608 CH 1H 330J-T	B	70.9/27
C697	4030007090	S.CER C1608 CH 1H 470J-T	B	75.6/29.6
C698	4030007090	S.CER C1608 CH 1H 470J-T	B	75.6/31.7
C699	4030007170	S.CER C1608 CH 1H 221J-T	B	75.6/35.8
C700	4030007110	S.CER C1608 CH 1H 680J-T	B	75.6/33.9
C711	4030006880	S.CER C1608 JB 1H 472K-T	B	62/5.2
C712	4030006880	S.CER C1608 JB 1H 472K-T	B	63/7.9
C713	4030006880	S.CER C1608 JB 1H 472K-T	B	58.6/8.3
C714	4030006880	S.CER C1608 JB 1H 472K-T	T	68.2/54.2
C715	4030006880	S.CER C1608 JB 1H 472K-T	B	68.4/42.7
C716	4030006880	S.CER C1608 JB 1H 472K-T	B	70/46.3
C717	4030007160	S.CER C1608 CH 1H 181J-T	B	57.7/20.1
C718	4030007090	S.CER C1608 CH 1H 470J-T	B	57.7/17.6
C719	4030007090	S.CER C1608 CH 1H 470J-T	B	57.4/23.2
C720	4030007040	S.CER C1608 CH 1H 180J-T	B	57.4/25.2
C721	4030007030	S.CER C1608 CH 1H 150J-T	B	61/27
C722	4030007050	S.CER C1608 CH 1H 220J-T	B	63.2/27
C723	4030007090	S.CER C1608 CH 1H 470J-T	B	57.7/33.7
C724	4030006990	S.CER C1608 CH 1H 080D-T	B	57.7/31.6
C725	4030007050	S.CER C1608 CH 1H 220J-T	B	63.3/37.6
C726	4030007030	S.CER C1608 CH 1H 150J-T	B	61.3/37.6
C727	4030007090	S.CER C1608 CH 1H 470J-T	B	57.7/38.3
C728	4030007040	S.CER C1608 CH 1H 180J-T	B	57.7/40.6
C729	4030007160	S.CER C1608 CH 1H 181J-T	B	57.7/46.2
C730	4030007090	S.CER C1608 CH 1H 470J-T	B	57.7/48.6
C741	4030006880	S.CER C1608 JB 1H 472K-T	B	40.8/5.4
C742	4030006880	S.CER C1608 JB 1H 472K-T	B	42.7/3.4
C743	4030006880	S.CER C1608 JB 1H 472K-T	B	37/8
C744	4030006880	S.CER C1608 JB 1H 472K-T	T	46.2/54.2
C745	4030006880	S.CER C1608 JB 1H 472K-T	T	46.2/46.6
C746	4030006880	S.CER C1608 JB 1H 472K-T	B	49.5/50.4
C747	4030007140	S.CER C1608 CH 1H 121J-T	B	41.2/13.3
C748	4030007040	S.CER C1608 CH 1H 180J-T	B	41.2/10.8
C749	4030007070	S.CER C1608 CH 1H 330J-T	B	41/18.4
C750	4030007040	S.CER C1608 CH 1H 180J-T	B	41/16.4
C751	4030007010	S.CER C1608 CH 1H 100D-T	B	35.3/17.1
C752	4030007070	S.CER C1608 CH 1H 330J-T	B	37.5/17.1
C753	4030007090	S.CER C1608 CH 1H 470J-T	B	41/20.3
C755	4030007070	S.CER C1608 CH 1H 330J-T	B	35.4/25.5
C756	4030007010	S.CER C1608 CH 1H 100D-T	B	37.5/25.5
C757	4030007070	S.CER C1608 CH 1H 330J-T	B	41/27.5
C758	4030007040	S.CER C1608 CH 1H 180J-T	B	41.1/29.4
C759	4030007140	S.CER C1608 CH 1H 121J-T	B	41.2/32.6
C760	4030007040	S.CER C1608 CH 1H 180J-T	B	41.2/34.9
C771	4030006880	S.CER C1608 JB 1H 472K-T	B	27.6/5.5
C772	4030006880	S.CER C1608 JB 1H 472K-T	B	29.2/8.5
C773	4030006880	S.CER C1608 JB 1H 472K-T	B	23.5/8.2
C774	4030006880	S.CER C1608 JB 1H 472K-T	T	35.9/54.4
C775	4030006880	S.CER C1608 JB 1H 472K-T	B	34.2/44.5
C776	4030006880	S.CER C1608 JB 1H 472K-T	B	36.4/46.1
C777	4030007130	S.CER C1608 CH 1H 101J-T	B	24.1/20
C778	4030007030	S.CER C1608 CH 1H 150J-T	B	24.1/17.9
C779	4030007050	S.CER C1608 CH 1H 220J-T	B	24/23.6
C780	4030007020	S.CER C1608 CH 1H 120J-T	B	23.9/25.6
C781	4030007050	S.CER C1608 CH 1H 220J-T	B	27.5/26.4
C783	4030007050	S.CER C1608 CH 1H 220J-T	B	24.2/32.3
C784	4030006980	S.CER C1608 CH 1H 070D-T	B	24.2/34.3
C785	4030007050	S.CER C1608 CH 1H 220J-T	B	27.8/37.7
C787	4030007050	S.CER C1608 CH 1H 220J-T	B	24.5/38.5
C788	4030007020	S.CER C1608 CH 1H 120J-T	B	24.5/40.7
C789	4030007130	S.CER C1608 CH 1H 101J-T	B	24/46.8
C790	4030007030	S.CER C1608 CH 1H 150J-T	B	24.1/49.1
C801	4030006880	S.CER C1608 JB 1H 472K-T	B	218.8/46.3
C802	4030006880	S.CER C1608 JB 1H 472K-T	B	223/44.4
C803	4030006880	S.CER C1608 JB 1H 472K-T	B	211.6/44.7
C804	4030006880	S.CER C1608 JB 1H 472K-T	B	208.8/27.5
C805	4030006880	S.CER C1608 JB 1H 472K-T	B	208.3/43.7
C806	4030006880	S.CER C1608 JB 1H 472K-T	B	203.8/46.1
C813	4030007150	S.CER C1608 CH 1H 151J-T	T	

[BPF UNIT]

REF NO.	ORDER NO.	DESCRIPTION	M.	H/V LOCATION
C836	4030006880	S.CER C1608 JB 1H 472K-T	T	203.7/20.7
C837	4030007100	S.CER C1608 CH 1H 560J-T	T	212/30
C839	4030007110	S.CER C1608 CH 1H 680J-T	T	207.9/30
C841	4030007100	S.CER C1608 CH 1H 560J-T	T	208.7/25.1
C853	4030006880	S.CER C1608 JB 1H 472K-T	B	188.8/25.1
C854	4030006880	S.CER C1608 JB 1H 472K-T	B	189.5/27.6
C855	4030006880	S.CER C1608 JB 1H 472K-T	T	189/25.3
C856	4030006880	S.CER C1608 JB 1H 472K-T	B	189.5/30.5
C857	4030006880	S.CER C1608 JB 1H 472K-T	T	189/30.5
C858	4030006880	S.CER C1608 JB 1H 472K-T	B	189.5/33.8
C859	4030006880	S.CER C1608 JB 1H 472K-T	T	189/36.7
C860	4030006880	S.CER C1608 JB 1H 472K-T	B	189.5/37.2
C861	4030006880	S.CER C1608 JB 1H 472K-T	B	189.5/40
C862	4030006880	S.CER C1608 JB 1H 472K-T	T	189/42.9
C863	4030006880	S.CER C1608 JB 1H 472K-T	B	189.5/42.9
C864	4030006880	S.CER C1608 JB 1H 472K-T	B	189.5/45.8
C865	4030006880	S.CER C1608 JB 1H 472K-T	T	194/50.2
C876	4030006880	S.CER C1608 JB 1H 472K-T	B	241.3/19.5
C878	4030010760	S.CER C1608 CH 1H 331J-T	B	245.1/17.9
C879	4030007050	S.CER C1608 CH 1H 220J-T	B	245.1/19.5
C880	4030009520	S.CER C1608 CH 1H 020B-T	B	247.9/19.5
C881	4030010210	S.CER C3216 JB 1C 105M-T	B	244/34
C900	4030006880	S.CER C1608 JB 1H 472K-T	B	215.5/99.5
C901	4030005110	S.CER C2012 JB 1E 473K-T	T	15.1/26.8
C902	4510008520	S.ELE EEE1CA470SP	T	12.3/21.7
C903	4030005110	S.CER C2012 JB 1E 473K-T	B	12.3/12.9
C904	4510009150	S.ELE EEE1EA470WP	T	12.3/13.4
C905	4030006880	S.CER C1608 JB 1H 472K-T	B	244.7/94
C906	4030006880	S.CER C1608 JB 1H 472K-T	B	244.7/91.2
C907	4030006900	S.CER C1608 JB 1H 103K-T	B	213.8/106.2
C908	4030011600	S.CER C1608 JB 1E 104K-T	B	212.8/115.6
C909	4030006880	S.CER C1608 JB 1H 472K-T	B	218.7/113.5
C910	4030006900	S.CER C1608 JB 1H 103K-T	B	215.5/117.9
C911	4030006900	S.CER C1608 JB 1H 103K-T	B	210.6/106.3
C912	4030006880	S.CER C1608 JB 1H 472K-T	B	201.9/99.6
C914	4030006880	S.CER C1608 JB 1H 472K-T	B	194.7/99.4
C915	4030006900	S.CER C1608 JB 1H 103K-T	B	192.6/110.6
C916	4030006880	S.CER C1608 JB 1H 472K-T	T	200.3/118.3
C917	4030006900	S.CER C1608 JB 1H 103K-T	T	197.8/117.6
C918	4030006900	S.CER C1608 JB 1H 103K-T	B	187.3/106.3
C919	4030006880	S.CER C1608 JB 1H 472K-T	B	180/99.9
C921	4030006880	S.CER C1608 JB 1H 472K-T	T	201.6/118.3
C922	4030011600	S.CER C1608 JB 1E 104K-T	T	208.5/117.4
C923	4030011600	S.CER C1608 JB 1E 104K-T	T	212.3/117.4
C924	4030011600	S.CER C1608 JB 1E 104K-T	B	192.9/116.4
C925	4030011600	S.CER C1608 JB 1E 104K-T	T	187.7/117.4
C926	4030011600	S.CER C1608 JB 1E 104K-T	T	191.6/117.5
C927	4030006960	S.CER C1608 CH 1H 050C-T	B	209.4/113.7
C928	4030006960	S.CER C1608 CH 1H 050C-T	B	187.5/114.2
C950	4030006880	S.CER C1608 JB 1H 472K-T	B	206.3/4.6
C951	4030006900	S.CER C1608 JB 1H 103K-T	B	215.7/17.8
C952	4030011600	S.CER C1608 JB 1E 104K-T	B	211.9/20
C953	4030006880	S.CER C1608 JB 1H 472K-T	B	205.3/2.8
C954	4030006900	S.CER C1608 JB 1H 103K-T	B	218.6/2.5
C955	4030006900	S.CER C1608 JB 1H 103K-T	B	208.6/11.4
C956	4030006880	S.CER C1608 JB 1H 472K-T	T	203.5/2.3
C958	4030006880	S.CER C1608 JB 1H 472K-T	B	190/4.9
C959	4030006900	S.CER C1608 JB 1H 103K-T	B	195.2/16.5
C960	4030006880	S.CER C1608 JB 1H 472K-T	B	196.3/2.3
C961	4030006900	S.CER C1608 JB 1H 103K-T	B	202.2/4
C962	4030006900	S.CER C1608 JB 1H 103K-T	B	184/16.5
C963	4030006880	S.CER C1608 JB 1H 472K-T	B	181/3.9
C965	4030006880	S.CER C1608 JB 1H 472K-T	T	208.4/3.9
C967	4030011600	S.CER C1608 JB 1E 104K-T	T	209/21.4
C968	4030011600	S.CER C1608 JB 1E 104K-T	T	213/21.4
C969	4030011600	S.CER C1608 JB 1E 104K-T	B	191.6/19.9
C970	4030011600	S.CER C1608 JB 1E 104K-T	T	187.9/21.4
C971	4030011600	S.CER C1608 JB 1E 104K-T	T	193/19.8
C972	4030006960	S.CER C1608 CH 1H 050C-T	B	208.3/19.3
C973	4030006960	S.CER C1608 CH 1H 050C-T	B	187.7/19.3
C974	4030006880	S.CER C1608 JB 1H 472K-T	B	235.8/11.5
RL1	6330001750	RLY FTR-B4CA012Z		
RL2	6330001750	RLY FTR-B4CA012Z		
RL21	6330001750	RLY FTR-B4CA012Z		
RL22	6330001750	RLY FTR-B4CA012Z		
RL51	6330001750	RLY FTR-B4CA012Z		
RL52	6330001750	RLY FTR-B4CA012Z		
RL81	6330001750	RLY FTR-B4CA012Z		
RL82	6330001750	RLY FTR-B4CA012Z		
RL111	6330001750	RLY FTR-B4CA012Z		
RL112	6330001750	RLY FTR-B4CA012Z		
RL141	6330001750	RLY FTR-B4CA012Z		
RL142	6330001750	RLY FTR-B4CA012Z		
RL171	6330001750	RLY FTR-B4CA012Z		
RL172	6330001750	RLY FTR-B4CA012Z		
RL201	6330001750	RLY FTR-B4CA012Z		
RL202	6330001750	RLY FTR-B4CA012Z		
RL231	6330001750	RLY FTR-B4CA012Z		
RL232	6330001750	RLY FTR-B4CA012Z		
RL261	6330001750	RLY FTR-B4CA012Z		

[BPF UNIT]

REF NO.	ORDER NO.	DESCRIPTION	M.	H/V LOCATION
RL262	6330001750	RLY FTR-B4CA012Z		
RL291	6330001750	RLY FTR-B4CA012Z		
RL292	6330001750	RLY FTR-B4CA012Z		
RL321	6330001750	RLY FTR-B4CA012Z		
RL322	6330001750	RLY FTR-B4CA012Z		
RL351	6330001750	RLY FTR-B4CA012Z		
RL352	6330001750	RLY FTR-B4CA012Z		
RL353	6330001750	RLY FTR-B4CA012Z		
RL354	6330001750	RLY FTR-B4CA012Z		
RL355	6330001750	RLY FTR-B4CA012Z		
RL371	6330001750	RLY FTR-B4CA012Z		
RL381	6330001770	RLY SIP-1A-12Y		
RL401	6330001770	RLY SIP-1A-12Y		
RL402	6330001750	RLY FTR-B4CA012Z		
RL501	6330001750	RLY FTR-B4CA012Z		
RL502	6330001750	RLY FTR-B4CA012Z		
RL531	6330001750	RLY FTR-B4CA012Z		
RL532	6330001750	RLY FTR-B4CA012Z		
RL561	6330001750	RLY FTR-B4CA012Z		
RL562	6330001750	RLY FTR-B4CA012Z		
RL591	6330001750	RLY FTR-B4CA012Z		
RL592	6330001750	RLY FTR-B4CA012Z		
RL621	6330001750	RLY FTR-B4CA012Z		
RL622	6330001750	RLY FTR-B4CA012Z		
RL651	6330001750	RLY FTR-B4CA012Z		
RL652	6330001750	RLY FTR-B4CA012Z		
RL681	6330001750	RLY FTR-B4CA012Z		
RL682	6330001750	RLY FTR-B4CA012Z		
RL711	6330001750	RLY FTR-B4CA012Z		
RL712	6330001750	RLY FTR-B4CA012Z		
RL741	6330001750	RLY FTR-B4CA012Z		
RL742	6330001750	RLY FTR-B4CA012Z		
RL771	6330001750	RLY FTR-B4CA012Z		
RL772	6330001750	RLY FTR-B4CA012Z		
RL801	6330001750	RLY FTR-B4CA012Z		
RL802	6330001750	RLY FTR-B4CA012Z		
RL831	6330001750	RLY FTR-B4CA012Z		
RL832	6330001750	RLY FTR-B4CA012Z		
RL851	6330001750	RLY FTR-B4CA012Z		
RL852	6330001750	RLY FTR-B4CA012Z		
RL853	6330001750	RLY FTR-B4CA012Z		
RL854	6330001750	RLY FTR-B4CA012Z		
RL855	6330001750	RLY FTR-B4CA012Z		
RL871	6330001770	RLY SIP-1A-12Y		
RL900	6330001750	RLY FTR-B4CA012Z		
RL901	6330001750	RLY FTR-B4CA012Z		
RL902	6330001750	RLY FTR-B4CA012Z		
RL903	6330001750	RLY FTR-B4CA012Z		
RL950	6330001750	RLY FTR-B4CA012Z		
RL951	6330001750	RLY FTR-B4CA012Z		
RL952	6330001750	RLY FTR-B4CA012Z		
RL953	6330001750	RLY FTR-B4CA012Z		
RL954	6330001750	RLY FTR-B4CA012Z		
J1	6510020521	S.CNR 52808-1271 (1290)	T	6/17
J101	6510007020	CNR TMP-J01X-V6		
J102	6510007020	CNR TMP-J01X-V6		
J103	6510023750	CNR 01K1971-10		
J104	6510023750	CNR 01K1971-10		
J105	6510023750	CNR 01K1971-10		
J106	6510007020	CNR TMP-J01X-V6		
J107	6510007020	CNR TMP-J01X-V6		
J108	6510007020	CNR TMP-J01X-V6		
J504	6510023750	CNR 01K1971-10		
J505	6510023750	CNR 01K1971-10		
J506	6510007020	CNR TMP-J01X-V6		
J601	6510007020	CNR TMP-J01X-V6		
J602	6510007020	CNR TMP-J01X-V6		
W506	9025900640	WIR 61/99/130/W13A/W13A		
EP900	6910012350	S.BEA MMZ1608Y 102BT	B	218.9/98.8
EP901	6910012350	S.BEA MMZ1608Y 102BT	B	204.2/100.3
EP902	6910012350	S.BEA MMZ1608Y 102BT	B	197.2/98.7
EP903	6910012350	S.BEA MMZ1608Y 102BT	B	189.7/100.1
EP950	6910012350	S.BEA MMZ1608Y 102BT	B	208.8/3.5
EP951	6910012350	S.BEA MMZ1608Y 102BT	T	205.4/3.2
EP952	6910012350	S.BEA MMZ1608Y 102BT	B	193.3/3
EP953	6910012350	S.BEA MMZ1608Y 102BT	B	184.6/3.8

M.=Mounted side (T: Mounted on the Top side, B: Mounted on the Bottom side)  
S.=Surface mount



[MAIN UNIT]

REF NO.	ORDER NO.	DESCRIPTION	M.	H/V LOCATION
IC1	1110003870	S.IC NJM2058M-TE1	T	226/83.5
IC2	1110001901	S.IC μPC4570G2-T1-A	T	187/68.8
IC3	1130005641	S.IC TC4W53F (TE12L,F)	T	191.1/75.2
IC4	1110006300	S.IC NJM2172V-TE1	T	186.6/85.7
IC5	1130005641	S.IC TC4W53F (TE12L,F)	T	184.3/75.2
IC50	1190001930	S.IC PS7122AL-1A-E3	B	114.4/109.1
IC60	1110003870	S.IC NJM2058M-TE1	B	116.1/87.4
IC61	1110003870	S.IC NJM2058M-TE1	B	129.6/94.8
IC100	1130005641	S.IC TC4W53F (TE12L,F)	T	211.8/91
IC101	1130005641	S.IC TC4W53F (TE12L,F)	T	205/91
IC102	1110001901	S.IC μPC4570G2-T1-A	T	209.7/68.5
IC104	1110001901	S.IC μPC4570G2-T1-A	T	209.8/43.4
IC105	1110006300	S.IC NJM2172V-TE1	T	220.4/58.4
IC140	1110006141	IC LA4485-E		
IC180	1110006300	S.IC NJM2172V-TE1	T	187/57.6
IC181	1130005641	S.IC TC4W53F (TE12L,F)	T	186.9/40.3
IC182	1110006160	S.IC TPA6111A2DGN	T	186.8/35.8
IC191	1130005641	S.IC TC4W53F (TE12L,F)	T	193.3/30
IC192	1130005641	S.IC TC4W53F (TE12L,F)	T	180.6/30.2
IC201	1130005641	S.IC TC4W53F (TE12L,F)	T	147.7/71.6
IC210	1110006300	S.IC NJM2172V-TE1	T	160.5/90.1
IC230	1110001901	S.IC μPC4570G2-T1-A	T	68.3/22.2
IC250	1130011530	S.IC CD74HC4094M96	T	137.4/32.2
IC251	1160000131	S.IC TD62783AFG (S.EL)	T	125.7/34
IC260	1130011530	S.IC CD74HC4094M96	T	137.4/46.6
IC261	1160000131	S.IC TD62783AFG (S.EL)	T	125.7/48.3
IC290	1130011530	S.IC CD74HC4094M96	T	149.4/35.6
IC291	1160000131	S.IC TD62783AFG (S.EL)	T	161.1/34
IC310	1130011530	S.IC CD74HC4094M96	T	149.4/50.1
IC311	1160000131	S.IC TD62783AFG (S.EL)	T	161.1/48.4
IC330	1130012000	S.IC M62352AGP C60Q	T	150.4/61
IC331	1130012000	S.IC M62352AGP C60Q	T	161.1/61.1
IC450	1180002650	S.REG SI-3012KS-TL	B	212.6/31.3
IC451	1180002650	S.REG SI-3012KS-TL	B	160/15.2
IC452	1180002650	S.REG SI-3012KS-TL	B	93.6/51.5
IC460	1130005641	S.IC TC4W53F (TE12L,F)	T	147.7/80
IC490	1130005641	S.IC TC4W53F (TE12L,F)	B	163.4/61.6
IC491	1110003870	S.IC NJM2058M-TE1	B	236.2/21.9
IC495	1130011990	S.IC SNT74LVC1G08DCKR	T	14.6/122.5
IC501	1110006100	S.IC NJM5534MD-TE1	T	22.6/66.4
IC502	1110006100	S.IC NJM5534MD-TE1	T	22.6/78.5
IC503	1110005461	S.IC TA4107F (TE12L,F)	T	23.2/91.9
IC550	1180001771	S.IC TA79L05F (TE12L,F)	T	125.5/103.1
IC820	1110006131	S.IC UPC4094G2-E1-A	T	83.5/59.3
IC821	1110006300	S.IC NJM2172V-TE1	T	160.5/74.8
Q1	1590001050	S.TR DTC114TUA T106	B	217/105.3
Q2	1590001050	S.TR DTC114TUA T106	B	174.9/102.8
Q3	1530002060	S.TR 2SC4081 T106 R	B	161.8/96.7
Q4	1530002060	S.TR 2SC4081 T106 R	B	172.7/98
Q5	1590001330	S.TR DTA114EUA T106	B	167.1/92
Q6	1540000441	S.TR 2SD1619T-TD-E	B	166.4/102.1
Q7	1530002060	S.TR 2SC4081 T106 R	B	147.8/110.4
Q8	1530002060	S.TR 2SC4081 T106 R	T	222.2/99.7
Q9	1530002060	S.TR 2SC4081 T106 R	T	179.3/101
Q50	1590001050	S.TR DTC114TUA T106	B	119/96.6
Q51	1590001050	S.TR DTC114TUA T106	B	118.6/100.4
Q52	1530002060	S.TR 2SC4081 T106 R	T	83.5/107.6
Q60	1590002710	S.TR UMH11NTN	T	118.7/87.6
Q61	1590002150	S.TR DTC144TE TL	T	117.8/80.2
Q62	1510000510	S.TR 2SA1576A T106R	T	123.1/93.8
Q63	1590001050	S.TR DTC114TUA T106	T	120.2/79.9
Q64	1590002430	S.TR DTA144EE TL	T	120.2/82.2
Q100	1590001451	S.FET 2SJ144 GR F	T	214.2/79.1
Q101	1590001451	S.FET 2SJ144 GR F	T	204.6/79.1
Q131	1560001131	S.FET CPH3403-TL-E	T	228.6/70.9
Q132	1560001131	S.FET CPH3403-TL-E	T	233.4/77.7
Q140	1540000471	S.TR 2SD1801S-TL-E	T	241.8/37.3
Q141	1590000680	S.TR DTC114EUA T106	B	247.8/92.4
Q142	1590000680	S.TR DTC114EUA T106	B	239.9/92.4
Q143	1590001050	S.TR DTC114TUA T106	T	255.3/55.4
Q351	1560001260	S.FET 2SK3018 T106	T	129.8/85.1
Q352	1530002060	S.TR 2SC4081 T106 R	T	132.7/85.1
Q474	1510000510	S.TR 2SA1576A T106R	T	132.4/77.2
Q476	1590001050	S.TR DTC114TUA T106	T	129.4/77.1
Q490	1590000680	S.TR DTC114EUA T106	B	232.2/4.5
Q491	1520000460	S.TR 2SB1132 T100 R	B	224.3/4.2
Q501	1580000751	S.FET 3SK294 (TE85L,F)	B	26.9/91.8
Q502	1590000680	S.TR DTC114EUA T106	T	47.1/79.4
Q503	1590002710	S.TR UMH11NTN	T	47.3/75.9
Q504	1560000561	S.FET 2SK882-GR (TE85L,F)	B	49.3/91.2
Q506	1560000561	S.FET 2SK882-GR (TE85L,F)	B	102.7/82.6
Q507	1530003151	S.TR 2SC4673D-TD-E	T	103.9/65.5
Q508	1530003841	S.TR 2SC5501-4-TR-E	T	58.8/68.8
Q801	1530003851	S.TR 2SC5551F-TD-E	T	43.1/18.2
Q802	1520000531	S.TR 2SB1119S-TD-E	B	89.9/83.7
Q803	1590000680	S.TR DTC114EUA T106	B	83.7/84.8
Q804	1590002710	S.TR UMH11NTN	T	33.9/20.3
Q805	1590000680	S.TR DTC114EUA T106	T	30.9/21.6
Q806	1530002060	S.TR 2SC4081 T106 R	T	35.5/73.8
Q808	1590001330	S.TR DTA114EUA T106	T	45.6/70.2

[MAIN UNIT]

REF NO.	ORDER NO.	DESCRIPTION	M.	H/V LOCATION
Q809	1590000680	S.TR DTC114EUA T106	T	48.7/70.2
Q810	1530002060	S.TR 2SC4081 T106 R	T	231.4/34.2
D1	1750000550	S.DIO 1SS355 TE-17	B	162.9/104.2
D2	1750000550	S.DIO 1SS355 TE-17	B	170.6/104.2
D3	1790001750	S.DIO DSM3MA4	B	65.5/122.7
D4	1790001750	S.DIO DSM3MA4	B	65.5/113.6
D50	1750000550	S.DIO 1SS355 TE-17	B	114.5/100.6
D51	1790001670	S.DIO RB706F-40T106	T	90.8/112.8
D52	1750000550	S.DIO 1SS355 TE-17	T	88.4/112.8
D60	1750000550	S.DIO 1SS355 TE-17	B	126.8/86.8
D61	1750000550	S.DIO 1SS355 TE-17	B	126.6/83.4
D62	1750000550	S.DIO 1SS355 TE-17	B	120.6/77.6
D63	1750000550	S.DIO 1SS355 TE-17	B	116.5/93.6
D64	1790001240	S.DIO MA2S728-(TX)	B	108.1/78.3
D65	1750000550	S.DIO 1SS355 TE-17	B	123.1/100.1
D66	1750000550	S.DIO 1SS355 TE-17	B	134.3/89.4
D67	1730002340	S.ZEN MA8047-M (TX)	B	122.8/95.8
D140	1750000550	S.DIO 1SS355 TE-17	B	247.8/95.1
D141	1750000550	S.DIO 1SS355 TE-17	B	239.9/95.1
D241	1730002280	S.ZEN MA8091-M (TX)	T	231.2/32
D351	1790001250	S.DIO MA2S111-(TX)	T	129.7/83.2
D450	1710000840	S.DIO 1SR154-400 TE25	B	218.9/28
D451	1710000840	S.DIO 1SR154-400 TE25	B	153.4/16
D452	1710000840	S.DIO 1SR154-400 TE25	B	93.6/58
D490	1790000620	S.DIO MA77 (TX)	B	237.5/54
D501	1790000620	S.DIO MA77 (TX)	B	34.3/91.8
D502	1790000620	S.DIO MA77 (TX)	B	34.3/91.8
D503	1790000620	S.DIO MA77 (TX)	B	46.6/91.4
D504	1790000620	S.DIO MA77 (TX)	B	46.7/85.3
D505	1750000431	S.DIO HSB88WSTR-E	T	70.2/90.8
D506	1750000431	S.DIO HSB88WSTR-E	T	84.3/69.4
D601	1790000620	S.DIO MA77 (TX)	B	34.7/54
D602	1790000620	S.DIO MA77 (TX)	B	34.7/33
D603	1790000620	S.DIO MA77 (TX)	B	45.5/54
D604	1790000620	S.DIO MA77 (TX)	B	45.5/33
D605	1790000620	S.DIO MA77 (TX)	B	56.3/54
D606	1790000620	S.DIO MA77 (TX)	B	56.3/33
D607	1790000620	S.DIO MA77 (TX)	B	67.1/54
D608	1790000620	S.DIO MA77 (TX)	B	67.1/33
D609	1790000620	S.DIO MA77 (TX)	B	78/54
D610	1790000620	S.DIO MA77 (TX)	B	78/33
D611	1790000620	S.DIO MA77 (TX)	T	40.8/54
D612	1790000620	S.DIO MA77 (TX)	T	40.8/33
D613	1790000620	S.DIO MA77 (TX)	T	48.7/54
D614	1790000620	S.DIO MA77 (TX)	T	49.8/33
D615	1790000620	S.DIO MA77 (TX)	T	58.9/54
D616	1790000620	S.DIO MA77 (TX)	T	58.8/33
D617	1790000620	S.DIO MA77 (TX)	T	67.8/54
D618	1790000620	S.DIO MA77 (TX)	T	67.8/33
D619	1790000620	S.DIO MA77 (TX)	T	76.8/54
D620	1790000620	S.DIO MA77 (TX)	T	76.8/33
D801	1790000620	S.DIO MA77 (TX)	T	36.5/29.9
D802	1750000581	S.DIO 1SV307 (TPH3,F)	T	34.7/29.9
D806	1790000620	S.DIO MA77 (TX)	B	84.2/76.6
D820	1750000581	S.DIO 1SV307 (TPH3,F)	T	86/33
FI501	2020001070	CER CFWLA455KDFA-B0		
FI502	2020001510	CER CFWLA455KJFA-B0		
FI503	2010002580	S.FIL FL-348 (64.455 MHz)	T	93.4/90.8
L1	6200003261	S.COL NLV32T-101J	B	211.7/110.3
L2	6200003261	S.COL NLV32T-101J	B	222.2/110.3
L3	6200003950	S.COL HF50ACC 322513-T	B	204.7/110.3
L4	6200003261	S.COL NLV32T-101J	T	218.7/109.6
L5	6200003261	S.COL NLV32T-101J	B	225.7/110.3
L6	6200003261	S.COL NLV32T-101J	B	215.2/110.3
L7	6200003950	S.COL HF50ACC 322513-T	T	208.2/109.6
L8	6200003261	S.COL NLV32T-101J	B	200.4/110.3
L9	6200003950	S.COL HF50ACC 322513-T	B	193.4/110
L10	6200003261	S.COL NLV32T-101J	B	196.9/110.3
L11	6200003261	S.COL NLV32T-101J	B	169.7/110.3
L12	6200003261	S.COL NLV32T-101J	B	180.2/110.3
L13	6200003950	S.COL HF50ACC 322513-T	B	162.7/110.3
L14	6200003261	S.COL NLV32T-101J	T	176.7/109.7
L15	6200003261	S.COL NLV32T-101J	B	183.7/110.3
L16	6200003261	S.COL NLV32T-101J	B	173.2/110.3
L17	6200003950	S.COL HF50ACC 322513-T	T	166.2/109.2
L18	6200003261	S.COL NLV32T-101J	B	158.4/110.3
L19	6200003950	S.COL HF50ACC 322513-T	B	151.4/110
L20	6200003261	S.COL NLV32T-101J	B	154.9/110.3
L21	6200003950	S.COL HF50ACC 322513-T	B	211.7/124.6
L22	6200003950	S.COL HF50ACC 322513-T	B	169.7/124.5
L31	6200003261	S.COL NLV32T-101J	B	194.2/88.9
L50	6200003261	S.COL NLV32T-101J	B	139.6/122.6
L51	6200003590	S.COL EXCCCL3225U1	B	122.1/107.2
L52	6200003261	S.COL NLV32T-101J	B	77.2/122.3
L53	6200003261	S.COL NLV32T-101J	B	77.2/117.4
L54	6200003261	S.COL NLV32T-101J	T	85.8/112.8

M.=Mounted side (T: Mounted on the Top side, B: Mounted on the Bottom side)  
S.=Surface mount

[MAIN UNIT]

REF NO.	ORDER NO.	DESCRIPTION	M.	H/V LOCATION
L55	6200003261	S.COL NLV32T-101J	B	95.6/107.2
L56	6200003590	S.COL EXCCL3225U1	B	63.9/107.4
L80	6200009790	S.COL BLM31PG121SN1	B	53.4/118.4
L140	6200003261	S.COL NLV32T-101J	T	219.7/48.1
L141	2040000490	COL EXC-ELDR25C		
L142	2040000490	COL EXC-ELDR25C		
L143	2040000490	COL EXC-ELDR25C		
L180	6200003261	S.COL NLV32T-101J	T	186.9/44.5
L181	6200003261	S.COL NLV32T-101J	T	181.2/40.1
L201	6200003261	S.COL NLV32T-101J	T	165/81.4
L210	6200003261	S.COL NLV32T-101J	T	156.1/85.2
L250	6200003590	S.COL EXCCL3225U1	T	134.6/55.7
L290	6200003590	S.COL EXCCL3225U1	T	152/28.2
L330	6200001831	S.COL NLV32T-100J	B	161.4/68.9
L331	6200001831	S.COL NLV32T-100J	B	164.8/68.9
L340	6200003950	S.COL HF50ACC 322513-T	B	201.7/96.1
L341	6200003950	S.COL HF50ACC 322513-T	B	195.5/96.1
L360	6200003950	S.COL HF50ACC 322513-T	B	149.7/96.1
L361	6200003950	S.COL HF50ACC 322513-T	B	143.5/96.1
L380	6200003950	S.COL HF50ACC 322513-T	B	28.5/49.1
L381	6200003950	S.COL HF50ACC 322513-T	B	28.5/48.1
L400	6200003950	S.COL HF50ACC 322513-T	T	238.3/10.9
L401	6200003950	S.COL HF50ACC 322513-T	B	234/11.2
L402	6200003950	S.COL HF50ACC 322513-T	B	237.3/11.2
L405	6200003950	S.COL HF50ACC 322513-T	T	40.3/11.3
L406	6200003950	S.COL HF50ACC 322513-T	T	34.3/11.3
L407	6200003950	S.COL HF50ACC 322513-T	T	37.3/11.3
L410	6200003590	S.COL EXCCL3225U1	T	10.9/41
L411	6200003950	S.COL HF50ACC 322513-T	B	10.9/39.6
L412	6200003590	S.COL EXCCL3225U1	T	10.9/38
L413	6200003950	S.COL HF50ACC 322513-T	B	10.9/36.4
L418	6200003950	S.COL HF50ACC 322513-T	B	11.1/97.2
L435	6200003950	S.COL HF50ACC 322513-T	B	6.7/76.7
L440	6200003950	S.COL HF50ACC 322513-T	T	164.1/12.7
L441	6200003950	S.COL HF50ACC 322513-T	T	161.1/12.7
L450	6200003590	S.COL EXCCL3225U1	B	251.2/16.8
L451	6170000150	COL LW-16		
L452	6200003590	S.COL EXCCL3225U1	T	250.2/25.4
L453	6200003590	S.COL EXCCL3225U1	T	250.2/28.4
L454	6200009790	S.COL BLM31PG121SN1	B	250.6/30.2
L455	6200009790	S.COL BLM31PG121SN1	B	250.6/32.5
L456	6200003590	S.COL EXCCL3225U1	T	250.4/39.6
L480	6200003950	S.COL HF50ACC 322513-T	B	220.6/24
L481	6200003950	S.COL HF50ACC 322513-T	B	149.8/17.1
L482	6200003950	S.COL HF50ACC 322513-T	B	94.1/61.2
L495	6200003191	S.COL NLV32T-470J	B	24.9/119.2
L496	6200003191	S.COL NLV32T-470J	B	9.8/119
L501	6200003261	S.COL NLV32T-101J	T	24.4/101.3
L502	6200003261	S.COL NLV32T-101J	T	21.4/97.1
L503	6200003261	S.COL NLV32T-101J	T	24.4/97.1
L504	6200003520	S.COL ELJFB 102K-F	T	30.6/92.2
L505	6150004090	COL LS-469		
L507	6140003530	COL LR-395		
L508	6140003210	S.COL LR-358	T	75.9/90.8
L509	6140003770	S.COL LR-414 4KBL (STP-01435)	T	85.2/90.8
L510	6140003770	S.COL LR-414 4KBL (STP-01435)	T	101.6/90.8
L511	6200003031	S.COL NLV32T-R47J	B	101.9/85.8
L512	6150004280	COL LS-484B (C-14927)		
L513	6140002551	S.COL #617DB-1919=P3	T	90.6/69.4
L514	6140002551	S.COL #617DB-1919=P3	T	78/69.4
L515	6200003001	S.COL NLV32T-R22J	T	111.3/65.7
L516	6200003021	S.COL NLV32T-R33J	T	102.8/71.4
L517	6200001831	S.COL NLV32T-100J	T	99.4/73.5
L518	6200010720	S.COL C2520C-56NG-A	T	71.2/69.1
L519	6200010860	S.COL C2520C-R10G-A	T	67.6/70.3
L521	6140003900	COL LR-489		
L522	6140003890	COL LR-488		
L523	6200010381	S.COL ELJRE R15JFA	B	90.6/76.8
L524	6180002971	S.COL NLV32T-068J	B	102.6/63.5
L525	6180002971	S.COL NLV32T-068J	B	100.7/67.3
L526	6180002971	S.COL NLV32T-068J	B	97/67.2
L527	6200010660	S.COL C2520C-R15G-A	T	64/71.6
L528	6200003261	S.COL NLV32T-101J	T	33.6/96.3
L529	6200010381	S.COL ELJRE R15JFA	B	93.2/78.1
L601	6200003101	S.COL NLV32T-3R9J	B	38.2/53.1
L602	6200003131	S.COL NLV32T-120J	B	34.7/49.6
L603	6200003131	S.COL NLV32T-120J	B	38.9/43.2
L604	6200003131	S.COL NLV32T-120J	B	34.7/37.4
L605	6200003101	S.COL NLV32T-3R9J	B	38.2/33.8
L606	6200002961	S.COL NLV32T-4R7J	B	49/53.1
L607	6200001851	S.COL NLV32T-5R6J	B	45.5/49.6
L608	6200001851	S.COL NLV32T-5R6J	B	49.7/43.5
L609	6200001851	S.COL NLV32T-5R6J	B	45.5/37.4
L610	6200002961	S.COL NLV32T-4R7J	B	49/33.8
L611	6200002991	S.COL NLV32T-2R2J	B	59.8/53.1
L612	6200003111	S.COL NLV32T-6R8J	B	56.3/49.6
L613	6200003111	S.COL NLV32T-6R8J	B	60.5/43.5
L614	6200003111	S.COL NLV32T-6R8J	B	56.3/37.4
L615	6200002991	S.COL NLV32T-2R2J	B	59.8/33.8
L616	6200002991	S.COL NLV32T-2R2J	B	70.7/53.1
L617	6200003321	S.COL NLV32T-3R3J	B	67.1/49.6
L618	6200003321	S.COL NLV32T-3R3J	B	71.3/43.5

[MAIN UNIT]

REF NO.	ORDER NO.	DESCRIPTION	M.	H/V LOCATION
L619	6200003321	S.COL NLV32T-3R3J	B	67.1/37.4
L620	6200002991	S.COL NLV32T-2R2J	B	70.6/33.8
L621	6200003061	S.COL NLV32T-1R2J	B	81.5/53.1
L622	6200003091	S.COL NLV32T-2R7J	B	78/49.6
L623	6200003091	S.COL NLV32T-2R7J	B	82.2/43.5
L624	6200003091	S.COL NLV32T-2R7J	B	78/37.4
L625	6200003061	S.COL NLV32T-1R2J	B	81.5/33.8
L626	6200003331	S.COL NLV32T-1R0J	T	37.8/50
L627	6200003081	S.COL NLV32T-1R8J	T	40.8/50
L628	6200003081	S.COL NLV32T-1R8J	T	40.2/43.5
L629	6200003081	S.COL NLV32T-1R8J	T	40.8/36.9
L630	6200003331	S.COL NLV32T-1R0J	T	37.8/36.9
L631	6200003041	S.COL NLV32T-R68J	T	46.8/50
L632	6200003071	S.COL NLV32T-1R5J	T	49.8/50
L633	6200003071	S.COL NLV32T-1R5J	T	49.2/43.5
L634	6200003071	S.COL NLV32T-1R5J	T	49.8/36.9
L635	6200003041	S.COL NLV32T-R68J	T	46.8/36.9
L636	6200002981	S.COL NLV32T-R56J	T	55.8/50
L637	6200003051	S.COL NLV32T-R82J	T	58.9/50
L638	6200003051	S.COL NLV32T-R82J	T	58.2/43.5
L639	6200003051	S.COL NLV32T-R82J	T	58.8/36.9
L640	6200002981	S.COL NLV32T-R56J	T	55.8/36.9
L641	6200003021	S.COL NLV32T-R33J	T	64.8/50
L642	6200003041	S.COL NLV32T-R68J	T	67.8/50
L643	6200003041	S.COL NLV32T-R68J	T	67.2/43.5
L644	6200003041	S.COL NLV32T-R68J	T	67.8/36.9
L645	6200003021	S.COL NLV32T-R33J	T	64.8/36.9
L646	6200005491	S.COL NLV32T-331J	T	79.8/50
L647	6200007810	S.COL LQH31HN95NK03L	T	73.2/51.3
L648	6200009810	S.COL LQH31HNR61J03L	T	76.8/50
L649	6200009810	S.COL LQH31HNR61J03L	T	75.5/43.7
L650	6200009810	S.COL LQH31HNR61J03L	T	76.8/36.9
L651	6200007810	S.COL LQH31HN95NK03L	T	73.2/35.5
L801	6200005491	S.COL NLV32T-331J	T	37.2/23.4
L802	6200003261	S.COL NLV32T-101J	B	37.2/23.8
L803	6140003970	COL LR-494		
L804	6200003241	S.COL NLV32T-221J	B	49.2/26
L820	6200003161	S.COL NLV32T-270J	T	86.6/48.4
L821	6200003191	S.COL NLV32T-470J	T	85.8/44.9
L822	6200003201	S.COL NLV32T-560J	T	86.6/39.8
R1	7030003550	S.RES ERJ3GEYJ 822 V (8.2 k)	B	214.8/107.3
R2	7030003550	S.RES ERJ3GEYJ 822 V (8.2 k)	B	174.1/104.9
R3	7030003520	S.RES ERJ3GEYJ 472 V (4.7 k)	B	161.1/103.9
R4	7030003620	S.RES ERJ3GEYJ 333 V (33 k)	B	161.1/101.1
R5	7030003580	S.RES ERJ3GEYJ 153 V (15 k)	B	161.9/99.1
R6	7030003520	S.RES ERJ3GEYJ 472 V (4.7 k)	B	161.8/93.8
R7	7030003520	S.RES ERJ3GEYJ 472 V (4.7 k)	B	172.2/104.2
R8	7030003620	S.RES ERJ3GEYJ 333 V (33 k)	B	170.6/101.2
R9	7030003580	S.RES ERJ3GEYJ 153 V (15 k)	B	172.8/100.4
R10	7030003520	S.RES ERJ3GEYJ 472 V (4.7 k)	B	172.7/95.1
R11	7030009891	S.RES ERA3YED 151V (150)	B	167.1/94.5
R12	7030003560	S.RES ERJ3GEYJ 103 V (10 k)	B	167.1/96.3
R13	7030003480	S.RES ERJ3GEYJ 222 V (2.2 k)	B	148.7/106.9
R14	7030003560	S.RES ERJ3GEYJ 103 V (10 k)	B	146.9/106.9
R15	7030003640	S.RES ERJ3GEYJ 473 V (47 k)	B	145.1/110.4
R16	7030003680	S.RES ERJ3GEYJ 104 V (100 k)	T	224.8/77.8
R17	7030003680	S.RES ERJ3GEYJ 104 V (100 k)	T	223.4/77.8
R18	7030003400	S.RES ERJ3GEYJ 471 V (470)	T	222.1/77.8
R19	7030003680	S.RES ERJ3GEYJ 104 V (100 k)	T	227.2/77.8
R20	7030003680	S.RES ERJ3GEYJ 104 V (100 k)	T	228.6/77.8
R21	7030003400	S.RES ERJ3GEYJ 471 V (470)	T	230/77.8
R22	7030003560	S.RES ERJ3GEYJ 103 V (10 k)	T	180.8/69.6
R23	7030003560	S.RES ERJ3GEYJ 103 V (10 k)	T	181.6/67.8
R24	7030003660	S.RES ERJ3GEYJ 683 V (68 k)	T	182.3/69.7
R25	7030003440	S.RES ERJ3GEYJ 102 V (1 k)	T	181.6/71.6
R26	7030003560	S.RES ERJ3GEYJ 103 V (10 k)	T	193.3/69.7
R27	7030003560	S.RES ERJ3GEYJ 103 V (10 k)	T	192.5/67.8
R28	7030003660	S.RES ERJ3GEYJ 683 V (68 k)	T	191.8/69.7
R29	7030003440	S.RES ERJ3GEYJ 102 V (1 k)	T	192.5/71.6
R30	7030003320	S.RES ERJ3GEYJ 101 V (100)	T	192.5/66.5
R31	7030003560	S.RES ERJ3GEYJ 103 V (10 k)	T	192.9/88
R32	7030003560	S.RES ERJ3GEYJ 103 V (10 k)	T	192.9/86.7
R33	7030003560	S.RES ERJ3GEYJ 103 V (10 k)	B	188.8/83.7
R34	7030003440	S.RES ERJ3GEYJ 102 V (1 k)	T	222.3/96.5
R35	7030003580	S.RES ERJ3GEYJ 153 V (15 k)	T	222.3/97.8
R36	7030003580	S.RES ERJ3GEYJ 153 V (15 k)	T	225.1/99
R37	7030003320	S.RES ERJ3GEYJ 101 V (100)	T	219.7/97.8
R38	7030003390	S.RES ERJ3GEYJ 391 V (390)	T	225.1/100.3
R39	7030003440	S.RES ERJ3GEYJ 102 V (1 k)	T	179.3/97.8
R40	7030003580	S.RES ERJ3GEYJ 153 V (15 k)	T	179.3/99.1
R41	7030003580	S.RES ERJ3GEYJ 153 V (15 k)	T	182.3/100.3
R42	7030003320	S.RES ERJ3GEYJ 101 V (100)	T	176.5/99.1
R43	7030003390	S.RES ERJ3GEYJ 391 V (390)	T	182.3/101.6
R44	7030003320	S.RES ERJ3GEYJ 101 V (100)	T	181.6/66.5
R45	7030003620	S.RES ERJ3GEYJ 333 V (33 k)	T	192.9/85.4
R46	7030003620	S.RES ERJ3GEYJ 333 V (33 k)	T	192.9/89.3
R47	7030003560	S.RES ERJ3GEYJ 103 V (10 k)	B	185.5/83.7
R49	7540000270	S.ASB ERZVF2M201	B	110.1/123.5
R50	7310003820	TRI EVN-D2AA03 B14		
R51	7030003560	S.RES ERJ3GEYJ 103 V (10 k)	B	152/123.2

M.=Mounted side (T: Mounted on the Top side, B: Mounted on the Bottom side)  
S.=Surface mount

[MAIN UNIT]

REF NO.	ORDER NO.	DESCRIPTION	M.	H/V LOCATION
R52	7030003200	S.RES ERJ3GEYJ 100 V (10)	B	109.6/98.6
R53	7030003390	S.RES ERJ3GEYJ 391 V (390)	B	118.6/102.4
R54	7030003480	S.RES ERJ3GEYJ 222 V (2.2 k)	T	89.9/109.6
R55	7030003480	S.RES ERJ3GEYJ 222 V (2.2 k)	T	91.3/109.6
R56	7030003520	S.RES ERJ3GEYJ 472 V (4.7 k)	T	88.4/109.6
R57	7030003620	S.RES ERJ3GEYJ 333 V (33 k)	T	86.1/109.9
R58	7030003580	S.RES ERJ3GEYJ 153 V (15 k)	T	83.5/109.9
R59	7030003520	S.RES ERJ3GEYJ 472 V (4.7 k)	T	85.4/107.6
R60	7510001511	S.TMR NTCG16 4LH 223JT	B	125/86.8
R61	7030003660	S.RES ERJ3GEYJ 683 V (68 k)	B	123.2/86.8
R62	7030003480	S.RES ERJ3GEYJ 222 V (2.2 k)	B	121.4/86.8
R63	7030003680	S.RES ERJ3GEYJ 104 V (100 k)	B	124/82.5
R64	7030003560	S.RES ERJ3GEYJ 103 V (10 k)	B	124/84.3
R65	7030003720	S.RES ERJ3GEYJ 224 V (220 k)	B	121.4/83.5
R66	7030003320	S.RES ERJ3GEYJ 101 V (100)	B	121.4/80.2
R67	7030005681	S.RES ERA3YKD 473V (47 k)	B	105.3/90.5
R68	7030008121	S.RES ERA3YED 682V (6.8 k)	B	110/87.9
R69	7310005110	S.TRI RH03ADCS2X (470)	T	108.9/90
R70	7030008121	S.RES ERA3YED 682V (6.8 k)	B	108.9/90.5
R71	7030005681	S.RES ERA3YKD 473V (47 k)	B	107.1/90.5
R72	7030003740	S.RES ERJ3GEYJ 334 V (330 k)	B	110.7/90.5
R73	7030003520	S.RES ERJ3GEYJ 472 V (4.7 k)	T	109/78
R74	7030003720	S.RES ERJ3GEYJ 224 V (220 k)	B	121.4/91.9
R75	7030003600	S.RES ERJ3GEYJ 223 V (22 k)	T	108/86.3
R76	7030003620	S.RES ERJ3GEYJ 333 V (33 k)	T	110.6/86.3
R77	7030003720	S.RES ERJ3GEYJ 224 V (220 k)	B	110.7/85.6
R78	7030003680	S.RES ERJ3GEYJ 104 V (100 k)	T	118/90.4
R79	7310005150	S.TRI RH03ADCJ5X (220 k)	T	114.5/90
R80	7030003680	S.RES ERJ3GEYJ 104 V (100 k)	T	118.7/84.6
R81	7310005150	S.TRI RH03ADCJ5X (220 k)	T	114.5/85.1
R82	7310005190	S.TRI RH03ADC15X (100 k)	T	114.5/80.2
R83	7030003680	S.RES ERJ3GEYJ 104 V (100 k)	B	116.6/79.2
R84	7030003720	S.RES ERJ3GEYJ 224 V (220 k)	B	116.6/81
R85	7030009920	S.RES ERJ3GEYJ 335 V (3.3 M)	B	113.3/81
R86	7030003380	S.RES ERJ3GEYJ 331 V (330)	B	110.7/80.2
R87	7030003320	S.RES ERJ3GEYJ 101 V (100)	T	116.1/77.8
R88	7030003440	S.RES ERJ3GEYJ 102 V (1 k)	T	123/95.8
R89	7030003440	S.RES ERJ3GEYJ 102 V (1 k)	T	125.6/93.2
R90	7030003800	S.RES ERJ3GEYJ 105 V (1 M)	B	129.6/85.8
R91	7030003660	S.RES ERJ3GEYJ 683 V (68 k)	B	129.6/88.6
R92	7030003380	S.RES ERJ3GEYJ 331 V (330)	B	119.5/93.4
R93	7310005050	S.TRI RH03ADCS3X (4.7 k)	T	108.9/80.4
R94	7030003320	S.RES ERJ3GEYJ 101 V (100)	B	136.8/95
R95	7030003840	S.RES ERJ3GEYJ 225 V (2.2 M)	B	129.7/100.1
R96	7030009920	S.RES ERJ3GEYJ 335 V (3.3 M)	B	126.4/103.7
R97	7030011040	S.RES ERJ3GEYJ 685 V (6.8 M)	B	126.4/100.1
R98	7030003320	S.RES ERJ3GEYJ 101 V (100)	T	122.8/90.8
R99	7030000380	S.RES MCR10EZHH 1 k	B	126.2/89.4
R100	7030003440	S.RES ERJ3GEYJ 102 V (1 k)	T	216.4/79.1
R101	7030003520	S.RES ERJ3GEYJ 472 V (4.7 k)	T	210.7/79.1
R102	7030003680	S.RES ERJ3GEYJ 104 V (100 k)	T	212/79.1
R103	7030003560	S.RES ERJ3GEYJ 103 V (10 k)	T	215.7/77
R104	7030003560	S.RES ERJ3GEYJ 103 V (10 k)	T	214.3/70
R105	7030003440	S.RES ERJ3GEYJ 102 V (1 k)	T	206.8/79.1
R106	7030003520	S.RES ERJ3GEYJ 472 V (4.7 k)	T	201.1/79.1
R107	7030003680	S.RES ERJ3GEYJ 104 V (100 k)	T	202.4/79.1
R108	7030003560	S.RES ERJ3GEYJ 103 V (10 k)	T	206.1/77
R109	7030003560	S.RES ERJ3GEYJ 103 V (10 k)	T	205.1/70
R110	7030003560	S.RES ERJ3GEYJ 103 V (10 k)	T	216.5/91
R111	7030003560	S.RES ERJ3GEYJ 103 V (10 k)	T	215.2/91
R113	7030003440	S.RES ERJ3GEYJ 102 V (1 k)	T	215.6/70
R114	7030003560	S.RES ERJ3GEYJ 103 V (10 k)	T	214.3/67.3
R115	7030003440	S.RES ERJ3GEYJ 102 V (1 k)	T	203.8/70
R116	7030003560	S.RES ERJ3GEYJ 103 V (10 k)	T	205.1/67.3
R117	7030003620	S.RES ERJ3GEYJ 333 V (33 k)	T	124.7/75
R118	7030003680	S.RES ERJ3GEYJ 104 V (100 k)	T	126/75
R119	7030003560	S.RES ERJ3GEYJ 103 V (10 k)	B	217/60.1
R120	7030003560	S.RES ERJ3GEYJ 103 V (10 k)	B	217/56.7
R123	7030003520	S.RES ERJ3GEYJ 472 V (4.7 k)	T	214.5/46.3
R124	7030003520	S.RES ERJ3GEYJ 472 V (4.7 k)	T	205.3/47.2
R125	7030003320	S.RES ERJ3GEYJ 101 V (100)	T	213.6/48.8
R126	7030003470	S.RES ERJ3GEYJ 182 V (1.8 k)	T	167.3/61.4
R127	7030003470	S.RES ERJ3GEYJ 182 V (1.8 k)	T	167.3/62.8
R128	7030003470	S.RES ERJ3GEYJ 182 V (1.8 k)	T	167.3/64.1
R129	7030003470	S.RES ERJ3GEYJ 182 V (1.8 k)	T	167.3/65.4
R130	7030003480	S.RES ERJ3GEYJ 222 V (2.2 k)	B	219.7/57.7
R131	7030003480	S.RES ERJ3GEYJ 222 V (2.2 k)	B	219.6/59.2
R132	7030000380	S.RES MCR10EZHH 1 k	B	123.4/92.5
R133	7030003520	S.RES ERJ3GEYJ 472 V (4.7 k)	T	230.6/61.6
R134	7030003440	S.RES ERJ3GEYJ 102 V (1 k)	T	232.2/65.3
R135	7030003520	S.RES ERJ3GEYJ 472 V (4.7 k)	T	232/53
R136	7030003440	S.RES ERJ3GEYJ 102 V (1 k)	T	232/51.7
R137	7030003480	S.RES ERJ3GEYJ 222 V (2.2 k)	T	232.2/64
R138	7030003320	S.RES ERJ3GEYJ 101 V (100)	B	204.5/64.9
R139	7030003560	S.RES ERJ3GEYJ 103 V (10 k)	T	226.2/71
R140	7030003560	S.RES ERJ3GEYJ 103 V (10 k)	T	230.4/46.7
R141	7030003560	S.RES ERJ3GEYJ 103 V (10 k)	B	256.3/59.4
R142	7030003640	S.RES ERJ3GEYJ 473 V (47 k)	B	254.5/59.4
R143	7030004040	S.RES ERJ3GEYJ 4R7 V (4.7)	B	252.4/98.6
R144	7030004040	S.RES ERJ3GEYJ 4R7 V (4.7)	B	244.1/109.8
R145	7030003440	S.RES ERJ3GEYJ 102 V (1 k)	T	234.8/76.9
R146	7510001511	S.TMR NTCG16 4LH 223JT	T	232.2/76.9

[MAIN UNIT]

REF NO.	ORDER NO.	DESCRIPTION	M.	H/V LOCATION
R147	7030003750	S.RES ERJ3GEYJ 394 V (390 k)	T	233.7/75.6
R149	7030003360	S.RES ERJ3GEYJ 221 V (220)	B	252.2/92.4
R150	7030003360	S.RES ERJ3GEYJ 221 V (220)	B	243.8/92.4
R151	7030003410	S.RES ERJ3GEYJ 561 V (560)	T	243.8/33.1
R152	7030003320	S.RES ERJ3GEYJ 101 V (100)	B	215.1/71.9
R154	7030003320	S.RES ERJ3GEYJ 101 V (100)	T	206.3/37.3
R155	7030003640	S.RES ERJ3GEYJ 473 V (47 k)	T	215.3/42.8
R156	7030003640	S.RES ERJ3GEYJ 473 V (47 k)	T	204.5/39.8
R157	7030003480	S.RES ERJ3GEYJ 222 V (2.2 k)	T	214.9/82.1
R158	7030003480	S.RES ERJ3GEYJ 222 V (2.2 k)	T	206/82.6
R159	7030003440	S.RES ERJ3GEYJ 102 V (1 k)	T	214.3/64.6
R160	7030003440	S.RES ERJ3GEYJ 102 V (1 k)	T	226.7/92.1
R161	7030003480	S.RES ERJ3GEYJ 222 V (2.2 k)	T	228/92.1
R162	7030003680	S.RES ERJ3GEYJ 104 V (100 k)	T	226.7/89.3
R163	7030003570	S.RES ERJ3GEYJ 123 V (12 k)	T	228/89.3
R164	7030003680	S.RES ERJ3GEYJ 104 V (100 k)	T	229.3/89.3
R165	7030003680	S.RES ERJ3GEYJ 104 V (100 k)	T	230.6/89.3
R166	7030003400	S.RES ERJ3GEYJ 471 V (470)	T	231.9/89.3
R167	7030003440	S.RES ERJ3GEYJ 102 V (1 k)	T	225.4/92.1
R168	7030003480	S.RES ERJ3GEYJ 222 V (2.2 k)	T	224.1/92.1
R169	7030003680	S.RES ERJ3GEYJ 104 V (100 k)	T	225.4/89.3
R170	7030003570	S.RES ERJ3GEYJ 123 V (12 k)	T	224.1/89.3
R171	7030003680	S.RES ERJ3GEYJ 104 V (100 k)	T	222.8/89.3
R172	7030003680	S.RES ERJ3GEYJ 104 V (100 k)	T	221.5/89.3
R173	7030003400	S.RES ERJ3GEYJ 471 V (470)	T	220.2/89.3
R174	7030003440	S.RES ERJ3GEYJ 102 V (1 k)	T	205.1/64.5
R175	7030003860	S.RES ERJ3GE JPW V	B	192.6/39.4
R176	7030003450	S.RES ERJ3GEYJ 122 V (1.2 k)	T	107.8/82.8
R180	7030003560	S.RES ERJ3GEYJ 103 V (10 k)	B	190.2/57
R181	7030003560	S.RES ERJ3GEYJ 103 V (10 k)	B	191.8/57
R183	7030003470	S.RES ERJ3GEYJ 182 V (1.8 k)	T	167.3/60.1
R184	7030003470	S.RES ERJ3GEYJ 182 V (1.8 k)	T	167.3/58.8
R185	7030003470	S.RES ERJ3GEYJ 182 V (1.8 k)	T	167.3/57.5
R186	7030003470	S.RES ERJ3GEYJ 182 V (1.8 k)	T	167.3/56.2
R187	7030003480	S.RES ERJ3GEYJ 222 V (2.2 k)	T	180.9/57.8
R188	7030003480	S.RES ERJ3GEYJ 222 V (2.2 k)	T	180.9/56.5
R189	7030003560	S.RES ERJ3GEYJ 103 V (10 k)	B	188.9/43.4
R190	7030003560	S.RES ERJ3GEYJ 103 V (10 k)	B	188.9/40.6
R191	7030003440	S.RES ERJ3GEYJ 102 V (1 k)	T	194.1/35.6
R192	7030003610	S.RES ERJ3GEYJ 273 V (27 k)	T	192/34.9
R193	7030003440	S.RES ERJ3GEYJ 102 V (1 k)	T	178.3/41.3
R194	7030003610	S.RES ERJ3GEYJ 273 V (27 k)	T	181.7/35.4
R195	7030003440	S.RES ERJ3GEYJ 102 V (1 k)	T	191.3/44.8
R196	7030003440	S.RES ERJ3GEYJ 102 V (1 k)	T	183.4/48
R197	7030003320	S.RES ERJ3GEYJ 101 V (100)	T	125.6/94.5
R198	7030003640	S.RES ERJ3GEYJ 473 V (47 k)	T	120.2/90.8
R199	7030003520	S.RES ERJ3GEYJ 472 V (4.7 k)	T	121.7/89
R200	7030003560	S.RES ERJ3GEYJ 103 V (10 k)	B	166.9/76.4
R201	7030003560	S.RES ERJ3GEYJ 103 V (10 k)	T	161.2/71.4
R202	7030003520	S.RES ERJ3GEYJ 472 V (4.7 k)	T	167.5/72.8
R203	7030003720	S.RES ERJ3GEYJ 224 V (220 k)	T	166.2/73.5
R204	7030003320	S.RES ERJ3GEYJ 101 V (100)	T	142.2/67.8
R205	7030003320	S.RES ERJ3GEYJ 101 V (100)	B	148.2/70
R208	7030003440	S.RES ERJ3GEYJ 102 V (1 k)	T	147.2/75.8
R211	7030003560	S.RES ERJ3GEYJ 103 V (10 k)	T	162.7/93.7
R212	7030003520	S.RES ERJ3GEYJ 472 V (4.7 k)	T	165.1/91.5
R213	7030003440	S.RES ERJ3GEYJ 102 V (1 k)	T	165.1/94.1
R214	7030003600	S.RES ERJ3GEYJ 223 V (22 k)	B	152.9/84.5
R216	7030003620	S.RES ERJ3GEYJ 333 V (33 k)	B	152.9/82
R218	7030003580	S.RES ERJ3GEYJ 153 V (15 k)	T	138.3/85.3
R221	7030003560	S.RES ERJ3GEYJ 103 V (10 k)	T	158.5/93.7
R222	7030003520	S.RES ERJ3GEYJ 472 V (4.7 k)	T	155.9/91.5
R223	7030003440	S.RES ERJ3GEYJ 102 V (1 k)	T	155.9/94.1
R224	7030003600	S.RES ERJ3GEYJ 223 V (22 k)	B	152.9/89.3
R226	7030003620	S.RES ERJ3GEYJ 333 V (33 k)	B	152.9/87.5
R228	7030003580	S.RES ERJ3GEYJ 153 V (15 k)	T	138.3/90.2
R230	7030003320	S.RES ERJ3GEYJ 101 V (100)	T	66.5/5.7
R231	7030003320	S.RES ERJ3GEYJ 101 V (100)	T	73.9/23.8
R232	7030003680	S.RES ERJ3GEYJ 104 V (100 k)	T	74.3/20.3
R233	7030003560	S.RES ERJ3GEYJ 103 V (10 k)	T	76.4/22
R234	7030003320	S.RES ERJ3GEYJ 101 V (100)	T	73.3/17.2
R235	7030003860	S.RES ERJ3GE JPW V	T	155.9/58.5
R240	7030003420	S.RES ERJ3GEYJ 681 V (680)	T	177.1/58.1
R241	7030003360	S.RES ERJ3GEYJ 221 V (220)	T	233.5/35.2
R242	7030003440	S.RES ERJ3GEYJ 102 V (1 k)	T	233.4/32.7
R243	7030003440	S.RES ERJ3GEYJ 102 V (1 k)	T	213.8/40.1
R244	7030003440	S.RES ERJ3GEYJ 102 V (1 k)	T	217.1/43.5
R245	7030003540	S.RES ERJ3GEYJ 682 V (6.8 k)	T	215.3/44.3
R246	7030003440	S.RES ERJ3GEYJ 102 V (1 k)	T	205.3/41.8
R247	7030003440	S.RES ERJ3GEYJ 102 V (1 k)	T	204/44.6
R248	7030003540	S.RES ERJ3GEYJ 682 V (6.8 k)	T	205.3/44.6
R249	7030003560	S.RES ERJ3GEYJ 103 V (10 k)	T	163.3/70.9
R250	7030003200	S.RES ERJ3GEYJ 100 V (10)	B	117.1/28.7
R251	7030003200	S.RES ERJ3GEYJ 100 V (10)	B	117.8/30.1
R252	7030003200	S.RES ERJ3GEYJ 100 V (10)	B	117.1/31.5
R253	7030003200	S.RES ERJ3GEYJ 100 V (10)	B	117.8/32



[MAIN UNIT]

REF NO.	ORDER NO.	DESCRIPTION	M.	H/V LOCATION
R260	7030003560	S.RES ERJ3GEYJ 103 V (10 k)	B	120.4/31.5
R261	7030003560	S.RES ERJ3GEYJ 103 V (10 k)	B	121.2/32.9
R262	7030003560	S.RES ERJ3GEYJ 103 V (10 k)	B	120.4/34.3
R263	7030003560	S.RES ERJ3GEYJ 103 V (10 k)	B	121.2/35.7
R264	7030003560	S.RES ERJ3GEYJ 103 V (10 k)	B	120.4/37.1
R265	7030003560	S.RES ERJ3GEYJ 103 V (10 k)	B	121.2/38.5
R270	7030003200	S.RES ERJ3GEYJ 100 V (10)	B	120.6/42.8
R271	7030003200	S.RES ERJ3GEYJ 100 V (10)	B	121.3/44.2
R272	7030003200	S.RES ERJ3GEYJ 100 V (10)	B	120.6/45.6
R273	7030003200	S.RES ERJ3GEYJ 100 V (10)	B	121.3/47
R274	7030003200	S.RES ERJ3GEYJ 100 V (10)	B	120.6/48.4
R275	7030003200	S.RES ERJ3GEYJ 100 V (10)	B	121.3/49.8
R276	7030003200	S.RES ERJ3GEYJ 100 V (10)	B	120.6/51.2
R277	7030003200	S.RES ERJ3GEYJ 100 V (10)	B	124.2/54.7
R278	7030003560	S.RES ERJ3GEYJ 103 V (10 k)	B	124.3/42.8
R279	7030003560	S.RES ERJ3GEYJ 103 V (10 k)	B	125/44.2
R280	7030003560	S.RES ERJ3GEYJ 103 V (10 k)	B	124.3/45.6
R281	7030003560	S.RES ERJ3GEYJ 103 V (10 k)	B	125/47
R282	7030003560	S.RES ERJ3GEYJ 103 V (10 k)	B	124.3/48.4
R283	7030003560	S.RES ERJ3GEYJ 103 V (10 k)	B	125/49.8
R284	7030003560	S.RES ERJ3GEYJ 103 V (10 k)	B	124.3/51.2
R285	7030003560	S.RES ERJ3GEYJ 103 V (10 k)	B	125/52.6
R290	7030003200	S.RES ERJ3GEYJ 100 V (10)	B	164.1/41.5
R291	7030003200	S.RES ERJ3GEYJ 100 V (10)	B	164.1/39.7
R292	7030003200	S.RES ERJ3GEYJ 100 V (10)	B	164.1/37.9
R293	7030003200	S.RES ERJ3GEYJ 100 V (10)	B	164.1/36.1
R294	7030003200	S.RES ERJ3GEYJ 100 V (10)	B	164.1/34.3
R295	7030003200	S.RES ERJ3GEYJ 100 V (10)	B	164.1/32.5
R296	7030003200	S.RES ERJ3GEYJ 100 V (10)	B	164.1/30.7
R298	7030003560	S.RES ERJ3GEYJ 103 V (10 k)	B	160.8/41.5
R299	7030003560	S.RES ERJ3GEYJ 103 V (10 k)	B	160.8/39.7
R300	7030003560	S.RES ERJ3GEYJ 103 V (10 k)	B	160.8/37.9
R301	7030003560	S.RES ERJ3GEYJ 103 V (10 k)	B	160.8/36.1
R302	7030003560	S.RES ERJ3GEYJ 103 V (10 k)	B	160.8/34.3
R303	7030003560	S.RES ERJ3GEYJ 103 V (10 k)	B	160.8/32.5
R304	7030003560	S.RES ERJ3GEYJ 103 V (10 k)	B	160.8/30.7
R310	7030003200	S.RES ERJ3GEYJ 100 V (10)	B	166.1/55.9
R311	7030003200	S.RES ERJ3GEYJ 100 V (10)	B	163.5/54.1
R312	7030003200	S.RES ERJ3GEYJ 100 V (10)	B	164.1/52.3
R313	7030003200	S.RES ERJ3GEYJ 100 V (10)	B	164.1/50.5
R314	7030003200	S.RES ERJ3GEYJ 100 V (10)	B	164.1/48.7
R315	7030003200	S.RES ERJ3GEYJ 100 V (10)	B	164.1/46.9
R316	7030003200	S.RES ERJ3GEYJ 100 V (10)	B	164.1/45.1
R317	7030003200	S.RES ERJ3GEYJ 100 V (10)	B	164.1/43.3
R318	7030003560	S.RES ERJ3GEYJ 103 V (10 k)	B	162.1/55.9
R319	7030003560	S.RES ERJ3GEYJ 103 V (10 k)	B	160.2/54.1
R320	7030003560	S.RES ERJ3GEYJ 103 V (10 k)	B	160.8/52.3
R321	7030003560	S.RES ERJ3GEYJ 103 V (10 k)	B	160.8/50.5
R322	7030003560	S.RES ERJ3GEYJ 103 V (10 k)	B	160.8/48.7
R323	7030003560	S.RES ERJ3GEYJ 103 V (10 k)	B	160.8/46.9
R324	7030003560	S.RES ERJ3GEYJ 103 V (10 k)	B	160.8/45.1
R325	7030003560	S.RES ERJ3GEYJ 103 V (10 k)	B	160.8/43.3
R330	7030009891	S.RES ERA3YED 151V (150)	T	155/65.5
R331	7030009851	S.RES ERA3YED 271V (270)	T	152.4/65.5
R341	7030003520	S.RES ERJ3GEYJ 472 V (4.7 k)	B	199.8/27.5
R342	7030004050	S.RES ERJ3GEYJ 1R0 V (1)	T	214.6/28.5
R351	7030003680	S.RES ERJ3GEYJ 104 V (100 k)	T	129.6/81.6
R352	7030003640	S.RES ERJ3GEYJ 473 V (47 k)	T	132.5/83.2
R353	7030003560	S.RES ERJ3GEYJ 103 V (10 k)	T	134.7/83.7
R361	7030003520	S.RES ERJ3GEYJ 472 V (4.7 k)	B	144.7/26.2
R362	7030004050	S.RES ERJ3GEYJ 1R0 V (1)	T	157.7/16.5
R381	7030004050	S.RES ERJ3GEYJ 1R0 V (1)	T	93.7/50.7
R397	7030003410	S.RES ERJ3GEYJ 561 V (560)	B	108.3/36.7
R398	7030007860	S.RES ERJ3GEYJ 8R2V (8.2)	B	110.2/38.7
R399	7030003410	S.RES ERJ3GEYJ 561 V (560)	B	108.3/39.6
R400	7030003360	S.RES ERJ3GEYJ 221 V (220)	T	228.3/9.9
R401	7030003360	S.RES ERJ3GEYJ 221 V (220)	B	227.3/9.9
R402	7030003360	S.RES ERJ3GEYJ 221 V (220)	T	226.3/9.9
R403	7030003360	S.RES ERJ3GEYJ 221 V (220)	T	28.3/9.9
R404	7030003360	S.RES ERJ3GEYJ 221 V (220)	T	27/9.9
R405	7030003360	S.RES ERJ3GEYJ 221 V (220)	T	25.7/9.9
R410	7030003320	S.RES ERJ3GEYJ 101 V (100)	T	9.9/56
R413	7030003320	S.RES ERJ3GEYJ 101 V (100)	B	9.9/53
R414	7030003320	S.RES ERJ3GEYJ 101 V (100)	T	9.9/52
R415	7030003320	S.RES ERJ3GEYJ 101 V (100)	B	9.9/51
R416	7030003320	S.RES ERJ3GEYJ 101 V (100)	T	9.9/50
R417	7030003320	S.RES ERJ3GEYJ 101 V (100)	B	9.9/47
R418	7030003320	S.RES ERJ3GEYJ 101 V (100)	T	9.9/46
R419	7030003320	S.RES ERJ3GEYJ 101 V (100)	B	9.9/45
R420	7030003320	S.RES ERJ3GEYJ 101 V (100)	T	9.9/44
R421	7030003320	S.RES ERJ3GEYJ 101 V (100)	B	9.9/43
R422	7030003320	S.RES ERJ3GEYJ 101 V (100)	T	9.9/32
R423	7030003320	S.RES ERJ3GEYJ 101 V (100)	T	9.9/30
R424	7030003320	S.RES ERJ3GEYJ 101 V (100)	B	9.9/29
R450	7030003600	S.RES ERJ3GEYJ 223 V (22 k)	B	205.8/28
R451	7030003600	S.RES ERJ3GEYJ 223 V (22 k)	B	166.9/18.4
R452	7030003600	S.RES ERJ3GEYJ 223 V (22 k)	B	94.3/43.7
R460	7030003560	S.RES ERJ3GEYJ 103 V (10 k)	B	144.4/79.4
R461	7030003560	S.RES ERJ3GEYJ 103 V (10 k)	B	144.1/73.6
R462	7030003580	S.RES ERJ3GEYJ 153 V (15 k)	T	79.1/23.3
R463	7030003560	S.RES ERJ3GEYJ 103 V (10 k)	T	158.6/71.4
R466	7030003440	S.RES ERJ3GEYJ 102 V (1 k)	T	73.7/22.2

[MAIN UNIT]

REF NO.	ORDER NO.	DESCRIPTION	M.	H/V LOCATION
R467	7030003320	S.RES ERJ3GEYJ 101 V (100)	B	148.2/73.6
R468	7030003620	S.RES ERJ3GEYJ 333 V (33 k)	T	142.2/77.4
R469	7030003520	S.RES ERJ3GEYJ 472 V (4.7 k)	T	143/75.7
R470	7030003620	S.RES ERJ3GEYJ 333 V (33 k)	T	165.9/78.4
R471	7030003440	S.RES ERJ3GEYJ 102 V (1 k)	T	152.2/67.8
R472	7030003640	S.RES ERJ3GEYJ 473 V (47 k)	T	165.9/77.1
R474	7030003600	S.RES ERJ3GEYJ 223 V (22 k)	T	132.5/75.3
R476	7030003760	S.RES ERJ3GEYJ 474 V (470 k)	T	126.5/77.5
R479	7030003550	S.RES ERJ3GEYJ 822 V (8.2 k)	B	170.5/73.6
R481	7030003860	S.RES ERJ3GE JPW V	B	170.5/70.8
R482	7030000010	S.RES MCR10EZHZ JPW	B	108.8/46
R483	7030000010	S.RES MCR10EZHZ JPW	B	206.6/18.3
R484	7030000010	S.RES MCR10EZHZ JPW	B	151.6/27.6
R485	7030003860	S.RES ERJ3GE JPW V	T	9.9/48
R486	7030003860	S.RES ERJ3GE JPW V	B	9.9/49
R487	7030000010	S.RES MCR10EZHZ JPW	T	9.9/58.1
R488	7030003860	S.RES ERJ3GE JPW V	B	111.4/76.2
R489	7030003500	S.RES ERJ3GEYJ 332 V (3.3 k)	B	229/6
R490	7030003440	S.RES ERJ3GEYJ 102 V (1 k)	B	159.4/63.3
R491	7030003560	S.RES ERJ3GEYJ 103 V (10 k)	B	157.7/59.6
R492	7030003560	S.RES ERJ3GEYJ 103 V (10 k)	B	159.5/59.6
R493	7030003410	S.RES ERJ3GEYJ 561 V (560)	T	130.7/103
R494	7030005331	S.RES ERA3YED 562V (5.6 k)	T	218.4/78.6
R495	7030010480	S.RES ERJ1TYJ 181U (180)	T	212.4/2.3
R496	7030005331	S.RES ERA3YED 562V (5.6 k)	B	218.4/77.3
R497	7030007911	S.RES ERA3YKD 563V (56 k)	B	228.6/16.1
R498	7030005631	S.RES ERA3YKD 154V (150 k)	B	228.6/20.2
R499	7030005631	S.RES ERA3YKD 154V (150 k)	B	230.4/20.2
R501	7030003440	S.RES ERJ3GEYJ 102 V (1 k)	T	20.7/58.3
R502	7030003560	S.RES ERJ3GEYJ 103 V (10 k)	T	19.2/60.9
R503	7030003440	S.RES ERJ3GEYJ 102 V (1 k)	T	22.2/58.3
R504	7030003440	S.RES ERJ3GEYJ 102 V (1 k)	T	23.7/60.9
R505	7030003320	S.RES ERJ3GEYJ 101 V (100)	T	26/61.7
R506	7030003320	S.RES ERJ3GEYJ 101 V (100)	T	16.1/70.6
R507	7030003440	S.RES ERJ3GEYJ 102 V (1 k)	T	22.2/72.4
R508	7030003440	S.RES ERJ3GEYJ 102 V (1 k)	T	23.7/72.4
R509	7030003320	S.RES ERJ3GEYJ 101 V (100)	T	26.7/72.4
R510	7030003320	S.RES ERJ3GEYJ 101 V (100)	T	19.2/81.2
R511	7030003320	S.RES ERJ3GEYJ 101 V (100)	T	21.4/87.5
R512	7030003650	S.RES ERJ3GEYJ 563 V (56 k)	B	228.2/3.1
R513	7030003860	S.RES ERJ3GE JPW V	T	103.9/68.7
R514	7030003440	S.RES ERJ3GEYJ 102 V (1 k)	T	19.2/96.4
R515	7030003410	S.RES ERJ3GEYJ 561 V (560)	T	26.6/96.4
R516	7030003440	S.RES ERJ3GEYJ 102 V (1 k)	T	25.3/84.6
R517	7030003520	S.RES ERJ3GEYJ 472 V (4.7 k)	T	23.2/84.6
R518	7030003400	S.RES ERJ3GEYJ 471 V (470)	B	20.1/91.9
R519	7030003560	S.RES ERJ3GEYJ 103 V (10 k)	B	20.1/89
R520	7030003630	S.RES ERJ3GEYJ 393 V (39 k)	B	24.3/91.9
R521	7030003600	S.RES ERJ3GEYJ 223 V (22 k)	B	24.3/87.7
R522	7030003200	S.RES ERJ3GEYJ 100 V (10)	B	230.4/24.8
R523	7030003360	S.RES ERJ3GEYJ 221 V (220)	B	27.9/87.7
R524	7030003560	S.RES ERJ3GEYJ 103 V (10 k)	B	27.1/93.9
R525	7030003480	S.RES ERJ3GEYJ 222 V (2.2 k)	B	31.3/91.9
R526	7030003440	S.RES ERJ3GEYJ 102 V (1 k)	B	31.3/98.7
R527	7030003560	S.RES ERJ3GEYJ 103 V (10 k)	B	31.3/94.9
R528	7030003560	S.RES ERJ3GEYJ 103 V (10 k)	B	34.3/96.2
R529	7030003560	S.RES ERJ3GEYJ 103 V (10 k)	B	34.3/89.7
R530	7030003560	S.RES ERJ3GEYJ 103 V (10 k)	B	48.1/95.1
R531	7030003560	S.RES ERJ3GEYJ 103 V (10 k)	B	48.1/82
R532	7030003440	S.RES ERJ3GEYJ 102 V (1 k)	B	40.9/91.4
R533	7030003560	S.RES ERJ3GEYJ 103 V (10 k)	B	44.5/91.4
R534	7030003560	S.RES ERJ3GEYJ 103 V (10 k)	T	49.1/79.5
R535	7030003440	S.RES ERJ3GEYJ 102 V (1 k)	B	49.8/82
R536	7030003490	S.RES ERJ3GEYJ 272 V (2.7 k)	B	48.7/85.7
R537	7030003320	S.RES ERJ3GEYJ 101 V (100)	T	53.5/84.4
R538	7310005040	S.TRI RH03ADCJ4X (22 k)	T	49.3/90.7
R539	7030003400	S.RES ERJ3GEYJ 471 V (470)	B	51.7/95.1
R540	7030003220	S.RES ERJ3GEYJ 150 V (15)	B	66.4/96.1
R541	7030003380	S.RES ERJ3GEYJ 331 V (330)	B	64.3/96.9
R543	7030003380	S.RES ERJ3GEYJ 331 V (330)	B	64.3/95.3
R544	7030005671	S.RES ERA3YKD 393V (39 k)	B	229.4/17.7
R545	7030004030	S.RES ERJ3GEYJ 5R6 V (5.6)	B	59.9/93.8
R546	7030003430	S.RES ERJ3GEYJ 821 V (820)	B	58.7/90.7
R547	7030003430	S.RES ERJ3GEYJ 821 V (820)	B	61.1/90.7
R548	7030004030	S.RES ERJ3GEYJ 5R6 V (5.6)	B	80.6/93.8
R549	7030003560	S.RES ERJ3GEYJ 103 V (10 k)	T	129.5/104.6
R550	7030003560	S.RES ERJ3GEYJ 103 V (10 k)	T	132.8/106.5
R551	7030003680	S.RES ERJ3GEYJ 104 V (100 k)	T	188.5/106.1
R552	7030004040	S.RES ERJ3GEYJ 4R7 V (4.7)	B	101.6/88.7
R553	7030009891	S.RES ERA3YED 151V (150)	B	108.3/85.2
R554	7030003440	S.RES ERJ3GEYJ 102 V (1 k)	B	105.6/85.2
R555	7510001491	S.TMR NTCG16 3NH 681JT	B	103.8/78
R556	7030003480	S.RES ERJ3GEYJ 222 V (2.2 k)	B	103.8/80.6
R557	7030005331	S.RES ERA3YED 562V (5.6 k)	B	229.4/23
R558	7030003320	S.RES ERJ3GEYJ 101 V (100)	B	102.9/74.8
R559	7030003680	S.RES ERJ3GEYJ 104 V (100 k)	T	132.8/105.2
R560	7030003680	S.RES ERJ3GEYJ 104 V (100 k)	T	188.5/103.4
R561	7030003680	S.RES ERJ3GEYJ 104 V (100		

[MAIN UNIT]

REF NO.	ORDER NO.	DESCRIPTION	M.	H/V LOCATION
R566	7030003330	S.RES ERJ3GEYJ 121 V (120)	T	102.8/74.1
R567	7030003230	S.RES ERJ3GEYJ 180 V (18)	B	91.4/67.6
R568	7030009851	S.RES ERA3YED 271V (270)	B	93.4/66.8
R569	7030009851	S.RES ERA3YED 271V (270)	B	89.3/66.8
R570	7030003520	S.RES ERJ3GEYJ 472 V (4.7 k)	T	59.8/60.7
R571	7030003560	S.RES ERJ3GEYJ 103 V (10 k)	B	64.5/59.2
R572	7030004040	S.RES ERJ3GEYJ 4R7 V (4.7)	T	61.5/68.2
R573	7030003400	S.RES ERJ3GEYJ 471 V (470)	B	68.2/59.2
R574	7030003280	S.RES ERJ3GEYJ 470 V (47)	T	69.8/63.8
R575	7030009851	S.RES ERA3YED 271V (270)	B	56.7/59.3
R576	7030003230	S.RES ERJ3GEYJ 180 V (18)	B	54.6/58.5
R577	7030009851	S.RES ERA3YED 271V (270)	B	56.7/57.7
R578	7030003230	S.RES ERJ3GEYJ 180 V (18)	B	61.6/72
R579	7030009851	S.RES ERA3YED 271V (270)	B	57.9/72.8
R580	7030009851	S.RES ERA3YED 271V (270)	B	57.9/71
R581	7030003430	S.RES ERJ3GEYJ 821 V (820)	B	92.6/72.9
R582	7030004030	S.RES ERJ3GEYJ 5R6 V (5.6)	B	91.8/70.9
R583	7030003430	S.RES ERJ3GEYJ 821 V (820)	B	94.2/70.8
R584	7510001671	S.TMR NTCG16 4BH 103JT	T	218.4/79.9
R585	7030003600	S.RES ERJ3GEYJ 223 V (22 k)	B	25/89.8
R587	7030003200	S.RES ERJ3GEYJ 100 V (10)	B	61.5/68.1
R589	7030003400	S.RES ERJ3GEYJ 471 V (470)	B	64.5/63.7
R590	7030003430	S.RES ERJ3GEYJ 821 V (820)	B	79.8/91.7
R591	7030003430	S.RES ERJ3GEYJ 821 V (820)	B	81.5/91.7
R592	7030000300	S.RES MCR10EZHH 220	B	59.4/61.8
R601	7030000260	S.RES MCR10EZHH 100	B	42.7/43.5
R602	7030000260	S.RES MCR10EZHH 100	B	53.5/43.5
R603	7030000260	S.RES MCR10EZHH 100	B	64.3/43.5
R604	7030000260	S.RES MCR10EZHH 100	B	75.2/43.5
R605	7030000260	S.RES MCR10EZHH 100	B	86/43.5
R606	7030000260	S.RES MCR10EZHH 100	T	34.3/43.5
R607	7030000260	S.RES MCR10EZHH 100	T	43.3/43.5
R608	7030000260	S.RES MCR10EZHH 100	T	52.3/43.5
R609	7030000260	S.RES MCR10EZHH 100	T	61.3/43.5
R610	7030003400	S.RES ERJ3GEYJ 471 V (470)	T	79.8/54
R611	7030000260	S.RES MCR10EZHH 100	T	70.3/43.5
R612	7030009851	S.RES ERA3YED 271V (270)	T	44/54
R613	7030003230	S.RES ERJ3GEYJ 180 V (18)	T	46.2/53.3
R614	7030009851	S.RES ERA3YED 271V (270)	T	44/52.7
R801	7030003380	S.RES ERJ3GEYJ 331 V (330)	T	37.2/26.2
R802	7030009891	S.RES ERA3YED 151V (150)	B	37.2/18.7
R803	7030003440	S.RES ERJ3GEYJ 102 V (1 k)	B	49.7/21
R804	7030003490	S.RES ERJ3GEYJ 272 V (2.7 k)	B	47.8/21.7
R805	7030003300	S.RES ERJ3GEYJ 680 V (68)	T	57.6/18.7
R806	7030003320	S.RES ERJ3GEYJ 101 V (100)	T	56.2/18.7
R807	7030003320	S.RES ERJ3GEYJ 101 V (100)	T	56.9/16.5
R808	7030003640	S.RES ERJ3GEYJ 473 V (47 k)	B	89.9/87.6
R809	7030003460	S.RES ERJ3GEYJ 152 V (1.5 k)	B	84.7/87.6
R810	7030003680	S.RES ERJ3GEYJ 104 V (100 k)	T	34/22.3
R811	7030003560	S.RES ERJ3GEYJ 103 V (10 k)	T	30.8/19.6
R812	7030009851	S.RES ERA3YED 271V (270)	T	34/27.5
R813	7030003230	S.RES ERJ3GEYJ 180 V (18)	T	34/26.2
R814	7030009851	S.RES ERA3YED 271V (270)	T	34/24.9
R815	7030003320	S.RES ERJ3GEYJ 101 V (100)	T	31.9/25.5
R816	7030003680	S.RES ERJ3GEYJ 104 V (100 k)	T	31.2/23.6
R817	7030003860	S.RES ERJ3GE JPW V	T	52.7/23.9
R818	7030003320	S.RES ERJ3GEYJ 101 V (100)	B	41.7/21
R820	7030003440	S.RES ERJ3GEYJ 102 V (1 k)	T	77.7/62.7
R821	7030003320	S.RES ERJ3GEYJ 101 V (100)	T	88.2/60.9
R822	7030003620	S.RES ERJ3GEYJ 333 V (33 k)	T	88.2/57.9
R823	7030003280	S.RES ERJ3GEYJ 470 V (47)	T	83.2/51.5
R824	7030003320	S.RES ERJ3GEYJ 101 V (100)	T	77/58.6
R825	7030003320	S.RES ERJ3GEYJ 101 V (100)	T	82.3/33.8
R826	7030003230	S.RES ERJ3GEYJ 180 V (18)	T	87.2/36.2
R827	7030009851	S.RES ERA3YED 271V (270)	T	85.2/37
R828	7030009851	S.RES ERA3YED 271V (270)	T	85.2/35.5
R829	7030003400	S.RES ERJ3GEYJ 471 V (470)	T	86.5/55.1
R830	7030003330	S.RES ERJ3GEYJ 121 V (120)	T	86/53.2
R831	7030003600	S.RES ERJ3GEYJ 223 V (22 k)	T	83.2/54.5
R832	7030003290	S.RES ERJ3GEYJ 560 V (56)	B	87.3/71.1
R833	7030003480	S.RES ERJ3GEYJ 222 V (2.2 k)	B	89.4/71.8
R834	7030003440	S.RES ERJ3GEYJ 102 V (1 k)	B	85.3/79.2
R835	7030003440	S.RES ERJ3GEYJ 102 V (1 k)	B	83.1/74.2
R836	7030003500	S.RES ERJ3GEYJ 332 V (3.3 k)	B	83.2/79.1
R837	7030003480	S.RES ERJ3GEYJ 222 V (2.2 k)	T	29.8/81.6
R838	7030003510	S.RES ERJ3GEYJ 392 V (3.9 k)	T	33.6/73.8
R839	7030003480	S.RES ERJ3GEYJ 222 V (2.2 k)	T	38.1/73.4
R840	7030003400	S.RES ERJ3GEYJ 471 V (470)	T	38.1/72.1
R841	7030003300	S.RES ERJ3GEYJ 680 V (68)	T	35.3/71.6
R851	7030009861	S.RES ERA3YED 471V (470)	T	110/87.6
R852	7030003560	S.RES ERJ3GEYJ 103 V (10 k)	T	37.9/69.8
R900	7030003320	S.RES ERJ3GEYJ 101 V (100)	T	126.2/5.8
R901	7030003320	S.RES ERJ3GEYJ 101 V (100)	B	125.2/5.8
R902	7030003320	S.RES ERJ3GEYJ 101 V (100)	T	124.2/5.8
R903	7030003320	S.RES ERJ3GEYJ 101 V (100)	B	123.2/5.8
R904	7030003320	S.RES ERJ3GEYJ 101 V (100)	T	122.2/5.8
R906	7030003320	S.RES ERJ3GEYJ 101 V (100)	T	120.2/5.8
R908	7030003320	S.RES ERJ3GEYJ 101 V (100)	T	118.2/5.8
R909	7030003320	S.RES ERJ3GEYJ 101 V (100)	B	117.2/5.8
R910	7030003320	S.RES ERJ3GEYJ 101 V (100)	T	116.2/5.8
R911	7030003320	S.RES ERJ3GEYJ 101 V (100)	B	115.2/5.8
R912	7030003320	S.RES ERJ3GEYJ 101 V (100)	T	114.2/5.8

[MAIN UNIT]

REF NO.	ORDER NO.	DESCRIPTION	M.	H/V LOCATION
R913	7030003320	S.RES ERJ3GEYJ 101 V (100)	B	113.2/5.8
R914	7030003320	S.RES ERJ3GEYJ 101 V (100)	T	112.2/5.8
R915	7030003320	S.RES ERJ3GEYJ 101 V (100)	B	111.2/5.8
R916	7030003320	S.RES ERJ3GEYJ 101 V (100)	T	110.2/5.8
R917	7030003320	S.RES ERJ3GEYJ 101 V (100)	B	109.2/5.8
R918	7030003320	S.RES ERJ3GEYJ 101 V (100)	T	13.8/119.5
R920	7030003320	S.RES ERJ3GEYJ 101 V (100)	T	125.7/15.4
R921	7030003320	S.RES ERJ3GEYJ 101 V (100)	B	124.7/15.4
R922	7030003320	S.RES ERJ3GEYJ 101 V (100)	T	123.7/15.4
R923	7030003320	S.RES ERJ3GEYJ 101 V (100)	B	122.7/15.4
R924	7030003320	S.RES ERJ3GEYJ 101 V (100)	T	121.7/15.4
R925	7030003320	S.RES ERJ3GEYJ 101 V (100)	B	120.7/15.4
R926	7030003320	S.RES ERJ3GEYJ 101 V (100)	T	119.7/15.4
R927	7030003320	S.RES ERJ3GEYJ 101 V (100)	B	118.7/15.4
R928	7030003320	S.RES ERJ3GEYJ 101 V (100)	T	117.7/15.4
R929	7030003320	S.RES ERJ3GEYJ 101 V (100)	B	116.7/15.4
R930	7030003320	S.RES ERJ3GEYJ 101 V (100)	T	115.7/15.4
R932	7030003320	S.RES ERJ3GEYJ 101 V (100)	T	113.7/15.4
R933	7030003320	S.RES ERJ3GEYJ 101 V (100)	B	112.7/15.4
R934	7030003320	S.RES ERJ3GEYJ 101 V (100)	T	111.7/15.4
R936	7030003320	S.RES ERJ3GEYJ 101 V (100)	T	109.7/15.4
R937	7030003320	S.RES ERJ3GEYJ 101 V (100)	B	108.7/15.4
R938	7030003320	S.RES ERJ3GEYJ 101 V (100)	T	12.5/119.5
R940	7030003320	S.RES ERJ3GEYJ 101 V (100)	T	94.3/5.8
R941	7030003320	S.RES ERJ3GEYJ 101 V (100)	B	93.3/5.8
R942	7030003320	S.RES ERJ3GEYJ 101 V (100)	T	92.3/5.8
R943	7030003320	S.RES ERJ3GEYJ 101 V (100)	B	91.3/5.8
R944	7030003320	S.RES ERJ3GEYJ 101 V (100)	T	90.3/5.8
R945	7030003320	S.RES ERJ3GEYJ 101 V (100)	B	89.3/5.8
R946	7030003320	S.RES ERJ3GEYJ 101 V (100)	T	88.3/5.8
R947	7030003320	S.RES ERJ3GEYJ 101 V (100)	B	87.3/5.8
R948	7030003320	S.RES ERJ3GEYJ 101 V (100)	T	86.3/5.8
R949	7030003320	S.RES ERJ3GEYJ 101 V (100)	B	85.3/5.8
R950	7030003320	S.RES ERJ3GEYJ 101 V (100)	T	84.3/5.8
R951	7030003320	S.RES ERJ3GEYJ 101 V (100)	B	83.3/5.8
R952	7030003320	S.RES ERJ3GEYJ 101 V (100)	T	82.3/5.8
R953	7030003320	S.RES ERJ3GEYJ 101 V (100)	B	81.3/5.8
R954	7030003320	S.RES ERJ3GEYJ 101 V (100)	T	80.3/5.8
R955	7030003320	S.RES ERJ3GEYJ 101 V (100)	B	79.3/5.8
R957	7030003320	S.RES ERJ3GEYJ 101 V (100)	B	77.3/5.8
R958	7030003320	S.RES ERJ3GEYJ 101 V (100)	T	76.3/5.8
R960	7030003320	S.RES ERJ3GEYJ 101 V (100)	T	93.8/15.3
R961	7030003320	S.RES ERJ3GEYJ 101 V (100)	B	92.8/15.4
R962	7030003320	S.RES ERJ3GEYJ 101 V (100)	T	91.8/15.3
R963	7030003320	S.RES ERJ3GEYJ 101 V (100)	B	90.8/15.4
R964	7030003320	S.RES ERJ3GEYJ 101 V (100)	T	89.8/15.3
R966	7030003320	S.RES ERJ3GEYJ 101 V (100)	T	87.8/15.3
R967	7030003320	S.RES ERJ3GEYJ 101 V (100)	B	86.8/15.4
R968	7030003320	S.RES ERJ3GEYJ 101 V (100)	T	85.8/15.3
R969	7030003320	S.RES ERJ3GEYJ 101 V (100)	B	84.8/15.4
R970	7030003320	S.RES ERJ3GEYJ 101 V (100)	T	83.8/15.3
R971	7030003320	S.RES ERJ3GEYJ 101 V (100)	B	82.8/15.4
R972	7030003320	S.RES ERJ3GEYJ 101 V (100)	T	81.8/15.4
R973	7030003320	S.RES ERJ3GEYJ 101 V (100)	B	80.8/15.4
R974	7030003320	S.RES ERJ3GEYJ 101 V (100)	T	79.8/15.4
R975	7030003320	S.RES ERJ3GEYJ 101 V (100)	B	78.8/15.4
R976	7030003320	S.RES ERJ3GEYJ 101 V (100)	T	77.8/15.4
R977	7030003320	S.RES ERJ3GEYJ 101 V (100)	B	76.8/15.4
R978	7030003320	S.RES ERJ3GEYJ 101 V (100)	T	75.8/15.4
R979	7030003320	S.RES ERJ3GEYJ 101 V (100)	B	74.8/15.4
C1	4030006880	S.CER C1608 JB 1H 472K-T	B	207.5/109.2
C2	4030006880	S.CER C1608 JB 1H 472K-T	T	225.7/110.3
C3	4030006880	S.CER C1608 JB 1H 472K-T	B	220.4/106.6
C4	4030006880	S.CER C1608 JB 1H 472K-T	T	204.7/110.3
C5	4030006880	S.CER C1608 JB 1H 472K-T	T	222.2/110.3
C6	4030006880	S.CER C1608 JB 1H 472K-T	T	211.7/110.3
C7	4030006880	S.CER C1608 JB 1H 472K-T	T	215.2/110.3
C8	4030006880	S.CER C1608 JB 1H 472K-T	T	200.4/110.3
C9	4030006880	S.CER C1608 JB 1H 472K-T	T	193.4/110.3
C10	4030006880	S.CER C1608 JB 1H 472K-T	T	196.9/110.3
C11	4030006880	S.CER C1608 JB 1H 472K-T	B	168/106.8
C12	4030006880	S.CER C1608 JB 1H 472K-T	T	183.7/110.3
C13	4030006880	S.CER C1608 JB 1H 472K-T	B	178.4/106.6
C14	4030006880	S.CER C1608 JB 1H 472K-T	T	162.7/110.3
C15	4030006880	S.CER C1608 JB 1H 472K-T	T	180.2/110.3
C16	4030006880	S.CER C1608 JB 1H 472K-T	T	169.7/110.3
C17	4030006880	S.CER C1608 JB 1H 472K-T	T	173.2/110.3
C18	4030006880	S.CER C1608 JB 1H 472K-T	T	158.4/110.3
C19	4030006880	S.CER C1608 JB 1H 472K-T	T	151.4/110.3
C20	4030006880	S.CER C1608 JB 1H 472K-T	T	154.9/110.3
C21	4030006880	S.CER C1608 JB 1H 472K-T	B	163.9/96.8
C22	4030006880	S.CER C1608 JB 1H 472K-T	B	174.7/98
C23	4030006880	S.CER C1608 JB 1H 472K-T	B	167.1/98.1
C24	4030006880	S.CER C1608 JB 1H 472K-T	B	145.1/106.9
C25	4510008540	S.ELE EEE1CA100SR	T	218.3/83.6
C26	4510008540	S.ELE EEE1CA100SR	T	233.7/83.5
C28	4510008540	S.ELE EEE1CA100SR	T	191.8/80.5
C29	4510008540	S.ELE EEE1CA100SR	T	184.9/80.5

[MAIN UNIT]

REF NO.	ORDER NO.	DESCRIPTION	M.	H/V LOCATION
C32	4510008540	S.ELE EEE1CA100SR	T	179.82.1
C33	4510008540	S.ELE EEE1CA100SR	T	178.9/87
C34	4030012600	S.CER C2012 JB 1A 105M-T	T	189.92.3
C35	4030012600	S.CER C2012 JB 1A 105M-T	T	179.4/92.4
C36	4510008500	S.ELE EEE1CA101WP	T	222.1/104.5
C37	4510008540	S.ELE EEE1CA100SR	T	229.5/107.3
C38	4510008500	S.ELE EEE1CA101WP	T	174.3/104.1
C39	4510008540	S.ELE EEE1CA100SR	T	181.9/104.7
C40	4510008540	S.ELE EEE1CA100SR	T	190/63.4
C41	4510008540	S.ELE EEE1CA100SR	T	184/63.4
C42	4030011600	S.CER C1608 JB 1E 104K-T	T	187.7/77.1
C43	4030011600	S.CER C1608 JB 1E 104K-T	T	194.5/74.5
C44	4030011600	S.CER C1608 JB 1E 104K-T	T	180.9/77.1
C45	4030012600	S.CER C2012 JB 1A 105M-T	T	193.3/83.8
C46	4030012600	S.CER C2012 JB 1A 105M-T	T	193.3/90.9
C50	4030006880	S.CER C1608 JB 1H 472K-T	B	139.6/118.5
C51	4010005380	CER HM13SJ YB 472K 500V		
C52	4030006880	S.CER C1608 JB 1H 472K-T	B	114.5/98.6
C53	4030006880	S.CER C1608 JB 1H 472K-T	B	116.2/96.3
C54	4030006880	S.CER C1608 JB 1H 472K-T	B	79.9/123.6
C55	4030006880	S.CER C1608 JB 1H 472K-T	B	79.9/118.7
C56	4030006880	S.CER C1608 JB 1H 472K-T	B	92.8/106.5
C57	4030010760	S.CER C1608 CH 1H 331J-T	T	179.5/70.9
C58	4030010760	S.CER C1608 CH 1H 331J-T	T	194.6/70.7
C61	4030012600	S.CER C2012 JB 1A 105M-T	T	119.1/77.8
C62	4030012600	S.CER C2012 JB 1A 105M-T	T	119.1/76
C65	4030012600	S.CER C2012 JB 1A 105M-T	B	108.1/76.2
C68	4030006860	S.CER C1608 JB 1H 102K-T	B	126.4/101.9
C69	4030011600	S.CER C1608 JB 1E 104K-T	T	121.5/90.8
C70	4030011600	S.CER C1608 JB 1E 104K-T	B	122.1/89.4
C71	4030011600	S.CER C1608 JB 1E 104K-T	B	136.8/96.8
C80	4030007130	S.CER C1608 CH 1H 101J-T	B	59.2/122.2
C100	4030011600	S.CER C1608 JB 1E 104K-T	B	208.4/91
C101	4030011600	S.CER C1608 JB 1E 104K-T	T	213.4/87.4
C103	4510008550	S.ELE EEE1HA010SR	T	210.7/83.6
C105	4030011600	S.CER C1608 JB 1E 104K-T	B	201.6/91
C106	4030011600	S.CER C1608 JB 1E 104K-T	T	206.6/87.4
C108	4510008550	S.ELE EEE1HA010SR	T	202.9/83.6
C110	4510008540	S.ELE EEE1CA100SR	T	209.8/63.3
C113	4510008540	S.ELE EEE1CA100SR	T	209.8/73.8
C115	4510008540	S.ELE EEE1CA100SR	T	209.8/48.7
C116	4510008540	S.ELE EEE1CA100SR	T	209.8/38.1
C117	4510009120	S.ELE EEE1VA2R2NR	T	215.7/73.8
C118	4510009120	S.ELE EEE1VA2R2NR	T	203.9/73.8
C120	4510008540	S.ELE EEE1CA100SR	T	223.6/50.7
C121	4510008540	S.ELE EEE1CA100SR	T	214.3/58
C122	4510008540	S.ELE EEE1CA100SR	T	204.7/58
C123	4510008550	S.ELE EEE1HA010SR	T	227/56.1
C124	4510008550	S.ELE EEE1HA010SR	T	227.1/60.9
C125	4510008540	S.ELE EEE1CA100SR	T	218.8/67
C126	4510008540	S.ELE EEE1CA100SR	T	223.6/67
C127	4510008550	S.ELE EEE1HA010SR	T	234.1/60.9
C128	4510008550	S.ELE EEE1HA010SR	T	233.3/56.1
C129	4030008650	S.CER C1608 JB 1H 332K-T	T	215.6/67.3
C130	4030008650	S.CER C1608 JB 1H 332K-T	T	203.8/67.3
C131	4030012600	S.CER C2012 JB 1A 105M-T	T	220.3/52
C132	4030012600	S.CER C2012 JB 1A 105M-T	T	218.5/52
C133	4030008880	S.CER C1608 JB 1H 223K-T	T	232.2/66.6
C134	4030008950	S.CER C2012 JB 1C 823K-T	T	231.3/69
C135	4030008880	S.CER C1608 JB 1H 223K-T	T	234.1/52.3
C136	4030008950	S.CER C2012 JB 1C 823K-T	T	232.4/50.1
C140	4510008550	S.ELE EEE1HA010SR	T	249.6/35.6
C141	4510008190	ELE EUUFC1E222S		
C142	4510009080	S.ELE EEE1HAR22SR	T	253.9/59.1
C143	4510008500	S.ELE EEE1CA101WP	T	253.3/67.9
C144	4510008180	ELE EUUFC1E102S		
C145	4510008180	ELE EUUFC1E102S		
C146	4030011600	S.CER C1608 JB 1E 104K-T	B	252.2/101.3
C147	4030011600	S.CER C1608 JB 1E 104K-T	B	242.4/107.8
C148	4030006880	S.CER C1608 JB 1H 472K-T	B	247.8/97.2
C149	4030006880	S.CER C1608 JB 1H 472K-T	B	252.2/95.4
C150	4030006880	S.CER C1608 JB 1H 472K-T	B	239.9/97.2
C151	4030011600	S.CER C1608 JB 1E 104K-T	T	228.6/73.1
C152	4030011600	S.CER C1608 JB 1E 104K-T	T	233.4/45.5
C180	4510009010	S.ELE EEE1AA221P	T	188.5/50.4
C181	4510008540	S.ELE EEE1CA100SR	T	209.5/58
C182	4510008540	S.ELE EEE1CA100SR	T	199.9/58
C183	4510008540	S.ELE EEE1CA100SR	T	194.4/57.3
C184	4510008540	S.ELE EEE1CA100SR	T	195.8/52.5
C185	4510008540	S.ELE EEE1CA100SR	T	195.8/47.7
C186	4510008540	S.ELE EEE1CA100SR	T	180.2/50.5
C187	4030011600	S.CER C1608 JB 1E 104K-T	T	183.3/39.5
C188	4510008540	S.ELE EEE1CA100SR	T	194.4/42.8
C189	4510008540	S.ELE EEE1CA100SR	T	180.2/45.6
C190	4030011340	S.CER C1608 CH 1H 471J-T	T	194.6/33.4
C191	4030012610	S.CER C2012 JB 1C 474K-T	T	191.1/37.7
C192	4030011340	S.CER C1608 CH 1H 471J-T	T	180.4/35.4
C193	4510008540	S.ELE EEE1CA100SR	T	186.8/31.6
C194	4030012600	S.CER C2012 JB 1A 105M-T	T	180.9/59.4
C195	4030012600	S.CER C2012 JB 1A 105M-T	T	180.7/54.6
C196	4510008500	S.ELE EEE1CA101WP	T	176.1/36.5
C197	4510008500	S.ELE EEE1CA101WP	T	199.7/31.9

[MAIN UNIT]

REF NO.	ORDER NO.	DESCRIPTION	M.	H/V LOCATION
C198	4030011600	S.CER C1608 JB 1E 104K-T	T	125.6/95.8
C200	4510008540	S.ELE EEE1CA100SR	T	153.3/80.5
C201	4510008540	S.ELE EEE1CA100SR	T	160.5/80
C203	4510008550	S.ELE EEE1HA010SR	T	170.6/70.7
C204	4510008550	S.ELE EEE1HA010SR	T	142.1/70.9
C205	4030011600	S.CER C1608 JB 1E 104K-T	B	148.2/71.8
C206	4030009970	S.CER C1608 JB 1H 182K-T	T	192/33.4
C207	4030009970	S.CER C1608 JB 1H 182K-T	T	181.1/33.6
C208	4030011600	S.CER C1608 JB 1E 104K-T	T	219/42.5
C209	4030011600	S.CER C1608 JB 1E 104K-T	B	244/25.5
C210	4510008550	S.ELE EEE1HA010SR	T	168.1/100.5
C211	4510008540	S.ELE EEE1CA100SR	T	160.5/84.8
C212	4510008530	S.ELE EEE1HA2R2SR	T	169.7/94.9
C213	4030017840	S.CER C2012 CH 1H 222J-T	T	166.7/91.5
C214	4510008540	S.ELE EEE1CA100SR	T	170.6/85.3
C215	4510008550	S.ELE EEE1HA010SR	T	150.5/85.3
C216	4510008550	S.ELE EEE1HA010SR	T	142.6/85.3
C217	4030007120	S.CER C1608 CH 1H 820J-T	T	164.9/73.5
C220	4510008550	S.ELE EEE1HA010SR	T	163.3/100.5
C221	4510008540	S.ELE EEE1CA100SR	T	170.6/90.1
C222	4510008530	S.ELE EEE1HA2R2SR	T	151.3/94.9
C223	4030017840	S.CER C2012 CH 1H 222J-T	T	154.3/91.5
C225	4510008550	S.ELE EEE1HA010SR	T	150.5/90.1
C226	4510008550	S.ELE EEE1HA010SR	T	142.6/90.2
C230	4510008500	S.ELE EEE1CA101WP	T	68.9/10.5
C231	4510008500	S.ELE EEE1CA101WP	T	84.1/21.9
C233	4510008550	S.ELE EEE1HA010SR	T	69.8/16.5
C234	4030007170	S.CER C1608 CH 1H 221J-T	T	73/20.3
C235	4030011600	S.CER C1608 JB 1E 104K-T	T	79.1/22
C241	4510008540	S.ELE EEE1CA100SR	T	232.1/28.1
C242	4510004591	ELE 16 ME 470 HC		
C243	4510008500	S.ELE EEE1CA101WP	T	176.7/63
C244	4030011600	S.CER C1608 JB 1E 104K-T	T	176/56.8
C249	4030011600	S.CER C1608 JB 1E 104K-T	T	160.3/68.3
C250	4030011600	S.CER C1608 JB 1E 104K-T	T	133.1/39.1
C251	4030011600	S.CER C1608 JB 1E 104K-T	T	143.3/32.8
C260	4030011600	S.CER C1608 JB 1E 104K-T	T	133.1/53.5
C261	4030011600	S.CER C1608 JB 1E 104K-T	T	143.2/47.1
C290	4030011600	S.CER C1608 JB 1E 104K-T	T	149.1/28.2
C291	4030011600	S.CER C1608 JB 1E 104K-T	T	142.9/38.1
C310	4030011600	S.CER C1608 JB 1E 104K-T	T	153.7/43.3
C311	4030011600	S.CER C1608 JB 1E 104K-T	T	142.9/52.6
C330	4030011600	S.CER C1608 JB 1E 104K-T	T	154.6/58.5
C331	4030011600	S.CER C1608 JB 1E 104K-T	T	154.6/63.5
C332	4030011600	S.CER C1608 JB 1E 104K-T	T	162.4/55.9
C333	4030011600	S.CER C1608 JB 1E 104K-T	T	164.7/66.8
C340	4030017810	S.CER C1608 CH 1H 102J-T	B	206/97
C341	4030017810	S.CER C1608 CH 1H 102J-T	B	191.2/97
C342	4030011600	S.CER C1608 JB 1E 104K-T	B	199.8/26.2
C343	4030007130	S.CER C1608 CH 1H 101J-T	B	211.8/97
C344	4510008590	S.ELE EEE1AA101SP	T	209.7/30.6
C351	4510008540	S.ELE EEE1CA100SR	T	132.4/89.7
C352	4030011600	S.CER C1608 JB 1E 104K-T	T	127.1/84
C360	4030017810	S.CER C1608 CH 1H 102J-T	B	153.8/96.9
C361	4030017810	S.CER C1608 CH 1H 102J-T	B	141.8/92.7
C362	4030011600	S.CER C1608 JB 1E 104K-T	B	144.7/27.5
C363	4030007130	S.CER C1608 CH 1H 101J-T	B	157.1/96.9
C364	4510008590	S.ELE EEE1AA101SP	T	152.8/14.7
C380	4030017810	S.CER C1608 CH 1H 102J-T	B	27.6/37.6
C381	4030017810	S.CER C1608 CH 1H 102J-T	B	27.7/52.4
C383	4030007130	S.CER C1608 CH 1H 101J-T	B	16.5/52.2
C384	4510008590	S.ELE EEE1AA101SP	T	92.9/45.8
C400	4030006880	S.CER C1608 JB 1H 472K-T	T	240.5/11.7
C401	4030006880	S.CER C1608 JB 1H 472K-T	B	234.8/15.5
C402	4030006880	S.CER C1608 JB 1H 472K-T	B	238.1/15.5
C403	4030006880	S.CER C1608 JB 1H 472K-T	T	230.5/16
C404	4030006880	S.CER C1608 JB 1H 472K-T	T	231.9/13.1
C405	4030006880	S.CER C1608 JB 1H 472K-T	T	43.2/12.9
C406	4030006880	S.CER C1608 JB 1H 472K-T	T	31.1/15.3
C407	4030006880	S.CER C1608 JB 1H 472K-T	T	43.2/11.6
C408	4030006880	S.CER C1608 JB 1H 472K-T	T	32/12.6
C409	4030006880	S.CER C1608 JB 1H 472K-T	T	30.7/12.6
C410	4030006880	S.CER C1608 JB 1H 472K-T	T	14.7/41
C411	4030006880	S.CER C1608 JB 1H 472K-T	B	14.7/39.6
C412	4030006880	S.CER C1608 JB 1H 472K-T	T	14.7/38
C413	4030006880	S.CER C1608 JB 1H 472K-T	B	14.7/36.4
C414	4030006880	S.CER C1608 JB 1H 472K-T	B	12.7/33
C415	4030006880	S.CER C1608 JB 1H 472K-T	T	12.8/32
C416	4030006880	S.CER C1608 JB 1H 472K-T	B	12.8/31
C418	4030006880	S.CER C1608 JB 1H 472K-T	B	12/28.2
C430	4030006880	S.CER C1608 JB 1H 472K-T	B	9/68.9
C431	4030006880	S.CER C1608 JB 1H 472K-T	B	9/70.9
C432	4030006880	S.CER C1608 JB 1H 472K-T	B	9/72.9
C435	4030006880	S.CER C1608 JB 1H 472K-T	B	9/74.5
C440	4030006880	S.CER C1608 JB 1H 472K-T	T	166.2/13.5
C441	4030006880	S.CER C1608 JB 1H 472K-T	T	158.9/13.1
C442	4030006880	S.CER C1608 JB 1H 472K-T	T	162.6/15.7
C450	4030006880	S.CER C1608 JB 1H 472K-T	B	250.3/14.2
C451	4030006880	S.CER C1608 JB 1H 472K-T	T	241.8/10.8
C452	4030006880	S.CER C1608 JB 1H 472K-T	B	244/23.7
C453	4030006880	S.CER C1608 JB 1H 472K-T	B	24



[MAIN UNIT]

REF NO.	ORDER NO.	DESCRIPTION	M.	H/V LOCATION
C455	4030006880	S.CER C1608 JB 1H 472K-T	B	244.1/32.3
C456	4030006880	S.CER C1608 JB 1H 472K-T	B	250.4/39.6
C460	4510008550	S.ELE EEE1HA010SR	T	142.1/80.5
C461	4510008550	S.ELE EEE1HA010SR	T	170.6/75.7
C464	4510008540	S.ELE EEE1CA100SR	T	153.3/75.7
C465	4030011600	S.CER C1608 JB 1E 104K-T	B	144.1/75.4
C466	4030011600	S.CER C1608 JB 1E 104K-T	B	148.2/75.4
C467	4030012600	S.CER C2012 JB 1A 105M-T	T	139.3/76.4
C469	4510008550	S.ELE EEE1HA010SR	T	170.6/80.5
C470	4510008550	S.ELE EEE1HA010SR	T	153.3/70.9
C480	4550007320	S.TAN F930J226MAABMA	B	216.6/32.3
C481	4550007320	S.TAN F930J226MAABMA	B	208.7/31.3
C483	4550007320	S.TAN F930J226MAABMA	B	156/16.2
C484	4550007320	S.TAN F930J226MAABMA	B	163.9/15.2
C486	4550007320	S.TAN F930J226MAABMA	B	93.6/55.4
C487	4550007320	S.TAN F930J226MAABMA	B	93.5/47.5
C489	4030011600	S.CER C1608 JB 1E 104K-T	B	220.9/31.1
C490	4030011600	S.CER C1608 JB 1E 104K-T	B	150.2/13.6
C491	4030011600	S.CER C1608 JB 1E 104K-T	B	89.8/57
C492	4030006880	S.CER C1608 JB 1H 472K-T	T	207.6/13
C493	4510008540	S.ELE EEE1CA100SR	T	205.4/3.8
C494	4510004591	ELE 16 ME 470 HC		
C495	4030011600	S.CER C1608 JB 1E 104K-T	B	26.3/123
C496	4030011600	S.CER C1608 JB 1E 104K-T	B	5.7/119.9
C497	4030011600	S.CER C1608 JB 1E 104K-T	T	12.7/122.5
C498	4510004591	ELE 16 ME 470 HC		
C499	4030011600	S.CER C1608 JB 1E 104K-T	B	229.4/26.6
C501	4030011600	S.CER C1608 JB 1E 104K-T	T	19.2/58.3
C502	4030010020	S.CER C1608 JB 1H 122K-T	T	23.7/58.3
C503	4030009980	S.CER C1608 JB 1H 152K-T	T	22.2/60.9
C505	4030011330	S.CER C1608 CH 1H 391J-T	T	25.2/58.3
C506	4030011600	S.CER C1608 JB 1E 104K-T	T	26/64.4
C507	4510008540	S.ELE EEE1CA100SR	T	29.1/66.3
C508	4510008540	S.ELE EEE1CA100SR	T	16.1/66.3
C509	4030011600	S.CER C1608 JB 1E 104K-T	T	19.2/66.5
C510	4030008470	S.CER C1608 JB 1H 272K-T	T	20.7/72.4
C511	4030011280	S.CER C1608 CH 1H 271J-T	T	25.2/72.4
C512	4030011600	S.CER C1608 JB 1E 104K-T	T	26/76.8
C513	4510008540	S.ELE EEE1CA100SR	T	29.1/77.7
C514	4030011600	S.CER C1608 JB 1E 104K-T	T	19.2/78.4
C515	4510008540	S.ELE EEE1CA100SR	T	16.1/78.2
C516	4030006860	S.CER C1608 JB 1H 102K-T	T	22.7/87.5
C517	4030011600	S.CER C1608 JB 1E 104K-T	T	20.3/91.9
C518	4030011600	S.CER C1608 JB 1E 104K-T	T	25.3/87.5
C519	4030011600	S.CER C1608 JB 1E 104K-T	T	26.6/87.5
C520	4510008540	S.ELE EEE1CA100SR	T	30.4/86.7
C521	4030011600	S.CER C1608 JB 1E 104K-T	T	24/87.5
C522	4030011600	S.CER C1608 JB 1E 104K-T	B	18.6/91.9
C523	4030011600	S.CER C1608 JB 1E 104K-T	B	21.6/91.9
C524	4510008540	S.ELE EEE1CA100SR	T	29.7/97
C525	4030006880	S.CER C1608 JB 1H 472K-T	T	26.1/91.9
C526	4030011600	S.CER C1608 JB 1E 104K-T	B	26.1/87.7
C527	4030006880	S.CER C1608 JB 1H 472K-T	B	29.5/91.9
C528	4030011600	S.CER C1608 JB 1E 104K-T	B	29.5/94.9
C529	4030011600	S.CER C1608 JB 1E 104K-T	B	33.5/87.1
C530	4030011600	S.CER C1608 JB 1E 104K-T	B	33.5/98.8
C531	4030006880	S.CER C1608 JB 1H 472K-T	B	37.2/94.6
C532	4030006880	S.CER C1608 JB 1H 472K-T	B	37.2/91.3
C533	4030006880	S.CER C1608 JB 1H 472K-T	B	46.3/95.1
C534	4030006880	S.CER C1608 JB 1H 472K-T	B	46.3/82.2
C535	4030006880	S.CER C1608 JB 1H 472K-T	B	47.3/88.5
C536	4030011600	S.CER C1608 JB 1E 104K-T	B	42.7/91.4
C537	4030006880	S.CER C1608 JB 1H 472K-T	B	51.7/82
C538	4030008920	S.CER C1608 JB 1H 473K-T	B	50.5/85.7
C539	4030011600	S.CER C1608 JB 1E 104K-T	T	52.2/84.4
C540	4510008540	S.ELE EEE1CA100SR	T	49.1/84.5
C541	4030011600	S.CER C1608 JB 1E 104K-T	B	49.9/95.1
C544	4030009530	S.CER C1608 CH 1H 030B-T	T	88.8/94.2
C545	4030011600	S.CER C1608 JB 1E 104K-T	T	131.8/108
C546	4030011340	S.CER C1608 CH 1H 471J-T	B	69.8/90.7
C548	4030011600	S.CER C1608 JB 1E 104K-T	T	128.7/102.3
C550	4510008540	S.ELE EEE1CA100SR	T	127.4/108
C551	4030006880	S.CER C1608 JB 1H 472K-T	B	101.6/91.6
C552	4030006860	S.CER C1608 JB 1H 102K-T	B	106.4/82.7
C553	4030011770	S.CER C1608 CH 1H 060B-T	B	104.8/82.7
C554	4030011600	S.CER C1608 JB 1E 104K-T	B	103/79.3
C555	4030007030	S.CER C1608 CH 1H 150J-T	B	97.9/80.1
C556	4030006880	S.CER C1608 JB 1H 472K-T	B	102.9/76.5
C558	4030007040	S.CER C1608 CH 1H 180J-T	T	81.9/69.4
C559	4030006880	S.CER C1608 JB 1H 472K-T	T	108.4/67.1
C560	4030007080	S.CER C1608 CH 1H 390J-T	T	108.4/64.2
C561	4030006880	S.CER C1608 JB 1H 472K-T	T	105/71.3
C562	4030006860	S.CER C1608 JB 1H 102K-T	B	105.6/64.2
C563	4030011600	S.CER C1608 JB 1E 104K-T	T	98.8/71.3
C564	4030007080	S.CER C1608 CH 1H 390J-T	B	75.9/67.2
C565	4030007130	S.CER C1608 CH 1H 101J-T	B	72.5/68.9
C566	4030007120	S.CER C1608 CH 1H 820J-T	B	69.4/68.5
C567	4030007090	S.CER C1608 CH 1H 470J-T	B	69.4/70.3
C568	4030007130	S.CER C1608 CH 1H 101J-T	B	67.1/69.1
C569	4030011600	S.CER C1608 JB 1E 104K-T	B	62.8/68.1
C570	4030006900	S.CER C1608 JB 1H 103K-T	B	62.9/59.2
C571	4030011600	S.CER C1608 JB 1E 104K-T	B	58.8/66

[MAIN UNIT]

REF NO.	ORDER NO.	DESCRIPTION	M.	H/V LOCATION
C572	4030006900	S.CER C1608 JB 1H 103K-T	B	60/58.4
C573	4030011600	S.CER C1608 JB 1E 104K-T	B	66.7/59.2
C574	4030011600	S.CER C1608 JB 1E 104K-T	B	53.3/57
C576	4610001590	S.TRI TZC3R100A110R00	T	95.5/95.8
C577	4030011600	S.CER C1608 JB 1E 104K-T	B	54.6/63
C578	4030007100	S.CER C1608 CH 1H 560J-T	B	91.4/74.5
C579	4030006980	S.CER C1608 CH 1H 070D-T	B	89.2/76.8
C580	4030007100	S.CER C1608 CH 1H 560J-T	B	93.2/76.5
C581	4030007050	S.CER C1608 CH 1H 220J-T	B	22.6/69.5
C582	4030007050	S.CER C1608 CH 1H 220J-T	T	20.7/84.6
C583	4030011600	S.CER C1608 JB 1E 104K-T	T	27.2/81.6
C584	4030009650	S.CER C1608 CH 1H 240J-T	B	104.5/67.3
C585	4030006980	S.CER C1608 CH 1H 070D-T	B	102.9/67.3
C586	4030007070	S.CER C1608 CH 1H 330J-T	B	98.5/70.2
C587	4030007010	S.CER C1608 CH 1H 100D-T	B	97/64.9
C588	4030007060	S.CER C1608 CH 1H 270J-T	B	96.5/70.2
C589	4030007020	S.CER C1608 CH 1H 120J-T	B	63.8/72.8
C590	4030007100	S.CER C1608 CH 1H 560J-T	B	62.1/74.5
C601	4030006860	S.CER C1608 JB 1H 102K-T	B	40.9/52.4
C602	4030006860	S.CER C1608 JB 1H 102K-T	B	42.7/52.4
C603	4030011600	S.CER C1608 JB 1E 104K-T	B	40.9/49.1
C604	4030007140	S.CER C1608 CH 1H 121J-T	B	38.1/49.8
C605	4030010760	S.CER C1608 CH 1H 331J-T	B	38.1/48
C606	4030007160	S.CER C1608 CH 1H 181J-T	B	33.8/45.5
C607	4030007060	S.CER C1608 CH 1H 270J-T	B	35.6/45.5
C608	4030010760	S.CER C1608 CH 1H 331J-T	B	38.1/46.2
C609	4030007090	S.CER C1608 CH 1H 470J-T	B	38.1/40.8
C610	4030007160	S.CER C1608 CH 1H 181J-T	B	35.6/41.5
C611	4030007060	S.CER C1608 CH 1H 270J-T	B	33.8/41.5
C612	4030007140	S.CER C1608 CH 1H 121J-T	B	38.1/37.1
C613	4030010760	S.CER C1608 CH 1H 331J-T	B	38.1/39
C614	4030006860	S.CER C1608 JB 1H 102K-T	B	40.9/34.5
C615	4030011600	S.CER C1608 JB 1E 104K-T	B	40.9/37.8
C616	4030006860	S.CER C1608 JB 1H 102K-T	B	42.7/34.5
C617	4030010040	S.CER C1608 JB 1H 561K-T	B	51.7/52.4
C618	4030010760	S.CER C1608 CH 1H 331J-T	B	53.5/52.4
C619	4030011600	S.CER C1608 JB 1E 104K-T	B	51.7/49.1
C620	4030010760	S.CER C1608 CH 1H 331J-T	B	48.9/49.8
C621	4030007080	S.CER C1608 CH 1H 390J-T	B	48.9/48
C622	4030007080	S.CER C1608 CH 1H 390J-T	B	44.5/45.5
C623	4030010760	S.CER C1608 CH 1H 331J-T	B	46.4/45.5
C624	4030007090	S.CER C1608 CH 1H 470J-T	B	48.9/46.2
C625	4030010760	S.CER C1608 CH 1H 331J-T	B	48.9/40.8
C626	4030007080	S.CER C1608 CH 1H 390J-T	B	46.4/41.5
C627	4030010760	S.CER C1608 CH 1H 331J-T	B	44.6/41.5
C628	4030007080	S.CER C1608 CH 1H 390J-T	B	48.9/37.1
C629	4030010760	S.CER C1608 CH 1H 331J-T	B	48.9/39
C630	4030010760	S.CER C1608 CH 1H 331J-T	B	51.7/34.5
C631	4030011600	S.CER C1608 JB 1E 104K-T	B	51.7/37.8
C632	4030010040	S.CER C1608 JB 1H 561K-T	B	53.5/34.5
C633	4030010040	S.CER C1608 JB 1H 561K-T	B	62.5/52.4
C634	4030011330	S.CER C1608 CH 1H 391J-T	B	64.3/52.4
C635	4030011600	S.CER C1608 JB 1E 104K-T	B	62.5/49.1
C636	4030007160	S.CER C1608 CH 1H 181J-T	B	59.7/49.8
C637	4030007070	S.CER C1608 CH 1H 330J-T	B	59.7/48
C638	4030007030	S.CER C1608 CH 1H 150J-T	B	55.4/45.5
C639	4030007120	S.CER C1608 CH 1H 820J-T	B	57.2/45.5
C640	4030007100	S.CER C1608 CH 1H 560J-T	B	59.7/46.2
C641	4030007140	S.CER C1608 CH 1H 121J-T	B	59.7/40.8
C642	4030007030	S.CER C1608 CH 1H 150J-T	B	57.2/41.5
C643	4030007120	S.CER C1608 CH 1H 820J-T	B	55.4/41.5
C644	4030007070	S.CER C1608 CH 1H 330J-T	B	59.7/37.1
C645	4030007160	S.CER C1608 CH 1H 181J-T	B	59.7/39
C646	4030011330	S.CER C1608 CH 1H 391J-T	B	62.5/34.5
C647	4030011600	S.CER C1608 JB 1E 104K-T	B	62.5/37.8
C648	4030017800	S.CER C1608 CH 1H 561J-T	B	64.3/34.5
C649	4030010760	S.CER C1608 CH 1H 331J-T	B	73.4/52.4
C650	4030007150	S.CER C1608 CH 1H 151J-T	B	75.2/52.4
C651	4030011600	S.CER C1608 JB 1E 104K-T	B	73.4/49.1
C652	4030007150	S.CER C1608 CH 1H 151J-T	B	70.5/49.8
C653	4030007060	S.CER C1608 CH 1H 270J-T	B	70.5/48
C654	4030007060	S.CER C1608 CH 1H 270J-T	B	66.2/45.5
C655	4030007140	S.CER C1608 CH 1H 121J-T	B	68/45.5
C656	4030007010	S.CER C1608 CH 1H 100D-T	B	70.5/46.2
C657	4030007150	S.CER C1608 CH 1H 151J-T	B	70.5/40.8
C658	4030007060	S.CER C1608 CH 1H 270J-T	B	68/41.5
C659	4030007140	S.CER C1608 CH 1H 121J-T	B	66.2/41.5
C660	4030007060	S.CER C1608 CH 1H 270J-T	B	70.5/37.1
C661	4030007150	S.CER C1608 CH 1H 151J-T	B	70.5/39
C662	4030007150	S.CER C1608 CH 1H 151J-T	B	73.3/34.5
C663	4030011600	S.CER C1608 JB 1E 104K-T	B	73.3/37.8
C664	4030010760	S.CER C1608 CH 1H 331J-T	B	75.2/34.5
C665	4030007170	S.CER C1608 CH 1H 221J-T	B	84.2/52.4
C666	4030007170	S.CER C1608 CH 1H 221J-T	B	86/52.4
C667	4030011600	S.CER C1608 JB 1E 104K-T	B	84.2/49.1
C668	4030007130	S.CER C1608 CH 1H 101J-T	B	81.4/49.8
C669	403000			

[MAIN UNIT]

REF NO.	ORDER NO.	DESCRIPTION	M.	H/V LOCATION
C675	4030007070	S.CER C1608 CH 1H 330J-T	B	77.1/41.5
C676	4030007050	S.CER C1608 CH 1H 220J-T	B	81.4/37.1
C677	4030007130	S.CER C1608 CH 1H 101J-T	B	81.4/39
C678	4030007170	S.CER C1608 CH 1H 221J-T	B	84.2/34.5
C679	4030011600	S.CER C1608 JB 1E 104K-T	B	84.2/37.8
C680	4030007170	S.CER C1608 CH 1H 221J-T	B	86/34.5
C681	4030007170	S.CER C1608 CH 1H 221J-T	T	34.3/50.7
C682	4030007110	S.CER C1608 CH 1H 680J-T	T	35.6/50.7
C683	4030011600	S.CER C1608 JB 1E 104K-T	T	35.6/47.9
C684	4030007090	S.CER C1608 CH 1H 470J-T	T	38.3/47.1
C685	4030007090	S.CER C1608 CH 1H 470J-T	T	38.3/45.8
C686	4030007070	S.CER C1608 CH 1H 330J-T	T	40.4/46.4
C687	4030007070	S.CER C1608 CH 1H 330J-T	T	41.7/46.4
C688	4030007010	S.CER C1608 CH 1H 100D-T	T	36.1/43.5
C689	4030007120	S.CER C1608 CH 1H 820J-T	T	37.4/43.5
C690	4030007070	S.CER C1608 CH 1H 330J-T	T	41.7/40.5
C691	4030007070	S.CER C1608 CH 1H 330J-T	T	40.4/40.5
C692	4030007090	S.CER C1608 CH 1H 470J-T	T	37.8/41
C693	4030007090	S.CER C1608 CH 1H 470J-T	T	37.8/39.7
C694	4030007110	S.CER C1608 CH 1H 680J-T	T	34.3/36.2
C695	4030011600	S.CER C1608 JB 1E 104K-T	T	35.6/39
C696	4030007050	S.CER C1608 CH 1H 220J-T	T	35.6/36.2
C697	4030007160	S.CER C1608 CH 1H 181J-T	T	44/51.4
C698	4030007090	S.CER C1608 CH 1H 470J-T	T	44/50.1
C699	4030011600	S.CER C1608 JB 1E 104K-T	T	44.6/47.9
C700	4030007090	S.CER C1608 CH 1H 470J-T	T	46.8/47.1
C701	4030007040	S.CER C1608 CH 1H 180J-T	T	46.8/45.8
C702	4030007030	S.CER C1608 CH 1H 150J-T	T	49.3/46.4
C703	4030007050	S.CER C1608 CH 1H 220J-T	T	50.7/46.4
C704	4030006990	S.CER C1608 CH 1H 080D-T	T	46.4/43.5
C705	4030007090	S.CER C1608 CH 1H 470J-T	T	45.1/43.5
C706	4030007030	S.CER C1608 CH 1H 150J-T	T	49.3/40.5
C707	4030007050	S.CER C1608 CH 1H 220J-T	T	50.7/40.5
C708	4030007040	S.CER C1608 CH 1H 180J-T	T	46.8/41
C709	4030007090	S.CER C1608 CH 1H 470J-T	T	46.8/39.7
C710	4030007090	S.CER C1608 CH 1H 470J-T	T	43.3/36.2
C711	4030011600	S.CER C1608 JB 1E 104K-T	T	44.6/39
C712	4030007160	S.CER C1608 CH 1H 181J-T	T	44.6/36.2
C713	4030007140	S.CER C1608 CH 1H 121J-T	T	53.6/50.7
C714	4030007040	S.CER C1608 CH 1H 180J-T	T	52.3/50.7
C715	4030011600	S.CER C1608 JB 1E 104K-T	T	53.6/47.9
C716	4030007070	S.CER C1608 CH 1H 330J-T	T	55.8/47.1
C717	4030007040	S.CER C1608 CH 1H 180J-T	T	55.8/45.8
C718	4030007010	S.CER C1608 CH 1H 100D-T	T	58.4/46.4
C719	4030007070	S.CER C1608 CH 1H 330J-T	T	59.7/46.4
C720	4030007010	S.CER C1608 CH 1H 100D-T	T	54.1/43.5
C721	4030007090	S.CER C1608 CH 1H 470J-T	T	55.4/43.5
C722	4030007010	S.CER C1608 CH 1H 100D-T	T	58.4/40.5
C723	4030007070	S.CER C1608 CH 1H 330J-T	T	59.7/40.5
C724	4030007040	S.CER C1608 CH 1H 180J-T	T	55.8/41
C725	4030007070	S.CER C1608 CH 1H 330J-T	T	55.8/39.7
C726	4030007040	S.CER C1608 CH 1H 180J-T	T	52.3/36.2
C727	4030011600	S.CER C1608 JB 1E 104K-T	T	53.6/39
C728	4030007140	S.CER C1608 CH 1H 121J-T	T	53.6/36.2
C729	4030007130	S.CER C1608 CH 1H 101J-T	T	62.6/50.7
C730	4030007030	S.CER C1608 CH 1H 150J-T	T	61.3/50.7
C731	4030011600	S.CER C1608 JB 1E 104K-T	T	62.6/47.9
C732	4030007050	S.CER C1608 CH 1H 220J-T	T	64.8/47.1
C733	4030007020	S.CER C1608 CH 1H 120J-T	T	64.8/45.8
C734	4030009500	S.CER C1608 CH 1H 0R5B-T	T	67.4/46.4
C735	4030007050	S.CER C1608 CH 1H 220J-T	T	68.7/46.4
C736	4030006980	S.CER C1608 CH 1H 070D-T	T	63.1/43.5
C737	4030007050	S.CER C1608 CH 1H 220J-T	T	64.4/43.5
C738	4030009500	S.CER C1608 CH 1H 0R5B-T	T	67.4/40.5
C739	4030007050	S.CER C1608 CH 1H 220J-T	T	68.7/40.5
C740	4030007020	S.CER C1608 CH 1H 120J-T	T	64.8/41
C741	4030007050	S.CER C1608 CH 1H 220J-T	T	64.8/39.7
C742	4030007030	S.CER C1608 CH 1H 150J-T	T	61.3/36.2
C743	4030011600	S.CER C1608 JB 1E 104K-T	T	62.6/39
C744	4030007130	S.CER C1608 CH 1H 101J-T	T	62.6/36.2
C745	4030007140	S.CER C1608 CH 1H 121J-T	T	73.5/49.6
C747	4030011600	S.CER C1608 JB 1E 104K-T	T	71.5/48.8
C749	4030009550	S.CER C1608 CH 1H 2R5B-T	T	75.9/46.2
C750	4030011770	S.CER C1608 CH 1H 060B-T	T	73.8/46.9
C751	4030007010	S.CER C1608 CH 1H 100D-T	T	73.8/45.5
C755	4030009550	S.CER C1608 CH 1H 2R5B-T	T	75.9/41
C756	4030011770	S.CER C1608 CH 1H 060B-T	T	73.8/40.2
C758	4030011600	S.CER C1608 JB 1E 104K-T	T	71.5/38.1
C759	4030007140	S.CER C1608 CH 1H 121J-T	T	73.5/37.3
C760	4030011770	S.CER C1608 CH 1H 060B-T	T	73.8/48.2
C761	4030011770	S.CER C1608 CH 1H 060B-T	T	73.8/41.8
C801	4030006880	S.CER C1608 JB 1H 472K-T	T	37.2/20.6
C802	4030011600	S.CER C1608 JB 1E 104K-T	T	37.2/27.5
C803	4030011600	S.CER C1608 JB 1E 104K-T	B	37.2/20.5
C804	4030011600	S.CER C1608 JB 1E 104K-T	T	46.9/19.9
C805	4030011600	S.CER C1608 JB 1E 104K-T	B	52/24.6
C806	4030006900	S.CER C1608 JB 1H 103K-T	B	48.5/23.7
C807	4030011600	S.CER C1608 JB 1E 104K-T	T	48.5/23.9
C812	4030006900	S.CER C1608 JB 1H 103K-T	B	86.2/84.7
C813	4030006880	S.CER C1608 JB 1H 472K-T	T	31.2/27.5
C814	4030012600	S.CER C2012 JB 1A 105M-T	T	27.7/25.5
C815	4030006990	S.CER C1608 CH 1H 080D-T	B	44.3/21

[MAIN UNIT]

REF NO.	ORDER NO.	DESCRIPTION	M.	H/V LOCATION
C816	4030012600	S.CER C2012 JB 1A 105M-T	T	30.9/29
C817	4030011330	S.CER C1608 CH 1H 391J-T	T	85.2/55.1
C818	4030017810	S.CER C1608 CH 1H 102J-T	T	83.2/53.2
C819	4030009920	S.CER C1608 CH 1H 050B-T	T	83.2/55.8
C820	4030006900	S.CER C1608 JB 1H 103K-T	T	74.6/62.1
C821	4030011600	S.CER C1608 JB 1E 104K-T	T	87.4/62.8
C822	4030011600	S.CER C1608 JB 1E 104K-T	T	78.3/58.6
C823	4030012600	S.CER C2012 JB 1A 105M-T	T	86.2/51.5
C824	4030006900	S.CER C1608 JB 1H 103K-T	T	83.6/49.8
C825	4030008880	S.CER C1608 JB 1H 223K-T	T	84.4/47.8
C826	4030008850	S.CER C1608 JB 1H 123K-T	T	82.3/46.5
C827	4030008850	S.CER C1608 JB 1H 123K-T	T	82.3/45.8
C828	4030006900	S.CER C1608 JB 1H 103K-T	T	85.7/42.7
C829	4030008860	S.CER C1608 JB 1H 153K-T	T	82.3/42.7
C830	4030008860	S.CER C1608 JB 1H 153K-T	T	82.3/41.4
C831	4030008650	S.CER C1608 JB 1H 332K-T	T	84.4/39.8
C832	4030006900	S.CER C1608 JB 1H 103K-T	T	82.3/39.6
C833	4030006900	S.CER C1608 JB 1H 103K-T	T	82.3/38.3
C834	4030012600	S.CER C2012 JB 1A 105M-T	T	82.1/35.4
C835	4030011600	S.CER C1608 JB 1E 104K-T	T	82.3/37
C836	4030009920	S.CER C1608 CH 1H 050B-T	T	89.5/57.9
C837	4550006470	S.TAN TEESVB2 1D 106M8R	T	72.9/58.7
C838	4550006470	S.TAN TEESVB2 1D 106M8R	T	91.8/61.6
C839	4030006880	S.CER C1608 JB 1H 472K-T	B	85.3/74.2
C840	4030011600	S.CER C1608 JB 1E 104K-T	B	86/81.4
C841	4030006880	S.CER C1608 JB 1H 472K-T	B	81.2/78.3
C845	4030011600	S.CER C1608 JB 1E 104K-T	T	35.3/69.8
C846	4030011600	S.CER C1608 JB 1E 104K-T	T	38.1/74.7
C847	4510008540	S.ELE EEE1CA100SR	T	37.1/77.8
C901	4030006880	S.CER C1608 JB 1H 472K-T	B	125.2/1.8
C902	4030006880	S.CER C1608 JB 1H 472K-T	T	124.2/1.8
C903	4030006880	S.CER C1608 JB 1H 472K-T	B	123.2/1.8
C904	4030006880	S.CER C1608 JB 1H 472K-T	T	122.2/1.8
C905	4030006880	S.CER C1608 JB 1H 472K-T	B	121.2/1.8
C906	4030006880	S.CER C1608 JB 1H 472K-T	T	120.2/1.8
C907	4030006880	S.CER C1608 JB 1H 472K-T	B	119.2/1.8
C908	4030006880	S.CER C1608 JB 1H 472K-T	T	118.2/1.8
C909	4030006880	S.CER C1608 JB 1H 472K-T	B	117.2/1.8
C922	4030006880	S.CER C1608 JB 1H 472K-T	T	123.7/18.9
C923	4030006880	S.CER C1608 JB 1H 472K-T	B	122.7/19.4
C924	4030006880	S.CER C1608 JB 1H 472K-T	T	121.7/18.9
C925	4030006880	S.CER C1608 JB 1H 472K-T	B	120.7/19.4
C926	4030006880	S.CER C1608 JB 1H 472K-T	T	119.7/18.9
C927	4030006880	S.CER C1608 JB 1H 472K-T	B	118.7/19.4
C928	4030006880	S.CER C1608 JB 1H 472K-T	T	117.7/18.9
C929	4030006880	S.CER C1608 JB 1H 472K-T	B	116.7/19.4
C930	4030006880	S.CER C1608 JB 1H 472K-T	T	115.7/18.9
C932	4030006880	S.CER C1608 JB 1H 472K-T	T	113.7/18.9
C933	4030006880	S.CER C1608 JB 1H 472K-T	B	112.7/19.4
C934	4030006880	S.CER C1608 JB 1H 472K-T	T	111.7/18.9
C936	4030006880	S.CER C1608 JB 1H 472K-T	T	109.7/18.9
C937	4030006880	S.CER C1608 JB 1H 472K-T	B	108.7/19.4
C945	4030006880	S.CER C1608 JB 1H 472K-T	B	89.3/1.8
C946	4030006880	S.CER C1608 JB 1H 472K-T	T	88.3/1.8
C947	4030006880	S.CER C1608 JB 1H 472K-T	B	87.3/1.8
C948	4030006880	S.CER C1608 JB 1H 472K-T	T	86.3/1.8
C952	4030006880	S.CER C1608 JB 1H 472K-T	T	82.3/1.8
C953	4030006880	S.CER C1608 JB 1H 472K-T	B	81.3/1.8
C954	4030006880	S.CER C1608 JB 1H 472K-T	T	80.3/1.8
C955	4030006880	S.CER C1608 JB 1H 472K-T	B	79.3/1.8
C957	4030006880	S.CER C1608 JB 1H 472K-T	B	77.3/1.8
C958	4030006880	S.CER C1608 JB 1H 472K-T	T	76.3/1.9
C974	4030006880	S.CER C1608 JB 1H 472K-T	T	79.8/19.4
C975	4030006880	S.CER C1608 JB 1H 472K-T	B	78.8/19.3
C976	4030006880	S.CER C1608 JB 1H 472K-T	T	77.8/19.4
C977	4030006880	S.CER C1608 JB 1H 472K-T	B	76.8/19.3
C978	4030006880	S.CER C1608 JB 1H 472K-T	T	75.8/19.4
C979	4030006880	S.CER C1608 JB 1H 472K-T	B	74.8/19.3
C980	4030006880	S.CER C1608 JB 1H 472K-T	T	12.8/30
C981	4030006880	S.CER C1608 JB 1H 472K-T	T	126.2/1.8
RL50	6330000540	RLY OMR-109F		
RL140	6330001430	RLY NA-12W-K		
RL141	6330001430	RLY NA-12W-K		
CP81	6910009670	S.CHK HK3-S-T	T	129.3/16.1
CP82	6910009670	S.CHK HK3-S-T	T	116.4/75.1
CP495	6910009670	S.CHK HK3-S-T	T	129.1/5.8
CP496	6910009670	S.CHK HK3-S-T	T	107.1/5.8
J1	6510023671	CNR TCS4480-0141577		
J2	6510023661	CNR TCS4470-0141577		
J3	6510023671	CNR TCS4480-0141577		
J4	6510023661	CNR TCS4470-0141577		
J5	6450001130	CNR JPJ2042-01-110		
J6	6510023730	CNR LGY6502-0600C		
J7	6510023730	CNR LGY6502-0600C		
J8	6510023740	CNR LGR4609-7000		
J9	6510023070	CNR HEC2305-01-250		

M.=Mounted side (T: Mounted on the Top side, B: Mounted on the Bottom side)  
S.=Surface mount

[MAIN UNIT]

REF NO.	ORDER NO.	DESCRIPTION	M.	H/V LOCATION
J140	6510023720	CNR LGY6501-0600C		
J141	6510023720	CNR LGY6501-0600C		
J142	6510018961	S.CNR B2B-PH-SM4-TB (LF) (SN)	T	256.2/96.5
J340	6510022811	CNR IMSA-9180B-22B-PT1		
J341	6510021651	CNR IMSA-9180B-30B-PT1		
J360	6510022811	CNR IMSA-9180B-22B-PT1		
J361	6510021651	CNR IMSA-9180B-30B-PT1		
J380	6510022811	CNR IMSA-9180B-22B-PT1		
J381	6510021651	CNR IMSA-9180B-30B-PT1		
J399	6510007020	CNR TMP-J01X-V6		
J400	6510019981	S.CNR 52808-1671 (1690)	T	232.7/5
J401	6510022191	S.CNR B3B-PH-SM4-TB (LF) (SN)	T	232.7/98.9
J403	6510019981	S.CNR 52808-1671 (1690)	T	32.5/5
J404	6510022191	S.CNR B3B-PH-SM4-TB (LF) (SN)	T	143.8/115.4
J410	6510020001	S.CNR 52808-3071 (3090)	T	5.5/42.5
J411	6510019971	S.CNR 52808-1071	T	5.6/98.7
J430	6510022311	S.CNR B5B-PH-SM4-TB (LF) (SN)	T	5/72.9
J440	6510018921	S.CNR B8B-PH-SM4-TB (LF) (SN)	T	154.5/5
J450	6510003470	CNR B11B-EH-S		
J451	6510018941	S.CNR B13B-PH-SM4-TB (LF) (SN)	T	184.2/5
J490	6510023750	CNR 01K1971-10		
J491	6510007020	CNR TMP-J01X-V6		
J492	6510014961	S.CNR B2B-ZR-SM4-TF (LF) (SN)	T	202.6/11.5
J495	6510023701	CNR TORX178S(F)		
J496	6510023711	CNR TOTX178S(F)		
J501	6510007020	CNR TMP-J01X-V6		
J502	6510007020	CNR TMP-J01X-V6		
J503	6510007020	CNR TMP-J01X-V6		
J801	6510007020	CNR TMP-J01X-V6		
J802	6510007020	CNR TMP-J01X-V6		
J808	6510007020	CNR TMP-J01X-V6		
J900	6510022470	S.CNR 40FLT-SM1-TB	T	116.5/10.6
J901	6510015541	S.CNR B4B-ZR-SM4-TF (LF) (SN)	T	9.2/113
J940	6510022470	S.CNR 40FLT-SM1-TB	T	84.6/10.6
F1	5220000230	HOL S-N5054		
F2	5220000230	HOL S-N5054		
F3	5210000041	FUS FGB 2A PBF (FGB0 125V)		
W1	9024801019	JMP 74/98/020/X98/X98		
EP50	6910012350	S.BEA MMZ1608Y 102BT	B	78.1/126.8
EP51	6910012350	S.BEA MMZ1608Y 102BT	B	95.6/118.7
EP52	6910012350	S.BEA MMZ1608Y 102BT	B	90.1/126.1
EP403	6910012350	S.BEA MMZ1608Y 102BT	T	233.2/10.4
EP404	6910012350	S.BEA MMZ1608Y 102BT	T	231.9/10.4
EP408	6910012350	S.BEA MMZ1608Y 102BT	T	32.1/10
EP409	6910012350	S.BEA MMZ1608Y 102BT	T	30.8/10
EP414	6910012350	S.BEA MMZ1608Y 102BT	T	9.9/34
EP415	6910012350	S.BEA MMZ1608Y 102BT	B	9.9/31
EP416	6910012350	S.BEA MMZ1608Y 102BT	B	10.2/95
EP417	6910012350	S.BEA MMZ1608Y 102BT	T	10.2/96.2
EP420	6910012350	S.BEA MMZ1608Y 102BT	B	10.1/101.2
EP421	6910012350	S.BEA MMZ1608Y 102BT	T	10.1/102.2
EP430	6910012350	S.BEA MMZ1608Y 102BT	B	5.8/68.9
EP431	6910012350	S.BEA MMZ1608Y 102BT	B	5.8/70.9
EP432	6910012350	S.BEA MMZ1608Y 102BT	B	5.8/72.9
EP501	9088000010	TUB IRRAX 1.5 (d) L=12 mm		
EP901	6910015970	S.BEA MMZ1608B 301CT-AS	B	106.7/15.4
EP905	6910012350	S.BEA MMZ1608Y 102BT	B	121.2/5.8
EP907	6910012350	S.BEA MMZ1608Y 102BT	B	119.2/5.8

[DSP-A BOARD]

REF NO.	ORDER NO.	DESCRIPTION	M.	H/V LOCATION
IC1	1140012211	S.IC TMS320C6713BZDP225	T	28.1/20.4
IC151	1130008361	S.IC TC7SHU04FU (TE85LJF)	B	45.5/8.1
IC171	1130008041	S.IC TC7SHU04FU (TE85LJF)	T	41.3/4.6
IC181	1130011150	S.IC SN74AHC2G08HDCTR	T	30.2/19.9
IC191	1130011150	S.IC SN74AHC2G08HDCTR	T	24/3.5
IC201	1130012199	S.IC AT29LV040A-15TU	B	29/42
IC203	1110006411	S.IC R3111N111A-TR-F	T	30/36.5
IC301	1110006100	S.IC NJM5534MD-TE1	T	72.3/44.7
IC331	1130009981	S.IC TC7W53FK (TE85L,F)	T	76.9/34.1
IC341	1110006100	S.IC NJM5534MD-TE1	T	70.3/35.5
IC371	1110006100	S.IC NJM5534MD-TE1	T	59.4/44.3
IC401	1110006111	S.IC AK5394AVSP/P	T	54.2/31
IC451	1130006891	S.IC TC7S04FU (TE85R,F)	T	43.5/41
IC452	1130012160	S.IC SN74LVC1GU04DCKR	T	42.8/38.5
IC501	1110001901	S.IC μPC4570G2-T1-A	T	71.6/27.4
IC551	1130013090	S.IC AK4396VFP-E2/P	T	54.6/7.3
IC601	1110006100	S.IC NJM5534MD-TE1	T	63.6/17.3
IC651	1110006100	S.IC NJM5534MD-TE1	T	66.8/7.2
IC701	1110006100	S.IC NJM5534MD-TE1	T	74.1/17.5
IC771	1110004770	S.IC BU9480F-E2	T	51.7/18.4
Q1	1590000680	S.TR DTC114EUA T106	T	45.7/16.5
D501	1730002320	S.ZEN MA8051-M (TX)	B	76.5/29.5
FH101	2040000790	S.LC EXCCET103U	T	36.5/2.8
X151	6050011660	S.XTL CR-754 (30.000 MHz)	B	40.5/2.9
L1	6200003950	S.COL HF50ACC 322513-T	B	43.2/34.8
L2	6180003501	S.COL SLF6028T-100M1R3-PF	B	13.6/35.7
L3	6200003640	S.COL MLF1608E 100K-T	B	12.2/8.2
L401	6200003950	S.COL HF50ACC 322513-T	T	49.3/42.9
L921	6200003950	S.COL HF50ACC 322513-T	T	73.7/4.4
L922	6200003950	S.COL HF50ACC 322513-T	T	77.9/9.5
L924	6200003950	S.COL HF50ACC 322513-T	T	74.1/9.5
L925	6200003950	S.COL HF50ACC 322513-T	T	77.5/4.4
L961	6200003950	S.COL HF50ACC 322513-T	B	11.3/12.2
L962	6200003950	S.COL HF50ACC 322513-T	B	12.8/24.6
R1	7030003560	S.RES ERJ3GEYJ 103 V (10 k)	B	42.5/22.3
R2	7030003560	S.RES ERJ3GEYJ 103 V (10 k)	B	41.8/24.2
R3	7030003560	S.RES ERJ3GEYJ 103 V (10 k)	B	42.5/21
R4	7030003560	S.RES ERJ3GEYJ 103 V (10 k)	B	41.8/13.7
R5	7030003440	S.RES ERJ3GEYJ 102 V (1 k)	B	23.2/6
R6	7030003440	S.RES ERJ3GEYJ 102 V (1 k)	B	21.9/6
R7	7030003640	S.RES ERJ3GEYJ 473 V (47 k)	B	20/6.7
R8	7030003440	S.RES ERJ3GEYJ 102 V (1 k)	B	14.1/8.2
R9	7030003640	S.RES ERJ3GEYJ 473 V (47 k)	B	14.5/11.6
R10	7030003640	S.RES ERJ3GEYJ 473 V (47 k)	T	43.8/13.1
R11	7030003460	S.RES ERJ3GEYJ 152 V (1.5 k)	B	48.2/9.7
R12	7030003560	S.RES ERJ3GEYJ 103 V (10 k)	B	26.8/13.3
R151	7030003320	S.RES ERJ3GEYJ 101 V (100)	T	44.3/5.3
R152	7030003800	S.RES ERJ3GEYJ 105 V (1 M)	B	43.5/6.2
R171	7030003320	S.RES ERJ3GEYJ 101 V (100)	T	41.3/1.4
R181	7030003560	S.RES ERJ3GEYJ 103 V (10 k)	T	9.1/7
R182	7030003560	S.RES ERJ3GEYJ 103 V (10 k)	T	6.3/7
R183	7030003560	S.RES ERJ3GEYJ 103 V (10 k)	T	11.9/8.3
R184	7030003560	S.RES ERJ3GEYJ 103 V (10 k)	T	11.9/7
R201	7030003860	S.RES ERJ3GE JPW V	T	30.8/39.2
R301	7030003860	S.RES ERJ3GE JPW V	T	79.5/38.4
R302	7030009591	S.RES ERA3YED 472V (4.7 k)	T	77.6/46.9
R303	7030009591	S.RES ERA3YED 472V (4.7 k)	T	75.7/46.1
R304	7030003320	S.RES ERJ3GEYJ 101 V (100)	T	78.1/40.7
R305	7030003860	S.RES ERJ3GE JPW V	T	75.7/43.5
R306	7030003320	S.RES ERJ3GEYJ 101 V (100)	T	68.9/46.1
R331	7030003500	S.RES ERJ3GEYJ 332 V (3.3 k)	T	64.4/39.9
R332	7030003480	S.RES ERJ3GEYJ 222 V (2.2 k)	T	65.7/39.9
R333	7030003640	S.RES ERJ3GEYJ 473 V (47 k)	T	75/33.2
R341	7030003320	S.RES ERJ3GEYJ 101 V (100)	T	73.7/34.8
R342	7030003320	S.RES ERJ3GEYJ 101 V (100)	T	66.9/37.3
R343	7030006601	S.RES ERA3YED 272V (2.7 k)	T	73.7/37.4
R344	7030010390	S.RES ERA3YED 821V (820)	T	65.6/33.6
R345	7030009691	S.RES ERA3YED 101V (100)	T	66.2/31.7
R371	7030003320	S.RES ERJ3GEYJ 101 V (100)	T	63.4/43.8
R372	7030003320	S.RES ERJ3GEYJ 101 V (100)	T	55.3/46.3
R373	7030006601	S.RES ERA3YED 272V (2.7 k)	T	63.4/45.6
R374	7030010390	S.RES ERA3YED 821V (820)	T	54.7/41.8
R375	7030009691	S.RES ERA3YED 101V (100)	T	56/40.5
R401	7030009591	S.RES ERA3YED 472V (4.7 k)	T	53.1/42.5
R402	7030009591	S.RES ERA3YED 472V (4.7 k)	T	51.8/44
R403	7030003640	S.RES ERJ3GEYJ 473 V (47 k)	T	54.1/38.7
R404	7030003200	S.RES ERJ3GEYJ 100 V (10)	T	50/40
R405	7030003320	S.RES ERJ3GEYJ 101 V (100)	T	51.1/38.1
R406	7030003640	S.RES ERJ3GEYJ 473 V (47 k)	T	49.8/38.1
R407	7030003460	S.RES ERJ3GEYJ 152 V (1.5 k)	B	46.8/36

M.=Mounted side (T: Mounted on the Top side, B: Mounted on the Bottom side)  
S.=Surface mount



[DSP-A BOARD]

REF NO.	ORDER NO.	DESCRIPTION	M.	H/V LOCATION
R409	7030003640	S.RES ERJ3GEYJ 473 V (47 k)	T	52.3/23.8
R410	7030003640	S.RES ERJ3GEYJ 473 V (47 k)	T	47.2/23.8
R411	7030003640	S.RES ERJ3GEYJ 473 V (47 k)	T	49.8/23.8
R412	7030003520	S.RES ERJ3GEYJ 472 V (4.7 k)	T	56/22.3
R413	7030003520	S.RES ERJ3GEYJ 472 V (4.7 k)	T	54.1/21.9
R451	7030003800	S.RES ERJ3GEYJ 105 V (1 M)	T	42.6/36.6
R501	7030006521	S.RES ERA3YED 561V (560)	T	76.1/29.9
R502	7030003360	S.RES ERJ3GEYJ 221 V (220)	T	70.3/23.4
R503	7030003380	S.RES ERJ3GEYJ 331 V (330)	T	65.3/28.9
R504	7030003680	S.RES ERJ3GEYJ 104 V (100 k)	T	65.3/27.6
R551	7030003320	S.RES ERJ3GEYJ 101 V (100)	T	49.5/8.6
R559	7030003640	S.RES ERJ3GEYJ 473 V (47 k)	T	59.8/10.5
R601	7030006521	S.RES ERA3YED 561V (560)	T	63.1/20.7
R602	7030007661	S.RES ERA3YED 331V (330)	T	64/22
R603	7030007661	S.RES ERA3YED 331V (330)	T	59/19.8
R604	7030009961	S.RES ERA3YED 221V (220)	T	68.7/21
R605	7030007661	S.RES ERA3YED 331V (330)	T	65.7/20.7
R606	7030003320	S.RES ERJ3GEYJ 101 V (100)	T	67.1/13.9
R607	7030003320	S.RES ERJ3GEYJ 101 V (100)	T	61.9/13.9
R651	7030006521	S.RES ERA3YED 561V (560)	T	64.3/10.6
R652	7030007661	S.RES ERA3YED 331V (330)	T	65.3/11.9
R653	7030007661	S.RES ERA3YED 331V (330)	T	62.1/10.1
R654	7030009961	S.RES ERA3YED 221V (220)	T	69.5/10.6
R655	7030007661	S.RES ERA3YED 331V (330)	T	66.9/10.6
R658	7030003320	S.RES ERJ3GEYJ 101 V (100)	T	67.7/3.8
R659	7030003320	S.RES ERJ3GEYJ 101 V (100)	T	64/3.8
R701	7030010770	S.RES ERA3YED 681V (680)	T	71.3/21
R702	7030009861	S.RES ERA3YED 471V (470)	T	74.8/22.7
R703	7030010770	S.RES ERA3YED 681V (680)	T	70.5/13.5
R704	7030009861	S.RES ERA3YED 471V (470)	T	77.2/13.3
R705	7030009691	S.RES ERA3YED 101V (100)	T	77.4/22.2
R706	7030003320	S.RES ERJ3GEYJ 101 V (100)	T	77.3/20.9
R707	7030003320	S.RES ERJ3GEYJ 101 V (100)	T	74.1/14.1
R801	7030003650	S.RES ERJ3GEYJ 563 V (56 k)	T	78/27.2
R802	7030003680	S.RES ERJ3GEYJ 104 V (100 k)	T	78/25.9
R803	7030003480	S.RES ERJ3GEYJ 222 V (2.2 k)	T	78.7/24
R804	7030003490	S.RES ERJ3GEYJ 272 V (2.7 k)	T	78/29.8
R805	7030003340	S.RES ERJ3GEYJ 151 V (150)	T	78/28.5
R901	7030003860	S.RES ERJ3GE JPW V	T	46.6/21
R962	7030003320	S.RES ERJ3GEYJ 101 V (100)	T	12.1/16.8
R963	7030003320	S.RES ERJ3GEYJ 101 V (100)	T	11.9/15.5
R964	7030003320	S.RES ERJ3GEYJ 101 V (100)	T	11.9/14.2
R965	7030003320	S.RES ERJ3GEYJ 101 V (100)	T	11.9/12.9
R967	7030003320	S.RES ERJ3GEYJ 101 V (100)	T	13.6/37.8
R968	7030003320	S.RES ERJ3GEYJ 101 V (100)	T	11.9/11.6
R969	7030003320	S.RES ERJ3GEYJ 101 V (100)	T	13.6/48.2
R970	7030003320	S.RES ERJ3GEYJ 101 V (100)	T	13.6/46.9
R971	7030003320	S.RES ERJ3GEYJ 101 V (100)	T	13.6/45.6
R972	7030003320	S.RES ERJ3GEYJ 101 V (100)	T	13.6/44.3
R973	7030003320	S.RES ERJ3GEYJ 101 V (100)	T	13.6/43
R974	7030003320	S.RES ERJ3GEYJ 101 V (100)	T	13.6/41.7
R975	7030003320	S.RES ERJ3GEYJ 101 V (100)	T	13.6/40.4
R976	7030003320	S.RES ERJ3GEYJ 101 V (100)	T	13.6/39.1
C1	4030011600	S.CER C1608 JB 1E 104K-T	B	15.2/30.5
C2	4030011600	S.CER C1608 JB 1E 104K-T	B	41.8/30.7
C3	4030011600	S.CER C1608 JB 1E 104K-T	B	18/32.9
C4	4030011600	S.CER C1608 JB 1E 104K-T	B	39.4/32.9
C5	4030011600	S.CER C1608 JB 1E 104K-T	B	23/26.3
C6	4030011600	S.CER C1608 JB 1E 104K-T	B	24.3/26.3
C7	4030011600	S.CER C1608 JB 1E 104K-T	B	28.6/26.3
C8	4030011600	S.CER C1608 JB 1E 104K-T	B	29.9/26.3
C9	4030011600	S.CER C1608 JB 1E 104K-T	B	33.8/26.3
C10	4030011600	S.CER C1608 JB 1E 104K-T	B	21.5/23.3
C11	4030011600	S.CER C1608 JB 1E 104K-T	B	36/23.7
C12	4030011600	S.CER C1608 JB 1E 104K-T	T	13.7/21
C13	4030011600	S.CER C1608 JB 1E 104K-T	B	22.2/20.2
C14	4030011600	S.CER C1608 JB 1E 104K-T	B	36/21.1
C15	4030011600	S.CER C1608 JB 1E 104K-T	B	22.2/18.9
C16	4030011600	S.CER C1608 JB 1E 104K-T	B	36/18.5
C17	4030011600	S.CER C1608 JB 1E 104K-T	T	43.5/20
C18	4030011600	S.CER C1608 JB 1E 104K-T	B	22.2/15.2
C19	4030011600	S.CER C1608 JB 1E 104K-T	B	34.7/14.4
C20	4030011600	S.CER C1608 JB 1E 104K-T	B	23.1/13.3
C21	4030011600	S.CER C1608 JB 1E 104K-T	B	24.4/13.3
C22	4030011600	S.CER C1608 JB 1E 104K-T	B	28.1/13.3
C23	4030011600	S.CER C1608 JB 1E 104K-T	B	32.6/12.6
C24	4030011600	S.CER C1608 JB 1E 104K-T	B	35.2/12.6
C25	4030011600	S.CER C1608 JB 1E 104K-T	B	17.3/6.7
C26	4030011600	S.CER C1608 JB 1E 104K-T	B	33.1/6.8
C27	4030011600	S.CER C1608 JB 1E 104K-T	B	41.8/11.1
C28	4030011600	S.CER C1608 JB 1E 104K-T	B	15.4/8.2
C29	4030011600	S.CER C1608 JB 1E 104K-T	B	40.9/6.8
C30	4030011600	S.CER C1608 JB 1E 104K-T	T	35.2/5
C31	4030011600	S.CER C1608 JB 1E 104K-T	T	28.5/5.2
C32	4030011600	S.CER C1608 JB 1E 104K-T	T	37.8/5
C33	4030011600	S.CER C1608 JB 1E 104K-T	T	18.5/35.2
C34	4030011600	S.CER C1608 JB 1E 104K-T	T	36.4/35
C35	4030011600	S.CER C1608 JB 1E 104K-T	B	26/32.9
C36	4030011600	S.CER C1608 JB 1E 104K-T	B	29.3/32.9
C37	4030011600	S.CER C1608 JB 1E 104K-T	B	36.8/32.9

[DSP-A BOARD]

REF NO.	ORDER NO.	DESCRIPTION	M.	H/V LOCATION
C38	4030011600	S.CER C1608 JB 1E 104K-T	B	15.2/27.9
C39	4030011600	S.CER C1608 JB 1E 104K-T	B	22.4/32.9
C40	4030011600	S.CER C1608 JB 1E 104K-T	B	26/26.3
C41	4030011600	S.CER C1608 JB 1E 104K-T	B	21.7/26.3
C42	4030011600	S.CER C1608 JB 1E 104K-T	B	27.3/26.3
C43	4030011600	S.CER C1608 JB 1E 104K-T	B	32.5/26.3
C44	4030011600	S.CER C1608 JB 1E 104K-T	B	35.1/26.3
C45	4030011600	S.CER C1608 JB 1E 104K-T	B	41.8/26.8
C46	4030011600	S.CER C1608 JB 1E 104K-T	B	15.3/24.9
C47	4030011600	S.CER C1608 JB 1E 104K-T	T	43.5/29
C48	4030011600	S.CER C1608 JB 1E 104K-T	B	22.2/21.5
C49	4030011600	S.CER C1608 JB 1E 104K-T	B	41.8/17.9
C50	4030011600	S.CER C1608 JB 1E 104K-T	B	22.2/17.6
C51	4030011600	S.CER C1608 JB 1E 104K-T	B	36/15.9
C52	4030011600	S.CER C1608 JB 1E 104K-T	B	15.8/11.6
C53	4030011600	S.CER C1608 JB 1E 104K-T	B	21.8/13.3
C54	4030011600	S.CER C1608 JB 1E 104K-T	T	42.9/9.9
C55	4030011600	S.CER C1608 JB 1E 104K-T	B	29.4/13.3
C56	4030011600	S.CER C1608 JB 1E 104K-T	B	25/6.7
C57	4030011600	S.CER C1608 JB 1E 104K-T	B	29.8/6.8
C58	4030011600	S.CER C1608 JB 1E 104K-T	B	38.3/6.8
C59	4030011600	S.CER C1608 JB 1E 104K-T	T	20.3/5.3
C60	4510007130	S.ELE EEFCD 0J 470R	T	19.6/44
C61	4550007480	S.TAN F930J106MAABMA	B	44.8/29.7
C62	4510007130	S.ELE EEFCD 0J 470R	T	25.7/43.9
C101	4030011600	S.CER C1608 JB 1E 104K-T	B	35.7/6.8
C102	4550007480	S.TAN F930J106MAABMA	B	30.6/2.6
C151	4030011600	S.CER C1608 JB 1E 104K-T	B	45.6/10
C152	4030007030	S.CER C1608 CH 1H 150J-T	B	46.1/6.2
C153	4030007030	S.CER C1608 CH 1H 150J-T	B	43.1/8
C171	4030011600	S.CER C1608 JB 1E 104K-T	T	41.3/2.7
C181	4030011600	S.CER C1608 JB 1E 104K-T	T	31/4.3
C191	4030011600	S.CER C1608 JB 1E 104K-T	T	22.6/1.2
C201	4030011600	S.CER C1608 JB 1E 104K-T	B	41.4/43.3
C301	4340000250	S.MLR ECHU 1C 104JX5	T	77.9/44
C302	4550007500	S.TAN F931D106MBABMA	B	76.5/43.7
C303	4030011600	S.CER C1608 JB 1E 104K-T	T	75.6/40.9
C304	4550007500	S.TAN F931D106MBABMA	B	71.7/43.7
C305	4030011600	S.CER C1608 JB 1E 104K-T	T	67.6/46.1
C306	4030007050	S.CER C1608 CH 1H 220J-T	T	72.4/40.1
C331	4030011600	S.CER C1608 JB 1E 104K-T	T	78.8/32.8
C332	4550007520	S.TAN F931A106MAABMA	B	67.9/35.2
C333	4030011600	S.CER C1608 JB 1E 104K-T	T	79.5/35.8
C341	4550007500	S.TAN F931D106MBABMA	B	73.1/32.4
C342	4030011600	S.CER C1608 JB 1E 104K-T	T	73.7/31.6
C343	4550007500	S.TAN F931D106MBABMA	B	73.2/38.1
C344	4030011600	S.CER C1608 JB 1E 104K-T	T	65.6/37.3
C345	4340000250	S.MLR ECHU 1C 104JX5	T	76.7/38.1
C346	4030018580	S.CER C1608 CH 1H 821J-T	T	66.9/33.6
C347	4030011600	S.CER C1608 JB 1E 104K-T	T	66.1/35.5
C348	4030007050	S.CER C1608 CH 1H 220J-T	T	70.9/30.9
C371	4550007500	S.TAN F931D106MBABMA	B	59.8/43.8
C372	4030011600	S.CER C1608 JB 1E 104K-T	T	63.4/42.5
C373	4550007500	S.TAN F931D106MBABMA	B	50.1/43.9
C374	4030011600	S.CER C1608 JB 1E 104K-T	T	53.4/45.5
C375	4340000250	S.MLR ECHU 1C 104JX5	T	68.1/42.6
C376	4030018580	S.CER C1608 CH 1H 821J-T	T	56/43.1
C377	4030011600	S.CER C1608 JB 1E 104K-T	T	55.3/45
C378	4030007050	S.CER C1608 CH 1H 220J-T	T	59.4/39.5
C401	4550007520	S.TAN F931A106MAABMA	B	54.9/43.8
C402	4030017840	S.CER C2012 CH 1H 222J-T	T	58.1/37.6
C403	4550007480	S.TAN F930J106MAABMA	B	63.1/35.2
C404	4030011810	S.CER C1608 JB 1A 224K-T	T	61.5/37.4
C405	4550007480	S.TAN F930J106MAABMA	B	58.3/35.2
C406	4030011810	S.CER C1608 JB 1A 224K-T	T	63.5/36.7
C407	4550007480	S.TAN F930J106MAABMA	B	50.4/36.1
C408	4030011600	S.CER C1608 JB 1E 104K-T	T	54.1/37.4
C409	4030011600	S.CER C1608 JB 1E 104K-T	T	54.1/23.2
C410	4030009000	S.CER C2012 JB 1C 224K-T	T	62.1/24.2
C411	4550007480	S.TAN F930J106MAABMA	B	63.1/28.4
C412	4550007480	S.TAN F930J106MAABMA	B	58.3/29.1
C413	4030009000	S.CER C2012 JB 1C 224K-T	T	59/22.5
C414	4030011600	S.CER C1608 JB 1E 104K-T	T	54.1/24.5
C415	4550007520	S.TAN F931A106MAABMA	B	53/26.5
C416	4550007520	S.TAN F931A106MAABMA	B	53/31.3
C417	4030017840	S.CER C2012 CH 1H 222J-T	T	58/24.2
C450	4030011600	S.CER C1608 JB 1E 104K-T	T	43.1/35.3
C451	4030011600	S.CER C1608 JB 1E 104K-T	T	43.6/42.9
C452	4030006860	S.CER C1608 JB 1H 102K-T	T	40.8/39.6
C501	4030011600	S.CER C1608 JB 1E 104K-T	T	74.8/24
C502	4550007500	S.TAN F931D106MBABMA	B	77.5/33.1
C503	4030011600	S.CER C1608 JB 1E 104K-T	T	71.6/23.4
C504	4550007500	S.TAN F931D106MBABMA	B	67.9/29.1
C506	4030007090	S.CER C1608 CH 1H 470J-T	T	67.1/28.4
C507	4030007090	S.CER C1608 CH 1H 470J-T	T	76.1/27.3
C551	4550007520	S.TAN F931A106MAABMA	B	50.3/8.7
C552	4030011600	S.CER C1608 JB 1E 104K-T	T	49.5/5.5
C553	4550007520	S.TAN F931A106MAABMA	B	55/13.3
C554	4030011600	S.CER C1608 JB 1E 104K-T	T	60/7.6
C555	4030011600	S.CER C1608 JB 1E 104K-T	T	59.8/4.6
C556	4550007480	S.TAN F930J106MAABMA	B	53.6/7.1

[DSP-A BOARD]

REF NO.	ORDER NO.	DESCRIPTION	M.	H/V LOCATION
C558	4550007520	S.TAN F931A106MAABMA	B	53.6/4.3
C601	4550007480	S.TAN F930J106MAABMA	B	61.3/17.2
C602	4030018510	S.CER C2012 CH 1H 682J-T	T	58.8/16.5
C603	4550007500	S.TAN F931D106MBABMA	B	68.2/15
C604	4030011600	S.CER C1608 JB 1E 104K-T	T	58.2/14.2
C605	4030011600	S.CER C1608 JB 1E 104K-T	T	64.5/13.9
C606	4550007500	S.TAN F931D106MBABMA	B	69.2/19.2
C607	4030018510	S.CER C2012 CH 1H 682J-T	T	67/22.5
C608	4030007050	S.CER C1608 CH 1H 220J-T	T	68.3/16.7
C651	4550007480	S.TAN F930J106MAABMA	B	60.1/9.2
C652	4030018510	S.CER C2012 CH 1H 682J-T	T	61.9/6.6
C653	4550007500	S.TAN F931D106MBABMA	B	59.9/6
C654	4030011600	S.CER C1608 JB 1E 104K-T	T	64/2.5
C655	4030011600	S.CER C1608 JB 1E 104K-T	T	67.7/2.5
C656	4550007500	S.TAN F931D106MBABMA	B	59.9/6
C657	4030018510	S.CER C2012 CH 1H 682J-T	T	68.3/12.2
C658	4030007050	S.CER C1608 CH 1H 220J-T	T	71.4/6.9
C701	4030017840	S.CER C2012 CH 1H 222J-T	T	74.3/21.1
C702	4030017840	S.CER C2012 CH 1H 222J-T	T	78.9/13.4
C703	4550007500	S.TAN F931D106MBABMA	B	75.3/15.7
C704	4030011600	S.CER C1608 JB 1E 104K-T	T	75.9/12.8
C705	4030011600	S.CER C1608 JB 1E 104K-T	T	79.4/20.6
C706	4550007500	S.TAN F931D106MBABMA	B	75.6/21.1
C707	4030007050	S.CER C1608 CH 1H 220J-T	T	78.7/18
C771	4550007480	S.TAN F930J106MAABMA	B	49.8/14.1
C772	4030011600	S.CER C1608 JB 1E 104K-T	T	49.5/15
C773	4550007480	S.TAN F930J106MAABMA	B	55/18.1
C801	4030011600	S.CER C1608 JB 1E 104K-T	T	77.4/24
C921	4550007510	S.TAN F931C106MBABMA	B	66.5/2.6
C922	4030011600	S.CER C1608 JB 1E 104K-T	T	71/3.6
C923	4550002830	S.TAN TEESVD2 1V 685M12R	B	78.3/6.5
C924	4030011600	S.CER C1608 JB 1E 104K-T	T	80.1/8.6
C925	4550007510	S.TAN F931C106MBABMA	B	67.1/10.5
C926	4030011600	S.CER C1608 JB 1E 104K-T	T	71.8/12.7
C927	4550002830	S.TAN TEESVD2 1V 685M12R	B	72.6/6.5
C928	4030011600	S.CER C1608 JB 1E 104K-T	T	79.6/5.2
C961	4030011600	S.CER C1608 JB 1E 104K-T	B	11.2/15.7
C962	4550007520	S.TAN F931A106MAABMA	B	12/18.8
C963	4030011600	S.CER C1608 JB 1E 104K-T	B	10.7/25.4
C964	4550007520	S.TAN F931A106MAABMA	B	11.4/29.4
J201	6510024450	S.CNR IC197-3202-2000	B	29/42
J921	6910013900	CNR IMSA-9180S-22A		
J961	6910012460	CNR IMSA-9180S-30A		

[DSP-B BOARD]

REF NO.	ORDER NO.	DESCRIPTION	M.	H/V LOCATION
IC1	1140012211	S.IC TMS320C6713BZDP225	T	28.1/20.4
IC151	1130008361	S.IC TC7SHU04FU (TE85L,JF)	B	45.5/8.1
IC171	1130008041	S.IC TC7SHU04FU (TE85L,JF)	T	41.3/4.6
IC181	1130011150	S.IC SN74AHC2G08HDCTR	T	30.2/1.9
IC191	1130011150	S.IC SN74AHC2G08HDCTR	T	24/3.5
IC201	1130012199	S.IC AT29LV040A-15TU	T	29/42
IC203	1110006411	S.IC R3111N111A-TR-F	T	30/36.5
IC301	1110006100	S.IC NJM5534MD-TE1	T	72.3/44.7
IC331	1130009981	S.IC TC7W53FK (TE85L,F)	T	76.9/34.1
IC341	1110006100	S.IC NJM5534MD-TE1	T	70.3/35.5
IC371	1110006100	S.IC NJM5534MD-TE1	T	59.4/44.3
IC401	1110006111	S.IC AK5394AVSP/P	T	54.2/31
IC451	1130006891	S.IC TC7S04FU (TE85R,F)	T	43.5/41
IC452	1130012160	S.IC SN74LVC1GU04DCKR	T	42.8/38.5
IC501	1110001901	S.IC µPC4570G2-T1-A	T	71.6/27.4
IC551	1130013090	S.IC AK4396VFP-E2/P	T	54.6/7.3
IC601	1110006100	S.IC NJM5534MD-TE1	T	63.6/17.3
IC651	1110006100	S.IC NJM5534MD-TE1	T	66.8/7.2
IC701	1110006100	S.IC NJM5534MD-TE1	T	74.1/17.5
IC771	1110004770	S.IC BU9480F-E2	T	51.7/18.4
Q1	1590000680	S.TR DTC114EUA T106	T	45.7/16.5
D501	1730002320	S.ZEN MA8051-M (TX)	B	76.5/29.5
FH101	2040000790	S.LC EXCCET103U	T	36.5/2.8
X151	6050011660	S.XTL CR-754 (30.000 MHz)	B	40.5/2.9
L1	6200003950	S.COL HF50ACC 322513-T	B	43.2/34.8
L2	6180003501	S.COL SLF6028T-100M1R3-PF	B	13.6/35.7
L3	6200003640	S.COL MLF1608E 100K-T	B	12.2/8.2
L401	6200003950	S.COL HF50ACC 322513-T	T	49.3/42.9
L921	6200003950	S.COL HF50ACC 322513-T	T	73.7/4.4
L922	6200003950	S.COL HF50ACC 322513-T	T	77.9/9.5
L924	6200003950	S.COL HF50ACC 322513-T	T	74.1/9.5
L925	6200003950	S.COL HF50ACC 322513-T	T	77.5/4.4
L961	6200003950	S.COL HF50ACC 322513-T	B	11.3/12.2
L962	6200003950	S.COL HF50ACC 322513-T	B	12.8/24.6
R1	7030003560	S.RES ERJ3GEYJ 103 V (10 k)	B	42.5/22.3
R2	7030003560	S.RES ERJ3GEYJ 103 V (10 k)	B	41.8/24.2
R3	7030003560	S.RES ERJ3GEYJ 103 V (10 k)	B	42.5/21
R4	7030003560	S.RES ERJ3GEYJ 103 V (10 k)	B	41.8/13.7
R5	7030003440	S.RES ERJ3GEYJ 102 V (1 k)	B	23.2/6
R6	7030003440	S.RES ERJ3GEYJ 102 V (1 k)	B	21.9/6
R7	7030003640	S.RES ERJ3GEYJ 473 V (47 k)	B	20/6.7
R8	7030003440	S.RES ERJ3GEYJ 102 V (1 k)	B	14.1/8.2
R9	7030003640	S.RES ERJ3GEYJ 473 V (47 k)	B	14.5/11.6
R10	7030003640	S.RES ERJ3GEYJ 473 V (47 k)	T	43.8/13.1
R11	7030003460	S.RES ERJ3GEYJ 152 V (1.5 k)	B	48.2/9.7
R12	7030003560	S.RES ERJ3GEYJ 103 V (10 k)	B	26.8/13.3
R151	7030003320	S.RES ERJ3GEYJ 101 V (100)	T	44.3/5.3
R152	7030003800	S.RES ERJ3GEYJ 105 V (1 M)	B	43.5/6.2
R171	7030003320	S.RES ERJ3GEYJ 101 V (100)	T	41.3/1.4
R181	7030003560	S.RES ERJ3GEYJ 103 V (10 k)	T	9.1/7
R182	7030003560	S.RES ERJ3GEYJ 103 V (10 k)	T	6.3/7
R183	7030003560	S.RES ERJ3GEYJ 103 V (10 k)	T	11.9/8.3
R184	7030003560	S.RES ERJ3GEYJ 103 V (10 k)	T	11.9/7
R201	7030003860	S.RES ERJ3GE JPW V	T	30.8/39.2
R301	7030003860	S.RES ERJ3GE JPW V	T	79.5/38.4
R302	7030009591	S.RES ERA3YED 472V (4.7 k)	T	77.6/46.9
R303	7030009591	S.RES ERA3YED 472V (4.7 k)	T	75.7/46.1
R304	7030003320	S.RES ERJ3GEYJ 101 V (100)	T	78.1/40.7
R305	7030003860	S.RES ERJ3GE JPW V	T	75.7/43.5
R306	7030003320	S.RES ERJ3GEYJ 101 V (100)	T	68.9/46.1
R331	7030003500	S.RES ERJ3GEYJ 332 V (3.3 k)	T	64.4/39.9
R332	7030003480	S.RES ERJ3GEYJ 222 V (2.2 k)	T	65.7/39.9
R333	7030003640	S.RES ERJ3GEYJ 473 V (47 k)	T	75/33.2
R341	7030003320	S.RES ERJ3GEYJ 101 V (100)	T	73.7/34.8
R342	7030003320	S.RES ERJ3GEYJ 101 V (100)	T	66.9/37.3
R343	7030006601	S.RES ERA3YED 272V (2.7 k)	T	73.7/37.4
R344	7030010390	S.RES ERA3YED 821V (820)	T	65.6/33.6
R345	7030009691	S.RES ERA3YED 101V (100)	T	66.2/31.7
R371	7030003320	S.RES ERJ3GEYJ 101 V (100)	T	63.4/43.8
R372	7030003320	S.RES ERJ3GEYJ 101 V (100)	T	55.3/46.3
R373	7030006601	S.RES ERA3YED 272V (2.7 k)	T	63.4/45.6
R374	7030010390	S.RES ERA3YED 821V (820)	T	54.7/41.8
R375	7030009691	S.RES ERA3YED 101V (100)	T	56/40.5
R401	7030009591	S.RES ERA3YED 472V (4.7 k)	T	53.1/42.5
R402	7030009591	S.RES ERA3YED 472V (4.7 k)	T	51.8/44
R403	7030003640	S.RES ERJ3GEYJ 473 V (47 k)	T	54.1/38.7
R404	7030003200	S.RES ERJ3GEYJ 100 V (10)	T	50/40
R405	7030003320	S.RES ERJ3GEYJ 101 V (100)	T	51.1/38.1
R406	7030003640	S.RES ERJ3GEYJ 473 V (47 k)	T	49.8/38.1
R407	7030003460	S.RES ERJ3GEYJ 152 V (1.5 k)	B	46.8/36

M.=Mounted side (T: Mounted on the Top side, B: Mounted on the Bottom side)  
S.=Surface mount

[DSP-B BOARD]

REF NO.	ORDER NO.	DESCRIPTION	M.	H/V LOCATION
R409	7030003640	S.RES ERJ3GEYJ 473 V (47 k)	T	52.3/23.8
R410	7030003640	S.RES ERJ3GEYJ 473 V (47 k)	T	47.2/23.8
R411	7030003640	S.RES ERJ3GEYJ 473 V (47 k)	T	49.8/23.8
R412	7030003520	S.RES ERJ3GEYJ 472 V (4.7 k)	T	56/22.3
R413	7030003520	S.RES ERJ3GEYJ 472 V (4.7 k)	T	54.1/21.9
R451	7030003800	S.RES ERJ3GEYJ 105 V (1 M)	T	42.6/36.6
R501	7030006521	S.RES ERA3YED 561V (560)	T	76.1/29.9
R502	7030003360	S.RES ERJ3GEYJ 221 V (220)	T	70.3/23.4
R503	7030003380	S.RES ERJ3GEYJ 331 V (330)	T	65.3/28.9
R504	7030003680	S.RES ERJ3GEYJ 104 V (100 k)	T	65.3/27.6
R551	7030003320	S.RES ERJ3GEYJ 101 V (100)	T	49.5/8.6
R559	7030003640	S.RES ERJ3GEYJ 473 V (47 k)	T	59.8/10.5
R601	7030006521	S.RES ERA3YED 561V (560)	T	63.1/20.7
R602	7030007661	S.RES ERA3YED 331V (330)	T	64/22
R603	7030007661	S.RES ERA3YED 331V (330)	T	59/19.8
R604	7030009961	S.RES ERA3YED 221V (220)	T	68.7/21
R605	7030007661	S.RES ERA3YED 331V (330)	T	65.7/20.7
R606	7030003320	S.RES ERJ3GEYJ 101 V (100)	T	67.1/13.9
R607	7030003320	S.RES ERJ3GEYJ 101 V (100)	T	61.9/13.9
R651	7030006521	S.RES ERA3YED 561V (560)	T	64.3/10.6
R652	7030007661	S.RES ERA3YED 331V (330)	T	65.3/11.9
R653	7030007661	S.RES ERA3YED 331V (330)	T	62.1/10.1
R654	7030009961	S.RES ERA3YED 221V (220)	T	69.5/10.6
R655	7030007661	S.RES ERA3YED 331V (330)	T	66.9/10.6
R658	7030003320	S.RES ERJ3GEYJ 101 V (100)	T	67.7/3.8
R659	7030003320	S.RES ERJ3GEYJ 101 V (100)	T	64/3.8
R701	7030010770	S.RES ERA3YED 681V (680)	T	71.3/21
R702	7030009861	S.RES ERA3YED 471V (470)	T	74.8/22.7
R703	7030010770	S.RES ERA3YED 681V (680)	T	70.5/13.5
R704	7030009861	S.RES ERA3YED 471V (470)	T	77.2/13.3
R705	7030009691	S.RES ERA3YED 101V (100)	T	77.4/22.2
R706	7030003320	S.RES ERJ3GEYJ 101 V (100)	T	77.3/20.9
R707	7030003320	S.RES ERJ3GEYJ 101 V (100)	T	74.1/14.1
R801	7030003650	S.RES ERJ3GEYJ 563 V (56 k)	T	78/27.2
R802	7030003680	S.RES ERJ3GEYJ 104 V (100 k)	T	78/25.9
R803	7030003480	S.RES ERJ3GEYJ 222 V (2.2 k)	T	78.7/24
R804	7030003490	S.RES ERJ3GEYJ 272 V (2.7 k)	T	78/29.8
R805	7030003340	S.RES ERJ3GEYJ 151 V (150)	T	78/28.5
R901	7030003860	S.RES ERJ3GE JPV V	T	46.6/21
R962	7030003320	S.RES ERJ3GEYJ 101 V (100)	T	12.1/16.8
R963	7030003320	S.RES ERJ3GEYJ 101 V (100)	T	11.9/15.5
R964	7030003320	S.RES ERJ3GEYJ 101 V (100)	T	11.9/14.2
R965	7030003320	S.RES ERJ3GEYJ 101 V (100)	T	11.9/12.9
R967	7030003320	S.RES ERJ3GEYJ 101 V (100)	T	13.6/37.8
R968	7030003320	S.RES ERJ3GEYJ 101 V (100)	T	11.9/11.6
R969	7030003320	S.RES ERJ3GEYJ 101 V (100)	T	13.6/48.2
R970	7030003320	S.RES ERJ3GEYJ 101 V (100)	T	13.6/46.9
R971	7030003320	S.RES ERJ3GEYJ 101 V (100)	T	13.6/45.6
R972	7030003320	S.RES ERJ3GEYJ 101 V (100)	T	13.6/44.3
R973	7030003320	S.RES ERJ3GEYJ 101 V (100)	T	13.6/43
R974	7030003320	S.RES ERJ3GEYJ 101 V (100)	T	13.6/41.7
R975	7030003320	S.RES ERJ3GEYJ 101 V (100)	T	13.6/40.4
R976	7030003320	S.RES ERJ3GEYJ 101 V (100)	T	13.6/39.1
C1	4030011600	S.CER C1608 JB 1E 104K-T	B	15.2/30.5
C2	4030011600	S.CER C1608 JB 1E 104K-T	B	41.8/30.7
C3	4030011600	S.CER C1608 JB 1E 104K-T	B	18/32.9
C4	4030011600	S.CER C1608 JB 1E 104K-T	B	39.4/32.9
C5	4030011600	S.CER C1608 JB 1E 104K-T	B	23/26.3
C6	4030011600	S.CER C1608 JB 1E 104K-T	B	24.3/26.3
C7	4030011600	S.CER C1608 JB 1E 104K-T	B	28.6/26.3
C8	4030011600	S.CER C1608 JB 1E 104K-T	B	29.9/26.3
C9	4030011600	S.CER C1608 JB 1E 104K-T	B	33.8/26.3
C10	4030011600	S.CER C1608 JB 1E 104K-T	B	21.5/23.3
C11	4030011600	S.CER C1608 JB 1E 104K-T	B	36/23.7
C12	4030011600	S.CER C1608 JB 1E 104K-T	T	13.7/21
C13	4030011600	S.CER C1608 JB 1E 104K-T	B	22.2/20.2
C14	4030011600	S.CER C1608 JB 1E 104K-T	B	36/21.1
C15	4030011600	S.CER C1608 JB 1E 104K-T	B	22.2/18.9
C16	4030011600	S.CER C1608 JB 1E 104K-T	B	36/18.5
C17	4030011600	S.CER C1608 JB 1E 104K-T	T	43.5/20
C18	4030011600	S.CER C1608 JB 1E 104K-T	B	22.2/15.2
C19	4030011600	S.CER C1608 JB 1E 104K-T	B	34.7/14.4
C20	4030011600	S.CER C1608 JB 1E 104K-T	B	23.1/13.3
C21	4030011600	S.CER C1608 JB 1E 104K-T	B	24.4/13.3
C22	4030011600	S.CER C1608 JB 1E 104K-T	B	28.1/13.3
C23	4030011600	S.CER C1608 JB 1E 104K-T	B	32.6/12.6
C24	4030011600	S.CER C1608 JB 1E 104K-T	B	35.2/12.6
C25	4030011600	S.CER C1608 JB 1E 104K-T	B	17.3/6.7
C26	4030011600	S.CER C1608 JB 1E 104K-T	B	33.1/6.8
C27	4030011600	S.CER C1608 JB 1E 104K-T	B	41.8/11.1
C28	4030011600	S.CER C1608 JB 1E 104K-T	B	15.4/8.2
C29	4030011600	S.CER C1608 JB 1E 104K-T	B	40.9/6.8
C30	4030011600	S.CER C1608 JB 1E 104K-T	T	35.2/5
C31	4030011600	S.CER C1608 JB 1E 104K-T	T	28.5/5.2
C32	4030011600	S.CER C1608 JB 1E 104K-T	T	37.8/5
C33	4030011600	S.CER C1608 JB 1E 104K-T	T	18.5/35.2
C34	4030011600	S.CER C1608 JB 1E 104K-T	T	36.4/35
C35	4030011600	S.CER C1608 JB 1E 104K-T	B	26/32.9
C36	4030011600	S.CER C1608 JB 1E 104K-T	B	29.3/32.9
C37	4030011600	S.CER C1608 JB 1E 104K-T	B	36.8/32.9

[DSP-B BOARD]

REF NO.	ORDER NO.	DESCRIPTION	M.	H/V LOCATION
C38	4030011600	S.CER C1608 JB 1E 104K-T	B	15.2/27.9
C39	4030011600	S.CER C1608 JB 1E 104K-T	B	22.4/32.9
C40	4030011600	S.CER C1608 JB 1E 104K-T	B	26/26.3
C41	4030011600	S.CER C1608 JB 1E 104K-T	B	21.7/26.3
C42	4030011600	S.CER C1608 JB 1E 104K-T	B	27.3/26.3
C43	4030011600	S.CER C1608 JB 1E 104K-T	B	32.5/26.3
C44	4030011600	S.CER C1608 JB 1E 104K-T	B	35.1/26.3
C45	4030011600	S.CER C1608 JB 1E 104K-T	B	41.8/26.8
C46	4030011600	S.CER C1608 JB 1E 104K-T	B	15.3/24.9
C47	4030011600	S.CER C1608 JB 1E 104K-T	T	43.5/29
C48	4030011600	S.CER C1608 JB 1E 104K-T	B	22.2/21.5
C49	4030011600	S.CER C1608 JB 1E 104K-T	B	41.8/17.9
C50	4030011600	S.CER C1608 JB 1E 104K-T	B	22.2/17.6
C51	4030011600	S.CER C1608 JB 1E 104K-T	B	36/15.9
C52	4030011600	S.CER C1608 JB 1E 104K-T	B	15.8/11.6
C53	4030011600	S.CER C1608 JB 1E 104K-T	B	21.8/13.3
C54	4030011600	S.CER C1608 JB 1E 104K-T	T	42.9/9.9
C55	4030011600	S.CER C1608 JB 1E 104K-T	B	29.4/13.3
C56	4030011600	S.CER C1608 JB 1E 104K-T	B	25/6.7
C57	4030011600	S.CER C1608 JB 1E 104K-T	B	29.8/6.8
C58	4030011600	S.CER C1608 JB 1E 104K-T	B	38.3/6.8
C59	4030011600	S.CER C1608 JB 1E 104K-T	T	20.3/5.3
C60	4510007130	S.ELE EEFCD 0J 470R	T	19.6/44
C61	4550007480	S.TAN F930J106MAABMA	B	44.8/29.7
C62	4510007130	S.ELE EEFCD 0J 470R	T	25.7/43.9
C101	4030011600	S.CER C1608 JB 1E 104K-T	B	35.7/6.8
C102	4550007480	S.TAN F930J106MAABMA	B	30.6/2.6
C151	4030011600	S.CER C1608 JB 1E 104K-T	B	45.6/10
C152	4030007030	S.CER C1608 CH 1H 150J-T	B	46.1/6.2
C153	4030007030	S.CER C1608 CH 1H 150J-T	B	43.1/8
C171	4030011600	S.CER C1608 JB 1E 104K-T	T	41.3/2.7
C181	4030011600	S.CER C1608 JB 1E 104K-T	T	31/4.3
C191	4030011600	S.CER C1608 JB 1E 104K-T	T	22.6/1.2
C201	4030011600	S.CER C1608 JB 1E 104K-T	B	41.4/43.3
C301	4340000250	S.MLR ECHU 1C 104JX5	T	77.9/44
C302	4550007500	S.TAN F931D106MBABMA	B	76.5/43.7
C303	4030011600	S.CER C1608 JB 1E 104K-T	T	75.6/40.9
C304	4550007500	S.TAN F931D106MBABMA	B	71.7/43.7
C305	4030011600	S.CER C1608 JB 1E 104K-T	T	67.6/46.1
C306	4030007050	S.CER C1608 CH 1H 220J-T	T	72.4/40.1
C331	4030011600	S.CER C1608 JB 1E 104K-T	T	78.8/32.8
C332	4550007520	S.TAN F931A106MAABMA	B	67.9/35.2
C333	4030011600	S.CER C1608 JB 1E 104K-T	T	79.5/35.8
C341	4550007500	S.TAN F931D106MBABMA	B	73.1/32.4
C342	4030011600	S.CER C1608 JB 1E 104K-T	T	73.7/31.6
C343	4550007500	S.TAN F931D106MBABMA	B	73.2/38.1
C344	4030011600	S.CER C1608 JB 1E 104K-T	T	65.6/37.3
C345	4340000250	S.MLR ECHU 1C 104JX5	T	76.7/38.1
C346	4030018580	S.CER C1608 CH 1H 821J-T	T	66.9/33.6
C347	4030011600	S.CER C1608 JB 1E 104K-T	T	66.1/35.5
C348	4030007050	S.CER C1608 CH 1H 220J-T	T	70.9/30.9
C371	4550007500	S.TAN F931D106MBABMA	B	59.8/43.8
C372	4030011600	S.CER C1608 JB 1E 104K-T	T	63.4/42.5
C373	4550007500	S.TAN F931D106MBABMA	B	50.1/43.9
C374	4030011600	S.CER C1608 JB 1E 104K-T	T	53.4/45.5
C375	4340000250	S.MLR ECHU 1C 104JX5	T	68.1/42.6
C376	4030018580	S.CER C1608 CH 1H 821J-T	T	56/43.1
C377	4030011600	S.CER C1608 JB 1E 104K-T	T	55.3/45
C378	4030007050	S.CER C1608 CH 1H 220J-T	T	59.4/39.5
C401	4550007520	S.TAN F931A106MAABMA	B	54.9/43.8
C402	4030017840	S.CER C2012 CH 1H 222J-T	T	58.1/37.6
C403	4550007480	S.TAN F930J106MAABMA	B	63.1/35.2
C404	4030011810	S.CER C1608 JB 1A 224K-T	T	61.5/37.4
C405	4550007480	S.TAN F930J106MAABMA	B	58.3/35.2
C406	4030011810	S.CER C1608 JB 1A 224K-T	T	63.5/36.7
C407	4550007480	S.TAN F930J106MAABMA	B	50.4/36.1
C408	4030011600	S.CER C1608 JB 1E 104K-T	T	54.1/37.4
C409	4030011600	S.CER C1608 JB 1E 104K-T	T	54.1/23.2
C410	4030009000	S.CER C2012 JB 1C 224K-T	T	62.1/24.2
C411	4550007480	S.TAN F930J106MAABMA	B	63.1/28.4
C412	4550007480	S.TAN F930J106MAABMA	B	58.3/29.1
C413	4030009000	S.CER C2012 JB 1C 224K-T	T	59/22.5
C414	4030011600	S.CER C1608 JB 1E 104K-T	T	54.1/24.5
C415	4550007520	S.TAN F931A106MAABMA	B	53/26.5
C416	4550007520	S.TAN F931A106MAABMA	B	53/31.3
C417	4030017840	S.CER C2012 CH 1H 222J-T	T	58/24.2
C450	4030011600	S.CER C1608 JB 1E 104K-T	T	43.1/35.3
C451	4030011600	S.CER C1608 JB 1E 104K-T	T	43.6/42.9
C452	4030006860	S.CER C1608 JB 1H 102K-T	T	40.8/39.6
C501	4030011600	S.CER C1608 JB 1E 104K-T	T	74.8/24
C502	4550007500	S.TAN F931D106MBABMA	B	77.5/33.1
C503	4030011600	S.CER C1608 JB 1E 104K-T	T	71.6/23.4
C504	4550007500	S.TAN F931D106MBABMA	B	67.9/29.1
C506	4030007090	S.CER C1608 CH 1H 470J-T	T	67.1/28.4
C507	4030007090	S.CER C1608 CH 1H 470J-T	T	76.1/27.3
C551	4550007520	S.TAN F931A106MAABMA	B	50.3/8.7
C552	4030011600	S.CER C1608 JB 1E 104K-T	T	49.5/5.5
C553	4550007520	S.TAN F931A106MAABMA	B	55/13.3
C554	4030011600	S.CER C1608 JB 1E 104K-T	T	60/7.6
C555	4030011600	S.CER C1608 JB 1E 104K-T	T	59.8/4.6
C556	4550007480	S.TAN F930J106MAABMA	B	53.6/7.1



[DSP-B BOARD]

REF NO.	ORDER NO.	DESCRIPTION	M.	H/V LOCATION
C558	4550007520	S.TAN F931A106MAABMA	B	53.6/4.3
C601	4550007480	S.TAN F930J106MAABMA	B	61.3/17.2
C602	4030018510	S.CER C2012 CH 1H 682J-T	T	58.8/16.5
C603	4550007500	S.TAN F931D106MBABMA	B	68.2/15
C604	4030011600	S.CER C1608 JB 1E 104K-T	T	58.2/14.2
C605	4030011600	S.CER C1608 JB 1E 104K-T	T	64.5/13.9
C606	4550007500	S.TAN F931D106MBABMA	B	69.2/19.2
C607	4030018510	S.CER C2012 CH 1H 682J-T	T	67/22.5
C608	4030007050	S.CER C1608 CH 1H 220J-T	T	68.3/16.7
C651	4550007480	S.TAN F930J106MAABMA	B	60.1/9.2
C652	4030018510	S.CER C2012 CH 1H 682J-T	T	61.9/6.6
C653	4550007500	S.TAN F931D106MBABMA	B	59.9/2.6
C654	4030011600	S.CER C1608 JB 1E 104K-T	T	64/2.5
C655	4030011600	S.CER C1608 JB 1E 104K-T	T	67.7/2.5
C656	4550007500	S.TAN F931D106MBABMA	B	59.9/6
C657	4030018510	S.CER C2012 CH 1H 682J-T	T	68.3/12.2
C658	4030007050	S.CER C1608 CH 1H 220J-T	T	71.4/6.9
C701	4030017840	S.CER C2012 CH 1H 222J-T	T	74.3/21.1
C702	4030017840	S.CER C2012 CH 1H 222J-T	T	78.9/13.4
C703	4550007500	S.TAN F931D106MBABMA	B	75.3/15.7
C704	4030011600	S.CER C1608 JB 1E 104K-T	T	75.9/12.8
C705	4030011600	S.CER C1608 JB 1E 104K-T	T	79.4/20.6
C706	4550007500	S.TAN F931D106MBABMA	B	75.6/21.1
C707	4030007050	S.CER C1608 CH 1H 220J-T	T	78.7/18
C771	4550007480	S.TAN F930J106MAABMA	B	49.8/14.1
C772	4030011600	S.CER C1608 JB 1E 104K-T	T	49.5/15
C773	4550007480	S.TAN F930J106MAABMA	B	55/18.1
C801	4030011600	S.CER C1608 JB 1E 104K-T	T	77.4/24
C921	4550007510	S.TAN F931C106MBABMA	B	66.5/2.6
C922	4030011600	S.CER C1608 JB 1E 104K-T	T	71/3.6
C923	4550002830	S.TAN TEESVD2 1V 685M12R	B	78.3/6.5
C924	4030011600	S.CER C1608 JB 1E 104K-T	T	80.1/8.6
C925	4550007510	S.TAN F931C106MBABMA	B	67.1/10.5
C926	4030011600	S.CER C1608 JB 1E 104K-T	T	71.8/12.7
C927	4550002830	S.TAN TEESVD2 1V 685M12R	B	72.6/6.5
C928	4030011600	S.CER C1608 JB 1E 104K-T	T	79.6/5.2
C961	4030011600	S.CER C1608 JB 1E 104K-T	B	11.2/15.7
C962	4550007520	S.TAN F931A106MAABMA	B	12/18.8
C963	4030011600	S.CER C1608 JB 1E 104K-T	B	10.7/25.4
C964	4550007520	S.TAN F931A106MAABMA	B	11.4/29.4
J201	6510024450	S.CNR IC197-3202-2000	B	29/42
J921	6910013900	CNR IMSA-9180S-22A		
J961	6910012460	CNR IMSA-9180S-30A		

[DSP-TX BOARD]

REF NO.	ORDER NO.	DESCRIPTION	M.	H/V LOCATION
IC1	1140012211	S.IC TMS320C6713BZDP225	T	28.1/20.4
IC151	1130008361	S.IC TC7SHU04FU (TE85LJF)	B	45.5/8.1
IC171	1130008041	S.IC TC7SH04FU(TE85LJF)	T	41.3/4.6
IC181	1130011150	S.IC SN74AHC2G08HDCTR	T	30.2/1.9
IC191	1130011150	S.IC SN74AHC2G08HDCTR	T	24/3.5
IC201	1130012204	S.IC AT29LV040A-15TU	B	29.5/42
IC203	1110006411	S.IC R3111N111A-TR-F	T	30.2/36.6
IC301	1110006100	S.IC NJM5534MD-TE1	T	72.3/44.4
IC341	1110006100	S.IC NJM5534MD-TE1	T	72.1/35.2
IC371	1110006100	S.IC NJM5534MD-TE1	T	59.4/44.4
IC401	1110006111	S.IC AK5394AVSP/P	T	54.2/31
IC451	1130006891	S.IC TC7S04FU (TE85R,F)	T	42.8/35.8
IC452	1130012160	S.IC SN74LVC1GU04DCKR	T	42.3/39.8
IC551	1190002090	S.IC AD1854JRSZRL	T	53.3/5.8
IC601	1110006100	S.IC NJM5534MD-TE1	T	53.1/15.2
IC651	1110006100	S.IC NJM5534MD-TE1	T	65.3/5
IC701	1110006100	S.IC NJM5534MD-TE1	T	63.2/14.8
IC801	1110006100	S.IC NJM5534MD-TE1	T	68.4/25.8
IC831	1110006100	S.IC NJM5534MD-TE1	T	73.1/15.8
IC871	1110006100	S.IC NJM5534MD-TE1	T	77/26.1
FI101	2040000790	S.LC EXCCET103U	T	36.5/2.2
X151	6050011660	S.XTL CR-754 (30.000 MHz)	B	40.5/2.9
L1	6200003950	S.COL HF50ACC 322513-T	B	45/39.6
L2	6180003501	S.COL SLF6028T-100M1R3-PF	B	13.6/35.4
L3	6200003640	S.COL MLF1608E 100K-T	B	10.9/7.7
L401	6200003950	S.COL HF50ACC 322513-T	T	49.4/43.1
L921	6200003950	S.COL HF50ACC 322513-T	T	75/3.7
L922	6200003950	S.COL HF50ACC 322513-T	T	79.7/8.8
L924	6200003950	S.COL HF50ACC 322513-T	T	75/8.8
L925	6200003950	S.COL HF50ACC 322513-T	T	79.7/3.7
L961	6200003950	S.COL HF50ACC 322513-T	B	11.5/11.9
L962	6200003950	S.COL HF50ACC 322513-T	B	12.6/24
R1	7030003560	S.RES ERJ3GEYJ 103 V (10 k)	B	43/22.2
R2	7030003560	S.RES ERJ3GEYJ 103 V (10 k)	B	42.2/24.2
R3	7030003560	S.RES ERJ3GEYJ 103 V (10 k)	B	43/20.9
R4	7030003560	S.RES ERJ3GEYJ 103 V (10 k)	B	42.4/13.7
R5	7030003440	S.RES ERJ3GEYJ 102 V (1 k)	B	23.2/5.5
R6	7030003440	S.RES ERJ3GEYJ 102 V (1 k)	B	21.9/5.5
R7	7030003640	S.RES ERJ3GEYJ 473 V (47 k)	B	20.6/5.5
R8	7030003440	S.RES ERJ3GEYJ 102 V (1 k)	B	13.7/8.1
R9	7030003640	S.RES ERJ3GEYJ 473 V (47 k)	B	13.7/11.5
R10	7030003640	S.RES ERJ3GEYJ 473 V (47 k)	T	43.8/13.1
R11	7030003460	S.RES ERJ3GEYJ 152 V (1.5 k)	B	41.8/8.5
R12	7030003560	S.RES ERJ3GEYJ 103 V (10 k)	B	26.8/13.8
R151	7030003320	S.RES ERJ3GEYJ 101 V (100)	T	44.6/5.3
R152	7030003800	S.RES ERJ3GEYJ 105 V (1 M)	B	43.5/6.2
R171	7030003320	S.RES ERJ3GEYJ 101 V (100)	T	41.3/1.4
R181	7030003560	S.RES ERJ3GEYJ 103 V (10 k)	T	6.4/7
R182	7030003560	S.RES ERJ3GEYJ 103 V (10 k)	T	9.2/7
R183	7030003560	S.RES ERJ3GEYJ 103 V (10 k)	T	11.8/8.3
R184	7030003560	S.RES ERJ3GEYJ 103 V (10 k)	T	11.8/7
R201	7030003860	S.RES ERJ3GE JPW V	T	30.8/39.3
R301	7030003440	S.RES ERJ3GEYJ 102 V (1 k)	T	79.5/37.7
R302	7030009591	S.RES ERA3YED 472V (4.7 k)	T	77.6/46.9
R303	7030009591	S.RES ERA3YED 472V (4.7 k)	T	75.7/46.1
R304	7030003320	S.RES ERJ3GEYJ 101 V (100)	T	78.1/40.1
R305	7030003440	S.RES ERJ3GEYJ 102 V (1 k)	T	75.7/43.5
R306	7030003320	S.RES ERJ3GEYJ 101 V (100)	T	68.9/46.1
R341	7030003320	S.RES ERJ3GEYJ 101 V (100)	T	76.2/34.6
R342	7030003320	S.RES ERJ3GEYJ 101 V (100)	T	68.5/38.4
R343	7030005321	S.RES ERA3YED 103V (10 k)	T	64.5/34.6
R344	7030009591	S.RES ERA3YED 472V (4.7 k)	T	67/33.9
R345	7030009691	S.RES ERA3YED 101V (100)	T	67.7/31.9
R371	7030003320	S.RES ERJ3GEYJ 101 V (100)	B	62.9/42.1
R372	7030003320	S.RES ERJ3GEYJ 101 V (100)	T	55.3/46.3
R373	7030005321	S.RES ERA3YED 103V (10 k)	T	63.7/46.2
R374	7030009591	S.RES ERA3YED 472V (4.7 k)	T	54.7/41.8
R375	7030009691	S.RES ERA3YED 101V (100)	T	56/40.5
R401	7030009591	S.RES ERA3YED 472V (4.7 k)	T	53.1/42.5
R402	7030009591	S.RES ERA3YED 472V (4.7 k)	T	51.6/44
R403	7030003640	S.RES ERJ3GEYJ 473 V (47 k)	T	54.1/38.7
R404	7030003200	S.RES ERJ3GEYJ 100 V (10)	T	50/40
R405	7030003320	S.RES ERJ3GEYJ 101 V (100)	T	51.1/38.1
R406	7030003640	S.RES ERJ3GEYJ 473 V (47 k)	T	49.8/38.1
R407	7030003460	S.RES ERJ3GEYJ 152 V (1.5 k)	B	48/35.4
R409	7030003640	S.RES ERJ3GEYJ 473 V (47 k)	T	51.9/23.8
R410	7030003640	S.RES ERJ3GEYJ 473 V (47 k)	T	50.6/23.8
R411	7030003640	S.RES ERJ3GEYJ 473 V (47 k)	T	49/23.8
R412	7030003520	S.RES ERJ3GEYJ 472 V (4.7 k)	T	57.2/22.2
R413	7030003520	S.RES ERJ3GEYJ 472 V (4.7 k)	T	57.2/20.9
R414	7030003360	S.RES ERJ3GEYJ 221 V (220)	T	46/38.2
R451	7030003800	S.RES ERJ3GEYJ 105 V (1 M)	T	40.4/41.1
R452	7030003440	S.RES ERJ3GEYJ 102 V (1 k)	B	45.8/35.5
R551	7030003360	S.RES ERJ3GEYJ 221 V (220)	B	54/9.3

M.=Mounted side (T: Mounted on the Top side, B: Mounted on the Bottom side)  
S.=Surface mount

[DSP-TX BOARD]

REF NO.	ORDER NO.	DESCRIPTION	M.	H/V LOCATION
R601	7030006521	S.RES ERA3YED 561V (560)	T	50.2/18.6
R602	7030007661	S.RES ERA3YED 331V (330)	T	50.2/19.9
R603	7030007661	S.RES ERA3YED 331V (330)	T	48.3/17.1
R604	7030009961	S.RES ERA3YED 221V (220)	T	55.4/18.6
R605	7030007661	S.RES ERA3YED 331V (330)	T	52.8/18.6
R606	7030003320	S.RES ERJ3GEYJ 101 V (100)	B	51.4/24.7
R607	7030003320	S.RES ERJ3GEYJ 101 V (100)	B	52.2/13.1
R651	7030006521	S.RES ERA3YED 561V (560)	T	62.5/8.4
R652	7030007661	S.RES ERA3YED 331V (330)	T	63.5/9.7
R653	7030007661	S.RES ERA3YED 331V (330)	T	60.3/8.2
R654	7030009961	S.RES ERA3YED 221V (220)	T	67.7/8.4
R655	7030007661	S.RES ERA3YED 331V (330)	T	65.1/8.4
R656	7030003320	S.RES ERJ3GEYJ 101 V (100)	B	67.2/8.2
R657	7030003320	S.RES ERJ3GEYJ 101 V (100)	B	65.1/2.8
R701	7030010770	S.RES ERA3YED 681V (680)	T	58/18.2
R702	7030009861	S.RES ERA3YED 471V (470)	T	62.1/20
R703	7030010770	S.RES ERA3YED 681V (680)	T	70.7/9.3
R704	7030009861	S.RES ERA3YED 471V (470)	T	55.6/11.8
R705	7030009691	S.RES ERA3YED 101V (100)	T	69/12
R706	7030003320	S.RES ERJ3GEYJ 101 V (100)	B	61/23.1
R707	7030003320	S.RES ERJ3GEYJ 101 V (100)	B	54.7/14.5
R801	7030009591	S.RES ERA3YED 472V (4.7 k)	T	65/22.8
R802	7030003320	S.RES ERJ3GEYJ 101 V (100)	T	63.5/22.8
R803	7030005321	S.RES ERA3YED 103V (10 k)	T	68.6/21.1
R804	7030003320	S.RES ERJ3GEYJ 101 V (100)	B	69.7/31.7
R805	7030003320	S.RES ERJ3GEYJ 101 V (100)	B	71.3/31.7
R831	7030009591	S.RES ERA3YED 472V (4.7 k)	T	68.4/17.9
R832	7030003320	S.RES ERJ3GEYJ 101 V (100)	T	68.6/19.7
R833	7030005321	S.RES ERA3YED 103V (10 k)	T	69.7/15.3
R834	7030003320	S.RES ERJ3GEYJ 101 V (100)	B	64/23.2
R835	7030003320	S.RES ERJ3GEYJ 101 V (100)	B	73.4/13.3
R871	7030003520	S.RES ERJ3GEYJ 472 V (4.7 k)	T	77.8/13.7
R872	7030003520	S.RES ERJ3GEYJ 472 V (4.7 k)	T	79.1/18.7
R874	7030003320	S.RES ERJ3GEYJ 101 V (100)	B	71.3/31.7
R875	7030003320	S.RES ERJ3GEYJ 101 V (100)	B	74.4/21.3
R901	7030003860	S.RES ERJ3GE JPW V	T	52.7/22
R903	7030003860	S.RES ERJ3GE JPW V	B	47.7/38
R904	7030003860	S.RES ERJ3GE JPW V	T	47.1/4.2
R905	7030003860	S.RES ERJ3GE JPW V	B	48.1/10.2
R962	7030003320	S.RES ERJ3GEYJ 101 V (100)	T	12.1/17.5
R963	7030003320	S.RES ERJ3GEYJ 101 V (100)	T	11.9/16.2
R964	7030003320	S.RES ERJ3GEYJ 101 V (100)	T	11.9/14.9
R967	7030003320	S.RES ERJ3GEYJ 101 V (100)	T	13.6/38.7
R968	7030003320	S.RES ERJ3GEYJ 101 V (100)	T	11.9/12.3
R969	7030003320	S.RES ERJ3GEYJ 101 V (100)	T	13.6/47.8
R970	7030003320	S.RES ERJ3GEYJ 101 V (100)	T	13.6/46.5
R971	7030003320	S.RES ERJ3GEYJ 101 V (100)	T	13.6/45.2
R972	7030003320	S.RES ERJ3GEYJ 101 V (100)	T	13.6/43.9
R973	7030003320	S.RES ERJ3GEYJ 101 V (100)	T	13.6/42.6
R974	7030003320	S.RES ERJ3GEYJ 101 V (100)	T	13.6/41.3
R975	7030003320	S.RES ERJ3GEYJ 101 V (100)	T	13.6/40
R976	7030003320	S.RES ERJ3GEYJ 101 V (100)	T	11.9/13.6
C1	4030011600	S.CER C1608 JB 1E 104K-T	B	15.2/30.4
C2	4030011600	S.CER C1608 JB 1E 104K-T	B	42.2/30.7
C3	4030011600	S.CER C1608 JB 1E 104K-T	B	18/32.9
C4	4030011600	S.CER C1608 JB 1E 104K-T	B	39.4/32.9
C5	4030011600	S.CER C1608 JB 1E 104K-T	B	23.3/25.8
C6	4030011600	S.CER C1608 JB 1E 104K-T	B	24.6/25.8
C7	4030011600	S.CER C1608 JB 1E 104K-T	B	28.7/25.8
C8	4030011600	S.CER C1608 JB 1E 104K-T	B	30/25.8
C9	4030011600	S.CER C1608 JB 1E 104K-T	B	33.8/25.8
C10	4030011600	S.CER C1608 JB 1E 104K-T	B	22.7/23.8
C11	4030011600	S.CER C1608 JB 1E 104K-T	B	35.5/23.2
C12	4030011600	S.CER C1608 JB 1E 104K-T	T	12.6/20.7
C13	4030011600	S.CER C1608 JB 1E 104K-T	B	22.7/20.2
C14	4030011600	S.CER C1608 JB 1E 104K-T	B	35.5/20.6
C15	4030011600	S.CER C1608 JB 1E 104K-T	B	22.7/18.9
C16	4030011600	S.CER C1608 JB 1E 104K-T	B	34.2/18.4
C17	4030011600	S.CER C1608 JB 1E 104K-T	T	43.5/20
C18	4030011600	S.CER C1608 JB 1E 104K-T	B	22.7/15.7
C19	4030011600	S.CER C1608 JB 1E 104K-T	B	34.2/14.9
C20	4030011600	S.CER C1608 JB 1E 104K-T	B	23.3/13.8
C21	4030011600	S.CER C1608 JB 1E 104K-T	B	24.6/13.8
C22	4030011600	S.CER C1608 JB 1E 104K-T	B	28.1/13.8
C23	4030011600	S.CER C1608 JB 1E 104K-T	B	32.6/13.1
C24	4030011600	S.CER C1608 JB 1E 104K-T	B	35.2/13.1
C25	4030011600	S.CER C1608 JB 1E 104K-T	B	17.3/6.7
C26	4030011600	S.CER C1608 JB 1E 104K-T	B	33.1/6.3
C27	4030011600	S.CER C1608 JB 1E 104K-T	B	42.4/11.1
C28	4030011600	S.CER C1608 JB 1E 104K-T	B	15/8.1
C29	4030011600	S.CER C1608 JB 1E 104K-T	B	40.9/6.6
C30	4030011600	S.CER C1608 JB 1E 104K-T	T	35.2/5
C31	4030011600	S.CER C1608 JB 1E 104K-T	T	28.5/5.2
C32	4030011600	S.CER C1608 JB 1E 104K-T	T	37.8/5
C33	4030011600	S.CER C1608 JB 1E 104K-T	T	18.6/35.5
C34	4030011600	S.CER C1608 JB 1E 104K-T	T	37.5/35.5
C35	4030011600	S.CER C1608 JB 1E 104K-T	B	26/32.9
C36	4030011600	S.CER C1608 JB 1E 104K-T	B	29.3/32.9
C37	4030011600	S.CER C1608 JB 1E 104K-T	B	36.8/32.9
C38	4030011600	S.CER C1608 JB 1E 104K-T	B	15.2/27.7

[DSP-TX BOARD]

REF NO.	ORDER NO.	DESCRIPTION	M.	H/V LOCATION
C39	4030011600	S.CER C1608 JB 1E 104K-T	B	22.4/32.9
C40	4030011600	S.CER C1608 JB 1E 104K-T	B	26.1/25.8
C41	4030011600	S.CER C1608 JB 1E 104K-T	B	22/25.8
C42	4030011600	S.CER C1608 JB 1E 104K-T	B	27.4/25.8
C43	4030011600	S.CER C1608 JB 1E 104K-T	B	32.5/25.8
C44	4030011600	S.CER C1608 JB 1E 104K-T	B	35.1/25.8
C45	4030011600	S.CER C1608 JB 1E 104K-T	B	42.2/26.8
C46	4030011600	S.CER C1608 JB 1E 104K-T	B	15.3/24.9
C47	4030011600	S.CER C1608 JB 1E 104K-T	T	43.5/29
C48	4030011600	S.CER C1608 JB 1E 104K-T	B	22.7/21.5
C49	4030011600	S.CER C1608 JB 1E 104K-T	B	42.4/17.9
C50	4030011600	S.CER C1608 JB 1E 104K-T	B	22.7/17.6
C51	4030011600	S.CER C1608 JB 1E 104K-T	B	35.5/17.5
C52	4030011600	S.CER C1608 JB 1E 104K-T	B	15/11.5
C53	4030011600	S.CER C1608 JB 1E 104K-T	B	22/13.8
C54	4030011600	S.CER C1608 JB 1E 104K-T	T	43.3/9.9
C55	4030011600	S.CER C1608 JB 1E 104K-T	B	29.4/13.8
C56	4030011600	S.CER C1608 JB 1E 104K-T	B	25.1/6.6
C57	4030011600	S.CER C1608 JB 1E 104K-T	B	29.8/6.2
C58	4030011600	S.CER C1608 JB 1E 104K-T	B	38.3/6.6
C59	4030011600	S.CER C1608 JB 1E 104K-T	T	20.3/5.3
C60	4510007130	S.ELE EEFCD 0J 470R	T	25.4/41.7
C61	4550007480	S.TAN F930J106MAABMA	B	45.2/29.7
C62	4510007130	S.ELE EEFCD 0J 470R	T	19.5/41.7
C101	4030011600	S.CER C1608 JB 1E 104K-T	B	35.7/6.5
C102	4550007480	S.TAN F930J106MAABMA	B	30.6/2.6
C151	4030011600	S.CER C1608 JB 1E 104K-T	B	45.5/10.2
C152	4030007030	S.CER C1608 CH 1H 150J-T	B	46.1/6.2
C153	4030007030	S.CER C1608 CH 1H 150J-T	B	43.1/8
C171	4030011600	S.CER C1608 JB 1E 104K-T	T	41.3/2.7
C181	4030011600	S.CER C1608 JB 1E 104K-T	T	31/4.3
C191	4030011600	S.CER C1608 JB 1E 104K-T	T	22.6/1.2
C201	4030011600	S.CER C1608 JB 1E 104K-T	B	42.3/44.3
C301	4550007660	S.TAN F931E105MAABMA	B	80.4/44.1
C302	4550007500	S.TAN F931D106MBABMA	B	75.6/44.1
C303	4030011600	S.CER C1608 JB 1E 104K-T	T	75.7/40.7
C304	4550007500	S.TAN F931D106MBABMA	B	71.5/44.1
C305	4030011600	S.CER C1608 JB 1E 104K-T	T	67.6/46.1
C306	4030007050	S.CER C1608 CH 1H 220J-T	T	72.3/39.8
C341	4550007500	S.TAN F931D106MBABMA	B	74/34.6
C342	4030011600	S.CER C1608 JB 1E 104K-T	T	75.5/32.8
C343	4550007500	S.TAN F931D106MBABMA	B	66.9/36.8
C344	4030011600	S.CER C1608 JB 1E 104K-T	T	67.2/38.4
C345	4550007660	S.TAN F931E105MAABMA	B	76.8/38.7
C346	4030007140	S.CER C1608 CH 1H 121J-T	T	68.5/33.9
C347	4030011600	S.CER C1608 JB 1E 104K-T	T	67.7/35.9
C348	4030007050	S.CER C1608 CH 1H 220J-T	T	72/30.6
C371	4550007500	S.TAN F931D106MBABMA	B	59.8/43.8
C372	4030011600	S.CER C1608 JB 1E 104K-T	B	63.7/42.9
C373	4550007500	S.TAN F931D106MBABMA	B	50.1/43.9
C374	4030011600	S.CER C1608 JB 1E 104K-T	T	53.4/45.5
C375	4550007660	S.TAN F931E105MAABMA	B	66/43.7
C376	4030007140	S.CER C1608 CH 1H 121J-T	T	56/43.1
C377	4030011600	S.CER C1608 JB 1E 104K-T	T	55.3/45
C378	4030007050	S.CER C1608 CH 1H 220J-T	T	59.4/39.8
C401	4550007480	S.TAN F930J106MAABMA	B	54.9/43.8
C402	4030017840	S.CER C2012 CH 1H 222J-T	B	58.1/37.6
C403	4550007480	S.TAN F930J106MAABMA	B	63.1/35.2
C404	4030011810	S.CER C1608 JB 1A 224K-T	T	61.5/37.4
C405	4550007480	S.TAN F930J106MAABMA	B	58.3/36
C406	4030011810	S.CER C1608 JB 1A 224K-T	T	64.5/32
C407	4550007480	S.TAN F930J106MAABMA	B	51.1/36.1
C408	4030011600	S.CER C1608 JB 1E 104K-T	T	54.1/37.4
C410	4030009000	S.CER C2012 JB 1C 224K-T	T	61/24
C411	4550007480	S.TAN F930J106MAABMA	B	62.5/28.3
C412	4550007480	S.TAN F930J106MAABMA	B	58.3/29.9
C413	4030009000	S.CER C2012 JB 1C 224K-T	T	64.7/28.6
C414	4030011600	S.CER C1608 JB 1E 104K-T	T	54.2/24.5
C415	4550007520	S.TAN F931A106MAABMA	B	52.6/29.2
C416	4550007480	S.TAN F930J106MAABMA	B	56.1/24.8
C417	4030017840	S.CER C2012 CH 1H 222J-T	T	57.4/24
C450	4030011600	S.CER C1608 JB 1E 104K-T	T	44.2/39.7
C451	4030011600	S.CER C1608 JB 1E 104K-T	T	42.9/37.8
C452	4030006860	S.CER C1608 JB 1H 102K-T	T	42.9/41.9
C453	4030007050	S.CER C1608 CH 1H 220J-T	B	45.8/36.8
C551	4030011600	S.CER C1608 JB 1E 104K-T	T	48/1.7
C552	4550007520	S.TAN F931A106MAABMA	B	49.8/3.3
C553	4550007520	S.TAN F931A106MAABMA	B	57.2/8.9
C554	4550007520	S.TAN F931A106MAABMA	B	55/3.3
C555	4030011600	S.CER C1608 JB 1E 104K-T	T	58.6/2.5
C556	4030011600	S.CER C1608 JB 1E 104K-T	T	58.6/5.8
C557	4030011600	S.CER C1608 JB 1E 104K-T	B	57.7/4.1
C601	4550007660	S.TAN F931E105MAABMA	B	50.5/9.4
C602	4030018510	S.CER C2012 CH 1H 682J-T	T	48.3/14.2
C603	4550007500	S.TAN F931D106MBABMA	B	50.4/15.8
C604	4030011600	S.CER C1608 JB 1E 104K-T	T	49.6/11.8
C605	4030011600	S.CER C1608 JB 1E 104K-T	T	52.7/11.8
C606	4550007500	S.TAN F931D106MBABMA	B	51/20.8
C607	4030018510	S.CER C2012 CH 1H 682J-T	T	53.2/20.1
C608	4030007050	S.CER C1608 CH 1H 220J-T	T	57.6/14.5
C651	4550007660	S.TAN F931E105MAABMA	B	60/8.9
C652	4030018510	S.CER C2012 CH 1H		

[DSP-TX BOARD]

REF NO.	ORDER NO.	DESCRIPTION	M.	H/V LOCATION
C653	4550007500	S.TAN F931D106MBABMA	B	62.5/3.3
C654	4030011600	S.CER C1608 JB 1E 104K-T	T	62.5/1.6
C655	4030011600	S.CER C1608 JB 1E 104K-T	T	69.8/1.6
C656	4550007500	S.TAN F931D106MBABMA	B	63.6/9.2
C657	4030018510	S.CER C2012 CH 1H 682J-T	T	66.4/10
C658	4030007050	S.CER C1608 CH 1H 220J-T	T	69.9/4.4
C701	4030017840	S.CER C2012 CH 1H 222J-T	T	62.1/18.5
C702	4030017840	S.CER C2012 CH 1H 222J-T	T	59.2/11.1
C703	4550007500	S.TAN F931D106MBABMA	B	58.7/15.3
C704	4030011600	S.CER C1608 JB 1E 104K-T	T	62.4/11.3
C705	4030011600	S.CER C1608 JB 1E 104K-T	T	65.5/18.2
C706	4550007500	S.TAN F931D106MBABMA	B	57.7/19.3
C707	4030007050	S.CER C1608 CH 1H 220J-T	T	67.8/14.1
C801	4030006860	S.CER C1608 JB 1H 102K-T	T	64.2/24.6
C802	4030011600	S.CER C1608 JB 1E 104K-T	T	73.3/25
C803	4550007480	S.TAN F930J106MAABMA	B	76.7/16.6
C804	4030011600	S.CER C1608 JB 1E 104K-T	T	72/27.9
C805	4550007520	S.TAN F931A106MAABMA	B	67.2/28.6
C806	4030011600	S.CER C1608 JB 1E 104K-T	T	72.5/23.1
C807	4550007500	S.TAN F931D106MBABMA	B	68.4/23.6
C808	4030007050	S.CER C1608 CH 1H 220J-T	T	69/30.4
C831	4030006860	S.CER C1608 JB 1H 102K-T	T	69.7/17.9
C832	4030011600	S.CER C1608 JB 1E 104K-T	T	76.5/16.3
C833	4550007480	S.TAN F930J106MAABMA	B	69.7/16.8
C834	4030011600	S.CER C1608 JB 1E 104K-T	T	77.8/17.2
C835	4550007520	S.TAN F931A106MAABMA	B	64/19.7
C836	4030011600	S.CER C1608 JB 1E 104K-T	T	76.5/13.7
C837	4550007500	S.TAN F931D106MBABMA	B	64.7/15.3
C838	4030007050	S.CER C1608 CH 1H 220J-T	T	73.6/20.5
C871	4550007520	S.TAN F931A106MAABMA	B	75.5/29.4
C872	4030011600	S.CER C1608 JB 1E 104K-T	T	73.5/27.9
C873	4550007500	S.TAN F931D106MBABMA	B	75.6/24.3
C874	4030011600	S.CER C1608 JB 1E 104K-T	T	78.2/21.5
C875	4030007050	S.CER C1608 CH 1H 220J-T	T	77.2/30.9
C921	4550007510	S.TAN F931C106MBAABMA	B	69.3/3.8
C922	4030011600	S.CER C1608 JB 1E 104K-T	T	72.8/3.5
C923	4550002830	S.TAN TEESVD2 1V 685M12R	B	75.4/6
C924	4030011600	S.CER C1608 JB 1E 104K-T	T	81/8.8
C925	4550007510	S.TAN F931C106MBAABMA	B	71.1/9.3
C926	4030011600	S.CER C1608 JB 1E 104K-T	T	72.8/9
C927	4550002830	S.TAN TEESVD2 1V 685M12R	B	80.7/6
C928	4030011600	S.CER C1608 JB 1E 104K-T	T	81.8/4.6
C961	4030011600	S.CER C1608 JB 1E 104K-T	B	11.4/14.9
C962	4550007520	S.TAN F931A106MAABMA	B	12.2/18.6
C963	4030011600	S.CER C1608 JB 1E 104K-T	B	10.4/24.8
C964	4550007520	S.TAN F931A106MAABMA	B	11.4/28.9
J201	6510024450	S.CNR IC197-3202-2000	B	29.5/42
J921	6910013900	CNR IMSA-9180S-22A		
J961	6910012460	CNR IMSA-9180S-30A		

[SCOPE UNIT]

REF NO.	ORDER NO.	DESCRIPTION	M.	H/V LOCATION
IC1	1110006180	S.IC UPG2009TB-E3	T	85.1/9.6
IC2	1180001771	S.IC TA79L05F (TE12L,F)	T	24.5/95.6
IC31	1110006180	S.IC UPG2009TB-E3	T	86.5/14.1
IC201	1180002650	S.REG SI-3012KS-TL	T	116.4/64.6
IC401	1110006131	S.IC UPC4094G2-E1-A	T	15.6/88.6
IC403	1110006131	S.IC UPC4094G2-E1-A	T	26.9/88.6
IC404	1110006131	S.IC UPC4094G2-E1-A	T	44/87.6
IC405	1110002700	S.IC NJM2904M-TE1	T	39.2/70.4
IC501	1190002031	S.IC AD7650ASTZ	T	55.5/79.2
IC502	1130006891	S.IC TC7S04FU (TE85R,F)	T	57.7/88
IC505	1180002631	S.REG AD1582BRTZ-REEL7	T	55.4/94.6
IC601	1140012221	S.IC TMS320C6711DZDP200	T	88.4/81.4
IC602	1130011930	S.IC SN74LVC1G04DCKR	T	68.2/67.4
IC603	1130011930	S.IC SN74LVC1G04DCKR	T	70.7/70.3
IC604	1130008040	S.IC TC7SH04FU	B	67.4/74.6
IC607	1110006411	S.IC R3111N111A-TR-F	B	104.1/81.1
IC671	1130012394	S.IC AT49BV001AN-551TV	T	112.8/82.9
IC801	1130009230	S.IC LMX2306TMX/NOBP	T	65.6/36.5
IC803	1130009691	S.IC TC74HCT7007AF (F)	B	68/29
IC820	1190001961	S.IC AD9857ASTZ	T	93.7/35.6
IC903	1120002921	S.IC ADM202EARNZ	T	96.9/109.1
IC904	1130005721	S.IC TC7W04F (TE12L,F)	T	107.5/113
IC905	1130005252	S.IC TC74HC08AF (EL,F)	B	97/109.6
IC906	1130009831	S.IC TC74VHCT04AF (F)	B	108.4/109.6
Q1	1530002060	S.TR 2SC4081 T106 R	T	67.4/6.3
Q2	1530003851	S.TR 2SC5511F-TD-E	T	45.7/7.4
Q11	1590000680	S.TR DTC114EUA T106	T	78.2/7.4
Q12	1590000680	S.TR DTC114EUA T106	T	92.1/6.5
Q31	1590000680	S.TR DTC114EUA T106	T	78.4/3.6
Q32	1590000680	S.TR DTC114EUA T106	T	92.7/3.5
Q33	1590000680	S.TR DTC114EUA T106	T	93/15.3
Q101	1530003151	S.TR 2SC4673D-TD-E	T	28.8/18.2
Q201	1560000561	S.FET 2SK882-GR (TE85L,F)	T	11.4/40.4
Q202	1560000561	S.FET 2SK882-GR (TE85L,F)	T	10.1/45.2
Q301	1530003151	S.TR 2SC4673D-TD-E	T	21.4/67.9
Q701	1530003221	S.TR 2SC4406-4-TL-E	T	75.3/54.2
Q720	1530003221	S.TR 2SC4406-4-TL-E	T	101.9/45.5
Q810	1530003221	S.TR 2SC4406-4-TL-E	T	73.1/37.7
Q821	1560000331	S.FET 2SK210-GR (TE85R,F)	T	43.3/45.7
Q841	1530002060	S.TR 2SC4081 T106 R	T	41.5/37.2
Q842	1530003431	S.TR 2SC5226-4-TL-E	T	27.4/31.6
Q843	1530003431	S.TR 2SC5226-4-TL-E	T	25/39.9
Q872	1590000680	S.TR DTC114EUA T106	T	30.2/32.6
Q903	1530002280	S.TR 2SC4081 T106 S	B	130.2/111.8
Q904	1510000510	S.TR 2SA1576A T106R	B	126.1/105.7
Q921	1590001330	S.TR DTA114EUA T106	T	54.5/112.7
Q922	1590000680	S.TR DTC114EUA T106	T	50.7/112.7
Q923	1590001330	S.TR DTA114EUA T106	T	42.9/113.5
Q924	1590000680	S.TR DTC114EUA T106	T	40.3/113.5
D1	1750000971	S.DIO CPH5513-TL-E	T	79.7/14.9
D2	1750000971	S.DIO CPH5513-TL-E	T	72.5/15.9
D3	1750000441	S.DIO 1SV263-TL-E	T	72.1/12.8
D4	1750000431	S.DIO HSB88WSTR-E	T	10.3/68.3
D11	1790000620	S.DIO MA77 (TX)	T	83.2/4.5
D12	1790000620	S.DIO MA77 (TX)	T	87.2/4.5
D101	1750000431	S.DIO HSB88WSTR-E	T	25.7/8.2
D201	1710000840	S.DIO 1SR154-400 TE25	B	120.3/65
D401	1790001250	S.DIO MA2S111-(TX)	T	41.2/77.1
D402	1790001250	S.DIO MA2S111-(TX)	T	39.9/75.2
D403	1790001250	S.DIO MA2S111-(TX)	T	33.4/69.5
D821	1750000680	S.VCP 1SV232 (TPH2)/(TPH3)	T	57.9/43.2
D822	1750000680	S.VCP 1SV232 (TPH2)/(TPH3)	T	57.9/44.9
D902	1750000550	S.DIO 1SS355 TE-17	B	129.7/109.5
FI201	2030000290	S.MLH FL-357 (45 MHz)	T	9.3/29.6
FI501	2040000790	S.LC EXCCTET103U	T	71.2/76
L1	6200001831	S.COL NLV32T-100J	T	76.3/12.8
L2	6200001831	S.COL NLV32T-100J	T	75.1/19.1
L3	6200001831	S.COL NLV32T-100J	B	70.7/15.1
L4	6200001831	S.COL NLV32T-100J	T	67.3/12.1
L5	6150004280	COL LS-484B (C-14927)		
L6	6150004280	COL LS-484B (C-14927)		
L7	6200003261	S.COL NLV32T-101J	T	52/16.6
L8	6140003790	COL LR-442		
L9	6200001831	S.COL NLV32T-100J	T	41.2/7.5
L10	6200001831	S.COL NLV32T-100J	T	41.2/3.2
L11	6200001831	S.COL NLV32T-100J	T	57.3/3.5
L12	6200010450	S.COL C2520C-R82G-A	T	57.6/15.5
L13	6200010940	S.COL C2520C-39NG-A	T	68.3/20
L14	6200010860	S.COL C2520C-R10G-A	T	64.1/19.2
L31	6200001831	S.COL NLV32T-100J	B	82.6/1.8
L32	6200001831	S.COL NLV32T-100J	B	78.8/5.2
L33	6200001831	S.COL NLV32T-100J	B	86.6/6
L34	6200001831	S.COL NLV32T-100J	B	90.7/3.6
L51	6200001831	S.COL NLV32T-100J	B	120.5/26

M.=Mounted side (T: Mounted on the Top side, B: Mounted on the Bottom side)

S.=Surface mount



[SCOPE UNIT]

REF NO.	ORDER NO.	DESCRIPTION	M.	H/V LOCATION
L52	6200001831	S.COL NLV32T-100J	B	126.5/39.4
L53	6200001831	S.COL NLV32T-100J	T	47.7/64.3
L54	6200001831	S.COL NLV32T-100J	T	50.7/64.3
L55	6200003950	S.COL HF50ACC 322513-T	B	119.3/33.5
L56	6200003950	S.COL HF50ACC 322513-T	T	116.1/44.6
L57	6200003950	S.COL HF50ACC 322513-T	T	121.2/27.1
L58	6200003950	S.COL HF50ACC 322513-T	B	119.3/39.1
L59	6200003950	S.COL HF50ACC 322513-T	T	119.6/34.4
L60	6200003950	S.COL HF50ACC 322513-T	T	119.6/37.6
L101	6140003530	COL LR-395		
L102	6140003530	COL LR-395		
L103	6200003021	S.COL NLV32T-R33J	T	22.3/19.7
L104	6200001920	S.COL ELJNC R15K-F	B	22.7/16.4
L201	6150004250	COL LS-471A (C-14922)		
L202	6150004280	COL LS-484B (C-14927)		
L203	6150004280	COL LS-484B (C-14927)		
L204	6200001831	S.COL NLV32T-100J	B	3.3/46.6
L205	6200002431	S.COL NLV25T-082J	B	10.4/17.6
L301	6140003530	COL LR-395		
L302	6140003530	COL LR-395		
L303	6200003041	S.COL NLV32T-R68J	T	21/74.1
L304	6200001831	S.COL NLV32T-100J	B	23.2/72.6
L401	6200003171	S.COL NLV32T-330J	T	10.4/83.2
L501	6200001831	S.COL NLV32T-100J	T	53.8/64.3
L502	6200001831	S.COL NLV32T-100J	B	57.6/69.6
L551	6180003501	S.COL SLF6028T-100M1R3-PF	T	105.8/64.4
L552	6200001831	S.COL NLV32T-100J	T	106.3/69.9
L671	6200001831	S.COL NLV32T-100J	T	110.9/69.9
L701	6200005491	S.COL NLV32T-331J	T	76/51.4
L720	6200001831	S.COL NLV32T-100J	T	82/34.6
L721	6200001831	S.COL NLV32T-100J	T	109.4/41
L722	6200001831	S.COL NLV32T-100J	T	110.8/45.2
L761	6200003011	S.COL NLV32T-R27J	T	106.3/22.3
L762	6200003021	S.COL NLV32T-R33J	T	102.7/23
L763	6200003251	S.COL NLV32T-R39J	T	97.9/22.4
L764	6200003251	S.COL NLV32T-R39J	T	93.6/23.4
L801	6200005491	S.COL NLV32T-331J	T	69.7/40.9
L802	6200005491	S.COL NLV32T-331J	T	70.3/26.7
L821	6200001831	S.COL NLV32T-100J	T	61.7/45.2
L822	6190001441	COL #E526GN-110504		
L823	6200001851	S.COL NLV32T-5R6J	T	40.7/42.2
L825	6200003261	S.COL NLV32T-101J	T	51.7/52.2
L841	6200003261	S.COL NLV32T-101J	B	26.8/33
L842	6200003031	S.COL NLV32T-R47J	T	26.8/34.5
L851	6200003431	S.COL NLV32T-R10J	T	27.4/45
L852	6200001471	S.COL NLV32T-R12J	T	27/48.9
L902	6200003241	S.COL NLV32T-221J	T	128.1/107.7
R1	7030003360	S.RES ERJ3GEYJ 221 V (220)	T	79.6/12.5
R2	7030003480	S.RES ERJ3GEYJ 222 V (2.2 k)	T	70.7/10.8
R3	7030003440	S.RES ERJ3GEYJ 102 V (1 k)	T	70.7/9.5
R4	7030003460	S.RES ERJ3GEYJ 152 V (1.5 k)	T	67.8/8.2
R5	7030003520	S.RES ERJ3GEYJ 472 V (4.7 k)	T	66.6/4.4
R6	7030003440	S.RES ERJ3GEYJ 102 V (1 k)	T	69.4/5
R7	7030003290	S.RES ERJ3GEYJ 560 V (56)	T	49.8/17.3
R8	7030003440	S.RES ERJ3GEYJ 102 V (1 k)	T	48.4/3.5
R9	7030003500	S.RES ERJ3GEYJ 332 V (3.3 k)	T	46/4.2
R11	7310005040	S.TRI RH03ADCJ4X (22 k)	T	61.7/3.8
R12	7030003320	S.RES ERJ3GEYJ 101 V (100)	T	46.7/10.6
R14	7030003340	S.RES ERJ3GEYJ 151 V (150)	T	82.3/2.4
R16	7030003440	S.RES ERJ3GEYJ 102 V (1 k)	T	80.2/6.7
R17	7030003440	S.RES ERJ3GEYJ 102 V (1 k)	T	81.5/6.7
R18	7030003340	S.RES ERJ3GEYJ 151 V (150)	T	87.4/2.4
R20	7030003440	S.RES ERJ3GEYJ 102 V (1 k)	T	90.2/6.7
R21	7030003440	S.RES ERJ3GEYJ 102 V (1 k)	T	88.9/6.7
R34	7030003440	S.RES ERJ3GEYJ 102 V (1 k)	T	78.4/5.5
R35	7030003440	S.RES ERJ3GEYJ 102 V (1 k)	T	89.4/3.5
R36	7030003520	S.RES ERJ3GEYJ 472 V (4.7 k)	T	91/14.7
R37	7030003500	S.RES ERJ3GEYJ 332 V (3.3 k)	T	89.7/14.7
R38	7030003520	S.RES ERJ3GEYJ 472 V (4.7 k)	T	82/13.9
R39	7030003500	S.RES ERJ3GEYJ 332 V (3.3 k)	T	83.3/13.9
R51	7030003520	S.RES ERJ3GEYJ 472 V (4.7 k)	T	80.6/9.8
R52	7030003520	S.RES ERJ3GEYJ 472 V (4.7 k)	T	90.3/9.9
R53	7030003320	S.RES ERJ3GEYJ 101 V (100)	B	126/32.3
R54	7030003500	S.RES ERJ3GEYJ 332 V (3.3 k)	T	81.9/9.8
R55	7030003500	S.RES ERJ3GEYJ 332 V (3.3 k)	T	88.4/9.8
R61	7030003320	S.RES ERJ3GEYJ 101 V (100)	B	128.7/49
R62	7030003320	S.RES ERJ3GEYJ 101 V (100)	T	122.3/50.4
R63	7030003320	S.RES ERJ3GEYJ 101 V (100)	B	128.7/51
R64	7030003320	S.RES ERJ3GEYJ 101 V (100)	T	122.3/53.3
R65	7030003320	S.RES ERJ3GEYJ 101 V (100)	B	128.7/53
R66	7030003320	S.RES ERJ3GEYJ 101 V (100)	T	123.6/56.7
R71	7030003320	S.RES ERJ3GEYJ 101 V (100)	B	128.7/55
R72	7030003320	S.RES ERJ3GEYJ 101 V (100)	T	121.7/47.4
R73	7030003320	S.RES ERJ3GEYJ 101 V (100)	T	121.7/43.3
R74	7030003320	S.RES ERJ3GEYJ 101 V (100)	B	128.7/43.4
R75	7030003320	S.RES ERJ3GEYJ 101 V (100)	T	121.7/44.7
R76	7030003320	S.RES ERJ3GEYJ 101 V (100)	B	128.7/45.4
R77	7030003320	S.RES ERJ3GEYJ 101 V (100)	T	121.7/46
R81	7030010520	S.RES ERJ1TYJ 101U (100)	B	122.9/46.2
R103	7030003480	S.RES ERJ3GEYJ 222 V (2.2 k)	T	33.8/18

[SCOPE UNIT]

REF NO.	ORDER NO.	DESCRIPTION	M.	H/V LOCATION
R104	7030003320	S.RES ERJ3GEYJ 101 V (100)	T	25.9/21.9
R105	7030003370	S.RES ERJ3GEYJ 271 V (270)	B	18.3/14.3
R106	7030003230	S.RES ERJ3GEYJ 180 V (18)	B	19.1/11.9
R107	7030003370	S.RES ERJ3GEYJ 271 V (270)	B	18.3/8.4
R108	7030003370	S.RES ERJ3GEYJ 271 V (270)	B	14.6/8.4
R109	7030003230	S.RES ERJ3GEYJ 180 V (18)	B	11.2/9.7
R110	7030003370	S.RES ERJ3GEYJ 271 V (270)	B	11.2/12
R111	7030003550	S.RES ERJ3GEYJ 822 V (8.2 k)	T	29.8/14.9
R112	7030003320	S.RES ERJ3GEYJ 101 V (100)	T	33.8/19.3
R113	7030003860	S.RES ERJ3GE JPW V	B	19.5/18
R201	7030003430	S.RES ERJ3GEYJ 821 V (820)	T	11.3/37.1
R202	7030003430	S.RES ERJ3GEYJ 821 V (820)	T	11.3/35.8
R203	7030003280	S.RES ERJ3GEYJ 470 V (47)	B	3.1/39.8
R204	7030003560	S.RES ERJ3GEYJ 103 V (10 k)	T	12/45
R205	7030003280	S.RES ERJ3GEYJ 470 V (47)	B	6.3/46.6
R206	7030003380	S.RES ERJ3GEYJ 331 V (330)	B	11.4/54.9
R207	7030003220	S.RES ERJ3GEYJ 150 V (15)	B	9.3/55.7
R208	7030003380	S.RES ERJ3GEYJ 331 V (330)	B	10.1/57.7
R209	7030003640	S.RES ERJ3GEYJ 473 V (47 k)	B	9.9/46.6
R210	7030003600	S.RES ERJ3GEYJ 223 V (22 k)	T	112.9/63.4
R301	7030003320	S.RES ERJ3GEYJ 101 V (100)	T	9.8/86.7
R302	7030003370	S.RES ERJ3GEYJ 271 V (270)	B	10.3/75.4
R303	7030003230	S.RES ERJ3GEYJ 180 V (18)	B	15.2/74.6
R304	7030003370	S.RES ERJ3GEYJ 271 V (270)	B	19.1/75.4
R305	7030003320	S.RES ERJ3GEYJ 101 V (100)	T	23.7/73.9
R306	7030003480	S.RES ERJ3GEYJ 222 V (2.2 k)	T	21.4/63.4
R307	7030003550	S.RES ERJ3GEYJ 822 V (8.2 k)	T	18.3/66.9
R308	7030003340	S.RES ERJ3GEYJ 151 V (150)	T	24.4/63.4
R402	7030003440	S.RES ERJ3GEYJ 102 V (1 k)	B	13.4/89.7
R403	7030003440	S.RES ERJ3GEYJ 102 V (1 k)	B	16.3/90.4
R404	7030003440	S.RES ERJ3GEYJ 102 V (1 k)	B	19/86.7
R405	7030003440	S.RES ERJ3GEYJ 102 V (1 k)	B	22.4/90.5
R410	7030003560	S.RES ERJ3GEYJ 103 V (10 k)	T	21.3/85.8
R411	7030003560	S.RES ERJ3GEYJ 103 V (10 k)	T	9.2/91.1
R412	7030003560	S.RES ERJ3GEYJ 103 V (10 k)	T	13.4/92.3
R413	7030003730	S.RES ERJ3GEYJ 274 V (270 k)	T	9.8/89.3
R414	7030003560	S.RES ERJ3GEYJ 103 V (10 k)	B	26.9/88
R415	7030003560	S.RES ERJ3GEYJ 103 V (10 k)	T	31.6/90
R416	7310005130	S.TRI RH03ADCS5X (470 k)	T	34.5/87
R417	7030003630	S.RES ERJ3GEYJ 393 V (39 k)	T	43.1/95.4
R418	7030003570	S.RES ERJ3GEYJ 123 V (12 k)	T	45.4/92.2
R419	7030003220	S.RES ERJ3GEYJ 150 V (15)	T	47.9/92.3
R420	7030003580	S.RES ERJ3GEYJ 153 V (15 k)	T	40.9/81.7
R421	7030003560	S.RES ERJ3GEYJ 103 V (10 k)	T	40.5/85.5
R422	7030003560	S.RES ERJ3GEYJ 103 V (10 k)	T	42.6/92.2
R423	7030003540	S.RES ERJ3GEYJ 682 V (6.8 k)	T	43.1/94.1
R425	7310005020	S.TRI RH03ADC14X (10 k)	T	45.3/81.2
R426	7030003560	S.RES ERJ3GEYJ 103 V (10 k)	T	48.7/76.5
R427	7030003560	S.RES ERJ3GEYJ 103 V (10 k)	T	39.9/77.2
R428	7030003680	S.RES ERJ3GEYJ 104 V (100 k)	T	37/75.7
R429	7030003650	S.RES ERJ3GEYJ 563 V (56 k)	T	34.7/67.7
R430	7030003740	S.RES ERJ3GEYJ 334 V (330 k)	T	38.8/73.9
R431	7030003740	S.RES ERJ3GEYJ 334 V (330 k)	T	36.2/73.9
R432	7030003640	S.RES ERJ3GEYJ 473 V (47 k)	T	39.6/81.7
R433	7030003680	S.RES ERJ3GEYJ 104 V (100 k)	T	38.8/66.4
R434	7030003320	S.RES ERJ3GEYJ 101 V (100)	T	33.4/66.9
R435	7030003680	S.RES ERJ3GEYJ 104 V (100 k)	T	40.1/66.4
R436	7030003680	S.RES ERJ3GEYJ 104 V (100 k)	T	36.9/67
R437	7030003680	S.RES ERJ3GEYJ 104 V (100 k)	T	43.8/67.7
R438	7030003680	S.RES ERJ3GEYJ 104 V (100 k)	T	43.8/70.4
R500	7030003860	S.RES ERJ3GE JPW V	T	53.2/71.7
R501	7030003320	S.RES ERJ3GEYJ 101 V (100)	T	55.1/73
R502	7030003560	S.RES ERJ3GEYJ 103 V (10 k)	B	56.3/74.6
R503	7030003560	S.RES ERJ3GEYJ 103 V (10 k)	B	59.2/75.4
R504	7030003560	S.RES ERJ3GEYJ 103 V (10 k)	T	60.8/74.2
R505	7030003560	S.RES ERJ3GEYJ 103 V (10 k)	T	61.6/76
R506	7030003560	S.RES ERJ3GEYJ 103 V (10 k)	B	57.3/78.2
R507	7030003320	S.RES ERJ3GEYJ 101 V (100)	T	61.5/87.1
R509	7030003640	S.RES ERJ3GEYJ 473 V (47 k)	T	60.5/89.8
R602	7030003560	S.RES ERJ3GEYJ 103 V (10 k)	B	101.3/75.6
R603	7030003440	S.RES ERJ3GEYJ 102 V (1 k)	B	83.7/77.3
R604	7030003560	S.RES ERJ3GEYJ 103 V (10 k)	B	92.1/67.4
R605	7030003560	S.RES ERJ3GEYJ 103 V (10 k)	B	89.8/65.8
R606	7030003440	S.RES ERJ3GEYJ 102 V (1 k)	T	79.6/95.8
R607	7030003440	S.RES ERJ3GEYJ 102 V (1 k)	B	77.6/95.9
R608	7030003440	S.RES ERJ3GEYJ 102 V (1 k)	B	71.8/88.2
R609	7030003560	S.RES ERJ3GEYJ 103 V (10 k)	T	83.5/65.8
R610	7030003800	S.RES ERJ3GEYJ 105 V (1 M)	T	70.5/67.3
R611	7030004040	S.RES ERJ3GEYJ 4R7 V (4.7)	T	66.2/70.6
R612	7030004040	S.RES ERJ3GEYJ 4R7 V (4.7)	T	67.5/70.3
R615	7030003320	S.RES ERJ3GEYJ 101 V (100)	T	72.9/65.7
R616	7030003520	S.RES ERJ3GEYJ 472 V (4.7 k)	T	73.7/93.5
R617	7030003520	S.RES ERJ3GEYJ 472 V (4.7 k)	T	72.4/93.5
R618	7030003560	S.RES ERJ3GEYJ 103 V (10 k)	B	81.8/66.8
R619	7030003560	S.RES ERJ3GEYJ 103 V (10 k)	B	88/66.8
R620	7030003440	S.RES ERJ3GEYJ 102 V (1 k)	B	73.2/88.9
R621	7030003440	S.RES ERJ3GEYJ 102 V (1 k)	B	72.6/88.9
R622	7030003860	S.RES ERJ3GE JPW V	B	111.9/79.5
R623	7030003860	S.RES ERJ3GE JPW V	B	106.1/78.5
R633	7030003560	S.RES ERJ3GEYJ 103 V (10 k)	B	74.7/74.4
R634	7030003860	S.RES ERJ3GE JPW V	T	74/70.4
R635	7030003280	S.RES ERJ3GEYJ 470 V (47)	T	73.4/68.4

M.=Mounted side (T: Mounted on the Top side, B: Mounted on the Bottom side)  
S.=Surface mount

[SCOPE UNIT]

REF NO.	ORDER NO.	DESCRIPTION	M.	H/V LOCATION
R636	7030003280	S.RES ERJ3GEYJ 470 V (47)	T	72.7/70.4
R701	7030003240	S.RES ERJ3GEYJ 220 V (22)	T	73/51.7
R702	7030003560	S.RES ERJ3GEYJ 103 V (10 k)	T	77.3/54.4
R703	7030003320	S.RES ERJ3GEYJ 101 V (100)	T	72.7/55.1
R704	7030003280	S.RES ERJ3GEYJ 470 V (47)	T	73.3/57
R705	7030003340	S.RES ERJ3GEYJ 151 V (150)	T	77.4/57
R720	7030003370	S.RES ERJ3GEYJ 271 V (270)	T	107/43.2
R721	7030003560	S.RES ERJ3GEYJ 103 V (10 k)	T	104/45.3
R722	7030003340	S.RES ERJ3GEYJ 151 V (150)	T	107.2/45.9
R723	7030003440	S.RES ERJ3GEYJ 102 V (1 k)	B	91.7/28.7
R724	7030003440	S.RES ERJ3GEYJ 102 V (1 k)	B	91.1/30.6
R725	7030003440	S.RES ERJ3GEYJ 102 V (1 k)	B	87.6/28.5
R726	7030003440	S.RES ERJ3GEYJ 102 V (1 k)	B	91.2/26.8
R727	7030003440	S.RES ERJ3GEYJ 102 V (1 k)	B	94.8/43
R729	7030003280	S.RES ERJ3GEYJ 470 V (47)	T	98.7/45.6
R730	7030003560	S.RES ERJ3GEYJ 103 V (10 k)	B	96.4/40.1
R731	7030003460	S.RES ERJ3GEYJ 152 V (1.5 k)	T	105.1/38.6
R732	7030003510	S.RES ERJ3GEYJ 392 V (3.9 k)	T	106.5/34.2
R734	7030003510	S.RES ERJ3GEYJ 392 V (3.9 k)	T	102.5/42.7
R735	7030003280	S.RES ERJ3GEYJ 470 V (47)	T	106.5/30.9
R736	7030003280	S.RES ERJ3GEYJ 470 V (47)	T	106.5/32.2
R737	7030003440	S.RES ERJ3GEYJ 102 V (1 k)	T	88.4/24
R738	7030003640	S.RES ERJ3GEYJ 473 V (47 k)	T	88.1/46.1
R739	7030003510	S.RES ERJ3GEYJ 392 V (3.9 k)	T	106.5/35.5
R741	7030003860	S.RES ERJ3GE JPW V	B	109.8/26.2
R742	7030003860	S.RES ERJ3GE JPW V	T	86.8/46
R744	7030003860	S.RES ERJ3GE JPW V	T	87.7/26.2
R745	7030003860	S.RES ERJ3GE JPW V	T	85/27.5
R748	7030003860	S.RES ERJ3GE JPW V	T	89.7/24
R764	7030003370	S.RES ERJ3GEYJ 271 V (270)	T	48/21.5
R765	7030003230	S.RES ERJ3GEYJ 180 V (18)	T	45.6/20.8
R766	7030003370	S.RES ERJ3GEYJ 271 V (270)	T	43.4/21.5
R767	7030003860	S.RES ERJ3GE JPW V	T	95.7/21.5
R771	7030003860	S.RES ERJ3GE JPW V	T	41/20.8
R801	7030003440	S.RES ERJ3GEYJ 102 V (1 k)	B	68.1/38
R802	7030003440	S.RES ERJ3GEYJ 102 V (1 k)	B	71.2/35.6
R803	7030003440	S.RES ERJ3GEYJ 102 V (1 k)	B	68.1/35.7
R806	7030003520	S.RES ERJ3GEYJ 472 V (4.7 k)	T	62.4/40.1
R808	7030003600	S.RES ERJ3GEYJ 223 V (22 k)	T	61.7/42.6
R809	7030003840	S.RES ERJ3GEYJ 225 V (2.2 M)	T	63.9/41.6
R810	7030003370	S.RES ERJ3GEYJ 271 V (270)	T	74.1/35.2
R811	7030003560	S.RES ERJ3GEYJ 103 V (10 k)	T	73.8/40.2
R812	7030003280	S.RES ERJ3GEYJ 470 V (47)	T	71/31.6
R813	7030003340	S.RES ERJ3GEYJ 151 V (150)	T	73.8/45.4
R814	7030003500	S.RES ERJ3GEYJ 332 V (3.3 k)	T	60.3/41.1
R821	7030003680	S.RES ERJ3GEYJ 104 V (100 k)	T	39.3/45.9
R822	7030003680	S.RES ERJ3GEYJ 104 V (100 k)	T	46.8/44.6
R823	7030003370	S.RES ERJ3GEYJ 271 V (270)	T	43.5/41.7
R841	7030003200	S.RES ERJ3GEYJ 100 V (10)	T	37.9/39.9
R842	7030003360	S.RES ERJ3GEYJ 221 V (220)	T	42.2/35
R843	7030003500	S.RES ERJ3GEYJ 332 V (3.3 k)	T	40.1/39.1
R844	7030003540	S.RES ERJ3GEYJ 682 V (6.8 k)	T	38.6/37.8
R845	7030003360	S.RES ERJ3GEYJ 221 V (220)	T	38.6/36.5
R846	7030003380	S.RES ERJ3GEYJ 331 V (330)	T	40.4/32
R847	7030003370	S.RES ERJ3GEYJ 271 V (270)	T	30.5/30
R848	7030003540	S.RES ERJ3GEYJ 682 V (6.8 k)	T	28.4/37.3
R849	7030003500	S.RES ERJ3GEYJ 332 V (3.3 k)	T	30.3/34.8
R850	7030003390	S.RES ERJ3GEYJ 391 V (390)	T	26.5/37.9
R851	7030003360	S.RES ERJ3GEYJ 221 V (220)	T	24.4/37.1
R852	7030003490	S.RES ERJ3GEYJ 272 V (2.7 k)	T	28.4/40
R853	7030003510	S.RES ERJ3GEYJ 392 V (3.9 k)	T	30.3/41
R854	7030003360	S.RES ERJ3GEYJ 221 V (220)	T	30.1/42.4
R855	7030008180	S.RES ERJ12VJ331U (330)	T	42.5/52.9
R856	7030003370	S.RES ERJ3GEYJ 271 V (270)	T	22.9/60.3
R857	7030003230	S.RES ERJ3GEYJ 180 V (18)	T	20.7/59.6
R858	7030003320	S.RES ERJ3GEYJ 101 V (100)	T	20.7/61.1
R859	7030003260	S.RES ERJ3GEYJ 330 V (33)	T	24.4/44.2
R860	7030003400	S.RES ERJ3GEYJ 471 V (470)	T	42.4/32
R861	7030003860	S.RES ERJ3GE JPW V	T	24.4/60.3
R905	7030003620	S.RES ERJ3GEYJ 333 V (33 k)	B	127/108.8
R906	7030003540	S.RES ERJ3GEYJ 682 V (6.8 k)	B	128.6/105.8
R907	7030003580	S.RES ERJ3GEYJ 153 V (15 k)	B	127.2/111.2
R908	7030003640	S.RES ERJ3GEYJ 473 V (47 k)	B	124.9/108.8
R913	7030003370	S.RES ERJ3GEYJ 271 V (270)	T	57.4/112.7
R914	7030003370	S.RES ERJ3GEYJ 271 V (270)	T	45.9/113.5
R951	7030003860	S.RES ERJ3GE JPW V	B	120.4/122.7
R952	7030003860	S.RES ERJ3GE JPW V	B	97.5/126.3
R953	7030003860	S.RES ERJ3GE JPW V	B	97.5/124.7
R954	7030003860	S.RES ERJ3GE JPW V	B	114.7/103.6
R955	7030003860	S.RES ERJ3GE JPW V	T	48.6/112.9
R956	7030003860	S.RES ERJ3GE JPW V	T	39.7/110.6
C1	4030006880	S.CER C1608 JB 1H 472K-T	T	84.1/6.7
C2	4030006880	S.CER C1608 JB 1H 472K-T	T	86.1/6.7
C3	4030006880	S.CER C1608 JB 1H 472K-T	T	82.8/15.8
C4	4030011340	S.CER C1608 CH 1H 471J-T	T	76.6/16.1
C5	4030011340	S.CER C1608 CH 1H 471J-T	T	74.1/12.9
C6	4030006880	S.CER C1608 JB 1H 472K-T	T	74.9/16.1
C7	4030006880	S.CER C1608 JB 1H 472K-T	T	70.1/12.8
C8	4030006880	S.CER C1608 JB 1H 472K-T	T	71.3/20
C9	4030006880	S.CER C1608 JB 1H 472K-T	T	70/15.7

[SCOPE UNIT]

REF NO.	ORDER NO.	DESCRIPTION	M.	H/V LOCATION
C10	4030011600	S.CER C1608 JB 1E 104K-T	T	67.8/9.5
C11	4030009510	S.CER C1608 CH 1H 010B-T	B	58.9/16.3
C12	4030007040	S.CER C1608 CH 1H 180J-T	B	61.9/10
C13	4030007040	S.CER C1608 CH 1H 180J-T	B	53.2/10
C14	4030011340	S.CER C1608 CH 1H 471J-T	B	47.6/15
C15	4030006880	S.CER C1608 JB 1H 472K-T	T	40.2/16
C16	4030006880	S.CER C1608 JB 1H 472K-T	T	49.9/3.5
C17	4030006880	S.CER C1608 JB 1H 472K-T	B	38.6/10
C18	4030006960	S.CER C1608 CH 1H 050C-T	T	44/10.6
C21	4030006880	S.CER C1608 JB 1H 472K-T	T	78.8/57
C22	4030006880	S.CER C1608 JB 1H 472K-T	B	93.1/11.6
C23	4030011600	S.CER C1608 JB 1E 104K-T	T	90.5/12.8
C24	4030006880	S.CER C1608 JB 1H 472K-T	T	85.4/11.8
C31	4030006880	S.CER C1608 JB 1H 472K-T	T	78.3/9.4
C32	4030006880	S.CER C1608 JB 1H 472K-T	T	82.8/6.7
C33	4030006880	S.CER C1608 JB 1H 472K-T	T	90.3/8.6
C34	4030006880	S.CER C1608 JB 1H 472K-T	T	87.6/6.7
C35	4030006900	S.CER C1608 JB 1H 103K-T	T	83.6/2.4
C36	4030006900	S.CER C1608 JB 1H 103K-T	T	80.3/3.3
C37	4030006900	S.CER C1608 JB 1H 103K-T	T	86.1/2.4
C38	4030006900	S.CER C1608 JB 1H 103K-T	T	90.7/3.5
C39	4030006860	S.CER C1608 JB 1H 102K-T	T	88.4/14.7
C40	4030006860	S.CER C1608 JB 1H 102K-T	T	84.6/13.9
C41	4610001830	S.TRI TZB4S100AB10R00	T	57.5/19.3
C42	4030007030	S.CER C1608 CH 1H 150J-T	T	68.7/15.7
C43	4030007120	S.CER C1608 CH 1H 820J-T	T	67.9/17.7
C44	4030007100	S.CER C1608 CH 1H 560J-T	T	67/15.7
C45	4030007040	S.CER C1608 CH 1H 180J-T	T	64.9/16.4
C46	4030008750	S.CER C1608 CH 1H 360J-T	T	64.9/14.9
C51	4030006860	S.CER C1608 JB 1H 102K-T	T	83.2/9.8
C52	4030006860	S.CER C1608 JB 1H 102K-T	T	87.1/9.8
C53	4510008540	S.ELE EEE1CA100SR	T	31.7/95.8
C54	4510008540	S.ELE EEE1CA100SR	T	46.9/69.3
C55	4030011600	S.CER C1608 JB 1E 104K-T	T	20.4/94.8
C56	4510008540	S.ELE EEE1CA100SR	T	16.6/95.8
C57	4030011600	S.CER C1608 JB 1E 104K-T	T	27.9/95.9
C101	4030006880	S.CER C1608 JB 1H 472K-T	T	33.8/16.7
C102	4030007150	S.CER C1608 CH 1H 151J-T	T	24.6/19
C103	4030011600	S.CER C1608 JB 1E 104K-T	T	24.6/21.9
C106	4030006880	S.CER C1608 JB 1H 472K-T	T	33.8/20.6
C107	4030007100	S.CER C1608 CH 1H 560J-T	T	23.1/16.4
C108	4030007110	S.CER C1608 CH 1H 680J-T	B	23.7/21.2
C109	4030007140	S.CER C1608 CH 1H 121J-T	B	22.4/18.7
C110	4030007110	S.CER C1608 CH 1H 680J-T	B	21.6/21.2
C201	4030007040	S.CER C1608 CH 1H 180J-T	T	10.8/24.5
C202	4030007040	S.CER C1608 CH 1H 180J-T	T	4.7/30.3
C204	4030006880	S.CER C1608 JB 1H 472K-T	T	11.3/34.5
C205	4030007070	S.CER C1608 CH 1H 330J-T	B	5.8/39.8
C206	4030006880	S.CER C1608 JB 1H 472K-T	T	11.3/38.5
C207	4030006960	S.CER C1608 CH 1H 050C-T	T	11.2/42.3
C208	4030007070	S.CER C1608 CH 1H 330J-T	B	8.4/51
C209	4030006880	S.CER C1608 JB 1H 472K-T	T	7.6/46.1
C210	4030011600	S.CER C1608 JB 1E 104K-T	B	2.1/50.2
C211	4030009550	S.CER C1608 CH 1H 2R5B-T	T	10.8/23.2
C212	4030006940	S.CER C1608 CH 1H 030C-T	T	4.7/28.9
C213	4550007320	S.TAN F930J226MAABMA	T	111.2/63.3
C214	4550007320	S.TAN F930J226MAABMA	B	117.7/65.4
C215	4030011600	S.CER C1608 JB 1E 104K-T	T	119.9/66.4
C216	4030017490	S.CER C1608 JB 1A 105K-T	T	112.9/66.4
C301	4030007040	S.CER C1608 CH 1H 180J-T	T	18.8/70.5
C302	4030006880	S.CER C1608 JB 1H 472K-T	T	23.7/71.1
C303	4030006880	S.CER C1608 JB 1H 472K-T	T	19.9/63.4
C304	4030006880	S.CER C1608 JB 1H 472K-T	T	22.9/63.4
C401	4030008850	S.CER C1608 JB 1H 123K-T	T	11.1/86.7
C403	4030018610	S.CER C1608 CH 1H 182J-T	B	15.6/87.5
C404	4030018580	S.CER C1608 CH 1H 821J-T	T	20.9/89.2
C405	4030007140	S.CER C1608 CH 1H 121J-T	T	20.9/87.7
C406	4030017840	S.CER C2012 CH 1H 222J-T	B	22.6/86.7
C407	4030017840	S.CER C2012 CH 1H 222J-T	B	22.6/88.7
C408	4030007010	S.CER C1608 CH 1H 100D-T	T	21.6/90.5
C409	4030007140	S.CER C1608 CH 1H 121J-T	T	21.6/91.8
C410	4030011600	S.CER C1608 JB 1E 104K-T	T	17.7/92.1
C411	4030011600	S.CER C1608 JB 1E 104K-T	T	13.4/85.2
C420	4030011600	S.CER C1608 JB 1E 104K-T	T	8.5/89.3
C421	4030006920	S.CER C1608 CH 1H 010C-T	T	11.1/89.3
C422	4030006920	S.CER C1608 CH 1H 010C-T	T	31.6/87.2
C423	4030011600	S.CER C1608 JB 1E 104K-T	T	29/92.1
C424	4030011600	S.CER C1608 JB 1E 104K-T	T	24.7/85.2
C425	4030011600	S.CER C1608 JB 1E 104K-T	T	40.2/95.4
C426	4030006900	S.CER C1608 JB 1H 103K-T	T	47.4/89.7
C427	4030011600	S.CER C1608 JB 1E 104K-T	T	35.9/81
C428	4510008550	S.ELE EEE1HA010SR	T	38/92.2
C429	4030011600	S.CER C1608 JB 1E 104K-T	T	47.4/85.4
C431	4030006900	S.CER C1608 JB 1H 103K-T	T	38.5/77.2
C432	4030011600	S.CER C1608 JB 1E 104K-T	T	41.4/73.9
C433	4510008540	S.ELE EEE1CA100SR	T	31.4/73.2
C434	4030011600	S.CER C1608 JB 1E 104K-T	T	40.5/88.5
C501	4030011600	S.CER C1608 JB 1E 104K-T	T	52.5/73
C502	4510008540	S.ELE EEE1CA100SR	T	52.2/68.5
C503	4510008540	S.ELE EEE1CA100SR	T	59.3/70.5
C504	4030011600	S.CER C1608 JB 1E 104K-T	T	62/78.6
C5				

[SCOPE UNIT]

REF NO.	ORDER NO.	DESCRIPTION	M.	H/V LOCATION
C506	4030011600	S.CER C1608 JB 1E 104K-T	T	61.6/81.8
C507	4510008580	S.ELE EEE0JA470SR	T	51/87.4
C508	4030017490	S.CER C1608 JB 1A 105K-T	T	49.3/82.9
C509	4030011600	S.CER C1608 JB 1E 104K-T	T	59.6/87.9
C521	4510009280	S.ELE EEE1EA4R7SR	T	59.6/93.9
C522	4030011600	S.CER C1608 JB 1E 104K-T	T	55.5/92.2
C523	4510008550	S.ELE EEE1HA010SR	T	51.1/93.9
C524	4030011600	S.CER C1608 JB 1E 104K-T	T	55.2/97
C551	4550006960	S.TAN TEESVB2 0G 107M8R	T	99.1/64.3
C601	4030011600	S.CER C1608 JB 1E 104K-T	B	99.4/93.9
C602	4030011600	S.CER C1608 JB 1E 104K-T	B	98.6/67.3
C603	4030011600	S.CER C1608 JB 1E 104K-T	B	100.9/91.6
C604	4030011600	S.CER C1608 JB 1E 104K-T	B	101.5/68.5
C605	4030011600	S.CER C1608 JB 1E 104K-T	B	93.2/85.9
C606	4030011600	S.CER C1608 JB 1E 104K-T	B	93.8/84.5
C607	4030011600	S.CER C1608 JB 1E 104K-T	B	93/80.1
C608	4030011600	S.CER C1608 JB 1E 104K-T	B	93.8/78.8
C609	4030011600	S.CER C1608 JB 1E 104K-T	B	93.7/75.8
C610	4030011600	S.CER C1608 JB 1E 104K-T	B	91.3/86.8
C611	4030011600	S.CER C1608 JB 1E 104K-T	B	90.3/75.9
C612	4030011600	S.CER C1608 JB 1E 104K-T	B	87.8/93.9
C613	4030011600	S.CER C1608 JB 1E 104K-T	B	88.4/86.8
C614	4030011600	S.CER C1608 JB 1E 104K-T	B	88.5/74
C615	4030011600	S.CER C1608 JB 1E 104K-T	B	86.9/86
C616	4030011600	S.CER C1608 JB 1E 104K-T	B	87.1/75.9
C617	4030011600	S.CER C1608 JB 1E 104K-T	T	87.9/67
C618	4030011600	S.CER C1608 JB 1E 104K-T	B	83.9/86
C619	4030011600	S.CER C1608 JB 1E 104K-T	B	83.5/75.7
C620	4030011600	S.CER C1608 JB 1E 104K-T	B	81.1/86
C621	4030011600	S.CER C1608 JB 1E 104K-T	B	81.9/83.6
C622	4030011600	S.CER C1608 JB 1E 104K-T	B	81.9/81.9
C623	4030011600	S.CER C1608 JB 1E 104K-T	B	81/77.2
C624	4030011600	S.CER C1608 JB 1E 104K-T	B	81/74.5
C625	4030011600	S.CER C1608 JB 1E 104K-T	B	74.5/91.6
C626	4030011600	S.CER C1608 JB 1E 104K-T	B	74.5/77.2
C627	4030011600	S.CER C1608 JB 1E 104K-T	B	78.3/67.4
C628	4030011600	S.CER C1608 JB 1E 104K-T	B	75.5/93.8
C629	4030011600	S.CER C1608 JB 1E 104K-T	B	73.8/69.4
C630	4030011600	S.CER C1608 JB 1E 104K-T	T	74/76.5
C631	4030011600	S.CER C1608 JB 1E 104K-T	T	74/80.8
C632	4030011600	S.CER C1608 JB 1E 104K-T	T	73.9/73.2
C633	4030011600	S.CER C1608 JB 1E 104K-T	T	102.8/90.4
C634	4030011600	S.CER C1608 JB 1E 104K-T	T	102.9/76.2
C635	4030011600	S.CER C1608 JB 1E 104K-T	B	101.2/83.5
C636	4030011600	S.CER C1608 JB 1E 104K-T	B	101.2/80.3
C637	4030011600	S.CER C1608 JB 1E 104K-T	B	101.4/72
C638	4030011600	S.CER C1608 JB 1E 104K-T	B	96/93.9
C639	4030011600	S.CER C1608 JB 1E 104K-T	T	104/87.3
C640	4030011600	S.CER C1608 JB 1E 104K-T	B	93/82.8
C641	4030011600	S.CER C1608 JB 1E 104K-T	B	93.8/87.5
C642	4030011600	S.CER C1608 JB 1E 104K-T	B	93.8/81.4
C643	4030011600	S.CER C1608 JB 1E 104K-T	B	93/77.2
C644	4030011600	S.CER C1608 JB 1E 104K-T	B	93/74.5
C645	4030011600	S.CER C1608 JB 1E 104K-T	B	94.8/67.4
C646	4030011600	S.CER C1608 JB 1E 104K-T	B	92.8/93.9
C647	4030011600	S.CER C1608 JB 1E 104K-T	T	94.3/67
C648	4030011600	S.CER C1608 JB 1E 104K-T	B	89.7/86
C649	4030011600	S.CER C1608 JB 1E 104K-T	B	85.4/67.5
C650	4030011600	S.CER C1608 JB 1E 104K-T	B	85.5/86.7
C651	4030011600	S.CER C1608 JB 1E 104K-T	B	85.4/74
C652	4030011600	S.CER C1608 JB 1E 104K-T	B	79.4/93.8
C653	4030011600	S.CER C1608 JB 1E 104K-T	B	82.5/86.8
C654	4030011600	S.CER C1608 JB 1E 104K-T	T	78.7/66.9
C655	4030011600	S.CER C1608 JB 1E 104K-T	B	81.9/79.9
C656	4030011600	S.CER C1608 JB 1E 104K-T	B	74.5/84.6
C657	4030011600	S.CER C1608 JB 1E 104K-T	B	74.5/80.3
C658	4030011600	S.CER C1608 JB 1E 104K-T	B	74.6/71.4
C659	4030011600	S.CER C1608 JB 1E 104K-T	B	74.5/88.1
C660	4510008540	S.ELE EEE1CA100SR	T	67.6/75
C661	4030011600	S.CER C1608 JB 1E 104K-T	B	72.8/74.7
C662	4030011600	S.CER C1608 JB 1E 104K-T	T	88.3/95.9
C663	4030011600	S.CER C1608 JB 1E 104K-T	T	68.8/70.3
C664	4030011600	S.CER C1608 JB 1E 104K-T	T	66.2/67.6
C665	4030011600	S.CER C1608 JB 1E 104K-T	B	67.5/76.8
C666	4550007310	S.TAN F930J227MNBMA	B	108.6/73.9
C667	4550007310	S.TAN F930J227MNBMA	B	108.6/68.6
C671	4030011600	S.CER C1608 JB 1E 104K-T	T	114.2/70.1
C672	4030006880	S.CER C1608 JB 1H 472K-T	T	72.9/64.4
C701	4030011600	S.CER C1608 JB 1E 104K-T	T	76/57
C702	4030011600	S.CER C1608 JB 1E 104K-T	T	72.7/53.6
C703	4030011600	S.CER C1608 JB 1E 104K-T	T	74.6/57
C720	4030006880	S.CER C1608 JB 1H 472K-T	T	82.9/38.1
C721	4030011600	S.CER C1608 JB 1E 104K-T	T	83.2/40.2
C722	4510008540	S.ELE EEE1CA100SR	T	82.6/44.1
C723	4030006880	S.CER C1608 JB 1H 472K-T	T	109.9/37.4
C724	4030011600	S.CER C1608 JB 1E 104K-T	T	109.9/38.9
C725	4510008540	S.ELE EEE1CA100SR	T	110.1/33.2
C726	4030006880	S.CER C1608 JB 1H 472K-T	T	108.6/45.9
C727	4030006880	S.CER C1608 JB 1H 472K-T	T	105.6/45.3
C730	4030011600	S.CER C1608 JB 1E 104K-T	T	84.2/35.3
C731	4030011600	S.CER C1608 JB 1E 104K-T	T	84.2/38.1
C733	4030011600	S.CER C1608 JB 1E 104K-T	T	93.4/26.3

[SCOPE UNIT]

REF NO.	ORDER NO.	DESCRIPTION	M.	H/V LOCATION
C734	4030011600	S.CER C1608 JB 1E 104K-T	T	103.1/29.9
C736	4030011600	S.CER C1608 JB 1E 104K-T	T	96.8/44.8
C737	4030011600	S.CER C1608 JB 1E 104K-T	T	103/40.9
C738	4030011600	S.CER C1608 JB 1E 104K-T	T	96.5/26.3
C739	4030011600	S.CER C1608 JB 1E 104K-T	T	99.6/26.3
C740	4030011600	S.CER C1608 JB 1E 104K-T	T	103.1/37.4
C741	4030011600	S.CER C1608 JB 1E 104K-T	T	92.6/45.1
C742	4030011600	S.CER C1608 JB 1E 104K-T	T	90/45.1
C750	4030006900	S.CER C1608 JB 1H 103K-T	T	103.2/34.5
C751	4030006900	S.CER C1608 JB 1H 103K-T	T	105.1/37.3
C760	4030006880	S.CER C1608 JB 1H 472K-T	T	110.9/20.8
C761	4030007150	S.CER C1608 CH 1H 151J-T	T	110.1/22.8
C762	4030007110	S.CER C1608 CH 1H 680J-T	T	108.4/21.6
C763	4030011280	S.CER C1608 CH 1H 271J-T	T	106/25.1
C764	4030007080	S.CER C1608 CH 1H 390K-T	T	103.4/20.8
C765	4030011830	S.CER C1608 CH 1H 301J-T	T	100/24.3
C766	4030007020	S.CER C1608 CH 1H 120J-T	T	100/21.7
C767	4030007170	S.CER C1608 CH 1H 221J-T	T	95.7/24.3
C768	4030011280	S.CER C1608 CH 1H 271J-T	T	93.5/20.4
C769	4030006880	S.CER C1608 JB 1H 102K-T	T	91.4/21.3
C770	4030011280	S.CER C1608 CH 1H 271J-T	T	89.3/20.5
C801	4030006880	S.CER C1608 JB 1H 472K-T	T	66.2/40
C802	4510008540	S.ELE EEE1CA100SR	T	69/44.8
C803	4030006900	S.CER C1608 JB 1H 103K-T	T	60.4/37.1
C805	4550007660	S.TAN F931E105MAABMA	T	58.5/38.7
C806	4340000240	S.MLR ECHU 1C 682JX5	T	64.2/43.3
C807	4030006880	S.CER C1608 JB 1H 472K-T	T	69.6/33.3
C808	4030006880	S.CER C1608 JB 1H 472K-T	B	62.7/32
C809	4510008540	S.ELE EEE1CA100SR	T	64.9/25.7
C810	4030006880	S.CER C1608 JB 1H 472K-T	T	73.8/42.8
C811	4030006880	S.CER C1608 JB 1H 472K-T	T	73.3/32.9
C812	4030006880	S.CER C1608 JB 1H 472K-T	T	73.8/30.9
C813	4030011600	S.CER C1608 JB 1E 104K-T	T	65.9/31.8
C821	4030007060	S.CER C1608 CH 1H 270J-T	T	57.8/46.5
C822	4030007100	S.CER C1608 CH 1H 560J-T	T	54.4/45.7
C823	4030006960	S.CER C1608 CH 1H 050K-T	T	55.7/45.7
C824	4610001850	S.TRI TZB4R200AB10R00	T	50.6/44.7
C825	4030007130	S.CER C1608 CH 1H 101J-T	T	46.9/46.8
C826	4030007060	S.CER C1608 CH 1H 270J-T	T	40.9/45.9
C827	4030007020	S.CER C1608 CH 1H 120J-T	T	45.5/44.6
C828	4030006880	S.CER C1608 JB 1H 472K-T	T	43.5/43.1
C829	4030009500	S.CER C1608 CH 1H 0R5B-T	T	37.9/42.9
C830	4030006880	S.CER C1608 JB 1H 102K-T	T	47.9/52.8
C831	4030006880	S.CER C1608 JB 1H 472K-T	T	46.4/52.8
C832	4510008500	S.ELE EEE1CA101WP	T	49.3/57.6
C833	4510008540	S.ELE EEE1CA100SR	T	40.3/38
C842	4030006880	S.CER C1608 JB 1H 472K-T	T	39.4/35
C843	4030006880	S.CER C1608 JB 1H 102K-T	T	23.8/34.3
C844	4030006880	S.CER C1608 JB 1H 472K-T	T	24.5/32.4
C845	4510008520	S.ELE EEE1CA470SP	T	17.7/35.3
C846	4030006880	S.CER C1608 JB 1H 472K-T	T	38.4/31.3
C847	4030006880	S.CER C1608 JB 1H 472K-T	T	30.3/36.1
C848	4030006880	S.CER C1608 JB 1H 472K-T	T	30.3/38.3
C849	4030006880	S.CER C1608 JB 1H 472K-T	T	27/40
C850	4030006880	S.CER C1608 JB 1H 472K-T	T	30.3/39.7
C851	4030006880	S.CER C1608 JB 1H 472K-T	T	25.1/42.3
C852	4030007120	S.CER C1608 CH 1H 820J-T	T	30/44.2
C853	4030007070	S.CER C1608 CH 1H 330J-T	T	24.4/46.8
C854	4030007140	S.CER C1608 CH 1H 121J-T	T	30/45.8
C855	4030007020	S.CER C1608 CH 1H 120J-T	T	30.1/48.1
C856	4030007090	S.CER C1608 CH 1H 470J-T	T	30.2/50.4
C862	4030006880	S.CER C1608 JB 1H 472K-T	T	60.4/34.5
C911	4030008680	S.CER C2012 JF 1C 105Z-T	T	92.4/112.7
C912	4030008680	S.CER C2012 JF 1C 105Z-T	T	92.4/109
C913	4030008680	S.CER C2012 JF 1C 105Z-T	T	92.4/105.5
C914	4030008680	S.CER C2012 JF 1C 105Z-T	T	96.8/115.2
C915	4030008680	S.CER C2012 JF 1C 105Z-T	T	101.5/114.1
C916	4030011600	S.CER C1608 JB 1E 104K-T	T	108.7/116.4
C917	4030011600	S.CER C1608 JB 1E 104K-T	B	108.2/115.9
C918	4030011600	S.CER C1608 JB 1E 104K-T	B	91.3/112.6
J1	6510007020	CNR TMP-J01X-V6		
J2	6510007020	CNR TMP-J01X-V6		
J3	6510007020	CNR TMP-J01X-V6		
J4	6510020001	S.CNR 52808-3071 (3090)	T	127.9/41.5
J11	6510007020	CNR TMP-J01X-V6		
J671	6510024450	S.CNR IC197-3202-2000	T	112.8/82.9
J901	6510023720	CNR LGY6501-0600C		
J902	6510023120	CNR CD6109SA1J0		
J903	6510024040	CNR TM11R-5M2-88-LP		
J904	6510024031	CNR UBA-4R-D10T-1 (LF) (SN)		
J905	6450001940	CNR KEY-15S-2A3A		
J906	6510019971	S.CNR 52808-1071	T	129/97.7
J907	6510020251	S.CNR B9B-PH-SM4-TB (LF) (SN)	T	50.7/105.2
J908	6510022311	S.CNR B5B-PH-SM4-TB (LF) (SN)	T	88.7/110.1
J909	6510003470	CNR B11B-EH-S		
J910	6510019421	S.CNR B8B-ZR-SM4-TF (LF) (SN)	T	109.6/104.7
DS901	5040002930	S.LED SML-512MW T86	T	57.1/115.2
DS902	5040002930	S.LED SML-512MW T86	T	46/115.1



**[SCOPE UNIT]**

REF NO.	ORDER NO.	DESCRIPTION	M.	H/V LOCATION
EP901	6910012350	S.BEA MMZ1608Y 102BT	B	131.1/119.6
EP902	6910012350	S.BEA MMZ1608Y 102BT	B	122.5/122.7
EP903	6910012350	S.BEA MMZ1608Y 102BT	T	81.3/114.1
EP904	6910012350	S.BEA MMZ1608Y 102BT	T	82.6/114.1
EP905	6910012350	S.BEA MMZ1608Y 102BT	B	79.7/113.7
EP906	6910012350	S.BEA MMZ1608Y 102BT	T	81.9/110.1
EP907	6910012350	S.BEA MMZ1608Y 102BT	B	83.8/111.5
EP908	6910012350	S.BEA MMZ1608Y 102BT	B	85.1/111.5

**[LOGIC UNIT]**

REF NO.	ORDER NO.	DESCRIPTION	M.	H/V LOCATION
IC1	1140011551	S.IC MT48LC16M16A2P-75	B	59.3/91.9
IC2	1140011551	S.IC MT48LC16M16A2P-75	T	59.3/99
IC51	1130011591	S.IC IDT70V24L15PFG	B	95.5/56
IC52	1140009781	S.IC XC9572XL-10TQG100C	B	116.5/56
IC53	1110005821	S.IC R3112N281A-TR-F	T	142.2/100.9
IC54	1130007431	S.IC TC7S14FU (TE85R,F)	T	146.5/100.6
IC55	1130008040	S.IC TC7SH04FU	T	97.9/34.4
IC56	1130010110	S.IC TC7WH04FU (TE12L)	B	35/25.1
IC101	1130011010	S.IC SN74CBTLV3257PWR	T	25.2/75.3
IC102	1130006441	S.IC TC7S08F (TE85R,F)	T	62/39
IC103	1140011561	S.IC HD6417751RBP200V	T	53.5/64.9
IC104	1130008361	S.IC TC7SHU04FU (TE85L,JF)	T	8.1/60.8
IC105	1130012241	S.IC CY2292FXC (SX-2590J)	T	12.6/69
IC106	1130011110	S.IC TC74VCX04FT (EL)	T	10/77.1
IC201	1140011551	S.IC MT48LC16M16A2P-75	B	128/77.3
IC202	1140011551	S.IC MT48LC16M16A2P-75	B	128.1/95.5
IC203	1140011570	S.IC HD64404BTD	T	97.4/78.4
IC204	1140011581	S.IC ADV7123KSTZ50	T	207.1/29.6
IC205	1130011940	S.IC TC7SZ04F (TE85L)	T	195.9/26.4
IC206	1130012150	S.IC SN74ACT04PWR	T	196/19.9
IC207	1130005721	S.IC TCD7W04F (TE12L,F)	B	212.2/38.2
IC208	1130011951	S.IC UPD1687G-E1-A	B	219.1/39.2
IC209	1190001920	S.IC AK5355-VT-E2	B	109.8/22.9
IC210	1190001920	S.IC AK5355-VT-E2	B	120.7/22.9
IC211	1190001910	S.IC AK4384-VT-E2	B	131.3/32.6
IC212	1190001910	S.IC AK4384-VT-E2	B	119.1/33.4
IC401	1130010970	S.IC PCI1410APGE	B	23.5/48.5
IC402	1130011960	S.IC TPS2211AIDBR	B	21.8/31.2
IC403	1130009570	S.IC BR93LC46F-WE2	T	24.2/67.3
IC404	1130010990	S.IC RTL8139C+	B	23/76.5
IC601	1130008040	S.IC TC7SH04FU	B	169.3/55.8
IC602	1130008711	S.IC TC7SET04FU (T5L,JF)	B	169.3/53.3
IC603	1110004770	S.IC BU9480F-E2	T	176/57
IC604	1140011590	S.IC HD64F2377VFQ33V	B	87/30.5
IC605	1140009781	S.IC XC9572XL-10TQG100C	B	141/57
IC607	1130006441	S.IC TC7S08F (TE85R,F)	B	59.6/22.6
IC608	1130006441	S.IC TC7S08F (TE85R,F)	B	63.3/22.6
IC609	1130005252	S.IC TC74HC08AF (EL,F)	B	60/29.8
IC610	1140008650	S.IC HN58X2464TI	B	54/37.4
IC801	1180002020	S.REG BA033FP-E2	B	144.2/112.5
IC802	1180001541	S.IC TC78L08F (TE12L,F)	T	131.1/111.6
IC821	1110002700	S.IC NJM2904M-TE1	B	16.9/105
IC851	1110003870	S.IC NJM2058M-TE1	B	186.3/56.1
IC852	1110003870	S.IC NJM2058M-TE1	B	135.5/12.6
IC853	1110003870	S.IC NJM2058M-TE1	B	114.5/10.1
IC854	1130005721	S.IC TC7W04F (TE12L,F)	B	161.4/40.6
Q601	1530002060	S.TR 2SC4081 T106 R	B	173.3/53.3
Q602	1510000510	S.TR 2SA1576A T106R	B	173.2/57.2
Q802	1530002060	S.TR 2SC4081 T106 R	T	159.1/70.3
Q803	1540000441	S.TR 2SD1619T-TD-E	B	160.1/70.9
Q804	1540000441	S.TR 2SD1619T-TD-E	B	166.7/70.8
Q805	1530002060	S.TR 2SC4081 T106 R	T	165.7/70.3
Q806	1540000441	S.TR 2SD1619T-TD-E	B	173.3/70.8
Q807	1530002060	S.TR 2SC4081 T106 R	T	172.3/70.3
Q808	1590001330	S.TR DTA114EUA T106	B	157.7/30.1
Q809	1590001330	S.TR DTA114EUA T106	B	157.7/27.5
Q810	1540000550	S.TR 2SD1664 T100Q	T	160.2/78
Q821	1520000651	S.TR 2SB1201S-TL-E	B	28.9/108.4
Q822	1530002060	S.TR 2SC4081 T106 R	B	25.5/103.6
Q901	1590001960	S.TR XP4311 (TX)	B	187.9/88.3
Q902	1590001960	S.TR XP4311 (TX)	B	188.9/79.7
Q903	1590001960	S.TR XP4311 (TX)	B	193.9/88.3
Q904	1590001960	S.TR XP4311 (TX)	B	192.9/79.7
D51	1750000550	S.DIO 1SS355 TE-17 except [FRA]	T	126.1/48.7
D52	1750000550	S.DIO 1SS355 TE-17 [FRA], [KOR], [ESP], [UK] only	T	126.1/50.5
D53	1750000550	S.DIO 1SS355 TE-17 [USA], [EUR], [UK] only	T	126.1/52.3
D54	1750000550	S.DIO 1SS355 TE-17 except [FRA]	T	126.1/54.1

**[LOGIC UNIT]**

REF NO.	ORDER NO.	DESCRIPTION	M.	H/V LOCATION
D55	1750000550	S.DIO 1SS355 TE-17 [EUR], [ITR], [ESP], [UK] only	T	124.7/55.9
D56	1750000550	S.DIO 1SS355 TE-17 [FRA], [KOR], [ESP], [UK] only	T	124.7/57.7
D57	1750000550	S.DIO 1SS355 TE-17 [USA], [EUR], [UK] only	T	124.7/59.5
D58	1750000550	S.DIO 1SS355 TE-17 except [FRA]	T	124.7/61.3
D59	1750000550	S.DIO 1SS355 TE-17 [EUR], [ITR], [ESP], [UK] only	T	124.7/63.1
D60	1750000550	S.DIO 1SS355 TE-17	T	130.1/48.7
D61	1750000550	S.DIO 1SS355 TE-17	T	130.1/50.5
D62	1750000550	S.DIO 1SS355 TE-17	T	130.1/52.3
D65	1750000550	S.DIO 1SS355 TE-17	T	128.9/57.7
D66	1750000550	S.DIO 1SS355 TE-17 [EUR], [FRA], [ITR], [UK] only	T	128.9/59.5
D67	1750000550	S.DIO 1SS355 TE-17	T	128.9/61.3
D68	1750000550	S.DIO 1SS355 TE-17	T	128.9/63.1
D201	1790000980	S.DIO MA742 (TX)	B	214.6/32.4
D202	1790000980	S.DIO MA742 (TX)	B	214.6/29.4
D203	1790000980	S.DIO MA742 (TX)	B	214.6/26.4
D204	1790000980	S.DIO MA742 (TX)	T	201.5/16.9
D205	1790000980	S.DIO MA742 (TX)	T	201.5/19.8
D206	1790000980	S.DIO MA742 (TX)	B	218/7.4
D207	1790000980	S.DIO MA742 (TX)	B	220.9/7.4
D208	1790000980	S.DIO MA742 (TX)	B	228/7.4
D209	1790000980	S.DIO MA742 (TX)	B	230.8/7.4
D601	1750000550	S.DIO 1SS355 TE-17	B	175.5/62.5
D801	1750000370	S.DIO DA221 TL	B	159.1/66.5
D802	1750000370	S.DIO DA221 TL	B	165.7/66.5
D803	1750000370	S.DIO DA221 TL	B	172.3/66.5
D804	1750000271	S.DIO 1SS301 (TE85R,F)	B	170/64.1
D805	1790001611	S.DIO 1SS385 (TE85L,F)	B	157.3/38.2
D806	1790001611	S.DIO 1SS385 (TE85L,F)	B	157.3/40.3
D821	1730002340	S.ZEN MA8047-M (TX)	B	22.4/104.6
D851	1750000550	S.DIO 1SS355 TE-17	B	180.9/50.2
D852	1750000550	S.DIO 1SS355 TE-17	B	191.8/50.5
D853	1790000980	S.DIO MA742 (TX)	B	122/18.5
D854	1790000980	S.DIO MA742 (TX)	B	119.5/18.5
D855	1790000980	S.DIO MA742 (TX)	B	107/18.4
D856	1790000980	S.DIO MA742 (TX)	B	104.5/18.4
D857	1750000550	S.DIO 1SS355 TE-17	B	189.9/61.9
D858	1750000550	S.DIO 1SS355 TE-17	B	182.2/61.9
D860	1790000980	S.DIO MA742 (TX)	T	97.5/26.3
D861	1790000980	S.DIO MA742 (TX)	T	97.5/31.3
D862	1790000980	S.DIO MA742 (TX)	T	97.9/23.7
D863	1790000980	S.DIO MA742 (TX)	T	97.5/28.8
D864	1790000980	S.DIO MA742 (TX)	T	100.4/23.7
D865	1790000980	S.DIO MA742 (TX)	T	94.3/24.7
D866	1790000980	S.DIO MA742 (TX)	T	94.3/27.2
D867	1790000980	S.DIO MA742 (TX)	T	102.9/23.7
D901	1790000980	S.DIO MA742 (TX)	T	188/31.2
X101	6050011610	S.XTL CR-751 (25.000 MHz)	T	2.9/63.1
X201	6050010680	S.XTL CR-628 (24.576 MHz)	T	103.9/94.6
X202	6050011910	S.XTL CR-780 (48 MHz)	T	100.2/60.6
X601	6050011810	S.XTL CR-755 (15.9744 MHz)	T	81.9/13.6
L203	6200002631	S.COL NLV25T-R10J	B	222.2/32.6
L204	6200002631	S.COL NLV25T-R10J	B	222.2/29.6
L205	6200002631	S.COL NLV25T-R10J	B	222.2/26.6
L801	6200003261	S.COL NLV32T-101J	B	66.9/123.5
L803	6180003321	S.COL SLF6028T-150M1R0-PF	B	88.7/112.9
L804	6180003321	S.COL SLF6028T-150M1R0-PF	B	102.5/112.9
L805	6180003321	S.COL SLF6028T-150M1R0-PF	B	95.8/112.9
L806	6180003321	S.COL SLF6028T-150M1R0-PF	B	109/112.9
L807	6180003321	S.COL SLF6028T-150M1R0-PF	B	115.7/112.9
L808	6200003590	S.COL EXCCL3225U1	T	92.1/115.8
L809	6200003590	S.COL EXCCL3225U1	B	93.1/123.1
L810	6200003590	S.COL EXCCL3225U1	B	87.7/123.2
L811	6200001831	S.COL NLV32T-100J	B	127.9/22.6
L821	6200003590	S.COL EXCCL3225U1	B	121.2/112.7
L822	6200003590	S.COL EXCCL3225U1	T	125/115.8
L823	6200009790	S.COL BLM31PG121SN1	T	18.2/25.6
L824	6200003590	S.COL EXCCL3225U1	B	130.1/115.5
L825	6200003590	S.COL EXCCL3225U1	B	133.6/116.1
L826	6180003321	S.COL SLF6028T-150M1R0-PF	B	179.9/115.5
L827	6200003590	S.COL EXCCL3225U1	T	120.4/115.8
L832	6200003590	S.COL EXCCL3225U1	B	80.1/122.1
L833	6200003590	S.COL EXCCL3225U1	B	75.6/122.1
L834	6200003590	S.COL EXCCL3225U1	B	125.6/112.2
L835	6200003590	S.COL EXCCL3225U1	B	125.6/115.3
L901	6200003590	S.COL EXCCL3225U1	B	214.4/74.4
L902	6200003590	S.COL EXCCL3225U1	B	214.4/78.2
L903	6200003590	S.COL EXCCL3225U1	B	206.5/80
L904	6200003590	S.COL EXCCL3225U1	B	214.4/81.2
L905	6200003590	S.COL EXCCL3225U1	B	21/114.8
L906	6200003590	S.COL EXCCL3225U1	B	24/114.8
L907	6200003590	S.COL EXCCL3225U1	B	27/114.8
L908	6200003590	S.COL EXCCL3225U1	B	30/114.8
L909	6200003261	S.COL NLV32T-101J	B	181.3/82.6

M.=Mounted side (T: Mounted on the Top side, B: Mounted on the Bottom side)  
S.=Surface mount

[LOGIC UNIT]

REF NO.	ORDER NO.	DESCRIPTION	M.	H/V LOCATION
L910	6200003590	S.COL EXCCL3225U1	B	195.7/82.4
L911	6200003590	S.COL EXCCL3225U1	B	221.8/76.5
L912	6200003590	S.COL EXCCL3225U1	B	230.4/76.8
L913	6200003590	S.COL EXCCL3225U1	B	230.4/63
L914	6200003590	S.COL EXCCL3225U1	B	221.8/64
L915	6200003590	S.COL EXCCL3225U1	B	230.4/66
L916	6200003590	S.COL EXCCL3225U1	B	221.8/67
L917	6200003590	S.COL EXCCL3225U1	T	162.2/21.7
L918	6200003590	S.COL EXCCL3225U1	T	186.4/18.7
L919	6200003590	S.COL EXCCL3225U1	T	186.4/22.4
L920	6200003590	S.COL EXCCL3225U1	T	162.3/24.7
L1101	6200003590	S.COL EXCCL3225U1	T	40.5/25.8
R1	7030003520	S.RES ERJ3GEYJ 472 V (4.7 k)	T	91.5/101.3
R51	7030003520	S.RES ERJ3GEYJ 472 V (4.7 k)	T	143/76.8
R52	7030003560	S.RES ERJ3GEYJ 103 V (10 k)	T	138.6/100.6
R55	7030003440	S.RES ERJ3GEYJ 102 V (1 k)	B	126.4/51.5
R56	7030003440	S.RES ERJ3GEYJ 102 V (1 k)	B	123.5/46.1
R57	7030003680	S.RES ERJ3GEYJ 104 V (100 k)	B	31.3/25
R58	7030003680	S.RES ERJ3GEYJ 104 V (100 k)	B	30/25
R101	7030003680	S.RES ERJ3GEYJ 104 V (100 k)	T	19.3/74.8
R102	7030003520	S.RES ERJ3GEYJ 472 V (4.7 k)	T	31/73.7
R103	7030003520	S.RES ERJ3GEYJ 472 V (4.7 k)	T	31/75.7
R104	7030003520	S.RES ERJ3GEYJ 472 V (4.7 k)	T	19.3/73.5
R105	7030003520	S.RES ERJ3GEYJ 472 V (4.7 k)	T	19.3/76.1
R106	7030003560	S.RES ERJ3GEYJ 103 V (10 k)	B	54.6/60.1
R107	7030003560	S.RES ERJ3GEYJ 103 V (10 k)	B	49.4/60.1
R108	7030003560	S.RES ERJ3GEYJ 103 V (10 k)	B	48.4/49.5
R109	7030003560	S.RES ERJ3GEYJ 103 V (10 k)	B	52/60.1
R110	7030003560	S.RES ERJ3GEYJ 103 V (10 k)	T	54.9/49.3
R111	7030003560	S.RES ERJ3GEYJ 103 V (10 k)	B	54.6/58.8
R112	7030003560	S.RES ERJ3GEYJ 103 V (10 k)	T	53.6/49.3
R113	7030003560	S.RES ERJ3GEYJ 103 V (10 k)	B	49.4/58.8
R114	7030003560	S.RES ERJ3GEYJ 103 V (10 k)	B	45.8/49.5
R115	7030003560	S.RES ERJ3GEYJ 103 V (10 k)	B	49.4/62.7
R116	7030003560	S.RES ERJ3GEYJ 103 V (10 k)	B	49.4/61.4
R117	7030003260	S.RES ERJ3GEYJ 330 V (33)	B	43.2/49.4
R118	7030003560	S.RES ERJ3GEYJ 103 V (10 k)	B	49.4/64
R119	7030003560	S.RES ERJ3GEYJ 103 V (10 k)	B	41.4/50
R120	7030003560	S.RES ERJ3GEYJ 103 V (10 k)	B	49.4/65.3
R121	7030003560	S.RES ERJ3GEYJ 103 V (10 k)	B	43.2/46.9
R122	7030003560	S.RES ERJ3GEYJ 103 V (10 k)	B	39.3/56
R123	7030003560	S.RES ERJ3GEYJ 103 V (10 k)	B	43.2/45.6
R124	7030003680	S.RES ERJ3GEYJ 104 V (100 k)	T	51/49.3
R125	7030003520	S.RES ERJ3GEYJ 472 V (4.7 k)	T	52.3/49.3
R126	7030003560	S.RES ERJ3GEYJ 103 V (10 k)	B	52/61.4
R127	7030003560	S.RES ERJ3GEYJ 103 V (10 k)	B	52/58.8
R128	7030003560	S.RES ERJ3GEYJ 103 V (10 k)	T	53.6/45.7
R129	7030003560	S.RES ERJ3GEYJ 103 V (10 k)	T	54.9/46.7
R130	7030003560	S.RES ERJ3GEYJ 103 V (10 k)	B	56.4/50.5
R131	7030003560	S.RES ERJ3GEYJ 103 V (10 k)	B	54.6/61.4
R132	7030003560	S.RES ERJ3GEYJ 103 V (10 k)	T	56.2/49.3
R133	7030003560	S.RES ERJ3GEYJ 103 V (10 k)	T	56.2/46.7
R134	7030003200	S.RES ERJ3GEYJ 100 V (10)	B	57.2/58.8
R135	7030003200	S.RES ERJ3GEYJ 100 V (10)	B	57.2/60.1
R136	7030003200	S.RES ERJ3GEYJ 100 V (10)	B	70.1/50.5
R137	7030004050	S.RES ERJ3GEYJ 1R0 V (1)	B	49.4/68
R138	7030003560	S.RES ERJ3GEYJ 103 V (10 k)	B	49.4/69.3
R139	7030003560	S.RES ERJ3GEYJ 103 V (10 k)	B	49.7/78
R140	7410000990	S.ARY EXB-V8V 470JV (47)	T	47/82.7
R141	7410000990	S.ARY EXB-V8V 470JV (47)	T	43.3/82.7
R142	7410000990	S.ARY EXB-V8V 470JV (47)	T	54.4/82.7
R143	7410000990	S.ARY EXB-V8V 470JV (47)	T	61.8/82.7
R144	7410000990	S.ARY EXB-V8V 470JV (47)	T	50.7/82.7
R145	7410000990	S.ARY EXB-V8V 470JV (47)	T	58.1/82.7
R146	7030003280	S.RES ERJ3GEYJ 470 V (47)	T	70/81.8
R147	7030003280	S.RES ERJ3GEYJ 470 V (47)	T	70/80.5
R148	7410000990	S.ARY EXB-V8V 470JV (47)	T	65.5/82.7
R149	7410000990	S.ARY EXB-V8V 470JV (47)	T	70/54.9
R150	7410000990	S.ARY EXB-V8V 470JV (47)	T	70/58.6
R151	7410000990	S.ARY EXB-V8V 470JV (47)	T	70/62.3
R152	7410000990	S.ARY EXB-V8V 470JV (47)	T	70/66
R153	7030003200	S.RES ERJ3GEYJ 100 V (10)	T	70/83.1
R154	7410000990	S.ARY EXB-V8V 470JV (47)	T	70/69.7
R155	7410000990	S.ARY EXB-V8V 470JV (47)	T	70/73.4
R156	7410000990	S.ARY EXB-V8V 470JV (47)	T	70/78
R157	7410000800	S.ARY EXB-V8V 103JV (10 k)	T	77.4/38.7
R158	7030003560	S.RES ERJ3GEYJ 103 V (10 k)	T	77.4/36.2
R159	7030003560	S.RES ERJ3GEYJ 103 V (10 k)	T	64.3/41.3
R161	7030003250	S.RES ERJ3GEYJ 270 V (27)	T	9.1/64.6
R162	7030003800	S.RES ERJ3GEYJ 105 V (1 M)	T	6.2/59.5
R163	7030003320	S.RES ERJ3GEYJ 101 V (100)	T	12.5/73.7
R164	7030003250	S.RES ERJ3GEYJ 270 V (27)	B	10.8/68.3
R165	7030003860	S.RES ERJ3GE JPW V	T	4.3/76.8
R166	7030003860	S.RES ERJ3GE JPW V	T	8.5/81.2
R167	7030003860	S.RES ERJ3GE JPW V	T	14.9/78.1
R170	7030003600	S.RES ERJ3GEYJ 223 V (22 k)	B	38.5/38.6
R171	7030003600	S.RES ERJ3GEYJ 223 V (22 k)	B	35.3/75.2
R172	7030003600	S.RES ERJ3GEYJ 223 V (22 k)	B	35.3/76.5
R173	7030003600	S.RES ERJ3GEYJ 223 V (22 k)	B	39.4/78.2
R174	7030003600	S.RES ERJ3GEYJ 223 V (22 k)	B	37.4/79

[LOGIC UNIT]

REF NO.	ORDER NO.	DESCRIPTION	M.	H/V LOCATION
R175	7030003600	S.RES ERJ3GEYJ 223 V (22 k)	B	37.4/80.3
R176	7030003600	S.RES ERJ3GEYJ 223 V (22 k)	B	35.3/73.9
R201	7030003560	S.RES ERJ3GEYJ 103 V (10 k)	T	114.5/85.1
R202	7030003560	S.RES ERJ3GEYJ 103 V (10 k)	T	111.3/85.1
R203	7030003560	S.RES ERJ3GEYJ 103 V (10 k)	T	118.4/86.4
R204	7030003560	S.RES ERJ3GEYJ 103 V (10 k)	T	118.4/85.1
R205	7030003560	S.RES ERJ3GEYJ 103 V (10 k)	T	114.5/82.5
R206	7030003560	S.RES ERJ3GEYJ 103 V (10 k)	T	111.3/83.8
R207	7030003560	S.RES ERJ3GEYJ 103 V (10 k)	T	118.4/83.8
R208	7030003560	S.RES ERJ3GEYJ 103 V (10 k)	T	118.4/82.5
R209	7030003560	S.RES ERJ3GEYJ 103 V (10 k)	T	114.5/83.8
R212	7030003640	S.RES ERJ3GEYJ 473 V (47 k)	T	83.7/82
R213	7030003640	S.RES ERJ3GEYJ 473 V (47 k)	T	83.7/83.3
R218	7030003520	S.RES ERJ3GEYJ 472 V (4.7 k)	T	116.9/49
R219	7030003520	S.RES ERJ3GEYJ 472 V (4.7 k)	T	83.7/79.4
R220	7030003520	S.RES ERJ3GEYJ 472 V (4.7 k)	B	94.1/74.4
R221	7030003560	S.RES ERJ3GEYJ 103 V (10 k)	T	83.7/73.7
R225	7030003560	S.RES ERJ3GEYJ 103 V (10 k)	B	94.1/79.6
R226	7030003560	S.RES ERJ3GEYJ 103 V (10 k)	B	94.1/80.9
R227	7030003560	S.RES ERJ3GEYJ 103 V (10 k)	T	92/98.2
R228	7030003560	S.RES ERJ3GEYJ 103 V (10 k)	T	92/95.1
R229	7030003560	S.RES ERJ3GEYJ 103 V (10 k)	T	91.2/92
R230	7030003560	S.RES ERJ3GEYJ 103 V (10 k)	T	93.3/95.1
R231	7030003560	S.RES ERJ3GEYJ 103 V (10 k)	T	92.5/92.2
R232	7030003560	S.RES ERJ3GEYJ 103 V (10 k)	B	93.4/83.2
R233	7030003560	S.RES ERJ3GEYJ 103 V (10 k)	T	93.3/98.2
R234	7030003560	S.RES ERJ3GEYJ 103 V (10 k)	T	93.8/92.1
R235	7030003560	S.RES ERJ3GEYJ 103 V (10 k)	T	94.6/95.2
R236	7030003560	S.RES ERJ3GEYJ 103 V (10 k)	T	94.6/98.2
R237	7030003560	S.RES ERJ3GEYJ 103 V (10 k)	B	94.7/83.2
R238	7030003560	S.RES ERJ3GEYJ 103 V (10 k)	T	95.1/92.2
R239	7030003560	S.RES ERJ3GEYJ 103 V (10 k)	T	95.9/95.1
R240	7030003560	S.RES ERJ3GEYJ 103 V (10 k)	T	95.9/98.2
R241	7030003560	S.RES ERJ3GEYJ 103 V (10 k)	B	97/89.4
R242	7030003560	S.RES ERJ3GEYJ 103 V (10 k)	T	96.6/92
R243	7030003560	S.RES ERJ3GEYJ 103 V (10 k)	B	96/83.2
R244	7030003560	S.RES ERJ3GEYJ 103 V (10 k)	T	96.6/64.7
R245	7030003560	S.RES ERJ3GEYJ 103 V (10 k)	T	90.1/64.7
R246	7030003560	S.RES ERJ3GEYJ 103 V (10 k)	T	88.8/61.6
R247	7030003560	S.RES ERJ3GEYJ 103 V (10 k)	B	96.7/74.4
R248	7030003560	S.RES ERJ3GEYJ 103 V (10 k)	T	91.4/64.7
R249	7030003560	S.RES ERJ3GEYJ 103 V (10 k)	T	86.2/64.7
R250	7030003560	S.RES ERJ3GEYJ 103 V (10 k)	T	87.5/64.7
R251	7030003560	S.RES ERJ3GEYJ 103 V (10 k)	T	90.1/61.6
R252	7030003560	S.RES ERJ3GEYJ 103 V (10 k)	T	87.5/61.6
R253	7030003560	S.RES ERJ3GEYJ 103 V (10 k)	T	83.7/75
R254	7030003560	S.RES ERJ3GEYJ 103 V (10 k)	T	88.8/64.7
R255	7030003560	S.RES ERJ3GEYJ 103 V (10 k)	T	86.2/61.6
R256	7030003560	S.RES ERJ3GEYJ 103 V (10 k)	B	96.7/77
R257	7030003560	S.RES ERJ3GEYJ 103 V (10 k)	T	92.7/64.7
R258	7030003560	S.RES ERJ3GEYJ 103 V (10 k)	B	96.7/78.3
R259	7030003560	S.RES ERJ3GEYJ 103 V (10 k)	T	92.7/61.6
R260	7030003560	S.RES ERJ3GEYJ 103 V (10 k)	B	96.7/79.6
R261	7030003560	S.RES ERJ3GEYJ 103 V (10 k)	T	94/61.6
R262	7030003560	S.RES ERJ3GEYJ 103 V (10 k)	B	96.7/80.9
R263	7030003560	S.RES ERJ3GEYJ 103 V (10 k)	B	94/66.6
R264	7030003560	S.RES ERJ3GEYJ 103 V (10 k)	B	98/72.6
R265	7030003560	S.RES ERJ3GEYJ 103 V (10 k)	T	92.7/59
R266	7030003560	S.RES ERJ3GEYJ 103 V (10 k)	T	94/59
R267	7030003560	S.RES ERJ3GEYJ 103 V (10 k)	T	95.3/64.7
R268	7030003560	S.RES ERJ3GEYJ 103 V (10 k)	B	91.4/66.6
R269	7030003560	S.RES ERJ3GEYJ 103 V (10 k)	T	94/64.7
R270	7030003560	S.RES ERJ3GEYJ 103 V (10 k)	T	91.4/61.6
R271	7030003560	S.RES ERJ3GEYJ 103 V (10 k)	T	91.4/59
R272	7030003560	S.RES ERJ3GEYJ 103 V (10 k)	B	114.7/71.1
R273	7030003560	S.RES ERJ3GEYJ 103 V (10 k)	T	114/68.2
R274	7030003560	S.RES ERJ3GEYJ 103 V (10 k)	B	99.9/79.7
R275	7030003560	S.RES ERJ3GEYJ 103 V (10 k)	T	111/69.5
R276	7030003560	S.RES ERJ3GEYJ 103 V (10 k)	T	108.7/64.8
R277	7030003560	S.RES ERJ3GEYJ 103 V (10 k)	T	114/66.9
R278	7030003560	S.RES ERJ3GEYJ 103 V (10 k)	T	114/65.6
R279	7030003560	S.RES ERJ3GEYJ 103 V (10 k)	B	99.9/81
R280	7030003560	S.RES ERJ3GEYJ 103 V (10 k)	T	114/69.5
R281	7030003560	S.RES ERJ3GEYJ 103 V (10 k)	B	100.6/75.2
R282	7030003560	S.RES ERJ3GEYJ 103 V (10 k)	B	99.3/75.2
R283	7030003560	S.RES ERJ3GEYJ 103 V (10 k)	B	105.6/65.2
R284	7030003560	S.RES ERJ3GEYJ 103 V (10 k)	B	105.6/66.5
R285	7030003560	S.RES ERJ3GEYJ 103 V (10 k)	B	99.9/78.4
R286	7030003560	S.RES ERJ3GEYJ 103 V (10 k)	T	114/64.3
R287	7030003560	S.RES ERJ3GEYJ 103 V (10 k)	T	103.5/65.6
R288	7030003560	S.RES ERJ3GEYJ 103 V (10 k)	T	108.7/63.4
R289	7030003560	S.RES ERJ3GEYJ 103 V (10 k)	T	100.9/65.5
R290	7030003560	S.RES ERJ3GEYJ 103 V (10 k)	B	99.9/77
R291	7030003560	S.RES ERJ3GEYJ 103 V (10 k)	T	106.1/65.5
R292	7030003560	S.RES ERJ3GEYJ 103 V (10 k)	B	94.1/75.7
R293	7030003560	S.RES ERJ3GEYJ 103 V (10 k)	B	94.1/77
R294	7030003560	S.RES ERJ3GEYJ 103 V (10 k)	B	94.1/78.3
R295	7030003640	S.RES ERJ3GEYJ 473 V (47 k)	B	96.7/75.7
R296	7030003560	S.RES ERJ3GEYJ 103 V (10 k)	T	111.3/87.7
R297	7030003560	S.RES ERJ3GEYJ 103 V (10 k)	T	111.3/91.6
R298	7030003560	S.RES ERJ3GEYJ 103 V (10 k)	T	118.4/91.6
R29				

[LOGIC UNIT]

REF NO.	ORDER NO.	DESCRIPTION	M.	H/V LOCATION
R300	7030003560	S.RES ERJ3GEYJ 103 V (10 k)	T	114.5/90.3
R301	7030003560	S.RES ERJ3GEYJ 103 V (10 k)	T	118.4/90.3
R302	7030003560	S.RES ERJ3GEYJ 103 V (10 k)	T	114.5/91.6
R303	7030003560	S.RES ERJ3GEYJ 103 V (10 k)	T	118.4/89
R304	7030003560	S.RES ERJ3GEYJ 103 V (10 k)	T	114.5/89
R305	7030003560	S.RES ERJ3GEYJ 103 V (10 k)	T	111.3/89
R306	7030003560	S.RES ERJ3GEYJ 103 V (10 k)	T	111.3/86.4
R307	7030003560	S.RES ERJ3GEYJ 103 V (10 k)	T	114.5/86.4
R308	7030003560	S.RES ERJ3GEYJ 103 V (10 k)	T	118.4/87.7
R309	7030003560	S.RES ERJ3GEYJ 103 V (10 k)	T	114.5/87.7
R310	7030003560	S.RES ERJ3GEYJ 103 V (10 k)	T	111/68.2
R311	7030003560	S.RES ERJ3GEYJ 103 V (10 k)	B	116.1/71.1
R313	7030003410	S.RES ERJ3GEYJ 561 V (560)	T	209.8/36.7
R314	7030003340	S.RES ERJ3GEYJ 151 V (150)	B	216.8/32.5
R315	7030003340	S.RES ERJ3GEYJ 151 V (150)	B	218.1/32.5
R316	7030003340	S.RES ERJ3GEYJ 151 V (150)	B	216.8/29.5
R317	7030003340	S.RES ERJ3GEYJ 151 V (150)	B	218.1/29.5
R318	7030003340	S.RES ERJ3GEYJ 151 V (150)	B	216.8/26.5
R319	7030003340	S.RES ERJ3GEYJ 151 V (150)	B	218.1/26.5
R320	7030003240	S.RES ERJ3GEYJ 220 V (22)	T	203.9/17.8
R321	7030003240	S.RES ERJ3GEYJ 220 V (22)	T	203.9/20.7
R322	7030003250	S.RES ERJ3GEYJ 270 V (27)	B	215.9/7.4
R323	7030003250	S.RES ERJ3GEYJ 270 V (27)	B	213.9/3.3
R324	7030003580	S.RES ERJ3GEYJ 153 V (15 k)	B	213.9/6.1
R325	7030003580	S.RES ERJ3GEYJ 153 V (15 k)	B	215.9/4.6
R326	7030003250	S.RES ERJ3GEYJ 270 V (27)	B	227.4/4.9
R327	7030003250	S.RES ERJ3GEYJ 270 V (27)	B	230/4.9
R328	7030003580	S.RES ERJ3GEYJ 153 V (15 k)	B	228.1/3.1
R329	7030003580	S.RES ERJ3GEYJ 153 V (15 k)	B	230.7/3.1
R330	7030003560	S.RES ERJ3GEYJ 103 V (10 k)	B	222.6/38.8
R331	7030003560	S.RES ERJ3GEYJ 103 V (10 k)	B	223.9/38.8
R332	7030003640	S.RES ERJ3GEYJ 473 V (47 k)	B	104.6/25.8
R333	7030003640	S.RES ERJ3GEYJ 473 V (47 k)	B	113.9/19.1
R334	7030003640	S.RES ERJ3GEYJ 473 V (47 k)	B	110.7/19.5
R335	7030003280	S.RES ERJ3GEYJ 470 V (47)	B	109.8/26.4
R336	7030003640	S.RES ERJ3GEYJ 473 V (47 k)	B	115.5/25.8
R337	7030003640	S.RES ERJ3GEYJ 473 V (47 k)	B	125.1/23.6
R338	7030003640	S.RES ERJ3GEYJ 473 V (47 k)	B	125.2/20.6
R339	7030003280	S.RES ERJ3GEYJ 470 V (47)	B	120.1/27.7
R340	7030003280	S.RES ERJ3GEYJ 470 V (47)	B	130.8/38.1
R341	7030003640	S.RES ERJ3GEYJ 473 V (47 k)	B	135.7/33.5
R342	7030003280	S.RES ERJ3GEYJ 470 V (47)	B	121.7/36.9
R343	7030003640	S.RES ERJ3GEYJ 473 V (47 k)	B	119.5/30
R344	7030003520	S.RES ERJ3GEYJ 472 V (4.7 k)	B	129.1/29.1
R345	7030003520	S.RES ERJ3GEYJ 472 V (4.7 k)	B	116.9/30
R350	7030003860	S.RES ERJ3GE JPW V	T	119.5/49
R351	7030003860	S.RES ERJ3GE JPW V	B	100.6/83.2
R353	7030003860	S.RES ERJ3GE JPW V	B	187.5/12.3
R355	7030003860	S.RES ERJ3GE JPW V	B	187.5/13.6
R356	7030003860	S.RES ERJ3GE JPW V	B	185.3/9.9
R361	7030003320	S.RES ERJ3GEYJ 101 V (100)	T	193.5/25.6
R401	7030003320	S.RES ERJ3GEYJ 101 V (100)	B	39.9/44.9
R403	7030003560	S.RES ERJ3GEYJ 103 V (10 k)	B	16.5/35.6
R404	7030003560	S.RES ERJ3GEYJ 103 V (10 k)	B	22.8/35.6
R405	7030003560	S.RES ERJ3GEYJ 103 V (10 k)	B	7.9/40.8
R406	7030003560	S.RES ERJ3GEYJ 103 V (10 k)	T	24.3/46.5
R407	7030003560	S.RES ERJ3GEYJ 103 V (10 k)	T	22.5/47.2
R408	7030003560	S.RES ERJ3GEYJ 103 V (10 k)	T	28.1/51.8
R409	7030003560	S.RES ERJ3GEYJ 103 V (10 k)	T	22.9/57
R410	7030003560	S.RES ERJ3GEYJ 103 V (10 k)	T	20.3/57
R411	7030003560	S.RES ERJ3GEYJ 103 V (10 k)	T	24.2/57
R412	7030003560	S.RES ERJ3GEYJ 103 V (10 k)	T	25.5/57
R413	7030003560	S.RES ERJ3GEYJ 103 V (10 k)	T	26.8/57
R414	7030003560	S.RES ERJ3GEYJ 103 V (10 k)	T	21.6/57
R415	7030003560	S.RES ERJ3GEYJ 103 V (10 k)	B	25.6/26.2
R416	7030003560	S.RES ERJ3GEYJ 103 V (10 k)	B	24.3/26.2
R417	7030003560	S.RES ERJ3GEYJ 103 V (10 k)	B	23/26.2
R418	7030003320	S.RES ERJ3GEYJ 101 V (100)	B	36.1/82.5
R419	7030003440	S.RES ERJ3GEYJ 102 V (1 k)	B	10.4/83.3
R420	7030003580	S.RES ERJ3GEYJ 153 V (15 k)	B	11/81.5
R421	7030003470	S.RES ERJ3GEYJ 182 V (1.8 k)	B	12.3/76.4
R422	7030003250	S.RES ERJ3GEYJ 270 V (27)	B	11.5/74.2
R423	7030003560	S.RES ERJ3GEYJ 103 V (10 k)	B	14.6/90.2
R424	7030003560	S.RES ERJ3GEYJ 103 V (10 k)	B	11.5/85.7
R425	7030003380	S.RES ERJ3GEYJ 331 V (330)	T	9.3/96.4
R426	7030003380	S.RES ERJ3GEYJ 331 V (330)	T	9.3/94.9
R427	7030003380	S.RES ERJ3GEYJ 331 V (330)	T	9.3/93.1
R428	7030003320	S.RES ERJ3GEYJ 101 V (100)	B	147.4/21.2
R429	7030003320	S.RES ERJ3GEYJ 101 V (100)	B	148.7/21.2
R430	7030003320	S.RES ERJ3GEYJ 101 V (100)	B	151.3/21.2
R431	7030003320	S.RES ERJ3GEYJ 101 V (100)	B	150/21.2
R432	7030003320	S.RES ERJ3GEYJ 101 V (100)	B	154.3/15.2
R433	7030003320	S.RES ERJ3GEYJ 101 V (100)	B	155.6/15.2
R434	7030003320	S.RES ERJ3GEYJ 101 V (100)	B	155.6/18.4
R435	7030003320	S.RES ERJ3GEYJ 101 V (100)	B	154.3/18.4
R436	7030003340	S.RES ERJ3GEYJ 151 V (150)	B	156.5/6.7
R437	7030003340	S.RES ERJ3GEYJ 151 V (150)	B	158.5/6.7
R438	7030003340	S.RES ERJ3GEYJ 151 V (150)	B	162.5/6.7
R439	7030003340	S.RES ERJ3GEYJ 151 V (150)	B	164.5/6.7
R440	7030003340	S.RES ERJ3GEYJ 151 V (150)	B	156.5/4.1
R441	7030003340	S.RES ERJ3GEYJ 151 V (150)	B	158.5/4.1
R442	7030003340	S.RES ERJ3GEYJ 151 V (150)	B	164.5/4.1

[LOGIC UNIT]

REF NO.	ORDER NO.	DESCRIPTION	M.	H/V LOCATION
R443	7030003340	S.RES ERJ3GEYJ 151 V (150)	B	162.5/4.1
R450	7030003860	S.RES ERJ3GE JPW V	T	36.8/35.4
R601	7030003620	S.RES ERJ3GEYJ 333 V (33 k)	B	175/55.4
R602	7030003590	S.RES ERJ3GEYJ 183 V (18 k)	B	171.3/53.1
R603	7030003540	S.RES ERJ3GEYJ 682 V (6.8 k)	B	173.1/55.2
R604	7030003640	S.RES ERJ3GEYJ 473 V (47 k)	B	171.3/55.7
R605	7030003680	S.RES ERJ3GEYJ 104 V (100 k)	B	167.3/55
R606	7030003680	S.RES ERJ3GEYJ 104 V (100 k)	B	102.8/31.6
R607	7030003350	S.RES ERJ3GEYJ 181 V (180)	B	87.7/14.2
R608	7030003520	S.RES ERJ3GEYJ 472 V (4.7 k)	B	90.5/14.2
R609	7030003440	S.RES ERJ3GEYJ 102 V (1 k)	T	80.8/23.6
R610	7030003440	S.RES ERJ3GEYJ 102 V (1 k)	T	80.8/24.9
R611	7030003440	S.RES ERJ3GEYJ 102 V (1 k)	T	80.8/26.2
R612	7030003440	S.RES ERJ3GEYJ 102 V (1 k)	T	80.1/27.5
R613	7030003440	S.RES ERJ3GEYJ 102 V (1 k)	T	83.4/27.9
R614	7030003440	S.RES ERJ3GEYJ 102 V (1 k)	T	83.4/29.2
R615	7030003440	S.RES ERJ3GEYJ 102 V (1 k)	T	83.4/30.5
R616	7030003440	S.RES ERJ3GEYJ 102 V (1 k)	T	83.4/31.8
R617	7030003800	S.RES ERJ3GEYJ 105 V (1 M)	T	86.5/31.8
R618	7030003800	S.RES ERJ3GEYJ 105 V (1 M)	T	86.5/30.5
R619	7030003800	S.RES ERJ3GEYJ 105 V (1 M)	T	86.5/29.2
R620	7030003800	S.RES ERJ3GEYJ 105 V (1 M)	T	86.5/27.9
R621	7030003800	S.RES ERJ3GEYJ 105 V (1 M)	T	84.1/26.6
R622	7030003800	S.RES ERJ3GEYJ 105 V (1 M)	T	84.1/25.3
R623	7030003800	S.RES ERJ3GEYJ 105 V (1 M)	T	84.3/23.6
R624	7030003800	S.RES ERJ3GEYJ 105 V (1 M)	T	84.3/22.3
R625	7030003640	S.RES ERJ3GEYJ 473 V (47 k)	B	68.6/27.3
R626	7030003600	S.RES ERJ3GEYJ 223 V (22 k)	B	68.6/28.6
R627	7030003640	S.RES ERJ3GEYJ 473 V (47 k)	B	66.3/36.4
R628	7030003640	S.RES ERJ3GEYJ 473 V (47 k)	B	66.3/35.1
R629	7030003640	S.RES ERJ3GEYJ 473 V (47 k)	B	71.2/34.9
R630	7030003520	S.RES ERJ3GEYJ 472 V (4.7 k)	B	68.6/32.5
R631	7030003520	S.RES ERJ3GEYJ 472 V (4.7 k)	T	67.4/27
R632	7030003520	S.RES ERJ3GEYJ 472 V (4.7 k)	T	67.4/30.9
R633	7030003520	S.RES ERJ3GEYJ 472 V (4.7 k)	T	67.4/28.3
R634	7030003520	S.RES ERJ3GEYJ 472 V (4.7 k)	B	66.3/33.8
R635	7030003520	S.RES ERJ3GEYJ 472 V (4.7 k)	T	67.4/29.6
R636	7030003640	S.RES ERJ3GEYJ 473 V (47 k)	B	58.1/19.5
R637	7030003640	S.RES ERJ3GEYJ 473 V (47 k)	B	61.8/19.5
R639	7030003640	S.RES ERJ3GEYJ 473 V (47 k)	T	99.1/19
R640	7030003640	S.RES ERJ3GEYJ 473 V (47 k)	T	97.8/19
R641	7030003640	S.RES ERJ3GEYJ 473 V (47 k)	T	96.5/19
R642	7030003640	S.RES ERJ3GEYJ 473 V (47 k)	T	95.2/19
R643	7030003600	S.RES ERJ3GEYJ 223 V (22 k)	B	80.9/46.3
R644	7030003560	S.RES ERJ3GEYJ 103 V (10 k)	B	82.2/46.3
R645	7030003520	S.RES ERJ3GEYJ 472 V (4.7 k)	T	93.1/40.9
R646	7030003720	S.RES ERJ3GEYJ 224 V (220 k)	B	101.8/41.5
R647	7030003720	S.RES ERJ3GEYJ 224 V (220 k)	B	102.8/44.1
R648	7030003720	S.RES ERJ3GEYJ 224 V (220 k)	B	103.8/41.5
R649	7030003720	S.RES ERJ3GEYJ 224 V (220 k)	B	104.8/44.1
R650	7030003720	S.RES ERJ3GEYJ 224 V (220 k)	B	105.8/41.5
R651	7030003720	S.RES ERJ3GEYJ 224 V (220 k)	B	106.8/44.1
R652	7030003720	S.RES ERJ3GEYJ 224 V (220 k)	B	107.8/41.5
R653	7030003720	S.RES ERJ3GEYJ 224 V (220 k)	B	108.7/44.1
R654	7030003520	S.RES ERJ3GEYJ 472 V (4.7 k)	B	102.8/39.2
R655	7030003520	S.RES ERJ3GEYJ 472 V (4.7 k)	B	102.8/37.7
R656	7030003520	S.RES ERJ3GEYJ 472 V (4.7 k)	T	144.4/59.9
R657	7030003720	S.RES ERJ3GEYJ 224 V (220 k)	B	68.6/26
R658	7030003640	S.RES ERJ3GEYJ 473 V (47 k)	B	84.2/44.2
R659	7030003640	S.RES ERJ3GEYJ 473 V (47 k)	B	84.2/45.5
R660	7030003640	S.RES ERJ3GEYJ 473 V (47 k)	B	102.8/29.5
R661	7030003640	S.RES ERJ3GEYJ 473 V (47 k)	B	69.4/16.4
R662	7030003640	S.RES ERJ3GEYJ 473 V (47 k)	B	89.2/14.2
R663	7030003640	S.RES ERJ3GEYJ 473 V (47 k)	B	71.2/15.9
R664	7030003640	S.RES ERJ3GEYJ 473 V (47 k)	B	71.2/17.2
R665	7030003560	S.RES ERJ3GEYJ 103 V (10 k)	B	93.1/14.2
R666	7030003560	S.RES ERJ3GEYJ 103 V (10 k)	B	78.3/16.5
R667	7030003560	S.RES ERJ3GEYJ 103 V (10 k)	B	77/16
R668	7030003640	S.RES ERJ3GEYJ 473 V (47 k)	B	84.9/16.8
R669	7030003640	S.RES ERJ3GEYJ 473 V (47 k)	B	71.2/14.6
R670	7030003640	S.RES ERJ3GEYJ 473 V (47 k)	T	94.4/43.5
R671	7030003640	S.RES ERJ3GEYJ 473 V (47 k)	T	95.7/43.5
R672	7030003640	S.RES ERJ3GEYJ 473 V (47 k)	B	75.7/16.8
R673	7030003640	S.RES ERJ3GEYJ 473 V (47 k)	B	74.4/16.8
R674	7030003640	S.RES ERJ3GEYJ 473 V (47 k)	T	91.3/36.8
R675	7030003640	S.RES ERJ3GEYJ 473 V (47 k)	T	89.1/31.8
R676	7030003640	S.RES ERJ3GEYJ 473 V (47 k)	B	94.4/14.2
R677	7030003520	S.RES ERJ3GEYJ 472 V (4.7 k)	T	146.1/65.1
R678	7030003720	S.RES ERJ3GEYJ 224 V (220 k)	B	68.6/22.1
R679	7030003640	S.RES ERJ3GEYJ 473 V (47 k)	B	91.8/14.2
R680	7030003520	S.RES ERJ3GEYJ 472 V (4.7 k)	T	144.6/65.1
R681	7030003520	S.RES ERJ3GEYJ 472 V (4.7 k)	T	147.5/65.1
R682	7030003520	S.RES ERJ3GEYJ 472 V (4.7 k)	B	152.7/60.8
R683	7030003720	S.RES ERJ3GEYJ 224 V (220 k)	B	68.6/23.4
R684	7030003640	S.RES ERJ3GEYJ 473 V (47 k)	B	80.2/16.2
R685	7030003520	S.RES ERJ3GEYJ 472 V (4.7 k)	B	152.7/62.1
R686	7030003520	S.RES ERJ3GEYJ 472 V (4.		



[LOGIC UNIT]

REF NO.	ORDER NO.	DESCRIPTION	M.	H/V LOCATION
R701	7030003860	S.RES ERJ3GE JPW V	T	93.1/43.5
R801	7030003560	S.RES ERJ3GEYJ 103 V (10 k)	T	158.2/72.8
R802	7030006210	S.RES ERJ12YJ4R7U (4.7)	T	162.3/71.2
R803	7030003440	S.RES ERJ3GEYJ 102 V (1 k)	T	159.5/72.8
R804	7030006210	S.RES ERJ12YJ4R7U (4.7)	T	168.9/71.2
R805	7030003440	S.RES ERJ3GEYJ 102 V (1 k)	T	166.1/72.8
R806	7030003560	S.RES ERJ3GEYJ 103 V (10 k)	T	164.8/72.8
R807	7030006210	S.RES ERJ12YJ4R7U (4.7)	T	175.5/71.2
R808	7030003440	S.RES ERJ3GEYJ 102 V (1 k)	T	173/72.8
R809	7030003560	S.RES ERJ3GEYJ 103 V (10 k)	T	171.6/72.8
R810	7030003320	S.RES ERJ3GEYJ 101 V (100)	B	154.9/29.9
R811	7030003320	S.RES ERJ3GEYJ 101 V (100)	B	154.9/27.5
R812	7030010440	S.RES ERJ1TYJ 680U (68)	B	133/111.2
R813	7030003560	S.RES ERJ3GEYJ 103 V (10 k)	B	192.6/10
R814	7030003440	S.RES ERJ3GEYJ 102 V (1 k)	T	105.6/116.6
R816	7030003560	S.RES ERJ3GEYJ 103 V (10 k)	T	158.9/74.7
R817	7030003560	S.RES ERJ3GEYJ 103 V (10 k)	T	161.5/74.7
R818	7030000140	S.RES MCR10EZ2HJ 10 (100)	T	155.6/78.2
R819	7030007190	S.RES ERJ12YJ220U (22)	T	135.4/111
R821	7030003370	S.RES ERJ3GEYJ 271 V (270)	B	15.3/100
R822	7030009720	S.RES ERJ12YJ102U (1 k)	T	19.9/103.2
R823	7030003810	S.RES ERJ3GEYJ 125 V (1.2 M)	B	16.8/109.5
R824	7030003810	S.RES ERJ3GEYJ 125 V (1.2 M)	B	13.5/107.1
R825	7030008170	S.RES ERJ12YJ1R0U (1)	B	37/112.2
R826	7030003610	S.RES ERJ3GEYJ 273 V (27 k)	B	16.8/110.8
R827	7030003610	S.RES ERJ3GEYJ 273 V (27 k)	B	13.5/109.9
R828	7030003560	S.RES ERJ3GEYJ 103 V (10 k)	B	25.4/101.5
R829	7030000340	S.RES MCR10EZ2HJ 470 (471)	B	20.6/104.5
R830	7030003600	S.RES ERJ3GEYJ 223 V (22 k)	B	18.5/100
R832	7030003600	S.RES ERJ3GEYJ 223 V (22 k)	B	18.5/98.7
R833	7030003560	S.RES ERJ3GEYJ 103 V (10 k)	B	18.5/97.4
R850	7030003860	S.RES ERJ3GE JPW V	B	182.4/50.2
R851	7030003680	S.RES ERJ3GEYJ 104 V (100 k)	B	187.1/61.9
R852	7030003680	S.RES ERJ3GEYJ 104 V (100 k)	B	185/61.9
R853	7030003770	S.RES ERJ3GEYJ 564 V (560 k)	B	183.7/61.9
R854	7030003770	S.RES ERJ3GEYJ 564 V (560 k)	B	188.4/61.9
R855	7030003520	S.RES ERJ3GEYJ 472 V (4.7 k)	B	191.5/61.9
R856	7030003520	S.RES ERJ3GEYJ 472 V (4.7 k)	B	180.6/61.9
R857	7030003560	S.RES ERJ3GEYJ 103 V (10 k)	B	144.7/14.2
R858	7030003460	S.RES ERJ3GEYJ 152 V (1.5 k)	B	144.7/12.9
R859	7030003470	S.RES ERJ3GEYJ 182 V (1.8 k)	B	142.1/12.9
R860	7030003500	S.RES ERJ3GEYJ 332 V (3.3 k)	B	144.7/15.5
R861	7030003480	S.RES ERJ3GEYJ 222 V (2.2 k)	B	141.4/14.9
R862	7030003380	S.RES ERJ3GEYJ 331 V (330)	B	147.7/3.8
R863	7030003560	S.RES ERJ3GEYJ 103 V (10 k)	B	134.5/21.1
R864	7030003460	S.RES ERJ3GEYJ 152 V (1.5 k)	B	134.5/19.8
R865	7030003470	S.RES ERJ3GEYJ 182 V (1.8 k)	B	134.5/18.5
R866	7030003500	S.RES ERJ3GEYJ 332 V (3.3 k)	B	131.7/17.2
R867	7030003480	S.RES ERJ3GEYJ 222 V (2.2 k)	B	131.7/18.5
R868	7030003380	S.RES ERJ3GEYJ 331 V (330)	B	134.1/3.8
R869	7030003560	S.RES ERJ3GEYJ 103 V (10 k)	B	114.1/30
R870	7030003560	S.RES ERJ3GEYJ 103 V (10 k)	B	144.7/7.2
R871	7030003460	S.RES ERJ3GEYJ 152 V (1.5 k)	B	143.4/7.2
R872	7030003470	S.RES ERJ3GEYJ 182 V (1.8 k)	B	142.1/7.2
R873	7030003500	S.RES ERJ3GEYJ 332 V (3.3 k)	B	138.2/7.2
R874	7030003480	S.RES ERJ3GEYJ 222 V (2.2 k)	B	139.5/7.2
R875	7030003380	S.RES ERJ3GEYJ 331 V (330)	B	140.9/3.8
R876	7030003410	S.RES ERJ3GEYJ 561 V (560)	B	120.5/14.9
R877	7030003700	S.RES ERJ3GEYJ 154 V (150 k)	B	120.5/13.6
R878	7030003520	S.RES ERJ3GEYJ 472 V (4.7 k)	B	120.5/12.3
R879	7030003550	S.RES ERJ3GEYJ 822 V (8.2 k)	B	117.9/4.2
R880	7030003690	S.RES ERJ3GEYJ 124 V (120 k)	B	119.7/5
R881	7030003520	S.RES ERJ3GEYJ 472 V (4.7 k)	B	122.3/5
R882	7030003410	S.RES ERJ3GEYJ 561 V (560)	B	108.9/15.9
R883	7030003550	S.RES ERJ3GEYJ 822 V (8.2 k)	B	108.9/14.6
R884	7030003520	S.RES ERJ3GEYJ 472 V (4.7 k)	B	108.9/13.3
R885	7030003410	S.RES ERJ3GEYJ 561 V (560)	B	108.9/4.1
R886	7030003550	S.RES ERJ3GEYJ 822 V (8.2 k)	B	109.7/6.2
R887	7030003520	S.RES ERJ3GEYJ 472 V (4.7 k)	B	108.4/6.2
R888	7030003360	S.RES ERJ3GEYJ 221 V (220)	B	181.6/48
R889	7030003640	S.RES ERJ3GEYJ 473 V (47 k)	B	184.5/48.3
R890	7030003360	S.RES ERJ3GEYJ 221 V (220)	B	191/47.8
R891	7030003560	S.RES ERJ3GEYJ 103 V (10 k)	B	188.2/48.3
R892	7030003730	S.RES ERJ3GEYJ 274 V (270 k)	B	190.2/50.2
R893	7030003680	S.RES ERJ3GEYJ 104 V (100 k)	B	183.7/50.2
R894	7030003200	S.RES ERJ3GEYJ 100 V (10)	B	193.2/55.7
R895	7030003680	S.RES ERJ3GEYJ 104 V (100 k)	B	188.9/50.2
R896	7030003200	S.RES ERJ3GEYJ 100 V (10)	B	192.9/52.8
R901	7030003200	S.RES ERJ3GEYJ 100 V (10)	T	165.7/37.7
R902	7030003200	S.RES ERJ3GEYJ 100 V (10)	T	166.1/30.8
R903	7030003200	S.RES ERJ3GEYJ 100 V (10)	T	166.6/40.3
R904	7030003200	S.RES ERJ3GEYJ 100 V (10)	T	167.1/28.2
R905	7030003200	S.RES ERJ3GEYJ 100 V (10)	T	167.6/37.7
R906	7030003200	S.RES ERJ3GEYJ 100 V (10)	T	168.1/30.8
R907	7030003200	S.RES ERJ3GEYJ 100 V (10)	T	168.6/40.3
R908	7030003200	S.RES ERJ3GEYJ 100 V (10)	T	169.1/28.2
R909	7030003200	S.RES ERJ3GEYJ 100 V (10)	T	169.6/37.7
R910	7030003200	S.RES ERJ3GEYJ 100 V (10)	T	170.1/30.8
R911	7030003200	S.RES ERJ3GEYJ 100 V (10)	T	170.6/40.3
R912	7030003200	S.RES ERJ3GEYJ 100 V (10)	T	171.6/37.7
R913	7030003200	S.RES ERJ3GEYJ 100 V (10)	T	172.1/30.8
R914	7030003200	S.RES ERJ3GEYJ 100 V (10)	T	172.6/40.3

[LOGIC UNIT]

REF NO.	ORDER NO.	DESCRIPTION	M.	H/V LOCATION
R915	7030003200	S.RES ERJ3GEYJ 100 V (10)	T	173.1/28.2
R916	7030003200	S.RES ERJ3GEYJ 100 V (10)	T	173.6/37.7
R917	7030003200	S.RES ERJ3GEYJ 100 V (10)	T	174.1/30.8
R918	7030003200	S.RES ERJ3GEYJ 100 V (10)	T	174.6/40.3
R919	7030003200	S.RES ERJ3GEYJ 100 V (10)	T	175.1/28.2
R920	7030003200	S.RES ERJ3GEYJ 100 V (10)	T	175.6/37.7
R921	7030003200	S.RES ERJ3GEYJ 100 V (10)	T	176.1/30.8
R922	7030003200	S.RES ERJ3GEYJ 100 V (10)	T	176.6/40.3
R923	7030003200	S.RES ERJ3GEYJ 100 V (10)	T	177.1/28.2
R924	7030003200	S.RES ERJ3GEYJ 100 V (10)	T	177.6/37.7
R925	7030003200	S.RES ERJ3GEYJ 100 V (10)	T	178.1/30.8
R926	7030003200	S.RES ERJ3GEYJ 100 V (10)	T	178.6/40.3
R927	7030003200	S.RES ERJ3GEYJ 100 V (10)	T	179.1/28.2
R928	7030003200	S.RES ERJ3GEYJ 100 V (10)	T	179.6/37.7
R929	7030003200	S.RES ERJ3GEYJ 100 V (10)	T	180.1/30.8
R930	7030003200	S.RES ERJ3GEYJ 100 V (10)	T	180.6/40.3
R931	7030003200	S.RES ERJ3GEYJ 100 V (10)	T	181.1/28.2
R932	7030003200	S.RES ERJ3GEYJ 100 V (10)	T	181.6/30.8
R933	7030003200	S.RES ERJ3GEYJ 100 V (10)	T	182.6/40.3
R934	7030003200	S.RES ERJ3GEYJ 100 V (10)	T	183.1/28.2
R935	7030003200	S.RES ERJ3GEYJ 100 V (10)	T	183.6/37.7
R936	7030003200	S.RES ERJ3GEYJ 100 V (10)	T	184.1/30.8
R937	7030003200	S.RES ERJ3GEYJ 100 V (10)	T	185.1/28.2
R938	7030003200	S.RES ERJ3GEYJ 100 V (10)	T	133/37.7
R939	7030003200	S.RES ERJ3GEYJ 100 V (10)	T	134.2/30.8
R940	7030003200	S.RES ERJ3GEYJ 100 V (10)	T	134.4/37.8
R941	7030003200	S.RES ERJ3GEYJ 100 V (10)	T	135.2/28.3
R942	7030003200	S.RES ERJ3GEYJ 100 V (10)	T	135.7/37.7
R943	7030003200	S.RES ERJ3GEYJ 100 V (10)	T	136.2/30.8
R944	7030003200	S.RES ERJ3GEYJ 100 V (10)	T	136.7/40.3
R945	7030003200	S.RES ERJ3GEYJ 100 V (10)	T	137.2/28.3
R946	7030003200	S.RES ERJ3GEYJ 100 V (10)	T	137.7/37.7
R947	7030003200	S.RES ERJ3GEYJ 100 V (10)	T	138.2/30.8
R949	7030003200	S.RES ERJ3GEYJ 100 V (10)	T	139.2/28.3
R950	7030003200	S.RES ERJ3GEYJ 100 V (10)	T	139.7/37.7
R951	7030003200	S.RES ERJ3GEYJ 100 V (10)	T	140.2/30.8
R952	7030003200	S.RES ERJ3GEYJ 100 V (10)	T	140.7/40.3
R953	7030003200	S.RES ERJ3GEYJ 100 V (10)	T	141.2/28.3
R954	7030003200	S.RES ERJ3GEYJ 100 V (10)	T	141.7/37.7
R955	7030003200	S.RES ERJ3GEYJ 100 V (10)	T	142.2/30.8
R956	7030003200	S.RES ERJ3GEYJ 100 V (10)	T	142.7/40.3
R957	7030003200	S.RES ERJ3GEYJ 100 V (10)	T	143.2/28.3
R958	7030003200	S.RES ERJ3GEYJ 100 V (10)	T	143.7/37.7
R959	7030003200	S.RES ERJ3GEYJ 100 V (10)	T	144.2/30.8
R960	7030003200	S.RES ERJ3GEYJ 100 V (10)	T	144.7/40.3
R961	7030003200	S.RES ERJ3GEYJ 100 V (10)	T	145.7/37.7
R962	7030003200	S.RES ERJ3GEYJ 100 V (10)	T	146.2/30.8
R963	7030003200	S.RES ERJ3GEYJ 100 V (10)	T	146.7/40.3
R964	7030003200	S.RES ERJ3GEYJ 100 V (10)	T	147.2/28.3
R965	7030003200	S.RES ERJ3GEYJ 100 V (10)	T	147.7/37.7
R966	7030003200	S.RES ERJ3GEYJ 100 V (10)	T	148.2/30.8
R967	7030003200	S.RES ERJ3GEYJ 100 V (10)	T	148.7/40.3
R968	7030003200	S.RES ERJ3GEYJ 100 V (10)	T	149.7/37.7
R969	7030003200	S.RES ERJ3GEYJ 100 V (10)	T	150.2/28.3
R970	7030003200	S.RES ERJ3GEYJ 100 V (10)	T	150.7/40.3
R971	7030003200	S.RES ERJ3GEYJ 100 V (10)	T	151.2/30.8
R974	7030003200	S.RES ERJ3GEYJ 100 V (10)	T	153.2/30.8
R975	7030003200	S.RES ERJ3GEYJ 100 V (10)	B	214.5/83.4
R976	7030003200	S.RES ERJ3GEYJ 100 V (10)	B	220.6/83
R977	7030003200	S.RES ERJ3GEYJ 100 V (10)	B	214.5/86
R978	7030003200	S.RES ERJ3GEYJ 100 V (10)	B	220.6/87
R979	7030003200	S.RES ERJ3GEYJ 100 V (10)	B	214.5/88
R980	7030003200	S.RES ERJ3GEYJ 100 V (10)	B	220.6/89
R981	7030003200	S.RES ERJ3GEYJ 100 V (10)	B	220.6/91
R982	7030003200	S.RES ERJ3GEYJ 100 V (10)	B	220.6/93
R983	7030003200	S.RES ERJ3GEYJ 100 V (10)	B	214.5/94
R984	7030003200	S.RES ERJ3GEYJ 100 V (10)	B	12.2/115.7
R985	7030003200	S.RES ERJ3GEYJ 100 V (10)	B	13.6/115.7
R986	7030003200	S.RES ERJ3GEYJ 100 V (10)	B	14.9/115.7
R987	7030003200	S.RES ERJ3GEYJ 100 V (10)	B	16.2/115.7
R988	7030003200	S.RES ERJ3GEYJ 100 V (10)	B	17.5/115.7
R989	7030003200	S.RES ERJ3GEYJ 100 V (10)	T	181.6/37.7
R990	7030003440	S.RES ERJ3GEYJ 102 V (1 k)	B	185.9/92.1
R991	7030003440	S.RES ERJ3GEYJ 102 V (1 k)	B	183.5/83.5
R992	7030003440	S.RES ERJ3GEYJ 102 V (1 k)	B	184.5/92.1
R993	7030003440	S.RES ERJ3GEYJ 102 V (1 k)	B	185.5/83.5
R994	7030003440	S.RES ERJ3GEYJ 102 V (1 k)	B	186.5/92.1
R995	7030003440	S.RES ERJ3GEYJ 102 V (1 k)	B	187.5/83.5
R996	7030003200	S.RES ERJ3GEYJ 100 V (10)	B	220.6/95.6
R998	7030003440	S.RES ERJ3GEYJ 102 V (1 k)	B	190.5/92.1
R999	7030003440	S.RES ERJ3GEYJ 102 V (1 k)	B	191.5/83.5
R1000	7030003440	S.RES ERJ3GEYJ 102 V (1 k)	B	192.5/92.1
R1003	7030003200	S.RES ERJ3GEYJ 100 V (10)	B	231.3/83
R1004	7030003200	S.RES ERJ3GEYJ 100 V (10)	B	225.9/82.7
R1005	7030003200	S.RES ERJ3GEYJ 100 V (10)	B	231.3/81
R1006	7030003200	S.RES ERJ3GEYJ 100 V (10)	B	222.7/80

[LOGIC UNIT]

REF NO.	ORDER NO.	DESCRIPTION	M.	H/V LOCATION
R1013	7030003200	S.RES ERJ3GEYJ 100 V (10)	B	231.3/57.5
R1014	7030003200	S.RES ERJ3GEYJ 100 V (10)	B	222.7/58.5
R1015	7030003200	S.RES ERJ3GEYJ 100 V (10)	B	231.3/59.5
R1016	7030003200	S.RES ERJ3GEYJ 100 V (10)	T	181.2/21.1
R1017	7030003200	S.RES ERJ3GEYJ 100 V (10)	T	179.7/22.1
R1018	7030003200	S.RES ERJ3GEYJ 100 V (10)	T	176.7/22.1
R1019	7030003200	S.RES ERJ3GEYJ 100 V (10)	T	174.7/22.2
R1020	7030003200	S.RES ERJ3GEYJ 100 V (10)	T	173.4/22.2
R1021	7030003200	S.RES ERJ3GEYJ 100 V (10)	T	172.1/22.2
R1022	7030003200	S.RES ERJ3GEYJ 100 V (10)	T	170.8/22.2
R1023	7030003200	S.RES ERJ3GEYJ 100 V (10)	T	169.5/22.2
R1024	7030003200	S.RES ERJ3GEYJ 100 V (10)	B	220.7/85
R1025	7030003320	S.RES ERJ3GEYJ 101 V (100)	B	120.5/9.7
R1026	7030003320	S.RES ERJ3GEYJ 101 V (100)	B	108.9/8.1
R1027	7030003320	S.RES ERJ3GEYJ 101 V (100)	B	137.3/17.2
R1028	7030003320	S.RES ERJ3GEYJ 101 V (100)	B	135.6/7.2
R1029	7030003520	S.RES ERJ3GEYJ 472 V (4.7 k)	B	120.5/11
R1030	7030003520	S.RES ERJ3GEYJ 472 V (4.7 k)	B	120.5/7.1
R1031	7030003520	S.RES ERJ3GEYJ 472 V (4.7 k)	B	108.9/12
R1032	7030003520	S.RES ERJ3GEYJ 472 V (4.7 k)	B	108.9/9.4
R1033	7030003860	S.RES ERJ3GE JPW V	T	188.9/62.5
R1035	7030003540	S.RES ERJ3GEYJ 682 V (6.8 k)	B	192.2/60.1
R1036	7030003540	S.RES ERJ3GEYJ 682 V (6.8 k)	B	184.5/64.7
R1041	7030003520	S.RES ERJ3GEYJ 472 V (4.7 k)	B	173.8/28.2
R1042	7030003550	S.RES ERJ3GEYJ 822 V (8.2 k)	T	115.2/16.6
R1052	7030008240	S.RES ERJ12J0R00U	T	86.1/114.3
R1053	7030008240	S.RES ERJ12J0R00U	T	67.5/114.4
R1054	7030008240	S.RES ERJ12J0R00U	T	9.4/116.7
R1056	7030003860	S.RES ERJ3GE JPW V	T	138.7/40.3
R1057	7030003860	S.RES ERJ3GE JPW V	B	123.1/7.1
R1101	7030003280	S.RES ERJ3GEYJ 470 V (47)	T	18.7/30.5
R1102	7030003280	S.RES ERJ3GEYJ 470 V (47)	T	18.7/33.1
R1103	7030003280	S.RES ERJ3GEYJ 470 V (47)	T	18.7/35.7
R1104	7030003280	S.RES ERJ3GEYJ 470 V (47)	T	20.5/30.5
R1105	7030003280	S.RES ERJ3GEYJ 470 V (47)	T	20.5/33.1
R1106	7030003280	S.RES ERJ3GEYJ 470 V (47)	T	20.5/35.7
R1107	7030003280	S.RES ERJ3GEYJ 470 V (47)	T	22.3/30.5
R1108	7030003280	S.RES ERJ3GEYJ 470 V (47)	T	22.3/33.1
R1109	7030003280	S.RES ERJ3GEYJ 470 V (47)	T	22.3/35.7
R1110	7030003280	S.RES ERJ3GEYJ 470 V (47)	T	24.1/27.9
R1111	7030003280	S.RES ERJ3GEYJ 470 V (47)	T	24.1/30.5
R1112	7030003280	S.RES ERJ3GEYJ 470 V (47)	T	24.1/33.1
R1113	7030003280	S.RES ERJ3GEYJ 470 V (47)	T	25.9/27.9
R1114	7030003280	S.RES ERJ3GEYJ 470 V (47)	T	25.9/30.5
R1115	7030003280	S.RES ERJ3GEYJ 470 V (47)	T	25.9/33.1
R1116	7030003280	S.RES ERJ3GEYJ 470 V (47)	T	27.3/30.5
R1117	7030003280	S.RES ERJ3GEYJ 470 V (47)	T	28.6/30.5
R1118	7030003280	S.RES ERJ3GEYJ 470 V (47)	T	29.9/30.5
R1119	7030003280	S.RES ERJ3GEYJ 470 V (47)	T	31.2/30.5
R1120	7030003280	S.RES ERJ3GEYJ 470 V (47)	T	32.5/30.5
R1121	7030003280	S.RES ERJ3GEYJ 470 V (47)	T	33.8/30.5
R1122	7030003280	S.RES ERJ3GEYJ 470 V (47)	T	35.1/30.5
R1123	7030003280	S.RES ERJ3GEYJ 470 V (47)	T	40.5/29.6
R1124	7030003280	S.RES ERJ3GEYJ 470 V (47)	T	42.8/34.8
R1125	7030003280	S.RES ERJ3GEYJ 470 V (47)	T	43.5/32.2
R1126	7030003280	S.RES ERJ3GEYJ 470 V (47)	T	44.2/34.8
R1127	7030003280	S.RES ERJ3GEYJ 470 V (47)	T	44.9/32.2
R1128	7030003280	S.RES ERJ3GEYJ 470 V (47)	T	45.6/34.8
R1129	7030003280	S.RES ERJ3GEYJ 470 V (47)	T	46.3/32.2
R1130	7030003280	S.RES ERJ3GEYJ 470 V (47)	T	47/34.8
R1131	7030003280	S.RES ERJ3GEYJ 470 V (47)	T	47.7/32.2
R1132	7030003280	S.RES ERJ3GEYJ 470 V (47)	T	48.4/34.8
R1133	7030003280	S.RES ERJ3GEYJ 470 V (47)	T	49.1/32.2
R1134	7030003280	S.RES ERJ3GEYJ 470 V (47)	T	49.8/34.8
R1135	7030003280	S.RES ERJ3GEYJ 470 V (47)	T	50.5/32.2
R1136	7030003280	S.RES ERJ3GEYJ 470 V (47)	T	51.2/34.8
R1137	7030003280	S.RES ERJ3GEYJ 470 V (47)	T	51.9/32.2
R1138	7030003280	S.RES ERJ3GEYJ 470 V (47)	T	52.6/34.8
R1139	7030003280	S.RES ERJ3GEYJ 470 V (47)	T	53.3/32.2
R1140	7030003280	S.RES ERJ3GEYJ 470 V (47)	T	54/34.8
R1141	7030003280	S.RES ERJ3GEYJ 470 V (47)	T	54.7/32.2
R1142	7030003280	S.RES ERJ3GEYJ 470 V (47)	T	55.4/34.8
R1143	7030003280	S.RES ERJ3GEYJ 470 V (47)	T	56.1/32.2
R1144	7030003280	S.RES ERJ3GEYJ 470 V (47)	T	56.8/34.8
R1145	7030003280	S.RES ERJ3GEYJ 470 V (47)	T	57.5/32.2
R1146	7030003280	S.RES ERJ3GEYJ 470 V (47)	T	58.2/34.8
R1151	7030003290	S.RES ERJ3GEYJ 560 V (56)	T	205.2/11.7
R1152	7030003320	S.RES ERJ3GEYJ 101 V (100)	T	203.6/11.7
R1153	7030003320	S.RES ERJ3GEYJ 101 V (100)	T	200.8/13.2
R1154	7030003320	S.RES ERJ3GEYJ 101 V (100)	T	199.5/13.2
R1155	7030003320	S.RES ERJ3GEYJ 101 V (100)	B	201.4/10.8
R1156	7030003320	S.RES ERJ3GEYJ 101 V (100)	T	198.2/13.2
R1157	7030003320	S.RES ERJ3GEYJ 101 V (100)	B	200.1/10.8
R1158	7030003320	S.RES ERJ3GEYJ 101 V (100)	T	196.9/13.2
R1159	7030003320	S.RES ERJ3GEYJ 101 V (100)	B	198.8/10.8
R1160	7030003320	S.RES ERJ3GEYJ 101 V (100)	T	195.6/13.2
R1161	7030003320	S.RES ERJ3GEYJ 101 V (100)	B	197.5/10.8
R1162	7030003320	S.RES ERJ3GEYJ 101 V (100)	B	196.2/10.8
R1163	7030003320	S.RES ERJ3GEYJ 101 V (100)	T	194.3/13.2
R1164	7030003320	S.RES ERJ3GEYJ 101 V (100)	T	193/13.2
R1165	7030003320	S.RES ERJ3GEYJ 101 V (100)	T	191.1/14.9
R1166	7030003320	S.RES ERJ3GEYJ 101 V (100)	T	189.8/14.9

[LOGIC UNIT]

REF NO.	ORDER NO.	DESCRIPTION	M.	H/V LOCATION
R1167	7030003320	S.RES ERJ3GEYJ 101 V (100)	T	188.5/14.9
R1168	7030003320	S.RES ERJ3GEYJ 101 V (100)	T	187.2/14.9
R1169	7030003320	S.RES ERJ3GEYJ 101 V (100)	T	185.9/14.9
R1170	7030003320	S.RES ERJ3GEYJ 101 V (100)	T	181.4/9.5
C1	4030011600	S.CER C1608 JB 1E 104K-T	B	69.7/83.3
C2	4030011600	S.CER C1608 JB 1E 104K-T	B	68.1/83.3
C3	4030011600	S.CER C1608 JB 1E 104K-T	B	63.3/83.3
C4	4030011600	S.CER C1608 JB 1E 104K-T	B	59.3/83.3
C5	4030011600	S.CER C1608 JB 1E 104K-T	B	48.9/83.3
C6	4030011600	S.CER C1608 JB 1E 104K-T	B	66.9/100.4
C7	4030011600	S.CER C1608 JB 1E 104K-T	B	62.1/100.4
C8	4030011600	S.CER C1608 JB 1E 104K-T	T	69.7/107.5
C9	4030011600	S.CER C1608 JB 1E 104K-T	T	68.1/107.5
C10	4030011600	S.CER C1608 JB 1E 104K-T	T	63.3/107.5
C11	4030011600	S.CER C1608 JB 1E 104K-T	T	59.3/107.5
C12	4030011600	S.CER C1608 JB 1E 104K-T	T	48.9/107.5
C13	4030011600	S.CER C1608 JB 1E 104K-T	T	66.6/90.9
C14	4030011600	S.CER C1608 JB 1E 104K-T	T	61.9/90.9
C51	4030011600	S.CER C1608 JB 1E 104K-T	B	105.5/54.7
C52	4030011600	S.CER C1608 JB 1E 104K-T	B	97.1/46.1
C53	4030011600	S.CER C1608 JB 1E 104K-T	B	94.4/46.1
C54	4030011600	S.CER C1608 JB 1E 104K-T	B	106.6/51
C55	4030011600	S.CER C1608 JB 1E 104K-T	B	109/65.9
C56	4030011600	S.CER C1608 JB 1E 104K-T	B	114/65.9
C57	4030011600	S.CER C1608 JB 1E 104K-T	B	127.6/63.1
C58	4030011600	S.CER C1608 JB 1E 104K-T	B	127.7/55.9
C59	4030011600	S.CER C1608 JB 1E 104K-T	B	117.5/46.1
C60	4030011600	S.CER C1608 JB 1E 104K-T	B	111.5/46.1
C61	4030009990	S.CER C1608 CH 1H 200J-T	T	143/78.1
C62	4030011600	S.CER C1608 JB 1E 104K-T	T	139.9/100.6
C63	4030008890	S.CER C1608 JB 1H 273K-T	T	144.5/100.6
C64	4030011600	S.CER C1608 JB 1E 104K-T	T	146.7/102.5
C65	4030011600	S.CER C1608 JB 1E 104K-T	T	96/34.4
C66	4030011600	S.CER C1608 JB 1E 104K-T	B	34.1/27.2
C101	4030011600	S.CER C1608 JB 1E 104K-T	T	23.3/71.9
C102	4030011600	S.CER C1608 JB 1E 104K-T	B	43.2/48.2
C103	4030011600	S.CER C1608 JB 1E 104K-T	B	47.1/78
C104	4030011600	S.CER C1608 JB 1E 104K-T	B	46.8/58.8
C105	4030011600	S.CER C1608 JB 1E 104K-T	B	49.5/71
C106	4030011600	S.CER C1608 JB 1E 104K-T	B	46.8/57.5
C107	4030011600	S.CER C1608 JB 1E 104K-T	B	52/57.5
C108	4030011600	S.CER C1608 JB 1E 104K-T	B	57.7/57.5
C109	4030011600	S.CER C1608 JB 1E 104K-T	B	59.6/60.8
C110	4030011600	S.CER C1608 JB 1E 104K-T	B	46.8/68
C111	4550007520	S.TAN F931A106MAABMA	B	57.7/48.8
C112	4030011600	S.CER C1608 JB 1E 104K-T	B	59/50.5
C113	4550007520	S.TAN F931A106MAABMA	B	63.6/48.8
C114	4030011600	S.CER C1608 JB 1E 104K-T	B	62/50.5
C115	4550007520	S.TAN F931A106MAABMA	B	68.8/48.8
C116	4030011600	S.CER C1608 JB 1E 104K-T	B	64.9/50.5
C117	4030011600	S.CER C1608 JB 1E 104K-T	B	46.9/71
C118	4030011600	S.CER C1608 JB 1E 104K-T	B	46.8/61.4
C119	4030011600	S.CER C1608 JB 1E 104K-T	B	46.8/69.3
C120	4030011600	S.CER C1608 JB 1E 104K-T	B	59.6/69.4
C121	4030011600	S.CER C1608 JB 1E 104K-T	B	57.8/70.2
C122	4030011600	S.CER C1608 JB 1E 104K-T	B	56.5/70.2
C123	4030006860	S.CER C1608 JB 1H 102K-T	B	57.3/78
C124	4030011600	S.CER C1608 JB 1E 104K-T	B	52.1/71
C125	4030011600	S.CER C1608 JB 1E 104K-T	B	54.7/71
C126	4030011600	S.CER C1608 JB 1E 104K-T	B	46.8/66.7
C127	4030011600	S.CER C1608 JB 1E 104K-T	B	43.2/50.8
C128	4030011600	S.CER C1608 JB 1E 104K-T	B	52.2/50.8
C129	4030011600	S.CER C1608 JB 1E 104K-T	B	46.1/64.8
C130	4030011600	S.CER C1608 JB 1E 104K-T	B	59.6/66.8
C131	4030011600	S.CER C1608 JB 1E 104K-T	B	66.4/68.7
C132	4030011600	S.CER C1608 JB 1E 104K-T	B	59.6/63.6
C133	4030011600	S.CER C1608 JB 1E 104K-T	B	47.1/50.9
C134	4030011600	S.CER C1608 JB 1E 104K-T	B	39.3/58.6
C135	4030011600	S.CER C1608 JB 1E 104K-T	B	46.8/60.1
C136	4030011600	S.CER C1608 JB 1E 104K-T	B	54.6/57.5
C137	4030011600	S.CER C1608 JB 1E 104K-T	B	49.4/57.5
C138	4030011600	S.CER C1608 JB 1E 104K-T	B	54.7/69.3
C139	4030011600	S.CER C1608 JB 1E 104K-T	B	59.6/58.2
C140	4030006900	S.CER C1608 JB 1H 103K-T	B	66.4/58.5
C141	4030011600	S.CER C1608 JB 1E 104K-T	T	64.3/38.6
C142	4030011600	S.CER C1608 JB 1E 104K-T	T	76.8/32.5
C144	4030011600	S.CER C1608 JB 1E 104K-T	T	7.9/62.8
C145	4030011600	S.CER C1608 JB 1E 104K-T	T	10/62.1
C146	4030007020	S.CER C1608 CH 1H 200J-T	T	8.1/58.8
C147	4030007020	S.CER C1608 CH 1H 120J-T	T	10/59.5
C148	4030011600	S.CER C1608 JB 1E 104K-T	T	6.7/70.5
C149	4030011600	S.CER C1608 JB 1E 104K-T	T	7.4/73.7
C201	4030011600	S.CER C1608 JB 1E 104K-T	B	118.1/103.3
C202	4030011600	S.CER C1608 JB 1E 104K-T	B	120.7/103.3
C203	4030011600	S.CER C1608 JB 1E 104K-T	B	124.2/103.3
C204	4030011600			

[LOGIC UNIT]

REF NO.	ORDER NO.	DESCRIPTION	M.	H/V LOCATION
C209	4030011600	S.CER C1608 JB 1E 104K-T	B	119.2/85.8
C210	4030011600	S.CER C1608 JB 1E 104K-T	B	124/85.8
C211	4030011600	S.CER C1608 JB 1E 104K-T	B	128/85.8
C212	4030011600	S.CER C1608 JB 1E 104K-T	B	138.4/85.8
C213	4030011600	S.CER C1608 JB 1E 104K-T	B	120.7/70
C214	4030011600	S.CER C1608 JB 1E 104K-T	B	124.1/70
C215	4030011600	S.CER C1608 JB 1E 104K-T	B	89.4/90.4
C216	4030011600	S.CER C1608 JB 1E 104K-T	B	85.6/71.6
C217	4030011600	S.CER C1608 JB 1E 104K-T	B	91.5/79.6
C218	4030011600	S.CER C1608 JB 1E 104K-T	B	92.1/72.6
C219	4030011600	S.CER C1608 JB 1E 104K-T	B	94.7/72.6
C220	4030011600	S.CER C1608 JB 1E 104K-T	B	90.8/72.6
C221	4030011600	S.CER C1608 JB 1E 104K-T	B	96.6/66.6
C222	4030011600	S.CER C1608 JB 1E 104K-T	B	94.4/89.4
C223	4030011600	S.CER C1608 JB 1E 104K-T	B	90.8/83.4
C224	4030011600	S.CER C1608 JB 1E 104K-T	B	85.6/83.7
C225	4030011600	S.CER C1608 JB 1E 104K-T	B	91.5/77
C226	4030011600	S.CER C1608 JB 1E 104K-T	B	91.5/75.7
C227	4030011600	S.CER C1608 JB 1E 104K-T	B	96.7/72.6
C228	4030011600	S.CER C1608 JB 1E 104K-T	B	91.5/74.4
C229	4030011600	S.CER C1608 JB 1E 104K-T	B	100.6/89.4
C230	4030011600	S.CER C1608 JB 1E 104K-T	B	97.3/83.2
C231	4030011600	S.CER C1608 JB 1E 104K-T	B	102.5/83.6
C232	4030011600	S.CER C1608 JB 1E 104K-T	B	91.5/80.9
C233	4030011600	S.CER C1608 JB 1E 104K-T	B	102.5/77.1
C234	4030011600	S.CER C1608 JB 1E 104K-T	B	99.3/72.6
C235	4030011600	S.CER C1608 JB 1E 104K-T	B	102.2/66.4
C236	4030011600	S.CER C1608 JB 1E 104K-T	B	102.5/82.3
C237	4030011600	S.CER C1608 JB 1E 104K-T	B	102.5/81
C238	4030011600	S.CER C1608 JB 1E 104K-T	B	102.5/79.7
C239	4030011600	S.CER C1608 JB 1E 104K-T	B	85.6/81.1
C240	4030011600	S.CER C1608 JB 1E 104K-T	B	102.5/75.8
C241	4030011600	S.CER C1608 JB 1E 104K-T	B	102.5/74.5
C242	4030011600	S.CER C1608 JB 1E 104K-T	B	103.2/72.6
C243	4030011600	S.CER C1608 JB 1E 104K-T	B	101.9/72.6
C244	4030011600	S.CER C1608 JB 1E 104K-T	B	91.5/78.3
C245	4030011600	S.CER C1608 JB 1E 104K-T	B	92.1/83.2
C246	4030011600	S.CER C1608 JB 1E 104K-T	B	102.5/78.4
C247	4030011600	S.CER C1608 JB 1E 104K-T	B	99.3/83.2
C248	4030011600	S.CER C1608 JB 1E 104K-T	B	100.6/72.6
C249	4030011600	S.CER C1608 JB 1E 104K-T	B	93.4/72.6
C250	4030007050	S.CER C1608 CH 1H 220J-T	T	101/91.3
C251	4030007050	S.CER C1608 CH 1H 220J-T	T	98.4/91.3
C252	4030006990	S.CER C1608 CH 1H 080D-T	T	98.9/63.9
C253	4030006990	S.CER C1608 CH 1H 080D-T	T	101.5/63.9
C254	4030006900	S.CER C1608 JB 1H 103K-T	T	83.7/84.6
C255	4510008520	S.ELE EEE1CA470SP	T	101.3/100.8
C256	4030006900	S.CER C1608 JB 1H 103K-T	T	83/64.1
C257	4510007130	S.ELE EEFCD 0J 470R	T	78.5/66.3
C258	4030011600	S.CER C1608 JB 1E 104K-T	T	84.9/61
C259	4030011600	S.CER C1608 JB 1E 104K-T	B	85.6/76.9
C260	4030011600	S.CER C1608 JB 1E 104K-T	T	214.2/33
C261	4030011600	S.CER C1608 JB 1E 104K-T	T	214.2/31.7
C262	4030011600	S.CER C1608 JB 1E 104K-T	T	214.2/29.7
C263	4030011600	S.CER C1608 JB 1E 104K-T	T	214.2/28.4
C264	4030011600	S.CER C1608 JB 1E 104K-T	T	205.4/23.2
C265	4510008540	S.ELE EEE1CA100SR	T	214.2/36.7
C266	4030011600	S.CER C1608 JB 1E 104K-T	T	196.3/28.7
C267	4030007100	S.CER C1608 CH 1H 560J-T	B	219.4/32.5
C268	4030007100	S.CER C1608 CH 1H 560J-T	B	219.4/29.5
C269	4030007100	S.CER C1608 CH 1H 560J-T	B	219.4/26.5
C270	4030007050	S.CER C1608 CH 1H 220J-T	B	225/32.5
C271	4030007050	S.CER C1608 CH 1H 220J-T	B	225/29.5
C272	4030007050	S.CER C1608 CH 1H 220J-T	B	225/26.5
C273	4030011600	S.CER C1608 JB 1E 104K-T	T	194.2/16.5
C274	4030007170	S.CER C1608 CH 1H 221J-T	T	203.9/16.5
C275	4030007170	S.CER C1608 CH 1H 221J-T	T	203.9/19.4
C276	4030007050	S.CER C1608 CH 1H 220J-T	B	217.8/9.3
C277	4030007050	S.CER C1608 CH 1H 220J-T	B	220.7/9.3
C278	4510008500	S.ELE EEE1CA101WP	T	223.4/38.4
C279	4030007050	S.CER C1608 CH 1H 220J-T	B	227.8/9.3
C280	4030007050	S.CER C1608 CH 1H 220J-T	B	230.7/9.3
C281	4510008500	S.ELE EEE1CA101WP	T	223.4/30.6
C282	4030011600	S.CER C1608 JB 1E 104K-T	B	215.6/39.1
C283	4510008550	S.ELE EEE1HA010SR	T	217.2/42
C284	4030011600	S.CER C1608 JB 1E 104K-T	B	104.6/21.2
C285	4510008540	S.ELE EEE1CA100SR	T	105.6/37.4
C286	4510008540	S.ELE EEE1CA100SR	T	105.6/32.6
C287	4030011600	S.CER C1608 JB 1E 104K-T	B	104.6/23.2
C288	4510008540	S.ELE EEE1CA100SR	T	105.6/27.8
C289	4030011600	S.CER C1608 JB 1E 104K-T	B	104.6/24.5
C290	4030011600	S.CER C1608 JB 1E 104K-T	B	115.5/21.2
C291	4510008540	S.ELE EEE1CA100SR	T	111.7/37.4
C292	4510008540	S.ELE EEE1CA100SR	T	111.7/32.6
C293	4030011600	S.CER C1608 JB 1E 104K-T	B	115.5/23.2
C294	4510008540	S.ELE EEE1CA100SR	T	111.7/27.8
C295	4030011600	S.CER C1608 JB 1E 104K-T	B	115.5/24.5
C296	4030011600	S.CER C1608 JB 1E 104K-T	B	126.3/33.9
C297	4510008540	S.ELE EEE1CA100SR	T	123.9/39.8
C298	4030011600	S.CER C1608 JB 1E 104K-T	B	126.3/31.3
C299	4510008540	S.ELE EEE1CA100SR	T	123.9/35
C300	4030011600	S.CER C1608 JB 1E 104K-T	B	114/34.6

[LOGIC UNIT]

REF NO.	ORDER NO.	DESCRIPTION	M.	H/V LOCATION
C301	4510008540	S.ELE EEE1CA100SR	T	117.8/39.8
C302	4030011600	S.CER C1608 JB 1E 104K-T	B	113.3/32.5
C303	4510008540	S.ELE EEE1CA100SR	T	117.8/35
C401	4030011600	S.CER C1608 JB 1E 104K-T	B	28.2/61.5
C402	4030011600	S.CER C1608 JB 1E 104K-T	B	22.3/61.5
C403	4030011600	S.CER C1608 JB 1E 104K-T	B	8.7/53.3
C404	4030011600	S.CER C1608 JB 1E 104K-T	B	8.7/45.6
C405	4030011600	S.CER C1608 JB 1E 104K-T	B	20.2/35.6
C406	4030011600	S.CER C1608 JB 1E 104K-T	B	25.4/35.6
C407	4030011600	S.CER C1608 JB 1E 104K-T	B	29.7/35.6
C408	4030011600	S.CER C1608 JB 1E 104K-T	B	38.5/42.3
C409	4030011600	S.CER C1608 JB 1E 104K-T	B	38.7/47.5
C410	4030011600	S.CER C1608 JB 1E 104K-T	B	38.7/51
C411	4030011600	S.CER C1608 JB 1E 104K-T	B	40.9/36.2
C412	4030006860	S.CER C1608 JB 1H 102K-T	T	29.3/44.7
C413	4030006900	S.CER C1608 JB 1H 103K-T	T	26.7/44.7
C414	4030007150	S.CER C1608 CH 1H 151J-T	T	28/44.7
C415	4030011600	S.CER C1608 JB 1E 104K-T	B	15.2/30.5
C416	4510008540	S.ELE EEE1CA100SR	T	13.7/28.8
C417	4030011600	S.CER C1608 JB 1E 104K-T	B	15.2/31.8
C418	4510008540	S.ELE EEE1CA100SR	T	13.7/33.6
C419	4030006900	S.CER C1608 JB 1H 103K-T	T	36.9/26.6
C420	4030007150	S.CER C1608 CH 1H 151J-T	T	36.9/25.3
C421	4550007520	S.TAN F931A106MAABMA	B	19.7/26.8
C422	4030011600	S.CER C1608 JB 1E 104K-T	T	20.8/66.3
C423	4030011600	S.CER C1608 JB 1E 104K-T	B	35.3/85.1
C424	4030011600	S.CER C1608 JB 1E 104K-T	B	38.1/77.1
C425	4030011600	S.CER C1608 JB 1E 104K-T	B	34.6/71.4
C426	4030011600	S.CER C1608 JB 1E 104K-T	B	34.8/67.7
C427	4030011600	S.CER C1608 JB 1E 104K-T	B	26.8/62.8
C428	4030011600	S.CER C1608 JB 1E 104K-T	B	20.8/62.8
C429	4030011600	S.CER C1608 JB 1E 104K-T	B	18.2/62.8
C430	4030011600	S.CER C1608 JB 1E 104K-T	B	9.7/81.5
C431	4030011600	S.CER C1608 JB 1E 104K-T	B	12.3/72.4
C432	4030011600	S.CER C1608 JB 1E 104K-T	B	12.3/79
C433	4030011600	S.CER C1608 JB 1E 104K-T	B	12.3/82.2
C434	4030011600	S.CER C1608 JB 1E 104K-T	B	17.2/90.2
C435	4030011600	S.CER C1608 JB 1E 104K-T	B	20.8/90.2
C436	4030011600	S.CER C1608 JB 1E 104K-T	B	25.7/90.2
C437	4030011600	S.CER C1608 JB 1E 104K-T	B	146.1/21.2
C438	4030011600	S.CER C1608 JB 1E 104K-T	B	152.6/21.2
C439	4030011600	S.CER C1608 JB 1E 104K-T	B	153/18.4
C440	4010008500	CER DEBB33D102KA2B		
C601	4030011600	S.CER C1608 JB 1E 104K-T	B	169.4/51.4
C602	4030011600	S.CER C1608 JB 1E 104K-T	B	169.1/57.7
C603	4030011600	S.CER C1608 JB 1E 104K-T	B	79.6/44.7
C604	4030011600	S.CER C1608 JB 1E 104K-T	B	99.9/36.0
C605	4030011600	S.CER C1608 JB 1E 104K-T	B	102/21.3
C606	4030011600	S.CER C1608 JB 1E 104K-T	B	83.2/16.8
C607	4030011600	S.CER C1608 JB 1E 104K-T	B	81.5/16.8
C608	4510008540	S.ELE EEE1CA100SR	T	67/16.3
C609	4510008540	S.ELE EEE1CA100SR	T	62.4/34
C610	4030006900	S.CER C1608 JB 1H 103K-T	B	71.2/19.5
C611	4030006900	S.CER C1608 JB 1H 103K-T	B	71.2/20.8
C612	4030007010	S.CER C1608 CH 1H 100D-T	T	80.9/16.9
C613	4030007010	S.CER C1608 CH 1H 100D-T	T	83.5/16.9
C614	4030011600	S.CER C1608 JB 1E 104K-T	B	86.2/14.2
C615	4030006880	S.CER C1608 JB 1H 472K-T	B	71.2/31.2
C616	4030006880	S.CER C1608 JB 1H 472K-T	B	71.2/29.9
C617	4030006880	S.CER C1608 JB 1H 472K-T	B	71.2/28.6
C618	4030006880	S.CER C1608 JB 1H 472K-T	B	71.2/27.3
C619	4030006880	S.CER C1608 JB 1H 472K-T	B	71.2/26
C620	4030006880	S.CER C1608 JB 1H 472K-T	B	71.2/24.7
C621	4030006880	S.CER C1608 JB 1H 472K-T	B	71.2/23.4
C622	4030006880	S.CER C1608 JB 1H 472K-T	B	71.2/22.1
C623	4510008540	S.ELE EEE1CA100SR	T	178.6/62.5
C624	4030011600	S.CER C1608 JB 1E 104K-T	T	174.9/60.6
C625	4510008540	S.ELE EEE1CA100SR	T	184.7/62.5
C626	4030011600	S.CER C1608 JB 1E 104K-T	B	63.7/20.3
C627	4030011600	S.CER C1608 JB 1E 104K-T	B	60/20.3
C628	4030011600	S.CER C1608 JB 1E 104K-T	B	73.6/39
C629	4030011600	S.CER C1608 JB 1E 104K-T	B	57.2/39.8
C630	4030011600	S.CER C1608 JB 1E 104K-T	B	150.9/51.7
C631	4030011600	S.CER C1608 JB 1E 104K-T	B	148.9/48.1
C632	4030011600	S.CER C1608 JB 1E 104K-T	B	131.8/66
C633	4030011600	S.CER C1608 JB 1E 104K-T	B	138.2/66.7
C634	4030011600	S.CER C1608 JB 1E 104K-T	B	150.9/58
C635	4030011600	S.CER C1608 JB 1E 104K-T	B	131.1/58.5
C636	4030011600	S.CER C1608 JB 1E 104K-T	B	131.1/52.1
C801	4510008540	S.ELE EEE1CA100SR	T	141/114.6
C802	4030011600	S.CER C1608 JB 1E 104K-T	B	138.5/110.6
C803	4030011600	S.CER C1608 JB 1E 104K-T	B	138.5/113.3
C804	4510008520	S.ELE EEE1CA470SP	T	147.2/113.8
C805	4510008870	S.ELE EEE1AA471UP	T	100.2/110.4
C806	4510008870	S.ELE EEE1AA471UP	T	109.5/110.4
C807	4510008870	S.ELE EEE1AA471UP	T	119.4/100.6
C808				



[LOGIC UNIT]

REF NO.	ORDER NO.	DESCRIPTION	M.	H/V LOCATION
C814	4030006860	S.CER C1608 JB 1H 102K-T	B	83.6/116.9
C815	4030006860	S.CER C1608 JB 1H 102K-T	T	88.8/115.9
C816	4030006860	S.CER C1608 JB 1H 102K-T	B	97.3/121.4
C817	4030006860	S.CER C1608 JB 1H 102K-T	B	100.6/122.1
C818	4030006860	S.CER C1608 JB 1H 102K-T	B	103.1/122.1
C819	4030006860	S.CER C1608 JB 1H 102K-T	B	105.6/122.1
C820	4030006860	S.CER C1608 JB 1H 102K-T	B	108.8/121.4
C821	4510008520	S.ELE EEE1CA470SP	T	211/16
C822	4510008500	S.ELE EEE1CA101WP	T	14.3/109.4
C823	4030006880	S.CER C1608 JB 1H 472K-T	B	33.9/114.5
C824	4030006860	S.CER C1608 JB 1H 102K-T	T	20/24.5
C825	4030011600	S.CER C1608 JB 1E 104K-T	B	20.4/107.6
C826	4030006860	S.CER C1608 JB 1H 102K-T	T	122.2/118.1
C827	4030006860	S.CER C1608 JB 1H 102K-T	T	117.6/118.7
C828	4030007130	S.CER C1608 CH 1H 101J-T	T	118.9/118.7
C829	4030006860	S.CER C1608 JB 1H 102K-T	T	127.2/116
C830	4030007130	S.CER C1608 CH 1H 101J-T	T	128.5/116
C831	4030006860	S.CER C1608 JB 1H 102K-T	T	130.5/115.5
C832	4030007130	S.CER C1608 CH 1H 101J-T	T	130.5/116.8
C833	4030006860	S.CER C1608 JB 1H 102K-T	T	133.9/116
C834	4030007130	S.CER C1608 CH 1H 101J-T	T	132.6/116
C835	4030011600	S.CER C1608 JB 1E 104K-T	T	127.8/110.6
C836	4510008540	S.ELE EEE1CA100SR	T	127.8/106
C837	4030011600	S.CER C1608 JB 1E 104K-T	T	135.7/106.8
C838	4510008540	S.ELE EEE1CA100SR	T	132.6/106
C850	4030011600	S.CER C1608 JB 1E 104K-T	B	165/40.9
C851	4510008540	S.ELE EEE1CA100SR	T	128/31.2
C852	4030009490	S.CER C1608 JB 1H 821K-T	B	142.1/11.6
C853	4030009490	S.CER C1608 JB 1H 821K-T	B	142.7/14.9
C855	4510008540	S.ELE EEE1CA100SR	T	117.7/29.1
C856	4030009490	S.CER C1608 JB 1H 821K-T	B	134.5/17.2
C857	4030009490	S.CER C1608 JB 1H 821K-T	B	131.7/19.8
C859	4510008540	S.ELE EEE1CA100SR	T	123.2/29.1
C860	4030009490	S.CER C1608 JB 1H 821K-T	B	136.9/7.2
C861	4030009490	S.CER C1608 JB 1H 821K-T	B	140.8/7.2
C865	4510008540	S.ELE EEE1CA100SR	T	119.4/22.2
C866	4030007160	S.CER C1608 CH 1H 181J-T	B	121/5
C867	4030009880	S.CER C1608 JB 1H 682K-T	T	115.2/17.9
C868	4030008880	S.CER C1608 JB 1H 223K-T	T	115.2/15.3
C869	4510008540	S.ELE EEE1CA100SR	T	109.4/16.3
C871	4510008540	S.ELE EEE1CA100SR	T	104.6/16.2
C873	4030011600	S.CER C1608 JB 1E 104K-T	B	120.5/8.4
C874	4030011600	S.CER C1608 JB 1E 104K-T	B	108.9/10.7
C875	4510008540	S.ELE EEE1CA100SR	T	114.6/22.2
C876	4510008540	S.ELE EEE1CA100SR	T	119/16.3
C877	4030011600	S.CER C1608 JB 1E 104K-T	B	137.3/18.5
C878	4030011600	S.CER C1608 JB 1E 104K-T	B	134.3/7.2
C879	4510008540	S.ELE EEE1CA100SR	T	124.2/22.2
C880	4510008540	S.ELE EEE1CA100SR	T	124.2/16.3
C883	4510008560	S.ELE EEE1HAR47SR	T	184.7/67.3
C884	4510008560	S.ELE EEE1HAR47SR	T	180.1/71.1
C901	4510008540	S.ELE EEE1CA100SR	T	183.7/50.9
C902	4510008540	S.ELE EEE1CA100SR	T	188.9/50.9
C903	4030011600	S.CER C1608 JB 1E 104K-T	B	186.3/50.2
C904	4030011600	S.CER C1608 JB 1E 104K-T	B	193.7/57.5
C905	4510008540	S.ELE EEE1CA100SR	T	188.9/57
C906	4510008540	S.ELE EEE1CA100SR	T	183.7/57
C907	4030006860	S.CER C1608 JB 1H 102K-T	B	170.6/40.3
C908	4030006860	S.CER C1608 JB 1H 102K-T	B	171.6/37.7
C909	4030006860	S.CER C1608 JB 1H 102K-T	B	173.6/37.7
C910	4030006860	S.CER C1608 JB 1H 102K-T	B	175.1/28.2
C911	4030006860	S.CER C1608 JB 1H 102K-T	B	176.1/30.8
C912	4030006860	S.CER C1608 JB 1H 102K-T	B	177.6/37.7
C913	4030006860	S.CER C1608 JB 1H 102K-T	B	178.6/40.3
C914	4030006860	S.CER C1608 JB 1H 102K-T	B	179.6/37.7
C915	4030006860	S.CER C1608 JB 1H 102K-T	B	180.1/30.8
C916	4030006860	S.CER C1608 JB 1H 102K-T	B	180.6/40.3
C917	4030006860	S.CER C1608 JB 1H 102K-T	B	181.1/28.2
C918	4030006860	S.CER C1608 JB 1H 102K-T	B	182.1/30.8
C919	4030006860	S.CER C1608 JB 1H 102K-T	B	182.6/40.3
C920	4030006860	S.CER C1608 JB 1H 102K-T	B	183.1/28.2
C921	4030006860	S.CER C1608 JB 1H 102K-T	B	183.6/37.7
C922	4030006860	S.CER C1608 JB 1H 102K-T	B	184.1/30.8
C923	4030006860	S.CER C1608 JB 1H 102K-T	B	133.7/37.7
C924	4030006860	S.CER C1608 JB 1H 102K-T	B	134.7/40.3
C925	4030006860	S.CER C1608 JB 1H 102K-T	B	135.7/37.7
C926	4030006860	S.CER C1608 JB 1H 102K-T	B	136.2/30.8
C927	4030006860	S.CER C1608 JB 1H 102K-T	B	136.7/40.3
C928	4030006860	S.CER C1608 JB 1H 102K-T	B	137.2/25.5
C929	4030006860	S.CER C1608 JB 1H 102K-T	B	137.7/37.7
C930	4030006860	S.CER C1608 JB 1H 102K-T	B	138.2/28.1
C931	4030006860	S.CER C1608 JB 1H 102K-T	B	138.7/40.3
C932	4030006860	S.CER C1608 JB 1H 102K-T	B	139.2/25.5
C933	4030006860	S.CER C1608 JB 1H 102K-T	B	139.7/37.7
C934	4030006860	S.CER C1608 JB 1H 102K-T	B	140.2/28.1
C935	4030006860	S.CER C1608 JB 1H 102K-T	B	140.7/40.3
C936	4030006860	S.CER C1608 JB 1H 102K-T	B	141.2/25.5
C937	4030006860	S.CER C1608 JB 1H 102K-T	B	141.7/37.7
C938	4030006860	S.CER C1608 JB 1H 102K-T	B	142.2/22.9
C939	4030006860	S.CER C1608 JB 1H 102K-T	B	142.7/40.3
C940	4030006860	S.CER C1608 JB 1H 102K-T	B	143.2/25.5
C941	4030006860	S.CER C1608 JB 1H 102K-T	B	144.2/22.9

[LOGIC UNIT]

REF NO.	ORDER NO.	DESCRIPTION	M.	H/V LOCATION
C942	4030006860	S.CER C1608 JB 1H 102K-T	B	146.2/30.8
C943	4030006860	S.CER C1608 JB 1H 102K-T	B	147.2/28.3
C944	4030006860	S.CER C1608 JB 1H 102K-T	B	148.2/30.9
C945	4030006860	S.CER C1608 JB 1H 102K-T	B	150.2/28.3
C946	4030006860	S.CER C1608 JB 1H 102K-T	B	151.2/30.9
C947	4030006860	S.CER C1608 JB 1H 102K-T	B	214.5/84.7
C948	4030006860	S.CER C1608 JB 1H 102K-T	B	220.6/81.7
C949	4030006860	S.CER C1608 JB 1H 102K-T	B	223/91.7
C950	4030006860	S.CER C1608 JB 1H 102K-T	B	220.6/94.3
C951	4030006860	S.CER C1608 JB 1H 102K-T	B	214.5/92.7
C952	4030006860	S.CER C1608 JB 1H 102K-T	B	213.6/72.3
C953	4030006860	S.CER C1608 JB 1H 102K-T	B	211.5/76.1
C954	4030006860	S.CER C1608 JB 1H 102K-T	B	205.7/77.8
C955	4030006860	S.CER C1608 JB 1H 102K-T	B	211.5/79.5
C956	4030006860	S.CER C1608 JB 1H 102K-T	T	21/113.9
C957	4030006860	S.CER C1608 JB 1H 102K-T	T	24/113.9
C958	4030006860	S.CER C1608 JB 1H 102K-T	T	27/113.9
C959	4030006860	S.CER C1608 JB 1H 102K-T	T	30/113.8
C960	4030006860	S.CER C1608 JB 1H 102K-T	B	180.6/79.6
C961	4030006860	S.CER C1608 JB 1H 102K-T	B	183.2/90.3
C962	4030006860	S.CER C1608 JB 1H 102K-T	B	187.7/90.3
C963	4030006860	S.CER C1608 JB 1H 102K-T	B	188.7/81.7
C964	4030006860	S.CER C1608 JB 1H 102K-T	B	193/81.7
C965	4030006860	S.CER C1608 JB 1H 102K-T	B	193.7/90.3
C966	4030006860	S.CER C1608 JB 1H 102K-T	B	194.9/78.8
C967	4030006860	S.CER C1608 JB 1H 102K-T	B	222.7/78.7
C968	4030006860	S.CER C1608 JB 1H 102K-T	B	228.7/79
C969	4030006860	S.CER C1608 JB 1H 102K-T	B	227/74.4
C970	4030006860	S.CER C1608 JB 1H 102K-T	B	229.9/74.4
C971	4030006860	S.CER C1608 JB 1H 102K-T	B	220.9/49.2
C972	4030006860	S.CER C1608 JB 1H 102K-T	B	229.5/50.2
C973	4030006860	S.CER C1608 JB 1H 102K-T	B	227.1/62.2
C974	4030006860	S.CER C1608 JB 1H 102K-T	B	218.4/63.2
C975	4030006860	S.CER C1608 JB 1H 102K-T	B	227.1/66.7
C976	4030006860	S.CER C1608 JB 1H 102K-T	B	218.4/68.1
C977	4030006860	S.CER C1608 JB 1H 102K-T	T	181.7/23.9
C978	4030006860	S.CER C1608 JB 1H 102K-T	T	159.4/23.6
C979	4030006860	S.CER C1608 JB 1H 102K-T	T	190.4/18.9
C980	4030006860	S.CER C1608 JB 1H 102K-T	T	188.7/24.5
C981	4030006860	S.CER C1608 JB 1H 102K-T	T	166.1/22.6
C982	4030006860	S.CER C1608 JB 1H 102K-T	T	173.3/42.7
C983	4030011600	S.CER C1608 JB 1E 104K-T	T	180.7/84.3
C984	4030010210	S.CER C3216 JB 1C 105M-T	B	198.6/85.6
C985	4030011600	S.CER C1608 JB 1E 104K-T	T	195.5/83.6
C991	4030006880	S.CER C1608 JB 1H 472K-T	T	208.4/92
C992	4030006880	S.CER C1608 JB 1H 472K-T	T	208.4/94
C993	4030006880	S.CER C1608 JB 1H 472K-T	T	220.2/93
C994	4030006880	S.CER C1608 JB 1H 472K-T	T	220.2/81.4
C995	4030006880	S.CER C1608 JB 1H 472K-T	T	208.3/80
C996	4030006880	S.CER C1608 JB 1H 472K-T	T	220.2/78.6
C997	4030006880	S.CER C1608 JB 1H 472K-T	T	218.4/73.2
J1	6510022490	S.CNR AXK5S30045P	T	40/98
J2	6510019870	S.CNR AXK5S40045P	T	85/98
J51	6910014251	CNR IMSA-9202B-2-06Z041-PT1		
J102	6510019981	S.CNR 52808-1671 (1690)	T	72.5/40
J602	6510019971	S.CNR 52808-1071	T	95.5/14.5
J604	6510019971	S.CNR 52808-1071	T	72.5/23
J802	6510024261	S.CNR S9B-PH-SM4-TB (LF) (SN)	T	158.5/5
J803	6510024401	CNR S11B-EH (LF) (SN)		
J804	6510024251	S.CNR S5B-PH-SM4-TB (LF) (SN)	T	213.2/5
J805	6510024111	S.CNR 52793-2070 (2090)	T	129.5/123.9
J806	6510024131	S.CNR IMSA-9637S-40Y905	T	193/4.7
J807	6510024150	S.CNR 50FY-BMT-TB	T	53.6/22
J808	6510022470	S.CNR 40FLT-SM1-TB	T	175.3/34.3
J809	6510022470	S.CNR 40FLT-SM1-TB	T	143.4/34.3
J810	6510022731	S.CNR S13B-PH-SM4-TB (LF) (SN)	T	120/7
J811	6510021561	S.CNR 52808-2470 (2490)	T	214.3/84.5
J812	6510020701	S.CNR 52793-1270 (1290)	T	19.5/123.9
J813	6510020081	S.CNR 52808-2071 (2090)	T	189/89.8
J814	6510019971	S.CNR 52808-1071	T	229/79.5
J815	6510019991	S.CNR 52808-2271 (2291)	T	229/58
J816	6510019991	S.CNR 52808-2271 (2291)	T	171.2/17.5
J820	6510003580	CNR S10B-EH-S		
J821	6510003550	CNR S07B-EH-S		
J822	6510021601	S.CNR S2B-PH-SM4-TB (LF) (SN)	T	15.5/18
J823	6510021601	S.CNR S2B-PH-SM4-TB (LF) (SN)	T	53.8/122.6
J824	6510024100	CNR SC25-02WL		
J825	6510019421	S.CNR B8B-ZR-SM4-TF (LF) (SN)	T	29.4/20.8
J826	6510023801	S.CNR S4B-ZR-SM4A-TF (LF) (SN)	T	141.3/4.5
DS401	5040002930	S.LED SML-512MW T86	T	11.9/96.4
DS402	5040002930	S.LED SML-512MW T86	T	11.9/94.9
DS403	5040002930	S.LED SML-512MW T86	T	11.9/93.1
S51	2260001890	S.SW SKQDPA	T	142.6/106.8
T401	5920000841	S.TSM H1102NL	T	150/20

M.=Mounted side (T: Mounted on the Top side, B: Mounted on the Bottom side)  
S.=Surface mount

**[LOGIC UNIT]**

REF NO.	ORDER NO.	DESCRIPTION	M.	H/V LOCATION
EP101	6910013310	S.BEA MMZ1608D121B	T	3.6/74.9
EP102	6910013310	S.BEA MMZ1608D121B	T	10.3/80.5
EP103	6910013310	S.BEA MMZ1608D121B	T	14.9/80.7
EP201	6910012350	S.BEA MMZ1608Y 102BT	T	201.5/22.1
EP202	6910012350	S.BEA MMZ1608Y 102BT	T	198.3/28
EP203	6910012350	S.BEA MMZ1608Y 102BT	T	83.7/86.4
EP204	6910012350	S.BEA MMZ1608Y 102BT	T	79.6/72.4
EP401	6910013310	S.BEA MMZ1608D121B	T	19.4/79.6
EP402	6910013310	S.BEA MMZ1608D121B	T	17.3/75.6
EP403	6910013310	S.BEA MMZ1608D121B	T	19.4/82.5
EP801	6910013310	S.BEA MMZ1608D121B	T	204.4/9.8
EP802	6910013310	S.BEA MMZ1608D121B	T	202.1/10.6
EP803	6910013310	S.BEA MMZ1608D121B	T	200.8/10.6
EP804	6910013310	S.BEA MMZ1608D121B	T	199.5/10.6
EP805	6910013310	S.BEA MMZ1608D121B	B	201.4/8.2
EP806	6910013310	S.BEA MMZ1608D121B	T	198.2/10.6
EP807	6910013310	S.BEA MMZ1608D121B	B	200.1/8.2
EP808	6910013310	S.BEA MMZ1608D121B	T	196.9/10.6
EP809	6910013310	S.BEA MMZ1608D121B	B	198.8/8.2
EP810	6910013310	S.BEA MMZ1608D121B	T	195.6/10.6
EP811	6910013310	S.BEA MMZ1608D121B	B	197.5/8.2
EP812	6910013310	S.BEA MMZ1608D121B	B	196.2/8.2
EP813	6910013310	S.BEA MMZ1608D121B	T	194.3/10.6
EP814	6910013310	S.BEA MMZ1608D121B	T	193/10.6
EP815	6910013310	S.BEA MMZ1608D121B	T	191.7/10.9
EP816	6910013310	S.BEA MMZ1608D121B	T	190.4/11.6
EP817	6910013310	S.BEA MMZ1608D121B	T	189.1/12.3
EP818	6910013310	S.BEA MMZ1608D121B	T	187.8/12
EP819	6910013310	S.BEA MMZ1608D121B	T	186.5/11.6
EP820	6910013310	S.BEA MMZ1608D121B	T	183.5/10
EP821	6910015980	S.BEA MMZ1608S 181CT-AS	T	71.1/116.5
EP822	6910015980	S.BEA MMZ1608S 181CT-AS	T	72.5/116.5
EP826	6910012350	S.BEA MMZ1608Y 102BT	T	133.2/118.1
EP827	6910012350	S.BEA MMZ1608Y 102BT	B	137.3/124.5
EP828	6910012350	S.BEA MMZ1608Y 102BT	B	137.3/123.1
EP829	6910012350	S.BEA MMZ1608Y 102BT	T	135.2/117.3
EP972	6910015970	S.BEA MMZ1608B 301CT-AS	T	139/11.1
EP973	6910015970	S.BEA MMZ1608B 301CT-AS	T	142/11.1
EP996	6910015970	S.BEA MMZ1608B 301CT-AS	B	188.5/92.1
EP997	6910015970	S.BEA MMZ1608B 301CT-AS	B	189.5/83.5
EP1001	6910015970	S.BEA MMZ1608B 301CT-AS	B	193.5/83.5
EP1002	6910015970	S.BEA MMZ1608B 301CT-AS	B	194.5/92.1
EP1101	6910013310	S.BEA MMZ1608D121B	T	39.4/13.9
EP1102	6910013310	S.BEA MMZ1608D121B	T	40.1/16.6
EP1103	6910013310	S.BEA MMZ1608D121B	T	40.8/13.9
EP1104	6910013310	S.BEA MMZ1608D121B	T	41.5/16.6
EP1105	6910013310	S.BEA MMZ1608D121B	T	42.2/13.9
EP1106	6910013310	S.BEA MMZ1608D121B	T	42.9/16.6
EP1107	6910013310	S.BEA MMZ1608D121B	T	43.6/13.9
EP1108	6910013310	S.BEA MMZ1608D121B	T	44.3/16.6
EP1109	6910013310	S.BEA MMZ1608D121B	T	45/13.9
EP1110	6910013310	S.BEA MMZ1608D121B	T	45.7/16.6
EP1111	6910013310	S.BEA MMZ1608D121B	T	46.4/13.9
EP1112	6910013310	S.BEA MMZ1608D121B	T	47.1/16.6
EP1113	6910013310	S.BEA MMZ1608D121B	T	47.8/13.9
EP1114	6910013310	S.BEA MMZ1608D121B	T	48.5/16.6
EP1115	6910013310	S.BEA MMZ1608D121B	T	49.2/13.9
EP1116	6910013310	S.BEA MMZ1608D121B	T	49.9/16.6
EP1117	6910013310	S.BEA MMZ1608D121B	T	50.6/13.9
EP1118	6910013310	S.BEA MMZ1608D121B	T	51.3/16.6
EP1119	6910013310	S.BEA MMZ1608D121B	T	52/13.9
EP1120	6910013310	S.BEA MMZ1608D121B	T	52.7/16.6
EP1121	6910013310	S.BEA MMZ1608D121B	T	53.4/13.9
EP1122	6910013310	S.BEA MMZ1608D121B	T	54.1/16.6
EP1123	6910013310	S.BEA MMZ1608D121B	T	54.8/13.9
EP1124	6910013310	S.BEA MMZ1608D121B	T	42.8/29.6
EP1125	6910013310	S.BEA MMZ1608D121B	T	43.5/27
EP1126	6910013310	S.BEA MMZ1608D121B	T	44.2/29.6
EP1127	6910013310	S.BEA MMZ1608D121B	T	44.9/27
EP1128	6910013310	S.BEA MMZ1608D121B	T	45.6/29.6
EP1129	6910013310	S.BEA MMZ1608D121B	T	46.3/27
EP1130	6910013310	S.BEA MMZ1608D121B	T	47/29.6
EP1131	6910013310	S.BEA MMZ1608D121B	T	47.7/27
EP1132	6910013310	S.BEA MMZ1608D121B	T	48.4/29.6
EP1133	6910013310	S.BEA MMZ1608D121B	T	49.1/27
EP1134	6910013310	S.BEA MMZ1608D121B	T	49.8/29.6
EP1135	6910013310	S.BEA MMZ1608D121B	T	50.5/27
EP1136	6910013310	S.BEA MMZ1608D121B	T	51.2/29.6
EP1137	6910013310	S.BEA MMZ1608D121B	T	51.9/27
EP1138	6910013310	S.BEA MMZ1608D121B	T	52.6/29.6
EP1139	6910013310	S.BEA MMZ1608D121B	T	53.3/27
EP1140	6910013310	S.BEA MMZ1608D121B	T	54/29.6
EP1141	6910013310	S.BEA MMZ1608D121B	T	54.7/27
EP1142	6910013310	S.BEA MMZ1608D121B	T	55.4/29.6
EP1143	6910013310	S.BEA MMZ1608D121B	T	56.1/27
EP1144	6910013310	S.BEA MMZ1608D121B	T	56.8/29.6
EP1145	6910013310	S.BEA MMZ1608D121B	T	57.5/27
EP1146	6910013310	S.BEA MMZ1608D121B	T	58.2/29.6

**[PA UNIT]**

REF NO.	ORDER NO.	DESCRIPTION	M.	H/V LOCATION
MF1	2710000770	FAN FCB34AC12A		
W1	8900012790	CBL OPC-1299		

**[PA200W BOARD]**

REF NO.	ORDER NO.	DESCRIPTION	M.	H/V LOCATION
IC2	1180001541	S.IC TC78L08F (TE12L,F)	T	58.8/15.1
Q1	1520000531	S.TR 2SB1119S-TD-E	T	42.8/19.2
Q2	1590000680	S.TR DTC114EUA T106	T	45.8/13.5
Q101	1560001241	S.FET RD01MUS1-T113	T	5.9/66.4
Q201	1590003050	S.FET PD55003	T	20.5/53.1
Q301	1590003350	FET SD2918	T	64/45.8
Q401	1590003361	FET SD2931-12		
Q402	1590003361	FET SD2931-12		
D1	1730000561	S.ZEN RD2.7M-T2B-A B1	T	100.6/22.8
D401	1750000271	S.DIO 1SS301 (TE85R,F)	T	116.8/99.1
D402	1750000271	S.DIO 1SS301 (TE85R,F)	T	118.3/35.9
D403	1750000271	S.DIO 1SS301 (TE85R,F)	T	104/98.3
D404	1750000271	S.DIO 1SS301 (TE85R,F)	T	104/35.7
L1	6200005011	S.COL NLV25T-100J	T	14.7/18
L2	6200005011	S.COL NLV25T-100J	T	14.7/20.5
L3	6200005011	S.COL NLV25T-100J	T	14.7/23
L6	6200005011	S.COL NLV25T-100J	T	14.7/25.5
L7	6200010881	S.COL CDRH124NP-330MC	T	77.3/11
L101	6200005131	S.COL NLC453232T-101K-PF	T	5.6/59.6
L102	6200007220	S.COL EXCCL4532U1	T	6/38.4
L201	6180001240	COL LAL 04NA 820K		
L202	6140004350	COL LR-475		
L301	6200003261	S.COL NLV32T-101J	T	46.1/36.4
L303	6200001831	S.COL NLV32T-100J	T	86.9/26.2
L304	2040000490	COL EXC-ELDR25C		
L305	2040000490	COL EXC-ELDR25C		
L306	6140004340	COL LR-474		
L307	6200001831	S.COL NLV32T-100J	T	75.7/100.2
L401	6200003261	S.COL NLV32T-101J	T	100.4/98.3
L402	6200003261	S.COL NLV32T-101J	T	100.1/35.8
L403	6140002590	COL LR-296 (TR18X8X8 D12A)		
L404	6140000720	COL LR-95	T	166.4/67
L501	6140002030	COL LR-230 (SK-10M-15Y 120)		
R1	7030003440	S.RES ERJ3GEYJ 102 V (1 k)	T	42.8/12.8
R2	7030003560	S.RES ERJ3GEYJ 103 V (10 k)	T	42.8/14.2
R3	7510001740	TMR DTN-C103F3H-STS-40		
R4	7030000380	S.RES MCR10EZHJ 1 k	T	39.7/22.5
R5	7030008061	S.RES ERA3YED 222V (2.2 k)	T	104.3/23.1
R6	7030007210	S.RES ERA3YEB 102V (1 k)	T	103.6/16.5
R7	7030007210	S.RES ERA3YEB 102V (1 k)	T	103.6/17.8
R101	7030003370	S.RES ERJ3GEYJ 271 V (270)	T	6/87.2
R102	7030003220	S.RES ERJ3GEYJ 150 V (15)	T	3.9/86.1
R103	7030003370	S.RES ERJ3GEYJ 271 V (270)	T	6/85
R104	7030003360	S.RES ERJ3GEYJ 221 V (220)	T	4.8/71.3
R105	7030003430	S.RES ERJ3GEYJ 821 V (820)	T	6/73.3
R106	7030003480	S.RES ERJ3GEYJ 222 V (2.2 k)	T	9.2/73.8
R107	7030003440	S.RES ERJ3GEYJ 102 V (1 k)	T	2.2/64.7
R108	7030003200	S.RES ERJ3GEYJ 100 V (10)	T	9.2/68.3
R110	7030000230	S.RES MCR10EZHJ 56	T	11.3/56.6
R111	7030003420	S.RES ERJ3GEYJ 681 V (680)	T	13.3/58.6
R112	7030003510	S.RES ERJ3GEYJ 392 V (3.9 k)	T	12.6/60.6
R113	7030003500	S.RES ERJ3GEYJ 332 V (3.3 k)	T	6.8/75.2
R115	7030003520	S.RES ERJ3GEYJ 472 V (4.7 k)	T	13.1/40.8
R117	7030003530	S.RES ERJ3GEYJ 562 V (5.6 k)	T	7.7/76.5
R118	7030003550	S.RES ERJ3GEYJ 822 V (8.2 k)	T	11.7/40.8
R119	7030008240	S.RES ERJ12YJ0R00U	T	5/49.6
R201	7030004050	S.RES ERJ3GEYJ 1R0 V (1)	T	13.8/48.6
R202	7030003410	S.RES ERJ3GEYJ 561 V (560)	T	23.1/43.1
R203	7030010800	S.RES ERJ1TYJ 2R7U (2.7)	T	18.4/65.5
R205	7030006260	S.RES ERJ12YJ471U (470)	T	30.3/55.7
R301	7310005210	TRI VM5CK-PVB 20 k		
R302	7030008180	S.RES ERJ12YJ331U (330)	T	48.3/40.6
R305	7030003530	S.RES ERJ3GEYJ 562 V (5.6 k)	T	49.6/43.5
R307	7070000830	RES ERG3SJ 101 (100)		
R309	7030010570	S.RES ERJ1TYJ 4R7U (4.7)	T	80/45.8
R310	7310005200	TRI VM5CK-PVB 2 k		
R312	7070000830	RES ERG3SJ 101 (100)		
R401	7030010960	S.RES ERJ1TYJ 120U (12)	T	89.8/90.7
R402	7030010960	S.RES ERJ1TYJ 120U (12)	T	93.5/90.7

M.=Mounted side (T: Mounted on the Top side, B: Mounted on the Bottom side)  
S.=Surface mount

[PA200W BOARD]

REF NO.	ORDER NO.	DESCRIPTION	M.	H/V LOCATION
R403	7030010960	S.RES ERJ1TYJ 120U (12)	T	97.2/90.7
R404	7030010960	S.RES ERJ1TYJ 120U (12)	T	90.8/43.3
R405	7030010960	S.RES ERJ1TYJ 120U (12)	T	94.5/43.3
R406	7030010960	S.RES ERJ1TYJ 120U (12)	T	98.2/43.3
R407	7310005210	TRI VM5CK-PVB 20 k	T	
R408	7030000420	S.RES MCR10EZHZ 2.2 k	T	116.3/96
R409	7030000420	S.RES MCR10EZHZ 2.2 k	T	116.3/38
R410	7310005210	TRI VM5CK-PVB 20 k	T	
R411	7030010520	S.RES ERJ1TYJ 101U (100)	T	107.6/93.9
R412	7030010520	S.RES ERJ1TYJ 101U (100)	T	107.5/40.2
R413	7030010520	S.RES ERJ1TYJ 101U (100)	T	111.3/93.9
R414	7030010520	S.RES ERJ1TYJ 101U (100)	T	111.2/40.2
R416	7070000890	RES ERG3SJ 150 (15)	T	
R418	7070001190	RES ERG3SJ180 (18)	T	
R420	7070000890	RES ERG3SJ 150 (15)	T	
R422	7070001190	RES ERG3SJ180 (18)	T	
R423	7030003460	S.RES ERJ3GEYJ 152 V (1.5 k)	T	95.9/98.4
R424	7030003460	S.RES ERJ3GEYJ 152 V (1.5 k)	T	99.4/33.6
R425	7310005200	TRI VM5CK-PVB 2 k	T	
R426	7310005200	TRI VM5CK-PVB 2 k	T	
R427	7070001200	RES ERG3SJ100P (10)	T	
R501	7070000890	RES ERG3SJ 150 (15)	T	
R502	7070000890	RES ERG3SJ 150 (15)	T	
R503	7030003500	S.RES ERJ3GEYJ 332 V (3.3 k)	T	171.8/16.7
R504	7030003500	S.RES ERJ3GEYJ 332 V (3.3 k)	T	169.9/15.9
R507	7030003500	S.RES ERJ3GEYJ 332 V (3.3 k)	T	139.1/17.9
R508	7030003500	S.RES ERJ3GEYJ 332 V (3.3 k)	T	137.3/19.2
R511	7070000890	RES ERG3SJ 150 (15)	T	
R512	7070000890	RES ERG3SJ 150 (15)	T	
R513	7070001000	RES ERG3SJ 821 (820)	T	
R514	7070001000	RES ERG3SJ 821 (820)	T	
R521	7030011160	S.RES RL7520WT-R010-F	T	165.2/20.2
R522	7030011160	S.RES RL7520WT-R010-F	T	159.6/20.2
R523	7030011160	S.RES RL7520WT-R010-F	T	154/20.2
C1	4030011600	S.CER C1608 JB 1E 104K-T	T	18.9/18
C2	4030006880	S.CER C1608 JB 1H 472K-T	T	18.9/20.5
C3	4030006880	S.CER C1608 JB 1H 472K-T	T	18.9/23
C6	4030006880	S.CER C1608 JB 1H 472K-T	T	18.9/25.5
C7	4030006900	S.CER C1608 JB 1H 103K-T	T	70/6.8
C8	4030006880	S.CER C1608 JB 1H 472K-T	T	42.8/15.6
C9	4030011600	S.CER C1608 JB 1E 104K-T	T	57.6/11.4
C10	4510008520	S.ELE EEE1CA470SP	T	52/15.5
C11	4030006900	S.CER C1608 JB 1H 103K-T	T	60.4/11.4
C12	4510008520	S.ELE EEE1CA470SP	T	64.9/15.5
C15	4030006880	S.CER C1608 JB 1H 472K-T	T	104.3/20.4
C16	4030006880	S.CER C1608 JB 1H 472K-T	T	103/23.1
C17	4510008550	S.ELE EEE1HA010SR	T	95.9/22.8
C102	4030017810	S.CER C1608 CH 1H 102J-T	T	4.1/76.2
C103	4030011600	S.CER C1608 JB 1E 104K-T	T	9.2/72.5
C104	4030011600	S.CER C1608 JB 1E 104K-T	T	9.5/75.2
C106	4030017320	S.CER GRM21BB11H104KA11L	T	2.2/67.7
C107	4030011600	S.CER C1608 JB 1E 104K-T	T	9.2/70.9
C108	4030017810	S.CER C1608 CH 1H 102J-T	T	9.2/69.6
C109	4030017320	S.CER GRM21BB11H104KA11L	T	8.1/62.6
C110	4030017810	S.CER C1608 CH 1H 102J-T	T	9/64.2
C111	4030017810	S.CER C1608 CH 1H 102J-T	T	9/56.4
C112	4030017320	S.CER GRM21BB11H104KA11L	T	8.7/54.8
C113	4030011600	S.CER C1608 JB 1E 104K-T	T	5.3/102.4
C114	4030011600	S.CER C1608 JB 1E 104K-T	T	13.9/60.6
C201	4030017320	S.CER GRM21BB11H104KA11L	T	18.2/43.1
C202	4030017810	S.CER C1608 CH 1H 102J-T	T	15.7/61.3
C204	4030008490	S.CER C2012 JB 1H 682K-T	T	31.2/61.6
C206	4030008700	S.CER GRM21BB11H473KA01L	T	29.3/61.6
C207	4030008700	S.CER GRM21BB11H473KA01L	T	34.4/36.7
C301	4030004760	S.CER C2012 JF 1H 104Z-T	T	49.4/45.5
C303	4030011600	S.CER C1608 JB 1E 104K-T	T	43.4/35.4
C305	4030004760	S.CER C2012 JF 1H 104Z-T	T	44.4/42.6
C307	4030017810	S.CER C1608 CH 1H 102J-T	T	39.7/31.7
C309	4030011600	S.CER C1608 JB 1E 104K-T	T	41.1/31.7
C311	4030018750	S.CER C3225 CH 2J 682K-T	T	54.1/58.9
C313	4030011600	S.CER C1608 JB 1E 104K-T	T	89.1/26.9
C314	4510008050	ELE 63 ME 220 CZ	T	
C317	4030018790	S.CER C3225 JB 2E 104K-T	T	76.8/34
C318	4030011600	S.CER C1608 JB 1E 104K-T	T	77.2/96.7
C319	4030018790	S.CER C3225 JB 2E 104K-T	T	70.4/79
C401	4030011790	S.CER GRM55RF52A684ZD01L	T	92.4/82.2
C402	4030011790	S.CER GRM55RF52A684ZD01L	T	92.4/51.8
C403	4030011600	S.CER C1608 JB 1E 104K-T	T	79.9/100.1
C404	4030011600	S.CER C1608 JB 1E 104K-T	T	88.6/30.3
C405	4030006900	S.CER C1608 JB 1H 103K-T	T	79.9/98.8
C406	4030006900	S.CER C1608 JB 1H 103K-T	T	88.6/31.6
C407	4030017810	S.CER C1608 CH 1H 102J-T	T	79.9/97.5
C408	4030017810	S.CER C1608 CH 1H 102J-T	T	88.6/32.9
C409	4030018790	S.CER C3225 JB 2E 104K-T	T	111.3/100.2
C410	4030018790	S.CER C3225 JB 2E 104K-T	T	111.2/33.9
C411	4030006880	S.CER C1608 JB 1H 472K-T	T	114.9/99.1
C412	4030006880	S.CER C1608 JB 1H 472K-T	T	116.3/35
C413	4030011600	S.CER C1608 JB 1E 104K-T	T	97.8/99.1
C414	4030011600	S.CER C1608 JB 1E 104K-T	T	97.4/36.5
C415	4030011790	S.CER GRM55RF52A684ZD01L	T	102.8/88.8

[PA200W BOARD]

REF NO.	ORDER NO.	DESCRIPTION	M.	H/V LOCATION
C416	4030011790	S.CER GRM55RF52A684ZD01L	T	103.8/49
C417	4030018760	S.CER C4532 CH 2A 104K-T	T	190.2/82.6
C418	4030018760	S.CER C4532 CH 2A 104K-T	T	193.9/82.6
C419	4030018760	S.CER C4532 CH 2A 104K-T	T	190.2/53.4
C420	4030018760	S.CER C4532 CH 2A 104K-T	T	193.9/53.4
C501	4030018790	S.CER C3225 JB 2E 104K-T	T	183.8/32
C502	4030018780	S.CER C3225 JB 2J 473K-T	T	180.4/32
C503	4030018770	S.CER C3216 CH 2J 102J-T	T	177.3/32
C504	4510006830	ELE 63 ME 470CZ	T	
C505	4510006830	ELE 63 ME 470CZ	T	
C506	4030006880	S.CER C1608 JB 1H 472K-T	T	173.7/15.9
C507	4030006880	S.CER C1608 JB 1H 472K-T	T	137.2/17
C510	4030018790	S.CER C3225 JB 2E 104K-T	T	170.2/13.6
C511	4030018780	S.CER C3225 JB 2J 473K-T	T	170.2/10.6
C512	4030018770	S.CER C3216 CH 2J 102J-T	T	169.9/7.2
C513	4510008050	ELE 63 ME 220 CZ	T	
C514	4030011790	S.CER GRM55RF52A684ZD01L	T	164.8/6.7
C515	4030011790	S.CER GRM55RF52A684ZD01L	T	148.4/6.6
J1	6510007020	CNR TMP-J01X-V6	T	
J2	6510022311	S.CNR B5B-PH-SM4-TB (LF) (SN)	T	6/23
J5	6510020421	S.CNR S4B-PH-SM4-TB (LF) (SN)	T	93/4.5
J401	6510017920	CNR 181P342	T	
J402	6910001040	CNR IPS-1136	T	
W401	9025900670	WIR 23/05/060/B21/W07	T	
W501	9040401001	JMP 74/98/050/X98/X98	T	
EP501	6910011330	TER OT-009 M3	T	
EP502	6910011330	TER OT-009 M3	T	
EP503	6910000640	BEA FSRH090160RN000B	T	

[DC-DC UNIT]

REF NO.	ORDER NO.	DESCRIPTION	M.	H/V LOCATION
IC21	1180002510	S.REG LM2673S-3.3	T	130/20.9
IC41	1180002510	S.REG LM2673S-3.3	T	97.6/94.7
IC61	1180002520	S.REG LM2673S-5.0	T	97.6/59.8
IC81	1180002520	S.REG LM2673S-5.0	T	38/13.5
IC101	1180002500	S.REG LM2673S-ADJ	T	96.6/26.6
IC121	1180002530	S.REG LM2594M-12	T	128.6/69.2
Q141	1590003310	S.TR DTD113ZK T146	T	7.8/95.4
D21	1750000960	S.DIO RB081L-20	T	125.2/32.8
D41	1750000960	S.DIO RB081L-20	T	85.7/88.1
D61	1750000960	S.DIO RB081L-20	T	88.6/54.3
D81	1750000960	S.DIO RB081L-20	T	31.2/22
D101	1750000960	S.DIO RB081L-20	T	87.6/21.9
D121	1710000840	S.DIO 1SR154-400 TE25	T	145.3/70.6
D122	1750001011	S.DIO MBRD835LT4G	T	120.6/82.8
D123	1750000960	S.DIO RB081L-20	T	132.6/86.1
D141	1750000520	S.DIO DAN222TL	T	11.3/94.8
L21	6200003950	S.COL HF50ACC 322513-T	T	117.9/55.1
L22	6200010891	S.COL CDRH124NP-150MC	T	115.5/34.2
L23	6200010881	S.COL CDRH124NP-330MC	T	130/50.7
L41	6200009790	S.COL BLM31PG121SN1	T	63.2/81.3
L42	6200010891	S.COL CDRH124NP-150MC	T	84.7/80.3
L43	6200010881	S.COL CDRH124NP-330MC	T	68.3/94
L44	6200009790	S.COL BLM31PG121SN1	T	63.2/83.6
L61	6200003950	S.COL HF50ACC 322513-T	T	62.9/46.6
L62	6200010901	S.COL CDRH104RNP-100NC	T	80.4/45
L63	6200010881	S.COL CDRH124NP-330MC	T	66.5/58
L81	6200003950	S.COL HF50ACC 322513-T	T	27.4/47.8
L82	6200010901	S.COL CDRH104RNP-100NC	T	22.7/32
L83	6200010881	S.COL CDRH124NP-330MC	T	36.1/43.1
L101	6200003950	S.COL HF50ACC 322513-T	T	62.9/16.6
L102	6200010881	S.COL CDRH124NP-330MC	T	84.9/12.1
L103	6190001191	S.COL D10F-#A814AY-101K	T	65.5/26.6
L121	6190001640	S.COL SLF12555T-101M1R1	T	119.3/72.3
L122	6190001191	S.COL D10F-#A814AY-101K	T	141.6/80.9
L141	6200001831	S.COL NLV32T-100J	T	10.5/99.4
L142	6200010901	S.COL CDRH104RNP-100NC	T	97.3/109
R21	7030006091	S.RES ERA3YED 822V (8.2 k)	T	119.1/19.7
R41	7030006091	S.RES ERA3YED 822V (8.2 k)	T	98.9/83.8
R61	7030006091	S.RES ERA3YED 822V (8.2 k)	T	98.8/48.5

M.=Mounted side (T: Mounted on the Top side, B: Mounted on the Bottom side)  
S.=Surface mount



[DC-DC UNIT]

REF NO.	ORDER NO.	DESCRIPTION	M.	H/V LOCATION
R81	7030006091	S.RES ERA3YED 822V (8.2 k)	T	27/12.2
R101	7030009851	S.RES ERA3YED 271V (270)	T	102/17.9
R102	7030007230	S.RES ERA3YED 102V (1 k)	T	102/20.8
R103	7030006091	S.RES ERA3YED 822V (8.2 k)	T	97.9/15.7
R121	7030003640	S.RES ERJ3GEYJ 473 V (47 k)	T	133.3/72.6
R122	7030003640	S.RES ERJ3GEYJ 473 V (47 k)	T	132/71.8
R141	7030008190	S.RES ERJ12VJ330U (33)	T	14.7/99
C9	4510008910	S.ELE EEEFC1C101P	T	138.5/69.7
C21	4030011600	S.CER C1608 JB 1E 104K-T	T	125.3/40.8
C22	4510008610	S.ELE 10SVP150MX	T	131.1/38.1
C23	4030011340	S.CER C1608 CH 1H 471J-T	T	119.1/17.1
C24	4030004750	S.CER C2012 JB 1H 103K-T	T	119.7/23.7
C25	4030005110	S.CER C2012 JB 1E 473K-T	T	125.3/27.5
C26	4550006770	S.TAN TEESVD2 1C 476M-12R	T	132.1/30
C27	4510008610	S.ELE 10SVP150MX	T	115.3/47.4
C41	4030011600	S.CER C1608 JB 1E 104K-T	T	77.5/89.5
C42	4510008610	S.ELE 10SVP150MX	T	80.8/95.2
C43	4030011340	S.CER C1608 CH 1H 471J-T	T	101.4/83.8
C44	4030004750	S.CER C2012 JB 1H 103K-T	T	94.8/84.1
C45	4030005110	S.CER C2012 JB 1E 473K-T	T	91.4/90.6
C46	4550007140	S.TAN TEESVD 1C 107M12R	T	87.6/96.4
C47	4510008610	S.ELE 10SVP150MX	T	70.5/79.1
C61	4030011600	S.CER C1608 JB 1E 104K-T	T	81.5/56
C62	4510008610	S.ELE 10SVP150MX	T	77.3/60.9
C63	4030011340	S.CER C1608 CH 1H 471J-T	T	101.4/48.5
C64	4030004750	S.CER C2012 JB 1H 103K-T	T	94.8/49.1
C65	4030011600	S.CER C1608 JB 1E 104K-T	T	91.1/55.4
C66	4550006770	S.TAN TEESVD2 1C 476M-12R	T	85.6/61.7
C67	4510008610	S.ELE 10SVP150MX	T	69.6/44
C81	4030011600	S.CER C1608 JB 1E 104K-T	T	33.1/28.4
C82	4510008610	S.ELE 10SVP150MX	T	37.9/32.4
C83	4030011340	S.CER C1608 CH 1H 471J-T	T	26.9/9.7
C84	4030004750	S.CER C2012 JB 1H 103K-T	T	27.7/16.1
C85	4030011600	S.CER C1608 JB 1E 104K-T	T	33.4/19.8
C86	4550006770	S.TAN TEESVD2 1C 476M-12R	T	38/25.1
C87	4510008610	S.ELE 10SVP150MX	T	21.7/42.7
C101	4030011600	S.CER C1608 JB 1E 104K-T	T	80.1/22.7
C102	4510008610	S.ELE 10SVP150MX	T	75.7/27.3
C103	4030011340	S.CER C1608 CH 1H 471J-T	T	100.4/15.6
C104	4030004750	S.CER C2012 JB 1H 103K-T	T	93.8/16.2
C105	4030005110	S.CER C2012 JB 1E 473K-T	T	90.1/22.5
C106	4550006770	S.TAN TEESVD2 1C 476M-12R	T	83.8/28.2
C107	4510008610	S.ELE 10SVP150MX	T	68.6/11.3
C122	4030011600	S.CER C1608 JB 1E 104K-T	T	132/69.2
C123	4510008940	S.ELE EEEFC1V470P	T	131.7/79.3
C124	4030006880	S.CER C1608 JB 1H 472K-T	T	120.8/95.1
C141	4030011600	S.CER C1608 JB 1E 104K-T	T	7.6/97.9
RL142	6330001760	RLY AW3023		
J2	6510003470	CNR B11B-EH-S		
J3	6510003430	CNR B07B-EH-S		
J4	6510003460	CNR B10B-EH-S		
J5	6510020421	S.CNR S4B-PH-SM4-TB (LF) (SN)	T	128.2/97.5
W1	8900012780	CBL OPC-1298		

[TUNER UNIT]

REF NO.	ORDER NO.	DESCRIPTION	M.	H/V LOCATION
MF1	2710000780	MTR MP24Z		
MF2	2710000780	MTR MP24Z		
MF3	2710000470	FAN MF60B-12H901		
W1	8900012900	CBL OPC-1345		
W2	8900012900	CBL OPC-1345		
W3	8900009410	CBL OPC-927 (P=1, N=24, L=100)		
W51	9025900490	WIR 23/00/230/B11/B09		

[CTRL BOARD]

REF NO.	ORDER NO.	DESCRIPTION	M.	H/V LOCATION
IC1	1140004120	S.IC M38022M2-138FP	T	65.7/81.8
IC2	1130010390	S.IC HN58X2416TI	T	54/86.9
IC3	1130003921	S.IC TC4S69F (TE85R,F)	T	55.9/58.2
IC4	1180001071	S.IC TA7805F (TE16L,Q)	B	63/57.7
IC5	1130009691	S.IC TC74HCT7007AF (F)	B	92.5/91.6
IC6	1130006441	S.IC TC7S08F (TE85R,F)	T	81.7/70.3
IC51	1130011530	S.IC CD74HC4094M96	T	42.2/72.4
IC52	1130007690	S.IC BU4066BCF-E2	B	12.5/76.8
IC55	1130011530	S.IC CD74HC4094M96	B	100.2/76.1
IC56	1130011530	S.IC CD74HC4094M96	B	114.3/76.1
IC57	1160000131	S.IC TD62783AFG (S.EL)	T	99.6/73.1
IC58	1160000131	S.IC TD62783AFG (S.EL)	T	113.7/73.1
IC101	1110000960	S.IC NJM4558M-TE1	T	19.4/37.8
IC151	1120002301	S.IC TC74AC04F (F)	B	35.3/44.3
IC153	1130012011	S.IC TC7SZ32F (TE85L,F)	T	31.2/47.3
IC154	1130012011	S.IC TC7SZ32F (TE85L,F)	T	42.4/45.8
IC155	1130012011	S.IC TC7SZ32F (TE85L,F)	T	36/47.5
IC156	1130012020	S.IC TC74ACT112F (EL)	T	38.4/56.5
IC201	1110000960	S.IC NJM4558M-TE1	T	19/54.7
IC301	1110002690	S.IC NJM2903M-TE1	T	73.4/59
IC401	1160000131	S.IC TD62783AFG (S.EL)	T	13.6/86.1
IC402	1160000131	S.IC TD62783AFG (S.EL)	T	31.6/84.7
Q1	1590001330	S.TR DTA114EUA T106	T	78.5/75.2
Q2	1590000680	S.TR DTC114EUA T106	T	77.8/71.2
Q3	1590000680	S.TR DTC114EUA T106	T	128.4/74.5
Q4	1590000680	S.TR DTC114EUA T106	T	128.4/77
Q5	1590000680	S.TR DTC114EUA T106	T	128.4/81.3
Q6	1590000680	S.TR DTC114EUA T106	T	128.4/83.8
Q7	1590000680	S.TR DTC114EUA T106	T	128.4/88.5
Q8	1590000680	S.TR DTC114EUA T106	T	128.4/91
Q9	1590000680	S.TR DTC114EUA T106	T	128.4/95.7
Q10	1590000680	S.TR DTC114EUA T106	T	128.4/100.5
Q11	1590000680	S.TR DTC114EUA T106	B	85.7/99.8
Q51	1590000680	S.TR DTC114EUA T106	T	6.1/78.6
Q52	1590000680	S.TR DTC114EUA T106	T	12.5/78.6
Q53	1590000680	S.TR DTC114EUA T106	B	6.6/72.8
Q54	1560001260	S.FET 2SK3018 T106	B	121.2/80.2
Q55	1590000680	S.TR DTC114EUA T106	B	130.2/68.9
Q59	1590000680	S.TR DTC114EUA T106	T	56.8/69.5
Q201	1560000871	S.FET 2SK515-T1B-A (X33)	T	52.6/43
Q251	1590000680	S.TR DTC114EUA T106	T	74.2/34.9
D1	1730000411	S.ZEN RD5.1M-T2B-A B2	T	63.4/58.4
D2	1710000780	S.DIO MA114 (TX)	T	67.7/55.9
D3	1750000201	S.DIO 1SS319 (TE85R,F)	B	129.5/98.1
D4	1750000201	S.DIO 1SS319 (TE85R,F)	B	129.5/90
D5	1750000201	S.DIO 1SS319 (TE85R,F)	B	129.5/82.8
D6	1750000201	S.DIO 1SS319 (TE85R,F)	B	129.5/76
D7	1730000031	S.ZEN RD5.6M-T2B-A B2	T	63.6/54.9
D101	1790000491	S.DIO HSM88ASTR-E	T	14.7/24.3
D102	1790000491	S.DIO HSM88ASTR-E	T	25.6/29.5
D103	1750000201	S.DIO 1SS319 (TE85R,F)	T	19.3/42.1
D151	1790000491	S.DIO HSM88ASTR-E	T	32/38.2
D152	1790000491	S.DIO HSM88ASTR-E	T	39.4/38.2
D153	1790000491	S.DIO HSM88ASTR-E	T	28.4/57.2
D154	1790000491	S.DIO HSM88ASTR-E	T	29.6/53.4
D201	1790000491	S.DIO HSM88ASTR-E	T	57.6/37.2
D202	1790000491	S.DIO HSM88ASTR-E	T	48.5/37.1
D203	1750000201	S.DIO 1SS319 (TE85R,F)	T	18/60.9
D251	1750000271	S.DIO 1SS301 (TE85R,F)	T	72.1/36.5
D301	1790000491	S.DIO HSM88ASTR-E	T	81.5/58.3
D302	1790000491	S.DIO HSM88ASTR-E	T	88.4/59.6
X1	6050009890	S.XTL CR-569 (6.144 MHz)	T	83.2/79.5
L1	6200003261	S.COL NLV32T-101J	T	51.1/76.5
L2	6200003261	S.COL NLV32T-101J	T	54.5/77.8

M.=Mounted side (T: Mounted on the Top side, B: Mounted on the Bottom side)  
S.=Surface mount

[CTRL BOARD]

REF NO.	ORDER NO.	DESCRIPTION	M.	H/V LOCATION
L4	2040000490	COL EXC-ELDR25C		
L5	6200005131	S.COL NLC453232T-101K-PF	T	121.6/100.3
L6	6200003590	S.COL EXCCL3225U1	T	109.3/91.1
L7	6200003590	S.COL EXCCL3225U1	T	106.3/91.2
L8	6200003590	S.COL EXCCL3225U1	T	103.3/91.1
L9	6200003950	S.COL HF50ACC 322513-T	B	92/101
L51	6200003261	S.COL NLV32T-101J	T	106.3/86.9
L52	6200005131	S.COL NLC453232T-101K-PF	T	114.9/88.1
L101	6140004410	COL LR-502		
L102	6200001831	S.COL NLV32T-100J	T	20.9/66.5
L103	6200003261	S.COL NLV32T-101J	T	15.2/66.4
L151	6140004410	COL LR-502		
L152	6200001831	S.COL NLV32T-100J	T	41.4/63
L201	6140004410	COL LR-502		
L202	6180003300	COL T6-222J (2.2M)		
L301	6140004410	COL LR-502		
L302	6200003261	S.COL NLV32T-101J	B	69.4/61.2
L401	6200003950	S.COL HF50ACC 322513-T	T	26.4/101.5
L402	6200003950	S.COL HF50ACC 322513-T	T	18.5/101.5
R2	7030003680	S.RES ERJ3GEYJ 104 V (100 k)	T	63/71
R3	7030003680	S.RES ERJ3GEYJ 104 V (100 k)	T	64.3/71
R4	7030003680	S.RES ERJ3GEYJ 104 V (100 k)	T	65.6/71
R5	7030003680	S.RES ERJ3GEYJ 104 V (100 k)	T	66.9/71
R6	7030003560	S.RES ERJ3GEYJ 103 V (10 k)	T	74.7/71
R7	7030003440	S.RES ERJ3GEYJ 102 V (1 k)	T	73.4/71
R8	7030003680	S.RES ERJ3GEYJ 104 V (100 k)	T	55.4/72.8
R9	7030003680	S.RES ERJ3GEYJ 104 V (100 k)	T	54.7/74.7
R10	7030003680	S.RES ERJ3GEYJ 104 V (100 k)	T	57.3/72.9
R11	7030003680	S.RES ERJ3GEYJ 104 V (100 k)	T	53.4/74.7
R12	7030003440	S.RES ERJ3GEYJ 102 V (1 k)	T	78.3/83.9
R13	7030003680	S.RES ERJ3GEYJ 104 V (100 k)	T	76.6/75.6
R14	7030003680	S.RES ERJ3GEYJ 104 V (100 k)	T	78.5/78.2
R15	7030003440	S.RES ERJ3GEYJ 102 V (1 k)	T	55.6/60.2
R16	7030003320	S.RES ERJ3GEYJ 101 V (100)	T	54.8/55.2
R17	7030003560	S.RES ERJ3GEYJ 103 V (10 k)	T	54.1/82.2
R18	7030003560	S.RES ERJ3GEYJ 103 V (10 k)	T	54.1/80.9
R19	7030003680	S.RES ERJ3GEYJ 104 V (100 k)	T	58.3/58.2
R20	7030003570	S.RES ERJ3GEYJ 123 V (12 k)	T	59.6/60.6
R21	7030003650	S.RES ERJ3GEYJ 563 V (56 k)	T	59.6/58.2
R22	7030003450	S.RES ERJ3GEYJ 122 V (1.2 k)	T	66.3/58.5
R23	7030003560	S.RES ERJ3GEYJ 103 V (10 k)	B	105.1/100
R24	7030003440	S.RES ERJ3GEYJ 102 V (1 k)	B	102.9/98.8
R25	7030003380	S.RES ERJ3GEYJ 331 V (330)	B	126/99.1
R26	7030003380	S.RES ERJ3GEYJ 331 V (330)	B	126/97.1
R27	7030003380	S.RES ERJ3GEYJ 331 V (330)	B	126/91
R28	7030003380	S.RES ERJ3GEYJ 331 V (330)	B	126/89
R29	7030003380	S.RES ERJ3GEYJ 331 V (330)	B	126/83.8
R30	7030003380	S.RES ERJ3GEYJ 331 V (330)	B	126/81.8
R31	7030003380	S.RES ERJ3GEYJ 331 V (330)	B	126/77
R32	7030003380	S.RES ERJ3GEYJ 331 V (330)	B	126/75
R40	7030003440	S.RES ERJ3GEYJ 102 V (1 k)	T	61.2/99.9
R42	7030003860	S.RES ERJ3GE JPW V	T	60.4/71
R43	7030003860	S.RES ERJ3GE JPW V	T	60.7/69
R44	7030003860	S.RES ERJ3GE JPW V	T	68.2/71
R45	7030003860	S.RES ERJ3GE JPW V	T	65.7/68.5
R46	7030003860	S.RES ERJ3GE JPW V	T	70.6/68.9
R51	7030003440	S.RES ERJ3GEYJ 102 V (1 k)	B	35.8/80.1
R52	7030003440	S.RES ERJ3GEYJ 102 V (1 k)	B	34.3/80.1
R53	7030003440	S.RES ERJ3GEYJ 102 V (1 k)	B	32.8/80.1
R54	7030003440	S.RES ERJ3GEYJ 102 V (1 k)	B	31.2/80.1
R55	7030003440	S.RES ERJ3GEYJ 102 V (1 k)	B	29.6/80.1
R56	7030003440	S.RES ERJ3GEYJ 102 V (1 k)	B	28/80.1
R57	7030003440	S.RES ERJ3GEYJ 102 V (1 k)	B	26.4/80.1
R58	7030003440	S.RES ERJ3GEYJ 102 V (1 k)	B	24.8/80.1
R59	7030003440	S.RES ERJ3GEYJ 102 V (1 k)	T	18.3/78.7
R60	7030003440	S.RES ERJ3GEYJ 102 V (1 k)	T	17/76
R61	7030003440	S.RES ERJ3GEYJ 102 V (1 k)	T	15.7/76
R62	7030003440	S.RES ERJ3GEYJ 102 V (1 k)	T	14.4/78.7
R63	7030003440	S.RES ERJ3GEYJ 102 V (1 k)	T	10.6/78.7
R64	7030003440	S.RES ERJ3GEYJ 102 V (1 k)	T	9.3/74.8
R65	7030003440	S.RES ERJ3GEYJ 102 V (1 k)	T	8/74.8
R66	7030003520	S.RES ERJ3GEYJ 472 V (4.7 k)	B	15.6/81.6
R67	7030003200	S.RES ERJ3GEYJ 100 V (10)	T	99.8/90.4
R68	7030003200	S.RES ERJ3GEYJ 100 V (10)	T	98.5/90.2
R69	7030003200	S.RES ERJ3GEYJ 100 V (10)	T	97.2/90.4
R70	7030004040	S.RES ERJ3GEYJ 4R7 V (4.7)	T	104.8/65.9
R71	7030004040	S.RES ERJ3GEYJ 4R7 V (4.7)	T	103.5/65.9
R72	7030004040	S.RES ERJ3GEYJ 4R7 V (4.7)	T	102.2/65.9
R73	7030004040	S.RES ERJ3GEYJ 4R7 V (4.7)	T	100.9/65.9
R74	7030004040	S.RES ERJ3GEYJ 4R7 V (4.7)	T	99.6/65.9
R75	7030004040	S.RES ERJ3GEYJ 4R7 V (4.7)	T	98.3/65.9
R76	7030004040	S.RES ERJ3GEYJ 4R7 V (4.7)	T	97/65.9
R77	7030004040	S.RES ERJ3GEYJ 4R7 V (4.7)	T	95.7/65.9
R78	7030004040	S.RES ERJ3GEYJ 4R7 V (4.7)	B	120.1/64.6
R84	7030004040	S.RES ERJ3GEYJ 4R7 V (4.7)	B	110.5/64.6
R85	7030004040	S.RES ERJ3GEYJ 4R7 V (4.7)	B	108.9/64.6
R86	7030003560	S.RES ERJ3GEYJ 103 V (10 k)	B	116.1/83.6
R87	7030003860	S.RES ERJ3GE JPW V	T	32.5/76
R88	7030003860	S.RES ERJ3GE JPW V	T	31.2/76
R89	7030003860	S.RES ERJ3GE JPW V	T	29.9/76

[CTRL BOARD]

REF NO.	ORDER NO.	DESCRIPTION	M.	H/V LOCATION
R90	7030003860	S.RES ERJ3GE JPW V	T	28.6/76
R91	7030003860	S.RES ERJ3GE JPW V	T	27.3/76
R92	7030003860	S.RES ERJ3GE JPW V	T	26/76
R95	7030003860	S.RES ERJ3GE JPW V	T	15.7/78.7
R97	7030003860	S.RES ERJ3GE JPW V	T	8/78.7
R101	7030010950	S.RES ERJ1TYJ 100U (10)	T	18.6/29.5
R102	7030010950	S.RES ERJ1TYJ 100U (10)	T	22.3/29.5
R103	7030003560	S.RES ERJ3GEYJ 103 V (10 k)	T	12.2/34.7
R104	7030003560	S.RES ERJ3GEYJ 103 V (10 k)	T	27.6/34.9
R105	7030003720	S.RES ERJ3GEYJ 224 V (220 k)	T	12.2/37.3
R106	7030003720	S.RES ERJ3GEYJ 224 V (220 k)	T	25/36.7
R107	7030003660	S.RES ERJ3GEYJ 683 V (68 k)	T	14.1/36.5
R108	7030003660	S.RES ERJ3GEYJ 683 V (68 k)	T	23.2/34.8
R109	7030003720	S.RES ERJ3GEYJ 224 V (220 k)	T	13.3/38.7
R110	7030003720	S.RES ERJ3GEYJ 224 V (220 k)	T	25/37.9
R111	7030009340	S.RES ERJ3GEYJ 275V (2.7 M)	T	13.7/40.6
R112	7030003810	S.RES ERJ3GEYJ 125 V (1.2 M)	T	25/39.1
R113	7030003440	S.RES ERJ3GEYJ 102 V (1 k)	T	15/41.8
R114	7030003440	S.RES ERJ3GEYJ 102 V (1 k)	T	24.25/40.95
R115	7030009340	S.RES ERJ3GEYJ 275V (2.7 M)	T	12.4/40.6
R118	7030003860	S.RES ERJ3GE JPW V	T	12.6/25.1
R119	7030003860	S.RES ERJ3GE JPW V	T	35.8/41.9
R151	7030007190	S.RES ERJ12YJ220U (22)	T	37.6/27.2
R152	7030010620	S.RES ERJ12YJ180U (18)	B	38.1/26.8
R153	7030007190	S.RES ERJ12YJ220U (22)	T	37.6/31.8
R154	7030010620	S.RES ERJ12YJ180U (18)	B	38.1/31.8
R155	7030003320	S.RES ERJ3GEYJ 101 V (100)	T	37/39.6
R157	7030003320	S.RES ERJ3GEYJ 101 V (100)	T	30.3/40.1
R158	7030003560	S.RES ERJ3GEYJ 103 V (10 k)	T	31.8/41.5
R159	7030003560	S.RES ERJ3GEYJ 103 V (10 k)	T	38.4/41.5
R160	7030003280	S.RES ERJ3GEYJ 470 V (47)	T	30/42.3
R161	7030003280	S.RES ERJ3GEYJ 470 V (47)	T	39.7/43
R162	7030003440	S.RES ERJ3GEYJ 102 V (1 k)	T	30.9/44.9
R163	7030003440	S.RES ERJ3GEYJ 102 V (1 k)	T	42/43.3
R164	7030003280	S.RES ERJ3GEYJ 470 V (47)	T	33.6/47.7
R165	7030003280	S.RES ERJ3GEYJ 470 V (47)	T	39.2/46.4
R166	7030003440	S.RES ERJ3GEYJ 102 V (1 k)	T	34.3/44.7
R167	7030003440	S.RES ERJ3GEYJ 102 V (1 k)	T	39.2/45.1
R168	7030003280	S.RES ERJ3GEYJ 470 V (47)	T	38.8/49.8
R169	7030003440	S.RES ERJ3GEYJ 102 V (1 k)	T	38.8/51.1
R170	7030003280	S.RES ERJ3GEYJ 470 V (47)	T	31.5/58.2
R171	7030003280	S.RES ERJ3GEYJ 470 V (47)	T	31.5/56.9
R172	7030003480	S.RES ERJ3GEYJ 222 V (2.2 k)	T	32/53.7
R173	7030003500	S.RES ERJ3GEYJ 332 V (3.3 k)	T	27.2/54.9
R174	7030003360	S.RES ERJ3GEYJ 221 V (220)	T	27.2/52.3
R201	7030010420	S.RES ERJ1TYJ 560U (56)	T	49/29.7
R202	7030010420	S.RES ERJ1TYJ 560U (56)	B	49.3/29.4
R203	7030010420	S.RES ERJ1TYJ 560U (56)	T	49/33.7
R204	7030010420	S.RES ERJ1TYJ 560U (56)	B	49.3/34
R205	7030003560	S.RES ERJ3GEYJ 103 V (10 k)	T	52.3/45.4
R206	7030003560	S.RES ERJ3GEYJ 103 V (10 k)	T	57.4/41.5
R207	7030003800	S.RES ERJ3GEYJ 105 V (1 M)	T	50.1/49.9
R208	7030003560	S.RES ERJ3GEYJ 103 V (10 k)	T	54.8/42.6
R209	7030003520	S.RES ERJ3GEYJ 472 V (4.7 k)	T	54.8/40
R210	7030003440	S.RES ERJ3GEYJ 102 V (1 k)	T	56.1/42.7
R211	7030003480	S.RES ERJ3GEYJ 222 V (2.2 k)	T	13.1/49.4
R212	7030003560	S.RES ERJ3GEYJ 103 V (10 k)	T	25.1/49.4
R213	7030005331	S.RES ERA3YED 562V (5.6 k)	T	17.8/49.9
R214	7030005331	S.RES ERA3YED 562V (5.6 k)	T	16.5/49.9
R215	7030005871	S.RES ERA3YKD 104V (100 k)	T	14/53
R216	7030008121	S.RES ERA3YED 682V (6.8 k)	T	20.6/50
R217	7030008121	S.RES ERA3YED 682V (6.8 k)	T	22.3/48.1
R218	7030005871	S.RES ERA3YKD 104V (100 k)	T	23.8/52
R221	7030003670	S.RES ERJ3GEYJ 823 V (82 k)	B	17.1/57
R222	7030003680	S.RES ERJ3GEYJ 104 V (100 k)	T	20.9/51.3
R223	7030003820	S.RES ERJ3GEYJ 155 V (1.5 M)	T	14/55.8
R224	7030003820	S.RES ERJ3GEYJ 155 V (1.5 M)	T	23.8/54.6
R225	7030003560	S.RES ERJ3GEYJ 103 V (10 k)	T	14/61.4
R226	7030003560	S.RES ERJ3GEYJ 103 V (10 k)	T	21.9/61.4
R227	7030003560	S.RES ERJ3GEYJ 103 V (10 k)	T	14.7/63.4
R228	7030003560	S.RES ERJ3GEYJ 103 V (10 k)	T	21.3/63.4
R252	7030000230	S.RES MCR10EZHJ 56	T	70.8/31.9
R253	7030000230	S.RES MCR10EZHJ 56	T	69.9/35.2
R254	7030000230	S.RES MCR10EZHJ 56	T	70.8/38.7
R255	7030000220	S.RES MCR10EZHJ 47	T	72.2/40.8
R256	7030000230	S.RES MCR10EZHJ 56	T	72.4/31
R301	7030003560	S.RES ERJ3GEYJ 103 V (10 k)	T	83.7/57.6
R302	7030003560	S.RES ERJ3GEYJ 103 V (10 k)	T	81.9/61.2
R303	7030010910	S.RES ERJ1TYJ 150U (15)	B	90.1/60.7
R304	7030003560	S.RES ERJ3GEYJ 103 V (10 k)	T	85.5/62
R305	7030003720	S.RES ERJ3GEYJ 224 V (220 k)	T	80.6/61.2
R306	7030003660	S.RES ERJ3GEYJ 683 V (68 k)	T	78.7/57.2
R307	7030003660	S.RES ERJ3GEYJ 683 V (68 k)	T	79.2/59.7
R308	7030003840	S.RES ERJ3GEYJ 225 V (2.2 M)	B	76.5/58.3
R309	7030003720	S.RES ERJ3GEYJ 224 V (220 k)	T	76.1/53.9
R310	7030003840	S.RES ERJ3GEYJ 225 V (2.2 M)	T	73.4/54
R311	7030003440	S.RES ERJ3GEYJ 102 V (1 k)	T	76/55.5
R312	7030003560	S.RES ERJ3GEYJ 103 V (10 k)	T	73.4/55.5
R313	7030003700	S.RES ERJ3GEYJ 154 V (150 k)	T	78.5/61.7
R345	7030003560	S.RES ERJ3GEYJ 103 V (10 k)	T	88.3/83.7
R401	7030004040	S.RES ERJ3GEYJ 4R7 V (4.7)	T	17.5/93.4
R402	7030004040	S.RES ERJ3GEYJ 4R7 V (4.7)	T	16.2/93.4

M.=Mounted side (T: Mounted on the Top side, B: Mounted on the Bottom side)  
S.=Surface mount

[CTRL BOARD]

REF NO.	ORDER NO.	DESCRIPTION	M.	H/V LOCATION
R403	7030004040	S.RES ERJ3GEYJ 4R7 V (4.7)	T	14.9/93.4
R404	7030004040	S.RES ERJ3GEYJ 4R7 V (4.7)	T	13.6/93.4
R405	7030004040	S.RES ERJ3GEYJ 4R7 V (4.7)	T	12.3/93.4
R406	7030004040	S.RES ERJ3GEYJ 4R7 V (4.7)	T	11/93.4
R407	7030004040	S.RES ERJ3GEYJ 4R7 V (4.7)	T	9.7/93.4
R408	7030004040	S.RES ERJ3GEYJ 4R7 V (4.7)	T	8.4/93.4
R409	7030004040	S.RES ERJ3GEYJ 4R7 V (4.7)	B	36.6/86.7
R410	7030004040	S.RES ERJ3GEYJ 4R7 V (4.7)	B	35.1/86.7
R411	7030004040	S.RES ERJ3GEYJ 4R7 V (4.7)	B	33.6/86.7
R412	7030004040	S.RES ERJ3GEYJ 4R7 V (4.7)	B	32/86.7
R413	7030004040	S.RES ERJ3GEYJ 4R7 V (4.7)	B	30.4/86.7
R414	7030004040	S.RES ERJ3GEYJ 4R7 V (4.7)	B	28.8/86.7
R415	7030004040	S.RES ERJ3GEYJ 4R7 V (4.7)	B	27.2/86.7
R416	7030004040	S.RES ERJ3GEYJ 4R7 V (4.7)	B	25.6/86.7
R417	7030003440	S.RES ERJ3GEYJ 102 V (1 k)	B	31.3/98.5
R418	7030003440	S.RES ERJ3GEYJ 102 V (1 k)	B	44.8/98.5
R419	7030003440	S.RES ERJ3GEYJ 102 V (1 k)	B	32.9/98.5
R420	7030003440	S.RES ERJ3GEYJ 102 V (1 k)	B	46.4/98.5
R421	7030003440	S.RES ERJ3GEYJ 102 V (1 k)	B	34.5/98.5
R422	7030003440	S.RES ERJ3GEYJ 102 V (1 k)	B	48/98.5
R423	7030003440	S.RES ERJ3GEYJ 102 V (1 k)	B	36.1/98.5
R424	7030003440	S.RES ERJ3GEYJ 102 V (1 k)	B	49.6/98.5
R425	7030003440	S.RES ERJ3GEYJ 102 V (1 k)	B	37.7/98.5
R426	7030003440	S.RES ERJ3GEYJ 102 V (1 k)	B	51.2/98.5
R427	7030003440	S.RES ERJ3GEYJ 102 V (1 k)	B	39.3/98.5
R428	7030003440	S.RES ERJ3GEYJ 102 V (1 k)	B	52.8/98.5
R429	7030003440	S.RES ERJ3GEYJ 102 V (1 k)	B	40.9/98.5
R430	7030003440	S.RES ERJ3GEYJ 102 V (1 k)	B	54.4/98.5
R431	7030003440	S.RES ERJ3GEYJ 102 V (1 k)	B	42.5/98.5
R432	7030003440	S.RES ERJ3GEYJ 102 V (1 k)	B	56/98.5
C1	4510008540	S.ELE EEE1CA100SR	T	42.6/80.3
C2	4030011600	S.CER C1608 JB 1E 104K-T	T	45.8/82.3
C3	4030006880	S.CER C1608 JB 1H 472K-T	T	89.5/100
C4	4030006900	S.CER C1608 JB 1H 103K-T	B	56/74.7
C5	4030006900	S.CER C1608 JB 1H 103K-T	T	58.6/72.9
C6	4030006880	S.CER C1608 JB 1H 472K-T	T	74.6/74.7
C7	4030017810	S.CER C1608 CH 1H 102J-T	T	75.3/76.6
C8	4030011600	S.CER C1608 JB 1E 104K-T	T	56/81.3
C9	4030009990	S.CER C1608 CH 1H 200J-T	T	75.3/80.5
C10	4030011600	S.CER C1608 JB 1E 104K-T	T	51.7/79.8
C11	4030006880	S.CER C1608 JB 1H 472K-T	T	76.6/78.2
C12	4030009990	S.CER C1608 CH 1H 200J-T	T	76.6/81.5
C13	4510008870	S.ELE EEE1AA471UP	T	48.5/56.6
C14	4030011600	S.CER C1608 JB 1E 104K-T	T	60.7/55.3
C15	4030011600	S.CER C1608 JB 1E 104K-T	T	67.3/53.7
C16	4510008500	S.ELE EEE1CA101WP	T	66.6/48.8
C17	4510008550	S.ELE EEE1HA010SR	T	133.3/100.5
C18	4510008550	S.ELE EEE1HA010SR	T	133.3/95.7
C19	4510008550	S.ELE EEE1HA010SR	T	138.4/91.9
C20	4510008550	S.ELE EEE1HA010SR	T	133.3/89.7
C21	4510008550	S.ELE EEE1HA010SR	T	138.4/85.3
C22	4510008550	S.ELE EEE1HA010SR	T	133.3/83.1
C23	4510008550	S.ELE EEE1HA010SR	T	138.4/78.6
C24	4510008550	S.ELE EEE1HA010SR	T	133.3/76.5
C25	4030011600	S.CER C1608 JB 1E 104K-T	T	53.6/57.7
C26	4030006880	S.CER C1608 JB 1H 472K-T	T	61/58.2
C38	4030011600	S.CER C1608 JB 1E 104K-T	T	91.3/87.5
C39	4510008870	S.ELE EEE1AA471UP	T	57.9/49.8
C40	4030011600	S.CER C1608 JB 1E 104K-T	T	84/70.6
C41	4030011600	S.CER C1608 JB 1E 104K-T	T	78.5/73.2
C43	4030006880	S.CER C1608 JB 1H 472K-T	T	88.8/95.5
C66	4510008540	S.ELE EEE1CA100SR	T	106.6/81.6
C68	4030011600	S.CER C1608 JB 1E 104K-T	B	103.6/82.8
C69	4030011600	S.CER C1608 JB 1E 104K-T	T	118.4/79.9
C70	4030011600	S.CER C1608 JB 1E 104K-T	T	95.8/80.5
C71	4030011600	S.CER C1608 JB 1E 104K-T	T	106.9/77.6
C72	4510008540	S.ELE EEE1CA100SR	T	111.6/83.3
C88	4030011600	S.CER C1608 JB 1E 104K-T	B	7.8/81.8
C102	4010005530	CER HM60SJ SL 020C 500V		
C103	4010005530	CER HM60SJ SL 020C 500V		
C104	4610002250	TRI TZ03R200Y169B00		
C105	4030011540	S.CER C1608 CH 1H 750J-T	B	13.1/28.5
C106	4030011540	S.CER C1608 CH 1H 750J-T	T	25.8/33.1
C107	4030017810	S.CER C1608 CH 1H 102J-T	T	12.2/36
C108	4030017810	S.CER C1608 CH 1H 102J-T	T	25.8/35.5
C109	4030006880	S.CER C1608 JB 1H 472K-T	B	21.6/38.4
C110	4030006880	S.CER C1608 JB 1H 472K-T	B	18.5/38.4
C111	4510008540	S.ELE EEE1CA100SR	T	25.4/45.8
C112	4510008540	S.ELE EEE1CA100SR	T	18.8/46.4
C113	4030006880	S.CER C1608 JB 1H 472K-T	T	16.3/41.8
C114	4030006880	S.CER C1608 JB 1H 472K-T	T	23/41.8
C115	4030007100	S.CER C1608 CH 1H 560J-T	B	13.1/26.9
C116	4030011540	S.CER C1608 CH 1H 750J-T	T	25.8/34.3
C119	4030007100	S.CER C1608 CH 1H 560J-T	T	16.9/24.1
C151	4010005540	CER HM60SJ SL 030C 500V		
C152	4030007070	S.CER C1608 CH 1H 330J-T	T	33/34.3
C153	4030007120	S.CER C1608 CH 1H 820J-T	T	32.3/35.6
C154	4030007070	S.CER C1608 CH 1H 330J-T	T	38.5/34.5
C155	4030007120	S.CER C1608 CH 1H 820J-T	T	35.9/34.5
C156	4030006880	S.CER C1608 JB 1H 472K-T	T	29.8/37.5

[CTRL BOARD]

REF NO.	ORDER NO.	DESCRIPTION	M.	H/V LOCATION
C157	4030006880	S.CER C1608 JB 1H 472K-T	T	41.6/38.4
C158	4030007060	S.CER C1608 CH 1H 270J-T	T	29.7/35.6
C159	4030006880	S.CER C1608 JB 1H 472K-T	T	34.4/38.4
C161	4030006880	S.CER C1608 JB 1H 472K-T	T	45.2/51.5
C162	4550003120	S.TAN TEESVD2 1A 476M12R	T	46.7/46.3
C163	4030007170	S.CER C1608 CH 1H 221J-T	T	30.1/59.5
C164	4030007170	S.CER C1608 CH 1H 221J-T	T	31.5/55.6
C165	4030006880	S.CER C1608 JB 1H 472K-T	T	31.5/51.7
C171	4030006880	S.CER C1608 JB 1H 472K-T	B	40.2/37.7
C173	4030006880	S.CER C1608 JB 1H 472K-T	T	28.3/48.4
C174	4030006880	S.CER C1608 JB 1H 472K-T	T	42.2/49.6
C175	4030006880	S.CER C1608 JB 1H 472K-T	T	35.9/49.8
C180	4030011600	S.CER C1608 JB 1E 104K-T	T	28.3/49.7
C181	4030011600	S.CER C1608 JB 1E 104K-T	T	42.2/48.3
C201	4010005580	CER HM60SJ SL 070D 500V		
C202	4010005520	CER HM60SJ SL 010C 500V		
C204	4030011570	S.CER CM105 CH 101G 50AT	T	55.3/36.9
C205	4030016550	S.CER CM105 CH 151G 50AT	T	51.4/36.9
C206	4030009530	S.CER C1608 CH 1H 030B-T	T	52.7/36.9
C207	4030006880	S.CER C1608 JB 1H 472K-T	T	49.8/39.3
C208	4030006880	S.CER C1608 JB 1H 472K-T	T	56.1/40
C209	4030017810	S.CER C1608 CH 1H 102J-T	T	51.7/40
C210	4030006880	S.CER C1608 JB 1H 472K-T	T	53.5/40
C211	4030006880	S.CER C1608 JB 1H 472K-T	T	14.4/49.4
C212	4030006880	S.CER C1608 JB 1H 472K-T	T	23.8/49.4
C213	4030006880	S.CER C1608 JB 1H 472K-T	B	19.7/55.7
C214	4030007170	S.CER C1608 CH 1H 221J-T	T	14.7/59.4
C215	4030007170	S.CER C1608 CH 1H 221J-T	T	21.4/59.4
C216	4030011340	S.CER C1608 CH 1H 471J-T	T	15.4/61.4
C217	4030011340	S.CER C1608 CH 1H 471J-T	T	20.6/61.4
C218	4030006880	S.CER C1608 JB 1H 472K-T	B	18.2/54.1
C252	4030006880	S.CER C1608 JB 1H 472K-T	T	72.9/33.3
C253	4030006880	S.CER C1608 JB 1H 472K-T	T	76.6/38.3
C254	4030006880	S.CER C1608 JB 1H 472K-T	T	72.9/48.1
C255	4030006880	S.CER C1608 JB 1H 472K-T	T	73/38.2
C301	4010005520	CER HM60SJ SL 010C 500V		
C302	4030007030	S.CER C1608 CH 1H 150J-T	T	85.5/56.6
C303	4030007050	S.CER C1608 CH 1H 220J-T	T	85.5/59.2
C304	4030017810	S.CER C1608 CH 1H 102J-T	T	83.7/60.5
C305	4030017810	S.CER C1608 CH 1H 102J-T	T	90.3/61.3
C307	4030006880	S.CER C1608 JB 1H 472K-T	T	78.7/55.8
C308	4030006880	S.CER C1608 JB 1H 472K-T	T	77.9/59.7
C309	4030011600	S.CER C1608 JB 1E 104K-T	T	68.8/59.8
C310	4030009530	S.CER C1608 CH 1H 030B-T	T	85.5/57.9
C417	4510008540	S.ELE EEE1CA100SR	T	22.6/77.6
C418	4510008540	S.ELE EEE1CA100SR	T	40.6/85.6
C419	4030006880	S.CER C1608 JB 1H 472K-T	T	19.6/78.7
C420	4030006880	S.CER C1608 JB 1H 472K-T	T	38.4/79.2
RL251	6330001530	RLY NR-HD (5V) AE5349		
RL252	6330001460	RLY FTR-F1CA012V		
RL253	6330001460	RLY FTR-F1CA012V		
CP1	6910009670	S.CHK HK3-S-T	T	67.7/100.1
CP101	6910009670	S.CHK HK3-S-T	T	5/83.4
J1	6510023771	S.CNR 52793-2470 (2490)	T	101.8/99.6
J2	6510023761	S.CNR S10B-PH-SM4-TB (LF) (SN)	T	148.3/82.8
J51	6510023771	S.CNR 52793-2470 (2490)	T	43.9/99.6
J52	6510022031	S.CNR B10B-ZR-SM4-TF (LF) (SN)	T	133/2.9
J53	6510021431	S.CNR S8B-ZR-SM4-TF (LF) (SN)	T	134.6/65
J101	6510017920	CNR 1811P342		
J251	6510017920	CNR 1811P342		
J252	6510017920	CNR 1811P342		
J301	6510017920	CNR 1811P342		
J351	6510007020	CNR TMP-J01X-V6		
W1	9029804001	WIR 72/99/040/X98/X98		
EP1	9040902903	TUB IRRAX 0.7 (d) L=22 mm		

M.=Mounted side (T: Mounted on the Top side, B: Mounted on the Bottom side)  
S.=Surface mount



[ANT-SW UNIT]

REF NO.	ORDER NO.	DESCRIPTION	M.	H/V LOCATION
IC11	1130011510	S.IC BU2099FV-E2	T	160.6/33.6
IC12	1180002391	S.REG S-812C33AMC-C2N-G	T	152.4/28.7
Q11	1590001001	S.TR RN2427(RE85R,F)	T	156.9/38.6
Q12	1590001001	S.TR RN2427(RE85R,F)	T	152.3/36.9
Q13	1590001001	S.DIO 1SS355 TE-17	T	164.7/38.5
Q14	1590001001	S.TR RN2427(RE85R,F)	T	164.7/17.5
D51	1750000550	S.DIO 1SS355 TE-17	T	161.9/13.3
D52	1750000550	S.DIO 1SS355 TE-17	T	140.3/42.9
D53	1750000550	S.DIO 1SS355 TE-17	T	115.1/41.4
D61	1750000550	S.DIO 1SS355 TE-17	T	118.9/19.7
D62	1750000550	S.DIO 1SS355 TE-17	T	107.1/43
D63	1750000550	S.DIO 1SS355 TE-17	T	79/43.6
D71	1750000550	S.DIO 1SS355 TE-17	T	68.7/21.4
D72	1750000550	S.DIO 1SS355 TE-17	T	61.6/42.9
D73	1750000550	S.DIO 1SS355 TE-17	T	65.8/43.4
D81	1750000550	S.DIO 1SS355 TE-17	T	36.9/19.7
D82	1750000550	S.DIO 1SS355 TE-17	T	41.4/45.2
D83	1750000550	S.DIO 1SS355 TE-17	T	28.2/45.3
D84	1750000550	S.DIO 1SS355 TE-17	T	25.8/43
L1	6200003590	S.COL EXCCL3225U1	T	155.7/27.5
L2	6110001670	COL LA-253		
R1	7540000100	ABS SRYH-350L		
R2	7540000130	ABS 2P-50A-301		
R3	7540000130	ABS 2P-50A-301		
R11	7030003320	S.RES ERJ3GEYJ 101 V (100)	T	165.5/27.4
R12	7030003320	S.RES ERJ3GEYJ 101 V (100)	T	164.2/27.4
R13	7030003320	S.RES ERJ3GEYJ 101 V (100)	T	162.9/27.4
R14	7030003320	S.RES ERJ3GEYJ 101 V (100)	T	166.2/33.9
R15	7030003320	S.RES ERJ3GEYJ 101 V (100)	T	148.7/31.6
R16	7030003320	S.RES ERJ3GEYJ 101 V (100)	T	151.5/31.6
R17	7030003320	S.RES ERJ3GEYJ 101 V (100)	T	154.7/39.4
R18	7030003320	S.RES ERJ3GEYJ 101 V (100)	T	151.4/32.9
R19	7030003320	S.RES ERJ3GEYJ 101 V (100)	T	151.4/34.2
R20	7030003320	S.RES ERJ3GEYJ 101 V (100)	T	152.1/39.1
R21	7030003320	S.RES ERJ3GEYJ 101 V (100)	T	154.7/36.6
R22	7030003320	S.RES ERJ3GEYJ 101 V (100)	T	166.9/38.7
R23	7030003320	S.RES ERJ3GEYJ 101 V (100)	T	162.3/38.9
R24	7030003320	S.RES ERJ3GEYJ 101 V (100)	T	161/39.1
R25	7030003320	S.RES ERJ3GEYJ 101 V (100)	T	159.7/39.1
R26	7030003320	S.RES ERJ3GEYJ 101 V (100)	T	162.7/15.6
C1	4010005610	CER HM60SJ SL 100D 500V		
C2	4010005660	CER HM60SJ SL 220J 500V		
C11	4030011600	S.CER C1608 JB 1E 104K-T	T	160/27.6
C12	4030011600	S.CER C1608 JB 1E 104K-T	T	158.7/27.6
C51	4030006880	S.CER C1608 JB 1H 472K-T	T	163.5/13.6
C52	4030006880	S.CER C1608 JB 1H 472K-T	T	144.5/41.3
C53	4030006880	S.CER C1608 JB 1H 472K-T	T	113.5/41.7
C61	4030006880	S.CER C1608 JB 1H 472K-T	T	119.2/21.3
C62	4030006880	S.CER C1608 JB 1H 472K-T	T	107.4/44.5
C63	4030006880	S.CER C1608 JB 1H 472K-T	T	77.5/43.6
C71	4030006880	S.CER C1608 JB 1H 472K-T	T	69/19.9
C72	4030006880	S.CER C1608 JB 1H 472K-T	T	61.6/44.5
C73	4030006880	S.CER C1608 JB 1H 472K-T	T	73/43.4
C81	4030006880	S.CER C1608 JB 1H 472K-T	T	37.2/21.3
C82	4030006880	S.CER C1608 JB 1H 472K-T	T	42.9/45.2
C83	4030006880	S.CER C1608 JB 1H 472K-T	T	26.6/45.6
C84	4030006880	S.CER C1608 JB 1H 472K-T	T	25/45.6
RL51	6330001460	RLY FTR-F1CA012V		
RL52	6330001780	RLY FTR-MYAA012D		
RL53	6330001780	RLY FTR-MYAA012D		
RL61	6330001460	RLY FTR-F1CA012V		
RL62	6330001780	RLY FTR-MYAA012D		
RL63	6330001780	RLY FTR-MYAA012D		
RL71	6330001460	RLY FTR-F1CA012V		
RL72	6330001780	RLY FTR-MYAA012D		
RL73	6330001780	RLY FTR-MYAA012D		
RL81	6330001460	RLY FTR-F1CA012V		
RL82	6330001780	RLY FTR-MYAA012D		
RL83	6330001780	RLY FTR-MYAA012D		
RL84	6330001780	RLY FTR-MYAA012D		
J1	6510017930	CNR 1771P145-20		
J2	6510007020	CNR TMP-J01X-V6		
J3	6510007020	CNR TMP-J01X-V6		
J4	6510019971	S.CNR 52808-1071	T	153/22
J51	6510000410	CNR MR-DS-E 02		
J61	6510000410	CNR MR-DS-E 02		
J71	6510000410	CNR MR-DS-E 02		
J81	6510000410	CNR MR-DS-E 02		

[OSC UNIT]

REF NO.	ORDER NO.	DESCRIPTION	M.	H/V LOCATION
IC10	1180002610	S.REG BA12FP-E2	T	37.8/20
IC91	1190002001	S.IC AD5260BRUZ50	T	26.8/12
IC92	1130005721	S.IC TC7W04F (TE12L,F)	T	23.7/6.1
Q10	1590000680	S.TR DTC114EUA T106	T	32.4/35
Q11	1590000680	S.TR DTC114EUA T106	T	22.1/42.4
Q12	1590000680	S.TR DTC114EUA T106	T	29.1/41.5
Q13	1590000680	S.TR DTC114EUA T106	T	31.6/41.5
Q21	1530002060	S.TR 2SC4081 T106 R	T	11.3/6.3
Q22	1530002601	S.TR 2SC4215-O (TE85R,F)	T	10.4/17.8
Q23	1590000680	S.TR DTC114EUA T106	T	13/11
Q42	1530002601	S.TR 2SC4215-O (TE85R,F)	T	18.8/18.8
Q43	1590000680	S.TR DTC114EUA T106	T	19.6/11.7
Q61	1530002060	S.TR 2SC4081 T106 R	T	26.1/36.1
Q62	1530002060	S.TR 2SC4081 T106 R	T	20.6/38.6
Q70	1530002060	S.TR 2SC4081 T106 R	T	9.9/41.2
Q101	1530002700	S.TR 2SC4097 T106Q	T	36.7/40
D10	1790001250	S.DIO MA2S111-(TX)	T	31.4/31.7
D11	1790001250	S.DIO MA2S111-(TX)	T	16.5/38.2
D71	1750000380	S.DIO 1SS312 (TE85R)	T	29.8/34.9
D72	1750000380	S.DIO 1SS312 (TE85R)	T	29.9/37.6
X1	6050012210	XTL CR-772.OCVXO-148A		
L1	6200003950	S.COL HF50ACC 322513-T	T	38.8/43.7
L2	6200003950	S.COL HF50ACC 322513-T	T	35.8/43.7
L10	6200003950	S.COL HF50ACC 322513-T	T	94.7/30.6
L20	6200005491	S.COL NLV32T-331J	T	14.7/11.9
L21	6200003261	S.COL NLV32T-101J	T	6.9/11.2
L22	6200003261	S.COL NLV32T-101J	T	7.9/14.7
L23	6200003041	S.COL NLV32T-R68J	T	6.9/20.3
L24	6200003051	S.COL NLV32T-R82J	T	6.2/23.8
L41	6200003261	S.COL NLV32T-101J	T	15.3/13.7
L42	6200003261	S.COL NLV32T-101J	T	14.7/17.2
L43	6200003041	S.COL NLV32T-R68J	T	15.3/22.4
L44	6200003051	S.COL NLV32T-R82J	T	18.8/24.2
L61	6150004170	COL LS-476		
L62	6150004170	COL LS-476		
L91	6200003950	S.COL HF50ACC 322513-T	T	23.6/20.3
L92	6200003950	S.COL HF50ACC 322513-T	T	19.4/4.3
R1	7030003440	S.RES ERJ3GEYJ 102 V (1 k)	T	32.4/44.3
R2	7030003440	S.RES ERJ3GEYJ 102 V (1 k)	T	29.8/44.2
R3	7030003440	S.RES ERJ3GEYJ 102 V (1 k)	T	25.8/44.2
R11	7030003200	S.RES ERJ3GEYJ 100 V (10)	T	33.3/32.3
R12	7030003200	S.RES ERJ3GEYJ 100 V (10)	T	16.7/40.3
R13	7030003440	S.RES ERJ3GEYJ 102 V (1 k)	T	16.8/11.6
R20	7030003240	S.RES ERJ3GEYJ 220 V (22)	T	11.3/1.8
R21	7030003560	S.RES ERJ3GEYJ 103 V (10 k)	T	11.1/4.4
R22	7030003370	S.RES ERJ3GEYJ 271 V (270)	T	15.5/7.9
R23	7030004040	S.RES ERJ3GEYJ 4R7 V (4.7)	T	11.4/14
R24	7030003370	S.RES ERJ3GEYJ 271 V (270)	T	12.3/17.7
R25	7030003500	S.RES ERJ3GEYJ 332 V (3.3 k)	T	10.1/14.2
R26	7030003480	S.RES ERJ3GEYJ 222 V (2.2 k)	T	12.8/9.1
R27	7030003360	S.RES ERJ3GEYJ 221 V (220)	T	5.8/13.9
R28	7030003440	S.RES ERJ3GEYJ 102 V (1 k)	T	10.2/11.9
R43	7030003240	S.RES ERJ3GEYJ 220 V (22)	T	19.7/14.2
R44	7030003370	S.RES ERJ3GEYJ 271 V (270)	T	20.7/18.6
R45	7030003500	S.RES ERJ3GEYJ 332 V (3.3 k)	T	17.9/15.1
R46	7030003480	S.RES ERJ3GEYJ 222 V (2.2 k)	T	19.4/9.8
R47	7030003290	S.RES ERJ3GEYJ 560 V (56)	T	16.8/17.9
R61	7030003240	S.RES ERJ3GEYJ 220 V (22)	T	22.2/35.4
R62	7030003560	S.RES ERJ3GEYJ 103 V (10 k)	T	26.3/34.2
R63	7030003380	S.RES ERJ3GEYJ 331 V (330)	T	25.9/38
R64	7030003280	S.RES ERJ3GEYJ 470 V (47)	T	20.8/40.5
R65	7030003400	S.RES ERJ3GEYJ 471 V (470)	T	20/34.8
R67	7030003560	S.RES ERJ3GEYJ 103 V (10 k)	T	19.6/36.7
R68	7030003550	S.RES ERJ3GEYJ 822 V (8.2 k)	T	22.2/36.7
R71	7030003340	S.RES ERJ3GEYJ 151 V (150)	T	32.6/38.2
R72	7030003270	S.RES ERJ3GEYJ 390 V (39)	T	31.2/39.5
R73	7030003340	S.RES ERJ3GEYJ 151 V (150)	T	28.6/39.5
R75	7030003280	S.RES ERJ3GEYJ 470 V (47)	T	16.2/43.1
R77	7030003320	S.RES ERJ3GEYJ 101 V (100)	T	12.5/44.6
R78	7030003470	S.RES ERJ3GEYJ 182 V (1.8 k)	T	8/41
R79	7030003480	S.RES ERJ3GEYJ 222 V (2.2 k)	T	6.1/41.6
R80	7030003360	S.RES ERJ3GEYJ 221 V (220)	T	11.8/41
R82	7030003280	S.RES ERJ3GEYJ 470 V (47)	T	17.5/43.1
R91	7030006091	S.RES ERA3YED 822V (8.2 k)	T	19.5/7.1
R92	7030005341	S.RES ERA3YED 332V (3.3 k)	T	19.5/8.4
R93	7030003560	S.RES ERJ3GEYJ 103 V (10 k)	T	25.6/1.4
R94	7030003540	S.RES ERJ3GEYJ 682 V (6.8 k)	T	25.6/2.7
R95	7030003320	S.RES ERJ3GEYJ 101 V (100)	T	22.4/16.7
R96	7030003440	S.RES ERJ3GEYJ 102 V (1 k)	T	32/14.1
R97	7030003440	S.RES ERJ3GEYJ 102 V (1 k)	T	28.6/16.1
R98	7030003640	S.RES ERJ3GEYJ 473 V (47 k)	T	27.3/16.1
R99	7030003480	S.RES ERJ3GEYJ 222 V (2.2 k)	T	22.4/10.1

M.=Mounted side (T: Mounted on the Top side, B: Mounted on the Bottom side)  
S.=Surface mount

[OSC UNIT]

REF NO.	ORDER NO.	DESCRIPTION	M.	H/V LOCATION
R100	7030003640	S.RES ERJ3GEYJ 473 V (47 k)	T	27.2/6.4
R101	7030003360	S.RES ERJ3GEYJ 221 V (220)	T	36.9/38.1
R102	7030005981	S.RES ERA3YED 333V (33 k)	T	32.4/6.7
C1	4030006880	S.CER C1608 JB 1H 472K-T	T	39.6/47.6
C2	4030006880	S.CER C1608 JB 1H 472K-T	T	31.1/44.3
C3	4030006880	S.CER C1608 JB 1H 472K-T	T	33.7/44
C4	4030006880	S.CER C1608 JB 1H 472K-T	T	30.5/8.6
C5	4510008550	S.ELE EEE1HA010SR	T	30.6/2.6
C6	4030006880	S.CER C1608 JB 1H 472K-T	T	35/3.4
C7	4510008550	S.ELE EEE1HA010SR	T	38.7/2.6
C8	4030011600	S.CER C1608 JB 1E 104K-T	T	17.3/2.1
C9	4030006880	S.CER C1608 JB 1H 472K-T	T	27.1/43.1
C10	4510008680	S.ELE EEE1EA220SP	T	29.7/21.3
C11	4030004760	S.CER C2012 JF 1H 104Z-T	T	35.9/13
C12	4030006880	S.CER C1608 JB 1H 472K-T	T	39.2/12.8
C13	4510008680	S.ELE EEE1EA220SP	T	37.1/8.6
C14	4030006880	S.CER C1608 JB 1H 472K-T	T	94.7/33.9
C15	4030011600	S.CER C1608 JB 1E 104K-T	T	39.2/14.1
C16	4030011600	S.CER C1608 JB 1E 104K-T	T	29.6/32.3
C17	4030011600	S.CER C1608 JB 1E 104K-T	T	19.4/41.8
C18	4030011600	S.CER C1608 JB 1E 104K-T	T	17.8/38.3
C19	4030011600	S.CER C1608 JB 1E 104K-T	T	31.5/33
C20	4030011600	S.CER C1608 JB 1E 104K-T	T	13.3/5.2
C21	4030011600	S.CER C1608 JB 1E 104K-T	T	11.3/3.1
C22	4030011600	S.CER C1608 JB 1E 104K-T	T	15/11
C23	4030011600	S.CER C1608 JB 1E 104K-T	T	11.9/15.8
C24	4030011600	S.CER C1608 JB 1E 104K-T	T	12.7/14
C25	4030011600	S.CER C1608 JB 1E 104K-T	T	10.2/19.8
C26	4030017800	S.CER C1608 CH 1H 561J-T	T	10.2/21.1
C27	4030007120	S.CER C1608 CH 1H 820J-T	T	7.7/18.2
C28	4030011340	S.CER C1608 CH 1H 471J-T	T	8.9/22.5
C29	4030011330	S.CER C1608 CH 1H 391J-T	T	10.2/23.8
C30	4030007050	S.CER C1608 CH 1H 220J-T	T	8.4/24.5
C31	4030017800	S.CER C1608 CH 1H 561J-T	T	10.2/25.1
C32	4030011600	S.CER C1608 JB 1E 104K-T	T	10.8/9.2
C33	4030011600	S.CER C1608 JB 1E 104K-T	T	9.5/10.1
C42	4030011600	S.CER C1608 JB 1E 104K-T	T	21.6/12.7
C43	4030011600	S.CER C1608 JB 1E 104K-T	T	20.1/16.8
C44	4030011600	S.CER C1608 JB 1E 104K-T	T	19.9/15.5
C45	4030011600	S.CER C1608 JB 1E 104K-T	T	13.2/20.6
C46	4030017800	S.CER C1608 CH 1H 561J-T	T	15/19.8
C47	4030007120	S.CER C1608 CH 1H 820J-T	T	13.2/23.2
C48	4030011340	S.CER C1608 CH 1H 471J-T	T	17.5/21.5
C49	4030011330	S.CER C1608 CH 1H 391J-T	T	18.8/21.5
C50	4030007050	S.CER C1608 CH 1H 220J-T	T	20.6/22.1
C51	4030017800	S.CER C1608 CH 1H 561J-T	T	21.7/24.4
C52	4030011600	S.CER C1608 JB 1E 104K-T	T	17.6/8.8
C53	4030011600	S.CER C1608 JB 1E 104K-T	T	16.3/9.7
C61	4030011600	S.CER C1608 JB 1E 104K-T	T	26.3/32.9
C62	4030011600	S.CER C1608 JB 1E 104K-T	T	24.1/36.1
C63	4030011600	S.CER C1608 JB 1E 104K-T	T	25.9/39.3
C64	4030011600	S.CER C1608 JB 1E 104K-T	T	22.7/34.1
C66	4030007010	S.CER C1608 CH 1H 100D-T	T	12.8/25.1
C67	4030011600	S.CER C1608 JB 1E 104K-T	T	17/35.4
C71	4030006880	S.CER C1608 JB 1H 472K-T	T	33.8/39.5
C72	4030006880	S.CER C1608 JB 1H 472K-T	T	14.4/45.4
C73	4030006880	S.CER C1608 JB 1H 472K-T	T	6.1/40.3
C74	4030006880	S.CER C1608 JB 1H 472K-T	T	10/43.2
C75	4030006880	S.CER C1608 JB 1H 472K-T	T	13.1/40.9
C76	4030006880	S.CER C1608 JB 1H 472K-T	T	19.4/45.4
C77	4030011600	S.CER C1608 JB 1E 104K-T	T	10.7/44.6
C91	4030006880	S.CER C1608 JB 1H 472K-T	T	25.5/16.4
C92	4030006880	S.CER C1608 JB 1H 472K-T	T	17.3/4.7
C93	4030006880	S.CER C1608 JB 1H 472K-T	T	22.1/2.7
C94	4030006880	S.CER C1608 JB 1H 472K-T	T	27.9/8.6
C101	4550006480	S.TAN TEESVA 1C 475M8R	T	40/38.9
RL10	6330001750	RLY FTR-B4CA012Z		
RL11	6330001750	RLY FTR-B4CA012Z		
J2	6510019971	S.CNR 52808-1071	T	30.5/48.8
J71	6510007020	CNR TMP-J01X-V6		
J72	6510007020	CNR TMP-J01X-V6		
J73	6510007020	CNR TMP-J01X-V6		

[REG UNIT]

REF NO.	ORDER NO.	DESCRIPTION	M.	H/V LOCATION
EP1	6910016050	EDB FP2212B FCC [USA]		
	6910016060	EDB FP2212C RTTE [Others]		

[DIGSEL UNIT]

REF NO.	ORDER NO.	DESCRIPTION	M.	H/V LOCATION
IC1	1130011141	S.IC CAT24WC256X-1.8-T13	B	18.9/51.9
IC4	1130011510	S.IC BU2099FV-E2	T	29.9/55.8
IC5	1130011510	S.IC BU2099FV-E2	T	18.5/55.8
IC501	1130011141	S.IC CAT24WC256X-1.8-T13	B	17.5/26.4
IC504	1130011510	S.IC BU2099FV-E2	T	28.3/29.2
IC505	1130011510	S.IC BU2099FV-E2	T	18.1/29.3
Q201	1530003851	S.TR 2SC5551F-TD-E	T	48.5/52.8
Q701	1530003851	S.TR 2SC5551F-TD-E	T	49.7/21.3
D21	1750000550	S.DIO 1SS355 TE-17	B	28.5/45.9
D51	1750000550	S.DIO 1SS355 TE-17	B	60.7/57.2
D52	1750000550	S.DIO 1SS355 TE-17	B	61.6/44.8
D53	1750000550	S.DIO 1SS355 TE-17	T	53.1/59.2
D54	1750000550	S.DIO 1SS355 TE-17	B	90.2/68.2
D55	1750000550	S.DIO 1SS355 TE-17	B	69.5/68.4
D56	1750000550	S.DIO 1SS355 TE-17	B	67.3/55.1
D57	1750000550	S.DIO 1SS355 TE-17	T	66/48.7
D58	1750000550	S.DIO 1SS355 TE-17	B	114.3/50.2
D59	1750000550	S.DIO 1SS355 TE-17	B	90.5/51
D60	1750000550	S.DIO 1SS355 TE-17	B	90.5/54.4
D61	1750000550	S.DIO 1SS355 TE-17	B	114.3/53.5
D62	1750000550	S.DIO 1SS355 TE-17	B	138.2/50.2
D63	1750000550	S.DIO 1SS355 TE-17	B	138.2/53.7
D64	1750000550	S.DIO 1SS355 TE-17	B	162.1/50.1
D65	1750000550	S.DIO 1SS355 TE-17	B	162.1/53.7
D66	1750000550	S.DIO 1SS355 TE-17	B	180.9/47.7
D67	1750000550	S.DIO 1SS355 TE-17	B	114.3/57.2
D68	1750000550	S.DIO 1SS355 TE-17	T	85.8/64.1
D69	1750000550	S.DIO 1SS355 TE-17	B	183.4/63
D70	1750000550	S.DIO 1SS355 TE-17	B	162.1/61.3
D71	1750000550	S.DIO 1SS355 TE-17	B	162.1/57.5
D72	1750000550	S.DIO 1SS355 TE-17	B	138.2/61.3
D73	1750000550	S.DIO 1SS355 TE-17	B	138.2/57.5
D74	1750000550	S.DIO 1SS355 TE-17	B	114.3/61.4
D75	1750000550	S.DIO 1SS355 TE-17	B	90.5/59.1
D201	1710001020	DIO XB15A204		
D202	1710001020	DIO XB15A204		
D203	1750000550	S.DIO 1SS355 TE-17	B	48.3/73.3
D204	1750000550	S.DIO 1SS355 TE-17	B	46.1/73.3
D205	1750000550	S.DIO 1SS355 TE-17	B	44.8/69.7
D521	1750000550	S.DIO 1SS355 TE-17	B	25/35.2
D551	1750000550	S.DIO 1SS355 TE-17	B	63.7/9.2
D552	1750000550	S.DIO 1SS355 TE-17	B	61.7/23
D553	1750000550	S.DIO 1SS355 TE-17	B	58/8.5
D554	1750000550	S.DIO 1SS355 TE-17	B	91/12.8
D555	1750000550	S.DIO 1SS355 TE-17	T	68.6/11.7
D556	1750000550	S.DIO 1SS355 TE-17	B	67.2/24.9
D557	1750000550	S.DIO 1SS355 TE-17	B	70.2/36.4
D558	1750000550	S.DIO 1SS355 TE-17	B	114.3/27.1
D559	1750000550	S.DIO 1SS355 TE-17	B	90.6/26.8
D560	1750000550	S.DIO 1SS355 TE-17	B	90.6/30.3
D561	1750000550	S.DIO 1SS355 TE-17	B	114.3/30.5
D562	1750000550	S.DIO 1SS355 TE-17	B	138.2/27.1
D563	1750000550	S.DIO 1SS355 TE-17	B	138.2/30.5
D564	1750000550	S.DIO 1SS355 TE-17	B	162.1/27.1
D565	1750000550	S.DIO 1SS355 TE-17	B	162.1/30.6
D566	1750000550	S.DIO 1SS355 TE-17	B	182.5/33.5
D567	1750000550	S.DIO 1SS355 TE-17	B	114.3/19.6
D568	1750000550	S.DIO 1SS355 TE-17	B	90.7/17.6
D569	1750000550	S.DIO 1SS355 TE-17	B	183.6/19.1
D570	1750000550	S.DIO 1SS355 TE-17	B	162.1/19.7
D571	1750000550	S.DIO 1SS355 TE-17	B	162.1/23.5
D572	1750000550	S.DIO 1SS355 TE-17	B	138.2/23.5
D573	1750000550	S.DIO 1SS355 TE-17	B	138.2/19.6
D574	1750000550	S.DIO 1SS355 TE-17	B	114.3/23.4
D575	1750000550	S.DIO 1SS355 TE-17	B	90.7/22.9
D701	1710001020	DIO XB15A204		
D702	1710001020	DIO XB15A204		
D703	1750000550	S.DIO 1SS355 TE-17	B	47/9
D704	1750000550	S.DIO 1SS355 TE-17	B	44.9/9
D705	1750000550	S.DIO 1SS355 TE-17	T	51.8/34.3
L1	6200003261	S.COL NLV32T-101J	B	4.5/52
L2	6200003950	S.COL HF50ACC 322513-T	B	4.7/40
L3	6200003261	S.COL NLV32T-101J	B	4.5/48

M.=Mounted side (T: Mounted on the Top side, B: Mounted on the Bottom side)  
S.=Surface mount

[DIGSEL UNIT]

REF NO.	ORDER NO.	DESCRIPTION	M.	H/V LOCATION
L4	6200003261	S.COL NLV32T-101J	B	4.5/44
L101	6140003980	COL LR-476		
L102	6140003990	COL LR-477		
L103	6140004001	COL LR-478A		
L104	6140004010	COL LR-479		
L105	6140004020	COL LR-480		
L106	6140004030	COL LR-481		
L107	6110003930	COL LA-595		
L201	6180000920	COL LAL 03NA 221K		
L203	6140003940	COL LR-493		
L503	6200003261	S.COL NLV32T-101J	B	4.5/36
L504	6200003261	S.COL NLV32T-101J	B	4.5/32
L601	6140003980	COL LR-476		
L602	6140003990	COL LR-477		
L603	6140004001	COL LR-478A		
L604	6140004010	COL LR-479		
L605	6140004020	COL LR-480		
L606	6140004030	COL LR-481		
L607	6110003930	COL LA-595		
L701	6180000920	COL LAL 03NA 221K		
L703	6140003940	COL LR-493		
R1	7030003680	S.RES ERJ3GEYJ 104 V (100 k)	B	17.3/60.8
R2	7030003560	S.RES ERJ3GEYJ 103 V (10 k)	B	12.6/54.5
R3	7030003560	S.RES ERJ3GEYJ 103 V (10 k)	T	26.1/51.6
R4	7030003440	S.RES ERJ3GEYJ 102 V (1 k)	T	14.3/47.4
R5	7030003440	S.RES ERJ3GEYJ 102 V (1 k)	T	15.7/44.8
R6	7030003440	S.RES ERJ3GEYJ 102 V (1 k)	T	15.1/46.1
R7	7030003440	S.RES ERJ3GEYJ 102 V (1 k)	T	4/52.9
R8	7030003440	S.RES ERJ3GEYJ 102 V (1 k)	T	13.3/51.8
R9	7030003360	S.RES ERJ3GEYJ 221 V (220)	B	32/45.9
R10	7030003360	S.RES ERJ3GEYJ 221 V (220)	T	34.6/60
R35	7030003360	S.RES ERJ3GEYJ 221 V (220)	T	27.9/62.4
R36	7030003360	S.RES ERJ3GEYJ 221 V (220)	T	28.6/65.8
R37	7030003360	S.RES ERJ3GEYJ 221 V (220)	T	29.3/62.4
R38	7030003360	S.RES ERJ3GEYJ 221 V (220)	T	30/65.8
R39	7030003360	S.RES ERJ3GEYJ 221 V (220)	T	30.7/62.4
R40	7030003360	S.RES ERJ3GEYJ 221 V (220)	T	26.5/62.4
R41	7030003360	S.RES ERJ3GEYJ 221 V (220)	T	27.2/65.8
R42	7030003360	S.RES ERJ3GEYJ 221 V (220)	T	25.8/65.8
R43	7030003360	S.RES ERJ3GEYJ 221 V (220)	T	25.1/62.4
R44	7030003360	S.RES ERJ3GEYJ 221 V (220)	T	24.4/65.8
R45	7030003360	S.RES ERJ3GEYJ 221 V (220)	T	23.7/62.4
R46	7030003360	S.RES ERJ3GEYJ 221 V (220)	T	23/65.8
R47	7030003360	S.RES ERJ3GEYJ 221 V (220)	T	21.2/62.4
R48	7030003360	S.RES ERJ3GEYJ 221 V (220)	T	19.1/65.8
R49	7030003360	S.RES ERJ3GEYJ 221 V (220)	T	18.4/62.4
R50	7030003360	S.RES ERJ3GEYJ 221 V (220)	T	19.8/62.4
R51	7030003360	S.RES ERJ3GEYJ 221 V (220)	T	20.5/65.8
R52	7030003360	S.RES ERJ3GEYJ 221 V (220)	T	15.6/62.4
R53	7030003360	S.RES ERJ3GEYJ 221 V (220)	T	14.9/65.8
R54	7030003360	S.RES ERJ3GEYJ 221 V (220)	T	14.2/62.4
R55	7030003360	S.RES ERJ3GEYJ 221 V (220)	T	16.3/65.8
R56	7030003360	S.RES ERJ3GEYJ 221 V (220)	T	17/62.4
R57	7030003360	S.RES ERJ3GEYJ 221 V (220)	T	17.7/65.8
R58	7030003360	S.RES ERJ3GEYJ 221 V (220)	T	20.9/46.4
R59	7030003440	S.RES ERJ3GEYJ 102 V (1 k)	T	14.9/49.7
R100	7030000010	S.RES MCR10EZHH JPW	B	26/47.3
R104	7030003560	S.RES ERJ3GEYJ 103 V (10 k)	B	145.1/64.1
R105	7030003560	S.RES ERJ3GEYJ 103 V (10 k)	B	131.1/62.7
R201	7030000380	S.RES MCR10EZHH 1 k	B	49.4/55.6
R202	7030000290	S.RES MCR10EZHH 180	B	49.4/51.8
R203	7030000220	S.RES MCR10EZHH 47	B	49.4/53.7
R204	7030003360	S.RES ERJ3GEYJ 221 V (220)	B	48.2/69.7
R205	7030003350	S.RES ERJ3GEYJ 181 V (180)	T	54.5/46.5
R206	7030003370	S.RES ERJ3GEYJ 271 V (270)	B	49.4/48.7
R207	7030003560	S.RES ERJ3GEYJ 103 V (10 k)	T	57.6/48.7
R208	7030000200	S.RES MCR10EZHH 33	B	45.4/56.9
R209	7030003240	S.RES ERJ3GEYJ 220 V (22)	T	44.2/53.9
R210	7030003370	S.RES ERJ3GEYJ 271 V (270)	B	45.2/49.5
R211	7030003370	S.RES ERJ3GEYJ 271 V (270)	B	45.2/50.8
R213	7030000220	S.RES MCR10EZHH 47	B	38.1/55.9
R214	7030003460	S.RES ERJ3GEYJ 152 V (1.5 k)	B	51.6/60
R215	7030003460	S.RES ERJ3GEYJ 152 V (1.5 k)	B	52.4/58
R216	7030003680	S.RES ERJ3GEYJ 104 V (100 k)	B	17.3/66.4
R501	7030003680	S.RES ERJ3GEYJ 104 V (100 k)	B	14.5/21.2
R502	7030003560	S.RES ERJ3GEYJ 103 V (10 k)	B	25.7/25.3
R503	7030003560	S.RES ERJ3GEYJ 103 V (10 k)	B	24.4/25.3
R504	7030003440	S.RES ERJ3GEYJ 102 V (1 k)	B	9.7/44.5
R505	7030003440	S.RES ERJ3GEYJ 102 V (1 k)	T	9.3/42.5
R506	7030003440	S.RES ERJ3GEYJ 102 V (1 k)	T	3.7/28.1
R507	7030003440	S.RES ERJ3GEYJ 102 V (1 k)	B	4.4/28
R508	7030003440	S.RES ERJ3GEYJ 102 V (1 k)	T	12.9/30.8
R509	7030003360	S.RES ERJ3GEYJ 221 V (220)	T	31.1/34.8
R510	7030003360	S.RES ERJ3GEYJ 221 V (220)	T	32.2/21.9
R535	7030003360	S.RES ERJ3GEYJ 221 V (220)	T	26.4/21.9
R536	7030003360	S.RES ERJ3GEYJ 221 V (220)	T	25.7/19
R537	7030003360	S.RES ERJ3GEYJ 221 V (220)	T	23.6/21.9
R538	7030003360	S.RES ERJ3GEYJ 221 V (220)	T	24.3/19
R539	7030003360	S.RES ERJ3GEYJ 221 V (220)	T	25/21.8
R540	7030003360	S.RES ERJ3GEYJ 221 V (220)	T	30.1/19

[DIGSEL UNIT]

REF NO.	ORDER NO.	DESCRIPTION	M.	H/V LOCATION
R541	7030003360	S.RES ERJ3GEYJ 221 V (220)	T	29.4/21.9
R542	7030003360	S.RES ERJ3GEYJ 221 V (220)	T	28.7/19
R543	7030003360	S.RES ERJ3GEYJ 221 V (220)	T	27.9/21.9
R544	7030003360	S.RES ERJ3GEYJ 221 V (220)	T	27.2/19
R545	7030003360	S.RES ERJ3GEYJ 221 V (220)	T	30.8/21.9
R546	7030003360	S.RES ERJ3GEYJ 221 V (220)	T	31.5/19
R547	7030003360	S.RES ERJ3GEYJ 221 V (220)	T	18/21.9
R548	7030003360	S.RES ERJ3GEYJ 221 V (220)	T	17.3/19.1
R549	7030003360	S.RES ERJ3GEYJ 221 V (220)	T	15.2/21.9
R550	7030003360	S.RES ERJ3GEYJ 221 V (220)	T	16.6/21.9
R551	7030003360	S.RES ERJ3GEYJ 221 V (220)	T	15.9/19.1
R552	7030003360	S.RES ERJ3GEYJ 221 V (220)	T	20.1/19.2
R553	7030003360	S.RES ERJ3GEYJ 221 V (220)	T	19.4/21.9
R554	7030003360	S.RES ERJ3GEYJ 221 V (220)	T	18.7/19.1
R555	7030003360	S.RES ERJ3GEYJ 221 V (220)	T	20.9/21.9
R556	7030003360	S.RES ERJ3GEYJ 221 V (220)	T	21.6/19.2
R557	7030003360	S.RES ERJ3GEYJ 221 V (220)	T	22.3/21.9
R558	7030003360	S.RES ERJ3GEYJ 221 V (220)	T	23.5/34.2
R600	7030000010	S.RES MCR10EZHH JPW	B	30.9/33.9
R604	7030003560	S.RES ERJ3GEYJ 103 V (10 k)	B	145.1/17.1
R605	7030003560	S.RES ERJ3GEYJ 103 V (10 k)	B	129.1/17.1
R701	7030000380	S.RES MCR10EZHH 1 k	T	53.2/20.4
R702	7030000290	S.RES MCR10EZHH 180	T	51.6/15.9
R703	7030000220	S.RES MCR10EZHH 47	T	51.6/13.8
R704	7030003360	S.RES ERJ3GEYJ 221 V (220)	T	52.9/31.9
R705	7030003350	S.RES ERJ3GEYJ 181 V (180)	B	49.4/9
R706	7030003370	S.RES ERJ3GEYJ 271 V (270)	B	42.4/10.1
R707	7030003560	S.RES ERJ3GEYJ 103 V (10 k)	T	51.3/12.2
R708	7030000200	S.RES MCR10EZHH 33	T	43.8/25.6
R709	7030003240	S.RES ERJ3GEYJ 220 V (22)	T	46.5/19.8
R710	7030003370	S.RES ERJ3GEYJ 271 V (270)	B	45.6/19.9
R711	7030003370	S.RES ERJ3GEYJ 271 V (270)	B	45.6/21
R713	7030000220	S.RES MCR10EZHH 47	T	38.8/27.4
R714	7030003460	S.RES ERJ3GEYJ 152 V (1.5 k)	T	53.5/29.2
R715	7030003460	S.RES ERJ3GEYJ 152 V (1.5 k)	T	51.6/30
R716	7030003680	S.RES ERJ3GEYJ 104 V (100 k)	B	14.5/15.5
C1	4030011600	S.CER C1608 JB 1E 104K-T	B	15.2/55.4
C2	4030011600	S.CER C1608 JB 1E 104K-T	T	7.9/31.8
C4	4030011600	S.CER C1608 JB 1E 104K-T	T	31.8/50.7
C5	4030011600	S.CER C1608 JB 1E 104K-T	T	16/51.6
C21	4030006880	S.CER C1608 JB 1H 472K-T	B	30.4/45.9
C35	4030006880	S.CER C1608 JB 1H 472K-T	T	32.1/65.3
C51	4030006880	S.CER C1608 JB 1H 472K-T	B	64.8/57.2
C52	4030006880	S.CER C1608 JB 1H 472K-T	T	57.6/45.8
C53	4030006880	S.CER C1608 JB 1H 472K-T	T	51.5/59.2
C54	4030006880	S.CER C1608 JB 1H 472K-T	T	87.3/72.3
C55	4030006880	S.CER C1608 JB 1H 472K-T	B	67.1/63.5
C56	4030006880	S.CER C1608 JB 1H 472K-T	T	66.5/54.9
C57	4030006880	S.CER C1608 JB 1H 472K-T	B	66.2/45.6
C58	4030006880	S.CER C1608 JB 1H 472K-T	T	114.3/50.4
C59	4030006880	S.CER C1608 JB 1H 472K-T	T	90.4/51.4
C60	4030006880	S.CER C1608 JB 1H 472K-T	T	90.4/54.4
C61	4030006880	S.CER C1608 JB 1H 472K-T	T	114.3/53.7
C62	4030006880	S.CER C1608 JB 1H 472K-T	T	138.2/51.1
C63	4030006880	S.CER C1608 JB 1H 472K-T	T	138.2/54.4
C64	4030006880	S.CER C1608 JB 1H 472K-T	T	162.1/50.8
C65	4030006880	S.CER C1608 JB 1H 472K-T	T	162.1/53.9
C66	4030006880	S.CER C1608 JB 1H 472K-T	B	182.5/47.7
C67	4030006880	S.CER C1608 JB 1H 472K-T	T	114.3/57.2
C68	4030006880	S.CER C1608 JB 1H 472K-T	T	88.3/63
C69	4030006880	S.CER C1608 JB 1H 472K-T	B	183.7/64.8
C70	4030006880	S.CER C1608 JB 1H 472K-T	T	162.1/60.2
C71	4030006880	S.CER C1608 JB 1H 472K-T	T	162.1/57.3
C72	4030006880	S.CER C1608 JB 1H 472K-T	T	138.2/59.5
C73	4030006880	S.CER C1608 JB 1H 472K-T	T	135.8/63
C74	4030006880	S.CER C1608 JB 1H 472K-T	T	114.3/60.4
C75	4030006880	S.CER C1608 JB 1H 472K-T	T	90.5/59.6
C101	4030011340	S.CER C1608 CH 1H 471J-T	T	68.2/68.4
C102	4030011280	S.CER C1608 CH 1H 271J-T	T	59.5/69.2
C103	4030011280	S.CER C1608 CH 1H 271J-T	T	60.5/56.7
C104	4030007130	S.CER C1608 CH 1H 101J-T	T	57.7/52.7
C105	4030006940	S.CER C1608 CH 1H 030C-T	B	65.7/51.9
C106	4030007150	S.CER C1608 CH 1H 151J-T	B	56.4/70.2
C107	4030007150	S.CER C1608 CH 1H 151J-T	B	60.3/70.6
C108	4030007150	S.CER C1608 CH 1H 151J-T	B	62.4/70.6
C109	4030007150	S.CER C1608 CH 1H 151J-T	B	56.4/68.8
C110	4030009520	S.CER C1608 CH 1H 020B-T	T	77.2/69.1
C111	4030009550	S.CER C1608 CH 1H 2R5B-T	T	77.2/67.8
C113	4030007000	S.CER C1608 CH 1H 090D-T	T	73.7/58.9
C114	4030007040	S.CER C1608 CH 1H 180J-T	T	71.7/59.5
C115	4030007040	S.CER C1608 CH 1H 180J-T	T	70.4/59.5
C116	4030007040	S.CER C1608 CH 1H 180J-T	T	69.1/59.5
C117	4030007070	S.CER C1608 CH 1H 330J-T	T	77.2/70.4
C118	4030007090	S.CER C1608 CH 1H 470J-T	B	76.7/59.8
C119	4030007040	S.CER C1608 CH 1H 180J-T	B	66.1/48.1
C120	4030007040	S.CER C1608 CH 1H 180J-T	B	66.1/49.8
C121	4030007040	S.CER C1608 CH 1H 180J-T	B	74.4/59.7
C122	4030007000	S.CER C1608 CH 1H 090D-T	B	74.3/70.3
C124	4030009520	S.CER C1608 CH 1H 020B-T	B	77.4/68.9
C125	4030009550	S.CER C1608 CH 1H 2R5B-T	B	76.1/68.9

M.=Mounted side (T: Mounted on the Top side, B: Mounted on the Bottom side)  
S.=Surface mount



[DIGSEL UNIT]

REF NO.	ORDER NO.	DESCRIPTION	M.	H/V LOCATION
C126	4030008360	S.CER C1608 UJ 1H 101J-T	B	124.5/63.3
C128	4030009500	S.CER C1608 CH 1H 0R5B-T	B	107.2/55.4
C129	4030009510	S.CER C1608 CH 1H 010B-T	B	83.2/55.8
C130	4030009520	S.CER C1608 CH 1H 020B-T	B	97.6/55.5
C131	4030009910	S.CER C1608 CH 1H 040B-T	B	121.5/55.6
C132	4030006990	S.CER C1608 CH 1H 080D-T	B	131/55.6
C133	4030007040	S.CER C1608 CH 1H 180J-T	B	145.4/55.7
C134	4030008750	S.CER C1608 CH 1H 360J-T	B	154.9/55.7
C135	4030007110	S.CER C1608 CH 1H 680J-T	B	169.3/55.7
C136	4030007140	S.CER C1608 CH 1H 121J-T	B	178.8/55.7
C137	4030007140	S.CER C1608 CH 1H 121J-T	B	107.4/63.8
C138	4030007130	S.CER C1608 CH 1H 101J-T	B	107.4/62.5
C139	4030007160	S.CER C1608 CH 1H 181J-T	B	83.6/62.7
C140	4030007160	S.CER C1608 CH 1H 181J-T	B	83.6/64.5
C141	4030008330	S.CER C1608 UJ 1H 560J-T	B	177.2/63.2
C142	4030008330	S.CER C1608 UJ 1H 560J-T	B	169.3/63.2
C143	4030007090	S.CER C1608 CH 1H 470J-T	B	155.2/63.2
C201	4030011600	S.CER C1608 JB 1E 104K-T	B	49.1/57.2
C202	4030006900	S.CER C1608 JB 1H 103K-T	T	57.7/55.4
C203	4030011600	S.CER C1608 JB 1E 104K-T	B	50.4/46.3
C204	4030011600	S.CER C1608 JB 1E 104K-T	B	53.2/45.4
C205	4030011600	S.CER C1608 JB 1E 104K-T	B	43.4/59.6
C206	4030011600	S.CER C1608 JB 1E 104K-T	B	44.4/54.6
C207	4030006880	S.CER C1608 JB 1H 472K-T	B	41.1/59.6
C208	4030007010	S.CER C1608 CH 1H 100D-T	T	45/56.1
C209	4030006880	S.CER C1608 JB 1H 472K-T	B	38.1/59.6
C210	4030006900	S.CER C1608 JB 1H 103K-T	B	45.2/52.1
C211	4030009000	S.CER C2012 JB 1C 224K-T	B	45.6/47.9
C212	4030006880	S.CER C1608 JB 1H 472K-T	B	52.4/62
C213	4030006880	S.CER C1608 JB 1H 472K-T	T	54.5/45.1
C214	4030006880	S.CER C1608 JB 1H 472K-T	B	48.5/46.3
C215	4030006880	S.CER C1608 JB 1H 472K-T	T	43.8/68.4
C501	4030011600	S.CER C1608 JB 1E 104K-T	B	27/25.3
C504	4030011600	S.CER C1608 JB 1E 104K-T	T	30.8/33.4
C505	4030011600	S.CER C1608 JB 1E 104K-T	T	19.5/33.7
C521	4030006880	S.CER C1608 JB 1H 472K-T	B	28/35
C535	4030006880	S.CER C1608 JB 1H 472K-T	T	33.5/21.9
C551	4030006880	S.CER C1608 JB 1H 472K-T	B	63.6/10.9
C552	4030006880	S.CER C1608 JB 1H 472K-T	T	61.5/22.9
C553	4030006880	S.CER C1608 JB 1H 472K-T	B	58/10.2
C554	4030006880	S.CER C1608 JB 1H 472K-T	T	90.3/12.9
C555	4030006880	S.CER C1608 JB 1H 472K-T	B	68.8/12.6
C556	4030006880	S.CER C1608 JB 1H 472K-T	B	69.8/27.9
C557	4030006880	S.CER C1608 JB 1H 472K-T	B	67.4/32.9
C558	4030006880	S.CER C1608 JB 1H 472K-T	T	114.3/25.9
C559	4030006880	S.CER C1608 JB 1H 472K-T	T	90.4/27.1
C560	4030006880	S.CER C1608 JB 1H 472K-T	T	90.4/30.5
C561	4030006880	S.CER C1608 JB 1H 472K-T	T	114.3/29.9
C562	4030006880	S.CER C1608 JB 1H 472K-T	T	138.2/27.1
C563	4030006880	S.CER C1608 JB 1H 472K-T	T	138.2/30.5
C564	4030006880	S.CER C1608 JB 1H 472K-T	T	162.1/27.2
C565	4030006880	S.CER C1608 JB 1H 472K-T	T	162.1/30.4
C566	4030006880	S.CER C1608 JB 1H 472K-T	B	180.9/33.5
C567	4030006880	S.CER C1608 JB 1H 472K-T	T	109.8/17.8
C568	4030006880	S.CER C1608 JB 1H 472K-T	T	90.4/19.5
C569	4030006880	S.CER C1608 JB 1H 472K-T	B	181.8/17.1
C570	4030006880	S.CER C1608 JB 1H 472K-T	T	162.1/22.4
C571	4030006880	S.CER C1608 JB 1H 472K-T	T	158.5/17.6
C572	4030006880	S.CER C1608 JB 1H 472K-T	T	138.2/23.1
C573	4030006880	S.CER C1608 JB 1H 472K-T	T	134.8/17.5
C574	4030006880	S.CER C1608 JB 1H 472K-T	T	114.3/20.6
C575	4030006880	S.CER C1608 JB 1H 472K-T	T	90.4/23.3
C601	4030011340	S.CER C1608 CH 1H 471J-T	B	66/22.5
C602	4030011280	S.CER C1608 CH 1H 271J-T	B	65.2/26.7
C603	4030011280	S.CER C1608 CH 1H 271J-T	T	59.1/35.6
C604	4030007130	S.CER C1608 CH 1H 101J-T	T	57.7/33
C605	4030006940	S.CER C1608 CH 1H 030C-T	T	57.2/29
C606	4030007150	S.CER C1608 CH 1H 151J-T	T	55.6/30.7
C607	4030007150	S.CER C1608 CH 1H 151J-T	T	57.2/25.4
C608	4030007150	S.CER C1608 CH 1H 151J-T	T	57.2/23.8
C609	4030007150	S.CER C1608 CH 1H 151J-T	T	56.8/22.5
C610	4030009520	S.CER C1608 CH 1H 020B-T	B	77.3/11.3
C611	4030009550	S.CER C1608 CH 1H 2R5B-T	B	76/11.3
C613	4030007000	S.CER C1608 CH 1H 090D-T	B	73.8/12.5
C614	4030007040	S.CER C1608 CH 1H 180J-T	B	73.7/21.1
C615	4030007040	S.CER C1608 CH 1H 180J-T	B	73.9/28.2
C616	4030007040	S.CER C1608 CH 1H 180J-T	B	73.9/29.7
C617	4030007070	S.CER C1608 CH 1H 330J-T	B	76/19.4
C618	4030007090	S.CER C1608 CH 1H 470J-T	T	75.5/20.7
C619	4030007040	S.CER C1608 CH 1H 180J-T	T	65.6/35.3
C620	4030007040	S.CER C1608 CH 1H 180J-T	T	65.7/36.7
C621	4030007040	S.CER C1608 CH 1H 180J-T	T	73.7/28.3
C622	4030007000	S.CER C1608 CH 1H 090D-T	T	73.2/20.2
C624	4030009520	S.CER C1608 CH 1H 020B-T	T	76.9/10.6
C625	4030009550	S.CER C1608 CH 1H 2R5B-T	T	76.9/12
C626	4030008360	S.CER C1608 UJ 1H 101J-T	B	124.5/17.4
C628	4030009500	S.CER C1608 CH 1H 0R5B-T	B	107.4/25.3
C629	4030009510	S.CER C1608 CH 1H 010B-T	B	83.3/25.5
C630	4030009520	S.CER C1608 CH 1H 020B-T	B	97.8/25.3
C631	4030009910	S.CER C1608 CH 1H 040B-T	B	121.2/25.3
C632	4030006990	S.CER C1608 CH 1H 080D-T	B	131.3/25.3
C633	4030007040	S.CER C1608 CH 1H 180J-T	B	145.2/25.3

[DIGSEL UNIT]

REF NO.	ORDER NO.	DESCRIPTION	M.	H/V LOCATION
C634	4030008750	S.CER C1608 CH 1H 360J-T	B	155.2/25.3
C635	4030007110	S.CER C1608 CH 1H 680J-T	B	169/25.3
C636	4030007140	S.CER C1608 CH 1H 121J-T	B	179.1/25.3
C637	4030007140	S.CER C1608 CH 1H 121J-T	B	107.4/18.3
C638	4030007130	S.CER C1608 CH 1H 101J-T	B	107.4/16.5
C639	4030007160	S.CER C1608 CH 1H 181J-T	B	83.9/18.1
C640	4030007160	S.CER C1608 CH 1H 181J-T	B	84.7/16.3
C641	4030008330	S.CER C1608 UJ 1H 560J-T	B	177/17.9
C642	4030008330	S.CER C1608 UJ 1H 560J-T	B	169/18
C643	4030007090	S.CER C1608 CH 1H 470J-T	B	155.5/18
C701	4030011600	S.CER C1608 JB 1E 104K-T	T	52.3/17.7
C702	4030006900	S.CER C1608 JB 1H 103K-T	T	54.6/27.3
C703	4030011600	S.CER C1608 JB 1E 104K-T	B	40.3/10.4
C704	4030011600	S.CER C1608 JB 1E 104K-T	B	52.1/9.8
C705	4030011600	S.CER C1608 JB 1E 104K-T	B	44/28.1
C706	4030011600	S.CER C1608 JB 1E 104K-T	T	45.1/22.6
C707	4030006880	S.CER C1608 JB 1H 472K-T	B	42.7/28.1
C708	4030007010	S.CER C1608 CH 1H 100D-T	T	46.5/22.7
C709	4030006880	S.CER C1608 JB 1H 472K-T	B	40.6/28.9
C710	4030006900	S.CER C1608 JB 1H 103K-T	B	45.6/22.7
C711	4030009000	S.CER C2012 JB 1C 224K-T	B	45.7/24.4
C712	4030006880	S.CER C1608 JB 1H 472K-T	T	54.8/32.3
C713	4030006880	S.CER C1608 JB 1H 472K-T	B	52.1/7.9
C714	4030006880	S.CER C1608 JB 1H 472K-T	B	42.4/6.5
C715	4030006880	S.CER C1608 JB 1H 472K-T	T	54.2/34.3
RL2	6330001750	RLY FTR-B4CA012Z		
RL21	6330001750	RLY FTR-B4CA012Z		
RL51	6330001750	RLY FTR-B4CA012Z		
RL52	6330001750	RLY FTR-B4CA012Z		
RL53	6330001750	RLY FTR-B4CA012Z		
RL54	6330001750	RLY FTR-B4CA012Z		
RL55	6330001750	RLY FTR-B4CA012Z		
RL56	6330001750	RLY FTR-B4CA012Z		
RL57	6330001750	RLY FTR-B4CA012Z		
RL58	6330001750	RLY FTR-B4CA012Z		
RL59	6330001750	RLY FTR-B4CA012Z		
RL60	6330001750	RLY FTR-B4CA012Z		
RL61	6330001750	RLY FTR-B4CA012Z		
RL62	6330001750	RLY FTR-B4CA012Z		
RL63	6330001750	RLY FTR-B4CA012Z		
RL64	6330001750	RLY FTR-B4CA012Z		
RL65	6330001750	RLY FTR-B4CA012Z		
RL66	6330001750	RLY FTR-B4CA012Z		
RL67	6330001750	RLY FTR-B4CA012Z		
RL69	6330001750	RLY FTR-B4CA012Z		
RL70	6330001750	RLY FTR-B4CA012Z		
RL71	6330001750	RLY FTR-B4CA012Z		
RL72	6330001750	RLY FTR-B4CA012Z		
RL73	6330001750	RLY FTR-B4CA012Z		
RL74	6330001750	RLY FTR-B4CA012Z		
RL75	6330001750	RLY FTR-B4CA012Z		
RL76	6330001750	RLY FTR-B4CA012Z		
RL201	6330001750	RLY FTR-B4CA012Z		
RL502	6330001750	RLY FTR-B4CA012Z		
RL521	6330001750	RLY FTR-B4CA012Z		
RL551	6330001750	RLY FTR-B4CA012Z		
RL552	6330001750	RLY FTR-B4CA012Z		
RL553	6330001750	RLY FTR-B4CA012Z		
RL554	6330001750	RLY FTR-B4CA012Z		
RL555	6330001750	RLY FTR-B4CA012Z		
RL556	6330001750	RLY FTR-B4CA012Z		
RL557	6330001750	RLY FTR-B4CA012Z		
RL558	6330001750	RLY FTR-B4CA012Z		
RL559	6330001750	RLY FTR-B4CA012Z		
RL560	6330001750	RLY FTR-B4CA012Z		
RL561	6330001750	RLY FTR-B4CA012Z		
RL562	6330001750	RLY FTR-B4CA012Z		
RL563	6330001750	RLY FTR-B4CA012Z		
RL564	6330001750	RLY FTR-B4CA012Z		
RL565	6330001750	RLY FTR-B4CA012Z		
RL566	6330001750	RLY FTR-B4CA012Z		
RL567	6330001750	RLY FTR-B4CA012Z		
RL569	6330001750	RLY FTR-B4CA012Z		
RL570	6330001750	RLY FTR-B4CA012Z		
RL571	6330001750	RLY FTR-B4CA012Z		
RL572	6330001750	RLY FTR-B4CA012Z		
RL573	6330001750	RLY FTR-B4CA012Z		
RL574	6330001750	RLY FTR-B4CA012Z		
RL575	6330001750	RLY FTR-B4CA012Z		
RL576	6330001750	RLY FTR-B4CA012Z		
RL701	6330001750	RLY FTR-B4CA012Z		
J1	6510007020	CNR TMP-J01X-V6		
J2	6510007020	CNR TMP-J01X-V6		
J10	6510020080	S.CNR 52808-2091	T	4.5/40.5
J10	6510020081	S.CNR 52808-2071 (2090)	T	4.5/40.5
J501	6510007020	CNR TMP-J01X-V6		
J502	6510007020	CNR TMP-J01X-V6		

M.=Mounted side (T: Mounted on the Top side, B: Mounted on the Bottom side)  
S.=Surface mount

**[NETWORK BOARD]**

REF NO.	ORDER NO.	DESCRIPTION	M.	H/V LOCATION
Q300	1520000561	S.TR 2SB1123 T-TD-E	T	205.7/10.5
Q301	1590000680	S.TR DTC114EUA T106	T	201.4/9.1
L50	6110003950	COL LA-598		
L60	6110003910	COL LA-593		
L70	6110003050	COL LA-492		
L80	6110003050	COL LA-492		
L90	6110003060	COL LA-493		
L100	6110003070	COL LA-494		
L110	6110003920	COL LA-594		
L120	6140004460	COL LR-504		
L130	6140004470	COL LR-505		
L131	6140004470	COL LR-505		
L300	6180000990	COL LAL 04NA 101K		
R300	7030000420	S.RES MCR10EZHZ 2.2 k	T	202.8/6.9
R301	7030000420	S.RES MCR10EZHZ 2.2 k	T	201.5/11.3
R302	7030000420	S.RES MCR10EZHZ 2.2 k	T	206.2/6.9
R303	7030009800	S.RES ERJ12YJ121U (120)	T	209.7/5
C1	4620000120	VAR UV44 150P		
C2	4620000120	VAR UV44 150P		
C3	4010007580	CER HT20SJ SL 201J 3KV		
C4	4010007580	CER HT20SJ SL 201J 3KV		
C5	4010007580	CER HT20SJ SL 201J 3KV		
C6	4010007580	CER HT20SJ SL 201J 3KV		
C7	4010007580	CER HT20SJ SL 201J 3KV		
C8	4010007580	CER HT20SJ SL 201J 3KV		
C9	4010007580	CER HT20SJ SL 201J 3KV		
C10	4010007580	CER HT20SJ SL 201J 3KV		
C20	4010007570	CER HT15SJ SL 151J 3KV		
C21	4010007570	CER HT15SJ SL 151J 3KV		
C22	4010007570	CER HT15SJ SL 151J 3KV		
C23	4010007570	CER HT15SJ SL 151J 3KV		
C24	4010007570	CER HT15SJ SL 151J 3KV		
C25	4010007570	CER HT15SJ SL 151J 3KV		
C26	4010007570	CER HT15SJ SL 151J 3KV		
C27	4010007570	CER HT15SJ SL 151J 3KV		
C30	4010007550	CER HT11SJ SL 820J 3KV		
C31	4010007550	CER HT11SJ SL 820J 3KV		
C32	4010007550	CER HT11SJ SL 820J 3KV		
C33	4010007550	CER HT11SJ SL 820J 3KV		
C34	4010007550	CER HT11SJ SL 820J 3KV		
C35	4010007550	CER HT11SJ SL 820J 3KV		
C36	4010007550	CER HT11SJ SL 820J 3KV		
C37	4010007550	CER HT11SJ SL 820J 3KV		
C40	4010008550	CER DEA1X3F390JC3B		
C41	4010008550	CER DEA1X3F390JC3B		
C42	4010008550	CER DEA1X3F390JC3B		
C43	4010008550	CER DEA1X3F390JC3B		
C44	4010008550	CER DEA1X3F390JC3B		
C45	4010008550	CER DEA1X3F390JC3B		
C46	4010008550	CER DEA1X3F390JC3B		
C47	4010008550	CER DEA1X3F390JC3B		
C50	4030006880	S.CER C1608 JB 1H 472K-T	T	140.7/12
C60	4030006880	S.CER C1608 JB 1H 472K-T	T	154.1/12
C70	4030006880	S.CER C1608 JB 1H 472K-T	T	167.5/16.1
C80	4030006880	S.CER C1608 JB 1H 472K-T	T	181.9/21.5
C90	4030006880	S.CER C1608 JB 1H 472K-T	T	195.3/21.3
C100	4030006880	S.CER C1608 JB 1H 472K-T	T	204.4/20.7
C110	4030006880	S.CER C1608 JB 1H 472K-T	T	205.8/20.7
C120	4030006880	S.CER C1608 JB 1H 472K-T	T	207.2/20.6
C202	4030006880	S.CER C1608 JB 1H 472K-T	T	187.4/13.2
C203	4030006880	S.CER C1608 JB 1H 472K-T	T	188.4/15.7
C204	4030006880	S.CER C1608 JB 1H 472K-T	T	189.4/13.2
C205	4030006880	S.CER C1608 JB 1H 472K-T	T	190.4/15.7
C206	4030006880	S.CER C1608 JB 1H 472K-T	T	191.4/13.2
C207	4030006880	S.CER C1608 JB 1H 472K-T	T	192.4/15.7
C208	4030006880	S.CER C1608 JB 1H 472K-T	T	193.4/13.2
C209	4030006880	S.CER C1608 JB 1H 472K-T	T	194.4/15.7
C252	4030006880	S.CER C1608 JB 1H 472K-T	T	175.4/13.2
C253	4030006880	S.CER C1608 JB 1H 472K-T	T	176.4/15.7
C254	4030006880	S.CER C1608 JB 1H 472K-T	T	177.4/13.2
C255	4030006880	S.CER C1608 JB 1H 472K-T	T	178.4/15.7
C256	4030006880	S.CER C1608 JB 1H 472K-T	T	179.4/13.2
C257	4030006880	S.CER C1608 JB 1H 472K-T	T	180.4/15.7
C258	4030006880	S.CER C1608 JB 1H 472K-T	T	181.4/13.2
C259	4030006880	S.CER C1608 JB 1H 472K-T	T	182.4/15.7
C300	4030006880	S.CER C1608 JB 1H 472K-T	T	184.4/13.2
C301	4030006880	S.CER C1608 JB 1H 472K-T	T	210.5/10.1
RL10	6330001200	RLY VS-12MBU-UC		
RL11	6330001200	RLY VS-12MBU-UC		
RL20	6330001200	RLY VS-12MBU-UC		
RL21	6330001200	RLY VS-12MBU-UC		
RL30	6330001200	RLY VS-12MBU-UC		
RL31	6330001200	RLY VS-12MBU-UC		
RL40	6330001200	RLY VS-12MBU-UC		

**[NETWORK BOARD]**

REF NO.	ORDER NO.	DESCRIPTION	M.	H/V LOCATION
RL41	6330001200	RLY VS-12MBU-UC		
RL50	6330001460	RLY FTR-F1CA012V		
RL60	6330001200	RLY VS-12MBU-UC		
RL70	6330001200	RLY VS-12MBU-UC		
RL80	6330001200	RLY VS-12MBU-UC		
RL90	6330001200	RLY VS-12MBU-UC		
RL100	6330001200	RLY VS-12MBU-UC		
RL110	6330001200	RLY VS-12MBU-UC		
RL120	6330001200	RLY VS-12MBU-UC		
J1	6510021561	S.CNR 52808-2470 (2490)	T	184.9/7.4
J2	6510017930	CNR 1771P145-20		
J3	6510017930	CNR 1771P145-20		
J4	6510003520	CNR S04B-EH-S		

**[FILTER UNIT]**

REF NO.	ORDER NO.	DESCRIPTION	M.	H/V LOCATION
D402	1750000271	S.DIO 1SS301 (TE85R,F)	T	11.8/24.3
D452	1750000271	S.DIO 1SS301 (TE85R,F)	T	32/20.5
D502	1750000271	S.DIO 1SS301 (TE85R,F)	T	54.8/30.3
D552	1750000271	S.DIO 1SS301 (TE85R,F)	T	155.6/29.1
D602	1750000271	S.DIO 1SS301 (TE85R,F)	T	130.1/20.3
D652	1750000271	S.DIO 1SS301 (TE85R,F)	T	93.8/33
D702	1750000271	S.DIO 1SS301 (TE85R,F)	T	69.6/20.3
D752	1750000271	S.DIO 1SS301 (TE85R,F)	T	113.1/33
D802	1750000271	S.DIO 1SS301 (TE85R,F)	T	173.6/25.9
L401	6200005131	S.COL NLC453232T-101K-PF	T	25.4/136.7
L402	6140004310	COL LR-471		
L403	6140004300	COL LR-470		
L404	6140004300	COL LR-470		
L405	6200005131	S.COL NLC453232T-101K-PF	T	7.3/24.6
L451	6200005131	S.COL NLC453232T-101K-PF	T	4.4/143.9
L452	6140004270	COL LR-467		
L453	6140004290	COL LR-469		
L454	6140004290	COL LR-469		
L455	6200005131	S.COL NLC453232T-101K-PF	T	28.4/29.9
L501	6200005131	S.COL NLC453232T-101K-PF	T	46.3/133.8
L502	6140004280	COL LR-468		
L503	6140004270	COL LR-467		
L504	6140004270	COL LR-467		
L505	6200005131	S.COL NLC453232T-101K-PF	T	50.2/29.6
L551	6200005131	S.COL NLC453232T-101K-PF	T	150.7/133.8
L552	6140004260	COL LR-466		
L553	6140004280	COL LR-468		
L554	6140004280	COL LR-468		
L555	6200005131	S.COL NLC453232T-101K-PF	T	151/29.7
L601	6200005131	S.COL NLC453232T-101K-PF	T	129.9/133.8
L602	6140004250	COL LR-465		
L603	6140004240	COL LR-464		
L604	6140004240	COL LR-464		
L605	6200005131	S.COL NLC453232T-101K-PF	T	130.1/14.2
L651	6200005131	S.COL NLC453232T-101K-PF	T	88.2/133.8
L652	6140004200	COL LR-463		
L653	6140004170	COL LR-462		
L654	6140004170	COL LR-462		
L655	6200005131	S.COL NLC453232T-101K-PF	T	92.3/29.8
L701	6200005131	S.COL NLC453232T-101K-PF	T	67.2/133.8
L702	6140004130	COL LR-461		
L703	6140004070	COL LR-460		
L704	6140004070	COL LR-460		
L705	6200005131	S.COL NLC453232T-101K-PF	T	69.6/14.1
L751	6200005131	S.COL NLC453232T-101K-PF	T	109.1/133.8
L752	6110003900	COL LA-592		
L753	6110003890	COL LA-591		
L754	6110003890	COL LA-591		
L755	6200005131	S.COL NLC453232T-101K-PF	T	111.4/29.8
L801	6200001831	S.COL NLV32T-100J	T	165.9/163.4
L802	6110003880	COL LA-590		
L803	6110003870	COL LA-589		
L804	6110003870	COL LA-589		
L805	6200001831	S.COL NLV32T-100J	T	173.9/22.8
C401	4030006880	S.CER C1608 JB 1H 472K-T	T	25.4/130.4
C402	4010008200	CER HM11TJ SL 331J 500V		
C403	4010008200	CER HM11TJ SL 331J 500V		
C404	4010008300	CER HM11TJ SL 391J 500V		
C405	4010008300	CER HM11TJ SL 391J 500V		
C406	4010008210	CER HM60TJ SL 560J 500V		
C407	4010007590	CER HM15SJ SL 681J 500V		
C408	4010007590	CER HM15SJ SL 681J 500V		

M.=Mounted side (T: Mounted on the Top side, B: Mounted on the Bottom side)  
S.=Surface mount

[FILTER UNIT]

REF NO.	ORDER NO.	DESCRIPTION	M.	H/V LOCATION
C409	4010007590	CER HM15SJ SL 681J 500V		
C410	4010005870	CER HM95SJ SL 221J 500V		
C411	4010008280	CER HM95TJ SL 221J 500V		
C412	4010008370	CER HM60TJ SL 150J 500V		
C413	4010007590	CER HM15SJ SL 681J 500V		
C414	4010007590	CER HM15SJ SL 681J 500V		
C415	4010007590	CER HM15SJ SL 681J 500V		
C416	4010008300	CER HM11TJ SL 391J 500V		
C417	4010008230	CER HM60TJ SL 820J 500V		
C418	4010007590	CER HM15SJ SL 681J 500V		
C419	4010007590	CER HM15SJ SL 681J 500V		
C420	4030006880	S.CER C1608 JB 1H 472K-T	T	11.6/26.3
C451	4030006880	S.CER C1608 JB 1H 472K-T	T	26.6/127.9
C452	4010008290	CER HM95TJ SL 271J 500V		
C453	4010008280	CER HM95TJ SL 221J 500V		
C454	4010008240	CER HM60TJ SL 101J 500V		
C455	4010005810	CER HM74SJ SL 111J 500V		
C456	4010007490	CER HM15SJ SL 561J 500V		
C457	4010006410	CER HM13SJ SL 471J 500V		
C458	4010008250	CER HM74TJ SL 121J 500V		
C459	4010005810	CER HM74SJ SL 111J 500V		
C461	4010007490	CER HM15SJ SL 561J 500V		
C462	4010007490	CER HM15SJ SL 561J 500V		
C463	4010008340	CER HM60TJ SL 270J 500V		
C464	4010008320	CER HM60TJ SL 390J 500V		
C465	4010007490	CER HM15SJ SL 561J 500V		
C466	4010008220	CER HM60TJ SL 680J 500V		
C467	4030006880	S.CER C1608 JB 1H 472K-T	T	32.4/23.4
C468	4010008230	CER HM60TJ SL 820J 500V		
C501	4030006880	S.CER C1608 JB 1H 472K-T	T	47.6/127.3
C502	4010008280	CER HM95TJ SL 221J 500V		
C503	4010008260	CER HM74TJ SL 151J 500V		
C504	4010008280	CER HM95TJ SL 221J 500V		
C506	4010008200	CER HM11TJ SL 331J 500V		
C507	4010008280	CER HM95TJ SL 221J 500V		
C508	4010008280	CER HM95TJ SL 221J 500V		
C509	4010005810	CER HM74SJ SL 111J 500V		
C511	4010008300	CER HM11TJ SL 391J 500V		
C512	4010008300	CER HM11TJ SL 391J 500V		
C513	4010008260	CER HM74TJ SL 151J 500V		
C514	4010008320	CER HM60TJ SL 390J 500V		
C515	4010008280	CER HM95TJ SL 221J 500V		
C516	4010008280	CER HM95TJ SL 221J 500V		
C517	4030006880	S.CER C1608 JB 1H 472K-T	T	54.7/28.4
C518	4010008340	CER HM60TJ SL 270J 500V		
C551	4030006880	S.CER C1608 JB 1H 472K-T	T	149.9/122.5
C552	4010005860	CER HM95SJ SL 201J 500V		
C554	4010008230	CER HM60TJ SL 820J 500V		
C555	4010008370	CER HM60TJ SL 150J 500V		
C556	4010008290	CER HM95TJ SL 271J 500V		
C557	4010008290	CER HM95TJ SL 271J 500V		
C558	4010008320	CER HM60TJ SL 390J 500V		
C559	4010008330	CER HM60TJ SL 330J 500V		
C560	4010008340	CER HM60TJ SL 270J 500V		
C561	4010008200	CER HM11TJ SL 331J 500V		
C562	4010008290	CER HM95TJ SL 271J 500V		
C563	4010008330	CER HM60TJ SL 330J 500V		
C564	4010005650	CER HM60SJ SL 200J 500V		
C565	4010008280	CER HM95TJ SL 221J 500V		
C566	4010008350	CER HM60TJ SL 220J 500V		
C567	4030006880	S.CER C1608 JB 1H 472K-T	T	152.2/32.2
C601	4030006880	S.CER C1608 JB 1H 472K-T	T	130.2/125
C604	4010008230	CER HM60TJ SL 820J 500V		
C605	4010008370	CER HM60TJ SL 150J 500V		
C606	4010008280	CER HM95TJ SL 221J 500V		
C607	4010008220	CER HM60TJ SL 680J 500V		
C608	4010008350	CER HM60TJ SL 220J 500V		
C609	4010008340	CER HM60TJ SL 270J 500V		
C610	4010008200	CER HM11TJ SL 331J 500V		
C611	4010008230	CER HM60TJ SL 820J 500V		
C612	4010008360	CER HM60TJ SL 180J 500V		
C613	4010008260	CER HM74TJ SL 151J 500V		
C614	4010008230	CER HM60TJ SL 820J 500V		
C615	4030006880	S.CER C1608 JB 1H 472K-T	T	130.2/18.3
C651	4030006880	S.CER C1608 JB 1H 472K-T	T	88.3/124.9
C654	4010008360	CER HM60TJ SL 180J 500V		
C655	4010008320	CER HM60TJ SL 390J 500V		
C656	4010008280	CER HM95TJ SL 221J 500V		
C657	4010008220	CER HM60TJ SL 680J 500V		
C658	4010008360	CER HM60TJ SL 180J 500V		
C659	4010008380	CER HM60TJ SL 120J 500V		
C660	4010008280	CER HM95TJ SL 221J 500V		
C661	4010008240	CER HM60TJ SL 101J 500V		
C662	4010008390	CER HM60TJ SL 100D 500V		
C663	4010008250	CER HM74TJ SL 121J 500V		
C664	4010008320	CER HM60TJ SL 390J 500V		
C665	4030006880	S.CER C1608 JB 1H 472K-T	T	96.6/28.6
C701	4030006880	S.CER C1608 JB 1H 472K-T	T	68.6/127.5
C703	4010008370	CER HM60TJ SL 150J 500V		
C704	4010008350	CER HM60TJ SL 220J 500V		
C705	4010005650	CER HM60SJ SL 200J 500V		
C706	4010005860	CER HM95SJ SL 201J 500V		

[FILTER UNIT]

REF NO.	ORDER NO.	DESCRIPTION	M.	H/V LOCATION
C707	4010008310	CER HM60TJ SL 470J 500V		
C708	4010008370	CER HM60TJ SL 150J 500V		
C709	4010008280	CER HM95TJ SL 221J 500V		
C710	4010008350	CER HM60TJ SL 220J 500V		
C712	4010008330	CER HM60TJ SL 330J 500V		
C713	4010008310	CER HM60TJ SL 470J 500V		
C714	4030006880	S.CER C1608 JB 1H 472K-T	T	69.6/18.3
C715	4010008360	CER HM60TJ SL 180J 500V		
C751	4030006880	S.CER C1608 JB 1H 472K-T	T	109.1/125
C755	4010008240	CER HM60TJ SL 101J 500V		
C756	4010008230	CER HM60TJ SL 820J 500V		
C757	4010008360	CER HM60TJ SL 180J 500V		
C758	4010008210	CER HM60TJ SL 560J 500V		
C759	4010008240	CER HM60TJ SL 101J 500V		
C760	4010008400	CER HM60TJ SL 060D 500V		
C761	4010008310	CER HM60TJ SL 470J 500V		
C763	4030006880	S.CER C1608 JB 1H 472K-T	T	115.6/28.6
C764	4010005650	CER HM60SJ SL 200J 500V		
C765	4010008370	CER HM60TJ SL 150J 500V		
C801	4030006880	S.CER C1608 JB 1H 472K-T	T	168.6/158.6
C804	4010008360	CER HM60TJ SL 180J 500V		
C805	4010008320	CER HM60TJ SL 390J 500V		
C806	4010008310	CER HM60TJ SL 470J 500V		
C807	4010005600	CER HM60SJ SL 090D 500V		
C808	4010008330	CER HM60TJ SL 330J 500V		
C809	4010008320	CER HM60TJ SL 390J 500V		
C810	4010008410	CER HM60TJ SL 030C 500V		
C811	4010005560	CER HM60SJ SL 050C 500V		
C813	4030006880	S.CER C1608 JB 1H 472K-T	T	175.6/26
RL401	6330001470	RLY AJS1311		
RL402	6330001470	RLY AJS1311		
RL451	6330001470	RLY AJS1311		
RL452	6330001470	RLY AJS1311		
RL501	6330001470	RLY AJS1311		
RL502	6330001470	RLY AJS1311		
RL551	6330001470	RLY AJS1311		
RL552	6330001470	RLY AJS1311		
RL601	6330001470	RLY AJS1311		
RL602	6330001470	RLY AJS1311		
RL651	6330001470	RLY AJS1311		
RL652	6330001470	RLY AJS1311		
RL701	6330001470	RLY AJS1311		
RL702	6330001470	RLY AJS1311		
RL751	6330001470	RLY AJS1311		
RL752	6330001470	RLY AJS1311		
RL801	6330001460	RLY FTR-F1CA012V		
RL802	6330001460	RLY FTR-F1CA012V		
J901	6510017930	CNR 1771P145-20		
J902	6510022031	S.CNR B10B-ZR-SM4-TF (LF) (SN)	T	145.3/165.2
J903	6510019971	S.CNR 52808-1071	T	4/156
J904	6510017930	CNR 1771P145-20		
J905	6510019421	S.CNR B8B-ZR-SM4-TF (LF) (SN)	T	146.8/160.2

[MEMORY BOARD]

REF NO.	ORDER NO.	DESCRIPTION	M.	H/V LOCATION
IC1	1130012223	S.IC E28F128J3C3G-150	T	39.8/26.2
IC2	1130012060	S.IC TE28F128J3C-150	T	24/26.2
C1	4030011600	S.CER C1608 JB 1E 104K-T	T	41.8/38.8
C2	4030011600	S.CER C1608 JB 1E 104K-T	T	39.9/13.2
C3	4030011600	S.CER C1608 JB 1E 104K-T	T	36.8/13.2
C4	4030011600	S.CER C1608 JB 1E 104K-T	T	26/38.8
C5	4030011600	S.CER C1608 JB 1E 104K-T	T	24/13.2
C6	4030011600	S.CER C1608 JB 1E 104K-T	T	21/13.2
J1	6510024210	S.CNR AXK6S30435P	T	55/20
J2	6510024200	S.CNR AXK6S40435P	T	10/20

M.=Mounted side (T: Mounted on the Top side, B: Mounted on the Bottom side)  
S.=Surface mount



# SECTION 6 MECHANICAL PARTS AND DISSASSEMBLY

## [CHASSIS PARTS]

REF. NO.	ORDER NO.	DESCRIPTION	QTY.
MF1	2710000760	Fan FD1240107B-1N	1
SP1	2510001260	2590 SP box	1
MP1	8930040720	1768 B-clip	1
MP2	8930061281	2590 ant angle-1	1
MP3	8930061840	2590 A-stand sheet	2
MP4	8510016031	2590 BPF case-1	1
MP5	8510016040	2590 BPF S-cover	1
MP6	8010019283	2590 Chassis-3	1
MP7	8930061720	2590 DIGISEL plate	1
MP8	8930062320	2590 A-DIGISEL sponge	1
MP10	8510015851	2590 FILTER case-1	1
MP11	8110008082	2590 L-cover-2	1
MP12	8110008091	2590 LOGIC cover-1	1
MP13	8930061350	2590 main stand	2
MP14	8930061960	2590 M-fan angle	1
MP15	8930061761	2590 M-jack angle-1	1
MP16	8510016101	2590 PLL plate-1	2
MP17	8510016010	2590 P-R cover	1
MP18	8210020460	2590 rear panel	1
MP20	8510015860	2590 SCOPE cover	1
MP21	8210019820	2590 side panel	2
MP22	8930062010	2590 S-jack angle	1
MP23	8930061950	2590 SP angle	1
MP27	8110008072	2590 U-cover-2	1
MP101	8810007231	Setscrew H M3 × 8 ZC3	4
MP102	8810007231	Setscrew H M3 × 8 ZC3	1
MP103	8810009111	Screw PH M2.6 × 16 ZK3	2
MP104	8810005771	Screw BiH M3 × 8 ZK3	2
MP105	8810005771	Screw BiH M3 × 8 ZK3	2
MP106	8810008451	Screw BiH M4 × 8 ZK3	4
MP107	8810005771	Screw BiH M3 × 8 ZK3	8
MP108	8810008451	Screw BiH M4 × 8 ZK3	14
MP109	8810008451	Screw BiH M4 × 8 ZK3	13
MP110	8810008451	Screw BiH M4 × 8 ZK3	4
MP111	8810008451	Screw BiH M4 × 8 ZK3	2
MP112	8810008451	Screw BiH M4 × 8 ZK3	2
MP113	8930011680	Rubber foot (G)	2
MP114	8810009651	Screw FH BT M3 × 8 NI-ZC3	20
MP115	8810009651	Screw FH BT M3 × 8 NI-ZC3	4
MP116	8810009461	Screw FH M3 × 8 ZK	4
MP117	8810009461	Screw FH M3 × 8 ZK	2
MP118	8810009461	Screw FH M3 × 8 ZK	1
MP119	8810009461	Screw FH M3 × 8 ZK	4
MP120	8810008630	Screw PH BT M3 × 6 NI-ZU	6
MP121	8810008661	Screw PH BT M3 × 8 NI-ZC3	14
MP122	8810008661	Screw PH BT M3 × 8 NI-ZC3	7
MP123	8810008661	Screw PH BT M3 × 8 NI-ZC3	5
MP124	8810008661	Screw PH BT M3 × 8 NI-ZC3	26
MP125	8810008661	Screw PH BT M3 × 8 NI-ZC3	7
MP126	8810008661	Screw PH BT M3 × 8 NI-ZC3	6
MP127	8810008661	Screw PH BT M3 × 8 NI-ZC3	4
MP128	8810008661	Screw PH BT M3 × 8 NI-ZC3	3
MP129	8810008661	Screw PH BT M3 × 8 NI-ZC3	2
MP130	8810008661	Screw PH BT M3 × 8 NI-ZC3	2
MP131	8810008661	Screw PH BT M3 × 8 NI-ZC3	4
MP132	8810008661	Screw PH BT M3 × 8 NI-ZC3	7
MP133	8810008661	Screw PH BT M3 × 8 NI-ZC3	2
MP135	8810008661	Screw PH BT M3 × 8 NI-ZC3	4
MP136	8810008661	Screw PH BT M3 × 8 NI-ZC3	2
MP137	8810008661	Screw PH BT M3 × 8 NI-ZC3	1
MP138	8810008661	Screw PH BT M3 × 8 NI-ZC3	4
MP139	8810008661	Screw PH BT M3 × 8 NI-ZC3	4
MP140	8810008661	Screw PH BT M3 × 8 NI-ZC3	11
MP141	8810004431	Screw PH M3 × 6 ZK3	2

## [CHASSIS PARTS]

REF. NO.	ORDER NO.	DESCRIPTION	QTY.
MP142	8810004431	Screw PH M3 × 6 ZK3	4
MP143	8810009991	Screw PH BT M3 × 8 ZK3	1
MP144	8810004431	Screw PH M3 × 6 ZK3	4
MP145	8810008391	Screw PH M4 × 12 ZC3	2
MP146	8830000360	Wing nut M5 NI	1
MP147	8930028390	Himelon sheet AH	1
MP148	8850000150	Flat washer M5 NI BS	2
MP150	8930049850	2240 D-sponge 3.5 × 5 × 50	1
MP151	8930049850	2240 D-sponge 3.5 × 5 × 50	1
MP152	8930017190	Earth spring (F)	1
MP153	8930017190	Earth spring (F)	1
MP154	8510016281	2590 K-plate-1	1
MP155	8930056160	Double side tape (AG)	4
MP156	8810004431	Screw PH M3 × 6 ZK3	1
MP157	8930065730	2590E-earth	1
MP158	8930062720	Sponge (HS)	1
MP159	8930062270	2590 A-net	1
MP160	8930062280	2590 B-net	1
MP161	8930062290	2590 C-net	1
MP162	8930062360	2590 D-net	1
MP163	8930006960	Sponge (Y)	1
MP164	8930062770	Himelon sheet (CN)	1
MP165	8930058170	Shield sponge (O)	1
MP166	8930058170	Shield sponge (O)	1
MP167	8930017190	Earth spring (F)	1
MP169	8930063220	AL sheet (AJ)	1
MP171	8930028840	Sponge (DF)	1
MP172	8930056020	Sponge (GU)	1
MP173	8930056020	Sponge (GU)	1
MP174	8930048960	Shield tape (B)	2
MP175	8930056020	Sponge (GU)	2
MP178	8950002460	Other item S-10	1
MP179	8930063450	Shield sponge (AG)	6
MP180	8930063260	Sponge (HV)	1
MP181	8930056401	Shield sponge (H)-1	1
MP182	8930063700	AL sheet (AL) (for chassis W9)	1
MP184	8930061490	Shield sponge (AB)	1
MP185	8930063780	Shield sponge (AJ)	1
MP186	8930058840	Shield sponge (T)	1
MP187	6910008240	Clip 59TN4772	1
MP188	8930063560	Emboss tape (O)	4

**Screw abbreviations**    BT: Self-tapping    PH: Pan head  
                                   FH: Flat head        BiH: Binding head  
                                   ZK: Black            BS: Brass  
                                   NI: Nickel            SUS: Stainless  
                                   NI-ZU: Nickel-Zinc

**[FRONT PARTS]**

REF. NO.	ORDER NO.	DESCRIPTION	QTY.
EP1	6910015291	LCD unit LTA070B790F	1
EP11	6910011090	Main sensor RMS20-250-201-P	1
EP12	6910011090	Sub sensor RMS20-250-201-P	1
EP13	0880001460	Rit sensor	1
EP101	6910015650	Mount plate S-G2218-3#01	1
EP102	6910015650	Mount plate S-G2218-3#01	1
MP1	8810008971	Screw FH BT M2 × 3.5 NI-ZU	2
MP2	8810009181	Screw FH BT M2 × 5 NI-ZU	3
MP3	8810009181	Screw FH BT M2 × 5 NI-ZU	1
MP4	8810009181	Screw FH BT M2 × 5 NI-ZU	2
MP5	8810005701	Screw PH M2 × 4 ZK	2
MP7	8210019931	2590 10-key panel-1	1
MP10	8930061450	2590 brake button	1
MP11	8930061470	2590 brake plate	1
MP12	8930061460	2590 brake spacer	1
MP13	8930060640	2590 CF lens	1
MP14	8110008100	2590 CF lens cover	1
MP15	8930060651	2590 CF plate -1	1
MP17	8930060581	2590 EJECT button-1	1
MP19	8210019800	2590 front panel	1
MP20	8930060600	2590 JACK plate	1
MP21	8930060592	2590 LCD holder-2	1
MP22	8930061620	2590 LCD sponge	1
MP23	8930062562	2590 LENS holder-2 assembly	1
MP24	8310059640	2590 name plate	1
MP25	8930060690	2590 spring	1
MP26	8010019311	2590 sub chassis-1	1
MP27	8930060623	2590 VR plate-3	1
MP28	8310061241	2590 window frame-1 assembly	1
MP29	8310059661	2590 window plate-1	1
MP30	8930062190	Double side tape (AJ)	2
MP31	8930062180	Double side tape (AK)	2
MP32	8930062170	Double side tape (AL)	3
MP33	8610012052	Knob K230-2 assembly	1
MP34	8610012061	Knob K231-1 assembly	1
MP35	8610012071	Knob K232-1 assembly	2
MP36	8610011391	Knob K233-1	1
MP37	8610011451	Knob K234-1	1
MP38	8610011461	Knob K234 (A)-1	1
MP39	8610011471	Knob K234 (B)-1	1
MP40	8610011481	Knob K235-1	1
MP41	8610011491	Knob K236-1	1
MP42	8610011501	Knob K237-1	1
MP43	8610011511	Knob K237 (A)-1	1
MP44	8610011521	Knob K238-1	1
MP45	8610011531	Knob K239-1	1
MP46	8610011541	Knob K239 (A)-1	1
MP47	8610011551	Knob K240-1	1
MP48	8610012081	Knob K241-1 assembly	1
MP49	8610011561	Knob K243-1	1
MP50	8610011421	Knob K244-1	1
MP51	8610011431	Knob K245-1	1
MP52	8610011950	Knob N300 assembly (green)	3
MP53	8610011960	Knob N300 (A) assembly (red)	3
MP55	8610011830	Knob N301	2
MP56	8610011970	Knob N302 assembly	2
MP58	8610011760	Knob N303 (green)	1
MP59	8610011770	Knob N303(A) (red)	1
MP60	8610011780	Knob N303(B) (gray)	2
MP61	8610011980	Knob N304 assembly (green)	1
MP62	8610011990	Knob N304 (A) assembly (red)	1
MP63	8610012000	Knob N304 (B) assembly (gray)	2
MP65	8610012010	Knob N305 assembly	1
MP67	8610012020	Knob N306 assembly	1
MP68	8610011840	Knob N-306 cover	1
MP70	8610011741	Knob N307-1	7
MP71	8610012031	Knob N309-1 assembly	1
MP72	8610011850	Knob N-309 cover	1
MP75	8610011810	Knob N310 (green)	3
MP76	8610011820	Knob N310 (A) (red)	3

**[FRONT PARTS]**

REF. NO.	ORDER NO.	DESCRIPTION	QTY.
MP77	8610012040	Knob N311 assembly	1
MP78	8850002010	Plain washer (AG)	1
MP79	8930062080	Rubber tube (C)	12
MP80	8930062090	Rubber tube (D)	2
MP81	8930061731	Sponge (HI)-1	2
MP82	8810008451	Screw BiH M4 × 8 ZK	4
MP84	8810008761	Screw PH BT M2 × 8 NI-ZU	10
MP85	8810008761	Screw PH BT M2 × 8 NI-ZU	4
MP86	8810008761	Screw PH BT M2 × 8 NI-ZU	4
MP87	8810008761	Screw PH BT M2 × 8 NI-ZU	2
MP88	8810008761	Screw PH BT M2 × 8 NI-ZU	10
MP90	8810008630	Screw PH BT M3 × 6 NI-ZU	4
MP91	8810008630	Screw PH BT M3 × 6 NI-ZU	4
MP92	8810008630	Screw PH BT M3 × 6 NI-ZU	4
MP93	8810008630	Screw PH BT M3 × 6 NI-ZU	1
MP94	8810008630	Screw PH BT M3 × 6 NI-ZU	2
MP95	8810008630	Screw PH BT M3 × 6 NI-ZU	3
MP99	8810009181	Screw FH BT M2 × 5 NI-ZU	2
MP100	8930062350	Double side tape (AM)	1
MP103	8930006960	Sponge (Y)	1
MP104	8930019010	Sponge (CI)	1
MP105	8930062910	Double side tape (AO)	2
MP106	8930062170	Double side tape (AL)	2
MP107	8930005140	Alumi sheet (A)	1
MP108	8930062950	Shield sponge (AF)	3
MP109	8930063270	2590 earth spring	1
MP110	8930063270	2590 earth spring	1
MP111	8930017190	Earth spring (F)	1
MP112	8930063510	Emboss tape (L)	1
MP113	8930063500	Emboss tape (M)	1
MP114	8930063490	Emboss tape (N)	2
MP115	8930063540	2590 A-earth spring	1
MP116	8930063790	Shield sponge (AI)	2
MP117	8930063800	Shield sponge (AH)	2
MP118	8930063450	Shield sponge (AG)	1

**Screw abbreviations** BT: Self-tapping PH: Pan head  
 FH: Flat head BiH: Binding head  
 ZK: Black BS: Brass  
 NI: Nickel SUS: Stainless  
 NI-ZU: Nickel-Zinc

**[DISPLAY BOARD]**

REF. NO.	ORDER NO.	DESCRIPTION	QTY.
BT601	3020000110	Battery CR2032	1
MP1*1	8930063860	2590 C-earth spring	1
MP301*1	8510015390	2591 REG plate	1

**[SW-A BOARD]**

REF. NO.	ORDER NO.	DESCRIPTION	QTY.
MP1*1	8930063530	2590 B-earth spring	1

**[VR-B BOARD]**

REF. NO.	ORDER NO.	DESCRIPTION	QTY.
R1	7210003160	Variable resistor RV-317 [MIC/RF PWR]	1
R2	7210003160	Variable resistor RV-317 [MAIN AGC/SQL]	1

**[VR-C BOARD]**

REF. NO.	ORDER NO.	DESCRIPTION	QTY.
R1	7210003160	Variable resistor RV-317 [KEY SPEED/DELAY]	1
R2	7210003160	Variable resistor RV-317 [SUB AGC SQL]	1

**[VR-D BOARD]**

REF. NO.	ORDER NO.	DESCRIPTION	QTY.
R1	7210001130	Variable resistor RK097111T005A [BRIGHT]	1
R2*1	7210001130	Variable resistor RK097111T005A [CONTRAST]	1
R3*1	7210001130	Variable resistor RK097111T005A [ANTI VOX]	1
R4*1	7210001130	Variable resistor RK097111T005A [VOX GAIN]	1
R5*1	7210001130	Variable resistor RK097111T005A [DRIVE]	1
R6*1	7210001130	Variable resistor RK097111T005A [COMP]	1
R7*1	7210001130	Variable resistor RK097111T005A [MONI GAIN]	1

**[MIC BOARD]**

REF. NO.	ORDER NO.	DESCRIPTION	QTY.
J1	6510000190	Connector FM214-8SS (P) [MIC]	1

**[JACK BOARD]**

REF. NO.	ORDER NO.	DESCRIPTION	QTY.
J2	6510023891	Connector S-G4617#01F [PHONES]	1
J102	6510023900	Connector LGR4619-7000 [ELEC-KEY]	1

**[PBT1 BOARD]**

REF. NO.	ORDER NO.	DESCRIPTION	QTY.
R1	7210003180	Variable resistor RV-319 [MAIN DIGI-SEL/NOTCH]	1
S1	2250000410	Switch TP90D96E20-30F-2178-1 [MAIN TWIN PBT]	1

**[PBT2 BOARD]**

REF. NO.	ORDER NO.	DESCRIPTION	QTY.
R1	7210003180	Variable resistor RV-319 [SUB DIGI-SEL/NOTCH]	1
R2	7210003170	Variable resistor RV-318 [CW PITCH]	1
S1	2250000410	Switch TP90D96E20-30F-2178-1 [SUB TWIN PBT]	1

**Screw abbreviations**

BT: Self-tapping PH: Pan head  
 FH: Flat head BiH: Binding head  
 ZK: Black BS: Brass  
 NI: Nickel SUS: Stainless  
 NI-ZU: Nickel-Zinc

\*1Refer to SECTION 8 BOARD LAYOUTS.



**[DIGISEL UNIT]**

REF. NO.	ORDER NO.	DESCRIPTION	QTY.
MP1	8930061600	2590 DIGISEL spring	1
MP2	8930061600	2590 DIGISEL spring	1
MP3	8930061600	2590 DIGISEL spring	1
MP4	8930061600	2590 DIGISEL spring	1
MP5	8510015841	2590 D-SHIELD plate-1	1
MP6	8930014140	Earth spring (D)	1
MP7	8930014140	Earth spring (D)	1
MP8	8510016021	2590 DIGISEL case-1	1
MP9	8110008061	2590 DIGISEL cover-1	1
MP10	8930014140	Earth spring (D)	1
MP11	8930014140	Earth spring (D)	1
MP12	8930014140	Earth spring (D)	1
MP13	8930014140	Earth spring (D)	1
MP14	8810007231	Setscrew H M3 × 8 ZC3	8
MP15	8810008661	Screw PH BT M3 × 8 NI-ZC3	1

**[OSC UNIT]**

REF. NO.	ORDER NO.	DESCRIPTION	QTY.
MP1	8510015822	2590 OSC case-2	1
MP2	8110008050	2590 OSC cover	1
MP3	8810008660	Screw PH BT M3 × 8 NI-ZU	4
MP4	8810008660	Screw PH BT M3 × 8 NI-ZU	4

**[ANT-SW UNIT]**

REF. NO.	ORDER NO.	DESCRIPTION	QTY.
J51	6510000410	Connector MR-DS-E 02 [ANT1]	1
J61	6510000410	Connector MR-DS-E 02 [ANT2]	1
J71	6510000410	Connector MR-DS-E 02 [ANT3]	1
J81	6510000410	Connector MR-DS-E 02 [ANT4]	1

**[PA UNIT]**

REF. NO.	ORDER NO.	DESCRIPTION	QTY.
MF1	2710000770	Fan FCB34AC12A	1
W1	8900012790	Cable OPC-1299	1
MP1	8820000700	1129 screw	4
MP3	8930061230	2590 FL-PA angle	1
MP4	8930061240	2590 FR-PA angle	1
MP5	8930061260	2590 L-fan angle	1
MP6	8510015991	2590 PA cover-1	1
MP7	8410002550	2590 PA heatsink	1
MP8	8930062121	2590 PA sheet-1	1
MP9	8930061250	2590 R-fan angle	1
MP10	8930061221	2590 R-PA angle-1	1
MP11	8930061430	2590 rubber	4
MP12	8930062210	Thermally sheet (AL)	1
MP13	8810009040	Setscrew H M2.6 × 10 NI	6
MP14	8810007231	Setscrew H M3 × 8 ZC3	10
MP15	8810008661	Screw PH BT M3 × 8 NI-ZC3	8
MP16	8810008661	Screw PH BT M3 × 8 NI-ZC3	5
MP17	8810008661	Screw PH BT M3 × 8 NI-ZC3	1
MP18	8810008661	Screw PH BT M3 × 8 NI-ZC3	1
MP19	6910008240	Clip 59TN4772	1
MP20	8930063150	Thermally sheet (AR)	2

**[MAIN UNIT]**

REF. NO.	ORDER NO.	DESCRIPTION	QTY.
F3	5210000040	Fuse FGB 2A	1
J1*1	6510023671	Connector TCS4480-0141577 [MAIN ACC (1)]	1
J2*1	6510023661	Connector TCS4470-0141577 [MAIN ACC (2)]	1
J3*1	6510023671	Connector TCS4480-0141577 [SUB ACC (1)]	1
J4*1	6510023661	Connector TCS4470-0141577 [SUB ACC (2)]	1
J5*1	6450001130	Connector JPJ2042-01-110 [RELAY/ALC]	1
J6*1	6510023730	Connector LGY6502-0600C [METER]	1
J7*1	6510023730	Connector LGY6502-0600C [EXT KEYPAD]	1
J8*1	6510023740	Connector LGR4609-7000 [KEY]	1
J9*1	6510023070	Connector HEC2305-01-250 [DC OUT]	1
J140*1	6510023720	Connector LGY6501-0600C [EXT-SP MAIN]	1
J141*1	6510023720	Connector LGY6501-0600C [EXT-SP SUB]	1
J490	6510023750	Connector 01K1971-10 [REF I/O]	1
J495*1	6510023701	Connector TORX178S (F) [S/P DIF IN]	1
J496*1	6510023711	Connector TOTX178S (F) [S/P DIF OUT]	1
MP496	8930062740	2590 M-spring	1
MP501	8930014140	Earth spring (D)	1
MP502*1	8510015800	2590 2LO case	1
MP503*1	8510000180	117 shield plate	1
MP511*1	8510015900	2590 M-2LO case	1
MP551	8930014140	Earth spring (D)	1
MP801	8930014140	Earth spring (D)	1

**[DSP-A BOARD]**

REF. NO.	ORDER NO.	DESCRIPTION	QTY.
MP1	8510014140	2432 DSP cover	1
MP2	8510016110	2590 M-DSP case	1
MP3*1	8930062220	Thermally sheet (AO)	1

**[DSP-B BOARD]**

REF. NO.	ORDER NO.	DESCRIPTION	QTY.
MP1	8510014140	2432 DSP cover	1
MP2	8510016110	2590 M-DSP case	1
MP3*1	8930062220	Thermally sheet (AO)	1

**[DSP-TX BOARD]**

REF. NO.	ORDER NO.	DESCRIPTION	QTY.
MP1	8510014140	2432 DSP cover	1
MP2	8510016110	2590 M-DSP case	1
MP3*1	8930062220	Thermally sheet (AO)	1

**[MEMORY BOARD]**

REF. NO.	ORDER NO.	DESCRIPTION	QTY.
MP1	8930028840	Sponge (DF)	1
MP2	8930028840	Sponge (DF)	1
MP3	8930063720	AL sheet (AN)	1

**Screw abbreviations** BT: Self-tapping PH: Pan head  
 FH: Flat head BiH: Binding head  
 ZK: Black BS: Brass  
 NI: Nickel SUS: Stainless  
 NI-ZU: Nickel-Zinc

\*1Refer to SECTION 8 BOARD LAYOUTS.

**[SCOPE UNIT]**

REF. NO.	ORDER NO.	DESCRIPTION	QTY.
J902	6510023120	Connector CD6109SA1J0 [RS-232C]	1
J903	6510024040	Connector TM11R-5M2-88-LP [ETHERNET]	1
J904	6510024030	Connector UBA-4R-D10T-1 [USB]	1
J905	6450001940	Connector KEY-15S-2A3A [EXT MONITOR]	1
MP3	8930014140	Earth spring (D)	1
MP101*1	8510015810	2590 MIX case	1
MP301*1	8510015810	2590 MIX case	1
MP601*1	8510015770	2590 DSP case	1
MP701*1	8510015880	2590 S2LO case	1
MP801*1	8510015891	2590 S3LO case-1	1
MP802*1	8510014870	2577 RX-VCO case	1
MP901	8850001860	Flat washer M3 (3 × 6 × 0.5) SUS	2
MP902	8850000420	Spring washer M3 NI	2

**[DC-DC UNIT]**

REF. NO.	ORDER NO.	DESCRIPTION	QTY.
W1	8900012780	Cable OPC-1298	1
MP21*1	8510015720	2590 DC-DC A-case	1
MP22	8510015730	2590 DC-DC A-plate	1
MP41*1	8510015720	2590 DC-DC A-case	1
MP42	8510015730	2590 DC-DC A-plate	1
MP61*1	8510015720	2590 DC-DC A-case	1
MP62	8510015730	2590 DC-DC A-plate	1
MP81*1	8510015720	2590 DC-DC A-case	1
MP82	8510015730	2590 DC-DC A-plate	1
MP101*1	8510015720	2590 DC-DC A-case	1
MP102	8510015730	2590 DC-DC A-plate	1
MP121*1	8510015740	2590 DC-DC B-case	1
MP122	8510015750	2590 DC-DC B-plate	1

**[RXPLL-A UNIT]**

REF. NO.	ORDER NO.	DESCRIPTION	QTY.
MP1*1	8930039710	Rubber sheet (V)	2
MP101*1	8510010760	1876 DDS case	1
MP102	8510010770	1876 DDS cover	1
MP103*1	8510010850	1897 D/A case	1
MP151*1	8510013510	2355 VCO case	1
MP201*1	8510013510	2355 VCO case	1
MP221*1	8510015780	2590 VCO case	1
MP222	8510015790	2590 VCO cover	1
MP223	8810007231	Setscrew H M3 × 8 ZC3	4
MP224	8930062300	Rubber sheet (BI)	1
MP301*1	8930065740	Earth spring (D)	1
MP501*1	8510010760	1876 DDS case	1
MP502	8510010770	1876 DDS cover	1
MP503*1	8510010850	1897 D/A case	1
MP541*1	8510011970	2177 OSC case	1
MP542	8510011960	2177 OSC cover	1
MP548	8930025070	Sponge (CW)	1
MP601*1	8930065740	Earth spring (D)	1
MP651*1	8510005980	724 shield case	1
MP652	8510005990	724 shield case cover	1
MP1058*1	6910001130	10M shield case	1
MP1101*1	8510016060	2590 HF case	1
MP1102	8510015910	2590 HF cover	1
MP1103	8930020860	IC-holder	2
MP1104	8930049850	2240 D-sponge 3.5 × 5 × 50	1
MP1301*1	8510016050	2590 50M case	1
MP1408*1	6910001130	10M shield case	1
MP1501*1	8930065740	Earth spring (D)	1
MP1502*1	8930065740	Earth spring (D)	1
MP1503*1	8930065740	Earth spring (D)	1
MP1504*1	8930065740	Earth spring (D)	1
MP1505*1	8510010460	1691 main shield plate	1
MP1651*1	8510016340	2590 2MIX case	1
MP1652*1	8510016390	2590 shield plate	1
MP1653*1	8930024170	Earth spring (G)	1

**[RXPLL-B UNIT]**

REF. NO.	ORDER NO.	DESCRIPTION	QTY.
MP1*1	8930039710	Rubber sheet (V)	2
MP101*1	8510010760	1876 DDS case	1
MP102	8510010770	1876 DDS cover	1
MP103*1	8510010850	1897 D/A case	1
MP151*1	8510013510	2355 VCO case	1
MP201*1	8510013510	2355 VCO case	1
MP221*1	8510015780	2590 VCO case	1
MP222	8510015790	2590 VCO cover	1
MP223	8810007231	Setscrew H M3 × 8 ZC3	4
MP224	8930062300	Rubber sheet (BI)	1
MP301*1	8930065740	Earth spring (D)	1
MP501*1	8510010760	1876 DDS case	1
MP502	8510010770	1876 DDS cover	1
MP503*1	8510010850	1897 D/A case	1
MP541*1	8510011970	2177 OSC case	1
MP542	8510011960	2177 OSC cover	1
MP543*1	8510005070	599 shield plate	1
MP544*1	8930030940	Enboss tape (D)	1
MP545*1	8930030940	Enboss tape (D)	1
MP546	8930027810	Enboss tape (B)	1
MP547	8930057730	Shield (J)	1
MP601*1	8930065740	Earth spring (D)	1
MP651*1	8510005980	724 shield case	1
MP652	8510005990	724 shield case cover	1
MP1058*1	6910001130	10M shield case	1
MP1101*1	8510016060	2590 HF case	1
MP1102	8510015910	2590 HF cover	1
MP1103	8930020860	IC-holder	2
MP1104	8930049850	2240 D-sponge 3.5 × 5 × 50	1
MP1301*1	8510016050	2590 50M case	1
MP1408*1	6910001130	10M shield case	1
MP1501*1	8930065740	Earth spring (D)	1
MP1502*1	8930065740	Earth spring (D)	1
MP1503*1	8930065740	Earth spring (D)	1
MP1504*1	8930065740	Earth spring (D)	1
MP1505*1	8510010460	1691 main shield plate	1
MP1651*1	8510016340	2590 2MIX case	1
MP1652*1	8510016390	2590 shield plate	1
MP1653*1	8930024170	Earth spring (G)	1

**[LOGIC UNIT]**

REF. NO.	ORDER NO.	DESCRIPTION	QTY.
MP101*1	8510016490	2590 LOGIC B-plate	1
MP103*1	8930063300	AL sheet (AK)	1
MP201*1	8510016480	2590 LOGIC C-plate	1
MP203*1	8510016500	2590 LOGIC A-plate	1
MP204*1	8930063320	2590 A-sheet (top side of MP203)	1
MP205*1	8930063310	2590 B-sheet (bottom side of MP203)	1
MP801*1	8510005350	VCO shield plate	1

**Screw abbreviations** BT: Self-tapping PH: Pan head  
 FH: Flat head BiH: Binding head  
 ZK: Black BS: Brass  
 NI: Nickel SUS: Stainless  
 NI-ZU: Nickel-Zinc

\*1Refer to SECTION 8 BOARD LAYOUTS.

**[REG UNIT]**

REF. NO.	ORDER NO.	DESCRIPTION	QTY.
EP1	6910016050	REG unit FP2212B [USA]	1
	6910016060	REG unit FP2212C [OTHER]	1

**[BPF UNIT]**

REF. NO.	ORDER NO.	DESCRIPTION	QTY.
J103	6510023750	Connector 01K1971-10 [X-VERTER]	1
J104	6510023750	Connector 01K1971-10 [RXANT INA]	1
J105	6510023750	Connector 01K1971-10 [RXANT OUTA]	1
J504	6510023750	Connector 01K1971-10 [RXANT INB]	1
J505	6510023750	Connector 01K1971-10 [RXANT OUTB]	1

**[TUNER UNIT]**

REF. NO.	ORDER NO.	DESCRIPTION	QTY.
MF1	2710000780	Motor MP24Z	1
MF2	2710000780	Motor MP24Z	1
MF3	2710000470	Fan MF60B-12H901	1
MP1	8950003200	Universal couplings UJ6-5	2
MP2	8930030112	1414 plate-2	2
MP3	8820000881	1528 screw-1	4
MP4	8930061271	2590 motor angle-1	1
MP5	8510015831	2590 TUNER case-1	1
MP6	8510015870	2590 TUNER cover	1
MP7	8810005161	Cap bolt M3 X 20 ZK3	4
MP8	8810007231	Setscrew H M3 x 8 ZC3	6
MP9	8810007231	Setscrew H M3 x 8 ZC3	4
MP10	8810008630	Screw PH BT M3 x 6 NI-ZU	6
MP11	8810008630	Screw PH BT M3 x 6 NI-ZU	6
MP12	8810008630	Screw PH BT M3 x 6 NI-ZU	4
MP13	8850000130	Flat washer M3 (3 x 8 x 0.5) NI BS	4
MP14	8930006960	Sponge (Y)	1
MP15	8930059520	Nonwovens sheet (CG)	1
MP16	8930058760	Shield sponge (S)	1
MP17	8930005170	Alminum sheet (F)	1

**[CTRL BOARD]**

REF. NO.	ORDER NO.	DESCRIPTION	QTY.
MP1*1	8510015760	2590 A-CTRL case	1
MP2	8930014140	Earth spring (D)	1

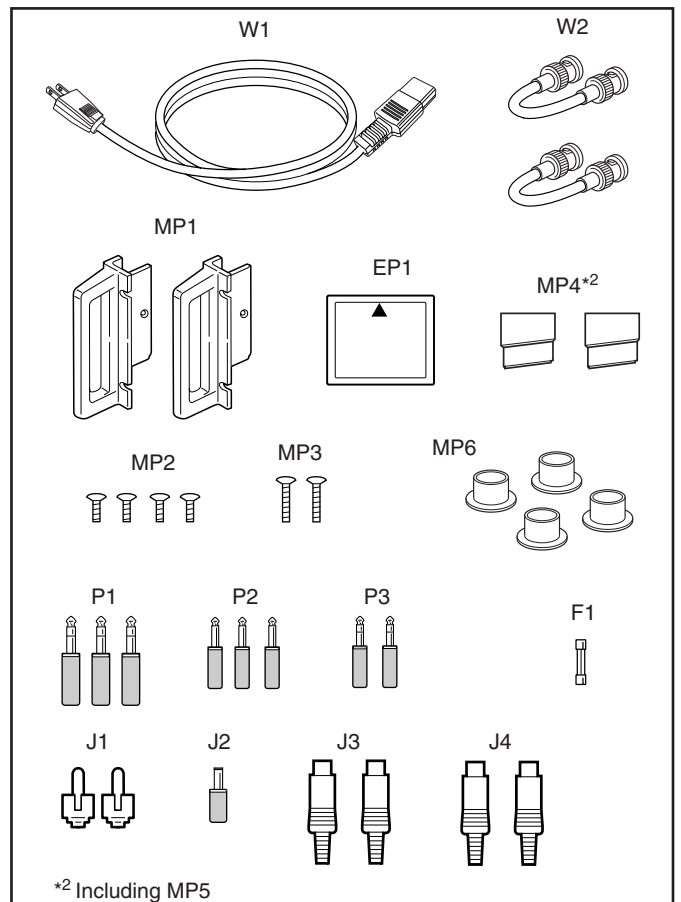
\*1 Refer to SECTION 8 BOARD LAYOUTS.

**[NETWORK BOARD]**

REF. NO.	ORDER NO.	DESCRIPTION	QTY.
MP1	8510011480	1900 AL cover	1

**[ACCESSORIES]**

REF. NO.	ORDER NO.	DESCRIPTION	QTY.
EP1	0800007460	CF card SDCFB-64-101	1
F1	5210000041	Fuse FGB 2A	1
W1	8900005250	AC power cable OPC-510 [USA], [KOR]	1
	8900005220	AC power cable OPC-513 [AUS]	1
	8900005120	AC power cable OPC-491 [UK]	1
	8900005130	AC power cable OPC-492 [OTHER]	1
W2	8900012770	Jumper cable OPC-1243	2
P1	5610000050	Key plug AP-330 [CW]	3
P2	5610000020	Speaker plug AP-313 [MONORAL]	3
P3	5610000170	Speaker plug AP-370 [STEREO]	2
J1	6510023200	Pin plug P030010	2
J2	5610000280	DC power plug MP-121M4	1
J3	6450001271	ACC plug TCP0577-71-5201 [7-pin]	2
J4	6450001281	ACC plug TCP0587-71-5401 [8-pin]	2
MP1	8930061400	Rack mounting angle (A)	2
MP2	8810006111	Screw FH M4 x 9 ZK3	4
MP3	8810010281	Screw FH M4 x 15 ZK3	2
MP4	8930061360	2590 sub stand	2
MP5	8930061840	2590 A-stand sheet	2
MP6	8930037280	M-type cap	4



\*2 Including MP5

**Screw abbreviations** BT: Self-tapping PH: Pan head  
 FH: Flat head BiH: Binding head  
 ZK: Black BS: Brass  
 NI: Nickel SUS: Stainless  
 NI-ZU: Nickel-Zinc



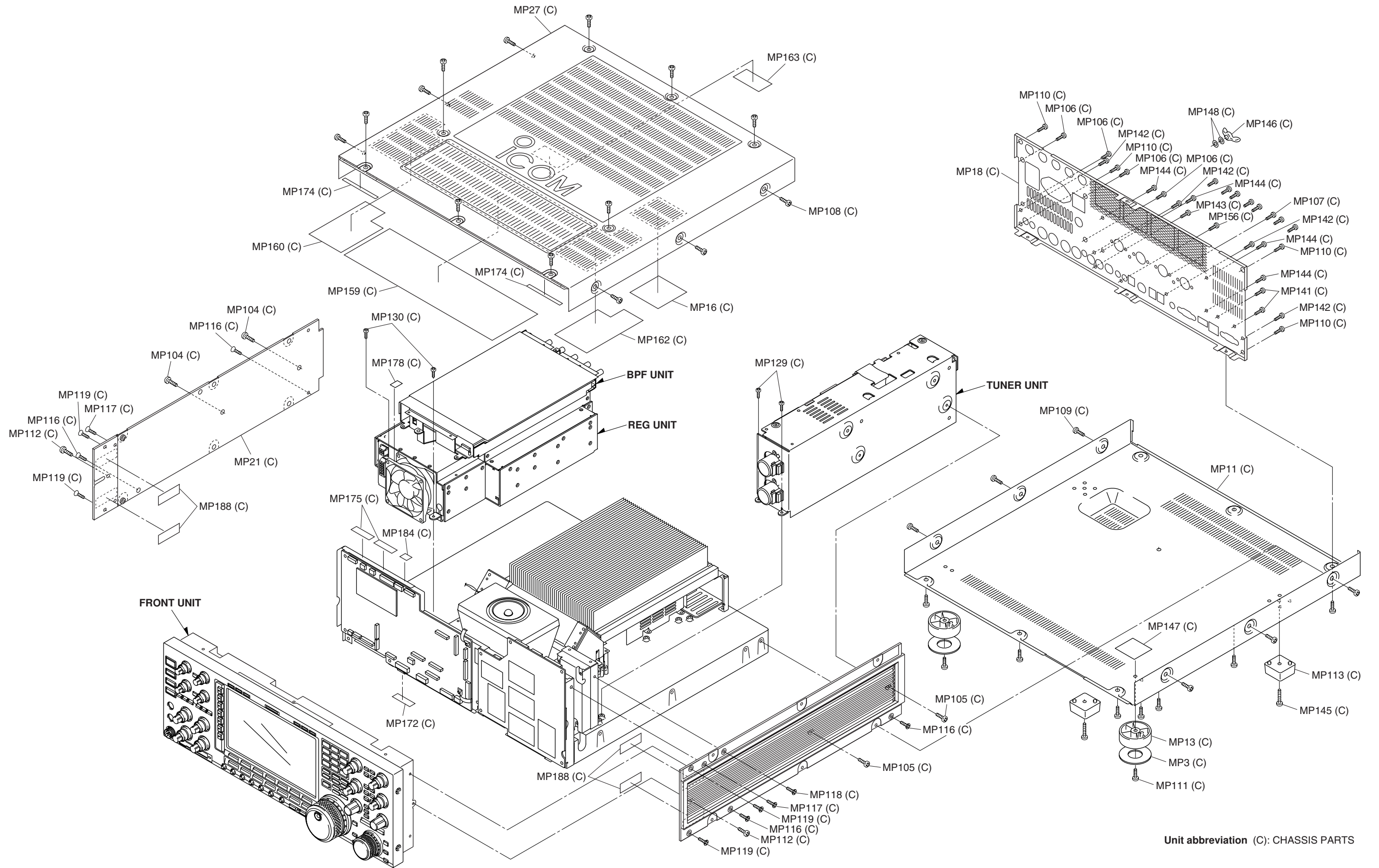
• WIRE CONNECTION INFORMATION

WIRE No.	CONNECTION1	CONNECTION2
Ⓐ	DISPLAY BOARD J203	LOGIC UNIT J805
Ⓑ	DISPLAY BOARD J3	SW-A BOARD J3
Ⓒ	DISPLAY BOARD J6	VR-A BOARD J1
Ⓓ	DISPLAY BOARD J302	CF BOARD J3
Ⓔ	DISPLAY BOARD J5	VR-D BOARD J1
Ⓕ	DISPLAY BOARD J301	LCD UNIT
Ⓖ	DISPLAY BOARD J4	SW-B BOARD J1
Ⓗ	DISPLAY BOARD J205	FRONT UNIT EP11
Ⓘ	DISPLAY BOARD J1	TENKEY BOARD J1
Ⓙ	DISPLAY BOARD J205	TENKEY BOARD J2
Ⓚ	DISPLAY BOARD J202	LOGIC UNIT J806
Ⓛ	DISPLAY BOARD J201	LCD UNIT
Ⓜ	TENKEY BOARD J5	LED BOARD J1
Ⓝ	TENKEY BOARD J4	PBT1 BOARD J1
Ⓞ	TENKEY BOARD J3	SW-C BOARD J1
Ⓟ	TENKEY BOARD J7	FRONT UNIT EP13
Ⓠ	TENKEY BOARD J6	FRONT UNIT EP12
Ⓡ	PBT2 BOARD J1	SW-C BOARD J2
Ⓢ	SW-A BOARD J1	VR-B BOARD J1
Ⓣ	SW-A BOARD J2	VR-C BOARD J1
Ⓤ	VR-A BOARD J3	JACK BOARD J1
Ⓥ	VR-A BOARD J4	MIC BOARD J2
Ⓦ	VR-A BOARD J2	MAIN UNIT J440
Ⓧ	CF BOARD J1	LOGIC UNIT J807

*WIRE No.	CONNECTION1	CONNECTION2	REF. No
①	LOGIC UNIT J826	MAIN UNIT J901	W28
②	LOGIC UNIT J810	MAIN UNIT J451	W51~65
③	LOGIC UNIT J815	RXPLL-B UNIT J2	W4
④	LOGIC UNIT J814	OSC UNIT UNIT J2	W11
⑤	LOGIC UNIT J813	DIGISEL UNIT J10	W5
⑥	LOGIC UNIT J816	RXPLL-A UNIT J2	W3
⑦	LOGIC UNIT J808	MAIN UNIT J940	W1
⑧	LOGIC UNIT J809	MAIN UNIT J900	W2
⑩	LOGIC UNIT J825	SCOPE UNIT J910	W178~185
⑪	MAIN UNIT J400	RXPLL-A UNIT J1701	W17
⑫	MAIN UNIT J450	DC-DC UNIT J2	W108~118
⑬	LOGIC UNIT J802	SCOPE UNIT J907	W12
⑭	MAIN UNIT J492	CHASSIS UNIT MF1	(MF2)
⑮	LOGIC UNIT J822	MAIN UNIT J142	W51~52
⑯	MAIN UNIT J401	RXPLL-A UNIT J1501	W85~86
⑰	MAIN UNIT J399	RXPLL-B UNIT J681	W95~96
⑱	MAIN UNIT J503	RXPLL-A UNIT J421	W87~88
⑲	MAIN UNIT J801	PA200W BOARD J1	W106~107
⑳	MAIN UNIT J808	SCOPE UNIT J11	W83~84
㉑	MAIN UNIT J403	RXPLL-B UNIT J1701	W18
㉒	MAIN UNIT J502	RXPLL-A UNIT J561	W89~90
㉓	MAIN UNIT J501	RXPLL-A UNIT J681	W91~92
㉔	MAIN UNIT J491	OSC UNIT UNIT J71	W97~98
㉕	MAIN UNIT J410	SCOPE UNIT J4	W16
㉖	MAIN UNIT J430	PA200W BOARD J2	W101~105
㉗	MAIN UNIT J411	SCOPE UNIT J906	W15
㉘	RXPLL-A UNIT J1002	DIGISEL UNIT J10	W5
㉙	RXPLL-A UNIT J601	RXPLL-A UNIT J1001	W149~150
㉚	SCOPE UNIT J1	RXPLL-A UNIT J1301	W127~128
㉛	RXPLL-A UNIT J351	RXPLL-A UNIT J1101	W151~152
㉜	RXPLL-A UNIT J1002	OSC UNIT UNIT J72	W153~154
㉝	RXPLL-B UNIT J1002	DIGISEL UNIT J501	W147~148
㉞	SCOPE UNIT J2	RXPLL-B UNIT J1301	W129~130
㉟	RXPLL-B UNIT J351	RXPLL-B UNIT J1101	W155~156
㊱	SCOPE UNIT J3	RXPLL-B UNIT J601	W131~132
㊲	RXPLL-B UNIT J561	RXPLL-B UNIT J831	W157~158
㊳	RXPLL-B UNIT J1002	OSC UNIT UNIT J73	W159~160
㊴	MAIN UNIT J404	RXPLL-B UNIT J1501	W93~94
㊵	PA200W BOARD J5	DC-DC UNIT J5	W171~174
㊶	DC-DC UNIT W1	REG UNIT	W22
㊷	FILTER UNIT J901	PA200W BOARD J401	W23
㊸	FILTER UNIT J903	ANT-SW J4	W26
㊹	CTRL BOARD J252	NETWORK BOARD J3	W2(Network)
㊺	CTRL BOARD J251	NETWORK BOARD J2	W1(Network)
㊻	ANT-SW UNIT J1	CTRL BOARD J301	W25
㊼	CTRL BOARD J351	BPF UNIT J106	W141~142
㊽	LOGIC UNIT J811	CTRL BOARD J1	W7
㊾	FILTER UNIT J904	CTRL BOARD J101	W24
㊿	FILTER UNIT J905	CTRL BOARD J53	W27
1	FILTER UNIT J902	CTRL BOARD J52	W161~170
2	DIGISEL UNIT J2	BPF UNIT J101	W133~134
3	LOGIC UNIT J812	BPF UNIT J1	W6
4	DIGISEL UNIT J502	BPF UNIT J601	W135~136
5	RXPLL-A UNIT J1201	BPF UNIT J102	W139~140
6	ANT-SW UNIT J3	BPF UNIT J108	W176~177
7	RXPLL-B UNIT J1201	BPF UNIT J602	W137~138
8	MAIN UNIT J802	BPF UNIT J107	W99~100
9	CTRL BOARD J51	NETWORK BOARD J1	W3
0	LOGIC UNIT J824	PA UNIT MF1	(MF1)
1	LOGIC UNIT J823	CHASSIS UNIT SP1	(SP1)
2	LOGIC UNIT J820	DC-DC UNIT J4	W73~82
3	LOGIC UNIT J821	DC-DC UNIT J3	W66~72
4	LOGIC UNIT J803	SCOPE UNIT J909	W13
5	LOGIC UNIT J804	SCOPE UNIT J908	W14
6	CTRL BOARD J2	TUNER UNIT MF1/2	W51~60
7	NETWORK BOARD J4	TUNER UNIT MF3	(MF3)
8	PA UNIT EP501/EP502	REG UNIT	W1(PA)
9	ANT-SW J2	BPF UNIT J506	W143~144

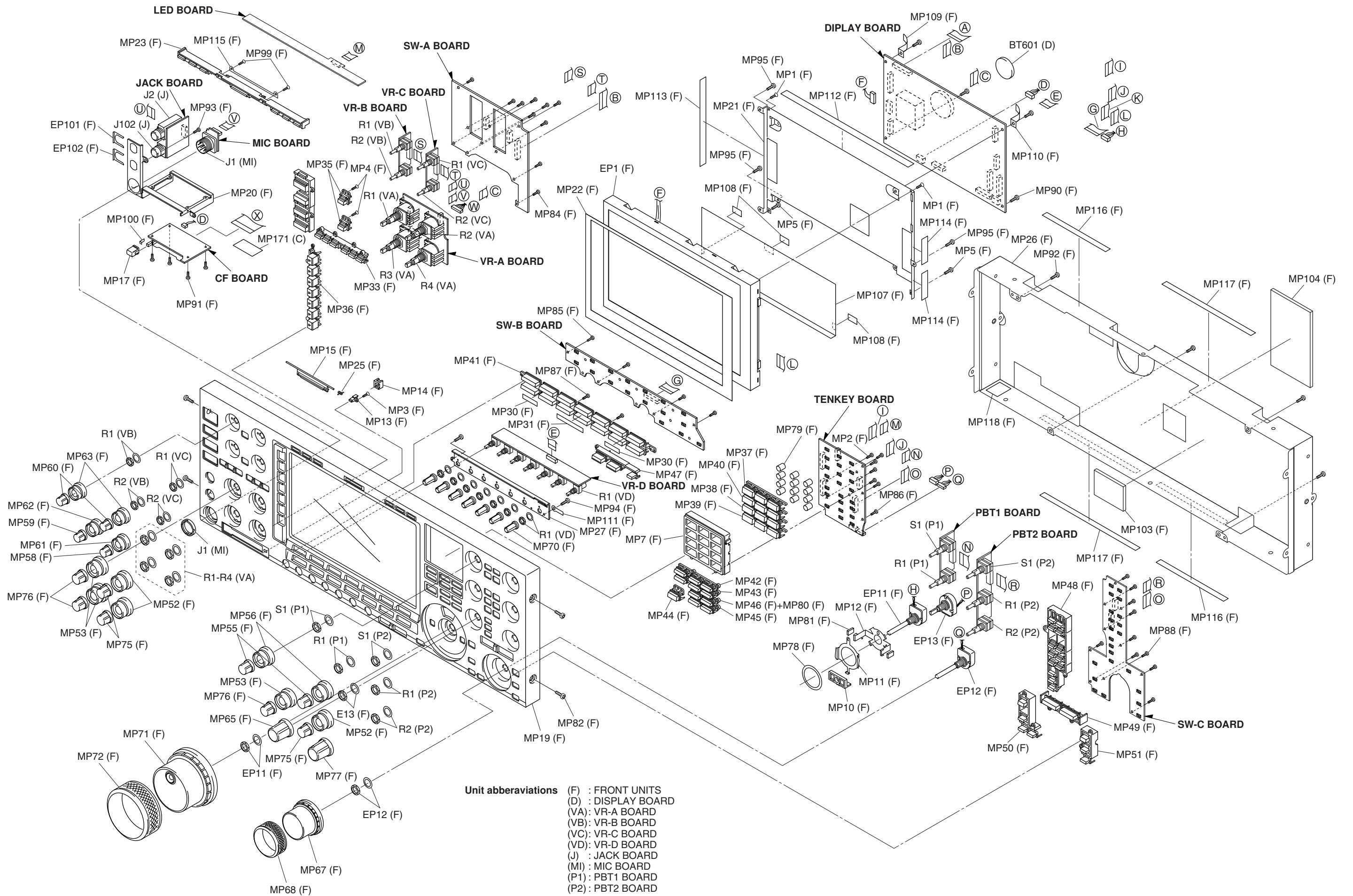
\*: WIRE No. is assigned for the exploded views page 6-9 to 6-12, but for actual wires.

• OVERALL



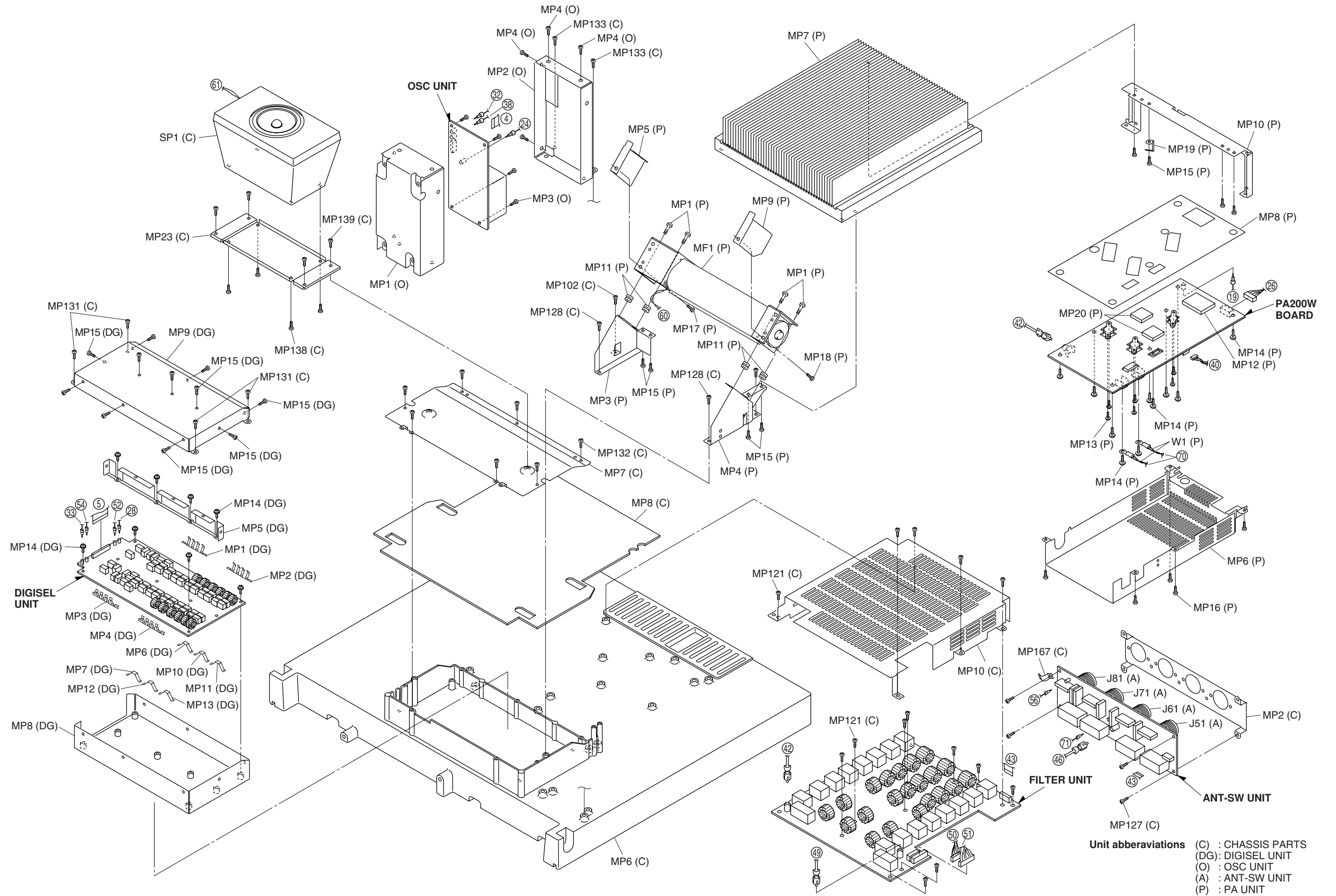
Unit abbreviation (C): CHASSIS PARTS

• FRONT UNIT

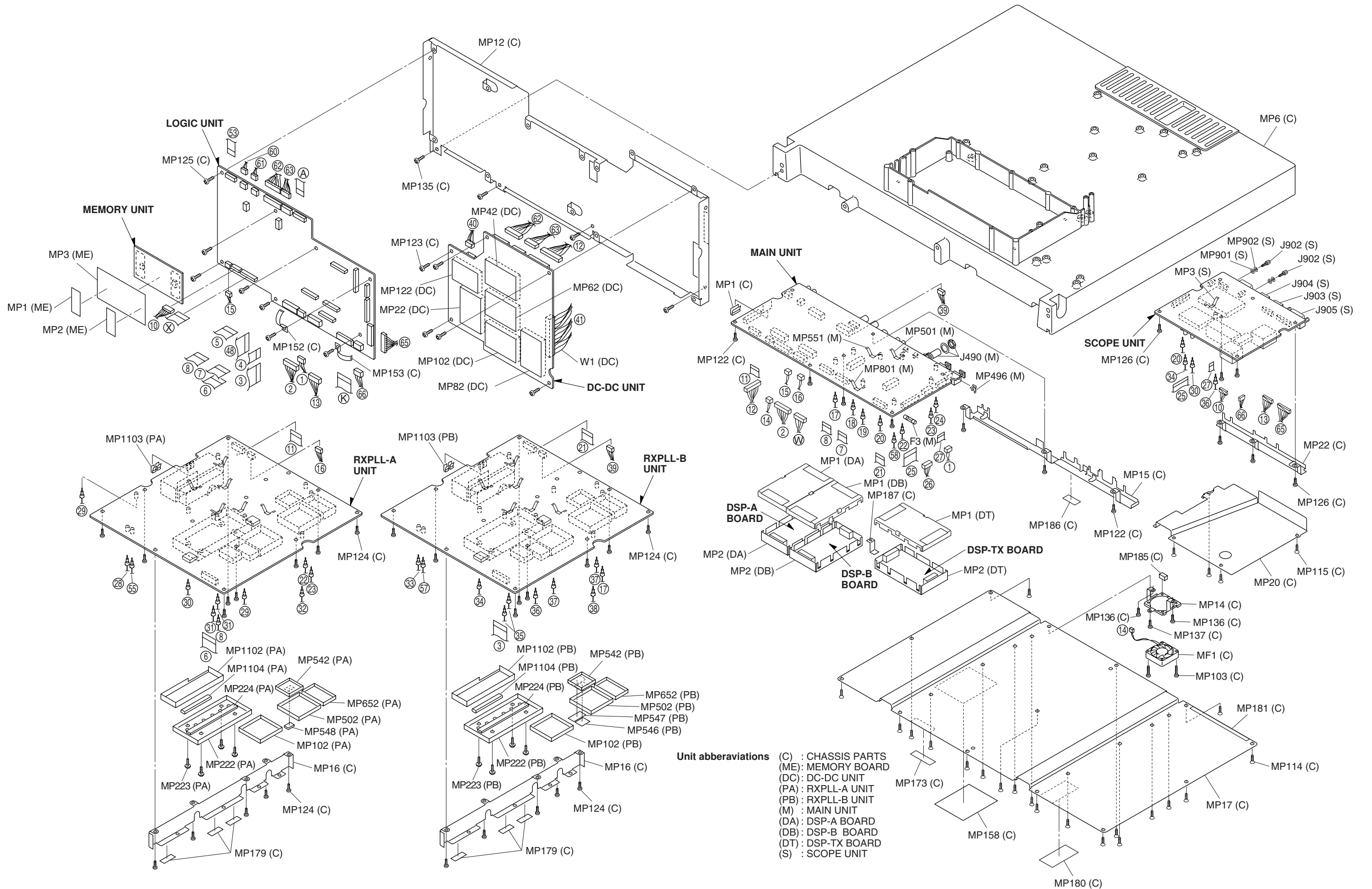




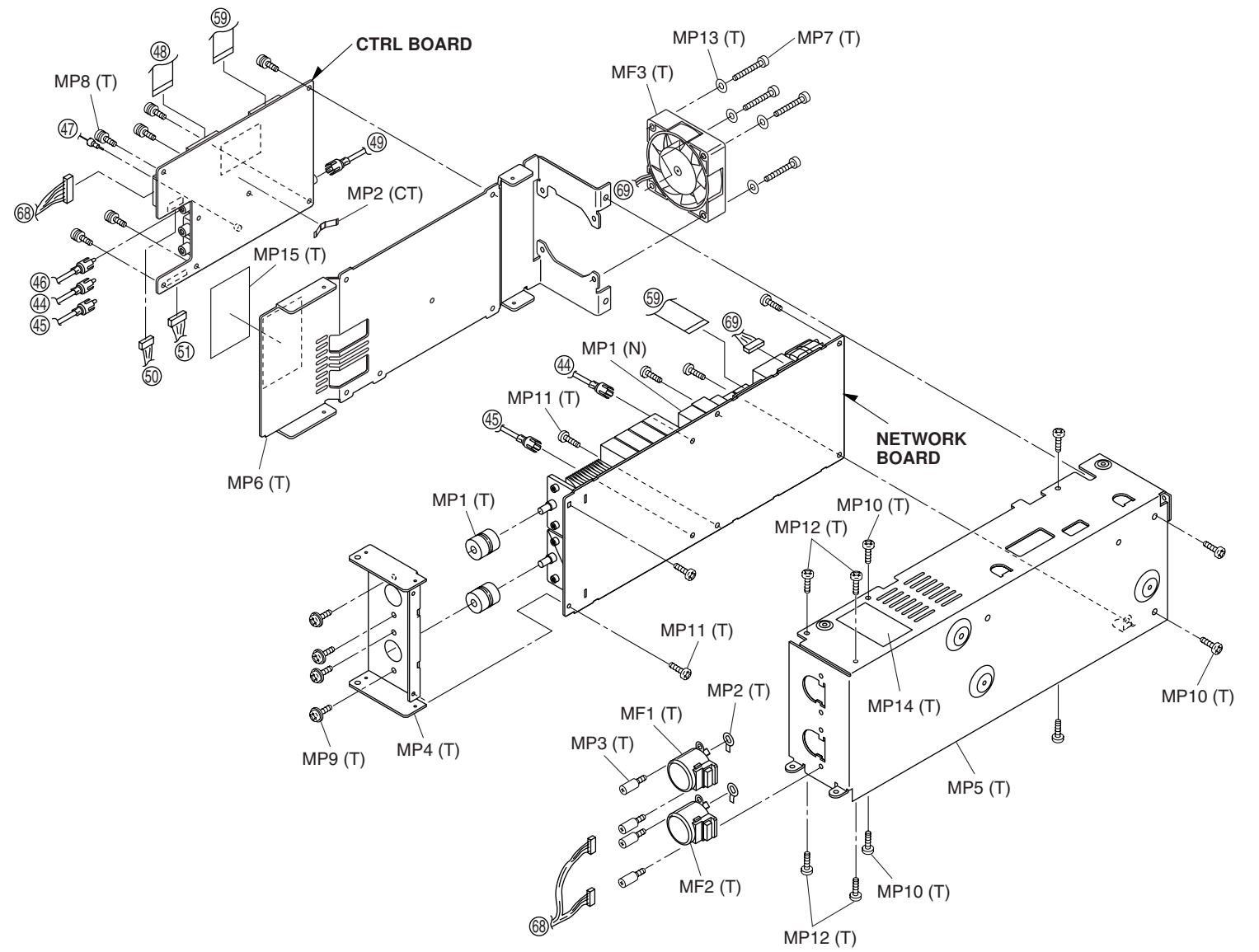
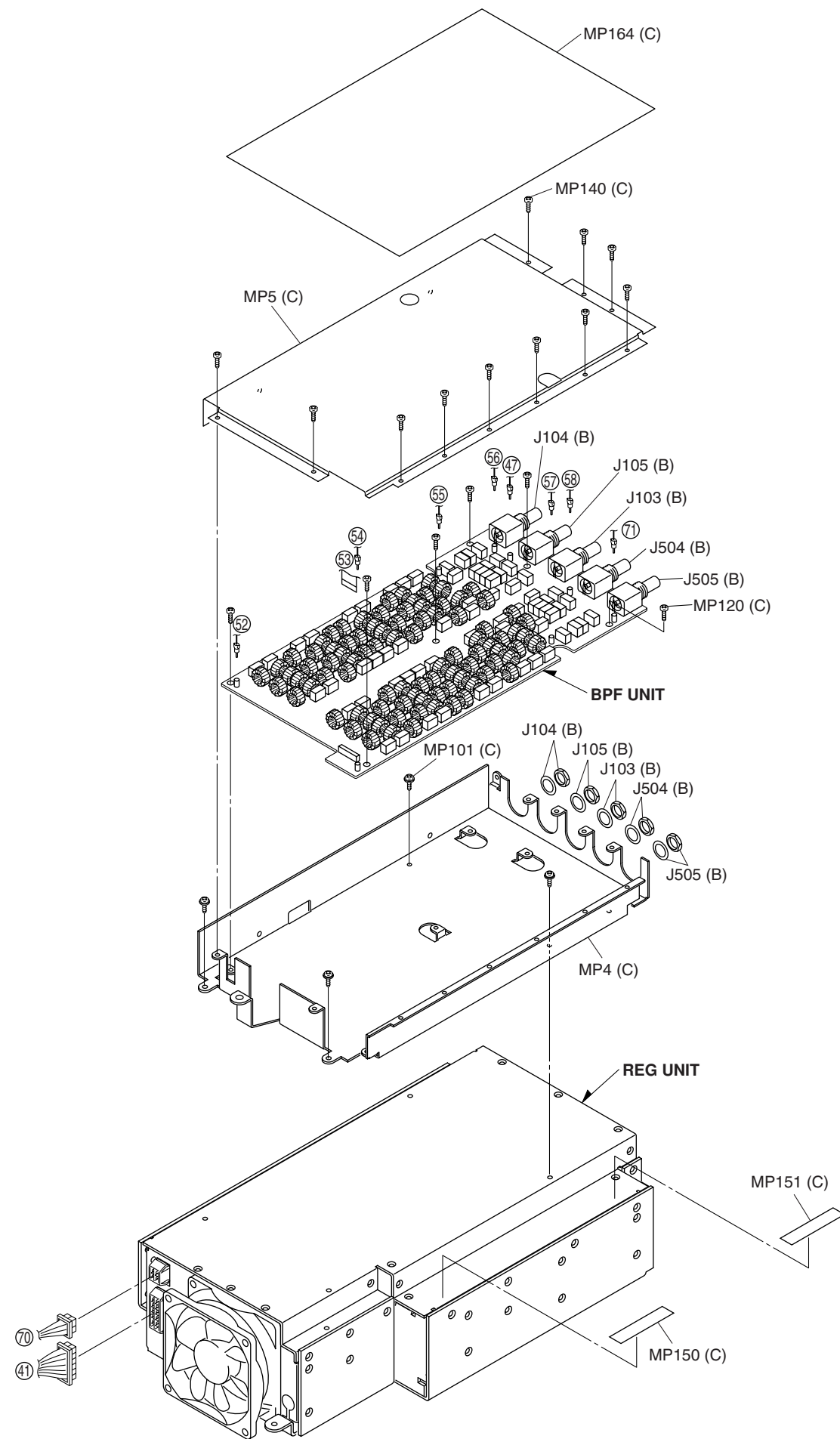
• TOP SIDE



• FRONT AND BOTTOM SIDE



• REG, BPF AND TUNER UNITS



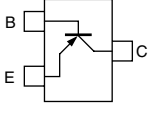
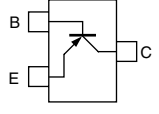
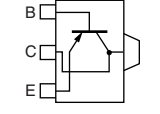
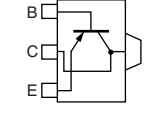
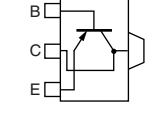
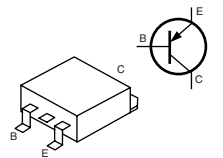
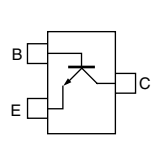
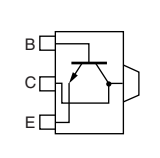
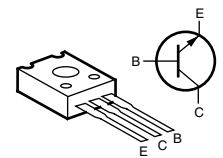
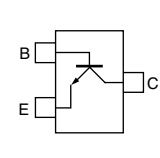
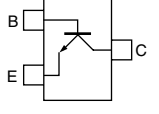
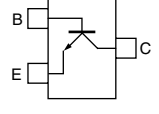
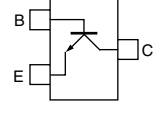
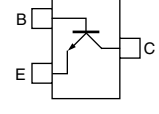
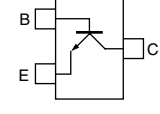
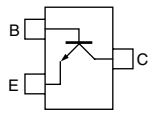
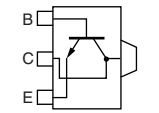
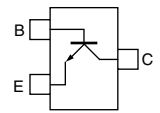
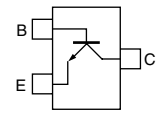
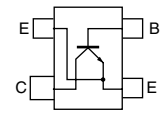
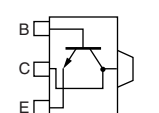
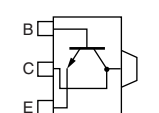
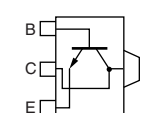
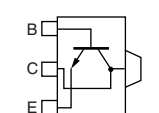
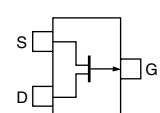
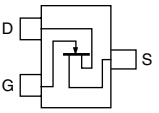
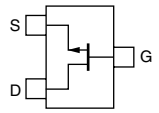
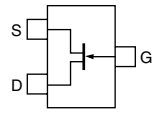
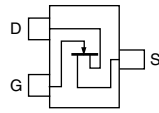
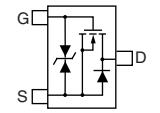
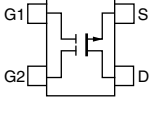
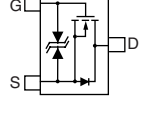
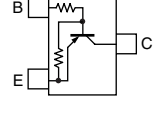
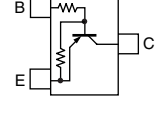
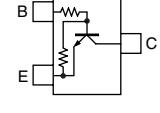
**Unit abbreviations**

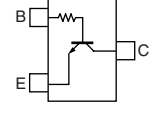
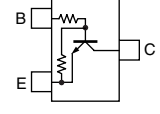
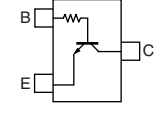
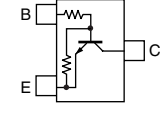
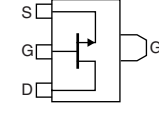
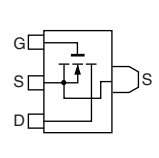
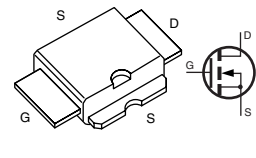
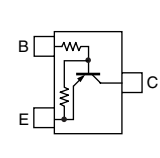
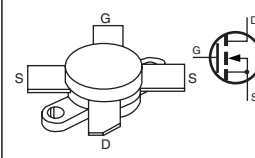
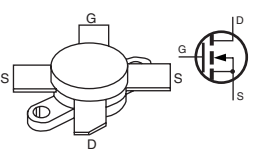
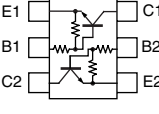
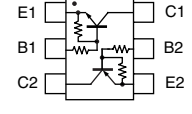
- (C) : CHASSIS PARTS
- (B) : BPF UNIT
- (T) : TUNER UNIT
- (CT) : CTRL BOARD
- (N) : NETWORK BOARD




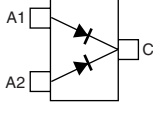
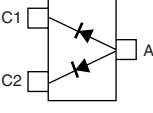
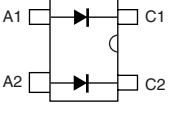


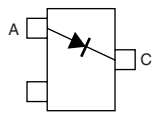
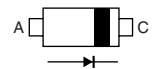
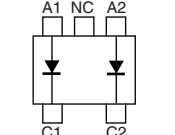
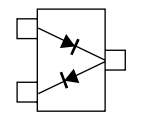
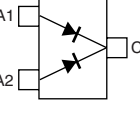
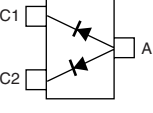
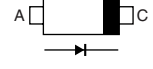
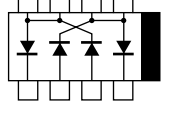
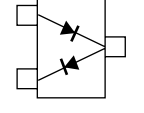


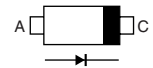
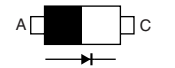
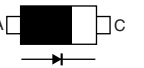
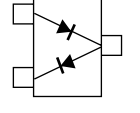

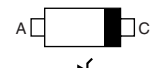
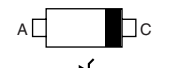
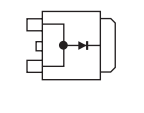
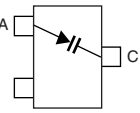

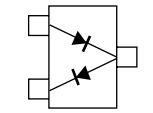
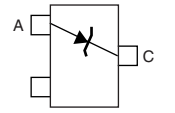
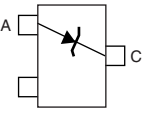
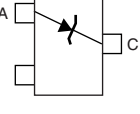
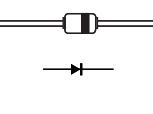
# SECTION 7 SEMI-CONDUCTOR INFORMATION

## • TRANSISTORS AND FET'S

<b>2SA1162 GR</b> (Symbol: SG) 	<b>2SA1576A T106 R</b> (Symbol: FR) 	<b>2SB1119 S TD</b> (Symbol: BB) 	<b>2SB1123 T TD</b> (Symbol: BF) 	<b>2SB1132 T100 R</b> (Symbol: BAR) 
<b>2SB1201 S</b> (Symbol: B1201) 	<b>2SC3324 GR</b> (Symbol: CBG) 	<b>2SC3647 S TD</b> (Symbol: CC) 	<b>2SC3950D</b> (Symbol: 2042B) 	<b>2SC4081 T106 R</b> (Symbol: BR) 
<b>2SC4081 T106 S</b> (Symbol: BS) 	<b>2SC4097 T106 Q</b> (Symbol: CQ) 	<b>2SC4116 Y</b> (Symbol: LY) 	<b>2SC4215 O</b> (Symbol: QO) 	<b>2SC4402 3 TL</b> (Symbol: PT3) 
<b>2SC4406</b> (Symbol: JT) 	<b>2SC4673 D TD</b> (Symbol: CO) 	<b>2SC4835 R</b> (Symbol: 3M) 	<b>2SC5226 4 TL</b> (Symbol: LN4) 	<b>2SC5501 4 TR</b> (Symbol: LN4) 
<b>2SC5551</b> (Symbol: EB) 	<b>2SD1619 T TD</b> (Symbol: DB) 	<b>2SD1664 T100Q</b> (Symbol: DAQ) 	<b>2SD1801 S TL</b> (Symbol: CE) 	<b>2SJ144 GR</b> (Symbol: VG) 
<b>2SK210 GR</b> (Symbol: YG) 	<b>2SK515 T1B</b> (Symbol: X33) 	<b>2SK880 GR</b> (Symbol: XG) 	<b>2SK882 GR</b> (Symbol: TGR) 	<b>2SK3018 T106</b> (Symbol: KN) 
<b>3SK294</b> (Symbol: UV) 	<b>CPH3403 TL</b> (Symbol: KC) 	<b>DTA114EUA T106</b> (Symbol: 14) 	<b>DTA144 EE TL</b> (Symbol: 16) 	<b>DTC114EUA T106</b> (Symbol: 24) 

<b>DTC114TUA T106</b> (Symbol: 04) 	<b>DTC144EUA T106</b> (Symbol: 26_) 	<b>DTC144 TE</b> (Symbol: 06) 	<b>DTD113ZK</b> (Symbol: G21) 	<b>MMBFU310LT1</b> (Symbol: 6C) 
<b>RD01MUS1</b> (Symbol: K2) 	<b>PD55003</b> (Symbol: PD55003) 	<b>RN2427</b> (Symbol: RG) 	<b>SD2918</b> (Symbol: M113) 	<b>SD2931</b> (Symbol: M174) 
<b>UMH11N TN</b> (Symbol: H11) 	<b>XP4311</b> (Symbol: 3X) 			

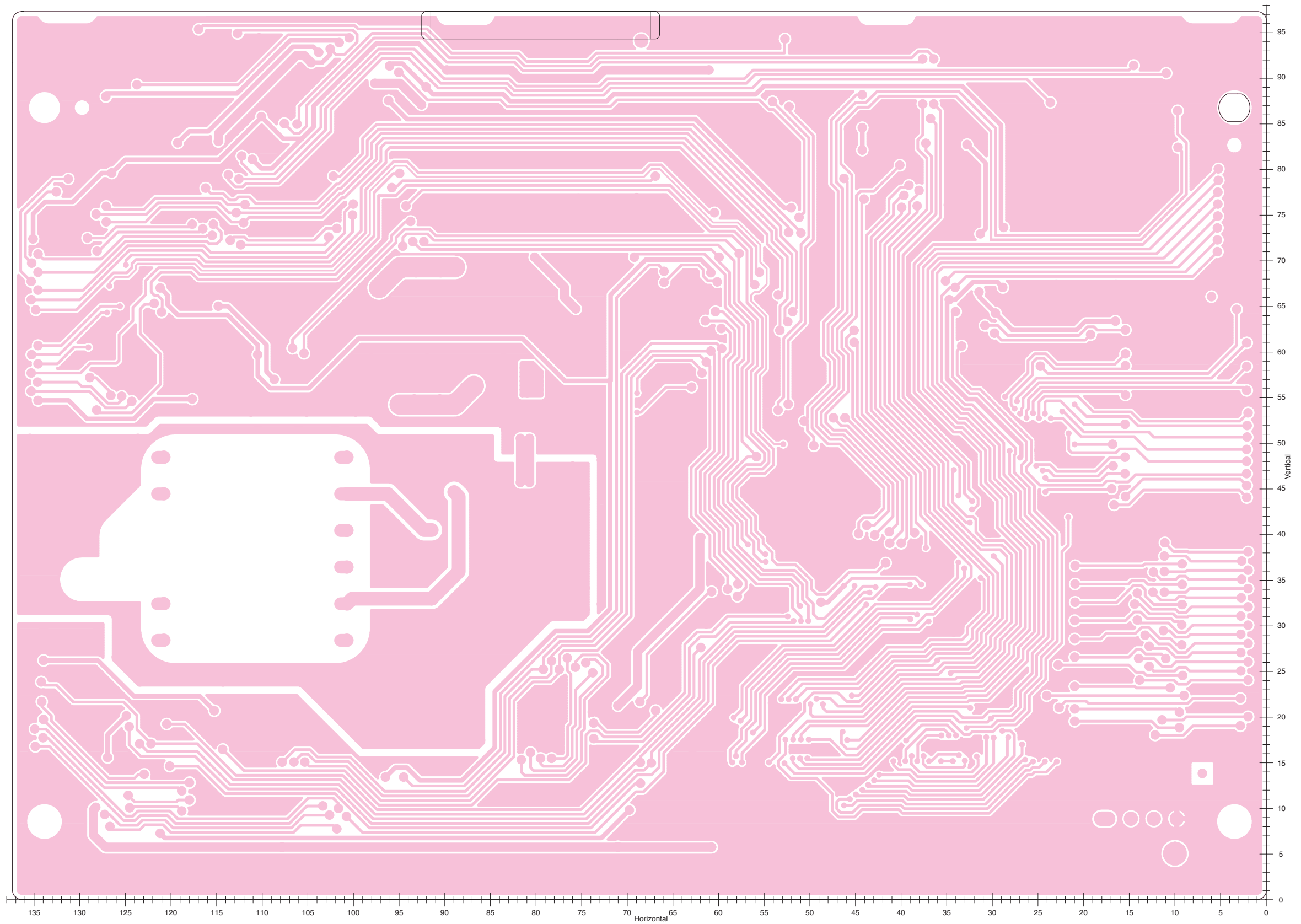
• DIODES

<b>1SR154-400</b> (Symbol: 14) 	<b>1SS301</b> (Symbol: B3) 	<b>1SS312</b> (Symbol: BF) 	<b>1SS319</b> (Symbol: A4) 	<b>1SS355</b> (Symbol: A) 
<b>1SV232</b> (Symbol: T9) 	<b>1SV263 TL</b> (Symbol: JV) 	<b>1SV307</b> (Symbol: TX) 	<b>CPH5513 TL</b> (Symbol: 2B) 	<b>DA221 TL</b> (Symbol: K) 
<b>DAN222TL</b> (Symbol: N) 	<b>DAP222 TL</b> (Symbol: P) 	<b>DSM3MA4</b> (Symbol: SA4) 	<b>HSB88WSTR</b> (Symbol: Silver line) 	<b>HSM88AS TR</b> (Symbol: C1) 
<b>MA114</b> (Symbol: 1E) 	<b>MA2S111</b> (Symbol: A) 	<b>MA2S728</b> (Symbol: B) 	<b>MA77</b> (Symbol: 4B) 	<b>MA357</b> (Symbol: 7K) 
<b>MA742</b> (Symbol: M1U) 	<b>MA8033 H</b> (Symbol: 3^3) 	<b>MA8047 M</b> (Symbol: 4-7) 	<b>MA8091 M</b> (Symbol: 9-1) 	<b>MBRD835LT4</b> (Symbol: B835L) 
<b>MMBV3700LT1</b> (Symbol: 4R) 	<b>RB081L-20</b> (Symbol: 39) 	<b>RB706F-40 T106</b> (Symbol: 3J) 	<b>RD2.7M B1</b> (Symbol: 271) 	<b>RD5.1M T2B2</b> (Symbol: 512) 
<b>RD5.6M T2B2</b> (Symbol: 562) 	<b>XB15A204</b> (Symbol: None) 			

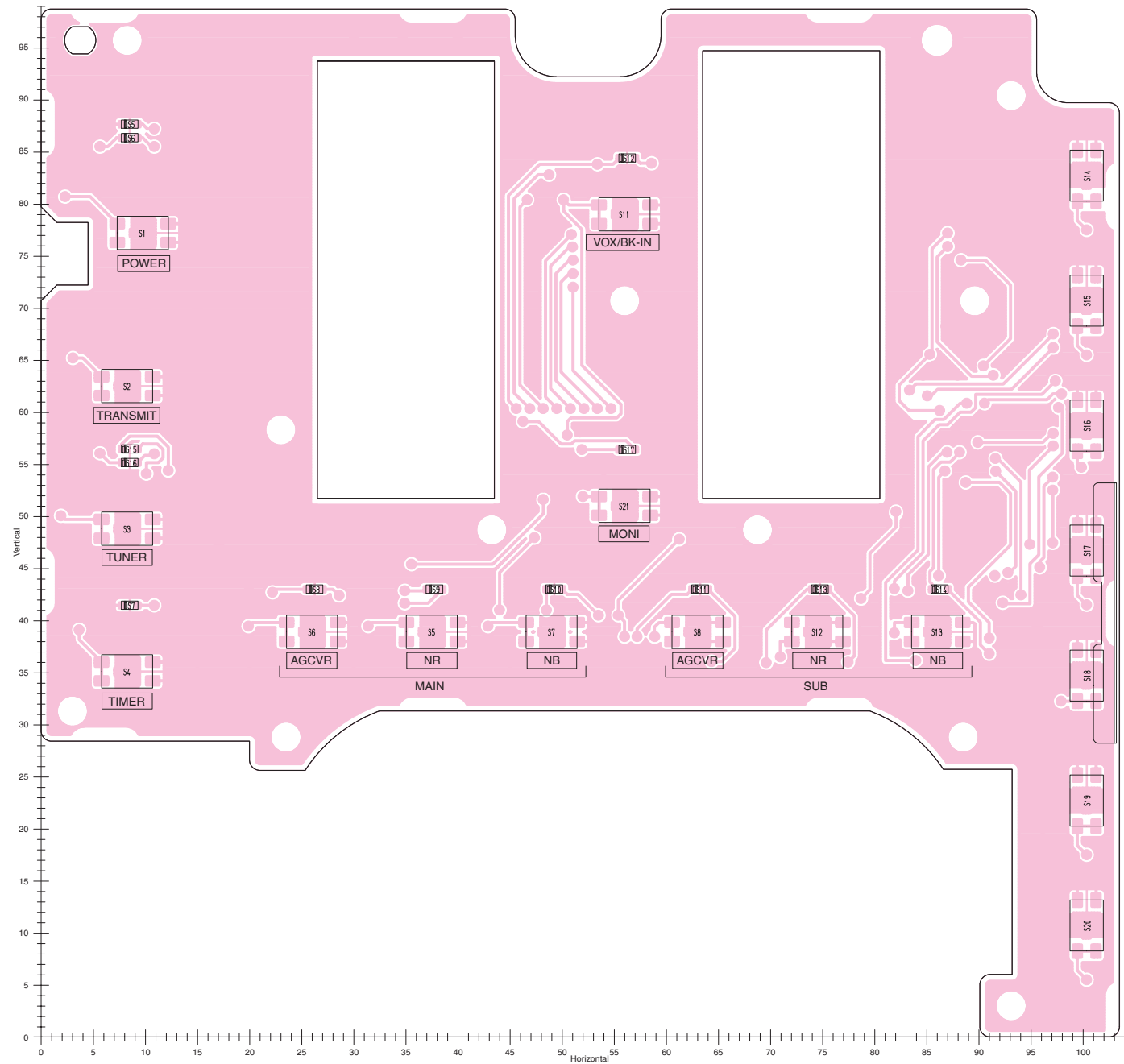




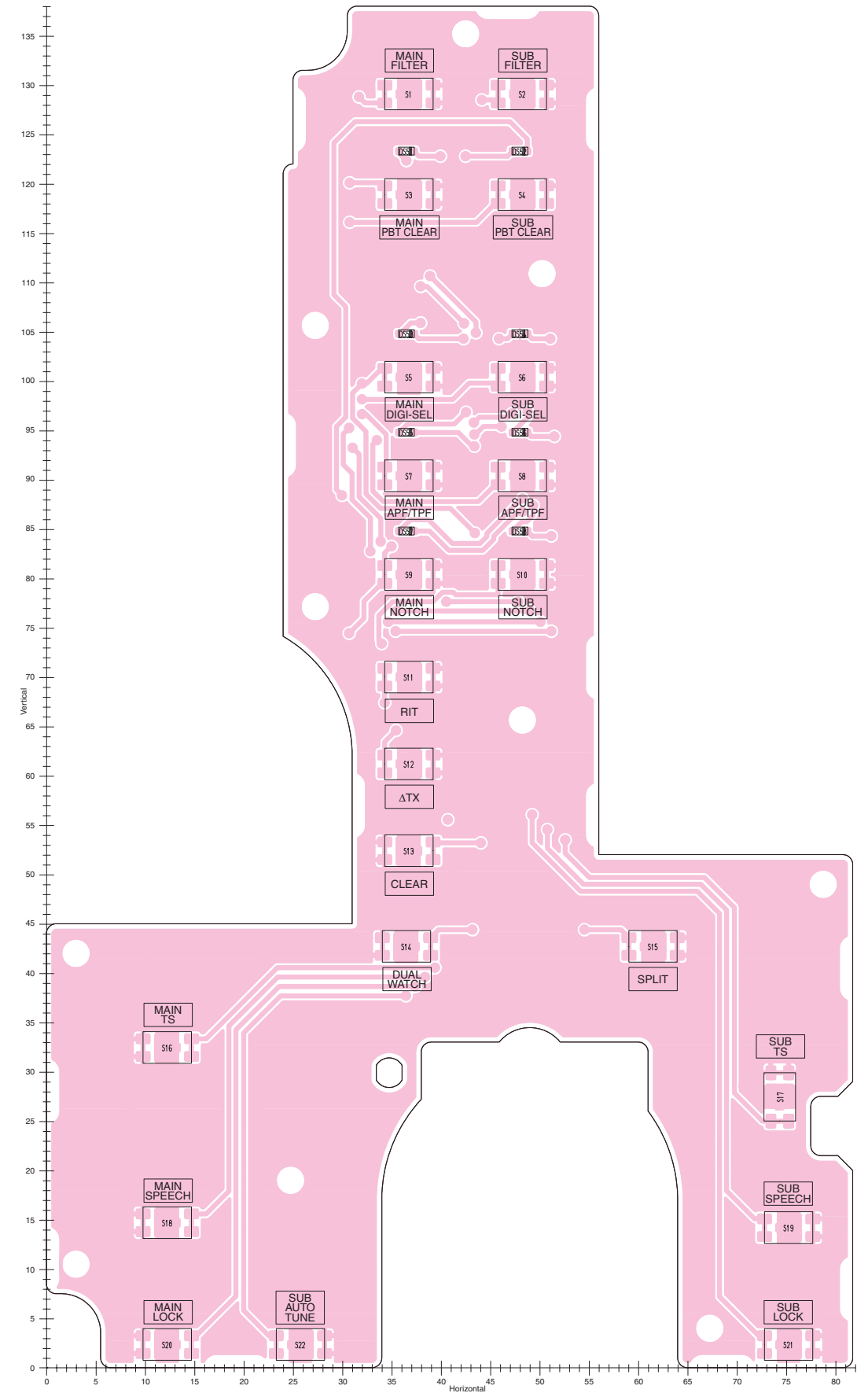
• BOTTOM VIEW (DISPLAY BOARD)



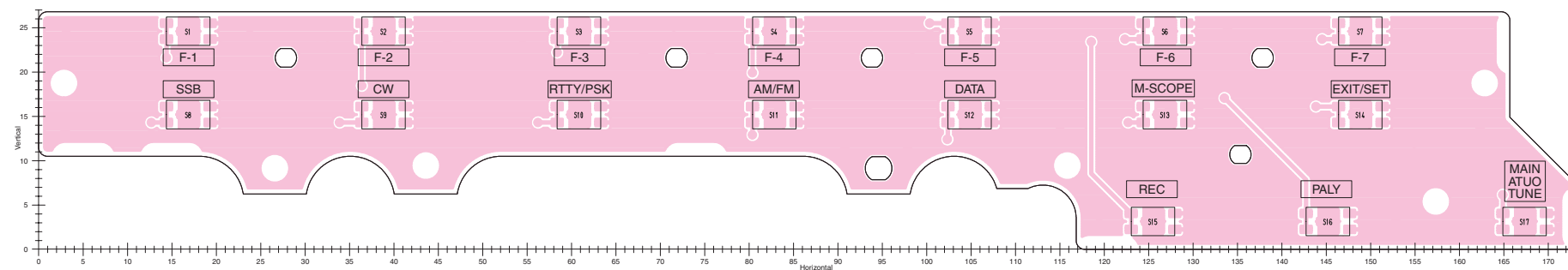
**8-2 SW-A BOARD**  
• TOP VIEW



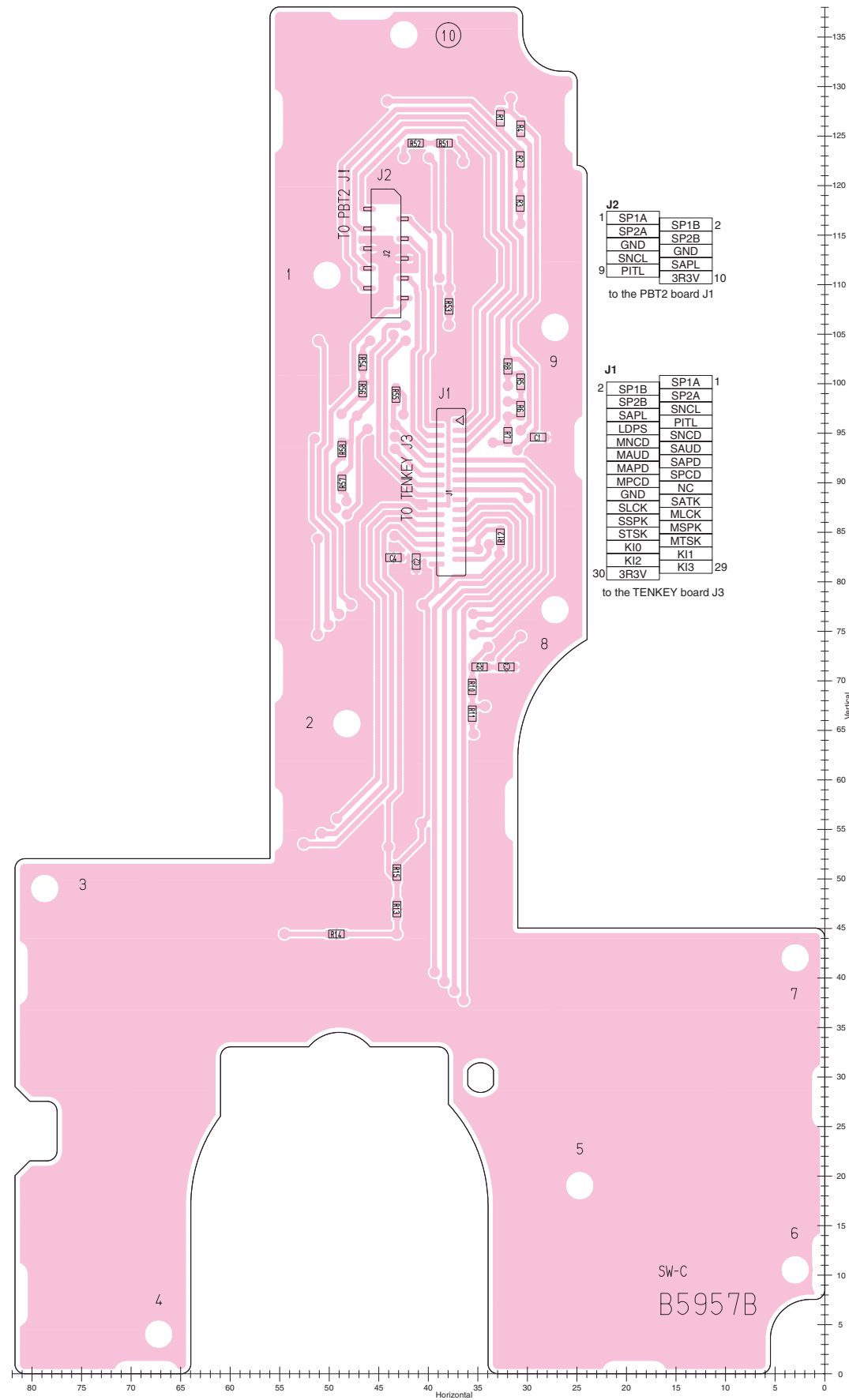
**8-4 SW-C BOARD**  
• TOP VIEW



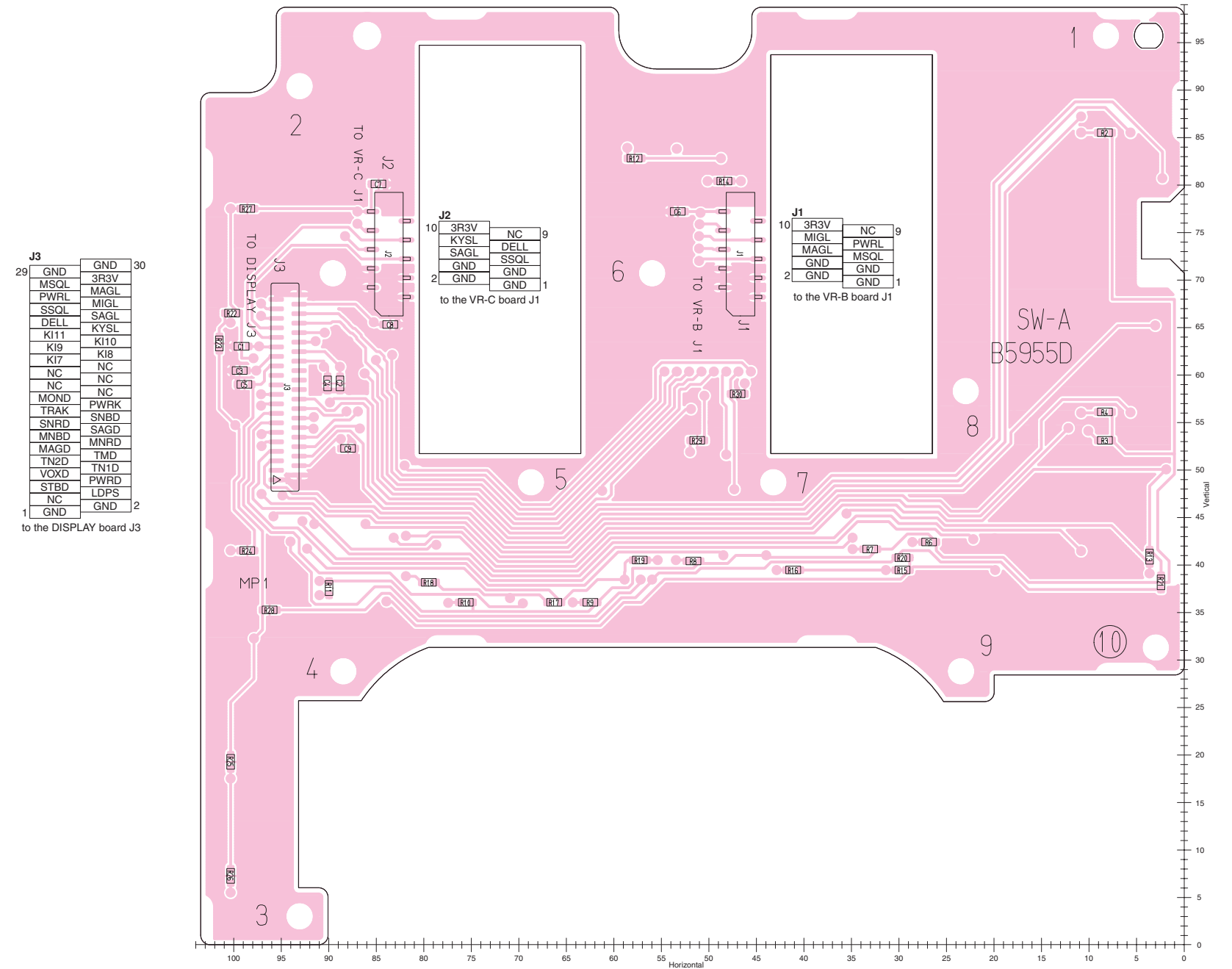
**8-3 SW-B BOARD**  
• TOP VIEW



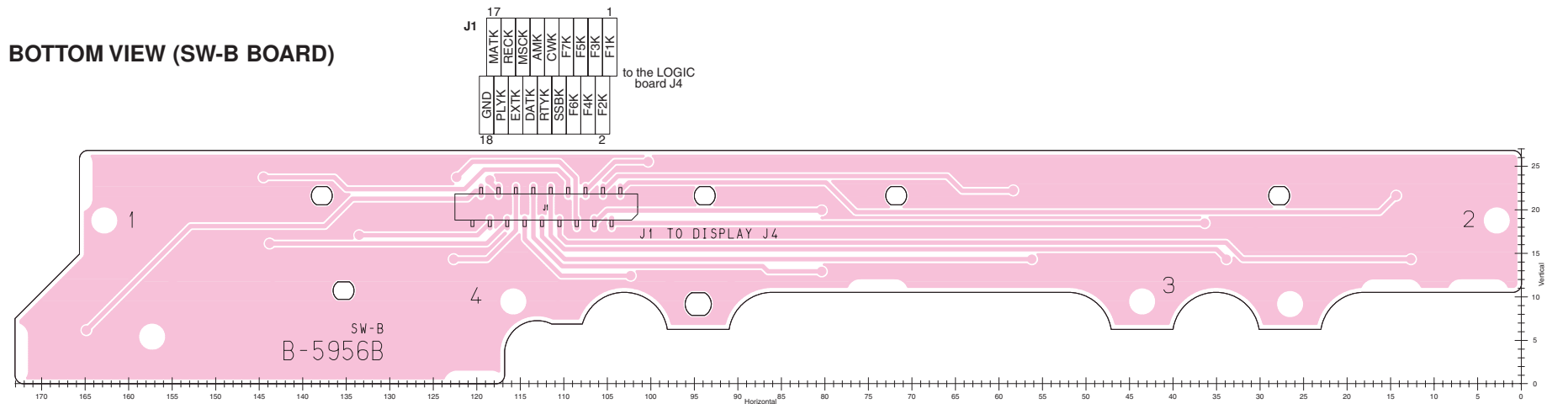
• BOTTOM VIEW (SW-C BOARD)



• BOTTOM VIEW (SW-A BOARD)

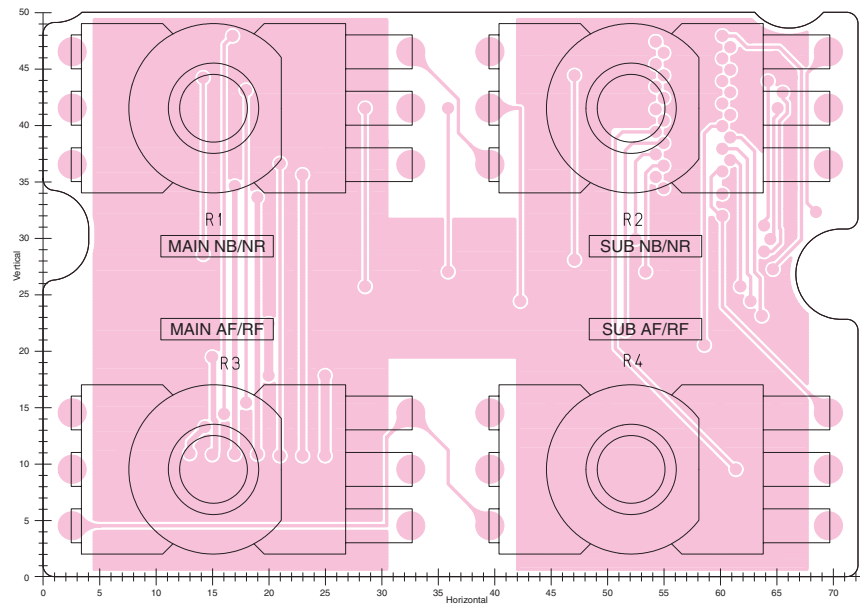


• BOTTOM VIEW (SW-B BOARD)

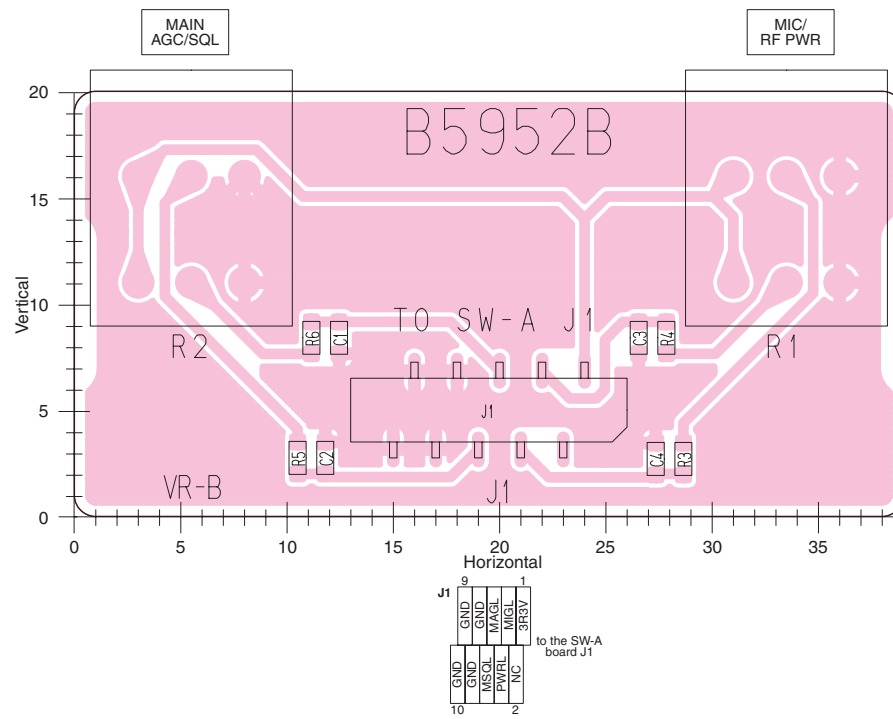




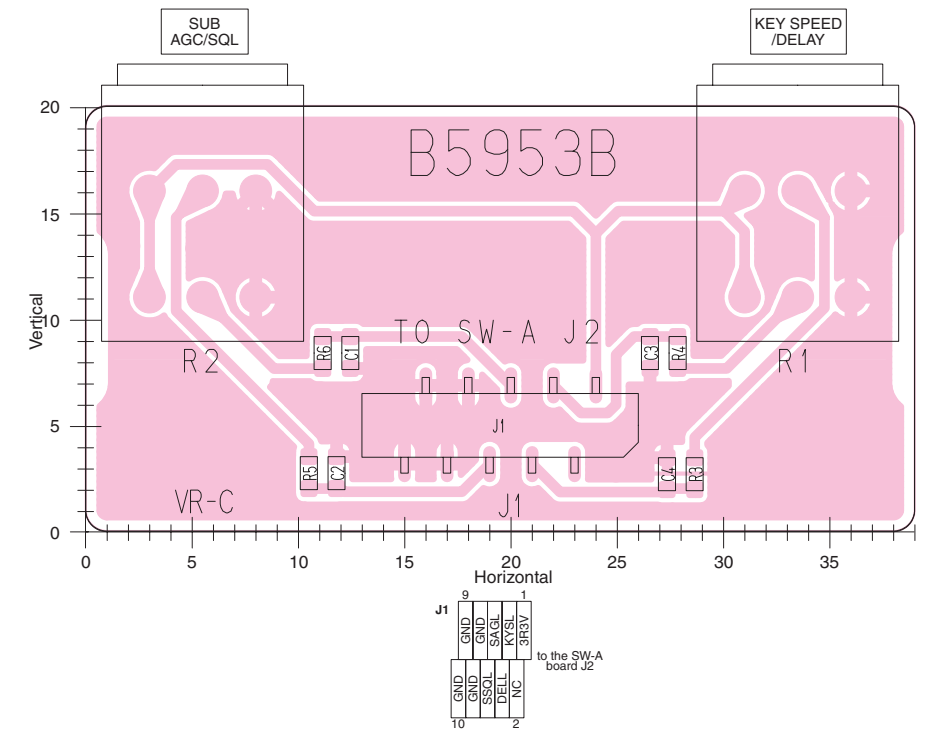
**8-5 VR-A BOARD**  
• TOP VIEW



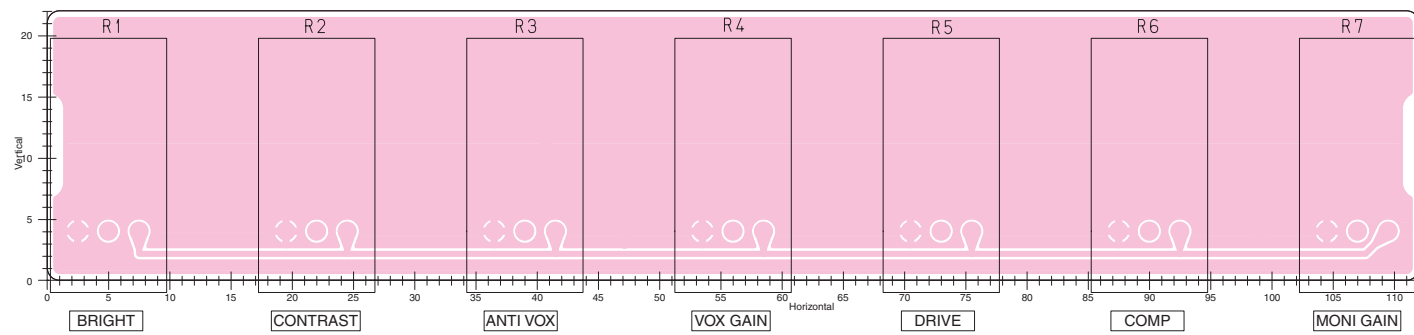
**8-6 VR-B BOARD**  
• TOP VIEW



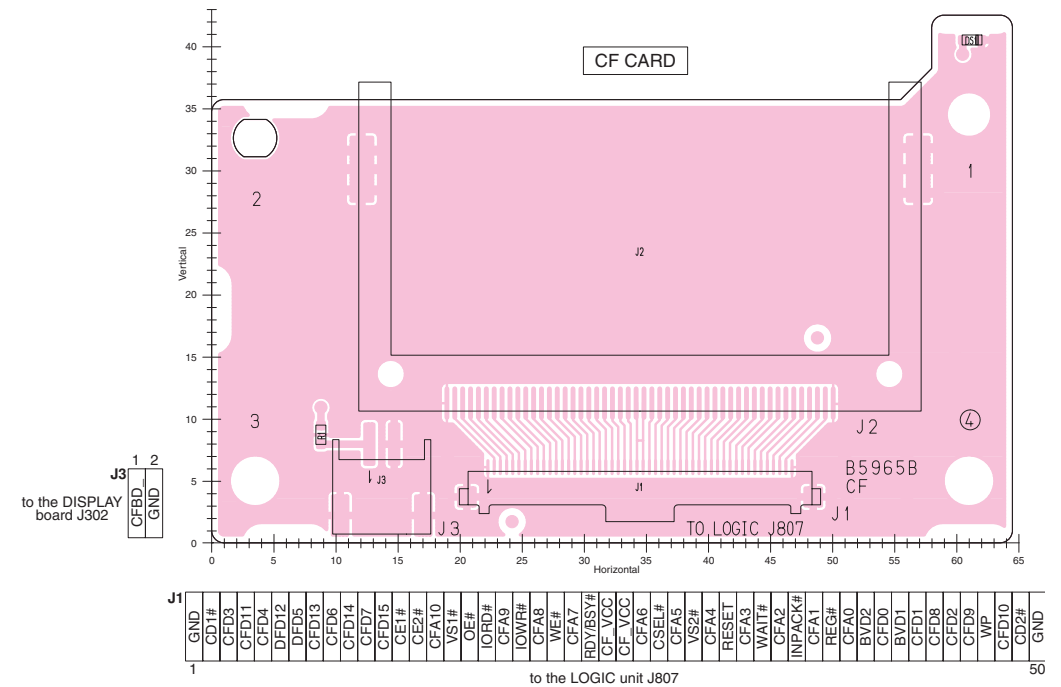
**8-7 VR-C BOARD**  
• TOP VIEW



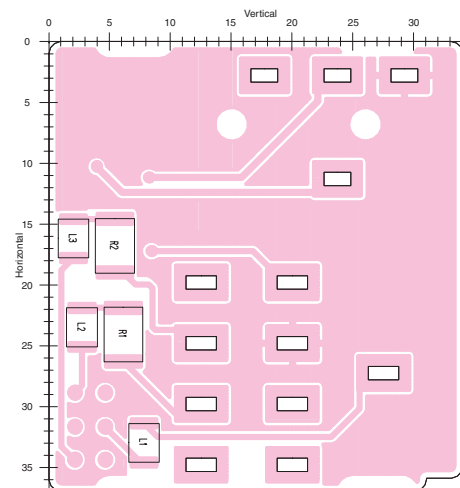
**8-8 VR-D BOARD**  
• TOP VIEW



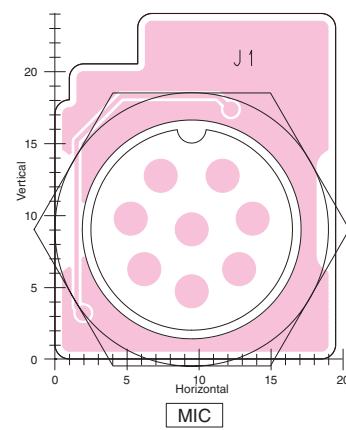
**8-11 CF BOARD**  
• TOP VIEW



**8-9 JACK BOARD**  
• TOP VIEW



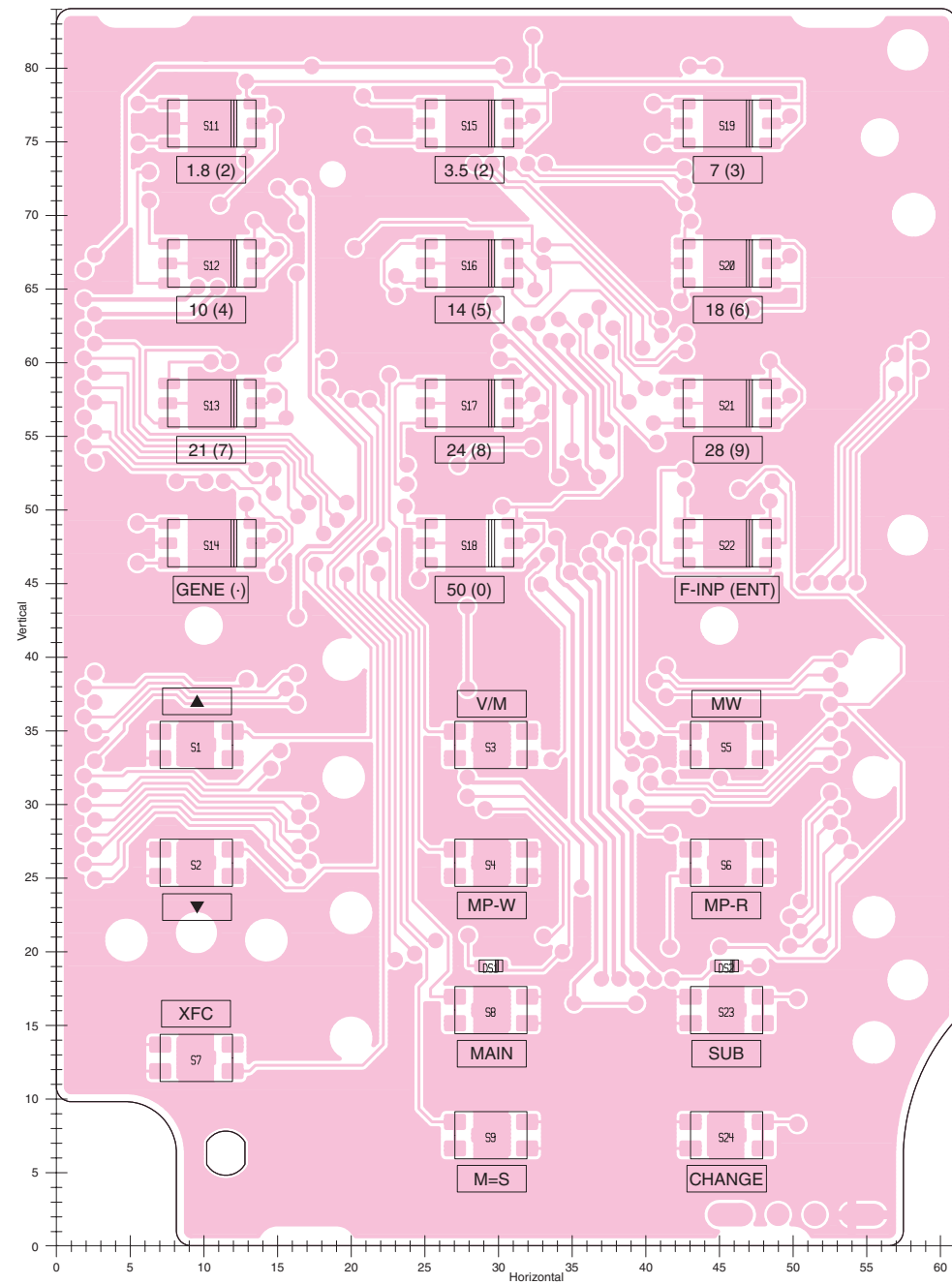
**8-10 MIC BOARD**  
• TOP VIEW





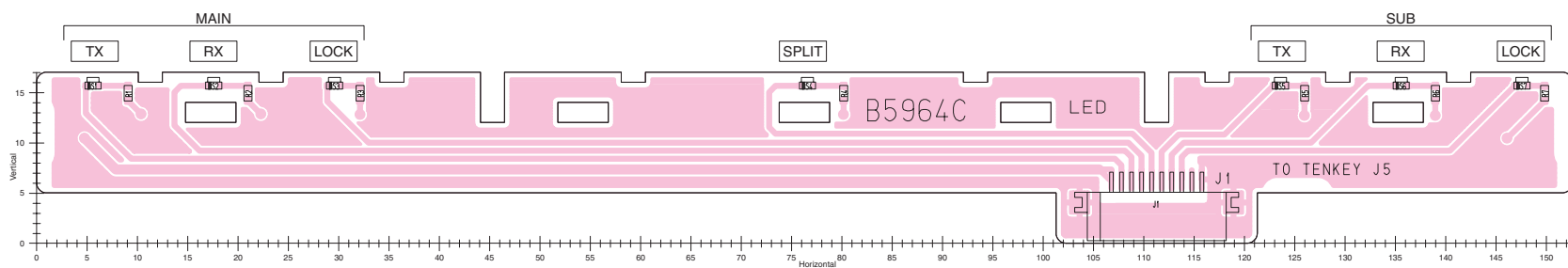
### 8-12 TENKEY BOARD

• TOP VIEW



### 8-13 LED BOARD

• TOP VIEW

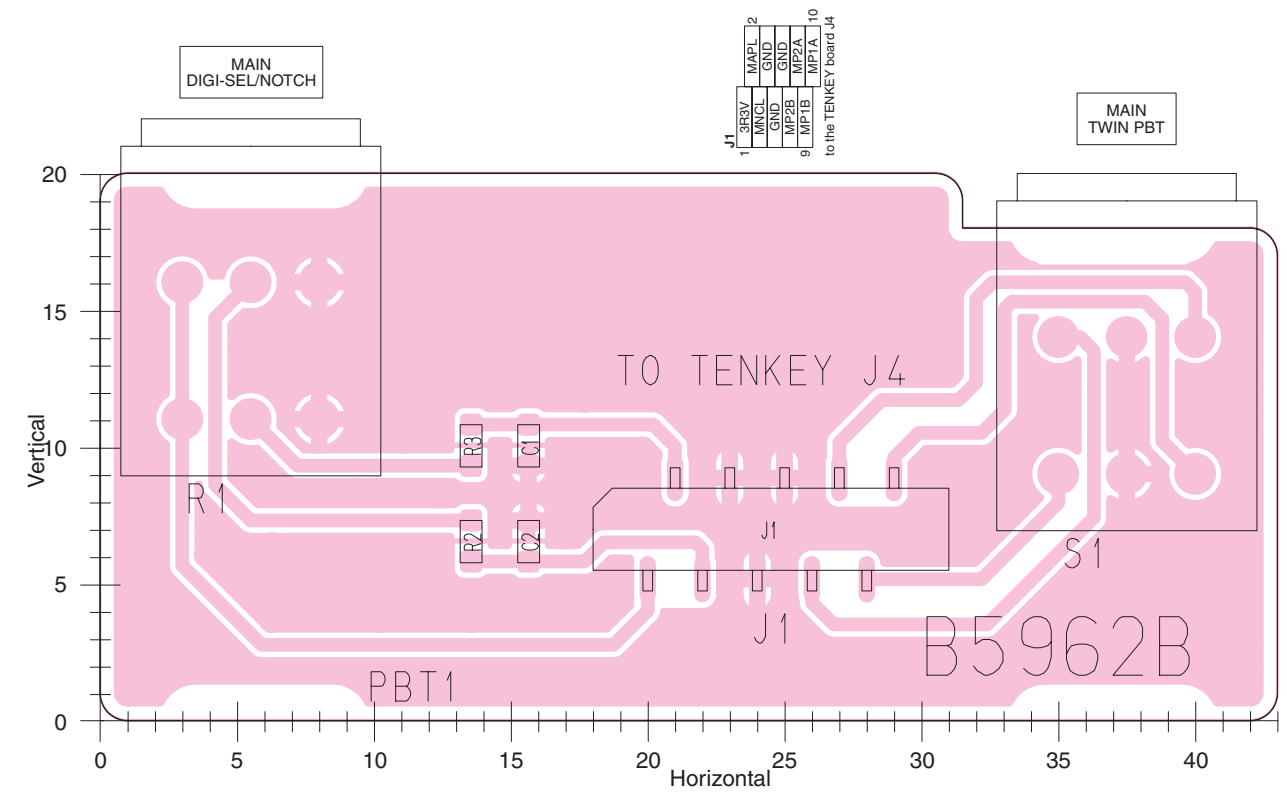


J1	1	LDPS
	2	MTXD
	3	MTXD
	4	MTXD
	5	SP1D
	6	STXD
	7	SRXD
	8	SLGD
	9	SRXD
	10	GND

to the TENKEY board J5

### 8-14 PBT1 BOARD

• TOP VIEW

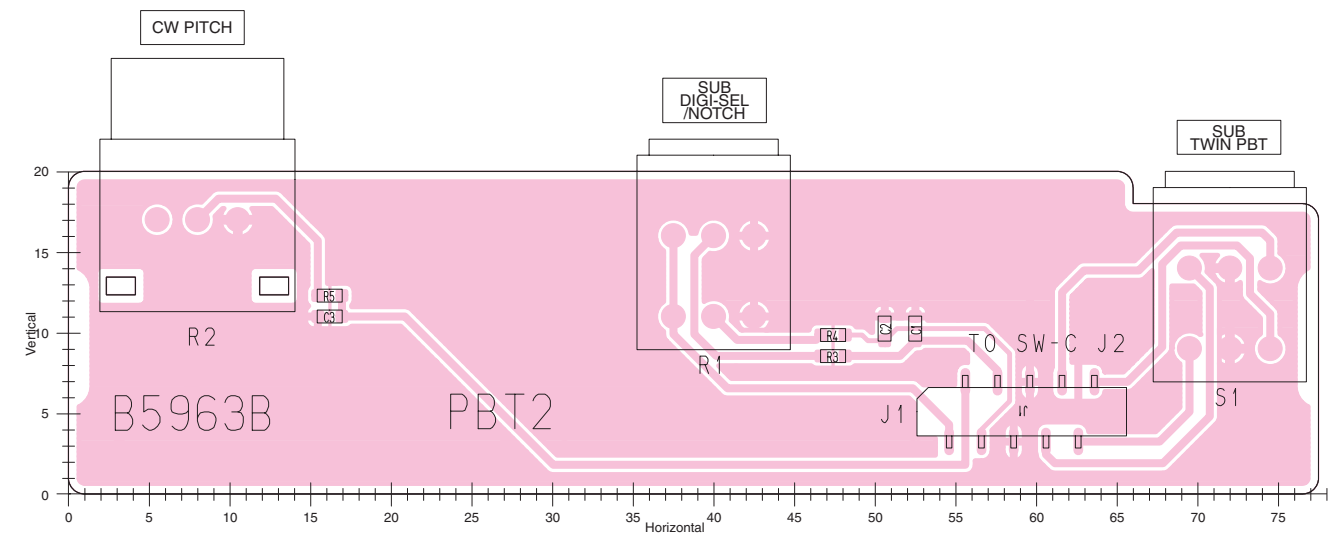


J1	1	3RSV
	2	MAPL
	3	SNCL
	4	GND
	5	SP2A
	6	MP2B
	7	MP2A
	8	MP2B
	9	MP2B
	10	MP2A

to the TENKEY board J4

### 8-15 PBT2 BOARD

• TOP VIEW

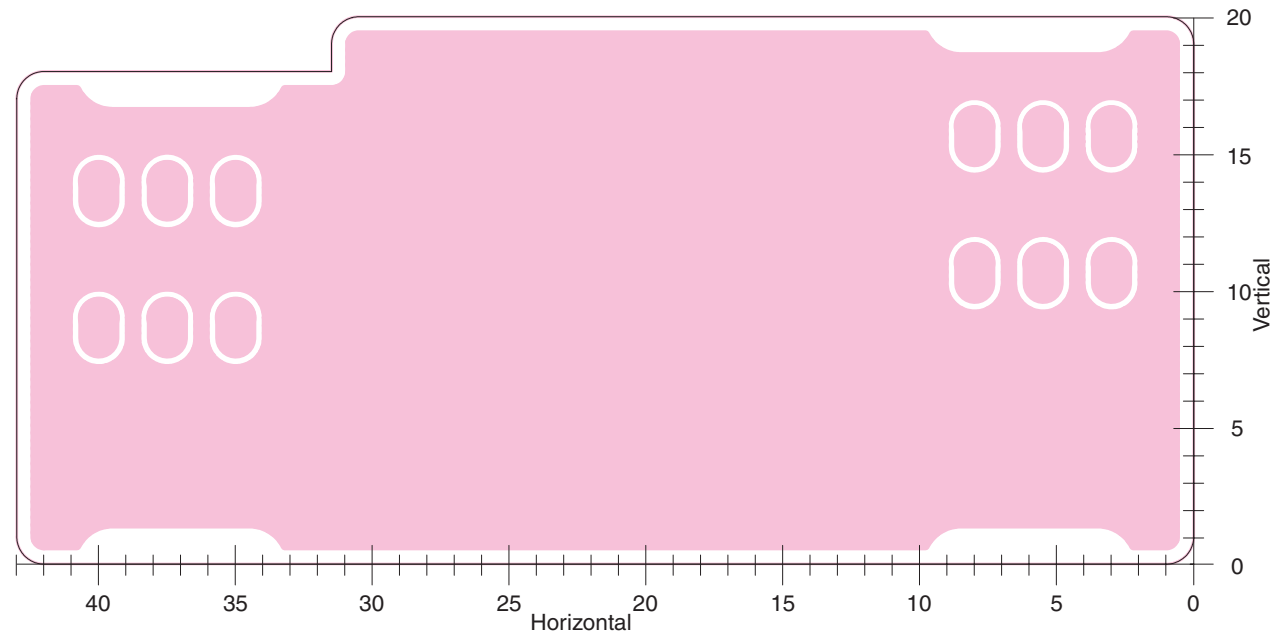


J1	1	3RSV
	2	PITL
	3	SNCL
	4	GND
	5	SP2A
	6	SP2B
	7	SP2B
	8	SP2B
	9	SP2B
	10	SP2A

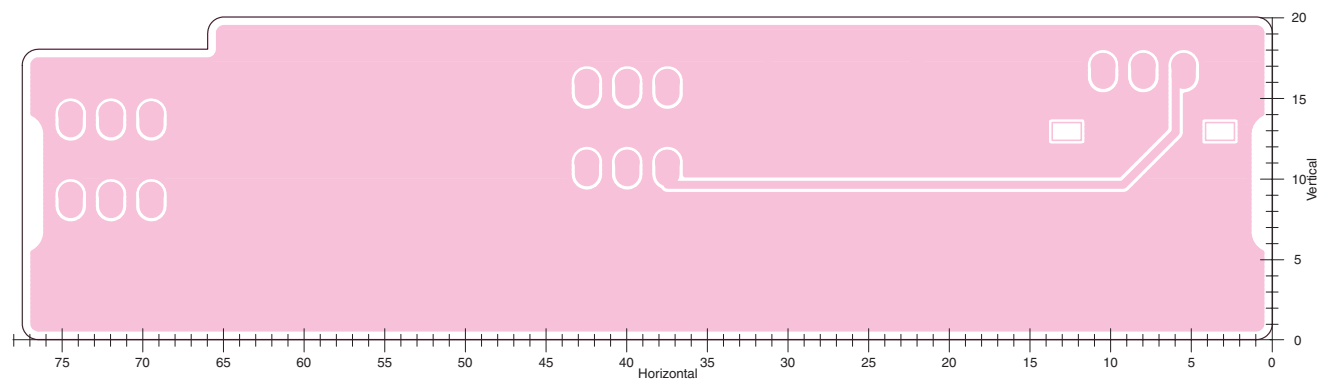
to the SW-C board J2



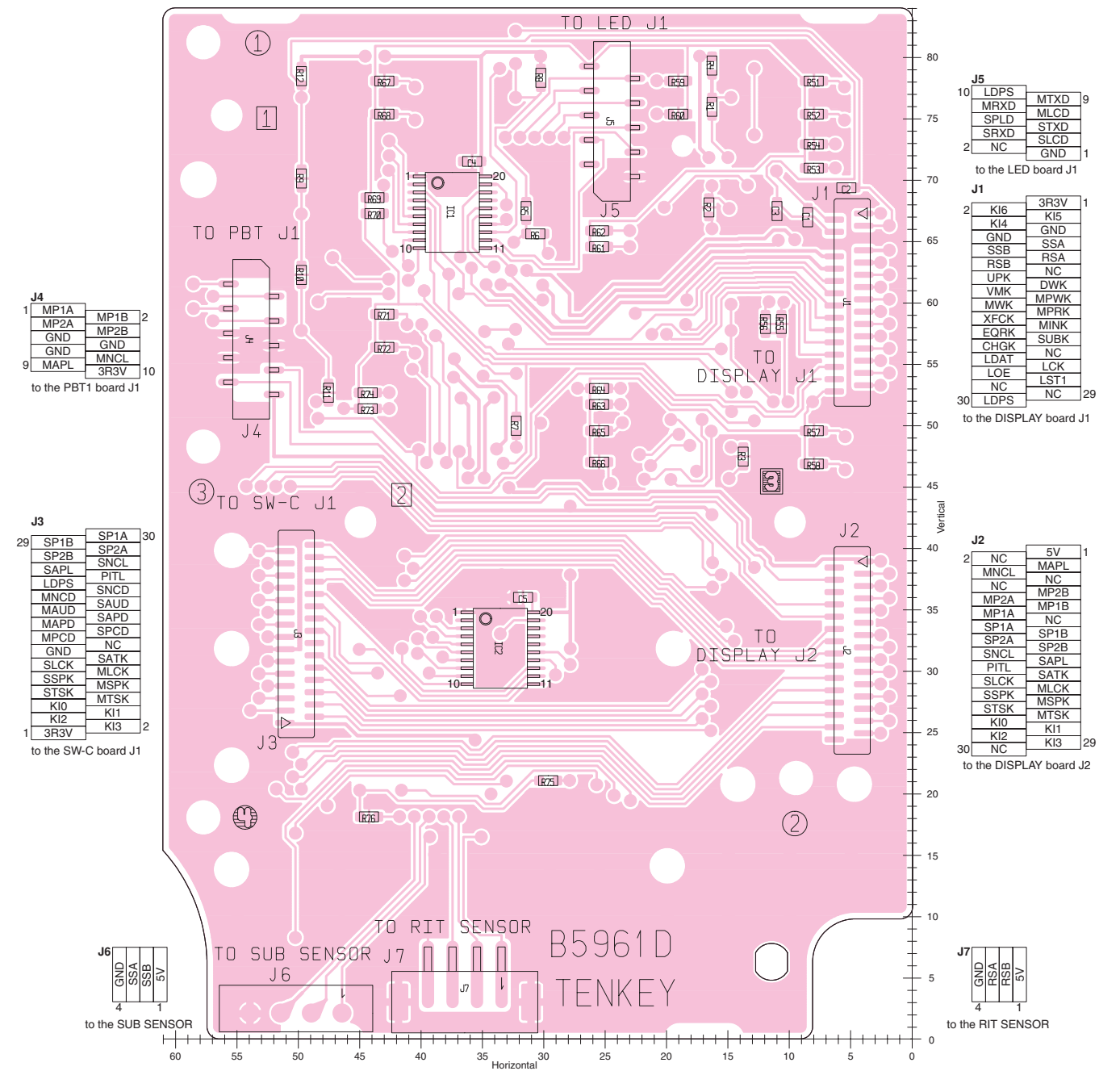
• BOTTOM VIEW (PBT1 BOARD)



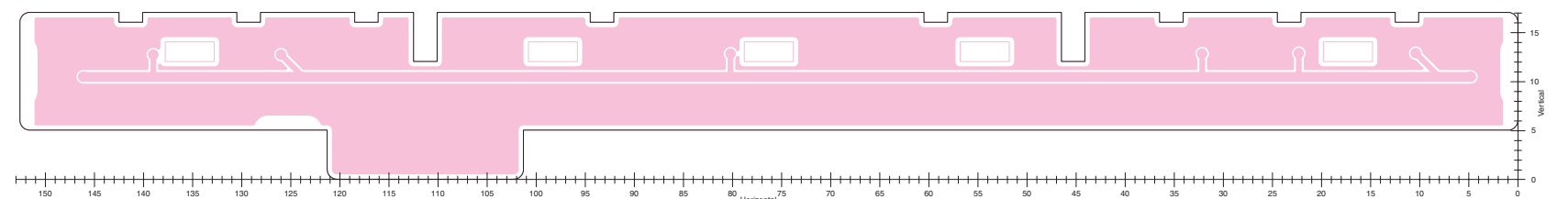
• BOTTOM VIEW (PBT2 BOARD)



• BOTTOM VIEW (TENKEY BOARD)

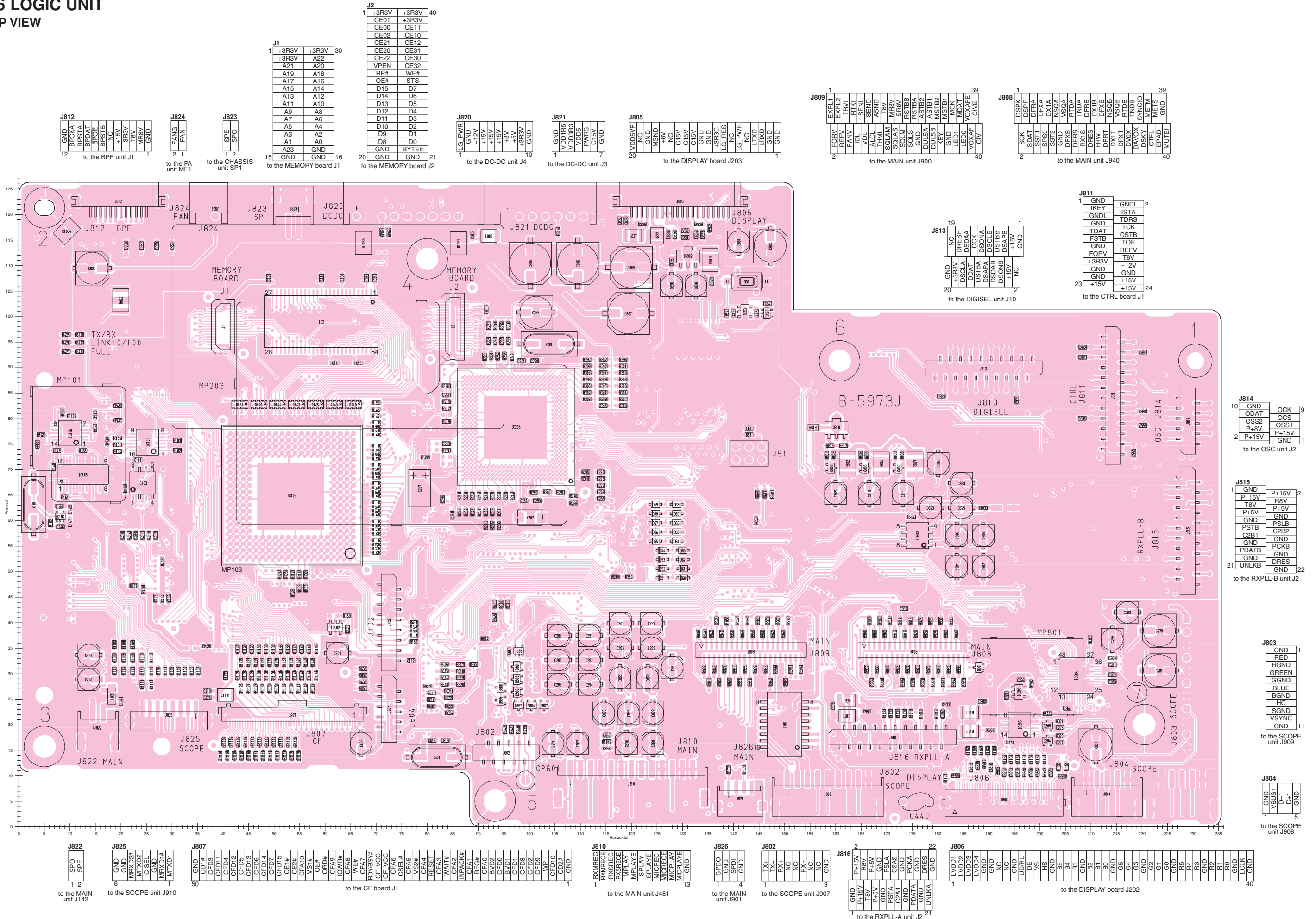


• BOTTOM VIEW (LED BOARD)



# 8-16 LOGIC UNIT

## • TOP VIEW



**J812**

GND	BFCKA
BFSTA	BFDAT
BFOE	BFOEB
NC	NC
+15V	SPRV
+3R3V	MRV
GND	GND

to the BPF unit J1

**J824**

FANG	FAN
------	-----

to the PA unit MF1

**J823**

SPE	SFO
-----	-----

to the CHASSIS unit SP1

**J1**

+3R3V	+3R3V	30
+3R3V	A22	
A21	A20	
A19	A18	
A17	A16	
A15	A14	
A13	A12	
A11	A10	
A9	A8	
A7	A6	
A5	A4	
A3	A2	
A1	A0	
A23	GND	16
GND	GND	15

to the MEMORY board J1

**J2**

+3R3V	+3R3V	40
CE01	+3R3V	
CE00	CE11	
CE02	CE10	
CE21	CE12	
CE20	CE31	
CE22	CE30	
VPEN	CE32	
RP#	WE#	
OE#	STS	
D15	D7	
D14	D6	
D13	D5	
D12	D4	
D11	D3	
D10	D2	
D9	D1	
D8	D0	
GND	BYTE#	21
GND	GND	20

to the MEMORY board J2

**J820**

LG_PWR#	GND	10
-12V	GND	
+15V	GND	
+15V	GND	
+15V	GND	
+8V	GND	
+3R3V	GND	

to the DC-DC unit J4

**J821**

GND	VDD1R5	1
VDD3R3	VDD5	
PWR5	C15V	
GND	GND	

to the DC-DC unit J3

**J805**

VDD5VF	NC	20
NC	MSND	
NC	18V	
NC	C18V	
NC	C15V	
NC	GND	
+3R3V	LG_PWR	
NC	LG_PWR	
NC	LTxD	
NC	LRxD	
NC	GND	

to the DISPLAY board J203

**J809**

EXRL1	EXRL2	1
FORV	REFV	
FANV	IDL	
VDL	SENI	
ALCL	ASND	
THML	ASND	
SOLAM	MRV	
SOLAS	SRV	
SOLM	RSTB	
SOLS	RSTBA	
DULSA	ASTB	
DULSB	MSTB	
KEY	MSTB1	
GND	MCK	
LED1	MDAT	
LED0	VOXAF	
VOXAF	CIVE	40
CIV	GND	39

to the MAIN unit J900

**J808**

SCK	DSBK	2
SDAT	DFRA	
SF50	DX1A	
SST2	NSOA	
GND	VSOA	
DFXS	RTDA	
DFRS	TNDA	
DFRS	DFRE	
DRES	DX1B	
FRWT	DFXB	
DFAT	NSQB	
DATA	VSOB	
DPV	RTDB	
DAVX	TNDB	
DSKY	SYNIO	
CTFL	MEFM	
DSKY	MEFM	
EPAD	GND	40
MUTEI	GND	39

to the MAIN unit J940

**J813**

NC	DRESH	19
DSOLA	DSAAA	
DSOLA	DKK	
DSAPA	DSONA	
DSOAB	DSCLB	
DSOAB	DSOAB	
DSOAB	DSAPB	
+15V	GND	1
NC	GND	20

to the DIGISEL unit J10

**J811**

GND	GNDL	2
IKEY	ISTA	
GNDL	TDRS	
GND	TCK	
TDAT	CSTB	
FSTB	TOE	
GND	REFV	
FORV	T8V	
+3R3V	-12V	
GND	GND	
GND	+15V	
+15V	GND	24
GND	GND	23

to the CTRL board J1

**J814**

GND	OCC	9
ODAT	OCS	
OSS2	OSS1	
P+8V	P+15V	
P+15V	GND	1

to the OSC unit J2

**J815**

GND	P+15V	2
P+15V	R8V	
T8V	P+5V	
P+5V	GND	
GND	PSLB	
PSTB	C2B2	
C2B1	GND	
GND	PCKB	
PDATB	GND	
GND	DRES	
UNLKB	GND	22

to the RXPLL-B unit J2

**J803**

GND	1
RED	
RGND	
GREEN	
GND	
BLUE	
BGND	
HC	
SGND	
VSYNC	
GND	11

to the SCOPE unit J909

**J804**

GND	1
VBUS1	
D-1	
D+1	
GND	5

to the SCOPE unit J908

**J822**

SPO	SPE	1
-----	-----	---

to the MAIN unit J142

**J825**

GND	GND	8
MRXD2#	MTXD2	
CISEL	GND	
MRXD1#	MTXD1#	1

to the SCOPE unit J910

**J807**

GND	CD1#	50
CFD03	CFD11	
CFD1	CFD4	
CFD12	CFD5	
CFD13	CFD6	
CFD14	CFD7	
CFD15	CE1#	
CE2#	CE10	
VST#	CE#	
ICRD#	ICRD#	
ICWR#	ICWR#	
WE#	WE#	
RD/BS#	RD/BS#	
CE_VCC	CE_VCC	
CSEL#	CSEL#	
CFA5	VS2#	
CFA4	CFA4	
CFA3	CFA3	
CFA2	CFA2	
CFA1	CFA1	
REG#	REG#	
CFAD	BVD2	
BVD1	BVD1	
CFD8	CFD8	
CFD2	CFD2	
CFD9	WIP	
CFD10	CFD10	
CFD2#	CFD2#	1

to the CF board J1

**J810**

RXMREC	1
RXMREC	
RXSREC	
RXSREC	
MPLAY	
SPLAY	
MICREC	
MICREC	
MICPLAY	
MICPLAY	
GND	13

to the MAIN unit J451

**J826**

SPO	GND	4
SFO	GND	

to the MAIN unit J901

**J802**

TX+	TX+	9
TX-	TX-	
NC	NC	
NC	NC	
NC	NC	
NC	NC	
NC	NC	
NC	NC	

to the SCOPE unit J907

**J816**

P+15V	2
P+15V	
P+5V	
GND	
PSLA	
PSLA	
C2A2	
C2A1	
GND	
PCKA	
PDATA	
DRES	
UNLKA	
GND	21
GND	22

to the RXPLL-A unit J2

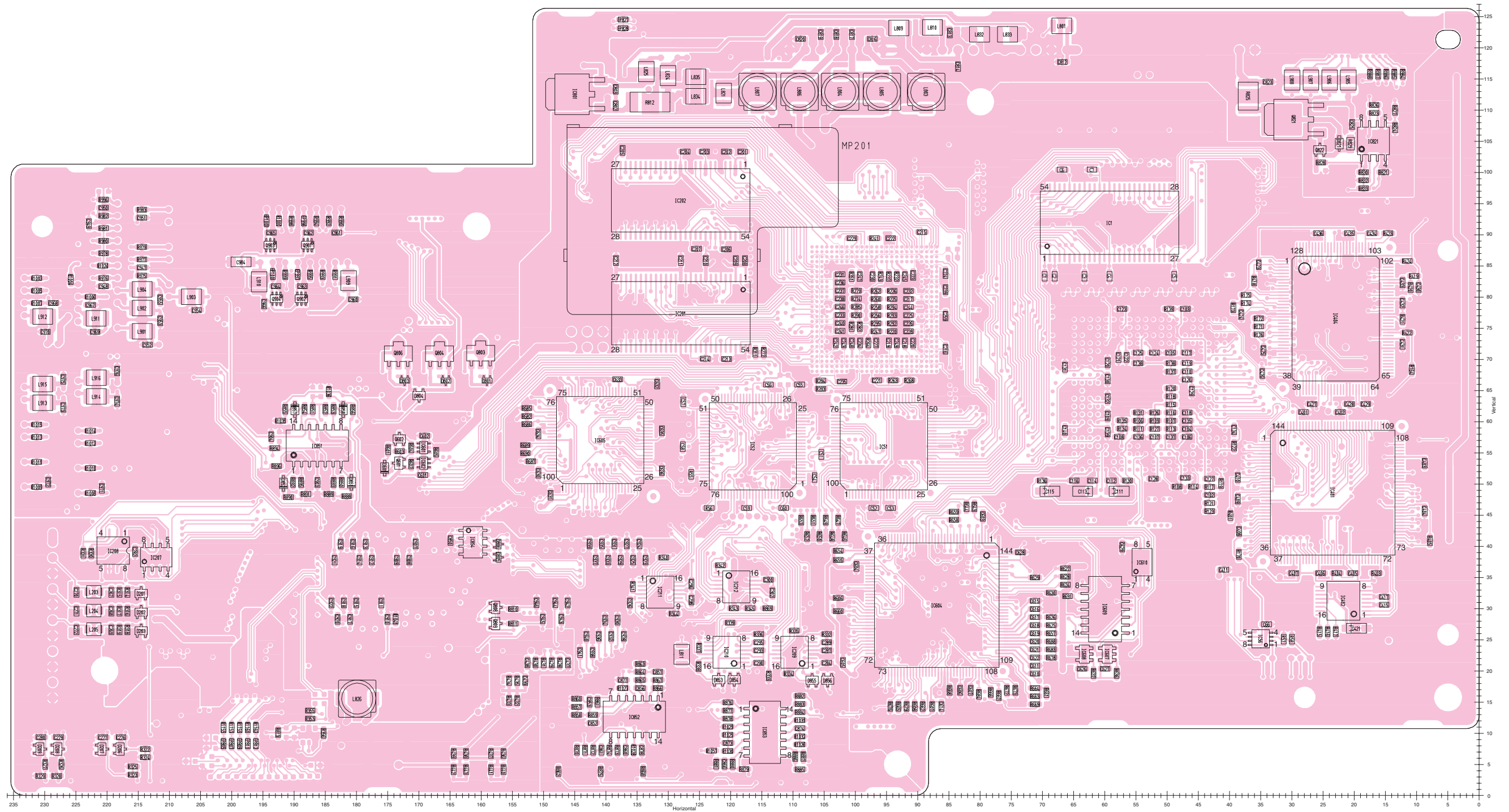
**J806**

LVDD1	1
LVDD2	
LVDD3	
LVDD4	
GND	
NC	
NC	
UDRL	
DE	
VS	
HS	
GND	
B5	
B4	
B3	
GND	
B2	
B1	
R0	
GND	
G3	
G2	
G1	
G0	
R5	
R4	
R3	
GND	
R2	
R1	
R0	
GND	
LCLK	
GND	40

to the DISPLAY board J202

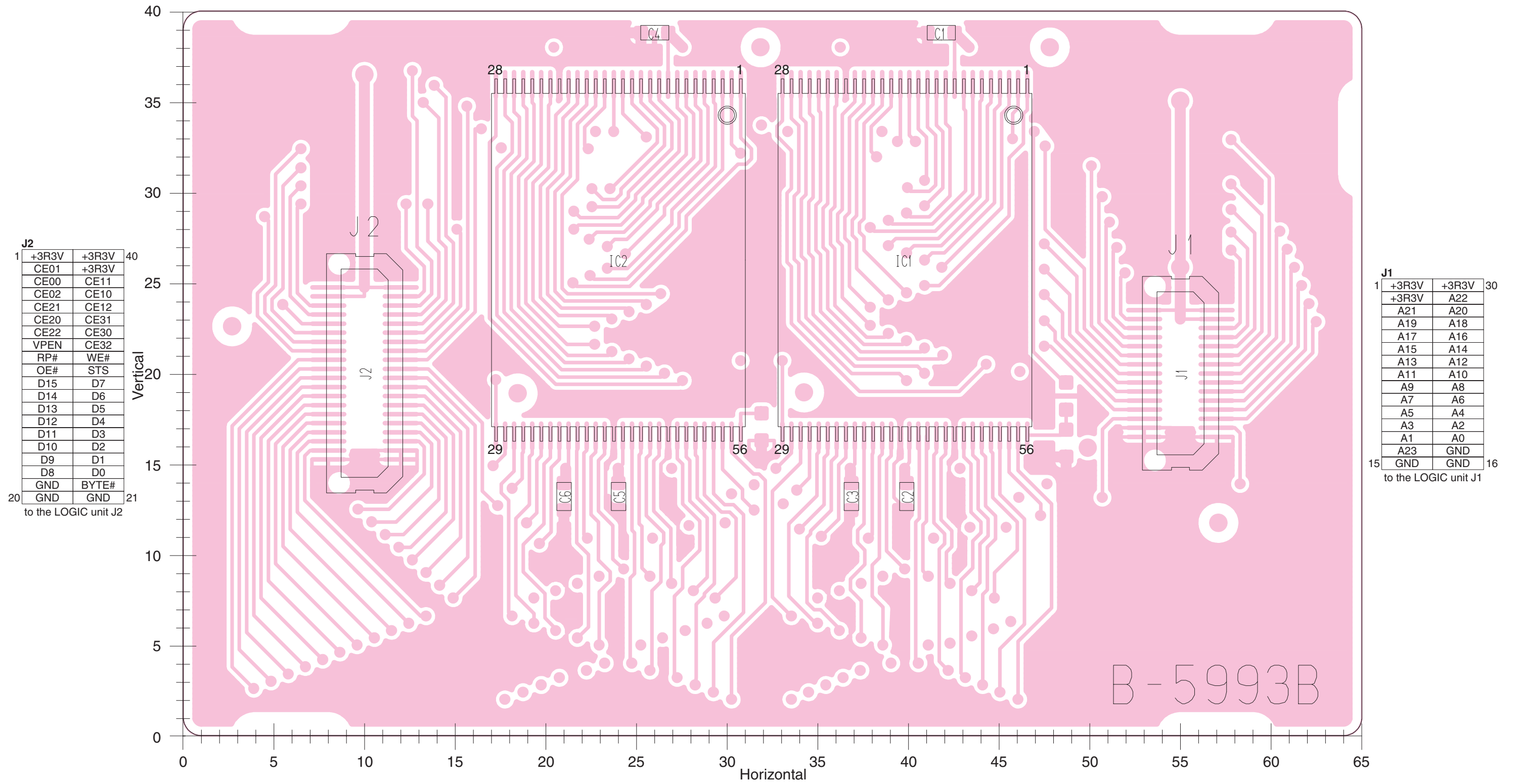


• BOTTOM VIEW (LOGIC UNIT)





**8-17 MEMORY BOARD**  
• TOP VIEW



**J2**

1	+3R3V	+3R3V	40
	CE01	CE11	
	CE02	CE10	
	CE21	CE12	
	CE20	CE31	
	CE22	CE30	
	VPEN	CE32	
	RP#	WE#	
	OE#	STS	
	D15	D7	
	D14	D6	
	D13	D5	
	D12	D4	
	D11	D3	
	D10	D2	
	D9	D1	
	D8	D0	
	GND	BYTE#	
20	GND	GND	21

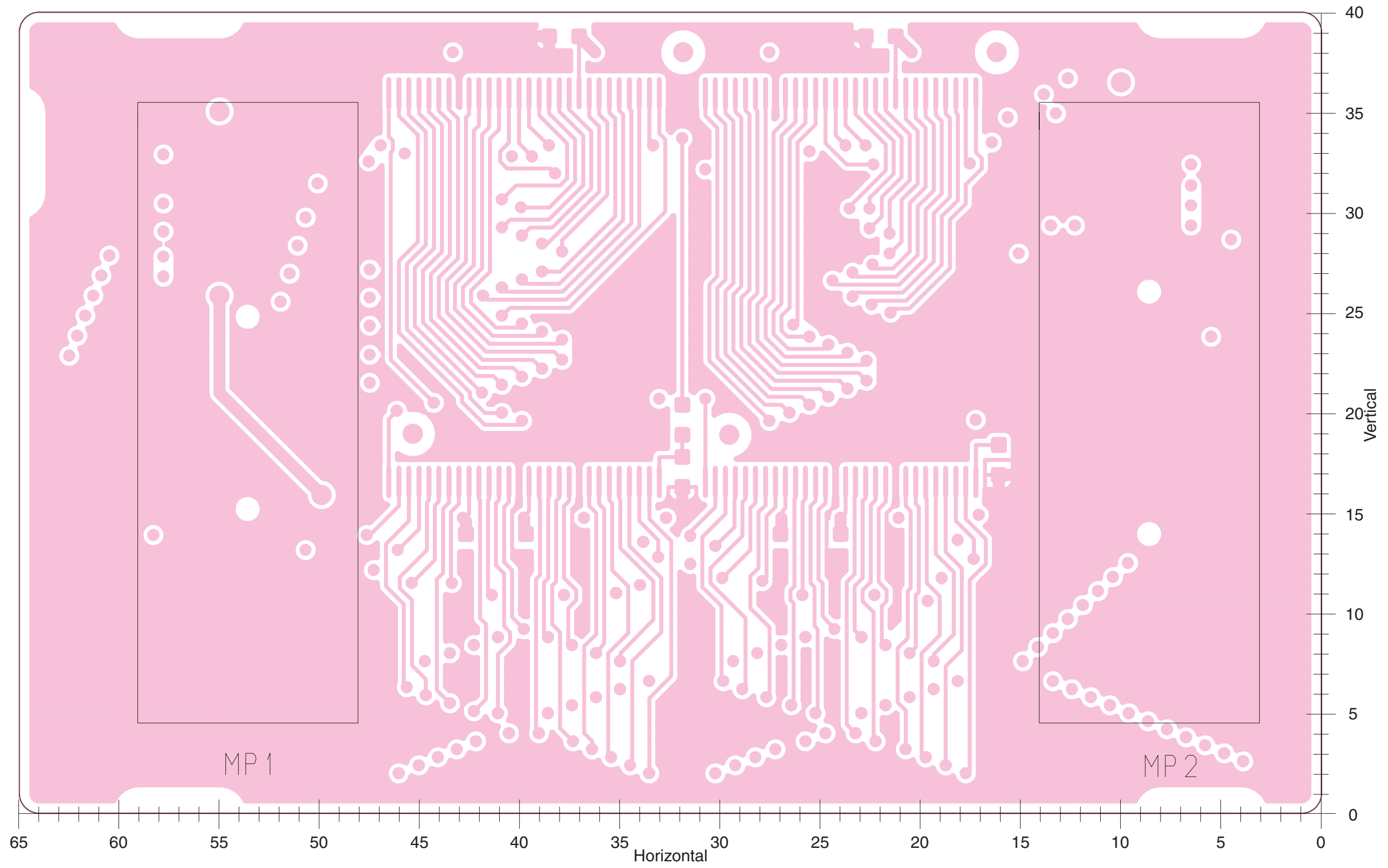
to the LOGIC unit J2

**J1**

1	+3R3V	+3R3V	30
	A21	A20	
	A19	A18	
	A17	A16	
	A15	A14	
	A13	A12	
	A11	A10	
	A9	A8	
	A7	A6	
	A5	A4	
	A3	A2	
	A1	A0	
	A23	GND	
15	GND	GND	16

to the LOGIC unit J1

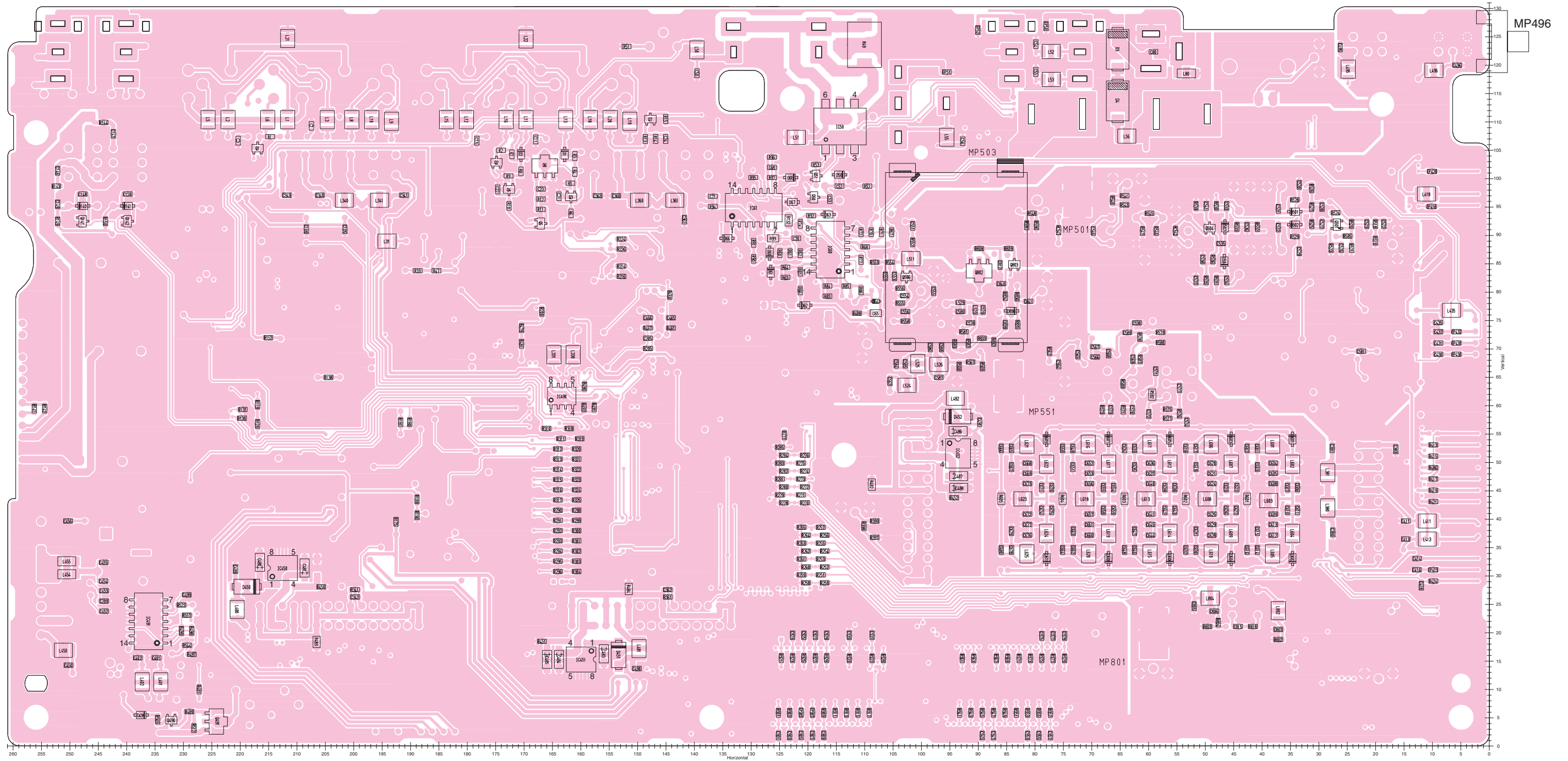
• BOTTOM VIEW (MEMORY BOARD)



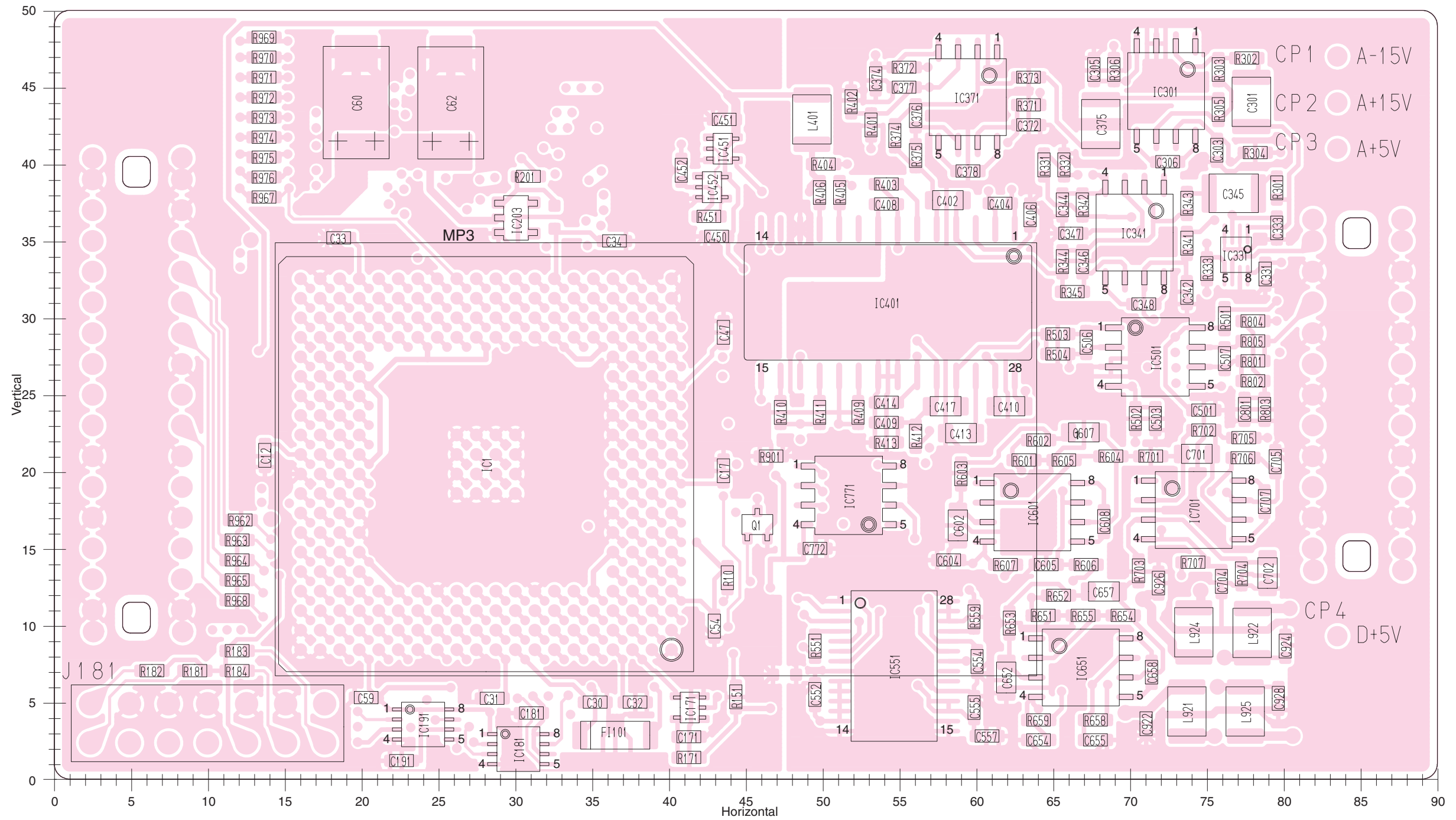




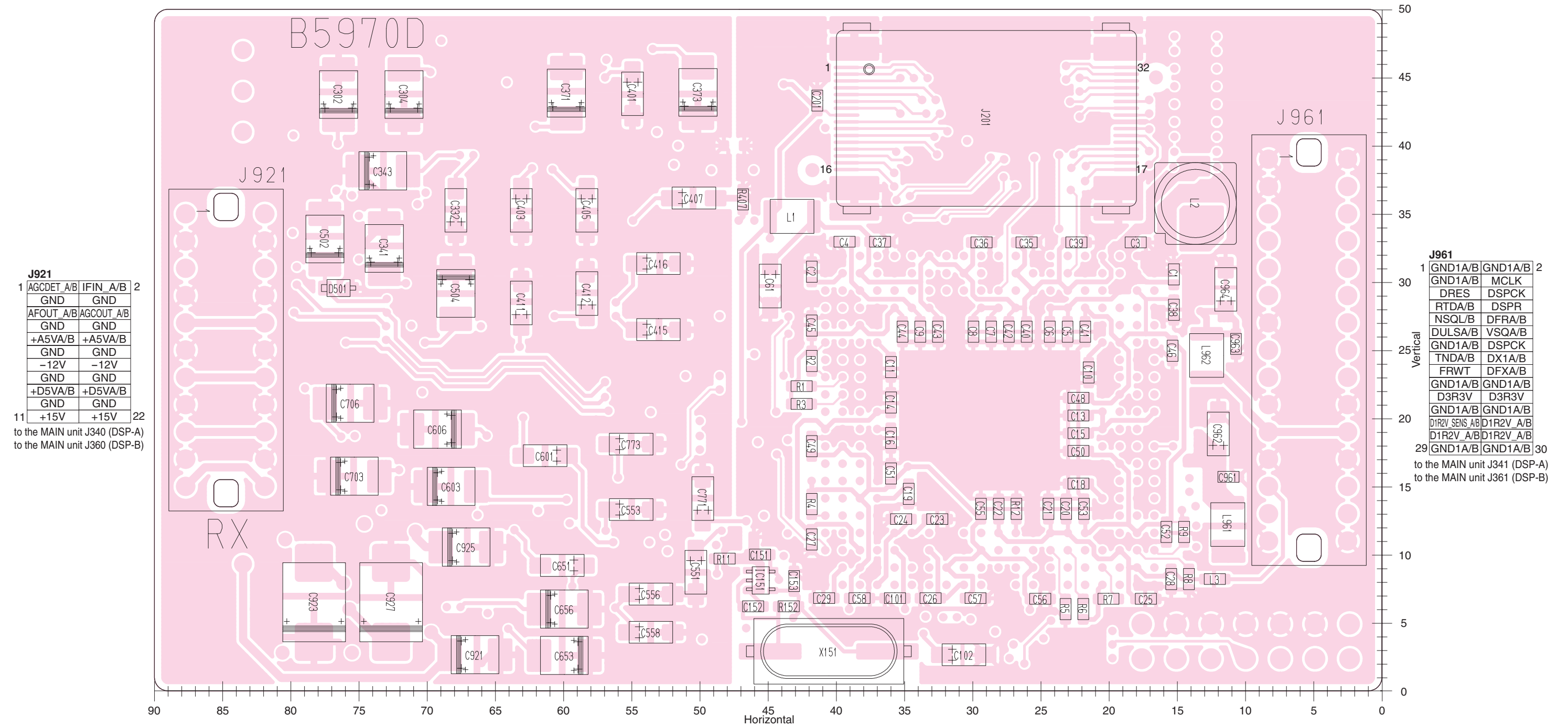
• BOTTOM VIEW (MAIN UNIT)



**8-19 DSP-A/DSP-B BOARDS**  
**• TOP VIEW**

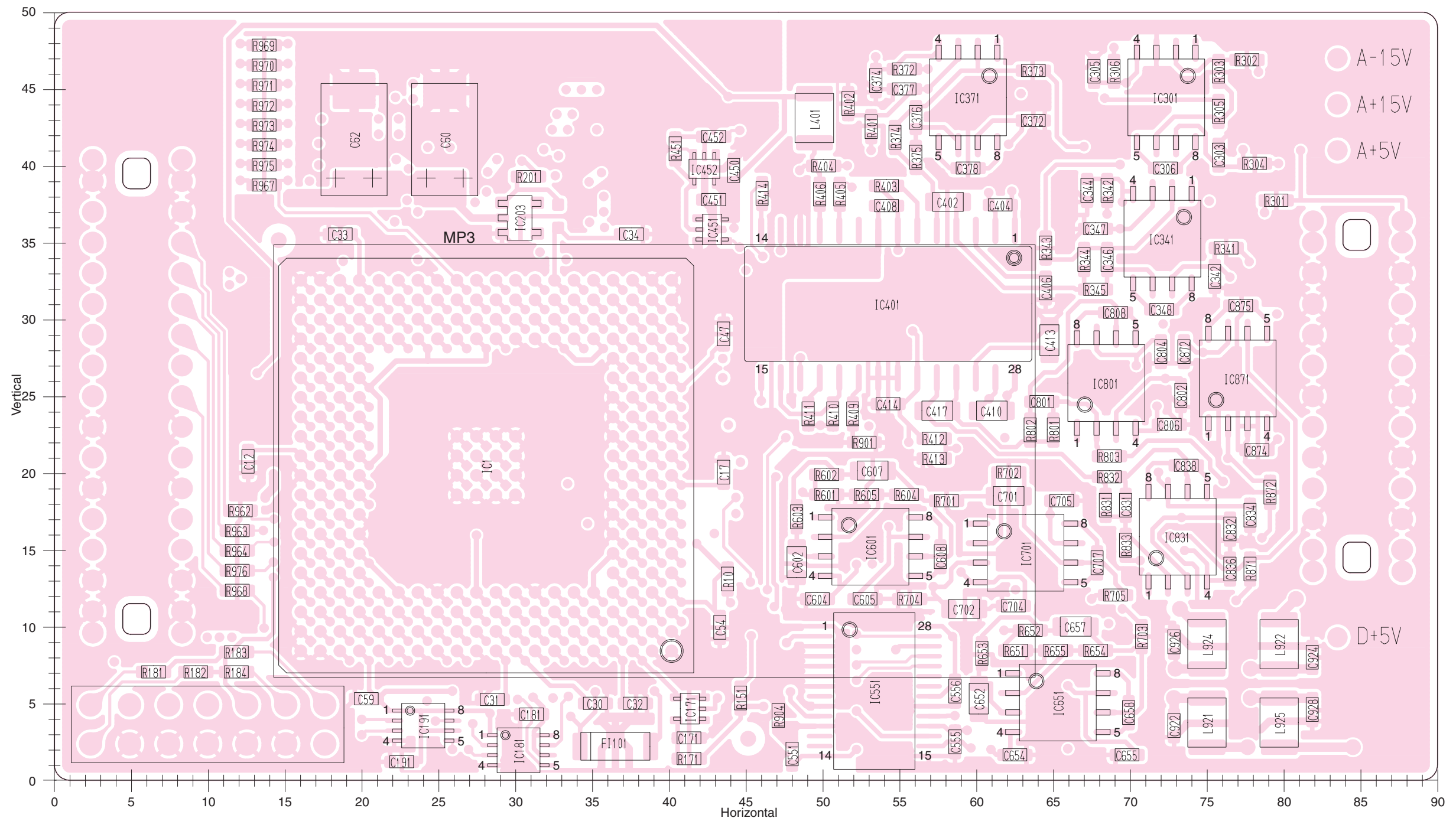


• BOTTOM VIEW (DSP-A/DSP-B BOARDS)

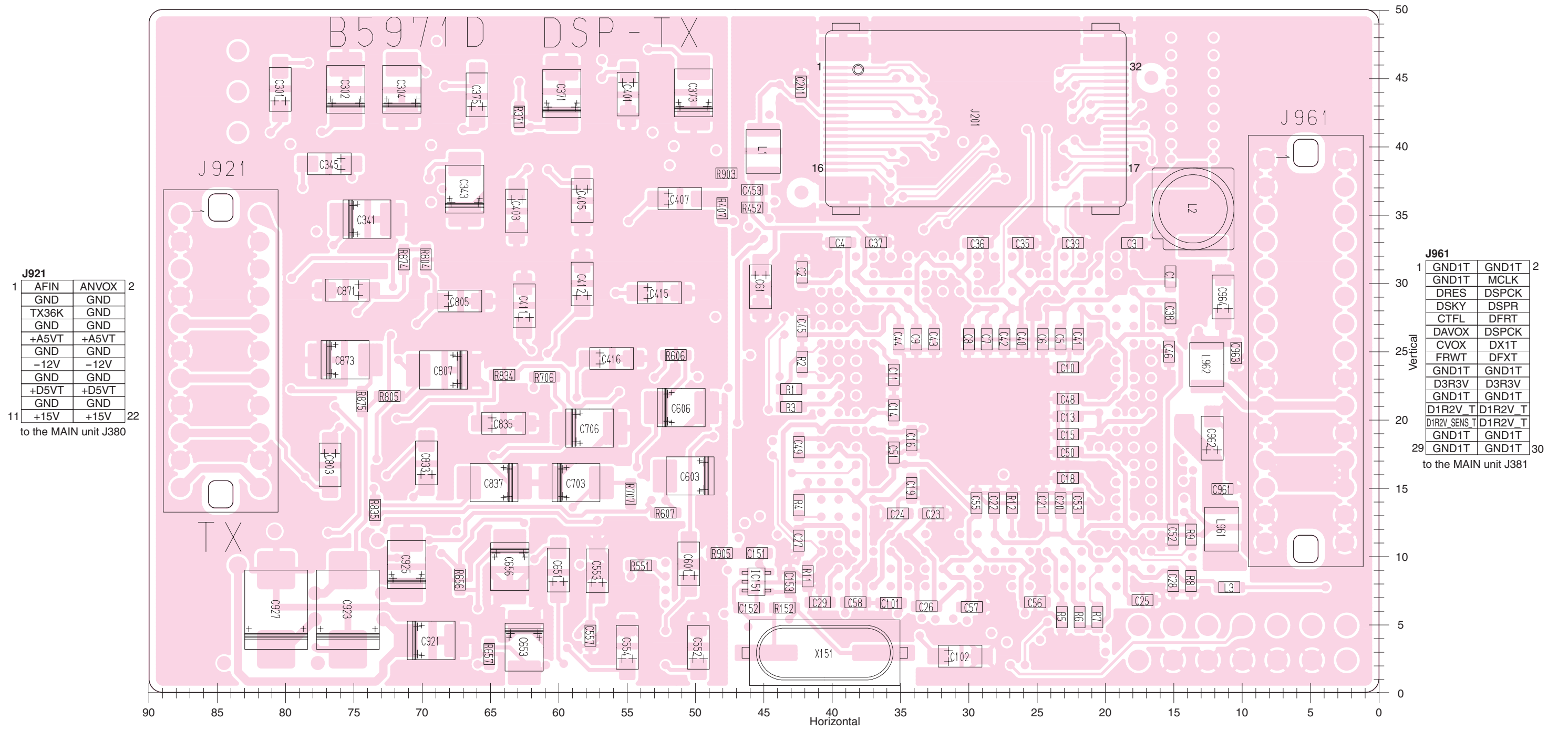




**8-20 DSP-TX BOARD**  
**• TOP VIEW**



• BOTTOM VIEW (DSP-TX BOARD)



**J921**

1	AFIN	ANVOX	2
	GND	GND	
	TX36K	GND	
	GND	GND	
	+A5VT	+A5VT	
	GND	GND	
	-12V	-12V	
	GND	GND	
	+D5VT	+D5VT	
	GND	GND	
11	+15V	+15V	22

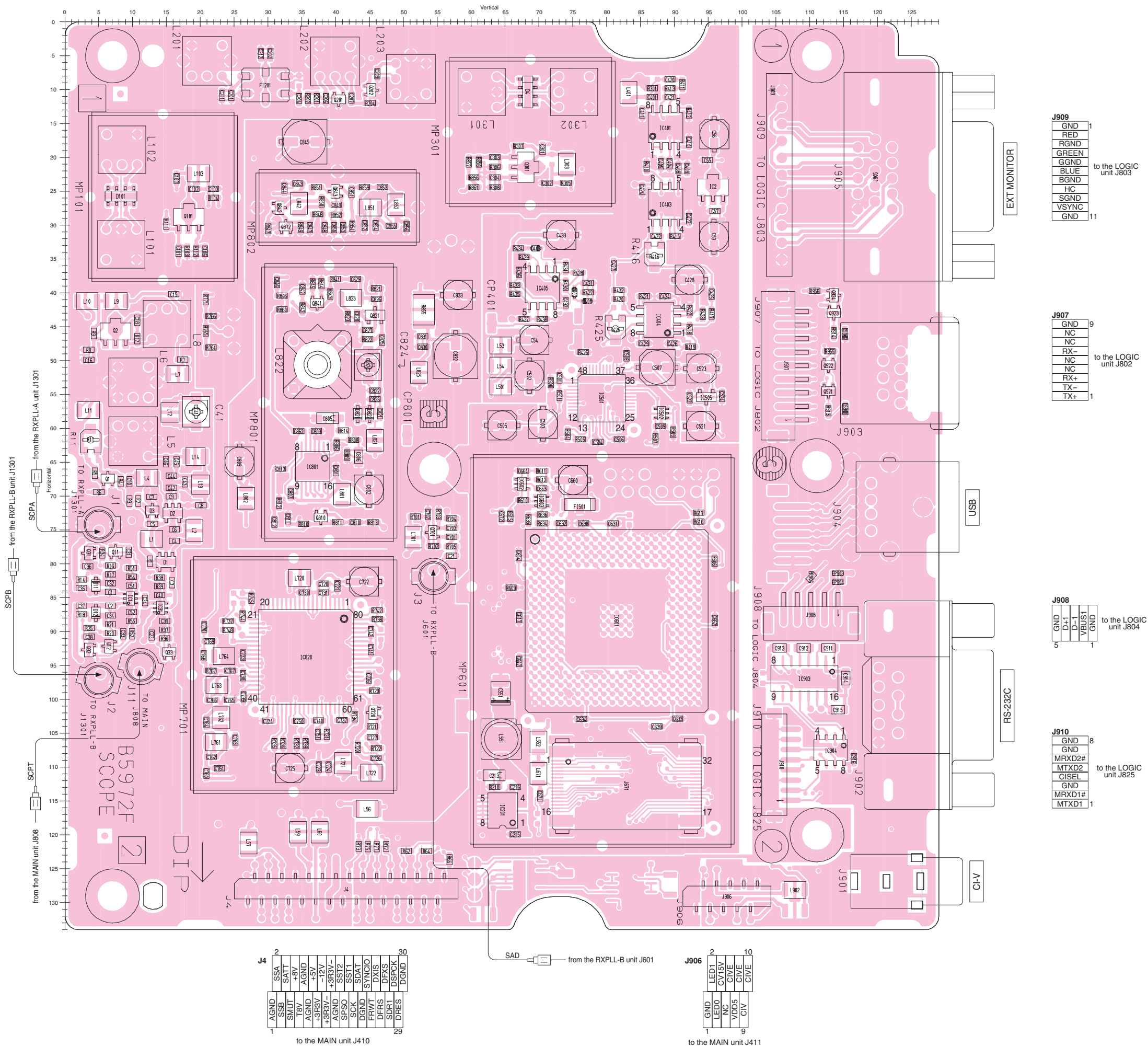
to the MAIN unit J380

**J961**

1	GND1T	GND1T	2
	GND1T	MCLK	
	DRES	DSPCK	
	DSKY	DSPR	
	CTFL	DFRT	
	DAVOX	DSPCK	
	CVOX	DX1T	
	FRWT	DFXT	
	GND1T	GND1T	
	D3R3V	D3R3V	
	GND1T	GND1T	
	D1R2V_T	D1R2V_T	
	D1R2V_SENS_T	D1R2V_T	
	GND1T	GND1T	
29	GND1T	GND1T	30

to the MAIN unit J381

**8-21 SCOPE UNIT**  
• TOP VIEW



J4

1	AGND
2	SSA
3	SATT
4	+8V
5	TAUT
6	TAUT
7	AGND
8	+5V
9	+3RV
10	+3RV
11	+3RV
12	AGND
13	SP-SO
14	SCK
15	AGND
16	PRWT
17	OPRS
18	DFXS
19	DFXS
20	DFXS
21	DFXS
22	DFXS
23	DFXS
24	DFXS
25	DFXS
26	DFXS
27	DFXS
28	DFXS
29	DFXS
30	DGND

to the MAIN unit J410

J906

1	GND
2	LED1
3	CV15V
4	NC
5	CV5V
6	CV5V
7	VDD5
8	CIV
9	CIV
10	CIV

to the MAIN unit J411

J909

1	GND
2	RED
3	RGND
4	GREEN
5	GGND
6	BLUE
7	BGND
8	HC
9	SGND
10	VSYNC
11	GND

to the LOGIC unit J803

J907

1	GND
2	NC
3	NC
4	NC
5	RX-
6	NC
7	NC
8	RX+
9	TX-
10	TX+

to the LOGIC unit J802

J908

1	GND
2	D-1
3	D-1
4	VBUS
5	GND

to the LOGIC unit J804

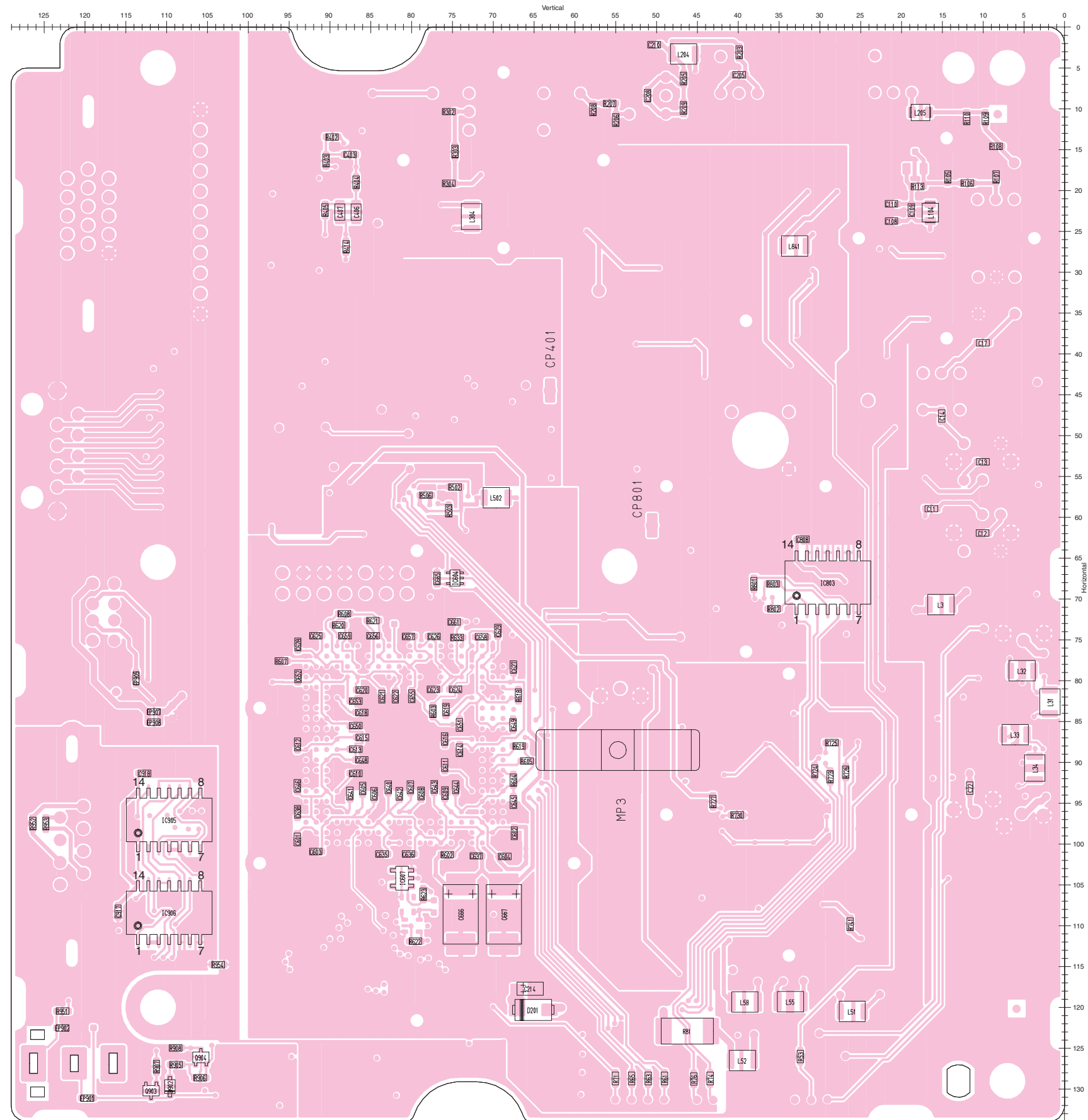
J910

1	GND
2	GND
3	MRXD2#
4	MTXD2#
5	CISEL
6	GND
7	MRXD1#
8	MTXD1#

to the LOGIC unit J825

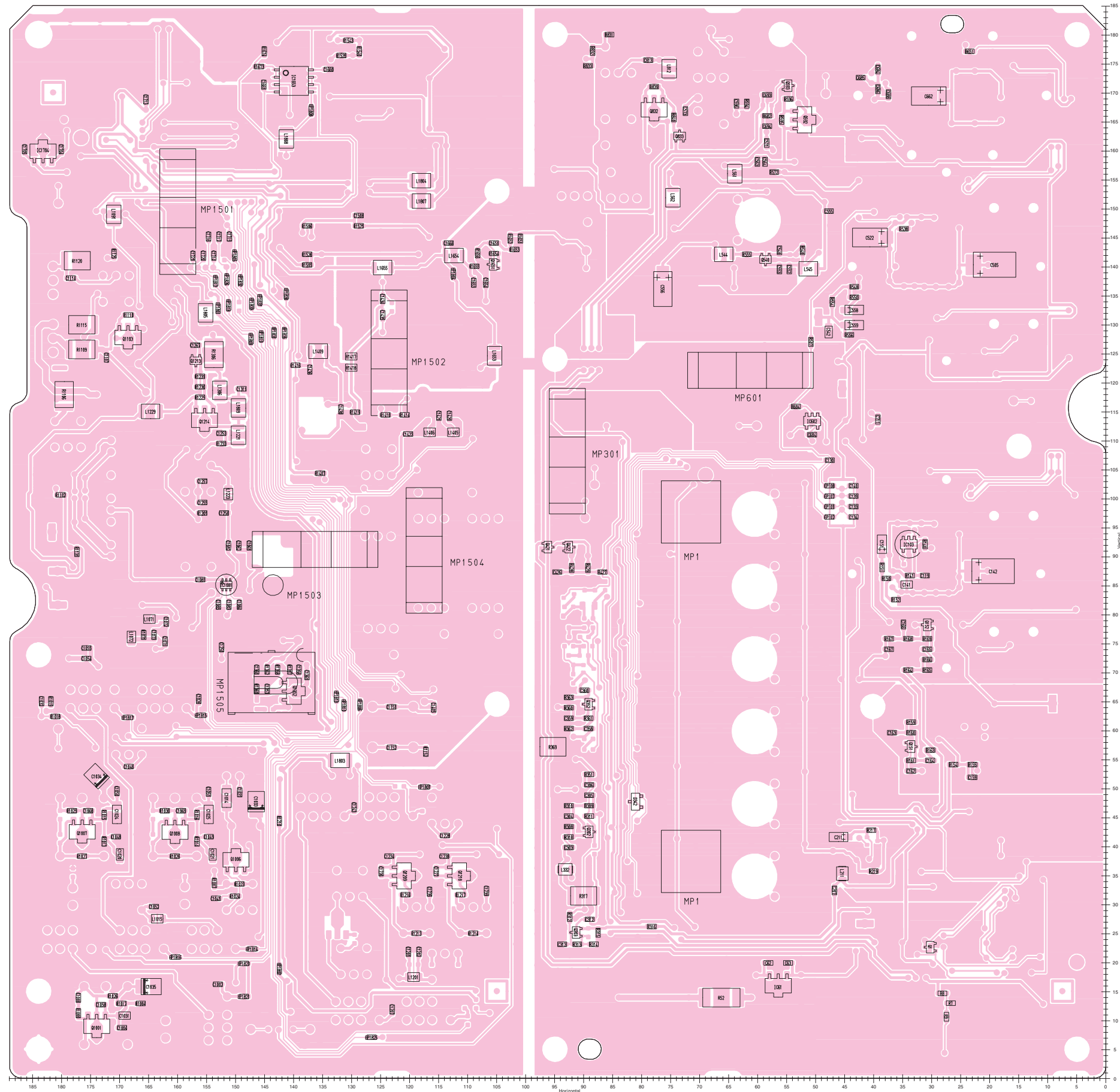


• BOTTOM VIEW (SCOPE UNIT)





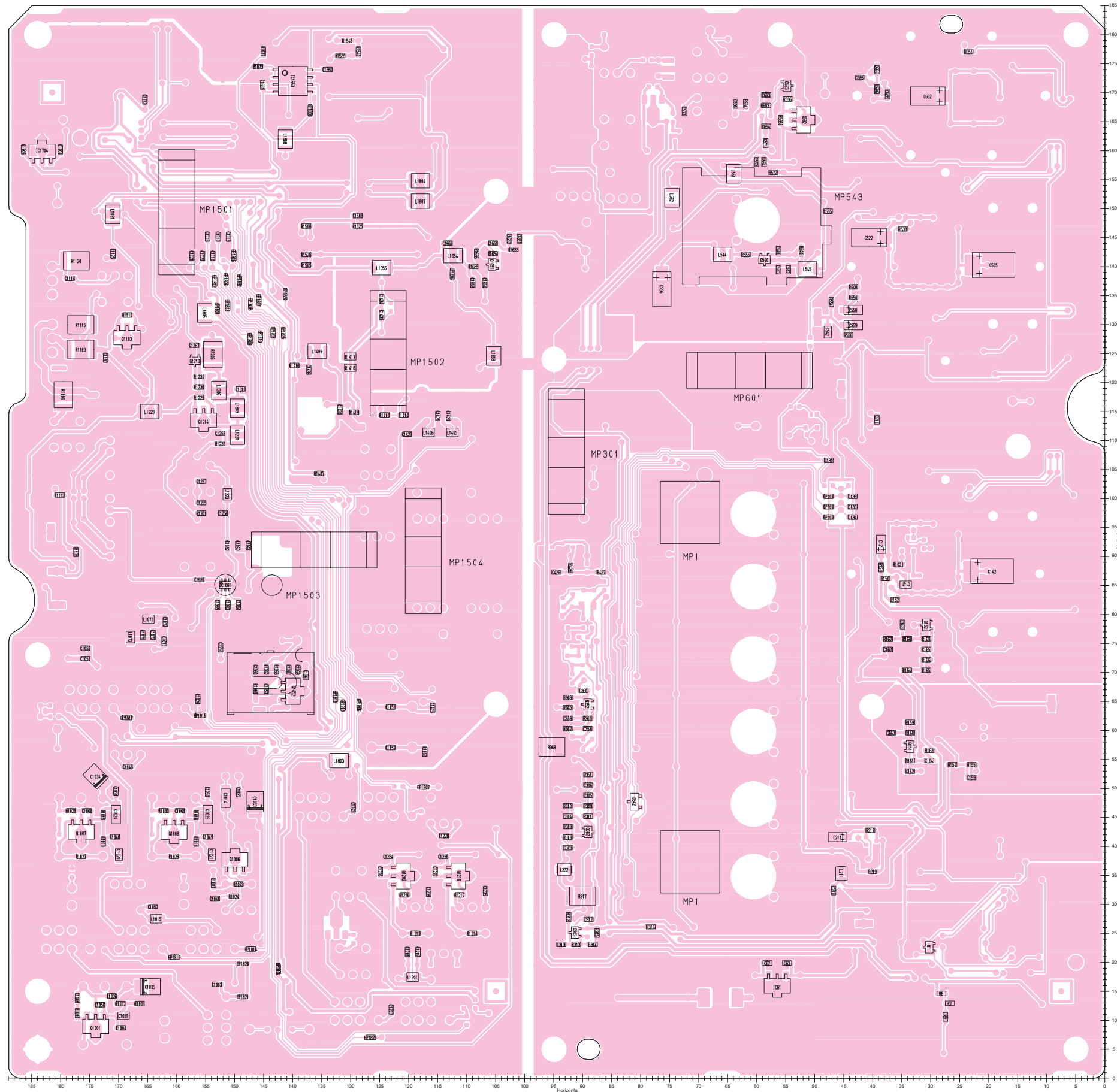
• BOTTOM VIEW (RXPLL-A UNIT)





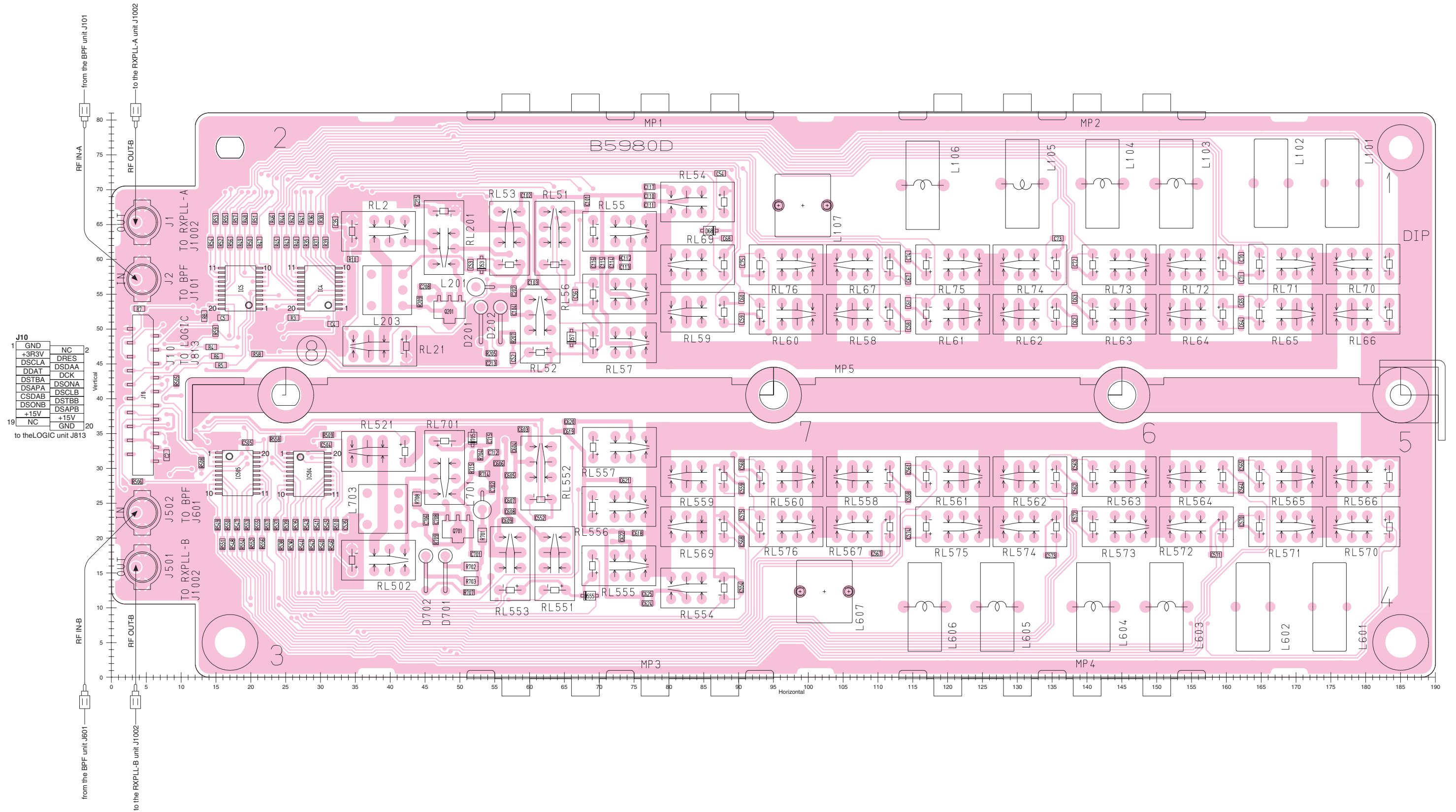


• BOTTOM VIEW (RXPLL-B UNIT)



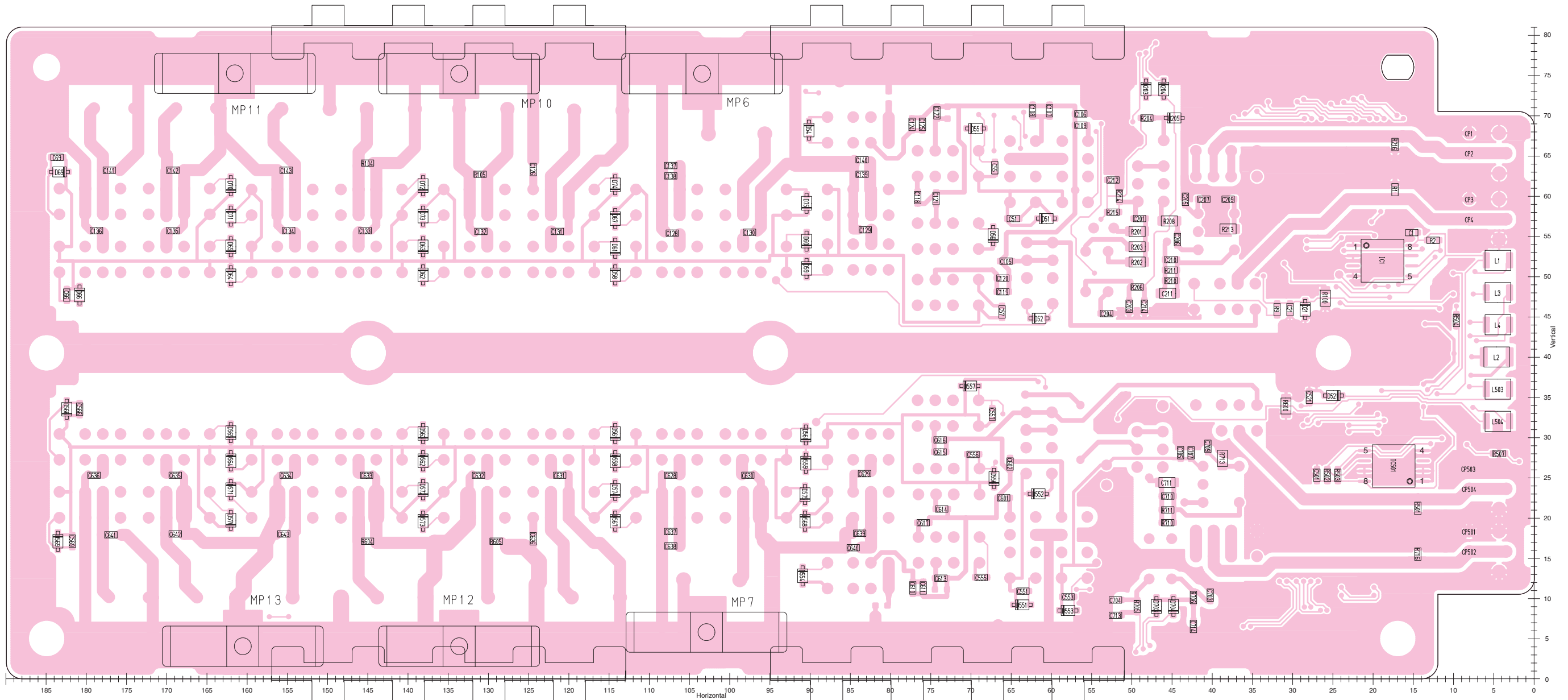
# 8-24 DIGISEL UNIT

• TOP VIEW

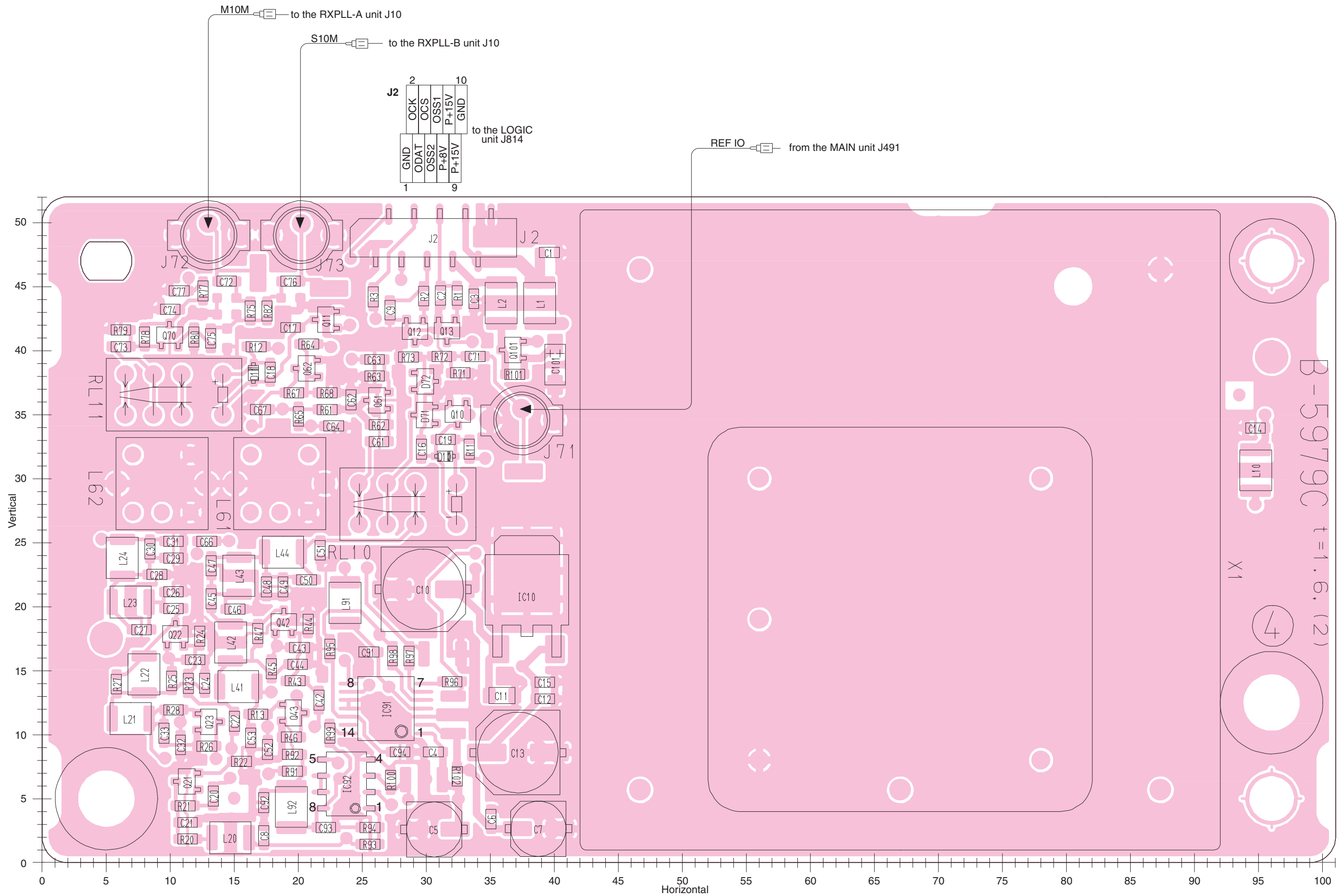




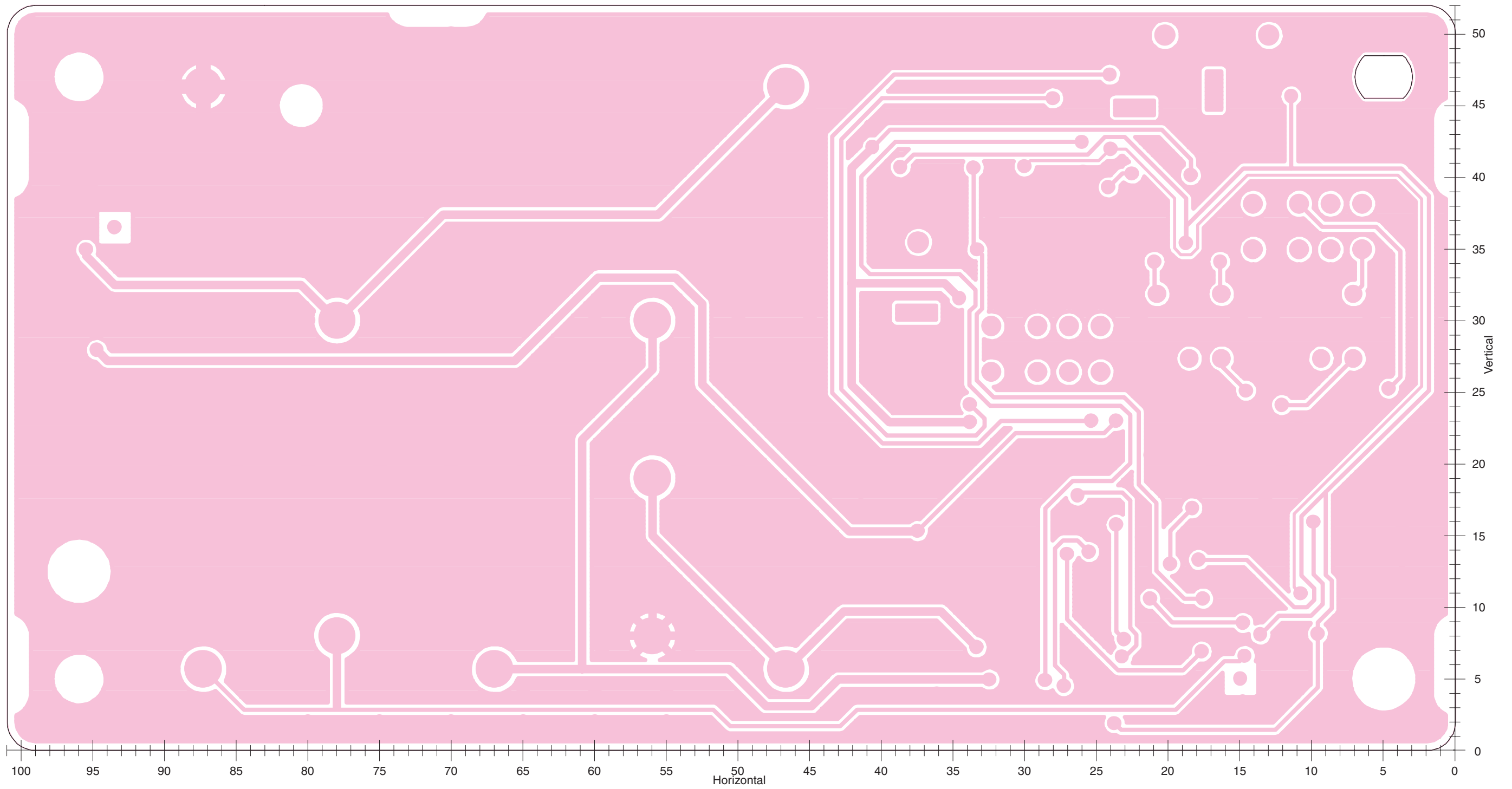
• BOTTOM VIEW (DIGISEL UNIT)



**8-25 OSC UNIT**  
• TOP VIEW



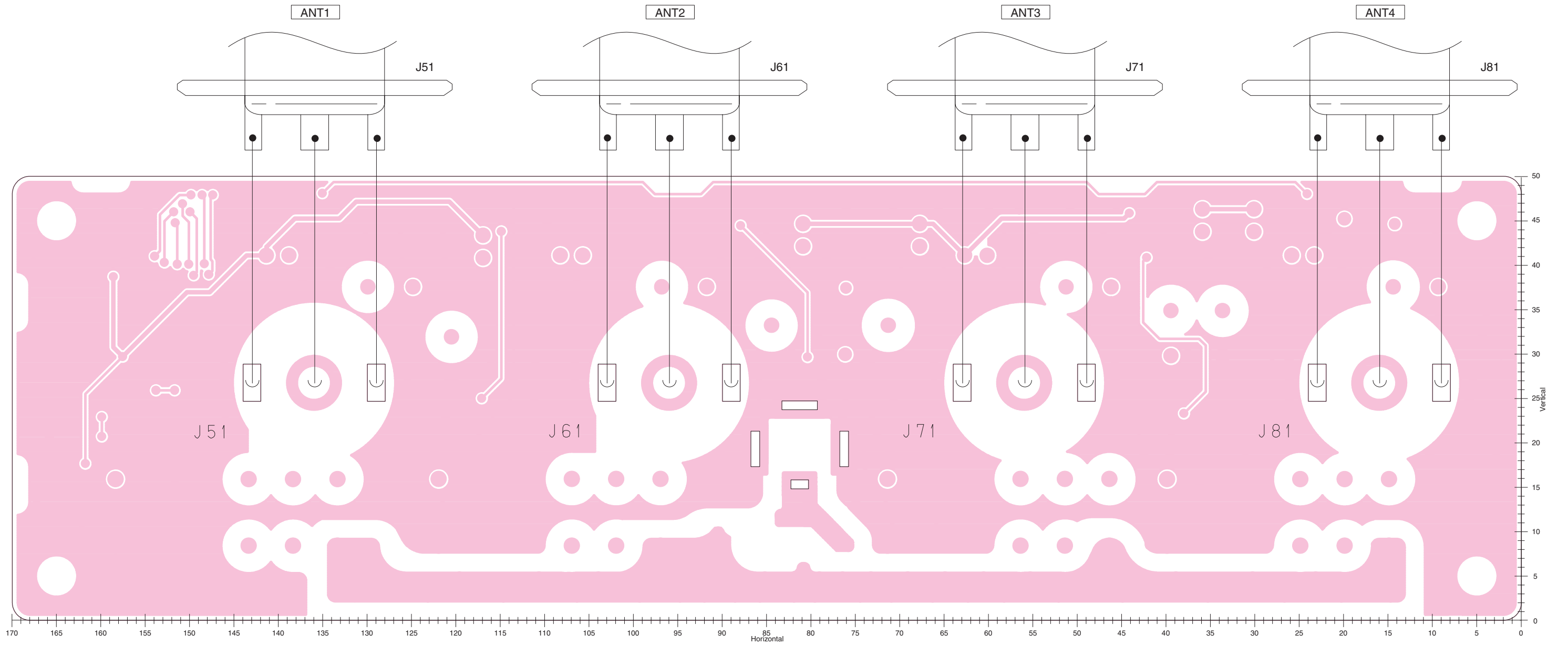
• BOTTOM VIEW (OSC UNIT)



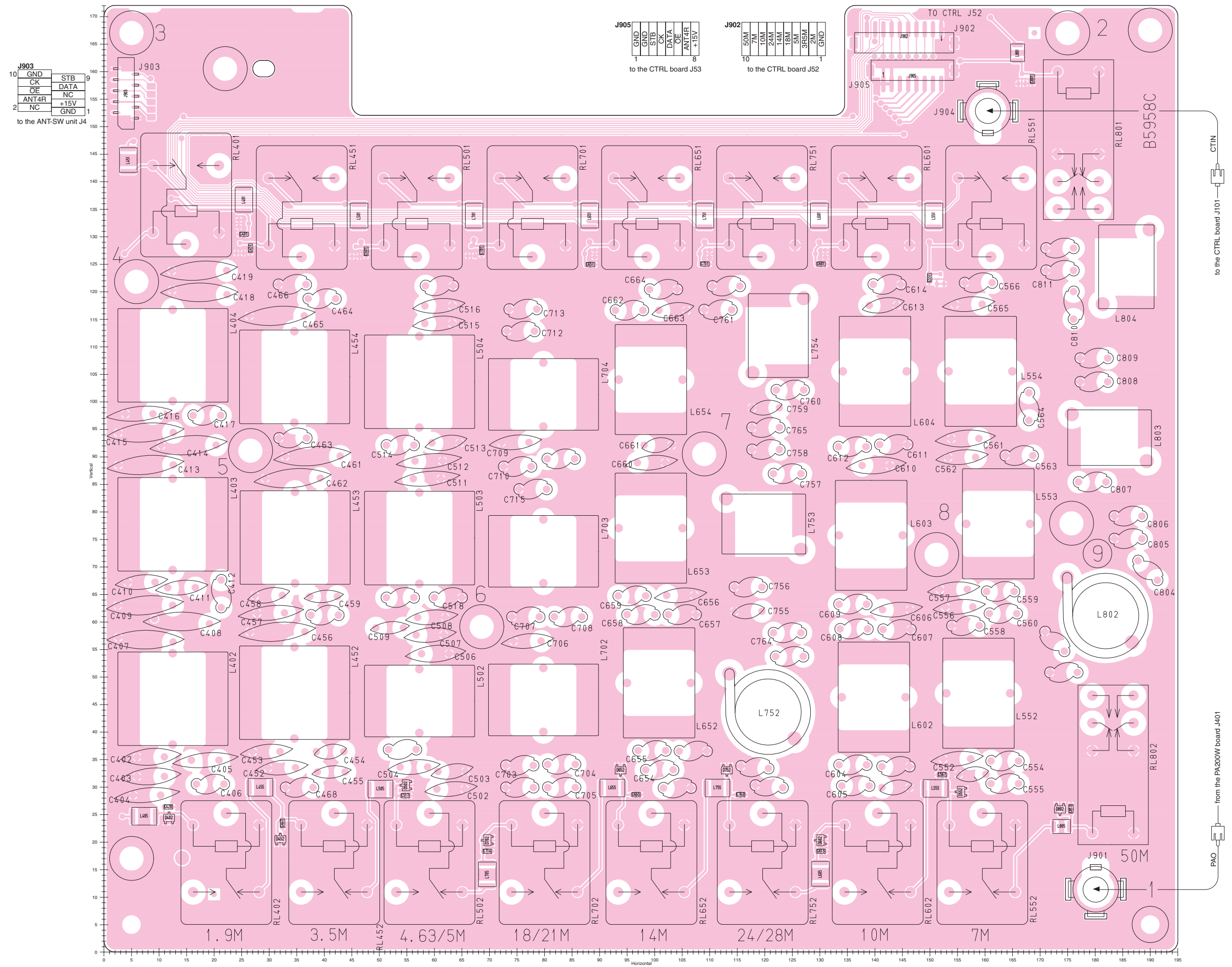




• BOTTOM VIEW (ANT-SW UNIT)



**8-27 FILTER UNIT**  
• TOP VIEW



**J903**  
to the ANT-SW unit J4

10	GND	STB	9
9	CK	DATA	
8	OE	NC	
7	ANT4R	+15V	
6	NC	GND	1

**J905**  
to the CTRL board J53

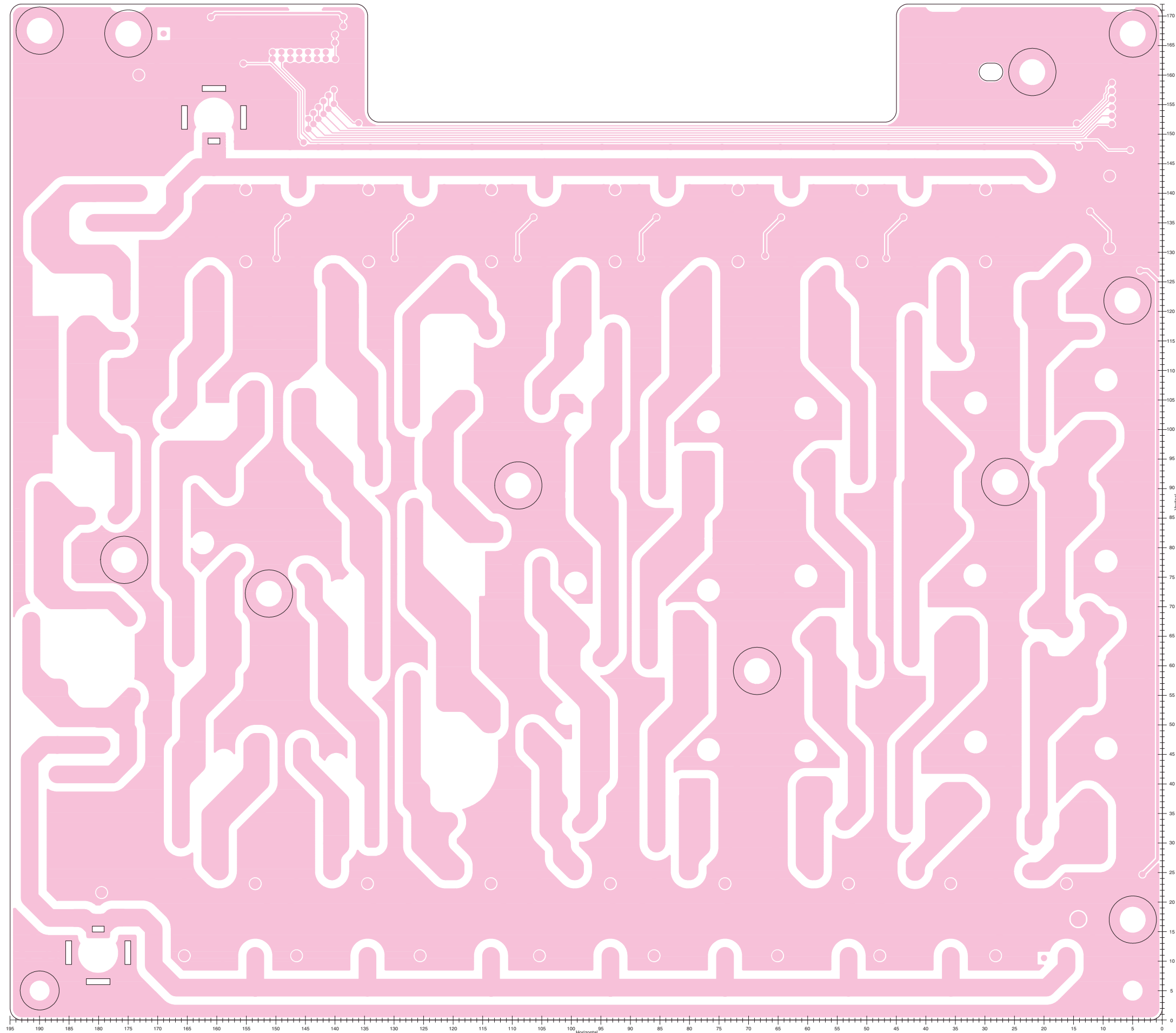
1	GND	8
2	GND	
3	STB	
4	CK	
5	DATA	
6	OE	
7	ANT4R	
8	+15V	

**J902**  
to the CTRL board J52

10	50M	1
9	7M	
8	10M	
7	24M	
6	18M	
5	5M	
4	3.5M	
3	2M	
2	GND	

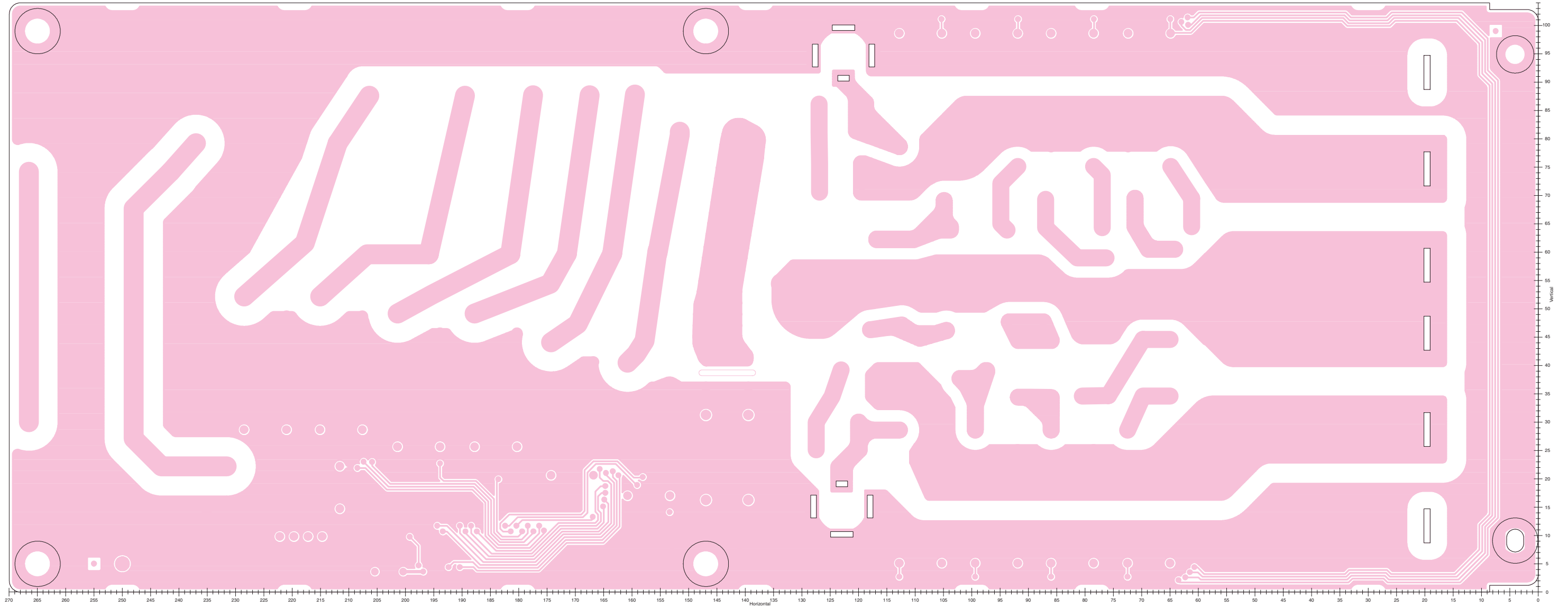


• BOTTOM VIEW (FILTER UNIT)



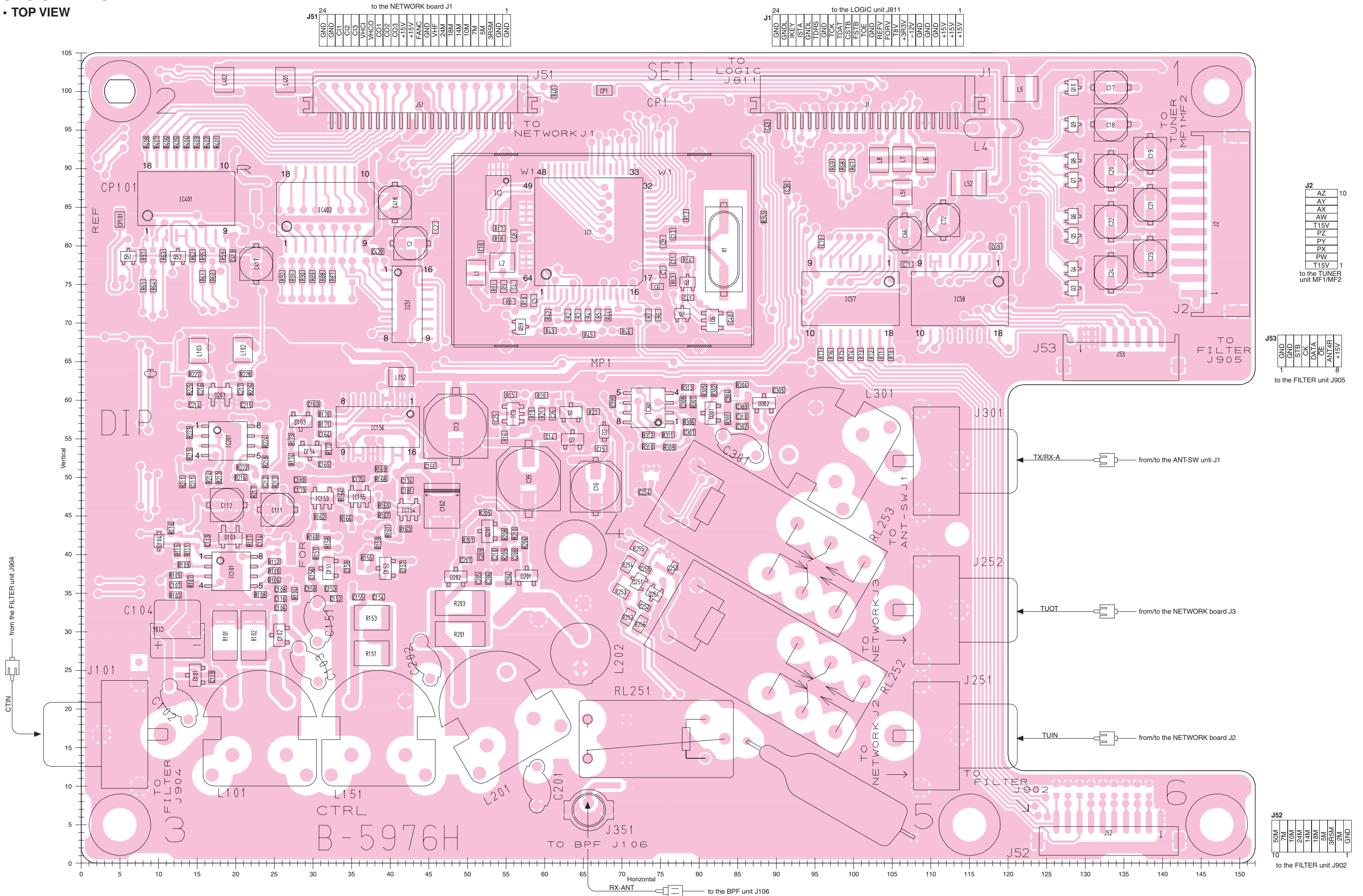


• BOTTOM VIEW (NETWORK BOARD)





**8-29 CTRL BOARD**  
• TOP VIEW



J51 24 to the NETWORK board J1

1	GND
2	C1
3	C2
4	C3
5	VHCO
6	CO1
7	CO2
8	CO3
9	+15V
10	+15V
11	FANC
12	GND
13	VHF
14	24M
15	18M
16	14M
17	10M
18	7M
19	5M
20	3F5M
21	GND
22	GND
23	+15V
24	+15V

J1 24 to the LOGIC unit J811

1	GND
2	GNDL
3	IKEY
4	ISTA
5	GNDL
6	TDRS
7	GND
8	TCK
9	TDAT
10	CSTB
11	FSFB
12	GND
13	TOE
14	REFV
15	FORV
16	T8V
17	+3R3V
18	-12V
19	GND
20	GND
21	+15V
22	+15V
23	GND
24	+15V

J2 10 to the TUNER unit MF1/MF2

1	AZ
2	AY
3	AX
4	AW
5	T15V
6	PZ
7	PY
8	PX
9	PW
10	T15V

J53 8 to the FILTER unit J905

1	GND
2	GND
3	CK
4	DATA
5	OE
6	ANT4R
7	+15V
8	GND

J52 10 to the FILTER unit J902

1	50M
2	7M
3	10M
4	24M
5	14M
6	18M
7	5M
8	3F5M
9	2M
10	GND

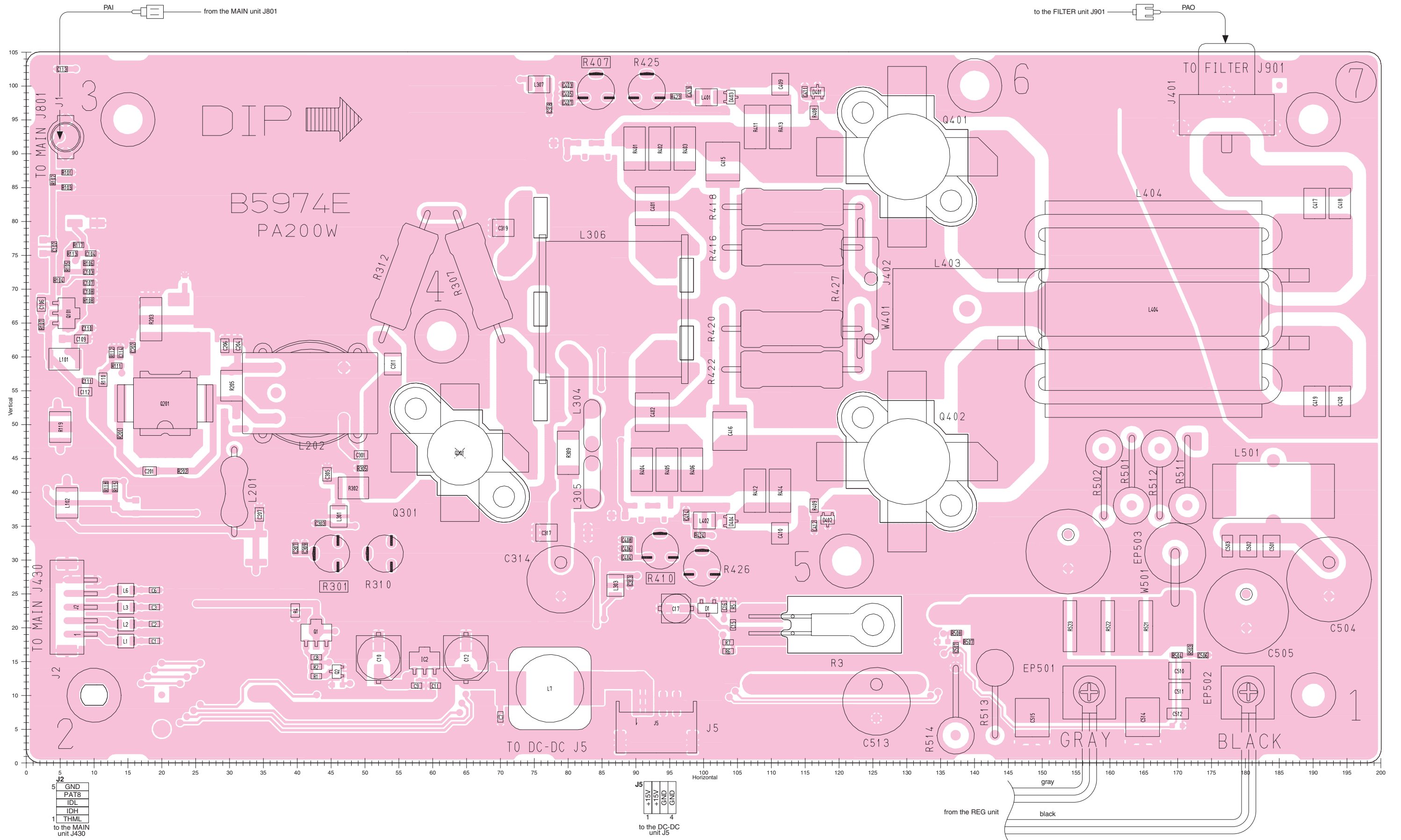




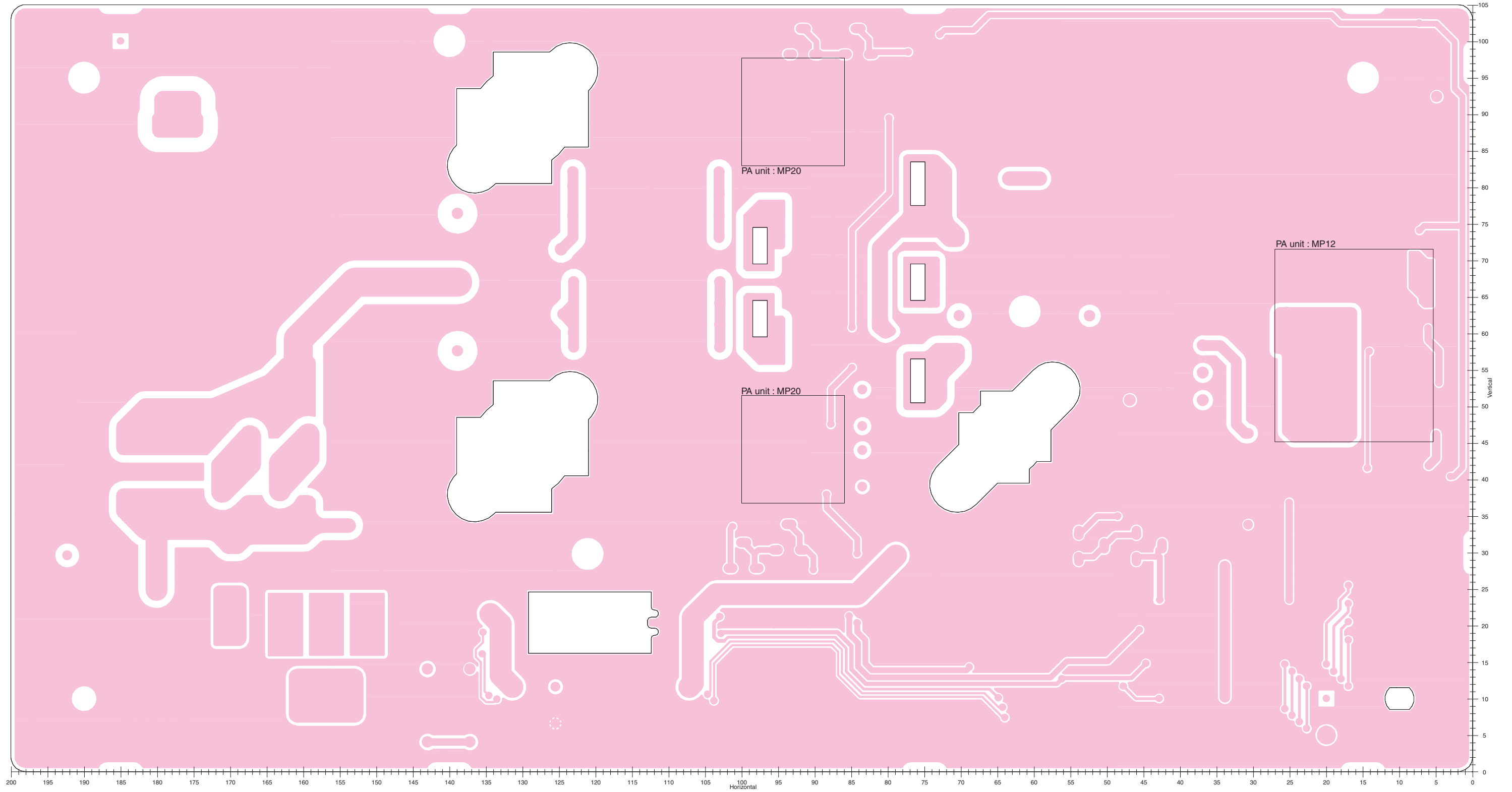




**8-31 PA200W BOARD**  
**• TOP VIEW**

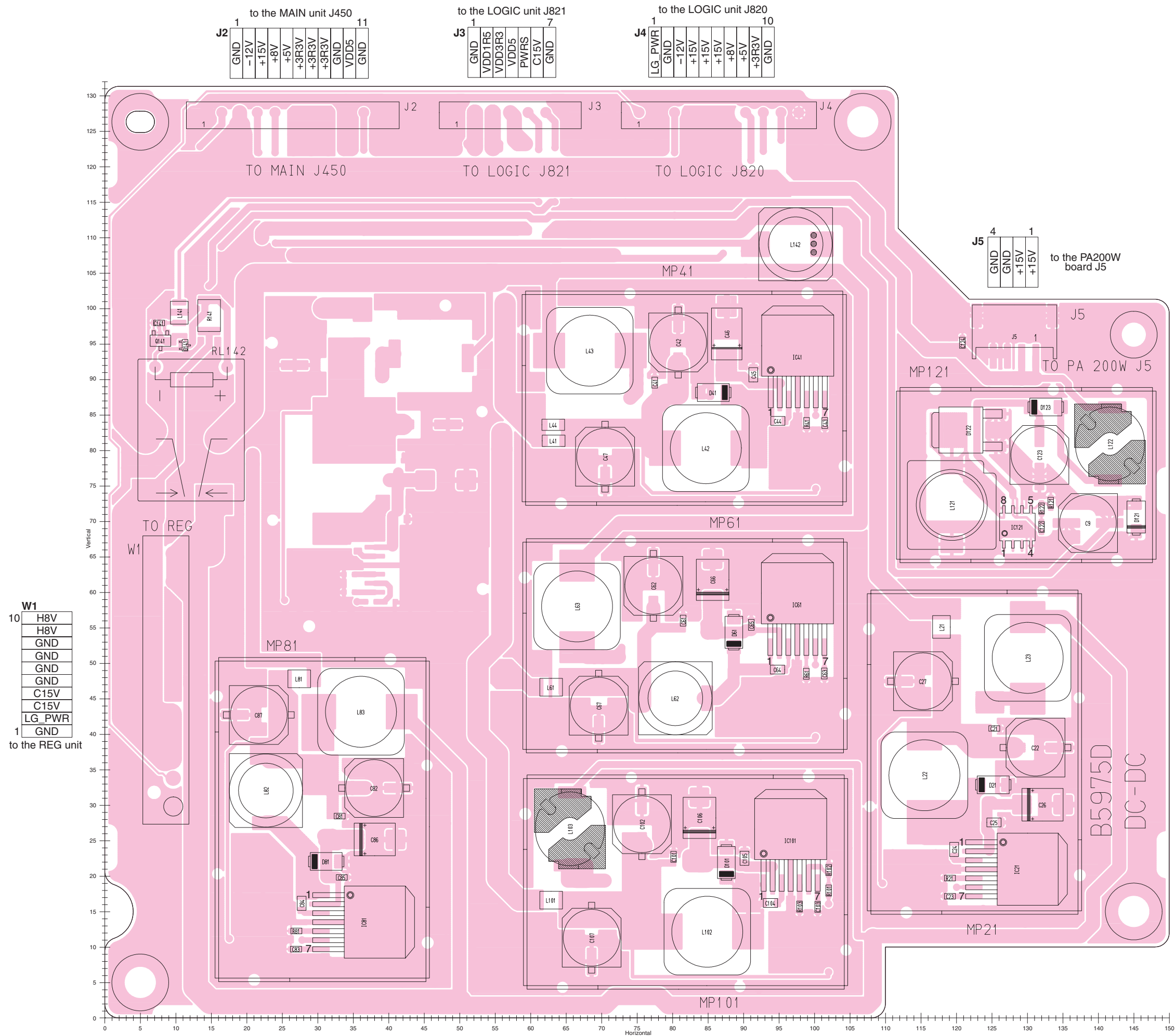


• BOTTOM VIEW (PA200W BOARD)

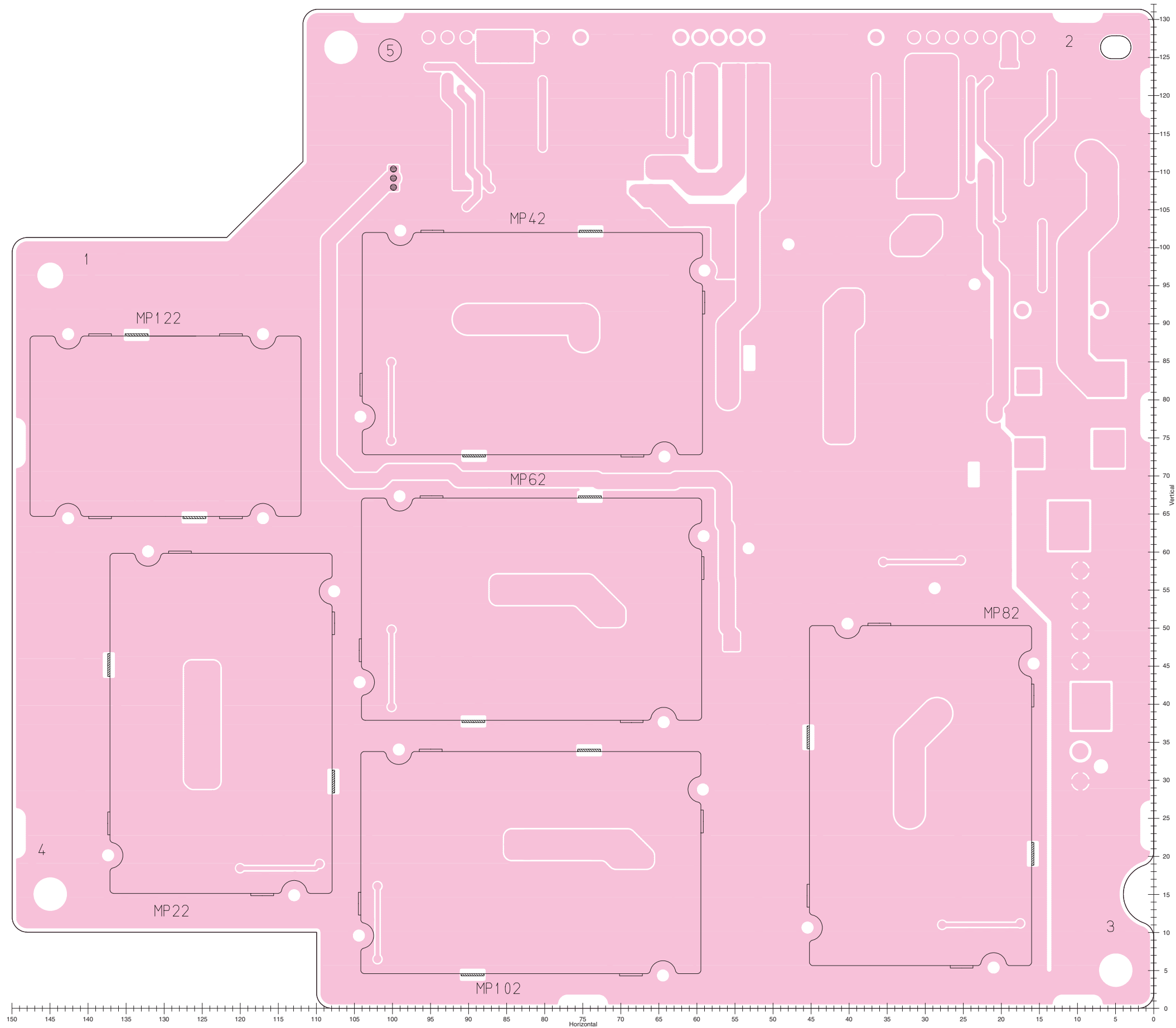




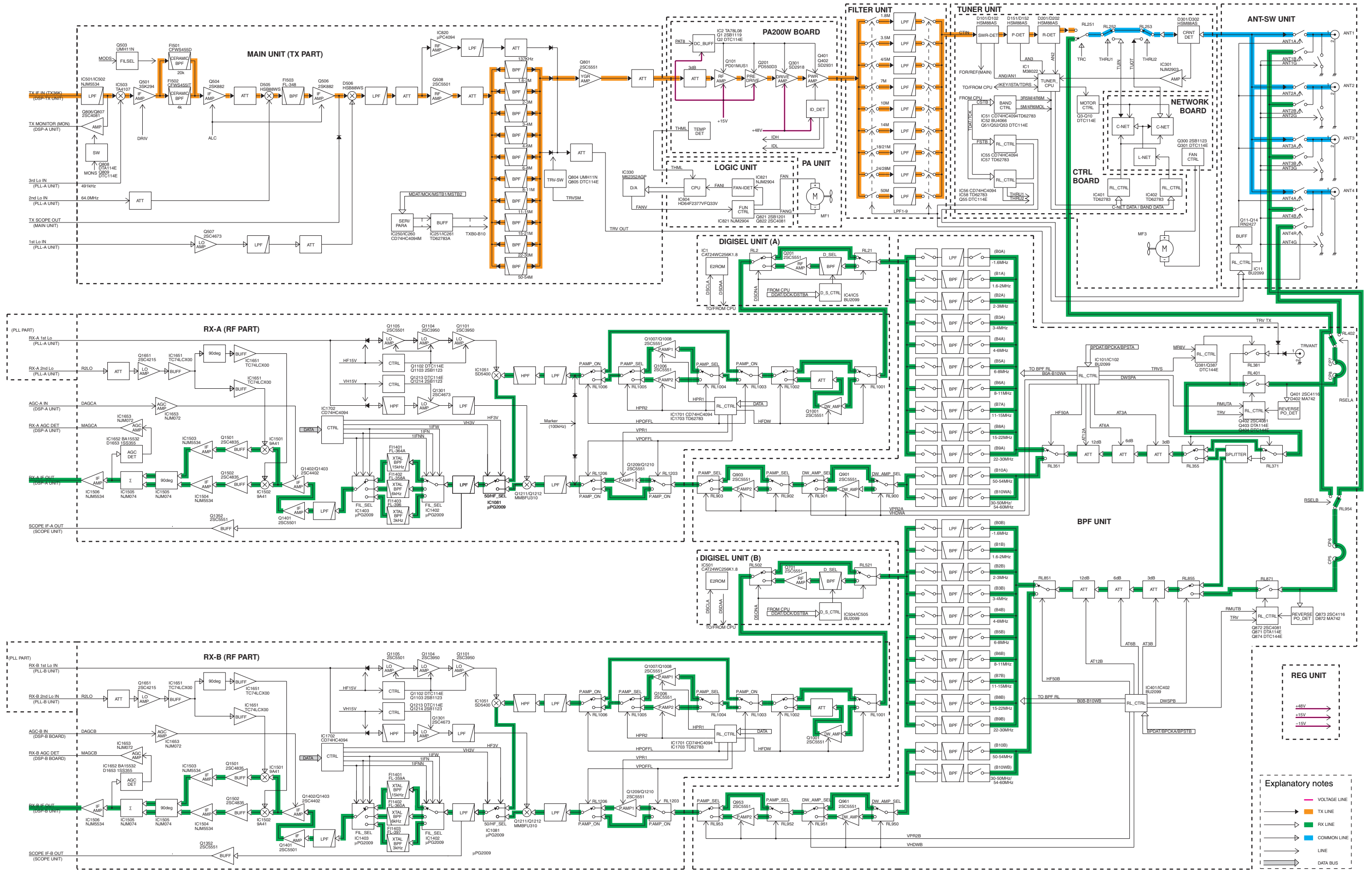
**8-32 DC-DC UNIT**  
• TOP VIEW



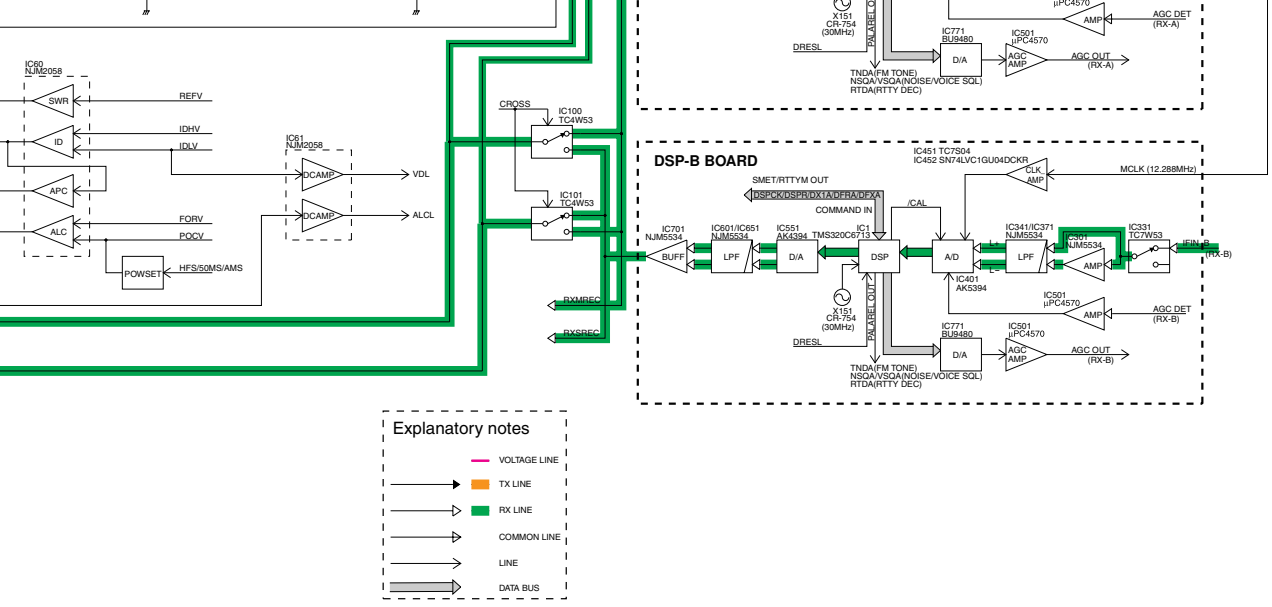
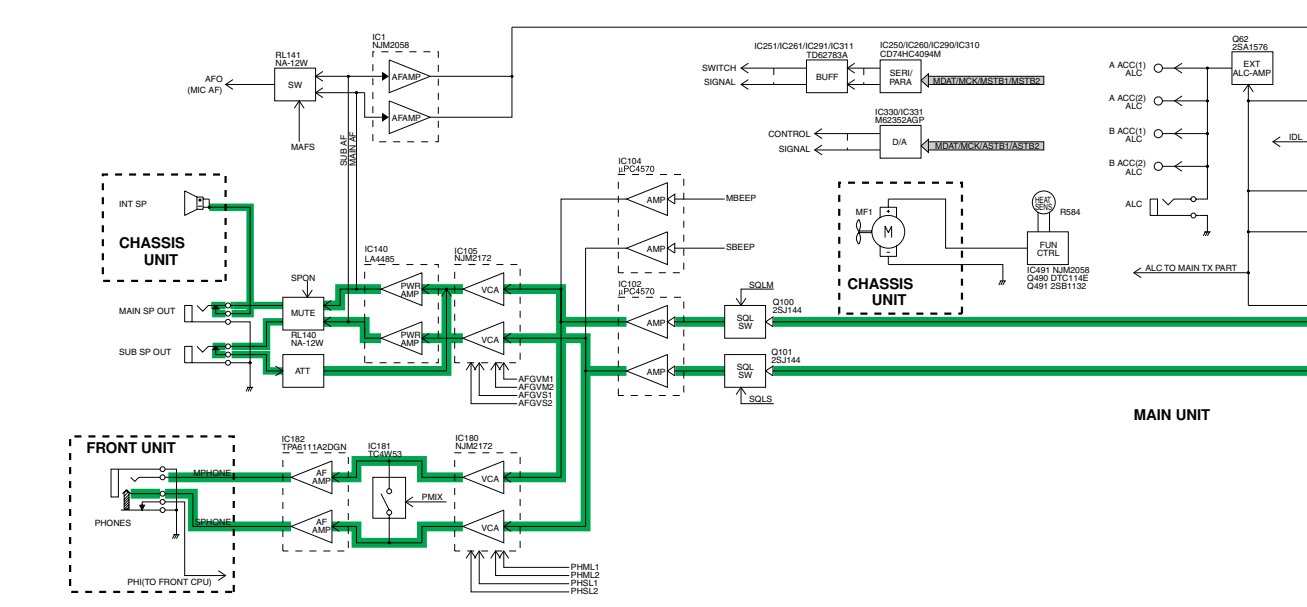
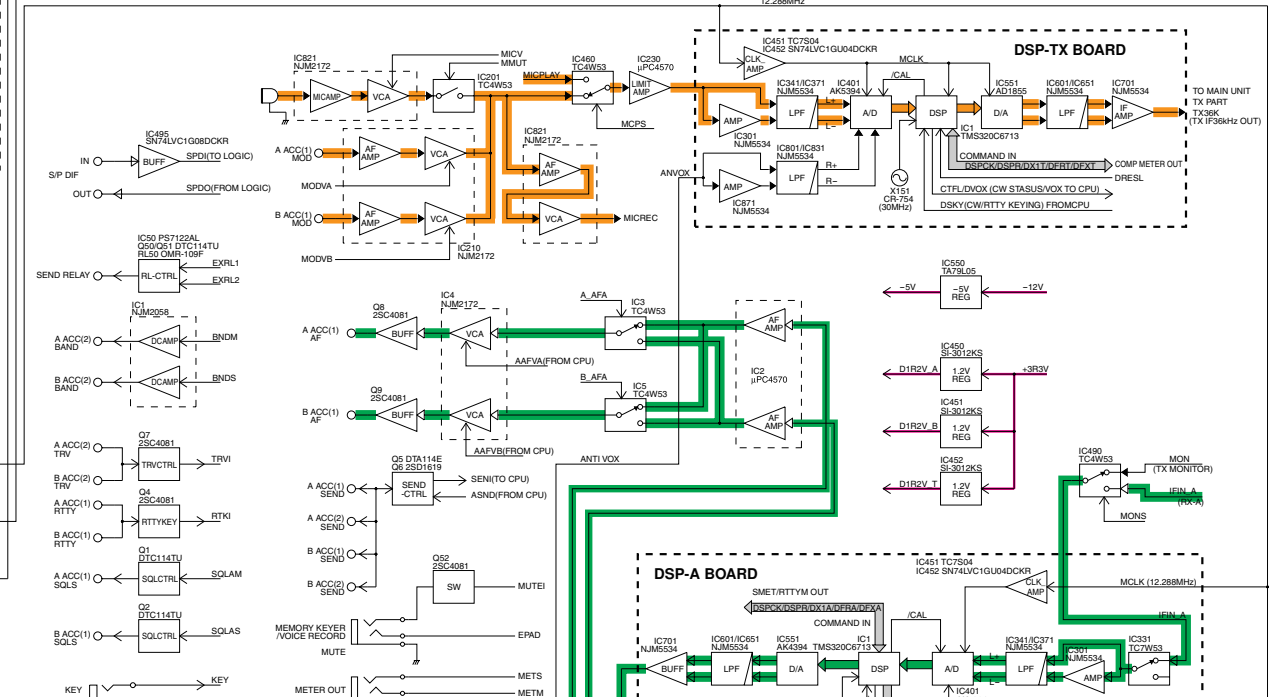
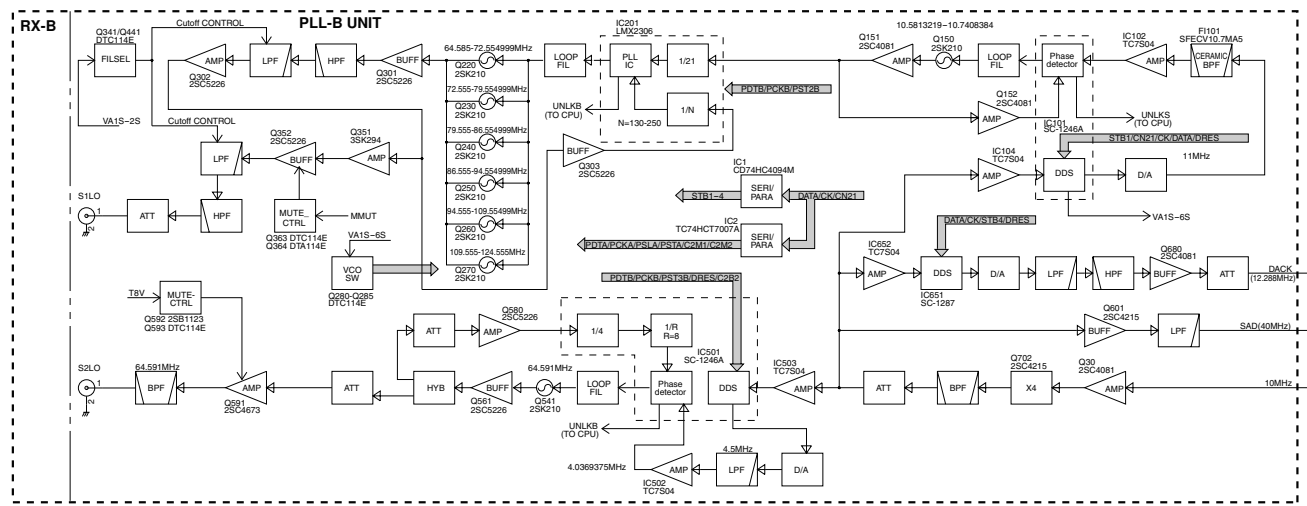
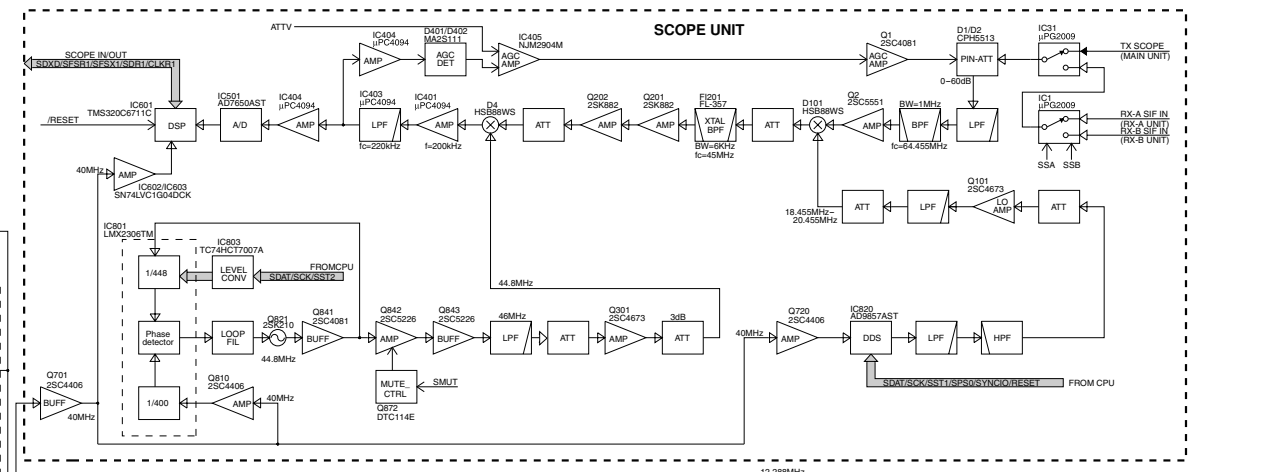
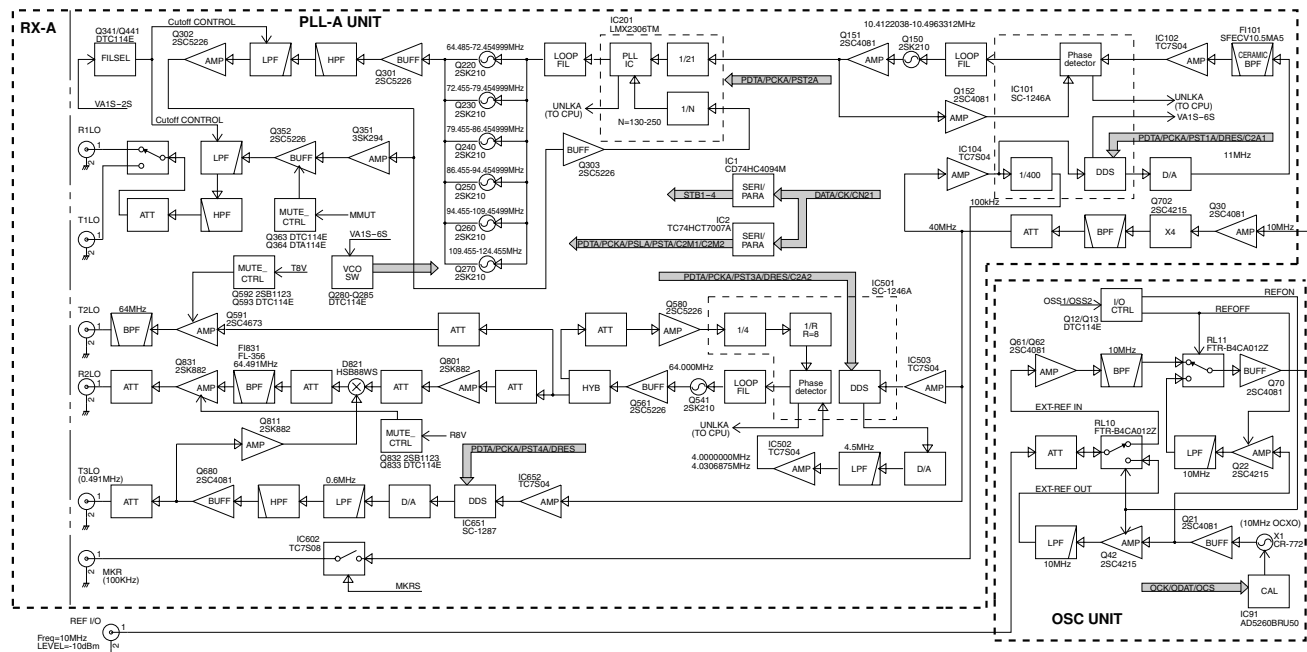
• BOTTOM VIEW (DC-DC UNIT)



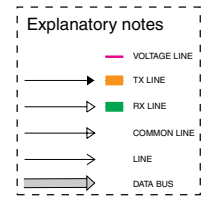
# SECTION 9 BLOCK DIAGRAMS

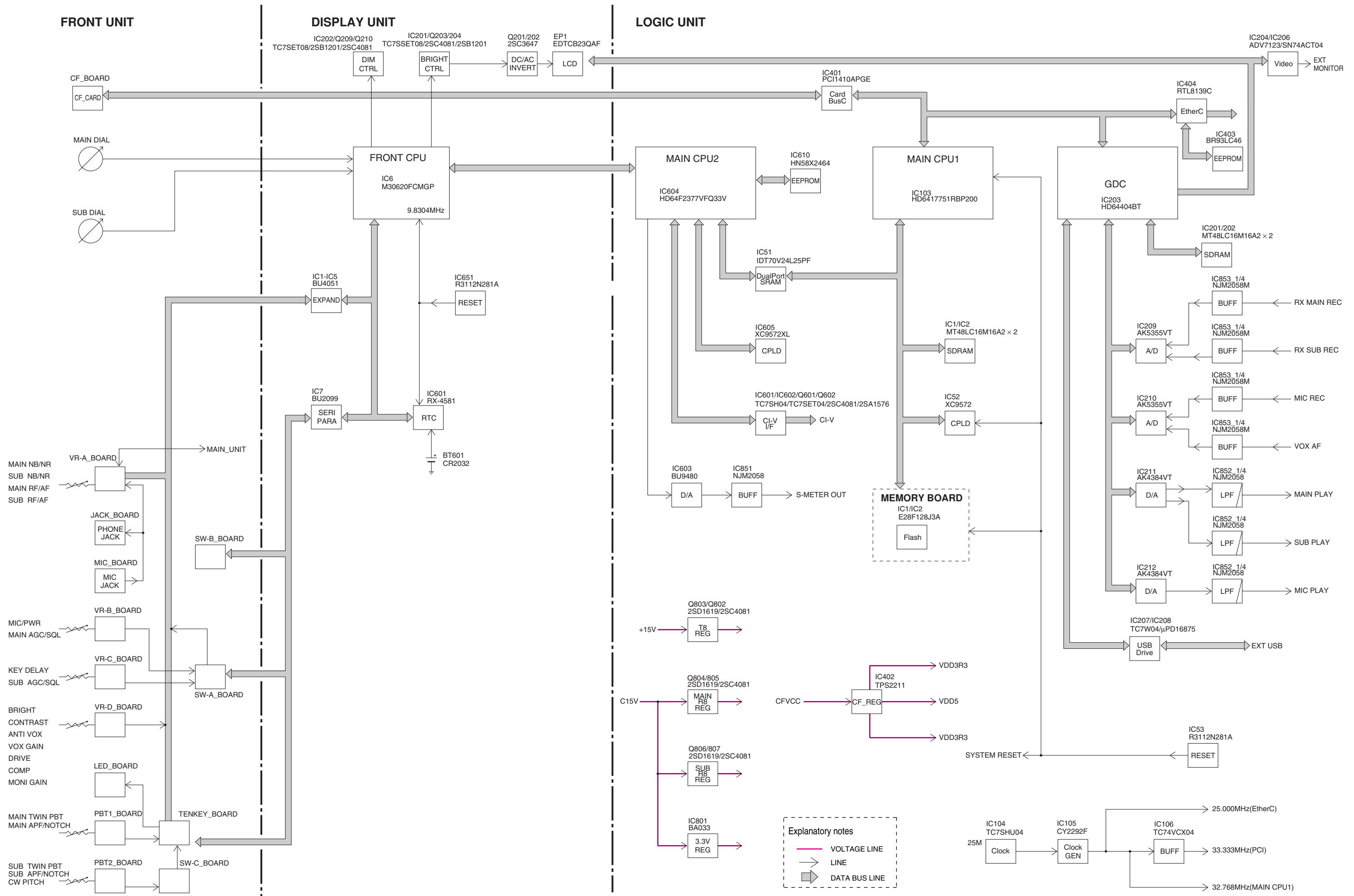






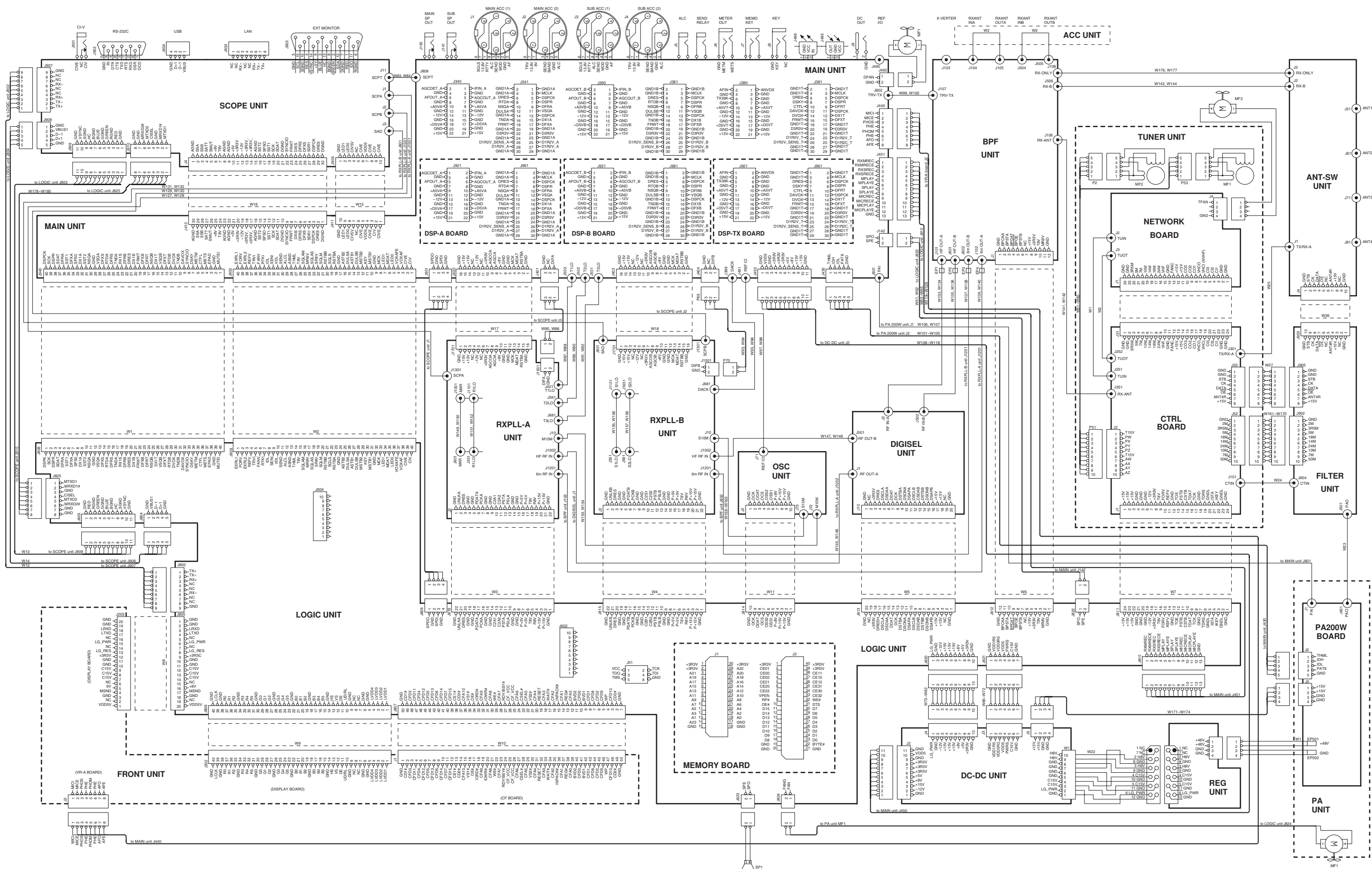
MAIN UNIT





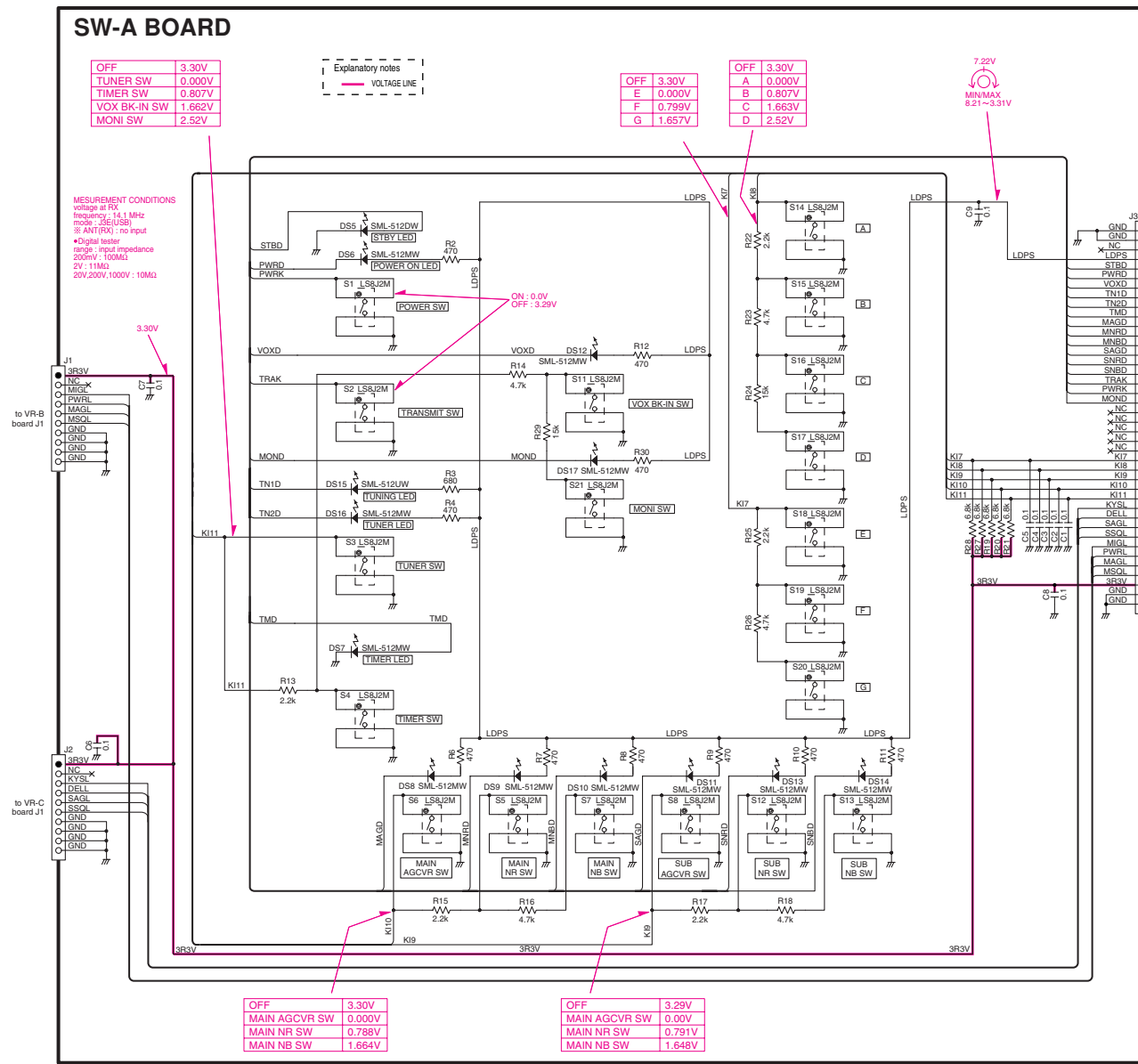




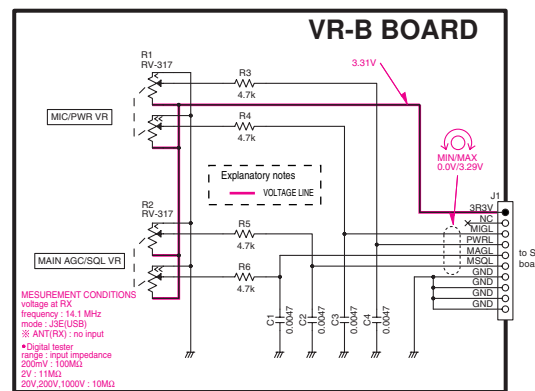




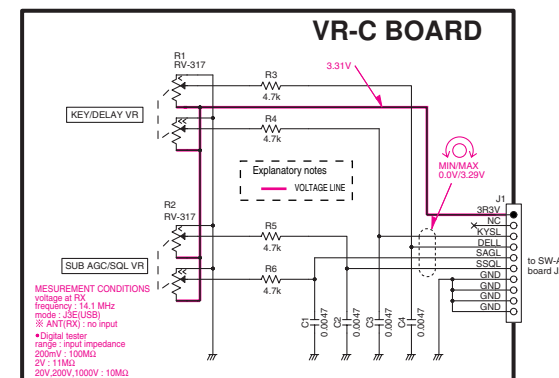
### 11-3 SW-A BOARD



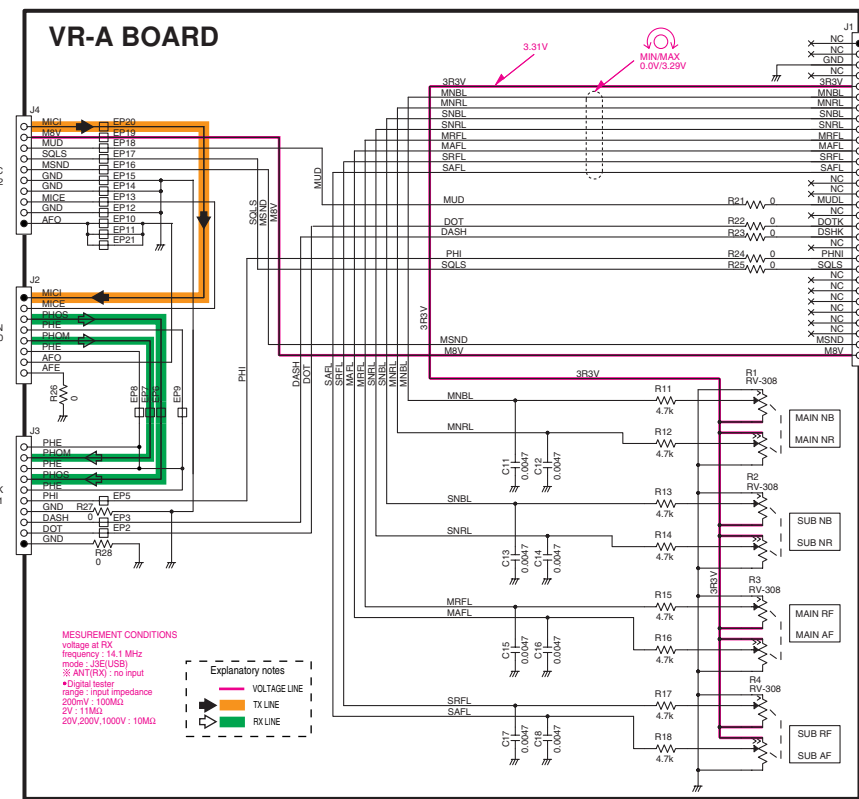
### 11-4 VR-B BOARD



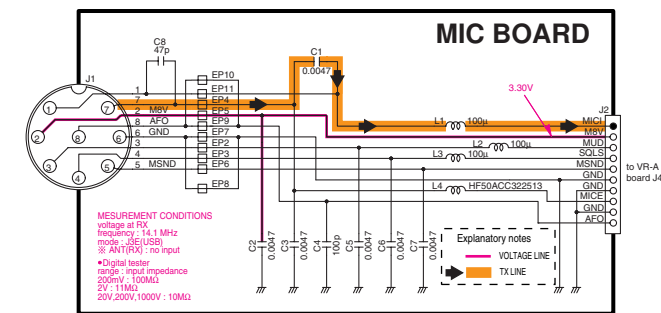
### 11-5 VR-C BOARD



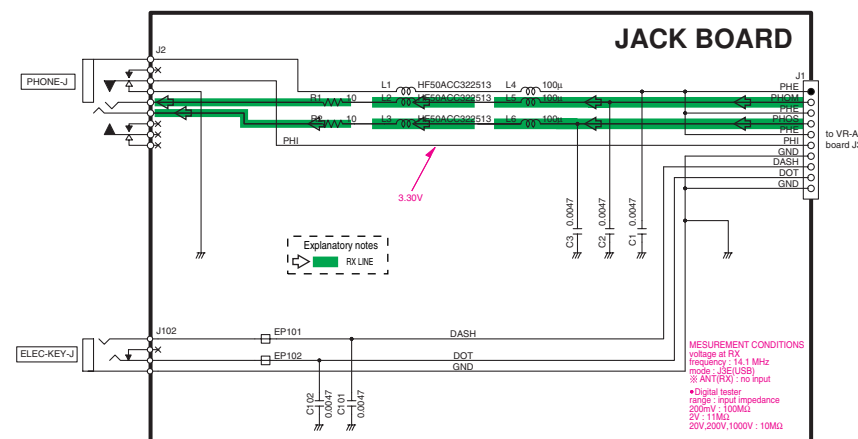
### 11-6 VR-A BOARD



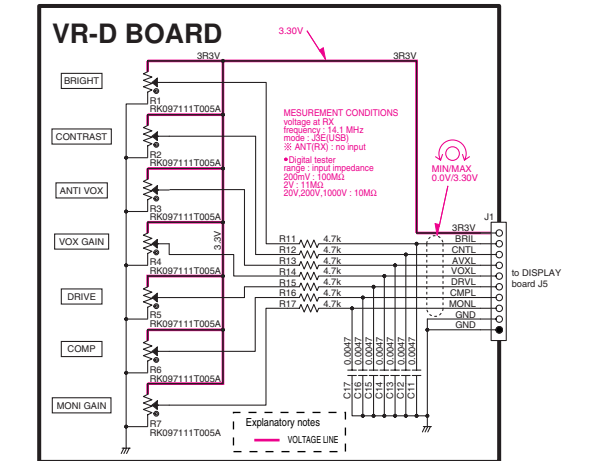
### 11-7 MIC BOARD



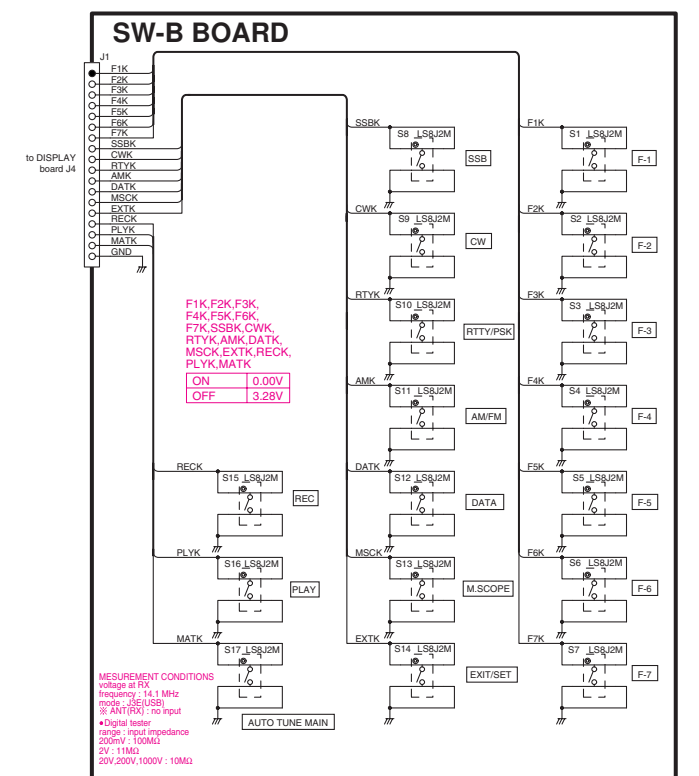
### 11-8 JACK BOARD



### 11-9 VR-D BOARD

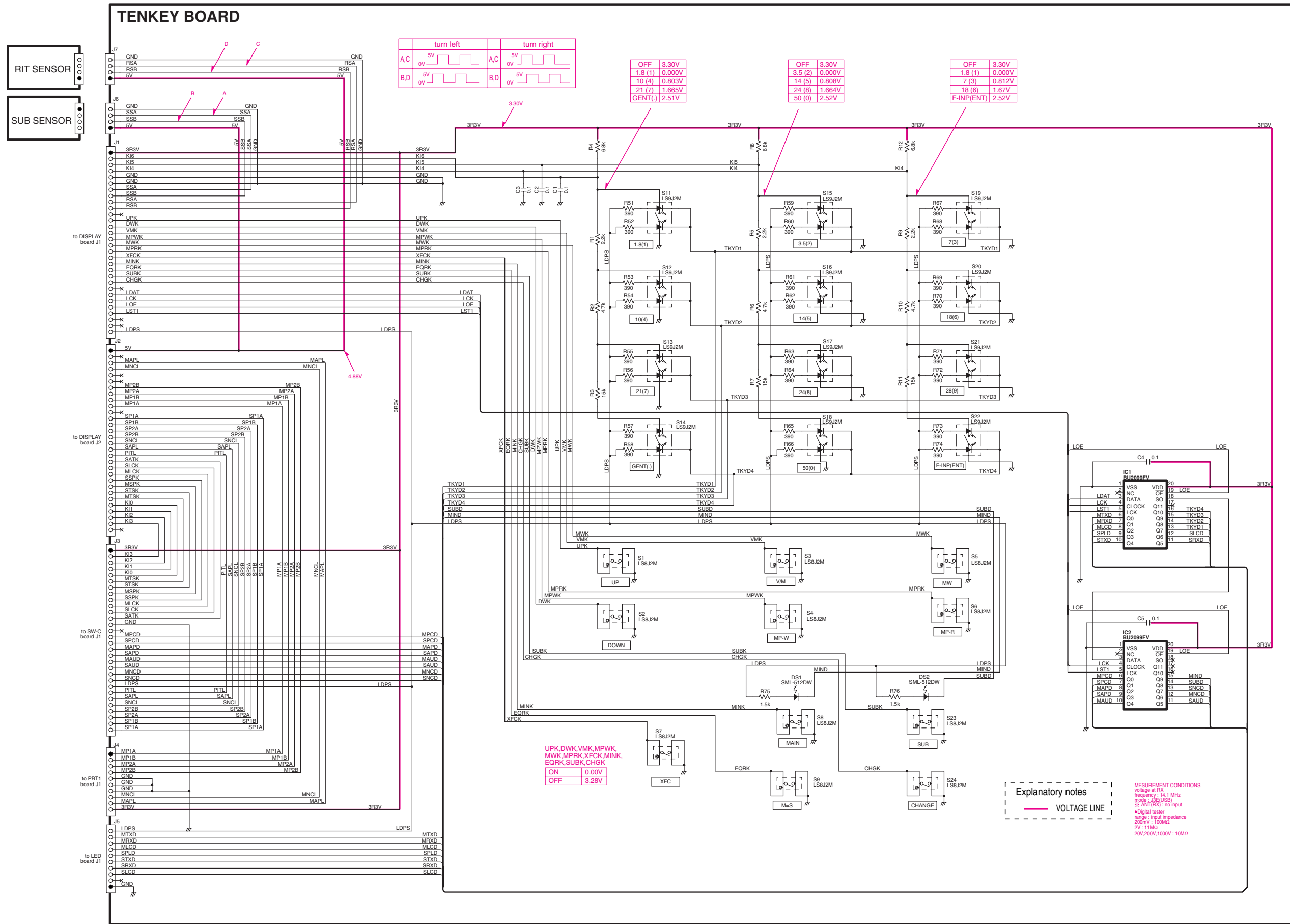


### 11-10 SW-B BOARD

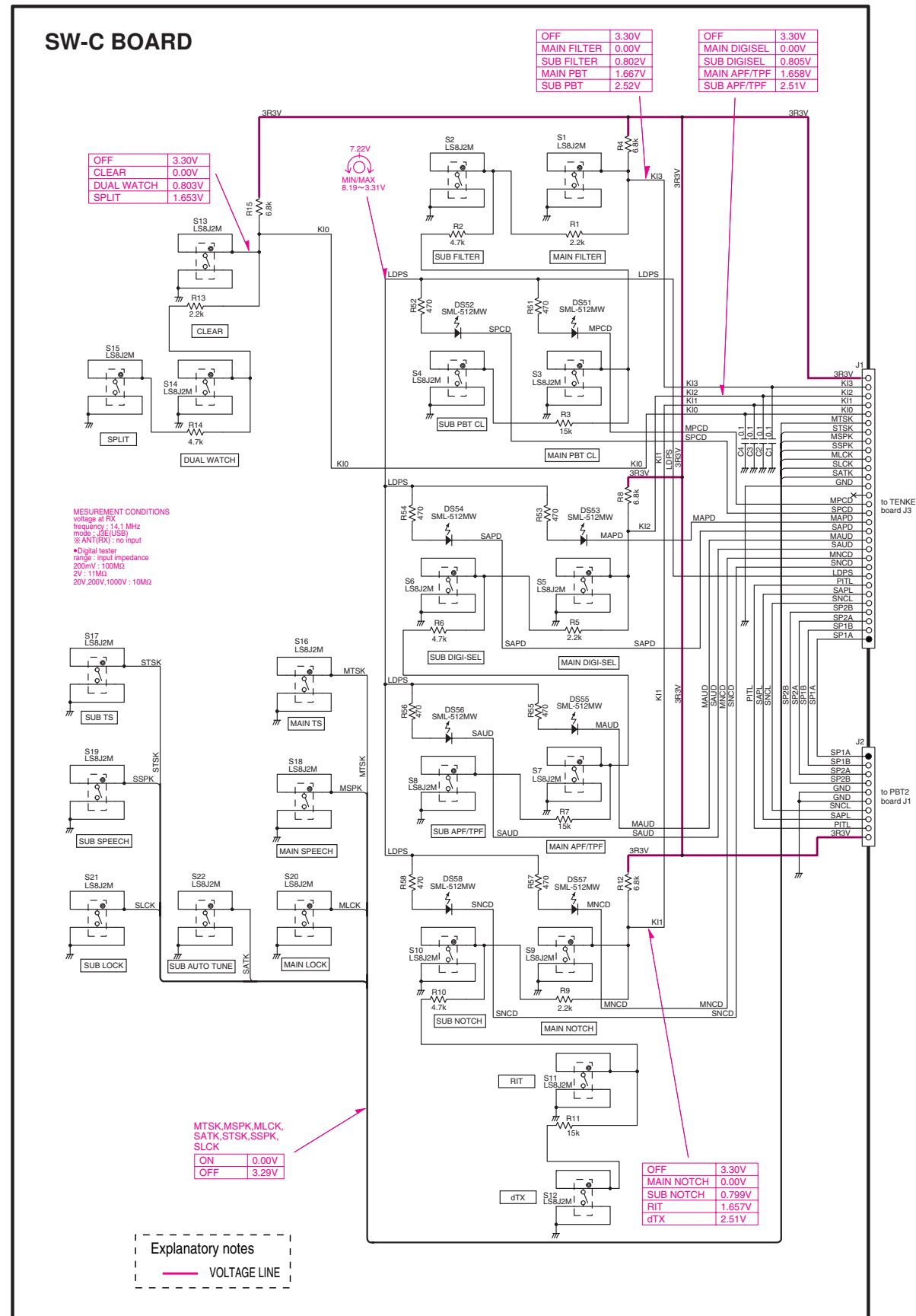




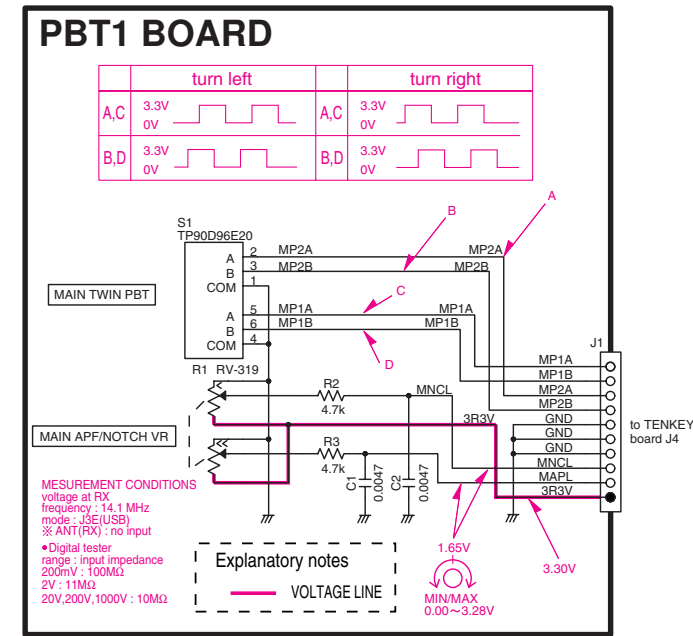
# 11-11 TENKEY BOARD



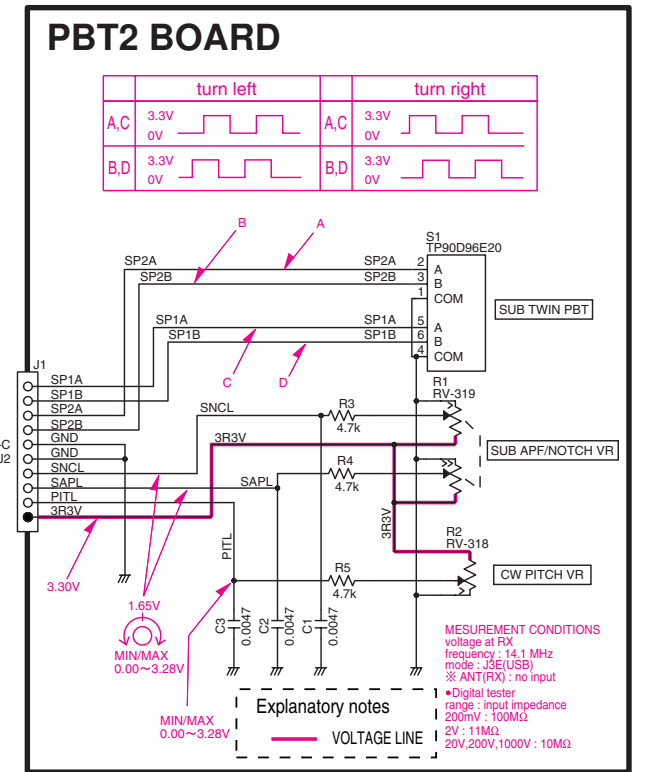
# 11-12 SW-C BOARD



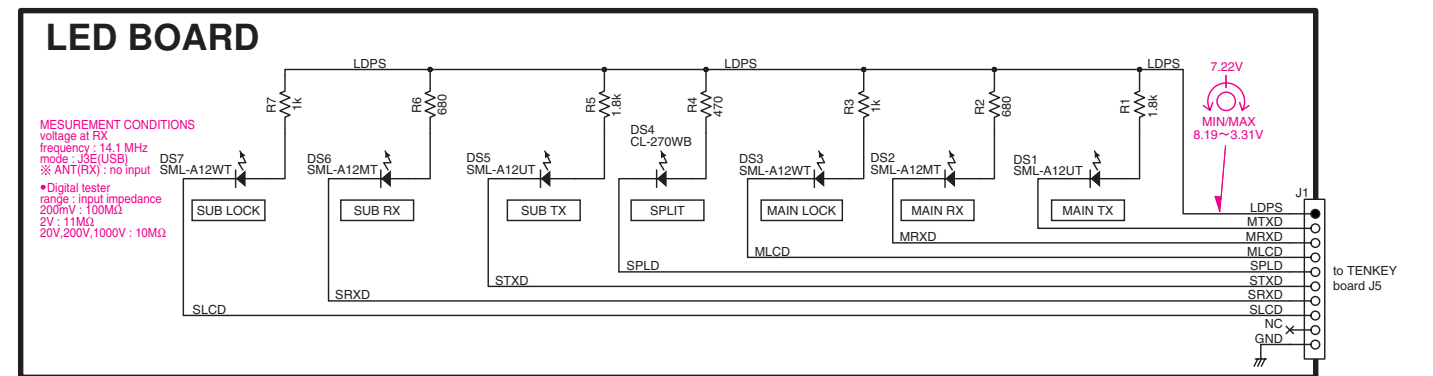
# 11-13 PBT1 BOARD



# 11-14 PBT2 BOARD



# 11-15 LED BOARD







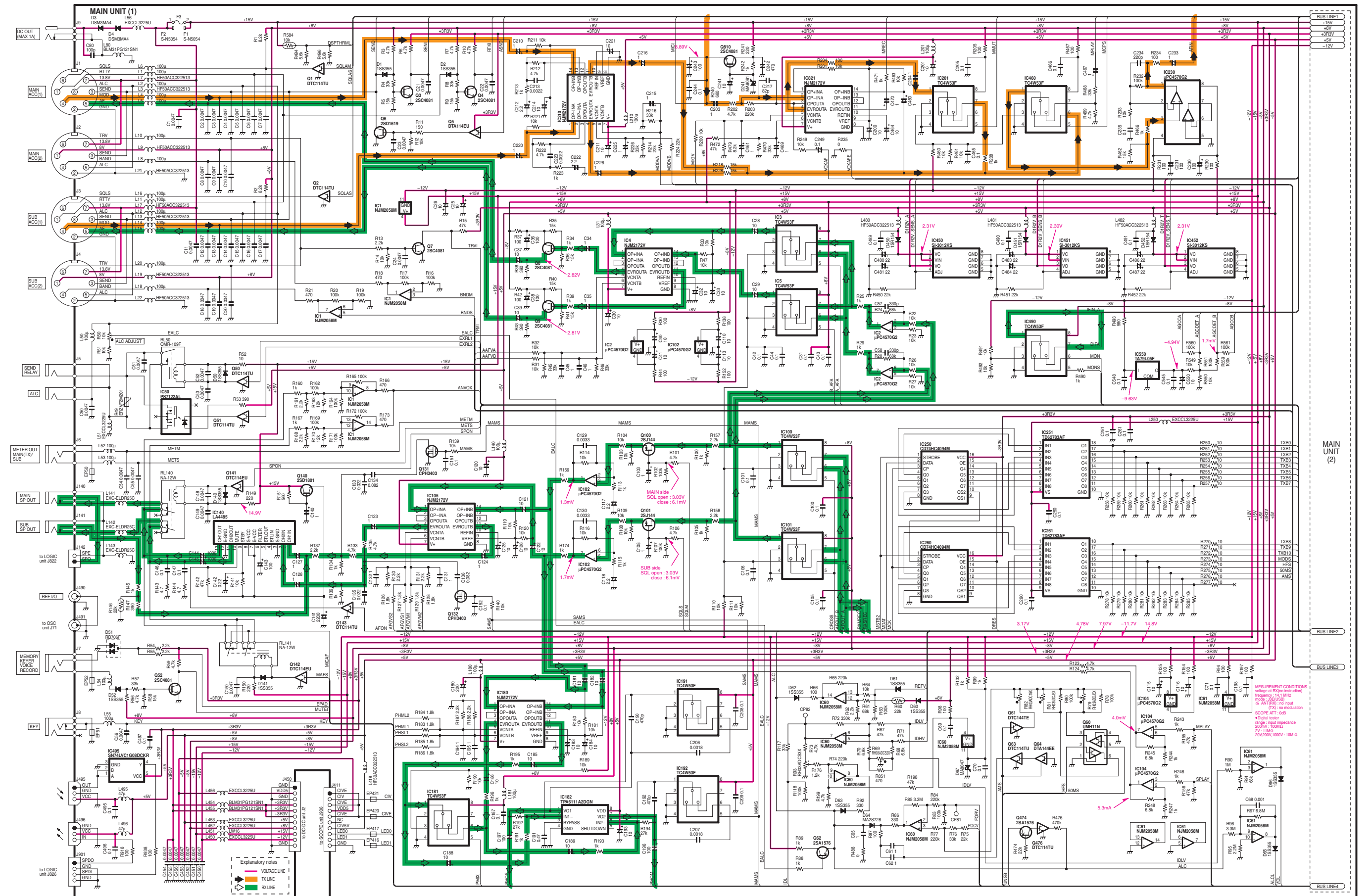




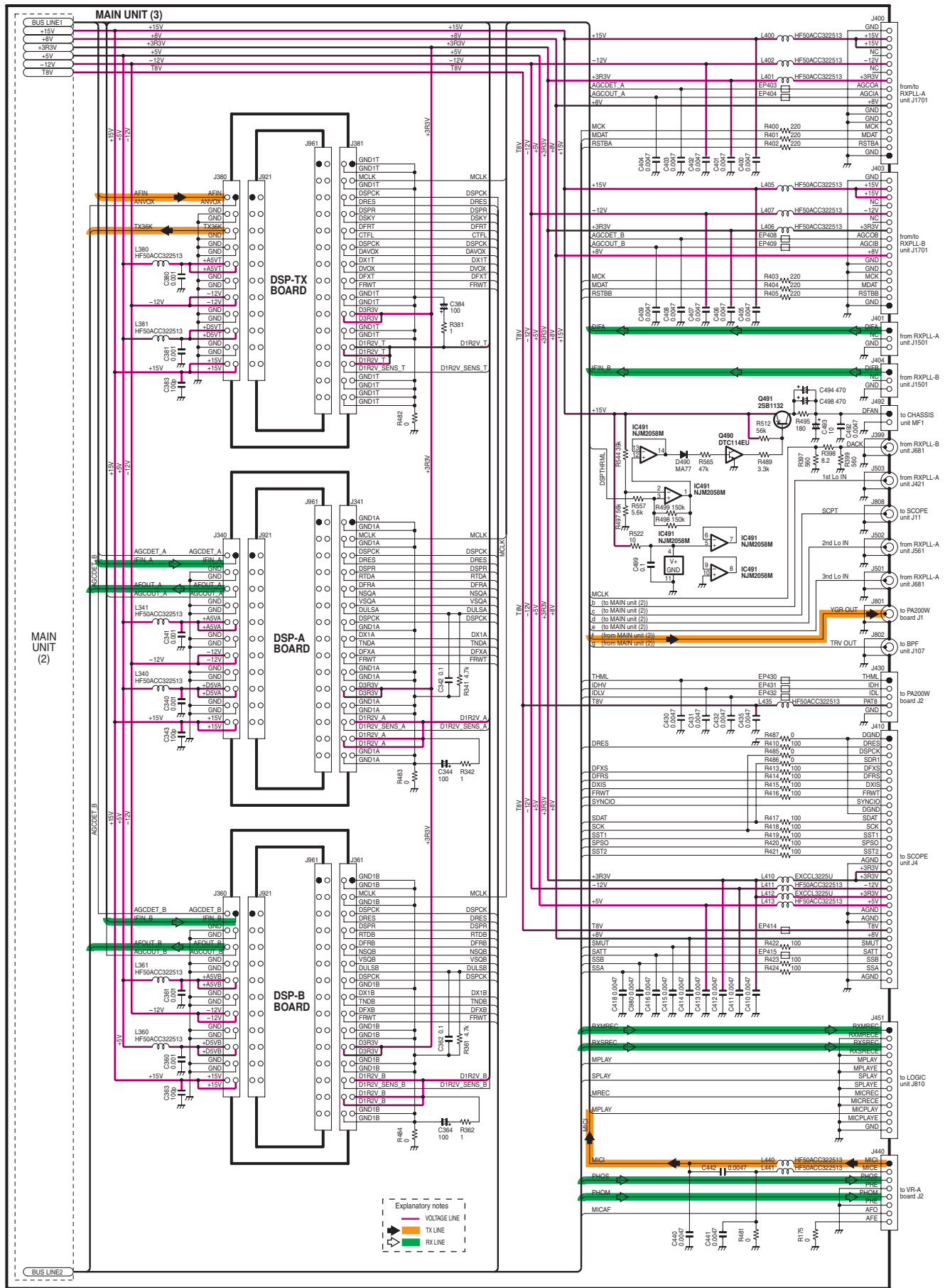




# 11-17 MAIN UNIT





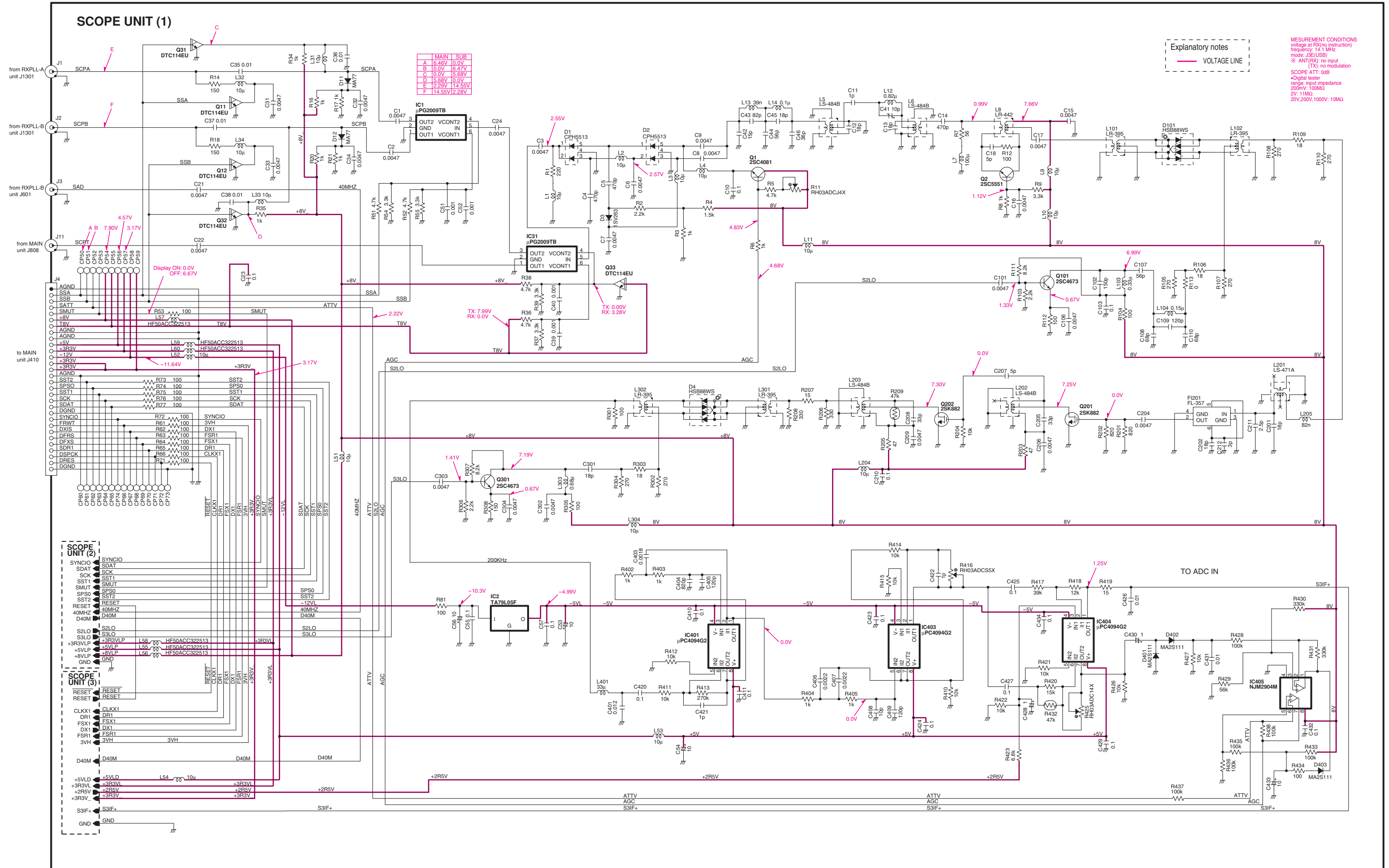






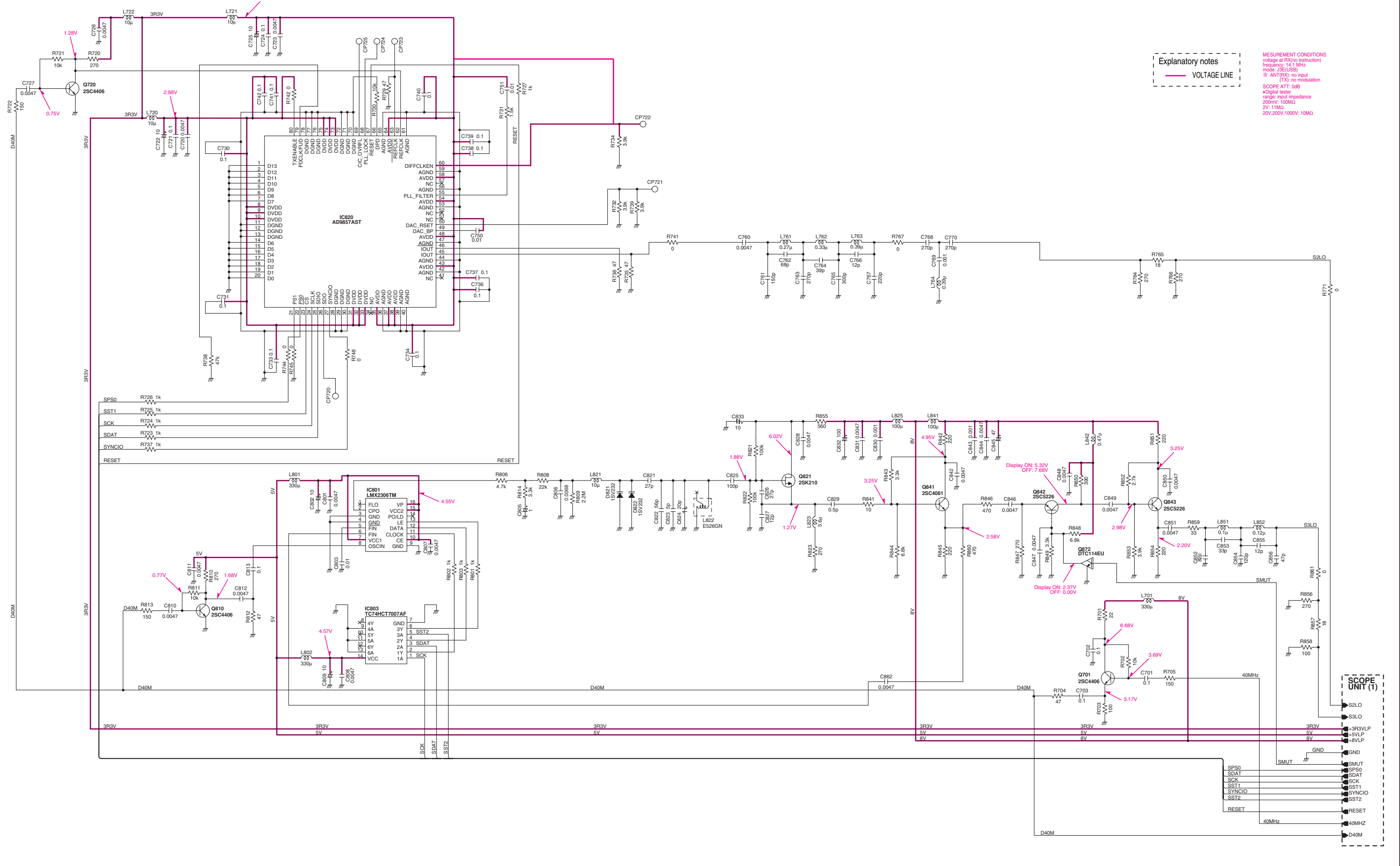


# 11-20 SCOPE UNIT





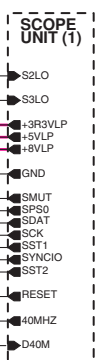
# SCOPE UNIT (2)



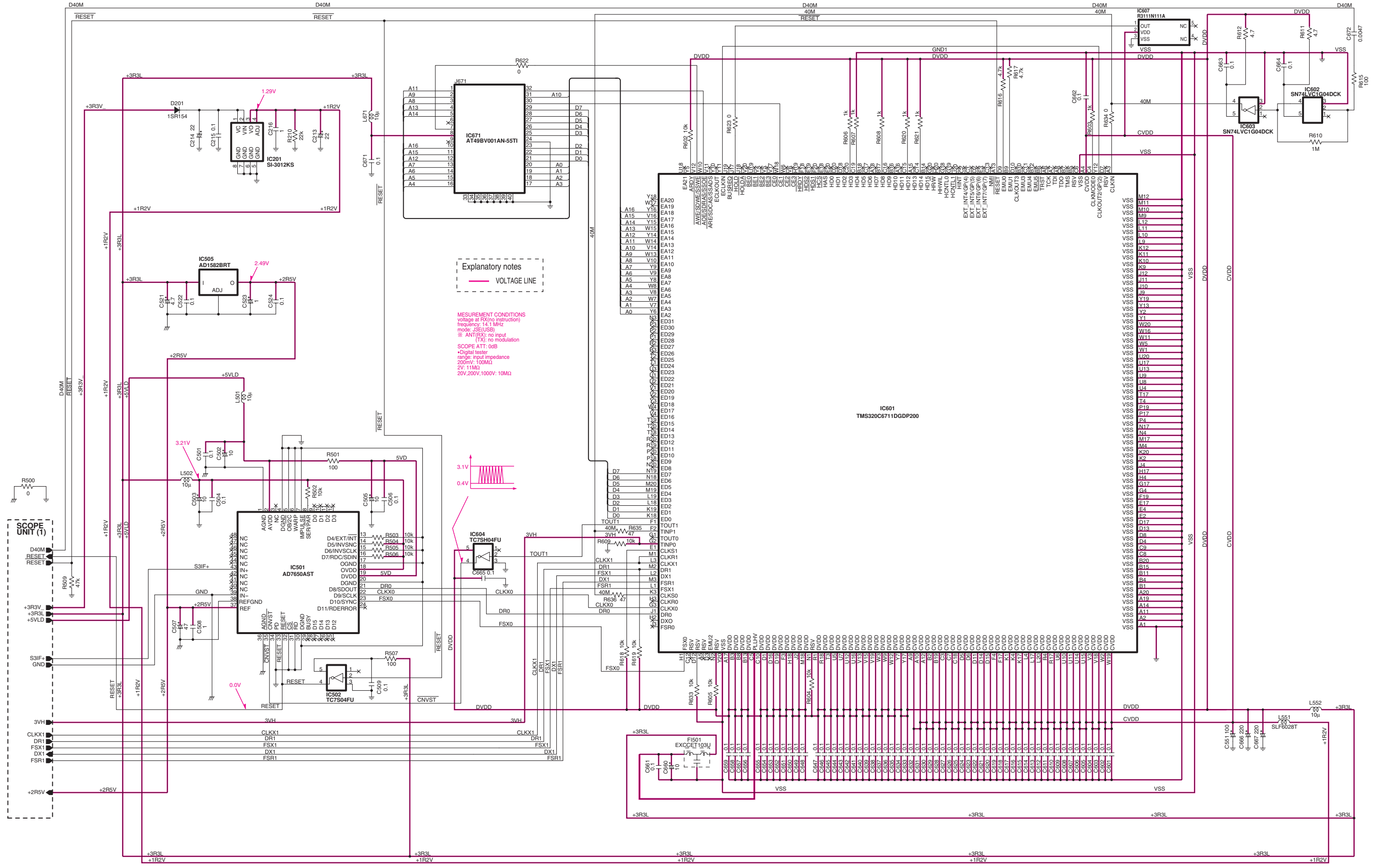
**Explanatory notes**  
 — VOLTAGE LINE

**MEASUREMENT CONDITIONS**  
 - voltage at RX (no instruction)  
 - frequency: 14.1 MHz  
 - mode: 2SE/USB  
 - ⚠ ANTIPO: no input  
 - (TX): no modulation

**SCOPE ATT: 0dB**  
 - Digital filter  
 - range: input impedance  
 200mV: 100MΩ  
 5V: 11MΩ  
 20V, 200V, 1000V: 10MΩ

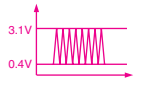


SCOPE UNIT (3)

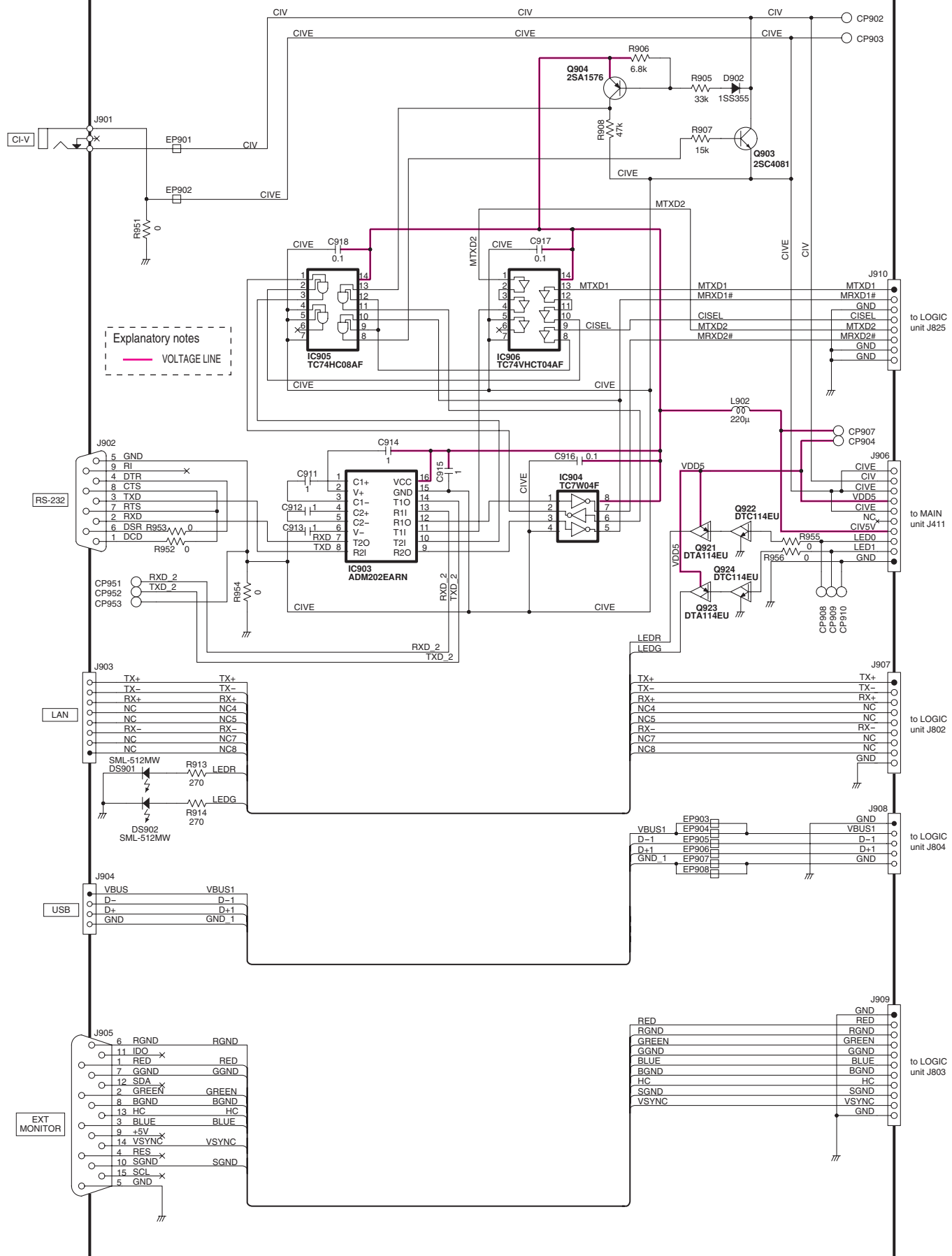


Explanatory notes  
 — VOLTAGE LINE

MESUREMENT CONDITIONS  
 voltage at RX (no instruction)  
 frequency: 14.1 MHz  
 mode: J3E(USB)  
 \* ANT(RX): no input  
 (TX): no modulation  
 SCOPE ATT: 0dB  
 \* Digital tester  
 probe: input impedance  
 200mV, 100MΩ  
 2V, 11MΩ  
 20V, 200V, 1000V: 10MΩ



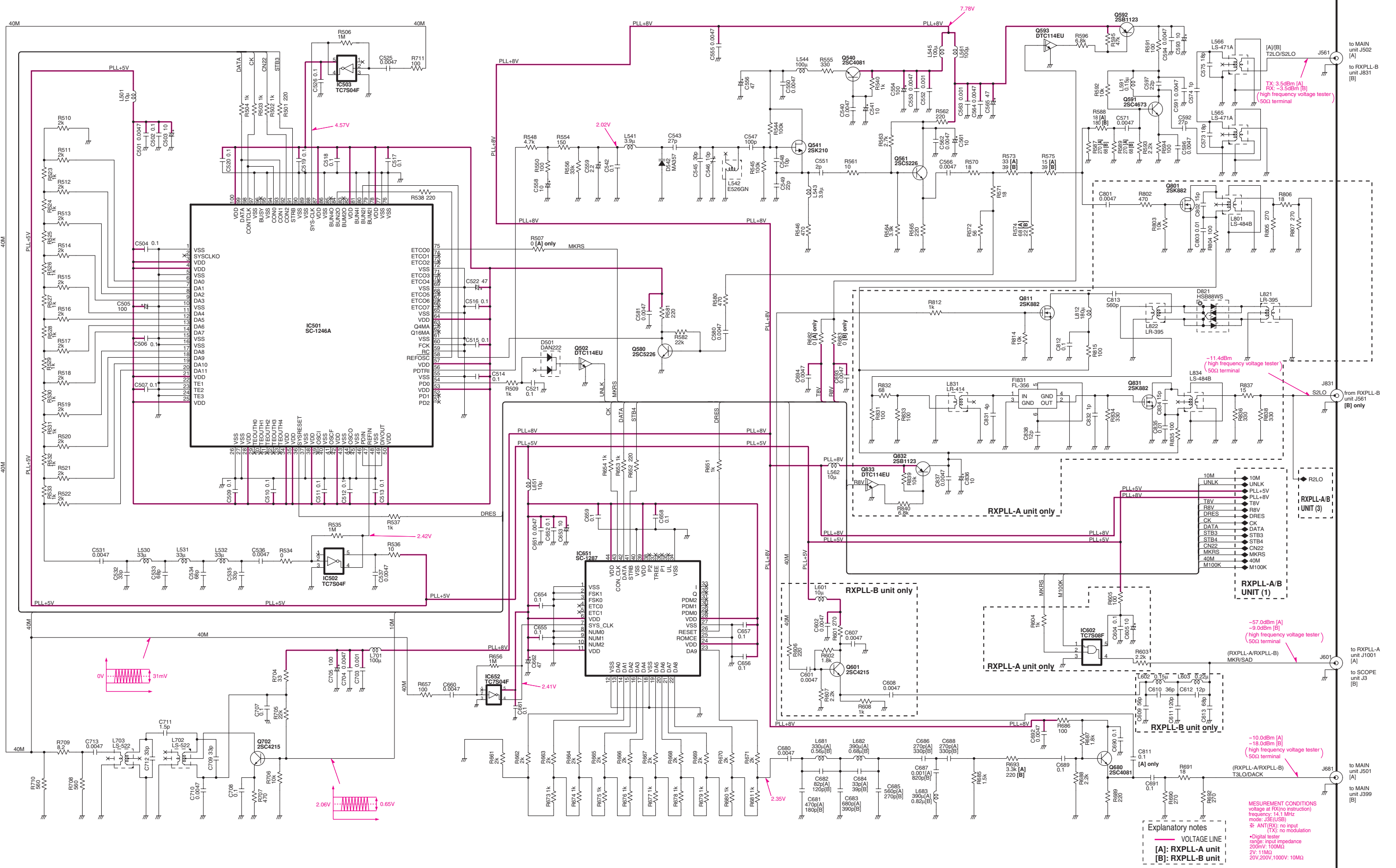
# SCOPE UNIT (4)







# RXPLL-A/B UNIT (2)



**Explanatory notes**  
 VOLTAGE LINE  
 [A]: RXPLL-A unit  
 [B]: RXPLL-B unit

MEASUREMENT CONDITIONS  
 voltage at RX (no instruction)  
 frequency: 14.1 MHz  
 mode: GSE (USB)  
 \* ANT (RX): no input  
 (TX): no modulation  
 • Digital tester  
 range: input impedance  
 20mV: 100MΩ  
 2V: 11MΩ  
 20V, 200V, 1000V: 10MΩ

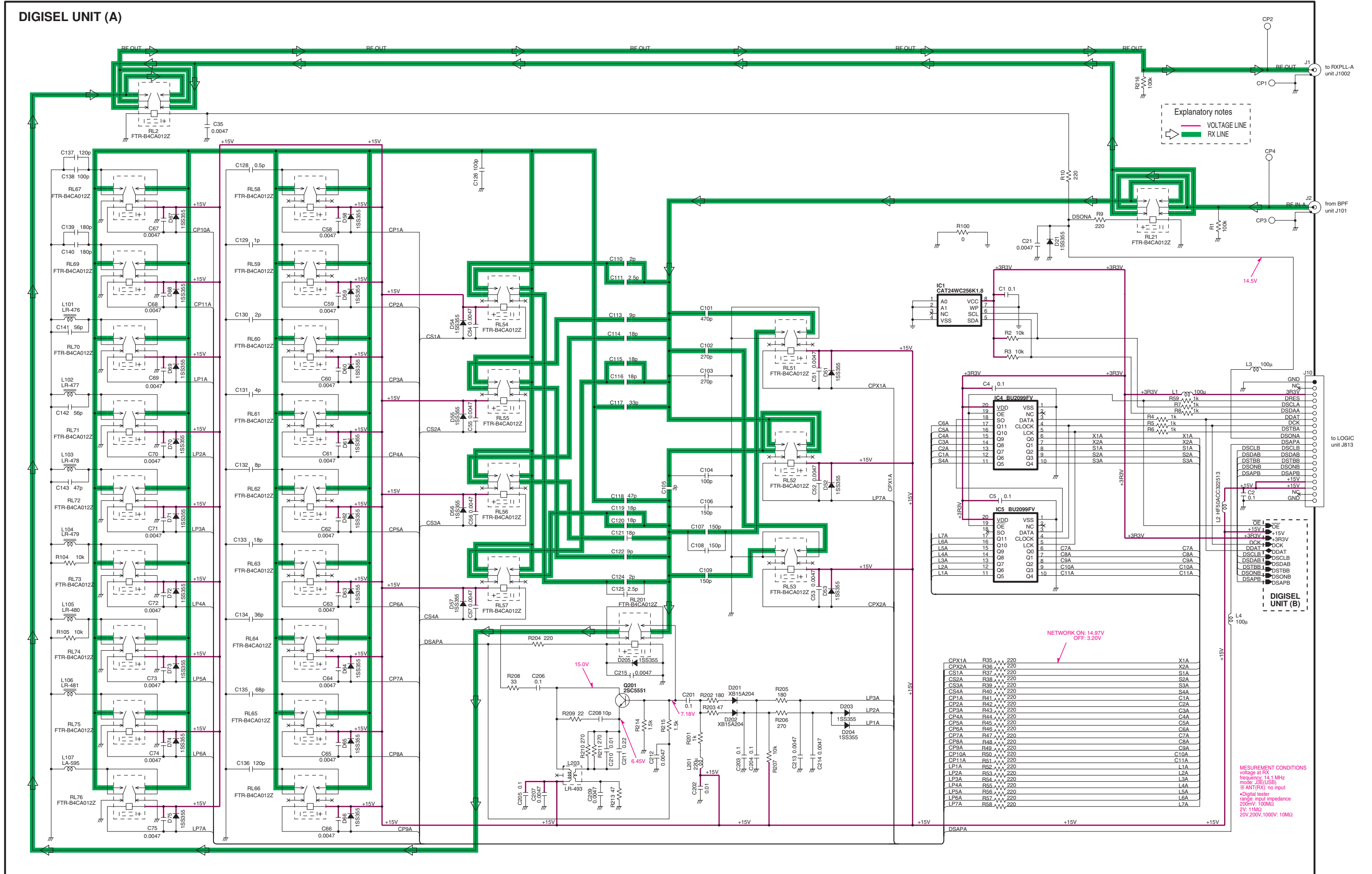
- 10M UNLK
- PLL+5V
- PLL+8V
- T8V
- R8V
- DRES
- DATA
- STB3
- STB4
- CAN2
- MKRS
- 40M
- M100K

to MAIN unit J502 [A]  
 to RXPLL-B unit J831 [B]  
 to RXPLL-A unit J1001 [A]  
 to SCOPE unit J3 [B]  
 to MAIN unit J501 [A]  
 to MAIN unit J399 [B]

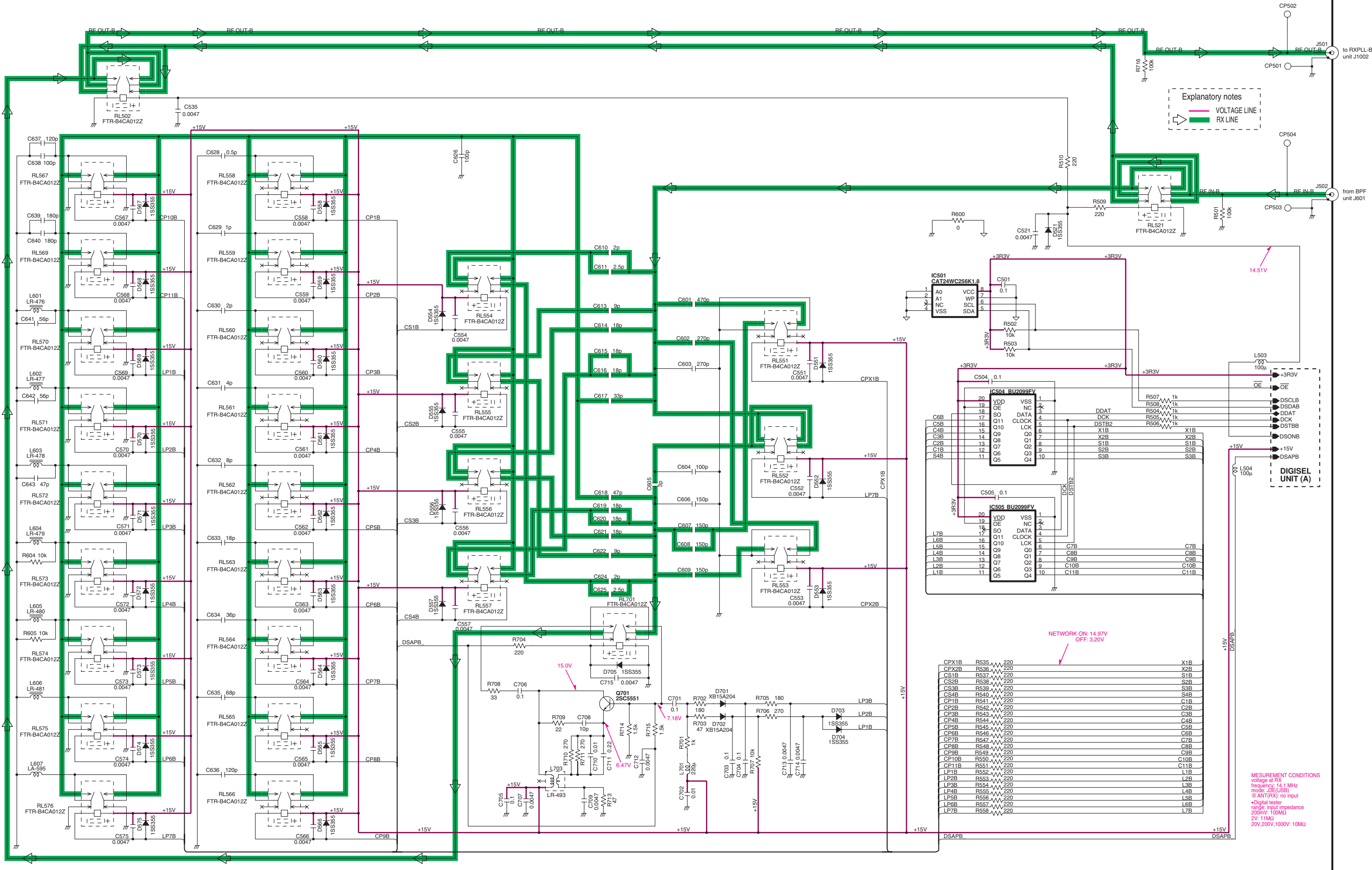




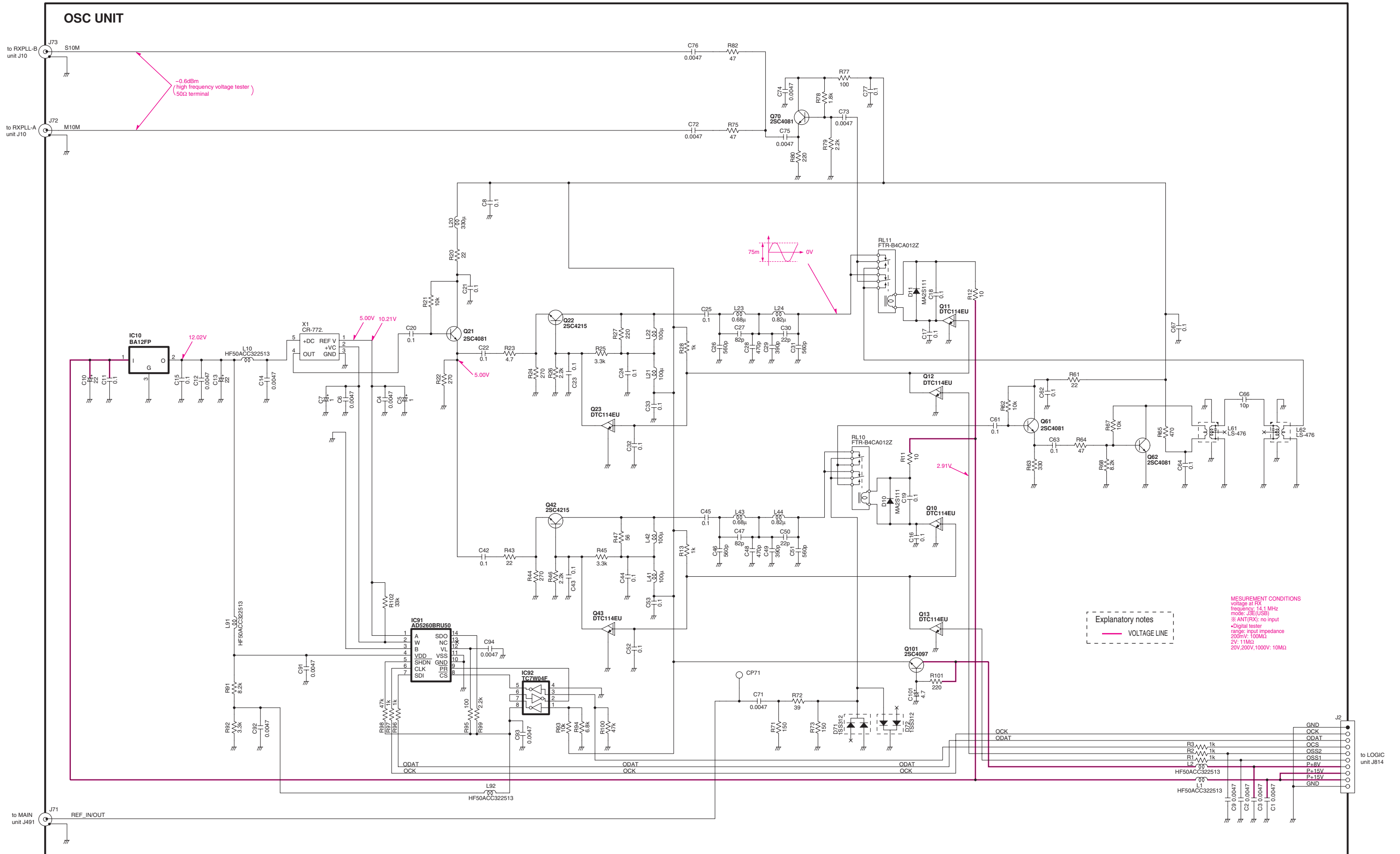
# 11-22 DIGISEL UNIT



# DIGISEL UNIT (B)



# 11-23 OSC UNIT

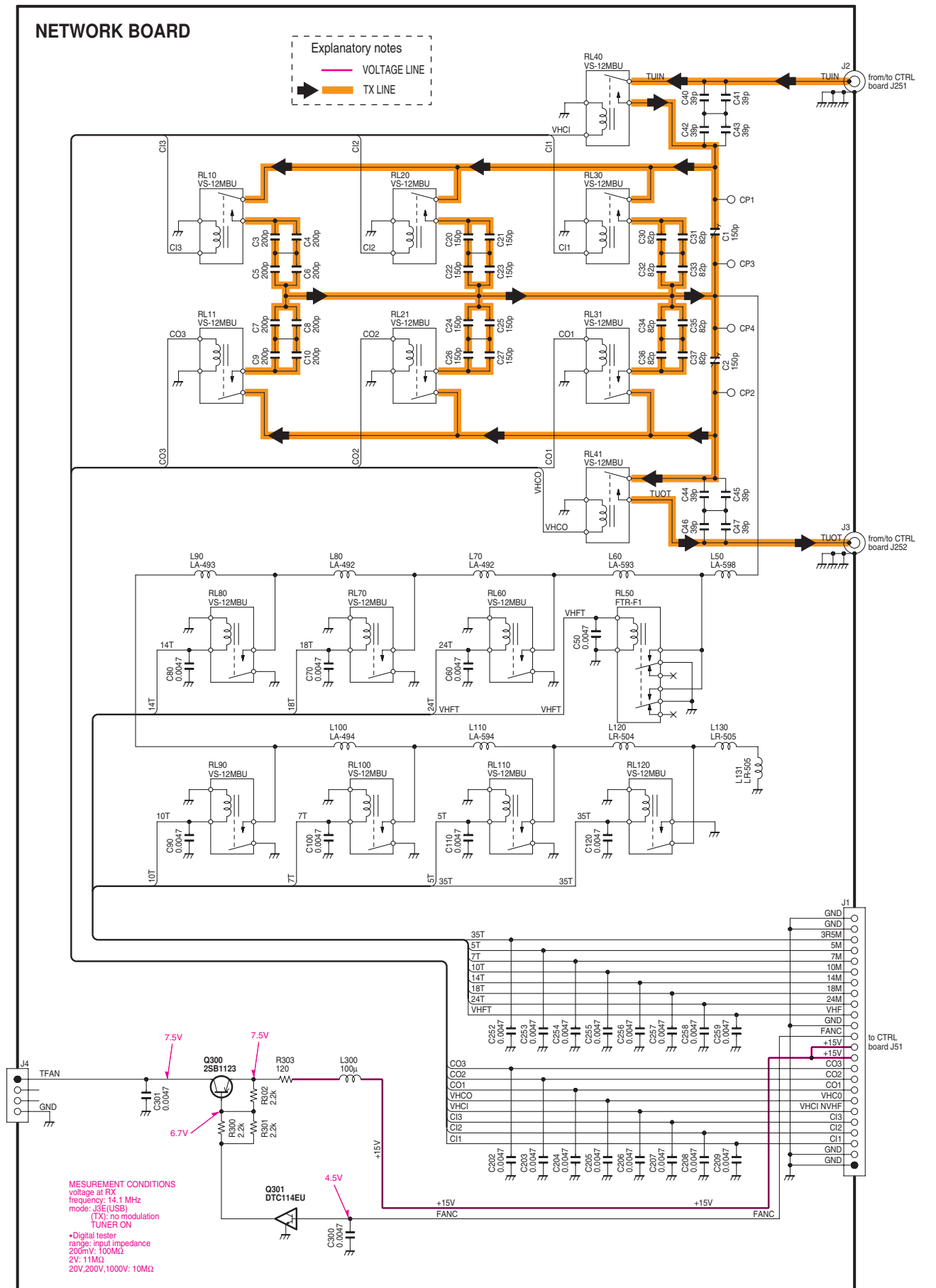
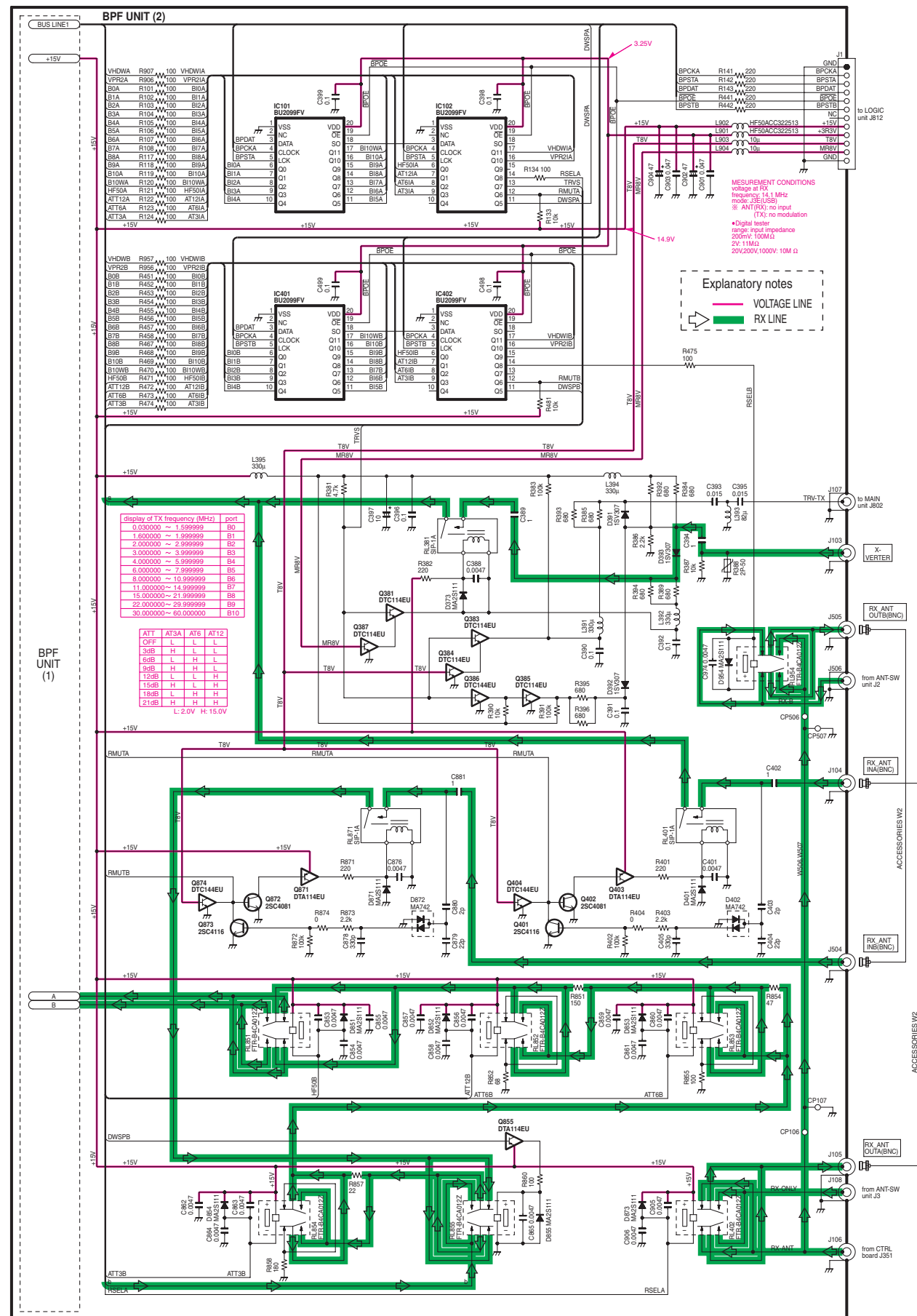






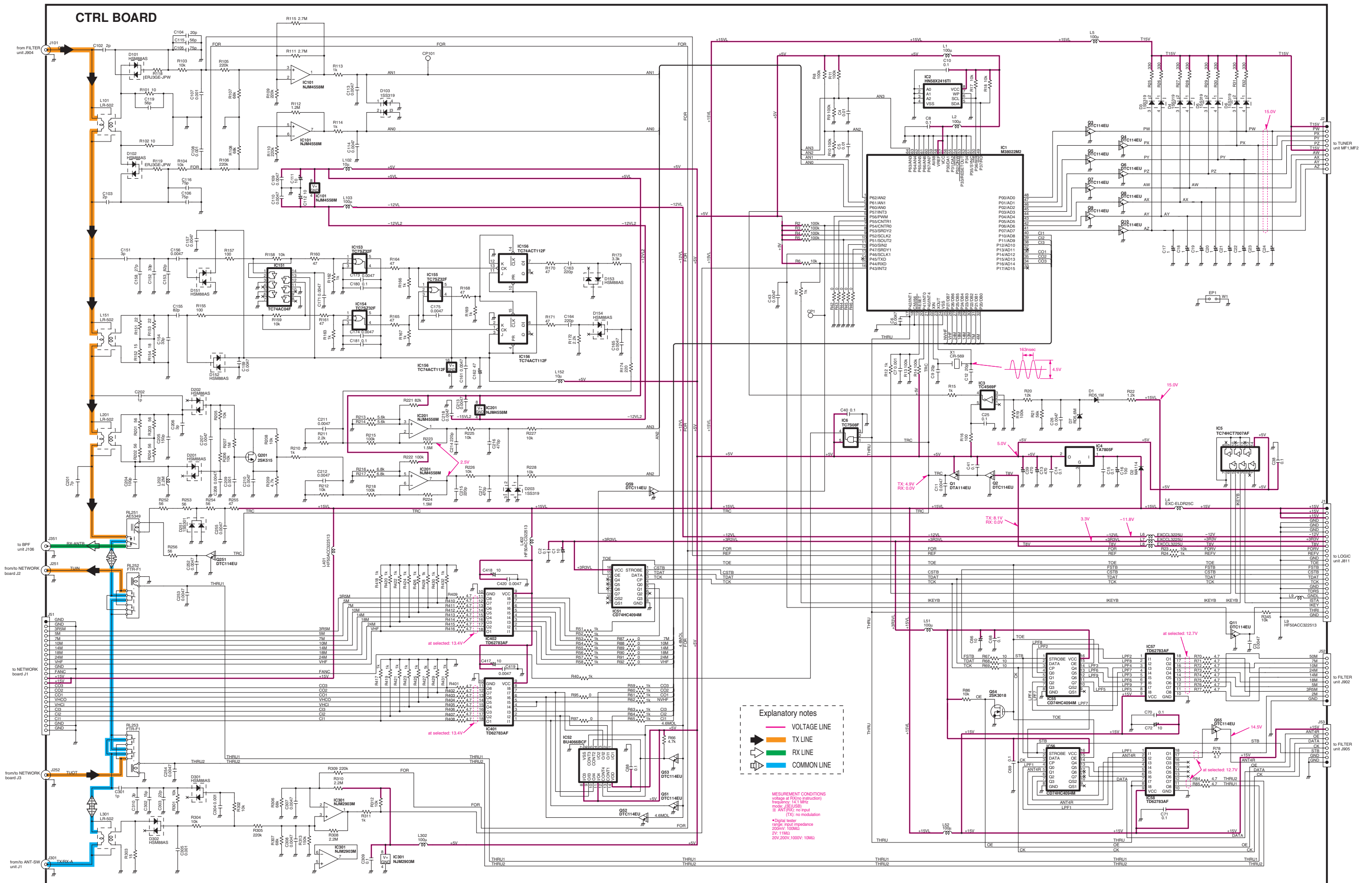


# 11-27 NETWORK BOARD

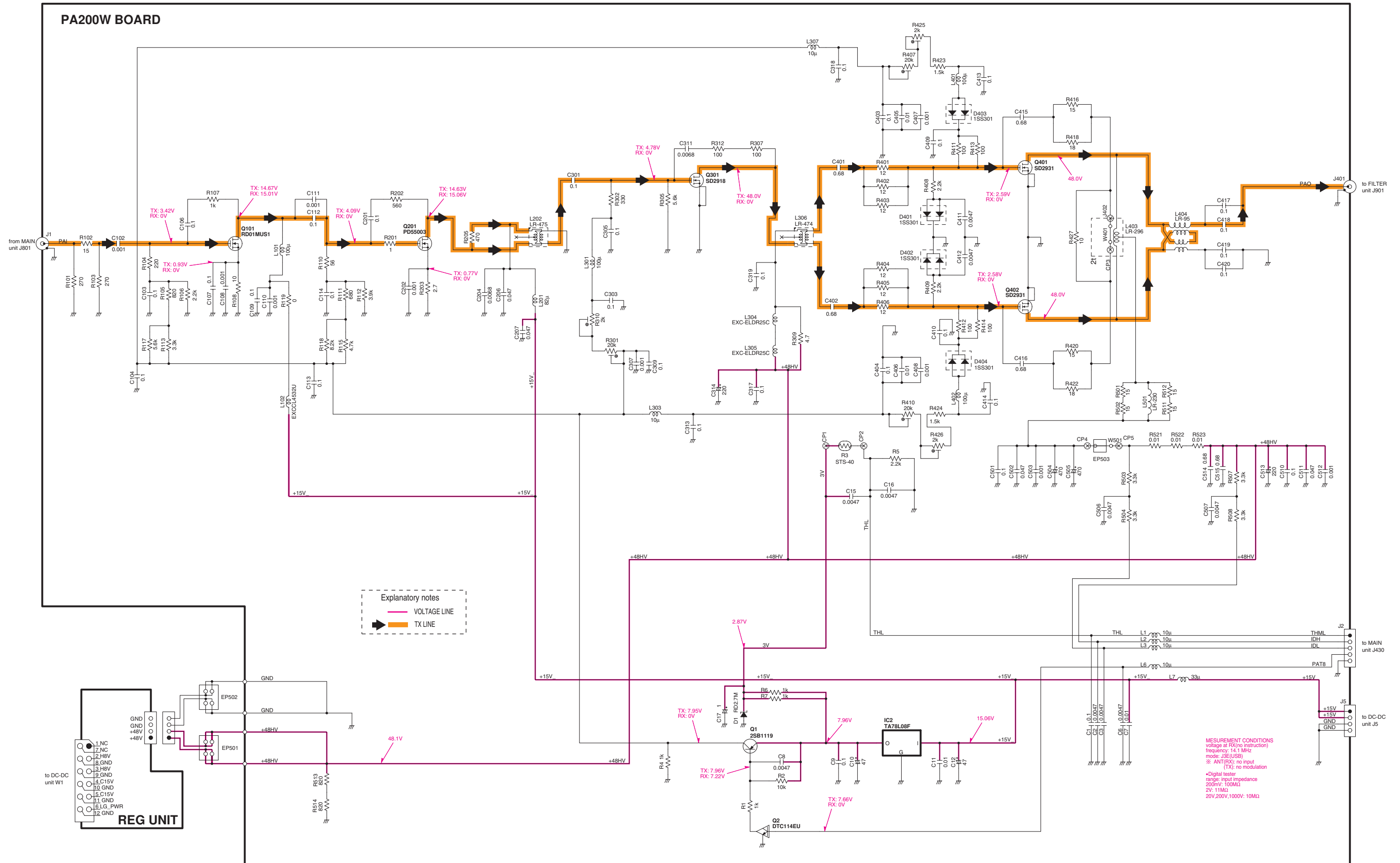




# 11-28 CTRL BOARD



# 11-29 PA200W BOARD







## Icom Inc.

1-1-32, Kamiminami, Hirano-ku, Osaka 547-0003, Japan  
Phone : +81 (06) 6793 5302  
Fax : +81 (06) 6793 0013  
URL : <http://www.icom.co.jp/world/index.html>

### Icom America Inc.

<Corporate Headquarters>  
2380 116th Avenue N.E., Bellevue, WA 98004, U.S.A.  
Phone : +1 (425) 454-8155 Fax : +1 (425) 454-1509  
URL : <http://www.icomamerica.com>  
E-mail : [sales@icomamerica.com](mailto:sales@icomamerica.com)  
<Customer Service>  
Phone : +1 (425) 454-7619

### Icom Canada

Glenwood Centre #150-6165  
Highway 17 Delta, B.C., V4K 5B8, Canada  
Phone : +1 (604) 952-4266 Fax : +1 (604) 952-0090  
URL : <http://www.icomcanada.com>  
E-mail : [info@icomcanada.com](mailto:info@icomcanada.com)

### Icom (Australia) Pty. Ltd.

Unit 1 / 103 Garden Road, Clayton VIC 3168 Australia  
Phone : +61 (03) 9549-7500 Fax : +61 (03) 9549-7505  
URL : <http://www.icom.net.au>  
E-mail : [sales@icom.net.au](mailto:sales@icom.net.au)

### Icom New Zealand

146A Harris Road, East Tamaki,  
Auckland, New Zealand  
Phone : +64 (09) 274 4062 Fax : +64 (09) 274 4708  
URL : <http://www.icom.co.nz>  
E-mail : [inquiries@icom.co.nz](mailto:inquiries@icom.co.nz)

### Beijing Icom Ltd.

10C07, Long silver Mansion, No.88, Yong Ding  
Road, Haidian District, Beijing, 100039, China  
Phone : +86 (010) 5889 5391/5392/5393  
Fax : +86 (010) 5889 5395  
E-mail : [bjicom@bjicom.com](mailto:bjicom@bjicom.com)  
URL : <http://www.bjicom.com>

### Icom (Europe) GmbH

Communication Equipment  
Auf der Krautweide 24  
65812 Bad Soden am Taunus, Germany  
Phone : +49 (6196) 76685-0 Fax : +49 (6196) 76685-50  
URL : <http://www.icomeurope.com>  
E-mail : [info@icomeurope.com](mailto:info@icomeurope.com)

### Icom Spain S.L

Ctra. Rubi, No. 88 Bajos A 08174, Sant Cugat del Valles, Barcelona, Spain  
Phone : +34 (93) 590 26 70 Fax : +34 (93) 589 04 46  
URL : <http://www.icomspain.com>  
E-mail : [icom@icomspain.com](mailto:icom@icomspain.com)

### Icom (UK) Ltd.

Blacksole House, The Boulevard, Altira Business Park, Herne Bay, CT6 6GZ, UK  
Phone : +44 (01227) 741741 Fax : +44 (01227) 741742  
URL : <http://www.icomuk.co.uk>  
E-mail : [info@icomuk.co.uk](mailto:info@icomuk.co.uk)

### Icom France s.a.s.

Zac de la Plaine  
1 Rue Brindejone des Moulinais BP 5804  
31505 Toulouse Cedex, France  
Phone : +33 (5) 61 36 03 03 Fax : +33 (5) 61 36 03 00  
URL : <http://www.icom-france.com>  
E-mail : [icom@icom-france.com](mailto:icom@icom-france.com)

### Asia Icom Inc.

6F No.68, Sec. 1 Cheng-Teh Road, Taipei, Taiwan, R.O.C.  
Phone : +886 (02) 2559 1899 Fax : +886 (02) 2559 1874  
URL : <http://www.asia-icom.com>  
E-mail : [sales@asia-icom.com](mailto:sales@asia-icom.com)

### Icom Polska

81-850 Sopot, ul. 3 Maja 54, Poland  
Phone : +48 (58) 550 7135 Fax : +48 (58) 551 0484  
E-mail : [icompolska@icompolska.com.pl](mailto:icompolska@icompolska.com.pl)

**Count on us!**

**Icom Inc.**

1-1-32, Kamiminami, Hirano-ku, Osaka 547-0003, Japan

S-14015HZ-C1-②  
© 2004-2006 Icom Inc.