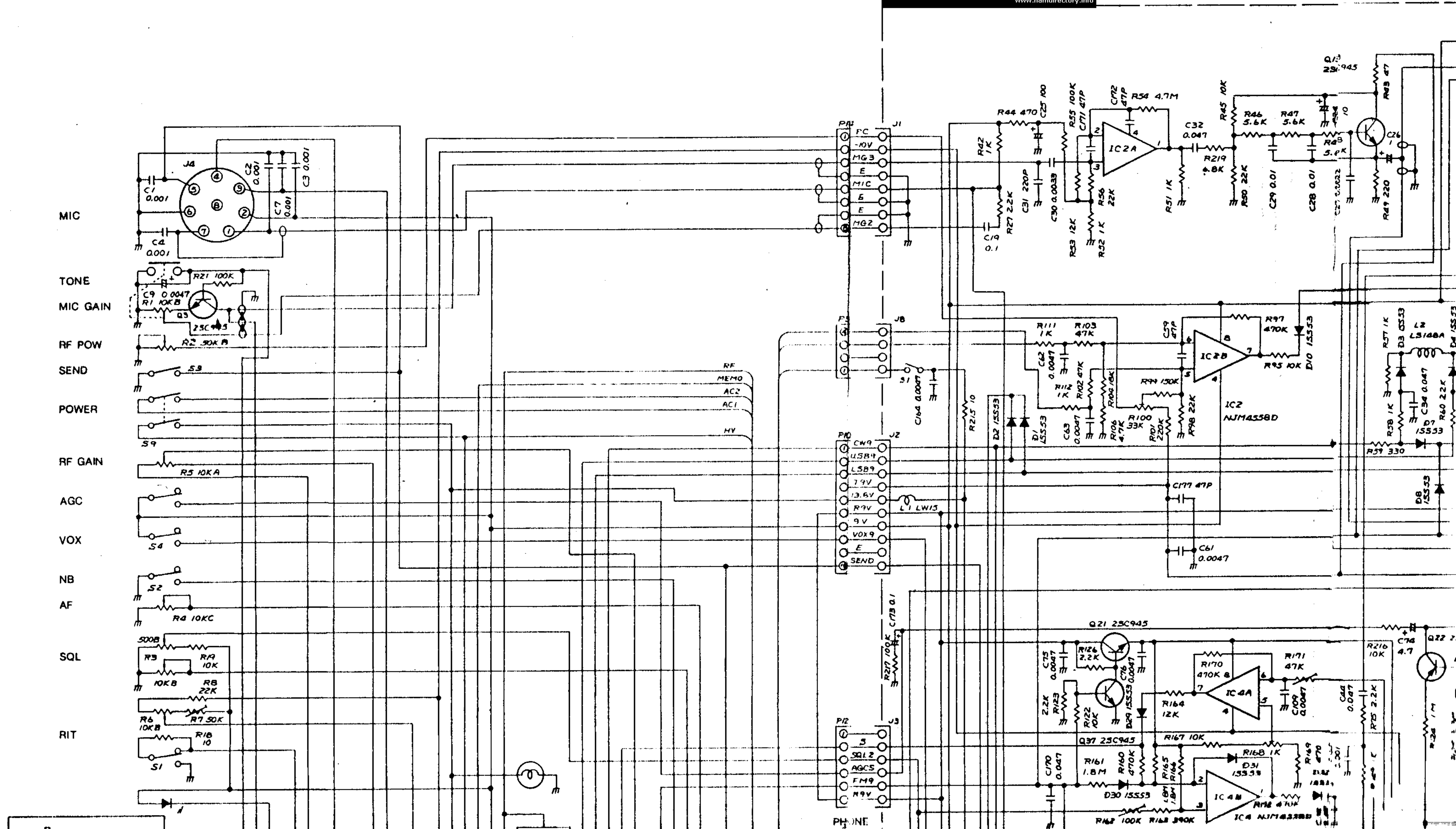
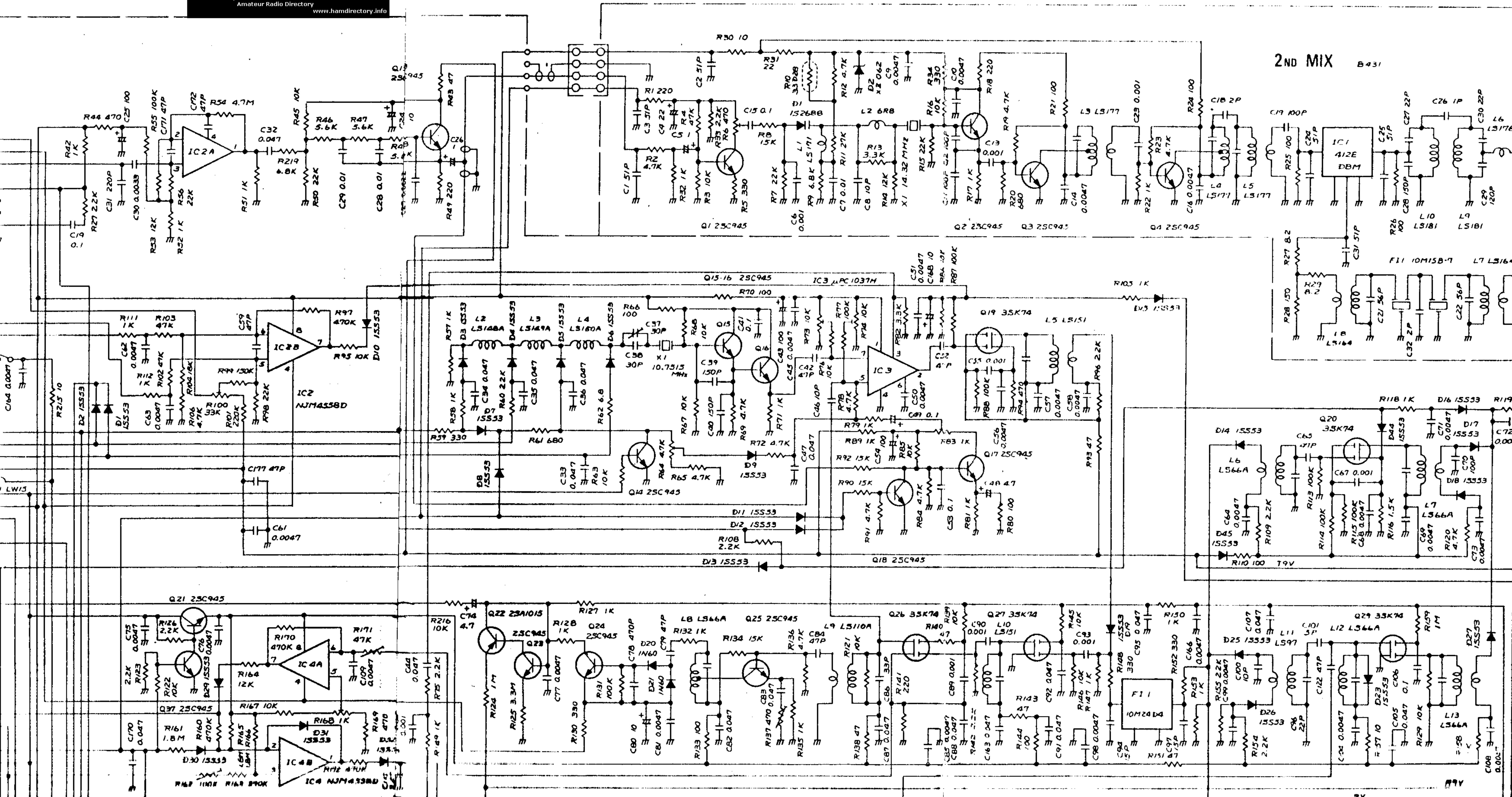


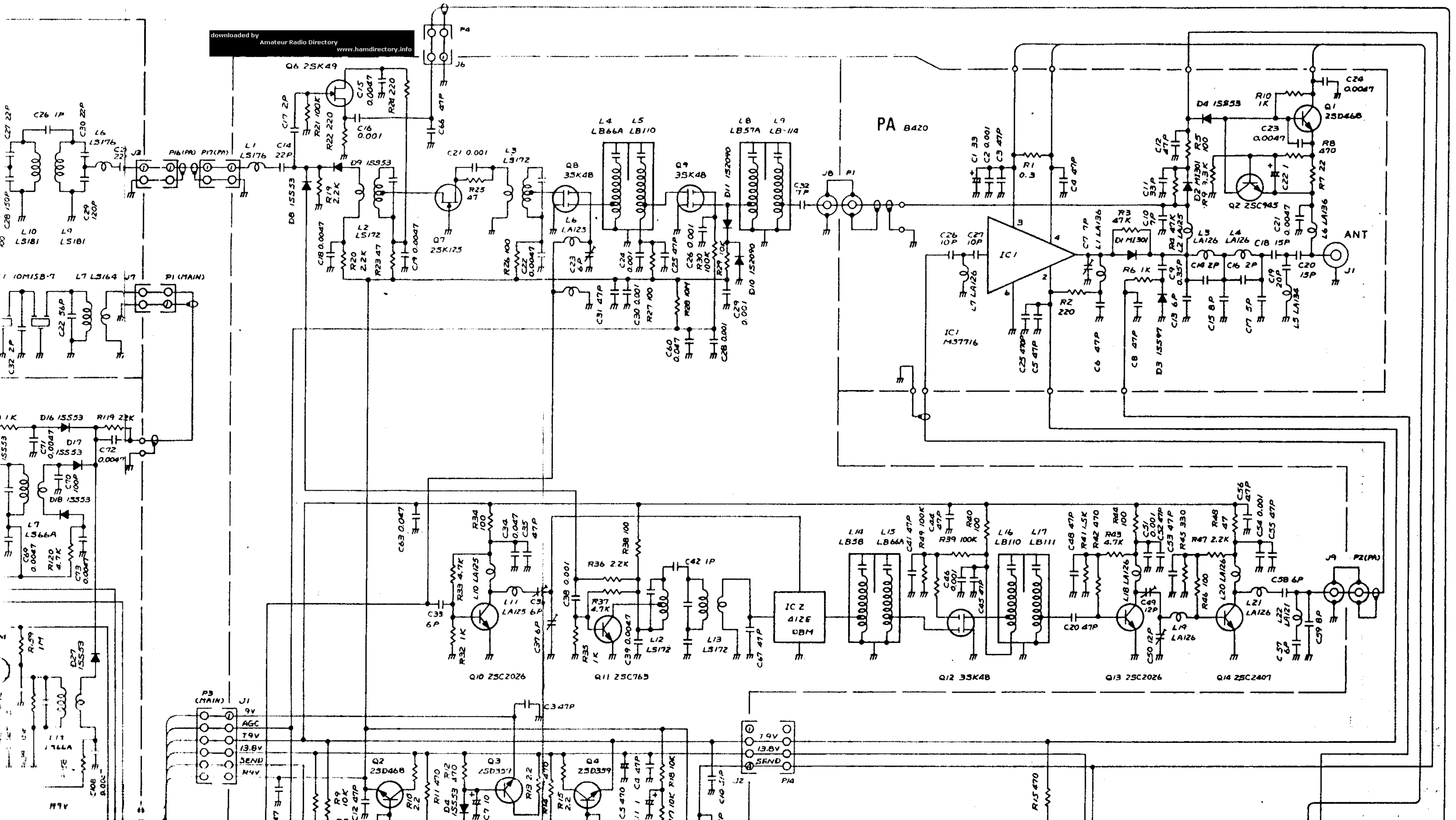
# IC-451A/E SCHEMATIC DIAGRAM

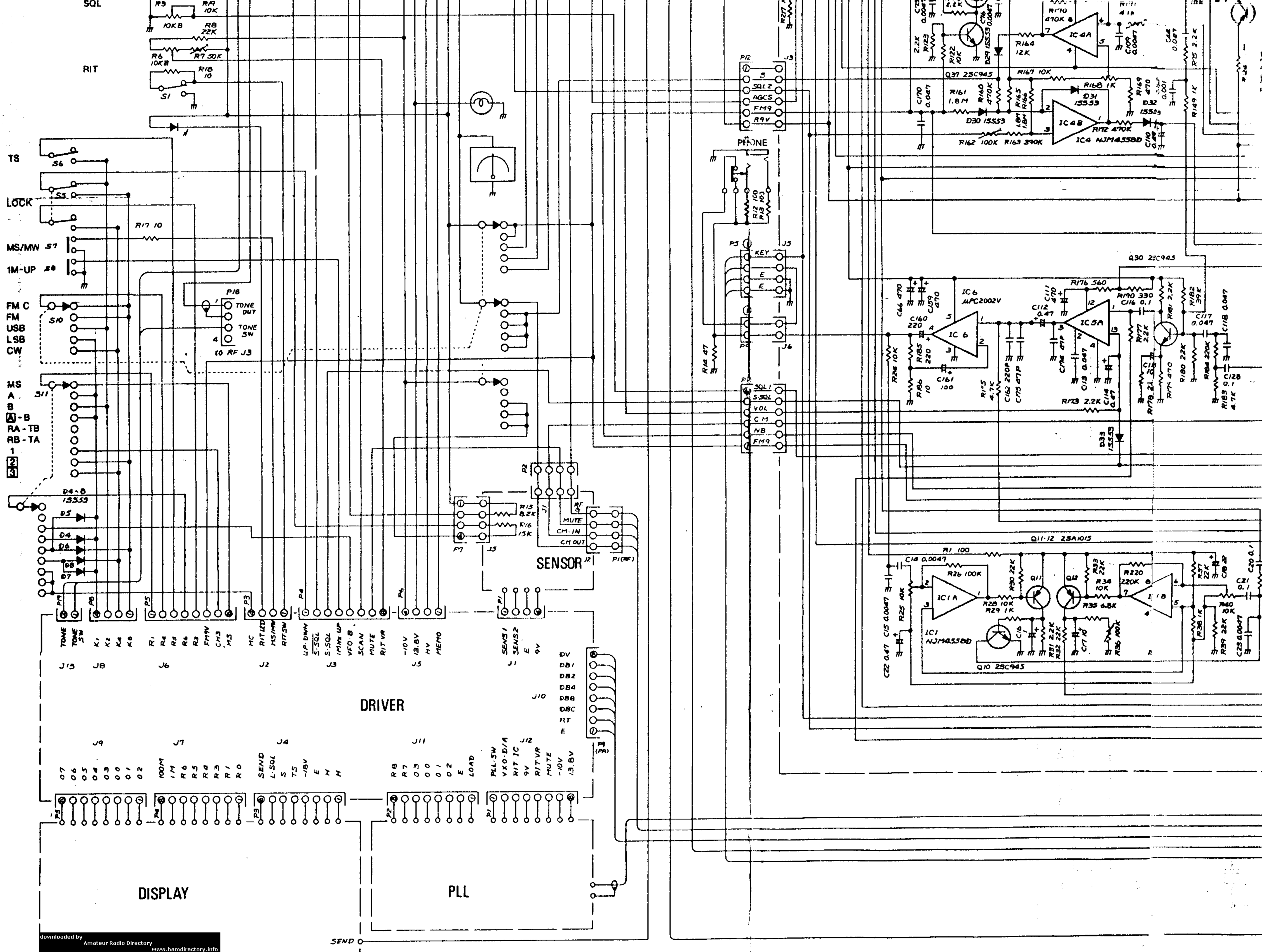
downloaded by  
Amateur Radio Directory  
www.hamdirectory.info

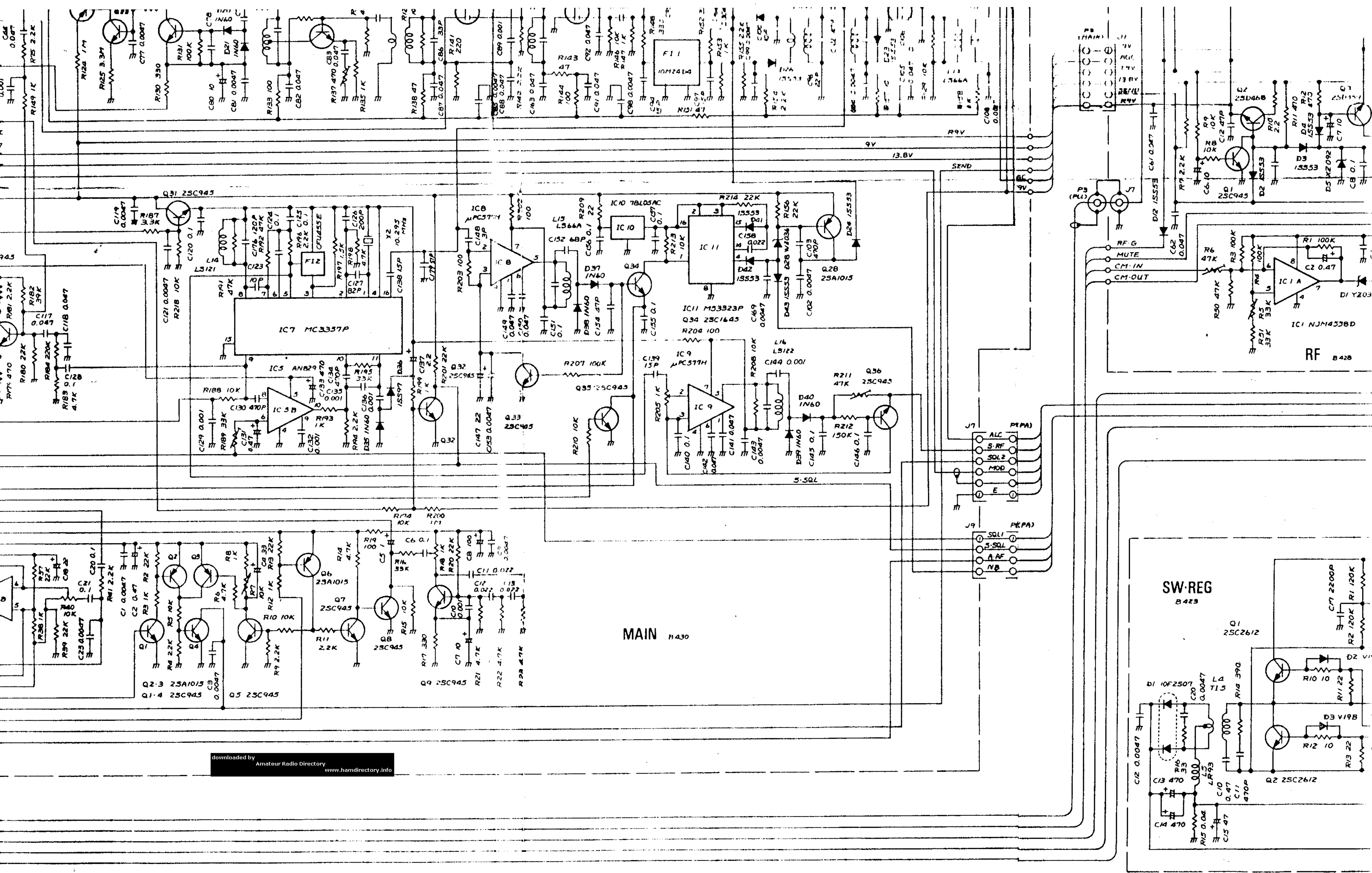


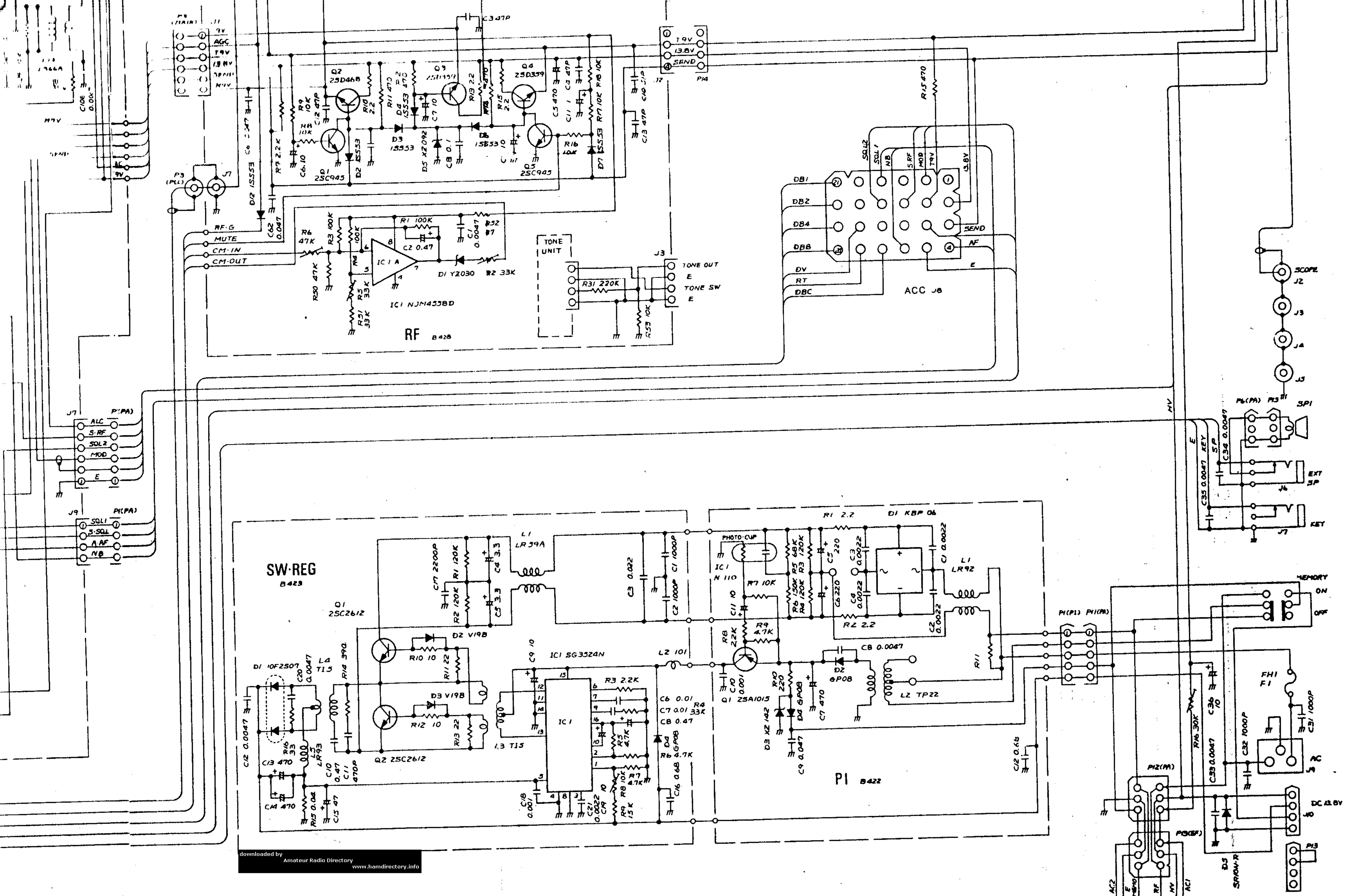


downloaded by Amateur Radio Directory  
www.hamdirectory.info

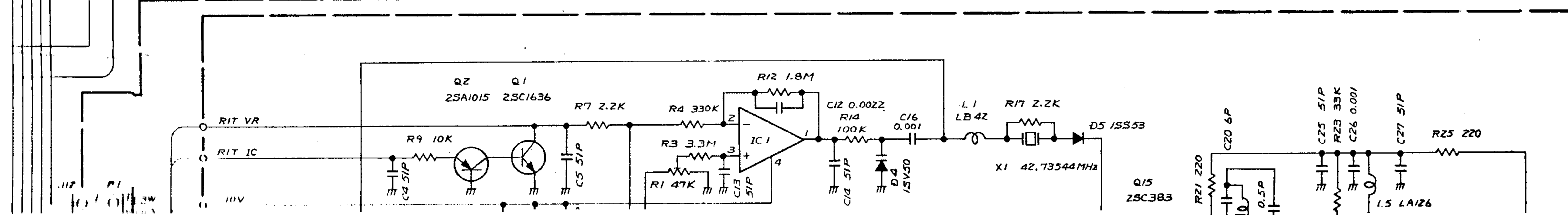
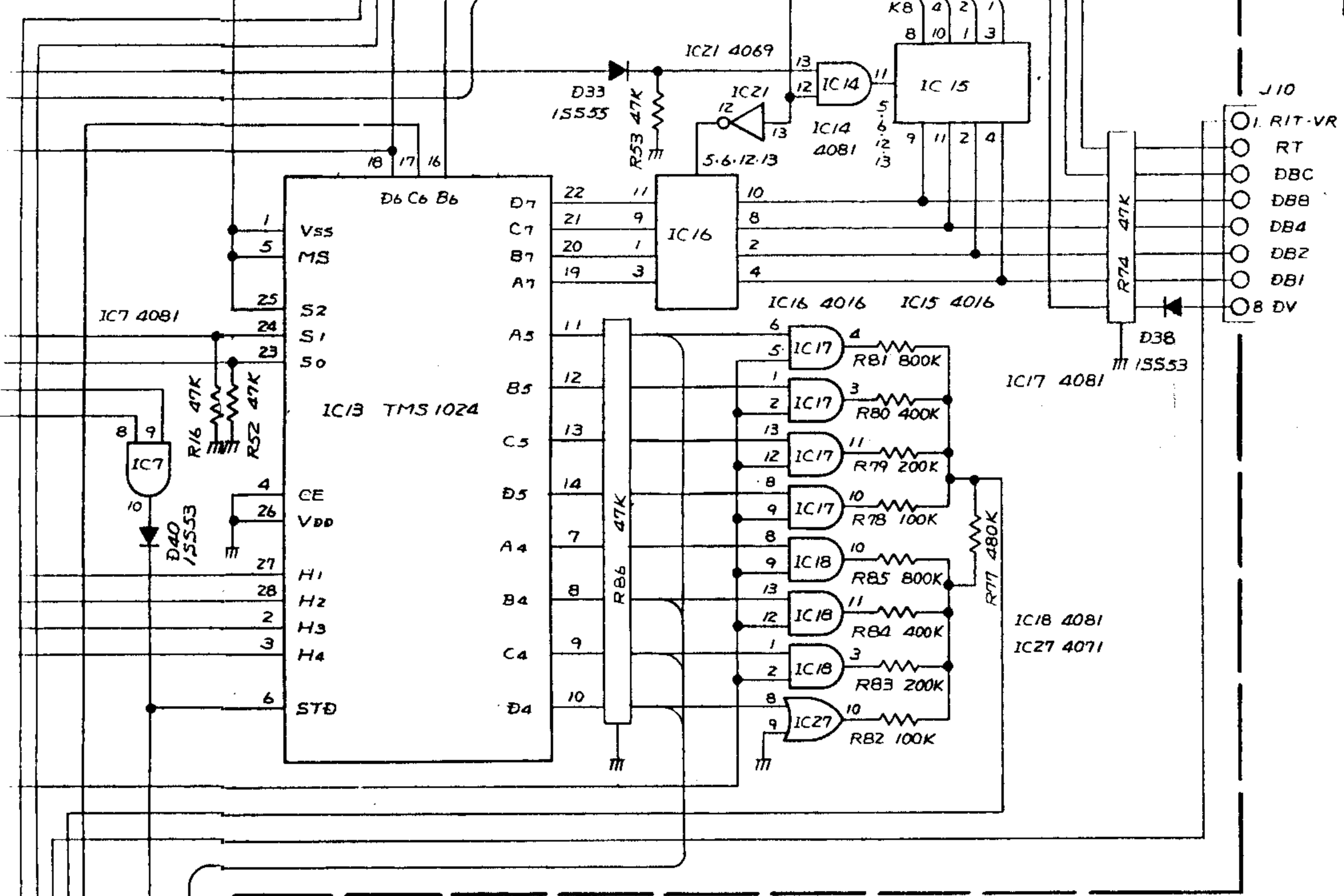
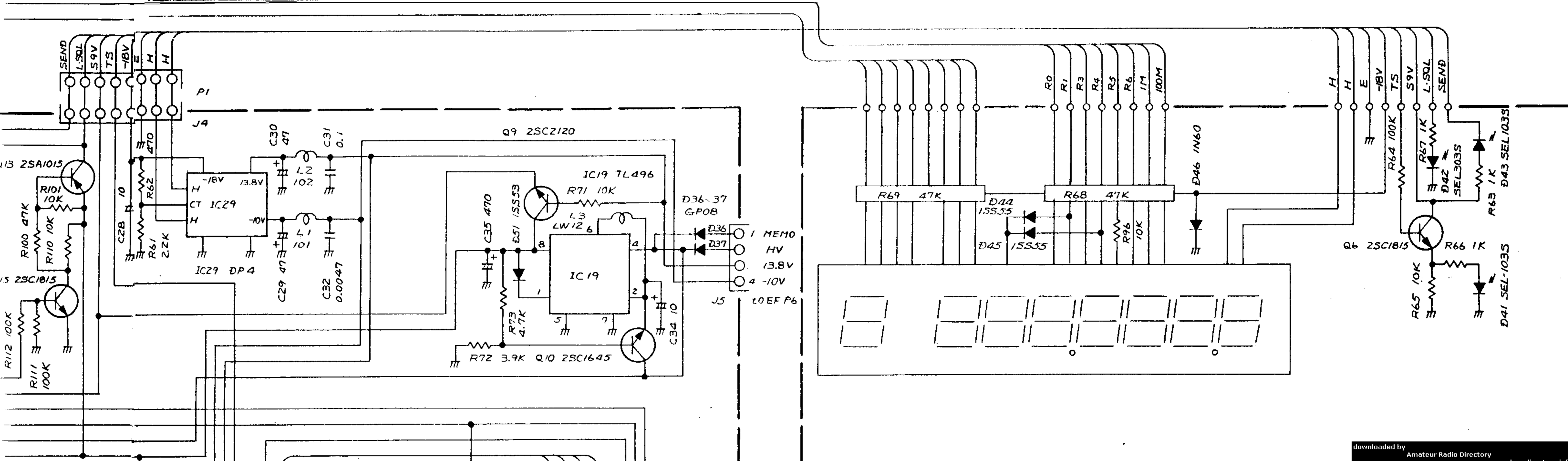






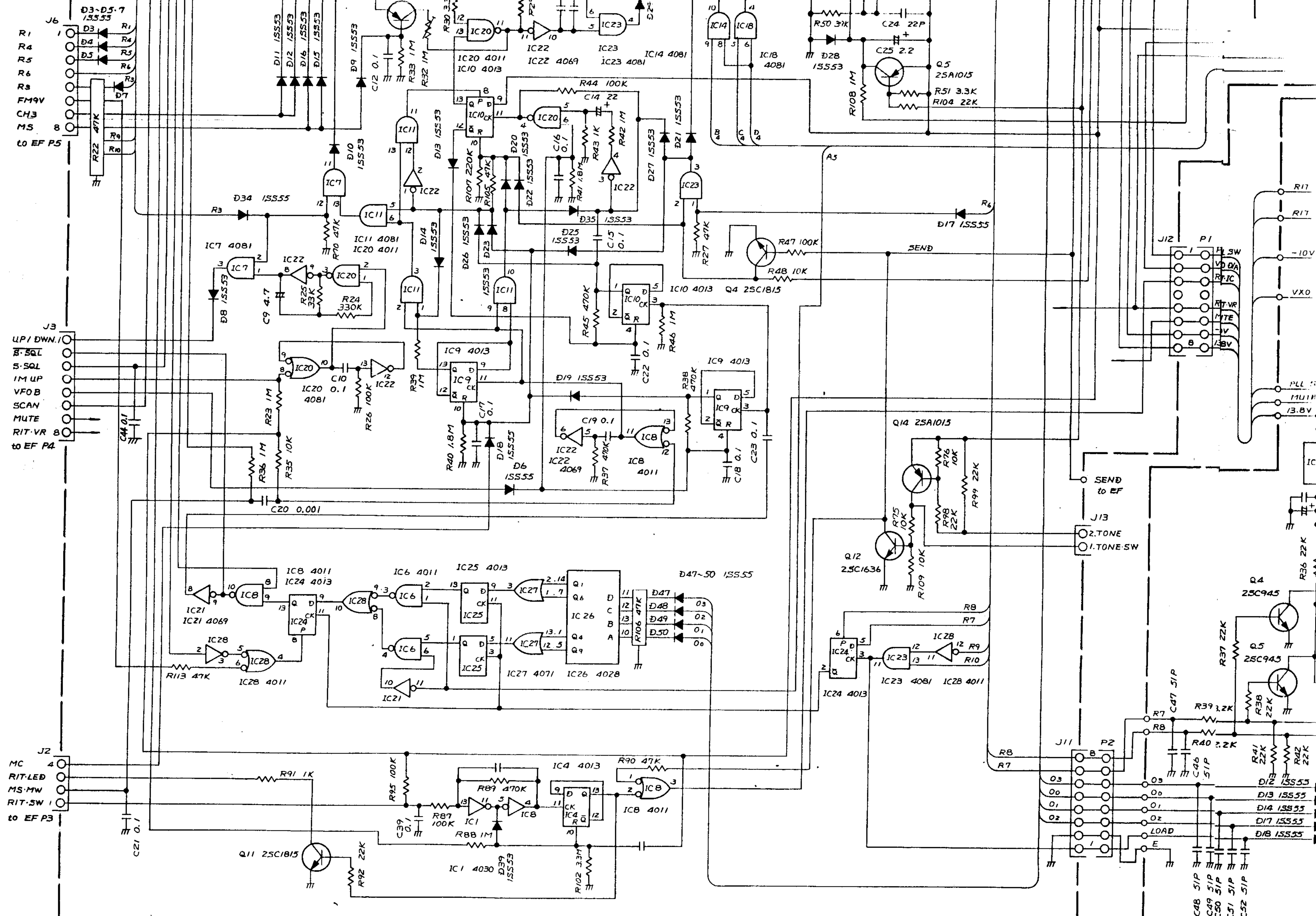






downloaded by  
 Amateur Radio Directory  
[www.hamdirectory.info](http://www.hamdirectory.info)





DRIVER

