



# SERVICE MANUAL

COMMUNICATIONS RECEIVERS  
**IC-PCR1500**  
**IC-PCR2500**

---

---

---

---

S-14222MZ-C1  
Jun. 2006

Icom Inc.

---

## INTRODUCTION

This service manual describes the latest service information for the **IC-PCR1500 and IC-PCR2500 COMMUNICATIONS RECEIVERS** at the time of publication.

MODEL	VERSION	SYMBOL
IC-PCR1500 IC-PCR2500	Europe	EUR-1
	U.K.	UK-1
	U.S.A.	USA-1
	Canada	CAN-1
	France	FRA-1
	South East Asia	SEA-1
	Export	EXP-2
		EXP-3
IC-PCR2500*	U.S.A.	USA-3

\*UT-122 is already installed as DIGITAL UNIT.

**To upgrade quality, any electrical or mechanical parts and internal circuits are subject to change without notice or obligation.**

## CAUTION

**NEVER** connect the receiver to an AC outlet or to a DC power supply that uses more than 16 V. Such a connection could cause a fire hazard and/or electric shock.

**DO NOT** expose the receiver to rain, snow or any liquids.

**DO NOT** reverse the polarities of the power supply when connecting the receiver.

**DO NOT** apply an RF signal of more than 20 dBm (100 mW) to the antenna connector. This could damage the receiver's front end.



(IC-PCR2500)

## ORDERING PARTS

Be sure to include the following four points when ordering replacement parts:

1. 10-digit Icom parts numbers
2. Component name and informations
3. Equipment model name and unit name
4. Quantity required

### <SAMPLE ORDER>

1110001811 S.IC TA7S04F IC-PCR2500 Main-A unit 5 pieces  
8810008960 Screw FH M2.6 IC-PCR2500 Chassis 8 pieces

Addresses are provided on the inside back cover for your convenience.

## REPAIR NOTES

1. Make sure a problem is internal before disassembling the receiver.
2. **DO NOT** open the transceiver until the receiver is disconnected from its power source.
3. **DO NOT** force any of the variable components. Turn them slowly and smoothly.
4. **DO NOT** short any circuits or electronic parts. An insulated turning tool **MUST** be used for all adjustments.
5. **DO NOT** keep power ON for a long time when the receiver is defective.
6. **READ** the instructions of test equipment thoroughly before connecting equipment to the receiver.

Icom, Icom Inc. and ICOM logo are registered trademarks of Icom Incorporated (Japan) in the United States, the United Kingdom, Germany, France, Spain, Russia and/or other countries.

---

## TABLE OF CONTENTS

---

**SECTION 1 SPECIFICATIONS**

**SECTION 2 INSIDE VIEWS**

**SECTION 3 DISASSEMBLY INSTRUCTIONS**

**SECTION 4 CIRCUIT DESCRIPTION**

4-1	RECEIVER CIRCUITS.....	4-1
4-2	PLL CIRCUITS .....	4-4
4-3	DIGITAL MODE OPERATION WITH UT-122.....	4-5
4-4	POWER SUPPLY CIRCUITS.....	4-6
4-5	CPU PORT ALLOCATION.....	4-7

**SECTION 5 ADJUSTMENT PROCEDURES**

5-1	PREPARATION .....	5-1
5-2	MAIN-A UNIT ADJUSTMENT .....	5-3
5-3	MAIN-B UNIT ADJUSTMENT (PCR2500 only).....	5-5

**SECTION 6 PARTS LIST**

**SECTION 7 MECHANICAL PARTS AND DISASSEMBLY**

**SECTION 8 SEMICONDUCTOR INFORMATION**

**SECTION 9 BOARD LAYOUTS**

9-1	LOGIC UNIT .....	9-1
9-2	MAIN-A UNIT.....	9-3
9-3	MAIN-B UNIT (PCR2500 only) .....	9-5
9-4	UT-122 (Optional product; DIGITAL UNIT for [PCR2500; USA-3]) .....	9-7

**SECTION 10 BLOCK DIAGRAM**

**SECTION 11 VOLTAGE DIAGRAM**

# SECTION 1 SPECIFICATIONS

## GENERAL

- Frequency coverage
 

U.S.A.	:	0.010000–809.999999 *1, *2 851.000–866.999999 896.000–1300.000000 1300.000001–1810.999999 1852.000–1867.999999 *1 1897.000–2305.899999 *1 2357.000–2811.999999 *1 2853.000–2868.999999 *1 2898.000–3109.799999 *1, *2 3136.000–3154.799999 *1, *2 3181.000–3299.999999 *1, *2
France	:	0.010000–29.999999 *1, *2 50.200–51.200000 87.500–107.999999 144.000–146.000000 430.000–440.000000 1240.000–1300.000000
Other than above:	:	0.010–3299.999999 *1, *2

\*1 : For IC-PCR2500. Available on Main band only.  
Sub band only covers frequency range; 50 to 1300.000000 MHz.  
\*2 : Guaranteed: 0.495–3000.000 MHz range only
- Mode
 

		: FM, AM, WFM, USB*1, LSB*1, CW, DV*1,*2, P25*1,*3
--	--	--

\*1 : For PCR2500. Available on Main band only.  
\*2 : For PCR2500. Available when optional UT-118 is installed.  
\*3 : For PCR2500. Available when optional UT-122 is installed, and depending on versions.
- Number of memory channels
 

		: 2600
--	--	--------
- Tuning steps
 

		: 1 Hz, 10 Hz, 20 Hz, 50 Hz, 100 Hz, 500 Hz, 1 kHz, 2.5 kHz, 5 kHz, 6.25 kHz, 8.33 kHz, 9 kHz, 10 kHz, 12.5 kHz, 15 kHz, 20 kHz, 25 kHz, 30 kHz, 50 kHz, 100 kHz, 125 kHz, 150 kHz, 200 kHz, 500 kHz, 1 MHz, 10 MHz, USER TS
--	--	--
- Operating temperature range
 

		: 0°C to +60°C; +32°F to +140°F
--	--	---------------------------------
- Frequency stability
 

		: ±3 ppm (–10°C to +60°C)
--	--	---------------------------
- Power supply requirement
 

		: 12 V DC ±15% (Negative ground)
--	--	----------------------------------

[PCR1500] Power ON	:	Standby 650 mA (typical) Max. audio Less than 1.2 A
Power OFF	:	PC (USB VBAS-ON) 550 mA (typical) PC (USB VBAS-OFF) 15 mA (typical)
[PCR2500] single band operation	:	Standby 650 mA (typical) Max. audio Less than 1.2 A
Dualwatch operation *	:	Standby 850 mA (typical) Max. audio Less than 1.5 A
Power OFF	:	PC (USB VBAS ON) 550 mA (typical) PC (USB VBAS OFF) 15 mA (typical)

\*: PCR2500 only.
- Current drain (At 12 V DC ; approx.)
- Dimensions (projections not included)
 

		: 146(W)×41(H)×206(D) mm; 5¾(W)×1⅝(H)×8⅞(D) in
--	--	--
- Weight (approx.)
 

		: 1.2 kg; 2 lb 10 oz (PCR1500) 1.35 kg; 2 lb 15 oz (PCR2500)
--	--	---
- Antenna connector
 

		: BNC (50 Ω)
--	--	--------------

## RECEIVER

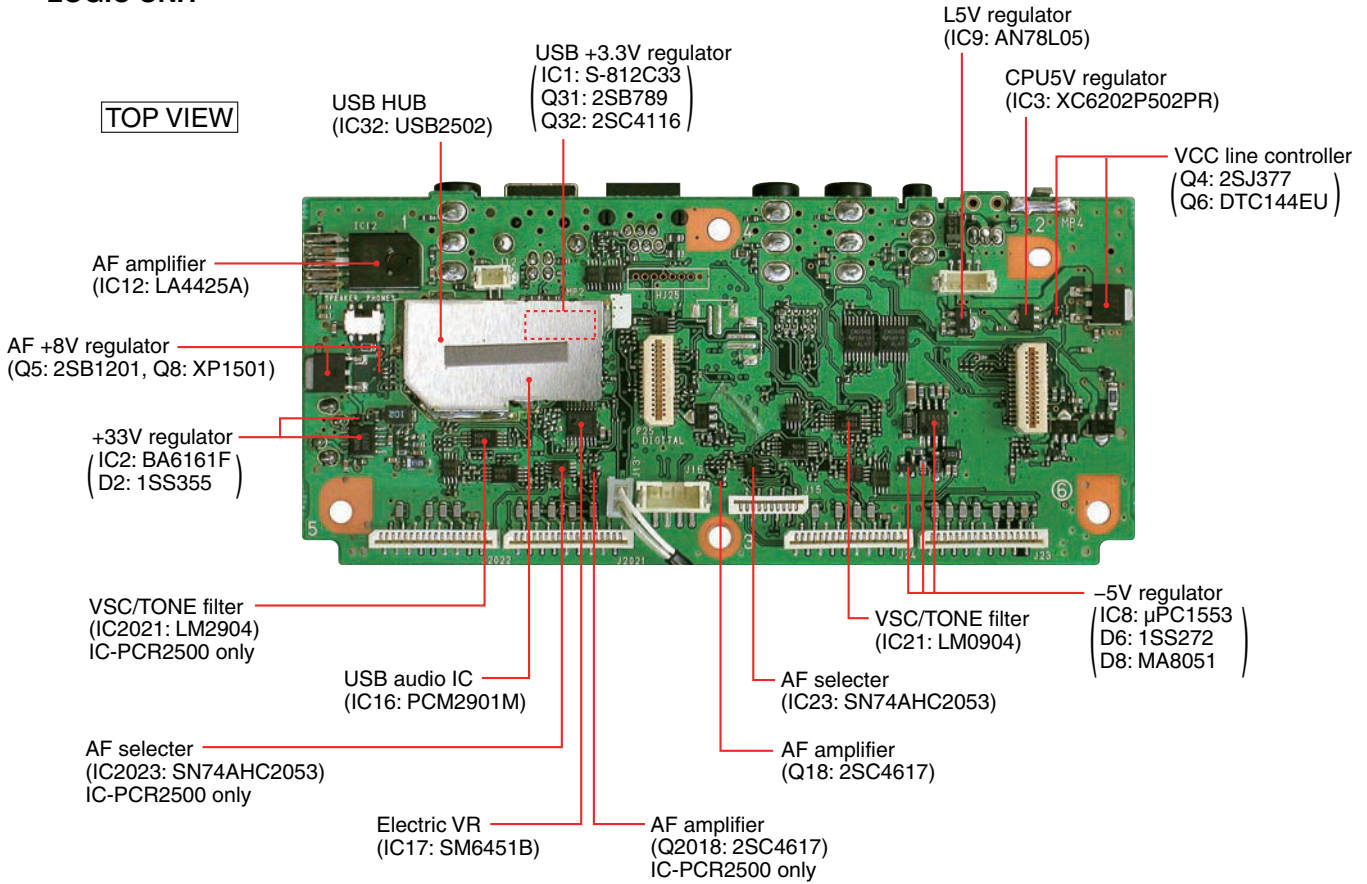
- Receive system : Triple-conversion superheterodyne and down converter
- Intermediate frequencies : 1st: 266.700 MHz, 2nd: 10.700 MHz, 3rd: 450 kHz (except for WFM mode)
- Sensitivity :
  - FM (1 kHz/3.5 kHz Dev.; 12 dB SINAD)
    - 28.000–29.999 MHz : Less than 0.63  $\mu$ V
    - 30.000–49.999 MHz : Less than 0.63  $\mu$ V
    - 50.000–239.999 MHz : Less than 0.5  $\mu$ V
    - 240.000–279.999 MHz : Less than 0.5  $\mu$ V
    - 280.000–299.999 MHz : Less than 0.5  $\mu$ V
    - 300.000–699.999 MHz : Less than 0.5  $\mu$ V
    - 700.000–1300.000 MHz : Less than 0.63  $\mu$ V
    - 1300.000001–2299.999 MHz: Less than 5.6  $\mu$ V
    - 2300.000–3000.000 MHz : Less than 18  $\mu$ V
  - WFM (1 kHz/52.5 kHz Dev.; 12 dB SINAD)
    - 50.000–699.999 MHz : Less than 1.4  $\mu$ V
    - 700.000–1300.000 MHz : Less than 1.8  $\mu$ V
    - 1300.000001–2299.999 MHz: Less than 18  $\mu$ V
    - 2300.000–3000.000 MHz : Less than 56  $\mu$ V
  - AM (1 kHz/30% MOD.; 10 dB S/N)
    - 0.495–1.799 MHz : Less than 25  $\mu$ V
    - 1.800–14.999 MHz : Less than 2.5  $\mu$ V
    - 15.000–49.999 MHz : Less than 2.5  $\mu$ V
    - 50.000–299.999 MHz : Less than 2  $\mu$ V
    - 300.000–699.999 MHz : Less than 2  $\mu$ V
    - 700.000–1300.000 MHz : Less than 2.5  $\mu$ V
  - SSB/CW (10 dB S/N)
    - 0.495–1.799 MHz : Less than 5  $\mu$ V
    - 1.800–14.999 MHz : Less than 0.5  $\mu$ V
    - 15.000–49.999 MHz : Less than 0.5  $\mu$ V
    - 50.000–699.999 MHz : Less than 0.4  $\mu$ V
    - 700.000–1300.000 MHz : Less than 0.5  $\mu$ V
- Selectivity :
  - SSB/CW/AM : More than 2.8 kHz/–6 dB (typical)
  - SSB/CW/AM/FM : More than 6.0 kHz/–6 dB (typical)
  - AM/FM : More than 15 kHz/–6 dB (typical)
  - AM/FM/WFM : More than 50 kHz/–6 dB (typical)
  - WFM : More than 230 kHz/–6 dB (typical)
- Audio output power : More than 0.5 W (at 10% distortion with an 8  $\Omega$  load)
- Ext. speaker connector : 2-conductor 3.5 (d) mm ( $1/8''$ )/8  $\Omega$
- Packet connector : 2-conductor 3.5 (d) mm ( $1/8''$ )
- Data connector : 3-conductor 2.5 (d) mm ( $1/10''$ )
- IF shift variable range : More than  $\pm 1.2$  kHz

**All stated specifications are subject to change without notice or obligation.**

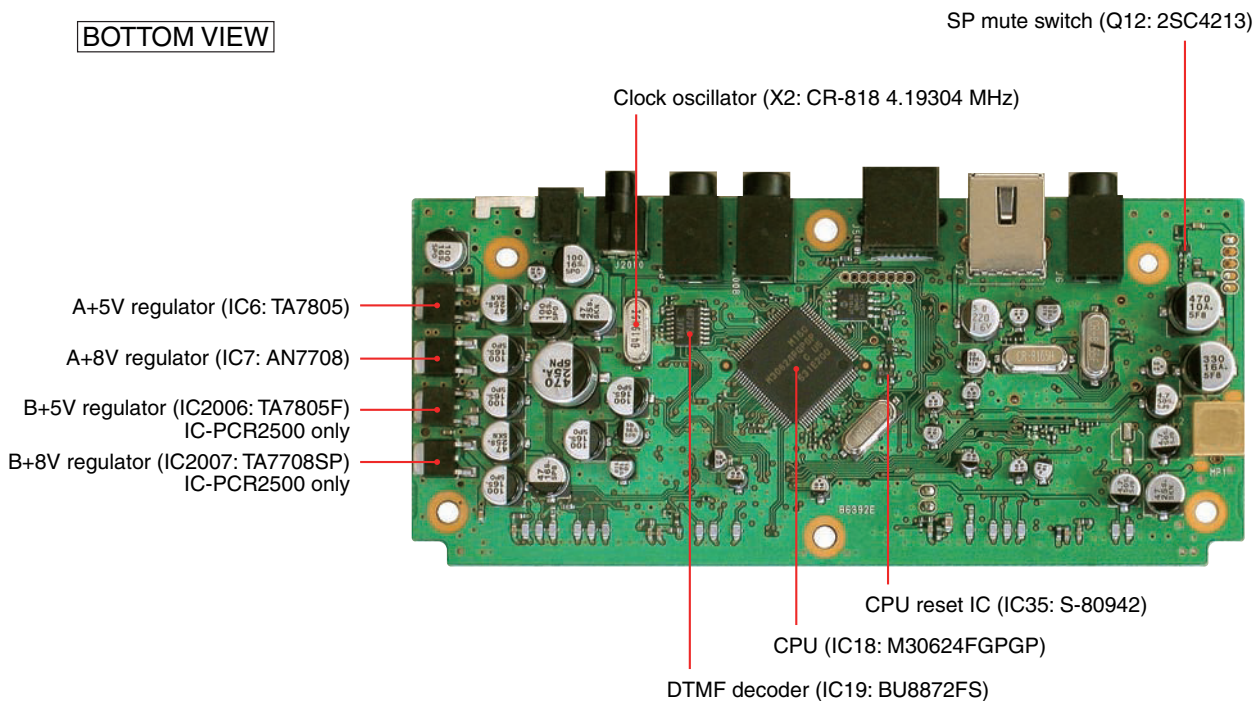
# SECTION 2 INSIDE VIEWS

## LOGIC UNIT

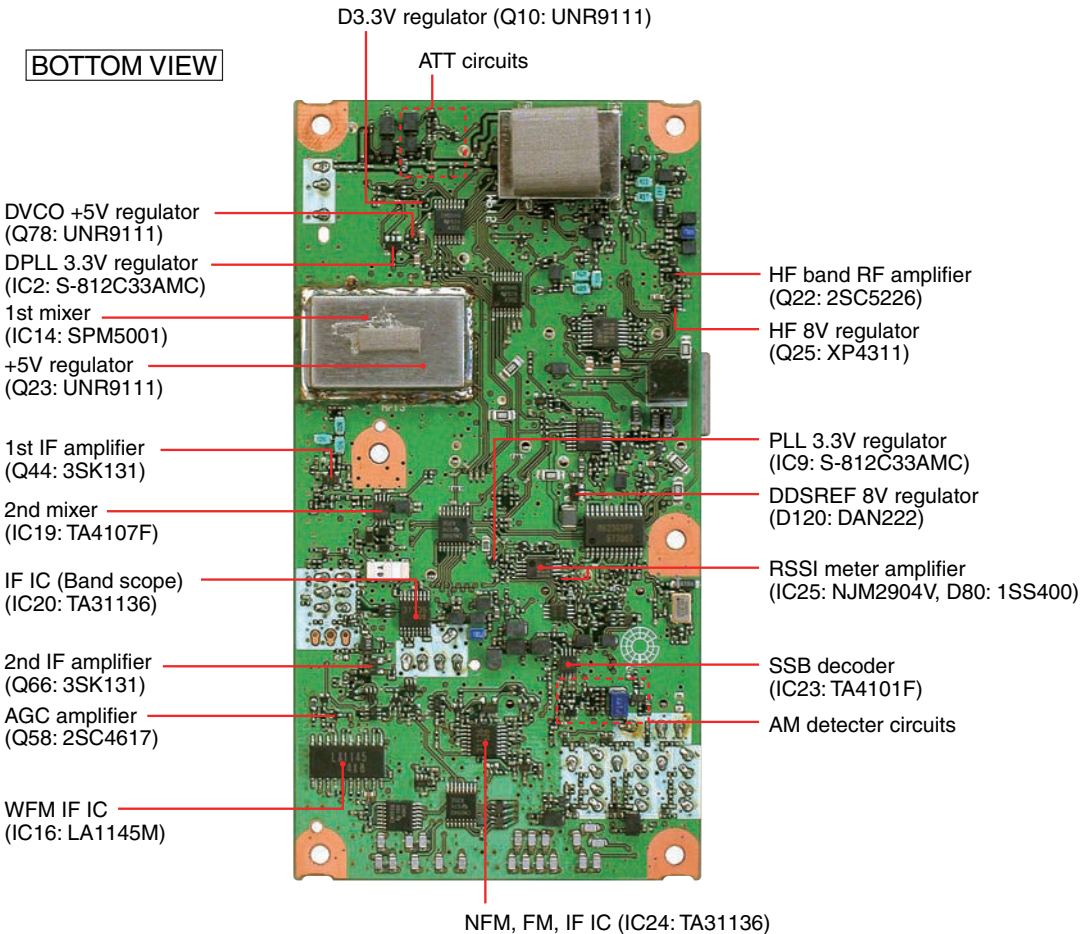
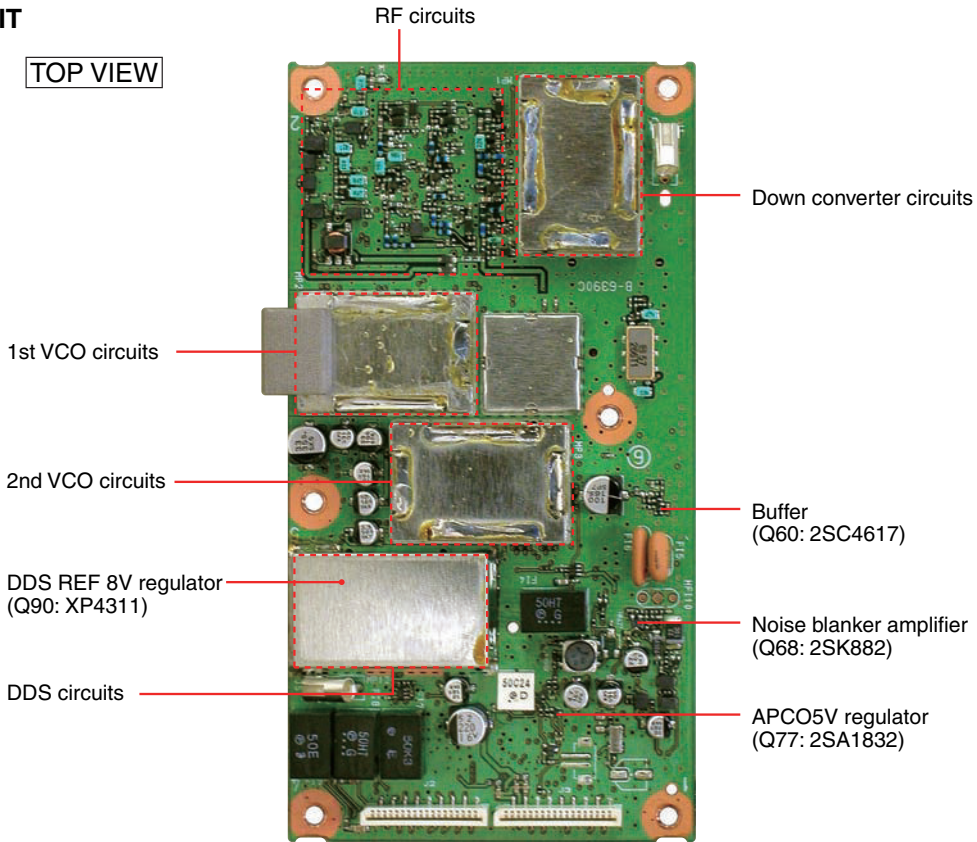
TOP VIEW



BOTTOM VIEW

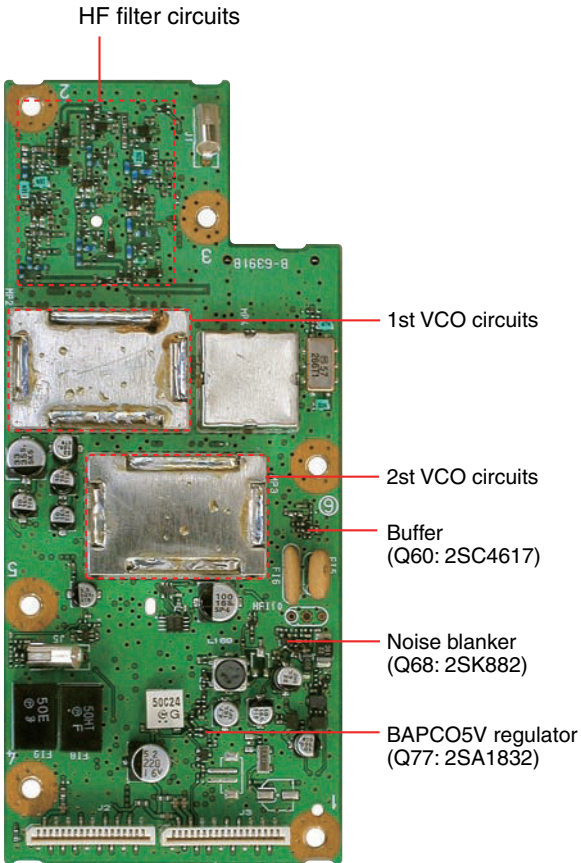


• MAIN-A UNIT

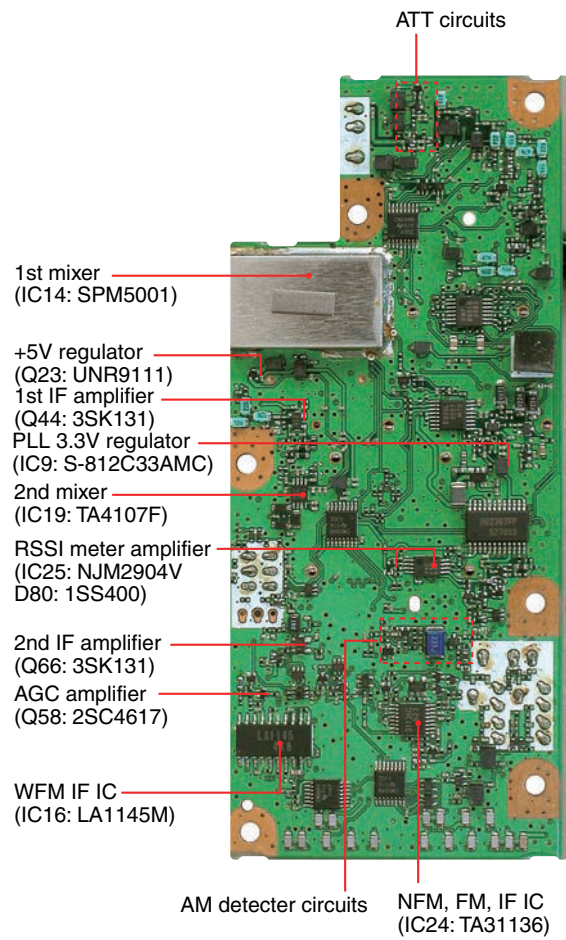


• MAIN-B UNIT (IC-PCR2500 only)

TOP VIEW

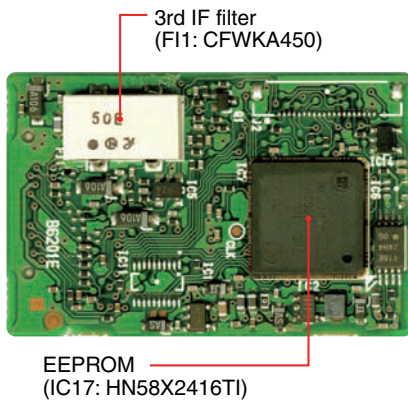


BOTTOM VIEW

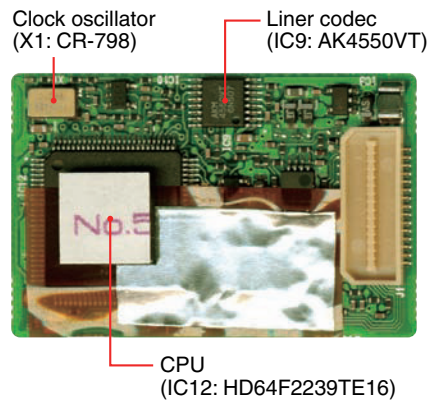


• UT-122 (Optonal product; DIGITAL UNIT for [IC-PCR2500: USA-3])

TOP VIEW



BOTTOM VIEW

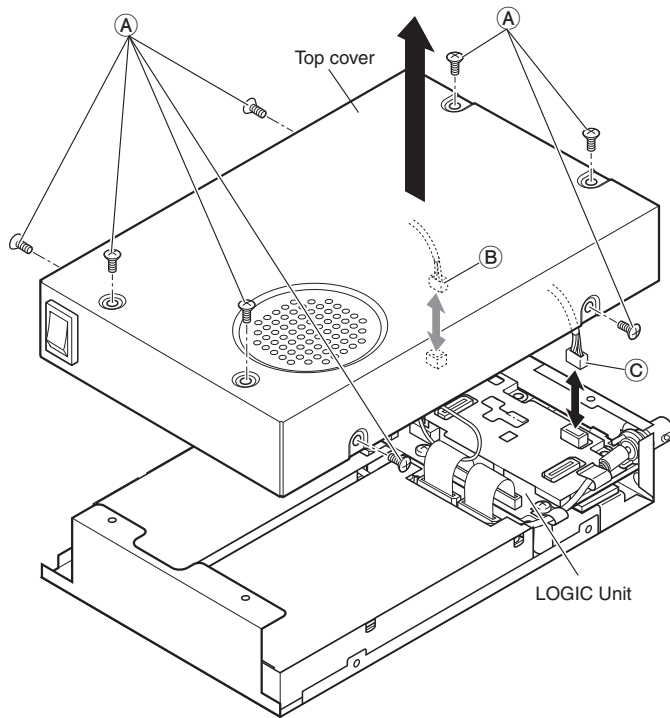




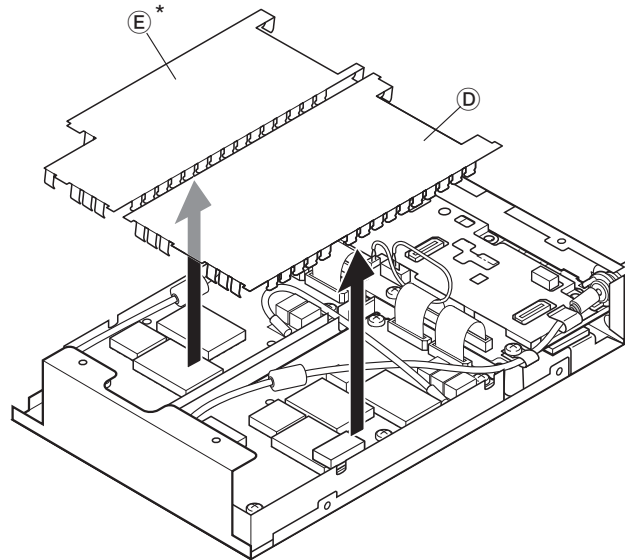
# SECTION 3 DISASSEMBLY INSTRUCTIONS

## • Removing the top cover and shield covers

- ① Unscrew 8 screws, (A).
- ② Unplug the connectors (B) and (C) from the LOGIC unit.
- ③ Remove the top cover in the direction of the arrow.



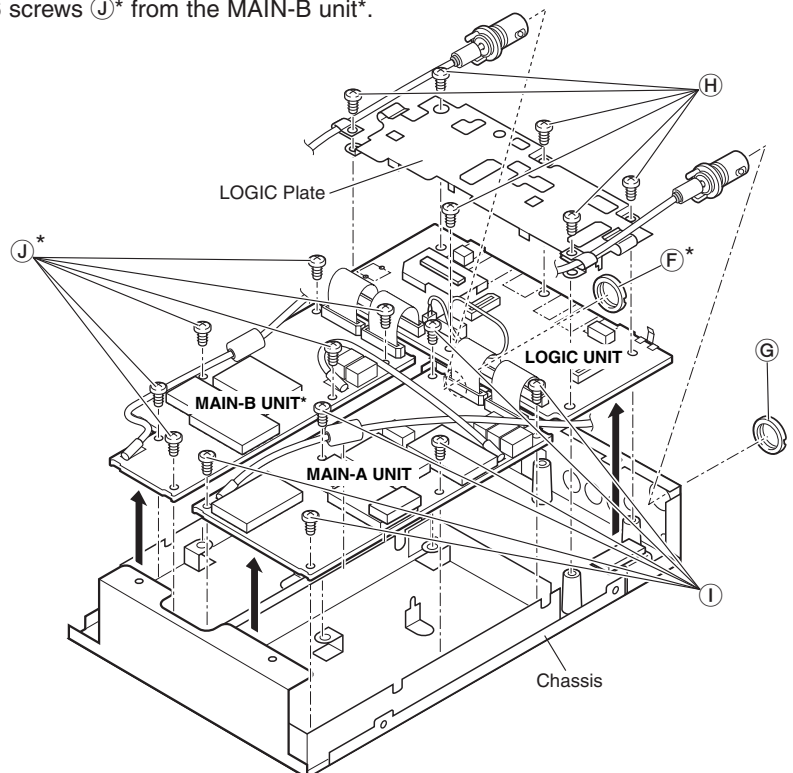
- ④ Remove the shield covers (D) and (E)\* in the direction of the arrow.



\* IC-PCR2500 only

## • Removing the LOGIC unit, MAIN-A unit and MAIN-B\* unit

- ① Unscrew nut (F)\*, (G).
- ② Unscrew 6 screws (H) from the LOGIC unit and remove the LOGIC plate.
- ③ Unscrew 6 screws (I) from the MAIN-A unit and 6 screws (J)\* from the MAIN-B unit\*.
- ④ Remove the units in the direction of the arrows.



\* IC-PCR2500 only

# SECTION 4 CIRCUIT DESCRIPTION

## 4-1 RECEIVE CIRCUITS

### 4-1-1RF CIRCUITS (MAIN-A/B UNITS)

The MAIN-A UNIT has eight RF circuits and one down converter circuit to provide wide receiving range. The received signals from the antenna connector (CHASSIS; J1) are applied to RF circuits or down converter circuit according to the received frequency, and amplified within the frequency coverage.

IC-PCR2500 contains MAIN-B UNIT which has 4 RF circuits to provide dualwatch or diversity capability .

The 0.01–50 MHz signals from the antenna are passed through the attenuator (D1, D3), band switch (D9) and low-pass filter (LPF; L20, L26, C54, C60, C68, C72, C81, C88), then applied to one of the RF circuit.

#### • 0.01–1.8 MHz\*

The 0.01–1.8 MHz signals are passed through the band switch (D29), LPF (L48, L52, C134, C148, C171, C173) and another band switch (D56), then applied to the 1st mixer (IC14, pins 4, 5).

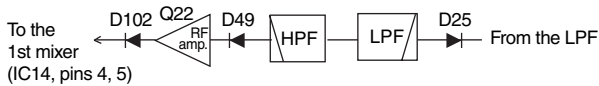
<0.01–1.8 MHz>



#### • 1.8–15.0 MHz\*

The 1.8–15.0 MHz signals are passed through the band switch (D25), LPF (L43, L47, L50, C102, C120, C125, C131, C135, C140), high-pass filter (HPF; L57, L60, L72, C150, C161, C163, C174, C178, C618, C619) and another band switch (D49), and then applied to the RF amplifier (Q22). The amplified signals are then applied to the 1st mixer (IC14, pins 4, 5) via the band switch (D102).

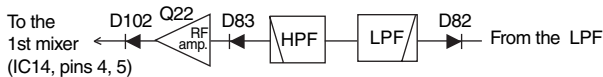
<1.8–15 MHz>



#### • 15.0–30 MHz\*

The 15.0–30 MHz signals are passed through the band switch (D82), LPF (L46, L49, C116, C118, C124, C130, C136), HPF (L55, L58, C139, C149, C151, C162, C164) and another band switch (D83), and then applied to the RF amplifier (Q22). The amplified signals are then applied to the 1st mixer (IC14, pins 4, 5) via the band switch (D102).

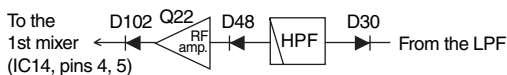
<15–30 MHz>



#### • 30–50 MHz\*

The 30–50 MHz signals are passed through the band switch (D30), HPF (L77, L82, C201, C206, C208, C213, C216) and another band switch (D48), and then applied to the RF amplifier (Q22). The amplified signals are then applied to the 1st mixer (IC14, pins 4, 5) via the band switch (D102).

<30–50 MHz>

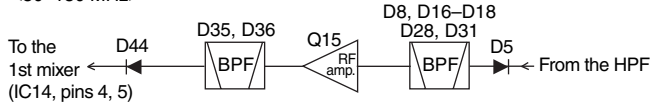


The 50–1300 MHz signals from the antenna are passed through the attenuator (D1, D3), band switch (D7) and LPF (L5, C33, C34), then applied to one of the RF circuit.

#### • 50–150 MHz

The received signals 50–150 MHz are passed through the band switch (D5) and the tunable bandpass filter (BPF; D8, D16–D18, D28, D31, L9, L21, L25, L31, L33, C39, C41, C44, C49, C70), and then applied to the RF amplifier (Q15). The amplified signals are passed through another tunable BPF (D35, D36, L53, L62, L69, L73, C142, C154, C199) and another band switch (D44), and then applied to the 1st mixer (IC14, pins 4, 5).

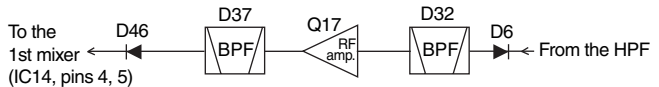
<50–150 MHz>



#### • 150–350 MHz

The received signals 150–350 MHz are passed through the band switch (D6) and BPF (D32, L10, L12, L34, L37, L39, C40, C42, C45, C50, C82, C114, C117), and applied to the RF amplifier (Q17). The amplified signals are passed through another BPF (D37, L56, L67, L71, C155, C167, C183, C195) and another band switch (D46), and then applied to the 1st mixer (IC14, pins 4, 5).

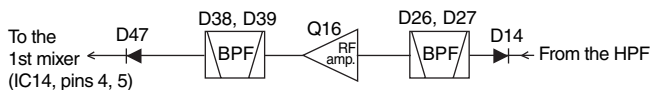
<150–350 MHz>



#### • 350–700 MHz

The received signals 350–700 MHz are passed through the band switch (D14) and BPF (D26, D27, L24, L32, L40, C65, C71, C81, C106), then applied to the RF amplifier (Q16). The amplified signals are passed through another BPF (D38, D39, L54, L64, L74, L78, C144, C172, C211) and another band switch (D47), and then applied to the 1st mixer (IC14, pins 4, 5).

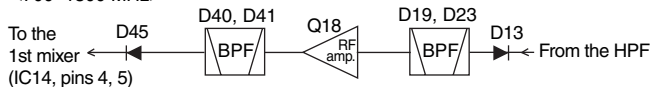
<350–700 MHz>



#### • 700–1300 MHz

The received signals 700–1300 MHz are passed through the band switch (D13) and BPF (D19, D23, D33, D34, L22, L27, L36, L36, L41, L44, C66, C77, C119), then applied to the RF amplifier (Q18). The amplified signals are passed through another BPF (D40, D41, L51, L59, L68, L72, C168, C176, C205) and the band switch (D45), and then applied to the 1st mixer (IC14, pins 4, 5).

<700–1300 MHz>

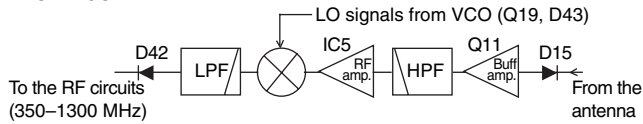


\*MAIN-A UNIT only

• **1300–3300 MHz\***

The 1300–3300 MHz signals from the antenna are applied to the down converter circuit where those signals are converted into the lower frequencies.

<DOWN CONVERTER>



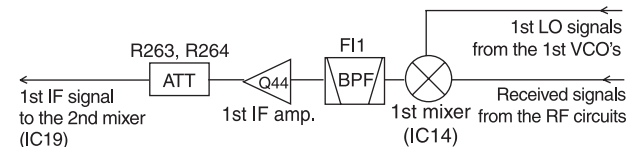
The received signals are applied to the buffer amplifier (Q11) via the band switch (D15). The buffer-amplified signals are applied to the RF amplifier (IC5, pin 1) via HPF (L35, L38, C89, C92, C93, C100, C103). The amplified signals are output from pin 4, and applied to the mixer (IC6, pin 1) and down-converted. The down converted signals are output from pin 6, then applied to the RF circuits via LPF (L66, C190, C193) and band switch (D42). The LO frequencies and converted frequencies are shown as below.

RX frequency	LO frequency	Converted frequency
1300–1700 MHz	1001 MHz	350–700 MHz
1700–2300 MHz	1001 MHz	700–1300 MHz
2300–2700 MHz	2002 MHz	350–700 MHz
2700–3300 MHz	2002 MHz	700–1300 MHz

**4-1-2 1st IF CIRCUITS**

The 1st IF circuits contain a 1st mixer, 1st IF amplifier and 1st IF filter. The 1st IF mixer converts the received signals into a fixed frequency of the 1st Intermediate Frequency (IF) signal. The converted 1st IF signal is filtered at the 1st IF filters, then amplified at the 1st IF amplifier.

<1st IF CIRCUITS>



The converted signals from the RF circuits are applied to the 1st mixer (IC14, pins 4, 5) and converted into the 266.7 MHz 1st IF signal by being mixed with the 1st LO (Local Oscillator) signals from the 1st-VCO's.

The converted IF signal is passed through the 1st IF filter (FI1) to filter out the unwanted signals, then applied to the 1st IF amplifier (Q44). The amplified 1st IF signal is then applied to the 2nd mixer (IC19, pin 4) via attenuator (R263, R264).

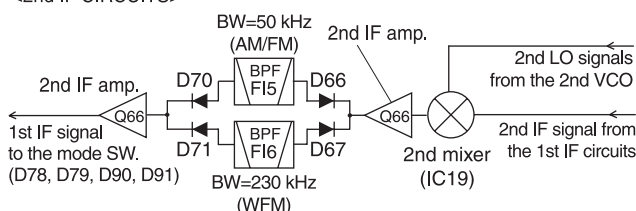
**4-1-3 2nd IF CIRCUITS (MAIN UNIT)**

The 2nd IF circuits contain the 2nd mixer, 2nd IF amplifier and the 2nd IF filters.

The 1st IF signal from the 1st IF circuits is converted into the 10.7 MHz 2nd IF signal by being mixed with the 2nd LO signals from the 2nd-VCO.

The converted 2nd IF signal is applied to the 2nd IF amplifier (Q60). The amplified 2nd IF signal is passed through the 2nd IF filter to filter out the unwanted signals.

<2nd IF CIRCUITS>



In FM or AM mode, the 2nd IF signal is passed through the FI5 (band width=50 kHz) via mode switches (D66, D70),

In WFM mode, the 2nd IF signal is passed through the FI6 (band width=230 kHz) via mode switches (D67, D71).

The filtered 2nd IF signal is applied to the 2nd IF amplifier (Q66). The amplified 2nd IF signals are then applied to the 3rd IF and demodulation circuits.

**4-1-4 NOISE BLANKER CIRCUIT**

The noise blanker (NB) circuit reduces pulse type noises in the received signals. When the received signals contain pulse type noise components, the NB circuit reduces the noisy AF signals by cutting off the 2nd IF line.

In AM, SSB or CW mode and the NB function is activated, a portion of the 2nd IF signal from the band switch (D70, D71) is amplified at NB amplifier (Q68) and applied to the IF IC (IC16, pin 2).

When the 2nd IF signal contains a pulse noise, the RSSI signal corresponding to the pulse noise level is output from pin 17. The output RSSI signal turns Q49 ON and Q65 turns OFF, thus the Q66 is inactivated and the 2nd IF signal is cut off.

**4-1-5 3rd IF AND DEMODULATOR CIRCUITS (MAIN-A/B UNIT)**

The 2nd IF signal is converted into the 3rd IF signal (except WFM mode) and demodulated in the IF IC. The IF IC contains a 3rd mixer, limiter amplifier, quadrature detector, etc. in its package.

In FM mode, the 2nd IF signal from the 2nd IF amplifier (Q66) is applied to the IF IC (IC24, pin 16) via mode switch (D78) and IF gain control circuit (D97).

The applied 2nd IF signal is converted into the 3rd IF signal by being mixed with 3rd LO signal from the TCXO (X1), at the 3rd mixer in the IF IC (IC24). The converted 3rd IF signal is output from pin 3 and applied to the 3rd IF amplifier (Q62). The amplified 3rd IF signal is passed through one of the 3rd IF filter according to the receiving mode.

The filtered 3rd IF signal is applied to the limiter amplifier (IC24, pin 5), then applied to the demodulator circuit (pin 10, X2) and FM-demodulated. The FM-demodulated AF signals are output from pin 9, then applied to the AF circuits.

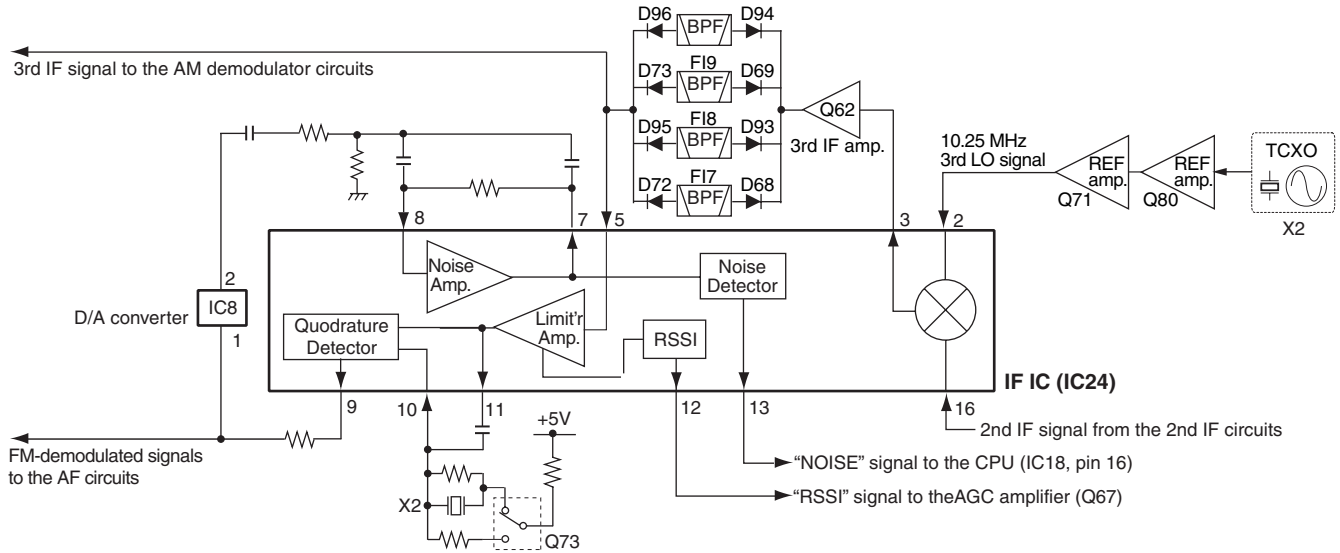
In AM and CW mode, the 3rd IF signal from the 3rd IF filter is applied to the 3rd IF amplifier (Q61). The amplified 3rd IF is applied to the AM demodulator circuit (D75) via the buffer amplifier (Q63). The AM-demodulated AF signals are applied to AF circuits via the AF selector (IC27, pins 3, 4).

In SSB mode, the 3rd IF signal from the buffer amplifier (Q63) are applied to the AF mixer (IC23, pin 6) and converted into the AF signal by being mixed with the 447.3–452.7 kHz BFO signal from the DDS circuits. The converted audio signals are applied to the AF selector (IC27, pin 1) after being filtered at the HPF (IC31, pins 1, 4).

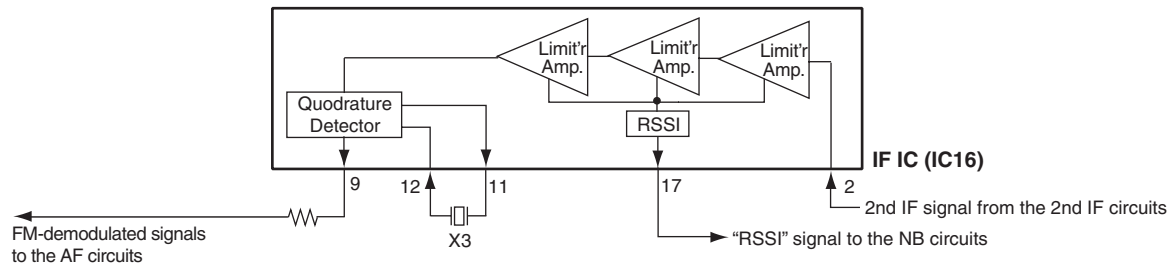
In WFM mode, the 2nd IF signal is applied to the IF IC (IC16, pin 2) via the 2nd IF amplifier (Q66) and mode switch (D90, D91). The 2nd IF signal is amplified at the limiter amplifier, then applied to the demodulator circuit (pins 11, 12, X2) and FM-demodulated. The FM-demodulated AF signals are output from pin 8, then applied to the AF circuits via the AF selector (IC27, pins 8, 9).

\*MAIN-A UNIT only

<3rd IF AND DEMODULATOR CIRCUITS (FM)>



<2nd IF AND DEMODULATOR CIRCUITS (WFM)>



**4-1-6 AF CIRCUITS (LOGIC UNIT)**

The demodulated AF signals from the demodulator circuits are amplified and filtered in the AF circuits.

In FM mode, the demodulated AF signals from the demodulator circuits are passed through the AF select switch (IC4, pins 1, 7) and BPF (IC27, pins 1, 3 and 5, 7), then applied to the AF amplifier (Q18).

In other than FM mode, the demodulated AF signals from the demodulator circuits are passed through the AF select switch (MAIN-A/B; UNIT ;IC27, pins 8, 9; WFM, pins 3, 4; AM, pins 1, 2; SSB), then applied to the AF amplifier (Q18).

The amplified AF signal are applied to the electric volume (IC17, pins 6, 7) for level adjustment. The level adjusted AF signals are passed through the speaker mute switch (Q12, D8) and applied to the AF power amplifier (IC12, pin 1). The power-amplified AF signals are applied to the internal speaker via J1 (J6) or an external speaker/ear phone via the phone switch (S1), attenuator (R19, R20) and J1 (J6).

In the USB (Universal Serial Bus) audio output mode, the AF signals from the AF amplifier (Q18) are applied to another AF amplifier (Q15). The amplified AF signals are passed through the USB audio selector (IC2038, pins 1, 3), then applied to the USB audio IC (IC16, pin 12) then converted into the USB audio data. The converted audio data is applied to the connected PC via the USB HUB (IC32, pins 5, 6 and 2, 3).

**4-1-7 SQUELCH CIRCUIT**

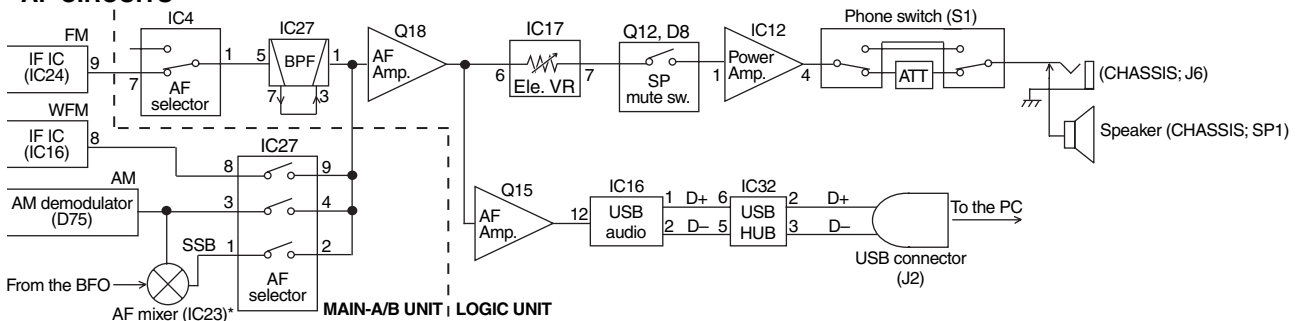
• **NOISE SQUELCH (MAIN-A/B UNITS)**

The noise squelch mutes the AF output signals when no RF signals are received. By detecting noise components in the demodulated AF signals, the squelch circuit toggles the AF power amplifier ON and OFF.

A portion of the demodulated signals from the IF IC (IC24, pin 9) are applied to the D/A converter (IC8, pin 1) for level adjustment. The level-adjusted AF signals are output from pin 2, and passed through the noise filter (R421, R417, C520, C523). The filtered noise signals are then applied to the noise amplifier (IC24, pins 7, 8) to be amplified noise components only.

The amplified noise components are converted into the

• **AF CIRCUITS**



\*MAIN-A UNIT only

pulse-type signal at the noise detector section, and output from pin 13 as the “NOIS” signal. The “NOIS” signal is applied to the CPU (IC18, pin 16). And the CPU outputs control signals “LSTB,” “VDAT,” “VCK” from pins 61, 57, 58, to the expander (IC34) according to the “NOIS” signal level. Then the expander outputs “SPPWR” signal from pin 7 to toggle the AF+8V regulator (Q5, Q8) ON and OFF.

The expander also outputs “SPMUTE” signal to the speaker switch (Q12, D28) at the same time, to disconnect the AF line.

#### • TONE SQUELCH (LOGIC UNIT)

The tone squelch detects the tone (CTCSS/DTCS) signal in the demodulated AF signals, and opens the squelch only when the matched sub-audible tone frequency is detected in the received signal.

While the tone squelch is in use, and the received signal contains no sub-audible tone or mismatched tone frequency, the tone squelch mutes the AF signals even if the noise squelch is open.

A portion of the demodulated AF signals from the IF IC (MAIN-A/B; IC24, pin 9) are passed through the tone filter (IC21/IC2021, pins 5, 7) to suppress unwanted voice signals. The filtered tone signals are applied to the CPU (IC18, pin 93/85).

The CPU decodes the CTCSS/DTCS signal, and outputs control signals “LSTB,” “VDAT,” “VCK” from pins 61, 57, 58, to the expander (IC34) according to the applied CTCSS/DTCS signal. Then the expander outputs “SPPWR” signal from pin 7 to toggle the AF+8V regulator (Q5, Q8) ON and OFF.

The expander also outputs “SPMUTE” signal to the speaker switch (Q12, D28) at the same time, to disconnect the AF line.

#### 4-1-8 BANDSCOPE CIRCUITS\* (MAIN-A UNIT)

A portion of the 2nd IF signal from the 2nd mixer (IC19, pin 5) is applied to the IF IC (IC20, pin 16) via the 2nd IF filter (FI2). The 2nd IF signal is converted into the 3rd IF signal by being mixed with 3rd LO signal from the DDS circuits, at the 3rd mixer in the IF IC (IC20). The converted 3rd IF signal is output from pin 3 and passed through the 3rd IF filter FI4. The filtered signal is amplified at the limiter amplifier in the IC to produce the RSSI signal which corresponding to the received signal level.

The RSSI signal “SCAD” is output from pin 12, and applied to the CPU (IC18, pin 89). The CPU converts the RSSI signal into the digital signal, and outputs to connected PC via USB HUB (IC32, pins 19, 20 and 2, 3) to indicate the received signal level for bandscope function on the PC screen.

## 4-2 PLL CIRCUITS

### 4-2-1 VCO CIRCUITS (MAIN-A/B UNITS)

#### DOWN CONVERTER VCO\*

The down converter VCO (Q19, D43) generates the 1001 MHz LO signals for down conversion.

The VCO output signals are buffer amplified by Q13, and applied to the mixer (IC6, pin 3) for frequency down-conversion, via the band switches (D11, D12, D21, D22).

When the receiving 2000 MHz and above, the VCO outputs are doubled by being passed through the HPF (L23, C61, C69, C75), and applied to the mixer (IC6, pin 3) as the 2002 MHz LO signals via the band switches (D12, D22).

#### • 1st VCO's

The 1st VCO is composed by two VCO's; as the 1st LO signal generator for 0.01–483.29 MHz and 483.3–3300 MHz reception range.

#### [When receiving 0.01–265.6999 MHz signals]

##### -1st VCO 1 (Q28, D53)-

Generates 532.4–749.95 MHz LO signals. The VCO output signal is buffer-amplified by Q27. The buffer amplified signals are passed through the LO switch (D58) and buffer amplifier (IC15, pins 1, 4).

##### -1st VCO 2 (Q30, D54)-

Generates 750–1066.65 MHz LO signals. The VCO output signal is buffer-amplified by Q29. The buffer amplified signals are passed through the LO switch (D59) and buffer amplifier (IC15, pins 1, 4).

The buffer amplified VCO output signals from pin 4 of IC15 are passed through the attenuator (R137, R138, R152), LO switch (D57) and another attenuator (R153, R154, R156), and applied to the 1/2 frequency divider (IC11, pin 2). The divided LO signals are buffer-amplified by Q34, and then passed through the HPF (L113, C316, C321), LPF (L115, L118, C326, C322), LO switch (D85) and attenuator (R214, R217, R226), before being applied to the 1st mixer (IC14, pins 1, 6).

#### [When receiving 266.7–33000 MHz signals]

##### -1st VCO 1 (Q28, D53)-

Generates 532.4–749.95 MHz LO signals. The VCO output signal is buffer-amplified by Q27. The buffer amplified signals are passed through the LO switch (D58) and buffer amplifier (IC15, pins 1, 4).

##### -1st VCO 2 (Q30, D54)-

Generates 750–1066.65 MHz LO signals. The VCO output signal is buffer-amplified by Q29. The buffer amplified signals are passed through the LO switch (D59) and buffer amplifier (IC15, pins 1, 4).

The buffer amplified VCO output signals from pin 4 of IC15 are passed through the attenuator (R137, R138, R152) and LO switches (D60, D84) and BPF (L107, L108, C276, C278, C288, C292, C298), before being applied to the 1st mixer (IC14, pins 1, 6).

#### • 2nd VCO

The 2nd VCO (Q47, D62, D63) generates the LO signals for producing 2nd IF signal. The oscillated signals are buffer amplified by Q50, and applied to the 2nd mixer (IC19, pin 1) via LPF (L158, C456, C459, C462) and attenuator (R276).

### 4-2-2 PLL CIRCUITS (MAIN-A/B UNIT)

The PLL circuits provide stable oscillation of the receive LO frequencies. The PLL circuit compares the phase of the divided VCO frequency with the reference frequency. The PLL output frequency is controlled by the divided ratio (N-data) from the CPU.

#### • DOWN CONVERTER PLL\*

A portion of the VCO output signals are amplified at the buffer amplifier (Q14) and then applied to the PLL IC (IC4, pin 8). The applied signals are divided at the prescaler and programmable counter according to the N-data “DAT1” from the expander (IC3, pin 2) controlled by the CPU (LOGIC UNIT; IC18). The divided signal is phase compared with the reference frequency from the reference amplifier (Q5) at the phase comparator.

The phase difference is output from pin 5 as a pulse type signal after being passed through the internal charge pump. The output signal is applied to the VCO (Q19, D43) after being converted into the DC voltage (lock voltage) at the loop filter (R84, R102, R106, C180, C188, C202, C645, C646).

• **1st PLL**

**-1st VCO 1 (Q28, D53)-**

A portion of the VCO output signals from the buffer amplifier (IC12, pin 4) are applied to the PLL IC (IC10, pin 8) via the buffer amplifier (Q39). The applied signals are divided at the prescaler and programmable counter according to the N-data "DAT1" from the expnader (IC7, pin 2) controlled by the CPU (IC18). The divided signal is phase compared with the reference frequency at the phase comparator.

The phase difference is output from pin 5 as a pulse type signal after being passed through the internal charge pump. The output signal is applied to the VCO (Q27, Q28, D52, D53) after being converted into the DC voltage (lock voltage) at the loop filter (Q35, Q36).

**-1st VCO 2 (Q30, D54)-**

A portion of the VCO output signals from the buffer amplifier (IC12, pin 4) are applied to the PLL IC (IC10, pin 8) via the buffer amplifier (Q39). The applied signals are divided at the prescaler and programmable counter according to the N-data "DAT1" from the expnader (IC7, pin 2) controlled by the CPU (IC18). The divided signal is phase compared with the reference frequency at the phase comparator.

The phase difference is output from pin 5 as a pulse type signal after being passed through the internal charge pump. The output signal is applied to the VCO (Q27, Q28, D52, D53) after being converted into the DC voltage (lock voltage) at the loop filter (Q35, Q36).

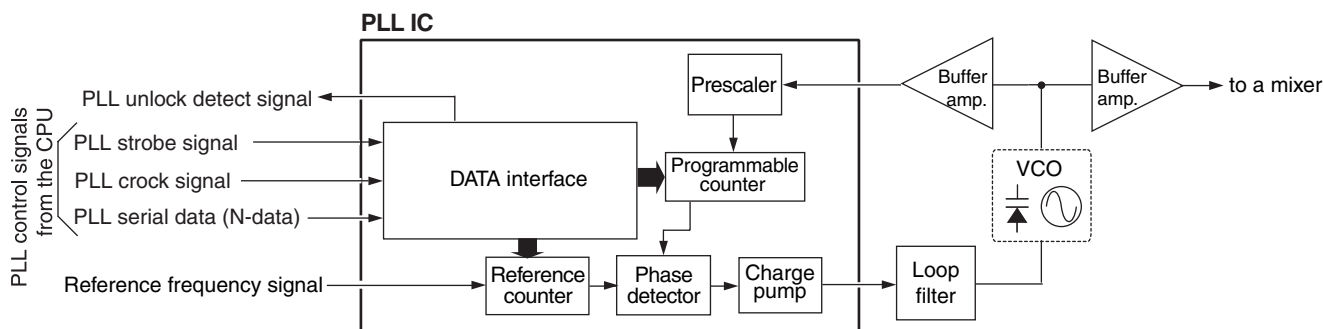
• **2nd PLL**

A portion of the VCO (Q47, D62, D63) output signals from the buffer (Q50) are applied to the PLL IC (IC13, pin 11) via the buffer (Q41). The applied signals are divided at the prescaler and programmable counter according to the N-data "DAT1" from the expnader (IC3, pin 2) controlled by the CPU (IC18). The divided signal is phase compared with the reference frequency from the reference amplifier (Q31) at the phase comparator.

The phase difference is output from pin 5 as a pulse type signal after being passed through the internal charge pump. The output signal is applied to the VCO (Q47, D62, D63) after being converted into the DC voltage (lock voltage) at the loop filter (R235, R238, C354, C355, C362).

If the oscillated signal drifts, its phase changes from that of the reference frequency, causing a lock voltage change to compensate for the drift in the oscillated frequency.

<THE CONCEPT OF PLL CIRCUITS>



**4-3 DIGITAL MODE OPERATION WITH UT-122†**

A portion of the 450 kHz 3rd IF signal from IF IC (MAIN-A UNIT; IC24, pin 13) is applied to the LOGIC UNIT via the IF amplifier (MAIN-A UNIT; Q76, Q77). The applied 3rd IF signal is passed through the IF switch (LOGIC UNIT; IC2028, pins 1, 7) and buffer amplifier (LOGIC UNIT; Q2023), then applied to the attached UT-122 via J2017 (pin 11).

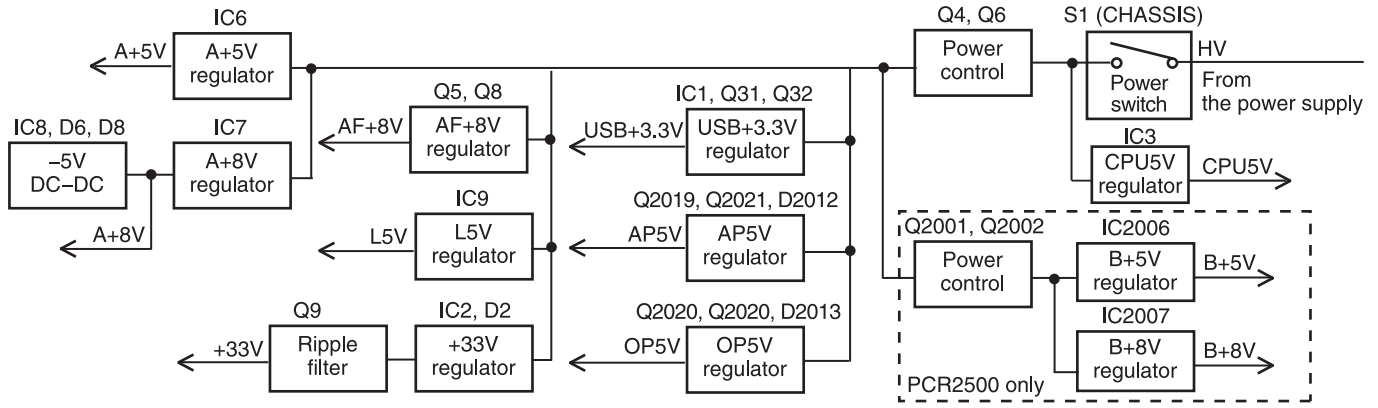
The applied 3rd IF signal is passed through the IF filter (UT-122; FI1) to remove unwanted signals, and applied to the A/D converter (UT-122; IC8, pin 3) to be converted into the digital signal via BPF. The converted digital signal is then applied to the DSP (Digital Signal Processor; IC7) and demodulated. The demodulated signal is then applied to the liner codec (UT-122; IC9) to be converted in to the analog audio signals.

The converted audio signals are applied to the same AF circuits as analog receiving from the AF switch (IC23, pin 7).

†Optional product (DIGITAL UNIT for PCR2500; [USA-3])

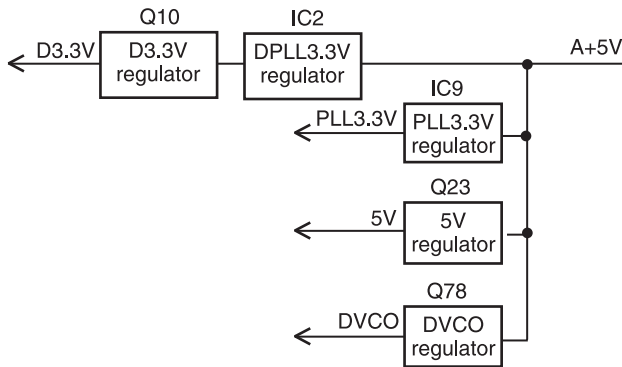
# 4-4 POWER SUPPLY CIRCUITS

<LOGIC UNIT>



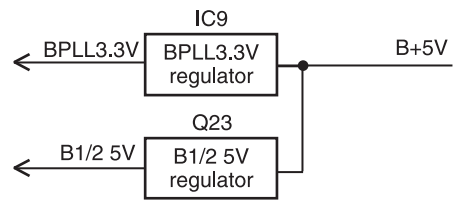
VOLTAGE LINE	DESTINATION	VOLTAGE LINE	DESTINATION
HV	Same voltage as the connected power supply.	AP5V	Optional UT-122.
AF+8V	AF power amplifier (IC12).	OP5V	Optional UT-108/UT-118.
L5V	Electric volume (IC17), tone filter (IC21), AF switch (IC4, IC23), etc.	A+5V	MAIN-A UNIT.
+33V	Loop filter (MAIN-A/B UNITS; Q35, Q36).	A+8V	
USB3.3V	USB HUB (IC20, IC32), USB audio IC (IC16).	-5V	AGC amplifier (MAIN UNIT; IC25).

<MAIN-A UNIT>



VOLTAGE LINE	DESTINATION
DPLL3.3V	Down converter circuit; PLL IC (IC4).
D3.3V	Down converter circuit; mixer (IC6), RF amplifier (IC15), etc.
PLL3.3V	1st and 2nd PLL circuits; PLL IC (IC10, IC13).
5V	Divider (IC11), reference oscillator (X1), etc.
DVCO5V	Down converter circuit; VCO (Q19, D43), buffer (Q14), etc.

<MAIN-B UNIT\*>



VOLTAGE LINE	DESTINATION
BPLL3.3V	1st and 2nd PLL circuits; PLL IC (IC10, IC13).
B1/2 5V	Divider (IC11).

\*PCR2500 only

## 4-5 CPU PORT ALLOCATION

### 4-5-1 CPU (LOGIC UNIT; IC18)

Pin No.	PORT NAME	DESCRIPTION
4	BMST2	Outputs strobe signal to the expander (MAIN-B UNIT; IC18, pin1).
5	BCK	Outputs clock signal to the expander (MAIN-B UNIT; IC17, pin 3).
8	BMST1	Outputs strobe signal to the expander (MAIN-B UNIT; IC3, pin1).
9	CSHIFT	Outputs clock frequency shift signal to the clock shift circuit (D6).
16	NOIS	Input port for "NOIS" signal from the IF IC (MAIN-A UNIT; IC24, pin 13).
17	BNOIS	Input port for "BNOISE" signal from the IF IC (MAIN-B UNIT; IC24, pin 13).
18	PWRSW	Input port for power witch (CHASSIS; S1). "Low"=While the power switch is turned.
19	BMST3*	Outputs strobe signal to the expander (MAIN-B UNIT; IC17, pin 1).
20	CCS	Outputs optional unit select signal to the attached optional unit via the pin 20 of J2018. "High"=While the optional unit is attached.
21	BP1STB*	Outputs PLL strobe signla to the 1st PLL IC (MAIN-B UNIT; IC10, pin 11).
22	BP2STB*	Outputs PLL strobe signla to the 2nd PLL IC (MAIN-B UNIT; IC13, pin 13).
23	BDSTB*	Outputs strobe signal to the D/A converter (MAIN-B; IC8, pin 6).
27	PDIN	Input port for USB data.
28	PDOUT	Outputs USB data.
31	SCL	Outputs clock signal to the EEPROM (IC14, pin 5).
33	OPSO	Output serial data to the attached optional unit via the pin 18 of J2018.
34	OPSI	Input port for serial data from the attached optional unit via the pin17 of J2018.
35	OPSK	Outputs clock signal to the Attached optional unit via the pin 16 of J2018.
36	AIRQ	Input port for data request signal from the attached UT-122 via the pin 19 of the J2017.
37	ASTB	Outputs strobe signal to the attached UT-122 via the pin 20 of the J2017.
38	ASI	Input port for serial data from the attached UT-122 via the pin 17 of the J2017.
39	ASO	Outputs serial data to the attached UT-122 via the pin 18 of the J2017.
40	ACK	Outputs clock signal to the attached UT-122 via the pin 16 of the J2017.
41	DSPS	Outputs DSP select signal to the attached DSP unit via pin 7 of J15.
42	IMST	Outputs DSP strobe signal to the attached DSP unit via pin 3 of J15.
43	BUSY	Outputs busy signal to the attached optional unit via pin 7 of J7.
44	SDL	I/O port for EEPROM (IC14, pin 6).
45	OPAFSEL	Outputs control signal to the AF switch (IC23, pin 5). "High"=While the optional unit is activated.
46	OPAFINH	Outputs control signal to the AF switch (IC23, pin 2). "High"=The AF line for the optional unit is disconnected.
47	BOPAFSEL*	Outputs control signal to the AF switch (IC2031, pin 5). "High"=While the optional unit is activated.
48	BOPAFINH*	Outputs control signal to the AF switch (IC2031, pin 2). "High"=The AF line for the optional unit is disconnected.

Pin No.	PORT NAME	DESCRIPTION
49	RXMUTE	Input port for mute signal from the attached optional unit via the pin 24 of J2018. "High"=While the audio output is muted.
53	APAFSEL	Outputs control signal to the AF switch (IC4, pin 5). "High"=While the UT-122 is in use.
54	APAFINH	Outputs control signal to the AF switch (IC4, pin 2). "High"=While the attached UT-122 is inactivated.
57	VDAT	Outputs serial data to the electric volume (IC17, pin 16).
58	VCK	Outputs clock signal to the electric volume (IC17, pin 15).
59	VSTB	Outputs strobe signal to the electric volume (IC17, pin 14).
61	LSTB	Outputs strobe signal to the expander (IC34, pin 1).
64	PWR	Outputs control signal to the power controller (Q4, Q6). "High"=While the receivers power is ON.
65	DTMSTD	Input port for detecting signal from the DTMF decoder (IC19, pin 14). "High"=When the DTMF signal is detected.
66	DTMSD	Input port for DTMF signal from the DTMF decoder (IC19, pin 9).
67	DTMCK	Outputs clock signal from the DTMF decoder (IC19, pin 11).
70	PDSTB	Outputs strobe signal to the DDS IC (MAIN-A UNIT; IC22, pin 41).
73	VBUS	Input port for USB connection detecting signal from the VBUS line. "High"=While a PC is connected through [USB] connector on the receiver's main unit.
75	DSTB	Outputs strobe signal to the D/A converter (MAIN-A; IC8, pin 6).
76	P2STB	Outputs strobe signal to the 2nd PLL IC (MAIN-A UNIT; IC13, pin 13).
77	P1STB	Outputs strobe signal to the 1st PLL IC (MAIN-A UNIT; IC12, pin 11).
78	DPSTB	Outputs strobe signal to the down converter PLL IC (MAIN-A UNIT; IC4, pin 11).
79	MST0	Outputs strobe signal to the expander (MAIN-A; IC3, pin 1).
80	MST1	Outputs strobe signal to the expander (MAIN-A; IC18, pin 1).
81	MST2	Outputs strobe signal to the expander (MAIN-A; IC3, pin 1).
82	BCMAD*	Input port for RSSI signal from the RSSI signal selector (MAIN-A; IC30, pin 1).
83	BVSCAF*	Input port for VSC signal from the tone filter (IC2021, pin 7).
85	BRTONE*	Input port for CTCSS signals from the tone filter (MAIN-B UNIT; IC21, pin 1).
86	BSMAD*	Inputport for RSSI signal from the IF IC (MAIN-A/B UNITS; IC16, pin 13).
88	TEMP	Input port for internal temperature detection.
89	SCAD	Input port for RSSI signal from the IF IC (MAIN-A/B UNITS; IC20, pin 5) for band scope function.
90	CMAD	Input port for RSSI signal from the IF IC (MAIN-A UNIT; IC30, pin 1) for AFC function.
91	VSCAF	Input port for VSC signal from the tone filter (IC21, pin 1).
93	RTONE	Input port for CTCSS signals from the tone filter (MAIN-A UNIT; IC21, pin 7).
98	USBPOW	Outputs voltage line control signal to the 3.3V regulator (IC1, Q31, Q32, Q33). "High"=During in the USB audio mode.

\*PCR2500 only



# SECTION 5 ADJUSTMENT PROCEDURES

## 5-1 PREPARATION

When adjusting IC-PCR1500/PCR2500, controller for the R1500/R2500 and JIG cable (see the illust below) are required.

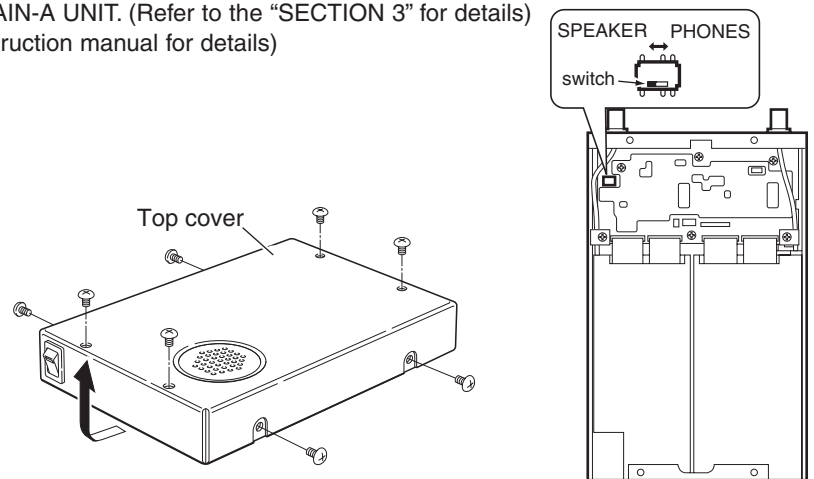
### REQUIRED TEST EQUIPMENTS

EQUIPMENT	GRADE AND RANGE	EQUIPMENT	GRADE AND RANGE
Standard signal generator (SSG)	Frequency range : 0.1–3300 MHz Output level : 0.1 $\mu$ V to 32 mV (–127 to –17 dBm)	AC milliwattmeter	Measuring range : 10 $\mu$ W to 100 mW
Frequency counter	Frequency range : 0.1–30 MHz Frequency accuracy: $\pm$ 1 ppm or better Sensitivity : 100 mV or better	External speaker	Input impedance : 8 $\Omega$ Capacity : More than 5 W

**CAUTION!**: BACK UP the originally programmed memory data in the receiver before starting the adjustment.  
There is possibility of losing original memory data when the adjustment is finished.

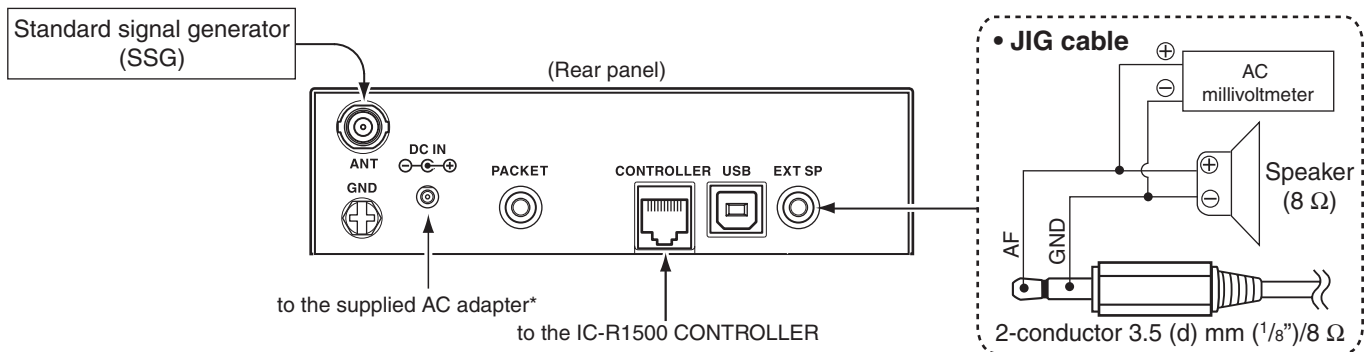
### Before starting adjustment:

- Remove the top cover and shield cover on the MAIN-A UNIT. (Refer to the “SECTION 3” for details)
- Set the AF switch to “PHONES.” (Refer to the instruction manual for details)

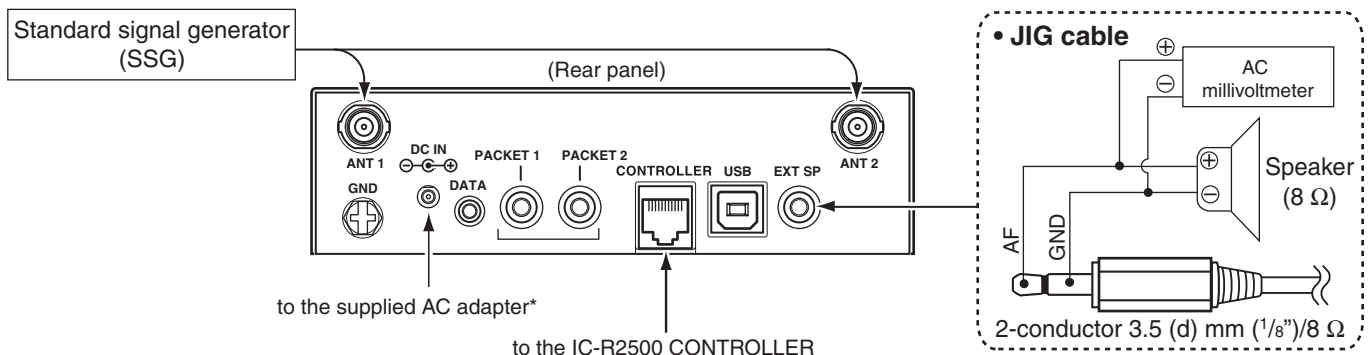


### CONNECTION

<FOR IC-PCR1500 ADJUSTMENT>



<FOR IC-PCR2500 ADJUSTMENT>



\*; Optional product for [UK].

<FOR IC-PCR1500 ADJUSTMENT>

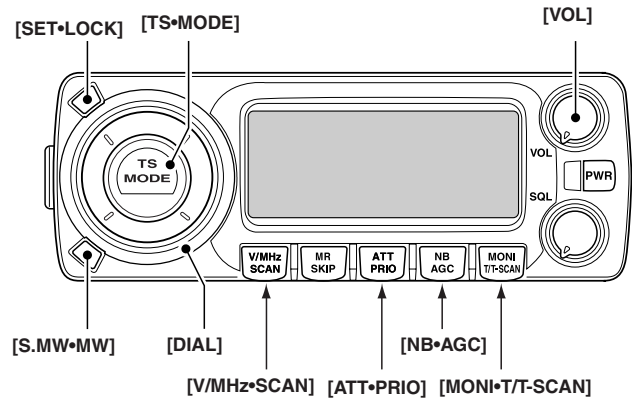
■ ENTERING ADJUSTMENT MODE

- ① Set the direction of the [VOL] to 12 o'clock (11–1 o'clock).
- ② Push and hold [TS•MODE]+[ATT•PRIO]+[NB•AGC] +[MONI•T/T-SCAN] key, and turn the power switch (MAIN UNIT) ON.

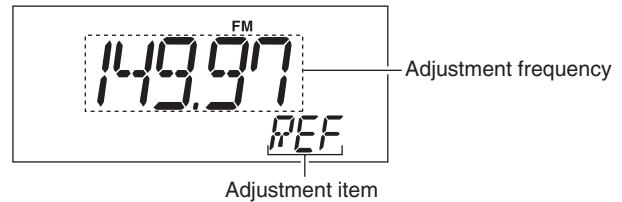
■ KEY ASSIGNMENTS FOR THE ADJUSTMENT MODE

- [SET•LOCK] : Selects the next adjustment item.
- [S.MW•MW] : Selects the previous adjustment item.
- [DIAL] : Adjusts the value for the item manually.
- [TS•MODE] : Adjusts the value for the item automatically. Stores the set value.
- [V/MHz•SCAN] : Verify the adjustment value for the item.
- [VOL] : Adjust the audio output level.

• CONTROLLER



• DISPLAY EXAMPLE



<FOR IC-PCR2500 ADJUSTMENT>

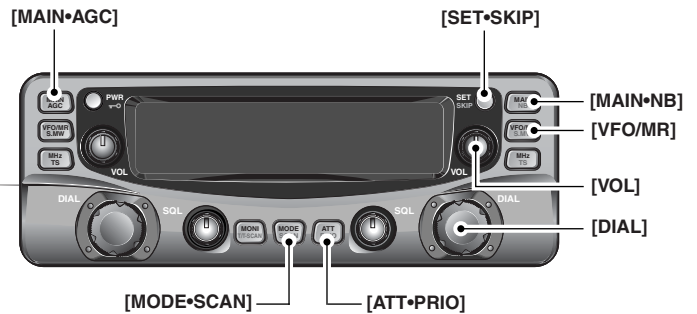
■ ENTERING ADJUSTMENT MODE

- ① Set the direction of the [VOL] (Right) to 12 o'clock (11–1 o'clock).
- ② Push and hold [MAIN•NB]+[MAIN•AGC]+[ATT•PRIO] +[MODE•SCAN] key, and turn the power switch (MAIN UNIT) ON.

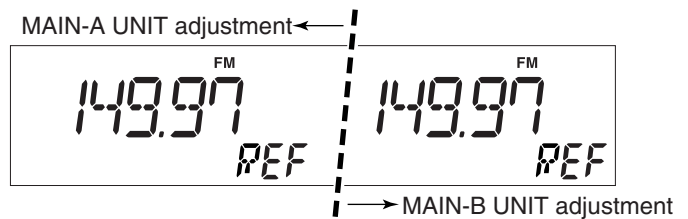
■ KEY ASSIGNMENTS FOR THE ADJUSTMENT MODE

- [MAIN•NB] : Selects the next adjustment item.
- [VFO/MR•S.MW] (Right band) : Selects the previous adjustment item.
- [DIAL] (Right band) : Adjusts the value for the item manually.
- [SET•SKIP] : Adjusts the value for the item automatically. Stores the set value.
- [ATT•PRIO] : Verify the adjustment value for the item.
- [VOL] (Right band) : Adjust the audio output level.

• CONTROLLER



• DISPLAY EXAMPLE



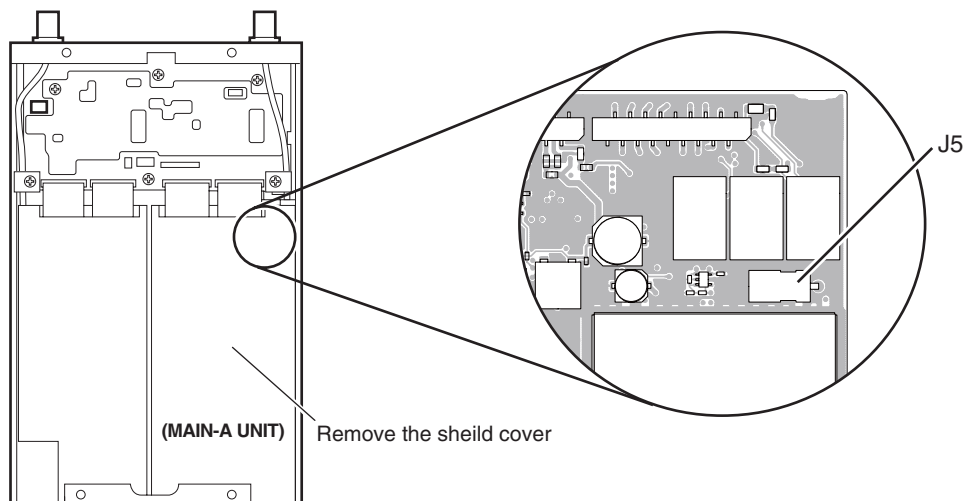
## 5-2 MAIN-A UNIT ADJUSTMENT

ADJUSTMENT	OPERATION	VALUE
REFERENCE FREQUENCY [REF] <i>REF</i>	1 • Connect a frequency counter to the J5 connector on the MAIN-A UNIT (see the illust below).	10.25000 MHz
	2 • Push [TS•MODE]/[SET•SKIP] to store the set value.	
BPF [LT1]–[HTF] <i>LT1-HTF</i>	1 • Preset the adjustment items as below before the “BPF” adjustment. [AGA] : “8A” [IFA] : “25”	Automatic adjustment
	2 • Connect an SSG to the antenna connector “ANT1” and set as; Frequency : Specified frequency* Modulation : none Level : Specified level†	
	3 • Push [TS•MODE]/[SET•SKIP] to store the adjustment value.	
	4 • Repeat 2–3 for each specified frequency and level for [LT1] to [HTF].	
AGC GAIN (FM) [AGF] <i>AGF</i>	1 • Connect an SSG to the antenna connector and set as; Frequency : Specified frequency* Mode : FM Modulation : 1 kHz Deviation : 3.5 kHz Level : +34 dBμ (–73 dBm)‡	50 mW
	2 • Connect a speaker and milliwatt meter then set the audio output level to 50 mW with [VOL].	
	3 • Push [SET•LOCK]/[MAIN•NB] to select next adjustment item.	
(AM) [AGA] <i>AGA</i>	4 • Set the SSG as; Frequency : Specified frequency* Mode : AM Modulation : 1 kHz Deviation : 70% Level : +34 dBμ (–73 dBm)‡	50 mW
	5 • Set the audio output level to 50 mW with [DIAL]. • Verify that the demodulated audio signals are not distorted badly.	
	6 • Push [TS•MODE]/[SET•SKIP] to store the adjustment value.	
IF GAIN (FM) [IFF] <i>IFF</i>	1 • Set the SSG as; Level : OFF	50 mW
	2 • Connect a speaker and milliwatt meter then set the audio output level to 50 mW with [VOL].	
	3 • Push [SET•LOCK]/[MAIN•NB] to select next adjustment item.	
(AM) [IFA] <i>IFA</i>	4 • Set the audio output level to 80 μW with [DIAL].	80 μW
	5 • Push [TS•MODE]/[SET•SKIP] to store the adjustment value.	

†Refer to the “ADJUSTMENT ITEM LIST” on page 5-7.

‡The output level of the standard signal generator (SSG) is indicated as the SSG's open circuit.

\*Displayed on the controller's display.



## 5-2 MAIN-A UNIT ADJUSTMENT (continued)

ADJUSTMENT	OPERATION	VALUE
S-METER [NS0]–[WS6]  <i>n50 - w56</i>	1 • Set the SSG as; Frequency : Specified frequency* Modulation : None Level : Specified level <sup>†</sup>	Automatic adjustment
	2 • Push <b>[TS•MODE]/[SET•SKIP]</b> to store the adjustment value.	
	3 • Repeat 1–2 for each specified frequency and value for [NS0] to [WS6].	
S-METER FLATNESS [L1]–[LEH]  <i>L1 - LEH</i>	1 • Set the SSG as; Frequency : Specified frequency* Modulation : None Level : Specified level <sup>†</sup>	Automatic adjustment
	2 • Push <b>[TS•MODE]/[SET•SKIP]</b> to store the adjustment value.	
	3 • Repeat 1-2 for each specified frequency and value for [L1] to [LEH].	
BAND SCOPE [SC0]–[SC6]  <i>SC0 - SC6</i>	1 • Set the SSG as; Frequency : Specified frequency * Modulation : None Level : Specified level <sup>†</sup>	Automatic adjustment
	2 • Push <b>[TS•MODE]/[SET•SKIP]</b> to store the adjustment value.	
	3 • Repeat 1–2 for each specified frequency and value for [SC0] to [SC6].	
CENTER METER [CML] (LOW)  <i>CnL</i>	1 • Set the SSG as; Frequency : 3 kHz lower than specified frequency* Modulation : None Level : +34 dB $\mu$ (–73 dBm) <sup>‡</sup>	Automatic adjustment
	2 • Push <b>[TS•MODE]/[SET•SKIP]</b> to store the adjustment value.	
[CMH] (HIGH)  <i>CnH</i>	1 • Set the SSG as; Frequency : 3 kHz higher than specified frequency* Modulation : None Level : +34 dB $\mu$ (–73 dBm) <sup>‡</sup>	
	2 • Push <b>[TS•MODE]/[SET•SKIP]</b> to store the adjustment value.	
SQUELCH [SQL]  <i>SQL</i>	1 • Set the SSG as; Frequency : Specified frequency* Mode : FM Modulation : 1 kHz Deviation : 3.5 kHz Level : –13 dB $\mu$ (–120 dBm) <sup>‡</sup>	Automatic adjustment
	2 • Set the [SQL] value to close the squelch with [DIAL]. Then set the [SQL] value at the point where the audio signals just appear.	
	3 • Turn the SSG output OFF, and verify that the squelch is closed.	
	4 • Push <b>[TS•MODE]/[SET•SKIP]</b> to store the adjustment value.	
RSSI [RS0]–[RS6]  <i>RS0 - RS6</i>	1 • Set the SSG as; Frequency : Specified frequency* Modulation : None Level : Specified level <sup>†</sup>	Automatic adjustment
	2 • Push <b>[TS•MODE]/[SET•SKIP]</b> to store the adjustment value.	
	3 • Repeat 1–2 for each specified frequency and value for [RS0] to [RS6].	
RSSI FLATNESS [R5L]–[R8H]  <i>RSL - R8H</i>	1 • Set the SSG as; Frequency : Specified frequency* Modulation : None Level : Specified level <sup>†</sup>	Automatic adjustment
	2 • Push <b>[TS•MODE]/[SET•SKIP]</b> to store the adjustment value.	
	3 • Repeat 1–2 for each specified frequency and value for [R5L] to [R8H].	

<sup>†</sup>Refer to the “ADJUSTMENT ITEM LIST” on page 5-7.

<sup>‡</sup>The output level of the standard signal generator (SSG) is indicated as the SSG's open circuit.

\*Displayed on the controller's display.

### 5-3 MAIN-B UNIT ADJUSTMENT (PCR2500 only)

ADJUSTMENT	OPERATION	VALUE
BPF [LT1]–[HTF]  <i>LT1-HTF</i>	1 • Set the adjustment items as below before the “BPF” adjustment. [AGA] : “8A” [IFA] : “25”	Automatic adjustment
	2 • Connect an SSG to the antenna connector “ANT1” and set as; Frequency : Specified frequency* Modulation : none Level : Specified level†	
	3 • Push <b>[SET•SKIP]</b> to store the set value.	
	4 • Repeat 2–3 for each specified frequency then level for [LT1] to [HTF].	
AGC GAIN (FM) [AGF]  <i>AGF</i>	1 • Connect an SSG to the antenna connector and set as; Frequency : Specified frequency* Mode : FM Deviation : 3.5 kHz Level : +34 dBμ (–73 dBm)‡ Modulation : 1 kHz	50 mW
	2 • Connect a speaker and milliwatt meter and set the audio output level to 50 mW with <b>[VOL]</b> .	
	3 • Push <b>[MAIN•NB]</b> to select next adjustment item.	
(AM) [AGA]  <i>AGA</i>	4 • Set the SSG as; Frequency : Specified frequency* Mode : AM Deviation : 70% Level : +34 dBμ (–73 dBm)‡ Modulation : 1 kHz	50 mW
	5 • Set the audio output level to 50 mW with <b>[DIAL]</b> . • Verify that the demodulated audio signals are not distorted badly.	
	6 • Push <b>[SET•SKIP]</b> to store the adjustment value.	
IF GAIN (FM) [IFF]  <i>IFF</i>	1 • Set the SSG as; Level : OFF	50 mW
	2 • Connect a speaker and milliwatt meter then set the audio output level to 50 mW with <b>[VOL]</b> .	
	3 • Push <b>[SET•LOCK]/[MAIN•NB]</b> to select next adjustment item.	
(AM) [IFA]  <i>IFA</i>	4 • Set the audio output level to 80 μW with <b>[DIAL]</b> .	80 μW
	5 • Push <b>[TS•MODE]/[SET•SKIP]</b> to store the adjustment value.	

‡The output level of the standard signal generator (SSG) is indicated as the SSG's open circuit.

\*Displayed on the controller's display.

### 5-3 MAIN-B UNIT ADJUSTMENT (PCR2500 only; continued)

ADJUSTMENT	OPERATION	VALUE
S-METER [NS0]–[WS6]  <i>n50 - w56</i>	1 • Set the SSG as; Frequency : Specified frequency* Modulation : None Level : Specified level <sup>†</sup>	Automatic adjustment
	2 • Push <b>[SET•SKIP]</b> to store the adjustment value.	
	3 • Repeat 1–2 for each specified frequency and value for [NS0] to [WS6].	
S-METER FLATNESS [L5L]–[L8H]  <i>L5L - L8H</i>	1 • Set the SSG as; Frequency : Specified frequency* Modulation : None Level : Specified level <sup>†</sup>	Automatic adjustment
	2 • Push <b>[SET•SKIP]</b> to store the adjustment value.	
	3 • Repeat 1-2 for each specified frequency and value for [L5L] to [L8H].	
CENTER METER [CML] (LOW)  <i>CnL</i>	1 Set the SSG as; Frequency : 3 kHz lower than specified frequency* Modulation : None Level : +34 dBμ (–73 dBm) <sup>‡</sup>	Automatic adjustment
	2 • Push <b>[SET•SKIP]</b> to store the adjustment value.	
[CMH] (HIGH)  <i>CnH</i>	1 • Set the SSG as; Frequency : 3 kHz higher than specified frequency* Modulation : None Level : +34 dBμ (–73 dBm) <sup>‡</sup>	Automatic adjustment
	2 • Push <b>[SET•SKIP]</b> to store the adjustment value.	
SQUELCH [SQL]  <i>SQL</i>	1 • Set the SSG as; Frequency : Specified frequency* Mode : FM Modulation : 1 kHz Deviation : 3.5 kHz Level : –13 dBμ (–120 dBm) <sup>‡</sup>	Automatic adjustment
	2 • Set the [SQL] value to close the squelch with [DIAL]. Then set the [SQL] value at the point where the audio signals just appear.	
	3 • Turn the SSG output OFF, and verify that the squelch is closed.	
	4 • Push <b>[SET•SKIP]</b> to store the adjustment value.	
RSSI [RS0]–[RS6]  <i>R50 - R56</i>	1 • Set the SSG as; Frequency : Specified frequency* Modulation : None Level : Specified level <sup>†</sup>	Automatic adjustment
	2 • Push <b>[SET•SKIP]</b> to store the adjustment value.	
	3 • Repeat 1–2 for each specified frequency and value for [RS0] to [RS6].	
RSSI FLATNESS [R5L]–[R8H]  <i>R5L - R8H</i>	1 • Set the SSG as; Frequency : Specified frequency* Modulation : None Level : Specified level <sup>†</sup>	Automatic adjustment
	2 • Push <b>[SET•SKIP]</b> to store the adjustment value.	
	3 • Repeat 1–2 for each specified frequency and value for [R5L] to [R8H].	

<sup>†</sup>Refer to the “ADJUSTMENT ITEM LIST” on page 5-7.

<sup>‡</sup>The output level of the standard signal generator (SSG) is indicated as the SSG's open circuit.

\*Displayed on the controller's display.

• ADJUSTMENT ITEM LIST

ADJUSTMENT ITEM	Disp.	RF Level† (dBμ/dBm)	ADJUSTMENT ITEM	Disp.	RF Level† (dBμ/dBm)	ADJUSTMENT ITEM	Disp.	RF Level† (dBμ/dBm)	ADJUSTMENT ITEM	Disp.	RF Level† (dBμ/dBm)
REFERENCE FREQUENCY	REF*	-		NS3	11/-96		LA2*	34/-73		RS4	25/-82
				NS5	18/-89		LA3*	34/-73		RS6	35/-72
	LT1	35/-72		NS7	26/-81		LA4*	34/-73		R5L	20/-87
	MT1	35/-72		NS9	34/-73		LA5*	34/-73		R51	20/-87
	HT1	35/-72		NS2	45/-62		LA6*	34/-73		R52	20/-87
	LT2	35/-72		NS4	55/-52		LA7*	34/-73		R53	20/-87
	MT2	35/-72	S-METER	NS6	65/-42		LA8*	34/-73		R54	20/-87
	HT2	35/-72		WS0	9/-98		LAH*	34/-73		R55	20/-87
	LT3	35/-72		WS3	16/-91		LB1*	34/-73		R56	20/-87
	MT3	35/-72		WS5	22/-85		LB2*	34/-73		R57	20/-87
	HT3	35/-72		WS7	28/-79		LB3*	34/-73		R5H	20/-87
	LT4	35/-72		WS9	34/-73		LB4*	34/-73		R6L	20/-87
	MT4	35/-72		WS2	45/-62		LB5*	34/-73		R61	20/-87
	HT4	35/-72		WS4	55/-52		LB6*	34/-73		R62	20/-87
	LT5	35/-72		WS6	65/-42		LB7*	34/-73		R63	20/-87
	MT5	35/-72					LB8*	34/-73		R64	20/-87
	HT5	35/-72		L1.*	34/-73		LB9*	34/-73		R65	20/-87
	LT6	35/-72		L2.*	34/-73		LBA*	34/-73		R66	20/-87
	MT6	35/-72		L3.*	34/-73		LBH*	34/-73		R6H	20/-87
	HT6	35/-72		L4.*	34/-73		LCL*	34/-73		R7L	20/-87
	LT7	35/-72		L5L	34/-73		LCH*	34/-73		R71	20/-87
	MT7	35/-72		L51	34/-73		LDL*	39/-68		R72	20/-87
	HT7	35/-72		L52	34/-73	S-METER FLATNESS	LD1*	39/-68		R73	20/-87
	LT8	35/-72		L53	34/-73		LD2*	39/-68		R74	20/-87
	MT8	35/-72		L54	34/-73		LD3*	39/-68		R75	20/-87
	HT8	35/-72		L55	34/-73		LD4*	39/-68		R76	20/-87
	LT9	35/-72		L56	34/-73		LD5*	39/-68		R77	20/-87
	MT9	35/-72		L57	34/-73		LD6*	39/-68		R78	20/-87
	HT9	35/-72		L5H	34/-73		LD7*	39/-68		R7H	20/-87
	LTA	35/-72		L6L	34/-73		LD8*	39/-68		R8L	20/-87
	HTA	35/-72		L61	34/-73		LDH*	39/-68		R81	20/-87
	LTB	40/-67		L62	34/-73		LE1*	39/-68		R82	20/-87
	MTB	40/-67		L63	34/-73		LE2*	39/-68		R83	20/-87
	HTB	40/-67		L64	34/-73		LE3*	39/-68		R84	20/-87
	LTC	40/-67		L65	34/-73		LE4*	39/-68		R85	20/-87
	HTC	40/-67		L66	34/-73		LE5*	39/-68		R86	20/-87
	LTD	40/-67		L6H	34/-73		LE6*	39/-68		R87	20/-87
	HTD	40/-67		L7L	34/-73		LE7*	39/-68		R88	20/-87
	LTE	40/-67		L71	34/-73		LE8*	39/-68		R89	20/-87
	THE	40/-67		L72	34/-73		LE9*	39/-68		R8A	20/-87
	LTF	40/-67	S-METER FLATNESS	L73	34/-73		LEA*	40/-67		R8H	20/-87
	MTF	40/-67		L74	34/-73		LEH*	42/-65			
	HTF	40/-67		L75	34/-73		SC0*	0/-107			
AGC gain	AGF	34/-73		L76	34/-73		SC3*	10/-97			
	AGA	34/-73		L77	34/-73		SC5*	20/-87			
IF gain	IFF	off		L78	34/-73		SC7*	30/-77			
	IFA	off		L7H	34/-73	BAND SCOPE	SC9*	40/-67			
				L8L	34/-73		SC2*	50/-57			
	NS0	0/-107		L81	34/-73		SC4*	60/-47			
	NS3	7/-100		L82	34/-73		SC6*	70/-37			
	NS5	14/-93		L83	34/-73		CML	34/-73			
	NS7	24/-83		L84	34/-73		CMH	34/-73			
	NS9	34/-73		L85	34/-73		SQL	-13/-120			
	NS2	49/-58		L86	34/-73	CENTER METER	RS0	-5/-112			
	NS4	64/-43		L87	34/-73		RS3	0/-107			
	NS6	79/-28		L88	34/-73	SQUELCH	RS5	5/-102			
S-METER	WS0	0/-107		L89	34/-73		RS7	10/-97			
	WS3	7/-100		L8A	34/-73		RS9	15/-92			
	WS5	14/-93		L8H	34/-73		RS2	20/-87			
	WS7	24/-83		L9L*	34/-73						
	WS9	34/-73		L9H*	34/-73						
	WS2	49/-58		LAL*	34/-73						
	WS4	64/-43		LA1*	34/-73						
	WS6	79/-28									
	NS0	4/-103									

\*: Not necessary for MAIN-B adjustment.

†The output level of the standard signal generator (SSG) is indicated as the SSG's open circuit.

# SECTION 6 PARTS LIST

## • IC-PCR1500 IC-PCR2500

### [LOGIC UNIT]

REF NO.	ORDER NO.	DESCRIPTION	M.	H/V LOCATION
IC1	1180002391	S.REG S-812C33AMC-C2N-G	T	47.3/40.1
IC2	1110002350	S.IC BA6161F	T	10.3/20.8
IC3	1110006090	S.IC XC6202P502PR	T	119.7/41.1
IC4	1130011781	S.IC SN74AHC2G53HDCT3	T	91.2/15.5
IC6	1180001071	S.IC TA7805F (TE16L Q)	B	132.5/43.4
IC7	1180002910	S.REG AN7708SP-E1	B	131.3/34.5
IC8	1110001401	S.IC μPC1555G2-E1-A	T	104/23.7
IC9	1180000970	S.IC AN78L05M-(E1)	T	109.1/40.1
IC12	1110003091	IC LA4425A-E		
IC14	1140012950	S.IC 24LC512T-/SM	B	64.6/43
IC15	1130011990	S.IC SN74LVC1G08DCKR	T	31.9/33.6
IC16	1190002240	S.IC PCM2901E/2K	T	38.7/33.4
IC17	1130011860	S.IC SM6451BT-G-E2	T	46.3/23.6
IC18	1140013082	S.IC M30624FGPGP (RX2879A2) [EUR-1], [UK-1], [CAN-1], [EXP-3]	B	73.9/33.1
	1140013083	S.IC M30624FGPGP RX2879A-3 [SEA-1]	B	73.9/33.1
	1140013085	S.IC M30624FGPGP (RX2879A-5) [FRA-1], [EXP-2]	B	73.9/33.1
	1140013090	S.IC M30624FGPGP (RX-2879B) [USA-1], [USA-3]	B	73.9/33.1
IC19	1130012960	S.IC BU8872FS-E2	B	91.7/39.6
IC20	1190002231	S.IC CP2101-GM	T	27.4/29.1
IC21	1110006380	S.IC LM2904PWR	T	90.1/23.9
IC23	1130011781	S.IC SN74AHC2G53HDCT3	T	74.6/16.6
IC27	1110006380	S.IC LM2904PWR	T	81.3/19.4
IC32	1190002261	S.IC USB2502-AEZG	T	24.1/37.3
IC34	1130011760	S.IC CD4094BPWR	T	92/37.5
IC35	1110005771	S.IC S-80942CNMC-G9CT2G	B	59.1/31.7
IC36	1130011760	S.IC CD4094BPWR	T	97.6/37.5
IC37	1130011990	S.IC SN74LVC1G08DCKR	B	58.5/35.7
IC40	1130011781	S.IC SN74AHC2G53HDCT3	T	51.8/48
IC41	1130011781	S.IC SN74AHC2G53HDCT3	T	48.4/48
IC2006*	1180001071	S.IC TA7805F (TE16L Q)	B	132.5/26.3
IC2007*	1180002910	S.REG AN7708SP-E1	B	131.3/17.8
IC2021*	1110006380	S.IC LM2904PWR	T	30.3/21
IC2023*	1130011781	S.IC SN74AHC2G53HDCT3	T	42.9/16.1
IC2027*	1110006380	S.IC LM2904PWR	T	33.7/15.3
IC2028*	1130011781	S.IC SN74AHC2G53HDCT3	T	59.2/39.8
IC2029*	1130011781	S.IC SN74AHC2G53HDCT3	T	95.5/14.7
IC2031*	1130011781	S.IC SN74AHC2G53HDCT3	T	24.7/16.2
IC2038*	1130011801	S.IC SN74AHC1G66HDBV3	T	48.2/35.8
IC2039*	1130011781	S.IC SN74AHC2G53HDCT3	T	81.1/25.3
Q4	1550000100	S.FET 2SJ377 (TE16L1 NQ)	T	131.5/43.1
Q5	1520000651	S.TR 2SB1201S-TL-E	T	6.5/31.8
Q6	1590000430	S.TR DTC144EUA T106	T	124.6/41.5
Q8	1590001170	S.TR XP1501-(TX) AB	T	13/31.8
Q9	1530003630	S.TR 2SC4617 TLS	T	16.7/20.6
Q12	1530003091	S.TR 2SC4213-B (TE85R F)	B	10/52.4
Q15	1510001100	S.TR 2SA1832-GR (TE85R)	T	45.1/33.4
Q18	1530003630	S.TR 2SC4617 TLS	T	69.1/14.1
Q25	1590003240	S.TR UNR9114J-(TX)	T	32.5/38.1
Q26	1590003450	S.TR UNR9214J-(TX)	T	32.3/36
Q31	1520000201	S.TR 2SB798-T2-AZ DK	T	38.8/40.8
Q32	1530002691	S.TR 2SC4116-GR (TE85R F)	T	43.3/39.3
Q33	1590003450	S.TR UNR9214J-(TX)	T	44.1/42.8
Q2001*	1590000430	S.TR DTC144EUA T106	T	133/31.8
Q2002*	1520000651	S.TR 2SB1123 T-TD-E	T	132/23
Q2015*	1510001100	S.TR 2SA1832-GR (TE85R)	T	48.9/31.2
Q2018*	1530003630	S.TR 2SC4617 TLS	T	48.4/15.9
Q2019*	1520000201	S.TR 2SB798-T2-AZ DK	T	66.1/24.7
Q2020*	1520000201	S.TR 2SB798-T2-AZ DK	T	125.9/23
Q2021*	1530002851	S.TR 2SC4116-BL (TE85R F)	T	69.2/21.6
Q2022*	1530002851	S.TR 2SC4116-BL (TE85R F)	T	123.8/18.9
Q2023*	1510001100	S.TR 2SA1832-GR (TE85R)	T	53.6/36.2
Q2024*	1510001100	S.TR 2SA1832-GR (TE85R)	T	119.6/18.4
Q2039*	1590003450	S.TR UNR9214J-(TX)	T	64.8/29.6
D1	1710000840	S.DIO 1SR154-400 TE25	T	107.5/55.5
D2	1750000550	S.DIO 1SS355 TE-17	T	9.8/24.5
D6	1750000111	S.DIO 1SS272 (TE85R F)	T	99.8/16.4
D8	1730002320	S.ZEN MA8051-M (TX)	T	102.5/16.8
D14	1790001250	S.DIO MA2S111-(TX) Except [EUR-1], [UK-1], [USA-1], [USA-2] only	T	84.6/41.3
D15	1790001250	S.DIO MA2S111-(TX) [USA-1], [FRA-1], [CAN-1] only	T	83.4/41.3
D16	1790001250	S.DIO MA2S111-(TX) [UK-1], [USA-1], [CAN-1] only	T	81.6/41.3
D17	1790001250	S.DIO MA2S111-(TX) [EUR-1], [FRA-1] only	T	80.4/41.3

\*IC-PCR2500 only

### [LOGIC UNIT]

REF NO.	ORDER NO.	DESCRIPTION	M.	H/V LOCATION
D18	1790001250	S.DIO MA2S111-(TX)	T	79.2/41.3
D20	1790001250	S.DIO MA2S111-(TX) [EUR-1], [FRA-1] only	T	84.2/38.7
D21	1790001250	S.DIO MA2S111-(TX)	T	83/38.7
D23	1790001250	S.DIO MA2S111-(TX)	T	80/38.8
D24	1790001250	S.DIO MA2S111-(TX) [EUR-1], [FRA-1] only	T	78.8/38.8
D26	1750000771	S.VCP HVC376BTRF-E	B	68.6/22.2
D27	1790001250	S.DIO MA2S111-(TX)	T	43.5/41.2
D28	1750000940	S.DIO ISS400 TE61	T	89.4/30.8
D30	1750000940	S.DIO ISS400 TE61	T	50.8/52.5
D31	1750000940	S.DIO ISS400 TE61	T	51.6/51.3
D32	1750000940	S.DIO ISS400 TE61	T	48.9/53.7
D33	1750000940	S.DIO ISS400 TE61	T	48.3/51.3
D34	1750000940	S.DIO ISS400 TE61	T	79.4/43.3
D35	1790001240	S.DIO MA2S728-(TX)	T	112.1/34.5
D36	1790001240	S.DIO MA2S728-(TX)	B	57.9/41.8
D37	1790001240	S.DIO MA2S728-(TX)	B	59.2/40
D2012*	1790001250	S.DIO MA2S111-(TX)	T	67.3/21.1
D2013*	1790001250	S.DIO MA2S111-(TX)	T	125.7/18.8
D2029*	1750000940	S.DIO ISS400 TE61	T	63.7/27.6
X1	6050012260	S.XTL CR-815 (24.000 MHz)	B	24.8/36.4
X2	6050012320	S.XTL CR-818 (4.194304 MHz)	B	100.1/38.9
X3	6050012270	S.XTL CR-816 (12.000 MHz)	B	34.6/34.2
X4	6050012270	S.XTL CR-816 (12.000 MHz)	B	61.7/23
L2	6180002651	COL RCR875DNP-472K		
L5	6200007420	S.COL ELJFC 101K-F	T	99.9/23.9
L6	6200003520	S.COL ELJFB 102K-F	T	16.3/24.9
L7	6200007420	S.COL ELJFC 101K-F	T	107.2/18.6
R1	7030003500	S.RES ERJ3GEYJ 332 V (3.3 k)	T	102.2/29
R2	7030003620	S.RES ERJ3GEYJ 333 V (33 k)	T	104/29
R4	7030005050	S.RES ERJ2GEJ 103 X (10 k)	T	126.4/41.3
R5	7030010040	S.RES ERJ2GEJ-JPW	T	37.2/46.4
R6	7030010040	S.RES ERJ2GEJ-JPW	T	36.6/48.8
R7	7030005000	S.RES ERJ2GEJ 471 X (470)	T	126/42.9
R8	7030005290	S.RES ERJ2GEJ 682 X (6.8 k)	T	15.3/33
R11	7030008410	S.RES ERJ2GEJ 392 X (3.9 k)	T	13.7/34
R13	7030005040	S.RES ERJ2GEJ 472 X (4.7 k)	T	86.8/46.4
R14	7030005010	S.RES ERJ2GEJ 681 X (680)	T	15.3/32.1
R15	7030003450	S.RES ERJ3GEYJ 122 V (1.2 k)	T	12.6/24.8
R18	7030005691	S.RES ERA3YED 123V (12 k)	T	19.3/34.5
R19	7030005120	S.RES ERJ2GEJ 102 X (1 k)	T	13.6/36.2
R20	7030000500	S.RES MCR10EZHJ 10 k	T	10.9/36
R22	7030003380	S.RES ERJ3GEYJ 331 V (330)	T	115.5/39.2
R23	7030003220	S.RES ERJ3GEYJ 150 V (15)	T	101.6/19
R25	7030005160	S.RES ERJ2GEJ 105 X (1 M)	B	21/38.2
R28	7030003680	S.RES ERJ3GEYJ 104 V (100 k)	T	19.3/20.1
R29	7030000100	S.RES MCR10EZHJ 4.7 (4R7)	B	8/49.3
R30	7030003200	S.RES ERJ3GEYJ 100 V (10)	T	107.7/16.1
R31	7030003630	S.RES ERJ3GEYJ 393 V (39 k)	T	16.7/18.8
R32	7030005000	S.RES ERJ2GEJ 471 X (470)	T	28.4/42.2
R33	7030005090	S.RES ERJ2GEJ 104 X (100 k)	T	23.8/41.8
R40	7030005050	S.RES ERJ2GEJ 103 X (10 k)	B	10.3/49.6
R41	7030005060	S.RES ERJ2GEJ 333 X (33 k)	B	10.7/48.4
R44	7030005240	S.RES ERJ2GEJ 473 X (47 k)	T	38.3/24.8
R46	7030005220	S.RES ERJ2GEJ 223 X (22 k)	B	30.2/22.6
R47	7030005030	S.RES ERJ2GEJ 152 X (1.5 k)	T	30/33.6
R48	7030007250	S.RES ERJ2GEJ 220 X (22)	T	32.6/31.6
R50	7030005600	S.RES ERJ2GEJ 273 X (27 k)	T	46.1/35.4
R52	7030007340	S.RES ERJ2GEJ 153 X (15 k)	B	61.2/39.6
R53	7030007250	S.RES ERJ2GEJ 220 X (22)	T	31.1/31.6
R54	7030005160	S.RES ERJ2GEJ 105 X (1 M)	T	40.3/28.4
R56	7030005090	S.RES ERJ2GEJ 104 X (100 k)	B	59.5/42.6
R58	7030004980	S.RES ERJ2GEJ 101 X (100)	T	47/33.6
R60	7030005040	S.RES ERJ2GEJ 472 X (4.7 k)	T	47.2/29.6
R64	7030007340	S.RES ERJ2GEJ 153 X (15 k)	B	94.9/44.2
R65	7030008410	S.RES ERJ2GEJ 392 X (3.9 k)	B	94.9/43.3
R68	7030008300	S.RES ERJ2GEJ 184 X (180 k)	T	84.9/24.7
R72	7030005310	S.RES ERJ2GEJ 124 X (120 k)	T	94.4/26.3
R73	7030009150	S.RES ERJ2GEJ 824 X (820 k)	T	84.6/23.5
R74	7030008010	S.RES ERJ2GEJ 123 X (12 k)	T	95.2/24.7
R75	7030005700	S.RES ERJ2GEJ 274 X (270 k)	T	85.8/23.1
R79	7030005170	S.RES ERJ2GEJ 474 X (470 k)	T	95.3/22.3
R80	7030005080	S.RES ERJ2GEJ 823 X (82 k)	T	94.4/22.3
R82	7030007350	S.RES ERJ2GEJ 393 X (39 k)	T	89.6/20.6
R83	7030005100	S.RES ERJ2GEJ 154 X (150 k)	T	89.6/21.5
R86	7030007350	S.RES ERJ2GEJ 393 X (39 k)	T	90.8/21.3
R88	7030004980	S.RES ERJ2GEJ 101 X (100)	T	66.8/16.9
R89	7030007280	S.RES ERJ2GEJ 222 X (2.2 k)	T	67.2/15

M.=Mounted side (T: Mounted on the Top side, B: Mounted on the Bottom side)  
S.=Surface mount



[LOGIC UNIT]

REF NO.	ORDER NO.	DESCRIPTION	M.	H/V LOCATION
R90	7030005080	S.RES ERJ2GGEJ 823 X (82 k)	T	92.6/21.3
R91	7030005240	S.RES ERJ2GGEJ 473 X (47 k)	T	127/28.5
R98	7030005060	S.RES ERJ2GGEJ 333 X (33 k)	T	69.6/16.9
R99	7030005240	S.RES ERJ2GGEJ 473 X (47 k)	T	124.2/34.1
R102	7030005100	S.RES ERJ2GGEJ 154 X (150 k)	T	68.7/16.9
R103	7030005090	S.RES ERJ2GGEJ 104 X (100 k)	T	70/18.5
R105	7030005090	S.RES ERJ2GGEJ 104 X (100 k)	T	91.8/20.1
R107	7030005160	S.RES ERJ2GGEJ 105 X (1 M)	T	112.1/33
R108	7030005160	S.RES ERJ2GGEJ 105 X (1 M)	T	113/33
R109	7030005160	S.RES ERJ2GGEJ 105 X (1 M)	T	113.9/33
R110	7030005210	S.RES ERJ2GGEJ 822 X (8.2 k)	T	110.6/32.8
R111	7030005090	S.RES ERJ2GGEJ 104 X (100 k)	T	109.7/32.9
R112	7030005090	S.RES ERJ2GGEJ 104 X (100 k)	T	108.8/32.9
R119	7030005240	S.RES ERJ2GGEJ 473 X (47 k)	T	75.5/18.8
R126	7030004980	S.RES ERJ2GGEJ 101 X (100)	T	83.7/17
R127	7030008410	S.RES ERJ2GGEJ 392 X (3.9 k)	T	86/19.4
R130	7030005220	S.RES ERJ2GGEJ 223 X (22 k)	T	77/20.7
R135	7030005170	S.RES ERJ2GGEJ 474 X (470 k)	T	85/17
R136	7030005090	S.RES ERJ2GGEJ 104 X (100 k)	T	82.1/17
R139	7030005050	S.RES ERJ2GGEJ 103 X (10 k)	T	83.8/16.1
R140	7030005050	S.RES ERJ2GGEJ 103 X (10 k)	T	84.7/14.9
R144	7030005720	S.RES ERJ2GGEJ 563 X (56 k)	T	87.2/15.3
R146	7030005220	S.RES ERJ2GGEJ 223 X (22 k)	T	88.5/17.4
R149	7030005120	S.RES ERJ2GGEJ 102 X (1 k)	T	86.5/52.3
R150	7030003200	S.RES ERJ3GEYJ 100 V (10)	B	111.5/9.9
R151	7030003200	S.RES ERJ3GEYJ 100 V (10)	B	113.9/9.1
R152	7030005050	S.RES ERJ2GGEJ 103 X (10 k)	T	24.1/28.9
R153	7030005040	S.RES ERJ2GGEJ 472 X (47 k)	T	24.1/30.5
R155	7030005090	S.RES ERJ2GGEJ 104 X (100 k)	T	28.6/35.7
R156	7030005090	S.RES ERJ2GGEJ 104 X (100 k)	T	28.4/34.8
R157	7030005110	S.RES ERJ2GGEJ 224 X (220 k)	T	45.7/31.9
R171	7030005050	S.RES ERJ2GGEJ 103 X (10 k)	B	68.8/24.5
R172	7030005050	S.RES ERJ2GGEJ 103 X (10 k)	B	58.6/33.9
R173	7030005240	S.RES ERJ2GGEJ 473 X (47 k)	B	65.2/27.8
R174	7030005240	S.RES ERJ2GGEJ 473 X (47 k)	B	85.4/35.8
R175	7030005240	S.RES ERJ2GGEJ 473 X (47 k)	T	91.3/32.1
R176	7030005240	S.RES ERJ2GGEJ 473 X (47 k)	T	92.3/32.1
R177	7030005240	S.RES ERJ2GGEJ 473 X (47 k)	T	93.6/32.1
R178	7030005240	S.RES ERJ2GGEJ 473 X (47 k)	T	90/41.8
R179	7030005240	S.RES ERJ2GGEJ 473 X (47 k)	T	93.6/41.8
R180	7030005160	S.RES ERJ2GGEJ 105 X (1 M)	B	38.2/37.4
R181	7030005240	S.RES ERJ2GGEJ 473 X (47 k)	T	31.3/28.1
R182	7030005240	S.RES ERJ2GGEJ 473 X (47 k)	T	64.8/31.6
R185	7030005120	S.RES ERJ2GGEJ 102 X (1 k)	T	13.7/29.4
R186	7030005240	S.RES ERJ2GGEJ 473 X (47 k)	T	15.3/29.4
R187	7030005240	S.RES ERJ2GGEJ 473 X (47 k)	T	63.7/35.3
R188	7030005240	S.RES ERJ2GGEJ 473 X (47 k)	T	64.9/34.4
R189	7030005240	S.RES ERJ2GGEJ 473 X (47 k)	T	64.9/35.3
R191	7030005240	S.RES ERJ2GGEJ 473 X (47 k)	B	66.6/49.7
R192	7030005240	S.RES ERJ2GGEJ 473 X (47 k)	B	78/44.7
R195	7030010040	S.RES ERJ2GGEJ-JPW	B	76.8/43.9
R197	7030008010	S.RES ERJ2GGEJ 123 X (12 k)	B	68.5/20.8
R198	7030007320	S.RES ERJ2GGEJ 225 X (2.2 M)	B	67.3/22
R199	7030005090	S.RES ERJ2GGEJ 104 X (100 k)	B	71/20.9
R201	7510001661	S.TMR NTCG16 4LH 473JT	B	93.4/8
R202	7030005090	S.RES ERJ2GGEJ 104 X (100 k)	B	94.5/8.8
R203	7030005120	S.RES ERJ2GGEJ 102 X (1 k)	T	45.2/39.2
R204	7030005120	S.RES ERJ2GGEJ 102 X (1 k)	T	45.6/42.4
R206	7030005120	S.RES ERJ2GGEJ 102 X (1 k)	T	51.8/24.2
R207	7030005050	S.RES ERJ2GGEJ 103 X (10 k)	B	26.4/23.4
R208	7030006610	S.RES ERJ2GGEJ 394 X (390 k)	B	24.8/23.4
R209	7030005160	S.RES ERJ2GGEJ 105 X (1 M)	B	96/39.4
R210	7030005160	S.RES ERJ2GGEJ 105 X (1 M)	T	79.8/7
R211	7030000020	S.RES MCR10EZHJ 1 (010)	T	72.7/51.4
R212	7030005090	S.RES ERJ2GGEJ 104 X (100 k)	T	41.9/40.8
R213	7030005240	S.RES ERJ2GGEJ 473 X (47 k)	B	65/39.5
R215	7030005050	S.RES ERJ2GGEJ 103 X (10 k)	T	43.7/28.3
R216	7030005050	S.RES ERJ2GGEJ 103 X (10 k)	T	44.9/29.2
R217	7030005050	S.RES ERJ2GGEJ 103 X (10 k)	T	47.7/28.7
R218	7030005600	S.RES ERJ2GGEJ 273 X (27 k)	T	42.1/27.7
R219	7030005600	S.RES ERJ2GGEJ 273 X (27 k)	T	45.3/27.9
R220	7030005600	S.RES ERJ2GGEJ 273 X (27 k)	T	46.5/28.3
R221	7030005010	S.RES ERJ2GGEJ 681 X (68 k)	T	46/18
R222	7030005090	S.RES ERJ2GGEJ 104 X (100 k)	B	81.2/23.3
R224	7030005050	S.RES ERJ2GGEJ 103 X (10 k)	T	52.9/52.5
R225	7030005050	S.RES ERJ2GGEJ 103 X (10 k)	T	48.8/54.8
R226	7030005240	S.RES ERJ2GGEJ 473 X (47 k)	T	67.8/16.9
R227	7030005240	S.RES ERJ2GGEJ 473 X (47 k)	B	71/21.8
R229	7030005120	S.RES ERJ2GGEJ 102 X (1 k)	B	80.1/22.3
R230	7030005120	S.RES ERJ2GGEJ 102 X (1 k)	T	91.7/18.9
R231	7030005120	S.RES ERJ2GGEJ 102 X (1 k)	T	76.4/27.6
R234	7030005120	S.RES ERJ2GGEJ 102 X (1 k)	T	44.5/31.6
R235	7030004980	S.RES ERJ2GGEJ 101 X (100)	B	33.4/21.8
R240	7030003560	S.RES ERJ3GEYJ 103 V (10 k)	T	36.6/43.3
R241	7030005220	S.RES ERJ2GGEJ 223 X (22 k)	B	11.4/54.6
R242	7030005220	S.RES ERJ2GGEJ 223 X (22 k)	T	39.5/24.4
R243	7030004980	S.RES ERJ2GGEJ 101 X (100)	T	40.7/25.8
R244	7030010040	S.RES ERJ2GGEJ-JPW	T	77/19.1
R245	7030005160	S.RES ERJ2GGEJ 105 X (1 M)	B	26.8/22.2
R246	7030005290	S.RES ERJ2GGEJ 682 X (6.8 k)	T	84.3/33.6
R247	7030005290	S.RES ERJ2GGEJ 682 X (6.8 k)	T	83.2/34.6

\*IC-PCR2500 only

[LOGIC UNIT]

REF NO.	ORDER NO.	DESCRIPTION	M.	H/V LOCATION
R248	7030005290	S.RES ERJ2GGEJ 682 X (6.8 k)	T	82.7/33.6
R249	7030005290	S.RES ERJ2GGEJ 682 X (6.8 k)	T	83.3/32
R250	7030005090	S.RES ERJ2GGEJ 104 X (100 k)	T	61.3/49.9
R251	7030005120	S.RES ERJ2GGEJ 102 X (1 k)	T	63/49.9
R252	7030005120	S.RES ERJ2GGEJ 102 X (1 k)	B	68.3/50.6
R260	7030005090	S.RES ERJ2GGEJ 104 X (100 k)	B	56.2/35.4
R261	7030005090	S.RES ERJ2GGEJ 104 X (100 k)	T	40/45.2
R263	7030010040	S.RES ERJ2GGEJ-JPW	T	25/41.3
R265	7030010040	S.RES ERJ2GGEJ-JPW	T	28.4/41.3
R266	7030010040	S.RES ERJ2GGEJ-JPW	T	28.4/40.4
R269	7030005220	S.RES ERJ2GGEJ 223 X (22 k)	T	30.5/39.1
R270	7030005220	S.RES ERJ2GGEJ 223 X (22 k)	T	31.1/40.8
R2003*	7030007850	S.RES ERJ8ENF 1001V (1 k)	T	134/28.1
R2013*	7030005040	S.RES ERJ2GGEJ 472 X (4.7 k)	T	74.6/48.6
R2050*	7030005600	S.RES ERJ2GGEJ 273 X (27 k)	T	49.4/33.1
R2058*	7030004980	S.RES ERJ2GGEJ 101 X (100)	T	48.5/33.1
R2060*	7030005040	S.RES ERJ2GGEJ 472 X (4.7 k)	T	51.6/27.7
R2068*	7030008300	S.RES ERJ2GGEJ 184 X (180 k)	T	28.7/18.4
R2072*	7030005310	S.RES ERJ2GGEJ 124 X (120 k)	T	23.8/23.6
R2073*	7030009150	S.RES ERJ2GGEJ 824 X (820 k)	T	29.6/18.4
R2074*	7030008010	S.RES ERJ2GGEJ 123 X (12 k)	T	22.5/20.5
R2075*	7030005700	S.RES ERJ2GGEJ 274 X (270 k)	T	31.4/18.4
R2079*	7030005170	S.RES ERJ2GGEJ 474 X (470 k)	T	24.6/20.5
R2080*	7030005080	S.RES ERJ2GGEJ 823 X (82 k)	T	23.7/20.5
R2082*	7030007350	S.RES ERJ2GGEJ 393 X (39 k)	T	35/22.6
R2083*	7030005100	S.RES ERJ2GGEJ 154 X (150 k)	T	35.4/21.7
R2086*	7030007350	S.RES ERJ2GGEJ 393 X (39 k)	T	36.9/20.4
R2088*	7030004980	S.RES ERJ2GGEJ 101 X (100)	T	46.9/18
R2089*	7030007290	S.RES ERJ2GGEJ 222 X (2.2 k)	T	47.8/18
R2090*	7030005080	S.RES ERJ2GGEJ 823 X (82 k)	T	22.5/19.3
R2093*	7030005050	S.RES ERJ2GGEJ 103 X (10 k)	T	115.7/35.1
R2094*	7030005050	S.RES ERJ2GGEJ 103 X (10 k)	T	115.7/34.2
R2096*	7030010040	S.RES ERJ2GGEJ-JPW	T	115.7/33.3
R2098*	7030005060	S.RES ERJ2GGEJ 333 X (33 k)	T	48.7/12.9
R2102*	7030005100	S.RES ERJ2GGEJ 154 X (150 k)	T	47.8/12.9
R2103*	7030005090	S.RES ERJ2GGEJ 104 X (100 k)	T	46.6/13.9
R2105*	7030005090	S.RES ERJ2GGEJ 104 X (100 k)	T	25.6/22.9
R2115*	7030007300	S.RES ERJ2GGEJ 332 X (3.3 k)	T	66/20.3
R2116*	7030007300	S.RES ERJ2GGEJ 332 X (3.3 k)	T	127/17.8
R2117*	7030005050	S.RES ERJ2GGEJ 103 X (10 k)	T	71/20.5
R2119*	7030005240	S.RES ERJ2GGEJ 473 X (47 k)	T	38.9/16.7
R2120*	7030004980	S.RES ERJ2GGEJ 101 X (100)	T	53/38.2
R2121*	7030005050	S.RES ERJ2GGEJ 103 X (10 k)	T	122.7/17
R2122*	7030004980	S.RES ERJ2GGEJ 101 X (100)	T	119.8/20.6
R2125*	7030005000	S.RES ERJ2GGEJ 471 X (470)	T	53.9/38.2
R2126*	7030004980	S.RES ERJ2GGEJ 101 X (100)	T	39.8/13.5
R2127*	7030008410	S.RES ERJ2GGEJ 392 X (3.9 k)	T	29/14.6
R2128*	7030007340	S.RES ERJ2GGEJ 153 X (15 k)	T	118.8/20.6
R2130*	7030005220	S.RES ERJ2GGEJ 223 X (22 k)	T	38.9/13.5
R2131*	7030005040	S.RES ERJ2GGEJ 472 X (4.7 k)	T	55/38
R2132*	7030007320	S.RES ERJ2GGEJ 225 X (2.2 M)	T	121.1/18.4
R2135*	7030005170	S.RES ERJ2GGEJ 474 X (470 k)	T	32.6/17.9
R2136*	7030005090	S.RES ERJ2GGEJ 104 X (100 k)	T	33.5/17.9
R2139*	7030005050	S.RES ERJ2GGEJ 103 X (10 k)	T	39.3/17.8
R2140*	7030005050	S.RES ERJ2GGEJ 103 X (10 k)	T	34.4/17.9
R2141*	7030005080	S.RES ERJ2GGEJ 823 X (82 k)	T	117.6/19.3
R2143*	7030005080	S.RES ERJ2GGEJ 823 X (82 k)	T	117.2/18.1
R2144*	7030005720	S.RES ERJ2GGEJ 563 X (56 k)	T	27.8/14.3
R2146*	7030005220	S.RES ERJ2GGEJ 223 X (22 k)	T	26.9/16.7
R2147*	7030003200	S.RES ERJ3GEYJ 100 V (10)	T	43.1/9.5
R2148*	7030003200	S.RES ERJ3GEYJ 100 V (10)	B	45/9
R2149*	7030005120	S.RES ERJ2GGEJ 102 X (1 k)	T	74.9/52.9
R2150*	7030005120	S.RES ERJ2GGEJ 102 X (1 k)	T	55.2/29.6
R2151*	7030005090	S.RES ERJ2GGEJ 104 X (100 k)	B	84.1/26.5
R2152*	7030006610	S.RES ERJ2GGEJ 394 X (390 k)	T	39.8/15.1
R2157*	7030005110	S.RES ERJ2GGEJ 224 X (220 k)	T	50.3/31.5
R2159*	7030005090	S.RES ERJ2GGEJ 104 X (100 k)	T	55.1/36.4
R2160*	7030005120	S.RES ERJ2GGEJ 102 X (1 k)	T	54.8/33.7
R2206*	7030005120	S.RES ERJ2GGEJ 102 X (1 k)	T	51.2/26.5
R2214*	7030005160	S.RES ERJ2GGEJ 105 X (1 M)	T	81.4/28.4
R2226*	7030005240	S.RES ERJ2GGEJ 473 X (47 k)	B	43/15.4
R2229*	7030005120	S.RES ERJ2GGEJ 102 X (1 k)	T	84.2/26.8
R2230*	7030005120	S.RES ERJ2GGEJ 102 X (1 k)	B	86.4/27.7
R2234*	7030005120	S.RES ERJ2GGEJ 102 X (1 k)	T	49.9/29.8
R2237*	7030005090	S.RES ERJ2GGEJ 104 X (100 k)	T	24.4/11.9
R2238*	7030006610	S.RES ERJ2GGEJ 394 X (390 k)	T	25/13.1
R2239*	7030005090	S.RES ERJ2GGEJ 104 X (100 k)	T	39.8/16.7
R2244*	7030010040	S.RES ERJ2GGEJ-JPW	T	38.9/15.1
R2246*	7030005090	S.RES ERJ2GGEJ 104 X (100 k)	T	116/24.2
R2247*	7030005120	S.RES ERJ2GGEJ-JPW	T	115.7/28.3
R2248*	7030005240	S.RES ERJ2GGEJ 473 X (47 k)	B	88.6/10.4
R2249*	7030005060	S.RES ERJ2GGEJ 333 X (33 k)	T	63.2/29.2
R2250*	7030010040	S.RES ERJ2GGEJ-JPW	B	87.5/11.5
C1	4030006900	S.CER C1608 JB 1H 103K-T	T	47.3/42.5
C2	4510008130	S.ELE 16 CE 220 BS	B	43.9/40
C3	4510009150	S.ELE EEE1EA470WP	B	13.5/11.7
C5	4510009150	S.ELE EEE1EA470WP	B	122.2/43
C6	4510009150	S.ELE EEE1EA470WP	B	106

[LOGIC UNIT]

REF NO.	ORDER NO.	DESCRIPTION	M.	H/V LOCATION
C8	4030006900	S.CER C1608 JB 1H 103K-T	T	7.4/16.8
C9	4030016790	S.CER ECJ0EB1C103K	T	42.8/48.3
C11	4030006900	S.CER C1608 JB 1H 103K-T	T	131.2/38.2
C13	4030006900	S.CER C1608 JB 1H 103K-T	T	106.4/29
C15	4030006860	S.CER C1608 JB 1H 102K-T	T	86/51.2
C16	4030006860	S.CER C1608 JB 1H 102K-T	T	21.7/48.3
C17	4030017460	S.CER ECJ0EB1E102K	T	122.8/40.5
C18	4510008490	S.ELE EEE1CS1005SR	B	14.9/32.3
C19	4510008780	S.ELE EEE1EA471P	B	111.4/31.1
C21	4030011600	S.CER C1608 JB 1E 104K-T	T	86/47.8
C22	4510008760	S.ELE EEE1HA4R7SR	B	14/26.8
C23	4510008500	S.ELE EEE1CA101WP	B	114.3/40.6
C24	4030017460	S.CER ECJ0EB1E102K	T	132.3/38.6
C28	4030011600	S.CER C1608 JB 1E 104K-T	T	127.8/27.4
C29	4030011600	S.CER C1608 JB 1E 104K-T	T	129.4/35.7
C30	4030018910	S.CER C1608 JB 0J 475K-T	T	19/36.7
C32	4030017460	S.CER ECJ0EB1E102K	T	21.6/46.6
C33	4030006900	S.CER C1608 JB 1H 103K-T	T	105.9/39.3
C34	4510008770	S.ELE EEE1ES4R7SR	B	116.6/48.1
C37	4510008500	S.ELE EEE1CA101WP	B	131.7/52
C38	4510008500	S.ELE EEE1CA101WP	B	121.9/34.5
C39	4510008760	S.ELE EEE1HA4R7SR	B	13.5/20.2
C40	4030011600	S.CER C1608 JB 1E 104K-T	T	99.8/21.6
C41	4510008500	S.ELE EEE1CA101WP	B	101.3/27.7
C42	4030006880	S.CER C1608 JB 1H 472K-T	T	14.8/20.9
C43	4030017460	S.CER ECJ0EB1E102K	T	124.6/39.6
C44	4510008540	S.ELE EEE1CA100SR	B	102.3/16.3
C45	4030010210	S.CER C3216 JB 1C 105M-T	T	100.5/28.4
C46	4030006880	S.CER C1608 JB 1H 472K-T	T	15.2/17.6
C48	4030006860	S.CER C1608 JB 1H 102K-T	T	5.5/39.2
C49	4510008760	S.ELE EEE1HA4R7SR	B	19.9/12.5
C50	4510008540	S.ELE EEE1CA100SR	B	100.9/21.7
C51	4030017390	S.CER ECJ0EC1H180J	T	18.7/37.4
C52	4030018910	S.CER C1608 JB 0J 475K-T	T	28.8/39.3
C53	4510008870	S.ELE EEE1AA471UP	B	8.9/42
C54	4550007650	S.TAN F931V105MAABMA	T	19.2/17.1
C55	4510008500	S.ELE EEE1CA101WP	B	110.5/49.2
C56	4030011600	S.CER C1608 JB 1E 104K-T	T	106.5/16.1
C57	4030016930	S.CER ECJ0EB1A104K	T	105.9/41.4
C58	4510008500	S.ELE EEE1CA101WP	B	108.3/20.6
C59	4030006880	S.CER C1608 JB 1H 472K-T	T	19.3/18.8
C60	4030011600	S.CER C1608 JB 1E 104K-T	B	5.8/48.3
C61	4030017390	S.CER ECJ0EC1H180J	B	19.2/38.6
C62	4510008810	S.ELE EEE1CA331UP	B	6.7/32.2
C63	4550002980	S.TAN TEESVA 1C 225M8R	T	104.6/16.6
C65	4030006860	S.CER C1608 JB 1H 102K-T	T	3.7/42.7
C66	4030016930	S.CER ECJ0EB1A104K	T	22.6/41.5
C68	4030011600	S.CER C1608 JB 1E 104K-T	T	3.7/41.3
C69	4030017760	S.CER ECJ0EB1H222K	T	2.9/56.1
C70	4030011600	S.CER C1608 JB 1E 104K-T	B	7.9/56.2
C74	4030016930	S.CER ECJ0EB1A104K	T	41.5/21
C78	4030018860	S.CER ECJ0EB0J105K	B	10.3/50.5
C79	4030016930	S.CER ECJ0EB1A104K	B	59.5/44.5
C80	4030018860	S.CER ECJ0EB0J105K	T	44.9/35.9
C81	4030016930	S.CER ECJ0EB1A104K	B	35.6/21.7
C82	4030016930	S.CER ECJ0EB1A104K	B	29.3/22.6
C83	4030016930	S.CER ECJ0EB1A104K	B	57.9/44.8
C85	4030016930	S.CER ECJ0EB1A104K	T	30.3/35.4
C86	4030018860	S.CER ECJ0EB0J105K	T	44.8/35
C87	4030017460	S.CER ECJ0EB1E102K	T	44.3/19.2
C88	4510009000	S.ELE EEE1AA330WR	B	32.6/41.5
C89	4510008490	S.ELE EEE1CS100SR	B	51.1/21.7
C90	4510008490	S.ELE EEE1CS100SR	B	45.3/28.3
C91	4030018910	S.CER C1608 JB 0J 475K-T	T	49.8/22.2
C92	4030016930	S.CER ECJ0EB1A104K	T	46.4/30.5
C93	4030018860	S.CER ECJ0EB0J105K	T	47.2/32.4
C94	4510009000	S.ELE EEE1AA330WR	B	44.7/33.3
C95	4510008490	S.ELE EEE1CS100SR	B	37.3/40.9
C96	4030016790	S.CER ECJ0EB1C103K	B	41.3/32.4
C97	4030016790	S.CER ECJ0EB1C103K	T	35.3/38.4
C100	4510008490	S.ELE EEE1CS100SR	B	51.2/26.7
C101	4030016930	S.CER ECJ0EB1A104K	B	90/43.6
C102	4030016930	S.CER ECJ0EB1A104K	T	88.5/46
C103	4030016930	S.CER ECJ0EB1A104K	B	95.9/42.2
C105	4030017420	S.CER ECJ0EC1H4470J	B	96.9/38.5
C107	4030017420	S.CER ECJ0EC1H4470J	B	96/37.8
C109	4030017760	S.CER ECJ0EB1H222K	T	95.6/26.8
C111	4030016930	S.CER ECJ0EB1A104K	T	84.6/22.6
C112	4030016970	S.CER ECJ0EB1C223K	T	95.6/25.9
C113	4030017460	S.CER ECJ0EB1E102K	T	92.9/26.3
C116	4030017730	S.CER ECJ0EB1E471K	T	94.8/23.5
C117	4030017430	S.CER ECJ0EC1H101J	T	85.8/24.7
C122	4030016780	S.CER ECJ0EB1C153K	T	93.5/21.1
C123	4030017460	S.CER ECJ0EB1E102K	T	88/21.5
C124	4030018900	S.CER ECJ0EB0J474K	T	66/14.8
C126	4510008490	S.ELE EEE1CS1005SR	B	69.7/12.8
C129	4030016930	S.CER ECJ0EB1A104K	T	91.7/21.3
C130	4030017510	S.CER ECJ0EC1H680J	T	69.3/15.7
C131	4030016930	S.CER ECJ0EB1A104K	T	93.4/19.9
C134	4030018890	S.CER ECJ0EB0J224K	T	70.9/18.5
C135	4030017460	S.CER ECJ0EB1E102K	T	70.5/16.9

\*IC-PCR2500 only

[LOGIC UNIT]

REF NO.	ORDER NO.	DESCRIPTION	M.	H/V LOCATION
C142	4030016790	S.CER ECJ0EB1C103K	T	72.9/14.4
C144	4030017780	S.CER ECJ0EB1E472K	T	78.8/16.5
C148	4510008490	S.ELE EEE1CS1005SR	B	86.5/17.3
C154	4030016790	S.CER ECJ0EB1C103K	T	78.3/21.7
C158	4030016970	S.CER ECJ0EB1C223K	T	86/18.5
C159	4030016790	S.CER ECJ0EB1C103K	T	76.1/20.1
C164	4030016970	S.CER ECJ0EB1C223K	T	87.2/18
C165	4510008490	S.ELE EEE1CS1005SR	B	83.2/14.4
C167	4030016790	S.CER ECJ0EB1C103K	T	87.6/16.5
C171	4030016930	S.CER ECJ0EB1A104K	T	83.8/14.9
C172	4030017780	S.CER ECJ0EB1E472K	T	88.1/15.3
C175	4030016790	S.CER ECJ0EB1C103K	T	93.7/17.6
C178	4050000240	S.FED NFM18PC104R1C3D	B	96.3/5.6
C183	4050000240	S.FED NFM18PC104R1C3D	B	97.8/5.6
C187	4050000240	S.FED NFM18PC104R1C3D	T	96/8.4
C202	4030017490	S.CER C1608 JB 1A 105K-T	T	23/29.1
C203	4030018860	S.CER ECJ0EB0J105K	T	20.7/28.9
C204	4030018910	S.CER C1608 JB 0J 475K-T	T	21.8/28.5
C210	4030017340	S.CER ECJ0EC1H010B	B	66.7/24.6
C211	4030017600	S.CER ECJ0EC1H080C	B	65.3/25.5
C212	4030017030	S.CER ECJ0EB1A273K	B	56.9/31.3
C213	4030016930	S.CER ECJ0EB1A104K	B	65.9/26.7
C214	4030016930	S.CER ECJ0EB1A104K	B	77.4/23.2
C215	4030016930	S.CER ECJ0EB1A104K	B	80.4/40.6
C216	4030016930	S.CER ECJ0EB1A104K	T	89.9/43
C217	4030016930	S.CER ECJ0EB1A104K	T	90.9/43
C218	4030016970	S.CER ECJ0EB1C223K	T	49.9/26.5
C219	4030016970	S.CER ECJ0EB1C223K	T	50.9/22.1
C220	4030016930	S.CER ECJ0EB1A104K	T	19.1/35.6
C221	4030016930	S.CER ECJ0EB1A104K	T	19.6/40.6
C222	4030016930	S.CER ECJ0EB1A104K	T	20.9/33.2
C223	4030016930	S.CER ECJ0EB1A104K	T	29/37
C224	4030017390	S.CER ECJ0EC1H180J	B	36.6/37.4
C225	4030017390	S.CER ECJ0EC1H180J	B	39.8/37.4
C226	4030016930	S.CER ECJ0EB1A104K	T	65.8/31.6
C227	4030016930	S.CER ECJ0EB1A104K	B	58.4/37.5
C230	4030017460	S.CER ECJ0EB1E102K	T	15.3/34.3
C231	4030017460	S.CER ECJ0EB1E102K	T	15.3/30.3
C232	4030016930	S.CER ECJ0EB1A104K	T	15.3/31.2
C233	4030017500	S.CER ECJ0EC1H560J	B	66.9/23.4
C234	4030016790	S.CER ECJ0EB1C103K	B	69.7/20.4
C235	4030016790	S.CER ECJ0EB1C103K	B	70.6/19.7
C236	4030017730	S.CER ECJ0EB1E471K	B	71.5/19.7
C237	4030017460	S.CER ECJ0EB1E102K	T	42.5/42.6
C238	4030016930	S.CER ECJ0EB1A104K	T	45.2/40.8
C239	4030016930	S.CER ECJ0EB1A104K	B	95.4/8.8
C240	4050000260	S.FED CKD510JB1H220S-T	T	93.8/9.2
C242	4050000260	S.FED CKD510JB1H220S-T	B	83.5/6
C243	4050000260	S.FED CKD510JB1H220S-T	T	91.5/9.2
C244	4050000260	S.FED CKD510JB1H220S-T	T	84.6/9.2
C245	4050000260	S.FED CKD510JB1H220S-T	B	87.3/6
C246	4050000260	S.FED CKD510JB1H220S-T	T	88.5/9.2
C247	4050000260	S.FED CKD510JB1H220S-T	B	89.6/6
C250	4050000270	S.FED CKD510JB1H471S-T	B	105.2/6.1
C252	4050000260	S.FED CKD510JB1H220S-T	T	104.4/9.2
C254	4050000260	S.FED CKD510JB1H220S-T	T	106.7/9.2
C255	4050000260	S.FED CKD510JB1H220S-T	B	107.5/6.1
C256	4050000260	S.FED CKD510JB1H220S-T	T	109.9/2
C257	4050000260	S.FED CKD510JB1H220S-T	B	109.8/6.1
C258	4050000260	S.FED CKD510JB1H220S-T	T	111.3/9.2
C261	4050000260	S.FED CKD510JB1H220S-T	B	113.9/6.1
C262	4050000260	S.FED CKD510JB1H220S-T	T	114.5/9.2
C263	4050000260	S.FED CKD510JB1H220S-T	B	116.2/6.1
C264	4050000260	S.FED CKD510JB1H220S-T	T	116.8/9.2
C265	4050000260	S.FED CKD510JB1H220S-T	B	118.5/6.1
C266	4050000240	S.FED NFM18PC104R1C3D	B	120.4/6.1
C267	4050000250	S.FED NFM21CC223R1H3D	T	119.1/9.2
C268	4030016790	S.CER ECJ0EB1C103K	B	27.8/23.7
C270	4030017460	S.CER ECJ0EB1E102K	B	79.6/23.2
C271	4030017780	S.CER ECJ0EB1E472K	B	78.5/22.2
C272	4030017780	S.CER ECJ0EB1E472K	T	92.8/18.2
C273	4030017780	S.CER ECJ0EB1E472K	T	76.4/28.6
C275	4030016930	S.CER ECJ0EB1A104K	T	45.9/19.2
C276	4030018240	S.CER ECJ0EB1E562K	B	25.9/22.2
C280	4030017460	S.CER ECJ0EB1E102K	T	110.9/51.9
C281	4030016930	S.CER ECJ0EB1A104K	T	38.9/23.2
C282	4030016930	S.CER ECJ0EB1A104K	T	42.3/25.8
C283	4030016930	S.CER ECJ0EB1A104K	T	50.1/19.8
C2005*	4510009150	S.ELE EEE1EA470WP	B	121.9/20.3
C2011*	4030006900	S.CER C1608 JB 1H 103K-T	B	131.6/22.1
C2015*	4030017460	S.CER ECJ0EB1E102K	T	73.3/52.9
C2021*	4030016930	S.CER ECJ0EB1A104K	T	74.6/49.5
C2028*	4030011600	S.CER C1608 JB 1E 104K-T	B	127.1/25.8
C2029*	4030011600	S.CER C1608 JB 1E 104K-T	B	125.9/8.4
C2037*	4510008500	S.ELE EEE1CA101WP	B	121.9/27.4
C2038*	4510008500	S.ELE EEE1CA101WP	B	121.9/13.2
C2092*	4030016930	S.CER ECJ0EB1A104K	T	51.5/30.9
C2109*	4030017760	S.CER ECJ0EB1H222K	T	23.8/22.4
C2111*	4030016930	S.CER ECJ0EB1A104K	T	30.5/18.4
C2112*	4030016970	S.CER ECJ0EB1C223K	T	22.5/21.4
C2113*	4030017460	S.CER ECJ0EB1E102K	T	27.8/18.4

M.=Mounted side (T: Mounted on the Top side, B: Mounted on the Bottom side)  
S.=Surface mount

[LOGIC UNIT]

REF NO.	ORDER NO.	DESCRIPTION	M.	H/V LOCATION
C2116*	4030017730	S.CER ECJ0EB1E471K	T	25.5/20.9
C2117*	4030017430	S.CER ECJ0EC1H101J	T	34.6/20.4
C2122*	4030016780	S.CER ECJ0EB1C153K	T	24.1/19.3
C2123*	4030017460	S.CER ECJ0EB1E102K	T	36/20.4
C2124*	4030018900	S.CER ECJ0E0J474K	T	48.7/18
C2126*	4510008490	S.ELE EEE1CS100SR	B	45.5/17.1
C2129*	4030016930	S.CER ECJ0EB1A104K	T	37.8/20.4
C2130*	4030017510	S.CER ECJ0EC1H680J	T	48.2/14.1
C2131*	4030016930	S.CER ECJ0EB1A104K	T	24.7/22.4
C2134*	4030018890	S.CER ECJ0E0J224K	T	46.6/14.8
C2135*	4030017460	S.CER ECJ0EB1E102K	T	46/12.7
C2136*	4030018860	S.CER ECJ0E0J105K	T	65.2/21.5
C2137*	4030016790	S.CER ECJ0EB1C103K	T	66.2/21.5
C2140*	4030016790	S.CER ECJ0EB1C103K	T	127.7/26
C2141*	4030018860	S.CER ECJ0E0J105K	T	128.6/26
C2142*	4030016790	S.CER ECJ0EB1C103K	T	41/13.6
C2144*	4030017780	S.CER ECJ0EB1E472K	T	42.9/13.6
C2145*	4510008520	S.ELE EEE1CA470SP	B	114.3/14.6
C2148*	4510008490	S.ELE EEE1CS100SR	B	33.3/15.9
C2150*	4030016930	S.CER ECJ0EB1A104K	T	55.1/39.2
C2151*	4030016790	S.CER ECJ0EB1C103K	T	54.8/32.8
C2152*	4030017460	S.CER ECJ0EB1E102K	T	117.6/21.1
C2154*	4030016790	S.CER ECJ0EB1C103K	T	37.6/13.1
C2157*	4030017720	S.CER ECJ0EB1H331K	T	118.1/18.1
C2158*	4030016970	S.CER ECJ0EB1C223K	T	29/15.5
C2159*	4030016790	S.CER ECJ0EB1C103K	T	38/14.3
C2160*	4030017460	S.CER ECJ0EB1E102K	T	117.6/20.2
C2164*	4030016970	S.CER ECJ0EB1C223K	T	28.3/16.4
C2165*	4510008490	S.ELE EEE1CS100SR	B	37.2/15.9
C2166*	4030018910	S.CER C1608 JB 0J 475K-T	T	117.2/16
C2167*	4030016790	S.CER ECJ0EB1C103K	T	27.3/15.5
C2169*	4030016930	S.CER ECJ0EB1A104K	T	61.4/41.9
C2171*	4030016930	S.CER ECJ0EB1A104K	T	35.3/17.9
C2172*	4030017780	S.CER ECJ0EB1E472K	T	26.9/14.3
C2173*	4030016790	S.CER ECJ0EB1C103K	T	94.6/18.2
C2175*	4030016790	S.CER ECJ0EB1C103K	T	25.6/11.9
C2179*	4050000240	S.FED NFM18PC104R1C3D	B	27.3/5.6
C2180*	4050000260	S.FED CKD510JB1H220S-T	T	25.8/9.2
C2181*	4050000260	S.FED CKD510JB1H220S-T	T	23.5/9.2
C2182*	4050000260	S.FED CKD510JB1H220S-T	B	21.4/6
C2183*	4050000260	S.FED CKD510JB1H220S-T	T	21.2/9.2
C2184*	4050000260	S.FED CKD510JB1H220S-T	B	19.1/6
C2185*	4050000260	S.FED CKD510JB1H220S-T	T	16.3/9.2
C2189*	4050000260	S.FED CKD510JB1H220S-T	B	36.8/6.1
C2191*	4050000260	S.FED CKD510JB1H220S-T	T	36.1/9.2
C2192*	4050000260	S.FED CKD510JB1H220S-T	B	39.1/6.1
C2193*	4050000260	S.FED CKD510JB1H220S-T	T	38.8/9.2
C2194*	4050000260	S.FED CKD510JB1H220S-T	T	41.4/9.2
C2195*	4050000260	S.FED CKD510JB1H220S-T	B	41.4/6.1
C2197*	4050000260	S.FED CKD510JB1H220S-T	T	45.2/6.1
C2198*	4050000260	S.FED CKD510JB1H220S-T	T	44.8/9.2
C2200*	4050000260	S.FED CKD510JB1H220S-T	T	48.2/9.2
C2201*	4050000240	S.FED NFM18PC104R1C3D	B	51.7/6.1
C2202*	4050000250	S.FED NFM21CC223R1H3D	B	48.7/7.3
C2203*	4050000240	S.FED NFM18PC104R1C3D	B	29.3/5.6
C2204*	4050000240	S.FED NFM18PC104R1C3D	T	28.3/8.5
C2205*	4030016930	S.CER ECJ0EB1A104K	T	83.3/25.2
C2207*	4030017460	S.CER ECJ0EB1E102K	B	83.7/25.3
C2271*	4030017780	S.CER ECJ0EB1E472K	T	83.3/26.8
C2272*	4030017780	S.CER ECJ0EB1E472K	B	85.5/28.6
C2277*	4030016790	S.CER ECJ0EB1C103K	T	55.1/40.4
C2278*	4030017400	S.CER ECJ0EC1H220J	T	99.9/46.5
C2279*	4030017400	S.CER ECJ0EC1H220J	T	94.8/51.3
J2	64500002100	CNR CMS1410-010010		
J3	6510025040	CNR HEC2711-01-620		
J4	6510015541	S.CNR B4B-ZR-SM4-TF (LF) (SN)	T	109.5/46.6
J5	6510023170	CNR 3008L-6P6C <KIN>		
J6	6450000140	CNR HSJ0807-01-010		
J12	6510014961	S.CNR B2B-ZR-SM4-TF (LF) (SN) [FRA-1], [SEA-1], [EXP-2] only	T	32/47.4
J15	6510019971	S.CNR 52808-1071 [FRA-1], [SEA-1], [EXP-2] only	T	76.9/10.3
J16	6510018971	S.CNR B4B-PH-SM4-TB (LF) (SN) [FRA-1], [SEA-1], [EXP-2] only	T	61.4/11.5
J23	6510020531	S.CNR 52808-1871 [FRA-1], [SEA-1], [EXP-2] only	T	112/4.7
J24	6510020531	S.CNR 52808-1871 [FRA-1], [SEA-1], [EXP-2] only	T	89.9/4.7
J2008*	6450000140	CNR HSJ0807-01-010		
J2010*	6450001430	CNR HSJ1462-01-010		
J2017*	6510021970	S.CNR AXN330C130P	T	59.1/30.5
J2018*	6510021970	S.CNR AXN330C130P	T	120/29.3
J2021*	6510020531	S.CNR 52808-1871	T	44.3/4.7
J2022*	6510020531	S.CNR 52808-1871	T	22.3/4.7
S1	2220000700	S.SW SW-168 (SSSS820101)	T	10.5/40.2
EP5	6910014690	S.BEA MPZ1608S221A-T	T	110.3/57.6

\*IC-PCR2500 only

[LOGIC UNIT]

REF NO.	ORDER NO.	DESCRIPTION	M.	H/V LOCATION
EP6	6910014690	S.BEA MPZ1608S221A-T	T	117.6/56.8
EP8	6910012350	S.BEA MMZ1608Y 102BT	T	43.3/50.3
EP10	6910014690	S.BEA MPZ1608S221A-T	T	20.9/57.5
EP15	6910012350	S.BEA MMZ1608Y 102BT	T	86/57.5
EP18	6910014690	S.BEA MPZ1608S221A-T	T	38.8/44.1
EP19	6910014690	S.BEA MPZ1608S221A-T	T	34/41.2
EP25	6910014690	S.BEA MPZ1608S221A-T	T	26.4/46
EP26	6910014690	S.BEA MPZ1608S221A-T	T	29.4/50.2
EP29	6910014690	S.BEA MPZ1608S221A-T	T	21.7/51.7
EP30	6910014690	S.BEA MPZ1608S221A-T	T	20.2/31
EP31	6910012350	S.BEA MMZ1608Y 102BT	T	32.1/40.5
EP32	6910012350	S.BEA MMZ1608Y 102BT	T	34/39.9
EP41	6910014690	S.BEA MPZ1608S221A-T	T	120.8/9.6
EP42	6910014690	S.BEA MPZ1608S221A-T	B	119.8/8.4
EP43	6910014690	S.BEA MPZ1608S221A-T	B	93.7/6.1
EP44	6910014690	S.BEA MPZ1608S221A-T	B	98.2/7.4
EP45	6910015120	S.BEA MMZ2012D 301BT	B	63.8/53
EP46	6910012350	S.BEA MMZ1608Y 102BT	T	54.5/50.2
EP47	6910012350	S.BEA MMZ1608Y 102BT	T	51.2/54.8
EP48	6910015120	S.BEA MMZ2012D 301BT	T	61.7/51.4
EP49	6910012350	S.BEA MMZ1608Y 102BT	B	65.8/50.8
EP50	6910015120	S.BEA MMZ2012D 301BT	T	61.7/54.1
EP51	6910014690	S.BEA MPZ1608S221A-T	T	9.6/17.3
EP53	6910014690	S.BEA MPZ1608S221A-T	T	86/50
EP60	6910014690	S.BEA MPZ1608S221A-T	T	41.6/44.1
EP2001*	6910014690	S.BEA MPZ1608S221A-T	B	52.4/7.9
EP2002*	6910014690	S.BEA MPZ1608S221A-T	B	50.3/5.6
EP2003*	6910014690	S.BEA MPZ1608S221A-T	B	30.7/5.6
EP2004*	6910014690	S.BEA MPZ1608S221A-T	B	26.2/7.4
EP2013*	6910012350	S.BEA MMZ1608Y 102BT	T	99.9/48.6
EP2014*	6910012350	S.BEA MMZ1608Y 102BT	T	98.5/56.7
EP2015*	6910012350	S.BEA MMZ1608Y 102BT	T	74.3/57.3
EP2017*	6910012350	S.BEA MMZ1608Y 102BT	T	96.9/52
EP2037*	6910012350	S.BEA MMZ1608Y 102BT	T	124.2/28.5
EP2038*	6910012350	S.BEA MMZ1608Y 102BT	T	125.6/28.5
EP2053*	6910014690	S.BEA MPZ1608S221A-T	T	74.9/51.2
EP2061*	6910012350	S.BEA MMZ1608Y 102BT	T	98.7/48.6

[MAIN-A UNIT]

REF NO.	ORDER NO.	DESCRIPTION	M.	H/V LOCATION
IC1	1130011760	S.IC CD4094BPWR	B	20.7/42.1
IC2	1180002391	S.REG S-812C33AMC-C2N-G	B	24.7/51.4
IC3	1130011760	S.IC CD4094BPWR	B	32.8/32.5
IC4	1130011670	S.IC MB15E03SLPFV1-G-BND-ER Except [FRA-1], [SEA-1], [USA-1], [USA-3] only	T	26.3/43.7
IC5	1110005120	S.IC μPC2749TB-E3	T	7.9/47.4
IC6	1110005230	S.IC μPC2757TB-E3	T	11/44.8
IC7	1110003780	S.IC NJM2902V-TE1	B	39.1/16.2
IC8	1190000350	S.IC M62363FP-650C	B	71.9/14.7
IC9	1180002391	S.REG S-812C33AMC-C2N-G	B	65.6/21.3
IC10	1130011670	S.IC MB15E03SLPFV1-G-BND-E Except [FRA-1], [SEA-1], [USA-1], [USA-3] only	B	56.2/18.9
IC11	1110004610	S.IC μPB1508GV-E1	T	54.4/38.6
IC13	1130012930	S.IC MB15F63ULPVA1-G	T	68/32.7
IC14	1190002051	S.IC SPM5001-TL-E [FRA-1], [SEA-1], [EXP-2] only	B	36/53.1
IC15	1110006870	S.IC μPC2709TB-E3	T	42.2/25.1
IC16	1110004441	S.IC LA1145M-TLM-E	B	110/58.9
IC17	1130011760	S.IC CD4094BPWR	B	71.5/41.2
IC18	1130011760	S.IC CD4094BPWR	B	117.2/39.9
IC19	1110005461	S.IC TA4107F (TE12L F)	B	68.5/53.1
IC20	1110003201	S.IC TA31136FNG (EL) [FRA-1], [SEA-1], [EXP-2], [CAN-1] only	B	85.5/47.7
IC21	1130006891	S.IC TC7S04FU (TE85R F) [FRA-1], [SEA-1], [EXP-2] only	T	96.7/12.2
IC22	1140004550	S.IC M65343FP/SC1287	T	91/19.6
IC23	1110004870	S.IC TA4101F (TE12L F)	B	93.8/22.3
IC24	1110003201	S.IC TA31136FNG (EL F)	B	106.4/36.3
IC25	1110003800	S.IC NJM2904V-TE1	B	78/27.1
IC26	1130011801	S.IC SN74AHC1G66HDBV3	B	101/35.4
IC27	1130011770	S.IC CD4066BPWR	B	119/50.3
IC28	1110006490	S.IC LMV321IDCKR	B	100.2/44
IC29	1130013010	S.IC SN74AHC1G08DCK3	B	86.4/12.4
IC30	1130011781	S.IC SN74AHC2G55HDCT3	B	85.1/23.9
IC31	1110006490	S.IC LMV321IDCKR	B	113.5/46.5
IC32	1110006490	S.IC LMV321IDCKR	T	105/19
Q1	1590003290	S.TR UNR9213J-(TX)	B	6.4/41.5
Q2	1590003230	S.TR UNR9113J-(TX)	B	2.8/45
Q3	1590002010	S.TR XP1114 (TX)	B	13.5/31.1
Q4	1590002010	S.TR XP1114 (TX)	B	13.2/33.6
Q5	1530003591	S.TR 2SC5277-D2-TL-E	T	25/48.5
Q6	1590002010	S.TR XP1114 (TX)	B	19/26
Q7	1590002010	S.TR XP1114 (TX)	B	15.7/27.5
Q8	1530003630	S.TR 2SC4617 TLS	B	4.9/44.8

M.=Mounted side (T: Mounted on the Top side, B: Mounted on the Bottom side) S.=Surface mount

**[MAIN-A UNIT]**

REF NO.	ORDER NO.	DESCRIPTION	M.	H/V LOCATION
Q9	1590001810	S.TR XP1113 (TX)	B	15.6/50.6
Q10	1590003380	S.TR UNR9111J-(TX)	B	17.2/46.4
Q11	1530003260	S.TR 2SC5006-T1	T	6.6/55
Q12	1530003450	S.TR 2SC4835-R (TX)	B	14.9/20.9
Q13	1530003781	S.TR 2SC5624VH-TL-E	T	16.2/55.8
Q14	1530003260	S.TR 2SC5006-T1	T	17.3/50.8
Q15	1580000790	S.FET 3SK318YB-TL-E	B	19.8/17.6
Q16	1580000790	S.FET 3SK318YB-TL-E	T	19.4/25
Q17	1580000790	S.FET 3SK318YB-TL-E	T	20.7/17.9
Q18	1580000800	S.FET 3SK324UG-TL-E	T	21.2/34.3
Q19	1530003260	S.TR 2SC5006-T1	T	24.2/55.7
Q20	1590003230	S.TR UNR9113J-(TX)	T	52.7/8.2
Q21	1590003230	S.TR UNR9113J-(TX)	T	44.1/6.1
Q22	1530003431	S.TR 2SC5226-4-TL-E	B	29.4/4.7
Q23	1590003380	S.TR UNR9111J-(TX)	B	43.2/45.3
Q24	1530003591	S.TR 2SC5277-D2-TL-E	B	60.2/18.2
Q25	1590001960	S.TR XP4311 (TX)	B	34.5/4.7
Q27	1530003550	S.TR 2SC5193-T1	T	43/16.9
Q28	1530003550	S.TR 2SC5193-T1	T	45.5/15.9
Q29	1530003550	S.TR 2SC5193-T1	T	51.6/19
Q30	1530003550	S.TR 2SC5193-T1	T	54.1/18
Q31	1530003630	S.TR 2SC4617 TLS	T	63.8/25.7
Q32	1590003280	S.TR UNR9211J-(TX)	T	44.1/11.7
Q33	1590003280	S.TR UNR9211J-(TX)	T	52.7/13.8
Q34	1530003450	S.TR 2SC4835-R (TX)	T	55/45.5
Q35	1560000541	S.FET 2SK880-Y (T5R1COM F)	B	58.5/12.4
Q36	1530003001	S.TR 2SC4117-BL (TE85R F)	B	58.3/7.4
Q39	1530003450	S.TR 2SC4835-R (TX)	B	50.4/27
Q41	1530002601	S.TR 2SC4215-O (TE85R F)	T	64.7/41.2
Q42	1590001960	S.TR XP4311 (TX)	T	84.5/47.6
Q43	1530003630	S.TR 2SC4617 TLS	T	99.7/64.7
Q44	1580000540	S.FET 3SK131-T2-LA	B	63.7/61.6
Q45	1590001650	S.TR XP4601 (TX)	B	102.1/54.6
Q46	1590003290	S.TR UNR9213J-(TX)	B	101.3/47.8
Q47	1530003550	S.TR 2SC5193-T1	T	72.8/36.3
Q48	1530002851	S.TR 2SC4116-BL (TE85R F)	T	88.5/7.8
Q49	1530003630	S.TR 2SC4617 TLS	B	99.7/50.8
Q50	1530003450	S.TR 2SC4835-R (TX)	T	75/43.5
Q52	1590001960	S.TR XP4311 (TX)	B	97.8/48.3
Q53	1590003380	S.TR UNR9111J-(TX)	B	99/58.1
Q54	1590002010	S.TR XP1114 (TX)	B	120/33.7
Q55	1590002010	S.TR XP1114 (TX)	B	117.5/33.7
Q56	1590002010	S.TR XP1114 (TX)	B	85/53.2
Q57	1590003290	S.TR UNR9213J-(TX)	B	99.8/62.7
Q58	1530003630	S.TR 2SC4617 TLS	B	102.3/60.8
Q59	1590001960	S.TR XP4311 (TX)	B	99.2/55
Q60	1530003630	S.TR 2SC4617 TLS	T	73.5/61.8
Q61	1560000561	S.FET 2SK882-GR (TE85L F)	B	99.3/11
Q62	1560000561	S.FET 2SK882-GR (TE85L F)	B	116.5/23.3
Q63	1530003630	S.TR 2SC4617 TLS	B	98.7/19
Q64	1590003290	S.TR UNR9213J-(TX)	B	100.4/27.8
Q65	1530003630	S.TR 2SC4617 TLS	T	90.2/52.6
Q66	1580000540	S.FET 3SK131-T2-LA	B	94.2/54.5
Q67	1530003630	S.TR 2SC4617 TLS	B	78.8/13.7
Q68	1560000561	S.FET 2SK882-GR (TE85L F)	T	93.2/58.1
Q69	1510001100	S.TR 2SA1832-GR (TE85R)	B	83.3/16.9
Q70	1510001100	S.TR 2SA1832-GR (TE85R)	B	83.4/19.7
Q71	1530003450	S.TR 2SC4835-R (TX)	B	110.9/29.5
Q72	1590003290	S.TR UNR9213J-(TX)	B	74.6/26.5
Q73	1530003630	S.TR 2SC4617 TLS	B	101.4/40.6
Q74	1590001770	S.TR XP1213 (TX)	B	86.4/15.8
Q75	1530003630	S.TR 2SC4617 TLS	B	74.4/30.2
Q76	1530002601	S.TR 2SC4215-O (TE85R F)	T	114.4/43.9
Q77	1510001100	S.TR 2SA1832-GR (TE85R)	T	108.1/44.9
Q78	1590003380	S.TR UNR9111J-(TX)	B	23.6/48.4
Q79	1530003630	S.TR 2SC4617 TLS	B	64.2/10.1
Q80	1530003630	S.TR 2SC4617 TLS	B	88.4/4.1
Q81	1590003290	S.TR UNR9213J-(TX)	B	100.7/29.8
Q90	1590001960	S.TR XP4311 (TX)	T	84/10.4
Q91	1590003290	S.TR UNR9213J-(TX)	B	28.6/45.7
D1	1790001621	S.DIO 1SV308 (TPL3 F)	B	10.8/50.1
D2	1750000520	S.DIO DAN222TL	B	23.8/30.1
D3	1790001621	S.DIO 1SV308 (TPL3 F)	B	10/46.4
D4	1750000520	S.DIO DAN222TL	B	27.6/26.8
D5	1790001621	S.DIO 1SV308 (TPL3 F)	B	6.3/26.6
D6	1790001621	S.DIO 1SV308 (TPL3 F)	T	7.1/27.2
D7	1790001621	S.DIO 1SV308 (TPL3 F)	B	10.9/36.9
D8	1720000801	S.VCP 1SV290 (TPH3 F)	B	11.5/23.4
D9	1790001621	S.DIO 1SV308 (TPL3 F)	B	8.9/37.7
D11	1790001621	S.DIO 1SV308 (TPL3 F)	T	10.9/49.1
D12	1790001621	S.DIO 1SV308 (TPL3 F)	T	12.2/49.1
D13	1790001621	S.DIO 1SV308 (TPL3 F)	T	8.4/31.4
D14	1790001621	S.DIO 1SV308 (TPL3 F)	T	8.4/27.2
D15	1790001621	S.DIO 1SV308 (TPL3 F)	B	10.7/56.6
D16	1720000801	S.VCP 1SV290 (TPH3 F)	B	9.6/20.6
D17	1720000801	S.VCP 1SV290 (TPH3 F)	B	8.3/21
D18	1720000801	S.VCP 1SV290 (TPH3 F)	B	10.9/20.6
D19	1720000650	S.VCP 1SV286 (TPH3)	T	12.7/34.5
D21	1790001621	S.DIO 1SV308 (TPL3 F)	T	11.8/56.4

**[MAIN-A UNIT]**

REF NO.	ORDER NO.	DESCRIPTION	M.	H/V LOCATION
D22	1790001621	S.DIO 1SV308 (TPL3 F)	T	13.5/53.9
D23	1720000650	S.VCP 1SV286 (TPH3)	T	14.3/34.5
D24	1790001621	S.DIO 1SV308 (TPL3 F)	T	8.1/9.1
D25	1790001621	S.DIO 1SV308 (TPL3 F)	B	10.4/7.2
D26	1720000650	S.VCP 1SV286 (TPH3)	T	15.1/26
D27	1720000691	S.VCP 1SV282 (TPH2 F)	T	[FRA-1], [SEA-1], [EXP-2] only
D28	1720000801	S.VCP 1SV290 (TPH3 F)	B	15.1/28.5
D29	1790001621	S.DIO 1SV308 (TPL3 F)	T	16.9/16.7
D30	1790001621	S.DIO 1SV308 (TPL3 F)	T	9.6/4.2
D31	1720000801	S.VCP 1SV290 (TPH3 F)	B	10.4/9.2
D32	1720000691	S.VCP 1SV282 (TPH2 F)	B	15.6/16.7
D33	1720000650	S.VCP 1SV286 (TPH3)	T	[FRA-1], [SEA-1], [EXP-2] only
D34	1720000650	S.VCP 1SV286 (TPH3)	T	17.7/19.5
D35	1720000801	S.VCP 1SV290 (TPH3 F)	T	18.1/33.7
D36	1720000801	S.VCP 1SV290 (TPH3 F)	B	17.2/35.5
D37	1720000691	S.VCP 1SV282 (TPH2 F)	B	27/18.5
D38	1720000650	S.VCP 1SV286 (TPH3)	T	28.1/17.6
D39	1720000691	S.VCP 1SV282 (TPH2 F)	T	24.8/26.3
D40	1720000650	S.VCP 1SV286 (TPH3)	T	[FRA-1], [SEA-1], [EXP-2] only
D41	1720000650	S.VCP 1SV286 (TPH3)	T	25.2/28.1
D42	1790001621	S.DIO 1SV308 (TPL3 F)	T	27.6/34.5
D43	1720000401	S.VCP 1SV245 (TPH3 F)	T	28.2/36.3
D44	1790001621	S.DIO 1SV308 (TPL3 F)	T	11.6/41.8
D45	1790001621	S.DIO 1SV308 (TPL3 F)	T	[FRA-1], [SEA-1], [EXP-2] only
D46	1790001621	S.DIO 1SV308 (TPL3 F)	B	22.1/53
D47	1790001621	S.DIO 1SV308 (TPL3 F)	T	31.1/26.2
D48	1790001621	S.DIO 1SV308 (TPL3 F)	B	32.3/32.7
D49	1790001621	S.DIO 1SV308 (TPL3 F)	T	32.3/29.9
D50	1750000520	S.DIO DAN222TL	T	32.3/31.3
D51	1750000520	S.DIO DAN222TL	B	19.9/11.1
D52	1790001621	S.DIO 1SV308 (TPL3 F)	B	24.7/9.1
D53	1750000981	S.VCP 1SV278 (TPH3 F)	B	26.8/5.3
D54	1750000981	S.VCP 1SV278 (TPH3 F)	T	21.8/13.1
D55	1790001621	S.DIO 1SV308 (TPL3 F)	T	55.9/9.4
D56	1750000581	S.DIO 1SV307 (TPH3 F)	T	44.6/9.1
D57	1790001260	S.DIO MA2S077-(TX)	T	53.2/11.2
D58	1790001621	S.DIO 1SV308 (TPL3 F)	T	46.7/3.7
D59	1790001621	S.DIO 1SV308 (TPL3 F)	T	[FRA-1], [SEA-1], [EXP-2] only
D60	1790001260	S.DIO MA2S077-(TX)	T	34.8/26.8
D61	1790001260	S.DIO MA2S077-(TX)	T	49.6/26.6
D62	1720000641	S.VCP 1SV284 (TPH3 F)	T	42.4/21.1
D63	1720000641	S.VCP 1SV284 (TPH3 F)	B	47.9/21.4
D66	1790001260	S.DIO MA2S077-(TX)	B	45.5/42.9
D67	1790001260	S.DIO MA2S077-(TX)	B	83.6/33.3
D68	1790001260	S.DIO MA2S077-(TX)	T	[FRA-1], [SEA-1], [EXP-2] only
D69	1790001260	S.DIO MA2S077-(TX)	T	74.1/31
D70	1790001260	S.DIO MA2S077-(TX)	B	75.9/62.6
D71	1790001260	S.DIO MA2S077-(TX)	B	75.9/59.1
D72	1790001260	S.DIO MA2S077-(TX)	B	118.2/21.2
D73	1790001260	S.DIO MA2S077-(TX)	B	118.2/6.3
D74	1750000520	S.DIO DAN222TL	B	87.3/58.4
D75	1790001670	S.DIO RB706F-40T106	B	85.3/57
D76	1790001260	S.DIO MA2S728-(TX)	B	106.2/22.8
D77	1790001260	S.DIO MA2S077-(TX)	B	106.2/9.1
D78	1790001260	S.DIO MA2S077-(TX)	B	98.2/30.4
D79	1790001260	S.DIO MA2S077-(TX)	B	101.8/21.7
D80	1750000940	S.DIO ISS400 TE61	B	81.3/14.9
D81	1750000940	S.DIO ISS400 TE61	B	101.4/44.7
D82	1790001621	S.DIO 1SV308 (TPL3 F)	T	94.8/59.9
D83	1790001621	S.DIO 1SV308 (TPL3 F)	B	79.7/23.4
D84	1790001621	S.DIO MA2S077-(TX)	B	87.4/18.5
D85	1790001260	S.DIO MA2S077-(TX)	T	10.4/8.2
D86	1790001260	S.DIO MA2S077-(TX)	T	23.5/8.2
D87	1790001260	S.DIO MA2S077-(TX)	T	49.6/27.9
D88	1790001260	S.DIO MA2S077-(TX)	B	46.3/46.6
D89	1790001260	S.DIO MA2S077-(TX)	T	98.9/44.7
D90	1790001260	S.DIO MA2S077-(TX)	B	96.3/58.4
D91	1790001260	S.DIO MA2S077-(TX)	B	85.3/32.5
D92	1790001260	S.DIO MA2S077-(TX)	B	118.2/13.8
D93	1790001260	S.DIO MA2S077-(TX)	B	118.2/15.1
D94	1790001260	S.DIO MA2S077-(TX)	B	106.2/15.3
D95	1790001260	S.DIO MA2S077-(TX)	B	106.2/16.6
D96	1790001260	S.DIO MA2S077-(TX)	B	102.1/44.9
D97	1790001621	S.DIO 1SV308 (TPL3 F)	T	11.3/6.3
D98	1750000370	S.DIO DA221 TL	B	13.1/3.5
D99	1750000370	S.DIO DA221 TL	T	13.5/12.6
D100	1750000370	S.DIO DA221 TL	B	10.6/13.4
D101	1750000370	S.DIO DA221 TL	B	[FRA-1], [SEA-1], [EXP-2] only
D102	1750000581	S.DIO 1SV307 (TPH3 F)	T	33.1/26.8
D103	1790001240	S.DIO MA2S728-(TX)	B	82.1/21.9
D110	1750000940	S.DIO ISS400 TE61	B	84.4/14.5
D120	1750000520	S.DIO DAN222TL	B	77/34.9
F1	2040001270	S.SAW EFCH266MWNT1	T	48.6/58.8
F2	2020002230	S.CER SFCEV10M7C0Q0C1-R0	B	78.4/52.1
F4	2020001460	CER CFWLA450KHFA-B0	T	

M.=Mounted side (T: Mounted on the Top side, B: Mounted on the Bottom side)  
S.=Surface mount

[MAIN-A UNIT]

REF NO.	ORDER NO.	DESCRIPTION	M.	H/V LOCATION
F15	2020001751	CER SFVLF10M7MF00-B0		
F16	2020001451	CER SFTLFL10M7GA00-B0		
F17	2020001470	CER CFWLA450KL6A002-B0		
F18	2020001460	CER CFWLA450KHFA-B0		
F19	2020001210	CER CFWLA450KEFA-B0		
X1	6050012250	S.XTL CR-814 (10.25 MHz)	B	84.4/3.5
X2	6070000190	S.DCR CDBC450KCAY24-R0	T	104.4/38.2
X3	6070000270	S.DCR CDSCB10M7GA141-R0	T	112.5/54.7
L1	6200005501	S.COL NLV32T-471J	B	4.8/52.5
L2	6200001981	S.COL NLV25T-1R0J	B	8.5/52.5
L3	6200001981	S.COL NLV25T-1R0J	B	7.9/48.5
L4	6200005501	S.COL NLV32T-471J	B	4.1/48.5
L5	6200010330	S.COL C2012C-R18G-A	B	7.1/32.6
L6	6200005011	S.COL NLV25T-100J	B	9.2/25.6
L7	6200007280	S.COL ELJND 47NJF	T	8/21.1
L8	6200005501	S.COL NLV32T-471J	B	10.2/33.6
L9	6200010340	S.COL C2012C-R133G-A	B	9.2/23.2
L10	6200007280	S.COL ELJND 47NJF	T	8.4/18.7
L11	6200007360	S.COL ELJND R47J	T	10/27.2
L12	6200007280	S.COL ELJND 47NJF	T	10.2/18.7
L13	6200007340	S.COL ELJND R22J	T	7.8/35.4
L20	6200010320	S.COL C2012C-R15G-A	T	3.9/12.5
L21	6200009920	S.COL C2012C-R10G-A	B	7.3/18.9
L22	6200005691	S.COL ELJRE 18NGFA	T	11.1/36.2
L23	6200005611	S.COL ELJRE 3N9ZFA	T	15.6/50.9
L24	6200005691	S.COL ELJRE 18NGFA	T	11.6/27.3
L25	6200009990	S.COL C2012C-R22G-A	B	8.2/15.7
L26	6200010330	S.COL C2012C-R18G-A	T	8.5/12.1
L27	6200010210	S.COL C2012C-22NG-A	T	13.7/32.3
L28	6200006771	S.COL ELJRE 1N5ZFA	T	15.4/53
L30	6200005641	S.COL ELJRE 6N8ZFA	T	11.7/55.1
L31	6200010540	S.COL C2012C-47NG-A	B	10.8/16.9
L32	6200010850	S.COL LQW18AN22NG00D	T	14.6/24.2
L33	6200010000	S.COL C2012C-56NG-A	B	13/16.4
L34	6200010910	S.COL LQW18AN56NG00D	T	14.6/15.6
L35	6200010130	S.COL LQW18AN6N8C00D	T	7/51.7
L36	6200010130	S.COL LQW18AN6N8C00D	T	16/32.9
L37	6200009980	S.COL C2012C-18NG-A	T	15.9/18.3
L38	6200010130	S.COL LQW18AN6N8C00D	T	7/50.4
L39	6200009980	S.COL C2012C-18NG-A	T	17.6/15.6
L40	6200010850	S.COL LQW18AN22NG00D	T	16.4/25.9
L41	6200011870	S.COL LQW18AN22NG00D	T	16/35.5
L42	6200005501	S.COL NLV32T-471J	T	13.8/4.8
L43	6200002041	S.COL NLV25T-101J	B	12.8/6.2
L44	6200011870	S.COL LQW18AN22NG00D	T	18.1/32.4
L45	6200005011	S.COL NLV25T-100J	T	11.2/11.1
L46	6200010350	S.COL C2012C-R27G-A	T	14.6/9.5
L47	6200011220	S.COL C2012C-R47J-A	B	15.6/7
L48	6200003941	S.COL NLV25T-5R6J	T	16.9/3.8
L49	6200010340	S.COL C2012C-R33G-A	T	17.3/9.8
L50	6200005200	S.COL ELJNC R68K-F	B	19/7
L51	6200005641	S.COL ELJRE 6N8ZFA	T	25/32.7
L52	6200003941	S.COL NLV25T-4R7J	T	20.3/3.8
L53	6200003281	S.COL NLV25T-2R2J	B	22.4/18
L54	6200011770	S.COL LQW18ANR10G00D	T	22.6/25.4
L55	6200011220	S.COL C2012C-R47J-A	T	19.9/11.9
L56	6200005190	S.COL MLF1608D R56K-T	T	24/18.1
L57	6200011790	S.COL NLV25T-8R2J	B	20/2.3
L58	6200011220	S.COL C2012C-R47J-A	T	22.1/11.9
L59	6200010910	S.COL LQW18AN56NG00D	T	24.9/34.9
L60	6200002861	S.COL NLV25T-4R7J	B	25/2.3
L61	6200010850	S.COL LQW18AN22NG00D	T	30/16.8
L62	6200010000	S.COL C2012C-56NG-A	B	30.2/17.6
L63	6200005501	S.COL NLV32T-471J	T	25.1/4.8
L64	6200011730	S.COL LQW18AN10NG00D	T	26.5/24.5
L65	6200003550	S.COL MLF1608A 4R7K-T	T	26.6/52.9
L66	6200005641	S.COL ELJRE 6N8ZFA	T	9.3/42.8
L67	6200010850	S.COL LQW18AN22NG00D	T	30/18.1
L68	6200010140	S.COL LQW18AN3N9C00D	T	28.1/32.7
L69	6200010540	S.COL C2012C-47NG-A	B	29.6/20.1
L70	6200010020	S.COL C2012C-12NG-A	T	24.9/52.7
L71	6200010910	S.COL LQW18AN56NG00D	T	30.7/20.3
L72	6200011810	S.COL C1608CB-1N5K	T	29.8/34.6
L73	6200009930	S.COL C2012C-68NG-A	B	31.8/20.1
L74	6200011730	S.COL LQW18AN10NG00D	T	27.3/26.4
L75	6200005011	S.COL NLV25T-100J	B	10.9/11.1
L76	6200005011	S.COL NLV25T-100J	B	29.1/24.5
L77	6200009990	S.COL C2012C-R22G-A	B	14.9/7
L78	6200010850	S.COL LQW18AN22NG00D	T	28.6/26.4
L79	6200009351	S.COL ELJRE R22GFA	T	21/50.9
L80	6200001981	S.COL NLV25T-1R0J	T	28.2/21.7
L81	6200008730	S.COL ELJND R10J	T	31.8/36.5
L82	6200010350	S.COL C2012C-R27G-A	B	16.5/9.7
L83	6200007360	S.COL ELJND R47J	T	27.4/30.3
L84	6200005011	S.COL NLV25T-100J	B	25.4/11.3
L85	6200002041	S.COL NLV25T-101J	B	63.6/13.7
L86	6200002841	S.COL NLV25T-R22J	T	41.7/6.9

[MAIN-A UNIT]

REF NO.	ORDER NO.	DESCRIPTION	M.	H/V LOCATION
L87	6140004591	S.COL LR-517A	T	30.4/8.6
L88	6200002631	S.COL NLV25T-R10J	T	50.3/9
L89	6200001981	S.COL NLV25T-1R0J	B	43.3/43
L90	6200003950	S.COL HF50ACC 322513-T	B	69.6/22.2
L91	6200001981	S.COL NLV25T-1R0J	B	43.8/47.6
L92	6200006020	S.COL LQP18MN3N9C02D	T	55.1/10.7
L93	6200001981	S.COL NLV25T-1R0J	T	51.4/38.6
L94	6200005621	S.COL ELJRE 4N7ZFA	T	45.7/27.4
L95	6200006070	S.COL LQP18MN10NG02D	T	47.3/9.1
L97	6200006040	S.COL LQP18MN5N6C02D	T	55.1/12
L98	6200006070	S.COL LQP18MN10NG02D	T	42.6/9.7
L99	6200006040	S.COL LQP18MN5N6C02D	T	45.9/9.1
L100	6200006040	S.COL LQP18MN5N6C02D	T	51.2/11.8
L101	6200005601	S.COL ELJRE 3N3ZFA	T	47.6/35.2
L104	6200005741	S.COL ELJRE 47NGFA	T	43.8/17.9
L105	6200005721	S.COL ELJRE 33NGFA	T	52.4/21.3
L106	6130002961	S.COL #617DB-1327=P3	B	38.5/47.4
L107	6200005621	S.COL ELJRE 4N7ZFA	T	46.8/38.1
L108	6200005651	S.COL ELJRE 8N2ZFA	T	46.8/40.7
L109	6130003000	S.COL #617DB-1714=P3	B	42.5/53.1
L110	6200005701	S.COL ELJRE 22NGFA	T	52.8/23.9
L112	6130003000	S.COL #617DB-1714=P3	B	37.2/58.8
L113	6200005721	S.COL ELJRE 33NGFA	T	51.4/45.7
L115	6200005681	S.COL ELJRE 15NGFA	T	49.6/44.8
L116	6200005681	S.COL ELJRE 15NGFA	T	41.9/27.5
L117	6200005701	S.COL ELJRE 22NGFA	B	51.1/24.1
L118	6200005681	S.COL ELJRE 15NGFA	T	47/44.4
L119	6200001981	S.COL NLV25T-1R0J	B	45/23.9
L120	6200010540	S.COL C2012C-47NG-A	T	42.2/60.4
L122	6200007001	S.COL ELJRE 82NGFA	T	64.7/37
L123	6200010210	S.COL C2012C-22NG-A	B	54.5/60.2
L124	6200010100	S.COL C2012C-33NG-A	T	54.9/59.2
L125	6200010020	S.COL C2012C-12NG-A	B	56.8/62.9
L126	6200010020	S.COL C2012C-12NG-A	B	57.8/60.2
L127	6200003281	S.COL NLV25T-2R2J	T	73/25.8
L128	6200003281	S.COL NLV25T-2R2J	T	106.5/63.4
L129	6200002041	S.COL NLV25T-101J	T	103/63.2
L130	6200006671	S.COL ELJRE 68NGFA	T	65.5/39.2
L131	6200005521	S.COL NLV25T-470J	T	106.1/59.1
L132	6200010000	S.COL C2012C-56NG-A	T	75.9/24.9
L133	6200005011	S.COL NLV25T-100J	B	83.8/36.4
L134	6200005031	S.COL NLV25T-180J	B	88.8/37.4
L135	6200005691	S.COL ELJRE 18NGFA	B	66.5/62.2
L136	6200010010	S.COL C2012C-39NG-A	T	76.4/31.9
L137	6200007021	S.COL NLV25T-270J	B	86.3/37.4
L138	6200005691	S.COL ELJRE 18NGFA	B	67.8/62.2
L139	6200005721	S.COL ELJRE 33NGFA	B	66.5/59.6
L140	6200009871	S.COL NLV25T-120J	B	86.3/40.8
L143	6200003281	S.COL NLV25T-2R2J	T	76.7/38.1
L144	6200002041	S.COL NLV25T-101J	B	68/49.8
L145	6200005491	S.COL NLV32T-331J	B	88/31
L146	6200003630	S.COL MLF1608D R68K-T	T	90.5/9
L147	6200005491	S.COL NLV32T-331J	B	92.9/34.5
L148	6200005501	S.COL NLV32T-471J	B	91/31
L150	6200005741	S.COL ELJRE 47NGFA	T	73.1/43.7
L152	6200004600	S.COL MLF1608D R15K-T	T	90.2/4.8
L153	6200005501	S.COL NLV32T-471J	B	91/26.9
L154	6200007120	S.COL ELJND 1R0J	B	74.7/52.7
L155	6200003540	S.COL MLF1608D R22K-T	T	91.7/4.8
L156	6200003540	S.COL MLF1608D R22K-T	T	93.9/4.8
L158	6200005721	S.COL ELJRE 33NGFA	T	66.4/44.4
L159	6200005140	S.COL MLF1608D R33K-T	T	96.5/5.5
L160	6200005721	S.COL ELJRE 33NGFA	T	63.8/44.4
L161	6200004790	S.COL MLF1608D R47K-T	T	97.3/8.7
L162	6200001981	S.COL NLV25T-1R0J	B	89.9/15.6
L163	6200001981	S.COL NLV25T-1R0J	T	92.5/11.4
L164	6200003231	S.COL NLV32T-181J	B	120.2/11.6
L165	6200005501	S.COL NLV32T-471J	B	119.3/24.8
L166	6200011850	S.COL NL453232T-331J-PF	B	100.3/14.1
L167	6200002041	S.COL NLV25T-101J	B	89.9/19.8
L168	6200006380	S.COL ELJFC 150K	B	90.7/55.5
L169	6150004881	S.COL LS-513-LF	T	98.4/48.8
L170	6200007120	S.COL ELJND 1R0J	B	72.8/55.2
L171	6200007120	S.COL ELJND 1R0J	B	71.9/52.7
L172	6200009141	S.COL NLV25T-6R8J	B	22.5/2.3
R2	7030005120	S.RES ERJ2GEJ 102 X (1 k)	T	28.7/49.8
R3	7030008300	S.RES ERJ2GEJ 184 X (180 k)	T	26.7/47.4
R4	7030005050	S.RES ERJ2GEJ 103 X (10 k)	B	5.3/43.1
R5	7030007270	S.RES ERJ2GEJ 151 X (150)	B	25.1/48.4
R6	7030005120	S.RES ERJ2GEJ 102 X (1 k)	T	29.3/47
R7	7030005120	S.RES ERJ2GEJ 102 X (1 k)	T	25.5/47
R8	7030005120	S.RES ERJ2GEJ 102 X (1 k)	B	11/52.5
R9	7030009280	S.RES ERJ2GEJ 391 X	B	12/50.1
R10	7030005580	S.RES ERJ2GEJ 560 X (56)	B	8/46.4
R11	7030005120	S.RES ERJ2GEJ 102 X (1 k)	B	10.4/48.5
R12	7030005120	S.RES ERJ2GEJ 102 X (1 k)	B	11.3/40.8
R13	7030004980	S.RES ERJ2GEJ 101 X (100)	B	6.7/24.9
R14	7030005040	S.RES ERJ2GEJ 472 X (4.7 k)	T	10.6/47.5
R15	7030004980	S.RES ERJ2GEJ 101 X (100)	B	9.4/30.7

M.=Mounted side (T: Mounted on the Top side, B: Mounted on the Bottom side)  
S.=Surface mount

[MAIN-A UNIT]

REF NO.	ORDER NO.	DESCRIPTION	M.	H/V LOCATION
R16	7030005040	S.RES ERJ2GEJ 472 X (4.7 k)	B	11.9/57.6
R17	7030005240	S.RES ERJ2GEJ 473 X (47 k)	B	13.5/22.3
R18	7030005040	S.RES ERJ2GEJ 472 X (4.7 k)	T	13.4/49.5
R19	7030005040	S.RES ERJ2GEJ 472 X (4.7 k)	T	10.6/50.8
R20	7030007290	S.RES ERJ2GEJ 222 X (2.2 k)	B	5.6/55.5
R21	7030005530	S.RES ERJ2GEJ 100 X (10)	T	11/52
R23	7030004980	S.RES ERJ2GEJ 101 X (100)	T	8.9/25.1
R24	7030005240	S.RES ERJ2GEJ 473 X (47 k)	B	12/20.4
R25	7030005000	S.RES ERJ2GEJ 471 X (470)	T	9.9/35
R26	7030005720	S.RES ERJ2GEJ 563 X (56 k)	T	8.1/56
R28	7030004990	S.RES ERJ2GEJ 221 X (220)	T	7.8/53.8
R29	7030005120	S.RES ERJ2GEJ 102 X (1 k)	B	17/54.2
R30	7030005120	S.RES ERJ2GEJ 102 X (1 k)	B	15/54.2
R31	7030007270	S.RES ERJ2GEJ 151 X (150)	T	8.7/54.8
R33	7030008300	S.RES ERJ2GEJ 184 X (180 k)	T	20.4/22.5
R34	7030005240	S.RES ERJ2GEJ 473 X (47 k)	T	14/27.2
R35	7030005240	S.RES ERJ2GEJ 473 X (47 k)	T	12.4/36.1
R36	7030005240	S.RES ERJ2GEJ 473 X (47 k)	B	19.9/21.1
R37	7030005600	S.RES ERJ2GEJ 273 X (27 k)	T	14.9/54.1
R38	7030008300	S.RES ERJ2GEJ 184 X (180 k)	T	19.9/15.9
R39	7030005240	S.RES ERJ2GEJ 473 X (47 k)	T	18.4/35
R40	7030005240	S.RES ERJ2GEJ 473 X (47 k)	B	15.1/18.4
R41	7030005040	S.RES ERJ2GEJ 472 X (4.7 k)	B	17.2/21.5
R42	7030005240	S.RES ERJ2GEJ 473 X (47 k)	T	17.3/21.2
R43	7030005120	S.RES ERJ2GEJ 102 X (1 k)	T	17.9/41.4
R45	7030005310	S.RES ERJ2GEJ 124 X (120 k)	B	18/18
R46	7030005310	S.RES ERJ2GEJ 124 X (120 k)	T	18.3/27.9
R47	7030010040	S.RES ERJ2GEJ-JPW	T	14.7/2.4
R48	7030005300	S.RES ERJ2GEJ 150 X (15)	T	18.1/54.1
R49	7030008300	S.RES ERJ2GEJ 184 X (180 k)	T	21.4/32.6
R50	7030004990	S.RES ERJ2GEJ 221 X (220)	T	17.7/49.2
R51	7030005310	S.RES ERJ2GEJ 124 X (120 k)	T	18.9/19.1
R52	7030008300	S.RES ERJ2GEJ 184 X (180 k)	T	18.8/26.7
R53	7030005310	S.RES ERJ2GEJ 124 X (120 k)	T	19.4/36.5
R55	7030005720	S.RES ERJ2GEJ 563 X (56 k)	T	18.9/51
R56	7030005300	S.RES ERJ2GEJ 150 X (15)	T	19.3/53.6
R57	7030008300	S.RES ERJ2GEJ 184 X (180 k)	T	20.3/36.3
R58	7030005530	S.RES ERJ2GEJ 100 X (10)	T	18.8/55.2
R59	7030005580	S.RES ERJ2GEJ 560 X (56)	B	22.4/15.5
R60	7030008300	S.RES ERJ2GEJ 184 X (180 k)	B	19.4/15.9
R61	7030008300	S.RES ERJ2GEJ 184 X (180 k)	T	20.1/19.6
R62	7030007270	S.RES ERJ2GEJ 151 X (150)	B	27.4/51.4
R63	7030004980	S.RES ERJ2GEJ 101 X (100)	T	7.1/45.2
R64	7030005580	S.RES ERJ2GEJ 560 X (56)	B	21.9/26.2
R65	7030005580	S.RES ERJ2GEJ 560 X (56)	B	21.8/34.3
R66	7030005050	S.RES ERJ2GEJ 103 X (10 k)	B	34.9/16.8
R69	7030004970	S.RES ERJ2GEJ 470 X (47)	B	24.1/15.1
R70	7030005580	S.RES ERJ2GEJ 560 X (56)	T	23.1/19.9
R72	7030004970	S.RES ERJ2GEJ 470 X (47)	T	23/27.5
R74	7030004980	S.RES ERJ2GEJ 101 X (100)	B	44.2/17.1
R76	7030004970	S.RES ERJ2GEJ 470 X (47)	T	25.6/19.7
R77	7030010040	S.RES ERJ2GEJ-JPW	B	35.4/19.6
R78	7030010040	S.RES ERJ2GEJ-JPW	B	42.5/20.5
R79	7030006010	S.RES RR0510P-472-D (4.7 k)	T	29.3/56.2
R80	7030005790	S.RES RR0510P-331-D (330)	T	20/55
R81	7030005820	S.RES RR0510P-103-D (10 k)	T	28.3/56.2
R82	7030008410	S.RES ERJ2GEJ 392 X (3.9 k)	T	26.5/35.8
R83	7030004970	S.RES ERJ2GEJ 470 X (47)	T	23.2/36
R84	7030005120	S.RES ERJ2GEJ 102 X (1 k)	T	21/43.4
R85	7030010040	S.RES ERJ2GEJ-JPW	T	24.3/23.1
R86	7030008290	S.RES ERJ2GEJ 183 X (18 k)	B	37.2/20.5
R87	7030008290	S.RES ERJ2GEJ 183 X (18 k)	B	40.9/20.5
R88	7030005240	S.RES ERJ2GEJ 473 X (47 k)	T	24.9/29.3
R89	7030005050	S.RES ERJ2GEJ 103 X (10 k)	B	42.4/14.5
R90	7030005240	S.RES ERJ2GEJ 473 X (47 k)	B	27/20.5
R91	7030005240	S.RES ERJ2GEJ 473 X (47 k)	T	27.3/19.7
R92	7030004970	S.RES ERJ2GEJ 470 X (47)	T	27.8/51.8
R93	7030005080	S.RES ERJ2GEJ 823 X (82 k)	B	39.7/20.9
R94	7030007290	S.RES ERJ2GEJ 222 X (2.2 k)	T	23.2/9.4
R95	7030004980	S.RES ERJ2GEJ 101 X (100)	T	13.8/44.2
R96	7030005120	S.RES ERJ2GEJ 102 X (1 k)	B	28.1/18.1
R99	7030005240	S.RES ERJ2GEJ 473 X (47 k)	T	27.4/37.4
R100	7030005080	S.RES ERJ2GEJ 823 X (82 k)	B	38.4/20.9
R101	7030007290	S.RES ERJ2GEJ 222 X (2.2 k)	B	24.7/7.1
R102	7030005290	S.RES ERJ2GEJ 682 X (6.8 k)	T	17.9/44.5
R103	7030005050	S.RES ERJ2GEJ 103 X (10 k)	B	37.2/21.5
R104	7030005050	S.RES ERJ2GEJ 103 X (10 k)	B	39.1/22.2
R105	7030005040	S.RES ERJ2GEJ 472 X (4.7 k)	T	11.4/43
R106	7030010040	S.RES ERJ2GEJ-JPW	T	17.8/46.6
R107	7030005050	S.RES ERJ2GEJ 103 X (10 k)	B	35.9/12.5
R108	7030005050	S.RES ERJ2GEJ 103 X (10 k)	B	41.8/10.8
R109	7030005120	S.RES ERJ2GEJ 102 X (1 k)	T	23.5/50.5
R110	7030005040	S.RES ERJ2GEJ 472 X (4.7 k)	T	14.1/41.8
R111	7030004980	S.RES ERJ2GEJ 101 X (100)	B	31.6/24.5
R112	7030005080	S.RES ERJ2GEJ 823 X (82 k)	B	37.1/12
R113	7030005080	S.RES ERJ2GEJ 823 X (82 k)	B	41/12
R114	7030004980	S.RES ERJ2GEJ 101 X (100)	T	30.3/27.9
R115	7030005050	S.RES ERJ2GEJ 103 X (10 k)	B	39.8/11.6
R116	7030004980	S.RES ERJ2GEJ 101 X (100)	T	31.9/34.1
R117	7030004980	S.RES ERJ2GEJ 101 X (100)	T	29.5/30.9
R118	7030008290	S.RES ERJ2GEJ 183 X (18 k)	B	37.6/10.8

[MAIN-A UNIT]

REF NO.	ORDER NO.	DESCRIPTION	M.	H/V LOCATION
R119	7030008290	S.RES ERJ2GEJ 183 X (18 k)	B	40.8/10.8
R120	7030010040	S.RES ERJ2GEJ-JPW	B	36.9/9.1
R121	7030010040	S.RES ERJ2GEJ-JPW	B	40.7/9.2
R122	7030007290	S.RES ERJ2GEJ 222 X (2.2 k)	B	18.9/12.4
R125	7030007290	S.RES ERJ2GEJ 222 X (2.2 k)	B	24.7/11.2
R126	7030005050	S.RES ERJ2GEJ 103 X (10 k)	B	38.5/11.6
R128	7030004970	S.RES ERJ2GEJ 470 X (47)	T	24.9/13.8
R129	7030005030	S.RES ERJ2GEJ 152 X (1.5 k)	T	55.2/8.2
R130	7030005050	S.RES ERJ2GEJ 103 X (10 k)	B	70/33.8
R131	7030005050	S.RES ERJ2GEJ 103 X (10 k)	B	67.3/31.3
R132	7030005050	S.RES ERJ2GEJ 103 X (10 k)	B	63.1/32.7
R133	7030005050	S.RES ERJ2GEJ 103 X (10 k)	B	67.7/33.7
R134	7030005220	S.RES ERJ2GEJ 223 X (22 k)	B	69.5/36
R135	7030005220	S.RES ERJ2GEJ 223 X (22 k)	B	66.1/30.7
R136	7030005220	S.RES ERJ2GEJ 223 X (22 k)	B	63.5/31.5
R137	7030008280	S.RES ERJ2GEJ 271 X (270)	T	43.5/28.6
R138	7030010090	S.RES ERJ2GEJ 180 X (18)	T	44/27.4
R139	7030005110	S.RES ERJ2GEJ 224 X (220 k)	B	61.7/17.5
R140	7030004990	S.RES ERJ2GEJ 221 X (220)	B	64.1/17.5
R141	7030005120	S.RES ERJ2GEJ 102 X (1 k)	T	43.5/8.3
R142	7030005220	S.RES ERJ2GEJ 223 X (22 k)	B	66.1/34.7
R143	7030004980	S.RES ERJ2GEJ 101 X (100)	B	29/6.8
R144	7030005120	S.RES ERJ2GEJ 102 X (1 k)	T	51.6/26.6
R145	7030005120	S.RES ERJ2GEJ 102 X (1 k)	B	66.1/31.7
R146	7030005120	S.RES ERJ2GEJ 102 X (1 k)	B	64.7/32.7
R147	7030005120	S.RES ERJ2GEJ 102 X (1 k)	B	66.1/33.7
R148	7030005120	S.RES ERJ2GEJ 102 X (1 k)	T	52.1/10.4
R149	7030005030	S.RES ERJ2GEJ 152 X (1.5 k)	T	46.6/6.1
R150	7030009280	S.RES ERJ2GEJ 391 X	B	60.8/14.8
R151	7030005120	S.RES ERJ2GEJ 102 X (1 k)	B	60.8/16.4
R152	7030008280	S.RES ERJ2GEJ 271 X (270)	T	44.5/28.6
R153	7030004980	S.RES ERJ2GEJ 101 X (100)	T	52.7/24.4
R154	7030005590	S.RES ERJ2GEJ 680 X (68)	T	53.2/25.6
R155	7030005120	S.RES ERJ2GEJ 102 X (1 k)	T	51.6/28
R156	7030004980	S.RES ERJ2GEJ 101 X (100)	T	53.7/24.4
R157	7030005120	S.RES ERJ2GEJ 102 X (1 k)	B	69.5/35
R158	7030005290	S.RES ERJ2GEJ 682 X (6.8 k)	B	32.5/3.8
R159	7030007270	S.RES ERJ2GEJ 151 X (150)	B	58.7/14.4
R160	7030005040	S.RES ERJ2GEJ 472 X (4.7 k)	T	47.7/27.8
R161	7030010990	S.RES RR0510P-272-D (2.7 k)	T	42.3/13.1
R162	7030010990	S.RES RR0510P-272-D (2.7 k)	T	50.9/15.3
R163	7030010990	S.RES RR0510P-272-D (2.7 k)	T	42.8/15
R164	7030010990	S.RES RR0510P-272-D (2.7 k)	T	51.4/17.1
R165	7030010990	S.RES RR0510P-272-D (2.7 k)	T	41.1/16.4
R166	7030010990	S.RES RR0510P-272-D (2.7 k)	T	49.7/18.5
R168	7030008280	S.RES ERJ2GEJ 271 X (270)	T	45.7/12.5
R169	7030008280	S.RES ERJ2GEJ 271 X (270)	T	54.3/15.2
R170	7030004980	S.RES ERJ2GEJ 101 X (100)	T	66.5/29.7
R171	7030005220	S.RES ERJ2GEJ 223 X (22 k)	B	54.3/24.2
R173	7030005220	S.RES ERJ2GEJ 223 X (22 k)	B	57.2/23.2
R174	7030005220	S.RES ERJ2GEJ 223 X (22 k)	B	55.7/26.3
R175	7030007290	S.RES ERJ2GEJ 222 X (2.2 k)	B	39/41.9
R176	7030004980	S.RES ERJ2GEJ 101 X (100)	B	41.9/50.2
R177	7030004980	S.RES ERJ2GEJ 101 X (100)	T	63.4/35.4
R178	7030005220	S.RES ERJ2GEJ 223 X (22 k)	B	53.5/23.2
R179	7030004970	S.RES ERJ2GEJ 470 X (47)	T	51.8/41.1
R180	7030005050	S.RES ERJ2GEJ 103 X (10 k)	B	56/23.6
R181	7030005050	S.RES ERJ2GEJ 103 X (10 k)	B	57.1/25.9
R182	7030005050	S.RES ERJ2GEJ 103 X (10 k)	B	54.7/26.3
R183	7030005050	S.RES ERJ2GEJ 103 X (10 k)	B	53.7/26.3
R184	7030004990	S.RES ERJ2GEJ 221 X (220)	B	38/53.9
R185	7030004970	S.RES ERJ2GEJ 470 X (47)	T	55.7/42.2
R186	7030010040	S.RES ERJ2GEJ-JPW	B	45.9/53.1
R187	7030004980	S.RES ERJ2GEJ 101 X (100)	T	43/22.4
R188	7030004970	S.RES ERJ2GEJ 470 X (47)	T	66.7/25.4
R189	7030005000	S.RES ERJ2GEJ 471 X (470)	T	65/28.2
R190	7030005100	S.RES ERJ2GEJ 154 X (150 k)	T	62.2/25.7
R191	7030004990	S.RES ERJ2GEJ 221 X (220)	B	38/52.3
R192	7030005060	S.RES ERJ2GEJ 333 X (33 k)	T	54.9/43.4
R193	7030004980	S.RES ERJ2GEJ 101 X (100)	T	46.5/19.4
R194	7030005000	S.RES ERJ2GEJ 471 X (470)	T	44.6/22.4
R195	7030004980	S.RES ERJ2GEJ 101 X (100)	T	54.5/21.3
R197	7030005120	S.RES ERJ2GEJ 102 X (1 k)	T	48/41.9
R199	7030004970	S.RES ERJ2GEJ 470 X (47)	B	40.5/57.6
R201	7030005120	S.RES ERJ2GEJ 102 X (1 k)	T	63.4/23.7
R202	7030007290	S.RES ERJ2GEJ 222 X (2.2 k)	T	46.8/22.8
R203	7030004980	S.RES ERJ2GEJ 101 X (100)	B	56.2/11.1
R204	7030004990	S.RES ERJ2GEJ 221 X (220)	B	59.9/13.9
R205	7030005120	S.RES ERJ2GEJ 102 X (1 k)	B	57.9/10.4
R206	7030007570	S.RES ERJ2GEJ 122 X (1.2 k)	B	58.3/9.2
R208	7030007300	S.RES ERJ2GEJ 332 X (3.3 k)	B	56.7/9.7
R210	7030005040	S.RES ERJ2GEJ 472 X (4.7 k)	B	64.3/48.4
R211	7030005000	S.RES ERJ2GEJ 471 X (470)	B	62.1/5.2
R212	7030007340	S.RES ERJ2GEJ 153 X (15 k)	B	60.3/7
R213	7030004980	S.RES ERJ2GEJ 101 X (100)	B	52.3/18.5
R214	7030007280	S.RES ERJ2GEJ 331 X (330)	B	46.7/51.5
R215	7030010040	S.RES ERJ2GEJ-JPW	T	40.1/58.8
R217	7030010090	S.RES ERJ2GEJ 180 X (18)	B	45.8/49.9
R223	7030005000	S.RES ERJ2GEJ 471 X (470)	T	54.7/4.5
R226	7030007280	S.RES ERJ2GEJ 331 X (330)	B	43.1/49.9
R228	7030004980	S.RES ERJ2GEJ 101 X (100)	T	72.3/39.6

M.=Mounted side (T: Mounted on the Top side, B: Mounted on the Bottom side)  
S.=Surface mount

**[MAIN-A UNIT]**

REF NO.	ORDER NO.	DESCRIPTION	M.	H/V LOCATION
R229	7030005040	S.RES ERJ2GEJ 472 X (4.7 k)	B	65.7/10.1
R230	7030005000	S.RES ERJ2GEJ 471 X (470)		
		[FRA-1], [SEA-1], [EXP-2]	B	43.7/28.6
	7030007290	S.RES ERJ2GEJ 222 X (2.2 k)		
		Except [FRA-1], [SEA-1], [EXP-2]	B	43.7/28.6
R231	7030008270	S.RES RR0510R-104-D (100 k)	T	54.7/5.5
R232	7030005090	S.RES ERJ2GEJ 104 X (100 k)	B	50/25.2
R233	7030005120	S.RES ERJ2GEJ 102 X (1 k)	T	45/45.2
R234	7030007290	S.RES ERJ2GEJ 222 X (2.2 k)	B	52.3/20.5
R235	7030005030	S.RES ERJ2GEJ 152 X (1.5 k)	T	68.6/21.3
R236	7030010040	S.RES ERJ2GEJ-JPW	B	52.1/60.2
R238	7030005050	S.RES ERJ2GEJ 103 X (10 k)	T	70.7/26.4
R240	7030007300	S.RES ERJ2GEJ 332 X (3.3 k)	T	66.2/37.8
R242	7030010040	S.RES ERJ2GEJ-JPW	T	104.7/62.5
R243	7030007280	S.RES ERJ2GEJ 331 X (330)	T	104.7/64.1
R244	7030004980	S.RES ERJ2GEJ 101 X (100)	T	73.3/28.3
R246	7030005090	S.RES ERJ2GEJ 104 X (100 k)	T	66.5/41.1
R247	7030007290	S.RES ERJ2GEJ 222 X (2.2 k)	T	84.5/45.3
R249	7030005120	S.RES ERJ2GEJ 102 X (1 k)	B	82.2/32.5
R250	7030005090	S.RES ERJ2GEJ 104 X (100 k)	B	61.5/59.1
R251	7030005600	S.RES ERJ2GEJ 273 X (27 k)	B	61.5/60.7
R252	7030010040	S.RES ERJ2GEJ-JPW	B	61.5/62.3
R253	7030005040	S.RES ERJ2GEJ 472 X (4.7 k)	B	61.9/64.7
R254	7030005110	S.RES ERJ2GEJ 224 X (220 k)	B	115.2/60
R255	7030009290	S.RES ERJ2GEJ 562 X (5.6 k)	B	115.6/58.3
R256	7030005050	S.RES ERJ2GEJ 103 X (10 k)	B	115.6/57
R257	7030005000	S.RES ERJ2GEJ 471 X (470)	B	75.5/57
R258	7030005040	S.RES ERJ2GEJ 472 X (4.7 k)	T	100.1/63.1
R259	7030005000	S.RES ERJ2GEJ 471 X (470)	B	67.9/64.5
R260	7030005090	S.RES ERJ2GEJ 104 X (100 k)	B	66.5/64.1
R261	7030005000	S.RES ERJ2GEJ 471 X (470)	B	64.8/58.4
R262	7030005240	S.RES ERJ2GEJ 473 X (47 k)	B	102.6/56.4
R263	7030004990	S.RES ERJ2GEJ 221 X (220)	B	67.9/57.8
R264	7030010040	S.RES ERJ2GEJ-JPW	B	67.5/56.6
R266	7030006010	S.RES RR0510P-472-D (4.7 k)	T	77.4/34.1
R267	7030009290	S.RES ERJ2GEJ 562 X (5.6 k)	T	115.6/54.1
R268	7030005050	S.RES ERJ2GEJ 103 X (10 k)	T	98.5/63.1
R270	7030005230	S.RES ERJ2GEJ 334 X (330 k)	B	102.6/52.7
R272	7030004980	S.RES ERJ2GEJ 101 X (100)	T	71.3/41.2
R273	7030005800	S.RES RR0510P-102-D (1 k)	T	77.4/35.6
R275	7030010990	S.RES RR0510P-272-D (2.7 k)	T	73.2/34.6
R276	7030005530	S.RES ERJ2GEJ 100 X (10 k)	B	62.3/45.5
R277	7030005000	S.RES ERJ2GEJ 471 X (470)	B	80.9/51
R278	7030007290	S.RES ERJ2GEJ 222 X (2.2 k)	B	85/30.2
R279	7030004990	S.RES ERJ2GEJ 221 X (220)	T	84.2/7.3
R282	7030005060	S.RES ERJ2GEJ 333 X (33 k)	B	101.3/51.3
R283	7030005050	S.RES ERJ2GEJ 103 X (10 k)	B	102.3/49.1
R284	7030005000	S.RES ERJ2GEJ 471 X (470)	B	101.3/49.7
R286	7030007280	S.RES ERJ2GEJ 331 X (330)	T	76.1/40.2
R287	7030006610	S.RES ERJ2GEJ 394 X (390 k)	T	87.3/9.8
R289	7030004980	S.RES ERJ2GEJ 101 X (100)	T	72.7/41.2
R290	7030005050	S.RES ERJ2GEJ 103 X (10 k)	B	103.9/61.6
R291	7030005120	S.RES ERJ2GEJ 102 X (1 k)	B	89.7/48.6
R292	7030005040	S.RES ERJ2GEJ 472 X (4.7 k)	B	118/55.7
R293	7030005030	S.RES ERJ2GEJ 152 X (1.5 k)	T	75.5/41.7
R294	7030010040	S.RES ERJ2GEJ-JPW	B	104.9/59.1
R295	7030007300	S.RES ERJ2GEJ 332 X (3.3 k)	T	73.9/41.7
R298	7030005120	S.RES ERJ2GEJ 102 X (1 k)	B	104.9/54
R299	7030005600	S.RES ERJ2GEJ 273 X (27 k)	B	104.4/62.8
R300	7030007250	S.RES ERJ2GEJ 220 X (22 k)	B	102.8/47.4
R301	7030004990	S.RES ERJ2GEJ 221 X (220)	T	77/43.5
R302	7030005050	S.RES ERJ2GEJ 103 X (10 k)	B	99.7/48.6
R303	7030005000	S.RES ERJ2GEJ 471 X (470)	T	68.5/42.3
R304	7030004980	S.RES ERJ2GEJ 101 X (100)	T	86.1/9.1
R306	7030005050	S.RES ERJ2GEJ 103 X (10 k)	B	119.4/55.5
R307	7030005240	S.RES ERJ2GEJ 473 X (47 k)	B	102.8/62.8
R308	7030005060	S.RES ERJ2GEJ 333 X (33 k)	B	102.3/64
R309	7030005600	S.RES ERJ2GEJ 273 X (27 k)	B	103.5/64.5
R311	7030005040	S.RES ERJ2GEJ 472 X (4.7 k)	B	101.3/63.1
R313	7030003600	S.RES ERJ3GEYJ 223 V (22 k)	B	100.6/64.5
R314	7030008280	S.RES ERJ2GEJ 271 X (270)	T	68.7/41.1
R315	7030005600	S.RES ERJ2GEJ 273 X (27 k)	B	120.4/55.5
R316	7030010090	S.RES ERJ2GEJ 180 X (18 k)	T	70.1/44.4
R317	7030004970	S.RES ERJ2GEJ 470 X (47 k)	T	68.5/44.4
R320	7030005120	S.RES ERJ2GEJ 102 X (1 k)	B	93.2/25.7
R322	7030008280	S.RES ERJ2GEJ 271 X (270)	T	70.1/43.4
R323	7030010040	S.RES ERJ2GEJ-JPW	T	73/59.8
R325	7030005100	S.RES ERJ2GEJ 154 X (150 k)	T	71.9/62
R326	7030005120	S.RES ERJ2GEJ 102 X (1 k)	B	102.3/58.8
R327	7030005240	S.RES ERJ2GEJ 473 X (47 k)	B	97/61
R328	7030005000	S.RES ERJ2GEJ 471 X (470)	T	69.9/62
R329	7030005580	S.RES ERJ2GEJ 560 X (56 k)	T	74/59.8
R330	7030005050	S.RES ERJ2GEJ 103 X (10 k)	B	75.1/64.4
R331	7030005580	S.RES ERJ2GEJ 560 X (56 k)	T	98.1/10.3
R332	7030005040	S.RES ERJ2GEJ 472 X (4.7 k)	B	119/49.9
R334	7510001511	S.TMR NTCG16 4LH 223JT	B	101/9.1
R335	7030005090	S.RES ERJ2GEJ 104 X (100 k)	B	99.3/8.8
R336	7030007290	S.RES ERJ2GEJ 222 X (2.2 k)	B	77.4/64.4
R337	7030007290	S.RES ERJ2GEJ 222 X (2.2 k)	B	77.4/58.3
R338	7030005100	S.RES ERJ2GEJ 154 X (150 k)	B	101.6/10.3
R339	7030009160	S.RES ERJ2GEJ 181 X (180)	B	77.4/63.5

**[MAIN-A UNIT]**

REF NO.	ORDER NO.	DESCRIPTION	M.	H/V LOCATION
R340	7030004980	S.RES ERJ2GEJ 101 X (100)	B	80.2/65.3
R341	7030004980	S.RES ERJ2GEJ 101 X (100)	B	77.4/60
R342	7030005090	S.RES ERJ2GEJ 104 X (100 k)	T	98.5/12.4
R343	7030005040	S.RES ERJ2GEJ 472 X (4.7 k)	B	116.2/20.1
R344	7030005040	S.RES ERJ2GEJ 472 X (4.7 k)	B	116.2/12.7
R345	7030005040	S.RES ERJ2GEJ 472 X (4.7 k)	B	116.2/5.2
R347	7030004980	S.RES ERJ2GEJ 101 X (100)	B	79.6/57
R348	7030005000	S.RES ERJ2GEJ 471 X (470)	B	119/27.7
R349	7030004980	S.RES ERJ2GEJ 101 X (100)	B	113.3/20.1
R350	7030004980	S.RES ERJ2GEJ 101 X (100)	B	113.3/12.7
R351	7030004980	S.RES ERJ2GEJ 101 X (100)	B	113.7/5.2
R352	7030004980	S.RES ERJ2GEJ 101 X (100)	B	101.2/17.8
R353	7030005060	S.RES ERJ2GEJ 332 X (33 k)	B	100/17.8
R355	7030005240	S.RES ERJ2GEJ 473 X (47 k)	B	114.5/14.2
R359	7030007270	S.RES ERJ2GEJ 151 X (150)	B	97.1/11.1
R360	7030010040	S.RES ERJ2GEJ-JPW	B	95.5/11.1
R361	7030005040	S.RES ERJ2GEJ 472 X (4.7 k)	B	99/25.3
R362	7030005040	S.RES ERJ2GEJ 472 X (4.7 k)	B	121.4/13.8
R363	7030005030	S.RES ERJ2GEJ 152 X (1.5 k)	B	113.3/14.7
R364	7030007290	S.RES ERJ2GEJ 222 X (2.2 k)	B	83.9/65.8
R365	7030007290	S.RES ERJ2GEJ 222 X (2.2 k)	B	82.1/56.6
R366	7030007220	S.RES ERA3YED 202V (2 k)	T	97.2/29.4
R367	7030007290	S.RES ERJ2GEJ 222 X (2.2 k)	B	86.2/58.7
R368	7030007290	S.RES ERJ2GEJ 222 X (2.2 k)	B	83.3/57
R369	7030005240	S.RES ERJ2GEJ 473 X (47 k)	B	112.1/19.7
R370	7030005240	S.RES ERJ2GEJ 473 X (47 k)	B	112.1/12.2
R371	7030005240	S.RES ERJ2GEJ 473 X (47 k)	B	112/5
R372	7030007300	S.RES ERJ2GEJ 332 X (3.3 k)	B	96.2/26.5
R374	7030007220	S.RES ERA3YED 202V (2 k)	T	95.9/28.3
R375	7030007220	S.RES ERA3YED 202V (2 k)	T	94.6/28.3
R376	7030007230	S.RES ERA3YED 102V (1 k)	T	95.3/30.1
R380	7030005530	S.RES ERJ2GEJ 100 X (10 k)	B	89/25
R381	7030007270	S.RES ERJ2GEJ 151 X (150)	B	115.9/26.1
R382	7030005220	S.RES ERJ2GEJ 223 X (22 k)	B	107.1/20.4
R383	7030005220	S.RES ERJ2GEJ 223 X (22 k)	B	107/12.9
R384	7030005220	S.RES ERJ2GEJ 223 X (22 k)	B	107/5.4
R385	7030005110	S.RES ERJ2GEJ 224 X (220 k)	B	98.4/17.4
R386	7030008370	S.RES ERJ2GEJ 561 X (560)	B	94/24.5
R387	7030005050	S.RES ERJ2GEJ 103 X (10 k)	B	87.6/56
R388	7030007220	S.RES ERA3YED 202V (2 k)	T	93.3/28.3
R389	7030007230	S.RES ERA3YED 102V (1 k)	T	94/31.4
R390	7030004980	S.RES ERJ2GEJ 101 X (100)	B	100.7/19
R392	7030005090	S.RES ERJ2GEJ 104 X (100 k)	B	114.5/21.5
R393	7030007220	S.RES ERA3YED 202V (2 k)	T	92/28.3
R394	7030007230	S.RES ERA3YED 102V (1 k)	T	92.7/30.1
R395	7030004980	S.RES ERJ2GEJ 101 X (100)	B	90.2/23
R396	7030007220	S.RES ERA3YED 202V (2 k)	T	90.7/28.3
R397	7030007230	S.RES ERA3YED 102V (1 k)	T	91.4/31.4
R398	7030005120	S.RES ERJ2GEJ 102 X (1 k)	B	97.1/19.9
R399	7030007220	S.RES ERA3YED 202V (2 k)	T	89.4/28.3
R400	7030007230	S.RES ERA3YED 102V (1 k)	T	90.1/30.1
R402	7030004980	S.RES ERJ2GEJ 101 X (100)	B	98.9/21.7
R403	7030005050	S.RES ERJ2GEJ 103 X (10 k)	B	91.7/58.5
R404	7030005220	S.RES ERJ2GEJ 223 X (22 k)	B	91.7/60.2
R405	7030005050	S.RES ERJ2GEJ 103 X (10 k)	T	88.6/52.6
R406	7030007220	S.RES ERA3YED 202V (2 k)	T	88.1/28.3
R407	7030007230	S.RES ERA3YED 102V (1 k)	T	88.8/31.4
R408	7030005090	S.RES ERJ2GEJ 104 X (100 k)	B	90.7/52.6
R409	7030007300	S.RES ERJ2GEJ 332 X (3.3 k)	B	91.7/53.5
R410	7030005000	S.RES ERJ2GEJ 471 X (470)	B	95.2/57.1
R411	7030007200	S.RES ERA3YED 202V (2 k)	T	86.8/28.3
R412	7030007210	S.RES ERA3YED 102V (1 k)	T	87.5/30.1
R413	7030005000	S.RES ERJ2GEJ 471 X (470)	T	92.1/52.6
R414	7030005220	S.RES ERJ2GEJ 223 X (22 k)	B	105.7/30.4
R415	7030005120	S.RES ERJ2GEJ 102 X (1 k)	B	99.9/23.3
R416	7030008400	S.RES ERJ2GEJ 122 X (1.8 k)	B	102.7/28.4
R417	7030008010	S.RES ERJ2GEJ 123 X (12 k)	B	104.1/30.2
R418	7030007200	S.RES ERA3YED 202V (2 k)	T	85.5/28.3
R419	7030007210	S.RES ERA3YED 102V (1 k)	T	86.2/31.4
R420	7030005000	S.RES ERJ2GEJ 471 X (470)	T	93.2/51.1
R421	7030005050	S.RES ERJ2GEJ 103 X (10 k)	B	104.1/32
R422	7030007200	S.RES ERA3YED 202V (2 k)	T	84.2/28.3
R423	7030007210	S.RES ERA3YED 102V (1 k)	T	84.9/30.1
R424	7030010040	S.RES ERJ2GEJ-JPW	B	80.4/12.7
R425	7030005070	S.RES ERJ2GEJ 683 X (68 k)	B	

[MAIN-A UNIT]

REF NO.	ORDER NO.	DESCRIPTION	M.	H/V LOCATION
R444	7030005050	S.RES ERJ2GEJ 103 X (10 k)	B	76/22
R445	7030005240	S.RES ERJ2GEJ 473 X (47 k)	B	77.6/21.9
R446	7030007290	S.RES ERJ2GEJ 222 X (2.2 k)	T	96.2/44.8
R447	7030005050	S.RES ERJ2GEJ 103 X (10 k)	B	108.6/28.8
R448	7030007290	S.RES ERJ2GEJ 222 X (2.2 k)	T	93.2/61.9
R449	7030005050	S.RES ERJ2GEJ 103 X (10 k)	B	110.9/27.7
R450	7030004980	S.RES ERJ2GEJ 101 X (100)	T	78.3/10
R451	7030005120	S.RES ERJ2GEJ 102 X (1 k)	B	102/38.9
R452	7030005070	S.RES ERJ2GEJ 683 X (68 k)	B	77.9/22.9
R453	7030005120	S.RES ERJ2GEJ 102 X (1 k)	B	109/31.1
R454	7030005160	S.RES ERJ2GEJ 105 X (1 M)	B	80.8/20.6
R455	7030007060	S.RES ERJ2GEJ 684X (680 k)	B	77.6/32.1
R456	7030005090	S.RES ERJ2GEJ 104 X (100 k)	B	80.6/7.4
R459	7030005090	S.RES ERJ2GEJ 104 X (100 k)	B	85/19.2
R460	7030007290	S.RES ERJ2GEJ 222 X (2.2 k)	T	99.8/61.9
R461	7030010040	S.RES ERJ2GEJ-JPW	B	87/63.7
R462	7030004980	S.RES ERJ2GEJ 101 X (100)	B	75.1/23.6
R463	7030007320	S.RES ERJ2GEJ 225 X (2.2 M)	B	76.3/31.5
R464	7030007290	S.RES ERJ2GEJ 222 X (2.2 k)	B	97.5/58.3
R465	7030005050	S.RES ERJ2GEJ 103 X (10 k)	B	85.4/20.4
R467	7030007290	S.RES ERJ2GEJ 222 X (2.2 k)	B	101.1/35.5
R468	7030004980	S.RES ERJ2GEJ 101 X (100)	T	103.4/44.7
R469	7030005120	S.RES ERJ2GEJ 102 X (1 k)	B	111.1/31.5
R470	7030005120	S.RES ERJ2GEJ 102 X (1 k)	B	103.1/37.1
R471	7030005220	S.RES ERJ2GEJ 223 X (22 k)	B	77.4/11.7
R472	7030005220	S.RES ERJ2GEJ 223 X (22 k)	B	85/17.6
R473	7030009270	S.RES ERJ2GEJ 821 X (820)	B	86.3/18.4
R474	7030010040	S.RES ERJ2GEJ-JPW	B	103.2/39.3
R475	7030005290	S.RES ERJ2GEJ 682 X (6.8 k)	B	103.1/24.2
R476	7030005300	S.RES ERJ2GEJ 150 X (15)	T	103.4/43.7
R477	7030007290	S.RES ERJ2GEJ 222 X (2.2 k)	T	104.6/44.2
R478	7030005050	S.RES ERJ2GEJ 103 X (10 k)	B	75.9/30.3
R479	7030005720	S.RES ERJ2GEJ 563 X (56 k)	B	78.3/11.7
R480	7510001571	S.TMR NTCG16 4LH 104JT	B	79.4/11.4
R481	7030005210	S.RES ERJ2GEJ 822 X (8.2 k)	B	77.1/9.6
R482	7030009200	S.RES ERJ2GEJ 390 X (39)	B	105.6/44.1
R483	7030007290	S.RES ERJ2GEJ 222 X (2.2 k)	B	103.3/40.6
R484	7030005290	S.RES ERJ2GEJ 682 X (6.8 k)	B	81/22.9
R485	7030005220	S.RES ERJ2GEJ 223 X (22 k)	B	105.5/25.1
R486	7030005240	S.RES ERJ2GEJ 473 X (47 k)	B	99.8/40.5
R487	7030005070	S.RES ERJ2GEJ 683 X (68 k)	B	107.2/24.6
R488	7030005090	S.RES ERJ2GEJ 104 X (100 k)	B	80/34.5
R489	7030005240	S.RES ERJ2GEJ 473 X (47 k)	B	98.6/40.1
R490	7030005220	S.RES ERJ2GEJ 223 X (22 k)	B	30.1/45.8
R491	7030005220	S.RES ERJ2GEJ 223 X (22 k)	B	26.7/44
R492	7030005220	S.RES ERJ2GEJ 223 X (22 k)	B	25.7/44
R493	7030005220	S.RES ERJ2GEJ 223 X (22 k)	B	28.5/40.1
R494	7030005050	S.RES ERJ2GEJ 103 X (10 k)	B	29/41.3
R495	7030005050	S.RES ERJ2GEJ 103 X (10 k)	B	29/42.5
R496	7030005050	S.RES ERJ2GEJ 103 X (10 k)	B	29/43.7
R497	7030005050	S.RES ERJ2GEJ 103 X (10 k)	B	29.9/44.6
R498	7030005120	S.RES ERJ2GEJ 102 X (1 k)	B	31.3/2.7
R499	7030005000	S.RES ERJ2GEJ 471 X (470)	B	56.2/12.4
R501	7030005040	S.RES ERJ2GEJ 472 X (4.7 k)	T	108.1/42.3
R502	7030004980	S.RES ERJ2GEJ 101 X (100)	T	111.6/45.3
R503	7030007300	S.RES ERJ2GEJ 332 X (3.3 k)	T	116.3/42.4
R504	7030005160	S.RES ERJ2GEJ 105 X (1 M)	T	108.1/43.3
R505	7030005170	S.RES ERJ2GEJ 474 X (470 k)	T	105.9/42.7
R506	7030005220	S.RES ERJ2GEJ 223 X (22 k)	B	109.7/36.7
R507	7030005080	S.RES ERJ2GEJ 823 X (82 k)	B	11/61
R508	7030010040	S.RES ERJ2GEJ-JPW	T	120.9/42.1
R510	7030005530	S.RES ERJ2GEJ 100 X (10)	B	47.2/17.9
R511	7030005530	S.RES ERJ2GEJ 100 X (10)	B	62.6/9.9
R512	7030005090	S.RES ERJ2GEJ 104 X (100 k)	B	41.3/56.3
R513	7030005040	S.RES ERJ2GEJ 472 X (4.7 k)	B	102.5/43.1
R514	7030010040	S.RES ERJ2GEJ-JPW	B	71/33.8
R515	7030005110	S.RES ERJ2GEJ 224 X (220 k)	B	18.5/20.3
R516	7030005110	S.RES ERJ2GEJ 224 X (220 k)	T	21.6/15.1
R517	7030005110	S.RES ERJ2GEJ 224 X (220 k)	T	19.2/22.8
R518	7030005170	S.RES ERJ2GEJ 474 X (470 k)	T	20.9/31.4
R519	7030005000	S.RES ERJ2GEJ 471 X (470)	T	41.1/21.1
R520	7030005000	S.RES ERJ2GEJ 471 X (470)	T	49.7/22.7
R521	7030003860	S.RES ERJ3GE JPW V	T	14.5/48.2
R522	7030010040	S.RES ERJ2GEJ-JPW	T	12.1/51.2
R523	7030005040	S.RES ERJ2GEJ 472 X (4.7 k)	B	107/32
R524	7030005120	S.RES ERJ2GEJ 102 X (1 k)	B	109/32
R525	7030005000	S.RES ERJ2GEJ 471 X (470)	B	84.4/7.8
R526	7030005000	S.RES ERJ2GEJ 471 X (470)	B	85.7/7.4
R527	7030005100	S.RES ERJ2GEJ 154 X (150 k)	B	90.2/4.6
R528	7030004990	S.RES ERJ2GEJ 221 X (220)	T	65.3/25.4
R529	7030007280	S.RES ERJ2GEJ 331 X (330)	B	62.9/17.5
R530	7030010040	S.RES ERJ2GEJ-JPW	T	26.9/49
R531	7030005110	S.RES ERJ2GEJ 224 X (220 k)	B	82.3/6.9
R532	7030005120	S.RES ERJ2GEJ 102 X (1 k)	B	102.9/30.5
R533	7030004970	S.RES ERJ2GEJ 470 X (47)	B	90.7/24.5
R534	7030004990	S.RES ERJ2GEJ 221 X (220)	B	80.6/6.2
R535	7030010040	S.RES ERJ2GEJ-JPW	B	87/60.6
R536	7030010040	S.RES ERJ2GEJ-JPW	T	33.1/12.1
R537	7030010040	S.RES ERJ2GEJ-JPW	T	109.3/53.9
R538	7030010040	S.RES ERJ2GEJ-JPW	B	81.5/16.5
R539	7030010040	S.RES ERJ2GEJ-JPW	B	81.7/20.6

[MAIN-A UNIT]

REF NO.	ORDER NO.	DESCRIPTION	M.	H/V LOCATION
R550	7030005220	S.RES ERJ2GEJ 223 X (22 k)	B	111.2/45.9
R551	7030005100	S.RES ERJ2GEJ 154 X (150 k)	B	112.9/43.6
R552	7030005100	S.RES ERJ2GEJ 154 X (150 k)	B	114/44.5
R553	7030005120	S.RES ERJ2GEJ 102 X (1 k)	T	106.8/60.8
R554	7030005120	S.RES ERJ2GEJ 102 X (1 k)	T	106.3/57
R578	7030010040	S.RES ERJ2GEJ-JPW	T	103.2/19.1
R583	7030009930	S.RES ERJ2GEJ 270 X (27)	T	22.7/23.7
R584	7030007250	S.RES ERJ2GEJ 220 X (22)	T	24.1/16.4
R585	7030005240	S.RES ERJ2GEJ 473 X (47 k)	B	81.7/23.9
R590	7030007250	S.RES ERJ2GEJ 220 X (22)	B	21.9/20.1
R591	7030003860	S.RES ERJ3GE JPW V	T	9.2/33.6
R592	7030005230	S.RES ERJ2GEJ 334 X (330 k)	T	13.3/37.3
R593	7030005110	S.RES ERJ2GEJ 224 X (220 k)	T	17.2/37.4
R594	7030008290	S.RES ERJ2GEJ 183 X (18 k)	B	78/10.5
R595	7030005120	S.RES ERJ2GEJ 102 X (1 k)	B	78.4/15.2
R610	7030003860	S.RES ERJ3GE JPW V	B	65/40.9
R611	7030011140	S.RES ERJ8GEV JPW	B	62.7/25.2
R612	7030003860	S.RES ERJ3GE JPW V	B	59.6/30.7
R613	7030011140	S.RES ERJ8GEV JPW	B	52.8/33.3
R614	7030011140	S.RES ERJ8GEV JPW	B	45/31.7
R615	7030011140	S.RES ERJ8GEV JPW	B	73.6/27.7
R616	7030011140	S.RES ERJ8GEV JPW	B	60.7/4
R617	7030011140	S.RES ERJ8GEV JPW	B	65.2/4.1
R618	7030007310	S.RES ERJ2GEJ 155 X (1.5 M)	T	21.2/41.8
R619	7030008290	S.RES ERJ2GEJ 183 X (18 k)	B	82.3/34.3
R620	7030010040	S.RES ERJ2GEJ-JPW	B	73.6/37.6
R621	7030000010	S.RES MGR10EZJH JPW	B	74.2/35.9
R622	7030010040	S.RES ERJ2GEJ-JPW	B	78.5/32.6
R623	7030010040	S.RES ERJ2GEJ-JPW	B	79.1/31.4
R624	7030010040	S.RES ERJ2GEJ-JPW	B	21.1/47.3
R625	7030010040	S.RES ERJ2GEJ-JPW	B	18.5/27.8
R626	7030010040	S.RES ERJ2GEJ-JPW	B	12.9/48.9
R627	7030010040	S.RES ERJ2GEJ-JPW	B	7.7/50.7
C1	4030016930	S.CER ECJ0EB1A104K	B	11.5/59.8
C3	4030016790	S.CER ECJ0EB1C103K	T	27.7/47.4
C4	4030017360	S.CER ECJ0EC1H030B	T	28.7/48.2
C5	4030016930	S.CER ECJ0EB1A104K	B	11.5/55.2
C6	4030017730	S.CER ECJ0EB1E471K	T	22.1/42.2
C7	4030016930	S.CER ECJ0EB1C103K	T	29.7/48.7
C8	4030016930	S.CER ECJ0EB1A104K	B	17.3/50.7
C9	4030017460	S.CER ECJ0EB1E102K	B	19.7/45.4
C10	4030016930	S.CER ECJ0EB1A104K	B	14/27
C11	4030016930	S.CER ECJ0EB1A104K	B	22.5/50.9
C12	4030017360	S.CER ECJ0EC1H030B	T	23.9/47
C13	4030017460	S.CER ECJ0EB1E102K	B	6.6/44.5
C14	4030016930	S.CER ECJ0EB1A104K	B	28.7/36.1
C15	4030016930	S.CER ECJ0EB1A104K	B	6.6/45.5
C16	4030017730	S.CER ECJ0EB1E471K	T	22/43.8
C21	4050000240	S.FED NFM18PC104R1C3D	T	120.6/39.8
C24	4030017460	S.CER ECJ0EB1E102K	B	11.8/45
C25	4030016930	S.CER ECJ0EB1A104K	B	10.8/45
C26	4030017780	S.CER ECJ0EB1E472K	B	11.7/25.4
C27	4030017460	S.CER ECJ0EB1E102K	T	10.5/21.7
C28	4030017620	S.CER ECJ0EC1H100C	T	10.5/20.7
C29	4030017460	S.CER ECJ0EB1E102K	B	11.8/27
C30	4050000240	S.FED NFM18PC104R1C3D	T	120.6/38.3
C32	4030017340	S.CER ECJ0EC1H010B	T	11.8/47.1
C33	4030017430	S.CER ECJ0EC1H010J	B	8.2/34.5
C34	4030017430	S.CER ECJ0EC1H010J	B	8.2/30.7
C36	4050000240	S.FED NFM18PC104R1C3D	T	121.6/35.2
C38	4030016930	S.CER ECJ0EB1A104K	B	11.3/41.8
C39	4030017460	S.CER ECJ0EB1E102K	B	6.3/23.7
C40	4030017390	S.CER ECJ0EC1H180J	T	7/18.7
C41	4030017460	S.CER ECJ0EB1E102K	B	7.2/23
C42	4030017500	S.CER ECJ0EC1H560J	T	7.5/16.6
C43	4030017730	S.CER ECJ0EB1E471K	T	13.4/47.4
C44	4030017420	S.CER ECJ0EC1H470J	B	6.3/21.7
C45	4030017640	S.CER ECJ0EC1H150J	T	7.5/15.6
C46	4050000250	S.FED NFM21CC223R1H3D	T	127.6/12.1
C47	4050000240	S.FED NFM18PC104R1C3D	T	119.6/11.1
C48	4030017730	S.CER ECJ0EB1E471K	B	4.4/55.1
C49	4030017420	S.CER ECJ0EC1H470J	B	6.7/20.5
C50	4030017430	S.CER ECJ0EC1H010J	T	8.7/16.1
C52	4030017620	S.CER ECJ0EC1H100C	T	11.1/29.6
C53	4030017460	S.CER ECJ0EB1E102K	T	9.8/29.6
C54	4030017620	S.CER ECJ0EC1H100C	T	1.8/14.2
C56	4030017460	S.CER ECJ0EB1E102K	T	5.4/35.7
C57	4030017620	S.CER ECJ0EC1H100C	T	5.4/34.7
C59	4030017340	S.CER ECJ0EC1H010B	T	14.4/50.4
C60	4030018070	S.CER ECJ0EC1H300J	T	1.4/12.5
C61	4030017340	S.CER ECJ0EC1H010B	T	13.1/51.3
C62	4030017730	S.CER ECJ0EB1E471K	T	10/52.5
C63	4030017380	S.CER ECJ0EC1H050B	T	6.6/56.6
C64	4030009990	S.CER C1608 CH 1H 200J-T	T	10.4/15.6
C65	4030017660	S.CER ECJ0EC1H330J	T	8.9/24.2
C66	4030017390	S.CER ECJ0EC1H180J	T	11.3/33.5
C68	4030009990	S.CER C1608 CH 1H 200J-T	T	3.9/14.2
C69	4030017380	S.CER ECJ0EC1H050B	T	14.3/51.8
C70	4030017420	S.CER ECJ0EC1H470J	B	7/17.3

M.=Mounted side (T: Mounted on the Top side, B: Mounted on the Bottom side)  
S.=Surface mount



[MAIN-A UNIT]

REF NO.	ORDER NO.	DESCRIPTION	M.	H/V LOCATION
C71	4030017400	S.CER ECJ0EC1H220J	T	10.1/24.6
C72	4030017430	S.CER ECJ0EC1H101J	T	5.9/12.5
C73	4030017730	S.CER ECJ0EB1E471K	T	17.6/52.9
C74	4030017350	S.CER ECJ0EC1H020B	T	11/53.6
C75	4030017340	S.CER ECJ0EC1H010B	T	12.4/52.8
C77	4030009990	S.CER C1608 CH 1H 200J-T	T	10.7/32.3
C80	4030017460	S.CER ECJ0EB1E102K	T	14/28.8
C81	4030017600	S.CER ECJ0EC1H080C	T	6.9/12.5
C82	4030017460	S.CER ECJ0EB1E102K	T	12.5/15.6
C83	4030017460	S.CER ECJ0EB1E102K	T	14.7/36.2
C84	4030017730	S.CER ECJ0EB1E471K	T	9.1/56
C86	4030017430	S.CER ECJ0EC1H101J	B	13/20.4
C87	4030017460	S.CER ECJ0EB1E102K	T	12.5/24
C88	4030017500	S.CER ECJ0EC1H560J	T	6.9/10.9
C89	4030017550	S.CER ECJ0EC1H1R5B	T	7.8/52.9
C90	4030017420	S.CER ECJ0EC1H470J	B	18/54.2
C91	4030017730	S.CER ECJ0EB1E471K	T	13.4/56.2
C92	4030017620	S.CER ECJ0EC1H100C	T	6.1/53.1
C93	4030017340	S.CER ECJ0EC1H010B	T	8.7/51.1
C94	4030017460	S.CER ECJ0EB1E102K	B	16.6/22.7
C95	4030017460	S.CER ECJ0EB1E102K	T	18.4/37.1
C96	4030016930	S.CER ECJ0EB1A104K	T	6.1/9.7
C97	4030017420	S.CER ECJ0EC1H470J	B	16/54.2
C98	4030017460	S.CER ECJ0EB1E102K	B	13.5/19
C100	4030017380	S.CER ECJ0EC1H050B	T	6.1/49.1
C101	4030017460	S.CER ECJ0EB1E102K	B	18.5/19.4
C102	4030016930	S.CER ECJ0EB1A104K	B	11.6/3.6
C103	4030017550	S.CER ECJ0EC1H1R5B	T	7.5/49.3
C104	4030017460	S.CER ECJ0EB1E102K	T	18.2/23
C105	4030017730	S.CER ECJ0EB1E471K	T	20/41.2
C106	4030017430	S.CER ECJ0EC1H101J	T	17.6/25.2
C107	4030017430	S.CER ECJ0EC1H101J	B	18/16.4
C108	4030017460	S.CER ECJ0EB1E102K	B	17.6/22.7
C109	4030016930	S.CER ECJ0EB1A104K	T	10.4/13.2
C110	4030017620	S.CER ECJ0EC1H100C	T	16.5/54.1
C111	4030017730	S.CER ECJ0EB1E471K	T	18.9/49.4
C112	4030017730	S.CER ECJ0EB1E471K	T	16.5/48.8
C113	4030017460	S.CER ECJ0EB1E102K	T	21.1/16.1
C114	4030017460	S.CER ECJ0EB1E102K	T	17.2/22.4
C115	4030016930	S.CER ECJ0EB1A104K	T	16.3/7
C116	4030017670	S.CER ECJ0EC1H390J	T	12/8.6
C117	4030017430	S.CER ECJ0EC1H101J	T	18.4/17.5
C118	4030017670	S.CER ECJ0EC1H390J	T	13/8.6
C119	4030017430	S.CER ECJ0EC1H101J	T	19.4/34.9
C120	4030017700	S.CER ECJ0EC1H151J	B	15.2/4.2
C121	4030017460	S.CER ECJ0EB1E102K	B	20.3/19.4
C122	4030017460	S.CER ECJ0EB1E102K	B	16.7/18.5
C123	4030017730	S.CER ECJ0EB1E471K	T	20/27.2
C124	4030017700	S.CER ECJ0EC1H151J	T	13/10.3
C125	4030017680	S.CER ECJ0EC1H820J	B	15.6/5.4
C126	4030017730	S.CER ECJ0EB1E471K	T	18.8/52.4
C127	4030017460	S.CER ECJ0EB1E102K	T	20/32.4
C128	4030017730	S.CER ECJ0EB1E471K	T	21.3/19.9
C129	4030017460	S.CER ECJ0EB1E102K	T	21/27.2
C130	4030017630	S.CER ECJ0EC1H120J	T	16.5/8.2
C131	4030017720	S.CER ECJ0EB1H331K	B	16.2/4.2
C132	4030017730	S.CER ECJ0EB1E471K	T	6.1/47.2
C133	4030017460	S.CER ECJ0EB1E102K	T	22.2/19.9
C134	4030017910	S.CER ECJ0EB1H152K	T	17.9/5.8
C135	4030017400	S.CER ECJ0EC1H220J	B	18.3/5.3
C136	4030017680	S.CER ECJ0EC1H820J	T	18.3/11.7
C137	4030017530	S.CER ECJ0EC1H0R5B	T	9/45.6
C138	4030017730	S.CER ECJ0EB1E471K	T	21.3/36.3
C139	4030017440	S.CER ECJ0EC1H221J	T	18.1/8.2
C140	4030017710	S.CER ECJ0EC1H181J	B	19.5/4.8
C141	4030016930	S.CER ECJ0EB1A104K	B	30.1/48.5
C142	4030017460	S.CER ECJ0EB1E102K	B	25.3/16.7
C143	4030017460	S.CER ECJ0EB1E102K	B	25.4/15.5
C144	4030017460	S.CER ECJ0EB1E102K	T	22/27.5
C145	4030017460	S.CER ECJ0EB1E102K	T	22.6/29.2
C146	4030017460	S.CER ECJ0EB1E102K	T	22.2/36.3
C147	4030004750	S.CER C2012 JB 1H 103K-T	B	44.5/18.8
C148	4030017450	S.CER ECJ0EB1E271K	T	20.3/2.1
C149	4030017460	S.CER ECJ0EB1E102K	T	19.4/9.4
C150	4030017770	S.CER ECJ0EB1E332K	B	21.1/7
C151	4030017710	S.CER ECJ0EC1H181J	T	19.8/8.2
C152	4030009510	S.CER C1608 CH 1H 010B-T	T	19.1/56.4
C153	4030017730	S.CER ECJ0EB1E471K	T	27.8/50.2
C154	4030017380	S.CER ECJ0EC1H050B	B	24.4/17.9
C155	4030017460	S.CER ECJ0EB1E102K	T	24.3/20.2
C156	4030017460	S.CER ECJ0EB1E102K	T	25.2/21.8
C157	4030017460	S.CER ECJ0EB1E102K	T	26.8/28.7
C159	4030017460	S.CER ECJ0EB1E102K	B	26/20.5
C160	4030017460	S.CER ECJ0EB1E102K	B	26.6/29.7
C161	4030018110	S.CER ECJ0EB1H272K	B	21.1/5.4
C162	4030016790	S.CER ECJ0EB1C103K	T	21/9.4
C163	4030017910	S.CER ECJ0EB1H152K	B	22.1/5.6
C164	4030017460	S.CER ECJ0EB1E102K	T	21.5/8.2
C165	4030009520	S.CER C1608 CH 1H 020B-T	T	21.2/55.6
C166	4030011600	S.CER C1608 JB 1E 104K-T	T	27.2/55.7
C167	4030017360	S.CER ECJ0EB1H030B	T	25.7/16.8

[MAIN-A UNIT]

REF NO.	ORDER NO.	DESCRIPTION	M.	H/V LOCATION
C168	4030017730	S.CER ECJ0EB1E471K	T	24/37.3
C169	4030017730	S.CER ECJ0EB1E471K	B	23.5/34.3
C170	4030017420	S.CER ECJ0EC1H470J	T	14.8/44.2
C171	4030017460	S.CER ECJ0EB1E102K	T	22.4/4.6
C172	4030017360	S.CER ECJ0EC1H030B	T	24.8/24.3
C173	4030016930	S.CER ECJ0EB1A104K	T	22.8/3.4
C174	4030016790	S.CER ECJ0EB1C103K	B	24.1/5.4
C175	4030006860	S.CER C1608 JB 1H 102K-T	T	25.9/55.7
C176	4030017560	S.CER ECJ0EC1H2R5B	T	26.5/34.2
C177	4030017460	S.CER ECJ0EB1E102K	T	19.9/37.7
C178	4030017770	S.CER ECJ0EB1E332K	B	23.7/7.1
C179	4030016930	S.CER ECJ0EB1A104K	T	23.7/13.2
C180	4340000510	S.MLR ECHU01153JX5	T	19.6/44.2
C181	4030009520	S.CER C1608 CH 1H 020B-T	T	22.5/55.6
C182	4030017730	S.CER ECJ0EB1E471K	T	12.8/44.4
C183	4030017460	S.CER ECJ0EB1E102K	T	28.5/19.2
C185	4030017340	S.CER ECJ0EC1H010B	T	9/44.1
C186	4030016930	S.CER ECJ0EB1A104K	B	25.1/5.5
C187	4030016930	S.CER ECJ0EB1A104K	T	22.8/6.3
C188	4340000260	S.MLR ECPUC104MA5	T	20.3/46.6
C189	4030017730	S.CER ECJ0EB1E471K	T	13.3/41
C190	4030017360	S.CER ECJ0EC1H030B	T	8.1/41.8
C192	4550007600	S.TAN F920J106MPABMA	T	28.8/53.5
C193	4030017360	S.CER ECJ0EC1H030B	T	9.9/41.5
C194	4030017780	S.CER ECJ0EB1E472K	B	26.6/24.5
C195	4030017460	S.CER ECJ0EB1E102K	T	30.7/25.6
C197	4030017400	S.CER ECJ0EC1H220J	T	24.9/50.6
C199	4030017780	S.CER ECJ0EB1E472K	B	31.6/23.5
C201	4030017440	S.CER ECJ0EC1H221J	B	13/12.2
C202	4030017730	S.CER ECJ0EB1E471K	T	22.3/50.2
C203	4030016790	S.CER ECJ0EB1C103K	B	8.4/11.6
C204	4030017460	S.CER ECJ0EB1E102K	T	24.2/30.6
C205	4030017460	S.CER ECJ0EB1E102K	T	30.2/32.9
C206	4030017910	S.CER ECJ0EB1H152K	B	14/12.2
C208	4030017510	S.CER ECJ0EC1H680J	B	15.3/12.6
C209	4030017570	S.CER ECJ0EC1H040B	T	22.3/51.5
C210	4030017460	S.CER ECJ0EB1E102K	T	26.1/21.6
C211	4030017460	S.CER ECJ0EB1E102K	T	30.5/30.9
C212	4030017460	S.CER ECJ0EB1E102K	T	30/37.2
C213	4030017730	S.CER ECJ0EB1E471K	B	16.5/12.2
C214	4030017620	S.CER ECJ0EC1H4100C	T	30.3/26.9
C215	4030004750	S.CER C2012 JB 1H 103K-T	B	44.5/14.4
C216	4030017690	S.CER ECJ0EC1H121J	B	17.7/12.3
C217	4030016790	S.CER ECJ0EB1C103K	B	19.9/13.3
C218	4030016930	S.CER ECJ0EB1A104K	T	25.4/8.7
C219	4030016790	S.CER ECJ0EB1C103K	B	77.5/17.9
C220	4030016930	S.CER ECJ0EB1A104K	T	53.3/6.6
C221	4030016930	S.CER ECJ0EB1A104K	T	44.7/4.5
C222	4030016930	S.CER ECJ0EB1A104K	T	25.9/13.8
C223	4030017460	S.CER ECJ0EB1E102K	T	54.7/7
C224	4030016790	S.CER ECJ0EB1C103K	B	62.2/16
C225	4030017460	S.CER ECJ0EB1E102K	T	55.7/7
C226	4030017780	S.CER ECJ0EB1E472K	B	61.5/13.5
C227	4030017460	S.CER ECJ0EB1E102K	T	67.2/35.6
C228	4030006860	S.CER C1608 JB 1H 102K-T	T	41.9/4.7
C229	4030017380	S.CER ECJ0EC1H050B	B	62.2/18.7
C230	4030016930	S.CER ECJ0EB1A104K	T	68.4/9.5
C231	4030016930	S.CER ECJ0EB1A104K	B	66.4/15.6
C232	4030017400	S.CER ECJ0EC1H220J	T	51.6/25.6
C233	4030017460	S.CER ECJ0EB1E102K	T	46.1/4.9
C234	4030017460	S.CER ECJ0EB1E102K	B	66/19.1
C235	4030017460	S.CER ECJ0EB1E102K	B	52.2/28.6
C236	4030017460	S.CER ECJ0EB1E102K	T	53.3/27.1
C237	4550007030	S.TAN TEESVP 0J 106M8R	T	70.1/36.7
C238	4510008540	S.ELE EEE1CA100SR	T	68.4/13.4
C239	4030017380	S.CER ECJ0EC1H050B	B	59.5/16.4
C240	4510008540	S.ELE EEE1CA100SR	T	73.2/13.4
C241	4030017460	S.CER ECJ0EB1E102K	B	46.7/43.4
C242	4030017460	S.CER ECJ0EB1E102K	T	47.1/4.9
C243	4030017460	S.CER ECJ0EB1E102K	T	70.9/34.7
C244	4030017780	S.CER ECJ0EB1E472K	T	31.9/4.7
C245	4550006250	S.TAN TEESVA 1A 106M8R	T	49.1/38.6
C246	4030017350	S.CER ECJ0EC1H020B	T	46.8/27.8
C247	4030017460	S.CER ECJ0EB1E102K	T	47.3/26.6
C248	4030017460	S.CER ECJ0EB1E102K	T	67.9/30.2
C249	4030017620	S.CER ECJ0EC1H100C	T	51.4/36
C250	4030017400	S.CER ECJ0EC1H220J	T	54.4/26.1
C251	4030016930	S.CER ECJ0EB1A104K	T	64/30.5
C252	4030017460	S.CER ECJ0EB1E102K	T	55.2/35.1
C253	4030016930	S.CER ECJ0EB1A104K	T	50.5/36
C254	4030007010	S.CER C1608 CH 1H 100D-T	T	41.1/11.5
C255	4030007010	S.CER C1608 CH 1H 100D-T	T	49.7/13.6
C256	4030018860	S.CER ECJ0EB0J105K	T	65.3/30.5
C257	4030017460	S.CER ECJ0EB1E102K	T	52.4/36
C258	4030006990	S.CER C1608 CH 1H 080D-T	T	44/13.6
C259	4030009920	S.CER C1608 CH 1H 050B-T	T	47.4/15.2
C260	4030009530	S.CER C1608 CH 1H 030B-T	T	52.6/15.7
C261	4030009910	S.CER C1608 CH 1H 040B-T	T	55.5/14.9
C263	4030009510	S.CER C1608 CH 1H 010B-T	T	41.1/14.3
C264	4030009500	S.CER C1608 CH 1H 0R5B-T	T	49.7/16.4
C265	4030017460	S.CER ECJ0EB1E102K	B	56.2/14.3

M.=Mounted side (T: Mounted on the Top side, B: Mounted on the Bottom side)  
S.=Surface mount

[MAIN-A UNIT]

REF NO.	ORDER NO.	DESCRIPTION	M.	H/V LOCATION
C266	4030016930	S.CER ECJ0EB1A104K	B	39/43.7
C267	4030016790	S.CER ECJ0EB1C103K	B	38.4/45
C268	4030016930	S.CER ECJ0EB1A104K	B	56.2/13.4
C269	4030017460	S.CER ECJ0EB1E102K	B	39/42.8
C270	4030017460	S.CER ECJ0EB1E102K	T	46.7/18.1
C271	4030016790	S.CER ECJ0EB1C103K	B	35.4/43.5
C273	4030017460	S.CER ECJ0EB1E102K	T	47.1/36.4
C274	4030009500	S.CER C1608 CH 1H 0R5B-T	T	41.1/18.5
C275	4030009500	S.CER C1608 CH 1H 0R5B-T	T	49.7/20.6
C276	4030017350	S.CER ECJ0EC1H020B	T	45.2/36.9
C277	4550007030	S.TAN TEESVP 0J 106M8R	T	62.6/31.9
C278	4030017350	S.CER ECJ0EC1H020B	T	45.7/38.1
C279	4030016790	S.CER ECJ0EB1C103K	T	65/29.2
C280	4030017420	S.CER ECJ0EC1H470J	T	54.1/42.2
C281	4030017420	S.CER ECJ0EC1H470J	T	44.5/20.3
C282	4030017420	S.CER ECJ0EC1H470J	T	54/22.6
C283	4030017460	S.CER ECJ0EB1E102K	T	71.3/31.3
C284	4030017460	S.CER ECJ0EB1E102K	T	62.8/33.9
C286	4030016930	S.CER ECJ0EB1A104K	T	45.5/20.3
C287	4030017460	S.CER ECJ0EB1E102K	T	66/35.2
C288	4030017360	S.CER ECJ0EC1H030B	T	44.7/38.1
C289	4030017460	S.CER ECJ0EB1E102K	T	51.4/42.4
C290	4030017620	S.CER ECJ0EC1H100C	T	55.9/43.4
C291	4030017460	S.CER ECJ0EB1E102K	T	50.2/24
C292	4030017540	S.CER ECJ0EC1HR75B	T	45.7/40.2
C293	4030017460	S.CER ECJ0EB1E102K	T	47.7/19.9
C294	4030017460	S.CER ECJ0EB1E102K	B	44.9/11
C295	4030016930	S.CER ECJ0EB1A104K	T	55/22.6
C296	4030017460	S.CER ECJ0EB1E102K	T	55.9/18.4
C297	4030016790	S.CER ECJ0EB1C103K	T	62.2/24.1
C298	4030017560	S.CER ECJ0EC1H2R5B	T	45/41.4
C299	4030017460	S.CER ECJ0EB1E102K	T	53.2/28.6
C300	4030017460	S.CER ECJ0EB1E102K	T	56/22.6
C301	4030017400	S.CER ECJ0EC1H220J	T	44.4/24
C302	4030016790	S.CER ECJ0EB1C103K	T	66.6/28.2
C304	4030017460	S.CER ECJ0EB1E102K	B	60.5/12.4
C305	4030017460	S.CER ECJ0EB1E102K	T	49.2/42.3
C306	4030017460	S.CER ECJ0EB1E102K	T	42.3/11.5
C307	4030017460	S.CER ECJ0EB1E102K	T	50.9/13.2
C308	4030017460	S.CER ECJ0EB1E102K	T	65.9/27.2
C309	4510009000	S.ELE EEE1AA330WR	T	63/14.5
C310	4030017460	S.CER ECJ0EB1E102K	B	47.6/19.6
C311	4030017460	S.CER ECJ0EB1E102K	T	45.6/22.4
C312	4550000510	S.TAN TEESVA 1V 473M8R	B	52.8/11.1
C313	4030016790	S.CER ECJ0EB1C103K	T	74/63.4
C314	4030016790	S.CER ECJ0EB1C103K	B	41.7/58.1
C315	4030017460	S.CER ECJ0EB1E102K	B	40.3/60.8
C316	4030017640	S.CER ECJ0EC1H150J	T	52.8/45.5
C317	4030016790	S.CER ECJ0EB1C103K	B	40/56.4
C318	4030017460	S.CER ECJ0EB1E102K	B	61.4/10.4
C320	4030017780	S.CER ECJ0EB1E472K	B	55.7/9.7
C321	4030017640	S.CER ECJ0EC1H150J	T	51.2/43.8
C322	4030017460	S.CER ECJ0EB1E102K	B	47.6/16.2
C323	4030017460	S.CER ECJ0EB1E102K	T	47.2/24
C325	4030017460	S.CER ECJ0EB1E102K	B	46.7/49.9
C326	4030017570	S.CER ECJ0EC1H040B	T	50.3/46.2
C327	4030017400	S.CER ECJ0EC1H220J	B	52.7/17.3
C330	4030017460	S.CER ECJ0EB1E102K	T	44.4/25.8
C331	4030016790	S.CER ECJ0EB1C103K	B	37.2/61.2
C332	4030017550	S.CER ECJ0EC1H1R5B	T	49.1/45.8
C334	4030006860	S.CER C1608 JB 1H 102K-T	B	60.8/8.7
C335	4550000550	S.TAN TEESVA 1V 224M8R	B	54/5.8
C336	4550000550	S.TAN TEESVA 1V 224M8R	B	54/7.9
C338	4030017460	S.CER ECJ0EB1E102K	B	63.2/8.5
C339	4030018070	S.CER ECJ0EC1H300J	T	42.4/58.4
C340	4030017380	S.CER ECJ0EC1H050B	B	52.3/19.5
C341	4030009920	S.CER C1608 CH 1H 050B-T	T	76.2/27.9
C342	4510008880	S.ELE EEE1VA330WP	T	63.9/3.8
C344	4030017460	S.CER ECJ0EB1E102K	B	44.9/49.9
C345	4030017730	S.CER ECJ0EB1E471K	B	44/49.9
C346	4030017620	S.CER ECJ0EC1H100C	T	47.9/46.1
C348	4510008540	S.ELE EEE1CA100SR	T	62.4/9.7
C349	4550000530	S.TAN TEESVA 1V 104M8R	T	51.4/5.1
C351	4030017340	S.CER ECJ0EC1H010B	T	46.7/45.6
C352	4030017620	S.CER ECJ0EC1H100C	T	41.6/28.6
C353	4030017590	S.CER ECJ0EC1H070C	T	46.7/46.6
C354	4030006880	S.CER C1608 JB 1H 472K-T	T	69.9/28.7
C355	4550000404	S.TAN TEESVA 0J 685M8R	T	68.6/24.6
C356	4030017620	S.CER ECJ0EC1H100C	B	45.3/28.6
C357	4030017460	S.CER ECJ0EB1E102K	T	45/46.6
C358	4030017460	S.CER ECJ0EB1E102K	B	52.3/21.5
C360	4030017610	S.CER ECJ0EC1H090C	T	63.4/36.4
C361	4030017580	S.CER ECJ0EC1H060C	B	51.6/61.4
C362	4340000300	S.MLR ECHU 1C 223JX5	T	70.7/23.1
C363	4030017460	S.CER ECJ0EB1E102K	T	67.5/41.1
C364	4030017640	S.CER ECJ0EC1H150J	T	63.3/37.6
C366	4030017620	S.CER ECJ0EC1H100C	T	63.8/38.8
C367	4030017460	S.CER ECJ0EB1E102K	T	101/62.2
C368	4030018140	S.CER ECJ0EB1H391K	T	101.2/64.7
C369	4030017380	S.CER ECJ0EC1H050B	B	59.2/62.1
C370	4030017460	S.CER ECJ0EB1E102K	B	63.2/58.7

[MAIN-A UNIT]

REF NO.	ORDER NO.	DESCRIPTION	M.	H/V LOCATION
C371	4030017460	S.CER ECJ0EB1E102K	B	60.3/60.2
C372	4030017780	S.CER ECJ0EB1E472K	B	115.5/61.6
C373	4030017460	S.CER ECJ0EB1E102K	T	66.9/42.3
C374	4030018890	S.CER ECJ0EB0J224K	B	62.8/63.8
C375	4030017460	S.CER ECJ0EB1E102K	B	64.8/59.3
C376	4030009990	S.CER C1608 CH 1H 200J-T	B	85.4/34.1
C377	4030016790	S.CER ECJ0EB1C103K	B	82.1/37.1
C378	4030018070	S.CER ECJ0EC1H300J	B	87.7/35.3
C379	4510008540	S.ELE EEE1CA100SR	T	110.1/61.8
C380	4510008660	S.ELE EEE0JA220SR	T	99.2/58.1
C381	4030017630	S.CER ECJ0EC1H120J	B	86.1/35.3
C382	4030017460	S.CER ECJ0EB1E102K	B	68.9/64.5
C383	4030017590	S.CER ECJ0EC1H070C	B	65.3/64
C384	4030016930	S.CER ECJ0EB1A104K	B	104.9/56.2
C385	4550006350	S.TAN TEESVB2 1A 226M8R	T	94.8/64.4
C386	4030017460	S.CER ECJ0EB1E102K	B	66.5/57.5
C387	4030017490	S.CER C1608 JB 1A 105K-T	B	115.4/55.3
C388	4030007050	S.CER C1608 CH 1H 220J-T	T	76.1/34.8
C389	4030017390	S.CER ECJ0EC1H180J	B	83.4/40.3
C390	4550006250	S.TAN TEESVA 1A 106M8R	T	96.8/61.6
C391	4030017380	S.CER ECJ0EC1H050B	B	84.6/40.8
C392	4030017460	S.CER ECJ0EB1E102K	T	66.5/55.7
C394	4030007010	S.CER C1608 CH 1H 100D-T	T	74.8/36.3
C395	4030017590	S.CER ECJ0EC1H070C	B	83.4/41.3
C396	4030017460	S.CER ECJ0EB1E102K	B	66/49.7
C397	4030016790	S.CER ECJ0EB1C103K	B	82.1/51
C398	4030016970	S.CER ECJ0EB1C223K	T	116.5/53.2
C399	4030006980	S.CER C1608 CH 1H 070D-T	T	74.8/38.9
C400	4030017780	S.CER ECJ0EB1E472K	T	86.7/77.9
C401	4030017660	S.CER ECJ0EC1H330J	T	85.6/77
C402	4030016930	S.CER ECJ0EB1A104K	B	86.3/43.3
C403	4510008540	S.ELE EEE1CA100SR	T	104.7/53.9
C404	4030017730	S.CER ECJ0EB1E471K	B	60.4/64.1
C405	4030017460	S.CER ECJ0EB1E102K	B	65.4/54
C406	4030017460	S.CER ECJ0EB1E102K	T	71.3/39.6
C407	4030016930	S.CER ECJ0EB1A104K	T	73.2/32.6
C408	4030016930	S.CER ECJ0EB1A104K	T	86.1/10
C409	4030009510	S.CER C1608 CH 1H 010B-T	T	73.5/38.9
C410	4030016790	S.CER ECJ0EB1C103K	T	84.6/8.5
C411	4030016930	S.CER ECJ0EB1A104K	B	103.5/48.7
C412	4030017460	S.CER ECJ0EB1E102K	B	73.3/51.8
C413	4030017440	S.CER ECJ0EC1H221J	B	102.2/51.3
C414	4510008500	S.ELE EEE1CA101WP	T	72.1/52.7
C415	4030017460	S.CER ECJ0EB1E102K	T	73.2/33.6
C416	4030016930	S.CER ECJ0EB1A104K	B	83.8/30.7
C417	4030017450	S.CER ECJ0EB1E271K	B	88.4/33.5
C418	4030016790	S.CER ECJ0EB1C103K	B	65.4/51.7
C419	4030017780	S.CER ECJ0EB1E472K	B	104.9/61.6
C420	4030016930	S.CER ECJ0EB1A104K	B	74.9/37.9
C421	4030016930	S.CER ECJ0EB1A104K	B	122/36.6
C422	4030016930	S.CER ECJ0EB1A104K	T	71.7/43.1
C423	4030017490	S.CER C1608 JB 1A 105K-T	T	86.4/45.9
C425	4030016930	S.CER ECJ0EB1A104K	B	74.6/49.8
C426	4030017910	S.CER ECJ0EB1H152K	B	90/34.5
C427	4030018140	S.CER ECJ0EB1H391K	B	90/33.5
C428	4510008600	S.ELE EEE1CA4R7NR	T	105.1/48.1
C429	4030016930	S.CER ECJ0EB1A104K	B	87.3/43.3
C430	4030017460	S.CER ECJ0EB1E102K	B	70.4/50.3
C431	4030017780	S.CER ECJ0EB1E472K	B	118.5/57.9
C433	4030016930	S.CER ECJ0EB1A104K	T	86.2/48
C436	4030018890	S.CER ECJ0EB0J224K	B	118.9/56.7
C437	4030017460	S.CER ECJ0EB1E102K	T	73.9/40.7
C438	4030017460	S.CER ECJ0EB1E102K	T	77/42.5
C439	4030017660	S.CER ECJ0EC1H330J	T	90.5/6.9
C440	4030018140	S.CER ECJ0EB1H391K	B	93.2/29.8
C442	4030017400	S.CER ECJ0EC1H220J	T	71.7/44.4
C443	4030017510	S.CER ECJ0EC1H680J	B	89/26.9
C444	4030017700	S.CER ECJ0EC1H151J	T	91.7/77.3
C446	4030017450	S.CER ECJ0EB1E271K	T	92.7/77.3
C447	4030017460	S.CER ECJ0EB1E102K	B	73.5/57
C448	4030017720	S.CER ECJ0EB1H331K	B	93/26.9
C450	4030017680	S.CER ECJ0EC1H820J	T	93.2/8.5
C452	4030017460	S.CER ECJ0EB1E102K	T	93.7/77.3
C453	4030016930	S.CER ECJ0EB1A104K	B	80.8/46.6
C455	4030017510	S.CER ECJ0EC1H680J	T	71.4/58.1
C456	4030017620	S.CER ECJ0EC1H100C	T	68.5/43.4
C457	4030017710	S.CER ECJ0EC1H181J	T	94.9/77.3
C458	4030016790	S.CER ECJ0EB1C103K	B	81.2/47.8
C459	4030017570	S.CER ECJ0EC1H040B	T	66.9/43.3
C460	4030017690	S.CER ECJ0EC1H121J	T	96/3.9
C461	4030017400	S.CER ECJ0EC1H220J	B	74.5/57
C462	4030017640	S.CER ECJ0EC1H150J	T	65.3/43.3
C463	4030017670	S.CER ECJ0EC1H390J	T	96.5/77.1
C464	4030017430	S.CER ECJ0EC1H101J	T	98.1/77.1
C467	4030017780	S.CER ECJ0EB1E472K	T	96.5/10.3
C468	4030016790	S.CER ECJ0EB1C103K	T	70.3/60.8
C469	4030016790	S.CER ECJ0EB1E102K	B	104/9.1
C470	4030017400	S.CER ECJ0EC1H220J	B	77.4/65.3
C471	4030016790	S.CER ECJ0EB1C103K	B	77.8/57.1
C472	4030018140	S.CER ECJ0EB1H391K	B	116.5/14.2
C473	4030016930	S.CER ECJ0EB1A104K	B	101.6/16.4

M.=Mounted side (T: Mounted on the Top side, B: Mounted on the Bottom side)  
S.=Surface mount

[MAIN-A UNIT]

REF NO.	ORDER NO.	DESCRIPTION	M.	H/V LOCATION
C474	4030016930	S.CER ECJ0EB1A104K	B	115/19.7
C475	4030016930	S.CER ECJ0EB1A104K	B	115/12.1
C476	4030016930	S.CER ECJ0EB1A104K	B	114.9/5
C477	4030017720	S.CER ECJ0EB1H331K	B	115.5/14.2
C478	4030016790	S.CER ECJ0EB1C103K	B	80.8/56.6
C479	4030016930	S.CER ECJ0EB1A104K	B	97.1/10.1
C480	4030018860	S.CER ECJ0EB0J105K	T	96.9/14
C481	4030016790	S.CER ECJ0EB1C103K	B	82.9/65.8
C482	4030018140	S.CER ECJ0EB1H391K	B	100/16.4
C483	4030017460	S.CER ECJ0EB1E102K	T	94.9/10.3
C484	4030016930	S.CER ECJ0EB1A104K	B	120/27.7
C485	4030016930	S.CER ECJ0EB1A104K	B	97.4/25.3
C486	4030016790	S.CER ECJ0EB1C103K	B	71.4/50.3
C487	4030016930	S.CER ECJ0EB1A104K	B	120.9/9.6
C488	4030017460	S.CER ECJ0EB1E102K	T	91.7/9.3
C489	4030017450	S.CER ECJ0EB1E271K	B	117.3/25.5
C490	4030016790	S.CER ECJ0EB1C103K	B	118.5/22.4
C491	4030018900	S.CER ECJ0EB0J474K	B	95.8/25.3
C492	4030016930	S.CER ECJ0EB1A104K	B	94.6/25.8
C493	4030016930	S.CER ECJ0EB1A104K	T	92.9/9.6
C495	4550006250	S.TAN TEESVA 1A 106M8R	T	88.1/11.6
C497	4030017730	S.CER ECJ0EB1E471K	B	98.4/16.4
C498	4030016930	S.CER ECJ0EB1A104K	B	107.4/19.2
C499	4030016930	S.CER ECJ0EB1A104K	B	107.4/11.7
C500	4030016930	S.CER ECJ0EB1A104K	B	107/3.8
C501	4030016950	S.CER ECJ0EB1A473K	B	91.6/19.9
C502	4030016930	S.CER ECJ0EB1A104K	T	98.5/25.2
C503	4030016930	S.CER ECJ0EB1A104K	B	115.9/25.1
C504	4030016930	S.CER ECJ0EB1A104K	B	89/23.4
C505	4030016790	S.CER ECJ0EB1C103K	B	88.6/56
C506	4030016790	S.CER ECJ0EB1C103K	B	114.5/22.5
C507	4030016930	S.CER ECJ0EB1A104K	B	100.7/20
C508	4510008540	S.ELE EEE1CA100SR	T	104.1/28.5
C510	4030016930	S.CER ECJ0EB1A104K	B	90.2/22
C511	4030016930	S.CER ECJ0EB1A104K	B	92.3/24.5
C512	4030017570	S.CER ECJ0EC1H040B	B	91.3/57.3
C513	4030016790	S.CER ECJ0EB1C103K	B	89.7/53.5
C514	4030017440	S.CER ECJ0EC1H221J	B	98.4/22.9
C515	4030016930	S.CER ECJ0EB1A104K	T	94.8/11.7
C516	4030017780	S.CER ECJ0EB1E472K	B	99.9/21.7
C517	4030017780	S.CER ECJ0EB1E472K	B	94/56.6
C518	4030016790	S.CER ECJ0EB1C103K	B	106.2/31.6
C519	4030016790	S.CER ECJ0EB1C103K	B	92.8/51.9
C520	4030017440	S.CER ECJ0EC1H221J	B	104.1/31.1
C522	4030017780	S.CER ECJ0EB1E472K	B	98.4/23.9
C523	4030017440	S.CER ECJ0EC1H221J	B	102.9/32.1
C524	4030017620	S.CER ECJ0EC1H100C	T	91.1/57.1
C525	4030016930	S.CER ECJ0EB1A104K	B	105.3/31.6
C526	4030017730	S.CER ECJ0EB1E471K	B	103.3/29.3
C527	4030016930	S.CER ECJ0EB1A104K	B	96.9/23.7
C528	4030017460	S.CER ECJ0EB1E102K	T	83.3/20.7
C529	4030016930	S.CER ECJ0EB1A104K	B	83.3/17.2
C530	4030016930	S.CER ECJ0EB1A104K	T	83.3/22.3
C531	4030016930	S.CER ECJ0EB1A104K	T	84.2/31.5
C534	4030016790	S.CER ECJ0EB1C103K	B	90.2/3
C536	4030017430	S.CER ECJ0EC1H101J	B	97.9/21.7
C537	4030016930	S.CER ECJ0EB1A104K	B	96.9/21.7
C538	4030018890	S.CER ECJ0EB0J224K	B	80/17
C539	4510008130	S.ELE 16 CE 220 BS	T	110.1/30.4
C540	4030017730	S.CER ECJ0EB1E471K	B	81.5/18.5
C541	4030017780	S.CER ECJ0EB1E472K	T	94.8/56.6
C542	4030018860	S.CER ECJ0EB0J105K	B	83.2/8.3
C543	4030016930	S.CER ECJ0EB1A104K	T	107.4/34.5
C544	4030017510	S.CER ECJ0EC1H680J	B	96.2/51.5
C545	4030016790	S.CER ECJ0EB1C103K	T	93.2/54
C546	4030017730	S.CER ECJ0EB1E471K	B	81.5/17.6
C548	4030016790	S.CER ECJ0EB1C103K	T	92.2/61.9
C549	4030017580	S.CER ECJ0EC1H060C	B	110.9/26.8
C550	4030016790	S.CER ECJ0EB1C103K	T	93.2/60.3
C551	4550006250	S.TAN TEESVA 1A 106M8R	B	80.6/2.9
C553	4030016930	S.CER ECJ0EB1A104K	B	82.3/5.9
C554	4510009060	S.ELE EEE1HA3R3SR	T	78.2/13.4
C555	4030016930	S.CER ECJ0EB1A104K	B	79.9/32.3
C556	4030016790	S.CER ECJ0EB1C103K	T	96.2/43.8
C557	4030016790	S.CER ECJ0EB1C103K	B	91.3/63.5
C558	4030017430	S.CER ECJ0EC1H101J	B	105.1/40.6
C559	4030017460	S.CER ECJ0EB1E102K	B	113.1/29.5
C560	4030016790	S.CER ECJ0EB1C103K	B	
		Except [UK-1], [FRA-1], [EXP-2], [EXP-3]	B	106.7/40.6
	4030017040	S.CER ECJ0EB1A333K	B	
		[UK-1], [FRA-1], [EXP-2], [EXP-3]	B	106.7/40.6
C561	4030016930	S.CER ECJ0EB1A104K	B	112.4/31.1
C563	4030017460	S.CER ECJ0EB1E102K	B	76.3/32.4
C564	4030016790	S.CER ECJ0EB1C103K	B	97/60
C565	4030016930	S.CER ECJ0EB1A104K	B	75.1/22
C566	4030016790	S.CER ECJ0EB1C103K	T	105.6/44.2
C567	4030016790	S.CER ECJ0EB1C103K	B	87/20.4
C568	4030017460	S.CER ECJ0EB1E102K	B	104.2/41.6
C569	4030016790	S.CER ECJ0EB1C103K	B	107.2/44.1
C570	4030017780	S.CER ECJ0EB1E472K	B	103.6/23
C571	4030016930	S.CER ECJ0EB1A104K	B	104.3/24.6

[MAIN-A UNIT]

REF NO.	ORDER NO.	DESCRIPTION	M.	H/V LOCATION
C572	4030016930	S.CER ECJ0EB1A104K	B	74.6/28.3
C573	4030017460	S.CER ECJ0EB1E102K	B	79.1/34.5
C574	4030016930	S.CER ECJ0EB1A104K	B	121.4/55.5
C575	4030016930	S.CER ECJ0EB1A104K	B	103.1/33.9
C576	4030017380	S.CER ECJ0EC1H050B	B	30.6/6.8
C577	4030017360	S.CER ECJ0EC1H030B	B	31.3/4.3
C578	4030016930	S.CER ECJ0EB1A104K	B	30.3/2.7
C579	4030016930	S.CER ECJ0EB1A104K	B	32.9/2.6
C582	4030009920	S.CER C1608 CH 1H 050B-T	T	74.1/29.7
C583	4030016790	S.CER ECJ0EB1C103K	B	90.9/48.6
C584	4030016790	S.CER ECJ0EB1C103K	B	89.7/45.7
C585	4030016790	S.CER ECJ0EB1C103K	B	117.4/19.7
C586	4030016790	S.CER ECJ0EB1C103K	B	107.4/21.6
C587	4030016790	S.CER ECJ0EB1C103K	B	117.4/12.2
C588	4030016790	S.CER ECJ0EB1C103K	B	107.4/14.1
C589	4030016790	S.CER ECJ0EB1C103K	B	117.4/5
C590	4030016790	S.CER ECJ0EB1C103K	B	107.4/6.6
C591	4030016930	S.CER ECJ0EB1A104K	T	116.3/44
C592	4030016930	S.CER ECJ0EB1A104K	T	112.5/45.3
C593	4030016790	S.CER ECJ0EB1C103K	B	103.4/44.1
C594	4050000260	S.FED CKD510JB1H220S-T	B	122.9/20.8
C595	4050000260	S.FED CKD510JB1H220S-T	B	126.9/27
C596	4050000260	S.FED CKD510JB1H220S-T	B	126.7/19.8
C597	4050000260	S.FED CKD510JB1H220S-T	B	122.9/26
C598	4050000260	S.FED CKD510JB1H220S-T	B	126.9/29.3
C599	4050000270	S.FED CKD510JB1H471S-T	B	122.9/30.6
C600	4050000260	S.FED CKD510JB1H220S-T	B	126.7/17.5
C601	4050000260	S.FED CKD510JB1H220S-T	B	123.3/46.4
C602	4050000260	S.FED CKD510JB1H220S-T	B	123.4/17.3
C603	4050000270	S.FED CKD510JB1H471S-T	B	126.9/51.4
C604	4050000260	S.FED CKD510JB1H220S-T	B	120.9/18.5
C605	4050000260	S.FED CKD510JB1H220S-T	B	126.8/43.7
C606	4050000260	S.FED CKD510JB1H220S-T	B	126.9/47.7
C607	4050000260	S.FED CKD510JB1H220S-T	B	123.3/48.7
C608	4050000270	S.FED CKD510JB1H471S-T	B	123.3/53.3
C609	4050000260	S.FED CKD510JB1H220S-T	B	122.9/28.3
C610	4050000260	S.FED CKD510JB1H220S-T	B	126.9/24.7
C611	4050000260	S.FED CKD510JB1H220S-T	B	126.9/31.6
C612	4050000270	S.FED CKD510JB1H471S-T	B	126.9/50.7
C613	4050000270	S.FED CKD510JB1H471S-T	B	126.8/39.9
C614	4030018910	S.CER C1608 JB 0J 475K-T	B	23.1/46.6
C615	4030018910	S.CER C1608 JB 0J 475K-T	B	27.1/47.4
C616	4030017350	S.CER ECJ0EC1H020B	T	12.2/54
C618	4030018920	S.CER ECJ0EB1H392K	B	22.5/4.4
C619	4030017910	S.CER ECJ0EB1H152J	B	23.1/5.6
C620	4030017420	S.CER ECJ0EC1H470J	B	108.6/30.1
C622	4030017460	S.CER ECJ0EB1E102K	B	110.2/31.5
C623	4030016790	S.CER ECJ0EB1C103K	B	86.9/7.8
C624	4030017460	S.CER ECJ0EB1C103K	B	85.2/6.2
C626	4030016930	S.CER ECJ0EB1A104K	B	21.4/15.5
C627	4030016790	S.CER ECJ0EB1C103K	B	86.2/10.5
C628	4030016790	S.CER ECJ0EB1C103K	B	82.9/23.2
C631	4030006900	S.CER C1608 JB 1H 103K-T	T	23.2/33.3
C632	4030017610	S.CER ECJ0EC1H090C	B	87.7/2.1
C633	4030017620	S.CER ECJ0EC1H100C	B	112.2/51.7
C634	4030016790	S.CER ECJ0EB1C103K	B	85.8/55.9
C635	4030016930	S.CER ECJ0EB1A104K	B	90.9/17.7
C636	4030016930	S.CER ECJ0EB1A104K	B	82.4/13.3
C640	4030016950	S.CER ECJ0EB1A473K	B	112.4/44.8
C641	4030016780	S.CER ECJ0EB1C153K	B	111.2/44.3
C642	4030016930	S.CER ECJ0EB1A104K	B	111.2/47.3
C643	4030017460	S.CER ECJ0EB1E102K	T	105.4/57
C644	4030016790	S.CER ECJ0EB1C103K	B	115.3/46.2
C645	4340000260	S.MLR ECPU1C104MA5	T	22.2/48.8
C646	4030018390	S.CER ECJ0EB1A563K	T	17.9/45.4
C650	4030016930	S.CER ECJ0EB1A104K	T	105.7/16.7
C651	4030017440	S.CER ECJ0EC1H221J	T	105/20.8
C652	4030017460	S.CER ECJ0EB1E102K	B	12.6/22.5
C653	4030017460	S.CER ECJ0EB1E102K	B	13.9/24.4
C670	4030016930	S.CER ECJ0EB1A104K	B	67.5/47.3
C671	4030017460	S.CER ECJ0EB1E102K	B	68.4/47.3
C674	4030017460	S.CER ECJ0EB1E102K	B	62.7/41.4
C675	4030017460	S.CER ECJ0EB1E102K	B	67.2/41.4
C676	4030017460	S.CER ECJ0EB1E102K	B	76.3/39.6
C677	4030016930	S.CER ECJ0EB1A104K	B	71.8/37.9
C678	4030016930	S.CER ECJ0EB1A104K	B	73.5/32.8
C679	4030017460	S.CER ECJ0EB1E102K	B	73.5/34.1
C680	4030017420	S.CER ECJ0EC1H470J	B	71/32.2
C681	4030017460	S.CER ECJ0EB1E102K	B	70/32.2
C682	4030017460	S.CER ECJ0EB1E102K	B	63.7/29.2
C683	4030017420	S.CER ECJ0EC1H470J	B	61.3/35
C684	4030017420	S.CER ECJ0EC1H470J	B	63.1/36.4
C685	4030017460	S.CER ECJ0EB1E102K	B	63.1/37.4
C686	4030017460	S.CER ECJ0EB1E102K	B	63.1/38.4
C687	4030017460	S.CER ECJ0EB1E102K	B	61.2/39.2
C688	4030017460	S.CER ECJ0EB1E102K	B	40.7/32.4
C689	4030017460	S.CER ECJ0EB1E102K	B	38.9/32.2
C690	4030017460	S.CER ECJ0EB1E102K	B	38.1/31.3
C691	4030017460	S.CER ECJ0EB1E102K	B	38.1/30.4
C692	4030017460	S.CER ECJ0EB1E102K	B	27.2/35.9
C693	4030017460	S.CER ECJ0EB1E102K	T	82/36.3

M.=Mounted side (T: Mounted on the Top side, B: Mounted on the Bottom side)  
S.=Surface mount

**[MAIN-A UNIT]**

REF NO.	ORDER NO.	DESCRIPTION	M.	H/V LOCATION
C694	4030017460	S.CER ECJ0EB1E102K	T	65.5/53.9
C695	4030017460	S.CER ECJ0EB1E102K	T	40.2/44.8
C696	4030017460	S.CER ECJ0EB1E102K	T	40.2/43
C697	4030017460	S.CER ECJ0EB1E102K	B	54.7/14.3
C698	4030017490	S.CER C1608 JB 1A 105K-T	B	33.1/7.5
C699	4030016930	S.CER ECJ0EB1A104K	B	47.8/21.7
C700	4030017460	S.CER ECJ0EB1E102K	B	31/45.8
C702	4030017400	S.CER ECJ0EC1H220J	B	9.3/50.7
J1	6510018450	CNR TMP-S01X-B1		
J2	6510020531	S.CNR 52808-1871		
		[FRA-1], [SEA-1], [EXP-2] only	T	124.9/23.2
J3	6510020531	S.CNR 52808-1871		
		[FRA-1], [SEA-1], [EXP-2] only	T	124.9/45.3
J5	6510018450	CNR TMP-S01X-B1		
EP1	6910012350	S.BEA MMZ1608Y 102BT	B	62.6/20.9
EP2	6910012350	S.BEA MMZ1608Y 102BT	B	60.8/20.1
EP3	6910012350	S.BEA MMZ1608Y 102BT	T	70.6/33
EP4	6910012350	S.BEA MMZ1608Y 102BT	T	64.2/32.7
EP5	6910014690	S.BEA MPZ1608S221A-T	T	118.8/39
EP6	6910014690	S.BEA MPZ1608S221A-T	T	126.8/9.9
EP7	6910014690	S.BEA MPZ1608S221A-T	T	119.8/34.5
EP8	6910014690	S.BEA MPZ1608S221A-T	T	119.6/8.6

**[MAIN-B UNIT] (IC-PCR2500 only)**

REF NO.	ORDER NO.	DESCRIPTION	M.	H/V LOCATION
IC3	1130011760	S.IC CD4094BPWR	B	24.9/26
IC7	1110003780	S.IC NJM2902V-TE1	B	39.1/15.2
IC8	1190000350	S.IC M62363FP-650C	B	74.6/10.7
IC9	1180002391	S.REG S-812C33AMC-C2N-G	B	66.5/13.8
IC10	1130011671	S.IC MB15E03SPLFV1-G-BND-E1	B	56.2/17.9
IC11	1110004610	S.IC μPB1508GV-E1	T	54.4/38
IC13	1130012930	S.IC MB15F63ULPVA1-G	T	70.7/28.7
IC14	1190002051	S.IC SPM5001-TL-E	B	32.6/43
IC15	1110006870	S.IC μPC2709TB-E3	T	42.2/24.1
IC16	1110004441	S.IC LA1145M-TLM-E	B	110/47.2
IC17	1130011760	S.IC CD4094BPWR	B	74.2/36
IC18	1130011760	S.IC CD4094BPWR	B	117.2/28.2
IC19	1110005461	S.IC TA4107F (TE12L F)	B	69.1/43
IC24	1110003201	S.IC TA31136FNG (EL)	B	106.4/24.5
IC25	1110003800	S.IC NJM2904V-TE1	B	81.1/22.1
IC26	1130011801	S.IC SN74AHC1G66HDBV3	B	101/23.7
IC27	1130011770	S.IC CD4066BPWR	B	119/38.5
IC28	1110006490	S.IC LMV321IDCKR	B	100.2/32.2
IC29	1130013010	S.IC SN74AHC1G08DCK3	T	84.8/26.8
IC30	1130011781	S.IC SN74AHC2G53HDC3T3	T	90.2/28
IC32	1110006490	S.IC LMV321IDCKR	T	92.3/13.4
Q1	1590003290	S.TR UNR9213J-(TX)	T	4.8/26.5
Q2	1590003230	S.TR UNR9113J-(TX)	B	2.2/23.7
Q3	1590002010	S.TR XP1114 (TX)	B	18.5/20.3
Q4	1590002010	S.TR XP1114 (TX)	B	18.5/22.9
Q8	1530003630	S.TR 2SC4617 TLS	B	5.3/23.7
Q12	1530003450	S.TR 2SC4835-R (TX)	B	18.7/9.9
Q15	1580000790	S.FET 3SK318YB-TL-E	B	22.9/5.2
Q16	1580000790	S.FET 3SK318YB-TL-E	T	17.6/13.4
Q17	1580000790	S.FET 3SK318YB-TL-E	T	22.5/5.7
Q18	1580000800	S.FET 3SK324UG-TL-E	T	20.6/21.7
Q20	1590003230	S.TR UNR9113J-(TX)	T	52.7/7.2
Q21	1590003230	S.TR UNR9113J-(TX)	T	44.1/5.1
Q23	1590003380	S.TR UNR9111J-(TX)	B	49.4/50.6
Q24	1530003630	S.TR 2SC4617 TLS	B	60.8/12.2
Q27	1530003550	S.TR 2SC5193-T1	T	43/15.9
Q28	1530003550	S.TR 2SC5193-T1	T	45.5/14.9
Q29	1530003550	S.TR 2SC5193-T1	T	51.6/18
Q30	1530003550	S.TR 2SC5193-T1	T	54.1/17
Q31	1530003630	S.TR 2SC4617 TLS	T	66.5/21.9
Q32	1590003280	S.TR UNR9211J-(TX)	T	44.1/10.7
Q33	1590003280	S.TR UNR9211J-(TX)	T	52.7/12.8
Q34	1530003450	S.TR 2SC4835-R (TX)	T	55/44.9
Q35	1560000541	S.FET 2SK880-Y (T5RICOM F)	B	58.2/11.4
Q36	1530003001	S.TR 2SC4117-BL (TE85R F)	B	58.5/5.9
Q39	1530003450	S.TR 2SC4835-R (TX)	B	50.4/26
Q41	1530002601	S.TR 2SC4215-O (TE85R F)	T	67.4/37.2
Q43	1530003630	S.TR 2SC4617 TLS	T	99.7/52.9
Q44	1580000540	S.FET 3SK131-T2-LA	B	57.1/43.3
Q45	1590001650	S.TR XP4601 (TX)	B	102.1/42.8
Q46	1590003290	S.TR UNR9213J-(TX)	B	101.3/36
Q47	1530003550	S.TR 2SC5193-T1	T	75.5/32.3
Q49	1530003630	S.TR 2SC4617 TLS	B	99.7/39.2
Q50	1530003450	S.TR 2SC4835-R (TX)	T	77.7/39.5

**[MAIN-B UNIT] (IC-PCR2500 only)**

REF NO.	ORDER NO.	DESCRIPTION	M.	H/V LOCATION
Q52	1590001960	S.TR XP4311 (TX)	B	97.8/36.5
Q54	1590002010	S.TR XP1114 (TX)	B	120/21.9
Q55	1590002010	S.TR XP1114 (TX)	B	117.5/21.9
Q56	1590002010	S.TR XP1114 (TX)	B	85/41.4
Q57	1590003290	S.TR UNR9213J-(TX)	B	99.8/50.9
Q58	1530003630	S.TR 2SC4617 TLS	B	102.3/49
Q59	1590001960	S.TR XP4311 (TX)	B	99.2/43.2
Q60	1530003630	S.TR 2SC4617 TLS	T	74.3/50
Q61	1560000561	S.FET 2SK882-GR (TE85L F)	B	93.6/17.7
Q62	1560000561	S.FET 2SK882-GR (TE85L F)	B	116.7/16.9
Q63	1530003630	S.TR 2SC4617 TLS	B	92.1/25.7
Q64	1590003290	S.TR UNR9213J-(TX)	B	100/17.9
Q65	1530003630	S.TR 2SC4617 TLS	T	90.2/40.8
Q66	1580000540	S.FET 3SK131-T2-LA	B	94.2/42.7
Q67	1530003630	S.TR 2SC4617 TLS	B	82.1/10.1
Q68	1560000561	S.FET 2SK882-GR (TE85L F)	T	93.1/46.4
Q69	1510001100	S.TR 2SA1832-GR (TE85R)	B	86.2/13.3
Q70	1510001100	S.TR 2SA1832-GR (TE85R)	B	86/15.4
Q71	1530003630	S.TR 2SC4617 TLS	B	111.8/21.2
Q73	1530003630	S.TR 2SC4617 TLS	B	101.4/28.8
Q74	1590001770	S.TR XP1213 (TX)	B	89.2/10.8
Q76	1530002601	S.TR 2SC4215-O (TE85R F)	T	111.8/32.9
Q77	1510001100	S.TR 2SA1832-GR (TE85R)	T	108.1/33.1
Q79	1530003630	S.TR 2SC4617 TLS	B	62.8/6.1
Q81	1590003290	S.TR UNR9213J-(TX)	B	101.6/20.2
Q82	1530003591	S.TR 2SC5277-D2-TL-E	T	94.8/2.7
D1	1790001621	S.DIO 1SV308 (TPL3 F)	B	11/25.1
D3	1790001621	S.DIO 1SV308 (TPL3 F)	B	9.1/24.3
D5	1790001621	S.DIO 1SV308 (TPL3 F)	B	6.1/14.7
D6	1790001621	S.DIO 1SV308 (TPL3 F)	T	4.8/14.7
D7	1790001621	S.DIO 1SV308 (TPL3 F)	B	11/21
D8	1720000801	S.VCP 1SV290 (TPH3 F)	B	13.1/11.8
D13	1790001621	S.DIO 1SV308 (TPL3 F)	T	6.1/18.1
D14	1790001621	S.DIO 1SV308 (TPL3 F)	T	1/14.7
D16	1720000801	S.VCP 1SV290 (TPH3 F)	B	14.4/9.1
D17	1720000801	S.VCP 1SV290 (TPH3 F)	B	13.1/9.1
D18	1720000801	S.VCP 1SV290 (TPH3 F)	B	15.7/9.1
D19	1720000650	S.VCP 1SV286 (TPH3)	T	12.2/24.3
D23	1720000650	S.VCP 1SV286 (TPH3)	T	13.9/24.3
D26	1720000650	S.VCP 1SV286 (TPH3)	T	12.8/15.9
D27	1720000691	S.VCP 1SV282 (TPH2 F)	T	14.6/16.7
D28	1720000801	S.VCP 1SV290 (TPH3 F)	B	19/4.5
D31	1720000801	S.VCP 1SV290 (TPH3 F)	B	17.7/4.5
D32	1720000691	S.VCP 1SV282 (TPH2 F)	T	19.6/6
D33	1720000650	S.VCP 1SV286 (TPH3)	T	17/23.4
D34	1720000650	S.VCP 1SV286 (TPH3)	T	16.2/25.4
D35	1720000801	S.VCP 1SV290 (TPH3 F)	B	28.9/8.1
D36	1720000801	S.VCP 1SV290 (TPH3 F)	B	28.9/6.8
D37	1720000691	S.VCP 1SV282 (TPH2 F)	T	28.9/5.1
D38	1720000650	S.VCP 1SV286 (TPH3)	T	25.7/13.2
D39	1720000691	S.VCP 1SV282 (TPH2 F)	T	26.5/15
D40	1720000650	S.VCP 1SV286 (TPH3)	T	28.1/22.5
D41	1720000650	S.VCP 1SV286 (TPH3)	T	28.9/24.3
D44	1790001621	S.DIO 1SV308 (TPL3 F)	B	32.9/17.7
D45	1790001621	S.DIO 1SV308 (TPL3 F)	T	33/20.7
D46	1790001621	S.DIO 1SV308 (TPL3 F)	T	33.8/16.8
D47	1790001621	S.DIO 1SV308 (TPL3 F)	T	33/19.4
D52	1790001621	S.DIO 1SV308 (TPL3 F)	T	55.3/8.4
D53	1750000981	S.VCP 1SV278 (TPH3 F)	T	44.6/8.1
D54	1750000981	S.VCP 1SV278 (TPH3 F)	T	53.2/10.2
D55	1790001621	S.DIO 1SV308 (TPL3 F)	T	46.5/6.3
D57	1790001260	S.DIO MA2S077-(TX)	T	49.6/25.6
D58	1790001621	S.DIO 1SV308 (TPL3 F)	T	42.4/20.1
D59	1790001621	S.DIO 1SV308 (TPL3 F)	T	47.9/20.4
D60	1790001260	S.DIO MA2S077-(TX)	T	45.3/40.9
D62	1720000641	S.VCP 1SV284 (TPH3 F)	T	77.6/23.9
D63	1720000641	S.VCP 1SV284 (TPH3 F)	T	76.8/27
D66	1790001260	S.DIO MA2S077-(TX)	B	76/50.9
D67	1790001260	S.DIO MA2S077-(TX)	B	76/49.6
D69	1790001260	S.DIO MA2S077-(TX)	B	110.7/6.8
D70	1790001260	S.DIO MA2S077-(TX)	B	87.3/46.6
D71	1790001260	S.DIO MA2S077-(TX)	B	85.3/45.3
D73	1790001260	S.DIO MA2S077-(TX)	B	98.6/7.9
D74	1750000520	S.DIO DAN222TL	B	99.5/20.2
D75	1790001670	S.DIO RB706F-40T106	B	95.2/28.5
D76	1790001240	S.DIO MA2S728-(TX)	B	83.5/11.8
D78	1790001260	S.DIO MA2S077-(TX)	T	101.4/32.9
D79	1790001260	S.DIO MA2S077-(TX)	T	94.7/48.1
D80	1750000940	S.DIO ISS400 TE61	B	81.5/28.4
D81	1750000940	S.DIO ISS400 TE61	B	90.2/13.5
D84	1790001260	S.DIO MA2S077-(TX)	B	49.6/26.9
D85	1790001260	S.DIO MA2S077-(TX)	T	45.8/43.4
D90	1790001260	S.DIO MA2S077-(TX)	B	98.9/32.9
D91	1790001260	S.DIO MA2S077-(TX)	T	96.3/46.6
D93	1790001260	S.DIO MA2S077-(TX)	B	110.7/14.3
D94	1790001260	S.DIO MA2S077-(TX)	B	110.7/8.1
D95	1790001260	S.DIO MA2S077-(TX)	B	98.7/15.8
D96	1790001260	S.DIO MA2S077-(TX)	B	100.4/8.7
D97	1790001621	S.DIO 1SV308 (TPL3 F)	B	102.1/33.1

M.=Mounted side (T: Mounted on the Top side, B: Mounted on the Bottom side)  
S.=Surface mount

[MAIN-B UNIT] (IC-PCR2500 only)

REF NO.	ORDER NO.	DESCRIPTION	M.	H/V LOCATION
D103	1790001240	S.DIO MA2S728-(TX)	T	87.2/28.8
D110	1750000940	S.DIO ISS400 TE61	B	85.4/10.2
F11	2040001270	S.SAW EFCH266MWNT1	T	47.5/52.2
F15	2020001751	CER SFVLF10M7MF00-B0		
F16	2020001451	CER SFTLF10M7GA00-B0		
F18	2020001460	CER CFWLA450KHFA-B0		
F19	2020001210	CER CFWLA450KEFA-B0		
X2	6070000190	S.DCR CDBC450KCAAY24-R0	T	104.4/26.5
X3	6070000270	S.DCR CDSCB10M7GA141-R0	T	112.5/42.9
L1	6200005501	S.COL NLV32T-471J	B	4.3/26.8
L2	6200001981	S.COL NLV25T-1R0J	B	8/26.8
L3	6200001981	S.COL NLV25T-1R0J	B	14.6/25.3
L4	6200005501	S.COL NLV32T-471J	B	14.6/29.1
L5	6200010330	S.COL C2012C-R18G-A	B	4.1/19.7
L6	6200005011	S.COL ELJND 47NJF	B	11/13.9
L7	6200007280	S.COL ELJND 47NJF	T	9/10
L8	6200005501	S.COL NLV32T-471J	B	8.8/18.7
L9	6200010340	S.COL C2012C-R33G-A	B	10.9/10.9
L10	6200007280	S.COL ELJND 47NJF	T	12.3/9.6
L11	6200007360	S.COL ELJND R47J	T	7.9/16
L12	6200007280	S.COL ELJND 47NJF	T	14.9/6
L13	6200007340	S.COL ELJND R22J	T	8.6/22.8
L21	6200009920	S.COL C2012C-R10G-A	B	10.9/8.5
L22	6200005691	S.COL ELJRE 18NGFA	T	10.1/23.8
L24	6200005691	S.COL ELJRE 18NGFA	T	9.7/15.5
L25	6200009990	S.COL C2012C-R22G-A	B	12.2/3.3
L27	6200010210	S.COL C2012C-22NG-A	T	13/22.1
L31	6200010540	S.COL C2012C-47NG-A	B	12/9.6
L32	6200010850	S.COL LQW18AN22NG00D	T	12.1/14.1
L33	6200010000	S.COL C2012C-56NG-A	B	15.5/3.3
L34	6200010910	S.COL LQW18AN56NG00D	T	15.6/3.5
L36	6200010130	S.COL LQW18AN6N8C00D	T	14.7/20.3
L37	6200009980	S.COL C2012C-18NG-A	T	17.4/6.1
L39	6200009980	S.COL C2012C-18NG-A	T	18.5/3.5
L40	6200010850	S.COL LQW18AN22NG00D	T	14.1/14.8
L41	6200011870	S.COL LQW18AN2N2D00D	T	15.5/23.5
L44	6200011870	S.COL LQW18AN2N2D00D	T	16.2/21.6
L51	6200010130	S.COL LQW18AN6N8C00D	T	24.4/20.7
L53	6200003281	S.COL NLV25T-2R2J	B	25.6/5.3
L54	6200011770	S.COL LQW18ANR10G00D	T	21/13.7
L56	6200005190	S.COL MLF1608D R56K-T	T	25.9/5.6
L59	6200010910	S.COL LQW18AN56NG00D	T	25.8/22.9
L61	6200010850	S.COL LQW18AN22NG00D	T	30.8/4.3
L62	6200010000	S.COL C2012C-56NG-A	B	32.5/9.1
L64	6200011730	S.COL LQW18AN10NG00D	T	27.6/12.4
L67	6200010850	S.COL LQW18AN22NG00D	T	31.6/6.2
L68	6200010140	S.COL LQW18AN3N9C00D	T	28.8/20.7
L69	6200010540	S.COL C2012C-47NG-A	B	30.3/12.3
L71	6200010910	S.COL LQW18AN56NG00D	T	32.3/3
L72	6200011810	S.COL C1608CB-1N5K	T	30.4/22.5
L73	6200009930	S.COL C2012C-68NG-A	B	32.5/12.4
L74	6200011730	S.COL LQW18AN10NG00D	T	28.4/14.2
L76	6200005011	S.COL NLV25T-100J	B	29.6/17.9
L78	6200010850	S.COL LQW18AN22NG00D	T	30.2/12.4
L80	6200001981	S.COL NLV25T-1R0J	B	32.9/3.1
L81	6200008730	S.COL ELJND R10J	T	32.4/24.5
L83	6200007360	S.COL ELJND R47J	T	28.2/17.6
L85	6200002041	S.COL NLV25T-101J	B	64.7/9.8
L86	6200002841	S.COL NLV25T-R22J	T	41.7/5.9
L88	6200002631	S.COL NLV25T-R10J	T	50/3.8
L89	6200001981	S.COL NLV25T-1R0J	B	48.7/42.8
L90	6200003950	S.COL HF50ACC 322513-T	B	69.4/17
L91	6200001981	S.COL NLV25T-1R0J	B	47.6/47
L92	6200006020	S.COL LQP18MN3N9C02D	T	55.1/9.7
L93	6200001981	S.COL NLV25T-1R0J	T	51.4/38
L94	6200005621	S.COL ELJRE 4N7ZFA	T	45.7/26.4
L95	6200006070	S.COL LQP18MN10NG02D	T	47.3/8.1
L97	6200006040	S.COL LQP18MN5N6C02D	T	55.1/11
L98	6200006070	S.COL LQP18MN10NG02D	T	42.6/8.7
L99	6200006040	S.COL LQP18MN5N6C02D	T	45.9/8.1
L100	6200006040	S.COL LQP18MN5N6C02D	T	51.2/10.8
L101	6200005601	S.COL ELJRE 3N3ZFA	T	47.6/34.6
L104	6200005741	S.COL ELJRE 47NGFA	T	43.8/18
L105	6200005721	S.COL ELJRE 33NGFA	T	52.4/20.3
L106	6130003000	S.COL #617DB-1714=P3	B	35/36.9
L107	6200005621	S.COL ELJRE 4N7ZFA	T	46.8/37.5
L108	6200005651	S.COL ELJRE 8N2ZFA	T	46.8/40.1
L109	6130003000	S.COL #617DB-1714=P3	B	38.2/43
L110	6200005701	S.COL ELJRE 22NGFA	T	52.8/43.2
L112	6130003000	S.COL #617DB-1714=P3	B	33.8/48.7
L113	6200005721	S.COL ELJRE 33NGFA	T	51.4/45.1
L115	6200005681	S.COL ELJRE 15NGFA	T	49.3/43.2
L116	6200005681	S.COL ELJRE 15NGFA	T	41.9/26.5
L117	6200005701	S.COL ELJRE 22NGFA	B	51.1/23.1
L118	6200005681	S.COL ELJRE 15NGFA	T	47.6/44.8

[MAIN-B UNIT] (IC-PCR2500 only)

REF NO.	ORDER NO.	DESCRIPTION	M.	H/V LOCATION
L119	6200001981	S.COL NLV25T-1R0J	B	45/22.9
L120	6200010540	S.COL C2012C-47NG-A	T	40.8/53
L122	6200007001	S.COL ELJRE 82NGFA	T	67.4/33
L123	6200010210	S.COL C2012C-22NG-A	B	54.7/51.8
L124	6200010100	S.COL C2012C-33NG-A	T	54.1/52.4
L125	6200010020	S.COL C2012C-12NG-A	B	57.3/52.9
L126	6200010020	S.COL C2012C-12NG-A	B	56.4/49.2
L127	6200003281	S.COL NLV25T-2R2J	T	75.7/21.8
L128	6200003281	S.COL NLV25T-2R2J	T	106.5/51.6
L129	6200002041	S.COL NLV25T-101J	T	103/51.4
L130	6200006671	S.COL ELJRE 68NGFA	T	68.2/35.2
L131	6200005521	S.COL NLV25T-470J	T	106.2/47.3
L132	6200010000	S.COL C2012C-56NG-A	T	78.6/20.9
L135	6200005691	S.COL ELJRE 18NGFA	B	60.8/40.7
L136	6200010010	S.COL C2012C-39NG-A	T	79.1/27.6
L138	6200005691	S.COL ELJRE 18NGFA	B	61.5/42.5
L139	6200005721	S.COL ELJRE 33NGFA	B	62.8/42.5
L143	6200003281	S.COL NLV25T-2R2J	T	79.4/34.1
L144	6200002041	S.COL NLV25T-101J	B	67.3/36.5
L150	6200005741	S.COL ELJRE 47NGFA	T	75.8/39.7
L154	6200007120	S.COL ELJND 1R0J	B	74.3/46
L158	6200005721	S.COL ELJRE 33NGFA	T	69.1/40.4
L160	6200005721	S.COL ELJRE 33NGFA	T	66.5/40.4
L164	6200003231	S.COL NLV32T-181J	B	112.7/12.1
L165	6200005501	S.COL NLV32T-471J	B	118.8/14
L166	6200011850	S.COL NL453232T-331J-PF	B	93.7/20.8
L168	6200006380	S.COL ELJFC 150K	B	90.7/43.8
L169	6150004881	S.COL LS-513-LF	T	98.4/37
L170	6200007120	S.COL ELJND 1R0J	B	71.5/46
L171	6200007120	S.COL ELJND 1R0J	B	73.4/43.5
R4	7030005050	S.RES ERJ2GEJ 103 X (10 k)	B	3.7/23.7
R8	7030005120	S.RES ERJ2GEJ 102 X (1 k)	B	10.5/26.8
R9	7030009280	S.RES ERJ2GEJ 391 X	B	12.1/25.5
R10	7030005580	S.RES ERJ2GEJ 560 X (56)	B	7.1/24.3
R11	7030005120	S.RES ERJ2GEJ 102 X (1 k)	B	12.6/24.3
R12	7030005120	S.RES ERJ2GEJ 102 X (1 k)	B	9.8/22.6
R13	7030004980	S.RES ERJ2GEJ 101 X (100)	B	8.5/13.9
R15	7030004980	S.RES ERJ2GEJ 101 X (100)	B	6.6/17.3
R17	7030005240	S.RES ERJ2GEJ 473 X (47 k)	B	14.4/11
R23	7030004980	S.RES ERJ2GEJ 101 X (100)	T	7.5/13.9
R24	7030005240	S.RES ERJ2GEJ 473 X (47 k)	B	16.9/7.9
R25	7030005000	S.RES ERJ2GEJ 471 X (470)	T	8.6/20.4
R33	7030005240	S.RES ERJ2GEJ 473 X (47 k)	T	16.4/11.7
R34	7030005240	S.RES ERJ2GEJ 473 X (47 k)	T	11.7/17.1
R35	7030005240	S.RES ERJ2GEJ 473 X (47 k)	T	13.9/26.4
R36	7030005240	S.RES ERJ2GEJ 473 X (47 k)	B	22/8.1
R38	7030005240	S.RES ERJ2GEJ 473 X (47 k)	T	20.7/4.3
R39	7030005240	S.RES ERJ2GEJ 473 X (47 k)	T	17.8/25.8
R40	7030005240	S.RES ERJ2GEJ 473 X (47 k)	B	19/6.6
R41	7030005040	S.RES ERJ2GEJ 472 X (4.7 k)	B	21/10.6
R42	7030005240	S.RES ERJ2GEJ 473 X (47 k)	T	19.4/9
R45	7030005310	S.RES ERJ2GEJ 124 X (120 k)	B	21.1/5
R46	7030005310	S.RES ERJ2GEJ 124 X (120 k)	T	16.6/16.4
R49	7030008300	S.RES ERJ2GEJ 184 X (180 k)	T	20.6/20
R51	7030005310	S.RES ERJ2GEJ 124 X (120 k)	T	20.7/7.5
R52	7030008300	S.RES ERJ2GEJ 184 X (180 k)	T	17/15.2
R53	7030005310	S.RES ERJ2GEJ 124 X (120 k)	T	18.3/22.5
R57	7030008300	S.RES ERJ2GEJ 184 X (180 k)	T	20/23.5
R59	7030005580	S.RES ERJ2GEJ 560 X (56)	B	23.5/3.1
R60	7030008300	S.RES ERJ2GEJ 184 X (180 k)	B	22.3/4.4
R61	7030008300	S.RES ERJ2GEJ 184 X (180 k)	T	21.9/7.5
R64	7030005580	S.RES ERJ2GEJ 560 X (56)	B	18.2/14
R65	7030005580	S.RES ERJ2GEJ 560 X (56)	B	22.2/21.8
R66	7030005050	S.RES ERJ2GEJ 103 X (10 k)	B	35.9/15
R69	7030004970	S.RES ERJ2GEJ 470 X (47)	B	26.8/8.6
R70	7030005580	S.RES ERJ2GEJ 560 X (56)	T	25/7.7
R72	7030004970	S.RES ERJ2GEJ 470 X (47)	T	20.2/15.7
R74	7030004980	S.RES ERJ2GEJ 101 X (100)	B	44.2/16.1
R76	7030004970	S.RES ERJ2GEJ 470 X (47)	T	26/7.7
R77	7030010040	S.RES ERJ2GEJ-JPW	B	35.6/19.5
R78	7030010040	S.RES ERJ2GEJ-JPW	B	42.5/19.5
R83	7030004970	S.RES ERJ2GEJ 470 X (47)	T	24.2/24
R85	7030010040	S.RES ERJ2GEJ-JPW	T	22.5/12.4
R86	7030008290	S.RES ERJ2GEJ 183 X (18 k)	B	37.2/19.5
R87	7030008290	S.RES ERJ2GEJ 183 X (18 k)	B	40.9/19.5
R88	7030005240	S.RES ERJ2GEJ 473 X (47 k)	T	26.2/16.1
R89	7030005050	S.RES ERJ2GEJ 103 X (10 k)	B	42.4/13.5
R90	7030005240	S.RES ERJ2GEJ 473 X (47 k)	B	27.3/8.6
R91	7030005240	S.RES ERJ2GEJ 473 X (47 k)	T	28.9/7.9
R93	7030005080	S.RES ERJ2GEJ 823 X (82 k)	B	39.7/19.9
R96	7030005120	S.RES ERJ2GEJ 102 X (1 k)	B	30.6/8.6
R99	7030005240	S.RES ERJ2GEJ 473 X (47 k)	T	27.6/25.3
R100	7030005080	S.RES ERJ2GEJ 823 X (82 k)	B	38.4/19.9
R103	7030005050	S.RES ERJ2GEJ 103 X (10 k)	B	37.2/20.5
R104	7030005050	S.RES ERJ2GEJ 103 X (10 k)	B	39.1/21.2
R107	7030005050	S.RES ERJ2GEJ 103 X (10 k)	B	35.9/11.8
R108	7030005050	S.RES ERJ2GEJ 103 X (10 k)	B	42/9.8
R111	7030004980	S.RES ERJ2GEJ 101 X (100)	B	31.6/16.9
R112	7030005080	S.RES ERJ2GEJ 823 X (82 k)	B	37.2/11

[MAIN-B UNIT] (IC-PCR2500 only)

Table with 6 columns: REF NO., ORDER NO., DESCRIPTION, M., H/V LOCATION. Contains 100 rows of product data for the [MAIN-B UNIT] (IC-PCR2500 only).

[MAIN-B UNIT] (IC-PCR2500 only)

Table with 6 columns: REF NO., ORDER NO., DESCRIPTION, M., H/V LOCATION. Contains 100 rows of product data for the [MAIN-B UNIT] (IC-PCR2500 only).

M.=Mounted side (T: Mounted on the Top side, B: Mounted on the Bottom side) S.=Surface mount

**[MAIN-B UNIT] (IC-PCR2500 only)**

REF NO.	ORDER NO.	DESCRIPTION	M.	H/V LOCATION
R362	7030005040	S.RES ERJ2GEJ 472 X (4.7 k)	B	113.9/14.3
R363	7030005030	S.RES ERJ2GEJ 152 X (1.5 k)	B	105.8/7.4
R364	7030007290	S.RES ERJ2GEJ 222 X (2.2 k)	B	83.6/54.1
R365	7030007290	S.RES ERJ2GEJ 222 X (2.2 k)	B	82.1/44.8
R367	7030007290	S.RES ERJ2GEJ 222 X (2.2 k)	B	86.1/46.9
R368	7030007290	S.RES ERJ2GEJ 222 X (2.2 k)	B	83.3/45.3
R370	7030005240	S.RES ERJ2GEJ 473 X (47 k)	B	104.6/12.7
R371	7030005240	S.RES ERJ2GEJ 473 X (47 k)	B	104.5/5.5
R381	7030007270	S.RES ERJ2GEJ 151 X (150)	B	116.7/19.1
R383	7030005220	S.RES ERJ2GEJ 223 X (22 k)	B	99.5/13.4
R384	7030005220	S.RES ERJ2GEJ 223 X (22 k)	B	99.5/5.9
R385	7030005110	S.RES ERJ2GEJ 224 X (220 k)	B	91.8/24.1
R387	7030005050	S.RES ERJ2GEJ 103 X (10 k)	B	87.7/44.3
R390	7030004980	S.RES ERJ2GEJ 101 X (100)	B	94.1/25.7
R392	7030005090	S.RES ERJ2GEJ 104 X (100 k)	B	115.6/15
R398	7030005120	S.RES ERJ2GEJ 102 X (1 k)	B	91.4/27.4
R403	7030005050	S.RES ERJ2GEJ 103 X (10 k)	B	91.7/46.7
R404	7030005220	S.RES ERJ2GEJ 223 X (22 k)	B	91.7/48.3
R405	7030005050	S.RES ERJ2GEJ 103 X (10 k)	T	88.6/40.9
R408	7030005090	S.RES ERJ2GEJ 104 X (100 k)	B	90.7/40.9
R409	7030007300	S.RES ERJ2GEJ 332 X (3.3 k)	B	91.7/41.8
R410	7030005000	S.RES ERJ2GEJ 471 X (470)	B	95.2/45.3
R413	7030005000	S.RES ERJ2GEJ 471 X (470)	T	92.1/40.8
R414	7030005220	S.RES ERJ2GEJ 223 X (22 k)	B	106.7/18.6
R415	7030005120	S.RES ERJ2GEJ 102 X (1 k)	B	92.4/29
R416	7030008400	S.RES ERJ2GEJ 182 X (1.8 k)	B	102.4/16.8
R417	7030008010	S.RES ERJ2GEJ 123 X (12 k)	B	105/17.8
R420	7030005000	S.RES ERJ2GEJ 471 X (470)	T	93.2/39.3
R421	7030005050	S.RES ERJ2GEJ 103 X (10 k)	B	104.1/20.2
R424	7030010040	S.RES ERJ2GEJ-JPW	B	82.5/8.1
R425	7030005070	S.RES ERJ2GEJ 683 X (68 k)	B	90.4/29
R426	7030007300	S.RES ERJ2GEJ 332 X (3.3 k)	T	91.2/46.9
R428	7030005090	S.RES ERJ2GEJ 104 X (100 k)	B	93.4/29
R429	7030005120	S.RES ERJ2GEJ 102 X (1 k)	B	82/12.1
R430	7030007290	S.RES ERJ2GEJ 222 X (2.2 k)	B	95.2/39.8
R431	7030007320	S.RES ERJ2GEJ 225 X (2.2 M)	B	80.7/12.2
R432	7030007270	S.RES ERJ2GEJ 151 X (150)	T	95.8/44.8
R433	7030005100	S.RES ERJ2GEJ 154 X (150 k)	B	79.2/18.7
R434	7030004990	S.RES ERJ2GEJ 221 X (220)	T	91.2/48.5
R435	7030004980	S.RES ERJ2GEJ 101 X (100)	T	91.2/50.1
R436	7030005060	S.RES ERJ2GEJ 333 X (33 k)	B	78.4/29
R437	7030008410	S.RES ERJ2GEJ 392 X (3.9 k)	B	84.7/12.2
R438	7030008370	S.RES ERJ2GEJ 561 X (560)	B	85.8/11.2
R439	7030008010	S.RES ERJ2GEJ 123 X (12 k)	B	82.5/26.8
R440	7030005000	S.RES ERJ2GEJ 471 X (470)	B	110.6/22.4
R442	7030005290	S.RES ERJ2GEJ 682 X (6.8 k)	B	83.7/9.7
R443	7030007340	S.RES ERJ2GEJ 153 X (15 k)	B	83.5/15.6
R444	7030005050	S.RES ERJ2GEJ 103 X (10 k)	B	79.5/16.8
R445	7030005240	S.RES ERJ2GEJ 473 X (47 k)	B	81.3/16.8
R446	7030007290	S.RES ERJ2GEJ 222 X (2.2 k)	T	96.2/33.1
R447	7030004990	S.RES ERJ2GEJ 221 X (220)	B	111.4/18.4
R448	7030007290	S.RES ERJ2GEJ 222 X (2.2 k)	T	93/50.1
R449	7030005100	S.RES ERJ2GEJ 154 X (150 k)	B	112/22.8
R450	7030004980	S.RES ERJ2GEJ 101 X (100)	T	82.2/11.5
R451	7030005120	S.RES ERJ2GEJ 102 X (1 k)	B	102/27.2
R452	7030005070	S.RES ERJ2GEJ 683 X (68 k)	B	81.3/17.8
R454	7030005160	S.RES ERJ2GEJ 105 X (1 M)	B	84.4/15.6
R455	7030007060	S.RES ERJ2GEJ 684X (680 k)	B	81.5/26.8
R459	7030005090	S.RES ERJ2GEJ 104 X (100 k)	B	87.7/13.9
R460	7030007290	S.RES ERJ2GEJ 222 X (2.2 k)	T	100.2/50.1
R461	7030010040	S.RES ERJ2GEJ-JPW	B	86.7/51.9
R462	7030004980	S.RES ERJ2GEJ 101 X (100)	B	78.2/18.7
R463	7030007320	S.RES ERJ2GEJ 225 X (2.2 M)	B	80.3/26.3
R464	7030007290	S.RES ERJ2GEJ 222 X (2.2 k)	B	97.5/46.6
R465	7030005050	S.RES ERJ2GEJ 103 X (10 k)	B	88.4/15.2
R467	7030007290	S.RES ERJ2GEJ 222 X (2.2 k)	B	103.1/23.7
R468	7030004980	S.RES ERJ2GEJ 101 X (100)	T	103.4/32.9
R469	7030004970	S.RES ERJ2GEJ 470 X (47)	B	110.2/23.6
R470	7030005120	S.RES ERJ2GEJ 102 X (1 k)	B	103.1/25.3
R471	7030005220	S.RES ERJ2GEJ 223 X (22 k)	B	79.9/7.1
R472	7030005220	S.RES ERJ2GEJ 223 X (22 k)	B	88/12.7
R473	7030009270	S.RES ERJ2GEJ 821 X (820)	B	89/13.9
R474	7030010040	S.RES ERJ2GEJ-JPW	B	103.2/27.6
R475	7030005290	S.RES ERJ2GEJ 682 X (6.8 k)	B	92.4/30.8
R476	7030005300	S.RES ERJ2GEJ 150 X (15)	T	103.4/31.9
R477	7030007290	S.RES ERJ2GEJ 222 X (2.2 k)	T	104.6/32.5
R479	7030005720	S.RES ERJ2GEJ 563 X (56 k)	B	82.5/6.5
R480	7510001571	T.MR NTCG16 4LH 104JT	B	81.3/6.8
R481	7030005210	S.RES ERJ2GEJ 822 X (8.2 k)	B	81.3/4.7
R482	7030009200	S.RES ERJ2GEJ 390 X (39)	B	105.6/32.3
R483	7030007290	S.RES ERJ2GEJ 222 X (2.2 k)	B	103.3/28.8
R484	7030005290	S.RES ERJ2GEJ 682 X (6.8 k)	B	84.3/27.5
R485	7030005220	S.RES ERJ2GEJ 223 X (22 k)	B	95.4/31.2
R486	7030005240	S.RES ERJ2GEJ 473 X (47 k)	B	99.8/28.8
R487	7030005070	S.RES ERJ2GEJ 683 X (68 k)	B	95.4/32.2
R488	7030005090	S.RES ERJ2GEJ 104 X (100 k)	B	88.1/28.9
R489	7030005240	S.RES ERJ2GEJ 473 X (47 k)	B	98.8/27.9
R499	7030005000	S.RES ERJ2GEJ 471 X (470)	B	56.2/11.1
R501	7030005040	S.RES ERJ2GEJ 472 X (4.7 k)	T	108.1/30.6
R502	7030004980	S.RES ERJ2GEJ 101 X (100)	T	109.8/33.8
R503	7030007300	S.RES ERJ2GEJ 332 X (3.3 k)	T	113.6/31.5

**[MAIN-B UNIT] (IC-PCR2500 only)**

REF NO.	ORDER NO.	DESCRIPTION	M.	H/V LOCATION
R504	7030005160	S.RES ERJ2GEJ 105 X (1 M)	T	108.1/31.6
R505	7030005170	S.RES ERJ2GEJ 474 X (470 k)	T	105.9/30.9
R506	7030005220	S.RES ERJ2GEJ 223 X (22 k)	B	109.7/24.9
R507	7030005080	S.RES ERJ2GEJ 823 X (82 k)	B	5/31
R508	7030010040	S.RES ERJ2GEJ-JPW	T	115.2/32.3
R510	7030005530	S.RES ERJ2GEJ 100 X (10)	B	47.2/16.9
R511	7030005530	S.RES ERJ2GEJ 100 X (10)	B	61.3/5.9
R512	7030005090	S.RES ERJ2GEJ 104 X (100 k)	B	37.6/46
R513	7030005040	S.RES ERJ2GEJ 472 X (4.7 k)	B	102.5/31.3
R514	7030010040	S.RES ERJ2GEJ-JPW	B	73.7/29.8
R515	7030005110	S.RES ERJ2GEJ 224 X (220 k)	B	23.3/7.9
R516	7030005110	S.RES ERJ2GEJ 224 X (220 k)	T	21.7/2.8
R517	7030005110	S.RES ERJ2GEJ 224 X (220 k)	T	14.8/11.7
R518	7030005170	S.RES ERJ2GEJ 474 X (470 k)	T	18.2/20
R519	7030005000	S.RES ERJ2GEJ 471 X (470)	T	41.1/20.1
R520	7030005000	S.RES ERJ2GEJ 471 X (470)	T	49.7/22.2
R521	7030005000	S.RES ERJ2GEJ 471 X (470)	B	112/19.6
R522	7030004990	S.RES ERJ2GEJ 221 X (220)	B	110.2/20.3
R523	7030005040	S.RES ERJ2GEJ 472 X (4.7 k)	B	109.7/22.4
R524	7030004990	S.RES ERJ2GEJ 221 X (220)	T	68.2/21.2
R525	7030007280	S.RES ERJ2GEJ 331 X (330)	B	62.3/11.5
R532	7030005120	S.RES ERJ2GEJ 102 X (1 k)	B	102.4/18.6
R533	7030005050	S.RES ERJ2GEJ 103 X (10 k)	B	78.6/26.3
R535	7030010040	S.RES ERJ2GEJ-JPW	B	86.7/48.6
R537	7030010040	S.RES ERJ2GEJ-JPW	T	109.3/42.1
R540	7030005120	S.RES ERJ2GEJ 102 X (1 k)	B	89.9/13
R541	7030005120	S.RES ERJ2GEJ 102 X (1 k)	T	93.3/2.4
R542	7030010040	S.RES ERJ2GEJ-JPW	T	96.8/30.2
R543	7030008300	S.RES ERJ2GEJ 184 X (180 k)	T	93.7/1.2
R544	7030004990	S.RES ERJ2GEJ 221 X (220)	T	96.9/1.2
R553	7030005120	S.RES ERJ2GEJ 102 X (1 k)	T	106.8/49.1
R554	7030005120	S.RES ERJ2GEJ 102 X (1 k)	T	105.5/45.3
R578	7030010040	S.RES ERJ2GEJ-JPW	T	90.5/14.5
R583	7030009530	S.RES ERJ2GEJ 270 X (27)	T	20.9/12
R584	7030007250	S.RES ERJ2GEJ 220 X (22)	T	25.6/3.9
R585	7030005240	S.RES ERJ2GEJ 473 X (47 k)	B	84.3/26.6
R590	7030007250	S.RES ERJ2GEJ 220 X (22)	B	25.1/7.4
R591	7030003860	S.RES ERJ3GE JPW V	T	6.9/19.9
R592	7030005230	S.RES ERJ2GEJ 334 X (330 k)	T	13.9/28
R593	7030005110	S.RES ERJ2GEJ 224 X (220 k)	T	17.5/27.3
R594	7030008290	S.RES ERJ2GEJ 183 X (18 k)	B	80.1/5.6
R595	7030005120	S.RES ERJ2GEJ 102 X (1 k)	B	81.3/8.5
C5	4030016930	S.CER ECJ0EB1A104K	B	6.6/31
C9	4030017460	S.CER ECJ0EB1E102K	B	20.9/20.3
C13	4030017460	S.CER ECJ0EB1E102K	B	7.1/23.3
C14	4030016930	S.CER ECJ0EB1A104K	B	20.1/28.1
C15	4030016930	S.CER ECJ0EB1A104K	B	7.1/22.3
C21	4050000240	S.FED NFM18PC104R1C3D	T	119.7/29.6
C24	4030017460	S.CER ECJ0EB1E102K	B	12.1/23.1
C25	4030016930	S.CER ECJ0EB1A104K	B	11/23.1
C26	4030017780	S.CER ECJ0EB1E472K	B	13.5/13.5
C27	4030017460	S.CER ECJ0EB1E102K	T	9.9/11.7
C28	4030017620	S.CER ECJ0EC1H100C	T	10.9/11.7
C29	4030017460	S.CER ECJ0EB1E102K	B	13.5/14.5
C30	4050000240	S.FED NFM18PC104R1C3D	T	119.7/28.1
C33	4030017430	S.CER ECJ0EC1H101J	B	6.6/20.2
C34	4030017430	S.CER ECJ0EC1H101J	B	6.1/18.8
C36	4050000240	S.FED NFM18PC104R1C3D	T	122/26.9
C39	4030017460	S.CER ECJ0EB1E102K	B	8/12.5
C40	4030017390	S.CER ECJ0EC1H180J	T	9/8.6
C41	4030017460	S.CER ECJ0EB1E102K	B	8.4/11.2
C42	4030017500	S.CER ECJ0EC1H560J	T	10.6/8.6
C44	4030017420	S.CER ECJ0EC1H470J	B	8/9.9
C45	4030017640	S.CER ECJ0EC1H150J	T	10.6/7.5
C46	4050000250	S.FED NFM21CC223R1H3D	B	126.9/6.4
C47	4050000240	S.FED NFM18PC104R1C3D	T	120.6/9.7
C49	4030017420	S.CER ECJ0EC1H470J	B	10.7/6.9
C50	4030017430	S.CER ECJ0EC1H101J	T	12.3/7.5
C52	4030017620	S.CER ECJ0EC1H100C	T	8.7/18.4
C53	4030017460	S.CER ECJ0EB1E102K	T	7.7/18.4
C56	4030017460	S.CER ECJ0EB1E102K	T	6.9/24.6
C57	4030017620	S.CER ECJ0EC1H100C	T	6.9/23.6
C64	4030009990	S.CER C1608 CH 1H 200J-T	T	11.8/5.8
C65	4030017660	S.CER ECJ0EC1H330J	T	7.5/12.9
C66	4030017390	S.CER ECJ0EC1H180J	T	10.6/21.1
C70	4030017420	S.CER ECJ0EC1H470J	B	10.2/5.7
C71	4030017400	S.CER ECJ0EC1H220J	T	8.7/13.4
C77	4030009990	S.CER C1608 CH 1H 200J-T	T	10.3/19.9
C80	4030017460	S.CER ECJ0EB1E102K	T	12.7/18
C82	4030017460	S.CER ECJ0EB1E102K	T	13.2/4.9
C83	4030017460	S.CER ECJ0EB1E102K	T	14.9/27.3
C86	4030017430	S.CER ECJ0EC1H101J	B	16.9/9.5
C87	4030017460	S.CER ECJ0EB1E102K	T	10.9/12.9
C94	4030017460	S.CER ECJ0EB1E102K	B	19.6/11.9
C95	4030017460	S.CER ECJ0EB1E102K	T	19.2/26.7
C98	4030017460	S.CER ECJ0EB1E102K	B	16.3/3.7
C101	4030017460	S.CER ECJ0EB1E102K	B	21.6/6.9
C104	4030017460	S.CER ECJ0EB1E102K	T	15.5/12.8
C106	4030017430	S.CER ECJ0EC1H101J	T	15.5/14.1

M.=Mounted side (T: Mounted on the Top side, B: Mounted on the Bottom side)  
S.=Surface mount

[MAIN-B UNIT] (IC-PCR2500 only)

REF NO.	ORDER NO.	DESCRIPTION	M.	H/V LOCATION
C107	4030017430	S.CER ECJ0EC1H101J	B	20.1/4.2
C108	4030017460	S.CER ECJ0EB1E102K	B	21.4/11.9
C113	4030017460	S.CER ECJ0EB1E102K	T	22.1/4
C114	4030017460	S.CER ECJ0EB1E102K	T	19.2/7.7
C117	4030017430	S.CER ECJ0EC1H101J	T	20.7/5.9
C119	4030017430	S.CER ECJ0EC1H101J	T	18.3/21.6
C121	4030017460	S.CER ECJ0EB1E102K	B	23.3/6.9
C122	4030017460	S.CER ECJ0EB1E102K	B	20/6.6
C123	4030017730	S.CER ECJ0EB1E471K	T	18.2/15.7
C127	4030017460	S.CER ECJ0EB1E102K	T	19.4/19.5
C128	4030017730	S.CER ECJ0EB1E471K	T	23.1/7.7
C129	4030017460	S.CER ECJ0EB1E102K	T	19.2/15.7
C133	4030017460	S.CER ECJ0EB1E102K	T	24.1/7.7
C138	4030017730	S.CER ECJ0EB1E471K	T	21.2/23.9
C142	4030017460	S.CER ECJ0EB1E102K	B	28.2/4.3
C143	4030017460	S.CER ECJ0EB1E102K	B	28.9/3.1
C144	4030017460	S.CER ECJ0EB1E102K	T	21.2/15.8
C145	4030017460	S.CER ECJ0EB1E102K	T	19.8/17.4
C146	4030017460	S.CER ECJ0EB1E102K	T	22.2/23.9
C147	4030004750	S.CER C2012 JB 1H 103K-T	B	44.5/17.8
C154	4030017380	S.CER ECJ0EC1H050B	B	28.9/5.7
C155	4030017460	S.CER ECJ0EB1E102K	T	27.2/7.4
C156	4030017460	S.CER ECJ0EB1E102K	T	26/9.8
C157	4030017460	S.CER ECJ0EB1E102K	T	28.3/16.1
C159	4030017460	S.CER ECJ0EB1E102K	B	26.8/7.4
C160	4030017460	S.CER ECJ0EB1E102K	B	27.6/17
C167	4030017360	S.CER ECJ0EC1H030B	T	27.3/4.3
C168	4030017730	S.CER ECJ0EB1E471K	T	23.2/24
C169	4030017730	S.CER ECJ0EB1E471K	T	24.2/26.1
C172	4030017360	S.CER ECJ0EC1H030B	T	24.1/12.4
C176	4030017560	S.CER ECJ0EC1H2R5B	T	26.5/20.8
C177	4030017460	S.CER ECJ0EB1E102K	T	20/24.5
C183	4030017460	S.CER ECJ0EB1E102K	T	29.4/6.7
C194	4030017780	S.CER ECJ0EB1E472K	B	27.4/19
C195	4030017460	S.CER ECJ0EB1E102K	T	33.8/4.4
C199	4030017780	S.CER ECJ0EB1E472K	B	32/15.7
C204	4030017460	S.CER ECJ0EB1E102K	T	25.3/17.6
C205	4030017460	S.CER ECJ0EB1E102K	T	30.9/20.7
C210	4030017460	S.CER ECJ0EB1E102K	B	31.2/2.8
C211	4030017460	S.CER ECJ0EB1E102K	T	31/13.7
C212	4030017460	S.CER ECJ0EB1E102K	T	30.5/25.5
C214	4030017620	S.CER ECJ0EC1H100C	T	33.4/15.1
C215	4030004750	S.CER C2012 JB 1H 103K-T	B	44.5/13.4
C219	4030016790	S.CER ECJ0EB1C103K	B	79.5/12.6
C220	4030016930	S.CER ECJ0EB1A104K	T	53.3/5.6
C221	4030016930	S.CER ECJ0EB1A104K	T	44.7/3.5
C223	4030017460	S.CER ECJ0EB1E102K	T	54.7/6
C224	4030016790	S.CER ECJ0EB1C103K	B	63.2/14.4
C225	4030017460	S.CER ECJ0EB1E102K	T	55/7.6
C226	4030017780	S.CER ECJ0EB1E472K	B	61.6/9.9
C227	4030017460	S.CER ECJ0EB1E102K	T	69.9/31.6
C228	4030006860	S.CER C1608 JB 1H 102K-T	T	41.9/3.7
C229	4030016790	S.CER ECJ0EB1C103K	B	62.8/12.7
C230	4030016930	S.CER ECJ0EB1A104K	B	62.6/9.9
C231	4030016930	S.CER ECJ0EB1A104K	B	67.4/10.6
C232	4030017400	S.CER ECJ0EC1H220J	T	51.6/24.9
C233	4030017460	S.CER ECJ0EB1E102K	T	46.1/3.6
C234	4030017460	S.CER ECJ0EB1E102K	B	69/10.6
C235	4030017460	S.CER ECJ0EB1E102K	B	52.2/27.6
C236	4030017460	S.CER ECJ0EB1E102K	T	53.3/26.1
C237	4550007030	S.TAN TEESVP 0J 106M8R	T	72.8/32.7
C238	4510008540	S.ELE EEE1CA100SR	T	67.1/9.7
C239	4030017380	S.CER ECJ0EC1H050B	B	59/13.4
C240	4510008540	S.ELE EEE1CA100SR	T	73/9.7
C241	4030017460	S.CER ECJ0EB1E102K	B	47.4/40.7
C242	4030017460	S.CER ECJ0EB1E102K	T	47.1/3.9
C243	4030017460	S.CER ECJ0EB1E102K	T	73.6/30.7
C245	4550006250	S.TAN TEESVA 1A 106M8R	T	49.1/38
C246	4030017350	S.CER ECJ0EC1H020B	T	46.8/26.8
C247	4030017460	S.CER ECJ0EB1E102K	T	47.3/25.6
C248	4030017460	S.CER ECJ0EB1E102K	T	70.4/26.2
C249	4030017620	S.CER ECJ0EC1H100C	T	51.4/35.4
C250	4030017400	S.CER ECJ0EC1H220J	T	54.4/25.1
C251	4030016930	S.CER ECJ0EB1A104K	T	66.7/26.5
C252	4030017460	S.CER ECJ0EB1E102K	T	55.2/34.5
C253	4030016930	S.CER ECJ0EB1A104K	T	50.5/35.4
C254	4030007010	S.CER C1608 CH 1H 100D-T	T	41.1/10.5
C255	4030007010	S.CER C1608 CH 1H 100D-T	T	49.7/12.6
C256	4030018860	S.CER ECJ0EB0J105K	T	68/26.5
C257	4030017460	S.CER ECJ0EB1E102K	T	52.4/35.4
C258	4030006990	S.CER C1608 CH 1H 080D-T	T	44/12.6
C259	4030009920	S.CER C1608 CH 1H 050B-T	T	47.4/14.2
C260	4030009530	S.CER C1608 CH 1H 030B-T	T	52.6/14.7
C261	4030009910	S.CER C1608 CH 1H 040B-T	T	55.5/13.9
C263	4030009510	S.CER C1608 CH 1H 010B-T	T	41.1/13.3
C264	4030009500	S.CER C1608 CH 1H 0R5B-T	T	49.7/15.4
C265	4030017460	S.CER ECJ0EB1E102K	B	56.2/13.3
C266	4030016930	S.CER ECJ0EB1A104K	B	35.6/32.5
C267	4030016790	S.CER ECJ0EB1C103K	B	35/34.5
C268	4030016930	S.CER ECJ0EB1A104K	B	56.2/12.4
C269	4030017460	S.CER ECJ0EB1E102K	B	35.6/31.6

[MAIN-B UNIT] (IC-PCR2500 only)

REF NO.	ORDER NO.	DESCRIPTION	M.	H/V LOCATION
C270	4030017460	S.CER ECJ0EB1E102K	T	46.7/17.1
C271	4030016790	S.CER ECJ0EB1C103K	B	32/32.9
C273	4030017460	S.CER ECJ0EB1E102K	T	47.1/35.8
C274	4030009500	S.CER C1608 CH 1H 0R5B-T	T	41.1/17.5
C275	4030009500	S.CER C1608 CH 1H 0R5B-T	T	49.7/19.6
C276	4030017350	S.CER ECJ0EC1H020B	T	45.2/36.1
C277	4550007030	S.TAN TEESVP 0J 106M8R	T	65.3/27.9
C278	4030017350	S.CER ECJ0EC1H020B	T	45.7/37.3
C279	4030016790	S.CER ECJ0EB1C103K	T	67.3/24.8
C280	4030017420	S.CER ECJ0EC1H470J	T	54.1/41.6
C281	4030017420	S.CER ECJ0EC1H470J	T	44.5/19.3
C282	4030017420	S.CER ECJ0EC1H470J	T	54/21.6
C283	4030017460	S.CER ECJ0EB1E102K	T	74/27.3
C284	4030017460	S.CER ECJ0EB1E102K	T	65.5/29.9
C286	4030016930	S.CER ECJ0EB1A104K	T	45.5/19.3
C287	4030017460	S.CER ECJ0EB1E102K	T	68.7/31.2
C288	4030017360	S.CER ECJ0EC1H030B	T	44.7/37.3
C289	4030017460	S.CER ECJ0EB1E102K	T	51.4/41.8
C290	4030017620	S.CER ECJ0EC1H100C	T	55.9/42.8
C291	4030017460	S.CER ECJ0EB1E102K	T	51.1/23
C292	4030017540	S.CER ECJ0EC1HR75B	T	45.7/38.9
C293	4030017460	S.CER ECJ0EB1E102K	T	47.7/18.9
C294	4030017460	S.CER ECJ0EB1E102K	B	44.9/10
C295	4030016930	S.CER ECJ0EB1A104K	T	55/21.6
C296	4030017460	S.CER ECJ0EB1E102K	T	55.9/17.4
C297	4030016790	S.CER ECJ0EB1C103K	T	64.9/20.1
C298	4030017560	S.CER ECJ0EC1H2R5B	T	44.7/38.9
C299	4030017460	S.CER ECJ0EB1E102K	T	53.2/27.6
C300	4030017460	S.CER ECJ0EB1E102K	T	56/21.6
C301	4030017400	S.CER ECJ0EC1H220J	T	44.4/23
C302	4030016790	S.CER ECJ0EB1C103K	T	69.3/23.6
C304	4030017460	S.CER ECJ0EB1E102K	B	60/8.4
C305	4030017460	S.CER ECJ0EB1E102K	T	49.3/41.7
C306	4030017460	S.CER ECJ0EB1E102K	T	42.3/10.5
C307	4030017460	S.CER ECJ0EB1E102K	T	50.9/12.2
C308	4030017460	S.CER ECJ0EB1E102K	T	68.6/22.6
C309	4510009000	S.ELE EEE1AA330WR	T	61.6/10.2
C310	4030017460	S.CER ECJ0EB1E102K	B	47.6/18.6
C311	4030017460	S.CER ECJ0EB1E102K	T	45.6/21.4
C312	4550000510	S.TAN TEESVA 1V 473M8R	B	52.8/10.1
C313	4030016790	S.CER ECJ0EB1C103K	T	74.7/51.6
C314	4030016790	S.CER ECJ0EB1C103K	B	37.7/48.9
C315	4030017460	S.CER ECJ0EB1E102K	B	36.9/51
C316	4030017640	S.CER ECJ0EC1H150J	T	52.8/44.9
C317	4030016790	S.CER ECJ0EB1C103K	B	36.7/48.9
C318	4030017460	S.CER ECJ0EB1E102K	B	61.3/7.5
C320	4030017780	S.CER ECJ0EB1E472K	B	55.7/8.7
C321	4030017640	S.CER ECJ0EC1H150J	T	51.4/43.4
C322	4030017460	S.CER ECJ0EB1E102K	B	47.6/15.2
C323	4030017460	S.CER ECJ0EB1E102K	T	47.2/23
C325	4030017460	S.CER ECJ0EB1E102K	B	41.2/37.5
C326	4030017570	S.CER ECJ0EC1H040B	T	50.3/45.6
C327	4030017400	S.CER ECJ0EC1H220J	B	52.7/16.3
C330	4030017460	S.CER ECJ0EB1E102K	T	44.4/24.8
C331	4030016790	S.CER ECJ0EB1C103K	B	32.2/52.5
C332	4030017550	S.CER ECJ0EC1H1R5B	T	49.8/44.4
C334	4030006860	S.CER C1608 JB 1H 102K-T	B	62.1/3.3
C335	4550000550	S.TAN TEESVA 1V 224M8R	B	54.5/4.8
C336	4550000550	S.TAN TEESVA 1V 224M8R	B	54/6.9
C338	4030017460	S.CER ECJ0EB1E102K	B	62.8/4.6
C339	4030018070	S.CER ECJ0EC1H300J	T	40.6/51
C340	4030017380	S.CER ECJ0EC1H050B	B	52.3/18.5
C341	4030009920	S.CER C1608 CH 1H 050B-T	T	78.9/23.9
C342	4510008880	S.ELE EEE1VA330WP	T	63.5/3.8
C344	4030017460	S.CER ECJ0EB1E102K	B	41.2/39.9
C345	4030017730	S.CER ECJ0EB1E471K	T	40.3/39.9
C346	4030017620	S.CER ECJ0EC1H100C	T	49.3/45.6
C348	4510008540	S.ELE EEE1CA100SR	T	70.9/3.1
C349	4550000530	S.TAN TEESVA 1V 104M8R	T	51.4/4.1
C351	4030017340	S.CER ECJ0EC1H010B	T	47.2/43.7
C352	4030017620	S.CER ECJ0EC1H100C	T	41.6/27.6
C353	4030017590	S.CER ECJ0EC1H070C	T	47.7/46
C354	4030006880	S.CER C1608 JB 1H 472K-T	T	72.6/24.8
C355	4550004040	S.TAN TEESVA 0J 685M8R	T	71.3/20.6
C356	4030017620	S.CER ECJ0EC1H100C	B	48.2/26.5
C357	4030017460	S.CER ECJ0EB1E102K	T	44.7/43.9
C358	4030017460	S.CER ECJ0EB1E102K	B	55.2/30.5
C360	4030017610	S.CER ECJ0EC1H090C	T	66.1/32.4
C361	4030017580	S.CER ECJ0EC1H060C	B	52.4/53
C362	4340000300	S.MLR ECHU 1C 223JX5	T	73.4/19.1
C363	4030017460	S.CER ECJ0EB1E102K	T	70.2/37.1
C364	4030017640	S.CER ECJ0EC1H150J	T	66/33.6
C366	4030017620	S.CER ECJ0EC1H100C	T	66.5/34.8
C367	4030017460	S.CER ECJ0EB1E102K	T	101.2/51
C368	4030018140	S.CER ECJ0EB1H391K	T	101.2/52.9
C369	4030017380	S.CER ECJ0EC1H050B	B	58/48.6
C370	4030017460	S.CER ECJ0EB1E102K	B	54.9/43.8
C371	4030017460	S.CER ECJ0EB1E102K	B	55.5/46.7
C372	4030017780	S.CER ECJ0EB1E472K	B	115.5/49.9
C373	4030017460	S.CER ECJ0EB1E102K	T	69.6/38.3
C374	4030018890	S.CER ECJ0EB0J224K	B	59.4/44.2

M.=Mounted side (T: Mounted on the Top side, B: Mounted on the Bottom side)  
S.=Surface mount



[MAIN-B UNIT] (IC-PCR2500 only)

REF NO.	ORDER NO.	DESCRIPTION	M.	H/V LOCATION
C375	4030017460	S.CER ECJ0EB1E102K	B	54.9/42.2
C379	4510008540	S.ELE EEE1CA100SR	T	110.1/49.7
C380	4510008660	S.ELE EEE0JA220SR	T	99.2/46.4
C382	4030017460	S.CER ECJ0EB1E102K	B	61.7/44.6
C383	4030017590	S.CER ECJ0EC1H070C	B	59.4/42.5
C384	4030016930	S.CER ECJ0EB1A104K	B	104.9/44.5
C385	4550006350	S.TAN TEESVB2 1A 226M8R	T	94.6/52.6
C386	4030017460	S.CER ECJ0EB1E102K	B	63.7/44.5
C387	4030017490	S.CER C1608 JB 1A 105K-T	B	115.4/43.6
C388	4030007050	S.CER C1608 CH 1H 220J-T	T	78.8/30.8
C390	4550006250	S.TAN TEESVA 1A 106M8R	T	96.8/49.8
C392	4030017460	S.CER ECJ0EB1E102K	B	67/45.2
C394	4030007010	S.CER C1608 CH 1H 100D-T	T	77.5/32.3
C396	4030017460	S.CER ECJ0EB1E102K	B	66.9/40.8
C398	4030016970	S.CER ECJ0EB1C223K	T	117.5/40.4
C399	4030006980	S.CER C1608 CH 1H 070D-T	T	77.5/34.9
C403	4510008540	S.ELE EEE1CA100SR	T	104.7/42.2
C404	4030017730	S.CER ECJ0EB1E471K	B	61.5/46.2
C405	4030017460	S.CER ECJ0EB1E102K	B	68.6/45.2
C406	4030017460	S.CER ECJ0EB1E102K	T	74/35.6
C407	4030016930	S.CER ECJ0EB1A104K	T	75.9/28.6
C409	4030009510	S.CER C1608 CH 1H 010B-T	T	76.2/34.9
C411	4030016930	S.CER ECJ0EB1A104K	B	103.5/36.9
C412	4030017460	S.CER ECJ0EB1E102K	B	65.5/42.4
C413	4030017440	S.CER ECJ0EC1H221J	B	102.2/39.6
C414	4510008500	S.ELE EEE1CA101WP	T	86.7/35.2
C415	4030017460	S.CER ECJ0EB1E102K	T	75.9/29.6
C418	4030016790	S.CER ECJ0EB1C103K	B	68.6/40.7
C419	4030017780	S.CER ECJ0EB1E472K	B	104.9/49.9
C420	4030016930	S.CER ECJ0EB1A104K	B	76.7/32.7
C421	4030016930	S.CER ECJ0EB1A104K	B	122.3/25.4
C422	4030016930	S.CER ECJ0EB1A104K	T	74.4/39.1
C425	4030016930	S.CER ECJ0EB1A104K	B	75.4/43.9
C428	4510008600	S.ELE EEE1CA4R7NR	T	105.1/36.4
C430	4030017460	S.CER ECJ0EB1E102K	B	70.6/40.5
C431	4030017780	S.CER ECJ0EB1E472K	B	118.5/46.1
C436	4030018890	S.CER ECJ0EB0J224K	B	118.9/44.9
C437	4030017460	S.CER ECJ0EB1E102K	T	76.6/36.7
C438	4030017460	S.CER ECJ0EB1E102K	T	79.4/38.1
C442	4030017400	S.CER ECJ0EC1H220J	T	74.4/40.4
C447	4030017460	S.CER ECJ0EB1E102K	B	72.9/46.8
C455	4030017510	S.CER ECJ0EC1H680J	T	71.6/46.4
C456	4030017620	S.CER ECJ0EC1H100C	T	71.2/39.4
C459	4030017570	S.CER ECJ0EC1H040B	T	69.6/39.3
C462	4030017640	S.CER ECJ0EC1H150J	T	68/39.3
C468	4030016790	S.CER ECJ0EB1C103K	T	70.7/48.6
C469	4030016790	S.CER ECJ0EB1C103K	B	97.4/17
C470	4030017400	S.CER ECJ0EC1H220J	B	77.6/54
C471	4030016790	S.CER ECJ0EB1C103K	B	78.8/44.8
C472	4030018140	S.CER ECJ0EB1H391K	B	107/7.9
C473	4030016930	S.CER ECJ0EB1A104K	B	95/23.1
C475	4030016930	S.CER ECJ0EB1A104K	B	107.5/12.6
C476	4030016930	S.CER ECJ0EB1A104K	B	107.4/5.5
C477	4030017720	S.CER ECJ0EB1H331K	B	108/7.9
C478	4030016790	S.CER ECJ0EB1C103K	B	81.2/44.8
C479	4030016930	S.CER ECJ0EB1A104K	B	92.4/15.9
C481	4030016790	S.CER ECJ0EB1C103K	B	82.6/54.1
C482	4030018140	S.CER ECJ0EB1H391K	B	93.4/23.1
C484	4030016930	S.CER ECJ0EB1A104K	B	119.2/17.2
C486	4030016790	S.CER ECJ0EB1C103K	B	71.6/40.5
C487	4030016930	S.CER ECJ0EB1A104K	B	113.9/9.8
C489	4030017450	S.CER ECJ0EB1E271K	B	118.8/16
C490	4030016790	S.CER ECJ0EB1C103K	B	117.3/11.7
C497	4030017730	S.CER ECJ0EB1E471K	B	91.8/23.1
C499	4030016930	S.CER ECJ0EB1A104K	B	99.9/12.2
C500	4030016930	S.CER ECJ0EB1A104K	B	98.5/5
C503	4030016930	S.CER ECJ0EB1A104K	B	115.7/19.1
C505	4030016790	S.CER ECJ0EB1C103K	B	88.6/44.3
C506	4030016790	S.CER ECJ0EB1C103K	B	114.9/16.4
C507	4030016930	S.CER ECJ0EB1A104K	B	94.1/26.7
C512	4030017570	S.CER ECJ0EC1H040B	B	91.3/45.5
C513	4030016790	S.CER ECJ0EB1C103K	B	89.7/41.8
C516	4030017780	S.CER ECJ0EB1E472K	B	92.4/27.4
C517	4030017780	S.CER ECJ0EB1E472K	B	94/44.9
C518	4030016790	S.CER ECJ0EB1C103K	B	106.3/19.8
C519	4030016790	S.CER ECJ0EB1C103K	B	92.8/40.2
C520	4030017440	S.CER ECJ0EC1H221J	B	104.5/19
C522	4030017780	S.CER ECJ0EB1E472K	B	91.4/29
C523	4030017440	S.CER ECJ0EC1H221J	B	103.6/19
C524	4030017620	S.CER ECJ0EC1H100C	T	91.1/45.3
C525	4030016930	S.CER ECJ0EB1A104K	B	105.4/19.8
C526	4030017730	S.CER ECJ0EB1E471K	B	102.4/17.7
C534	4030016790	S.CER ECJ0EB1C103K	B	108.6/20.3
C538	4030018890	S.CER ECJ0EB0J224K	B	80.7/13.2
C539	4510008130	S.ELE 16 CE 220 BS	T	113/23.6
C540	4030017730	S.CER ECJ0EB1E471K	B	83.1/13.4
C541	4030017780	S.CER ECJ0EB1E472K	T	94.8/44.8
C543	4030016930	S.CER ECJ0EB1A104K	T	107.4/22.7
C544	4030017510	S.CER ECJ0EC1H680J	B	96.2/39.8
C545	4030016790	S.CER ECJ0EB1C103K	T	93.2/42.2
C546	4030017730	S.CER ECJ0EB1E471K	T	80.5/11.1

[MAIN-B UNIT] (IC-PCR2500 only)

REF NO.	ORDER NO.	DESCRIPTION	M.	H/V LOCATION
C548	4030016790	S.CER ECJ0EB1C103K	T	92.1/50.1
C549	4030016790	S.CER ECJ0EB1C103K	B	113.4/21.2
C550	4030016790	S.CER ECJ0EB1C103K	T	93/48.5
C554	4510009060	S.ELE EEE1HA3R35R	T	85.5/13.2
C555	4030016930	S.CER ECJ0EB1A104K	B	83.7/23.5
C556	4030016790	S.CER ECJ0EB1C103K	T	96.2/32.1
C557	4030016790	S.CER ECJ0EB1C103K	T	91.2/51.7
C558	4030017430	S.CER ECJ0EC1H101J	B	105.1/28.8
C559	4030017460	S.CER ECJ0EB1E102K	B	111.5/24
C560	4030017040	S.CER ECJ0EB1A333K	B	106.7/28.8
C561	4030016930	S.CER ECJ0EB1A104K	B	112.4/24
C563	4030017460	S.CER ECJ0EB1E102K	B	80.3/27.3
C564	4030016790	S.CER ECJ0EB1C103K	B	97/48.3
C565	4030016930	S.CER ECJ0EB1A104K	B	78.2/17.1
C566	4030016790	S.CER ECJ0EB1C103K	T	105.6/32.5
C567	4030016790	S.CER ECJ0EB1C103K	B	90/15.2
C568	4030017460	S.CER ECJ0EB1E102K	B	104.2/29.8
C569	4030016790	S.CER ECJ0EB1C103K	B	107.2/32.3
C570	4030017780	S.CER ECJ0EB1E472K	B	92.9/32.2
C571	4030016930	S.CER ECJ0EB1A104K	B	93.8/31.2
C573	4030017460	S.CER ECJ0EB1E102K	B	88.1/27.9
C574	4030016930	S.CER ECJ0EB1A104K	B	121.4/43.7
C575	4030016930	S.CER ECJ0EB1A104K	B	103.1/22.1
C582	4030009920	S.CER C1608 CH 1H 050B-T	T	76.8/25.7
C587	4030016790	S.CER ECJ0EB1C103K	B	109.9/12.7
C588	4030016790	S.CER ECJ0EB1C103K	B	99.9/14.6
C589	4030016790	S.CER ECJ0EB1C103K	B	109.9/5.5
C590	4030016790	S.CER ECJ0EB1C103K	B	100/7.1
C591	4030016930	S.CER ECJ0EB1A104K	T	114/32.7
C592	4030016930	S.CER ECJ0EB1A104K	T	109.8/34.8
C593	4030016790	S.CER ECJ0EB1C103K	B	103.4/32.3
C594	4050000260	S.FED CKD510JB1H220S-T	B	122.9/11.8
C595	4050000260	S.FED CKD510JB1H220S-T	B	126.9/18.6
C596	4050000260	S.FED CKD510JB1H220S-T	B	126.9/11
C597	4050000260	S.FED CKD510JB1H220S-T	B	122.9/15.8
C599	4050000270	S.FED CKD510JB1H471S-T	B	122.9/22.2
C600	4050000260	S.FED CKD510JB1H220S-T	B	126.9/8.7
C601	4050000260	S.FED CKD510JB1H220S-T	B	123.3/37.6
C603	4050000270	S.FED CKD510JB1H471S-T	B	126.9/42.6
C605	4050000260	S.FED CKD510JB1H220S-T	B	126.9/34.6
C606	4050000260	S.FED CKD510JB1H220S-T	B	126.9/38.6
C607	4050000260	S.FED CKD510JB1H220S-T	B	123.3/39.9
C609	4050000260	S.FED CKD510JB1H220S-T	B	122.9/19.9
C610	4050000260	S.FED CKD510JB1H220S-T	B	126.9/14.8
C611	4050000260	S.FED CKD510JB1H220S-T	B	126.9/22.6
C612	4050000270	S.FED CKD510JB1H471S-T	B	126.9/44.9
C613	4050000270	S.FED CKD510JB1H471S-T	B	126.9/30.8
C614	4030016930	S.CER ECJ0EB1A104K	B	24.4/3.1
C627	4030016790	S.CER ECJ0EB1C103K	T	85.5/28.8
C628	4030016790	S.CER ECJ0EB1C103K	T	87.7/29.8
C631	4030006900	S.CER C1608 JB 1H 103K-T	T	22.5/21.3
C633	4030017620	S.CER ECJ0EC1H100C	B	112.2/40.1
C634	4030016790	S.CER ECJ0EB1C103K	B	86.2/43.8
C638	4030016930	S.CER ECJ0EB1A104K	T	89/13.9
C639	4030016790	S.CER ECJ0EB1C103K	T	92.1/1.2
C640	4030017360	S.CER ECJ0EC1H030B	T	95.3/1.2
C643	4030017460	S.CER ECJ0EB1E102K	T	106.4/45.3
C644	4030016790	S.CER ECJ0EB1C103K	T	93.3/4
C650	4030016930	S.CER ECJ0EB1A104K	T	92.7/11.3
C651	4030017440	S.CER ECJ0EC1H221J	T	92.3/15.3
C652	4030017460	S.CER ECJ0EB1E102K	B	15.1/7.2
C653	4030017460	S.CER ECJ0EB1E102K	B	15.4/12.8
C669	4030017460	S.CER ECJ0EB1E102K	B	65.6/43.3
C670	4030017460	S.CER ECJ0EB1E102K	B	66.8/33.9
C671	4030016790	S.CER ECJ0EB1C103K	B	67.7/33.9
C672	4030016790	S.CER ECJ0EB1C103K	B	68.6/38.7
C673	4030016790	S.CER ECJ0EB1C103K	B	68.6/39.6
C674	4030016790	S.CER ECJ0EB1C103K	B	61.7/35.7
C675	4030017460	S.CER ECJ0EB1E102K	B	69/35.4
C676	4030017460	S.CER ECJ0EB1E102K	B	69.9/35.9
C677	4030017460	S.CER ECJ0EB1E102K	B	61.2/37.2
C678	4030017460	S.CER ECJ0EB1E102K	B	55/38.9
C679	4030017460	S.CER ECJ0EB1E102K	B	60.1/36.1
C680	4030017460	S.CER ECJ0EB1E102K	B	59.2/36
C681	4030017460	S.CER ECJ0EB1E102K	B	55/36.2
C683	4030017460	S.CER ECJ0EB1E102K	B	60.6/30.3
C684	4030016930	S.CER ECJ0EB1A104K	B	82.7/36.9
C688	4030017460	S.CER ECJ0EB1E102K	B	29.7/26.4
C690	4030017460	S.CER ECJ0EB1E102K	B	37.6/25.6
C692	4030017460	S.CER ECJ0EB1E102K	B	60.6/31.7
C695	4030016930	S.CER ECJ0EB1A104K	B	50.1/49.1
C696	4030017460	S.CER ECJ0EB1E102K	B	49.9/41.1
C697	4030017460	S.CER ECJ0EB1E102K	B	54.2/13.6
C703	4030017460	S.CER ECJ0EB1E102K	B	18.9/27.7
C704	4030017460	S.CER ECJ0EB1E102K	B	7.4/29
C705	4030017460	S.CER ECJ0EB1E102K	T	7.1/28.5
C706	4030017460	S.CER ECJ0EB1E102K	B	15.7/20.7
C707	4030017460	S.CER ECJ0EB1E102K	B	17.2/18
C708	4030017460	S.CER ECJ0EB1E102K	B	51.2/4.9
C710	4030018860	S.CER ECJ0EB0J105K	T	24.4/28.2
C724	4030017520	S.CER ECJ0EC1H0R3B	T	18.8/23.7

M.=Mounted side (T: Mounted on the Top side, B: Mounted on the Bottom side)  
S.=Surface mount

**[MAIN-B UNIT] (IC-PCR2500 only)**

REF NO.	ORDER NO.	DESCRIPTION	M.	H/V LOCATION
C725	4030017440	S.CER ECJ0EC1H221J	B	34.5/9.7
C726	4030017440	S.CER ECJ0EC1H221J	B	34.5/8.7
C727	4030017440	S.CER ECJ0EC1H221J	B	35.1/7
C728	4030017460	S.CER ECJ0EB1E102K	B	35.5/16.2
C729	4030017460	S.CER ECJ0EB1E102K	B	35.4/13.2
J1	6510018450	CNR TMP-S01X-B1		
J2	6510020531	S.CNR 52808-1871	T	124.9/14.2
J3	6510020531	S.CNR 52808-1871	T	124.9/36.2
J5	6510018450	CNR TMP-S01X-B1		
EP1	6910012350	S.BEA MMZ1608Y 102BT	B	65.3/16.9
EP2	6910012350	S.BEA MMZ1608Y 102BT	B	63.5/16.1
EP3	6910012350	S.BEA MMZ1608Y 102BT	T	73.3/29
EP4	6910012350	S.BEA MMZ1608Y 102BT	T	66.9/28.7
EP5	6910014690	S.BEA MPZ1608S221A-T	T	118.9/26.3
EP6	6910014690	S.BEA MPZ1608S221A-T	T	125/2
EP7	6910014690	S.BEA MPZ1608S221A-T	T	119.8/22.7
EP8	6910014690	S.BEA MPZ1608S221A-T	T	118.1/9.7

**• UT-122**

(Optional product; DIGITAL UNIT for [PCR2500: USA-3])

**[MAIN UNIT]**

REF NO.	ORDER NO.	DESCRIPTION	M.	H/V LOCATION
IC1	1180002590	S.REG XC6204B332MR	B	2.1/19.5
IC2	1180002860	S.REG XC9215A15CMR	B	3/30.4
IC3	1180002590	S.REG XC6204B332MR	T	23.77/5.7
IC4	1110003800	S.IC NUM2904V-TE1	T	14.5/11.8
IC5	1110006230	S.IC NJM2711F-TE1	B	14.6/16.4
IC7	1140011981	S.IC TMS320VC5416ZGU120	B	11.8/30.4
IC8	1190002080	S.IC AD7476ARTZ-500RL7	T	14.7/18.4
IC9	1130011610	S.IC AK4550VT-E2	T	23.5/19.3
IC10	1110006230	S.IC NJM2711F-TE1	T	24.2/29.8
IC12	1140011881	S.IC HD64F2239TE16V	T	11.8/30.4
IC14	1110005731	S.IC S-80928CNMC-G8Y-G	B	19.6/38.1
IC15	1130011600	S.IC TC7MET541AFK (EC)	T	7/16.4
IC17	1130010390	S.IC HNS58X2416TI	B	8.9/38.5
Q1	1530002060	S.TR 2SC4081 T106 R	B	23.4/21.9
F11	2020002320	S.CER CFWKA450KEFA	B	20.7/12.1
X1	6050012080	S.XTL CR-798 (12.288 MHz)	T	23.4/36.4
L1	6200003590	S.COL EXCCL3225U1	T	23.5/2.5
L2	6200003960	S.COL MLF1608A 1R0K-T	B	3.6/23.6
L3	6200003960	S.COL MLF1608A 1R0K-T	T	24.6/12.1
L4	6200003960	S.COL MLF1608A 1R0K-T	T	1/24.3
L5	6200003960	S.COL MLF1608A 1R0K-T	B	3.6/24.8
L6	6200003960	S.COL MLF1608A 1R0K-T	B	3.7/37.2
L7	6200011440	S.COL NLFV25T-330K-PF	B	3.1/33.3
L8	6200003960	S.COL MLF1608A 1R0K-T	B	21.1/5.4
R1	7030003860	S.RES ERJ3GE JPW V	B	3.7/26
R2	7030005030	S.RES ERJ2GEJ 152 X (1.5 k)	B	16.3/6.4
R3	7030004980	S.RES ERJ2GEJ 101 X (100)	B	8.2/8
R4	7030004980	S.RES ERJ2GEJ 101 X (100)	T	19.6/8.4
R5	7030004980	S.RES ERJ2GEJ 101 X (100)	B	14/12.6
R6	7030004980	S.RES ERJ2GEJ 101 X (100)	B	11.5/16.8
R7	7030005030	S.RES ERJ2GEJ 152 X (1.5 k)	B	15.5/13.9
R9	7030005040	S.RES ERJ2GEJ 472 X (4.7 k)	B	20.7/21.9
R10	7030009710	S.RES ERJ2GEJ 203 X (20 k)	T	17.5/13.9
R12	7030005120	S.RES ERJ2GEJ 102 X (1 k)	T	4.3/9.8
R15	7030005120	S.RES ERJ2GEJ 102 X (1 k)	T	11.1/8.6
R16	7030009710	S.RES ERJ2GEJ 203 X (20 k)	T	18.8/11.3
R17	7030008400	S.RES ERJ2GEJ 182 X (1.8 k)	B	21.6/21.2
R18	7030009290	S.RES ERJ2GEJ 562 X (5.6 k)	B	21.8/19.4
R19	7030007340	S.RES ERJ2GEJ 153 X (15 k)	B	13.7/13.9
R20	7030005050	S.RES ERJ2GEJ 103 X (10 k)	T	15.6/14.3
R21	7030005040	S.RES ERJ2GEJ 472 X (4.7 k)	T	11.2/13.9
R22	7030005120	S.RES ERJ2GEJ 102 X (1 k)	B	4.3/6.6
R23	7030005120	S.RES ERJ2GEJ 102 X (1 k)	B	5/8
R24	7030005120	S.RES ERJ2GEJ 102 X (1 k)	B	1.9/10.3
R25	7030005120	S.RES ERJ2GEJ 102 X (1 k)	B	7/3.8
R26	7030005120	S.RES ERJ2GEJ 102 X (1 k)	T	15.3/9.3
R27	7030005120	S.RES ERJ2GEJ 102 X (1 k)	T	2.7/7.6
R28	7030005120	S.RES ERJ2GEJ 102 X (1 k)	B	6.4/8
R29	7030005120	S.RES ERJ2GEJ 102 X (1 k)	T	4.6/6.2

**[MAIN UNIT]**

REF NO.	ORDER NO.	DESCRIPTION	M.	H/V LOCATION
R30	7030005120	S.RES ERJ2GEJ 102 X (1 k)	T	3.9/4.3
R31	7030005120	S.RES ERJ2GEJ 102 X (1 k)	T	3.6/2.8
R32	7030005120	S.RES ERJ2GEJ 102 X (1 k)	T	14.2/5.1
R33	7030009710	S.RES ERJ2GEJ 203 X (20 k)	T	19.6/9.6
R34	7030009710	S.RES ERJ2GEJ 203 X (20 k)	T	18.9/13.5
R35	7030005040	S.RES ERJ2GEJ 472 X (4.7 k)	B	19.6/19.5
R36	7030004970	S.RES ERJ2GEJ 470 X (4.7 k)	B	18.4/19.2
R37	7030005120	S.RES ERJ2GEJ 102 X (1 k)	T	18/17.7
R38	7030007300	S.RES ERJ2GEJ 332 X (3.3 k)	T	17.7/16
R39	7030009290	S.RES ERJ2GEJ 562 X (5.6 k)	T	17.7/15.1
R41	7030005240	S.RES ERJ2GEJ 473 X (47 k)	B	16.5/37.9
R42	7030007250	S.RES ERJ2GEJ 220 X (22)	T	12.1/16.1
R43	7030005210	S.RES ERJ2GEJ 822 X (8.2 k)	B	17.1/18.7
R45	7030005210	S.RES ERJ2GEJ 822 X (8.2 k)	T	11.6/17.4
R46	7030005040	S.RES ERJ2GEJ 472 X (4.7 k)	B	14.7/22.5
R47	7030004980	S.RES ERJ2GEJ 101 X (100)	T	18.3/20
R48	7030005050	S.RES ERJ2GEJ 103 X (10 k)	T	23.8/14.9
R49	7030010040	S.RES ERJ2GEJ-JPW	T	25/14.6
R50	7030005040	S.RES ERJ2GEJ 472 X (4.7 k)	T	20.9/32.2
R52	7030005050	S.RES ERJ2GEJ 103 X (10 k)	B	20.6/27.2
R53	7030005040	S.RES ERJ2GEJ 472 X (4.7 k)	B	19.8/30.6
R54	7030005040	S.RES ERJ2GEJ 472 X (4.7 k)	T	6.1/20.7
R55	7030005040	S.RES ERJ2GEJ 472 X (4.7 k)	T	2.7/34.4
R56	7030005040	S.RES ERJ2GEJ 472 X (4.7 k)	B	19.4/32.1
R57	7030005120	S.RES ERJ2GEJ 102 X (1 k)	B	23.2/19.2
R58	7030005120	S.RES ERJ2GEJ 102 X (1 k)	B	24.4/20
R59	7030004970	S.RES ERJ2GEJ 470 X (47 k)	T	25.7/37.3
R61	7030005240	S.RES ERJ2GEJ 473 X (47 k)	B	25.1/21.9
R62	7030005240	S.RES ERJ2GEJ 473 X (47 k)	T	25.7/32.7
R63	7030005240	S.RES ERJ2GEJ 473 X (47 k)	T	25.7/34.3
R64	7030005240	S.RES ERJ2GEJ 473 X (47 k)	B	5.3/11.6
R65	7030004970	S.RES ERJ2GEJ 470 X (47 k)	T	25.7/27.2
R66	7030005240	S.RES ERJ2GEJ 473 X (47 k)	B	7.3/19.2
R67	7030007290	S.RES ERJ2GEJ 222 X (2.2 k)	T	22/28.4
R68	7030005090	S.RES ERJ2GEJ 104 X (100 k)	T	22/25.9
R70	7030008290	S.RES ERJ2GEJ 183 X (18 k)	T	9.1/10.2
R71	7030005600	S.RES ERJ2GEJ 273 X (27 k)	T	8.2/10.2
R72	7030008290	S.RES ERJ2GEJ 183 X (18 k)	T	7.3/10.2
R73	7030005600	S.RES ERJ2GEJ 273 X (27 k)	T	6.4/9.2
R74	7030005600	S.RES ERJ2GEJ 273 X (27 k)	T	5.5/9.2
R75	7030005050	S.RES ERJ2GEJ 103 X (10 k)	T	9.3/12.4
R76	7030007340	S.RES ERJ2GEJ 153 X (15 k)	T	8.4/12.4
R77	7030005050	S.RES ERJ2GEJ 103 X (10 k)	T	7.5/12.9
R78	7030007340	S.RES ERJ2GEJ 153 X (15 k)	T	6.6/12.7
R79	7030007340	S.RES ERJ2GEJ 153 X (15 k)	T	5.7/12
R80	7030005240	S.RES ERJ2GEJ 473 X (47 k)	B	20.1/35.5
R82	7030005240	S.RES ERJ2GEJ 473 X (47 k)	T	3.5/17.2
R83	7030005050	S.RES ERJ2GEJ 103 X (10 k)	B	2.1/38.6
R85	7030005050	S.RES ERJ2GEJ 103 X (10 k)	B	4.3/38.8
R87	7030005240	S.RES ERJ2GEJ 473 X (47 k)	T	10.7/18.5
R89	7030010040	S.RES ERJ2GEJ-JPW	T	3.3/37.4
R90	7030008370	S.RES ERJ2GEJ 561 X (560)	T	22/30
R91	7030005240	S.RES ERJ2GEJ 473 X (47 k)	T	23.3/25.1
R92	7030005240	S.RES ERJ2GEJ 473 X (47 k)	T	24.5/25.1
R93	7030007260	S.RES ERJ2GEJ 330 X (33)	T	23.1/23.9
R94	7030005240	S.RES ERJ2GEJ 473 X (47 k)	T	7.8/19.8
R95	7030005240	S.RES ERJ2GEJ 473 X (47 k)	T	17.1/19.6
R96	7030005120	S.RES ERJ2GEJ 102 X (1 k)	T	1.6/11.8
R97	7030005120	S.RES ERJ2GEJ 102 X (1 k)	T	1.9/18.6
R100	7030010040	S.RES ERJ2GEJ-JPW	T	2.5/23.3
C1	4550007070	S.TAN TEESVP 1A 475M8R	B	1.2/15.3
C2	4550007070	S.TAN TEESVP 1A 475M8R	B	2/27.6
C3	4550007070	S.TAN TEESVP 1A 475M8R	T	23/4.9
C4	4030017420	S.CER ECJ0EC1H470J	B	22.7/1.7
C5	4030016930	S.CER ECJ0EB1A104K	B	1.3/17.3
C6	4030016930	S.CER ECJ0EB1A104K	B	4.4/27.2
C7	4030016930	S.CER ECJ0EB1A104K	T	21.5/7.7
C8	4030016930	S.CER ECJ0EB1A104K	B	23.7/5.6
C9	4030017420	S.CER ECJ0EC1H470J	B	9.1/8
C10	4550006250	S.TAN TEESVA 1A 106M8R	B	23.5/3.3
C11	4030017460	S.CER ECJ0EB1E102K	B	5.9/23.4
C12	4030017460	S.CER ECJ0EB1E102K	B	4.9/35.2
C13	4030017460	S.CER ECJ0EB1E102K	T	24.5/10
C14	4550007030	S.TAN TEESVP 0J 106M8R	B	4.9/21.3
C15	4550007030	S.TAN TEESVP 0J 106M8R	B	2.9/35.6
C16	4550007030	S.TAN TEESVP 0J 106M8R	T	22.4/10.8
C17	4550006250	S.TAN TEESVA 1A 106M8R	B	14.8/9.5
C18	4030016930	S.CER ECJ0EB1A104K	B	16.4/12.7
C19	4030016930	S.CER ECJ0EB1A104K	B	16.4/11.5
C20	4030017420	S.CER ECJ0EC1H470J	T	17.5/9.7
C21	4550006250	S.TAN TEESVA 1A 106M8R	B	11.8/13
C22	4030016930	S.CER ECJ0EB1A104K	B	12.4/16.8
C23	4030017680	S.CER ECJ0EC1H820J	B	13.2/9
C24	4030017730	S.CER ECJ0EB1E471K	T	18.4/9.7
C26	4030016930	S.CER ECJ0EB1A104K	T	14/14.3
C27	4030017590	S.CER ECJ0EC1H070C	B	14.6/13.9
C28	4030016930	S.CER ECJ0EB1A104K	B	20.9/19.4
C30	4030017450	S.CER ECJ0EB1E271K	T	19.3/14.7
C31	4030017420	S.CER ECJ0EC1H470J	T	4.9/13.2

M.=Mounted side (T: Mounted on the Top side, B: Mounted on the Bottom side)  
S.=Surface mount

[MAIN UNIT]

REF NO.	ORDER NO.	DESCRIPTION	M.	H/V LOCATION
C32	4030016930	S.CER ECJ0EB1A104K	B	19.6/18.6
C33	4030016790	S.CER ECJ0EB1C103K	T	12.4/14.6
C35	4030017420	S.CER ECJ0EC1H470J	B	3.1/7.2
C36	4030017420	S.CER ECJ0EC1H470J	B	4.3/7.5
C38	4030017420	S.CER ECJ0EC1H470J	B	3/11.3
C39	4030017760	S.CER ECJ0EB1H222K	B	19.6/20.4
C40	4030017420	S.CER ECJ0EC1H470J	B	7.8/9.9
C41	4030017420	S.CER ECJ0EC1H470J	T	12.9/9.3
C42	4030017420	S.CER ECJ0EC1H470J	T	3.2/8.8
C43	4030017460	S.CER ECJ0EB1E102K	B	16.5/39.7
C44	4030017420	S.CER ECJ0EC1H470J	T	7.6/8.7
C45	4030017420	S.CER ECJ0EC1H470J	B	3.9/8.7
C46	4030017420	S.CER ECJ0EC1H470J	T	3.4/6.4
C47	4030017460	S.CER ECJ0EB1E102K	B	18.6/26.9
C48	4030017460	S.CER ECJ0EB1E102K	B	18.7/34.9
C49	4030017420	S.CER ECJ0EC1H470J	T	3.4/5.5
C50	4030017420	S.CER ECJ0EC1H470J	T	2.4/3.7
C51	4030017420	S.CER ECJ0EC1H470J	B	15.1/5.1
C52	4030016930	S.CER ECJ0EB1A104K	B	17.1/19.6
C53	4030017460	S.CER ECJ0EB1E102K	B	18.8/33.7
C55	4550007030	S.TAN TEESVP OJ 106M8R	T	14.8/15.7
C56	4030017460	S.CER ECJ0EB1E102K	T	18.4/20.9
C57	4030017460	S.CER ECJ0EB1E102K	B	12.3/21.4
C58	4030016930	S.CER ECJ0EB1A104K	T	12.5/17.4
C59	4030017460	S.CER ECJ0EB1E102K	T	22/33.1
C60	4030017760	S.CER ECJ0EB1H222K	T	22.1/14.9
C62	4030017460	S.CER ECJ0EB1E102K	B	12.8/20.5
C63	4030016930	S.CER ECJ0EB1A104K	T	19.9/20
C64	4030017460	S.CER ECJ0EB1E102K	T	23/14
C65	4030016930	S.CER ECJ0EB1A104K	T	18.9/17.6
C66	4550007030	S.TAN TEESVP OJ 106M8R	T	22.4/12.6
C67	4030017490	S.CER C1608 JB 1A 105K-T	T	20/17.2
C68	4030017460	S.CER ECJ0EB1E102K	T	1.2/26.5
C69	4030017460	S.CER ECJ0EB1E102K	T	1.6/38.1
C70	4030017490	S.CER C1608 JB 1A 105K-T	T	20.9/37.9
C71	4030017460	S.CER ECJ0EB1E102K	T	19.2/37.5
C72	4030016930	S.CER ECJ0EB1A104K	B	24.4/19.1
C73	4030016930	S.CER ECJ0EB1A104K	T	25.7/38.9
C74	4030017620	S.CER ECJ0EC1H100C	T	23.6/32.2
C75	4030016930	S.CER ECJ0EB1A104K	T	24.8/32.7
C76	4030017460	S.CER ECJ0EB1E102K	B	4.9/18.8
C77	4030017460	S.CER ECJ0EB1E102K	T	24.8/27.2
C78	4030017460	S.CER ECJ0EB1E102K	B	10.3/21.3
C79	4030017460	S.CER ECJ0EB1E102K	T	18.9/38.7
C80	4030017460	S.CER ECJ0EB1E102K	T	9.3/21.3
C81	4030017460	S.CER ECJ0EB1E102K	T	10.3/13.3
C82	4550007070	S.TAN TEESVP 1A 475M8R	T	2.8/21.9
C83	4030016790	S.CER ECJ0EB1C103K	B	17.4/39.7
C84	4030016930	S.CER ECJ0EB1A104K	T	4.9/21.5
C86	4030017460	S.CER ECJ0EB1E102K	B	1.2/37.9
C88	4030017730	S.CER ECJ0EB1E471K	B	1.4/23.1
C89	4030017490	S.CER C1608 JB 1A 105K-T	B	2.9/21.9
C90	4030017730	S.CER ECJ0EB1E471K	B	1.5/24.8
C91	4030017730	S.CER ECJ0EB1E471K	B	4.8/4.9
C92	4030016930	S.CER ECJ0EB1A104K	T	22/31.6
C93	4030017380	S.CER ECJ0EC1H050B	T	21.1/29.9
C94	4030016930	S.CER ECJ0EB1A104K	T	23.9/27.2
J1	6510018440	S.CNR AXN430C330P	T	13.2/4.3

M.=Mounted side (T: Mounted on the Top side, B: Mounted on the Bottom side)  
S.=Surface mount

# SECTION 7 MECHANICAL PARTS AND DISASSEMBLY

## [CHASSIS PARTS]

REF. NO.	ORDER NO.	DESCRIPTION	QTY.
J1	6510015550	Connector BNC-R117	1
J2	6510015550	Connector BNC-R117 [PCR2500 only]	1
S1	2260002400	Switch DS850K-S-LG	1
SP1	2510001160	Speaker 057P0802	1
W5	9020320050	Wire 51/99/290/B09A/W19A	1
W7	8900007640	Cable OPC-740	1
W8	8900007640	Cable OPC-740 [PCR2500 only]	1
W10	8900014760	Cable OPC-1563	1
W12	8900014760	Cable OPC-1563 [PCR2500 only]	1
W13	8900007640	Cable OPC-740	1
W14	8900007640	Cable OPC-740 [PCR2500 only]	1
MP1	8510017270	2879 Case	1
MP2	8510017280	2879 A-shield case	1
MP3	8510017300	2879 A-shield cover	1
MP4	8510017290	2879 B-shield case [PCR2500 only]	1
MP5	8510017310	2879 B-shield cover [PCR2500 only]	1
MP9	8510017390	2879 LOGIC plate	1
MP10	8930055551	Thermally sheet (W)-1	1
MP11	8930015640	Cord holder (SX-713)	2
MP20	8810008631	Screw B0 3x6 NI-ZC3 (BT)	6
MP21	8810008631	Screw B0 3x6 NI-ZC3 (BT) [PCR2500 only]	6
MP22	8810007231	Screw (H) 3x8 ZC3	6
MP23	8810009021	Screw M2.6x5 ZK3	8
MP25	8820000530	Screw M4x8 NI	1
MP26	8850001561	Toothed washer (A) M4 ZC3	1
MP27	8850000140	Washer M4 BS NI	1
MP30	8930069080	2879 A-sponge	1
MP31	8930064990	Sponge (ID)	4
MP32	8930068060	2879 SP net	1
MP33	8930068800	Sponge (IU)	2
MP34	8930068770	Rubber sheet (BS)	1

## [MAIN-A UNIT]

REF. NO.	ORDER NO.	DESCRIPTION	QTY.
J1	6510018450	Connector TMP-S01X-B1	1
J5	6510018450	S.connector TMP-S01X-B1	1
MP5	8510014460	2509 VCO cover	1
MP6	8510014460	2509 VCO cover	1
MP7	8510014460	2509 VCO cover	1
MP8	8510016460	2775 VCO cover	1
MP11	8930058840	Shield sponge (T)	1
MP12	8510017360	2879 DDS case	1
MP13	8510017370	2879 DBM case	1
MP14	8930061120	Shield sponge (AA)	1
MP15	8510005350	VCO plate shield prate (A) (FX-637)	1
MP16	8930058840	Shield sponge (T)	1
MP17	8930069060	Rubber sheet (BT)	1

## [MAIN-B UNIT] (IC-PCR2500 only)

REF. NO.	ORDER NO.	DESCRIPTION	QTY.
J1	6510018450	Connector TMP-S01X-B1	1
J5	6510018450	Connector TMP-S01X-B1	1
MP6	8510014460	2509 VCO cover	1
MP7	8510014460	2509 VCO cover	1
MP8	8510016460	2775 VCO cover	1
MP9	8510017370	2879 DBM case	1
MP10	8930061120	Shield sponge (AA)	1
MP11	8930069060	Rubber sheet (BT)	1

## [LOGIC UNIT]

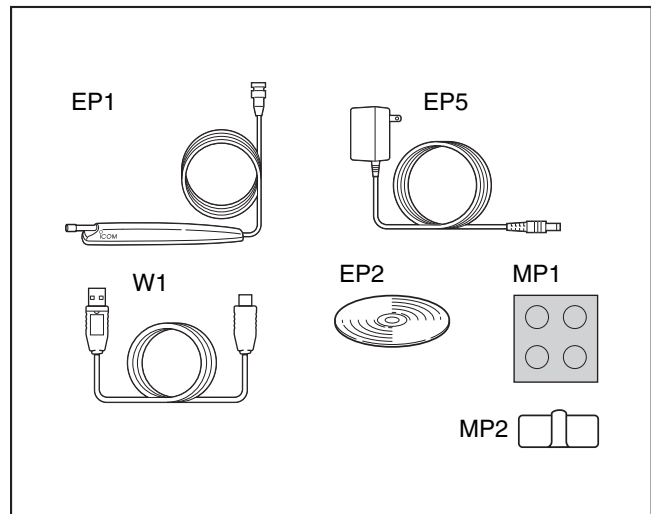
REF. NO.	ORDER NO.	DESCRIPTION	QTY.
W8	9016910300	WIRE51/99/130/B11A/D33A	1
MP1	8510017380	2879 coil cover	1
MP2	8510017400	2879 A-LOGIC plate	1
MP3	8930058990	Shield sponge (V)	1
MP4	8930062740	2590 M-spring	1

## [DIGITAL UNIT] (PCR2500: [USA-3] only)

REF. NO.	ORDER NO.	DESCRIPTION	QTY.
—	Optional product	UT-122 (incl. MP1)	1

## [ACCESSORIES]

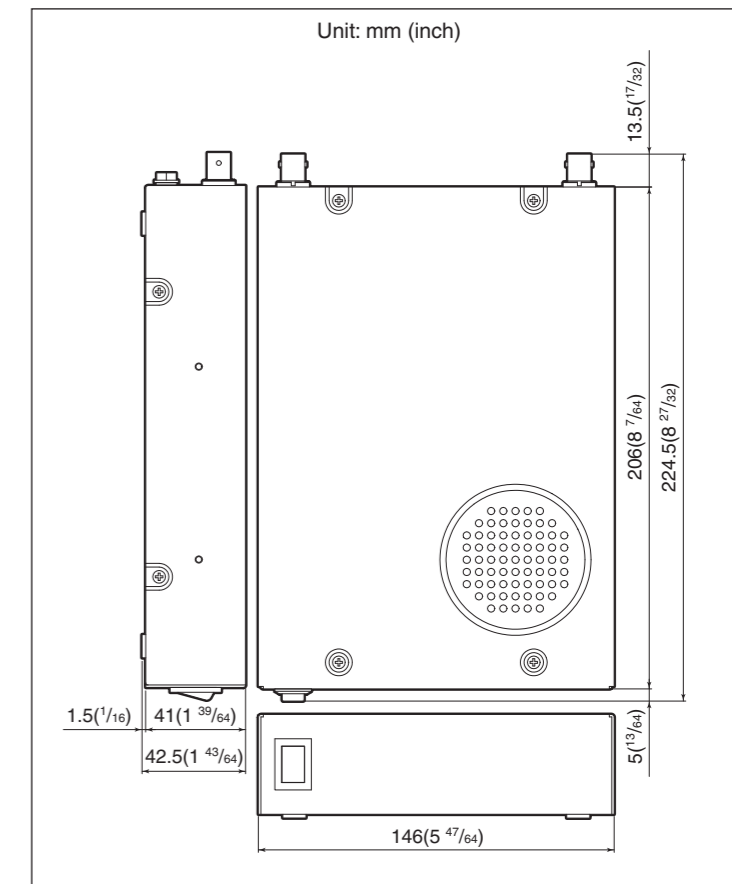
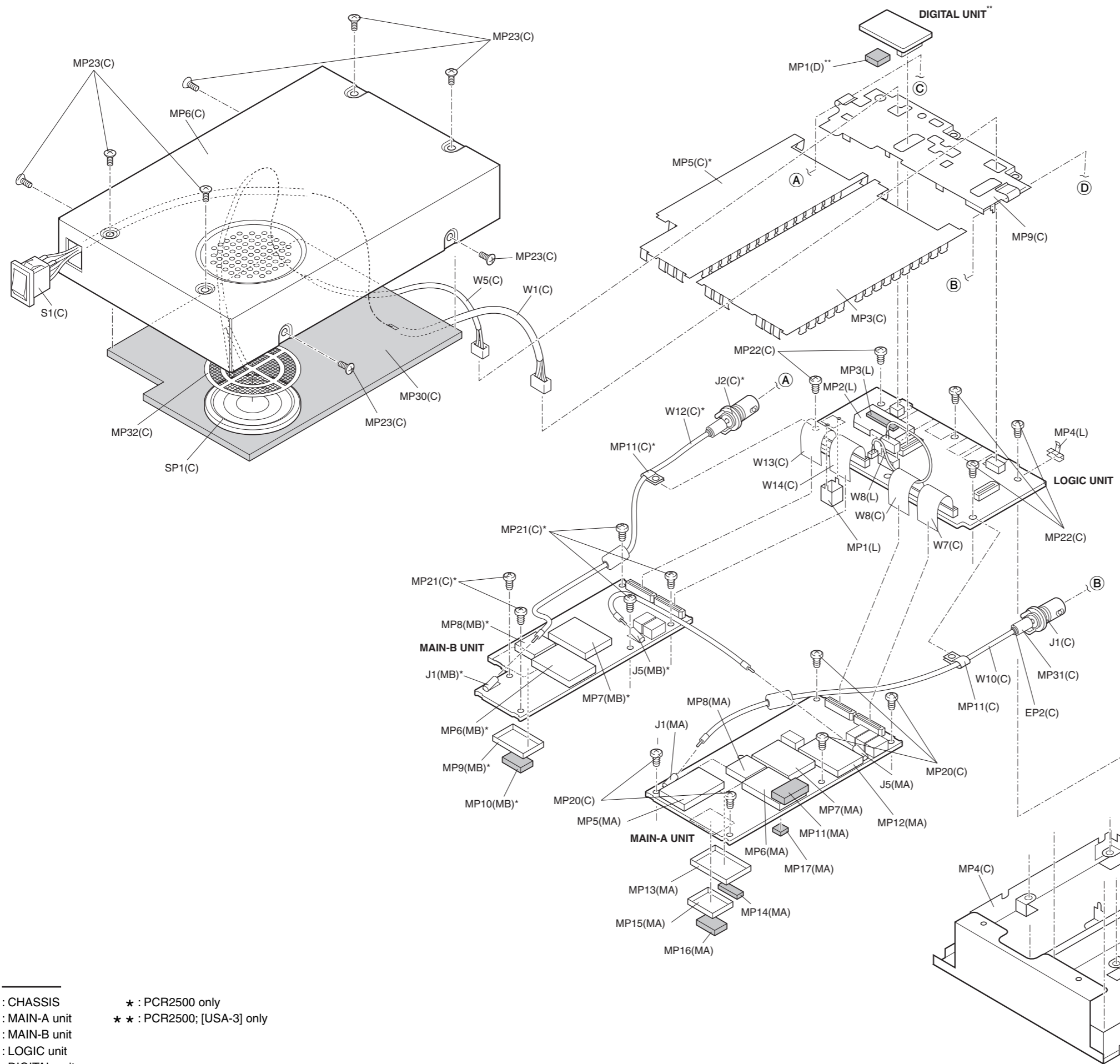
REF. NO.	ORDER NO.	DESCRIPTION	QTY.
W1	Optional product	Cable OPC-1045	1
EP1	3310001920	2032 antenna	1
EP2	7800000330	Data CD-R74	1
EP5	Optional product	Adapter AD-113E ACC [EUR-1], [FRA-1], [EXP-3]	1
	Optional product	Adapter AD-113A ACC [USA-1], [EXP-2], [CAN-1], [USA-3]	1
MP1	8930055180	Leg cushion (G)	1
MP2	8950004610	S-5	1



\* Design is depended on versions.

### Screw abbreviations

B0, BT: Self-tapping PH: Pan head  
NI-ZU: Nickel-Zinc ZK: Black



**Note**

(C) : CHASSIS  
(MA) : MAIN-A unit  
(MB) : MAIN-B unit  
(L) : LOGIC unit  
(D) : DIGITAL unit

\* : PCR2500 only  
\*\* : PCR2500; [USA-3] only

# SECTION 8 SEMICONDUCTOR INFORMATION

## • TRANSISTORS AND FET'S

NAME	SYMBOL	INSIDE VIEW
2SA1832 GR	SG	
2SB1123 T-TD	BF	
2SB1201 S-TL XP1113 XP1114	B1201 7L 7Q	
2SB798	DK	
2SC4116 BL 2SC4116 GR 2SC4117 BL 2SC4213 B 2SC4215 O 2SC4617 S 2SC4835 R 2SC5006 2SC5193 2SC5226 4 2SC5277 D2	LL LG CL AB QO BR 3M 24 T88 LN4 D2	
2SC5624	VH-	
2SJ377	4L	

NAME	SYMBOL	INSIDE VIEW
2SK880 Y	XY	
2SK882 GR	TGR	
3SK131 L 3SK318	V12 YB-	
3SK324	UG	
DTC144EU UNR9113J UNR9211J UNR9213J UNR9214J	26 8C 8A 8C 8A	
UNR9111J UNR9114J	6A 6D	
XP1213	9L	
XP1501 AB	5R	

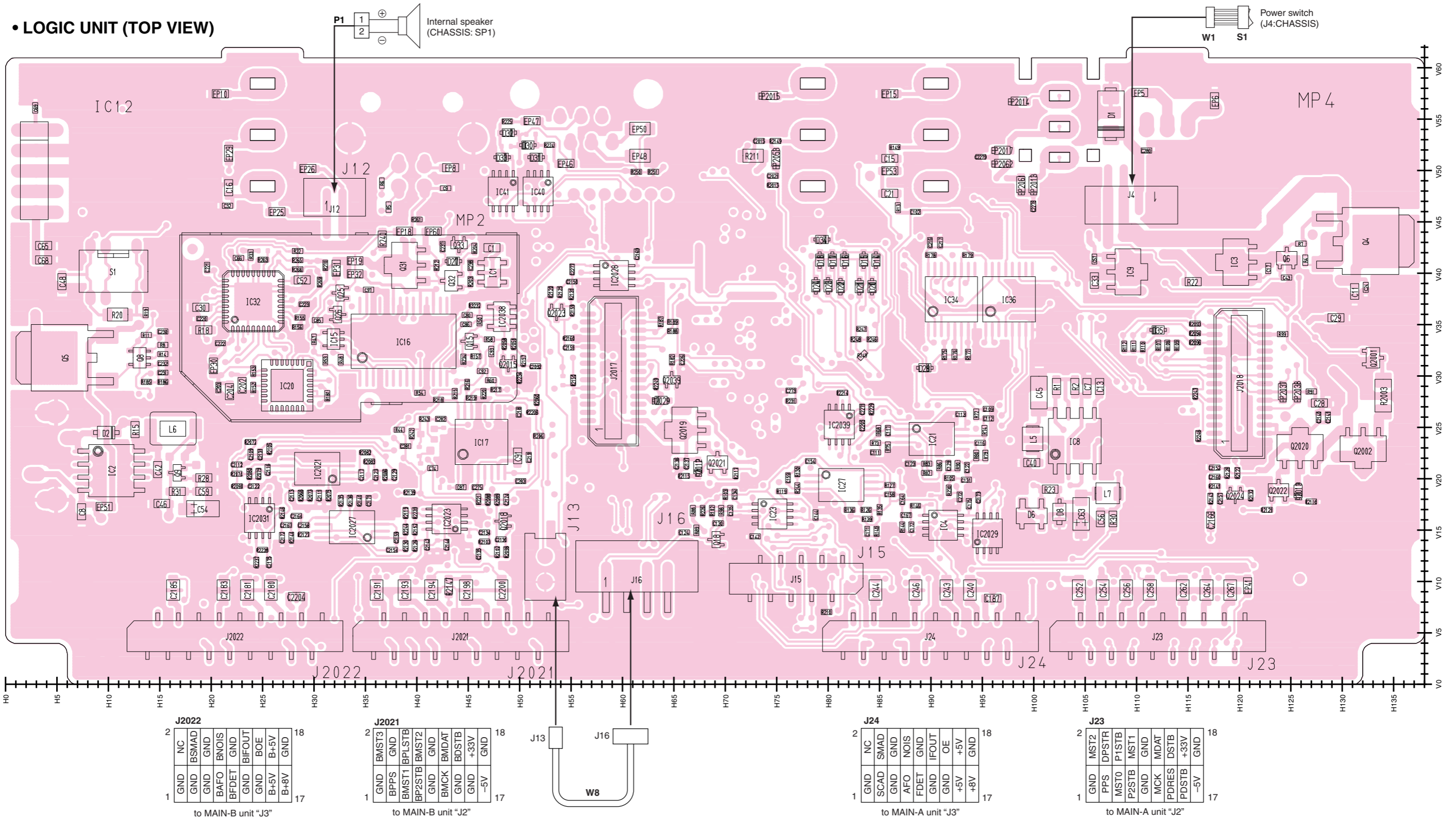
NAME	SYMBOL	INSIDE VIEW
XP4311	3X	
XP4601	5C	

## • DIODES

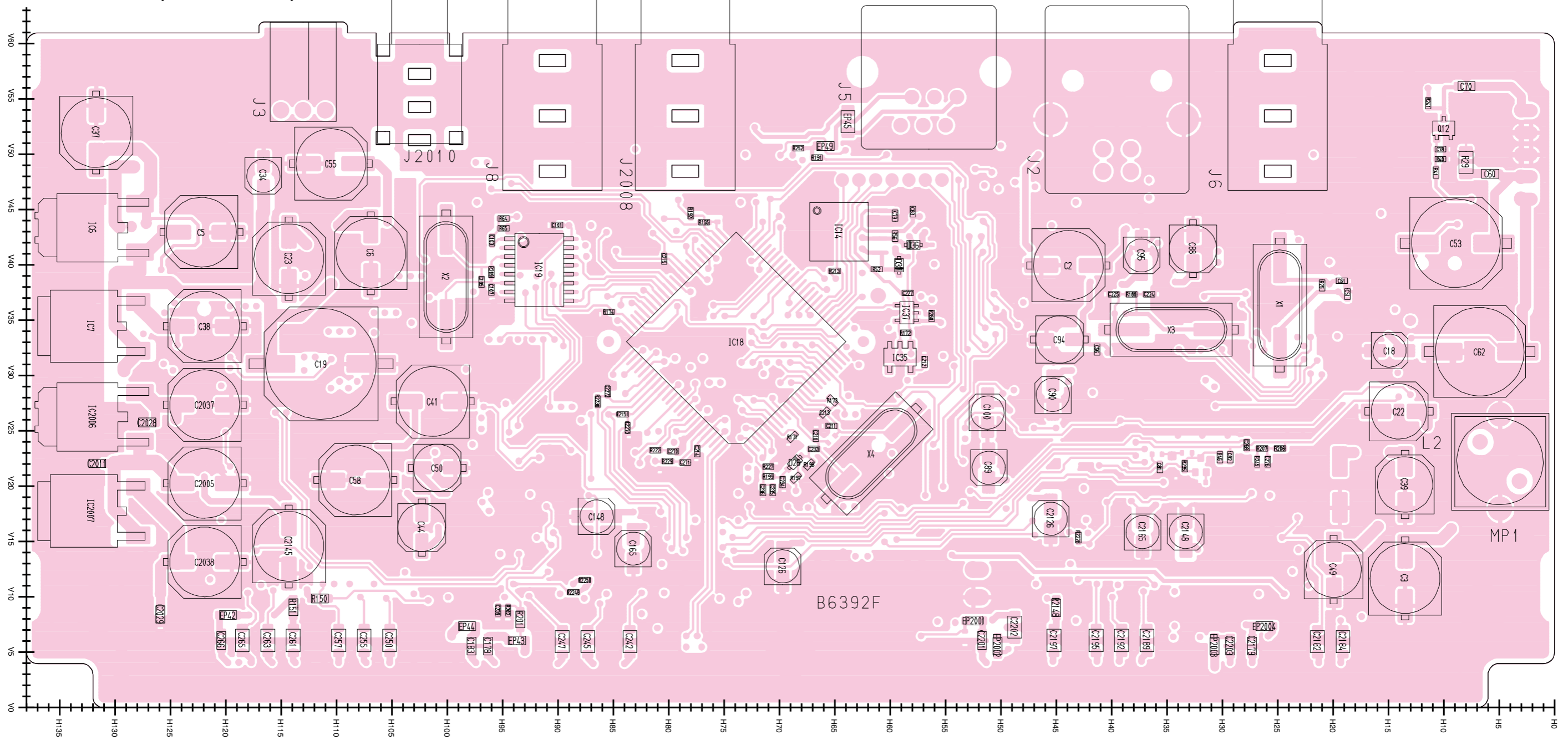
NAME	SYMBOL	INSIDE VIEW
1SR154-400 1SS400 1SV284 1SV286 1SV308 MA2S077 MA2S111 MA2S728	14 A TL T7 TX S A B	
1SS355 1SV307	A TX	
1SV282 MA8051 M	TD 5-1	
1SS272	A1	
1SV245 HVC376B 1SV290	T3 B9 TJ	
DA221 RB706F-40	K 3J	
DAN222	N	

# SECTION 9 BOARD LAYOUTS

The combination of this page and the next page shows the unit layout in the same configuration as the actual P.C. Board.



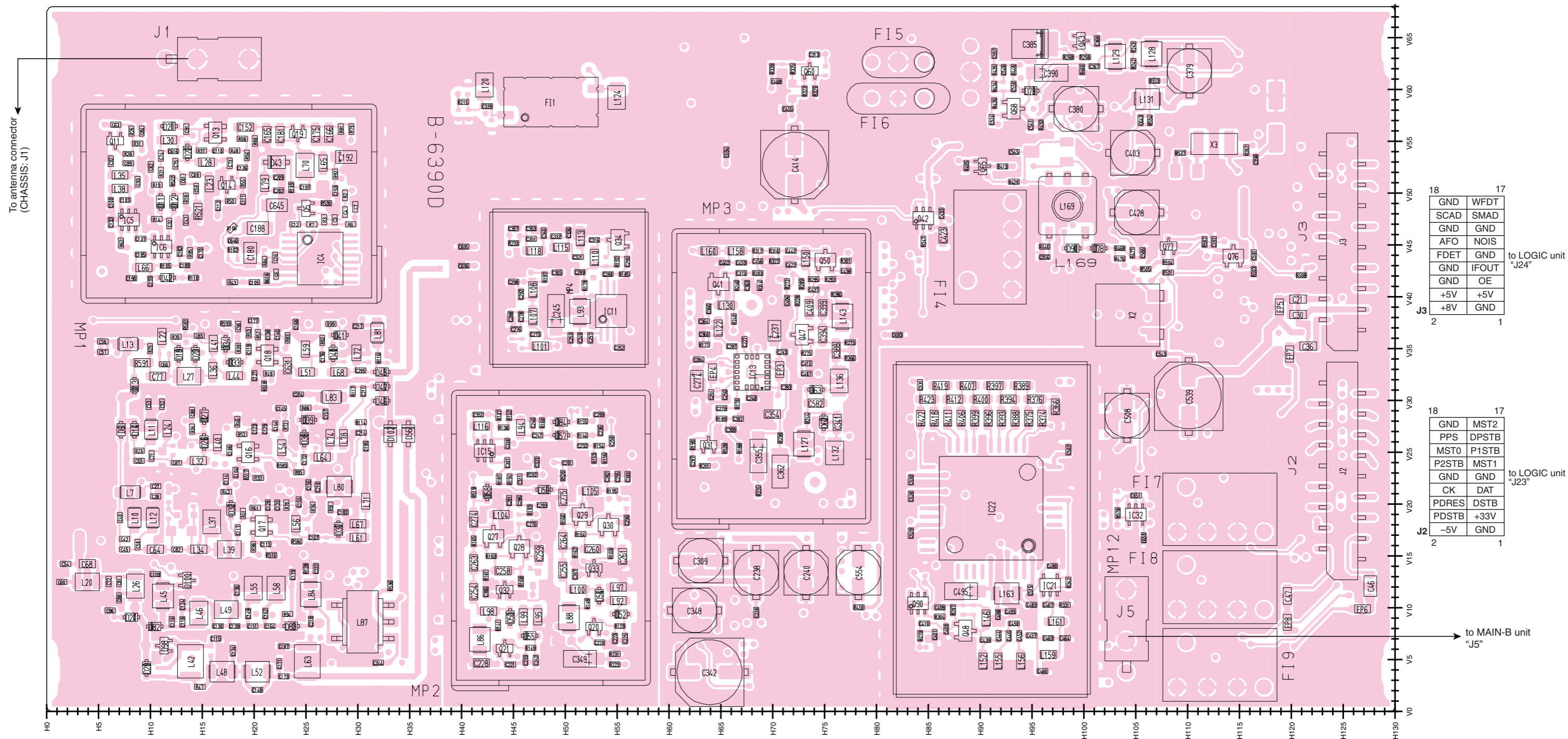
• LOGIC UNIT (BOTTOM VIEW)





The combination of this page and the next page shows the unit layout in the same configuration as the actual P.C. Board.

• MAIN-A UNIT (TOP VIEW)



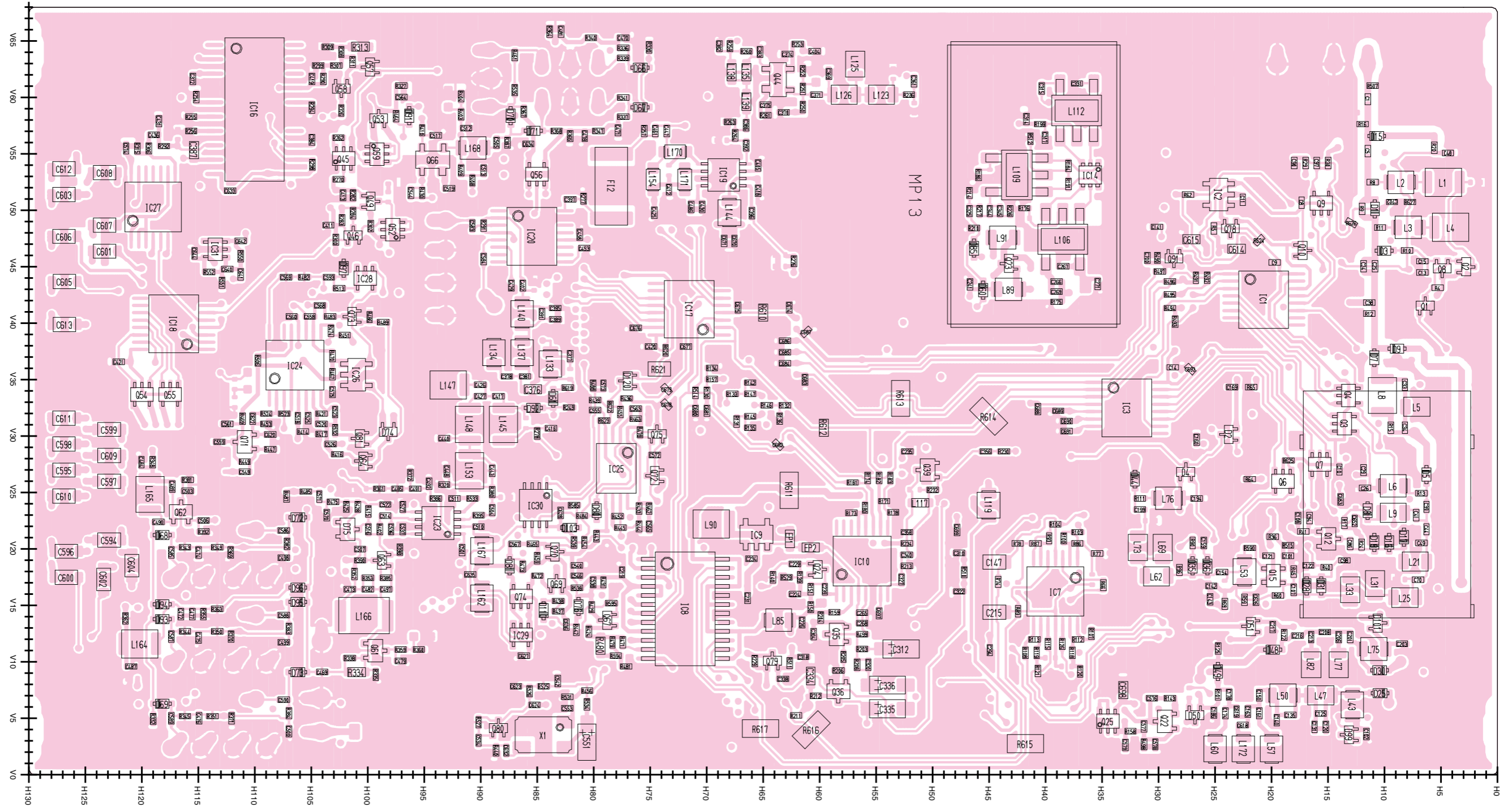
18	GND	WFDT	17
	SCAD	SMAD	
	GND	GND	
	AFO	NOIS	
	FDET	GND	
	GND	IFOUT	
	GND	OE	
	+5V	+5V	
	+8V	GND	
2			1

to LOGIC unit "J24"

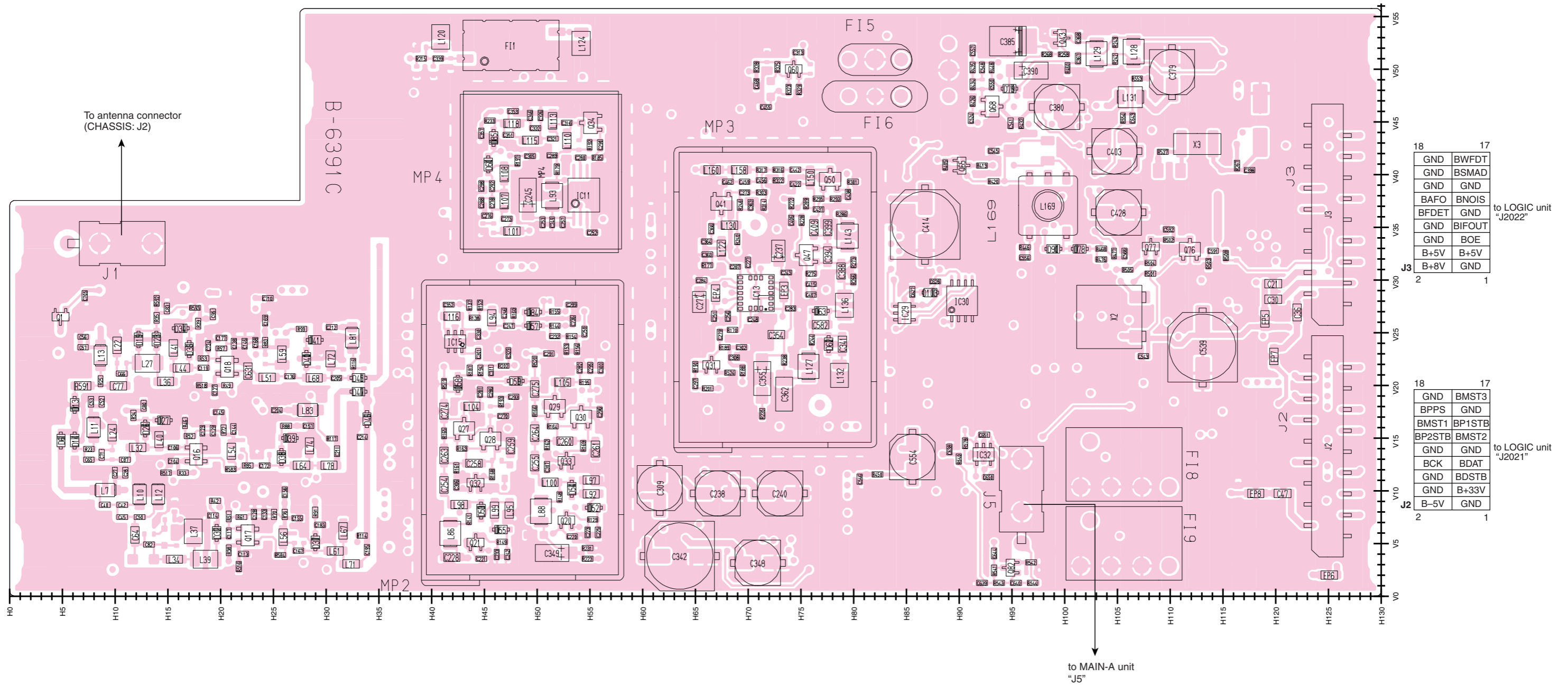
18	GND	MST2	17
	PPS	DPSTB	
	MST0	P1STB	
	P2STB	MST1	
	GND	GND	
	CK	DAT	
	PDRES	DSTB	
	PDSTB	+33V	
	-5V	GND	
2			1

to LOGIC unit "J23"

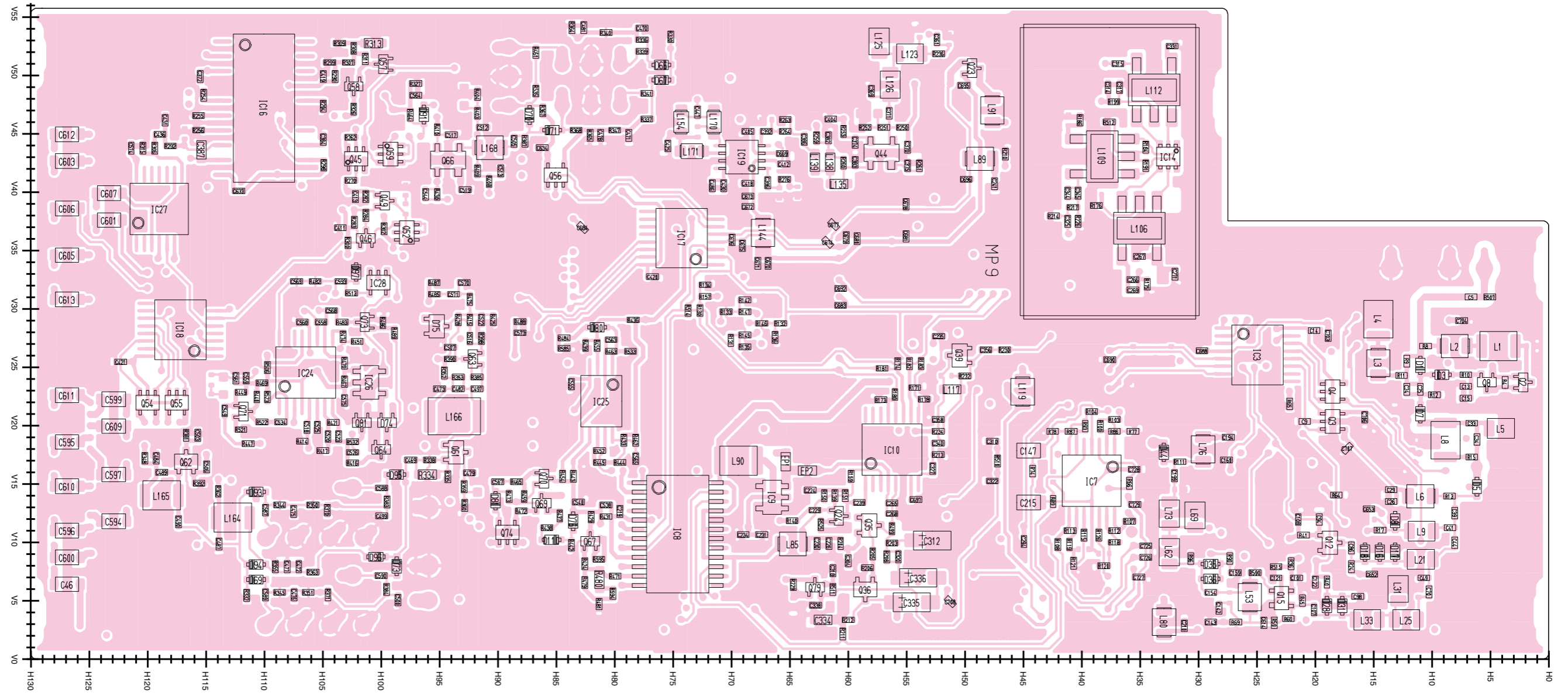
• MAIN-A UNIT (BOTTOM VIEW)



• MAIN-B UNIT (TOP VIEW; PCR2500 only)

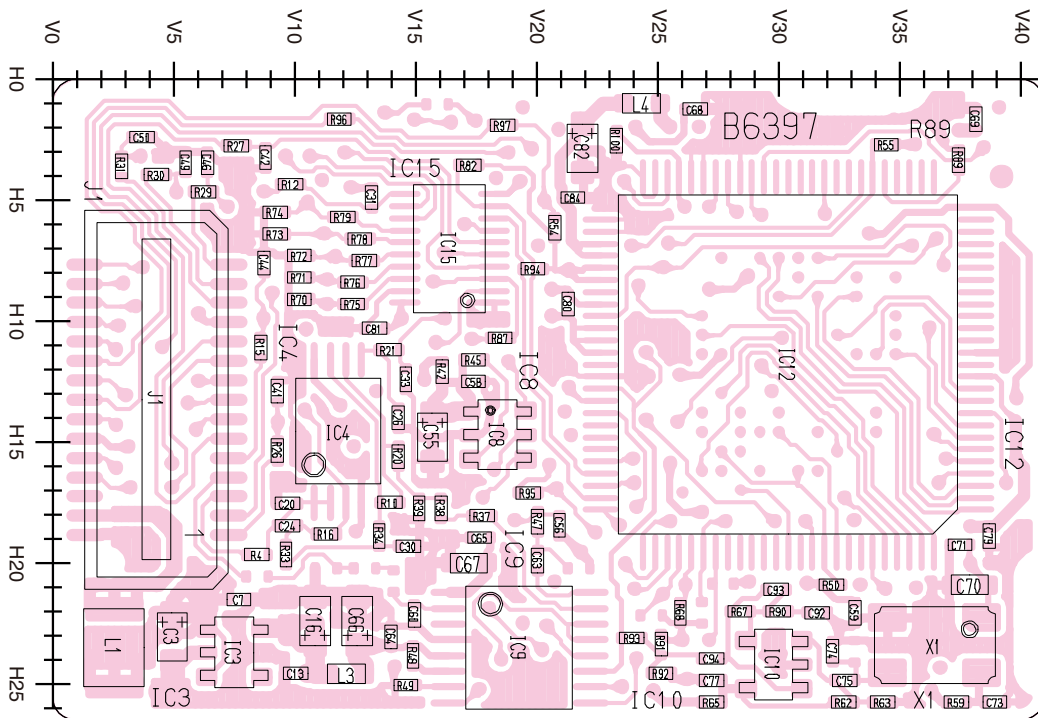


• MAIN-B UNIT (BOTTOM VIEW; PCR2500 only)



The combination of this page and the next page shows the unit layout in the same configuration as the actual P.C. Board.

• **UT-122 (Optimal product: DIGITAL UNIT for [IC-PCR2500: USA-3])  
(TOP VIEW)**



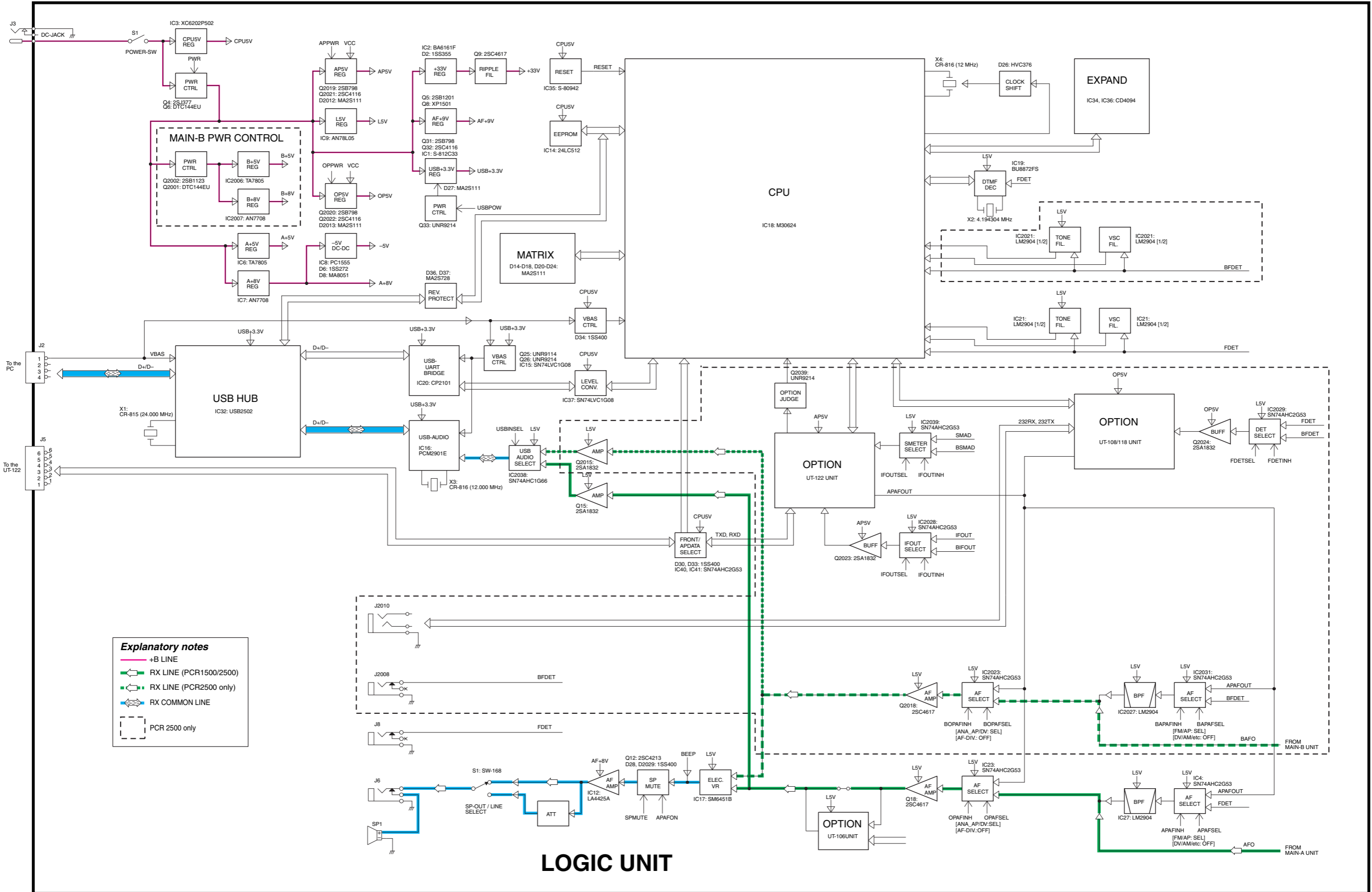
**J1**

16	SCK	RXD	15
	SI	TXD	
	SO	RTS	
	CIRQ	GND	
	CCS	D IF	
	FLASH RXD	MD	
	AFOUT	CPU RES	
	FLASH TXD	CTS	
	RMUT	TEMP	
	+3.3V	BUSY	
	AFON	RSSI	
	MMUT	MIC	
	VCC	BASE OUT	
	+5V	PTTO	
30	GND	PTTI	1

to LOGIC unit "J2017"

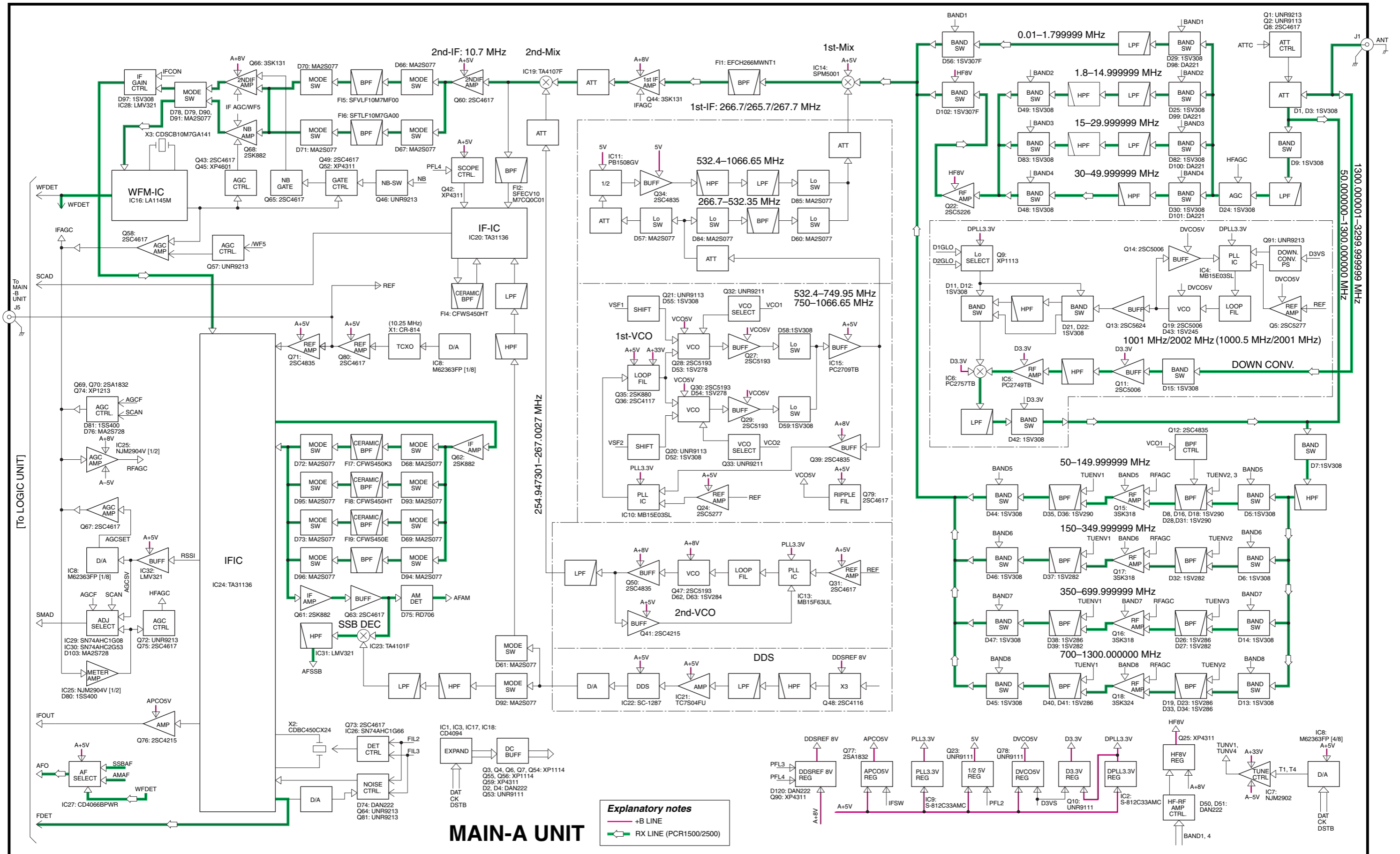


# SECTION 10 BLOCK DIAGRAM



- Explanatory notes**
- +B LINE
  - RX LINE (PCR1500/2500)
  - RX LINE (PCR2500 only)
  - RX COMMON LINE
  - PCR 2500 only

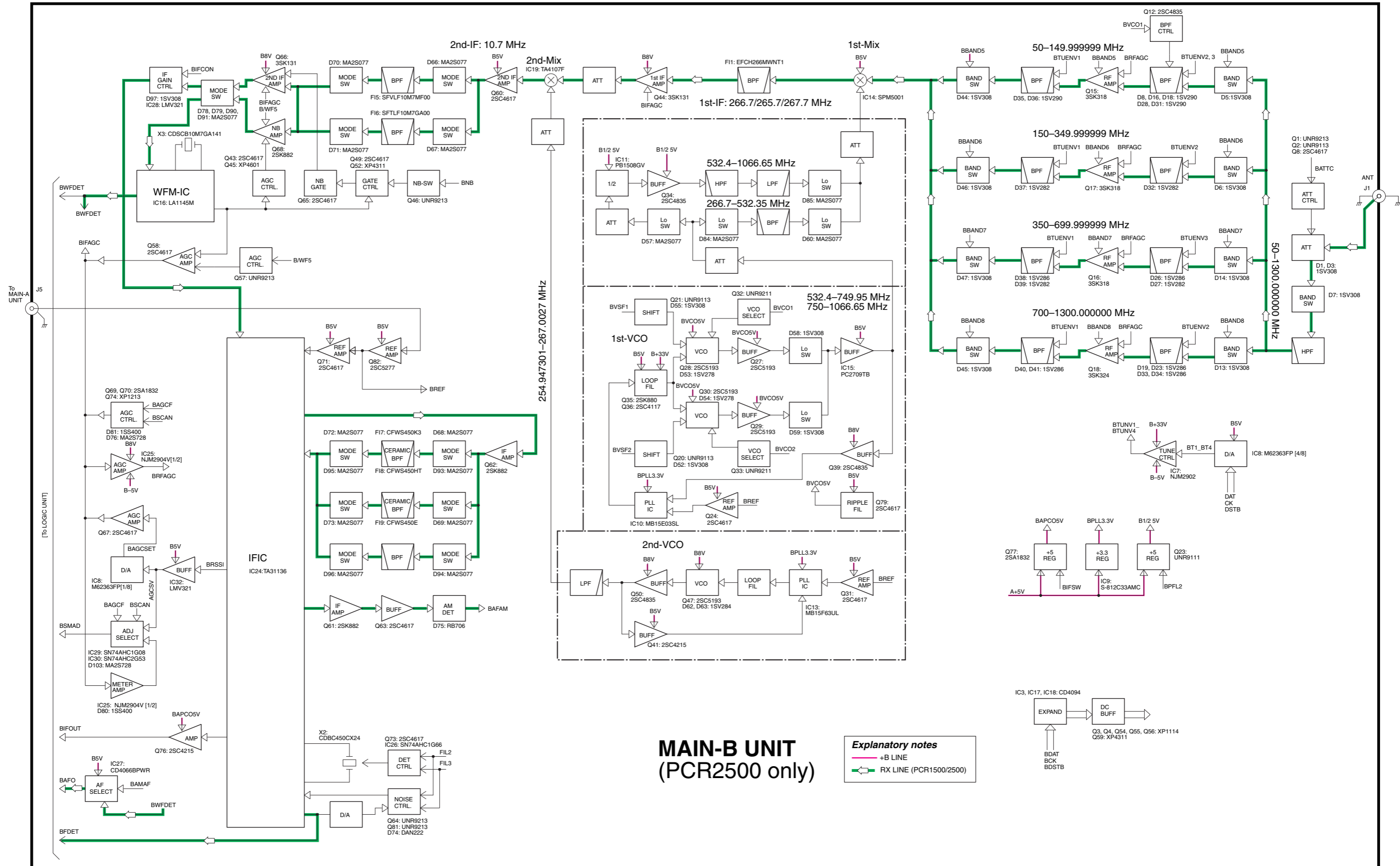
## LOGIC UNIT



**MAIN-A UNIT**

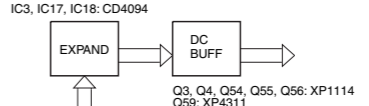
**Explanatory notes**  
 — +B LINE  
 — RX LINE (PCR1500/2500)



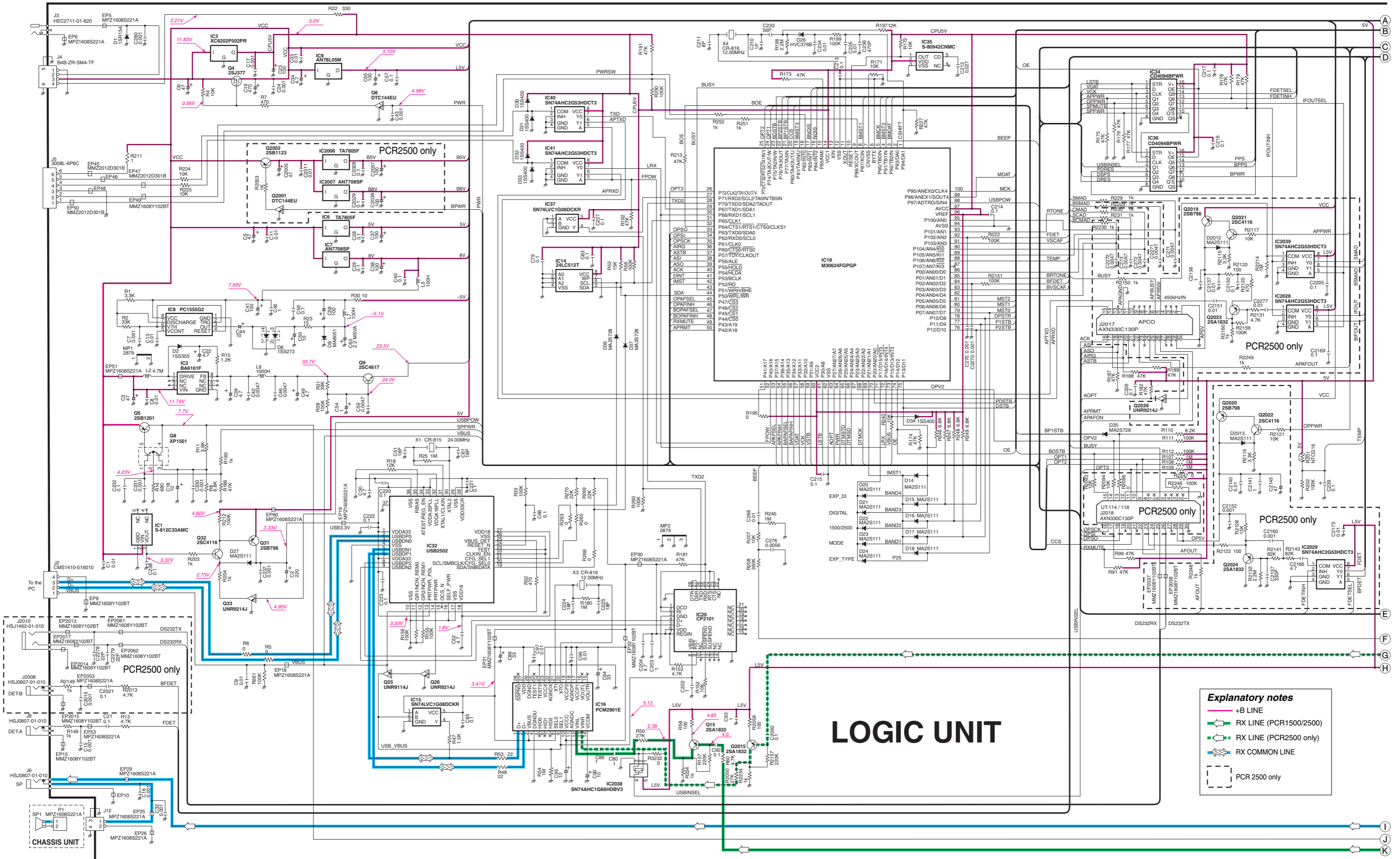


### MAIN-B UNIT (PCR2500 only)

**Explanatory notes**  
 — +B LINE  
 — RX LINE (PCR1500/2500)

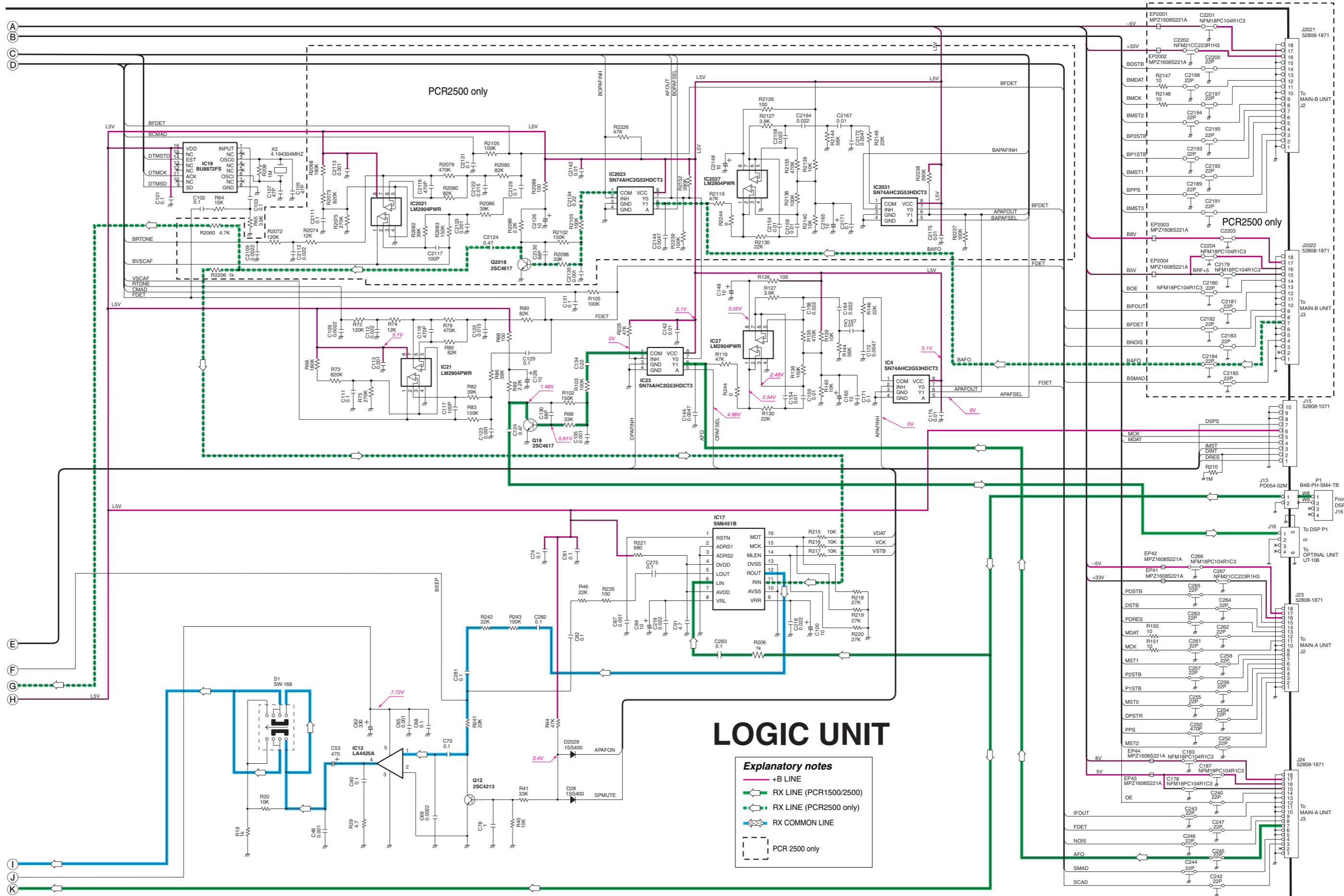


# SECTION 11 VOLTAGE DIAGRAM



**Explanatory notes**

- +B LINE
- RX LINE (PCR1500/2500)
- RX LINE (PCR2500 only)
- RX COMMON LINE
- PCR 2500 only

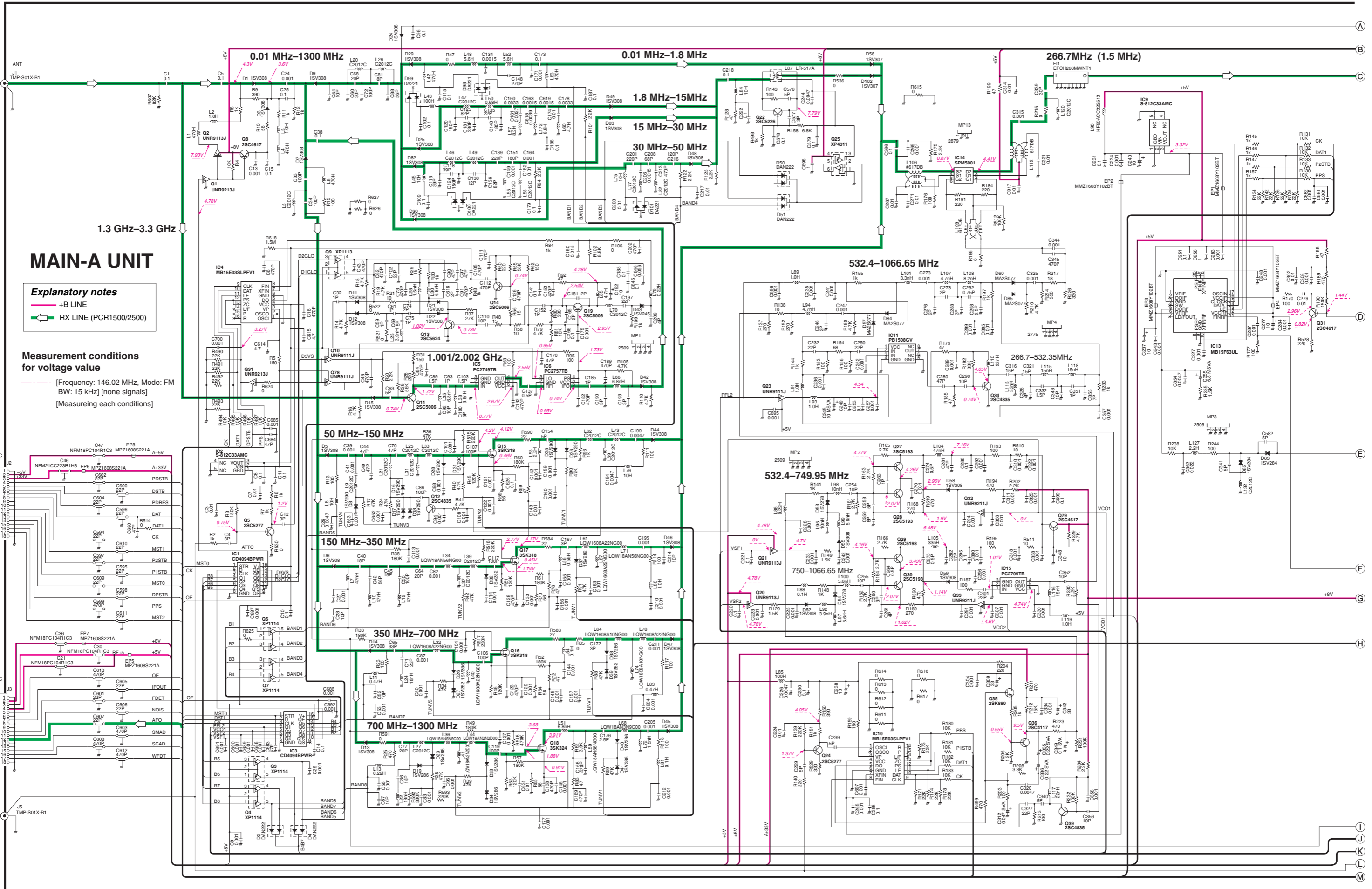


# LOGIC UNIT

**Explanatory notes**

- +B LINE
- RX LINE (PCR1500/2500)
- - - RX LINE (PCR2500 only)
- RX COMMON LINE
- PCR 2500 only

A  
B  
C  
D  
E  
F  
G  
H  
I  
J  
K



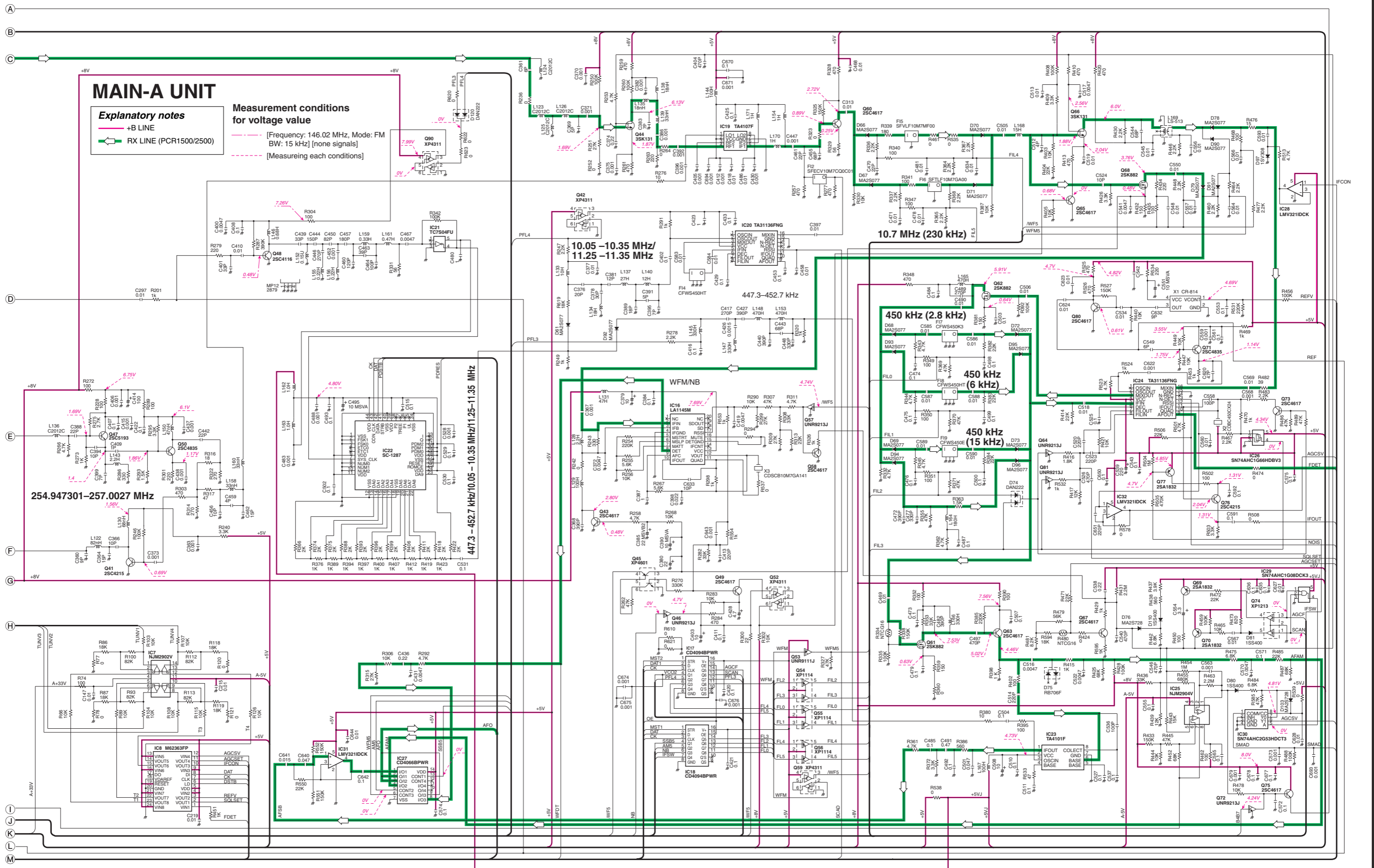
# MAIN-A UNIT

**Explanatory notes**

- +B LINE
- RX LINE (PCR1500/2500)

**Measurement conditions for voltage value**

- [Frequency: 146.02 MHz, Mode: FM  
BW: 15 kHz] [none signals]
- [Measuring each conditions]



**MAIN-A UNIT**

**Explanatory notes**  
 — +B LINE  
 - - - RX LINE (PCR1500/2500)

**Measurement conditions for voltage value**  
 [Frequency: 146.02 MHz, Mode: FM  
 BW: 15 kHz [none signals]  
 [Measuring each conditions]

254.947301-257.0027 MHz

10.05-10.35 MHz/  
 11.25-11.35 MHz

10.7 MHz (230 kHz)

447.3-452.7 kHz

450 kHz (2.8 kHz)

450 kHz (6 kHz)

450 kHz (15 kHz)

**Explanatory notes**

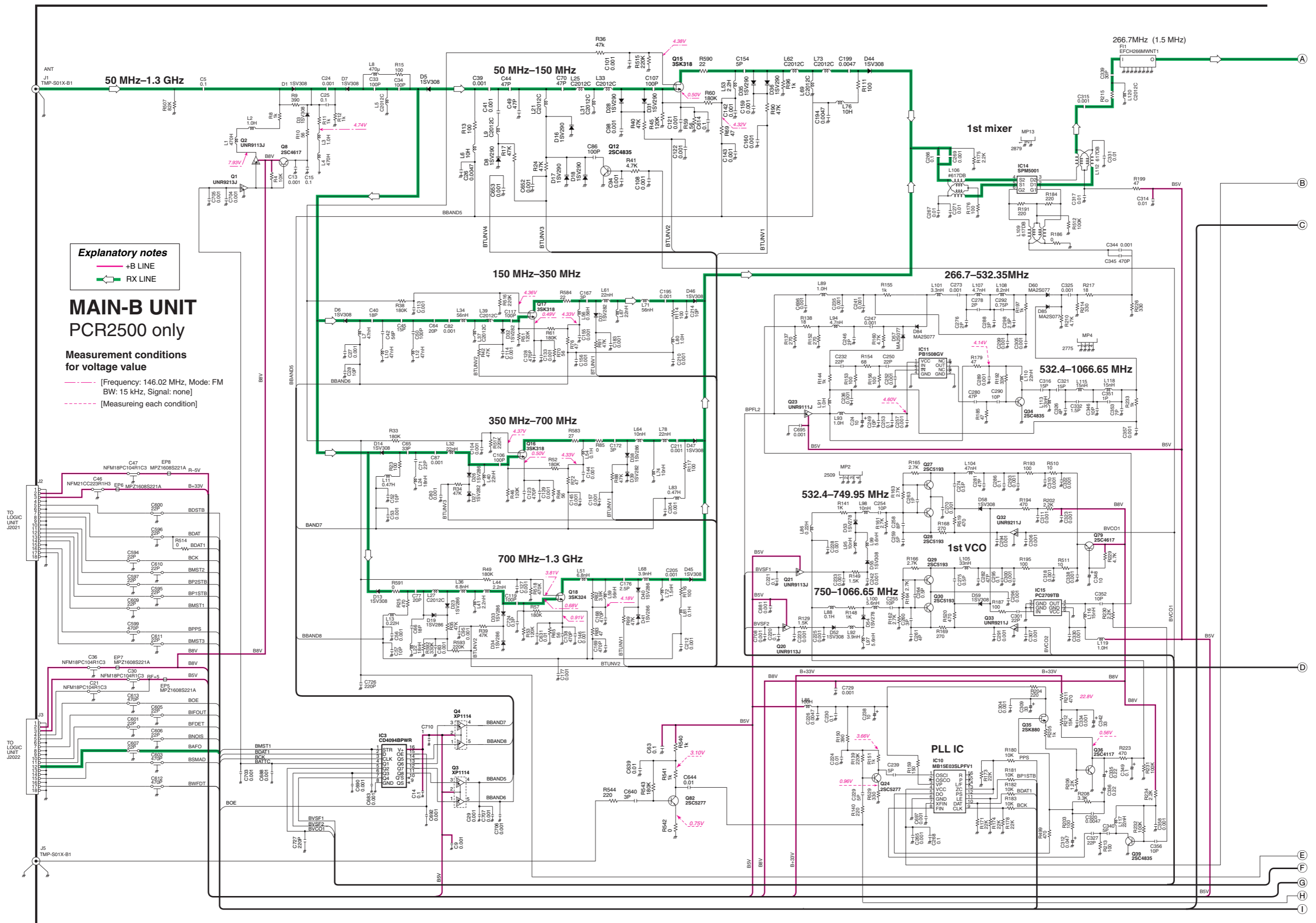
— +B LINE

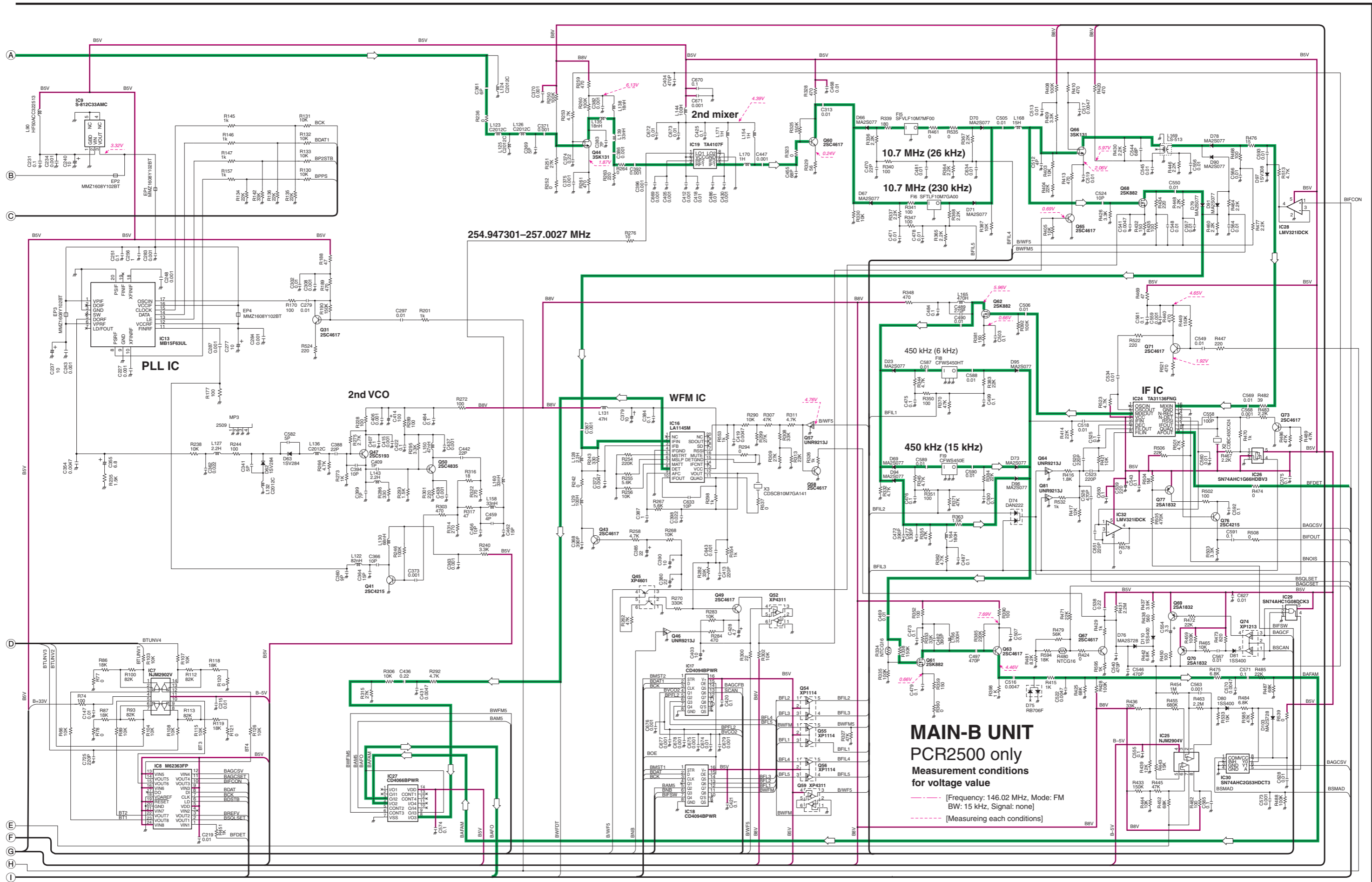
— RX LINE

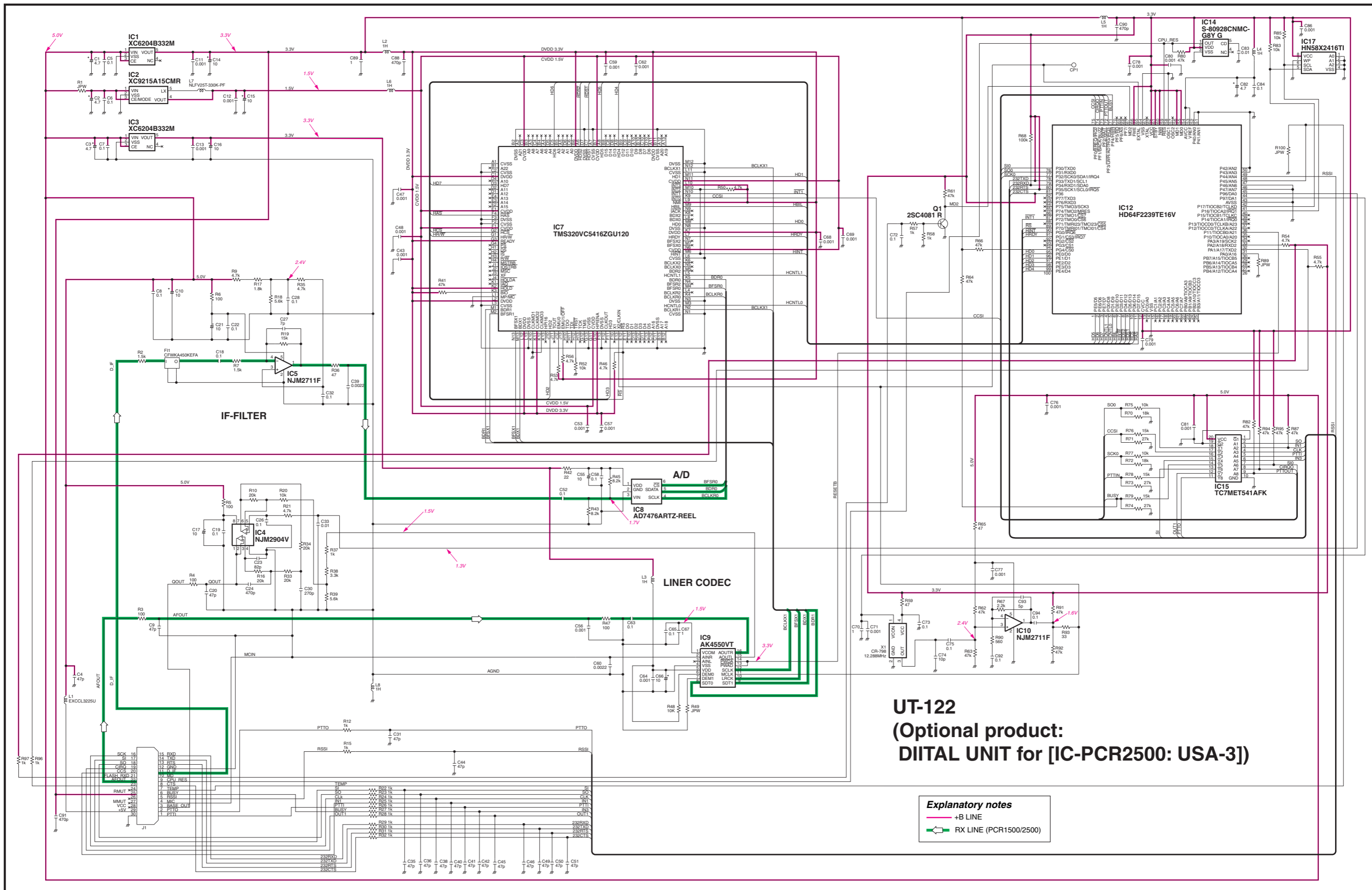
# MAIN-B UNIT PCR2500 only

Measurement conditions for voltage value

- [Frequency: 146.02 MHz, Mode: FM  
BW: 15 kHz, Signal: none]
- [Measuring each condition]







**UT-122**  
**(Optional product:**  
**DIITAL UNIT for [IC-PCR2500: USA-3])**

- Explanatory notes**
- +B LINE
  - RX LINE (PCR1500/2500)



## Icom Inc.

1-1-32, Kamiminami, Hirano-ku, Osaka 547-0003, Japan  
Phone : +81 (06) 6793 5302  
Fax : +81 (06) 6793 0013  
URL : <http://www.icom.co.jp/world/index.html>

### Icom America Inc.

<Corporate Headquarters>  
2380 116th Avenue N.E., Bellevue, WA 98004, U.S.A.  
Phone : +1 (425) 454-8155 Fax : +1 (425) 454-1509  
URL : <http://www.icomamerica.com>  
E-mail : [sales@icomamerica.com](mailto:sales@icomamerica.com)  
<Customer Service>  
Phone : +1 (425) 454-7619

### Icom Canada

Glenwood Centre #150-6165  
Highway 17 Delta, B.C., V4K 5B8, Canada  
Phone : +1 (604) 952-4266 Fax : +1 (604) 952-0090  
URL : <http://www.icomcanada.com>  
E-mail : [info@icomcanada.com](mailto:info@icomcanada.com)

### Icom (Australia) Pty. Ltd.

A.B.N. 88 006 092 575  
Unit 1 / 103 Garden Road, Clayton VIC 3168 Australia  
Phone : +61 (03) 9549-7500 Fax : +61 (03) 9549-7505  
URL : <http://www.icom.net.au>  
E-mail : [sales@icom.net.au](mailto:sales@icom.net.au)

### Icom New Zealand

146A Harris Road, East Tamaki,  
Auckland, New Zealand  
Phone : +64 (09) 274 4062 Fax : +64 (09) 274 4708  
URL : <http://www.icom.co.nz>  
E-mail : [inquiries@icom.co.nz](mailto:inquiries@icom.co.nz)

### Beijing Icom Ltd.

Room C01, 10th Floor, Long Silver Mansion, No. 88,  
Yong Ding Road, Haidian District, Beijing, 100039, China  
Phone : +86 (010) 5889 4250 Fax : +86 (010) 5889 4250  
URL : <http://www.bjicom.com>  
E-mail : [bjicom@bjicom.com](mailto:bjicom@bjicom.com)

### Icom (Europe) GmbH

Communication Equipment  
Himmelgeister Str. 100, D-40225 Düsseldorf, Germany  
Phone : +49 (0211) 346047 Fax : +49 (0211) 333639  
URL : <http://www.icomeurope.com>  
E-mail : [info@icomeurope.com](mailto:info@icomeurope.com)

### Icom Spain S.L

Ctra. Rubi, 88, 08190, Sant Cugat del Valles, Barcelona, SPAIN  
Phone : +34 (93) 590 26 70 Fax : +34 (93) 589 04 46  
URL : <http://www.icomspain.com>  
E-mail : [icom@icomspain.com](mailto:icom@icomspain.com)

### Icom (UK) Ltd.

Unit 9, Sea St., Herne Bay, Kent, CT6 8LD, U.K.  
Phone : +44 (01227) 741741 Fax : +44 (01227) 741742  
URL : <http://www.icomuk.co.uk>  
E-mail : [info@icomuk.co.uk](mailto:info@icomuk.co.uk)

### Icom France S.a

Zac de la Plaine, 1, Rue Brindejonc des Moulinais  
BP 5804, 31505 Toulouse Cedex, France  
Phone : +33 (5) 61 36 03 03 Fax : +33 (5) 61 36 03 00  
URL : <http://www.icom-france.com>  
E-mail : [icom@icom-france.com](mailto:icom@icom-france.com)

### Asia Icom Inc.

6F No.68, Sec. 1 Cheng-Teh Road, Taipei, Taiwan, R.O.C.  
Phone : +886 (02) 2559 1899 Fax : +886 (02) 2559 1874  
URL : <http://www.asia-icom.com>  
E-mail : [sales@asia-icom.com](mailto:sales@asia-icom.com)

### Icom Polska

Sopot, 3 Maja 54 Poland  
Phone : +48 (58) 550 7135 Fax : +48 (58) 551 0484  
E-mail : [icompolaska@icompolaska.com.pl](mailto:icompolaska@icompolaska.com.pl)

**Count on us!**

**Icom Inc.**

1-1-32, Kamiminami, Hirano-ku, Osaka 547-0003, Japan

S-14222MZ-C1  
© 2006 Icom Inc.