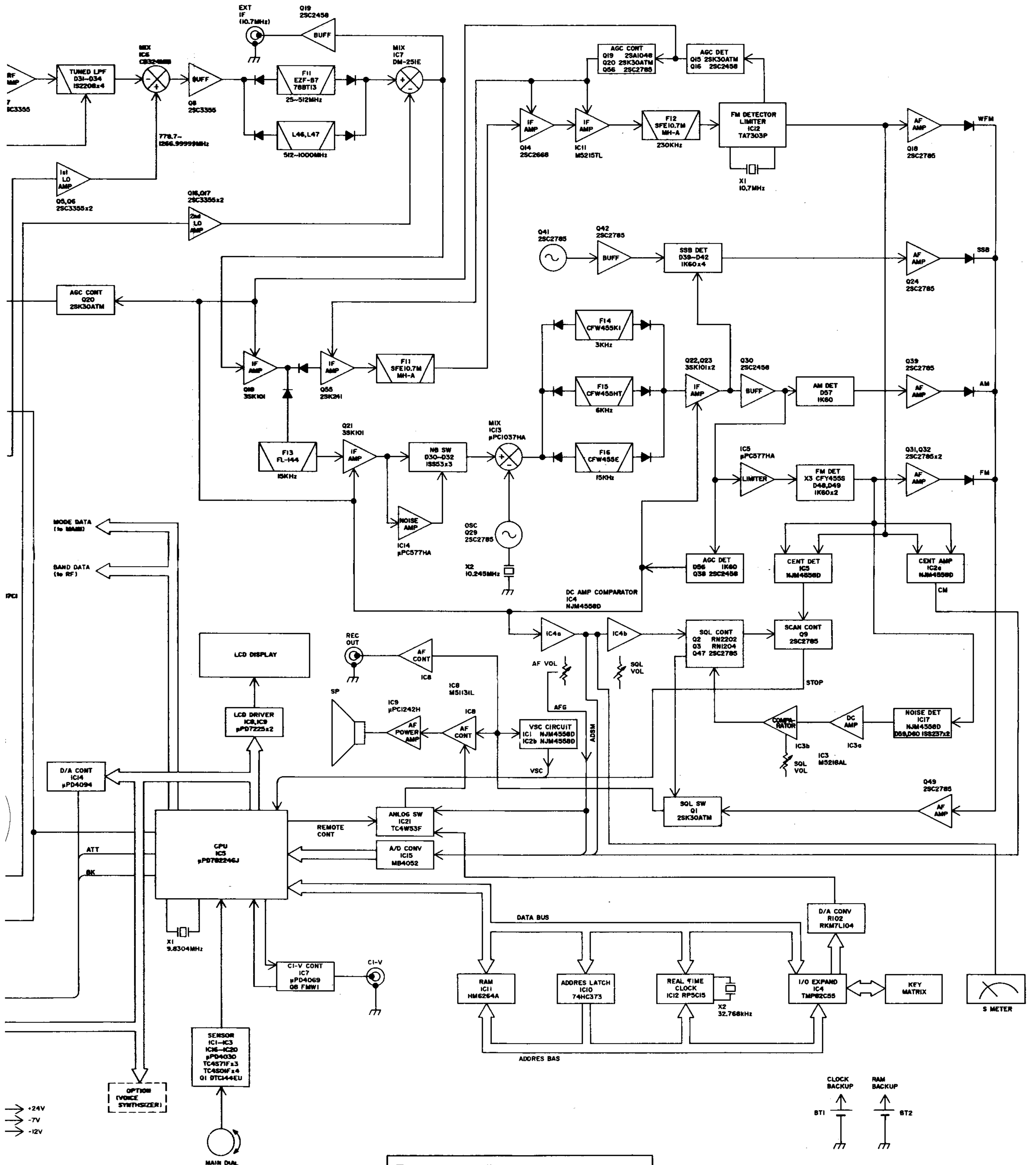


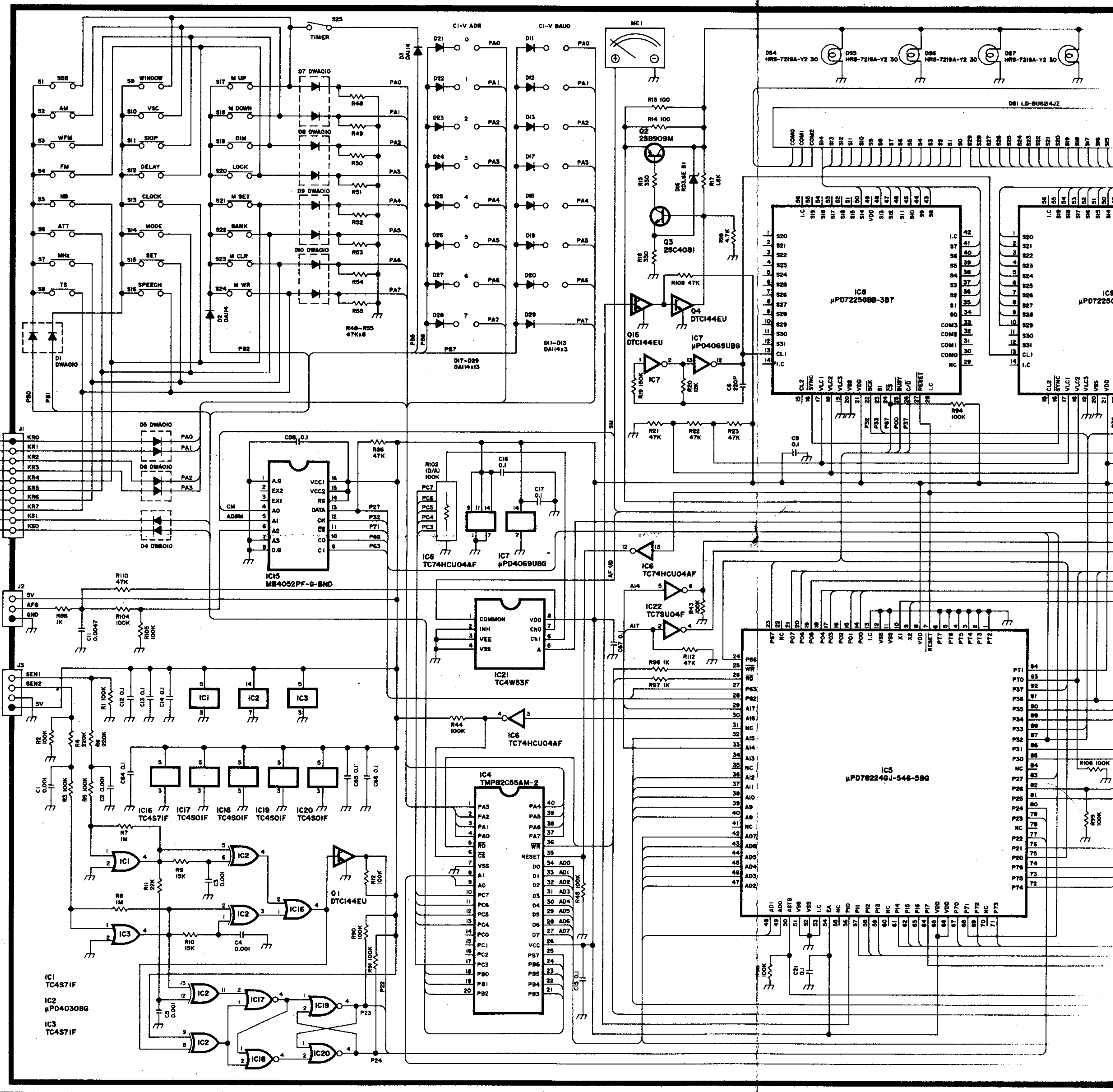
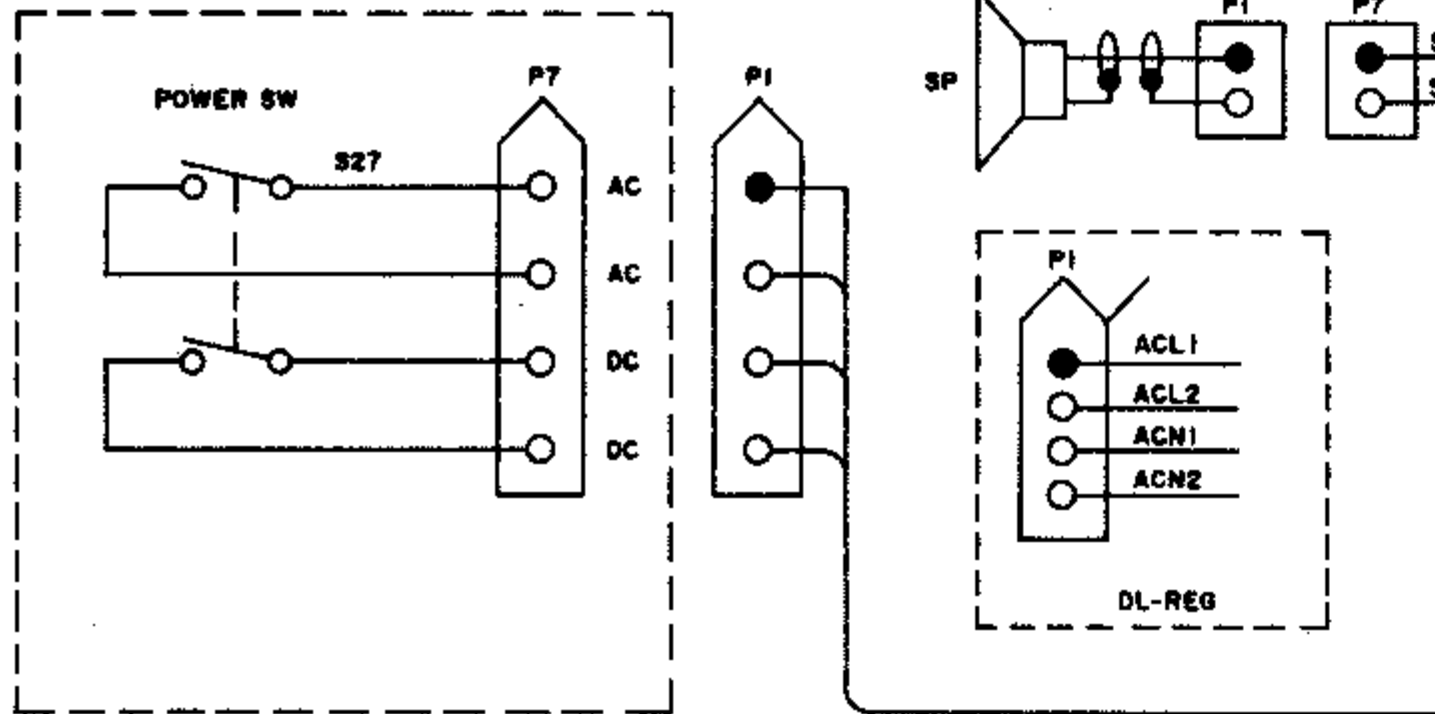
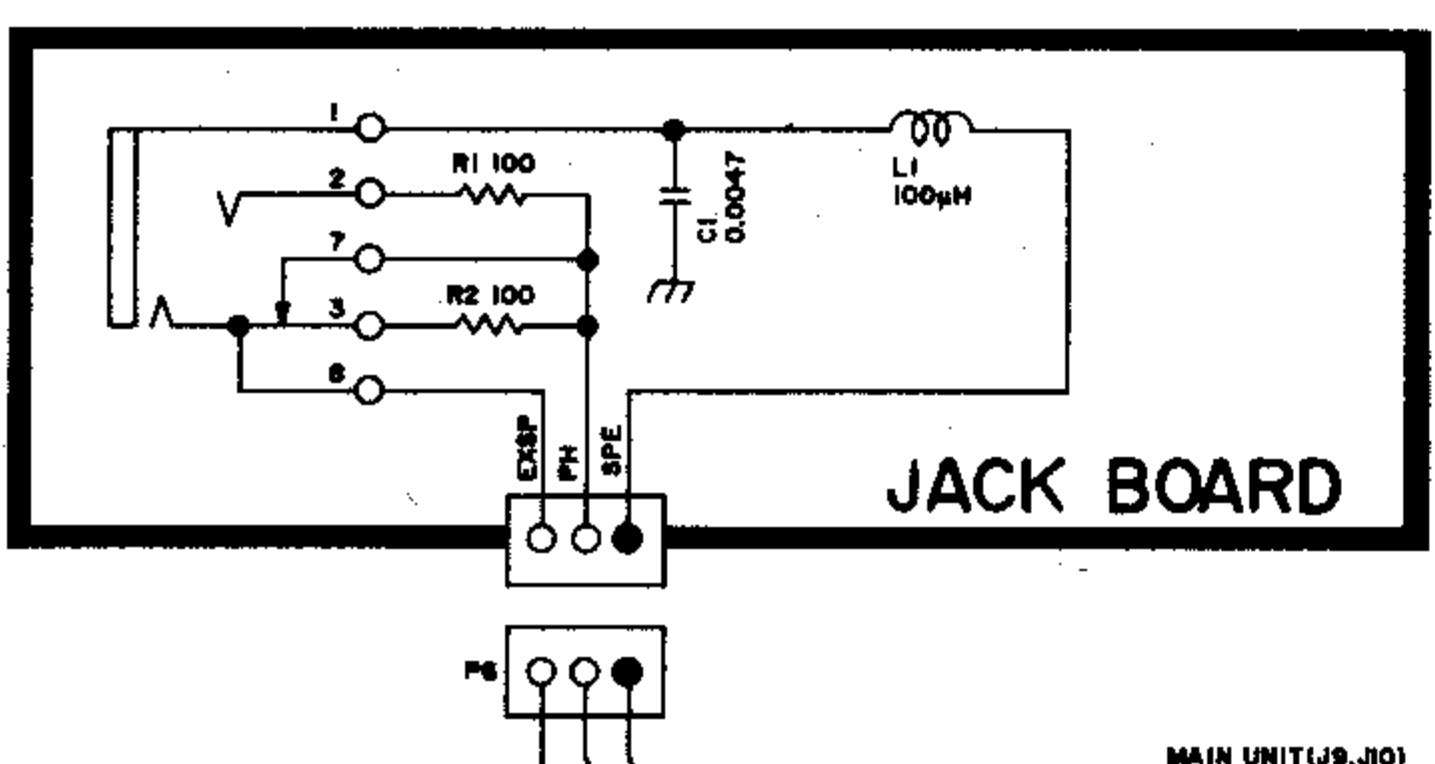
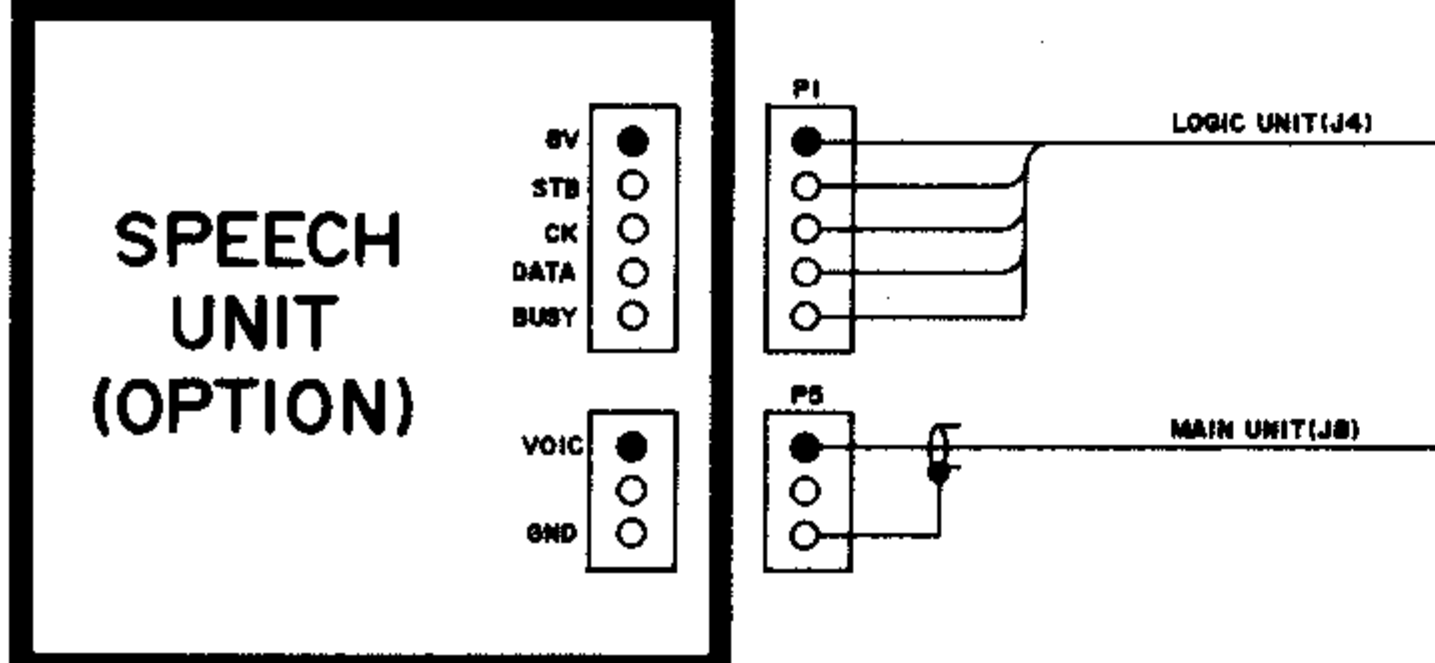
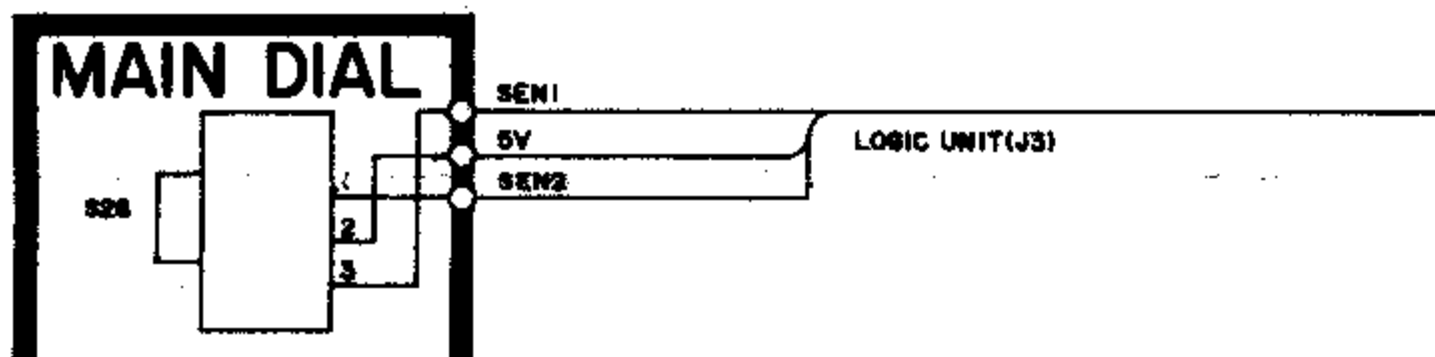
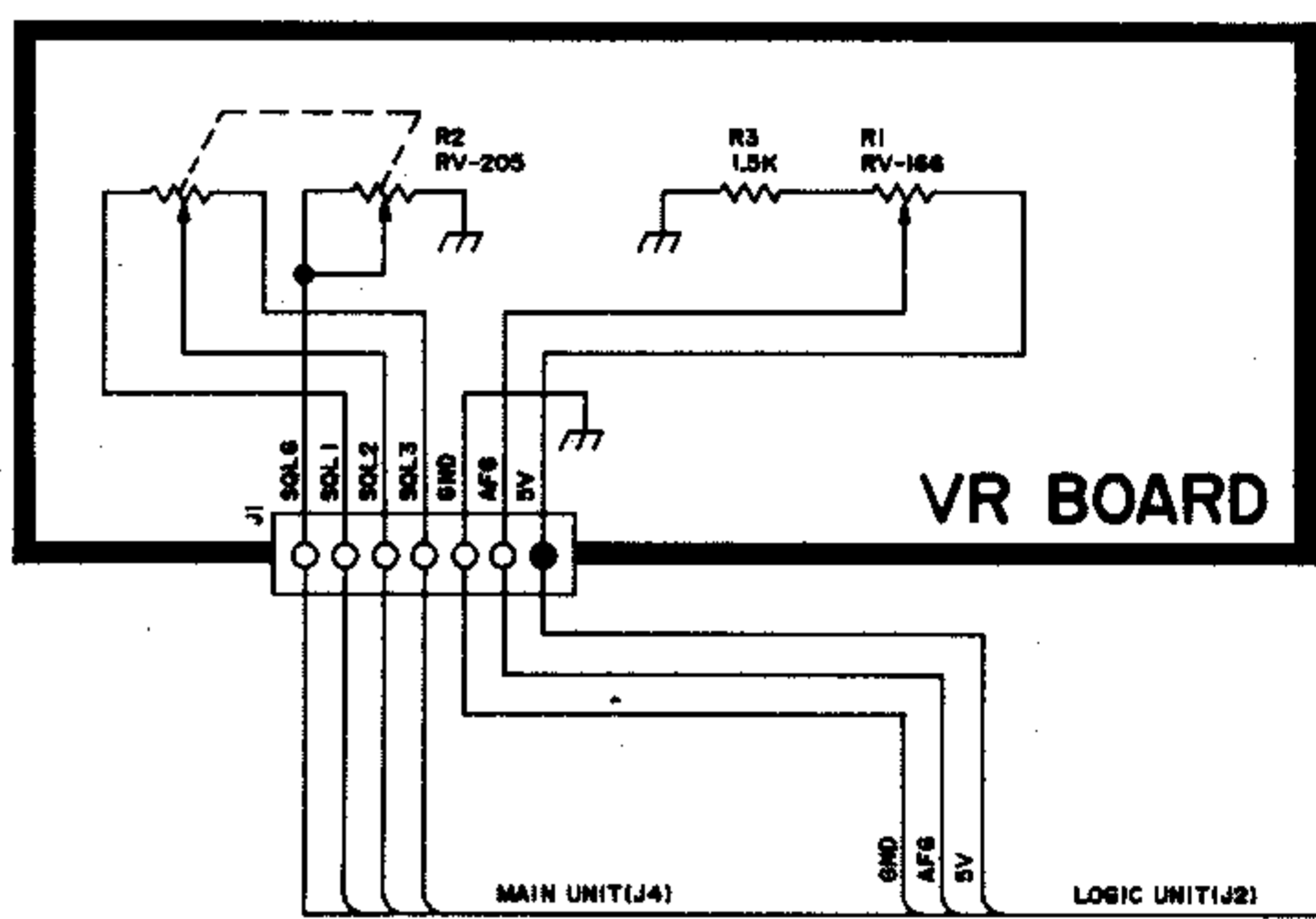
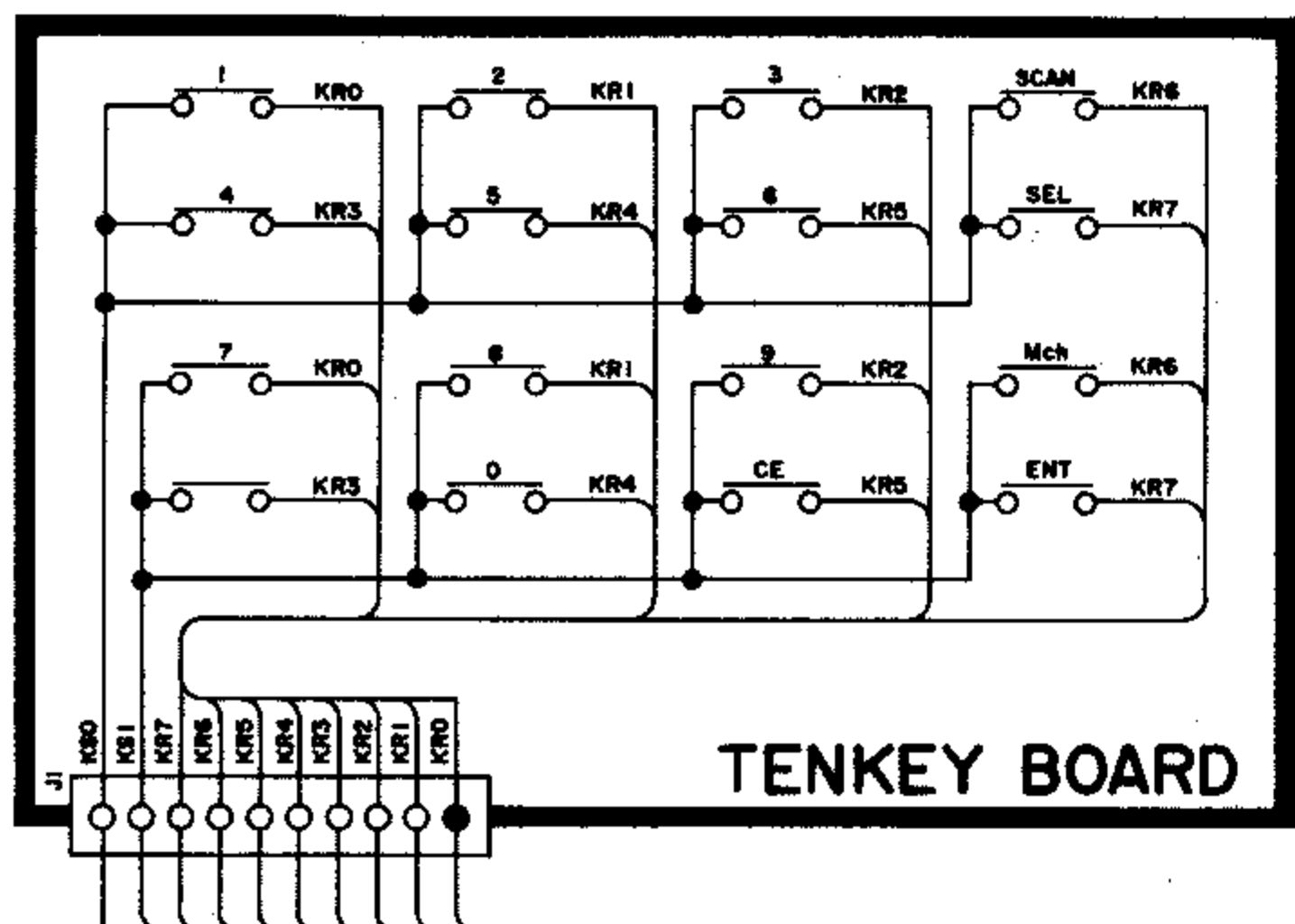
BLOCK DIAGRAM

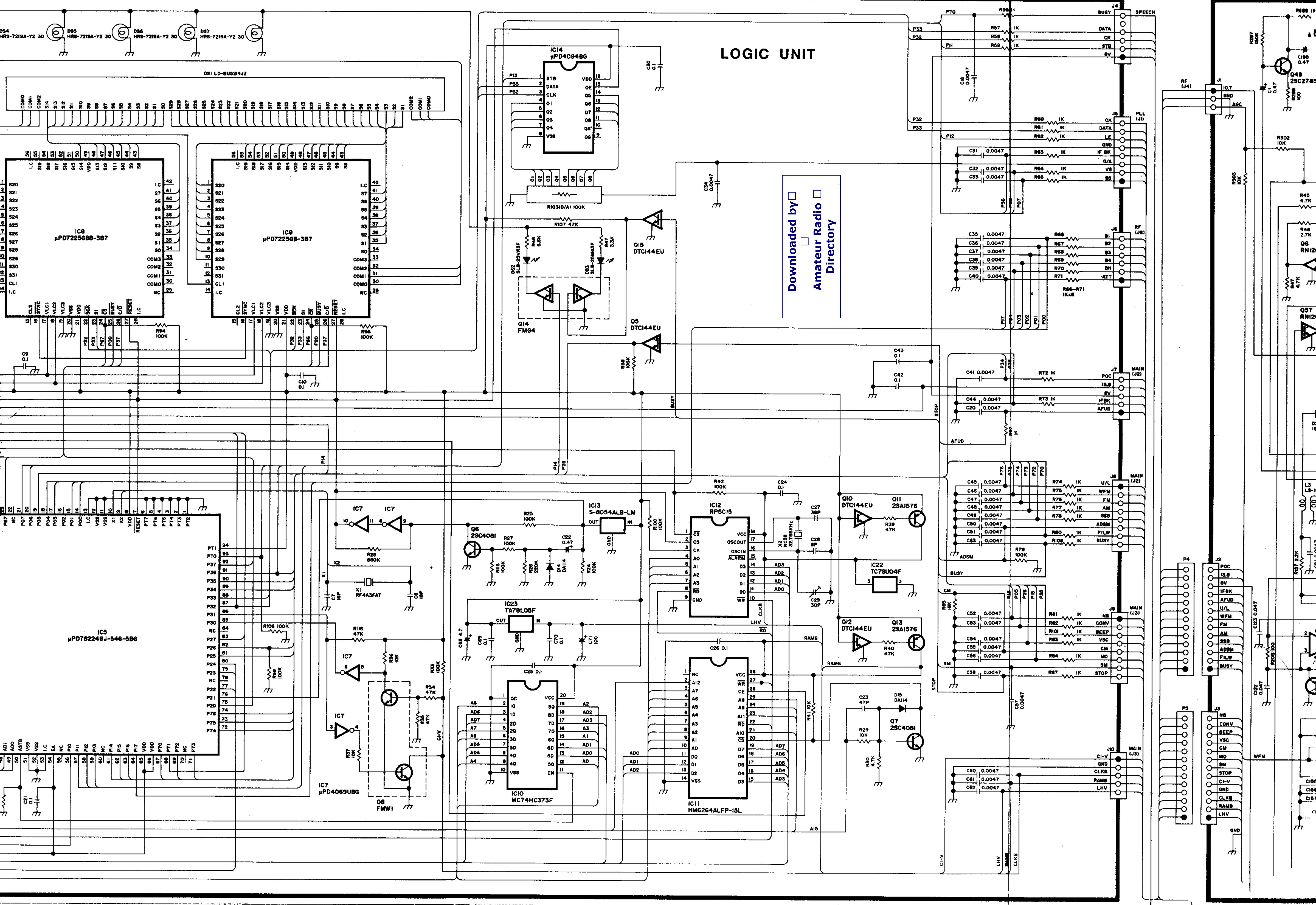


To upgrade quality, some components may be subject to change without notice.

A-5156S-2EX

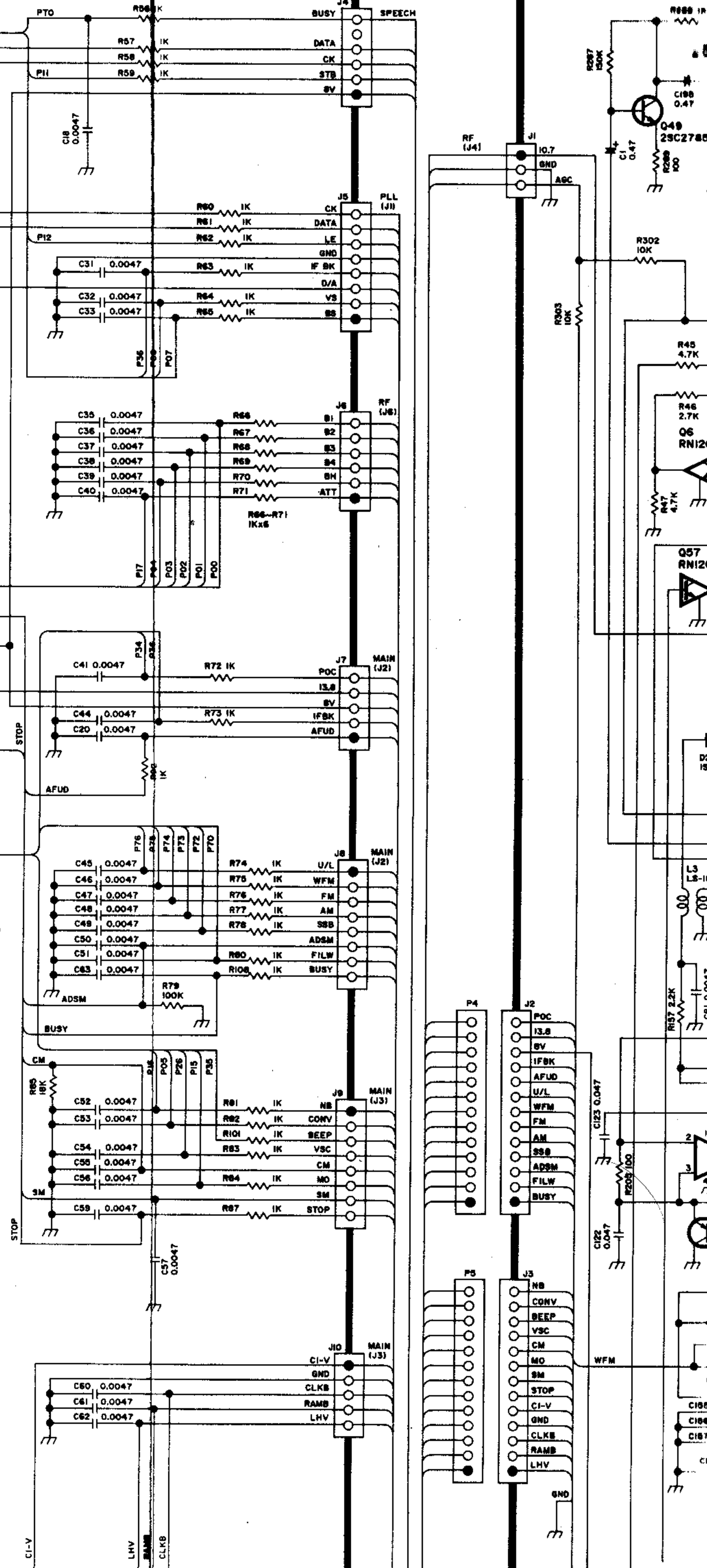
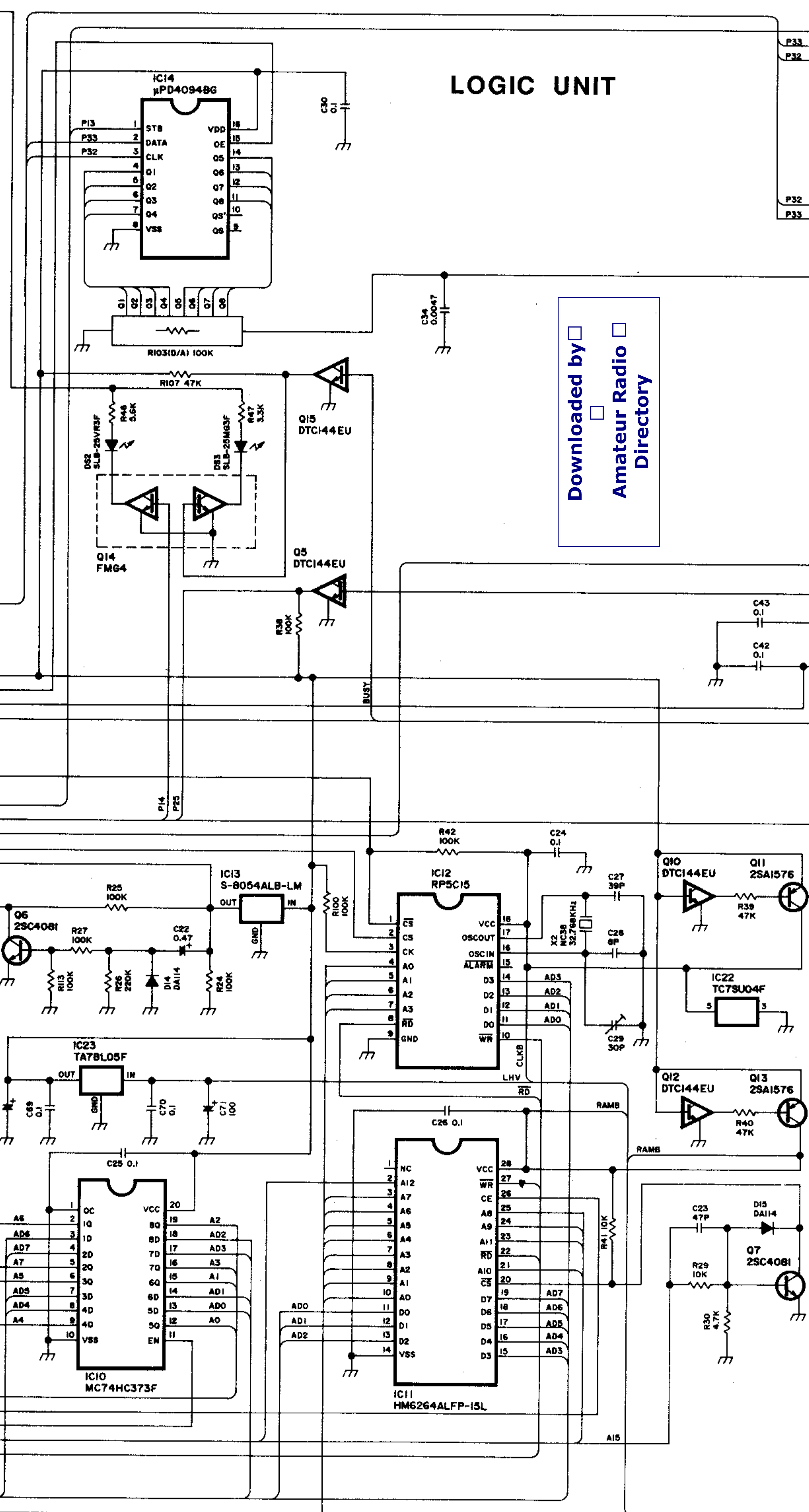
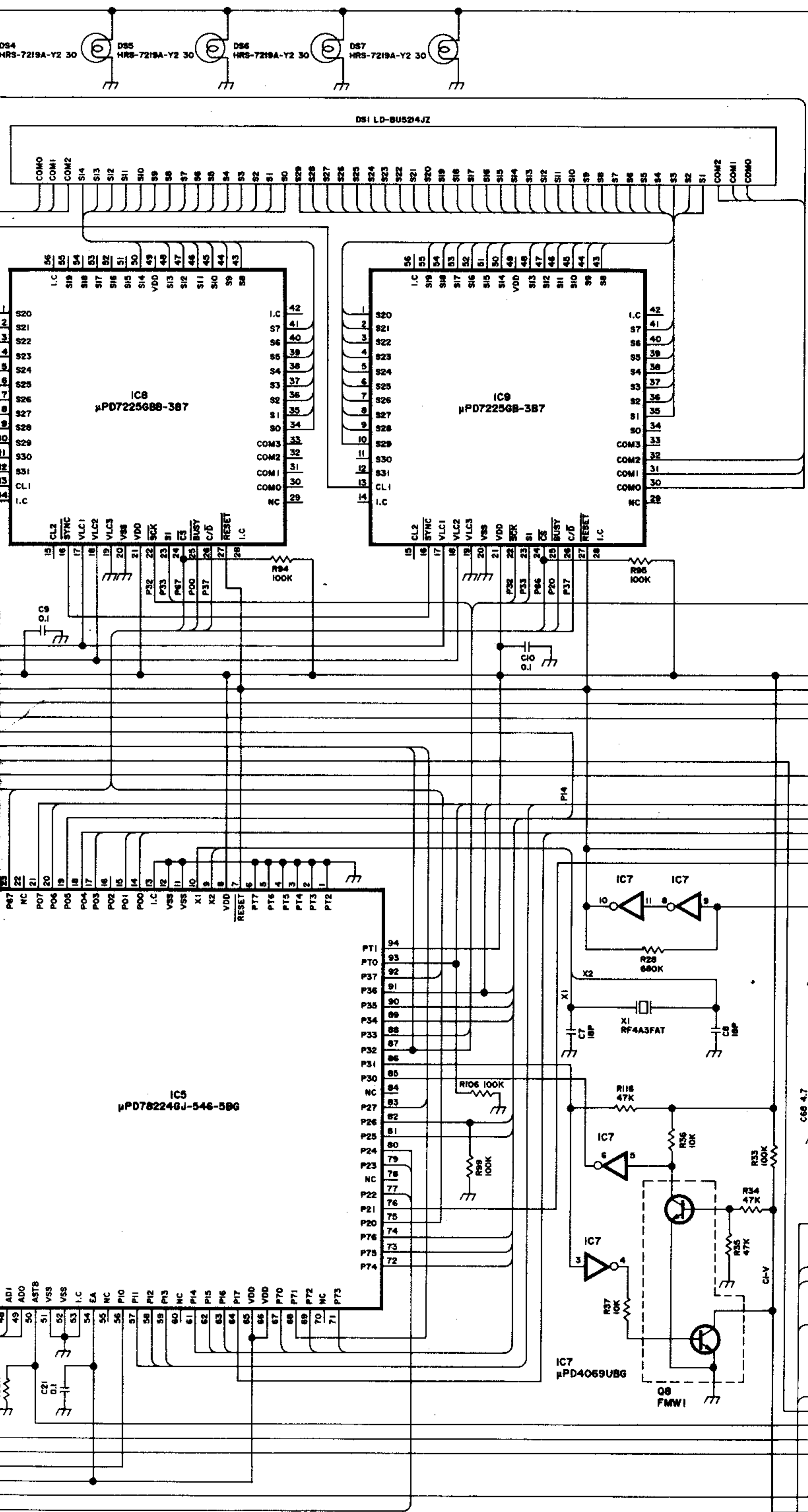
Icom Inc.

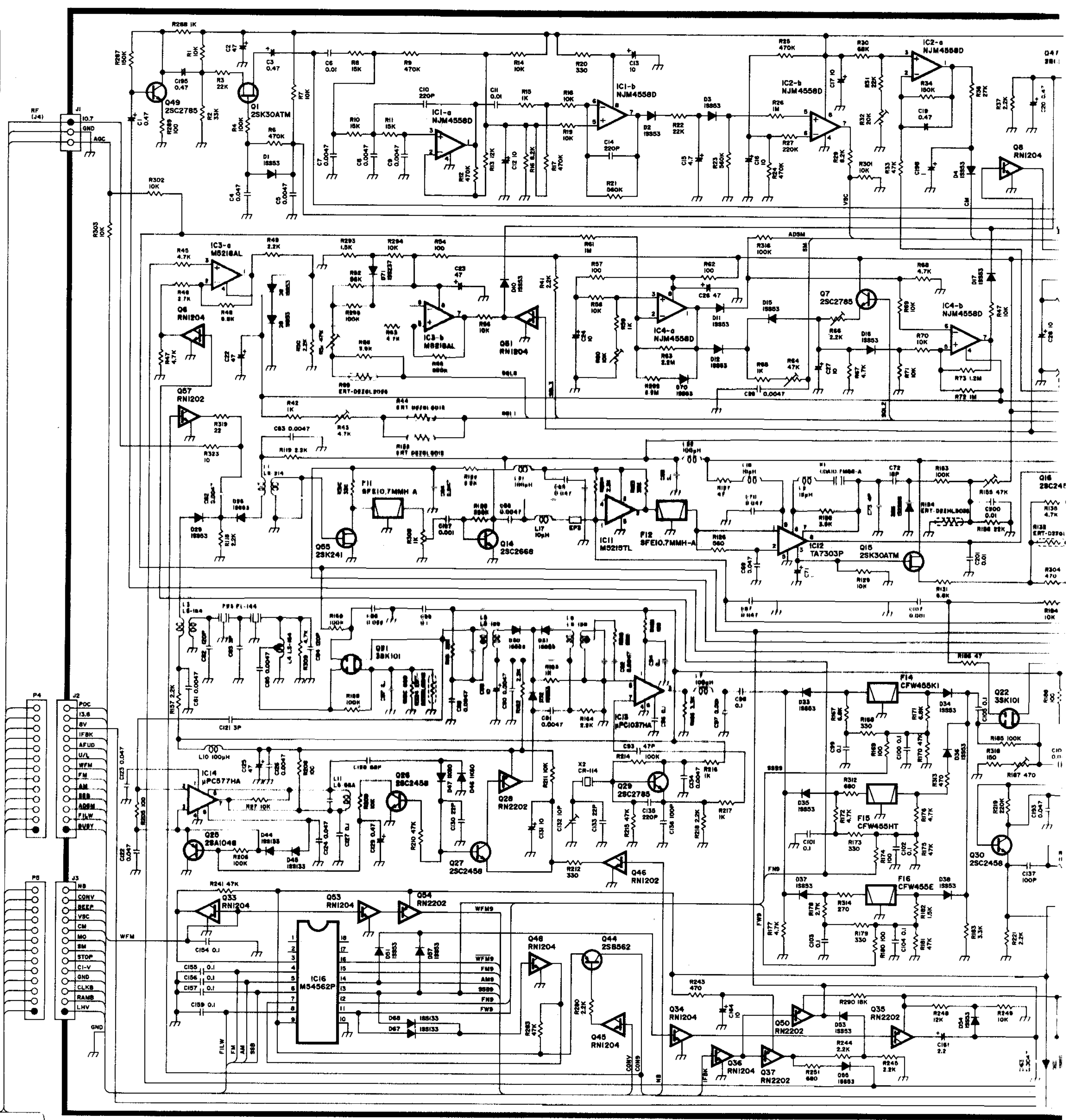
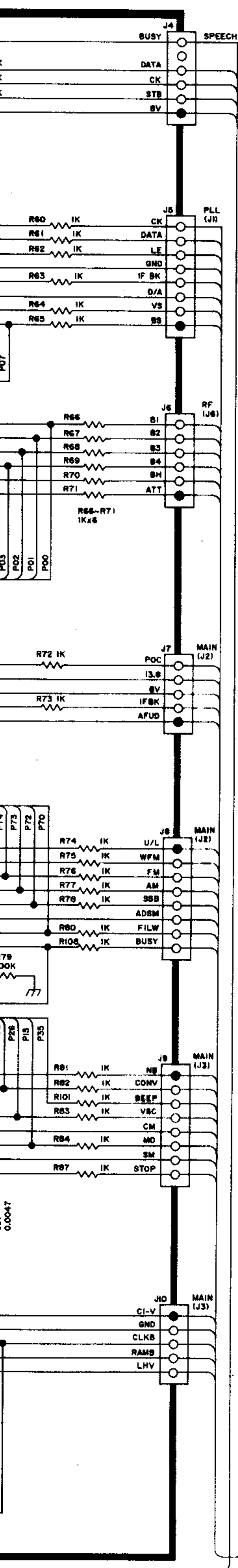




LOGIC UNIT

Downloaded by
Amateur Radio
Directory





PLL UNIT

MIX2 BOARD

MIX1 BOARD

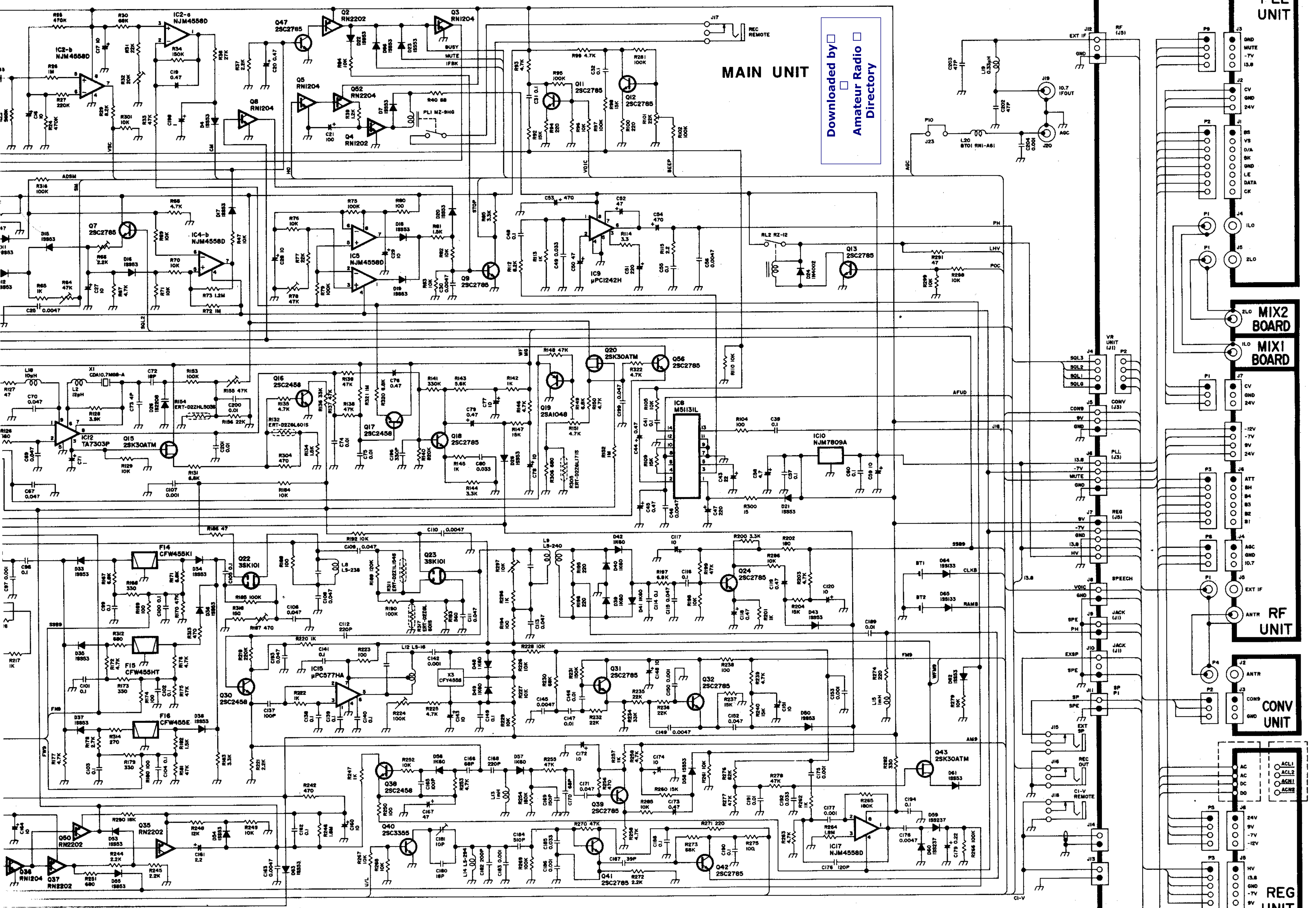
RF UNIT

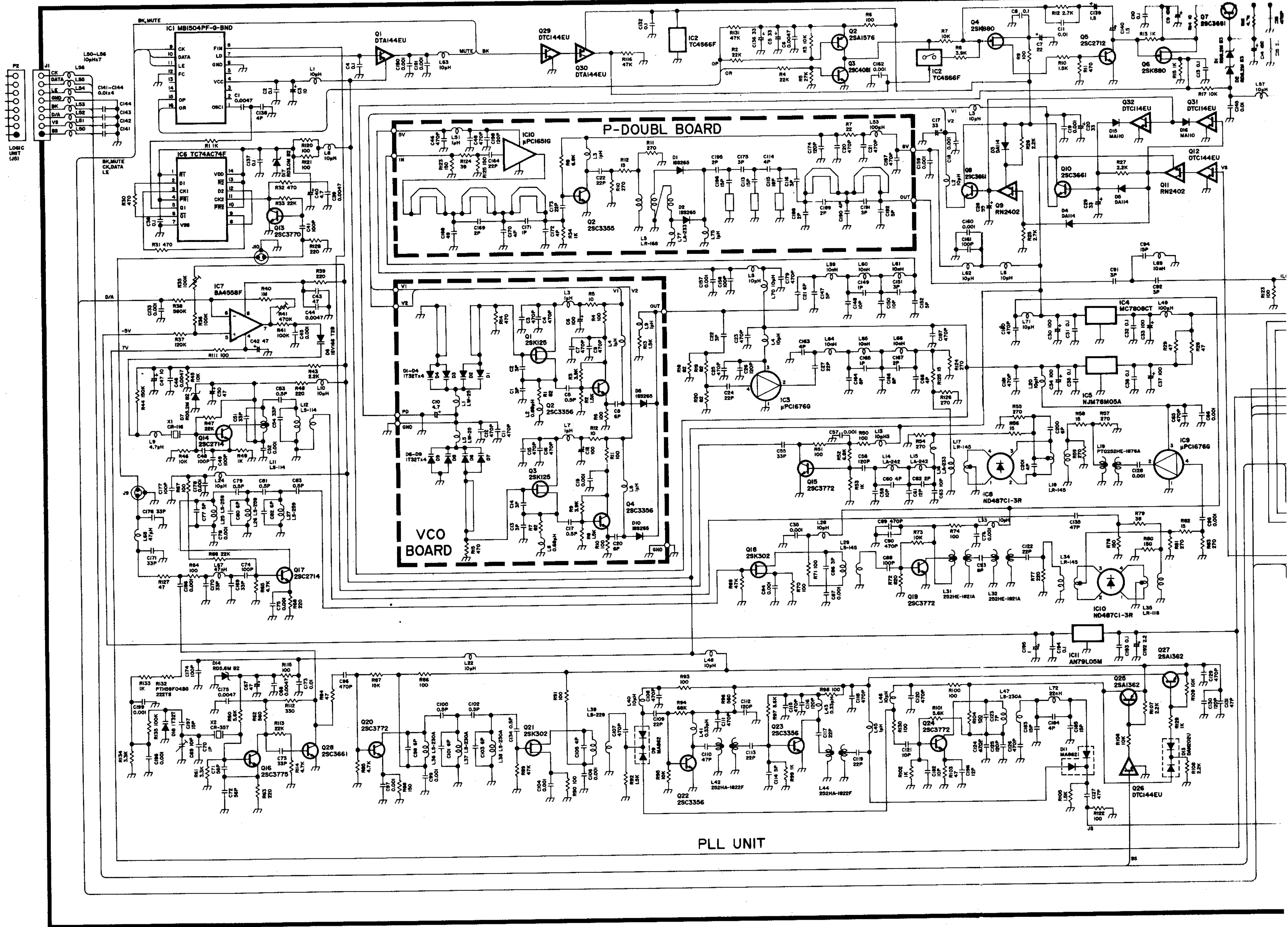
CONV UNIT

REG UNIT

MAIN UNIT

Downloaded by
Amateur Radio
Directory

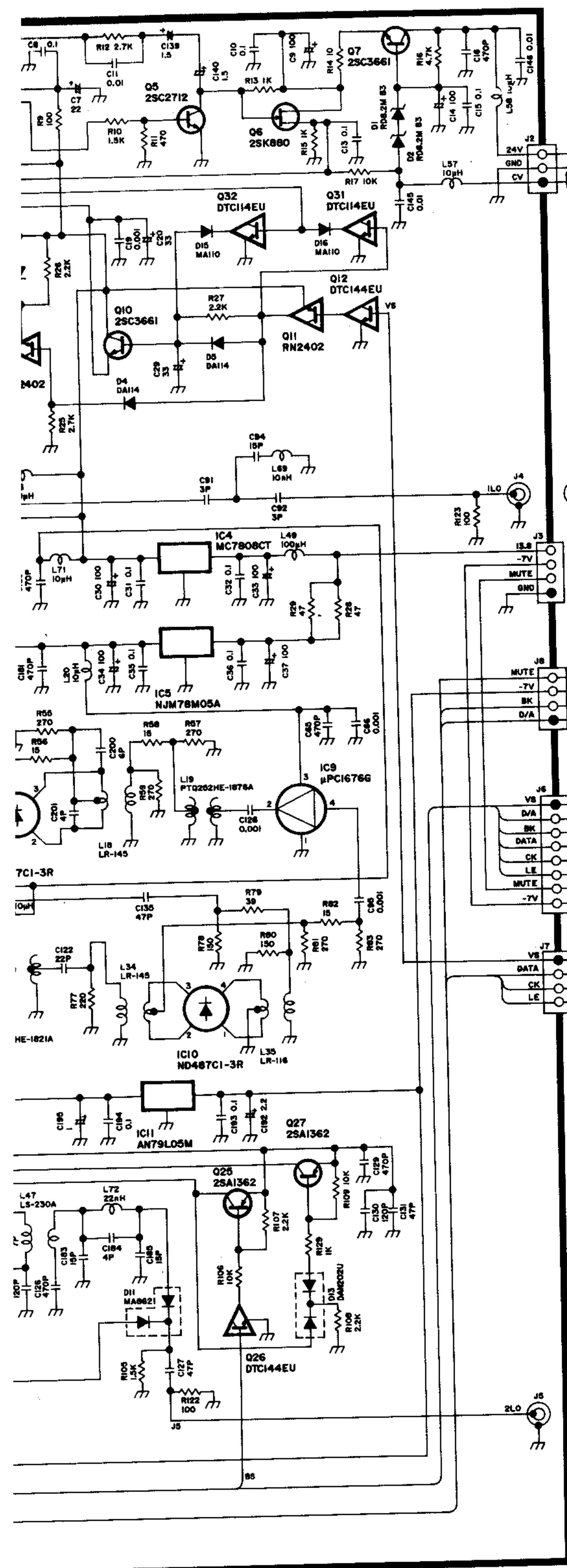




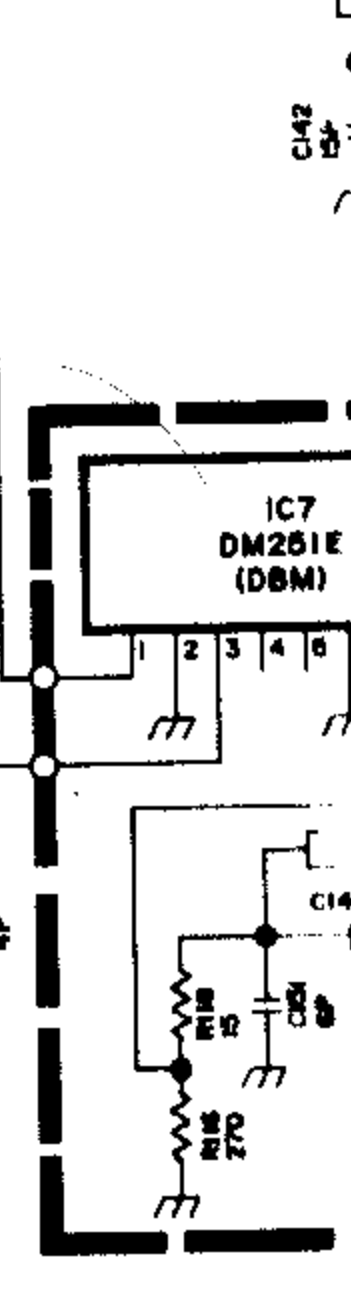
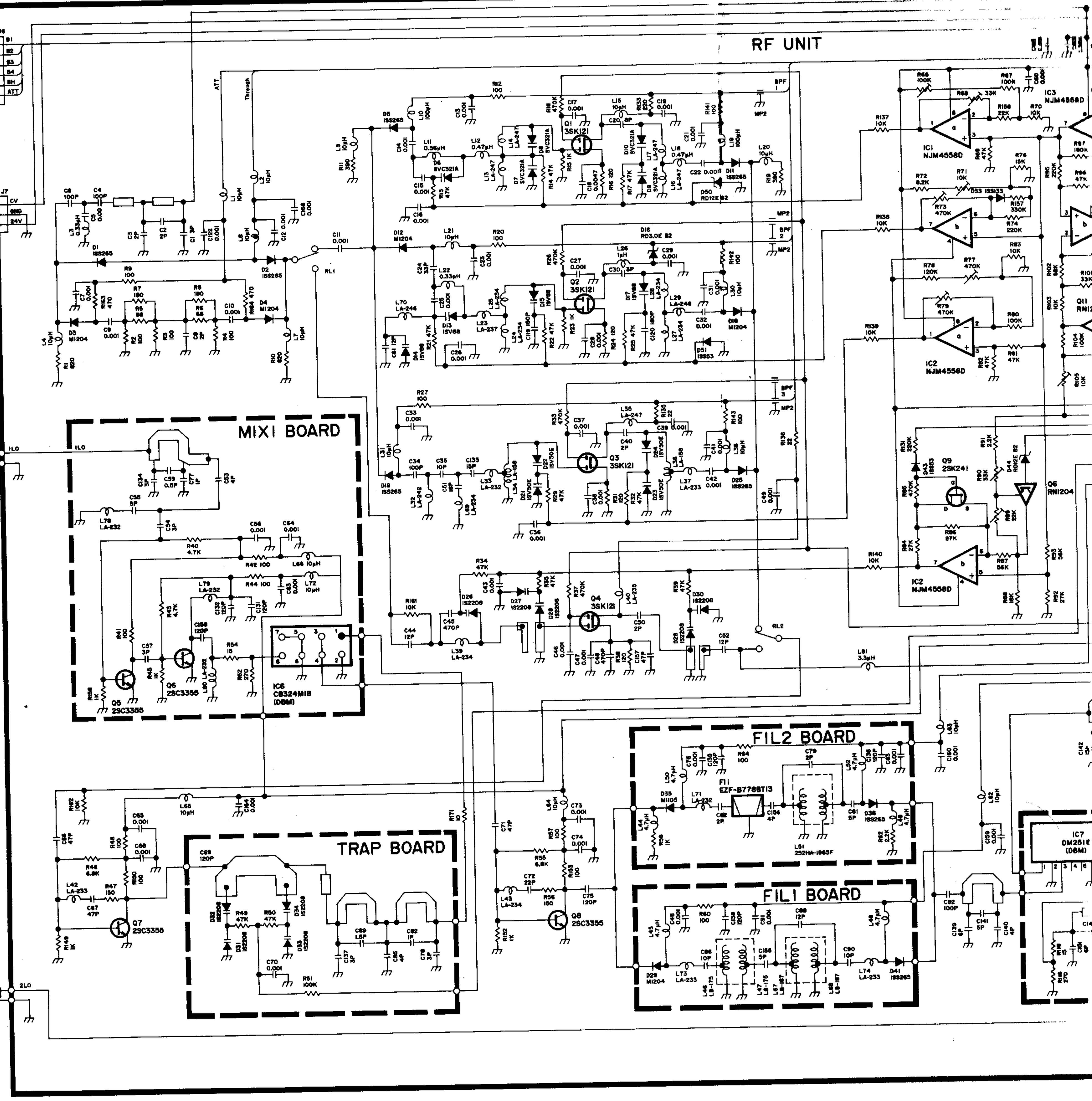
PLL UNIT

VCO BOARD

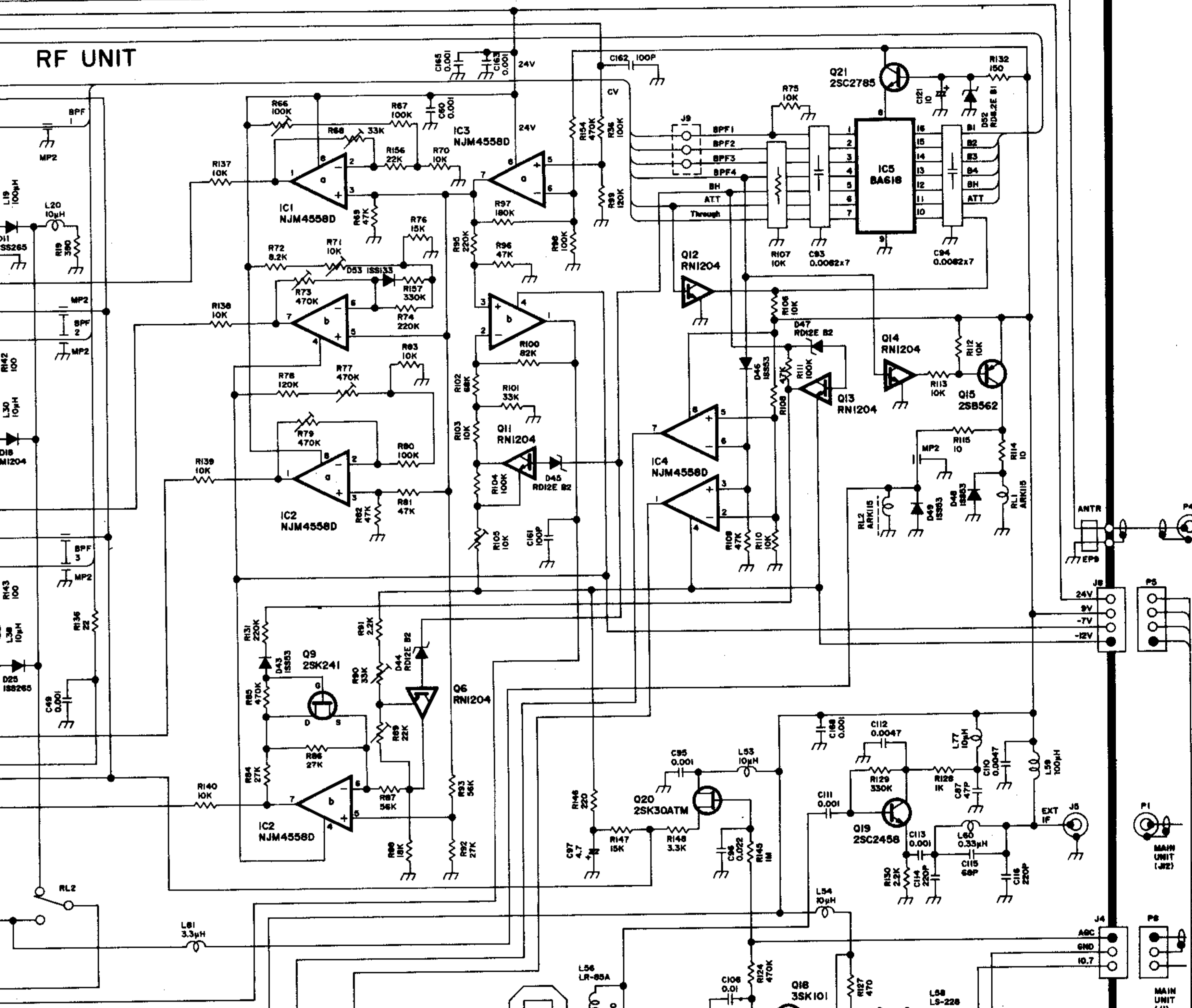
P-DOUBL BOARD



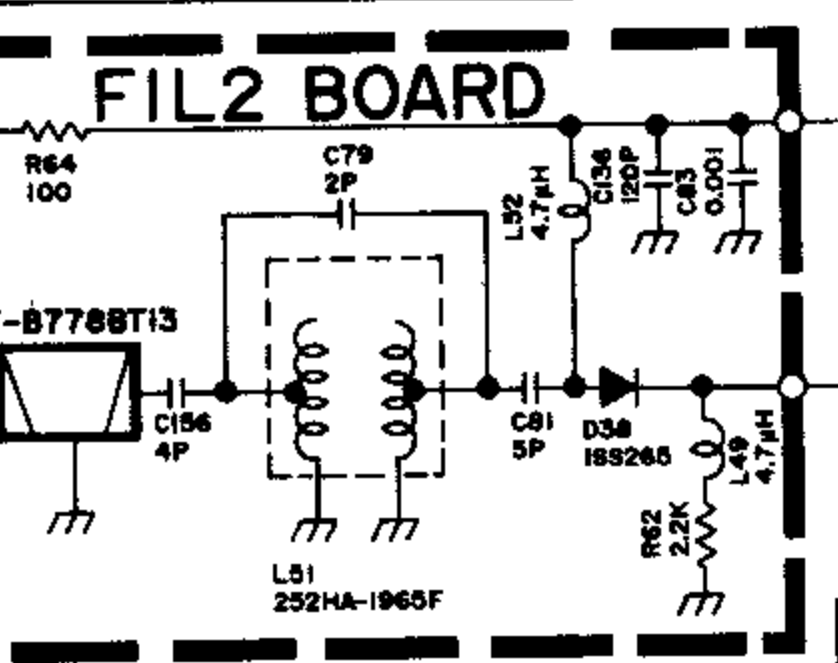
Downloaded by
 Amateur Radio
 Directory



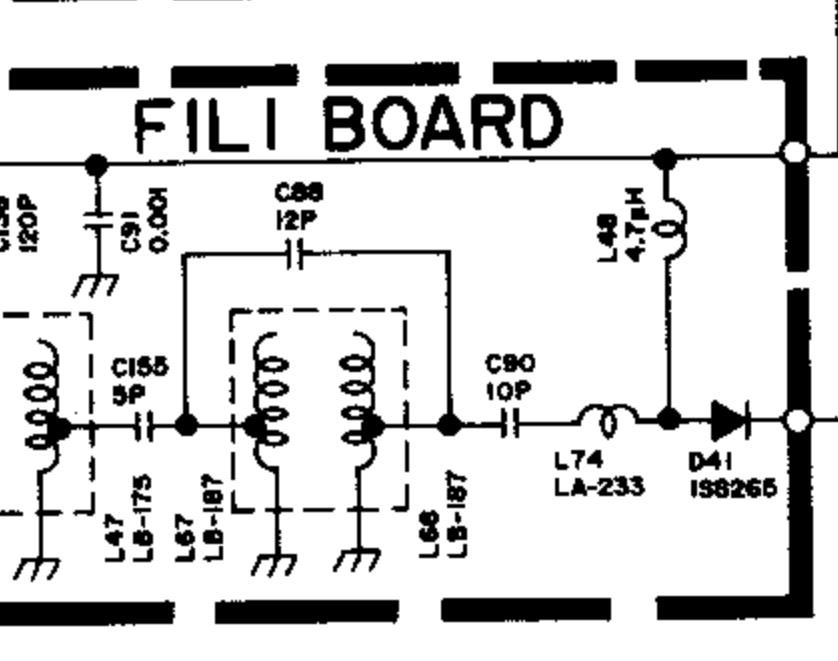
RF UNIT



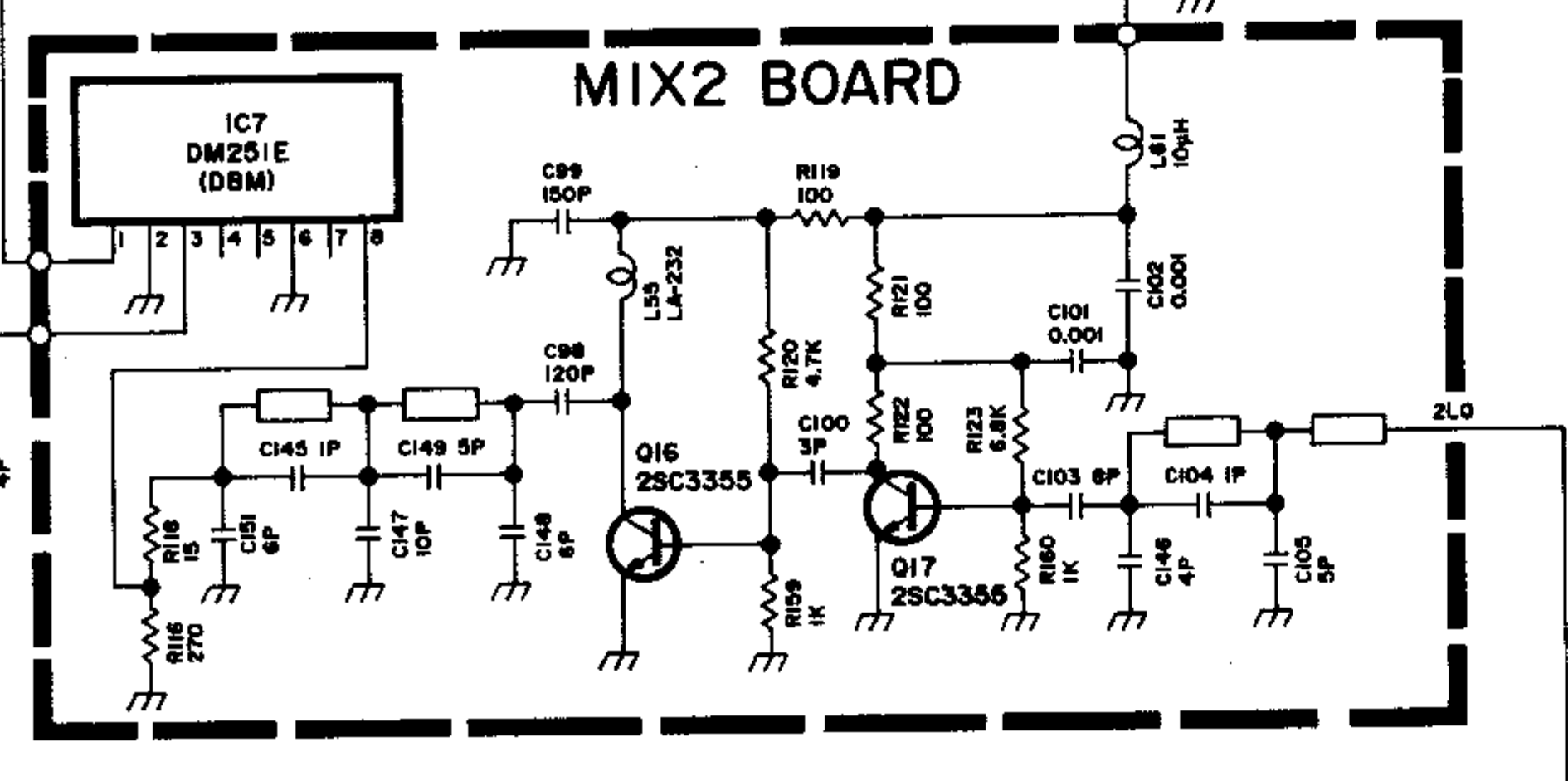
FIL2 BOARD



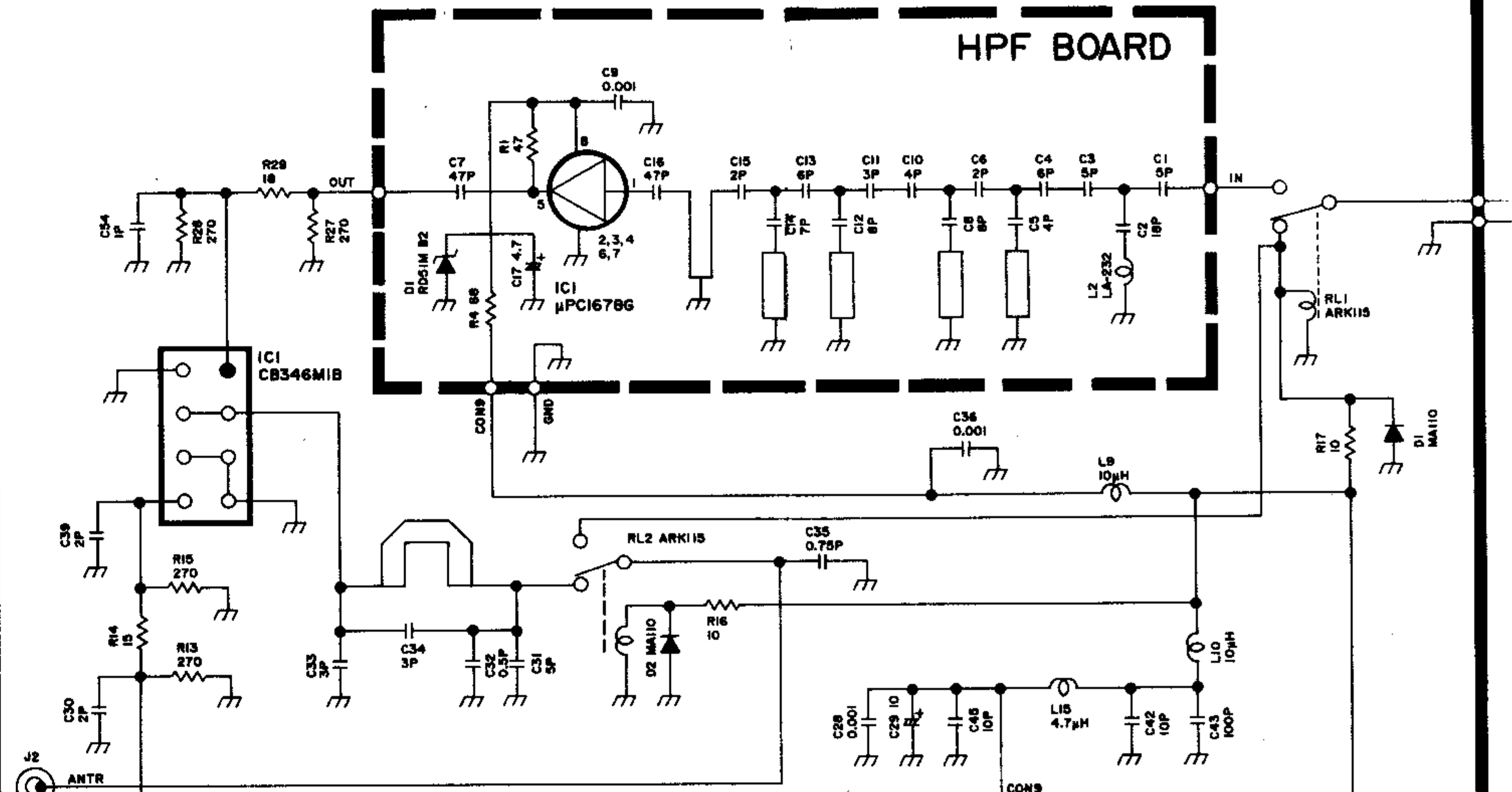
FIL1 BOARD



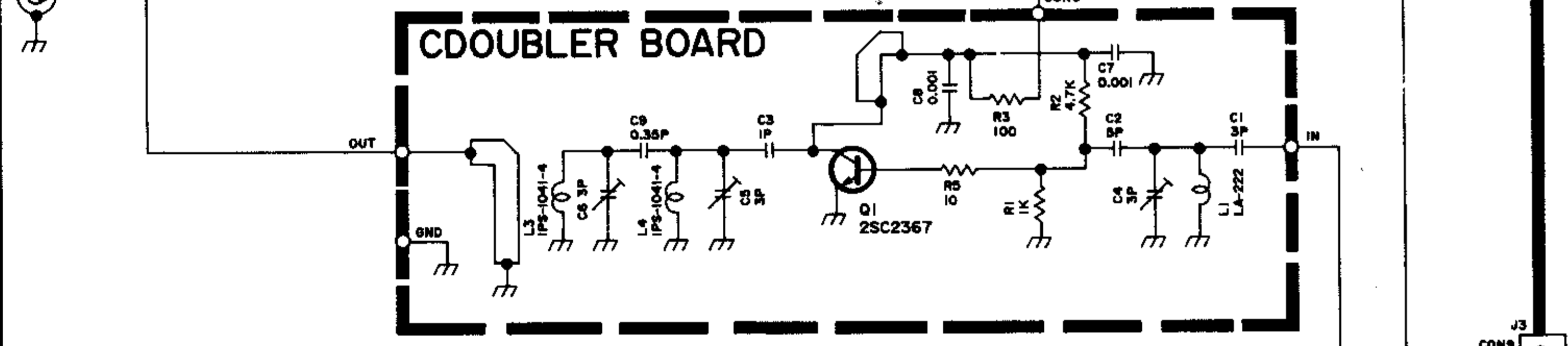
MIX2 BOARD



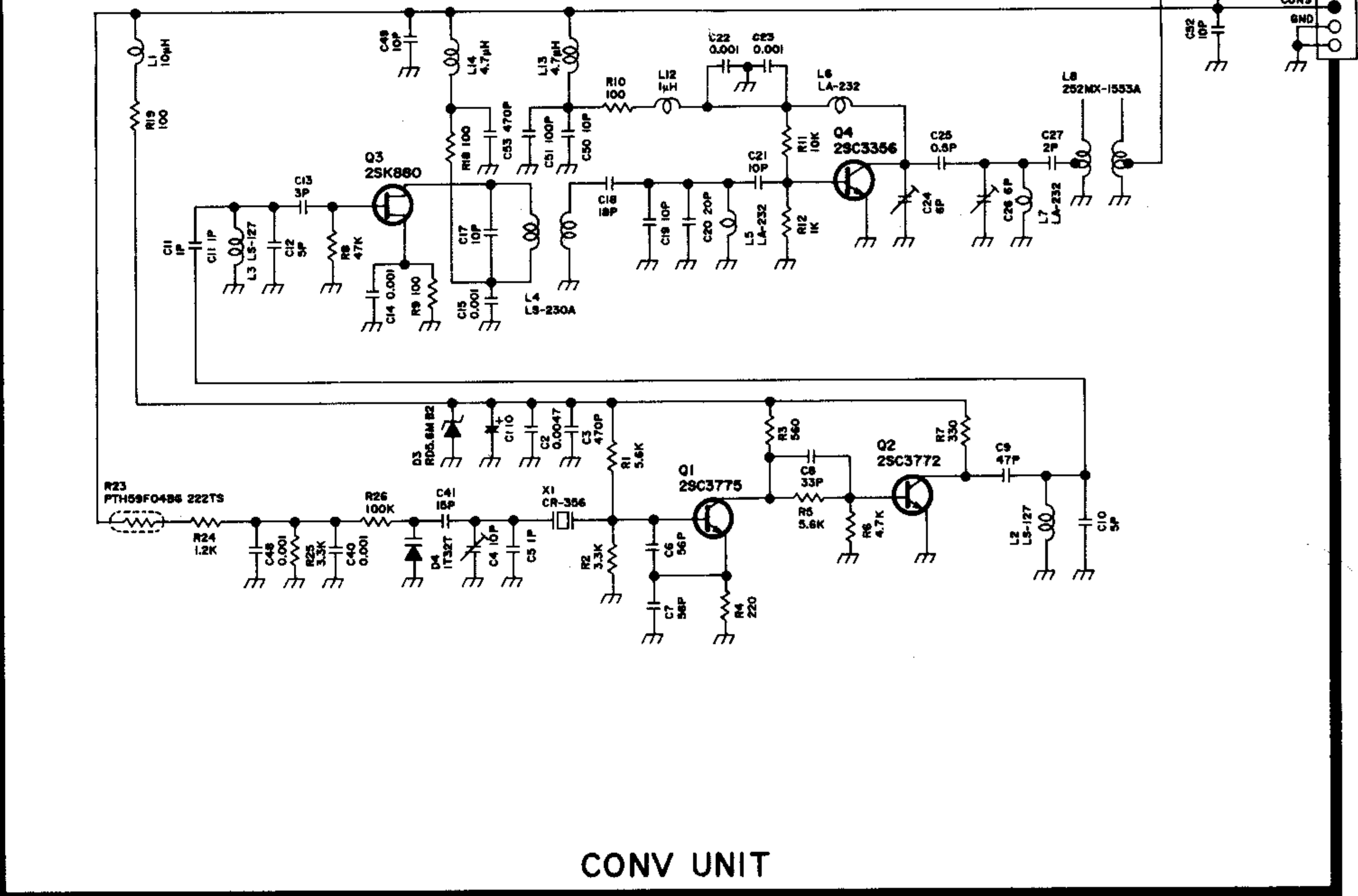
HPF BOARD



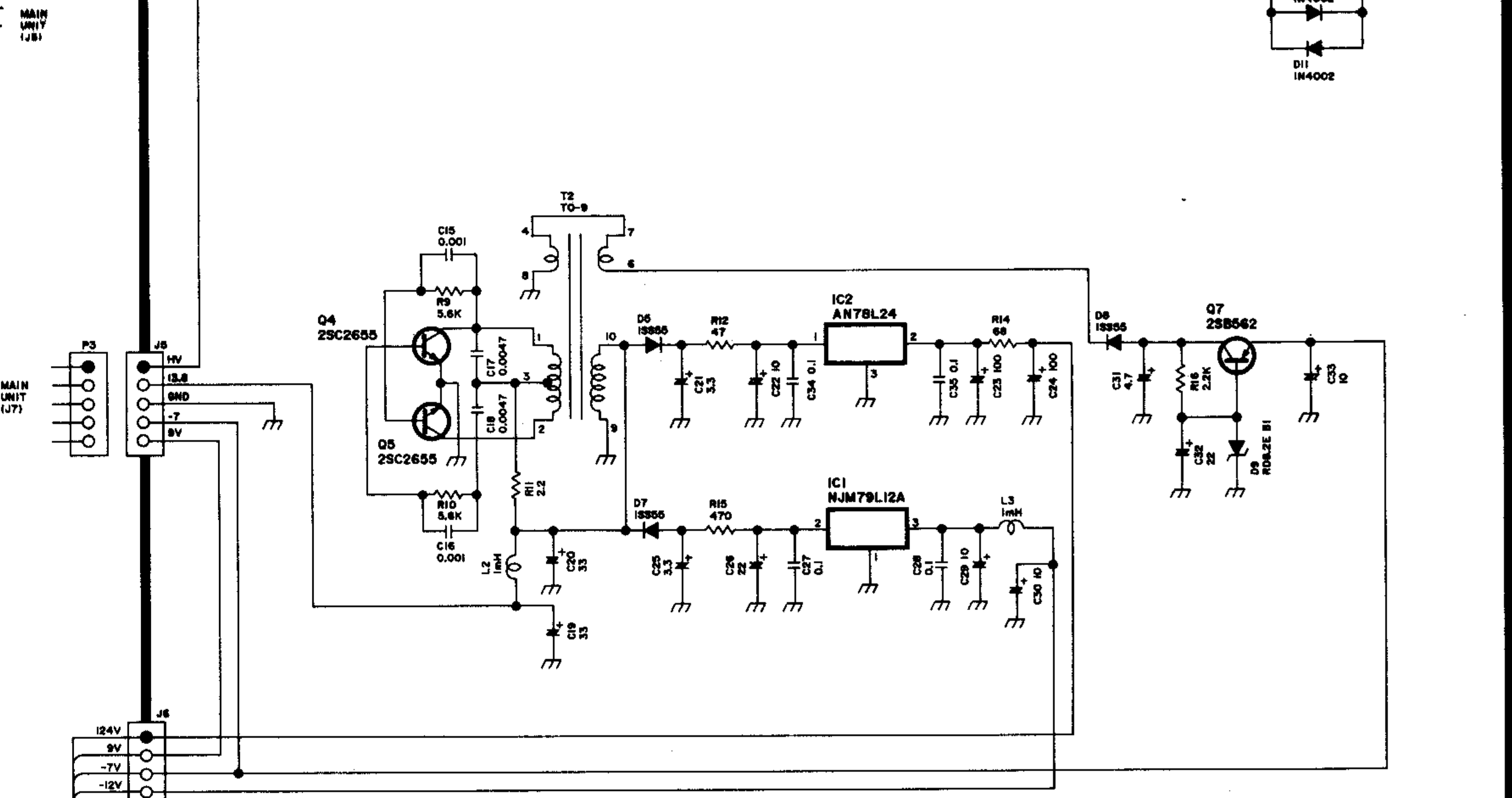
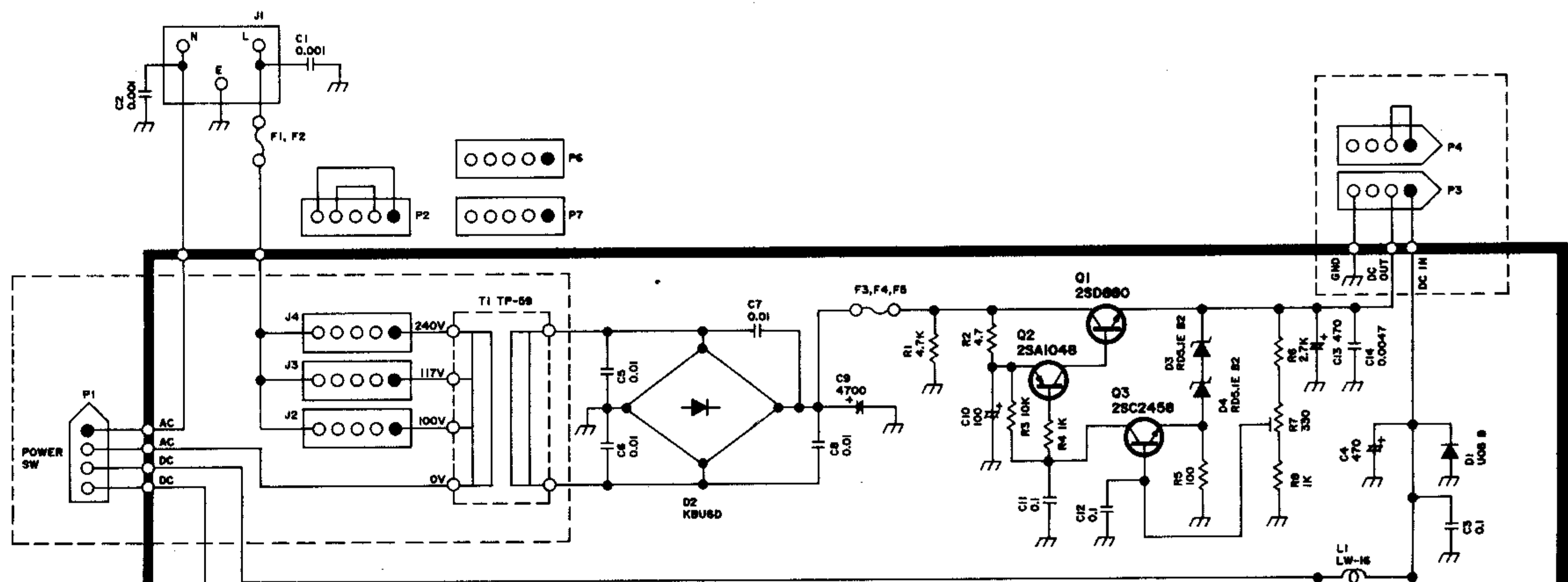
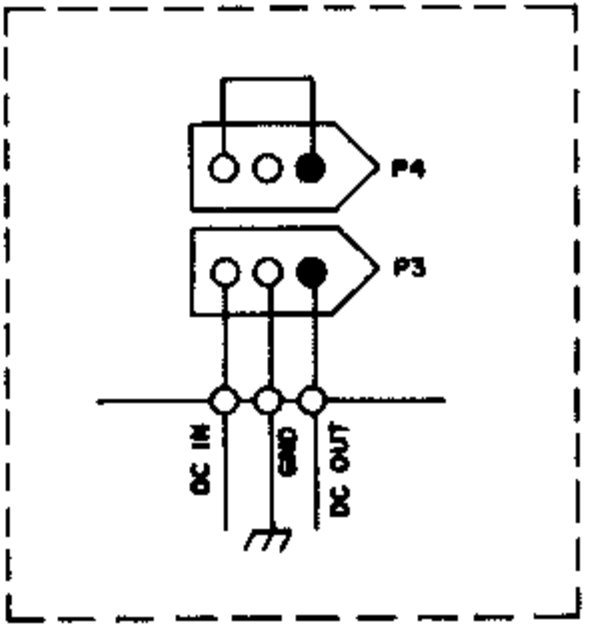
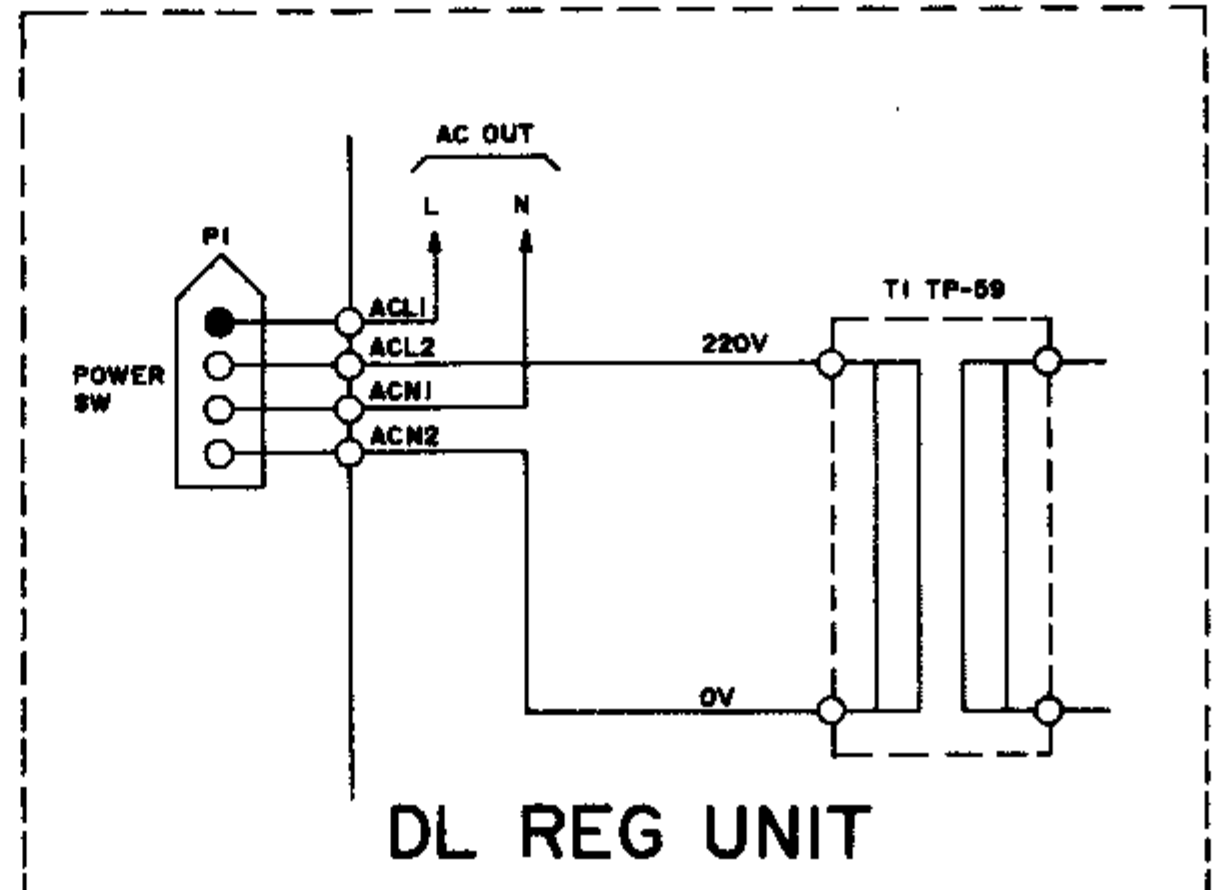
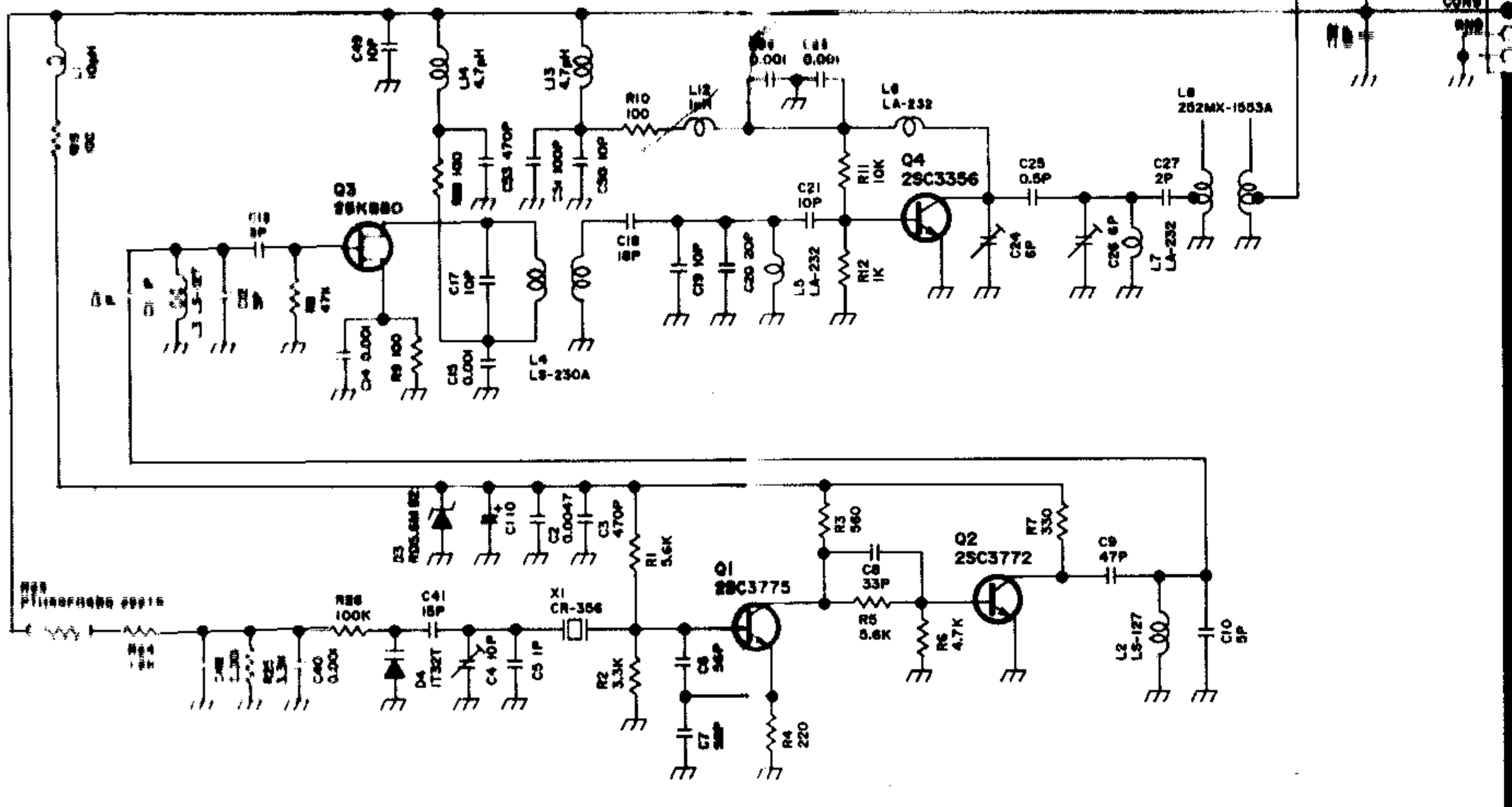
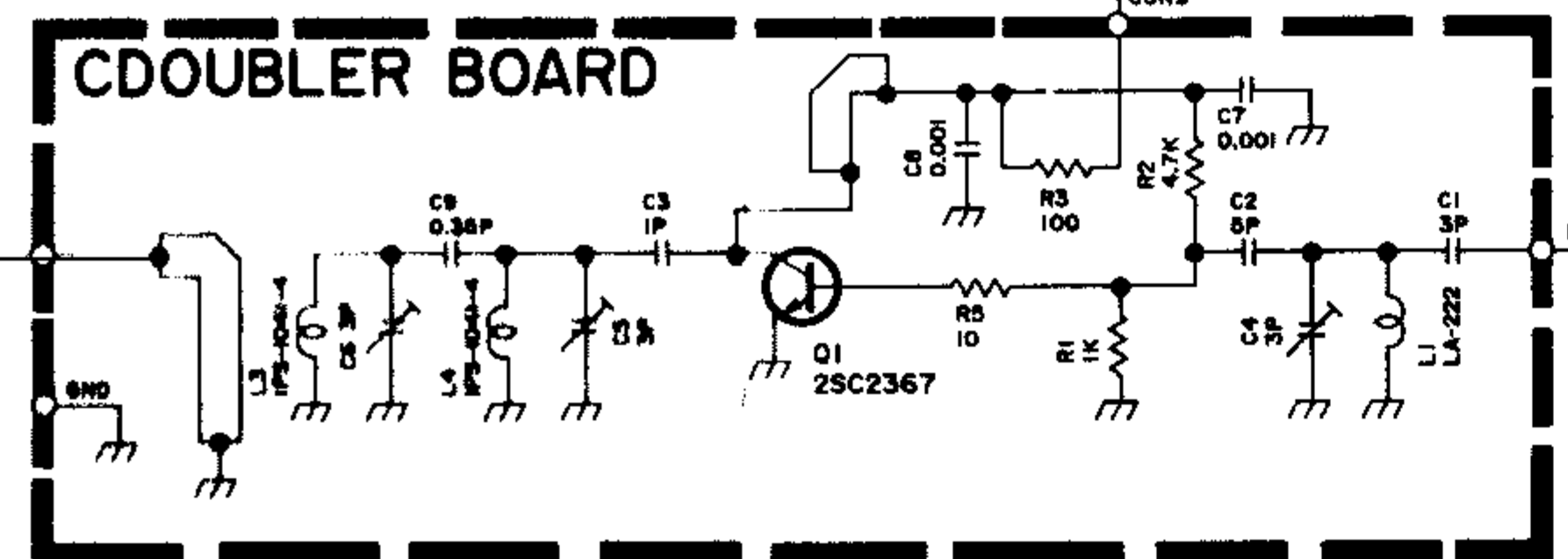
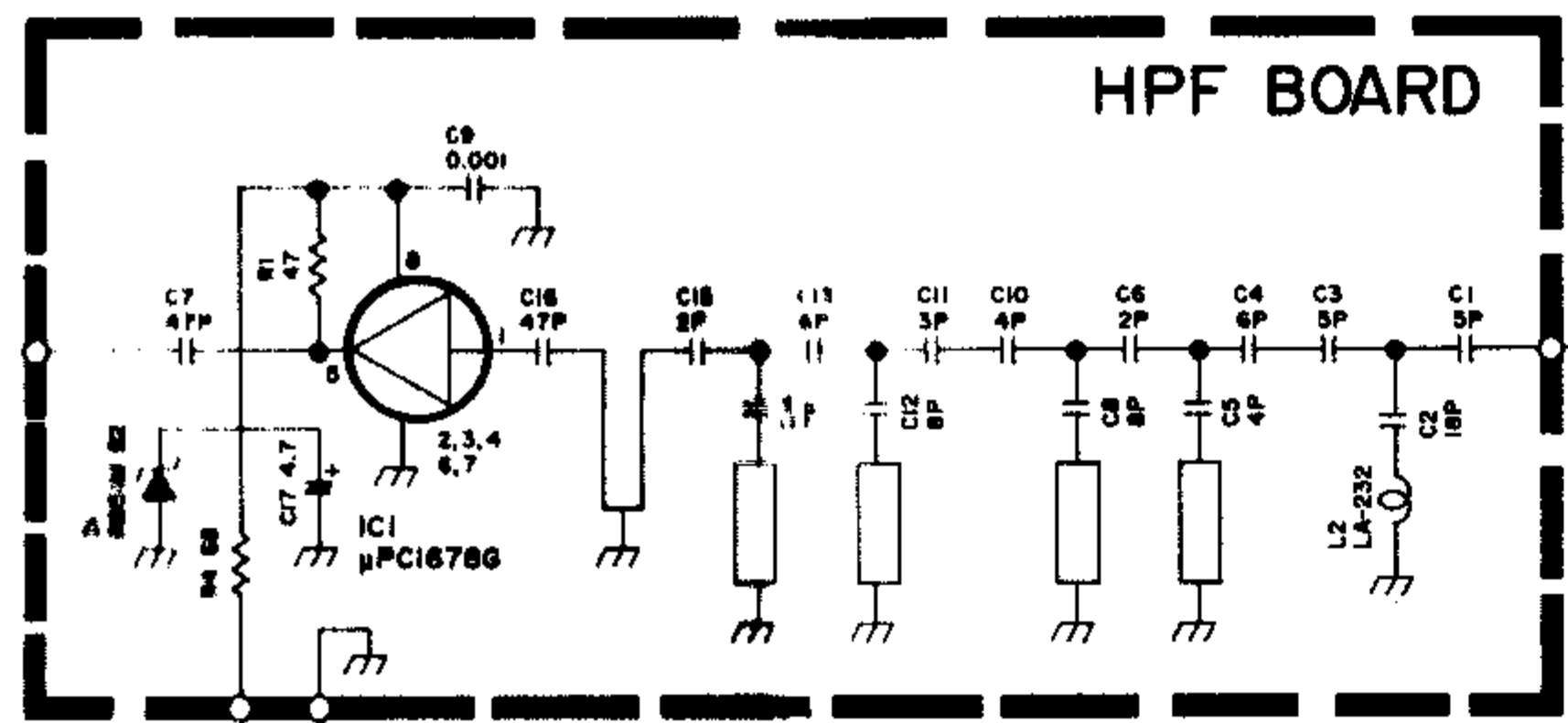
CDOUBLER BOARD



CONV UNIT



Downloaded by
Amateur Radio
Directory



REG UNIT