

June 2013



SERVICE MANUAL ADDENDUM

IC-R75

CONTENTS

| | |
|-------------------------|------------|
| REPLACEMENT PAGES | 6-1 to 6-3 |
| PARTS LIST | 1 |
| BOARD LAYOUTS | 11 |
| VOLTAGE DIAGRAM | 13 |

SECTION 6 MECHANICAL PARTS

[CHASSIS PARTS]

| REF NO. | ORDER NO. | DESCRIPTION | QTY. |
|---------|------------|-----------------------------|----------------|
| WS1 | 8970023364 | RX2240 1.5DCOAXIAL-4 (1)/CH | [USA-2] 1 |
| | 8970023364 | RX2240 1.5DCOAXIAL-4 (1)/CH | [OTH-2] 1 |
| J1 | 6510028410 | MR-DS-01-1 <GA> | 1 |
| W3 | 8900017840 | OPC-684A (P1N16L80) | 1 |
| W4 | 8900017840 | OPC-684A (P1N16L80) | 1 |
| W5 | 8900017840 | OPC-684A (P1N16L80) | 1 |
| W6 | 8900017840 | OPC-684A (P1N16L80) | 1 |
| EP1 | 0880001250 | EX-1962 #31 (UT-106) | Only [USA-2] 1 |
| MP1 | 8010017711 | 2240 MAIN CHASSIS-1 | 1 |
| MP2 | 8110006703 | 2240 U-COVER-3R Y2087C | 1 |
| MP3 | 8110006691 | 2240 L-COVER-1R Y2086A | 1 |
| MP4 | 8930005790 | COLOR LEG (A) | 1 |
| MP5 | 8930005800 | COLOR LEG (B) | 1 |
| MP6 | 8010001520 | STAND (C) | 1 |
| MP7 | 8930002900 | RUBBER LEG (A) SK1912A | 2 |
| MP8 | 8930035240 | 1546 TR-B CLIP | 1 |
| MP9 | 8930049600 | 2240 IC CLIP Y458 | 1 |
| MP10 | 8810001651 | PHFT M3 X 6 ZC3 | 4 |
| MP11 | 8810008661 | PHBT M3 X 8 NI-ZC3 | 2 |
| MP12 | 8810008661 | PHBT M3 X 8 NI-ZC3 | 2 |
| MP13 | 8810005771 | BIND M3 X 8 ZK3BLACK | 8 |
| MP14 | 8810005771 | BIND M3 X 8 ZK3BLACK | 2 |
| MP15 | 8810008661 | PHBT M3 X 8 NI-ZC3 | 6 |
| MP16 | 8810008661 | PHBT M3 X 8 NI-ZC3 | 5 |
| MP17 | 8810008661 | PHBT M3 X 8 NI-ZC3 | 2 |
| MP18 | 8810008661 | PHBT M3 X 8 NI-ZC3 | 1 |
| MP19 | 8930037001 | 1691 EARTH PLATE-1 Y266A | 1 |
| MP20 | 8810008661 | PHBT M3 X 8 NI-ZC3 | 2 |
| MP22 | 8810009131 | PHBT M3 X12 NI-ZC3 | 2 |
| MP23 | 8410002310 | 2240 HEATSINK | 1 |
| MP24 | 8810008661 | PHBT M3 X 8 NI-ZC3 | 2 |
| MP25 | 8930049611 | 2240 UNIT HOLDER-1 Y457A | 1 |
| MP26 | 8810003961 | SET SCREWA M2.6X 5 ZC3 | 2 |
| MP28 | 8930018810 | THERMAL SHEET AA | 2 |
| MP29 | 8930048121 | SHIELD TAPE (A)-1 | 1 |
| MP30 | 8930049260 | THERMAL SHEET CA | 2 |
| MP31 | 8930048961 | SHIELD TAPE (B)-1 | 1 |
| MP32 | 8930070820 | SHIELD SPONGE (BK) | 1 |
| MP33 | 8930049901 | SHIELD TAPE (E)-1 | 2 |
| MP34 | 8930050280 | COPPER SHEET (H) | 3 |
| MP35 | 8930050050 | SPONGE (GJ) 80X5X5 | 1 |
| MP36 | 8930045530 | ADHESIVE TAPE (F) | Only [USA-2] 1 |

[FRONT UNIT]

| REF NO. | ORDER NO. | DESCRIPTION | QTY. |
|---------|------------|-------------------------------|------|
| MP1 | 8210016221 | 2240 FRONT PANEL-1 ASSEMBLY | 1 |
| MP7 | 8930049700 | 2240 BRAKE PLATE ASSEMBLYY446 | 1 |
| MP17 | 8610014310 | KNOB N-283A ASSEMBLY | 1 |
| WS1 | 8600036530 | RX2240 P01FR | 1 |
| SP1 | 2510000671 | VS-C50-0827 | 1 |
| W3 | 8900014740 | OPC-885A (P1N10L39) | 1 |
| W4 | 8900015930 | OPC-886A (P1N10L75) | 1 |
| W5 | 8900017840 | OPC-684A (P1N16L80) | 1 |
| EP1 | 6910012480 | RMS20-250-201-1R | 1 |
| EP2 | 6450001230 | HLJ0999-01-480 SNAP PLATE | 1 |
| MP4 | 8930048740 | 2240 9-KEY (SC) | 1 |
| MP5 | 8930048730 | 2240 6-KEY (SC) | 1 |
| MP6 | 8930048750 | 2240 20-KEY (SC) | 1 |
| MP9 | 8930049370 | 2240 BRAKE SHEET | 1 |
| MP10 | 8830001010 | HEX NUT (A) | 1 |
| MP11 | 8830001010 | HEX NUT (A) | 1 |
| MP12 | 8830001410 | 1897 NUT | 1 |
| MP13 | 8610010420 | KNOB N261 | 1 |
| MP14 | 8610010420 | KNOB N261 | 1 |
| MP15 | 8610010710 | KNOB N272 | 1 |
| MP16 | 8610010710 | KNOB N272 | 1 |
| MP18 | 8610009171 | KNOB N-213 COVER-1 (TOP)S | 1 |
| MP21 | 8010017772 | 2240 F-CHASSIS-2 | 1 |
| MP24 | 8810008661 | PHBT M3 X 8 NI-ZC3 | 5 |
| MP25 | 8810008661 | PHBT M3 X 8 NI-ZC3 | 1 |
| MP26 | 8930048891 | 2240 SP HOLDER-1 | 1 |
| MP27 | 8810008661 | PHBT M3 X 8 NI-ZC3 | 4 |
| MP28 | 8810008661 | PHBT M3 X 8 NI-ZC3 | 4 |
| MP31 | 8930049770 | SPONGE (GF) 25X15X1 | 5 |
| MP32 | 8930047440 | INSULATION SHEETFJ | 4 |
| MP33 | 8930029050 | THERMAL SHEET AL | 1 |
| MP34 | 8930049880 | 2240 LCD SPONGE | 1 |
| MP35 | 8930049860 | 2240 L-SHEET | 1 |
| MP36 | 8930038920 | THERMAL SHEET BH | 4 |
| MP37 | 8930049870 | 2240 SP SPONGE | 1 |
| MP39 | 8930070820 | SHIELD SPONGE (BK) | 2 |
| MP40 | 8930070870 | SHIELD SPONGE (BL) | 1 |
| MP41 | 8930079760 | SHIELD SPONGE (CO) | 1 |

[LOGIC BOARD]

| REF NO. | ORDER NO. | DESCRIPTION | QTY. |
|---------|------------|-------------------------|------|
| W401* | 7030003860 | ERJ3GE JPW V | 1 |
| J411* | 6510019981 | 52808-1671 (1690) | 1 |
| J451* | 6510019971 | 52808-1071 | 1 |
| J461* | 6510018971 | B4B-PH-SM4-TB (LF) (SN) | 1 |
| J471* | 6510019971 | 52808-1071 | 1 |
| J491* | 6510018961 | B2B-PH-SM4-TB (LF) (SN) | 1 |
| J501* | 6510019981 | 52808-1671 (1690) | 1 |
| J521* | 6510019981 | 52808-1671 (1690) | 1 |
| J541* | 6510019981 | 52808-1671 (1690) | 1 |

*: Refer to "BOARD LAYOUTS" for the location.

Screw abbreviations A, B0, BT: Self-tapping PH: Pan head ZK: Black NI-ZU: Nickel-Zinc SUS: Stainless

[PHONE UNIT]

| REF NO. | ORDER NO. | DESCRIPTION | QTY. |
|---------|------------|-------------------|------|
| J101* | 6510020711 | 52793-1070 (1090) | 1 |
| J121 | 6510028100 | JY-6355*01-090 | 1 |
| MP1 | 8930013210 | TOP SPRING | 1 |

[PLL UNIT]

| REF NO. | ORDER NO. | DESCRIPTION | QTY. |
|---------|------------|-----------------------------|------|
| WS1 | 8970023350 | RX2240 1.5DCOAXIAL (4)/PL 2 | 1 |
| W1* | 7030003860 | ERJ3GE JPW V | 1 |
| W2* | 7030003860 | ERJ3GE JPW V | 1 |
| W18* | 7030003860 | ERJ3GE JPW V | 1 |
| W19* | 7030003860 | ERJ3GE JPW V | 1 |
| W20* | 7030003860 | ERJ3GE JPW V | 1 |
| J2* | 6510019981 | 52808-1671 (1690) | 1 |
| J3 | 6450000140 | HSJ0807-01-010 | 1 |
| J4 | 6450000140 | HSJ0807-01-010 | 1 |
| MP1 | 8510000231 | 220 SHIELD CASE-1 | 1 |
| MP2 | 8510010760 | 1876 DDS CASE | 1 |
| MP3 | 8510010770 | 1876 DDS COVER | 1 |
| MP5 | 8510008801 | 1428 VCO CASE-1 | 1 |
| MP8 | 8510005980 | 724SHIELD CASE | 1 |
| MP9 | 8510005990 | 724SHIELD CASE COVER | 1 |
| MP11 | 8510005980 | 724SHIELD CASE | 1 |
| MP12 | 8510005990 | 724SHIELD CASE COVER | 1 |
| MP13 | 8930038431 | 778 A-SPONGE-1 | 1 |
| MP14 | 8930014140 | EARTH SPRING (D) | 1 |
| MP15 | 8930027810 | EMBOS TAPE (B) | 1 |
| MP16 | 8510000210 | 194SHIELD PLATE | 1 |
| MP17 | 8930017200 | 752EARTH SPRING | 1 |
| MP18 | 8930053600 | 2242 SPRING | 1 |
| MP19 | 8930053600 | 2242 SPRING | 1 |

[DISPLAY UNIT]

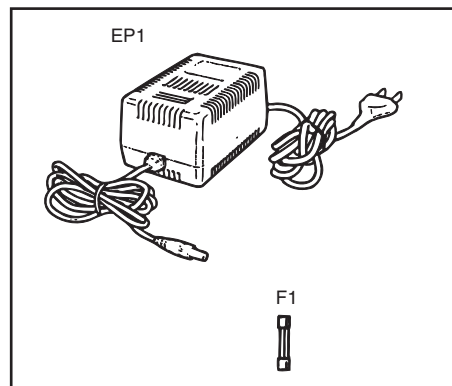
| REF NO. | ORDER NO. | DESCRIPTION | QTY. |
|---------|------------|-------------------------------|------|
| J101* | 6510019981 | 52808-1671 (1690) | 1 |
| DS101 | 5030003490 | TAK-44525-TTZCU RX2240<ITAK>2 | 1 |
| EP2 | 8930049631 | SRCN-2240-SP-N-W-1 (SHJ) | 1 |
| MP1 | 8210016061 | 2240 REFLECTOR-1 | 1 |
| MP2 | 8930048880 | 2240 LCD HOLDER | 1 |
| MP3 | 8930049380 | 2240 LCD FILTER YELLOW/WHITE | 1 |
| MP4 | 8930029050 | THERMAL SHEET AL | 1 |
| MP5 | 8930039570 | RUBBER SHEET (U) | 1 |
| MP6 | 8930001170 | EARTH SPRING (A) FX294 | 1 |

[MAIN-A UNIT]

| REF NO. | ORDER NO. | DESCRIPTION | QTY. |
|---------|------------|------------------------------|------|
| WS1 | 8600036540 | RX2240 P1241*J1241MA | 1 |
| J101 | 6510021460 | PT-C02P01 | 1 |
| J111 | 6510028210 | SJ050010 (TMP-J01X-V6) | 1 |
| J411 | 6510028210 | SJ050010 (TMP-J01X-V6) | 1 |
| J491 | 6510028210 | SJ050010 (TMP-J01X-V6) | 1 |
| J781 | 6450001560 | PD-72 | 1 |
| J782 | 6450001560 | PD-72 | 1 |
| J783 | 6450001560 | PD-72 | 1 |
| J784 | 6450001560 | PD-72 | 1 |
| J811 | 6510028210 | SJ050010 (TMP-J01X-V6) | 1 |
| J881 | 6450001560 | PD-72 | 1 |
| J882 | 6450001560 | PD-72 | 1 |
| J883 | 6450001560 | PD-72 | 1 |
| J884 | 6450001560 | PD-72 | 1 |
| J1081 | 6510028210 | SJ050010 (TMP-J01X-V6) | 1 |
| J1221* | 6510018971 | B4B-PH-SM4-TB (LF) (SN) | 1 |
| J1231* | 6510019971 | 52808-1071 | 1 |
| J1271* | 6510019191 | 52365-0871 | 1 |
| J1311 | 6450001800 | JPJ1044-01-010 | 1 |
| J1321 | 6450000140 | HSJ0807-01-010 | 1 |
| J1351 | 6510023650 | HEC0740-010618 | 1 |
| J1501* | 6510019981 | 52808-1671 (1690) | 1 |
| J1521* | 6510019981 | 52808-1671 (1690) | 1 |
| J1522 | 6510021861 | BH-800.4GG <LTC> | 1 |
| J1541* | 6510019981 | 52808-1671 (1690) | 1 |
| J1561* | 6510019981 | 52808-1671 (1690) | 1 |
| J1701 | 6450000140 | HSJ0807-01-010 | 1 |
| J1751 | 6510021241 | DEL-C-J9SAF-23L9E | 1 |
| F1351 | 5210000051 | FG B 3A PBF (FGB0 125V) | 1 |
| F1352 | 5220000230 | S-N5054 #01 | 1 |
| F1353 | 5220000230 | S-N5054 #01 | 1 |
| BT1521 | 3020000110 | CR-2032L/BK | 1 |
| MP1 | 8930014140 | EARTH SPRING (D) | 1 |
| MP2 | 8930014140 | EARTH SPRING (D) | 1 |
| MP3 | 8930014140 | EARTH SPRING (D)Only [USA-2] | 1 |
| MP4 | 8930014140 | EARTH SPRING (D)Only [USA-2] | 1 |
| MP101 | 8510012440 | 2240 T-PLATE Y459 | 1 |
| MP381 | 8510005980 | 724SHIELD CASE | 1 |
| MP382 | 8510005990 | 724SHIELD CASE COVER | 1 |
| MP441 | 8510005150 | 602SHIELD CASE | 1 |
| MP442 | 8510005160 | 602SHIELD CASE COVER | 1 |
| MP461 | 8930005320 | FILTER SPACER | 1 |
| MP491 | 8510005330 | COIL CASE SX644 | 1 |
| MP701 | 8930005200 | CRYSTAL HOLDER | 1 |
| MP881 | 8930011820 | 455FILTER HOLDER | 1 |
| MP1411 | 8510002200 | VCO CASE FX 15 | 1 |
| MP1751 | 8930050040 | 2240 D-SUB PLATE Y470 | 1 |

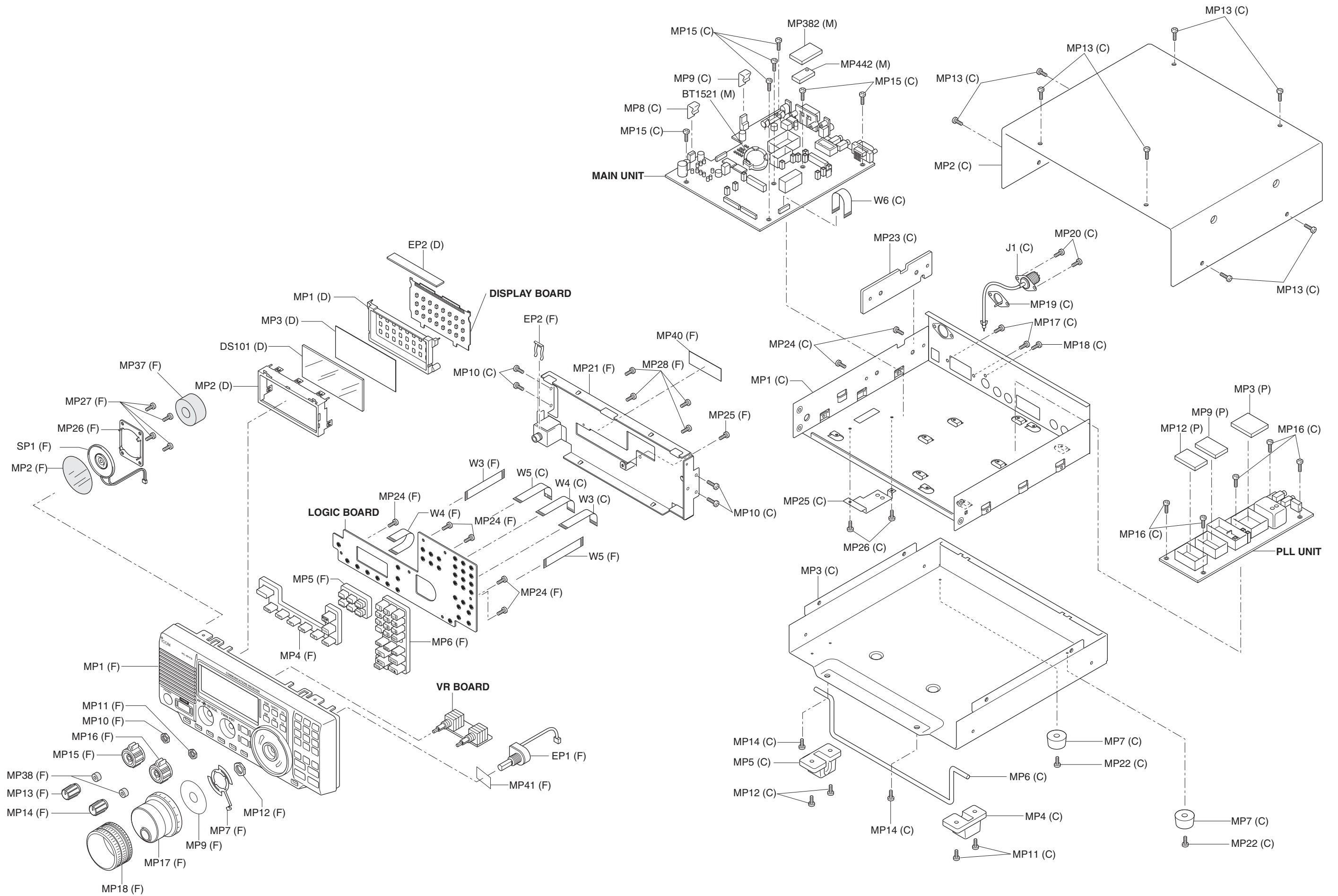
[ACC UNIT]

| REF NO. | ORDER NO. | DESCRIPTION | QTY. |
|---------|------------|-------------------------|-----------|
| F1 | 5210000051 | FG B 3A PBF (FGB0 125V) | 1 |
| EP1 | (Optional) | AD-55S | [USA-2] 1 |
| | (Optional) | AD-55S | [OTH-2] 1 |
| | (Optional) | AD-55S | [CHN-1] 1 |



*: Refer to "BOARD LAYOUTS" for the location.

Screw abbreviations A, B0, BT: Self-tapping PH: Pan head ZK: Black NI-ZU: Nickel-Zinc SUS: Stainless



PARTS LIST

[LOGIC UNIT]

| REF NO. | PARTS NO. | DESCRIPTION | M. | H/V LOCATION |
|---------|------------|--------------------------------------|----|--------------|
| IC101 | 1140013850 | S.IC HD6433837SE27HV (RX-2240A) | B | 166.9/67.4 |
| IC231 | 1130011333 | S.IC CAT25320VI-GT3C | B | 193.8/73.5 |
| IC351 | 1110003690 | S.IC M62354GP 75EC | B | 193.0/35.0 |
| IC391 | 1110005771 | S.IC S-80942CNMC-G9CT2G | B | 177.1/25.3 |
| IC392 | 1130006441 | S.IC TC7S08F(TE85RF) | B | 182.1/25.3 |
| IC401 | 1130004922 | S.IC TC74HC04AF(ELF) | B | 190.7/25.3 |
| Q351 | 1590000680 | S.TRA DTC114EUA T106 | B | 200.0/63.0 |
| Q391 | 1530002851 | S.TRA 2SC4116-BL(TE85RF) | B | 182.4/31.3 |
| Q401 | 1590004390 | S.TRA DMG504010R | B | 201.1/25.8 |
| Q421 | 1590003670 | S.TRA KRA304-RTK/P | B | 201.0/35.0 |
| Q511 | 1510000510 | S.TRA 2SA1576A T106R | B | 169.4/23.2 |
| Q512 | 1590004390 | S.TRA DMG504010R | B | 165.4/23.2 |
| D381 | 1730002830 | S.ZEN DZ2J051M0L | B | 173.1/24.7 |
| D382 | 1750002180 | S.DIO DB2J31300L | B | 180.4/22.0 |
| D393 | 1750000550 | S.DIO 1SS355 TE-17 | B | 180.0/28.6 |
| D401 | 1750000550 | S.DIO 1SS355 TE-17 | B | 201.8/22.1 |
| D461 | 1730002531 | S.ZEN NNCD6.2G-T1-A | B | 79.5/4.3 |
| X111 | 6050009460 | S.XTA CM200S SMD(32.768kHz) | B | 179.8/82.5 |
| X112 | 6050009870 | S.XTA CR-567 SMD-49 9.8304 MHz <KDS> | B | 183.2/71.7 |
| L491 | 6200003950 | S.COI HF50ACC 322513-T | B | 22.5/25.0 |
| L492 | 6200003950 | S.COI HF50ACC 322513-T | B | 39.7/35.9 |
| L501 | 6200002971 | S.COI NLV32T-121J | B | 84.2/21.7 |
| L502 | 6200002971 | S.COI NLV32T-121J | B | 31.1/21.5 |
| L503 | 6200003950 | S.COI HF50ACC 322513-T | B | 131.8/47.9 |
| R101 | 7030003200 | S.RES ERJ3GEYJ 100 V (10) | B | 169.5/54.4 |
| R112 | 7030003800 | S.RES ERJ3GEYJ 105 V (1M) | B | 179.9/71.4 |
| R121 | 7030003440 | S.RES ERJ3GEYJ 102 V (1K) | B | 189.8/60.6 |
| R122 | 7030003440 | S.RES ERJ3GEYJ 102 V (1K) | B | 193.4/47.0 |
| R123 | 7030003440 | S.RES ERJ3GEYJ 102 V (1K) | B | 192.6/52.0 |
| R124 | 7030003440 | S.RES ERJ3GEYJ 102 V (1K) | B | 191.8/47.0 |
| R125 | 7030003440 | S.RES ERJ3GEYJ 102 V (1K) | B | 190.2/47.0 |
| R126 | 7030003440 | S.RES ERJ3GEYJ 102 V (1K) | B | 188.6/47.0 |
| R127 | 7030003360 | S.RES ERJ3GEYJ 221 V (220) | B | 187.8/52.0 |
| R128 | 7030003440 | S.RES ERJ3GEYJ 102 V (1K) | B | 187.0/47.0 |
| R129 | 7030003440 | S.RES ERJ3GEYJ 102 V (1K) | B | 186.2/52.0 |
| R130 | 7030003440 | S.RES ERJ3GEYJ 102 V (1K) | B | 185.4/47.0 |
| R131 | 7030003440 | S.RES ERJ3GEYJ 102 V (1K) | B | 184.6/52.0 |
| R141 | 7030003440 | S.RES ERJ3GEYJ 102 V (1K) | B | 168.2/52.0 |
| R142 | 7030003440 | S.RES ERJ3GEYJ 102 V (1K) | B | 167.4/48.9 |
| R143 | 7030003440 | S.RES ERJ3GEYJ 102 V (1K) | B | 166.6/52.0 |
| R144 | 7030003440 | S.RES ERJ3GEYJ 102 V (1K) | B | 165.8/48.9 |
| R145 | 7030003440 | S.RES ERJ3GEYJ 102 V (1K) | B | 165.0/52.0 |
| R146 | 7030003440 | S.RES ERJ3GEYJ 102 V (1K) | B | 164.2/48.9 |
| R147 | 7030003440 | S.RES ERJ3GEYJ 102 V (1K) | B | 163.4/52.0 |
| R148 | 7030003440 | S.RES ERJ3GEYJ 102 V (1K) | B | 162.6/48.9 |
| R149 | 7030003440 | S.RES ERJ3GEYJ 102 V (1K) | B | 161.8/52.0 |
| R150 | 7030003440 | S.RES ERJ3GEYJ 102 V (1K) | B | 161.0/48.9 |
| R151 | 7030003440 | S.RES ERJ3GEYJ 102 V (1K) | B | 160.2/52.0 |
| R152 | 7030003440 | S.RES ERJ3GEYJ 102 V (1K) | B | 159.4/48.9 |
| R153 | 7030003440 | S.RES ERJ3GEYJ 102 V (1K) | B | 158.6/52.0 |
| R154 | 7030003440 | S.RES ERJ3GEYJ 102 V (1K) | B | 157.8/48.9 |
| R155 | 7030003440 | S.RES ERJ3GEYJ 102 V (1K) | B | 157.0/52.0 |
| R161 | 7030003640 | S.RES ERJ3GEYJ 473 V (47K) | B | 175.3/46.8 |
| R162 | 7030003640 | S.RES ERJ3GEYJ 473 V (47K) | B | 176.9/46.8 |
| R163 | 7030003640 | S.RES ERJ3GEYJ 473 V (47K) | B | 178.5/46.8 |
| R171 | 7030003440 | S.RES ERJ3GEYJ 102 V (1K) | B | 156.2/48.9 |
| R172 | 7030003440 | S.RES ERJ3GEYJ 102 V (1K) | B | 155.4/52.0 |
| R173 | 7030003440 | S.RES ERJ3GEYJ 102 V (1K) | B | 154.6/48.9 |
| R174 | 7030003440 | S.RES ERJ3GEYJ 102 V (1K) | B | 153.8/52.0 |
| R175 | 7030003440 | S.RES ERJ3GEYJ 102 V (1K) | B | 153.0/48.9 |
| R176 | 7030003440 | S.RES ERJ3GEYJ 102 V (1K) | B | 152.2/52.0 |
| R177 | 7030003440 | S.RES ERJ3GEYJ 102 V (1K) | B | 151.4/49.0 |
| R178 | 7030003440 | S.RES ERJ3GEYJ 102 V (1K) | B | 150.6/52.0 |
| R179 | 7030003440 | S.RES ERJ3GEYJ 102 V (1K) | B | 149.8/49.0 |
| R191 | 7030003440 | S.RES ERJ3GEYJ 102 V (1K) | B | 149.0/52.0 |
| R192 | 7030003440 | S.RES ERJ3GEYJ 102 V (1K) | B | 148.2/49.0 |
| R193 | 7030003440 | S.RES ERJ3GEYJ 102 V (1K) | B | 147.4/52.0 |
| R194 | 7030003440 | S.RES ERJ3GEYJ 102 V (1K) | B | 146.6/49.0 |
| R195 | 7030003440 | S.RES ERJ3GEYJ 102 V (1K) | B | 145.8/52.0 |
| R196 | 7030003440 | S.RES ERJ3GEYJ 102 V (1K) | B | 145.0/49.0 |
| R197 | 7030003440 | S.RES ERJ3GEYJ 102 V (1K) | B | 144.2/52.0 |
| R198 | 7030003680 | S.RES ERJ3GEYJ 104 V (100K) | B | 140.1/57.1 |
| R201 | 7030003440 | S.RES ERJ3GEYJ 102 V (1K) | B | 153.5/81.3 |
| R202 | 7030003440 | S.RES ERJ3GEYJ 102 V (1K) | B | 153.5/82.8 |
| R203 | 7030003440 | S.RES ERJ3GEYJ 102 V (1K) | B | 153.5/84.3 |
| R204 | 7030003440 | S.RES ERJ3GEYJ 102 V (1K) | B | 153.5/85.8 |
| R205 | 7030003440 | S.RES ERJ3GEYJ 102 V (1K) | B | 153.5/87.3 |
| R206 | 7030003440 | S.RES ERJ3GEYJ 102 V (1K) | B | 153.5/88.8 |
| R208 | 7030003440 | S.RES ERJ3GEYJ 102 V (1K) | B | 141.0/52.0 |
| R209 | 7030003440 | S.RES ERJ3GEYJ 102 V (1K) | B | 141.8/49.0 |
| R210 | 7030003440 | S.RES ERJ3GEYJ 102 V (1K) | B | 142.6/52.0 |
| R211 | 7030003440 | S.RES ERJ3GEYJ 102 V (1K) | B | 143.4/49.0 |
| R221 | 7030003400 | S.RES ERJ3GEYJ 471 V (470) | B | 171.6/53.3 |
| R223 | 7030003560 | S.RES ERJ3GEYJ 103 V (10K) | B | 171.6/52.0 |
| R224 | 7030003560 | S.RES ERJ3GEYJ 103 V (10K) | B | 171.6/49.8 |
| R225 | 7030003560 | S.RES ERJ3GEYJ 103 V (10K) | B | 171.6/48.5 |
| R231 | 7030003680 | S.RES ERJ3GEYJ 104 V (100K) | B | 195.6/77.0 |

[LOGIC UNIT]

| REF NO. | PARTS NO. | DESCRIPTION | M. | H/V LOCATION |
|---------|------------|-----------------------------|----|--------------|
| R251 | 7030003540 | S.RES ERJ3GEYJ 682 V (6.8K) | B | 185.3/82.0 |
| R252 | 7030003540 | S.RES ERJ3GEYJ 682 V (6.8K) | B | 185.3/83.3 |
| R253 | 7030003540 | S.RES ERJ3GEYJ 682 V (6.8K) | B | 185.3/84.7 |
| R254 | 7030003540 | S.RES ERJ3GEYJ 682 V (6.8K) | B | 185.3/86.0 |
| R255 | 7030003540 | S.RES ERJ3GEYJ 682 V (6.8K) | B | 185.3/87.3 |
| R256 | 7030003540 | S.RES ERJ3GEYJ 682 V (6.8K) | B | 185.3/88.6 |
| R257 | 7030003540 | S.RES ERJ3GEYJ 682 V (6.8K) | B | 185.3/89.9 |
| R258 | 7030003540 | S.RES ERJ3GEYJ 682 V (6.8K) | B | 185.3/90.7 |
| R259 | 7030003540 | S.RES ERJ3GEYJ 682 V (6.8K) | B | 195.3/80.0 |
| R260 | 7030003540 | S.RES ERJ3GEYJ 682 V (6.8K) | B | 188.8/65.8 |
| R261 | 7030003540 | S.RES ERJ3GEYJ 682 V (6.8K) | B | 193.5/66.4 |
| R262 | 7030003540 | S.RES ERJ3GEYJ 682 V (6.8K) | B | 197.4/57.4 |
| R271 | 7030003640 | S.RES ERJ3GEYJ 473 V (47K) | B | 158.6/41.1 |
| R272 | 7030003640 | S.RES ERJ3GEYJ 473 V (47K) | B | 157.8/44.1 |
| R273 | 7030003640 | S.RES ERJ3GEYJ 473 V (47K) | B | 157.0/41.1 |
| R274 | 7030003640 | S.RES ERJ3GEYJ 473 V (47K) | B | 156.2/44.1 |
| R275 | 7030003640 | S.RES ERJ3GEYJ 473 V (47K) | B | 155.4/41.1 |
| R276 | 7030003640 | S.RES ERJ3GEYJ 473 V (47K) | B | 154.6/44.1 |
| R277 | 7030003640 | S.RES ERJ3GEYJ 473 V (47K) | B | 153.8/41.1 |
| R278 | 7030003640 | S.RES ERJ3GEYJ 473 V (47K) | B | 153.0/44.1 |
| R279 | 7030003640 | S.RES ERJ3GEYJ 473 V (47K) | B | 168.2/41.1 |
| R280 | 7030003640 | S.RES ERJ3GEYJ 473 V (47K) | B | 167.4/44.1 |
| R281 | 7030003640 | S.RES ERJ3GEYJ 473 V (47K) | B | 165.8/44.1 |
| R282 | 7030003640 | S.RES ERJ3GEYJ 473 V (47K) | B | 166.6/41.1 |
| R283 | 7030003640 | S.RES ERJ3GEYJ 473 V (47K) | B | 165.0/41.1 |
| R284 | 7030003640 | S.RES ERJ3GEYJ 473 V (47K) | B | 164.2/44.1 |
| R285 | 7030003640 | S.RES ERJ3GEYJ 473 V (47K) | B | 152.2/41.1 |
| R286 | 7030003640 | S.RES ERJ3GEYJ 473 V (47K) | B | 151.4/44.1 |
| R287 | 7030003640 | S.RES ERJ3GEYJ 473 V (47K) | B | 159.4/41.1 |
| R288 | 7030003640 | S.RES ERJ3GEYJ 473 V (47K) | B | 160.2/41.1 |
| R289 | 7030003640 | S.RES ERJ3GEYJ 473 V (47K) | B | 161.0/44.1 |
| R290 | 7030003640 | S.RES ERJ3GEYJ 473 V (47K) | B | 161.8/41.1 |
| R291 | 7030003640 | S.RES ERJ3GEYJ 473 V (47K) | B | 162.6/44.1 |
| R292 | 7030003640 | S.RES ERJ3GEYJ 473 V (47K) | B | 163.4/41.1 |
| R335 | 7030003640 | S.RES ERJ3GEYJ 473 V (47K) | B | 191.1/60.6 |
| R351 | 7030003540 | S.RES ERJ3GEYJ 682 V (6.8K) | B | 202.0/54.9 |
| R352 | 7030003540 | S.RES ERJ3GEYJ 682 V (6.8K) | B | 202.0/62.2 |
| R361 | 7030003720 | S.RES ERJ3GEYJ 224 V (220K) | B | 187.9/19.9 |
| R362 | 7030003720 | S.RES ERJ3GEYJ 224 V (220K) | B | 193.3/30.8 |
| R381 | 7030009720 | S.RES ERJ12YJ102U (1K) | B | 170.4/28.1 |
| R382 | 7030003640 | S.RES ERJ3GEYJ 473 V (47K) | B | 184.6/21.5 |
| R391 | 7030003630 | S.RES ERJ3GEYJ 393 V (39K) | B | 173.6/30.6 |
| R392 | 7030003630 | S.RES ERJ3GEYJ 563 V (56K) | B | 171.1/32.0 |
| R393 | 7030003640 | S.RES ERJ3GEYJ 473 V (47K) | B | 174.6/24.2 |
| R394 | 7030003440 | S.RES ERJ3GEYJ 102 V (1K) | B | 175.8/28.7 |
| R395 | 7030003760 | S.RES ERJ3GEYJ 474 V (470K) | B | 178.4/28.7 |
| R396 | 7030003720 | S.RES ERJ3GEYJ 224 V (220K) | B | 179.2/31.0 |
| R397 | 7030003720 | S.RES ERJ3GEYJ 224 V (220K) | B | 181.5/28.7 |
| R398 | 7030003680 | S.RES ERJ3GEYJ 104 V (100K) | B | 184.6/27.0 |
| R399 | 7030003560 | S.RES ERJ3GEYJ 103 V (10K) | B | 182.2/38.3 |
| R401 | 7030003620 | S.RES ERJ3GEYJ 333 V (33K) | B | 203.4/21.8 |
| R402 | 7030003540 | S.RES ERJ3GEYJ 682 V (6.8K) | B | 203.3/25.8 |
| R403 | 7030003680 | S.RES ERJ3GEYJ 104 V (100K) | B | 198.9/25.8 |
| R404 | 7030003580 | S.RES ERJ3GEYJ 153 V (15K) | B | 200.2/22.2 |
| R405 | 7030003680 | S.RES ERJ3GEYJ 104 V (100K) | B | 197.1/23.9 |
| R421 | 7030003400 | S.RES ERJ3GEYJ 471 V (470) | B | 201.0/31.3 |
| R422 | 7030003680 | S.RES ERJ3GEYJ 104 V (100K) | B | 201.0/32.8 |
| R423 | 7030003560 | S.RES ERJ3GEYJ 103 V (10K) | B | 201.0/37.3 |
| R511 | 7030003840 | S.RES ERJ3GEYJ 225 V (2.2M) | B | 168.7/21.0 |
| R512 | 7030003560 | S.RES ERJ3GEYJ 103 V (10K) | B | 165.5/22.3 |
| R513 | 7030003630 | S.RES ERJ3GEYJ 393 V (39K) | B | 167.4/23.2 |
| R514 | 7030003540 | S.RES ERJ3GEYJ 682 V (6.8K) | B | 165.4/20.9 |
| W401 | 7030003860 | S.RES ERJ3GE JPW V | B | 198.9/22.2 |
| C101 | 4030008630 | S.CER C1608 JF 1H 104Z-T | B | 178.2/68.6 |
| C102 | 4030008630 | S.CER C1608 JF 1H 104Z-T | B | 170.9/57.4 |
| C103 | 4550007520 | S.TAN F931A106MAABMA | B | 159.3/79.3 |
| C104 | 4030008630 | S.CER C1608 JF 1H 104Z-T | B | 160.1/77.5 |
| C105 | 4030008630 | S.CER C1608 JF 1H 104Z-T | B | 165.6/81.1 |
| C111 | 4030009990 | S.CER C1608 CH 1H 200J-T | B | 178.5/77.0 |
| C112 | 4030007050 | S.CER C1608 CH 1H 220J-T | B | 179.1/75.4 |
| C113 | 4030008560 | S.CER C1608 CH 1H 300J-T | B | 177.8/72.5 |
| C114 | 4030008560 | S.CER C1608 CH 1H 300J-T | B | 177.8/71.2 |
| C201 | 4030008630 | S.CER C1608 JF 1H 104Z-T | B | 167.2/81.0 |
| C202 | 4030008630 | S.CER C1608 JF 1H 104Z-T | B | 168.0/81.0 |
| C203 | 4030008630 | S.CER C1608 JF 1H 104Z-T | B | 168.8/84.0 |
| C204 | 4030008630 | S.CER C1608 JF 1H 104Z-T | B | 169.6/84.0 |
| C205 | 4030008630 | S.CER C1608 JF 1H 104Z-T | B | 170.4/81.0 |
| C206 | 4030008630 | S.CER C1608 JF 1H 104Z-T | B | 171.2/84.0 |
| C221 | 4030008630 | S.CER C1608 JF 1H 104Z-T | B | 172.4/55.2 |
| C231 | 4030008630 | S.CER C1608 JF 1H 104Z-T | B | 198.4/72.2 |
| C251 | 4030008630 | S.CER C1608 JF 1H 104Z-T | B | 171.0/89.1 |
| C252 | 4030008630 | S.CER C1608 JF 1H 104Z-T | B | 172.3/89.1 |
| C253 | 4030008630 | S.CER C1608 JF 1H 104Z-T | B | 173.6/89.1 |
| C254 | 4030008630 | S.CER C1608 JF 1H 104Z-T | B | 174.9/89.1 |
| C255 | 4030008630 | S.CER C1608 JF 1H 104Z-T | B | 176.2/89.1 |
| C256 | 4030008630 | S.CER C1608 JF 1H 104Z-T | B | 177.0/74.6 |
| C351 | 4030008630 | S.CER C1608 JF 1H 104Z-T | B | 191.2/38.7 |
| C352 | 4510008660 | S.ELE EEE0JA220SR | B | 203.6/58.5 |
| C392</ | | | | |

[LOGIC UNIT]

| REF NO. | PARTS NO. | DESCRIPTION | M. | H/V LOCATION |
|---------|------------|-----------------------------|----|--------------|
| C401 | 4030008630 | S.CER C1608 JF 1H 104Z-T | B | 197.1/28.2 |
| C451 | 4030008630 | S.CER C1608 JF 1H 104Z-T | B | 51.6/4.3 |
| C452 | 4030008630 | S.CER C1608 JF 1H 104Z-T | B | 53.5/10.7 |
| C453 | 4030008630 | S.CER C1608 JF 1H 104Z-T | B | 56.3/3.9 |
| C454 | 4030008630 | S.CER C1608 JF 1H 104Z-T | B | 64.4/9.4 |
| C461 | 4030008630 | S.CER C1608 JF 1H 104Z-T | B | 88.3/10.9 |
| C502 | 4030008630 | S.CER C1608 JF 1H 104Z-T | B | 134.2/50.9 |
| C503 | 4030008630 | S.CER C1608 JF 1H 104Z-T | B | 31.5/11.9 |
| C505 | 4030008630 | S.CER C1608 JF 1H 104Z-T | B | 81.4/20.2 |
| J411 | 6510019981 | S.CON 52808-1671(1690) | B | 137.0/64.8 |
| J451 | 6510019971 | S.CON 52808-1071 | B | 57.0/7.3 |
| J461 | 6510018971 | S.CON B4B-PH-SM4-TB(LF)(SN) | B | 88.5/7.4 |
| J471 | 6510019971 | S.CON 52808-1071 | B | 29.8/35.8 |
| J491 | 6510018961 | S.CON B2B-PH-SM4-TB(LF)(SN) | B | 21.9/20.0 |
| J501 | 6510019981 | S.CON 52808-1671(1690) | B | 54.0/36.3 |
| J521 | 6510019981 | S.CON 52808-1671(1690) | B | 94.0/36.3 |
| J541 | 6510019981 | S.CON 52808-1671(1690) | B | 74.0/36.3 |
| EP501 | 6910012350 | S.BEA MMZ1608Y 102BT | B | 31.1/25.3 |
| EP502 | 6910012350 | S.BEA MMZ1608Y 102BT | B | 82.5/27.3 |
| EP521 | 6910012350 | S.BEA MMZ1608Y 102BT | B | 95.5/32.1 |
| EP522 | 6910012350 | S.BEA MMZ1608Y 102BT | B | 96.5/29.5 |
| EP523 | 6910012350 | S.BEA MMZ1608Y 102BT | B | 97.5/32.1 |
| EP524 | 6910012350 | S.BEA MMZ1608Y 102BT | B | 98.5/29.5 |
| EP525 | 6910012350 | S.BEA MMZ1608Y 102BT | B | 99.5/32.1 |
| EP526 | 6910012350 | S.BEA MMZ1608Y 102BT | B | 100.5/29.5 |
| EP527 | 6910012350 | S.BEA MMZ1608Y 102BT | B | 101.5/32.1 |

[PHONE UNIT]

| REF NO. | PARTS NO. | DESCRIPTION | M. | H/V LOCATION |
|---------|------------|--------------------------|----|--------------|
| R121 | 7030006070 | S.RES ERJ12YJ101U (100) | T | 11.9/4.0 |
| R122 | 7030006070 | S.RES ERJ12YJ101U (100) | T | 4.9/7.8 |
| C121 | 4030006880 | S.CER C1608 JB 1H 472K-T | T | 17.8/6.8 |
| C122 | 4030006880 | S.CER C1608 JB 1H 472K-T | T | 13.3/7.8 |
| C123 | 4030006880 | S.CER C1608 JB 1H 472K-T | T | 9.4/7.8 |
| J101 | 6510020711 | S.CON 52793-1070(1090) | B | 10.4/2.9 |
| J121 | 6510028100 | CON JY-6355*01-090 | | |

Eqv.= This component is equivalent to the REF No. component listed above, and may be substituted on parts orders and repairs.

M.=Mounted side (T: Mounted on the Top side, B: Mounted on the Bottom side)
S.=Surface mount

[VR UNIT]

| REF NO. | PARTS NO. | DESCRIPTION | M. | H/V LOCATION |
|---------|------------|-----------------------------|----|--------------|
| R131 | 7210003040 | VAR TP96D26-22F-10KBX2-2240 | | |
| R141 | 7210003030 | VAR TP96D00-22F-10KBX2-2240 | | |
| R143 | 7030003540 | S.RES ERJ3GEYJ 682 V (6.8K) | B | 3.6/7.3 |
| J101 | 6510020711 | S.CON 52793-1070(1090) | B | 20.2/7.9 |

[PLL UNIT]

| REF NO. | PARTS NO. | DESCRIPTION | M. | H/V LOCATION |
|---------|------------|--------------------------------|----|--------------|
| IC21 | 1140007881 | S.IC TC190G08EFG0046JDZ/SC1246 | T | 55.0/31.9 |
| IC22 | 1110004460 | S.IC UPB1509GV-E1 | T | 46.6/19.6 |
| IC23 | 1130003831 | S.IC TC7S04F(TE85RF) | T | 55.3/19.6 |
| IC151 | 1140014960 | S.IC TC190G02EFG-0058/SC1287A | T | 125.6/36.4 |
| IC201 | 1140014960 | S.IC TC190G02EFG-0058/SC1287A | T | 160.5/36.4 |
| Q1 | 1530002571 | S.TRA 2SC4405-3-TL-E | T | 100.0/37.8 |
| Q2 | 1530002571 | S.TRA 2SC4405-3-TL-E | T | 91.4/47.2 |
| Q3 | 1590000680 | S.TRA DTC114EUA T106 | T | 56.8/7.2 |
| Q4 | 1590000680 | S.TRA DTC114EUA T106 | T | 13.3/37.1 |
| Q21 | 1530003001 | S.TRA 2SC4117-BL(TE85RF) | T | 54.5/45.2 |
| Q71 | 1560000491 | S.FET 2SK508-T2B-A K52 | T | 25.2/33.6 |
| Q72 | 1590000680 | S.TRA DTC114EUA T106 | T | 23.0/15.9 |
| Q81 | 1560000491 | S.FET 2SK508-T2B-A K52 | T | 34.0/33.6 |
| Q82 | 1590000680 | S.TRA DTC114EUA T106 | T | 24.1/19.1 |
| Q91 | 1530002571 | S.TRA 2SC4405-3-TL-E | T | 32.9/16.9 |
| Q92 | 1590004740 | S.TRA LMUN5111T1G <SLVJ> | T | 50.4/6.0 |
| Q93 | 1590000680 | S.TRA DTC114EUA T106 | T | 21.5/18.6 |
| Q96 | 1530003001 | S.TRA 2SC4117-BL(TE85RF) | T | 15.8/48.3 |
| Q97 | 1530003001 | S.TRA 2SC4117-BL(TE85RF) | T | 34.4/48.6 |
| Q151 | 1530002881 | S.TRA 2SC4226-T1 Y24 (R24) | T | 123.9/45.1 |
| Q201 | 1530002881 | S.TRA 2SC4226-T1 Y24 (R24) | T | 158.7/45.1 |
| D1 | 1750001850 | S.DIO LDAN222T1G <SLVJ> | T | 56.3/9.5 |
| D2 | 1750000550 | S.DIO 1SS355 TE-17 | T | 9.4/37.8 |
| D71 | 1720000831 | S.VAR KV1770STL-G 1-3 | T | 20.5/42.5 |
| D72 | 1790001261 | S.DIO MA2S077G0L | T | 27.3/23.0 |
| D81 | 1720000831 | S.VAR KV1770STL-G 1-3 | T | 30.0/43.0 |
| D82 | 1790001261 | S.DIO MA2S077G0L | T | 31.7/23.0 |
| D83 | 1750002020 | S.DIO DA2S10100L | T | 13.9/48.3 |
| D91 | 1790001261 | S.DIO MA2S077G0L | T | 43.3/7.0 |
| D92 | 1790001261 | S.DIO MA2S077G0L | T | 37.6/7.0 |
| D93 | 1750001460 | S.DIO 1SS389(TPH3F) | T | 44.7/42.4 |
| D94 | 1750001460 | S.DIO 1SS389(TPH3F) | T | 44.7/41.1 |
| X1 | 6050005712 | XTA CR-275B HC-49/U 30.000 MHz | | |
| L1 | 6170000231 | COI LW-25A | | |
| L2 | 6150004370 | COI LS-472C (C-15045) | | |
| L4 | 6150004250 | COI LS-471A (C-14922) | | |
| L5 | 6150004250 | COI LS-471A (C-14922) | | |
| L22 | 6200003171 | S.COI NLV32T-330J | T | 72.5/36.0 |
| L23 | 6200003181 | S.COI NLV32T-390J | T | 71.6/39.5 |
| L24 | 6200003181 | S.COI NLV32T-390J | T | 72.3/44.3 |
| L25 | 6200001831 | S.COI NLV32T-100J | T | 65.8/10.9 |
| L26 | 6200003191 | S.COI NLV32T-470J | T | 63.8/42.8 |
| L27 | 6200003191 | S.COI NLV32T-470J | T | 60.4/43.8 |
| L71 | 6170000231 | COI LW-25A | | |
| L72 | 6190001371 | COI #E544GN-110254 | | |
| L73 | 6170000231 | COI LW-25A | | |
| L81 | 6180004050 | COI AL04 TB 1R2K <TRIA> | | |
| L82 | 6190001281 | COI #E544GN-110248 | | |
| L83 | 6180004050 | COI AL04 TB 1R2K <TRIA> | | |
| L91 | 6180002961 | S.COI NLV32T-R18J | T | 37.3/17.4 |
| L92 | 6180002981 | S.COI NLV32T-056J | T | 43.3/9.8 |
| L93 | 6180002971 | S.COI NLV32T-068J | T | 37.1/10.8 |
| L94 | 6200001831 | S.COI NLV32T-100J | T | 31.6/48.1 |
| L151 | 6200003131 | S.COI NLV32T-120J | T | 118.5/17.4 |
| L152 | 6200003141 | S.COI NLV32T-150J | T | 122.6/17.5 |
| L153 | 6200001831 | S.COI NLV32T-100J | T | 132.1/25.7 |
| L201 | 6200005491 | S.COI NLV32T-331J | T | 153.4/17.3 |
| L202 | 6200008641 | S.COI NLV32T-391J | T | 157.5/17.5 |
| L203 | 6200001831 | S.COI NLV32T-100J | T | 167.0/25.7 |
| L204 | 6200003640 | S.COI MLF1608E 100K-T | T | 23.5/23.0 |
| L205 | 6200003640 | S.COI MLF1608E 100K-T | T | 34.7/23.0 |
| L206 | 6200004790 | S.COI MLF1608D R47K-T | T | 27.3/19.4 |
| R1 | 7030003320 | S.RES ERJ3GEYJ 101 V (100) | T | 97.6/40.9 |
| R2 | 7030003580 | S.RES ERJ3GEYJ 153 V (15K) | T | 98.1/37.7 |
| R3 | 7030003520 | S.RES ERJ3GEYJ 472 V (4.7K) | T | 96.8/37.7 |
| R4 | 7030003430 | S.RES ERJ3GEYJ 821 V (820) | T | 101.9/37.7 |
| R5 | 7030003370 | S.RES ERJ3GEYJ 271 V (270) | T | 95.0/43.1 |
| R6 | 7030003320 | S.RES ERJ3GEYJ 101 V (100) | T | 91.2/43.1 |
| R7 | 7030003600 | S.RES ERJ3GEYJ 223 V (22K) | T | 91.5/45.2 |
| R8 | 7030003560 | S.RES ERJ3GEYJ 103 V (10K) | T | 94.5/46.5 |
| R9 | 7030003370 | S.RES ERJ3GEYJ 271 V (270) | T | 94.5/47.8 |
| R10 | 7030003640 | S.RES ERJ3GEYJ 473 V (47K) | T | 58.0/9.7 |
| R11 | 7030003320 | S.RES ERJ3GEYJ 101 V (100) | T | 97.0/50.2 |
| R12 | 7030003360 | S.RES ERJ3GEYJ 221 V (220) | T | 15.3/37.4 |
| R13 | 7030003200 | S.RES ERJ3GEYJ 100 V (10) | T | 90.5/41.1 |
| R21 | 7030003370 | S.RES ERJ3GEYJ 271 V (270) | T | 91.8/49.9 |
| R22 | 7030003560 | S.RES ERJ3GEYJ 103 V (10K) | T | 54.0/41.5 |
| R23 | 7030007220 | S.RES ERA3YED 202V (2K) | T | 72.3/17.4 |
| R24 | 7030007220 | S.RES ERA3YED 202V (2K) | T | 69.6/17.4 |
| R25 | 7030007220 | S.RES ERA3YED 202V (2K) | T | 69.6/18.7 |
| R26 | 7030007220 | S.RES ERA3YED 202V (2K) | T | 69.6/20.0 |
| R27 | 7030007220 | S.RES ERA3YED 202V (2K) | T | 69.6/23.0 |
| R28 | 7030007220 | S.RES ERA3YED 202V (2K) | T | 69.6/24.3 |
| R29 | 7030007220 | S.RES ERA3YED 202V (2K) | T | 69.6/25.6 |
| R30 | 7030007220 | S.RES ERA3YED 202V (2K) | T | 69.6/26.9 |
| R31 | 7030007220 | S.RES ERA3YED 202V (2K) | T | 69.6/28.2 |
| R32 | 7030007220 | S.RES ERA3YED 202V (2K) | T | 69.6/29.5 |
| R33 | 7030007220 | S.RES ERA3YED 202V (2K) | T | 69.6/30.8 |
| R34 | 7030007220 | S.RES ERA3YED 202V (2K) | T | 69.6/32.1 |
| R35 | 7030007220 | S.RES ERA3YED 202V (2K) | T | 69.6/33.4 |
| R36 | 7030007230 | S.RES ERA3YED 102V (1K) | T | 72.3/18.7 |
| R37 | 7030007230 | S.RES ERA3YED 102V (1K) | T | 72.3/20.0 |
| R38 | 7030007230 | S.RES ERA3YED 102V (1K) | T | 72.3/23.0 |
| R39 | 7030007230 | S.RES ERA3YED 102V (1K) | T | 72.3/24.3 |
| R40 | 7030007230 | S.RES ERA3YED 102V (1K) | T | 72.3/25.6 |

Eqv.= This component is equivalent to the REF No. component listed above, and may be substituted on parts orders and repairs.

M.=Mounted side (T: Mounted on the Top side, B: Mounted on the Bottom side) S.=Surface mount

[PLL UNIT]

| REF NO. | PARTS NO. | DESCRIPTION | M. | H/V LOCATION |
|---------|------------|-----------------------------|----|--------------|
| R41 | 7030007230 | S.RES ERA3YED 102V (1K) | T | 72.3/26.9 |
| R42 | 7030007210 | S.RES ERA3YEB 102V (1K) | T | 72.3/28.2 |
| R43 | 7030007210 | S.RES ERA3YEB 102V (1K) | T | 72.3/29.5 |
| R44 | 7030007210 | S.RES ERA3YEB 102V (1K) | T | 72.3/30.8 |
| R45 | 7030007210 | S.RES ERA3YEB 102V (1K) | T | 72.3/32.1 |
| R46 | 7030007210 | S.RES ERA3YEB 102V (1K) | T | 72.3/33.4 |
| R47 | 7030003400 | S.RES ERJ3GEYJ 471 V (470) | T | 54.6/43.3 |
| R48 | 7030003720 | S.RES ERJ3GEYJ 224 V (220K) | T | 52.5/45.7 |
| R49 | 7030003440 | S.RES ERJ3GEYJ 102 V (1K) | T | 57.4/46.4 |
| R50 | 7030003440 | S.RES ERJ3GEYJ 102 V (1K) | T | 61.5/18.7 |
| R51 | 7030003440 | S.RES ERJ3GEYJ 102 V (1K) | T | 64.1/18.9 |
| R52 | 7030003440 | S.RES ERJ3GEYJ 102 V (1K) | T | 59.7/18.2 |
| R53 | 7030003440 | S.RES ERJ3GEYJ 102 V (1K) | T | 58.4/18.2 |
| R54 | 7030003440 | S.RES ERJ3GEYJ 102 V (1K) | T | 49.9/45.5 |
| R55 | 7030003440 | S.RES ERJ3GEYJ 102 V (1K) | T | 44.4/32.9 |
| R71 | 7030003490 | S.RES ERJ3GEYJ 272 V (2.7K) | T | 44.1/39.2 |
| R72 | 7030003780 | S.RES ERJ3GEYJ 684 V (680K) | T | 44.8/43.7 |
| R73 | 7030003260 | S.RES ERJ3GEYJ 330 V (33) | T | 44.6/49.6 |
| R75 | 7030003390 | S.RES ERJ3GEYJ 391 V (390) | T | 16.1/40.2 |
| R76 | 7030003250 | S.RES ERJ3GEYJ 270 V (27) | T | 20.5/25.3 |
| R78 | 7030003370 | S.RES ERJ3GEYJ 271 V (270) | T | 45.4/39.2 |
| R79 | 7030003580 | S.RES ERJ3GEYJ 153 V (15K) | T | 37.9/40.6 |
| R80 | 7030003570 | S.RES ERJ3GEYJ 123 V (12K) | T | 36.9/49.5 |
| R81 | 7030003560 | S.RES ERJ3GEYJ 103 V (10K) | T | 15.9/50.3 |
| R83 | 7030003480 | S.RES ERJ3GEYJ 222 V (2.2K) | T | 26.2/16.3 |
| R85 | 7030003430 | S.RES ERJ3GEYJ 821 V (820) | T | 24.6/49.1 |
| R86 | 7030003330 | S.RES ERJ3GEYJ 121 V (120) | T | 37.7/25.3 |
| R91 | 7030003260 | S.RES ERJ3GEYJ 330 V (33) | T | 33.0/20.2 |
| R92 | 7030003550 | S.RES ERJ3GEYJ 822 V (8.2K) | T | 33.2/18.9 |
| R93 | 7030003510 | S.RES ERJ3GEYJ 392 V (3.9K) | T | 30.1/17.6 |
| R94 | 7030003320 | S.RES ERJ3GEYJ 101 V (100) | T | 30.1/15.0 |
| R95 | 7030003200 | S.RES ERJ3GEYJ 100 V (10) | T | 47.9/9.2 |
| R96 | 7030003680 | S.RES ERJ3GEYJ 104 V (100K) | T | 43.0/5.4 |
| R97 | 7030003440 | S.RES ERJ3GEYJ 102 V (1K) | T | 45.7/5.4 |
| R98 | 7030003440 | S.RES ERJ3GEYJ 102 V (1K) | T | 35.2/5.4 |
| R99 | 7030003440 | S.RES ERJ3GEYJ 102 V (1K) | T | 39.8/6.2 |
| R100 | 7030003510 | S.RES ERJ3GEYJ 392 V (3.9K) | T | 39.8/8.9 |
| R101 | 7030003370 | S.RES ERJ3GEYJ 271 V (270) | T | 34.5/11.2 |
| R102 | 7030003230 | S.RES ERJ3GEYJ 180 V (18) | T | 33.7/9.3 |
| R103 | 7030003370 | S.RES ERJ3GEYJ 271 V (270) | T | 33.2/11.2 |
| R104 | 7030003370 | S.RES ERJ3GEYJ 271 V (270) | T | 48.7/11.1 |
| R107 | 7030003280 | S.RES ERJ3GEYJ 470 V (47) | T | 53.1/13.0 |
| R108 | 7030003320 | S.RES ERJ3GEYJ 101 V (100) | T | 51.6/19.1 |
| R110 | 7030003360 | S.RES ERJ3GEYJ 221 V (220) | T | 52.9/17.2 |
| R111 | 7030003640 | S.RES ERJ3GEYJ 473 V (47K) | T | 56.1/22.3 |
| R112 | 7030003560 | S.RES ERJ3GEYJ 103 V (10K) | T | 28.1/16.8 |
| R113 | 7030003440 | S.RES ERJ3GEYJ 102 V (1K) | T | 53.0/20.1 |
| R114 | 7030003230 | S.RES ERJ3GEYJ 180 V (18) | T | 48.1/44.3 |
| R115 | 7030003670 | S.RES ERJ3GEYJ 823 V (82K) | T | 44.2/35.5 |
| R116 | 7030003620 | S.RES ERJ3GEYJ 333 V (33K) | T | 36.3/47.6 |
| R117 | 7030003300 | S.RES ERJ3GEYJ 680 V (68) | T | 34.4/46.6 |
| R151 | 7030003380 | S.RES ERJ3GEYJ 331 V (330) | T | 122.0/45.2 |
| R152 | 7030003620 | S.RES ERJ3GEYJ 333 V (33K) | T | 125.8/45.2 |
| R153 | 7030007220 | S.RES ERA3YED 202V (2K) | T | 115.5/45.8 |
| R154 | 7030007220 | S.RES ERA3YED 202V (2K) | T | 116.8/45.8 |
| R155 | 7030007220 | S.RES ERA3YED 202V (2K) | T | 116.8/43.1 |
| R156 | 7030007220 | S.RES ERA3YED 202V (2K) | T | 117.0/40.4 |
| R157 | 7030007220 | S.RES ERA3YED 202V (2K) | T | 117.3/37.7 |
| R158 | 7030007220 | S.RES ERA3YED 202V (2K) | T | 116.8/35.0 |
| R159 | 7030007220 | S.RES ERA3YED 202V (2K) | T | 116.8/32.3 |
| R160 | 7030007220 | S.RES ERA3YED 202V (2K) | T | 116.8/29.6 |
| R161 | 7030007220 | S.RES ERA3YED 202V (2K) | T | 116.8/26.9 |
| R162 | 7030007220 | S.RES ERA3YED 202V (2K) | T | 117.8/24.2 |
| R163 | 7030007220 | S.RES ERA3YED 202V (2K) | T | 119.2/24.2 |
| R164 | 7030007230 | S.RES ERA3YED 102V (1K) | T | 115.5/43.1 |
| R165 | 7030007230 | S.RES ERA3YED 102V (1K) | T | 115.7/40.4 |
| R166 | 7030007230 | S.RES ERA3YED 102V (1K) | T | 116.0/37.7 |
| R167 | 7030007230 | S.RES ERA3YED 102V (1K) | T | 115.5/35.0 |
| R168 | 7030007230 | S.RES ERA3YED 102V (1K) | T | 115.5/32.3 |
| R169 | 7030007230 | S.RES ERA3YED 102V (1K) | T | 115.5/29.6 |
| R170 | 7030007210 | S.RES ERA3YEB 102V (1K) | T | 115.5/26.9 |
| R171 | 7030007210 | S.RES ERA3YEB 102V (1K) | T | 116.5/24.2 |
| R172 | 7030007210 | S.RES ERA3YEB 102V (1K) | T | 116.8/22.2 |
| R178 | 7030003430 | S.RES ERJ3GEYJ 821 V (820) | T | 132.2/18.4 |
| R180 | 7030003440 | S.RES ERJ3GEYJ 102 V (1K) | T | 131.5/46.0 |
| R181 | 7030003440 | S.RES ERJ3GEYJ 102 V (1K) | T | 133.2/40.7 |
| R182 | 7030003440 | S.RES ERJ3GEYJ 102 V (1K) | T | 133.2/32.5 |
| R183 | 7030003440 | S.RES ERJ3GEYJ 102 V (1K) | T | 123.6/26.4 |
| R201 | 7030003380 | S.RES ERJ3GEYJ 331 V (330) | T | 156.8/45.2 |
| R202 | 7030003620 | S.RES ERJ3GEYJ 333 V (33K) | T | 160.6/45.2 |
| R203 | 7030007220 | S.RES ERA3YED 202V (2K) | T | 150.4/46.0 |
| R204 | 7030007220 | S.RES ERA3YED 202V (2K) | T | 151.7/45.8 |
| R205 | 7030007220 | S.RES ERA3YED 202V (2K) | T | 151.7/43.1 |
| R206 | 7030007220 | S.RES ERA3YED 202V (2K) | T | 151.7/40.4 |
| R207 | 7030007220 | S.RES ERA3YED 202V (2K) | T | 152.2/37.7 |
| R208 | 7030007220 | S.RES ERA3YED 202V (2K) | T | 151.7/35.0 |
| R209 | 7030007220 | S.RES ERA3YED 202V (2K) | T | 151.7/32.3 |
| R210 | 7030007220 | S.RES ERA3YED 202V (2K) | T | 151.7/29.6 |
| R211 | 7030007220 | S.RES ERA3YED 202V (2K) | T | 151.7/26.9 |
| R212 | 7030007220 | S.RES ERA3YED 202V (2K) | T | 152.6/24.2 |
| R213 | 7030007220 | S.RES ERA3YED 202V (2K) | T | 153.9/24.2 |
| R214 | 7030007230 | S.RES ERA3YED 102V (1K) | T | 150.4/43.3 |
| R215 | 7030007230 | S.RES ERA3YED 102V (1K) | T | 150.4/40.6 |
| R216 | 7030007230 | S.RES ERA3YED 102V (1K) | T | 150.9/37.7 |
| R217 | 7030007230 | S.RES ERA3YED 102V (1K) | T | 150.4/35.0 |
| R218 | 7030007230 | S.RES ERA3YED 102V (1K) | T | 150.4/32.3 |
| R219 | 7030007230 | S.RES ERA3YED 102V (1K) | T | 150.4/29.6 |
| R220 | 7030007210 | S.RES ERA3YEB 102V (1K) | T | 150.4/26.9 |
| R221 | 7030007210 | S.RES ERA3YEB 102V (1K) | T | 151.3/24.2 |
| R222 | 7030007210 | S.RES ERA3YEB 102V (1K) | T | 151.7/22.2 |
| R228 | 7030003430 | S.RES ERJ3GEYJ 821 V (820) | T | 167.1/18.4 |
| R230 | 7030003440 | S.RES ERJ3GEYJ 102 V (1K) | T | 166.5/46.0 |
| R231 | 7030003440 | S.RES ERJ3GEYJ 102 V (1K) | T | 168.1/40.7 |
| R232 | 7030003440 | S.RES ERJ3GEYJ 102 V (1K) | T | 168.1/32.5 |
| R233 | 7030003440 | S.RES ERJ3GEYJ 102 V (1K) | T | 158.5/26.4 |

Eqv.= This component is equivalent to the REF No. component listed above, and may be substituted on parts orders and repairs.

[PLL UNIT]

| REF NO. | PARTS NO. | DESCRIPTION | M. | H/V LOCATION |
|---------|------------|--|----|--------------|
| R235 | 7030003440 | S.RES ERJ3GEYJ 102 V (1K) | T | 85.6/5.4 |
| R237 | 7030003520 | S.RES ERJ3GEYJ 472 V (4.7K) | T | 11.7/19.5 |
| W1 | 7030003860 | S.RES ERJ3GE JPW V | T | 127.1/16.8 |
| W2 | 7030003860 | S.RES ERJ3GE JPW V | T | 162.0/16.9 |
| W18 | 7030003860 | S.RES ERJ3GE JPW V | T | 50.6/9.2 |
| W19 | 7030003860 | S.RES ERJ3GE JPW V | T | 51.3/11.1 |
| W20 | 7030003860 | S.RES ERJ3GE JPW V | T | 28.6/19.7 |
| C1 | 4030008310 | S.CER C1608 UJ 1H 390J-T | T | 92.2/36.1 |
| C3 | 4030006880 | S.CER C1608 JB 1H 472K-T | T | 97.6/39.6 |
| C4 | 4030006880 | S.CER C1608 JB 1H 472K-T | T | 103.2/37.7 |
| C5 | 4030007630 | S.CER C1608 RH 1H 121J-T | T | 104.7/45.5 |
| C6 | 4030006880 | S.CER C1608 JB 1H 472K-T | T | 110.2/8.8 |
| C7 | 4030006880 | S.CER C1608 JB 1H 472K-T | T | 94.2/45.2 |
| C8 | 4030006880 | S.CER C1608 JB 1H 472K-T | T | 93.1/43.9 |
| C9 | 4030007170 | S.CER C1608 CH 1H 221J-T | T | 94.5/49.1 |
| C10 | 4030007030 | S.CER C1608 CH 1H 150J-T | T | 84.1/42.2 |
| C11 | 4030006880 | S.CER C1608 JB 1H 472K-T | T | 83.1/40.9 |
| C12 | 4030006910 | S.CER C1608 CH 1H 0R5C-T | T | 78.3/42.2 |
| C13 | 4030007030 | S.CER C1608 CH 1H 150J-T | T | 78.3/40.9 |
| C14 | 4030006880 | S.CER C1608 JB 1H 472K-T | T | 15.6/10.5 |
| C15 | 4030006880 | S.CER C1608 JB 1H 472K-T | T | 10.9/37.5 |
| C16 | 4030007610 | S.CER C1608 RH 1H 820J-T | T | 101.3/35.8 |
| C21 | 4030006880 | S.CER C1608 JB 1H 472K-T | T | 89.1/49.9 |
| C23 | 4030011600 | S.CER C1608 JB 1E 104K-T | T | 68.1/13.4 |
| C24 | 4510008500 | S.ELE EEE1CA101WP | T | 73.5/9.8 |
| C25 | 4030011600 | S.CER C1608 JB 1E 104K-T | T | 64.9/25.8 |
| C26 | 4030011600 | S.CER C1608 JB 1E 104K-T | T | 65.2/36.2 |
| C27 | 4030011600 | S.CER C1608 JB 1E 104K-T | T | 65.2/37.9 |
| C28 | 4030011600 | S.CER C1608 JB 1E 104K-T | T | 60.3/41.2 |
| C29 | 4030011600 | S.CER C1608 JB 1E 104K-T | T | 57.2/41.7 |
| C30 | 4030011600 | S.CER C1608 JB 1E 104K-T | T | 51.3/41.2 |
| C31 | 4030011600 | S.CER C1608 JB 1E 104K-T | T | 45.7/34.0 |
| C32 | 4030011600 | S.CER C1608 JB 1E 104K-T | T | 45.3/30.3 |
| C33 | 4030011600 | S.CER C1608 JB 1E 104K-T | T | 49.4/42.0 |
| C34 | 4030011600 | S.CER C1608 JB 1E 104K-T | T | 50.3/22.3 |
| C35 | 4030011600 | S.CER C1608 JB 1E 104K-T | T | 53.4/22.4 |
| C36 | 4030011600 | S.CER C1608 JB 1E 104K-T | T | 62.8/23.4 |
| C37 | 4030007070 | S.CER C1608 CH 1H 330J-T | T | 69.6/34.7 |
| C38 | 4030007010 | S.CER C1608 CH 1H 100D-T | T | 69.6/37.3 |
| C39 | 4030011540 | S.CER C1608 CH 1H 750J-T | T | 69.0/39.2 |
| C40 | 4030006980 | S.CER C1608 CH 1H 070D-T | T | 71.6/41.7 |
| C41 | 4030007120 | S.CER C1608 CH 1H 820J-T | T | 69.7/42.3 |
| C42 | 4030006930 | S.CER C1608 CH 1H 020C-T | T | 70.1/45.0 |
| C43 | 4030007100 | S.CER C1608 CH 1H 560J-T | T | 68.8/45.0 |
| C44 | 4030007010 | S.CER C1608 CH 1H 100D-T | T | 69.6/36.0 |
| C45 | 4030006860 | S.CER C1608 JB 1H 102K-T | T | 51.6/43.5 |
| C46 | 4030006860 | S.CER C1608 JB 1H 102K-T | T | 45.6/36.6 |
| C50 | 4030006880 | S.CER C1608 JB 1H 472K-T | T | 58.0/43.5 |
| C51 | 4030011600 | S.CER C1608 JB 1E 104K-T | T | 44.1/29.4 |
| C52 | 4030006880 | S.CER C1608 JB 1H 472K-T | T | 45.4/27.7 |
| C53 | 4030006880 | S.CER C1608 JB 1H 472K-T | T | 45.0/24.1 |
| C54 | 4030006880 | S.CER C1608 JB 1H 472K-T | T | 46.6/22.0 |
| C55 | 4030006880 | S.CER C1608 JB 1H 472K-T | T | 56.6/44.5 |
| C56 | 4030007110 | S.CER C1608 CH 1H 680J-T | T | 66.3/45.6 |
| C57 | 4030007090 | S.CER C1608 CH 1H 470J-T | T | 64.4/46.4 |
| C58 | 4030007100 | S.CER C1608 CH 1H 560J-T | T | 60.7/46.4 |
| C59 | 4030011840 | S.CER C1608 CH 1H 241J-T | T | 64.4/45.1 |
| C60 | 4030009580 | S.CER C1608 JB 1H 681K-T | T | 62.6/45.6 |
| C71 | 4550007520 | S.TAN F931A106MAABMA | T | 49.1/50.0 |
| C72 | 4030011600 | S.CER C1608 JB 1E 104K-T | T | 26.5/44.1 |
| C73 | 4030006850 | S.CER C1608 JB 1H 471K-T | T | 16.1/42.8 |
| C74 | 4510008540 | S.ELE EEE1CA100SR | T | 21.5/48.2 |
| C75 | 4030007140 | S.CER C1608 CH 1H 121J-T | T | 20.3/40.2 |
| C76 | 4610001830 | S.TRI TZB4S100AB10R00 (TZBX4N100BA110) | T | 24.5/38.9 |
| C77 | 4030007010 | S.CER C1608 CH 1H 100D-T | T | 25.4/36.0 |
| C78 | 4030006880 | S.CER C1608 JB 1H 472K-T | T | 27.4/33.6 |
| C79 | 4030009540 | S.CER C1608 CH 1H 1R5B-T | T | 22.5/32.5 |
| C80 | 4030006880 | S.CER C1608 JB 1H 472K-T | T | 20.5/28.0 |
| C81 | 4030006880 | S.CER C1608 JB 1H 472K-T | T | 20.5/22.6 |
| C82 | 4030011600 | S.CER C1608 JB 1E 104K-T | T | 34.4/45.1 |
| C83 | 4030006850 | S.CER C1608 JB 1H 471K-T | T | 24.6/46.4 |
| C84 | 4510008540 | S.ELE EEE1CA100SR | T | 27.7/48.1 |
| C85 | 4030006850 | S.CER C1608 JB 1H 471K-T | T | 29.6/40.4 |
| C86 | 4610001830 | S.TRI TZB4S100AB10R00 (TZBX4N100BA110) | T | 33.4/38.9 |
| C87 | 4030006950 | S.CER C1608 CH 1H 040 | | |

[PLL UNIT]

| REF NO. | PARTS NO. | DESCRIPTION | M. | H/V LOCATION |
|---------|------------|--------------------------|----|--------------|
| C113 | 4030006880 | S.CER C1608 JB 1H 472K-T | T | 44.8/17.2 |
| C114 | 4030006880 | S.CER C1608 JB 1H 472K-T | T | 51.1/20.9 |
| C115 | 4030006880 | S.CER C1608 JB 1H 472K-T | T | 55.6/17.2 |
| C116 | 4030011600 | S.CER C1608 JB 1E 104K-T | T | 15.9/51.6 |
| C117 | 4030011600 | S.CER C1608 JB 1E 104K-T | T | 16.1/45.4 |
| C118 | 4030006880 | S.CER C1608 JB 1H 472K-T | T | 30.1/16.3 |
| C119 | 4510009270 | S.ELE EEEHB1C220UR | T | 61.1/9.7 |
| C120 | 4030006850 | S.CER C1608 JB 1H 471K-T | T | 44.8/45.0 |
| C121 | 4030011600 | S.CER C1608 JB 1E 104K-T | T | 44.8/46.3 |
| C122 | 4030011600 | S.CER C1608 JB 1E 104K-T | T | 21.0/15.8 |
| C123 | 4030011600 | S.CER C1608 JB 1E 104K-T | T | 21.6/20.6 |
| C124 | 4030011600 | S.CER C1608 JB 1E 104K-T | T | 37.6/47.6 |
| C125 | 4030007090 | S.CER C1608 CH 1H 470J-T | T | 46.8/44.3 |
| C126 | 4550007520 | S.TAN F931A106MAABMA | T | 54.2/50.0 |
| C127 | 4030011600 | S.CER C1608 JB 1E 104K-T | T | 47.3/42.4 |
| C128 | 4030011600 | S.CER C1608 JB 1E 104K-T | T | 37.1/45.7 |
| C151 | 4030006880 | S.CER C1608 JB 1H 472K-T | T | 127.1/45.2 |
| C152 | 4030007040 | S.CER C1608 CH 1H 180J-T | T | 117.8/20.8 |
| C153 | 4030006960 | S.CER C1608 CH 1H 050C-T | T | 117.8/19.5 |
| C154 | 4030007070 | S.CER C1608 CH 1H 330J-T | T | 119.8/21.5 |
| C155 | 4030006930 | S.CER C1608 CH 1H 020C-T | T | 120.5/19.6 |
| C156 | 4030007040 | S.CER C1608 CH 1H 180J-T | T | 122.4/20.3 |
| C157 | 4030006880 | S.CER C1608 JB 1H 472K-T | T | 125.2/17.6 |
| C164 | 4030006880 | S.CER C1608 JB 1H 472K-T | T | 124.9/26.4 |
| C165 | 4510008540 | S.ELE EEE1CA100SR | T | 128.0/24.8 |
| C167 | 4030011600 | S.CER C1608 JB 1E 104K-T | T | 129.9/44.5 |
| C201 | 4030006880 | S.CER C1608 JB 1H 472K-T | T | 161.9/45.2 |
| C202 | 4030006850 | S.CER C1608 JB 1H 471K-T | T | 152.7/20.8 |
| C203 | 4030007120 | S.CER C1608 CH 1H 820J-T | T | 152.7/19.5 |
| C204 | 4030009490 | S.CER C1608 JB 1H 821K-T | T | 154.6/21.5 |
| C205 | 4030007070 | S.CER C1608 CH 1H 330J-T | T | 155.4/19.7 |
| C206 | 4030010040 | S.CER C1608 JB 1H 561K-T | T | 157.3/20.3 |
| C207 | 4030006880 | S.CER C1608 JB 1H 472K-T | T | 160.1/17.6 |
| C214 | 4030006880 | S.CER C1608 JB 1H 472K-T | T | 159.8/26.4 |
| C215 | 4510008540 | S.ELE EEE1CA100SR | T | 162.9/24.8 |
| C217 | 4030011600 | S.CER C1608 JB 1E 104K-T | T | 164.8/44.5 |
| C305 | 4510008540 | S.ELE EEE1CA100SR | T | 139.5/16.8 |
| C310 | 4030007090 | S.CER C1608 CH 1H 470J-T | T | 143.8/16.3 |
| C311 | 4030007090 | S.CER C1608 CH 1H 470J-T | T | 144.2/14.4 |
| C312 | 4030007090 | S.CER C1608 CH 1H 470J-T | T | 145.5/14.4 |
| C313 | 4030007090 | S.CER C1608 CH 1H 470J-T | T | 146.8/14.4 |
| C314 | 4030007090 | S.CER C1608 CH 1H 470J-T | T | 149.8/13.6 |
| C315 | 4030007090 | S.CER C1608 CH 1H 470J-T | T | 152.2/7.7 |
| C316 | 4030006860 | S.CER C1608 JB 1H 102K-T | T | 152.2/10.4 |
| C317 | 4030006880 | S.CER C1608 JB 1H 472K-T | T | 131.0/8.2 |
| C318 | 4030006880 | S.CER C1608 JB 1H 472K-T | T | 132.5/12.5 |
| C319 | 4030006880 | S.CER C1608 JB 1H 472K-T | T | 137.1/13.6 |
| C320 | 4030006850 | S.CER C1608 JB 1H 471K-T | T | 139.2/13.2 |
| C321 | 4030006880 | S.CER C1608 JB 1H 472K-T | T | 129.6/8.4 |
| C322 | 4030006880 | S.CER C1608 JB 1H 472K-T | T | 141.0/13.2 |
| C323 | 4030006880 | S.CER C1608 JB 1H 472K-T | T | 13.4/33.9 |
| C324 | 4030006880 | S.CER C1608 JB 1H 472K-T | T | 13.4/35.2 |
| C325 | 4030007100 | S.CER C1608 CH 1H 560J-T | T | 26.3/15.0 |
| C326 | 4030006880 | S.CER C1608 JB 1H 472K-T | T | 58.0/12.4 |
| C327 | 4030006880 | S.CER C1608 JB 1H 472K-T | T | 84.9/7.3 |
| C328 | 4030009500 | S.CER C1608 CH 1H 0R5B-T | T | 26.0/19.4 |
| C329 | 4030006850 | S.CER C1608 JB 1H 471K-T | T | 14.3/10.5 |
| C330 | 4030006880 | S.CER C1608 JB 1H 472K-T | T | 11.7/20.8 |
| RL1 | 6330001320 | REL AHY103 | | |
| J2 | 6510019981 | S.CON 52808-1671(1690) | T | 141.5/7.7 |
| J3 | 6450000140 | CON HSJ0807-01-010 | | |
| J4 | 6450000140 | CON HSJ0807-01-010 | | |
| EP2 | 6910012350 | S.BEA MMZ1608Y 102BT | T | 66.2/8.0 |
| EP3 | 6910012350 | S.BEA MMZ1608Y 102BT | T | 66.2/5.4 |
| EP4 | 6910012350 | S.BEA MMZ1608Y 102BT | T | 66.2/6.7 |
| EP5 | 6910012350 | S.BEA MMZ1608Y 102BT | T | 68.7/9.7 |
| EP6 | 6910012350 | S.BEA MMZ1608Y 102BT | T | 61.2/5.4 |
| EP7 | 6910012350 | S.BEA MMZ1608Y 102BT | T | 74.4/51.6 |
| EP8 | 6910012350 | S.BEA MMZ1608Y 102BT | T | 46.3/13.9 |
| EP9 | 6910012350 | S.BEA MMZ1608Y 102BT | T | 23.0/35.4 |
| EP10 | 6910012350 | S.BEA MMZ1608Y 102BT | T | 21.3/44.7 |
| EP11 | 6910012350 | S.BEA MMZ1608Y 102BT | T | 31.9/35.4 |
| EP12 | 6910012350 | S.BEA MMZ1608Y 102BT | T | 30.6/45.1 |
| EP13 | 6910012350 | S.BEA MMZ1608Y 102BT | T | 11.3/8.1 |
| EP14 | 6910012350 | S.BEA MMZ1608Y 102BT | T | 4.8/8.1 |

[DISPLAY UNIT]

| REF NO. | PARTS NO. | DESCRIPTION | M. | H/V LOCATION |
|---------|------------|-----------------------------------|--------------------|--------------|
| IC102 | 1130003831 | S.IC TC7S04F(TE85RF) | B | 77.9/15.5 |
| IC103 | 1130008511 | S.IC TC7W53FU(TE12LF) | B | 78.9/35.7 |
| Q11 | 1530002851 | S.TRA 2SC4116-BL(TE85RF) | B | 76.5/7.5 |
| Q21 | 1530002851 | S.TRA 2SC4116-BL(TE85RF) | B | 70.4/7.5 |
| Q31 | 1530002851 | S.TRA 2SC4116-BL(TE85RF) | B | 64.5/7.5 |
| Q41 | 1530002851 | S.TRA 2SC4116-BL(TE85RF) | B | 58.6/7.5 |
| Q51 | 1530002851 | S.TRA 2SC4116-BL(TE85RF) | B | 52.7/7.5 |
| Q61 | 1530002851 | S.TRA 2SC4116-BL(TE85RF) | B | 46.9/7.5 |
| Q71 | 1530002851 | S.TRA 2SC4116-BL(TE85RF) | B | 41.1/7.5 |
| Q81 | 1530002851 | S.TRA 2SC4116-BL(TE85RF) | B | 35.3/7.5 |
| R11 | 7030000370 | S.RES MCR10EZHZJ 820 (821) | B | 74.1/7.5 |
| R12 | 7030003360 | S.RES ERJ3GEYJ 221 V (220) | B | 78.4/7.4 |
| | 7030003360 | S.RES ERJ3GEYJ 221 V (220) | [OTH-2] [CHN-1] | |
| R21 | 7030000370 | S.RES MCR10EZHZJ 820 (821) | B | 68.0/7.5 |
| R22 | 7030003360 | S.RES ERJ3GEYJ 221 V (220) | B | 72.3/7.4 |
| R31 | 7030000370 | S.RES MCR10EZHZJ 820 (821) | B | 62.1/7.5 |
| R32 | 7030003360 | S.RES ERJ3GEYJ 221 V (220) | B | 66.4/7.4 |
| R41 | 7030000370 | S.RES MCR10EZHZJ 820 (821) | B | 56.2/7.5 |
| R42 | 7030003360 | S.RES ERJ3GEYJ 221 V (220) | B | 60.5/7.4 |
| R51 | 7030000370 | S.RES MCR10EZHZJ 820 (821) | B | 50.4/7.5 |
| R52 | 7030003360 | S.RES ERJ3GEYJ 221 V (220) | B | 54.6/7.4 |
| R61 | 7030000370 | S.RES MCR10EZHZJ 820 (821) | B | 44.6/7.5 |
| R62 | 7030003360 | S.RES ERJ3GEYJ 221 V (220) | B | 48.8/7.4 |
| R71 | 7030000370 | S.RES MCR10EZHZJ 820 (821) | B | 38.8/7.5 |
| R72 | 7030003360 | S.RES ERJ3GEYJ 221 V (220) | B | 43.0/7.4 |
| R81 | 7030000370 | S.RES MCR10EZHZJ 820 (821) | B | 33.0/7.5 |
| R82 | 7030003360 | S.RES ERJ3GEYJ 221 V (220) | B | 37.2/7.4 |
| C101 | 4030008630 | S.CER C1608 JF 1H 104Z-T | B | 75.6/28.0 |
| C103 | 4030008630 | S.CER C1608 JF 1H 104Z-T | B | 76.5/34.4 |
| C104 | 4030008630 | S.CER C1608 JF 1H 104Z-T | B | 75.6/15.0 |
| C105 | 4030008630 | S.CER C1608 JF 1H 104Z-T | B | 79.0/30.7 |
| C106 | 4030008630 | S.CER C1608 JF 1H 104Z-T | B | 77.7/30.7 |
| J101 | 6510019981 | S.CON 52808-1671(1690) | B | 83.5/20.5 |
| DS11 | 5040003710 | S.LED KP-2012SYCK <TM> | T | 83.5/34.3 |
| DS12 | 5040003710 | S.LED KP-2012SYCK <TM> | T | 83.5/23.8 |
| DS13 | 5040003710 | S.LED KP-2012SYCK <TM> | T | 83.5/13.3 |
| DS21 | 5040003710 | S.LED KP-2012SYCK <TM> | T | 73.0/34.3 |
| DS22 | 5040003710 | S.LED KP-2012SYCK <TM> | T | 73.0/23.8 |
| DS23 | 5040003710 | S.LED KP-2012SYCK <TM> | T | 73.0/13.3 |
| DS31 | 5040003710 | S.LED KP-2012SYCK <TM> | T | 62.5/34.3 |
| DS32 | 5040003710 | S.LED KP-2012SYCK <TM> | T | 62.5/23.8 |
| DS33 | 5040003710 | S.LED KP-2012SYCK <TM> | T | 62.5/13.3 |
| DS41 | 5040003710 | S.LED KP-2012SYCK <TM> | T | 52.0/34.3 |
| DS42 | 5040003710 | S.LED KP-2012SYCK <TM> | T | 52.0/23.8 |
| DS43 | 5040003710 | S.LED KP-2012SYCK <TM> | T | 52.0/13.3 |
| DS51 | 5040003710 | S.LED KP-2012SYCK <TM> | T | 41.5/34.3 |
| DS52 | 5040003710 | S.LED KP-2012SYCK <TM> | T | 41.5/23.8 |
| DS53 | 5040003710 | S.LED KP-2012SYCK <TM> | T | 41.5/13.3 |
| DS61 | 5040003710 | S.LED KP-2012SYCK <TM> | T | 31.0/34.3 |
| DS62 | 5040003710 | S.LED KP-2012SYCK <TM> | T | 31.0/23.8 |
| DS63 | 5040003710 | S.LED KP-2012SYCK <TM> | T | 31.0/13.3 |
| DS71 | 5040003710 | S.LED KP-2012SYCK <TM> | T | 20.5/34.3 |
| DS72 | 5040003710 | S.LED KP-2012SYCK <TM> | T | 20.5/23.8 |
| DS73 | 5040003710 | S.LED KP-2012SYCK <TM> | T | 20.5/13.3 |
| DS81 | 5040003710 | S.LED KP-2012SYCK <TM> | T | 10.0/34.3 |
| DS82 | 5040003710 | S.LED KP-2012SYCK <TM> | T | 10.0/23.8 |
| DS83 | 5040003710 | S.LED KP-2012SYCK <TM> | T | 10.0/13.3 |
| DS101 | 5030003490 | LCD TAK-44525-TTZCU RX2240 <ITAK> | | |
| EP2 | 8930049631 | LCD SRCN-2240-SP-N-W-1 (SHJ) | | |

Eqv.= This component is equivalent to the REF No. component listed above, and may be substituted on parts orders and repairs.

M.=Mounted side (T: Mounted on the Top side, B: Mounted on the Bottom side) S.=Surface mount

[MAIN-A UNIT]

| REF NO. | PARTS NO. | DESCRIPTION | M. | H/V LOCATION |
|---------|------------|----------------------------|----|--------------|
| IC551 | 1130011760 | S.IC CD4094BPWR | T | 35.6/54.2 |
| IC552 | 1130011760 | S.IC CD4094BPWR | T | 44.2/54.2 |
| IC561 | 1160000132 | S.IC TD62783AFG(OSEL) | T | 34.6/66.3 |
| IC562 | 1160000132 | S.IC TD62783AFG(OSEL) | T | 49.0/66.3 |
| IC731 | 1110003141 | IC LA1 150N-E | | |
| IC811 | 1110002601 | S.IC MC1496DR2G | T | 133.0/48.0 |
| IC1001 | 1110007320 | S.IC NJM2591V-TE1-#ZZZB | T | 61.0/50.6 |
| IC1101 | 1110002601 | S.IC MC1496DR2G | T | 67.0/16.2 |
| IC1201 | 1130009100 | S.IC BU4052BCFV-E2 | T | 35.9/22.9 |
| IC1211 | 1110003870 | S.IC NJM2058M-TE1-#ZZZB | T | 35.9/33.9 |
| IC1251 | 1110003300 | S.IC M5282FP 70CD | T | 17.4/36.7 |
| IC1281 | 1130009100 | S.IC BU4052BCFV-E2 | T | 18.6/20.1 |
| IC1291 | 1110003091 | IC LA4425A-E | | |
| IC1361 | 1180000970 | S.IC AN78L05M-(E1) | T | 61.0/151.4 |
| IC1371 | 1180001531 | IC PQ30RV31J00H | | |
| IC1391 | 1180001252 | S.IC TA7808F(TE16L1NQ) | T | 74.0/157.5 |
| IC1401 | 1180001072 | S.IC TA7805F(TE16L1NQ) | T | 147.1/150.5 |
| IC1411 | 1110001401 | S.IC UPC1555G2-E1-A | T | 95.3/158.5 |
| IC1601 | 1130011760 | S.IC CD4094BPWR | T | 90.5/75.8 |
| IC1602 | 1130011760 | S.IC CD4094BPWR | T | 90.5/82.7 |
| IC1603 | 1160000132 | S.IC TD62783AFG(OSEL) | T | 102.0/87.0 |
| IC1751 | 1120002510 | S.IC DS14C23TM | T | 123.4/156.1 |
| IC1771 | 1130007111 | S.IC TC7W04FU(TE12LF) | T | 130.2/158.3 |
| Q151 | 1590000680 | S.TRA DTC114EUA T106 | T | 21.8/149.8 |
| Q381 | 1560000721 | S.FET 2SK2171-4-TD-E | T | 61.7/121.1 |
| Q382 | 1560000721 | S.FET 2SK2171-4-TD-E | T | 55.3/121.1 |
| Q383 | 1590004400 | S.TRA DMG564010R | T | 54.6/94.4 |
| Q391 | 1590004400 | S.TRA DMG564010R | T | 74.6/134.1 |
| Q392 | 1530004180 | S.TRA 2SC3356-T1B YS (R25) | T | 62.2/111.1 |
| Q411 | 1530003340 | S.TRA 2SC3357-T1 RF | T | 77.4/106.9 |
| Q441 | 1560000641 | S.FET 2SK1740-4/5-TB-E | T | 81.7/90.3 |
| Q442 | 1560000641 | S.FET 2SK1740-4/5-TB-E | T | 81.7/96.1 |
| Q471 | 1580000620 | S.FET 3SK131-T2 MAS | T | 86.8/128.7 |
| Q472 | 1590004400 | S.TRA DMG564010R | T | 88.3/132.6 |
| Q721 | 1580000620 | S.FET 3SK131-T2 MAS | T | 143.7/97.9 |
| Q731 | 1560000561 | S.FET 2SK882-GR(TE85LF) | T | 119.8/123.7 |
| Q732 | 1510000510 | S.TRA 2SA1576A T106R | T | 126.1/115.1 |
| Q733 | 1530002060 | S.TRA 2SC4081 T106 R | T | 108.9/119.4 |
| Q734 | 1530002060 | S.TRA 2SC4081 T106 R | T | 113.5/106.1 |
| Q735 | 1530002060 | S.TRA 2SC4081 T106 R | T | 119.2/106.4 |
| Q736 | 1590000680 | S.TRA DTC114EUA T106 | T | 116.0/104.3 |
| Q737 | 1590004400 | S.TRA DMG564010R | T | 123.6/106.4 |
| Q801 | 1530002060 | S.TRA 2SC4081 T106 R | T | 143.2/54.4 |
| Q891 | 1580000620 | S.FET 3SK131-T2 MAS | T | 81.2/43.0 |
| Q911 | 1560000561 | S.FET 2SK882-GR(TE85LF) | T | 81.1/26.5 |
| Q912 | 1530002060 | S.TRA 2SC4081 T106 R | T | 81.2/14.4 |
| Q1001 | 1560000561 | S.FET 2SK882-GR(TE85LF) | T | 70.0/51.3 |
| Q1031 | 1530002060 | S.TRA 2SC4081 T106 R | T | 68.8/22.9 |
| Q1051 | 1530002060 | S.TRA 2SC4081 T106 R | T | 84.7/67.8 |
| Q1061 | 1590004400 | S.TRA DMG564010R | T | 105.3/75.0 |
| Q1063 | 1530002060 | S.TRA 2SC4081 T106 R | T | 103.6/78.4 |
| Q1064 | 1590004400 | S.TRA DMG564010R | T | 89.7/71.3 |
| Q1065 | 1590004400 | S.TRA DMG564010R | T | 86.5/70.1 |
| Q1066 | 1590004400 | S.TRA DMG564010R | T | 82.5/71.4 |
| Q1311 | 1530002060 | S.TRA 2SC4081 T106 R | T | 87.2/166.7 |
| Q1381 | 1540000251 | S.TRA 2SD999-T2-AZ CK | T | 81.3/150.2 |
| Q1382 | 1590000680 | S.TRA DTC114EUA T106 | T | 79.8/158.8 |
| Q1771 | 1510000510 | S.TRA 2SA1576A T106R | T | 123.6/164.0 |
| Q1772 | 1530002060 | S.TRA 2SC4081 T106 R | T | 119.4/165.5 |
| D121 | 1790000620 | S.DIO MA77(TX) | T | 46.8/153.9 |
| D141 | 1750002520 | S.DIO RN739FT106 | T | 25.9/150.1 |
| D142 | 1750002520 | S.DIO RN739FT106 | T | 25.9/147.0 |
| D143 | 1790000620 | S.DIO MA77(TX) | T | 46.8/147.5 |
| D151 | 1750000971 | S.DIO CPH5513-TL-E | T | 31.3/139.8 |
| D172 | 1790000620 | S.DIO MA77(TX) | T | 48.7/134.5 |
| D181 | 1750000971 | S.DIO CPH5513-TL-E | T | 21.2/84.6 |
| D182 | 1790000620 | S.DIO MA77(TX) | T | 48.7/80.9 |
| D202 | 1790000620 | S.DIO MA77(TX) | T | 48.7/89.0 |
| D221 | 1750000971 | S.DIO CPH5513-TL-E | T | 21.2/95.5 |
| D222 | 1790000620 | S.DIO MA77(TX) | T | 48.7/90.9 |
| D242 | 1790000620 | S.DIO MA77(TX) | T | 48.7/99.6 |
| D261 | 1750000971 | S.DIO CPH5513-TL-E | T | 21.2/106.0 |
| D262 | 1790000620 | S.DIO MA77(TX) | T | 48.7/101.7 |
| D282 | 1790000620 | S.DIO MA77(TX) | T | 48.7/110.4 |
| D301 | 1750000971 | S.DIO CPH5513-TL-E | T | 21.2/117.3 |
| D302 | 1790000620 | S.DIO MA77(TX) | T | 48.7/112.4 |
| D322 | 1790000620 | S.DIO MA77(TX) | T | 48.7/121.9 |
| D341 | 1750000441 | S.DIO 1SV263-TL-E | T | 20.9/124.8 |
| D342 | 1790000620 | S.DIO MA77(TX) | T | 48.7/124.1 |
| D371 | 1790000620 | S.DIO MA77(TX) | T | 68.2/135.3 |
| D372 | 1790000620 | S.DIO MA77(TX) | T | 65.6/97.0 |
| D381 | 1790000620 | S.DIO MA77(TX) | T | 64.9/130.5 |
| D382 | 1790000620 | S.DIO MA77(TX) | T | 60.2/97.0 |
| D391 | 1790000620 | S.DIO MA77(TX) | T | 64.9/128.7 |
| D392 | 1790000620 | S.DIO MA77(TX) | T | 63.3/97.0 |
| D491 | 1750000431 | S.DIO HSB88WSTR-E | T | 118.5/131.5 |
| D711 | 1790000620 | S.DIO MA77(TX) | T | 141.2/113.2 |
| D712 | 1790000620 | S.DIO MA77(TX) | T | 136.4/113.2 |
| D713 | 1790000620 | S.DIO MA77(TX) | T | 141.2/110.1 |
| D714 | 1790000620 | S.DIO MA77(TX) | T | 136.3/110.1 |
| D731 | 1750001210 | S.DIO HSB88ASTR-E | T | 105.0/115.8 |
| D732 | 1750000550 | S.DIO 1SS355 TE-17 | T | 127.7/102.7 |
| D761 | 1790000620 | S.DIO MA77(TX) | T | 120.2/98.2 |
| D762 | 1790000620 | S.DIO MA77(TX) | T | 120.2/100.2 |
| D763 | 1790000620 | S.DIO MA77(TX) | T | 115.2/56.9 |
| D764 | 1790000620 | S.DIO MA77(TX) | T | 115.2/55.1 |
| D771 | 1790000620 | S.DIO MA77(TX) | T | 144.1/88.2 |
| D772 | 1790000620 | S.DIO MA77(TX) | T | 144.1/86.4 |
| D773 | 1790000620 | S.DIO MA77(TX) | T | 144.1/73.9 |
| D774 | 1790000620 | S.DIO MA77(TX) | T | 144.1/71.5 |

Eqv.= This component is equivalent to the REF No. component listed above, and may be substituted on parts orders and repairs.

[MAIN-A UNIT]

| REF NO. | PARTS NO. | DESCRIPTION | M. | H/V LOCATION |
|---------|------------|--------------------------------|----|--------------|
| D781 | 1790000620 | S.DIO MA77(TX) | T | 134.5/98.2 |
| D782 | 1790000620 | S.DIO MA77(TX) | T | 131.0/98.2 |
| D783 | 1790000620 | S.DIO MA77(TX) | T | 128.8/56.2 |
| D784 | 1790000620 | S.DIO MA77(TX) | T | 128.8/54.5 |
| D831 | 1750000301 | S.DIO 1SS302(TE85RF) | T | 38.6/27.3 |
| D851 | 1790000620 | S.DIO MA77(TX) | T | 116.9/42.5 |
| D852 | 1790000620 | S.DIO MA77(TX) | T | 88.0/42.0 |
| D861 | 1790000620 | S.DIO MA77(TX) | T | 109.1/51.1 |
| D862 | 1790000620 | S.DIO MA77(TX) | T | 86.4/57.0 |
| D871 | 1790000620 | S.DIO MA77(TX) | T | 109.3/57.1 |
| D872 | 1790000620 | S.DIO MA77(TX) | T | 85.9/61.5 |
| D881 | 1790000620 | S.DIO MA77(TX) | T | 136.0/41.1 |
| D882 | 1790000620 | S.DIO MA77(TX) | T | 90.0/39.9 |
| D1041 | 1750001210 | S.DIO HSB88ASTR-E | T | 63.2/22.9 |
| D1051 | 1750001210 | S.DIO HSB88ASTR-E | T | 87.3/67.5 |
| D1061 | 1750001210 | S.DIO HSB88ASTR-E | T | 103.5/68.7 |
| D1311 | 1750000550 | S.DIO 1SS355 TE-17 | T | 83.0/164.5 |
| D1351 | 1790000700 | DIO DSA3A1 | | |
| D1371 | 1750000550 | S.DIO 1SS355 TE-17 | T | 17.3/108.6 |
| D1381 | 1750000301 | S.DIO 1SS302(TE85RF) | T | 82.0/157.1 |
| D1412 | 1750000301 | S.DIO 1SS302(TE85RF) | T | 103.0/154.1 |
| D1413 | 1730002830 | S.ZEN DZZJ051M0L | T | 108.9/157.3 |
| D1771 | 1750000550 | S.DIO 1SS355 TE-17 | T | 117.1/164.5 |
| FI461 | 2010002090 | FIL UM-5 69.0115 MHz (FL-261) | | |
| FI701 | 2010000270 | FIL 9M15A (FL-23) | | |
| FI761 | 2010002130 | D.F 9M22D4 9.0115 MHz (FL-272) | | |
| FI851 | 2020000210 | CER CFJ455K5 (FL-65) | | |
| FI861 | 2020002510 | CER LTW450HT <JJE> | | |
| FI871 | 2020002250 | CER LT450EW <JJE> | | |
| X1001 | 6070000300 | S.DIS JTBM450CX24 <JJE> | T | 50.6/53.1 |
| L101 | 6140002070 | COI LR-233 | | |
| L132 | 6200003421 | S.COI NLV32T-R15J | T | 26.0/153.3 |
| L151 | 6200005491 | S.COI NLV32T-331J | T | 23.2/146.3 |
| L161 | 6200005491 | S.COI NLV32T-331J | T | 25.7/138.3 |
| L162 | 6180004090 | COI AL04 TB 4R7K <TRIA> | | |
| L163 | 6180004100 | COI AL04 TB 5R6K <TRIA> | | |
| L171 | 6200005491 | S.COI NLV32T-331J | T | 35.8/132.3 |
| L172 | 6200002961 | S.COI NLV32T-4R7J | T | 36.9/135.8 |
| L173 | 6200003111 | S.COI NLV32T-6R8J | T | 40.4/134.3 |
| L181 | 6200005491 | S.COI NLV32T-331J | T | 24.5/82.1 |
| L182 | 6200003091 | S.COI NLV32T-2R7J | T | 30.8/82.8 |
| L183 | 6200003101 | S.COI NLV32T-3R9J | T | 37.4/82.1 |
| L184 | 6200005491 | S.COI NLV32T-331J | T | 42.7/82.8 |
| L201 | 6200005491 | S.COI NLV32T-331J | T | 25.2/88.2 |
| L202 | 6200002991 | S.COI NLV32T-2R2J | T | 28.8/87.5 |
| L203 | 6200002991 | S.COI NLV32T-2R2J | T | 32.5/88.2 |
| L204 | 6200003321 | S.COI NLV32T-3R3J | T | 40.7/86.9 |
| L205 | 6200002961 | S.COI NLV32T-4R7J | T | 44.3/87.5 |
| L221 | 6200003241 | S.COI NLV32T-221J | T | 24.5/92.2 |
| L222 | 6200003081 | S.COI NLV32T-1R8J | T | 28.2/91.5 |
| L223 | 6200003061 | S.COI NLV32T-1R2J | T | 31.8/92.2 |
| L224 | 6200003071 | S.COI NLV32T-1R5J | T | 37.6/94.4 |
| L225 | 6200003071 | S.COI NLV32T-1R5J | T | 42.9/92.5 |
| L241 | 6200003241 | S.COI NLV32T-221J | T | 25.2/98.8 |
| L242 | 6200003061 | S.COI NLV32T-1R2J | T | 29.7/98.1 |
| L243 | 6200003331 | S.COI NLV32T-1R0J | T | 33.3/98.8 |
| L244 | 6200003331 | S.COI NLV32T-1R0J | T | 41.8/96.9 |
| L245 | 6200003081 | S.COI NLV32T-1R8J | T | 45.5/98.1 |
| L261 | 6200003241 | S.COI NLV32T-221J | T | 24.5/102.9 |
| L262 | 6200003251 | S.COI NLV32T-R39J | T | 28.2/102.3 |
| L263 | 6200002981 | S.COI NLV32T-R56J | T | 31.8/102.9 |
| L264 | 6200003041 | S.COI NLV32T-R68J | T | 37.7/105.0 |
| L265 | 6200003331 | S.COI NLV32T-1R0J | T | 43.1/102.9 |
| L281 | 6200001831 | S.COI NLV32T-100J | T | 25.2/109.5 |
| L282 | 6200003021 | S.COI NLV32T-R33J | T | 29.7/108.9 |
| L283 | 6200003251 | S.COI NLV32T-R39J | T | 33.3/109.5 |
| L284 | 6200003031 | S.COI NLV32T-R47J | T | 41.8/108.2 |
| L285 | 6200003031 | S.COI NLV32T-R47J | T | 45.5/108.9 |
| L301 | 6200001831 | S.COI NLV32T-100J | T | 24.0/113.7 |
| L302 | 6200003021 | S.COI NLV32T-R33J | T | 27.7/114.3 |
| L303 | 6200003011 | S.COI NLV32T-R27J | T | 31.3/113.7 |
| L304 | 6200003021 | S.COI NLV32T-R33J | T | 38.3/115.0 |
| L305 | 6200003031 | S.COI NLV32T-R47J | T | 46.1/114.8 |
| L321 | 6200001831 | S.COI NLV32T-100J | T | 25.2/121.0 |
| L322 | 6200003001 | S.COI NLV32T-R22J | T | 29.6/120.4 |
| L323 | 6200003421 | S.COI NLV32T-R15J | T | 33.3/121.0 |
| L324 | 6180002961 | S.COI NLV32T-R18J | T | 36.9/120.4 |
| L325 | 6200003001 | S.COI NLV32T-R22J | T | 41.8/118.1 |
| L326 | 6200003001 | S.COI NLV32T-R22J | T | 45.4/120.4 |
| L341 | 6200001831 | S.COI NLV32T-100J | T | 23.9/125.7 |
| L342 | 6200001471 | S.COI NLV32T-R12J | T | 27.6/125.0 |
| L343 | 6200003421 | S.COI NLV32T-R15J | T | 31.2/125.7 |
| L345 | 6200003421 | S.COI NLV32T-R15J | T | 41.2/126.9 |
| L346 | 6200001471 | S.COI NLV32T-R12J | T | 46.1/126.6 |
| L361 | 6200005491 | S.COI NLV32T-331J | T | 52.5/135.5 |
| L362 | 6200005491 | S.COI NLV32T-331J | T | 59.9/134.9 |
| L371 | 6200003241 | S.COI NLV32T-221J | T | 70.7/96.9 |
| L381 | 6140000640 | COI LR-86 | | |
| L382 | 6200003071 | S.COI NLV32T-1R5J | T | 54.0/115.3 |
| L383 | 6140003530 | COI LR-395 | | |
| L384 | 6200005491 | | | |

[MAIN-A UNIT]

| REF NO. | PARTS NO. | DESCRIPTION | M. | H/V LOCATION |
|---------|------------|-----------------------------|----|--------------|
| L411 | 6200003001 | S.COI NLV32T-R22J | T | 76.0/119.3 |
| L412 | 6200003021 | S.COI NLV32T-R33J | T | 81.6/107.5 |
| L413 | 6200001831 | S.COI NLV32T-100J | T | 81.0/114.9 |
| L421 | 6200003431 | S.COI NLV32T-R10J | T | 81.2/103.6 |
| L422 | 6200003421 | S.COI NLV32T-R15J | T | 81.9/99.9 |
| L431 | 6200003431 | S.COI NLV32T-R10J | T | 53.7/88.6 |
| L432 | 6200003421 | S.COI NLV32T-R15J | T | 56.3/85.2 |
| L441 | 6140003530 | COI LR-395 | | |
| L442 | 6200003431 | S.COI NLV32T-R10J | T | 81.7/84.7 |
| L443 | 6150004270 | COI LS-483A (C-14924) | | |
| L444 | 6200001831 | S.COI NLV32T-100J | T | 86.7/102.0 |
| L461 | 6150004270 | COI LS-483A (C-14924) | | |
| L462 | 6150004270 | COI LS-483A (C-14924) | | |
| L471 | 6150004280 | COI LS-484B (C-14927) | | |
| L491 | 6140002810 | S.COI LR-317 | T | 108.5/131.5 |
| L492 | 6140002810 | S.COI LR-317 | T | 128.5/131.5 |
| L701 | 6150005610 | COI LS-573 | | |
| L711 | 6150005610 | COI LS-573 | | |
| L712 | 6150005610 | COI LS-573 | | |
| L721 | 6200001831 | S.COI NLV32T-100J | T | 147.5/97.9 |
| L731 | 6150005550 | COI LS-568 | | |
| L732 | 6150005550 | COI LS-568 | | |
| L733 | 6200003241 | S.COI NLV32T-221J | T | 113.3/125.1 |
| L891 | 6150005590 | COI LS-574 | | |
| L892 | 6150005590 | COI LS-574 | | |
| L911 | 6150005590 | COI LS-574 | | |
| L1001 | 6200003241 | S.COI NLV32T-221J | T | 67.9/47.1 |
| L1291 | 6180003641 | COI SZW1012T-142-0.3-1 | | |
| L1311 | 6200003241 | S.COI NLV32T-221J | T | 82.6/166.9 |
| L1411 | 6200003241 | S.COI NLV32T-221J | T | 96.2/145.8 |
| L1412 | 6200005491 | S.COI NLV32T-331J | T | 109.6/159.7 |
| L1771 | 6200003241 | S.COI NLV32T-221J | T | 139.2/151.2 |
| R101 | 7030003640 | S.RES ERJ3GEYJ 473 V (47K) | T | 45.9/169.4 |
| R102 | 7540000090 | ABS DSP-201M-S00B | | |
| R111 | 7030003640 | S.RES ERJ3GEYJ 473 V (47K) | T | 51.5/157.9 |
| R112 | 7540000090 | ABS DSP-201M-S00B | | |
| R121 | 7030003360 | S.RES ERJ3GEYJ 221 V (220) | T | 46.1/157.2 |
| R141 | 7030003480 | S.RES ERJ3GEYJ 222 V (2.2K) | T | 29.1/150.0 |
| R142 | 7030003400 | S.RES ERJ3GEYJ 471 V (470) | T | 27.8/150.0 |
| R143 | 7030003380 | S.RES ERJ3GEYJ 331 V (330) | T | 45.3/144.2 |
| R144 | 7030003300 | S.RES ERJ3GEYJ 680 V (68) | T | 46.6/144.2 |
| R145 | 7030003360 | S.RES ERJ3GEYJ 221 V (220) | T | 46.1/150.7 |
| R151 | 7030006260 | S.RES ERJ12YJ471U (470) | T | 24.9/142.3 |
| R152 | 7030003560 | S.RES ERJ3GEYJ 103 V (10K) | T | 21.9/151.7 |
| R171 | 7030003370 | S.RES ERJ3GEYJ 271 V (270) | T | 44.7/133.7 |
| R172 | 7030003230 | S.RES ERJ3GEYJ 180 V (18) | T | 45.5/135.8 |
| R173 | 7030003370 | S.RES ERJ3GEYJ 271 V (270) | T | 46.3/133.7 |
| R174 | 7030003200 | S.RES ERJ3GEYJ 100 V (10) | T | 46.8/131.6 |
| R181 | 7030003320 | S.RES ERJ3GEYJ 101 V (100) | T | 46.3/82.0 |
| R201 | 7030003320 | S.RES ERJ3GEYJ 101 V (100) | T | 46.5/86.8 |
| R221 | 7030003320 | S.RES ERJ3GEYJ 101 V (100) | T | 45.9/92.4 |
| R241 | 7030003320 | S.RES ERJ3GEYJ 101 V (100) | T | 47.6/97.0 |
| R261 | 7030003320 | S.RES ERJ3GEYJ 101 V (100) | T | 45.3/103.3 |
| R281 | 7030003320 | S.RES ERJ3GEYJ 101 V (100) | T | 47.6/108.2 |
| R301 | 7030003320 | S.RES ERJ3GEYJ 101 V (100) | T | 42.5/114.7 |
| R321 | 7030003320 | S.RES ERJ3GEYJ 101 V (100) | T | 47.6/119.7 |
| R341 | 7030003320 | S.RES ERJ3GEYJ 101 V (100) | T | 45.5/128.7 |
| R361 | 7030006260 | S.RES ERJ12YJ471U (470) | T | 55.9/136.4 |
| R362 | 7030006260 | S.RES ERJ12YJ471U (470) | T | 60.9/136.4 |
| R371 | 7030003320 | S.RES ERJ3GEYJ 101 V (100) | T | 73.5/102.9 |
| R372 | 7030003320 | S.RES ERJ3GEYJ 101 V (100) | T | 69.3/102.3 |
| R381 | 7030003320 | S.RES ERJ3GEYJ 101 V (100) | T | 53.9/130.7 |
| R382 | 7030003280 | S.RES ERJ3GEYJ 470 V (47) | T | 53.9/128.1 |
| R383 | 7030003280 | S.RES ERJ3GEYJ 470 V (47) | T | 53.9/126.8 |
| R384 | 7030003320 | S.RES ERJ3GEYJ 101 V (100) | T | 57.5/103.3 |
| R385 | 7030003320 | S.RES ERJ3GEYJ 101 V (100) | T | 56.3/103.3 |
| R386 | 7030003320 | S.RES ERJ3GEYJ 101 V (100) | T | 58.0/96.7 |
| R391 | 7030003320 | S.RES ERJ3GEYJ 101 V (100) | T | 64.9/127.1 |
| R392 | 7030003490 | S.RES ERJ3GEYJ 272 V (2.7K) | T | 66.9/120.9 |
| R393 | 7030003460 | S.RES ERJ3GEYJ 152 V (1.5K) | T | 65.6/122.3 |
| R394 | 7030003280 | S.RES ERJ3GEYJ 470 V (47) | T | 62.0/106.0 |
| R395 | 7030003320 | S.RES ERJ3GEYJ 101 V (100) | T | 63.4/102.2 |
| R396 | 7030003280 | S.RES ERJ3GEYJ 470 V (47) | T | 62.0/107.2 |
| R401 | 7030006260 | S.RES ERJ12YJ471U (470) | T | 59.4/93.6 |
| R411 | 7030003300 | S.RES ERJ3GEYJ 680 V (68) | T | 75.4/117.1 |
| R412 | 7030003520 | S.RES ERJ3GEYJ 472 V (4.7K) | T | 77.7/102.5 |
| R413 | 7030003410 | S.RES ERJ3GEYJ 561 V (560) | T | 75.4/115.9 |
| R414 | 7030003200 | S.RES ERJ3GEYJ 100 V (10) | T | 76.3/112.1 |
| R415 | 7030003280 | S.RES ERJ3GEYJ 470 V (47) | T | 81.7/112.1 |
| R419 | 7030000010 | S.RES MCR10EZHH JPW (000) | T | 81.8/119.1 |
| R442 | 7030003410 | S.RES ERJ3GEYJ 561 V (560) | T | 78.5/89.3 |
| R443 | 7030003410 | S.RES ERJ3GEYJ 561 V (560) | T | 78.5/96.7 |
| R444 | 7310005390 | S.TRI EVM-3VSX50 BQ3 (472) | T | 77.5/93.0 |
| R445 | 7030003280 | S.RES ERJ3GEYJ 470 V (47) | T | 79.5/85.4 |
| R446 | 7030003560 | S.RES ERJ3GEYJ 103 V (10K) | T | 82.7/92.9 |
| R447 | 7030003280 | S.RES ERJ3GEYJ 470 V (47) | T | 86.6/99.2 |
| R448 | 7030003400 | S.RES ERJ3GEYJ 471 V (470) | T | 92.8/100.5 |
| R449 | 7030003320 | S.RES ERJ3GEYJ 101 V (100) | T | 92.8/99.0 |
| R471 | 7030003760 | S.RES ERJ3GEYJ 474 V (470K) | T | 85.1/124.2 |
| R472 | 7030003280 | S.RES ERJ3GEYJ 470 V (47) | T | 86.8/125.0 |
| R473 | 7030003200 | S.RES ERJ3GEYJ 100 V (10) | T | 88.4/124.2 |
| R474 | 7030003520 | S.RES ERJ3GEYJ 472 V (4.7K) | T | 87.8/126.3 |
| R475 | 7030003580 | S.RES ERJ3GEYJ 153 V (15K) | T | 88.4/134.5 |
| R476 | 7030003480 | S.RES ERJ3GEYJ 222 V (2.2K) | T | 92.2/126.0 |
| R477 | 7030003340 | S.RES ERJ3GEYJ 151 V (150) | T | 90.0/129.9 |
| R478 | 7030003480 | S.RES ERJ3GEYJ 222 V (2.2K) | T | 91.7/132.6 |
| R479 | 7030003280 | S.RES ERJ3GEYJ 470 V (47) | T | 91.2/134.7 |
| R480 | 7030000010 | S.RES MCR10EZHH JPW (000) | T | 98.1/141.5 |
| R491 | 7030003370 | S.RES ERJ3GEYJ 271 V (270) | T | 115.0/139.3 |
| R492 | 7030003230 | S.RES ERJ3GEYJ 180 V (18) | T | 113.5/139.3 |
| R493 | 7030003370 | S.RES ERJ3GEYJ 271 V (270) | T | 114.3/137.2 |
| R563 | 7030003640 | S.RES ERJ3GEYJ 473 V (47K) | T | 29.8/74.0 |
| R564 | 7030003640 | S.RES ERJ3GEYJ 473 V (47K) | T | 31.2/74.0 |

Eqv.= This component is equivalent to the REF No. component listed above, and may be substituted on parts orders and repairs.

[MAIN-A UNIT]

| REF NO. | PARTS NO. | DESCRIPTION | M. | H/V LOCATION |
|---------|------------|-----------------------------|----|--------------|
| R565 | 7030003640 | S.RES ERJ3GEYJ 473 V (47K) | T | 32.6/74.0 |
| R566 | 7030003640 | S.RES ERJ3GEYJ 473 V (47K) | T | 34.0/74.0 |
| R567 | 7030003640 | S.RES ERJ3GEYJ 473 V (47K) | T | 35.4/74.0 |
| R568 | 7030003640 | S.RES ERJ3GEYJ 473 V (47K) | T | 36.8/74.0 |
| R569 | 7030003640 | S.RES ERJ3GEYJ 473 V (47K) | T | 38.2/74.0 |
| R570 | 7030003640 | S.RES ERJ3GEYJ 473 V (47K) | T | 39.6/74.0 |
| R571 | 7030003200 | S.RES ERJ3GEYJ 100 V (10) | T | 29.1/77.0 |
| R572 | 7030003200 | S.RES ERJ3GEYJ 100 V (10) | T | 30.5/77.0 |
| R573 | 7030003200 | S.RES ERJ3GEYJ 100 V (10) | T | 31.9/77.0 |
| R574 | 7030003200 | S.RES ERJ3GEYJ 100 V (10) | T | 33.3/77.0 |
| R575 | 7030003200 | S.RES ERJ3GEYJ 100 V (10) | T | 34.7/77.0 |
| R576 | 7030003200 | S.RES ERJ3GEYJ 100 V (10) | T | 36.1/77.0 |
| R577 | 7030003200 | S.RES ERJ3GEYJ 100 V (10) | T | 37.5/77.0 |
| R578 | 7030003200 | S.RES ERJ3GEYJ 100 V (10) | T | 38.9/77.0 |
| R579 | 7030003640 | S.RES ERJ3GEYJ 473 V (47K) | T | 44.1/74.0 |
| R580 | 7030003640 | S.RES ERJ3GEYJ 473 V (47K) | T | 45.5/74.0 |
| R583 | 7030003640 | S.RES ERJ3GEYJ 473 V (47K) | T | 49.7/74.0 |
| R587 | 7030003200 | S.RES ERJ3GEYJ 100 V (10) | T | 43.4/77.0 |
| R588 | 7030003200 | S.RES ERJ3GEYJ 100 V (10) | T | 44.8/77.0 |
| R589 | 7030003200 | S.RES ERJ3GEYJ 100 V (10) | T | 46.2/77.0 |
| R590 | 7030003200 | S.RES ERJ3GEYJ 100 V (10) | T | 47.6/77.0 |
| R591 | 7030003200 | S.RES ERJ3GEYJ 100 V (10) | T | 49.0/77.0 |
| R592 | 7030003200 | S.RES ERJ3GEYJ 100 V (10) | T | 50.4/77.0 |
| R593 | 7030003200 | S.RES ERJ3GEYJ 100 V (10) | T | 51.8/77.0 |
| R711 | 7030003480 | S.RES ERJ3GEYJ 222 V (2.2K) | T | 133.3/123.4 |
| R712 | 7030003480 | S.RES ERJ3GEYJ 222 V (2.2K) | T | 134.5/123.4 |
| R713 | 7030003360 | S.RES ERJ3GEYJ 221 V (220) | T | 138.8/111.6 |
| R721 | 7030003520 | S.RES ERJ3GEYJ 472 V (4.7K) | T | 144.6/101.8 |
| R722 | 7030003610 | S.RES ERJ3GEYJ 273 V (27K) | T | 146.7/102.3 |
| R723 | 7030003760 | S.RES ERJ3GEYJ 474 V (470K) | T | 140.0/99.5 |
| R724 | 7030003340 | S.RES ERJ3GEYJ 151 V (150) | T | 143.7/94.2 |
| R725 | 7030003320 | S.RES ERJ3GEYJ 101 V (100) | T | 148.0/102.3 |
| R731 | 7030003680 | S.RES ERJ3GEYJ 104 V (100K) | T | 123.0/123.6 |
| R732 | 7030003520 | S.RES ERJ3GEYJ 472 V (4.7K) | T | 115.4/120.4 |
| R733 | 7030003320 | S.RES ERJ3GEYJ 101 V (100) | T | 119.5/125.9 |
| R734 | 7030003320 | S.RES ERJ3GEYJ 101 V (100) | T | 132.1/124.3 |
| R735 | 7030003600 | S.RES ERJ3GEYJ 223 V (22K) | T | 114.2/120.4 |
| R736 | 7310005760 | S.TRI EVM-3VSX50 B14 (103) | T | 116.7/124.6 |
| R737 | 7030003640 | S.RES ERJ3GEYJ 473 V (47K) | T | 126.3/117.3 |
| R738 | 7030003640 | S.RES ERJ3GEYJ 473 V (47K) | T | 111.9/118.7 |
| R739 | 7030003640 | S.RES ERJ3GEYJ 473 V (47K) | T | 109.9/123.4 |
| R740 | 7030003440 | S.RES ERJ3GEYJ 102 V (1K) | T | 111.9/121.3 |
| R741 | 7030003520 | S.RES ERJ3GEYJ 472 V (4.7K) | T | 108.7/123.4 |
| R742 | 7030003320 | S.RES ERJ3GEYJ 101 V (100) | T | 110.4/125.5 |
| R743 | 7030003640 | S.RES ERJ3GEYJ 473 V (47K) | T | 116.2/107.0 |
| R744 | 7030003520 | S.RES ERJ3GEYJ 472 V (4.7K) | T | 111.6/106.0 |
| R745 | 7030003680 | S.RES ERJ3GEYJ 104 V (100K) | T | 106.9/113.3 |
| R746 | 7030003540 | S.RES ERJ3GEYJ 682 V (6.8K) | T | 121.4/106.4 |
| R747 | 7030003440 | S.RES ERJ3GEYJ 102 V (1K) | T | 119.9/104.3 |
| R748 | 7030003400 | S.RES ERJ3GEYJ 471 V (470) | T | 112.0/143.7 |
| R749 | 7030003600 | S.RES ERJ3GEYJ 223 V (22K) | T | 124.0/103.5 |
| R750 | 7030003440 | S.RES ERJ3GEYJ 102 V (1K) | T | 125.8/106.4 |
| R751 | 7030003280 | S.RES ERJ3GEYJ 470 V (47) | T | 127.9/107.2 |
| R761 | 7030003480 | S.RES ERJ3GEYJ 222 V (2.2K) | T | 114.9/99.2 |
| R762 | 7030003360 | S.RES ERJ3GEYJ 221 V (220) | T | 112.0/99.2 |
| R763 | 7030003360 | S.RES ERJ3GEYJ 221 V (220) | T | 112.0/97.9 |
| R764 | 7030003480 | S.RES ERJ3GEYJ 222 V (2.2K) | T | 112.8/56.1 |
| R765 | 7030003560 | S.RES ERJ3GEYJ 103 V (10K) | T | 111.5/53.3 |
| R771 | 7030003480 | S.RES ERJ3GEYJ 222 V (2.2K) | T | 143.0/78.9 |
| R772 | 7030003360 | S.RES ERJ3GEYJ 221 V (220) | T | 143.0/82.8 |
| R773 | 7030003360 | S.RES ERJ3GEYJ 221 V (220) | T | 141.7/77.5 |
| R774 | 7030003480 | S.RES ERJ3GEYJ 222 V (2.2K) | T | 143.8/75.5 |
| R775 | 7030003560 | S.RES ERJ3GEYJ 103 V (10K) | T | 140.9/74.1 |
| R781 | 7030003480 | S.RES ERJ3GEYJ 222 V (2.2K) | T | 132.2/99.9 |
| R782 | 7030003360 | S.RES ERJ3GEYJ 221 V (220) | T | 127.3/99.7 |
| R783 | 7030003360 | S.RES ERJ3GEYJ 221 V (220) | T | 125.2/100.5 |
| R784 | 7030003480 | S.RES ERJ3GEYJ 222 V (2.2K) | T | 125.8/54.4 |
| R785 | 7030003560 | S.RES ERJ3GEYJ 103 V (10K) | T | 124.4/57.0 |
| R791 | 7030003480 | S.RES ERJ3GEYJ 222 V (2.2K) | T | 140.9/88.2 |
| R792 | 7030003520 | S.RES ERJ3GEYJ 472 V (4.7K) | T | 140.9/84.3 |
| R793 | 7030003480 | S.RES ERJ3GEYJ 222 V (2.2K) | T | 140.9/82.3 |
| R794 | 7030003480 | S.RES ERJ3GEYJ 222 V (2.2K) | T | 140.9/67.2 |
| R795 | 7030003520 | S.RES ERJ3GEYJ 472 V (4.7K) | T | 140.9/70.7 |
| R796 | 7030003480 | S.RES ERJ3GEYJ 222 V (2.2K) | T | 140.9/72.8 |
| R801 | 7030003440 | S.RES ERJ3GEYJ 102 V (1K) | T | 141.0/54.5 |
| R802 | 7030003320 | S.RES ERJ3GEYJ 101 V (100) | T | 143.3/52.5 |
| R811 | 7030003460 | S.RES ERJ3GEYJ 152 V (1.5K) | | |

[MAIN-A UNIT]

| REF NO. | PARTS NO. | DESCRIPTION | M. | H/V LOCATION |
|---------|------------|-----------------------------|----|--------------|
| R863 | 7030003360 | S.RES ERJ3GEYJ 221 V (220) | T | 103.5/52.1 |
| R864 | 7030003560 | S.RES ERJ3GEYJ 103 V (10K) | T | 87.6/54.6 |
| R865 | 7030003560 | S.RES ERJ3GEYJ 103 V (10K) | T | 101.4/52.9 |
| R871 | 7030003510 | S.RES ERJ3GEYJ 392 V (3.9K) | T | 105.6/55.8 |
| R872 | 7030003360 | S.RES ERJ3GEYJ 221 V (220) | T | 106.9/55.5 |
| R873 | 7030003360 | S.RES ERJ3GEYJ 221 V (220) | T | 103.5/56.0 |
| R874 | 7030003510 | S.RES ERJ3GEYJ 392 V (3.9K) | T | 87.5/62.2 |
| R875 | 7030003560 | S.RES ERJ3GEYJ 103 V (10K) | T | 101.4/55.8 |
| R881 | 7030003510 | S.RES ERJ3GEYJ 392 V (3.9K) | T | 139.3/39.9 |
| R882 | 7030003360 | S.RES ERJ3GEYJ 221 V (220) | T | 142.7/40.7 |
| R883 | 7030003360 | S.RES ERJ3GEYJ 221 V (220) | T | 139.3/41.2 |
| R884 | 7030003510 | S.RES ERJ3GEYJ 392 V (3.9K) | T | 94.1/39.9 |
| R885 | 7030003560 | S.RES ERJ3GEYJ 103 V (10K) | T | 130.5/40.8 |
| R891 | 7030003560 | S.RES ERJ3GEYJ 103 V (10K) | T | 85.5/49.6 |
| R892 | 7030003320 | S.RES ERJ3GEYJ 101 V (100) | T | 83.6/44.0 |
| R893 | 7030003480 | S.RES ERJ3GEYJ 222 V (2.2K) | T | 86.2/44.8 |
| R894 | 7030003600 | S.RES ERJ3GEYJ 223 V (2.2K) | T | 81.4/46.0 |
| R895 | 7030003380 | S.RES ERJ3GEYJ 331 V (3.3K) | T | 77.7/40.7 |
| R896 | 7030003500 | S.RES ERJ3GEYJ 332 V (3.3K) | T | 77.0/35.0 |
| R897 | 7030003320 | S.RES ERJ3GEYJ 101 V (100) | T | 77.0/32.1 |
| R898 | 7310005760 | S.TRI EVM-3VXS50 B14 (103) | T | 84.1/27.3 |
| R911 | 7030003320 | S.RES ERJ3GEYJ 101 V (100) | T | 80.1/29.8 |
| R912 | 7030003480 | S.RES ERJ3GEYJ 222 V (2.2K) | T | 77.0/20.9 |
| R913 | 7030003320 | S.RES ERJ3GEYJ 101 V (100) | T | 77.4/19.9 |
| R914 | 7030003560 | S.RES ERJ3GEYJ 103 V (10K) | T | 79.3/12.6 |
| R915 | 7030003560 | S.RES ERJ3GEYJ 103 V (10K) | T | 81.2/12.4 |
| R1001 | 7030003520 | S.RES ERJ3GEYJ 472 V (4.7K) | T | 71.9/51.2 |
| R1002 | 7030003320 | S.RES ERJ3GEYJ 101 V (100) | T | 68.9/49.3 |
| R1003 | 7030003700 | S.RES ERJ3GEYJ 154 V (150K) | T | 65.6/52.2 |
| R1004 | 7030003500 | S.RES ERJ3GEYJ 332 V (3.3K) | T | 70.2/53.3 |
| R1005 | 7030003720 | S.RES ERJ3GEYJ 224 V (220K) | T | 64.6/54.1 |
| R1006 | 7030003440 | S.RES ERJ3GEYJ 102 V (1K) | T | 55.1/53.6 |
| R1007 | 7030003360 | S.RES ERJ3GEYJ 221 V (220) | T | 66.2/49.3 |
| R1008 | 7030003720 | S.RES ERJ3GEYJ 224 V (220K) | T | 73.1/46.0 |
| R1009 | 7030003780 | S.RES ERJ3GEYJ 684 V (680K) | T | 55.1/50.8 |
| R1021 | 7030003560 | S.RES ERJ3GEYJ 103 V (10K) | T | 44.9/38.2 |
| R1022 | 7030003630 | S.RES ERJ3GEYJ 393 V (3.9K) | T | 42.6/39.3 |
| R1023 | 7030003630 | S.RES ERJ3GEYJ 393 V (3.9K) | T | 41.3/35.2 |
| R1024 | 7030003640 | S.RES ERJ3GEYJ 473 V (4.7K) | T | 38.6/42.1 |
| R1025 | 7030003670 | S.RES ERJ3GEYJ 823 V (82K) | T | 40.7/38.5 |
| R1026 | 7030003640 | S.RES ERJ3GEYJ 473 V (4.7K) | T | 42.7/37.8 |
| R1031 | 7030003360 | S.RES ERJ3GEYJ 221 V (220) | T | 71.6/24.9 |
| R1032 | 7030003720 | S.RES ERJ3GEYJ 224 V (220K) | T | 71.6/23.6 |
| R1033 | 7030003440 | S.RES ERJ3GEYJ 102 V (1K) | T | 66.0/22.3 |
| R1041 | 7030003440 | S.RES ERJ3GEYJ 102 V (1K) | T | 63.3/24.9 |
| R1042 | 7030003680 | S.RES ERJ3GEYJ 104 V (100K) | T | 60.4/24.9 |
| R1043 | 7030003440 | S.RES ERJ3GEYJ 102 V (1K) | T | 60.4/23.6 |
| R1044 | 7030003660 | S.RES ERJ3GEYJ 683 V (68K) | T | 57.7/23.6 |
| R1045 | 7030003640 | S.RES ERJ3GEYJ 473 V (4.7K) | T | 55.0/23.6 |
| R1051 | 7030003490 | S.RES ERJ3GEYJ 272 V (2.7K) | T | 85.9/65.5 |
| R1052 | 7030003520 | S.RES ERJ3GEYJ 472 V (4.7K) | T | 91.5/68.3 |
| R1053 | 7030003400 | S.RES ERJ3GEYJ 471 V (4.7K) | T | 89.3/67.4 |
| R1061 | 7030003680 | S.RES ERJ3GEYJ 104 V (100K) | T | 103.5/72.2 |
| R1062 | 7030003600 | S.RES ERJ3GEYJ 223 V (2.2K) | T | 102.7/74.3 |
| R1063 | 7030003440 | S.RES ERJ3GEYJ 102 V (1K) | T | 101.4/77.6 |
| R1064 | 7030003780 | S.RES ERJ3GEYJ 684 V (680K) | T | 91.6/71.5 |
| R1065 | 7030003520 | S.RES ERJ3GEYJ 472 V (4.7K) | T | 82.0/66.5 |
| R1066 | 7030003600 | S.RES ERJ3GEYJ 223 V (2.2K) | T | 101.4/73.2 |
| R1067 | 7030003740 | S.RES ERJ3GEYJ 334 V (3.3K) | T | 84.6/70.5 |
| R1068 | 7030003560 | S.RES ERJ3GEYJ 103 V (10K) | T | 82.7/68.4 |
| R1081 | 7030003360 | S.RES ERJ3GEYJ 221 V (220) | T | 72.4/12.7 |
| R1082 | 7030003440 | S.RES ERJ3GEYJ 102 V (1K) | T | 63.2/8.4 |
| R1084 | 7030003640 | S.RES ERJ3GEYJ 473 V (4.7K) | T | 59.3/8.4 |
| R1101 | 7030003440 | S.RES ERJ3GEYJ 102 V (1K) | T | 72.4/18.6 |
| R1102 | 7030003460 | S.RES ERJ3GEYJ 152 V (1.5K) | T | 68.9/20.5 |
| R1103 | 7030003440 | S.RES ERJ3GEYJ 102 V (1K) | T | 60.8/14.3 |
| R1104 | 7030003500 | S.RES ERJ3GEYJ 332 V (3.3K) | T | 60.8/15.6 |
| R1105 | 7030003480 | S.RES ERJ3GEYJ 222 V (2.2K) | T | 60.8/16.9 |
| R1106 | 7030003200 | S.RES ERJ3GEYJ 100 V (10) | T | 60.8/18.2 |
| R1107 | 7030003460 | S.RES ERJ3GEYJ 152 V (1.5K) | T | 60.8/13.0 |
| R1108 | 7030003440 | S.RES ERJ3GEYJ 102 V (1K) | T | 63.2/11.1 |
| R1109 | 7030003440 | S.RES ERJ3GEYJ 102 V (1K) | T | 65.1/11.9 |
| R1110 | 7030003480 | S.RES ERJ3GEYJ 222 V (2.2K) | T | 67.8/11.9 |
| R1111 | 7030003200 | S.RES ERJ3GEYJ 100 V (10) | T | 67.8/11.9 |
| R1201 | 7030003660 | S.RES ERJ3GEYJ 683 V (68K) | T | 42.4/22.2 |
| R1202 | 7030003480 | S.RES ERJ3GEYJ 222 V (2.2K) | T | 42.4/23.5 |
| R1203 | 7030003670 | S.RES ERJ3GEYJ 823 V (82K) | T | 42.4/24.8 |
| R1211 | 7030003640 | S.RES ERJ3GEYJ 473 V (4.7K) | T | 30.5/27.3 |
| R1212 | 7030003630 | S.RES ERJ3GEYJ 393 V (3.9K) | T | 30.5/28.6 |
| R1213 | 7030003630 | S.RES ERJ3GEYJ 393 V (3.9K) | T | 30.5/31.2 |
| R1214 | 7030003630 | S.RES ERJ3GEYJ 393 V (3.9K) | T | 30.5/33.8 |
| R1215 | 7030003630 | S.RES ERJ3GEYJ 393 V (3.9K) | T | 30.5/35.1 |
| R1231 | 7030003400 | S.RES ERJ3GEYJ 471 V (4.7K) | T | 18.6/74.2 |
| R1232 | 7030003400 | S.RES ERJ3GEYJ 471 V (4.7K) | T | 25.6/72.1 |
| R1233 | 7030003400 | S.RES ERJ3GEYJ 471 V (4.7K) | T | 18.6/71.5 |
| R1234 | 7030003400 | S.RES ERJ3GEYJ 471 V (4.7K) | T | 25.6/69.4 |
| R1235 | 7030003400 | S.RES ERJ3GEYJ 471 V (4.7K) | T | 18.6/68.8 |
| R1236 | 7030003400 | S.RES ERJ3GEYJ 471 V (4.7K) | T | 18.6/66.1 |
| R1251 | 7030003680 | S.RES ERJ3GEYJ 104 V (100K) | T | 22.7/40.3 |
| R1252 | 7030003680 | S.RES ERJ3GEYJ 104 V (100K) | T | 21.4/37.6 |
| R1253 | 7030003650 | S.RES ERJ3GEYJ 563 V (56K) | T | 22.7/34.9 |
| R1254 | 7310005390 | S.TRI EVM-3VXS50 BQ3 (472) | T | 25.2/33.9 |
| R1255 | 7030003400 | S.RES ERJ3GEYJ 471 V (4.7K) | T | 27.7/35.1 |
| R1256 | 7030003640 | S.RES ERJ3GEYJ 473 V (4.7K) | T | 21.4/32.2 |
| R1257 | 7030003560 | S.RES ERJ3GEYJ 103 V (10K) | T | 27.7/29.5 |
| R1258 | 7030003490 | S.RES ERJ3GEYJ 272 V (2.7K) | T | 7.7/37.8 |
| R1259 | 7030003580 | S.RES ERJ3GEYJ 153 V (15K) | T | 7.7/40.5 |
| R1260 | 7030003320 | S.RES ERJ3GEYJ 101 V (100) | T | 24.6/30.6 |
| R1261 | 7030003480 | S.RES ERJ3GEYJ 222 V (2.2K) | T | 10.2/29.1 |
| R1262 | 7030003550 | S.RES ERJ3GEYJ 822 V (8.2K) | T | 10.2/26.5 |
| R1263 | 7030003610 | S.RES ERJ3GEYJ 273 V (27K) | T | 10.2/27.8 |
| R1271 | 7030003640 | S.RES ERJ3GEYJ 473 V (4.7K) | T | 48.3/10.9 |
| R1272 | 7030003440 | S.RES ERJ3GEYJ 102 V (1K) | T | 49.1/12.8 |
| R1281 | 7030003680 | S.RES ERJ3GEYJ 104 V (100K) | T | 21.8/26.1 |
| R1291 | 7030003550 | S.RES ERJ3GEYJ 822 V (8.2K) | T | 14.5/19.3 |

Eqv.= This component is equivalent to the REF No. component listed above, and may be substituted on parts orders and repairs.

[MAIN-A UNIT]

| REF NO. | PARTS NO. | DESCRIPTION | M. | H/V LOCATION |
|---------|------------|-----------------------------|----|--------------|
| R1292 | 7030003430 | S.RES ERJ3GEYJ 821 V (820) | T | 14.5/21.9 |
| R1293 | 7030003400 | S.RES ERJ3GEYJ 471 V (4.7K) | T | 13.4/17.4 |
| R1311 | 7030003520 | S.RES ERJ3GEYJ 472 V (4.7K) | T | 83.6/161.1 |
| R1312 | 7030003620 | S.RES ERJ3GEYJ 333 V (33K) | T | 86.0/164.7 |
| R1313 | 7030003580 | S.RES ERJ3GEYJ 153 V (15K) | T | 88.7/164.7 |
| R1314 | 7030003640 | S.RES ERJ3GEYJ 473 V (4.7K) | T | 88.3/168.7 |
| R1351 | 7030003200 | S.RES ERJ3GEYJ 100 V (10) | T | 16.0/113.4 |
| R1371 | 7030003520 | S.RES ERJ3GEYJ 472 V (4.7K) | T | 11.6/118.0 |
| R1372 | 7030003640 | S.RES ERJ3GEYJ 473 V (4.7K) | T | 9.7/118.5 |
| R1374 | 7030003520 | S.RES ERJ3GEYJ 472 V (4.7K) | T | 17.3/111.8 |
| R1381 | 7030003280 | S.RES ERJ3GEYJ 470 V (4.7) | T | 81.3/145.8 |
| R1382 | 7030003480 | S.RES ERJ3GEYJ 222 V (2.2K) | T | 79.8/145.8 |
| R1401 | 7070001060 | RES ERG2SJ 120 | | |
| R1411 | 7030003320 | S.RES ERJ3GEYJ 101 V (100) | T | 91.9/151.2 |
| R1412 | 7030003560 | S.RES ERJ3GEYJ 103 V (10K) | T | 90.0/158.0 |
| R1413 | 7030003680 | S.RES ERJ3GEYJ 104 V (100K) | T | 90.0/159.3 |
| R1414 | 7030003320 | S.RES ERJ3GEYJ 101 V (100) | T | 99.8/156.9 |
| R1415 | 7030003320 | S.RES ERJ3GEYJ 101 V (100) | T | 90.6/151.2 |
| R1416 | 7030003320 | S.RES ERJ3GEYJ 101 V (100) | T | 101.1/156.9 |
| R1771 | 7030003540 | S.RES ERJ3GEYJ 682 V (6.8K) | T | 121.6/164.2 |
| R1772 | 7030003620 | S.RES ERJ3GEYJ 333 V (33K) | T | 119.3/163.4 |
| R1773 | 7030003640 | S.RES ERJ3GEYJ 473 V (4.7K) | T | 126.0/164.2 |
| R1774 | 7030003580 | S.RES ERJ3GEYJ 153 V (15K) | T | 127.3/164.2 |
| R2051 | 7030003640 | S.RES ERJ3GEYJ 473 V (4.7K) | T | 70.0/44.4 |
| C101 | 4030011600 | S.CER C1608 JB 1E 104K-T | T | 46.6/167.3 |
| C111 | 4030019180 | S.CER TMK212BJ105KG-T | T | 48.0/158.7 |
| C121 | 4030006900 | S.CER C1608 JB 1H 103K-T | T | 45.3/154.2 |
| C131 | 4030007070 | S.CER C1608 CH 1H 330J-T | T | 27.5/159.1 |
| C132 | 4030007070 | S.CER C1608 CH 1H 330J-T | T | 23.2/156.9 |
| C133 | 4030007040 | S.CER C1608 CH 1H 180J-T | T | 21.9/156.9 |
| C134 | 4030007120 | S.CER C1608 CH 1H 820J-T | T | 28.8/156.2 |
| C135 | 4030007040 | S.CER C1608 CH 1H 180J-T | T | 27.5/156.2 |
| C136 | 4030007100 | S.CER C1608 CH 1H 560J-T | T | 29.1/153.2 |
| C141 | 4030006900 | S.CER C1608 JB 1H 103K-T | T | 45.3/147.8 |
| C151 | 4030019180 | S.CER TMK212BJ105KG-T | T | 29.1/144.4 |
| C152 | 4030011600 | S.CER C1608 JB 1E 104K-T | T | 20.2/147.8 |
| C161 | 4030008470 | S.CER C1608 JB 1H 272K-T | T | 28.6/138.3 |
| C162 | 4030009880 | S.CER C1608 JB 1H 682K-T | T | 24.7/133.3 |
| C163 | 4030009980 | S.CER C1608 JB 1H 152K-T | T | 24.7/132.1 |
| C164 | 4030011600 | S.CER C1608 JB 1E 104K-T | T | 24.2/128.3 |
| C170 | 4510008520 | S.ELE EEE1CA4705P | T | 30.7/132.8 |
| C171 | 4030011600 | S.CER C1608 JB 1E 104K-T | T | 38.0/130.9 |
| C172 | 4030008650 | S.CER C1608 JB 1H 332K-T | T | 39.3/130.9 |
| C173 | 4030010240 | S.CER C1608 JB 1H 391K-T | T | 41.5/131.5 |
| C174 | 4030008650 | S.CER C1608 JB 1H 332K-T | T | 43.4/130.8 |
| C175 | 4030019180 | S.CER TMK212BJ105KG-T | T | 43.0/134.6 |
| C176 | 4030011600 | S.CER C1608 JB 1E 104K-T | T | 44.7/130.8 |
| C181 | 4030011600 | S.CER C1608 JB 1E 104K-T | T | 22.4/81.4 |
| C182 | 4030006860 | S.CER C1608 JB 1H 102K-T | T | 28.0/83.6 |
| C183 | 4030009580 | S.CER C1608 JB 1H 681K-T | T | 30.1/80.6 |
| C184 | 4030006870 | S.CER C1608 JB 1H 222K-T | T | 34.0/82.3 |
| C185 | 4030007170 | S.CER C1608 CH 1H 221J-T | T | 35.3/81.4 |
| C186 | 4030010020 | S.CER C1608 JB 1H 122K-T | T | 39.6/82.7 |
| C187 | 4030011600 | S.CER C1608 JB 1E 104K-T | T | 40.4/80.6 |
| C188 | 4030011600 | S.CER C1608 JB 1E 104K-T | T | 45.5/84.1 |
| C201 | 4030011600 | S.CER C1608 JB 1E 104K-T | T | 22.4/88.0 |
| C202 | 4030010020 | S.CER C1608 JB 1H 122K-T | T | 26.7/85.2 |
| C203 | 4030007130 | S.CER C1608 CH 1H 101J-T | T | 31.8/86.0 |
| C204 | 4030010020 | S.CER C1608 JB 1H 122K-T | T | 34.0/85.2 |
| C205 | 4030009880 | S.CER C1608 JB 1H 682K-T | T | 35.3/88.0 |
| C206 | 4030009880 | S.CER C1608 JB 1H 682K-T | T | 36.6/88.0 |
| C207 | 4030009980 | S.CER C1608 JB 1H 152K-T | T | 37.9/88.0 |
| C208 | 4030009980 | S.CER C1608 JB 1H 152K-T | T | 41.4/89.0 |
| C209 | 4030011600 | S.CER C1608 JB 1E 104K-T | T | 47.8/85.6 |
| C221 | 4030011600 | S.CER C1608 JB 1E 104K-T | T | 22.4/91.5 |
| C222 | 4030010240 | S.CER C1608 JB 1H 391K-T | T | 28.4/94.5 |
| C223 | 4030007140 | S.CER C1608 CH 1H 121J-T | T | 27.1/94.5 |
| C224 | 4030007130 | S.CER C1608 CH 1H 101J-T | T | 34.0/91.5 |
| C225 | 4030006850 | | | |

[MAIN-A UNIT]

| REF NO. | PARTS NO. | DESCRIPTION | M. | H/V LOCATION |
|---------|------------|--------------------------|----|--------------|
| C303 | 4030007160 | S.CER C1608 CH 1H 181J-T | T | 34.6/115.5 |
| C304 | 4030007060 | S.CER C1608 CH 1H 270J-T | T | 33.5/113.0 |
| C305 | 4030007140 | S.CER C1608 CH 1H 121J-T | T | 36.1/113.0 |
| C306 | 4030007160 | S.CER C1608 CH 1H 181J-T | T | 38.3/112.2 |
| C307 | 4030010020 | S.CER C1608 JB 1H 122K-T | T | 40.4/113.0 |
| C308 | 4030007130 | S.CER C1608 CH 1H 101J-T | T | 45.5/112.2 |
| C309 | 4030011600 | S.CER C1608 JB 1E 104K-T | T | 42.5/116.0 |
| C321 | 4030006900 | S.CER C1608 JB 1H 103K-T | T | 22.4/121.1 |
| C322 | 4030007110 | S.CER C1608 CH 1H 680J-T | T | 27.5/118.1 |
| C323 | 4030007080 | S.CER C1608 CH 1H 390J-T | T | 29.8/117.5 |
| C324 | 4030007110 | S.CER C1608 CH 1H 680J-T | T | 31.9/118.1 |
| C325 | 4030007010 | S.CER C1608 CH 1H 100D-T | T | 34.0/117.6 |
| C326 | 4030007010 | S.CER C1608 CH 1H 100D-T | T | 34.0/118.9 |
| C327 | 4030007110 | S.CER C1608 CH 1H 680J-T | T | 36.1/116.8 |
| C328 | 4030007170 | S.CER C1608 CH 1H 221J-T | T | 39.1/121.1 |
| C329 | 4030010240 | S.CER C1608 JB 1H 391K-T | T | 40.4/121.1 |
| C330 | 4030007100 | S.CER C1608 CH 1H 560J-T | T | 42.5/121.9 |
| C331 | 4030007050 | S.CER C1608 CH 1H 220J-T | T | 42.5/120.6 |
| C332 | 4030006900 | S.CER C1608 JB 1H 103K-T | T | 46.8/117.6 |
| C333 | 4030007070 | S.CER C1608 CH 1H 330J-T | T | 26.2/118.1 |
| C341 | 4030006900 | S.CER C1608 JB 1H 103K-T | T | 26.1/128.0 |
| C342 | 4030007110 | S.CER C1608 CH 1H 680J-T | T | 29.1/128.0 |
| C344 | 4030007020 | S.CER C1608 CH 1H 120J-T | T | 33.4/125.0 |
| C345 | 4030007080 | S.CER C1608 CH 1H 390J-T | T | 34.8/127.9 |
| C346 | 4030006900 | S.CER C1608 JB 1H 103K-T | T | 36.9/127.1 |
| C349 | 4030007100 | S.CER C1608 CH 1H 560J-T | T | 41.2/124.1 |
| C350 | 4030007160 | S.CER C1608 CH 1H 181J-T | T | 43.3/126.5 |
| C351 | 4030007090 | S.CER C1608 CH 1H 470J-T | T | 44.1/124.1 |
| C352 | 4030006900 | S.CER C1608 JB 1H 103K-T | T | 47.6/129.5 |
| C361 | 4030019180 | S.CER TMK212BJ105KG-T | T | 59.8/140.3 |
| C371 | 4030019180 | S.CER TMK212BJ105KG-T | T | 68.9/94.5 |
| C372 | 4030007010 | S.CER C1608 CH 1H 100D-T | T | 70.5/106.5 |
| C381 | 4030011600 | S.CER C1608 JB 1E 104K-T | T | 53.9/129.4 |
| C382 | 4030011600 | S.CER C1608 JB 1E 104K-T | T | 53.9/125.5 |
| C383 | 4030011600 | S.CER C1608 JB 1E 104K-T | T | 55.1/103.3 |
| C384 | 4030011600 | S.CER C1608 JB 1E 104K-T | T | 53.8/103.3 |
| C385 | 4030011600 | S.CER C1608 JB 1E 104K-T | T | 52.6/97.4 |
| C386 | 4030011600 | S.CER C1608 JB 1E 104K-T | T | 53.9/117.9 |
| C390 | 4030019560 | S.CER GRM21BB31C106KE15L | T | 72.3/135.3 |
| C391 | 4030011600 | S.CER C1608 JB 1E 104K-T | T | 69.1/128.0 |
| C392 | 4030011600 | S.CER C1608 JB 1E 104K-T | T | 63.9/117.4 |
| C393 | 4030017490 | S.CER C1608 JB 1A 105K-T | T | 66.6/119.7 |
| C394 | 4550007480 | S.TAN F930J106MAABMA | T | 67.1/118.0 |
| C395 | 4030017490 | S.CER C1608 JB 1A 105K-T | T | 62.0/108.4 |
| C396 | 4030019180 | S.CER TMK212BJ105KG-T | T | 70.3/120.7 |
| C397 | 4030019180 | S.CER TMK212BJ105KG-T | T | 70.1/109.9 |
| C398 | 4030011600 | S.CER C1608 JB 1E 104K-T | T | 67.0/101.4 |
| C399 | 4030011600 | S.CER C1608 JB 1E 104K-T | T | 62.0/104.8 |
| C401 | 4030011600 | S.CER C1608 JB 1E 104K-T | T | 56.7/90.1 |
| C411 | 4030007080 | S.CER C1608 CH 1H 390J-T | T | 77.5/116.3 |
| C412 | 4030007130 | S.CER C1608 CH 1H 101J-T | T | 75.5/103.9 |
| C413 | 4030011600 | S.CER C1608 JB 1E 104K-T | T | 79.0/112.1 |
| C414 | 4030006860 | S.CER C1608 JB 1H 102K-T | T | 75.5/101.2 |
| C415 | 4030011600 | S.CER C1608 JB 1E 104K-T | T | 81.0/117.5 |
| C422 | 4030006970 | S.CER C1608 CH 1H 060D-T | T | 77.8/100.5 |
| C423 | 4030007040 | S.CER C1608 CH 1H 180J-T | T | 77.8/99.2 |
| C424 | 4030006920 | S.CER C1608 CH 1H 010C-T | T | 79.7/98.7 |
| C425 | 4030007040 | S.CER C1608 CH 1H 180J-T | T | 77.8/97.9 |
| C431 | 4030007070 | S.CER C1608 CH 1H 330J-T | T | 52.4/91.4 |
| C432 | 4030007070 | S.CER C1608 CH 1H 330J-T | T | 57.2/88.2 |
| C433 | 4030007040 | S.CER C1608 CH 1H 180J-T | T | 55.9/88.2 |
| C434 | 4030007120 | S.CER C1608 CH 1H 820J-T | T | 53.7/85.1 |
| C435 | 4030007040 | S.CER C1608 CH 1H 180J-T | T | 58.5/87.7 |
| C436 | 4030007100 | S.CER C1608 CH 1H 560J-T | T | 59.8/85.9 |
| C442 | 4030011600 | S.CER C1608 JB 1E 104K-T | T | 78.5/90.6 |
| C443 | 4030011600 | S.CER C1608 JB 1E 104K-T | T | 78.5/95.4 |
| C444 | 4030006990 | S.CER C1608 CH 1H 080D-T | T | 80.4/92.9 |
| C445 | 4030006950 | S.CER C1608 CH 1H 040C-T | T | 85.8/93.1 |
| C446 | 4030011600 | S.CER C1608 JB 1E 104K-T | T | 89.5/99.2 |
| C447 | 4030011600 | S.CER C1608 JB 1E 104K-T | T | 89.6/103.5 |
| C448 | 4030007130 | S.CER C1608 CH 1H 101J-T | T | 94.9/100.0 |
| C461 | 4030006980 | S.CER C1608 CH 1H 070D-T | T | 86.7/109.0 |
| C462 | 4030006930 | S.CER C1608 CH 1H 020C-T | T | 97.8/118.4 |
| C471 | 4030007050 | S.CER C1608 CH 1H 220J-T | T | 88.9/123.4 |
| C472 | 4030011600 | S.CER C1608 JB 1E 104K-T | T | 92.2/124.7 |
| C473 | 4030006880 | S.CER C1608 JB 1H 472K-T | T | 92.2/127.3 |
| C474 | 4030006880 | S.CER C1608 JB 1H 472K-T | T | 90.0/128.6 |
| C475 | 4030007020 | S.CER C1608 CH 1H 120J-T | T | 93.0/132.6 |
| C476 | 4030006880 | S.CER C1608 JB 1H 472K-T | T | 90.4/132.6 |
| C492 | 4030007110 | S.CER C1608 CH 1H 680J-T | T | 121.2/131.5 |
| C551 | 4030011600 | S.CER C1608 JB 1E 104K-T | T | 32.1/56.3 |
| C552 | 4030011600 | S.CER C1608 JB 1E 104K-T | T | 40.7/56.3 |
| C553 | 4030006880 | S.CER C1608 JB 1H 472K-T | T | 74.1/129.3 |
| C561 | 4030011600 | S.CER C1608 JB 1E 104K-T | T | 41.8/62.8 |
| C562 | 4030011600 | S.CER C1608 JB 1E 104K-T | T | 55.1/60.2 |
| C563 | 4030006880 | S.CER C1608 JB 1H 472K-T | T | 53.6/78.8 |
| C701 | 4030006930 | S.CER C1608 CH 1H 020C-T | T | 141.0/123.4 |
| C702 | 4030007090 | S.CER C1608 CH 1H 470J-T | T | 143.3/131.8 |
| C711 | 4030006880 | S.CER C1608 JB 1H 472K-T | T | 135.7/123.4 |
| C712 | 4030006880 | S.CER C1608 JB 1H 472K-T | T | 137.0/100.3 |
| C713 | 4030007090 | S.CER C1608 CH 1H 470J-T | T | 138.8/122.4 |
| C714 | 4030007090 | S.CER C1608 CH 1H 470J-T | T | 144.7/105.0 |
| C721 | 4030006880 | S.CER C1608 JB 1H 472K-T | T | 144.6/103.1 |
| C722 | 4030011600 | S.CER C1608 JB 1E 104K-T | T | 141.3/99.5 |
| C723 | 4030006880 | S.CER C1608 JB 1H 472K-T | T | 143.7/95.5 |
| C724 | 4030007050 | S.CER C1608 CH 1H 220J-T | T | 146.8/95.5 |
| C725 | 4030011600 | S.CER C1608 JB 1E 104K-T | T | 146.8/94.2 |
| C726 | 4030006880 | S.CER C1608 JB 1H 472K-T | T | 141.4/96.1 |
| C731 | 4030006880 | S.CER C1608 JB 1H 472K-T | T | 121.7/123.6 |
| C732 | 4030006880 | S.CER C1608 JB 1H 472K-T | T | 114.8/117.4 |
| C733 | 4030006880 | S.CER C1608 JB 1H 472K-T | T | 126.3/118.6 |
| C734 | 4030011600 | S.CER C1608 JB 1E 104K-T | T | 130.6/110.3 |
| C735 | 4030006880 | S.CER C1608 JB 1H 472K-T | T | 114.0/114.6 |
| C736 | 4030006880 | S.CER C1608 JB 1H 472K-T | T | 111.9/120.0 |
| C737 | 4030011600 | S.CER C1608 JB 1E 104K-T | T | 111.1/123.4 |

Eqv.= This component is equivalent to the REF No. component listed above, and may be substituted on parts orders and repairs.

[MAIN-A UNIT]

| REF NO. | PARTS NO. | DESCRIPTION | M. | H/V LOCATION |
|---------|------------|--------------------------|----|--------------|
| C738 | 4030007150 | S.CER C1608 CH 1H 151J-T | T | 102.3/116.7 |
| C739 | 4510009270 | S.ELE EEEH1C220UR | T | 110.3/115.5 |
| C740 | 4030007050 | S.CER C1608 CH 1H 220J-T | T | 104.8/113.8 |
| C741 | 4510008520 | S.ELE EEE1CA470SP | T | 101.8/97.6 |
| C742 | 4030011600 | S.CER C1608 JB 1E 104K-T | T | 125.3/103.5 |
| C743 | 4510008540 | S.ELE EEE1CA100SR | T | 106.1/103.5 |
| C744 | 4030007140 | S.CER C1608 CH 1H 121J-T | T | 116.0/117.4 |
| C745 | 4030007140 | S.CER C1608 CH 1H 121J-T | T | 107.5/121.9 |
| C761 | 4030011600 | S.CER C1608 JB 1E 104K-T | T | 114.9/97.9 |
| C762 | 4030011600 | S.CER C1608 JB 1E 104K-T | T | 112.8/53.3 |
| C771 | 4030011600 | S.CER C1608 JB 1E 104K-T | T | 140.9/79.6 |
| C772 | 4030011600 | S.CER C1608 JB 1E 104K-T | T | 140.9/75.4 |
| C773 | 4030007030 | S.CER C1608 CH 1H 150J-T | T | 144.6/77.5 |
| C781 | 4030011600 | S.CER C1608 JB 1E 104K-T | T | 128.6/99.7 |
| C782 | 4030011600 | S.CER C1608 JB 1E 104K-T | T | 124.4/55.7 |
| C791 | 4030011600 | S.CER C1608 JB 1E 104K-T | T | 140.9/86.4 |
| C792 | 4030011600 | S.CER C1608 JB 1E 104K-T | T | 140.9/68.6 |
| C801 | 4030011600 | S.CER C1608 JB 1E 104K-T | T | 145.4/53.3 |
| C811 | 4030006880 | S.CER C1608 JB 1H 472K-T | T | 138.9/53.7 |
| C813 | 4030011600 | S.CER C1608 JB 1E 104K-T | T | 126.8/51.6 |
| C814 | 4030011600 | S.CER C1608 JB 1E 104K-T | T | 124.2/48.7 |
| C816 | 4030006880 | S.CER C1608 JB 1H 472K-T | T | 143.9/50.2 |
| C818 | 4030011600 | S.CER C1608 JB 1E 104K-T | T | 136.0/43.6 |
| C831 | 4030008650 | S.CER C1608 JB 1H 332K-T | T | 41.8/30.4 |
| C841 | 4030006880 | S.CER C1608 JB 1H 472K-T | T | 120.4/43.7 |
| C851 | 4030011600 | S.CER C1608 JB 1E 104K-T | T | 115.3/45.4 |
| C852 | 4030011600 | S.CER C1608 JB 1E 104K-T | T | 88.1/48.8 |
| C861 | 4030011600 | S.CER C1608 JB 1E 104K-T | T | 103.5/53.4 |
| C862 | 4030011600 | S.CER C1608 JB 1E 104K-T | T | 87.6/51.7 |
| C871 | 4030011600 | S.CER C1608 JB 1E 104K-T | T | 103.5/54.7 |
| C872 | 4030011600 | S.CER C1608 JB 1E 104K-T | T | 87.5/59.3 |
| C881 | 4030011600 | S.CER C1608 JB 1E 104K-T | T | 141.4/40.7 |
| C882 | 4030011600 | S.CER C1608 JB 1E 104K-T | T | 97.7/39.9 |
| C890 | 4030010750 | S.CER C1608 CH 1H 201J-T | T | 74.2/49.9 |
| C891 | 4030011600 | S.CER C1608 JB 1E 104K-T | T | 83.2/49.6 |
| C892 | 4030006880 | S.CER C1608 JB 1H 472K-T | T | 84.6/41.1 |
| C893 | 4030006880 | S.CER C1608 JB 1H 472K-T | T | 84.9/44.8 |
| C894 | 4030011600 | S.CER C1608 JB 1E 104K-T | T | 77.7/42.0 |
| C895 | 4030007050 | S.CER C1608 CH 1H 220J-T | T | 77.8/43.6 |
| C896 | 4030011600 | S.CER C1608 JB 1E 104K-T | T | 78.2/32.1 |
| C897 | 4030006880 | S.CER C1608 JB 1H 472K-T | T | 84.5/30.2 |
| C898 | 4030010750 | S.CER C1608 CH 1H 201J-T | T | 78.2/35.0 |
| C911 | 4030011600 | S.CER C1608 JB 1E 104K-T | T | 80.8/28.5 |
| C912 | 4030007170 | S.CER C1608 CH 1H 221J-T | T | 71.6/22.3 |
| C913 | 4030011600 | S.CER C1608 JB 1E 104K-T | T | 75.8/20.9 |
| C914 | 4510008530 | S.ELE EEE1HA2R2SR | T | 84.9/13.0 |
| C915 | 4030010750 | S.CER C1608 CH 1H 201J-T | T | 78.2/20.9 |
| C1001 | 4030011600 | S.CER C1608 JB 1E 104K-T | T | 61.9/47.1 |
| C1002 | 4030006880 | S.CER C1608 JB 1H 472K-T | T | 67.5/50.6 |
| C1003 | 4030011600 | S.CER C1608 JB 1E 104K-T | T | 61.9/54.1 |
| C1004 | 4030007170 | S.CER C1608 CH 1H 221J-T | T | 67.5/51.9 |
| C1005 | 4030007170 | S.CER C1608 CH 1H 221J-T | T | 67.5/53.2 |
| C1006 | 4030006880 | S.CER C1608 JB 1H 472K-T | T | 59.2/54.1 |
| C1007 | 4030007130 | S.CER C1608 CH 1H 101J-T | T | 56.5/52.6 |
| C1008 | 4510008540 | S.ELE EEE1CA100SR | T | 45.8/43.2 |
| C1009 | 4030011600 | S.CER C1608 JB 1E 104K-T | T | 56.5/48.8 |
| C1010 | 4030011600 | S.CER C1608 JB 1E 104K-T | T | 70.8/48.6 |
| C1021 | 4030011600 | S.CER C1608 JB 1E 104K-T | T | 44.2/35.2 |
| C1022 | 4030008880 | S.CER C1608 JB 1H 223K-T | T | 44.2/36.5 |
| C1023 | 4030009880 | S.CER C1608 JB 1H 682K-T | T | 41.3/36.5 |
| C1024 | 4030011600 | S.CER C1608 JB 1E 104K-T | T | 40.7/41.3 |
| C1031 | 4030011600 | S.CER C1608 JB 1E 104K-T | T | 66.0/23.6 |
| C1041 | 4030006880 | S.CER C1608 JB 1H 472K-T | T | 66.0/24.9 |
| C1042 | 4030006880 | S.CER C1608 JB 1H 472K-T | T | 60.4/22.3 |
| C1043 | 4030006880 | S.CER C1608 JB 1H 472K-T | T | 57.7/22.3 |
| C1044 | 4030011600 | S.CER C1608 JB 1E 104K-T | T | 57.7/24.9 |
| C1051 | 4510008540 | S.ELE EEE1CA100SR | T | 82.7/76.7 |
| C1061 | 4030006880 | S.CER C1608 JB 1H 472K-T | T | |

[MAIN-A UNIT]

| REF NO. | PARTS NO. | DESCRIPTION | M. | H/V LOCATION |
|---------|------------|-----------------------------|----|--------------|
| C1282 | 4030006900 | S.CER C1608 JB 1H 103K-T | T | 14.5/23.2 |
| C1292 | 4510008540 | S.ELE EEE1CA100SR | T | 10.8/21.9 |
| C1293 | 4030011600 | S.CER C1608 JB 1E 104K-T | T | 4.7/29.2 |
| C1294 | 4030011600 | S.CER C1608 JB 1E 104K-T | T | 5.0/35.6 |
| C1295 | 4510004591 | ELE 16 ME 470 HC | | |
| C1296 | 4510004591 | ELE 16 ME 470 HC | | |
| C1311 | 4030006900 | S.CER C1608 JB 1H 103K-T | T | 80.0/164.7 |
| C1312 | 4030006900 | S.CER C1608 JB 1H 103K-T | T | 89.1/166.6 |
| C1321 | 4030006900 | S.CER C1608 JB 1H 103K-T | T | 101.7/164.7 |
| C1322 | 4030006860 | S.CER C1608 JB 1H 102K-T | T | 101.5/176.7 |
| C1351 | 4030006900 | S.CER C1608 JB 1H 103K-T | T | 18.7/169.7 |
| C1352 | 4030006900 | S.CER C1608 JB 1H 103K-T | T | 7.7/124.7 |
| C1353 | 4510004510 | ELE 25 ME 470 HC | | |
| C1361 | 4510008530 | S.ELE EEE1HA2R2SR | T | 58.5/161.5 |
| C1362 | 4030011600 | S.CER C1608 JB 1E 104K-T | T | 58.6/154.8 |
| C1363 | 4030011600 | S.CER C1608 JB 1E 104K-T | T | 59.4/156.9 |
| C1364 | 4030011600 | S.CER C1608 JB 1E 104K-T | T | 63.4/157.8 |
| C1365 | 4510008540 | S.ELE EEE1CA100SR | T | 63.3/161.5 |
| C1371 | 4510008530 | S.ELE EEE1HA2R2SR | T | 15.7/117.1 |
| C1372 | 4030011600 | S.CER C1608 JB 1E 104K-T | T | 7.5/118.4 |
| C1373 | 4030011600 | S.CER C1608 JB 1E 104K-T | T | 7.5/121.5 |
| C1374 | 4030011600 | S.CER C1608 JB 1E 104K-T | T | 5.9/119.7 |
| C1375 | 4510004591 | ELE 16 ME 470 HC | | |
| C1376 | 4030019180 | S.CER TMK212BJ105KG-T | T | 4.3/112.3 |
| C1381 | 4030011600 | S.CER C1608 JB 1E 104K-T | T | 79.0/153.9 |
| C1382 | 4030011600 | S.CER C1608 JB 1E 104K-T | T | 79.0/155.2 |
| C1391 | 4510004591 | ELE 16 ME 470 HC | | |
| C1392 | 4030011600 | S.CER C1608 JB 1E 104K-T | T | 73.1/149.8 |
| C1393 | 4030011600 | S.CER C1608 JB 1E 104K-T | T | 75.8/150.6 |
| C1394 | 4510008540 | S.ELE EEE1CA100SR | T | 76.4/147.1 |
| C1401 | 4510008540 | S.ELE EEE1CA100SR | T | 144.5/141.4 |
| C1402 | 4030011600 | S.CER C1608 JB 1E 104K-T | T | 143.1/145.8 |
| C1403 | 4030011600 | S.CER C1608 JB 1E 104K-T | T | 151.1/145.8 |
| C1404 | 4510008540 | S.ELE EEE1CA100SR | T | 149.3/141.4 |
| C1411 | 4030011600 | S.CER C1608 JB 1E 104K-T | T | 88.7/151.9 |
| C1412 | 4510008520 | S.ELE EEE1CA470SP | T | 89.8/143.9 |
| C1413 | 4030011600 | S.CER C1608 JB 1E 104K-T | T | 88.1/158.8 |
| C1414 | 4510009270 | S.ELE EEEHB1C220UR | T | 89.0/154.9 |
| C1415 | 4030006860 | S.CER C1608 JB 1H 102K-T | T | 99.8/159.6 |
| C1416 | 4030006900 | S.CER C1608 JB 1H 103K-T | T | 90.0/160.6 |
| C1417 | 4510008520 | S.ELE EEE1CA470SP | T | 98.2/152.1 |
| C1418 | 4510008520 | S.ELE EEE1CA470SP | T | 107.8/152.1 |
| C1419 | 4030011600 | S.CER C1608 JB 1E 104K-T | T | 101.1/159.6 |
| C1420 | 4510008540 | S.ELE EEE1CA100SR | T | 104.6/158.8 |
| C1421 | 4030011600 | S.CER C1608 JB 1E 104K-T | T | 111.1/156.9 |
| C1422 | 4510008520 | S.ELE EEE1CA470SP | T | 107.8/143.7 |
| C1502 | 4030006880 | S.CER C1608 JB 1H 472K-T | T | 92.0/66.4 |
| C1521 | 4030006880 | S.CER C1608 JB 1H 472K-T | T | 73.6/11.6 |
| C1601 | 4030011600 | S.CER C1608 JB 1E 104K-T | T | 91.9/79.2 |
| C1602 | 4030011600 | S.CER C1608 JB 1E 104K-T | T | 92.3/86.1 |
| C1603 | 4030011600 | S.CER C1608 JB 1E 104K-T | T | 98.5/79.8 |
| C1751 | 4510008540 | S.ELE EEE1CA100SR | T | 135.3/158.2 |
| C1752 | 4510008540 | S.ELE EEE1CA100SR | T | 117.5/158.2 |
| C1753 | 4510008540 | S.ELE EEE1CA100SR | T | 117.4/152.2 |
| C1754 | 4510008540 | S.ELE EEE1CA100SR | T | 130.0/151.5 |
| C1755 | 4510008540 | S.ELE EEE1CA100SR | T | 135.3/152.1 |
| C1756 | 4030011600 | S.CER C1608 JB 1E 104K-T | T | 138.3/154.7 |
| C1771 | 4030011600 | S.CER C1608 JB 1E 104K-T | T | 131.0/154.7 |
| RL121 | 6330002020 | REL FTR-B4CA009Z | | |
| RL141 | 6330002020 | REL FTR-B4CA009Z | | |
| CP731 | 6910009670 | S.CHE HK3-S-T | T | 105.1/108.5 |
| J101 | 6510021460 | CON PT-C02P01 | | |
| J111 | 6510028210 | CON SJ050010 (TMP-J01X-V6) | | |
| J411 | 6510028210 | CON SJ050010 (TMP-J01X-V6) | | |
| J491 | 6510028210 | CON SJ050010 (TMP-J01X-V6) | | |
| J781 | 6450001560 | CON PD-72 | | |
| J782 | 6450001560 | CON PD-72 | | |
| J783 | 6450001560 | CON PD-72 | | |
| J784 | 6450001560 | CON PD-72 | | |
| J811 | 6510028210 | CON SJ050010 (TMP-J01X-V6) | | |
| J881 | 6450001560 | CON PD-72 | | |
| J882 | 6450001560 | CON PD-72 | | |
| J883 | 6450001560 | CON PD-72 | | |
| J884 | 6450001560 | CON PD-72 | | |
| J1081 | 6510028210 | CON SJ050010 (TMP-J01X-V6) | | |
| J1221 | 6510018971 | S.CON B4B-PH-SM4-TB(LF)(SN) | T | 23.9/52.0 |
| J1231 | 6510019971 | S.CON 52808-1071 | T | 22.1/68.5 |
| J1271 | 6510019191 | S.CON 52365-0871 | T | 54.1/14.2 |
| J1311 | 6450001800 | CON JPJ1044-01-010 | | |
| J1321 | 6450000140 | CON HSJ0807-01-010 | | |
| J1351 | 6510023650 | CON HEC0740-010618 | | |
| J1501 | 6510019981 | S.CON 52808-1671(1690) | T | 148.8/36.5 |
| J1521 | 6510019981 | S.CON 52808-1671(1690) | T | 75.0/7.7 |
| J1522 | 6510021861 | CON BH-800.4GG <LTC> | | |
| J1541 | 6510019981 | S.CON 52808-1671(1690) | T | 115.0/7.7 |
| J1561 | 6510019981 | S.CON 52808-1671(1690) | T | 95.0/7.7 |
| J1701 | 6450000140 | CON HSJ0807-01-010 | | |
| J1751 | 6510021241 | CON DELC-J9SAF-23L9E | | |
| F1351 | 5210000051 | FUS FGB 3A PBF (FGB0 125V) | | |
| F1352 | 5220000230 | HOL S-N5054 #01 | | |
| F1353 | 5220000230 | HOL S-N5054 #01 | | |
| BT1521 | 3020000110 | LIT CR-2032L/BK | | |
| EP1321 | 6910014690 | S.BEA MPZ1608S221A-T | T | 102.5/166.8 |
| EP1322 | 6910014690 | S.BEA MPZ1608S221A-T | T | 102.2/174.6 |

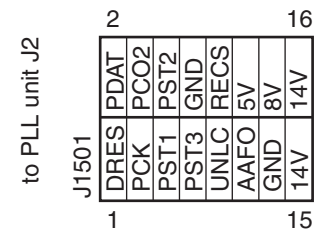
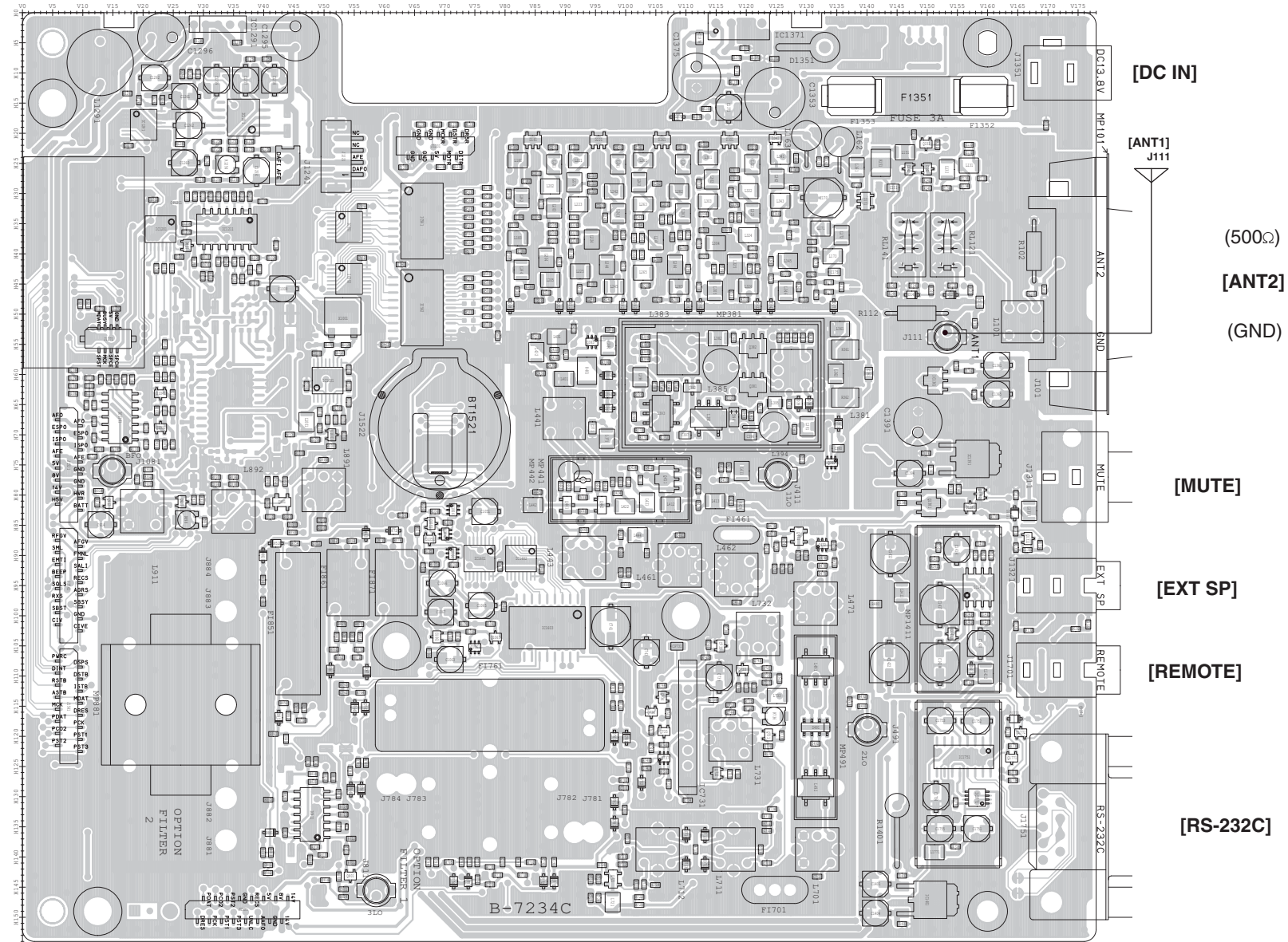
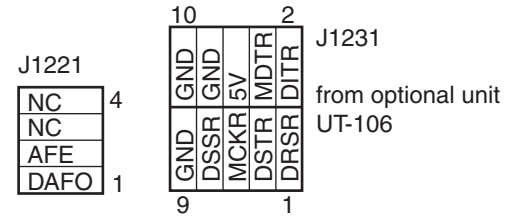
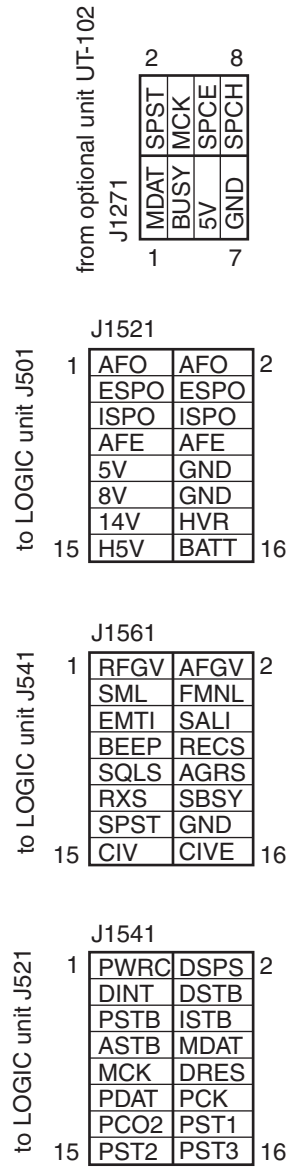
Eqv.= This component is equivalent to the REF No. component listed above, and may be substituted on parts orders and repairs.

M.=Mounted side (T: Mounted on the Top side, B: Mounted on the Bottom side)
S.=Surface mount

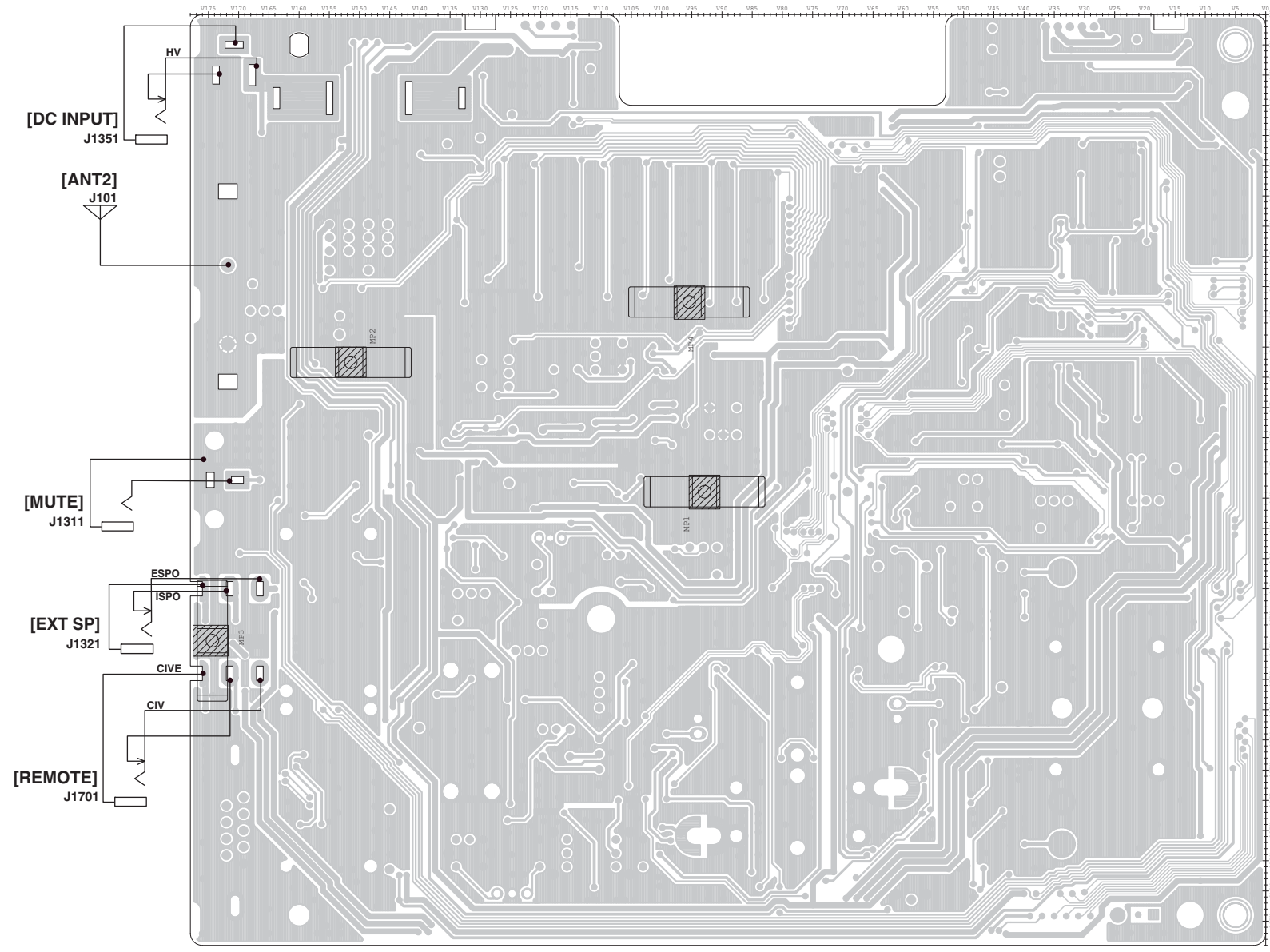
BOARD LAYOUTS

The combination of top side and bottom side of this page shows the actual configuration of P.C. board.

• MAIN-A UNIT (TOP VIEW)

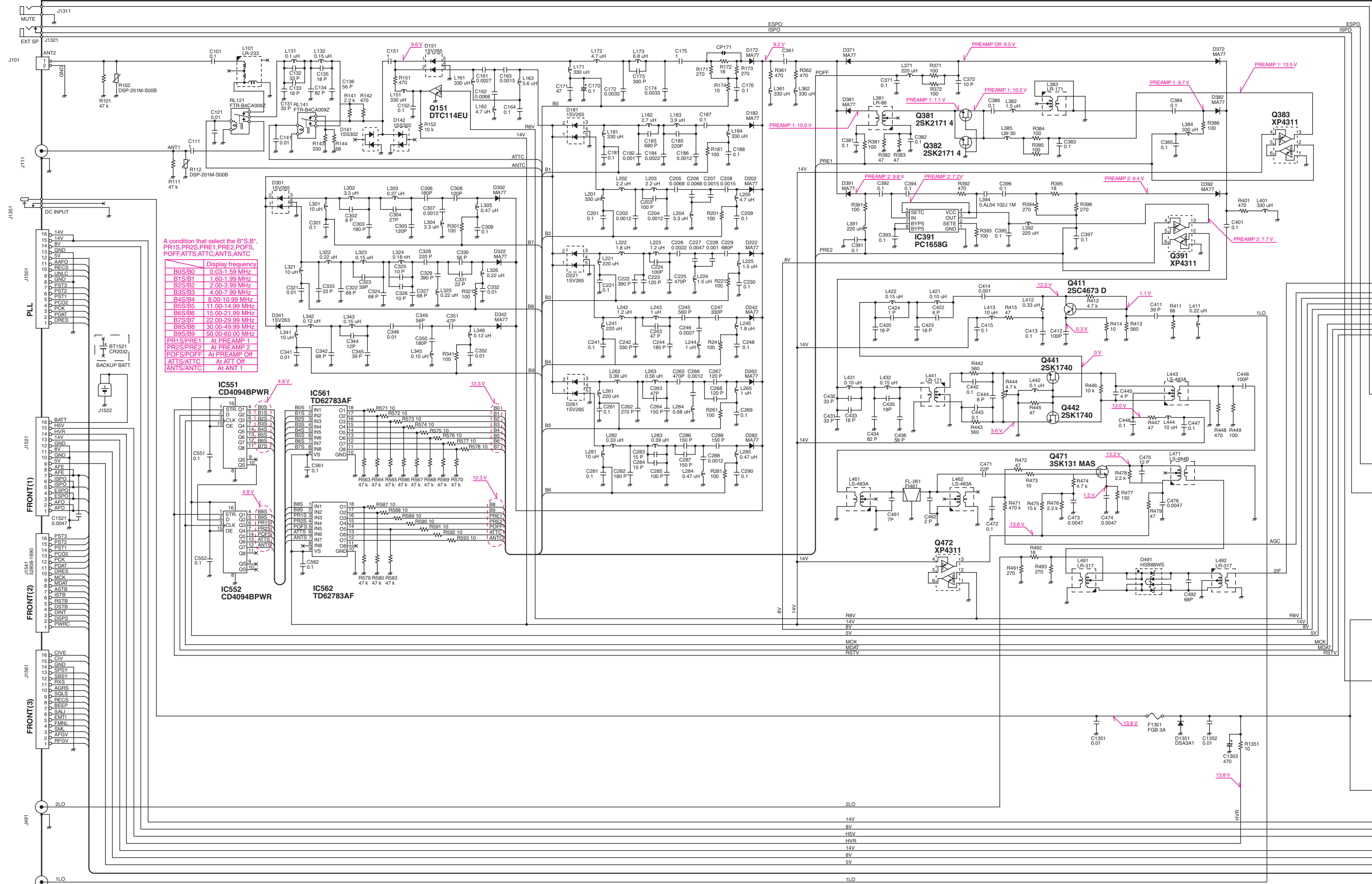


• MAIN-A UNIT
(BOTTOM VIEW)



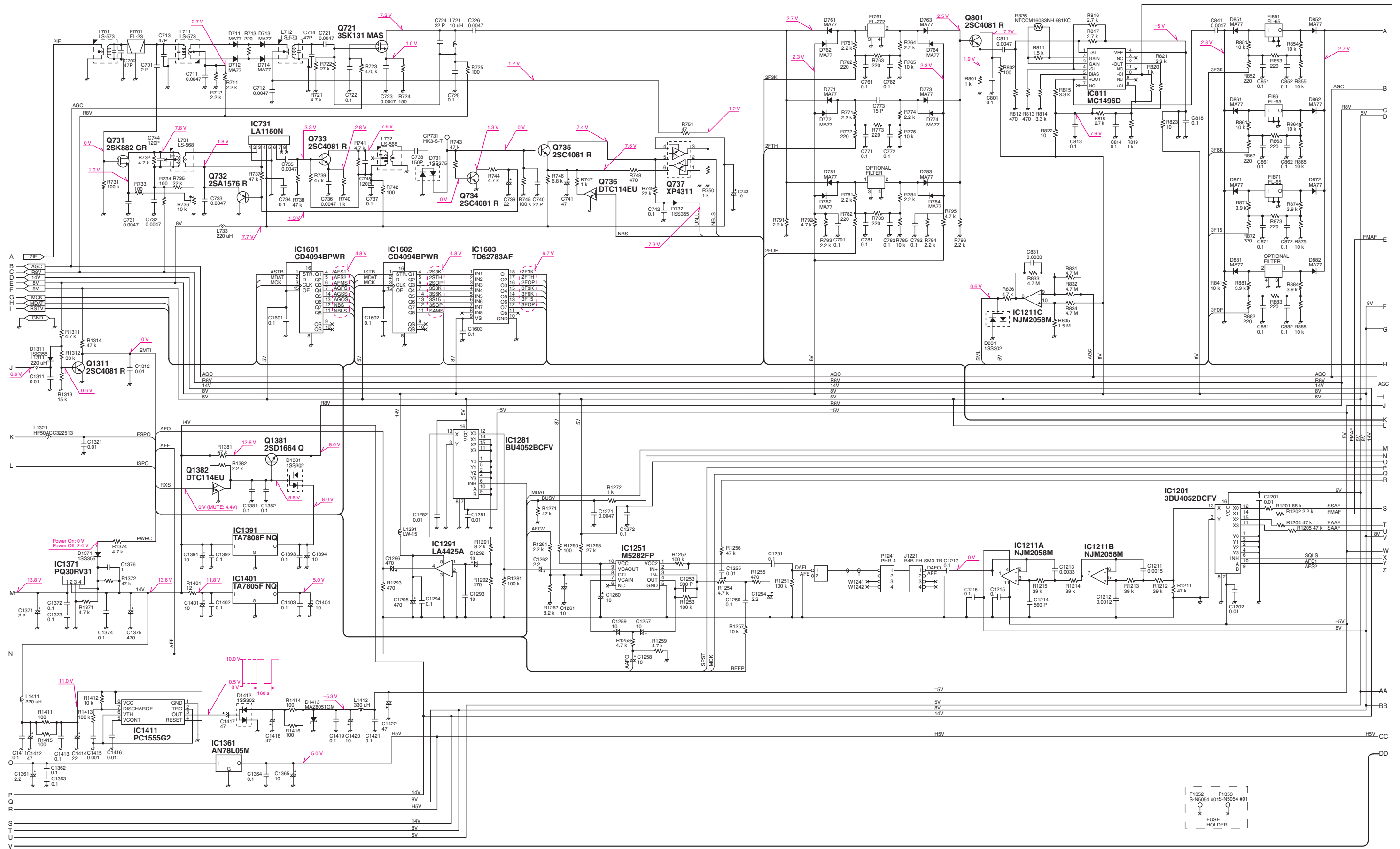
VOLTAGE DIAGRAM

MAIN/MAIN-A UNIT



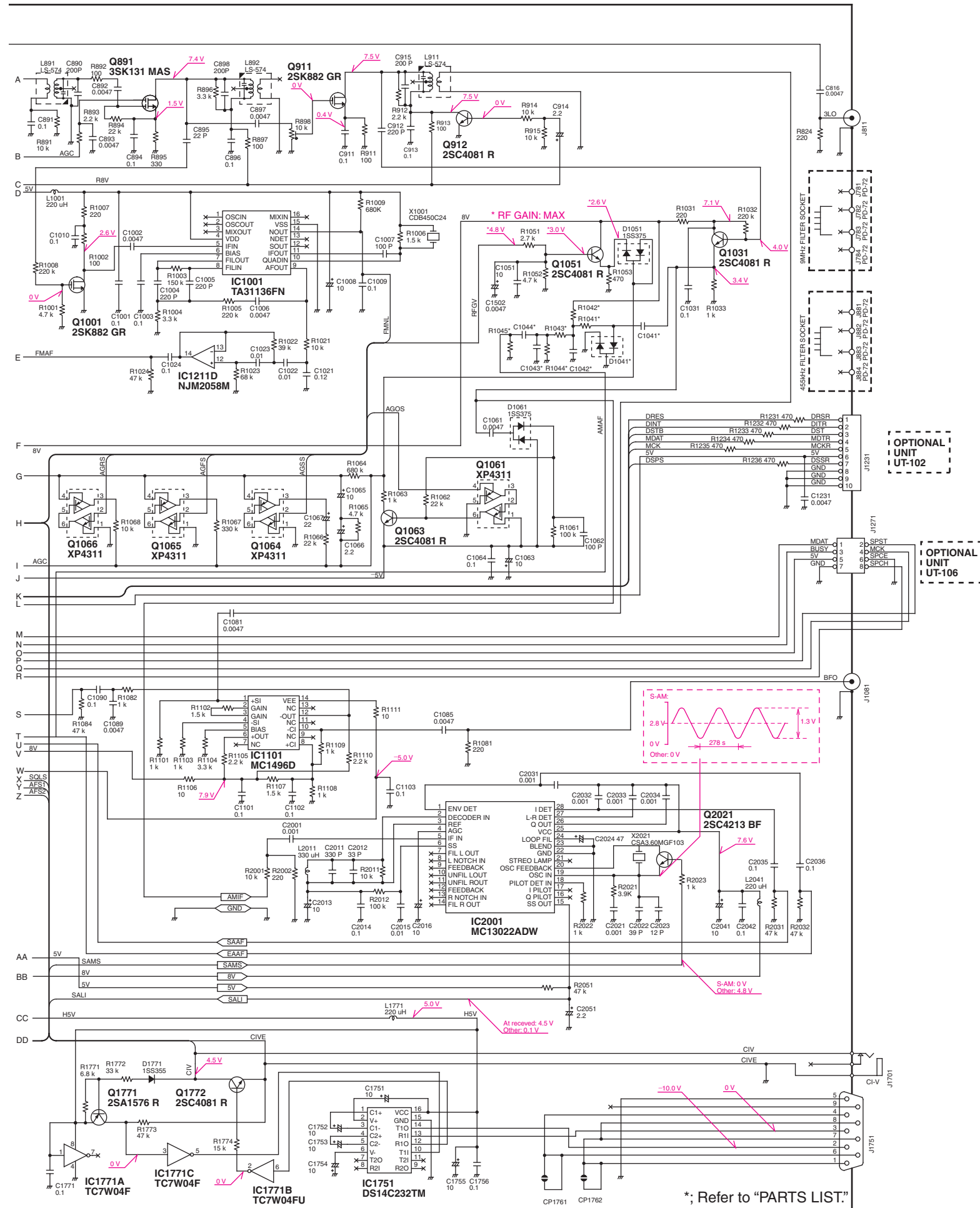
*; Refer to "PARTS LIST."

MAIN/MAIN-A UNIT

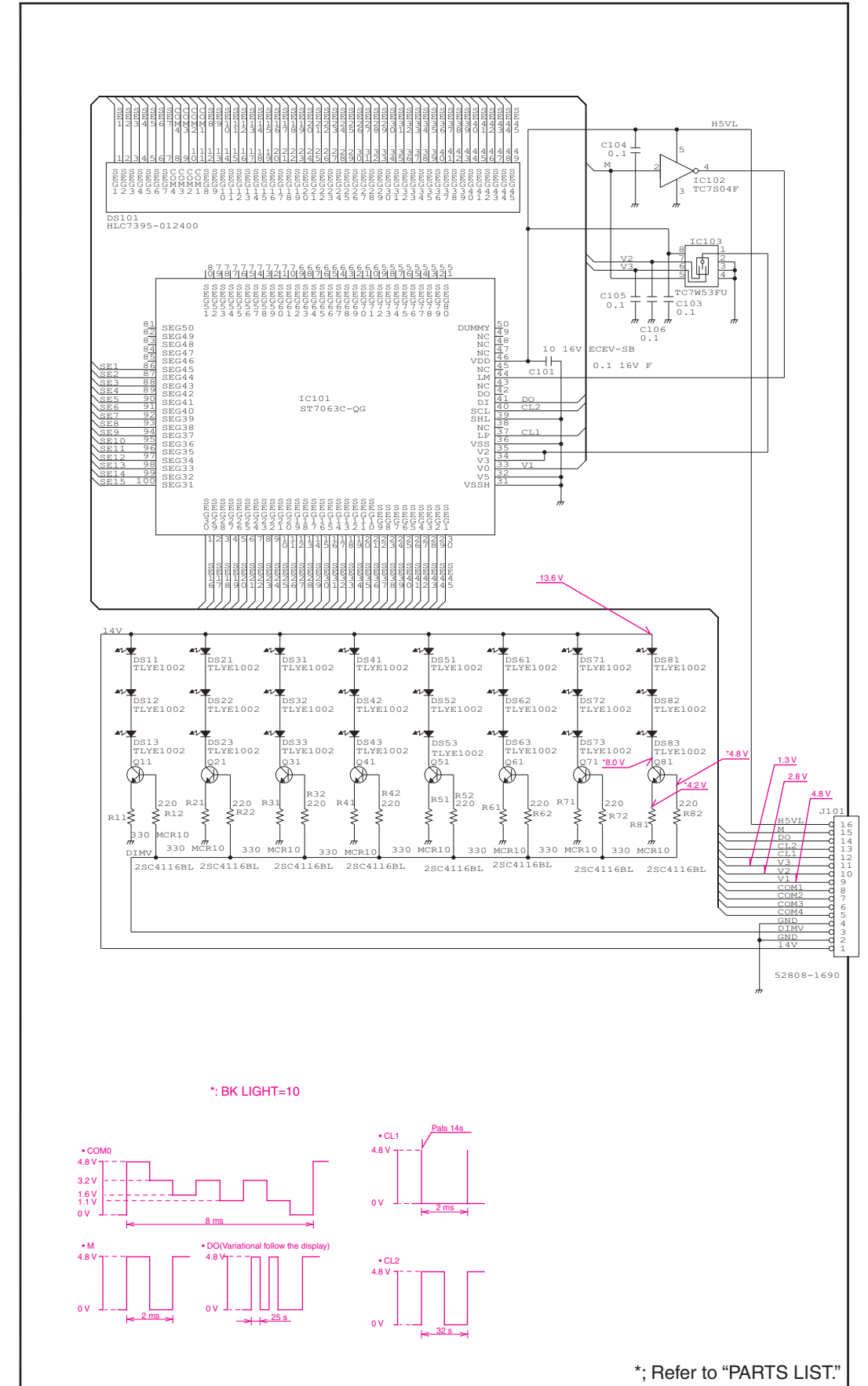


*; Refer to "PARTS LIST."

MAIN/MAIN-A UNIT



DISPLAY BOARD



August 2012



SERVICE MANUAL ADDENDUM

IC-R75

CONTENTS

| | |
|-------------------------|------------|
| REPLACEMENT PAGES | 6-1 to 6-3 |
| PARTS LIST | 1 |
| BOARD LAYOUTS | 18 |
| VOLTAGE DIAGRAM | 20 |

SECTION 6

MECHANICAL PARTS

[CHASSIS PARTS]

| REF NO. | ORDER NO. | DESCRIPTION | QTY. |
|---------|------------|----------------------------------|----------------------------|
| J1 | 6510028410 | MR-DS-01-1 <GA> | 1 |
| W3 | 8900017840 | OPC-684A (P1N16L80) | 1 |
| W4 | 8900017840 | OPC-684A (P1N16L80) | 1 |
| W5 | 8900017840 | OPC-684A (P1N16L80) | 1 |
| W6 | 8900017840 | OPC-684A (P1N16L80) | 1 |
| WS1 | 8970023364 | RX2240 1.5DCOAXIAL-4 (1)/CH | [USA] 1 |
| | 8970023364 | RX2240 1.5DCOAXIAL-4 (1)/CH | [OTH] 1 |
| | 8970023364 | RX2240 1.5DCOAXIAL-4 (1)/CH | [USA-1] 1 |
| | 8970023364 | RX2240 1.5DCOAXIAL-4 (1)/CH | [OTH-1] 1 |
| | 8970023364 | RX2240 1.5DCOAXIAL-4 (1)/CH | [CHN] 1 |
| | 8970023364 | RX2240 1.5DCOAXIAL-4 (1)/CH | [USA-2] 1 |
| | 8970023364 | RX2240 1.5DCOAXIAL-4 (1)/CH | [OTH-2] 1 |
| | EP1 | (Option) (Option) (Option) | UT-106 UT-106 UT-106 |
| MP1 | 8010017711 | 2240 MAIN CHASSIS-1 | 1 |
| MP2 | 8110006703 | 2240 U-COVER-3 Y2087C | 1 |
| MP3 | 8110006691 | 2240 L-COVER-1 Y2086A | 1 |
| MP4 | 8930005790 | COLOR LEG (A) | 1 |
| MP5 | 8930005800 | COLOR LEG (B) | 1 |
| MP6 | 8010001520 | STAND (C) | 1 |
| MP7 | 8930002900 | RUBBER LEG (A) SK1912A | 2 |
| MP8 | 8930035240 | 1546 TR-B CLIP | 1 |
| MP9 | 8930049600 | 2240 IC CLIP Y458 | 1 |
| MP10 | 8810001651 | PHFT M3 X 6 ZC3 | 4 |
| MP11 | 8810008661 | PHBT M3 X 8 NI-ZC3 | 2 |
| MP12 | 8810008661 | PHBT M3 X 8 NI-ZC3 | 2 |
| MP13 | 8810005771 | BIND M3 X 8 ZK3BLACK | 8 |
| MP14 | 8810005771 | BIND M3 X 8 ZK3BLACK | 2 |
| MP15 | 8810008661 | PHBT M3 X 8 NI-ZC3 | 6 |
| MP16 | 8810008661 | PHBT M3 X 8 NI-ZC3 | 5 |
| MP17 | 8810008661 | PHBT M3 X 8 NI-ZC3 | 2 |
| MP18 | 8810008661 | PHBT M3 X 8 NI-ZC3 | 1 |
| MP19 | 8930037001 | 1691 EARTH PLATE-1 Y266A | 1 |
| MP20 | 8810008661 | PHBT M3 X 8 NI-ZC3 | 2 |
| MP22 | 8810009131 | PHBT M3 X12 NI-ZC3 | 2 |
| MP23 | 8410002310 | 2240 HEATSINK | 1 |
| MP24 | 8810008661 | PHBT M3 X 8 NI-ZC3 | 2 |
| MP25 | 8930049611 | 2240 UNIT HOLDER-1 Y457A | 1 |
| MP26 | 8810003961 | SET SCREWA M2.6X 5 ZC3 | 2 |
| MP28 | 8930018810 | THERMAL SHEET AA | 2 |
| MP29 | 8930048121 | SHIELD TAPE (A)-1 | 1 |
| MP30 | 8930049260 | THERMAL SHEET CA | 2 |
| MP31 | 8930048961 | SHIELD TAPE (B)-1 | 1 |
| MP32 | 8930070820 | SHIELD SPONGE (BK) | 1 |
| MP33 | 8930049901 | SHIELD TAPE (E)-1 | 2 |
| MP34 | 8930050280 | COPPER SHEET (H) | 3 |
| MP35 | 8930050050 | SPONGE (GJ) 80X5X5 | 1 |
| MP36 | 8930045530 | ADHESIVE TAPE (F) | [USA] 1 |
| | 8930045530 | ADHESIVE TAPE (F) | [USA-1] 1 |
| | 8930045530 | ADHESIVE TAPE (F) | [USA-2] 1 |

[FRONT UNIT]

| REF NO. | ORDER NO. | DESCRIPTION | QTY. |
|---------|------------|------------------------------|------|
| SP1 | 2510000671 | VS-C50-0827 | 1 |
| WS1 | 8600036530 | RX2240 P01FR | 1 |
| W3 | 8900014740 | OPC-885A (P1N10L39) | 1 |
| W4 | 8900015930 | OPC-886A (P1N10L75) | 1 |
| W5 | 8900017840 | OPC-684A (P1N16L80) | 1 |
| EP1 | 6910012480 | RMS20-250-201-1R | 1 |
| EP2 | 6450001230 | HLJ0999-01-480 SNAP PLATE | 1 |
| MP1 | 8210016221 | 2240 FRONT PANEL-1 ASSEMBLY | 1 |
| MP4 | 8930048740 | 2240 9-KEY <SEP> | 1 |
| MP5 | 8930048730 | 2240 6-KEY <SEP> | 1 |
| MP6 | 8930048750 | 2240 20-KEY <SEP> | 1 |
| MP7 | 8930049700 | 2240 BRAKE PLATE ASSEMBLY446 | 1 |
| MP9 | 8930049370 | 2240 BRAKE SHEET | 1 |
| MP10 | 8830001010 | HEX NUT (A) | 1 |
| MP11 | 8830001010 | HEX NUT (A) | 1 |
| MP12 | 8830001410 | 1897 NUT | 1 |
| MP13 | 8610010420 | KNOB N261 | 1 |
| MP14 | 8610010420 | KNOB N261 | 1 |
| MP15 | 8610010710 | KNOB N272 | 1 |
| MP16 | 8610010710 | KNOB N272 | 1 |
| MP17 | 8610014310 | KNOB N-283A ASSEMBLY | 1 |
| MP18 | 8610009171 | KNOB N-213 COVER-1 (TOP) | 1 |
| MP21 | 8010017772 | 2240 F-CHASSIS-2 | 1 |
| MP24 | 8810008661 | PHBT M3 X 8 NI-ZC3 | 5 |
| MP25 | 8810008661 | PHBT M3 X 8 NI-ZC3 | 1 |
| MP26 | 8930048891 | 2240 SP HOLDER-1 | 1 |
| MP27 | 8810008661 | PHBT M3 X 8 NI-ZC3 | 4 |
| MP28 | 8810008661 | PHBT M3 X 8 NI-ZC3 | 4 |
| MP31 | 8930049770 | SPONGE (GF) 25X15X1 | 5 |
| MP32 | 8930047440 | INSULATION SHEETFJ | 4 |
| MP33 | 8930029050 | THERMAL SHEET AL | 1 |
| MP34 | 8930049880 | 2240 LCD SPONGE | 1 |
| MP35 | 8930049860 | 2240 L-SHEET | 1 |
| MP36 | 8930038920 | THERMAL SHEET BH | 4 |
| MP37 | 8930049870 | 2240 SP SPONGE | 1 |
| MP39 | 8930070820 | SHIELD SPONGE (BK) | 2 |
| MP40 | 8930070870 | SHIELD SPONGE (BL) | 1 |

[DISPLAY BOARD]

| REF NO. | ORDER NO. | DESCRIPTION | QTY. |
|---------|------------|------------------------------|------|
| J101* | 6510019981 | 52808-1671 (1690) | 1 |
| DS101 | 5030003490 | TAK-44525-TTZCU RX2240<ITAK> | 1 |
| EP2 | 8930049631 | SRCN-2240-SP-N-W-1 (SHJ) | 1 |
| MP1 | 8210016061 | 2240 REFLECTOR-1 | 1 |
| MP2 | 8930048880 | 2240 LCD HOLDER | 1 |
| MP3 | 8930049380 | 2240 LCD FILTER | 1 |
| MP4 | 8930029050 | THERMAL SHEET AL | 1 |
| MP5 | 8930039570 | RUBBER SHEET (U) | 1 |
| MP6 | 8930001170 | EARTH SPRING (A) FX294 | 1 |

*: Refer to "BOARD LAYOUTS" for the location.

Screw abbreviations A, B0, BT: Self-tapping PH: Pan head ZK: Black NI-ZU: Nickel-Zinc SUS: Stainless

[MAIN UNIT] (For except [USA-2], [OTH-2], [CHN-1])

| REF NO. | ORDER NO. | DESCRIPTION | QTY. |
|---------|-------------|-------------------------|-----------|
| J101 | 6510021460 | PT-C02P01 | 1 |
| J111 | 6510028210 | SJ050010 (TMP-J01X-V6) | 1 |
| J411 | 6510028210 | SJ050010 (TMP-J01X-V6) | 1 |
| J491 | 6510028210 | SJ050010 (TMP-J01X-V6) | 1 |
| J781 | 6450001560 | PD-72 | 1 |
| J782 | 6450001560 | PD-72 | 1 |
| J783 | 6450001560 | PD-72 | 1 |
| J784 | 6450001560 | PD-72 | 1 |
| J811 | 6510028210 | SJ050010 (TMP-J01X-V6) | 1 |
| J881 | 6450001560 | PD-72 | 1 |
| J882 | 6450001560 | PD-72 | 1 |
| J883 | 6450001560 | PD-72 | 1 |
| J884 | 6450001560 | PD-72 | 1 |
| J1081 | 6510028210 | SJ050010 (TMP-J01X-V6) | 1 |
| J1221* | 6510018971 | B4B-PH-SM4-TB (LF) (SN) | 1 |
| J1231* | 6510019971 | 52808-1071 | 1 |
| J1271* | 6510019191 | 52365-0871 | 1 |
| J1311 | 6450001800 | JPJ1044-01-010 | 1 |
| J1321 | 6450000140 | HSJ0807-01-010 | 1 |
| J1351 | 6510023650 | HEC0740-010618 | 1 |
| J1501* | 6510019981 | 52808-1671 (1690) | 1 |
| J1521* | 6510019981 | 52808-1671 (1690) | 1 |
| J1522 | 6510021861 | BH-800.4GG <LTC> | 1 |
| J1541* | 6510019981 | 52808-1671 (1690) | 1 |
| J1561* | 6510019981 | 52808-1671 (1690) | 1 |
| J1701 | 6450000140 | HSJ0807-01-010 | 1 |
| J1751 | 6510021241 | DELCL-J9SAF-23L9E | 1 |
| WS1 | 8600036540 | RX2240 P1241*J1241MA | 1 |
| F1351 | 5210000051 | FGB 3A PBF (FGB0 125V) | 1 |
| F1352 | 5220000230 | S-N5054 #01 | 1 |
| F1353 | 5220000230 | S-N5054 #01 | 1 |
| BT1521 | 3020000110 | CR-2032L/BK | 1 |
| MP1 | 8930014140 | EARTH SPRING (D) | 1 |
| MP2 | 8930014140 | EARTH SPRING (D) | 1 |
| MP3 | 8930014140 | EARTH SPRING (D) | [USA] 1 |
| | 8930014140 | EARTH SPRING (D) | [USA-1] 1 |
| MP4 | 8930014140 | EARTH SPRING (D) | [USA] 1 |
| | 8930014140 | EARTH SPRING (D) | [USA-1] 1 |
| MP101 | 8510012440 | 2240 T-PLATE Y459 | 1 |
| MP381 | 8510005980 | 724SHIELD CASE | 1 |
| MP382 | 8510005990 | 724SHIELD CASE COVER | 1 |
| MP441 | 8510005150 | 602SHIELD CASE | 1 |
| MP442 | 8510005160 | 602SHIELD CASE COVER | 1 |
| MP461 | 8930005320 | FILTER SPACER | 1 |
| MP491 | 8510005330 | COIL CASE SX644 | 1 |
| MP701 | 8930005200 | CRYSTAL HOLDER | 1 |
| MP881 | 8930011820 | 455FILTER SPACER | 1 |
| MP1411 | 8510002200 | VCO CASE FX 15 | 1 |
| MP1751 | 89300050040 | 2240 D-SUB PLATE Y470 | [USA] 1 |
| | 89300050040 | 2240 D-SUB PLATE Y470 | [USA-1] 1 |

[LOGIC BOARD]

| REF NO. | ORDER NO. | DESCRIPTION | QTY. |
|---------|------------|-------------------------|--------------|
| W161* | 7030003860 | ERJ3GE JPW V | [DEN] 1 |
| | 7030003860 | ERJ3GE JPW V | [SEA] 1 |
| W162* | 7030003860 | ERJ3GE JPW V | [SEA] only 1 |
| W163* | 7030003860 | ERJ3GE JPW V | [DEN] 1 |
| W401* | 7030003860 | ERJ3GE JPW V | [SEA] 1 |
| J411* | 6510019981 | 52808-1671 (1690) | 1 |
| J451* | 6510019971 | 52808-1071 | 1 |
| J461* | 6510018971 | B4B-PH-SM4-TB (LF) (SN) | 1 |
| J471* | 6510019971 | 52808-1071 | 1 |
| J491* | 6510018961 | B2B-PH-SM4-TB (LF) (SN) | 1 |
| J501* | 6510019981 | 52808-1671 (1690) | 1 |
| J521* | 6510019981 | 52808-1671 (1690) | 1 |
| J541* | 6510019981 | 52808-1671 (1690) | 1 |

[PHONE BOARD]

| REF NO. | ORDER NO. | DESCRIPTION | QTY. |
|---------|------------|-------------------|------|
| J101* | 6510020711 | 52793-1070 (1090) | 1 |
| J121 | 6510028100 | JY-6355*01-090 | 1 |
| MP1 | 8930013210 | TOP SPRING | 1 |

[VR BOARD]

| REF NO. | ORDER NO. | DESCRIPTION | QTY. |
|---------|------------|-------------------|------|
| J101* | 6510020711 | 52793-1070 (1090) | 1 |

[PLL UNIT]

| REF NO. | ORDER NO. | DESCRIPTION | QTY. |
|---------|------------|-----------------------------|----------------|
| W1* | 7030003860 | ERJ3GE JPW V | 1 |
| W2* | 7030003860 | ERJ3GE JPW V | 1 |
| W18* | 7030003860 | ERJ3GE JPW V | 1 |
| W19* | 7030003860 | ERJ3GE JPW V | 1 |
| W20* | 7030003860 | ERJ3GE JPW V | 1 |
| WS1 | 8970023350 | RX2240 1.5DCOAXIAL (4)/PL 2 | [EUR] 1 |
| | 8970023350 | RX2240 1.5DCOAXIAL (4)/PL 2 | [AUS] 1 |
| | 8970023350 | RX2240 1.5DCOAXIAL (4)/PL 2 | [UK] 1 |
| | 8970023350 | RX2240 1.5DCOAXIAL (4)/PL 2 | [DEN] 1 |
| | 8970023350 | RX2240 1.5DCOAXIAL (4)/PL 2 | [SEA] 1 |
| | 8970023350 | RX2240 1.5DCOAXIAL (4)/PL 2 | [USA-2] 1 |
| | 8970023350 | RX2240 1.5DCOAXIAL (4)/PL 2 | [OTH-2] 1 |
| | 8970023350 | RX2240 1.5DCOAXIAL (4)/PL 2 | [CHN-1] 1 |
| J2* | 6510019981 | 52808-1671 (1690) | 1 |
| J3 | 6450000140 | HSJ0807-01-010 | 1 |
| J4 | 6450000140 | HSJ0807-01-010 | 1 |
| MP1 | 8510000231 | 220 SHIELD CASE-1 | 1 |
| MP2 | 8510010760 | 1876 DDS CASE | 1 |
| MP3 | 8510010770 | 1876 DDS COVER | 1 |
| MP5 | 8510008801 | 1428 VCO CASE-1 | 1 |
| MP8 | 8510005980 | 724SHIELD CASE | 1 |
| MP9 | 8510005990 | 724SHIELD CASE COVER | 1 |
| MP11 | 8510005980 | 724SHIELD CASE | 1 |
| MP12 | 8510005990 | 724SHIELD CASE COVER | 1 |
| MP13 | 8930038431 | 778 A-SPONGE-1 | 1 |
| MP14 | 8930014140 | EARTH SPRING (D) | 1 |
| MP15 | 8930027810 | EMBOS TAPE (B) | 1 |
| MP16 | 8510000210 | 194SHIELD PLATE | 1 |
| MP17 | 8930017200 | 752EARTH SPRING | 1 |
| MP18 | 8930053600 | 2242 SPRING | [USA-2] only 1 |
| MP19 | 8930053600 | 2242 SPRING | [USA-2] only 1 |

[MAIN-A UNIT] (For [USA-2], [OTH-2], [CHN-1])

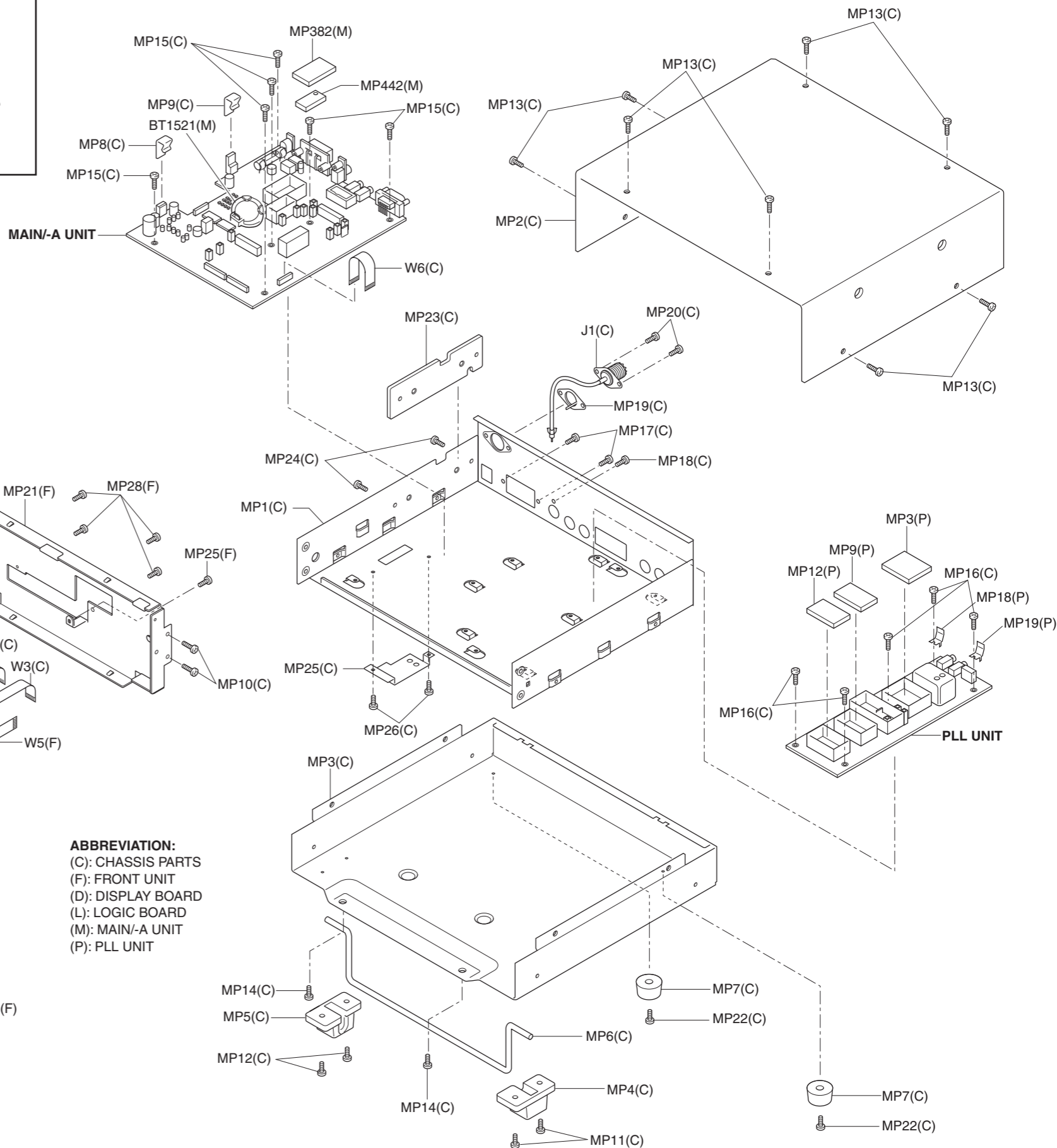
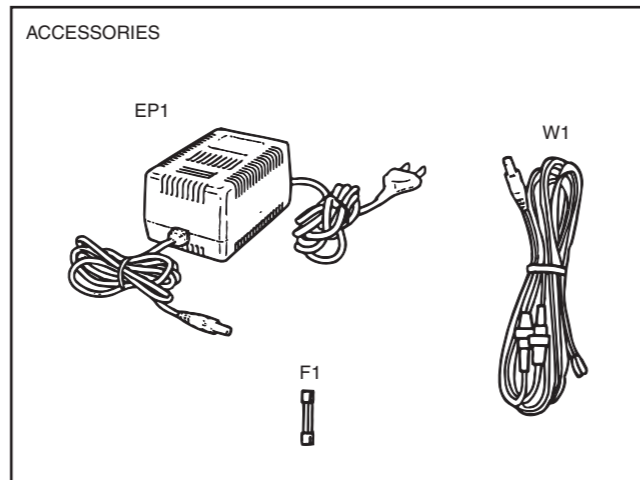
| REF NO. | ORDER NO. | DESCRIPTION | QTY. |
|---------|-------------|-------------------------|----------------|
| J101 | 6510021460 | PT-C02P01 | 1 |
| J111 | 6510028210 | SJ050010 (TMP-J01X-V6) | 1 |
| J411 | 6510028210 | SJ050010 (TMP-J01X-V6) | 1 |
| J491 | 6510028210 | SJ050010 (TMP-J01X-V6) | 1 |
| J781 | 6450001560 | PD-72 | 1 |
| J782 | 6450001560 | PD-72 | 1 |
| J783 | 6450001560 | PD-72 | 1 |
| J784 | 6450001560 | PD-72 | 1 |
| J811 | 6510028210 | SJ050010 (TMP-J01X-V6) | 1 |
| J881 | 6450001560 | PD-72 | 1 |
| J882 | 6450001560 | PD-72 | 1 |
| J883 | 6450001560 | PD-72 | 1 |
| J884 | 6450001560 | PD-72 | 1 |
| J1081 | 6510028210 | SJ050010 (TMP-J01X-V6) | 1 |
| J1221* | 6510018971 | B4B-PH-SM4-TB (LF) (SN) | 1 |
| J1231* | 6510019971 | 52808-1071 | 1 |
| J1271* | 6510019191 | 52365-0871 | 1 |
| J1311 | 6450001800 | JPJ1044-01-010 | 1 |
| J1321 | 6450000140 | HSJ0807-01-010 | 1 |
| J1351 | 6510023650 | HEC0740-010618 | 1 |
| J1501* | 6510019981 | 52808-1671 (1690) | 1 |
| J1521* | 6510019981 | 52808-1671 (1690) | 1 |
| J1522 | 6510021861 | BH-800.4GG <LTC> | 1 |
| J1541* | 6510019981 | 52808-1671 (1690) | 1 |
| J1561* | 6510019981 | 52808-1671 (1690) | 1 |
| J1701 | 6450000140 | HSJ0807-01-010 | 1 |
| J1751 | 6510021241 | DELCL-J9SAF-23L9E | 1 |
| WS1 | 8600036540 | RX2240 P1241*J1241MA | 1 |
| F1351 | 5210000051 | FGB 3A PBF (FGB0 125V) | 1 |
| F1352 | 5220000230 | S-N5054 #01 | 1 |
| F1353 | 5220000230 | S-N5054 #01 | 1 |
| BT1521 | 3020000110 | CR-2032L/BK | 1 |
| MP1 | 8930014140 | EARTH SPRING (D) | 1 |
| MP2 | 8930014140 | EARTH SPRING (D) | 1 |
| MP3 | 8930014140 | EARTH SPRING (D) | [USA-2] only 1 |
| MP4 | 8930014140 | EARTH SPRING (D) | [USA-2] only 1 |
| MP101 | 8510012440 | 2240 T-PLATE Y459 | 1 |
| MP381 | 8510005980 | 724SHIELD CASE | 1 |
| MP382 | 8510005990 | 724SHIELD CASE COVER | 1 |
| MP441 | 8510005150 | 602SHIELD CASE | 1 |
| MP442 | 8510005160 | 602SHIELD CASE COVER | 1 |
| MP461 | 8930005320 | FILTER SPACER | 1 |
| MP491 | 8510005330 | COIL CASE SX644 | 1 |
| MP701 | 8930005200 | CRYSTAL HOLDER | 1 |
| MP881 | 8930011820 | 455FILTER HOLDER | 1 |
| MP1411 | 8510002200 | VCO CASE FX 15 | 1 |
| MP1751 | 89300050040 | 2240 D-SUB PLATE Y470 | [USA-2] 1 |

*: Refer to "BOARD LAYOUTS" for the location.

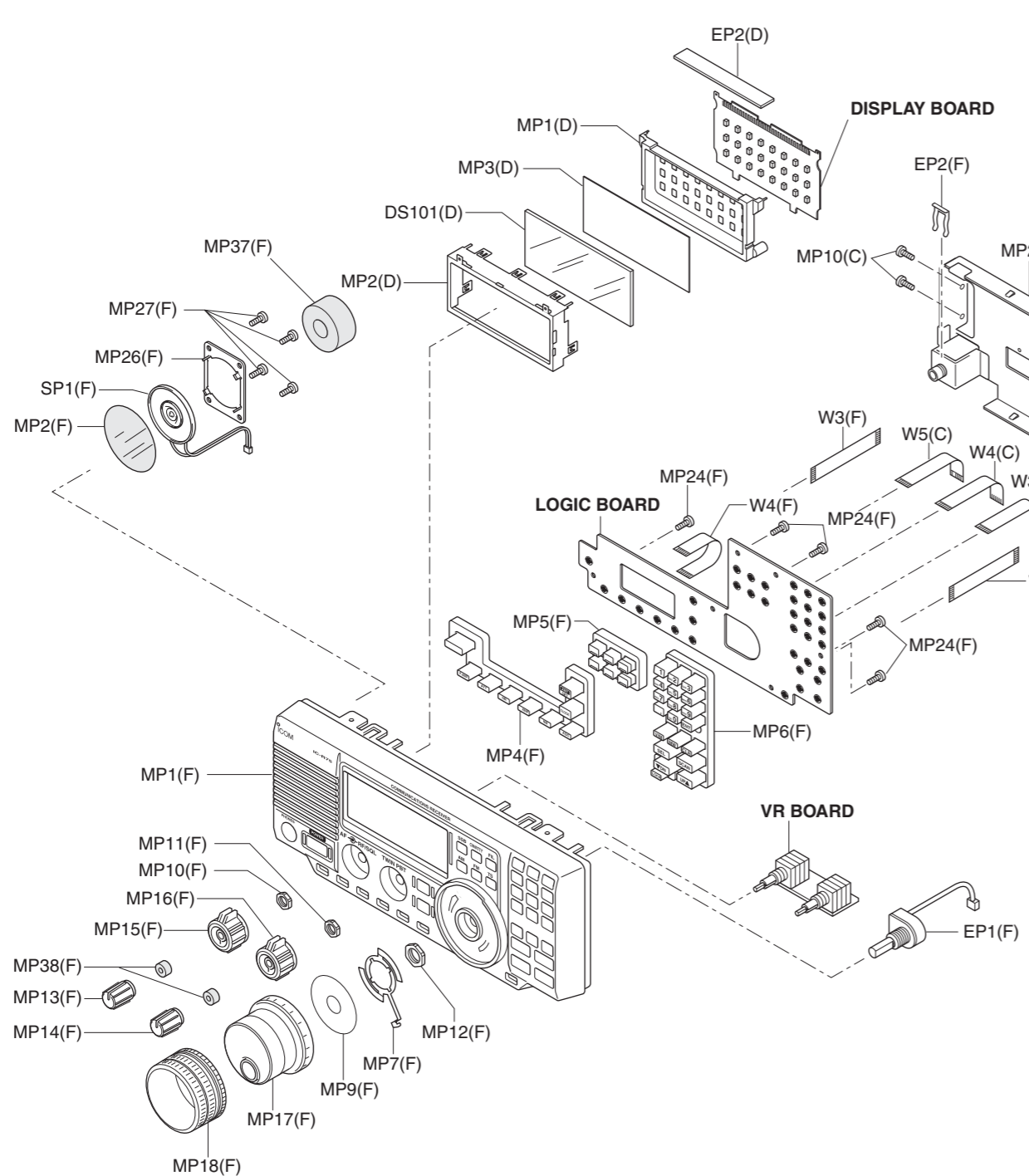
Screw abbreviations A, B0, BT: Self-tapping PH: Pan head ZK: Black NI-ZU: Nickel-Zinc SUS: Stainless

[ACCESSORIES]

| REF NO. | ORDER NO. | DESCRIPTION | QTY. |
|---------|------------|------------------------|-----------|
| F1 | 5210000051 | FGB 3A PBF (FGB0 125V) | [USA] 1 |
| | 5210000051 | FGB 3A PBF (FGB0 125V) | [EUR] 1 |
| | 5210000051 | FGB 3A PBF (FGB0 125V) | [AUS] 1 |
| | 5210000051 | FGB 3A PBF (FGB0 125V) | [UK] 3 |
| | 5210000051 | FGB 3A PBF (FGB0 125V) | [DEN] 3 |
| | 5210000051 | FGB 3A PBF (FGB0 125V) | [SEA] 3 |
| | 5210000051 | FGB 3A PBF (FGB0 125V) | [OTH] 1 |
| | 5210000051 | FGB 3A PBF (FGB0 125V) | [USA-1] 1 |
| | 5210000051 | FGB 3A PBF (FGB0 125V) | [OTH-1] 1 |
| | 5210000051 | FGB 3A PBF (FGB0 125V) | [CHN] 1 |
| | 5210000051 | FGB 3A PBF (FGB0 125V) | [USA-2] 1 |
| | 5210000051 | FGB 3A PBF (FGB0 125V) | [OTH-2] 1 |
| | 5210000051 | FGB 3A PBF (FGB0 125V) | [CHN-1] 1 |
| W1 | (Optional) | OPC-869 | [UK] 1 |
| | (Optional) | OPC-869 | [DEN] 1 |
| | (Optional) | OPC-869 | [SEA] 1 |
| EP1 | (Optional) | AD-55A | [USA] 1 |
| | (Optional) | AD-55 | [EUR] 1 |
| | (Optional) | AD-55V | [AUS] 1 |
| | (Optional) | AD-55 | [OTH] 1 |
| | (Optional) | AD-55A | [USA-1] 1 |
| | (Optional) | AD-55 | [OTH-1] 1 |
| | (Optional) | AD-55 | [CHN] 1 |
| | (Optional) | AD-55S | [USA-2] 1 |
| | (Optional) | AD-55S | [OTH-2] 1 |
| | (Optional) | AD-55S | [CHN-1] 1 |



ABBREVIATION:
 (C): CHASSIS PARTS
 (F): FRONT UNIT
 (D): DISPLAY BOARD
 (L): LOGIC BOARD
 (M): MAIN-A UNIT
 (P): PLL UNIT



PARTS LIST

[LOGIC BOARD]

| REF NO. | PARTS NO. | DESCRIPTION | M. | H/V LOCATION | |
|---------|------------|---|----|--------------|------------------------------|
| IC101 | 1140008251 | S.IC HD6433837SC58HV [USA] | B | 166.9/67.4 | |
| | 1140008251 | S.IC HD6433837SC58HV [EUR] | | | |
| | 1140008251 | S.IC HD6433837SC58HV [AUS] | | | |
| | 1140008251 | S.IC HD6433837SC58HV [UK] | | | |
| | 1140008251 | S.IC HD6433837SC58HV [DEN] | | | |
| | 1140008251 | S.IC HD6433837SC58HV [SEA] | | | |
| | 1140008251 | S.IC HD6433837SC58HV [OTH] | | | |
| | 1140013850 | S.IC HD6433837SE27HV (RX-2240A) [USA-1] | | | |
| | 1140013850 | S.IC HD6433837SE27HV (RX-2240A) [OTH-1] | | | |
| | 1140013850 | S.IC HD6433837SE27HV (RX-2240A) [CHN] | | | |
| | 1140013850 | S.IC HD6433837SE27HV (RX-2240A) [USA-2] | | | |
| | 1140013850 | S.IC HD6433837SE27HV (RX-2240A) [OTH-2] | | | |
| | 1140013850 | S.IC HD6433837SE27HV (RX-2240A) [CHN-1] | | | |
| | IC231 | 1130011333 | | | S.IC CAT25320VI-GT3C |
| IC351 | 1110003690 | S.IC M62354GP 75EC | B | 193.0/35.0 | |
| IC391 | 1110005771 | S.IC S-80942CNMC-G9CT2G | B | 177.1/25.3 | |
| IC392 | 1130006441 | S.IC TC7S08F(TE85RF) | B | 182.1/25.3 | |
| IC401 | 1130004922 | S.IC TC74HC04AF(ELF) | B | 190.7/25.3 | |
| Q351 | 1590000680 | S.TRA DTC114EUA T106 | B | 200.0/63.0 | |
| | Q391 | 1530002851 | | | S.TRA 25CA4116-BL(TE85RF) |
| | Q401 | 1590004390 | | | S.TRA DMG504010R |
| | Q421 | 1590003670 | | | S.TRA KRA304-RTK/P |
| | Q511 | 1510000510 | | | S.TRA 2SA1576A T106R |
| | Q512 | 1590004390 | | | S.TRA DMG504010R |
| D381 | 1730002830 | S.ZEN DZ2J051M0L | B | 173.1/24.7 | |
| | D382 | 1750002180 | | | S.DIO DB2J31300L |
| | D393 | 1750000550 | | | S.DIO 1SS355 TE-17 |
| | D401 | 1750000550 | | | S.DIO 1SS355 TE-17 |
| | D461 | 1730002531 | | | S.ZEN NNCD6.2G-T1-A |
| | X111 | 6050009460 | | | S.XTA CM200S SMD(32.768 kHz) |
| X112 | 6050009870 | S.XTA CR-567 SMD-49 9.8304 MHz <KDS> | B | 183.2/71.7 | |
| L491 | 6200003950 | S.COI HF50ACC 322513-T | B | 22.5/25.0 | |
| | L492 | 6200003950 | | | S.COI HF50ACC 322513-T |
| | L501 | 6200002971 | | | S.COI NLV32T-121J |
| | L502 | 6200002971 | | | S.COI NLV32T-121J |
| | L503 | 6200003950 | | | S.COI HF50ACC 322513-T |
| | R101 | 7030003200 | | | S.RES ERJ3GEYJ 100 V (10) |
| R112 | 7030003800 | S.RES ERJ3GEYJ 105 V (1M) | B | 179.9/71.4 | |
| R121 | 7030003440 | S.RES ERJ3GEYJ 102 V (1K) | B | 189.8/60.6 | |
| R122 | 7030003440 | S.RES ERJ3GEYJ 102 V (1K) | B | 193.4/47.0 | |
| R123 | 7030003440 | S.RES ERJ3GEYJ 102 V (1K) | B | 192.6/52.0 | |
| R124 | 7030003440 | S.RES ERJ3GEYJ 102 V (1K) | B | 191.8/47.0 | |
| R125 | 7030003440 | S.RES ERJ3GEYJ 102 V (1K) | B | 190.2/47.0 | |
| R126 | 7030003440 | S.RES ERJ3GEYJ 102 V (1K) | B | 188.6/47.0 | |
| R127 | 7030003360 | S.RES ERJ3GEYJ 221 V (220) | B | 187.8/52.0 | |
| R128 | 7030003440 | S.RES ERJ3GEYJ 102 V (1K) | B | 187.0/47.0 | |
| R129 | 7030003440 | S.RES ERJ3GEYJ 102 V (1K) | B | 186.2/52.0 | |
| R130 | 7030003440 | S.RES ERJ3GEYJ 102 V (1K) | B | 185.4/47.0 | |
| R131 | 7030003440 | S.RES ERJ3GEYJ 102 V (1K) | B | 184.6/52.0 | |
| R141 | 7030003440 | S.RES ERJ3GEYJ 102 V (1K) | B | 168.2/52.0 | |
| R142 | 7030003440 | S.RES ERJ3GEYJ 102 V (1K) | B | 167.4/48.9 | |
| R143 | 7030003440 | S.RES ERJ3GEYJ 102 V (1K) | B | 166.6/52.0 | |
| R144 | 7030003440 | S.RES ERJ3GEYJ 102 V (1K) | B | 165.8/48.9 | |
| R145 | 7030003440 | S.RES ERJ3GEYJ 102 V (1K) | B | 165.0/52.0 | |
| R146 | 7030003440 | S.RES ERJ3GEYJ 102 V (1K) | B | 164.2/48.9 | |
| R147 | 7030003440 | S.RES ERJ3GEYJ 102 V (1K) | B | 163.4/52.0 | |
| R148 | 7030003440 | S.RES ERJ3GEYJ 102 V (1K) | B | 162.6/48.9 | |
| R149 | 7030003440 | S.RES ERJ3GEYJ 102 V (1K) | B | 161.8/52.0 | |
| R150 | 7030003440 | S.RES ERJ3GEYJ 102 V (1K) | B | 161.0/48.9 | |
| R151 | 7030003440 | S.RES ERJ3GEYJ 102 V (1K) | B | 160.2/52.0 | |
| R152 | 7030003440 | S.RES ERJ3GEYJ 102 V (1K) | B | 159.4/48.9 | |
| R153 | 7030003440 | S.RES ERJ3GEYJ 102 V (1K) | B | 158.6/52.0 | |
| R154 | 7030003440 | S.RES ERJ3GEYJ 102 V (1K) | B | 157.8/48.9 | |
| R155 | 7030003440 | S.RES ERJ3GEYJ 102 V (1K) | B | 157.0/52.0 | |
| R161 | 7030003640 | S.RES ERJ3GEYJ 473 V (47K) | B | 175.3/46.8 | |
| R162 | 7030003640 | S.RES ERJ3GEYJ 473 V (47K) | B | 176.9/46.8 | |
| R163 | 7030003640 | S.RES ERJ3GEYJ 473 V (47K) | B | 178.5/46.8 | |
| R171 | 7030003440 | S.RES ERJ3GEYJ 102 V (1K) | B | 156.2/48.9 | |
| R172 | 7030003440 | S.RES ERJ3GEYJ 102 V (1K) | B | 155.4/52.0 | |
| R173 | 7030003440 | S.RES ERJ3GEYJ 102 V (1K) | B | 154.6/48.9 | |
| R174 | 7030003440 | S.RES ERJ3GEYJ 102 V (1K) | B | 153.8/52.0 | |
| R175 | 7030003440 | S.RES ERJ3GEYJ 102 V (1K) | B | 153.0/48.9 | |
| R176 | 7030003440 | S.RES ERJ3GEYJ 102 V (1K) | B | 152.2/52.0 | |
| R177 | 7030003440 | S.RES ERJ3GEYJ 102 V (1K) | B | 151.4/49.0 | |
| R178 | 7030003440 | S.RES ERJ3GEYJ 102 V (1K) | B | 150.6/52.0 | |
| R179 | 7030003440 | S.RES ERJ3GEYJ 102 V (1K) | B | 149.8/49.0 | |
| R191 | 7030003440 | S.RES ERJ3GEYJ 102 V (1K) | B | 149.0/52.0 | |
| R192 | 7030003440 | S.RES ERJ3GEYJ 102 V (1K) | B | 148.2/49.0 | |
| R193 | 7030003440 | S.RES ERJ3GEYJ 102 V (1K) | B | 147.4/52.0 | |
| R194 | 7030003440 | S.RES ERJ3GEYJ 102 V (1K) | B | 146.6/49.0 | |
| R195 | 7030003440 | S.RES ERJ3GEYJ 102 V (1K) | B | 145.8/52.0 | |

Eqv.= This component is equivalent to the REF No. component listed above, and may be substituted on parts orders and repairs.

[LOGIC BOARD]

| REF NO. | PARTS NO. | DESCRIPTION | M. | H/V LOCATION |
|---------|------------|-----------------------------|----|--------------|
| R196 | 7030003440 | S.RES ERJ3GEYJ 102 V (1K) | B | 145.0/49.0 |
| R197 | 7030003440 | S.RES ERJ3GEYJ 102 V (1K) | B | 144.2/52.0 |
| R198 | 7030003680 | S.RES ERJ3GEYJ 104 V (100K) | B | 140.1/57.1 |
| R201 | 7030003440 | S.RES ERJ3GEYJ 102 V (1K) | B | 153.5/81.3 |
| R202 | 7030003440 | S.RES ERJ3GEYJ 102 V (1K) | B | 153.5/82.8 |
| R203 | 7030003440 | S.RES ERJ3GEYJ 102 V (1K) | B | 153.5/84.3 |
| R204 | 7030003440 | S.RES ERJ3GEYJ 102 V (1K) | B | 153.5/85.8 |
| R205 | 7030003440 | S.RES ERJ3GEYJ 102 V (1K) | B | 153.5/87.3 |
| R206 | 7030003440 | S.RES ERJ3GEYJ 102 V (1K) | B | 153.5/88.8 |
| R208 | 7030003440 | S.RES ERJ3GEYJ 102 V (1K) | B | 141.0/52.0 |
| R209 | 7030003440 | S.RES ERJ3GEYJ 102 V (1K) | B | 141.8/49.0 |
| R210 | 7030003440 | S.RES ERJ3GEYJ 102 V (1K) | B | 142.6/52.0 |
| R211 | 7030003440 | S.RES ERJ3GEYJ 102 V (1K) | B | 143.4/49.0 |
| R221 | 7030003400 | S.RES ERJ3GEYJ 471 V (470) | B | 171.6/53.3 |
| R223 | 7030003560 | S.RES ERJ3GEYJ 103 V (10K) | B | 171.6/52.0 |
| R224 | 7030003560 | S.RES ERJ3GEYJ 103 V (10K) | B | 171.6/49.8 |
| R225 | 7030003560 | S.RES ERJ3GEYJ 103 V (10K) | B | 171.6/48.5 |
| R231 | 7030003680 | S.RES ERJ3GEYJ 104 V (100K) | B | 195.6/77.0 |
| R251 | 7030003540 | S.RES ERJ3GEYJ 682 V (6.8K) | B | 185.3/82.0 |
| R252 | 7030003540 | S.RES ERJ3GEYJ 682 V (6.8K) | B | 185.3/83.3 |
| R253 | 7030003540 | S.RES ERJ3GEYJ 682 V (6.8K) | B | 185.3/84.7 |
| R254 | 7030003540 | S.RES ERJ3GEYJ 682 V (6.8K) | B | 185.3/86.0 |
| R255 | 7030003540 | S.RES ERJ3GEYJ 682 V (6.8K) | B | 185.3/87.3 |
| R256 | 7030003540 | S.RES ERJ3GEYJ 682 V (6.8K) | B | 185.3/88.6 |
| R257 | 7030003540 | S.RES ERJ3GEYJ 682 V (6.8K) | B | 185.3/89.9 |
| R258 | 7030003540 | S.RES ERJ3GEYJ 682 V (6.8K) | B | 185.3/90.7 |
| R259 | 7030003540 | S.RES ERJ3GEYJ 682 V (6.8K) | B | 195.3/80.0 |
| R260 | 7030003540 | S.RES ERJ3GEYJ 682 V (6.8K) | B | 188.8/65.8 |
| R261 | 7030003540 | S.RES ERJ3GEYJ 682 V (6.8K) | B | 193.5/66.4 |
| R262 | 7030003540 | S.RES ERJ3GEYJ 682 V (6.8K) | B | 197.4/57.4 |
| R271 | 7030003640 | S.RES ERJ3GEYJ 473 V (47K) | B | 158.6/41.1 |
| R272 | 7030003640 | S.RES ERJ3GEYJ 473 V (47K) | B | 157.8/44.1 |
| R273 | 7030003640 | S.RES ERJ3GEYJ 473 V (47K) | B | 157.0/41.1 |
| R274 | 7030003640 | S.RES ERJ3GEYJ 473 V (47K) | B | 156.2/44.1 |
| R275 | 7030003640 | S.RES ERJ3GEYJ 473 V (47K) | B | 155.4/41.1 |
| R276 | 7030003640 | S.RES ERJ3GEYJ 473 V (47K) | B | 154.6/44.1 |
| R277 | 7030003640 | S.RES ERJ3GEYJ 473 V (47K) | B | 153.8/41.1 |
| R278 | 7030003640 | S.RES ERJ3GEYJ 473 V (47K) | B | 153.0/44.1 |
| R279 | 7030003640 | S.RES ERJ3GEYJ 473 V (47K) | B | 168.2/41.1 |
| R280 | 7030003640 | S.RES ERJ3GEYJ 473 V (47K) | B | 167.4/44.1 |
| R281 | 7030003640 | S.RES ERJ3GEYJ 473 V (47K) | B | 165.8/44.1 |
| R282 | 7030003640 | S.RES ERJ3GEYJ 473 V (47K) | B | 166.6/41.1 |
| R283 | 7030003640 | S.RES ERJ3GEYJ 473 V (47K) | B | 165.0/41.1 |
| R284 | 7030003640 | S.RES ERJ3GEYJ 473 V (47K) | B | 164.2/44.1 |
| R285 | 7030003640 | S.RES ERJ3GEYJ 473 V (47K) | B | 152.2/41.1 |
| R286 | 7030003640 | S.RES ERJ3GEYJ 473 V (47K) | B | 151.4/44.1 |
| R287 | 7030003640 | S.RES ERJ3GEYJ 473 V (47K) | B | 159.4/44.1 |
| R288 | 7030003640 | S.RES ERJ3GEYJ 473 V (47K) | B | 160.2/41.1 |
| R289 | 7030003640 | S.RES ERJ3GEYJ 473 V (47K) | B | 161.0/44.1 |
| R290 | 7030003640 | S.RES ERJ3GEYJ 473 V (47K) | B | 161.8/41.1 |
| R291 | 7030003640 | S.RES ERJ3GEYJ 473 V (47K) | B | 162.6/44.1 |
| R292 | 7030003640 | S.RES ERJ3GEYJ 473 V (47K) | B | 163.4/41.1 |
| R335 | 7030003640 | S.RES ERJ3GEYJ 473 V (47K) | B | 191.1/60.6 |
| R351 | 7030003540 | S.RES ERJ3GEYJ 682 V (6.8K) | B | 202.0/54.9 |
| R352 | 7030003540 | S.RES ERJ3GEYJ 682 V (6.8K) | B | 202.0/62.2 |
| R361 | 7030003720 | S.RES ERJ3GEYJ 224 V (220K) | B | 187.9/19.9 |
| R362 | 7030003720 | S.RES ERJ3GEYJ 224 V (220K) | B | 193.3/30.8 |
| R381 | 7030009720 | S.RES ERJ12YJ102U (1K) | B | 170.4/28.1 |
| R382 | 7030003640 | S.RES ERJ3GEYJ 473 V (47K) | B | 184.6/21.5 |
| R391 | 7030003630 | S.RES ERJ3GEYJ 393 V (39K) | B | 173.6/30.6 |
| R392 | 7030003650 | S.RES ERJ3GEYJ 563 V (56K) | B | 171.1/32.0 |
| R393 | 7030003640 | S.RES ERJ3GEYJ 473 V (47K) | B | 174.6/24.2 |
| R394 | 7030003440 | S.RES ERJ3GEYJ 102 V (1K) | B | 175.8/28.7 |
| R395 | 7030003760 | S.RES ERJ3GEYJ 474 V (470K) | B | 178.4/28.7 |
| R396 | 7030003720 | S.RES ERJ3GEYJ 224 V (220K) | B | 179.2/31.0 |
| R397 | 7030003720 | S.RES ERJ3GEYJ 224 V (220K) | B | 181.5/28.7 |
| R398 | 7030003680 | S.RES ERJ3GEYJ 104 V (100K) | B | 184.6/27.0 |
| R399 | 7030003560 | S.RES ERJ3GEYJ 103 V (10K) | B | 182.2/38.3 |
| R401 | 7030003620 | S.RES ERJ3GEYJ 333 V (33K) | B | 203.4/21.8 |
| R402 | 7030003540 | S.RES ERJ3GEYJ 682 V (6.8K) | B | 203.3/25.8 |
| R403 | 7030003680 | S.RES ERJ3GEYJ 104 V (100K) | B | 198.9/25.8 |
| R404 | 7030003580 | S.RES ERJ3GEYJ 153 V (15K) | B | 200.2/22.2 |
| R405 | 7030003680 | S.RES ERJ3GEYJ 104 V (100K) | B | 197.1/23.9 |
| R421 | 7030003400 | S.RES ERJ3GEYJ 471 V (470) | B | 201.0/31.3 |
| R422 | 7030003680 | S.RES ERJ3GEYJ 104 V (100K) | B | 201.0/32.8 |
| R423 | 7030003560 | S.RES ERJ3GEYJ 103 V (10K) | B | 201.0/37.3 |
| R511 | 7030003840 | S.RES ERJ3GEYJ 225 V (2.2M) | B | 168.7/21.0 |
| R512 | 7030003560 | S.RES ERJ3GEYJ 103 V (10K) | B | 165.2/26.3 |
| R513 | 7030003630 | S.RES ERJ3GEYJ 393 V (39K) | B | 167.4/23.2 |
| R514 | 7030003540 | S.RES ERJ3GEYJ 682 V (6.8K) | B | 165.4/20.9 |
| W161 | 7030003860 | S.RES ERJ3GE JPW V [DEN] | B | 174.5/51.5 |
| | 7030003860 | S.RES ERJ3GE JPW V [SEA] | | |
| | 7030003860 | S.RES ERJ3GE JPW V [SEA] | | |
| W162 | 7030003860 | S.RES ERJ3GE JPW V [SEA] | B | 176.1/51.5 |
| | 7030003860 | S.RES ERJ3GE JPW V [DEN] | | |
| W163 | 7030003860 | S.RES ERJ3GE JPW V [SEA] | B | 177.7/51.5 |
| | 70300 | | | |

[LOGIC BOARD]

| REF NO. | PARTS NO. | DESCRIPTION | M. | H/V LOCATION |
|---------|------------|------------------------------------|----|--------------|
| C114 | 4030008560 | S.CER C1608 CH 1H 300J-T | B | 177.8/71.2 |
| C201 | 4030008630 | S.CER C1608 JF 1H 104Z-T | B | 167.2/81.0 |
| C202 | 4030008630 | S.CER C1608 JF 1H 104Z-T | B | 168.0/84.0 |
| C203 | 4030008630 | S.CER C1608 JF 1H 104Z-T | B | 168.8/81.0 |
| C204 | 4030008630 | S.CER C1608 JF 1H 104Z-T | B | 169.6/84.0 |
| C205 | 4030008630 | S.CER C1608 JF 1H 104Z-T | B | 170.4/81.0 |
| C206 | 4030008630 | S.CER C1608 JF 1H 104Z-T | B | 171.2/84.0 |
| C221 | 4030008630 | S.CER C1608 JF 1H 104Z-T | B | 172.4/55.2 |
| C231 | 4030008630 | S.CER C1608 JF 1H 104Z-T | B | 198.4/72.2 |
| C251 | 4030008630 | S.CER C1608 JF 1H 104Z-T | B | 171.0/89.1 |
| C252 | 4030008630 | S.CER C1608 JF 1H 104Z-T | B | 172.3/89.1 |
| C253 | 4030008630 | S.CER C1608 JF 1H 104Z-T | B | 173.6/89.1 |
| C254 | 4030008630 | S.CER C1608 JF 1H 104Z-T | B | 174.9/89.1 |
| C255 | 4030008630 | S.CER C1608 JF 1H 104Z-T | B | 176.2/89.1 |
| C256 | 4030008630 | S.CER C1608 JF 1H 104Z-T | B | 177.0/74.6 |
| C351 | 4030008630 | S.CER C1608 JF 1H 104Z-T | B | 191.2/38.7 |
| C352 | 4510008660 | S.ELE EEE0JA220SR | B | 203.6/58.5 |
| C392 | 4030013720 | S.CER GRM188B11A224KA01D (GRM39 B) | B | 177.1/28.7 |
| C393 | 4030013720 | S.CER GRM188B11A224KA01D (GRM39 B) | B | 173.6/29.2 |
| C394 | 4030007050 | S.CER C1608 CH 1H 220J-T | B | 179.6/25.5 |
| C395 | 4030008630 | S.CER C1608 JF 1H 104Z-T | B | 184.6/24.1 |
| C401 | 4030008630 | S.CER C1608 JF 1H 104Z-T | B | 197.1/28.2 |
| C451 | 4030008630 | S.CER C1608 JF 1H 104Z-T | B | 51.6/4.3 |
| C452 | 4030008630 | S.CER C1608 JF 1H 104Z-T | B | 53.5/10.7 |
| C453 | 4030008630 | S.CER C1608 JF 1H 104Z-T | B | 56.3/3.9 |
| C454 | 4030008630 | S.CER C1608 JF 1H 104Z-T | B | 64.4/9.4 |
| C461 | 4030008630 | S.CER C1608 JF 1H 104Z-T | B | 88.3/10.9 |
| C502 | 4030008630 | S.CER C1608 JF 1H 104Z-T | B | 134.2/50.9 |
| C503 | 4030008630 | S.CER C1608 JF 1H 104Z-T | B | 31.5/11.9 |
| C505 | 4030008630 | S.CER C1608 JF 1H 104Z-T | B | 81.4/20.2 |
| J411 | 6510019981 | S.CON 52808-1671(1690) | B | 137.0/64.8 |
| J451 | 6510019971 | S.CON 52808-1071 | B | 57.0/7.3 |
| J461 | 6510018971 | S.CON B4B-PH-SM4-TB(LF)(SN) | B | 88.5/7.4 |
| J471 | 6510019971 | S.CON 52808-1071 | B | 29.8/35.8 |
| J491 | 6510018961 | S.CON B2B-PH-SM4-TB(LF)(SN) | B | 21.9/20.0 |
| J501 | 6510019981 | S.CON 52808-1671(1690) | B | 54.0/36.3 |
| J521 | 6510019981 | S.CON 52808-1671(1690) | B | 94.0/36.3 |
| J541 | 6510019981 | S.CON 52808-1671(1690) | B | 74.0/36.3 |
| EP501 | 6910012350 | S.BEA MMZ1608Y 102BT | B | 31.1/25.3 |
| EP502 | 6910012350 | S.BEA MMZ1608Y 102BT | B | 82.5/27.3 |
| EP521 | 6910012350 | S.BEA MMZ1608Y 102BT | B | 95.5/32.1 |
| EP522 | 6910012350 | S.BEA MMZ1608Y 102BT | B | 96.5/29.5 |
| EP523 | 6910012350 | S.BEA MMZ1608Y 102BT | B | 97.5/32.1 |
| EP524 | 6910012350 | S.BEA MMZ1608Y 102BT | B | 98.5/29.5 |
| EP525 | 6910012350 | S.BEA MMZ1608Y 102BT | B | 99.5/32.1 |
| EP526 | 6910012350 | S.BEA MMZ1608Y 102BT | B | 100.5/29.5 |
| EP527 | 6910012350 | S.BEA MMZ1608Y 102BT | B | 101.5/32.1 |

[PHONE BOARD]

| REF NO. | PARTS NO. | DESCRIPTION | M. | H/V LOCATION |
|---------|------------|--------------------------|----|--------------|
| R121 | 7030006070 | S.RES ERJ12YJ101U (100) | T | 11.9/4.0 |
| R122 | 7030006070 | S.RES ERJ12YJ101U (100) | T | 4.9/7.8 |
| C121 | 4030006880 | S.CER C1608 JB 1H 472K-T | T | 17.8/6.8 |
| C122 | 4030006880 | S.CER C1608 JB 1H 472K-T | T | 13.3/7.8 |
| C123 | 4030006880 | S.CER C1608 JB 1H 472K-T | T | 9.4/7.8 |
| J101 | 6510020711 | S.CON 52793-1070(1090) | B | 10.4/2.9 |
| J121 | 6510028100 | CON JY-6355*01-090 | | |

Eqv.= This component is equivalent to the REF No. component listed above, and may be substituted on parts orders and repairs.

M.=Mounted side (T: Mounted on the Top side, B: Mounted on the Bottom side) S.=Surface mount

[VR BOARD]

| REF NO. | PARTS NO. | DESCRIPTION | M. | H/V LOCATION |
|---------|------------|-----------------------------|----|--------------|
| R131 | 7210003040 | VAR TP96D26-22F-10KBX2-2240 | | |
| R141 | 7210003030 | VAR TP96D00-22F-10KBX2-2240 | | |
| R143 | 7030003540 | S.RES ERJ3GEYJ 682 V (6.8K) | B | 3.6/7.3 |
| J101 | 6510020711 | S.CON 52793-1070(1090) | B | 20.2/7.9 |

[MAIN UNIT] (For except [USA-2], [OTH-2], [CHN-1])

| REF NO. | PARTS NO. | DESCRIPTION | |
|---------|------------|--------------------------|---------|
| IC391 | 1110003970 | S.IC UPC1658G-E1 | |
| IC551 | 1130011760 | S.IC CD4094BPWR | |
| IC552 | 1130011760 | S.IC CD4094BPWR | |
| IC561 | 1160000131 | S.IC TD62783AFG(5,S,EL) | |
| IC562 | 1160000131 | S.IC TD62783AFG(5,S,EL) | |
| IC731 | 1110003141 | IC LA1150N-E | |
| IC811 | 1110002601 | S.IC MC1496DR2G | [USA] |
| | 1110002600 | S.IC MC1496DR2 | [EUR] |
| | 1110002601 | S.IC MC1496DR2G | [AUS] |
| | 1110002600 | S.IC MC1496DR2 | [UK] |
| | 1110002601 | S.IC MC1496DR2G | [DEN] |
| | 1110002601 | S.IC MC1496DR2G | [SEA] |
| | 1110002601 | S.IC MC1496DR2G | [OTH] |
| | 1110002601 | S.IC MC1496DR2G | [USA-1] |
| | 1110002601 | S.IC MC1496DR2G | [OTH-1] |
| | 1110002601 | S.IC MC1496DR2G | [CHN] |
| IC1001 | 1110003201 | S.IC TA31136FNG(EL) | |
| IC1101 | 1110002601 | S.IC MC1496DR2G | [USA] |
| | 1110002600 | S.IC MC1496DR2 | [EUR] |
| | 1110002601 | S.IC MC1496DR2G | [AUS] |
| | 1110002600 | S.IC MC1496DR2 | [UK] |
| | 1110002601 | S.IC MC1496DR2G | [DEN] |
| | 1110002601 | S.IC MC1496DR2G | [SEA] |
| | 1110002601 | S.IC MC1496DR2G | [OTH] |
| | 1110002601 | S.IC MC1496DR2G | [USA-1] |
| | 1110002601 | S.IC MC1496DR2G | [OTH-1] |
| | 1110002601 | S.IC MC1496DR2G | [CHN] |
| IC1201 | 1130009100 | S.IC BU4052BCFV-E2 | |
| IC1211 | 1110003870 | S.IC NJM2058M-TE1-#ZZZB | |
| IC1251 | 1110003300 | S.IC M5282FP 70CD | |
| IC1281 | 1130009100 | S.IC BU4052BCFV-E2 | |
| IC1291 | 1110003091 | IC LA4425A-E | |
| IC1361 | 1180000970 | S.IC AN78L05M-(E1) | |
| IC1371 | 1180001531 | IC PQ30RV31J00H | |
| IC1391 | 1180001252 | S.IC TA7808F(TE16L1,NQ) | |
| IC1401 | 1180001072 | S.IC TA7805F(TE16L1,NQ) | |
| IC1411 | 1110001401 | S.IC UPC1555G2-E1-A | |
| IC1601 | 1130011760 | S.IC CD4094BPWR | |
| IC1602 | 1130011760 | S.IC CD4094BPWR | |
| IC1603 | 1160000131 | S.IC TD62783AFG(5,S,EL) | |
| IC1751 | 1120002510 | S.IC DS14C232TM | |
| IC1771 | 1130005721 | S.IC TC7W04F(TE12L,F) | |
| IC2001 | 1110004940 | S.IC MC13022ADWR3 | [USA] |
| | 1110004940 | S.IC MC13022ADWR3 | [EUR] |
| | 1110004940 | S.IC MC13022ADWR3 | [AUS] |
| | 1110004940 | S.IC MC13022ADWR3 | [UK] |
| | 1110004940 | S.IC MC13022ADWR3 | [DEN] |
| | 1110004940 | S.IC MC13022ADWR3 | [SEA] |
| | 1110004940 | S.IC MC13022ADWR3 | [OTH] |
| Q151 | 1590000680 | S.TRA DTC114EUA T106 | |
| Q381 | 1560000721 | S.FET 2SK2171-4-TD-E | |
| Q382 | 1560000721 | S.FET 2SK2171-4-TD-E | |
| Q383 | 1590004400 | S.TRA DMG564010R | |
| Q391 | 1590004400 | S.TRA DMG564010R | |
| Q411 | 1530003151 | S.TRA 2SC4673D-TD-E | |
| Q441 | 1560000641 | S.FET 2SK1740-4/5-TB-E | |
| Q442 | 1560000641 | S.FET 2SK1740-4/5-TB-E | |
| Q471 | 1580000620 | S.FET 3SK131-T2 MAS | |
| Q472 | 1590004400 | S.TRA DMG564010R | |
| Q721 | 1580000620 | S.FET 3SK131-T2 MAS | |
| Q731 | 1560000561 | S.FET 2SK882-GR(TE85L,F) | |
| Q732 | 1510000510 | S.TRA 2SA1576A T106R | |
| Q733 | 1530002060 | S.TRA 2SC4081 T106 R | |
| Q734 | 1530002060 | S.TRA 2SC4081 T106 R | |
| Q735 | 1530002060 | S.TRA 2SC4081 T106 R | |
| Q736 | 1590000680 | S.TRA DTC114EUA T106 | |
| Q737 | 1590004400 | S.TRA DMG564010R | |
| Q801 | 1530002060 | S.TRA 2SC4081 T106 R | |
| Q891 | 1580000620 | S.FET 3SK131-T2 MAS | |
| Q911 | 1560000561 | S.FET 2SK882-GR(TE85L,F) | |
| Q912 | 1530002060 | S.TRA 2SC4081 T106 R | |
| Q1001 | 1560000561 | S.FET 2SK882-GR(TE85L,F) | |
| Q1031 | 1530002060 | S.TRA 2SC4081 T106 R | |
| Q1051 | 1530002060 | S.TRA 2SC4081 T106 R | |
| Q1061 | 1590004400 | S.TRA DMG564010R | |
| Q1063 | 1530002060 | S.TRA 2SC4081 T106 R | |
| Q1064 | 1590004400 | S.TRA DMG564010R | |
| Q1065 | 1590004400 | S.TRA DMG564010R | |
| Q1066 | 1590004400 | S.TRA DMG564010R | |
| Q1311 | 1530002060 | S.TRA 2SC4081 T106 R | |
| Q1381 | 1540000550 | S.TRA 2SD1664 T100Q | |
| Q1382 | 1590000680 | S.TRA DTC114EUA T106 | |
| Q1771 | 1510000510 | S.TRA 2SA1576A T106R | |
| Q1772 | 1530002060 | S.TRA 2SC4081 T106 R | |
| Q2021 | 1530003091 | S.TRA 2SC4213-B(TE85R,F) | [USA] |
| | 1530003091 | S.TRA 2SC4213-B(TE85R,F) | [EUR] |
| | 1530003091 | S.TRA 2SC4213-B(TE85R,F) | [AUS] |
| | 1530003091 | S.TRA 2SC4213-B(TE85R,F) | [UK] |
| | 1530003091 | S.TRA 2SC4213-B(TE85R,F) | [DEN] |
| | 1530003091 | S.TRA 2SC4213-B(TE85R,F) | [SEA] |
| | 1530003091 | S.TRA 2SC4213-B(TE85R,F) | [OTH] |
| D141 | 1750000461 | S.DIO 1SV246-TL-E | |
| D142 | 1750000461 | S.DIO 1SV246-TL-E | |
| D151 | 1750000971 | S.DIO CPH5513-TL-E | |
| D172 | 1790000620 | S.DIO MA77(TX) | |
| D181 | 1750000971 | S.DIO CPH5513-TL-E | |
| D182 | 1790000620 | S.DIO MA77(TX) | |
| D202 | 1790000620 | S.DIO MA77(TX) | |
| D221 | 1750000971 | S.DIO CPH5513-TL-E | |
| D222 | 1790000620 | S.DIO MA77(TX) | |
| D242 | 1790000620 | S.DIO MA77(TX) | |

Eqv.= This component is equivalent to the REF No. component listed above, and may be substituted on parts orders and repairs.

M.=Mounted side (T: Mounted on the Top side, B: Mounted on the Bottom side) S.=Surface mount

[MAIN UNIT] (For except [USA-2], [OTH-2], [CHN-1])

| REF NO. | PARTS NO. | DESCRIPTION | |
|---------|------------|-----------------------------------|---------|
| D261 | 1750000971 | S.DIO CPH5513-TL-E | |
| D262 | 1790000620 | S.DIO MA77(TX) | |
| D282 | 1790000620 | S.DIO MA77(TX) | |
| D301 | 1750000971 | S.DIO CPH5513-TL-E | |
| D302 | 1790000620 | S.DIO MA77(TX) | |
| D322 | 1790000620 | S.DIO MA77(TX) | |
| D341 | 1750000441 | S.DIO 1SV263-TL-E | |
| D342 | 1790000620 | S.DIO MA77(TX) | |
| D371 | 1790000620 | S.DIO MA77(TX) | |
| D372 | 1790000620 | S.DIO MA77(TX) | |
| D381 | 1790000620 | S.DIO MA77(TX) | |
| D382 | 1790000620 | S.DIO MA77(TX) | |
| D391 | 1790000620 | S.DIO MA77(TX) | |
| D392 | 1790000620 | S.DIO MA77(TX) | |
| D491 | 1750000431 | S.DIO HSB88WSTR-E | |
| D711 | 1790000620 | S.DIO MA77(TX) | |
| D712 | 1790000620 | S.DIO MA77(TX) | |
| D713 | 1790000620 | S.DIO MA77(TX) | |
| D714 | 1790000620 | S.DIO MA77(TX) | |
| D731 | 1790001211 | S.DIO 1SS375-TL-E | |
| D732 | 1750000550 | S.DIO 1SS355 TE-17 | |
| D761 | 1790000620 | S.DIO MA77(TX) | |
| D762 | 1790000620 | S.DIO MA77(TX) | |
| D763 | 1790000620 | S.DIO MA77(TX) | |
| D764 | 1790000620 | S.DIO MA77(TX) | |
| D771 | 1790000620 | S.DIO MA77(TX) | |
| D772 | 1790000620 | S.DIO MA77(TX) | |
| D773 | 1790000620 | S.DIO MA77(TX) | |
| D774 | 1790000620 | S.DIO MA77(TX) | |
| D781 | 1790000620 | S.DIO MA77(TX) | |
| D782 | 1790000620 | S.DIO MA77(TX) | |
| D783 | 1790000620 | S.DIO MA77(TX) | |
| D784 | 1790000620 | S.DIO MA77(TX) | |
| D831 | 1750000301 | S.DIO 1SS302(TE85R,F) | |
| D851 | 1790000620 | S.DIO MA77(TX) | |
| D852 | 1790000620 | S.DIO MA77(TX) | |
| D861 | 1790000620 | S.DIO MA77(TX) | |
| D862 | 1790000620 | S.DIO MA77(TX) | |
| D871 | 1790000620 | S.DIO MA77(TX) | |
| D872 | 1790000620 | S.DIO MA77(TX) | |
| D881 | 1790000620 | S.DIO MA77(TX) | |
| D882 | 1790000620 | S.DIO MA77(TX) | |
| D1041 | 1790001211 | S.DIO 1SS375-TL-E | [USA-1] |
| | 1790001211 | S.DIO 1SS375-TL-E | [OTH-1] |
| | 1790001211 | S.DIO 1SS375-TL-E | [CHN] |
| D1051 | 1790001211 | S.DIO 1SS375-TL-E | |
| D1061 | 1790001211 | S.DIO 1SS375-TL-E | |
| D1311 | 1750000550 | S.DIO 1SS355 TE-17 | |
| D1351 | 1790000700 | DIO DSA3A1 | |
| D1371 | 1750000550 | S.DIO 1SS355 TE-17 | |
| D1381 | 1750000301 | S.DIO 1SS302(TE85R,F) | |
| D1412 | 1750000301 | S.DIO 1SS302(TE85R,F) | |
| D1413 | 1730002830 | S.ZEN D22J051M0L | |
| D1771 | 1750000550 | S.DIO 1SS355 TE-17 | |
| FI461 | 2010002090 | FIL UM-5 69.0115 MHz(FL-261) | |
| FI701 | 2010000270 | FIL 9M15A (FL-23) | |
| FI761 | 2010002130 | D.F 9M22D4 9.0115 MHz (FL-272) | |
| FI851 | 2020000210 | CER CFJ455K5 (FL-65) | |
| FI861 | 2020001460 | CER CFWLA450KHFA-B0 (CFWS450HT) | |
| FI871 | 2020001210 | CER CFWLA450KEFA-B0 (CFWS450E) | |
| X1001 | 6070000200 | DIS CDBLA450KCAY24-B0 (CDB450C24) | |
| X2021 | 6060000721 | CER CSALF3M60GZZF03-B0 | [USA] |
| | 6060000721 | CER CSALF3M60GZZF03-B0 | [EUR] |
| | 6060000721 | CER CSALF3M60GZZF03-B0 | [AUS] |
| | 6060000721 | CER CSALF3M60GZZF03-B0 | [UK] |
| | 6060000721 | CER CSALF3M60GZZF03-B0 | [DEN] |
| | 6060000721 | CER CSALF3M60GZZF03-B0 | [SEA] |
| | 6060000721 | CER CSALF3M60GZZF03-B0 | [OTH] |
| L101 | 6140002070 | COI LR-233 | |
| L131 | 6200003431 | S.COI NLV32T-R10J | |
| L132 | 6200003421 | S.COI NLV32T-R15J | |
| L151 | 6200005491 | S.COI NLV32T-331J | |
| L161 | 6200005491 | S.COI NLV32T-331J | |
| L162 | 6200008790 | S.COI ACL3225S-4R7K-T | |
| L163 | 6200008800 | S.COI ACL3225S-5R6K-T | |
| L171 | 6200005491 | S.COI NLV32T-331J | |
| L172 | 6200002961 | S.COI NLV32T-4R7J | |
| L173 | 6200003111 | S.COI NLV32T-6R8J | |
| L181 | 6200005491 | S.COI NLV32T-331J | |
| L182 | 6200003091 | S.COI NLV32T-2R7J | |
| L183 | 6200003101 | S.COI NLV32T-3R9J | |
| L184 | 6200005491 | S.COI NLV32T-331J | |
| L201 | 6200005491 | S.COI NLV32T-331J | |
| L202 | 6200002991 | S.COI NLV32T-2R2J | |
| L203 | 6200002991 | S.COI NLV32T-2R2J | |
| L204 | 6200003321 | S.COI NLV32T-3R3J | |
| L205 | 6200002961 | S.COI NLV32T-4R7J | |
| L221 | 6200003241 | S.COI NLV32T-221J | |
| L222 | 6200003081 | S.COI NLV32T-1R8J | |
| L223 | 6200003061 | S.COI NLV32T-1R2J | |
| L224 | 6200003071 | S.COI NLV32T-1R5J | |
| L225 | 6200003071 | S.COI NLV32T-1R5J | |
| L241 | 6200003241 | S.COI NLV32T-221J | |
| L242 | 6200003061 | S.COI NLV32T-1R2J | |
| L243 | 6200003331 | S.COI NLV32T-1R0J | |
| L244 | 6200003331 | S.COI NLV32T-1R0J | |
| L245 | 6200003081 | S.COI NLV32T-1R8J | |

[MAIN UNIT] (For except [USA-2], [OTH-2], [CHN-1])

| REF NO. | PARTS NO. | DESCRIPTION | |
|---------|------------|-------------------------|---------|
| L261 | 6200003241 | S.COI NLV32T-221J | |
| L262 | 6200003251 | S.COI NLV32T-R39J | |
| L263 | 6200002981 | S.COI NLV32T-R56J | |
| L264 | 6200003041 | S.COI NLV32T-R68J | |
| L265 | 6200003331 | S.COI NLV32T-1R0J | |
| L281 | 6200001831 | S.COI NLV32T-100J | |
| L282 | 6200003021 | S.COI NLV32T-R33J | |
| L283 | 6200003251 | S.COI NLV32T-R39J | |
| L284 | 6200003031 | S.COI NLV32T-R47J | |
| L285 | 6200003031 | S.COI NLV32T-R47J | [USA] |
| | 6200003031 | S.COI NLV32T-R47J | [EUR] |
| | 6200003030 | S.COI NL 322522T-R47J-3 | [AUS] |
| | 6200003031 | S.COI NLV32T-R47J | [UK] |
| | 6200003030 | S.COI NL 322522T-R47J-3 | [DEN] |
| | 6200003031 | S.COI NLV32T-R47J | [SEA] |
| | 6200003031 | S.COI NLV32T-R47J | [OTH] |
| | 6200003031 | S.COI NLV32T-R47J | [USA-1] |
| | 6200003031 | S.COI NLV32T-R47J | [OTH-1] |
| | 6200003031 | S.COI NLV32T-R47J | [CHN] |
| L301 | 6200001831 | S.COI NLV32T-100J | [USA] |
| | 6200001831 | S.COI NLV32T-100J | [EUR] |
| | 6200001830 | S.COI NL 322522T-100J | [AUS] |
| | 6200001831 | S.COI NLV32T-100J | [UK] |
| | 6200001830 | S.COI NL 322522T-100J | [DEN] |
| | 6200001831 | S.COI NLV32T-100J | [SEA] |
| | 6200001831 | S.COI NLV32T-100J | [OTH] |
| | 6200001831 | S.COI NLV32T-100J | [USA-1] |
| | 6200001831 | S.COI NLV32T-100J | [OTH-1] |
| | 6200001831 | S.COI NLV32T-100J | [CHN] |
| L302 | 6200003021 | S.COI NLV32T-R33J | [USA] |
| | 6200003021 | S.COI NLV32T-R33J | [EUR] |
| | 6200003020 | S.COI NL 322522T-R33J-3 | [AUS] |
| | 6200003021 | S.COI NLV32T-R33J | [UK] |
| | 6200003020 | S.COI NL 322522T-R33J-3 | [DEN] |
| | 6200003021 | S.COI NLV32T-R33J | [SEA] |
| | 6200003021 | S.COI NLV32T-R33J | [OTH] |
| | 6200003021 | S.COI NLV32T-R33J | [USA-1] |
| | 6200003021 | S.COI NLV32T-R33J | [OTH-1] |
| | 6200003021 | S.COI NLV32T-R33J | [CHN] |
| L303 | 6200003011 | S.COI NLV32T-R27J | |
| L304 | 6200003021 | S.COI NLV32T-R33J | |
| L305 | 6200003031 | S.COI NLV32T-R47J | |
| L321 | 6200001831 | S.COI NLV32T-100J | |
| L322 | 6200003001 | S.COI NLV32T-R22J | |
| L323 | 6200003421 | S.COI NLV32T-R15J | |
| L324 | 6180002961 | S.COI NLV32T-R18J | |
| L325 | 6200003001 | S.COI NLV32T-R22J | |
| L326 | 6200003001 | S.COI NLV32T-R22J | |
| L341 | 6200001831 | S.COI NLV32T-100J | |
| L342 | 6200001471 | S.COI NLV32T-R12J | |
| L343 | 6200003421 | S.COI NLV32T-R15J | |
| L345 | 6200003421 | S.COI NLV32T-R15J | |
| L346 | 6200001471 | S.COI NLV32T-R12J | |
| L361 | 6200005491 | S.COI NLV32T-331J | |
| L362 | 6200005491 | S.COI NLV32T-331J | |
| L371 | 6200003241 | S.COI NLV32T-221J | |
| L381 | 6140000640 | COI LR-86 | |
| L382 | 6200003071 | S.COI NLV32T-1R5J | [USA] |
| | 6200003071 | S.COI NLV32T-1R5J | [EUR] |
| | 6200003070 | S.COI NL 322522T-1R5J-3 | [AUS] |
| | 6200003071 | S.COI NLV32T-1R5J | [UK] |
| | 6200003070 | S.COI NL 322522T-1R5J-3 | [DEN] |
| | 6200003071 | S.COI NLV32T-1R5J | [SEA] |
| | 6200003071 | S.COI NLV32T-1R5J | [OTH] |
| | 6200003071 | S.COI NLV32T-1R5J | [USA-1] |
| | 6200003071 | S.COI NLV32T-1R5J | [OTH-1] |
| | 6200003071 | S.COI NLV32T-1R5J | [CHN] |
| L383 | 6140001500 | COI LR-171 | |
| L384 | 6200005491 | S.COI NLV32T-331J | [USA] |
| | 6200005491 | S.COI NLV32T-331J | [EUR] |
| | 6200005490 | S.COI NL 322522T-331J | [AUS] |
| | 6200005491 | S.COI NLV32T-331J | [UK] |
| | 6200005490 | S.COI NL 322522T-331J | [DEN] |
| | 6200005491 | S.COI NLV32T-331J | [SEA] |
| | 6200005491 | S.COI NLV32T-331J | [OTH] |
| | 6200005491 | S.COI NLV32T-331J | [USA-1] |
| | 6200005491 | S.COI NLV32T-331J | [OTH-1] |
| | 6200005491 | S.COI NLV32T-331J | [CHN] |
| L385 | 6170000291 | COI LW-30-LF | |
| L391 | 6200003241 | S.COI NLV32T-221J | [USA] |
| | 6200003241 | S.COI NLV32T-221J | [EUR] |
| | 6200003240 | S.COI NL 322522T-221J | [AUS] |
| | 6200003241 | S.COI NLV32T-221J | [UK] |
| | 6200003240 | S.COI NL 322522T-221J | [DEN] |
| | 6200003241 | S.COI NLV32T-221J | [SEA] |
| | 6200003241 | S.COI NLV32T-221J | [OTH] |
| | 6200003241 | S.COI NLV32T-221J | [USA-1] |
| | 6200003241 | S.COI NLV32T-221J | [OTH-1] |
| | 6200003241 | S.COI NLV32T-221J | [CHN] |
| L392 | 6200003241 | S.COI NLV32T-221J | |
| L401 | 6200005491 | S.COI NLV32T-331J | |
| L411 | 6200003001 | S.COI NLV32T-R22J | |
| L412 | 6200003021 | S.COI NLV32T-R33J | |
| L413 | 6200001831 | S.COI NLV32T-100J | |
| L421 | 6200003431 | S.COI NLV32T-R10J | |
| L422 | 6200003421 | S.COI NLV32T-R15J | |
| L431 | 6200003431 | S.COI NLV32T-R10J | |
| L432 | 6200003421 | S.COI NLV32T-R15J | |
| L441 | 6140001500 | COI LR-171 | |
| L442 | 6200003431 | S.COI NLV32T-R10J | |
| L443 | 6150004270 | COI LS-483A (C-14924) | |
| L444 | 6200001831 | S.COI NLV32T-100J | |
| L461 | 6150004270 | COI LS-483A (C-14924) | |
| L462 | 6150004270 | COI LS-483A (C-14924) | |
| L471 | 6150004280 | COI LS-484B (C-14927) | |

Eqv.= This component is equivalent to the REF No. component listed above, and may be substituted on parts orders and repairs.

[MAIN UNIT] (For except [USA-2], [OTH-2], [CHN-1])

| REF NO. | PARTS NO. | DESCRIPTION |
|---------|------------|-----------------------------|
| L491 | 6140002810 | S.COI LR-317 |
| L492 | 6140002810 | S.COI LR-317 |
| L701 | 6150000711 | COI LS-452 |
| L711 | 6150000711 | COI LS-452 |
| L712 | 6150000711 | COI LS-452 |
| L721 | 6200001831 | S.COI NLV32T-100J |
| L731 | 6150004050 | COI LS-466 |
| L732 | 6150004050 | COI LS-466 |
| L733 | 6200003241 | S.COI NLV32T-221J |
| L891 | 6150002291 | COI LS-450 |
| L892 | 6150002291 | COI LS-450 |
| L911 | 6150002291 | COI LS-450 |
| L1001 | 6200003241 | S.COI NLV32T-221J |
| L1291 | 6170000140 | COI LW-15 |
| L1311 | 6200003241 | S.COI NLV32T-221J |
| L1321 | 6200003950 | S.COI HF50ACC 322513-T |
| L1322 | 6200003950 | S.COI HF50ACC 322513-T |
| L1411 | 6200003241 | S.COI NLV32T-221J |
| L1412 | 6200005491 | S.COI NLV32T-331J |
| L1771 | 6200003241 | S.COI NLV32T-221J |
| L2011 | 6200005491 | S.COI NLV32T-331J |
| | | [USA] |
| | | [EUR] |
| | | [AUS] |
| | | [UK] |
| | | [DEN] |
| | | [SEA] |
| | | [OTH] |
| L2041 | 6200003241 | S.COI NLV32T-221J |
| | | [USA] |
| | | [EUR] |
| | | [AUS] |
| | | [UK] |
| | | [DEN] |
| | | [SEA] |
| | | [OTH] |
| R101 | 7030003640 | S.RES ERJ3GEYJ 473 V (47K) |
| R102 | 7540000090 | ABS DSP-201M-S00B |
| R111 | 7030003640 | S.RES ERJ3GEYJ 473 V (47K) |
| R112 | 7540000090 | ABS DSP-201M-S00B |
| R141 | 7030003480 | S.RES ERJ3GEYJ 222 V (2.2K) |
| R142 | 7030003400 | S.RES ERJ3GEYJ 471 V (470) |
| R143 | 7030003380 | S.RES ERJ3GEYJ 331 V (330) |
| R144 | 7030003300 | S.RES ERJ3GEYJ 680 V (68) |
| R151 | 7030006260 | S.RES ERJ12YJ471U (470) |
| R152 | 7030003560 | S.RES ERJ3GEYJ 103 V (10K) |
| R171 | 7030003370 | S.RES ERJ3GEYJ 271 V (270) |
| R172 | 7030003230 | S.RES ERJ3GEYJ 180 V (18) |
| R173 | 7030003370 | S.RES ERJ3GEYJ 271 V (270) |
| R174 | 7030003200 | S.RES ERJ3GEYJ 100 V (10) |
| R181 | 7030003320 | S.RES ERJ3GEYJ 101 V (100) |
| R201 | 7030003320 | S.RES ERJ3GEYJ 101 V (100) |
| R221 | 7030003320 | S.RES ERJ3GEYJ 101 V (100) |
| R241 | 7030003320 | S.RES ERJ3GEYJ 101 V (100) |
| R261 | 7030003320 | S.RES ERJ3GEYJ 101 V (100) |
| R281 | 7030003320 | S.RES ERJ3GEYJ 101 V (100) |
| R301 | 7030003320 | S.RES ERJ3GEYJ 101 V (100) |
| R321 | 7030003320 | S.RES ERJ3GEYJ 101 V (100) |
| R341 | 7030003320 | S.RES ERJ3GEYJ 101 V (100) |
| R361 | 7030006260 | S.RES ERJ12YJ471U (470) |
| R362 | 7030006260 | S.RES ERJ12YJ471U (470) |
| R371 | 7030003320 | S.RES ERJ3GEYJ 101 V (100) |
| R372 | 7030003320 | S.RES ERJ3GEYJ 101 V (100) |
| R381 | 7030003320 | S.RES ERJ3GEYJ 101 V (100) |
| R382 | 7030003280 | S.RES ERJ3GEYJ 470 V (47) |
| R383 | 7030003280 | S.RES ERJ3GEYJ 470 V (47) |
| R384 | 7030003320 | S.RES ERJ3GEYJ 101 V (100) |
| R385 | 7030003320 | S.RES ERJ3GEYJ 101 V (100) |
| R386 | 7030003320 | S.RES ERJ3GEYJ 101 V (100) |
| R391 | 7030003320 | S.RES ERJ3GEYJ 101 V (100) |
| R392 | 7030003400 | S.RES ERJ3GEYJ 471 V (470) |
| R393 | 7030003320 | S.RES ERJ3GEYJ 101 V (100) |
| R394 | 7030003370 | S.RES ERJ3GEYJ 271 V (270) |
| R395 | 7030003230 | S.RES ERJ3GEYJ 180 V (18) |
| R396 | 7030003370 | S.RES ERJ3GEYJ 271 V (270) |
| R401 | 7030006260 | S.RES ERJ12YJ471U (470) |
| R411 | 7030003300 | S.RES ERJ3GEYJ 680 V (68) |
| R412 | 7030003520 | S.RES ERJ3GEYJ 472 V (4.7K) |
| R413 | 7030003410 | S.RES ERJ3GEYJ 561 V (560) |
| R414 | 7030003200 | S.RES ERJ3GEYJ 100 V (10) |
| R415 | 7030003280 | S.RES ERJ3GEYJ 470 V (47) |
| R442 | 7030003410 | S.RES ERJ3GEYJ 561 V (560) |
| R443 | 7030003410 | S.RES ERJ3GEYJ 561 V (560) |
| R444 | 7310005580 | S.TRI TMC3ADCS3X (4.7K) |
| R445 | 7030003280 | S.RES ERJ3GEYJ 470 V (47) |
| R446 | 7030003560 | S.RES ERJ3GEYJ 103 V (10K) |
| R447 | 7030003280 | S.RES ERJ3GEYJ 470 V (47) |
| R448 | 7030003400 | S.RES ERJ3GEYJ 471 V (470) |
| R449 | 7030003320 | S.RES ERJ3GEYJ 101 V (100) |
| R471 | 7030003760 | S.RES ERJ3GEYJ 474 V (470K) |
| R472 | 7030003280 | S.RES ERJ3GEYJ 470 V (47) |
| R473 | 7030003200 | S.RES ERJ3GEYJ 100 V (10) |
| R474 | 7030003520 | S.RES ERJ3GEYJ 472 V (4.7K) |
| R475 | 7030003580 | S.RES ERJ3GEYJ 153 V (15K) |
| R476 | 7030003480 | S.RES ERJ3GEYJ 222 V (2.2K) |
| R477 | 7030003340 | S.RES ERJ3GEYJ 151 V (150) |
| R478 | 7030003480 | S.RES ERJ3GEYJ 222 V (2.2K) |
| R479 | 7030003280 | S.RES ERJ3GEYJ 470 V (47) |
| R491 | 7030003370 | S.RES ERJ3GEYJ 271 V (270) |
| R492 | 7030003230 | S.RES ERJ3GEYJ 180 V (18) |
| R493 | 7030003370 | S.RES ERJ3GEYJ 271 V (270) |
| R563 | 7030003640 | S.RES ERJ3GEYJ 473 V (47K) |
| R564 | 7030003640 | S.RES ERJ3GEYJ 473 V (47K) |
| R565 | 7030003640 | S.RES ERJ3GEYJ 473 V (47K) |
| R566 | 7030003640 | S.RES ERJ3GEYJ 473 V (47K) |

[MAIN UNIT] (For except [USA-2], [OTH-2], [CHN-1])

| REF NO. | PARTS NO. | DESCRIPTION |
|---------|------------|-----------------------------|
| R567 | 7030003640 | S.RES ERJ3GEYJ 473 V (47K) |
| R568 | 7030003640 | S.RES ERJ3GEYJ 473 V (47K) |
| R569 | 7030003640 | S.RES ERJ3GEYJ 473 V (47K) |
| R570 | 7030003640 | S.RES ERJ3GEYJ 473 V (47K) |
| R571 | 7030003200 | S.RES ERJ3GEYJ 100 V (10) |
| R572 | 7030003200 | S.RES ERJ3GEYJ 100 V (10) |
| R573 | 7030003200 | S.RES ERJ3GEYJ 100 V (10) |
| R574 | 7030003200 | S.RES ERJ3GEYJ 100 V (10) |
| R575 | 7030003200 | S.RES ERJ3GEYJ 100 V (10) |
| R576 | 7030003200 | S.RES ERJ3GEYJ 100 V (10) |
| R577 | 7030003200 | S.RES ERJ3GEYJ 100 V (10) |
| R578 | 7030003200 | S.RES ERJ3GEYJ 100 V (10) |
| R579 | 7030003640 | S.RES ERJ3GEYJ 473 V (47K) |
| R580 | 7030003640 | S.RES ERJ3GEYJ 473 V (47K) |
| R583 | 7030003640 | S.RES ERJ3GEYJ 473 V (47K) |
| R587 | 7030003200 | S.RES ERJ3GEYJ 100 V (10) |
| R588 | 7030003200 | S.RES ERJ3GEYJ 100 V (10) |
| R589 | 7030003200 | S.RES ERJ3GEYJ 100 V (10) |
| R590 | 7030003200 | S.RES ERJ3GEYJ 100 V (10) |
| R591 | 7030003200 | S.RES ERJ3GEYJ 100 V (10) |
| R592 | 7030003200 | S.RES ERJ3GEYJ 100 V (10) |
| R593 | 7030003200 | S.RES ERJ3GEYJ 100 V (10) |
| R711 | 7030003480 | S.RES ERJ3GEYJ 222 V (2.2K) |
| R712 | 7030003480 | S.RES ERJ3GEYJ 222 V (2.2K) |
| R713 | 7030003360 | S.RES ERJ3GEYJ 221 V (220) |
| R721 | 7030003520 | S.RES ERJ3GEYJ 472 V (4.7K) |
| R722 | 7030003610 | S.RES ERJ3GEYJ 273 V (27K) |
| R723 | 7030003760 | S.RES ERJ3GEYJ 474 V (470K) |
| R724 | 7030003340 | S.RES ERJ3GEYJ 151 V (150) |
| R725 | 7030003320 | S.RES ERJ3GEYJ 101 V (100) |
| R731 | 7030003680 | S.RES ERJ3GEYJ 104 V (100K) |
| R732 | 7030003520 | S.RES ERJ3GEYJ 472 V (4.7K) |
| R733 | 7030003320 | S.RES ERJ3GEYJ 101 V (100) |
| R734 | 7030003320 | S.RES ERJ3GEYJ 101 V (100) |
| R735 | 7030003600 | S.RES ERJ3GEYJ 223 V (22K) |
| R736 | 7310005540 | S.TRI TMC3ADC14X (10K) |
| R737 | 7030003640 | S.RES ERJ3GEYJ 473 V (47K) |
| R738 | 7030003640 | S.RES ERJ3GEYJ 473 V (47K) |
| R739 | 7030003640 | S.RES ERJ3GEYJ 473 V (47K) |
| R740 | 7030003440 | S.RES ERJ3GEYJ 102 V (1K) |
| R741 | 7030003520 | S.RES ERJ3GEYJ 472 V (4.7K) |
| R742 | 7030003320 | S.RES ERJ3GEYJ 101 V (100) |
| R743 | 7030003640 | S.RES ERJ3GEYJ 473 V (47K) |
| R744 | 7030003520 | S.RES ERJ3GEYJ 472 V (4.7K) |
| R745 | 7030003680 | S.RES ERJ3GEYJ 104 V (100K) |
| R746 | 7030003540 | S.RES ERJ3GEYJ 682 V (6.8K) |
| R747 | 7030003440 | S.RES ERJ3GEYJ 102 V (1K) |
| R748 | 7030003400 | S.RES ERJ3GEYJ 471 V (470) |
| R749 | 7030003600 | S.RES ERJ3GEYJ 223 V (22K) |
| R750 | 7030003440 | S.RES ERJ3GEYJ 102 V (1K) |
| R751 | 7030003280 | S.RES ERJ3GEYJ 470 V (47) |
| R761 | 7030003480 | S.RES ERJ3GEYJ 222 V (2.2K) |
| R762 | 7030003360 | S.RES ERJ3GEYJ 221 V (220) |
| R763 | 7030003360 | S.RES ERJ3GEYJ 221 V (220) |
| R764 | 7030003480 | S.RES ERJ3GEYJ 222 V (2.2K) |
| R765 | 7030003560 | S.RES ERJ3GEYJ 103 V (10K) |
| R771 | 7030003480 | S.RES ERJ3GEYJ 222 V (2.2K) |
| R772 | 7030003360 | S.RES ERJ3GEYJ 221 V (220) |
| R773 | 7030003360 | S.RES ERJ3GEYJ 221 V (220) |
| R774 | 7030003480 | S.RES ERJ3GEYJ 222 V (2.2K) |
| R775 | 7030003560 | S.RES ERJ3GEYJ 103 V (10K) |
| R781 | 7030003480 | S.RES ERJ3GEYJ 222 V (2.2K) |
| R782 | 7030003360 | S.RES ERJ3GEYJ 221 V (220) |
| R783 | 7030003360 | S.RES ERJ3GEYJ 221 V (220) |
| R784 | 7030003480 | S.RES ERJ3GEYJ 222 V (2.2K) |
| R785 | 7030003560 | S.RES ERJ3GEYJ 103 V (10K) |
| R791 | 7030003480 | S.RES ERJ3GEYJ 222 V (2.2K) |
| R792 | 7030003520 | S.RES ERJ3GEYJ 472 V (4.7K) |
| R793 | 7030003480 | S.RES ERJ3GEYJ 222 V (2.2K) |
| R794 | 7030003480 | S.RES ERJ3GEYJ 222 V (2.2K) |
| R795 | 7030003520 | S.RES ERJ3GEYJ 472 V (4.7K) |
| R796 | 7030003480 | S.RES ERJ3GEYJ 222 V (2.2K) |
| R801 | 7030003440 | S.RES ERJ3GEYJ 102 V (1K) |
| R802 | 7030003320 | S.RES ERJ3GEYJ 101 V (100) |
| R811 | 7030003460 | S.RES ERJ3GEYJ 152 V (1.5K) |
| R812 | 7030003400 | S.RES ERJ3GEYJ 471 V (470) |
| R813 | 7030003400 | S.RES ERJ3GEYJ 471 V (470) |
| R814 | 7030003500 | S.RES ERJ3GEYJ 332 V (3.3K) |
| R815 | 7030003500 | S.RES ERJ3GEYJ 332 V (3.3K) |
| R816 | 7030003490 | S.RES ERJ3GEYJ 272 V (2.7K) |
| R817 | 7030003490 | S.RES ERJ3GEYJ 272 V (2.7K) |
| R818 | 7030003490 | S.RES ERJ3GEYJ 272 V (2.7K) |
| R819 | 7030003440 | S.RES ERJ3GEYJ 102 V (1K) |
| R820 | 7030003440 | S.RES ERJ3GEYJ 102 V (1K) |
| R821 | 7030003500 | S.RES ERJ3GEYJ 332 V (3.3K) |
| R822 | 7030003200 | S.RES ERJ3GEYJ 100 V (10) |
| R823 | 7030003200 | S.RES ERJ3GEYJ 100 V (10) |
| R824 | 7030003360 | S.RES ERJ3GEYJ 221 V (220) |
| R825 | 7510001480 | S.THE NTCG10 3NH 681JT |
| R831 | 7030004710 | S.RES ERJ3GEYJ 475 V (4.7M) |
| R832 | 7030004710 | S.RES ERJ3GEYJ 475 V (4.7M) |
| R833 | 7030004710 | S.RES ERJ3GEYJ 475 V (4.7M) |
| R834 | 7030004710 | S.RES ERJ3GEYJ 475 V (4.7M) |
| R835 | 7030003820 | S.RES ERJ3GEYJ 155 V (1.5M) |
| R836 | 7030003520 | S.RES ERJ3GEYJ 472 V (4.7K) |
| R841 | 7030003560 | S.RES ERJ3GEYJ 103 V (10K) |
| R851 | 7030003560 | S.RES ERJ3GEYJ 103 V (10K) |
| R852 | 7030003360 | S.RES ERJ3GEYJ 221 V (220) |
| R853 | 7030003360 | S.RES ERJ3GEYJ 221 V (220) |
| R854 | 7030003560 | S.RES ERJ3GEYJ 103 V (10K) |
| R855 | 7030003560 | S.RES ERJ3GEYJ 103 V (10K) |
| R861 | 7030003560 | S.RES ERJ3GEYJ 103 V (10K) |
| R862 | 7030003360 | S.RES ERJ3GEYJ 221 V (220) |
| R863 | 7030003360 | S.RES ERJ3GEYJ 221 V (220) |
| R864 | 7030003560 | S.RES ERJ3GEYJ 103 V (10K) |

Eqv.= This component is equivalent to the REF No. component listed above, and may be substituted on parts orders and repairs.

[MAIN UNIT] (For except [USA-2], [OTH-2], [CHN-1])

| REF NO. | PARTS NO. | DESCRIPTION | |
|---------|------------|-----------------------------|---------|
| R865 | 7030003560 | S.RES ERJ3GEYJ 103 V (10K) | |
| R871 | 7030003510 | S.RES ERJ3GEYJ 392 V (3.9K) | |
| R872 | 7030003360 | S.RES ERJ3GEYJ 221 V (220) | |
| R873 | 7030003360 | S.RES ERJ3GEYJ 221 V (220) | |
| R874 | 7030003510 | S.RES ERJ3GEYJ 392 V (3.9K) | |
| R875 | 7030003560 | S.RES ERJ3GEYJ 103 V (10K) | |
| R881 | 7030003510 | S.RES ERJ3GEYJ 392 V (3.9K) | |
| R882 | 7030003360 | S.RES ERJ3GEYJ 221 V (220) | |
| R883 | 7030003360 | S.RES ERJ3GEYJ 221 V (220) | |
| R884 | 7030003510 | S.RES ERJ3GEYJ 392 V (3.9K) | |
| R885 | 7030003560 | S.RES ERJ3GEYJ 103 V (10K) | |
| R891 | 7030003560 | S.RES ERJ3GEYJ 103 V (10K) | |
| R892 | 7030003320 | S.RES ERJ3GEYJ 101 V (100) | |
| R893 | 7030003480 | S.RES ERJ3GEYJ 222 V (2.2K) | |
| R894 | 7030003600 | S.RES ERJ3GEYJ 223 V (22K) | |
| R895 | 7030003380 | S.RES ERJ3GEYJ 331 V (330) | |
| R896 | 7030003500 | S.RES ERJ3GEYJ 332 V (3.3K) | |
| R897 | 7030003320 | S.RES ERJ3GEYJ 101 V (100) | |
| R898 | 7310005540 | S.TRI TMC3ADC14X (10K) | |
| R911 | 7030003320 | S.RES ERJ3GEYJ 101 V (100) | |
| R912 | 7030003480 | S.RES ERJ3GEYJ 222 V (2.2K) | |
| R913 | 7030003320 | S.RES ERJ3GEYJ 101 V (100) | |
| R914 | 7030003560 | S.RES ERJ3GEYJ 103 V (10K) | |
| R915 | 7030003560 | S.RES ERJ3GEYJ 103 V (10K) | |
| R1001 | 7030003520 | S.RES ERJ3GEYJ 472 V (4.7K) | |
| R1002 | 7030003320 | S.RES ERJ3GEYJ 101 V (100) | |
| R1003 | 7030003700 | S.RES ERJ3GEYJ 154 V (150K) | |
| R1004 | 7030003500 | S.RES ERJ3GEYJ 332 V (3.3K) | |
| R1005 | 7030003720 | S.RES ERJ3GEYJ 224 V (220K) | |
| R1006 | 7030003460 | S.RES ERJ3GEYJ 152 V (1.5K) | |
| R1007 | 7030003360 | S.RES ERJ3GEYJ 221 V (220) | |
| R1008 | 7030003720 | S.RES ERJ3GEYJ 224 V (220K) | |
| R1021 | 7030003560 | S.RES ERJ3GEYJ 103 V (10K) | |
| R1022 | 7030003630 | S.RES ERJ3GEYJ 393 V (39K) | |
| R1023 | 7030003660 | S.RES ERJ3GEYJ 683 V (68K) | |
| R1024 | 7030003640 | S.RES ERJ3GEYJ 473 V (47K) | |
| R1031 | 7030003360 | S.RES ERJ3GEYJ 221 V (220) | |
| R1032 | 7030003720 | S.RES ERJ3GEYJ 224 V (220K) | |
| R1033 | 7030003440 | S.RES ERJ3GEYJ 102 V (1K) | |
| R1041 | 7030003440 | S.RES ERJ3GEYJ 102 V (1K) | [USA-1] |
| | 7030003440 | S.RES ERJ3GEYJ 102 V (1K) | [OTH-1] |
| | 7030003440 | S.RES ERJ3GEYJ 102 V (1K) | [CHN] |
| R1042 | 7030003680 | S.RES ERJ3GEYJ 104 V (100K) | [USA-1] |
| | 7030003680 | S.RES ERJ3GEYJ 104 V (100K) | [OTH-1] |
| | 7030003680 | S.RES ERJ3GEYJ 104 V (100K) | [CHN] |
| R1043 | 7030003440 | S.RES ERJ3GEYJ 102 V (1K) | [USA-1] |
| | 7030003440 | S.RES ERJ3GEYJ 102 V (1K) | [OTH-1] |
| | 7030003440 | S.RES ERJ3GEYJ 102 V (1K) | [CHN] |
| R1044 | 7030003660 | S.RES ERJ3GEYJ 683 V (68K) | [USA-1] |
| | 7030003660 | S.RES ERJ3GEYJ 683 V (68K) | [OTH-1] |
| | 7030003660 | S.RES ERJ3GEYJ 683 V (68K) | [CHN] |
| R1045 | 7030003640 | S.RES ERJ3GEYJ 473 V (47K) | [USA-1] |
| | 7030003640 | S.RES ERJ3GEYJ 473 V (47K) | [OTH-1] |
| | 7030003640 | S.RES ERJ3GEYJ 473 V (47K) | [CHN] |
| R1051 | 7030003490 | S.RES ERJ3GEYJ 272 V (2.7K) | |
| R1052 | 7030003520 | S.RES ERJ3GEYJ 472 V (4.7K) | |
| R1053 | 7030003400 | S.RES ERJ3GEYJ 471 V (470) | |
| R1061 | 7030003680 | S.RES ERJ3GEYJ 104 V (100K) | |
| R1062 | 7030003600 | S.RES ERJ3GEYJ 223 V (22K) | |
| R1063 | 7030003440 | S.RES ERJ3GEYJ 102 V (1K) | |
| R1064 | 7030003780 | S.RES ERJ3GEYJ 684 V (680K) | |
| R1065 | 7030003520 | S.RES ERJ3GEYJ 472 V (4.7K) | |
| R1066 | 7030003600 | S.RES ERJ3GEYJ 223 V (22K) | |
| R1067 | 7030003740 | S.RES ERJ3GEYJ 334 V (330K) | |
| R1068 | 7030003560 | S.RES ERJ3GEYJ 103 V (10K) | |
| R1081 | 7030003360 | S.RES ERJ3GEYJ 221 V (220) | |
| R1082 | 7030003440 | S.RES ERJ3GEYJ 102 V (1K) | |
| R1084 | 7030003640 | S.RES ERJ3GEYJ 473 V (47K) | |
| R1101 | 7030003440 | S.RES ERJ3GEYJ 102 V (1K) | |
| R1102 | 7030003460 | S.RES ERJ3GEYJ 152 V (1.5K) | |
| R1103 | 7030003440 | S.RES ERJ3GEYJ 102 V (1K) | |
| R1104 | 7030003500 | S.RES ERJ3GEYJ 332 V (3.3K) | |
| R1105 | 7030003480 | S.RES ERJ3GEYJ 222 V (2.2K) | |
| R1106 | 7030003200 | S.RES ERJ3GEYJ 100 V (10) | |
| R1107 | 7030003460 | S.RES ERJ3GEYJ 152 V (1.5K) | |
| R1108 | 7030003440 | S.RES ERJ3GEYJ 102 V (1K) | |
| R1109 | 7030003440 | S.RES ERJ3GEYJ 102 V (1K) | |
| R1110 | 7030003480 | S.RES ERJ3GEYJ 222 V (2.2K) | |
| R1111 | 7030003200 | S.RES ERJ3GEYJ 100 V (10) | |
| R1201 | 7030003660 | S.RES ERJ3GEYJ 683 V (68K) | |
| R1202 | 7030003480 | S.RES ERJ3GEYJ 222 V (2.2K) | |
| R1203 | 7030003670 | S.RES ERJ3GEYJ 823 V (82K) | [USA-1] |
| | 7030003670 | S.RES ERJ3GEYJ 823 V (82K) | [OTH-1] |
| | 7030003670 | S.RES ERJ3GEYJ 823 V (82K) | [CHN] |
| R1204 | 7030003640 | S.RES ERJ3GEYJ 473 V (47K) | [USA] |
| | 7030003640 | S.RES ERJ3GEYJ 473 V (47K) | [EUR] |
| | 7030003640 | S.RES ERJ3GEYJ 473 V (47K) | [AUS] |
| | 7030003640 | S.RES ERJ3GEYJ 473 V (47K) | [UK] |
| | 7030003640 | S.RES ERJ3GEYJ 473 V (47K) | [DEN] |
| | 7030003640 | S.RES ERJ3GEYJ 473 V (47K) | [SEA] |
| | 7030003640 | S.RES ERJ3GEYJ 473 V (47K) | [OTH] |
| | 7030003640 | S.RES ERJ3GEYJ 473 V (47K) | [USA] |
| | 7030003640 | S.RES ERJ3GEYJ 473 V (47K) | [EUR] |
| | 7030003640 | S.RES ERJ3GEYJ 473 V (47K) | [AUS] |
| | 7030003640 | S.RES ERJ3GEYJ 473 V (47K) | [UK] |
| | 7030003640 | S.RES ERJ3GEYJ 473 V (47K) | [DEN] |
| | 7030003640 | S.RES ERJ3GEYJ 473 V (47K) | [SEA] |
| | 7030003640 | S.RES ERJ3GEYJ 473 V (47K) | [OTH] |
| R1211 | 7030003640 | S.RES ERJ3GEYJ 473 V (47K) | |
| R1212 | 7030003630 | S.RES ERJ3GEYJ 393 V (39K) | |
| R1213 | 7030003630 | S.RES ERJ3GEYJ 393 V (39K) | |
| R1214 | 7030003630 | S.RES ERJ3GEYJ 393 V (39K) | |
| R1215 | 7030003630 | S.RES ERJ3GEYJ 393 V (39K) | |
| R1231 | 7030003400 | S.RES ERJ3GEYJ 471 V (470) | |
| R1232 | 7030003400 | S.RES ERJ3GEYJ 471 V (470) | |

[MAIN UNIT] (For except [USA-2], [OTH-2], [CHN-1])

| REF NO. | PARTS NO. | DESCRIPTION | |
|---------|------------|-----------------------------|-------|
| R1233 | 7030003400 | S.RES ERJ3GEYJ 471 V (470) | |
| R1234 | 7030003400 | S.RES ERJ3GEYJ 471 V (470) | |
| R1235 | 7030003400 | S.RES ERJ3GEYJ 471 V (470) | |
| R1236 | 7030003400 | S.RES ERJ3GEYJ 471 V (470) | |
| R1251 | 7030003680 | S.RES ERJ3GEYJ 104 V (100K) | |
| R1252 | 7030003680 | S.RES ERJ3GEYJ 104 V (100K) | |
| R1253 | 7030003680 | S.RES ERJ3GEYJ 104 V (100K) | |
| R1254 | 7310005580 | S.TRI TMC3ADCS3X (4.7K) | |
| R1255 | 7030003400 | S.RES ERJ3GEYJ 471 V (470) | |
| R1256 | 7030003640 | S.RES ERJ3GEYJ 473 V (47K) | |
| R1257 | 7030003560 | S.RES ERJ3GEYJ 103 V (10K) | |
| R1258 | 7030003520 | S.RES ERJ3GEYJ 472 V (4.7K) | |
| R1259 | 7030003520 | S.RES ERJ3GEYJ 472 V (4.7K) | |
| R1260 | 7030003320 | S.RES ERJ3GEYJ 101 V (100) | |
| R1261 | 7030003480 | S.RES ERJ3GEYJ 222 V (2.2K) | |
| R1262 | 7030003550 | S.RES ERJ3GEYJ 822 V (8.2K) | |
| R1263 | 7030003610 | S.RES ERJ3GEYJ 273 V (27K) | |
| R1271 | 7030003640 | S.RES ERJ3GEYJ 473 V (47K) | |
| R1272 | 7030003440 | S.RES ERJ3GEYJ 102 V (1K) | |
| R1281 | 7030003680 | S.RES ERJ3GEYJ 104 V (100K) | |
| R1291 | 7030003550 | S.RES ERJ3GEYJ 822 V (8.2K) | |
| R1292 | 7030003400 | S.RES ERJ3GEYJ 471 V (470) | |
| R1293 | 7030003400 | S.RES ERJ3GEYJ 471 V (470) | |
| R1311 | 7030003520 | S.RES ERJ3GEYJ 472 V (4.7K) | |
| R1312 | 7030003620 | S.RES ERJ3GEYJ 333 V (33K) | |
| R1313 | 7030003580 | S.RES ERJ3GEYJ 153 V (15K) | |
| R1314 | 7030003640 | S.RES ERJ3GEYJ 473 V (47K) | |
| R1351 | 7030003200 | S.RES ERJ3GEYJ 100 V (10) | |
| R1371 | 7030003520 | S.RES ERJ3GEYJ 472 V (4.7K) | |
| R1372 | 7030003640 | S.RES ERJ3GEYJ 473 V (47K) | |
| R1374 | 7030003520 | S.RES ERJ3GEYJ 472 V (4.7K) | |
| R1381 | 7030003280 | S.RES ERJ3GEYJ 470 V (47) | |
| R1382 | 7030003480 | S.RES ERJ3GEYJ 222 V (2.2K) | |
| R1401 | 7070001060 | RES ERG2SJ 120 | |
| R1411 | 7030003320 | S.RES ERJ3GEYJ 101 V (100) | |
| R1412 | 7030003560 | S.RES ERJ3GEYJ 103 V (10K) | |
| R1413 | 7030003680 | S.RES ERJ3GEYJ 104 V (100K) | |
| R1414 | 7030003320 | S.RES ERJ3GEYJ 101 V (100) | |
| R1415 | 7030003320 | S.RES ERJ3GEYJ 101 V (100) | |
| R1416 | 7030003320 | S.RES ERJ3GEYJ 101 V (100) | |
| R1771 | 7030003540 | S.RES ERJ3GEYJ 682 V (6.8K) | |
| R1772 | 7030003620 | S.RES ERJ3GEYJ 333 V (33K) | |
| R1773 | 7030003640 | S.RES ERJ3GEYJ 473 V (47K) | |
| R1774 | 7030003580 | S.RES ERJ3GEYJ 153 V (15K) | |
| R2001 | 7030003560 | S.RES ERJ3GEYJ 103 V (10K) | [USA] |
| | 7030003560 | S.RES ERJ3GEYJ 103 V (10K) | [EUR] |
| | 7030003560 | S.RES ERJ3GEYJ 103 V (10K) | [AUS] |
| | 7030003560 | S.RES ERJ3GEYJ 103 V (10K) | [UK] |
| | 7030003560 | S.RES ERJ3GEYJ 103 V (10K) | [DEN] |
| | 7030003560 | S.RES ERJ3GEYJ 103 V (10K) | [SEA] |
| | 7030003560 | S.RES ERJ3GEYJ 103 V (10K) | [OTH] |
| R2002 | 7030003360 | S.RES ERJ3GEYJ 221 V (220) | [USA] |
| | 7030003360 | S.RES ERJ3GEYJ 221 V (220) | [EUR] |
| | 7030003360 | S.RES ERJ3GEYJ 221 V (220) | [AUS] |
| | 7030003360 | S.RES ERJ3GEYJ 221 V (220) | [UK] |
| | 7030003360 | S.RES ERJ3GEYJ 221 V (220) | [DEN] |
| | 7030003360 | S.RES ERJ3GEYJ 221 V (220) | [SEA] |
| | 7030003360 | S.RES ERJ3GEYJ 221 V (220) | [OTH] |
| R2011 | 7030003560 | S.RES ERJ3GEYJ 103 V (10K) | [USA] |
| | 7030003560 | S.RES ERJ3GEYJ 103 V (10K) | [EUR] |
| | 7030003560 | S.RES ERJ3GEYJ 103 V (10K) | [AUS] |
| | 7030003560 | S.RES ERJ3GEYJ 103 V (10K) | [UK] |
| | 7030003560 | S.RES ERJ3GEYJ 103 V (10K) | [DEN] |
| | 7030003560 | S.RES ERJ3GEYJ 103 V (10K) | [SEA] |
| | 7030003560 | S.RES ERJ3GEYJ 103 V (10K) | [OTH] |
| R2012 | 7030003680 | S.RES ERJ3GEYJ 104 V (100K) | [USA] |
| | 7030003680 | S.RES ERJ3GEYJ 104 V (100K) | [EUR] |
| | 7030003680 | S.RES ERJ3GEYJ 104 V (100K) | [AUS] |
| | 7030003680 | S.RES ERJ3GEYJ 104 V (100K) | [UK] |
| | 7030003680 | S.RES ERJ3GEYJ 104 V (100K) | [DEN] |
| | 7030003680 | S.RES ERJ3GEYJ 104 V (100K) | [SEA] |
| | 7030003680 | S.RES ERJ3GEYJ 104 V (100K) | [OTH] |
| R2021 | 7030003510 | S.RES ERJ3GEYJ 392 V (3.9K) | [USA] |
| | 7030003510 | S.RES ERJ3GEYJ 392 V (3.9K) | [EUR] |
| | 7030003510 | S.RES ERJ3GEYJ 392 V (3.9K) | [AUS] |
| | 7030003510 | S.RES ERJ3GEYJ 392 V (3.9K) | [UK] |
| | 7030003510 | S.RES ERJ3GEYJ 392 V (3.9K) | [DEN] |
| | 7030003510 | S.RES ERJ3GEYJ 392 V (3.9K) | [SEA] |
| | 7030003510 | S.RES ERJ3GEYJ 392 V (3.9K) | [OTH] |
| R2022 | 7030003440 | S.RES ERJ3GEYJ 102 V (1K) | [USA] |
| | 7030003440 | S.RES ERJ3GEYJ 102 V (1K) | [EUR] |
| | 7030003440 | S.RES ERJ3GEYJ 102 V (1K) | [AUS] |
| | 7030003440 | S.RES ERJ3GEYJ 102 V (1K) | [UK] |
| | 7030003440 | S.RES ERJ3GEYJ 102 V (1K) | [DEN] |
| | 7030003440 | S.RES ERJ3GEYJ 102 V (1K) | [SEA] |
| | 7030003440 | S.RES ERJ3GEYJ 102 V (1K) | [OTH] |
| R2023 | 7010006940 | RES PSD1/4 1 K | [USA] |
| | 7010006940 | RES PSD1/4 1 K | [EUR] |
| | 7010006940 | RES PSD1/4 1 K | [AUS] |
| | 7010006940 | RES PSD1/4 1 K | [UK] |
| | 7010006940 | RES PSD1/4 1 K | [DEN] |
| | 7010006940 | RES PSD1/4 1 K | [SEA] |
| | 7010006940 | RES PSD1/4 1 K | [OTH] |
| R2031 | 7030003640 | S.RES ERJ3GEYJ 473 V (47K) | [USA] |
| | 7030003640 | S.RES ERJ3GEYJ 473 V (47K) | [EUR] |
| | 7030003640 | S.RES ERJ3GEYJ 473 V (47K) | [AUS] |
| | 7030003640 | S.RES ERJ3GEYJ 473 V (47K) | [UK] |
| | 7030003640 | S.RES ERJ3GEYJ 473 V (47K) | [DEN] |
| | 7030003640 | S.RES ERJ3GEYJ 473 V (47K) | [SEA] |
| | 7030003640 | S.RES ERJ3GEYJ 473 V (47K) | [OTH] |
| | 7030003640 | S.RES ERJ3GEYJ 473 V (47K) | [SEA] |
| | 7030003640 | S.RES ERJ3GEYJ 473 V (47K) | [OTH] |

Eqv.= This component is equivalent to the REF No. component listed above, and may be substituted on parts orders and repairs.

[MAIN UNIT] (For except [USA-2], [OTH-2], [CHN-1])

| REF NO. | PARTS NO. | DESCRIPTION | |
|---------|------------|----------------------------|-------|
| R2032 | 7030003640 | S.RES ERJ3GEYJ 473 V (47K) | [USA] |
| | 7030003640 | S.RES ERJ3GEYJ 473 V (47K) | [EUR] |
| | 7030003640 | S.RES ERJ3GEYJ 473 V (47K) | [AUS] |
| | 7030003640 | S.RES ERJ3GEYJ 473 V (47K) | [UK] |
| | 7030003640 | S.RES ERJ3GEYJ 473 V (47K) | [DEN] |
| | 7030003640 | S.RES ERJ3GEYJ 473 V (47K) | [SEA] |
| R2051 | 7030003640 | S.RES ERJ3GEYJ 473 V (47K) | [OTH] |
| | 7030003640 | S.RES ERJ3GEYJ 473 V (47K) | |
| C101 | 4030011600 | S.CER C1608 JB 1E 104K-T | |
| C111 | 4030010210 | S.CER C3216 JB 1C 105M-T | |
| C121 | 4030006900 | S.CER C1608 JB 1H 103K-T | |
| C131 | 4030007070 | S.CER C1608 CH 1H 330J-T | |
| C132 | 4030007070 | S.CER C1608 CH 1H 330J-T | |
| C133 | 4030007040 | S.CER C1608 CH 1H 180J-T | |
| C134 | 4030007120 | S.CER C1608 CH 1H 820J-T | |
| C135 | 4030007040 | S.CER C1608 CH 1H 180J-T | |
| C136 | 4030007100 | S.CER C1608 CH 1H 560J-T | |
| C141 | 4030006900 | S.CER C1608 JB 1H 103K-T | |
| C151 | 4030010210 | S.CER C3216 JB 1C 105M-T | |
| C152 | 4030011600 | S.CER C1608 JB 1E 104K-T | |
| C161 | 4030008470 | S.CER C1608 JB 1H 272K-T | |
| C162 | 4030009880 | S.CER C1608 JB 1H 682K-T | |
| C163 | 4030009980 | S.CER C1608 JB 1H 152K-T | |
| C164 | 4030011600 | S.CER C1608 JB 1E 104K-T | |
| C170 | 4510008520 | S.ELE EEE1CA470SP | |
| C171 | 4030011600 | S.CER C1608 JB 1E 104K-T | |
| C172 | 4030008650 | S.CER C1608 JB 1H 332K-T | |
| C173 | 4030010240 | S.CER C1608 JB 1H 391K-T | |
| C174 | 4030008650 | S.CER C1608 JB 1H 332K-T | |
| C175 | 4030010210 | S.CER C3216 JB 1C 105M-T | |
| C176 | 4030011600 | S.CER C1608 JB 1E 104K-T | |
| C181 | 4030011600 | S.CER C1608 JB 1E 104K-T | |
| C182 | 4030006860 | S.CER C1608 JB 1H 102K-T | |
| C183 | 4030009580 | S.CER C1608 JB 1H 681K-T | |
| C184 | 4030006870 | S.CER C1608 JB 1H 222K-T | |
| C185 | 4030007170 | S.CER C1608 CH 1H 221J-T | |
| C186 | 4030010020 | S.CER C1608 JB 1H 122K-T | |
| C187 | 4030011600 | S.CER C1608 JB 1E 104K-T | |
| C188 | 4030011600 | S.CER C1608 JB 1E 104K-T | |
| C201 | 4030011600 | S.CER C1608 JB 1E 104K-T | |
| C202 | 4030010020 | S.CER C1608 JB 1H 122K-T | |
| C203 | 4030007130 | S.CER C1608 CH 1H 101J-T | |
| C204 | 4030010020 | S.CER C1608 JB 1H 122K-T | |
| C205 | 4030009880 | S.CER C1608 JB 1H 682K-T | |
| C206 | 4030009880 | S.CER C1608 JB 1H 682K-T | |
| C207 | 4030009980 | S.CER C1608 JB 1H 152K-T | |
| C208 | 4030009980 | S.CER C1608 JB 1H 152K-T | |
| C209 | 4030011600 | S.CER C1608 JB 1E 104K-T | |
| C221 | 4030011600 | S.CER C1608 JB 1E 104K-T | |
| C222 | 4030010240 | S.CER C1608 JB 1H 391K-T | |
| C223 | 4030007140 | S.CER C1608 CH 1H 121J-T | |
| C224 | 4030007130 | S.CER C1608 CH 1H 101J-T | |
| C225 | 4030006850 | S.CER C1608 JB 1H 471K-T | |
| C226 | 4030006870 | S.CER C1608 JB 1H 222K-T | |
| C227 | 4030006880 | S.CER C1608 JB 1H 472K-T | |
| C228 | 4030006860 | S.CER C1608 JB 1H 102K-T | |
| C229 | 4030009580 | S.CER C1608 JB 1H 681K-T | |
| C230 | 4030011600 | S.CER C1608 JB 1E 104K-T | |
| C241 | 4030011600 | S.CER C1608 JB 1E 104K-T | |
| C242 | 4030010760 | S.CER C1608 CH 1H 331J-T | |
| C243 | 4030007090 | S.CER C1608 CH 1H 470J-T | |
| C244 | 4030007160 | S.CER C1608 CH 1H 181J-T | |
| C245 | 4030010040 | S.CER C1608 JB 1H 561K-T | |
| C246 | 4030008470 | S.CER C1608 JB 1H 272K-T | |
| C247 | 4030010760 | S.CER C1608 CH 1H 331J-T | |
| C248 | 4030011600 | S.CER C1608 JB 1E 104K-T | |
| C261 | 4030011600 | S.CER C1608 JB 1E 104K-T | |
| C262 | 4030011280 | S.CER C1608 CH 1H 271J-T | |
| C263 | 4030007090 | S.CER C1608 CH 1H 470J-T | |
| C264 | 4030007150 | S.CER C1608 CH 1H 151J-T | |
| C265 | 4030006850 | S.CER C1608 JB 1H 471K-T | |
| C266 | 4030010020 | S.CER C1608 JB 1H 122K-T | |
| C267 | 4030007140 | S.CER C1608 CH 1H 121J-T | |
| C268 | 4030007140 | S.CER C1608 CH 1H 121J-T | |
| C269 | 4030011600 | S.CER C1608 JB 1E 104K-T | |
| C281 | 4030011600 | S.CER C1608 JB 1E 104K-T | |
| C282 | 4030007160 | S.CER C1608 CH 1H 181J-T | |
| C283 | 4030007030 | S.CER C1608 CH 1H 150J-T | |
| C284 | 4030007030 | S.CER C1608 CH 1H 150J-T | |
| C285 | 4030007130 | S.CER C1608 CH 1H 101J-T | |
| C286 | 4030007150 | S.CER C1608 CH 1H 151J-T | |
| C287 | 4030007150 | S.CER C1608 CH 1H 151J-T | |
| C288 | 4030010020 | S.CER C1608 JB 1H 122K-T | |
| C289 | 4030007150 | S.CER C1608 CH 1H 151J-T | |
| C290 | 4030011600 | S.CER C1608 JB 1E 104K-T | |
| C301 | 4030011600 | S.CER C1608 JB 1E 104K-T | |
| C302 | 4030006990 | S.CER C1608 CH 1H 080D-T | |
| C303 | 4030007160 | S.CER C1608 CH 1H 181J-T | |
| C304 | 4030007060 | S.CER C1608 CH 1H 270J-T | |
| C305 | 4030007140 | S.CER C1608 CH 1H 121J-T | |
| C306 | 4030007160 | S.CER C1608 CH 1H 181J-T | |
| C307 | 4030010020 | S.CER C1608 JB 1H 122K-T | |
| C308 | 4030007130 | S.CER C1608 CH 1H 101J-T | |
| C309 | 4030011600 | S.CER C1608 JB 1E 104K-T | |
| C321 | 4030006900 | S.CER C1608 JB 1H 103K-T | |
| C322 | 4030007110 | S.CER C1608 CH 1H 680J-T | |
| C323 | 4030007080 | S.CER C1608 CH 1H 390J-T | |
| C324 | 4030007110 | S.CER C1608 CH 1H 680J-T | |
| C325 | 4030007010 | S.CER C1608 CH 1H 100D-T | |
| C326 | 4030007010 | S.CER C1608 CH 1H 100D-T | |
| C327 | 4030007110 | S.CER C1608 CH 1H 680J-T | |
| C328 | 4030007170 | S.CER C1608 CH 1H 221J-T | |
| C329 | 4030010240 | S.CER C1608 JB 1H 391K-T | |

[MAIN UNIT] (For except [USA-2], [OTH-2], [CHN-1])

| REF NO. | PARTS NO. | DESCRIPTION | |
|---------|------------|--------------------------|--|
| C330 | 4030007100 | S.CER C1608 CH 1H 560J-T | |
| C331 | 4030007050 | S.CER C1608 CH 1H 220J-T | |
| C332 | 4030006900 | S.CER C1608 JB 1H 103K-T | |
| C333 | 4030007070 | S.CER C1608 CH 1H 330J-T | |
| C341 | 4030006900 | S.CER C1608 JB 1H 103K-T | |
| C342 | 4030007110 | S.CER C1608 CH 1H 680J-T | |
| C344 | 4030007020 | S.CER C1608 CH 1H 120J-T | |
| C345 | 4030007080 | S.CER C1608 CH 1H 390J-T | |
| C346 | 4030006900 | S.CER C1608 JB 1H 103K-T | |
| C349 | 4030007100 | S.CER C1608 CH 1H 560J-T | |
| C350 | 4030007160 | S.CER C1608 CH 1H 181J-T | |
| C351 | 4030007090 | S.CER C1608 CH 1H 470J-T | |
| C352 | 4030006900 | S.CER C1608 JB 1H 103K-T | |
| C361 | 4030010210 | S.CER C3216 JB 1C 105M-T | |
| C371 | 4030011600 | S.CER C1608 JB 1E 104K-T | |
| C372 | 4030007010 | S.CER C1608 CH 1H 100D-T | |
| C381 | 4030011600 | S.CER C1608 JB 1E 104K-T | |
| C382 | 4030011600 | S.CER C1608 JB 1E 104K-T | |
| C383 | 4030011600 | S.CER C1608 JB 1E 104K-T | |
| C384 | 4030011600 | S.CER C1608 JB 1E 104K-T | |
| C385 | 4030011600 | S.CER C1608 JB 1E 104K-T | |
| C386 | 4030011600 | S.CER C1608 JB 1E 104K-T | |
| C391 | 4030011600 | S.CER C1608 JB 1E 104K-T | |
| C392 | 4030011600 | S.CER C1608 JB 1E 104K-T | |
| C393 | 4030011600 | S.CER C1608 JB 1E 104K-T | |
| C394 | 4030011600 | S.CER C1608 JB 1E 104K-T | |
| C395 | 4030011600 | S.CER C1608 JB 1E 104K-T | |
| C396 | 4030011600 | S.CER C1608 JB 1E 104K-T | |
| C397 | 4030011600 | S.CER C1608 JB 1E 104K-T | |
| C401 | 4030011600 | S.CER C1608 JB 1E 104K-T | |
| C411 | 4030007080 | S.CER C1608 CH 1H 390J-T | |
| C412 | 4030007130 | S.CER C1608 CH 1H 101J-T | |
| C413 | 4030011600 | S.CER C1608 JB 1E 104K-T | |
| C414 | 4030006860 | S.CER C1608 JB 1H 102K-T | |
| C415 | 4030011600 | S.CER C1608 JB 1E 104K-T | |
| C422 | 4030006970 | S.CER C1608 CH 1H 060D-T | |
| C423 | 4030007040 | S.CER C1608 CH 1H 180J-T | |
| C424 | 4030006920 | S.CER C1608 CH 1H 010C-T | |
| C425 | 4030007040 | S.CER C1608 CH 1H 180J-T | |
| C431 | 4030007070 | S.CER C1608 CH 1H 330J-T | |
| C432 | 4030007070 | S.CER C1608 CH 1H 330J-T | |
| C433 | 4030007040 | S.CER C1608 CH 1H 180J-T | |
| C434 | 4030007120 | S.CER C1608 CH 1H 820J-T | |
| C435 | 4030007040 | S.CER C1608 CH 1H 180J-T | |
| C436 | 4030007100 | S.CER C1608 CH 1H 560J-T | |
| C442 | 4030011600 | S.CER C1608 JB 1E 104K-T | |
| C443 | 4030011600 | S.CER C1608 JB 1E 104K-T | |
| C444 | 4030006990 | S.CER C1608 CH 1H 080D-T | |
| C445 | 4030006950 | S.CER C1608 CH 1H 040C-T | |
| C446 | 4030011600 | S.CER C1608 JB 1E 104K-T | |
| C447 | 4030011600 | S.CER C1608 JB 1E 104K-T | |
| C448 | 4030007130 | S.CER C1608 CH 1H 101J-T | |
| C461 | 4030006980 | S.CER C1608 CH 1H 070D-T | |
| C462 | 4030006930 | S.CER C1608 CH 1H 020C-T | |
| C471 | 4030007050 | S.CER C1608 CH 1H 220J-T | |
| C472 | 4030011600 | S.CER C1608 JB 1E 104K-T | |
| C473 | 4030006880 | S.CER C1608 JB 1H 472K-T | |
| C474 | 4030006880 | S.CER C1608 JB 1H 472K-T | |
| C475 | 4030007020 | S.CER C1608 CH 1H 120J-T | |
| C476 | 4030006880 | S.CER C1608 JB 1H 472K-T | |
| C492 | 4030007110 | S.CER C1608 CH 1H 680J-T | |
| C551 | 4030011600 | S.CER C1608 JB 1E 104K-T | |
| C552 | 4030011600 | S.CER C1608 JB 1E 104K-T | |
| C553 | 4030006880 | S.CER C1608 JB 1H 472K-T | |
| C561 | 4030011600 | S.CER C1608 JB 1E 104K-T | |
| C562 | 4030011600 | S.CER C1608 JB 1E 104K-T | |
| C563 | 4030006880 | S.CER C1608 JB 1H 472K-T | |
| C701 | 4030006930 | S.CER C1608 CH 1H 020C-T | |
| C711 | 4030006880 | S.CER C1608 JB 1H 472K-T | |
| C712 | 4030006880 | S.CER C1608 JB 1H 472K-T | |
| C721 | 4030006880 | S.CER C1608 JB 1H 472K-T | |
| C722 | 4030011600 | S.CER C1608 JB 1E 104K-T | |
| C723 | 4030006880 | S.CER C1608 JB 1H 472K-T | |
| C724 | 4030007050 | S.CER C1608 CH 1H 220J-T | |
| C725 | 4030011600 | S.CER C1608 JB 1E 104K-T | |
| C726 | 4030006880 | S.CER C1608 JB 1H 472K-T | |
| C731 | 4030006880 | S.CER C1608 JB 1H 472K-T | |
| C732 | 4030006880 | S.CER C1608 JB 1H 472K-T | |
| C733 | 4030006880 | S.CER C1608 JB 1H 472K-T | |
| C734 | 4030011600 | S.CER C1608 JB 1E 104K-T | |
| C735 | 4030006880 | S.CER C1608 JB 1H 472K-T | |
| C736 | 4030006880 | S.CER C1608 JB 1H 472K-T | |
| C737 | 4030011600 | S.CER C1608 JB 1E 104K-T | |
| C738 | 4030007150 | S.CER C1608 CH 1H 151J-T | |
| C739 | 4510009270 | S.ELE EEEHB1C220UR | |
| C740 | 4030007050 | S.CER C1608 CH 1H 220J-T | |
| C741 | 4510008520 | S.ELE EEE1CA470SP | |
| C742 | 4030011600 | S.CER C1608 JB 1E 104K-T | |
| C743 | 4510008540 | S.ELE EEE1CA100SR | |
| C761 | 4030011600 | S.CER C1608 JB 1E 104K-T | |
| C762 | 4030011600 | S.CER C1608 JB 1E 104K-T | |
| C771 | 4030011600 | S.CER C1608 JB 1E 104K-T | |
| C772 | 4030011600 | S.CER C1608 JB 1E 104K-T | |
| C773 | 4030007030 | S.CER C1608 CH 1H 150J-T | |
| C781 | 4030011600 | S.CER C1608 JB 1E 104K-T | |
| C782 | 4030011600 | S.CER C1608 JB 1E 104K-T | |
| C791 | 4030011600 | S.CER C1608 JB 1E 104K-T | |
| C792 | 4030011600 | S.CER C1608 JB 1E 104K-T | |
| C801 | 4030011600 | S.CER C1608 JB 1E 104K-T | |

[MAIN UNIT] (For except [USA-2], [OTH-2], [CHN-1])

| REF NO. | PARTS NO. | DESCRIPTION | |
|---------|------------|--------------------------|---------|
| C841 | 4030006880 | S.CER C1608 JB 1H 472K-T | |
| C851 | 4030011600 | S.CER C1608 JB 1E 104K-T | |
| C852 | 4030011600 | S.CER C1608 JB 1E 104K-T | |
| C861 | 4030011600 | S.CER C1608 JB 1E 104K-T | |
| C862 | 4030011600 | S.CER C1608 JB 1E 104K-T | |
| C871 | 4030011600 | S.CER C1608 JB 1E 104K-T | |
| C872 | 4030011600 | S.CER C1608 JB 1E 104K-T | |
| C881 | 4030011600 | S.CER C1608 JB 1E 104K-T | |
| C882 | 4030011600 | S.CER C1608 JB 1E 104K-T | |
| C891 | 4030011600 | S.CER C1608 JB 1E 104K-T | |
| C892 | 4030006880 | S.CER C1608 JB 1H 472K-T | |
| C893 | 4030006880 | S.CER C1608 JB 1H 472K-T | |
| C894 | 4030011600 | S.CER C1608 JB 1E 104K-T | |
| C895 | 4030007050 | S.CER C1608 CH 1H 220J-T | |
| C896 | 4030011600 | S.CER C1608 JB 1E 104K-T | |
| C897 | 4030006880 | S.CER C1608 JB 1H 472K-T | |
| C911 | 4030011600 | S.CER C1608 JB 1E 104K-T | |
| C912 | 4030007170 | S.CER C1608 CH 1H 221J-T | |
| C913 | 4030011600 | S.CER C1608 JB 1E 104K-T | |
| C914 | 4510008530 | S.ELE EEE1HA2R2SR | |
| C1001 | 4030011600 | S.CER C1608 JB 1E 104K-T | |
| C1002 | 4030006880 | S.CER C1608 JB 1H 472K-T | |
| C1003 | 4030011600 | S.CER C1608 JB 1E 104K-T | |
| C1004 | 4030007170 | S.CER C1608 CH 1H 221J-T | |
| C1005 | 4030007170 | S.CER C1608 CH 1H 221J-T | |
| C1006 | 4030006880 | S.CER C1608 JB 1H 472K-T | |
| C1007 | 4030007130 | S.CER C1608 CH 1H 101J-T | |
| C1008 | 4510008540 | S.ELE EEE1CA100SR | |
| C1009 | 4030011600 | S.CER C1608 JB 1E 104K-T | |
| C1010 | 4030011600 | S.CER C1608 JB 1E 104K-T | |
| C1021 | 4030011600 | S.CER C1608 JB 1E 104K-T | |
| C1022 | 4030006900 | S.CER C1608 JB 1H 103K-T | |
| C1023 | 4030006900 | S.CER C1608 JB 1H 103K-T | |
| C1024 | 4030011600 | S.CER C1608 JB 1E 104K-T | |
| C1031 | 4030011600 | S.CER C1608 JB 1E 104K-T | |
| C1041 | 4030006880 | S.CER C1608 JB 1H 472K-T | [USA-1] |
| | 4030006880 | S.CER C1608 JB 1H 472K-T | [OTH-1] |
| C1042 | 4030006880 | S.CER C1608 JB 1H 472K-T | [CHN] |
| | 4030006880 | S.CER C1608 JB 1H 472K-T | [USA-1] |
| | 4030006880 | S.CER C1608 JB 1H 472K-T | [OTH-1] |
| C1043 | 4030006880 | S.CER C1608 JB 1H 472K-T | [CHN] |
| | 4030006880 | S.CER C1608 JB 1H 472K-T | [USA-1] |
| | 4030006880 | S.CER C1608 JB 1H 472K-T | [OTH-1] |
| C1044 | 4030011600 | S.CER C1608 JB 1E 104K-T | [CHN] |
| | 4030011600 | S.CER C1608 JB 1E 104K-T | [USA-1] |
| | 4030011600 | S.CER C1608 JB 1E 104K-T | [OTH-1] |
| C1051 | 4510008540 | S.ELE EEE1CA100SR | [CHN] |
| C1061 | 4030006880 | S.CER C1608 JB 1H 472K-T | |
| C1062 | 4030007130 | S.CER C1608 CH 1H 101J-T | |
| C1063 | 4510008540 | S.ELE EEE1CA100SR | |
| C1064 | 4030011600 | S.CER C1608 JB 1E 104K-T | |
| C1065 | 4510008540 | S.ELE EEE1CA100SR | |
| C1066 | 4510008530 | S.ELE EEE1HA2R2SR | |
| C1067 | 4510009270 | S.ELE EEEHBC220UR | |
| C1081 | 4030006880 | S.CER C1608 JB 1H 472K-T | |
| C1085 | 4030006880 | S.CER C1608 JB 1H 472K-T | |
| C1089 | 4030006880 | S.CER C1608 JB 1H 472K-T | |
| C1090 | 4030011600 | S.CER C1608 JB 1E 104K-T | |
| C1101 | 4030011600 | S.CER C1608 JB 1E 104K-T | |
| C1102 | 4030011600 | S.CER C1608 JB 1E 104K-T | |
| C1103 | 4030011600 | S.CER C1608 JB 1E 104K-T | |
| C1201 | 4030006900 | S.CER C1608 JB 1H 103K-T | |
| C1202 | 4030006900 | S.CER C1608 JB 1H 103K-T | |
| C1211 | 4030009980 | S.CER C1608 JB 1H 152K-T | |
| C1212 | 4030010020 | S.CER C1608 JB 1H 122K-T | |
| C1213 | 4030008650 | S.CER C1608 JB 1H 332K-T | |
| C1214 | 4030010040 | S.CER C1608 JB 1H 561K-T | |
| C1215 | 4030011600 | S.CER C1608 JB 1E 104K-T | |
| C1216 | 4030011600 | S.CER C1608 JB 1E 104K-T | |
| C1217 | 4030011600 | S.CER C1608 JB 1E 104K-T | |
| C1231 | 4030006880 | S.CER C1608 JB 1H 472K-T | |
| C1251 | 4030011600 | S.CER C1608 JB 1E 104K-T | |
| C1253 | 4030010760 | S.CER C1608 CH 1H 331J-T | |
| C1254 | 4510008530 | S.ELE EEE1HA2R2SR | |
| C1255 | 4030006900 | S.CER C1608 JB 1H 103K-T | |
| C1256 | 4030011600 | S.CER C1608 JB 1E 104K-T | |
| C1257 | 4510008540 | S.ELE EEE1CA100SR | |
| C1258 | 4510008540 | S.ELE EEE1CA100SR | |
| C1259 | 4510008540 | S.ELE EEE1CA100SR | |
| C1260 | 4510008540 | S.ELE EEE1CA100SR | |
| C1261 | 4510008540 | S.ELE EEE1CA100SR | |
| C1262 | 4510008530 | S.ELE EEE1HA2R2SR | |
| C1271 | 4030006880 | S.CER C1608 JB 1H 472K-T | |
| C1272 | 4030011600 | S.CER C1608 JB 1E 104K-T | |
| C1281 | 4030006900 | S.CER C1608 JB 1H 103K-T | |
| C1282 | 4030006900 | S.CER C1608 JB 1H 103K-T | |
| C1292 | 4510008540 | S.ELE EEE1CA100SR | |
| C1293 | 4030011600 | S.CER C1608 JB 1E 104K-T | |
| C1294 | 4030011600 | S.CER C1608 JB 1E 104K-T | |
| C1295 | 4510004591 | ELE 16 ME 470 HC | |
| C1296 | 4510004591 | ELE 16 ME 470 HC | |
| C1311 | 4030006900 | S.CER C1608 JB 1H 103K-T | |
| C1312 | 4030006900 | S.CER C1608 JB 1H 103K-T | |
| C1321 | 4030006900 | S.CER C1608 JB 1H 103K-T | |
| C1322 | 4030006860 | S.CER C1608 JB 1H 102K-T | |
| C1351 | 4030006900 | S.CER C1608 JB 1H 103K-T | |
| C1352 | 4030006900 | S.CER C1608 JB 1H 103K-T | |
| C1353 | 4510004510 | ELE 25 ME 470 HC | |
| C1361 | 4510008530 | S.ELE EEE1HA2R2SR | |
| C1362 | 4030011600 | S.CER C1608 JB 1E 104K-T | |
| C1363 | 4030011600 | S.CER C1608 JB 1E 104K-T | |
| C1364 | 4030011600 | S.CER C1608 JB 1E 104K-T | |
| C1365 | 4510008540 | S.ELE EEE1CA100SR | |
| C1371 | 4510008530 | S.ELE EEE1HA2R2SR | |

[MAIN UNIT] (For except [USA-2], [OTH-2], [CHN-1])

| REF NO. | PARTS NO. | DESCRIPTION | |
|---------|------------|--------------------------|-------|
| C1372 | 4030011600 | S.CER C1608 JB 1E 104K-T | |
| C1373 | 4030011600 | S.CER C1608 JB 1E 104K-T | |
| C1374 | 4030011600 | S.CER C1608 JB 1E 104K-T | |
| C1375 | 4510004591 | ELE 16 ME 470 HC | |
| C1376 | 4030010210 | S.CER C3216 JB 1C 105M-T | |
| C1381 | 4030011600 | S.CER C1608 JB 1E 104K-T | |
| C1382 | 4030011600 | S.CER C1608 JB 1E 104K-T | |
| C1391 | 4510004591 | ELE 16 ME 470 HC | |
| C1392 | 4030011600 | S.CER C1608 JB 1E 104K-T | |
| C1393 | 4030011600 | S.CER C1608 JB 1E 104K-T | |
| C1394 | 4510008540 | S.ELE EEE1CA100SR | |
| C1401 | 4510008540 | S.ELE EEE1CA100SR | |
| C1402 | 4030011600 | S.CER C1608 JB 1E 104K-T | |
| C1403 | 4030011600 | S.CER C1608 JB 1E 104K-T | |
| C1404 | 4510008540 | S.ELE EEE1CA100SR | |
| C1411 | 4030011600 | S.CER C1608 JB 1E 104K-T | |
| C1412 | 4510008520 | S.ELE EEE1CA470SP | |
| C1413 | 4030011600 | S.CER C1608 JB 1E 104K-T | |
| C1414 | 4510009270 | S.ELE EEEHBC220UR | |
| C1415 | 4030006860 | S.CER C1608 JB 1H 102K-T | |
| C1416 | 4030006900 | S.CER C1608 JB 1H 103K-T | |
| C1417 | 4510008520 | S.ELE EEE1CA470SP | |
| C1418 | 4510008520 | S.ELE EEE1CA470SP | |
| C1419 | 4030011600 | S.CER C1608 JB 1E 104K-T | |
| C1420 | 4510008540 | S.ELE EEE1CA100SR | |
| C1421 | 4030011600 | S.CER C1608 JB 1E 104K-T | |
| C1422 | 4510008520 | S.ELE EEE1CA470SP | |
| C1502 | 4030006880 | S.CER C1608 JB 1H 472K-T | |
| C1521 | 4030006880 | S.CER C1608 JB 1H 472K-T | |
| C1601 | 4030011600 | S.CER C1608 JB 1E 104K-T | |
| C1602 | 4030011600 | S.CER C1608 JB 1E 104K-T | |
| C1603 | 4030011600 | S.CER C1608 JB 1E 104K-T | |
| C1751 | 4510008540 | S.ELE EEE1CA100SR | |
| C1752 | 4510008540 | S.ELE EEE1CA100SR | |
| C1753 | 4510008540 | S.ELE EEE1CA100SR | |
| C1754 | 4510008540 | S.ELE EEE1CA100SR | |
| C1755 | 4510008540 | S.ELE EEE1CA100SR | |
| C1756 | 4030011600 | S.CER C1608 JB 1E 104K-T | |
| C1771 | 4030011600 | S.CER C1608 JB 1E 104K-T | |
| C2001 | 4030006860 | S.CER C1608 JB 1H 102K-T | [USA] |
| | 4030006860 | S.CER C1608 JB 1H 102K-T | [EUR] |
| | 4030006860 | S.CER C1608 JB 1H 102K-T | [AUS] |
| | 4030006860 | S.CER C1608 JB 1H 102K-T | [JUK] |
| | 4030006860 | S.CER C1608 JB 1H 102K-T | [DEN] |
| | 4030006860 | S.CER C1608 JB 1H 102K-T | [SEA] |
| | 4030006860 | S.CER C1608 JB 1H 102K-T | [OTH] |
| C2011 | 4030010760 | S.CER C1608 CH 1H 331J-T | [USA] |
| | 4030010760 | S.CER C1608 CH 1H 331J-T | [EUR] |
| | 4030010760 | S.CER C1608 CH 1H 331J-T | [AUS] |
| | 4030010760 | S.CER C1608 CH 1H 331J-T | [JUK] |
| | 4030010760 | S.CER C1608 CH 1H 331J-T | [DEN] |
| | 4030010760 | S.CER C1608 CH 1H 331J-T | [SEA] |
| | 4030010760 | S.CER C1608 CH 1H 331J-T | [OTH] |
| C2012 | 4030007070 | S.CER C1608 CH 1H 330J-T | [USA] |
| | 4030007070 | S.CER C1608 CH 1H 330J-T | [EUR] |
| | 4030007070 | S.CER C1608 CH 1H 330J-T | [AUS] |
| | 4030007070 | S.CER C1608 CH 1H 330J-T | [JUK] |
| | 4030007070 | S.CER C1608 CH 1H 330J-T | [DEN] |
| | 4030007070 | S.CER C1608 CH 1H 330J-T | [SEA] |
| | 4030007070 | S.CER C1608 CH 1H 330J-T | [OTH] |
| C2013 | 4510008540 | S.ELE EEE1CA100SR | [USA] |
| | 4510008540 | S.ELE EEE1CA100SR | [EUR] |
| | 4510008540 | S.ELE EEE1CA100SR | [AUS] |
| | 4510008540 | S.ELE EEE1CA100SR | [JUK] |
| | 4510008540 | S.ELE EEE1CA100SR | [DEN] |
| | 4510008540 | S.ELE EEE1CA100SR | [SEA] |
| | 4510008540 | S.ELE EEE1CA100SR | [OTH] |
| C2014 | 4030011600 | S.CER C1608 JB 1E 104K-T | [USA] |
| | 4030011600 | S.CER C1608 JB 1E 104K-T | [EUR] |
| | 4030011600 | S.CER C1608 JB 1E 104K-T | [AUS] |
| | 4030011600 | S.CER C1608 JB 1E 104K-T | [JUK] |
| | 4030011600 | S.CER C1608 JB 1E 104K-T | [DEN] |
| | 4030011600 | S.CER C1608 JB 1E 104K-T | [SEA] |
| | 4030011600 | S.CER C1608 JB 1E 104K-T | [OTH] |
| C2015 | 4030006900 | S.CER C1608 JB 1H 103K-T | [USA] |
| | 4030006900 | S.CER C1608 JB 1H 103K-T | [EUR] |
| | 4030006900 | S.CER C1608 JB 1H 103K-T | [AUS] |
| | 4030006900 | S.CER C1608 JB 1H 103K-T | [JUK] |
| | 4030006900 | S.CER C1608 JB 1H 103K-T | [DEN] |
| | 4030006900 | S.CER C1608 JB 1H 103K-T | [SEA] |
| | 4030006900 | S.CER C1608 JB 1H 103K-T | [OTH] |
| C2016 | 4510008540 | S.ELE EEE1CA100SR | [USA] |
| | 4510008540 | S.ELE EEE1CA100SR | [EUR] |
| | 4510008540 | S.ELE EEE1CA100SR | [AUS] |
| | 4510008540 | S.ELE EEE1CA100SR | [JUK] |
| | 4510008540 | S.ELE EEE1CA100SR | [DEN] |
| | 4510008540 | S.ELE EEE1CA100SR | [SEA] |
| | 4510008540 | S.ELE EEE1CA100SR | [OTH] |
| C2021 | 4030006860 | S.CER C1608 JB 1H 102K-T | [USA] |
| | 4030006860 | S.CER C1608 JB 1H 102K-T | [EUR] |
| | 4030006860 | S.CER C1608 JB 1H 102K-T | [AUS] |
| | 4030006860 | S.CER C1608 JB 1H 102K-T | [JUK] |
| | 4030006860 | S.CER C1608 JB 1H 102K-T | [DEN] |
| | 4030006860 | S.CER C1608 JB 1H 102K-T | [SEA] |
| | 4030006860 | S.CER C1608 JB 1H 102K-T | [OTH] |
| C2022 | 4030007080 | S.CER C1608 CH 1H 390J-T | [USA] |
| | 4030007080 | S.CER C1608 CH 1H 390J-T | [EUR] |
| | 4030007080 | S.CER C1608 CH 1H 390J-T | [AUS] |
| | 4030007080 | S.CER C1608 CH 1H 390J-T | [JUK] |
| | 4030007080 | S.CER C1608 CH 1H 390J-T | [DEN] |
| | 4030007080 | S.CER C1608 CH 1H 390J-T | [SEA] |
| | 4030007080 | S.CER C1608 CH 1H 390J-T | [OTH] |

Eqv.= This component is equivalent to the REF No. component listed above, and may be substituted on parts orders and repairs.

[MAIN UNIT] (For except [USA-2], [OTH-2], [CHN-1])

| REF NO. | PARTS NO. | DESCRIPTION | |
|---------|------------|----------------------------|-------|
| C2023 | 4030007020 | S.CER C1608 CH 1H 120J-T | [USA] |
| | 4030007020 | S.CER C1608 CH 1H 120J-T | [EUR] |
| | 4030007020 | S.CER C1608 CH 1H 120J-T | [AUS] |
| | 4030007020 | S.CER C1608 CH 1H 120J-T | [UK] |
| | 4030007020 | S.CER C1608 CH 1H 120J-T | [DEN] |
| C2024 | 4510008520 | S.ELE EEE1CA470SP | [SEA] |
| | 4510008520 | S.ELE EEE1CA470SP | [OTH] |
| | 4510008520 | S.ELE EEE1CA470SP | [USA] |
| | 4510008520 | S.ELE EEE1CA470SP | [EUR] |
| | 4510008520 | S.ELE EEE1CA470SP | [AUS] |
| C2031 | 4030006860 | S.CER C1608 JB 1H 102K-T | [UK] |
| | 4030006860 | S.CER C1608 JB 1H 102K-T | [DEN] |
| | 4030006860 | S.CER C1608 JB 1H 102K-T | [SEA] |
| | 4030006860 | S.CER C1608 JB 1H 102K-T | [OTH] |
| | 4030006860 | S.CER C1608 JB 1H 102K-T | [USA] |
| C2032 | 4030006860 | S.CER C1608 JB 1H 102K-T | [EUR] |
| | 4030006860 | S.CER C1608 JB 1H 102K-T | [AUS] |
| | 4030006860 | S.CER C1608 JB 1H 102K-T | [UK] |
| | 4030006860 | S.CER C1608 JB 1H 102K-T | [DEN] |
| | 4030006860 | S.CER C1608 JB 1H 102K-T | [SEA] |
| C2033 | 4030006860 | S.CER C1608 JB 1H 102K-T | [OTH] |
| | 4030006860 | S.CER C1608 JB 1H 102K-T | [USA] |
| | 4030006860 | S.CER C1608 JB 1H 102K-T | [EUR] |
| | 4030006860 | S.CER C1608 JB 1H 102K-T | [AUS] |
| | 4030006860 | S.CER C1608 JB 1H 102K-T | [UK] |
| C2034 | 4030006860 | S.CER C1608 JB 1H 102K-T | [DEN] |
| | 4030006860 | S.CER C1608 JB 1H 102K-T | [SEA] |
| | 4030006860 | S.CER C1608 JB 1H 102K-T | [OTH] |
| | 4030006860 | S.CER C1608 JB 1H 102K-T | [USA] |
| | 4030006860 | S.CER C1608 JB 1H 102K-T | [EUR] |
| C2035 | 4030011600 | S.CER C1608 JB 1E 104K-T | [AUS] |
| | 4030011600 | S.CER C1608 JB 1E 104K-T | [UK] |
| | 4030011600 | S.CER C1608 JB 1E 104K-T | [DEN] |
| | 4030011600 | S.CER C1608 JB 1E 104K-T | [SEA] |
| | 4030011600 | S.CER C1608 JB 1E 104K-T | [OTH] |
| C2036 | 4030011600 | S.CER C1608 JB 1E 104K-T | [USA] |
| | 4030011600 | S.CER C1608 JB 1E 104K-T | [EUR] |
| | 4030011600 | S.CER C1608 JB 1E 104K-T | [AUS] |
| | 4030011600 | S.CER C1608 JB 1E 104K-T | [UK] |
| | 4030011600 | S.CER C1608 JB 1E 104K-T | [DEN] |
| C2037 | 4030006860 | S.CER C1608 JB 1H 102K-T | [SEA] |
| | 4030006860 | S.CER C1608 JB 1H 102K-T | [OTH] |
| | 4030006860 | S.CER C1608 JB 1H 102K-T | [USA] |
| | 4030006860 | S.CER C1608 JB 1H 102K-T | [EUR] |
| | 4030006860 | S.CER C1608 JB 1H 102K-T | [AUS] |
| C2041 | 4510008540 | S.ELE EEE1CA100SR | [UK] |
| | 4510008540 | S.ELE EEE1CA100SR | [DEN] |
| | 4510008540 | S.ELE EEE1CA100SR | [SEA] |
| | 4510008540 | S.ELE EEE1CA100SR | [OTH] |
| | 4510008540 | S.ELE EEE1CA100SR | [USA] |
| C2042 | 4030011600 | S.CER C1608 JB 1E 104K-T | [EUR] |
| | 4030011600 | S.CER C1608 JB 1E 104K-T | [AUS] |
| | 4030011600 | S.CER C1608 JB 1E 104K-T | [UK] |
| | 4030011600 | S.CER C1608 JB 1E 104K-T | [DEN] |
| | 4030011600 | S.CER C1608 JB 1E 104K-T | [SEA] |
| C2051 | 4510008530 | S.ELE EEE1HA2R2SR | [OTH] |
| | 4510008530 | S.ELE EEE1HA2R2SR | [USA] |
| | 4510008530 | S.ELE EEE1HA2R2SR | [EUR] |
| | 4510008530 | S.ELE EEE1HA2R2SR | [AUS] |
| | 4510008530 | S.ELE EEE1HA2R2SR | [UK] |
| RL121 | 6330000180 | REL MZ-12HG | |
| RL141 | 6330000180 | REL MZ-12HG | |
| CP731 | 6910009670 | S.CHE HK3-S-T | |
| J101 | 6510021460 | CON PT-C02P01 | |
| J111 | 6510028210 | CON SJ050010 (TMP-J01X-V6) | |
| J411 | 6510028210 | CON SJ050010 (TMP-J01X-V6) | |
| J491 | 6510028210 | CON SJ050010 (TMP-J01X-V6) | |
| J781 | 6450001560 | CON PD-72 | |
| J782 | 6450001560 | CON PD-72 | |
| J783 | 6450001560 | CON PD-72 | |
| J784 | 6450001560 | CON PD-72 | |
| J811 | 6510028210 | CON SJ050010 (TMP-J01X-V6) | |
| J881 | 6450001560 | CON PD-72 | |
| J882 | 6450001560 | CON PD-72 | |
| J883 | 6450001560 | CON PD-72 | |

[MAIN UNIT] (For except [USA-2], [OTH-2], [CHN-1])

| REF NO. | PARTS NO. | DESCRIPTION | |
|---------|------------|-----------------------------|--|
| J884 | 6450001560 | CON PD-72 | |
| J1081 | 6510028210 | CON SJ050010 (TMP-J01X-V6) | |
| J1221 | 6510018971 | S.CON B4B-PH-SM4-TB(LF)(SN) | |
| J1231 | 6510019971 | S.CON 52808-1071 | |
| J1271 | 6510019191 | S.CON 52365-0871 | |
| J1311 | 6450001800 | CON JPJ1044-01-010 | |
| J1321 | 6450000140 | CON HSJ0807-01-010 | |
| J1351 | 6510023650 | CON HEC0740-010618 | |
| J1501 | 6510019981 | S.CON 52808-1671(1690) | |
| J1521 | 6510019981 | S.CON 52808-1671(1690) | |
| J1522 | 6510021861 | CON BH-800.4GG <LTC> | |
| J1541 | 6510019981 | S.CON 52808-1671(1690) | |
| J1561 | 6510019981 | S.CON 52808-1671(1690) | |
| J1701 | 6450000140 | CON HSJ0807-01-010 | |
| J1751 | 6510021241 | CON DELC-J9SAF-23L9E | |
| F1351 | 5210000051 | FUS FGB 3A PBF (FGB0 125V) | |
| F1352 | 5220000230 | HOL S-N5054 #01 | |
| F1353 | 5220000230 | HOL S-N5054 #01 | |
| BT1521 | 3020000110 | LIT CR-2032L/BK | |

Eqv.= This component is equivalent to the REF No. component listed above, and may be substituted on parts orders and repairs.

[PLL UNIT]

| REF NO. | PARTS NO. | DESCRIPTION | M. | H/V LOCATION |
|---------|------------|---------------------------------|----|--------------|
| IC21 | 1140007881 | S.IC TC190G08EFG0046JDZ/SC1246A | T | 55.0/31.9 |
| IC22 | 1110004460 | S.IC UPB1509GV-E1 | T | 46.6/19.6 |
| IC23 | 1130003831 | S.IC TC7S04F(TE85RF) | T | 55.3/19.6 |
| IC151 | 1140014960 | S.IC TC190G02EFG-0058/SC1287A | T | 125.6/36.4 |
| IC201 | 1140014960 | S.IC TC190G02EFG-0058/SC1287A | T | 160.5/36.4 |
| Q1 | 1530002571 | S.TRA 2SC4405-3-TL-E | T | 100.0/37.8 |
| Q2 | 1530002571 | S.TRA 2SC4405-3-TL-E | T | 91.4/47.2 |
| Q3 | 1590000680 | S.STRA DTC114EUA T106 | T | 56.8/7.2 |
| Q4 | 1590000680 | S.STRA DTC114EUA T106 | T | 13.3/37.1 |
| Q21 | 1530003001 | S.STRA 2SC4117-BL(TE85RF) | T | 54.5/45.2 |
| Q71 | 1560000491 | S.FET 2SK508-T2B-A K52 | T | 25.2/33.6 |
| Q72 | 1590000680 | S.STRA DTC114EUA T106 | T | 23.0/15.9 |
| Q81 | 1560000491 | S.FET 2SK508-T2B-A K52 | T | 34.0/33.6 |
| Q82 | 1590000680 | S.STRA DTC114EUA T106 | T | 24.1/19.1 |
| Q91 | 1530002571 | S.STRA 2SC4405-3-TL-E | T | 32.9/16.9 |
| Q92 | 1590004740 | S.STRA LMUN5111T1G <SLVJ> | T | 50.4/6.0 |
| Q93 | 1590000680 | S.STRA DTC114EUA T106 | T | 21.5/18.6 |
| Q96 | 1530003001 | S.STRA 2SC4117-BL(TE85RF) | T | 15.8/48.3 |
| Q97 | 1530003001 | S.STRA 2SC4117-BL(TE85RF) | T | 34.4/48.6 |
| Q151 | 1530002881 | S.STRA 2SC4226-T1 Y24 (R24) | T | 123.9/45.1 |
| Q201 | 1530002881 | S.STRA 2SC4226-T1 Y24 (R24) | T | 158.7/45.1 |
| D1 | 1750001850 | S.DIO LDAN222T1G <SLVJ> | T | 56.3/9.5 |
| D2 | 1750000550 | S.DIO 1SS355 TE-17 | T | 9.4/37.8 |
| D71 | 1720000831 | S.VAR KV1770STL-G 1-3 | T | 20.5/42.5 |
| D72 | 1790001261 | S.DIO MA2S077G0L | T | 27.3/23.0 |
| D81 | 1720000831 | S.VAR KV1770STL-G 1-3 | T | 30.0/43.0 |
| D82 | 1790001261 | S.DIO MA2S077G0L | T | 31.7/23.0 |
| D83 | 1750002020 | S.DIO DA2S10100L | T | 13.9/48.3 |
| D91 | 1790001261 | S.DIO MA2S077G0L | T | 43.3/7.0 |
| D92 | 1790001261 | S.DIO MA2S077G0L | T | 37.6/7.0 |
| D93 | 1790001641 | S.DIO 1SS373(TPH3F) [USA] | T | 44.7/42.4 |
| | 1790001641 | S.DIO 1SS373(TPH3F) [EUR] | | |
| | 1790001641 | S.DIO 1SS373(TPH3F) [AUS] | | |
| | 1790001641 | S.DIO 1SS373(TPH3F) [UK] | | |
| | 1790001641 | S.DIO 1SS373(TPH3F) [DEN] | | |
| | 1790001641 | S.DIO 1SS373(TPH3F) [SEA] | | |
| | 1790001641 | S.DIO 1SS373(TPH3F) [OTH] | | |
| | 1750001460 | S.DIO 1SS389(TPH3F) [USA-1] | | |
| | 1750001460 | S.DIO 1SS389(TPH3F) [OTH-1] | | |
| | 1750001460 | S.DIO 1SS389(TPH3F) [CHN] | | |
| | 1750001460 | S.DIO 1SS389(TPH3F) [USA-2] | | |
| | 1750001460 | S.DIO 1SS389(TPH3F) [OTH-2] | | |
| | 1750001460 | S.DIO 1SS389(TPH3F) [CHN-1] | | |
| D94 | 1790001641 | S.DIO 1SS373(TPH3F) [USA] | T | 44.7/41.1 |
| | 1790001641 | S.DIO 1SS373(TPH3F) [EUR] | | |
| | 1790001641 | S.DIO 1SS373(TPH3F) [AUS] | | |
| | 1790001641 | S.DIO 1SS373(TPH3F) [UK] | | |
| | 1790001641 | S.DIO 1SS373(TPH3F) [DEN] | | |
| | 1790001641 | S.DIO 1SS373(TPH3F) [SEA] | | |
| | 1790001641 | S.DIO 1SS373(TPH3F) [OTH] | | |
| | 1750001460 | S.DIO 1SS389(TPH3F) [USA-1] | | |
| | 1750001460 | S.DIO 1SS389(TPH3F) [OTH-1] | | |
| | 1750001460 | S.DIO 1SS389(TPH3F) [CHN] | | |
| | 1750001460 | S.DIO 1SS389(TPH3F) [USA-2] | | |
| | 1750001460 | S.DIO 1SS389(TPH3F) [OTH-2] | | |
| | 1750001460 | S.DIO 1SS389(TPH3F) [CHN-1] | | |
| X1 | 6050005712 | XTA CR-275B HC-49/U 30.000 MHz | | |
| L1 | 6170000231 | COI LW-25A | | |
| L2 | 6150004370 | COI LS-472C (C-15045) | | |
| L4 | 6150004250 | COI LS-471A (C-14922) | | |
| L5 | 6150004250 | COI LS-471A (C-14922) | | |
| L22 | 6200003171 | S.COI NLV32T-330J | T | 72.5/36.0 |
| L23 | 6200003181 | S.COI NLV32T-390J | T | 71.6/39.5 |
| L24 | 6200003181 | S.COI NLV32T-390J | T | 72.3/44.3 |
| L25 | 6200001831 | S.COI NLV32T-100J | T | 65.8/10.9 |
| L26 | 6200003191 | S.COI NLV32T-470J | T | 63.8/42.8 |
| L27 | 6200003191 | S.COI NLV32T-470J | T | 60.4/43.8 |
| L71 | 6170000231 | COI LW-25A | | |
| L72 | 6190001371 | COI #E544GN-110254 | | |
| L73 | 6170000231 | COI LW-25A | | |
| L81 | 6180003390 | COI SP0406-1R2K-6 [USA] | | |
| | 6180003390 | COI SP0406-1R2K-6 [EUR] | | |
| | 6180003390 | COI SP0406-1R2K-6 [AUS] | | |
| | 6180003390 | COI SP0406-1R2K-6 [UK] | | |
| | 6170000231 | COI LW-25A [DEN] | | |
| | 6170000231 | COI LW-25A [SEA] | | |
| | 6180003390 | COI SP0406-1R2K-6 [OTH] | | |
| | 6180003390 | COI SP0406-1R2K-6 [USA-1] | | |
| | 6180003390 | COI SP0406-1R2K-6 [OTH-1] | | |
| | 6180003390 | COI SP0406-1R2K-6 [CHN] | | |
| | 6180003390 | COI SP0406-1R2K-6 [USA-2] | | |
| | 6180003390 | COI SP0406-1R2K-6 [OTH-2] | | |
| | 6180003390 | COI SP0406-1R2K-6 [CHN-1] | | |
| L82 | 6190001281 | COI #E544GN-110248 | | |
| L83 | 6180003390 | COI SP0406-1R2K-6 [USA] | | |
| | 6180003390 | COI SP0406-1R2K-6 [EUR] | | |
| | 6180003390 | COI SP0406-1R2K-6 [AUS] | | |
| | 6180003390 | COI SP0406-1R2K-6 [UK] | | |
| | 6170000231 | COI LW-25A [DEN] | | |
| | 6170000231 | COI LW-25A [SEA] | | |
| | 6180003390 | COI SP0406-1R2K-6 [OTH] | | |
| | 6180003390 | COI SP0406-1R2K-6 [USA-1] | | |
| | 6180003390 | COI SP0406-1R2K-6 [OTH-1] | | |
| | 6180003390 | COI SP0406-1R2K-6 [CHN] | | |
| | 6180003390 | COI SP0406-1R2K-6 [USA-2] | | |
| | 6180003390 | COI SP0406-1R2K-6 [OTH-2] | | |
| | 6180003390 | COI SP0406-1R2K-6 [CHN-1] | | |

Eqv.= This component is equivalent to the REF No. component listed above, and may be substituted on parts orders and repairs.

[PLL UNIT]

| REF NO. | PARTS NO. | DESCRIPTION | M. | H/V LOCATION |
|---------|------------|---------------------------------|----|--------------|
| L91 | 6180002961 | S.COI NLV32T-R18J | T | 37.3/17.4 |
| L92 | 6180002981 | S.COI NLV32T-056J | T | 43.3/9.8 |
| L93 | 6180002971 | S.COI NLV32T-068J | T | 37.1/10.8 |
| L94 | 6200001831 | S.COI NLV32T-100J | T | 31.6/48.1 |
| L151 | 6200003131 | S.COI NLV32T-120J | T | 118.5/17.4 |
| L152 | 6200003141 | S.COI NLV32T-150J | T | 122.6/17.5 |
| L153 | 6200001831 | S.COI NLV32T-100J | T | 132.1/25.7 |
| L201 | 6200005491 | S.COI NLV32T-331J | T | 153.4/17.3 |
| L202 | 6200008641 | S.COI NLV32T-391J | T | 157.5/17.5 |
| L203 | 6200001831 | S.COI NLV32T-100J | T | 167.0/25.7 |
| L204 | 6200003640 | S.COI MLF1608E 100K-T | T | 23.5/23.0 |
| L205 | 6200003640 | S.COI MLF1608E 100K-T | T | 34.7/23.0 |
| L206 | 6200004790 | S.COI MLF1608D R47K-T | T | 27.3/19.4 |
| R1 | 7030003320 | S.RES ERJ3GEYJ 101 V (100) | T | 97.6/40.9 |
| R2 | 7030003580 | S.RES ERJ3GEYJ 153 V (15K) | T | 98.1/37.7 |
| R3 | 7030003520 | S.RES ERJ3GEYJ 472 V (4.7K) | T | 96.8/37.7 |
| R4 | 7030003430 | S.RES ERJ3GEYJ 821 V (820) | T | 101.9/37.4 |
| R5 | 7030003370 | S.RES ERJ3GEYJ 271 V (270) | T | 95.0/43.1 |
| R6 | 7030003320 | S.RES ERJ3GEYJ 101 V (100) | T | 91.2/43.1 |
| R7 | 7030003600 | S.RES ERJ3GEYJ 223 V (22K) | T | 91.5/45.2 |
| R8 | 7030003560 | S.RES ERJ3GEYJ 103 V (10K) | T | 94.5/46.5 |
| R9 | 7030003370 | S.RES ERJ3GEYJ 271 V (270) | T | 95.4/47.8 |
| R10 | 7030003640 | S.RES ERJ3GEYJ 473 V (47K) | T | 58.0/9.7 |
| R11 | 7030003320 | S.RES ERJ3GEYJ 101 V (100) | T | 97.0/50.2 |
| R12 | 7030003360 | S.RES ERJ3GEYJ 221 V (220) | T | 15.3/37.4 |
| R13 | 7030003200 | S.RES ERJ3GEYJ 100 V (10) | T | 90.5/41.1 |
| R21 | 7030003370 | S.RES ERJ3GEYJ 271 V (270) | T | 91.8/49.9 |
| R22 | 7030003560 | S.RES ERJ3GEYJ 103 V (10K) | T | 54.0/41.5 |
| R23 | 7030007220 | S.RES ERA3YED 202V (2K) | T | 72.3/17.4 |
| R24 | 7030007220 | S.RES ERA3YED 202V (2K) | T | 69.6/17.4 |
| R25 | 7030007220 | S.RES ERA3YED 202V (2K) | T | 69.6/18.7 |
| R26 | 7030007220 | S.RES ERA3YED 202V (2K) | T | 69.6/20.0 |
| R27 | 7030007220 | S.RES ERA3YED 202V (2K) | T | 69.6/23.0 |
| R28 | 7030007220 | S.RES ERA3YED 202V (2K) | T | 69.6/24.3 |
| R29 | 7030007220 | S.RES ERA3YED 202V (2K) | T | 69.6/25.6 |
| R30 | 7030007220 | S.RES ERA3YED 202V (2K) | T | 69.6/26.9 |
| R31 | 7030007200 | S.RES ERA3YEB 202V (2K) [USA] | T | 69.6/28.2 |
| | 7030007200 | S.RES ERA3YEB 202V (2K) [EUR] | | |
| | 7030007200 | S.RES ERA3YEB 202V (2K) [AUS] | | |
| | 7030007200 | S.RES ERA3YEB 202V (2K) [UK] | | |
| | 7030007200 | S.RES ERA3YEB 202V (2K) [DEN] | | |
| | 7030007200 | S.RES ERA3YEB 202V (2K) [SEA] | | |
| | 7030007200 | S.RES ERA3YEB 202V (2K) [OTH] | | |
| | 7030007200 | S.RES ERA3YEB 202V (2K) [USA-1] | | |
| | 7030007200 | S.RES ERA3YEB 202V (2K) [OTH-1] | | |
| | 7030007220 | S.RES ERA3YED 202V (2K) [CHN] | | |
| | 7030007220 | S.RES ERA3YED 202V (2K) [USA-2] | | |
| | 7030007220 | S.RES ERA3YED 202V (2K) [OTH-2] | | |
| | 7030007220 | S.RES ERA3YED 202V (2K) [CHN-1] | | |
| R32 | 7030007200 | S.RES ERA3YEB 202V (2K) [USA] | T | 69.6/29.5 |
| | 7030007200 | S.RES ERA3YEB 202V (2K) [EUR] | | |
| | 7030007200 | S.RES ERA3YEB 202V (2K) [AUS] | | |
| | 7030007200 | S.RES ERA3YEB 202V (2K) [UK] | | |
| | 7030007200 | S.RES ERA3YEB 202V (2K) [DEN] | | |
| | 7030007200 | S.RES ERA3YEB 202V (2K) [SEA] | | |
| | 7030007200 | S.RES ERA3YEB 202V (2K) [OTH] | | |
| | 7030007200 | S.RES ERA3YEB 202V (2K) [USA-1] | | |
| | 7030007200 | S.RES ERA3YEB 202V (2K) [OTH-1] | | |
| | 7030007220 | S.RES ERA3YED 202V (2K) [CHN] | | |
| | 7030007220 | S.RES ERA3YED 202V (2K) [USA-2] | | |
| | 7030007220 | S.RES ERA3YED 202V (2K) [OTH-2] | | |
| | 7030007220 | S.RES ERA3YED 202V (2K) [CHN-1] | | |
| R33 | 7030007200 | S.RES ERA3YEB 202V (2K) [USA] | T | 69.6/30.8 |
| | 7030007200 | S.RES ERA3YEB 202V (2K) [EUR] | | |
| | 7030007200 | S.RES ERA3YEB 202V (2K) [AUS] | | |
| | 7030007200 | S.RES ERA3YEB 202V (2K) [UK] | | |
| | 7030007200 | S.RES ERA3YEB 202V (2K) [DEN] | | |
| | 7030007200 | S.RES ERA3YEB 202V (2K) [SEA] | | |
| | 7030007200 | S.RES ERA3YEB 202V (2K) [OTH] | | |
| | 7030007200 | S.RES ERA3YEB 202V (2K) [USA-1] | | |
| | 7030007200 | S.RES ERA3YEB 202V (2K) [OTH-1] | | |
| | 7030007220 | S.RES ERA3YED 202V (2K) [CHN] | | |
| | 7030007220 | S.RES ERA3YED 202V (2K) [USA-2] | | |
| | 7030007220 | S.RES ERA3YED 202V (2K) [OTH-2] | | |
| | 7030007220 | S.RES ERA3YED 202V (2K) [CHN-1] | | |
| R34 | 7030007200 | S.RES ERA3YEB 202V (2K) [USA] | T | 69.6/32.1 |
| | 7030007200 | S.RES ERA3YEB 202V (2K) [EUR] | | |
| | 7030007200 | S.RES ERA3YEB 202V (2K) [AUS] | | |
| | 7030007200 | S.RES ERA3YEB 202V (2K) [UK] | | |
| | 7030007200 | S.RES ERA3YEB 202V (2K) [DEN] | | |
| | 7030007200 | S.RES ERA3YEB 202V (2K) [SEA] | | |
| | 7030007200 | S.RES ERA3YEB 202V (2K) [OTH] | | |
| | 7030007200 | S.RES ERA3YEB 202V (2K) [USA-1] | | |
| | 7030007200 | S.RES ERA3YEB 202V (2K) [OTH-1] | | |
| | 7030007220 | S.RES ERA3YED 202V (2K) [CHN] | | |
| | 7030007220 | S.RES ERA3YED 202V (2K) [USA-2] | | |
| | 7030007220 | S.RES ERA3YED 202V (2K) [OTH-2] | | |
| | 7030007220 | S.RES ERA3YED 202V (2K) [CHN-1] | | |
| R35 | 7030007200 | S.RES ERA3YEB 202V (2K) [USA] | T | 69.6/33.4 |
| | 7030007200 | S.RES ERA3YEB 202V (2K) [EUR] | | |
| | 7030007200 | S.RES ERA3YEB 202V (2K) [AUS] | | |
| | 7030007200 | S.RES ERA3YEB 202V (2K) [UK] | | |
| | 7030007200 | S.RES ERA3YEB 202V (2K) [DEN] | | |
| | 7030007200 | S.RES ERA3YEB 202V (2K) [SEA] | | |
| | 7030007200 | S.RES ERA3YEB 202V (2K) [OTH] | | |
| | 7030007200 | S.RES ERA3YEB 202V (2K) [USA-1] | | |
| | 7030007200 | S.RES ERA3YEB 202V (2K) [OTH-1] | | |
| | 7030007220 | S.RES ERA3YED 202V (2K) [CHN] | | |
| | 7030007220 | S.RES ERA3YED 202V (2K) [USA-2] | | |
| | 7030007220 | S.RES ERA3YED 202V (2K) [OTH-2] | | |
| | 7030007220 | S.RES ERA3YED 202V (2K) [CHN-1] | | |
| R36 | 7030007230 | S.RES ERA3YED 102V (1K) | T | 72.3/18.7 |
| R37 | 7030007230 | S.RES ERA3YED 102V (1K) | T | 72.3/20.0 |

M.=Mounted side (T: Mounted on the Top side, B: Mounted on the Bottom side) S.=Surface mount

[PLL UNIT]

| REF NO. | PARTS NO. | DESCRIPTION | M. | H/V LOCATION |
|---------|------------|------------------------------------|----|--------------|
| R38 | 7030007230 | S.RES ERA3YED 102V (1K) | T | 72.3/23.0 |
| R39 | 7030007230 | S.RES ERA3YED 102V (1K) | T | 72.3/24.3 |
| R40 | 7030007230 | S.RES ERA3YED 102V (1K) | T | 72.3/25.6 |
| R41 | 7030007230 | S.RES ERA3YED 102V (1K) | T | 72.3/26.9 |
| R42 | 7030007210 | S.RES ERA3YEB 102V (1K) | T | 72.3/28.2 |
| R43 | 7030007210 | S.RES ERA3YEB 102V (1K) | T | 72.3/29.5 |
| R44 | 7030007210 | S.RES ERA3YEB 102V (1K) | T | 72.3/30.8 |
| R45 | 7030007210 | S.RES ERA3YEB 102V (1K) | T | 72.3/32.1 |
| R46 | 7030007210 | S.RES ERA3YEB 102V (1K) | T | 72.3/33.4 |
| R47 | 7030003400 | S.RES ERJ3GEYJ 471 V (470) | T | 54.6/43.3 |
| R48 | 7030003720 | S.RES ERJ3GEYJ 224 V (220K) | T | 52.5/45.7 |
| R49 | 7030003440 | S.RES ERJ3GEYJ 102 V (1K) | T | 57.4/46.4 |
| R50 | 7030003440 | S.RES ERJ3GEYJ 102 V (1K) | T | 61.5/48.7 |
| R51 | 7030003440 | S.RES ERJ3GEYJ 102 V (1K) | T | 64.1/18.9 |
| R52 | 7030003440 | S.RES ERJ3GEYJ 102 V (1K) | T | 59.7/18.2 |
| R53 | 7030003440 | S.RES ERJ3GEYJ 102 V (1K) | T | 58.4/18.2 |
| R54 | 7030003440 | S.RES ERJ3GEYJ 102 V (1K) | T | 49.9/45.5 |
| R55 | 7030003440 | S.RES ERJ3GEYJ 102 V (1K) | T | 44.3/32.9 |
| R71 | 7030003490 | S.RES ERJ3GEYJ 272 V (2.7K) | T | 44.1/39.2 |
| R72 | 7030003780 | S.RES ERJ3GEYJ 684 V (680K) | T | 44.8/43.7 |
| R73 | 7030003260 | S.RES ERJ3GEYJ 330 V (33) | T | 44.6/49.6 |
| R75 | 7030003390 | S.RES ERJ3GEYJ 391 V (390) | T | 16.1/40.2 |
| R76 | 7030003250 | S.RES ERJ3GEYJ 270 V (27) | T | 20.5/25.3 |
| R78 | 7030003370 | S.RES ERJ3GEYJ 271 V (270) | T | 45.4/39.2 |
| R79 | 7030003580 | S.RES ERJ3GEYJ 153 V (15K) | T | 37.9/40.6 |
| R80 | 7030003570 | S.RES ERJ3GEYJ 123 V (12K) | T | 36.9/49.5 |
| R81 | 7030003560 | S.RES ERJ3GEYJ 103 V (10K) | T | 15.9/50.3 |
| R83 | 7030003480 | S.RES ERJ3GEYJ 222 V (2.2K) | T | 26.2/16.1 |
| R85 | 7030003430 | S.RES ERJ3GEYJ 821 V (820) | T | 24.6/49.9 |
| R86 | 7030003330 | S.RES ERJ3GEYJ 121 V (120) [USA] | T | 37.7/25.3 |
| | 7030003330 | S.RES ERJ3GEYJ 121 V (120) [EUR] | | |
| | 7030003330 | S.RES ERJ3GEYJ 121 V (120) [AUS] | | |
| | 7030003330 | S.RES ERJ3GEYJ 121 V (120) [UK] | | |
| | 7030003350 | S.RES ERJ3GEYJ 181 V (180) [DEN] | | |
| | 7030003330 | S.RES ERJ3GEYJ 121 V (120) [SEA] | | |
| | 7030003330 | S.RES ERJ3GEYJ 121 V (120) [OTH] | | |
| | 7030003330 | S.RES ERJ3GEYJ 121 V (120) [USA-1] | | |
| | 7030003330 | S.RES ERJ3GEYJ 121 V (120) [OTH-1] | | |
| | 7030003330 | S.RES ERJ3GEYJ 121 V (120) [CHN] | | |
| | 7030003330 | S.RES ERJ3GEYJ 121 V (120) [USA-2] | | |
| | 7030003330 | S.RES ERJ3GEYJ 121 V (120) [OTH-2] | | |
| | 7030003330 | S.RES ERJ3GEYJ 121 V (120) [CHN-1] | | |
| R91 | 7030003260 | S.RES ERJ3GEYJ 330 V (33) | T | 33.0/20.2 |
| R92 | 7030003550 | S.RES ERJ3GEYJ 822 V (8.2K) | T | 33.2/18.9 |
| R93 | 7030003510 | S.RES ERJ3GEYJ 392 V (3.9K) | T | 30.1/17.6 |
| R94 | 7030003320 | S.RES ERJ3GEYJ 101 V (100) | T | 30.1/15.0 |
| R95 | 7030003200 | S.RES ERJ3GEYJ 100 V (10) | T | 47.9/9.2 |
| R96 | 7030003680 | S.RES ERJ3GEYJ 104 V (100K) | T | 43.0/5.4 |
| R97 | 7030003440 | S.RES ERJ3GEYJ 102 V (1K) | T | 45.7/5.4 |
| R98 | 7030003440 | S.RES ERJ3GEYJ 102 V (1K) | T | 35.2/5.4 |
| R99 | 7030003440 | S.RES ERJ3GEYJ 102 V (1K) | T | 39.8/6.2 |
| R100 | 7030003510 | S.RES ERJ3GEYJ 392 V (3.9K) | T | 39.8/8.9 |
| R101 | 7030003370 | S.RES ERJ3GEYJ 271 V (270) | T | 34.5/11.2 |
| R102 | 7030003230 | S.RES ERJ3GEYJ 180 V (18) | T | 33.7/9.3 |
| R103 | 7030003370 | S.RES ERJ3GEYJ 271 V (270) | T | 33.2/11.2 |
| R104 | 7030003370 | S.RES ERJ3GEYJ 271 V (270) | T | 48.7/11.1 |
| R107 | 7030003280 | S.RES ERJ3GEYJ 470 V (47) | T | 53.1/13.0 |
| R108 | 7030003320 | S.RES ERJ3GEYJ 101 V (100) | T | 51.6/19.1 |
| R110 | 7030003360 | S.RES ERJ3GEYJ 221 V (220) | T | 52.9/17.2 |
| R111 | 7030003640 | S.RES ERJ3GEYJ 473 V (47K) | T | 56.1/22.3 |
| R112 | 7030003560 | S.RES ERJ3GEYJ 103 V (10K) | T | 28.1/16.8 |
| R113 | 7030003440 | S.RES ERJ3GEYJ 102 V (1K) | T | 53.0/20.1 |
| R114 | 7030003230 | S.RES ERJ3GEYJ 180 V (18) | T | 48.1/44.3 |
| R115 | 7030003670 | S.RES ERJ3GEYJ 823 V (82K) | T | 44.2/35.5 |
| R116 | 7030003620 | S.RES ERJ3GEYJ 333 V (33K) | T | 36.3/47.6 |
| R117 | 7030003300 | S.RES ERJ3GEYJ 680 V (68) | T | 34.4/46.6 |
| R151 | 7030003380 | S.RES ERJ3GEYJ 331 V (330) | T | 122.0/45.2 |
| R152 | 7030003620 | S.RES ERJ3GEYJ 333 V (33K) | T | 125.8/45.2 |
| R153 | 7030007220 | S.RES ERA3YED 202V (2K) | T | 115.5/45.8 |
| R154 | 7030007220 | S.RES ERA3YED 202V (2K) | T | 116.8/45.8 |
| R155 | 7030007220 | S.RES ERA3YED 202V (2K) | T | 116.8/43.1 |
| R156 | 7030007220 | S.RES ERA3YED 202V (2K) | T | 117.0/40.4 |
| R157 | 7030007220 | S.RES ERA3YED 202V (2K) | T | 117.3/37.7 |
| R158 | 7030007220 | S.RES ERA3YED 202V (2K) | T | 116.8/35.0 |
| R159 | 7030007220 | S.RES ERA3YED 202V (2K) | T | 116.8/32.3 |
| R160 | 7030007220 | S.RES ERA3YED 202V (2K) | T | 116.8/29.6 |
| R161 | 7030007200 | S.RES ERA3YEB 202V (2K) [USA] | T | 116.8/26.9 |
| | 7030007200 | S.RES ERA3YEB 202V (2K) [EUR] | | |
| | 7030007200 | S.RES ERA3YEB 202V (2K) [AUS] | | |
| | 7030007200 | S.RES ERA3YEB 202V (2K) [UK] | | |
| | 7030007200 | S.RES ERA3YEB 202V (2K) [DEN] | | |
| | 7030007200 | S.RES ERA3YEB 202V (2K) [SEA] | | |
| | 7030007200 | S.RES ERA3YEB 202V (2K) [OTH] | | |
| | 7030007200 | S.RES ERA3YEB 202V (2K) [USA-1] | | |
| | 7030007200 | S.RES ERA3YEB 202V (2K) [OTH-1] | | |
| | 7030007200 | S.RES ERA3YEB 202V (2K) [CHN] | | |
| | 7030007220 | S.RES ERA3YED 202V (2K) [USA-2] | | |
| | 7030007220 | S.RES ERA3YED 202V (2K) [OTH-2] | | |
| | 7030007220 | S.RES ERA3YED 202V (2K) [CHN-1] | | |
| R162 | 7030007200 | S.RES ERA3YEB 202V (2K) [USA] | T | 117.8/24.2 |
| | 7030007200 | S.RES ERA3YEB 202V (2K) [EUR] | | |
| | 7030007200 | S.RES ERA3YEB 202V (2K) [AUS] | | |
| | 7030007200 | S.RES ERA3YEB 202V (2K) [UK] | | |
| | 7030007200 | S.RES ERA3YEB 202V (2K) [DEN] | | |
| | 7030007200 | S.RES ERA3YEB 202V (2K) [SEA] | | |
| | 7030007200 | S.RES ERA3YEB 202V (2K) [OTH] | | |
| | 7030007200 | S.RES ERA3YEB 202V (2K) [USA-1] | | |
| | 7030007200 | S.RES ERA3YEB 202V (2K) [OTH-1] | | |
| | 7030007220 | S.RES ERA3YED 202V (2K) [CHN] | | |
| | 7030007220 | S.RES ERA3YED 202V (2K) [USA-2] | | |
| | 7030007220 | S.RES ERA3YED 202V (2K) [OTH-2] | | |
| | 7030007220 | S.RES ERA3YED 202V (2K) [CHN-1] | | |
| | 7030007220 | S.RES ERA3YED 202V (2K) [CHN-1] | | |

Eqv.= This component is equivalent to the REF No. component listed above, and may be substituted on parts orders and repairs.

[PLL UNIT]

| REF NO. | PARTS NO. | DESCRIPTION | M. | H/V LOCATION |
|---------|------------|---------------------------------|----|--------------|
| R163 | 7030007200 | S.RES ERA3YEB 202V (2K) [USA] | T | 119.2/24.2 |
| | 7030007200 | S.RES ERA3YEB 202V (2K) [EUR] | | |
| | 7030007200 | S.RES ERA3YEB 202V (2K) [AUS] | | |
| | 7030007200 | S.RES ERA3YEB 202V (2K) [UK] | | |
| | 7030007200 | S.RES ERA3YEB 202V (2K) [DEN] | | |
| | 7030007200 | S.RES ERA3YEB 202V (2K) [SEA] | | |
| | 7030007200 | S.RES ERA3YEB 202V (2K) [OTH] | | |
| | 7030007200 | S.RES ERA3YEB 202V (2K) [USA-1] | | |
| | 7030007200 | S.RES ERA3YEB 202V (2K) [OTH-1] | | |
| | 7030007220 | S.RES ERA3YED 202V (2K) [CHN] | | |
| | 7030007220 | S.RES ERA3YED 202V (2K) [USA-2] | | |
| | 7030007220 | S.RES ERA3YED 202V (2K) [OTH-2] | | |
| | 7030007220 | S.RES ERA3YED 202V (2K) [CHN-1] | | |
| R164 | 7030007230 | S.RES ERA3YED 102V (1K) | T | 115.5/43.1 |
| R165 | 7030007230 | S.RES ERA3YED 102V (1K) | T | 115.7/40.4 |
| R166 | 7030007230 | S.RES ERA3YED 102V (1K) | T | 116.0/37.7 |
| R167 | 7030007230 | S.RES ERA3YED 102V (1K) | T | 115.5/35.0 |
| R168 | 7030007230 | S.RES ERA3YED 102V (1K) | T | 115.5/32.3 |
| R169 | 7030007230 | S.RES ERA3YED 102V (1K) | T | 115.5/29.6 |
| R170 | 7030007210 | S.RES ERA3YEB 102V (1K) | T | 115.5/26.9 |
| R171 | 7030007210 | S.RES ERA3YEB 102V (1K) | T | 116.5/24.2 |
| R172 | 7030007210 | S.RES ERA3YEB 102V (1K) | T | 116.8/22.2 |
| R178 | 7030003430 | S.RES ERJ3GEYJ 821 V (820) | T | 132.2/18.4 |
| R180 | 7030003440 | S.RES ERJ3GEYJ 102 V (1K) | T | 131.5/46.0 |
| R181 | 7030003440 | S.RES ERJ3GEYJ 102 V (1K) | T | 133.2/40.7 |
| R182 | 7030003440 | S.RES ERJ3GEYJ 102 V (1K) | T | 133.2/32.5 |
| R183 | 7030003440 | S.RES ERJ3GEYJ 102 V (1K) | T | 123.6/26.4 |
| R201 | 7030003380 | S.RES ERJ3GEYJ 331 V (330) | T | 156.8/45.2 |
| R202 | 7030003620 | S.RES ERJ3GEYJ 333 V (33K) | T | 160.6/44.2 |
| R203 | 7030007220 | S.RES ERA3YED 202V (2K) | T | 150.4/46.0 |
| R204 | 7030007220 | S.RES ERA3YED 202V (2K) | T | 151.7/45.8 |
| R205 | 7030007220 | S.RES ERA3YED 202V (2K) | T | 151.7/43.1 |
| R206 | 7030007220 | S.RES ERA3YED 202V (2K) | T | 151.7/40.4 |
| R207 | 7030007220 | S.RES ERA3YED 202V (2K) | T | 152.2/37.7 |
| R208 | 7030007220 | S.RES ERA3YED 202V (2K) | T | 151.7/35.0 |
| R209 | 7030007220 | S.RES ERA3YED 202V (2K) | T | 151.7/32.3 |
| R210 | 7030007220 | S.RES ERA3YED 202V (2K) | T | 151.7/29.6 |
| R211 | 7030007200 | S.RES ERA3YEB 202V (2K) [USA] | T | 151.7/26.9 |
| | 7030007200 | S.RES ERA3YEB 202V (2K) [EUR] | | |
| | 7030007200 | S.RES ERA3YEB 202V (2K) [AUS] | | |
| | 7030007200 | S.RES ERA3YEB 202V (2K) [UK] | | |
| | 7030007200 | S.RES ERA3YEB 202V (2K) [DEN] | | |
| | 7030007200 | S.RES ERA3YEB 202V (2K) [SEA] | | |
| | 7030007200 | S.RES ERA3YEB 202V (2K) [OTH] | | |
| | 7030007200 | S.RES ERA3YEB 202V (2K) [USA-1] | | |
| | 7030007200 | S.RES ERA3YEB 202V (2K) [OTH-1] | | |
| | 7030007220 | S.RES ERA3YED 202V (2K) [CHN] | | |
| | 7030007220 | S.RES ERA3YED 202V (2K) [USA-2] | | |
| | 7030007220 | S.RES ERA3YED 202V (2K) [OTH-2] | | |
| | 7030007220 | S.RES ERA3YED 202V (2K) [CHN-1] | | |
| R212 | 7030007200 | S.RES ERA3YEB 202V (2K) [USA] | T | 152.6/24.2 |
| | 7030007200 | S.RES ERA3YEB 202V (2K) [EUR] | | |
| | 7030007200 | S.RES ERA3YEB 202V (2K) [AUS] | | |
| | 7030007200 | S.RES ERA3YEB 202V (2K) [UK] | | |
| | 7030007200 | S.RES ERA3YEB 202V (2K) [DEN] | | |
| | 7030007200 | S.RES ERA3YEB 202V (2K) [SEA] | | |
| | 7030007200 | S.RES ERA3YEB 202V (2K) [OTH] | | |
| | 7030007200 | S.RES ERA3YEB 202V (2K) [USA-1] | | |
| | 7030007200 | S.RES ERA3YEB 202V (2K) [OTH-1] | | |
| | 7030007220 | S.RES ERA3YED 202V (2K) [CHN] | | |
| | 7030007220 | S.RES ERA3YED 202V (2K) [USA-2] | | |
| | 7030007220 | S.RES ERA3YED 202V (2K) [OTH-2] | | |
| | 7030007220 | S.RES ERA3YED 202V (2K) [CHN-1] | | |
| R213 | 7030007200 | S.RES ERA3YEB 202V (2K) [USA] | T | 153.9/24.2 |
| | 7030007200 | S.RES ERA3YEB 202V (2K) [EUR] | | |
| | 7030007200 | S.RES ERA3YEB 202V (2K) [AUS] | | |
| | 7030007200 | S.RES ERA3YEB 202V (2K) [UK] | | |
| | 7030007200 | S.RES ERA3YEB 202V (2K) [DEN] | | |
| | 7030007200 | S.RES ERA3YEB 202V (2K) [SEA] | | |
| | 7030007200 | S.RES ERA3YEB 202V (2K) [OTH] | | |
| | 7030007200 | S.RES ERA3YEB 202V (2K) [USA-1] | | |
| | 7030007200 | S.RES ERA3YEB 202V (2K) [OTH-1] | | |
| | 7030007220 | S.RES ERA3YED 202V (2K) [CHN] | | |
| | 7030007220 | S.RES ERA3YED 202V (2K) [USA-2] | | |
| | 7030007220 | S.RES ERA3YED 202V (2K) [OTH-2] | | |
| | 7030007220 | S.RES ERA3YED 202V (2K) [CHN-1] | | |
| R214 | 7030007230 | S.RES ERA3YED 102V (1K) | T | 150.4/43.3 |
| R215 | 7030007230 | S.RES ERA3YED 102V (1K) | T | 150.4/40.6 |
| R216 | 7030007230 | S.RES ERA3YED 102V (1K) | T | 150.9/37.7 |
| R217 | 7030007230 | S.RES ERA3YED 102V (1K) | T | 150.4/35.0 |
| R218 | 7030007230 | S.RES ERA3YED 102V (1K) | T | 150.4/32.3 |
| R219 | 7030007230 | S.RES ERA3YED 102V (1K) | T | 150.4/29.6 |
| R220 | 7030007210 | S.RES ERA3YEB 102V (1K) | T | 150.4/26.9 |
| R221 | 7030007210 | S.RES ERA3YEB 102V (1K) | T | 151.3/24.2 |
| R222 | 7030007210 | S.RES ERA3YEB 102V (1K) | T | 151.7/22.2 |
| R228 | 7030003430 | S.RES ERJ3GEYJ 821 V (820) | T | 167.1/18.4 |
| R230 | 7030003440 | S.RES ERJ3GEYJ 102 V (1K) | T | 166.5/46.0 |
| R231 | 7030003440 | S.RES ERJ3GEYJ 102 V (1K) | T | 168.1/40.7 |
| R232 | 7030003440 | S.RES ERJ3GEYJ 102 V (1K) | T | 168.1/32.5 |
| R233 | 7030003440 | S.RES ERJ3GEYJ 102 V (1K) | T | 158.5/26.4 |
| R235 | 7030003440 | S.RES ERJ3GEYJ 102 V (1K) | T | 85.6/5.4 |
| R237 | 7030003520 | S.RES ERJ3GEYJ 472 V (4.7K) | T | 11.7/19.5 |
| W1 | 7030003860 | S.RES ERJ3GE JPW V | | |

[PLL UNIT]

| REF NO. | PARTS NO. | DESCRIPTION | M. | H/V LOCATION |
|---------|------------|--|----|--------------|
| C6 | 4030006880 | S.CER C1608 JB 1H 472K-T | T | 110.2/8.8 |
| C7 | 4030006880 | S.CER C1608 JB 1H 472K-T | T | 94.2/45.2 |
| C8 | 4030006880 | S.CER C1608 JB 1H 472K-T | T | 93.1/43.9 |
| C9 | 4030007170 | S.CER C1608 CH 1H 221J-T | T | 94.5/49.1 |
| C10 | 4030007030 | S.CER C1608 CH 1H 150J-T | T | 84.1/42.2 |
| C11 | 4030006880 | S.CER C1608 JB 1H 472K-T | T | 83.1/40.9 |
| C12 | 4030006910 | S.CER C1608 CH 1H 0R5C-T | T | 78.3/42.2 |
| C13 | 4030007030 | S.CER C1608 CH 1H 150J-T | T | 78.3/40.9 |
| C14 | 4030006880 | S.CER C1608 JB 1H 472K-T | T | 15.6/10.5 |
| C15 | 4030006880 | S.CER C1608 JB 1H 472K-T | T | 10.9/37.5 |
| C16 | 4030007610 | S.CER C1608 RH 1H 820J-T | T | 101.3/35.8 |
| C21 | 4030006880 | S.CER C1608 JB 1H 472K-T | T | 89.1/49.9 |
| C23 | 4030011600 | S.CER C1608 JB 1E 104K-T | T | 68.1/13.4 |
| C24 | 4510008500 | S.ELE EEE1CA101WP | T | 73.5/9.8 |
| C25 | 4030011600 | S.CER C1608 JB 1E 104K-T | T | 64.9/25.8 |
| C26 | 4030011600 | S.CER C1608 JB 1E 104K-T | T | 65.2/36.2 |
| C27 | 4030011600 | S.CER C1608 JB 1E 104K-T | T | 65.2/37.9 |
| C28 | 4030011600 | S.CER C1608 JB 1E 104K-T | T | 60.3/41.2 |
| C29 | 4030011600 | S.CER C1608 JB 1E 104K-T | T | 57.2/41.7 |
| C30 | 4030011600 | S.CER C1608 JB 1E 104K-T | T | 51.3/41.2 |
| C31 | 4030011600 | S.CER C1608 JB 1E 104K-T | T | 45.7/34.0 |
| C32 | 4030011600 | S.CER C1608 JB 1E 104K-T | T | 45.3/30.3 |
| C33 | 4030011600 | S.CER C1608 JB 1E 104K-T | T | 49.4/42.0 |
| C34 | 4030011600 | S.CER C1608 JB 1E 104K-T | T | 50.3/22.3 |
| C35 | 4030011600 | S.CER C1608 JB 1E 104K-T | T | 53.4/22.2 |
| C36 | 4030011600 | S.CER C1608 JB 1E 104K-T | T | 62.8/23.4 |
| C37 | 4030007070 | S.CER C1608 CH 1H 330J-T | T | 69.6/34.7 |
| C38 | 4030007010 | S.CER C1608 CH 1H 100D-T | T | 69.6/37.0 |
| C39 | 4030011540 | S.CER C1608 CH 1H 750J-T | T | 69.0/39.2 |
| C40 | 4030006980 | S.CER C1608 CH 1H 070D-T | T | 71.6/41.7 |
| C41 | 4030007120 | S.CER C1608 CH 1H 820J-T | T | 69.7/42.3 |
| C42 | 4030006930 | S.CER C1608 CH 1H 020C-T | T | 70.1/45.0 |
| C43 | 4030007100 | S.CER C1608 CH 1H 560J-T | T | 68.8/45.0 |
| C44 | 4030007010 | S.CER C1608 CH 1H 100D-T | T | 69.6/36.0 |
| C45 | 4030006860 | S.CER C1608 JB 1H 102K-T | T | 51.6/43.5 |
| C46 | 4030006860 | S.CER C1608 JB 1H 102K-T | T | 45.6/36.6 |
| C50 | 4030006880 | S.CER C1608 JB 1H 472K-T | T | 58.0/43.5 |
| C51 | 4030011600 | S.CER C1608 JB 1E 104K-T | T | 44.1/29.4 |
| C52 | 4030006880 | S.CER C1608 JB 1H 472K-T | T | 45.4/27.7 |
| C53 | 4030006880 | S.CER C1608 JB 1H 472K-T | T | 45.0/24.1 |
| C54 | 4030006880 | S.CER C1608 JB 1H 472K-T | T | 46.6/22.0 |
| C55 | 4030006880 | S.CER C1608 JB 1H 472K-T | T | 56.6/44.5 |
| C56 | 4030007110 | S.CER C1608 CH 1H 680J-T | T | 66.3/45.6 |
| C57 | 4030007090 | S.CER C1608 CH 1H 470J-T | T | 64.4/46.4 |
| C58 | 4030007100 | S.CER C1608 CH 1H 560J-T | T | 60.7/46.4 |
| C59 | 4030011840 | S.CER C1608 CH 1H 241J-T | T | 64.4/45.1 |
| C60 | 4030009580 | S.CER C1608 JB 1H 681K-T | T | 62.6/44.5 |
| C71 | 4550007520 | S.TAN F931A106MAABMA | T | 49.1/50.0 |
| C72 | 4030011600 | S.CER C1608 JB 1E 104K-T | T | 26.5/44.1 |
| C73 | 4030006850 | S.CER C1608 JB 1H 471K-T | T | 16.1/42.8 |
| C74 | 4510008540 | S.ELE EEE1CA100SR | T | 21.5/48.2 |
| C75 | 4030007140 | S.CER C1608 CH 1H 121J-T | T | 20.3/40.2 |
| C76 | 4610001830 | S.TRI TZB4S100AB10R00 (TZBX4N100BA110) | T | 24.5/38.9 |
| C77 | 4030007010 | S.CER C1608 CH 1H 100D-T | T | 25.4/36.0 |
| C78 | 4030006880 | S.CER C1608 JB 1H 472K-T | T | 27.4/33.6 |
| C79 | 4030009540 | S.CER C1608 CH 1H 1R5B-T | T | 22.5/32.5 |
| C80 | 4030006880 | S.CER C1608 JB 1H 472K-T | T | 20.5/28.0 |
| C81 | 4030006880 | S.CER C1608 JB 1H 472K-T | T | 20.5/22.6 |
| C82 | 4030011600 | S.CER C1608 JB 1E 104K-T | T | 34.4/45.1 |
| C83 | 4030006850 | S.CER C1608 JB 1H 471K-T | T | 24.6/46.4 |
| C84 | 4510008540 | S.ELE EEE1CA100SR [USA] | T | 27.7/48.1 |
| | 4510008540 | S.ELE EEE1CA100SR [EUR] | | |
| | 4510004630 | S.ELE ECEV1CA100SR [AUS] | | |
| | 4510008540 | S.ELE EEE1CA100SR [UK] | | |
| | 4510004630 | S.ELE ECEV1CA100SR [DEN] | | |
| | 4510008540 | S.ELE EEE1CA100SR [SEA] | | |
| | 4510008540 | S.ELE EEE1CA100SR [OTH] | | |
| | 4510008540 | S.ELE EEE1CA100SR [USA-1] | | |
| | 4510008540 | S.ELE EEE1CA100SR [OTH-1] | | |
| | 4510008540 | S.ELE EEE1CA100SR [CHN] | | |
| | 4510008540 | S.ELE EEE1CA100SR [USA-2] | | |
| | 4510008540 | S.ELE EEE1CA100SR [OTH-2] | | |
| | 4510008540 | S.ELE EEE1CA100SR [CHN-1] | | |
| C85 | 4030006850 | S.CER C1608 JB 1H 471K-T | T | 29.6/40.4 |
| C86 | 4610001830 | S.TRI TZB4S100AB10R00 (TZBX4N100BA110) | T | 33.4/38.9 |
| C87 | 4030006950 | S.CER C1608 CH 1H 040C-T | T | 34.4/36.0 |
| C88 | 4030006880 | S.CER C1608 JB 1H 472K-T | T | 36.2/33.6 |
| C89 | 4030009510 | S.CER C1608 CH 1H 010B-T | T | 30.4/32.5 |
| C90 | 4030006880 | S.CER C1608 JB 1H 472K-T | T | 37.7/28.0 |
| C91 | 4030006880 | S.CER C1608 JB 1H 472K-T | T | 37.7/22.6 |
| C92 | 4030006880 | S.CER C1608 JB 1H 472K-T | T | 30.5/18.9 |
| C93 | 4030006880 | S.CER C1608 JB 1H 472K-T | T | 33.0/15.0 |
| C94 | 4030011600 | S.CER C1608 JB 1E 104K-T | T | 36.7/20.2 |
| C95 | 4030006880 | S.CER C1608 JB 1H 472K-T | T | 47.1/7.3 |
| C96 | 4030007080 | S.CER C1608 CH 1H 390J-T | T | 48.4/6.2 |
| C97 | 4030006990 | S.CER C1608 CH 1H 080D-T | T | 45.5/10.5 |
| C98 | 4030007090 | S.CER C1608 CH 1H 470J-T | T | 41.1/6.2 |
| C99 | 4030006930 | S.CER C1608 CH 1H 020C-T | T | 37.5/8.6 |
| C100 | 4030007080 | S.CER C1608 CH 1H 390J-T | T | 32.5/5.4 |
| C101 | 4030006880 | S.CER C1608 JB 1H 472K-T | T | 34.6/8.0 |
| C102 | 4030007020 | S.CER C1608 CH 1H 120J-T | T | 45.5/7.8 |
| C103 | 4030006970 | S.CER C1608 CH 1H 060D-T | T | 34.6/6.7 |
| C104 | 4030006880 | S.CER C1608 JB 1H 472K-T | T | 41.1/8.9 |
| C105 | 4030006880 | S.CER C1608 JB 1H 472K-T | T | 37.9/5.4 |
| C106 | 4510008500 | S.ELE EEE1CA101WP | T | 11.9/43.1 |
| C107 | 4030006880 | S.CER C1608 JB 1H 472K-T | T | 50.0/11.1 |
| C108 | 4030006880 | S.CER C1608 JB 1H 472K-T | T | 53.8/8.2 |
| C110 | 4030006880 | S.CER C1608 JB 1H 472K-T | T | 50.4/13.0 |
| C111 | 4030006880 | S.CER C1608 JB 1H 472K-T | T | 50.2/17.2 |
| C112 | 4030006880 | S.CER C1608 JB 1H 472K-T | T | 47.5/17.2 |
| C113 | 4030006880 | S.CER C1608 JB 1H 472K-T | T | 44.8/17.2 |
| C114 | 4030006880 | S.CER C1608 JB 1H 472K-T | T | 51.1/20.9 |
| C115 | 4030006880 | S.CER C1608 JB 1H 472K-T | T | 55.6/17.2 |

Eqv.= This component is equivalent to the REF No. component listed above, and may be substituted on parts orders and repairs.

[PLL UNIT]

| REF NO. | PARTS NO. | DESCRIPTION | M. | H/V LOCATION |
|---------|------------|--------------------------|----|--------------|
| C116 | 4030011600 | S.CER C1608 JB 1E 104K-T | T | 15.9/51.6 |
| C117 | 4030011600 | S.CER C1608 JB 1E 104K-T | T | 16.1/45.4 |
| C118 | 4030006880 | S.CER C1608 JB 1H 472K-T | T | 30.1/16.3 |
| C119 | 4510009270 | S.ELE EEEHB1C220UR | T | 61.1/9.7 |
| C120 | 4030006850 | S.CER C1608 JB 1H 471K-T | T | 44.8/45.0 |
| C121 | 4030011600 | S.CER C1608 JB 1E 104K-T | T | 44.8/46.3 |
| C122 | 4030011600 | S.CER C1608 JB 1E 104K-T | T | 21.0/15.8 |
| C123 | 4030011600 | S.CER C1608 JB 1E 104K-T | T | 21.6/20.6 |
| C124 | 4030011600 | S.CER C1608 JB 1E 104K-T | T | 37.6/47.6 |
| C125 | 4030007090 | S.CER C1608 CH 1H 470J-T | T | 46.8/44.3 |
| C126 | 4550007520 | S.TAN F931A106MAABMA | T | 54.2/50.0 |
| C127 | 4030011600 | S.CER C1608 JB 1E 104K-T | T | 47.3/42.4 |
| C128 | 4030011600 | S.CER C1608 JB 1E 104K-T | T | 37.1/45.7 |
| C151 | 4030006880 | S.CER C1608 JB 1H 472K-T | T | 127.1/45.2 |
| C152 | 4030007040 | S.CER C1608 CH 1H 180J-T | T | 117.8/20.8 |
| C153 | 4030006960 | S.CER C1608 CH 1H 050C-T | T | 117.8/19.5 |
| C154 | 4030007070 | S.CER C1608 CH 1H 330J-T | T | 119.8/21.5 |
| C155 | 4030006930 | S.CER C1608 CH 1H 020C-T | T | 120.5/19.3 |
| C156 | 4030007040 | S.CER C1608 CH 1H 180J-T | T | 122.4/20.3 |
| C157 | 4030006880 | S.CER C1608 JB 1H 472K-T | T | 125.2/17.6 |
| C164 | 4030006880 | S.CER C1608 JB 1H 472K-T | T | 124.9/26.4 |
| C165 | 4510008540 | S.ELE EEE1CA100SR | T | 128.0/24.8 |
| C167 | 4030011600 | S.CER C1608 JB 1E 104K-T | T | 129.9/44.5 |
| C201 | 4030006880 | S.CER C1608 JB 1H 472K-T | T | 161.9/45.2 |
| C202 | 4030006850 | S.CER C1608 JB 1H 471K-T | T | 152.7/20.8 |
| C203 | 4030007120 | S.CER C1608 CH 1H 820J-T | T | 152.7/19.5 |
| C204 | 4030009490 | S.CER C1608 JB 1H 821K-T | T | 154.6/21.5 |
| C205 | 4030007070 | S.CER C1608 CH 1H 330J-T | T | 155.4/19.7 |
| C206 | 4030011040 | S.CER C1608 JB 1H 561K-T | T | 157.3/20.3 |
| C207 | 4030006880 | S.CER C1608 JB 1H 472K-T | T | 160.1/17.6 |
| C214 | 4030006880 | S.CER C1608 JB 1H 472K-T | T | 159.8/26.4 |
| C215 | 4510008540 | S.ELE EEE1CA100SR | T | 162.9/24.8 |
| C217 | 4030011600 | S.CER C1608 JB 1E 104K-T | T | 164.8/44.5 |
| C305 | 4510008540 | S.ELE EEE1CA100SR | T | 139.5/16.8 |
| C310 | 4030007090 | S.CER C1608 CH 1H 470J-T | T | 143.8/16.3 |
| C311 | 4030007090 | S.CER C1608 CH 1H 470J-T | T | 144.2/14.4 |
| C312 | 4030007090 | S.CER C1608 CH 1H 470J-T | T | 145.5/14.4 |
| C313 | 4030007090 | S.CER C1608 CH 1H 470J-T | T | 146.8/14.4 |
| C314 | 4030007090 | S.CER C1608 CH 1H 470J-T | T | 149.8/13.6 |
| C315 | 4030007090 | S.CER C1608 CH 1H 470J-T | T | 152.2/7.7 |
| C316 | 4030006860 | S.CER C1608 JB 1H 102K-T | T | 152.2/10.4 |
| C317 | 4030006880 | S.CER C1608 JB 1H 472K-T | T | 131.0/8.2 |
| C318 | 4030006880 | S.CER C1608 JB 1H 472K-T | T | 132.5/12.5 |
| C319 | 4030006880 | S.CER C1608 JB 1H 472K-T | T | 137.1/13.6 |
| C320 | 4030006850 | S.CER C1608 JB 1H 471K-T | T | 139.2/13.2 |
| C321 | 4030006880 | S.CER C1608 JB 1H 472K-T | T | 129.6/8.4 |
| C322 | 4030006880 | S.CER C1608 JB 1H 472K-T | T | 141.0/13.2 |
| C323 | 4030006880 | S.CER C1608 JB 1H 472K-T | T | 13.4/33.9 |
| C324 | 4030006880 | S.CER C1608 JB 1H 472K-T | T | 13.4/35.2 |
| C325 | 4030007100 | S.CER C1608 CH 1H 560J-T | T | 26.3/15.0 |
| C326 | 4030006880 | S.CER C1608 JB 1H 472K-T | T | 58.0/12.4 |
| C327 | 4030006880 | S.CER C1608 JB 1H 472K-T | T | 84.9/7.3 |
| C328 | 4030009500 | S.CER C1608 CH 1H 0R5B-T | T | 26.0/19.4 |
| C329 | 4030006850 | S.CER C1608 JB 1H 471K-T | T | 14.3/10.5 |
| C330 | 4030006880 | S.CER C1608 JB 1H 472K-T | T | 11.7/20.8 |
| RL1 | 6330001320 | REL AHY103 | | |
| J2 | 6510019981 | S.CON 52808-1671(1690) | T | 141.5/7.7 |
| J3 | 6450000140 | CON HSJ0807-01-010 | | |
| J4 | 6450000140 | CON HSJ0807-01-010 | | |
| EP2 | 6910012350 | S.BEA MMZ1608Y 102BT | T | 66.2/8.0 |
| EP3 | 6910012350 | S.BEA MMZ1608Y 102BT | T | 66.2/5.4 |
| EP4 | 6910012350 | S.BEA MMZ1608Y 102BT | T | 66.2/6.7 |
| EP5 | 6910012350 | S.BEA MMZ1608Y 102BT | T | 68.7/9.7 |
| EP6 | 6910012350 | S.BEA MMZ1608Y 102BT | T | 61.2/5.4 |
| EP7 | 6910012350 | S.BEA MMZ1608Y 102BT | T | 74.4/51.6 |
| EP8 | 6910012350 | S.BEA MMZ1608Y 102BT | T | 46.3/13.9 |
| EP9 | 6910012350 | S.BEA MMZ1608Y 102BT | T | 23.0/35.4 |
| EP10 | 6910012350 | S.BEA MMZ1608Y 102BT | T | 21.3/44.7 |
| EP11 | 6910012350 | S.BEA MMZ1608Y 102BT | T | 31.9/35.4 |
| EP12 | 6910012350 | S.BEA MMZ1608Y 102BT | T | 30.6/45.1 |
| EP13 | 6910012350 | S.BEA MMZ1608Y 102BT | T | 11.3/8.1 |
| EP14 | 6910012350 | S.BEA MMZ1608Y 102BT | T | 4.8/8.1 |

M.=Mounted side (T: Mounted on the Top side, B: Mounted on the Bottom side) S.=Surface mount

[DISPLAY BOARD]

| REF NO. | PARTS NO. | DESCRIPTION | M. | H/V LOCATION |
|---------|------------|----------------------------------|---------|--------------|
| IC102 | 1130003831 | S.IC TC7S04F(TE85RF) | B | 77.9/15.5 |
| IC103 | 1130008511 | S.IC TC7W53FU(TE12LF) | B | 78.9/35.7 |
| Q11 | 1530002851 | S.TRA 2SC4116-BL(TE85RF) | B | 76.5/7.5 |
| Q21 | 1530002851 | S.TRA 2SC4116-BL(TE85RF) | B | 70.4/7.5 |
| Q31 | 1530002851 | S.TRA 2SC4116-BL(TE85RF) | B | 64.5/7.5 |
| Q41 | 1530002851 | S.TRA 2SC4116-BL(TE85RF) | B | 58.6/7.5 |
| Q51 | 1530002851 | S.TRA 2SC4116-BL(TE85RF) | B | 52.7/7.5 |
| Q61 | 1530002851 | S.TRA 2SC4116-BL(TE85RF) | B | 46.9/7.5 |
| Q71 | 1530002851 | S.TRA 2SC4116-BL(TE85RF) | B | 41.1/7.5 |
| Q81 | 1530002851 | S.TRA 2SC4116-BL(TE85RF) | B | 35.3/7.5 |
| R11 | 7030000370 | S.RES MCR10EZHZ 820 (821) | B | 74.1/7.5 |
| R12 | 7030000360 | S.RES ERJ3GEYJ 221 V (220) | [USA] B | 78.4/7.4 |
| | 7030000360 | S.RES ERJ3GEYJ 221 V (220) | [EUR] | |
| | 7030000360 | S.RES ERJ3GEYJ 221 V (220) | [AUS] | |
| | 7030000360 | S.RES ERJ3GEYJ 221 V (220) | [UK] | |
| | 7030000360 | S.RES ERJ3GEYJ 221 V (220) | [DEN] | |
| | 7030000360 | S.RES ERJ3GEYJ 221 V (220) | [SEA] | |
| | 7030000360 | S.RES ERJ3GEYJ 221 V (220) | [OTH] | |
| | 7030000360 | S.RES ERJ3GEYJ 221 V (220) | [USA-1] | |
| | 7030000360 | S.RES ERJ3GEYJ 221 V (220) | [OTH-1] | |
| | 7030000360 | S.RES ERJ3GEYJ 221 V (220) | [CHN] | |
| | 7030000360 | S.RES ERJ3GEYJ 221 V (220) | [OTH-2] | |
| | 7030000360 | S.RES ERJ3GEYJ 221 V (220) | [CHN-1] | |
| R21 | 7030000370 | S.RES MCR10EZHZ 820 (821) | B | 68.0/7.5 |
| R22 | 7030000360 | S.RES ERJ3GEYJ 221 V (220) | B | 72.3/7.4 |
| R31 | 7030000370 | S.RES MCR10EZHZ 820 (821) | B | 62.1/7.5 |
| R32 | 7030000360 | S.RES ERJ3GEYJ 221 V (220) | B | 66.4/7.4 |
| R41 | 7030000370 | S.RES MCR10EZHZ 820 (821) | B | 56.2/7.5 |
| R42 | 7030000360 | S.RES ERJ3GEYJ 221 V (220) | B | 60.5/7.4 |
| R51 | 7030000370 | S.RES MCR10EZHZ 820 (821) | B | 50.4/7.5 |
| R52 | 7030000360 | S.RES ERJ3GEYJ 221 V (220) | B | 54.6/7.4 |
| R61 | 7030000370 | S.RES MCR10EZHZ 820 (821) | B | 44.6/7.5 |
| R62 | 7030000360 | S.RES ERJ3GEYJ 221 V (220) | B | 48.8/7.4 |
| R71 | 7030000370 | S.RES MCR10EZHZ 820 (821) | B | 38.8/7.5 |
| R72 | 7030000360 | S.RES ERJ3GEYJ 221 V (220) | B | 43.0/7.4 |
| R81 | 7030000370 | S.RES MCR10EZHZ 820 (821) | B | 33.0/7.5 |
| R82 | 7030000360 | S.RES ERJ3GEYJ 221 V (220) | B | 37.2/7.4 |
| C101 | 4030008630 | S.CER C1608 JF 1H 104Z-T | B | 75.6/28.0 |
| C103 | 4030008630 | S.CER C1608 JF 1H 104Z-T | B | 76.5/34.4 |
| C104 | 4030008630 | S.CER C1608 JF 1H 104Z-T | B | 75.6/15.0 |
| C105 | 4030008630 | S.CER C1608 JF 1H 104Z-T | B | 79.0/30.7 |
| C106 | 4030008630 | S.CER C1608 JF 1H 104Z-T | B | 77.7/30.7 |
| J101 | 6510019981 | S.CON 52808-1671(1690) | B | 83.5/20.5 |
| DS11 | 5040003710 | S.LED KP-2012SYCK <TM> | T | 83.5/34.3 |
| DS12 | 5040003710 | S.LED KP-2012SYCK <TM> | T | 83.5/23.8 |
| DS13 | 5040003710 | S.LED KP-2012SYCK <TM> | T | 83.5/13.3 |
| DS21 | 5040003710 | S.LED KP-2012SYCK <TM> | T | 73.0/34.3 |
| DS22 | 5040003710 | S.LED KP-2012SYCK <TM> | T | 73.0/23.8 |
| DS23 | 5040003710 | S.LED KP-2012SYCK <TM> | T | 73.0/13.3 |
| DS31 | 5040003710 | S.LED KP-2012SYCK <TM> | T | 62.5/34.3 |
| DS32 | 5040003710 | S.LED KP-2012SYCK <TM> | T | 62.5/23.8 |
| DS33 | 5040003710 | S.LED KP-2012SYCK <TM> | T | 62.5/13.3 |
| DS41 | 5040003710 | S.LED KP-2012SYCK <TM> | T | 52.0/34.3 |
| DS42 | 5040003710 | S.LED KP-2012SYCK <TM> | T | 52.0/23.8 |
| DS43 | 5040003710 | S.LED KP-2012SYCK <TM> | T | 52.0/13.3 |
| DS51 | 5040003710 | S.LED KP-2012SYCK <TM> | T | 41.5/34.3 |
| DS52 | 5040003710 | S.LED KP-2012SYCK <TM> | T | 41.5/23.8 |
| DS53 | 5040003710 | S.LED KP-2012SYCK <TM> | T | 41.5/13.3 |
| DS61 | 5040003710 | S.LED KP-2012SYCK <TM> | T | 31.0/34.3 |
| DS62 | 5040003710 | S.LED KP-2012SYCK <TM> | T | 31.0/23.8 |
| DS63 | 5040003710 | S.LED KP-2012SYCK <TM> | T | 31.0/13.3 |
| DS71 | 5040003710 | S.LED KP-2012SYCK <TM> | T | 20.5/34.3 |
| DS72 | 5040003710 | S.LED KP-2012SYCK <TM> | T | 20.5/23.8 |
| DS73 | 5040003710 | S.LED KP-2012SYCK <TM> | T | 20.5/13.3 |
| DS81 | 5040003710 | S.LED KP-2012SYCK <TM> | T | 10.0/34.3 |
| DS82 | 5040003710 | S.LED KP-2012SYCK <TM> | T | 10.0/23.8 |
| DS83 | 5040003710 | S.LED KP-2012SYCK <TM> | T | 10.0/13.3 |
| DS101 | 5030003490 | LCD TAK-44525-TTZCU RX2240<ITAK> | T | |
| EP2 | 8930049631 | LCD SRCN-2240-SP-N-W-1 (SHJ) | T | |

Eqv.= This component is equivalent to the REF No. component listed above, and may be substituted on parts orders and repairs.

[MAIN-A UNIT] (For [USA-2], [OTH-2], [CHN-1])

| REF NO. | PARTS NO. | DESCRIPTION | M. | H/V LOCATION |
|---------|------------|----------------------------|----|--------------|
| IC551 | 1130011760 | S.IC CD4094BPWR | T | 35.6/54.2 |
| IC552 | 1130011760 | S.IC CD4094BPWR | T | 44.2/54.2 |
| IC561 | 1160000132 | S.IC TD62783AFG(OSEL) | T | 34.6/66.3 |
| IC562 | 1160000132 | S.IC TD62783AFG(OSEL) | T | 49.0/66.3 |
| IC731 | 1110003141 | IC LA1150N-E | T | |
| IC811 | 1110002601 | S.IC MC1496DR2G | T | 133.0/48.0 |
| IC1001 | 1110007320 | S.IC NJM2591V-TE1-#ZZZB | T | 61.0/50.6 |
| IC1101 | 1110002601 | S.IC MC1496DR2G | T | 67.0/16.2 |
| IC1201 | 1130009100 | S.IC BU4052BCFV-E2 | T | 35.9/22.9 |
| IC1211 | 1110003870 | S.IC NJM2058M-TE1-#ZZZB | T | 35.9/33.9 |
| IC1251 | 1110003300 | S.IC M5282FP 70CD | T | 17.4/36.7 |
| IC1281 | 1130009100 | S.IC BU4052BCFV-E2 | T | 18.6/20.1 |
| IC1291 | 1110003091 | IC LA4425A-E | T | |
| IC1361 | 1180000970 | S.IC AN78L05M-(E1) | T | 61.0/151.4 |
| IC1371 | 1180001531 | IC PQ30RV31J00H | T | |
| IC1391 | 1180001252 | S.IC TA7808F(TE16L1NQ) | T | 74.0/157.5 |
| IC1401 | 1180001072 | S.IC TA7805F(TE16L1NQ) | T | 147.1/150.5 |
| IC1411 | 1110001401 | S.IC UPC1555G2-E1-A | T | 95.3/158.5 |
| IC1601 | 1130011760 | S.IC CD4094BPWR | T | 90.5/75.8 |
| IC1602 | 1130011760 | S.IC CD4094BPWR | T | 90.5/82.7 |
| IC1603 | 1160000132 | S.IC TD62783AFG(OSEL) | T | 102.0/87.0 |
| IC1751 | 1120002510 | S.IC DS14C232TM | T | 123.4/156.1 |
| IC1771 | 1130007111 | S.IC TC7W04FU(TE12LF) | T | 130.2/158.3 |
| Q151 | 1590000680 | S.TRA DTC114EUA T106 | T | 21.8/149.8 |
| Q381 | 1560000721 | S.FET 2SK2171-4-TD-E | T | 61.7/121.1 |
| Q382 | 1560000721 | S.FET 2SK2171-4-TD-E | T | 55.3/121.1 |
| Q383 | 1590004400 | S.TRA DMG564010R | T | 54.6/94.4 |
| Q391 | 1590004400 | S.TRA DMG564010R | T | 74.6/134.1 |
| Q392 | 1530004180 | S.TRA 2SC3356-T1B YS (R25) | T | 62.2/111.1 |
| Q411 | 1530003340 | S.TRA 2SC3357-T1 RF | T | 77.4/106.9 |
| Q441 | 1560000641 | S.FET 2SK1740-4/5-TB-E | T | 81.7/90.3 |
| Q442 | 1560000641 | S.FET 2SK1740-4/5-TB-E | T | 81.7/96.1 |
| Q471 | 1580000620 | S.FET 3SK131-T2 MAS | T | 86.8/128.7 |
| Q472 | 1590004400 | S.TRA DMG564010R | T | 88.3/132.6 |
| Q721 | 1580000620 | S.FET 3SK131-T2 MAS | T | 143.7/97.9 |
| Q731 | 1560000561 | S.FET 2SK882-GR(TE85LF) | T | 119.8/123.7 |
| Q732 | 1510000510 | S.TRA 2SA1576A T106R | T | 126.1/115.1 |
| Q733 | 1530002060 | S.TRA 2SC4081 T106 R | T | 108.9/119.4 |
| Q734 | 1530002060 | S.TRA 2SC4081 T106 R | T | 113.5/106.1 |
| Q735 | 1530002060 | S.TRA 2SC4081 T106 R | T | 119.2/106.4 |
| Q736 | 1590000680 | S.TRA DTC114EUA T106 | T | 116.0/104.3 |
| Q737 | 1590004400 | S.TRA DMG564010R | T | 123.6/106.4 |
| Q801 | 1530002060 | S.TRA 2SC4081 T106 R | T | 143.2/54.4 |
| Q891 | 1580000620 | S.FET 3SK131-T2 MAS | T | 81.2/43.0 |
| Q911 | 1560000561 | S.FET 2SK882-GR(TE85LF) | T | 81.1/26.5 |
| Q912 | 1530002060 | S.TRA 2SC4081 T106 R | T | 82.2/14.4 |
| Q1001 | 1560000561 | S.FET 2SK882-GR(TE85LF) | T | 70.0/51.3 |
| Q1031 | 1530002060 | S.TRA 2SC4081 T106 R | T | 68.8/22.9 |
| Q1051 | 1530002060 | S.TRA 2SC4081 T106 R | T | 84.7/67.8 |
| Q1061 | 1590004400 | S.TRA DMG564010R | T | 105.3/75.0 |
| Q1063 | 1530002060 | S.TRA 2SC4081 T106 R | T | 103.6/78.4 |
| Q1064 | 1590004400 | S.TRA DMG564010R | T | 89.7/71.3 |
| Q1065 | 1590004400 | S.TRA DMG564010R | T | 86.5/70.1 |
| Q1066 | 1590004400 | S.TRA DMG564010R | T | 82.5/71.4 |
| Q1311 | 1530002060 | S.TRA 2SC4081 T106 R | T | 87.2/166.7 |
| Q1381 | 1540000251 | S.TRA 2SD999-T2-AZ CK | T | 81.3/150.2 |
| Q1382 | 1590000680 | S.TRA DTC114EUA T106 | T | 79.8/158.8 |
| Q1771 | 1510000510 | S.TRA 2SA1576A T106R | T | 123.6/164.0 |
| Q1772 | 1530002060 | S.TRA 2SC4081 T106 R | T | 119.4/165.5 |
| D121 | 1790000620 | S.DIO MA77(TX) | T | 46.8/153.9 |
| D141 | 1750002520 | S.DIO RN739FT106 | T | 25.9/150.1 |
| D142 | 1750002520 | S.DIO RN739FT106 | T | 25.9/147.0 |
| D143 | 1790000620 | S.DIO MA77(TX) | T | 46.8/147.5 |
| D151 | 1750000971 | S.DIO CPH5513-TL-E | T | 31.3/139.8 |
| D172 | 1790000620 | S.DIO MA77(TX) | T | 48.7/134.5 |
| D181 | 1750000971 | S.DIO CPH5513-TL-E | T | 21.2/84.6 |
| D182 | 1790000620 | S.DIO MA77(TX) | T | 48.7/80.9 |
| D202 | 1790000620 | S.DIO MA77(TX) | T | 48.7/89.0 |
| D221 | 1750000971 | S.DIO CPH5513-TL-E | T | 21.2/95.5 |
| D222 | 1790000620 | S.DIO MA77(TX) | T | 48.7/90.9 |
| D242 | 1790000620 | S.DIO MA77(TX) | T | 48.7/99.6 |
| D261 | 1750000971 | S.DIO CPH5513-TL-E | T | 21.2/106.0 |
| D262 | 1790000620 | S.DIO MA77(TX) | T | 48.7/101.7 |
| D282 | 1790000620 | S.DIO MA77(TX) | T | 48.7/110.4 |
| D301 | 1750000971 | S.DIO CPH5513-TL-E | T | 21.2/117.3 |
| D302 | 1790000620 | S.DIO MA77(TX) | T | 48.7/112.4 |
| D322 | 1790000620 | S.DIO MA77(TX) | T | 48.7/121.9 |
| D341 | 1750000441 | S.DIO 1SV263-TL-E | T | 20.9/124.8 |
| D342 | 1790000620 | S.DIO MA77(TX) | T | 48.7/124.1 |
| D371 | 1790000620 | S.DIO MA77(TX) | T | 68.2/135.3 |
| D372 | 1790000620 | S.DIO MA77(TX) | T | 65.6/97.0 |
| D381 | 1790000620 | S.DIO MA77(TX) | T | 64.9/130.5 |
| D382 | 1790000620 | S.DIO MA77(TX) | T | 60.2/97.0 |
| D391 | 1790000620 | S.DIO MA77(TX) | T | 64.9/128.7 |
| D392 | 1790000620 | S.DIO MA77(TX) | T | 63.3/97.0 |
| D491 | 1750000431 | S.DIO HSB88WSTR-E | T | 118.5/131.5 |
| D711 | 1790000620 | S.DIO MA77(TX) | T | 141.2/113.2 |
| D712 | 1790000620 | S.DIO MA77(TX) | T | 136.4/113.2 |
| D713 | 1790000620 | S.DIO MA77(TX) | T | 141.2/110.1 |
| D714 | 1790000620 | S.DIO MA77(TX) | T | 136.3/110.1 |
| D731 | 1750001210 | S.DIO HSB88ASTR-E | T | 105.0/115.8 |
| D732 | 1750000550 | S.DIO 1SS355 TE-17 | T | 127.7/102.7 |
| D761 | 1790000620 | S.DIO MA77(TX) | T | 120.2/98.2 |
| D762 | 1790000620 | S.DIO MA77(TX) | T | 120.2/100.2 |
| D763 | 1790000620 | S.DIO MA77(TX) | T | 115.2/56.9 |
| D764 | 1790000620 | S.DIO MA77(TX) | T | 115.2/55.1 |
| D771 | 1790000620 | S.DIO MA77(TX) | T | 144.1/88.2 |
| D772 | 1790000620 | S.DIO MA77(TX) | T | 144.1/86.4 |
| D773 | 1790000620 | S.DIO MA77(TX) | T | 144.1/73.9 |
| D774 | 1790000620 | S.DIO MA77(TX)</ | | |

[MAIN-A UNIT] (For [USA-2], [OTH-2], [CHN-1])

| REF NO. | PARTS NO. | DESCRIPTION | M. | H/V LOCATION |
|---------|------------|--------------------------------|----|--------------|
| D782 | 1790000620 | S.DIO MA77(TX) | T | 131.0/98.2 |
| D783 | 1790000620 | S.DIO MA77(TX) | T | 128.8/56.2 |
| D784 | 1790000620 | S.DIO MA77(TX) | T | 128.8/54.5 |
| D831 | 1750000301 | S.DIO 1SS302(TE85RF) | T | 38.6/27.3 |
| D851 | 1790000620 | S.DIO MA77(TX) | T | 116.9/42.5 |
| D852 | 1790000620 | S.DIO MA77(TX) | T | 88.0/42.0 |
| D861 | 1790000620 | S.DIO MA77(TX) | T | 109.1/51.1 |
| D862 | 1790000620 | S.DIO MA77(TX) | T | 86.4/57.0 |
| D871 | 1790000620 | S.DIO MA77(TX) | T | 109.3/57.1 |
| D872 | 1790000620 | S.DIO MA77(TX) | T | 85.9/61.5 |
| D881 | 1790000620 | S.DIO MA77(TX) | T | 136.0/41.1 |
| D882 | 1790000620 | S.DIO MA77(TX) | T | 90.0/39.9 |
| D1041 | 1750001210 | S.DIO HSB88ASTR-E | T | 63.2/22.9 |
| D1051 | 1750001210 | S.DIO HSB88ASTR-E | T | 87.3/67.5 |
| D1061 | 1750001210 | S.DIO HSB88ASTR-E | T | 103.5/68.7 |
| D1311 | 1750000550 | S.DIO 1SS355 TE-17 | T | 83.0/164.5 |
| D1351 | 1790000700 | DIO DSA3A1 | | |
| D1371 | 1750000550 | S.DIO 1SS355 TE-17 | T | 17.3/108.6 |
| D1381 | 1750000301 | S.DIO 1SS302(TE85RF) | T | 82.0/157.1 |
| D1412 | 1750000301 | S.DIO 1SS302(TE85RF) | T | 103.0/154.1 |
| D1413 | 1730002830 | S.ZEN DZ2J051M0L | T | 108.9/157.3 |
| D1771 | 1750000550 | S.DIO 1SS355 TE-17 | T | 117.1/164.5 |
| FI461 | 2010002090 | FIL UM-5 69.0115 MHz (FL-261) | | |
| FI701 | 2010002070 | FIL 9M15A (FL-23) | | |
| FI761 | 2010002130 | D.F 9M22D4 9.0115 MHz (FL-272) | | |
| FI851 | 2020000210 | CER CFJ455K5 (FL-65) | | |
| FI861 | 2020002510 | CER LTW450HT <JJE> | | |
| FI871 | 2020002250 | CER LT450EW <JJE> | | |
| X1001 | 6070000300 | S.DIS JTBM450CX24 <JJE> | T | 50.6/53.1 |
| L101 | 6140002070 | COI LR-233 | | |
| L132 | 6200003421 | S.COI NLV32T-R15J | T | 26.0/153.3 |
| L151 | 6200005491 | S.COI NLV32T-331J | T | 23.2/146.3 |
| L161 | 6200005491 | S.COI NLV32T-331J | T | 25.7/138.3 |
| L162 | 6180003550 | COI SP0406-4R7K-6 | | |
| L163 | 6180003560 | COI SP0406-5R6K-6 | | |
| L171 | 6200005491 | S.COI NLV32T-331J | T | 35.8/132.3 |
| L172 | 6200002961 | S.COI NLV32T-4R7J | T | 36.9/135.8 |
| L173 | 6200003111 | S.COI NLV32T-6R8J | T | 40.4/134.3 |
| L181 | 6200005491 | S.COI NLV32T-331J | T | 24.5/82.1 |
| L182 | 6200003091 | S.COI NLV32T-R77J | T | 30.8/82.8 |
| L183 | 6200003101 | S.COI NLV32T-3R9J | T | 37.4/82.1 |
| L184 | 6200005491 | S.COI NLV32T-331J | T | 42.7/82.8 |
| L201 | 6200005491 | S.COI NLV32T-331J | T | 25.2/88.2 |
| L202 | 6200002991 | S.COI NLV32T-2R2J | T | 28.8/87.5 |
| L203 | 6200002991 | S.COI NLV32T-2R2J | T | 32.5/88.2 |
| L204 | 6200003321 | S.COI NLV32T-3R3J | T | 40.7/86.9 |
| L205 | 6200002961 | S.COI NLV32T-4R7J | T | 44.3/87.5 |
| L221 | 6200003241 | S.COI NLV32T-221J | T | 24.5/92.2 |
| L222 | 6200003081 | S.COI NLV32T-1R8J | T | 28.2/91.5 |
| L223 | 6200003061 | S.COI NLV32T-1R2J | T | 31.8/92.2 |
| L224 | 6200003071 | S.COI NLV32T-1R5J | T | 37.6/94.4 |
| L225 | 6200003071 | S.COI NLV32T-1R5J | T | 42.9/92.5 |
| L241 | 6200003241 | S.COI NLV32T-221J | T | 25.2/98.8 |
| L242 | 6200003061 | S.COI NLV32T-1R2J | T | 29.7/98.1 |
| L243 | 6200003331 | S.COI NLV32T-1R0J | T | 33.3/98.8 |
| L244 | 6200003331 | S.COI NLV32T-1R0J | T | 41.8/96.9 |
| L245 | 6200003081 | S.COI NLV32T-1R8J | T | 45.5/98.1 |
| L261 | 6200003241 | S.COI NLV32T-221J | T | 24.5/102.9 |
| L262 | 6200003251 | S.COI NLV32T-3R9J | T | 28.2/102.3 |
| L263 | 6200002981 | S.COI NLV32T-R56J | T | 31.8/102.9 |
| L264 | 6200003041 | S.COI NLV32T-R68J | T | 37.7/105.0 |
| L265 | 6200003331 | S.COI NLV32T-1R0J | T | 43.1/102.9 |
| L281 | 6200001831 | S.COI NLV32T-100J | T | 25.2/109.5 |
| L282 | 6200003021 | S.COI NLV32T-R33J | T | 29.7/108.9 |
| L283 | 6200003251 | S.COI NLV32T-R39J | T | 33.3/109.5 |
| L284 | 6200003031 | S.COI NLV32T-R47J | T | 41.8/108.2 |
| L285 | 6200003031 | S.COI NLV32T-R47J | T | 45.5/108.9 |
| L301 | 6200001831 | S.COI NLV32T-100J | T | 24.0/113.7 |
| L302 | 6200003021 | S.COI NLV32T-R33J | T | 27.7/114.3 |
| L303 | 6200003011 | S.COI NLV32T-R27J | T | 31.3/113.7 |
| L304 | 6200003021 | S.COI NLV32T-R33J | T | 38.3/115.0 |
| L305 | 6200003031 | S.COI NLV32T-R47J | T | 46.1/114.8 |
| L321 | 6200001831 | S.COI NLV32T-100J | T | 25.2/121.0 |
| L322 | 6200003001 | S.COI NLV32T-R22J | T | 29.6/120.4 |
| L323 | 6200003421 | S.COI NLV32T-R15J | T | 33.3/121.0 |
| L324 | 6180002961 | S.COI NLV32T-R18J | T | 36.9/120.4 |
| L325 | 6200003001 | S.COI NLV32T-R22J | T | 41.8/118.1 |
| L326 | 6200003001 | S.COI NLV32T-R22J | T | 45.4/120.4 |
| L341 | 6200001831 | S.COI NLV32T-100J | T | 23.9/125.7 |
| L342 | 6200001471 | S.COI NLV32T-R12J | T | 27.6/125.0 |
| L343 | 6200003421 | S.COI NLV32T-R15J | T | 31.2/125.7 |
| L345 | 6200003421 | S.COI NLV32T-R15J | T | 41.2/126.9 |
| L346 | 6200001471 | S.COI NLV32T-R12J | T | 46.1/126.6 |
| L361 | 6200005491 | S.COI NLV32T-331J | T | 52.5/135.5 |
| L362 | 6200005491 | S.COI NLV32T-331J | T | 59.9/134.9 |
| L371 | 6200003241 | S.COI NLV32T-221J | T | 70.7/96.9 |
| L381 | 6140000640 | COI LR-86 | | |
| L382 | 6200003071 | S.COI NLV32T-1R5J | T | 54.0/115.3 |
| L383 | 6140003530 | COI LR-395 | | |
| L384 | 6200005491 | S.COI NLV32T-331J | T | 55.2/97.2 |
| L385 | 6170000291 | COI LW-30-LF | | |
| L391 | 6200003241 | S.COI NLV32T-221J | T | 68.6/130.2 |
| L392 | 6140004760 | S.COI LR-536 4KBL-S090150 | T | 67.3/113.8 |
| L393 | 6140004760 | S.COI LR-536 4KBL-S090150 | T | 66.5/105.9 |
| L394 | 6180003760 | COI SP0406-102J-PF | | |
| L395 | 6200002041 | S.COI NLV25T-101J | T | 64.7/124.8 |
| L396 | 6200003241 | S.COI NLV32T-221J | T | 60.5/102.5 |
| L401 | 6200005491 | S.COI NLV32T-331J | T | 60.7/89.8 |
| L411 | 6200003001 | S.COI NLV32T-R22J | T | 76.0/119.3 |

Eqv.= This component is equivalent to the REF No. component listed above, and may be substituted on parts orders and repairs.

[MAIN-A UNIT] (For [USA-2], [OTH-2], [CHN-1])

| REF NO. | PARTS NO. | DESCRIPTION | M. | H/V LOCATION |
|---------|------------|-----------------------------|----|--------------|
| L412 | 6200003021 | S.COI NLV32T-R33J | T | 81.6/107.5 |
| L413 | 6200001831 | S.COI NLV32T-100J | T | 81.0/114.9 |
| L421 | 6200003431 | S.COI NLV32T-R10J | T | 81.2/103.6 |
| L422 | 6200003421 | S.COI NLV32T-R15J | T | 81.9/99.9 |
| L431 | 6200003431 | S.COI NLV32T-R10J | T | 53.7/88.6 |
| L432 | 6200003421 | S.COI NLV32T-R15J | T | 56.3/85.2 |
| L441 | 6140003530 | COI LR-395 | | |
| L442 | 6200003431 | S.COI NLV32T-R10J | T | 81.7/84.7 |
| L443 | 6150004270 | COI LS-483A (C-14924) | | |
| L444 | 6200001831 | S.COI NLV32T-100J | T | 86.7/102.0 |
| L461 | 6150004270 | COI LS-483A (C-14924) | | |
| L462 | 6150004270 | COI LS-483A (C-14924) | | |
| L471 | 6150004280 | COI LS-484B (C-14927) | | |
| L491 | 6140002810 | S.COI LR-317 | T | 108.5/131.5 |
| L492 | 6140002810 | S.COI LR-317 | T | 128.5/131.5 |
| L701 | 6150000711 | COI LS-452 | | |
| L711 | 6150000711 | COI LS-452 | | |
| L712 | 6150000711 | COI LS-452 | | |
| L721 | 6200001831 | S.COI NLV32T-100J | T | 147.5/97.9 |
| L731 | 6150004050 | COI LS-466 | | |
| L732 | 6150004050 | COI LS-466 | | |
| L733 | 6200003241 | S.COI NLV32T-221J | T | 113.3/125.1 |
| L891 | 6150002291 | COI LS-450 | | |
| L892 | 6150002291 | COI LS-450 | | |
| L911 | 6150002291 | COI LS-450 | | |
| L1001 | 6200003241 | S.COI NLV32T-221J | T | 67.9/47.1 |
| L1291 | 6180003641 | COI SZW1012T-142-0-3-1 | | |
| L1311 | 6200003241 | S.COI NLV32T-221J | T | 82.6/166.9 |
| L1411 | 6200003241 | S.COI NLV32T-221J | T | 96.2/145.8 |
| L1412 | 6200005491 | S.COI NLV32T-331J | T | 109.6/159.7 |
| L1771 | 6200003241 | S.COI NLV32T-221J | T | 139.2/151.2 |
| R101 | 7030003640 | S.RES ERJ3GEYJ 473 V (47K) | T | 45.9/169.4 |
| R102 | 7540000090 | ABS DSP-201M-S00B | | |
| R111 | 7030003640 | S.RES ERJ3GEYJ 473 V (47K) | T | 51.5/157.9 |
| R112 | 7540000090 | ABS DSP-201M-S00B | | |
| R121 | 7030003360 | S.RES ERJ3GEYJ 221 V (220) | T | 46.1/157.2 |
| R141 | 7030003480 | S.RES ERJ3GEYJ 222 V (2.2K) | T | 29.1/150.0 |
| R142 | 7030003400 | S.RES ERJ3GEYJ 471 V (470) | T | 27.8/150.0 |
| R143 | 7030003380 | S.RES ERJ3GEYJ 331 V (330) | T | 45.3/144.2 |
| R144 | 7030003300 | S.RES ERJ3GEYJ 680 V (68) | T | 46.6/144.2 |
| R145 | 7030003360 | S.RES ERJ3GEYJ 221 V (220) | T | 46.1/157.2 |
| R151 | 7030006260 | S.RES ERJ12YJ471U (470) | T | 24.9/142.3 |
| R152 | 7030003560 | S.RES ERJ3GEYJ 103 V (10K) | T | 21.9/151.7 |
| R171 | 7030003370 | S.RES ERJ3GEYJ 271 V (270) | T | 44.7/133.7 |
| R172 | 7030003230 | S.RES ERJ3GEYJ 180 V (18) | T | 45.5/135.8 |
| R173 | 7030003370 | S.RES ERJ3GEYJ 271 V (270) | T | 46.3/133.7 |
| R174 | 7030003200 | S.RES ERJ3GEYJ 100 V (10) | T | 46.8/131.6 |
| R181 | 7030003320 | S.RES ERJ3GEYJ 101 V (100) | T | 46.3/82.0 |
| R201 | 7030003320 | S.RES ERJ3GEYJ 101 V (100) | T | 46.5/86.8 |
| R221 | 7030003320 | S.RES ERJ3GEYJ 101 V (100) | T | 45.9/92.4 |
| R241 | 7030003320 | S.RES ERJ3GEYJ 101 V (100) | T | 47.6/97.0 |
| R261 | 7030003320 | S.RES ERJ3GEYJ 101 V (100) | T | 45.3/103.3 |
| R281 | 7030003320 | S.RES ERJ3GEYJ 101 V (100) | T | 47.6/108.2 |
| R301 | 7030003320 | S.RES ERJ3GEYJ 101 V (100) | T | 42.5/114.7 |
| R321 | 7030003320 | S.RES ERJ3GEYJ 101 V (100) | T | 47.6/119.7 |
| R341 | 7030003320 | S.RES ERJ3GEYJ 101 V (100) | T | 45.5/128.7 |
| R361 | 7030006260 | S.RES ERJ12YJ471U (470) | T | 55.9/136.4 |
| R362 | 7030006260 | S.RES ERJ12YJ471U (470) | T | 63.9/136.4 |
| R371 | 7030003320 | S.RES ERJ3GEYJ 101 V (100) | T | 70.5/102.9 |
| R372 | 7030003320 | S.RES ERJ3GEYJ 101 V (100) | T | 69.3/102.3 |
| R381 | 7030003320 | S.RES ERJ3GEYJ 101 V (100) | T | 53.9/130.7 |
| R382 | 7030003280 | S.RES ERJ3GEYJ 470 V (47) | T | 53.9/128.1 |
| R383 | 7030003280 | S.RES ERJ3GEYJ 470 V (47) | T | 53.9/126.8 |
| R384 | 7030003320 | S.RES ERJ3GEYJ 101 V (100) | T | 57.5/103.3 |
| R385 | 7030003320 | S.RES ERJ3GEYJ 101 V (100) | T | 56.3/103.3 |
| R386 | 7030003320 | S.RES ERJ3GEYJ 101 V (100) | T | 58.0/96.7 |
| R391 | 7030003320 | S.RES ERJ3GEYJ 101 V (100) | T | 64.9/127.1 |
| R392 | 7030003490 | S.RES ERJ3GEYJ 272 V (2.7K) | T | 66.9/120.9 |
| R393 | 7030003460 | S.RES ERJ3GEYJ 152 V (1.5K) | T | 65.6/122.3 |
| R394 | 7030003280 | S.RES ERJ3GEYJ 470 V (47) | T | 62.0/106.0 |
| R395 | 7030003320 | S.RES ERJ3GEYJ 101 V (100) | T | 63.4/102.2 |
| R396 | 7030003280 | S.RES ERJ3GEYJ 470 V (47) | T | 62.0/107.2 |
| R401 | 7030006260 | S.RES ERJ12YJ471U (470) | T | 59.4/93.6 |
| R411 | 7030003300 | S.RES ERJ3GEYJ 680 V (68) | T | 75.4/117.1 |
| R412 | 7030003520 | S.RES ERJ3GEYJ 472 V (4.7K) | T | 77.5/102.5 |
| R413 | 7030003410 | S.RES ERJ3GEYJ 561 V (560) | T | 75.4/115.9 |
| R414 | 7030003200 | S.RES ERJ3GEYJ 100 V (10) | T | 76.3/112.1 |
| R415 | 7030003280 | S.RES ERJ3GEYJ 470 V (47) | T | 81.7/112.1 |
| R419 | 7030000010 | S.RES MCR10EZHU JPW (000) | T | 81.8/119.1 |
| R442 | 7030003410 | S.RES ERJ3GEYJ 561 V (560) | T | 78.5/89.3 |
| R443 | 7030003410 | S.RES ERJ3GEYJ 561 V (560) | T | 78.5/96.7 |
| R444 | 7310005580 | S.TRI TMC3ADCS3X (4.7K) | T | 77.5/93.0 |
| R445 | 7030003280 | S.RES ERJ3GEYJ 470 V (47) | T | 79.5/85.4 |
| R446 | 7030003560 | S.RES ERJ3GEYJ 103 V (10K) | T | 82.7/92.9 |
| R447 | 7030003280 | S.RES ERJ3GEYJ 470 V (47) | T | 86.6/99.2 |
| R448 | 7030003400 | S.RES ERJ3GEYJ 471 V (470) | T | 92.8/100.5 |
| R449 | 7030003320 | S.RES ERJ3GEYJ 101 V (100) | T | 92.8/99.2 |
| R471 | 7030003760 | S.RES ERJ3GEYJ 474 V (470K) | T | 85.1/124.2 |
| R472 | 7030003280 | S.RES ERJ3GEYJ 470 V (47) | T | 86.6/125.0 |
| R473 | 7030003200 | S.RES ERJ3GEY | | |

[MAIN-A UNIT] (For [USA-2], [OTH-2], [CHN-1])

| REF NO. | PARTS NO. | DESCRIPTION | M. | H/V LOCATION |
|---------|------------|-----------------------------|----|--------------|
| R566 | 7030003640 | S.RES ERJ3GEYJ 473 V (47K) | T | 34.0/74.0 |
| R567 | 7030003640 | S.RES ERJ3GEYJ 473 V (47K) | T | 35.4/74.0 |
| R568 | 7030003640 | S.RES ERJ3GEYJ 473 V (47K) | T | 36.8/74.0 |
| R569 | 7030003640 | S.RES ERJ3GEYJ 473 V (47K) | T | 38.2/74.0 |
| R570 | 7030003640 | S.RES ERJ3GEYJ 473 V (47K) | T | 39.6/74.0 |
| R571 | 7030003200 | S.RES ERJ3GEYJ 100 V (10) | T | 29.1/77.0 |
| R572 | 7030003200 | S.RES ERJ3GEYJ 100 V (10) | T | 30.5/77.0 |
| R573 | 7030003200 | S.RES ERJ3GEYJ 100 V (10) | T | 31.9/77.0 |
| R574 | 7030003200 | S.RES ERJ3GEYJ 100 V (10) | T | 33.3/77.0 |
| R575 | 7030003200 | S.RES ERJ3GEYJ 100 V (10) | T | 34.7/77.0 |
| R576 | 7030003200 | S.RES ERJ3GEYJ 100 V (10) | T | 36.1/77.0 |
| R577 | 7030003200 | S.RES ERJ3GEYJ 100 V (10) | T | 37.5/77.0 |
| R578 | 7030003200 | S.RES ERJ3GEYJ 100 V (10) | T | 38.9/77.0 |
| R579 | 7030003640 | S.RES ERJ3GEYJ 473 V (47K) | T | 44.1/74.0 |
| R580 | 7030003640 | S.RES ERJ3GEYJ 473 V (47K) | T | 45.5/74.0 |
| R583 | 7030003640 | S.RES ERJ3GEYJ 473 V (47K) | T | 49.7/74.0 |
| R587 | 7030003200 | S.RES ERJ3GEYJ 100 V (10) | T | 43.4/77.0 |
| R588 | 7030003200 | S.RES ERJ3GEYJ 100 V (10) | T | 44.8/77.0 |
| R589 | 7030003200 | S.RES ERJ3GEYJ 100 V (10) | T | 46.2/77.0 |
| R590 | 7030003200 | S.RES ERJ3GEYJ 100 V (10) | T | 47.6/77.0 |
| R591 | 7030003200 | S.RES ERJ3GEYJ 100 V (10) | T | 49.0/77.0 |
| R592 | 7030003200 | S.RES ERJ3GEYJ 100 V (10) | T | 50.4/77.0 |
| R593 | 7030003200 | S.RES ERJ3GEYJ 100 V (10) | T | 51.8/77.0 |
| R711 | 7030003480 | S.RES ERJ3GEYJ 222 V (2.2K) | T | 133.3/123.4 |
| R712 | 7030003480 | S.RES ERJ3GEYJ 222 V (2.2K) | T | 134.5/123.4 |
| R713 | 7030003360 | S.RES ERJ3GEYJ 221 V (2.2K) | T | 138.8/111.6 |
| R721 | 7030003520 | S.RES ERJ3GEYJ 472 V (4.7K) | T | 144.6/101.8 |
| R722 | 7030003610 | S.RES ERJ3GEYJ 273 V (27K) | T | 146.7/102.3 |
| R723 | 7030003760 | S.RES ERJ3GEYJ 474 V (470K) | T | 140.0/99.5 |
| R724 | 7030003340 | S.RES ERJ3GEYJ 151 V (150) | T | 143.7/94.2 |
| R725 | 7030003320 | S.RES ERJ3GEYJ 101 V (100) | T | 148.0/102.3 |
| R731 | 7030003680 | S.RES ERJ3GEYJ 104 V (100K) | T | 123.0/123.6 |
| R732 | 7030003520 | S.RES ERJ3GEYJ 472 V (4.7K) | T | 115.4/120.4 |
| R733 | 7030003320 | S.RES ERJ3GEYJ 101 V (100) | T | 119.9/125.9 |
| R734 | 7030003320 | S.RES ERJ3GEYJ 101 V (100) | T | 132.1/124.3 |
| R735 | 7030003600 | S.RES ERJ3GEYJ 223 V (22K) | T | 114.2/120.4 |
| R736 | 7310005540 | S.TRI TMC3ADC14X (10K) | T | 116.7/124.6 |
| R737 | 7030003640 | S.RES ERJ3GEYJ 473 V (47K) | T | 126.3/117.3 |
| R738 | 7030003640 | S.RES ERJ3GEYJ 473 V (47K) | T | 111.9/118.7 |
| R739 | 7030003640 | S.RES ERJ3GEYJ 473 V (47K) | T | 109.9/123.4 |
| R740 | 7030003440 | S.RES ERJ3GEYJ 102 V (1K) | T | 111.9/121.3 |
| R741 | 7030003520 | S.RES ERJ3GEYJ 472 V (4.7K) | T | 108.7/123.4 |
| R742 | 7030003320 | S.RES ERJ3GEYJ 101 V (100) | T | 110.4/125.5 |
| R743 | 7030003640 | S.RES ERJ3GEYJ 473 V (47K) | T | 116.2/107.0 |
| R744 | 7030003520 | S.RES ERJ3GEYJ 472 V (4.7K) | T | 111.6/106.0 |
| R745 | 7030003680 | S.RES ERJ3GEYJ 104 V (100K) | T | 106.9/113.3 |
| R746 | 7030003540 | S.RES ERJ3GEYJ 682 V (6.8K) | T | 121.4/106.4 |
| R747 | 7030003440 | S.RES ERJ3GEYJ 102 V (1K) | T | 119.0/104.3 |
| R748 | 7030003400 | S.RES ERJ3GEYJ 471 V (470) | T | 121.9/104.3 |
| R749 | 7030003600 | S.RES ERJ3GEYJ 223 V (22K) | T | 124.0/103.5 |
| R750 | 7030003440 | S.RES ERJ3GEYJ 102 V (1K) | T | 125.8/106.4 |
| R751 | 7030003280 | S.RES ERJ3GEYJ 470 V (47) | T | 127.9/107.2 |
| R761 | 7030003480 | S.RES ERJ3GEYJ 222 V (2.2K) | T | 114.9/99.2 |
| R762 | 7030003360 | S.RES ERJ3GEYJ 221 V (2.2K) | T | 112.0/99.2 |
| R763 | 7030003360 | S.RES ERJ3GEYJ 221 V (2.2K) | T | 112.0/97.9 |
| R764 | 7030003480 | S.RES ERJ3GEYJ 222 V (2.2K) | T | 112.8/56.1 |
| R765 | 7030003560 | S.RES ERJ3GEYJ 103 V (10K) | T | 111.5/53.3 |
| R771 | 7030003480 | S.RES ERJ3GEYJ 222 V (2.2K) | T | 143.0/78.8 |
| R772 | 7030003360 | S.RES ERJ3GEYJ 221 V (2.2K) | T | 143.0/82.9 |
| R773 | 7030003360 | S.RES ERJ3GEYJ 221 V (2.2K) | T | 141.7/77.5 |
| R774 | 7030003480 | S.RES ERJ3GEYJ 222 V (2.2K) | T | 143.8/75.5 |
| R775 | 7030003560 | S.RES ERJ3GEYJ 103 V (10K) | T | 140.9/74.1 |
| R781 | 7030003480 | S.RES ERJ3GEYJ 222 V (2.2K) | T | 132.2/99.9 |
| R782 | 7030003360 | S.RES ERJ3GEYJ 221 V (2.2K) | T | 127.3/99.7 |
| R783 | 7030003360 | S.RES ERJ3GEYJ 221 V (2.2K) | T | 125.2/100.5 |
| R784 | 7030003480 | S.RES ERJ3GEYJ 222 V (2.2K) | T | 125.8/54.4 |
| R785 | 7030003560 | S.RES ERJ3GEYJ 103 V (10K) | T | 124.4/57.0 |
| R791 | 7030003480 | S.RES ERJ3GEYJ 222 V (2.2K) | T | 140.9/88.2 |
| R792 | 7030003520 | S.RES ERJ3GEYJ 472 V (4.7K) | T | 140.9/84.3 |
| R793 | 7030003480 | S.RES ERJ3GEYJ 222 V (2.2K) | T | 140.9/82.2 |
| R794 | 7030003480 | S.RES ERJ3GEYJ 222 V (2.2K) | T | 140.9/67.3 |
| R795 | 7030003520 | S.RES ERJ3GEYJ 472 V (4.7K) | T | 140.9/70.7 |
| R796 | 7030003480 | S.RES ERJ3GEYJ 222 V (2.2K) | T | 140.9/72.8 |
| R801 | 7030003440 | S.RES ERJ3GEYJ 102 V (1K) | T | 141.0/54.5 |
| R802 | 7030003320 | S.RES ERJ3GEYJ 101 V (100) | T | 143.3/52.5 |
| R811 | 7030003460 | S.RES ERJ3GEYJ 152 V (1.5K) | T | 135.0/52.4 |
| R812 | 7030003400 | S.RES ERJ3GEYJ 471 V (470) | T | 137.0/54.5 |
| R813 | 7030003400 | S.RES ERJ3GEYJ 471 V (470) | T | 133.0/53.2 |
| R814 | 7030003500 | S.RES ERJ3GEYJ 332 V (3.3K) | T | 131.7/53.2 |
| R815 | 7030003500 | S.RES ERJ3GEYJ 332 V (3.3K) | T | 129.6/52.4 |
| R816 | 7030003490 | S.RES ERJ3GEYJ 272 V (2.7K) | T | 138.4/48.5 |
| R817 | 7030003490 | S.RES ERJ3GEYJ 272 V (2.7K) | T | 139.7/49.8 |
| R818 | 7030003490 | S.RES ERJ3GEYJ 272 V (2.7K) | T | 126.3/48.2 |
| R819 | 7030003440 | S.RES ERJ3GEYJ 102 V (1K) | T | 124.2/47.4 |
| R820 | 7030003440 | S.RES ERJ3GEYJ 102 V (1K) | T | 130.0/43.6 |
| R821 | 7030003500 | S.RES ERJ3GEYJ 332 V (3.3K) | T | 127.6/48.2 |
| R822 | 7030003200 | S.RES ERJ3GEYJ 100 V (10) | T | 126.8/50.3 |
| R823 | 7030003200 | S.RES ERJ3GEYJ 100 V (10) | T | 140.5/47.7 |
| R824 | 7030003360 | S.RES ERJ3GEYJ 221 V (2.2K) | T | 146.7/53.3 |
| R825 | 7510001480 | S.THE NTCG10 3NH 681JT | T | 135.0/53.8 |
| R831 | 7030004710 | S.RES ERJ3GEYJ 475 V (4.7M) | T | 43.7/29.9 |
| R832 | 7030004710 | S.RES ERJ3GEYJ 475 V (4.7M) | T | 43.7/31.2 |
| R833 | 7030004710 | S.RES ERJ3GEYJ 475 V (4.7M) | T | 40.5/30.4 |
| R834 | 7030004710 | S.RES ERJ3GEYJ 475 V (4.7M) | T | 41.3/33.8 |
| R835 | 7030003820 | S.RES ERJ3GEYJ 155 V (1.5M) | T | 41.3/32.5 |
| R836 | 7030003520 | S.RES ERJ3GEYJ 472 V (4.7K) | T | 41.3/28.5 |
| R841 | 7030003560 | S.RES ERJ3GEYJ 103 V (10K) | T | 119.6/41.6 |
| R851 | 7030003560 | S.RES ERJ3GEYJ 103 V (10K) | T | 114.5/43.3 |
| R852 | 7030003360 | S.RES ERJ3GEYJ 221 V (2.2K) | T | 116.6/44.1 |
| R853 | 7030003360 | S.RES ERJ3GEYJ 221 V (2.2K) | T | 117.4/46.2 |
| R854 | 7030003560 | S.RES ERJ3GEYJ 103 V (10K) | T | 88.0/45.2 |
| R855 | 7030003560 | S.RES ERJ3GEYJ 103 V (10K) | T | 115.3/46.7 |
| R861 | 7030003560 | S.RES ERJ3GEYJ 103 V (10K) | T | 105.6/51.6 |
| R862 | 7030003360 | S.RES ERJ3GEYJ 221 V (2.2K) | T | 106.9/52.6 |
| R863 | 7030003360 | S.RES ERJ3GEYJ 221 V (2.2K) | T | 103.5/52.1 |

Eqv.= This component is equivalent to the REF No. component listed above, and may be substituted on parts orders and repairs.

[MAIN-A UNIT] (For [USA-2], [OTH-2], [CHN-1])

| REF NO. | PARTS NO. | DESCRIPTION | M. | H/V LOCATION |
|---------|------------|-----------------------------|----|--------------|
| R864 | 7030003560 | S.RES ERJ3GEYJ 103 V (10K) | T | 87.6/54.6 |
| R865 | 7030003560 | S.RES ERJ3GEYJ 103 V (10K) | T | 101.4/52.9 |
| R871 | 7030003510 | S.RES ERJ3GEYJ 392 V (3.9K) | T | 105.6/55.8 |
| R872 | 7030003360 | S.RES ERJ3GEYJ 221 V (2.2K) | T | 106.9/55.5 |
| R873 | 7030003360 | S.RES ERJ3GEYJ 221 V (2.2K) | T | 103.5/56.0 |
| R874 | 7030003510 | S.RES ERJ3GEYJ 392 V (3.9K) | T | 87.5/62.2 |
| R875 | 7030003560 | S.RES ERJ3GEYJ 103 V (10K) | T | 101.4/55.8 |
| R881 | 7030003510 | S.RES ERJ3GEYJ 392 V (3.9K) | T | 139.3/39.9 |
| R882 | 7030003360 | S.RES ERJ3GEYJ 221 V (2.2K) | T | 142.7/40.7 |
| R883 | 7030003360 | S.RES ERJ3GEYJ 221 V (2.2K) | T | 139.3/41.2 |
| R884 | 7030003510 | S.RES ERJ3GEYJ 392 V (3.9K) | T | 94.1/39.9 |
| R885 | 7030003560 | S.RES ERJ3GEYJ 103 V (10K) | T | 130.5/40.8 |
| R891 | 7030003560 | S.RES ERJ3GEYJ 103 V (10K) | T | 85.5/49.6 |
| R892 | 7030003320 | S.RES ERJ3GEYJ 101 V (100) | T | 83.6/44.0 |
| R893 | 7030003480 | S.RES ERJ3GEYJ 222 V (2.2K) | T | 86.2/44.8 |
| R894 | 7030003600 | S.RES ERJ3GEYJ 223 V (2.2K) | T | 81.4/40.6 |
| R895 | 7030003380 | S.RES ERJ3GEYJ 331 V (3.3K) | T | 77.0/40.7 |
| R896 | 7030003500 | S.RES ERJ3GEYJ 332 V (3.3K) | T | 77.0/35.0 |
| R897 | 7030003320 | S.RES ERJ3GEYJ 101 V (100) | T | 77.0/32.1 |
| R898 | 7310005540 | S.TRI TMC3ADC14X (10K) | T | 84.1/27.3 |
| R911 | 7030003320 | S.RES ERJ3GEYJ 101 V (100) | T | 80.8/29.8 |
| R912 | 7030003480 | S.RES ERJ3GEYJ 222 V (2.2K) | T | 77.0/20.9 |
| R913 | 7030003320 | S.RES ERJ3GEYJ 101 V (100) | T | 77.4/19.0 |
| R914 | 7030003560 | S.RES ERJ3GEYJ 103 V (10K) | T | 79.3/12.6 |
| R915 | 7030003560 | S.RES ERJ3GEYJ 103 V (10K) | T | 81.2/12.4 |
| R1001 | 7030003520 | S.RES ERJ3GEYJ 472 V (4.7K) | T | 71.9/51.2 |
| R1002 | 7030003320 | S.RES ERJ3GEYJ 101 V (100) | T | 68.9/49.3 |
| R1003 | 7030003700 | S.RES ERJ3GEYJ 154 V (150K) | T | 65.6/52.2 |
| R1004 | 7030003500 | S.RES ERJ3GEYJ 332 V (3.3K) | T | 70.2/53.3 |
| R1005 | 7030003720 | S.RES ERJ3GEYJ 224 V (22K) | T | 64.6/54.1 |
| R1006 | 7030003440 | S.RES ERJ3GEYJ 102 V (1K) | T | 55.1/53.6 |
| R1007 | 7030003360 | S.RES ERJ3GEYJ 221 V (2.2K) | T | 66.2/49.3 |
| R1008 | 7030003720 | S.RES ERJ3GEYJ 224 V (22K) | T | 73.1/46.0 |
| R1009 | 7030003780 | S.RES ERJ3GEYJ 684 V (680K) | T | 55.1/50.8 |
| R1021 | 7030003560 | S.RES ERJ3GEYJ 103 V (10K) | T | 44.9/38.5 |
| R1022 | 7030003630 | S.RES ERJ3GEYJ 393 V (3.9K) | T | 42.6/39.3 |
| R1023 | 7030003630 | S.RES ERJ3GEYJ 393 V (3.9K) | T | 41.3/35.2 |
| R1024 | 7030003640 | S.RES ERJ3GEYJ 473 V (4.7K) | T | 38.6/42.1 |
| R1025 | 7030003670 | S.RES ERJ3GEYJ 823 V (82K) | T | 40.7/38.5 |
| R1026 | 7030003640 | S.RES ERJ3GEYJ 473 V (4.7K) | T | 42.7/37.8 |
| R1031 | 7030003360 | S.RES ERJ3GEYJ 221 V (2.2K) | T | 71.6/24.9 |
| R1032 | 7030003720 | S.RES ERJ3GEYJ 224 V (22K) | T | 71.6/23.6 |
| R1033 | 7030003440 | S.RES ERJ3GEYJ 102 V (1K) | T | 66.0/22.3 |
| R1041 | 7030003440 | S.RES ERJ3GEYJ 102 V (1K) | T | 63.3/24.9 |
| R1042 | 7030003680 | S.RES ERJ3GEYJ 104 V (100K) | T | 60.4/24.9 |
| R1043 | 7030003440 | S.RES ERJ3GEYJ 102 V (1K) | T | 60.4/23.6 |
| R1044 | 7030003660 | S.RES ERJ3GEYJ 683 V (68K) | T | 57.7/23.6 |
| R1045 | 7030003640 | S.RES ERJ3GEYJ 473 V (4.7K) | T | 55.0/23.6 |
| R1051 | 7030003490 | S.RES ERJ3GEYJ 272 V (2.7K) | T | 85.9/65.5 |
| R1052 | 7030003520 | S.RES ERJ3GEYJ 472 V (4.7K) | T | 91.5/68.3 |
| R1053 | 7030003400 | S.RES ERJ3GEYJ 471 V (470) | T | 89.3/67.4 |
| R1061 | 7030003680 | S.RES ERJ3GEYJ 104 V (100K) | T | 103.5/72.2 |
| R1062 | 7030003600 | S.RES ERJ3GEYJ 223 V (2.2K) | T | 102.7/74.3 |
| R1063 | 7030003440 | S.RES ERJ3GEYJ 102 V (1K) | T | 101.4/77.6 |
| R1064 | 7030003780 | S.RES ERJ3GEYJ 684 V (680K) | T | 91.6/71.5 |
| R1065 | 7030003520 | S.RES ERJ3GEYJ 472 V (4.7K) | T | 82.0/66.5 |
| R1066 | 7030003600 | S.RES ERJ3GEYJ 223 V (2.2K) | T | 101.4/73.2 |
| R1067 | 7030003740 | S.RES ERJ3GEYJ 334 V (330K) | T | 84.6/70.5 |
| R1068 | 7030003560 | S.RES ERJ3GEYJ 103 V (10K) | T | 82.7/68.4 |
| R1081 | 7030003360 | S.RES ERJ3GEYJ 221 V (2.2K) | T | 72.4/12.7 |
| R1082 | 7030003440 | S.RES ERJ3GEYJ 102 V (1K) | T | 63.2/8.4 |
| R1084 | 7030003640 | S.RES ERJ3GEYJ 473 V (4.7K) | T | 59.3/8.4 |
| R1101 | 7030003440 | S.RES ERJ3GEYJ 102 V (1K) | T | 72.4/18.6 |
| R1102 | 7030003460 | S.RES ERJ3GEYJ 152 V (1.5K) | T | 68.9/20.5 |
| R1103 | 7030003440 | S.RES ERJ3GEYJ 102 V (1K) | T | 60.8/14.3 |
| R1104 | 7030003500 | S.RES ERJ3GEYJ 332 V (3.3K) | T | 60.8/15.6 |
| R1105 | 7030003480 | S.RES ERJ3GEYJ 222 V (2.2K) | T | 60.8/16.9 |
| R1106 | 7030003200 | S.RES ERJ3GEYJ 100 V (10) | T | 60.8/18.2 |
| R1107</ | | | | |

[MAIN-A UNIT] (For [USA-2], [OTH-2], [CHN-1])

| REF NO. | PARTS NO. | DESCRIPTION | M. | H/V LOCATION |
|---------|------------|-----------------------------|----|--------------|
| R1293 | 7030003400 | S.RES ERJ3GEYJ 471 V (47K) | T | 13.4/17.4 |
| R1311 | 7030003520 | S.RES ERJ3GEYJ 472 V (4.7K) | T | 83.6/161.1 |
| R1312 | 7030003620 | S.RES ERJ3GEYJ 333 V (33K) | T | 86.0/164.7 |
| R1313 | 7030003580 | S.RES ERJ3GEYJ 153 V (15K) | T | 88.7/164.7 |
| R1314 | 7030003640 | S.RES ERJ3GEYJ 473 V (47K) | T | 88.3/168.7 |
| R1351 | 7030003200 | S.RES ERJ3GEYJ 100 V (10) | T | 16.0/113.4 |
| R1371 | 7030003520 | S.RES ERJ3GEYJ 472 V (4.7K) | T | 11.6/118.0 |
| R1372 | 7030003640 | S.RES ERJ3GEYJ 473 V (47K) | T | 9.7/118.5 |
| R1374 | 7030003520 | S.RES ERJ3GEYJ 472 V (4.7K) | T | 17.3/111.8 |
| R1381 | 7030003280 | S.RES ERJ3GEYJ 470 V (47) | T | 81.3/145.8 |
| R1382 | 7030003480 | S.RES ERJ3GEYJ 222 V (2.2K) | T | 79.8/145.8 |
| R1401 | 7070001060 | RES ERG2SJ 120 | | |
| R1411 | 7030003320 | S.RES ERJ3GEYJ 101 V (100) | T | 91.9/151.2 |
| R1412 | 7030003560 | S.RES ERJ3GEYJ 103 V (10K) | T | 90.0/158.0 |
| R1413 | 7030003680 | S.RES ERJ3GEYJ 104 V (100K) | T | 90.0/159.3 |
| R1414 | 7030003320 | S.RES ERJ3GEYJ 101 V (100) | T | 99.8/156.9 |
| R1415 | 7030003320 | S.RES ERJ3GEYJ 101 V (100) | T | 90.6/151.2 |
| R1416 | 7030003320 | S.RES ERJ3GEYJ 101 V (100) | T | 101.1/156.9 |
| R1771 | 7030003540 | S.RES ERJ3GEYJ 682 V (6.8K) | T | 121.6/164.2 |
| R1772 | 7030003620 | S.RES ERJ3GEYJ 333 V (33K) | T | 119.3/163.4 |
| R1773 | 7030003640 | S.RES ERJ3GEYJ 473 V (47K) | T | 126.0/164.2 |
| R1774 | 7030003580 | S.RES ERJ3GEYJ 153 V (15K) | T | 127.3/164.2 |
| R2051 | 7030003640 | S.RES ERJ3GEYJ 473 V (47K) | T | 70.0/44.4 |
| C101 | 4030011600 | S.CER C1608 JB 1E 104K-T | T | 46.6/167.3 |
| C111 | 4030019180 | S.CER TMK212BJ105KG-T | T | 48.0/158.7 |
| C121 | 4030006900 | S.CER C1608 JB 1H 103K-T | T | 45.3/154.2 |
| C131 | 4030007070 | S.CER C1608 CH 1H 330J-T | T | 27.5/159.1 |
| C132 | 4030007070 | S.CER C1608 CH 1H 330J-T | T | 23.2/156.9 |
| C133 | 4030007040 | S.CER C1608 CH 1H 180J-T | T | 21.9/156.9 |
| C134 | 4030007120 | S.CER C1608 CH 1H 820J-T | T | 28.8/156.2 |
| C135 | 4030007040 | S.CER C1608 CH 1H 180J-T | T | 27.5/156.2 |
| C136 | 4030007100 | S.CER C1608 CH 1H 560J-T | T | 29.1/153.2 |
| C141 | 4030006900 | S.CER C1608 JB 1E 103K-T | T | 45.3/147.8 |
| C151 | 4030019180 | S.CER TMK212BJ105KG-T | T | 29.1/144.4 |
| C152 | 4030011600 | S.CER C1608 JB 1E 104K-T | T | 20.2/147.8 |
| C161 | 4030008470 | S.CER C1608 JB 1H 272K-T | T | 28.6/138.3 |
| C162 | 4030009880 | S.CER C1608 JB 1H 682K-T | T | 24.7/133.3 |
| C163 | 4030009980 | S.CER C1608 JB 1H 152K-T | T | 24.7/132.1 |
| C164 | 4030011600 | S.CER C1608 JB 1E 104K-T | T | 24.2/128.3 |
| C170 | 4510008520 | S.ELE EEE1CA470SP | | 30.7/132.8 |
| C171 | 4030011600 | S.CER C1608 JB 1E 104K-T | T | 38.0/130.9 |
| C172 | 4030008650 | S.CER C1608 JB 1H 332K-T | T | 39.3/130.9 |
| C173 | 4030010240 | S.CER C1608 JB 1H 391K-T | T | 41.5/131.5 |
| C174 | 4030008650 | S.CER C1608 JB 1H 332K-T | T | 43.4/130.8 |
| C175 | 4030019180 | S.CER TMK212BJ105KG-T | T | 43.0/134.6 |
| C176 | 4030011600 | S.CER C1608 JB 1E 104K-T | T | 44.7/130.8 |
| C181 | 4030011600 | S.CER C1608 JB 1E 104K-T | T | 22.4/81.4 |
| C182 | 4030006860 | S.CER C1608 JB 1H 102K-T | T | 28.0/83.6 |
| C183 | 4030009580 | S.CER C1608 JB 1H 681K-T | T | 30.1/80.6 |
| C184 | 4030006870 | S.CER C1608 JB 1H 222K-T | T | 34.0/82.3 |
| C185 | 4030007170 | S.CER C1608 CH 1H 221J-T | T | 35.3/81.4 |
| C186 | 4030010020 | S.CER C1608 JB 1H 122K-T | T | 39.6/82.7 |
| C187 | 4030011600 | S.CER C1608 JB 1E 104K-T | T | 40.4/80.6 |
| C188 | 4030011600 | S.CER C1608 JB 1E 104K-T | T | 45.5/84.1 |
| C201 | 4030011600 | S.CER C1608 JB 1E 104K-T | T | 22.4/88.0 |
| C202 | 4030010020 | S.CER C1608 JB 1H 122K-T | T | 26.7/85.2 |
| C203 | 4030007130 | S.CER C1608 CH 1H 101J-T | T | 31.8/86.0 |
| C204 | 4030010020 | S.CER C1608 JB 1H 122K-T | T | 34.0/85.2 |
| C205 | 4030009880 | S.CER C1608 JB 1H 682K-T | T | 35.3/88.0 |
| C206 | 4030009880 | S.CER C1608 JB 1H 682K-T | T | 36.6/88.0 |
| C207 | 4030009980 | S.CER C1608 JB 1H 152K-T | T | 37.9/88.0 |
| C208 | 4030009980 | S.CER C1608 JB 1H 152K-T | T | 41.4/89.0 |
| C209 | 4030011600 | S.CER C1608 JB 1E 104K-T | T | 47.8/85.6 |
| C221 | 4030011600 | S.CER C1608 JB 1E 104K-T | T | 22.4/91.5 |
| C222 | 4030010240 | S.CER C1608 JB 1H 391K-T | T | 28.4/94.5 |
| C223 | 4030007140 | S.CER C1608 CH 1H 121J-T | T | 27.1/94.5 |
| C224 | 4030007130 | S.CER C1608 CH 1H 101J-T | T | 34.0/91.5 |
| C225 | 4030006850 | S.CER C1608 JB 1H 471K-T | T | 29.7/94.5 |
| C226 | 4030006870 | S.CER C1608 JB 1H 222K-T | T | 35.3/91.5 |
| C227 | 4030006880 | S.CER C1608 JB 1H 472K-T | T | 36.6/91.5 |
| C228 | 4030006860 | S.CER C1608 JB 1H 102K-T | T | 37.9/91.5 |
| C229 | 4030009580 | S.CER C1608 JB 1H 681K-T | T | 40.0/91.0 |
| C230 | 4030011600 | S.CER C1608 JB 1E 104K-T | T | 45.1/94.5 |
| C241 | 4030011600 | S.CER C1608 JB 1E 104K-T | T | 22.4/98.8 |
| C242 | 4030010760 | S.CER C1608 CH 1H 331J-T | T | 32.0/95.8 |
| C243 | 4030007090 | S.CER C1608 CH 1H 470J-T | T | 34.0/96.6 |
| C244 | 4030007160 | S.CER C1608 CH 1H 181J-T | T | 36.9/98.3 |
| C245 | 4030010040 | S.CER C1608 JB 1H 561K-T | T | 36.9/99.6 |
| C246 | 4030008470 | S.CER C1608 JB 1H 272K-T | T | 39.0/98.8 |
| C247 | 4030010760 | S.CER C1608 CH 1H 331J-T | T | 42.1/99.6 |
| C248 | 4030011600 | S.CER C1608 JB 1E 104K-T | T | 47.6/94.3 |
| C261 | 4030011600 | S.CER C1608 JB 1E 104K-T | T | 22.4/102.2 |
| C262 | 4030011280 | S.CER C1608 CH 1H 271J-T | T | 28.4/105.2 |
| C263 | 4030007090 | S.CER C1608 CH 1H 470J-T | T | 34.0/102.2 |
| C264 | 4030007150 | S.CER C1608 CH 1H 151J-T | T | 35.3/102.2 |
| C265 | 4030006850 | S.CER C1608 JB 1H 471K-T | T | 37.4/101.4 |
| C266 | 4030010020 | S.CER C1608 JB 1H 122K-T | T | 37.4/102.7 |
| C267 | 4030007140 | S.CER C1608 CH 1H 121J-T | T | 40.2/102.7 |
| C268 | 4030007140 | S.CER C1608 CH 1H 121J-T | T | 40.2/101.4 |
| C269 | 4030011600 | S.CER C1608 JB 1E 104K-T | T | 41.0/105.2 |
| C281 | 4030011600 | S.CER C1608 JB 1E 104K-T | T | 22.4/109.2 |
| C282 | 4030007160 | S.CER C1608 CH 1H 181J-T | T | 31.8/106.6 |
| C283 | 4030007030 | S.CER C1608 CH 1H 150J-T | T | 34.3/106.1 |
| C284 | 4030007030 | S.CER C1608 CH 1H 150J-T | T | 34.3/107.4 |
| C285 | 4030007130 | S.CER C1608 CH 1H 101J-T | T | 37.2/107.8 |
| C286 | 4030007150 | S.CER C1608 CH 1H 151J-T | T | 36.9/109.1 |
| C287 | 4030007150 | S.CER C1608 CH 1H 151J-T | T | 36.9/110.4 |
| C288 | 4030010020 | S.CER C1608 JB 1H 122K-T | T | 39.0/109.6 |
| C289 | 4030007150 | S.CER C1608 CH 1H 151J-T | T | 42.5/110.4 |
| C290 | 4030011600 | S.CER C1608 JB 1E 104K-T | T | 47.6/105.3 |
| C301 | 4030011600 | S.CER C1608 JB 1E 104K-T | T | 21.9/113.0 |
| C302 | 4030006990 | S.CER C1608 CH 1H 080J-T | T | 28.4/112.2 |
| C303 | 4030007160 | S.CER C1608 CH 1H 181J-T | T | 34.6/115.5 |

Eqv.= This component is equivalent to the REF No. component listed above, and may be substituted on parts orders and repairs.

[MAIN-A UNIT] (For [USA-2], [OTH-2], [CHN-1])

| REF NO. | PARTS NO. | DESCRIPTION | M. | H/V LOCATION |
|---------|------------|--------------------------|----|--------------|
| C304 | 4030007060 | S.CER C1608 CH 1H 270J-T | T | 33.5/113.0 |
| C305 | 4030007140 | S.CER C1608 CH 1H 121J-T | T | 36.1/113.0 |
| C306 | 4030007160 | S.CER C1608 CH 1H 181J-T | T | 38.3/112.2 |
| C307 | 4030010020 | S.CER C1608 JB 1H 122K-T | T | 40.4/113.0 |
| C308 | 4030007130 | S.CER C1608 CH 1H 101J-T | T | 45.5/112.2 |
| C309 | 4030011600 | S.CER C1608 JB 1E 104K-T | T | 42.5/116.0 |
| C321 | 4030006900 | S.CER C1608 JB 1H 103K-T | T | 22.4/121.1 |
| C322 | 4030007110 | S.CER C1608 CH 1H 680J-T | T | 27.5/118.1 |
| C323 | 4030007080 | S.CER C1608 CH 1H 390J-T | T | 29.8/117.5 |
| C324 | 4030007110 | S.CER C1608 CH 1H 680J-T | T | 31.9/118.1 |
| C325 | 4030007010 | S.CER C1608 CH 1H 100D-T | T | 34.0/117.6 |
| C326 | 4030007010 | S.CER C1608 CH 1H 100D-T | T | 34.0/118.9 |
| C327 | 4030007110 | S.CER C1608 CH 1H 680J-T | T | 36.1/116.8 |
| C328 | 4030007170 | S.CER C1608 CH 1H 221J-T | T | 39.1/121.1 |
| C329 | 4030010240 | S.CER C1608 JB 1H 391K-T | T | 40.4/121.1 |
| C330 | 4030007100 | S.CER C1608 CH 1H 560J-T | T | 42.5/121.9 |
| C331 | 4030007050 | S.CER C1608 CH 1H 220J-T | T | 45.5/120.6 |
| C332 | 4030006900 | S.CER C1608 JB 1H 103K-T | T | 46.8/117.6 |
| C333 | 4030007070 | S.CER C1608 CH 1H 330J-T | T | 26.2/118.1 |
| C341 | 4030006900 | S.CER C1608 JB 1H 103K-T | T | 26.1/128.0 |
| C342 | 4030007110 | S.CER C1608 CH 1H 680J-T | T | 29.1/128.0 |
| C344 | 4030007020 | S.CER C1608 CH 1H 120J-T | T | 33.4/125.0 |
| C345 | 4030007080 | S.CER C1608 CH 1H 390J-T | T | 34.8/127.9 |
| C346 | 4030006900 | S.CER C1608 JB 1H 103K-T | T | 36.9/127.1 |
| C349 | 4030007100 | S.CER C1608 CH 1H 560J-T | T | 41.2/124.1 |
| C350 | 4030007160 | S.CER C1608 CH 1H 181J-T | T | 43.3/126.5 |
| C351 | 4030007090 | S.CER C1608 CH 1H 470J-T | T | 44.1/124.1 |
| C352 | 4030006900 | S.CER C1608 JB 1H 103K-T | T | 47.6/129.2 |
| C361 | 4030019180 | S.CER TMK212BJ105KG-T | T | 59.8/140.3 |
| C371 | 4030019180 | S.CER TMK212BJ105KG-T | T | 68.9/94.5 |
| C372 | 4030007010 | S.CER C1608 CH 1H 100D-T | T | 70.5/106.5 |
| C381 | 4030011600 | S.CER C1608 JB 1E 104K-T | T | 53.9/129.4 |
| C382 | 4030011600 | S.CER C1608 JB 1E 104K-T | T | 53.9/125.5 |
| C383 | 4030011600 | S.CER C1608 JB 1E 104K-T | T | 55.1/103.3 |
| C384 | 4030011600 | S.CER C1608 JB 1E 104K-T | T | 53.8/103.3 |
| C385 | 4030011600 | S.CER C1608 JB 1E 104K-T | T | 52.6/97.4 |
| C386 | 4030011600 | S.CER C1608 JB 1E 104K-T | T | 53.9/117.9 |
| C390 | 4030019560 | S.CER GRM21BB31C106KE15L | T | 72.3/135.3 |
| C391 | 4030011600 | S.CER C1608 JB 1E 104K-T | T | 69.1/128.0 |
| C392 | 4030011600 | S.CER C1608 JB 1E 104K-T | T | 63.9/117.4 |
| C393 | 4030017490 | S.CER C1608 JB 1A 105K-T | T | 66.6/119.7 |
| C394 | 4550007480 | S.TAN F930J106MAABMA | T | 67.1/118.0 |
| C395 | 4030017490 | S.CER C1608 JB 1A 105K-T | T | 62.0/108.4 |
| C396 | 4030019180 | S.CER TMK212BJ105KG-T | T | 70.3/120.7 |
| C397 | 4030019180 | S.CER TMK212BJ105KG-T | T | 70.1/109.9 |
| C398 | 4030011600 | S.CER C1608 JB 1E 104K-T | T | 67.0/101.4 |
| C399 | 4030011600 | S.CER C1608 JB 1E 104K-T | T | 62.0/104.8 |
| C401 | 4030011600 | S.CER C1608 JB 1E 104K-T | T | 56.7/90.1 |
| C411 | 4030007080 | S.CER C1608 CH 1H 390J-T | T | 77.5/116.3 |
| C412 | 4030007130 | S.CER C1608 CH 1H 101J-T | T | 75.5/103.9 |
| C413 | 4030011600 | S.CER C1608 JB 1E 104K-T | T | 79.0/112.1 |
| C414 | 4030006860 | S.CER C1608 JB 1H 102K-T | T | 75.5/101.2 |
| C415 | 4030011600 | S.CER C1608 JB 1E 104K-T | T | 81.0/117.5 |
| C422 | 4030006970 | S.CER C1608 CH 1H 060D-T | T | 77.8/100.5 |
| C423 | 4030007040 | S.CER C1608 CH 1H 180J-T | T | 77.8/99.2 |
| C424 | 4030006920 | S.CER C1608 CH 1H 010C-T | T | 79.7/98.7 |
| C425 | 4030007040 | S.CER C1608 CH 1H 180J-T | T | 77.8/97.9 |
| C431 | 4030007070 | S.CER C1608 CH 1H 330J-T | T | 52.4/91.4 |
| C432 | 4030007070 | S.CER C1608 CH 1H 330J-T | T | 57.2/88.2 |
| C433 | 4030007040 | S.CER C1608 CH 1H 180J-T | T | 55.9/88.2 |
| C434 | 4030007120 | S.CER C1608 CH 1H 820J-T | T | 53.7/85.1 |
| C435 | 4030007040 | S.CER C1608 CH 1H 180J-T | T | 58.5/87.7 |
| C436 | 4030007100 | S.CER C1608 CH 1H 560J-T | T | 59.8/85.9 |
| C442 | 4030011600 | S.CER C1608 JB 1E 104K-T | T | 78.5/90.6 |
| C443 | 4030011600 | S.CER C1608 JB 1E 104K-T | T | 78.5/95.4 |
| C444 | 4030006990 | S.CER C1608 CH 1H 080D-T | T | 80.4/92.9 |
| C445 | 4030006950 | S.CER C1608 CH 1H 040C-T | T | 85.8/93.1 |
| C446 | 4030011600 | S.CER C1608 JB 1E 104K-T | T | 89.5/99.2 |
| C447 | 4030011600 | S.CER C1608 JB 1E 104K-T | T | 89.6/103.5 |
| C448 | 4030007130 | S.CER C1608 CH 1H 1 | | |

[MAIN-A UNIT] (For [USA-2], [OTH-2], [CHN-1])

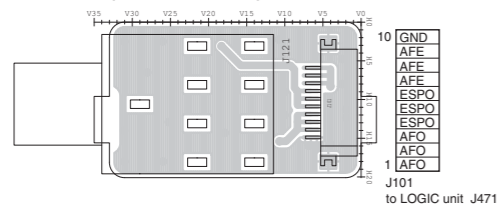
| REF NO. | PARTS NO. | DESCRIPTION | M. | H/V LOCATION |
|---------|------------|--------------------------|----|--------------|
| C742 | 4030011600 | S.CER C1608 JB 1E 104K-T | T | 125.3/103.5 |
| C743 | 4510008540 | S.ELE EEE1CA100SR | T | 106.1/103.5 |
| C761 | 4030011600 | S.CER C1608 JB 1E 104K-T | T | 114.9/97.9 |
| C762 | 4030011600 | S.CER C1608 JB 1E 104K-T | T | 112.8/53.3 |
| C771 | 4030011600 | S.CER C1608 JB 1E 104K-T | T | 140.9/79.6 |
| C772 | 4030011600 | S.CER C1608 JB 1E 104K-T | T | 140.9/75.4 |
| C773 | 4030007030 | S.CER C1608 CH 1H 150J-T | T | 144.6/77.5 |
| C781 | 4030011600 | S.CER C1608 JB 1E 104K-T | T | 128.6/99.7 |
| C782 | 4030011600 | S.CER C1608 JB 1E 104K-T | T | 124.4/55.7 |
| C791 | 4030011600 | S.CER C1608 JB 1E 104K-T | T | 140.9/86.4 |
| C792 | 4030011600 | S.CER C1608 JB 1E 104K-T | T | 140.9/68.6 |
| C801 | 4030011600 | S.CER C1608 JB 1E 104K-T | T | 145.4/53.3 |
| C811 | 4030006880 | S.CER C1608 JB 1H 472K-T | T | 138.9/53.7 |
| C813 | 4030011600 | S.CER C1608 JB 1E 104K-T | T | 126.8/51.6 |
| C814 | 4030011600 | S.CER C1608 JB 1E 104K-T | T | 124.2/48.7 |
| C816 | 4030006880 | S.CER C1608 JB 1H 472K-T | T | 143.9/50.2 |
| C818 | 4030011600 | S.CER C1608 JB 1E 104K-T | T | 136.0/43.6 |
| C831 | 4030006850 | S.CER C1608 JB 1H 332K-T | T | 41.8/30.4 |
| C841 | 4030006880 | S.CER C1608 JB 1H 472K-T | T | 120.4/43.7 |
| C851 | 4030011600 | S.CER C1608 JB 1E 104K-T | T | 115.3/45.4 |
| C852 | 4030011600 | S.CER C1608 JB 1E 104K-T | T | 88.1/48.8 |
| C861 | 4030011600 | S.CER C1608 JB 1E 104K-T | T | 103.5/53.4 |
| C862 | 4030011600 | S.CER C1608 JB 1E 104K-T | T | 87.6/51.7 |
| C871 | 4030011600 | S.CER C1608 JB 1E 104K-T | T | 103.5/54.7 |
| C872 | 4030011600 | S.CER C1608 JB 1E 104K-T | T | 87.5/59.3 |
| C881 | 4030011600 | S.CER C1608 JB 1E 104K-T | T | 141.4/40.7 |
| C882 | 4030011600 | S.CER C1608 JB 1E 104K-T | T | 97.7/39.9 |
| C891 | 4030011600 | S.CER C1608 JB 1E 104K-T | T | 84.2/49.6 |
| C892 | 4030006880 | S.CER C1608 JB 1H 472K-T | T | 83.6/41.1 |
| C893 | 4030006880 | S.CER C1608 JB 1H 472K-T | T | 84.9/44.8 |
| C894 | 4030011600 | S.CER C1608 JB 1E 104K-T | T | 77.7/42.0 |
| C895 | 4030007050 | S.CER C1608 CH 1H 220J-T | T | 77.8/43.6 |
| C896 | 4030011600 | S.CER C1608 JB 1E 104K-T | T | 78.2/32.1 |
| C897 | 4030006880 | S.CER C1608 JB 1H 472K-T | T | 84.5/30.2 |
| C911 | 4030011600 | S.CER C1608 JB 1E 104K-T | T | 80.8/28.5 |
| C912 | 4030007170 | S.CER C1608 CH 1H 221J-T | T | 71.6/22.3 |
| C913 | 4030011600 | S.CER C1608 JB 1E 104K-T | T | 75.8/20.9 |
| C914 | 4510008530 | S.ELE EEE1HA2R2SR | T | 84.9/13.0 |
| C1001 | 4030011600 | S.CER C1608 JB 1E 104K-T | T | 61.9/47.1 |
| C1002 | 4030006880 | S.CER C1608 JB 1H 472K-T | T | 67.5/50.6 |
| C1003 | 4030011600 | S.CER C1608 JB 1E 104K-T | T | 61.9/54.1 |
| C1004 | 4030007170 | S.CER C1608 CH 1H 221J-T | T | 67.5/51.9 |
| C1005 | 4030007170 | S.CER C1608 CH 1H 221J-T | T | 67.5/53.2 |
| C1006 | 4030006880 | S.CER C1608 JB 1H 472K-T | T | 59.2/54.1 |
| C1007 | 4030007130 | S.CER C1608 CH 1H 101J-T | T | 56.5/52.6 |
| C1008 | 4510008540 | S.ELE EEE1CA100SR | T | 45.8/43.2 |
| C1009 | 4030011600 | S.CER C1608 JB 1E 104K-T | T | 56.5/48.8 |
| C1010 | 4030011600 | S.CER C1608 JB 1E 104K-T | T | 70.8/48.6 |
| C1021 | 4030011600 | S.CER C1608 JB 1E 104K-T | T | 44.2/35.2 |
| C1022 | 4030008880 | S.CER C1608 JB 1H 223K-T | T | 44.2/36.5 |
| C1023 | 4030009880 | S.CER C1608 JB 1H 682K-T | T | 41.3/36.5 |
| C1024 | 4030011600 | S.CER C1608 JB 1E 104K-T | T | 40.7/41.3 |
| C1031 | 4030011600 | S.CER C1608 JB 1E 104K-T | T | 66.0/23.6 |
| C1041 | 4030006880 | S.CER C1608 JB 1H 472K-T | T | 66.0/24.9 |
| C1042 | 4030006880 | S.CER C1608 JB 1H 472K-T | T | 60.4/22.3 |
| C1043 | 4030006880 | S.CER C1608 JB 1H 472K-T | T | 57.7/22.3 |
| C1044 | 4030011600 | S.CER C1608 JB 1E 104K-T | T | 57.7/24.9 |
| C1051 | 4510008540 | S.ELE EEE1CA100SR | T | 82.7/76.7 |
| C1061 | 4030006880 | S.CER C1608 JB 1H 472K-T | T | 83.4/63.1 |
| C1062 | 4030007130 | S.CER C1608 CH 1H 101J-T | T | 103.5/70.9 |
| C1063 | 4510008540 | S.ELE EEE1CA100SR | T | 107.3/70.9 |
| C1064 | 4030011600 | S.CER C1608 JB 1E 104K-T | T | 106.2/67.4 |
| C1065 | 4510008540 | S.ELE EEE1CA100SR | T | 98.3/76.1 |
| C1066 | 4510008530 | S.ELE EEE1HA2R2SR | T | 94.6/69.6 |
| C1067 | 4510009270 | S.ELE EEEHB1C220UR | T | 99.4/69.4 |
| C1081 | 4030006880 | S.CER C1608 JB 1H 472K-T | T | 71.6/20.5 |
| C1085 | 4030006880 | S.CER C1608 JB 1H 472K-T | T | 72.4/15.4 |
| C1089 | 4030006880 | S.CER C1608 JB 1H 472K-T | T | 61.9/8.4 |
| C1090 | 4030011600 | S.CER C1608 JB 1E 104K-T | T | 60.6/8.4 |
| C1101 | 4030011600 | S.CER C1608 JB 1E 104K-T | T | 60.6/11.1 |
| C1102 | 4030011600 | S.CER C1608 JB 1E 104K-T | T | 61.9/11.1 |
| C1103 | 4030011600 | S.CER C1608 JB 1E 104K-T | T | 70.5/11.9 |
| C1201 | 4030006900 | S.CER C1608 JB 1H 103K-T | T | 40.5/26.0 |
| C1202 | 4030006900 | S.CER C1608 JB 1H 103K-T | T | 31.0/21.7 |
| C1211 | 4030010020 | S.CER C1608 JB 1H 122K-T | T | 30.5/29.9 |
| C1212 | 4030006860 | S.CER C1608 JB 1H 102K-T | T | 30.5/32.5 |
| C1213 | 4030008650 | S.CER C1608 JB 1H 332K-T | T | 30.5/37.7 |
| C1214 | 4030006850 | S.CER C1608 JB 1H 471K-T | T | 30.5/36.4 |
| C1215 | 4030011600 | S.CER C1608 JB 1E 104K-T | T | 36.4/27.2 |
| C1216 | 4030011600 | S.CER C1608 JB 1E 104K-T | T | 35.0/27.2 |
| C1217 | 4030011600 | S.CER C1608 JB 1E 104K-T | T | 31.3/39.8 |
| C1231 | 4030006880 | S.CER C1608 JB 1H 472K-T | T | 25.7/63.2 |
| C1251 | 4030011600 | S.CER C1608 JB 1E 104K-T | T | 22.7/37.6 |
| C1253 | 4030010760 | S.CER C1608 CH 1H 331J-T | T | 21.4/34.9 |
| C1254 | 4510008530 | S.ELE EEE1HA2R2SR | T | 26.2/38.8 |
| C1255 | 4030006900 | S.CER C1608 JB 1H 103K-T | T | 22.7/32.2 |
| C1256 | 4030011600 | S.CER C1608 JB 1E 104K-T | T | 27.7/32.2 |
| C1257 | 4510008540 | S.ELE EEE1CA100SR | T | 11.2/37.0 |
| C1258 | 4510008540 | S.ELE EEE1CA100SR | T | 11.2/41.8 |
| C1259 | 4510008540 | S.ELE EEE1CA100SR | T | 11.2/32.2 |
| C1260 | 4510008540 | S.ELE EEE1CA100SR | T | 24.9/26.9 |
| C1261 | 4510008540 | S.ELE EEE1CA100SR | T | 13.9/26.9 |
| C1262 | 4510008530 | S.ELE EEE1HA2R2SR | T | 18.7/27.6 |
| C1271 | 4030006880 | S.CER C1608 JB 1H 472K-T | T | 48.3/9.6 |
| C1272 | 4030011600 | S.CER C1608 JB 1E 104K-T | T | 49.1/15.5 |
| C1281 | 4030006900 | S.CER C1608 JB 1H 103K-T | T | 22.1/17.6 |
| C1282 | 4030006900 | S.CER C1608 JB 1H 103K-T | T | 14.5/23.2 |
| C1292 | 4510008540 | S.ELE EEE1CA100SR | T | 10.8/21.9 |
| C1293 | 4030011600 | S.CER C1608 JB 1E 104K-T | T | 4.7/29.2 |
| C1294 | 4030011600 | S.CER C1608 JB 1E 104K-T | T | 5.0/35.6 |
| C1295 | 4510004591 | ELE 16 ME 470 HC | | |
| C1296 | 4510004591 | ELE 16 ME 470 HC | | |
| C1311 | 4030006900 | S.CER C1608 JB 1H 103K-T | T | 80.0/164.7 |
| C1312 | 4030006900 | S.CER C1608 JB 1H 103K-T | T | 89.1/166.6 |
| C1321 | 4030006900 | S.CER C1608 JB 1H 103K-T | T | 101.7/164.7 |

Eqv.= This component is equivalent to the REF No. component listed above, and may be substituted on parts orders and repairs.

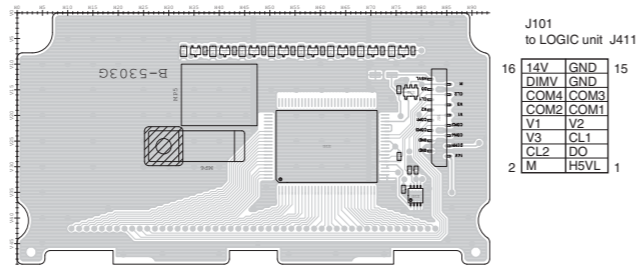
[MAIN-A UNIT] (For [USA-2], [OTH-2], [CHN-1])

| REF NO. | PARTS NO. | DESCRIPTION | M. | H/V LOCATION |
|---------|------------|-----------------------------|----|--------------|
| C1322 | 4030006860 | S.CER C1608 JB 1H 102K-T | T | 101.5/176.7 |
| C1351 | 4030006900 | S.CER C1608 JB 1H 103K-T | T | 18.7/169.7 |
| C1352 | 4030006900 | S.CER C1608 JB 1H 103K-T | T | 7.7/124.7 |
| C1353 | 4510004510 | ELE 25 ME 470 HC | | |
| C1361 | 4510008530 | S.ELE EEE1HA2R2SR | T | 58.5/161.5 |
| C1362 | 4030011600 | S.CER C1608 JB 1E 104K-T | T | 58.6/154.8 |
| C1363 | 4030011600 | S.CER C1608 JB 1E 104K-T | T | 59.4/156.9 |
| C1364 | 4030011600 | S.CER C1608 JB 1E 104K-T | T | 63.4/157.8 |
| C1365 | 4510008540 | S.ELE EEE1CA100SR | T | 63.3/161.5 |
| C1371 | 4510008530 | S.ELE EEE1HA2R2SR | T | 15.7/117.1 |
| C1372 | 4030011600 | S.CER C1608 JB 1E 104K-T | T | 7.5/118.4 |
| C1373 | 4030011600 | S.CER C1608 JB 1E 104K-T | T | 7.5/121.5 |
| C1374 | 4030011600 | S.CER C1608 JB 1E 104K-T | T | 5.9/119.7 |
| C1375 | 4510004591 | ELE 16 ME 470 HC | | |
| C1376 | 4030019180 | S.CER TMK212BJ105KG-T | T | 4.3/112.3 |
| C1381 | 4030011600 | S.CER C1608 JB 1E 104K-T | T | 79.0/153.9 |
| C1382 | 4030011600 | S.CER C1608 JB 1E 104K-T | T | 79.0/155.2 |
| C1391 | 4510004591 | ELE 16 ME 470 HC | | |
| C1392 | 4030011600 | S.CER C1608 JB 1E 104K-T | T | 73.1/149.8 |
| C1393 | 4030011600 | S.CER C1608 JB 1E 104K-T | T | 75.8/150.6 |
| C1394 | 4510008540 | S.ELE EEE1CA100SR | T | 76.4/147.1 |
| C1401 | 4510008540 | S.ELE EEE1CA100SR | T | 144.5/141.4 |
| C1402 | 4030011600 | S.CER C1608 JB 1E 104K-T | T | 143.1/145.8 |
| C1403 | 4030011600 | S.CER C1608 JB 1E 104K-T | T | 151.1/145.8 |
| C1404 | 4510008540 | S.ELE EEE1CA100SR | T | 149.3/141.4 |
| C1411 | 4030011600 | S.CER C1608 JB 1E 104K-T | T | 88.7/151.9 |
| C1412 | 4510008520 | S.ELE EEE1CA470SP | T | 89.8/143.9 |
| C1413 | 4030011600 | S.CER C1608 JB 1E 104K-T | T | 88.1/158.8 |
| C1414 | 4510009270 | S.ELE EEEHB1C220UR | T | 89.0/154.9 |
| C1415 | 4030006860 | S.CER C1608 JB 1H 102K-T | T | 99.8/159.6 |
| C1416 | 4030006900 | S.CER C1608 JB 1H 103K-T | T | 90.0/160.6 |
| C1417 | 4510008520 | S.ELE EEE1CA470SP | T | 98.2/152.1 |
| C1418 | 4510008520 | S.ELE EEE1CA470SP | T | 107.8/152.1 |
| C1419 | 4030011600 | S.CER C1608 JB 1E 104K-T | T | 101.1/159.6 |
| C1420 | 4510008540 | S.ELE EEE1CA100SR | T | 104.6/158.8 |
| C1421 | 4030011600 | S.CER C1608 JB 1E 104K-T | T | 111.1/156.9 |
| C1422 | 4510008520 | S.ELE EEE1CA470SP | T | 107.8/143.7 |
| C1502 | 4030006880 | S.CER C1608 JB 1H 472K-T | T | 92.0/66.4 |
| C1521 | 4030006880 | S.CER C1608 JB 1H 472K-T | T | 73.6/11.6 |
| C1601 | 4030011600 | S.CER C1608 JB 1E 104K-T | T | 91.9/79.2 |
| C1602 | 4030011600 | S.CER C1608 JB 1E 104K-T | T | 92.3/86.1 |
| C1603 | 4030011600 | S.CER C1608 JB 1E 104K-T | T | 98.5/79.8 |
| C1751 | 4510008540 | S.ELE EEE1CA100SR | T | 135.3/158.2 |
| C1752 | 4510008540 | S.ELE EEE1CA100SR | T | 117.5/158.2 |
| C1753 | 4510008540 | S.ELE EEE1CA100SR | T | 117.4/152.2 |
| C1754 | 4510008540 | S.ELE EEE1CA100SR | T | 130.0/151.5 |
| C1755 | 4510008540 | S.ELE EEE1CA100SR | T | 135.3/152.1 |
| C1756 | 4030011600 | S.CER C1608 JB 1E 104K-T | T | 138.3/154.7 |
| C1771 | 4030011600 | S.CER C1608 JB 1E 104K-T | T | 131.0/154.7 |
| RL121 | 6330001721 | REL ATN207-K1 | | |
| RL141 | 6330001721 | REL ATN207-K1 | | |
| CP731 | 6910009670 | S.CHE HK3-S-T | T | 105.1/108.5 |
| J101 | 6510021460 | CON PT-C02P01 | | |
| J111 | 6510028210 | CON SJ050010 (TMP-J01X-V6) | | |
| J411 | 6510028210 | CON SJ050010 (TMP-J01X-V6) | | |
| J491 | 6510028210 | CON SJ050010 (TMP-J01X-V6) | | |
| J781 | 6450001560 | CON PD-72 | | |
| J782 | 6450001560 | CON PD-72 | | |
| J783 | 6450001560 | CON PD-72 | | |
| J784 | 6450001560 | CON PD-72 | | |
| J811 | 6510028210 | CON SJ050010 (TMP-J01X-V6) | | |
| J881 | 6450001560 | CON PD-72 | | |
| J882 | 6450001560 | CON PD-72 | | |
| J883 | 6450001560 | CON PD-72 | | |
| J884 | 6450001560 | CON PD-72 | | |
| J1081 | 6510028210 | CON SJ050010 (TMP-J01X-V6) | | |
| J1221 | 6510018971 | S.CON B4B-PH-SM4-TB(LF)(SN) | T | 23.9/52.0 |
| J1231 | 6510019971 | S.CON 52808-1071 | T | 22.1/68.5 |
| J1271 | 6510019191 | S.CON 52365-0871 | T | 54.1/14.2 |
| J1311 | 6450001800 | CON JPJ1044-01-010 | | |
| J1321 | 6450000140 | CON HSJ0807-01-010 | | |
| J1351 | 6510023650 | CON HEC0740-010618 | | |
| J1501 | 6510019981 | S.CON 52808-1671(1690) | T | 148.8/36.5 |
| J1521 | 6510019981 | S.CON 52808-1671(1690) | T | 75.0/7.7 |
| J1522 | 6510021861 | CON BH-800.4GG <LTC> | | |
| J1541 | 6510019981 | S.CON 52808-1671(1690) | T | |

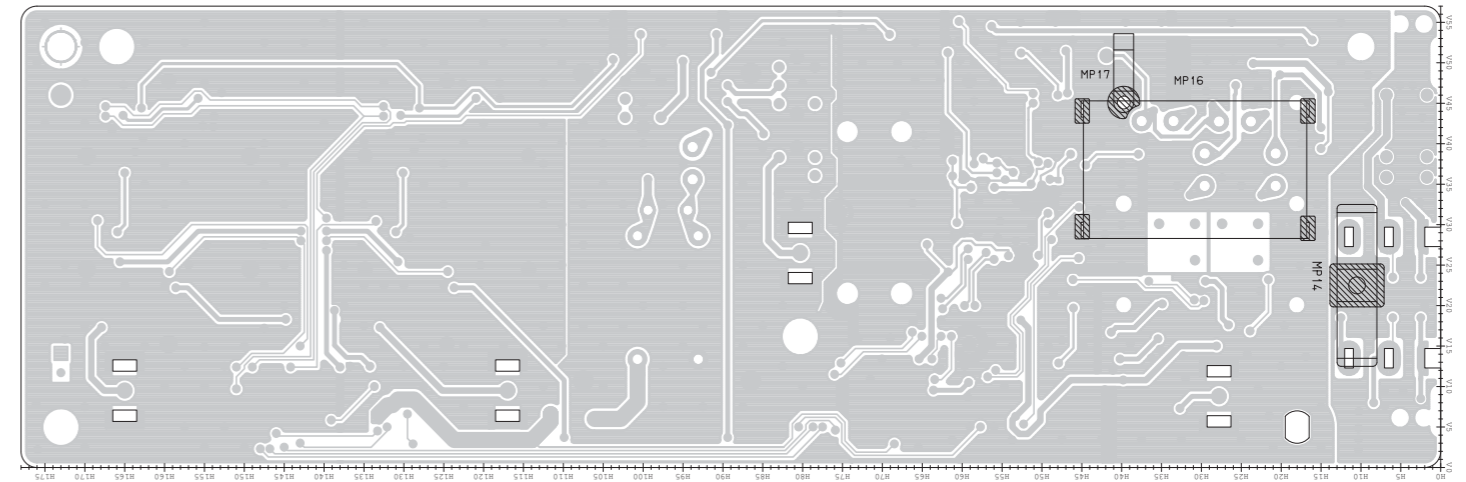
• PHONE BOARD (BOTTOM VIEW)



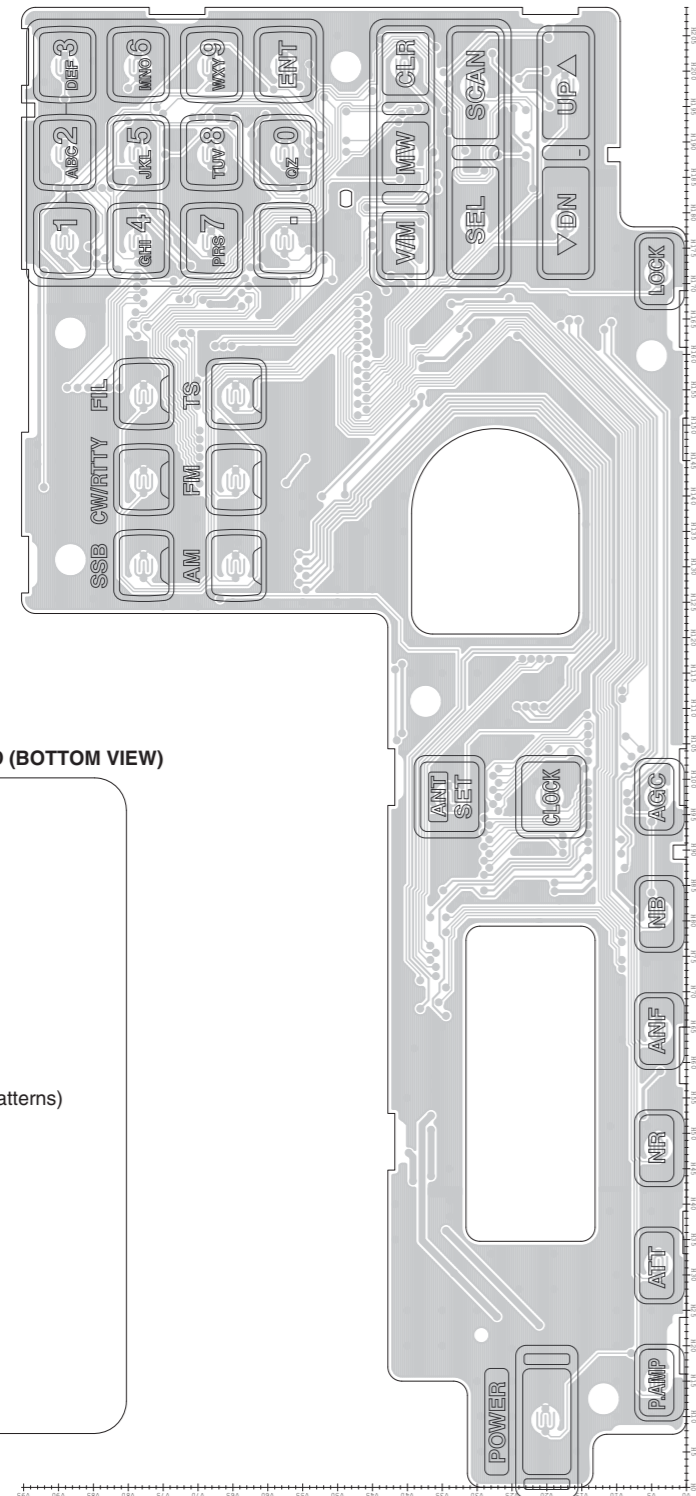
• DISPLAY BOARD (BOTTOM VIEW)



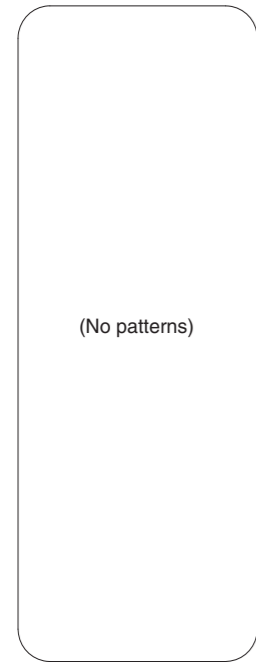
• PLL UNIT (BOTTOM VIEW)



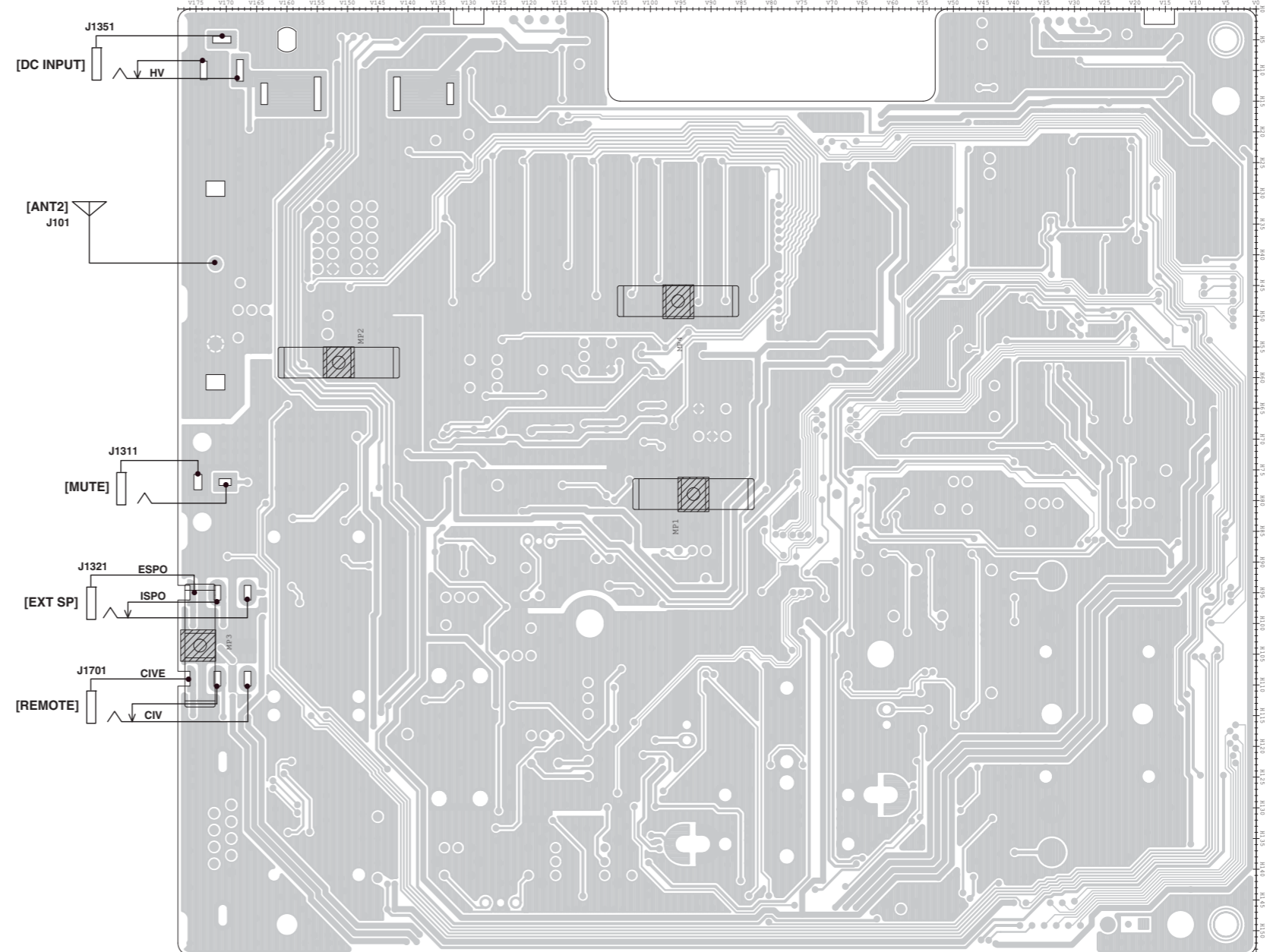
• LOGIC BOARD (BOTTOM VIEW)

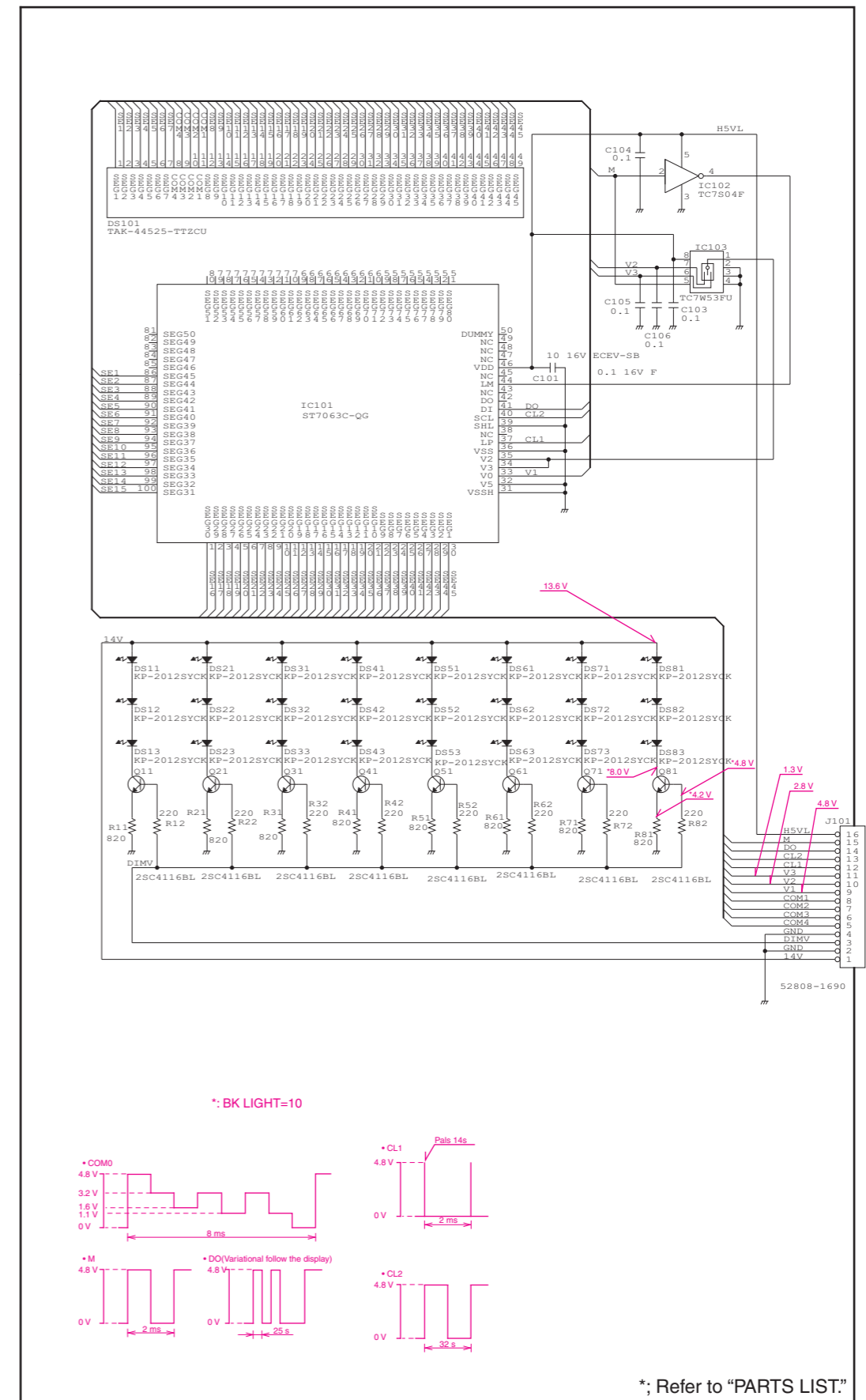
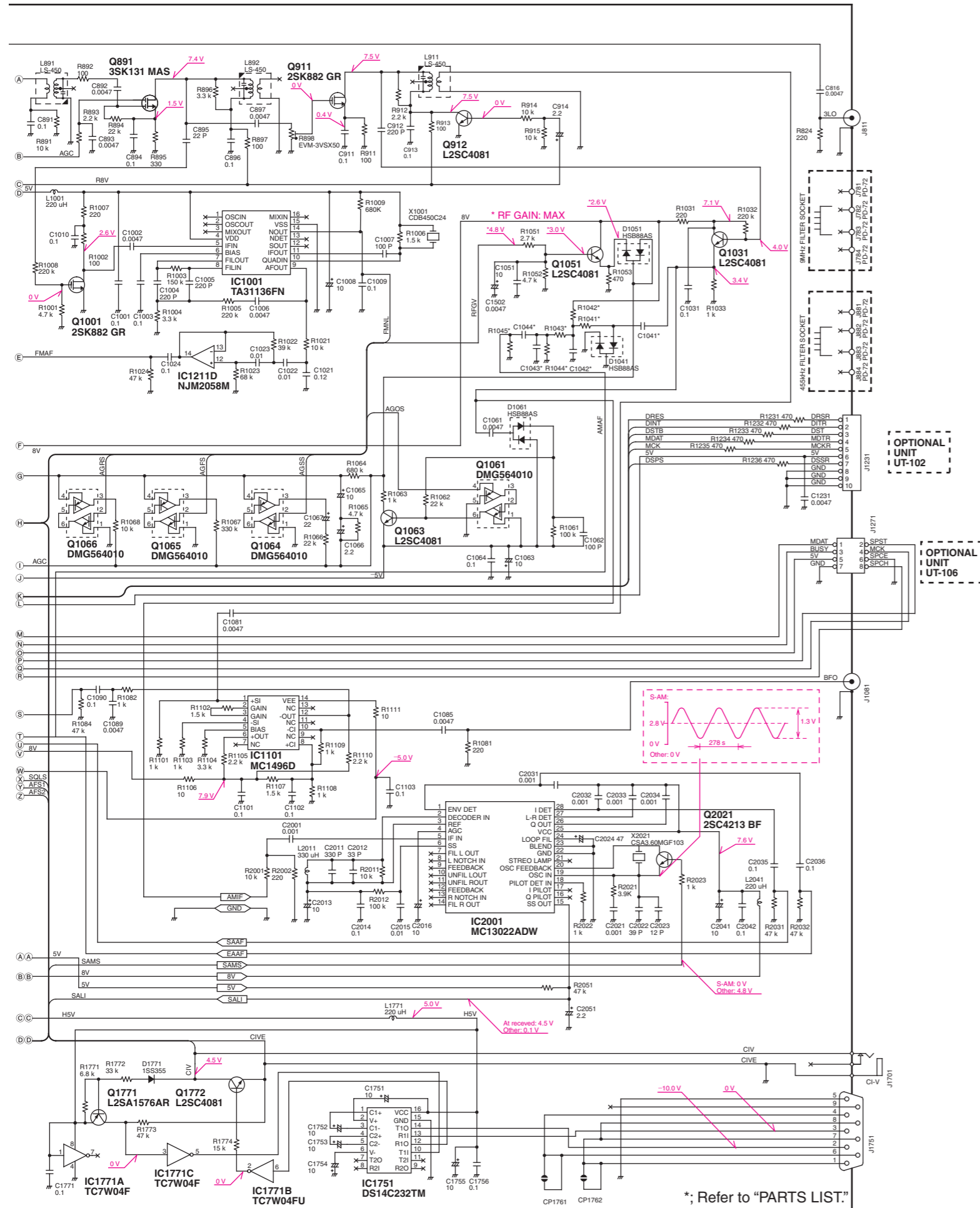


• VR BOARD (BOTTOM VIEW)



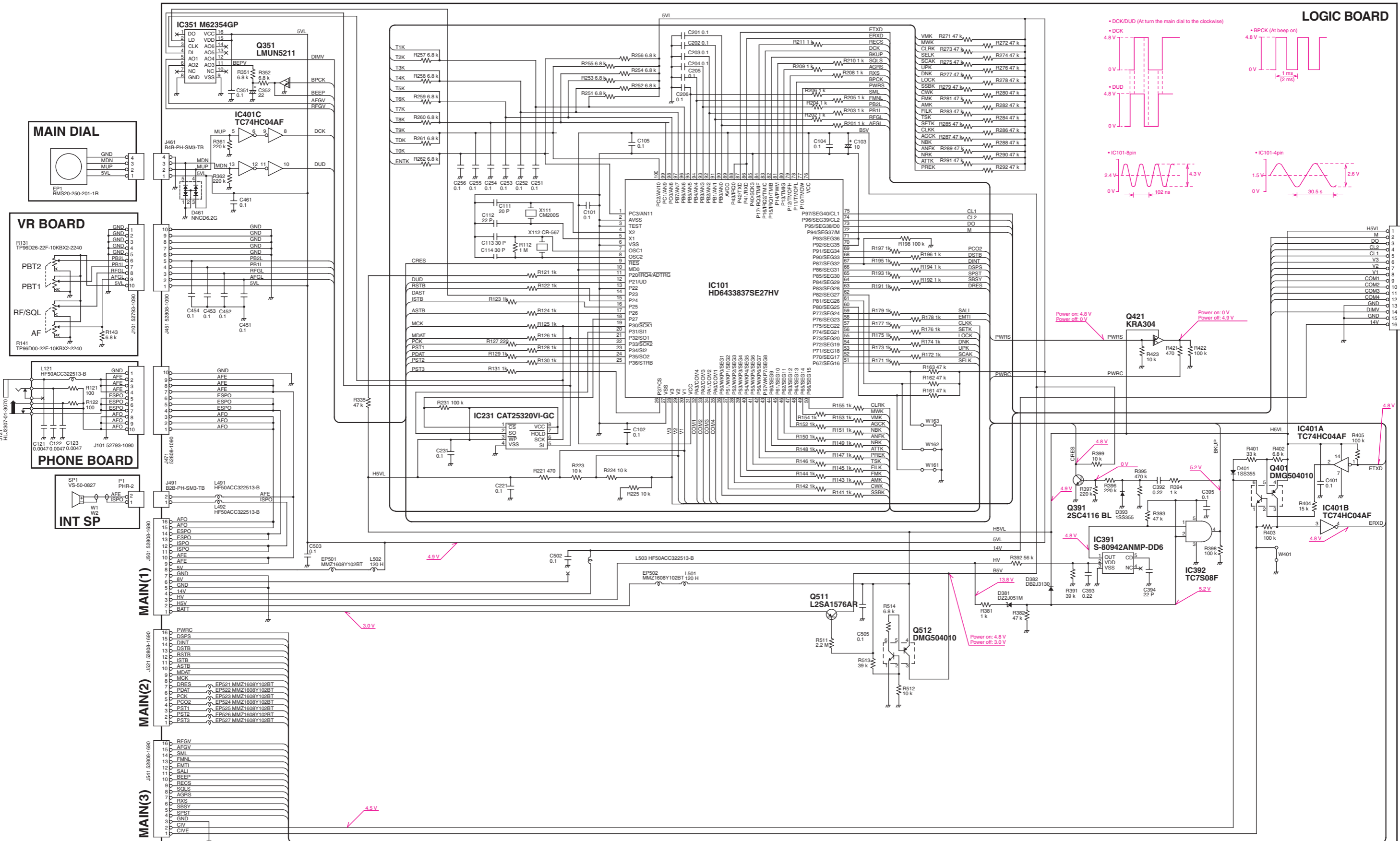
• MAIN-A UNIT (For [USA-2], [OTH-2], [CHN-1]) (BOTTOM VIEW)





To LOGIC BOARD "J411"

FRONT UNIT



*; Refer to "PARTS LIST."



Dec. 2010

SERVICE MANUAL ADDENDUM

IC-R75

CONTENTS

| | |
|-----------------------|----|
| PARTS LIST | 1 |
| BOARD LAYOUTS | 19 |
| VOLTAGE DIAGRAM | 21 |

PARTS LIST

[LOGIC BOARD]

| REF NO. | ORDER NO. | DESCRIPTION | |
|---------|------------|-------------|------------------------------------|
| IC101 | 1140008251 | S.IC | HD6433837SC58HV [USA] |
| | 1140008251 | S.IC | HD6433837SC58HV [EUR] |
| | 1140008251 | S.IC | HD6433837SC58HV [AUS] |
| | 1140008251 | S.IC | HD6433837SC58HV [UK] |
| | 1140008251 | S.IC | HD6433837SC58HV [DEN] |
| | 1140008251 | S.IC | HD6433837SC58HV [SEA] |
| | 1140008251 | S.IC | HD6433837SC58HV [OTH] |
| | 1140013850 | S.IC | HD6433837SE27HV (RX-2240A) [USA-1] |
| | 1140013850 | S.IC | HD6433837SE27HV (RX-2240A) [OTH-1] |
| | 1140013850 | S.IC | HD6433837SE27HV (RX-2240A) [CHN] |
| | 1140013850 | S.IC | HD6433837SE27HV (RX-2240A) [USA-2] |
| | 1140013850 | S.IC | HD6433837SE27HV (RX-2240A) [OTH-2] |
| | 1140013850 | S.IC | HD6433837SE27HV (RX-2240A) [CHN-1] |
| IC231 | 1130011333 | S.IC | CAT25320VI-GC |
| IC351 | 1110003690 | S.IC | M62354GP 75EC |
| IC391 | 1110005771 | S.IC | S-80942CNMC-G9CT2G |
| IC392 | 1130006441 | S.IC | TC7S08F(TE85R,F) |
| IC401 | 1130004922 | S.IC | TC74HC04AF(EL,F) |
| Q351 | 1590000680 | S.TRA | DTC114EUA T106 |
| Q391 | 1530002851 | S.TRA | 2SC4116-BL(TE85R,F) |
| Q401 | 1590004390 | S.TRA | DMG504010 |
| Q421 | 1590000720 | S.TRA | DTA144EUA T106 |
| Q511 | 1510000510 | S.TRA | 2SA1576A T106R |
| Q512 | 1590004390 | S.TRA | DMG504010 |
| D381 | 1730002830 | S.ZEN | DZ2J051M |
| D382 | 1750002180 | S.DIO | DB2J3130 |
| D393 | 1750000550 | S.DIO | 1SS355 TE-17 |
| D401 | 1750000550 | S.DIO | 1SS355 TE-17 |
| D461 | 1730002531 | S.ZEN | NNCD6.2G-T1-A |
| X111 | 6050009460 | S.XTA | CM200S SMD(32.768 kHz) |
| X112 | 6050009870 | S.XTA | CR-567 SMD-49 9.8304 MHz <KDS> |
| L491 | 6200003950 | S.COI | HF50ACC 322513-T |
| L492 | 6200003950 | S.COI | HF50ACC 322513-T |
| L501 | 6200002971 | S.COI | NLV32T-121J |
| L502 | 6200002971 | S.COI | NLV32T-121J |
| L503 | 6200003950 | S.COI | HF50ACC 322513-T |
| R101 | 7030003200 | S.RES | ERJ3GEYJ 100 V (10) |
| R112 | 7030003800 | S.RES | ERJ3GEYJ 105 V (1M) |
| R121 | 7030003440 | S.RES | ERJ3GEYJ 102 V (1K) |
| R122 | 7030003440 | S.RES | ERJ3GEYJ 102 V (1K) |
| R123 | 7030003440 | S.RES | ERJ3GEYJ 102 V (1K) |
| R124 | 7030003440 | S.RES | ERJ3GEYJ 102 V (1K) |
| R125 | 7030003440 | S.RES | ERJ3GEYJ 102 V (1K) |
| R126 | 7030003440 | S.RES | ERJ3GEYJ 102 V (1K) |
| R127 | 7030003360 | S.RES | ERJ3GEYJ 221 V (220) |
| R128 | 7030003440 | S.RES | ERJ3GEYJ 102 V (1K) |
| R129 | 7030003440 | S.RES | ERJ3GEYJ 102 V (1K) |
| R130 | 7030003440 | S.RES | ERJ3GEYJ 102 V (1K) |
| R131 | 7030003440 | S.RES | ERJ3GEYJ 102 V (1K) |
| R141 | 7030003440 | S.RES | ERJ3GEYJ 102 V (1K) |
| R142 | 7030003440 | S.RES | ERJ3GEYJ 102 V (1K) |
| R143 | 7030003440 | S.RES | ERJ3GEYJ 102 V (1K) |
| R144 | 7030003440 | S.RES | ERJ3GEYJ 102 V (1K) |
| R145 | 7030003440 | S.RES | ERJ3GEYJ 102 V (1K) |
| R146 | 7030003440 | S.RES | ERJ3GEYJ 102 V (1K) |
| R147 | 7030003440 | S.RES | ERJ3GEYJ 102 V (1K) |
| R148 | 7030003440 | S.RES | ERJ3GEYJ 102 V (1K) |
| R149 | 7030003440 | S.RES | ERJ3GEYJ 102 V (1K) |
| R150 | 7030003440 | S.RES | ERJ3GEYJ 102 V (1K) |
| R151 | 7030003440 | S.RES | ERJ3GEYJ 102 V (1K) |
| R152 | 7030003440 | S.RES | ERJ3GEYJ 102 V (1K) |
| R153 | 7030003440 | S.RES | ERJ3GEYJ 102 V (1K) |
| R154 | 7030003440 | S.RES | ERJ3GEYJ 102 V (1K) |
| R155 | 7030003440 | S.RES | ERJ3GEYJ 102 V (1K) |
| R161 | 7030003640 | S.RES | ERJ3GEYJ 473 V (47K) |
| R162 | 7030003640 | S.RES | ERJ3GEYJ 473 V (47K) |
| R163 | 7030003640 | S.RES | ERJ3GEYJ 473 V (47K) |
| R171 | 7030003440 | S.RES | ERJ3GEYJ 102 V (1K) |
| R172 | 7030003440 | S.RES | ERJ3GEYJ 102 V (1K) |
| R173 | 7030003440 | S.RES | ERJ3GEYJ 102 V (1K) |
| R174 | 7030003440 | S.RES | ERJ3GEYJ 102 V (1K) |
| R175 | 7030003440 | S.RES | ERJ3GEYJ 102 V (1K) |
| R176 | 7030003440 | S.RES | ERJ3GEYJ 102 V (1K) |
| R177 | 7030003440 | S.RES | ERJ3GEYJ 102 V (1K) |
| R178 | 7030003440 | S.RES | ERJ3GEYJ 102 V (1K) |
| R179 | 7030003440 | S.RES | ERJ3GEYJ 102 V (1K) |
| R191 | 7030003440 | S.RES | ERJ3GEYJ 102 V (1K) |
| R192 | 7030003440 | S.RES | ERJ3GEYJ 102 V (1K) |
| R193 | 7030003440 | S.RES | ERJ3GEYJ 102 V (1K) |
| R194 | 7030003440 | S.RES | ERJ3GEYJ 102 V (1K) |
| R195 | 7030003440 | S.RES | ERJ3GEYJ 102 V (1K) |
| R196 | 7030003440 | S.RES | ERJ3GEYJ 102 V (1K) |
| R197 | 7030003440 | S.RES | ERJ3GEYJ 102 V (1K) |
| R198 | 7030003680 | S.RES | ERJ3GEYJ 104 V (100K) |
| R201 | 7030003440 | S.RES | ERJ3GEYJ 102 V (1K) |
| R202 | 7030003440 | S.RES | ERJ3GEYJ 102 V (1K) |
| R203 | 7030003440 | S.RES | ERJ3GEYJ 102 V (1K) |
| R204 | 7030003440 | S.RES | ERJ3GEYJ 102 V (1K) |

[LOGIC BOARD]

| REF NO. | ORDER NO. | DESCRIPTION | |
|---------|------------|-------------|-------------------------|
| R205 | 7030003440 | S.RES | ERJ3GEYJ 102 V (1K) |
| R206 | 7030003440 | S.RES | ERJ3GEYJ 102 V (1K) |
| R208 | 7030003440 | S.RES | ERJ3GEYJ 102 V (1K) |
| R209 | 7030003440 | S.RES | ERJ3GEYJ 102 V (1K) |
| R210 | 7030003440 | S.RES | ERJ3GEYJ 102 V (1K) |
| R211 | 7030003440 | S.RES | ERJ3GEYJ 102 V (1K) |
| R221 | 7030003400 | S.RES | ERJ3GEYJ 471 V (470) |
| R223 | 7030003560 | S.RES | ERJ3GEYJ 103 V (10K) |
| R224 | 7030003560 | S.RES | ERJ3GEYJ 103 V (10K) |
| R225 | 7030003560 | S.RES | ERJ3GEYJ 103 V (10K) |
| R231 | 7030003680 | S.RES | ERJ3GEYJ 104 V (100K) |
| R251 | 7030003540 | S.RES | ERJ3GEYJ 682 V (6.8K) |
| R252 | 7030003540 | S.RES | ERJ3GEYJ 682 V (6.8K) |
| R253 | 7030003540 | S.RES | ERJ3GEYJ 682 V (6.8K) |
| R254 | 7030003540 | S.RES | ERJ3GEYJ 682 V (6.8K) |
| R255 | 7030003540 | S.RES | ERJ3GEYJ 682 V (6.8K) |
| R256 | 7030003540 | S.RES | ERJ3GEYJ 682 V (6.8K) |
| R257 | 7030003540 | S.RES | ERJ3GEYJ 682 V (6.8K) |
| R258 | 7030003540 | S.RES | ERJ3GEYJ 682 V (6.8K) |
| R259 | 7030003540 | S.RES | ERJ3GEYJ 682 V (6.8K) |
| R260 | 7030003540 | S.RES | ERJ3GEYJ 682 V (6.8K) |
| R261 | 7030003540 | S.RES | ERJ3GEYJ 682 V (6.8K) |
| R262 | 7030003540 | S.RES | ERJ3GEYJ 682 V (6.8K) |
| R271 | 7030003640 | S.RES | ERJ3GEYJ 473 V (47K) |
| R272 | 7030003640 | S.RES | ERJ3GEYJ 473 V (47K) |
| R273 | 7030003640 | S.RES | ERJ3GEYJ 473 V (47K) |
| R274 | 7030003640 | S.RES | ERJ3GEYJ 473 V (47K) |
| R275 | 7030003640 | S.RES | ERJ3GEYJ 473 V (47K) |
| R276 | 7030003640 | S.RES | ERJ3GEYJ 473 V (47K) |
| R277 | 7030003640 | S.RES | ERJ3GEYJ 473 V (47K) |
| R278 | 7030003640 | S.RES | ERJ3GEYJ 473 V (47K) |
| R279 | 7030003640 | S.RES | ERJ3GEYJ 473 V (47K) |
| R280 | 7030003640 | S.RES | ERJ3GEYJ 473 V (47K) |
| R281 | 7030003640 | S.RES | ERJ3GEYJ 473 V (47K) |
| R282 | 7030003640 | S.RES | ERJ3GEYJ 473 V (47K) |
| R283 | 7030003640 | S.RES | ERJ3GEYJ 473 V (47K) |
| R284 | 7030003640 | S.RES | ERJ3GEYJ 473 V (47K) |
| R285 | 7030003640 | S.RES | ERJ3GEYJ 473 V (47K) |
| R286 | 7030003640 | S.RES | ERJ3GEYJ 473 V (47K) |
| R287 | 7030003640 | S.RES | ERJ3GEYJ 473 V (47K) |
| R288 | 7030003640 | S.RES | ERJ3GEYJ 473 V (47K) |
| R289 | 7030003640 | S.RES | ERJ3GEYJ 473 V (47K) |
| R290 | 7030003640 | S.RES | ERJ3GEYJ 473 V (47K) |
| R291 | 7030003640 | S.RES | ERJ3GEYJ 473 V (47K) |
| R292 | 7030003640 | S.RES | ERJ3GEYJ 473 V (47K) |
| R335 | 7030003640 | S.RES | ERJ3GEYJ 473 V (47K) |
| R351 | 7030003540 | S.RES | ERJ3GEYJ 682 V (6.8K) |
| R352 | 7030003540 | S.RES | ERJ3GEYJ 682 V (6.8K) |
| R361 | 7030003720 | S.RES | ERJ3GEYJ 224 V (220K) |
| R362 | 7030003720 | S.RES | ERJ3GEYJ 224 V (220K) |
| R381 | 7030009720 | S.RES | ERJ12YJ102U (1K) |
| R382 | 7030003640 | S.RES | ERJ3GEYJ 473 V (47K) |
| R391 | 7030003630 | S.RES | ERJ3GEYJ 393 V (39K) |
| R392 | 7030003650 | S.RES | ERJ3GEYJ 563 V (56K) |
| R393 | 7030003640 | S.RES | ERJ3GEYJ 473 V (47K) |
| R394 | 7030003440 | S.RES | ERJ3GEYJ 102 V (1K) |
| R395 | 7030003760 | S.RES | ERJ3GEYJ 474 V (470K) |
| R396 | 7030003720 | S.RES | ERJ3GEYJ 224 V (220K) |
| R397 | 7030003720 | S.RES | ERJ3GEYJ 224 V (220K) |
| R398 | 7030003680 | S.RES | ERJ3GEYJ 104 V (100K) |
| R399 | 7030003560 | S.RES | ERJ3GEYJ 103 V (10K) |
| R401 | 7030003620 | S.RES | ERJ3GEYJ 333 V (33K) |
| R402 | 7030003540 | S.RES | ERJ3GEYJ 682 V (6.8K) |
| R403 | 7030003680 | S.RES | ERJ3GEYJ 104 V (100K) |
| R404 | 7030003580 | S.RES | ERJ3GEYJ 153 V (15K) |
| R405 | 7030003680 | S.RES | ERJ3GEYJ 104 V (100K) |
| R421 | 7030003400 | S.RES | ERJ3GEYJ 471 V (470) |
| R422 | 7030003680 | S.RES | ERJ3GEYJ 104 V (100K) |
| R423 | 7030003560 | S.RES | ERJ3GEYJ 103 V (10K) |
| R511 | 7030003840 | S.RES | ERJ3GEYJ 225 V (2.2M) |
| R512 | 7030003560 | S.RES | ERJ3GEYJ 103 V (10K) |
| R513 | 7030003630 | S.RES | ERJ3GEYJ 393 V (39K) |
| R514 | 7030003540 | S.RES | ERJ3GEYJ 682 V (6.8K) |
| W161 | 7030003860 | S.RES | ERJ3GE JPW V [DEN] |
| | 7030003860 | S.RES | ERJ3GE JPW V [SEA] |
| W162 | 7030003860 | S.RES | ERJ3GE JPW V [SEA] only |
| W163 | 7030003860 | S.RES | ERJ3GE JPW V [DEN] |
| | 7030003860 | S.RES | ERJ3GE JPW V [SEA] |
| W401 | 7030003860 | S.RES | ERJ3GE JPW V |
| C101 | 4030008630 | S.CER | C1608 JF 1H 104Z-T |
| C102 | 4030008630 | S.CER | C1608 JF 1H 104Z-T |
| C103 | 4550006250 | S.TAN | TEESVA 1A 106M8R |
| C104 | 4030008630 | S.CER | C1608 JF 1H 104Z-T |
| C105 | 4030008630 | S.CER | C1608 JF 1H 104Z-T |
| C111 | 4030009990 | S.CER | C1608 CH 1H 200J-T |
| C112 | 4030007050 | S.CER | C1608 CH 1H 220J-T |
| C113 | 4030008560 | S.CER | C1608 CH 1H 300J-T |
| C114 | 4030008560 | S.CER | C1608 CH 1H 300J-T |
| C201 | 4030008630 | S.CER | C1608 JF 1H 104Z-T |
| C202 | 4030008630 | S.CER | C1608 JF 1H 104Z-T |
| C203 | 4030008630 | S.CER | C1608 JF 1H 104Z-T |
| C204 | 4030008630 | S.CER | C1608 JF 1H 104Z-T |
| C205 | 4030008630 | S.CER | C1608 JF 1H 104Z-T |
| C206 | 4030008630 | S.CER | C1608 JF 1H 104Z-T |

M.=Mounted side (T: Mounted on the Top side, B: Mounted on the Bottom side)
S.=Surface mount

[LOGIC BOARD]

| REF NO. | ORDER NO. | DESCRIPTION |
|---------|------------|------------------------------------|
| C221 | 4030008630 | S.CER C1608 JF 1H 104Z-T |
| C231 | 4030008630 | S.CER C1608 JF 1H 104Z-T |
| C251 | 4030008630 | S.CER C1608 JF 1H 104Z-T |
| C252 | 4030008630 | S.CER C1608 JF 1H 104Z-T |
| C253 | 4030008630 | S.CER C1608 JF 1H 104Z-T |
| C254 | 4030008630 | S.CER C1608 JF 1H 104Z-T |
| C255 | 4030008630 | S.CER C1608 JF 1H 104Z-T |
| C256 | 4030008630 | S.CER C1608 JF 1H 104Z-T |
| C351 | 4030008630 | S.CER C1608 JF 1H 104Z-T |
| C352 | 4510008660 | S.ELE EEE0JA220SR |
| C392 | 4030013720 | S.CER GRM188B11A224KA01D (GRM39 B) |
| C393 | 4030013720 | S.CER GRM188B11A224KA01D (GRM39 B) |
| C394 | 4030007050 | S.CER C1608 CH 1H 220J-T |
| C395 | 4030008630 | S.CER C1608 JF 1H 104Z-T |
| C401 | 4030008630 | S.CER C1608 JF 1H 104Z-T |
| C451 | 4030008630 | S.CER C1608 JF 1H 104Z-T |
| C452 | 4030008630 | S.CER C1608 JF 1H 104Z-T |
| C453 | 4030008630 | S.CER C1608 JF 1H 104Z-T |
| C454 | 4030008630 | S.CER C1608 JF 1H 104Z-T |
| C461 | 4030008630 | S.CER C1608 JF 1H 104Z-T |
| C502 | 4030008630 | S.CER C1608 JF 1H 104Z-T |
| C503 | 4030008630 | S.CER C1608 JF 1H 104Z-T |
| C505 | 4030008630 | S.CER C1608 JF 1H 104Z-T |
| J411 | 6510019981 | S.CON 52808-1671(1690) |
| J451 | 6510019971 | S.CON 52808-1071 |
| J461 | 6510018971 | S.CON B4B-PH-SM4-TB(LF)(SN) |
| J471 | 6510019971 | S.CON 52808-1071 |
| J491 | 6510018961 | S.CON B2B-PH-SM4-TB(LF)(SN) |
| J501 | 6510019981 | S.CON 52808-1671(1690) |
| J521 | 6510019981 | S.CON 52808-1671(1690) |
| J541 | 6510019981 | S.CON 52808-1671(1690) |
| EP501 | 6910012350 | S.BEA MMZ1608Y 102BT |
| EP502 | 6910012350 | S.BEA MMZ1608Y 102BT |
| EP521 | 6910012350 | S.BEA MMZ1608Y 102BT |
| EP522 | 6910012350 | S.BEA MMZ1608Y 102BT |
| EP523 | 6910012350 | S.BEA MMZ1608Y 102BT |
| EP524 | 6910012350 | S.BEA MMZ1608Y 102BT |
| EP525 | 6910012350 | S.BEA MMZ1608Y 102BT |
| EP526 | 6910012350 | S.BEA MMZ1608Y 102BT |
| EP527 | 6910012350 | S.BEA MMZ1608Y 102BT |

[PHONE BOARD]

| REF NO. | ORDER NO. | DESCRIPTION |
|---------|------------|--------------------------|
| L121 | 6200003950 | S.COI HF50ACC 322513-T |
| R121 | 7030006070 | S.RES ERJ12YJ101U (100) |
| R122 | 7030006070 | S.RES ERJ12YJ101U (100) |
| C121 | 4030006880 | S.CER C1608 JB 1H 472K-T |
| C122 | 4030006880 | S.CER C1608 JB 1H 472K-T |
| C123 | 4030006880 | S.CER C1608 JB 1H 472K-T |
| J101 | 6510020711 | S.CON 52793-1070(1090) |
| J121 | 6510028100 | CON JY-6355*01-090 |

M.=Mounted side (T: Mounted on the Top side, B: Mounted on the Bottom side)
S.=Surface mount

[VR BOARD]

| REF NO. | ORDER NO. | DESCRIPTION |
|---------|------------|-----------------------------|
| R131 | 7210003040 | VAR TP96D26-22F-10KBX2-2240 |
| R141 | 7210003030 | VAR TP96D00-22F-10KBX2-2240 |
| R143 | 7030003540 | S.RES ERJ3GEYJ 682 V (6.8K) |
| J101 | 6510020711 | S.CON 52793-1070(1090) |

[MAIN UNIT] (For other than [USA-2], [OTH-2], [CHN-1])

| REF NO. | ORDER NO. | DESCRIPTION | |
|---------|------------|--------------------------|---------|
| IC391 | 1110003970 | S.IC UPC1658G-E1 | |
| IC551 | 1130011760 | S.IC CD4094BPWR | |
| IC552 | 1130011760 | S.IC CD4094BPWR | |
| IC561 | 116000131 | S.IC TD62783AFG(5,S,EL) | |
| IC562 | 116000131 | S.IC TD62783AFG(5,S,EL) | |
| IC731 | 1110003141 | IC LA1150N-E | |
| IC811 | 1110002601 | S.IC MC1496DR2G | [USA] |
| | 1110002600 | S.IC MC1496DR2 | [EUR] |
| | 1110002601 | S.IC MC1496DR2G | [AUS] |
| | 1110002600 | S.IC MC1496DR2 | [UK] |
| | 1110002601 | S.IC MC1496DR2G | [DEN] |
| | 1110002601 | S.IC MC1496DR2G | [SEA] |
| | 1110002601 | S.IC MC1496DR2G | [OTH] |
| | 1110002601 | S.IC MC1496DR2G | [USA-1] |
| | 1110002601 | S.IC MC1496DR2G | [OTH-1] |
| | 1110002601 | S.IC MC1496DR2G | [CHN] |
| IC1001 | 1110003201 | S.IC TA31136FNG(EL) | |
| IC1101 | 1110002601 | S.IC MC1496DR2G | [USA] |
| | 1110002600 | S.IC MC1496DR2 | [EUR] |
| | 1110002601 | S.IC MC1496DR2G | [AUS] |
| | 1110002600 | S.IC MC1496DR2 | [UK] |
| | 1110002601 | S.IC MC1496DR2G | [DEN] |
| | 1110002601 | S.IC MC1496DR2G | [SEA] |
| | 1110002601 | S.IC MC1496DR2G | [OTH] |
| | 1110002601 | S.IC MC1496DR2G | [USA-1] |
| | 1110002601 | S.IC MC1496DR2G | [OTH-1] |
| | 1110002601 | S.IC MC1496DR2G | [CHN] |
| IC1201 | 1130009100 | S.IC BU4052BCFV-E2 | |
| IC1211 | 1110003870 | S.IC NJM2058M-TE1-#ZZZB | |
| IC1251 | 1110003300 | S.IC M5282FP 70CD | |
| IC1281 | 1130009100 | S.IC BU4052BCFV-E2 | |
| IC1291 | 1110003091 | IC LA4425A-E | |
| IC1361 | 1180000970 | S.IC AN78L05M-(E1) | |
| IC1371 | 1180001531 | IC PQ30RV31J00H | |
| IC1391 | 1180001252 | S.IC TA7808F(TE16L1,NQ) | |
| IC1401 | 1180001072 | S.IC TA7805F(TE16L1,NQ) | |
| IC1411 | 1110001401 | S.IC UPC1555G2-E1-A | |
| IC1601 | 1130011760 | S.IC CD4094BPWR | |
| IC1602 | 1130011760 | S.IC CD4094BPWR | |
| IC1603 | 116000131 | S.IC TD62783AFG(5,S,EL) | |
| IC1751 | 1120002510 | S.IC DS14C232TM S | |
| IC1771 | 1130005721 | S.IC TC7W04F(TE12L,F) | |
| IC2001 | 1110004940 | S.IC MC13022ADWR3 | [USA] |
| | 1110004940 | S.IC MC13022ADWR3 | [EUR] |
| | 1110004940 | S.IC MC13022ADWR3 | [AUS] |
| | 1110004940 | S.IC MC13022ADWR3 | [UK] |
| | 1110004940 | S.IC MC13022ADWR3 | [DEN] |
| | 1110004940 | S.IC MC13022ADWR3 | [SEA] |
| | 1110004940 | S.IC MC13022ADWR3 | [OTH] |
| Q151 | 1590000680 | S.TRA DTC114EUA T106 | |
| Q381 | 1560000721 | S.FET 2SK2171-4-TD-E | |
| Q382 | 1560000721 | S.FET 2SK2171-4-TD-E | |
| Q383 | 1590001960 | S.TRA XP4311(TX) | |
| Q391 | 1590001960 | S.TRA XP4311(TX) | |
| Q411 | 1530003151 | S.TRA 2SC4673D-TD-E | |
| Q441 | 1560000641 | S.FET 2SK1740-4/5-TB-E | |
| Q442 | 1560000641 | S.FET 2SK1740-4/5-TB-E | |
| Q471 | 1580000620 | S.FET 3SK131-T2 MAS | |
| Q472 | 1590001960 | S.TRA XP4311(TX) | |
| Q721 | 1580000620 | S.FET 3SK131-T2 MAS | |
| Q731 | 1560000561 | S.FET 2SK882-GR(TE85L,F) | |
| Q732 | 1510000510 | S.TRA 2SA1576A T106R | |
| Q733 | 1530002060 | S.TRA 2SC4081 T106 R | |
| Q734 | 1530002060 | S.TRA 2SC4081 T106 R | |
| Q735 | 1530002060 | S.TRA 2SC4081 T106 R | |
| Q736 | 1590000680 | S.TRA DTC114EUA T106 | |
| Q737 | 1590001960 | S.TRA XP4311(TX) | |
| Q801 | 1530002060 | S.TRA 2SC4081 T106 R | |
| Q891 | 1580000620 | S.FET 3SK131-T2 MAS | |
| Q911 | 1560000561 | S.FET 2SK882-GR(TE85L,F) | |
| Q912 | 1530002060 | S.TRA 2SC4081 T106 R | |
| Q1001 | 1560000561 | S.FET 2SK882-GR(TE85L,F) | |
| Q1031 | 1530002060 | S.TRA 2SC4081 T106 R | |
| Q1051 | 1530002060 | S.TRA 2SC4081 T106 R | |
| Q1061 | 1590001960 | S.TRA XP4311(TX) | |
| Q1063 | 1530002060 | S.TRA 2SC4081 T106 R | |
| Q1064 | 1590001960 | S.TRA XP4311(TX) | |
| Q1065 | 1590001960 | S.TRA XP4311(TX) | |
| Q1066 | 1590001960 | S.TRA XP4311(TX) | |
| Q1311 | 1530002060 | S.TRA 2SC4081 T106 R | |
| Q1381 | 1540000550 | S.TRA 2SD1664 T100Q | |
| Q1382 | 1590000680 | S.TRA DTC114EUA T106 | |
| Q1771 | 1510000510 | S.TRA 2SA1576A T106R | |
| Q1772 | 1530002060 | S.TRA 2SC4081 T106 R | |
| Q2021 | 1530003091 | S.TRA 2SC4213-B(TE85R,F) | [USA] |
| | 1530003091 | S.TRA 2SC4213-B(TE85R,F) | [EUR] |
| | 1530003091 | S.TRA 2SC4213-B(TE85R,F) | [AUS] |
| | 1530003091 | S.TRA 2SC4213-B(TE85R,F) | [UK] |
| | 1530003091 | S.TRA 2SC4213-B(TE85R,F) | [DEN] |
| | 1530003091 | S.TRA 2SC4213-B(TE85R,F) | [SEA] |
| | 1530003091 | S.TRA 2SC4213-B(TE85R,F) | [OTH] |
| D141 | 1750000461 | S.DIO 1SV246-TL-E | |
| D142 | 1750000461 | S.DIO 1SV246-TL-E | |
| D151 | 1750000971 | S.DIO CPH5513-TL-E | |
| D172 | 1790000620 | S.DIO MA77(TX) | |
| D181 | 1750000971 | S.DIO CPH5513-TL-E | |
| D182 | 1790000620 | S.DIO MA77(TX) | |
| D202 | 1790000620 | S.DIO MA77(TX) | |
| D221 | 1750000971 | S.DIO CPH5513-TL-E | |
| D222 | 1790000620 | S.DIO MA77(TX) | |

M.=Mounted side (T: Mounted on the Top side, B: Mounted on the Bottom side)
S.=Surface mount

[MAIN UNIT] (For other than [USA-2], [OTH-2], [CHN-1])

| REF NO. | ORDER NO. | DESCRIPTION | |
|---------|------------|----------------------------------|---------|
| D242 | 1790000620 | S.DIO MA77(TX) | |
| D261 | 1750000971 | S.DIO CPH5513-TL-E | |
| D262 | 1790000620 | S.DIO MA77(TX) | |
| D282 | 1790000620 | S.DIO MA77(TX) | |
| D301 | 1750000971 | S.DIO CPH5513-TL-E | |
| D302 | 1790000620 | S.DIO MA77(TX) | |
| D322 | 1790000620 | S.DIO MA77(TX) | |
| D341 | 1750000441 | S.DIO 1SV263-TL-E | |
| D342 | 1790000620 | S.DIO MA77(TX) | |
| D371 | 1790000620 | S.DIO MA77(TX) | |
| D372 | 1790000620 | S.DIO MA77(TX) | |
| D381 | 1790000620 | S.DIO MA77(TX) | |
| D382 | 1790000620 | S.DIO MA77(TX) | |
| D391 | 1790000620 | S.DIO MA77(TX) | |
| D392 | 1790000620 | S.DIO MA77(TX) | |
| D491 | 1750000431 | S.DIO HSB88WSTR-E | |
| D711 | 1790000620 | S.DIO MA77(TX) | |
| D712 | 1790000620 | S.DIO MA77(TX) | |
| D713 | 1790000620 | S.DIO MA77(TX) | |
| D714 | 1790000620 | S.DIO MA77(TX) | |
| D731 | 1790001211 | S.DIO 1SS375-TL-E | |
| D732 | 1750000550 | S.DIO 1SS355 TE-17 | |
| D761 | 1790000620 | S.DIO MA77(TX) | |
| D762 | 1790000620 | S.DIO MA77(TX) | |
| D763 | 1790000620 | S.DIO MA77(TX) | |
| D764 | 1790000620 | S.DIO MA77(TX) | |
| D771 | 1790000620 | S.DIO MA77(TX) | |
| D772 | 1790000620 | S.DIO MA77(TX) | |
| D773 | 1790000620 | S.DIO MA77(TX) | |
| D774 | 1790000620 | S.DIO MA77(TX) | |
| D781 | 1790000620 | S.DIO MA77(TX) | |
| D782 | 1790000620 | S.DIO MA77(TX) | |
| D783 | 1790000620 | S.DIO MA77(TX) | |
| D784 | 1790000620 | S.DIO MA77(TX) | |
| D831 | 1750000301 | S.DIO 1SS302(TE85R,F) | |
| D851 | 1790000620 | S.DIO MA77(TX) | |
| D852 | 1790000620 | S.DIO MA77(TX) | |
| D861 | 1790000620 | S.DIO MA77(TX) | |
| D862 | 1790000620 | S.DIO MA77(TX) | |
| D871 | 1790000620 | S.DIO MA77(TX) | |
| D872 | 1790000620 | S.DIO MA77(TX) | |
| D881 | 1790000620 | S.DIO MA77(TX) | |
| D882 | 1790000620 | S.DIO MA77(TX) | |
| D1041 | 1790001211 | S.DIO 1SS375-TL-E | [USA-1] |
| | 1790001211 | S.DIO 1SS375-TL-E | [OTH-1] |
| | 1790001211 | S.DIO 1SS375-TL-E | [CHN] |
| D1051 | 1790001211 | S.DIO 1SS375-TL-E | |
| D1061 | 1790001211 | S.DIO 1SS375-TL-E | |
| D1311 | 1750000550 | S.DIO 1SS355 TE-17 | |
| D1351 | 1790000700 | DIO DSA3A1 | |
| D1371 | 1750000550 | S.DIO 1SS355 TE-17 | |
| D1381 | 1750000301 | S.DIO 1SS302(TE85R,F) | |
| D1412 | 1750000301 | S.DIO 1SS302(TE85R,F) | |
| D1413 | 1730002830 | S.ZEN DZJ051M | |
| D1771 | 1750000550 | S.DIO 1SS355 TE-17 | |
| FI461 | 2010002090 | FIL UM-5 69.0115 MHz (FL-261) | |
| FI701 | 2010000270 | FIL 9M15A (FL-23) | |
| FI761 | 2010002130 | D.F 9M22D4 9.0115 MHz (FL-272) | |
| FI851 | 2020000210 | CER CFJ455K5 (FL-65) | |
| FI861 | 2020001460 | CER CFWLA450KHFA-B0 (CFWS450HT) | |
| FI871 | 2020001210 | CER CFWLA450KEFA-B0 (CFWS450E) | |
| X1001 | 6070000200 | DIS CDBLA450KAY24-B0 (CDB450C24) | |
| X2021 | 6060000721 | CER CSALF3M60GZZF03-B0 | [USA] |
| | 6060000721 | CER CSALF3M60GZZF03-B0 | [EUR] |
| | 6060000721 | CER CSALF3M60GZZF03-B0 | [AUS] |
| | 6060000721 | CER CSALF3M60GZZF03-B0 | [UK] |
| | 6060000721 | CER CSALF3M60GZZF03-B0 | [DEN] |
| | 6060000721 | CER CSALF3M60GZZF03-B0 | [SEA] |
| | 6060000721 | CER CSALF3M60GZZF03-B0 | [OTH] |
| L101 | 6140002070 | COI LR-233 | |
| L131 | 6200003431 | S.COI NLV32T-R10J | |
| L132 | 6200003421 | S.COI NLV32T-R15J | |
| L151 | 6200005491 | S.COI NLV32T-331J | |
| L161 | 6200005491 | S.COI NLV32T-331J | |
| L162 | 6200008790 | S.COI ACL3225S-4R7K-T | |
| L163 | 6200008800 | S.COI ACL3225S-5R6K-T | |
| L171 | 6200005491 | S.COI NLV32T-331J | |
| L172 | 6200002961 | S.COI NLV32T-4R7J | |
| L173 | 6200003111 | S.COI NLV32T-6R8J | |
| L181 | 6200005491 | S.COI NLV32T-331J | |
| L182 | 6200003091 | S.COI NLV32T-2R7J | |
| L183 | 6200003101 | S.COI NLV32T-3R9J | |
| L184 | 6200005491 | S.COI NLV32T-331J | |
| L201 | 6200005491 | S.COI NLV32T-331J | |
| L202 | 6200002991 | S.COI NLV32T-2R2J | |
| L203 | 6200002991 | S.COI NLV32T-2R2J | |
| L204 | 6200003321 | S.COI NLV32T-3R3J | |
| L205 | 6200002961 | S.COI NLV32T-4R7J | |
| L221 | 6200003241 | S.COI NLV32T-221J | |
| L222 | 6200003081 | S.COI NLV32T-1R8J | |
| L223 | 6200003061 | S.COI NLV32T-1R2J | |
| L224 | 6200003071 | S.COI NLV32T-1R5J | |
| L225 | 6200003071 | S.COI NLV32T-1R5J | |
| L241 | 6200003241 | S.COI NLV32T-221J | |
| L242 | 6200003061 | S.COI NLV32T-1R2J | |
| L243 | 6200003331 | S.COI NLV32T-1R0J | |
| L244 | 6200003331 | S.COI NLV32T-1R0J | |
| L245 | 6200003081 | S.COI NLV32T-1R8J | |

[MAIN UNIT] (For other than [USA-2], [OTH-2], [CHN-1])

| REF NO. | ORDER NO. | DESCRIPTION | |
|---------|------------|-------------------------|---------|
| L261 | 6200003241 | S.COI NLV32T-221J | |
| L262 | 6200003251 | S.COI NLV32T-R39J | |
| L263 | 6200002981 | S.COI NLV32T-R56J | |
| L264 | 6200003041 | S.COI NLV32T-R68J | |
| L265 | 6200003331 | S.COI NLV32T-1R0J | |
| L281 | 6200001831 | S.COI NLV32T-100J | |
| L282 | 6200003021 | S.COI NLV32T-R33J | |
| L283 | 6200003251 | S.COI NLV32T-R39J | |
| L284 | 6200003031 | S.COI NLV32T-R47J | |
| L285 | 6200003031 | S.COI NLV32T-R47J | [USA] |
| | 6200003031 | S.COI NLV32T-R47J | [EUR] |
| | 6200003030 | S.COI NL 322522T-R47J-3 | [AUS] |
| | 6200003031 | S.COI NLV32T-R47J | [UK] |
| | 6200003030 | S.COI NL 322522T-R47J-3 | [DEN] |
| | 6200003031 | S.COI NLV32T-R47J | [SEA] |
| | 6200003031 | S.COI NLV32T-R47J | [OTH] |
| | 6200003031 | S.COI NLV32T-R47J | [USA-1] |
| | 6200003031 | S.COI NLV32T-R47J | [OTH-1] |
| | 6200003031 | S.COI NLV32T-R47J | [CHN] |
| L301 | 6200001831 | S.COI NLV32T-100J | [USA] |
| | 6200001831 | S.COI NLV32T-100J | [EUR] |
| | 6200001830 | S.COI NL 322522T-100J | [AUS] |
| | 6200001831 | S.COI NLV32T-100J | [UK] |
| | 6200001830 | S.COI NL 322522T-100J | [DEN] |
| | 6200001831 | S.COI NLV32T-100J | [SEA] |
| | 6200001831 | S.COI NLV32T-100J | [OTH] |
| | 6200001831 | S.COI NLV32T-100J | [USA-1] |
| | 6200001831 | S.COI NLV32T-100J | [OTH-1] |
| | 6200001831 | S.COI NLV32T-100J | [CHN] |
| L302 | 6200003021 | S.COI NLV32T-R33J | [USA] |
| | 6200003021 | S.COI NLV32T-R33J | [EUR] |
| | 6200003020 | S.COI NL 322522T-R33J-3 | [AUS] |
| | 6200003021 | S.COI NLV32T-R33J | [UK] |
| | 6200003020 | S.COI NL 322522T-R33J-3 | [DEN] |
| | 6200003021 | S.COI NLV32T-R33J | [SEA] |
| | 6200003021 | S.COI NLV32T-R33J | [OTH] |
| | 6200003021 | S.COI NLV32T-R33J | [USA-1] |
| | 6200003021 | S.COI NLV32T-R33J | [OTH-1] |
| | 6200003011 | S.COI NLV32T-R27J | [CHN] |
| L303 | 6200003021 | S.COI NLV32T-R33J | |
| L304 | 6200003021 | S.COI NLV32T-R33J | |
| L305 | 6200003031 | S.COI NLV32T-R47J | |
| L321 | 6200001831 | S.COI NLV32T-100J | |
| L322 | 6200003001 | S.COI NLV32T-R22J | |
| L323 | 6200003421 | S.COI NLV32T-R15J | |
| L324 | 6180002961 | S.COI NLV32T-R18J | |
| L325 | 6200003001 | S.COI NLV32T-R22J | |
| L326 | 6200003001 | S.COI NLV32T-R22J | |
| L341 | 6200001831 | S.COI NLV32T-100J | |
| L342 | 6200001471 | S.COI NLV32T-R12J | |
| L343 | 6200003421 | S.COI NLV32T-R15J | |
| L345 | 6200003421 | S.COI NLV32T-R15J | |
| L346 | 6200001471 | S.COI NLV32T-R12J | |
| L361 | 6200005491 | S.COI NLV32T-331J | |
| L362 | 6200005491 | S.COI NLV32T-331J | |
| L371 | 6200003241 | S.COI NLV32T-221J | |
| L381 | 6140000640 | COI LR-86 | |
| L382 | 6200003071 | S.COI NLV32T-1R5J | [USA] |
| | 6200003071 | S.COI NLV32T-1R5J | [EUR] |
| | 6200003070 | S.COI NL 322522T-1R5J-3 | [AUS] |
| | 6200003071 | S.COI NLV32T-1R5J | [UK] |
| | 6200003070 | S.COI NL 322522T-1R5J-3 | [DEN] |
| | 6200003071 | S.COI NLV32T-1R5J | [SEA] |
| | 6200003071 | S.COI NLV32T-1R5J | [OTH] |
| | 6200003071 | S.COI NLV32T-1R5J | [USA-1] |
| | 6200003071 | S.COI NLV32T-1R5J | [OTH-1] |
| | 6200003071 | S.COI NLV32T-1R5J | [CHN] |
| L383 | 6140001500 | COI LR-171 | |
| L384 | 6200005491 | S.COI NLV32T-331J | [USA] |
| | 6200005491 | S.COI NLV32T-331J | [EUR] |
| | 6200005490 | S.COI NL 322522T-331J | [AUS] |
| | 6200005491 | S.COI NLV32T-331J | [UK] |
| | 6200005490 | S.COI NL 322522T-331J | [DEN] |
| | 6200005491 | S.COI NLV32T-331J | [SEA] |
| | 6200005491 | S.COI NLV32T-331J | [OTH] |
| | 6200005491 | S.COI NLV32T-331J | [USA-1] |
| | 6200005491 | S.COI NLV32T-331J | [OTH-1] |
| | 6200005491 | S.COI NLV32T-331J | [CHN] |
| L385 | 6170000291 | COI LW-30-LF | |
| L391 | 6200003241 | S.COI NLV32T-221J | [USA] |
| | 6200003241 | S.COI NLV32T-221J | [EUR] |
| | 6200003240 | S.COI NL 322522T-221J | [AUS] |
| | 6200003241 | S.COI NLV32T-221J | [UK] |
| | 6200003240 | S.COI NL 322522T-221J | [DEN] |
| | 6200003241 | S.COI NLV32T-221J | [SEA] |
| | 6200003241 | S.COI NLV32T-221J | [OTH] |
| | 6200003241 | S.COI NLV32T-221J | [USA-1] |
| | 6200003241 | S.COI NLV32T-221J | [OTH-1] |
| | 6200003241 | S.COI NLV32T-221J | [CHN] |
| L392 | 6200003241 | S.COI NLV32T-221J | |
| L401 | 6200005491 | S.COI NLV32T-331J | |
| L411 | 6200003001 | S.COI NLV32T-R22J | |
| L412 | 6200003021 | S.COI NLV32T-R33J | |
| L413 | 6200001831 | S.COI NLV32T-100J | |
| L421 | 6200003431 | S.COI NLV32T-R10J | |
| L422 | 6200003421 | S.COI NLV32T-R15J | |
| L431 | 6200003431 | S.COI NLV32T-R10J | |
| L432 | 6200003421 | S.COI NLV32T-R15J | |
| L441 | 6140001500 | COI LR-171 | |
| L442 | 6200003431 | S.COI NLV32T-R10J | |
| L443 | 6150004270 | COI LS-483A (C-14924) | |
| L444 | 6200001831 | S.COI NLV32T-100J | |
| L461 | 6150004270 | COI LS-483A (C-14924) | |
| L462 | 6150004270 | COI LS-483A (C-14924) | |

M.=Mounted side (T: Mounted on the Top side, B: Mounted on the Bottom side)
S.=Surface mount

[MAIN UNIT] (For other than [USA-2], [OTH-2], [CHN-1])

| REF NO. | ORDER NO. | DESCRIPTION | |
|---------|------------|-----------------------------|---------|
| R862 | 7030003360 | S.RES ERJ3GEYJ 221 V (220) | |
| R863 | 7030003360 | S.RES ERJ3GEYJ 221 V (220) | |
| R864 | 7030003560 | S.RES ERJ3GEYJ 103 V (10K) | |
| R865 | 7030003560 | S.RES ERJ3GEYJ 103 V (10K) | |
| R871 | 7030003510 | S.RES ERJ3GEYJ 392 V (3.9K) | |
| R872 | 7030003360 | S.RES ERJ3GEYJ 221 V (220) | |
| R873 | 7030003360 | S.RES ERJ3GEYJ 221 V (220) | |
| R874 | 7030003510 | S.RES ERJ3GEYJ 392 V (3.9K) | |
| R875 | 7030003560 | S.RES ERJ3GEYJ 103 V (10K) | |
| R881 | 7030003510 | S.RES ERJ3GEYJ 392 V (3.9K) | |
| R882 | 7030003360 | S.RES ERJ3GEYJ 221 V (220) | |
| R883 | 7030003360 | S.RES ERJ3GEYJ 221 V (220) | |
| R884 | 7030003510 | S.RES ERJ3GEYJ 392 V (3.9K) | |
| R885 | 7030003560 | S.RES ERJ3GEYJ 103 V (10K) | |
| R891 | 7030003560 | S.RES ERJ3GEYJ 103 V (10K) | |
| R892 | 7030003320 | S.RES ERJ3GEYJ 101 V (100) | |
| R893 | 7030003480 | S.RES ERJ3GEYJ 222 V (2.2K) | |
| R894 | 7030003600 | S.RES ERJ3GEYJ 223 V (2.2K) | |
| R895 | 7030003380 | S.RES ERJ3GEYJ 331 V (330) | |
| R896 | 7030003500 | S.RES ERJ3GEYJ 332 V (3.3K) | |
| R897 | 7030003320 | S.RES ERJ3GEYJ 101 V (100) | |
| R898 | 7310005540 | S.TRI TMC3ADC14X (10K) | |
| R911 | 7030003320 | S.RES ERJ3GEYJ 101 V (100) | |
| R912 | 7030003480 | S.RES ERJ3GEYJ 222 V (2.2K) | |
| R913 | 7030003320 | S.RES ERJ3GEYJ 101 V (100) | |
| R914 | 7030003560 | S.RES ERJ3GEYJ 103 V (10K) | |
| R915 | 7030003560 | S.RES ERJ3GEYJ 103 V (10K) | |
| R1001 | 7030003520 | S.RES ERJ3GEYJ 472 V (4.7K) | |
| R1002 | 7030003320 | S.RES ERJ3GEYJ 101 V (100) | |
| R1003 | 7030003700 | S.RES ERJ3GEYJ 154 V (150K) | |
| R1004 | 7030003500 | S.RES ERJ3GEYJ 332 V (3.3K) | |
| R1005 | 7030003720 | S.RES ERJ3GEYJ 224 V (220K) | |
| R1006 | 7030003460 | S.RES ERJ3GEYJ 152 V (1.5K) | |
| R1007 | 7030003360 | S.RES ERJ3GEYJ 221 V (220) | |
| R1008 | 7030003720 | S.RES ERJ3GEYJ 224 V (220K) | |
| R1021 | 7030003560 | S.RES ERJ3GEYJ 103 V (10K) | |
| R1022 | 7030003630 | S.RES ERJ3GEYJ 393 V (39K) | |
| R1023 | 7030003660 | S.RES ERJ3GEYJ 683 V (68K) | |
| R1024 | 7030003640 | S.RES ERJ3GEYJ 473 V (47K) | |
| R1031 | 7030003360 | S.RES ERJ3GEYJ 221 V (220) | |
| R1032 | 7030003720 | S.RES ERJ3GEYJ 224 V (220K) | |
| R1033 | 7030003440 | S.RES ERJ3GEYJ 102 V (1K) | |
| R1041 | 7030003440 | S.RES ERJ3GEYJ 102 V (1K) | [USA-1] |
| | 7030003440 | S.RES ERJ3GEYJ 102 V (1K) | [OTH-1] |
| | 7030003440 | S.RES ERJ3GEYJ 102 V (1K) | [CHN] |
| R1042 | 7030003680 | S.RES ERJ3GEYJ 104 V (100K) | [USA-1] |
| | 7030003680 | S.RES ERJ3GEYJ 104 V (100K) | [OTH-1] |
| | 7030003680 | S.RES ERJ3GEYJ 104 V (100K) | [CHN] |
| R1043 | 7030003440 | S.RES ERJ3GEYJ 102 V (1K) | [USA-1] |
| | 7030003440 | S.RES ERJ3GEYJ 102 V (1K) | [OTH-1] |
| | 7030003440 | S.RES ERJ3GEYJ 102 V (1K) | [CHN] |
| R1044 | 7030003660 | S.RES ERJ3GEYJ 683 V (68K) | [USA-1] |
| | 7030003660 | S.RES ERJ3GEYJ 683 V (68K) | [OTH-1] |
| | 7030003660 | S.RES ERJ3GEYJ 683 V (68K) | [CHN] |
| R1045 | 7030003640 | S.RES ERJ3GEYJ 473 V (47K) | [USA-1] |
| | 7030003640 | S.RES ERJ3GEYJ 473 V (47K) | [OTH-1] |
| | 7030003640 | S.RES ERJ3GEYJ 473 V (47K) | [CHN] |
| R1051 | 7030003490 | S.RES ERJ3GEYJ 272 V (2.7K) | |
| R1052 | 7030003520 | S.RES ERJ3GEYJ 472 V (4.7K) | |
| R1053 | 7030003400 | S.RES ERJ3GEYJ 471 V (470) | |
| R1061 | 7030003680 | S.RES ERJ3GEYJ 104 V (100K) | |
| R1062 | 7030003600 | S.RES ERJ3GEYJ 223 V (22K) | |
| R1063 | 7030003440 | S.RES ERJ3GEYJ 102 V (1K) | |
| R1064 | 7030003780 | S.RES ERJ3GEYJ 684 V (680K) | |
| R1065 | 7030003520 | S.RES ERJ3GEYJ 472 V (4.7K) | |
| R1066 | 7030003600 | S.RES ERJ3GEYJ 223 V (22K) | |
| R1067 | 7030003740 | S.RES ERJ3GEYJ 334 V (330K) | |
| R1068 | 7030003560 | S.RES ERJ3GEYJ 103 V (10K) | |
| R1081 | 7030003360 | S.RES ERJ3GEYJ 221 V (220) | |
| R1082 | 7030003440 | S.RES ERJ3GEYJ 102 V (1K) | |
| R1084 | 7030003640 | S.RES ERJ3GEYJ 473 V (47K) | |
| R1101 | 7030003440 | S.RES ERJ3GEYJ 102 V (1K) | |
| R1102 | 7030003460 | S.RES ERJ3GEYJ 152 V (1.5K) | |
| R1103 | 7030003440 | S.RES ERJ3GEYJ 102 V (1K) | |
| R1104 | 7030003500 | S.RES ERJ3GEYJ 332 V (3.3K) | |
| R1105 | 7030003480 | S.RES ERJ3GEYJ 222 V (2.2K) | |
| R1106 | 7030003200 | S.RES ERJ3GEYJ 100 V (10) | |
| R1107 | 7030003460 | S.RES ERJ3GEYJ 152 V (1.5K) | |
| R1108 | 7030003440 | S.RES ERJ3GEYJ 102 V (1K) | |
| R1109 | 7030003440 | S.RES ERJ3GEYJ 102 V (1K) | |
| R1110 | 7030003480 | S.RES ERJ3GEYJ 222 V (2.2K) | |
| R1111 | 7030003200 | S.RES ERJ3GEYJ 100 V (10) | |
| R1201 | 7030003660 | S.RES ERJ3GEYJ 683 V (68K) | |
| R1202 | 7030003480 | S.RES ERJ3GEYJ 222 V (2.2K) | |
| R1203 | 7030003670 | S.RES ERJ3GEYJ 823 V (82K) | [USA-1] |
| | 7030003670 | S.RES ERJ3GEYJ 823 V (82K) | [OTH-1] |
| | 7030003670 | S.RES ERJ3GEYJ 823 V (82K) | [CHN] |
| R1204 | 7030003640 | S.RES ERJ3GEYJ 473 V (47K) | [USA] |
| | 7030003640 | S.RES ERJ3GEYJ 473 V (47K) | [EUR] |
| | 7030003640 | S.RES ERJ3GEYJ 473 V (47K) | [AUS] |
| | 7030003640 | S.RES ERJ3GEYJ 473 V (47K) | [UK] |
| | 7030003640 | S.RES ERJ3GEYJ 473 V (47K) | [DEN] |
| | 7030003640 | S.RES ERJ3GEYJ 473 V (47K) | [SEA] |
| | 7030003640 | S.RES ERJ3GEYJ 473 V (47K) | [OTH] |
| R1205 | 7030003640 | S.RES ERJ3GEYJ 473 V (47K) | [USA] |
| | 7030003640 | S.RES ERJ3GEYJ 473 V (47K) | [EUR] |
| | 7030003640 | S.RES ERJ3GEYJ 473 V (47K) | [UK] |
| | 7030003640 | S.RES ERJ3GEYJ 473 V (47K) | [DEN] |
| | 7030003640 | S.RES ERJ3GEYJ 473 V (47K) | [SEA] |
| | 7030003640 | S.RES ERJ3GEYJ 473 V (47K) | [OTH] |
| R1211 | 7030003640 | S.RES ERJ3GEYJ 473 V (47K) | |
| R1212 | 7030003630 | S.RES ERJ3GEYJ 393 V (39K) | |
| R1213 | 7030003630 | S.RES ERJ3GEYJ 393 V (39K) | |

[MAIN UNIT] (For other than [USA-2], [OTH-2], [CHN-1])

| REF NO. | ORDER NO. | DESCRIPTION | |
|---------|------------|-----------------------------|-------|
| R1214 | 7030003630 | S.RES ERJ3GEYJ 393 V (39K) | |
| R1215 | 7030003630 | S.RES ERJ3GEYJ 393 V (39K) | |
| R1231 | 7030003400 | S.RES ERJ3GEYJ 471 V (470) | |
| R1232 | 7030003400 | S.RES ERJ3GEYJ 471 V (470) | |
| R1233 | 7030003400 | S.RES ERJ3GEYJ 471 V (470) | |
| R1234 | 7030003400 | S.RES ERJ3GEYJ 471 V (470) | |
| R1235 | 7030003400 | S.RES ERJ3GEYJ 471 V (470) | |
| R1236 | 7030003400 | S.RES ERJ3GEYJ 471 V (470) | |
| R1251 | 7030003680 | S.RES ERJ3GEYJ 104 V (100K) | |
| R1252 | 7030003680 | S.RES ERJ3GEYJ 104 V (100K) | |
| R1253 | 7030003680 | S.RES ERJ3GEYJ 104 V (100K) | |
| R1254 | 7310005580 | S.TRI TMC3ADCS3X (4.7K) | |
| R1255 | 7030003400 | S.RES ERJ3GEYJ 471 V (470) | |
| R1256 | 7030003640 | S.RES ERJ3GEYJ 473 V (47K) | |
| R1257 | 7030003560 | S.RES ERJ3GEYJ 103 V (10K) | |
| R1258 | 7030003520 | S.RES ERJ3GEYJ 472 V (4.7K) | |
| R1259 | 7030003520 | S.RES ERJ3GEYJ 472 V (4.7K) | |
| R1260 | 7030003320 | S.RES ERJ3GEYJ 101 V (100) | |
| R1261 | 7030003480 | S.RES ERJ3GEYJ 222 V (2.2K) | |
| R1262 | 7030003550 | S.RES ERJ3GEYJ 822 V (8.2K) | |
| R1263 | 7030003610 | S.RES ERJ3GEYJ 273 V (27K) | |
| R1271 | 7030003640 | S.RES ERJ3GEYJ 473 V (47K) | |
| R1272 | 7030003440 | S.RES ERJ3GEYJ 102 V (1K) | |
| R1281 | 7030003680 | S.RES ERJ3GEYJ 104 V (100K) | |
| R1291 | 7030003550 | S.RES ERJ3GEYJ 822 V (8.2K) | |
| R1292 | 7030003400 | S.RES ERJ3GEYJ 471 V (470) | |
| R1293 | 7030003400 | S.RES ERJ3GEYJ 471 V (470) | |
| R1311 | 7030003520 | S.RES ERJ3GEYJ 472 V (4.7K) | |
| R1312 | 7030003620 | S.RES ERJ3GEYJ 333 V (33K) | |
| R1313 | 7030003580 | S.RES ERJ3GEYJ 153 V (15K) | |
| R1314 | 7030003640 | S.RES ERJ3GEYJ 473 V (47K) | |
| R1351 | 7030003200 | S.RES ERJ3GEYJ 100 V (10) | |
| R1371 | 7030003520 | S.RES ERJ3GEYJ 472 V (4.7K) | |
| R1372 | 7030003640 | S.RES ERJ3GEYJ 473 V (47K) | |
| R1374 | 7030003520 | S.RES ERJ3GEYJ 472 V (4.7K) | |
| R1381 | 7030003280 | S.RES ERJ3GEYJ 470 V (47) | |
| R1382 | 7030003480 | S.RES ERJ3GEYJ 222 V (2.2K) | |
| R1401 | 7070001060 | RES ERG2SJ 120 | |
| R1411 | 7030003320 | S.RES ERJ3GEYJ 101 V (100) | |
| R1412 | 7030003560 | S.RES ERJ3GEYJ 103 V (10K) | |
| R1413 | 7030003680 | S.RES ERJ3GEYJ 104 V (100K) | |
| R1414 | 7030003320 | S.RES ERJ3GEYJ 101 V (100) | |
| R1415 | 7030003320 | S.RES ERJ3GEYJ 101 V (100) | |
| R1416 | 7030003320 | S.RES ERJ3GEYJ 101 V (100) | |
| R1771 | 7030003540 | S.RES ERJ3GEYJ 682 V (6.8K) | |
| R1772 | 7030003620 | S.RES ERJ3GEYJ 333 V (33K) | |
| R1773 | 7030003640 | S.RES ERJ3GEYJ 473 V (47K) | |
| R1774 | 7030003580 | S.RES ERJ3GEYJ 153 V (15K) | |
| R2001 | 7030003560 | S.RES ERJ3GEYJ 103 V (10K) | [USA] |
| | 7030003560 | S.RES ERJ3GEYJ 103 V (10K) | [EUR] |
| | 7030003560 | S.RES ERJ3GEYJ 103 V (10K) | [AUS] |
| | 7030003560 | S.RES ERJ3GEYJ 103 V (10K) | [UK] |
| | 7030003560 | S.RES ERJ3GEYJ 103 V (10K) | [DEN] |
| | 7030003560 | S.RES ERJ3GEYJ 103 V (10K) | [SEA] |
| | 7030003560 | S.RES ERJ3GEYJ 103 V (10K) | [OTH] |
| R2002 | 7030003360 | S.RES ERJ3GEYJ 221 V (220) | [USA] |
| | 7030003360 | S.RES ERJ3GEYJ 221 V (220) | [EUR] |
| | 7030003360 | S.RES ERJ3GEYJ 221 V (220) | [AUS] |
| | 7030003360 | S.RES ERJ3GEYJ 221 V (220) | [UK] |
| | 7030003360 | S.RES ERJ3GEYJ 221 V (220) | [DEN] |
| | 7030003360 | S.RES ERJ3GEYJ 221 V (220) | [SEA] |
| | 7030003360 | S.RES ERJ3GEYJ 221 V (220) | [OTH] |
| R2011 | 7030003560 | S.RES ERJ3GEYJ 103 V (10K) | [USA] |
| | 7030003560 | S.RES ERJ3GEYJ 103 V (10K) | [EUR] |
| | 7030003560 | S.RES ERJ3GEYJ 103 V (10K) | [AUS] |
| | 7030003560 | S.RES ERJ3GEYJ 103 V (10K) | [UK] |
| | 7030003560 | S.RES ERJ3GEYJ 103 V (10K) | [DEN] |
| | 7030003560 | S.RES ERJ3GEYJ 103 V (10K) | [SEA] |
| | 7030003560 | S.RES ERJ3GEYJ 103 V (10K) | [OTH] |
| R2012 | 7030003680 | S.RES ERJ3GEYJ 104 V (100K) | [USA] |
| | 7030003680 | S.RES ERJ3GEYJ 104 V (100K) | [EUR] |
| | 7030003680 | S.RES ERJ3GEYJ 104 V (100K) | [AUS] |
| | 7030003680 | S.RES ERJ3GEYJ 104 V (100K) | [UK] |
| | 7030003680 | S.RES ERJ3GEYJ 104 V (100K) | [DEN] |
| | 7030003680 | S.RES ERJ3GEYJ 104 V (100K) | [SEA] |
| | 7030003680 | S.RES ERJ3GEYJ 104 V (100K) | [OTH] |
| R2021 | 7030003510 | S.RES ERJ3GEYJ 392 V (3.9K) | [USA] |
| | 7030003510 | S.RES ERJ3GEYJ 392 V (3.9K) | [EUR] |
| | 7030003510 | S.RES ERJ3GEYJ 392 V (3.9K) | [AUS] |
| | 7030003510 | S.RES ERJ3GEYJ 392 V (3.9K) | [UK] |
| | 7030003510 | S.RES ERJ3GEYJ 392 V (3.9K) | [DEN] |
| | 7030003510 | S.RES ERJ3GEYJ 392 V (3.9K) | [SEA] |
| | 7030003510 | S.RES ERJ3GEYJ 392 V (3.9K) | [OTH] |
| R2022 | 7030003440 | S.RES ERJ3GEYJ 102 V (1K) | [USA] |
| | 7030003440 | S.RES ERJ3GEYJ 102 V (1K) | [EUR] |
| | 7030003440 | S.RES ERJ3GEYJ 102 V (1K) | [AUS] |
| | 7030003440 | S.RES ERJ3GEYJ 102 V (1K) | [UK] |
| | 7030003440 | S.RES ERJ3GEYJ 102 V (1K) | [DEN] |
| | 7030003440 | S.RES ERJ3GEYJ 102 V (1K) | [SEA] |
| | 7030003440 | S.RES ERJ3GEYJ 102 V (1K) | [OTH] |
| R2023 | 7010006940 | RES PSD1/4 1 K | [USA] |
| | 7010006940 | RES PSD1/4 1 K | [EUR] |
| | 7010006940 | RES PSD1/4 1 K | [AUS] |
| | 7010006940 | RES PSD1/4 1 K | [UK] |
| | 7010006940 | RES PSD1/4 1 K | [DEN] |
| | 7010006940 | RES PSD1/4 1 K | [SEA] |
| | 7010006940 | RES PSD1/4 1 K | [OTH] |

M.=Mounted side (T: Mounted on the Top side, B: Mounted on the Bottom side)
S.=Surface mount

[MAIN UNIT] (For other than [USA-2], [OTH-2], [CHN-1])

| REF NO. | ORDER NO. | DESCRIPTION | |
|---------|------------|----------------------------|-------|
| R2031 | 7030003640 | S.RES ERJ3GEYJ 473 V (47K) | [USA] |
| | 7030003640 | S.RES ERJ3GEYJ 473 V (47K) | [EUR] |
| | 7030003640 | S.RES ERJ3GEYJ 473 V (47K) | [AUS] |
| | 7030003640 | S.RES ERJ3GEYJ 473 V (47K) | [UK] |
| | 7030003640 | S.RES ERJ3GEYJ 473 V (47K) | [DEN] |
| | 7030003640 | S.RES ERJ3GEYJ 473 V (47K) | [SEA] |
| | 7030003640 | S.RES ERJ3GEYJ 473 V (47K) | [OTH] |
| R2032 | 7030003640 | S.RES ERJ3GEYJ 473 V (47K) | [USA] |
| | 7030003640 | S.RES ERJ3GEYJ 473 V (47K) | [EUR] |
| | 7030003640 | S.RES ERJ3GEYJ 473 V (47K) | [AUS] |
| | 7030003640 | S.RES ERJ3GEYJ 473 V (47K) | [UK] |
| | 7030003640 | S.RES ERJ3GEYJ 473 V (47K) | [DEN] |
| | 7030003640 | S.RES ERJ3GEYJ 473 V (47K) | [SEA] |
| | 7030003640 | S.RES ERJ3GEYJ 473 V (47K) | [OTH] |
| R2051 | 7030003640 | S.RES ERJ3GEYJ 473 V (47K) | |
| C101 | 4030011600 | S.CER C1608 JB 1E 104K-T | |
| C111 | 4030010210 | S.CER C3216 JB 1C 105M-T | |
| C121 | 4030006900 | S.CER C1608 JB 1H 103K-T | |
| C131 | 4030007070 | S.CER C1608 CH 1H 330J-T | |
| C132 | 4030007070 | S.CER C1608 CH 1H 330J-T | |
| C133 | 4030007040 | S.CER C1608 CH 1H 180J-T | |
| C134 | 4030007120 | S.CER C1608 CH 1H 820J-T | |
| C135 | 4030007040 | S.CER C1608 CH 1H 180J-T | |
| C136 | 4030007100 | S.CER C1608 CH 1H 560J-T | |
| C141 | 4030006900 | S.CER C1608 JB 1H 103K-T | |
| C151 | 4030010210 | S.CER C3216 JB 1C 105M-T | |
| C152 | 4030011600 | S.CER C1608 JB 1E 104K-T | |
| C161 | 4030008470 | S.CER C1608 JB 1H 272K-T | |
| C162 | 4030009880 | S.CER C1608 JB 1H 682K-T | |
| C163 | 4030009980 | S.CER C1608 JB 1H 152K-T | |
| C164 | 4030011600 | S.CER C1608 JB 1E 104K-T | |
| C170 | 4510008520 | S.ELE EEE1CA470SP | |
| C171 | 4030011600 | S.CER C1608 JB 1E 104K-T | |
| C172 | 4030008650 | S.CER C1608 JB 1H 332K-T | |
| C173 | 4030010240 | S.CER C1608 JB 1H 391K-T | |
| C174 | 4030008650 | S.CER C1608 JB 1H 332K-T | |
| C175 | 4030010210 | S.CER C3216 JB 1C 105M-T | |
| C176 | 4030011600 | S.CER C1608 JB 1E 104K-T | |
| C181 | 4030011600 | S.CER C1608 JB 1E 104K-T | |
| C182 | 4030006860 | S.CER C1608 JB 1H 102K-T | |
| C183 | 4030009580 | S.CER C1608 JB 1H 681K-T | |
| C184 | 4030006870 | S.CER C1608 JB 1H 222K-T | |
| C185 | 4030007170 | S.CER C1608 CH 1H 221J-T | |
| C186 | 4030010020 | S.CER C1608 JB 1H 122K-T | |
| C187 | 4030011600 | S.CER C1608 JB 1E 104K-T | |
| C188 | 4030011600 | S.CER C1608 JB 1E 104K-T | |
| C201 | 4030011600 | S.CER C1608 JB 1E 104K-T | |
| C202 | 4030010020 | S.CER C1608 JB 1H 122K-T | |
| C203 | 4030007130 | S.CER C1608 CH 1H 101J-T | |
| C204 | 4030010020 | S.CER C1608 JB 1H 122K-T | |
| C205 | 4030009880 | S.CER C1608 JB 1H 682K-T | |
| C206 | 4030009880 | S.CER C1608 JB 1H 682K-T | |
| C207 | 4030009980 | S.CER C1608 JB 1H 152K-T | |
| C208 | 4030009980 | S.CER C1608 JB 1H 152K-T | |
| C209 | 4030011600 | S.CER C1608 JB 1E 104K-T | |
| C221 | 4030011600 | S.CER C1608 JB 1E 104K-T | |
| C222 | 4030010240 | S.CER C1608 JB 1H 391K-T | |
| C223 | 4030007140 | S.CER C1608 CH 1H 121J-T | |
| C224 | 4030007130 | S.CER C1608 CH 1H 101J-T | |
| C225 | 4030006850 | S.CER C1608 JB 1H 471K-T | |
| C226 | 4030006870 | S.CER C1608 JB 1H 222K-T | |
| C227 | 4030006880 | S.CER C1608 JB 1H 472K-T | |
| C228 | 4030006860 | S.CER C1608 JB 1H 102K-T | |
| C229 | 4030009580 | S.CER C1608 JB 1H 681K-T | |
| C230 | 4030011600 | S.CER C1608 JB 1E 104K-T | |
| C241 | 4030011600 | S.CER C1608 JB 1E 104K-T | |
| C242 | 4030010760 | S.CER C1608 CH 1H 331J-T | |
| C243 | 4030007090 | S.CER C1608 CH 1H 470J-T | |
| C244 | 4030007160 | S.CER C1608 CH 1H 181J-T | |
| C245 | 4030010040 | S.CER C1608 JB 1H 561K-T | |
| C246 | 4030008470 | S.CER C1608 JB 1H 272K-T | |
| C247 | 4030010760 | S.CER C1608 CH 1H 331J-T | |
| C248 | 4030011600 | S.CER C1608 JB 1E 104K-T | |
| C261 | 4030011600 | S.CER C1608 JB 1E 104K-T | |
| C262 | 4030011280 | S.CER C1608 CH 1H 271J-T | |
| C263 | 4030007090 | S.CER C1608 CH 1H 470J-T | |
| C264 | 4030007150 | S.CER C1608 CH 1H 151J-T | |
| C265 | 4030006850 | S.CER C1608 JB 1H 471K-T | |
| C266 | 4030010020 | S.CER C1608 JB 1H 122K-T | |
| C267 | 4030007140 | S.CER C1608 CH 1H 121J-T | |
| C268 | 4030007140 | S.CER C1608 CH 1H 121J-T | |
| C269 | 4030011600 | S.CER C1608 JB 1E 104K-T | |
| C281 | 4030011600 | S.CER C1608 JB 1E 104K-T | |
| C282 | 4030007160 | S.CER C1608 CH 1H 181J-T | |
| C283 | 4030007030 | S.CER C1608 CH 1H 150J-T | |
| C284 | 4030007030 | S.CER C1608 CH 1H 150J-T | |
| C285 | 4030007130 | S.CER C1608 CH 1H 101J-T | |
| C286 | 4030007150 | S.CER C1608 CH 1H 151J-T | |
| C287 | 4030007150 | S.CER C1608 CH 1H 151J-T | |
| C288 | 4030010020 | S.CER C1608 JB 1H 122K-T | |
| C289 | 4030007150 | S.CER C1608 CH 1H 151J-T | |
| C290 | 4030011600 | S.CER C1608 JB 1E 104K-T | |
| C301 | 4030011600 | S.CER C1608 JB 1E 104K-T | |
| C302 | 4030006990 | S.CER C1608 CH 1H 080D-T | |
| C303 | 4030007160 | S.CER C1608 CH 1H 181J-T | |
| C304 | 4030007060 | S.CER C1608 CH 1H 270J-T | |
| C305 | 4030007140 | S.CER C1608 CH 1H 121J-T | |
| C306 | 4030007160 | S.CER C1608 CH 1H 181J-T | |
| C307 | 4030010020 | S.CER C1608 JB 1H 122K-T | |
| C308 | 4030007130 | S.CER C1608 CH 1H 101J-T | |
| C309 | 4030011600 | S.CER C1608 JB 1E 104K-T | |
| C321 | 4030006900 | S.CER C1608 JB 1H 103K-T | |

[MAIN UNIT] (For other than [USA-2], [OTH-2], [CHN-1])

| REF NO. | ORDER NO. | DESCRIPTION | |
|---------|------------|--------------------------|--|
| C322 | 4030007110 | S.CER C1608 CH 1H 680J-T | |
| C323 | 4030007080 | S.CER C1608 CH 1H 390J-T | |
| C324 | 4030007110 | S.CER C1608 CH 1H 680J-T | |
| C325 | 4030007010 | S.CER C1608 CH 1H 100D-T | |
| C326 | 4030007010 | S.CER C1608 CH 1H 100D-T | |
| C327 | 4030007110 | S.CER C1608 CH 1H 680J-T | |
| C328 | 4030007170 | S.CER C1608 CH 1H 221J-T | |
| C329 | 4030010240 | S.CER C1608 JB 1H 391K-T | |
| C330 | 4030007100 | S.CER C1608 CH 1H 560J-T | |
| C331 | 4030007050 | S.CER C1608 CH 1H 220J-T | |
| C332 | 4030006900 | S.CER C1608 JB 1H 103K-T | |
| C333 | 4030007070 | S.CER C1608 CH 1H 330J-T | |
| C341 | 4030006900 | S.CER C1608 JB 1H 103K-T | |
| C342 | 4030007110 | S.CER C1608 CH 1H 680J-T | |
| C344 | 4030007020 | S.CER C1608 CH 1H 120J-T | |
| C345 | 4030007080 | S.CER C1608 CH 1H 390J-T | |
| C346 | 4030006900 | S.CER C1608 JB 1H 103K-T | |
| C349 | 4030007100 | S.CER C1608 CH 1H 560J-T | |
| C350 | 4030007160 | S.CER C1608 CH 1H 181J-T | |
| C351 | 4030007090 | S.CER C1608 CH 1H 470J-T | |
| C352 | 4030006900 | S.CER C1608 JB 1H 103K-T | |
| C361 | 4030010210 | S.CER C3216 JB 1C 105M-T | |
| C371 | 4030011600 | S.CER C1608 JB 1E 104K-T | |
| C372 | 4030007010 | S.CER C1608 CH 1H 100D-T | |
| C381 | 4030011600 | S.CER C1608 JB 1E 104K-T | |
| C382 | 4030011600 | S.CER C1608 JB 1E 104K-T | |
| C383 | 4030011600 | S.CER C1608 JB 1E 104K-T | |
| C384 | 4030011600 | S.CER C1608 JB 1E 104K-T | |
| C385 | 4030011600 | S.CER C1608 JB 1E 104K-T | |
| C386 | 4030011600 | S.CER C1608 JB 1E 104K-T | |
| C391 | 4030011600 | S.CER C1608 JB 1E 104K-T | |
| C392 | 4030011600 | S.CER C1608 JB 1E 104K-T | |
| C393 | 4030011600 | S.CER C1608 JB 1E 104K-T | |
| C394 | 4030011600 | S.CER C1608 JB 1E 104K-T | |
| C395 | 4030011600 | S.CER C1608 JB 1E 104K-T | |
| C396 | 4030011600 | S.CER C1608 JB 1E 104K-T | |
| C397 | 4030011600 | S.CER C1608 JB 1E 104K-T | |
| C401 | 4030011600 | S.CER C1608 JB 1E 104K-T | |
| C411 | 4030007080 | S.CER C1608 CH 1H 390J-T | |
| C412 | 4030007130 | S.CER C1608 CH 1H 101J-T | |
| C413 | 4030011600 | S.CER C1608 JB 1E 104K-T | |
| C414 | 4030006860 | S.CER C1608 JB 1H 102K-T | |
| C415 | 4030011600 | S.CER C1608 JB 1E 104K-T | |
| C422 | 4030006970 | S.CER C1608 CH 1H 060D-T | |
| C423 | 4030007040 | S.CER C1608 CH 1H 180J-T | |
| C424 | 4030006920 | S.CER C1608 CH 1H 010C-T | |
| C425 | 4030007040 | S.CER C1608 CH 1H 180J-T | |
| C431 | 4030007070 | S.CER C1608 CH 1H 330J-T | |
| C432 | 4030007070 | S.CER C1608 CH 1H 330J-T | |
| C433 | 4030007040 | S.CER C1608 CH 1H 180J-T | |
| C434 | 4030007120 | S.CER C1608 CH 1H 820J-T | |
| C435 | 4030007040 | S.CER C1608 CH 1H 180J-T | |
| C436 | 4030007100 | S.CER C1608 CH 1H 560J-T | |
| C442 | 4030011600 | S.CER C1608 JB 1E 104K-T | |
| C443 | 4030011600 | S.CER C1608 JB 1E 104K-T | |
| C444 | 4030006990 | S.CER C1608 CH 1H 080D-T | |
| C445 | 4030006950 | S.CER C1608 CH 1H 040C-T | |
| C446 | 4030011600 | S.CER C1608 JB 1E 104K-T | |
| C447 | 4030011600 | S.CER C1608 JB 1E 104K-T | |
| C448 | 4030007130 | S.CER C1608 CH 1H 101J-T | |
| C461 | 4030006980 | S.CER C1608 CH 1H 070D-T | |
| C462 | 4030006930 | S.CER C1608 CH 1H 020C-T | |
| C471 | 4030007050 | S.CER C1608 CH 1H 220J-T | |
| C472 | 4030011600 | S.CER C1608 JB 1E 104K-T | |
| C473 | 4030006880 | S.CER C1608 JB 1H 472K-T | |
| C474 | 4030006880 | S.CER C1608 JB 1H 472K-T | |
| C475 | 4030007020 | S.CER C1608 CH 1H 120J-T | |
| C476 | 4030006880 | S.CER C1608 JB 1H 472K-T | |
| C492 | 4030007110 | S.CER C1608 CH 1H 680J-T | |
| C551 | 4030011600 | S.CER C1608 JB 1E 104K-T | |
| C552 | 4030011600 | S.CER C1608 JB 1E 104K-T | |
| C553 | 4030006880 | S.CER C1608 JB 1H 472K-T | |
| C561 | 4030011600 | S.CER C1608 JB 1E 104K-T | |
| C562 | 4030011600 | S.CER C1608 JB 1E 104K-T | |
| C563 | 4030006880 | S.CER C1608 JB 1H 472K-T | |
| C701 | 4030006930 | S.CER C1608 CH 1H 020C-T | |
| C711 | 4030006880 | S.CER C1608 JB 1H 472K-T | |
| C712 | 4030006880 | S.CER C1608 JB 1H 472K-T | |
| C721 | 4030006880 | S.CER C1608 JB 1H 472K-T | |
| C722 | 4030011600 | S.CER C1608 JB 1E 104K-T | |
| C723 | 4030006880 | S.CER C1608 JB 1H 472K-T | |
| C724 | 4030007050 | S.CER C1608 CH 1H 220J-T | |
| C725 | 4030011600 | S.CER C1608 JB 1E 104K-T | |
| C726 | 4030006880 | S.CER C1608 JB 1H 472K-T | |
| C731 | 4030006880 | S.CER C1608 JB 1H 472K-T | |
| C732 | 4030006880 | S.CER C1608 JB 1H 472K-T | |
| C733 | 4030006880 | S.CER C1608 JB 1H 472K-T | |
| C734 | 4030011600 | S.CER C1608 JB 1E 104K-T | |
| C735 | 4030006880 | S.CER C1608 JB 1H 472K-T | |
| C736 | 4030006880 | S.CER C1608 JB 1H 472K-T | |
| C737 | 4030011600 | S.CER C1608 JB 1E 104K-T | |
| C738 | 4030007150 | S.CER C1608 CH 1H 151J-T | |
| C739 | 4510009270 | S.ELE EEEHB1C220UR | |
| C740 | 4030007050 | S.CER C1608 CH 1H 220J-T | |
| C741 | 4510008520 | S.ELE EEE1CA470SP | |
| C742 | 4030011600 | S.CER C1608 JB 1E 104K-T | |
| C743 | 4510008540 | S.ELE EEE1CA100SR | |
| C761 | 4030011600 | S.CER C1608 JB 1E 104K-T | |
| C762 | 4030011600 | S.CER C1608 JB 1E 104K-T | |
| C771 | 4030011600 | S.CER C1608 JB 1E 104K-T | |

[MAIN UNIT] (For other than [USA-2], [OTH-2], [CHN-1])

| REF NO. | ORDER NO. | DESCRIPTION | |
|---------|------------|--------------------------|---------|
| C791 | 4030011600 | S.CER C1608 JB 1E 104K-T | |
| C792 | 4030011600 | S.CER C1608 JB 1E 104K-T | |
| C801 | 4030011600 | S.CER C1608 JB 1E 104K-T | |
| C811 | 4030006880 | S.CER C1608 JB 1H 472K-T | |
| C813 | 4030011600 | S.CER C1608 JB 1E 104K-T | |
| C814 | 4030011600 | S.CER C1608 JB 1E 104K-T | |
| C816 | 4030006880 | S.CER C1608 JB 1H 472K-T | |
| C818 | 4030011600 | S.CER C1608 JB 1E 104K-T | |
| C831 | 4030008650 | S.CER C1608 JB 1H 332K-T | |
| C841 | 4030006880 | S.CER C1608 JB 1H 472K-T | |
| C851 | 4030011600 | S.CER C1608 JB 1E 104K-T | |
| C852 | 4030011600 | S.CER C1608 JB 1E 104K-T | |
| C861 | 4030011600 | S.CER C1608 JB 1E 104K-T | |
| C862 | 4030011600 | S.CER C1608 JB 1E 104K-T | |
| C871 | 4030011600 | S.CER C1608 JB 1E 104K-T | |
| C872 | 4030011600 | S.CER C1608 JB 1E 104K-T | |
| C881 | 4030011600 | S.CER C1608 JB 1E 104K-T | |
| C882 | 4030011600 | S.CER C1608 JB 1E 104K-T | |
| C891 | 4030011600 | S.CER C1608 JB 1E 104K-T | |
| C892 | 4030006880 | S.CER C1608 JB 1H 472K-T | |
| C893 | 4030006880 | S.CER C1608 JB 1H 472K-T | |
| C894 | 4030011600 | S.CER C1608 JB 1E 104K-T | |
| C895 | 4030007050 | S.CER C1608 CH 1H 220J-T | |
| C896 | 4030011600 | S.CER C1608 JB 1E 104K-T | |
| C897 | 4030006880 | S.CER C1608 JB 1H 472K-T | |
| C911 | 4030011600 | S.CER C1608 JB 1E 104K-T | |
| C912 | 4030007170 | S.CER C1608 CH 1H 221J-T | |
| C913 | 4030011600 | S.CER C1608 JB 1E 104K-T | |
| C914 | 4510008530 | S.ELE EEE1HA2R2SR | |
| C1001 | 4030011600 | S.CER C1608 JB 1E 104K-T | |
| C1002 | 4030006880 | S.CER C1608 JB 1H 472K-T | |
| C1003 | 4030011600 | S.CER C1608 JB 1E 104K-T | |
| C1004 | 4030007170 | S.CER C1608 CH 1H 221J-T | |
| C1005 | 4030007170 | S.CER C1608 CH 1H 221J-T | |
| C1006 | 4030006880 | S.CER C1608 JB 1H 472K-T | |
| C1007 | 4030007130 | S.CER C1608 CH 1H 101J-T | |
| C1008 | 4510008540 | S.ELE EEE1CA100SR | |
| C1009 | 4030011600 | S.CER C1608 JB 1E 104K-T | |
| C1010 | 4030011600 | S.CER C1608 JB 1E 104K-T | |
| C1021 | 4030011600 | S.CER C1608 JB 1E 104K-T | |
| C1022 | 4030006900 | S.CER C1608 JB 1H 103K-T | |
| C1023 | 4030006900 | S.CER C1608 JB 1H 103K-T | |
| C1024 | 4030011600 | S.CER C1608 JB 1E 104K-T | |
| C1031 | 4030011600 | S.CER C1608 JB 1E 104K-T | |
| C1041 | 4030006880 | S.CER C1608 JB 1H 472K-T | [USA-1] |
| | 4030006880 | S.CER C1608 JB 1H 472K-T | [OTH-1] |
| | 4030006880 | S.CER C1608 JB 1H 472K-T | [CHN] |
| C1042 | 4030006880 | S.CER C1608 JB 1H 472K-T | [USA-1] |
| | 4030006880 | S.CER C1608 JB 1H 472K-T | [OTH-1] |
| | 4030006880 | S.CER C1608 JB 1H 472K-T | [CHN] |
| C1043 | 4030006880 | S.CER C1608 JB 1H 472K-T | [USA-1] |
| | 4030006880 | S.CER C1608 JB 1H 472K-T | [OTH-1] |
| | 4030006880 | S.CER C1608 JB 1H 472K-T | [CHN] |
| C1044 | 4030011600 | S.CER C1608 JB 1E 104K-T | [USA-1] |
| | 4030011600 | S.CER C1608 JB 1E 104K-T | [OTH-1] |
| | 4030011600 | S.CER C1608 JB 1E 104K-T | [CHN] |
| C1051 | 4510008540 | S.ELE EEE1CA100SR | |
| C1061 | 4030006880 | S.CER C1608 JB 1H 472K-T | |
| C1062 | 4030007130 | S.CER C1608 CH 1H 101J-T | |
| C1063 | 4510008540 | S.ELE EEE1CA100SR | |
| C1064 | 4030011600 | S.CER C1608 JB 1E 104K-T | |
| C1065 | 4510008540 | S.ELE EEE1CA100SR | |
| C1066 | 4510008530 | S.ELE EEE1HA2R2SR | |
| C1067 | 4510009270 | S.ELE EEEHB1C220UR | |
| C1081 | 4030006880 | S.CER C1608 JB 1H 472K-T | |
| C1085 | 4030006880 | S.CER C1608 JB 1H 472K-T | |
| C1089 | 4030006880 | S.CER C1608 JB 1H 472K-T | |
| C1090 | 4030011600 | S.CER C1608 JB 1E 104K-T | |
| C1101 | 4030011600 | S.CER C1608 JB 1E 104K-T | |
| C1102 | 4030011600 | S.CER C1608 JB 1E 104K-T | |
| C1103 | 4030011600 | S.CER C1608 JB 1E 104K-T | |
| C1201 | 4030006900 | S.CER C1608 JB 1H 103K-T | |
| C1202 | 4030006900 | S.CER C1608 JB 1H 103K-T | |
| C1211 | 4030009980 | S.CER C1608 JB 1H 152K-T | |
| C1212 | 4030010020 | S.CER C1608 JB 1H 122K-T | |
| C1213 | 4030008650 | S.CER C1608 JB 1H 332K-T | |
| C1214 | 4030010040 | S.CER C1608 JB 1H 561K-T | |
| C1215 | 4030011600 | S.CER C1608 JB 1E 104K-T | |
| C1216 | 4030011600 | S.CER C1608 JB 1E 104K-T | |
| C1217 | 4030011600 | S.CER C1608 JB 1E 104K-T | |
| C1231 | 4030006880 | S.CER C1608 JB 1H 472K-T | |
| C1251 | 4030011600 | S.CER C1608 JB 1E 104K-T | |
| C1253 | 4030010760 | S.CER C1608 CH 1H 331J-T | |
| C1254 | 4510008530 | S.ELE EEE1HA2R2SR | |
| C1255 | 4030006900 | S.CER C1608 JB 1H 103K-T | |
| C1256 | 4030011600 | S.CER C1608 JB 1E 104K-T | |
| C1257 | 4510008540 | S.ELE EEE1CA100SR | |
| C1258 | 4510008540 | S.ELE EEE1CA100SR | |
| C1259 | 4510008540 | S.ELE EEE1CA100SR | |
| C1260 | 4510008540 | S.ELE EEE1CA100SR | |
| C1261 | 4510008540 | S.ELE EEE1CA100SR | |
| C1262 | 4510008530 | S.ELE EEE1HA2R2SR | |
| C1271 | 4030006880 | S.CER C1608 JB 1H 472K-T | |
| C1272 | 4030011600 | S.CER C1608 JB 1E 104K-T | |
| C1281 | 4030006900 | S.CER C1608 JB 1H 103K-T | |
| C1282 | 4030006900 | S.CER C1608 JB 1H 103K-T | |
| C1292 | 4510008540 | S.ELE EEE1CA100SR | |
| C1293 | 4030011600 | S.CER C1608 JB 1E 104K-T | |
| C1294 | 4030011600 | S.CER C1608 JB 1E 104K-T | |
| C1295 | 4510004591 | ELE 16 ME 470 HC | |
| C1296 | 4510004591 | ELE 16 ME 470 HC | |
| C1311 | 4030006900 | S.CER C1608 JB 1H 103K-T | |
| C1312 | 4030006900 | S.CER C1608 JB 1H 103K-T | |
| C1321 | 4030006900 | S.CER C1608 JB 1H 103K-T | |

[MAIN UNIT] (For other than [USA-2], [OTH-2], [CHN-1])

| REF NO. | ORDER NO. | DESCRIPTION | |
|---------|------------|--------------------------|-------|
| C1322 | 4030006860 | S.CER C1608 JB 1H 102K-T | |
| C1351 | 4030006900 | S.CER C1608 JB 1H 103K-T | |
| C1352 | 4030006900 | S.CER C1608 JB 1H 103K-T | |
| C1353 | 4510004510 | ELE 25 ME 470 HC | |
| C1361 | 4510008530 | S.ELE EEE1HA2R2SR | |
| C1362 | 4030011600 | S.CER C1608 JB 1E 104K-T | |
| C1363 | 4030011600 | S.CER C1608 JB 1E 104K-T | |
| C1364 | 4030011600 | S.CER C1608 JB 1E 104K-T | |
| C1365 | 4510008540 | S.ELE EEE1CA100SR | |
| C1371 | 4510008530 | S.ELE EEE1HA2R2SR | |
| C1372 | 4030011600 | S.CER C1608 JB 1E 104K-T | |
| C1373 | 4030011600 | S.CER C1608 JB 1E 104K-T | |
| C1374 | 4030011600 | S.CER C1608 JB 1E 104K-T | |
| C1375 | 4510004591 | ELE 16 ME 470 HC | |
| C1376 | 4030010210 | S.CER C3216 JB 1C 105M-T | |
| C1381 | 4030011600 | S.CER C1608 JB 1E 104K-T | |
| C1382 | 4030011600 | S.CER C1608 JB 1E 104K-T | |
| C1391 | 4510004591 | ELE 16 ME 470 HC | |
| C1392 | 4030011600 | S.CER C1608 JB 1E 104K-T | |
| C1393 | 4030011600 | S.CER C1608 JB 1E 104K-T | |
| C1394 | 4510008540 | S.ELE EEE1CA100SR | |
| C1401 | 4510008540 | S.ELE EEE1CA100SR | |
| C1402 | 4030011600 | S.CER C1608 JB 1E 104K-T | |
| C1403 | 4030011600 | S.CER C1608 JB 1E 104K-T | |
| C1404 | 4510008540 | S.ELE EEE1CA100SR | |
| C1411 | 4030011600 | S.CER C1608 JB 1E 104K-T | |
| C1412 | 4510008520 | S.ELE EEE1CA470SP | |
| C1413 | 4030011600 | S.CER C1608 JB 1E 104K-T | |
| C1414 | 4510009270 | S.ELE EEEHB1C220UR | |
| C1415 | 4030006860 | S.CER C1608 JB 1H 102K-T | |
| C1416 | 4030006900 | S.CER C1608 JB 1H 103K-T | |
| C1417 | 4510008520 | S.ELE EEE1CA470SP | |
| C1418 | 4510008520 | S.ELE EEE1CA470SP | |
| C1419 | 4030011600 | S.CER C1608 JB 1E 104K-T | |
| C1420 | 4510008540 | S.ELE EEE1CA100SR | |
| C1421 | 4030011600 | S.CER C1608 JB 1E 104K-T | |
| C1422 | 4510008520 | S.ELE EEE1CA470SP | |
| C1502 | 4030006880 | S.CER C1608 JB 1H 472K-T | |
| C1521 | 4030006880 | S.CER C1608 JB 1H 472K-T | |
| C1601 | 4030011600 | S.CER C1608 JB 1E 104K-T | |
| C1602 | 4030011600 | S.CER C1608 JB 1E 104K-T | |
| C1603 | 4030011600 | S.CER C1608 JB 1E 104K-T | |
| C1751 | 4510008540 | S.ELE EEE1CA100SR | |
| C1752 | 4510008540 | S.ELE EEE1CA100SR | |
| C1753 | 4510008540 | S.ELE EEE1CA100SR | |
| C1754 | 4510008540 | S.ELE EEE1CA100SR | |
| C1755 | 4510008540 | S.ELE EEE1CA100SR | |
| C1756 | 4030011600 | S.CER C1608 JB 1E 104K-T | |
| C1771 | 4030011600 | S.CER C1608 JB 1E 104K-T | |
| C2001 | 4030006860 | S.CER C1608 JB 1H 102K-T | [USA] |
| | 4030006860 | S.CER C1608 JB 1H 102K-T | [EUR] |
| | 4030006860 | S.CER C1608 JB 1H 102K-T | [AUS] |
| | 4030006860 | S.CER C1608 JB 1H 102K-T | [UK] |
| | 4030006860 | S.CER C1608 JB 1H 102K-T | [DEN] |
| | 4030006860 | S.CER C1608 JB 1H 102K-T | [SEA] |
| | 4030006860 | S.CER C1608 JB 1H 102K-T | [OTH] |
| C2011 | 4030010760 | S.CER C1608 CH 1H 331J-T | [USA] |
| | 4030010760 | S.CER C1608 CH 1H 331J-T | [EUR] |
| | 4030010760 | S.CER C1608 CH 1H 331J-T | [AUS] |
| | 4030010760 | S.CER C1608 CH 1H 331J-T | [UK] |
| | 4030010760 | S.CER C1608 CH 1H 331J-T | [DEN] |
| | 4030010760 | S.CER C1608 CH 1H 331J-T | [SEA] |
| | 4030010760 | S.CER C1608 CH 1H 331J-T | [OTH] |
| C2012 | 4030007070 | S.CER C1608 CH 1H 330J-T | [USA] |
| | 4030007070 | S.CER C1608 CH 1H 330J-T | [EUR] |
| | 4030007070 | S.CER C1608 CH 1H 330J-T | [AUS] |
| | 4030007070 | S.CER C1608 CH 1H 330J-T | [UK] |
| | 4030007070 | S.CER C1608 CH 1H 330J-T | [DEN] |
| | 4030007070 | S.CER C1608 CH 1H 330J-T | [SEA] |
| | 4030007070 | S.CER C1608 CH 1H 330J-T | [OTH] |
| C2013 | 4510008540 | S.ELE EEE1CA100SR | [USA] |
| | 4510008540 | S.ELE EEE1CA100SR | [EUR] |
| | 4510008540 | S.ELE EEE1CA100SR | [AUS] |
| | 4510008540 | S.ELE EEE1CA100SR | [UK] |
| | 4510008540 | S.ELE EEE1CA100SR | [DEN] |
| | 4510008540 | S.ELE EEE1CA100SR | [SEA] |
| | 4510008540 | S.ELE EEE1CA100SR | [OTH] |
| C2014 | 4030011600 | S.CER C1608 JB 1E 104K-T | [USA] |
| | 4030011600 | S.CER C1608 JB 1E 104K-T | [EUR] |
| | 4030011600 | S.CER C1608 JB 1E 104K-T | [AUS] |
| | 4030011600 | S.CER C1608 JB 1E 104K-T | [UK] |
| | 4030011600 | S.CER C1608 JB 1E 104K-T | [DEN] |
| | 4030011600 | S.CER C1608 JB 1E 104K-T | [SEA] |
| | 4030011600 | S.CER C1608 JB 1E 104K-T | [OTH] |
| C2015 | 4030006900 | S.CER C1608 JB 1H 103K-T | [USA] |
| | 4030006900 | S.CER C1608 JB 1H 103K-T | [EUR] |
| | 4030006900 | S.CER C1608 JB 1H 103K-T | [AUS] |
| | 4030006900 | S.CER C1608 JB 1H 103K-T | [UK] |
| | 4030006900 | S.CER C1608 JB 1H 103K-T | [DEN] |
| | 4030006900 | S.CER C1608 JB 1H 103K-T | [SEA] |
| | 4030006900 | S.CER C1608 JB 1H 103K-T | [OTH] |
| C2016 | 4510008540 | S.ELE EEE1CA100SR | [USA] |
| | 4510008540 | S.ELE EEE1CA100SR | [EUR] |
| | 4510008540 | S.ELE EEE1CA100SR | [AUS] |
| | 4510008540 | S.ELE EEE1CA100SR | [UK] |
| | 4510008540 | S.ELE EEE1CA100SR | [DEN] |
| | 4510008540 | S.ELE EEE1CA100SR | [SEA] |
| | 4510008540 | S.ELE EEE1CA100SR | [OTH] |

M.=Mounted side (T: Mounted on the Top side, B: Mounted on the Bottom side)
S.=Surface mount

[MAIN UNIT] (For other than [USA-2], [OTH-2], [CHN-1])

| REF NO. | ORDER NO. | DESCRIPTION |
|---------|------------|--------------------------------|
| C2021 | 4030006860 | S.CER C1608 JB 1H 102K-T [USA] |
| | 4030006860 | S.CER C1608 JB 1H 102K-T [EUR] |
| | 4030006860 | S.CER C1608 JB 1H 102K-T [AUS] |
| | 4030006860 | S.CER C1608 JB 1H 102K-T [UK] |
| | 4030006860 | S.CER C1608 JB 1H 102K-T [DEN] |
| | 4030006860 | S.CER C1608 JB 1H 102K-T [SEA] |
| | 4030006860 | S.CER C1608 JB 1H 102K-T [OTH] |
| | 4030007080 | S.CER C1608 CH 1H 390J-T [USA] |
| | 4030007080 | S.CER C1608 CH 1H 390J-T [EUR] |
| | 4030007080 | S.CER C1608 CH 1H 390J-T [AUS] |
| C2022 | 4030007080 | S.CER C1608 CH 1H 390J-T [UK] |
| | 4030007080 | S.CER C1608 CH 1H 390J-T [DEN] |
| | 4030007080 | S.CER C1608 CH 1H 390J-T [SEA] |
| | 4030007080 | S.CER C1608 CH 1H 390J-T [OTH] |
| | 4030007020 | S.CER C1608 CH 1H 120J-T [USA] |
| | 4030007020 | S.CER C1608 CH 1H 120J-T [EUR] |
| | 4030007020 | S.CER C1608 CH 1H 120J-T [AUS] |
| | 4030007020 | S.CER C1608 CH 1H 120J-T [UK] |
| | 4030007020 | S.CER C1608 CH 1H 120J-T [DEN] |
| | 4030007020 | S.CER C1608 CH 1H 120J-T [SEA] |
| C2023 | 4030007020 | S.CER C1608 CH 1H 120J-T [OTH] |
| | 4030007020 | S.CER C1608 CH 1H 120J-T [USA] |
| | 4030007020 | S.CER C1608 CH 1H 120J-T [EUR] |
| | 4030007020 | S.CER C1608 CH 1H 120J-T [AUS] |
| | 4030007020 | S.CER C1608 CH 1H 120J-T [UK] |
| | 4030007020 | S.CER C1608 CH 1H 120J-T [DEN] |
| | 4030007020 | S.CER C1608 CH 1H 120J-T [SEA] |
| | 4030007020 | S.CER C1608 CH 1H 120J-T [OTH] |
| | 4030007020 | S.CER C1608 CH 1H 120J-T [USA] |
| | 4030007020 | S.CER C1608 CH 1H 120J-T [EUR] |
| C2024 | 4510008520 | S.ELE EEE1CA470SP [USA] |
| | 4510008520 | S.ELE EEE1CA470SP [EUR] |
| | 4510008520 | S.ELE EEE1CA470SP [AUS] |
| | 4510008520 | S.ELE EEE1CA470SP [UK] |
| | 4510008520 | S.ELE EEE1CA470SP [DEN] |
| | 4510008520 | S.ELE EEE1CA470SP [SEA] |
| | 4510008520 | S.ELE EEE1CA470SP [OTH] |
| | 4030006860 | S.CER C1608 JB 1H 102K-T [USA] |
| | 4030006860 | S.CER C1608 JB 1H 102K-T [EUR] |
| | 4030006860 | S.CER C1608 JB 1H 102K-T [AUS] |
| C2031 | 4030006860 | S.CER C1608 JB 1H 102K-T [UK] |
| | 4030006860 | S.CER C1608 JB 1H 102K-T [DEN] |
| | 4030006860 | S.CER C1608 JB 1H 102K-T [SEA] |
| | 4030006860 | S.CER C1608 JB 1H 102K-T [OTH] |
| | 4030006860 | S.CER C1608 JB 1H 102K-T [USA] |
| | 4030006860 | S.CER C1608 JB 1H 102K-T [EUR] |
| | 4030006860 | S.CER C1608 JB 1H 102K-T [AUS] |
| | 4030006860 | S.CER C1608 JB 1H 102K-T [UK] |
| | 4030006860 | S.CER C1608 JB 1H 102K-T [DEN] |
| | 4030006860 | S.CER C1608 JB 1H 102K-T [SEA] |
| C2032 | 4030006860 | S.CER C1608 JB 1H 102K-T [OTH] |
| | 4030006860 | S.CER C1608 JB 1H 102K-T [USA] |
| | 4030006860 | S.CER C1608 JB 1H 102K-T [EUR] |
| | 4030006860 | S.CER C1608 JB 1H 102K-T [AUS] |
| | 4030006860 | S.CER C1608 JB 1H 102K-T [UK] |
| | 4030006860 | S.CER C1608 JB 1H 102K-T [DEN] |
| | 4030006860 | S.CER C1608 JB 1H 102K-T [SEA] |
| | 4030006860 | S.CER C1608 JB 1H 102K-T [OTH] |
| | 4030006860 | S.CER C1608 JB 1H 102K-T [USA] |
| | 4030006860 | S.CER C1608 JB 1H 102K-T [EUR] |
| C2033 | 4030006860 | S.CER C1608 JB 1H 102K-T [AUS] |
| | 4030006860 | S.CER C1608 JB 1H 102K-T [UK] |
| | 4030006860 | S.CER C1608 JB 1H 102K-T [DEN] |
| | 4030006860 | S.CER C1608 JB 1H 102K-T [SEA] |
| | 4030006860 | S.CER C1608 JB 1H 102K-T [OTH] |
| | 4030006860 | S.CER C1608 JB 1H 102K-T [USA] |
| | 4030006860 | S.CER C1608 JB 1H 102K-T [EUR] |
| | 4030006860 | S.CER C1608 JB 1H 102K-T [AUS] |
| | 4030006860 | S.CER C1608 JB 1H 102K-T [UK] |
| | 4030006860 | S.CER C1608 JB 1H 102K-T [DEN] |
| C2034 | 4030006860 | S.CER C1608 JB 1H 102K-T [SEA] |
| | 4030006860 | S.CER C1608 JB 1H 102K-T [OTH] |
| | 4030006860 | S.CER C1608 JB 1H 102K-T [USA] |
| | 4030006860 | S.CER C1608 JB 1H 102K-T [EUR] |
| | 4030006860 | S.CER C1608 JB 1H 102K-T [AUS] |
| | 4030006860 | S.CER C1608 JB 1H 102K-T [UK] |
| | 4030006860 | S.CER C1608 JB 1H 102K-T [DEN] |
| | 4030006860 | S.CER C1608 JB 1H 102K-T [SEA] |
| | 4030006860 | S.CER C1608 JB 1H 102K-T [OTH] |
| | 4030006860 | S.CER C1608 JB 1H 102K-T [USA] |
| C2035 | 4030011600 | S.CER C1608 JB 1E 104K-T [EUR] |
| | 4030011600 | S.CER C1608 JB 1E 104K-T [AUS] |
| | 4030011600 | S.CER C1608 JB 1E 104K-T [UK] |
| | 4030011600 | S.CER C1608 JB 1E 104K-T [DEN] |
| | 4030011600 | S.CER C1608 JB 1E 104K-T [SEA] |
| | 4030011600 | S.CER C1608 JB 1E 104K-T [OTH] |
| | 4030011600 | S.CER C1608 JB 1E 104K-T [USA] |
| | 4030011600 | S.CER C1608 JB 1E 104K-T [EUR] |
| | 4030011600 | S.CER C1608 JB 1E 104K-T [AUS] |
| | 4030011600 | S.CER C1608 JB 1E 104K-T [UK] |
| C2036 | 4030011600 | S.CER C1608 JB 1E 104K-T [DEN] |
| | 4030011600 | S.CER C1608 JB 1E 104K-T [SEA] |
| | 4030011600 | S.CER C1608 JB 1E 104K-T [OTH] |
| | 4030011600 | S.CER C1608 JB 1E 104K-T [USA] |
| | 4030011600 | S.CER C1608 JB 1E 104K-T [EUR] |
| | 4030011600 | S.CER C1608 JB 1E 104K-T [AUS] |
| | 4030011600 | S.CER C1608 JB 1E 104K-T [UK] |
| | 4030011600 | S.CER C1608 JB 1E 104K-T [DEN] |
| | 4030011600 | S.CER C1608 JB 1E 104K-T [SEA] |
| | 4030011600 | S.CER C1608 JB 1E 104K-T [OTH] |
| C2037 | 4030011600 | S.CER C1608 JB 1E 104K-T [USA] |
| | 4030006860 | S.CER C1608 JB 1H 102K-T [EUR] |
| | 4030006860 | S.CER C1608 JB 1H 102K-T [AUS] |
| | 4030006860 | S.CER C1608 JB 1H 102K-T [UK] |
| | 4030006860 | S.CER C1608 JB 1H 102K-T [DEN] |
| | 4030006860 | S.CER C1608 JB 1H 102K-T [SEA] |
| | 4030006860 | S.CER C1608 JB 1H 102K-T [OTH] |
| | 4030006860 | S.CER C1608 JB 1H 102K-T [USA] |
| | 4030006860 | S.CER C1608 JB 1H 102K-T [EUR] |
| | 4030006860 | S.CER C1608 JB 1H 102K-T [AUS] |
| C2041 | 4510008540 | S.ELE EEE1CA100SR [USA] |
| | 4510008540 | S.ELE EEE1CA100SR [EUR] |
| | 4510008540 | S.ELE EEE1CA100SR [AUS] |
| | 4510008540 | S.ELE EEE1CA100SR [UK] |
| | 4510008540 | S.ELE EEE1CA100SR [DEN] |
| | 4510008540 | S.ELE EEE1CA100SR [SEA] |
| | 4510008540 | S.ELE EEE1CA100SR [OTH] |
| | 4030011600 | S.CER C1608 JB 1E 104K-T [USA] |
| | 4030011600 | S.CER C1608 JB 1E 104K-T [EUR] |
| | 4030011600 | S.CER C1608 JB 1E 104K-T [AUS] |
| C2042 | 4030011600 | S.CER C1608 JB 1E 104K-T [UK] |
| | 4030011600 | S.CER C1608 JB 1E 104K-T [DEN] |
| | 4030011600 | S.CER C1608 JB 1E 104K-T [SEA] |
| | 4030011600 | S.CER C1608 JB 1E 104K-T [OTH] |
| | 4030011600 | S.CER C1608 JB 1E 104K-T [USA] |
| | 4030011600 | S.CER C1608 JB 1E 104K-T [EUR] |
| | 4030011600 | S.CER C1608 JB 1E 104K-T [AUS] |
| | 4030011600 | S.CER C1608 JB 1E 104K-T [UK] |
| | 4030011600 | S.CER C1608 JB 1E 104K-T [DEN] |
| | 4030011600 | S.CER C1608 JB 1E 104K-T [SEA] |
| C2051 | 4030011600 | S.CER C1608 JB 1E 104K-T [OTH] |
| | 4510008530 | S.ELE EEE1HA2R2SR [USA] |
| | 4510008530 | S.ELE EEE1HA2R2SR [EUR] |
| | 4510008530 | S.ELE EEE1HA2R2SR [AUS] |
| | 4510008530 | S.ELE EEE1HA2R2SR [UK] |
| | 4510008530 | S.ELE EEE1HA2R2SR [DEN] |
| | 4510008530 | S.ELE EEE1HA2R2SR [SEA] |
| | 4510008530 | S.ELE EEE1HA2R2SR [OTH] |
| | 4510008530 | S.ELE EEE1HA2R2SR [USA] |
| | 4510008530 | S.ELE EEE1HA2R2SR [EUR] |
| RL121 | 6330000180 | REL MZ-12HG |
| RL141 | 6330000180 | REL MZ-12HG |

[MAIN UNIT] (For other than [USA-2], [OTH-2], [CHN-1])

| REF NO. | ORDER NO. | DESCRIPTION |
|---------|------------|-----------------------------|
| CP731 | 6910009670 | S.CHE HK3-S-T |
| J101 | 6510021460 | CON PT-C02P01 |
| J111 | 6510007020 | CON TMP-J01X-V6 |
| J411 | 6510007020 | CON TMP-J01X-V6 |
| J491 | 6510007020 | CON TMP-J01X-V6 |
| J781 | 6450001560 | CON PD-72 |
| J782 | 6450001560 | CON PD-72 |
| J783 | 6450001560 | CON PD-72 |
| J784 | 6450001560 | CON PD-72 |
| J811 | 6510007020 | CON TMP-J01X-V6 |
| J881 | 6450001560 | CON PD-72 |
| J882 | 6450001560 | CON PD-72 |
| J883 | 6450001560 | CON PD-72 |
| J884 | 6450001560 | CON PD-72 |
| J1081 | 6510007020 | CON TMP-J01X-V6 |
| J1221 | 6510018971 | S.CON B4B-PH-SM4-TB(LF)(SN) |
| J1231 | 6510019971 | S.CON 52808-1071 |
| J1271 | 6510019191 | S.CON 52365-0871 |
| J1311 | 6450001800 | CON JPJ1044-01-010 |
| J1321 | 6450000140 | CON HSJ0807-01-010 |
| J1351 | 6510023650 | CON HEC0740-010618 |
| J1501 | 6510019981 | S.CON 52808-1671(1690) |
| J1521 | 6510019981 | S.CON 52808-1671(1690) |
| J1522 | 6510021861 | CON BH-800.4GG <LTC> |
| J1541 | 6510019981 | S.CON 52808-1671(1690) |
| J1561 | 6510019981 | S.CON 52808-1671(1690) |
| J1701 | 6450000140 | CON HSJ0807-01-010 |
| J1751 | 6510021241 | CON DELC-J9SAF-23L9E |
| F1351 | 5210000051 | FUS FGB 3A PBF (FGB0 125V) |
| F1352 | 5220000230 | HOL S-N5054 #01 |
| F1353 | 5220000230 | HOL S-N5054 #01 |
| BT1521 | 3020000110 | LIT CR-2032L/BK |
| WS1 | 8600036540 | CBL RX2240 P1241*J1241MA |

M.=Mounted side (T: Mounted on the Top side, B: Mounted on the Bottom side)
S.=Surface mount

[PLL UNIT]

| REF NO. | ORDER NO. | DESCRIPTION |
|---------|------------|---------------------------------|
| IC21 | 1140007881 | S.IC TC190G08EFG0046JDZ/SC1246A |
| IC22 | 1110004460 | S.IC UPB1509GV-E1 |
| IC23 | 1130003831 | S.IC TC7S04F(TE85R,F) |
| IC151 | 1140014960 | S.IC TC190G02EFG-0058/SC1287A |
| IC201 | 1140014960 | S.IC TC190G02EFG-0058/SC1287A |
| Q1 | 1530002571 | S.TRA 2SC4405-3-TL-E |
| Q2 | 1530002571 | S.TRA 2SC4405-3-TL-E |
| Q3 | 1590000680 | S.TRA DTC114EUA T106 |
| Q4 | 1590000680 | S.TRA DTC114EUA T106 |
| Q21 | 1530003001 | S.TRA 2SC4117-BL(TE85R,F) |
| Q71 | 1560000491 | S.FET 2SK508-T2B-A K52 |
| Q72 | 1590000680 | S.TRA DTC114EUA T106 |
| Q81 | 1560000491 | S.FET 2SK508-T2B-A K52 |
| Q82 | 1590000680 | S.TRA DTC114EUA T106 |
| Q91 | 1530002571 | S.TRA 2SC4405-3-TL-E |
| Q92 | 1590001330 | S.TRA DTA114EUA T106 |
| Q93 | 1590000680 | S.TRA DTC114EUA T106 |
| Q96 | 1530003001 | S.TRA 2SC4117-BL(TE85R,F) |
| Q97 | 1530003001 | S.TRA 2SC4117-BL(TE85R,F) |
| Q151 | 1530002881 | S.TRA 2SC4226 Y24 |
| Q201 | 1530002881 | S.TRA 2SC4226 Y24 |
| D1 | 1750000520 | S.DIO DAN222TL |
| D2 | 1750000550 | S.DIO 1SS355 TE-17 |
| D71 | 1720000831 | S.VAR KV1770STL-G |
| D72 | 1790001261 | S.DIO MA2S077G0L |
| D81 | 1720000831 | S.VAR KV1770STL-G |
| D82 | 1790001261 | S.DIO MA2S077G0L |
| D83 | 1750002020 | S.DIO DA2S10100L |
| D91 | 1790001261 | S.DIO MA2S077G0L |
| D92 | 1790001261 | S.DIO MA2S077G0L |
| D93 | 1790001641 | S.DIO 1SS373(TPH3,F) [USA] |
| | 1790001641 | S.DIO 1SS373(TPH3,F) [EUR] |
| | 1790001641 | S.DIO 1SS373(TPH3,F) [AUS] |
| | 1790001641 | S.DIO 1SS373(TPH3,F) [UK] |
| | 1790001641 | S.DIO 1SS373(TPH3,F) [DEN] |
| | 1790001641 | S.DIO 1SS373(TPH3,F) [SEA] |
| | 1790001641 | S.DIO 1SS373(TPH3,F) [OTH] |
| | 1750001460 | S.DIO 1SS389(TPH3,F) [USA-1] |
| | 1750001460 | S.DIO 1SS389(TPH3,F) [OTH-1] |
| | 1750001460 | S.DIO 1SS389(TPH3,F) [CHN] |
| | 1750001460 | S.DIO 1SS389(TPH3,F) [USA-2] |
| | 1750001460 | S.DIO 1SS389(TPH3,F) [OTH-2] |
| | 1750001460 | S.DIO 1SS389(TPH3,F) [CHN-1] |
| D94 | 1790001641 | S.DIO 1SS373(TPH3,F) [USA] |
| | 1790001641 | S.DIO 1SS373(TPH3,F) [EUR] |
| | 1790001641 | S.DIO 1SS373(TPH3,F) [AUS] |
| | 1790001641 | S.DIO 1SS373(TPH3,F) [UK] |
| | 1790001641 | S.DIO 1SS373(TPH3,F) [DEN] |
| | 1790001641 | S.DIO 1SS373(TPH3,F) [SEA] |
| | 1790001641 | S.DIO 1SS373(TPH3,F) [OTH] |
| | 1750001460 | S.DIO 1SS389(TPH3,F) [USA-1] |
| | 1750001460 | S.DIO 1SS389(TPH3,F) [OTH-1] |
| | 1750001460 | S.DIO 1SS389(TPH3,F) [CHN] |
| | 1750001460 | S.DIO 1SS389(TPH3,F) [USA-2] |
| | 1750001460 | S.DIO 1SS389(TPH3,F) [OTH-2] |
| | 1750001460 | S.DIO 1SS389(TPH3,F) [CHN-1] |
| X1 | 6050005712 | XTA CR-275B HC-49/U 30.000 MHz |
| L1 | 6170000231 | COI LW-25A |
| L2 | 6150004370 | COI LS-472C (C-15045) |
| L3 | 6200003950 | S.COI HF50ACC 322513-T |
| L4 | 6150004250 | COI LS-471A (C-14922) |
| L5 | 6150004250 | COI LS-471A (C-14922) |
| L22 | 6200003171 | S.COI NLV32T-330J |
| L23 | 6200003181 | S.COI NLV32T-390J |
| L24 | 6200003181 | S.COI NLV32T-390J |
| L25 | 6200001831 | S.COI NLV32T-100J |
| L26 | 6200003191 | S.COI NLV32T-470J |
| L27 | 6200003191 | S.COI NLV32T-470J |
| L71 | 6170000231 | COI LW-25A |
| L72 | 6190001371 | COI #E544GN-110254 |
| L73 | 6170000231 | COI LW-25A |
| L81 | 6180003390 | COI SP0406-1R2K-6 [USA] |
| | 6180003390 | COI SP0406-1R2K-6 [EUR] |
| | 6180003390 | COI SP0406-1R2K-6 [AUS] |
| | 6180003390 | COI SP0406-1R2K-6 [UK] |
| | 6170000231 | COI LW-25A [DEN] |
| | 6170000231 | COI LW-25A [SEA] |
| | 6180003390 | COI SP0406-1R2K-6 [OTH] |
| | 6180003390 | COI SP0406-1R2K-6 [USA-1] |
| | 6180003390 | COI SP0406-1R2K-6 [OTH-1] |
| | 6180003390 | COI SP0406-1R2K-6 [CHN] |
| | 6180003390 | COI SP0406-1R2K-6 [USA-2] |
| | 6180003390 | COI SP0406-1R2K-6 [OTH-2] |
| | 6180003390 | COI SP0406-1R2K-6 [CHN-1] |
| L82 | 6190001281 | COI #E544GN-110248 |

[PLL UNIT]

| REF NO. | ORDER NO. | DESCRIPTION |
|---------|------------|---------------------------------|
| L83 | 6180003390 | COI SP0406-1R2K-6 [USA] |
| | 6180003390 | COI SP0406-1R2K-6 [EUR] |
| | 6180003390 | COI SP0406-1R2K-6 [AUS] |
| | 6180003390 | COI SP0406-1R2K-6 [UK] |
| | 6170000231 | COI LW-25A [DEN] |
| | 6170000231 | COI LW-25A [SEA] |
| | 6180003390 | COI SP0406-1R2K-6 [OTH] |
| | 6180003390 | COI SP0406-1R2K-6 [USA-1] |
| | 6180003390 | COI SP0406-1R2K-6 [OTH-1] |
| | 6180003390 | COI SP0406-1R2K-6 [CHN] |
| | 6180003390 | COI SP0406-1R2K-6 [USA-2] |
| | 6180003390 | COI SP0406-1R2K-6 [OTH-2] |
| | 6180003390 | COI SP0406-1R2K-6 [CHN-1] |
| L91 | 6180002961 | S.COI NLV32T-R18J |
| L92 | 6180002981 | S.COI NLV32T-056J |
| L93 | 6180002971 | S.COI NLV32T-068J |
| L94 | 6200001831 | S.COI NLV32T-100J |
| L151 | 6200003131 | S.COI NLV32T-120J |
| L152 | 6200003141 | S.COI NLV32T-150J |
| L153 | 6200001831 | S.COI NLV32T-100J |
| L201 | 6200005491 | S.COI NLV32T-331J |
| L202 | 6200008641 | S.COI NLV32T-391J |
| L203 | 6200001831 | S.COI NLV32T-100J |
| L204 | 6200003640 | S.COI MLF1608E 100K-T |
| L205 | 6200003640 | S.COI MLF1608E 100K-T |
| L206 | 6200004790 | S.COI MLF1608D R47K-T |
| R1 | 7030003320 | S.RES ERJ3GEYJ 101 V (100) |
| R2 | 7030003580 | S.RES ERJ3GEYJ 153 V (15K) |
| R3 | 7030003520 | S.RES ERJ3GEYJ 472 V (4.7K) |
| R4 | 7030003430 | S.RES ERJ3GEYJ 821 V (820) |
| R5 | 7030003370 | S.RES ERJ3GEYJ 271 V (270) |
| R6 | 7030003320 | S.RES ERJ3GEYJ 101 V (100) |
| R7 | 7030003600 | S.RES ERJ3GEYJ 223 V (22K) |
| R8 | 7030003560 | S.RES ERJ3GEYJ 103 V (10K) |
| R9 | 7030003370 | S.RES ERJ3GEYJ 271 V (270) |
| R10 | 7030003640 | S.RES ERJ3GEYJ 473 V (47K) |
| R11 | 7030003320 | S.RES ERJ3GEYJ 101 V (100) |
| R12 | 7030003360 | S.RES ERJ3GEYJ 221 V (220) |
| R13 | 7030003200 | S.RES ERJ3GEYJ 100 V (10) |
| R21 | 7030003370 | S.RES ERJ3GEYJ 271 V (270) |
| R22 | 7030003560 | S.RES ERJ3GEYJ 103 V (10K) |
| R23 | 7030007220 | S.RES ERA3YED 202V (2K) |
| R24 | 7030007220 | S.RES ERA3YED 202V (2K) |
| R25 | 7030007220 | S.RES ERA3YED 202V (2K) |
| R26 | 7030007220 | S.RES ERA3YED 202V (2K) |
| R27 | 7030007220 | S.RES ERA3YED 202V (2K) |
| R28 | 7030007220 | S.RES ERA3YED 202V (2K) |
| R29 | 7030007220 | S.RES ERA3YED 202V (2K) |
| R30 | 7030007220 | S.RES ERA3YED 202V (2K) |
| R31 | 7030007200 | S.RES ERA3YEB 202V (2K) [USA] |
| | 7030007200 | S.RES ERA3YEB 202V (2K) [EUR] |
| | 7030007200 | S.RES ERA3YEB 202V (2K) [AUS] |
| | 7030007200 | S.RES ERA3YEB 202V (2K) [UK] |
| | 7030007200 | S.RES ERA3YEB 202V (2K) [DEN] |
| | 7030007200 | S.RES ERA3YEB 202V (2K) [SEA] |
| | 7030007200 | S.RES ERA3YEB 202V (2K) [OTH] |
| | 7030007200 | S.RES ERA3YEB 202V (2K) [USA-1] |
| | 7030007220 | S.RES ERA3YED 202V (2K) [OTH-1] |
| | 7030007220 | S.RES ERA3YED 202V (2K) [CHN] |
| | 7030007220 | S.RES ERA3YED 202V (2K) [USA-2] |
| | 7030007220 | S.RES ERA3YED 202V (2K) [OTH-2] |
| | 7030007220 | S.RES ERA3YED 202V (2K) [CHN-1] |
| R32 | 7030007200 | S.RES ERA3YEB 202V (2K) [USA] |
| | 7030007200 | S.RES ERA3YEB 202V (2K) [EUR] |
| | 7030007200 | S.RES ERA3YEB 202V (2K) [AUS] |
| | 7030007200 | S.RES ERA3YEB 202V (2K) [UK] |
| | 7030007200 | S.RES ERA3YEB 202V (2K) [DEN] |
| | 7030007200 | S.RES ERA3YEB 202V (2K) [SEA] |
| | 7030007200 | S.RES ERA3YEB 202V (2K) [OTH] |
| | 7030007200 | S.RES ERA3YEB 202V (2K) [USA-1] |
| | 7030007200 | S.RES ERA3YEB 202V (2K) [OTH-1] |
| | 7030007220 | S.RES ERA3YED 202V (2K) [CHN] |
| | 7030007220 | S.RES ERA3YED 202V (2K) [USA-2] |
| | 7030007220 | S.RES ERA3YED 202V (2K) [OTH-2] |
| | 7030007220 | S.RES ERA3YED 202V (2K) [CHN-1] |
| R33 | 7030007200 | S.RES ERA3YEB 202V (2K) [USA] |
| | 7030007200 | S.RES ERA3YEB 202V (2K) [EUR] |
| | 7030007200 | S.RES ERA3YEB 202V (2K) [AUS] |
| | 7030007200 | S.RES ERA3YEB 202V (2K) [UK] |
| | 7030007200 | S.RES ERA3YEB 202V (2K) [DEN] |
| | 7030007200 | S.RES ERA3YEB 202V (2K) [SEA] |
| | 7030007200 | S.RES ERA3YEB 202V (2K) [OTH] |
| | 7030007200 | S.RES ERA3YEB 202V (2K) [USA-1] |
| | 7030007200 | S.RES ERA3YEB 202V (2K) [OTH-1] |
| | 7030007220 | S.RES ERA3YED 202V (2K) [CHN] |
| | 7030007220 | S.RES ERA3YED 202V (2K) [USA-2] |
| | 7030007220 | S.RES ERA3YED 202V (2K) [OTH-2] |
| | 7030007220 | S.RES ERA3YED 202V (2K) [CHN-1] |
| R34 | 7030007200 | S.RES ERA3YEB 202V (2K) [USA] |
| | 7030007200 | S.RES ERA3YEB 202V (2K) [EUR] |
| | 7030007200 | S.RES ERA3YEB 202V (2K) [AUS] |
| | 7030007200 | S.RES ERA3YEB 202V (2K) [UK] |
| | 7030007200 | S.RES ERA3YEB 202V (2K) [DEN] |
| | 7030007200 | S.RES ERA3YEB 202V (2K) [SEA] |
| | 7030007200 | S.RES ERA3YEB 202V (2K) [OTH] |
| | 7030007200 | S.RES ERA3YEB 202V (2K) [USA-1] |
| | 7030007200 | S.RES ERA3YEB 202V (2K) [OTH-1] |
| | 7030007220 | S.RES ERA3YED 202V (2K) [CHN] |
| | 7030007220 | S.RES ERA3YED 202V (2K) [USA-2] |
| | 7030007220 | S.RES ERA3YED 202V (2K) [OTH-2] |
| | 7030007220 | S.RES ERA3YED 202V (2K) [CHN-1] |

M.=Mounted side (T: Mounted on the Top side, B: Mounted on the Bottom side)
S.=Surface mount

[PLL UNIT]

| REF NO. | ORDER NO. | DESCRIPTION | |
|---------|------------|-------------|---------------------------------|
| R216 | 7030007230 | S.RES | ERA3YED 102V (1K) |
| R217 | 7030007230 | S.RES | ERA3YED 102V (1K) |
| R218 | 7030007230 | S.RES | ERA3YED 102V (1K) |
| R219 | 7030007230 | S.RES | ERA3YED 102V (1K) |
| R220 | 7030007210 | S.RES | ERA3YEB 102V (1K) |
| R221 | 7030007210 | S.RES | ERA3YEB 102V (1K) |
| R222 | 7030007210 | S.RES | ERA3YEB 102V (1K) |
| R228 | 7030003430 | S.RES | ERJ3GEYJ 821 V (820) |
| R230 | 7030003440 | S.RES | ERJ3GEYJ 102 V (1K) |
| R231 | 7030003440 | S.RES | ERJ3GEYJ 102 V (1K) |
| R232 | 7030003440 | S.RES | ERJ3GEYJ 102 V (1K) |
| R233 | 7030003440 | S.RES | ERJ3GEYJ 102 V (1K) |
| R235 | 7030003440 | S.RES | ERJ3GEYJ 102 V (1K) |
| R237 | 7030003520 | S.RES | ERJ3GEYJ 472 V (4.7K) |
| W1 | 7030003860 | S.RES | ERJ3GE JPW V |
| W2 | 7030003860 | S.RES | ERJ3GE JPW V |
| W18 | 7030003860 | S.RES | ERJ3GE JPW V |
| W19 | 7030003860 | S.RES | ERJ3GE JPW V |
| W20 | 7030003860 | S.RES | ERJ3GE JPW V |
| WS1 | 8970023350 | CBL | RX2240 1.5D (4)/PL [EUR] |
| | 8970023350 | CBL | RX2240 1.5D (4)/PL [AUS] |
| | 8970023350 | CBL | RX2240 1.5D (4)/PL [UK] |
| | 8970023350 | CBL | RX2240 1.5D (4)/PL [DEN] |
| | 8970023350 | CBL | RX2240 1.5D (4)/PL [SEA] |
| | 8970023350 | CBL | RX2240 1.5D (4)/PL [USA-2] |
| | 8970023350 | CBL | RX2240 1.5D (4)/PL [OTH-2] |
| | 8970023350 | CBL | RX2240 1.5D (4)/PL [CHN-1] |
| C1 | 4030008310 | S.CER | C1608 UJ 1H 390J-T |
| C3 | 4030006880 | S.CER | C1608 JB 1H 472K-T |
| C4 | 4030006880 | S.CER | C1608 JB 1H 472K-T |
| C5 | 4030007630 | S.CER | C1608 RH 1H 121J-T |
| C6 | 4030006880 | S.CER | C1608 JB 1H 472K-T |
| C7 | 4030006880 | S.CER | C1608 JB 1H 472K-T |
| C8 | 4030006880 | S.CER | C1608 JB 1H 472K-T |
| C9 | 4030007170 | S.CER | C1608 CH 1H 221J-T |
| C10 | 4030007030 | S.CER | C1608 CH 1H 150J-T |
| C11 | 4030006880 | S.CER | C1608 JB 1H 472K-T |
| C12 | 4030006910 | S.CER | C1608 CH 1H 0R5C-T |
| C13 | 4030007030 | S.CER | C1608 CH 1H 150J-T |
| C14 | 4030006880 | S.CER | C1608 JB 1H 472K-T |
| C15 | 4030006880 | S.CER | C1608 JB 1H 472K-T |
| C16 | 4030007610 | S.CER | C1608 RH 1H 820J-T |
| C21 | 4030006880 | S.CER | C1608 JB 1H 472K-T |
| C23 | 4030011600 | S.CER | C1608 JB 1E 104K-T |
| C24 | 4510008540 | S.ELE | EEE1CA101WIP |
| C25 | 4030011600 | S.CER | C1608 JB 1E 104K-T |
| C26 | 4030011600 | S.CER | C1608 JB 1E 104K-T |
| C27 | 4030011600 | S.CER | C1608 JB 1E 104K-T |
| C28 | 4030011600 | S.CER | C1608 JB 1E 104K-T |
| C29 | 4030011600 | S.CER | C1608 JB 1E 104K-T |
| C30 | 4030011600 | S.CER | C1608 JB 1E 104K-T |
| C31 | 4030011600 | S.CER | C1608 JB 1E 104K-T |
| C32 | 4030011600 | S.CER | C1608 JB 1E 104K-T |
| C33 | 4030011600 | S.CER | C1608 JB 1E 104K-T |
| C34 | 4030011600 | S.CER | C1608 JB 1E 104K-T |
| C35 | 4030011600 | S.CER | C1608 JB 1E 104K-T |
| C36 | 4030011600 | S.CER | C1608 JB 1E 104K-T |
| C37 | 4030007070 | S.CER | C1608 CH 1H 330J-T |
| C38 | 4030007010 | S.CER | C1608 CH 1H 100D-T |
| C39 | 4030011540 | S.CER | C1608 CH 1H 750J-T |
| C40 | 4030006980 | S.CER | C1608 CH 1H 070D-T |
| C41 | 4030007120 | S.CER | C1608 CH 1H 820J-T |
| C42 | 4030006930 | S.CER | C1608 CH 1H 020C-T |
| C43 | 4030007100 | S.CER | C1608 CH 1H 560J-T |
| C44 | 4030007010 | S.CER | C1608 CH 1H 100D-T |
| C45 | 4030006860 | S.CER | C1608 JB 1H 102K-T |
| C46 | 4030006860 | S.CER | C1608 JB 1H 102K-T |
| C50 | 4030006880 | S.CER | C1608 JB 1H 472K-T |
| C51 | 4030011600 | S.CER | C1608 JB 1E 104K-T |
| C52 | 4030006880 | S.CER | C1608 JB 1H 472K-T |
| C53 | 4030006880 | S.CER | C1608 JB 1H 472K-T |
| C54 | 4030006880 | S.CER | C1608 JB 1H 472K-T |
| C55 | 4030006880 | S.CER | C1608 JB 1H 472K-T |
| C56 | 4030007110 | S.CER | C1608 CH 1H 680J-T |
| C57 | 4030007090 | S.CER | C1608 CH 1H 470J-T |
| C58 | 4030007100 | S.CER | C1608 CH 1H 560J-T |
| C59 | 4030011840 | S.CER | C1608 CH 1H 241J-T |
| C60 | 4030009580 | S.CER | C1608 JB 1H 681K-T |
| C71 | 4550006250 | S.TAN | TEESVA 1A 106M8R |
| C72 | 4030011600 | S.CER | C1608 JB 1E 104K-T |
| C73 | 4030006850 | S.CER | C1608 JB 1H 471K-T |
| C74 | 4510008540 | S.ELE | EEE1CA100SR |
| C75 | 4030007140 | S.CER | C1608 CH 1H 121J-T |
| C76 | 4610001830 | S.TRI | TZB4S100AB10R00(TZBX4N100BA110) |
| C77 | 4030007010 | S.CER | C1608 CH 1H 100D-T |
| C78 | 4030006880 | S.CER | C1608 JB 1H 472K-T |
| C79 | 4030009540 | S.CER | C1608 CH 1H 1R5B-T |
| C80 | 4030006880 | S.CER | C1608 JB 1H 472K-T |
| C81 | 4030006880 | S.CER | C1608 JB 1H 472K-T |
| C82 | 4030011600 | S.CER | C1608 JB 1E 104K-T |
| C83 | 4030006850 | S.CER | C1608 JB 1H 471K-T |

[PLL UNIT]

| REF NO. | ORDER NO. | DESCRIPTION | |
|---------|------------|-------------|---------------------------------|
| C84 | 4510008540 | S.ELE | EEE1CA100SR [USA] |
| | 4510008540 | S.ELE | EEE1CA100SR [EUR] |
| | 4510004630 | S.ELE | ECEV1CA100SR [AUS] |
| | 4510008540 | S.ELE | EEE1CA100SR [UK] |
| | 4510004630 | S.ELE | ECEV1CA100SR [DEN] |
| | 4510008540 | S.ELE | EEE1CA100SR [SEA] |
| | 4510008540 | S.ELE | EEE1CA100SR [OTH] |
| | 4510008540 | S.ELE | EEE1CA100SR [USA-1] |
| | 4510008540 | S.ELE | EEE1CA100SR [OTH-1] |
| | 4510008540 | S.ELE | EEE1CA100SR [CHN] |
| | 4510008540 | S.ELE | EEE1CA100SR [USA-2] |
| | 4510008540 | S.ELE | EEE1CA100SR [OTH-2] |
| | 4510008540 | S.ELE | EEE1CA100SR [CHN-1] |
| C85 | 4030006850 | S.CER | C1608 JB 1H 471K-T |
| C86 | 4610001830 | S.TRI | TZB4S100AB10R00(TZBX4N100BA110) |
| C87 | 4030006950 | S.CER | C1608 CH 1H 040C-T |
| C88 | 4030006880 | S.CER | C1608 JB 1H 472K-T |
| C89 | 4030009510 | S.CER | C1608 CH 1H 010B-T |
| C90 | 4030006880 | S.CER | C1608 JB 1H 472K-T |
| C91 | 4030006880 | S.CER | C1608 JB 1H 472K-T |
| C92 | 4030006880 | S.CER | C1608 JB 1H 472K-T |
| C93 | 4030006880 | S.CER | C1608 JB 1H 472K-T |
| C94 | 4030011600 | S.CER | C1608 JB 1E 104K-T |
| C95 | 4030006880 | S.CER | C1608 JB 1H 472K-T |
| C96 | 4030007080 | S.CER | C1608 CH 1H 390J-T |
| C97 | 4030006990 | S.CER | C1608 CH 1H 080D-T |
| C98 | 4030007090 | S.CER | C1608 CH 1H 470J-T |
| C99 | 4030006930 | S.CER | C1608 CH 1H 020C-T |
| C100 | 4030007080 | S.CER | C1608 CH 1H 390J-T |
| C101 | 4030006880 | S.CER | C1608 JB 1H 472K-T |
| C102 | 4030007020 | S.CER | C1608 CH 1H 120J-T |
| C103 | 4030006970 | S.CER | C1608 CH 1H 060D-T |
| C104 | 4030006880 | S.CER | C1608 JB 1H 472K-T |
| C105 | 4030006880 | S.CER | C1608 JB 1H 472K-T |
| C106 | 4510008500 | S.ELE | EEE1CA101WP |
| C107 | 4030006880 | S.CER | C1608 JB 1H 472K-T |
| C108 | 4030006880 | S.CER | C1608 JB 1H 472K-T |
| C110 | 4030006880 | S.CER | C1608 JB 1H 472K-T |
| C111 | 4030006880 | S.CER | C1608 JB 1H 472K-T |
| C112 | 4030006880 | S.CER | C1608 JB 1H 472K-T |
| C113 | 4030006880 | S.CER | C1608 JB 1H 472K-T |
| C114 | 4030006880 | S.CER | C1608 JB 1H 472K-T |
| C115 | 4030006880 | S.CER | C1608 JB 1H 472K-T |
| C116 | 4030011600 | S.CER | C1608 JB 1E 104K-T |
| C117 | 4030011600 | S.CER | C1608 JB 1E 104K-T |
| C118 | 4030006880 | S.CER | C1608 JB 1H 472K-T |
| C119 | 4510009270 | S.ELE | EEHB1C220UR |
| C120 | 4030006850 | S.CER | C1608 JB 1H 471K-T |
| C121 | 4030011600 | S.CER | C1608 JB 1E 104K-T |
| C122 | 4030011600 | S.CER | C1608 JB 1E 104K-T |
| C123 | 4030011600 | S.CER | C1608 JB 1E 104K-T |
| C124 | 4030011600 | S.CER | C1608 JB 1E 104K-T |
| C125 | 4030007090 | S.CER | C1608 CH 1H 470J-T |
| C126 | 4550006250 | S.TAN | TEESVA 1A 106M8R |
| C127 | 4030011600 | S.CER | C1608 JB 1E 104K-T |
| C128 | 4030011600 | S.CER | C1608 JB 1E 104K-T |
| C151 | 4030006880 | S.CER | C1608 JB 1H 472K-T |
| C152 | 4030007040 | S.CER | C1608 CH 1H 180J-T |
| C153 | 4030006960 | S.CER | C1608 CH 1H 050C-T |
| C154 | 4030007070 | S.CER | C1608 CH 1H 330J-T |
| C155 | 4030006930 | S.CER | C1608 CH 1H 020C-T |
| C156 | 4030007040 | S.CER | C1608 CH 1H 180J-T |
| C157 | 4030006880 | S.CER | C1608 JB 1H 472K-T |
| C164 | 4030006880 | S.CER | C1608 JB 1H 472K-T |
| C165 | 4510008540 | S.ELE | EEE1CA100SR |
| C167 | 4030011600 | S.CER | C1608 JB 1E 104K-T |
| C201 | 4030006880 | S.CER | C1608 JB 1H 472K-T |
| C202 | 4030006850 | S.CER | C1608 JB 1H 471K-T |
| C203 | 4030007120 | S.CER | C1608 CH 1H 820J-T |
| C204 | 4030009490 | S.CER | C1608 JB 1H 821K-T |
| C205 | 4030007070 | S.CER | C1608 CH 1H 330J-T |
| C206 | 4030010040 | S.CER | C1608 JB 1H 561K-T |
| C207 | 4030006880 | S.CER | C1608 JB 1H 472K-T |
| C214 | 4030006880 | S.CER | C1608 JB 1H 472K-T |
| C215 | 4510008540 | S.ELE | EEE1CA100SR |
| C217 | 4030011600 | S.CER | C1608 JB 1E 104K-T |
| C305 | 4510008540 | S.ELE | EEE1CA100SR |
| C310 | 4030007090 | S.CER | C1608 CH 1H 470J-T |
| C311 | 4030007090 | S.CER | C1608 CH 1H 470J-T |
| C312 | 4030007090 | S.CER | C1608 CH 1H 470J-T |
| C313 | 4030007090 | S.CER | C1608 CH 1H 470J-T |
| C314 | 4030007090 | S.CER | C1608 CH 1H 470J-T |
| C315 | 4030007090 | S.CER | C1608 CH 1H 470J-T |
| C316 | 4030006860 | S.CER | C1608 JB 1H 102K-T |
| C317 | 4030006880 | S.CER | C1608 JB 1H 472K-T |
| C318 | 4030006880 | S.CER | C1608 JB 1H 472K-T |
| C319 | 4030006880 | S.CER | C1608 JB 1H 472K-T |
| C320 | 4030006850 | S.CER | C1608 JB 1H 471K-T |
| C321 | 4030006880 | S.CER | C1608 JB 1H 472K-T |
| C322 | 4030006880 | S.CER | C1608 JB 1H 472K-T |
| C323 | 4030006880 | S.CER | C1608 JB 1H 472K-T |
| C324 | 4030006880 | S.CER | C1608 JB 1H 472K-T |
| C325 | 4030007100 | S.CER | C1608 CH 1H 560J-T |
| C326 | 4030006880 | S.CER | C1608 JB 1H 472K-T |
| C327 | 4030006880 | S.CER | C1608 JB 1H 472K-T |
| C328 | 4030009500 | S.CER | C1608 CH 1H 0R5B-T |
| C329 | 4030006850 | S.CER | C1608 JB 1H 471K-T |
| C330 | 4030006880 | S.CER | C1608 JB 1H 472K-T |
| RL1 | 6330001320 | REL | AHY103 |
| J2 | 6510019981 | S.CON | 52808-1671(1690) |

M.=Mounted side (T: Mounted on the Top side, B: Mounted on the Bottom side)
S.=Surface mount

[DISPLAY UNIT]

| REF NO. | ORDER NO. | DESCRIPTION | |
|---------|------------|-------------|--------------------------|
| J3 | 6450000140 | CON | HSJ0807-01-010 |
| J4 | 6450000140 | CON | HSJ0807-01-010 |
| EP2 | 6910012350 | S.BEA | MMZ1608Y 102BT |
| EP3 | 6910012350 | S.BEA | MMZ1608Y 102BT |
| EP4 | 6910012350 | S.BEA | MMZ1608Y 102BT |
| EP5 | 6910012350 | S.BEA | MMZ1608Y 102BT |
| EP6 | 6910012350 | S.BEA | MMZ1608Y 102BT |
| EP7 | 6910012350 | S.BEA | MMZ1608Y 102BT |
| EP8 | 6910012350 | S.BEA | MMZ1608Y 102BT |
| EP9 | 6910012350 | S.BEA | MMZ1608Y 102BT |
| EP10 | 6910012350 | S.BEA | MMZ1608Y 102BT |
| EP11 | 6910012350 | S.BEA | MMZ1608Y 102BT |
| EP12 | 6910012350 | S.BEA | MMZ1608Y 102BT |
| EP13 | 6910012350 | S.BEA | MMZ1608Y 102BT |
| EP14 | 6910012350 | S.BEA | MMZ1608Y 102BT |
| IC101 | 1130013870 | S.IC | NJU6445FCI-#ZZZB |
| IC102 | 1130003831 | S.IC | TC7S04F(TE85R,F) |
| IC103 | 1130008511 | S.IC | TC7W53FU(TE12L,F) |
| Q11 | 1530002851 | S.TRA | 2SC4116-BL(TE85R,F) |
| Q21 | 1530002851 | S.TRA | 2SC4116-BL(TE85R,F) |
| Q31 | 1530002851 | S.TRA | 2SC4116-BL(TE85R,F) |
| Q41 | 1530002851 | S.TRA | 2SC4116-BL(TE85R,F) |
| Q51 | 1530002851 | S.TRA | 2SC4116-BL(TE85R,F) |
| Q61 | 1530002851 | S.TRA | 2SC4116-BL(TE85R,F) |
| Q71 | 1530002851 | S.TRA | 2SC4116-BL(TE85R,F) |
| Q81 | 1530002851 | S.TRA | 2SC4116-BL(TE85R,F) |
| R11 | 7030000320 | S.RES | MCR10EZHZ 330 (331) |
| R12 | 7030000360 | S.RES | ERJ3GEYJ 221 V (220) |
| R21 | 7030000320 | S.RES | MCR10EZHZ 330 (331) |
| R22 | 7030000360 | S.RES | ERJ3GEYJ 221 V (220) |
| R31 | 7030000320 | S.RES | MCR10EZHZ 330 (331) |
| R32 | 7030000360 | S.RES | ERJ3GEYJ 221 V (220) |
| R41 | 7030000320 | S.RES | MCR10EZHZ 330 (331) |
| R42 | 7030000360 | S.RES | ERJ3GEYJ 221 V (220) |
| R51 | 7030000320 | S.RES | MCR10EZHZ 330 (331) |
| R52 | 7030000360 | S.RES | ERJ3GEYJ 221 V (220) |
| R61 | 7030000320 | S.RES | MCR10EZHZ 330 (331) |
| R62 | 7030000360 | S.RES | ERJ3GEYJ 221 V (220) |
| R71 | 7030000320 | S.RES | MCR10EZHZ 330 (331) |
| R72 | 7030000360 | S.RES | ERJ3GEYJ 221 V (220) |
| R81 | 7030000320 | S.RES | MCR10EZHZ 330 (331) |
| R82 | 7030000360 | S.RES | ERJ3GEYJ 221 V (220) |
| C101 | 4030008630 | S.CER | C1608 JF 1H 104Z-T |
| C103 | 4030008630 | S.CER | C1608 JF 1H 104Z-T |
| C104 | 4030008630 | S.CER | C1608 JF 1H 104Z-T |
| C105 | 4030008630 | S.CER | C1608 JF 1H 104Z-T |
| C106 | 4030008630 | S.CER | C1608 JF 1H 104Z-T |
| J101 | 6510019981 | S.CON | 52808-1671(1690) |
| DS11 | 5040002940 | S.LED | TLYU1002A(T02) |
| DS12 | 5040002940 | S.LED | TLYU1002A(T02) |
| DS13 | 5040002940 | S.LED | TLYU1002A(T02) |
| DS21 | 5040002940 | S.LED | TLYU1002A(T02) |
| DS22 | 5040002940 | S.LED | TLYU1002A(T02) |
| DS23 | 5040002940 | S.LED | TLYU1002A(T02) |
| DS31 | 5040002940 | S.LED | TLYU1002A(T02) |
| DS32 | 5040002940 | S.LED | TLYU1002A(T02) |
| DS33 | 5040002940 | S.LED | TLYU1002A(T02) |
| DS41 | 5040002940 | S.LED | TLYU1002A(T02) |
| DS42 | 5040002940 | S.LED | TLYU1002A(T02) |
| DS43 | 5040002940 | S.LED | TLYU1002A(T02) |
| DS51 | 5040002940 | S.LED | TLYU1002A(T02) |
| DS52 | 5040002940 | S.LED | TLYU1002A(T02) |
| DS53 | 5040002940 | S.LED | TLYU1002A(T02) |
| DS61 | 5040002940 | S.LED | TLYU1002A(T02) |
| DS62 | 5040002940 | S.LED | TLYU1002A(T02) |
| DS63 | 5040002940 | S.LED | TLYU1002A(T02) |
| DS71 | 5040002940 | S.LED | TLYU1002A(T02) |
| DS72 | 5040002940 | S.LED | TLYU1002A(T02) |
| DS73 | 5040002940 | S.LED | TLYU1002A(T02) |
| DS81 | 5040002940 | S.LED | TLYU1002A(T02) |
| DS82 | 5040002940 | S.LED | TLYU1002A(T02) |
| DS83 | 5040002940 | S.LED | TLYU1002A(T02) |
| DS101 | 5030001690 | LCD | HLC7395-012400 |
| EP2 | 8930049631 | LCD | SRCN-2240-SP-N-W-1 (SHJ) |

[MAIN-A UNIT] (For [USA-2], [OTH-2], [CHN-1])

| REF NO. | ORDER NO. | DESCRIPTION | |
|---------|------------|-------------|--------------------|
| IC551 | 1130011760 | S.IC | CD4094BPWR |
| IC552 | 1130011760 | S.IC | CD4094BPWR |
| IC561 | 1160000132 | S.IC | TD62783AFG(O) |
| IC562 | 1160000132 | S.IC | TD62783AFG(O) |
| IC731 | 1110003141 | IC | LA1150N-E |
| IC811 | 1110002601 | S.IC | MC1496DR2G |
| IC1001 | 1110007320 | S.IC | NJM2591V-TE1-#ZZZB |
| IC1101 | 1110002601 | S.IC | MC1496DR2G |
| IC1201 | 1130009100 | S.IC | BU4052BCFV-E2 |
| IC1211 | 1110003870 | S.IC | NJM2058M-TE1-#ZZZB |
| IC1251 | 1110003300 | S.IC | M5282FP 70CD |
| IC1281 | 1130009100 | S.IC | BU4052BCFV-E2 |
| IC1291 | 1110003091 | IC | LA4425A-E |
| IC1361 | 1180000970 | S.IC | AN78L05M-(E1) |
| IC1371 | 1180001531 | IC | PQ30RV31J00H |
| IC1391 | 1180001252 | S.IC | TA7808F(TE16L1,NQ) |
| IC1401 | 1180001072 | S.IC | TA7805F(TE16L1,NQ) |
| IC1411 | 1110001401 | S.IC | UPC1555G2-E1-A |
| IC1601 | 1130011760 | S.IC | CD4094BPWR |
| IC1602 | 1130011760 | S.IC | CD4094BPWR |
| IC1603 | 1160000132 | S.IC | TD62783AFG(O) |
| IC1751 | 1120002510 | S.IC | DS14C232TM S |
| IC1771 | 1130005721 | S.IC | TC7W04F(TE12L,F) |
| Q151 | 1590000680 | S.TRA | DTC114EUA T106 |
| Q381 | 1560000721 | S.FET | 2SK2171-4-TD-E |
| Q382 | 1560000721 | S.FET | 2SK2171-4-TD-E |
| Q383 | 1590001960 | S.TRA | XP4311(TX) |
| Q391 | 1590001960 | S.TRA | XP4311(TX) |
| Q392 | 1530004180 | S.TRA | 2SC3356 R25 YS |
| Q411 | 1530003151 | S.TRA | 2SC4673D-TD-E |
| Q441 | 1560000641 | S.FET | 2SK1740-4/5-TB-E |
| Q442 | 1560000641 | S.FET | 2SK1740-4/5-TB-E |
| Q471 | 1580000620 | S.FET | 3SK131-T2 MAS |
| Q472 | 1590001960 | S.TRA | XP4311(TX) |
| Q721 | 1580000620 | S.FET | 3SK131-T2 MAS |
| Q731 | 1560000561 | S.FET | 2SK882-GR(TE85L,F) |
| Q732 | 1510000510 | S.TRA | 2SA1576A T106R |
| Q733 | 1530002060 | S.TRA | 2SC4081 T106 R |
| Q734 | 1530002060 | S.TRA | 2SC4081 T106 R |
| Q735 | 1530002060 | S.TRA | 2SC4081 T106 R |
| Q736 | 1590000680 | S.TRA | DTC114EUA T106 |
| Q737 | 1590001960 | S.TRA | XP4311(TX) |
| Q801 | 1530002060 | S.TRA | 2SC4081 T106 R |
| Q891 | 1580000620 | S.FET | 3SK131-T2 MAS |
| Q911 | 1560000561 | S.FET | 2SK882-GR(TE85L,F) |
| Q912 | 1530002060 | S.TRA | 2SC4081 T106 R |
| Q1001 | 1560000561 | S.FET | 2SK882-GR(TE85L,F) |
| Q1031 | 1530002060 | S.TRA | 2SC4081 T106 R |
| Q1051 | 1530002060 | S.TRA | 2SC4081 T106 R |
| Q1061 | 1590001960 | S.TRA | XP4311(TX) |
| Q1063 | 1530002060 | S.TRA | 2SC4081 T106 R |
| Q1064 | 1590001960 | S.TRA | XP4311(TX) |
| Q1065 | 1590001960 | S.TRA | XP4311(TX) |
| Q1066 | 1590001960 | S.TRA | XP4311(TX) |
| Q1311 | 1530002060 | S.TRA | 2SC4081 T106 R |
| Q1381 | 1540000550 | S.TRA | 2SD1664 T100Q |
| Q1382 | 1590000680 | S.TRA | DTC114EUA T106 |
| Q1771 | 1510000510 | S.TRA | 2SA1576A T106R |
| Q1772 | 1530002060 | S.TRA | 2SC4081 T106 R |
| D121 | 1790000620 | S.DIO | MA77(TX) |
| D141 | 1750000461 | S.DIO | 1SV246-TL-E |
| D142 | 1750000461 | S.DIO | 1SV246-TL-E |
| D143 | 1790000620 | S.DIO | MA77(TX) |
| D151 | 1750000971 | S.DIO | CPH5513-TL-E |
| D172 | 1790000620 | S.DIO | MA77(TX) |
| D181 | 1750000971 | S.DIO | CPH5513-TL-E |
| D182 | 1790000620 | S.DIO | MA77(TX) |
| D202 | 1790000620 | S.DIO | MA77(TX) |
| D221 | 1750000971 | S.DIO | CPH5513-TL-E |
| D222 | 1790000620 | S.DIO | MA77(TX) |
| D242 | 1790000620 | S.DIO | MA77(TX) |
| D261 | 1750000971 | S.DIO | CPH5513-TL-E |
| D262 | 1790000620 | S.DIO | MA77(TX) |
| D282 | 1790000620 | S.DIO | MA77(TX) |
| D301 | 1750000971 | S.DIO | CPH5513-TL-E |
| D302 | 1790000620 | S.DIO | MA77(TX) |
| D322 | 1790000620 | S.DIO | MA77(TX) |
| D341 | 1750000441 | S.DIO | 1SV263-TL-E |
| D342 | 1790000620 | S.DIO | MA77(TX) |
| D371 | 1790000620 | S.DIO | MA77(TX) |
| D372 | 1790000620 | S.DIO | MA77(TX) |
| D381 | 1790000620 | S.DIO | MA77(TX) |
| D382 | 1790000620 | S.DIO | MA77(TX) |
| D391 | 1790000620 | S.DIO | MA77(TX) |
| D392 | 1790000620 | S.DIO | MA77(TX) |
| D491 | 1750000431 | S.DIO | HSB88WSTR-E |
| D711 | 1790000620 | S.DIO | MA77(TX) |
| D712 | 1790000620 | S.DIO | MA77(TX) |
| D713 | 1790000620 | S.DIO | MA77(TX) |
| D714 | 1790000620 | S.DIO | MA77(TX) |
| D731 | 1790001211 | S.DIO | 1SS375-TL-E |
| D732 | 1750000550 | S.DIO | 1SS355 TE-17 |
| D761 | 1790000620 | S.DIO | MA77(TX) |
| D762 | 1790000620 | S.DIO | MA77(TX) |
| D763 | 1790000620 | S.DIO | MA77(TX) |
| D764 | 1790000620 | S.DIO | MA77(TX) |
| D771 | 1790000620 | S.DIO | MA77(TX) |
| D772 | 1790000620 | S.DIO | MA77(TX) |
| D773 | 1790000620 | S.DIO | MA77(TX) |
| D774 | 1790000620 | S.DIO | MA77(TX) |

M.=Mounted side (T: Mounted on the Top side, B: Mounted on the Bottom side)
S.=Surface mount

[MAIN-A UNIT] (For [USA-2], [OTH-2], [CHN-1])

| REF NO. | ORDER NO. | DESCRIPTION |
|---------|------------|-------------------------------|
| D781 | 1790000620 | S.DIO MA77(TX) |
| D782 | 1790000620 | S.DIO MA77(TX) |
| D783 | 1790000620 | S.DIO MA77(TX) |
| D784 | 1790000620 | S.DIO MA77(TX) |
| D831 | 1750000301 | S.DIO 1SS302(TE85R,F) |
| D851 | 1790000620 | S.DIO MA77(TX) |
| D852 | 1790000620 | S.DIO MA77(TX) |
| D861 | 1790000620 | S.DIO MA77(TX) |
| D862 | 1790000620 | S.DIO MA77(TX) |
| D871 | 1790000620 | S.DIO MA77(TX) |
| D872 | 1790000620 | S.DIO MA77(TX) |
| D881 | 1790000620 | S.DIO MA77(TX) |
| D882 | 1790000620 | S.DIO MA77(TX) |
| D1041 | 1790001211 | S.DIO 1SS375-TL-E |
| D1051 | 1790001211 | S.DIO 1SS375-TL-E |
| D1061 | 1790001211 | S.DIO 1SS375-TL-E |
| D1311 | 1750000550 | S.DIO 1SS355 TE-17 |
| D1351 | 1790000700 | DIO DSA3A1 |
| D1371 | 1750000550 | S.DIO 1SS355 TE-17 |
| D1381 | 1750000301 | S.DIO 1SS302(TE85R,F) |
| D1412 | 1750000301 | S.DIO 1SS302(TE85R,F) |
| D1413 | 1730002830 | S.ZEN DZJ051M |
| D1771 | 1750000550 | S.DIO 1SS355 TE-17 |
| FI461 | 2010002090 | FIL UM-5 69.0115 MHz (FL-261) |
| FI701 | 2010000270 | FIL 9M15A (FL-23) |
| FI761 | 2010002130 | DF 9M22D4 9.0115 MHz (FL-272) |
| FI851 | 2020000210 | CER CFJ455K5 (FL-65) |
| FI861 | 2020002510 | CER LTW4450HT <JJE> |
| FI871 | 2020002250 | CER LT450EW <JJE> |
| X1001 | 6070000300 | S.DIS JTBM450CX24 <JJE> |
| L101 | 6140002070 | COI LR-233 |
| L131 | 6200003431 | S.COI NLV32T-R10J |
| L132 | 6200003421 | S.COI NLV32T-R15J |
| L151 | 6200005491 | S.COI NLV32T-331J |
| L161 | 6200005491 | S.COI NLV32T-331J |
| L162 | 6180003550 | COI SP0406-4R7K-6 |
| L163 | 6180003560 | COI SP0406-5R6K-6 |
| L171 | 6200005491 | S.COI NLV32T-331J |
| L172 | 6200002961 | S.COI NLV32T-4R7J |
| L173 | 6200003111 | S.COI NLV32T-6R8J |
| L181 | 6200005491 | S.COI NLV32T-331J |
| L182 | 6200003091 | S.COI NLV32T-2R7J |
| L183 | 6200003101 | S.COI NLV32T-3R9J |
| L184 | 6200005491 | S.COI NLV32T-331J |
| L201 | 6200005491 | S.COI NLV32T-331J |
| L202 | 6200002991 | S.COI NLV32T-2R2J |
| L203 | 6200002991 | S.COI NLV32T-2R2J |
| L204 | 6200003321 | S.COI NLV32T-3R3J |
| L205 | 6200002961 | S.COI NLV32T-4R7J |
| L221 | 6200003241 | S.COI NLV32T-221J |
| L222 | 6200003081 | S.COI NLV32T-1R8J |
| L223 | 6200003061 | S.COI NLV32T-1R2J |
| L224 | 6200003071 | S.COI NLV32T-1R5J |
| L225 | 6200003071 | S.COI NLV32T-1R5J |
| L241 | 6200003241 | S.COI NLV32T-221J |
| L242 | 6200003061 | S.COI NLV32T-1R2J |
| L243 | 6200003331 | S.COI NLV32T-1R0J |
| L244 | 6200003331 | S.COI NLV32T-1R0J |
| L245 | 6200003081 | S.COI NLV32T-1R8J |
| L261 | 6200003241 | S.COI NLV32T-221J |
| L262 | 6200003251 | S.COI NLV32T-R39J |
| L263 | 6200002981 | S.COI NLV32T-R56J |
| L264 | 6200003041 | S.COI NLV32T-R68J |
| L265 | 6200003331 | S.COI NLV32T-1R0J |
| L281 | 6200001831 | S.COI NLV32T-100J |
| L282 | 6200003021 | S.COI NLV32T-R33J |
| L283 | 6200003251 | S.COI NLV32T-R39J |
| L284 | 6200003031 | S.COI NLV32T-R47J |
| L285 | 6200003031 | S.COI NLV32T-R47J |
| L301 | 6200001831 | S.COI NLV32T-100J |
| L302 | 6200003021 | S.COI NLV32T-R33J |
| L303 | 6200003011 | S.COI NLV32T-R27J |
| L304 | 6200003021 | S.COI NLV32T-R33J |
| L305 | 6200003031 | S.COI NLV32T-R47J |
| L321 | 6200001831 | S.COI NLV32T-100J |
| L322 | 6200003001 | S.COI NLV32T-R22J |
| L323 | 6200003421 | S.COI NLV32T-R15J |
| L324 | 6180002961 | S.COI NLV32T-R18J |
| L325 | 6200003001 | S.COI NLV32T-R22J |
| L326 | 6200003001 | S.COI NLV32T-R22J |
| L341 | 6200001831 | S.COI NLV32T-100J |
| L342 | 6200001471 | S.COI NLV32T-R12J |
| L343 | 6200003421 | S.COI NLV32T-R15J |
| L345 | 6200003421 | S.COI NLV32T-R15J |
| L346 | 6200001471 | S.COI NLV32T-R12J |
| L361 | 6200005491 | S.COI NLV32T-331J |
| L362 | 6200005491 | S.COI NLV32T-331J |
| L371 | 6200003241 | S.COI NLV32T-221J |
| L381 | 6140000640 | COI LR-86 |
| L382 | 6200003071 | S.COI NLV32T-1R5J |
| L383 | 6140003530 | COI LR-395 |
| L384 | 6200005491 | S.COI NLV32T-331J |
| L385 | 6170000291 | COI LW-30-LF |
| L391 | 6200003241 | S.COI NLV32T-221J |
| L392 | 6140004760 | S.COI LR-536 4KBL-S090150 |
| L393 | 6140004760 | S.COI LR-536 4KBL-S090150 |
| L394 | 6180003760 | COI SP0406-102J-PF |
| L395 | 6200002041 | S.COI NLV25T-101J |

[MAIN-A UNIT] (For [USA-2], [OTH-2], [CHN-1])

| REF NO. | ORDER NO. | DESCRIPTION |
|---------|------------|-----------------------------|
| L396 | 6200003241 | S.COI NLV32T-221J |
| L401 | 6200005491 | S.COI NLV32T-331J |
| L411 | 6200003001 | S.COI NLV32T-R22J |
| L412 | 6200003021 | S.COI NLV32T-R33J |
| L413 | 6200001831 | S.COI NLV32T-100J |
| L421 | 6200003431 | S.COI NLV32T-R10J |
| L422 | 6200003421 | S.COI NLV32T-R15J |
| L431 | 6200003431 | S.COI NLV32T-R10J |
| L432 | 6200003421 | S.COI NLV32T-R15J |
| L441 | 6140003530 | COI LR-395 |
| L442 | 6200003431 | S.COI NLV32T-R10J |
| L443 | 6150004270 | COI LS-483A (C-14924) |
| L444 | 6200001831 | S.COI NLV32T-100J |
| L461 | 6150004270 | COI LS-483A (C-14924) |
| L462 | 6150004270 | COI LS-483A (C-14924) |
| L471 | 6150004280 | COI LS-484B (C-14927) |
| L491 | 6140002810 | S.COI LR-317 |
| L492 | 6140002810 | S.COI LR-317 |
| L701 | 6150000711 | COI LS-452 |
| L711 | 6150000711 | COI LS-452 |
| L712 | 6150000711 | COI LS-452 |
| L721 | 6200001831 | S.COI NLV32T-100J |
| L731 | 6150004050 | COI LS-466 |
| L732 | 6150004050 | COI LS-466 |
| L733 | 6200003241 | S.COI NLV32T-221J |
| L891 | 6150002291 | COI LS-450 |
| L892 | 6150002291 | COI LS-450 |
| L911 | 6150002291 | COI LS-450 |
| L1001 | 6200003241 | S.COI NLV32T-221J |
| L1291 | 6180003641 | COI SZW1012T-142-0-3-1 |
| L1311 | 6200003241 | S.COI NLV32T-221J |
| L1411 | 6200003241 | S.COI NLV32T-221J |
| L1412 | 6200005491 | S.COI NLV32T-331J |
| L1771 | 6200003241 | S.COI NLV32T-221J |
| R101 | 7030003640 | S.RES ERJ3GEYJ 473 V (47K) |
| R102 | 7540000090 | ABS DSP-201M-S00B |
| R111 | 7030003640 | S.RES ERJ3GEYJ 473 V (47K) |
| R112 | 7540000090 | ABS DSP-201M-S00B |
| R121 | 7030003360 | S.RES ERJ3GEYJ 221 V (220) |
| R141 | 7030003480 | S.RES ERJ3GEYJ 222 V (2.2K) |
| R142 | 7030003400 | S.RES ERJ3GEYJ 471 V (470) |
| R143 | 7030003380 | S.RES ERJ3GEYJ 331 V (330) |
| R144 | 7030003300 | S.RES ERJ3GEYJ 680 V (68) |
| R145 | 7030003360 | S.RES ERJ3GEYJ 221 V (220) |
| R151 | 7030006260 | S.RES ERJ12YJ471U (470) |
| R152 | 7030003560 | S.RES ERJ3GEYJ 103 V (10K) |
| R171 | 7030003270 | S.RES ERJ3GEYJ 271 V (270) |
| R172 | 7030003230 | S.RES ERJ3GEYJ 180 V (18) |
| R173 | 7030003370 | S.RES ERJ3GEYJ 271 V (270) |
| R174 | 7030003200 | S.RES ERJ3GEYJ 100 V (10) |
| R181 | 7030003320 | S.RES ERJ3GEYJ 101 V (100) |
| R201 | 7030003320 | S.RES ERJ3GEYJ 101 V (100) |
| R221 | 7030003320 | S.RES ERJ3GEYJ 101 V (100) |
| R241 | 7030003320 | S.RES ERJ3GEYJ 101 V (100) |
| R261 | 7030003320 | S.RES ERJ3GEYJ 101 V (100) |
| R281 | 7030003320 | S.RES ERJ3GEYJ 101 V (100) |
| R301 | 7030003320 | S.RES ERJ3GEYJ 101 V (100) |
| R321 | 7030003320 | S.RES ERJ3GEYJ 101 V (100) |
| R341 | 7030003320 | S.RES ERJ3GEYJ 101 V (100) |
| R361 | 7030006260 | S.RES ERJ12YJ471U (470) |
| R362 | 7030006260 | S.RES ERJ12YJ471U (470) |
| R371 | 7030003320 | S.RES ERJ3GEYJ 101 V (100) |
| R372 | 7030003320 | S.RES ERJ3GEYJ 101 V (100) |
| R381 | 7030003320 | S.RES ERJ3GEYJ 101 V (100) |
| R382 | 7030003280 | S.RES ERJ3GEYJ 470 V (47) |
| R383 | 7030003280 | S.RES ERJ3GEYJ 470 V (47) |
| R384 | 7030003320 | S.RES ERJ3GEYJ 101 V (100) |
| R385 | 7030003320 | S.RES ERJ3GEYJ 101 V (100) |
| R386 | 7030003320 | S.RES ERJ3GEYJ 101 V (100) |
| R391 | 7030003320 | S.RES ERJ3GEYJ 101 V (100) |
| R392 | 7030003490 | S.RES ERJ3GEYJ 272 V (2.7K) |
| R393 | 7030003460 | S.RES ERJ3GEYJ 152 V (1.5K) |
| R394 | 7030003280 | S.RES ERJ3GEYJ 470 V (47) |
| R395 | 7030003320 | S.RES ERJ3GEYJ 101 V (100) |
| R396 | 7030003280 | S.RES ERJ3GEYJ 470 V (47) |
| R401 | 7030006260 | S.RES ERJ12YJ471U (470) |
| R411 | 7030003300 | S.RES ERJ3GEYJ 680 V (68) |
| R412 | 7030003520 | S.RES ERJ3GEYJ 472 V (4.7K) |
| R413 | 7030003410 | S.RES ERJ3GEYJ 561 V (560) |
| R414 | 7030003200 | S.RES ERJ3GEYJ 100 V (10) |
| R415 | 7030003280 | S.RES ERJ3GEYJ 470 V (47) |
| R419 | 7030000010 | S.RES MCR10EZHJ JPW (000) |
| R442 | 7030003410 | S.RES ERJ3GEYJ 561 V (560) |
| R443 | 7030003410 | S.RES ERJ3GEYJ 561 V (560) |
| R444 | 7310005580 | S.TRI TMC3ADCS3X (4.7K) |
| R445 | 7030003280 | S.RES ERJ3GEYJ 470 V (47) |
| R446 | 7030003560 | S.RES ERJ3GEYJ 103 V (10K) |
| R447 | 7030003280 | S.RES ERJ3GEYJ 470 V (47) |
| R448 | 7030003400 | S.RES ERJ3GEYJ 471 V (470) |
| R449 | 7030003320 | S.RES ERJ3GEYJ 101 V (100) |
| R471 | 7030003760 | S.RES ERJ3GEYJ 474 V (470K) |
| R472 | 7030003280 | S.RES ERJ3GEYJ 470 V (47) |
| R473 | 7030003200 | S.RES ERJ3GEYJ 100 V (10) |
| R474 | 7030003520 | S.RES ERJ3GEYJ 472 V (4.7K) |
| R475 | 7030003580 | S.RES ERJ3GEYJ 153 V (15K) |
| R476 | 7030003480 | S.RES ERJ3GEYJ 222 V (2.2K) |
| R477 | 7030003340 | S.RES ERJ3GEYJ 151 V (150) |
| R478 | 7030003480 | S.RES ERJ3GEYJ 222 V (2.2K) |
| R479 | 7030003280 | S.RES ERJ3GEYJ 470 V (47) |
| R480 | 7030000010 | S.RES MCR10EZHJ JPW (000) |
| R491 | 7030003370 | S.RES ERJ3GEYJ 271 V (270) |
| R492 | 7030003230 | S.RES ERJ3GEYJ 180 V (18) |

M.=Mounted side (T: Mounted on the Top side, B: Mounted on the Bottom side)
S.=Surface mount

[MAIN-A UNIT] (For [USA-2], [OTH-2], [CHN-1])

| REF NO. | ORDER NO. | DESCRIPTION |
|---------|------------|-----------------------------|
| R493 | 7030003370 | S.RES ERJ3GEYJ 271 V (270) |
| R563 | 7030003640 | S.RES ERJ3GEYJ 473 V (47K) |
| R564 | 7030003640 | S.RES ERJ3GEYJ 473 V (47K) |
| R565 | 7030003640 | S.RES ERJ3GEYJ 473 V (47K) |
| R566 | 7030003640 | S.RES ERJ3GEYJ 473 V (47K) |
| R567 | 7030003640 | S.RES ERJ3GEYJ 473 V (47K) |
| R568 | 7030003640 | S.RES ERJ3GEYJ 473 V (47K) |
| R569 | 7030003640 | S.RES ERJ3GEYJ 473 V (47K) |
| R570 | 7030003640 | S.RES ERJ3GEYJ 473 V (47K) |
| R571 | 7030003200 | S.RES ERJ3GEYJ 100 V (10) |
| R572 | 7030003200 | S.RES ERJ3GEYJ 100 V (10) |
| R573 | 7030003200 | S.RES ERJ3GEYJ 100 V (10) |
| R574 | 7030003200 | S.RES ERJ3GEYJ 100 V (10) |
| R575 | 7030003200 | S.RES ERJ3GEYJ 100 V (10) |
| R576 | 7030003200 | S.RES ERJ3GEYJ 100 V (10) |
| R577 | 7030003200 | S.RES ERJ3GEYJ 100 V (10) |
| R578 | 7030003200 | S.RES ERJ3GEYJ 100 V (10) |
| R579 | 7030003640 | S.RES ERJ3GEYJ 473 V (47K) |
| R580 | 7030003640 | S.RES ERJ3GEYJ 473 V (47K) |
| R583 | 7030003640 | S.RES ERJ3GEYJ 473 V (47K) |
| R587 | 7030003200 | S.RES ERJ3GEYJ 100 V (10) |
| R588 | 7030003200 | S.RES ERJ3GEYJ 100 V (10) |
| R589 | 7030003200 | S.RES ERJ3GEYJ 100 V (10) |
| R590 | 7030003200 | S.RES ERJ3GEYJ 100 V (10) |
| R591 | 7030003200 | S.RES ERJ3GEYJ 100 V (10) |
| R592 | 7030003200 | S.RES ERJ3GEYJ 100 V (10) |
| R593 | 7030003200 | S.RES ERJ3GEYJ 100 V (10) |
| R711 | 7030003480 | S.RES ERJ3GEYJ 222 V (2.2K) |
| R712 | 7030003480 | S.RES ERJ3GEYJ 222 V (2.2K) |
| R713 | 7030003360 | S.RES ERJ3GEYJ 221 V (2.2K) |
| R721 | 7030003520 | S.RES ERJ3GEYJ 472 V (4.7K) |
| R722 | 7030003610 | S.RES ERJ3GEYJ 273 V (27K) |
| R723 | 7030003760 | S.RES ERJ3GEYJ 474 V (470K) |
| R724 | 7030003340 | S.RES ERJ3GEYJ 151 V (150) |
| R725 | 7030003320 | S.RES ERJ3GEYJ 101 V (100) |
| R731 | 7030003680 | S.RES ERJ3GEYJ 104 V (100K) |
| R732 | 7030003520 | S.RES ERJ3GEYJ 472 V (4.7K) |
| R733 | 7030003320 | S.RES ERJ3GEYJ 101 V (100) |
| R734 | 7030003320 | S.RES ERJ3GEYJ 101 V (100) |
| R735 | 7030003600 | S.RES ERJ3GEYJ 223 V (22K) |
| R736 | 7310005540 | S.TRI TMC3ADC14X (10K) |
| R737 | 7030003640 | S.RES ERJ3GEYJ 473 V (47K) |
| R738 | 7030003640 | S.RES ERJ3GEYJ 473 V (47K) |
| R739 | 7030003640 | S.RES ERJ3GEYJ 473 V (47K) |
| R740 | 7030003440 | S.RES ERJ3GEYJ 102 V (1K) |
| R741 | 7030003520 | S.RES ERJ3GEYJ 472 V (4.7K) |
| R742 | 7030003320 | S.RES ERJ3GEYJ 101 V (100) |
| R743 | 7030003640 | S.RES ERJ3GEYJ 473 V (47K) |
| R744 | 7030003520 | S.RES ERJ3GEYJ 472 V (4.7K) |
| R745 | 7030003680 | S.RES ERJ3GEYJ 104 V (100K) |
| R746 | 7030003540 | S.RES ERJ3GEYJ 682 V (6.8K) |
| R747 | 7030003440 | S.RES ERJ3GEYJ 102 V (1K) |
| R748 | 7030003400 | S.RES ERJ3GEYJ 471 V (470) |
| R749 | 7030003600 | S.RES ERJ3GEYJ 223 V (22K) |
| R750 | 7030003440 | S.RES ERJ3GEYJ 102 V (1K) |
| R751 | 7030003280 | S.RES ERJ3GEYJ 470 V (47) |
| R761 | 7030003480 | S.RES ERJ3GEYJ 222 V (2.2K) |
| R762 | 7030003360 | S.RES ERJ3GEYJ 221 V (2.2K) |
| R763 | 7030003360 | S.RES ERJ3GEYJ 221 V (2.2K) |
| R764 | 7030003480 | S.RES ERJ3GEYJ 222 V (2.2K) |
| R765 | 7030003560 | S.RES ERJ3GEYJ 103 V (10K) |
| R771 | 7030003480 | S.RES ERJ3GEYJ 222 V (2.2K) |
| R772 | 7030003360 | S.RES ERJ3GEYJ 221 V (2.2K) |
| R773 | 7030003360 | S.RES ERJ3GEYJ 221 V (2.2K) |
| R774 | 7030003480 | S.RES ERJ3GEYJ 222 V (2.2K) |
| R775 | 7030003560 | S.RES ERJ3GEYJ 103 V (10K) |
| R781 | 7030003480 | S.RES ERJ3GEYJ 222 V (2.2K) |
| R782 | 7030003360 | S.RES ERJ3GEYJ 221 V (2.2K) |
| R783 | 7030003360 | S.RES ERJ3GEYJ 221 V (2.2K) |
| R784 | 7030003480 | S.RES ERJ3GEYJ 222 V (2.2K) |
| R785 | 7030003560 | S.RES ERJ3GEYJ 103 V (10K) |
| R791 | 7030003480 | S.RES ERJ3GEYJ 222 V (2.2K) |
| R792 | 7030003520 | S.RES ERJ3GEYJ 472 V (4.7K) |
| R793 | 7030003480 | S.RES ERJ3GEYJ 222 V (2.2K) |
| R794 | 7030003480 | S.RES ERJ3GEYJ 222 V (2.2K) |
| R795 | 7030003520 | S.RES ERJ3GEYJ 472 V (4.7K) |
| R796 | 7030003480 | S.RES ERJ3GEYJ 222 V (2.2K) |
| R801 | 7030003440 | S.RES ERJ3GEYJ 102 V (1K) |
| R802 | 7030003320 | S.RES ERJ3GEYJ 101 V (100) |
| R811 | 7030003460 | S.RES ERJ3GEYJ 152 V (1.5K) |
| R812 | 7030003400 | S.RES ERJ3GEYJ 471 V (470) |
| R813 | 7030003400 | S.RES ERJ3GEYJ 471 V (470) |
| R814 | 7030003500 | S.RES ERJ3GEYJ 332 V (3.3K) |
| R815 | 7030003500 | S.RES ERJ3GEYJ 332 V (3.3K) |
| R816 | 7030003490 | S.RES ERJ3GEYJ 272 V (2.7K) |
| R817 | 7030003490 | S.RES ERJ3GEYJ 272 V (2.7K) |
| R818 | 7030003490 | S.RES ERJ3GEYJ 272 V (2.7K) |
| R819 | 7030003440 | S.RES ERJ3GEYJ 102 V (1K) |
| R820 | 7030003440 | S.RES ERJ3GEYJ 102 V (1K) |
| R821 | 7030003500 | S.RES ERJ3GEYJ 332 V (3.3K) |
| R822 | 7030003200 | S.RES ERJ3GEYJ 100 V (10) |
| R823 | 7030003200 | S.RES ERJ3GEYJ 100 V (10) |
| R824 | 7030003360 | S.RES ERJ3GEYJ 221 V (2.2K) |
| R825 | 7510001480 | S.THE NTCG10 3NH 681JT |
| R831 | 7030004710 | S.RES ERJ3GEYJ 475 V (4.7M) |
| R832 | 7030004710 | S.RES ERJ3GEYJ 475 V (4.7M) |
| R833 | 7030004710 | S.RES ERJ3GEYJ 475 V (4.7M) |
| R834 | 7030004710 | S.RES ERJ3GEYJ 475 V (4.7M) |
| R835 | 7030003820 | S.RES ERJ3GEYJ 155 V (1.5M) |
| R836 | 7030003520 | S.RES ERJ3GEYJ 472 V (4.7K) |
| R841 | 7030003560 | S.RES ERJ3GEYJ 103 V (10K) |
| R851 | 7030003560 | S.RES ERJ3GEYJ 103 V (10K) |
| R852 | 7030003360 | S.RES ERJ3GEYJ 221 V (2.2K) |
| R853 | 7030003360 | S.RES ERJ3GEYJ 221 V (2.2K) |

[MAIN-A UNIT] (For [USA-2], [OTH-2], [CHN-1])

| REF NO. | ORDER NO. | DESCRIPTION |
|---------|------------|-----------------------------|
| R854 | 7030003560 | S.RES ERJ3GEYJ 103 V (10K) |
| R855 | 7030003560 | S.RES ERJ3GEYJ 103 V (10K) |
| R861 | 7030003560 | S.RES ERJ3GEYJ 103 V (10K) |
| R862 | 7030003360 | S.RES ERJ3GEYJ 221 V (2.2K) |
| R863 | 7030003360 | S.RES ERJ3GEYJ 221 V (2.2K) |
| R864 | 7030003560 | S.RES ERJ3GEYJ 103 V (10K) |
| R865 | 7030003560 | S.RES ERJ3GEYJ 103 V (10K) |
| R871 | 7030003510 | S.RES ERJ3GEYJ 392 V (3.9K) |
| R872 | 7030003360 | S.RES ERJ3GEYJ 221 V (2.2K) |
| R873 | 7030003360 | S.RES ERJ3GEYJ 221 V (2.2K) |
| R874 | 7030003510 | S.RES ERJ3GEYJ 392 V (3.9K) |
| R875 | 7030003560 | S.RES ERJ3GEYJ 103 V (10K) |
| R881 | 7030003510 | S.RES ERJ3GEYJ 392 V (3.9K) |
| R882 | 7030003360 | S.RES ERJ3GEYJ 221 V (2.2K) |
| R883 | 7030003360 | S.RES ERJ3GEYJ 221 V (2.2K) |
| R884 | 7030003510 | S.RES ERJ3GEYJ 392 V (3.9K) |
| R885 | 7030003560 | S.RES ERJ3GEYJ 103 V (10K) |
| R891 | 7030003560 | S.RES ERJ3GEYJ 103 V (10K) |
| R892 | 7030003320 | S.RES ERJ3GEYJ 101 V (100) |
| R893 | 7030003480 | S.RES ERJ3GEYJ 222 V (2.2K) |
| R894 | 7030003600 | S.RES ERJ3GEYJ 223 V (22K) |
| R895 | 7030003380 | S.RES ERJ3GEYJ 331 V (3.3K) |
| R896 | 7030003500 | S.RES ERJ3GEYJ 332 V (3.3K) |
| R897 | 7030003320 | S.RES ERJ3GEYJ 101 V (100) |
| R898 | 7310005540 | S.TRI TMC3ADC14X (10K) |
| R911 | 7030003320 | S.RES ERJ3GEYJ 101 V (100) |
| R912 | 7030003480 | S.RES ERJ3GEYJ 222 V (2.2K) |
| R913 | 7030003320 | S.RES ERJ3GEYJ 101 V (100) |
| R914 | 7030003560 | S.RES ERJ3GEYJ 103 V (10K) |
| R915 | 7030003560 | S.RES ERJ3GEYJ 103 V (10K) |
| R1001 | 7030003520 | S.RES ERJ3GEYJ 472 V (4.7K) |
| R1002 | 7030003320 | S.RES ERJ3GEYJ 101 V (100) |
| R1003 | 7030003700 | S.RES ERJ3GEYJ 154 V (150K) |
| R1004 | 7030003500 | S.RES ERJ3GEYJ 332 V (3.3K) |
| R1005 | 7030003720 | S.RES ERJ3GEYJ 224 V (220K) |
| R1006 | 7030003440 | S.RES ERJ3GEYJ 102 V (1K) |
| R1007 | 7030003360 | S.RES ERJ3GEYJ 221 V (2.2K) |
| R1008 | 7030003720 | S.RES ERJ3GEYJ 224 V (220K) |
| R1009 | 7030003780 | S.RES ERJ3GEYJ 684 V (680K) |
| R1021 | 7030003560 | S.RES ERJ3GEYJ 103 V (10K) |
| R1022 | 7030003630 | S.RES ERJ3GEYJ 393 V (39K) |
| R1023 | 7030003630 | S.RES ERJ3GEYJ 393 V (39K) |
| R1024 | 7030003640 | S.RES ERJ3GEYJ 473 V (47K) |
| R1025 | 7030003670 | S.RES ERJ3GEYJ 823 V (82K) |
| R1026 | 7030003640 | S.RES ERJ3GEYJ 473 V (47K) |
| R1031 | 7030003360 | S.RES ERJ3GEYJ 221 V (2.2K) |
| R1032 | 7030003720 | S.RES ERJ3GEYJ 224 V (220K) |
| R1033 | 7030003440 | S.RES ERJ3GEYJ 102 V (1K) |
| R1041 | 7030003440 | S.RES ERJ3GEYJ 102 V (1K) |
| R1042 | 7030003680 | S.RES ERJ3GEYJ 104 V (100K) |
| R1043 | 7030003440 | S.RES ERJ3GEYJ 102 V (1K) |
| R1044 | 7030003660 | S.RES ERJ3GEYJ 683 V (68K) |
| R1045 | 7030003640 | S.RES ERJ3GEYJ 473 V (47K) |
| R1051 | 7030003490 | S.RES ERJ3GEYJ 272 V (2.7K) |
| R1052 | 7030003520 | S.RES ERJ3GEYJ 472 V (4.7K) |
| R1053 | 7030003400 | S.RES ERJ3GEYJ 471 V (470) |
| R1061 | 7030003680 | S.RES ERJ3GEYJ 104 V (100K) |
| R1062 | 7030003600 | S.RES ERJ3GEYJ 223 V (22K) |
| R1063 | 7030003440 | S.RES ERJ3GEYJ 102 V (1K) |
| R1064 | 7030003780 | S.RES ERJ3GEYJ 684 V (680K) |
| R1065 | 7030003520 | S.RES ERJ3GEYJ 472 V (4.7K) |
| R1066 | 7030003600 | S.RES ERJ3GEYJ 223 V (22K) |
| R1067 | 7030003740 | S.RES ERJ3GEYJ 334 V (330K) |
| R1068 | 7030003560 | S.RES ERJ3GEYJ 103 V (10K) |
| R1081 | 7030003360 | S.RES ERJ3GEYJ 221 V (2.2K) |
| R1082 | 7030003440 | S.RES ERJ3GEYJ 102 V (1K) |
| R1084 | 7030003640 | S.RES ERJ3GEYJ 473 V (47K) |
| R1101 | 7030003440 | S.RES ERJ3GEYJ 102 V (1K) |
| R1102 | 7030003460 | S.RES ERJ3GEYJ 152 V (1.5K) |
| R1103 | 7030003440 | S.RES ERJ3GEYJ 102 V (1K) |
| R1104 | 7030003500 | S.RES ERJ3GEYJ 332 V (3.3K) |
| R1105 | 7030003480 | S.RES ERJ3GEYJ 222 V (2.2K) |
| R1106 | 7030003200 | S.RES ERJ3GEYJ 100 V (10) |
| R1107 | 7030003460 | S.RES ERJ3GEYJ 152 V (1.5K) |
| R1108 | 7030003440 | S.RES ERJ3GEYJ 102 V (1K) |
| R1109 | 7030003440 | S.RES ERJ3GEYJ 102 V (1K) |
| R1110 | 7030003480 | S.RES ERJ3GEYJ 222 V (2.2K) |
| R1111 | 7030003200 | S.RES ERJ3GEYJ 100 V (10) |
| R1201 | 7030003660 | S.RES ERJ3GEYJ 683 V (68K) |
| R1202 | 7030003480 | S.RES ERJ3GEYJ 222 V (2.2K) |
| R1203 | 7030003670 | S.RES ERJ3GEYJ 823 V (82K) |
| R1211 | 7030003640 | S.RES ERJ3GEYJ 473 V (47K) |
| R1212 | 7030003630 | S.RES ERJ3GEYJ 393 V (39K) |
| R1213 | 7030003630 | S.RES ERJ3GEYJ 393 V (39K) |
| R1214 | 7030003630 | S.RES ERJ3GEYJ 393 V (39K) |
| R1215 | 7030003630 | S.RES ERJ3GEYJ 393 V (39K) |
| R1231 | 7030003400 | S.RES ERJ3GEYJ 471 V (470) |
| R1232 | 7030003400 | S.RES ERJ3GEYJ 471 V (470) |
| R1233 | 7030003400 | S.RES ERJ3GEYJ 471 V (470) |
| R1234 | 7030003400 | S.RES ERJ3GEYJ 471 V (470) |
| R1235 | 7030003400 | S.RES ERJ3GEYJ 471 V (470) |
| R1236 | 7030003400 | S.RES ERJ3GEYJ 471 V (470) |
| R1251 | 7030003680 | S.RES ERJ3GEYJ 104 V (100K) |
| R1252 | 7030003680 | S.RES ERJ3GEYJ 104 V (100K) |
| R1253 | 7030003650 | S.RES ERJ3GEYJ 563 V (56K) |
| R1254 | 7310005580 | S.TRI TMC3ADCS3X (4.7K) |
| R1255 | 7030003400 | S.RES ERJ3GEYJ 471 V (470) |
| R1256 | 7030003640 | S.RES ERJ3GEYJ 473 V (47K) |
| R1257 | 7030003560 | S.RES ERJ3GEYJ 103 V (10K) |
| R1258 | 7030003490 | S.RES ERJ3GEYJ 272 V (2.7K) |
| R1259 | 7030003580 | S.RES ERJ3GEYJ 153 V (15K) |
| R1260 | 7030003320 | S.RES ERJ3GEYJ 101 V (100) |
| R1261 | 7030003480 | S.RES ERJ3GEYJ 222 V (2.2K) |
| R1262 | 7030003550 | S.RES ERJ3GEYJ 822 V (8.2K) |

M.=Mounted side (T: Mounted on the Top side, B: Mounted on the Bottom side)
S.=Surface mount

[MAIN-A UNIT] (For [USA-2], [OTH-2], [CHN-1])

| REF NO. | ORDER NO. | DESCRIPTION |
|---------|------------|-----------------------------|
| R1263 | 7030003610 | S.RES ERJ3GEYJ 273 V (27K) |
| R1271 | 7030003640 | S.RES ERJ3GEYJ 473 V (47K) |
| R1272 | 7030003440 | S.RES ERJ3GEYJ 102 V (1K) |
| R1281 | 7030003680 | S.RES ERJ3GEYJ 104 V (100K) |
| R1291 | 7030003550 | S.RES ERJ3GEYJ 822 V (8.2K) |
| R1292 | 7030003430 | S.RES ERJ3GEYJ 821 V (820) |
| R1293 | 7030003400 | S.RES ERJ3GEYJ 471 V (470) |
| R1311 | 7030003520 | S.RES ERJ3GEYJ 472 V (4.7K) |
| R1312 | 7030003620 | S.RES ERJ3GEYJ 333 V (33K) |
| R1313 | 7030003580 | S.RES ERJ3GEYJ 153 V (15K) |
| R1314 | 7030003640 | S.RES ERJ3GEYJ 473 V (47K) |
| R1351 | 7030003200 | S.RES ERJ3GEYJ 100 V (10) |
| R1371 | 7030003520 | S.RES ERJ3GEYJ 472 V (4.7K) |
| R1372 | 7030003640 | S.RES ERJ3GEYJ 473 V (47K) |
| R1374 | 7030003520 | S.RES ERJ3GEYJ 472 V (4.7K) |
| R1381 | 7030003280 | S.RES ERJ3GEYJ 470 V (47) |
| R1382 | 7030003480 | S.RES ERJ3GEYJ 222 V (2.2K) |
| R1401 | 7070001060 | RES ERG2SJ 120 |
| R1411 | 7030003320 | S.RES ERJ3GEYJ 101 V (100) |
| R1412 | 7030003560 | S.RES ERJ3GEYJ 103 V (10K) |
| R1413 | 7030003680 | S.RES ERJ3GEYJ 104 V (100K) |
| R1414 | 7030003320 | S.RES ERJ3GEYJ 101 V (100) |
| R1415 | 7030003320 | S.RES ERJ3GEYJ 101 V (100) |
| R1416 | 7030003320 | S.RES ERJ3GEYJ 101 V (100) |
| R1771 | 7030003540 | S.RES ERJ3GEYJ 682 V (6.8K) |
| R1772 | 7030003620 | S.RES ERJ3GEYJ 333 V (33K) |
| R1773 | 7030003640 | S.RES ERJ3GEYJ 473 V (47K) |
| R1774 | 7030003580 | S.RES ERJ3GEYJ 153 V (15K) |
| R2051 | 7030003640 | S.RES ERJ3GEYJ 473 V (47K) |
| C101 | 4030011600 | S.CER C1608 JB 1E 104K-T |
| C111 | 4030019180 | S.CER TMK212BJ105KG-T |
| C121 | 4030006900 | S.CER C1608 JB 1H 103K-T |
| C131 | 4030007070 | S.CER C1608 CH 1H 330J-T |
| C132 | 4030007070 | S.CER C1608 CH 1H 330J-T |
| C133 | 4030007040 | S.CER C1608 CH 1H 180J-T |
| C134 | 4030007120 | S.CER C1608 CH 1H 820J-T |
| C135 | 4030007040 | S.CER C1608 CH 1H 180J-T |
| C136 | 4030007100 | S.CER C1608 CH 1H 560J-T |
| C141 | 4030006900 | S.CER C1608 JB 1H 103K-T |
| C151 | 4030019180 | S.CER TMK212BJ105KG-T |
| C152 | 4030011600 | S.CER C1608 JB 1E 104K-T |
| C161 | 4030008470 | S.CER C1608 JB 1H 272K-T |
| C162 | 4030009880 | S.CER C1608 JB 1H 682K-T |
| C163 | 4030009980 | S.CER C1608 JB 1H 152K-T |
| C164 | 4030011600 | S.CER C1608 JB 1E 104K-T |
| C170 | 4510008520 | S.ELE EEE1CA470SP |
| C171 | 4030011600 | S.CER C1608 JB 1E 104K-T |
| C172 | 4030008650 | S.CER C1608 JB 1H 332K-T |
| C173 | 4030010240 | S.CER C1608 JB 1H 391K-T |
| C174 | 4030008650 | S.CER C1608 JB 1H 332K-T |
| C175 | 4030019180 | S.CER TMK212BJ105KG-T |
| C176 | 4030011600 | S.CER C1608 JB 1E 104K-T |
| C181 | 4030011600 | S.CER C1608 JB 1E 104K-T |
| C182 | 4030006860 | S.CER C1608 JB 1H 102K-T |
| C183 | 4030009580 | S.CER C1608 JB 1H 681K-T |
| C184 | 4030006870 | S.CER C1608 JB 1H 222K-T |
| C185 | 4030007170 | S.CER C1608 CH 1H 221J-T |
| C186 | 4030010020 | S.CER C1608 JB 1H 122K-T |
| C187 | 4030011600 | S.CER C1608 JB 1E 104K-T |
| C188 | 4030011600 | S.CER C1608 JB 1E 104K-T |
| C201 | 4030011600 | S.CER C1608 JB 1E 104K-T |
| C202 | 4030010020 | S.CER C1608 JB 1H 122K-T |
| C203 | 4030007130 | S.CER C1608 CH 1H 101J-T |
| C204 | 4030010020 | S.CER C1608 JB 1H 122K-T |
| C205 | 4030009880 | S.CER C1608 JB 1H 682K-T |
| C206 | 4030009880 | S.CER C1608 JB 1H 682K-T |
| C207 | 4030009980 | S.CER C1608 JB 1H 152K-T |
| C208 | 4030009980 | S.CER C1608 JB 1H 152K-T |
| C209 | 4030011600 | S.CER C1608 JB 1E 104K-T |
| C221 | 4030011600 | S.CER C1608 JB 1E 104K-T |
| C222 | 4030010240 | S.CER C1608 JB 1H 391K-T |
| C223 | 4030007140 | S.CER C1608 CH 1H 121J-T |
| C224 | 4030007130 | S.CER C1608 CH 1H 101J-T |
| C225 | 4030006850 | S.CER C1608 JB 1H 471K-T |
| C226 | 4030006870 | S.CER C1608 JB 1H 222K-T |
| C227 | 4030006880 | S.CER C1608 JB 1H 472K-T |
| C228 | 4030006860 | S.CER C1608 JB 1H 102K-T |
| C229 | 4030009580 | S.CER C1608 JB 1H 681K-T |
| C230 | 4030011600 | S.CER C1608 JB 1E 104K-T |
| C241 | 4030011600 | S.CER C1608 JB 1E 104K-T |
| C242 | 4030010760 | S.CER C1608 CH 1H 331J-T |
| C243 | 4030007090 | S.CER C1608 CH 1H 470J-T |
| C244 | 4030007160 | S.CER C1608 CH 1H 181J-T |
| C245 | 4030010040 | S.CER C1608 JB 1H 561K-T |
| C246 | 4030008470 | S.CER C1608 JB 1H 272K-T |
| C247 | 4030010760 | S.CER C1608 CH 1H 331J-T |
| C248 | 4030011600 | S.CER C1608 JB 1E 104K-T |
| C261 | 4030011600 | S.CER C1608 JB 1E 104K-T |
| C262 | 4030011280 | S.CER C1608 CH 1H 271J-T |
| C263 | 4030007090 | S.CER C1608 CH 1H 470J-T |
| C264 | 4030007150 | S.CER C1608 CH 1H 151J-T |
| C265 | 4030006850 | S.CER C1608 JB 1H 471K-T |
| C266 | 4030010020 | S.CER C1608 JB 1H 122K-T |
| C267 | 4030007140 | S.CER C1608 CH 1H 121J-T |
| C268 | 4030007140 | S.CER C1608 CH 1H 121J-T |
| C269 | 4030011600 | S.CER C1608 JB 1E 104K-T |
| C281 | 4030011600 | S.CER C1608 JB 1E 104K-T |
| C282 | 4030007160 | S.CER C1608 CH 1H 181J-T |
| C283 | 4030007030 | S.CER C1608 CH 1H 150J-T |
| C284 | 4030007030 | S.CER C1608 CH 1H 150J-T |
| C285 | 4030007130 | S.CER C1608 CH 1H 101J-T |
| C286 | 4030007150 | S.CER C1608 CH 1H 151J-T |

[MAIN-A UNIT] (For [USA-2], [OTH-2], [CHN-1])

| REF NO. | ORDER NO. | DESCRIPTION |
|---------|------------|--------------------------|
| C287 | 4030007150 | S.CER C1608 CH 1H 151J-T |
| C288 | 4030010020 | S.CER C1608 JB 1H 122K-T |
| C289 | 4030007150 | S.CER C1608 CH 1H 151J-T |
| C290 | 4030011600 | S.CER C1608 JB 1E 104K-T |
| C301 | 4030011600 | S.CER C1608 JB 1E 104K-T |
| C302 | 4030006990 | S.CER C1608 CH 1H 080D-T |
| C303 | 4030007160 | S.CER C1608 CH 1H 181J-T |
| C304 | 4030007060 | S.CER C1608 CH 1H 270J-T |
| C305 | 4030007140 | S.CER C1608 CH 1H 121J-T |
| C306 | 4030007160 | S.CER C1608 CH 1H 181J-T |
| C307 | 4030010020 | S.CER C1608 JB 1H 122K-T |
| C308 | 4030007130 | S.CER C1608 CH 1H 101J-T |
| C309 | 4030011600 | S.CER C1608 JB 1E 104K-T |
| C321 | 4030006900 | S.CER C1608 JB 1H 103K-T |
| C322 | 4030007110 | S.CER C1608 CH 1H 680J-T |
| C323 | 4030007080 | S.CER C1608 CH 1H 390J-T |
| C324 | 4030007110 | S.CER C1608 CH 1H 680J-T |
| C325 | 4030007010 | S.CER C1608 CH 1H 100D-T |
| C326 | 4030007010 | S.CER C1608 CH 1H 100D-T |
| C327 | 4030007110 | S.CER C1608 CH 1H 680J-T |
| C328 | 4030007170 | S.CER C1608 CH 1H 221J-T |
| C329 | 4030010240 | S.CER C1608 JB 1H 391K-T |
| C330 | 4030007100 | S.CER C1608 CH 1H 560J-T |
| C331 | 4030007050 | S.CER C1608 CH 1H 220J-T |
| C332 | 4030006900 | S.CER C1608 JB 1H 103K-T |
| C333 | 4030007070 | S.CER C1608 CH 1H 330J-T |
| C341 | 4030006900 | S.CER C1608 JB 1H 103K-T |
| C342 | 4030007110 | S.CER C1608 CH 1H 680J-T |
| C344 | 4030007020 | S.CER C1608 CH 1H 120J-T |
| C345 | 4030007080 | S.CER C1608 CH 1H 390J-T |
| C346 | 4030006900 | S.CER C1608 JB 1H 103K-T |
| C349 | 4030007100 | S.CER C1608 CH 1H 560J-T |
| C350 | 4030007160 | S.CER C1608 CH 1H 181J-T |
| C351 | 4030007090 | S.CER C1608 CH 1H 470J-T |
| C352 | 4030006900 | S.CER C1608 JB 1H 103K-T |
| C361 | 4030019180 | S.CER TMK212BJ105KG-T |
| C371 | 4030019180 | S.CER TMK212BJ105KG-T |
| C372 | 4030007010 | S.CER C1608 CH 1H 100D-T |
| C381 | 4030011600 | S.CER C1608 JB 1E 104K-T |
| C382 | 4030011600 | S.CER C1608 JB 1E 104K-T |
| C383 | 4030011600 | S.CER C1608 JB 1E 104K-T |
| C384 | 4030011600 | S.CER C1608 JB 1E 104K-T |
| C385 | 4030011600 | S.CER C1608 JB 1E 104K-T |
| C386 | 4030011600 | S.CER C1608 JB 1E 104K-T |
| C390 | 4030019560 | S.CER GRM21BB31C106KE15L |
| C391 | 4030011600 | S.CER C1608 JB 1E 104K-T |
| C392 | 4030011600 | S.CER C1608 JB 1E 104K-T |
| C393 | 4030017490 | S.CER C1608 JB 1A 105K-T |
| C394 | 4550007480 | S.TAN F930J106MAABMA |
| C395 | 4030017490 | S.CER C1608 JB 1A 105K-T |
| C396 | 4030019180 | S.CER TMK212BJ105KG-T |
| C397 | 4030019180 | S.CER TMK212BJ105KG-T |
| C398 | 4030011600 | S.CER C1608 JB 1E 104K-T |
| C399 | 4030011600 | S.CER C1608 JB 1E 104K-T |
| C401 | 4030011600 | S.CER C1608 JB 1E 104K-T |
| C411 | 4030007080 | S.CER C1608 CH 1H 390J-T |
| C412 | 4030007130 | S.CER C1608 CH 1H 101J-T |
| C413 | 4030011600 | S.CER C1608 JB 1E 104K-T |
| C414 | 4030006860 | S.CER C1608 JB 1H 102K-T |
| C415 | 4030011600 | S.CER C1608 JB 1E 104K-T |
| C422 | 4030006970 | S.CER C1608 CH 1H 060D-T |
| C423 | 4030007040 | S.CER C1608 CH 1H 180J-T |
| C424 | 4030006920 | S.CER C1608 CH 1H 010C-T |
| C425 | 4030007040 | S.CER C1608 CH 1H 180J-T |
| C431 | 4030007070 | S.CER C1608 CH 1H 330J-T |
| C432 | 4030007070 | S.CER C1608 CH 1H 330J-T |
| C433 | 4030007040 | S.CER C1608 CH 1H 180J-T |
| C434 | 4030007120 | S.CER C1608 CH 1H 820J-T |
| C435 | 4030007040 | S.CER C1608 CH 1H 180J-T |
| C436 | 4030007100 | S.CER C1608 CH 1H 560J-T |
| C442 | 4030011600 | S.CER C1608 JB 1E 104K-T |
| C443 | 4030011600 | S.CER C1608 JB 1E 104K-T |
| C444 | 4030006990 | S.CER C1608 CH 1H 080D-T |
| C445 | 4030006950 | S.CER C1608 CH 1H 040C-T |
| C446 | 4030011600 | S.CER C1608 JB 1E 104K-T |
| C447 | 4030011600 | S.CER C1608 JB 1E 104K-T |
| C448 | 4030007130 | S.CER C1608 CH 1H 101J-T |
| C461 | 4030006980 | S.CER C1608 CH 1H 070D-T |
| C462 | 4030006930 | S.CER C1608 CH 1H 020C-T |
| C471 | 4030007050 | S.CER C1608 CH 1H 220J-T |
| C472 | 4030011600 | S.CER C1608 JB 1E 104K-T |
| C473 | 4030006880 | S.CER C1608 JB 1H 472K-T |
| C474 | 4030006880 | S.CER C1608 JB 1H 472K-T |
| C475 | 4030007020 | S.CER C1608 CH 1H 120J-T |
| C476 | 4030006880 | S.CER C1608 JB 1H 472K-T |
| C492 | 4030007110 | S.CER C1608 CH 1H 680J-T |
| C551 | 4030011600 | S.CER C1608 JB 1E 104K-T |
| C552 | 4030011600 | S.CER C1608 JB 1E 104K-T |
| C553 | 4030006880 | S.CER C1608 JB 1H 472K-T |
| C561 | 4030011600 | S.CER C1608 JB 1E 104K-T |
| C562 | 4030011600 | S.CER C1608 JB 1E 104K-T |
| C563 | 4030006880 | S.CER C1608 JB 1H 472K-T |
| C701 | 4030006930 | S.CER C1608 CH 1H 020C-T |
| C711 | 4030006880 | S.CER C1608 JB 1H 472K-T |
| C712 | 4030006880 | S.CER C1608 JB 1H 472K-T |
| C721 | 4030006880 | S.CER C1608 JB 1H 472K-T |
| C722 | 4030011600 | S.CER C1608 JB 1E 104K-T |
| C723 | 4030006880 | S.CER C1608 JB 1H 472K-T |
| C724 | 4030007050 | S.CER C1608 CH 1H 220J-T |
| C725 | 4030011600 | S.CER C1608 JB 1E 104K-T |
| C726 | 4030006880 | S.CER C1608 JB 1H 472K-T |
| C731 | 4030006880 | S.CER C1608 JB 1H 472K-T |
| C732 | 4030006880 | S.CER C1608 JB 1H 472K-T |
| C733 | 4030006880 | S.CER C1608 JB 1H 472K-T |

M.=Mounted side (T: Mounted on the Top side, B: Mounted on the Bottom side)
S.=Surface mount

[MAIN-A UNIT] (For [USA-2], [OTH-2], [CHN-1])

| REF NO. | ORDER NO. | DESCRIPTION |
|---------|------------|--------------------------|
| C734 | 4030011600 | S.CER C1608 JB 1E 104K-T |
| C735 | 4030006880 | S.CER C1608 JB 1H 472K-T |
| C736 | 4030006880 | S.CER C1608 JB 1H 472K-T |
| C737 | 4030011600 | S.CER C1608 JB 1E 104K-T |
| C738 | 4030007150 | S.CER C1608 CH 1H 151J-T |
| C739 | 4510009270 | S.ELE EEEHB1C220UR |
| C740 | 4030007050 | S.CER C1608 CH 1H 220J-T |
| C741 | 4510008520 | S.ELE EEE1CA470SP |
| C742 | 4030011600 | S.CER C1608 JB 1E 104K-T |
| C743 | 4510008540 | S.ELE EEE1CA100SR |
| C761 | 4030011600 | S.CER C1608 JB 1E 104K-T |
| C762 | 4030011600 | S.CER C1608 JB 1E 104K-T |
| C771 | 4030011600 | S.CER C1608 JB 1E 104K-T |
| C772 | 4030011600 | S.CER C1608 JB 1E 104K-T |
| C773 | 4030007030 | S.CER C1608 CH 1H 150J-T |
| C781 | 4030011600 | S.CER C1608 JB 1E 104K-T |
| C782 | 4030011600 | S.CER C1608 JB 1E 104K-T |
| C791 | 4030011600 | S.CER C1608 JB 1E 104K-T |
| C792 | 4030011600 | S.CER C1608 JB 1E 104K-T |
| C801 | 4030011600 | S.CER C1608 JB 1E 104K-T |
| C811 | 4030006880 | S.CER C1608 JB 1H 472K-T |
| C813 | 4030011600 | S.CER C1608 JB 1E 104K-T |
| C814 | 4030011600 | S.CER C1608 JB 1E 104K-T |
| C816 | 4030006880 | S.CER C1608 JB 1H 472K-T |
| C818 | 4030011600 | S.CER C1608 JB 1E 104K-T |
| C831 | 4030008650 | S.CER C1608 JB 1H 332K-T |
| C841 | 4030006880 | S.CER C1608 JB 1H 472K-T |
| C851 | 4030011600 | S.CER C1608 JB 1E 104K-T |
| C852 | 4030011600 | S.CER C1608 JB 1E 104K-T |
| C861 | 4030011600 | S.CER C1608 JB 1E 104K-T |
| C862 | 4030011600 | S.CER C1608 JB 1E 104K-T |
| C871 | 4030011600 | S.CER C1608 JB 1E 104K-T |
| C872 | 4030011600 | S.CER C1608 JB 1E 104K-T |
| C881 | 4030011600 | S.CER C1608 JB 1E 104K-T |
| C882 | 4030011600 | S.CER C1608 JB 1E 104K-T |
| C891 | 4030011600 | S.CER C1608 JB 1E 104K-T |
| C892 | 4030006880 | S.CER C1608 JB 1H 472K-T |
| C893 | 4030006880 | S.CER C1608 JB 1H 472K-T |
| C894 | 4030011600 | S.CER C1608 JB 1E 104K-T |
| C895 | 4030007050 | S.CER C1608 CH 1H 220J-T |
| C896 | 4030011600 | S.CER C1608 JB 1E 104K-T |
| C897 | 4030006880 | S.CER C1608 JB 1H 472K-T |
| C911 | 4030011600 | S.CER C1608 JB 1E 104K-T |
| C912 | 4030007170 | S.CER C1608 CH 1H 221J-T |
| C913 | 4030011600 | S.CER C1608 JB 1E 104K-T |
| C914 | 4510008530 | S.ELE EEE1HA2R2SR |
| C1001 | 4030011600 | S.CER C1608 JB 1E 104K-T |
| C1002 | 4030006880 | S.CER C1608 JB 1H 472K-T |
| C1003 | 4030011600 | S.CER C1608 JB 1E 104K-T |
| C1004 | 4030007170 | S.CER C1608 CH 1H 221J-T |
| C1005 | 4030007170 | S.CER C1608 CH 1H 221J-T |
| C1006 | 4030006880 | S.CER C1608 JB 1H 472K-T |
| C1007 | 4030007130 | S.CER C1608 CH 1H 101J-T |
| C1008 | 4510008540 | S.ELE EEE1CA100SR |
| C1009 | 4030011600 | S.CER C1608 JB 1E 104K-T |
| C1010 | 4030011600 | S.CER C1608 JB 1E 104K-T |
| C1021 | 4030011600 | S.CER C1608 JB 1E 104K-T |
| C1022 | 4030008880 | S.CER C1608 JB 1H 223K-T |
| C1023 | 4030009880 | S.CER C1608 JB 1H 682K-T |
| C1024 | 4030011600 | S.CER C1608 JB 1E 104K-T |
| C1031 | 4030011600 | S.CER C1608 JB 1E 104K-T |
| C1041 | 4030006880 | S.CER C1608 JB 1H 472K-T |
| C1042 | 4030006880 | S.CER C1608 JB 1H 472K-T |
| C1043 | 4030006880 | S.CER C1608 JB 1H 472K-T |
| C1044 | 4030011600 | S.CER C1608 JB 1E 104K-T |
| C1051 | 4510008540 | S.ELE EEE1CA100SR |
| C1061 | 4030006880 | S.CER C1608 JB 1H 472K-T |
| C1062 | 4030007130 | S.CER C1608 CH 1H 101J-T |
| C1063 | 4510008540 | S.ELE EEE1CA100SR |
| C1064 | 4030011600 | S.CER C1608 JB 1E 104K-T |
| C1065 | 4510008540 | S.ELE EEE1CA100SR |
| C1066 | 4510008530 | S.ELE EEE1HA2R2SR |
| C1067 | 4510009270 | S.ELE EEEHB1C220UR |
| C1081 | 4030006880 | S.CER C1608 JB 1H 472K-T |
| C1085 | 4030006880 | S.CER C1608 JB 1H 472K-T |
| C1089 | 4030006880 | S.CER C1608 JB 1H 472K-T |
| C1090 | 4030011600 | S.CER C1608 JB 1E 104K-T |
| C1101 | 4030011600 | S.CER C1608 JB 1E 104K-T |
| C1102 | 4030011600 | S.CER C1608 JB 1E 104K-T |
| C1103 | 4030011600 | S.CER C1608 JB 1E 104K-T |
| C1201 | 4030006900 | S.CER C1608 JB 1H 103K-T |
| C1202 | 4030006900 | S.CER C1608 JB 1H 103K-T |
| C1211 | 4030010020 | S.CER C1608 JB 1H 122K-T |
| C1212 | 4030006860 | S.CER C1608 JB 1H 102K-T |
| C1213 | 4030008650 | S.CER C1608 JB 1H 332K-T |
| C1214 | 4030006850 | S.CER C1608 JB 1H 471K-T |
| C1215 | 4030011600 | S.CER C1608 JB 1E 104K-T |
| C1216 | 4030011600 | S.CER C1608 JB 1E 104K-T |
| C1217 | 4030011600 | S.CER C1608 JB 1E 104K-T |
| C1231 | 4030006880 | S.CER C1608 JB 1H 472K-T |
| C1251 | 4030011600 | S.CER C1608 JB 1E 104K-T |
| C1253 | 4030010760 | S.CER C1608 CH 1H 331J-T |
| C1254 | 4510008530 | S.ELE EEE1HA2R2SR |
| C1255 | 4030006900 | S.CER C1608 JB 1H 103K-T |
| C1256 | 4030011600 | S.CER C1608 JB 1E 104K-T |
| C1257 | 4510008540 | S.ELE EEE1CA100SR |
| C1258 | 4510008540 | S.ELE EEE1CA100SR |
| C1259 | 4510008540 | S.ELE EEE1CA100SR |
| C1260 | 4510008540 | S.ELE EEE1CA100SR |
| C1261 | 4510008540 | S.ELE EEE1CA100SR |
| C1262 | 4510008530 | S.ELE EEE1HA2R2SR |
| C1271 | 4030006880 | S.CER C1608 JB 1H 472K-T |
| C1272 | 4030011600 | S.CER C1608 JB 1E 104K-T |
| C1281 | 4030006900 | S.CER C1608 JB 1H 103K-T |

[MAIN-A UNIT] (For [USA-2], [OTH-2], [CHN-1])

| REF NO. | ORDER NO. | DESCRIPTION |
|---------|------------|-----------------------------|
| C1282 | 4030006900 | S.CER C1608 JB 1H 103K-T |
| C1292 | 4510008540 | S.ELE EEE1CA100SR |
| C1293 | 4030011600 | S.CER C1608 JB 1E 104K-T |
| C1294 | 4030011600 | S.CER C1608 JB 1E 104K-T |
| C1295 | 4510004591 | ELE 16 ME 470 HC |
| C1296 | 4510004591 | ELE 16 ME 470 HC |
| C1311 | 4030006900 | S.CER C1608 JB 1H 103K-T |
| C1312 | 4030006900 | S.CER C1608 JB 1H 103K-T |
| C1321 | 4030006900 | S.CER C1608 JB 1H 103K-T |
| C1322 | 4030006860 | S.CER C1608 JB 1H 102K-T |
| C1351 | 4030006900 | S.CER C1608 JB 1H 103K-T |
| C1352 | 4030006900 | S.CER C1608 JB 1H 103K-T |
| C1353 | 4510004510 | ELE 25 ME 470 HC |
| C1361 | 4510008530 | S.ELE EEE1HA2R2SR |
| C1362 | 4030011600 | S.CER C1608 JB 1E 104K-T |
| C1363 | 4030011600 | S.CER C1608 JB 1E 104K-T |
| C1364 | 4030011600 | S.CER C1608 JB 1E 104K-T |
| C1365 | 4510008540 | S.ELE EEE1CA100SR |
| C1371 | 4510008530 | S.ELE EEE1HA2R2SR |
| C1372 | 4030011600 | S.CER C1608 JB 1E 104K-T |
| C1373 | 4030011600 | S.CER C1608 JB 1E 104K-T |
| C1374 | 4030011600 | S.CER C1608 JB 1E 104K-T |
| C1375 | 4510004591 | ELE 16 ME 470 HC |
| C1376 | 4030019180 | S.CER TMK212B105KG-T |
| C1381 | 4030011600 | S.CER C1608 JB 1E 104K-T |
| C1382 | 4030011600 | S.CER C1608 JB 1E 104K-T |
| C1391 | 4510004591 | ELE 16 ME 470 HC |
| C1392 | 4030011600 | S.CER C1608 JB 1E 104K-T |
| C1393 | 4030011600 | S.CER C1608 JB 1E 104K-T |
| C1394 | 4510008540 | S.ELE EEE1CA100SR |
| C1401 | 4510008540 | S.ELE EEE1CA100SR |
| C1402 | 4030011600 | S.CER C1608 JB 1E 104K-T |
| C1403 | 4030011600 | S.CER C1608 JB 1E 104K-T |
| C1404 | 4510008540 | S.ELE EEE1CA100SR |
| C1411 | 4030011600 | S.CER C1608 JB 1E 104K-T |
| C1412 | 4510008520 | S.ELE EEE1CA470SP |
| C1413 | 4030011600 | S.CER C1608 JB 1E 104K-T |
| C1414 | 4510009270 | S.ELE EEEHB1C220UR |
| C1415 | 4030006860 | S.CER C1608 JB 1H 102K-T |
| C1416 | 4030006900 | S.CER C1608 JB 1H 103K-T |
| C1417 | 4510008520 | S.ELE EEE1CA470SP |
| C1418 | 4510008520 | S.ELE EEE1CA470SP |
| C1419 | 4030011600 | S.CER C1608 JB 1E 104K-T |
| C1420 | 4510008540 | S.ELE EEE1CA100SR |
| C1421 | 4030011600 | S.CER C1608 JB 1E 104K-T |
| C1422 | 4510008520 | S.ELE EEE1CA470SP |
| C1502 | 4030006880 | S.CER C1608 JB 1H 472K-T |
| C1521 | 4030006880 | S.CER C1608 JB 1H 472K-T |
| C1601 | 4030011600 | S.CER C1608 JB 1E 104K-T |
| C1602 | 4030011600 | S.CER C1608 JB 1E 104K-T |
| C1603 | 4030011600 | S.CER C1608 JB 1E 104K-T |
| C1751 | 4510008540 | S.ELE EEE1CA100SR |
| C1752 | 4510008540 | S.ELE EEE1CA100SR |
| C1753 | 4510008540 | S.ELE EEE1CA100SR |
| C1754 | 4510008540 | S.ELE EEE1CA100SR |
| C1755 | 4510008540 | S.ELE EEE1CA100SR |
| C1756 | 4030011600 | S.CER C1608 JB 1E 104K-T |
| C1771 | 4030011600 | S.CER C1608 JB 1E 104K-T |
| RL121 | 6330001721 | REL ATN207-K1 |
| RL141 | 6330001721 | REL ATN207-K1 |
| CP731 | 6910009670 | S.CHE HK3-S-T |
| WS1 | 8600036540 | CBL RX2240 P1241*J1241MA |
| J101 | 6510021460 | CON PT-C02P01 |
| J111 | 6510007020 | CON TMP-J01X-V6 |
| J411 | 6510007020 | CON TMP-J01X-V6 |
| J491 | 6510007020 | CON TMP-J01X-V6 |
| J781 | 6450001560 | CON PD-72 |
| J782 | 6450001560 | CON PD-72 |
| J783 | 6450001560 | CON PD-72 |
| J784 | 6450001560 | CON PD-72 |
| J811 | 6510007020 | CON TMP-J01X-V6 |
| J881 | 6450001560 | CON PD-72 |
| J882 | 6450001560 | CON PD-72 |
| J883 | 6450001560 | CON PD-72 |
| J884 | 6450001560 | CON PD-72 |
| J1081 | 6510007020 | CON TMP-J01X-V6 |
| J1221 | 6510018971 | S.CON B4B-PH-SM4-TB(LF)(SN) |
| J1231 | 6510019971 | S.CON 52808-1071 |
| J1271 | 6510019191 | S.CON 52365-0871 |
| J1311 | 6450001800 | CON JPJ1044-01-010 |
| J1321 | 6450000140 | CON HSJ0807-01-010 |
| J1351 | 6510023650 | CON HEC0740-010618 |
| J1501 | 6510019981 | S.CON 52808-1671(1690) |
| J1521 | 6510019981 | S.CON 52808-1671(1690) |
| J1522 | 6510021861 | CON BH-800.4GG <LTC> |
| J1541 | 6510019981 | S.CON 52808-1671(1690) |
| J1561 | 6510019981 | S.CON 52808-1671(1690) |
| J1701 | 6450000140 | CON HSJ0807-01-010 |
| J1751 | 6510021241 | CON DELC-J9SAF-23L9E |
| F1351 | 5210000051 | FUS FGB 3A PBF (FGB0 125V) |
| F1352 | 5220000230 | HOL S-N5054 #01 |
| F1353 | 5220000230 | HOL S-N5054 #01 |

M.=Mounted side (T: Mounted on the Top side, B: Mounted on the Bottom side)
S.=Surface mount

[MAIN-A UNIT] (For [USA-2], [OTH-2], [CHN-1])

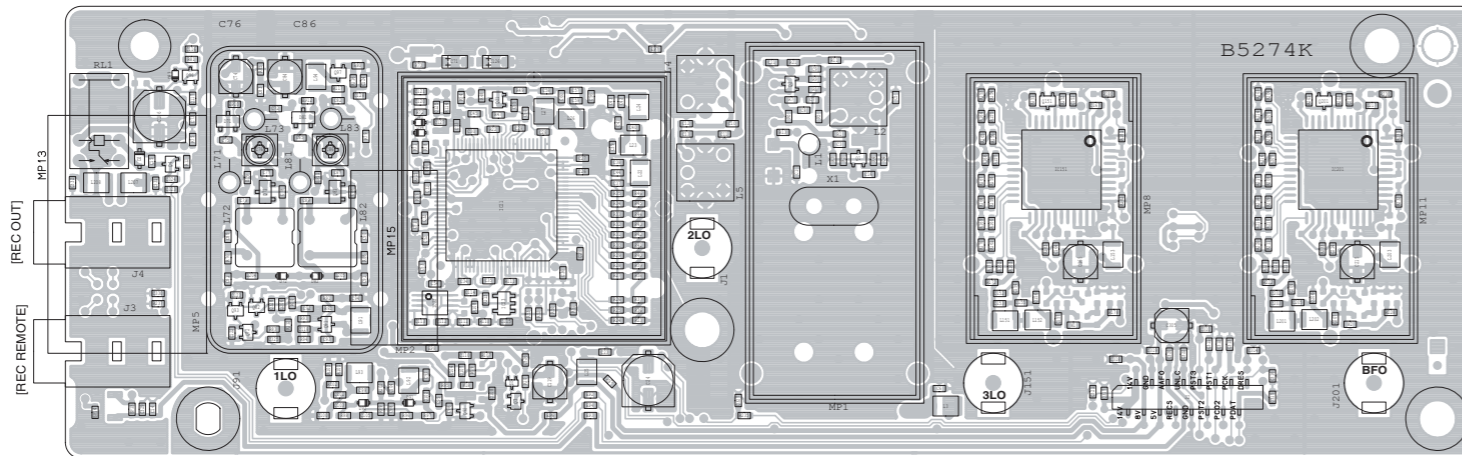
| REF NO. | ORDER NO. | DESCRIPTION |
|---------|------------|----------------------|
| BT1521 | 3020000110 | LIT CR-2032L/BK |
| EP1321 | 6910014690 | S.BEA MPZ1608S221A-T |
| EP1322 | 6910014690 | S.BEA MPZ1608S221A-T |

M.=Mounted side (T: Mounted on the Top side, B: Mounted on the Bottom side)
 S.=Surface mount

BOARD LAYOUTS

The combination of this side and the bottom side shows the board layout in the same configuration as the actual P.C.Board.

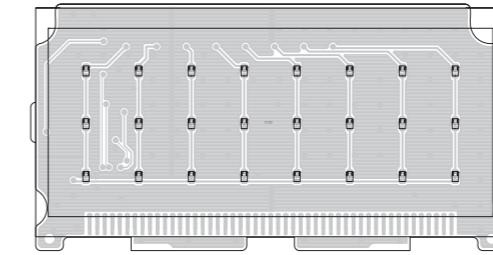
• PLL UNIT (TOP VIEW)



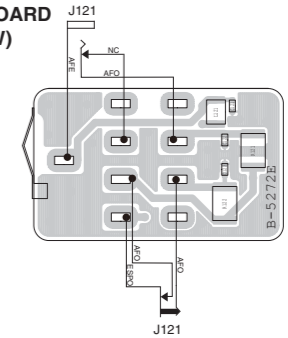
| | | | |
|---|------|------|----|
| 2 | 14V | GND | 16 |
| 1 | 8V | AAFO | 15 |
| | 5V | AAFO | |
| | RECS | UNLC | |
| | PST3 | PST1 | |
| | PST2 | PST1 | |
| | POO2 | PCK | |
| | PDAT | DRES | |

J2
to MAIN unit J1501

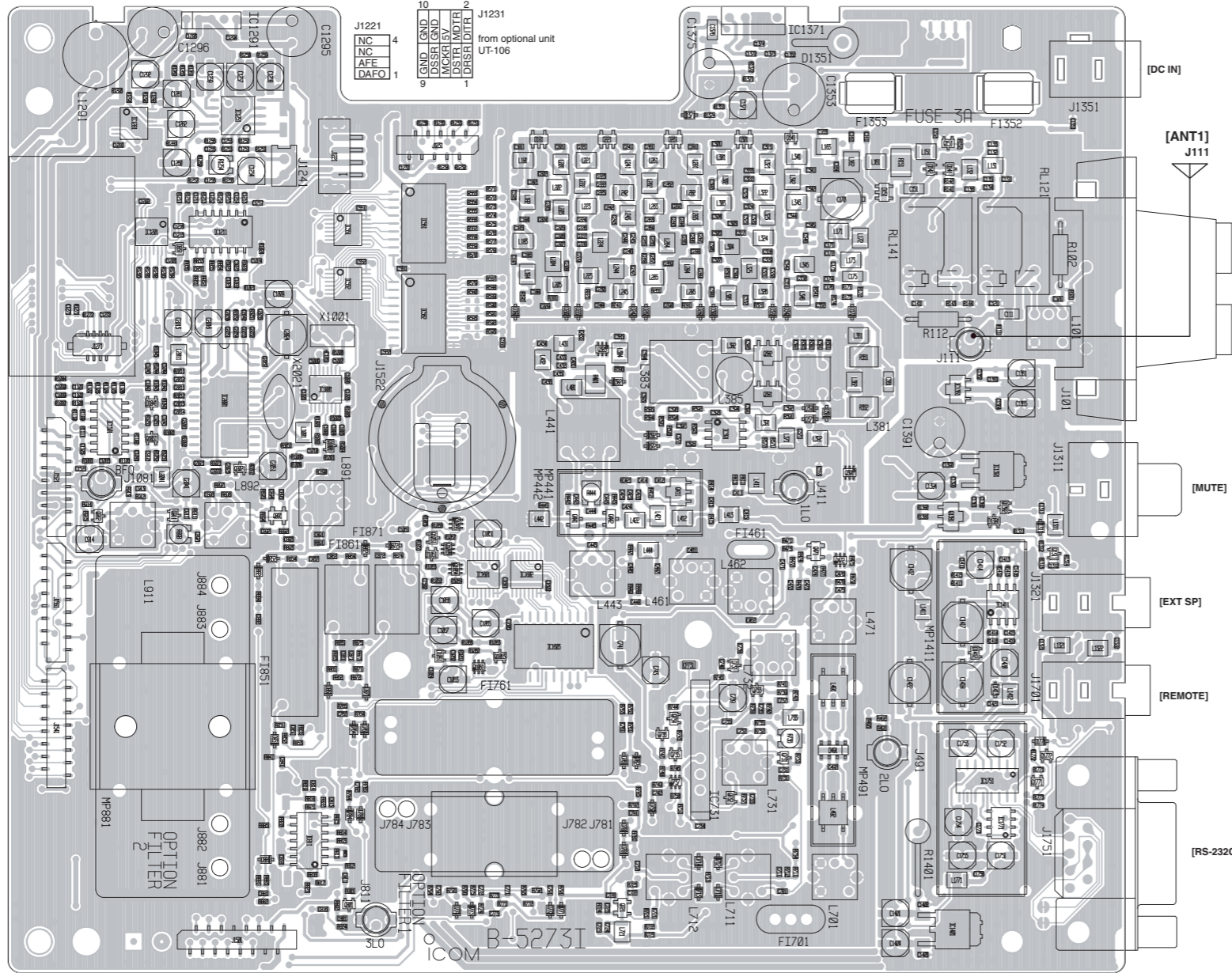
• DISPLAY BOARD (TOP VIEW)



• PHONE BOARD (TOP VIEW)

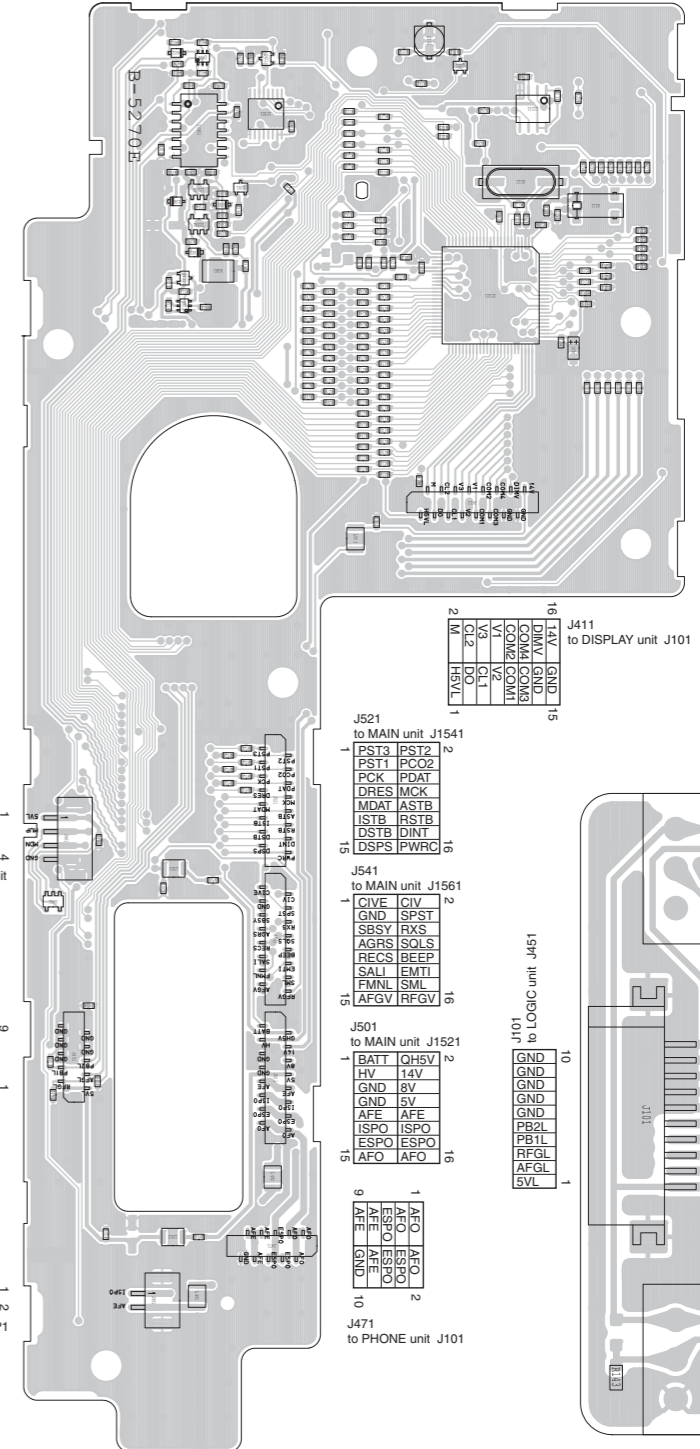


• MAIN UNIT (For other than [USA-2], [OTH-2], [CHN-1]) (TOP VIEW)



| | |
|---|-----------|
| 1 | DC IN |
| 2 | (500 Ω) |
| 3 | [ANT2] |
| 4 | (GND) |
| 5 | [MUTE] |
| 6 | [EXT SP] |
| 7 | [REMOTE] |
| 8 | [RS-232C] |

• LOGIC BOARD (TOP VIEW)



| | | | |
|----|------|------|----|
| 1 | MDAT | ISPS | 2 |
| 2 | ISPS | ISPO | 1 |
| 3 | ISPO | ISPO | 16 |
| 4 | ISPO | ISPO | |
| 5 | ISPO | ISPO | |
| 6 | ISPO | ISPO | |
| 7 | ISPO | ISPO | |
| 8 | ISPO | ISPO | |
| 9 | ISPO | ISPO | |
| 10 | ISPO | ISPO | |
| 11 | ISPO | ISPO | |
| 12 | ISPO | ISPO | |
| 13 | ISPO | ISPO | |
| 14 | ISPO | ISPO | |
| 15 | ISPO | ISPO | |
| 16 | ISPO | ISPO | |

from optional unit UT-102
J1271

| | | | |
|---|------|------|----|
| 1 | AFQ | AFQ | 2 |
| 2 | ESPO | ESPO | 1 |
| 3 | ISPO | ISPO | 16 |
| 4 | AFQ | AFQ | |
| 5 | 5V | GND | |
| 6 | 8V | GND | |
| 7 | 14V | HVR | |
| 8 | H5V | BATT | |

to LOGIC unit J501

| | | | |
|---|------|------|----|
| 1 | RFGV | AFQV | 2 |
| 2 | SML | FMNL | 1 |
| 3 | EMTL | SALL | 16 |
| 4 | BEEP | RECS | |
| 5 | SQLS | AGRS | |
| 6 | RXS | SBSY | |
| 7 | SPST | GND | |
| 8 | QV | CIVE | |

to LOGIC unit J541

| | | | |
|---|------|------|----|
| 1 | PWRC | DSPS | 2 |
| 2 | DINT | DSTR | 1 |
| 3 | PSTB | ISTB | 16 |
| 4 | ASTB | MDAT | |
| 5 | MCK | DRES | |
| 6 | PDAT | PCK | |
| 7 | PCO2 | PST1 | |
| 8 | PST2 | PST3 | |

to LOGIC unit J621

| | | | |
|---|------|------|----|
| 1 | DRES | PDAT | 2 |
| 2 | PCK | PCO2 | 1 |
| 3 | UNLC | RECS | 16 |
| 4 | AAFO | 5V | |
| 5 | GND | 8V | |
| 6 | GND | 14V | |

to PLL unit J1501

| | | |
|---|-------|---|
| 1 | J1221 | 4 |
| 2 | NC | 1 |
| 3 | NC | 1 |
| 4 | DAFO | 1 |

J1221

| | | |
|---|-------|------|
| 1 | GND | 10 |
| 2 | DSSRL | GND |
| 3 | MCKR | 5V |
| 4 | DSTR | DSTR |

J1231
from optional unit
UT-106

| | | | |
|---|------|------|----|
| 1 | 14V | GND | 16 |
| 2 | 8V | AAFO | 15 |
| 3 | 5V | AAFO | |
| 4 | RECS | UNLC | |
| 5 | PST3 | PST1 | |
| 6 | PST2 | PST1 | |
| 7 | POO2 | PCK | |
| 8 | PDAT | DRES | |

J2
to MAIN unit J1501

| | | | |
|---|------|------|----|
| 1 | 14V | GND | 16 |
| 2 | 8V | AAFO | 15 |
| 3 | 5V | AAFO | |
| 4 | RECS | UNLC | |
| 5 | PST3 | PST1 | |
| 6 | PST2 | PST1 | |
| 7 | POO2 | PCK | |
| 8 | PDAT | DRES | |

J2
to MAIN unit J1501

| | | | |
|---|------|------|----|
| 1 | 14V | GND | 16 |
| 2 | 8V | AAFO | 15 |
| 3 | 5V | AAFO | |
| 4 | RECS | UNLC | |
| 5 | PST3 | PST1 | |
| 6 | PST2 | PST1 | |
| 7 | POO2 | PCK | |
| 8 | PDAT | DRES | |

J2
to MAIN unit J1501

| | | | |
|---|------|------|----|
| 1 | 14V | GND | 16 |
| 2 | 8V | AAFO | 15 |
| 3 | 5V | AAFO | |
| 4 | RECS | UNLC | |
| 5 | PST3 | PST1 | |
| 6 | PST2 | PST1 | |
| 7 | POO2 | PCK | |
| 8 | PDAT | DRES | |

J2
to MAIN unit J1501

| | | | |
|---|------|------|----|
| 1 | 14V | GND | 16 |
| 2 | 8V | AAFO | 15 |
| 3 | 5V | AAFO | |
| 4 | RECS | UNLC | |
| 5 | PST3 | PST1 | |
| 6 | PST2 | PST1 | |
| 7 | POO2 | PCK | |
| 8 | PDAT | DRES | |

J2
to MAIN unit J1501

| | | | |
|---|------|------|----|
| 1 | 14V | GND | 16 |
| 2 | 8V | AAFO | 15 |
| 3 | 5V | AAFO | |
| 4 | RECS | UNLC | |
| 5 | PST3 | PST1 | |
| 6 | PST2 | PST1 | |
| 7 | POO2 | PCK | |
| 8 | PDAT | DRES | |

J2
to MAIN unit J1501

| | | | |
|---|------|------|----|
| 1 | 14V | GND | 16 |
| 2 | 8V | AAFO | 15 |
| 3 | 5V | AAFO | |
| 4 | RECS | UNLC | |
| 5 | PST3 | PST1 | |
| 6 | PST2 | PST1 | |
| 7 | POO2 | PCK | |
| 8 | PDAT | DRES | |

J2
to MAIN unit J1501

| | | | |
|---|------|------|----|
| 1 | 14V | GND | 16 |
| 2 | 8V | AAFO | 15 |
| 3 | 5V | AAFO | |
| 4 | RECS | UNLC | |
| 5 | PST3 | PST1 | |
| 6 | PST2 | PST1 | |
| 7 | POO2 | PCK | |
| 8 | PDAT | DRES | |

J2
to MAIN unit J1501

| | | | |
|---|------|------|----|
| 1 | 14V | GND | 16 |
| 2 | 8V | AAFO | 15 |
| 3 | 5V | AAFO | |
| 4 | RECS | UNLC | |
| 5 | PST3 | PST1 | |
| 6 | PST2 | PST1 | |
| 7 | POO2 | PCK | |
| 8 | PDAT | DRES | |

J2
to MAIN unit J1501

| | | | |
|---|------|------|----|
| 1 | 14V | GND | 16 |
| 2 | 8V | AAFO | 15 |
| 3 | 5V | AAFO | |
| 4 | RECS | UNLC | |
| 5 | PST3 | PST1 | |
| 6 | PST2 | PST1 | |
| 7 | POO2 | PCK | |
| 8 | PDAT | DRES | |

J2
to MAIN unit J1501

| | | | |
|---|------|------|----|
| 1 | 14V | GND | 16 |
| 2 | 8V | AAFO | 15 |
| 3 | 5V | AAFO | |
| 4 | RECS | UNLC | |
| 5 | PST3 | PST1 | |
| 6 | PST2 | PST1 | |
| 7 | POO2 | PCK | |
| 8 | PDAT | DRES | |

J2
to MAIN unit J1501

| | | | |
|---|------|------|----|
| 1 | 14V | GND | 16 |
| 2 | 8V | AAFO | 15 |
| 3 | 5V | AAFO | |
| 4 | RECS | UNLC | |
| 5 | PST3 | PST1 | |
| 6 | PST2 | PST1 | |
| 7 | POO2 | PCK | |
| 8 | PDAT | DRES | |

J2
to MAIN unit J1501

| | | | |
|---|------|------|----|
| 1 | 14V | GND | 16 |
| 2 | 8V | AAFO | 15 |
| 3 | 5V | AAFO | |
| 4 | RECS | UNLC | |
| 5 | PST3 | PST1 | |
| 6 | PST2 | PST1 | |
| 7 | POO2 | PCK | |
| 8 | PDAT | DRES | |

J2
to MAIN unit J1501

| | | | |
|---|------|------|----|
| 1 | 14V | GND | 16 |
| 2 | 8V | AAFO | 15 |
| 3 | 5V | AAFO | |
| 4 | RECS | UNLC | |
| 5 | PST3 | PST1 | |
| 6 | PST2 | PST1 | |
| 7 | POO2 | PCK | |
| 8 | PDAT | DRES | |

J2
to MAIN unit J1501

| | | | |
|---|------|------|----|
| 1 | 14V | GND | 16 |
| 2 | 8V | AAFO | 15 |
| 3 | 5V | AAFO | |
| 4 | RECS | UNLC | |
| 5 | PST3 | PST1 | |
| 6 | PST2 | PST1 | |
| 7 | POO2 | PCK | |
| 8 | PDAT | DRES | |

J2
to MAIN unit J1501

| | | | |
|---|------|------|----|
| 1 | 14V | GND | 16 |
| 2 | 8V | AAFO | 15 |
| 3 | 5V | AAFO | |
| 4 | RECS | UNLC | |
| 5 | PST3 | PST1 | |
| 6 | PST2 | PST1 | |
| 7 | POO2 | PCK | |
| 8 | PDAT | DRES | |

J2
to MAIN unit J1501

| | | | |
|---|------|------|----|
| 1 | 14V | GND | 16 |
| 2 | 8V | AAFO | 15 |
| 3 | 5V | AAFO | |
| 4 | RECS | UNLC | |
| 5 | PST3 | PST1 | |
| 6 | PST2 | PST1 | |
| 7 | POO2 | PCK | |
| 8 | PDAT | DRES | |

J2
to MAIN unit J1501

| | | | |
|---|------|------|----|
| 1 | 14V | GND | 16 |
| 2 | 8V | AAFO | 15 |
| 3 | 5V | AAFO | |
| 4 | RECS | UNLC | |
| 5 | PST3 | PST1 | |
| 6 | PST2 | PST1 | |
| 7 | POO2 | PCK | |
| 8 | PDAT | DRES | |

J2
to MAIN unit J1501

| | | | |
|---|------|------|----|
| 1 | 14V | GND | 16 |
| 2 | 8V | AAFO | 15 |
| 3 | 5V | AAFO | |
| 4 | RECS | UNLC | |
| 5 | PST3 | PST1 | |
| 6 | PST2 | PST1 | |
| 7 | POO2 | PCK | |
| 8 | PDAT | DRES | |

J2
to MAIN unit J1501

| | | | |
|---|------|------|----|
| 1 | 14V | GND | 16 |
| 2 | 8V | AAFO | 15 |
| 3 | 5V | AAFO | |
| 4 | RECS | UNLC | |
| 5 | PST3 | PST1 | |
| 6 | PST2 | PST1 | |
| 7 | POO2 | PCK | |
| 8 | PDAT | DRES | |

J2
to MAIN unit J1501

| | | | |
|---|------|------|----|
| 1 | 14V | GND | 16 |
| 2 | 8V | AAFO | 15 |
| 3 | 5V | AAFO | |
| 4 | RECS | UNLC | |
| 5 | PST3 | PST1 | |
| 6 | PST2 | PST1 | |
| 7 | POO2 | PCK | |
| 8 | PDAT | DRES | |

J2
to MAIN unit J1501

| | | | |
|---|------|------|----|
| 1 | 14V | GND | 16 |
| 2 | 8V | AAFO | 15 |
| 3 | 5V | AAFO | |
| 4 | RECS | UNLC | |
| 5 | PST3 | PST1 | |
| 6 | PST2 | PST1 | |
| 7 | POO2 | PCK | |
| 8 | PDAT | DRES | |

J2
to MAIN unit J1501

| | | | |
|---|------|------|----|
| 1 | 14V | GND | 16 |
| 2 | 8V | AAFO | 15 |
| 3 | 5V | AAFO | |
| 4 | RECS | UNLC | |
| 5 | PST3 | PST1 | |
| 6 | PST2 | PST1 | |
| 7 | POO2 | PCK | |
| 8 | PDAT | DRES | |

J2
to MAIN unit J1501

| | | | |
|---|------|------|----|
| 1 | 14V | GND | 16 |
| 2 | 8V | AAFO | 15 |
| 3 | 5V | AAFO | |
| 4 | RECS | UNLC | |
| 5 | PST3 | PST1 | |
| 6 | PST2 | PST1 | |
| 7 | POO2 | PCK | |
| 8 | PDAT | DRES | |

J2
to MAIN unit J1501

| | | | |
|---|------|------|----|
| 1 | 14V | GND | 16 |
| 2 | 8V | AAFO | 15 |
| 3 | 5V | AAFO | |
| 4 | RECS | UNLC | |
| 5 | PST3 | PST1 | |
| 6 | PST2 | PST1 | |
| 7 | POO2 | PCK | |
| 8 | PDAT | DRES | |

J2
to MAIN unit J1501

| | | | |
|---|------|------|----|
| 1 | 14V | GND | 16 |
| 2 | 8V | AAFO | 15 |
| 3 | 5V | AAFO | |
| 4 | RECS | UNLC | |
| 5 | PST3 | PST1 | |
| 6 | PST2 | PST1 | |
| 7 | POO2 | PCK | |
| 8 | PDAT | DRES | |

J2
to MAIN unit J1501

| | | | |
|---|------|------|----|
| 1 | 14V | GND | 16 |
| 2 | 8V | AAFO | 15 |
| 3 | 5V | AAFO | |
| 4 | RECS | UNLC | |
| 5 | PST3 | PST1 | |
| 6 | PST2 | PST1 | |
| 7 | POO2 | PCK | |
| 8 | PDAT | DRES | |

J2
to MAIN unit J1501

| | | | |
|---|------|------|----|
| 1 | 14V | GND | 16 |
| 2 | 8V | AAFO | 15 |
| 3 | 5V | AAFO | |
| 4 | RECS | UNLC | |
| 5 | PST3 | PST1 | |
| 6 | PST2 | PST1 | |
| 7 | POO2 | PCK | |
| 8 | PDAT | DRES | |

J2
to MAIN unit J1501

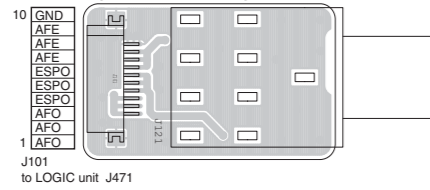
| | | | |
|---|------|------|----|
| 1 | 14V | GND | 16 |
| 2 | 8V | AAFO | 15 |
| 3 | 5V | AAFO | |
| 4 | RECS | UNLC | |
| 5 | PST3 | PST1 | |
| 6 | PST2 | PST1 | |
| 7 | POO2 | PCK | |
| 8 | PDAT | DRES | |

J2
to MAIN unit J1501

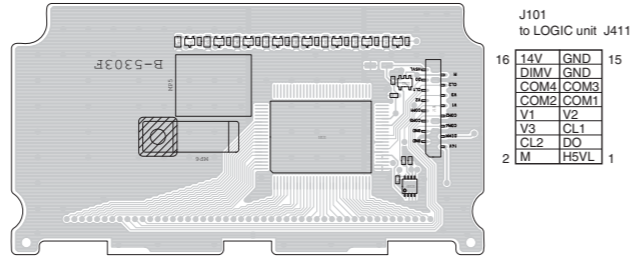
| | | |
|---|-----|-----|
| 1 | 14V | GND |
|---|-----|-----|

The combination of this side and the bottom side shows the board layout in the same configuration as the actual P.C.Board.

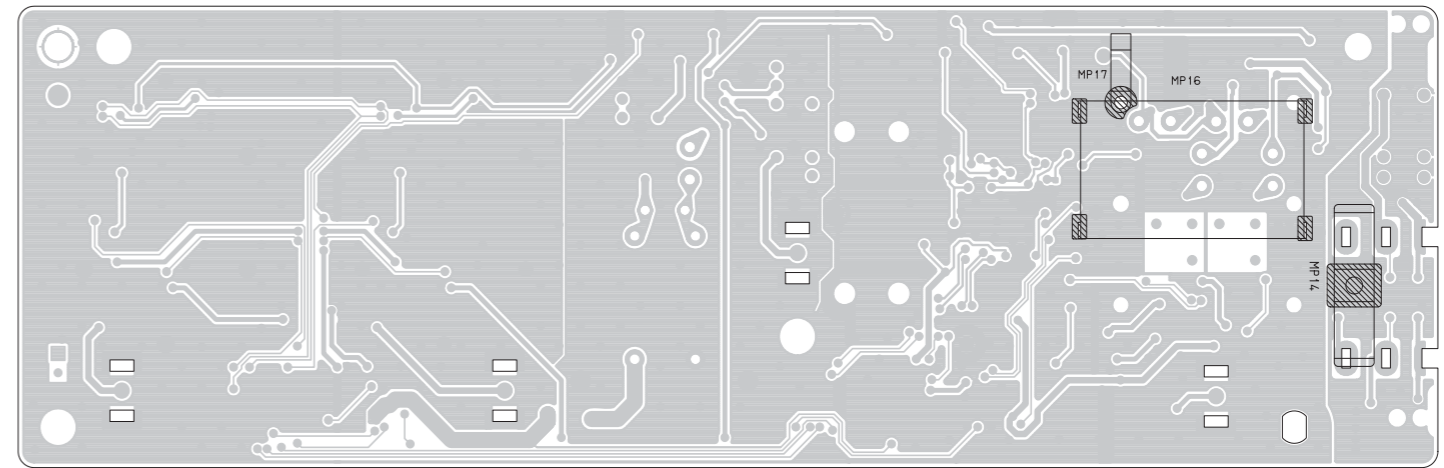
• PHONE BOARD (BOTTOM VIEW)



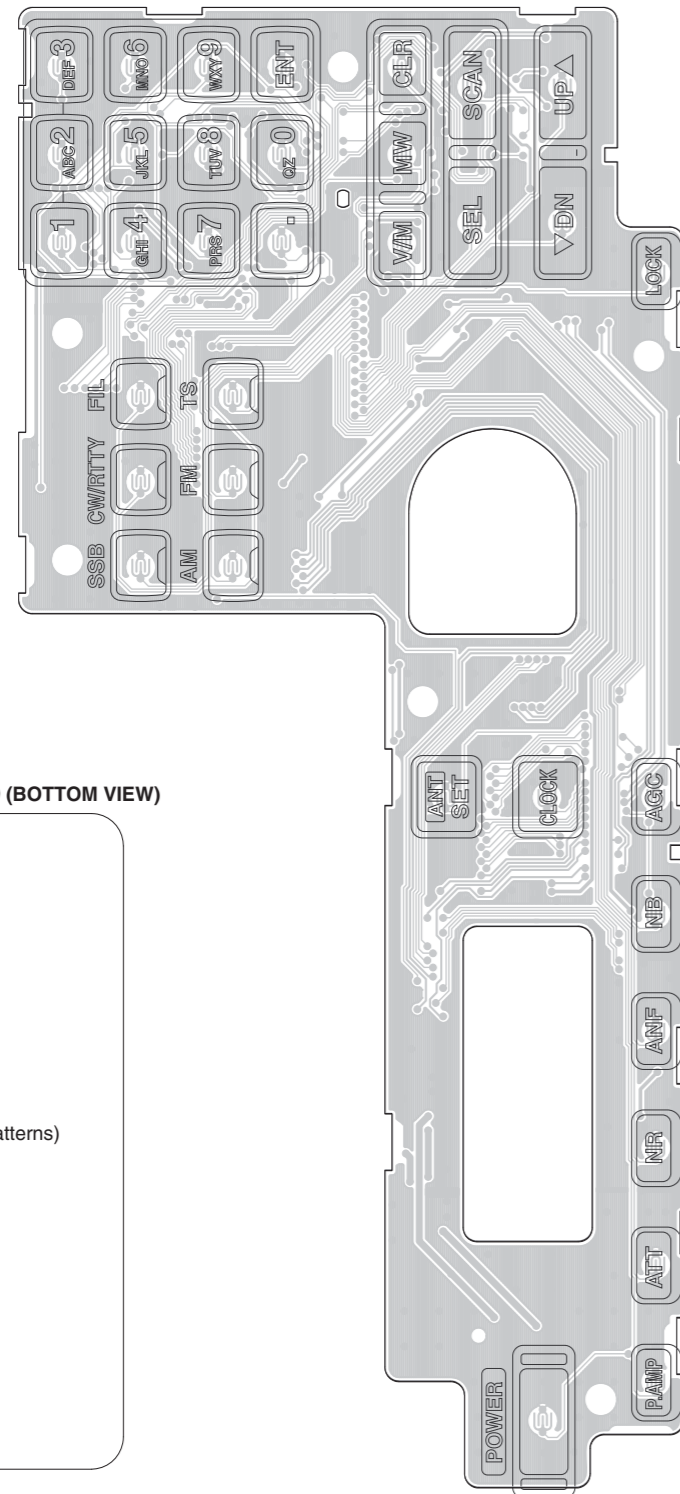
• DISPLAY BOARD (BOTTOM VIEW)



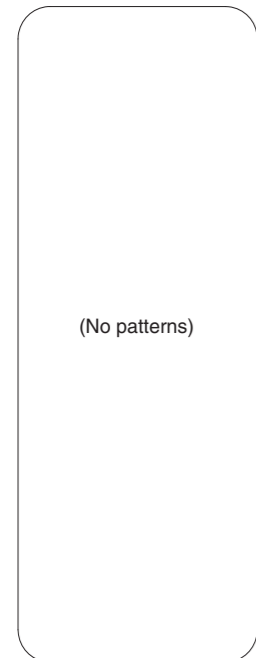
• PLL UNIT (BOTTOM VIEW)



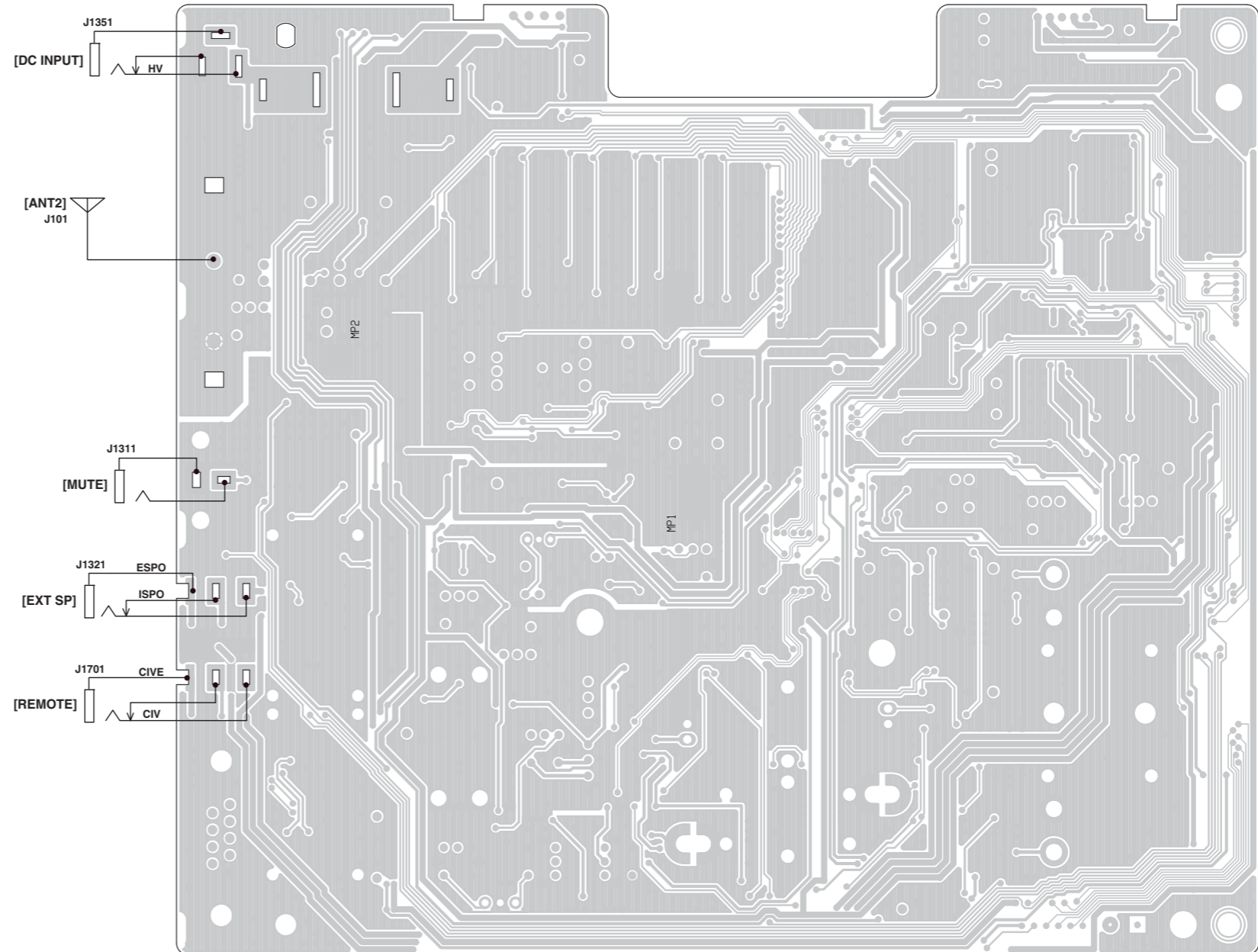
• LOGIC BOARD (BOTTOM VIEW)



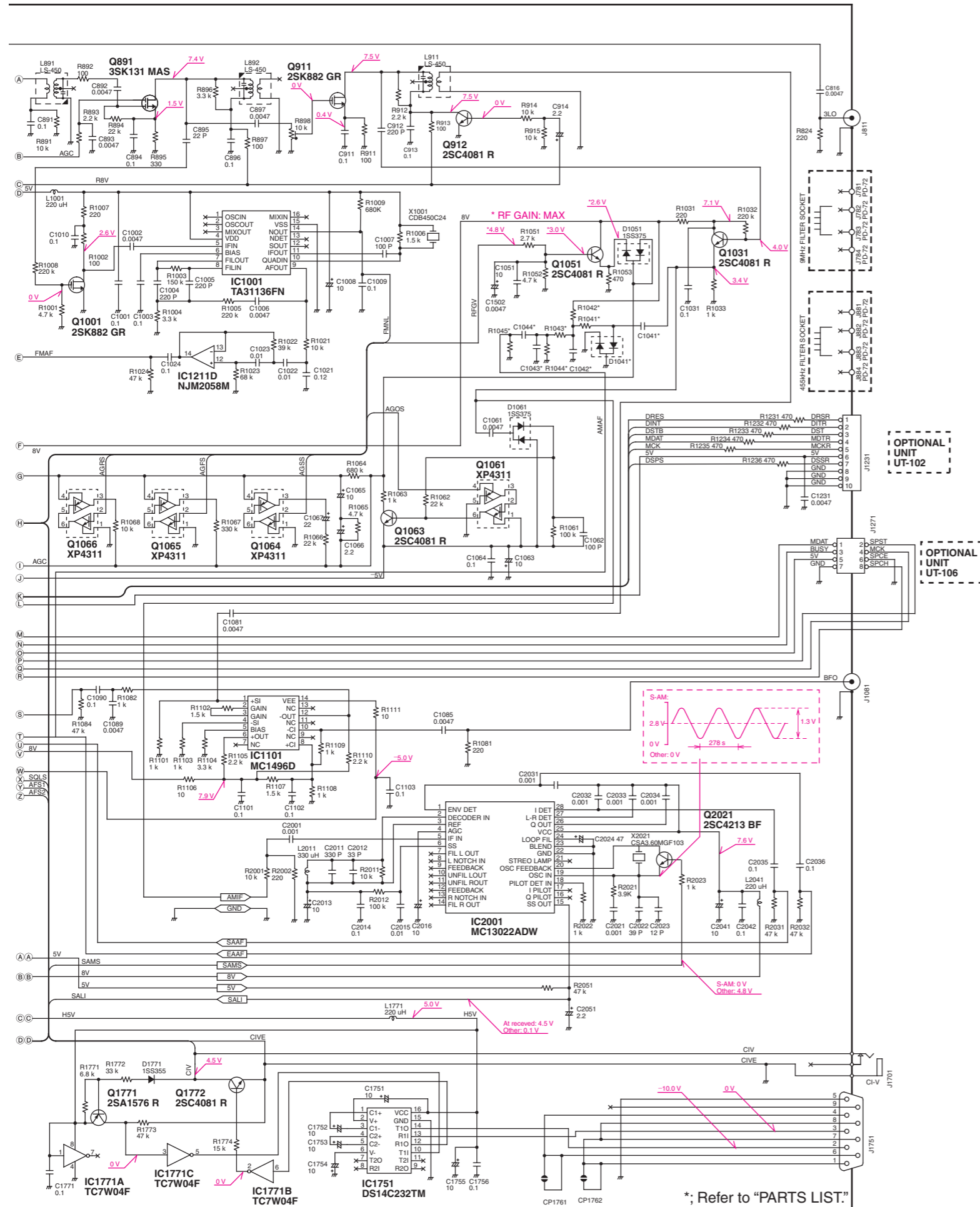
• VR BOARD (BOTTOM VIEW)



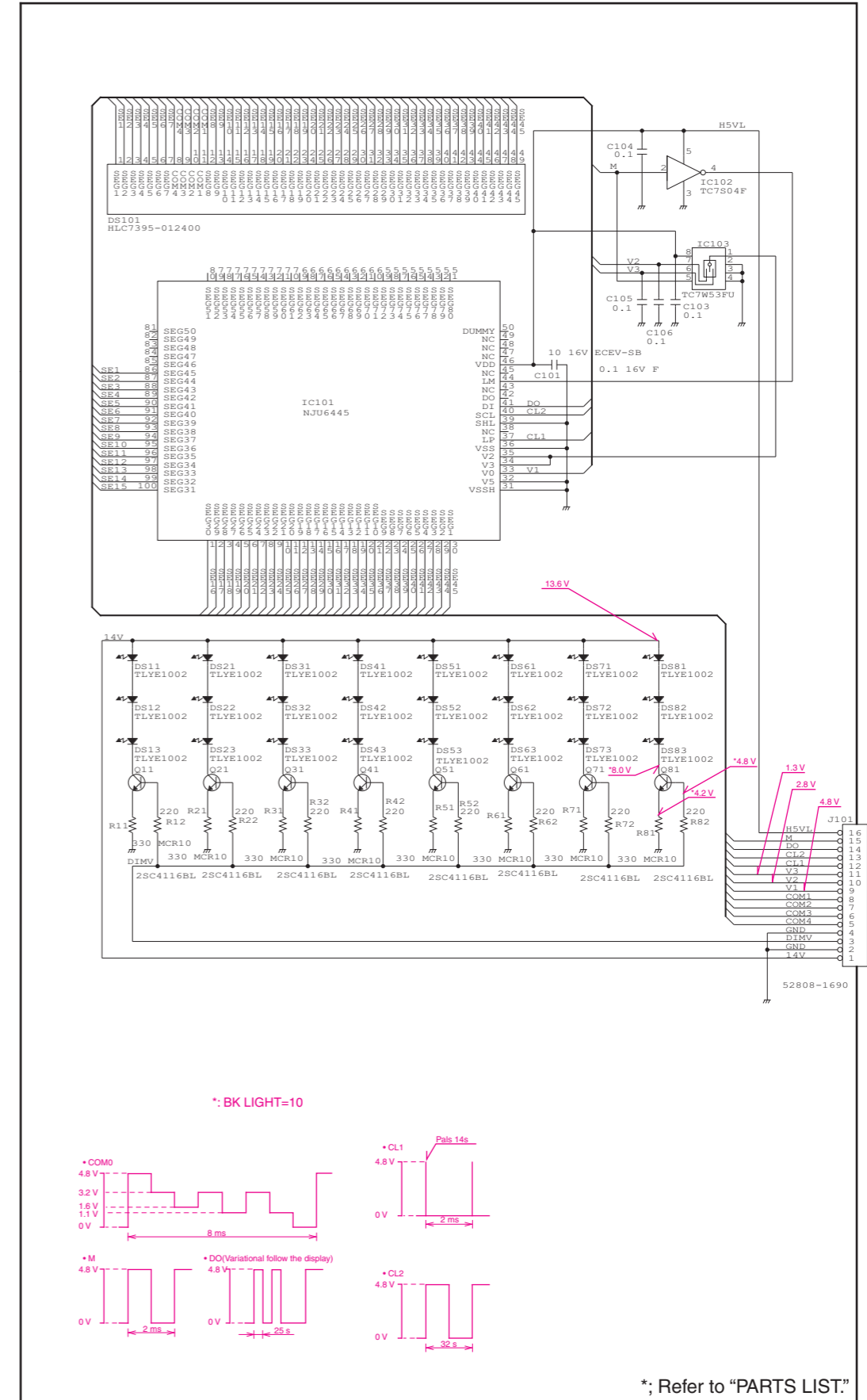
• MAIN UNIT (For other than [USA-2], [OTH-2], [CHN-1]) (BOTTOM VIEW)



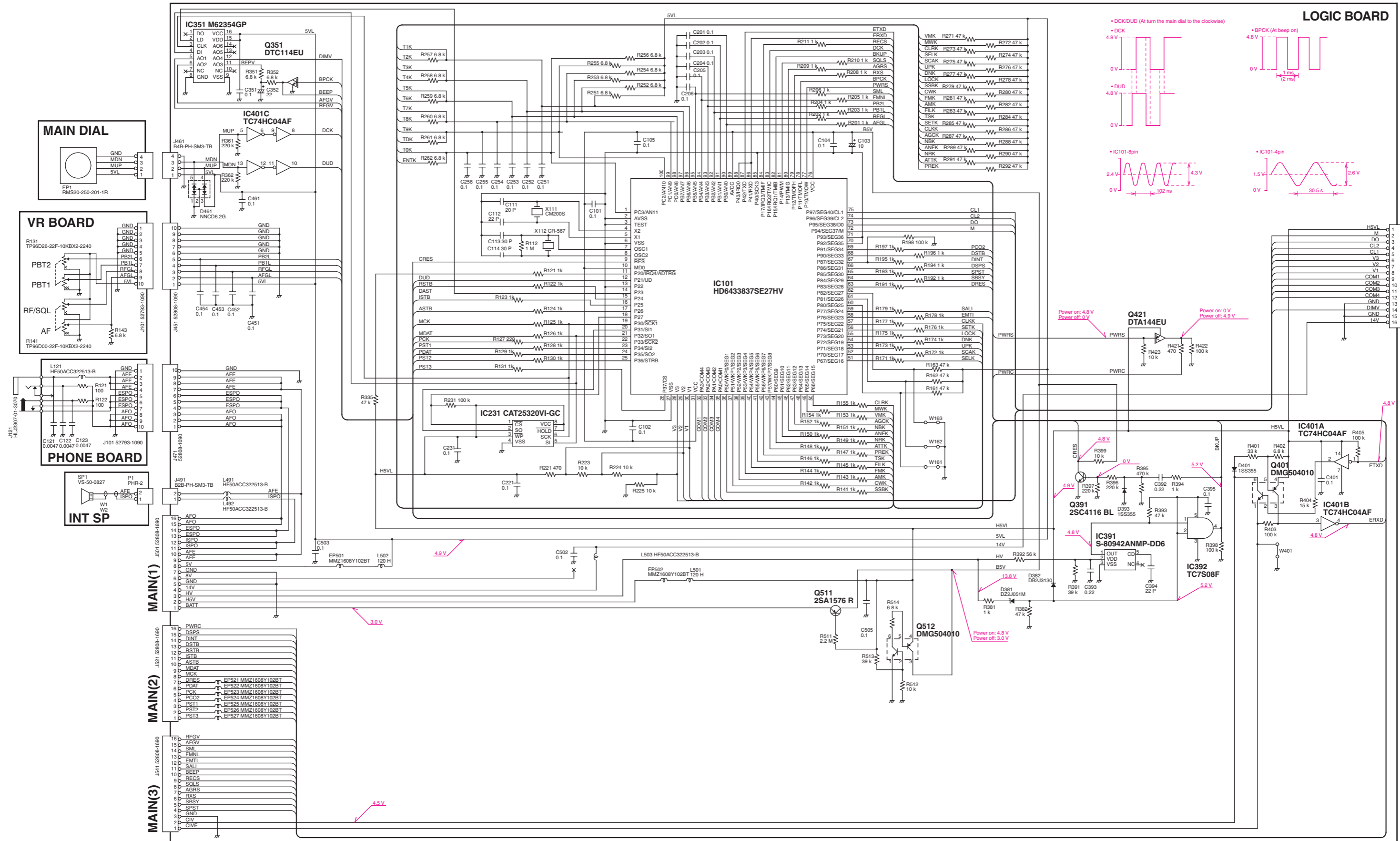
MAIN/MAIN-A UNIT



DISPLAY BOARD

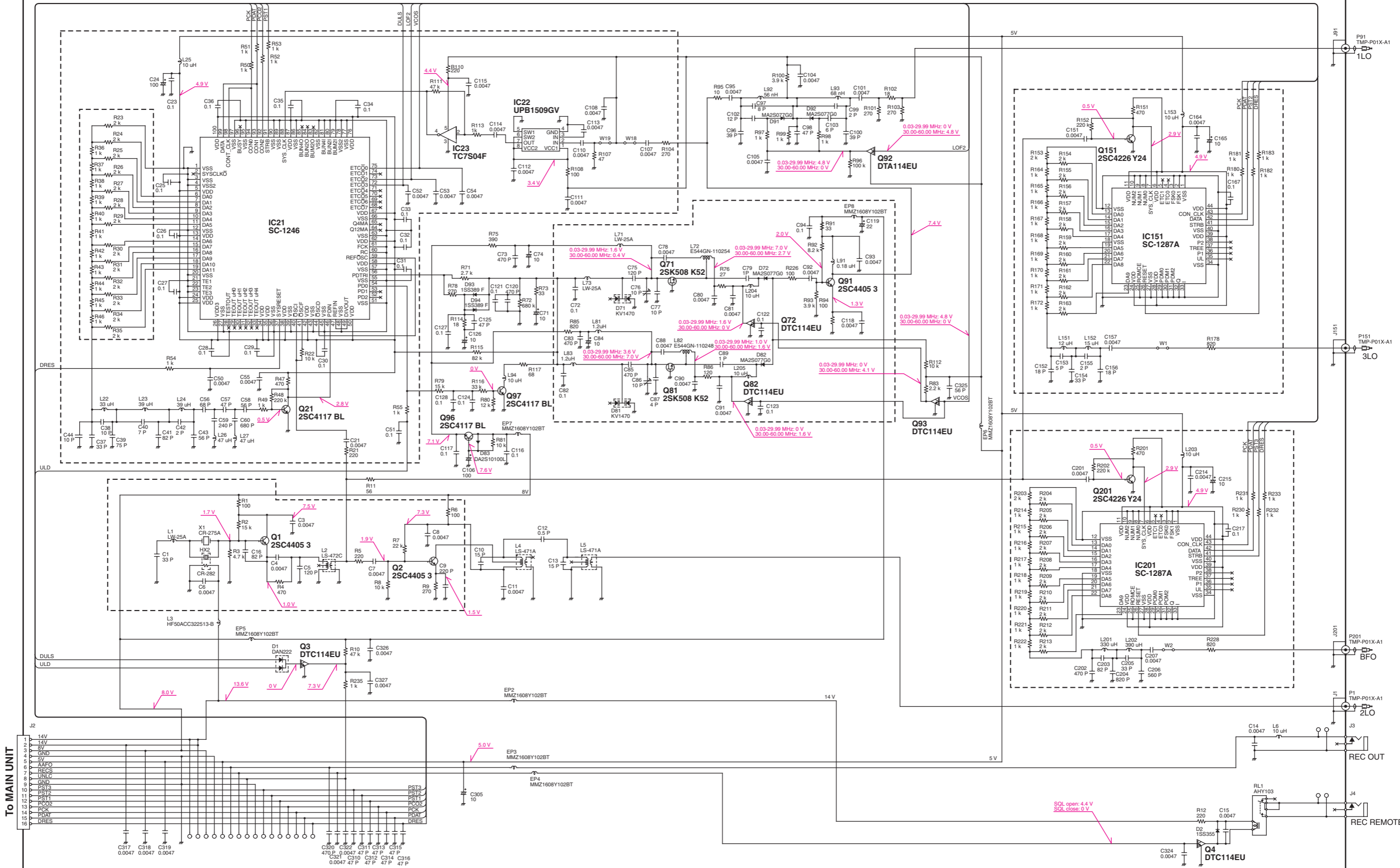


FRONT UNIT



*; Refer to "PARTS LIST."

PLL UNIT



*, Refer to "PARTS LIST."

Nov. 2009



SERVICE MANUAL ADDENDUM

IC-R75

CONTENTS

| | |
|-----------------------|----|
| PARTS LIST | 1 |
| BOARD LAYOUTS | 19 |
| VOLTAGE DIAGRAM | 21 |

PARTS LIST

[LOGIC BOARD]

| REF NO. | ORDER NO. | DESCRIPTION |
|---------|------------|---|
| IC101 | 1140008251 | S.IC HD6433837SC58HV [USA] |
| | 1140008251 | S.IC HD6433837SC58HV [EUR] |
| | 1140008251 | S.IC HD6433837SC58HV [AUS] |
| | 1140008251 | S.IC HD6433837SC58HV [UK] |
| | 1140008251 | S.IC HD6433837SC58HV [DEN] |
| | 1140008251 | S.IC HD6433837SC58HV [SEA] |
| | 1140008251 | S.IC HD6433837SC58HV [OTH] |
| | 1140013850 | S.IC HD6433837SE27HV (RX-2240A) [USA-1] |
| | 1140013850 | S.IC HD6433837SE27HV (RX-2240A) [OTH-1] |
| | 1140013850 | S.IC HD6433837SE27HV (RX-2240A) [CHN] |
| | 1140013850 | S.IC HD6433837SE27HV (RX-2240A) [USA-2] |
| | 1140013850 | S.IC HD6433837SE27HV (RX-2240A) [OTH-2] |
| | 1140013850 | S.IC HD6433837SE27HV (RX-2240A) [CHN-1] |
| IC231 | 1130011332 | S.IC CAT25320VI-GT3 |
| IC351 | 1110003690 | S.IC M62354GP 75EC |
| IC391 | 1110005771 | S.IC S-80942CNMC-G9CT2G |
| IC392 | 1130006441 | S.IC TC7S08F(TE85R,F) |
| IC401 | 1130004922 | S.IC TC74HC04AF(EL,F) |
| Q351 | 1590000680 | S.TRA DTC114EUA T106 |
| Q391 | 1530002851 | S.TRA 2S04116-BL(TE85R,F) |
| Q401 | 1590001650 | S.TRA XP4601(TX) |
| Q421 | 1590000720 | S.TRA DTA144EUA T106 |
| Q511 | 1510000510 | S.TRA 2SA1576A T106R |
| Q512 | 1590001650 | S.TRA XP4601(TX) |
| D381 | 1730002321 | S.ZEN MAZ8051GML |
| D382 | 1790000971 | S.DIO MA2J7290GL |
| D393 | 1750000550 | S.DIO 1SS355 TE-17 |
| D401 | 1750000550 | S.DIO 1SS355 TE-17 |
| D461 | 1730002531 | S.ZEN NNCD6.2G-T1-A |
| X111 | 6050009460 | S.XTA CM200S SMD(32.768 kHz) |
| X112 | 6050009870 | S.XTA CR-567 SMD-49 9.8304 MHz <KDS> |
| L491 | 6200003950 | S.COI HF50ACC 322513-T |
| L492 | 6200003950 | S.COI HF50ACC 322513-T |
| L501 | 6200002971 | S.COI NLV32T-121J |
| L502 | 6200002971 | S.COI NLV32T-121J |
| L503 | 6200003950 | S.COI HF50ACC 322513-T |
| R101 | 7030003200 | S.RES ERJ3GEYJ 100 V (10) |
| R112 | 7030003800 | S.RES ERJ3GEYJ 105 V (1M) |
| R121 | 7030003440 | S.RES ERJ3GEYJ 102 V (1K) |
| R122 | 7030003440 | S.RES ERJ3GEYJ 102 V (1K) |
| R123 | 7030003440 | S.RES ERJ3GEYJ 102 V (1K) |
| R124 | 7030003440 | S.RES ERJ3GEYJ 102 V (1K) |
| R125 | 7030003440 | S.RES ERJ3GEYJ 102 V (1K) |
| R126 | 7030003440 | S.RES ERJ3GEYJ 102 V (1K) |
| R127 | 7030003360 | S.RES ERJ3GEYJ 221 V (220) |
| R128 | 7030003440 | S.RES ERJ3GEYJ 102 V (1K) |
| R129 | 7030003440 | S.RES ERJ3GEYJ 102 V (1K) |
| R130 | 7030003440 | S.RES ERJ3GEYJ 105 V (1K) |
| R131 | 7030003440 | S.RES ERJ3GEYJ 102 V (1K) |
| R141 | 7030003440 | S.RES ERJ3GEYJ 102 V (1K) |
| R142 | 7030003440 | S.RES ERJ3GEYJ 102 V (1K) |
| R143 | 7030003440 | S.RES ERJ3GEYJ 102 V (1K) |
| R144 | 7030003440 | S.RES ERJ3GEYJ 102 V (1K) |
| R145 | 7030003440 | S.RES ERJ3GEYJ 102 V (1K) |
| R146 | 7030003440 | S.RES ERJ3GEYJ 102 V (1K) |
| R147 | 7030003440 | S.RES ERJ3GEYJ 102 V (1K) |
| R148 | 7030003440 | S.RES ERJ3GEYJ 102 V (1K) |
| R149 | 7030003440 | S.RES ERJ3GEYJ 102 V (1K) |
| R150 | 7030003440 | S.RES ERJ3GEYJ 102 V (1K) |
| R151 | 7030003440 | S.RES ERJ3GEYJ 102 V (1K) |
| R152 | 7030003440 | S.RES ERJ3GEYJ 102 V (1K) |
| R153 | 7030003440 | S.RES ERJ3GEYJ 102 V (1K) |
| R154 | 7030003440 | S.RES ERJ3GEYJ 102 V (1K) |
| R155 | 7030003440 | S.RES ERJ3GEYJ 102 V (1K) |
| R161 | 7030003640 | S.RES ERJ3GEYJ 473 V (47K) |
| R162 | 7030003640 | S.RES ERJ3GEYJ 473 V (47K) |
| R163 | 7030003640 | S.RES ERJ3GEYJ 473 V (47K) |
| R171 | 7030003440 | S.RES ERJ3GEYJ 102 V (1K) |
| R172 | 7030003440 | S.RES ERJ3GEYJ 102 V (1K) |
| R173 | 7030003440 | S.RES ERJ3GEYJ 102 V (1K) |
| R174 | 7030003440 | S.RES ERJ3GEYJ 102 V (1K) |
| R175 | 7030003440 | S.RES ERJ3GEYJ 102 V (1K) |
| R176 | 7030003440 | S.RES ERJ3GEYJ 102 V (1K) |
| R177 | 7030003440 | S.RES ERJ3GEYJ 102 V (1K) |
| R178 | 7030003440 | S.RES ERJ3GEYJ 102 V (1K) |
| R179 | 7030003440 | S.RES ERJ3GEYJ 102 V (1K) |
| R191 | 7030003440 | S.RES ERJ3GEYJ 102 V (1K) |
| R192 | 7030003440 | S.RES ERJ3GEYJ 102 V (1K) |
| R193 | 7030003440 | S.RES ERJ3GEYJ 102 V (1K) |
| R194 | 7030003440 | S.RES ERJ3GEYJ 102 V (1K) |
| R195 | 7030003440 | S.RES ERJ3GEYJ 102 V (1K) |
| R196 | 7030003440 | S.RES ERJ3GEYJ 102 V (1K) |
| R197 | 7030003440 | S.RES ERJ3GEYJ 102 V (1K) |
| R198 | 7030003680 | S.RES ERJ3GEYJ 104 V (100K) |
| R201 | 7030003440 | S.RES ERJ3GEYJ 102 V (1K) |
| R202 | 7030003440 | S.RES ERJ3GEYJ 102 V (1K) |
| R203 | 7030003440 | S.RES ERJ3GEYJ 102 V (1K) |
| R204 | 7030003440 | S.RES ERJ3GEYJ 102 V (1K) |

[LOGIC BOARD]

| REF NO. | ORDER NO. | DESCRIPTION |
|---------|------------|-------------------------------|
| R205 | 7030003440 | S.RES ERJ3GEYJ 102 V (1K) |
| R206 | 7030003440 | S.RES ERJ3GEYJ 102 V (1K) |
| R208 | 7030003440 | S.RES ERJ3GEYJ 102 V (1K) |
| R209 | 7030003440 | S.RES ERJ3GEYJ 102 V (1K) |
| R210 | 7030003440 | S.RES ERJ3GEYJ 102 V (1K) |
| R211 | 7030003440 | S.RES ERJ3GEYJ 102 V (1K) |
| R221 | 7030003400 | S.RES ERJ3GEYJ 471 V (470) |
| R223 | 7030003560 | S.RES ERJ3GEYJ 103 V (10K) |
| R224 | 7030003560 | S.RES ERJ3GEYJ 103 V (10K) |
| R225 | 7030003560 | S.RES ERJ3GEYJ 103 V (10K) |
| R231 | 7030003680 | S.RES ERJ3GEYJ 104 V (100K) |
| R251 | 7030003540 | S.RES ERJ3GEYJ 682 V (6.8K) |
| R252 | 7030003540 | S.RES ERJ3GEYJ 682 V (6.8K) |
| R253 | 7030003540 | S.RES ERJ3GEYJ 682 V (6.8K) |
| R254 | 7030003540 | S.RES ERJ3GEYJ 682 V (6.8K) |
| R255 | 7030003540 | S.RES ERJ3GEYJ 682 V (6.8K) |
| R256 | 7030003540 | S.RES ERJ3GEYJ 682 V (6.8K) |
| R257 | 7030003540 | S.RES ERJ3GEYJ 682 V (6.8K) |
| R258 | 7030003540 | S.RES ERJ3GEYJ 682 V (6.8K) |
| R259 | 7030003540 | S.RES ERJ3GEYJ 682 V (6.8K) |
| R260 | 7030003540 | S.RES ERJ3GEYJ 682 V (6.8K) |
| R261 | 7030003540 | S.RES ERJ3GEYJ 682 V (6.8K) |
| R262 | 7030003540 | S.RES ERJ3GEYJ 682 V (6.8K) |
| R271 | 7030003640 | S.RES ERJ3GEYJ 473 V (47K) |
| R272 | 7030003640 | S.RES ERJ3GEYJ 473 V (47K) |
| R273 | 7030003640 | S.RES ERJ3GEYJ 473 V (47K) |
| R274 | 7030003640 | S.RES ERJ3GEYJ 473 V (47K) |
| R275 | 7030003640 | S.RES ERJ3GEYJ 473 V (47K) |
| R276 | 7030003640 | S.RES ERJ3GEYJ 473 V (47K) |
| R277 | 7030003640 | S.RES ERJ3GEYJ 473 V (47K) |
| R278 | 7030003640 | S.RES ERJ3GEYJ 473 V (47K) |
| R279 | 7030003640 | S.RES ERJ3GEYJ 473 V (47K) |
| R280 | 7030003640 | S.RES ERJ3GEYJ 473 V (47K) |
| R281 | 7030003640 | S.RES ERJ3GEYJ 473 V (47K) |
| R282 | 7030003640 | S.RES ERJ3GEYJ 473 V (47K) |
| R283 | 7030003640 | S.RES ERJ3GEYJ 473 V (47K) |
| R284 | 7030003640 | S.RES ERJ3GEYJ 473 V (47K) |
| R285 | 7030003640 | S.RES ERJ3GEYJ 473 V (47K) |
| R286 | 7030003640 | S.RES ERJ3GEYJ 473 V (47K) |
| R287 | 7030003640 | S.RES ERJ3GEYJ 473 V (47K) |
| R288 | 7030003640 | S.RES ERJ3GEYJ 473 V (47K) |
| R289 | 7030003640 | S.RES ERJ3GEYJ 473 V (47K) |
| R290 | 7030003640 | S.RES ERJ3GEYJ 473 V (47K) |
| R291 | 7030003640 | S.RES ERJ3GEYJ 473 V (47K) |
| R292 | 7030003640 | S.RES ERJ3GEYJ 473 V (47K) |
| R335 | 7030003640 | S.RES ERJ3GEYJ 473 V (47K) |
| R351 | 7030003540 | S.RES ERJ3GEYJ 682 V (6.8K) |
| R352 | 7030003540 | S.RES ERJ3GEYJ 682 V (6.8K) |
| R361 | 7030003720 | S.RES ERJ3GEYJ 224 V (220K) |
| R362 | 7030003720 | S.RES ERJ3GEYJ 224 V (220K) |
| R381 | 7030009720 | S.RES ERJ12YJ102U (1K) |
| R382 | 7030003640 | S.RES ERJ3GEYJ 473 V (47K) |
| R391 | 7030003630 | S.RES ERJ3GEYJ 393 V (39K) |
| R392 | 7030003650 | S.RES ERJ3GEYJ 563 V (56K) |
| R393 | 7030003640 | S.RES ERJ3GEYJ 473 V (47K) |
| R394 | 7030003440 | S.RES ERJ3GEYJ 102 V (1K) |
| R395 | 7030003760 | S.RES ERJ3GEYJ 474 V (470K) |
| R396 | 7030003720 | S.RES ERJ3GEYJ 224 V (220K) |
| R397 | 7030003720 | S.RES ERJ3GEYJ 224 V (220K) |
| R398 | 7030003680 | S.RES ERJ3GEYJ 104 V (100K) |
| R399 | 7030003560 | S.RES ERJ3GEYJ 103 V (10K) |
| R401 | 7030003620 | S.RES ERJ3GEYJ 333 V (33K) |
| R402 | 7030003540 | S.RES ERJ3GEYJ 682 V (6.8K) |
| R403 | 7030003680 | S.RES ERJ3GEYJ 104 V (100K) |
| R404 | 7030003580 | S.RES ERJ3GEYJ 153 V (15K) |
| R405 | 7030003680 | S.RES ERJ3GEYJ 104 V (100K) |
| R421 | 7030003400 | S.RES ERJ3GEYJ 471 V (470) |
| R422 | 7030003680 | S.RES ERJ3GEYJ 104 V (100K) |
| R423 | 7030003560 | S.RES ERJ3GEYJ 103 V (10K) |
| R511 | 7030003840 | S.RES ERJ3GEYJ 225 V (2.2M) |
| R512 | 7030003560 | S.RES ERJ3GEYJ 103 V (10K) |
| R513 | 7030003630 | S.RES ERJ3GEYJ 393 V (39K) |
| R514 | 7030003540 | S.RES ERJ3GEYJ 682 V (6.8K) |
| W161 | 7030003860 | S.RES ERJ3GE JPW V [DEN] |
| | 7030003860 | S.RES ERJ3GE JPW V [SEA] |
| W162 | 7030003860 | S.RES ERJ3GE JPW V [SEA] only |
| W163 | 7030003860 | S.RES ERJ3GE JPW V [DEN] |
| | 7030003860 | S.RES ERJ3GE JPW V [SEA] |
| W401 | 7030003860 | S.RES ERJ3GE JPW V |
| C101 | 4030008630 | S.CER C1608 JF 1H 104Z-T |
| C102 | 4030008630 | S.CER C1608 JF 1H 104Z-T |
| C103 | 4550006250 | S.TAN TEESVA 1A 106M8R |
| C104 | 4030008630 | S.CER C1608 JF 1H 104Z-T |
| C105 | 4030008630 | S.CER C1608 JF 1H 104Z-T |
| C111 | 4030009990 | S.CER C1608 CH 1H 200J-T |
| C112 | 4030007050 | S.CER C1608 CH 1H 220J-T |
| C113 | 4030008560 | S.CER C1608 CH 1H 300J-T |
| C114 | 4030008560 | S.CER C1608 CH 1H 300J-T |
| C201 | 4030008630 | S.CER C1608 JF 1H 104Z-T |
| C202 | 4030008630 | S.CER C1608 JF 1H 104Z-T |
| C203 | 4030008630 | S.CER C1608 JF 1H 104Z-T |
| C204 | 4030008630 | S.CER C1608 JF 1H 104Z-T |
| C205 | 4030008630 | S.CER C1608 JF 1H 104Z-T |
| C206 | 4030008630 | S.CER C1608 JF 1H 104Z-T |

M.=Mounted side (T: Mounted on the Top side, B: Mounted on the Bottom side)
S.=Surface mount

[LOGIC BOARD]

| REF NO. | ORDER NO. | DESCRIPTION |
|---------|------------|------------------------------------|
| C221 | 4030008630 | S.CER C1608 JF 1H 104Z-T |
| C231 | 4030008630 | S.CER C1608 JF 1H 104Z-T |
| C251 | 4030008630 | S.CER C1608 JF 1H 104Z-T |
| C252 | 4030008630 | S.CER C1608 JF 1H 104Z-T |
| C253 | 4030008630 | S.CER C1608 JF 1H 104Z-T |
| C254 | 4030008630 | S.CER C1608 JF 1H 104Z-T |
| C255 | 4030008630 | S.CER C1608 JF 1H 104Z-T |
| C256 | 4030008630 | S.CER C1608 JF 1H 104Z-T |
| C351 | 4030008630 | S.CER C1608 JF 1H 104Z-T |
| C352 | 4510008660 | S.ELE EEE0JA220SR |
| C392 | 4030013720 | S.CER GRM188B11A224KA01D (GRM39 B) |
| C393 | 4030013720 | S.CER GRM188B11A224KA01D (GRM39 B) |
| C394 | 4030007050 | S.CER C1608 CH 1H 220J-T |
| C395 | 4030008630 | S.CER C1608 JF 1H 104Z-T |
| C401 | 4030008630 | S.CER C1608 JF 1H 104Z-T |
| C451 | 4030008630 | S.CER C1608 JF 1H 104Z-T |
| C452 | 4030008630 | S.CER C1608 JF 1H 104Z-T |
| C453 | 4030008630 | S.CER C1608 JF 1H 104Z-T |
| C454 | 4030008630 | S.CER C1608 JF 1H 104Z-T |
| C461 | 4030008630 | S.CER C1608 JF 1H 104Z-T |
| C502 | 4030008630 | S.CER C1608 JF 1H 104Z-T |
| C503 | 4030008630 | S.CER C1608 JF 1H 104Z-T |
| C505 | 4030008630 | S.CER C1608 JF 1H 104Z-T |
| J411 | 6510019981 | S.CON 52808-1671(1690) |
| J451 | 6510019971 | S.CON 52808-1071 |
| J461 | 6510018971 | S.CON B4B-PH-SM4-TB(LF)(SN) |
| J471 | 6510019971 | S.CON 52808-1071 |
| J491 | 6510018961 | S.CON B2B-PH-SM4-TB(LF)(SN) |
| J501 | 6510019981 | S.CON 52808-1671(1690) |
| J521 | 6510019981 | S.CON 52808-1671(1690) |
| J541 | 6510019981 | S.CON 52808-1671(1690) |
| EP501 | 6910012350 | S.BEA MMZ1608Y 102BT |
| EP502 | 6910012350 | S.BEA MMZ1608Y 102BT |
| EP521 | 6910012350 | S.BEA MMZ1608Y 102BT |
| EP522 | 6910012350 | S.BEA MMZ1608Y 102BT |
| EP523 | 6910012350 | S.BEA MMZ1608Y 102BT |
| EP524 | 6910012350 | S.BEA MMZ1608Y 102BT |
| EP525 | 6910012350 | S.BEA MMZ1608Y 102BT |
| EP526 | 6910012350 | S.BEA MMZ1608Y 102BT |
| EP527 | 6910012350 | S.BEA MMZ1608Y 102BT |

[PHONE BOARD]

| REF NO. | ORDER NO. | DESCRIPTION |
|---------|------------|--------------------------|
| L121 | 6200003950 | S.COI HF50ACC 322513-T |
| R121 | 7030006070 | S.RES ERJ12YJ101U (100) |
| R122 | 7030006070 | S.RES ERJ12YJ101U (100) |
| C121 | 4030006880 | S.CER C1608 JB 1H 472K-T |
| C122 | 4030006880 | S.CER C1608 JB 1H 472K-T |
| C123 | 4030006880 | S.CER C1608 JB 1H 472K-T |
| J101 | 6510020711 | S.CON 52793-1070(1090) |
| J121 | 6510021480 | CON HLJ2307-01-3070 |

M.=Mounted side (T: Mounted on the Top side, B: Mounted on the Bottom side)
S.=Surface mount

[VR BOARD]

| REF NO. | ORDER NO. | DESCRIPTION |
|---------|------------|-----------------------------|
| R131 | 7210003040 | VAR TP96D26-22F-10KBX2-2240 |
| R141 | 7210003030 | VAR TP96D00-22F-10KBX2-2240 |
| R143 | 7030003540 | S.RES ERJ3GEYJ 682 V (6.8K) |
| J101 | 6510020711 | S.CON 52793-1070(1090) |

[MAIN UNIT] (For other than [USA-2], [OTH-2], [CHN-1])

| REF NO. | ORDER NO. | DESCRIPTION | |
|---------|------------|--------------------------|---------|
| WS1 | 8600036540 | CBL RX2240 P1241*J1241MA | |
| IC391 | 1110003970 | S.IC UPC1658G-E1 | |
| IC551 | 1130011760 | S.IC CD4094BPWR | |
| IC552 | 1130011760 | S.IC CD4094BPWR | |
| IC561 | 1160000131 | S.IC TD62783AFG(5,S,EL) | |
| IC562 | 1160000131 | S.IC TD62783AFG(5,S,EL) | |
| IC731 | 1110003141 | IC LA1150N-E | |
| IC811 | 1110002601 | S.IC MC1496DR2G | [USA] |
| | 1110002600 | S.IC MC1496DR2 | [EUR] |
| | 1110002601 | S.IC MC1496DR2G | [AUS] |
| | 1110002600 | S.IC MC1496DR2 | [UK] |
| | 1110002601 | S.IC MC1496DR2G | [DEN] |
| | 1110002601 | S.IC MC1496DR2G | [SEA] |
| | 1110002601 | S.IC MC1496DR2G | [OTH] |
| | 1110002601 | S.IC MC1496DR2G | [USA-1] |
| | 1110002601 | S.IC MC1496DR2G | [OTH-1] |
| | 1110002601 | S.IC MC1496DR2G | [CHN] |
| IC1001 | 1110003201 | S.IC TA31136FNG(EL) | |
| IC1101 | 1110002601 | S.IC MC1496DR2G | [USA] |
| | 1110002600 | S.IC MC1496DR2 | [EUR] |
| | 1110002601 | S.IC MC1496DR2G | [AUS] |
| | 1110002600 | S.IC MC1496DR2 | [UK] |
| | 1110002601 | S.IC MC1496DR2G | [DEN] |
| | 1110002601 | S.IC MC1496DR2G | [SEA] |
| | 1110002601 | S.IC MC1496DR2G | [OTH] |
| | 1110002601 | S.IC MC1496DR2G | [USA-1] |
| | 1110002601 | S.IC MC1496DR2G | [OTH-1] |
| | 1110002601 | S.IC MC1496DR2G | [CHN] |
| IC1201 | 1130009100 | S.IC BU4052BCFV-E2 | |
| IC1211 | 1110003870 | S.IC NJM2058M-TE1-#ZZZB | |
| IC1251 | 1110003300 | S.IC M5282FP 70CD | |
| IC1281 | 1130009100 | S.IC BU4052BCFV-E2 | |
| IC1291 | 1110003091 | IC LA4425A-E | |
| IC1361 | 1180000970 | S.IC AN78L05M-(E1) | |
| IC1371 | 1180001531 | IC PQ30RV31J00H | |
| IC1391 | 1180001252 | S.IC TA7808F(TE16L1,NQ) | |
| IC1401 | 1180001072 | S.IC TA7805F(TE16L1,NQ) | |
| IC1411 | 1110001401 | S.IC UPC1555G2-E1-A | |
| IC1601 | 1130011760 | S.IC CD4094BPWR | |
| IC1602 | 1130011760 | S.IC CD4094BPWR | |
| IC1603 | 1160000131 | S.IC TD62783AFG(5,S,EL) | |
| IC1751 | 1120002510 | S.IC DS14C232TM S | |
| IC1771 | 1130005721 | S.IC TC7W04F(TE12L,F) | |
| IC2001 | 1110004940 | S.IC MC13022ADWR3 | [USA] |
| | 1110004940 | S.IC MC13022ADWR3 | [EUR] |
| | 1110004940 | S.IC MC13022ADWR3 | [AUS] |
| | 1110004940 | S.IC MC13022ADWR3 | [UK] |
| | 1110004940 | S.IC MC13022ADWR3 | [DEN] |
| | 1110004940 | S.IC MC13022ADWR3 | [SEA] |
| | 1110004940 | S.IC MC13022ADWR3 | [OTH] |
| Q151 | 1590000680 | S.TRA DTC114EUA T106 | |
| Q381 | 1560000721 | S.FET 2SK2171-4-TD-E | |
| Q382 | 1560000721 | S.FET 2SK2171-4-TD-E | |
| Q383 | 1590001960 | S.TRA XP4311(TX) | |
| Q391 | 1590001960 | S.TRA XP4311(TX) | |
| Q411 | 1530003151 | S.TRA 2SC4673D-TD-E | |
| Q441 | 1560000641 | S.FET 2SK1740-4/5-TB-E | |
| Q442 | 1560000641 | S.FET 2SK1740-4/5-TB-E | |
| Q471 | 1580000620 | S.FET 3SK131-T2 MAS | |
| Q472 | 1590001960 | S.TRA XP4311(TX) | |
| Q721 | 1580000620 | S.FET 3SK131-T2 MAS | |
| Q731 | 1560000561 | S.FET 2SK882-GR(TE85L,F) | |
| Q732 | 1510000510 | S.TRA 2SA1576A T106R | |
| Q733 | 1530002060 | S.TRA 2SC4081 T106 R | |
| Q734 | 1530002060 | S.TRA 2SC4081 T106 R | |
| Q735 | 1530002060 | S.TRA 2SC4081 T106 R | |
| Q736 | 1590000680 | S.TRA DTC114EUA T106 | |
| Q737 | 1590001960 | S.TRA XP4311(TX) | |
| Q801 | 1530002060 | S.TRA 2SC4081 T106 R | |
| Q891 | 1580000620 | S.FET 3SK131-T2 MAS | |
| Q911 | 1560000561 | S.FET 2SK882-GR(TE85L,F) | |
| Q912 | 1530002060 | S.TRA 2SC4081 T106 R | |
| Q1001 | 1560000561 | S.FET 2SK882-GR(TE85L,F) | |
| Q1031 | 1530002060 | S.TRA 2SC4081 T106 R | |
| Q1051 | 1530002060 | S.TRA 2SC4081 T106 R | |
| Q1061 | 1590001960 | S.TRA XP4311(TX) | |
| Q1063 | 1530002060 | S.TRA 2SC4081 T106 R | |
| Q1064 | 1590001960 | S.TRA XP4311(TX) | |
| Q1065 | 1590001960 | S.TRA XP4311(TX) | |
| Q1066 | 1590001960 | S.TRA XP4311(TX) | |
| Q1311 | 1530002060 | S.TRA 2SC4081 T106 R | |
| Q1381 | 1540000550 | S.TRA 2SD1664 T100Q | |
| Q1382 | 1590000680 | S.TRA DTC114EUA T106 | |
| Q1771 | 1510000510 | S.TRA 2SA1576A T106R | |
| Q1772 | 1530002060 | S.TRA 2SC4081 T106 R | |
| Q2021 | 1530003091 | S.TRA 2SC4213-B(TE85R,F) | [USA] |
| | 1530003091 | S.TRA 2SC4213-B(TE85R,F) | [EUR] |
| | 1530003091 | S.TRA 2SC4213-B(TE85R,F) | [AUS] |
| | 1530003091 | S.TRA 2SC4213-B(TE85R,F) | [UK] |
| | 1530003091 | S.TRA 2SC4213-B(TE85R,F) | [DEN] |
| | 1530003091 | S.TRA 2SC4213-B(TE85R,F) | [SEA] |
| | 1530003091 | S.TRA 2SC4213-B(TE85R,F) | [OTH] |
| D141 | 1750000461 | S.DIO 1SV246-TL-E | |
| D142 | 1750000461 | S.DIO 1SV246-TL-E | |
| D151 | 1750000971 | S.DIO CPH5513-TL-E | |
| D172 | 1790000620 | S.DIO MA77(TX) | |
| D181 | 1750000971 | S.DIO CPH5513-TL-E | |
| D182 | 1790000620 | S.DIO MA77(TX) | |

M.=Mounted side (T: Mounted on the Top side, B: Mounted on the Bottom side)
S.=Surface mount

[MAIN UNIT] (For other than [USA-2], [OTH-2], [CHN-1])

| REF NO. | ORDER NO. | DESCRIPTION | |
|---------|------------|----------------------------------|---------|
| D202 | 1790000620 | S.DIO MA77(TX) | |
| D221 | 1750000971 | S.DIO CPH5513-TL-E | |
| D222 | 1790000620 | S.DIO MA77(TX) | |
| D242 | 1790000620 | S.DIO MA77(TX) | |
| D261 | 1750000971 | S.DIO CPH5513-TL-E | |
| D262 | 1790000620 | S.DIO MA77(TX) | |
| D282 | 1790000620 | S.DIO MA77(TX) | |
| D301 | 1750000971 | S.DIO CPH5513-TL-E | |
| D302 | 1790000620 | S.DIO MA77(TX) | |
| D322 | 1790000620 | S.DIO MA77(TX) | |
| D341 | 1750000441 | S.DIO 1SV263-TL-E | |
| D342 | 1790000620 | S.DIO MA77(TX) | |
| D371 | 1790000620 | S.DIO MA77(TX) | |
| D372 | 1790000620 | S.DIO MA77(TX) | |
| D381 | 1790000620 | S.DIO MA77(TX) | |
| D382 | 1790000620 | S.DIO MA77(TX) | |
| D391 | 1790000620 | S.DIO MA77(TX) | |
| D392 | 1790000620 | S.DIO MA77(TX) | |
| D491 | 1750000431 | S.DIO HSB88WSTR-E | |
| D711 | 1790000620 | S.DIO MA77(TX) | |
| D712 | 1790000620 | S.DIO MA77(TX) | |
| D713 | 1790000620 | S.DIO MA77(TX) | |
| D714 | 1790000620 | S.DIO MA77(TX) | |
| D731 | 1790001211 | S.DIO 1SS375-TL-E | |
| D732 | 1750000550 | S.DIO 1SS355 TE-17 | |
| D761 | 1790000620 | S.DIO MA77(TX) | |
| D762 | 1790000620 | S.DIO MA77(TX) | |
| D763 | 1790000620 | S.DIO MA77(TX) | |
| D764 | 1790000620 | S.DIO MA77(TX) | |
| D771 | 1790000620 | S.DIO MA77(TX) | |
| D772 | 1790000620 | S.DIO MA77(TX) | |
| D773 | 1790000620 | S.DIO MA77(TX) | |
| D774 | 1790000620 | S.DIO MA77(TX) | |
| D781 | 1790000620 | S.DIO MA77(TX) | |
| D782 | 1790000620 | S.DIO MA77(TX) | |
| D783 | 1790000620 | S.DIO MA77(TX) | |
| D784 | 1790000620 | S.DIO MA77(TX) | |
| D831 | 1750000301 | S.DIO 1SS302(TE85R,F) | |
| D851 | 1790000620 | S.DIO MA77(TX) | |
| D852 | 1790000620 | S.DIO MA77(TX) | |
| D861 | 1790000620 | S.DIO MA77(TX) | |
| D862 | 1790000620 | S.DIO MA77(TX) | |
| D871 | 1790000620 | S.DIO MA77(TX) | |
| D872 | 1790000620 | S.DIO MA77(TX) | |
| D881 | 1790000620 | S.DIO MA77(TX) | |
| D882 | 1790000620 | S.DIO MA77(TX) | |
| D1041 | 1790001211 | S.DIO 1SS375-TL-E | [USA-1] |
| | 1790001211 | S.DIO 1SS375-TL-E | [OTH-1] |
| | 1790001211 | S.DIO 1SS375-TL-E | [CHN] |
| D1051 | 1790001211 | S.DIO 1SS375-TL-E | |
| D1061 | 1790001211 | S.DIO 1SS375-TL-E | |
| D1311 | 1750000550 | S.DIO 1SS355 TE-17 | |
| D1351 | 1790000700 | DIO DSA3A1 | |
| D1371 | 1750000550 | S.DIO 1SS355 TE-17 | |
| D1381 | 1750000301 | S.DIO 1SS302(TE85R,F) | |
| D1412 | 1750000301 | S.DIO 1SS302(TE85R,F) | |
| D1413 | 1730002321 | S.ZEN MAZ8051GML | |
| D1771 | 1750000550 | S.DIO 1SS355 TE-17 | |
| FI461 | 2010002090 | FIL UM-5 69.0115 MHz (FL-261) | |
| FI701 | 2010000270 | FIL 9M15A (FL-23) | |
| FI761 | 2010002130 | D.F 9M22D4 9.0115 MHz (FL-272) | |
| FI851 | 2020000210 | CER CFJ455K5 (FL-65) | |
| FI861 | 2020001460 | CER CFWLA450KHFA-B0 (CFWS450HT) | |
| FI871 | 2020001210 | CER CFWLA450KEFA-B0 (CFWS450E) | |
| X1001 | 6070000200 | DIS CDBLA450KAY24-B0 (CDB450C24) | |
| X2021 | 6060000721 | CER CSALF3M60GZZF03-B0 | [USA] |
| | 6060000721 | CER CSALF3M60GZZF03-B0 | [EUR] |
| | 6060000721 | CER CSALF3M60GZZF03-B0 | [AUS] |
| | 6060000721 | CER CSALF3M60GZZF03-B0 | [UK] |
| | 6060000721 | CER CSALF3M60GZZF03-B0 | [DEN] |
| | 6060000721 | CER CSALF3M60GZZF03-B0 | [SEA] |
| | 6060000721 | CER CSALF3M60GZZF03-B0 | [OTH] |
| L101 | 6140002070 | COI LR-233 | |
| L131 | 6200003431 | S.COI NLV32T-R10J | |
| L132 | 6200003421 | S.COI NLV32T-R15J | |
| L151 | 6200005491 | S.COI NLV32T-331J | |
| L161 | 6200005491 | S.COI NLV32T-331J | |
| L162 | 6200008790 | S.COI ACL3225S-4R7K-T | |
| L163 | 6200008800 | S.COI ACL3225S-5R6K-T | |
| L171 | 6200005491 | S.COI NLV32T-331J | |
| L172 | 6200002961 | S.COI NLV32T-4R7J | |
| L173 | 6200003111 | S.COI NLV32T-6R8J | |
| L181 | 6200005491 | S.COI NLV32T-331J | |
| L182 | 6200003091 | S.COI NLV32T-2R7J | |
| L183 | 6200003101 | S.COI NLV32T-3R9J | |
| L184 | 6200005491 | S.COI NLV32T-331J | |
| L201 | 6200005491 | S.COI NLV32T-331J | |
| L202 | 6200002991 | S.COI NLV32T-2R2J | |
| L203 | 6200002991 | S.COI NLV32T-2R2J | |
| L204 | 6200003321 | S.COI NLV32T-3R3J | |
| L205 | 6200002961 | S.COI NLV32T-4R7J | |
| L221 | 6200003241 | S.COI NLV32T-221J | |
| L222 | 6200003081 | S.COI NLV32T-1R8J | |
| L223 | 6200003061 | S.COI NLV32T-1R2J | |
| L224 | 6200003071 | S.COI NLV32T-1R5J | |
| L225 | 6200003071 | S.COI NLV32T-1R5J | |
| L241 | 6200003241 | S.COI NLV32T-221J | |
| L242 | 6200003061 | S.COI NLV32T-1R2J | |

[MAIN UNIT] (For other than [USA-2], [OTH-2], [CHN-1])

| REF NO. | ORDER NO. | DESCRIPTION | |
|---------|------------|-------------------------|---------|
| L243 | 6200003331 | S.COI NLV32T-1R0J | |
| L244 | 6200003331 | S.COI NLV32T-1R0J | |
| L245 | 6200003081 | S.COI NLV32T-1R8J | |
| L261 | 6200003241 | S.COI NLV32T-221J | |
| L262 | 6200003251 | S.COI NLV32T-R39J | |
| L263 | 6200002981 | S.COI NLV32T-R56J | |
| L264 | 6200003041 | S.COI NLV32T-R68J | |
| L265 | 6200003331 | S.COI NLV32T-1R0J | |
| L281 | 6200001831 | S.COI NLV32T-100J | |
| L282 | 6200003021 | S.COI NLV32T-R33J | |
| L283 | 6200003251 | S.COI NLV32T-R39J | |
| L284 | 6200003031 | S.COI NLV32T-R47J | |
| L285 | 6200003031 | S.COI NLV32T-R47J | [USA] |
| | 6200003031 | S.COI NLV32T-R47J | [EUR] |
| | 6200003030 | S.COI NL 322522T-R47J-3 | [AUS] |
| | 6200003031 | S.COI NLV32T-R47J | [UK] |
| | 6200003030 | S.COI NL 322522T-R47J-3 | [DEN] |
| | 6200003031 | S.COI NLV32T-R47J | [SEA] |
| | 6200003031 | S.COI NLV32T-R47J | [OTH] |
| | 6200003031 | S.COI NLV32T-R47J | [USA-1] |
| | 6200003031 | S.COI NLV32T-R47J | [OTH-1] |
| | 6200003031 | S.COI NLV32T-R47J | [CHN] |
| L301 | 6200001831 | S.COI NLV32T-100J | [USA] |
| | 6200001831 | S.COI NLV32T-100J | [EUR] |
| | 6200001830 | S.COI NL 322522T-100J | [AUS] |
| | 6200001831 | S.COI NLV32T-100J | [UK] |
| | 6200001830 | S.COI NL 322522T-100J | [DEN] |
| | 6200001831 | S.COI NLV32T-100J | [SEA] |
| | 6200001831 | S.COI NLV32T-100J | [OTH] |
| | 6200001831 | S.COI NLV32T-100J | [USA-1] |
| | 6200001831 | S.COI NLV32T-100J | [OTH-1] |
| | 6200001831 | S.COI NLV32T-100J | [CHN] |
| L302 | 6200003021 | S.COI NLV32T-R33J | [USA] |
| | 6200003021 | S.COI NLV32T-R33J | [EUR] |
| | 6200003020 | S.COI NL 322522T-R33J-3 | [AUS] |
| | 6200003021 | S.COI NLV32T-R33J | [UK] |
| | 6200003020 | S.COI NL 322522T-R33J-3 | [DEN] |
| | 6200003021 | S.COI NLV32T-R33J | [SEA] |
| | 6200003021 | S.COI NLV32T-R33J | [OTH] |
| | 6200003021 | S.COI NLV32T-R33J | [USA-1] |
| | 6200003021 | S.COI NLV32T-R33J | [OTH-1] |
| | 6200003021 | S.COI NLV32T-R33J | [CHN] |
| L303 | 6200003011 | S.COI NLV32T-R27J | |
| L304 | 6200003021 | S.COI NLV32T-R33J | |
| L305 | 6200003031 | S.COI NLV32T-R47J | |
| L321 | 6200001831 | S.COI NLV32T-100J | |
| L322 | 6200003001 | S.COI NLV32T-R22J | |
| L323 | 6200003421 | S.COI NLV32T-R15J | |
| L324 | 6180002961 | S.COI NLV32T-R18J | |
| L325 | 6200003001 | S.COI NLV32T-R22J | |
| L326 | 6200003001 | S.COI NLV32T-R22J | |
| L341 | 6200001831 | S.COI NLV32T-100J | |
| L342 | 6200001471 | S.COI NLV32T-R12J | |
| L343 | 6200003421 | S.COI NLV32T-R15J | |
| L345 | 6200003421 | S.COI NLV32T-R15J | |
| L346 | 6200001471 | S.COI NLV32T-R12J | |
| L361 | 6200005491 | S.COI NLV32T-331J | |
| L362 | 6200005491 | S.COI NLV32T-331J | |
| L371 | 6200003241 | S.COI NLV32T-221J | |
| L381 | 6140000640 | COI LR-86 | |
| L382 | 6200003071 | S.COI NLV32T-1R5J | [USA] |
| | 6200003071 | S.COI NLV32T-1R5J | [EUR] |
| | 6200003070 | S.COI NL 322522T-1R5J-3 | [AUS] |
| | 6200003071 | S.COI NLV32T-1R5J | [UK] |
| | 6200003070 | S.COI NL 322522T-1R5J-3 | [DEN] |
| | 6200003071 | S.COI NLV32T-1R5J | [SEA] |
| | 6200003071 | S.COI NLV32T-1R5J | [OTH] |
| | 6200003071 | S.COI NLV32T-1R5J | [USA-1] |
| | 6200003071 | S.COI NLV32T-1R5J | [OTH-1] |
| | 6200003071 | S.COI NLV32T-1R5J | [CHN] |
| L383 | 6140001500 | COI LR-171 | |
| L384 | 6200005491 | S.COI NLV32T-331J | [USA] |
| | 6200005491 | S.COI NLV32T-331J | [EUR] |
| | 6200005490 | S.COI NL 322522T-331J | [AUS] |
| | 6200005491 | S.COI NLV32T-331J | [UK] |
| | 6200005490 | S.COI NL 322522T-331J | [DEN] |
| | 6200005491 | S.COI NLV32T-331J | [SEA] |
| | 6200005491 | S.COI NLV32T-331J | [OTH] |
| | 6200005491 | S.COI NLV32T-331J | [USA-1] |
| | 6200005491 | S.COI NLV32T-331J | [OTH-1] |
| | 6200005491 | S.COI NLV32T-331J | [CHN] |
| L385 | 6170000291 | COI LW-30-LF | |
| L391 | 6200003241 | S.COI NLV32T-221J | [USA] |
| | 6200003241 | S.COI NLV32T-221J | [EUR] |
| | 6200003240 | S.COI NL 322522T-221J | [AUS] |
| | 6200003241 | S.COI NLV32T-221J | [UK] |
| | 6200003240 | S.COI NL 322522T-221J | [DEN] |
| | 6200003241 | S.COI NLV32T-221J | [SEA] |
| | 6200003241 | S.COI NLV32T-221J | [OTH] |
| | 6200003241 | S.COI NLV32T-221J | [USA-1] |
| | 6200003241 | S.COI NLV32T-221J | [OTH-1] |
| | 6200003241 | S.COI NLV32T-221J | [CHN] |
| L392 | 6200003241 | S.COI NLV32T-221J | |
| L401 | 6200005491 | S.COI NLV32T-331J | |
| L411 | 6200003001 | S.COI NLV32T-R22J | |
| L412 | 6200003021 | S.COI NLV32T-R33J | |
| L413 | 6200001831 | S.COI NLV32T-100J | |
| L421 | 6200003431 | S.COI NLV32T-R10J | |
| L422 | 6200003421 | S.COI NLV32T-R15J | |
| L431 | 6200003431 | S.COI NLV32T-R10J | |
| L432 | 6200003421 | S.COI NLV32T-R15J | |
| L441 | 6140001500 | COI LR-171 | |
| L442 | 6200003431 | S.COI NLV32T-R10J | |
| L443 | 6150004270 | COI LS-483A (C-14924) | |

M.=Mounted side (T: Mounted on the Top side, B: Mounted on the Bottom side)
S.=Surface mount

[MAIN UNIT] (For other than [USA-2], [OTH-2], [CHN-1])

| REF NO. | ORDER NO. | DESCRIPTION | |
|---------|------------|-----------------------------|-------|
| L444 | 6200001831 | S.COI NLV32T-100J | |
| L461 | 6150004270 | COI LS-483A (C-14924) | |
| L462 | 6150004270 | COI LS-483A (C-14924) | |
| L471 | 6150004280 | COI LS-484B (C-14927) | |
| L491 | 6140002810 | S.COI LR-317 | |
| L492 | 6140002810 | S.COI LR-317 | |
| L701 | 6150000711 | COI LS-452 | |
| L711 | 6150000711 | COI LS-452 | |
| L712 | 6150000711 | COI LS-452 | |
| L721 | 6200001831 | S.COI NLV32T-100J | |
| L731 | 6150004050 | COI LS-466 | |
| L732 | 6150004050 | COI LS-466 | |
| L733 | 6200003241 | S.COI NLV32T-221J | |
| L891 | 6150002291 | COI LS-450 | |
| L892 | 6150002291 | COI LS-450 | |
| L911 | 6150002291 | COI LS-450 | |
| L1001 | 6200003241 | S.COI NLV32T-221J | |
| L1291 | 6170000140 | COI LW-15 | |
| L1311 | 6200003241 | S.COI NLV32T-221J | |
| L1321 | 6200003950 | S.COI HF50ACC 322513-T | |
| L1322 | 6200003950 | S.COI HF50ACC 322513-T | |
| L1411 | 6200003241 | S.COI NLV32T-221J | |
| L1412 | 6200005491 | S.COI NLV32T-331J | |
| L1771 | 6200003241 | S.COI NLV32T-221J | |
| L2011 | 6200005491 | S.COI NLV32T-331J | [USA] |
| | 6200005491 | S.COI NLV32T-331J | [EUR] |
| | 6200005491 | S.COI NLV32T-331J | [AUS] |
| | 6200005491 | S.COI NLV32T-331J | [UK] |
| | 6200005491 | S.COI NLV32T-331J | [DEN] |
| | 6200005491 | S.COI NLV32T-331J | [SEA] |
| | 6200005491 | S.COI NLV32T-331J | [OTH] |
| L2041 | 6200003241 | S.COI NLV32T-221J | [USA] |
| | 6200003241 | S.COI NLV32T-221J | [EUR] |
| | 6200003241 | S.COI NLV32T-221J | [AUS] |
| | 6200003241 | S.COI NLV32T-221J | [UK] |
| | 6200003241 | S.COI NLV32T-221J | [DEN] |
| | 6200003241 | S.COI NLV32T-221J | [SEA] |
| | 6200003241 | S.COI NLV32T-221J | [OTH] |
| R101 | 7030003640 | S.RES ERJ3GEYJ 473 V (47K) | |
| R102 | 7540000090 | ABS DSP-201M-S00B | |
| R111 | 7030003640 | S.RES ERJ3GEYJ 473 V (47K) | |
| R112 | 7540000090 | ABS DSP-201M-S00B | |
| R141 | 7030003480 | S.RES ERJ3GEYJ 222 V (2.2K) | |
| R142 | 7030003400 | S.RES ERJ3GEYJ 471 V (470) | |
| R143 | 7030003380 | S.RES ERJ3GEYJ 331 V (330) | |
| R144 | 7030003300 | S.RES ERJ3GEYJ 680 V (68) | |
| R151 | 7030006260 | S.RES ERJ12YJ471U (470) | |
| R152 | 7030003560 | S.RES ERJ3GEYJ 103 V (10K) | |
| R171 | 7030003370 | S.RES ERJ3GEYJ 271 V (270) | |
| R172 | 7030003230 | S.RES ERJ3GEYJ 180 V (18) | |
| R173 | 7030003370 | S.RES ERJ3GEYJ 271 V (270) | |
| R174 | 7030003200 | S.RES ERJ3GEYJ 100 V (10) | |
| R181 | 7030003320 | S.RES ERJ3GEYJ 101 V (100) | |
| R201 | 7030003320 | S.RES ERJ3GEYJ 101 V (100) | |
| R221 | 7030003320 | S.RES ERJ3GEYJ 101 V (100) | |
| R241 | 7030003320 | S.RES ERJ3GEYJ 101 V (100) | |
| R261 | 7030003320 | S.RES ERJ3GEYJ 101 V (100) | |
| R281 | 7030003320 | S.RES ERJ3GEYJ 101 V (100) | |
| R301 | 7030003320 | S.RES ERJ3GEYJ 101 V (100) | |
| R321 | 7030003320 | S.RES ERJ3GEYJ 101 V (100) | |
| R341 | 7030003320 | S.RES ERJ3GEYJ 101 V (100) | |
| R361 | 7030006260 | S.RES ERJ12YJ471U (470) | |
| R362 | 7030006260 | S.RES ERJ12YJ471U (470) | |
| R371 | 7030003320 | S.RES ERJ3GEYJ 101 V (100) | |
| R372 | 7030003320 | S.RES ERJ3GEYJ 101 V (100) | |
| R381 | 7030003320 | S.RES ERJ3GEYJ 101 V (100) | |
| R382 | 7030003280 | S.RES ERJ3GEYJ 470 V (47) | |
| R383 | 7030003280 | S.RES ERJ3GEYJ 470 V (47) | |
| R384 | 7030003320 | S.RES ERJ3GEYJ 101 V (100) | |
| R385 | 7030003320 | S.RES ERJ3GEYJ 101 V (100) | |
| R386 | 7030003320 | S.RES ERJ3GEYJ 101 V (100) | |
| R391 | 7030003320 | S.RES ERJ3GEYJ 101 V (100) | |
| R392 | 7030003400 | S.RES ERJ3GEYJ 471 V (470) | |
| R393 | 7030003320 | S.RES ERJ3GEYJ 101 V (100) | |
| R394 | 7030003370 | S.RES ERJ3GEYJ 271 V (270) | |
| R395 | 7030003230 | S.RES ERJ3GEYJ 180 V (18) | |
| R396 | 7030003370 | S.RES ERJ3GEYJ 271 V (270) | |
| R401 | 7030006260 | S.RES ERJ12YJ471U (470) | |
| R411 | 7030003300 | S.RES ERJ3GEYJ 680 V (68) | |
| R412 | 7030003520 | S.RES ERJ3GEYJ 472 V (4.7K) | |
| R413 | 7030003410 | S.RES ERJ3GEYJ 561 V (560) | |
| R414 | 7030003200 | S.RES ERJ3GEYJ 100 V (10) | |
| R415 | 7030003280 | S.RES ERJ3GEYJ 470 V (47) | |
| R442 | 7030003410 | S.RES ERJ3GEYJ 561 V (560) | |
| R443 | 7030003410 | S.RES ERJ3GEYJ 561 V (560) | |
| R444 | 7310005580 | S.TRI TMC3ADC53X (4.7K) | |
| R445 | 7030003280 | S.RES ERJ3GEYJ 470 V (47) | |
| R446 | 7030003560 | S.RES ERJ3GEYJ 103 V (10K) | |
| R447 | 7030003280 | S.RES ERJ3GEYJ 470 V (47) | |
| R448 | 7030003400 | S.RES ERJ3GEYJ 471 V (470) | |
| R449 | 7030003320 | S.RES ERJ3GEYJ 101 V (100) | |
| R471 | 7030003760 | S.RES ERJ3GEYJ 474 V (470K) | |
| R472 | 7030003280 | S.RES ERJ3GEYJ 470 V (47) | |
| R473 | 7030003200 | S.RES ERJ3GEYJ 100 V (10) | |
| R474 | 7030003520 | S.RES ERJ3GEYJ 472 V (4.7K) | |
| R475 | 7030003580 | S.RES ERJ3GEYJ 153 V (15K) | |
| R476 | 7030003480 | S.RES ERJ3GEYJ 222 V (2.2K) | |
| R477 | 7030003340 | S.RES ERJ3GEYJ 151 V (150) | |
| R478 | 7030003480 | S.RES ERJ3GEYJ 222 V (2.2K) | |
| R479 | 7030003280 | S.RES ERJ3GEYJ 470 V (47) | |
| R491 | 7030003370 | S.RES ERJ3GEYJ 271 V (270) | |
| R492 | 7030003230 | S.RES ERJ3GEYJ 180 V (18) | |

[MAIN UNIT] (For other than [USA-2], [OTH-2], [CHN-1])

| REF NO. | ORDER NO. | DESCRIPTION | |
|---------|------------|-----------------------------|--|
| R493 | 7030003370 | S.RES ERJ3GEYJ 271 V (270) | |
| R563 | 7030003640 | S.RES ERJ3GEYJ 473 V (47K) | |
| R564 | 7030003640 | S.RES ERJ3GEYJ 473 V (47K) | |
| R565 | 7030003640 | S.RES ERJ3GEYJ 473 V (47K) | |
| R566 | 7030003640 | S.RES ERJ3GEYJ 473 V (47K) | |
| R567 | 7030003640 | S.RES ERJ3GEYJ 473 V (47K) | |
| R568 | 7030003640 | S.RES ERJ3GEYJ 473 V (47K) | |
| R569 | 7030003640 | S.RES ERJ3GEYJ 473 V (47K) | |
| R570 | 7030003640 | S.RES ERJ3GEYJ 473 V (47K) | |
| R571 | 7030003200 | S.RES ERJ3GEYJ 100 V (10) | |
| R572 | 7030003200 | S.RES ERJ3GEYJ 100 V (10) | |
| R573 | 7030003200 | S.RES ERJ3GEYJ 100 V (10) | |
| R574 | 7030003200 | S.RES ERJ3GEYJ 100 V (10) | |
| R575 | 7030003200 | S.RES ERJ3GEYJ 100 V (10) | |
| R576 | 7030003200 | S.RES ERJ3GEYJ 100 V (10) | |
| R577 | 7030003200 | S.RES ERJ3GEYJ 100 V (10) | |
| R578 | 7030003200 | S.RES ERJ3GEYJ 100 V (10) | |
| R579 | 7030003640 | S.RES ERJ3GEYJ 473 V (47K) | |
| R580 | 7030003640 | S.RES ERJ3GEYJ 473 V (47K) | |
| R583 | 7030003640 | S.RES ERJ3GEYJ 473 V (47K) | |
| R587 | 7030003200 | S.RES ERJ3GEYJ 100 V (10) | |
| R588 | 7030003200 | S.RES ERJ3GEYJ 100 V (10) | |
| R589 | 7030003200 | S.RES ERJ3GEYJ 100 V (10) | |
| R590 | 7030003200 | S.RES ERJ3GEYJ 100 V (10) | |
| R591 | 7030003200 | S.RES ERJ3GEYJ 100 V (10) | |
| R592 | 7030003200 | S.RES ERJ3GEYJ 100 V (10) | |
| R593 | 7030003200 | S.RES ERJ3GEYJ 100 V (10) | |
| R711 | 7030003480 | S.RES ERJ3GEYJ 222 V (2.2K) | |
| R712 | 7030003480 | S.RES ERJ3GEYJ 222 V (2.2K) | |
| R713 | 7030003360 | S.RES ERJ3GEYJ 221 V (220) | |
| R721 | 7030003520 | S.RES ERJ3GEYJ 472 V (4.7K) | |
| R722 | 7030003610 | S.RES ERJ3GEYJ 273 V (27K) | |
| R723 | 7030003760 | S.RES ERJ3GEYJ 474 V (470K) | |
| R724 | 7030003340 | S.RES ERJ3GEYJ 151 V (150) | |
| R725 | 7030003320 | S.RES ERJ3GEYJ 101 V (100) | |
| R731 | 7030003680 | S.RES ERJ3GEYJ 104 V (100K) | |
| R732 | 7030003520 | S.RES ERJ3GEYJ 472 V (4.7K) | |
| R733 | 7030003320 | S.RES ERJ3GEYJ 101 V (100) | |
| R734 | 7030003320 | S.RES ERJ3GEYJ 101 V (100) | |
| R735 | 7030003600 | S.RES ERJ3GEYJ 223 V (22K) | |
| R736 | 7310005540 | S.TRI TMC3ADC14X (10K) | |
| R737 | 7030003640 | S.RES ERJ3GEYJ 473 V (47K) | |
| R738 | 7030003640 | S.RES ERJ3GEYJ 473 V (47K) | |
| R739 | 7030003640 | S.RES ERJ3GEYJ 473 V (47K) | |
| R740 | 7030003440 | S.RES ERJ3GEYJ 102 V (1K) | |
| R741 | 7030003520 | S.RES ERJ3GEYJ 472 V (4.7K) | |
| R742 | 7030003320 | S.RES ERJ3GEYJ 101 V (100) | |
| R743 | 7030003640 | S.RES ERJ3GEYJ 473 V (47K) | |
| R744 | 7030003520 | S.RES ERJ3GEYJ 472 V (4.7K) | |
| R745 | 7030003680 | S.RES ERJ3GEYJ 104 V (100K) | |
| R746 | 7030003540 | S.RES ERJ3GEYJ 682 V (6.8K) | |
| R747 | 7030003440 | S.RES ERJ3GEYJ 102 V (1K) | |
| R748 | 7030003400 | S.RES ERJ3GEYJ 471 V (470) | |
| R749 | 7030003600 | S.RES ERJ3GEYJ 223 V (22K) | |
| R750 | 7030003440 | S.RES ERJ3GEYJ 102 V (1K) | |
| R751 | 7030003280 | S.RES ERJ3GEYJ 470 V (47) | |
| R761 | 7030003480 | S.RES ERJ3GEYJ 222 V (2.2K) | |
| R762 | 7030003360 | S.RES ERJ3GEYJ 221 V (220) | |
| R763 | 7030003360 | S.RES ERJ3GEYJ 221 V (220) | |
| R764 | 7030003480 | S.RES ERJ3GEYJ 222 V (2.2K) | |
| R765 | 7030003560 | S.RES ERJ3GEYJ 103 V (10K) | |
| R771 | 7030003480 | S.RES ERJ3GEYJ 222 V (2.2K) | |
| R772 | 7030003360 | S.RES ERJ3GEYJ 221 V (220) | |
| R773 | 7030003360 | S.RES ERJ3GEYJ 221 V (220) | |
| R774 | 7030003480 | S.RES ERJ3GEYJ 222 V (2.2K) | |
| R775 | 7030003560 | S.RES ERJ3GEYJ 103 V (10K) | |
| R781 | 7030003480 | S.RES ERJ3GEYJ 222 V (2.2K) | |
| R782 | 7030003360 | S.RES ERJ3GEYJ 221 V (220) | |
| R783 | 7030003360 | S.RES ERJ3GEYJ 221 V (220) | |
| R784 | 7030003480 | S.RES ERJ3GEYJ 222 V (2.2K) | |
| R785 | 7030003560 | S.RES ERJ3GEYJ 103 V (10K) | |
| R791 | 7030003480 | S.RES ERJ3GEYJ 222 V (2.2K) | |
| R792 | 7030003520 | S.RES ERJ3GEYJ 472 V (4.7K) | |
| R793 | 7030003480 | S.RES ERJ3GEYJ 222 V (2.2K) | |
| R794 | 7030003480 | S.RES ERJ3GEYJ 222 V (2.2K) | |
| R795 | 7030003520 | S.RES ERJ3GEYJ 472 V (4.7K) | |
| R796 | 7030003480 | S.RES ERJ3GEYJ 222 V (2.2K) | |
| R801 | 7030003440 | S.RES ERJ3GEYJ 102 V (1K) | |
| R802 | 7030003320 | S.RES ERJ3GEYJ 101 V (100) | |
| R811 | 7030003460 | S.RES ERJ3GEYJ 152 V (1.5K) | |
| R812 | 7030003400 | S.RES ERJ3GEYJ 471 V (470) | |
| R813 | 7030003400 | S.RES ERJ3GEYJ 471 V (470) | |
| R814 | 7030003500 | S.RES ERJ3GEYJ 332 V (3.3K) | |
| R815 | 7030003500 | S.RES ERJ3GEYJ 332 V (3.3K) | |
| R816 | 7030003490 | S.RES ERJ3GEYJ 272 V (2.7K) | |
| R817 | 7030003490 | S.RES ERJ3GEYJ 272 V (2.7K) | |
| R818 | 7030003490 | S.RES ERJ3GEYJ 272 V (2.7K) | |
| R819 | 7030003440 | S.RES ERJ3GEYJ 102 V (1K) | |
| R820 | 7030003440 | S.RES ERJ3GEYJ 102 V (1K) | |
| R821 | 7030003500 | S.RES ERJ3GEYJ 332 V (3.3K) | |
| R822 | 7030003200 | S.RES ERJ3GEYJ 100 V (10) | |
| R823 | 7030003200 | S.RES ERJ3GEYJ 100 V (10) | |
| R824 | 7030003360 | S.RES ERJ3GEYJ 221 V (220) | |
| R825 | 7510001480 | S.THE NTCG10 3NH 681JT | |
| R831 | 7030004710 | S.RES ERJ3GEYJ 475 V (4.7M) | |
| R832 | 7030004710 | S.RES ERJ3GEYJ 475 V (4.7M) | |
| R833 | 7030004710 | S.RES ERJ3GEYJ 475 V (4.7M) | |
| R834 | 7030004710 | S.RES ERJ3GEYJ 475 V (4.7M) | |
| R835 | 7030003820 | S.RES ERJ3GEYJ 155 V (1.5M) | |
| R836 | 7030003520 | S.RES ERJ3GEYJ 472 V (4.7K) | |
| R841 | 7030003560 | S.RES ERJ3GEYJ 103 V (10K) | |
| R851 | 7030003560 | S.RES ERJ3GEYJ 103 V (10K) | |
| R852 | 7030003360 | S.RES ERJ3GEYJ 221 V (220) | |
| R853 | 7030003360 | S.RES ERJ3GEYJ 221 V (220) | |

M.=Mounted side (T: Mounted on the Top side, B: Mounted on the Bottom side)
S.=Surface mount

[MAIN UNIT] (For other than [USA-2], [OTH-2], [CHN-1])

| REF NO. | ORDER NO. | DESCRIPTION | |
|---------|------------|-----------------------------|--------------------|
| R854 | 7030003560 | S.RES ERJ3GEYJ 103 V (10K) | |
| R855 | 7030003560 | S.RES ERJ3GEYJ 103 V (10K) | |
| R861 | 7030003560 | S.RES ERJ3GEYJ 103 V (10K) | |
| R862 | 7030003360 | S.RES ERJ3GEYJ 221 V (220) | |
| R863 | 7030003360 | S.RES ERJ3GEYJ 221 V (220) | |
| R864 | 7030003560 | S.RES ERJ3GEYJ 103 V (10K) | |
| R865 | 7030003560 | S.RES ERJ3GEYJ 103 V (10K) | |
| R871 | 7030003510 | S.RES ERJ3GEYJ 392 V (3.9K) | |
| R872 | 7030003360 | S.RES ERJ3GEYJ 221 V (220) | |
| R873 | 7030003360 | S.RES ERJ3GEYJ 221 V (220) | |
| R874 | 7030003510 | S.RES ERJ3GEYJ 392 V (3.9K) | |
| R875 | 7030003560 | S.RES ERJ3GEYJ 103 V (10K) | |
| R881 | 7030003510 | S.RES ERJ3GEYJ 392 V (3.9K) | |
| R882 | 7030003360 | S.RES ERJ3GEYJ 221 V (220) | |
| R883 | 7030003360 | S.RES ERJ3GEYJ 221 V (220) | |
| R884 | 7030003510 | S.RES ERJ3GEYJ 392 V (3.9K) | |
| R885 | 7030003560 | S.RES ERJ3GEYJ 103 V (10K) | |
| R891 | 7030003560 | S.RES ERJ3GEYJ 103 V (10K) | |
| R892 | 7030003320 | S.RES ERJ3GEYJ 101 V (100) | |
| R893 | 7030003480 | S.RES ERJ3GEYJ 222 V (2.2K) | |
| R894 | 7030003600 | S.RES ERJ3GEYJ 223 V (22K) | |
| R895 | 7030003380 | S.RES ERJ3GEYJ 331 V (330) | |
| R896 | 7030003500 | S.RES ERJ3GEYJ 332 V (3.3K) | |
| R897 | 7030003320 | S.RES ERJ3GEYJ 101 V (100) | |
| R898 | 7310005540 | S.TRI TMC3ADC14X (10K) | |
| R911 | 7030003320 | S.RES ERJ3GEYJ 101 V (100) | |
| R912 | 7030003480 | S.RES ERJ3GEYJ 222 V (2.2K) | |
| R913 | 7030003320 | S.RES ERJ3GEYJ 101 V (100) | |
| R914 | 7030003560 | S.RES ERJ3GEYJ 103 V (10K) | |
| R915 | 7030003560 | S.RES ERJ3GEYJ 103 V (10K) | |
| R1001 | 7030003520 | S.RES ERJ3GEYJ 472 V (4.7K) | |
| R1002 | 7030003320 | S.RES ERJ3GEYJ 101 V (100) | |
| R1003 | 7030003700 | S.RES ERJ3GEYJ 154 V (150K) | |
| R1004 | 7030003500 | S.RES ERJ3GEYJ 332 V (3.3K) | |
| R1005 | 7030003720 | S.RES ERJ3GEYJ 224 V (220K) | |
| R1006 | 7030003460 | S.RES ERJ3GEYJ 152 V (1.5K) | |
| R1007 | 7030003360 | S.RES ERJ3GEYJ 221 V (220) | |
| R1008 | 7030003720 | S.RES ERJ3GEYJ 224 V (220K) | |
| R1021 | 7030003560 | S.RES ERJ3GEYJ 103 V (10K) | |
| R1022 | 7030003630 | S.RES ERJ3GEYJ 393 V (39K) | |
| R1023 | 7030003660 | S.RES ERJ3GEYJ 683 V (68K) | |
| R1024 | 7030003640 | S.RES ERJ3GEYJ 473 V (47K) | |
| R1031 | 7030003360 | S.RES ERJ3GEYJ 221 V (220) | |
| R1032 | 7030003720 | S.RES ERJ3GEYJ 224 V (220K) | |
| R1033 | 7030003440 | S.RES ERJ3GEYJ 102 V (1K) | |
| R1041 | 7030003440 | S.RES ERJ3GEYJ 102 V (1K) | [USA-1] [OTH-1] |
| | 7030003440 | S.RES ERJ3GEYJ 102 V (1K) | [CHN] |
| R1042 | 7030003680 | S.RES ERJ3GEYJ 104 V (100K) | [USA-1] |
| | 7030003680 | S.RES ERJ3GEYJ 104 V (100K) | [OTH-1] |
| | 7030003680 | S.RES ERJ3GEYJ 104 V (100K) | [CHN] |
| R1043 | 7030003440 | S.RES ERJ3GEYJ 102 V (1K) | [USA-1] |
| | 7030003440 | S.RES ERJ3GEYJ 102 V (1K) | [OTH-1] |
| | 7030003440 | S.RES ERJ3GEYJ 102 V (1K) | [CHN] |
| R1044 | 7030003660 | S.RES ERJ3GEYJ 683 V (68K) | [USA-1] |
| | 7030003660 | S.RES ERJ3GEYJ 683 V (68K) | [OTH-1] |
| | 7030003660 | S.RES ERJ3GEYJ 683 V (68K) | [CHN] |
| R1045 | 7030003640 | S.RES ERJ3GEYJ 473 V (47K) | [USA-1] |
| | 7030003640 | S.RES ERJ3GEYJ 473 V (47K) | [OTH-1] |
| | 7030003640 | S.RES ERJ3GEYJ 473 V (47K) | [CHN] |
| R1051 | 7030003490 | S.RES ERJ3GEYJ 272 V (2.7K) | |
| R1052 | 7030003520 | S.RES ERJ3GEYJ 472 V (4.7K) | |
| R1053 | 7030003400 | S.RES ERJ3GEYJ 471 V (470) | |
| R1061 | 7030003680 | S.RES ERJ3GEYJ 104 V (100K) | |
| R1062 | 7030003600 | S.RES ERJ3GEYJ 223 V (22K) | |
| R1063 | 7030003440 | S.RES ERJ3GEYJ 102 V (1K) | |
| R1064 | 7030003780 | S.RES ERJ3GEYJ 684 V (680K) | |
| R1065 | 7030003520 | S.RES ERJ3GEYJ 472 V (4.7K) | |
| R1066 | 7030003600 | S.RES ERJ3GEYJ 223 V (22K) | |
| R1067 | 7030003740 | S.RES ERJ3GEYJ 334 V (330K) | |
| R1068 | 7030003560 | S.RES ERJ3GEYJ 103 V (10K) | |
| R1081 | 7030003360 | S.RES ERJ3GEYJ 221 V (220) | |
| R1082 | 7030003440 | S.RES ERJ3GEYJ 102 V (1K) | |
| R1084 | 7030003640 | S.RES ERJ3GEYJ 473 V (47K) | |
| R1101 | 7030003440 | S.RES ERJ3GEYJ 102 V (1K) | |
| R1102 | 7030003460 | S.RES ERJ3GEYJ 152 V (1.5K) | |
| R1103 | 7030003440 | S.RES ERJ3GEYJ 102 V (1K) | |
| R1104 | 7030003500 | S.RES ERJ3GEYJ 332 V (3.3K) | |
| R1105 | 7030003480 | S.RES ERJ3GEYJ 222 V (2.2K) | |
| R1106 | 7030003200 | S.RES ERJ3GEYJ 100 V (10) | |
| R1107 | 7030003460 | S.RES ERJ3GEYJ 152 V (1.5K) | |
| R1108 | 7030003440 | S.RES ERJ3GEYJ 102 V (1K) | |
| R1109 | 7030003440 | S.RES ERJ3GEYJ 102 V (1K) | |
| R1110 | 7030003480 | S.RES ERJ3GEYJ 222 V (2.2K) | |
| R1111 | 7030003200 | S.RES ERJ3GEYJ 100 V (10) | |
| R1201 | 7030003660 | S.RES ERJ3GEYJ 683 V (68K) | |
| R1202 | 7030003480 | S.RES ERJ3GEYJ 222 V (2.2K) | |
| R1203 | 7030003670 | S.RES ERJ3GEYJ 823 V (82K) | [USA-1] [OTH-1] |
| | 7030003670 | S.RES ERJ3GEYJ 823 V (82K) | [CHN] |
| R1204 | 7030003640 | S.RES ERJ3GEYJ 473 V (47K) | [USA] |
| | 7030003640 | S.RES ERJ3GEYJ 473 V (47K) | [EUR] |
| | 7030003640 | S.RES ERJ3GEYJ 473 V (47K) | [AUS] |
| | 7030003640 | S.RES ERJ3GEYJ 473 V (47K) | [UK] |
| | 7030003640 | S.RES ERJ3GEYJ 473 V (47K) | [DEN] |
| | 7030003640 | S.RES ERJ3GEYJ 473 V (47K) | [SEA] |
| R1205 | 7030003640 | S.RES ERJ3GEYJ 473 V (47K) | [OTH] |
| | 7030003640 | S.RES ERJ3GEYJ 473 V (47K) | [USA] |
| | 7030003640 | S.RES ERJ3GEYJ 473 V (47K) | [EUR] |
| | 7030003640 | S.RES ERJ3GEYJ 473 V (47K) | [UK] |
| | 7030003640 | S.RES ERJ3GEYJ 473 V (47K) | [DEN] |
| | 7030003640 | S.RES ERJ3GEYJ 473 V (47K) | [SEA] |
| | 7030003640 | S.RES ERJ3GEYJ 473 V (47K) | [OTH] |

[MAIN UNIT] (For other than [USA-2], [OTH-2], [CHN-1])

| REF NO. | ORDER NO. | DESCRIPTION | |
|---------|------------|-----------------------------|----------------|
| R1211 | 7030003640 | S.RES ERJ3GEYJ 473 V (47K) | |
| R1212 | 7030003630 | S.RES ERJ3GEYJ 393 V (39K) | |
| R1213 | 7030003630 | S.RES ERJ3GEYJ 393 V (39K) | |
| R1214 | 7030003630 | S.RES ERJ3GEYJ 393 V (39K) | |
| R1215 | 7030003630 | S.RES ERJ3GEYJ 393 V (39K) | |
| R1231 | 7030003400 | S.RES ERJ3GEYJ 471 V (470) | |
| R1232 | 7030003400 | S.RES ERJ3GEYJ 471 V (470) | |
| R1233 | 7030003400 | S.RES ERJ3GEYJ 471 V (470) | |
| R1234 | 7030003400 | S.RES ERJ3GEYJ 471 V (470) | |
| R1235 | 7030003400 | S.RES ERJ3GEYJ 471 V (470) | |
| R1236 | 7030003400 | S.RES ERJ3GEYJ 471 V (470) | |
| R1251 | 7030003680 | S.RES ERJ3GEYJ 104 V (100K) | |
| R1252 | 7030003680 | S.RES ERJ3GEYJ 104 V (100K) | |
| R1253 | 7030003680 | S.RES ERJ3GEYJ 104 V (100K) | |
| R1254 | 7310005580 | S.TRI TMC3ADC3X (4.7K) | |
| R1255 | 7030003400 | S.RES ERJ3GEYJ 471 V (470) | |
| R1256 | 7030003640 | S.RES ERJ3GEYJ 473 V (47K) | |
| R1257 | 7030003560 | S.RES ERJ3GEYJ 103 V (10K) | |
| R1258 | 7030003520 | S.RES ERJ3GEYJ 472 V (4.7K) | |
| R1259 | 7030003520 | S.RES ERJ3GEYJ 472 V (4.7K) | |
| R1260 | 7030003320 | S.RES ERJ3GEYJ 101 V (100) | |
| R1261 | 7030003480 | S.RES ERJ3GEYJ 222 V (2.2K) | |
| R1262 | 7030003550 | S.RES ERJ3GEYJ 822 V (8.2K) | |
| R1263 | 7030003610 | S.RES ERJ3GEYJ 273 V (27K) | |
| R1271 | 7030003640 | S.RES ERJ3GEYJ 473 V (47K) | |
| R1272 | 7030003440 | S.RES ERJ3GEYJ 102 V (1K) | |
| R1281 | 7030003680 | S.RES ERJ3GEYJ 104 V (100K) | |
| R1291 | 7030003550 | S.RES ERJ3GEYJ 822 V (8.2K) | |
| R1292 | 7030003400 | S.RES ERJ3GEYJ 471 V (470) | |
| R1293 | 7030003400 | S.RES ERJ3GEYJ 471 V (470) | |
| R1311 | 7030003520 | S.RES ERJ3GEYJ 472 V (4.7K) | |
| R1312 | 7030003620 | S.RES ERJ3GEYJ 333 V (33K) | |
| R1313 | 7030003580 | S.RES ERJ3GEYJ 153 V (15K) | |
| R1314 | 7030003640 | S.RES ERJ3GEYJ 473 V (47K) | |
| R1351 | 7030003200 | S.RES ERJ3GEYJ 100 V (10) | |
| R1371 | 7030003520 | S.RES ERJ3GEYJ 472 V (4.7K) | |
| R1372 | 7030003640 | S.RES ERJ3GEYJ 473 V (47K) | |
| R1374 | 7030003520 | S.RES ERJ3GEYJ 472 V (4.7K) | |
| R1381 | 7030003280 | S.RES ERJ3GEYJ 470 V (47) | |
| R1382 | 7030003480 | S.RES ERJ3GEYJ 222 V (2.2K) | |
| R1401 | 7070001060 | RES ERG2SJ 120 | |
| R1411 | 7030003320 | S.RES ERJ3GEYJ 101 V (100) | |
| R1412 | 7030003560 | S.RES ERJ3GEYJ 103 V (10K) | |
| R1413 | 7030003680 | S.RES ERJ3GEYJ 104 V (100K) | |
| R1414 | 7030003320 | S.RES ERJ3GEYJ 101 V (100) | |
| R1415 | 7030003320 | S.RES ERJ3GEYJ 101 V (100) | |
| R1416 | 7030003320 | S.RES ERJ3GEYJ 101 V (100) | |
| R1771 | 7030003540 | S.RES ERJ3GEYJ 682 V (6.8K) | |
| R1772 | 7030003620 | S.RES ERJ3GEYJ 333 V (33K) | |
| R1773 | 7030003640 | S.RES ERJ3GEYJ 473 V (47K) | |
| R1774 | 7030003580 | S.RES ERJ3GEYJ 153 V (15K) | |
| R2001 | 7030003560 | S.RES ERJ3GEYJ 103 V (10K) | [USA] [EUR] |
| | 7030003560 | S.RES ERJ3GEYJ 103 V (10K) | [AUS] |
| | 7030003560 | S.RES ERJ3GEYJ 103 V (10K) | [UK] |
| | 7030003560 | S.RES ERJ3GEYJ 103 V (10K) | [DEN] |
| | 7030003560 | S.RES ERJ3GEYJ 103 V (10K) | [SEA] |
| | 7030003560 | S.RES ERJ3GEYJ 103 V (10K) | [OTH] |
| R2002 | 7030003360 | S.RES ERJ3GEYJ 221 V (220) | [USA] [EUR] |
| | 7030003360 | S.RES ERJ3GEYJ 221 V (220) | [AUS] |
| | 7030003360 | S.RES ERJ3GEYJ 221 V (220) | [UK] |
| | 7030003360 | S.RES ERJ3GEYJ 221 V (220) | [DEN] |
| | 7030003360 | S.RES ERJ3GEYJ 221 V (220) | [SEA] |
| | 7030003360 | S.RES ERJ3GEYJ 221 V (220) | [OTH] |
| R2011 | 7030003560 | S.RES ERJ3GEYJ 103 V (10K) | [USA] [EUR] |
| | 7030003560 | S.RES ERJ3GEYJ 103 V (10K) | [AUS] |
| | 7030003560 | S.RES ERJ3GEYJ 103 V (10K) | [UK] |
| | 7030003560 | S.RES ERJ3GEYJ 103 V (10K) | [DEN] |
| | 7030003560 | S.RES ERJ3GEYJ 103 V (10K) | [SEA] |
| | 7030003560 | S.RES ERJ3GEYJ 103 V (10K) | [OTH] |
| R2012 | 7030003680 | S.RES ERJ3GEYJ 104 V (100K) | [USA] [EUR] |
| | 7030003680 | S.RES ERJ3GEYJ 104 V (100K) | [AUS] |
| | 7030003680 | S.RES ERJ3GEYJ 104 V (100K) | [UK] |
| | 7030003680 | S.RES ERJ3GEYJ 104 V (100K) | [DEN] |
| | 7030003680 | S.RES ERJ3GEYJ 104 V (100K) | [SEA] |
| | 7030003680 | S.RES ERJ3GEYJ 104 V (100K) | [OTH] |
| R2021 | 7030003680 | S.RES ERJ3GEYJ 104 V (100K) | [USA] [EUR] |
| | 7030003510 | S.RES ERJ3GEYJ 392 V (3.9K) | [AUS] |
| | 7030003510 | S.RES ERJ3GEYJ 392 V (3.9K) | [UK] |
| | 7030003510 | S.RES ERJ3GEYJ 392 V (3.9K) | [DEN] |
| | 7030003510 | S.RES ERJ3GEYJ 392 V (3.9K) | [SEA] |
| | 7030003510 | S.RES ERJ3GEYJ 392 V (3.9K) | [OTH] |
| R2022 | 7030003440 | S.RES ERJ3GEYJ 102 V (1K) | [USA] [EUR] |
| | 7030003440 | S.RES ERJ3GEYJ 102 V (1K) | [AUS] |
| | 7030003440 | S.RES ERJ3GEYJ 102 V (1K) | [UK] |
| | 7030003440 | S.RES ERJ3GEYJ 102 V (1K) | [DEN] |
| | 7030003440 | S.RES ERJ3GEYJ 102 V (1K) | [SEA] |
| | 7030003440 | S.RES ERJ3GEYJ 102 V (1K) | [OTH] |
| R2023 | 7010006940 | RES PSD1/4 1 K | [USA] [EUR] |
| | 7010006940 | RES PSD1/4 1 K | [AUS] |
| | 7010006940 | RES PSD1/4 1 K | [UK] |
| | 7010006940 | RES PSD1/4 1 K | [DEN] |
| | 7010006940 | RES PSD1/4 1 K | [SEA] |
| | 7010006940 | RES PSD1/4 1 K | [OTH] |

M.=Mounted side (T: Mounted on the Top side, B: Mounted on the Bottom side)
S.=Surface mount

[MAIN UNIT] (For other than [USA-2], [OTH-2], [CHN-1])

| REF NO. | ORDER NO. | DESCRIPTION | |
|---------|------------|----------------------------|-------|
| R2031 | 7030003640 | S.RES ERJ3GEYJ 473 V (47K) | [USA] |
| | 7030003640 | S.RES ERJ3GEYJ 473 V (47K) | [EUR] |
| | 7030003640 | S.RES ERJ3GEYJ 473 V (47K) | [AUS] |
| | 7030003640 | S.RES ERJ3GEYJ 473 V (47K) | [UK] |
| | 7030003640 | S.RES ERJ3GEYJ 473 V (47K) | [DEN] |
| | 7030003640 | S.RES ERJ3GEYJ 473 V (47K) | [SEA] |
| | 7030003640 | S.RES ERJ3GEYJ 473 V (47K) | [OTH] |
| R2032 | 7030003640 | S.RES ERJ3GEYJ 473 V (47K) | [USA] |
| | 7030003640 | S.RES ERJ3GEYJ 473 V (47K) | [EUR] |
| | 7030003640 | S.RES ERJ3GEYJ 473 V (47K) | [AUS] |
| | 7030003640 | S.RES ERJ3GEYJ 473 V (47K) | [UK] |
| | 7030003640 | S.RES ERJ3GEYJ 473 V (47K) | [DEN] |
| | 7030003640 | S.RES ERJ3GEYJ 473 V (47K) | [SEA] |
| | 7030003640 | S.RES ERJ3GEYJ 473 V (47K) | [OTH] |
| R2051 | 7030003640 | S.RES ERJ3GEYJ 473 V (47K) | |
| C101 | 4030011600 | S.CER C1608 JB 1E 104K-T | |
| C111 | 4030010210 | S.CER C3216 JB 1C 105M-T | |
| C121 | 4030006900 | S.CER C1608 JB 1H 103K-T | |
| C131 | 4030007070 | S.CER C1608 CH 1H 330J-T | |
| C132 | 4030007070 | S.CER C1608 CH 1H 330J-T | |
| C133 | 4030007040 | S.CER C1608 CH 1H 180J-T | |
| C134 | 4030007120 | S.CER C1608 CH 1H 820J-T | |
| C135 | 4030007040 | S.CER C1608 CH 1H 180J-T | |
| C136 | 4030007100 | S.CER C1608 CH 1H 560J-T | |
| C141 | 4030006900 | S.CER C1608 JB 1H 103K-T | |
| C151 | 4030010210 | S.CER C3216 JB 1C 105M-T | |
| C152 | 4030011600 | S.CER C1608 JB 1E 104K-T | |
| C161 | 4030008470 | S.CER C1608 JB 1H 272K-T | |
| C162 | 4030009880 | S.CER C1608 JB 1H 682K-T | |
| C163 | 4030009980 | S.CER C1608 JB 1H 152K-T | |
| C164 | 4030011600 | S.CER C1608 JB 1E 104K-T | |
| C170 | 4510008520 | S.ELE EEE1CA470SP | |
| C171 | 4030011600 | S.CER C1608 JB 1E 104K-T | |
| C172 | 4030008650 | S.CER C1608 JB 1H 332K-T | |
| C173 | 4030010240 | S.CER C1608 JB 1H 391K-T | |
| C174 | 4030008650 | S.CER C1608 JB 1H 332K-T | |
| C175 | 4030010210 | S.CER C3216 JB 1C 105M-T | |
| C176 | 4030011600 | S.CER C1608 JB 1E 104K-T | |
| C181 | 4030011600 | S.CER C1608 JB 1E 104K-T | |
| C182 | 4030006860 | S.CER C1608 JB 1H 102K-T | |
| C183 | 4030009580 | S.CER C1608 JB 1H 681K-T | |
| C184 | 4030006870 | S.CER C1608 JB 1H 222K-T | |
| C185 | 4030007170 | S.CER C1608 CH 1H 221J-T | |
| C186 | 4030010020 | S.CER C1608 JB 1H 122K-T | |
| C187 | 4030011600 | S.CER C1608 JB 1E 104K-T | |
| C188 | 4030011600 | S.CER C1608 JB 1E 104K-T | |
| C201 | 4030011600 | S.CER C1608 JB 1E 104K-T | |
| C202 | 4030010020 | S.CER C1608 JB 1H 122K-T | |
| C203 | 4030007130 | S.CER C1608 CH 1H 101J-T | |
| C204 | 4030010020 | S.CER C1608 JB 1H 122K-T | |
| C205 | 4030009880 | S.CER C1608 JB 1H 682K-T | |
| C206 | 4030009880 | S.CER C1608 JB 1H 682K-T | |
| C207 | 4030009980 | S.CER C1608 JB 1H 152K-T | |
| C208 | 4030009980 | S.CER C1608 JB 1H 152K-T | |
| C209 | 4030011600 | S.CER C1608 JB 1E 104K-T | |
| C221 | 4030011600 | S.CER C1608 JB 1E 104K-T | |
| C222 | 4030010240 | S.CER C1608 JB 1H 391K-T | |
| C223 | 4030007140 | S.CER C1608 CH 1H 121J-T | |
| C224 | 4030007130 | S.CER C1608 CH 1H 101J-T | |
| C225 | 4030006850 | S.CER C1608 JB 1H 471K-T | |
| C226 | 4030006870 | S.CER C1608 JB 1H 222K-T | |
| C227 | 4030006880 | S.CER C1608 JB 1H 472K-T | |
| C228 | 4030006860 | S.CER C1608 JB 1H 102K-T | |
| C229 | 4030009580 | S.CER C1608 JB 1H 681K-T | |
| C230 | 4030011600 | S.CER C1608 JB 1E 104K-T | |
| C241 | 4030011600 | S.CER C1608 JB 1E 104K-T | |
| C242 | 4030010760 | S.CER C1608 CH 1H 331J-T | |
| C243 | 4030007090 | S.CER C1608 CH 1H 470J-T | |
| C244 | 4030007160 | S.CER C1608 CH 1H 181J-T | |
| C245 | 4030010040 | S.CER C1608 JB 1H 561K-T | |
| C246 | 4030008470 | S.CER C1608 JB 1H 272K-T | |
| C247 | 4030010760 | S.CER C1608 CH 1H 331J-T | |
| C248 | 4030011600 | S.CER C1608 JB 1E 104K-T | |
| C261 | 4030011600 | S.CER C1608 JB 1E 104K-T | |
| C262 | 4030011280 | S.CER C1608 CH 1H 271J-T | |
| C263 | 4030007090 | S.CER C1608 CH 1H 470J-T | |
| C264 | 4030007150 | S.CER C1608 CH 1H 151J-T | |
| C265 | 4030006850 | S.CER C1608 JB 1H 471K-T | |
| C266 | 4030010020 | S.CER C1608 JB 1H 122K-T | |
| C267 | 4030007140 | S.CER C1608 CH 1H 121J-T | |
| C268 | 4030007140 | S.CER C1608 CH 1H 121J-T | |
| C269 | 4030011600 | S.CER C1608 JB 1E 104K-T | |
| C281 | 4030011600 | S.CER C1608 JB 1E 104K-T | |
| C282 | 4030007160 | S.CER C1608 CH 1H 181J-T | |
| C283 | 4030007030 | S.CER C1608 CH 1H 150J-T | |
| C284 | 4030007030 | S.CER C1608 CH 1H 150J-T | |
| C285 | 4030007130 | S.CER C1608 CH 1H 101J-T | |
| C286 | 4030007150 | S.CER C1608 CH 1H 151J-T | |
| C287 | 4030007150 | S.CER C1608 CH 1H 151J-T | |
| C288 | 4030010020 | S.CER C1608 JB 1H 122K-T | |
| C289 | 4030007150 | S.CER C1608 CH 1H 151J-T | |
| C290 | 4030011600 | S.CER C1608 JB 1E 104K-T | |
| C301 | 4030011600 | S.CER C1608 JB 1E 104K-T | |
| C302 | 4030006990 | S.CER C1608 CH 1H 080D-T | |
| C303 | 4030007160 | S.CER C1608 CH 1H 181J-T | |
| C304 | 4030007060 | S.CER C1608 CH 1H 270J-T | |
| C305 | 4030007140 | S.CER C1608 CH 1H 121J-T | |
| C306 | 4030007160 | S.CER C1608 CH 1H 181J-T | |
| C307 | 4030010020 | S.CER C1608 JB 1H 122K-T | |
| C308 | 4030007130 | S.CER C1608 CH 1H 101J-T | |
| C309 | 4030011600 | S.CER C1608 JB 1E 104K-T | |
| C321 | 4030006900 | S.CER C1608 JB 1H 103K-T | |

[MAIN UNIT] (For other than [USA-2], [OTH-2], [CHN-1])

| REF NO. | ORDER NO. | DESCRIPTION | |
|---------|------------|--------------------------|--|
| C322 | 4030007110 | S.CER C1608 CH 1H 680J-T | |
| C323 | 4030007080 | S.CER C1608 CH 1H 390J-T | |
| C324 | 4030007110 | S.CER C1608 CH 1H 680J-T | |
| C325 | 4030007010 | S.CER C1608 CH 1H 100D-T | |
| C326 | 4030007010 | S.CER C1608 CH 1H 100D-T | |
| C327 | 4030007110 | S.CER C1608 CH 1H 680J-T | |
| C328 | 4030007170 | S.CER C1608 CH 1H 221J-T | |
| C329 | 4030010240 | S.CER C1608 JB 1H 391K-T | |
| C330 | 4030007100 | S.CER C1608 CH 1H 560J-T | |
| C331 | 4030007050 | S.CER C1608 CH 1H 220J-T | |
| C332 | 4030006900 | S.CER C1608 JB 1H 103K-T | |
| C333 | 4030007070 | S.CER C1608 CH 1H 330J-T | |
| C341 | 4030006900 | S.CER C1608 JB 1H 103K-T | |
| C342 | 4030007110 | S.CER C1608 CH 1H 680J-T | |
| C344 | 4030007020 | S.CER C1608 CH 1H 120J-T | |
| C345 | 4030007080 | S.CER C1608 CH 1H 390J-T | |
| C346 | 4030006900 | S.CER C1608 JB 1H 103K-T | |
| C349 | 4030007100 | S.CER C1608 CH 1H 560J-T | |
| C350 | 4030007160 | S.CER C1608 CH 1H 181J-T | |
| C351 | 4030007090 | S.CER C1608 CH 1H 470J-T | |
| C352 | 4030006900 | S.CER C1608 JB 1H 103K-T | |
| C361 | 4030010210 | S.CER C3216 JB 1C 105M-T | |
| C371 | 4030011600 | S.CER C1608 JB 1E 104K-T | |
| C372 | 4030007010 | S.CER C1608 CH 1H 100D-T | |
| C381 | 4030011600 | S.CER C1608 JB 1E 104K-T | |
| C382 | 4030011600 | S.CER C1608 JB 1E 104K-T | |
| C383 | 4030011600 | S.CER C1608 JB 1E 104K-T | |
| C384 | 4030011600 | S.CER C1608 JB 1E 104K-T | |
| C385 | 4030011600 | S.CER C1608 JB 1E 104K-T | |
| C386 | 4030011600 | S.CER C1608 JB 1E 104K-T | |
| C391 | 4030011600 | S.CER C1608 JB 1E 104K-T | |
| C392 | 4030011600 | S.CER C1608 JB 1E 104K-T | |
| C393 | 4030011600 | S.CER C1608 JB 1E 104K-T | |
| C394 | 4030011600 | S.CER C1608 JB 1E 104K-T | |
| C395 | 4030011600 | S.CER C1608 JB 1E 104K-T | |
| C396 | 4030011600 | S.CER C1608 JB 1E 104K-T | |
| C397 | 4030011600 | S.CER C1608 JB 1E 104K-T | |
| C401 | 4030011600 | S.CER C1608 JB 1E 104K-T | |
| C411 | 4030007080 | S.CER C1608 CH 1H 390J-T | |
| C412 | 4030007130 | S.CER C1608 CH 1H 101J-T | |
| C413 | 4030011600 | S.CER C1608 JB 1E 104K-T | |
| C414 | 4030006860 | S.CER C1608 JB 1H 102K-T | |
| C415 | 4030011600 | S.CER C1608 JB 1E 104K-T | |
| C422 | 4030006970 | S.CER C1608 CH 1H 060D-T | |
| C423 | 4030007040 | S.CER C1608 CH 1H 180J-T | |
| C424 | 4030006920 | S.CER C1608 CH 1H 010C-T | |
| C425 | 4030007040 | S.CER C1608 CH 1H 180J-T | |
| C431 | 4030007070 | S.CER C1608 CH 1H 330J-T | |
| C432 | 4030007070 | S.CER C1608 CH 1H 330J-T | |
| C433 | 4030007040 | S.CER C1608 CH 1H 180J-T | |
| C434 | 4030007120 | S.CER C1608 CH 1H 820J-T | |
| C435 | 4030007040 | S.CER C1608 CH 1H 180J-T | |
| C436 | 4030007100 | S.CER C1608 CH 1H 560J-T | |
| C442 | 4030011600 | S.CER C1608 JB 1E 104K-T | |
| C443 | 4030011600 | S.CER C1608 JB 1E 104K-T | |
| C444 | 4030006990 | S.CER C1608 CH 1H 080D-T | |
| C445 | 4030006950 | S.CER C1608 CH 1H 040C-T | |
| C446 | 4030011600 | S.CER C1608 JB 1E 104K-T | |
| C447 | 4030011600 | S.CER C1608 JB 1E 104K-T | |
| C448 | 4030007130 | S.CER C1608 CH 1H 101J-T | |
| C461 | 4030006980 | S.CER C1608 CH 1H 070D-T | |
| C462 | 4030006930 | S.CER C1608 CH 1H 020C-T | |
| C471 | 4030007050 | S.CER C1608 CH 1H 220J-T | |
| C472 | 4030011600 | S.CER C1608 JB 1E 104K-T | |
| C473 | 4030006880 | S.CER C1608 JB 1H 472K-T | |
| C474 | 4030006880 | S.CER C1608 JB 1H 472K-T | |
| C475 | 4030007020 | S.CER C1608 CH 1H 120J-T | |
| C476 | 4030006880 | S.CER C1608 JB 1H 472K-T | |
| C492 | 4030007110 | S.CER C1608 CH 1H 680J-T | |
| C551 | 4030011600 | S.CER C1608 JB 1E 104K-T | |
| C552 | 4030011600 | S.CER C1608 JB 1E 104K-T | |
| C553 | 4030006880 | S.CER C1608 JB 1H 472K-T | |
| C561 | 4030011600 | S.CER C1608 JB 1E 104K-T | |
| C562 | 4030011600 | S.CER C1608 JB 1E 104K-T | |
| C563 | 4030006880 | S.CER C1608 JB 1H 472K-T | |
| C701 | 4030006930 | S.CER C1608 CH 1H 020C-T | |
| C711 | 4030006880 | S.CER C1608 JB 1H 472K-T | |
| C712 | 4030006880 | S.CER C1608 JB 1H 472K-T | |
| C721 | 4030006880 | S.CER C1608 JB 1H 472K-T | |
| C722 | 4030011600 | S.CER C1608 JB 1E 104K-T | |
| C723 | 4030006880 | S.CER C1608 JB 1H 472K-T | |
| C724 | 4030007050 | S.CER C1608 CH 1H 220J-T | |
| C725 | 4030011600 | S.CER C1608 JB 1E 104K-T | |
| C726 | 4030006880 | S.CER C1608 JB 1H 472K-T | |
| C731 | 4030006880 | S.CER C1608 JB 1H 472K-T | |
| C732 | 4030006880 | S.CER C1608 JB 1H 472K-T | |
| C733 | 4030006880 | S.CER C1608 JB 1H 472K-T | |
| C734 | 4030011600 | S.CER C1608 JB 1E 104K-T | |
| C735 | 4030006880 | S.CER C1608 JB 1H 472K-T | |
| C736 | 4030006880 | S.CER C1608 JB 1H 472K-T | |
| C737 | 4030011600 | S.CER C1608 JB 1E 104K-T | |
| C738 | 4030007150 | S.CER C1608 CH 1H 151J-T | |
| C739 | 4510009270 | S.ELE EEEHB1C220UR | |
| C740 | 4030007050 | S.CER C1608 CH 1H 220J-T | |
| C741 | 4510008520 | S.ELE EEE1CA470SP | |
| C742 | 4030011600 | S.CER C1608 JB 1E 104K-T | |
| C743 | 4510008540 | S.ELE EEE1CA100SR | |
| C761 | 4030011600 | S.CER C1608 JB 1E 104K-T | |
| C762 | 4030011600 | S.CER C1608 JB 1E 104K-T | |
| C771 | 4030011600 | S.CER C1608 JB 1E 104K-T | |

[MAIN UNIT] (For other than [USA-2], [OTH-2], [CHN-1])

| REF NO. | ORDER NO. | DESCRIPTION |
|---------|------------|--------------------------------|
| C2021 | 4030006860 | S.CER C1608 JB 1H 102K-T [USA] |
| | 4030006860 | S.CER C1608 JB 1H 102K-T [EUR] |
| | 4030006860 | S.CER C1608 JB 1H 102K-T [AUS] |
| | 4030006860 | S.CER C1608 JB 1H 102K-T [UK] |
| | 4030006860 | S.CER C1608 JB 1H 102K-T [DEN] |
| C2022 | 4030007080 | S.CER C1608 CH 1H 390J-T [SEA] |
| | 4030007080 | S.CER C1608 CH 1H 102K-T [OTH] |
| | 4030007080 | S.CER C1608 CH 1H 390J-T [USA] |
| | 4030007080 | S.CER C1608 CH 1H 390J-T [EUR] |
| | 4030007080 | S.CER C1608 CH 1H 390J-T [AUS] |
| C2023 | 4030007020 | S.CER C1608 CH 1H 120J-T [UK] |
| | 4030007020 | S.CER C1608 CH 1H 120J-T [DEN] |
| | 4030007020 | S.CER C1608 CH 1H 120J-T [SEA] |
| | 4030007020 | S.CER C1608 CH 1H 120J-T [OTH] |
| | 4030007020 | S.CER C1608 CH 1H 120J-T [USA] |
| C2024 | 4510008520 | S.ELE EEE1CA470SP [EUR] |
| | 4510008520 | S.ELE EEE1CA470SP [AUS] |
| | 4510008520 | S.ELE EEE1CA470SP [UK] |
| | 4510008520 | S.ELE EEE1CA470SP [DEN] |
| | 4510008520 | S.ELE EEE1CA470SP [SEA] |
| C2031 | 4030006860 | S.CER C1608 JB 1H 102K-T [USA] |
| | 4030006860 | S.CER C1608 JB 1H 102K-T [EUR] |
| | 4030006860 | S.CER C1608 JB 1H 102K-T [AUS] |
| | 4030006860 | S.CER C1608 JB 1H 102K-T [UK] |
| | 4030006860 | S.CER C1608 JB 1H 102K-T [DEN] |
| C2032 | 4030006860 | S.CER C1608 JB 1H 102K-T [SEA] |
| | 4030006860 | S.CER C1608 JB 1H 102K-T [OTH] |
| | 4030006860 | S.CER C1608 JB 1H 102K-T [USA] |
| | 4030006860 | S.CER C1608 JB 1H 102K-T [EUR] |
| | 4030006860 | S.CER C1608 JB 1H 102K-T [AUS] |
| C2033 | 4030006860 | S.CER C1608 JB 1H 102K-T [UK] |
| | 4030006860 | S.CER C1608 JB 1H 102K-T [DEN] |
| | 4030006860 | S.CER C1608 JB 1H 102K-T [SEA] |
| | 4030006860 | S.CER C1608 JB 1H 102K-T [OTH] |
| | 4030006860 | S.CER C1608 JB 1H 102K-T [USA] |
| C2034 | 4030006860 | S.CER C1608 JB 1H 102K-T [EUR] |
| | 4030006860 | S.CER C1608 JB 1H 102K-T [AUS] |
| | 4030006860 | S.CER C1608 JB 1H 102K-T [UK] |
| | 4030006860 | S.CER C1608 JB 1H 102K-T [DEN] |
| | 4030006860 | S.CER C1608 JB 1H 102K-T [SEA] |
| C2035 | 4030011600 | S.CER C1608 JB 1E 104K-T [OTH] |
| | 4030011600 | S.CER C1608 JB 1E 104K-T [USA] |
| | 4030011600 | S.CER C1608 JB 1E 104K-T [EUR] |
| | 4030011600 | S.CER C1608 JB 1E 104K-T [AUS] |
| | 4030011600 | S.CER C1608 JB 1E 104K-T [UK] |
| C2036 | 4030011600 | S.CER C1608 JB 1E 104K-T [DEN] |
| | 4030011600 | S.CER C1608 JB 1E 104K-T [SEA] |
| | 4030011600 | S.CER C1608 JB 1E 104K-T [OTH] |
| | 4030011600 | S.CER C1608 JB 1E 104K-T [USA] |
| | 4030011600 | S.CER C1608 JB 1E 104K-T [EUR] |
| C2037 | 4030011600 | S.CER C1608 JB 1E 104K-T [AUS] |
| | 4030011600 | S.CER C1608 JB 1E 104K-T [UK] |
| | 4030011600 | S.CER C1608 JB 1E 104K-T [DEN] |
| | 4030011600 | S.CER C1608 JB 1E 104K-T [SEA] |
| | 4030011600 | S.CER C1608 JB 1E 104K-T [OTH] |
| C2041 | 4030006860 | S.CER C1608 JB 1H 102K-T [USA] |
| | 4030006860 | S.CER C1608 JB 1H 102K-T [EUR] |
| | 4030006860 | S.CER C1608 JB 1H 102K-T [AUS] |
| | 4030006860 | S.CER C1608 JB 1H 102K-T [UK] |
| | 4030006860 | S.CER C1608 JB 1H 102K-T [DEN] |
| C2042 | 4030006860 | S.CER C1608 JB 1H 102K-T [SEA] |
| | 4030006860 | S.CER C1608 JB 1H 102K-T [OTH] |
| | 4030006860 | S.CER C1608 JB 1H 102K-T [USA] |
| | 4030006860 | S.CER C1608 JB 1H 102K-T [EUR] |
| | 4030006860 | S.CER C1608 JB 1H 102K-T [AUS] |
| C2051 | 4510008530 | S.ELE EEE1HA2R2SR [UK] |
| | 4510008530 | S.ELE EEE1HA2R2SR [DEN] |
| | 4510008530 | S.ELE EEE1HA2R2SR [SEA] |
| | 4510008530 | S.ELE EEE1HA2R2SR [OTH] |
| | 4510008530 | S.ELE EEE1HA2R2SR [USA] |
| RL121 | 6330000180 | REL MZ-12HG |
| RL141 | 6330000180 | REL MZ-12HG |

[MAIN UNIT] (For other than [USA-2], [OTH-2], [CHN-1])

| REF NO. | ORDER NO. | DESCRIPTION |
|---------|------------|-----------------------------|
| CP731 | 6910009670 | S.CHE HK3-S-T |
| J101 | 6510021460 | CON PT-C02P01 |
| J111 | 6510007020 | CON TMP-J01X-V6 |
| J411 | 6510007020 | CON TMP-J01X-V6 |
| J491 | 6510007020 | CON TMP-J01X-V6 |
| J781 | 6450001560 | CON PD-72 |
| J782 | 6450001560 | CON PD-72 |
| J783 | 6450001560 | CON PD-72 |
| J784 | 6450001560 | CON PD-72 |
| J811 | 6510007020 | CON TMP-J01X-V6 |
| J881 | 6450001560 | CON PD-72 |
| J882 | 6450001560 | CON PD-72 |
| J883 | 6450001560 | CON PD-72 |
| J884 | 6450001560 | CON PD-72 |
| J1081 | 6510007020 | CON TMP-J01X-V6 |
| J1221 | 6510018971 | S.CON B4B-PH-SM4-TB(LF)(SN) |
| J1231 | 6510019971 | S.CON 52808-1071 |
| J1271 | 6510019191 | S.CON 52365-0871 |
| J1311 | 6450001800 | CON JPJ1044-01-010 |
| J1321 | 6450000140 | CON HSJ0807-01-010 |
| J1351 | 6510023650 | CON HEC0740-010618 |
| J1501 | 6510019981 | S.CON 52808-1671(1690) |
| J1521 | 6510019981 | S.CON 52808-1671(1690) |
| J1522 | 6510021861 | CON BH-800.4GG <LTC> |
| J1541 | 6510019981 | S.CON 52808-1671(1690) |
| J1561 | 6510019981 | S.CON 52808-1671(1690) |
| J1701 | 6450000140 | CON HSJ0807-01-010 |
| J1751 | 6510021241 | CON DELC-J9SAF-23L9E |
| F1351 | 5210000051 | FUS FGB 3A PBF (FGB0 125V) |
| F1352 | 5220000230 | HOL S-N5054 #01 |
| F1353 | 5220000230 | HOL S-N5054 #01 |
| BT1521 | 3020000110 | LIT CR-2032L/BK |

M.=Mounted side (T: Mounted on the Top side, B: Mounted on the Bottom side)
S.=Surface mount

[PLL UNIT]

| REF NO. | ORDER NO. | DESCRIPTION | | | | |
|------------|------------|-------------|----------------------------|----------------------------|-------------------|--|
| WS1 | 8970023350 | CBL | RX2240 1.5D (4)/PL | [EUR] | | |
| | 8970023350 | CBL | RX2240 1.5D (4)/PL | [AUS] | | |
| | 8970023350 | CBL | RX2240 1.5D (4)/PL | [UK] | | |
| | 8970023350 | CBL | RX2240 1.5D (4)/PL | [DEN] | | |
| | 8970023350 | CBL | RX2240 1.5D (4)/PL | [SEA] | | |
| | 8970023350 | CBL | RX2240 1.5D (4)/PL | [USA-2] | | |
| | 8970023350 | CBL | RX2240 1.5D (4)/PL | [OTH-2] | | |
| | 8970023350 | CBL | RX2240 1.5D (4)/PL | [CHN-1] | | |
| IC21 | 1140007881 | S.IC | TC190G08EFG0046JDZ/SC1246A | | | |
| IC22 | 1110004460 | S.IC | UPB1509GV-E1 | | | |
| IC23 | 1130003831 | S.IC | TC7S04F(TE85R,F) | | | |
| IC151 | 1140014960 | S.IC | TC190G02EFG-0058/SC1287A | | | |
| IC201 | 1140014960 | S.IC | TC190G02EFG-0058/SC1287A | | | |
| Q1 | 1530002571 | S.TRA | 2SC4405-3-TL-E | | | |
| Q2 | 1530002571 | S.TRA | 2SC4405-3-TL-E | | | |
| Q3 | 1590000680 | S.TRA | DTC114EUA T106 | | | |
| Q4 | 1590000680 | S.TRA | DTC114EUA T106 | | | |
| Q21 | 1530003001 | S.TRA | 2SC4117-BL(TE85R,F) | | | |
| Q71 | 1560000491 | S.FET | 2SK508-T2B-A K52 | | | |
| Q72 | 1590000680 | S.TRA | DTC114EUA T106 | | | |
| Q81 | 1560000491 | S.FET | 2SK508-T2B-A K52 | | | |
| Q82 | 1590000680 | S.TRA | DTC114EUA T106 | | | |
| Q91 | 1530002571 | S.TRA | 2SC4405-3-TL-E | | | |
| Q92 | 1590001330 | S.TRA | DTA114EUA T106 | | | |
| Q93 | 1590000680 | S.TRA | DTC114EUA T106 | | | |
| Q96 | 1530003001 | S.TRA | 2SC4117-BL(TE85R,F) | | | |
| Q97 | 1530003001 | S.TRA | 2SC4117-BL(TE85R,F) | | | |
| Q151 | 1530002880 | S.TRA | 2SC4226-T1 R24 | | | |
| Q201 | 1530002880 | S.TRA | 2SC4226-T1 R24 | | | |
| D1 | 1750000520 | S.DIO | DAN222TL | | | |
| D2 | 1750000550 | S.DIO | 1SS355 TE-17 | | | |
| D71 | 1720000831 | S.VAR | KV1770STL-G | | | |
| D72 | 1790001261 | S.DIO | MA2S077G0L | | | |
| D81 | 1720000831 | S.VAR | KV1770STL-G | | | |
| D82 | 1790001261 | S.DIO | MA2S077G0L | | | |
| D83 | 1790001251 | S.DIO | MA2S1110GL | | | |
| D91 | 1790001261 | S.DIO | MA2S077G0L | | | |
| D92 | 1790001261 | S.DIO | MA2S077G0L | | | |
| D93 | 1790001641 | S.DIO | 1SS373(TPH3,F) | [USA] | | |
| | 1790001641 | S.DIO | 1SS373(TPH3,F) | [EUR] | | |
| | 1790001641 | S.DIO | 1SS373(TPH3,F) | [AUS] | | |
| | 1790001641 | S.DIO | 1SS373(TPH3,F) | [UK] | | |
| | 1790001641 | S.DIO | 1SS373(TPH3,F) | [DEN] | | |
| | 1790001641 | S.DIO | 1SS373(TPH3,F) | [SEA] | | |
| | 1790001641 | S.DIO | 1SS373(TPH3,F) | [OTH] | | |
| | 1750001460 | S.DIO | 1SS389(TPH3,F) | [USA-1] | | |
| | 1750001460 | S.DIO | 1SS389(TPH3,F) | [OTH-1] | | |
| | 1750001460 | S.DIO | 1SS389(TPH3,F) | [CHN] | | |
| | 1750001460 | S.DIO | 1SS389(TPH3,F) | [USA-2] | | |
| | 1750001460 | S.DIO | 1SS389(TPH3,F) | [OTH-2] | | |
| | 1750001460 | S.DIO | 1SS389(TPH3,F) | [CHN-1] | | |
| | D94 | 1790001641 | S.DIO | 1SS373(TPH3,F) | [USA] | |
| | | 1790001641 | S.DIO | 1SS373(TPH3,F) | [EUR] | |
| | | 1790001641 | S.DIO | 1SS373(TPH3,F) | [AUS] | |
| | | 1790001641 | S.DIO | 1SS373(TPH3,F) | [UK] | |
| 1790001641 | | S.DIO | 1SS373(TPH3,F) | [DEN] | | |
| 1790001641 | | S.DIO | 1SS373(TPH3,F) | [SEA] | | |
| 1790001641 | | S.DIO | 1SS373(TPH3,F) | [OTH] | | |
| 1750001460 | | S.DIO | 1SS389(TPH3,F) | [USA-1] | | |
| 1750001460 | | S.DIO | 1SS389(TPH3,F) | [OTH-1] | | |
| 1750001460 | | S.DIO | 1SS389(TPH3,F) | [CHN] | | |
| 1750001460 | | S.DIO | 1SS389(TPH3,F) | [USA-2] | | |
| 1750001460 | | S.DIO | 1SS389(TPH3,F) | [OTH-2] | | |
| 1750001460 | | S.DIO | 1SS389(TPH3,F) | [CHN-1] | | |
| X1 | | 6050005712 | XTA | CR-275B HC-49/U 30.000 MHz | | |
| | | L1 | 6170000231 | COI | LW-25A | |
| | | L2 | 6150004370 | COI | LS-472C (C-15045) | |
| | | L3 | 6200003950 | S.COI | HF50ACC 322513-T | |
| | L4 | 6150004250 | COI | LS-471A (C-14922) | | |
| | L5 | 6150004250 | COI | LS-471A (C-14922) | | |
| | L22 | 6200003171 | S.COI | NLV32T-330J | | |
| | L23 | 6200003181 | S.COI | NLV32T-390J | | |
| | L24 | 6200003181 | S.COI | NLV32T-390J | | |
| | L25 | 6200001831 | S.COI | NLV32T-100J | | |
| | L26 | 6200003191 | S.COI | NLV32T-470J | | |
| | L27 | 6200003191 | S.COI | NLV32T-470J | | |
| | L71 | 6170000231 | COI | LW-25A | | |
| | L72 | 6190001371 | COI | #E544GN-110254 | | |
| | L73 | 6170000231 | COI | LW-25A | | |
| | L81 | 6180003390 | COI | SP0406-1R2K-6 | [USA] | |
| | | 6180003390 | COI | SP0406-1R2K-6 | [EUR] | |
| 6180003390 | | COI | SP0406-1R2K-6 | [AUS] | | |
| 6180003390 | | COI | SP0406-1R2K-6 | [UK] | | |
| 6170000231 | | COI | LW-25A [DEN] | | | |
| 6170000231 | | COI | LW-25A [SEA] | | | |
| 6180003390 | | COI | SP0406-1R2K-6 | [OTH] | | |
| 6180003390 | | COI | SP0406-1R2K-6 | [USA-1] | | |
| 6180003390 | | COI | SP0406-1R2K-6 | [OTH-1] | | |
| 6180003390 | | COI | SP0406-1R2K-6 | [CHN] | | |
| 6180003390 | | COI | SP0406-1R2K-6 | [USA-2] | | |
| 6180003390 | | COI | SP0406-1R2K-6 | [OTH-2] | | |
| 6180003390 | | COI | SP0406-1R2K-6 | [CHN-1] | | |
| L82 | | 6190001281 | COI | #E544GN-110248 | | |

[PLL UNIT]

| REF NO. | ORDER NO. | DESCRIPTION | | | |
|------------|------------|-------------|-----------------------|-------------------|-------|
| L83 | 6180003390 | COI | SP0406-1R2K-6 | [USA] | |
| | 6180003390 | COI | SP0406-1R2K-6 | [EUR] | |
| | 6180003390 | COI | SP0406-1R2K-6 | [AUS] | |
| | 6180003390 | COI | SP0406-1R2K-6 | [UK] | |
| | 6170000231 | COI | LW-25A | [DEN] | |
| | 6170000231 | COI | LW-25A | [SEA] | |
| | 6180003390 | COI | SP0406-1R2K-6 | [OTH] | |
| | 6180003390 | COI | SP0406-1R2K-6 | [USA-1] | |
| | 6180003390 | COI | SP0406-1R2K-6 | [OTH-1] | |
| | 6180003390 | COI | SP0406-1R2K-6 | [CHN] | |
| | 6180003390 | COI | SP0406-1R2K-6 | [USA-2] | |
| | 6180003390 | COI | SP0406-1R2K-6 | [OTH-2] | |
| | 6180003390 | COI | SP0406-1R2K-6 | [CHN-1] | |
| | L91 | 6180002961 | S.COI | NLV32T-R18J | |
| | L92 | 6180002981 | S.COI | NLV32T-056J | |
| | L93 | 6180002971 | S.COI | NLV32T-068J | |
| | L94 | 6200001831 | S.COI | NLV32T-100J | |
| | L151 | 6200003131 | S.COI | NLV32T-120J | |
| | L152 | 6200003141 | S.COI | NLV32T-150J | |
| | L153 | 6200001831 | S.COI | NLV32T-100J | |
| L201 | 6200005491 | S.COI | NLV32T-331J | | |
| L202 | 6200008641 | S.COI | NLV32T-391J | | |
| L203 | 6200001831 | S.COI | NLV32T-100J | | |
| L204 | 6200003640 | S.COI | MLF1608E 100K-T | | |
| L205 | 6200003640 | S.COI | MLF1608E 100K-T | | |
| L206 | 6200004790 | S.COI | MLF1608D R47K-T | | |
| R1 | 7030003320 | S.RES | ERJ3GEYJ 101 V (100) | | |
| R2 | 7030003580 | S.RES | ERJ3GEYJ 153 V (15K) | | |
| R3 | 7030003520 | S.RES | ERJ3GEYJ 472 V (4.7K) | | |
| R4 | 7030003430 | S.RES | ERJ3GEYJ 821 V (820) | | |
| R5 | 7030003370 | S.RES | ERJ3GEYJ 271 V (270) | | |
| R6 | 7030003320 | S.RES | ERJ3GEYJ 101 V (100) | | |
| R7 | 7030003600 | S.RES | ERJ3GEYJ 223 V (22K) | | |
| R8 | 7030003560 | S.RES | ERJ3GEYJ 103 V (10K) | | |
| R9 | 7030003370 | S.RES | ERJ3GEYJ 271 V (270) | | |
| R10 | 7030003640 | S.RES | ERJ3GEYJ 473 V (47K) | | |
| R11 | 7030003320 | S.RES | ERJ3GEYJ 101 V (100) | | |
| R12 | 7030003360 | S.RES | ERJ3GEYJ 221 V (220) | | |
| R13 | 7030003200 | S.RES | ERJ3GEYJ 100 V (10) | | |
| R21 | 7030003370 | S.RES | ERJ3GEYJ 271 V (270) | | |
| R22 | 7030003560 | S.RES | ERJ3GEYJ 103 V (10K) | | |
| R23 | 7030007220 | S.RES | ERA3YED 202V (2K) | | |
| R24 | 7030007220 | S.RES | ERA3YED 202V (2K) | | |
| R25 | 7030007220 | S.RES | ERA3YED 202V (2K) | | |
| R26 | 7030007220 | S.RES | ERA3YED 202V (2K) | | |
| R27 | 7030007220 | S.RES | ERA3YED 202V (2K) | | |
| R28 | 7030007220 | S.RES | ERA3YED 202V (2K) | | |
| R29 | 7030007220 | S.RES | ERA3YED 202V (2K) | | |
| R30 | 7030007220 | S.RES | ERA3YED 202V (2K) | | |
| R31 | 7030007200 | S.RES | ERA3YEB 202V (2K) | [USA] | |
| | 7030007200 | S.RES | ERA3YEB 202V (2K) | [EUR] | |
| | 7030007200 | S.RES | ERA3YEB 202V (2K) | [AUS] | |
| | 7030007200 | S.RES | ERA3YEB 202V (2K) | [UK] | |
| | 7030007200 | S.RES | ERA3YEB 202V (2K) | [DEN] | |
| | 7030007200 | S.RES | ERA3YEB 202V (2K) | [SEA] | |
| | 7030007200 | S.RES | ERA3YEB 202V (2K) | [OTH] | |
| | 7030007200 | S.RES | ERA3YEB 202V (2K) | [USA-1] | |
| | 7030007200 | S.RES | ERA3YEB 202V (2K) | [OTH-1] | |
| | 7030007200 | S.RES | ERA3YEB 202V (2K) | [CHN] | |
| | 7030007200 | S.RES | ERA3YEB 202V (2K) | [USA-2] | |
| | 7030007200 | S.RES | ERA3YEB 202V (2K) | [OTH-2] | |
| | 7030007200 | S.RES | ERA3YEB 202V (2K) | [CHN-1] | |
| | R32 | 7030007200 | S.RES | ERA3YEB 202V (2K) | [USA] |
| | | 7030007200 | S.RES | ERA3YEB 202V (2K) | [EUR] |
| | | 7030007200 | S.RES | ERA3YEB 202V (2K) | [AUS] |
| | | 7030007200 | S.RES | ERA3YEB 202V (2K) | [UK] |
| 7030007200 | | S.RES | ERA3YEB 202V (2K) | [DEN] | |
| 7030007200 | | S.RES | ERA3YEB 202V (2K) | [SEA] | |
| 7030007200 | | S.RES | ERA3YEB 202V (2K) | [OTH] | |
| 7030007200 | | S.RES | ERA3YEB 202V (2K) | [USA-1] | |
| 7030007200 | | S.RES | ERA3YEB 202V (2K) | [OTH-1] | |
| 7030007200 | | S.RES | ERA3YEB 202V (2K) | [CHN] | |
| 7030007200 | | S.RES | ERA3YEB 202V (2K) | [USA-2] | |
| 7030007200 | | S.RES | ERA3YEB 202V (2K) | [OTH-2] | |
| 7030007200 | | S.RES | ERA3YEB 202V (2K) | [CHN-1] | |
| R33 | | 7030007200 | S.RES | ERA3YEB 202V (2K) | [USA] |
| | | 7030007200 | S.RES | ERA3YEB 202V (2K) | [EUR] |
| | | 7030007200 | S.RES | ERA3YEB 202V (2K) | [AUS] |
| | | 7030007200 | S.RES | ERA3YEB 202V (2K) | [UK] |
| | 7030007200 | S.RES | ERA3YEB 202V (2K) | [DEN] | |
| | 7030007200 | S.RES | ERA3YEB 202V (2K) | [SEA] | |
| | 7030007200 | S.RES | ERA3YEB 202V (2K) | [OTH] | |
| | 7030007200 | S.RES | ERA3YEB 202V (2K) | [USA-1] | |
| | 7030007200 | S.RES | ERA3YEB 202V (2K) | [OTH-1] | |
| | 7030007200 | S.RES | ERA3YEB 202V (2K) | [CHN] | |
| | 7030007200 | S.RES | ERA3YEB 202V (2K) | [USA-2] | |
| | 7030007200 | S.RES | ERA3YEB 202V (2K) | [OTH-2] | |
| | 7030007200 | S.RES | ERA3YEB 202V (2K) | [CHN-1] | |
| | R34 | 7030007200 | S.RES | ERA3YEB 202V (2K) | [USA] |
| | | 7030007200 | S.RES | ERA3YEB 202V (2K) | [EUR] |
| | | 7030007200 | S.RES | ERA3YEB 202V (2K) | [AUS] |
| | | 7030007200 | S.RES | ERA3YEB 202V (2K) | [UK] |
| 7030007200 | | S.RES | ERA3YEB 202V (2K) | [DEN] | |
| 7030007200 | | S.RES | ERA3YEB 202V (2K) | [SEA] | |
| 7030007200 | | S.RES | ERA3YEB 202V (2K) | [OTH] | |
| 7030007200 | | S.RES | ERA3YEB 202V (2K) | [USA-1] | |
| 7030007200 | | S.RES | ERA3YEB 202V (2K) | [OTH-1] | |
| 7030007200 | | S.RES | ERA3YEB 202V (2K) | [CHN] | |
| 7030007200 | | S.RES | ERA3YEB 202V (2K) | [USA-2] | |
| 7030007200 | | S.RES | ERA3YEB 202V (2K) | [OTH-2] | |
| 7030007200 | | S.RES | ERA3YEB 202V (2K) | [CHN-1] | |

M.=Mounted side (T: Mounted on the Top side, B: Mounted on the Bottom side)
S.=Surface mount

[PLL UNIT]

| REF NO. | ORDER NO. | DESCRIPTION |
|---------|------------|---------------------------------------|
| R216 | 7030007230 | S.RES ERA3YED 102V (1K) |
| R217 | 7030007230 | S.RES ERA3YED 102V (1K) |
| R218 | 7030007230 | S.RES ERA3YED 102V (1K) |
| R219 | 7030007230 | S.RES ERA3YED 102V (1K) |
| R220 | 7030007210 | S.RES ERA3YEB 102V (1K) |
| R221 | 7030007210 | S.RES ERA3YEB 102V (1K) |
| R222 | 7030007210 | S.RES ERA3YEB 102V (1K) |
| R228 | 7030003430 | S.RES ERJ3GEYJ 821 V (820) |
| R230 | 7030003440 | S.RES ERJ3GEYJ 102 V (1K) |
| R231 | 7030003440 | S.RES ERJ3GEYJ 102 V (1K) |
| R232 | 7030003440 | S.RES ERJ3GEYJ 102 V (1K) |
| R233 | 7030003440 | S.RES ERJ3GEYJ 102 V (1K) |
| R235 | 7030003440 | S.RES ERJ3GEYJ 102 V (1K) |
| R237 | 7030003520 | S.RES ERJ3GEYJ 472 V (4.7K) |
| W1 | 7030003860 | S.RES ERJ3GE JPW V |
| W2 | 7030003860 | S.RES ERJ3GE JPW V |
| W18 | 7030003860 | S.RES ERJ3GE JPW V |
| W19 | 7030003860 | S.RES ERJ3GE JPW V |
| W20 | 7030003860 | S.RES ERJ3GE JPW V |
| C1 | 4030008310 | S.CER C1608 UJ 1H 390J-T |
| C3 | 4030006880 | S.CER C1608 JB 1H 472K-T |
| C4 | 4030006880 | S.CER C1608 JB 1H 472K-T |
| C5 | 4030007630 | S.CER C1608 RH 1H 121J-T |
| C6 | 4030006880 | S.CER C1608 JB 1H 472K-T |
| C7 | 4030006880 | S.CER C1608 JB 1H 472K-T |
| C8 | 4030006880 | S.CER C1608 JB 1H 472K-T |
| C9 | 4030007170 | S.CER C1608 CH 1H 221J-T |
| C10 | 4030007030 | S.CER C1608 CH 1H 150J-T |
| C11 | 4030006880 | S.CER C1608 JB 1H 472K-T |
| C12 | 4030006910 | S.CER C1608 CH 1H 0R5C-T |
| C13 | 4030007030 | S.CER C1608 CH 1H 150J-T |
| C14 | 4030006880 | S.CER C1608 JB 1H 472K-T |
| C15 | 4030006880 | S.CER C1608 JB 1H 472K-T |
| C16 | 4030007610 | S.CER C1608 RH 1H 820J-T |
| C21 | 4030006880 | S.CER C1608 JB 1H 472K-T |
| C23 | 4030011600 | S.CER C1608 JB 1E 104K-T |
| C24 | 4510008500 | S.ELE EEE1CA101WP |
| C25 | 4030011600 | S.CER C1608 JB 1E 104K-T |
| C26 | 4030011600 | S.CER C1608 JB 1E 104K-T |
| C27 | 4030011600 | S.CER C1608 JB 1E 104K-T |
| C28 | 4030011600 | S.CER C1608 JB 1E 104K-T |
| C29 | 4030011600 | S.CER C1608 JB 1E 104K-T |
| C30 | 4030011600 | S.CER C1608 JB 1E 104K-T |
| C31 | 4030011600 | S.CER C1608 JB 1E 104K-T |
| C32 | 4030011600 | S.CER C1608 JB 1E 104K-T |
| C33 | 4030011600 | S.CER C1608 JB 1E 104K-T |
| C34 | 4030011600 | S.CER C1608 JB 1E 104K-T |
| C35 | 4030011600 | S.CER C1608 JB 1E 104K-T |
| C36 | 4030011600 | S.CER C1608 JB 1E 104K-T |
| C37 | 4030007070 | S.CER C1608 CH 1H 330J-T |
| C38 | 4030007010 | S.CER C1608 CH 1H 100D-T |
| C39 | 4030011540 | S.CER C1608 CH 1H 750J-T |
| C40 | 4030006980 | S.CER C1608 CH 1H 070D-T |
| C41 | 4030007120 | S.CER C1608 CH 1H 820J-T |
| C42 | 4030006930 | S.CER C1608 CH 1H 020C-T |
| C43 | 4030007100 | S.CER C1608 CH 1H 560J-T |
| C44 | 4030007010 | S.CER C1608 CH 1H 100D-T |
| C45 | 4030006860 | S.CER C1608 JB 1H 102K-T |
| C46 | 4030006860 | S.CER C1608 JB 1H 102K-T |
| C50 | 4030006880 | S.CER C1608 JB 1H 472K-T |
| C51 | 4030011600 | S.CER C1608 JB 1E 104K-T |
| C52 | 4030006880 | S.CER C1608 JB 1H 472K-T |
| C53 | 4030006880 | S.CER C1608 JB 1H 472K-T |
| C54 | 4030006880 | S.CER C1608 JB 1H 472K-T |
| C55 | 4030006880 | S.CER C1608 JB 1H 472K-T |
| C56 | 4030007110 | S.CER C1608 CH 1H 680J-T |
| C57 | 4030007090 | S.CER C1608 CH 1H 470J-T |
| C58 | 4030007100 | S.CER C1608 CH 1H 560J-T |
| C59 | 4030011840 | S.CER C1608 CH 1H 241J-T |
| C60 | 4030009580 | S.CER C1608 JB 1H 681K-T |
| C71 | 4550006250 | S.TAN TEESVA 1A 106M8R |
| C72 | 4030011600 | S.CER C1608 JB 1E 104K-T |
| C73 | 4030006850 | S.CER C1608 JB 1H 471K-T |
| C74 | 4510008540 | S.ELE EEE1CA100SR |
| C75 | 4030007140 | S.CER C1608 CH 1H 121J-T |
| C76 | 4610001830 | S.TRI TZB4S100AB10R00(TZBX4N100BA110) |
| C77 | 4030007010 | S.CER C1608 CH 1H 100D-T |
| C78 | 4030006880 | S.CER C1608 JB 1H 472K-T |
| C79 | 4030009540 | S.CER C1608 CH 1H 1R5B-T |
| C80 | 4030006880 | S.CER C1608 JB 1H 472K-T |
| C81 | 4030006880 | S.CER C1608 JB 1H 472K-T |
| C82 | 4030011600 | S.CER C1608 JB 1E 104K-T |
| C83 | 4030006850 | S.CER C1608 JB 1H 471K-T |
| C84 | 4510008540 | S.ELE EEE1CA100SR [USA] |
| | 4510008540 | S.ELE EEE1CA100SR [EUR] |
| | 4510004630 | S.ELE ECEV1CA100SR [AUS] |
| | 4510008540 | S.ELE EEE1CA100SR [UK] |
| | 4510004630 | S.ELE ECEV1CA100SR [DEN] |
| | 4510008540 | S.ELE EEE1CA100SR [SEA] |
| | 4510008540 | S.ELE EEE1CA100SR [OTH] |
| | 4510008540 | S.ELE EEE1CA100SR [USA-1] |
| | 4510008540 | S.ELE EEE1CA100SR [OTH-1] |
| | 4510008540 | S.ELE EEE1CA100SR [CHN] |
| | 4510008540 | S.ELE EEE1CA100SR [USA-2] |
| | 4510008540 | S.ELE EEE1CA100SR [OTH-2] |
| | 4510008540 | S.ELE EEE1CA100SR [CHN-1] |
| C85 | 4030006850 | S.CER C1608 JB 1H 471K-T |
| C86 | 4610001830 | S.TRI TZB4S100AB10R00(TZBX4N100BA110) |
| C87 | 4030006950 | S.CER C1608 CH 1H 040C-T |
| C88 | 4030006880 | S.CER C1608 JB 1H 472K-T |

[PLL UNIT]

| REF NO. | ORDER NO. | DESCRIPTION |
|---------|------------|--------------------------|
| C89 | 4030009510 | S.CER C1608 CH 1H 010B-T |
| C90 | 4030006880 | S.CER C1608 JB 1H 472K-T |
| C91 | 4030006880 | S.CER C1608 JB 1H 472K-T |
| C92 | 4030006880 | S.CER C1608 JB 1H 472K-T |
| C93 | 4030006880 | S.CER C1608 JB 1H 472K-T |
| C94 | 4030011600 | S.CER C1608 JB 1E 104K-T |
| C95 | 4030006880 | S.CER C1608 JB 1H 472K-T |
| C96 | 4030007080 | S.CER C1608 CH 1H 390J-T |
| C97 | 4030006990 | S.CER C1608 CH 1H 080D-T |
| C98 | 4030007090 | S.CER C1608 CH 1H 470J-T |
| C99 | 4030006930 | S.CER C1608 CH 1H 020C-T |
| C100 | 4030007080 | S.CER C1608 CH 1H 390J-T |
| C101 | 4030006880 | S.CER C1608 JB 1H 472K-T |
| C102 | 4030007020 | S.CER C1608 CH 1H 120J-T |
| C103 | 4030006970 | S.CER C1608 CH 1H 060D-T |
| C104 | 4030006880 | S.CER C1608 JB 1H 472K-T |
| C105 | 4030006880 | S.CER C1608 JB 1H 472K-T |
| C106 | 4510008500 | S.ELE EEE1CA101WP |
| C107 | 4030006880 | S.CER C1608 JB 1H 472K-T |
| C108 | 4030006880 | S.CER C1608 JB 1H 472K-T |
| C110 | 4030006880 | S.CER C1608 JB 1H 472K-T |
| C111 | 4030006880 | S.CER C1608 JB 1H 472K-T |
| C112 | 4030006880 | S.CER C1608 JB 1H 472K-T |
| C113 | 4030006880 | S.CER C1608 JB 1H 472K-T |
| C114 | 4030006880 | S.CER C1608 JB 1H 472K-T |
| C115 | 4030006880 | S.CER C1608 JB 1H 472K-T |
| C116 | 4030011600 | S.CER C1608 JB 1E 104K-T |
| C117 | 4030011600 | S.CER C1608 JB 1E 104K-T |
| C118 | 4030006880 | S.CER C1608 JB 1H 472K-T |
| C119 | 4510009270 | S.ELE EEEHB1C220UR |
| C120 | 4030006850 | S.CER C1608 JB 1H 471K-T |
| C121 | 4030011600 | S.CER C1608 JB 1E 104K-T |
| C122 | 4030011600 | S.CER C1608 JB 1E 104K-T |
| C123 | 4030011600 | S.CER C1608 JB 1E 104K-T |
| C124 | 4030011600 | S.CER C1608 JB 1E 104K-T |
| C125 | 4030007090 | S.CER C1608 CH 1H 470J-T |
| C126 | 4550006250 | S.TAN TEESVA 1A 106M8R |
| C127 | 4030011600 | S.CER C1608 JB 1E 104K-T |
| C128 | 4030011600 | S.CER C1608 JB 1E 104K-T |
| C151 | 4030006880 | S.CER C1608 JB 1H 472K-T |
| C152 | 4030007040 | S.CER C1608 CH 1H 180J-T |
| C153 | 4030006960 | S.CER C1608 CH 1H 050C-T |
| C154 | 4030007070 | S.CER C1608 CH 1H 330J-T |
| C155 | 4030006930 | S.CER C1608 CH 1H 020C-T |
| C156 | 4030007040 | S.CER C1608 CH 1H 180J-T |
| C157 | 4030006880 | S.CER C1608 JB 1H 472K-T |
| C164 | 4030006880 | S.CER C1608 JB 1H 472K-T |
| C165 | 4510008540 | S.ELE EEE1CA100SR |
| C167 | 4030011600 | S.CER C1608 JB 1E 104K-T |
| C201 | 4030006880 | S.CER C1608 JB 1H 472K-T |
| C202 | 4030006850 | S.CER C1608 JB 1H 471K-T |
| C203 | 4030007120 | S.CER C1608 CH 1H 820J-T |
| C204 | 4030009490 | S.CER C1608 JB 1H 821K-T |
| C205 | 4030007070 | S.CER C1608 CH 1H 330J-T |
| C206 | 4030010040 | S.CER C1608 JB 1H 561K-T |
| C207 | 4030006880 | S.CER C1608 JB 1H 472K-T |
| C214 | 4030006880 | S.CER C1608 JB 1H 472K-T |
| C215 | 4510008540 | S.ELE EEE1CA100SR |
| C217 | 4030011600 | S.CER C1608 JB 1E 104K-T |
| C305 | 4510008540 | S.ELE EEE1CA100SR |
| C310 | 4030007090 | S.CER C1608 CH 1H 470J-T |
| C311 | 4030007090 | S.CER C1608 CH 1H 470J-T |
| C312 | 4030007090 | S.CER C1608 CH 1H 470J-T |
| C313 | 4030007090 | S.CER C1608 CH 1H 470J-T |
| C314 | 4030007090 | S.CER C1608 CH 1H 470J-T |
| C315 | 4030007090 | S.CER C1608 CH 1H 470J-T |
| C316 | 4030006860 | S.CER C1608 JB 1H 102K-T |
| C317 | 4030006880 | S.CER C1608 JB 1H 472K-T |
| C318 | 4030006880 | S.CER C1608 JB 1H 472K-T |
| C319 | 4030006880 | S.CER C1608 JB 1H 472K-T |
| C320 | 4030006850 | S.CER C1608 JB 1H 471K-T |
| C321 | 4030006880 | S.CER C1608 JB 1H 472K-T |
| C322 | 4030006880 | S.CER C1608 JB 1H 472K-T |
| C323 | 4030006880 | S.CER C1608 JB 1H 472K-T |
| C324 | 4030006880 | S.CER C1608 JB 1H 472K-T |
| C325 | 4030007100 | S.CER C1608 CH 1H 560J-T |
| C326 | 4030006880 | S.CER C1608 JB 1H 472K-T |
| C327 | 4030006880 | S.CER C1608 JB 1H 472K-T |
| C328 | 4030009500 | S.CER C1608 CH 1H 0R5B-T |
| C329 | 4030006850 | S.CER C1608 JB 1H 471K-T |
| C330 | 4030006880 | S.CER C1608 JB 1H 472K-T |
| RL1 | 6330001320 | REL AHY103 |
| J2 | 6510019981 | S.CON 52808-1671(1690) |
| J3 | 6450000140 | CON HSJ0807-01-010 |
| J4 | 6450000140 | CON HSJ0807-01-010 |
| EP2 | 6910012350 | S.BEA MMZ1608Y 102BT |
| EP3 | 6910012350 | S.BEA MMZ1608Y 102BT |
| EP4 | 6910012350 | S.BEA MMZ1608Y 102BT |
| EP5 | 6910012350 | S.BEA MMZ1608Y 102BT |
| EP6 | 6910012350 | S.BEA MMZ1608Y 102BT |
| EP7 | 6910012350 | S.BEA MMZ1608Y 102BT |
| EP8 | 6910012350 | S.BEA MMZ1608Y 102BT |
| EP9 | 6910012350 | S.BEA MMZ1608Y 102BT |
| EP10 | 6910012350 | S.BEA MMZ1608Y 102BT |
| EP11 | 6910012350 | S.BEA MMZ1608Y 102BT |
| EP12 | 6910012350 | S.BEA MMZ1608Y 102BT |
| EP13 | 6910012350 | S.BEA MMZ1608Y 102BT |
| EP14 | 6910012350 | S.BEA MMZ1608Y 102BT |

M.=Mounted side (T: Mounted on the Top side, B: Mounted on the Bottom side)
S.=Surface mount

[DISPLAY UNIT]

| REF NO. | ORDER NO. | DESCRIPTION |
|---------|------------|------------------------------|
| IC101 | 1130013870 | S.IC NJU6445FCI-#ZZZB |
| IC102 | 1130003831 | S.IC TC7S04F(TE85R,F) |
| IC103 | 1130008511 | S.IC TC7W53FU(TE12L,F) |
| Q11 | 1530002851 | S.TRA 2SC4116-BL(TE85R,F) |
| Q21 | 1530002851 | S.TRA 2SC4116-BL(TE85R,F) |
| Q31 | 1530002851 | S.TRA 2SC4116-BL(TE85R,F) |
| Q41 | 1530002851 | S.TRA 2SC4116-BL(TE85R,F) |
| Q51 | 1530002851 | S.TRA 2SC4116-BL(TE85R,F) |
| Q61 | 1530002851 | S.TRA 2SC4116-BL(TE85R,F) |
| Q71 | 1530002851 | S.TRA 2SC4116-BL(TE85R,F) |
| Q81 | 1530002851 | S.TRA 2SC4116-BL(TE85R,F) |
| R11 | 7030000320 | S.RES MCR10EZJH 330 (331) |
| R12 | 7030000360 | S.RES ERJ3GEYJ 221 V (220) |
| R21 | 7030000320 | S.RES MCR10EZJH 330 (331) |
| R22 | 7030000360 | S.RES ERJ3GEYJ 221 V (220) |
| R31 | 7030000320 | S.RES MCR10EZJH 330 (331) |
| R32 | 7030000360 | S.RES ERJ3GEYJ 221 V (220) |
| R41 | 7030000320 | S.RES MCR10EZJH 330 (331) |
| R42 | 7030000360 | S.RES ERJ3GEYJ 221 V (220) |
| R51 | 7030000320 | S.RES MCR10EZJH 330 (331) |
| R52 | 7030000360 | S.RES ERJ3GEYJ 221 V (220) |
| R61 | 7030000320 | S.RES MCR10EZJH 330 (331) |
| R62 | 7030000360 | S.RES ERJ3GEYJ 221 V (220) |
| R71 | 7030000320 | S.RES MCR10EZJH 330 (331) |
| R72 | 7030000360 | S.RES ERJ3GEYJ 221 V (220) |
| R81 | 7030000320 | S.RES MCR10EZJH 330 (331) |
| R82 | 7030000360 | S.RES ERJ3GEYJ 221 V (220) |
| C101 | 4030008630 | S.CER C1608 JF 1H 104Z-T |
| C103 | 4030008630 | S.CER C1608 JF 1H 104Z-T |
| C104 | 4030008630 | S.CER C1608 JF 1H 104Z-T |
| C105 | 4030008630 | S.CER C1608 JF 1H 104Z-T |
| C106 | 4030008630 | S.CER C1608 JF 1H 104Z-T |
| J101 | 6510019981 | S.CON 52808-1671(1690) |
| DS11 | 5040002940 | S.LED TLYU1002A(T02) |
| DS12 | 5040002940 | S.LED TLYU1002A(T02) |
| DS13 | 5040002940 | S.LED TLYU1002A(T02) |
| DS21 | 5040002940 | S.LED TLYU1002A(T02) |
| DS22 | 5040002940 | S.LED TLYU1002A(T02) |
| DS23 | 5040002940 | S.LED TLYU1002A(T02) |
| DS31 | 5040002940 | S.LED TLYU1002A(T02) |
| DS32 | 5040002940 | S.LED TLYU1002A(T02) |
| DS33 | 5040002940 | S.LED TLYU1002A(T02) |
| DS41 | 5040002940 | S.LED TLYU1002A(T02) |
| DS42 | 5040002940 | S.LED TLYU1002A(T02) |
| DS43 | 5040002940 | S.LED TLYU1002A(T02) |
| DS51 | 5040002940 | S.LED TLYU1002A(T02) |
| DS52 | 5040002940 | S.LED TLYU1002A(T02) |
| DS53 | 5040002940 | S.LED TLYU1002A(T02) |
| DS61 | 5040002940 | S.LED TLYU1002A(T02) |
| DS62 | 5040002940 | S.LED TLYU1002A(T02) |
| DS63 | 5040002940 | S.LED TLYU1002A(T02) |
| DS71 | 5040002940 | S.LED TLYU1002A(T02) |
| DS72 | 5040002940 | S.LED TLYU1002A(T02) |
| DS73 | 5040002940 | S.LED TLYU1002A(T02) |
| DS81 | 5040002940 | S.LED TLYU1002A(T02) |
| DS82 | 5040002940 | S.LED TLYU1002A(T02) |
| DS83 | 5040002940 | S.LED TLYU1002A(T02) |
| DS101 | 5030001690 | LCD HLC7395-012400 |
| EP2 | 8930049631 | LCD SRCN-2240-SP-N-W-1 (SHJ) |

[MAIN-A UNIT] (For [USA-2], [OTH-2], [CHN-1])

| REF NO. | ORDER NO. | DESCRIPTION |
|---------|------------|---------------------------|
| WS1 | 8600036540 | CBL RX2240 P1241*J1241MA |
| IC551 | 1130011760 | S.IC CD4094BPWR |
| IC552 | 1130011760 | S.IC CD4094BPWR |
| IC561 | 1160000131 | S.IC TD62783AFG(5,S,EL) |
| IC562 | 1160000131 | S.IC TD62783AFG(5,S,EL) |
| IC731 | 1110003141 | IC LA1150N-E |
| IC811 | 1110002601 | S.IC MC1496DR2G |
| IC1001 | 1110007320 | S.IC NJM2591V-TE1-#ZZZB |
| IC1101 | 1110002601 | S.IC MC1496DR2G |
| IC1201 | 1130009100 | S.IC BU4052BCFV-E2 |
| IC1211 | 1110003870 | S.IC NJM2058M-TE1-#ZZZB |
| IC1251 | 1110003300 | S.IC M5282FP 70CD |
| IC1281 | 1130009100 | S.IC BU4052BCFV-E2 |
| IC1291 | 1110003091 | IC LA4425A-E |
| IC1361 | 1180000970 | S.IC AN78L05M-(E1) |
| IC1371 | 1180001531 | IC PQ30RV31J00H |
| IC1391 | 1180001252 | S.IC TA7808F(TE16L1,NQ) |
| IC1401 | 1180001072 | S.IC TA7805F(TE16L1,NQ) |
| IC1411 | 1110001401 | S.IC UPC1555G2-E1-A |
| IC1601 | 1130011760 | S.IC CD4094BPWR |
| IC1602 | 1130011760 | S.IC CD4094BPWR |
| IC1603 | 1160000131 | S.IC TD62783AFG(5,S,EL) |
| IC1751 | 1120002510 | S.IC DS14C232TM S |
| IC1771 | 1130005721 | S.IC TC7W04F(TE12L,F) |
| Q151 | 1590000680 | S.TRA DTC114EUA T106 |
| Q381 | 1560000721 | S.FET 2SK2171-4-TD-E |
| Q382 | 1560000721 | S.FET 2SK2171-4-TD-E |
| Q383 | 1590001960 | S.TRA XP4311(TX) |
| Q391 | 1590001960 | S.TRA XP4311(TX) |
| Q392 | 1530000371 | S.TRA 2SC3356-T1B S (R25) |
| Q411 | 1530003151 | S.TRA 2SC4673D-TD-E |
| Q441 | 1560000641 | S.FET 2SK1740-4/5-TB-E |
| Q442 | 1560000641 | S.FET 2SK1740-4/5-TB-E |
| Q471 | 1580000620 | S.FET 3SK131-T2 MAS |
| Q472 | 1590001960 | S.TRA XP4311(TX) |
| Q721 | 1580000620 | S.FET 3SK131-T2 MAS |
| Q731 | 1560000561 | S.FET 2SK882-GR(TE85L,F) |
| Q732 | 1510000510 | S.TRA 2SA1576A T106R |
| Q733 | 1530002060 | S.TRA 2SC4081 T106 R |
| Q734 | 1530002060 | S.TRA 2SC4081 T106 R |
| Q735 | 1530002060 | S.TRA 2SC4081 T106 R |
| Q736 | 1590000680 | S.TRA DTC114EUA T106 |
| Q737 | 1590001960 | S.TRA XP4311(TX) |
| Q801 | 1530002060 | S.TRA 2SC4081 T106 R |
| Q891 | 1580000620 | S.FET 3SK131-T2 MAS |
| Q911 | 1560000561 | S.FET 2SK882-GR(TE85L,F) |
| Q912 | 1530002060 | S.TRA 2SC4081 T106 R |
| Q1001 | 1560000561 | S.FET 2SK882-GR(TE85L,F) |
| Q1031 | 1530002060 | S.TRA 2SC4081 T106 R |
| Q1051 | 1530002060 | S.TRA 2SC4081 T106 R |
| Q1061 | 1590001960 | S.TRA XP4311(TX) |
| Q1063 | 1530002060 | S.TRA 2SC4081 T106 R |
| Q1064 | 1590001960 | S.TRA XP4311(TX) |
| Q1065 | 1590001960 | S.TRA XP4311(TX) |
| Q1066 | 1590001960 | S.TRA XP4311(TX) |
| Q1311 | 1530002060 | S.TRA 2SC4081 T106 R |
| Q1381 | 1540000550 | S.TRA 2SD1664 T100Q |
| Q1382 | 1590000680 | S.TRA DTC114EUA T106 |
| Q1771 | 1510000510 | S.TRA 2SA1576A T106R |
| Q1772 | 1530002060 | S.TRA 2SC4081 T106 R |
| D121 | 1790000620 | S.DIO MA77(TX) |
| D141 | 1750000461 | S.DIO 1SV246-TL-E |
| D142 | 1750000461 | S.DIO 1SV246-TL-E |
| D143 | 1790000620 | S.DIO MA77(TX) |
| D151 | 1750000971 | S.DIO CPH5513-TL-E |
| D172 | 1790000620 | S.DIO MA77(TX) |
| D181 | 1750000971 | S.DIO CPH5513-TL-E |
| D182 | 1790000620 | S.DIO MA77(TX) |
| D202 | 1790000620 | S.DIO MA77(TX) |
| D221 | 1750000971 | S.DIO CPH5513-TL-E |
| D222 | 1790000620 | S.DIO MA77(TX) |
| D242 | 1790000620 | S.DIO MA77(TX) |
| D261 | 1750000971 | S.DIO CPH5513-TL-E |
| D262 | 1790000620 | S.DIO MA77(TX) |
| D282 | 1790000620 | S.DIO MA77(TX) |
| D301 | 1750000971 | S.DIO CPH5513-TL-E |
| D302 | 1790000620 | S.DIO MA77(TX) |
| D322 | 1790000620 | S.DIO MA77(TX) |
| D341 | 1750000441 | S.DIO 1SV263-TL-E |
| D342 | 1790000620 | S.DIO MA77(TX) |
| D371 | 1790000620 | S.DIO MA77(TX) |
| D372 | 1790000620 | S.DIO MA77(TX) |
| D381 | 1790000620 | S.DIO MA77(TX) |
| D382 | 1790000620 | S.DIO MA77(TX) |
| D391 | 1790000620 | S.DIO MA77(TX) |
| D392 | 1790000620 | S.DIO MA77(TX) |
| D491 | 1750000431 | S.DIO HSB88WSTR-E |
| D711 | 1790000620 | S.DIO MA77(TX) |
| D712 | 1790000620 | S.DIO MA77(TX) |
| D713 | 1790000620 | S.DIO MA77(TX) |
| D714 | 1790000620 | S.DIO MA77(TX) |
| D731 | 1790001211 | S.DIO 1SS375-TL-E |
| D732 | 1750000550 | S.DIO 1SS355 TE-17 |
| D761 | 1790000620 | S.DIO MA77(TX) |
| D762 | 1790000620 | S.DIO MA77(TX) |
| D763 | 1790000620 | S.DIO MA77(TX) |
| D764 | 1790000620 | S.DIO MA77(TX) |
| D771 | 1790000620 | S.DIO MA77(TX) |

M.=Mounted side (T: Mounted on the Top side, B: Mounted on the Bottom side)
S.=Surface mount

[MAIN-A UNIT] (For [USA-2], [OTH-2], [CHN-1])

| REF NO. | ORDER NO. | DESCRIPTION |
|---------|------------|--------------------------------|
| D772 | 1790000620 | S.DIO MA77(TX) |
| D773 | 1790000620 | S.DIO MA77(TX) |
| D774 | 1790000620 | S.DIO MA77(TX) |
| D781 | 1790000620 | S.DIO MA77(TX) |
| D782 | 1790000620 | S.DIO MA77(TX) |
| D783 | 1790000620 | S.DIO MA77(TX) |
| D784 | 1790000620 | S.DIO MA77(TX) |
| D831 | 1750000301 | S.DIO 1SS302(TE85R,F) |
| D851 | 1790000620 | S.DIO MA77(TX) |
| D852 | 1790000620 | S.DIO MA77(TX) |
| D861 | 1790000620 | S.DIO MA77(TX) |
| D862 | 1790000620 | S.DIO MA77(TX) |
| D871 | 1790000620 | S.DIO MA77(TX) |
| D872 | 1790000620 | S.DIO MA77(TX) |
| D881 | 1790000620 | S.DIO MA77(TX) |
| D882 | 1790000620 | S.DIO MA77(TX) |
| D1041 | 1790001211 | S.DIO 1SS375-TL-E |
| D1051 | 1790001211 | S.DIO 1SS375-TL-E |
| D1061 | 1790001211 | S.DIO 1SS375-TL-E |
| D1311 | 1750000550 | S.DIO 1SS355 TE-17 |
| D1351 | 1790000700 | DIO DSA3A1 |
| D1371 | 1750000550 | S.DIO 1SS355 TE-17 |
| D1381 | 1750000301 | S.DIO 1SS302(TE85R,F) |
| D1412 | 1750000301 | S.DIO 1SS302(TE85R,F) |
| D1413 | 1730002321 | S.ZEN MAZ8051GML |
| D1771 | 1750000550 | S.DIO 1SS355 TE-17 |
| FI461 | 2010002090 | FIL UM-5 69.0115 MHz (FL-261) |
| FI701 | 2010000270 | FIL 9M15A (FL-23) |
| FI761 | 2010002130 | D.F 9M22D4 9.0115 MHz (FL-272) |
| FI851 | 2020000210 | CER CFJ455K5 (FL-65) |
| FI861 | 2020002510 | CER LTW450HT <JJE> |
| FI871 | 2020002250 | CER LT450EW <JJE> |
| X1001 | 6070000300 | S.DIS JTBM450CX24 <JJE> |
| L101 | 6140002070 | COI LR-233 |
| L131 | 6200003431 | S.COI NLV32T-R10J |
| L132 | 6200003421 | S.COI NLV32T-R15J |
| L151 | 6200005491 | S.COI NLV32T-331J |
| L161 | 6200005491 | S.COI NLV32T-331J |
| L162 | 6180003550 | COI SP0406-4R7K-6 |
| L163 | 6180003560 | COI SP0406-5R6K-6 |
| L171 | 6200005491 | S.COI NLV32T-331J |
| L172 | 6200002961 | S.COI NLV32T-4R7J |
| L173 | 6200003111 | S.COI NLV32T-6R8J |
| L181 | 6200005491 | S.COI NLV32T-331J |
| L182 | 6200003091 | S.COI NLV32T-2R7J |
| L183 | 6200003101 | S.COI NLV32T-3R9J |
| L184 | 6200005491 | S.COI NLV32T-331J |
| L201 | 6200005491 | S.COI NLV32T-331J |
| L202 | 6200002991 | S.COI NLV32T-2R2J |
| L203 | 6200002991 | S.COI NLV32T-2R2J |
| L204 | 6200003321 | S.COI NLV32T-3R3J |
| L205 | 6200002961 | S.COI NLV32T-4R7J |
| L221 | 6200003241 | S.COI NLV32T-221J |
| L222 | 6200003081 | S.COI NLV32T-1R8J |
| L223 | 6200003061 | S.COI NLV32T-1R2J |
| L224 | 6200003071 | S.COI NLV32T-1R5J |
| L225 | 6200003071 | S.COI NLV32T-1R5J |
| L241 | 6200003241 | S.COI NLV32T-221J |
| L242 | 6200003061 | S.COI NLV32T-1R2J |
| L243 | 6200003331 | S.COI NLV32T-1R0J |
| L244 | 6200003331 | S.COI NLV32T-1R0J |
| L245 | 6200003081 | S.COI NLV32T-1R8J |
| L261 | 6200003241 | S.COI NLV32T-221J |
| L262 | 6200003251 | S.COI NLV32T-R39J |
| L263 | 6200002981 | S.COI NLV32T-R56J |
| L264 | 6200003041 | S.COI NLV32T-R68J |
| L265 | 6200003331 | S.COI NLV32T-1R0J |
| L281 | 6200001831 | S.COI NLV32T-100J |
| L282 | 6200003021 | S.COI NLV32T-R33J |
| L283 | 6200003251 | S.COI NLV32T-R39J |
| L284 | 6200003031 | S.COI NLV32T-R47J |
| L285 | 6200003031 | S.COI NLV32T-R47J |
| L301 | 6200001831 | S.COI NLV32T-100J |
| L302 | 6200003021 | S.COI NLV32T-R33J |
| L303 | 6200003011 | S.COI NLV32T-R27J |
| L304 | 6200003021 | S.COI NLV32T-R33J |
| L305 | 6200003031 | S.COI NLV32T-R47J |
| L321 | 6200001831 | S.COI NLV32T-100J |
| L322 | 6200003001 | S.COI NLV32T-R22J |
| L323 | 6200003421 | S.COI NLV32T-R15J |
| L324 | 6180002961 | S.COI NLV32T-R18J |
| L325 | 6200003001 | S.COI NLV32T-R22J |
| L326 | 6200003001 | S.COI NLV32T-R22J |
| L341 | 6200001831 | S.COI NLV32T-100J |
| L342 | 6200001471 | S.COI NLV32T-R12J |
| L343 | 6200003421 | S.COI NLV32T-R15J |
| L345 | 6200003421 | S.COI NLV32T-R15J |
| L346 | 6200001471 | S.COI NLV32T-R12J |
| L361 | 6200005491 | S.COI NLV32T-331J |
| L362 | 6200005491 | S.COI NLV32T-331J |
| L371 | 6200003241 | S.COI NLV32T-221J |
| L381 | 6140000640 | COI LR-86 |
| L382 | 6200003071 | S.COI NLV32T-1R5J |
| L383 | 6140003530 | COI LR-395 |
| L384 | 6200005491 | S.COI NLV32T-331J |
| L385 | 6170000291 | COI LW-30-LF |
| L391 | 6200003241 | S.COI NLV32T-221J |
| L392 | 6140004760 | S.COI LR-536 4KBL-S090150 |

[MAIN-A UNIT] (For [USA-2], [OTH-2], [CHN-1])

| REF NO. | ORDER NO. | DESCRIPTION |
|---------|------------|-----------------------------|
| L393 | 6140004760 | S.COI LR-536 4KBL-S090150 |
| L394 | 6180003760 | COI SP0406-102J-PF |
| L395 | 6200002041 | S.COI NLV25T-101J |
| L396 | 6200003241 | S.COI NLV32T-221J |
| L401 | 6200005491 | S.COI NLV32T-331J |
| L411 | 6200003001 | S.COI NLV32T-R22J |
| L412 | 6200003021 | S.COI NLV32T-R33J |
| L413 | 6200001831 | S.COI NLV32T-100J |
| L421 | 6200003431 | S.COI NLV32T-R10J |
| L422 | 6200003421 | S.COI NLV32T-R15J |
| L431 | 6200003431 | S.COI NLV32T-R10J |
| L432 | 6200003421 | S.COI NLV32T-R15J |
| L441 | 6140003530 | COI LR-395 |
| L442 | 6200003431 | S.COI NLV32T-R10J |
| L443 | 6150004270 | COI LS-483A (C-14924) |
| L444 | 6200001831 | S.COI NLV32T-100J |
| L461 | 6150004270 | COI LS-483A (C-14924) |
| L462 | 6150004270 | COI LS-483A (C-14924) |
| L471 | 6150004280 | COI LS-484B (C-14927) |
| L491 | 6140002810 | S.COI LR-317 |
| L492 | 6140002810 | S.COI LR-317 |
| L701 | 6150000711 | COI LS-452 |
| L711 | 6150000711 | COI LS-452 |
| L712 | 6150000711 | COI LS-452 |
| L721 | 6200001831 | S.COI NLV32T-100J |
| L731 | 6150004050 | COI LS-466 |
| L732 | 6150004050 | COI LS-466 |
| L733 | 6200003241 | S.COI NLV32T-221J |
| L891 | 6150002291 | COI LS-450 |
| L892 | 6150002291 | COI LS-450 |
| L911 | 6150002291 | COI LS-450 |
| L1001 | 6200003241 | S.COI NLV32T-221J |
| L1291 | 6180003640 | COI SZW1012T-142-0.3 |
| L1311 | 6200003241 | S.COI NLV32T-221J |
| L1411 | 6200003241 | S.COI NLV32T-221J |
| L1412 | 6200005491 | S.COI NLV32T-331J |
| L1771 | 6200003241 | S.COI NLV32T-221J |
| R101 | 7030003640 | S.RES ERJ3GEYJ 473 V (47K) |
| R102 | 7540000090 | ABS DSP-201M-S00B |
| R111 | 7030003640 | S.RES ERJ3GEYJ 473 V (47K) |
| R112 | 7540000090 | ABS DSP-201M-S00B |
| R121 | 7030003360 | S.RES ERJ3GEYJ 221 V (220) |
| R141 | 7030003480 | S.RES ERJ3GEYJ 222 V (2.2K) |
| R142 | 7030003400 | S.RES ERJ3GEYJ 471 V (470) |
| R143 | 7030003380 | S.RES ERJ3GEYJ 331 V (330) |
| R144 | 7030003300 | S.RES ERJ3GEYJ 680 V (68) |
| R145 | 7030003360 | S.RES ERJ3GEYJ 221 V (220) |
| R151 | 7030006260 | S.RES ERJ12YJ471U (470) |
| R152 | 7030003560 | S.RES ERJ3GEYJ 103 V (10K) |
| R171 | 7030003370 | S.RES ERJ3GEYJ 271 V (270) |
| R172 | 7030003230 | S.RES ERJ3GEYJ 180 V (180) |
| R173 | 7030003370 | S.RES ERJ3GEYJ 271 V (270) |
| R174 | 7030003200 | S.RES ERJ3GEYJ 100 V (10) |
| R181 | 7030003320 | S.RES ERJ3GEYJ 101 V (100) |
| R201 | 7030003320 | S.RES ERJ3GEYJ 101 V (100) |
| R221 | 7030003320 | S.RES ERJ3GEYJ 101 V (100) |
| R241 | 7030003320 | S.RES ERJ3GEYJ 101 V (100) |
| R261 | 7030003320 | S.RES ERJ3GEYJ 101 V (100) |
| R281 | 7030003320 | S.RES ERJ3GEYJ 101 V (100) |
| R301 | 7030003320 | S.RES ERJ3GEYJ 101 V (100) |
| R321 | 7030003320 | S.RES ERJ3GEYJ 101 V (100) |
| R341 | 7030003320 | S.RES ERJ3GEYJ 101 V (100) |
| R361 | 7030006260 | S.RES ERJ12YJ471U (470) |
| R362 | 7030006260 | S.RES ERJ12YJ471U (470) |
| R371 | 7030003320 | S.RES ERJ3GEYJ 101 V (100) |
| R372 | 7030003320 | S.RES ERJ3GEYJ 101 V (100) |
| R381 | 7030003320 | S.RES ERJ3GEYJ 101 V (100) |
| R382 | 7030003280 | S.RES ERJ3GEYJ 470 V (47) |
| R383 | 7030003280 | S.RES ERJ3GEYJ 470 V (47) |
| R384 | 7030003320 | S.RES ERJ3GEYJ 101 V (100) |
| R385 | 7030003320 | S.RES ERJ3GEYJ 101 V (100) |
| R386 | 7030003320 | S.RES ERJ3GEYJ 101 V (100) |
| R391 | 7030003320 | S.RES ERJ3GEYJ 101 V (100) |
| R392 | 7030003490 | S.RES ERJ3GEYJ 272 V (2.7K) |
| R393 | 7030003460 | S.RES ERJ3GEYJ 152 V (1.5K) |
| R394 | 7030003280 | S.RES ERJ3GEYJ 470 V (47) |
| R395 | 7030003320 | S.RES ERJ3GEYJ 101 V (100) |
| R396 | 7030003280 | S.RES ERJ3GEYJ 470 V (47) |
| R401 | 7030006260 | S.RES ERJ12YJ471U (470) |
| R411 | 7030003300 | S.RES ERJ3GEYJ 680 V (68) |
| R412 | 7030003520 | S.RES ERJ3GEYJ 472 V (4.7K) |
| R413 | 7030003410 | S.RES ERJ3GEYJ 561 V (560) |
| R414 | 7030003200 | S.RES ERJ3GEYJ 100 V (10) |
| R415 | 7030003280 | S.RES ERJ3GEYJ 470 V (47) |
| R419 | 7030000010 | S.RES MCR10EZHJ JPV (000) |
| R442 | 7030003410 | S.RES ERJ3GEYJ 561 V (560) |
| R443 | 7030003410 | S.RES ERJ3GEYJ 561 V (560) |
| R444 | 7310005580 | S.TRI TMC3ADCS3X (4.7K) |
| R445 | 7030003280 | S.RES ERJ3GEYJ 470 V (47) |
| R446 | 7030003560 | S.RES ERJ3GEYJ 103 V (10K) |
| R447 | 7030003280 | S.RES ERJ3GEYJ 470 V (47) |
| R448 | 7030003400 | S.RES ERJ3GEYJ 471 V (470) |
| R449 | 7030003320 | S.RES ERJ3GEYJ 101 V (100) |
| R471 | 7030003760 | S.RES ERJ3GEYJ 474 V (470K) |
| R472 | 7030003280 | S.RES ERJ3GEYJ 470 V (47) |
| R473 | 7030003200 | S.RES ERJ3GEYJ 100 V (10) |
| R474 | 7030003520 | S.RES ERJ3GEYJ 472 V (4.7K) |
| R475 | 7030003580 | S.RES ERJ3GEYJ 153 V (15K) |
| R476 | 7030003480 | S.RES ERJ3GEYJ 222 V (2.2K) |
| R477 | 7030003340 | S.RES ERJ3GEYJ 151 V (150) |
| R478 | 7030003480 | S.RES ERJ3GEYJ 222 V (2.2K) |
| R479 | 7030003280 | S.RES ERJ3GEYJ 470 V (47) |

M.=Mounted side (T: Mounted on the Top side, B: Mounted on the Bottom side)
S.=Surface mount

[MAIN-A UNIT] (For [USA-2], [OTH-2], [CHN-1])

| REF NO. | ORDER NO. | DESCRIPTION |
|---------|------------|-----------------------------|
| R480 | 7030000010 | S.RES MCR10EZHZ JPW (000) |
| R491 | 7030003370 | S.RES ERJ3GEYJ 271 V (270) |
| R492 | 7030003230 | S.RES ERJ3GEYJ 180 V (18) |
| R493 | 7030003370 | S.RES ERJ3GEYJ 271 V (270) |
| R563 | 7030003640 | S.RES ERJ3GEYJ 473 V (47K) |
| R564 | 7030003640 | S.RES ERJ3GEYJ 473 V (47K) |
| R565 | 7030003640 | S.RES ERJ3GEYJ 473 V (47K) |
| R566 | 7030003640 | S.RES ERJ3GEYJ 473 V (47K) |
| R567 | 7030003640 | S.RES ERJ3GEYJ 473 V (47K) |
| R568 | 7030003640 | S.RES ERJ3GEYJ 473 V (47K) |
| R569 | 7030003640 | S.RES ERJ3GEYJ 473 V (47K) |
| R570 | 7030003640 | S.RES ERJ3GEYJ 473 V (47K) |
| R571 | 7030003200 | S.RES ERJ3GEYJ 100 V (10) |
| R572 | 7030003200 | S.RES ERJ3GEYJ 100 V (10) |
| R573 | 7030003200 | S.RES ERJ3GEYJ 100 V (10) |
| R574 | 7030003200 | S.RES ERJ3GEYJ 100 V (10) |
| R575 | 7030003200 | S.RES ERJ3GEYJ 100 V (10) |
| R576 | 7030003200 | S.RES ERJ3GEYJ 100 V (10) |
| R577 | 7030003200 | S.RES ERJ3GEYJ 100 V (10) |
| R578 | 7030003200 | S.RES ERJ3GEYJ 100 V (10) |
| R579 | 7030003640 | S.RES ERJ3GEYJ 473 V (47K) |
| R580 | 7030003640 | S.RES ERJ3GEYJ 473 V (47K) |
| R583 | 7030003640 | S.RES ERJ3GEYJ 473 V (47K) |
| R587 | 7030003200 | S.RES ERJ3GEYJ 100 V (10) |
| R588 | 7030003200 | S.RES ERJ3GEYJ 100 V (10) |
| R589 | 7030003200 | S.RES ERJ3GEYJ 100 V (10) |
| R590 | 7030003200 | S.RES ERJ3GEYJ 100 V (10) |
| R591 | 7030003200 | S.RES ERJ3GEYJ 100 V (10) |
| R592 | 7030003200 | S.RES ERJ3GEYJ 100 V (10) |
| R593 | 7030003200 | S.RES ERJ3GEYJ 100 V (10) |
| R711 | 7030003480 | S.RES ERJ3GEYJ 222 V (2.2K) |
| R712 | 7030003480 | S.RES ERJ3GEYJ 222 V (2.2K) |
| R713 | 7030003360 | S.RES ERJ3GEYJ 221 V (220) |
| R721 | 7030003520 | S.RES ERJ3GEYJ 472 V (4.7K) |
| R722 | 7030003610 | S.RES ERJ3GEYJ 273 V (27K) |
| R723 | 7030003760 | S.RES ERJ3GEYJ 474 V (470K) |
| R724 | 7030003340 | S.RES ERJ3GEYJ 151 V (150) |
| R725 | 7030003320 | S.RES ERJ3GEYJ 101 V (100) |
| R731 | 7030003680 | S.RES ERJ3GEYJ 104 V (100K) |
| R732 | 7030003520 | S.RES ERJ3GEYJ 472 V (4.7K) |
| R733 | 7030003320 | S.RES ERJ3GEYJ 101 V (100) |
| R734 | 7030003320 | S.RES ERJ3GEYJ 101 V (100) |
| R735 | 7030003600 | S.RES ERJ3GEYJ 223 V (22K) |
| R736 | 7310005540 | S.TRI TMC3ADC14X (10K) |
| R737 | 7030003640 | S.RES ERJ3GEYJ 473 V (47K) |
| R738 | 7030003640 | S.RES ERJ3GEYJ 473 V (47K) |
| R739 | 7030003640 | S.RES ERJ3GEYJ 473 V (47K) |
| R740 | 7030003440 | S.RES ERJ3GEYJ 102 V (1K) |
| R741 | 7030003520 | S.RES ERJ3GEYJ 472 V (4.7K) |
| R742 | 7030003320 | S.RES ERJ3GEYJ 101 V (100) |
| R743 | 7030003640 | S.RES ERJ3GEYJ 473 V (47K) |
| R744 | 7030003520 | S.RES ERJ3GEYJ 472 V (4.7K) |
| R745 | 7030003680 | S.RES ERJ3GEYJ 104 V (100K) |
| R746 | 7030003540 | S.RES ERJ3GEYJ 682 V (6.8K) |
| R747 | 7030003440 | S.RES ERJ3GEYJ 102 V (1K) |
| R748 | 7030003400 | S.RES ERJ3GEYJ 471 V (470) |
| R749 | 7030003600 | S.RES ERJ3GEYJ 223 V (22K) |
| R750 | 7030003440 | S.RES ERJ3GEYJ 102 V (1K) |
| R751 | 7030003280 | S.RES ERJ3GEYJ 470 V (47) |
| R761 | 7030003480 | S.RES ERJ3GEYJ 222 V (2.2K) |
| R762 | 7030003360 | S.RES ERJ3GEYJ 221 V (220) |
| R763 | 7030003360 | S.RES ERJ3GEYJ 221 V (220) |
| R764 | 7030003480 | S.RES ERJ3GEYJ 222 V (2.2K) |
| R765 | 7030003560 | S.RES ERJ3GEYJ 103 V (10K) |
| R771 | 7030003480 | S.RES ERJ3GEYJ 222 V (2.2K) |
| R772 | 7030003360 | S.RES ERJ3GEYJ 221 V (220) |
| R773 | 7030003360 | S.RES ERJ3GEYJ 221 V (220) |
| R774 | 7030003480 | S.RES ERJ3GEYJ 222 V (2.2K) |
| R775 | 7030003560 | S.RES ERJ3GEYJ 103 V (10K) |
| R781 | 7030003480 | S.RES ERJ3GEYJ 222 V (2.2K) |
| R782 | 7030003360 | S.RES ERJ3GEYJ 221 V (220) |
| R783 | 7030003360 | S.RES ERJ3GEYJ 221 V (220) |
| R784 | 7030003480 | S.RES ERJ3GEYJ 222 V (2.2K) |
| R785 | 7030003560 | S.RES ERJ3GEYJ 103 V (10K) |
| R791 | 7030003480 | S.RES ERJ3GEYJ 222 V (2.2K) |
| R792 | 7030003520 | S.RES ERJ3GEYJ 472 V (4.7K) |
| R793 | 7030003480 | S.RES ERJ3GEYJ 222 V (2.2K) |
| R794 | 7030003480 | S.RES ERJ3GEYJ 222 V (2.2K) |
| R795 | 7030003520 | S.RES ERJ3GEYJ 472 V (4.7K) |
| R796 | 7030003480 | S.RES ERJ3GEYJ 222 V (2.2K) |
| R801 | 7030003440 | S.RES ERJ3GEYJ 102 V (1K) |
| R802 | 7030003320 | S.RES ERJ3GEYJ 101 V (100) |
| R811 | 7030003460 | S.RES ERJ3GEYJ 152 V (1.5K) |
| R812 | 7030003400 | S.RES ERJ3GEYJ 471 V (470) |
| R813 | 7030003400 | S.RES ERJ3GEYJ 471 V (470) |
| R814 | 7030003500 | S.RES ERJ3GEYJ 332 V (3.3K) |
| R815 | 7030003500 | S.RES ERJ3GEYJ 332 V (3.3K) |
| R816 | 7030003490 | S.RES ERJ3GEYJ 272 V (2.7K) |
| R817 | 7030003490 | S.RES ERJ3GEYJ 272 V (2.7K) |
| R818 | 7030003490 | S.RES ERJ3GEYJ 272 V (2.7K) |
| R819 | 7030003440 | S.RES ERJ3GEYJ 102 V (1K) |
| R820 | 7030003440 | S.RES ERJ3GEYJ 102 V (1K) |
| R821 | 7030003500 | S.RES ERJ3GEYJ 332 V (3.3K) |
| R822 | 7030003200 | S.RES ERJ3GEYJ 100 V (10) |
| R823 | 7030003200 | S.RES ERJ3GEYJ 100 V (10) |
| R824 | 7030003360 | S.RES ERJ3GEYJ 221 V (220) |
| R825 | 7510001480 | S.THE NTCG10 3NH 681JT |
| R831 | 7030004710 | S.RES ERJ3GEYJ 475 V (4.7M) |
| R832 | 7030004710 | S.RES ERJ3GEYJ 475 V (4.7M) |
| R833 | 7030004710 | S.RES ERJ3GEYJ 475 V (4.7M) |
| R834 | 7030004710 | S.RES ERJ3GEYJ 475 V (4.7M) |
| R835 | 7030003820 | S.RES ERJ3GEYJ 155 V (1.5M) |
| R836 | 7030003520 | S.RES ERJ3GEYJ 472 V (4.7K) |
| R841 | 7030003560 | S.RES ERJ3GEYJ 103 V (10K) |

[MAIN-A UNIT] (For [USA-2], [OTH-2], [CHN-1])

| REF NO. | ORDER NO. | DESCRIPTION |
|---------|------------|-----------------------------|
| R851 | 7030003560 | S.RES ERJ3GEYJ 103 V (10K) |
| R852 | 7030003360 | S.RES ERJ3GEYJ 221 V (220) |
| R853 | 7030003360 | S.RES ERJ3GEYJ 221 V (220) |
| R854 | 7030003560 | S.RES ERJ3GEYJ 103 V (10K) |
| R855 | 7030003560 | S.RES ERJ3GEYJ 103 V (10K) |
| R861 | 7030003560 | S.RES ERJ3GEYJ 103 V (10K) |
| R862 | 7030003360 | S.RES ERJ3GEYJ 221 V (220) |
| R863 | 7030003360 | S.RES ERJ3GEYJ 221 V (220) |
| R864 | 7030003560 | S.RES ERJ3GEYJ 103 V (10K) |
| R865 | 7030003560 | S.RES ERJ3GEYJ 103 V (10K) |
| R871 | 7030003510 | S.RES ERJ3GEYJ 392 V (3.9K) |
| R872 | 7030003360 | S.RES ERJ3GEYJ 221 V (220) |
| R873 | 7030003360 | S.RES ERJ3GEYJ 221 V (220) |
| R874 | 7030003510 | S.RES ERJ3GEYJ 392 V (3.9K) |
| R875 | 7030003560 | S.RES ERJ3GEYJ 103 V (10K) |
| R881 | 7030003510 | S.RES ERJ3GEYJ 392 V (3.9K) |
| R882 | 7030003360 | S.RES ERJ3GEYJ 221 V (220) |
| R883 | 7030003360 | S.RES ERJ3GEYJ 221 V (220) |
| R884 | 7030003510 | S.RES ERJ3GEYJ 392 V (3.9K) |
| R885 | 7030003560 | S.RES ERJ3GEYJ 103 V (10K) |
| R891 | 7030003560 | S.RES ERJ3GEYJ 103 V (10K) |
| R892 | 7030003320 | S.RES ERJ3GEYJ 101 V (100) |
| R893 | 7030003480 | S.RES ERJ3GEYJ 222 V (2.2K) |
| R894 | 7030003600 | S.RES ERJ3GEYJ 223 V (22K) |
| R895 | 7030003380 | S.RES ERJ3GEYJ 331 V (330) |
| R896 | 7030003500 | S.RES ERJ3GEYJ 332 V (3.3K) |
| R897 | 7030003320 | S.RES ERJ3GEYJ 101 V (100) |
| R898 | 7310005540 | S.TRI TMC3ADC14X (10K) |
| R911 | 7030003320 | S.RES ERJ3GEYJ 101 V (100) |
| R912 | 7030003480 | S.RES ERJ3GEYJ 222 V (2.2K) |
| R913 | 7030003320 | S.RES ERJ3GEYJ 101 V (100) |
| R914 | 7030003560 | S.RES ERJ3GEYJ 103 V (10K) |
| R915 | 7030003560 | S.RES ERJ3GEYJ 103 V (10K) |
| R1001 | 7030003520 | S.RES ERJ3GEYJ 472 V (4.7K) |
| R1002 | 7030003320 | S.RES ERJ3GEYJ 101 V (100) |
| R1003 | 7030003700 | S.RES ERJ3GEYJ 154 V (150K) |
| R1004 | 7030003500 | S.RES ERJ3GEYJ 332 V (3.3K) |
| R1005 | 7030003720 | S.RES ERJ3GEYJ 224 V (220K) |
| R1006 | 7030003440 | S.RES ERJ3GEYJ 102 V (1K) |
| R1007 | 7030003360 | S.RES ERJ3GEYJ 221 V (220) |
| R1008 | 7030003720 | S.RES ERJ3GEYJ 224 V (220K) |
| R1009 | 7030003780 | S.RES ERJ3GEYJ 684 V (680K) |
| R1021 | 7030003560 | S.RES ERJ3GEYJ 103 V (10K) |
| R1022 | 7030003630 | S.RES ERJ3GEYJ 393 V (39K) |
| R1023 | 7030003630 | S.RES ERJ3GEYJ 393 V (39K) |
| R1024 | 7030003640 | S.RES ERJ3GEYJ 473 V (47K) |
| R1025 | 7030003670 | S.RES ERJ3GEYJ 823 V (82K) |
| R1026 | 7030003640 | S.RES ERJ3GEYJ 473 V (47K) |
| R1031 | 7030003360 | S.RES ERJ3GEYJ 221 V (220) |
| R1032 | 7030003720 | S.RES ERJ3GEYJ 224 V (220K) |
| R1033 | 7030003440 | S.RES ERJ3GEYJ 102 V (1K) |
| R1041 | 7030003440 | S.RES ERJ3GEYJ 102 V (1K) |
| R1042 | 7030003680 | S.RES ERJ3GEYJ 104 V (100K) |
| R1043 | 7030003440 | S.RES ERJ3GEYJ 102 V (1K) |
| R1044 | 7030003660 | S.RES ERJ3GEYJ 683 V (68K) |
| R1045 | 7030003640 | S.RES ERJ3GEYJ 473 V (47K) |
| R1051 | 7030003490 | S.RES ERJ3GEYJ 272 V (2.7K) |
| R1052 | 7030003520 | S.RES ERJ3GEYJ 472 V (4.7K) |
| R1053 | 7030003400 | S.RES ERJ3GEYJ 471 V (470) |
| R1061 | 7030003680 | S.RES ERJ3GEYJ 104 V (100K) |
| R1062 | 7030003600 | S.RES ERJ3GEYJ 223 V (22K) |
| R1063 | 7030003440 | S.RES ERJ3GEYJ 102 V (1K) |
| R1064 | 7030003780 | S.RES ERJ3GEYJ 684 V (680K) |
| R1065 | 7030003520 | S.RES ERJ3GEYJ 472 V (4.7K) |
| R1066 | 7030003600 | S.RES ERJ3GEYJ 223 V (22K) |
| R1067 | 7030003740 | S.RES ERJ3GEYJ 334 V (330K) |
| R1068 | 7030003560 | S.RES ERJ3GEYJ 103 V (10K) |
| R1081 | 7030003360 | S.RES ERJ3GEYJ 221 V (220) |
| R1082 | 7030003440 | S.RES ERJ3GEYJ 102 V (1K) |
| R1084 | 7030003640 | S.RES ERJ3GEYJ 473 V (47K) |
| R1101 | 7030003440 | S.RES ERJ3GEYJ 102 V (1K) |
| R1102 | 7030003460 | S.RES ERJ3GEYJ 152 V (1.5K) |
| R1103 | 7030003440 | S.RES ERJ3GEYJ 102 V (1K) |
| R1104 | 7030003500 | S.RES ERJ3GEYJ 332 V (3.3K) |
| R1105 | 7030003480 | S.RES ERJ3GEYJ 222 V (2.2K) |
| R1106 | 7030003200 | S.RES ERJ3GEYJ 100 V (10) |
| R1107 | 7030003460 | S.RES ERJ3GEYJ 152 V (1.5K) |
| R1108 | 7030003440 | S.RES ERJ3GEYJ 102 V (1K) |
| R1109 | 7030003440 | S.RES ERJ3GEYJ 102 V (1K) |
| R1110 | 7030003480 | S.RES ERJ3GEYJ 222 V (2.2K) |
| R1111 | 7030003200 | S.RES ERJ3GEYJ 100 V (10) |
| R1201 | 7030003660 | S.RES ERJ3GEYJ 683 V (68K) |
| R1202 | 7030003480 | S.RES ERJ3GEYJ 222 V (2.2K) |
| R1203 | 7030003670 | S.RES ERJ3GEYJ 823 V (82K) |
| R1211 | 7030003400 | S.RES ERJ3GEYJ 473 V (47K) |
| R1212 | 7030003630 | S.RES ERJ3GEYJ 393 V (39K) |
| R1213 | 7030003630 | S.RES ERJ3GEYJ 393 V (39K) |
| R1214 | 7030003630 | S.RES ERJ3GEYJ 393 V (39K) |
| R1215 | 7030003630 | S.RES ERJ3GEYJ 393 V (39K) |
| R1231 | 7030003400 | S.RES ERJ3GEYJ 471 V (470) |
| R1232 | 7030003400 | S.RES ERJ3GEYJ 471 V (470) |
| R1233 | 7030003400 | S.RES ERJ3GEYJ 471 V (470) |
| R1234 | 7030003400 | S.RES ERJ3GEYJ 471 V (470) |
| R1235 | 7030003400 | S.RES ERJ3GEYJ 471 V (470) |
| R1236 | 7030003400 | S.RES ERJ3GEYJ 471 V (470) |
| R1251 | 7030003680 | S.RES ERJ3GEYJ 104 V (100K) |
| R1252 | 7030003680 | S.RES ERJ3GEYJ 104 V (100K) |
| R1253 | 7030003650 | S.RES ERJ3GEYJ 563 V (56K) |
| R1254 | 7310005580 | S.TRI TMC3ADCS3X (4.7K) |
| R1255 | 7030003400 | S.RES ERJ3GEYJ 471 V (470) |
| R1256 | 7030003640 | S.RES ERJ3GEYJ 473 V (47K) |
| R1257 | 7030003560 | S.RES ERJ3GEYJ 103 V (10K) |
| R1258 | 7030003490 | S.RES ERJ3GEYJ 272 V (2.7K) |
| R1259 | 7030003580 | S.RES ERJ3GEYJ 153 V (15K) |

M.=Mounted side (T: Mounted on the Top side, B: Mounted on the Bottom side)
S.=Surface mount

[MAIN-A UNIT] (For [USA-2], [OTH-2], [CHN-1])

| REF NO. | ORDER NO. | DESCRIPTION |
|---------|------------|-----------------------------|
| R1260 | 7030003320 | S.RES ERJ3GEYJ 101 V (100) |
| R1261 | 7030003480 | S.RES ERJ3GEYJ 222 V (2.2K) |
| R1262 | 7030003550 | S.RES ERJ3GEYJ 822 V (8.2K) |
| R1263 | 7030003610 | S.RES ERJ3GEYJ 273 V (27K) |
| R1271 | 7030003640 | S.RES ERJ3GEYJ 473 V (47K) |
| R1272 | 7030003440 | S.RES ERJ3GEYJ 102 V (1K) |
| R1281 | 7030003680 | S.RES ERJ3GEYJ 104 V (100K) |
| R1291 | 7030003550 | S.RES ERJ3GEYJ 822 V (8.2K) |
| R1292 | 7030003430 | S.RES ERJ3GEYJ 821 V (820) |
| R1293 | 7030003400 | S.RES ERJ3GEYJ 471 V (470) |
| R1311 | 7030003520 | S.RES ERJ3GEYJ 472 V (4.7K) |
| R1312 | 7030003620 | S.RES ERJ3GEYJ 333 V (33K) |
| R1313 | 7030003580 | S.RES ERJ3GEYJ 153 V (15K) |
| R1314 | 7030003640 | S.RES ERJ3GEYJ 473 V (47K) |
| R1351 | 7030003200 | S.RES ERJ3GEYJ 100 V (10) |
| R1371 | 7030003520 | S.RES ERJ3GEYJ 472 V (4.7K) |
| R1372 | 7030003640 | S.RES ERJ3GEYJ 473 V (47K) |
| R1374 | 7030003520 | S.RES ERJ3GEYJ 472 V (4.7K) |
| R1381 | 7030003280 | S.RES ERJ3GEYJ 470 V (47) |
| R1382 | 7030003480 | S.RES ERJ3GEYJ 222 V (2.2K) |
| R1401 | 7070001060 | RES ERG2SJ 120 |
| R1411 | 7030003320 | S.RES ERJ3GEYJ 101 V (100) |
| R1412 | 7030003560 | S.RES ERJ3GEYJ 103 V (10K) |
| R1413 | 7030003680 | S.RES ERJ3GEYJ 104 V (100K) |
| R1414 | 7030003320 | S.RES ERJ3GEYJ 101 V (100) |
| R1415 | 7030003320 | S.RES ERJ3GEYJ 101 V (100) |
| R1416 | 7030003320 | S.RES ERJ3GEYJ 101 V (100) |
| R1771 | 7030003540 | S.RES ERJ3GEYJ 682 V (6.8K) |
| R1772 | 7030003620 | S.RES ERJ3GEYJ 333 V (33K) |
| R1773 | 7030003640 | S.RES ERJ3GEYJ 473 V (47K) |
| R1774 | 7030003580 | S.RES ERJ3GEYJ 153 V (15K) |
| R2051 | 7030003640 | S.RES ERJ3GEYJ 473 V (47K) |
| C101 | 4030011600 | S.CER C1608 JB 1E 104K-T |
| C111 | 4030019180 | S.CER TMK212BJ105KG-T |
| C121 | 4030006900 | S.CER C1608 JB 1H 103K-T |
| C131 | 4030007070 | S.CER C1608 CH 1H 330J-T |
| C132 | 4030007070 | S.CER C1608 CH 1H 330J-T |
| C133 | 4030007040 | S.CER C1608 CH 1H 180J-T |
| C134 | 4030007120 | S.CER C1608 CH 1H 820J-T |
| C135 | 4030007040 | S.CER C1608 CH 1H 180J-T |
| C136 | 4030007100 | S.CER C1608 CH 1H 560J-T |
| C141 | 4030006900 | S.CER C1608 JB 1H 103K-T |
| C151 | 4030019180 | S.CER TMK212BJ105KG-T |
| C152 | 4030011600 | S.CER C1608 JB 1E 104K-T |
| C161 | 4030008470 | S.CER C1608 JB 1H 272K-T |
| C162 | 4030009880 | S.CER C1608 JB 1H 682K-T |
| C163 | 4030009980 | S.CER C1608 JB 1H 152K-T |
| C164 | 4030011600 | S.CER C1608 JB 1E 104K-T |
| C170 | 4510008520 | S.ELE EEE1CA470SP |
| C171 | 4030011600 | S.CER C1608 JB 1E 104K-T |
| C172 | 4030008650 | S.CER C1608 JB 1H 332K-T |
| C173 | 4030010240 | S.CER C1608 JB 1H 391K-T |
| C174 | 4030008650 | S.CER C1608 JB 1H 332K-T |
| C175 | 4030019180 | S.CER TMK212BJ105KG-T |
| C176 | 4030011600 | S.CER C1608 JB 1E 104K-T |
| C181 | 4030011600 | S.CER C1608 JB 1E 104K-T |
| C182 | 4030006860 | S.CER C1608 JB 1H 102K-T |
| C183 | 4030009580 | S.CER C1608 JB 1H 681K-T |
| C184 | 4030006870 | S.CER C1608 JB 1H 222K-T |
| C185 | 4030007170 | S.CER C1608 CH 1H 221J-T |
| C186 | 4030010020 | S.CER C1608 JB 1H 122K-T |
| C187 | 4030011600 | S.CER C1608 JB 1E 104K-T |
| C188 | 4030011600 | S.CER C1608 JB 1E 104K-T |
| C201 | 4030011600 | S.CER C1608 JB 1E 104K-T |
| C202 | 4030010020 | S.CER C1608 JB 1H 122K-T |
| C203 | 4030007130 | S.CER C1608 CH 1H 101J-T |
| C204 | 4030010020 | S.CER C1608 JB 1H 122K-T |
| C205 | 4030009880 | S.CER C1608 JB 1H 682K-T |
| C206 | 4030009880 | S.CER C1608 JB 1H 682K-T |
| C207 | 4030009980 | S.CER C1608 JB 1H 152K-T |
| C208 | 4030009980 | S.CER C1608 JB 1H 152K-T |
| C209 | 4030011600 | S.CER C1608 JB 1E 104K-T |
| C221 | 4030011600 | S.CER C1608 JB 1E 104K-T |
| C222 | 4030010240 | S.CER C1608 JB 1H 391K-T |
| C223 | 4030007140 | S.CER C1608 CH 1H 121J-T |
| C224 | 4030007130 | S.CER C1608 CH 1H 101J-T |
| C225 | 4030006850 | S.CER C1608 JB 1H 471K-T |
| C226 | 4030006870 | S.CER C1608 JB 1H 222K-T |
| C227 | 4030006880 | S.CER C1608 JB 1H 472K-T |
| C228 | 4030006860 | S.CER C1608 JB 1H 102K-T |
| C229 | 4030009580 | S.CER C1608 JB 1H 681K-T |
| C230 | 4030011600 | S.CER C1608 JB 1E 104K-T |
| C241 | 4030011600 | S.CER C1608 JB 1E 104K-T |
| C242 | 4030010760 | S.CER C1608 CH 1H 331J-T |
| C243 | 4030007090 | S.CER C1608 CH 1H 470J-T |
| C244 | 4030007160 | S.CER C1608 CH 1H 181J-T |
| C245 | 4030010040 | S.CER C1608 JB 1H 561K-T |
| C246 | 4030008470 | S.CER C1608 JB 1H 272K-T |
| C247 | 4030010760 | S.CER C1608 CH 1H 331J-T |
| C248 | 4030011600 | S.CER C1608 JB 1E 104K-T |
| C261 | 4030011600 | S.CER C1608 JB 1E 104K-T |
| C262 | 4030011280 | S.CER C1608 CH 1H 271J-T |
| C263 | 4030007090 | S.CER C1608 CH 1H 470J-T |
| C264 | 4030007150 | S.CER C1608 CH 1H 151J-T |
| C265 | 4030006850 | S.CER C1608 JB 1H 471K-T |
| C266 | 4030010020 | S.CER C1608 JB 1H 122K-T |
| C267 | 4030007140 | S.CER C1608 CH 1H 121J-T |
| C268 | 4030007140 | S.CER C1608 CH 1H 121J-T |
| C269 | 4030011600 | S.CER C1608 JB 1E 104K-T |
| C281 | 4030011600 | S.CER C1608 JB 1E 104K-T |
| C282 | 4030007160 | S.CER C1608 CH 1H 181J-T |
| C283 | 4030007030 | S.CER C1608 CH 1H 150J-T |

[MAIN-A UNIT] (For [USA-2], [OTH-2], [CHN-1])

| REF NO. | ORDER NO. | DESCRIPTION |
|---------|------------|--------------------------|
| C284 | 4030007030 | S.CER C1608 CH 1H 150J-T |
| C285 | 4030007130 | S.CER C1608 CH 1H 101J-T |
| C286 | 4030007150 | S.CER C1608 CH 1H 151J-T |
| C287 | 4030007150 | S.CER C1608 CH 1H 151J-T |
| C288 | 4030010020 | S.CER C1608 JB 1H 122K-T |
| C289 | 4030007150 | S.CER C1608 CH 1H 151J-T |
| C290 | 4030011600 | S.CER C1608 JB 1E 104K-T |
| C301 | 4030011600 | S.CER C1608 JB 1E 104K-T |
| C302 | 4030006990 | S.CER C1608 CH 1H 080D-T |
| C303 | 4030007160 | S.CER C1608 CH 1H 181J-T |
| C304 | 4030007060 | S.CER C1608 CH 1H 270J-T |
| C305 | 4030007140 | S.CER C1608 CH 1H 121J-T |
| C306 | 4030007160 | S.CER C1608 CH 1H 181J-T |
| C307 | 4030010020 | S.CER C1608 JB 1H 122K-T |
| C308 | 4030007130 | S.CER C1608 CH 1H 101J-T |
| C309 | 4030011600 | S.CER C1608 JB 1E 104K-T |
| C321 | 4030006900 | S.CER C1608 JB 1H 103K-T |
| C322 | 4030007110 | S.CER C1608 CH 1H 680J-T |
| C323 | 4030007080 | S.CER C1608 CH 1H 390J-T |
| C324 | 4030007110 | S.CER C1608 CH 1H 680J-T |
| C325 | 4030007010 | S.CER C1608 CH 1H 100D-T |
| C326 | 4030007010 | S.CER C1608 CH 1H 100D-T |
| C327 | 4030007110 | S.CER C1608 CH 1H 680J-T |
| C328 | 4030007170 | S.CER C1608 CH 1H 221J-T |
| C329 | 4030010240 | S.CER C1608 JB 1H 391K-T |
| C330 | 4030007100 | S.CER C1608 CH 1H 560J-T |
| C331 | 4030007050 | S.CER C1608 CH 1H 220J-T |
| C332 | 4030006900 | S.CER C1608 JB 1H 103K-T |
| C333 | 4030007070 | S.CER C1608 CH 1H 330J-T |
| C341 | 4030006900 | S.CER C1608 JB 1H 103K-T |
| C342 | 4030007110 | S.CER C1608 CH 1H 680J-T |
| C344 | 4030007020 | S.CER C1608 CH 1H 120J-T |
| C345 | 4030007080 | S.CER C1608 CH 1H 390J-T |
| C346 | 4030006900 | S.CER C1608 JB 1H 103K-T |
| C349 | 4030007100 | S.CER C1608 CH 1H 560J-T |
| C350 | 4030007160 | S.CER C1608 CH 1H 181J-T |
| C351 | 4030007090 | S.CER C1608 CH 1H 470J-T |
| C352 | 4030006900 | S.CER C1608 JB 1H 103K-T |
| C361 | 4030019180 | S.CER TMK212BJ105KG-T |
| C371 | 4030019180 | S.CER TMK212BJ105KG-T |
| C372 | 4030007010 | S.CER C1608 CH 1H 100D-T |
| C381 | 4030011600 | S.CER C1608 JB 1E 104K-T |
| C382 | 4030011600 | S.CER C1608 JB 1E 104K-T |
| C383 | 4030011600 | S.CER C1608 JB 1E 104K-T |
| C384 | 4030011600 | S.CER C1608 JB 1E 104K-T |
| C385 | 4030011600 | S.CER C1608 JB 1E 104K-T |
| C386 | 4030011600 | S.CER C1608 JB 1E 104K-T |
| C390 | 4030019560 | S.CER GRM21BB31C106KE15L |
| C391 | 4030011600 | S.CER C1608 JB 1E 104K-T |
| C392 | 4030011600 | S.CER C1608 JB 1E 104K-T |
| C393 | 4030017490 | S.CER C1608 JB 1A 105K-T |
| C394 | 4550007480 | S.TAN F930J106MAABMA |
| C395 | 4030017490 | S.CER C1608 JB 1A 105K-T |
| C396 | 4030019180 | S.CER TMK212BJ105KG-T |
| C397 | 4030019180 | S.CER TMK212BJ105KG-T |
| C398 | 4030011600 | S.CER C1608 JB 1E 104K-T |
| C399 | 4030011600 | S.CER C1608 JB 1E 104K-T |
| C401 | 4030011600 | S.CER C1608 JB 1E 104K-T |
| C411 | 4030007080 | S.CER C1608 CH 1H 390J-T |
| C412 | 4030007130 | S.CER C1608 CH 1H 101J-T |
| C413 | 4030011600 | S.CER C1608 JB 1E 104K-T |
| C414 | 4030006860 | S.CER C1608 JB 1H 102K-T |
| C415 | 4030011600 | S.CER C1608 JB 1E 104K-T |
| C422 | 4030006970 | S.CER C1608 CH 1H 060D-T |
| C423 | 4030007040 | S.CER C1608 CH 1H 180J-T |
| C424 | 4030006920 | S.CER C1608 CH 1H 010C-T |
| C425 | 4030007040 | S.CER C1608 CH 1H 180J-T |
| C431 | 4030007070 | S.CER C1608 CH 1H 330J-T |
| C432 | 4030007070 | S.CER C1608 CH 1H 330J-T |
| C433 | 4030007040 | S.CER C1608 CH 1H 180J-T |
| C434 | 4030007120 | S.CER C1608 CH 1H 820J-T |
| C435 | 4030007040 | S.CER C1608 CH 1H 180J-T |
| C436 | 4030007100 | S.CER C1608 CH 1H 560J-T |
| C442 | 4030011600 | S.CER C1608 JB 1E 104K-T |
| C443 | 4030011600 | S.CER C1608 JB 1E 104K-T |
| C444 | 4030006990 | S.CER C1608 CH 1H 080D-T |
| C445 | 4030006950 | S.CER C1608 CH 1H 040C-T |
| C446 | 4030011600 | S.CER C1608 JB 1E 104K-T |
| C447 | 4030011600 | S.CER C1608 JB 1E 104K-T |
| C448 | 4030007130 | S.CER C1608 CH 1H 101J-T |
| C461 | 4030006980 | S.CER C1608 CH 1H 070D-T |
| C462 | 4030006930 | S.CER C1608 CH 1H 020C-T |
| C471 | 4030007050 | S.CER C1608 CH 1H 220J-T |
| C472 | 4030011600 | S.CER C1608 JB 1E 104K-T |
| C473 | 4030006880 | S.CER C1608 JB 1H 472K-T |
| C474 | 4030006880 | S.CER C1608 JB 1H 472K-T |
| C475 | 4030007020 | S.CER C1608 CH 1H 120J-T |
| C476 | 4030006880 | S.CER C1608 JB 1H 472K-T |
| C492 | 4030007110 | S.CER C1608 CH 1H 680J-T |
| C551 | 4030011600 | S.CER C1608 JB 1E 104K-T |
| C552 | 4030011600 | S.CER C1608 JB 1E 104K-T |
| C553 | 4030006880 | S.CER C1608 JB 1H 472K-T |
| C561 | 4030011600 | S.CER C1608 JB 1E 104K-T |
| C562 | 4030011600 | S.CER C1608 JB 1E 104K-T |
| C563 | 4030006880 | S.CER C1608 JB 1H 472K-T |
| C701 | 4030006930 | S.CER C1608 CH 1H 020C-T |
| C711 | 4030006880 | S.CER C1608 JB 1H 472K-T |
| C712 | 4030006880 | S.CER C1608 JB 1H 472K-T |
| C721 | 4030006880 | S.CER C1608 JB 1H 472K-T |
| C722 | 4030011600 | S.CER C1608 JB 1E 104K-T |
| C723 | 4030006880 | S.CER C1608 JB 1H 472K-T |
| C724 | 4030007050 | S.CER C1608 CH 1H 220J-T |
| C725 | 4030011600 | S.CER C1608 JB 1E 104K-T |
| C726 | 4030006880 | S.CER C1608 JB 1H 472K-T |

M.=Mounted side (T: Mounted on the Top side, B: Mounted on the Bottom side)
S.=Surface mount

[MAIN-A UNIT] (For [USA-2], [OTH-2], [CHN-1])

| REF NO. | ORDER NO. | DESCRIPTION |
|---------|------------|--------------------------|
| C731 | 4030006880 | S.CER C1608 JB 1H 472K-T |
| C732 | 4030006880 | S.CER C1608 JB 1H 472K-T |
| C733 | 4030006880 | S.CER C1608 JB 1H 472K-T |
| C734 | 4030011600 | S.CER C1608 JB 1E 104K-T |
| C735 | 4030006880 | S.CER C1608 JB 1H 472K-T |
| C736 | 4030006880 | S.CER C1608 JB 1H 472K-T |
| C737 | 4030011600 | S.CER C1608 JB 1E 104K-T |
| C738 | 4030007150 | S.CER C1608 CH 1H 151J-T |
| C739 | 4510009270 | S.ELE EEEHB1C220UR |
| C740 | 4030007050 | S.CER C1608 CH 1H 220J-T |
| C741 | 4510008520 | S.ELE EEE1CA470SP |
| C742 | 4030011600 | S.CER C1608 JB 1E 104K-T |
| C743 | 4510008540 | S.ELE EEE1CA100SR |
| C761 | 4030011600 | S.CER C1608 JB 1E 104K-T |
| C762 | 4030011600 | S.CER C1608 JB 1E 104K-T |
| C771 | 4030011600 | S.CER C1608 JB 1E 104K-T |
| C772 | 4030011600 | S.CER C1608 JB 1E 104K-T |
| C773 | 4030007030 | S.CER C1608 CH 1H 150J-T |
| C781 | 4030011600 | S.CER C1608 JB 1E 104K-T |
| C782 | 4030011600 | S.CER C1608 JB 1E 104K-T |
| C791 | 4030011600 | S.CER C1608 JB 1E 104K-T |
| C792 | 4030011600 | S.CER C1608 JB 1E 104K-T |
| C801 | 4030011600 | S.CER C1608 JB 1E 104K-T |
| C811 | 4030006880 | S.CER C1608 JB 1H 472K-T |
| C813 | 4030011600 | S.CER C1608 JB 1E 104K-T |
| C814 | 4030011600 | S.CER C1608 JB 1E 104K-T |
| C816 | 4030006880 | S.CER C1608 JB 1H 472K-T |
| C818 | 4030011600 | S.CER C1608 JB 1E 104K-T |
| C831 | 4030008650 | S.CER C1608 JB 1H 332K-T |
| C841 | 4030006880 | S.CER C1608 JB 1H 472K-T |
| C851 | 4030011600 | S.CER C1608 JB 1E 104K-T |
| C852 | 4030011600 | S.CER C1608 JB 1E 104K-T |
| C861 | 4030011600 | S.CER C1608 JB 1E 104K-T |
| C862 | 4030011600 | S.CER C1608 JB 1E 104K-T |
| C871 | 4030011600 | S.CER C1608 JB 1E 104K-T |
| C872 | 4030011600 | S.CER C1608 JB 1E 104K-T |
| C881 | 4030011600 | S.CER C1608 JB 1E 104K-T |
| C882 | 4030011600 | S.CER C1608 JB 1E 104K-T |
| C891 | 4030011600 | S.CER C1608 JB 1E 104K-T |
| C892 | 4030006880 | S.CER C1608 JB 1H 472K-T |
| C893 | 4030006880 | S.CER C1608 JB 1H 472K-T |
| C894 | 4030011600 | S.CER C1608 JB 1E 104K-T |
| C895 | 4030007050 | S.CER C1608 CH 1H 220J-T |
| C896 | 4030011600 | S.CER C1608 JB 1E 104K-T |
| C897 | 4030006880 | S.CER C1608 JB 1H 472K-T |
| C911 | 4030011600 | S.CER C1608 JB 1E 104K-T |
| C912 | 4030007170 | S.CER C1608 CH 1H 221J-T |
| C913 | 4030011600 | S.CER C1608 JB 1E 104K-T |
| C914 | 4510008530 | S.ELE EEE1HA2R2SR |
| C1001 | 4030011600 | S.CER C1608 JB 1E 104K-T |
| C1002 | 4030006880 | S.CER C1608 JB 1H 472K-T |
| C1003 | 4030011600 | S.CER C1608 JB 1E 104K-T |
| C1004 | 4030007170 | S.CER C1608 CH 1H 221J-T |
| C1005 | 4030007170 | S.CER C1608 CH 1H 221J-T |
| C1006 | 4030006880 | S.CER C1608 JB 1H 472K-T |
| C1007 | 4030007130 | S.CER C1608 CH 1H 101J-T |
| C1008 | 4510008540 | S.ELE EEE1CA100SR |
| C1009 | 4030011600 | S.CER C1608 JB 1E 104K-T |
| C1010 | 4030011600 | S.CER C1608 JB 1E 104K-T |
| C1021 | 4030011600 | S.CER C1608 JB 1E 104K-T |
| C1022 | 4030008880 | S.CER C1608 JB 1H 223K-T |
| C1023 | 4030009880 | S.CER C1608 JB 1H 682K-T |
| C1024 | 4030011600 | S.CER C1608 JB 1E 104K-T |
| C1031 | 4030011600 | S.CER C1608 JB 1E 104K-T |
| C1041 | 4030006880 | S.CER C1608 JB 1H 472K-T |
| C1042 | 4030006880 | S.CER C1608 JB 1H 472K-T |
| C1043 | 4030006880 | S.CER C1608 JB 1H 472K-T |
| C1044 | 4030011600 | S.CER C1608 JB 1E 104K-T |
| C1051 | 4510008540 | S.ELE EEE1CA100SR |
| C1061 | 4030006880 | S.CER C1608 JB 1H 472K-T |
| C1062 | 4030007130 | S.CER C1608 CH 1H 101J-T |
| C1063 | 4510008540 | S.ELE EEE1CA100SR |
| C1064 | 4030011600 | S.CER C1608 JB 1E 104K-T |
| C1065 | 4510008540 | S.ELE EEE1CA100SR |
| C1066 | 4510008530 | S.ELE EEE1HA2R2SR |
| C1067 | 4510009270 | S.ELE EEEHB1C220UR |
| C1081 | 4030006880 | S.CER C1608 JB 1H 472K-T |
| C1085 | 4030006880 | S.CER C1608 JB 1H 472K-T |
| C1089 | 4030006880 | S.CER C1608 JB 1H 472K-T |
| C1090 | 4030011600 | S.CER C1608 JB 1E 104K-T |
| C1101 | 4030011600 | S.CER C1608 JB 1E 104K-T |
| C1102 | 4030011600 | S.CER C1608 JB 1E 104K-T |
| C1103 | 4030011600 | S.CER C1608 JB 1E 104K-T |
| C1201 | 4030006900 | S.CER C1608 JB 1H 103K-T |
| C1202 | 4030006900 | S.CER C1608 JB 1H 103K-T |
| C1211 | 4030010020 | S.CER C1608 JB 1H 122K-T |
| C1212 | 4030006860 | S.CER C1608 JB 1H 102K-T |
| C1213 | 4030008650 | S.CER C1608 JB 1H 332K-T |
| C1214 | 4030006850 | S.CER C1608 JB 1H 471K-T |
| C1215 | 4030011600 | S.CER C1608 JB 1E 104K-T |
| C1216 | 4030011600 | S.CER C1608 JB 1E 104K-T |
| C1217 | 4030011600 | S.CER C1608 JB 1E 104K-T |
| C1231 | 4030006880 | S.CER C1608 JB 1H 472K-T |
| C1251 | 4030011600 | S.CER C1608 JB 1E 104K-T |
| C1253 | 4030010760 | S.CER C1608 CH 1H 331J-T |
| C1254 | 4510008530 | S.ELE EEE1HA2R2SR |
| C1255 | 4030006900 | S.CER C1608 JB 1H 103K-T |
| C1256 | 4030011600 | S.CER C1608 JB 1E 104K-T |
| C1257 | 4510008540 | S.ELE EEE1CA100SR |
| C1258 | 4510008540 | S.ELE EEE1CA100SR |
| C1259 | 4510008540 | S.ELE EEE1CA100SR |
| C1260 | 4510008540 | S.ELE EEE1CA100SR |
| C1261 | 4510008540 | S.ELE EEE1CA100SR |
| C1262 | 4510008530 | S.ELE EEE1HA2R2SR |

[MAIN-A UNIT] (For [USA-2], [OTH-2], [CHN-1])

| REF NO. | ORDER NO. | DESCRIPTION |
|---------|------------|-----------------------------|
| C1271 | 4030006880 | S.CER C1608 JB 1H 472K-T |
| C1272 | 4030011600 | S.CER C1608 JB 1E 104K-T |
| C1281 | 4030006900 | S.CER C1608 JB 1H 103K-T |
| C1282 | 4030006900 | S.CER C1608 JB 1H 103K-T |
| C1292 | 4510008540 | S.ELE EEE1CA100SR |
| C1293 | 4030011600 | S.CER C1608 JB 1E 104K-T |
| C1294 | 4030011600 | S.CER C1608 JB 1E 104K-T |
| C1295 | 4510004591 | ELE 16 ME 470 HC |
| C1296 | 4510004591 | ELE 16 ME 470 HC |
| C1311 | 4030006900 | S.CER C1608 JB 1H 103K-T |
| C1312 | 4030006900 | S.CER C1608 JB 1H 103K-T |
| C1321 | 4030006900 | S.CER C1608 JB 1H 103K-T |
| C1322 | 4030006860 | S.CER C1608 JB 1H 102K-T |
| C1351 | 4030006900 | S.CER C1608 JB 1H 103K-T |
| C1352 | 4030006900 | S.CER C1608 JB 1H 103K-T |
| C1353 | 4510004510 | ELE 25 ME 470 HC |
| C1361 | 4510008530 | S.ELE EEE1HA2R2SR |
| C1362 | 4030011600 | S.CER C1608 JB 1E 104K-T |
| C1363 | 4030011600 | S.CER C1608 JB 1E 104K-T |
| C1364 | 4030011600 | S.CER C1608 JB 1E 104K-T |
| C1365 | 4510008540 | S.ELE EEE1CA100SR |
| C1371 | 4510008530 | S.ELE EEE1HA2R2SR |
| C1372 | 4030011600 | S.CER C1608 JB 1E 104K-T |
| C1373 | 4030011600 | S.CER C1608 JB 1E 104K-T |
| C1374 | 4030011600 | S.CER C1608 JB 1E 104K-T |
| C1375 | 4510004591 | ELE 16 ME 470 HC |
| C1376 | 4030019180 | S.CER TMK212BJ105KG-T |
| C1381 | 4030011600 | S.CER C1608 JB 1E 104K-T |
| C1382 | 4030011600 | S.CER C1608 JB 1E 104K-T |
| C1391 | 4510004591 | ELE 16 ME 470 HC |
| C1392 | 4030011600 | S.CER C1608 JB 1E 104K-T |
| C1393 | 4030011600 | S.CER C1608 JB 1E 104K-T |
| C1394 | 4510008540 | S.ELE EEE1CA100SR |
| C1401 | 4510008540 | S.ELE EEE1CA100SR |
| C1402 | 4030011600 | S.CER C1608 JB 1E 104K-T |
| C1403 | 4030011600 | S.CER C1608 JB 1E 104K-T |
| C1404 | 4510008540 | S.ELE EEE1CA100SR |
| C1411 | 4030011600 | S.CER C1608 JB 1E 104K-T |
| C1412 | 4510008520 | S.ELE EEE1CA470SP |
| C1413 | 4030011600 | S.CER C1608 JB 1E 104K-T |
| C1414 | 4510009270 | S.ELE EEEHB1C220UR |
| C1415 | 4030006860 | S.CER C1608 JB 1H 102K-T |
| C1416 | 4030006900 | S.CER C1608 JB 1H 103K-T |
| C1417 | 4510008520 | S.ELE EEE1CA470SP |
| C1418 | 4510008520 | S.ELE EEE1CA470SP |
| C1419 | 4030011600 | S.CER C1608 JB 1E 104K-T |
| C1420 | 4510008540 | S.ELE EEE1CA100SR |
| C1421 | 4030011600 | S.CER C1608 JB 1E 104K-T |
| C1422 | 4510008520 | S.ELE EEE1CA470SP |
| C1502 | 4030006880 | S.CER C1608 JB 1H 472K-T |
| C1521 | 4030006880 | S.CER C1608 JB 1H 472K-T |
| C1601 | 4030011600 | S.CER C1608 JB 1E 104K-T |
| C1602 | 4030011600 | S.CER C1608 JB 1E 104K-T |
| C1603 | 4030011600 | S.CER C1608 JB 1E 104K-T |
| C1751 | 4510008540 | S.ELE EEE1CA100SR |
| C1752 | 4510008540 | S.ELE EEE1CA100SR |
| C1753 | 4510008540 | S.ELE EEE1CA100SR |
| C1754 | 4510008540 | S.ELE EEE1CA100SR |
| C1755 | 4510008540 | S.ELE EEE1CA100SR |
| C1756 | 4030011600 | S.CER C1608 JB 1E 104K-T |
| C1771 | 4030011600 | S.CER C1608 JB 1E 104K-T |
| RL121 | 6330001721 | REL ATN207-K1 |
| RL141 | 6330001721 | REL ATN207-K1 |
| CP731 | 6910009670 | S.CHE HK3-S-T |
| J101 | 6510021460 | CON PT-C02P01 |
| J111 | 6510007020 | CON TMP-J01X-V6 |
| J411 | 6510007020 | CON TMP-J01X-V6 |
| J491 | 6510007020 | CON TMP-J01X-V6 |
| J781 | 6450001560 | CON PD-72 |
| J782 | 6450001560 | CON PD-72 |
| J783 | 6450001560 | CON PD-72 |
| J784 | 6450001560 | CON PD-72 |
| J811 | 6510007020 | CON TMP-J01X-V6 |
| J881 | 6450001560 | CON PD-72 |
| J882 | 6450001560 | CON PD-72 |
| J883 | 6450001560 | CON PD-72 |
| J884 | 6450001560 | CON PD-72 |
| J1081 | 6510007020 | CON TMP-J01X-V6 |
| J1221 | 6510018971 | S.CON B4B-PH-SM4-TB(LF)(SN) |
| J1231 | 6510019971 | S.CON 52808-1071 |
| J1271 | 6510019191 | S.CON 52365-0871 |
| J1311 | 6450001800 | CON JPJ1044-01-010 |
| J1321 | 6450000140 | CON HSJ0807-01-010 |
| J1351 | 6510023650 | CON HEC0740-010618 |
| J1501 | 6510019981 | S.CON 52808-1671(1690) |
| J1521 | 6510019981 | S.CON 52808-1671(1690) |
| J1522 | 6510021861 | CON BH-800.4GG <LTC> |
| J1541 | 6510019981 | S.CON 52808-1671(1690) |
| J1561 | 6510019981 | S.CON 52808-1671(1690) |
| J1701 | 6450000140 | CON HSJ0807-01-010 |
| J1751 | 6510021241 | CON DELC-J9SAF-23L9E |
| F1351 | 5210000051 | FUS FGB 3A PBF (FGB0 125V) |
| F1352 | 5220000230 | HOL S-N5054 #01 |
| F1353 | 5220000230 | HOL S-N5054 #01 |

M.=Mounted side (T: Mounted on the Top side, B: Mounted on the Bottom side)
S.=Surface mount

[MAIN-A UNIT] (For [USA-2], [OTH-2], [CHN-1])

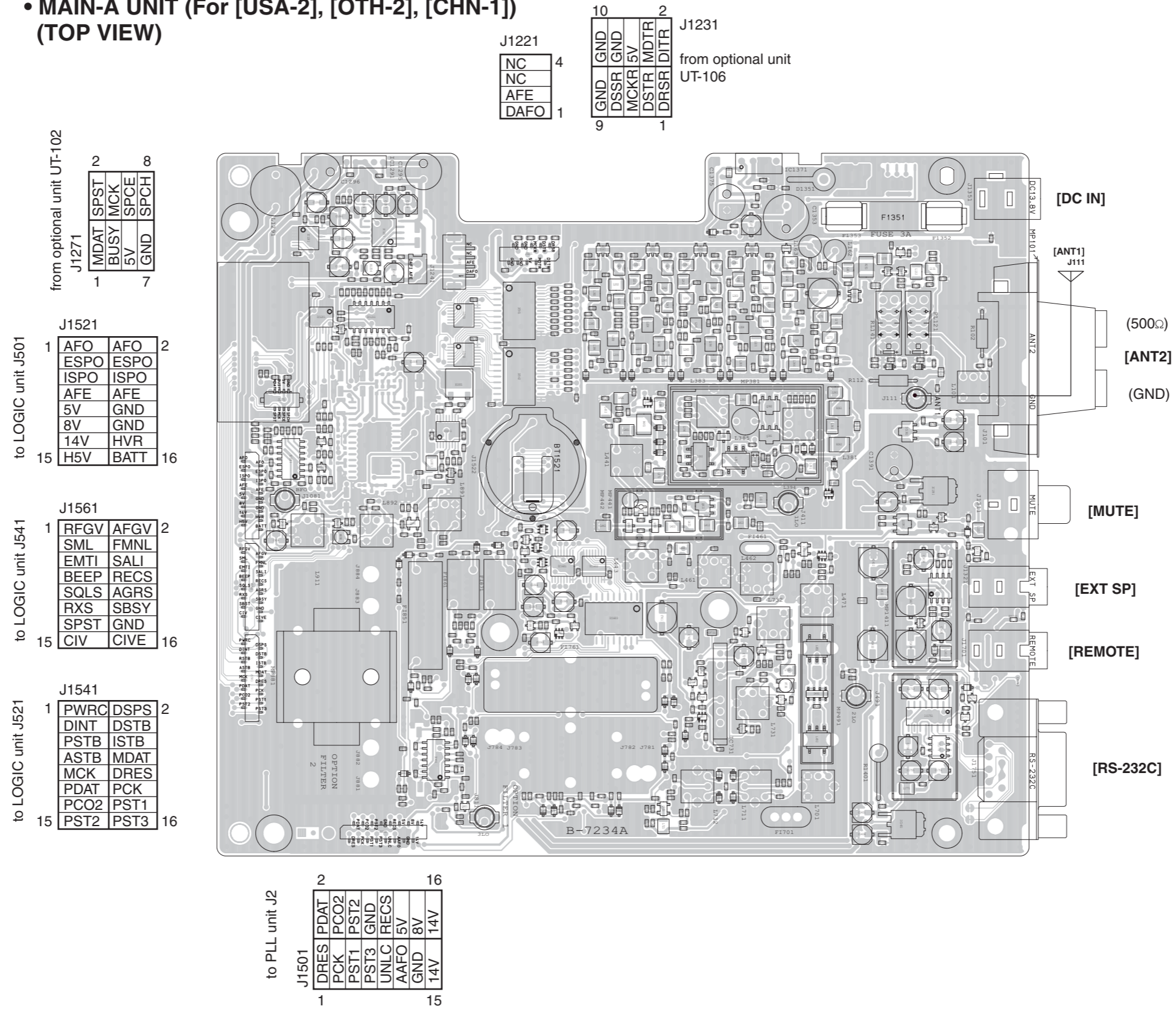
| REF NO. | ORDER NO. | DESCRIPTION |
|---------|------------|----------------------|
| BT1521 | 3020000110 | LIT CR-2032L/BK |
| EP1321 | 6910014690 | S.BEA MPZ1608S221A-T |
| EP1322 | 6910014690 | S.BEA MPZ1608S221A-T |

M.=Mounted side (T: Mounted on the Top side, B: Mounted on the Bottom side)
 S.=Surface mount

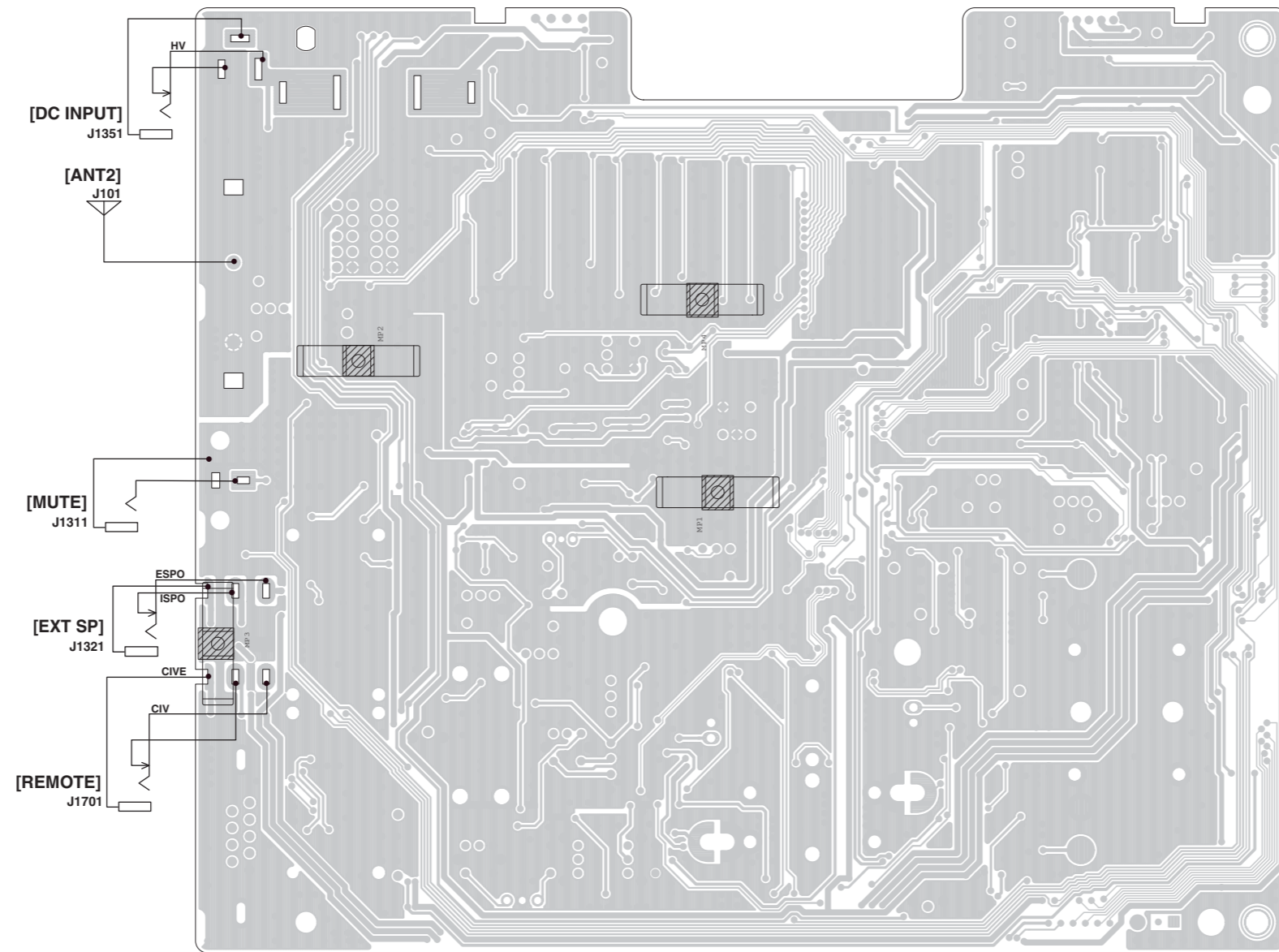
BOARD LAYOUTS

The combination of this page and next page shows the top side and bottom side of actual P.C. board.

• MAIN-A UNIT (For [USA-2], [OTH-2], [CHN-1]) (TOP VIEW)

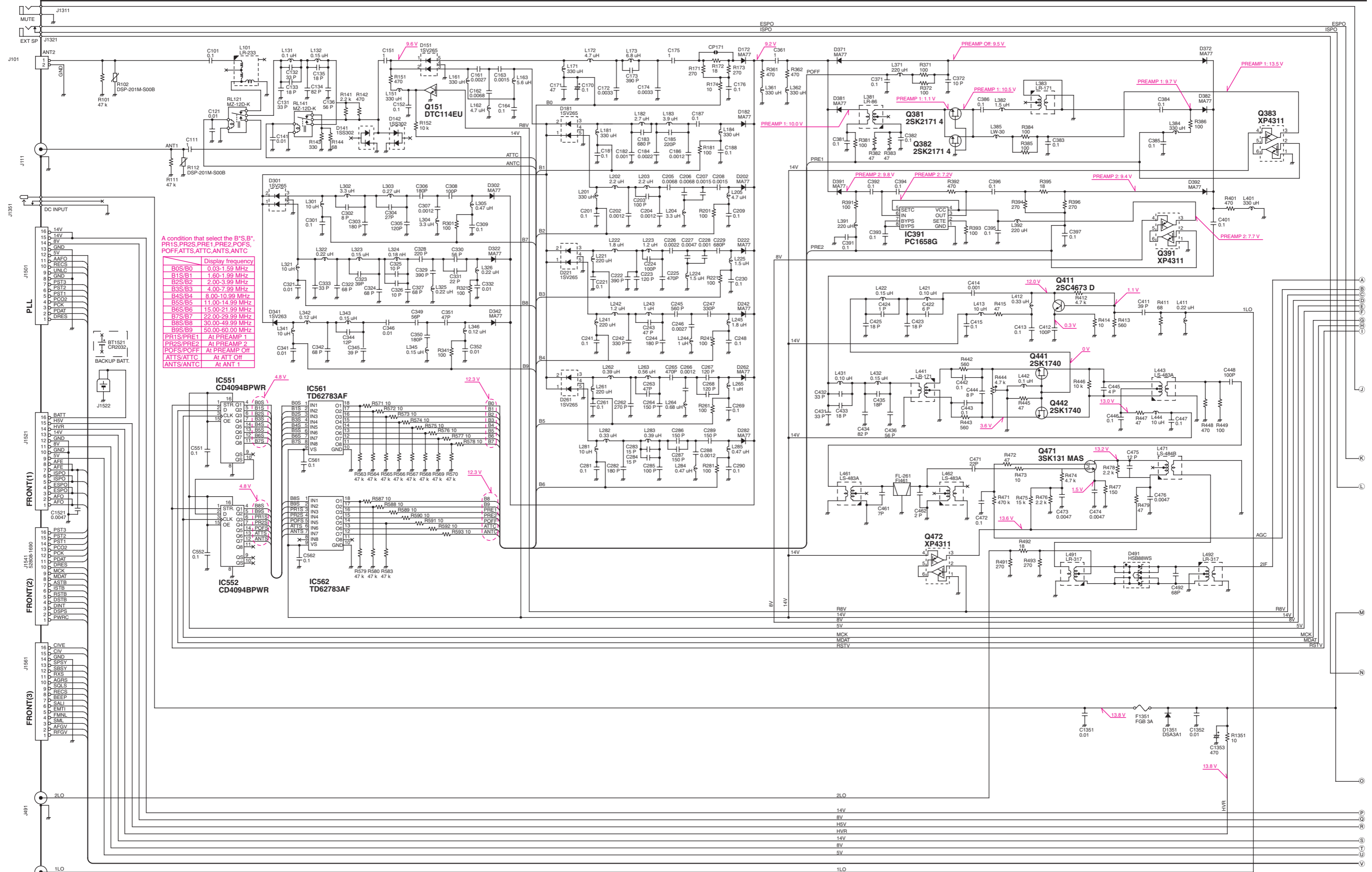


• MAIN-A UNIT (For [USA-2], [OTH-2], [CHN-1])
(BOTTOM VIEW)



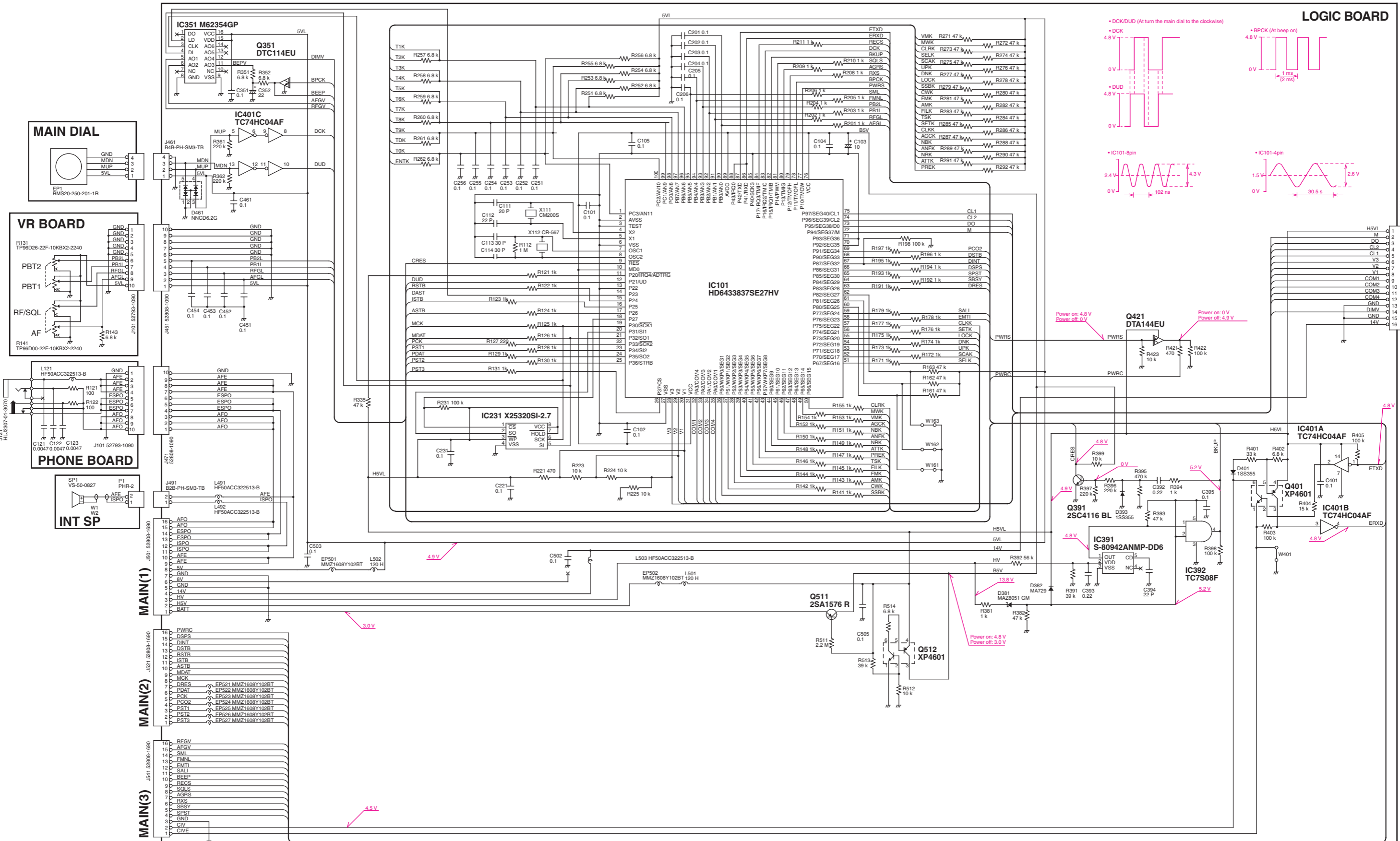
VOLTAGE DIAGRAM

MAIN/MAIN-A UNIT



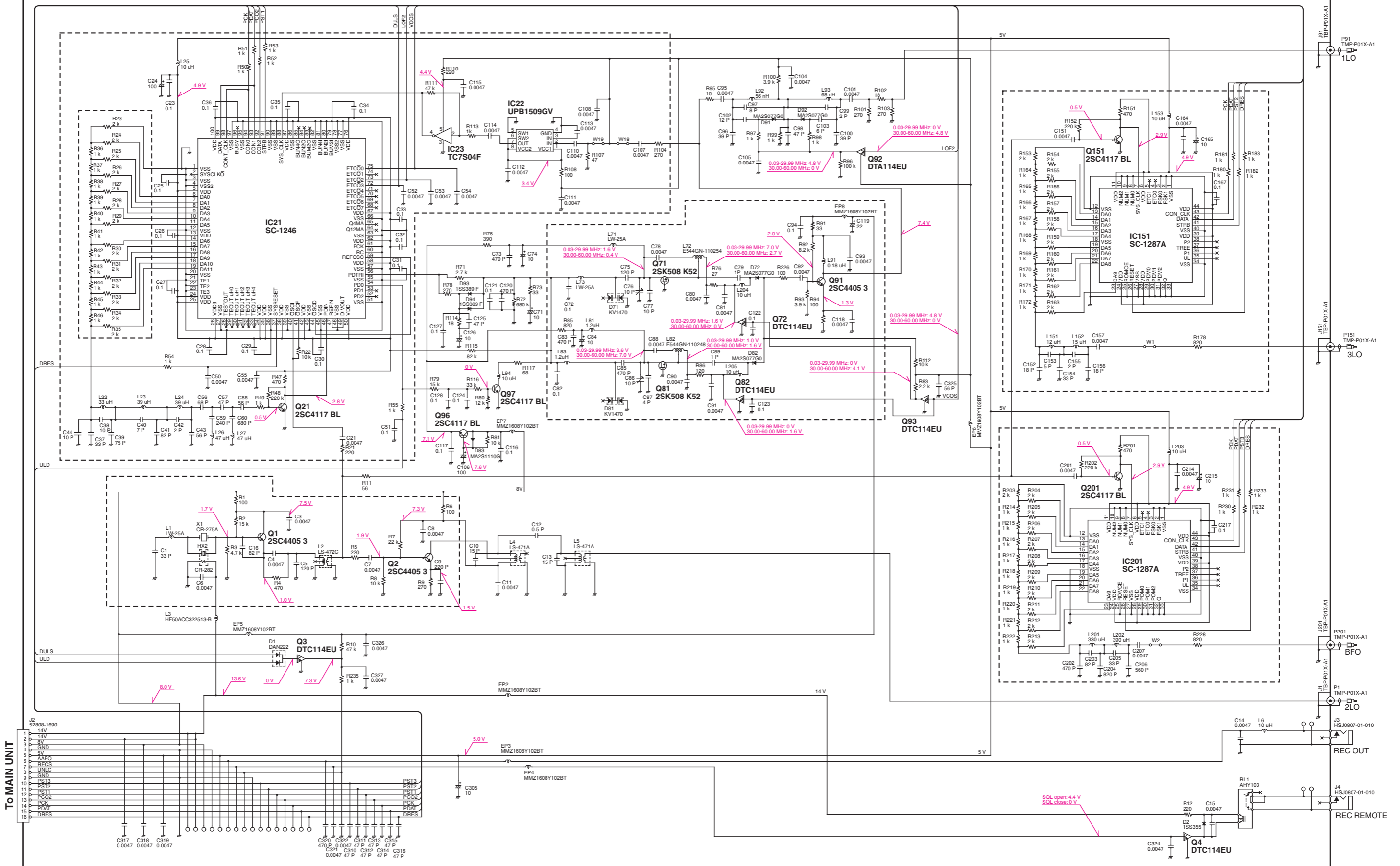
*; Refer to "PARTS LIST."

FRONT UNIT



*; Refer to "PARTS LIST."

PLL UNIT



*, Refer to "PARTS LIST."

Jul. 2009



SERVICE MANUAL ADDENDUM

IC-R75

CONTENTS

| | |
|-----------------------|----|
| PARTS LIST | 1 |
| BOARD LAYOUTS | 22 |
| VOLTAGE DIAGRAM | 24 |

PARTS LIST

[LOGIC BOARD]

| REF NO. | ORDER NO. | DESCRIPTION |
|---------|------------|---|
| IC101 | 1140008251 | S.IC HD6433837SC58HV [USA] |
| | 1140008251 | S.IC HD6433837SC58HV [EUR] |
| | 1140008251 | S.IC HD6433837SC58HV [AUS] |
| | 1140008251 | S.IC HD6433837SC58HV [UK] |
| | 1140008251 | S.IC HD6433837SC58HV [DEN] |
| | 1140008251 | S.IC HD6433837SC58HV [SEA] |
| | 1140008251 | S.IC HD6433837SC58HV [OTH] |
| | 1140013850 | S.IC HD6433837SE27HV (RX-2240A) [USA-1] |
| | 1140013850 | S.IC HD6433837SE27HV (RX-2240A) [OTH-1] |
| | 1140013850 | S.IC HD6433837SE27HV (RX-2240A) [CHN] |
| | 1140013850 | S.IC HD6433837SE27HV (RX-2240A) [USA-2] |
| | 1140013850 | S.IC HD6433837SE27HV (RX-2240A) [OTH-2] |
| | 1140013850 | S.IC HD6433837SE27HV (RX-2240A) [CHN-1] |
| IC231 | 1130011332 | S.IC CAT25320VI-GT3 |
| IC351 | 1110003690 | S.IC M62354GP 75EC |
| IC391 | 1110005771 | S.IC S-80942CNMC-G9CT2G |
| IC392 | 1130006441 | S.IC TC7S08F(TE85R,F) |
| IC401 | 1130004922 | S.IC TC74HC04AF(EL,F) |
| Q351 | 1590000680 | S.TRA DTC114EUA T106 |
| Q391 | 1530002851 | S.TRA 2SC4116-BL(TE85R,F) |
| Q401 | 1590001650 | S.TRA XP4601(TX) |
| Q421 | 1590000720 | S.TRA DTA144EUA T106 |
| Q511 | 1510000510 | S.TRA 2SA1576A T106R |
| Q512 | 1590001650 | S.TRA XP4601(TX) |
| D381 | 1730002321 | S.ZEN MAZ8051GML |
| D382 | 1790000971 | S.DIO MA2J7290GL |
| D393 | 1750000550 | S.DIO 1SS355 TE-17 |
| D401 | 1750000550 | S.DIO 1SS355 TE-17 |
| D461 | 1730002531 | S.ZEN NNCD6.2G-T1-A |
| X111 | 6050009460 | S.XTA CM200S SMD (32.768 kHz) |
| X112 | 6050009870 | S.XTA CR-567 SMD 49 9.8304 MHz <KDS> |
| L491 | 6200003950 | S.COI HF50ACC 322513-T |
| L492 | 6200003950 | S.COI HF50ACC 322513-T |
| L501 | 6200002971 | S.COI NLV32T-121J |
| L502 | 6200002971 | S.COI NLV32T-121J |
| L503 | 6200003950 | S.COI HF50ACC 322513-T |
| R101 | 7030003200 | S.RES ERJ3GEYJ 100 V (10) |
| R112 | 7030003800 | S.RES ERJ3GEYJ 105 V (1M) |
| R121 | 7030003440 | S.RES ERJ3GEYJ 102 V (1K) |
| R122 | 7030003440 | S.RES ERJ3GEYJ 102 V (1K) |
| R123 | 7030003440 | S.RES ERJ3GEYJ 102 V (1K) |
| R124 | 7030003440 | S.RES ERJ3GEYJ 102 V (1K) |
| R125 | 7030003440 | S.RES ERJ3GEYJ 102 V (1K) |
| R126 | 7030003440 | S.RES ERJ3GEYJ 102 V (1K) |
| R127 | 7030003360 | S.RES ERJ3GEYJ 221 V (220) |
| R128 | 7030003440 | S.RES ERJ3GEYJ 102 V (1K) |
| R129 | 7030003440 | S.RES ERJ3GEYJ 102 V (1K) |
| R130 | 7030003440 | S.RES ERJ3GEYJ 105 V (1K) |
| R131 | 7030003440 | S.RES ERJ3GEYJ 102 V (1K) |
| R141 | 7030003440 | S.RES ERJ3GEYJ 102 V (1K) |
| R142 | 7030003440 | S.RES ERJ3GEYJ 102 V (1K) |
| R143 | 7030003440 | S.RES ERJ3GEYJ 102 V (1K) |
| R144 | 7030003440 | S.RES ERJ3GEYJ 102 V (1K) |
| R145 | 7030003440 | S.RES ERJ3GEYJ 102 V (1K) |
| R146 | 7030003440 | S.RES ERJ3GEYJ 102 V (1K) |
| R147 | 7030003440 | S.RES ERJ3GEYJ 102 V (1K) |
| R148 | 7030003440 | S.RES ERJ3GEYJ 102 V (1K) |
| R149 | 7030003440 | S.RES ERJ3GEYJ 102 V (1K) |
| R150 | 7030003440 | S.RES ERJ3GEYJ 102 V (1K) |
| R151 | 7030003440 | S.RES ERJ3GEYJ 102 V (1K) |
| R152 | 7030003440 | S.RES ERJ3GEYJ 102 V (1K) |
| R153 | 7030003440 | S.RES ERJ3GEYJ 102 V (1K) |
| R154 | 7030003440 | S.RES ERJ3GEYJ 102 V (1K) |
| R155 | 7030003440 | S.RES ERJ3GEYJ 102 V (1K) |
| R161 | 7030003640 | S.RES ERJ3GEYJ 473 V (47K) |
| R162 | 7030003640 | S.RES ERJ3GEYJ 473 V (47K) |
| R163 | 7030003640 | S.RES ERJ3GEYJ 473 V (47K) |
| R171 | 7030003440 | S.RES ERJ3GEYJ 102 V (1K) |
| R172 | 7030003440 | S.RES ERJ3GEYJ 102 V (1K) |
| R173 | 7030003440 | S.RES ERJ3GEYJ 102 V (1K) |
| R174 | 7030003440 | S.RES ERJ3GEYJ 102 V (1K) |
| R175 | 7030003440 | S.RES ERJ3GEYJ 102 V (1K) |
| R176 | 7030003440 | S.RES ERJ3GEYJ 102 V (1K) |
| R177 | 7030003440 | S.RES ERJ3GEYJ 102 V (1K) |
| R178 | 7030003440 | S.RES ERJ3GEYJ 102 V (1K) |
| R179 | 7030003440 | S.RES ERJ3GEYJ 102 V (1K) |
| R191 | 7030003440 | S.RES ERJ3GEYJ 102 V (1K) |
| R192 | 7030003440 | S.RES ERJ3GEYJ 102 V (1K) |
| R193 | 7030003440 | S.RES ERJ3GEYJ 102 V (1K) |
| R194 | 7030003440 | S.RES ERJ3GEYJ 102 V (1K) |
| R195 | 7030003440 | S.RES ERJ3GEYJ 102 V (1K) |
| R196 | 7030003440 | S.RES ERJ3GEYJ 102 V (1K) |
| R197 | 7030003440 | S.RES ERJ3GEYJ 102 V (1K) |
| R198 | 7030003680 | S.RES ERJ3GEYJ 104 V (100K) |
| R201 | 7030003440 | S.RES ERJ3GEYJ 102 V (1K) |
| R202 | 7030003440 | S.RES ERJ3GEYJ 102 V (1K) |
| R203 | 7030003440 | S.RES ERJ3GEYJ 102 V (1K) |
| R204 | 7030003440 | S.RES ERJ3GEYJ 102 V (1K) |

[LOGIC BOARD]

| REF NO. | ORDER NO. | DESCRIPTION |
|---------|------------|-----------------------------------|
| R205 | 7030003440 | S.RES ERJ3GEYJ 102 V (1K) |
| R206 | 7030003440 | S.RES ERJ3GEYJ 102 V (1K) |
| R208 | 7030003440 | S.RES ERJ3GEYJ 102 V (1K) |
| R209 | 7030003440 | S.RES ERJ3GEYJ 102 V (1K) |
| R210 | 7030003440 | S.RES ERJ3GEYJ 102 V (1K) |
| R211 | 7030003440 | S.RES ERJ3GEYJ 102 V (1K) |
| R221 | 7030003400 | S.RES ERJ3GEYJ 471 V (470) |
| R223 | 7030003560 | S.RES ERJ3GEYJ 103 V (10K) |
| R224 | 7030003560 | S.RES ERJ3GEYJ 103 V (10K) |
| R225 | 7030003560 | S.RES ERJ3GEYJ 103 V (10K) |
| R231 | 7030003680 | S.RES ERJ3GEYJ 104 V (100K) |
| R251 | 7030003540 | S.RES ERJ3GEYJ 682 V (6.8K) |
| R252 | 7030003540 | S.RES ERJ3GEYJ 682 V (6.8K) |
| R253 | 7030003540 | S.RES ERJ3GEYJ 682 V (6.8K) |
| R254 | 7030003540 | S.RES ERJ3GEYJ 682 V (6.8K) |
| R255 | 7030003540 | S.RES ERJ3GEYJ 682 V (6.8K) |
| R256 | 7030003540 | S.RES ERJ3GEYJ 682 V (6.8K) |
| R257 | 7030003540 | S.RES ERJ3GEYJ 682 V (6.8K) |
| R258 | 7030003540 | S.RES ERJ3GEYJ 682 V (6.8K) |
| R259 | 7030003540 | S.RES ERJ3GEYJ 682 V (6.8K) |
| R260 | 7030003540 | S.RES ERJ3GEYJ 682 V (6.8K) |
| R261 | 7030003540 | S.RES ERJ3GEYJ 682 V (6.8K) |
| R262 | 7030003540 | S.RES ERJ3GEYJ 682 V (6.8K) |
| R271 | 7030003640 | S.RES ERJ3GEYJ 473 V (47K) |
| R272 | 7030003640 | S.RES ERJ3GEYJ 473 V (47K) |
| R273 | 7030003640 | S.RES ERJ3GEYJ 473 V (47K) |
| R274 | 7030003640 | S.RES ERJ3GEYJ 473 V (47K) |
| R275 | 7030003640 | S.RES ERJ3GEYJ 473 V (47K) |
| R276 | 7030003640 | S.RES ERJ3GEYJ 473 V (47K) |
| R277 | 7030003640 | S.RES ERJ3GEYJ 473 V (47K) |
| R278 | 7030003640 | S.RES ERJ3GEYJ 473 V (47K) |
| R279 | 7030003640 | S.RES ERJ3GEYJ 473 V (47K) |
| R280 | 7030003640 | S.RES ERJ3GEYJ 473 V (47K) |
| R281 | 7030003640 | S.RES ERJ3GEYJ 473 V (47K) |
| R282 | 7030003640 | S.RES ERJ3GEYJ 473 V (47K) |
| R283 | 7030003640 | S.RES ERJ3GEYJ 473 V (47K) |
| R284 | 7030003640 | S.RES ERJ3GEYJ 473 V (47K) |
| R285 | 7030003640 | S.RES ERJ3GEYJ 473 V (47K) |
| R286 | 7030003640 | S.RES ERJ3GEYJ 473 V (47K) |
| R287 | 7030003640 | S.RES ERJ3GEYJ 473 V (47K) |
| R288 | 7030003640 | S.RES ERJ3GEYJ 473 V (47K) |
| R289 | 7030003640 | S.RES ERJ3GEYJ 473 V (47K) |
| R290 | 7030003640 | S.RES ERJ3GEYJ 473 V (47K) |
| R291 | 7030003640 | S.RES ERJ3GEYJ 473 V (47K) |
| R292 | 7030003640 | S.RES ERJ3GEYJ 473 V (47K) |
| R335 | 7030003640 | S.RES ERJ3GEYJ 473 V (47K) |
| R351 | 7030003540 | S.RES ERJ3GEYJ 682 V (6.8K) |
| R352 | 7030003540 | S.RES ERJ3GEYJ 682 V (6.8K) |
| R361 | 7030003720 | S.RES ERJ3GEYJ 224 V (220K) |
| R362 | 7030003720 | S.RES ERJ3GEYJ 224 V (220K) |
| R381 | 7030009720 | S.RES ERJ12YJ102U (1K) |
| R382 | 7030003640 | S.RES ERJ3GEYJ 473 V (47K) |
| R391 | 7030003630 | S.RES ERJ3GEYJ 393 V (39K) |
| R392 | 7030003650 | S.RES ERJ3GEYJ 563 V (56K) |
| R393 | 7030003640 | S.RES ERJ3GEYJ 473 V (47K) |
| R394 | 7030003440 | S.RES ERJ3GEYJ 102 V (1K) |
| R395 | 7030003760 | S.RES ERJ3GEYJ 474 V (470K) |
| R396 | 7030003720 | S.RES ERJ3GEYJ 224 V (220K) |
| R397 | 7030003720 | S.RES ERJ3GEYJ 224 V (220K) |
| R398 | 7030003680 | S.RES ERJ3GEYJ 104 V (100K) |
| R399 | 7030003560 | S.RES ERJ3GEYJ 103 V (10K) |
| R401 | 7030003620 | S.RES ERJ3GEYJ 333 V (33K) |
| R402 | 7030003540 | S.RES ERJ3GEYJ 682 V (6.8K) |
| R403 | 7030003680 | S.RES ERJ3GEYJ 104 V (100K) |
| R404 | 7030003580 | S.RES ERJ3GEYJ 153 V (15K) |
| R405 | 7030003680 | S.RES ERJ3GEYJ 104 V (100K) |
| R421 | 7030003400 | S.RES ERJ3GEYJ 471 V (470) |
| R422 | 7030003680 | S.RES ERJ3GEYJ 104 V (100K) |
| R423 | 7030003560 | S.RES ERJ3GEYJ 103 V (10K) |
| R511 | 7030003840 | S.RES ERJ3GEYJ 225 V (2.2M) |
| R512 | 7030003560 | S.RES ERJ3GEYJ 103 V (10K) |
| R513 | 7030003630 | S.RES ERJ3GEYJ 393 V (39K) |
| R514 | 7030003540 | S.RES ERJ3GEYJ 682 V (6.8K) |
| W161 | 7030003860 | S.RES ERJ3GE JPW V [DEN] [SEA] |
| W162 | 7030003860 | S.RES ERJ3GE JPW V [SEA] only |
| W163 | 7030003860 | S.RES ERJ3GE JPW V [DEN] [SEA] |
| W401 | 7030003860 | S.RES ERJ3GE JPW V [SEA] |
| C101 | 4030008630 | S.CER C1608 JF 1H 104Z-T |
| C102 | 4030008630 | S.CER C1608 JF 1H 104Z-T |
| C103 | 4550006250 | S.TAN TEESVA 1A 106M8R |
| C104 | 4030008630 | S.CER C1608 JF 1H 104Z-T |
| C105 | 4030008630 | S.CER C1608 JF 1H 104Z-T |
| C111 | 4030009990 | S.CER C1608 CH 1H 200J-T |
| C112 | 4030007050 | S.CER C1608 CH 1H 220J-T |
| C113 | 4030008560 | S.CER C1608 CH 1H 300J-T |
| C114 | 4030008560 | S.CER C1608 CH 1H 300J-T |
| C201 | 4030008630 | S.CER C1608 JF 1H 104Z-T |
| C202 | 4030008630 | S.CER C1608 JF 1H 104Z-T |
| C203 | 4030008630 | S.CER C1608 JF 1H 104Z-T |
| C204 | 4030008630 | S.CER C1608 JF 1H 104Z-T |
| C205 | 4030008630 | S.CER C1608 JF 1H 104Z-T |
| C206 | 4030008630 | S.CER C1608 JF 1H 104Z-T |

M.=Mounted side (T: Mounted on the Top side, B: Mounted on the Bottom side)
S.=Surface mount

[LOGIC BOARD]

| REF NO. | ORDER NO. | DESCRIPTION |
|---------|------------|------------------------------------|
| C221 | 4030008630 | S.CER C1608 JF 1H 104Z-T |
| C231 | 4030008630 | S.CER C1608 JF 1H 104Z-T |
| C251 | 4030008630 | S.CER C1608 JF 1H 104Z-T |
| C252 | 4030008630 | S.CER C1608 JF 1H 104Z-T |
| C253 | 4030008630 | S.CER C1608 JF 1H 104Z-T |
| C254 | 4030008630 | S.CER C1608 JF 1H 104Z-T |
| C255 | 4030008630 | S.CER C1608 JF 1H 104Z-T |
| C256 | 4030008630 | S.CER C1608 JF 1H 104Z-T |
| C351 | 4030008630 | S.CER C1608 JF 1H 104Z-T |
| C352 | 4510008660 | S.ELE EEE0JA220SR |
| C392 | 4030013720 | S.CER GRM188B11A224KA01D (GRM39 B) |
| C393 | 4030013720 | S.CER GRM188B11A224KA01D (GRM39 B) |
| C394 | 4030007050 | S.CER C1608 CH 1H 220J-T |
| C395 | 4030008630 | S.CER C1608 JF 1H 104Z-T |
| C401 | 4030008630 | S.CER C1608 JF 1H 104Z-T |
| C451 | 4030008630 | S.CER C1608 JF 1H 104Z-T |
| C452 | 4030008630 | S.CER C1608 JF 1H 104Z-T |
| C453 | 4030008630 | S.CER C1608 JF 1H 104Z-T |
| C454 | 4030008630 | S.CER C1608 JF 1H 104Z-T |
| C461 | 4030008630 | S.CER C1608 JF 1H 104Z-T |
| C502 | 4030008630 | S.CER C1608 JF 1H 104Z-T |
| C503 | 4030008630 | S.CER C1608 JF 1H 104Z-T |
| C505 | 4030008630 | S.CER C1608 JF 1H 104Z-T |
| J411 | 6510019981 | S.CON 52808-1671(1690) |
| J451 | 6510019971 | S.CON 52808-1071 |
| J461 | 6510018971 | S.CON B4B-PH-SM4-TB(LF)(SN) |
| J471 | 6510019971 | S.CON 52808-1071 |
| J491 | 6510018961 | S.CON B2B-PH-SM4-TB(LF)(SN) |
| J501 | 6510019981 | S.CON 52808-1671(1690) |
| J521 | 6510019981 | S.CON 52808-1671(1690) |
| J541 | 6510019981 | S.CON 52808-1671(1690) |
| EP501 | 6910012350 | S.BEA MMZ1608Y 102BT |
| EP502 | 6910012350 | S.BEA MMZ1608Y 102BT |
| EP521 | 6910012350 | S.BEA MMZ1608Y 102BT |
| EP522 | 6910012350 | S.BEA MMZ1608Y 102BT |
| EP523 | 6910012350 | S.BEA MMZ1608Y 102BT |
| EP524 | 6910012350 | S.BEA MMZ1608Y 102BT |
| EP525 | 6910012350 | S.BEA MMZ1608Y 102BT |
| EP526 | 6910012350 | S.BEA MMZ1608Y 102BT |
| EP527 | 6910012350 | S.BEA MMZ1608Y 102BT |

[PHONE BOARD]

| REF NO. | ORDER NO. | DESCRIPTION |
|---------|------------|--------------------------|
| L121 | 6200003950 | S.COI HF50ACC 322513-T |
| R121 | 7030006070 | S.RES ERJ12YJ101U (100) |
| R122 | 7030006070 | S.RES ERJ12YJ101U (100) |
| C121 | 4030006880 | S.CER C1608 JB 1H 472K-T |
| C122 | 4030006880 | S.CER C1608 JB 1H 472K-T |
| C123 | 4030006880 | S.CER C1608 JB 1H 472K-T |
| J101 | 6510020711 | S.CON 52793-1070(1090) |
| J121 | 6510021480 | CON HLJ2307-01-3070 |

M.=Mounted side (T: Mounted on the Top side, B: Mounted on the Bottom side)
S.=Surface mount

[VR BOARD]

| REF NO. | ORDER NO. | DESCRIPTION |
|---------|------------|-----------------------------|
| R131 | 7210003040 | VAR TP96D26-22F-10KBX2-2240 |
| R141 | 7210003030 | VAR TP96D00-22F-10KBX2-2240 |
| R143 | 7030003540 | S.RES ERJ3GEYJ 682 V (6.8K) |
| J101 | 6510020711 | S.CON 52793-1070(1090) |

[MAIN UNIT] (For other than [USA-2], [OTH-2], [CHN-1])

| REF NO. | ORDER NO. | DESCRIPTION |
|---------|------------|--------------------------------|
| WS1 | 8600036540 | CBL RX2240 P1241 J1241MA |
| IC391 | 1110003970 | S.IC UPC1658G-E1 |
| IC551 | 1130011760 | S.IC CD4094BPWR |
| IC552 | 1130011760 | S.IC CD4094BPWR |
| IC561 | 1160000131 | S.IC TD62783AFG(5,S,EL) |
| IC562 | 1160000131 | S.IC TD62783AFG(5,S,EL) |
| IC731 | 1110003141 | IC LA1150N-E |
| IC811 | 1110002601 | S.IC MC1496DR2G [USA] |
| | 1110002600 | S.IC MC1496DR2 [EUR] |
| | 1110002601 | S.IC MC1496DR2G [AUS] |
| | 1110002600 | S.IC MC1496DR2 [UK] |
| | 1110002601 | S.IC MC1496DR2G [DEN] |
| | 1110002601 | S.IC MC1496DR2G [SEA] |
| | 1110002601 | S.IC MC1496DR2G [OTH] |
| | 1110002601 | S.IC MC1496DR2G [USA-1] |
| | 1110002601 | S.IC MC1496DR2G [OTH-1] |
| | 1110002601 | S.IC MC1496DR2G [CHN] |
| IC1001 | 1110003201 | S.IC TA31136FNG(EL) |
| IC1101 | 1110002601 | S.IC MC1496DR2G [USA] |
| | 1110002600 | S.IC MC1496DR2 [EUR] |
| | 1110002601 | S.IC MC1496DR2G [AUS] |
| | 1110002600 | S.IC MC1496DR2 [UK] |
| | 1110002601 | S.IC MC1496DR2G [DEN] |
| | 1110002601 | S.IC MC1496DR2G [SEA] |
| | 1110002601 | S.IC MC1496DR2G [OTH] |
| | 1110002601 | S.IC MC1496DR2G [USA-1] |
| | 1110002601 | S.IC MC1496DR2G [OTH-1] |
| | 1110002601 | S.IC MC1496DR2G [CHN] |
| IC1201 | 1130009100 | S.IC BU4052BCFV-E2 |
| IC1211 | 1110003870 | S.IC NJM2058M-TE1-#ZZZB |
| IC1251 | 1110003300 | S.IC M5282FP 70CD |
| IC1281 | 1130009100 | S.IC BU4052BCFV-E2 |
| IC1291 | 1110003091 | IC LA4425A-E |
| IC1361 | 1180000970 | S.IC AN78L05M-(E1) |
| IC1371 | 1180001531 | IC PQ30RV31J00H |
| IC1391 | 1180001251 | S.IC TA7808F(TE16L,Q) |
| IC1401 | 1180001071 | S.IC TA7805F(TE16L,Q) |
| IC1411 | 1110001401 | S.IC UPC1555G2-E1-A |
| IC1601 | 1130011760 | S.IC CD4094BPWR |
| IC1602 | 1130011760 | S.IC CD4094BPWR |
| IC1603 | 1160000131 | S.IC TD62783AFG(5,S,EL) |
| IC1751 | 1120002510 | S.IC DS14C232TM S |
| IC1771 | 1130005721 | S.IC TC7W04F(TE12L,F) |
| IC2001 | 1110004940 | S.IC MC13022ADWR3 [USA] |
| | 1110004940 | S.IC MC13022ADWR3 [EUR] |
| | 1110004940 | S.IC MC13022ADWR3 [AUS] |
| | 1110004940 | S.IC MC13022ADWR3 [UK] |
| | 1110004940 | S.IC MC13022ADWR3 [DEN] |
| | 1110004940 | S.IC MC13022ADWR3 [SEA] |
| | 1110004940 | S.IC MC13022ADWR3 [OTH] |
| Q151 | 1590000680 | S.TRA DTC114EUA T106 |
| Q381 | 1560000721 | S.FET 2SK2171-4-TD-E |
| Q382 | 1560000721 | S.FET 2SK2171-4-TD-E |
| Q383 | 1590001960 | S.TRA XP4311(TX) |
| Q391 | 1590001960 | S.TRA XP4311(TX) |
| Q411 | 1530003151 | S.TRA 2SC4673D-TD-E |
| Q441 | 1560000641 | S.FET 2SK1740-4/5-TB-E |
| Q442 | 1560000641 | S.FET 2SK1740-4/5-TB-E |
| Q471 | 1580000620 | S.FET 3SK131-T2 MAS |
| Q472 | 1590001960 | S.TRA XP4311(TX) |
| Q721 | 1580000620 | S.FET 3SK131-T2 MAS |
| Q731 | 1560000561 | S.FET 2SK882-GR(TE85L,F) |
| Q732 | 1510000510 | S.TRA 2SA1576A T106R |
| Q733 | 1530002060 | S.TRA 2SC4081 T106 R |
| Q734 | 1530002060 | S.TRA 2SC4081 T106 R |
| Q735 | 1530002060 | S.TRA 2SC4081 T106 R |
| Q736 | 1590000680 | S.TRA DTC114EUA T106 |
| Q737 | 1590001960 | S.TRA XP4311(TX) |
| Q801 | 1530002060 | S.TRA 2SC4081 T106 R |
| Q891 | 1580000620 | S.FET 3SK131-T2 MAS |
| Q911 | 1560000561 | S.FET 2SK882-GR(TE85L,F) |
| Q912 | 1530002060 | S.TRA 2SC4081 T106 R |
| Q1001 | 1560000561 | S.FET 2SK882-GR(TE85L,F) |
| Q1031 | 1530002060 | S.TRA 2SC4081 T106 R |
| Q1051 | 1530002060 | S.TRA 2SC4081 T106 R |
| Q1061 | 1590001960 | S.TRA XP4311(TX) |
| Q1063 | 1530002060 | S.TRA 2SC4081 T106 R |
| Q1064 | 1590001960 | S.TRA XP4311(TX) |
| Q1065 | 1590001960 | S.TRA XP4311(TX) |
| Q1066 | 1590001960 | S.TRA XP4311(TX) |
| Q1311 | 1530002060 | S.TRA 2SC4081 T106 R |
| Q1381 | 1540000550 | S.TRA 2SD1664 T100Q |
| Q1382 | 1590000680 | S.TRA DTC114EUA T106 |
| Q1771 | 1510000510 | S.TRA 2SA1576A T106R |
| Q1772 | 1530002060 | S.TRA 2SC4081 T106 R |
| Q2021 | 1530003091 | S.TRA 2SC4213-B(TE85R,F) [USA] |
| | 1530003091 | S.TRA 2SC4213-B(TE85R,F) [EUR] |
| | 1530003091 | S.TRA 2SC4213-B(TE85R,F) [AUS] |
| | 1530003091 | S.TRA 2SC4213-B(TE85R,F) [UK] |
| | 1530003091 | S.TRA 2SC4213-B(TE85R,F) [DEN] |
| | 1530003091 | S.TRA 2SC4213-B(TE85R,F) [SEA] |
| | 1530003091 | S.TRA 2SC4213-B(TE85R,F) [OTH] |
| D141 | 1750000461 | S.DIO 1SV246-TL-E |
| D142 | 1750000461 | S.DIO 1SV246-TL-E |
| D151 | 1750000971 | S.DIO CPH5513-TL-E |
| D172 | 1790000620 | S.DIO MA77(TX) |
| D181 | 1750000971 | S.DIO CPH5513-TL-E |
| D182 | 1790000620 | S.DIO MA77(TX) |

M.=Mounted side (T: Mounted on the Top side, B: Mounted on the Bottom side)
S.=Surface mount

[MAIN UNIT] (For other than [USA-2], [OTH-2], [CHN-1])

| REF NO. | ORDER NO. | DESCRIPTION | |
|---------|------------|----------------------------------|---------|
| D202 | 1790000620 | S.DIO MA77(TX) | |
| D221 | 1750000971 | S.DIO CPH5513-TL-E | |
| D222 | 1790000620 | S.DIO MA77(TX) | |
| D242 | 1790000620 | S.DIO MA77(TX) | |
| D261 | 1750000971 | S.DIO CPH5513-TL-E | |
| D262 | 1790000620 | S.DIO MA77(TX) | |
| D282 | 1790000620 | S.DIO MA77(TX) | |
| D301 | 1750000971 | S.DIO CPH5513-TL-E | |
| D302 | 1790000620 | S.DIO MA77(TX) | |
| D322 | 1790000620 | S.DIO MA77(TX) | |
| D341 | 1750000441 | S.DIO 1SV263-TL-E | |
| D342 | 1790000620 | S.DIO MA77(TX) | |
| D371 | 1790000620 | S.DIO MA77(TX) | |
| D372 | 1790000620 | S.DIO MA77(TX) | |
| D381 | 1790000620 | S.DIO MA77(TX) | |
| D382 | 1790000620 | S.DIO MA77(TX) | |
| D391 | 1790000620 | S.DIO MA77(TX) | |
| D392 | 1790000620 | S.DIO MA77(TX) | |
| D491 | 1750000431 | S.DIO HSB88WSTR-E | |
| D711 | 1790000620 | S.DIO MA77(TX) | |
| D712 | 1790000620 | S.DIO MA77(TX) | |
| D713 | 1790000620 | S.DIO MA77(TX) | |
| D714 | 1790000620 | S.DIO MA77(TX) | |
| D731 | 1790001211 | S.DIO 1SS375-TL-E | |
| D732 | 1750000550 | S.DIO 1SS355 TE-17 | |
| D761 | 1790000620 | S.DIO MA77(TX) | |
| D762 | 1790000620 | S.DIO MA77(TX) | |
| D763 | 1790000620 | S.DIO MA77(TX) | |
| D764 | 1790000620 | S.DIO MA77(TX) | |
| D771 | 1790000620 | S.DIO MA77(TX) | |
| D772 | 1790000620 | S.DIO MA77(TX) | |
| D773 | 1790000620 | S.DIO MA77(TX) | |
| D774 | 1790000620 | S.DIO MA77(TX) | |
| D781 | 1790000620 | S.DIO MA77(TX) | |
| D782 | 1790000620 | S.DIO MA77(TX) | |
| D783 | 1790000620 | S.DIO MA77(TX) | |
| D784 | 1790000620 | S.DIO MA77(TX) | |
| D831 | 1750000301 | S.DIO 1SS302(TE85R,F) | |
| D851 | 1790000620 | S.DIO MA77(TX) | |
| D852 | 1790000620 | S.DIO MA77(TX) | |
| D861 | 1790000620 | S.DIO MA77(TX) | |
| D862 | 1790000620 | S.DIO MA77(TX) | |
| D871 | 1790000620 | S.DIO MA77(TX) | |
| D872 | 1790000620 | S.DIO MA77(TX) | |
| D881 | 1790000620 | S.DIO MA77(TX) | |
| D882 | 1790000620 | S.DIO MA77(TX) | |
| D1041 | 1790001211 | S.DIO 1SS375-TL-E | [USA-1] |
| | 1790001211 | S.DIO 1SS375-TL-E | [OTH-1] |
| | 1790001211 | S.DIO 1SS375-TL-E | [CHN] |
| D1051 | 1790001211 | S.DIO 1SS375-TL-E | |
| D1061 | 1790001211 | S.DIO 1SS375-TL-E | |
| D1311 | 1750000550 | S.DIO 1SS355 TE-17 | |
| D1351 | 1790000700 | DIO DSA3A1 | |
| D1371 | 1750000550 | S.DIO 1SS355 TE-17 | |
| D1381 | 1750000301 | S.DIO 1SS302(TE85R,F) | |
| D1412 | 1750000301 | S.DIO 1SS302(TE85R,F) | |
| D1413 | 1730002321 | S.ZEN MAZ8051GML | |
| D1771 | 1750000550 | S.DIO 1SS355 TE-17 | |
| FI461 | 2010002090 | FIL UM-5 69.0115 MHz (FL-261) | |
| FI701 | 2010000270 | FIL 9M15A (FL-23) | |
| FI761 | 2010002130 | D.F 9M22D4 9.0115 MHz (FL-272) | |
| FI851 | 2020000210 | CER CFJ455K5 (FL-65) | |
| FI861 | 2020001460 | CER CFWLA450KHFA-B0 (CFWS450HT) | |
| FI871 | 2020001210 | CER CFWLA450KEFA-B0 (CFWS450E) | |
| X1001 | 6070000200 | DIS CDBLA450KAY24-B0 (CDB450C24) | |
| X2021 | 6060000721 | CER CSALF3M60GZZF03-B0 | [USA] |
| | 6060000721 | CER CSALF3M60GZZF03-B0 | [EUR] |
| | 6060000721 | CER CSALF3M60GZZF03-B0 | [AUS] |
| | 6060000721 | CER CSALF3M60GZZF03-B0 | [UK] |
| | 6060000721 | CER CSALF3M60GZZF03-B0 | [DEN] |
| | 6060000721 | CER CSALF3M60GZZF03-B0 | [SEA] |
| | 6060000721 | CER CSALF3M60GZZF03-B0 | [OTH] |
| L101 | 6140002070 | COI LR-233 | |
| L131 | 6200003431 | S.COI NLV32T-R10J | |
| L132 | 6200003421 | S.COI NLV32T-R15J | |
| L151 | 6200005491 | S.COI NLV32T-331J | |
| L161 | 6200005491 | S.COI NLV32T-331J | |
| L162 | 6200008790 | S.COI ACL3225S-4R7K-T | |
| L163 | 6200008800 | S.COI ACL3225S-5R6K-T | |
| L171 | 6200005491 | S.COI NLV32T-331J | |
| L172 | 6200002961 | S.COI NLV32T-4R7J | |
| L173 | 6200003111 | S.COI NLV32T-6R8J | |
| L181 | 6200005491 | S.COI NLV32T-331J | |
| L182 | 6200003091 | S.COI NLV32T-2R7J | |
| L183 | 6200003101 | S.COI NLV32T-3R9J | |
| L184 | 6200005491 | S.COI NLV32T-331J | |
| L201 | 6200005491 | S.COI NLV32T-331J | |
| L202 | 6200002991 | S.COI NLV32T-2R2J | |
| L203 | 6200002991 | S.COI NLV32T-2R2J | |
| L204 | 6200003321 | S.COI NLV32T-3R3J | |
| L205 | 6200002961 | S.COI NLV32T-4R7J | |
| L221 | 6200003241 | S.COI NLV32T-221J | |
| L222 | 6200003081 | S.COI NLV32T-1R8J | |
| L223 | 6200003061 | S.COI NLV32T-1R2J | |
| L224 | 6200003071 | S.COI NLV32T-1R5J | |
| L225 | 6200003071 | S.COI NLV32T-1R5J | |
| L241 | 6200003241 | S.COI NLV32T-221J | |
| L242 | 6200003061 | S.COI NLV32T-1R2J | |

[MAIN UNIT] (For other than [USA-2], [OTH-2], [CHN-1])

| REF NO. | ORDER NO. | DESCRIPTION | |
|---------|------------|-------------------------|---------|
| L243 | 6200003331 | S.COI NLV32T-1R0J | |
| L244 | 6200003331 | S.COI NLV32T-1R0J | |
| L245 | 6200003081 | S.COI NLV32T-1R8J | |
| L261 | 6200003241 | S.COI NLV32T-221J | |
| L262 | 6200003251 | S.COI NLV32T-R39J | |
| L263 | 6200002981 | S.COI NLV32T-R56J | |
| L264 | 6200003041 | S.COI NLV32T-R68J | |
| L265 | 6200003331 | S.COI NLV32T-1R0J | |
| L281 | 6200001831 | S.COI NLV32T-100J | |
| L282 | 6200003021 | S.COI NLV32T-R33J | |
| L283 | 6200003251 | S.COI NLV32T-R39J | |
| L284 | 6200003031 | S.COI NLV32T-R47J | |
| L285 | 6200003031 | S.COI NLV32T-R47J | [USA] |
| | 6200003031 | S.COI NLV32T-R47J | [EUR] |
| | 6200003030 | S.COI NL 322522T-R47J-3 | [AUS] |
| | 6200003031 | S.COI NLV32T-R47J | [UK] |
| | 6200003030 | S.COI NL 322522T-R47J-3 | [DEN] |
| | 6200003031 | S.COI NLV32T-R47J | [SEA] |
| | 6200003031 | S.COI NLV32T-R47J | [OTH] |
| | 6200003031 | S.COI NLV32T-R47J | [USA-1] |
| | 6200003031 | S.COI NLV32T-R47J | [OTH-1] |
| | 6200003031 | S.COI NLV32T-R47J | [CHN] |
| L301 | 6200001831 | S.COI NLV32T-100J | [USA] |
| | 6200001831 | S.COI NLV32T-100J | [EUR] |
| | 6200001830 | S.COI NL 322522T-100J | [AUS] |
| | 6200001831 | S.COI NLV32T-100J | [UK] |
| | 6200001830 | S.COI NL 322522T-100J | [DEN] |
| | 6200001831 | S.COI NLV32T-100J | [SEA] |
| | 6200001831 | S.COI NLV32T-100J | [OTH] |
| | 6200001831 | S.COI NLV32T-100J | [USA-1] |
| | 6200001831 | S.COI NLV32T-100J | [OTH-1] |
| | 6200001831 | S.COI NLV32T-100J | [CHN] |
| L302 | 6200003021 | S.COI NLV32T-R33J | [USA] |
| | 6200003021 | S.COI NLV32T-R33J | [EUR] |
| | 6200003020 | S.COI NL 322522T-R33J-3 | [AUS] |
| | 6200003021 | S.COI NLV32T-R33J | [UK] |
| | 6200003020 | S.COI NL 322522T-R33J-3 | [DEN] |
| | 6200003021 | S.COI NLV32T-R33J | [SEA] |
| | 6200003021 | S.COI NLV32T-R33J | [OTH] |
| | 6200003021 | S.COI NLV32T-R33J | [USA-1] |
| | 6200003021 | S.COI NLV32T-R33J | [OTH-1] |
| | 6200003021 | S.COI NLV32T-R33J | [CHN] |
| L303 | 6200003011 | S.COI NLV32T-R27J | |
| L304 | 6200003021 | S.COI NLV32T-R33J | |
| L305 | 6200003031 | S.COI NLV32T-R47J | |
| L321 | 6200001831 | S.COI NLV32T-100J | |
| L322 | 6200003001 | S.COI NLV32T-R22J | |
| L323 | 6200003421 | S.COI NLV32T-R15J | |
| L324 | 6180002961 | S.COI NLV32T-R18J | |
| L325 | 6200003001 | S.COI NLV32T-R22J | |
| L326 | 6200003001 | S.COI NLV32T-R22J | |
| L341 | 6200001831 | S.COI NLV32T-100J | |
| L342 | 6200001471 | S.COI NLV32T-R12J | |
| L343 | 6200003421 | S.COI NLV32T-R15J | |
| L345 | 6200003421 | S.COI NLV32T-R15J | |
| L346 | 6200001471 | S.COI NLV32T-R12J | |
| L361 | 6200005491 | S.COI NLV32T-331J | |
| L362 | 6200005491 | S.COI NLV32T-331J | |
| L371 | 6200003241 | S.COI NLV32T-221J | |
| L381 | 6140000640 | COI LR-86 | |
| L382 | 6200003071 | S.COI NLV32T-1R5J | [USA] |
| | 6200003071 | S.COI NLV32T-1R5J | [EUR] |
| | 6200003070 | S.COI NL 322522T-1R5J-3 | [AUS] |
| | 6200003071 | S.COI NLV32T-1R5J | [UK] |
| | 6200003070 | S.COI NL 322522T-1R5J-3 | [DEN] |
| | 6200003071 | S.COI NLV32T-1R5J | [SEA] |
| | 6200003071 | S.COI NLV32T-1R5J | [OTH] |
| | 6200003071 | S.COI NLV32T-1R5J | [USA-1] |
| | 6200003071 | S.COI NLV32T-1R5J | [OTH-1] |
| | 6200003071 | S.COI NLV32T-1R5J | [CHN] |
| L383 | 6140001500 | COI LR-171 | |
| L384 | 6200005491 | S.COI NLV32T-331J | [USA] |
| | 6200005491 | S.COI NLV32T-331J | [EUR] |
| | 6200005490 | S.COI NL 322522T-331J | [AUS] |
| | 6200005491 | S.COI NLV32T-331J | [UK] |
| | 6200005490 | S.COI NL 322522T-331J | [DEN] |
| | 6200005491 | S.COI NLV32T-331J | [SEA] |
| | 6200005491 | S.COI NLV32T-331J | [OTH] |
| | 6200005491 | S.COI NLV32T-331J | [USA-1] |
| | 6200005491 | S.COI NLV32T-331J | [OTH-1] |
| | 6200005491 | S.COI NLV32T-331J | [CHN] |
| L385 | 6170000291 | COI LW-30-LF | |
| L391 | 6200003241 | S.COI NLV32T-221J | [USA] |
| | 6200003241 | S.COI NLV32T-221J | [EUR] |
| | 6200003240 | S.COI NL 322522T-221J | [AUS] |
| | 6200003241 | S.COI NLV32T-221J | [UK] |
| | 6200003240 | S.COI NL 322522T-221J | [DEN] |
| | 6200003241 | S.COI NLV32T-221J | [SEA] |
| | 6200003241 | S.COI NLV32T-221J | [OTH] |
| | 6200003241 | S.COI NLV32T-221J | [USA-1] |
| | 6200003241 | S.COI NLV32T-221J | [OTH-1] |
| | 6200003241 | S.COI NLV32T-221J | [CHN] |
| L392 | 6200003241 | S.COI NLV32T-221J | |
| L401 | 6200005491 | S.COI NLV32T-331J | |
| L411 | 6200003001 | S.COI NLV32T-R22J | |
| L412 | 6200003021 | S.COI NLV32T-R33J | |
| L413 | 6200001831 | S.COI NLV32T-100J | |
| L421 | 6200003431 | S.COI NLV32T-R10J | |
| L422 | 6200003421 | S.COI NLV32T-R15J | |
| L431 | 6200003431 | S.COI NLV32T-R10J | |
| L432 | 6200003421 | S.COI NLV32T-R15J | |
| L441 | 6140001500 | COI LR-171 | |
| L442 | 6200003431 | S.COI NLV32T-R10J | |
| L443 | 6150004270 | COI LS-483A (C-14924) | |

M.=Mounted side (T: Mounted on the Top side, B: Mounted on the Bottom side)
S.=Surface mount

[MAIN UNIT] (For other than [USA-2], [OTH-2], [CHN-1])

| REF NO. | ORDER NO. | DESCRIPTION | |
|---------|------------|-----------------------------|-------|
| L444 | 6200001831 | S.COI NLV32T-100J | |
| L461 | 6150004270 | COI LS-483A (C-14924) | |
| L462 | 6150004270 | COI LS-483A (C-14924) | |
| L471 | 6150004280 | COI LS-484B (C-14927) | |
| L491 | 6140002810 | S.COI LR-317 | |
| L492 | 6140002810 | S.COI LR-317 | |
| L701 | 6150000711 | COI LS-452 | |
| L711 | 6150000711 | COI LS-452 | |
| L712 | 6150000711 | COI LS-452 | |
| L721 | 6200001831 | S.COI NLV32T-100J | |
| L731 | 6150004050 | COI LS-466 | |
| L732 | 6150004050 | COI LS-466 | |
| L733 | 6200003241 | S.COI NLV32T-221J | |
| L891 | 6150002291 | COI LS-450 | |
| L892 | 6150002291 | COI LS-450 | |
| L911 | 6150002291 | COI LS-450 | |
| L1001 | 6200003241 | S.COI NLV32T-221J | |
| L1291 | 6170000140 | COI LW-15 | |
| L1311 | 6200003241 | S.COI NLV32T-221J | |
| L1321 | 6200003950 | S.COI HF50ACC 322513-T | |
| L1322 | 6200003950 | S.COI HF50ACC 322513-T | |
| L1411 | 6200003241 | S.COI NLV32T-221J | |
| L1412 | 6200005491 | S.COI NLV32T-331J | |
| L1771 | 6200003241 | S.COI NLV32T-221J | |
| L2011 | 6200005491 | S.COI NLV32T-331J | [USA] |
| | 6200005491 | S.COI NLV32T-331J | [EUR] |
| | 6200005491 | S.COI NLV32T-331J | [AUS] |
| | 6200005491 | S.COI NLV32T-331J | [UK] |
| | 6200005491 | S.COI NLV32T-331J | [DEN] |
| | 6200005491 | S.COI NLV32T-331J | [SEA] |
| | 6200005491 | S.COI NLV32T-331J | [OTH] |
| L2041 | 6200003241 | S.COI NLV32T-221J | [USA] |
| | 6200003241 | S.COI NLV32T-221J | [EUR] |
| | 6200003241 | S.COI NLV32T-221J | [AUS] |
| | 6200003241 | S.COI NLV32T-221J | [UK] |
| | 6200003241 | S.COI NLV32T-221J | [DEN] |
| | 6200003241 | S.COI NLV32T-221J | [SEA] |
| | 6200003241 | S.COI NLV32T-221J | [OTH] |
| R101 | 7030003640 | S.RES ERJ3GEYJ 473 V (47K) | |
| R102 | 7540000090 | ABS DSP-201M-S00B | |
| R111 | 7030003640 | S.RES ERJ3GEYJ 473 V (47K) | |
| R112 | 7540000090 | ABS DSP-201M-S00B | |
| R141 | 7030003480 | S.RES ERJ3GEYJ 222 V (2.2K) | |
| R142 | 7030003400 | S.RES ERJ3GEYJ 471 V (470) | |
| R143 | 7030003380 | S.RES ERJ3GEYJ 331 V (330) | |
| R144 | 7030003300 | S.RES ERJ3GEYJ 680 V (68) | |
| R151 | 7030006260 | S.RES ERJ12YJ471U (470) | |
| R152 | 7030003560 | S.RES ERJ3GEYJ 103 V (10K) | |
| R171 | 7030003370 | S.RES ERJ3GEYJ 271 V (270) | |
| R172 | 7030003230 | S.RES ERJ3GEYJ 180 V (18) | |
| R173 | 7030003370 | S.RES ERJ3GEYJ 271 V (270) | |
| R174 | 7030003200 | S.RES ERJ3GEYJ 100 V (10) | |
| R181 | 7030003320 | S.RES ERJ3GEYJ 101 V (100) | |
| R201 | 7030003320 | S.RES ERJ3GEYJ 101 V (100) | |
| R221 | 7030003320 | S.RES ERJ3GEYJ 101 V (100) | |
| R241 | 7030003320 | S.RES ERJ3GEYJ 101 V (100) | |
| R261 | 7030003320 | S.RES ERJ3GEYJ 101 V (100) | |
| R281 | 7030003320 | S.RES ERJ3GEYJ 101 V (100) | |
| R301 | 7030003320 | S.RES ERJ3GEYJ 101 V (100) | |
| R321 | 7030003320 | S.RES ERJ3GEYJ 101 V (100) | |
| R341 | 7030003320 | S.RES ERJ3GEYJ 101 V (100) | |
| R361 | 7030006260 | S.RES ERJ12YJ471U (470) | |
| R362 | 7030006260 | S.RES ERJ12YJ471U (470) | |
| R371 | 7030003320 | S.RES ERJ3GEYJ 101 V (100) | |
| R372 | 7030003320 | S.RES ERJ3GEYJ 101 V (100) | |
| R381 | 7030003320 | S.RES ERJ3GEYJ 101 V (100) | |
| R382 | 7030003280 | S.RES ERJ3GEYJ 470 V (47) | |
| R383 | 7030003280 | S.RES ERJ3GEYJ 470 V (47) | |
| R384 | 7030003320 | S.RES ERJ3GEYJ 101 V (100) | |
| R385 | 7030003320 | S.RES ERJ3GEYJ 101 V (100) | |
| R386 | 7030003320 | S.RES ERJ3GEYJ 101 V (100) | |
| R391 | 7030003320 | S.RES ERJ3GEYJ 101 V (100) | |
| R392 | 7030003400 | S.RES ERJ3GEYJ 471 V (470) | |
| R393 | 7030003320 | S.RES ERJ3GEYJ 101 V (100) | |
| R394 | 7030003370 | S.RES ERJ3GEYJ 271 V (270) | |
| R395 | 7030003230 | S.RES ERJ3GEYJ 180 V (18) | |
| R396 | 7030003370 | S.RES ERJ3GEYJ 271 V (270) | |
| R401 | 7030006260 | S.RES ERJ12YJ471U (470) | |
| R411 | 7030003300 | S.RES ERJ3GEYJ 680 V (68) | |
| R412 | 7030003520 | S.RES ERJ3GEYJ 472 V (4.7K) | |
| R413 | 7030003410 | S.RES ERJ3GEYJ 561 V (560) | |
| R414 | 7030003200 | S.RES ERJ3GEYJ 100 V (10) | |
| R415 | 7030003280 | S.RES ERJ3GEYJ 470 V (47) | |
| R442 | 7030003410 | S.RES ERJ3GEYJ 561 V (560) | |
| R443 | 7030003410 | S.RES ERJ3GEYJ 561 V (560) | |
| R444 | 7310005580 | S.TRI TMC3ADC53X (4.7K) | |
| R445 | 7030003280 | S.RES ERJ3GEYJ 470 V (47) | |
| R446 | 7030003560 | S.RES ERJ3GEYJ 103 V (10K) | |
| R447 | 7030003280 | S.RES ERJ3GEYJ 470 V (47) | |
| R448 | 7030003400 | S.RES ERJ3GEYJ 471 V (470) | |
| R449 | 7030003320 | S.RES ERJ3GEYJ 101 V (100) | |
| R471 | 7030003760 | S.RES ERJ3GEYJ 474 V (470K) | |
| R472 | 7030003280 | S.RES ERJ3GEYJ 470 V (47) | |
| R473 | 7030003200 | S.RES ERJ3GEYJ 100 V (10) | |
| R474 | 7030003520 | S.RES ERJ3GEYJ 472 V (4.7K) | |
| R475 | 7030003580 | S.RES ERJ3GEYJ 153 V (15K) | |
| R476 | 7030003480 | S.RES ERJ3GEYJ 222 V (2.2K) | |
| R477 | 7030003340 | S.RES ERJ3GEYJ 151 V (150) | |
| R478 | 7030003480 | S.RES ERJ3GEYJ 222 V (2.2K) | |
| R479 | 7030003280 | S.RES ERJ3GEYJ 470 V (47) | |
| R491 | 7030003370 | S.RES ERJ3GEYJ 271 V (270) | |
| R492 | 7030003230 | S.RES ERJ3GEYJ 180 V (18) | |

[MAIN UNIT] (For other than [USA-2], [OTH-2], [CHN-1])

| REF NO. | ORDER NO. | DESCRIPTION | |
|---------|------------|-----------------------------|--|
| R493 | 7030003370 | S.RES ERJ3GEYJ 271 V (270) | |
| R563 | 7030003640 | S.RES ERJ3GEYJ 473 V (47K) | |
| R564 | 7030003640 | S.RES ERJ3GEYJ 473 V (47K) | |
| R565 | 7030003640 | S.RES ERJ3GEYJ 473 V (47K) | |
| R566 | 7030003640 | S.RES ERJ3GEYJ 473 V (47K) | |
| R567 | 7030003640 | S.RES ERJ3GEYJ 473 V (47K) | |
| R568 | 7030003640 | S.RES ERJ3GEYJ 473 V (47K) | |
| R569 | 7030003640 | S.RES ERJ3GEYJ 473 V (47K) | |
| R570 | 7030003640 | S.RES ERJ3GEYJ 473 V (47K) | |
| R571 | 7030003200 | S.RES ERJ3GEYJ 100 V (10) | |
| R572 | 7030003200 | S.RES ERJ3GEYJ 100 V (10) | |
| R573 | 7030003200 | S.RES ERJ3GEYJ 100 V (10) | |
| R574 | 7030003200 | S.RES ERJ3GEYJ 100 V (10) | |
| R575 | 7030003200 | S.RES ERJ3GEYJ 100 V (10) | |
| R576 | 7030003200 | S.RES ERJ3GEYJ 100 V (10) | |
| R577 | 7030003200 | S.RES ERJ3GEYJ 100 V (10) | |
| R578 | 7030003200 | S.RES ERJ3GEYJ 100 V (10) | |
| R579 | 7030003640 | S.RES ERJ3GEYJ 473 V (47K) | |
| R580 | 7030003640 | S.RES ERJ3GEYJ 473 V (47K) | |
| R583 | 7030003640 | S.RES ERJ3GEYJ 473 V (47K) | |
| R587 | 7030003200 | S.RES ERJ3GEYJ 100 V (10) | |
| R588 | 7030003200 | S.RES ERJ3GEYJ 100 V (10) | |
| R589 | 7030003200 | S.RES ERJ3GEYJ 100 V (10) | |
| R590 | 7030003200 | S.RES ERJ3GEYJ 100 V (10) | |
| R591 | 7030003200 | S.RES ERJ3GEYJ 100 V (10) | |
| R592 | 7030003200 | S.RES ERJ3GEYJ 100 V (10) | |
| R593 | 7030003200 | S.RES ERJ3GEYJ 100 V (10) | |
| R711 | 7030003480 | S.RES ERJ3GEYJ 222 V (2.2K) | |
| R712 | 7030003480 | S.RES ERJ3GEYJ 222 V (2.2K) | |
| R713 | 7030003360 | S.RES ERJ3GEYJ 221 V (22K) | |
| R721 | 7030003520 | S.RES ERJ3GEYJ 472 V (4.7K) | |
| R722 | 7030003610 | S.RES ERJ3GEYJ 273 V (27K) | |
| R723 | 7030003760 | S.RES ERJ3GEYJ 474 V (470K) | |
| R724 | 7030003340 | S.RES ERJ3GEYJ 151 V (150) | |
| R725 | 7030003320 | S.RES ERJ3GEYJ 101 V (100) | |
| R731 | 7030003680 | S.RES ERJ3GEYJ 104 V (100K) | |
| R732 | 7030003520 | S.RES ERJ3GEYJ 472 V (4.7K) | |
| R733 | 7030003320 | S.RES ERJ3GEYJ 101 V (100) | |
| R734 | 7030003320 | S.RES ERJ3GEYJ 101 V (100) | |
| R735 | 7030003600 | S.RES ERJ3GEYJ 223 V (22K) | |
| R736 | 7310005540 | S.TRI TMC3ADC14X (10K) | |
| R737 | 7030003640 | S.RES ERJ3GEYJ 473 V (47K) | |
| R738 | 7030003640 | S.RES ERJ3GEYJ 473 V (47K) | |
| R739 | 7030003640 | S.RES ERJ3GEYJ 473 V (47K) | |
| R740 | 7030003440 | S.RES ERJ3GEYJ 102 V (1K) | |
| R741 | 7030003520 | S.RES ERJ3GEYJ 472 V (4.7K) | |
| R742 | 7030003320 | S.RES ERJ3GEYJ 101 V (100) | |
| R743 | 7030003640 | S.RES ERJ3GEYJ 473 V (47K) | |
| R744 | 7030003520 | S.RES ERJ3GEYJ 472 V (4.7K) | |
| R745 | 7030003680 | S.RES ERJ3GEYJ 104 V (100K) | |
| R746 | 7030003540 | S.RES ERJ3GEYJ 682 V (6.8K) | |
| R747 | 7030003440 | S.RES ERJ3GEYJ 102 V (1K) | |
| R748 | 7030003400 | S.RES ERJ3GEYJ 471 V (470) | |
| R749 | 7030003600 | S.RES ERJ3GEYJ 223 V (22K) | |
| R750 | 7030003440 | S.RES ERJ3GEYJ 102 V (1K) | |
| R751 | 7030003280 | S.RES ERJ3GEYJ 470 V (47) | |
| R761 | 7030003480 | S.RES ERJ3GEYJ 222 V (2.2K) | |
| R762 | 7030003360 | S.RES ERJ3GEYJ 221 V (220) | |
| R763 | 7030003360 | S.RES ERJ3GEYJ 221 V (220) | |
| R764 | 7030003480 | S.RES ERJ3GEYJ 222 V (2.2K) | |
| R765 | 7030003560 | S.RES ERJ3GEYJ 103 V (10K) | |
| R771 | 7030003480 | S.RES ERJ3GEYJ 222 V (2.2K) | |
| R772 | 7030003360 | S.RES ERJ3GEYJ 221 V (220) | |
| R773 | 7030003360 | S.RES ERJ3GEYJ 221 V (220) | |
| R774 | 7030003480 | S.RES ERJ3GEYJ 222 V (2.2K) | |
| R775 | 7030003560 | S.RES ERJ3GEYJ 103 V (10K) | |
| R781 | 7030003480 | S.RES ERJ3GEYJ 222 V (2.2K) | |
| R782 | 7030003360 | S.RES ERJ3GEYJ 221 V (220) | |
| R783 | 7030003360 | S.RES ERJ3GEYJ 221 V (220) | |
| R784 | 7030003480 | S.RES ERJ3GEYJ 222 V (2.2K) | |
| R785 | 7030003560 | S.RES ERJ3GEYJ 103 V (10K) | |
| R791 | 7030003480 | S.RES ERJ3GEYJ 222 V (2.2K) | |
| R792 | 7030003520 | S.RES ERJ3GEYJ 472 V (4.7K) | |
| R793 | 7030003480 | S.RES ERJ3GEYJ 222 V (2.2K) | |
| R794 | 7030003480 | S.RES ERJ3GEYJ 222 V (2.2K) | |
| R795 | 7030003520 | S.RES ERJ3GEYJ 472 V (4.7K) | |
| R796 | 7030003480 | S.RES ERJ3GEYJ 222 V (2.2K) | |
| R801 | 7030003440 | S.RES ERJ3GEYJ 102 V (1K) | |
| R802 | 7030003320 | S.RES ERJ3GEYJ 101 V (100) | |
| R811 | 7030003460 | S.RES ERJ3GEYJ 152 V (1.5K) | |
| R812 | 7030003400 | S.RES ERJ3GEYJ 471 V (470) | |
| R813 | 7030003400 | S.RES ERJ3GEYJ 471 V (470) | |
| R814 | 7030003500 | S.RES ERJ3GEYJ 332 V (3.3K) | |
| R815 | 7030003500 | S.RES ERJ3GEYJ 332 V (3.3K) | |
| R816 | 7030003490 | S.RES ERJ3GEYJ 272 V (2.7K) | |
| R817 | 7030003490 | S.RES ERJ3GEYJ 272 V (2.7K) | |
| R818 | 7030003490 | S.RES ERJ3GEYJ 272 V (2.7K) | |
| R819 | 7030003440 | S.RES ERJ3GEYJ 102 V (1K) | |
| R820 | 7030003440 | S.RES ERJ3GEYJ 102 V (1K) | |
| R821 | 7030003500 | S.RES ERJ3GEYJ 332 V (3.3K) | |
| R822 | 7030003200 | S.RES ERJ3GEYJ 100 V (10) | |
| R823 | 7030003200 | S.RES ERJ3GEYJ 100 V (10) | |
| R824 | 7030003360 | S.RES ERJ3GEYJ 221 V (220) | |
| R825 | 7510001480 | S.THE NTCG10 3NH 681JT | |
| R831 | 7030004710 | S.RES ERJ3GEYJ 475 V (4.7M) | |
| R832 | 7030004710 | S.RES ERJ3GEYJ 475 V (4.7M) | |
| R833 | 7030004710 | S.RES ERJ3GEYJ 475 V (4.7M) | |
| R834 | 7030004710 | S.RES ERJ3GEYJ 475 V (4.7M) | |
| R835 | 7030003820 | S.RES ERJ3GEYJ 155 V (1.5M) | |
| R836 | 7030003520 | S.RES ERJ3GEYJ 472 V (4.7K) | |
| R841 | 7030003560 | S.RES ERJ3GEYJ 103 V (10K) | |
| R851 | 7030003560 | S.RES ERJ3GEYJ 103 V (10K) | |
| R852 | 7030003360 | S.RES ERJ3GEYJ 221 V (220) | |
| R853 | 7030003360 | S.RES ERJ3GEYJ 221 V (220) | |

M.=Mounted side (T: Mounted on the Top side, B: Mounted on the Bottom side)
S.=Surface mount

[MAIN UNIT] (For other than [USA-2], [OTH-2], [CHN-1])

| REF NO. | ORDER NO. | DESCRIPTION | |
|---------|------------|----------------------------|-------|
| R2031 | 7030003640 | S.RES ERJ3GEYJ 473 V (47K) | [USA] |
| | 7030003640 | S.RES ERJ3GEYJ 473 V (47K) | [EUR] |
| | 7030003640 | S.RES ERJ3GEYJ 473 V (47K) | [AUS] |
| | 7030003640 | S.RES ERJ3GEYJ 473 V (47K) | [UK] |
| | 7030003640 | S.RES ERJ3GEYJ 473 V (47K) | [DEN] |
| | 7030003640 | S.RES ERJ3GEYJ 473 V (47K) | [SEA] |
| | 7030003640 | S.RES ERJ3GEYJ 473 V (47K) | [OTH] |
| R2032 | 7030003640 | S.RES ERJ3GEYJ 473 V (47K) | [USA] |
| | 7030003640 | S.RES ERJ3GEYJ 473 V (47K) | [EUR] |
| | 7030003640 | S.RES ERJ3GEYJ 473 V (47K) | [AUS] |
| | 7030003640 | S.RES ERJ3GEYJ 473 V (47K) | [UK] |
| | 7030003640 | S.RES ERJ3GEYJ 473 V (47K) | [DEN] |
| | 7030003640 | S.RES ERJ3GEYJ 473 V (47K) | [SEA] |
| | 7030003640 | S.RES ERJ3GEYJ 473 V (47K) | [OTH] |
| R2051 | 7030003640 | S.RES ERJ3GEYJ 473 V (47K) | |
| C101 | 4030011600 | S.CER C1608 JB 1E 104K-T | |
| C111 | 4030010210 | S.CER C3216 JB 1C 105M-T | |
| C121 | 4030006900 | S.CER C1608 JB 1H 103K-T | |
| C131 | 4030007070 | S.CER C1608 CH 1H 330J-T | |
| C132 | 4030007070 | S.CER C1608 CH 1H 330J-T | |
| C133 | 4030007040 | S.CER C1608 CH 1H 180J-T | |
| C134 | 4030007120 | S.CER C1608 CH 1H 820J-T | |
| C135 | 4030007040 | S.CER C1608 CH 1H 180J-T | |
| C136 | 4030007100 | S.CER C1608 CH 1H 560J-T | |
| C141 | 4030006900 | S.CER C1608 JB 1H 103K-T | |
| C151 | 4030010210 | S.CER C3216 JB 1C 105M-T | |
| C152 | 4030011600 | S.CER C1608 JB 1E 104K-T | |
| C161 | 4030008470 | S.CER C1608 JB 1H 272K-T | |
| C162 | 4030009880 | S.CER C1608 JB 1H 682K-T | |
| C163 | 4030009980 | S.CER C1608 JB 1H 152K-T | |
| C164 | 4030011600 | S.CER C1608 JB 1E 104K-T | |
| C170 | 4510008520 | S.ELE EEE1CA470SP | |
| C171 | 4030011600 | S.CER C1608 JB 1E 104K-T | |
| C172 | 4030008650 | S.CER C1608 JB 1H 332K-T | |
| C173 | 4030010240 | S.CER C1608 JB 1H 391K-T | |
| C174 | 4030008650 | S.CER C1608 JB 1H 332K-T | |
| C175 | 4030010210 | S.CER C3216 JB 1C 105M-T | |
| C176 | 4030011600 | S.CER C1608 JB 1E 104K-T | |
| C181 | 4030011600 | S.CER C1608 JB 1E 104K-T | |
| C182 | 4030006860 | S.CER C1608 JB 1H 102K-T | |
| C183 | 4030009580 | S.CER C1608 JB 1H 681K-T | |
| C184 | 4030006870 | S.CER C1608 JB 1H 222K-T | |
| C185 | 4030007170 | S.CER C1608 CH 1H 221J-T | |
| C186 | 4030010020 | S.CER C1608 JB 1H 122K-T | |
| C187 | 4030011600 | S.CER C1608 JB 1E 104K-T | |
| C188 | 4030011600 | S.CER C1608 JB 1E 104K-T | |
| C201 | 4030011600 | S.CER C1608 JB 1E 104K-T | |
| C202 | 4030010020 | S.CER C1608 JB 1H 122K-T | |
| C203 | 4030007130 | S.CER C1608 CH 1H 101J-T | |
| C204 | 4030010020 | S.CER C1608 JB 1H 122K-T | |
| C205 | 4030009880 | S.CER C1608 JB 1H 682K-T | |
| C206 | 4030009880 | S.CER C1608 JB 1H 682K-T | |
| C207 | 4030009980 | S.CER C1608 JB 1H 152K-T | |
| C208 | 4030009980 | S.CER C1608 JB 1H 152K-T | |
| C209 | 4030011600 | S.CER C1608 JB 1E 104K-T | |
| C221 | 4030011600 | S.CER C1608 JB 1E 104K-T | |
| C222 | 4030010240 | S.CER C1608 JB 1H 391K-T | |
| C223 | 4030007140 | S.CER C1608 CH 1H 121J-T | |
| C224 | 4030007130 | S.CER C1608 CH 1H 101J-T | |
| C225 | 4030006850 | S.CER C1608 JB 1H 471K-T | |
| C226 | 4030006870 | S.CER C1608 JB 1H 222K-T | |
| C227 | 4030006880 | S.CER C1608 JB 1H 472K-T | |
| C228 | 4030006860 | S.CER C1608 JB 1H 102K-T | |
| C229 | 4030009580 | S.CER C1608 JB 1H 681K-T | |
| C230 | 4030011600 | S.CER C1608 JB 1E 104K-T | |
| C241 | 4030011600 | S.CER C1608 JB 1E 104K-T | |
| C242 | 4030010760 | S.CER C1608 CH 1H 331J-T | |
| C243 | 4030007090 | S.CER C1608 CH 1H 470J-T | |
| C244 | 4030007160 | S.CER C1608 CH 1H 181J-T | |
| C245 | 4030010040 | S.CER C1608 JB 1H 561K-T | |
| C246 | 4030008470 | S.CER C1608 JB 1H 272K-T | |
| C247 | 4030010760 | S.CER C1608 CH 1H 331J-T | |
| C248 | 4030011600 | S.CER C1608 JB 1E 104K-T | |
| C261 | 4030011600 | S.CER C1608 JB 1E 104K-T | |
| C262 | 4030011280 | S.CER C1608 CH 1H 271J-T | |
| C263 | 4030007090 | S.CER C1608 CH 1H 470J-T | |
| C264 | 4030007150 | S.CER C1608 CH 1H 151J-T | |
| C265 | 4030006850 | S.CER C1608 JB 1H 471K-T | |
| C266 | 4030010020 | S.CER C1608 JB 1H 122K-T | |
| C267 | 4030007140 | S.CER C1608 CH 1H 121J-T | |
| C268 | 4030007140 | S.CER C1608 CH 1H 121J-T | |
| C269 | 4030011600 | S.CER C1608 JB 1E 104K-T | |
| C281 | 4030011600 | S.CER C1608 JB 1E 104K-T | |
| C282 | 4030007160 | S.CER C1608 CH 1H 181J-T | |
| C283 | 4030007030 | S.CER C1608 CH 1H 150J-T | |
| C284 | 4030007030 | S.CER C1608 CH 1H 150J-T | |
| C285 | 4030007130 | S.CER C1608 CH 1H 101J-T | |
| C286 | 4030007150 | S.CER C1608 CH 1H 151J-T | |
| C287 | 4030007150 | S.CER C1608 CH 1H 151J-T | |
| C288 | 4030010020 | S.CER C1608 JB 1H 122K-T | |
| C289 | 4030007150 | S.CER C1608 CH 1H 151J-T | |
| C290 | 4030011600 | S.CER C1608 JB 1E 104K-T | |
| C301 | 4030011600 | S.CER C1608 JB 1E 104K-T | |
| C302 | 4030006990 | S.CER C1608 CH 1H 080D-T | |
| C303 | 4030007160 | S.CER C1608 CH 1H 181J-T | |
| C304 | 4030007060 | S.CER C1608 CH 1H 270J-T | |
| C305 | 4030007140 | S.CER C1608 CH 1H 121J-T | |
| C306 | 4030007160 | S.CER C1608 CH 1H 181J-T | |
| C307 | 4030010020 | S.CER C1608 JB 1H 122K-T | |
| C308 | 4030007130 | S.CER C1608 CH 1H 101J-T | |
| C309 | 4030011600 | S.CER C1608 JB 1E 104K-T | |
| C321 | 4030006900 | S.CER C1608 JB 1H 103K-T | |

[MAIN UNIT] (For other than [USA-2], [OTH-2], [CHN-1])

| REF NO. | ORDER NO. | DESCRIPTION | |
|---------|------------|--------------------------|--|
| C322 | 4030007110 | S.CER C1608 CH 1H 680J-T | |
| C323 | 4030007080 | S.CER C1608 CH 1H 390J-T | |
| C324 | 4030007110 | S.CER C1608 CH 1H 680J-T | |
| C325 | 4030007010 | S.CER C1608 CH 1H 100D-T | |
| C326 | 4030007010 | S.CER C1608 CH 1H 100D-T | |
| C327 | 4030007110 | S.CER C1608 CH 1H 680J-T | |
| C328 | 4030007170 | S.CER C1608 CH 1H 221J-T | |
| C329 | 4030010240 | S.CER C1608 JB 1H 391K-T | |
| C330 | 4030007100 | S.CER C1608 CH 1H 560J-T | |
| C331 | 4030007050 | S.CER C1608 CH 1H 220J-T | |
| C332 | 4030006900 | S.CER C1608 JB 1H 103K-T | |
| C333 | 4030007070 | S.CER C1608 CH 1H 330J-T | |
| C341 | 4030006900 | S.CER C1608 JB 1H 103K-T | |
| C342 | 4030007110 | S.CER C1608 CH 1H 680J-T | |
| C344 | 4030007020 | S.CER C1608 CH 1H 120J-T | |
| C345 | 4030007080 | S.CER C1608 CH 1H 390J-T | |
| C346 | 4030006900 | S.CER C1608 JB 1H 103K-T | |
| C349 | 4030007100 | S.CER C1608 CH 1H 560J-T | |
| C350 | 4030007160 | S.CER C1608 CH 1H 181J-T | |
| C351 | 4030007090 | S.CER C1608 CH 1H 470J-T | |
| C352 | 4030006900 | S.CER C1608 JB 1H 103K-T | |
| C361 | 4030010210 | S.CER C3216 JB 1C 105M-T | |
| C371 | 4030011600 | S.CER C1608 JB 1E 104K-T | |
| C372 | 4030007010 | S.CER C1608 CH 1H 100D-T | |
| C381 | 4030011600 | S.CER C1608 JB 1E 104K-T | |
| C382 | 4030011600 | S.CER C1608 JB 1E 104K-T | |
| C383 | 4030011600 | S.CER C1608 JB 1E 104K-T | |
| C384 | 4030011600 | S.CER C1608 JB 1E 104K-T | |
| C385 | 4030011600 | S.CER C1608 JB 1E 104K-T | |
| C386 | 4030011600 | S.CER C1608 JB 1E 104K-T | |
| C391 | 4030011600 | S.CER C1608 JB 1E 104K-T | |
| C392 | 4030011600 | S.CER C1608 JB 1E 104K-T | |
| C393 | 4030011600 | S.CER C1608 JB 1E 104K-T | |
| C394 | 4030011600 | S.CER C1608 JB 1E 104K-T | |
| C395 | 4030011600 | S.CER C1608 JB 1E 104K-T | |
| C396 | 4030011600 | S.CER C1608 JB 1E 104K-T | |
| C397 | 4030011600 | S.CER C1608 JB 1E 104K-T | |
| C401 | 4030011600 | S.CER C1608 JB 1E 104K-T | |
| C411 | 4030007080 | S.CER C1608 CH 1H 390J-T | |
| C412 | 4030007130 | S.CER C1608 CH 1H 101J-T | |
| C413 | 4030011600 | S.CER C1608 JB 1E 104K-T | |
| C414 | 4030006860 | S.CER C1608 JB 1H 102K-T | |
| C415 | 4030011600 | S.CER C1608 JB 1E 104K-T | |
| C422 | 4030006970 | S.CER C1608 CH 1H 060D-T | |
| C423 | 4030007040 | S.CER C1608 CH 1H 180J-T | |
| C424 | 4030006920 | S.CER C1608 CH 1H 010C-T | |
| C425 | 4030007040 | S.CER C1608 CH 1H 180J-T | |
| C431 | 4030007070 | S.CER C1608 CH 1H 330J-T | |
| C432 | 4030007070 | S.CER C1608 CH 1H 330J-T | |
| C433 | 4030007040 | S.CER C1608 CH 1H 180J-T | |
| C434 | 4030007120 | S.CER C1608 CH 1H 820J-T | |
| C435 | 4030007040 | S.CER C1608 CH 1H 180J-T | |
| C436 | 4030007100 | S.CER C1608 CH 1H 560J-T | |
| C442 | 4030011600 | S.CER C1608 JB 1E 104K-T | |
| C443 | 4030011600 | S.CER C1608 JB 1E 104K-T | |
| C444 | 4030006990 | S.CER C1608 CH 1H 080D-T | |
| C445 | 4030006950 | S.CER C1608 CH 1H 040C-T | |
| C446 | 4030011600 | S.CER C1608 JB 1E 104K-T | |
| C447 | 4030011600 | S.CER C1608 JB 1E 104K-T | |
| C448 | 4030007130 | S.CER C1608 CH 1H 101J-T | |
| C461 | 4030006980 | S.CER C1608 CH 1H 070D-T | |
| C462 | 4030006930 | S.CER C1608 CH 1H 020C-T | |
| C471 | 4030007050 | S.CER C1608 CH 1H 220J-T | |
| C472 | 4030011600 | S.CER C1608 JB 1E 104K-T | |
| C473 | 4030006880 | S.CER C1608 JB 1H 472K-T | |
| C474 | 4030006880 | S.CER C1608 JB 1H 472K-T | |
| C475 | 4030007020 | S.CER C1608 CH 1H 120J-T | |
| C476 | 4030006880 | S.CER C1608 JB 1H 472K-T | |
| C492 | 4030007110 | S.CER C1608 CH 1H 680J-T | |
| C551 | 4030011600 | S.CER C1608 JB 1E 104K-T | |
| C552 | 4030011600 | S.CER C1608 JB 1E 104K-T | |
| C553 | 4030006880 | S.CER C1608 JB 1H 472K-T | |
| C561 | 4030011600 | S.CER C1608 JB 1E 104K-T | |
| C562 | 4030011600 | S.CER C1608 JB 1E 104K-T | |
| C563 | 4030006880 | S.CER C1608 JB 1H 472K-T | |
| C701 | 4030006930 | S.CER C1608 CH 1H 020C-T | |
| C711 | 4030006880 | S.CER C1608 JB 1H 472K-T | |
| C712 | 4030006880 | S.CER C1608 JB 1H 472K-T | |
| C721 | 4030006880 | S.CER C1608 JB 1H 472K-T | |
| C722 | 4030011600 | S.CER C1608 JB 1E 104K-T | |
| C723 | 4030006880 | S.CER C1608 JB 1H 472K-T | |
| C724 | 4030007050 | S.CER C1608 CH 1H 220J-T | |
| C725 | 4030011600 | S.CER C1608 JB 1E 104K-T | |
| C726 | 4030006880 | S.CER C1608 JB 1H 472K-T | |
| C731 | 4030006880 | S.CER C1608 JB 1H 472K-T | |
| C732 | 4030006880 | S.CER C1608 JB 1H 472K-T | |
| C733 | 4030006880 | S.CER C1608 JB 1H 472K-T | |
| C734 | 4030011600 | S.CER C1608 JB 1E 104K-T | |
| C735 | 4030006880 | S.CER C1608 JB 1H 472K-T | |
| C736 | 4030006880 | S.CER C1608 JB 1H 472K-T | |
| C737 | 4030011600 | S.CER C1608 JB 1E 104K-T | |
| C738 | 4030007150 | S.CER C1608 CH 1H 151J-T | |
| C739 | 4510009270 | S.ELE EEEHB1C220UR | |
| C740 | 4030007050 | S.CER C1608 CH 1H 220J-T | |
| C741 | 4510008520 | S.ELE EEE1CA470SP | |
| C742 | 4030011600 | S.CER C1608 JB 1E 104K-T | |
| C743 | 4510008540 | S.ELE EEE1CA100SR | |
| C761 | 4030011600 | S.CER C1608 JB 1E 104K-T | |
| C762 | 4030011600 | S.CER C1608 JB 1E 104K-T | |
| C771 | 4030011600 | S.CER C1608 JB 1E 104K-T | |

[MAIN UNIT] (For other than [USA-2], [OTH-2], [CHN-1])

| REF NO. | ORDER NO. | DESCRIPTION | |
|---------|------------|--------------------------|---------|
| C791 | 4030011600 | S.CER C1608 JB 1E 104K-T | |
| C792 | 4030011600 | S.CER C1608 JB 1E 104K-T | |
| C801 | 4030011600 | S.CER C1608 JB 1E 104K-T | |
| C811 | 4030006880 | S.CER C1608 JB 1H 472K-T | |
| C813 | 4030011600 | S.CER C1608 JB 1E 104K-T | |
| C814 | 4030011600 | S.CER C1608 JB 1E 104K-T | |
| C816 | 4030006880 | S.CER C1608 JB 1H 472K-T | |
| C818 | 4030011600 | S.CER C1608 JB 1E 104K-T | |
| C831 | 4030008650 | S.CER C1608 JB 1H 332K-T | |
| C841 | 4030006880 | S.CER C1608 JB 1H 472K-T | |
| C851 | 4030011600 | S.CER C1608 JB 1E 104K-T | |
| C852 | 4030011600 | S.CER C1608 JB 1E 104K-T | |
| C861 | 4030011600 | S.CER C1608 JB 1E 104K-T | |
| C862 | 4030011600 | S.CER C1608 JB 1E 104K-T | |
| C871 | 4030011600 | S.CER C1608 JB 1E 104K-T | |
| C872 | 4030011600 | S.CER C1608 JB 1E 104K-T | |
| C881 | 4030011600 | S.CER C1608 JB 1E 104K-T | |
| C882 | 4030011600 | S.CER C1608 JB 1E 104K-T | |
| C891 | 4030011600 | S.CER C1608 JB 1E 104K-T | |
| C892 | 4030006880 | S.CER C1608 JB 1H 472K-T | |
| C893 | 4030006880 | S.CER C1608 JB 1H 472K-T | |
| C894 | 4030011600 | S.CER C1608 JB 1E 104K-T | |
| C895 | 4030007050 | S.CER C1608 CH 1H 220J-T | |
| C896 | 4030011600 | S.CER C1608 JB 1E 104K-T | |
| C897 | 4030006880 | S.CER C1608 JB 1H 472K-T | |
| C911 | 4030011600 | S.CER C1608 JB 1E 104K-T | |
| C912 | 4030007170 | S.CER C1608 CH 1H 221J-T | |
| C913 | 4030011600 | S.CER C1608 JB 1E 104K-T | |
| C914 | 4510008530 | S.ELE EEE1HA2R2SR | |
| C1001 | 4030011600 | S.CER C1608 JB 1E 104K-T | |
| C1002 | 4030006880 | S.CER C1608 JB 1H 472K-T | |
| C1003 | 4030011600 | S.CER C1608 JB 1E 104K-T | |
| C1004 | 4030007170 | S.CER C1608 CH 1H 221J-T | |
| C1005 | 4030007170 | S.CER C1608 CH 1H 221J-T | |
| C1006 | 4030006880 | S.CER C1608 JB 1H 472K-T | |
| C1007 | 4030007130 | S.CER C1608 CH 1H 101J-T | |
| C1008 | 4510008540 | S.ELE EEE1CA100SR | |
| C1009 | 4030011600 | S.CER C1608 JB 1E 104K-T | |
| C1010 | 4030011600 | S.CER C1608 JB 1E 104K-T | |
| C1021 | 4030011600 | S.CER C1608 JB 1E 104K-T | |
| C1022 | 4030006900 | S.CER C1608 JB 1H 103K-T | |
| C1023 | 4030006900 | S.CER C1608 JB 1H 103K-T | |
| C1024 | 4030011600 | S.CER C1608 JB 1E 104K-T | |
| C1031 | 4030011600 | S.CER C1608 JB 1E 104K-T | |
| C1041 | 4030006880 | S.CER C1608 JB 1H 472K-T | [USA-1] |
| | 4030006880 | S.CER C1608 JB 1H 472K-T | [OTH-1] |
| | 4030006880 | S.CER C1608 JB 1H 472K-T | [CHN] |
| C1042 | 4030006880 | S.CER C1608 JB 1H 472K-T | [USA-1] |
| | 4030006880 | S.CER C1608 JB 1H 472K-T | [OTH-1] |
| | 4030006880 | S.CER C1608 JB 1H 472K-T | [CHN] |
| C1043 | 4030006880 | S.CER C1608 JB 1H 472K-T | [USA-1] |
| | 4030006880 | S.CER C1608 JB 1H 472K-T | [OTH-1] |
| | 4030006880 | S.CER C1608 JB 1H 472K-T | [CHN] |
| C1044 | 4030011600 | S.CER C1608 JB 1E 104K-T | [USA-1] |
| | 4030011600 | S.CER C1608 JB 1E 104K-T | [OTH-1] |
| | 4030011600 | S.CER C1608 JB 1E 104K-T | [CHN] |
| C1051 | 4510008540 | S.ELE EEE1CA100SR | |
| C1061 | 4030006880 | S.CER C1608 JB 1H 472K-T | |
| C1062 | 4030007130 | S.CER C1608 CH 1H 101J-T | |
| C1063 | 4510008540 | S.ELE EEE1CA100SR | |
| C1064 | 4030011600 | S.CER C1608 JB 1E 104K-T | |
| C1065 | 4510008540 | S.ELE EEE1CA100SR | |
| C1066 | 4510008530 | S.ELE EEE1HA2R2SR | |
| C1067 | 4510009270 | S.ELE EEEHB1C220UR | |
| C1081 | 4030006880 | S.CER C1608 JB 1H 472K-T | |
| C1085 | 4030006880 | S.CER C1608 JB 1H 472K-T | |
| C1089 | 4030006880 | S.CER C1608 JB 1H 472K-T | |
| C1090 | 4030011600 | S.CER C1608 JB 1E 104K-T | |
| C1101 | 4030011600 | S.CER C1608 JB 1E 104K-T | |
| C1102 | 4030011600 | S.CER C1608 JB 1E 104K-T | |
| C1103 | 4030011600 | S.CER C1608 JB 1E 104K-T | |
| C1201 | 4030006900 | S.CER C1608 JB 1H 103K-T | |
| C1202 | 4030006900 | S.CER C1608 JB 1H 103K-T | |
| C1211 | 4030009980 | S.CER C1608 JB 1H 152K-T | |
| C1212 | 4030010020 | S.CER C1608 JB 1H 122K-T | |
| C1213 | 4030008650 | S.CER C1608 JB 1H 332K-T | |
| C1214 | 4030010040 | S.CER C1608 JB 1H 561K-T | |
| C1215 | 4030011600 | S.CER C1608 JB 1E 104K-T | |
| C1216 | 4030011600 | S.CER C1608 JB 1E 104K-T | |
| C1217 | 4030011600 | S.CER C1608 JB 1E 104K-T | |
| C1231 | 4030006880 | S.CER C1608 JB 1H 472K-T | |
| C1251 | 4030011600 | S.CER C1608 JB 1E 104K-T | |
| C1253 | 4030010760 | S.CER C1608 CH 1H 331J-T | |
| C1254 | 4510008530 | S.ELE EEE1HA2R2SR | |
| C1255 | 4030006900 | S.CER C1608 JB 1H 103K-T | |
| C1256 | 4030011600 | S.CER C1608 JB 1E 104K-T | |
| C1257 | 4510008540 | S.ELE EEE1CA100SR | |
| C1258 | 4510008540 | S.ELE EEE1CA100SR | |
| C1259 | 4510008540 | S.ELE EEE1CA100SR | |
| C1260 | 4510008540 | S.ELE EEE1CA100SR | |
| C1261 | 4510008540 | S.ELE EEE1CA100SR | |
| C1262 | 4510008530 | S.ELE EEE1HA2R2SR | |
| C1271 | 4030006880 | S.CER C1608 JB 1H 472K-T | |
| C1272 | 4030011600 | S.CER C1608 JB 1E 104K-T | |
| C1281 | 4030006900 | S.CER C1608 JB 1H 103K-T | |
| C1282 | 4030006900 | S.CER C1608 JB 1H 103K-T | |
| C1292 | 4510008540 | S.ELE EEE1CA100SR | |
| C1293 | 4030011600 | S.CER C1608 JB 1E 104K-T | |
| C1294 | 4030011600 | S.CER C1608 JB 1E 104K-T | |
| C1295 | 4510004591 | ELE 16 ME 470 HC | |
| C1296 | 4510004591 | ELE 16 ME 470 HC | |
| C1311 | 4030006900 | S.CER C1608 JB 1H 103K-T | |
| C1312 | 4030006900 | S.CER C1608 JB 1H 103K-T | |
| C1321 | 4030006900 | S.CER C1608 JB 1H 103K-T | |

[MAIN UNIT] (For other than [USA-2], [OTH-2], [CHN-1])

| REF NO. | ORDER NO. | DESCRIPTION | |
|---------|------------|--------------------------|-------|
| C1322 | 4030006860 | S.CER C1608 JB 1H 102K-T | |
| C1351 | 4030006900 | S.CER C1608 JB 1H 103K-T | |
| C1352 | 4030006900 | S.CER C1608 JB 1H 103K-T | |
| C1353 | 4510004510 | ELE 25 ME 470 HC | |
| C1361 | 4510008530 | S.ELE EEE1HA2R2SR | |
| C1362 | 4030011600 | S.CER C1608 JB 1E 104K-T | |
| C1363 | 4030011600 | S.CER C1608 JB 1E 104K-T | |
| C1364 | 4030011600 | S.CER C1608 JB 1E 104K-T | |
| C1365 | 4510008540 | S.ELE EEE1CA100SR | |
| C1371 | 4510008530 | S.ELE EEE1HA2R2SR | |
| C1372 | 4030011600 | S.CER C1608 JB 1E 104K-T | |
| C1373 | 4030011600 | S.CER C1608 JB 1E 104K-T | |
| C1374 | 4030011600 | S.CER C1608 JB 1E 104K-T | |
| C1375 | 4510004591 | ELE 16 ME 470 HC | |
| C1376 | 4030010210 | S.CER C3216 JB 1C 105M-T | |
| C1381 | 4030011600 | S.CER C1608 JB 1E 104K-T | |
| C1382 | 4030011600 | S.CER C1608 JB 1E 104K-T | |
| C1391 | 4510004591 | ELE 16 ME 470 HC | |
| C1392 | 4030011600 | S.CER C1608 JB 1E 104K-T | |
| C1393 | 4030011600 | S.CER C1608 JB 1E 104K-T | |
| C1394 | 4510008540 | S.ELE EEE1CA100SR | |
| C1401 | 4510008540 | S.ELE EEE1CA100SR | |
| C1402 | 4030011600 | S.CER C1608 JB 1E 104K-T | |
| C1403 | 4030011600 | S.CER C1608 JB 1E 104K-T | |
| C1404 | 4510008540 | S.ELE EEE1CA100SR | |
| C1411 | 4030011600 | S.CER C1608 JB 1E 104K-T | |
| C1412 | 4510008520 | S.ELE EEE1CA470SP | |
| C1413 | 4030011600 | S.CER C1608 JB 1E 104K-T | |
| C1414 | 4510009270 | S.ELE EEEHB1C220UR | |
| C1415 | 4030006860 | S.CER C1608 JB 1H 102K-T | |
| C1416 | 4030006900 | S.CER C1608 JB 1H 103K-T | |
| C1417 | 4510008520 | S.ELE EEE1CA470SP | |
| C1418 | 4510008520 | S.ELE EEE1CA470SP | |
| C1419 | 4030011600 | S.CER C1608 JB 1E 104K-T | |
| C1420 | 4510008540 | S.ELE EEE1CA100SR | |
| C1421 | 4030011600 | S.CER C1608 JB 1E 104K-T | |
| C1422 | 4510008520 | S.ELE EEE1CA470SP | |
| C1502 | 4030006880 | S.CER C1608 JB 1H 472K-T | |
| C1521 | 4030006880 | S.CER C1608 JB 1H 472K-T | |
| C1601 | 4030011600 | S.CER C1608 JB 1E 104K-T | |
| C1602 | 4030011600 | S.CER C1608 JB 1E 104K-T | |
| C1603 | 4030011600 | S.CER C1608 JB 1E 104K-T | |
| C1751 | 4510008540 | S.ELE EEE1CA100SR | |
| C1752 | 4510008540 | S.ELE EEE1CA100SR | |
| C1753 | 4510008540 | S.ELE EEE1CA100SR | |
| C1754 | 4510008540 | S.ELE EEE1CA100SR | |
| C1755 | 4510008540 | S.ELE EEE1CA100SR | |
| C1756 | 4030011600 | S.CER C1608 JB 1E 104K-T | |
| C1771 | 4030011600 | S.CER C1608 JB 1E 104K-T | |
| C2001 | 4030006860 | S.CER C1608 JB 1H 102K-T | [USA] |
| | 4030006860 | S.CER C1608 JB 1H 102K-T | [EUR] |
| | 4030006860 | S.CER C1608 JB 1H 102K-T | [AUS] |
| | 4030006860 | S.CER C1608 JB 1H 102K-T | [UK] |
| | 4030006860 | S.CER C1608 JB 1H 102K-T | [DEN] |
| | 4030006860 | S.CER C1608 JB 1H 102K-T | [SEA] |
| | 4030006860 | S.CER C1608 JB 1H 102K-T | [OTH] |
| C2011 | 4030010760 | S.CER C1608 CH 1H 331J-T | [USA] |
| | 4030010760 | S.CER C1608 CH 1H 331J-T | [EUR] |
| | 4030010760 | S.CER C1608 CH 1H 331J-T | [AUS] |
| | 4030010760 | S.CER C1608 CH 1H 331J-T | [UK] |
| | 4030010760 | S.CER C1608 CH 1H 331J-T | [DEN] |
| | 4030010760 | S.CER C1608 CH 1H 331J-T | [SEA] |
| | 4030010760 | S.CER C1608 CH 1H 331J-T | [OTH] |
| C2012 | 4030007070 | S.CER C1608 CH 1H 330J-T | [USA] |
| | 4030007070 | S.CER C1608 CH 1H 330J-T | [EUR] |
| | 4030007070 | S.CER C1608 CH 1H 330J-T | [AUS] |
| | 4030007070 | S.CER C1608 CH 1H 330J-T | [UK] |
| | 4030007070 | S.CER C1608 CH 1H 330J-T | [DEN] |
| | 4030007070 | S.CER C1608 CH 1H 330J-T | [SEA] |
| | 4030007070 | S.CER C1608 CH 1H 330J-T | [OTH] |
| C2013 | 4510008540 | S.ELE EEE1CA100SR | [USA] |
| | 4510008540 | S.ELE EEE1CA100SR | [EUR] |
| | 4510008540 | S.ELE EEE1CA100SR | [AUS] |
| | 4510008540 | S.ELE EEE1CA100SR | [UK] |
| | 4510008540 | S.ELE EEE1CA100SR | [DEN] |
| | 4510008540 | S.ELE EEE1CA100SR | [SEA] |
| | 4510008540 | S.ELE EEE1CA100SR | [OTH] |
| C2014 | 4030011600 | S.CER C1608 JB 1E 104K-T | [USA] |
| | 4030011600 | S.CER C1608 JB 1E 104K-T | [EUR] |
| | 4030011600 | S.CER C1608 JB 1E 104K-T | [AUS] |
| | 4030011600 | S.CER C1608 JB 1E 104K-T | [UK] |
| | 4030011600 | S.CER C1608 JB 1E 104K-T | [DEN] |
| | 4030011600 | S.CER C1608 JB 1E 104K-T | [SEA] |
| | 4030011600 | S.CER C1608 JB 1E 104K-T | [OTH] |
| C2015 | 4030006900 | S.CER C1608 JB 1H 103K-T | [USA] |
| | 4030006900 | S.CER C1608 JB 1H 103K-T | [EUR] |
| | 4030006900 | S.CER C1608 JB 1H 103K-T | [AUS] |
| | 4030006900 | S.CER C1608 JB 1H 103K-T | [UK] |
| | 4030006900 | S.CER C1608 JB 1H 103K-T | [DEN] |
| | 4030006900 | S.CER C1608 JB 1H 103K-T | [SEA] |
| | 4030006900 | S.CER C1608 JB 1H 103K-T | [OTH] |
| C2016 | 4510008540 | S.ELE EEE1CA100SR | [USA] |
| | 4510008540 | S.ELE EEE1CA100SR | [EUR] |
| | 4510008540 | S.ELE EEE1CA100SR | [AUS] |
| | 4510008540 | S.ELE EEE1CA100SR | [UK] |
| | 4510008540 | S.ELE EEE1CA100SR | [DEN] |
| | 4510008540 | S.ELE EEE1CA100SR | [SEA] |
| | 4510008540 | S.ELE EEE1CA100SR | [OTH] |

M.=Mounted side (T: Mounted on the Top side, B: Mounted on the Bottom side)
S.=Surface mount

[MAIN UNIT] (For other than [USA-2], [OTH-2], [CHN-1])

| REF NO. | ORDER NO. | DESCRIPTION | |
|---------|------------|--------------------------|-------|
| C2021 | 4030006860 | S.CER C1608 JB 1H 102K-T | [USA] |
| | 4030006860 | S.CER C1608 JB 1H 102K-T | [EUR] |
| | 4030006860 | S.CER C1608 JB 1H 102K-T | [AUS] |
| | 4030006860 | S.CER C1608 JB 1H 102K-T | [UK] |
| | 4030006860 | S.CER C1608 JB 1H 102K-T | [DEN] |
| C2022 | 4030007080 | S.CER C1608 CH 1H 390J-T | [SEA] |
| | 4030007080 | S.CER C1608 CH 1H 390J-T | [OTH] |
| | 4030007080 | S.CER C1608 CH 1H 390J-T | [USA] |
| | 4030007080 | S.CER C1608 CH 1H 390J-T | [EUR] |
| | 4030007080 | S.CER C1608 CH 1H 390J-T | [AUS] |
| C2023 | 4030007020 | S.CER C1608 CH 1H 120J-T | [UK] |
| | 4030007020 | S.CER C1608 CH 1H 120J-T | [DEN] |
| | 4030007020 | S.CER C1608 CH 1H 120J-T | [SEA] |
| | 4030007020 | S.CER C1608 CH 1H 120J-T | [OTH] |
| | 4030007020 | S.CER C1608 CH 1H 120J-T | [USA] |
| C2024 | 4510008520 | S.ELE EEE1CA470SP | [EUR] |
| | 4510008520 | S.ELE EEE1CA470SP | [AUS] |
| | 4510008520 | S.ELE EEE1CA470SP | [UK] |
| | 4510008520 | S.ELE EEE1CA470SP | [DEN] |
| | 4510008520 | S.ELE EEE1CA470SP | [SEA] |
| C2031 | 4030006860 | S.CER C1608 JB 1H 102K-T | [USA] |
| | 4030006860 | S.CER C1608 JB 1H 102K-T | [EUR] |
| | 4030006860 | S.CER C1608 JB 1H 102K-T | [AUS] |
| | 4030006860 | S.CER C1608 JB 1H 102K-T | [UK] |
| | 4030006860 | S.CER C1608 JB 1H 102K-T | [DEN] |
| C2032 | 4030006860 | S.CER C1608 JB 1H 102K-T | [SEA] |
| | 4030006860 | S.CER C1608 JB 1H 102K-T | [OTH] |
| | 4030006860 | S.CER C1608 JB 1H 102K-T | [USA] |
| | 4030006860 | S.CER C1608 JB 1H 102K-T | [EUR] |
| | 4030006860 | S.CER C1608 JB 1H 102K-T | [AUS] |
| C2033 | 4030006860 | S.CER C1608 JB 1H 102K-T | [UK] |
| | 4030006860 | S.CER C1608 JB 1H 102K-T | [DEN] |
| | 4030006860 | S.CER C1608 JB 1H 102K-T | [SEA] |
| | 4030006860 | S.CER C1608 JB 1H 102K-T | [OTH] |
| | 4030006860 | S.CER C1608 JB 1H 102K-T | [USA] |
| C2034 | 4030006860 | S.CER C1608 JB 1H 102K-T | [EUR] |
| | 4030006860 | S.CER C1608 JB 1H 102K-T | [AUS] |
| | 4030006860 | S.CER C1608 JB 1H 102K-T | [UK] |
| | 4030006860 | S.CER C1608 JB 1H 102K-T | [DEN] |
| | 4030006860 | S.CER C1608 JB 1H 102K-T | [SEA] |
| C2035 | 4030011600 | S.CER C1608 JB 1E 104K-T | [OTH] |
| | 4030011600 | S.CER C1608 JB 1E 104K-T | [USA] |
| | 4030011600 | S.CER C1608 JB 1E 104K-T | [EUR] |
| | 4030011600 | S.CER C1608 JB 1E 104K-T | [AUS] |
| | 4030011600 | S.CER C1608 JB 1E 104K-T | [UK] |
| C2036 | 4030011600 | S.CER C1608 JB 1E 104K-T | [DEN] |
| | 4030011600 | S.CER C1608 JB 1E 104K-T | [SEA] |
| | 4030011600 | S.CER C1608 JB 1E 104K-T | [OTH] |
| | 4030011600 | S.CER C1608 JB 1E 104K-T | [USA] |
| | 4030011600 | S.CER C1608 JB 1E 104K-T | [EUR] |
| C2037 | 4030011600 | S.CER C1608 JB 1E 104K-T | [AUS] |
| | 4030011600 | S.CER C1608 JB 1E 104K-T | [UK] |
| | 4030011600 | S.CER C1608 JB 1E 104K-T | [DEN] |
| | 4030011600 | S.CER C1608 JB 1E 104K-T | [SEA] |
| | 4030011600 | S.CER C1608 JB 1E 104K-T | [OTH] |
| C2041 | 4030006860 | S.CER C1608 JB 1H 102K-T | [USA] |
| | 4030006860 | S.CER C1608 JB 1H 102K-T | [EUR] |
| | 4030006860 | S.CER C1608 JB 1H 102K-T | [AUS] |
| | 4030006860 | S.CER C1608 JB 1H 102K-T | [UK] |
| | 4030006860 | S.CER C1608 JB 1H 102K-T | [DEN] |
| C2042 | 4510008540 | S.ELE EEE1CA100SR | [SEA] |
| | 4510008540 | S.ELE EEE1CA100SR | [OTH] |
| | 4510008540 | S.ELE EEE1CA100SR | [USA] |
| | 4510008540 | S.ELE EEE1CA100SR | [EUR] |
| | 4510008540 | S.ELE EEE1CA100SR | [AUS] |
| C2051 | 4030011600 | S.CER C1608 JB 1E 104K-T | [UK] |
| | 4030011600 | S.CER C1608 JB 1E 104K-T | [DEN] |
| | 4030011600 | S.CER C1608 JB 1E 104K-T | [SEA] |
| | 4030011600 | S.CER C1608 JB 1E 104K-T | [OTH] |
| | 4030011600 | S.CER C1608 JB 1E 104K-T | [USA] |
| RL121 | 6330000180 | REL MZ-12HG | [EUR] |
| | 6330000180 | REL MZ-12HG | [AUS] |
| | 6330000180 | REL MZ-12HG | [UK] |
| | 6330000180 | REL MZ-12HG | [DEN] |
| | 6330000180 | REL MZ-12HG | [SEA] |

[MAIN UNIT] (For other than [USA-2], [OTH-2], [CHN-1])

| REF NO. | ORDER NO. | DESCRIPTION | |
|---------|------------|-----------------------------|--|
| CP731 | 6910009670 | S.CHE HK3-S-T | |
| J101 | 6510021460 | CON PT-C02P01 | |
| J111 | 6510007020 | CON TMP-J01X-V6 | |
| J411 | 6510007020 | CON TMP-J01X-V6 | |
| J491 | 6510007020 | CON TMP-J01X-V6 | |
| J781 | 6450001560 | CON PD-72 | |
| J782 | 6450001560 | CON PD-72 | |
| J783 | 6450001560 | CON PD-72 | |
| J784 | 6450001560 | CON PD-72 | |
| J811 | 6510007020 | CON TMP-J01X-V6 | |
| J881 | 6450001560 | CON PD-72 | |
| J882 | 6450001560 | CON PD-72 | |
| J883 | 6450001560 | CON PD-72 | |
| J884 | 6450001560 | CON PD-72 | |
| J1081 | 6510007020 | CON TMP-J01X-V6 | |
| J1221 | 6510018971 | S.CON B4B-PH-SM4-TB(LF)(SN) | |
| J1231 | 6510019971 | S.CON 52808-1071 | |
| J1271 | 6510019191 | S.CON 52365-0871 | |
| J1311 | 6450001800 | CON JPJ1044-01-010 | |
| J1321 | 6450000140 | CON HSJ0807-01-010 | |
| J1351 | 6510023650 | CON HEC0740-010618 | |
| J1501 | 6510019981 | S.CON 52808-1671(1690) | |
| J1521 | 6510019981 | S.CON 52808-1671(1690) | |
| J1522 | 6510021861 | CON BH-800.4GG <LTC> | |
| J1541 | 6510019981 | S.CON 52808-1671(1690) | |
| J1561 | 6510019981 | S.CON 52808-1671(1690) | |
| J1701 | 6450000140 | CON HSJ0807-01-010 | |
| J1751 | 6510021241 | CON DELC-J9SAF-23L9E | |
| F1351 | 5210000051 | FUS FGB 3A PBF (FGB0 125V) | |
| F1352 | 5220000230 | HOL S-N5054 #01 | |
| F1353 | 5220000230 | HOL S-N5054 #01 | |
| BT1521 | 3020000110 | LIT CR2032 | |

M.=Mounted side (T: Mounted on the Top side, B: Mounted on the Bottom side)
S.=Surface mount

[PLL UNIT]

| REF NO. | ORDER NO. | DESCRIPTION | |
|---------|------------|---------------------------------|---------|
| WS1 | 8970023350 | RX2240 1.5D (4)/PL | [EUR] |
| | 8970023350 | RX2240 1.5D (4)/PL | [AUS] |
| | 8970023350 | RX2240 1.5D (4)/PL | [UK] |
| | 8970023350 | RX2240 1.5D (4)/PL | [DEN] |
| | 8970023350 | RX2240 1.5D (4)/PL | [SEA] |
| | 8970023350 | RX2240 1.5D (4)/PL | [USA-2] |
| | 8970023350 | RX2240 1.5D (4)/PL | [OTH-2] |
| | 8970023350 | RX2240 1.5D (4)/PL | [CHN-1] |
| IC21 | 1140007881 | S.IC TC190G08EFG0046JDZ/SC1246A | |
| IC22 | 1110004460 | S.IC UPB1509GV-E1 | |
| IC23 | 1130003831 | S.IC TC7S04F(TE85R,F) | |
| IC151 | 1140014960 | S.IC TC190G02EFG-0058/SC1287A | |
| IC201 | 1140014960 | S.IC TC190G02EFG-0058/SC1287A | |
| Q1 | 1530002571 | S.TRA 2SC4405-3-TL-E | |
| Q2 | 1530002571 | S.TRA 2SC4405-3-TL-E | |
| Q3 | 1590000680 | S.TRA DTC114EUA T106 | |
| Q4 | 1590000680 | S.TRA DTC114EUA T106 | |
| Q21 | 1530003001 | S.TRA 2SC4117-BL(TE85R,F) | |
| Q71 | 1560000491 | S.FET 2SK508-T2B-A K52 | |
| Q72 | 1590000680 | S.TRA DTC114EUA T106 | |
| Q81 | 1560000491 | S.FET 2SK508-T2B-A K52 | |
| Q82 | 1590000680 | S.TRA DTC114EUA T106 | |
| Q91 | 1530002571 | S.TRA 2SC4405-3-TL-E | |
| Q92 | 1590001330 | S.TRA DTA114EUA T106 | |
| Q93 | 1590000680 | S.TRA DTC114EUA T106 | |
| Q96 | 1530003001 | S.TRA 2SC4117-BL(TE85R,F) | |
| Q97 | 1530003001 | S.TRA 2SC4117-BL(TE85R,F) | |
| Q151 | 1530002880 | S.TRA 2SC4226-T1 R24 | |
| Q201 | 1530002880 | S.TRA 2SC4226-T1 R24 | |
| D1 | 1750000520 | S.DIO DAN222TL | |
| D2 | 1750000550 | S.DIO 1SS355 TE-17 | |
| D71 | 1720000831 | S.VAR KV1770STL-G | |
| D72 | 1790001261 | S.DIO MA2S077G0L | |
| D81 | 1720000831 | S.VAR KV1770STL-G | |
| D82 | 1790001261 | S.DIO MA2S077G0L | |
| D83 | 1790001251 | S.DIO MA2S1110GL | |
| D91 | 1790001261 | S.DIO MA2S077G0L | |
| D92 | 1790001261 | S.DIO MA2S077G0L | |
| D93 | 1790001641 | S.DIO 1SS373(TPH3,F) | [USA] |
| | 1790001641 | S.DIO 1SS373(TPH3,F) | [EUR] |
| | 1790001641 | S.DIO 1SS373(TPH3,F) | [AUS] |
| | 1790001641 | S.DIO 1SS373(TPH3,F) | [UK] |
| | 1790001641 | S.DIO 1SS373(TPH3,F) | [DEN] |
| | 1790001641 | S.DIO 1SS373(TPH3,F) | [SEA] |
| | 1790001641 | S.DIO 1SS373(TPH3,F) | [OTH] |
| | 1790001641 | S.DIO 1SS389(TPH3,F) | [USA-1] |
| | 1750001460 | S.DIO 1SS389(TPH3,F) | [OTH-1] |
| | 1750001460 | S.DIO 1SS389(TPH3,F) | [CHN] |
| | 1750001460 | S.DIO 1SS389(TPH3,F) | [USA-2] |
| | 1750001460 | S.DIO 1SS389(TPH3,F) | [OTH-2] |
| | 1750001460 | S.DIO 1SS389(TPH3,F) | [CHN-1] |
| D94 | 1790001641 | S.DIO 1SS373(TPH3,F) | [USA] |
| | 1790001641 | S.DIO 1SS373(TPH3,F) | [EUR] |
| | 1790001641 | S.DIO 1SS373(TPH3,F) | [AUS] |
| | 1790001641 | S.DIO 1SS373(TPH3,F) | [UK] |
| | 1790001641 | S.DIO 1SS373(TPH3,F) | [DEN] |
| | 1790001641 | S.DIO 1SS373(TPH3,F) | [SEA] |
| | 1790001641 | S.DIO 1SS373(TPH3,F) | [OTH] |
| | 1750001460 | S.DIO 1SS389(TPH3,F) | [USA-1] |
| | 1750001460 | S.DIO 1SS389(TPH3,F) | [OTH-1] |
| | 1750001460 | S.DIO 1SS389(TPH3,F) | [CHN] |
| | 1750001460 | S.DIO 1SS389(TPH3,F) | [USA-2] |
| | 1750001460 | S.DIO 1SS389(TPH3,F) | [OTH-2] |
| | 1750001460 | S.DIO 1SS389(TPH3,F) | [CHN-1] |
| X1 | 6050005712 | XTA CR-275B HC-49/U 30.000 MHz | |
| L1 | 6170000231 | COI LW-25A | |
| L2 | 6150004370 | COI LS-472C (C-15045) | |
| L3 | 6200003950 | S.COI HF50ACC 322513-T | |
| L4 | 6150004250 | COI LS-471A (C-14922) | |
| L5 | 6150004250 | COI LS-471A (C-14922) | |
| L22 | 6200003171 | S.COI NLV32T-330J | |
| L23 | 6200003181 | S.COI NLV32T-390J | |
| L24 | 6200003181 | S.COI NLV32T-390J | |
| L25 | 6200001831 | S.COI NLV32T-100J | |
| L26 | 6200003191 | S.COI NLV32T-470J | |
| L27 | 6200003191 | S.COI NLV32T-470J | |
| L71 | 6170000231 | COI LW-25A | |
| L72 | 6190001371 | COI #E544GN-110254 | |
| L73 | 6170000231 | COI LW-25A | |
| L81 | 6180003390 | COI SP0406-1R2K-6 | [USA] |
| | 6180003390 | COI SP0406-1R2K-6 | [EUR] |
| | 6180003390 | COI SP0406-1R2K-6 | [AUS] |
| | 6180003390 | COI SP0406-1R2K-6 | [UK] |
| | 6170000231 | COI LW-25A | [DEN] |
| | 6170000231 | COI LW-25A | [SEA] |
| | 6180003390 | COI SP0406-1R2K-6 | [OTH] |
| | 6180003390 | COI SP0406-1R2K-6 | [USA-1] |
| | 6180003390 | COI SP0406-1R2K-6 | [OTH-1] |
| | 6180003390 | COI SP0406-1R2K-6 | [CHN] |
| | 6180003390 | COI SP0406-1R2K-6 | [USA-2] |
| | 6180003390 | COI SP0406-1R2K-6 | [OTH-2] |
| | 6180003390 | COI SP0406-1R2K-6 | [CHN-1] |
| L82 | 6190001281 | COI #E544GN-110248 | |

[PLL UNIT]

| REF NO. | ORDER NO. | DESCRIPTION | | |
|---------|------------|-----------------------------|-------------------|--|
| L83 | 6180003390 | COI SP0406-1R2K-6 | [USA] | |
| | 6180003390 | COI SP0406-1R2K-6 | [EUR] | |
| | 6180003390 | COI SP0406-1R2K-6 | [AUS] | |
| | 6180003390 | COI SP0406-1R2K-6 | [UK] | |
| | 6170000231 | COI LW-25A | [DEN] | |
| | 6170000231 | COI LW-25A | [SEA] | |
| | 6180003390 | COI SP0406-1R2K-6 | [OTH] | |
| | 6180003390 | COI SP0406-1R2K-6 | [USA-1] | |
| | 6180003390 | COI SP0406-1R2K-6 | [OTH-1] | |
| | 6180003390 | COI SP0406-1R2K-6 | [CHN] | |
| | 6180003390 | COI SP0406-1R2K-6 | [USA-2] | |
| | 6180003390 | COI SP0406-1R2K-6 | [OTH-2] | |
| | 6180003390 | COI SP0406-1R2K-6 | [CHN-1] | |
| | L91 | 6180002961 | S.COI NLV32T-R18J | |
| | L92 | 6180002981 | S.COI NLV32T-056J | |
| | L93 | 6180002971 | S.COI NLV32T-068J | |
| | L94 | 6200001831 | S.COI NLV32T-100J | |
| | L151 | 6200003131 | S.COI NLV32T-120J | |
| | L152 | 6200003141 | S.COI NLV32T-150J | |
| | L153 | 6200001831 | S.COI NLV32T-100J | |
| L201 | 6200005491 | S.COI NLV32T-331J | | |
| L202 | 6200008641 | S.COI NLV32T-391J | | |
| L203 | 6200001831 | S.COI NLV32T-100J | | |
| L204 | 6200003640 | S.COI MLF1608E 100K-T | | |
| L205 | 6200003640 | S.COI MLF1608E 100K-T | | |
| L206 | 6200004790 | S.COI MLF1608D R47K-T | | |
| R1 | 7030003320 | S.RES ERJ3GEYJ 101 V (100) | | |
| R2 | 7030003580 | S.RES ERJ3GEYJ 153 V (15K) | | |
| R3 | 7030003520 | S.RES ERJ3GEYJ 472 V (4.7K) | | |
| R4 | 7030003430 | S.RES ERJ3GEYJ 821 V (820) | | |
| R5 | 7030003370 | S.RES ERJ3GEYJ 271 V (270) | | |
| R6 | 7030003320 | S.RES ERJ3GEYJ 101 V (100) | | |
| R7 | 7030003600 | S.RES ERJ3GEYJ 223 V (22K) | | |
| R8 | 7030003560 | S.RES ERJ3GEYJ 103 V (10K) | | |
| R9 | 7030003370 | S.RES ERJ3GEYJ 271 V (270) | | |
| R10 | 7030003640 | S.RES ERJ3GEYJ 473 V (47K) | | |
| R11 | 7030003320 | S.RES ERJ3GEYJ 101 V (100) | | |
| R12 | 7030003360 | S.RES ERJ3GEYJ 221 V (220) | | |
| R13 | 7030003200 | S.RES ERJ3GEYJ 100 V (10) | | |
| R21 | 7030003370 | S.RES ERJ3GEYJ 271 V (270) | | |
| R22 | 7030003560 | S.RES ERJ3GEYJ 103 V (10K) | | |
| R23 | 7030007220 | S.RES ERA3YED 202V (2K) | [USA] | |
| | 7030007220 | S.RES ERA3YED 202V (2K) | [EUR] | |
| | 7030007220 | S.RES ERA3YED 202V (2K) | [AUS] | |
| | 7030007220 | S.RES ERA3YED 202V (2K) | [UK] | |
| | 7030007220 | S.RES ERA3YED 202V (2K) | [DEN] | |
| | 7030007220 | S.RES ERA3YED 202V (2K) | [SEA] | |
| | 7030007220 | S.RES ERA3YED 202V (2K) | [OTH] | |
| | 7030007220 | S.RES ERA3YED 202V (2K) | [USA-1] | |
| | 7030007220 | S.RES ERA3YED 202V (2K) | [OTH-1] | |
| | 7030005400 | S.RES RR0816P-202-D (2K)0 | [CHN] | |
| | 7030005400 | S.RES RR0816P-202-D (2K)0 | [USA-2] | |
| | 7030005400 | S.RES RR0816P-202-D (2K)0 | [OTH-2] | |
| | 7030005400 | S.RES RR0816P-202-D (2K)0 | [CHN-1] | |
| R24 | 7030007220 | S.RES ERA3YED 202V (2K) | [USA] | |
| | 7030007220 | S.RES ERA3YED 202V (2K) | [EUR] | |
| | 7030007220 | S.RES ERA3YED 202V (2K) | [AUS] | |
| | 7030007220 | S.RES ERA3YED 202V (2K) | [UK] | |
| | 7030007220 | S.RES ERA3YED 202V (2K) | [DEN] | |
| | 7030007220 | S.RES ERA3YED 202V (2K) | [SEA] | |
| | 7030007220 | S.RES ERA3YED 202V (2K) | [OTH] | |
| | 7030007220 | S.RES ERA3YED 202V (2K) | [USA-1] | |
| | 7030007220 | S.RES ERA3YED 202V (2K) | [OTH-1] | |
| | 7030005400 | S.RES RR0816P-202-D (2K)0 | [CHN] | |
| | 7030005400 | S.RES RR0816P-202-D (2K)0 | [USA-2] | |
| | 7030005400 | S.RES RR0816P-202-D (2K)0 | [OTH-2] | |
| | 7030005400 | S.RES RR0816P-202-D (2K)0 | [CHN-1] | |
| R25 | 7030007220 | S.RES ERA3YED 202V (2K) | [USA] | |
| | 7030007220 | S.RES ERA3YED 202V (2K) | [EUR] | |
| | 7030007220 | S.RES ERA3YED 202V (2K) | [AUS] | |
| | 7030007220 | S.RES ERA3YED 202V (2K) | [UK] | |
| | 7030007220 | S.RES ERA3YED 202V (2K) | [DEN] | |
| | 7030007220 | S.RES ERA3YED 202V (2K) | [SEA] | |
| | 7030007220 | S.RES ERA3YED 202V (2K) | [OTH] | |
| | 7030007220 | S.RES ERA3YED 202V (2K) | [USA-1] | |
| | 7030007220 | S.RES ERA3YED 202V (2K) | [OTH-1] | |
| | 7030005400 | S.RES RR0816P-202-D (2K)0 | [CHN] | |
| | 7030005400 | S.RES RR0816P-202-D (2K)0 | [USA-2] | |
| | 7030005400 | S.RES RR0816P-202-D (2K)0 | [OTH-2] | |
| | 7030005400 | S.RES RR0816P-202-D (2K)0 | [CHN-1] | |
| R26 | 7030007220 | S.RES ERA3YED 202V (2K) | [USA] | |
| | 7030007220 | S.RES ERA3YED 202V (2K) | [EUR] | |
| | 7030007220 | S.RES ERA3YED 202V (2K) | [AUS] | |
| | 7030007220 | S.RES ERA3YED 202V (2K) | [UK] | |
| | 7030007220 | S.RES ERA3YED 202V (2K) | [DEN] | |
| | 7030007220 | S.RES ERA3YED 202V (2K) | [SEA] | |
| | 7030007220 | S.RES ERA3YED 202V (2K) | [OTH] | |
| | 7030007220 | S.RES ERA3YED 202V (2K) | [USA-1] | |
| | 7030007220 | S.RES ERA3YED 202V (2K) | [OTH-1] | |
| | 7030005400 | S.RES RR0816P-202-D (2K)0 | [CHN] | |
| | 7030005400 | S.RES RR0816P-202-D (2K)0 | [USA-2] | |
| | 7030005400 | S.RES RR0816P-202-D (2K)0 | [OTH-2] | |
| | 7030005400 | S.RES RR0816P-202-D (2K)0 | [CHN-1] | |

M.=Mounted side (T: Mounted on the Top side, B: Mounted on the Bottom side)
S.=Surface mount

[PLL UNIT]

| REF NO. | ORDER NO. | DESCRIPTION | | |
|------------|------------|-----------------------------|----------------------------|-------|
| R220 | 7030007210 | S.RES ERA3YEB 102V (1K) | [USA] | |
| | 7030007210 | S.RES ERA3YEB 102V (1K) | [EUR] | |
| | 7030007210 | S.RES ERA3YEB 102V (1K) | [AUS] | |
| | 7030007210 | S.RES ERA3YEB 102V (1K) | [UK] | |
| | 7030007210 | S.RES ERA3YEB 102V (1K) | [DEN] | |
| | 7030007210 | S.RES ERA3YEB 102V (1K) | [SEA] | |
| | 7030007210 | S.RES ERA3YEB 102V (1K) | [OTH] | |
| | 7030007210 | S.RES ERA3YEB 102V (1K) | [USA-1] | |
| | 7030007210 | S.RES ERA3YEB 102V (1K) | [OTH-1] | |
| | 7030005380 | S.RES RR0816P-102-B (1K)0 | [CHN] | |
| | 7030005380 | S.RES RR0816P-102-B (1K)0 | [USA-2] | |
| | 7030005380 | S.RES RR0816P-102-B (1K)0 | [OTH-2] | |
| | 7030005380 | S.RES RR0816P-102-B (1K)0 | [CHN-1] | |
| | R221 | 7030007210 | S.RES ERA3YEB 102V (1K) | [USA] |
| 7030007210 | | S.RES ERA3YEB 102V (1K) | [EUR] | |
| 7030007210 | | S.RES ERA3YEB 102V (1K) | [AUS] | |
| 7030007210 | | S.RES ERA3YEB 102V (1K) | [UK] | |
| 7030007210 | | S.RES ERA3YEB 102V (1K) | [DEN] | |
| 7030007210 | | S.RES ERA3YEB 102V (1K) | [SEA] | |
| 7030007210 | | S.RES ERA3YEB 102V (1K) | [OTH] | |
| 7030007210 | | S.RES ERA3YEB 102V (1K) | [USA-1] | |
| 7030007210 | | S.RES ERA3YEB 102V (1K) | [OTH-1] | |
| 7030005380 | | S.RES RR0816P-102-B (1K)0 | [CHN] | |
| 7030005380 | | S.RES RR0816P-102-B (1K)0 | [USA-2] | |
| 7030005380 | | S.RES RR0816P-102-B (1K)0 | [OTH-2] | |
| 7030005380 | | S.RES RR0816P-102-B (1K)0 | [CHN-1] | |
| R222 | | 7030007210 | S.RES ERA3YEB 102V (1K) | [USA] |
| | 7030007210 | S.RES ERA3YEB 102V (1K) | [EUR] | |
| | 7030007210 | S.RES ERA3YEB 102V (1K) | [AUS] | |
| | 7030007210 | S.RES ERA3YEB 102V (1K) | [UK] | |
| | 7030007210 | S.RES ERA3YEB 102V (1K) | [DEN] | |
| | 7030007210 | S.RES ERA3YEB 102V (1K) | [SEA] | |
| | 7030007210 | S.RES ERA3YEB 102V (1K) | [OTH] | |
| | 7030007210 | S.RES ERA3YEB 102V (1K) | [USA-1] | |
| | 7030007210 | S.RES ERA3YEB 102V (1K) | [OTH-1] | |
| | 7030005380 | S.RES RR0816P-102-B (1K)0 | [CHN] | |
| | 7030005380 | S.RES RR0816P-102-B (1K)0 | [USA-2] | |
| | 7030005380 | S.RES RR0816P-102-B (1K)0 | [OTH-2] | |
| | 7030005380 | S.RES RR0816P-102-B (1K)0 | [CHN-1] | |
| | R228 | 7030003430 | S.RES ERJ3GEVJ 821 V (820) | |
| 7030003440 | | S.RES ERJ3GEVJ 102 V (1K) | | |
| 7030003440 | | S.RES ERJ3GEVJ 102 V (1K) | | |
| R231 | | 7030003440 | S.RES ERJ3GEVJ 102 V (1K) | |
| R232 | | 7030003440 | S.RES ERJ3GEVJ 102 V (1K) | |
| R233 | | 7030003440 | S.RES ERJ3GEVJ 102 V (1K) | |
| R235 | | 7030003440 | S.RES ERJ3GEVJ 102 V (1K) | |
| R237 | 7030003520 | S.RES ERJ3GEVJ 472 V (4.7K) | | |
| W1 | 7030003860 | S.RES ERJ3GE JPW V | | |
| | W2 | 7030003860 | S.RES ERJ3GE JPW V | |
| | W18 | 7030003860 | S.RES ERJ3GE JPW V | |
| | W19 | 7030003860 | S.RES ERJ3GE JPW V | |
| | W20 | 7030003860 | S.RES ERJ3GE JPW V | |
| C1 | 4030008310 | S.CER C1608 UJ 1H 390J-T | | |
| C3 | 4030006880 | S.CER C1608 JB 1H 472K-T | | |
| C4 | 4030006880 | S.CER C1608 JB 1H 472K-T | | |
| C5 | 4030007630 | S.CER C1608 RH 1H 121J-T | | |
| C6 | 4030006880 | S.CER C1608 JB 1H 472K-T | | |
| C7 | 4030006880 | S.CER C1608 JB 1H 472K-T | | |
| C8 | 4030006880 | S.CER C1608 JB 1H 472K-T | | |
| C9 | 4030007170 | S.CER C1608 CH 1H 221J-T | | |
| C10 | 4030007030 | S.CER C1608 CH 1H 150J-T | | |
| C11 | 4030006880 | S.CER C1608 JB 1H 472K-T | | |
| C12 | 4030006910 | S.CER C1608 CH 1H 0R5C-T | | |
| C13 | 4030007030 | S.CER C1608 CH 1H 150J-T | | |
| C14 | 4030006880 | S.CER C1608 JB 1H 472K-T | | |
| C15 | 4030006880 | S.CER C1608 JB 1H 472K-T | | |
| C16 | 4030007610 | S.CER C1608 RH 1H 820J-T | | |
| C21 | 4030006880 | S.CER C1608 JB 1H 472K-T | | |
| C23 | 4030011600 | S.CER C1608 JB 1E 104K-T | | |
| C24 | 4510008500 | S.ELE EEE1CA101WP | | |
| C25 | 4030011600 | S.CER C1608 JB 1E 104K-T | | |
| C26 | 4030011600 | S.CER C1608 JB 1E 104K-T | | |
| C27 | 4030011600 | S.CER C1608 JB 1E 104K-T | | |
| C28 | 4030011600 | S.CER C1608 JB 1E 104K-T | | |
| C29 | 4030011600 | S.CER C1608 JB 1E 104K-T | | |
| C30 | 4030011600 | S.CER C1608 JB 1E 104K-T | | |
| C31 | 4030011600 | S.CER C1608 JB 1E 104K-T | | |
| C32 | 4030011600 | S.CER C1608 JB 1E 104K-T | | |
| C33 | 4030011600 | S.CER C1608 JB 1E 104K-T | | |
| C34 | 4030011600 | S.CER C1608 JB 1E 104K-T | | |
| C35 | 4030011600 | S.CER C1608 JB 1E 104K-T | | |
| C36 | 4030011600 | S.CER C1608 JB 1E 104K-T | | |
| C37 | 4030007070 | S.CER C1608 CH 1H 330J-T | | |
| C38 | 4030007010 | S.CER C1608 CH 1H 100D-T | | |
| C39 | 4030011540 | S.CER C1608 CH 1H 750J-T | | |
| C40 | 4030006980 | S.CER C1608 CH 1H 070D-T | | |
| C41 | 4030007120 | S.CER C1608 CH 1H 820J-T | | |
| C42 | 4030006930 | S.CER C1608 CH 1H 020C-T | | |
| C43 | 4030007100 | S.CER C1608 CH 1H 560J-T | | |
| C44 | 4030007010 | S.CER C1608 CH 1H 100D-T | | |
| C45 | 4030006860 | S.CER C1608 JB 1H 102K-T | | |
| C46 | 4030006860 | S.CER C1608 JB 1H 102K-T | | |
| C50 | 4030006880 | S.CER C1608 JB 1H 472K-T | | |
| C51 | 4030011600 | S.CER C1608 JB 1E 104K-T | | |
| C52 | 4030006880 | S.CER C1608 JB 1H 472K-T | | |
| C53 | 4030006880 | S.CER C1608 JB 1H 472K-T | | |
| C54 | 4030006880 | S.CER C1608 JB 1H 472K-T | | |
| C55 | 4030006880 | S.CER C1608 JB 1H 472K-T | | |
| C56 | 4030007110 | S.CER C1608 CH 1H 680J-T | | |
| C57 | 4030007090 | S.CER C1608 CH 1H 470J-T | | |
| C58 | 4030007100 | S.CER C1608 CH 1H 560J-T | | |

[PLL UNIT]

| REF NO. | ORDER NO. | DESCRIPTION | |
|---------|------------|---------------------------------------|---------|
| C59 | 4030011840 | S.CER C1608 CH 1H 241J-T | |
| C60 | 4030009580 | S.CER C1608 JB 1H 681K-T | |
| C71 | 4550006250 | S.TAN TEESVA 1A 106M8R | |
| C72 | 4030011600 | S.CER C1608 JB 1E 104K-T | |
| C73 | 4030006850 | S.CER C1608 JB 1H 471K-T | |
| C74 | 4510008540 | S.ELE EEE1CA100SR | |
| C75 | 4030007140 | S.CER C1608 CH 1H 121J-T | |
| C76 | 4610001830 | S.TRI TZB4S100AB10R00(TZBX4N100BA110) | |
| C77 | 4030007010 | S.CER C1608 CH 1H 100D-T | |
| C78 | 4030006880 | S.CER C1608 JB 1H 472K-T | |
| C79 | 4030009540 | S.CER C1608 CH 1H 1R5B-T | |
| C80 | 4030006880 | S.CER C1608 JB 1H 472K-T | |
| C81 | 4030006880 | S.CER C1608 JB 1H 472K-T | |
| C82 | 4030011600 | S.CER C1608 JB 1E 104K-T | |
| C83 | 4030006850 | S.CER C1608 JB 1H 471K-T | |
| C84 | 4510008540 | S.ELE EEE1CA100SR | [USA] |
| | 4510008540 | S.ELE EEE1CA100SR | [EUR] |
| | 4510004630 | S.ELE ECEV1CA100SR | [AUS] |
| | 4510008540 | S.ELE EEE1CA100SR | [UK] |
| | 4510004630 | S.ELE ECEV1CA100SR | [DEN] |
| | 4510008540 | S.ELE EEE1CA100SR | [SEA] |
| | 4510008540 | S.ELE EEE1CA100SR | [OTH] |
| | 4510008540 | S.ELE EEE1CA100SR | [USA-1] |
| | 4510008540 | S.ELE EEE1CA100SR | [OTH-1] |
| | 4510008540 | S.ELE EEE1CA100SR | [CHN] |
| | 4510008540 | S.ELE EEE1CA100SR | [USA-2] |
| | 4510008540 | S.ELE EEE1CA100SR | [OTH-1] |
| | 4510008540 | S.ELE EEE1CA100SR | [CHN] |
| | 4510008540 | S.ELE EEE1CA100SR | [USA-2] |
| C85 | 4030006850 | S.CER C1608 JB 1H 471K-T | [CHN-1] |
| C86 | 4610001830 | S.TRI TZB4S100AB10R00(TZBX4N100BA110) | |
| C87 | 4030006950 | S.CER C1608 CH 1H 040C-T | |
| C88 | 4030006880 | S.CER C1608 JB 1H 472K-T | |
| C89 | 4030009510 | S.CER C1608 CH 1H 010B-T | |
| C90 | 4030006880 | S.CER C1608 JB 1H 472K-T | |
| C91 | 4030006880 | S.CER C1608 JB 1H 472K-T | |
| C92 | 4030006880 | S.CER C1608 JB 1H 472K-T | |
| C93 | 4030006880 | S.CER C1608 JB 1H 472K-T | |
| C94 | 4030011600 | S.CER C1608 JB 1E 104K-T | |
| C95 | 4030006880 | S.CER C1608 JB 1H 472K-T | |
| C96 | 4030007080 | S.CER C1608 CH 1H 390J-T | |
| C97 | 4030006990 | S.CER C1608 CH 1H 080D-T | |
| C98 | 4030007090 | S.CER C1608 CH 1H 470J-T | |
| C99 | 4030006930 | S.CER C1608 CH 1H 020C-T | |
| C100 | 4030007080 | S.CER C1608 CH 1H 390J-T | |
| C101 | 4030006880 | S.CER C1608 JB 1H 472K-T | |
| C102 | 4030007020 | S.CER C1608 CH 1H 120J-T | |
| C103 | 4030006970 | S.CER C1608 CH 1H 060D-T | |
| C104 | 4030006880 | S.CER C1608 JB 1H 472K-T | |
| C105 | 4030006880 | S.CER C1608 JB 1H 472K-T | |
| C106 | 4510008500 | S.ELE EEE1CA101WP | |
| C107 | 4030006880 | S.CER C1608 JB 1H 472K-T | |
| C108 | 4030006880 | S.CER C1608 JB 1H 472K-T | |
| C110 | 4030006880 | S.CER C1608 JB 1H 472K-T | |
| C111 | 4030006880 | S.CER C1608 JB 1H 472K-T | |
| C112 | 4030006880 | S.CER C1608 JB 1H 472K-T | |
| C113 | 4030006880 | S.CER C1608 JB 1H 472K-T | |
| C114 | 4030006880 | S.CER C1608 JB 1H 472K-T | |
| C115 | 4030006880 | S.CER C1608 JB 1H 472K-T | |
| C116 | 4030011600 | S.CER C1608 JB 1E 104K-T | |
| C117 | 4030011600 | S.CER C1608 JB 1E 104K-T | |
| C118 | 4030006880 | S.CER C1608 JB 1H 472K-T | |
| C119 | 4510009270 | S.ELE EEEHB1C220UR | |
| C120 | 4030006850 | S.CER C1608 JB 1H 471K-T | |
| C121 | 4030011600 | S.CER C1608 JB 1E 104K-T | |
| C122 | 4030011600 | S.CER C1608 JB 1E 104K-T | |
| C123 | 4030011600 | S.CER C1608 JB 1E 104K-T | |
| C124 | 4030011600 | S.CER C1608 JB 1E 104K-T | |
| C125 | 4030007090 | S.CER C1608 CH 1H 470J-T | |
| C126 | 4550006250 | S.TAN TEESVA 1A 106M8R | |
| C127 | 4030011600 | S.CER C1608 JB 1E 104K-T | |
| C128 | 4030011600 | S.CER C1608 JB 1E 104K-T | |
| C151 | 4030006880 | S.CER C1608 JB 1H 472K-T | |
| C152 | 4030007040 | S.CER C1608 CH 1H 180J-T | |
| C153 | 4030006960 | S.CER C1608 CH 1H 050C-T | |
| C154 | 4030007070 | S.CER C1608 CH 1H 330J-T | |
| C155 | 4030006930 | S.CER C1608 CH 1H 020C-T | |
| C156 | 4030007040 | S.CER C1608 CH 1H 180J-T | |
| C157 | 4030006880 | S.CER C1608 JB 1H 472K-T | |
| C164 | 4030006880 | S.CER C1608 JB 1H 472K-T | |
| C165 | 4510008540 | S.ELE EEE1CA100SR | |
| C167 | 4030011600 | S.CER C1608 JB 1E 104K-T | |
| C201 | 4030006880 | S.CER C1608 JB 1H 472K-T | |
| C202 | 4030006850 | S.CER C1608 JB 1H 471K-T | |
| C203 | 4030007120 | S.CER C1608 CH 1H 820J-T | |
| C204 | 4030009490 | S.CER C1608 JB 1H 821K-T | |
| C205 | 4030007070 | S.CER C1608 CH 1H 330J-T | |
| C206 | 4030010040 | S.CER C1608 JB 1H 561K-T | |
| C207 | 4030006880 | S.CER C1608 JB 1H 472K-T | |
| C214 | 4030006880 | S.CER C1608 JB 1H 472K-T | |
| C215 | 4510008540 | S.ELE EEE1CA100SR | |
| C217 | 4030011600 | S.CER C1608 JB 1E 104K-T | |
| C305 | 4510008540 | S.ELE EEE1CA100SR | |
| C310 | 4030007090 | S.CER C1608 CH 1H 470J-T | |
| C311 | 4030007090 | S.CER C1608 CH 1H 470J-T | |
| C312 | 4030007090 | S.CER C1608 CH 1H 470J-T | |
| C313 | 4030007090 | S.CER C1608 CH 1H 470J-T | |
| C314 | 4030007090 | S.CER C1608 CH 1H 470J-T | |
| C315 | 4030007090 | S.CER C1608 CH 1H 470J-T | |
| C316 | 4030006860 | S.CER C1608 JB 1H 102K-T | |
| C317 | 4030006880 | S.CER C1608 JB 1H 472K-T | |
| C318 | 4030006880 | S.CER C1608 JB 1H 472K-T | |
| C319 | 4030006880 | S.CER C1608 JB 1H 472K-T | |
| C320 | 4030006850 | S.CER C1608 JB 1H 471K-T | |
| C321 | 4030006880 | S.CER C1608 JB 1H 472K-T | |

M.=Mounted side (T: Mounted on the Top side, B: Mounted on the Bottom side)
S.=Surface mount

[PLL UNIT]

| REF NO. | ORDER NO. | DESCRIPTION |
|---------|------------|--------------------------|
| C322 | 4030006880 | S.CER C1608 JB 1H 472K-T |
| C323 | 4030006880 | S.CER C1608 JB 1H 472K-T |
| C324 | 4030006880 | S.CER C1608 JB 1H 472K-T |
| C325 | 4030007100 | S.CER C1608 CH 1H 560J-T |
| C326 | 4030006880 | S.CER C1608 JB 1H 472K-T |
| C327 | 4030006880 | S.CER C1608 JB 1H 472K-T |
| C328 | 4030009500 | S.CER C1608 CH 1H 0R5B-T |
| C329 | 4030006850 | S.CER C1608 JB 1H 471K-T |
| C330 | 4030006880 | S.CER C1608 JB 1H 472K-T |
| RL1 | 6330001320 | REL AHY103 |
| J2 | 6510019981 | S.CON 52808-1671(1690) |
| J3 | 6450000140 | CON HSJ0807-01-010 |
| J4 | 6450000140 | CON HSJ0807-01-010 |
| EP2 | 6910012350 | S.BEA MMZ1608Y 102BT |
| EP3 | 6910012350 | S.BEA MMZ1608Y 102BT |
| EP4 | 6910012350 | S.BEA MMZ1608Y 102BT |
| EP5 | 6910012350 | S.BEA MMZ1608Y 102BT |
| EP6 | 6910012350 | S.BEA MMZ1608Y 102BT |
| EP7 | 6910012350 | S.BEA MMZ1608Y 102BT |
| EP8 | 6910012350 | S.BEA MMZ1608Y 102BT |
| EP9 | 6910012350 | S.BEA MMZ1608Y 102BT |
| EP10 | 6910012350 | S.BEA MMZ1608Y 102BT |
| EP11 | 6910012350 | S.BEA MMZ1608Y 102BT |
| EP12 | 6910012350 | S.BEA MMZ1608Y 102BT |
| EP13 | 6910012350 | S.BEA MMZ1608Y 102BT |
| EP14 | 6910012350 | S.BEA MMZ1608Y 102BT |

[DISPLAY BOARD]

| REF NO. | ORDER NO. | DESCRIPTION |
|---------|------------|------------------------------|
| IC101 | 1130013870 | S.IC NJU6445FCI-#ZZZB |
| IC102 | 1130003831 | S.IC TC7S04F(Te85R,F) |
| IC103 | 1130008511 | S.IC TC7W53FU(Te12L,F) |
| Q11 | 1530002851 | S.TRA 2SC4116-BL(Te85R,F) |
| Q21 | 1530002851 | S.TRA 2SC4116-BL(Te85R,F) |
| Q31 | 1530002851 | S.TRA 2SC4116-BL(Te85R,F) |
| Q41 | 1530002851 | S.TRA 2SC4116-BL(Te85R,F) |
| Q51 | 1530002851 | S.TRA 2SC4116-BL(Te85R,F) |
| Q61 | 1530002851 | S.TRA 2SC4116-BL(Te85R,F) |
| Q71 | 1530002851 | S.TRA 2SC4116-BL(Te85R,F) |
| Q81 | 1530002851 | S.TRA 2SC4116-BL(Te85R,F) |
| R11 | 7030000320 | S.RES MCR10EZHZJ 330 (331) |
| R12 | 7030003360 | S.RES ERJ3GEYJ 221 V (220) |
| R21 | 7030000320 | S.RES MCR10EZHZJ 330 (331) |
| R22 | 7030003360 | S.RES ERJ3GEYJ 221 V (220) |
| R31 | 7030000320 | S.RES MCR10EZHZJ 330 (331) |
| R32 | 7030003360 | S.RES ERJ3GEYJ 221 V (220) |
| R41 | 7030000320 | S.RES MCR10EZHZJ 330 (331) |
| R42 | 7030003360 | S.RES ERJ3GEYJ 221 V (220) |
| R51 | 7030000320 | S.RES MCR10EZHZJ 330 (331) |
| R52 | 7030003360 | S.RES ERJ3GEYJ 221 V (220) |
| R61 | 7030000320 | S.RES MCR10EZHZJ 330 (331) |
| R62 | 7030003360 | S.RES ERJ3GEYJ 221 V (220) |
| R71 | 7030000320 | S.RES MCR10EZHZJ 330 (331) |
| R72 | 7030003360 | S.RES ERJ3GEYJ 221 V (220) |
| R81 | 7030000320 | S.RES MCR10EZHZJ 330 (331) |
| R82 | 7030003360 | S.RES ERJ3GEYJ 221 V (220) |
| C101 | 4030008630 | S.CER C1608 JF 1H 104Z-T |
| C103 | 4030008630 | S.CER C1608 JF 1H 104Z-T |
| C104 | 4030008630 | S.CER C1608 JF 1H 104Z-T |
| C105 | 4030008630 | S.CER C1608 JF 1H 104Z-T |
| C106 | 4030008630 | S.CER C1608 JF 1H 104Z-T |
| J101 | 6510019981 | S.CON 52808-1671(1690) |
| DS11 | 5040002940 | S.LED TLYU1002A(T02) |
| DS12 | 5040002940 | S.LED TLYU1002A(T02) |
| DS13 | 5040002940 | S.LED TLYU1002A(T02) |
| DS21 | 5040002940 | S.LED TLYU1002A(T02) |
| DS22 | 5040002940 | S.LED TLYU1002A(T02) |
| DS23 | 5040002940 | S.LED TLYU1002A(T02) |
| DS31 | 5040002940 | S.LED TLYU1002A(T02) |
| DS32 | 5040002940 | S.LED TLYU1002A(T02) |
| DS33 | 5040002940 | S.LED TLYU1002A(T02) |
| DS41 | 5040002940 | S.LED TLYU1002A(T02) |
| DS42 | 5040002940 | S.LED TLYU1002A(T02) |
| DS43 | 5040002940 | S.LED TLYU1002A(T02) |
| DS51 | 5040002940 | S.LED TLYU1002A(T02) |
| DS52 | 5040002940 | S.LED TLYU1002A(T02) |
| DS53 | 5040002940 | S.LED TLYU1002A(T02) |
| DS61 | 5040002940 | S.LED TLYU1002A(T02) |
| DS62 | 5040002940 | S.LED TLYU1002A(T02) |
| DS63 | 5040002940 | S.LED TLYU1002A(T02) |
| DS71 | 5040002940 | S.LED TLYU1002A(T02) |
| DS72 | 5040002940 | S.LED TLYU1002A(T02) |
| DS73 | 5040002940 | S.LED TLYU1002A(T02) |
| DS81 | 5040002940 | S.LED TLYU1002A(T02) |
| DS82 | 5040002940 | S.LED TLYU1002A(T02) |
| DS83 | 5040002940 | S.LED TLYU1002A(T02) |
| DS101 | 5030001690 | LCD HLC7395-012400 |
| EP2 | 8930049631 | LCD SRCN-2240-SP-N-W-1 (SHJ) |

M.=Mounted side (T: Mounted on the Top side, B: Mounted on the Bottom side)
S.=Surface mount

[MAIN-A UNIT] (For [USA-2], [OTH-2], [CHN-1])

| REF NO. | ORDER NO. | DESCRIPTION |
|---------|------------|---------------------------|
| WS1 | 8600036540 | RX2240 P1241*J1241MA |
| IC551 | 1130011760 | S.IC CD4094BPWR |
| IC552 | 1130011760 | S.IC CD4094BPWR |
| IC561 | 1160000131 | S.IC TD62783AFG(5,S,EL) |
| IC562 | 1160000131 | S.IC TD62783AFG(5,S,EL) |
| IC731 | 1110003141 | IC LA1150N-E |
| IC811 | 1110002601 | S.IC MC1496DR2G |
| IC1001 | 1110007320 | S.IC NJM2591V-TE1-#ZZZB |
| IC1101 | 1110002601 | S.IC MC1496DR2G |
| IC1201 | 1130009100 | S.IC BU4052BCFV-E2 |
| IC1211 | 1110003870 | S.IC NJM2058M-TE1-#ZZZB |
| IC1251 | 1110003300 | S.IC M5282FP 70CD |
| IC1281 | 1130009100 | S.IC BU4052BCFV-E2 |
| IC1291 | 1110003091 | IC LA4425A-E |
| IC1361 | 1180000970 | S.IC AN78L05M-(E1) |
| IC1371 | 1180001531 | IC PQ30RV31J00H |
| IC1391 | 1180001251 | S.IC TA7808F(TE16L,Q) |
| IC1401 | 1180001071 | S.IC TA7805F(TE16L,Q) |
| IC1411 | 1110001401 | S.IC UPC1555G2-E1-A |
| IC1601 | 1130011760 | S.IC CD4094BPWR |
| IC1602 | 1130011760 | S.IC CD4094BPWR |
| IC1603 | 1160000131 | S.IC TD62783AFG(5,S,EL) |
| IC1751 | 1120002510 | S.IC DS14C232TM S |
| IC1771 | 1130005721 | S.IC TC7W04F(TE12L,F) |
| Q151 | 1590000680 | S.TRA DTC114EUA T106 |
| Q381 | 1560000721 | S.FET 2SK2171-4-TD-E |
| Q382 | 1560000721 | S.FET 2SK2171-4-TD-E |
| Q383 | 1590001960 | S.TRA XP4311(TX) |
| Q391 | 1590001960 | S.TRA XP4311(TX) |
| Q392 | 1530000371 | S.TRA 2SC3356-T1B S (R25) |
| Q411 | 1530003151 | S.TRA 2SC4673D-TD-E |
| Q441 | 1560000641 | S.FET 2SK1740-4/5-TB-E |
| Q442 | 1560000641 | S.FET 2SK1740-4/5-TB-E |
| Q471 | 1580000620 | S.FET 3SK131-T2 MAS |
| Q472 | 1590001960 | S.TRA XP4311(TX) |
| Q721 | 1580000620 | S.FET 3SK131-T2 MAS |
| Q731 | 1560000561 | S.FET 2SK882-GR(TE85L,F) |
| Q732 | 1510000510 | S.TRA 2SA1576A T106R |
| Q733 | 1530002060 | S.TRA 2SC4081 T106 R |
| Q734 | 1530002060 | S.TRA 2SC4081 T106 R |
| Q735 | 1530002060 | S.TRA 2SC4081 T106 R |
| Q736 | 1590000680 | S.TRA DTC114EUA T106 |
| Q737 | 1590001960 | S.TRA XP4311(TX) |
| Q801 | 1530002060 | S.TRA 2SC4081 T106 R |
| Q891 | 1580000620 | S.FET 3SK131-T2 MAS |
| Q911 | 1560000561 | S.FET 2SK882-GR(TE85L,F) |
| Q912 | 1530002060 | S.TRA 2SC4081 T106 R |
| Q1001 | 1560000561 | S.FET 2SK882-GR(TE85L,F) |
| Q1031 | 1530002060 | S.TRA 2SC4081 T106 R |
| Q1051 | 1530002060 | S.TRA 2SC4081 T106 R |
| Q1061 | 1590001960 | S.TRA XP4311(TX) |
| Q1063 | 1530002060 | S.TRA 2SC4081 T106 R |
| Q1064 | 1590001960 | S.TRA XP4311(TX) |
| Q1065 | 1590001960 | S.TRA XP4311(TX) |
| Q1066 | 1590001960 | S.TRA XP4311(TX) |
| Q1311 | 1530002060 | S.TRA 2SC4081 T106 R |
| Q1381 | 1540000550 | S.TRA 2SD1664 T100Q |
| Q1382 | 1590000680 | S.TRA DTC114EUA T106 |
| Q1771 | 1510000510 | S.TRA 2SA1576A T106R |
| Q1772 | 1530002060 | S.TRA 2SC4081 T106 R |
| D121 | 1790000620 | S.DIO MA77(TX) |
| D141 | 1750000461 | S.DIO 1SV246-TL-E |
| D142 | 1750000461 | S.DIO 1SV246-TL-E |
| D143 | 1790000620 | S.DIO MA77(TX) |
| D151 | 1750000971 | S.DIO CPH5513-TL-E |
| D172 | 1790000620 | S.DIO MA77(TX) |
| D181 | 1750000971 | S.DIO CPH5513-TL-E |
| D182 | 1790000620 | S.DIO MA77(TX) |
| D202 | 1790000620 | S.DIO MA77(TX) |
| D221 | 1750000971 | S.DIO CPH5513-TL-E |
| D222 | 1790000620 | S.DIO MA77(TX) |
| D242 | 1790000620 | S.DIO MA77(TX) |
| D261 | 1750000971 | S.DIO CPH5513-TL-E |
| D262 | 1790000620 | S.DIO MA77(TX) |
| D282 | 1790000620 | S.DIO MA77(TX) |
| D301 | 1750000971 | S.DIO CPH5513-TL-E |
| D302 | 1790000620 | S.DIO MA77(TX) |
| D322 | 1790000620 | S.DIO MA77(TX) |
| D341 | 1750000441 | S.DIO 1SV263-TL-E |
| D342 | 1790000620 | S.DIO MA77(TX) |
| D371 | 1790000620 | S.DIO MA77(TX) |
| D372 | 1790000620 | S.DIO MA77(TX) |
| D381 | 1790000620 | S.DIO MA77(TX) |
| D382 | 1790000620 | S.DIO MA77(TX) |
| D391 | 1790000620 | S.DIO MA77(TX) |
| D392 | 1790000620 | S.DIO MA77(TX) |
| D491 | 1750000431 | S.DIO HSB88WSTR-E |
| D711 | 1790000620 | S.DIO MA77(TX) |
| D712 | 1790000620 | S.DIO MA77(TX) |
| D713 | 1790000620 | S.DIO MA77(TX) |
| D714 | 1790000620 | S.DIO MA77(TX) |
| D731 | 1790001211 | S.DIO 1SS375-TL-E |
| D732 | 1750000550 | S.DIO 1SS355 TE-17 |
| D761 | 1790000620 | S.DIO MA77(TX) |
| D762 | 1790000620 | S.DIO MA77(TX) |
| D763 | 1790000620 | S.DIO MA77(TX) |
| D764 | 1790000620 | S.DIO MA77(TX) |
| D771 | 1790000620 | S.DIO MA77(TX) |

[MAIN-A UNIT] (For [USA-2], [OTH-2], [CHN-1])

| REF NO. | ORDER NO. | DESCRIPTION |
|---------|------------|--------------------------------|
| D772 | 1790000620 | S.DIO MA77(TX) |
| D773 | 1790000620 | S.DIO MA77(TX) |
| D774 | 1790000620 | S.DIO MA77(TX) |
| D781 | 1790000620 | S.DIO MA77(TX) |
| D782 | 1790000620 | S.DIO MA77(TX) |
| D783 | 1790000620 | S.DIO MA77(TX) |
| D784 | 1790000620 | S.DIO MA77(TX) |
| D831 | 1750000301 | S.DIO 1SS302(TE85R,F) |
| D851 | 1790000620 | S.DIO MA77(TX) |
| D852 | 1790000620 | S.DIO MA77(TX) |
| D861 | 1790000620 | S.DIO MA77(TX) |
| D862 | 1790000620 | S.DIO MA77(TX) |
| D871 | 1790000620 | S.DIO MA77(TX) |
| D872 | 1790000620 | S.DIO MA77(TX) |
| D881 | 1790000620 | S.DIO MA77(TX) |
| D882 | 1790000620 | S.DIO MA77(TX) |
| D1041 | 1790001211 | S.DIO 1SS375-TL-E |
| D1051 | 1790001211 | S.DIO 1SS375-TL-E |
| D1061 | 1790001211 | S.DIO 1SS375-TL-E |
| D1311 | 1750000550 | S.DIO 1SS355 TE-17 |
| D1351 | 1790000700 | DIO DSA3A1 |
| D1371 | 1750000550 | S.DIO 1SS355 TE-17 |
| D1381 | 1750000301 | S.DIO 1SS302(TE85R,F) |
| D1412 | 1750000301 | S.DIO 1SS302(TE85R,F) |
| D1413 | 1730002321 | S.ZEN MAZ8051GML |
| D1771 | 1750000550 | S.DIO 1SS355 TE-17 |
| FI461 | 2010002090 | FIL UM-5 69.0115 MHz (FL-261) |
| FI701 | 2010000270 | FIL 9M15A (FL-23) |
| FI761 | 2010002130 | D.F 9M22D4 9.0115 MHz (FL-272) |
| FI851 | 2020000210 | CER CFJ455K5 (FL-65) |
| FI861 | 2020002510 | CER LTW450HT <JJE> |
| FI871 | 2020002250 | CER LT450EW <JJE> |
| X1001 | 6070000300 | S.DIS JTBM450CX24 <JJE> |
| L101 | 6140002070 | COI LR-233 |
| L131 | 6200003431 | S.COI NLV32T-R10J |
| L132 | 6200003421 | S.COI NLV32T-R15J |
| L151 | 6200005491 | S.COI NLV32T-331J |
| L161 | 6200005491 | S.COI NLV32T-331J |
| L162 | 6180003550 | COI SP0406-4R7K-6 |
| L163 | 6180003560 | COI SP0406-5R6K-6 |
| L171 | 6200005491 | S.COI NLV32T-331J |
| L172 | 6200002961 | S.COI NLV32T-4R7J |
| L173 | 6200003111 | S.COI NLV32T-6R8J |
| L181 | 6200005491 | S.COI NLV32T-331J |
| L182 | 6200003091 | S.COI NLV32T-2R7J |
| L183 | 6200003101 | S.COI NLV32T-3R9J |
| L184 | 6200005491 | S.COI NLV32T-331J |
| L201 | 6200005491 | S.COI NLV32T-331J |
| L202 | 6200002991 | S.COI NLV32T-2R2J |
| L203 | 6200002991 | S.COI NLV32T-2R2J |
| L204 | 6200003321 | S.COI NLV32T-3R3J |
| L205 | 6200002961 | S.COI NLV32T-4R7J |
| L221 | 6200003241 | S.COI NLV32T-221J |
| L222 | 6200003081 | S.COI NLV32T-1R8J |
| L223 | 6200003061 | S.COI NLV32T-1R2J |
| L224 | 6200003071 | S.COI NLV32T-1R5J |
| L225 | 6200003071 | S.COI NLV32T-1R5J |
| L241 | 6200003241 | S.COI NLV32T-221J |
| L242 | 6200003061 | S.COI NLV32T-1R2J |
| L243 | 6200003331 | S.COI NLV32T-1R0J |
| L244 | 6200003331 | S.COI NLV32T-1R0J |
| L245 | 6200003081 | S.COI NLV32T-1R8J |
| L261 | 6200003241 | S.COI NLV32T-221J |
| L262 | 6200003251 | S.COI NLV32T-R39J |
| L263 | 6200002981 | S.COI NLV32T-R56J |
| L264 | 6200003041 | S.COI NLV32T-R68J |
| L265 | 6200003331 | S.COI NLV32T-1R0J |
| L281 | 6200001831 | S.COI NLV32T-100J |
| L282 | 6200003021 | S.COI NLV32T-R33J |
| L283 | 6200003251 | S.COI NLV32T-R39J |
| L284 | 6200003031 | S.COI NLV32T-R47J |
| L285 | 6200003031 | S.COI NLV32T-R47J |
| L301 | 6200001831 | S.COI NLV32T-100J |
| L302 | 6200003021 | S.COI NLV32T-R33J |
| L303 | 6200003011 | S.COI NLV32T-R27J |
| L304 | 6200003021 | S.COI NLV32T-R33J |
| L305 | 6200003031 | S.COI NLV32T-R47J |
| L321 | 6200001831 | S.COI NLV32T-100J |
| L322 | 6200003001 | S.COI NLV32T-R22J |
| L323 | 6200003421 | S.COI NLV32T-R15J |
| L324 | 6180002961 | S.COI NLV32T-R18J |
| L325 | 6200003001 | S.COI NLV32T-R22J |
| L326 | 6200003001 | S.COI NLV32T-R22J |
| L341 | 6200001831 | S.COI NLV32T-100J |
| L342 | 6200001471 | S.COI NLV32T-R12J |
| L343 | 6200003421 | S.COI NLV32T-R15J |
| L345 | 6200003421 | S.COI NLV32T-R15J |
| L346 | 6200001471 | S.COI NLV32T-R12J |
| L361 | 6200005491 | S.COI NLV32T-331J |
| L362 | 6200005491 | S.COI NLV32T-331J |
| L371 | 6200003241 | S.COI NLV32T-221J |
| L381 | 6140000640 | COI LR-86 |
| L382 | 6200003071 | S.COI NLV32T-1R5J |
| L383 | 6140003530 | COI LR-395 |
| L384 | 6200005491 | S.COI NLV32T-331J |
| L385 | 6170000291 | COI LW-30-LF |
| L391 | 6200003241 | S.COI NLV32T-221J |
| L392 | 6140004760 | COI LR-536 4KBL-S090150 |

M.=Mounted side (T: Mounted on the Top side, B: Mounted on the Bottom side)
S.=Surface mount

[MAIN-A UNIT] (For [USA-2], [OTH-2], [CHN-1])

| REF NO. | ORDER NO. | DESCRIPTION |
|---------|------------|-----------------------------|
| L393 | 6140004760 | COI LR-536 4KBL-S090150 |
| L394 | 6180003760 | COI SP0406-102J-PF |
| L395 | 6200002041 | S.COI NLV25T-101J |
| L396 | 6200003241 | S.COI NLV32T-221J |
| L401 | 6200005491 | S.COI NLV32T-331J |
| L411 | 6200003001 | S.COI NLV32T-R22J |
| L412 | 6200003021 | S.COI NLV32T-R33J |
| L413 | 6200001831 | S.COI NLV32T-100J |
| L421 | 6200003431 | S.COI NLV32T-R10J |
| L422 | 6200003421 | S.COI NLV32T-R15J |
| L431 | 6200003431 | S.COI NLV32T-R10J |
| L432 | 6200003421 | S.COI NLV32T-R15J |
| L441 | 6140003530 | COI LR-395 |
| L442 | 6200003431 | S.COI NLV32T-R10J |
| L443 | 6150004270 | COI LS-483A (C-14924) |
| L444 | 6200001831 | S.COI NLV32T-100J |
| L461 | 6150004270 | COI LS-483A (C-14924) |
| L462 | 6150004270 | COI LS-483A (C-14924) |
| L471 | 6150004280 | COI LS-484B (C-14927) |
| L491 | 6140002810 | S.COI LR-317 |
| L492 | 6140002810 | S.COI LR-317 |
| L701 | 6150000711 | COI LS-452 |
| L711 | 6150000711 | COI LS-452 |
| L712 | 6150000711 | COI LS-452 |
| L721 | 6200001831 | S.COI NLV32T-100J |
| L731 | 6150004050 | COI LS-466 |
| L732 | 6150004050 | COI LS-466 |
| L733 | 6200003241 | S.COI NLV32T-221J |
| L891 | 6150002291 | COI LS-450 |
| L892 | 6150002291 | COI LS-450 |
| L911 | 6150002291 | COI LS-450 |
| L1001 | 6200003241 | S.COI NLV32T-221J |
| L1291 | 6180003640 | COI SZW1012T-142-0.3 |
| L1311 | 6200003241 | S.COI NLV32T-221J |
| L1411 | 6200003241 | S.COI NLV32T-221J |
| L1412 | 6200005491 | S.COI NLV32T-331J |
| L1771 | 6200003241 | S.COI NLV32T-221J |
| R101 | 7030003640 | S.RES ERJ3GEYJ 473 V (47K) |
| R102 | 7540000090 | ABS DSP-201M-S00B |
| R111 | 7030003640 | S.RES ERJ3GEYJ 473 V (47K) |
| R112 | 7540000090 | ABS DSP-201M-S00B |
| R121 | 7030003360 | S.RES ERJ3GEYJ 221 V (220) |
| R141 | 7030003480 | S.RES ERJ3GEYJ 222 V (2.2K) |
| R142 | 7030003400 | S.RES ERJ3GEYJ 471 V (470) |
| R143 | 7030003380 | S.RES ERJ3GEYJ 331 V (330) |
| R144 | 7030003300 | S.RES ERJ3GEYJ 680 V (68) |
| R145 | 7030003360 | S.RES ERJ3GEYJ 221 V (220) |
| R151 | 7030006260 | S.RES ERJ12YJ471U (470) |
| R152 | 7030003560 | S.RES ERJ3GEYJ 103 V (10K) |
| R171 | 7030003370 | S.RES ERJ3GEYJ 271 V (270) |
| R172 | 7030003230 | S.RES ERJ3GEYJ 180 V (18) |
| R173 | 7030003370 | S.RES ERJ3GEYJ 271 V (270) |
| R174 | 7030003200 | S.RES ERJ3GEYJ 100 V (10) |
| R181 | 7030003320 | S.RES ERJ3GEYJ 101 V (100) |
| R201 | 7030003320 | S.RES ERJ3GEYJ 101 V (100) |
| R221 | 7030003320 | S.RES ERJ3GEYJ 101 V (100) |
| R241 | 7030003320 | S.RES ERJ3GEYJ 101 V (100) |
| R261 | 7030003320 | S.RES ERJ3GEYJ 101 V (100) |
| R281 | 7030003320 | S.RES ERJ3GEYJ 101 V (100) |
| R301 | 7030003320 | S.RES ERJ3GEYJ 101 V (100) |
| R321 | 7030003320 | S.RES ERJ3GEYJ 101 V (100) |
| R341 | 7030003320 | S.RES ERJ3GEYJ 101 V (100) |
| R361 | 7030006260 | S.RES ERJ12YJ471U (470) |
| R362 | 7030006260 | S.RES ERJ12YJ471U (470) |
| R371 | 7030003320 | S.RES ERJ3GEYJ 101 V (100) |
| R372 | 7030003320 | S.RES ERJ3GEYJ 101 V (100) |
| R381 | 7030003320 | S.RES ERJ3GEYJ 101 V (100) |
| R382 | 7030003280 | S.RES ERJ3GEYJ 470 V (47) |
| R383 | 7030003280 | S.RES ERJ3GEYJ 470 V (47) |
| R384 | 7030003320 | S.RES ERJ3GEYJ 101 V (100) |
| R385 | 7030003320 | S.RES ERJ3GEYJ 101 V (100) |
| R386 | 7030003320 | S.RES ERJ3GEYJ 101 V (100) |
| R391 | 7030003320 | S.RES ERJ3GEYJ 101 V (100) |
| R392 | 7030003490 | S.RES ERJ3GEYJ 272 V (2.7K) |
| R393 | 7030003460 | S.RES ERJ3GEYJ 152 V (1.5K) |
| R394 | 7030003280 | S.RES ERJ3GEYJ 470 V (47) |
| R395 | 7030003320 | S.RES ERJ3GEYJ 101 V (100) |
| R396 | 7030003280 | S.RES ERJ3GEYJ 470 V (47) |
| R401 | 7030006260 | S.RES ERJ12YJ471U (470) |
| R411 | 7030003300 | S.RES ERJ3GEYJ 680 V (68) |
| R412 | 7030003520 | S.RES ERJ3GEYJ 472 V (4.7K) |
| R413 | 7030003410 | S.RES ERJ3GEYJ 561 V (560) |
| R414 | 7030003200 | S.RES ERJ3GEYJ 100 V (10) |
| R415 | 7030003280 | S.RES ERJ3GEYJ 470 V (47) |
| R419 | 7030000010 | S.RES MCR10EZHZ JPW (000) |
| R442 | 7030003410 | S.RES ERJ3GEYJ 561 V (560) |
| R443 | 7030003410 | S.RES ERJ3GEYJ 561 V (560) |
| R444 | 7310005580 | S.TRI TMC3ADCS3X (4.7K) |
| R445 | 7030003280 | S.RES ERJ3GEYJ 470 V (47) |
| R446 | 7030003560 | S.RES ERJ3GEYJ 103 V (10K) |
| R447 | 7030003280 | S.RES ERJ3GEYJ 470 V (47) |
| R448 | 7030003400 | S.RES ERJ3GEYJ 471 V (470) |
| R449 | 7030003320 | S.RES ERJ3GEYJ 101 V (100) |
| R471 | 7030003760 | S.RES ERJ3GEYJ 474 V (470K) |
| R472 | 7030003280 | S.RES ERJ3GEYJ 470 V (47) |
| R473 | 7030003200 | S.RES ERJ3GEYJ 100 V (10) |
| R474 | 7030003520 | S.RES ERJ3GEYJ 472 V (4.7K) |
| R475 | 7030003580 | S.RES ERJ3GEYJ 153 V (15K) |
| R476 | 7030003480 | S.RES ERJ3GEYJ 222 V (2.2K) |
| R477 | 7030003340 | S.RES ERJ3GEYJ 151 V (150) |
| R478 | 7030003480 | S.RES ERJ3GEYJ 222 V (2.2K) |
| R479 | 7030003280 | S.RES ERJ3GEYJ 470 V (47) |

[MAIN-A UNIT] (For [USA-2], [OTH-2], [CHN-1])

| REF NO. | ORDER NO. | DESCRIPTION |
|---------|------------|-----------------------------|
| R480 | 7030000010 | S.RES MCR10EZHZ JPW (000) |
| R491 | 7030003370 | S.RES ERJ3GEYJ 271 V (270) |
| R492 | 7030003230 | S.RES ERJ3GEYJ 180 V (18) |
| R493 | 7030003370 | S.RES ERJ3GEYJ 271 V (270) |
| R563 | 7030003640 | S.RES ERJ3GEYJ 473 V (47K) |
| R564 | 7030003640 | S.RES ERJ3GEYJ 473 V (47K) |
| R565 | 7030003640 | S.RES ERJ3GEYJ 473 V (47K) |
| R566 | 7030003640 | S.RES ERJ3GEYJ 473 V (47K) |
| R567 | 7030003640 | S.RES ERJ3GEYJ 473 V (47K) |
| R568 | 7030003640 | S.RES ERJ3GEYJ 473 V (47K) |
| R569 | 7030003640 | S.RES ERJ3GEYJ 473 V (47K) |
| R570 | 7030003640 | S.RES ERJ3GEYJ 473 V (47K) |
| R571 | 7030003200 | S.RES ERJ3GEYJ 100 V (10) |
| R572 | 7030003200 | S.RES ERJ3GEYJ 100 V (10) |
| R573 | 7030003200 | S.RES ERJ3GEYJ 100 V (10) |
| R574 | 7030003200 | S.RES ERJ3GEYJ 100 V (10) |
| R575 | 7030003200 | S.RES ERJ3GEYJ 100 V (10) |
| R576 | 7030003200 | S.RES ERJ3GEYJ 100 V (10) |
| R577 | 7030003200 | S.RES ERJ3GEYJ 100 V (10) |
| R578 | 7030003200 | S.RES ERJ3GEYJ 100 V (10) |
| R579 | 7030003640 | S.RES ERJ3GEYJ 473 V (47K) |
| R580 | 7030003640 | S.RES ERJ3GEYJ 473 V (47K) |
| R583 | 7030003640 | S.RES ERJ3GEYJ 473 V (47K) |
| R587 | 7030003200 | S.RES ERJ3GEYJ 100 V (10) |
| R588 | 7030003200 | S.RES ERJ3GEYJ 100 V (10) |
| R589 | 7030003200 | S.RES ERJ3GEYJ 100 V (10) |
| R590 | 7030003200 | S.RES ERJ3GEYJ 100 V (10) |
| R591 | 7030003200 | S.RES ERJ3GEYJ 100 V (10) |
| R592 | 7030003200 | S.RES ERJ3GEYJ 100 V (10) |
| R593 | 7030003200 | S.RES ERJ3GEYJ 100 V (10) |
| R711 | 7030003480 | S.RES ERJ3GEYJ 222 V (2.2K) |
| R712 | 7030003480 | S.RES ERJ3GEYJ 222 V (2.2K) |
| R713 | 7030003360 | S.RES ERJ3GEYJ 221 V (220) |
| R721 | 7030003520 | S.RES ERJ3GEYJ 472 V (4.7K) |
| R722 | 7030003610 | S.RES ERJ3GEYJ 273 V (27K) |
| R723 | 7030003760 | S.RES ERJ3GEYJ 474 V (470K) |
| R724 | 7030003340 | S.RES ERJ3GEYJ 151 V (150) |
| R725 | 7030003320 | S.RES ERJ3GEYJ 101 V (100) |
| R731 | 7030003680 | S.RES ERJ3GEYJ 104 V (100K) |
| R732 | 7030003520 | S.RES ERJ3GEYJ 472 V (4.7K) |
| R733 | 7030003320 | S.RES ERJ3GEYJ 101 V (100) |
| R734 | 7030003320 | S.RES ERJ3GEYJ 101 V (100) |
| R735 | 7030003600 | S.RES ERJ3GEYJ 223 V (22K) |
| R736 | 7310005540 | S.TRI TMC3ADC14X (10K) |
| R737 | 7030003640 | S.RES ERJ3GEYJ 473 V (47K) |
| R738 | 7030003640 | S.RES ERJ3GEYJ 473 V (47K) |
| R739 | 7030003640 | S.RES ERJ3GEYJ 473 V (47K) |
| R740 | 7030003440 | S.RES ERJ3GEYJ 102 V (1K) |
| R741 | 7030003520 | S.RES ERJ3GEYJ 472 V (4.7K) |
| R742 | 7030003320 | S.RES ERJ3GEYJ 101 V (100) |
| R743 | 7030003640 | S.RES ERJ3GEYJ 473 V (47K) |
| R744 | 7030003520 | S.RES ERJ3GEYJ 472 V (4.7K) |
| R745 | 7030003680 | S.RES ERJ3GEYJ 104 V (100K) |
| R746 | 7030003540 | S.RES ERJ3GEYJ 682 V (6.8K) |
| R747 | 7030003440 | S.RES ERJ3GEYJ 102 V (1K) |
| R748 | 7030003400 | S.RES ERJ3GEYJ 471 V (470) |
| R749 | 7030003600 | S.RES ERJ3GEYJ 223 V (22K) |
| R750 | 7030003440 | S.RES ERJ3GEYJ 102 V (1K) |
| R751 | 7030003280 | S.RES ERJ3GEYJ 470 V (47) |
| R761 | 7030003480 | S.RES ERJ3GEYJ 222 V (2.2K) |
| R762 | 7030003360 | S.RES ERJ3GEYJ 221 V (220) |
| R763 | 7030003360 | S.RES ERJ3GEYJ 221 V (220) |
| R764 | 7030003480 | S.RES ERJ3GEYJ 222 V (2.2K) |
| R765 | 7030003560 | S.RES ERJ3GEYJ 103 V (10K) |
| R771 | 7030003480 | S.RES ERJ3GEYJ 222 V (2.2K) |
| R772 | 7030003360 | S.RES ERJ3GEYJ 221 V (220) |
| R773 | 7030003360 | S.RES ERJ3GEYJ 221 V (220) |
| R774 | 7030003480 | S.RES ERJ3GEYJ 222 V (2.2K) |
| R775 | 7030003560 | S.RES ERJ3GEYJ 103 V (10K) |
| R781 | 7030003480 | S.RES ERJ3GEYJ 222 V (2.2K) |
| R782 | 7030003360 | S.RES ERJ3GEYJ 221 V (220) |
| R783 | 7030003360 | S.RES ERJ3GEYJ 221 V (220) |
| R784 | 7030003480 | S.RES ERJ3GEYJ 222 V (2.2K) |
| R785 | 7030003560 | S.RES ERJ3GEYJ 103 V (10K) |
| R791 | 7030003480 | S.RES ERJ3GEYJ 222 V (2.2K) |
| R792 | 7030003520 | S.RES ERJ3GEYJ 472 V (4.7K) |
| R793 | 7030003480 | S.RES ERJ3GEYJ 222 V (2.2K) |
| R794 | 7030003480 | S.RES ERJ3GEYJ 222 V (2.2K) |
| R795 | 7030003520 | S.RES ERJ3GEYJ 472 V (4.7K) |
| R796 | 7030003480 | S.RES ERJ3GEYJ 222 V (2.2K) |
| R801 | 7030003440 | S.RES ERJ3GEYJ 102 V (1K) |
| R802 | 7030003320 | S.RES ERJ3GEYJ 101 V (100) |
| R811 | 7030003460 | S.RES ERJ3GEYJ 152 V (1.5K) |
| R812 | 7030003400 | S.RES ERJ3GEYJ 471 V (470) |
| R813 | 7030003400 | S.RES ERJ3GEYJ 471 V (470) |
| R814 | 7030003500 | S.RES ERJ3GEYJ 332 V (3.3K) |
| R815 | 7030003500 | S.RES ERJ3GEYJ 332 V (3.3K) |
| R816 | 7030003490 | S.RES ERJ3GEYJ 272 V (2.7K) |
| R817 | 7030003490 | S.RES ERJ3GEYJ 272 V (2.7K) |
| R818 | 7030003490 | S.RES ERJ3GEYJ 272 V (2.7K) |
| R819 | 7030003440 | S.RES ERJ3GEYJ 102 V (1K) |
| R820 | 7030003400 | S.RES ERJ3GEYJ 102 V (1K) |
| R821 | 7030003500 | S.RES ERJ3GEYJ 332 V (3.3K) |
| R822 | 7030003200 | S.RES ERJ3GEYJ 100 V (10) |
| R823 | 7030003200 | S.RES ERJ3GEYJ 100 V (10) |
| R824 | 7030003360 | S.RES ERJ3GEYJ 221 V (220) |
| R825 | 7510001480 | S.THE NTCG10 3NH 681JT |
| R831 | 7030004710 | S.RES ERJ3GEYJ 475 V (4.7M) |
| R832 | 7030004710 | S.RES ERJ3GEYJ 475 V (4.7M) |
| R833 | 7030004710 | S.RES ERJ3GEYJ 475 V (4.7M) |
| R834 | 7030004710 | S.RES ERJ3GEYJ 475 V (4.7M) |
| R835 | 7030003820 | S.RES ERJ3GEYJ 155 V (1.5M) |
| R836 | 7030003520 | S.RES ERJ3GEYJ 472 V (4.7K) |
| R841 | 7030003560 | S.RES ERJ3GEYJ 103 V (10K) |

M.=Mounted side (T: Mounted on the Top side, B: Mounted on the Bottom side)
S.=Surface mount

[MAIN-A UNIT] (For [USA-2], [OTH-2], [CHN-1])

| REF NO. | ORDER NO. | DESCRIPTION |
|---------|------------|-----------------------------|
| R851 | 7030003560 | S.RES ERJ3GEYJ 103 V (10K) |
| R852 | 7030003360 | S.RES ERJ3GEYJ 221 V (220) |
| R853 | 7030003360 | S.RES ERJ3GEYJ 221 V (220) |
| R854 | 7030003560 | S.RES ERJ3GEYJ 103 V (10K) |
| R855 | 7030003560 | S.RES ERJ3GEYJ 103 V (10K) |
| R861 | 7030003560 | S.RES ERJ3GEYJ 103 V (10K) |
| R862 | 7030003360 | S.RES ERJ3GEYJ 221 V (220) |
| R863 | 7030003360 | S.RES ERJ3GEYJ 221 V (220) |
| R864 | 7030003560 | S.RES ERJ3GEYJ 103 V (10K) |
| R865 | 7030003560 | S.RES ERJ3GEYJ 103 V (10K) |
| R871 | 7030003510 | S.RES ERJ3GEYJ 392 V (3.9K) |
| R872 | 7030003360 | S.RES ERJ3GEYJ 221 V (220) |
| R873 | 7030003360 | S.RES ERJ3GEYJ 221 V (220) |
| R874 | 7030003510 | S.RES ERJ3GEYJ 392 V (3.9K) |
| R875 | 7030003560 | S.RES ERJ3GEYJ 103 V (10K) |
| R881 | 7030003510 | S.RES ERJ3GEYJ 392 V (3.9K) |
| R882 | 7030003360 | S.RES ERJ3GEYJ 221 V (220) |
| R883 | 7030003360 | S.RES ERJ3GEYJ 221 V (220) |
| R884 | 7030003510 | S.RES ERJ3GEYJ 392 V (3.9K) |
| R885 | 7030003560 | S.RES ERJ3GEYJ 103 V (10K) |
| R891 | 7030003560 | S.RES ERJ3GEYJ 103 V (10K) |
| R892 | 7030003320 | S.RES ERJ3GEYJ 101 V (100) |
| R893 | 7030003480 | S.RES ERJ3GEYJ 222 V (2.2K) |
| R894 | 7030003600 | S.RES ERJ3GEYJ 223 V (22K) |
| R895 | 7030003380 | S.RES ERJ3GEYJ 331 V (330) |
| R896 | 7030003500 | S.RES ERJ3GEYJ 332 V (3.3K) |
| R897 | 7030003320 | S.RES ERJ3GEYJ 101 V (100) |
| R898 | 7310005540 | S.TRI TMC3ADC14X (10K) |
| R911 | 7030003320 | S.RES ERJ3GEYJ 101 V (100) |
| R912 | 7030003480 | S.RES ERJ3GEYJ 222 V (2.2K) |
| R913 | 7030003320 | S.RES ERJ3GEYJ 101 V (100) |
| R914 | 7030003560 | S.RES ERJ3GEYJ 103 V (10K) |
| R915 | 7030003560 | S.RES ERJ3GEYJ 103 V (10K) |
| R1001 | 7030003520 | S.RES ERJ3GEYJ 472 V (4.7K) |
| R1002 | 7030003320 | S.RES ERJ3GEYJ 101 V (100) |
| R1003 | 7030003700 | S.RES ERJ3GEYJ 154 V (150K) |
| R1004 | 7030003500 | S.RES ERJ3GEYJ 332 V (3.3K) |
| R1005 | 7030003720 | S.RES ERJ3GEYJ 224 V (220K) |
| R1006 | 7030003440 | S.RES ERJ3GEYJ 102 V (1K) |
| R1007 | 7030003360 | S.RES ERJ3GEYJ 221 V (220) |
| R1008 | 7030003720 | S.RES ERJ3GEYJ 224 V (220K) |
| R1021 | 7030003560 | S.RES ERJ3GEYJ 103 V (10K) |
| R1022 | 7030003630 | S.RES ERJ3GEYJ 393 V (39K) |
| R1023 | 7030003630 | S.RES ERJ3GEYJ 393 V (39K) |
| R1024 | 7030003640 | S.RES ERJ3GEYJ 473 V (47K) |
| R1025 | 7030003670 | S.RES ERJ3GEYJ 823 V (82K) |
| R1026 | 7030003640 | S.RES ERJ3GEYJ 473 V (47K) |
| R1031 | 7030003360 | S.RES ERJ3GEYJ 221 V (220) |
| R1032 | 7030003720 | S.RES ERJ3GEYJ 224 V (220K) |
| R1033 | 7030003440 | S.RES ERJ3GEYJ 102 V (1K) |
| R1041 | 7030003440 | S.RES ERJ3GEYJ 102 V (1K) |
| R1042 | 7030003680 | S.RES ERJ3GEYJ 104 V (100K) |
| R1043 | 7030003440 | S.RES ERJ3GEYJ 102 V (1K) |
| R1044 | 7030003660 | S.RES ERJ3GEYJ 683 V (68K) |
| R1045 | 7030003640 | S.RES ERJ3GEYJ 473 V (47K) |
| R1051 | 7030003490 | S.RES ERJ3GEYJ 272 V (2.7K) |
| R1052 | 7030003520 | S.RES ERJ3GEYJ 472 V (4.7K) |
| R1053 | 7030003400 | S.RES ERJ3GEYJ 471 V (470) |
| R1061 | 7030003680 | S.RES ERJ3GEYJ 104 V (100K) |
| R1062 | 7030003600 | S.RES ERJ3GEYJ 223 V (22K) |
| R1063 | 7030003440 | S.RES ERJ3GEYJ 102 V (1K) |
| R1064 | 7030003780 | S.RES ERJ3GEYJ 684 V (680K) |
| R1065 | 7030003520 | S.RES ERJ3GEYJ 472 V (4.7K) |
| R1066 | 7030003600 | S.RES ERJ3GEYJ 223 V (22K) |
| R1067 | 7030003740 | S.RES ERJ3GEYJ 334 V (330K) |
| R1068 | 7030003560 | S.RES ERJ3GEYJ 103 V (10K) |
| R1081 | 7030003360 | S.RES ERJ3GEYJ 221 V (220) |
| R1082 | 7030003440 | S.RES ERJ3GEYJ 102 V (1K) |
| R1084 | 7030003640 | S.RES ERJ3GEYJ 473 V (47K) |
| R1101 | 7030003440 | S.RES ERJ3GEYJ 102 V (1K) |
| R1102 | 7030003460 | S.RES ERJ3GEYJ 152 V (1.5K) |
| R1103 | 7030003440 | S.RES ERJ3GEYJ 102 V (1K) |
| R1104 | 7030003500 | S.RES ERJ3GEYJ 332 V (3.3K) |
| R1105 | 7030003480 | S.RES ERJ3GEYJ 222 V (2.2K) |
| R1106 | 7030003200 | S.RES ERJ3GEYJ 100 V (10) |
| R1107 | 7030003460 | S.RES ERJ3GEYJ 152 V (1.5K) |
| R1108 | 7030003440 | S.RES ERJ3GEYJ 102 V (1K) |
| R1109 | 7030003440 | S.RES ERJ3GEYJ 102 V (1K) |
| R1110 | 7030003480 | S.RES ERJ3GEYJ 222 V (2.2K) |
| R1111 | 7030003200 | S.RES ERJ3GEYJ 100 V (10) |
| R1201 | 7030003660 | S.RES ERJ3GEYJ 683 V (68K) |
| R1202 | 7030003480 | S.RES ERJ3GEYJ 222 V (2.2K) |
| R1203 | 7030003670 | S.RES ERJ3GEYJ 823 V (82K) |
| R1211 | 7030003640 | S.RES ERJ3GEYJ 473 V (47K) |
| R1212 | 7030003630 | S.RES ERJ3GEYJ 393 V (39K) |
| R1213 | 7030003630 | S.RES ERJ3GEYJ 393 V (39K) |
| R1214 | 7030003630 | S.RES ERJ3GEYJ 393 V (39K) |
| R1215 | 7030003630 | S.RES ERJ3GEYJ 393 V (39K) |
| R1231 | 7030003400 | S.RES ERJ3GEYJ 471 V (470) |
| R1232 | 7030003400 | S.RES ERJ3GEYJ 471 V (470) |
| R1233 | 7030003400 | S.RES ERJ3GEYJ 471 V (470) |
| R1234 | 7030003400 | S.RES ERJ3GEYJ 471 V (470) |
| R1235 | 7030003400 | S.RES ERJ3GEYJ 471 V (470) |
| R1236 | 7030003400 | S.RES ERJ3GEYJ 471 V (470) |
| R1251 | 7030003680 | S.RES ERJ3GEYJ 104 V (100K) |
| R1252 | 7030003680 | S.RES ERJ3GEYJ 104 V (100K) |
| R1253 | 7030003650 | S.RES ERJ3GEYJ 563 V (56K) |
| R1254 | 7310005580 | S.TRI TMC3ADC53X (4.7K) |
| R1255 | 7030003400 | S.RES ERJ3GEYJ 471 V (470) |
| R1256 | 7030003640 | S.RES ERJ3GEYJ 473 V (47K) |
| R1257 | 7030003560 | S.RES ERJ3GEYJ 103 V (10K) |
| R1258 | 7030003490 | S.RES ERJ3GEYJ 272 V (2.7K) |
| R1259 | 7030003580 | S.RES ERJ3GEYJ 153 V (15K) |
| R1260 | 7030003320 | S.RES ERJ3GEYJ 101 V (100) |

[MAIN-A UNIT] (For [USA-2], [OTH-2], [CHN-1])

| REF NO. | ORDER NO. | DESCRIPTION |
|---------|------------|-----------------------------|
| R1261 | 7030003480 | S.RES ERJ3GEYJ 222 V (2.2K) |
| R1262 | 7030003550 | S.RES ERJ3GEYJ 822 V (8.2K) |
| R1263 | 7030003610 | S.RES ERJ3GEYJ 273 V (27K) |
| R1271 | 7030003640 | S.RES ERJ3GEYJ 473 V (47K) |
| R1272 | 7030003440 | S.RES ERJ3GEYJ 102 V (1K) |
| R1281 | 7030003680 | S.RES ERJ3GEYJ 104 V (100K) |
| R1291 | 7030003550 | S.RES ERJ3GEYJ 822 V (8.2K) |
| R1292 | 7030003430 | S.RES ERJ3GEYJ 821 V (820) |
| R1293 | 7030003400 | S.RES ERJ3GEYJ 471 V (470) |
| R1311 | 7030003520 | S.RES ERJ3GEYJ 472 V (4.7K) |
| R1312 | 7030003620 | S.RES ERJ3GEYJ 333 V (33K) |
| R1313 | 7030003580 | S.RES ERJ3GEYJ 153 V (15K) |
| R1314 | 7030003640 | S.RES ERJ3GEYJ 473 V (47K) |
| R1351 | 7030003200 | S.RES ERJ3GEYJ 100 V (10) |
| R1371 | 7030003520 | S.RES ERJ3GEYJ 472 V (4.7K) |
| R1372 | 7030003640 | S.RES ERJ3GEYJ 473 V (47K) |
| R1374 | 7030003520 | S.RES ERJ3GEYJ 472 V (4.7K) |
| R1381 | 7030003280 | S.RES ERJ3GEYJ 470 V (47) |
| R1382 | 7030003480 | S.RES ERJ3GEYJ 222 V (2.2K) |
| R1401 | 7070001060 | RES ERG2SJ 120 |
| R1411 | 7030003320 | S.RES ERJ3GEYJ 101 V (100) |
| R1412 | 7030003560 | S.RES ERJ3GEYJ 103 V (10K) |
| R1413 | 7030003680 | S.RES ERJ3GEYJ 104 V (100K) |
| R1414 | 7030003320 | S.RES ERJ3GEYJ 101 V (100) |
| R1415 | 7030003320 | S.RES ERJ3GEYJ 101 V (100) |
| R1416 | 7030003320 | S.RES ERJ3GEYJ 101 V (100) |
| R1771 | 7030003540 | S.RES ERJ3GEYJ 682 V (6.8K) |
| R1772 | 7030003620 | S.RES ERJ3GEYJ 333 V (33K) |
| R1773 | 7030003640 | S.RES ERJ3GEYJ 473 V (47K) |
| R1774 | 7030003580 | S.RES ERJ3GEYJ 153 V (15K) |
| R2051 | 7030003640 | S.RES ERJ3GEYJ 473 V (47K) |
| C101 | 4030011600 | S.CER C1608 JB 1E 104K-T |
| C111 | 4030019180 | S.CER TMK212BJ105KG-T |
| C121 | 4030006900 | S.CER C1608 JB 1H 103K-T |
| C131 | 4030007070 | S.CER C1608 CH 1H 330J-T |
| C132 | 4030007070 | S.CER C1608 CH 1H 330J-T |
| C133 | 4030007040 | S.CER C1608 CH 1H 180J-T |
| C134 | 4030007120 | S.CER C1608 CH 1H 820J-T |
| C135 | 4030007040 | S.CER C1608 CH 1H 180J-T |
| C136 | 4030007100 | S.CER C1608 CH 1H 560J-T |
| C141 | 4030006900 | S.CER C1608 JB 1H 103K-T |
| C151 | 4030019180 | S.CER TMK212BJ105KG-T |
| C152 | 4030011600 | S.CER C1608 JB 1E 104K-T |
| C161 | 4030008470 | S.CER C1608 JB 1H 272K-T |
| C162 | 4030009880 | S.CER C1608 JB 1H 682K-T |
| C163 | 4030009980 | S.CER C1608 JB 1H 152K-T |
| C164 | 4030011600 | S.CER C1608 JB 1E 104K-T |
| C170 | 4510008520 | S.ELC EEE1CA470SP |
| C171 | 4030011600 | S.CER C1608 JB 1E 104K-T |
| C172 | 4030008650 | S.CER C1608 JB 1H 332K-T |
| C173 | 4030010240 | S.CER C1608 JB 1H 391K-T |
| C174 | 4030008650 | S.CER C1608 JB 1H 332K-T |
| C175 | 4030019180 | S.CER TMK212BJ105KG-T |
| C176 | 4030011600 | S.CER C1608 JB 1E 104K-T |
| C181 | 4030011600 | S.CER C1608 JB 1E 104K-T |
| C182 | 4030006860 | S.CER C1608 JB 1H 102K-T |
| C183 | 4030009580 | S.CER C1608 JB 1H 681K-T |
| C184 | 4030006870 | S.CER C1608 JB 1H 222K-T |
| C185 | 4030007170 | S.CER C1608 CH 1H 221J-T |
| C186 | 4030010020 | S.CER C1608 JB 1H 122K-T |
| C187 | 4030011600 | S.CER C1608 JB 1E 104K-T |
| C188 | 4030011600 | S.CER C1608 JB 1E 104K-T |
| C201 | 4030011600 | S.CER C1608 JB 1E 104K-T |
| C202 | 4030010020 | S.CER C1608 JB 1H 122K-T |
| C203 | 4030007130 | S.CER C1608 CH 1H 101J-T |
| C204 | 4030010020 | S.CER C1608 JB 1H 122K-T |
| C205 | 4030009880 | S.CER C1608 JB 1H 682K-T |
| C206 | 4030009880 | S.CER C1608 JB 1H 682K-T |
| C207 | 4030009880 | S.CER C1608 JB 1H 152K-T |
| C208 | 4030009980 | S.CER C1608 JB 1H 152K-T |
| C209 | 4030011600 | S.CER C1608 JB 1E 104K-T |
| C221 | 4030011600 | S.CER C1608 JB 1E 104K-T |
| C222 | 4030010240 | S.CER C1608 JB 1H 391K-T |
| C223 | 4030007140 | S.CER C1608 CH 1H 121J-T |
| C224 | 4030007130 | S.CER C1608 CH 1H 101J-T |
| C225 | 4030006850 | S.CER C1608 JB 1H 471K-T |
| C226 | 4030006870 | S.CER C1608 JB 1H 222K-T |
| C227 | 4030006880 | S.CER C1608 JB 1H 472K-T |
| C228 | 4030006860 | S.CER C1608 JB 1H 102K-T |
| C229 | 4030009580 | S.CER C1608 JB 1H 681K-T |
| C230 | 4030011600 | S.CER C1608 JB 1E 104K-T |
| C241 | 4030011600 | S.CER C1608 JB 1E 104K-T |
| C242 | 4030010760 | S.CER C1608 CH 1H 331J-T |
| C243 | 4030007090 | S.CER C1608 CH 1H 470J-T |
| C244 | 4030007160 | S.CER C1608 CH 1H 181J-T |
| C245 | 4030010040 | S.CER C1608 JB 1H 561K-T |
| C246 | 4030008470 | S.CER C1608 JB 1H 272K-T |
| C247 | 4030010760 | S.CER C1608 CH 1H 331J-T |
| C248 | 4030011600 | S.CER C1608 JB 1E 104K-T |
| C261 | 4030011600 | S.CER C1608 JB 1E 104K-T |
| C262 | 4030011280 | S.CER C1608 CH 1H 271J-T |
| C263 | 4030007090 | S.CER C1608 CH 1H 470J-T |
| C264 | 4030007150 | S.CER C1608 CH 1H 151J-T |
| C265 | 4030006850 | S.CER C1608 JB 1H 471K-T |
| C266 | 4030010020 | S.CER C1608 JB 1H 122K-T |
| C267 | 4030007140 | S.CER C1608 CH 1H 121J-T |
| C268 | 4030007140 | S.CER C1608 CH 1H 121J-T |
| C269 | 4030011600 | S.CER C1608 JB 1E 104K-T |
| C281 | 4030011600 | S.CER C1608 JB 1E 104K-T |
| C282 | 4030007160 | S.CER C1608 CH 1H 181J-T |
| C283 | 4030007030 | S.CER C1608 CH 1H 150J-T |
| C284 | 4030007030 | S.CER C1608 CH 1H 150J-T |

M.=Mounted side (T: Mounted on the Top side, B: Mounted on the Bottom side)
S.=Surface mount

[MAIN-A UNIT] (For [USA-2], [OTH-2], [CHN-1])

| REF NO. | ORDER NO. | DESCRIPTION |
|---------|------------|--------------------------|
| C285 | 4030007130 | S.CER C1608 CH 1H 101J-T |
| C286 | 4030007150 | S.CER C1608 CH 1H 151J-T |
| C287 | 4030007150 | S.CER C1608 CH 1H 151J-T |
| C288 | 4030010020 | S.CER C1608 JB 1H 122K-T |
| C289 | 4030007150 | S.CER C1608 CH 1H 151J-T |
| C290 | 4030011600 | S.CER C1608 JB 1E 104K-T |
| C301 | 4030011600 | S.CER C1608 JB 1E 104K-T |
| C302 | 4030006990 | S.CER C1608 CH 1H 080D-T |
| C303 | 4030007160 | S.CER C1608 CH 1H 181J-T |
| C304 | 4030007060 | S.CER C1608 CH 1H 270J-T |
| C305 | 4030007140 | S.CER C1608 CH 1H 121J-T |
| C306 | 4030007160 | S.CER C1608 CH 1H 181J-T |
| C307 | 4030010020 | S.CER C1608 JB 1H 122K-T |
| C308 | 4030007130 | S.CER C1608 CH 1H 101J-T |
| C309 | 4030011600 | S.CER C1608 JB 1E 104K-T |
| C321 | 4030006900 | S.CER C1608 JB 1H 103K-T |
| C322 | 4030007110 | S.CER C1608 CH 1H 680J-T |
| C323 | 4030007080 | S.CER C1608 CH 1H 390J-T |
| C324 | 4030007110 | S.CER C1608 CH 1H 680J-T |
| C325 | 4030007010 | S.CER C1608 CH 1H 100D-T |
| C326 | 4030007010 | S.CER C1608 CH 1H 100D-T |
| C327 | 4030007110 | S.CER C1608 CH 1H 680J-T |
| C328 | 4030007170 | S.CER C1608 CH 1H 221J-T |
| C329 | 4030010240 | S.CER C1608 JB 1H 391K-T |
| C330 | 4030007100 | S.CER C1608 CH 1H 560J-T |
| C331 | 4030007050 | S.CER C1608 CH 1H 220J-T |
| C332 | 4030006900 | S.CER C1608 JB 1H 103K-T |
| C333 | 4030007070 | S.CER C1608 CH 1H 330J-T |
| C341 | 4030006900 | S.CER C1608 JB 1H 103K-T |
| C342 | 4030007110 | S.CER C1608 CH 1H 680J-T |
| C344 | 4030007020 | S.CER C1608 CH 1H 120J-T |
| C345 | 4030007080 | S.CER C1608 CH 1H 390J-T |
| C346 | 4030006900 | S.CER C1608 JB 1H 103K-T |
| C349 | 4030007100 | S.CER C1608 CH 1H 560J-T |
| C350 | 4030007160 | S.CER C1608 CH 1H 181J-T |
| C351 | 4030007090 | S.CER C1608 CH 1H 470J-T |
| C352 | 4030006900 | S.CER C1608 JB 1H 103K-T |
| C361 | 4030019180 | S.CER TMK212BJ105KG-T |
| C371 | 4030019180 | S.CER TMK212BJ105KG-T |
| C372 | 4030007010 | S.CER C1608 CH 1H 100D-T |
| C381 | 4030011600 | S.CER C1608 JB 1E 104K-T |
| C382 | 4030011600 | S.CER C1608 JB 1E 104K-T |
| C383 | 4030011600 | S.CER C1608 JB 1E 104K-T |
| C384 | 4030011600 | S.CER C1608 JB 1E 104K-T |
| C385 | 4030011600 | S.CER C1608 JB 1E 104K-T |
| C386 | 4030011600 | S.CER C1608 JB 1E 104K-T |
| C390 | 4030019560 | S.CER GRM21BB31C106KE15L |
| C391 | 4030011600 | S.CER C1608 JB 1E 104K-T |
| C392 | 4030011600 | S.CER C1608 JB 1E 104K-T |
| C393 | 4030017490 | S.CER C1608 JB 1A 105K-T |
| C394 | 4550007480 | S.TAN F930J106MAABMA |
| C395 | 4030017490 | S.CER C1608 JB 1A 105K-T |
| C396 | 4030019180 | S.CER TMK212BJ105KG-T |
| C397 | 4030019180 | S.CER TMK212BJ105KG-T |
| C398 | 4030011600 | S.CER C1608 JB 1E 104K-T |
| C399 | 4030011600 | S.CER C1608 JB 1E 104K-T |
| C401 | 4030011600 | S.CER C1608 JB 1E 104K-T |
| C411 | 4030007080 | S.CER C1608 CH 1H 390J-T |
| C412 | 4030007130 | S.CER C1608 CH 1H 101J-T |
| C413 | 4030011600 | S.CER C1608 JB 1E 104K-T |
| C414 | 4030006860 | S.CER C1608 JB 1H 102K-T |
| C415 | 4030011600 | S.CER C1608 JB 1E 104K-T |
| C422 | 4030006970 | S.CER C1608 CH 1H 060D-T |
| C423 | 4030007040 | S.CER C1608 CH 1H 180J-T |
| C424 | 4030006920 | S.CER C1608 CH 1H 010C-T |
| C425 | 4030007040 | S.CER C1608 CH 1H 180J-T |
| C431 | 4030007070 | S.CER C1608 CH 1H 330J-T |
| C432 | 4030007070 | S.CER C1608 CH 1H 330J-T |
| C433 | 4030007040 | S.CER C1608 CH 1H 180J-T |
| C434 | 4030007120 | S.CER C1608 CH 1H 820J-T |
| C435 | 4030007040 | S.CER C1608 CH 1H 180J-T |
| C436 | 4030007100 | S.CER C1608 CH 1H 560J-T |
| C442 | 4030011600 | S.CER C1608 JB 1E 104K-T |
| C443 | 4030011600 | S.CER C1608 JB 1E 104K-T |
| C444 | 4030006990 | S.CER C1608 CH 1H 080D-T |
| C445 | 4030006950 | S.CER C1608 CH 1H 040C-T |
| C446 | 4030011600 | S.CER C1608 JB 1E 104K-T |
| C447 | 4030011600 | S.CER C1608 JB 1E 104K-T |
| C448 | 4030007130 | S.CER C1608 CH 1H 101J-T |
| C461 | 4030006980 | S.CER C1608 CH 1H 070D-T |
| C462 | 4030006930 | S.CER C1608 CH 1H 020C-T |
| C471 | 4030007050 | S.CER C1608 CH 1H 220J-T |
| C472 | 4030011600 | S.CER C1608 JB 1E 104K-T |
| C473 | 4030006880 | S.CER C1608 JB 1H 472K-T |
| C474 | 4030006880 | S.CER C1608 JB 1H 472K-T |
| C475 | 4030007020 | S.CER C1608 CH 1H 120J-T |
| C476 | 4030006880 | S.CER C1608 JB 1H 472K-T |
| C492 | 4030007110 | S.CER C1608 CH 1H 680J-T |
| C551 | 4030011600 | S.CER C1608 JB 1E 104K-T |
| C552 | 4030011600 | S.CER C1608 JB 1E 104K-T |
| C553 | 4030006880 | S.CER C1608 JB 1H 472K-T |
| C561 | 4030011600 | S.CER C1608 JB 1E 104K-T |
| C562 | 4030011600 | S.CER C1608 JB 1E 104K-T |
| C563 | 4030006880 | S.CER C1608 JB 1H 472K-T |
| C701 | 4030006930 | S.CER C1608 CH 1H 020C-T |
| C711 | 4030006880 | S.CER C1608 JB 1H 472K-T |
| C712 | 4030006880 | S.CER C1608 JB 1H 472K-T |
| C721 | 4030006880 | S.CER C1608 JB 1H 472K-T |
| C722 | 4030011600 | S.CER C1608 JB 1E 104K-T |
| C723 | 4030006880 | S.CER C1608 JB 1H 472K-T |
| C724 | 4030007050 | S.CER C1608 CH 1H 220J-T |
| C725 | 4030011600 | S.CER C1608 JB 1E 104K-T |
| C726 | 4030006880 | S.CER C1608 JB 1H 472K-T |
| C731 | 4030006880 | S.CER C1608 JB 1H 472K-T |

[MAIN-A UNIT] (For [USA-2], [OTH-2], [CHN-1])

| REF NO. | ORDER NO. | DESCRIPTION |
|---------|------------|--------------------------|
| C732 | 4030006880 | S.CER C1608 JB 1H 472K-T |
| C733 | 4030006880 | S.CER C1608 JB 1H 472K-T |
| C734 | 4030011600 | S.CER C1608 JB 1E 104K-T |
| C735 | 4030006880 | S.CER C1608 JB 1H 472K-T |
| C736 | 4030006880 | S.CER C1608 JB 1H 472K-T |
| C737 | 4030011600 | S.CER C1608 JB 1E 104K-T |
| C738 | 4030007150 | S.CER C1608 CH 1H 151J-T |
| C739 | 4510009270 | S.ELE EEEHBI C220UR |
| C740 | 4030007050 | S.CER C1608 CH 1H 220J-T |
| C741 | 4510008520 | S.ELE EEE1CA470SP |
| C742 | 4030011600 | S.CER C1608 JB 1E 104K-T |
| C743 | 4510008540 | S.ELE EEE1CA100SR |
| C761 | 4030011600 | S.CER C1608 JB 1E 104K-T |
| C762 | 4030011600 | S.CER C1608 JB 1E 104K-T |
| C771 | 4030011600 | S.CER C1608 JB 1E 104K-T |
| C772 | 4030011600 | S.CER C1608 JB 1E 104K-T |
| C773 | 4030007030 | S.CER C1608 CH 1H 150J-T |
| C781 | 4030011600 | S.CER C1608 JB 1E 104K-T |
| C782 | 4030011600 | S.CER C1608 JB 1E 104K-T |
| C791 | 4030011600 | S.CER C1608 JB 1E 104K-T |
| C792 | 4030011600 | S.CER C1608 JB 1E 104K-T |
| C801 | 4030011600 | S.CER C1608 JB 1E 104K-T |
| C811 | 4030006880 | S.CER C1608 JB 1H 472K-T |
| C813 | 4030011600 | S.CER C1608 JB 1E 104K-T |
| C814 | 4030011600 | S.CER C1608 JB 1E 104K-T |
| C816 | 4030006880 | S.CER C1608 JB 1H 472K-T |
| C818 | 4030011600 | S.CER C1608 JB 1E 104K-T |
| C831 | 4030008650 | S.CER C1608 JB 1H 332K-T |
| C841 | 4030006880 | S.CER C1608 JB 1H 472K-T |
| C851 | 4030011600 | S.CER C1608 JB 1E 104K-T |
| C852 | 4030011600 | S.CER C1608 JB 1E 104K-T |
| C861 | 4030011600 | S.CER C1608 JB 1E 104K-T |
| C862 | 4030011600 | S.CER C1608 JB 1E 104K-T |
| C871 | 4030011600 | S.CER C1608 JB 1E 104K-T |
| C872 | 4030011600 | S.CER C1608 JB 1E 104K-T |
| C881 | 4030011600 | S.CER C1608 JB 1E 104K-T |
| C882 | 4030011600 | S.CER C1608 JB 1E 104K-T |
| C891 | 4030011600 | S.CER C1608 JB 1E 104K-T |
| C892 | 4030006880 | S.CER C1608 JB 1H 472K-T |
| C893 | 4030006880 | S.CER C1608 JB 1H 472K-T |
| C894 | 4030011600 | S.CER C1608 JB 1E 104K-T |
| C895 | 4030007050 | S.CER C1608 CH 1H 220J-T |
| C896 | 4030011600 | S.CER C1608 JB 1E 104K-T |
| C897 | 4030006880 | S.CER C1608 JB 1H 472K-T |
| C911 | 4030011600 | S.CER C1608 JB 1E 104K-T |
| C912 | 4030007170 | S.CER C1608 CH 1H 221J-T |
| C913 | 4030011600 | S.CER C1608 JB 1E 104K-T |
| C914 | 4510008530 | S.ELE EEE1HA2R2SR |
| C1001 | 4030011600 | S.CER C1608 JB 1E 104K-T |
| C1002 | 4030006880 | S.CER C1608 JB 1H 472K-T |
| C1003 | 4030011600 | S.CER C1608 JB 1E 104K-T |
| C1004 | 4030007170 | S.CER C1608 CH 1H 221J-T |
| C1005 | 4030007170 | S.CER C1608 CH 1H 221J-T |
| C1006 | 4030006880 | S.CER C1608 JB 1H 472K-T |
| C1007 | 4030007130 | S.CER C1608 CH 1H 101J-T |
| C1008 | 4510008540 | S.ELE EEE1CA100SR |
| C1009 | 4030011600 | S.CER C1608 JB 1E 104K-T |
| C1010 | 4030011600 | S.CER C1608 JB 1E 104K-T |
| C1021 | 4030011600 | S.CER C1608 JB 1E 104K-T |
| C1022 | 4030008880 | S.CER C1608 JB 1H 223K-T |
| C1023 | 4030009880 | S.CER C1608 JB 1H 682K-T |
| C1024 | 4030011600 | S.CER C1608 JB 1E 104K-T |
| C1031 | 4030011600 | S.CER C1608 JB 1E 104K-T |
| C1041 | 4030006880 | S.CER C1608 JB 1H 472K-T |
| C1042 | 4030006880 | S.CER C1608 JB 1H 472K-T |
| C1043 | 4030006880 | S.CER C1608 JB 1H 472K-T |
| C1044 | 4030011600 | S.CER C1608 JB 1E 104K-T |
| C1051 | 4510008540 | S.ELE EEE1CA100SR |
| C1061 | 4030006880 | S.CER C1608 JB 1H 472K-T |
| C1062 | 4030007130 | S.CER C1608 CH 1H 101J-T |
| C1063 | 4510008540 | S.ELE EEE1CA100SR |
| C1064 | 4030011600 | S.CER C1608 JB 1E 104K-T |
| C1065 | 4510008540 | S.ELE EEE1CA100SR |
| C1066 | 4510008530 | S.ELE EEE1HA2R2SR |
| C1067 | 4510009270 | S.ELE EEEHBI C220UR |
| C1081 | 4030006880 | S.CER C1608 JB 1H 472K-T |
| C1085 | 4030006880 | S.CER C1608 JB 1H 472K-T |
| C1089 | 4030006880 | S.CER C1608 JB 1H 472K-T |
| C1090 | 4030011600 | S.CER C1608 JB 1E 104K-T |
| C1101 | 4030011600 | S.CER C1608 JB 1E 104K-T |
| C1102 | 4030011600 | S.CER C1608 JB 1E 104K-T |
| C1103 | 4030011600 | S.CER C1608 JB 1E 104K-T |
| C1201 | 4030006900 | S.CER C1608 JB 1H 103K-T |
| C1202 | 4030006900 | S.CER C1608 JB 1H 103K-T |
| C1211 | 4030010020 | S.CER C1608 JB 1H 122K-T |
| C1212 | 4030006860 | S.CER C1608 JB 1H 102K-T |
| C1213 | 4030008650 | S.CER C1608 JB 1H 332K-T |
| C1214 | 4030006850 | S.CER C1608 JB 1H 471K-T |
| C1215 | 4030011600 | S.CER C1608 JB 1E 104K-T |
| C1216 | 4030011600 | S.CER C1608 JB 1E 104K-T |
| C1217 | 4030011600 | S.CER C1608 JB 1E 104K-T |
| C1231 | 4030006880 | S.CER C1608 JB 1H 472K-T |
| C1251 | 4030011600 | S.CER C1608 JB 1E 104K-T |
| C1253 | 4030010760 | S.CER C1608 CH 1H 331J-T |
| C1254 | 4510008530 | S.ELE EEE1HA2R2SR |
| C1255 | 4030006900 | S.CER C1608 JB 1H 103K-T |
| C1256 | 4030011600 | S.CER C1608 JB 1E 104K-T |
| C1257 | 4510008540 | S.ELE EEE1CA100SR |
| C1258 | 4510008540 | S.ELE EEE1CA100SR |
| C1259 | 4510008540 | S.ELE EEE1CA100SR |
| C1260 | 4510008540 | S.ELE EEE1CA100SR |
| C1261 | 4510008540 | S.ELE EEE1CA100SR |
| C1262 | 4510008530 | S.ELE EEE1HA2R2SR |
| C1271 | 4030006880 | S.CER C1608 JB 1H 472K-T |

M.=Mounted side (T: Mounted on the Top side, B: Mounted on the Bottom side)
S.=Surface mount

[MAIN-A UNIT] (For [USA-2], [OTH-2], [CHN-1])

| REF NO. | ORDER NO. | DESCRIPTION | |
|---------|------------|-------------|------------------------|
| C1272 | 4030011600 | S.CER | C1608 JB 1E 104K-T |
| C1281 | 4030006900 | S.CER | C1608 JB 1H 103K-T |
| C1282 | 4030006900 | S.CER | C1608 JB 1H 103K-T |
| C1292 | 4510008540 | S.ELE | EEE1CA100SR |
| C1293 | 4030011600 | S.CER | C1608 JB 1E 104K-T |
| C1294 | 4030011600 | S.CER | C1608 JB 1E 104K-T |
| C1295 | 4510004591 | ELE | 16 ME 470 HC |
| C1296 | 4510004591 | ELE | 16 ME 470 HC |
| C1311 | 4030006900 | S.CER | C1608 JB 1H 103K-T |
| C1312 | 4030006900 | S.CER | C1608 JB 1H 103K-T |
| C1321 | 4030006900 | S.CER | C1608 JB 1H 103K-T |
| C1322 | 4030006860 | S.CER | C1608 JB 1H 102K-T |
| C1351 | 4030006900 | S.CER | C1608 JB 1H 103K-T |
| C1352 | 4030006900 | S.CER | C1608 JB 1H 103K-T |
| C1353 | 4510004510 | ELE | 25 ME 470 HC |
| C1361 | 4510008530 | S.ELE | EEE1HA2R2SR |
| C1362 | 4030011600 | S.CER | C1608 JB 1E 104K-T |
| C1363 | 4030011600 | S.CER | C1608 JB 1E 104K-T |
| C1364 | 4030011600 | S.CER | C1608 JB 1E 104K-T |
| C1365 | 4510008540 | S.ELE | EEE1CA100SR |
| C1371 | 4510008530 | S.ELE | EEE1HA2R2SR |
| C1372 | 4030011600 | S.CER | C1608 JB 1E 104K-T |
| C1373 | 4030011600 | S.CER | C1608 JB 1E 104K-T |
| C1374 | 4030011600 | S.CER | C1608 JB 1E 104K-T |
| C1375 | 4510004591 | ELE | 16 ME 470 HC |
| C1376 | 4030019180 | S.CER | TMK212BJ105KG-T |
| C1381 | 4030011600 | S.CER | C1608 JB 1E 104K-T |
| C1382 | 4030011600 | S.CER | C1608 JB 1E 104K-T |
| C1391 | 4510004591 | ELE | 16 ME 470 HC |
| C1392 | 4030011600 | S.CER | C1608 JB 1E 104K-T |
| C1393 | 4030011600 | S.CER | C1608 JB 1E 104K-T |
| C1394 | 4510008540 | S.ELE | EEE1CA100SR |
| C1401 | 4510008540 | S.ELE | EEE1CA100SR |
| C1402 | 4030011600 | S.CER | C1608 JB 1E 104K-T |
| C1403 | 4030011600 | S.CER | C1608 JB 1E 104K-T |
| C1404 | 4510008540 | S.ELE | EEE1CA100SR |
| C1411 | 4030011600 | S.CER | C1608 JB 1E 104K-T |
| C1412 | 4510008520 | S.ELE | EEE1CA470SP |
| C1413 | 4030011600 | S.CER | C1608 JB 1E 104K-T |
| C1414 | 4510009270 | S.ELE | EEH1C220UR |
| C1415 | 4030006860 | S.CER | C1608 JB 1H 102K-T |
| C1416 | 4030006900 | S.CER | C1608 JB 1H 103K-T |
| C1417 | 4510008520 | S.ELE | EEE1CA470SP |
| C1418 | 4510008520 | S.ELE | EEE1CA470SP |
| C1419 | 4030011600 | S.CER | C1608 JB 1E 104K-T |
| C1420 | 4510008540 | S.ELE | EEE1CA100SR |
| C1421 | 4030011600 | S.CER | C1608 JB 1E 104K-T |
| C1422 | 4510008520 | S.ELE | EEE1CA470SP |
| C1502 | 4030006880 | S.CER | C1608 JB 1H 472K-T |
| C1521 | 4030006880 | S.CER | C1608 JB 1H 472K-T |
| C1601 | 4030011600 | S.CER | C1608 JB 1E 104K-T |
| C1602 | 4030011600 | S.CER | C1608 JB 1E 104K-T |
| C1603 | 4030011600 | S.CER | C1608 JB 1E 104K-T |
| C1751 | 4510008540 | S.ELE | EEE1CA100SR |
| C1752 | 4510008540 | S.ELE | EEE1CA100SR |
| C1753 | 4510008540 | S.ELE | EEE1CA100SR |
| C1754 | 4510008540 | S.ELE | EEE1CA100SR |
| C1755 | 4510008540 | S.ELE | EEE1CA100SR |
| C1756 | 4030011600 | S.CER | C1608 JB 1E 104K-T |
| C1771 | 4030011600 | S.CER | C1608 JB 1E 104K-T |
| RL121 | 6330001721 | REL | ATN207-K1 |
| RL141 | 6330001721 | REL | ATN207-K1 |
| CP731 | 6910009670 | S.CHE | HK3-S-T |
| J101 | 6510021460 | CON | PT-C02P01 |
| J111 | 6510007020 | CON | TMP-J01X-V6 |
| J411 | 6510007020 | CON | TMP-J01X-V6 |
| J491 | 6510007020 | CON | TMP-J01X-V6 |
| J781 | 6450001560 | CON | PD-72 |
| J782 | 6450001560 | CON | PD-72 |
| J783 | 6450001560 | CON | PD-72 |
| J784 | 6450001560 | CON | PD-72 |
| J811 | 6510007020 | CON | TMP-J01X-V6 |
| J881 | 6450001560 | CON | PD-72 |
| J882 | 6450001560 | CON | PD-72 |
| J883 | 6450001560 | CON | PD-72 |
| J884 | 6450001560 | CON | PD-72 |
| J1081 | 6510007020 | CON | TMP-J01X-V6 |
| J1221 | 6510018971 | S.CON | B4B-PH-SM4-TB(LF)(SN) |
| J1231 | 6510019971 | S.CON | 52808-1071 |
| J1271 | 6510019191 | S.CON | 52365-0871 |
| J1311 | 6450001800 | CON | JPJ1044-01-010 |
| J1321 | 6450000140 | CON | HSJ0807-01-010 |
| J1351 | 6510023650 | CON | HEC0740-010618 |
| J1501 | 6510019981 | S.CON | 52808-1671(1690) |
| J1521 | 6510019981 | S.CON | 52808-1671(1690) |
| J1522 | 6510021861 | CON | BH-800.4GG <LTC> |
| J1541 | 6510019981 | S.CON | 52808-1671(1690) |
| J1561 | 6510019981 | S.CON | 52808-1671(1690) |
| J1701 | 6450000140 | CON | HSJ0807-01-010 |
| J1751 | 6510021241 | CON | DEL-CJ9SAF-23L9E |
| F1351 | 5210000051 | FUS | FGB 3A PBF (FGB0 125V) |
| F1352 | 5220000230 | HOL | S-N5054 #01 |
| F1353 | 5220000230 | HOL | S-N5054 #01 |
| BT1521 | 3020000110 | LIT | CR2032 |

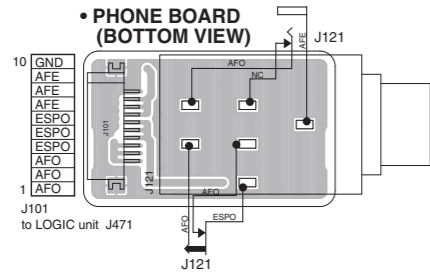
[MAIN-A UNIT] (For [USA-2], [OTH-2], [CHN-1])

| REF NO. | ORDER NO. | DESCRIPTION | |
|---------|------------|-------------|----------------|
| EP1321 | 6910014690 | S.BEA | MPZ1608S221A-T |
| EP1322 | 6910014690 | S.BEA | MPZ1608S221A-T |

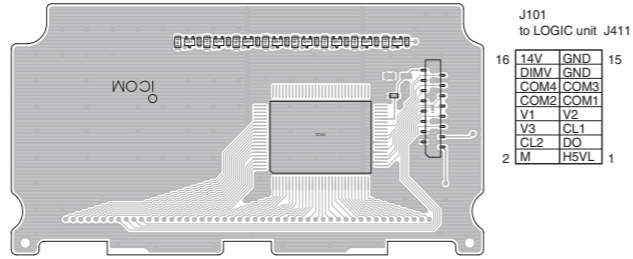
M.=Mounted side (T: Mounted on the Top side, B: Mounted on the Bottom side)
S.=Surface mount

The combination of this side and the bottom side shows the board layout in the same configuration as the actual P.C.Board.

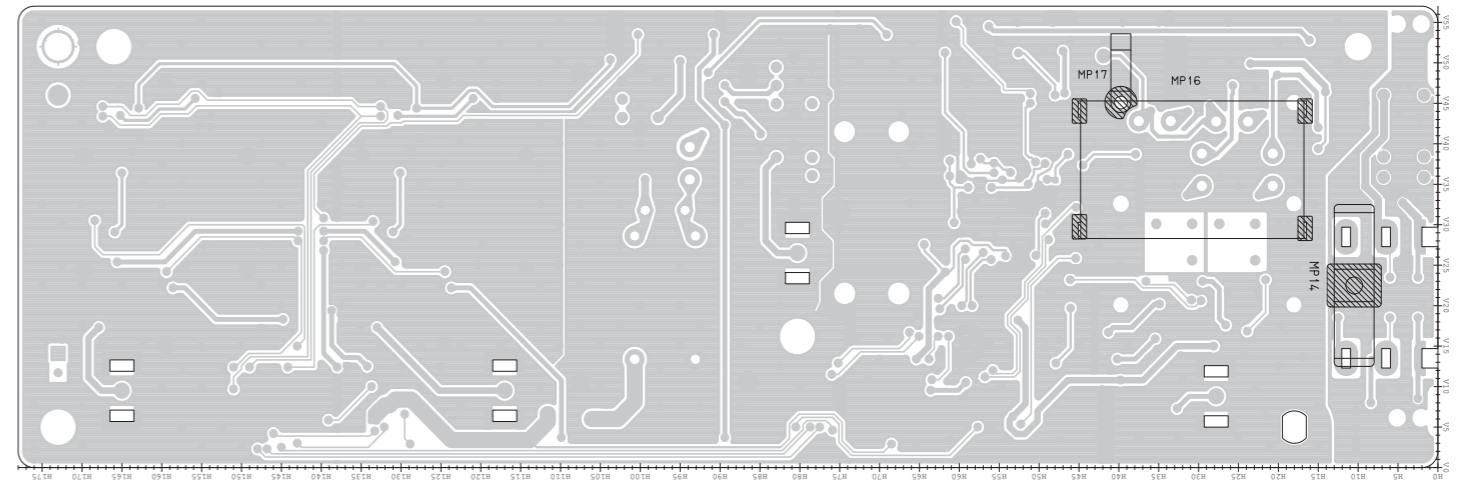
• PHONE BOARD (BOTTOM VIEW)



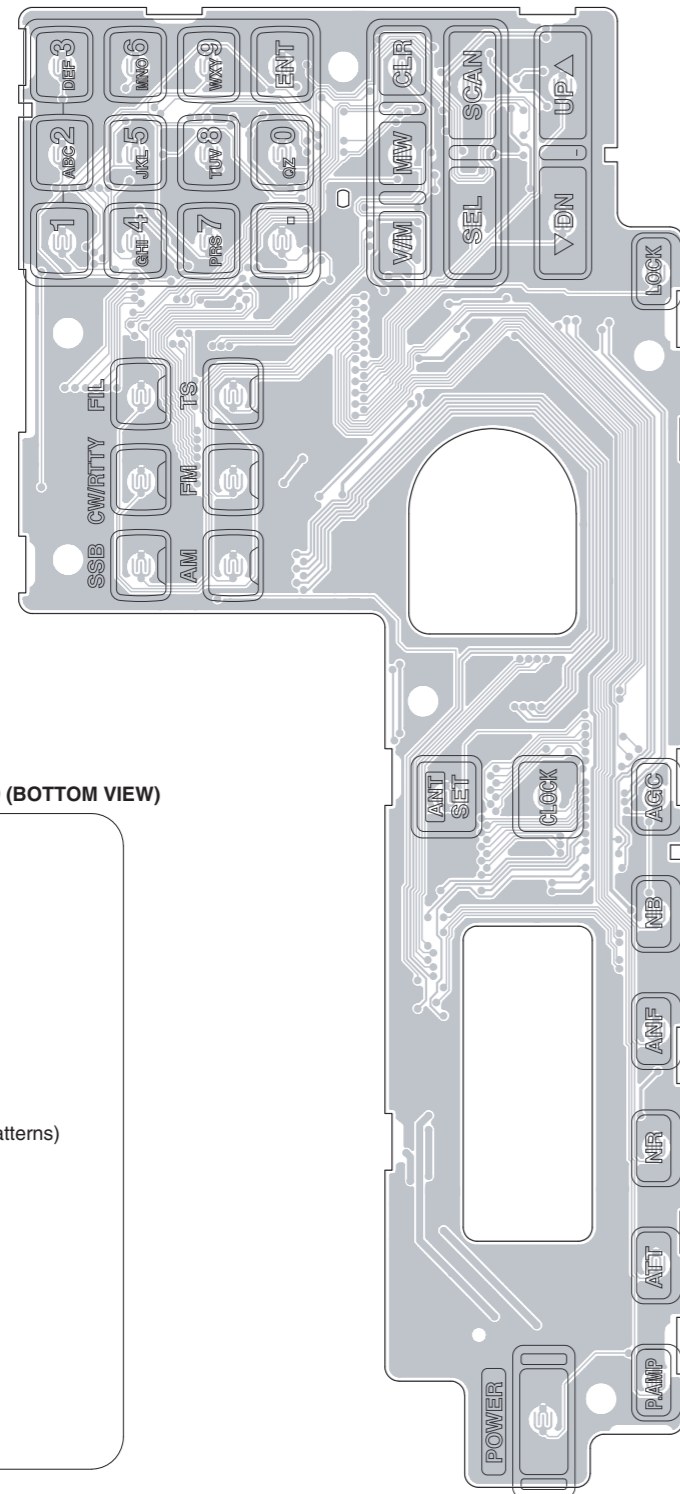
• DISPLAY BOARD (BOTTOM VIEW)



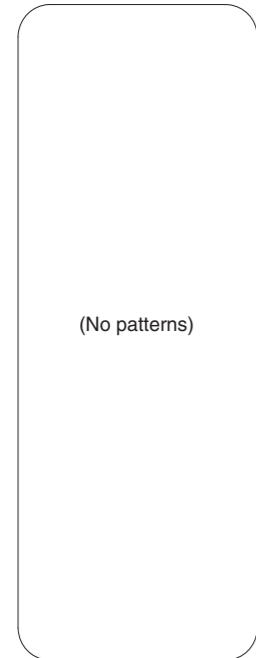
• PLL UNIT (BOTTOM VIEW)



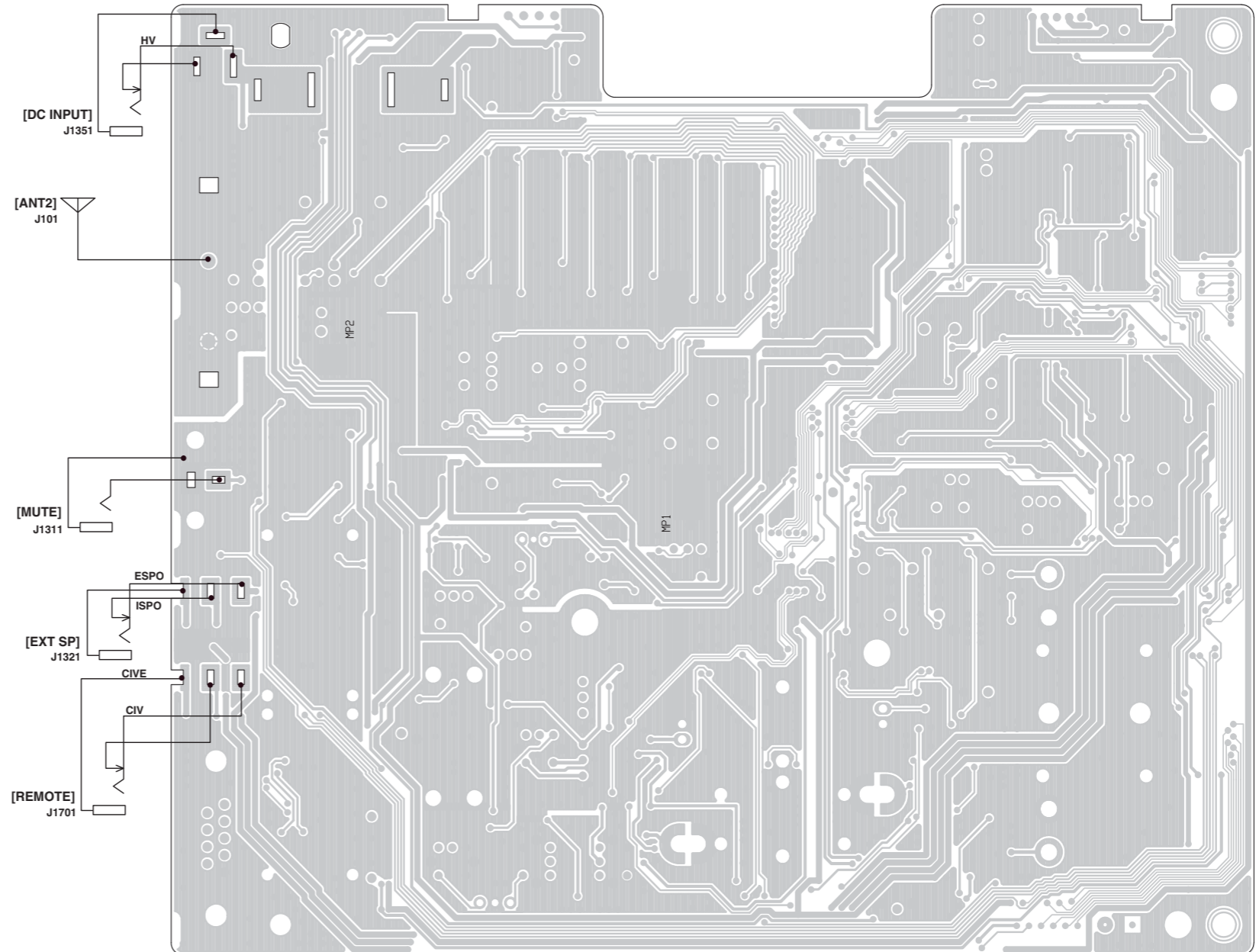
• LOGIC BOARD (BOTTOM VIEW)



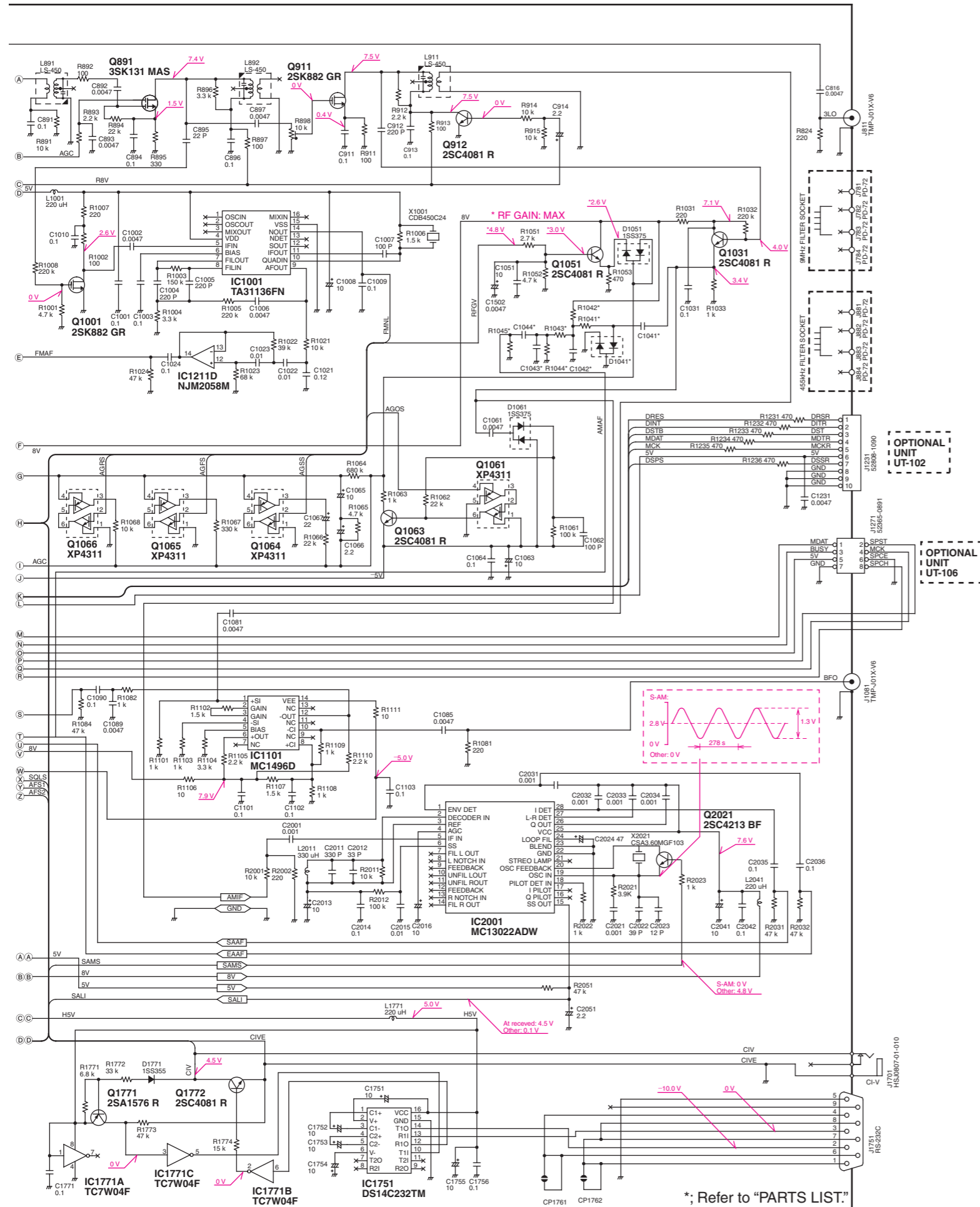
• VR BOARD (BOTTOM VIEW)



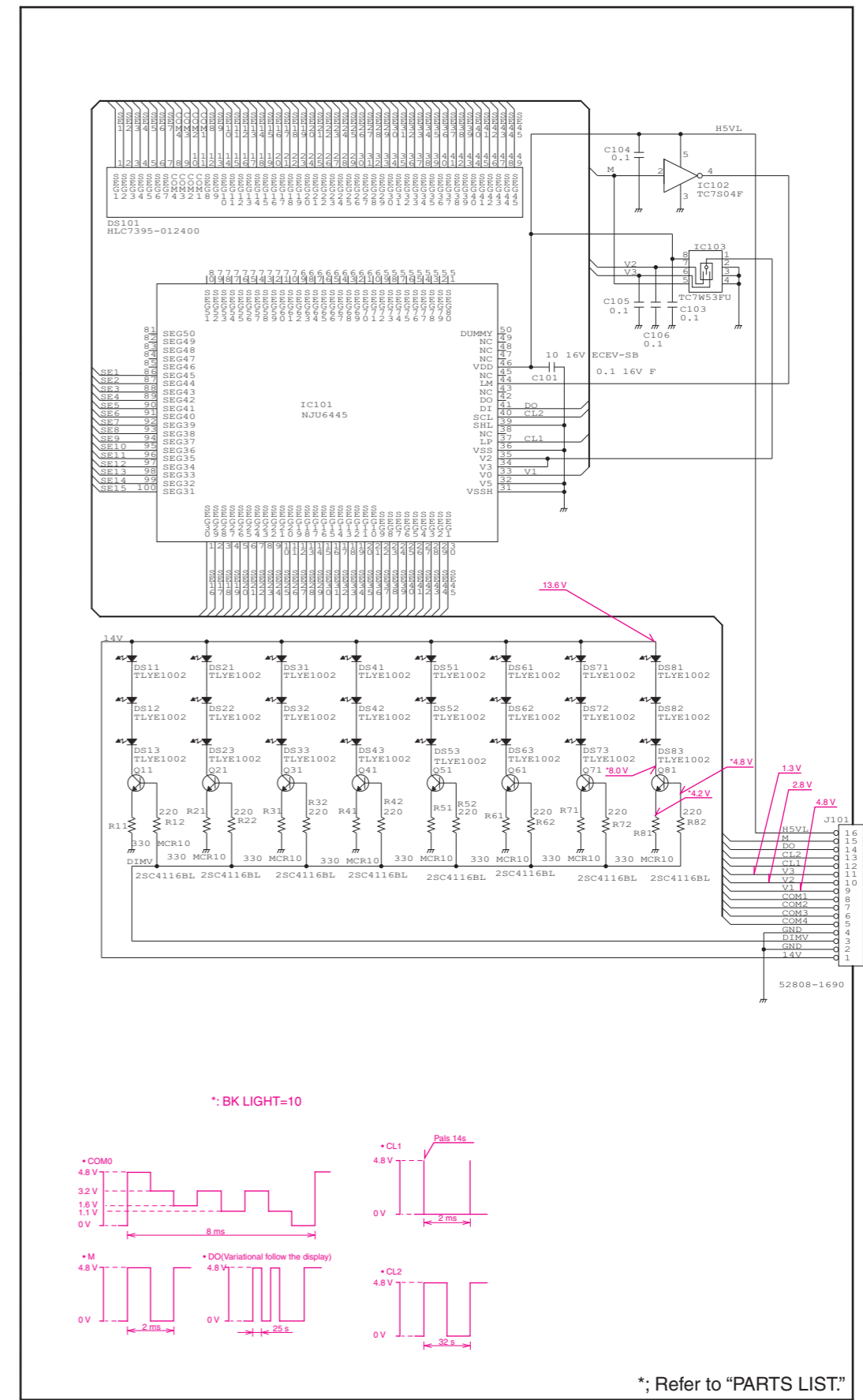
• MAIN UNIT (For other than [USA-2], [OTH-2], [CHN-1]) (BOTTOM VIEW)



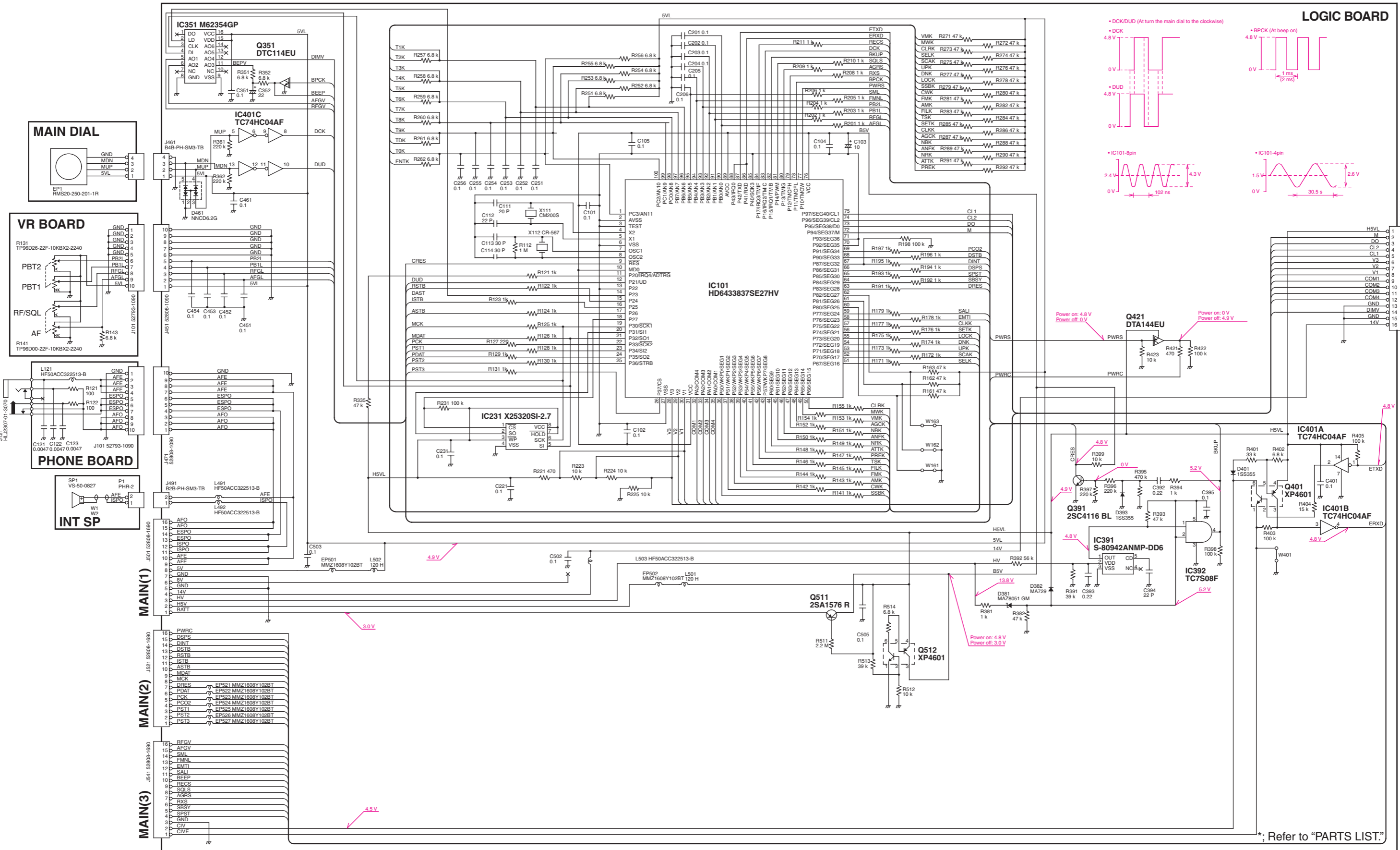
MAIN/MAIN-A UNIT



DISPLAY BOARD



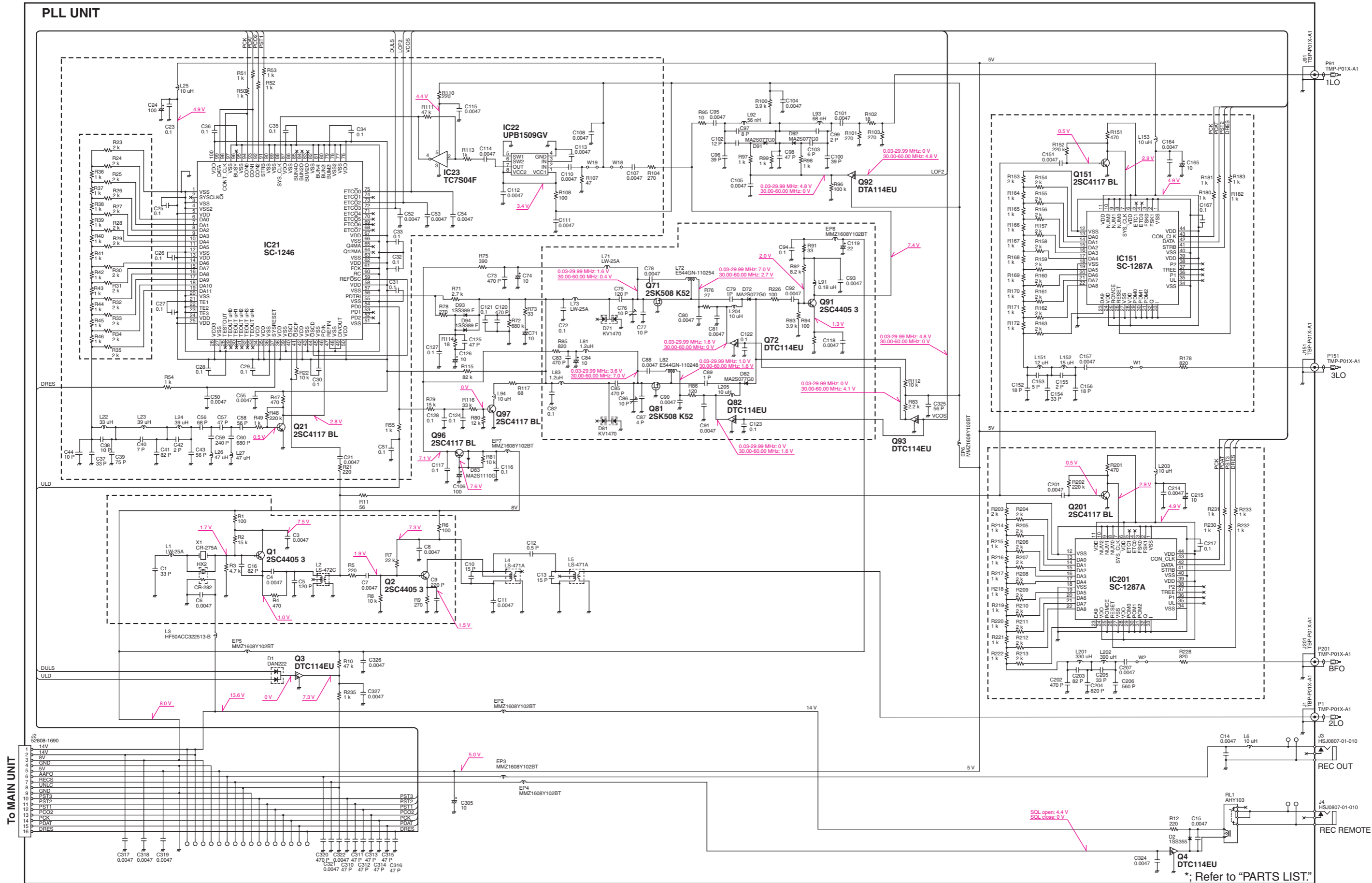
FRONT UNIT



To DISPLAY BOARD "J101"

*; Refer to "PARTS LIST"

PLL UNIT



*: Refer to "PARTS LIST."

IC-R75

CONTENTS

| | |
|-----------------------|----|
| PARTS LIST | 1 |
| BOARD LAYOUTS | 22 |
| VOLTAGE DIAGRAM | 26 |

| MODEL | VERSION | SYMBOL | FREQUENCY RANGE |
|--------|-----------------|--------|----------------------------|
| IC-R75 | U.S.A. | USA | 0.03-60.0 MHz |
| | | USA-1 | |
| | | USA-2 | |
| | Europe | EUR | |
| | U.K. | UK | |
| | Australia | AUS | |
| | Denmark | DEN | 0.03-29.9 MHz 50-52 MHz |
| | South East Asia | SEA | 0.03-29.9 MHz |
| | China | CHN | 0.03-60.0 MHz |
| | | CHN-1 | |
| | Others | OTH | |
| OTH-1 | | | |
| OTH-2 | | | |

PARTS LIST

[LOGIC BOARD]

| REF NO. | ORDER NO. | DESCRIPTION | |
|---------|------------|-------------|------------------------------------|
| IC101 | 1140008251 | S.IC | HD6433837SC58HV [USA] |
| | 1140008251 | S.IC | HD6433837SC58HV [EUR] |
| | 1140008251 | S.IC | HD6433837SC58HV [AUS] |
| | 1140008251 | S.IC | HD6433837SC58HV [UK] |
| | 1140008251 | S.IC | HD6433837SC58HV [DEN] |
| | 1140008251 | S.IC | HD6433837SC58HV [SEA] |
| | 1140008251 | S.IC | HD6433837SC58HV [OTH] |
| | 1140013850 | S.IC | HD6433837SE27HV (RX-2240A) [USA-1] |
| | 1140013850 | S.IC | HD6433837SE27HV (RX-2240A) [OTH-1] |
| | 1140013850 | S.IC | HD6433837SE27HV (RX-2240A) [CHN] |
| | 1140013850 | S.IC | HD6433837SE27HV (RX-2240A) [USA-2] |
| | 1140013850 | S.IC | HD6433837SE27HV (RX-2240A) [OTH-2] |
| | 1140013850 | S.IC | HD6433837SE27HV (RX-2240A) [CHN-1] |
| IC231 | 1130011332 | S.IC | CAT25320VI-GT3 |
| IC351 | 1110003690 | S.IC | M62354GP 75EC |
| IC391 | 1110005771 | S.IC | S-80942CNMC-G9CT2G |
| IC392 | 1130006441 | S.IC | TC7S08F(TE85R,F) |
| IC401 | 1130004922 | S.IC | TC74HC04AF(EL,F) |
| Q351 | 1590000680 | S.TRA | DTC114EUA T106 |
| Q391 | 1530002851 | S.TRA | 2SC4116-BL(TE85R,F) |
| Q401 | 1590001650 | S.TRA | XP4601(TX) |
| Q421 | 1590000720 | S.TRA | DTA144EUA T106 |
| Q511 | 1510000510 | S.TRA | 2SA1576A T106R |
| Q512 | 1590001650 | S.TRA | XP4601(TX) |
| D381 | 1730002321 | S.ZEN | MAZ8051GML |
| D382 | 1790000971 | S.DIO | MA2J7290GL |
| D393 | 1750000550 | S.DIO | 1SS355 TE-17 |
| D401 | 1750000550 | S.DIO | 1SS355 TE-17 |
| D461 | 1730002531 | S.ZEN | NNCD6.2G-T1-A |
| X111 | 6050009460 | S.XTA | CM200S SMD (32.768 kHz) |
| X112 | 6050009870 | S.XTA | CR-567 SMD 49 9.8304 MHz <KDS> |
| L491 | 6200003950 | S.COI | HF50ACC 322513-T |
| L492 | 6200003950 | S.COI | HF50ACC 322513-T |
| L501 | 6200002971 | S.COI | NLV32T-121J |
| L502 | 6200002971 | S.COI | NLV32T-121J |
| L503 | 6200003950 | S.COI | HF50ACC 322513-T |
| R101 | 7030003200 | S.RES | ERJ3GEYJ 100 V (10) |
| R112 | 7030003800 | S.RES | ERJ3GEYJ 105 V (1M) |
| R121 | 7030003440 | S.RES | ERJ3GEYJ 102 V (1K) |
| R122 | 7030003440 | S.RES | ERJ3GEYJ 102 V (1K) |
| R123 | 7030003440 | S.RES | ERJ3GEYJ 102 V (1K) |
| R124 | 7030003440 | S.RES | ERJ3GEYJ 102 V (1K) |
| R125 | 7030003440 | S.RES | ERJ3GEYJ 102 V (1K) |
| R126 | 7030003440 | S.RES | ERJ3GEYJ 102 V (1K) |
| R127 | 7030003360 | S.RES | ERJ3GEYJ 221 V (220) |
| R128 | 7030003440 | S.RES | ERJ3GEYJ 102 V (1K) |
| R129 | 7030003440 | S.RES | ERJ3GEYJ 102 V (1K) |
| R130 | 7030003440 | S.RES | ERJ3GEYJ 105 V (1K) |
| R131 | 7030003440 | S.RES | ERJ3GEYJ 102 V (1K) |
| R141 | 7030003440 | S.RES | ERJ3GEYJ 102 V (1K) |
| R142 | 7030003440 | S.RES | ERJ3GEYJ 102 V (1K) |
| R143 | 7030003440 | S.RES | ERJ3GEYJ 102 V (1K) |
| R144 | 7030003440 | S.RES | ERJ3GEYJ 102 V (1K) |
| R145 | 7030003440 | S.RES | ERJ3GEYJ 102 V (1K) |
| R146 | 7030003440 | S.RES | ERJ3GEYJ 102 V (1K) |
| R147 | 7030003440 | S.RES | ERJ3GEYJ 102 V (1K) |
| R148 | 7030003440 | S.RES | ERJ3GEYJ 102 V (1K) |
| R149 | 7030003440 | S.RES | ERJ3GEYJ 102 V (1K) |
| R150 | 7030003440 | S.RES | ERJ3GEYJ 102 V (1K) |
| R151 | 7030003440 | S.RES | ERJ3GEYJ 102 V (1K) |
| R152 | 7030003440 | S.RES | ERJ3GEYJ 102 V (1K) |
| R153 | 7030003440 | S.RES | ERJ3GEYJ 102 V (1K) |
| R154 | 7030003440 | S.RES | ERJ3GEYJ 102 V (1K) |
| R155 | 7030003440 | S.RES | ERJ3GEYJ 102 V (1K) |
| R161 | 7030003640 | S.RES | ERJ3GEYJ 473 V (47K) |
| R162 | 7030003640 | S.RES | ERJ3GEYJ 473 V (47K) |
| R163 | 7030003640 | S.RES | ERJ3GEYJ 473 V (47K) |
| R171 | 7030003440 | S.RES | ERJ3GEYJ 102 V (1K) |
| R172 | 7030003440 | S.RES | ERJ3GEYJ 102 V (1K) |
| R173 | 7030003440 | S.RES | ERJ3GEYJ 102 V (1K) |
| R174 | 7030003440 | S.RES | ERJ3GEYJ 102 V (1K) |
| R175 | 7030003440 | S.RES | ERJ3GEYJ 102 V (1K) |
| R176 | 7030003440 | S.RES | ERJ3GEYJ 102 V (1K) |
| R177 | 7030003440 | S.RES | ERJ3GEYJ 102 V (1K) |
| R178 | 7030003440 | S.RES | ERJ3GEYJ 102 V (1K) |
| R179 | 7030003440 | S.RES | ERJ3GEYJ 102 V (1K) |
| R191 | 7030003440 | S.RES | ERJ3GEYJ 102 V (1K) |
| R192 | 7030003440 | S.RES | ERJ3GEYJ 102 V (1K) |
| R193 | 7030003440 | S.RES | ERJ3GEYJ 102 V (1K) |
| R194 | 7030003440 | S.RES | ERJ3GEYJ 102 V (1K) |
| R195 | 7030003440 | S.RES | ERJ3GEYJ 102 V (1K) |
| R196 | 7030003440 | S.RES | ERJ3GEYJ 102 V (1K) |
| R197 | 7030003440 | S.RES | ERJ3GEYJ 102 V (1K) |
| R198 | 7030003680 | S.RES | ERJ3GEYJ 104 V (100K) |
| R201 | 7030003440 | S.RES | ERJ3GEYJ 102 V (1K) |
| R202 | 7030003440 | S.RES | ERJ3GEYJ 102 V (1K) |
| R203 | 7030003440 | S.RES | ERJ3GEYJ 102 V (1K) |
| R204 | 7030003440 | S.RES | ERJ3GEYJ 102 V (1K) |

[LOGIC BOARD]

| REF NO. | ORDER NO. | DESCRIPTION | |
|---------|------------|-------------|-------------------------|
| R205 | 7030003440 | S.RES | ERJ3GEYJ 102 V (1K) |
| R206 | 7030003440 | S.RES | ERJ3GEYJ 102 V (1K) |
| R208 | 7030003440 | S.RES | ERJ3GEYJ 102 V (1K) |
| R209 | 7030003440 | S.RES | ERJ3GEYJ 102 V (1K) |
| R210 | 7030003440 | S.RES | ERJ3GEYJ 102 V (1K) |
| R211 | 7030003440 | S.RES | ERJ3GEYJ 102 V (1K) |
| R221 | 7030003400 | S.RES | ERJ3GEYJ 471 V (470) |
| R223 | 7030003560 | S.RES | ERJ3GEYJ 103 V (10K) |
| R224 | 7030003560 | S.RES | ERJ3GEYJ 103 V (10K) |
| R225 | 7030003560 | S.RES | ERJ3GEYJ 103 V (10K) |
| R231 | 7030003680 | S.RES | ERJ3GEYJ 104 V (100K) |
| R251 | 7030003540 | S.RES | ERJ3GEYJ 682 V (6.8K) |
| R252 | 7030003540 | S.RES | ERJ3GEYJ 682 V (6.8K) |
| R253 | 7030003540 | S.RES | ERJ3GEYJ 682 V (6.8K) |
| R254 | 7030003540 | S.RES | ERJ3GEYJ 682 V (6.8K) |
| R255 | 7030003540 | S.RES | ERJ3GEYJ 682 V (6.8K) |
| R256 | 7030003540 | S.RES | ERJ3GEYJ 682 V (6.8K) |
| R257 | 7030003540 | S.RES | ERJ3GEYJ 682 V (6.8K) |
| R258 | 7030003540 | S.RES | ERJ3GEYJ 682 V (6.8K) |
| R259 | 7030003540 | S.RES | ERJ3GEYJ 682 V (6.8K) |
| R260 | 7030003540 | S.RES | ERJ3GEYJ 682 V (6.8K) |
| R261 | 7030003540 | S.RES | ERJ3GEYJ 682 V (6.8K) |
| R262 | 7030003540 | S.RES | ERJ3GEYJ 682 V (6.8K) |
| R271 | 7030003640 | S.RES | ERJ3GEYJ 473 V (47K) |
| R272 | 7030003640 | S.RES | ERJ3GEYJ 473 V (47K) |
| R273 | 7030003640 | S.RES | ERJ3GEYJ 473 V (47K) |
| R274 | 7030003640 | S.RES | ERJ3GEYJ 473 V (47K) |
| R275 | 7030003640 | S.RES | ERJ3GEYJ 473 V (47K) |
| R276 | 7030003640 | S.RES | ERJ3GEYJ 473 V (47K) |
| R277 | 7030003640 | S.RES | ERJ3GEYJ 473 V (47K) |
| R278 | 7030003640 | S.RES | ERJ3GEYJ 473 V (47K) |
| R279 | 7030003640 | S.RES | ERJ3GEYJ 473 V (47K) |
| R280 | 7030003640 | S.RES | ERJ3GEYJ 473 V (47K) |
| R281 | 7030003640 | S.RES | ERJ3GEYJ 473 V (47K) |
| R282 | 7030003640 | S.RES | ERJ3GEYJ 473 V (47K) |
| R283 | 7030003640 | S.RES | ERJ3GEYJ 473 V (47K) |
| R284 | 7030003640 | S.RES | ERJ3GEYJ 473 V (47K) |
| R285 | 7030003640 | S.RES | ERJ3GEYJ 473 V (47K) |
| R286 | 7030003640 | S.RES | ERJ3GEYJ 473 V (47K) |
| R287 | 7030003640 | S.RES | ERJ3GEYJ 473 V (47K) |
| R288 | 7030003640 | S.RES | ERJ3GEYJ 473 V (47K) |
| R289 | 7030003640 | S.RES | ERJ3GEYJ 473 V (47K) |
| R290 | 7030003640 | S.RES | ERJ3GEYJ 473 V (47K) |
| R291 | 7030003640 | S.RES | ERJ3GEYJ 473 V (47K) |
| R292 | 7030003640 | S.RES | ERJ3GEYJ 473 V (47K) |
| R335 | 7030003640 | S.RES | ERJ3GEYJ 473 V (47K) |
| R351 | 7030003540 | S.RES | ERJ3GEYJ 682 V (6.8K) |
| R352 | 7030003540 | S.RES | ERJ3GEYJ 682 V (6.8K) |
| R361 | 7030003720 | S.RES | ERJ3GEYJ 224 V (220K) |
| R362 | 7030003720 | S.RES | ERJ3GEYJ 224 V (220K) |
| R381 | 7030009720 | S.RES | ERJ12YJ102U (1K) |
| R382 | 7030003640 | S.RES | ERJ3GEYJ 473 V (47K) |
| R391 | 7030003630 | S.RES | ERJ3GEYJ 393 V (39K) |
| R392 | 7030003650 | S.RES | ERJ3GEYJ 563 V (56K) |
| R393 | 7030003640 | S.RES | ERJ3GEYJ 473 V (47K) |
| R394 | 7030003440 | S.RES | ERJ3GEYJ 102 V (1K) |
| R395 | 7030003760 | S.RES | ERJ3GEYJ 474 V (470K) |
| R396 | 7030003720 | S.RES | ERJ3GEYJ 224 V (220K) |
| R397 | 7030003720 | S.RES | ERJ3GEYJ 224 V (220K) |
| R398 | 7030003680 | S.RES | ERJ3GEYJ 104 V (100K) |
| R399 | 7030003560 | S.RES | ERJ3GEYJ 103 V (10K) |
| R401 | 7030003620 | S.RES | ERJ3GEYJ 333 V (33K) |
| R402 | 7030003540 | S.RES | ERJ3GEYJ 682 V (6.8K) |
| R403 | 7030003680 | S.RES | ERJ3GEYJ 104 V (100K) |
| R404 | 7030003580 | S.RES | ERJ3GEYJ 153 V (15K) |
| R405 | 7030003680 | S.RES | ERJ3GEYJ 104 V (100K) |
| R421 | 7030003400 | S.RES | ERJ3GEYJ 471 V (470) |
| R422 | 7030003680 | S.RES | ERJ3GEYJ 104 V (100K) |
| R423 | 7030003560 | S.RES | ERJ3GEYJ 103 V (10K) |
| R511 | 7030003840 | S.RES | ERJ3GEYJ 225 V (2.2M) |
| R512 | 7030003560 | S.RES | ERJ3GEYJ 103 V (10K) |
| R513 | 7030003630 | S.RES | ERJ3GEYJ 393 V (39K) |
| R514 | 7030003540 | S.RES | ERJ3GEYJ 682 V (6.8K) |
| W161 | 7030003860 | S.RES | ERJ3GE JPW V [DEN] |
| | 7030003860 | S.RES | ERJ3GE JPW V [SEA] |
| W162 | 7030003860 | S.RES | ERJ3GE JPW V [SEA] only |
| W163 | 7030003860 | S.RES | ERJ3GE JPW V [DEN] |
| | 7030003860 | S.RES | ERJ3GE JPW V [SEA] |
| W401 | 7030003860 | S.RES | ERJ3GE JPW V |
| C101 | 4030008630 | S.CER | C1608 JF 1H 104Z-T |
| C102 | 4030008630 | S.CER | C1608 JF 1H 104Z-T |
| C103 | 4550006250 | S.TAN | TEESVA 1A 106M8R |
| C104 | 4030008630 | S.CER | C1608 JF 1H 104Z-T |
| C105 | 4030008630 | S.CER | C1608 JF 1H 104Z-T |
| C111 | 4030009990 | S.CER | C1608 CH 1H 200J-T |
| C112 | 4030007050 | S.CER | C1608 CH 1H 220J-T |
| C113 | 4030008560 | S.CER | C1608 CH 1H 300J-T |
| C114 | 4030008560 | S.CER | C1608 CH 1H 300J-T |
| C201 | 4030008630 | S.CER | C1608 JF 1H 104Z-T |
| C202 | 4030008630 | S.CER | C1608 JF 1H 104Z-T |
| C203 | 4030008630 | S.CER | C1608 JF 1H 104Z-T |
| C204 | 4030008630 | S.CER | C1608 JF 1H 104Z-T |
| C205 | 4030008630 | S.CER | C1608 JF 1H 104Z-T |
| C206 | 4030008630 | S.CER | C1608 JF 1H 104Z-T |

M.=Mounted side (T: Mounted on the Top side, B: Mounted on the Bottom side)
S.=Surface mount

[LOGIC BOARD]

| REF NO. | ORDER NO. | DESCRIPTION |
|---------|------------|------------------------------------|
| C221 | 4030008630 | S.CER C1608 JF 1H 104Z-T |
| C231 | 4030008630 | S.CER C1608 JF 1H 104Z-T |
| C251 | 4030008630 | S.CER C1608 JF 1H 104Z-T |
| C252 | 4030008630 | S.CER C1608 JF 1H 104Z-T |
| C253 | 4030008630 | S.CER C1608 JF 1H 104Z-T |
| C254 | 4030008630 | S.CER C1608 JF 1H 104Z-T |
| C255 | 4030008630 | S.CER C1608 JF 1H 104Z-T |
| C256 | 4030008630 | S.CER C1608 JF 1H 104Z-T |
| C351 | 4030008630 | S.CER C1608 JF 1H 104Z-T |
| C352 | 4510008660 | S.ELE EEE0JA220SR |
| C392 | 4030013720 | S.CER GRM188B11A224KA01D (GRM39 B) |
| C393 | 4030013720 | S.CER GRM188B11A224KA01D (GRM39 B) |
| C394 | 4030007050 | S.CER C1608 CH 1H 220J-T |
| C395 | 4030008630 | S.CER C1608 JF 1H 104Z-T |
| C401 | 4030008630 | S.CER C1608 JF 1H 104Z-T |
| C451 | 4030008630 | S.CER C1608 JF 1H 104Z-T |
| C452 | 4030008630 | S.CER C1608 JF 1H 104Z-T |
| C453 | 4030008630 | S.CER C1608 JF 1H 104Z-T |
| C454 | 4030008630 | S.CER C1608 JF 1H 104Z-T |
| C461 | 4030008630 | S.CER C1608 JF 1H 104Z-T |
| C502 | 4030008630 | S.CER C1608 JF 1H 104Z-T |
| C503 | 4030008630 | S.CER C1608 JF 1H 104Z-T |
| C505 | 4030008630 | S.CER C1608 JF 1H 104Z-T |
| J411 | 6510019981 | S.CON 52808-1671(1690) |
| J451 | 6510019971 | S.CON 52808-1071 |
| J461 | 6510018971 | S.CON B4B-PH-SM4-TB(LF)(SN) |
| J471 | 6510019971 | S.CON 52808-1071 |
| J491 | 6510018961 | S.CON B2B-PH-SM4-TB(LF)(SN) |
| J501 | 6510019981 | S.CON 52808-1671(1690) |
| J521 | 6510019981 | S.CON 52808-1671(1690) |
| J541 | 6510019981 | S.CON 52808-1671(1690) |
| EP501 | 6910012350 | S.BEA MMZ1608Y 102BT |
| EP502 | 6910012350 | S.BEA MMZ1608Y 102BT |
| EP521 | 6910012350 | S.BEA MMZ1608Y 102BT |
| EP522 | 6910012350 | S.BEA MMZ1608Y 102BT |
| EP523 | 6910012350 | S.BEA MMZ1608Y 102BT |
| EP524 | 6910012350 | S.BEA MMZ1608Y 102BT |
| EP525 | 6910012350 | S.BEA MMZ1608Y 102BT |
| EP526 | 6910012350 | S.BEA MMZ1608Y 102BT |
| EP527 | 6910012350 | S.BEA MMZ1608Y 102BT |

[PHONE UNIT]

| REF NO. | ORDER NO. | DESCRIPTION |
|---------|------------|--------------------------|
| L121 | 6200003950 | S.COI HF50ACC 322513-T |
| R121 | 7030006070 | S.RES ERJ12YJ101U (100) |
| R122 | 7030006070 | S.RES ERJ12YJ101U (100) |
| C121 | 4030006880 | S.CER C1608 JB 1H 472K-T |
| C122 | 4030006880 | S.CER C1608 JB 1H 472K-T |
| C123 | 4030006880 | S.CER C1608 JB 1H 472K-T |
| J101 | 6510020711 | S.CON 52793-1070(1090) |
| J121 | 6510021480 | CON HLJ2307-01-3070 |

M.=Mounted side (T: Mounted on the Top side, B: Mounted on the Bottom side)
S.=Surface mount

[VR UNIT]

| REF NO. | ORDER NO. | DESCRIPTION |
|---------|------------|-----------------------------|
| R131 | 7210003040 | VAR TP96D26-22F-10KBX2-2240 |
| R141 | 7210003030 | VAR TP96D00-22F-10KBX2-2240 |
| R143 | 7030003540 | S.RES ERJ3GEYJ 682 V (6.8K) |
| J101 | 6510020711 | S.CON 52793-1070(1090) |

[MAIN UNIT] (For other than [USA-2], [OTH-2], [CHN-1])

| REF NO. | ORDER NO. | DESCRIPTION |
|---------|------------|--------------------------------|
| WS1 | 8600036540 | RX2240 P1241 J1241MA |
| IC391 | 1110003970 | S.IC UPC1658G-E1 |
| IC551 | 1130007570 | S.IC BU4094BCFV-E2 |
| IC552 | 1130007570 | S.IC BU4094BCFV-E2 |
| IC561 | 1160000131 | S.IC TD62783AFG(5,S,EL) |
| IC562 | 1160000131 | S.IC TD62783AFG(5,S,EL) |
| IC731 | 1110003141 | IC LA1150N-E |
| IC811 | 1110002601 | S.IC MC1496DR2G [USA] |
| | 1110002600 | S.IC MC1496DR2 [EUR] |
| | 1110002601 | S.IC MC1496DR2G [AUS] |
| | 1110002600 | S.IC MC1496DR2 [UK] |
| | 1110002601 | S.IC MC1496DR2G [DEN] |
| | 1110002601 | S.IC MC1496DR2G [SEA] |
| | 1110002601 | S.IC MC1496DR2G [OTH] |
| | 1110002601 | S.IC MC1496DR2G [USA-1] |
| | 1110002601 | S.IC MC1496DR2G [OTH-1] |
| | 1110002601 | S.IC MC1496DR2G [CHN] |
| IC1001 | 1110003201 | S.IC TA31136FNG(EL) |
| IC1101 | 1110002601 | S.IC MC1496DR2G [USA] |
| | 1110002600 | S.IC MC1496DR2 [EUR] |
| | 1110002601 | S.IC MC1496DR2G [AUS] |
| | 1110002600 | S.IC MC1496DR2 [UK] |
| | 1110002601 | S.IC MC1496DR2G [DEN] |
| | 1110002601 | S.IC MC1496DR2G [SEA] |
| | 1110002601 | S.IC MC1496DR2G [OTH] |
| | 1110002601 | S.IC MC1496DR2G [USA-1] |
| | 1110002601 | S.IC MC1496DR2G [OTH-1] |
| | 1110002601 | S.IC MC1496DR2G [CHN] |
| IC1201 | 1130009100 | S.IC BU4052BCFV-E2 |
| IC1211 | 1110003870 | S.IC NJM2058M-TE1-#ZZZB |
| IC1251 | 1110003300 | S.IC M5282FP 70CD |
| IC1281 | 1130009100 | S.IC BU4052BCFV-E2 |
| IC1291 | 1110003091 | IC LA4425A-E |
| IC1361 | 1180000970 | S.IC AN78L05M-(E1) |
| IC1371 | 1180001531 | IC PQ30RV31J00H |
| IC1391 | 1180001251 | S.IC TA7808F(TE16L,Q) |
| IC1401 | 1180001071 | S.IC TA7805F(TE16L,Q) |
| IC1411 | 1110001401 | S.IC UPC1555G2-E1-A |
| IC1601 | 1130007570 | S.IC BU4094BCFV-E2 |
| IC1602 | 1130007570 | S.IC BU4094BCFV-E2 |
| IC1603 | 1160000131 | S.IC TD62783AFG(5,S,EL) |
| IC1751 | 1120002510 | S.IC DS14C232TM S |
| IC1771 | 1130005721 | S.IC TC7W04F(TE12L,F) |
| IC2001 | 1110004940 | S.IC MC13022ADWR3 [USA] |
| | 1110004940 | S.IC MC13022ADWR3 [EUR] |
| | 1110004940 | S.IC MC13022ADWR3 [AUS] |
| | 1110004940 | S.IC MC13022ADWR3 [UK] |
| | 1110004940 | S.IC MC13022ADWR3 [DEN] |
| | 1110004940 | S.IC MC13022ADWR3 [SEA] |
| | 1110004940 | S.IC MC13022ADWR3 [OTH] |
| Q151 | 1590000680 | S.TRA DTC114EUA T106 |
| Q381 | 1560000721 | S.FET 2SK2171-4-TD-E |
| Q382 | 1560000721 | S.FET 2SK2171-4-TD-E |
| Q383 | 1590001960 | S.TRA XP4311(TX) |
| Q391 | 1590001960 | S.TRA XP4311(TX) |
| Q411 | 1530003151 | S.TRA 2SC4673D-TD-E |
| Q441 | 1560000641 | S.FET 2SK1740-4/5-TB-E |
| Q442 | 1560000641 | S.FET 2SK1740-4/5-TB-E |
| Q471 | 1580000620 | S.FET 3SK131-T2 MAS |
| Q472 | 1590001960 | S.TRA XP4311(TX) |
| Q721 | 1580000620 | S.FET 3SK131-T2 MAS |
| Q731 | 1560000561 | S.FET 2SK882-GR(TE85L,F) |
| Q732 | 1510000510 | S.TRA 2SA1576A T106R |
| Q733 | 1530002060 | S.TRA 2SC4081 T106 R |
| Q734 | 1530002060 | S.TRA 2SC4081 T106 R |
| Q735 | 1530002060 | S.TRA 2SC4081 T106 R |
| Q736 | 1590000680 | S.TRA DTC114EUA T106 |
| Q737 | 1590001960 | S.TRA XP4311(TX) |
| Q801 | 1530002060 | S.TRA 2SC4081 T106 R |
| Q891 | 1580000620 | S.FET 3SK131-T2 MAS |
| Q911 | 1560000561 | S.FET 2SK882-GR(TE85L,F) |
| Q912 | 1530002060 | S.TRA 2SC4081 T106 R |
| Q1001 | 1560000561 | S.FET 2SK882-GR(TE85L,F) |
| Q1031 | 1530002060 | S.TRA 2SC4081 T106 R |
| Q1051 | 1530002060 | S.TRA 2SC4081 T106 R |
| Q1061 | 1590001960 | S.TRA XP4311(TX) |
| Q1063 | 1530002060 | S.TRA 2SC4081 T106 R |
| Q1064 | 1590001960 | S.TRA XP4311(TX) |
| Q1065 | 1590001960 | S.TRA XP4311(TX) |
| Q1066 | 1590001960 | S.TRA XP4311(TX) |
| Q1311 | 1530002060 | S.TRA 2SC4081 T106 R |
| Q1381 | 1540000550 | S.TRA 2SD1664 T100Q |
| Q1382 | 1590000680 | S.TRA DTC114EUA T106 |
| Q1771 | 1510000510 | S.TRA 2SA1576A T106R |
| Q1772 | 1530002060 | S.TRA 2SC4081 T106 R |
| Q2021 | 1530003091 | S.TRA 2SC4213-B(TE85R,F) [USA] |
| | 1530003091 | S.TRA 2SC4213-B(TE85R,F) [EUR] |
| | 1530003091 | S.TRA 2SC4213-B(TE85R,F) [AUS] |
| | 1530003091 | S.TRA 2SC4213-B(TE85R,F) [UK] |
| | 1530003091 | S.TRA 2SC4213-B(TE85R,F) [DEN] |
| | 1530003091 | S.TRA 2SC4213-B(TE85R,F) [SEA] |
| | 1530003091 | S.TRA 2SC4213-B(TE85R,F) [OTH] |
| D141 | 1750000461 | S.DIO 1SV246-TL-E |
| D142 | 1750000461 | S.DIO 1SV246-TL-E |
| D151 | 1750000971 | S.DIO CPH5513-TL-E |
| D172 | 1790000620 | S.DIO MA77(TX) |
| D181 | 1750000971 | S.DIO CPH5513-TL-E |
| D182 | 1790000620 | S.DIO MA77(TX) |

M.=Mounted side (T: Mounted on the Top side, B: Mounted on the Bottom side)
S.=Surface mount

[MAIN UNIT] (For other than [USA-2], [OTH-2], [CHN-1])

| REF NO. | ORDER NO. | DESCRIPTION | |
|---------|------------|----------------------------------|---------|
| D202 | 1790000620 | S.DIO MA77(TX) | |
| D221 | 1750000971 | S.DIO CPH5513-TL-E | |
| D222 | 1790000620 | S.DIO MA77(TX) | |
| D242 | 1790000620 | S.DIO MA77(TX) | |
| D261 | 1750000971 | S.DIO CPH5513-TL-E | |
| D262 | 1790000620 | S.DIO MA77(TX) | |
| D282 | 1790000620 | S.DIO MA77(TX) | |
| D301 | 1750000971 | S.DIO CPH5513-TL-E | |
| D302 | 1790000620 | S.DIO MA77(TX) | |
| D322 | 1790000620 | S.DIO MA77(TX) | |
| D341 | 1750000441 | S.DIO 1SV263-TL-E | |
| D342 | 1790000620 | S.DIO MA77(TX) | |
| D371 | 1790000620 | S.DIO MA77(TX) | |
| D372 | 1790000620 | S.DIO MA77(TX) | |
| D381 | 1790000620 | S.DIO MA77(TX) | |
| D382 | 1790000620 | S.DIO MA77(TX) | |
| D391 | 1790000620 | S.DIO MA77(TX) | |
| D392 | 1790000620 | S.DIO MA77(TX) | |
| D491 | 1750000431 | S.DIO HSB88WSTR-E | |
| D711 | 1790000620 | S.DIO MA77(TX) | |
| D712 | 1790000620 | S.DIO MA77(TX) | |
| D713 | 1790000620 | S.DIO MA77(TX) | |
| D714 | 1790000620 | S.DIO MA77(TX) | |
| D731 | 1790001211 | S.DIO 1SS375-TL-E | |
| D732 | 1750000550 | S.DIO 1SS355 TE-17 | |
| D761 | 1790000620 | S.DIO MA77(TX) | |
| D762 | 1790000620 | S.DIO MA77(TX) | |
| D763 | 1790000620 | S.DIO MA77(TX) | |
| D764 | 1790000620 | S.DIO MA77(TX) | |
| D771 | 1790000620 | S.DIO MA77(TX) | |
| D772 | 1790000620 | S.DIO MA77(TX) | |
| D773 | 1790000620 | S.DIO MA77(TX) | |
| D774 | 1790000620 | S.DIO MA77(TX) | |
| D781 | 1790000620 | S.DIO MA77(TX) | |
| D782 | 1790000620 | S.DIO MA77(TX) | |
| D783 | 1790000620 | S.DIO MA77(TX) | |
| D784 | 1790000620 | S.DIO MA77(TX) | |
| D831 | 1750000301 | S.DIO 1SS302(TE85R,F) | |
| D851 | 1790000620 | S.DIO MA77(TX) | |
| D852 | 1790000620 | S.DIO MA77(TX) | |
| D861 | 1790000620 | S.DIO MA77(TX) | |
| D862 | 1790000620 | S.DIO MA77(TX) | |
| D871 | 1790000620 | S.DIO MA77(TX) | |
| D872 | 1790000620 | S.DIO MA77(TX) | |
| D881 | 1790000620 | S.DIO MA77(TX) | |
| D882 | 1790000620 | S.DIO MA77(TX) | |
| D1041 | 1790001211 | S.DIO 1SS375-TL-E | [USA-1] |
| | 1790001211 | S.DIO 1SS375-TL-E | [OTH-1] |
| | 1790001211 | S.DIO 1SS375-TL-E | [CHN] |
| D1051 | 1790001211 | S.DIO 1SS375-TL-E | |
| D1061 | 1790001211 | S.DIO 1SS375-TL-E | |
| D1311 | 1750000550 | S.DIO 1SS355 TE-17 | |
| D1351 | 1790000700 | DIO DSA3A1 | |
| D1371 | 1750000550 | S.DIO 1SS355 TE-17 | |
| D1381 | 1750000301 | S.DIO 1SS302(TE85R,F) | |
| D1412 | 1750000301 | S.DIO 1SS302(TE85R,F) | |
| D1413 | 1730002321 | S.ZEN MAZ8051GML | |
| D1771 | 1750000550 | S.DIO 1SS355 TE-17 | |
| FI461 | 2010002090 | FIL UM-5 69.0115 MHz(FL-261) | |
| FI701 | 2010000270 | FIL 9M15A (FL-23) | |
| FI761 | 2010002130 | D.F 9M22D4 9.0115 MHz (FL-272) | |
| FI851 | 2020000210 | CER CFJ455K5 (FL-65) | |
| FI861 | 2020001460 | CER CFWLA450KHFA-B0 (CFWS450HT) | |
| FI871 | 2020001210 | CER CFWLA450KEFA-B0 (CFWS450E) | |
| X1001 | 6070000200 | DIS CDBLA450KAY24-B0 (CDB450C24) | |
| X2021 | 6060000721 | CER CSALF3M60GZZF03-B0 | [USA] |
| | 6060000721 | CER CSALF3M60GZZF03-B0 | [EUR] |
| | 6060000721 | CER CSALF3M60GZZF03-B0 | [AUS] |
| | 6060000721 | CER CSALF3M60GZZF03-B0 | [UK] |
| | 6060000721 | CER CSALF3M60GZZF03-B0 | [DEN] |
| | 6060000721 | CER CSALF3M60GZZF03-B0 | [SEA] |
| | 6060000721 | CER CSALF3M60GZZF03-B0 | [OTH] |
| L101 | 6140002070 | COI LR-233 | |
| L131 | 6200003431 | S.COI NLV32T-R10J | |
| L132 | 6200003421 | S.COI NLV32T-R15J | |
| L151 | 6200005491 | S.COI NLV32T-331J | |
| L161 | 6200005491 | S.COI NLV32T-331J | |
| L162 | 6200008790 | S.COI ACL3225S-4R7K-T | |
| L163 | 6200008800 | S.COI ACL3225S-5R6K-T | |
| L171 | 6200005491 | S.COI NLV32T-331J | |
| L172 | 6200002961 | S.COI NLV32T-4R7J | |
| L173 | 6200003111 | S.COI NLV32T-6R8J | |
| L181 | 6200005491 | S.COI NLV32T-331J | |
| L182 | 6200003091 | S.COI NLV32T-2R7J | |
| L183 | 6200003101 | S.COI NLV32T-3R9J | |
| L184 | 6200005491 | S.COI NLV32T-331J | |
| L201 | 6200005491 | S.COI NLV32T-331J | |
| L202 | 6200002991 | S.COI NLV32T-2R2J | |
| L203 | 6200002991 | S.COI NLV32T-2R2J | |
| L204 | 6200003321 | S.COI NLV32T-3R3J | |
| L205 | 6200002961 | S.COI NLV32T-4R7J | |
| L221 | 6200003241 | S.COI NLV32T-221J | |
| L222 | 6200003081 | S.COI NLV32T-1R8J | |
| L223 | 6200003061 | S.COI NLV32T-1R2J | |
| L224 | 6200003071 | S.COI NLV32T-1R5J | |
| L225 | 6200003071 | S.COI NLV32T-1R5J | |
| L241 | 6200003241 | S.COI NLV32T-221J | |
| L242 | 6200003061 | S.COI NLV32T-1R2J | |

[MAIN UNIT] (For other than [USA-2], [OTH-2], [CHN-1])

| REF NO. | ORDER NO. | DESCRIPTION | |
|---------|------------|-------------------------|---------|
| L243 | 6200003331 | S.COI NLV32T-1R0J | |
| L244 | 6200003331 | S.COI NLV32T-1R0J | |
| L245 | 6200003081 | S.COI NLV32T-1R8J | |
| L261 | 6200003241 | S.COI NLV32T-221J | |
| L262 | 6200003251 | S.COI NLV32T-R39J | |
| L263 | 6200002981 | S.COI NLV32T-R56J | |
| L264 | 6200003041 | S.COI NLV32T-R68J | |
| L265 | 6200003331 | S.COI NLV32T-1R0J | |
| L281 | 6200001831 | S.COI NLV32T-100J | |
| L282 | 6200003021 | S.COI NLV32T-R33J | |
| L283 | 6200003251 | S.COI NLV32T-R39J | |
| L284 | 6200003031 | S.COI NLV32T-R47J | |
| L285 | 6200003031 | S.COI NLV32T-R47J | [USA] |
| | 6200003031 | S.COI NLV32T-R47J | [EUR] |
| | 6200003030 | S.COI NL 322522T-R47J-3 | [AUS] |
| | 6200003031 | S.COI NLV32T-R47J | [UK] |
| | 6200003030 | S.COI NL 322522T-R47J-3 | [DEN] |
| | 6200003031 | S.COI NLV32T-R47J | [SEA] |
| | 6200003031 | S.COI NLV32T-R47J | [OTH] |
| | 6200003031 | S.COI NLV32T-R47J | [USA-1] |
| | 6200003031 | S.COI NLV32T-R47J | [OTH-1] |
| | 6200003031 | S.COI NLV32T-R47J | [CHN] |
| L301 | 6200001831 | S.COI NLV32T-100J | [USA] |
| | 6200001831 | S.COI NLV32T-100J | [EUR] |
| | 6200001830 | S.COI NL 322522T-100J | [AUS] |
| | 6200001831 | S.COI NLV32T-100J | [UK] |
| | 6200001830 | S.COI NL 322522T-100J | [DEN] |
| | 6200001831 | S.COI NLV32T-100J | [SEA] |
| | 6200001831 | S.COI NLV32T-100J | [OTH] |
| | 6200001831 | S.COI NLV32T-100J | [USA-1] |
| | 6200001831 | S.COI NLV32T-100J | [OTH-1] |
| | 6200001831 | S.COI NLV32T-100J | [CHN] |
| L302 | 6200003021 | S.COI NLV32T-R33J | [USA] |
| | 6200003021 | S.COI NLV32T-R33J | [EUR] |
| | 6200003020 | S.COI NL 322522T-R33J-3 | [AUS] |
| | 6200003021 | S.COI NLV32T-R33J | [UK] |
| | 6200003020 | S.COI NL 322522T-R33J-3 | [DEN] |
| | 6200003021 | S.COI NLV32T-R33J | [SEA] |
| | 6200003021 | S.COI NLV32T-R33J | [OTH] |
| | 6200003021 | S.COI NLV32T-R33J | [USA-1] |
| | 6200003021 | S.COI NLV32T-R33J | [OTH-1] |
| | 6200003021 | S.COI NLV32T-R33J | [CHN] |
| L303 | 6200003011 | S.COI NLV32T-R27J | |
| L304 | 6200003021 | S.COI NLV32T-R33J | |
| L305 | 6200003031 | S.COI NLV32T-R47J | |
| L321 | 6200001831 | S.COI NLV32T-100J | |
| L322 | 6200003001 | S.COI NLV32T-R22J | |
| L323 | 6200003421 | S.COI NLV32T-R15J | |
| L324 | 6180002961 | S.COI NLV32T-R18J | |
| L325 | 6200003001 | S.COI NLV32T-R22J | |
| L326 | 6200003001 | S.COI NLV32T-R22J | |
| L341 | 6200001831 | S.COI NLV32T-100J | |
| L342 | 6200001471 | S.COI NLV32T-R12J | |
| L343 | 6200003421 | S.COI NLV32T-R15J | |
| L345 | 6200003421 | S.COI NLV32T-R15J | |
| L346 | 6200001471 | S.COI NLV32T-R12J | |
| L361 | 6200005491 | S.COI NLV32T-331J | |
| L362 | 6200005491 | S.COI NLV32T-331J | |
| L371 | 6200003241 | S.COI NLV32T-221J | |
| L381 | 6140000640 | COI LR-86 | |
| L382 | 6200003071 | S.COI NLV32T-1R5J | [USA] |
| | 6200003071 | S.COI NLV32T-1R5J | [EUR] |
| | 6200003070 | S.COI NL 322522T-1R5J-3 | [AUS] |
| | 6200003071 | S.COI NLV32T-1R5J | [UK] |
| | 6200003070 | S.COI NL 322522T-1R5J-3 | [DEN] |
| | 6200003071 | S.COI NLV32T-1R5J | [SEA] |
| | 6200003071 | S.COI NLV32T-1R5J | [OTH] |
| | 6200003071 | S.COI NLV32T-1R5J | [USA-1] |
| | 6200003071 | S.COI NLV32T-1R5J | [OTH-1] |
| | 6200003071 | S.COI NLV32T-1R5J | [CHN] |
| L383 | 6140001500 | COI LR-171 | |
| L384 | 6200005491 | S.COI NLV32T-331J | [USA] |
| | 6200005491 | S.COI NLV32T-331J | [EUR] |
| | 6200005490 | S.COI NL 322522T-331J | [AUS] |
| | 6200005491 | S.COI NLV32T-331J | [UK] |
| | 6200005490 | S.COI NL 322522T-331J | [DEN] |
| | 6200005491 | S.COI NLV32T-331J | [SEA] |
| | 6200005491 | S.COI NLV32T-331J | [OTH] |
| | 6200005491 | S.COI NLV32T-331J | [USA-1] |
| | 6200005491 | S.COI NLV32T-331J | [OTH-1] |
| | 6200005491 | S.COI NLV32T-331J | [CHN] |
| L385 | 6170000291 | COI LW-30-LF | |
| L391 | 6200003241 | S.COI NLV32T-221J | [USA] |
| | 6200003241 | S.COI NLV32T-221J | [EUR] |
| | 6200003240 | S.COI NL 322522T-221J | [AUS] |
| | 6200003241 | S.COI NLV32T-221J | [UK] |
| | 6200003240 | S.COI NL 322522T-221J | [DEN] |
| | 6200003241 | S.COI NLV32T-221J | [SEA] |
| | 6200003241 | S.COI NLV32T-221J | [OTH] |
| | 6200003241 | S.COI NLV32T-221J | [USA-1] |
| | 6200003241 | S.COI NLV32T-221J | [OTH-1] |
| | 6200003241 | S.COI NLV32T-221J | [CHN] |
| L392 | 6200003241 | S.COI NLV32T-221J | |
| L401 | 6200005491 | S.COI NLV32T-331J | |
| L411 | 6200003001 | S.COI NLV32T-R22J | |
| L412 | 6200003021 | S.COI NLV32T-R33J | |
| L413 | 6200001831 | S.COI NLV32T-100J | |
| L421 | 6200003431 | S.COI NLV32T-R10J | |
| L422 | 6200003421 | S.COI NLV32T-R15J | |
| L431 | 6200003431 | S.COI NLV32T-R10J | |
| L432 | 6200003421 | S.COI NLV32T-R15J | |
| L441 | 6140001500 | COI LR-171 | |
| L442 | 6200003431 | S.COI NLV32T-R10J | |
| L443 | 6150004270 | COI LS-483A (C-14924) | |

M.=Mounted side (T: Mounted on the Top side, B: Mounted on the Bottom side)
S.=Surface mount

[MAIN UNIT] (For other than [USA-2], [OTH-2], [CHN-1])

| REF NO. | ORDER NO. | DESCRIPTION | |
|---------|------------|-----------------------------|-------|
| L444 | 6200001831 | S.COI NLV32T-100J | |
| L461 | 6150004270 | COI LS-483A (C-14924) | |
| L462 | 6150004270 | COI LS-483A (C-14924) | |
| L471 | 6150004280 | COI LS-484B (C-14927) | |
| L491 | 6140002810 | S.COI LR-317 | |
| L492 | 6140002810 | S.COI LR-317 | |
| L701 | 6150000711 | COI LS-452 | |
| L711 | 6150000711 | COI LS-452 | |
| L712 | 6150000711 | COI LS-452 | |
| L721 | 6200001831 | S.COI NLV32T-100J | |
| L731 | 6150004050 | COI LS-466 | |
| L732 | 6150004050 | COI LS-466 | |
| L733 | 6200003241 | S.COI NLV32T-221J | |
| L891 | 6150002291 | COI LS-450 | |
| L892 | 6150002291 | COI LS-450 | |
| L911 | 6150002291 | COI LS-450 | |
| L1001 | 6200003241 | S.COI NLV32T-221J | |
| L1291 | 6170000140 | COI LW-15 | |
| L1311 | 6200003241 | S.COI NLV32T-221J | |
| L1321 | 6200003950 | S.COI HF50ACC 322513-T | |
| L1322 | 6200003950 | S.COI HF50ACC 322513-T | |
| L1411 | 6200003241 | S.COI NLV32T-221J | |
| L1412 | 6200005491 | S.COI NLV32T-331J | |
| L1771 | 6200003241 | S.COI NLV32T-221J | |
| L2011 | 6200005491 | S.COI NLV32T-331J | [USA] |
| | 6200005491 | S.COI NLV32T-331J | [EUR] |
| | 6200005491 | S.COI NLV32T-331J | [AUS] |
| | 6200005491 | S.COI NLV32T-331J | [UK] |
| | 6200005491 | S.COI NLV32T-331J | [DEN] |
| | 6200005491 | S.COI NLV32T-331J | [SEA] |
| | 6200005491 | S.COI NLV32T-331J | [OTH] |
| L2041 | 6200003241 | S.COI NLV32T-221J | [USA] |
| | 6200003241 | S.COI NLV32T-221J | [EUR] |
| | 6200003241 | S.COI NLV32T-221J | [AUS] |
| | 6200003241 | S.COI NLV32T-221J | [UK] |
| | 6200003241 | S.COI NLV32T-221J | [DEN] |
| | 6200003241 | S.COI NLV32T-221J | [SEA] |
| | 6200003241 | S.COI NLV32T-221J | [OTH] |
| R101 | 7030003640 | S.RES ERJ3GEYJ 473 V (47K) | |
| R102 | 7540000090 | ABS DSP-201M-S00B | |
| R111 | 7030003640 | S.RES ERJ3GEYJ 473 V (47K) | |
| R112 | 7540000090 | ABS DSP-201M-S00B | |
| R141 | 7030003480 | S.RES ERJ3GEYJ 222 V (2.2K) | |
| R142 | 7030003400 | S.RES ERJ3GEYJ 471 V (470) | |
| R143 | 7030003380 | S.RES ERJ3GEYJ 331 V (330) | |
| R144 | 7030003300 | S.RES ERJ3GEYJ 680 V (68) | |
| R151 | 7030006260 | S.RES ERJ12YJ471U (470) | |
| R152 | 7030003560 | S.RES ERJ3GEYJ 103 V (10K) | |
| R171 | 7030003370 | S.RES ERJ3GEYJ 271 V (270) | |
| R172 | 7030003230 | S.RES ERJ3GEYJ 180 V (18) | |
| R173 | 7030003370 | S.RES ERJ3GEYJ 271 V (270) | |
| R174 | 7030003200 | S.RES ERJ3GEYJ 100 V (10) | |
| R181 | 7030003320 | S.RES ERJ3GEYJ 101 V (100) | |
| R201 | 7030003320 | S.RES ERJ3GEYJ 101 V (100) | |
| R221 | 7030003320 | S.RES ERJ3GEYJ 101 V (100) | |
| R241 | 7030003320 | S.RES ERJ3GEYJ 101 V (100) | |
| R261 | 7030003320 | S.RES ERJ3GEYJ 101 V (100) | |
| R281 | 7030003320 | S.RES ERJ3GEYJ 101 V (100) | |
| R301 | 7030003320 | S.RES ERJ3GEYJ 101 V (100) | |
| R321 | 7030003320 | S.RES ERJ3GEYJ 101 V (100) | |
| R341 | 7030003320 | S.RES ERJ3GEYJ 101 V (100) | |
| R361 | 7030006260 | S.RES ERJ12YJ471U (470) | |
| R362 | 7030006260 | S.RES ERJ12YJ471U (470) | |
| R371 | 7030003320 | S.RES ERJ3GEYJ 101 V (100) | |
| R372 | 7030003320 | S.RES ERJ3GEYJ 101 V (100) | |
| R381 | 7030003320 | S.RES ERJ3GEYJ 101 V (100) | |
| R382 | 7030003280 | S.RES ERJ3GEYJ 470 V (47) | |
| R383 | 7030003280 | S.RES ERJ3GEYJ 470 V (47) | |
| R384 | 7030003320 | S.RES ERJ3GEYJ 101 V (100) | |
| R385 | 7030003320 | S.RES ERJ3GEYJ 101 V (100) | |
| R386 | 7030003320 | S.RES ERJ3GEYJ 101 V (100) | |
| R391 | 7030003320 | S.RES ERJ3GEYJ 101 V (100) | |
| R392 | 7030003400 | S.RES ERJ3GEYJ 471 V (470) | |
| R393 | 7030003320 | S.RES ERJ3GEYJ 101 V (100) | |
| R394 | 7030003370 | S.RES ERJ3GEYJ 271 V (270) | |
| R395 | 7030003230 | S.RES ERJ3GEYJ 180 V (18) | |
| R396 | 7030003370 | S.RES ERJ3GEYJ 271 V (270) | |
| R401 | 7030006260 | S.RES ERJ12YJ471U (470) | |
| R411 | 7030003300 | S.RES ERJ3GEYJ 680 V (68) | |
| R412 | 7030003520 | S.RES ERJ3GEYJ 472 V (4.7K) | |
| R413 | 7030003410 | S.RES ERJ3GEYJ 561 V (560) | |
| R414 | 7030003200 | S.RES ERJ3GEYJ 100 V (10) | |
| R415 | 7030003280 | S.RES ERJ3GEYJ 470 V (47) | |
| R442 | 7030003410 | S.RES ERJ3GEYJ 561 V (560) | |
| R443 | 7030003410 | S.RES ERJ3GEYJ 561 V (560) | |
| R444 | 7310005580 | S.TRI TMC3ADC53X (4.7K) | |
| R445 | 7030003280 | S.RES ERJ3GEYJ 470 V (47) | |
| R446 | 7030003560 | S.RES ERJ3GEYJ 103 V (10K) | |
| R447 | 7030003280 | S.RES ERJ3GEYJ 470 V (47) | |
| R448 | 7030003400 | S.RES ERJ3GEYJ 471 V (470) | |
| R449 | 7030003320 | S.RES ERJ3GEYJ 101 V (100) | |
| R471 | 7030003760 | S.RES ERJ3GEYJ 474 V (470K) | |
| R472 | 7030003280 | S.RES ERJ3GEYJ 470 V (47) | |
| R473 | 7030003200 | S.RES ERJ3GEYJ 100 V (10) | |
| R474 | 7030003520 | S.RES ERJ3GEYJ 472 V (4.7K) | |
| R475 | 7030003580 | S.RES ERJ3GEYJ 153 V (15K) | |
| R476 | 7030003480 | S.RES ERJ3GEYJ 222 V (2.2K) | |
| R477 | 7030003340 | S.RES ERJ3GEYJ 151 V (150) | |
| R478 | 7030003480 | S.RES ERJ3GEYJ 222 V (2.2K) | |
| R479 | 7030003280 | S.RES ERJ3GEYJ 470 V (47) | |
| R491 | 7030003370 | S.RES ERJ3GEYJ 271 V (270) | |
| R492 | 7030003230 | S.RES ERJ3GEYJ 180 V (18) | |

[MAIN UNIT] (For other than [USA-2], [OTH-2], [CHN-1])

| REF NO. | ORDER NO. | DESCRIPTION | |
|---------|------------|-----------------------------|--|
| R493 | 7030003370 | S.RES ERJ3GEYJ 271 V (270) | |
| R563 | 7030003640 | S.RES ERJ3GEYJ 473 V (47K) | |
| R564 | 7030003640 | S.RES ERJ3GEYJ 473 V (47K) | |
| R565 | 7030003640 | S.RES ERJ3GEYJ 473 V (47K) | |
| R566 | 7030003640 | S.RES ERJ3GEYJ 473 V (47K) | |
| R567 | 7030003640 | S.RES ERJ3GEYJ 473 V (47K) | |
| R568 | 7030003640 | S.RES ERJ3GEYJ 473 V (47K) | |
| R569 | 7030003640 | S.RES ERJ3GEYJ 473 V (47K) | |
| R570 | 7030003640 | S.RES ERJ3GEYJ 473 V (47K) | |
| R571 | 7030003200 | S.RES ERJ3GEYJ 100 V (10) | |
| R572 | 7030003200 | S.RES ERJ3GEYJ 100 V (10) | |
| R573 | 7030003200 | S.RES ERJ3GEYJ 100 V (10) | |
| R574 | 7030003200 | S.RES ERJ3GEYJ 100 V (10) | |
| R575 | 7030003200 | S.RES ERJ3GEYJ 100 V (10) | |
| R576 | 7030003200 | S.RES ERJ3GEYJ 100 V (10) | |
| R577 | 7030003200 | S.RES ERJ3GEYJ 100 V (10) | |
| R578 | 7030003200 | S.RES ERJ3GEYJ 100 V (10) | |
| R579 | 7030003640 | S.RES ERJ3GEYJ 473 V (47K) | |
| R580 | 7030003640 | S.RES ERJ3GEYJ 473 V (47K) | |
| R583 | 7030003640 | S.RES ERJ3GEYJ 473 V (47K) | |
| R587 | 7030003200 | S.RES ERJ3GEYJ 100 V (10) | |
| R588 | 7030003200 | S.RES ERJ3GEYJ 100 V (10) | |
| R589 | 7030003200 | S.RES ERJ3GEYJ 100 V (10) | |
| R590 | 7030003200 | S.RES ERJ3GEYJ 100 V (10) | |
| R591 | 7030003200 | S.RES ERJ3GEYJ 100 V (10) | |
| R592 | 7030003200 | S.RES ERJ3GEYJ 100 V (10) | |
| R593 | 7030003200 | S.RES ERJ3GEYJ 100 V (10) | |
| R711 | 7030003480 | S.RES ERJ3GEYJ 222 V (2.2K) | |
| R712 | 7030003480 | S.RES ERJ3GEYJ 222 V (2.2K) | |
| R713 | 7030003360 | S.RES ERJ3GEYJ 221 V (22K) | |
| R721 | 7030003520 | S.RES ERJ3GEYJ 472 V (4.7K) | |
| R722 | 7030003610 | S.RES ERJ3GEYJ 273 V (27K) | |
| R723 | 7030003760 | S.RES ERJ3GEYJ 474 V (470K) | |
| R724 | 7030003340 | S.RES ERJ3GEYJ 151 V (150) | |
| R725 | 7030003320 | S.RES ERJ3GEYJ 101 V (100) | |
| R731 | 7030003680 | S.RES ERJ3GEYJ 104 V (100K) | |
| R732 | 7030003520 | S.RES ERJ3GEYJ 472 V (4.7K) | |
| R733 | 7030003320 | S.RES ERJ3GEYJ 101 V (100) | |
| R734 | 7030003320 | S.RES ERJ3GEYJ 101 V (100) | |
| R735 | 7030003600 | S.RES ERJ3GEYJ 223 V (22K) | |
| R736 | 7310005540 | S.TRI TMC3ADC14X (10K) | |
| R737 | 7030003640 | S.RES ERJ3GEYJ 473 V (47K) | |
| R738 | 7030003640 | S.RES ERJ3GEYJ 473 V (47K) | |
| R739 | 7030003640 | S.RES ERJ3GEYJ 473 V (47K) | |
| R740 | 7030003440 | S.RES ERJ3GEYJ 102 V (1K) | |
| R741 | 7030003520 | S.RES ERJ3GEYJ 472 V (4.7K) | |
| R742 | 7030003320 | S.RES ERJ3GEYJ 101 V (100) | |
| R743 | 7030003640 | S.RES ERJ3GEYJ 473 V (47K) | |
| R744 | 7030003520 | S.RES ERJ3GEYJ 472 V (4.7K) | |
| R745 | 7030003680 | S.RES ERJ3GEYJ 104 V (100K) | |
| R746 | 7030003540 | S.RES ERJ3GEYJ 682 V (6.8K) | |
| R747 | 7030003440 | S.RES ERJ3GEYJ 102 V (1K) | |
| R748 | 7030003400 | S.RES ERJ3GEYJ 471 V (470) | |
| R749 | 7030003600 | S.RES ERJ3GEYJ 223 V (22K) | |
| R750 | 7030003440 | S.RES ERJ3GEYJ 102 V (1K) | |
| R751 | 7030003280 | S.RES ERJ3GEYJ 470 V (47) | |
| R761 | 7030003480 | S.RES ERJ3GEYJ 222 V (2.2K) | |
| R762 | 7030003360 | S.RES ERJ3GEYJ 221 V (220) | |
| R763 | 7030003360 | S.RES ERJ3GEYJ 221 V (220) | |
| R764 | 7030003480 | S.RES ERJ3GEYJ 222 V (2.2K) | |
| R765 | 7030003560 | S.RES ERJ3GEYJ 103 V (10K) | |
| R771 | 7030003480 | S.RES ERJ3GEYJ 222 V (2.2K) | |
| R772 | 7030003360 | S.RES ERJ3GEYJ 221 V (220) | |
| R773 | 7030003360 | S.RES ERJ3GEYJ 221 V (220) | |
| R774 | 7030003480 | S.RES ERJ3GEYJ 222 V (2.2K) | |
| R775 | 7030003560 | S.RES ERJ3GEYJ 103 V (10K) | |
| R781 | 7030003480 | S.RES ERJ3GEYJ 222 V (2.2K) | |
| R782 | 7030003360 | S.RES ERJ3GEYJ 221 V (220) | |
| R783 | 7030003360 | S.RES ERJ3GEYJ 221 V (220) | |
| R784 | 7030003480 | S.RES ERJ3GEYJ 222 V (2.2K) | |
| R785 | 7030003560 | S.RES ERJ3GEYJ 103 V (10K) | |
| R791 | 7030003480 | S.RES ERJ3GEYJ 222 V (2.2K) | |
| R792 | 7030003520 | S.RES ERJ3GEYJ 472 V (4.7K) | |
| R793 | 7030003480 | S.RES ERJ3GEYJ 222 V (2.2K) | |
| R794 | 7030003480 | S.RES ERJ3GEYJ 222 V (2.2K) | |
| R795 | 7030003520 | S.RES ERJ3GEYJ 472 V (4.7K) | |
| R796 | 7030003480 | S.RES ERJ3GEYJ 222 V (2.2K) | |
| R801 | 7030003440 | S.RES ERJ3GEYJ 102 V (1K) | |
| R802 | 7030003320 | S.RES ERJ3GEYJ 101 V (100) | |
| R811 | 7030003460 | S.RES ERJ3GEYJ 152 V (1.5K) | |
| R812 | 7030003400 | S.RES ERJ3GEYJ 471 V (470) | |
| R813 | 7030003400 | S.RES ERJ3GEYJ 471 V (470) | |
| R814 | 7030003500 | S.RES ERJ3GEYJ 332 V (3.3K) | |
| R815 | 7030003500 | S.RES ERJ3GEYJ 332 V (3.3K) | |
| R816 | 7030003490 | S.RES ERJ3GEYJ 272 V (2.7K) | |
| R817 | 7030003490 | S.RES ERJ3GEYJ 272 V (2.7K) | |
| R818 | 7030003490 | S.RES ERJ3GEYJ 272 V (2.7K) | |
| R819 | 7030003440 | S.RES ERJ3GEYJ 102 V (1K) | |
| R820 | 7030003440 | S.RES ERJ3GEYJ 102 V (1K) | |
| R821 | 7030003500 | S.RES ERJ3GEYJ 332 V (3.3K) | |
| R822 | 7030003200 | S.RES ERJ3GEYJ 100 V (10) | |
| R823 | 7030003200 | S.RES ERJ3GEYJ 100 V (10) | |
| R824 | 7030003360 | S.RES ERJ3GEYJ 221 V (220) | |
| R825 | 7510001480 | S.THE NTCG10 3NH 681JT | |
| R831 | 7030004710 | S.RES ERJ3GEYJ 475 V (4.7M) | |
| R832 | 7030004710 | S.RES ERJ3GEYJ 475 V (4.7M) | |
| R833 | 7030004710 | S.RES ERJ3GEYJ 475 V (4.7M) | |
| R834 | 7030004710 | S.RES ERJ3GEYJ 475 V (4.7M) | |
| R835 | 7030003820 | S.RES ERJ3GEYJ 155 V (1.5M) | |
| R836 | 7030003520 | S.RES ERJ3GEYJ 472 V (4.7K) | |
| R841 | 7030003560 | S.RES ERJ3GEYJ 103 V (10K) | |
| R851 | 7030003560 | S.RES ERJ3GEYJ 103 V (10K) | |
| R852 | 7030003360 | S.RES ERJ3GEYJ 221 V (220) | |
| R853 | 7030003360 | S.RES ERJ3GEYJ 221 V (220) | |

M.=Mounted side (T: Mounted on the Top side, B: Mounted on the Bottom side)
S.=Surface mount

[MAIN UNIT] (For other than [USA-2], [OTH-2], [CHN-1])

| REF NO. | ORDER NO. | DESCRIPTION | |
|---------|------------|----------------------------|-------|
| R2031 | 7030003640 | S.RES ERJ3GEYJ 473 V (47K) | [USA] |
| | 7030003640 | S.RES ERJ3GEYJ 473 V (47K) | [EUR] |
| | 7030003640 | S.RES ERJ3GEYJ 473 V (47K) | [AUS] |
| | 7030003640 | S.RES ERJ3GEYJ 473 V (47K) | [UK] |
| | 7030003640 | S.RES ERJ3GEYJ 473 V (47K) | [DEN] |
| | 7030003640 | S.RES ERJ3GEYJ 473 V (47K) | [SEA] |
| | 7030003640 | S.RES ERJ3GEYJ 473 V (47K) | [OTH] |
| R2032 | 7030003640 | S.RES ERJ3GEYJ 473 V (47K) | [USA] |
| | 7030003640 | S.RES ERJ3GEYJ 473 V (47K) | [EUR] |
| | 7030003640 | S.RES ERJ3GEYJ 473 V (47K) | [AUS] |
| | 7030003640 | S.RES ERJ3GEYJ 473 V (47K) | [UK] |
| | 7030003640 | S.RES ERJ3GEYJ 473 V (47K) | [DEN] |
| | 7030003640 | S.RES ERJ3GEYJ 473 V (47K) | [SEA] |
| | 7030003640 | S.RES ERJ3GEYJ 473 V (47K) | [OTH] |
| R2051 | 7030003640 | S.RES ERJ3GEYJ 473 V (47K) | |
| C101 | 4030011600 | S.CER C1608 JB 1E 104K-T | |
| C111 | 4030010210 | S.CER C3216 JB 1C 105M-T | |
| C121 | 4030006900 | S.CER C1608 JB 1H 103K-T | |
| C131 | 4030007070 | S.CER C1608 CH 1H 330J-T | |
| C132 | 4030007070 | S.CER C1608 CH 1H 330J-T | |
| C133 | 4030007040 | S.CER C1608 CH 1H 180J-T | |
| C134 | 4030007120 | S.CER C1608 CH 1H 820J-T | |
| C135 | 4030007040 | S.CER C1608 CH 1H 180J-T | |
| C136 | 4030007100 | S.CER C1608 CH 1H 560J-T | |
| C141 | 4030006900 | S.CER C1608 JB 1H 103K-T | |
| C151 | 4030010210 | S.CER C3216 JB 1C 105M-T | |
| C152 | 4030011600 | S.CER C1608 JB 1E 104K-T | |
| C161 | 4030008470 | S.CER C1608 JB 1H 272K-T | |
| C162 | 4030009880 | S.CER C1608 JB 1H 682K-T | |
| C163 | 4030009980 | S.CER C1608 JB 1H 152K-T | |
| C164 | 4030011600 | S.CER C1608 JB 1E 104K-T | |
| C170 | 4510008520 | S.ELE EEE1CA470SP | |
| C171 | 4030011600 | S.CER C1608 JB 1E 104K-T | |
| C172 | 4030008650 | S.CER C1608 JB 1H 332K-T | |
| C173 | 4030010240 | S.CER C1608 JB 1H 391K-T | |
| C174 | 4030008650 | S.CER C1608 JB 1H 332K-T | |
| C175 | 4030010210 | S.CER C3216 JB 1C 105M-T | |
| C176 | 4030011600 | S.CER C1608 JB 1E 104K-T | |
| C181 | 4030011600 | S.CER C1608 JB 1E 104K-T | |
| C182 | 4030006860 | S.CER C1608 JB 1H 102K-T | |
| C183 | 4030009580 | S.CER C1608 JB 1H 681K-T | |
| C184 | 4030006870 | S.CER C1608 JB 1H 222K-T | |
| C185 | 4030007170 | S.CER C1608 CH 1H 221J-T | |
| C186 | 4030010020 | S.CER C1608 JB 1H 122K-T | |
| C187 | 4030011600 | S.CER C1608 JB 1E 104K-T | |
| C188 | 4030011600 | S.CER C1608 JB 1E 104K-T | |
| C201 | 4030011600 | S.CER C1608 JB 1E 104K-T | |
| C202 | 4030010020 | S.CER C1608 JB 1H 122K-T | |
| C203 | 4030007130 | S.CER C1608 CH 1H 101J-T | |
| C204 | 4030010020 | S.CER C1608 JB 1H 122K-T | |
| C205 | 4030009880 | S.CER C1608 JB 1H 682K-T | |
| C206 | 4030009880 | S.CER C1608 JB 1H 682K-T | |
| C207 | 4030009980 | S.CER C1608 JB 1H 152K-T | |
| C208 | 4030009980 | S.CER C1608 JB 1H 152K-T | |
| C209 | 4030011600 | S.CER C1608 JB 1E 104K-T | |
| C221 | 4030011600 | S.CER C1608 JB 1E 104K-T | |
| C222 | 4030010240 | S.CER C1608 JB 1H 391K-T | |
| C223 | 4030007140 | S.CER C1608 CH 1H 121J-T | |
| C224 | 4030007130 | S.CER C1608 CH 1H 101J-T | |
| C225 | 4030006850 | S.CER C1608 JB 1H 471K-T | |
| C226 | 4030006870 | S.CER C1608 JB 1H 222K-T | |
| C227 | 4030006880 | S.CER C1608 JB 1H 472K-T | |
| C228 | 4030006860 | S.CER C1608 JB 1H 102K-T | |
| C229 | 4030009580 | S.CER C1608 JB 1H 681K-T | |
| C230 | 4030011600 | S.CER C1608 JB 1E 104K-T | |
| C241 | 4030011600 | S.CER C1608 JB 1E 104K-T | |
| C242 | 4030010760 | S.CER C1608 CH 1H 331J-T | |
| C243 | 4030007090 | S.CER C1608 CH 1H 470J-T | |
| C244 | 4030007160 | S.CER C1608 CH 1H 181J-T | |
| C245 | 4030010040 | S.CER C1608 JB 1H 561K-T | |
| C246 | 4030008470 | S.CER C1608 JB 1H 272K-T | |
| C247 | 4030010760 | S.CER C1608 CH 1H 331J-T | |
| C248 | 4030011600 | S.CER C1608 JB 1E 104K-T | |
| C261 | 4030011600 | S.CER C1608 JB 1E 104K-T | |
| C262 | 4030011280 | S.CER C1608 CH 1H 271J-T | |
| C263 | 4030007090 | S.CER C1608 CH 1H 470J-T | |
| C264 | 4030007150 | S.CER C1608 CH 1H 151J-T | |
| C265 | 4030006850 | S.CER C1608 JB 1H 471K-T | |
| C266 | 4030010020 | S.CER C1608 JB 1H 122K-T | |
| C267 | 4030007140 | S.CER C1608 CH 1H 121J-T | |
| C268 | 4030007140 | S.CER C1608 CH 1H 121J-T | |
| C269 | 4030011600 | S.CER C1608 JB 1E 104K-T | |
| C281 | 4030011600 | S.CER C1608 JB 1E 104K-T | |
| C282 | 4030007160 | S.CER C1608 CH 1H 181J-T | |
| C283 | 4030007030 | S.CER C1608 CH 1H 150J-T | |
| C284 | 4030007030 | S.CER C1608 CH 1H 150J-T | |
| C285 | 4030007130 | S.CER C1608 CH 1H 101J-T | |
| C286 | 4030007150 | S.CER C1608 CH 1H 151J-T | |
| C287 | 4030007150 | S.CER C1608 CH 1H 151J-T | |
| C288 | 4030010020 | S.CER C1608 JB 1H 122K-T | |
| C289 | 4030007150 | S.CER C1608 CH 1H 151J-T | |
| C290 | 4030011600 | S.CER C1608 JB 1E 104K-T | |
| C301 | 4030011600 | S.CER C1608 JB 1E 104K-T | |
| C302 | 4030006990 | S.CER C1608 CH 1H 080D-T | |
| C303 | 4030007160 | S.CER C1608 CH 1H 181J-T | |
| C304 | 4030007060 | S.CER C1608 CH 1H 270J-T | |
| C305 | 4030007140 | S.CER C1608 CH 1H 121J-T | |
| C306 | 4030007160 | S.CER C1608 CH 1H 181J-T | |
| C307 | 4030010020 | S.CER C1608 JB 1H 122K-T | |
| C308 | 4030007130 | S.CER C1608 CH 1H 101J-T | |
| C309 | 4030011600 | S.CER C1608 JB 1E 104K-T | |
| C321 | 4030006900 | S.CER C1608 JB 1H 103K-T | |

[MAIN UNIT] (For other than [USA-2], [OTH-2], [CHN-1])

| REF NO. | ORDER NO. | DESCRIPTION | |
|---------|------------|--------------------------|--|
| C322 | 4030007110 | S.CER C1608 CH 1H 680J-T | |
| C323 | 4030007080 | S.CER C1608 CH 1H 390J-T | |
| C324 | 4030007110 | S.CER C1608 CH 1H 680J-T | |
| C325 | 4030007010 | S.CER C1608 CH 1H 100D-T | |
| C326 | 4030007010 | S.CER C1608 CH 1H 100D-T | |
| C327 | 4030007110 | S.CER C1608 CH 1H 680J-T | |
| C328 | 4030007170 | S.CER C1608 CH 1H 221J-T | |
| C329 | 4030010240 | S.CER C1608 JB 1H 391K-T | |
| C330 | 4030007100 | S.CER C1608 CH 1H 560J-T | |
| C331 | 4030007050 | S.CER C1608 CH 1H 220J-T | |
| C332 | 4030006900 | S.CER C1608 JB 1H 103K-T | |
| C333 | 4030007070 | S.CER C1608 CH 1H 330J-T | |
| C341 | 4030006900 | S.CER C1608 JB 1H 103K-T | |
| C342 | 4030007110 | S.CER C1608 CH 1H 680J-T | |
| C344 | 4030007020 | S.CER C1608 CH 1H 120J-T | |
| C345 | 4030007080 | S.CER C1608 CH 1H 390J-T | |
| C346 | 4030006900 | S.CER C1608 JB 1H 103K-T | |
| C349 | 4030007100 | S.CER C1608 CH 1H 560J-T | |
| C350 | 4030007160 | S.CER C1608 CH 1H 181J-T | |
| C351 | 4030007090 | S.CER C1608 CH 1H 470J-T | |
| C352 | 4030006900 | S.CER C1608 JB 1H 103K-T | |
| C361 | 4030010210 | S.CER C3216 JB 1C 105M-T | |
| C371 | 4030011600 | S.CER C1608 JB 1E 104K-T | |
| C372 | 4030007010 | S.CER C1608 CH 1H 100D-T | |
| C381 | 4030011600 | S.CER C1608 JB 1E 104K-T | |
| C382 | 4030011600 | S.CER C1608 JB 1E 104K-T | |
| C383 | 4030011600 | S.CER C1608 JB 1E 104K-T | |
| C384 | 4030011600 | S.CER C1608 JB 1E 104K-T | |
| C385 | 4030011600 | S.CER C1608 JB 1E 104K-T | |
| C386 | 4030011600 | S.CER C1608 JB 1E 104K-T | |
| C391 | 4030011600 | S.CER C1608 JB 1E 104K-T | |
| C392 | 4030011600 | S.CER C1608 JB 1E 104K-T | |
| C393 | 4030011600 | S.CER C1608 JB 1E 104K-T | |
| C394 | 4030011600 | S.CER C1608 JB 1E 104K-T | |
| C395 | 4030011600 | S.CER C1608 JB 1E 104K-T | |
| C396 | 4030011600 | S.CER C1608 JB 1E 104K-T | |
| C397 | 4030011600 | S.CER C1608 JB 1E 104K-T | |
| C401 | 4030011600 | S.CER C1608 JB 1E 104K-T | |
| C411 | 4030007080 | S.CER C1608 CH 1H 390J-T | |
| C412 | 4030007130 | S.CER C1608 CH 1H 101J-T | |
| C413 | 4030011600 | S.CER C1608 JB 1E 104K-T | |
| C414 | 4030006860 | S.CER C1608 JB 1H 102K-T | |
| C415 | 4030011600 | S.CER C1608 JB 1E 104K-T | |
| C422 | 4030006970 | S.CER C1608 CH 1H 060D-T | |
| C423 | 4030007040 | S.CER C1608 CH 1H 180J-T | |
| C424 | 4030006920 | S.CER C1608 CH 1H 010C-T | |
| C425 | 4030007040 | S.CER C1608 CH 1H 180J-T | |
| C431 | 4030007070 | S.CER C1608 CH 1H 330J-T | |
| C432 | 4030007070 | S.CER C1608 CH 1H 330J-T | |
| C433 | 4030007040 | S.CER C1608 CH 1H 180J-T | |
| C434 | 4030007120 | S.CER C1608 CH 1H 820J-T | |
| C435 | 4030007040 | S.CER C1608 CH 1H 180J-T | |
| C436 | 4030007100 | S.CER C1608 CH 1H 560J-T | |
| C442 | 4030011600 | S.CER C1608 JB 1E 104K-T | |
| C443 | 4030011600 | S.CER C1608 JB 1E 104K-T | |
| C444 | 4030006990 | S.CER C1608 CH 1H 080D-T | |
| C445 | 4030006950 | S.CER C1608 CH 1H 040C-T | |
| C446 | 4030011600 | S.CER C1608 JB 1E 104K-T | |
| C447 | 4030011600 | S.CER C1608 JB 1E 104K-T | |
| C448 | 4030007130 | S.CER C1608 CH 1H 101J-T | |
| C461 | 4030006980 | S.CER C1608 CH 1H 070D-T | |
| C462 | 4030006930 | S.CER C1608 CH 1H 020C-T | |
| C471 | 4030007050 | S.CER C1608 CH 1H 220J-T | |
| C472 | 4030011600 | S.CER C1608 JB 1E 104K-T | |
| C473 | 4030006880 | S.CER C1608 JB 1H 472K-T | |
| C474 | 4030006880 | S.CER C1608 JB 1H 472K-T | |
| C475 | 4030007020 | S.CER C1608 CH 1H 120J-T | |
| C476 | 4030006880 | S.CER C1608 JB 1H 472K-T | |
| C492 | 4030007110 | S.CER C1608 CH 1H 680J-T | |
| C551 | 4030011600 | S.CER C1608 JB 1E 104K-T | |
| C552 | 4030011600 | S.CER C1608 JB 1E 104K-T | |
| C553 | 4030006880 | S.CER C1608 JB 1H 472K-T | |
| C561 | 4030011600 | S.CER C1608 JB 1E 104K-T | |
| C562 | 4030011600 | S.CER C1608 JB 1E 104K-T | |
| C563 | 4030006880 | S.CER C1608 JB 1H 472K-T | |
| C701 | 4030006930 | S.CER C1608 CH 1H 020C-T | |
| C711 | 4030006880 | S.CER C1608 JB 1H 472K-T | |
| C712 | 4030006880 | S.CER C1608 JB 1H 472K-T | |
| C721 | 4030006880 | S.CER C1608 JB 1H 472K-T | |
| C722 | 4030011600 | S.CER C1608 JB 1E 104K-T | |
| C723 | 4030006880 | S.CER C1608 JB 1H 472K-T | |
| C724 | 4030007050 | S.CER C1608 CH 1H 220J-T | |
| C725 | 4030011600 | S.CER C1608 JB 1E 104K-T | |
| C726 | 4030006880 | S.CER C1608 JB 1H 472K-T | |
| C731 | 4030006880 | S.CER C1608 JB 1H 472K-T | |
| C732 | 4030006880 | S.CER C1608 JB 1H 472K-T | |
| C733 | 4030006880 | S.CER C1608 JB 1H 472K-T | |
| C734 | 4030011600 | S.CER C1608 JB 1E 104K-T | |
| C735 | 4030006880 | S.CER C1608 JB 1H 472K-T | |
| C736 | 4030006880 | S.CER C1608 JB 1H 472K-T | |
| C737 | 4030011600 | S.CER C1608 JB 1E 104K-T | |
| C738 | 4030007150 | S.CER C1608 CH 1H 151J-T | |
| C739 | 4510009270 | S.ELE EEEHB1C220UR | |
| C740 | 4030007050 | S.CER C1608 CH 1H 220J-T | |
| C741 | 4510008520 | S.ELE EEE1CA470SP | |
| C742 | 4030011600 | S.CER C1608 JB 1E 104K-T | |
| C743 | 4510008540 | S.ELE EEE1CA100SR | |
| C761 | 4030011600 | S.CER C1608 JB 1E 104K-T | |
| C762 | 4030011600 | S.CER C1608 JB 1E 104K-T | |
| C771 | 4030011600 | S.CER C1608 JB 1E 104K-T | |

[MAIN UNIT] (For other than [USA-2], [OTH-2], [CHN-1])

| REF NO. | ORDER NO. | DESCRIPTION | |
|---------|------------|--------------------------|---------|
| C791 | 4030011600 | S.CER C1608 JB 1E 104K-T | |
| C792 | 4030011600 | S.CER C1608 JB 1E 104K-T | |
| C801 | 4030011600 | S.CER C1608 JB 1E 104K-T | |
| C811 | 4030006880 | S.CER C1608 JB 1H 472K-T | |
| C813 | 4030011600 | S.CER C1608 JB 1E 104K-T | |
| C814 | 4030011600 | S.CER C1608 JB 1E 104K-T | |
| C816 | 4030006880 | S.CER C1608 JB 1H 472K-T | |
| C818 | 4030011600 | S.CER C1608 JB 1E 104K-T | |
| C831 | 4030008650 | S.CER C1608 JB 1H 332K-T | |
| C841 | 4030006880 | S.CER C1608 JB 1H 472K-T | |
| C851 | 4030011600 | S.CER C1608 JB 1E 104K-T | |
| C852 | 4030011600 | S.CER C1608 JB 1E 104K-T | |
| C861 | 4030011600 | S.CER C1608 JB 1E 104K-T | |
| C862 | 4030011600 | S.CER C1608 JB 1E 104K-T | |
| C871 | 4030011600 | S.CER C1608 JB 1E 104K-T | |
| C872 | 4030011600 | S.CER C1608 JB 1E 104K-T | |
| C881 | 4030011600 | S.CER C1608 JB 1E 104K-T | |
| C882 | 4030011600 | S.CER C1608 JB 1E 104K-T | |
| C891 | 4030011600 | S.CER C1608 JB 1E 104K-T | |
| C892 | 4030006880 | S.CER C1608 JB 1H 472K-T | |
| C893 | 4030006880 | S.CER C1608 JB 1H 472K-T | |
| C894 | 4030011600 | S.CER C1608 JB 1E 104K-T | |
| C895 | 4030007050 | S.CER C1608 CH 1H 220J-T | |
| C896 | 4030011600 | S.CER C1608 JB 1E 104K-T | |
| C897 | 4030006880 | S.CER C1608 JB 1H 472K-T | |
| C911 | 4030011600 | S.CER C1608 JB 1E 104K-T | |
| C912 | 4030007170 | S.CER C1608 CH 1H 221J-T | |
| C913 | 4030011600 | S.CER C1608 JB 1E 104K-T | |
| C914 | 4510008530 | S.ELE EEE1HA2R2SR | |
| C1001 | 4030011600 | S.CER C1608 JB 1E 104K-T | |
| C1002 | 4030006880 | S.CER C1608 JB 1H 472K-T | |
| C1003 | 4030011600 | S.CER C1608 JB 1E 104K-T | |
| C1004 | 4030007170 | S.CER C1608 CH 1H 221J-T | |
| C1005 | 4030007170 | S.CER C1608 CH 1H 221J-T | |
| C1006 | 4030006880 | S.CER C1608 JB 1H 472K-T | |
| C1007 | 4030007130 | S.CER C1608 CH 1H 101J-T | |
| C1008 | 4510008540 | S.ELE EEE1CA100SR | |
| C1009 | 4030011600 | S.CER C1608 JB 1E 104K-T | |
| C1010 | 4030011600 | S.CER C1608 JB 1E 104K-T | |
| C1021 | 4030011600 | S.CER C1608 JB 1E 104K-T | |
| C1022 | 4030006900 | S.CER C1608 JB 1H 103K-T | |
| C1023 | 4030006900 | S.CER C1608 JB 1H 103K-T | |
| C1024 | 4030011600 | S.CER C1608 JB 1E 104K-T | |
| C1031 | 4030011600 | S.CER C1608 JB 1E 104K-T | |
| C1041 | 4030006880 | S.CER C1608 JB 1H 472K-T | [USA-1] |
| | 4030006880 | S.CER C1608 JB 1H 472K-T | [OTH-1] |
| | 4030006880 | S.CER C1608 JB 1H 472K-T | [CHN] |
| C1042 | 4030006880 | S.CER C1608 JB 1H 472K-T | [USA-1] |
| | 4030006880 | S.CER C1608 JB 1H 472K-T | [OTH-1] |
| | 4030006880 | S.CER C1608 JB 1H 472K-T | [CHN] |
| C1043 | 4030006880 | S.CER C1608 JB 1H 472K-T | [USA-1] |
| | 4030006880 | S.CER C1608 JB 1H 472K-T | [OTH-1] |
| | 4030006880 | S.CER C1608 JB 1H 472K-T | [CHN] |
| C1044 | 4030011600 | S.CER C1608 JB 1E 104K-T | [USA-1] |
| | 4030011600 | S.CER C1608 JB 1E 104K-T | [OTH-1] |
| | 4030011600 | S.CER C1608 JB 1E 104K-T | [CHN] |
| C1051 | 4510008540 | S.ELE EEE1CA100SR | |
| C1061 | 4030006880 | S.CER C1608 JB 1H 472K-T | |
| C1062 | 4030007130 | S.CER C1608 CH 1H 101J-T | |
| C1063 | 4510008540 | S.ELE EEE1CA100SR | |
| C1064 | 4030011600 | S.CER C1608 JB 1E 104K-T | |
| C1065 | 4510008540 | S.ELE EEE1CA100SR | |
| C1066 | 4510008530 | S.ELE EEE1HA2R2SR | |
| C1067 | 4510009270 | S.ELE EEEHB1C220UR | |
| C1081 | 4030006880 | S.CER C1608 JB 1H 472K-T | |
| C1085 | 4030006880 | S.CER C1608 JB 1H 472K-T | |
| C1089 | 4030006880 | S.CER C1608 JB 1H 472K-T | |
| C1090 | 4030011600 | S.CER C1608 JB 1E 104K-T | |
| C1101 | 4030011600 | S.CER C1608 JB 1E 104K-T | |
| C1102 | 4030011600 | S.CER C1608 JB 1E 104K-T | |
| C1103 | 4030011600 | S.CER C1608 JB 1E 104K-T | |
| C1201 | 4030006900 | S.CER C1608 JB 1H 103K-T | |
| C1202 | 4030006900 | S.CER C1608 JB 1H 103K-T | |
| C1211 | 4030009980 | S.CER C1608 JB 1H 152K-T | |
| C1212 | 4030010020 | S.CER C1608 JB 1H 122K-T | |
| C1213 | 4030008650 | S.CER C1608 JB 1H 332K-T | |
| C1214 | 4030010040 | S.CER C1608 JB 1H 561K-T | |
| C1215 | 4030011600 | S.CER C1608 JB 1E 104K-T | |
| C1216 | 4030011600 | S.CER C1608 JB 1E 104K-T | |
| C1217 | 4030011600 | S.CER C1608 JB 1E 104K-T | |
| C1231 | 4030006880 | S.CER C1608 JB 1H 472K-T | |
| C1251 | 4030011600 | S.CER C1608 JB 1E 104K-T | |
| C1253 | 4030010760 | S.CER C1608 CH 1H 331J-T | |
| C1254 | 4510008530 | S.ELE EEE1HA2R2SR | |
| C1255 | 4030006900 | S.CER C1608 JB 1H 103K-T | |
| C1256 | 4030011600 | S.CER C1608 JB 1E 104K-T | |
| C1257 | 4510008540 | S.ELE EEE1CA100SR | |
| C1258 | 4510008540 | S.ELE EEE1CA100SR | |
| C1259 | 4510008540 | S.ELE EEE1CA100SR | |
| C1260 | 4510008540 | S.ELE EEE1CA100SR | |
| C1261 | 4510008540 | S.ELE EEE1CA100SR | |
| C1262 | 4510008530 | S.ELE EEE1HA2R2SR | |
| C1271 | 4030006880 | S.CER C1608 JB 1H 472K-T | |
| C1272 | 4030011600 | S.CER C1608 JB 1E 104K-T | |
| C1281 | 4030006900 | S.CER C1608 JB 1H 103K-T | |
| C1282 | 4030006900 | S.CER C1608 JB 1H 103K-T | |
| C1292 | 4510008540 | S.ELE EEE1CA100SR | |
| C1293 | 4030011600 | S.CER C1608 JB 1E 104K-T | |
| C1294 | 4030011600 | S.CER C1608 JB 1E 104K-T | |
| C1295 | 4510004591 | ELE 16 ME 470 HC | |
| C1296 | 4510004591 | ELE 16 ME 470 HC | |
| C1311 | 4030006900 | S.CER C1608 JB 1H 103K-T | |
| C1312 | 4030006900 | S.CER C1608 JB 1H 103K-T | |
| C1321 | 4030006900 | S.CER C1608 JB 1H 103K-T | |

[MAIN UNIT] (For other than [USA-2], [OTH-2], [CHN-1])

| REF NO. | ORDER NO. | DESCRIPTION | |
|---------|------------|--------------------------|-------|
| C1322 | 4030006860 | S.CER C1608 JB 1H 102K-T | |
| C1351 | 4030006900 | S.CER C1608 JB 1H 103K-T | |
| C1352 | 4030006900 | S.CER C1608 JB 1H 103K-T | |
| C1353 | 4510004510 | ELE 25 ME 470 HC | |
| C1361 | 4510008530 | S.ELE EEE1HA2R2SR | |
| C1362 | 4030011600 | S.CER C1608 JB 1E 104K-T | |
| C1363 | 4030011600 | S.CER C1608 JB 1E 104K-T | |
| C1364 | 4030011600 | S.CER C1608 JB 1E 104K-T | |
| C1365 | 4510008540 | S.ELE EEE1CA100SR | |
| C1371 | 4510008530 | S.ELE EEE1HA2R2SR | |
| C1372 | 4030011600 | S.CER C1608 JB 1E 104K-T | |
| C1373 | 4030011600 | S.CER C1608 JB 1E 104K-T | |
| C1374 | 4030011600 | S.CER C1608 JB 1E 104K-T | |
| C1375 | 4510004591 | ELE 16 ME 470 HC | |
| C1376 | 4030010210 | S.CER C3216 JB 1C 105M-T | |
| C1381 | 4030011600 | S.CER C1608 JB 1E 104K-T | |
| C1382 | 4030011600 | S.CER C1608 JB 1E 104K-T | |
| C1391 | 4510004591 | ELE 16 ME 470 HC | |
| C1392 | 4030011600 | S.CER C1608 JB 1E 104K-T | |
| C1393 | 4030011600 | S.CER C1608 JB 1E 104K-T | |
| C1394 | 4510008540 | S.ELE EEE1CA100SR | |
| C1401 | 4510008540 | S.ELE EEE1CA100SR | |
| C1402 | 4030011600 | S.CER C1608 JB 1E 104K-T | |
| C1403 | 4030011600 | S.CER C1608 JB 1E 104K-T | |
| C1404 | 4510008540 | S.ELE EEE1CA100SR | |
| C1411 | 4030011600 | S.CER C1608 JB 1E 104K-T | |
| C1412 | 4510008520 | S.ELE EEE1CA470SP | |
| C1413 | 4030011600 | S.CER C1608 JB 1E 104K-T | |
| C1414 | 4510009270 | S.ELE EEEHB1C220UR | |
| C1415 | 4030006860 | S.CER C1608 JB 1H 102K-T | |
| C1416 | 4030006900 | S.CER C1608 JB 1H 103K-T | |
| C1417 | 4510008520 | S.ELE EEE1CA470SP | |
| C1418 | 4510008520 | S.ELE EEE1CA470SP | |
| C1419 | 4030011600 | S.CER C1608 JB 1E 104K-T | |
| C1420 | 4510008540 | S.ELE EEE1CA100SR | |
| C1421 | 4030011600 | S.CER C1608 JB 1E 104K-T | |
| C1422 | 4510008520 | S.ELE EEE1CA470SP | |
| C1502 | 4030006880 | S.CER C1608 JB 1H 472K-T | |
| C1521 | 4030006880 | S.CER C1608 JB 1H 472K-T | |
| C1601 | 4030011600 | S.CER C1608 JB 1E 104K-T | |
| C1602 | 4030011600 | S.CER C1608 JB 1E 104K-T | |
| C1603 | 4030011600 | S.CER C1608 JB 1E 104K-T | |
| C1751 | 4510008540 | S.ELE EEE1CA100SR | |
| C1752 | 4510008540 | S.ELE EEE1CA100SR | |
| C1753 | 4510008540 | S.ELE EEE1CA100SR | |
| C1754 | 4510008540 | S.ELE EEE1CA100SR | |
| C1755 | 4510008540 | S.ELE EEE1CA100SR | |
| C1756 | 4030011600 | S.CER C1608 JB 1E 104K-T | |
| C1771 | 4030011600 | S.CER C1608 JB 1E 104K-T | |
| C2001 | 4030006860 | S.CER C1608 JB 1H 102K-T | [USA] |
| | 4030006860 | S.CER C1608 JB 1H 102K-T | [EUR] |
| | 4030006860 | S.CER C1608 JB 1H 102K-T | [AUS] |
| | 4030006860 | S.CER C1608 JB 1H 102K-T | [UK] |
| | 4030006860 | S.CER C1608 JB 1H 102K-T | [DEN] |
| | 4030006860 | S.CER C1608 JB 1H 102K-T | [SEA] |
| | 4030006860 | S.CER C1608 JB 1H 102K-T | [OTH] |
| C2011 | 4030010760 | S.CER C1608 CH 1H 331J-T | [USA] |
| | 4030010760 | S.CER C1608 CH 1H 331J-T | [EUR] |
| | 4030010760 | S.CER C1608 CH 1H 331J-T | [AUS] |
| | 4030010760 | S.CER C1608 CH 1H 331J-T | [UK] |
| | 4030010760 | S.CER C1608 CH 1H 331J-T | [DEN] |
| | 4030010760 | S.CER C1608 CH 1H 331J-T | [SEA] |
| | 4030010760 | S.CER C1608 CH 1H 331J-T | [OTH] |
| C2012 | 4030007070 | S.CER C1608 CH 1H 330J-T | [USA] |
| | 4030007070 | S.CER C1608 CH 1H 330J-T | [EUR] |
| | 4030007070 | S.CER C1608 CH 1H 330J-T | [AUS] |
| | 4030007070 | S.CER C1608 CH 1H 330J-T | [UK] |
| | 4030007070 | S.CER C1608 CH 1H 330J-T | [DEN] |
| | 4030007070 | S.CER C1608 CH 1H 330J-T | [SEA] |
| | 4030007070 | S.CER C1608 CH 1H 330J-T | [OTH] |
| C2013 | 4510008540 | S.ELE EEE1CA100SR | [USA] |
| | 4510008540 | S.ELE EEE1CA100SR | [EUR] |
| | 4510008540 | S.ELE EEE1CA100SR | [AUS] |
| | 4510008540 | S.ELE EEE1CA100SR | [UK] |
| | 4510008540 | S.ELE EEE1CA100SR | [DEN] |
| | 4510008540 | S.ELE EEE1CA100SR | [SEA] |
| | 4510008540 | S.ELE EEE1CA100SR | [OTH] |
| C2014 | 4030011600 | S.CER C1608 JB 1E 104K-T | [USA] |
| | 4030011600 | S.CER C1608 JB 1E 104K-T | [EUR] |
| | 4030011600 | S.CER C1608 JB 1E 104K-T | [AUS] |
| | 4030011600 | S.CER C1608 JB 1E 104K-T | [UK] |
| | 4030011600 | S.CER C1608 JB 1E 104K-T | [DEN] |
| | 4030011600 | S.CER C1608 JB 1E 104K-T | [SEA] |
| | 4030011600 | S.CER C1608 JB 1E 104K-T | [OTH] |
| C2015 | 4030006900 | S.CER C1608 JB 1H 103K-T | [USA] |
| | 4030006900 | S.CER C1608 JB 1H 103K-T | [EUR] |
| | 4030006900 | S.CER C1608 JB 1H 103K-T | [AUS] |
| | 4030006900 | S.CER C1608 JB 1H 103K-T | [UK] |
| | 4030006900 | S.CER C1608 JB 1H 103K-T | [DEN] |
| | 4030006900 | S.CER C1608 JB 1H 103K-T | [SEA] |
| | 4030006900 | S.CER C1608 JB 1H 103K-T | [OTH] |
| C2016 | 4510008540 | S.ELE EEE1CA100SR | [USA] |
| | 4510008540 | S.ELE EEE1CA100SR | [EUR] |
| | 4510008540 | S.ELE EEE1CA100SR | [AUS] |
| | 4510008540 | S.ELE EEE1CA100SR | [UK] |
| | 4510008540 | S.ELE EEE1CA100SR | [DEN] |
| | 4510008540 | S.ELE EEE1CA100SR | [SEA] |
| | 4510008540 | S.ELE EEE1CA100SR | [OTH] |

M.=Mounted side (T: Mounted on the Top side, B: Mounted on the Bottom side)
S.=Surface mount

[MAIN UNIT] (For other than [USA-2], [OTH-2], [CHN-1])

| REF NO. | ORDER NO. | DESCRIPTION | |
|---------|------------|--------------------------|-------|
| C2021 | 4030006860 | S.CER C1608 JB 1H 102K-T | [USA] |
| | 4030006860 | S.CER C1608 JB 1H 102K-T | [EUR] |
| | 4030006860 | S.CER C1608 JB 1H 102K-T | [AUS] |
| | 4030006860 | S.CER C1608 JB 1H 102K-T | [UK] |
| | 4030006860 | S.CER C1608 JB 1H 102K-T | [DEN] |
| C2022 | 4030006860 | S.CER C1608 JB 1H 102K-T | [SEA] |
| | 4030006860 | S.CER C1608 JB 1H 102K-T | [OTH] |
| | 4030007080 | S.CER C1608 CH 1H 390J-T | [USA] |
| | 4030007080 | S.CER C1608 CH 1H 390J-T | [EUR] |
| | 4030007080 | S.CER C1608 CH 1H 390J-T | [AUS] |
| C2023 | 4030007080 | S.CER C1608 CH 1H 390J-T | [UK] |
| | 4030007080 | S.CER C1608 CH 1H 390J-T | [DEN] |
| | 4030007080 | S.CER C1608 CH 1H 390J-T | [SEA] |
| | 4030007020 | S.CER C1608 CH 1H 120J-T | [OTH] |
| | 4030007020 | S.CER C1608 CH 1H 120J-T | [USA] |
| C2024 | 4030007020 | S.CER C1608 CH 1H 120J-T | [EUR] |
| | 4030007020 | S.CER C1608 CH 1H 120J-T | [AUS] |
| | 4030007020 | S.CER C1608 CH 1H 120J-T | [UK] |
| | 4030007020 | S.CER C1608 CH 1H 120J-T | [DEN] |
| | 4030007020 | S.CER C1608 CH 1H 120J-T | [SEA] |
| C2031 | 4030007020 | S.CER C1608 CH 1H 120J-T | [OTH] |
| | 4510008520 | S.ELE EEE1CA470SP | [USA] |
| | 4510008520 | S.ELE EEE1CA470SP | [EUR] |
| | 4510008520 | S.ELE EEE1CA470SP | [AUS] |
| | 4510008520 | S.ELE EEE1CA470SP | [UK] |
| C2032 | 4510008520 | S.ELE EEE1CA470SP | [DEN] |
| | 4510008520 | S.ELE EEE1CA470SP | [SEA] |
| | 4510008520 | S.ELE EEE1CA470SP | [OTH] |
| | 4030006860 | S.CER C1608 JB 1H 102K-T | [USA] |
| | 4030006860 | S.CER C1608 JB 1H 102K-T | [EUR] |
| C2033 | 4030006860 | S.CER C1608 JB 1H 102K-T | [AUS] |
| | 4030006860 | S.CER C1608 JB 1H 102K-T | [UK] |
| | 4030006860 | S.CER C1608 JB 1H 102K-T | [DEN] |
| | 4030006860 | S.CER C1608 JB 1H 102K-T | [SEA] |
| | 4030006860 | S.CER C1608 JB 1H 102K-T | [OTH] |
| C2034 | 4030006860 | S.CER C1608 JB 1H 102K-T | [USA] |
| | 4030006860 | S.CER C1608 JB 1H 102K-T | [EUR] |
| | 4030006860 | S.CER C1608 JB 1H 102K-T | [AUS] |
| | 4030006860 | S.CER C1608 JB 1H 102K-T | [UK] |
| | 4030006860 | S.CER C1608 JB 1H 102K-T | [DEN] |
| C2035 | 4030006860 | S.CER C1608 JB 1H 102K-T | [SEA] |
| | 4030006860 | S.CER C1608 JB 1H 102K-T | [OTH] |
| | 4030011600 | S.CER C1608 JB 1E 104K-T | [USA] |
| | 4030011600 | S.CER C1608 JB 1E 104K-T | [EUR] |
| | 4030011600 | S.CER C1608 JB 1E 104K-T | [AUS] |
| C2036 | 4030011600 | S.CER C1608 JB 1E 104K-T | [UK] |
| | 4030011600 | S.CER C1608 JB 1E 104K-T | [DEN] |
| | 4030011600 | S.CER C1608 JB 1E 104K-T | [SEA] |
| | 4030011600 | S.CER C1608 JB 1E 104K-T | [OTH] |
| | 4030011600 | S.CER C1608 JB 1E 104K-T | [USA] |
| C2037 | 4030011600 | S.CER C1608 JB 1E 104K-T | [EUR] |
| | 4030011600 | S.CER C1608 JB 1E 104K-T | [AUS] |
| | 4030006860 | S.CER C1608 JB 1H 102K-T | [UK] |
| | 4030006860 | S.CER C1608 JB 1H 102K-T | [DEN] |
| | 4030006860 | S.CER C1608 JB 1H 102K-T | [SEA] |
| C2041 | 4030006860 | S.CER C1608 JB 1H 102K-T | [OTH] |
| | 4510008540 | S.ELE EEE1CA100SR | [USA] |
| | 4510008540 | S.ELE EEE1CA100SR | [EUR] |
| | 4510008540 | S.ELE EEE1CA100SR | [AUS] |
| | 4510008540 | S.ELE EEE1CA100SR | [UK] |
| C2042 | 4510008540 | S.ELE EEE1CA100SR | [DEN] |
| | 4510008540 | S.ELE EEE1CA100SR | [SEA] |
| | 4510008540 | S.ELE EEE1CA100SR | [OTH] |
| | 4030011600 | S.CER C1608 JB 1E 104K-T | [USA] |
| | 4030011600 | S.CER C1608 JB 1E 104K-T | [EUR] |
| C2051 | 4030011600 | S.CER C1608 JB 1E 104K-T | [AUS] |
| | 4030011600 | S.CER C1608 JB 1E 104K-T | [UK] |
| | 4030011600 | S.CER C1608 JB 1E 104K-T | [DEN] |
| | 4030011600 | S.CER C1608 JB 1E 104K-T | [SEA] |
| | 4030011600 | S.CER C1608 JB 1E 104K-T | [OTH] |
| RL121 | 6330000180 | REL MZ-12HG | [USA] |
| | 6330000180 | REL MZ-12HG | [EUR] |
| | 6330000180 | REL MZ-12HG | [AUS] |
| | 6330000180 | REL MZ-12HG | [UK] |
| | 6330000180 | REL MZ-12HG | [DEN] |

[MAIN UNIT] (For other than [USA-2], [OTH-2], [CHN-1])

| REF NO. | ORDER NO. | DESCRIPTION | |
|---------|------------|-----------------------------|--|
| CP731 | 6910009670 | S.CHE HK3-S-T | |
| J101 | 6510021460 | CON PT-C02P01 | |
| J111 | 6510007020 | CON TMP-J01X-V6 | |
| J411 | 6510007020 | CON TMP-J01X-V6 | |
| J491 | 6510007020 | CON TMP-J01X-V6 | |
| J781 | 6450001560 | CON PD-72 | |
| J782 | 6450001560 | CON PD-72 | |
| J783 | 6450001560 | CON PD-72 | |
| J784 | 6450001560 | CON PD-72 | |
| J811 | 6510007020 | CON TMP-J01X-V6 | |
| J881 | 6450001560 | CON PD-72 | |
| J882 | 6450001560 | CON PD-72 | |
| J883 | 6450001560 | CON PD-72 | |
| J884 | 6450001560 | CON PD-72 | |
| J1081 | 6510007020 | CON TMP-J01X-V6 | |
| J1221 | 6510018971 | S.CON B4B-PH-SM4-TB(LF)(SN) | |
| J1231 | 6510019971 | S.CON 52808-1071 | |
| J1271 | 6510019191 | S.CON 52365-0871 | |
| J1311 | 6450001800 | CON JPJ1044-01-010 | |
| J1321 | 6450000140 | CON HSJ0807-01-010 | |
| J1351 | 6510023650 | CON HEC0740-010618 | |
| J1501 | 6510019981 | S.CON 52808-1671(1690) | |
| J1521 | 6510019981 | S.CON 52808-1671(1690) | |
| J1522 | 6510021861 | CON BH-800.4GG <LTC> | |
| J1541 | 6510019981 | S.CON 52808-1671(1690) | |
| J1561 | 6510019981 | S.CON 52808-1671(1690) | |
| J1701 | 6450000140 | CON HSJ0807-01-010 | |
| J1751 | 6510021241 | CON DELC-J9SAF-23L9E | |
| F1351 | 5210000051 | FUS FGB 3A PBF (FGB0 125V) | |
| F1352 | 5220000230 | HOL S-N5054 #01 | |
| F1353 | 5220000230 | HOL S-N5054 #01 | |
| BT1521 | 3020000110 | LIT CR2032 | |

M.=Mounted side (T: Mounted on the Top side, B: Mounted on the Bottom side)
S.=Surface mount

[PLL UNIT]

| REF NO. | ORDER NO. | DESCRIPTION | |
|---------|------------|---------------------------------|---------|
| WS1 | 8970023350 | RX2240 1.5D (4)/PL | [EUR] |
| | 8970023350 | RX2240 1.5D (4)/PL | [AUS] |
| | 8970023350 | RX2240 1.5D (4)/PL | [UK] |
| | 8970023350 | RX2240 1.5D (4)/PL | [DEN] |
| | 8970023350 | RX2240 1.5D (4)/PL | [SEA] |
| | 8970023350 | RX2240 1.5D (4)/PL | [USA-2] |
| | 8970023350 | RX2240 1.5D (4)/PL | [OTH-2] |
| | 8970023350 | RX2240 1.5D (4)/PL | [CHN-1] |
| IC21 | 1140007881 | S.IC TC190G08EFG0046JDZ/SC1246A | |
| IC22 | 1110004460 | S.IC UPB1509GV-E1 | |
| IC23 | 1130003831 | S.IC TC7S04F(TE85R,F) | |
| IC151 | 1140014960 | S.IC TC190G02EFG-0058/SC1287A | |
| IC201 | 1140014960 | S.IC TC190G02EFG-0058/SC1287A | |
| Q1 | 1530002571 | S.TRA 2SC4405-3-TL-E | |
| Q2 | 1530002571 | S.TRA 2SC4405-3-TL-E | |
| Q3 | 1590000680 | S.TRA DTC114EUA T106 | |
| Q4 | 1590000680 | S.TRA DTC114EUA T106 | |
| Q21 | 1530003001 | S.TRA 2SC4117-BL(TE85R,F) | |
| Q71 | 1560000491 | S.FET 2SK508-T2B-A K52 | |
| Q72 | 1590000680 | S.TRA DTC114EUA T106 | |
| Q81 | 1560000491 | S.FET 2SK508-T2B-A K52 | |
| Q82 | 1590000680 | S.TRA DTC114EUA T106 | |
| Q91 | 1530002571 | S.TRA 2SC4405-3-TL-E | |
| Q92 | 1590001330 | S.TRA DTA114EUA T106 | |
| Q93 | 1590000680 | S.TRA DTC114EUA T106 | |
| Q96 | 1530003001 | S.TRA 2SC4117-BL(TE85R,F) | |
| Q97 | 1530003001 | S.TRA 2SC4117-BL(TE85R,F) | |
| Q151 | 1530002880 | S.TRA 2SC4226-T1 R24 | |
| Q201 | 1530002880 | S.TRA 2SC4226-T1 R24 | |
| D1 | 1750000520 | S.DIO DAN222TL | |
| D2 | 1750000550 | S.DIO 1SS355 TE-17 | |
| D71 | 1720000831 | S.VAR KV1770STL-G | |
| D72 | 1790001261 | S.DIO MA2S077G0L | |
| D81 | 1720000831 | S.VAR KV1770STL-G | |
| D82 | 1790001261 | S.DIO MA2S077G0L | |
| D83 | 1790001251 | S.DIO MA2S1110GL | |
| D91 | 1790001261 | S.DIO MA2S077G0L | |
| D92 | 1790001261 | S.DIO MA2S077G0L | |
| D93 | 1790001641 | S.DIO 1SS373(TPH3,F) | [USA] |
| | 1790001641 | S.DIO 1SS373(TPH3,F) | [EUR] |
| | 1790001641 | S.DIO 1SS373(TPH3,F) | [AUS] |
| | 1790001641 | S.DIO 1SS373(TPH3,F) | [UK] |
| | 1790001641 | S.DIO 1SS373(TPH3,F) | [DEN] |
| | 1790001641 | S.DIO 1SS373(TPH3,F) | [SEA] |
| | 1790001641 | S.DIO 1SS373(TPH3,F) | [OTH] |
| | 1750001460 | S.DIO 1SS389(TPH3,F) | [USA-1] |
| | 1750001460 | S.DIO 1SS389(TPH3,F) | [OTH-1] |
| | 1750001460 | S.DIO 1SS389(TPH3,F) | [CHN] |
| | 1750001460 | S.DIO 1SS389(TPH3,F) | [USA-2] |
| | 1750001460 | S.DIO 1SS389(TPH3,F) | [OTH-2] |
| | 1750001460 | S.DIO 1SS389(TPH3,F) | [CHN-1] |
| D94 | 1790001641 | S.DIO 1SS373(TPH3,F) | [USA] |
| | 1790001641 | S.DIO 1SS373(TPH3,F) | [EUR] |
| | 1790001641 | S.DIO 1SS373(TPH3,F) | [AUS] |
| | 1790001641 | S.DIO 1SS373(TPH3,F) | [UK] |
| | 1790001641 | S.DIO 1SS373(TPH3,F) | [DEN] |
| | 1790001641 | S.DIO 1SS373(TPH3,F) | [SEA] |
| | 1790001641 | S.DIO 1SS373(TPH3,F) | [OTH] |
| | 1750001460 | S.DIO 1SS389(TPH3,F) | [USA-1] |
| | 1750001460 | S.DIO 1SS389(TPH3,F) | [OTH-1] |
| | 1750001460 | S.DIO 1SS389(TPH3,F) | [CHN] |
| | 1750001460 | S.DIO 1SS389(TPH3,F) | [USA-2] |
| | 1750001460 | S.DIO 1SS389(TPH3,F) | [OTH-2] |
| | 1750001460 | S.DIO 1SS389(TPH3,F) | [CHN-1] |
| X1 | 6050005712 | XTA CR-275B HC-49/U 30.000 MHz | |
| L1 | 6170000231 | COI LW-25A | |
| L2 | 6150004370 | COI LS-472C (C-15045) | |
| L3 | 6200003950 | S.COI HF50ACC 322513-T | |
| L4 | 6150004250 | COI LS-471A (C-14922) | |
| L5 | 6150004250 | COI LS-471A (C-14922) | |
| L22 | 6200003171 | S.COI NLV32T-330J | |
| L23 | 6200003181 | S.COI NLV32T-390J | |
| L24 | 6200003181 | S.COI NLV32T-390J | |
| L25 | 6200001831 | S.COI NLV32T-100J | |
| L26 | 6200003191 | S.COI NLV32T-470J | |
| L27 | 6200003191 | S.COI NLV32T-470J | |
| L71 | 6170000231 | COI LW-25A | |
| L72 | 6190001371 | COI #E544GN-110254 | |
| L73 | 6170000231 | COI LW-25A | |
| L81 | 6180003390 | COI SP0406-1R2K-6 | [USA] |
| | 6180003390 | COI SP0406-1R2K-6 | [EUR] |
| | 6180003390 | COI SP0406-1R2K-6 | [AUS] |
| | 6180003390 | COI SP0406-1R2K-6 | [UK] |
| | 6170000231 | COI LW-25A | [DEN] |
| | 6170000231 | COI LW-25A | [SEA] |
| | 6180003390 | COI SP0406-1R2K-6 | [OTH] |
| | 6180003390 | COI SP0406-1R2K-6 | [USA-1] |
| | 6180003390 | COI SP0406-1R2K-6 | [OTH-1] |
| | 6180003390 | COI SP0406-1R2K-6 | [CHN] |
| | 6180003390 | COI SP0406-1R2K-6 | [USA-2] |
| | 6180003390 | COI SP0406-1R2K-6 | [OTH-2] |
| | 6180003390 | COI SP0406-1R2K-6 | [CHN-1] |
| L82 | 6190001281 | COI #E544GN-110248 | |

[PLL UNIT]

| REF NO. | ORDER NO. | DESCRIPTION | | |
|---------|------------|-----------------------------|-------------------|--|
| L83 | 6180003390 | COI SP0406-1R2K-6 | [USA] | |
| | 6180003390 | COI SP0406-1R2K-6 | [EUR] | |
| | 6180003390 | COI SP0406-1R2K-6 | [AUS] | |
| | 6180003390 | COI SP0406-1R2K-6 | [UK] | |
| | 6170000231 | COI LW-25A | [DEN] | |
| | 6170000231 | COI LW-25A | [SEA] | |
| | 6180003390 | COI SP0406-1R2K-6 | [OTH] | |
| | 6180003390 | COI SP0406-1R2K-6 | [USA-1] | |
| | 6180003390 | COI SP0406-1R2K-6 | [OTH-1] | |
| | 6180003390 | COI SP0406-1R2K-6 | [CHN] | |
| | 6180003390 | COI SP0406-1R2K-6 | [USA-2] | |
| | 6180003390 | COI SP0406-1R2K-6 | [OTH-2] | |
| | 6180003390 | COI SP0406-1R2K-6 | [CHN-1] | |
| | L91 | 6180002961 | S.COI NLV32T-R18J | |
| | L92 | 6180002981 | S.COI NLV32T-056J | |
| | L93 | 6180002971 | S.COI NLV32T-068J | |
| | L94 | 6200001831 | S.COI NLV32T-100J | |
| | L151 | 6200003131 | S.COI NLV32T-120J | |
| | L152 | 6200003141 | S.COI NLV32T-150J | |
| | L153 | 6200001831 | S.COI NLV32T-100J | |
| L201 | 6200005491 | S.COI NLV32T-331J | | |
| L202 | 6200008641 | S.COI NLV32T-391J | | |
| L203 | 6200001831 | S.COI NLV32T-100J | | |
| L204 | 6200003640 | S.COI MLF1608E 100K-T | | |
| L205 | 6200003640 | S.COI MLF1608E 100K-T | | |
| L206 | 6200004790 | S.COI MLF1608D R47K-T | | |
| L207 | 6200003950 | S.COI HF50ACC 322513-T | | |
| L208 | 6200003950 | S.COI HF50ACC 322513-T | | |
| R1 | 7030003320 | S.RES ERJ3GEYJ 101 V (100) | | |
| R2 | 7030003580 | S.RES ERJ3GEYJ 153 V (15K) | | |
| R3 | 7030003520 | S.RES ERJ3GEYJ 472 V (4.7K) | | |
| R4 | 7030003430 | S.RES ERJ3GEYJ 821 V (820) | | |
| R5 | 7030003370 | S.RES ERJ3GEYJ 271 V (270) | | |
| R6 | 7030003320 | S.RES ERJ3GEYJ 101 V (100) | | |
| R7 | 7030003600 | S.RES ERJ3GEYJ 223 V (22K) | | |
| R8 | 7030003560 | S.RES ERJ3GEYJ 103 V (10K) | | |
| R9 | 7030003370 | S.RES ERJ3GEYJ 271 V (270) | | |
| R10 | 7030003640 | S.RES ERJ3GEYJ 473 V (47K) | | |
| R11 | 7030003320 | S.RES ERJ3GEYJ 101 V (100) | | |
| R12 | 7030003360 | S.RES ERJ3GEYJ 221 V (220) | | |
| R13 | 7030003200 | S.RES ERJ3GEYJ 100 V (10) | | |
| R21 | 7030003370 | S.RES ERJ3GEYJ 271 V (270) | | |
| R22 | 7030003560 | S.RES ERJ3GEYJ 103 V (10K) | | |
| R23 | 7030007220 | S.RES ERA3YED 202V (2K) | [USA] | |
| | 7030007220 | S.RES ERA3YED 202V (2K) | [EUR] | |
| | 7030007220 | S.RES ERA3YED 202V (2K) | [AUS] | |
| | 7030007220 | S.RES ERA3YED 202V (2K) | [UK] | |
| | 7030007220 | S.RES ERA3YED 202V (2K) | [DEN] | |
| | 7030007220 | S.RES ERA3YED 202V (2K) | [SEA] | |
| | 7030007220 | S.RES ERA3YED 202V (2K) | [OTH] | |
| | 7030007220 | S.RES ERA3YED 202V (2K) | [USA-1] | |
| | 7030007220 | S.RES ERA3YED 202V (2K) | [OTH-1] | |
| | 7030005400 | S.RES RR0816P-202-D (2K)0 | [CHN] | |
| | 7030005400 | S.RES RR0816P-202-D (2K)0 | [USA-2] | |
| | 7030005400 | S.RES RR0816P-202-D (2K)0 | [OTH-2] | |
| | 7030005400 | S.RES RR0816P-202-D (2K)0 | [CHN-1] | |
| R24 | 7030007220 | S.RES ERA3YED 202V (2K) | [USA] | |
| | 7030007220 | S.RES ERA3YED 202V (2K) | [EUR] | |
| | 7030007220 | S.RES ERA3YED 202V (2K) | [AUS] | |
| | 7030007220 | S.RES ERA3YED 202V (2K) | [UK] | |
| | 7030007220 | S.RES ERA3YED 202V (2K) | [DEN] | |
| | 7030007220 | S.RES ERA3YED 202V (2K) | [SEA] | |
| | 7030007220 | S.RES ERA3YED 202V (2K) | [OTH] | |
| | 7030007220 | S.RES ERA3YED 202V (2K) | [USA-1] | |
| | 7030007220 | S.RES ERA3YED 202V (2K) | [OTH-1] | |
| | 7030005400 | S.RES RR0816P-202-D (2K)0 | [CHN] | |
| | 7030005400 | S.RES RR0816P-202-D (2K)0 | [USA-2] | |
| | 7030005400 | S.RES RR0816P-202-D (2K)0 | [OTH-2] | |
| | 7030005400 | S.RES RR0816P-202-D (2K)0 | [CHN-1] | |
| R25 | 7030007220 | S.RES ERA3YED 202V (2K) | [USA] | |
| | 7030007220 | S.RES ERA3YED 202V (2K) | [EUR] | |
| | 7030007220 | S.RES ERA3YED 202V (2K) | [AUS] | |
| | 7030007220 | S.RES ERA3YED 202V (2K) | [UK] | |
| | 7030007220 | S.RES ERA3YED 202V (2K) | [DEN] | |
| | 7030007220 | S.RES ERA3YED 202V (2K) | [SEA] | |
| | 7030007220 | S.RES ERA3YED 202V (2K) | [OTH] | |
| | 7030005400 | S.RES RR0816P-202-D (2K)0 | [CHN] | |
| | 7030005400 | S.RES RR0816P-202-D (2K)0 | [USA-2] | |
| | 7030005400 | S.RES RR0816P-202-D (2K)0 | [OTH-2] | |
| | 7030005400 | S.RES RR0816P-202-D (2K)0 | [CHN-1] | |
| R26 | 7030007220 | S.RES ERA3YED 202V (2K) | [USA] | |
| | 7030007220 | S.RES ERA3YED 202V (2K) | [EUR] | |
| | 7030007220 | S.RES ERA3YED 202V (2K) | [AUS] | |
| | 7030007220 | S.RES ERA3YED 202V (2K) | [UK] | |
| | 7030007220 | S.RES ERA3YED 202V (2K) | [DEN] | |
| | 7030007220 | S.RES ERA3YED 202V (2K) | [SEA] | |
| | 7030007220 | S.RES ERA3YED 202V (2K) | [OTH] | |
| | 7030005400 | S.RES RR0816P-202-D (2K)0 | [CHN] | |
| | 7030005400 | S.RES RR0816P-202-D (2K)0 | [USA-2] | |
| | 7030005400 | S.RES RR0816P-202-D (2K)0 | [OTH-2] | |
| | 7030005400 | S.RES RR0816P-202-D (2K)0 | [CHN-1] | |

M.=Mounted side (T: Mounted on the Top side, B: Mounted on the Bottom side)
S.=Surface mount

[PLL UNIT]

| REF NO. | ORDER NO. | DESCRIPTION | |
|---------|------------|-----------------------------|---------|
| R220 | 7030007210 | S.RES ERA3YEB 102V (1K) | [USA] |
| | 7030007210 | S.RES ERA3YEB 102V (1K) | [EUR] |
| | 7030007210 | S.RES ERA3YEB 102V (1K) | [AUS] |
| | 7030007210 | S.RES ERA3YEB 102V (1K) | [UK] |
| | 7030007210 | S.RES ERA3YEB 102V (1K) | [DEN] |
| | 7030007210 | S.RES ERA3YEB 102V (1K) | [SEA] |
| | 7030007210 | S.RES ERA3YEB 102V (1K) | [OTH] |
| | 7030007210 | S.RES ERA3YEB 102V (1K) | [USA-1] |
| | 7030007210 | S.RES ERA3YEB 102V (1K) | [OTH-1] |
| | 7030005380 | S.RES RR0816P-102-B (1K)0 | [CHN] |
| | 7030005380 | S.RES RR0816P-102-B (1K)0 | [USA-2] |
| | 7030005380 | S.RES RR0816P-102-B (1K)0 | [OTH-2] |
| | 7030005380 | S.RES RR0816P-102-B (1K)0 | [CHN-1] |
| R221 | 7030007210 | S.RES ERA3YEB 102V (1K) | [USA] |
| | 7030007210 | S.RES ERA3YEB 102V (1K) | [EUR] |
| | 7030007210 | S.RES ERA3YEB 102V (1K) | [AUS] |
| | 7030007210 | S.RES ERA3YEB 102V (1K) | [UK] |
| | 7030007210 | S.RES ERA3YEB 102V (1K) | [DEN] |
| | 7030007210 | S.RES ERA3YEB 102V (1K) | [SEA] |
| | 7030007210 | S.RES ERA3YEB 102V (1K) | [OTH] |
| | 7030007210 | S.RES ERA3YEB 102V (1K) | [USA-1] |
| | 7030007210 | S.RES ERA3YEB 102V (1K) | [OTH-1] |
| | 7030005380 | S.RES RR0816P-102-B (1K)0 | [CHN] |
| | 7030005380 | S.RES RR0816P-102-B (1K)0 | [USA-2] |
| | 7030005380 | S.RES RR0816P-102-B (1K)0 | [OTH-2] |
| | 7030005380 | S.RES RR0816P-102-B (1K)0 | [CHN-1] |
| R222 | 7030007210 | S.RES ERA3YEB 102V (1K) | [USA] |
| | 7030007210 | S.RES ERA3YEB 102V (1K) | [EUR] |
| | 7030007210 | S.RES ERA3YEB 102V (1K) | [AUS] |
| | 7030007210 | S.RES ERA3YEB 102V (1K) | [UK] |
| | 7030007210 | S.RES ERA3YEB 102V (1K) | [DEN] |
| | 7030007210 | S.RES ERA3YEB 102V (1K) | [SEA] |
| | 7030007210 | S.RES ERA3YEB 102V (1K) | [OTH] |
| | 7030007210 | S.RES ERA3YEB 102V (1K) | [USA-1] |
| | 7030007210 | S.RES ERA3YEB 102V (1K) | [OTH-1] |
| | 7030005380 | S.RES RR0816P-102-B (1K)0 | [CHN] |
| | 7030005380 | S.RES RR0816P-102-B (1K)0 | [USA-2] |
| | 7030005380 | S.RES RR0816P-102-B (1K)0 | [OTH-2] |
| | 7030005380 | S.RES RR0816P-102-B (1K)0 | [CHN-1] |
| R228 | 7030003430 | S.RES ERJ3GEVJ 821 V (820) | |
| R230 | 7030003440 | S.RES ERJ3GEVJ 102 V (1K) | |
| R231 | 7030003440 | S.RES ERJ3GEVJ 102 V (1K) | |
| R232 | 7030003440 | S.RES ERJ3GEVJ 102 V (1K) | |
| R233 | 7030003440 | S.RES ERJ3GEVJ 102 V (1K) | |
| R235 | 7030003440 | S.RES ERJ3GEVJ 102 V (1K) | |
| R237 | 7030003520 | S.RES ERJ3GEVJ 472 V (4.7K) | |
| W1 | 7030003860 | S.RES ERJ3GE JPW V | |
| W2 | 7030003860 | S.RES ERJ3GE JPW V | |
| W18 | 7030003860 | S.RES ERJ3GE JPW V | |
| W19 | 7030003860 | S.RES ERJ3GE JPW V | |
| W20 | 7030003860 | S.RES ERJ3GE JPW V | |
| C1 | 4030008310 | S.CER C1608 UJ 1H 390J-T | |
| C3 | 4030006880 | S.CER C1608 JB 1H 472K-T | |
| C4 | 4030006880 | S.CER C1608 JB 1H 472K-T | |
| C5 | 4030007630 | S.CER C1608 RH 1H 121J-T | |
| C6 | 4030006880 | S.CER C1608 JB 1H 472K-T | |
| C7 | 4030006880 | S.CER C1608 JB 1H 472K-T | |
| C8 | 4030006880 | S.CER C1608 JB 1H 472K-T | |
| C9 | 4030007170 | S.CER C1608 CH 1H 221J-T | |
| C10 | 4030007030 | S.CER C1608 CH 1H 150J-T | |
| C11 | 4030006880 | S.CER C1608 JB 1H 472K-T | |
| C12 | 4030006910 | S.CER C1608 CH 1H 0R5C-T | |
| C13 | 4030007030 | S.CER C1608 CH 1H 150J-T | |
| C14 | 4030006880 | S.CER C1608 JB 1H 472K-T | |
| C15 | 4030006880 | S.CER C1608 JB 1H 472K-T | |
| C16 | 4030007610 | S.CER C1608 RH 1H 820J-T | |
| C21 | 4030006880 | S.CER C1608 JB 1H 472K-T | |
| C23 | 4030011600 | S.CER C1608 JB 1E 104K-T | |
| C24 | 4510008500 | S.ELE EEE1CA101WP | |
| C25 | 4030011600 | S.CER C1608 JB 1E 104K-T | |
| C26 | 4030011600 | S.CER C1608 JB 1E 104K-T | |
| C27 | 4030011600 | S.CER C1608 JB 1E 104K-T | |
| C28 | 4030011600 | S.CER C1608 JB 1E 104K-T | |
| C29 | 4030011600 | S.CER C1608 JB 1E 104K-T | |
| C30 | 4030011600 | S.CER C1608 JB 1E 104K-T | |
| C31 | 4030011600 | S.CER C1608 JB 1E 104K-T | |
| C32 | 4030011600 | S.CER C1608 JB 1E 104K-T | |
| C33 | 4030011600 | S.CER C1608 JB 1E 104K-T | |
| C34 | 4030011600 | S.CER C1608 JB 1E 104K-T | |
| C35 | 4030011600 | S.CER C1608 JB 1E 104K-T | |
| C36 | 4030011600 | S.CER C1608 JB 1E 104K-T | |
| C37 | 4030007070 | S.CER C1608 CH 1H 330J-T | |
| C38 | 4030007010 | S.CER C1608 CH 1H 100D-T | |
| C39 | 4030011540 | S.CER C1608 CH 1H 750J-T | |
| C40 | 4030006980 | S.CER C1608 CH 1H 070D-T | |
| C41 | 4030007120 | S.CER C1608 CH 1H 820J-T | |
| C42 | 4030006930 | S.CER C1608 CH 1H 020C-T | |
| C43 | 4030007100 | S.CER C1608 CH 1H 560J-T | |
| C44 | 4030007010 | S.CER C1608 CH 1H 100D-T | |
| C45 | 4030006860 | S.CER C1608 JB 1H 102K-T | |
| C46 | 4030006860 | S.CER C1608 JB 1H 102K-T | |
| C50 | 4030006880 | S.CER C1608 JB 1H 472K-T | |
| C51 | 4030011600 | S.CER C1608 JB 1E 104K-T | |
| C52 | 4030006880 | S.CER C1608 JB 1H 472K-T | |
| C53 | 4030006880 | S.CER C1608 JB 1H 472K-T | |
| C54 | 4030006880 | S.CER C1608 JB 1H 472K-T | |
| C55 | 4030006880 | S.CER C1608 JB 1H 472K-T | |
| C56 | 4030007110 | S.CER C1608 CH 1H 680J-T | |
| C57 | 4030007090 | S.CER C1608 CH 1H 470J-T | |
| C58 | 4030007100 | S.CER C1608 CH 1H 560J-T | |

[PLL UNIT]

| REF NO. | ORDER NO. | DESCRIPTION | |
|---------|------------|---------------------------------------|---------|
| C59 | 4030011840 | S.CER C1608 CH 1H 241J-T | |
| C60 | 4030009580 | S.CER C1608 JB 1H 681K-T | |
| C71 | 4550006250 | S.TAN TEESVA 1A 106M8R | |
| C72 | 4030011600 | S.CER C1608 JB 1E 104K-T | |
| C73 | 4030006850 | S.CER C1608 JB 1H 471K-T | |
| C74 | 4510008540 | S.ELE EEE1CA100SR | |
| C75 | 4030007140 | S.CER C1608 CH 1H 121J-T | |
| C76 | 4610001830 | S.TRI TZB4S100AB10R00(TZBX4N100BA110) | |
| C77 | 4030007010 | S.CER C1608 CH 1H 100D-T | |
| C78 | 4030006880 | S.CER C1608 JB 1H 472K-T | |
| C79 | 4030009540 | S.CER C1608 CH 1H 1R5B-T | |
| C80 | 4030006880 | S.CER C1608 JB 1H 472K-T | |
| C81 | 4030006880 | S.CER C1608 JB 1H 472K-T | |
| C82 | 4030011600 | S.CER C1608 JB 1E 104K-T | |
| C83 | 4030006850 | S.CER C1608 JB 1H 471K-T | |
| C84 | 4510008540 | S.ELE EEE1CA100SR | [USA] |
| | 4510008540 | S.ELE EEE1CA100SR | [EUR] |
| | 4510004630 | S.ELE ECEV1CA100SR | [AUS] |
| | 4510008540 | S.ELE EEE1CA100SR | [UK] |
| | 4510004630 | S.ELE ECEV1CA100SR | [DEN] |
| | 4510008540 | S.ELE EEE1CA100SR | [SEA] |
| | 4510008540 | S.ELE EEE1CA100SR | [OTH] |
| | 4510008540 | S.ELE EEE1CA100SR | [USA-1] |
| | 4510008540 | S.ELE EEE1CA100SR | [OTH-1] |
| | 4510008540 | S.ELE EEE1CA100SR | [CHN] |
| | 4510008540 | S.ELE EEE1CA100SR | [USA-2] |
| | 4510008540 | S.ELE EEE1CA100SR | [OTH-2] |
| | 4510008540 | S.ELE EEE1CA100SR | [CHN-1] |
| C85 | 4030006850 | S.CER C1608 JB 1H 471K-T | |
| C86 | 4610001830 | S.TRI TZB4S100AB10R00(TZBX4N100BA110) | |
| C87 | 4030006950 | S.CER C1608 CH 1H 040C-T | |
| C88 | 4030006880 | S.CER C1608 JB 1H 472K-T | |
| C89 | 4030009510 | S.CER C1608 CH 1H 010B-T | |
| C90 | 4030006880 | S.CER C1608 JB 1H 472K-T | |
| C91 | 4030006880 | S.CER C1608 JB 1H 472K-T | |
| C92 | 4030006880 | S.CER C1608 JB 1H 472K-T | |
| C93 | 4030006880 | S.CER C1608 JB 1H 472K-T | |
| C94 | 4030011600 | S.CER C1608 JB 1E 104K-T | |
| C95 | 4030006880 | S.CER C1608 JB 1H 472K-T | |
| C96 | 4030007080 | S.CER C1608 CH 1H 390J-T | |
| C97 | 4030006990 | S.CER C1608 CH 1H 080D-T | |
| C98 | 4030007090 | S.CER C1608 CH 1H 470J-T | |
| C99 | 4030006930 | S.CER C1608 CH 1H 020C-T | |
| C100 | 4030007080 | S.CER C1608 CH 1H 390J-T | |
| C101 | 4030006880 | S.CER C1608 JB 1H 472K-T | |
| C102 | 4030007020 | S.CER C1608 CH 1H 120J-T | |
| C103 | 4030006970 | S.CER C1608 CH 1H 060D-T | |
| C104 | 4030006880 | S.CER C1608 JB 1H 472K-T | |
| C105 | 4030006880 | S.CER C1608 JB 1H 472K-T | |
| C106 | 4510008500 | S.ELE EEE1CA101WP | |
| C107 | 4030006880 | S.CER C1608 JB 1H 472K-T | |
| C108 | 4030006880 | S.CER C1608 JB 1H 472K-T | |
| C110 | 4030006880 | S.CER C1608 JB 1H 472K-T | |
| C111 | 4030006880 | S.CER C1608 JB 1H 472K-T | |
| C112 | 4030006880 | S.CER C1608 JB 1H 472K-T | |
| C113 | 4030006880 | S.CER C1608 JB 1H 472K-T | |
| C114 | 4030006880 | S.CER C1608 JB 1H 472K-T | |
| C115 | 4030006880 | S.CER C1608 JB 1H 472K-T | |
| C116 | 4030011600 | S.CER C1608 JB 1E 104K-T | |
| C117 | 4030011600 | S.CER C1608 JB 1E 104K-T | |
| C118 | 4030006880 | S.CER C1608 JB 1H 472K-T | |
| C119 | 4510009270 | S.ELE EEEHB1C220UR | |
| C120 | 4030006850 | S.CER C1608 JB 1H 471K-T | |
| C121 | 4030011600 | S.CER C1608 JB 1E 104K-T | |
| C122 | 4030011600 | S.CER C1608 JB 1E 104K-T | |
| C123 | 4030011600 | S.CER C1608 JB 1E 104K-T | |
| C124 | 4030011600 | S.CER C1608 JB 1E 104K-T | |
| C125 | 4030007090 | S.CER C1608 CH 1H 470J-T | |
| C126 | 4550006250 | S.TAN TEESVA 1A 106M8R | |
| C127 | 4030011600 | S.CER C1608 JB 1E 104K-T | |
| C128 | 4030011600 | S.CER C1608 JB 1E 104K-T | |
| C151 | 4030006880 | S.CER C1608 JB 1H 472K-T | |
| C152 | 4030007040 | S.CER C1608 CH 1H 180J-T | |
| C153 | 4030006960 | S.CER C1608 CH 1H 050C-T | |
| C154 | 4030007070 | S.CER C1608 CH 1H 330J-T | |
| C155 | 4030006930 | S.CER C1608 CH 1H 020C-T | |
| C156 | 4030007040 | S.CER C1608 CH 1H 180J-T | |
| C157 | 4030006880 | S.CER C1608 JB 1H 472K-T | |
| C164 | 4030006880 | S.CER C1608 JB 1H 472K-T | |
| C165 | 4510008540 | S.ELE EEE1CA100SR | |
| C167 | 4030011600 | S.CER C1608 JB 1E 104K-T | |
| C201 | 4030006880 | S.CER C1608 JB 1H 472K-T | |
| C202 | 4030006850 | S.CER C1608 JB 1H 471K-T | |
| C203 | 4030007120 | S.CER C1608 CH 1H 820J-T | |
| C204 | 4030009490 | S.CER C1608 JB 1H 821K-T | |
| C205 | 4030007070 | S.CER C1608 CH 1H 330J-T | |
| C206 | 4030010040 | S.CER C1608 JB 1H 561K-T | |
| C207 | 4030006880 | S.CER C1608 JB 1H 472K-T | |
| C214 | 4030006880 | S.CER C1608 JB 1H 472K-T | |
| C215 | 4510008540 | S.ELE EEE1CA100SR | |
| C217 | 4030011600 | S.CER C1608 JB 1E 104K-T | |
| C305 | 4510008540 | S.ELE EEE1CA100SR | |
| C310 | 4030007090 | S.CER C1608 CH 1H 470J-T | |
| C311 | 4030007090 | S.CER C1608 CH 1H 470J-T | |
| C312 | 4030007090 | S.CER C1608 CH 1H 470J-T | |
| C313 | 4030007090 | S.CER C1608 CH 1H 470J-T | |
| C314 | 4030007090 | S.CER C1608 CH 1H 470J-T | |
| C315 | 4030007090 | S.CER C1608 CH 1H 470J-T | |
| C316 | 4030006860 | S.CER C1608 JB 1H 102K-T | |
| C317 | 4030006880 | S.CER C1608 JB 1H 472K-T | |
| C318 | 4030006880 | S.CER C1608 JB 1H 472K-T | |
| C319 | 4030006880 | S.CER C1608 JB 1H 472K-T | |
| C320 | 4030006850 | S.CER C1608 JB 1H 471K-T | |
| C321 | 4030006880 | S.CER C1608 JB 1H 472K-T | |

M.=Mounted side (T: Mounted on the Top side, B: Mounted on the Bottom side)
S.=Surface mount

[PLL UNIT]

| REF NO. | ORDER NO. | DESCRIPTION |
|---------|------------|--------------------------|
| C322 | 4030006880 | S.CER C1608 JB 1H 472K-T |
| C323 | 4030006880 | S.CER C1608 JB 1H 472K-T |
| C324 | 4030006880 | S.CER C1608 JB 1H 472K-T |
| C325 | 4030007100 | S.CER C1608 CH 1H 560J-T |
| C326 | 4030006880 | S.CER C1608 JB 1H 472K-T |
| C327 | 4030006880 | S.CER C1608 JB 1H 472K-T |
| C328 | 4030009500 | S.CER C1608 CH 1H 0R5B-T |
| C329 | 4030006850 | S.CER C1608 JB 1H 471K-T |
| C330 | 4030006880 | S.CER C1608 JB 1H 472K-T |
| C331 | 4030006880 | S.CER C1608 JB 1H 472K-T |
| C332 | 4030006880 | S.CER C1608 JB 1H 472K-T |
| RL1 | 6330001320 | REL AHY103 |
| J2 | 6510019981 | S.CON 52808-1671(1690) |
| J3 | 6450000140 | CON HSJ0807-01-010 |
| J4 | 6450000140 | CON HSJ0807-01-010 |
| EP2 | 6910012350 | S.BEA MMZ1608Y 102BT |
| EP3 | 6910012350 | S.BEA MMZ1608Y 102BT |
| EP4 | 6910012350 | S.BEA MMZ1608Y 102BT |
| EP5 | 6910012350 | S.BEA MMZ1608Y 102BT |
| EP6 | 6910012350 | S.BEA MMZ1608Y 102BT |
| EP7 | 6910012350 | S.BEA MMZ1608Y 102BT |
| EP8 | 6910012350 | S.BEA MMZ1608Y 102BT |
| EP9 | 6910012350 | S.BEA MMZ1608Y 102BT |
| EP10 | 6910012350 | S.BEA MMZ1608Y 102BT |
| EP11 | 6910012350 | S.BEA MMZ1608Y 102BT |
| EP12 | 6910012350 | S.BEA MMZ1608Y 102BT |
| EP13 | 6910012350 | S.BEA MMZ1608Y 102BT |
| EP14 | 6910012350 | S.BEA MMZ1608Y 102BT |

[DISPLAY UNIT]

| REF NO. | ORDER NO. | DESCRIPTION |
|---------|------------|------------------------------|
| IC101 | 1130013870 | S.IC NJU6445FCI-#ZZZB |
| IC102 | 1130003831 | S.IC TC7S04F(TE85R,F) |
| IC103 | 1130008511 | S.IC TC7W53FU(TE12L,F) |
| Q11 | 1530002851 | S.TRA 2SC4116-BL(TE85R,F) |
| Q21 | 1530002851 | S.TRA 2SC4116-BL(TE85R,F) |
| Q31 | 1530002851 | S.TRA 2SC4116-BL(TE85R,F) |
| Q41 | 1530002851 | S.TRA 2SC4116-BL(TE85R,F) |
| Q51 | 1530002851 | S.TRA 2SC4116-BL(TE85R,F) |
| Q61 | 1530002851 | S.TRA 2SC4116-BL(TE85R,F) |
| Q71 | 1530002851 | S.TRA 2SC4116-BL(TE85R,F) |
| Q81 | 1530002851 | S.TRA 2SC4116-BL(TE85R,F) |
| R11 | 7030000320 | S.RES MCR10EZHZJ 330 (331) |
| R12 | 7030003360 | S.RES ERJ3GEYJ 221 V (220) |
| R21 | 7030000320 | S.RES MCR10EZHZJ 330 (331) |
| R22 | 7030003360 | S.RES ERJ3GEYJ 221 V (220) |
| R31 | 7030000320 | S.RES MCR10EZHZJ 330 (331) |
| R32 | 7030003360 | S.RES ERJ3GEYJ 221 V (220) |
| R41 | 7030000320 | S.RES MCR10EZHZJ 330 (331) |
| R42 | 7030003360 | S.RES ERJ3GEYJ 221 V (220) |
| R51 | 7030000320 | S.RES MCR10EZHZJ 330 (331) |
| R52 | 7030003360 | S.RES ERJ3GEYJ 221 V (220) |
| R61 | 7030000320 | S.RES MCR10EZHZJ 330 (331) |
| R62 | 7030003360 | S.RES ERJ3GEYJ 221 V (220) |
| R71 | 7030000320 | S.RES MCR10EZHZJ 330 (331) |
| R72 | 7030003360 | S.RES ERJ3GEYJ 221 V (220) |
| R81 | 7030000320 | S.RES MCR10EZHZJ 330 (331) |
| R82 | 7030003360 | S.RES ERJ3GEYJ 221 V (220) |
| C101 | 4030008630 | S.CER C1608 JF 1H 104Z-T |
| C103 | 4030008630 | S.CER C1608 JF 1H 104Z-T |
| C104 | 4030008630 | S.CER C1608 JF 1H 104Z-T |
| C105 | 4030008630 | S.CER C1608 JF 1H 104Z-T |
| C106 | 4030008630 | S.CER C1608 JF 1H 104Z-T |
| J101 | 6510019981 | S.CON 52808-1671(1690) |
| DS11 | 5040002940 | S.LED TLYU1002A(T02) |
| DS12 | 5040002940 | S.LED TLYU1002A(T02) |
| DS13 | 5040002940 | S.LED TLYU1002A(T02) |
| DS21 | 5040002940 | S.LED TLYU1002A(T02) |
| DS22 | 5040002940 | S.LED TLYU1002A(T02) |
| DS23 | 5040002940 | S.LED TLYU1002A(T02) |
| DS31 | 5040002940 | S.LED TLYU1002A(T02) |
| DS32 | 5040002940 | S.LED TLYU1002A(T02) |
| DS33 | 5040002940 | S.LED TLYU1002A(T02) |
| DS41 | 5040002940 | S.LED TLYU1002A(T02) |
| DS42 | 5040002940 | S.LED TLYU1002A(T02) |
| DS43 | 5040002940 | S.LED TLYU1002A(T02) |
| DS51 | 5040002940 | S.LED TLYU1002A(T02) |
| DS52 | 5040002940 | S.LED TLYU1002A(T02) |
| DS53 | 5040002940 | S.LED TLYU1002A(T02) |
| DS61 | 5040002940 | S.LED TLYU1002A(T02) |
| DS62 | 5040002940 | S.LED TLYU1002A(T02) |
| DS63 | 5040002940 | S.LED TLYU1002A(T02) |
| DS71 | 5040002940 | S.LED TLYU1002A(T02) |
| DS72 | 5040002940 | S.LED TLYU1002A(T02) |
| DS73 | 5040002940 | S.LED TLYU1002A(T02) |
| DS81 | 5040002940 | S.LED TLYU1002A(T02) |
| DS82 | 5040002940 | S.LED TLYU1002A(T02) |
| DS83 | 5040002940 | S.LED TLYU1002A(T02) |
| DS101 | 5030001690 | LCD HLC7395-012400 |
| EP2 | 8930049631 | LCD SRCN-2240-SP-N-W-1 (SHJ) |

M.=Mounted side (T: Mounted on the Top side, B: Mounted on the Bottom side)
S.=Surface mount

[MAIN-A UNIT] (For [USA-2], [OTH-2], [CHN-1])

| REF NO. | ORDER NO. | DESCRIPTION |
|---------|------------|---------------------------|
| WS1 | 8600036540 | RX2240 P1241*J1241MA |
| IC551 | 1130011760 | S.IC CD4094BPWR |
| IC552 | 1130011760 | S.IC CD4094BPWR |
| IC561 | 1160000131 | S.IC TD62783AFG(5,S,EL) |
| IC562 | 1160000131 | S.IC TD62783AFG(5,S,EL) |
| IC731 | 1110003141 | IC LA1150N-E |
| IC811 | 1110002601 | S.IC MC1496DR2G |
| IC1001 | 1110007320 | S.IC NJM2591V-TE1-#ZZZB |
| IC1101 | 1110002601 | S.IC MC1496DR2G |
| IC1201 | 1130009100 | S.IC BU4052BCFV-E2 |
| IC1211 | 1110003870 | S.IC NJM2058M-TE1-#ZZZB |
| IC1251 | 1110003300 | S.IC M5282FP 70CD |
| IC1281 | 1130009100 | S.IC BU4052BCFV-E2 |
| IC1291 | 1110003091 | IC LA4425A-E |
| IC1361 | 1180000970 | S.IC AN78L05M-(E1) |
| IC1371 | 1180001531 | IC PQ30RV31J00H |
| IC1391 | 1180001251 | S.IC TA7808F(TE16L,Q) |
| IC1401 | 1180001071 | S.IC TA7805F(TE16L,Q) |
| IC1411 | 1110001401 | S.IC UPC1555G2-E1-A |
| IC1601 | 1130011760 | S.IC CD4094BPWR |
| IC1602 | 1130011760 | S.IC CD4094BPWR |
| IC1603 | 1160000131 | S.IC TD62783AFG(5,S,EL) |
| IC1751 | 1120002510 | S.IC DS14C232TM S |
| IC1771 | 1130005721 | S.IC TC7W04F(TE12L,F) |
| Q151 | 1590000680 | S.TRA DTC114EUA T106 |
| Q381 | 1560000721 | S.FET 2SK2171-4-TD-E |
| Q382 | 1560000721 | S.FET 2SK2171-4-TD-E |
| Q383 | 1590001960 | S.TRA XP4311(TX) |
| Q391 | 1590001960 | S.TRA XP4311(TX) |
| Q392 | 1530000371 | S.TRA 2SC3356-T1B S (R25) |
| Q411 | 1530003151 | S.TRA 2SC4673D-TD-E |
| Q441 | 1560000641 | S.FET 2SK1740-4/5-TB-E |
| Q442 | 1560000641 | S.FET 2SK1740-4/5-TB-E |
| Q471 | 1580000620 | S.FET 3SK131-T2 MAS |
| Q472 | 1590001960 | S.TRA XP4311(TX) |
| Q721 | 1580000620 | S.FET 3SK131-T2 MAS |
| Q731 | 1560000561 | S.FET 2SK882-GR(TE85L,F) |
| Q732 | 1510000510 | S.TRA 2SA1576A T106R |
| Q733 | 1530002060 | S.TRA 2SC4081 T106 R |
| Q734 | 1530002060 | S.TRA 2SC4081 T106 R |
| Q735 | 1530002060 | S.TRA 2SC4081 T106 R |
| Q736 | 1590000680 | S.TRA DTC114EUA T106 |
| Q737 | 1590001960 | S.TRA XP4311(TX) |
| Q801 | 1530002060 | S.TRA 2SC4081 T106 R |
| Q891 | 1580000620 | S.FET 3SK131-T2 MAS |
| Q911 | 1560000561 | S.FET 2SK882-GR(TE85L,F) |
| Q912 | 1530002060 | S.TRA 2SC4081 T106 R |
| Q1001 | 1560000561 | S.FET 2SK882-GR(TE85L,F) |
| Q1031 | 1530002060 | S.TRA 2SC4081 T106 R |
| Q1051 | 1530002060 | S.TRA 2SC4081 T106 R |
| Q1061 | 1590001960 | S.TRA XP4311(TX) |
| Q1063 | 1530002060 | S.TRA 2SC4081 T106 R |
| Q1064 | 1590001960 | S.TRA XP4311(TX) |
| Q1065 | 1590001960 | S.TRA XP4311(TX) |
| Q1066 | 1590001960 | S.TRA XP4311(TX) |
| Q1311 | 1530002060 | S.TRA 2SC4081 T106 R |
| Q1381 | 1540000550 | S.TRA 2SD1664 T100Q |
| Q1382 | 1590000680 | S.TRA DTC114EUA T106 |
| Q1771 | 1510000510 | S.TRA 2SA1576A T106R |
| Q1772 | 1530002060 | S.TRA 2SC4081 T106 R |
| D121 | 1790000620 | S.DIO MA77(TX) |
| D141 | 1750000461 | S.DIO 1SV246-TL-E |
| D142 | 1750000461 | S.DIO 1SV246-TL-E |
| D143 | 1790000620 | S.DIO MA77(TX) |
| D151 | 1750000971 | S.DIO CPH5513-TL-E |
| D172 | 1790000620 | S.DIO MA77(TX) |
| D181 | 1750000971 | S.DIO CPH5513-TL-E |
| D182 | 1790000620 | S.DIO MA77(TX) |
| D202 | 1790000620 | S.DIO MA77(TX) |
| D221 | 1750000971 | S.DIO CPH5513-TL-E |
| D222 | 1790000620 | S.DIO MA77(TX) |
| D242 | 1790000620 | S.DIO MA77(TX) |
| D261 | 1750000971 | S.DIO CPH5513-TL-E |
| D262 | 1790000620 | S.DIO MA77(TX) |
| D282 | 1790000620 | S.DIO MA77(TX) |
| D301 | 1750000971 | S.DIO CPH5513-TL-E |
| D302 | 1790000620 | S.DIO MA77(TX) |
| D322 | 1790000620 | S.DIO MA77(TX) |
| D341 | 1750000441 | S.DIO 1SV263-TL-E |
| D342 | 1790000620 | S.DIO MA77(TX) |
| D371 | 1790000620 | S.DIO MA77(TX) |
| D372 | 1790000620 | S.DIO MA77(TX) |
| D381 | 1790000620 | S.DIO MA77(TX) |
| D382 | 1790000620 | S.DIO MA77(TX) |
| D391 | 1790000620 | S.DIO MA77(TX) |
| D392 | 1790000620 | S.DIO MA77(TX) |
| D491 | 1750000431 | S.DIO HSB88WSTR-E |
| D711 | 1790000620 | S.DIO MA77(TX) |
| D712 | 1790000620 | S.DIO MA77(TX) |
| D713 | 1790000620 | S.DIO MA77(TX) |
| D714 | 1790000620 | S.DIO MA77(TX) |
| D731 | 1790001211 | S.DIO 1SS375-TL-E |
| D732 | 1750000550 | S.DIO 1SS355 TE-17 |
| D761 | 1790000620 | S.DIO MA77(TX) |
| D762 | 1790000620 | S.DIO MA77(TX) |
| D763 | 1790000620 | S.DIO MA77(TX) |
| D764 | 1790000620 | S.DIO MA77(TX) |
| D771 | 1790000620 | S.DIO MA77(TX) |

[MAIN-A UNIT] (For [USA-2], [OTH-2], [CHN-1])

| REF NO. | ORDER NO. | DESCRIPTION |
|---------|------------|--------------------------------|
| D772 | 1790000620 | S.DIO MA77(TX) |
| D773 | 1790000620 | S.DIO MA77(TX) |
| D774 | 1790000620 | S.DIO MA77(TX) |
| D781 | 1790000620 | S.DIO MA77(TX) |
| D782 | 1790000620 | S.DIO MA77(TX) |
| D783 | 1790000620 | S.DIO MA77(TX) |
| D784 | 1790000620 | S.DIO MA77(TX) |
| D831 | 1750000301 | S.DIO 1SS302(TE85R,F) |
| D851 | 1790000620 | S.DIO MA77(TX) |
| D852 | 1790000620 | S.DIO MA77(TX) |
| D861 | 1790000620 | S.DIO MA77(TX) |
| D862 | 1790000620 | S.DIO MA77(TX) |
| D871 | 1790000620 | S.DIO MA77(TX) |
| D872 | 1790000620 | S.DIO MA77(TX) |
| D881 | 1790000620 | S.DIO MA77(TX) |
| D882 | 1790000620 | S.DIO MA77(TX) |
| D1041 | 1790001211 | S.DIO 1SS375-TL-E |
| D1051 | 1790001211 | S.DIO 1SS375-TL-E |
| D1061 | 1790001211 | S.DIO 1SS375-TL-E |
| D1311 | 1750000550 | S.DIO 1SS355 TE-17 |
| D1351 | 1790000700 | DIO DSA3A1 |
| D1371 | 1750000550 | S.DIO 1SS355 TE-17 |
| D1381 | 1750000301 | S.DIO 1SS302(TE85R,F) |
| D1412 | 1750000301 | S.DIO 1SS302(TE85R,F) |
| D1413 | 1730002321 | S.ZEN MAZ8051GML |
| D1771 | 1750000550 | S.DIO 1SS355 TE-17 |
| FI461 | 2010002090 | FIL UM-5 69.0115 MHz (FL-261) |
| FI701 | 2010000270 | FIL 9M15A (FL-23) |
| FI761 | 2010002130 | D.F 9M22D4 9.0115 MHz (FL-272) |
| FI851 | 2020000210 | CER CFJ455K5 (FL-65) |
| FI861 | 2020002510 | CER LTW450HT <JJE> |
| FI871 | 2020002250 | CER LT450EW <JJE> |
| X1001 | 6070000300 | S.DIS JTBM450CX24 <JJE> |
| L101 | 6140002070 | COI LR-233 |
| L131 | 6200003431 | S.COI NLV32T-R10J |
| L132 | 6200003421 | S.COI NLV32T-R15J |
| L151 | 6200005491 | S.COI NLV32T-331J |
| L161 | 6200005491 | S.COI NLV32T-331J |
| L162 | 6180003550 | COI SP0406-4R7K-6 |
| L163 | 6180003560 | COI SP0406-5R6K-6 |
| L171 | 6200005491 | S.COI NLV32T-331J |
| L172 | 6200002961 | S.COI NLV32T-4R7J |
| L173 | 6200003111 | S.COI NLV32T-6R8J |
| L181 | 6200005491 | S.COI NLV32T-331J |
| L182 | 6200003091 | S.COI NLV32T-2R7J |
| L183 | 6200003101 | S.COI NLV32T-3R9J |
| L184 | 6200005491 | S.COI NLV32T-331J |
| L201 | 6200005491 | S.COI NLV32T-331J |
| L202 | 6200002991 | S.COI NLV32T-2R2J |
| L203 | 6200002991 | S.COI NLV32T-2R2J |
| L204 | 6200003321 | S.COI NLV32T-3R3J |
| L205 | 6200002961 | S.COI NLV32T-4R7J |
| L221 | 6200003241 | S.COI NLV32T-221J |
| L222 | 6200003081 | S.COI NLV32T-1R8J |
| L223 | 6200003061 | S.COI NLV32T-1R2J |
| L224 | 6200003071 | S.COI NLV32T-1R5J |
| L225 | 6200003071 | S.COI NLV32T-1R5J |
| L241 | 6200003241 | S.COI NLV32T-221J |
| L242 | 6200003061 | S.COI NLV32T-1R2J |
| L243 | 6200003331 | S.COI NLV32T-1R0J |
| L244 | 6200003331 | S.COI NLV32T-1R0J |
| L245 | 6200003081 | S.COI NLV32T-1R8J |
| L261 | 6200003241 | S.COI NLV32T-221J |
| L262 | 6200003251 | S.COI NLV32T-R39J |
| L263 | 6200002981 | S.COI NLV32T-R56J |
| L264 | 6200003041 | S.COI NLV32T-R68J |
| L265 | 6200003331 | S.COI NLV32T-1R0J |
| L281 | 6200001831 | S.COI NLV32T-100J |
| L282 | 6200003021 | S.COI NLV32T-R33J |
| L283 | 6200003251 | S.COI NLV32T-R39J |
| L284 | 6200003031 | S.COI NLV32T-R47J |
| L285 | 6200003031 | S.COI NLV32T-R47J |
| L301 | 6200001831 | S.COI NLV32T-100J |
| L302 | 6200003021 | S.COI NLV32T-R33J |
| L303 | 6200003011 | S.COI NLV32T-R27J |
| L304 | 6200003021 | S.COI NLV32T-R33J |
| L305 | 6200003031 | S.COI NLV32T-R47J |
| L321 | 6200001831 | S.COI NLV32T-100J |
| L322 | 6200003001 | S.COI NLV32T-R22J |
| L323 | 6200003421 | S.COI NLV32T-R15J |
| L324 | 6180002961 | S.COI NLV32T-R18J |
| L325 | 6200003001 | S.COI NLV32T-R22J |
| L326 | 6200003001 | S.COI NLV32T-R22J |
| L341 | 6200001831 | S.COI NLV32T-100J |
| L342 | 6200001471 | S.COI NLV32T-R12J |
| L343 | 6200003421 | S.COI NLV32T-R15J |
| L345 | 6200003421 | S.COI NLV32T-R15J |
| L346 | 6200001471 | S.COI NLV32T-R12J |
| L361 | 6200005491 | S.COI NLV32T-331J |
| L362 | 6200005491 | S.COI NLV32T-331J |
| L371 | 6200003241 | S.COI NLV32T-221J |
| L381 | 6140000640 | COI LR-86 |
| L382 | 6200003071 | S.COI NLV32T-1R5J |
| L383 | 6140003530 | COI LR-395 |
| L384 | 6200005491 | S.COI NLV32T-331J |
| L385 | 6170000291 | COI LW-30-LF |
| L391 | 6200003241 | S.COI NLV32T-221J |
| L392 | 6140004760 | COI LR-536 4KBL-S090150 |

M.=Mounted side (T: Mounted on the Top side, B: Mounted on the Bottom side)
S.=Surface mount

[MAIN-A UNIT] (For [USA-2], [OTH-2], [CHN-1])

| REF NO. | ORDER NO. | DESCRIPTION |
|---------|------------|-----------------------------|
| L393 | 6140004760 | COI LR-536 4KBL-S090150 |
| L394 | 6180003760 | COI SP0406-102J-PF |
| L395 | 6200002041 | S.COI NLV25T-101J |
| L396 | 6200003241 | S.COI NLV32T-221J |
| L401 | 6200005491 | S.COI NLV32T-331J |
| L411 | 6200003001 | S.COI NLV32T-R22J |
| L412 | 6200003021 | S.COI NLV32T-R33J |
| L413 | 6200001831 | S.COI NLV32T-100J |
| L421 | 6200003431 | S.COI NLV32T-R10J |
| L422 | 6200003421 | S.COI NLV32T-R15J |
| L431 | 6200003431 | S.COI NLV32T-R10J |
| L432 | 6200003421 | S.COI NLV32T-R15J |
| L441 | 6140003530 | COI LR-395 |
| L442 | 6200003431 | S.COI NLV32T-R10J |
| L443 | 6150004270 | COI LS-483A (C-14924) |
| L444 | 6200001831 | S.COI NLV32T-100J |
| L461 | 6150004270 | COI LS-483A (C-14924) |
| L462 | 6150004270 | COI LS-483A (C-14924) |
| L471 | 6150004280 | COI LS-484B (C-14927) |
| L491 | 6140002810 | S.COI LR-317 |
| L492 | 6140002810 | S.COI LR-317 |
| L701 | 6150000711 | COI LS-452 |
| L711 | 6150000711 | COI LS-452 |
| L712 | 6150000711 | COI LS-452 |
| L721 | 6200001831 | S.COI NLV32T-100J |
| L731 | 6150004050 | COI LS-466 |
| L732 | 6150004050 | COI LS-466 |
| L733 | 6200003241 | S.COI NLV32T-221J |
| L891 | 6150002291 | COI LS-450 |
| L892 | 6150002291 | COI LS-450 |
| L911 | 6150002291 | COI LS-450 |
| L1001 | 6200003241 | S.COI NLV32T-221J |
| L1291 | 6180003640 | COI SZW1012T-142-0.3 |
| L1311 | 6200003241 | S.COI NLV32T-221J |
| L1411 | 6200003241 | S.COI NLV32T-221J |
| L1412 | 6200005491 | S.COI NLV32T-331J |
| L1771 | 6200003241 | S.COI NLV32T-221J |
| R101 | 7030003640 | S.RES ERJ3GEYJ 473 V (47K) |
| R102 | 7540000090 | ABS DSP-201M-S00B |
| R111 | 7030003640 | S.RES ERJ3GEYJ 473 V (47K) |
| R112 | 7540000090 | ABS DSP-201M-S00B |
| R121 | 7030003360 | S.RES ERJ3GEYJ 221 V (220) |
| R141 | 7030003480 | S.RES ERJ3GEYJ 222 V (2.2K) |
| R142 | 7030003400 | S.RES ERJ3GEYJ 471 V (470) |
| R143 | 7030003380 | S.RES ERJ3GEYJ 331 V (330) |
| R144 | 7030003300 | S.RES ERJ3GEYJ 680 V (68) |
| R145 | 7030003360 | S.RES ERJ3GEYJ 221 V (220) |
| R151 | 7030006260 | S.RES ERJ12YJ471U (470) |
| R152 | 7030003560 | S.RES ERJ3GEYJ 103 V (10K) |
| R171 | 7030003370 | S.RES ERJ3GEYJ 271 V (270) |
| R172 | 7030003230 | S.RES ERJ3GEYJ 180 V (18) |
| R173 | 7030003370 | S.RES ERJ3GEYJ 271 V (270) |
| R174 | 7030003200 | S.RES ERJ3GEYJ 100 V (10) |
| R181 | 7030003320 | S.RES ERJ3GEYJ 101 V (100) |
| R201 | 7030003320 | S.RES ERJ3GEYJ 101 V (100) |
| R221 | 7030003320 | S.RES ERJ3GEYJ 101 V (100) |
| R241 | 7030003320 | S.RES ERJ3GEYJ 101 V (100) |
| R261 | 7030003320 | S.RES ERJ3GEYJ 101 V (100) |
| R281 | 7030003320 | S.RES ERJ3GEYJ 101 V (100) |
| R301 | 7030003320 | S.RES ERJ3GEYJ 101 V (100) |
| R321 | 7030003320 | S.RES ERJ3GEYJ 101 V (100) |
| R341 | 7030003320 | S.RES ERJ3GEYJ 101 V (100) |
| R361 | 7030006260 | S.RES ERJ12YJ471U (470) |
| R362 | 7030006260 | S.RES ERJ12YJ471U (470) |
| R371 | 7030003320 | S.RES ERJ3GEYJ 101 V (100) |
| R372 | 7030003320 | S.RES ERJ3GEYJ 101 V (100) |
| R381 | 7030003320 | S.RES ERJ3GEYJ 101 V (100) |
| R382 | 7030003280 | S.RES ERJ3GEYJ 470 V (47) |
| R383 | 7030003280 | S.RES ERJ3GEYJ 470 V (47) |
| R384 | 7030003320 | S.RES ERJ3GEYJ 101 V (100) |
| R385 | 7030003320 | S.RES ERJ3GEYJ 101 V (100) |
| R386 | 7030003320 | S.RES ERJ3GEYJ 101 V (100) |
| R391 | 7030003320 | S.RES ERJ3GEYJ 101 V (100) |
| R392 | 7030003490 | S.RES ERJ3GEYJ 272 V (2.7K) |
| R393 | 7030003460 | S.RES ERJ3GEYJ 152 V (1.5K) |
| R394 | 7030003280 | S.RES ERJ3GEYJ 470 V (47) |
| R395 | 7030003320 | S.RES ERJ3GEYJ 101 V (100) |
| R396 | 7030003280 | S.RES ERJ3GEYJ 470 V (47) |
| R401 | 7030006260 | S.RES ERJ12YJ471U (470) |
| R411 | 7030003300 | S.RES ERJ3GEYJ 680 V (68) |
| R412 | 7030003520 | S.RES ERJ3GEYJ 472 V (4.7K) |
| R413 | 7030003410 | S.RES ERJ3GEYJ 561 V (560) |
| R414 | 7030003200 | S.RES ERJ3GEYJ 100 V (10) |
| R415 | 7030003280 | S.RES ERJ3GEYJ 470 V (47) |
| R419 | 7030000010 | S.RES MCR10EZHZ JPW (000) |
| R442 | 7030003410 | S.RES ERJ3GEYJ 561 V (560) |
| R443 | 7030003410 | S.RES ERJ3GEYJ 561 V (560) |
| R444 | 7310005580 | S.TRI TMC3ADCS3X (4.7K) |
| R445 | 7030003280 | S.RES ERJ3GEYJ 470 V (47) |
| R446 | 7030003560 | S.RES ERJ3GEYJ 103 V (10K) |
| R447 | 7030003280 | S.RES ERJ3GEYJ 470 V (47) |
| R448 | 7030003400 | S.RES ERJ3GEYJ 471 V (470) |
| R449 | 7030003320 | S.RES ERJ3GEYJ 101 V (100) |
| R471 | 7030003760 | S.RES ERJ3GEYJ 474 V (470K) |
| R472 | 7030003280 | S.RES ERJ3GEYJ 470 V (47) |
| R473 | 7030003200 | S.RES ERJ3GEYJ 100 V (10) |
| R474 | 7030003520 | S.RES ERJ3GEYJ 472 V (4.7K) |
| R475 | 7030003580 | S.RES ERJ3GEYJ 153 V (15K) |
| R476 | 7030003480 | S.RES ERJ3GEYJ 222 V (2.2K) |
| R477 | 7030003340 | S.RES ERJ3GEYJ 151 V (150) |
| R478 | 7030003480 | S.RES ERJ3GEYJ 222 V (2.2K) |
| R479 | 7030003280 | S.RES ERJ3GEYJ 470 V (47) |

[MAIN-A UNIT] (For [USA-2], [OTH-2], [CHN-1])

| REF NO. | ORDER NO. | DESCRIPTION |
|---------|------------|-----------------------------|
| R480 | 7030000010 | S.RES MCR10EZHZ JPW (000) |
| R491 | 7030003370 | S.RES ERJ3GEYJ 271 V (270) |
| R492 | 7030003230 | S.RES ERJ3GEYJ 180 V (18) |
| R493 | 7030003370 | S.RES ERJ3GEYJ 271 V (270) |
| R563 | 7030003640 | S.RES ERJ3GEYJ 473 V (47K) |
| R564 | 7030003640 | S.RES ERJ3GEYJ 473 V (47K) |
| R565 | 7030003640 | S.RES ERJ3GEYJ 473 V (47K) |
| R566 | 7030003640 | S.RES ERJ3GEYJ 473 V (47K) |
| R567 | 7030003640 | S.RES ERJ3GEYJ 473 V (47K) |
| R568 | 7030003640 | S.RES ERJ3GEYJ 473 V (47K) |
| R569 | 7030003640 | S.RES ERJ3GEYJ 473 V (47K) |
| R570 | 7030003640 | S.RES ERJ3GEYJ 473 V (47K) |
| R571 | 7030003200 | S.RES ERJ3GEYJ 100 V (10) |
| R572 | 7030003200 | S.RES ERJ3GEYJ 100 V (10) |
| R573 | 7030003200 | S.RES ERJ3GEYJ 100 V (10) |
| R574 | 7030003200 | S.RES ERJ3GEYJ 100 V (10) |
| R575 | 7030003200 | S.RES ERJ3GEYJ 100 V (10) |
| R576 | 7030003200 | S.RES ERJ3GEYJ 100 V (10) |
| R577 | 7030003200 | S.RES ERJ3GEYJ 100 V (10) |
| R578 | 7030003200 | S.RES ERJ3GEYJ 100 V (10) |
| R579 | 7030003640 | S.RES ERJ3GEYJ 473 V (47K) |
| R580 | 7030003640 | S.RES ERJ3GEYJ 473 V (47K) |
| R583 | 7030003640 | S.RES ERJ3GEYJ 473 V (47K) |
| R587 | 7030003200 | S.RES ERJ3GEYJ 100 V (10) |
| R588 | 7030003200 | S.RES ERJ3GEYJ 100 V (10) |
| R589 | 7030003200 | S.RES ERJ3GEYJ 100 V (10) |
| R590 | 7030003200 | S.RES ERJ3GEYJ 100 V (10) |
| R591 | 7030003200 | S.RES ERJ3GEYJ 100 V (10) |
| R592 | 7030003200 | S.RES ERJ3GEYJ 100 V (10) |
| R593 | 7030003200 | S.RES ERJ3GEYJ 100 V (10) |
| R711 | 7030003480 | S.RES ERJ3GEYJ 222 V (2.2K) |
| R712 | 7030003480 | S.RES ERJ3GEYJ 222 V (2.2K) |
| R713 | 7030003360 | S.RES ERJ3GEYJ 221 V (220) |
| R721 | 7030003520 | S.RES ERJ3GEYJ 472 V (4.7K) |
| R722 | 7030003610 | S.RES ERJ3GEYJ 273 V (27K) |
| R723 | 7030003760 | S.RES ERJ3GEYJ 474 V (470K) |
| R724 | 7030003340 | S.RES ERJ3GEYJ 151 V (150) |
| R725 | 7030003320 | S.RES ERJ3GEYJ 101 V (100) |
| R731 | 7030003680 | S.RES ERJ3GEYJ 104 V (100K) |
| R732 | 7030003520 | S.RES ERJ3GEYJ 472 V (4.7K) |
| R733 | 7030003320 | S.RES ERJ3GEYJ 101 V (100) |
| R734 | 7030003320 | S.RES ERJ3GEYJ 101 V (100) |
| R735 | 7030003600 | S.RES ERJ3GEYJ 223 V (22K) |
| R736 | 7310005540 | S.TRI TMC3ADC14X (10K) |
| R737 | 7030003640 | S.RES ERJ3GEYJ 473 V (47K) |
| R738 | 7030003640 | S.RES ERJ3GEYJ 473 V (47K) |
| R739 | 7030003640 | S.RES ERJ3GEYJ 473 V (47K) |
| R740 | 7030003440 | S.RES ERJ3GEYJ 102 V (1K) |
| R741 | 7030003520 | S.RES ERJ3GEYJ 472 V (4.7K) |
| R742 | 7030003320 | S.RES ERJ3GEYJ 101 V (100) |
| R743 | 7030003640 | S.RES ERJ3GEYJ 473 V (47K) |
| R744 | 7030003520 | S.RES ERJ3GEYJ 472 V (4.7K) |
| R745 | 7030003680 | S.RES ERJ3GEYJ 104 V (100K) |
| R746 | 7030003540 | S.RES ERJ3GEYJ 682 V (6.8K) |
| R747 | 7030003440 | S.RES ERJ3GEYJ 102 V (1K) |
| R748 | 7030003400 | S.RES ERJ3GEYJ 471 V (470) |
| R749 | 7030003600 | S.RES ERJ3GEYJ 223 V (22K) |
| R750 | 7030003440 | S.RES ERJ3GEYJ 102 V (1K) |
| R751 | 7030003280 | S.RES ERJ3GEYJ 470 V (47) |
| R761 | 7030003480 | S.RES ERJ3GEYJ 222 V (2.2K) |
| R762 | 7030003360 | S.RES ERJ3GEYJ 221 V (220) |
| R763 | 7030003360 | S.RES ERJ3GEYJ 221 V (220) |
| R764 | 7030003480 | S.RES ERJ3GEYJ 222 V (2.2K) |
| R765 | 7030003560 | S.RES ERJ3GEYJ 103 V (10K) |
| R771 | 7030003480 | S.RES ERJ3GEYJ 222 V (2.2K) |
| R772 | 7030003360 | S.RES ERJ3GEYJ 221 V (220) |
| R773 | 7030003360 | S.RES ERJ3GEYJ 221 V (220) |
| R774 | 7030003480 | S.RES ERJ3GEYJ 222 V (2.2K) |
| R775 | 7030003560 | S.RES ERJ3GEYJ 103 V (10K) |
| R781 | 7030003480 | S.RES ERJ3GEYJ 222 V (2.2K) |
| R782 | 7030003360 | S.RES ERJ3GEYJ 221 V (220) |
| R783 | 7030003360 | S.RES ERJ3GEYJ 221 V (220) |
| R784 | 7030003480 | S.RES ERJ3GEYJ 222 V (2.2K) |
| R785 | 7030003560 | S.RES ERJ3GEYJ 103 V (10K) |
| R791 | 7030003480 | S.RES ERJ3GEYJ 222 V (2.2K) |
| R792 | 7030003520 | S.RES ERJ3GEYJ 472 V (4.7K) |
| R793 | 7030003480 | S.RES ERJ3GEYJ 222 V (2.2K) |
| R794 | 7030003480 | S.RES ERJ3GEYJ 222 V (2.2K) |
| R795 | 7030003520 | S.RES ERJ3GEYJ 472 V (4.7K) |
| R796 | 7030003480 | S.RES ERJ3GEYJ 222 V (2.2K) |
| R801 | 7030003440 | S.RES ERJ3GEYJ 102 V (1K) |
| R802 | 7030003320 | S.RES ERJ3GEYJ 101 V (100) |
| R811 | 7030003460 | S.RES ERJ3GEYJ 152 V (1.5K) |
| R812 | 7030003400 | S.RES ERJ3GEYJ 471 V (470) |
| R813 | 7030003400 | S.RES ERJ3GEYJ 471 V (470) |
| R814 | 7030003500 | S.RES ERJ3GEYJ 332 V (3.3K) |
| R815 | 7030003500 | S.RES ERJ3GEYJ 332 V (3.3K) |
| R816 | 7030003490 | S.RES ERJ3GEYJ 272 V (2.7K) |
| R817 | 7030003490 | S.RES ERJ3GEYJ 272 V (2.7K) |
| R818 | 7030003490 | S.RES ERJ3GEYJ 272 V (2.7K) |
| R819 | 7030003440 | S.RES ERJ3GEYJ 102 V (1K) |
| R820 | 7030003400 | S.RES ERJ3GEYJ 102 V (1K) |
| R821 | 7030003500 | S.RES ERJ3GEYJ 332 V (3.3K) |
| R822 | 7030003200 | S.RES ERJ3GEYJ 100 V (10) |
| R823 | 7030003200 | S.RES ERJ3GEYJ 100 V (10) |
| R824 | 7030003360 | S.RES ERJ3GEYJ 221 V (220) |
| R825 | 7510001480 | S.THE NTCG10 3NH 681JT |
| R831 | 7030004710 | S.RES ERJ3GEYJ 475 V (4.7M) |
| R832 | 7030004710 | S.RES ERJ3GEYJ 475 V (4.7M) |
| R833 | 7030004710 | S.RES ERJ3GEYJ 475 V (4.7M) |
| R834 | 7030004710 | S.RES ERJ3GEYJ 475 V (4.7M) |
| R835 | 7030003820 | S.RES ERJ3GEYJ 155 V (1.5M) |
| R836 | 7030003520 | S.RES ERJ3GEYJ 472 V (4.7K) |
| R841 | 7030003560 | S.RES ERJ3GEYJ 103 V (10K) |

M.=Mounted side (T: Mounted on the Top side, B: Mounted on the Bottom side)
S.=Surface mount

[MAIN-A UNIT] (For [USA-2], [OTH-2], [CHN-1])

| REF NO. | ORDER NO. | DESCRIPTION |
|---------|------------|-----------------------------|
| R851 | 7030003560 | S.RES ERJ3GEYJ 103 V (10K) |
| R852 | 7030003360 | S.RES ERJ3GEYJ 221 V (220) |
| R853 | 7030003360 | S.RES ERJ3GEYJ 221 V (220) |
| R854 | 7030003560 | S.RES ERJ3GEYJ 103 V (10K) |
| R855 | 7030003560 | S.RES ERJ3GEYJ 103 V (10K) |
| R861 | 7030003560 | S.RES ERJ3GEYJ 103 V (10K) |
| R862 | 7030003360 | S.RES ERJ3GEYJ 221 V (220) |
| R863 | 7030003360 | S.RES ERJ3GEYJ 221 V (220) |
| R864 | 7030003560 | S.RES ERJ3GEYJ 103 V (10K) |
| R865 | 7030003560 | S.RES ERJ3GEYJ 103 V (10K) |
| R871 | 7030003510 | S.RES ERJ3GEYJ 392 V (3.9K) |
| R872 | 7030003360 | S.RES ERJ3GEYJ 221 V (220) |
| R873 | 7030003360 | S.RES ERJ3GEYJ 221 V (220) |
| R874 | 7030003510 | S.RES ERJ3GEYJ 392 V (3.9K) |
| R875 | 7030003560 | S.RES ERJ3GEYJ 103 V (10K) |
| R881 | 7030003510 | S.RES ERJ3GEYJ 392 V (3.9K) |
| R882 | 7030003360 | S.RES ERJ3GEYJ 221 V (220) |
| R883 | 7030003360 | S.RES ERJ3GEYJ 221 V (220) |
| R884 | 7030003510 | S.RES ERJ3GEYJ 392 V (3.9K) |
| R885 | 7030003560 | S.RES ERJ3GEYJ 103 V (10K) |
| R891 | 7030003560 | S.RES ERJ3GEYJ 103 V (10K) |
| R892 | 7030003320 | S.RES ERJ3GEYJ 101 V (100) |
| R893 | 7030003480 | S.RES ERJ3GEYJ 222 V (2.2K) |
| R894 | 7030003600 | S.RES ERJ3GEYJ 223 V (22K) |
| R895 | 7030003380 | S.RES ERJ3GEYJ 331 V (330) |
| R896 | 7030003500 | S.RES ERJ3GEYJ 332 V (3.3K) |
| R897 | 7030003320 | S.RES ERJ3GEYJ 101 V (100) |
| R898 | 7310005540 | S.TRI TMC3ADC14X (10K) |
| R911 | 7030003320 | S.RES ERJ3GEYJ 101 V (100) |
| R912 | 7030003480 | S.RES ERJ3GEYJ 222 V (2.2K) |
| R913 | 7030003320 | S.RES ERJ3GEYJ 101 V (100) |
| R914 | 7030003560 | S.RES ERJ3GEYJ 103 V (10K) |
| R915 | 7030003560 | S.RES ERJ3GEYJ 103 V (10K) |
| R1001 | 7030003520 | S.RES ERJ3GEYJ 472 V (4.7K) |
| R1002 | 7030003320 | S.RES ERJ3GEYJ 101 V (100) |
| R1003 | 7030003700 | S.RES ERJ3GEYJ 154 V (150K) |
| R1004 | 7030003500 | S.RES ERJ3GEYJ 332 V (3.3K) |
| R1005 | 7030003720 | S.RES ERJ3GEYJ 224 V (220K) |
| R1006 | 7030003440 | S.RES ERJ3GEYJ 102 V (1K) |
| R1007 | 7030003360 | S.RES ERJ3GEYJ 221 V (220) |
| R1008 | 7030003720 | S.RES ERJ3GEYJ 224 V (220K) |
| R1021 | 7030003560 | S.RES ERJ3GEYJ 103 V (10K) |
| R1022 | 7030003630 | S.RES ERJ3GEYJ 393 V (39K) |
| R1023 | 7030003630 | S.RES ERJ3GEYJ 393 V (39K) |
| R1024 | 7030003640 | S.RES ERJ3GEYJ 473 V (47K) |
| R1025 | 7030003670 | S.RES ERJ3GEYJ 823 V (82K) |
| R1026 | 7030003640 | S.RES ERJ3GEYJ 473 V (47K) |
| R1031 | 7030003360 | S.RES ERJ3GEYJ 221 V (220) |
| R1032 | 7030003720 | S.RES ERJ3GEYJ 224 V (220K) |
| R1033 | 7030003440 | S.RES ERJ3GEYJ 102 V (1K) |
| R1041 | 7030003440 | S.RES ERJ3GEYJ 102 V (1K) |
| R1042 | 7030003680 | S.RES ERJ3GEYJ 104 V (100K) |
| R1043 | 7030003440 | S.RES ERJ3GEYJ 102 V (1K) |
| R1044 | 7030003660 | S.RES ERJ3GEYJ 683 V (68K) |
| R1045 | 7030003640 | S.RES ERJ3GEYJ 473 V (47K) |
| R1051 | 7030003490 | S.RES ERJ3GEYJ 272 V (2.7K) |
| R1052 | 7030003520 | S.RES ERJ3GEYJ 472 V (4.7K) |
| R1053 | 7030003400 | S.RES ERJ3GEYJ 471 V (470) |
| R1061 | 7030003680 | S.RES ERJ3GEYJ 104 V (100K) |
| R1062 | 7030003600 | S.RES ERJ3GEYJ 223 V (22K) |
| R1063 | 7030003440 | S.RES ERJ3GEYJ 102 V (1K) |
| R1064 | 7030003780 | S.RES ERJ3GEYJ 684 V (680K) |
| R1065 | 7030003520 | S.RES ERJ3GEYJ 472 V (4.7K) |
| R1066 | 7030003600 | S.RES ERJ3GEYJ 223 V (22K) |
| R1067 | 7030003740 | S.RES ERJ3GEYJ 334 V (330K) |
| R1068 | 7030003560 | S.RES ERJ3GEYJ 103 V (10K) |
| R1081 | 7030003360 | S.RES ERJ3GEYJ 221 V (220) |
| R1082 | 7030003440 | S.RES ERJ3GEYJ 102 V (1K) |
| R1084 | 7030003640 | S.RES ERJ3GEYJ 473 V (47K) |
| R1101 | 7030003440 | S.RES ERJ3GEYJ 102 V (1K) |
| R1102 | 7030003460 | S.RES ERJ3GEYJ 152 V (1.5K) |
| R1103 | 7030003440 | S.RES ERJ3GEYJ 102 V (1K) |
| R1104 | 7030003500 | S.RES ERJ3GEYJ 332 V (3.3K) |
| R1105 | 7030003480 | S.RES ERJ3GEYJ 222 V (2.2K) |
| R1106 | 7030003200 | S.RES ERJ3GEYJ 100 V (10) |
| R1107 | 7030003460 | S.RES ERJ3GEYJ 152 V (1.5K) |
| R1108 | 7030003440 | S.RES ERJ3GEYJ 102 V (1K) |
| R1109 | 7030003440 | S.RES ERJ3GEYJ 102 V (1K) |
| R1110 | 7030003480 | S.RES ERJ3GEYJ 222 V (2.2K) |
| R1111 | 7030003200 | S.RES ERJ3GEYJ 100 V (10) |
| R1201 | 7030003660 | S.RES ERJ3GEYJ 683 V (68K) |
| R1202 | 7030003480 | S.RES ERJ3GEYJ 222 V (2.2K) |
| R1203 | 7030003670 | S.RES ERJ3GEYJ 823 V (82K) |
| R1211 | 7030003640 | S.RES ERJ3GEYJ 473 V (47K) |
| R1212 | 7030003630 | S.RES ERJ3GEYJ 393 V (39K) |
| R1213 | 7030003630 | S.RES ERJ3GEYJ 393 V (39K) |
| R1214 | 7030003630 | S.RES ERJ3GEYJ 393 V (39K) |
| R1215 | 7030003630 | S.RES ERJ3GEYJ 393 V (39K) |
| R1231 | 7030003400 | S.RES ERJ3GEYJ 471 V (470) |
| R1232 | 7030003400 | S.RES ERJ3GEYJ 471 V (470) |
| R1233 | 7030003400 | S.RES ERJ3GEYJ 471 V (470) |
| R1234 | 7030003400 | S.RES ERJ3GEYJ 471 V (470) |
| R1235 | 7030003400 | S.RES ERJ3GEYJ 471 V (470) |
| R1236 | 7030003400 | S.RES ERJ3GEYJ 471 V (470) |
| R1251 | 7030003680 | S.RES ERJ3GEYJ 104 V (100K) |
| R1252 | 7030003680 | S.RES ERJ3GEYJ 104 V (100K) |
| R1253 | 7030003650 | S.RES ERJ3GEYJ 563 V (56K) |
| R1254 | 7310005580 | S.TRI TMC3ADC53X (4.7K) |
| R1255 | 7030003400 | S.RES ERJ3GEYJ 471 V (470) |
| R1256 | 7030003640 | S.RES ERJ3GEYJ 473 V (47K) |
| R1257 | 7030003560 | S.RES ERJ3GEYJ 103 V (10K) |
| R1258 | 7030003490 | S.RES ERJ3GEYJ 272 V (2.7K) |
| R1259 | 7030003580 | S.RES ERJ3GEYJ 153 V (15K) |
| R1260 | 7030003320 | S.RES ERJ3GEYJ 101 V (100) |

[MAIN-A UNIT] (For [USA-2], [OTH-2], [CHN-1])

| REF NO. | ORDER NO. | DESCRIPTION |
|---------|------------|-----------------------------|
| R1261 | 7030003480 | S.RES ERJ3GEYJ 222 V (2.2K) |
| R1262 | 7030003550 | S.RES ERJ3GEYJ 822 V (8.2K) |
| R1263 | 7030003610 | S.RES ERJ3GEYJ 273 V (27K) |
| R1271 | 7030003640 | S.RES ERJ3GEYJ 473 V (47K) |
| R1272 | 7030003440 | S.RES ERJ3GEYJ 102 V (1K) |
| R1281 | 7030003680 | S.RES ERJ3GEYJ 104 V (100K) |
| R1291 | 7030003550 | S.RES ERJ3GEYJ 822 V (8.2K) |
| R1292 | 7030003430 | S.RES ERJ3GEYJ 821 V (820) |
| R1293 | 7030003400 | S.RES ERJ3GEYJ 471 V (470) |
| R1311 | 7030003520 | S.RES ERJ3GEYJ 472 V (4.7K) |
| R1312 | 7030003620 | S.RES ERJ3GEYJ 333 V (33K) |
| R1313 | 7030003580 | S.RES ERJ3GEYJ 153 V (15K) |
| R1314 | 7030003640 | S.RES ERJ3GEYJ 473 V (47K) |
| R1351 | 7030003200 | S.RES ERJ3GEYJ 100 V (10) |
| R1371 | 7030003520 | S.RES ERJ3GEYJ 472 V (4.7K) |
| R1372 | 7030003640 | S.RES ERJ3GEYJ 473 V (47K) |
| R1374 | 7030003520 | S.RES ERJ3GEYJ 472 V (4.7K) |
| R1381 | 7030003280 | S.RES ERJ3GEYJ 470 V (47) |
| R1382 | 7030003480 | S.RES ERJ3GEYJ 222 V (2.2K) |
| R1401 | 7070001060 | RES ERG2SJ 120 |
| R1411 | 7030003320 | S.RES ERJ3GEYJ 101 V (100) |
| R1412 | 7030003560 | S.RES ERJ3GEYJ 103 V (10K) |
| R1413 | 7030003680 | S.RES ERJ3GEYJ 104 V (100K) |
| R1414 | 7030003320 | S.RES ERJ3GEYJ 101 V (100) |
| R1415 | 7030003320 | S.RES ERJ3GEYJ 101 V (100) |
| R1416 | 7030003320 | S.RES ERJ3GEYJ 101 V (100) |
| R1771 | 7030003540 | S.RES ERJ3GEYJ 682 V (6.8K) |
| R1772 | 7030003620 | S.RES ERJ3GEYJ 333 V (33K) |
| R1773 | 7030003640 | S.RES ERJ3GEYJ 473 V (47K) |
| R1774 | 7030003580 | S.RES ERJ3GEYJ 153 V (15K) |
| R2051 | 7030003640 | S.RES ERJ3GEYJ 473 V (47K) |
| C101 | 4030011600 | S.CER C1608 JB 1E 104K-T |
| C111 | 4030019180 | S.CER TMK212BJ105KG-T |
| C121 | 4030006900 | S.CER C1608 JB 1H 103K-T |
| C131 | 4030007070 | S.CER C1608 CH 1H 330J-T |
| C132 | 4030007070 | S.CER C1608 CH 1H 330J-T |
| C133 | 4030007040 | S.CER C1608 CH 1H 180J-T |
| C134 | 4030007120 | S.CER C1608 CH 1H 820J-T |
| C135 | 4030007040 | S.CER C1608 CH 1H 180J-T |
| C136 | 4030007100 | S.CER C1608 CH 1H 560J-T |
| C141 | 4030006900 | S.CER C1608 JB 1H 103K-T |
| C151 | 4030019180 | S.CER TMK212BJ105KG-T |
| C152 | 4030011600 | S.CER C1608 JB 1E 104K-T |
| C161 | 4030008470 | S.CER C1608 JB 1H 272K-T |
| C162 | 4030009880 | S.CER C1608 JB 1H 682K-T |
| C163 | 4030009980 | S.CER C1608 JB 1H 152K-T |
| C164 | 4030011600 | S.CER C1608 JB 1E 104K-T |
| C170 | 4510008520 | S.ELC EEE1CA470SP |
| C171 | 4030011600 | S.CER C1608 JB 1E 104K-T |
| C172 | 4030008650 | S.CER C1608 JB 1H 332K-T |
| C173 | 4030010240 | S.CER C1608 JB 1H 391K-T |
| C174 | 4030008650 | S.CER C1608 JB 1H 332K-T |
| C175 | 4030019180 | S.CER TMK212BJ105KG-T |
| C176 | 4030011600 | S.CER C1608 JB 1E 104K-T |
| C181 | 4030011600 | S.CER C1608 JB 1E 104K-T |
| C182 | 4030006860 | S.CER C1608 JB 1H 102K-T |
| C183 | 4030009580 | S.CER C1608 JB 1H 681K-T |
| C184 | 4030006870 | S.CER C1608 JB 1H 222K-T |
| C185 | 4030007170 | S.CER C1608 CH 1H 221J-T |
| C186 | 4030010020 | S.CER C1608 JB 1H 122K-T |
| C187 | 4030011600 | S.CER C1608 JB 1E 104K-T |
| C188 | 4030011600 | S.CER C1608 JB 1E 104K-T |
| C201 | 4030011600 | S.CER C1608 JB 1E 104K-T |
| C202 | 4030010020 | S.CER C1608 JB 1H 122K-T |
| C203 | 4030007130 | S.CER C1608 CH 1H 101J-T |
| C204 | 4030010020 | S.CER C1608 JB 1H 122K-T |
| C205 | 4030009880 | S.CER C1608 JB 1H 682K-T |
| C206 | 4030009880 | S.CER C1608 JB 1H 682K-T |
| C207 | 4030009880 | S.CER C1608 JB 1H 152K-T |
| C208 | 4030009980 | S.CER C1608 JB 1H 152K-T |
| C209 | 4030011600 | S.CER C1608 JB 1E 104K-T |
| C221 | 4030011600 | S.CER C1608 JB 1E 104K-T |
| C222 | 4030010240 | S.CER C1608 JB 1H 391K-T |
| C223 | 4030007140 | S.CER C1608 CH 1H 121J-T |
| C224 | 4030007130 | S.CER C1608 CH 1H 101J-T |
| C225 | 4030006850 | S.CER C1608 JB 1H 471K-T |
| C226 | 4030006870 | S.CER C1608 JB 1H 222K-T |
| C227 | 4030006880 | S.CER C1608 JB 1H 472K-T |
| C228 | 4030006860 | S.CER C1608 JB 1H 102K-T |
| C229 | 4030009580 | S.CER C1608 JB 1H 681K-T |
| C230 | 4030011600 | S.CER C1608 JB 1E 104K-T |
| C241 | 4030011600 | S.CER C1608 JB 1E 104K-T |
| C242 | 4030010760 | S.CER C1608 CH 1H 331J-T |
| C243 | 4030007090 | S.CER C1608 CH 1H 470J-T |
| C244 | 4030007160 | S.CER C1608 CH 1H 181J-T |
| C245 | 4030010040 | S.CER C1608 JB 1H 561K-T |
| C246 | 4030008470 | S.CER C1608 JB 1H 272K-T |
| C247 | 4030010760 | S.CER C1608 CH 1H 331J-T |
| C248 | 4030011600 | S.CER C1608 JB 1E 104K-T |
| C261 | 4030011600 | S.CER C1608 JB 1E 104K-T |
| C262 | 4030011280 | S.CER C1608 CH 1H 271J-T |
| C263 | 4030007090 | S.CER C1608 CH 1H 470J-T |
| C264 | 4030007150 | S.CER C1608 CH 1H 151J-T |
| C265 | 4030006850 | S.CER C1608 JB 1H 471K-T |
| C266 | 4030010020 | S.CER C1608 JB 1H 122K-T |
| C267 | 4030007140 | S.CER C1608 CH 1H 121J-T |
| C268 | 4030007140 | S.CER C1608 CH 1H 121J-T |
| C269 | 4030011600 | S.CER C1608 JB 1E 104K-T |
| C281 | 4030011600 | S.CER C1608 JB 1E 104K-T |
| C282 | 4030007160 | S.CER C1608 CH 1H 181J-T |
| C283 | 4030007030 | S.CER C1608 CH 1H 150J-T |
| C284 | 4030007030 | S.CER C1608 CH 1H 150J-T |

M.=Mounted side (T: Mounted on the Top side, B: Mounted on the Bottom side)
S.=Surface mount

[MAIN-A UNIT] (For [USA-2], [OTH-2], [CHN-1])

| REF NO. | ORDER NO. | DESCRIPTION |
|---------|------------|--------------------------|
| C285 | 4030007130 | S.CER C1608 CH 1H 101J-T |
| C286 | 4030007150 | S.CER C1608 CH 1H 151J-T |
| C287 | 4030007150 | S.CER C1608 CH 1H 151J-T |
| C288 | 4030010020 | S.CER C1608 JB 1H 122K-T |
| C289 | 4030007150 | S.CER C1608 CH 1H 151J-T |
| C290 | 4030011600 | S.CER C1608 JB 1E 104K-T |
| C301 | 4030011600 | S.CER C1608 JB 1E 104K-T |
| C302 | 4030006990 | S.CER C1608 CH 1H 080D-T |
| C303 | 4030007160 | S.CER C1608 CH 1H 181J-T |
| C304 | 4030007060 | S.CER C1608 CH 1H 270J-T |
| C305 | 4030007140 | S.CER C1608 CH 1H 121J-T |
| C306 | 4030007160 | S.CER C1608 CH 1H 181J-T |
| C307 | 4030010020 | S.CER C1608 JB 1H 122K-T |
| C308 | 4030007130 | S.CER C1608 CH 1H 101J-T |
| C309 | 4030011600 | S.CER C1608 JB 1E 104K-T |
| C321 | 4030006900 | S.CER C1608 JB 1H 103K-T |
| C322 | 4030007110 | S.CER C1608 CH 1H 680J-T |
| C323 | 4030007080 | S.CER C1608 CH 1H 390J-T |
| C324 | 4030007110 | S.CER C1608 CH 1H 680J-T |
| C325 | 4030007010 | S.CER C1608 CH 1H 100D-T |
| C326 | 4030007010 | S.CER C1608 CH 1H 100D-T |
| C327 | 4030007110 | S.CER C1608 CH 1H 680J-T |
| C328 | 4030007170 | S.CER C1608 CH 1H 221J-T |
| C329 | 4030010240 | S.CER C1608 JB 1H 391K-T |
| C330 | 4030007100 | S.CER C1608 CH 1H 560J-T |
| C331 | 4030007050 | S.CER C1608 CH 1H 220J-T |
| C332 | 4030006900 | S.CER C1608 JB 1H 103K-T |
| C333 | 4030007070 | S.CER C1608 CH 1H 330J-T |
| C341 | 4030006900 | S.CER C1608 JB 1H 103K-T |
| C342 | 4030007110 | S.CER C1608 CH 1H 680J-T |
| C344 | 4030007020 | S.CER C1608 CH 1H 120J-T |
| C345 | 4030007080 | S.CER C1608 CH 1H 390J-T |
| C346 | 4030006900 | S.CER C1608 JB 1H 103K-T |
| C349 | 4030007100 | S.CER C1608 CH 1H 560J-T |
| C350 | 4030007160 | S.CER C1608 CH 1H 181J-T |
| C351 | 4030007090 | S.CER C1608 CH 1H 470J-T |
| C352 | 4030006900 | S.CER C1608 JB 1H 103K-T |
| C361 | 4030019180 | S.CER TMK212BJ105KG-T |
| C371 | 4030019180 | S.CER TMK212BJ105KG-T |
| C372 | 4030007010 | S.CER C1608 CH 1H 100D-T |
| C381 | 4030011600 | S.CER C1608 JB 1E 104K-T |
| C382 | 4030011600 | S.CER C1608 JB 1E 104K-T |
| C383 | 4030011600 | S.CER C1608 JB 1E 104K-T |
| C384 | 4030011600 | S.CER C1608 JB 1E 104K-T |
| C385 | 4030011600 | S.CER C1608 JB 1E 104K-T |
| C386 | 4030011600 | S.CER C1608 JB 1E 104K-T |
| C390 | 4030019560 | S.CER GRM21BB31C106KE15L |
| C391 | 4030011600 | S.CER C1608 JB 1E 104K-T |
| C392 | 4030011600 | S.CER C1608 JB 1E 104K-T |
| C393 | 4030017490 | S.CER C1608 JB 1A 105K-T |
| C394 | 4550007480 | S.TAN F930J106MAABMA |
| C395 | 4030017490 | S.CER C1608 JB 1A 105K-T |
| C396 | 4030019180 | S.CER TMK212BJ105KG-T |
| C397 | 4030019180 | S.CER TMK212BJ105KG-T |
| C398 | 4030011600 | S.CER C1608 JB 1E 104K-T |
| C399 | 4030011600 | S.CER C1608 JB 1E 104K-T |
| C401 | 4030011600 | S.CER C1608 JB 1E 104K-T |
| C411 | 4030007080 | S.CER C1608 CH 1H 390J-T |
| C412 | 4030007130 | S.CER C1608 CH 1H 101J-T |
| C413 | 4030011600 | S.CER C1608 JB 1E 104K-T |
| C414 | 4030006860 | S.CER C1608 JB 1H 102K-T |
| C415 | 4030011600 | S.CER C1608 JB 1E 104K-T |
| C422 | 4030006970 | S.CER C1608 CH 1H 060D-T |
| C423 | 4030007040 | S.CER C1608 CH 1H 180J-T |
| C424 | 4030006920 | S.CER C1608 CH 1H 010C-T |
| C425 | 4030007040 | S.CER C1608 CH 1H 180J-T |
| C431 | 4030007070 | S.CER C1608 CH 1H 330J-T |
| C432 | 4030007070 | S.CER C1608 CH 1H 330J-T |
| C433 | 4030007040 | S.CER C1608 CH 1H 180J-T |
| C434 | 4030007120 | S.CER C1608 CH 1H 820J-T |
| C435 | 4030007040 | S.CER C1608 CH 1H 180J-T |
| C436 | 4030007100 | S.CER C1608 CH 1H 560J-T |
| C442 | 4030011600 | S.CER C1608 JB 1E 104K-T |
| C443 | 4030011600 | S.CER C1608 JB 1E 104K-T |
| C444 | 4030006990 | S.CER C1608 CH 1H 080D-T |
| C445 | 4030006950 | S.CER C1608 CH 1H 040C-T |
| C446 | 4030011600 | S.CER C1608 JB 1E 104K-T |
| C447 | 4030011600 | S.CER C1608 JB 1E 104K-T |
| C448 | 4030007130 | S.CER C1608 CH 1H 101J-T |
| C461 | 4030006980 | S.CER C1608 CH 1H 070D-T |
| C462 | 4030006930 | S.CER C1608 CH 1H 020C-T |
| C471 | 4030007050 | S.CER C1608 CH 1H 220J-T |
| C472 | 4030011600 | S.CER C1608 JB 1E 104K-T |
| C473 | 4030006880 | S.CER C1608 JB 1H 472K-T |
| C474 | 4030006880 | S.CER C1608 JB 1H 472K-T |
| C475 | 4030007020 | S.CER C1608 CH 1H 120J-T |
| C476 | 4030006880 | S.CER C1608 JB 1H 472K-T |
| C492 | 4030007110 | S.CER C1608 CH 1H 680J-T |
| C551 | 4030011600 | S.CER C1608 JB 1E 104K-T |
| C552 | 4030011600 | S.CER C1608 JB 1E 104K-T |
| C553 | 4030006880 | S.CER C1608 JB 1H 472K-T |
| C561 | 4030011600 | S.CER C1608 JB 1E 104K-T |
| C562 | 4030011600 | S.CER C1608 JB 1E 104K-T |
| C563 | 4030006880 | S.CER C1608 JB 1H 472K-T |
| C701 | 4030006930 | S.CER C1608 CH 1H 020C-T |
| C711 | 4030006880 | S.CER C1608 JB 1H 472K-T |
| C712 | 4030006880 | S.CER C1608 JB 1H 472K-T |
| C721 | 4030006880 | S.CER C1608 JB 1H 472K-T |
| C722 | 4030011600 | S.CER C1608 JB 1E 104K-T |
| C723 | 4030006880 | S.CER C1608 JB 1H 472K-T |
| C724 | 4030007050 | S.CER C1608 CH 1H 220J-T |
| C725 | 4030011600 | S.CER C1608 JB 1E 104K-T |
| C726 | 4030006880 | S.CER C1608 JB 1H 472K-T |
| C731 | 4030006880 | S.CER C1608 JB 1H 472K-T |

[MAIN-A UNIT] (For [USA-2], [OTH-2], [CHN-1])

| REF NO. | ORDER NO. | DESCRIPTION |
|---------|------------|--------------------------|
| C732 | 4030006880 | S.CER C1608 JB 1H 472K-T |
| C733 | 4030006880 | S.CER C1608 JB 1H 472K-T |
| C734 | 4030011600 | S.CER C1608 JB 1E 104K-T |
| C735 | 4030006880 | S.CER C1608 JB 1H 472K-T |
| C736 | 4030006880 | S.CER C1608 JB 1H 472K-T |
| C737 | 4030011600 | S.CER C1608 JB 1E 104K-T |
| C738 | 4030007150 | S.CER C1608 CH 1H 151J-T |
| C739 | 4510009270 | S.ELE EEEHBI C220UR |
| C740 | 4030007050 | S.CER C1608 CH 1H 220J-T |
| C741 | 4510008520 | S.ELE EEE1CA470SP |
| C742 | 4030011600 | S.CER C1608 JB 1E 104K-T |
| C743 | 4510008540 | S.ELE EEE1CA100SR |
| C761 | 4030011600 | S.CER C1608 JB 1E 104K-T |
| C762 | 4030011600 | S.CER C1608 JB 1E 104K-T |
| C771 | 4030011600 | S.CER C1608 JB 1E 104K-T |
| C772 | 4030011600 | S.CER C1608 JB 1E 104K-T |
| C773 | 4030007030 | S.CER C1608 CH 1H 150J-T |
| C781 | 4030011600 | S.CER C1608 JB 1E 104K-T |
| C782 | 4030011600 | S.CER C1608 JB 1E 104K-T |
| C791 | 4030011600 | S.CER C1608 JB 1E 104K-T |
| C792 | 4030011600 | S.CER C1608 JB 1E 104K-T |
| C801 | 4030011600 | S.CER C1608 JB 1E 104K-T |
| C811 | 4030006880 | S.CER C1608 JB 1H 472K-T |
| C813 | 4030011600 | S.CER C1608 JB 1E 104K-T |
| C814 | 4030011600 | S.CER C1608 JB 1E 104K-T |
| C816 | 4030006880 | S.CER C1608 JB 1H 472K-T |
| C818 | 4030011600 | S.CER C1608 JB 1E 104K-T |
| C831 | 4030008650 | S.CER C1608 JB 1H 332K-T |
| C841 | 4030006880 | S.CER C1608 JB 1H 472K-T |
| C851 | 4030011600 | S.CER C1608 JB 1E 104K-T |
| C852 | 4030011600 | S.CER C1608 JB 1E 104K-T |
| C861 | 4030011600 | S.CER C1608 JB 1E 104K-T |
| C862 | 4030011600 | S.CER C1608 JB 1E 104K-T |
| C871 | 4030011600 | S.CER C1608 JB 1E 104K-T |
| C872 | 4030011600 | S.CER C1608 JB 1E 104K-T |
| C881 | 4030011600 | S.CER C1608 JB 1E 104K-T |
| C882 | 4030011600 | S.CER C1608 JB 1E 104K-T |
| C891 | 4030011600 | S.CER C1608 JB 1E 104K-T |
| C892 | 4030006880 | S.CER C1608 JB 1H 472K-T |
| C893 | 4030006880 | S.CER C1608 JB 1H 472K-T |
| C894 | 4030011600 | S.CER C1608 JB 1E 104K-T |
| C895 | 4030007050 | S.CER C1608 CH 1H 220J-T |
| C896 | 4030011600 | S.CER C1608 JB 1E 104K-T |
| C897 | 4030006880 | S.CER C1608 JB 1H 472K-T |
| C911 | 4030011600 | S.CER C1608 JB 1E 104K-T |
| C912 | 4030007170 | S.CER C1608 CH 1H 221J-T |
| C913 | 4030011600 | S.CER C1608 JB 1E 104K-T |
| C914 | 4510008530 | S.ELE EEE1HA2R2SR |
| C1001 | 4030011600 | S.CER C1608 JB 1E 104K-T |
| C1002 | 4030006880 | S.CER C1608 JB 1H 472K-T |
| C1003 | 4030011600 | S.CER C1608 JB 1E 104K-T |
| C1004 | 4030007170 | S.CER C1608 CH 1H 221J-T |
| C1005 | 4030007170 | S.CER C1608 CH 1H 221J-T |
| C1006 | 4030006880 | S.CER C1608 JB 1H 472K-T |
| C1007 | 4030007130 | S.CER C1608 CH 1H 101J-T |
| C1008 | 4510008540 | S.ELE EEE1CA100SR |
| C1009 | 4030011600 | S.CER C1608 JB 1E 104K-T |
| C1010 | 4030011600 | S.CER C1608 JB 1E 104K-T |
| C1021 | 4030011600 | S.CER C1608 JB 1E 104K-T |
| C1022 | 4030008880 | S.CER C1608 JB 1H 223K-T |
| C1023 | 4030009880 | S.CER C1608 JB 1H 682K-T |
| C1024 | 4030011600 | S.CER C1608 JB 1E 104K-T |
| C1031 | 4030011600 | S.CER C1608 JB 1E 104K-T |
| C1041 | 4030006880 | S.CER C1608 JB 1H 472K-T |
| C1042 | 4030006880 | S.CER C1608 JB 1H 472K-T |
| C1043 | 4030006880 | S.CER C1608 JB 1H 472K-T |
| C1044 | 4030011600 | S.CER C1608 JB 1E 104K-T |
| C1051 | 4510008540 | S.ELE EEE1CA100SR |
| C1061 | 4030006880 | S.CER C1608 JB 1H 472K-T |
| C1062 | 4030007130 | S.CER C1608 CH 1H 101J-T |
| C1063 | 4510008540 | S.ELE EEE1CA100SR |
| C1064 | 4030011600 | S.CER C1608 JB 1E 104K-T |
| C1065 | 4510008540 | S.ELE EEE1CA100SR |
| C1066 | 4510008530 | S.ELE EEE1HA2R2SR |
| C1067 | 4510009270 | S.ELE EEEHBI C220UR |
| C1081 | 4030006880 | S.CER C1608 JB 1H 472K-T |
| C1085 | 4030006880 | S.CER C1608 JB 1H 472K-T |
| C1089 | 4030006880 | S.CER C1608 JB 1H 472K-T |
| C1090 | 4030011600 | S.CER C1608 JB 1E 104K-T |
| C1101 | 4030011600 | S.CER C1608 JB 1E 104K-T |
| C1102 | 4030011600 | S.CER C1608 JB 1E 104K-T |
| C1103 | 4030011600 | S.CER C1608 JB 1E 104K-T |
| C1201 | 4030006900 | S.CER C1608 JB 1H 103K-T |
| C1202 | 4030006900 | S.CER C1608 JB 1H 103K-T |
| C1211 | 4030010020 | S.CER C1608 JB 1H 122K-T |
| C1212 | 4030006860 | S.CER C1608 JB 1H 102K-T |
| C1213 | 4030008650 | S.CER C1608 JB 1H 332K-T |
| C1214 | 4030006850 | S.CER C1608 JB 1H 471K-T |
| C1215 | 4030011600 | S.CER C1608 JB 1E 104K-T |
| C1216 | 4030011600 | S.CER C1608 JB 1E 104K-T |
| C1217 | 4030011600 | S.CER C1608 JB 1E 104K-T |
| C1231 | 4030006880 | S.CER C1608 JB 1H 472K-T |
| C1251 | 4030011600 | S.CER C1608 JB 1E 104K-T |
| C1253 | 4030010760 | S.CER C1608 CH 1H 331J-T |
| C1254 | 4510008530 | S.ELE EEE1HA2R2SR |
| C1255 | 4030006900 | S.CER C1608 JB 1H 103K-T |
| C1256 | 4030011600 | S.CER C1608 JB 1E 104K-T |
| C1257 | 4510008540 | S.ELE EEE1CA100SR |
| C1258 | 4510008540 | S.ELE EEE1CA100SR |
| C1259 | 4510008540 | S.ELE EEE1CA100SR |
| C1260 | 4510008540 | S.ELE EEE1CA100SR |
| C1261 | 4510008540 | S.ELE EEE1CA100SR |
| C1262 | 4510008530 | S.ELE EEE1HA2R2SR |
| C1271 | 4030006880 | S.CER C1608 JB 1H 472K-T |

M.=Mounted side (T: Mounted on the Top side, B: Mounted on the Bottom side)
S.=Surface mount

[MAIN-A UNIT] (For [USA-2], [OTH-2], [CHN-1])

| REF NO. | ORDER NO. | DESCRIPTION | |
|---------|------------|-------------|------------------------|
| C1272 | 4030011600 | S.CER | C1608 JB 1E 104K-T |
| C1281 | 4030006900 | S.CER | C1608 JB 1H 103K-T |
| C1282 | 4030006900 | S.CER | C1608 JB 1H 103K-T |
| C1292 | 4510008540 | S.ELE | EEE1CA100SR |
| C1293 | 4030011600 | S.CER | C1608 JB 1E 104K-T |
| C1294 | 4030011600 | S.CER | C1608 JB 1E 104K-T |
| C1295 | 4510004591 | ELE | 16 ME 470 HC |
| C1296 | 4510004591 | ELE | 16 ME 470 HC |
| C1311 | 4030006900 | S.CER | C1608 JB 1H 103K-T |
| C1312 | 4030006900 | S.CER | C1608 JB 1H 103K-T |
| C1321 | 4030006900 | S.CER | C1608 JB 1H 103K-T |
| C1322 | 4030006860 | S.CER | C1608 JB 1H 102K-T |
| C1351 | 4030006900 | S.CER | C1608 JB 1H 103K-T |
| C1352 | 4030006900 | S.CER | C1608 JB 1H 103K-T |
| C1353 | 4510004510 | ELE | 25 ME 470 HC |
| C1361 | 4510008530 | S.ELE | EEE1HA2R2SR |
| C1362 | 4030011600 | S.CER | C1608 JB 1E 104K-T |
| C1363 | 4030011600 | S.CER | C1608 JB 1E 104K-T |
| C1364 | 4030011600 | S.CER | C1608 JB 1E 104K-T |
| C1365 | 4510008540 | S.ELE | EEE1CA100SR |
| C1371 | 4510008530 | S.ELE | EEE1HA2R2SR |
| C1372 | 4030011600 | S.CER | C1608 JB 1E 104K-T |
| C1373 | 4030011600 | S.CER | C1608 JB 1E 104K-T |
| C1374 | 4030011600 | S.CER | C1608 JB 1E 104K-T |
| C1375 | 4510004591 | ELE | 16 ME 470 HC |
| C1376 | 4030019180 | S.CER | TMK212BJ105KG-T |
| C1381 | 4030011600 | S.CER | C1608 JB 1E 104K-T |
| C1382 | 4030011600 | S.CER | C1608 JB 1E 104K-T |
| C1391 | 4510004591 | ELE | 16 ME 470 HC |
| C1392 | 4030011600 | S.CER | C1608 JB 1E 104K-T |
| C1393 | 4030011600 | S.CER | C1608 JB 1E 104K-T |
| C1394 | 4510008540 | S.ELE | EEE1CA100SR |
| C1401 | 4510008540 | S.ELE | EEE1CA100SR |
| C1402 | 4030011600 | S.CER | C1608 JB 1E 104K-T |
| C1403 | 4030011600 | S.CER | C1608 JB 1E 104K-T |
| C1404 | 4510008540 | S.ELE | EEE1CA100SR |
| C1411 | 4030011600 | S.CER | C1608 JB 1E 104K-T |
| C1412 | 4510008520 | S.ELE | EEE1CA470SP |
| C1413 | 4030011600 | S.CER | C1608 JB 1E 104K-T |
| C1414 | 4510009270 | S.ELE | EEH1C220UR |
| C1415 | 4030006860 | S.CER | C1608 JB 1H 102K-T |
| C1416 | 4030006900 | S.CER | C1608 JB 1H 103K-T |
| C1417 | 4510008520 | S.ELE | EEE1CA470SP |
| C1418 | 4510008520 | S.ELE | EEE1CA470SP |
| C1419 | 4030011600 | S.CER | C1608 JB 1E 104K-T |
| C1420 | 4510008540 | S.ELE | EEE1CA100SR |
| C1421 | 4030011600 | S.CER | C1608 JB 1E 104K-T |
| C1422 | 4510008520 | S.ELE | EEE1CA470SP |
| C1502 | 4030006880 | S.CER | C1608 JB 1H 472K-T |
| C1521 | 4030006880 | S.CER | C1608 JB 1H 472K-T |
| C1601 | 4030011600 | S.CER | C1608 JB 1E 104K-T |
| C1602 | 4030011600 | S.CER | C1608 JB 1E 104K-T |
| C1603 | 4030011600 | S.CER | C1608 JB 1E 104K-T |
| C1751 | 4510008540 | S.ELE | EEE1CA100SR |
| C1752 | 4510008540 | S.ELE | EEE1CA100SR |
| C1753 | 4510008540 | S.ELE | EEE1CA100SR |
| C1754 | 4510008540 | S.ELE | EEE1CA100SR |
| C1755 | 4510008540 | S.ELE | EEE1CA100SR |
| C1756 | 4030011600 | S.CER | C1608 JB 1E 104K-T |
| C1771 | 4030011600 | S.CER | C1608 JB 1E 104K-T |
| RL121 | 6330001721 | REL | ATN207-K1 |
| RL141 | 6330001721 | REL | ATN207-K1 |
| CP731 | 6910009670 | S.CHE | HK3-S-T |
| J101 | 6510021460 | CON | PT-C02P01 |
| J111 | 6510007020 | CON | TMP-J01X-V6 |
| J411 | 6510007020 | CON | TMP-J01X-V6 |
| J491 | 6510007020 | CON | TMP-J01X-V6 |
| J781 | 6450001560 | CON | PD-72 |
| J782 | 6450001560 | CON | PD-72 |
| J783 | 6450001560 | CON | PD-72 |
| J784 | 6450001560 | CON | PD-72 |
| J811 | 6510007020 | CON | TMP-J01X-V6 |
| J881 | 6450001560 | CON | PD-72 |
| J882 | 6450001560 | CON | PD-72 |
| J883 | 6450001560 | CON | PD-72 |
| J884 | 6450001560 | CON | PD-72 |
| J1081 | 6510007020 | CON | TMP-J01X-V6 |
| J1221 | 6510018971 | S.CON | B4B-PH-SM4-TB(LF)(SN) |
| J1231 | 6510019971 | S.CON | 52808-1071 |
| J1271 | 6510019191 | S.CON | 52365-0871 |
| J1311 | 6450001800 | CON | JPJ1044-01-010 |
| J1321 | 6450000140 | CON | HSJ0807-01-010 |
| J1351 | 6510023650 | CON | HEC0740-010618 |
| J1501 | 6510019981 | S.CON | 52808-1671(1690) |
| J1521 | 6510019981 | S.CON | 52808-1671(1690) |
| J1522 | 6510021861 | CON | BH-800.4GG <LTC> |
| J1541 | 6510019981 | S.CON | 52808-1671(1690) |
| J1561 | 6510019981 | S.CON | 52808-1671(1690) |
| J1701 | 6450000140 | CON | HSJ0807-01-010 |
| J1751 | 6510021241 | CON | DEL-C99SAF-23L9E |
| F1351 | 5210000051 | FUS | FGB 3A PBF (FGB0 125V) |
| F1352 | 5220000230 | HOL | S-N5054 #01 |
| F1353 | 5220000230 | HOL | S-N5054 #01 |
| BT1521 | 3020000110 | LIT | CR2032 |

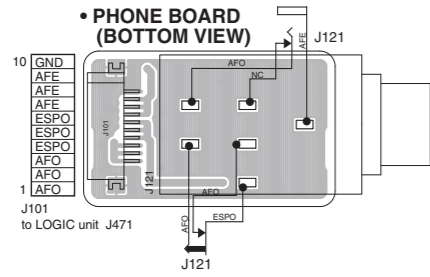
[MAIN-A UNIT] (For [USA-2], [OTH-2], [CHN-1])

| REF NO. | ORDER NO. | DESCRIPTION | |
|---------|------------|-------------|----------------|
| EP1321 | 6910014690 | S.BEA | MPZ1608S221A-T |
| EP1322 | 6910014690 | S.BEA | MPZ1608S221A-T |

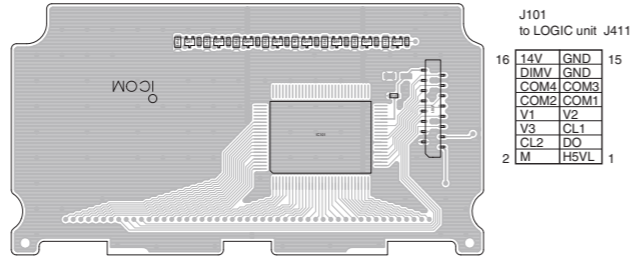
M.=Mounted side (T: Mounted on the Top side, B: Mounted on the Bottom side)
S.=Surface mount

The combination of this side and the bottom side shows the board layout in the same configuration as the actual P.C.Board.

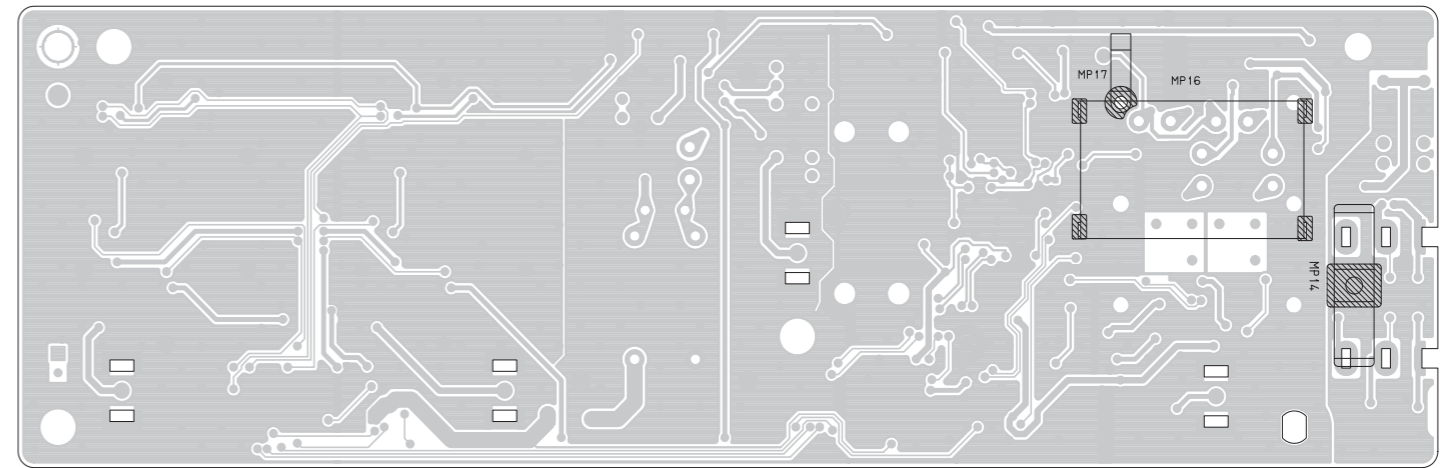
• PHONE BOARD (BOTTOM VIEW)



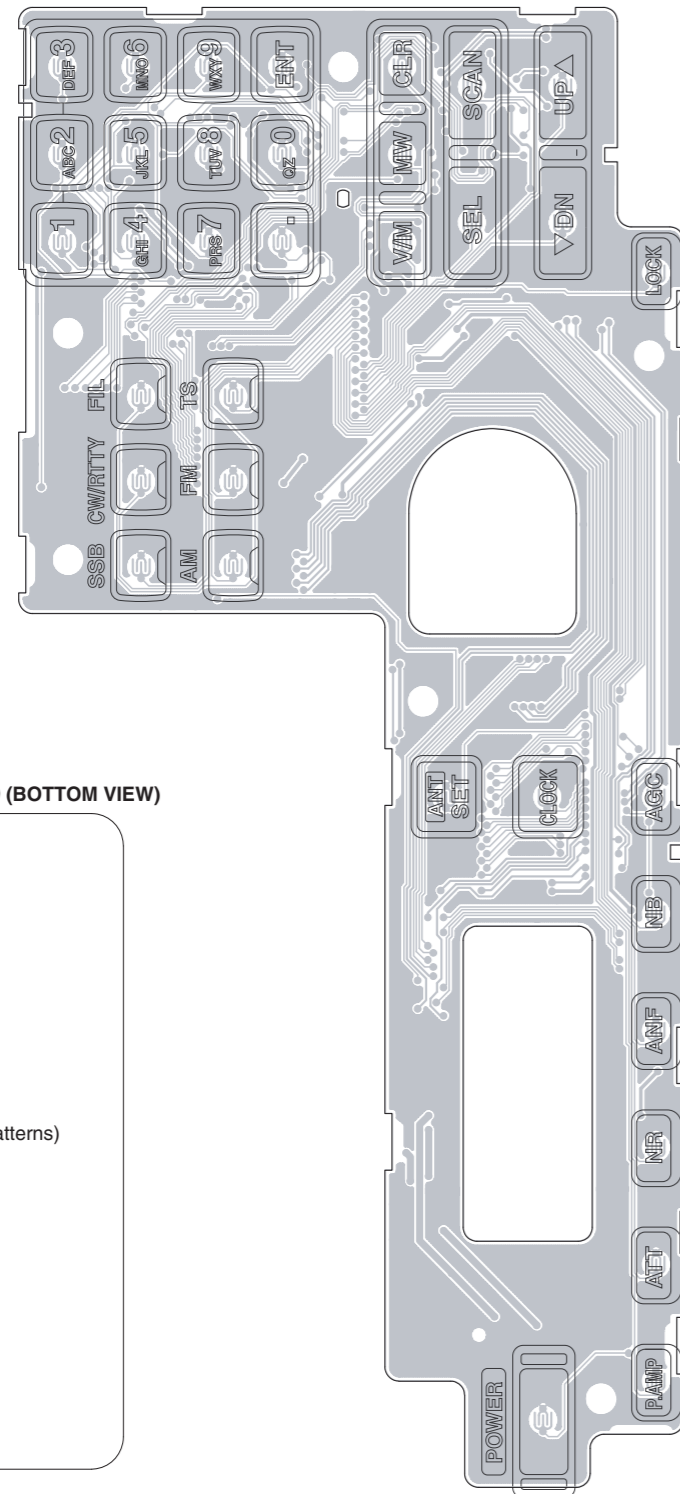
• DISPLAY BOARD (BOTTOM VIEW)



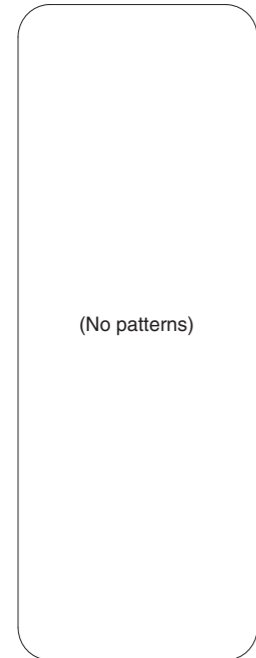
• PLL UNIT (BOTTOM VIEW)



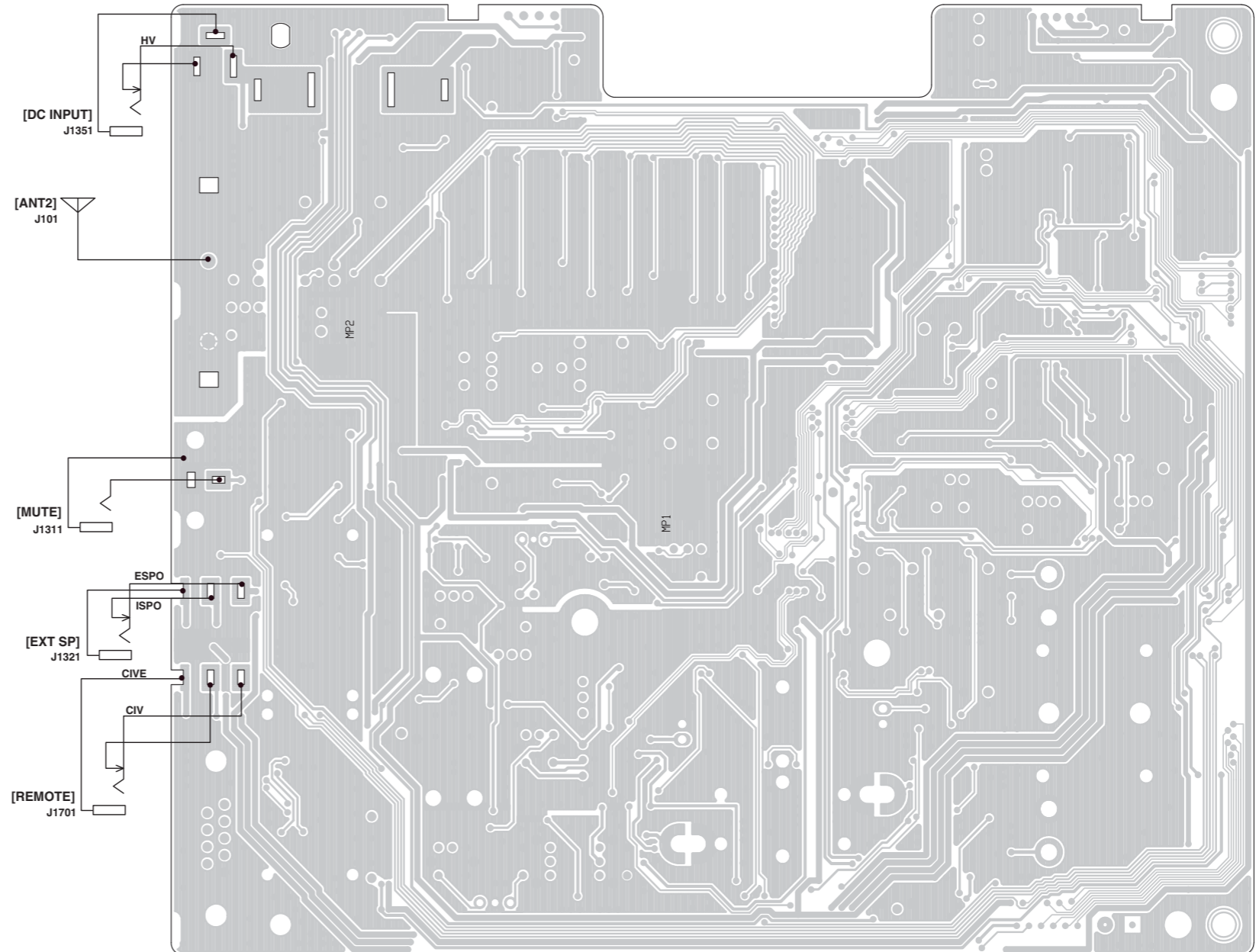
• LOGIC BOARD (BOTTOM VIEW)



• VR BOARD (BOTTOM VIEW)

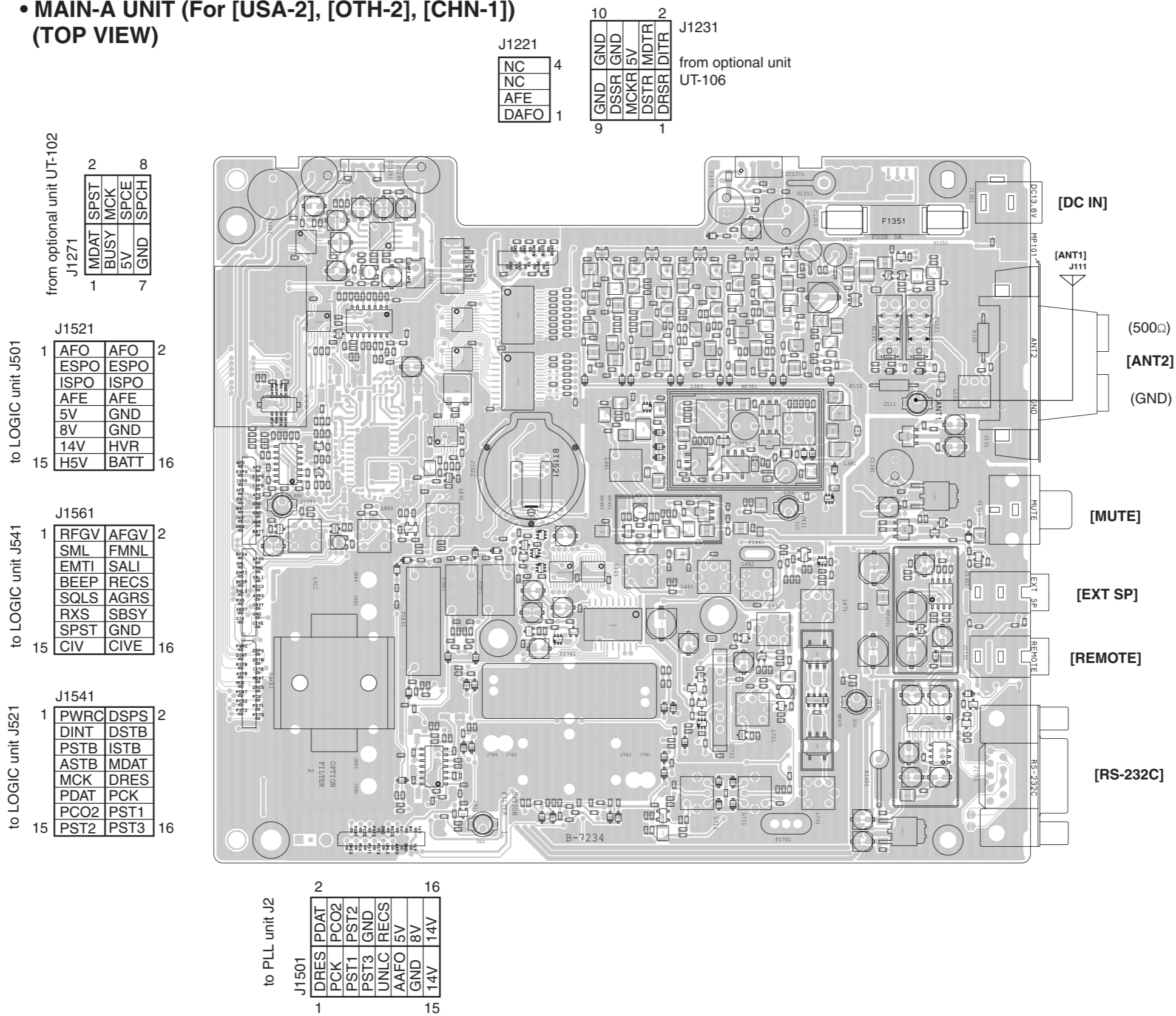


• MAIN UNIT (For other than [USA-2], [OTH-2], [CHN-1]) (BOTTOM VIEW)

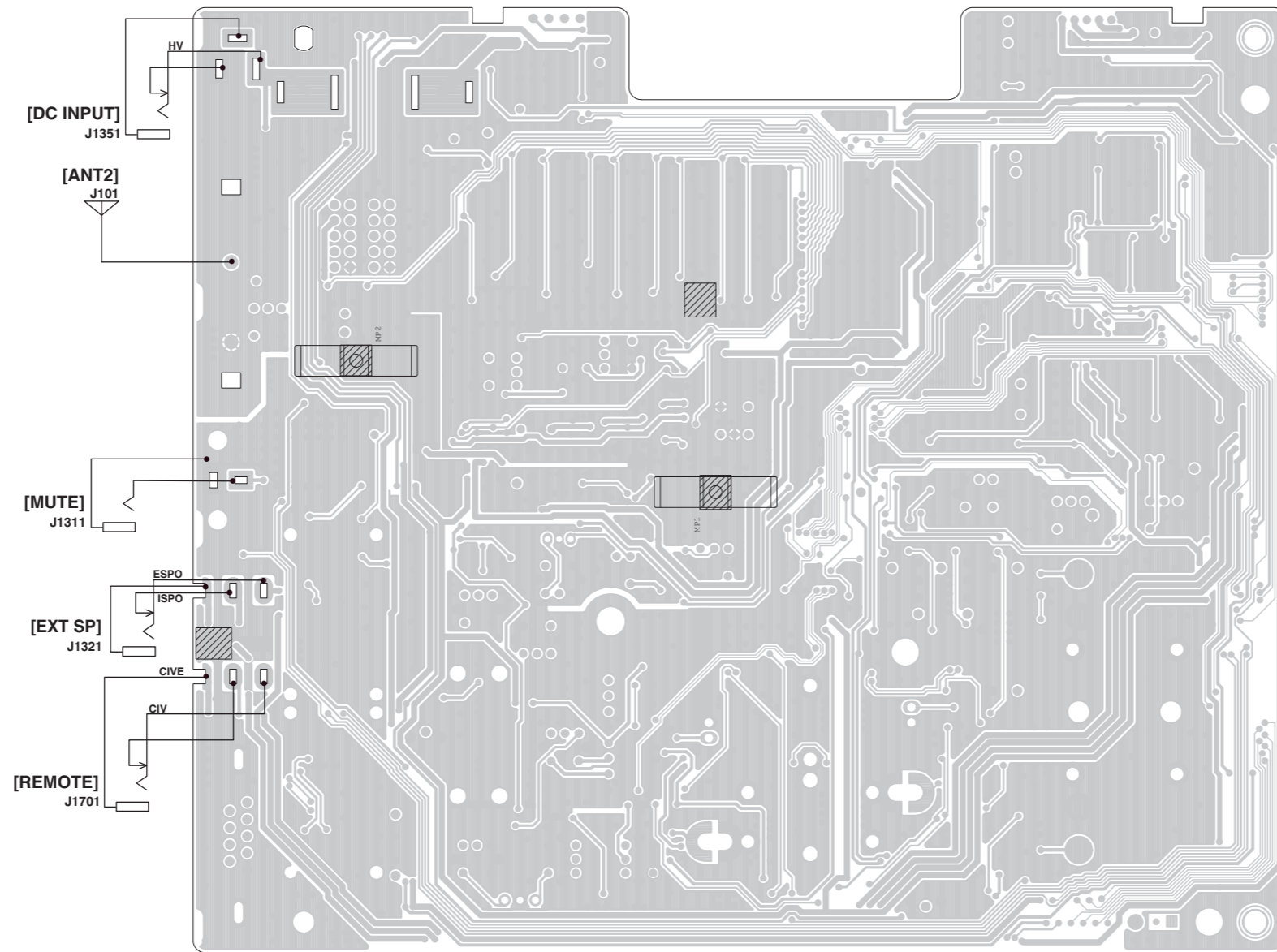


The combination of this page and next page shows the top side and bottom side of actual P.C. board.

• MAIN-A UNIT (For [USA-2], [OTH-2], [CHN-1])
(TOP VIEW)

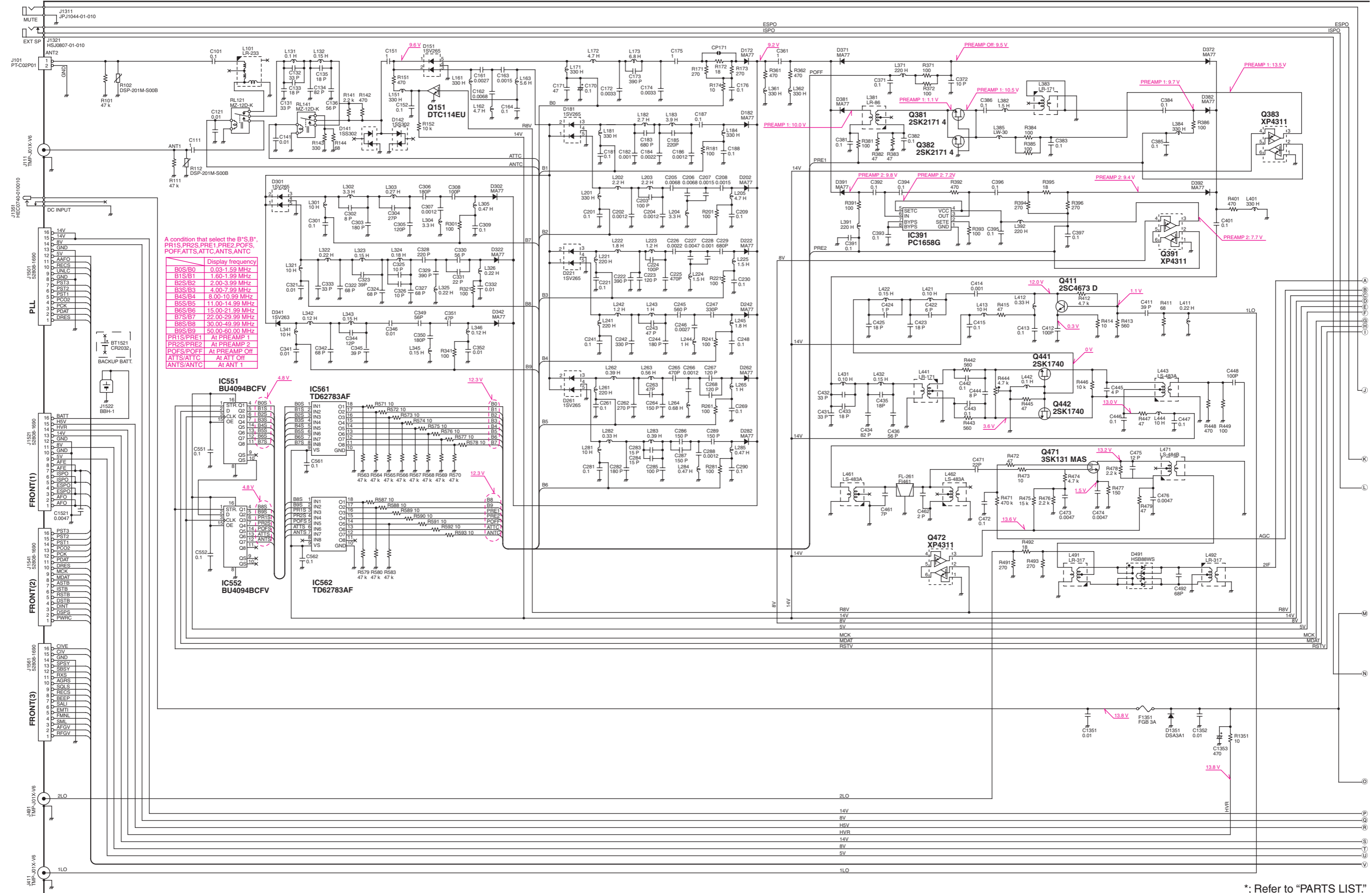


• MAIN-A UNIT (For [USA-2], [OTH-2], [CHN-1])
(BOTTOM VIEW)



VOLTAGE DIAGRAM

MAIN / MAIN-A UNIT

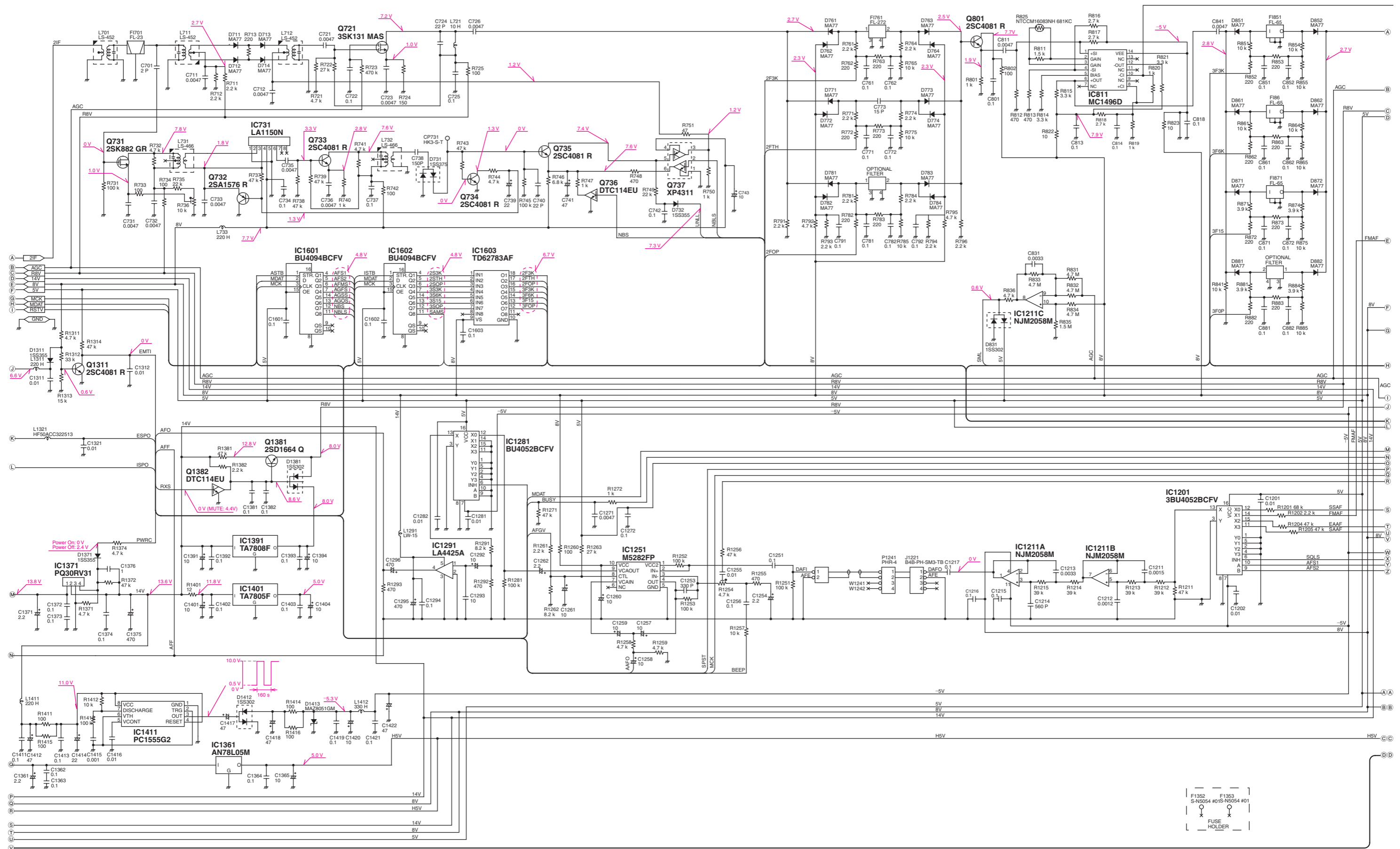


A condition that select the B'S B',
 PR1S, PR2S, PRE1, PRE2, POFPS,
 POFATTTS, ATTC, ANTCS, ANTIC

| Display frequency |
|--------------------------|
| B0S/B0 0.03-1.59 MHz |
| B1S/B1 1.60-1.99 MHz |
| B2S/B2 2.00-3.99 MHz |
| B3S/B3 4.00-7.99 MHz |
| B4S/B4 8.00-10.99 MHz |
| B5S/B5 11.00-14.99 MHz |
| B6S/B6 15.00-21.99 MHz |
| B7S/B7 22.00-29.99 MHz |
| B8S/B8 30.00-49.99 MHz |
| B9S/B9 50.00-60.00 MHz |
| PR1S/PRE1 At PREAMP 1 |
| PR2S/PRE2 At PREAMP 2 |
| POFPS/POFF At PREAMP OFF |
| ATTS/ATTC At ATT OFF |
| ANTCS/ANTIC At ANT 1 |

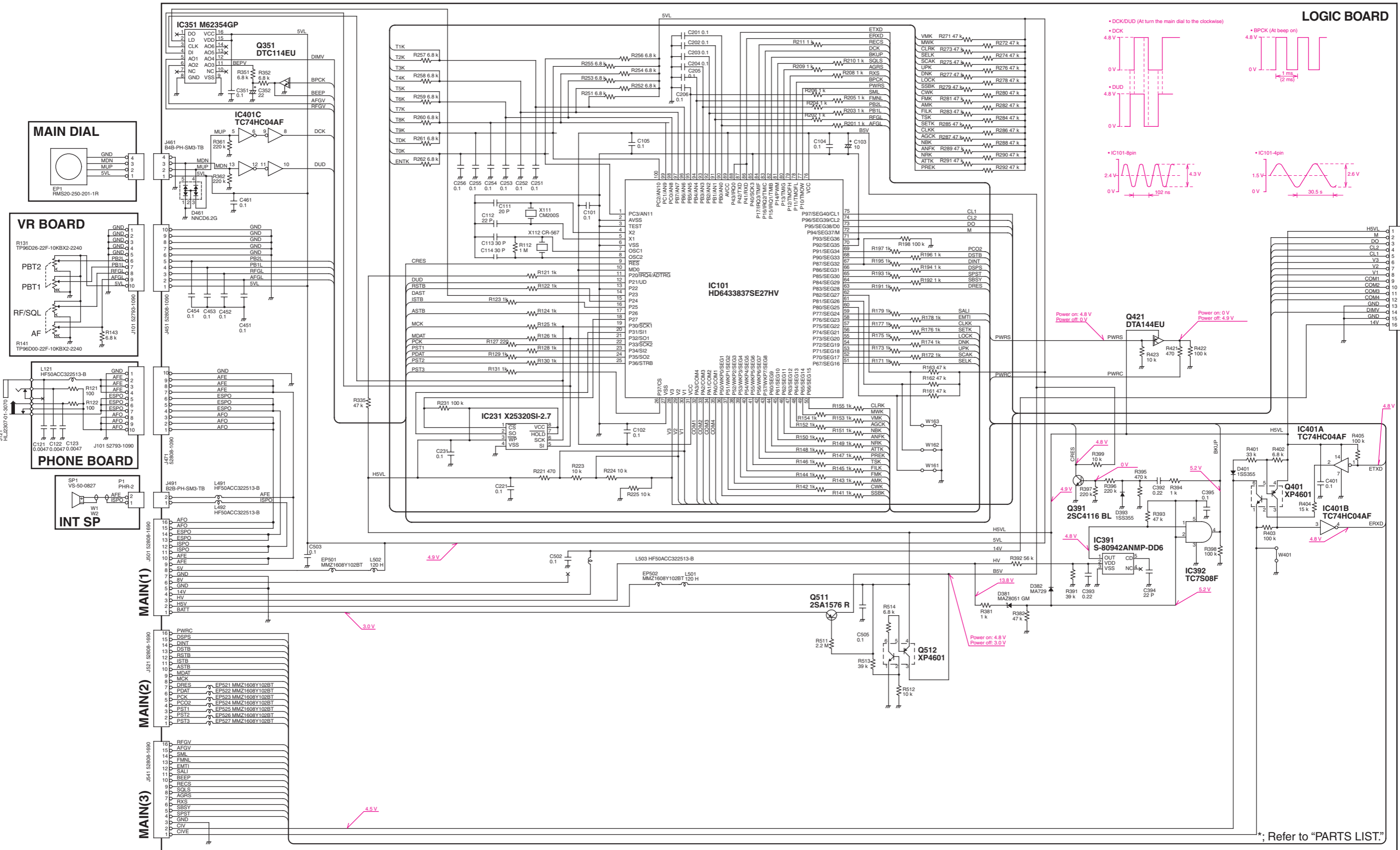
*; Refer to "PARTS LIST."

MAIN /MAIN-A UNIT



*; Refer to "PARTS LIST"

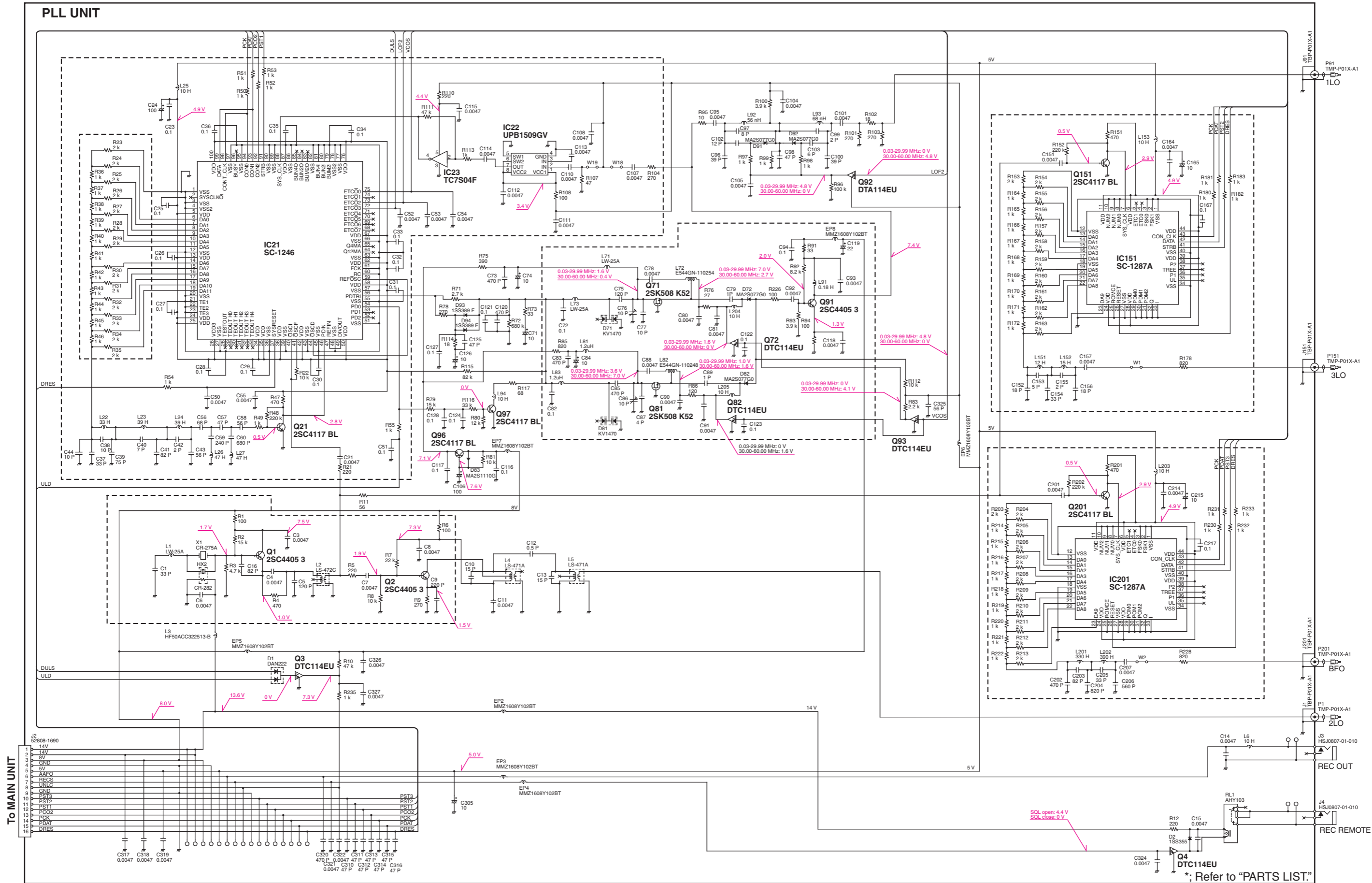
FRONT UNIT



*; Refer to "PARTS LIST"

To DISPLAY BOARD "J101"

PLL UNIT



Jan. 2009



SERVICE MANUAL ADDENDUM

IC-R75

CONTENTS

| | |
|-----------------------|----|
| PARTS LIST | 1 |
| BOARD LAYOUTS | 15 |
| VOLTAGE DIAGRAM | 17 |

PARTS LIST

[LOGIC BOARD]

| REF NO. | ORDER NO. | DESCRIPTION | | |
|---------|------------|-------------|------------------------------------|--------------------------|
| IC101 | 1140008251 | S.IC | HD6433837SC58HV [USA] | |
| | 1140008251 | S.IC | HD6433837SC58HV [EUR] | |
| | 1140008251 | S.IC | HD6433837SC58HV [AUS] | |
| | 1140008251 | S.IC | HD6433837SC58HV [UK] | |
| | 1140008251 | S.IC | HD6433837SC58HV [DEN] | |
| | 1140008251 | S.IC | HD6433837SC58HV [SEA] | |
| | 1140008251 | S.IC | HD6433837SC58HV [OTH] | |
| | 1140013850 | S.IC | HD6433837SE27HV (RX-2240A) [USA-1] | |
| | 1140013850 | S.IC | HD6433837SE27HV (RX-2240A) [OTH-1] | |
| | 1140013850 | S.IC | HD6433837SE27HV (RX-2240A) [CHN] | |
| | IC231 | 1130011332 | S.IC | CAT25320VI-GT3 |
| IC351 | 1110003690 | S.IC | M62354GP 75EC | |
| IC391 | 1110005771 | S.IC | S-80942CNMC-G9CT2G | |
| IC392 | 1130006441 | S.IC | TC7S08F(TE85R,F) | |
| IC401 | 1130004922 | S.IC | TC74HC04AF(EL,F) | |
| Q351 | 1590000680 | S.TRA | DTC114EUA T106 | |
| | 1530002851 | S.TRA | 2SC4116-BL(TE85R,F) | |
| | Q401 | 1590001650 | S.TRA | XP4601(TX) |
| | Q421 | 1590000720 | S.TRA | DTA144EUA T106 |
| | Q511 | 1510000510 | S.TRA | 2SA1576A T106R |
| Q512 | 1590001650 | S.TRA | XP4601(TX) | |
| D381 | 1730002321 | S.ZEN | MAZ8051GML | |
| | D382 | 1790000970 | S.DIO | MA729(TX) |
| | D393 | 1750000550 | S.DIO | 1S5355 TE-17 |
| | D401 | 1750000550 | S.DIO | 1S5355 TE-17 |
| | D461 | 1730002531 | S.ZEN | NNCD.6.2G-T1-A |
| X111 | 6050009460 | S.XTA | CM200S SMD(32.768 kHz) | |
| | X112 | 6050009870 | S.XTA | CR-567 SMD-49 9.8304 MHz |
| L491 | 6200003950 | S.COI | HF50ACC 322513-T | |
| | L492 | 6200003950 | S.COI | HF50ACC 322513-T |
| | L501 | 6200002971 | S.COI | NLV32T-121J |
| | L502 | 6200002971 | S.COI | NLV32T-121J |
| | L503 | 6200003950 | S.COI | HF50ACC 322513-T |
| R101 | 7030003200 | S.RES | ERJ3GEYJ 100 V (10) | |
| R112 | 7030003800 | S.RES | ERJ3GEYJ 105 V (1M) | |
| R121 | 7030003440 | S.RES | ERJ3GEYJ 102 V (1K) | |
| R122 | 7030003440 | S.RES | ERJ3GEYJ 102 V (1K) | |
| R123 | 7030003440 | S.RES | ERJ3GEYJ 102 V (1K) | |
| R124 | 7030003440 | S.RES | ERJ3GEYJ 102 V (1K) | |
| R125 | 7030003440 | S.RES | ERJ3GEYJ 102 V (1K) | |
| R126 | 7030003440 | S.RES | ERJ3GEYJ 102 V (1K) | |
| R127 | 7030003360 | S.RES | ERJ3GEYJ 221 V (220) | |
| R128 | 7030003440 | S.RES | ERJ3GEYJ 102 V (1K) | |
| R129 | 7030003440 | S.RES | ERJ3GEYJ 102 V (1K) | |
| R130 | 7030003440 | S.RES | ERJ3GEYJ 102 V (1K) | |
| R131 | 7030003440 | S.RES | ERJ3GEYJ 102 V (1K) | |
| R141 | 7030003440 | S.RES | ERJ3GEYJ 102 V (1K) | |
| R142 | 7030003440 | S.RES | ERJ3GEYJ 102 V (1K) | |
| R143 | 7030003440 | S.RES | ERJ3GEYJ 102 V (1K) | |
| R144 | 7030003440 | S.RES | ERJ3GEYJ 102 V (1K) | |
| R145 | 7030003440 | S.RES | ERJ3GEYJ 102 V (1K) | |
| R146 | 7030003440 | S.RES | ERJ3GEYJ 102 V (1K) | |
| R147 | 7030003440 | S.RES | ERJ3GEYJ 102 V (1K) | |
| R148 | 7030003440 | S.RES | ERJ3GEYJ 102 V (1K) | |
| R149 | 7030003440 | S.RES | ERJ3GEYJ 102 V (1K) | |
| R150 | 7030003440 | S.RES | ERJ3GEYJ 102 V (1K) | |
| R151 | 7030003440 | S.RES | ERJ3GEYJ 102 V (1K) | |
| R152 | 7030003440 | S.RES | ERJ3GEYJ 102 V (1K) | |
| R153 | 7030003440 | S.RES | ERJ3GEYJ 102 V (1K) | |
| R154 | 7030003440 | S.RES | ERJ3GEYJ 102 V (1K) | |
| R155 | 7030003440 | S.RES | ERJ3GEYJ 102 V (1K) | |
| R161 | 7030003640 | S.RES | ERJ3GEYJ 473 V (47K) | |
| R162 | 7030003640 | S.RES | ERJ3GEYJ 473 V (47K) | |
| R163 | 7030003640 | S.RES | ERJ3GEYJ 473 V (47K) | |
| R171 | 7030003440 | S.RES | ERJ3GEYJ 102 V (1K) | |
| R172 | 7030003440 | S.RES | ERJ3GEYJ 102 V (1K) | |
| R173 | 7030003440 | S.RES | ERJ3GEYJ 102 V (1K) | |
| R174 | 7030003440 | S.RES | ERJ3GEYJ 102 V (1K) | |
| R175 | 7030003440 | S.RES | ERJ3GEYJ 102 V (1K) | |
| R176 | 7030003440 | S.RES | ERJ3GEYJ 102 V (1K) | |
| R177 | 7030003440 | S.RES | ERJ3GEYJ 102 V (1K) | |
| R178 | 7030003440 | S.RES | ERJ3GEYJ 102 V (1K) | |
| R179 | 7030003440 | S.RES | ERJ3GEYJ 102 V (1K) | |
| R191 | 7030003440 | S.RES | ERJ3GEYJ 102 V (1K) | |
| R192 | 7030003440 | S.RES | ERJ3GEYJ 102 V (1K) | |
| R193 | 7030003440 | S.RES | ERJ3GEYJ 102 V (1K) | |
| R194 | 7030003440 | S.RES | ERJ3GEYJ 102 V (1K) | |
| R195 | 7030003440 | S.RES | ERJ3GEYJ 102 V (1K) | |
| R196 | 7030003440 | S.RES | ERJ3GEYJ 102 V (1K) | |
| R197 | 7030003440 | S.RES | ERJ3GEYJ 102 V (1K) | |
| R198 | 7030003680 | S.RES | ERJ3GEYJ 104 V (100K) | |
| R201 | 7030003440 | S.RES | ERJ3GEYJ 102 V (1K) | |
| R202 | 7030003440 | S.RES | ERJ3GEYJ 102 V (1K) | |
| R203 | 7030003440 | S.RES | ERJ3GEYJ 102 V (1K) | |
| R204 | 7030003440 | S.RES | ERJ3GEYJ 102 V (1K) | |
| R205 | 7030003440 | S.RES | ERJ3GEYJ 102 V (1K) | |
| R206 | 7030003440 | S.RES | ERJ3GEYJ 102 V (1K) | |
| R208 | 7030003440 | S.RES | ERJ3GEYJ 102 V (1K) | |

[LOGIC BOARD]

| REF NO. | ORDER NO. | DESCRIPTION | |
|---------|------------|-------------|-------------------------|
| R209 | 7030003440 | S.RES | ERJ3GEYJ 102 V (1K) |
| R210 | 7030003440 | S.RES | ERJ3GEYJ 102 V (1K) |
| R211 | 7030003440 | S.RES | ERJ3GEYJ 102 V (1K) |
| R221 | 7030003400 | S.RES | ERJ3GEYJ 471 V (470) |
| R223 | 7030003560 | S.RES | ERJ3GEYJ 103 V (10K) |
| R224 | 7030003560 | S.RES | ERJ3GEYJ 103 V (10K) |
| R225 | 7030003560 | S.RES | ERJ3GEYJ 103 V (10K) |
| R231 | 7030003680 | S.RES | ERJ3GEYJ 104 V (100K) |
| R251 | 7030003540 | S.RES | ERJ3GEYJ 682 V (6.8K) |
| R252 | 7030003540 | S.RES | ERJ3GEYJ 682 V (6.8K) |
| R253 | 7030003540 | S.RES | ERJ3GEYJ 682 V (6.8K) |
| R254 | 7030003540 | S.RES | ERJ3GEYJ 682 V (6.8K) |
| R255 | 7030003540 | S.RES | ERJ3GEYJ 682 V (6.8K) |
| R256 | 7030003540 | S.RES | ERJ3GEYJ 682 V (6.8K) |
| R257 | 7030003540 | S.RES | ERJ3GEYJ 682 V (6.8K) |
| R258 | 7030003540 | S.RES | ERJ3GEYJ 682 V (6.8K) |
| R259 | 7030003540 | S.RES | ERJ3GEYJ 682 V (6.8K) |
| R260 | 7030003540 | S.RES | ERJ3GEYJ 682 V (6.8K) |
| R261 | 7030003540 | S.RES | ERJ3GEYJ 682 V (6.8K) |
| R262 | 7030003540 | S.RES | ERJ3GEYJ 682 V (6.8K) |
| R271 | 7030003640 | S.RES | ERJ3GEYJ 473 V (47K) |
| R272 | 7030003640 | S.RES | ERJ3GEYJ 473 V (47K) |
| R273 | 7030003640 | S.RES | ERJ3GEYJ 473 V (47K) |
| R274 | 7030003640 | S.RES | ERJ3GEYJ 473 V (47K) |
| R275 | 7030003640 | S.RES | ERJ3GEYJ 473 V (47K) |
| R276 | 7030003640 | S.RES | ERJ3GEYJ 473 V (47K) |
| R277 | 7030003640 | S.RES | ERJ3GEYJ 473 V (47K) |
| R278 | 7030003640 | S.RES | ERJ3GEYJ 473 V (47K) |
| R279 | 7030003640 | S.RES | ERJ3GEYJ 473 V (47K) |
| R280 | 7030003640 | S.RES | ERJ3GEYJ 473 V (47K) |
| R281 | 7030003640 | S.RES | ERJ3GEYJ 473 V (47K) |
| R282 | 7030003640 | S.RES | ERJ3GEYJ 473 V (47K) |
| R283 | 7030003640 | S.RES | ERJ3GEYJ 473 V (47K) |
| R284 | 7030003640 | S.RES | ERJ3GEYJ 473 V (47K) |
| R285 | 7030003640 | S.RES | ERJ3GEYJ 473 V (47K) |
| R286 | 7030003640 | S.RES | ERJ3GEYJ 473 V (47K) |
| R287 | 7030003640 | S.RES | ERJ3GEYJ 473 V (47K) |
| R288 | 7030003640 | S.RES | ERJ3GEYJ 473 V (47K) |
| R289 | 7030003640 | S.RES | ERJ3GEYJ 473 V (47K) |
| R290 | 7030003640 | S.RES | ERJ3GEYJ 473 V (47K) |
| R291 | 7030003640 | S.RES | ERJ3GEYJ 473 V (47K) |
| R292 | 7030003640 | S.RES | ERJ3GEYJ 473 V (47K) |
| R335 | 7030003640 | S.RES | ERJ3GEYJ 473 V (47K) |
| R351 | 7030003540 | S.RES | ERJ3GEYJ 682 V (6.8K) |
| R352 | 7030003540 | S.RES | ERJ3GEYJ 682 V (6.8K) |
| R361 | 7030003720 | S.RES | ERJ3GEYJ 224 V (220K) |
| R362 | 7030003720 | S.RES | ERJ3GEYJ 224 V (220K) |
| R381 | 7030009720 | S.RES | ERJ12YJ102U (1K) |
| R382 | 7030003640 | S.RES | ERJ3GEYJ 473 V (47K) |
| R391 | 7030003630 | S.RES | ERJ3GEYJ 393 V (39K) |
| R392 | 7030003650 | S.RES | ERJ3GEYJ 563 V (56K) |
| R393 | 7030003640 | S.RES | ERJ3GEYJ 473 V (47K) |
| R394 | 7030003440 | S.RES | ERJ3GEYJ 102 V (1K) |
| R395 | 7030003760 | S.RES | ERJ3GEYJ 474 V (470K) |
| R396 | 7030003720 | S.RES | ERJ3GEYJ 224 V (220K) |
| R397 | 7030003720 | S.RES | ERJ3GEYJ 224 V (220K) |
| R398 | 7030003680 | S.RES | ERJ3GEYJ 104 V (100K) |
| R399 | 7030003560 | S.RES | ERJ3GEYJ 103 V (10K) |
| R401 | 7030003620 | S.RES | ERJ3GEYJ 333 V (33K) |
| R402 | 7030003540 | S.RES | ERJ3GEYJ 682 V (6.8K) |
| R403 | 7030003680 | S.RES | ERJ3GEYJ 104 V (100K) |
| R404 | 7030003580 | S.RES | ERJ3GEYJ 153 V (15K) |
| R405 | 7030003680 | S.RES | ERJ3GEYJ 104 V (100K) |
| R421 | 7030003400 | S.RES | ERJ3GEYJ 471 V (470) |
| R422 | 7030003680 | S.RES | ERJ3GEYJ 104 V (100K) |
| R423 | 7030003560 | S.RES | ERJ3GEYJ 103 V (10K) |
| R511 | 7030003840 | S.RES | ERJ3GEYJ 225 V (2.2M) |
| R512 | 7030003560 | S.RES | ERJ3GEYJ 103 V (10K) |
| R513 | 7030003630 | S.RES | ERJ3GEYJ 393 V (39K) |
| R514 | 7030003540 | S.RES | ERJ3GEYJ 682 V (6.8K) |
| W161 | 7030003860 | S.RES | ERJ3GE JPW V [DEN] |
| | 7030003860 | S.RES | ERJ3GE JPW V [SEA] |
| W162 | 7030003860 | S.RES | ERJ3GE JPW V [SEA] only |
| | 7030003860 | S.RES | ERJ3GE JPW V [DEN] |
| W163 | 7030003860 | S.RES | ERJ3GE JPW V [SEA] |
| | 7030003860 | S.RES | ERJ3GE JPW V [SEA] |
| W401 | 7030003860 | S.RES | ERJ3GE JPW V |
| | 7030003860 | S.RES | ERJ3GE JPW V |
| C101 | 4030008630 | S.CER | C1608 JF 1H 104Z-T |
| C102 | 4030008630 | S.CER | C1608 JF 1H 104Z-T |
| C103 | 4550006250 | S.TAN | TEESVA 1A 106M8R |
| C104 | 4030008630 | S.CER | C1608 JF 1H 104Z-T |
| C105 | 4030008630 | S.CER | C1608 JF 1H 104Z-T |
| C111 | 4030009990 | S.CER | C1608 CH 1H 200J-T |
| C112 | 4030007050 | S.CER | C1608 CH 1H 220J-T |
| C113 | 4030008560 | S.CER | C1608 CH 1H 300J-T |
| C114 | 4030008560 | S.CER | C1608 CH 1H 300J-T |
| C201 | 4030008630 | S.CER | C1608 JF 1H 104Z-T |
| C202 | 4030008630 | S.CER | C1608 JF 1H 104Z-T |
| C203 | 4030008630 | S.CER | C1608 JF 1H 104Z-T |
| C204 | 4030008630 | S.CER | C1608 JF 1H 104Z-T |
| C205 | 4030008630 | S.CER | C1608 JF 1H 104Z-T |
| C206 | 4030008630 | S.CER | C1608 JF 1H 104Z-T |
| C221 | 4030008630 | S.CER | C1608 JF 1H 104Z-T |
| C231 | 4030008630 | S.CER | C1608 JF 1H 104Z-T |
| C251 | 4030008630 | S.CER | C1608 JF 1H 104Z-T |

[LOGIC BOARD]

| REF NO. | ORDER NO. | DESCRIPTION |
|---------|------------|------------------------------------|
| C252 | 4030008630 | S.CER C1608 JF 1H 104Z-T |
| C253 | 4030008630 | S.CER C1608 JF 1H 104Z-T |
| C254 | 4030008630 | S.CER C1608 JF 1H 104Z-T |
| C255 | 4030008630 | S.CER C1608 JF 1H 104Z-T |
| C256 | 4030008630 | S.CER C1608 JF 1H 104Z-T |
| C351 | 4030008630 | S.CER C1608 JF 1H 104Z-T |
| C352 | 4510008660 | S.ELE EEE0JA220SR |
| C392 | 4030013720 | S.CER GRM188B11A224KA01D (GRM39 B) |
| C393 | 4030013720 | S.CER GRM188B11A224KA01D (GRM39 B) |
| C394 | 4030007050 | S.CER C1608 CH 1H 220J-T |
| C395 | 4030008630 | S.CER C1608 JF 1H 104Z-T |
| C401 | 4030008630 | S.CER C1608 JF 1H 104Z-T |
| C451 | 4030008630 | S.CER C1608 JF 1H 104Z-T |
| C452 | 4030008630 | S.CER C1608 JF 1H 104Z-T |
| C453 | 4030008630 | S.CER C1608 JF 1H 104Z-T |
| C454 | 4030008630 | S.CER C1608 JF 1H 104Z-T |
| C461 | 4030008630 | S.CER C1608 JF 1H 104Z-T |
| C502 | 4030008630 | S.CER C1608 JF 1H 104Z-T |
| C503 | 4030008630 | S.CER C1608 JF 1H 104Z-T |
| C505 | 4030008630 | S.CER C1608 JF 1H 104Z-T |
| J411 | 6510019981 | S.CON 52808-1671(1690) |
| J451 | 6510019971 | S.CON 52808-1071 |
| J461 | 6510018971 | S.CON B4B-PH-SM4-TB(LF)(SN) |
| J471 | 6510019971 | S.CON 52808-1071 |
| J491 | 6510018961 | S.CON B2B-PH-SM4-TB(LF)(SN) |
| J501 | 6510019981 | S.CON 52808-1671(1690) |
| J521 | 6510019981 | S.CON 52808-1671(1690) |
| J541 | 6510019981 | S.CON 52808-1671(1690) |
| EP1 | 0910051164 | PCB B 5270D LO 2 (#2240-1F) |
| EP501 | 6910012350 | S.BEA MMZ1608Y 102BT |
| EP502 | 6910012350 | S.BEA MMZ1608Y 102BT |
| EP521 | 6910012350 | S.BEA MMZ1608Y 102BT |
| EP522 | 6910012350 | S.BEA MMZ1608Y 102BT |
| EP523 | 6910012350 | S.BEA MMZ1608Y 102BT |
| EP524 | 6910012350 | S.BEA MMZ1608Y 102BT |
| EP525 | 6910012350 | S.BEA MMZ1608Y 102BT |
| EP526 | 6910012350 | S.BEA MMZ1608Y 102BT |
| EP527 | 6910012350 | S.BEA MMZ1608Y 102BT |

[PHONE BOARD]

| REF NO. | ORDER NO. | DESCRIPTION |
|---------|------------|--------------------------|
| L121 | 6200003950 | S.COI HF50ACC 322513-T |
| R121 | 7030006070 | S.RES ERJ12YJ101U (100) |
| R122 | 7030006070 | S.RES ERJ12YJ101U (100) |
| C121 | 4030006880 | S.CER C1608 JB 1H 472K-T |
| C122 | 4030006880 | S.CER C1608 JB 1H 472K-T |
| C123 | 4030006880 | S.CER C1608 JB 1H 472K-T |
| J101 | 6510020711 | S.CON 52793-1070(1090) |
| J121 | 6510021480 | CON HLJ2307-01-3070 |

[VR BOARD]

| REF NO. | ORDER NO. | DESCRIPTION |
|---------|------------|------------------------------|
| R131 | 7210003040 | VAR TP96D26-22F-10KBX2-2240 |
| R141 | 7210003030 | VAR TP96D00-22F-10KBX2-2240 |
| R143 | 7030003540 | S.RES ERJ3GGEYJ 682 V (6.8K) |
| J101 | 6510020711 | S.CON 52793-1070(1090) |

[MAIN UNIT]

| REF NO. | ORDER NO. | DESCRIPTION |
|---------|------------|--------------------------------|
| WS1 | 8600036540 | RX2240 P1241*J1241MA |
| IC391 | 1110003970 | S.IC UPC1658G-E1 |
| IC551 | 1130007570 | S.IC BU4094BCFV-E2 |
| IC552 | 1130007570 | S.IC BU4094BCFV-E2 |
| IC561 | 1160000131 | S.IC TD62783AFG(5,S,EL) |
| IC562 | 1160000131 | S.IC TD62783AFG(5,S,EL) |
| IC731 | 1110003141 | IC LA1150N-E |
| IC811 | 1110002601 | S.IC MC1496DR2G [USA] |
| | 1110002600 | S.IC MC1496DR2 [EUR] |
| | 1110002601 | S.IC MC1496DR2G [AUS] |
| | 1110002600 | S.IC MC1496DR2 [UK] |
| | 1110002601 | S.IC MC1496DR2G [DEN] |
| | 1110002601 | S.IC MC1496DR2G [SEA] |
| | 1110002601 | S.IC MC1496DR2G [OTH] |
| | 1110002601 | S.IC MC1496DR2G [USA-1] |
| | 1110002601 | S.IC MC1496DR2G [OTH-1] |
| | 1110002601 | S.IC MC1496DR2G [CHN] |
| IC1001 | 1110003201 | S.IC TA31136FNG(EL) |
| IC1101 | 1110002601 | S.IC MC1496DR2G [USA] |
| | 1110002600 | S.IC MC1496DR2 [EUR] |
| | 1110002601 | S.IC MC1496DR2G [AUS] |
| | 1110002600 | S.IC MC1496DR2 [UK] |
| | 1110002601 | S.IC MC1496DR2G [DEN] |
| | 1110002601 | S.IC MC1496DR2G [SEA] |
| | 1110002601 | S.IC MC1496DR2G [OTH] |
| | 1110002601 | S.IC MC1496DR2G [USA-1] |
| | 1110002601 | S.IC MC1496DR2G [OTH-1] |
| | 1110002601 | S.IC MC1496DR2G [CHN] |
| IC1201 | 1130009100 | S.IC BU4052BCFV-E2 |
| IC1211 | 1110003870 | S.IC NJM2058M-TE1-#ZZZB |
| IC1251 | 1110003300 | S.IC M5282FP 70CD |
| IC1281 | 1130009100 | S.IC BU4052BCFV-E2 |
| IC1291 | 1110003091 | IC LA4425A-E |
| IC1361 | 1180000970 | S.IC AN78L05M-(E1) |
| IC1371 | 1180001531 | IC PQ30RV31J00H |
| IC1391 | 1180001251 | S.IC TA7808F(TE16L,Q) |
| IC1401 | 1180001071 | S.IC TA7805F(TE16L,Q) |
| IC1411 | 1110001401 | S.IC UPC1555G2-E1-A |
| IC1601 | 1130007570 | S.IC BU4094BCFV-E2 |
| IC1602 | 1130007570 | S.IC BU4094BCFV-E2 |
| IC1603 | 1160000131 | S.IC TD62783AFG(5,S,EL) |
| IC1751 | 1120002510 | S.IC DS14C232TM S |
| IC1771 | 1130005721 | S.IC TC7W04F(TE12L,F) |
| IC2001 | 1110004940 | S.IC MC13022ADWR3 [USA] |
| | 1110004940 | S.IC MC13022ADWR3 [EUR] |
| | 1110004940 | S.IC MC13022ADWR3 [AUS] |
| | 1110004940 | S.IC MC13022ADWR3 [UK] |
| | 1110004940 | S.IC MC13022ADWR3 [DEN] |
| | 1110004940 | S.IC MC13022ADWR3 [SEA] |
| | 1110004940 | S.IC MC13022ADWR3 [OTH] |
| Q151 | 1590000680 | S.TRA DTC114EUA T106 |
| Q381 | 1560000721 | S.FET 2SK2171-4-TD-E |
| Q382 | 1560000721 | S.FET 2SK2171-4-TD-E |
| Q383 | 1590001960 | S.TRA XP4311(TX) |
| Q391 | 1590001960 | S.TRA XP4311(TX) |
| Q411 | 1530003151 | S.TRA 2SC4673D-TD-E |
| Q441 | 1560000641 | S.FET 2SK1740-4/5-TB-E |
| Q442 | 1560000641 | S.FET 2SK1740-4/5-TB-E |
| Q471 | 1580000620 | S.FET 3SK131-T2 MAS |
| Q472 | 1590001960 | S.TRA XP4311(TX) |
| Q721 | 1580000620 | S.FET 3SK131-T2 MAS |
| Q731 | 1560000561 | S.FET 2SK882-GR(TE85L,F) |
| Q732 | 1510000510 | S.TRA 2SA1576A T106R |
| Q733 | 1530002060 | S.TRA 2SC4081 T106 R |
| Q734 | 1530002060 | S.TRA 2SC4081 T106 R |
| Q735 | 1530002060 | S.TRA 2SC4081 T106 R |
| Q736 | 1590000680 | S.TRA DTC114EUA T106 |
| Q737 | 1590001960 | S.TRA XP4311(TX) |
| Q801 | 1530002060 | S.TRA 2SC4081 T106 R |
| Q891 | 1580000620 | S.FET 3SK131-T2 MAS |
| Q911 | 1560000561 | S.FET 2SK882-GR(TE85L,F) |
| Q912 | 1530002060 | S.TRA 2SC4081 T106 R |
| Q1001 | 1560000561 | S.FET 2SK882-GR(TE85L,F) |
| Q1031 | 1530002060 | S.TRA 2SC4081 T106 R |
| Q1051 | 1530002060 | S.TRA 2SC4081 T106 R |
| Q1061 | 1590001960 | S.TRA XP4311(TX) |
| Q1063 | 1530002060 | S.TRA 2SC4081 T106 R |
| Q1064 | 1590001960 | S.TRA XP4311(TX) |
| Q1065 | 1590001960 | S.TRA XP4311(TX) |
| Q1066 | 1590001960 | S.TRA XP4311(TX) |
| Q1311 | 1530002060 | S.TRA 2SC4081 T106 R |
| Q1381 | 1540000550 | S.TRA 2SD1664 T100Q |
| Q1382 | 1590000680 | S.TRA DTC114EUA T106 |
| Q1771 | 1510000510 | S.TRA 2SA1576A T106R |
| Q1772 | 1530002060 | S.TRA 2SC4081 T106 R |
| Q2021 | 1530003091 | S.TRA 2SC4213-B(TE85R,F) [USA] |
| | 1530003091 | S.TRA 2SC4213-B(TE85R,F) [EUR] |
| | 1530003091 | S.TRA 2SC4213-B(TE85R,F) [AUS] |
| | 1530003091 | S.TRA 2SC4213-B(TE85R,F) [UK] |
| | 1530003091 | S.TRA 2SC4213-B(TE85R,F) [DEN] |
| | 1530003091 | S.TRA 2SC4213-B(TE85R,F) [SEA] |
| | 1530003091 | S.TRA 2SC4213-B(TE85R,F) [OTH] |
| D141 | 1750000461 | S.DIO 1SV246-TL-E |
| D142 | 1750000461 | S.DIO 1SV246-TL-E |
| D151 | 1750000971 | S.DIO CPH5513-TL-E |
| D172 | 1790000620 | S.DIO MA77(TX) |
| D181 | 1750000971 | S.DIO CPH5513-TL-E |
| D182 | 1790000620 | S.DIO MA77(TX) |

[MAIN UNIT]

| REF NO. | ORDER NO. | DESCRIPTION | |
|---------|------------|-----------------------------|-------|
| L444 | 6200001831 | S.COI NLV32T-100J | |
| L461 | 6150004270 | COI LS-483A (C-14924) | |
| L462 | 6150004270 | COI LS-483A (C-14924) | |
| L471 | 6150004280 | COI LS-484B (C-14927) | |
| L491 | 6140002810 | S.COI LR-317 | |
| L492 | 6140002810 | S.COI LR-317 | |
| L701 | 6150000711 | COI LS-452 | |
| L711 | 6150000711 | COI LS-452 | |
| L712 | 6150000711 | COI LS-452 | |
| L721 | 6200001831 | S.COI NLV32T-100J | |
| L731 | 6150004050 | COI LS-466 | |
| L732 | 6150004050 | COI LS-466 | |
| L733 | 6200003241 | S.COI NLV32T-221J | |
| L891 | 6150002291 | COI LS-450 | |
| L892 | 6150002291 | COI LS-450 | |
| L911 | 6150002291 | COI LS-450 | |
| L1001 | 6200003241 | S.COI NLV32T-221J | |
| L1291 | 6170000140 | COI LW-15 | |
| L1311 | 6200003241 | S.COI NLV32T-221J | |
| L1321 | 6200003950 | S.COI HF50ACC 322513-T | |
| L1322 | 6200003950 | S.COI HF50ACC 322513-T | |
| L1411 | 6200003241 | S.COI NLV32T-221J | |
| L1412 | 6200005491 | S.COI NLV32T-331J | |
| L1771 | 6200003241 | S.COI NLV32T-221J | |
| L2011 | 6200005491 | S.COI NLV32T-331J | [USA] |
| | 6200005491 | S.COI NLV32T-331J | [EUR] |
| | 6200005491 | S.COI NLV32T-331J | [AUS] |
| | 6200005491 | S.COI NLV32T-331J | [UK] |
| | 6200005491 | S.COI NLV32T-331J | [DEN] |
| | 6200005491 | S.COI NLV32T-331J | [SEA] |
| | 6200005491 | S.COI NLV32T-331J | [OTH] |
| L2041 | 6200003241 | S.COI NLV32T-221J | [USA] |
| | 6200003241 | S.COI NLV32T-221J | [EUR] |
| | 6200003241 | S.COI NLV32T-221J | [AUS] |
| | 6200003241 | S.COI NLV32T-221J | [UK] |
| | 6200003241 | S.COI NLV32T-221J | [DEN] |
| | 6200003241 | S.COI NLV32T-221J | [SEA] |
| | 6200003241 | S.COI NLV32T-221J | [OTH] |
| R101 | 7030003640 | S.RES ERJ3GEYJ 473 V (47K) | |
| R102 | 7540000090 | ABS DSP-201M-S00B | |
| R111 | 7030003640 | S.RES ERJ3GEYJ 473 V (47K) | |
| R112 | 7540000090 | ABS DSP-201M-S00B | |
| R141 | 7030003480 | S.RES ERJ3GEYJ 222 V (2.2K) | |
| R142 | 7030003400 | S.RES ERJ3GEYJ 471 V (470) | |
| R143 | 7030003380 | S.RES ERJ3GEYJ 331 V (330) | |
| R144 | 7030003300 | S.RES ERJ3GEYJ 680 V (68) | |
| R151 | 7030006260 | S.RES ERJ12YJ471U (470) | |
| R152 | 7030003560 | S.RES ERJ3GEYJ 103 V (10K) | |
| R171 | 7030003370 | S.RES ERJ3GEYJ 271 V (270) | |
| R172 | 7030003230 | S.RES ERJ3GEYJ 180 V (18) | |
| R173 | 7030003370 | S.RES ERJ3GEYJ 271 V (270) | |
| R174 | 7030003200 | S.RES ERJ3GEYJ 100 V (10) | |
| R181 | 7030003320 | S.RES ERJ3GEYJ 101 V (100) | |
| R201 | 7030003320 | S.RES ERJ3GEYJ 101 V (100) | |
| R221 | 7030003320 | S.RES ERJ3GEYJ 101 V (100) | |
| R241 | 7030003320 | S.RES ERJ3GEYJ 101 V (100) | |
| R261 | 7030003320 | S.RES ERJ3GEYJ 101 V (100) | |
| R281 | 7030003320 | S.RES ERJ3GEYJ 101 V (100) | |
| R301 | 7030003320 | S.RES ERJ3GEYJ 101 V (100) | |
| R321 | 7030003320 | S.RES ERJ3GEYJ 101 V (100) | |
| R341 | 7030003320 | S.RES ERJ3GEYJ 101 V (100) | |
| R361 | 7030006260 | S.RES ERJ12YJ471U (470) | |
| R362 | 7030006260 | S.RES ERJ12YJ471U (470) | |
| R371 | 7030003320 | S.RES ERJ3GEYJ 101 V (100) | |
| R372 | 7030003320 | S.RES ERJ3GEYJ 101 V (100) | |
| R381 | 7030003320 | S.RES ERJ3GEYJ 101 V (100) | |
| R382 | 7030003280 | S.RES ERJ3GEYJ 470 V (47) | |
| R383 | 7030003280 | S.RES ERJ3GEYJ 470 V (47) | |
| R384 | 7030003320 | S.RES ERJ3GEYJ 101 V (100) | |
| R385 | 7030003320 | S.RES ERJ3GEYJ 101 V (100) | |
| R386 | 7030003320 | S.RES ERJ3GEYJ 101 V (100) | |
| R391 | 7030003320 | S.RES ERJ3GEYJ 101 V (100) | |
| R392 | 7030003400 | S.RES ERJ3GEYJ 471 V (470) | |
| R393 | 7030003320 | S.RES ERJ3GEYJ 101 V (100) | |
| R394 | 7030003370 | S.RES ERJ3GEYJ 271 V (270) | |
| R395 | 7030003230 | S.RES ERJ3GEYJ 180 V (18) | |
| R396 | 7030003370 | S.RES ERJ3GEYJ 271 V (270) | |
| R401 | 7030006260 | S.RES ERJ12YJ471U (470) | |
| R411 | 7030003300 | S.RES ERJ3GEYJ 680 V (68) | |
| R412 | 7030003520 | S.RES ERJ3GEYJ 472 V (4.7K) | |
| R413 | 7030003410 | S.RES ERJ3GEYJ 561 V (560) | |
| R414 | 7030003200 | S.RES ERJ3GEYJ 100 V (10) | |
| R415 | 7030003280 | S.RES ERJ3GEYJ 470 V (47) | |
| R442 | 7030003410 | S.RES ERJ3GEYJ 561 V (560) | |
| R443 | 7030003410 | S.RES ERJ3GEYJ 561 V (560) | |
| R444 | 7310005050 | S.TRI RH03ADCS3X (4.7K) | |
| R445 | 7030003280 | S.RES ERJ3GEYJ 470 V (47) | |
| R446 | 7030003560 | S.RES ERJ3GEYJ 103 V (10K) | |
| R447 | 7030003280 | S.RES ERJ3GEYJ 470 V (47) | |
| R448 | 7030003400 | S.RES ERJ3GEYJ 471 V (470) | |
| R449 | 7030003320 | S.RES ERJ3GEYJ 101 V (100) | |
| R471 | 7030003760 | S.RES ERJ3GEYJ 474 V (470K) | |
| R472 | 7030003280 | S.RES ERJ3GEYJ 470 V (47) | |
| R473 | 7030003200 | S.RES ERJ3GEYJ 100 V (10) | |
| R474 | 7030003520 | S.RES ERJ3GEYJ 472 V (4.7K) | |
| R475 | 7030003580 | S.RES ERJ3GEYJ 153 V (15K) | |
| R476 | 7030003480 | S.RES ERJ3GEYJ 222 V (2.2K) | |
| R477 | 7030003340 | S.RES ERJ3GEYJ 151 V (150) | |
| R478 | 7030003480 | S.RES ERJ3GEYJ 222 V (2.2K) | |
| R479 | 7030003280 | S.RES ERJ3GEYJ 470 V (47) | |
| R491 | 7030003370 | S.RES ERJ3GEYJ 271 V (270) | |
| R492 | 7030003230 | S.RES ERJ3GEYJ 180 V (18) | |

[MAIN UNIT]

| REF NO. | ORDER NO. | DESCRIPTION | |
|---------|------------|-----------------------------|--|
| R493 | 7030003370 | S.RES ERJ3GEYJ 271 V (270) | |
| R563 | 7030003640 | S.RES ERJ3GEYJ 473 V (47K) | |
| R564 | 7030003640 | S.RES ERJ3GEYJ 473 V (47K) | |
| R565 | 7030003640 | S.RES ERJ3GEYJ 473 V (47K) | |
| R566 | 7030003640 | S.RES ERJ3GEYJ 473 V (47K) | |
| R567 | 7030003640 | S.RES ERJ3GEYJ 473 V (47K) | |
| R568 | 7030003640 | S.RES ERJ3GEYJ 473 V (47K) | |
| R569 | 7030003640 | S.RES ERJ3GEYJ 473 V (47K) | |
| R570 | 7030003640 | S.RES ERJ3GEYJ 473 V (47K) | |
| R571 | 7030003200 | S.RES ERJ3GEYJ 100 V (10) | |
| R572 | 7030003200 | S.RES ERJ3GEYJ 100 V (10) | |
| R573 | 7030003200 | S.RES ERJ3GEYJ 100 V (10) | |
| R574 | 7030003200 | S.RES ERJ3GEYJ 100 V (10) | |
| R575 | 7030003200 | S.RES ERJ3GEYJ 100 V (10) | |
| R576 | 7030003200 | S.RES ERJ3GEYJ 100 V (10) | |
| R577 | 7030003200 | S.RES ERJ3GEYJ 100 V (10) | |
| R578 | 7030003200 | S.RES ERJ3GEYJ 100 V (10) | |
| R579 | 7030003640 | S.RES ERJ3GEYJ 473 V (47K) | |
| R580 | 7030003640 | S.RES ERJ3GEYJ 473 V (47K) | |
| R583 | 7030003640 | S.RES ERJ3GEYJ 473 V (47K) | |
| R587 | 7030003200 | S.RES ERJ3GEYJ 100 V (10) | |
| R588 | 7030003200 | S.RES ERJ3GEYJ 100 V (10) | |
| R589 | 7030003200 | S.RES ERJ3GEYJ 100 V (10) | |
| R590 | 7030003200 | S.RES ERJ3GEYJ 100 V (10) | |
| R591 | 7030003200 | S.RES ERJ3GEYJ 100 V (10) | |
| R592 | 7030003200 | S.RES ERJ3GEYJ 100 V (10) | |
| R593 | 7030003200 | S.RES ERJ3GEYJ 100 V (10) | |
| R711 | 7030003480 | S.RES ERJ3GEYJ 222 V (2.2K) | |
| R712 | 7030003480 | S.RES ERJ3GEYJ 222 V (2.2K) | |
| R713 | 7030003360 | S.RES ERJ3GEYJ 221 V (2.2K) | |
| R721 | 7030003520 | S.RES ERJ3GEYJ 472 V (4.7K) | |
| R722 | 7030003610 | S.RES ERJ3GEYJ 273 V (27K) | |
| R723 | 7030003760 | S.RES ERJ3GEYJ 474 V (470K) | |
| R724 | 7030003340 | S.RES ERJ3GEYJ 151 V (150) | |
| R725 | 7030003320 | S.RES ERJ3GEYJ 101 V (100) | |
| R731 | 7030003680 | S.RES ERJ3GEYJ 104 V (100K) | |
| R732 | 7030003520 | S.RES ERJ3GEYJ 472 V (4.7K) | |
| R733 | 7030003320 | S.RES ERJ3GEYJ 101 V (100) | |
| R734 | 7030003320 | S.RES ERJ3GEYJ 101 V (100) | |
| R735 | 7030003600 | S.RES ERJ3GEYJ 223 V (22K) | |
| R736 | 7310005020 | S.TRI RH03ADC14X (10K) | |
| R737 | 7030003640 | S.RES ERJ3GEYJ 473 V (47K) | |
| R738 | 7030003640 | S.RES ERJ3GEYJ 473 V (47K) | |
| R739 | 7030003640 | S.RES ERJ3GEYJ 473 V (47K) | |
| R740 | 7030003440 | S.RES ERJ3GEYJ 102 V (1K) | |
| R741 | 7030003520 | S.RES ERJ3GEYJ 472 V (4.7K) | |
| R742 | 7030003320 | S.RES ERJ3GEYJ 101 V (100) | |
| R743 | 7030003640 | S.RES ERJ3GEYJ 473 V (47K) | |
| R744 | 7030003520 | S.RES ERJ3GEYJ 472 V (4.7K) | |
| R745 | 7030003680 | S.RES ERJ3GEYJ 104 V (100K) | |
| R746 | 7030003540 | S.RES ERJ3GEYJ 682 V (6.8K) | |
| R747 | 7030003440 | S.RES ERJ3GEYJ 102 V (1K) | |
| R748 | 7030003400 | S.RES ERJ3GEYJ 471 V (470) | |
| R749 | 7030003600 | S.RES ERJ3GEYJ 223 V (22K) | |
| R750 | 7030003440 | S.RES ERJ3GEYJ 102 V (1K) | |
| R751 | 7030003280 | S.RES ERJ3GEYJ 470 V (47) | |
| R761 | 7030003480 | S.RES ERJ3GEYJ 222 V (2.2K) | |
| R762 | 7030003360 | S.RES ERJ3GEYJ 221 V (2.2K) | |
| R763 | 7030003360 | S.RES ERJ3GEYJ 221 V (2.2K) | |
| R764 | 7030003480 | S.RES ERJ3GEYJ 222 V (2.2K) | |
| R765 | 7030003560 | S.RES ERJ3GEYJ 103 V (10K) | |
| R771 | 7030003480 | S.RES ERJ3GEYJ 222 V (2.2K) | |
| R772 | 7030003360 | S.RES ERJ3GEYJ 221 V (2.2K) | |
| R773 | 7030003360 | S.RES ERJ3GEYJ 221 V (2.2K) | |
| R774 | 7030003480 | S.RES ERJ3GEYJ 222 V (2.2K) | |
| R775 | 7030003560 | S.RES ERJ3GEYJ 103 V (10K) | |
| R781 | 7030003480 | S.RES ERJ3GEYJ 222 V (2.2K) | |
| R782 | 7030003360 | S.RES ERJ3GEYJ 221 V (2.2K) | |
| R783 | 7030003360 | S.RES ERJ3GEYJ 221 V (2.2K) | |
| R784 | 7030003480 | S.RES ERJ3GEYJ 222 V (2.2K) | |
| R785 | 7030003560 | S.RES ERJ3GEYJ 103 V (10K) | |
| R791 | 7030003480 | S.RES ERJ3GEYJ 222 V (2.2K) | |
| R792 | 7030003520 | S.RES ERJ3GEYJ 472 V (4.7K) | |
| R793 | 7030003480 | S.RES ERJ3GEYJ 222 V (2.2K) | |
| R794 | 7030003480 | S.RES ERJ3GEYJ 222 V (2.2K) | |
| R795 | 7030003520 | S.RES ERJ3GEYJ 472 V (4.7K) | |
| R796 | 7030003480 | S.RES ERJ3GEYJ 222 V (2.2K) | |
| R801 | 7030003440 | S.RES ERJ3GEYJ 102 V (1K) | |
| R802 | 7030003320 | S.RES ERJ3GEYJ 101 V (100) | |
| R811 | 7030003460 | S.RES ERJ3GEYJ 152 V (1.5K) | |
| R812 | 7030003400 | S.RES ERJ3GEYJ 471 V (470) | |
| R813 | 7030003400 | S.RES ERJ3GEYJ 471 V (470) | |
| R814 | 7030003500 | S.RES ERJ3GEYJ 332 V (3.3K) | |
| R815 | 7030003500 | S.RES ERJ3GEYJ 332 V (3.3K) | |
| R816 | 7030003490 | S.RES ERJ3GEYJ 272 V (2.7K) | |
| R817 | 7030003490 | S.RES ERJ3GEYJ 272 V (2.7K) | |
| R818 | 7030003490 | S.RES ERJ3GEYJ 272 V (2.7K) | |
| R819 | 7030003440 | S.RES ERJ3GEYJ 102 V (1K) | |
| R820 | 7030003440 | S.RES ERJ3GEYJ 102 V (1K) | |
| R821 | 7030003500 | S.RES ERJ3GEYJ 332 V (3.3K) | |
| R822 | 7030003200 | S.RES ERJ3GEYJ 100 V (10) | |
| R823 | 7030003200 | S.RES ERJ3GEYJ 100 V (10) | |
| R824 | 7030003360 | S.RES ERJ3GEYJ 221 V (2.2K) | |
| R825 | 7510001480 | S.THE NTCG10.3NH 681JT | |
| R831 | 7030004710 | S.RES ERJ3GEYJ 475 V (4.7M) | |
| R832 | 7030004710 | S.RES ERJ3GEYJ 475 V (4.7M) | |
| R833 | 7030004710 | S.RES ERJ3GEYJ 475 V (4.7M) | |
| R834 | 7030004710 | S.RES ERJ3GEYJ 475 V (4.7M) | |
| R835 | 7030003820 | S.RES ERJ3GEYJ 155 V (1.5M) | |
| R836 | 7030003520 | S.RES ERJ3GEYJ 472 V (4.7K) | |
| R841 | 7030003560 | S.RES ERJ3GEYJ 103 V (10K) | |
| R851 | 7030003560 | S.RES ERJ3GEYJ 103 V (10K) | |
| R852 | 7030003360 | S.RES ERJ3GEYJ 221 V (2.2K) | |
| R853 | 7030003360 | S.RES ERJ3GEYJ 221 V (2.2K) | |

[MAIN UNIT]

| REF NO. | ORDER NO. | DESCRIPTION |
|---------|------------|-------------------------------------|
| R854 | 7030003560 | S.RES ERJ3GEYJ 103 V (10K) |
| R855 | 7030003560 | S.RES ERJ3GEYJ 103 V (10K) |
| R861 | 7030003560 | S.RES ERJ3GEYJ 103 V (10K) |
| R862 | 7030003360 | S.RES ERJ3GEYJ 221 V (220) |
| R863 | 7030003360 | S.RES ERJ3GEYJ 221 V (220) |
| R864 | 7030003560 | S.RES ERJ3GEYJ 103 V (10K) |
| R865 | 7030003560 | S.RES ERJ3GEYJ 103 V (10K) |
| R871 | 7030003510 | S.RES ERJ3GEYJ 392 V (3.9K) |
| R872 | 7030003360 | S.RES ERJ3GEYJ 221 V (220) |
| R873 | 7030003360 | S.RES ERJ3GEYJ 221 V (220) |
| R874 | 7030003510 | S.RES ERJ3GEYJ 392 V (3.9K) |
| R875 | 7030003560 | S.RES ERJ3GEYJ 103 V (10K) |
| R881 | 7030003510 | S.RES ERJ3GEYJ 392 V (3.9K) |
| R882 | 7030003360 | S.RES ERJ3GEYJ 221 V (220) |
| R883 | 7030003360 | S.RES ERJ3GEYJ 221 V (220) |
| R884 | 7030003510 | S.RES ERJ3GEYJ 392 V (3.9K) |
| R885 | 7030003560 | S.RES ERJ3GEYJ 103 V (10K) |
| R891 | 7030003560 | S.RES ERJ3GEYJ 103 V (10K) |
| R892 | 7030003320 | S.RES ERJ3GEYJ 101 V (100) |
| R893 | 7030003480 | S.RES ERJ3GEYJ 222 V (2.2K) |
| R894 | 7030003600 | S.RES ERJ3GEYJ 223 V (22K) |
| R895 | 7030003380 | S.RES ERJ3GEYJ 331 V (330) |
| R896 | 7030003500 | S.RES ERJ3GEYJ 332 V (3.3K) |
| R897 | 7030003320 | S.RES ERJ3GEYJ 101 V (100) |
| R898 | 7310005020 | S.TRI RH03ADC14X (10K) |
| R911 | 7030003320 | S.RES ERJ3GEYJ 101 V (100) |
| R912 | 7030003480 | S.RES ERJ3GEYJ 222 V (2.2K) |
| R913 | 7030003320 | S.RES ERJ3GEYJ 101 V (100) |
| R914 | 7030003560 | S.RES ERJ3GEYJ 103 V (10K) |
| R915 | 7030003560 | S.RES ERJ3GEYJ 103 V (10K) |
| R1001 | 7030003520 | S.RES ERJ3GEYJ 472 V (4.7K) |
| R1002 | 7030003320 | S.RES ERJ3GEYJ 101 V (100) |
| R1003 | 7030003700 | S.RES ERJ3GEYJ 154 V (150K) |
| R1004 | 7030003500 | S.RES ERJ3GEYJ 332 V (3.3K) |
| R1005 | 7030003720 | S.RES ERJ3GEYJ 224 V (220K) |
| R1006 | 7030003460 | S.RES ERJ3GEYJ 152 V (1.5K) |
| R1007 | 7030003360 | S.RES ERJ3GEYJ 221 V (220) |
| R1008 | 7030003720 | S.RES ERJ3GEYJ 224 V (220K) |
| R1021 | 7030003560 | S.RES ERJ3GEYJ 103 V (10K) |
| R1022 | 7030003630 | S.RES ERJ3GEYJ 393 V (39K) |
| R1023 | 7030003660 | S.RES ERJ3GEYJ 683 V (68K) |
| R1024 | 7030003640 | S.RES ERJ3GEYJ 473 V (47K) |
| R1031 | 7030003360 | S.RES ERJ3GEYJ 221 V (220) |
| R1032 | 7030003720 | S.RES ERJ3GEYJ 224 V (220K) |
| R1033 | 7030003440 | S.RES ERJ3GEYJ 102 V (1K) |
| R1041 | 7030003440 | S.RES ERJ3GEYJ 102 V (1K) |
| | 7030003440 | S.RES ERJ3GEYJ 102 V (1K) [USA-1] |
| | 7030003440 | S.RES ERJ3GEYJ 102 V (1K) [OTH-1] |
| | 7030003440 | S.RES ERJ3GEYJ 102 V (1K) [CHN] |
| R1042 | 7030003680 | S.RES ERJ3GEYJ 104 V (100K) [USA-1] |
| | 7030003680 | S.RES ERJ3GEYJ 104 V (100K) [OTH-1] |
| | 7030003680 | S.RES ERJ3GEYJ 104 V (100K) [CHN] |
| R1043 | 7030003440 | S.RES ERJ3GEYJ 102 V (1K) [USA-1] |
| | 7030003440 | S.RES ERJ3GEYJ 102 V (1K) [OTH-1] |
| | 7030003440 | S.RES ERJ3GEYJ 102 V (1K) [CHN] |
| R1044 | 7030003660 | S.RES ERJ3GEYJ 683 V (68K) [USA-1] |
| | 7030003660 | S.RES ERJ3GEYJ 683 V (68K) [OTH-1] |
| | 7030003660 | S.RES ERJ3GEYJ 683 V (68K) [CHN] |
| R1045 | 7030003640 | S.RES ERJ3GEYJ 473 V (47K) [USA-1] |
| | 7030003640 | S.RES ERJ3GEYJ 473 V (47K) [OTH-1] |
| | 7030003640 | S.RES ERJ3GEYJ 473 V (47K) [CHN] |
| R1051 | 7030003490 | S.RES ERJ3GEYJ 272 V (2.7K) |
| R1052 | 7030003520 | S.RES ERJ3GEYJ 472 V (4.7K) |
| R1053 | 7030003400 | S.RES ERJ3GEYJ 471 V (470) |
| R1061 | 7030003680 | S.RES ERJ3GEYJ 104 V (100K) |
| R1062 | 7030003600 | S.RES ERJ3GEYJ 223 V (22K) |
| R1063 | 7030003440 | S.RES ERJ3GEYJ 102 V (1K) |
| R1064 | 7030003780 | S.RES ERJ3GEYJ 684 V (680K) |
| R1065 | 7030003520 | S.RES ERJ3GEYJ 472 V (4.7K) |
| R1066 | 7030003600 | S.RES ERJ3GEYJ 223 V (22K) |
| R1067 | 7030003740 | S.RES ERJ3GEYJ 334 V (330K) |
| R1068 | 7030003560 | S.RES ERJ3GEYJ 103 V (10K) |
| R1081 | 7030003360 | S.RES ERJ3GEYJ 221 V (220) |
| R1082 | 7030003440 | S.RES ERJ3GEYJ 102 V (1K) |
| R1084 | 7030003640 | S.RES ERJ3GEYJ 473 V (47K) |
| R1101 | 7030003440 | S.RES ERJ3GEYJ 102 V (1K) |
| R1102 | 7030003460 | S.RES ERJ3GEYJ 152 V (1.5K) |
| R1103 | 7030003440 | S.RES ERJ3GEYJ 102 V (1K) |
| R1104 | 7030003500 | S.RES ERJ3GEYJ 332 V (3.3K) |
| R1105 | 7030003480 | S.RES ERJ3GEYJ 222 V (2.2K) |
| R1106 | 7030003200 | S.RES ERJ3GEYJ 100 V (10) |
| R1107 | 7030003460 | S.RES ERJ3GEYJ 152 V (1.5K) |
| R1108 | 7030003440 | S.RES ERJ3GEYJ 102 V (1K) |
| R1109 | 7030003440 | S.RES ERJ3GEYJ 102 V (1K) |
| R1110 | 7030003480 | S.RES ERJ3GEYJ 222 V (2.2K) |
| R1111 | 7030003200 | S.RES ERJ3GEYJ 100 V (10) |
| R1201 | 7030003660 | S.RES ERJ3GEYJ 683 V (68K) |
| R1202 | 7030003480 | S.RES ERJ3GEYJ 222 V (2.2K) |
| R1203 | 7030003670 | S.RES ERJ3GEYJ 823 V (82K) [USA-1] |
| | 7030003670 | S.RES ERJ3GEYJ 823 V (82K) [OTH-1] |
| | 7030003670 | S.RES ERJ3GEYJ 823 V (82K) [CHN] |
| R1204 | 7030003640 | S.RES ERJ3GEYJ 473 V (47K) [USA] |
| | 7030003640 | S.RES ERJ3GEYJ 473 V (47K) [EUR] |
| | 7030003640 | S.RES ERJ3GEYJ 473 V (47K) [AUS] |
| | 7030003640 | S.RES ERJ3GEYJ 473 V (47K) [UK] |
| R1204 | 7030003640 | S.RES ERJ3GEYJ 473 V (47K) [DEN] |
| | 7030003640 | S.RES ERJ3GEYJ 473 V (47K) [SEA] |
| | 7030003640 | S.RES ERJ3GEYJ 473 V (47K) [OTH] |
| R1205 | 7030003640 | S.RES ERJ3GEYJ 473 V (47K) [USA] |
| | 7030003640 | S.RES ERJ3GEYJ 473 V (47K) [EUR] |
| | 7030003640 | S.RES ERJ3GEYJ 473 V (47K) [AUS] |
| | 7030003640 | S.RES ERJ3GEYJ 473 V (47K) [UK] |
| | 7030003640 | S.RES ERJ3GEYJ 473 V (47K) [DEN] |
| | 7030003640 | S.RES ERJ3GEYJ 473 V (47K) [SEA] |
| | 7030003640 | S.RES ERJ3GEYJ 473 V (47K) [OTH] |

[MAIN UNIT]

| REF NO. | ORDER NO. | DESCRIPTION |
|---------|------------|-----------------------------------|
| R1211 | 7030003640 | S.RES ERJ3GEYJ 473 V (47K) |
| R1212 | 7030003630 | S.RES ERJ3GEYJ 393 V (39K) |
| R1213 | 7030003630 | S.RES ERJ3GEYJ 393 V (39K) |
| R1214 | 7030003630 | S.RES ERJ3GEYJ 393 V (39K) |
| R1215 | 7030003630 | S.RES ERJ3GEYJ 393 V (39K) |
| R1231 | 7030003400 | S.RES ERJ3GEYJ 471 V (470) |
| R1232 | 7030003400 | S.RES ERJ3GEYJ 471 V (470) |
| R1233 | 7030003400 | S.RES ERJ3GEYJ 471 V (470) |
| R1234 | 7030003400 | S.RES ERJ3GEYJ 471 V (470) |
| R1235 | 7030003400 | S.RES ERJ3GEYJ 471 V (470) |
| R1236 | 7030003400 | S.RES ERJ3GEYJ 471 V (470) |
| R1251 | 7030003680 | S.RES ERJ3GEYJ 104 V (100K) |
| R1252 | 7030003680 | S.RES ERJ3GEYJ 104 V (100K) |
| R1253 | 7030003680 | S.RES ERJ3GEYJ 104 V (100K) |
| R1254 | 7310005050 | S.TRI RH03ADCS3X (4.7K) |
| R1255 | 7030003400 | S.RES ERJ3GEYJ 471 V (470) |
| R1256 | 7030003640 | S.RES ERJ3GEYJ 473 V (47K) |
| R1257 | 7030003560 | S.RES ERJ3GEYJ 103 V (10K) |
| R1258 | 7030003520 | S.RES ERJ3GEYJ 472 V (4.7K) |
| R1259 | 7030003520 | S.RES ERJ3GEYJ 472 V (4.7K) |
| R1260 | 7030003320 | S.RES ERJ3GEYJ 101 V (100) |
| R1261 | 7030003480 | S.RES ERJ3GEYJ 222 V (2.2K) |
| R1262 | 7030003550 | S.RES ERJ3GEYJ 822 V (8.2K) |
| R1263 | 7030003610 | S.RES ERJ3GEYJ 273 V (27K) |
| R1271 | 7030003640 | S.RES ERJ3GEYJ 473 V (47K) |
| R1272 | 7030003440 | S.RES ERJ3GEYJ 102 V (1K) |
| R1281 | 7030003680 | S.RES ERJ3GEYJ 104 V (100K) |
| R1291 | 7030003550 | S.RES ERJ3GEYJ 822 V (8.2K) |
| R1292 | 7030003400 | S.RES ERJ3GEYJ 471 V (470) |
| R1293 | 7030003400 | S.RES ERJ3GEYJ 471 V (470) |
| R1311 | 7030003520 | S.RES ERJ3GEYJ 472 V (4.7K) |
| R1312 | 7030003620 | S.RES ERJ3GEYJ 333 V (33K) |
| R1313 | 7030003580 | S.RES ERJ3GEYJ 153 V (15K) |
| R1314 | 7030003640 | S.RES ERJ3GEYJ 473 V (47K) |
| R1351 | 7030003200 | S.RES ERJ3GEYJ 100 V (10) |
| R1371 | 7030003520 | S.RES ERJ3GEYJ 472 V (4.7K) |
| R1372 | 7030003640 | S.RES ERJ3GEYJ 473 V (47K) |
| R1374 | 7030003520 | S.RES ERJ3GEYJ 472 V (4.7K) |
| R1381 | 7030003280 | S.RES ERJ3GEYJ 470 V (47) |
| R1382 | 7030003480 | S.RES ERJ3GEYJ 222 V (2.2K) |
| R1401 | 7070001060 | RES ERG2SJ 120 |
| R1411 | 7030003320 | S.RES ERJ3GEYJ 101 V (100) |
| R1412 | 7030003560 | S.RES ERJ3GEYJ 103 V (10K) |
| R1413 | 7030003680 | S.RES ERJ3GEYJ 104 V (100K) |
| R1414 | 7030003320 | S.RES ERJ3GEYJ 101 V (100) |
| R1415 | 7030003320 | S.RES ERJ3GEYJ 101 V (100) |
| R1416 | 7030003320 | S.RES ERJ3GEYJ 101 V (100) |
| R1771 | 7030003540 | S.RES ERJ3GEYJ 682 V (6.8K) |
| R1772 | 7030003620 | S.RES ERJ3GEYJ 333 V (33K) |
| R1773 | 7030003640 | S.RES ERJ3GEYJ 473 V (47K) |
| R1774 | 7030003580 | S.RES ERJ3GEYJ 153 V (15K) |
| R2001 | 7030003560 | S.RES ERJ3GEYJ 103 V (10K) [USA] |
| | 7030003560 | S.RES ERJ3GEYJ 103 V (10K) [EUR] |
| | 7030003560 | S.RES ERJ3GEYJ 103 V (10K) [AUS] |
| | 7030003560 | S.RES ERJ3GEYJ 103 V (10K) [UK] |
| | 7030003560 | S.RES ERJ3GEYJ 103 V (10K) [DEN] |
| | 7030003560 | S.RES ERJ3GEYJ 103 V (10K) [SEA] |
| | 7030003560 | S.RES ERJ3GEYJ 103 V (10K) [OTH] |
| R2002 | 7030003360 | S.RES ERJ3GEYJ 221 V (220) [USA] |
| | 7030003360 | S.RES ERJ3GEYJ 221 V (220) [EUR] |
| | 7030003360 | S.RES ERJ3GEYJ 221 V (220) [AUS] |
| | 7030003360 | S.RES ERJ3GEYJ 221 V (220) [UK] |
| | 7030003360 | S.RES ERJ3GEYJ 221 V (220) [DEN] |
| | 7030003360 | S.RES ERJ3GEYJ 221 V (220) [SEA] |
| | 7030003360 | S.RES ERJ3GEYJ 221 V (220) [OTH] |
| R2011 | 7030003560 | S.RES ERJ3GEYJ 103 V (10K) [USA] |
| | 7030003560 | S.RES ERJ3GEYJ 103 V (10K) [EUR] |
| | 7030003560 | S.RES ERJ3GEYJ 103 V (10K) [AUS] |
| | 7030003560 | S.RES ERJ3GEYJ 103 V (10K) [UK] |
| | 7030003560 | S.RES ERJ3GEYJ 103 V (10K) [DEN] |
| | 7030003560 | S.RES ERJ3GEYJ 103 V (10K) [SEA] |
| | 7030003560 | S.RES ERJ3GEYJ 103 V (10K) [OTH] |
| R2012 | 7030003680 | S.RES ERJ3GEYJ 104 V (100K) [USA] |
| | 7030003680 | S.RES ERJ3GEYJ 104 V (100K) [EUR] |
| | 7030003680 | S.RES ERJ3GEYJ 104 V (100K) [AUS] |
| | 7030003680 | S.RES ERJ3GEYJ 104 V (100K) [UK] |
| | 7030003680 | S.RES ERJ3GEYJ 104 V (100K) [DEN] |
| | 7030003680 | S.RES ERJ3GEYJ 104 V (100K) [SEA] |
| | 7030003680 | S.RES ERJ3GEYJ 104 V (100K) [OTH] |
| R2021 | 7030003680 | S.RES ERJ3GEYJ 104 V (100K) [USA] |
| | 7030003510 | S.RES ERJ3GEYJ 392 V (3.9K) [AUS] |
| | 7030003510 | S.RES ERJ3GEYJ 392 V (3.9K) [EUR] |
| | 7030003510 | S.RES ERJ3GEYJ 392 V (3.9K) [AUS] |
| | 7030003510 | S.RES ERJ3GEYJ 392 V (3.9K) [UK] |
| | 7030003510 | S.RES ERJ3GEYJ 392 V (3.9K) [DEN] |
| | 7030003510 | S.RES ERJ3GEYJ 392 V (3.9K) [SEA] |
| | 7030003510 | S.RES ERJ3GEYJ 392 V (3.9K) [OTH] |
| R2022 | 7030003440 | S.RES ERJ3GEYJ 102 V (1K) [USA] |
| | 7030003440 | S.RES ERJ3GEYJ 102 V (1K) [EUR] |
| | 7030003440 | S.RES ERJ3GEYJ 102 V (1K) [AUS] |
| | 7030003440 | S.RES ERJ3GEYJ 102 V (1K) [UK] |
| | 7030003440 | S.RES ERJ3GEYJ 102 V (1K) [DEN] |
| | 7030003440 | S.RES ERJ3GEYJ 102 V (1K) [SEA] |
| | 7030003440 | S.RES ERJ3GEYJ 102 V (1K) [OTH] |
| R2023 | 7010006940 | RES PSD1/4 1 K [USA] |
| | 7010006940 | RES PSD1/4 1 K [EUR] |
| | 7010006940 | RES PSD1/4 1 K [AUS] |
| | 7010006940 | RES PSD1/4 1 K [UK] |
| | 7010006940 | RES PSD1/4 1 K [DEN] |
| | 7010006940 | RES PSD1/4 1 K [SEA] |
| | 7010006940 | RES PSD1/4 1 K [OTH] |
| R2031 | 7030003640 | S.RES ERJ3GEYJ 473 V (47K) [USA] |
| | 7030003640 | S.RES ERJ3GEYJ 473 V (47K) [EUR] |
| | 7030003640 | S.RES ERJ3GEYJ 473 V (47K) [AUS] |
| | 7030003640 | S.RES ERJ3GEYJ 473 V (47K) [UK] |

[MAIN UNIT]

| REF NO. | ORDER NO. | DESCRIPTION | |
|---------|------------|----------------------------|-------|
| R2031 | 7030003640 | S.RES ERJ3GEYJ 473 V (47K) | [DEN] |
| | 7030003640 | S.RES ERJ3GEYJ 473 V (47K) | [SEA] |
| | 7030003640 | S.RES ERJ3GEYJ 473 V (47K) | [OTH] |
| R2032 | 7030003640 | S.RES ERJ3GEYJ 473 V (47K) | [USA] |
| | 7030003640 | S.RES ERJ3GEYJ 473 V (47K) | [EUR] |
| | 7030003640 | S.RES ERJ3GEYJ 473 V (47K) | [AUS] |
| | 7030003640 | S.RES ERJ3GEYJ 473 V (47K) | [UK] |
| | 7030003640 | S.RES ERJ3GEYJ 473 V (47K) | [DEN] |
| | 7030003640 | S.RES ERJ3GEYJ 473 V (47K) | [SEA] |
| | 7030003640 | S.RES ERJ3GEYJ 473 V (47K) | [OTH] |
| R2051 | 7030003640 | S.RES ERJ3GEYJ 473 V (47K) | |
| C101 | 4030011600 | S.CER C1608 JB 1E 104K-T | |
| C111 | 4030010210 | S.CER C3216 JB 1C 105M-T | |
| C121 | 4030006900 | S.CER C1608 JB 1H 103K-T | |
| C131 | 4030007070 | S.CER C1608 CH 1H 330J-T | |
| C132 | 4030007070 | S.CER C1608 CH 1H 330J-T | |
| C133 | 4030007040 | S.CER C1608 CH 1H 180J-T | |
| C134 | 4030007120 | S.CER C1608 CH 1H 820J-T | |
| C135 | 4030007040 | S.CER C1608 CH 1H 180J-T | |
| C136 | 4030007100 | S.CER C1608 CH 1H 560J-T | |
| C141 | 4030006900 | S.CER C1608 JB 1H 103K-T | |
| C151 | 4030010210 | S.CER C3216 JB 1C 105M-T | |
| C152 | 4030011600 | S.CER C1608 JB 1E 104K-T | |
| C161 | 4030008470 | S.CER C1608 JB 1H 272K-T | |
| C162 | 4030009880 | S.CER C1608 JB 1H 682K-T | |
| C163 | 4030009980 | S.CER C1608 JB 1H 152K-T | |
| C164 | 4030011600 | S.CER C1608 JB 1E 104K-T | |
| C170 | 4510008520 | S.ELE EEE1CA470SP | |
| C171 | 4030011600 | S.CER C1608 JB 1E 104K-T | |
| C172 | 4030008650 | S.CER C1608 JB 1H 332K-T | |
| C173 | 4030010240 | S.CER C1608 JB 1H 391K-T | |
| C174 | 4030008650 | S.CER C1608 JB 1H 332K-T | |
| C175 | 4030010210 | S.CER C3216 JB 1C 105M-T | |
| C176 | 4030011600 | S.CER C1608 JB 1E 104K-T | |
| C181 | 4030011600 | S.CER C1608 JB 1E 104K-T | |
| C182 | 4030006860 | S.CER C1608 JB 1H 102K-T | |
| C183 | 4030009580 | S.CER C1608 JB 1H 681K-T | |
| C184 | 4030006870 | S.CER C1608 JB 1H 222K-T | |
| C185 | 4030007170 | S.CER C1608 CH 1H 221J-T | |
| C186 | 4030010020 | S.CER C1608 JB 1H 122K-T | |
| C187 | 4030011600 | S.CER C1608 JB 1E 104K-T | |
| C188 | 4030011600 | S.CER C1608 JB 1E 104K-T | |
| C201 | 4030011600 | S.CER C1608 JB 1E 104K-T | |
| C202 | 4030010020 | S.CER C1608 JB 1H 122K-T | |
| C203 | 4030007130 | S.CER C1608 CH 1H 101J-T | |
| C204 | 4030010020 | S.CER C1608 JB 1H 122K-T | |
| C205 | 4030009880 | S.CER C1608 JB 1H 682K-T | |
| C206 | 4030009880 | S.CER C1608 JB 1H 682K-T | |
| C207 | 4030009980 | S.CER C1608 JB 1H 152K-T | |
| C208 | 4030009980 | S.CER C1608 JB 1H 152K-T | |
| C209 | 4030011600 | S.CER C1608 JB 1E 104K-T | |
| C221 | 4030011600 | S.CER C1608 JB 1E 104K-T | |
| C222 | 4030010240 | S.CER C1608 JB 1H 391K-T | |
| C223 | 4030007140 | S.CER C1608 CH 1H 121J-T | |
| C224 | 4030007130 | S.CER C1608 CH 1H 101J-T | |
| C225 | 4030006850 | S.CER C1608 JB 1H 471K-T | |
| C226 | 4030006870 | S.CER C1608 JB 1H 222K-T | |
| C227 | 4030006880 | S.CER C1608 JB 1H 472K-T | |
| C228 | 4030006860 | S.CER C1608 JB 1H 102K-T | |
| C229 | 4030009580 | S.CER C1608 JB 1H 681K-T | |
| C230 | 4030011600 | S.CER C1608 JB 1E 104K-T | |
| C241 | 4030011600 | S.CER C1608 JB 1E 104K-T | |
| C242 | 4030010760 | S.CER C1608 CH 1H 331J-T | |
| C243 | 4030007090 | S.CER C1608 CH 1H 470J-T | |
| C244 | 4030007160 | S.CER C1608 CH 1H 181J-T | |
| C245 | 4030010040 | S.CER C1608 JB 1H 561K-T | |
| C246 | 4030008470 | S.CER C1608 JB 1H 272K-T | |
| C247 | 4030010760 | S.CER C1608 CH 1H 331J-T | |
| C248 | 4030011600 | S.CER C1608 JB 1E 104K-T | |
| C261 | 4030011600 | S.CER C1608 JB 1E 104K-T | |
| C262 | 4030011280 | S.CER C1608 CH 1H 271J-T | |
| C263 | 4030007090 | S.CER C1608 CH 1H 470J-T | |
| C264 | 4030007150 | S.CER C1608 CH 1H 151J-T | |
| C265 | 4030006850 | S.CER C1608 JB 1H 471K-T | |
| C266 | 4030010020 | S.CER C1608 JB 1H 122K-T | |
| C267 | 4030007140 | S.CER C1608 CH 1H 121J-T | |
| C268 | 4030007140 | S.CER C1608 CH 1H 121J-T | |
| C269 | 4030011600 | S.CER C1608 JB 1E 104K-T | |
| C281 | 4030011600 | S.CER C1608 JB 1E 104K-T | |
| C282 | 4030007160 | S.CER C1608 CH 1H 181J-T | |
| C283 | 4030007030 | S.CER C1608 CH 1H 150J-T | |
| C284 | 4030007030 | S.CER C1608 CH 1H 150J-T | |
| C285 | 4030007130 | S.CER C1608 CH 1H 101J-T | |
| C286 | 4030007150 | S.CER C1608 CH 1H 151J-T | |
| C287 | 4030007150 | S.CER C1608 CH 1H 151J-T | |
| C288 | 4030010020 | S.CER C1608 JB 1H 122K-T | |
| C289 | 4030007150 | S.CER C1608 CH 1H 151J-T | |
| C290 | 4030011600 | S.CER C1608 JB 1E 104K-T | |
| C301 | 4030011600 | S.CER C1608 JB 1E 104K-T | |
| C302 | 4030006990 | S.CER C1608 CH 1H 080D-T | |
| C303 | 4030007160 | S.CER C1608 CH 1H 181J-T | |
| C304 | 4030007060 | S.CER C1608 CH 1H 270J-T | |
| C305 | 4030007140 | S.CER C1608 CH 1H 121J-T | |
| C306 | 4030007160 | S.CER C1608 CH 1H 181J-T | |
| C307 | 4030010020 | S.CER C1608 JB 1H 122K-T | |
| C308 | 4030007130 | S.CER C1608 CH 1H 101J-T | |
| C309 | 4030011600 | S.CER C1608 JB 1E 104K-T | |
| C321 | 4030006900 | S.CER C1608 JB 1H 103K-T | |
| C322 | 4030007110 | S.CER C1608 CH 1H 680J-T | |
| C323 | 4030007080 | S.CER C1608 CH 1H 390J-T | |
| C324 | 4030007110 | S.CER C1608 CH 1H 680J-T | |
| C325 | 4030007010 | S.CER C1608 CH 1H 100D-T | |

[MAIN UNIT]

| REF NO. | ORDER NO. | DESCRIPTION | |
|---------|------------|--------------------------|--|
| C326 | 4030007010 | S.CER C1608 CH 1H 100D-T | |
| C327 | 4030007110 | S.CER C1608 CH 1H 680J-T | |
| C328 | 4030007170 | S.CER C1608 CH 1H 221J-T | |
| C329 | 4030010240 | S.CER C1608 JB 1H 391K-T | |
| C330 | 4030007100 | S.CER C1608 CH 1H 560J-T | |
| C331 | 4030007050 | S.CER C1608 CH 1H 220J-T | |
| C332 | 4030006900 | S.CER C1608 JB 1H 103K-T | |
| C333 | 4030007070 | S.CER C1608 CH 1H 330J-T | |
| C341 | 4030006900 | S.CER C1608 JB 1H 103K-T | |
| C342 | 4030007110 | S.CER C1608 CH 1H 680J-T | |
| C344 | 4030007020 | S.CER C1608 CH 1H 120J-T | |
| C345 | 4030007080 | S.CER C1608 CH 1H 390J-T | |
| C346 | 4030006900 | S.CER C1608 JB 1H 103K-T | |
| C349 | 4030007100 | S.CER C1608 CH 1H 560J-T | |
| C350 | 4030007160 | S.CER C1608 CH 1H 181J-T | |
| C351 | 4030007090 | S.CER C1608 CH 1H 470J-T | |
| C352 | 4030006900 | S.CER C1608 JB 1H 103K-T | |
| C361 | 4030010210 | S.CER C3216 JB 1C 105M-T | |
| C371 | 4030011600 | S.CER C1608 JB 1E 104K-T | |
| C372 | 4030007010 | S.CER C1608 CH 1H 100D-T | |
| C381 | 4030011600 | S.CER C1608 JB 1E 104K-T | |
| C382 | 4030011600 | S.CER C1608 JB 1E 104K-T | |
| C383 | 4030011600 | S.CER C1608 JB 1E 104K-T | |
| C384 | 4030011600 | S.CER C1608 JB 1E 104K-T | |
| C385 | 4030011600 | S.CER C1608 JB 1E 104K-T | |
| C386 | 4030011600 | S.CER C1608 JB 1E 104K-T | |
| C391 | 4030011600 | S.CER C1608 JB 1E 104K-T | |
| C392 | 4030011600 | S.CER C1608 JB 1E 104K-T | |
| C393 | 4030011600 | S.CER C1608 JB 1E 104K-T | |
| C394 | 4030011600 | S.CER C1608 JB 1E 104K-T | |
| C395 | 4030011600 | S.CER C1608 JB 1E 104K-T | |
| C396 | 4030011600 | S.CER C1608 JB 1E 104K-T | |
| C397 | 4030011600 | S.CER C1608 JB 1E 104K-T | |
| C401 | 4030011600 | S.CER C1608 JB 1E 104K-T | |
| C411 | 4030007080 | S.CER C1608 CH 1H 390J-T | |
| C412 | 4030007130 | S.CER C1608 CH 1H 101J-T | |
| C413 | 4030011600 | S.CER C1608 JB 1E 104K-T | |
| C414 | 4030006860 | S.CER C1608 JB 1H 102K-T | |
| C415 | 4030011600 | S.CER C1608 JB 1E 104K-T | |
| C422 | 4030006970 | S.CER C1608 CH 1H 060D-T | |
| C423 | 4030007040 | S.CER C1608 CH 1H 180J-T | |
| C424 | 4030006920 | S.CER C1608 CH 1H 010C-T | |
| C425 | 4030007040 | S.CER C1608 CH 1H 180J-T | |
| C431 | 4030007070 | S.CER C1608 CH 1H 330J-T | |
| C432 | 4030007070 | S.CER C1608 CH 1H 330J-T | |
| C433 | 4030007040 | S.CER C1608 CH 1H 180J-T | |
| C434 | 4030007120 | S.CER C1608 CH 1H 820J-T | |
| C435 | 4030007040 | S.CER C1608 CH 1H 180J-T | |
| C436 | 4030007100 | S.CER C1608 CH 1H 560J-T | |
| C442 | 4030011600 | S.CER C1608 JB 1E 104K-T | |
| C443 | 4030011600 | S.CER C1608 JB 1E 104K-T | |
| C444 | 4030006990 | S.CER C1608 CH 1H 080D-T | |
| C445 | 4030006950 | S.CER C1608 CH 1H 040C-T | |
| C446 | 4030011600 | S.CER C1608 JB 1E 104K-T | |
| C447 | 4030011600 | S.CER C1608 JB 1E 104K-T | |
| C448 | 4030007130 | S.CER C1608 CH 1H 101J-T | |
| C461 | 4030006980 | S.CER C1608 CH 1H 070D-T | |
| C462 | 4030006930 | S.CER C1608 CH 1H 020C-T | |
| C471 | 4030007050 | S.CER C1608 CH 1H 220J-T | |
| C472 | 4030011600 | S.CER C1608 JB 1E 104K-T | |
| C473 | 4030006880 | S.CER C1608 JB 1H 472K-T | |
| C474 | 4030006880 | S.CER C1608 JB 1H 472K-T | |
| C475 | 4030007020 | S.CER C1608 CH 1H 120J-T | |
| C476 | 4030006880 | S.CER C1608 JB 1H 472K-T | |
| C492 | 4030007110 | S.CER C1608 CH 1H 680J-T | |
| C551 | 4030011600 | S.CER C1608 JB 1E 104K-T | |
| C552 | 4030011600 | S.CER C1608 JB 1E 104K-T | |
| C553 | 4030006880 | S.CER C1608 JB 1H 472K-T | |
| C561 | 4030011600 | S.CER C1608 JB 1E 104K-T | |
| C562 | 4030011600 | S.CER C1608 JB 1E 104K-T | |
| C563 | 4030006880 | S.CER C1608 JB 1H 472K-T | |
| C701 | 4030006930 | S.CER C1608 CH 1H 020C-T | |
| C711 | 4030006880 | S.CER C1608 JB 1H 472K-T | |
| C712 | 4030006880 | S.CER C1608 JB 1H 472K-T | |
| C721 | 4030006880 | S.CER C1608 JB 1H 472K-T | |
| C722 | 4030011600 | S.CER C1608 JB 1E 104K-T | |
| C723 | 4030006880 | S.CER C1608 JB 1H 472K-T | |
| C724 | 4030007050 | S.CER C1608 CH 1H 220J-T | |
| C725 | 4030011600 | S.CER C1608 JB 1E 104K-T | |
| C726 | 4030006880 | S.CER C1608 JB 1H 472K-T | |
| C731 | 4030006880 | S.CER C1608 JB 1H 472K-T | |
| C732 | 4030006880 | S.CER C1608 JB 1H 472K-T | |
| C733 | 4030006880 | S.CER C1608 JB 1H 472K-T | |
| C734 | 4030011600 | S.CER C1608 JB 1E 104K-T | |
| C735 | 4030006880 | S.CER C1608 JB 1H 472K-T | |
| C736 | 4030006880 | S.CER C1608 JB 1H 472K-T | |
| C737 | 4030011600 | S.CER C1608 JB 1E 104K-T | |
| C738 | 4030007150 | S.CER C1608 CH 1H 151J-T | |
| C739 | 4510009270 | S.ELE EEEHB1C220UR | |
| C740 | 4030007050 | S.CER C1608 CH 1H 220J-T | |
| C741 | 4510008520 | S.ELE EEE1CA470SP | |
| C742 | 4030011600 | S.CER C1608 JB 1E 104K-T | |
| C743 | 4510008540 | S.ELE EEE1CA100SR | |
| C761 | 4030011600 | S.CER C1608 JB 1E 104K-T | |
| C762 | 4030011600 | S.CER C1608 JB 1E 104K-T | |
| C771 | 4030011600 | S.CER C1608 JB 1E 104K-T | |
| C772 | 4030011600 | S.CER C1608 JB 1E 104K-T | |
| C773 | 4030007030 | S.CER C1608 CH 1H 150J-T | |
| C781 | 4030011600 | S.CER C1608 JB 1E 104K-T | |
| C782 | 4030011600 | S.CER C1608 JB 1E 104K-T | |
| C791 | 4030011 | | |

[MAIN UNIT]

| REF NO. | ORDER NO. | DESCRIPTION | | |
|---------|------------|-------------|--------------------|-------|
| C2022 | 4030007080 | S.CER | C1608 CH 1H 390J-T | [DEN] |
| | 4030007080 | S.CER | C1608 CH 1H 390J-T | [SEA] |
| | 4030007080 | S.CER | C1608 CH 1H 390J-T | [OTH] |
| C2023 | 4030007020 | S.CER | C1608 CH 1H 120J-T | [USA] |
| | 4030007020 | S.CER | C1608 CH 1H 120J-T | [EUR] |
| | 4030007020 | S.CER | C1608 CH 1H 120J-T | [AUS] |
| | 4030007020 | S.CER | C1608 CH 1H 120J-T | [UK] |
| | 4030007020 | S.CER | C1608 CH 1H 120J-T | [DEN] |
| | 4030007020 | S.CER | C1608 CH 1H 120J-T | [SEA] |
| | 4030007020 | S.CER | C1608 CH 1H 120J-T | [OTH] |
| C2024 | 4510008520 | S.ELE | EEE1CA470SP | [USA] |
| | 4510008520 | S.ELE | EEE1CA470SP | [EUR] |
| | 4510008520 | S.ELE | EEE1CA470SP | [AUS] |
| | 4510008520 | S.ELE | EEE1CA470SP | [UK] |
| | 4510008520 | S.ELE | EEE1CA470SP | [DEN] |
| | 4510008520 | S.ELE | EEE1CA470SP | [SEA] |
| | 4510008520 | S.ELE | EEE1CA470SP | [OTH] |
| C2031 | 4030006860 | S.CER | C1608 JB 1H 102K-T | [USA] |
| | 4030006860 | S.CER | C1608 JB 1H 102K-T | [EUR] |
| | 4030006860 | S.CER | C1608 JB 1H 102K-T | [AUS] |
| | 4030006860 | S.CER | C1608 JB 1H 102K-T | [UK] |
| | 4030006860 | S.CER | C1608 JB 1H 102K-T | [DEN] |
| | 4030006860 | S.CER | C1608 JB 1H 102K-T | [SEA] |
| | 4030006860 | S.CER | C1608 JB 1H 102K-T | [OTH] |
| C2032 | 4030006860 | S.CER | C1608 JB 1H 102K-T | [USA] |
| | 4030006860 | S.CER | C1608 JB 1H 102K-T | [EUR] |
| | 4030006860 | S.CER | C1608 JB 1H 102K-T | [AUS] |
| | 4030006860 | S.CER | C1608 JB 1H 102K-T | [UK] |
| | 4030006860 | S.CER | C1608 JB 1H 102K-T | [DEN] |
| | 4030006860 | S.CER | C1608 JB 1H 102K-T | [SEA] |
| | 4030006860 | S.CER | C1608 JB 1H 102K-T | [OTH] |
| C2033 | 4030006860 | S.CER | C1608 JB 1H 102K-T | [USA] |
| | 4030006860 | S.CER | C1608 JB 1H 102K-T | [EUR] |
| | 4030006860 | S.CER | C1608 JB 1H 102K-T | [AUS] |
| | 4030006860 | S.CER | C1608 JB 1H 102K-T | [UK] |
| | 4030006860 | S.CER | C1608 JB 1H 102K-T | [DEN] |
| | 4030006860 | S.CER | C1608 JB 1H 102K-T | [SEA] |
| | 4030006860 | S.CER | C1608 JB 1H 102K-T | [OTH] |
| C2034 | 4030006860 | S.CER | C1608 JB 1H 102K-T | [USA] |
| | 4030006860 | S.CER | C1608 JB 1H 102K-T | [EUR] |
| | 4030006860 | S.CER | C1608 JB 1H 102K-T | [AUS] |
| | 4030006860 | S.CER | C1608 JB 1H 102K-T | [UK] |
| | 4030006860 | S.CER | C1608 JB 1H 102K-T | [DEN] |
| | 4030006860 | S.CER | C1608 JB 1H 102K-T | [SEA] |
| | 4030006860 | S.CER | C1608 JB 1H 102K-T | [OTH] |
| C2035 | 4030011600 | S.CER | C1608 JB 1E 104K-T | [USA] |
| | 4030011600 | S.CER | C1608 JB 1E 104K-T | [EUR] |
| | 4030011600 | S.CER | C1608 JB 1E 104K-T | [AUS] |
| | 4030011600 | S.CER | C1608 JB 1E 104K-T | [UK] |
| | 4030011600 | S.CER | C1608 JB 1E 104K-T | [DEN] |
| | 4030011600 | S.CER | C1608 JB 1E 104K-T | [SEA] |
| | 4030011600 | S.CER | C1608 JB 1E 104K-T | [OTH] |
| C2036 | 4030011600 | S.CER | C1608 JB 1E 104K-T | [USA] |
| | 4030011600 | S.CER | C1608 JB 1E 104K-T | [EUR] |
| | 4030011600 | S.CER | C1608 JB 1E 104K-T | [AUS] |
| | 4030011600 | S.CER | C1608 JB 1E 104K-T | [UK] |
| | 4030011600 | S.CER | C1608 JB 1E 104K-T | [DEN] |
| | 4030011600 | S.CER | C1608 JB 1E 104K-T | [SEA] |
| | 4030011600 | S.CER | C1608 JB 1E 104K-T | [OTH] |
| C2037 | 4030006860 | S.CER | C1608 JB 1H 102K-T | [USA] |
| | 4030006860 | S.CER | C1608 JB 1H 102K-T | [EUR] |
| | 4030006860 | S.CER | C1608 JB 1H 102K-T | [AUS] |
| | 4030006860 | S.CER | C1608 JB 1H 102K-T | [UK] |
| | 4030006860 | S.CER | C1608 JB 1H 102K-T | [DEN] |
| | 4030006860 | S.CER | C1608 JB 1H 102K-T | [SEA] |
| | 4030006860 | S.CER | C1608 JB 1H 102K-T | [OTH] |
| C2041 | 4510008540 | S.ELE | EEE1CA100SR | [USA] |
| | 4510008540 | S.ELE | EEE1CA100SR | [EUR] |
| | 4510008540 | S.ELE | EEE1CA100SR | [AUS] |
| | 4510008540 | S.ELE | EEE1CA100SR | [UK] |
| | 4510008540 | S.ELE | EEE1CA100SR | [DEN] |
| | 4510008540 | S.ELE | EEE1CA100SR | [SEA] |
| | 4510008540 | S.ELE | EEE1CA100SR | [OTH] |
| C2042 | 4030011600 | S.CER | C1608 JB 1E 104K-T | [USA] |
| | 4030011600 | S.CER | C1608 JB 1E 104K-T | [EUR] |
| | 4030011600 | S.CER | C1608 JB 1E 104K-T | [AUS] |
| | 4030011600 | S.CER | C1608 JB 1E 104K-T | [UK] |
| | 4030011600 | S.CER | C1608 JB 1E 104K-T | [DEN] |
| | 4030011600 | S.CER | C1608 JB 1E 104K-T | [SEA] |
| | 4030011600 | S.CER | C1608 JB 1E 104K-T | [OTH] |
| C2042 | 4510008530 | S.ELE | EEE1HA2R2SR | [USA] |
| C2051 | 4510008530 | S.ELE | EEE1HA2R2SR | [EUR] |
| | 4510008530 | S.ELE | EEE1HA2R2SR | [AUS] |
| | 4510008530 | S.ELE | EEE1HA2R2SR | [UK] |
| | 4510008530 | S.ELE | EEE1HA2R2SR | [DEN] |
| | 4510008530 | S.ELE | EEE1HA2R2SR | [SEA] |
| | 4510008530 | S.ELE | EEE1HA2R2SR | [OTH] |
| RL121 | 6330000180 | REL | MZ-12HG | |
| RL141 | 6330000180 | REL | MZ-12HG | |
| CP731 | 6910009670 | S.CHE | HK3-S-T | |
| J101 | 6510021460 | CON | PT-C02P01 | |
| J111 | 6510007020 | CON | TMP-J01X-V6 | |
| J411 | 6510007020 | CON | TMP-J01X-V6 | |
| J491 | 6510007020 | CON | TMP-J01X-V6 | |
| J781 | 6450001560 | CON | PD-72 | |
| J782 | 6450001560 | CON | PD-72 | |
| J783 | 6450001560 | CON | PD-72 | |
| J784 | 6450001560 | CON | PD-72 | |

[MAIN UNIT]

| REF NO. | ORDER NO. | DESCRIPTION | |
|---------|------------|-------------|------------------------|
| J811 | 6510007020 | CON | TMP-J01X-V6 |
| J881 | 6450001560 | CON | PD-72 |
| J882 | 6450001560 | CON | PD-72 |
| J883 | 6450001560 | CON | PD-72 |
| J884 | 6450001560 | CON | PD-72 |
| J1081 | 6510007020 | CON | TMP-J01X-V6 |
| J1221 | 6510018971 | S.CON | B4B-PH-SM4-TB(LF)(SN) |
| J1231 | 6510019971 | S.CON | 52808-1071 |
| J1271 | 6510019191 | S.CON | 52365-0871 |
| J1311 | 6450001800 | CON | JPJ1044-01-010 |
| J1321 | 6450000140 | CON | HSJ0807-01-010 |
| J1351 | 6510023650 | CON | HEC0740-010618 |
| J1501 | 6510019981 | S.CON | 52808-1671(1690) |
| J1521 | 6510019981 | S.CON | 52808-1671(1690) |
| J1522 | 6510021861 | CON | BH-800.4GG <LTC> |
| J1541 | 6510019981 | S.CON | 52808-1671(1690) |
| J1561 | 6510019981 | S.CON | 52808-1671(1690) |
| J1701 | 6450000140 | CON | HSJ0807-01-010 |
| J1751 | 6510021241 | CON | DELCO-J9SAF-23L9E |
| F1351 | 5210000051 | FUS | FGB 3A PBF (FGB0 125V) |
| F1352 | 5220000230 | HOL | S-N5054 #01 |
| F1353 | 5220000230 | HOL | S-N5054 #01 |
| BT1521 | 3020000110 | LIT | CR2032 |

S.=Surface mount

[PLL UNIT]

| REF NO. | ORDER NO. | DESCRIPTION | | |
|---------|------------|-------------|----------------------------|---------|
| WS1 | 8970023350 | | RX2240 1.5D (4)/PL | [EUR] |
| | 8970023350 | | RX2240 1.5D (4)/PL | [AUS] |
| | 8970023350 | | RX2240 1.5D (4)/PL | [UK] |
| | 8970023350 | | RX2240 1.5D (4)/PL | [DEN] |
| | 8970023350 | | RX2240 1.5D (4)/PL | [SEA] |
| IC21 | 1140007881 | S.IC | TC190G08EFG0046JDZ/SC1246A | |
| IC22 | 1110004460 | S.IC | UPB1509GV-E1 | |
| IC23 | 1130003831 | S.IC | TC7S04F(TE85R,F) | |
| IC151 | 1140004550 | S.IC | M65343FP/SC1287 | |
| IC201 | 1140004550 | S.IC | M65343FP/SC1287 | |
| Q1 | 1530002571 | S.TRA | 2SC4405-3-TL-E | |
| Q2 | 1530002571 | S.TRA | 2SC4405-3-TL-E | |
| Q3 | 1590000680 | S.TRA | DTC114EUA T106 | |
| Q4 | 1590000680 | S.TRA | DTC114EUA T106 | |
| Q21 | 1530003001 | S.TRA | 2SC4117-BL(TE85R,F) | |
| Q71 | 1560000491 | S.FET | 2SK508-T2B-A K52 | |
| Q72 | 1590000680 | S.TRA | DTC114EUA T106 | |
| Q81 | 1560000491 | S.FET | 2SK508-T2B-A K52 | |
| Q82 | 1590000680 | S.TRA | DTC114EUA T106 | |
| Q91 | 1530002571 | S.TRA | 2SC4405-3-TL-E | |
| Q92 | 1590001330 | S.TRA | DTA114EUA T106 | |
| Q93 | 1590000680 | S.TRA | DTC114EUA T106 | |
| Q96 | 1530003001 | S.TRA | 2SC4117-BL(TE85R,F) | |
| Q97 | 1530003001 | S.TRA | 2SC4117-BL(TE85R,F) | |
| Q151 | 1530002880 | S.TRA | 2SC4226-T1 R24 | |
| Q201 | 1530002880 | S.TRA | 2SC4226-T1 R24 | |
| D1 | 1750000520 | S.DIO | DAN222TL | |
| D2 | 1750000550 | S.DIO | 1SS355 TE-17 | |
| D71 | 1720000831 | S.VAR | KV1770STL-G | |
| D72 | 1790000620 | S.DIO | MA77(TX) | |
| D81 | 1720000831 | S.VAR | KV1770STL-G | |
| D82 | 1790000620 | S.DIO | MA77(TX) | |
| D83 | 1790001251 | S.DIO | MA2S1110GL | |
| D91 | 1790000620 | S.DIO | MA77(TX) | |
| D92 | 1790000620 | S.DIO | MA77(TX) | |
| D93 | 1790001641 | S.DIO | 1SS373(TPH3,F) | [USA] |
| | 1790001641 | S.DIO | 1SS373(TPH3,F) | [EUR] |
| | 1790001641 | S.DIO | 1SS373(TPH3,F) | [AUS] |
| | 1790001641 | S.DIO | 1SS373(TPH3,F) | [UK] |
| | 1790001641 | S.DIO | 1SS373(TPH3,F) | [DEN] |
| | 1790001641 | S.DIO | 1SS373(TPH3,F) | [SEA] |
| | 1790001641 | S.DIO | 1SS373(TPH3,F) | [OTH] |
| | 1750001460 | S.DIO | 1SS389(TPH3,F) | [USA-1] |
| | 1750001460 | S.DIO | 1SS389(TPH3,F) | [OTH-1] |
| D94 | 1750001460 | S.DIO | 1SS389(TPH3,F) | [CHN] |
| | 1790001641 | S.DIO | 1SS373(TPH3,F) | [USA] |
| | 1790001641 | S.DIO | 1SS373(TPH3,F) | [EUR] |
| | 1790001641 | S.DIO | 1SS373(TPH3,F) | [AUS] |
| | 1790001641 | S.DIO | 1SS373(TPH3,F) | [UK] |
| | 1790001641 | S.DIO | 1SS373(TPH3,F) | [DEN] |
| | 1790001641 | S.DIO | 1SS373(TPH3,F) | [SEA] |
| | 1790001641 | S.DIO | 1SS373(TPH3,F) | [OTH] |
| | 1750001460 | S.DIO | 1SS389(TPH3,F) | [USA-1] |
| | 1750001460 | S.DIO | 1SS389(TPH3,F) | [OTH-1] |
| | 1750001460 | S.DIO | 1SS389(TPH3,F) | [CHN] |
| X1 | 6050005712 | XTA | CR-275B HC-49/U 30.000 MHz | |
| L1 | 6170000230 | COI | LW-25 | |
| L2 | 6150004370 | COI | LS-472C (C-15045) | |
| L3 | 6200003950 | S.COI | HF50ACC 322513-T | |
| L4 | 6150004250 | COI | LS-471A (C-14922) | |
| L5 | 6150004250 | COI | LS-471A (C-14922) | |
| L22 | 6200003171 | S.COI | NLV32T-330J | |
| L23 | 6200003181 | S.COI | NLV32T-390J | |
| L24 | 6200003181 | S.COI | NLV32T-390J | |
| L25 | 6200001831 | S.COI | NLV32T-100J | |
| L26 | 6200003191 | S.COI | NLV32T-470J | |
| L27 | 6200003191 | S.COI | NLV32T-470J | |
| L71 | 6170000230 | COI | LW-25 | |
| L72 | 6190001371 | COI | #E544GN-110254 | |
| L73 | 6170000230 | COI | LW-25 | |
| L81 | 6180003390 | COI | SP0406-1R2K-6 | [USA] |
| | 6180003390 | COI | SP0406-1R2K-6 | [EUR] |
| | 6180003390 | COI | SP0406-1R2K-6 | [AUS] |
| | 6180003390 | COI | SP0406-1R2K-6 | [UK] |
| | 6170000230 | COI | LW-25 | [DEN] |
| | 6170000230 | COI | LW-25 | [SEA] |
| | 6180003390 | COI | SP0406-1R2K-6 | [OTH] |
| | 6180003390 | COI | SP0406-1R2K-6 | [USA-1] |
| | 6180003390 | COI | SP0406-1R2K-6 | [OTH-1] |
| | 6180003390 | COI | SP0406-1R2K-6 | [CHN] |
| L82 | 6190001281 | COI | #E544GN-110248 | |
| L83 | 6180003390 | COI | SP0406-1R2K-6 | [USA] |
| | 6180003390 | COI | SP0406-1R2K-6 | [EUR] |
| | 6180003390 | COI | SP0406-1R2K-6 | [AUS] |
| | 6180003390 | COI | SP0406-1R2K-6 | [UK] |
| | 6170000230 | COI | LW-25 | [DEN] |
| | 6170000230 | COI | LW-25 | [SEA] |
| | 6180003390 | COI | SP0406-1R2K-6 | [OTH] |
| | 6180003390 | COI | SP0406-1R2K-6 | [USA-1] |
| | 6180003390 | COI | SP0406-1R2K-6 | [OTH-1] |
| | 6180003390 | COI | SP0406-1R2K-6 | [CHN] |
| L91 | 6180002961 | S.COI | NLV32T-R18J | |
| L92 | 6180002981 | S.COI | NLV32T-056J | |
| L93 | 6180002971 | S.COI | NLV32T-068J | |

[PLL UNIT]

| REF NO. | ORDER NO. | DESCRIPTION | | |
|---------|------------|-------------|-----------------------|---------|
| L94 | 6200001831 | S.COI | NLV32T-100J | |
| L151 | 6200003131 | S.COI | NLV32T-120J | |
| L152 | 6200003141 | S.COI | NLV32T-150J | |
| L153 | 6200001831 | S.COI | NLV32T-100J | |
| L201 | 6200005491 | S.COI | NLV32T-331J | |
| L202 | 6200008641 | S.COI | NLV32T-391J | |
| L203 | 6200001831 | S.COI | NLV32T-100J | |
| L204 | 6200003640 | S.COI | MLF1608E 100K-T | |
| L205 | 6200003640 | S.COI | MLF1608E 100K-T | |
| L206 | 6200004790 | S.COI | MLF1608D R47K-T | |
| L207 | 6200003950 | S.COI | HF50ACC 322513-T | |
| L208 | 6200003950 | S.COI | HF50ACC 322513-T | |
| R1 | 7030003320 | S.RES | ERJ3GEYJ 101 V (100) | |
| R2 | 7030003580 | S.RES | ERJ3GEYJ 153 V (15K) | |
| R3 | 7030003520 | S.RES | ERJ3GEYJ 472 V (4.7K) | |
| R4 | 7030003430 | S.RES | ERJ3GEYJ 821 V (820) | |
| R5 | 7030003370 | S.RES | ERJ3GEYJ 271 V (270) | |
| R6 | 7030003320 | S.RES | ERJ3GEYJ 101 V (100) | |
| R7 | 7030003600 | S.RES | ERJ3GEYJ 223 V (22K) | |
| R8 | 7030003560 | S.RES | ERJ3GEYJ 103 V (10K) | |
| R9 | 7030003370 | S.RES | ERJ3GEYJ 271 V (270) | |
| R10 | 7030003640 | S.RES | ERJ3GEYJ 473 V (47K) | |
| R11 | 7030003320 | S.RES | ERJ3GEYJ 101 V (100) | |
| R12 | 7030003200 | S.RES | ERJ3GEYJ 100 V (10) | |
| R13 | 7030003200 | S.RES | ERJ3GEYJ 100 V (10) | |
| R21 | 7030003370 | S.RES | ERJ3GEYJ 271 V (270) | |
| R22 | 7030003560 | S.RES | ERJ3GEYJ 103 V (10K) | |
| R23 | 7030007220 | S.RES | ERA3YED 202V (2K) | [USA] |
| | 7030007220 | S.RES | ERA3YED 202V (2K) | [EUR] |
| | 7030007220 | S.RES | ERA3YED 202V (2K) | [AUS] |
| | 7030007220 | S.RES | ERA3YED 202V (2K) | [UK] |
| | 7030007220 | S.RES | ERA3YED 202V (2K) | [DEN] |
| | 7030007220 | S.RES | ERA3YED 202V (2K) | [SEA] |
| | 7030007220 | S.RES | ERA3YED 202V (2K) | [OTH] |
| | 7030007220 | S.RES | ERA3YED 202V (2K) | [USA-1] |
| | 7030007220 | S.RES | ERA3YED 202V (2K) | [OTH-1] |
| R24 | 7030005400 | S.RES | RR0816P-202-D (2K)0 | [CHN] |
| | 7030007220 | S.RES | ERA3YED 202V (2K) | [USA] |
| | 7030007220 | S.RES | ERA3YED 202V (2K) | [EUR] |
| | 7030007220 | S.RES | ERA3YED 202V (2K) | [AUS] |
| | 7030007220 | S.RES | ERA3YED 202V (2K) | [UK] |
| | 7030007220 | S.RES | ERA3YED 202V (2K) | [DEN] |
| | 7030007220 | S.RES | ERA3YED 202V (2K) | [SEA] |
| | 7030007220 | S.RES | ERA3YED 202V (2K) | [OTH] |
| | 7030007220 | S.RES | ERA3YED 202V (2K) | [USA-1] |
| | 7030007220 | S.RES | ERA3YED 202V (2K) | [OTH-1] |
| R25 | 7030005400 | S.RES | RR0816P-202-D (2K)0 | [CHN] |
| | 7030007220 | S.RES | ERA3YED 202V (2K) | [USA] |
| | 7030007220 | S.RES | ERA3YED 202V (2K) | [EUR] |
| | 7030007220 | S.RES | ERA3YED 202V (2K) | [AUS] |
| | 7030007220 | S.RES | ERA3YED 202V (2K) | [UK] |
| | 7030007220 | S.RES | ERA3YED 202V (2K) | [DEN] |
| | 7030007220 | S.RES | ERA3YED 202V (2K) | [SEA] |
| | 7030007220 | S.RES | ERA3YED 202V (2K) | [OTH] |
| | 7030007220 | S.RES | ERA3YED 202V (2K) | [USA-1] |
| | 7030007220 | S.RES | ERA3YED 202V (2K) | [OTH-1] |
| R26 | 7030005400 | S.RES | RR0816P-202-D (2K)0 | [CHN] |
| | 7030007220 | S.RES | ERA3YED 202V (2K) | [USA] |
| | 7030007220 | S.RES | ERA3YED 202V (2K) | [EUR] |
| | 7030007220 | S.RES | ERA3YED 202V (2K) | [AUS] |
| | 7030007220 | S.RES | ERA3YED 202V (2K) | [UK] |
| | 7030007220 | S.RES | ERA3YED 202V (2K) | [DEN] |
| | 7030007220 | S.RES | ERA3YED 202V (2K) | [SEA] |
| | 7030007220 | S.RES | ERA3YED 202V (2K) | [OTH] |
| | 7030007220 | S.RES | ERA3YED 202V (2K) | [USA-1] |
| | 7030007220 | S.RES | ERA3YED 202V (2K) | [OTH-1] |
| R27 | 7030005400 | S.RES | RR0816P-202-D (2K)0 | [CHN] |
| | 7030007220 | S.RES | ERA3YED 202V (2K) | [USA] |
| | 7030007220 | S.RES | ERA3YED 202V (2K) | [EUR] |
| | 7030007220 | S.RES | ERA3YED 202V (2K) | [AUS] |
| | 7030007220 | S.RES | ERA3YED 202V (2K) | [UK] |
| | 7030007220 | S.RES | ERA3YED 202V (2K) | [DEN] |
| | 7030007220 | S.RES | ERA3YED 202V (2K) | [SEA] |
| | 7030007220 | S.RES | ERA3YED 202V (2K) | [OTH] |
| | 7030007220 | S.RES | ERA3YED 202V (2K) | [USA-1] |
| | 7030007220 | S.RES | ERA3YED 202V (2K) | [OTH-1] |
| R28 | 7030005400 | S.RES | RR0816P-202-D (2K)0 | [CHN] |
| | 7030007220 | S.RES | ERA3YED 202V (2K) | [USA] |
| | 7030007220 | S.RES | ERA3YED 202V (2K) | [EUR] |
| | 7030007220 | S.RES | ERA3YED 202V (2K) | [AUS] |
| | 7030007220 | S.RES | ERA3YED 202V (2K) | [UK] |
| | 7030007220 | S.RES | ERA3YED 202V (2K) | [DEN] |
| | 7030007220 | S.RES | ERA3YED 202V (2K) | [SEA] |
| | 7030007220 | S.RES | ERA3YED 202V (2K) | [OTH] |
| | 7030007220 | S.RES | ERA3YED 202V (2K) | [USA-1] |
| | 7030007220 | S.RES | ERA3YED 202V (2K) | [OTH-1] |
| R29 | 7030005400 | S.RES | RR0816P-202-D (2K)0 | [CHN] |
| | 7030007220 | S.RES | ERA3YED 202V (2K) | [USA] |
| | 7030007220 | S.RES | ERA3YED 202V (2K) | [EUR] |
| | 7030007220 | S.RES | ERA3YED 202V (2K) | [AUS] |
| | 7030007220 | S.RES | ERA3YED 202V (2K) | [UK] |
| | 7030007220 | S.RES | ERA3YED 202V (2K) | [DEN] |
| | 7030007220 | S.RES | ERA3YED 202V (2K) | [SEA] |
| | 7030007220 | S.RES | ERA3YED 202V (2K) | [OTH] |
| | 7030007220 | S.RES | ERA3YED 202V (2K) | [USA-1] |
| | 7030007220 | S.RES | ERA3YED 202V (2K) | [OTH-1] |
| R30 | 7030005400 | S.RES | RR0816P-202-D (2K)0 | [CHN] |
| | 7030007220 | S.RES | ERA3YED 202V (2K) | [USA] |
| | 7030007220 | S.RES | ERA3YED 202V (2K) | [EUR] |
| | 7030007220 | S.RES | ERA3YED 202V (2K) | [AUS] |
| | 7030007220 | S.RES | ERA3YED 202V (2K) | [UK] |
| | 7030007220 | S.RES | ERA3YED 202V (2K) | [DEN] |

[PLL UNIT]

| REF NO. | ORDER NO. | DESCRIPTION | |
|---------|------------|---------------------------------------|---------|
| R222 | 7030007210 | S.RES ERA3YEB 102V (1K) | [USA] |
| | 7030007210 | S.RES ERA3YEB 102V (1K) | [EUR] |
| | 7030007210 | S.RES ERA3YEB 102V (1K) | [AUS] |
| | 7030007210 | S.RES ERA3YEB 102V (1K) | [UK] |
| | 7030007210 | S.RES ERA3YEB 102V (1K) | [DEN] |
| | 7030007210 | S.RES ERA3YEB 102V (1K) | [SEA] |
| | 7030007210 | S.RES ERA3YEB 102V (1K) | [OTH] |
| | 7030007210 | S.RES ERA3YEB 102V (1K) | [USA-1] |
| | 7030007210 | S.RES ERA3YEB 102V (1K) | [OTH-1] |
| | 7030005380 | S.RES RR0816P-102-B (1K)0 | [CHN] |
| R228 | 7030003430 | S.RES ERJ3GEYJ 821 V (820) | |
| R230 | 7030003440 | S.RES ERJ3GEYJ 102 V (1K) | |
| R231 | 7030003440 | S.RES ERJ3GEYJ 102 V (1K) | |
| R232 | 7030003440 | S.RES ERJ3GEYJ 102 V (1K) | |
| R233 | 7030003440 | S.RES ERJ3GEYJ 102 V (1K) | |
| R235 | 7030003440 | S.RES ERJ3GEYJ 102 V (1K) | |
| R237 | 7030003520 | S.RES ERJ3GEYJ 472 V (4.7K) | |
| W1 | 7030003860 | S.RES ERJ3GE JPW V | |
| W2 | 7030003860 | S.RES ERJ3GE JPW V | |
| W18 | 7030003860 | S.RES ERJ3GE JPW V | |
| W19 | 7030003860 | S.RES ERJ3GE JPW V | |
| W20 | 7030003860 | S.RES ERJ3GE JPW V | |
| C1 | 4030008310 | S.CER C1608 UJ 1H 390J-T | |
| C3 | 4030006880 | S.CER C1608 JB 1H 472K-T | |
| C4 | 4030006880 | S.CER C1608 JB 1H 472K-T | |
| C5 | 4030007630 | S.CER C1608 RH 1H 121J-T | |
| C6 | 4030006880 | S.CER C1608 JB 1H 472K-T | |
| C7 | 4030006880 | S.CER C1608 JB 1H 472K-T | |
| C8 | 4030006880 | S.CER C1608 JB 1H 472K-T | |
| C9 | 4030007170 | S.CER C1608 CH 1H 221J-T | |
| C10 | 4030007030 | S.CER C1608 CH 1H 150J-T | |
| C11 | 4030006880 | S.CER C1608 JB 1H 472K-T | |
| C12 | 4030006910 | S.CER C1608 CH 1H 0R5C-T | |
| C13 | 4030007030 | S.CER C1608 CH 1H 150J-T | |
| C14 | 4030006880 | S.CER C1608 JB 1H 472K-T | |
| C15 | 4030006880 | S.CER C1608 JB 1H 472K-T | |
| C16 | 4030007610 | S.CER C1608 RH 1H 820J-T | |
| C21 | 4030006880 | S.CER C1608 JB 1H 472K-T | |
| C23 | 4030011600 | S.CER C1608 JB 1E 104K-T | |
| C24 | 4510008500 | S.ELE EEE1CA101WVP | |
| C25 | 4030011600 | S.CER C1608 JB 1E 104K-T | |
| C26 | 4030011600 | S.CER C1608 JB 1E 104K-T | |
| C27 | 4030011600 | S.CER C1608 JB 1E 104K-T | |
| C28 | 4030011600 | S.CER C1608 JB 1E 104K-T | |
| C29 | 4030011600 | S.CER C1608 JB 1E 104K-T | |
| C30 | 4030011600 | S.CER C1608 JB 1E 104K-T | |
| C31 | 4030011600 | S.CER C1608 JB 1E 104K-T | |
| C32 | 4030011600 | S.CER C1608 JB 1E 104K-T | |
| C33 | 4030011600 | S.CER C1608 JB 1E 104K-T | |
| C34 | 4030011600 | S.CER C1608 JB 1E 104K-T | |
| C35 | 4030011600 | S.CER C1608 JB 1E 104K-T | |
| C36 | 4030011600 | S.CER C1608 JB 1E 104K-T | |
| C37 | 4030007070 | S.CER C1608 CH 1H 330J-T | |
| C38 | 4030007010 | S.CER C1608 CH 1H 100D-T | |
| C39 | 4030011540 | S.CER C1608 CH 1H 750J-T | |
| C40 | 4030006980 | S.CER C1608 CH 1H 070D-T | |
| C41 | 4030007120 | S.CER C1608 CH 1H 820J-T | |
| C42 | 4030006930 | S.CER C1608 CH 1H 020C-T | |
| C43 | 4030007100 | S.CER C1608 CH 1H 560J-T | |
| C44 | 4030007010 | S.CER C1608 CH 1H 100D-T | |
| C45 | 4030006860 | S.CER C1608 JB 1H 102K-T | |
| C46 | 4030006860 | S.CER C1608 JB 1H 102K-T | |
| C50 | 4030006880 | S.CER C1608 JB 1H 472K-T | |
| C51 | 4030011600 | S.CER C1608 JB 1E 104K-T | |
| C52 | 4030006880 | S.CER C1608 JB 1H 472K-T | |
| C53 | 4030006880 | S.CER C1608 JB 1H 472K-T | |
| C54 | 4030006880 | S.CER C1608 JB 1H 472K-T | |
| C55 | 4030006880 | S.CER C1608 JB 1H 472K-T | |
| C56 | 4030007110 | S.CER C1608 CH 1H 680J-T | |
| C57 | 4030007090 | S.CER C1608 CH 1H 470J-T | |
| C58 | 4030007100 | S.CER C1608 CH 1H 560J-T | |
| C59 | 4030011840 | S.CER C1608 CH 1H 241J-T | |
| C60 | 4030009580 | S.CER C1608 JB 1H 681K-T | |
| C71 | 4550006250 | S.TAN TEESVA 1A 106M8R | |
| C72 | 4030011600 | S.CER C1608 JB 1E 104K-T | |
| C73 | 4030006850 | S.CER C1608 JB 1H 471K-T | |
| C74 | 4510008540 | S.ELE EEE1CA100SR | |
| C75 | 4030007140 | S.CER C1608 CH 1H 121J-T | |
| C76 | 4610001830 | S.TRI TZB4S100AB10R00(TZBX4N100BA110) | |
| C77 | 4030007010 | S.CER C1608 CH 1H 100D-T | |
| C78 | 4030006880 | S.CER C1608 JB 1H 472K-T | |
| C79 | 4030009540 | S.CER C1608 CH 1H 1R5B-T | |
| C80 | 4030006880 | S.CER C1608 JB 1H 472K-T | |
| C81 | 4030006880 | S.CER C1608 JB 1H 472K-T | |
| C82 | 4030011600 | S.CER C1608 JB 1E 104K-T | |
| C83 | 4030006850 | S.CER C1608 JB 1H 471K-T | |
| C84 | 4510008540 | S.ELE EEE1CA100SR | [USA] |
| | 4510008540 | S.ELE EEE1CA100SR | [EUR] |
| | 4510004630 | S.ELE ECEV1CA100SR | [AUS] |
| | 4510008540 | S.ELE EEE1CA100SR | [UK] |
| | 4510004630 | S.ELE ECEV1CA100SR | [DEN] |
| | 4510008540 | S.ELE EEE1CA100SR | [SEA] |
| | 4510008540 | S.ELE EEE1CA100SR | [OTH] |
| | 4510008540 | S.ELE EEE1CA100SR | [USA-1] |
| | 4510008540 | S.ELE EEE1CA100SR | [OTH-1] |
| | 4510008540 | S.ELE EEE1CA100SR | [CHN] |
| C85 | 4030006850 | S.CER C1608 JB 1H 471K-T | |
| C86 | 4610001830 | S.TRI TZB4S100AB10R00(TZBX4N100BA110) | |
| C87 | 4030006950 | S.CER C1608 CH 1H 040C-T | |
| C88 | 4030006880 | S.CER C1608 JB 1H 472K-T | |

[PLL UNIT]

| REF NO. | ORDER NO. | DESCRIPTION | |
|---------|------------|--------------------------|--|
| C89 | 4030009510 | S.CER C1608 CH 1H 010B-T | |
| C90 | 4030006880 | S.CER C1608 JB 1H 472K-T | |
| C91 | 4030006880 | S.CER C1608 JB 1H 472K-T | |
| C92 | 4030006880 | S.CER C1608 JB 1H 472K-T | |
| C93 | 4030006880 | S.CER C1608 JB 1H 472K-T | |
| C94 | 4030011600 | S.CER C1608 JB 1E 104K-T | |
| C95 | 4030006880 | S.CER C1608 JB 1H 472K-T | |
| C96 | 4030007080 | S.CER C1608 CH 1H 390J-T | |
| C97 | 4030006990 | S.CER C1608 CH 1H 080D-T | |
| C98 | 4030007090 | S.CER C1608 CH 1H 470J-T | |
| C99 | 4030006930 | S.CER C1608 CH 1H 020C-T | |
| C100 | 4030007080 | S.CER C1608 CH 1H 390J-T | |
| C101 | 4030006880 | S.CER C1608 JB 1H 472K-T | |
| C102 | 4030007020 | S.CER C1608 CH 1H 120J-T | |
| C103 | 4030006970 | S.CER C1608 CH 1H 060D-T | |
| C104 | 4030006880 | S.CER C1608 JB 1H 472K-T | |
| C105 | 4030006880 | S.CER C1608 JB 1H 472K-T | |
| C106 | 4510008500 | S.ELE EEE1CA101WVP | |
| C107 | 4030006880 | S.CER C1608 JB 1H 472K-T | |
| C108 | 4030006880 | S.CER C1608 JB 1H 472K-T | |
| C110 | 4030006880 | S.CER C1608 JB 1H 472K-T | |
| C111 | 4030006880 | S.CER C1608 JB 1H 472K-T | |
| C112 | 4030006880 | S.CER C1608 JB 1H 472K-T | |
| C113 | 4030006880 | S.CER C1608 JB 1H 472K-T | |
| C114 | 4030006880 | S.CER C1608 JB 1H 472K-T | |
| C115 | 4030006880 | S.CER C1608 JB 1H 472K-T | |
| C116 | 4030011600 | S.CER C1608 JB 1E 104K-T | |
| C117 | 4030011600 | S.CER C1608 JB 1E 104K-T | |
| C118 | 4030006880 | S.CER C1608 JB 1H 472K-T | |
| C119 | 4510009270 | S.ELE EEEHB1C220UR | |
| C120 | 4030006850 | S.CER C1608 JB 1H 471K-T | |
| C121 | 4030011600 | S.CER C1608 JB 1E 104K-T | |
| C122 | 4030011600 | S.CER C1608 JB 1E 104K-T | |
| C123 | 4030011600 | S.CER C1608 JB 1E 104K-T | |
| C124 | 4030011600 | S.CER C1608 JB 1E 104K-T | |
| C125 | 4030007090 | S.CER C1608 CH 1H 470J-T | |
| C126 | 4550006250 | S.TAN TEESVA 1A 106M8R | |
| C127 | 4030011600 | S.CER C1608 JB 1E 104K-T | |
| C128 | 4030011600 | S.CER C1608 JB 1E 104K-T | |
| C151 | 4030006880 | S.CER C1608 JB 1H 472K-T | |
| C152 | 4030007040 | S.CER C1608 CH 1H 180J-T | |
| C153 | 4030006960 | S.CER C1608 CH 1H 050C-T | |
| C154 | 4030007070 | S.CER C1608 CH 1H 330J-T | |
| C155 | 4030006930 | S.CER C1608 CH 1H 020C-T | |
| C156 | 4030007040 | S.CER C1608 CH 1H 180J-T | |
| C157 | 4030006880 | S.CER C1608 JB 1H 472K-T | |
| C164 | 4030006880 | S.CER C1608 JB 1H 472K-T | |
| C165 | 4510008540 | S.ELE EEE1CA100SR | |
| C167 | 4030011600 | S.CER C1608 JB 1E 104K-T | |
| C201 | 4030006880 | S.CER C1608 JB 1H 472K-T | |
| C202 | 4030006850 | S.CER C1608 JB 1H 471K-T | |
| C203 | 4030007120 | S.CER C1608 CH 1H 820J-T | |
| C204 | 4030009490 | S.CER C1608 JB 1H 821K-T | |
| C205 | 4030007070 | S.CER C1608 CH 1H 330J-T | |
| C206 | 4030010040 | S.CER C1608 JB 1H 561K-T | |
| C207 | 4030006880 | S.CER C1608 JB 1H 472K-T | |
| C214 | 4030006880 | S.CER C1608 JB 1H 472K-T | |
| C215 | 4510008540 | S.ELE EEE1CA100SR | |
| C217 | 4030011600 | S.CER C1608 JB 1E 104K-T | |
| C305 | 4510008540 | S.ELE EEE1CA100SR | |
| C310 | 4030007090 | S.CER C1608 CH 1H 470J-T | |
| C311 | 4030007090 | S.CER C1608 CH 1H 470J-T | |
| C312 | 4030007090 | S.CER C1608 CH 1H 470J-T | |
| C313 | 4030007090 | S.CER C1608 CH 1H 470J-T | |
| C314 | 4030007090 | S.CER C1608 CH 1H 470J-T | |
| C315 | 4030007090 | S.CER C1608 CH 1H 470J-T | |
| C316 | 4030006860 | S.CER C1608 JB 1H 102K-T | |
| C317 | 4030006880 | S.CER C1608 JB 1H 472K-T | |
| C318 | 4030006880 | S.CER C1608 JB 1H 472K-T | |
| C319 | 4030006880 | S.CER C1608 JB 1H 472K-T | |
| C320 | 4030006850 | S.CER C1608 JB 1H 471K-T | |
| C321 | 4030006880 | S.CER C1608 JB 1H 472K-T | |
| C322 | 4030006880 | S.CER C1608 JB 1H 472K-T | |
| C323 | 4030006880 | S.CER C1608 JB 1H 472K-T | |
| C324 | 4030006880 | S.CER C1608 JB 1H 472K-T | |
| C325 | 4030007100 | S.CER C1608 CH 1H 560J-T | |
| C326 | 4030006880 | S.CER C1608 JB 1H 472K-T | |
| C327 | 4030006880 | S.CER C1608 JB 1H 472K-T | |
| C328 | 4030009500 | S.CER C1608 CH 1H 0R5B-T | |
| C329 | 4030006850 | S.CER C1608 JB 1H 471K-T | |
| C330 | 4030006880 | S.CER C1608 JB 1H 472K-T | |
| C331 | 4030006880 | S.CER C1608 JB 1H 472K-T | |
| C332 | 4030006880 | S.CER C1608 JB 1H 472K-T | |
| RL1 | 6330001320 | REL AHY103 | |
| J2 | 6510019981 | S.CON 52808-1671(1690) | |
| J3 | 6450000140 | CON HSJ0807-01-010 | |
| J4 | 6450000140 | CON HSJ0807-01-010 | |
| EP2 | 6910012350 | S.BEA MMZ1608Y 102BT | |
| EP3 | 6910012350 | S.BEA MMZ1608Y 102BT | |
| EP4 | 6910012350 | S.BEA MMZ1608Y 102BT | |
| EP5 | 6910012350 | S.BEA MMZ1608Y 102BT | |
| EP6 | 6910012350 | S.BEA MMZ1608Y 102BT | |
| EP7 | 6910012350 | S.BEA MMZ1608Y 102BT | |
| EP8 | 6910012350 | S.BEA MMZ1608Y 102BT | |
| EP9 | 6910012350 | S.BEA MMZ1608Y 102BT | |
| EP10 | 6910012350 | S.BEA MMZ1608Y 102BT | |
| EP11 | 6910012350 | S.BEA MMZ1608Y 102BT | |
| EP12 | 6910012350 | S.BEA MMZ1608Y 102BT | |

[PLL UNIT]

| REF NO. | ORDER NO. | DESCRIPTION |
|---------|------------|----------------------|
| EP13 | 6910012350 | S.BEA MMZ1608Y 102BT |
| EP14 | 6910012350 | S.BEA MMZ1608Y 102BT |

[DISPLAY UNIT]

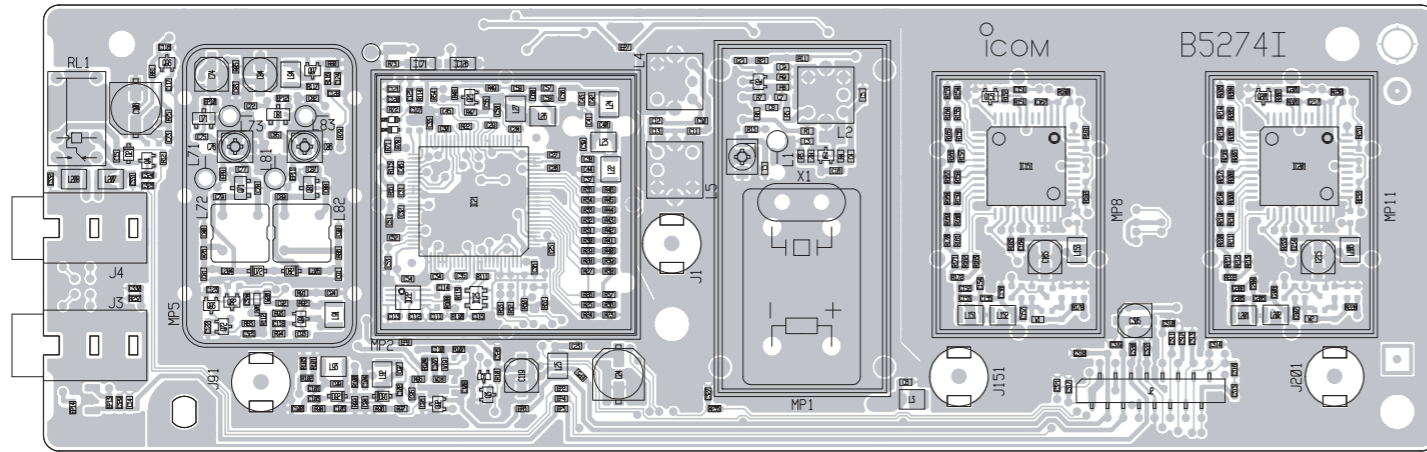
| REF NO. | ORDER NO. | DESCRIPTION |
|---------|------------|------------------------------|
| IC101 | 1130013870 | S.IC NJU6445FCI-#ZZZB |
| IC102 | 1130003831 | S.IC TC7S04F(TE85R,F) |
| IC103 | 1130008511 | S.IC TC7W53FU(TE12L,F) |
| Q11 | 1530002851 | S.TRA 2SC4116-BL(TE85R,F) |
| Q21 | 1530002851 | S.TRA 2SC4116-BL(TE85R,F) |
| Q31 | 1530002851 | S.TRA 2SC4116-BL(TE85R,F) |
| Q41 | 1530002851 | S.TRA 2SC4116-BL(TE85R,F) |
| Q51 | 1530002851 | S.TRA 2SC4116-BL(TE85R,F) |
| Q61 | 1530002851 | S.TRA 2SC4116-BL(TE85R,F) |
| Q71 | 1530002851 | S.TRA 2SC4116-BL(TE85R,F) |
| Q81 | 1530002851 | S.TRA 2SC4116-BL(TE85R,F) |
| R11 | 7030000320 | S.RES MCR10EZHZJ 330 (331) |
| R12 | 7030003360 | S.RES ERJ3GEYJ 221 V (220) |
| R21 | 7030000320 | S.RES MCR10EZHZJ 330 (331) |
| R22 | 7030003360 | S.RES ERJ3GEYJ 221 V (220) |
| R31 | 7030000320 | S.RES MCR10EZHZJ 330 (331) |
| R32 | 7030003360 | S.RES ERJ3GEYJ 221 V (220) |
| R41 | 7030000320 | S.RES MCR10EZHZJ 330 (331) |
| R42 | 7030003360 | S.RES ERJ3GEYJ 221 V (220) |
| R51 | 7030000320 | S.RES MCR10EZHZJ 330 (331) |
| R52 | 7030003360 | S.RES ERJ3GEYJ 221 V (220) |
| R61 | 7030000320 | S.RES MCR10EZHZJ 330 (331) |
| R62 | 7030003360 | S.RES ERJ3GEYJ 221 V (220) |
| R71 | 7030000320 | S.RES MCR10EZHZJ 330 (331) |
| R72 | 7030003360 | S.RES ERJ3GEYJ 221 V (220) |
| R81 | 7030000320 | S.RES MCR10EZHZJ 330 (331) |
| R82 | 7030003360 | S.RES ERJ3GEYJ 221 V (220) |
| C101 | 4030008630 | S.CER C1608 JF 1H 104Z-T |
| C103 | 4030008630 | S.CER C1608 JF 1H 104Z-T |
| C104 | 4030008630 | S.CER C1608 JF 1H 104Z-T |
| C105 | 4030008630 | S.CER C1608 JF 1H 104Z-T |
| C106 | 4030008630 | S.CER C1608 JF 1H 104Z-T |
| J101 | 6510019981 | S.CON 52808-1671(1690) |
| DS11 | 5040002940 | S.LED TLYU1002A(T02) |
| DS12 | 5040002940 | S.LED TLYU1002A(T02) |
| DS13 | 5040002940 | S.LED TLYU1002A(T02) |
| DS21 | 5040002940 | S.LED TLYU1002A(T02) |
| DS22 | 5040002940 | S.LED TLYU1002A(T02) |
| DS23 | 5040002940 | S.LED TLYU1002A(T02) |
| DS31 | 5040002940 | S.LED TLYU1002A(T02) |
| DS32 | 5040002940 | S.LED TLYU1002A(T02) |
| DS33 | 5040002940 | S.LED TLYU1002A(T02) |
| DS41 | 5040002940 | S.LED TLYU1002A(T02) |
| DS42 | 5040002940 | S.LED TLYU1002A(T02) |
| DS43 | 5040002940 | S.LED TLYU1002A(T02) |
| DS51 | 5040002940 | S.LED TLYU1002A(T02) |
| DS52 | 5040002940 | S.LED TLYU1002A(T02) |
| DS53 | 5040002940 | S.LED TLYU1002A(T02) |
| DS61 | 5040002940 | S.LED TLYU1002A(T02) |
| DS62 | 5040002940 | S.LED TLYU1002A(T02) |
| DS63 | 5040002940 | S.LED TLYU1002A(T02) |
| DS71 | 5040002940 | S.LED TLYU1002A(T02) |
| DS72 | 5040002940 | S.LED TLYU1002A(T02) |
| DS73 | 5040002940 | S.LED TLYU1002A(T02) |
| DS81 | 5040002940 | S.LED TLYU1002A(T02) |
| DS82 | 5040002940 | S.LED TLYU1002A(T02) |
| DS83 | 5040002940 | S.LED TLYU1002A(T02) |
| DS101 | 5030001690 | LCD HLC7395-012400 |
| EP2 | 8930049631 | LCD SRCN-2240-SP-N-W-1 (SHJ) |

S.=Surface mount

BOARD LAYOUTS

The combination of this side and the bottom side shows the board layout in the same configuration as the actual P.C.Board.

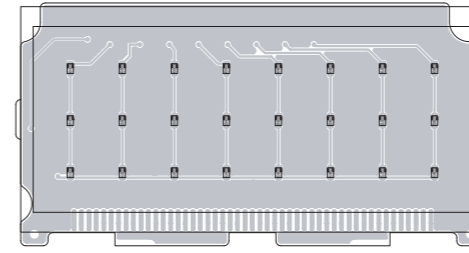
• PLL UNIT (TOP VIEW)



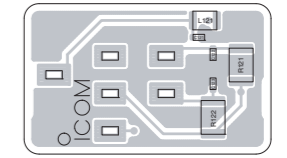
| | | |
|----|-----------|----|
| 1 | 14V | 15 |
| 2 | AV | 16 |
| 3 | AV | 15 |
| 4 | AAFO | 16 |
| 5 | AV | 15 |
| 6 | RECS UNLC | 16 |
| 7 | GND | 15 |
| 8 | PS13 | 16 |
| 9 | PS12 | 15 |
| 10 | PS11 | 16 |
| 11 | PDAT | 15 |
| 12 | DRES | 16 |

J2 to MAIN unit J1501

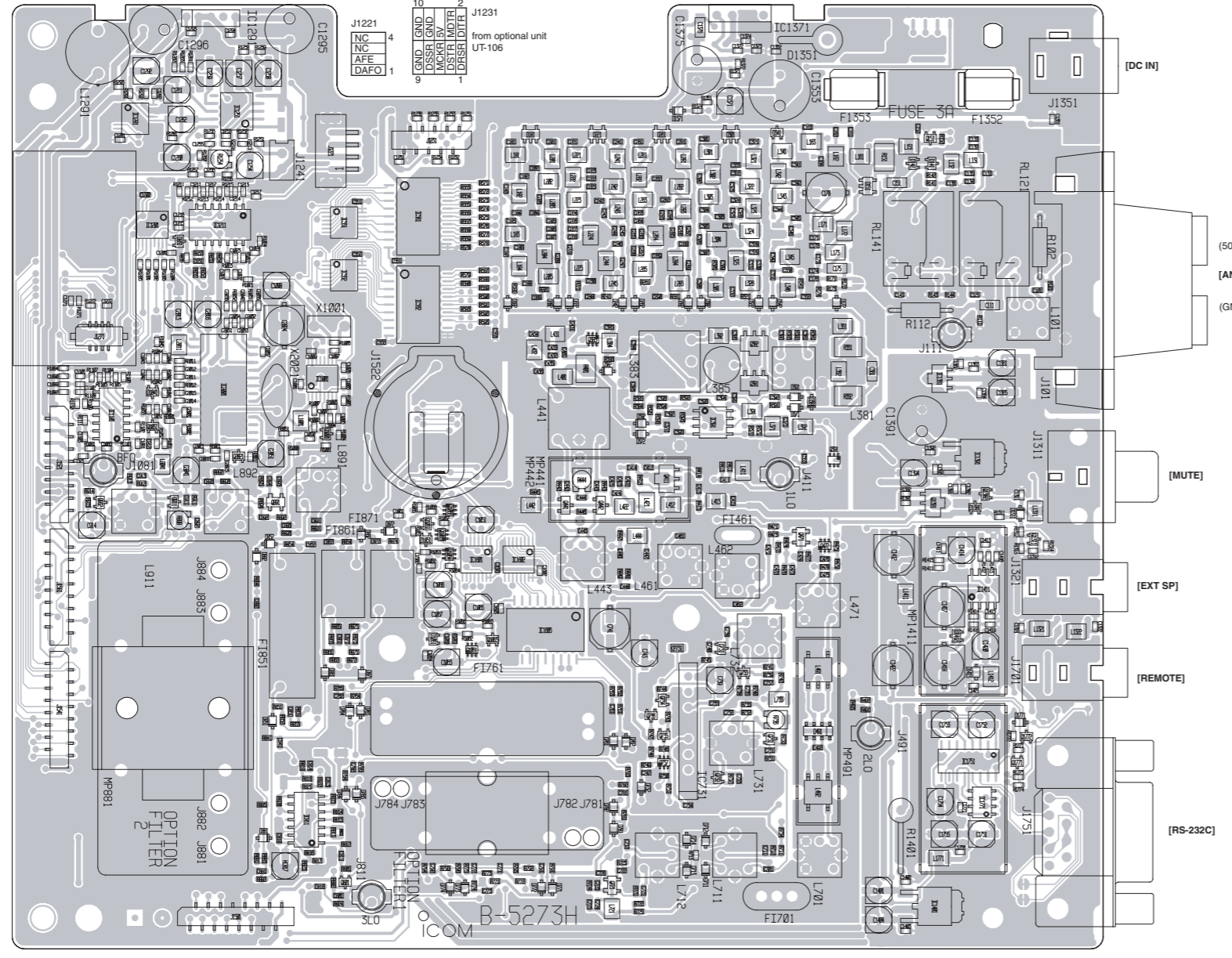
• DISPLAY BOARD (TOP VIEW)



• PHONE BOARD (TOP VIEW)



• MAIN UNIT (TOP VIEW)



| | | | |
|---|------|------|----|
| 1 | MDAT | SPST | 2 |
| 2 | BUSY | MCK | 16 |
| 3 | 5V | SPCE | 8 |
| 4 | GND | SPCH | 16 |

from optional unit UT-102
J1271

| | | | |
|---|------|------|----|
| 1 | AFO | AFO | 2 |
| 2 | ESPO | ESPO | 16 |
| 3 | ISPO | ISPO | 15 |
| 4 | AF | AF | 16 |
| 5 | 5V | GND | 16 |
| 6 | 14V | HVR | 16 |
| 7 | HSV | BATT | 16 |

to LOGIC unit J501

| | | | |
|---|------|------|----|
| 1 | RFV | AFGV | 2 |
| 2 | SML | FMNL | 16 |
| 3 | EMTI | SALI | 16 |
| 4 | BEEP | RECS | 16 |
| 5 | SOLS | AGRS | 16 |
| 6 | RXS | SBSY | 16 |
| 7 | SPST | GND | 16 |
| 8 | CIV | CIVE | 16 |

to LOGIC unit J541

| | | | |
|---|------|------|----|
| 1 | PWRC | DSPS | 2 |
| 2 | DINT | DSTB | 16 |
| 3 | PSTB | ISTB | 16 |
| 4 | ASTB | MDAT | 16 |
| 5 | MCK | DRES | 16 |
| 6 | PDAT | PCK | 16 |
| 7 | PCO2 | PST1 | 16 |
| 8 | PST2 | PST3 | 16 |

to PLL unit J2

| | | | |
|---|------|------|----|
| 1 | DRES | PDAT | 2 |
| 2 | PCK | PCO2 | 16 |
| 3 | PST1 | PST2 | 16 |
| 4 | RECS | UNLC | 16 |
| 5 | AV | AV | 16 |
| 6 | 14V | 14V | 16 |

J1221

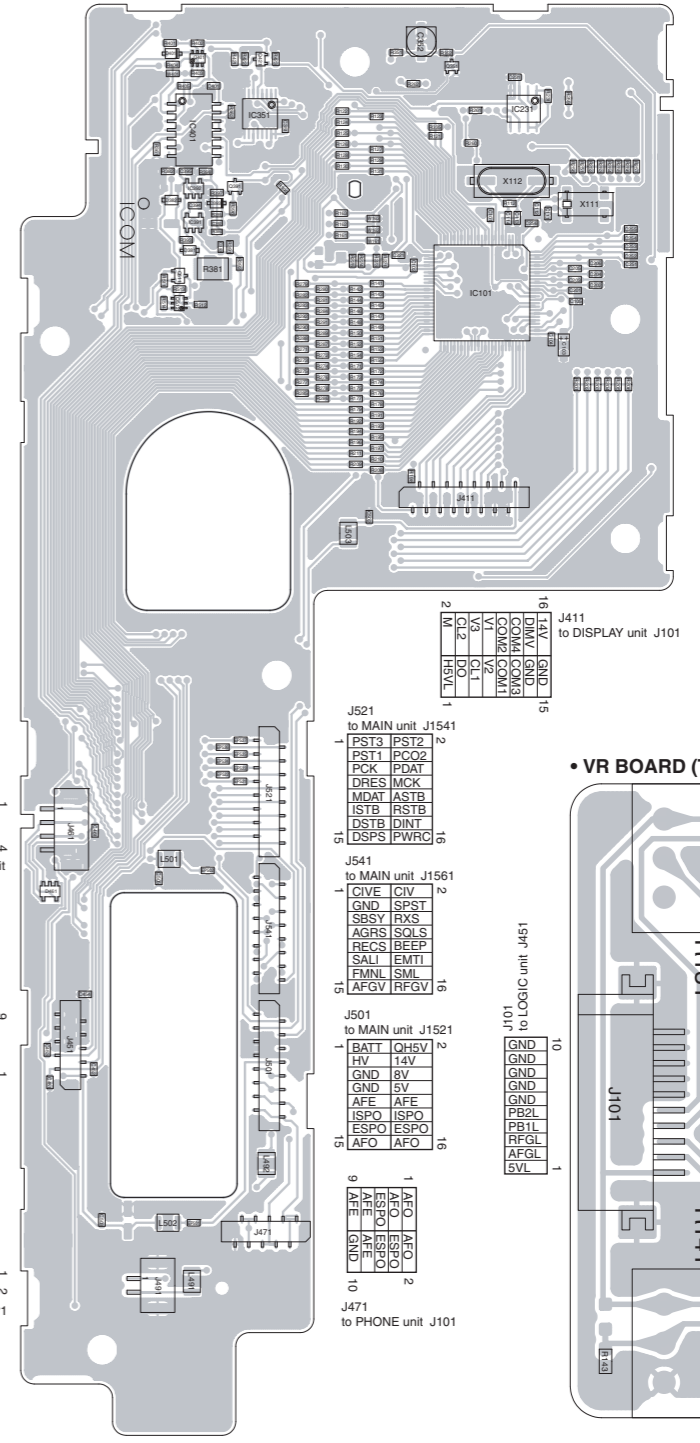
| | | | |
|---|-------|------|---|
| 1 | GND | GND | 4 |
| 2 | DSSRL | GND | 4 |
| 3 | MCK | RECV | 4 |
| 4 | AF | AF | 4 |
| 5 | DAFO | DAFO | 4 |

J1231 from optional unit UT-106

| | | |
|----|-----------|----|
| 1 | 14V | 15 |
| 2 | AV | 16 |
| 3 | AV | 15 |
| 4 | AAFO | 16 |
| 5 | AV | 15 |
| 6 | RECS UNLC | 16 |
| 7 | GND | 15 |
| 8 | PS13 | 16 |
| 9 | PS12 | 15 |
| 10 | PS11 | 16 |
| 11 | PDAT | 15 |
| 12 | DRES | 16 |

J2 to MAIN unit J1501

• LOGIC BOARD (TOP VIEW)



| | | | | |
|---|-----|-----|-----|---|
| 1 | SVL | MUP | MDN | 4 |
| 2 | MDN | GND | GND | 4 |

J461 to MAIN DIAL unit

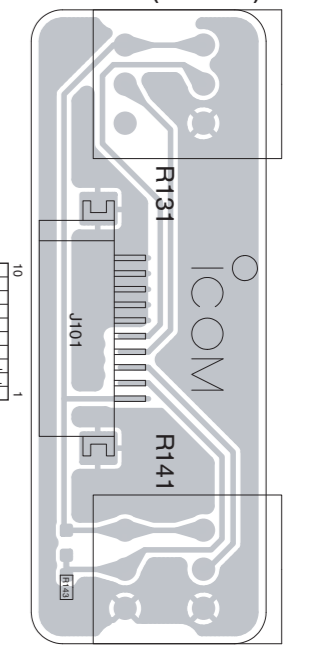
| | | | |
|---|------|------|---|
| 1 | GND | GND | 9 |
| 2 | GND | GND | 9 |
| 3 | PB1L | AFGL | 9 |
| 4 | RFGL | SVL | 9 |

J451 to VR unit J101

| | | | |
|---|------|----|---|
| 1 | ISPO | AF | 2 |
| 2 | AF | AF | 2 |

J491 to INT SP unit P1

• VR BOARD (TOP VIEW)



| | | | |
|---|------|------|----|
| 1 | DMV | GND | 15 |
| 2 | COM2 | COM3 | 15 |
| 3 | V3 | COM1 | 15 |
| 4 | DO | DO | 15 |
| 5 | HSVL | HSVL | 15 |

J411 to DISPLAY unit J101

| | | | |
|---|------|------|---|
| 1 | PST3 | PST2 | 2 |
| 2 | PST1 | PCO2 | 2 |
| 3 | PCK | PDAT | 2 |
| 4 | DRES | MCK | 2 |
| 5 | MDAT | ASTB | 2 |
| 6 | ISTB | RSTB | 2 |
| 7 | DSTB | DINT | 2 |
| 8 | DSPS | PWRC | 2 |

J521 to MAIN unit J1541

| | | | |
|---|------|------|---|
| 1 | CIVE | CIV | 2 |
| 2 | GND | SPST | 2 |
| 3 | SBSY | RXS | 2 |
| 4 | AGRS | SOLS | 2 |
| 5 | RECS | BEEP | 2 |
| 6 | SALI | EMTI | 2 |
| 7 | FMNL | SML | 2 |
| 8 | AFGV | RFV | 2 |

J541 to MAIN unit J1561

| | | | |
|---|------|------|---|
| 1 | BATT | QH5V | 2 |
| 2 | HV | 14V | 2 |
| 3 | GND | 8V | 2 |
| 4 | GND | 5V | 2 |
| 5 | AF | AF | 2 |
| 6 | ISPO | ISPO | 2 |
| 7 | ESPO | ESPO | 2 |
| 8 | AFO | AFO | 2 |

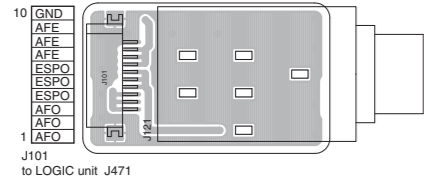
J501 to MAIN unit J1521

| | | | |
|---|------|------|----|
| 1 | GND | GND | 10 |
| 2 | GND | GND | 10 |
| 3 | PB1L | AFGL | 10 |
| 4 | RFGL | SVL | 10 |

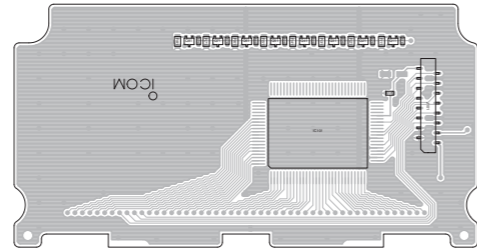
J411 to LOGIC unit J101

The combination of this side and the bottom side shows the board layout in the same configuration as the actual P.C.Board.

• PHONE BOARD (BOTTOM VIEW)

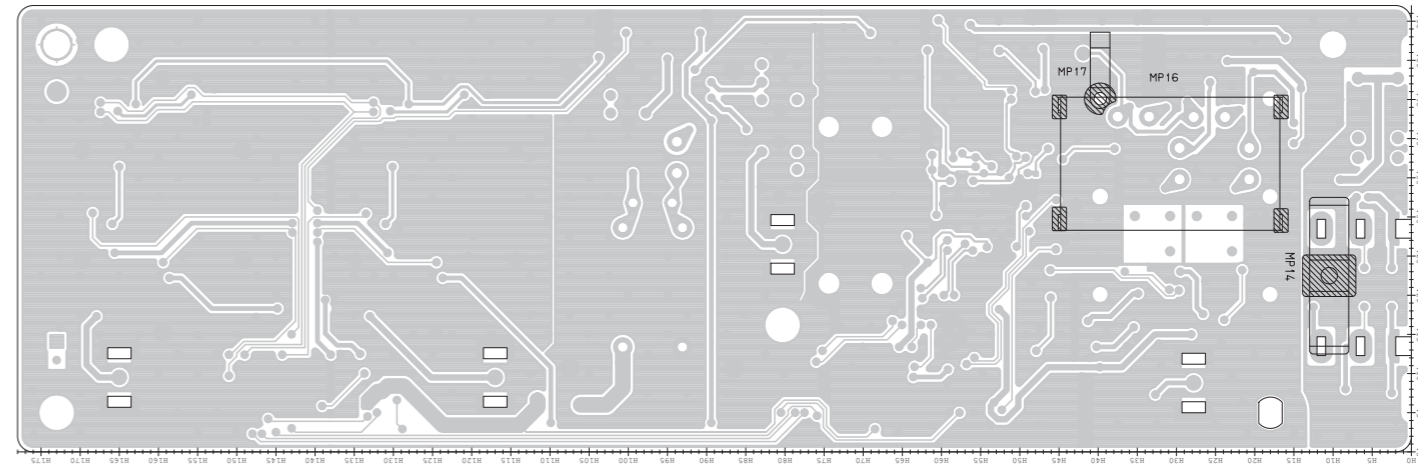


• DISPLAY BOARD (BOTTOM VIEW)

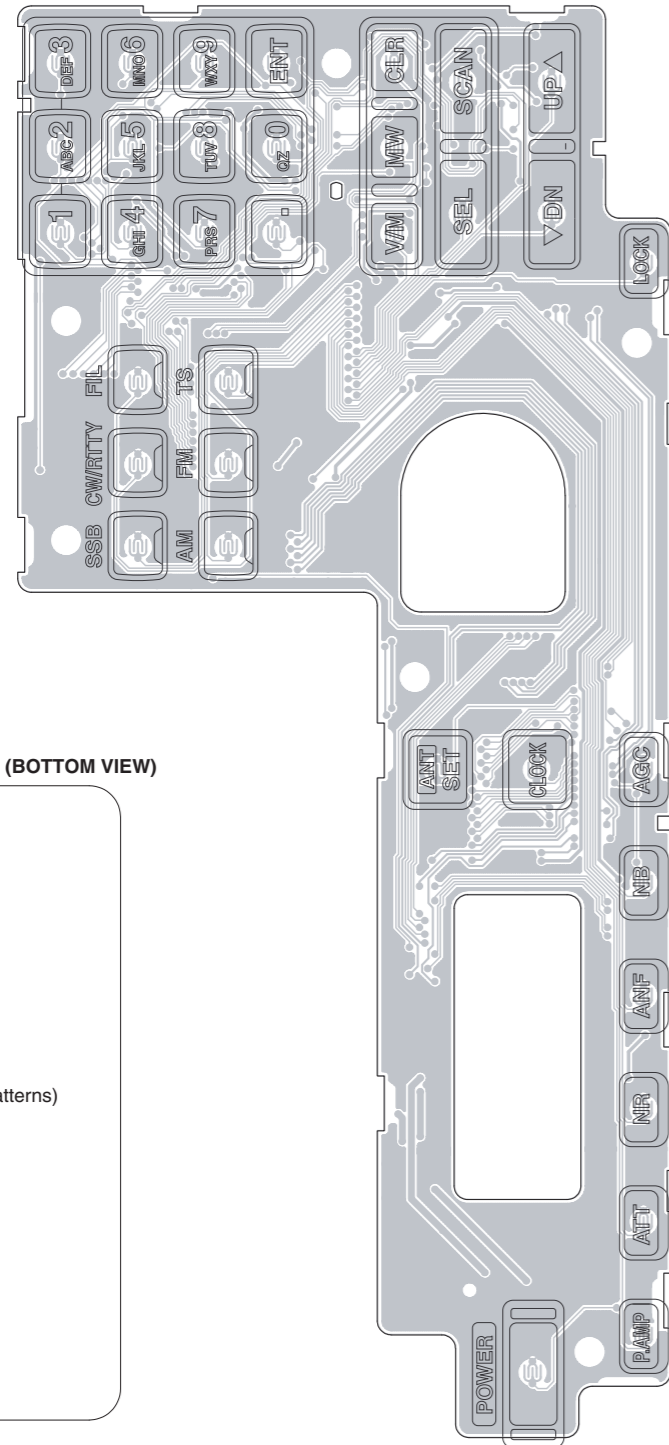


| | | | |
|----|------|------|----|
| 16 | 14V | GND | 15 |
| | DIMV | GND | |
| | COM4 | COM3 | |
| | COM2 | COM1 | |
| | V1 | V2 | |
| | V3 | CL1 | |
| | CL2 | DO | |
| 2 | M | H5VL | 1 |

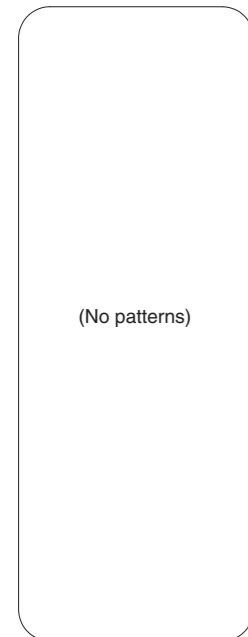
• PLL UNIT (BOTTOM VIEW)



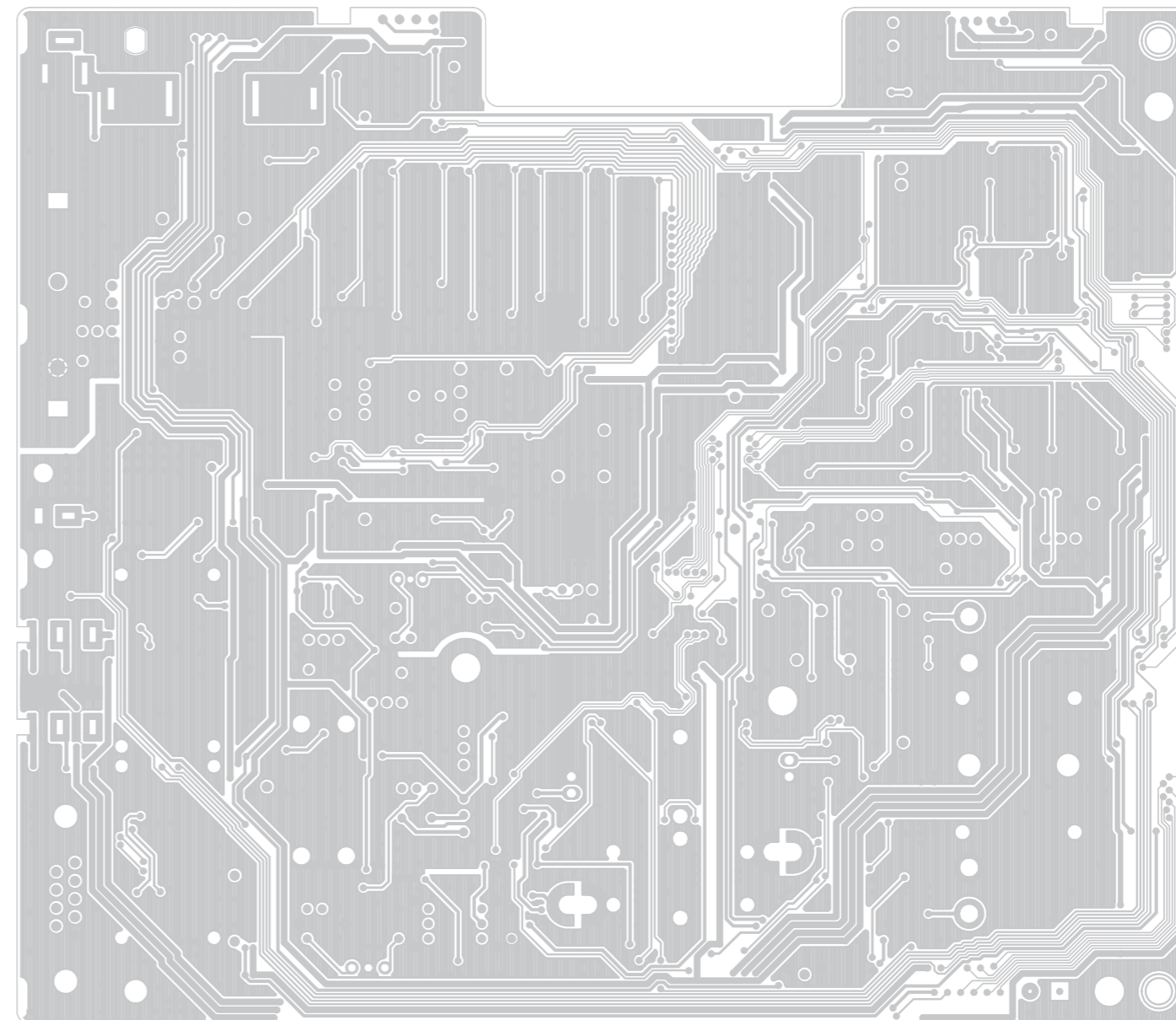
• LOGIC BOARD (BOTTOM VIEW)



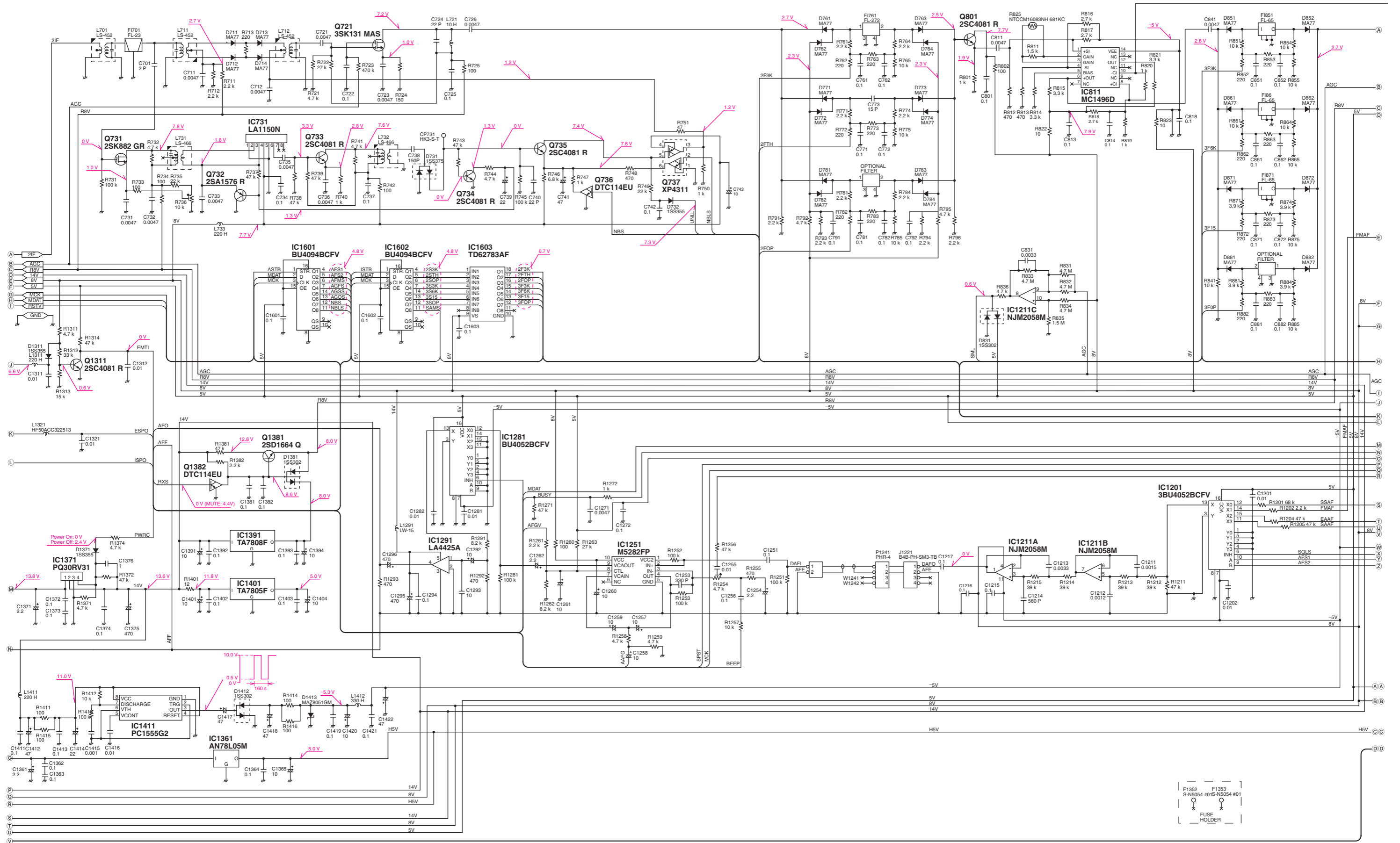
• VR BOARD (BOTTOM VIEW)



• MAIN UNIT (BOTTOM VIEW)

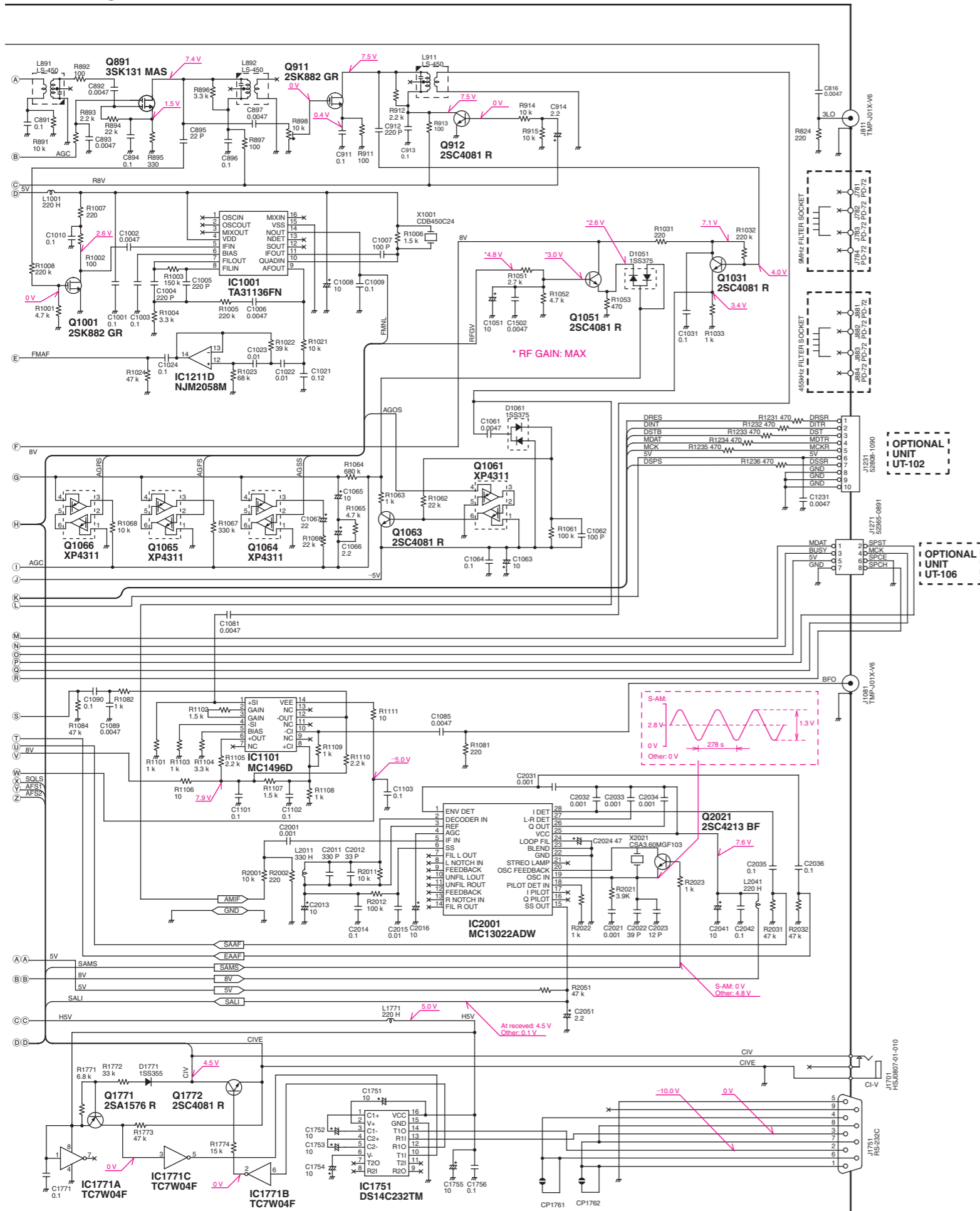


MAIN UNIT

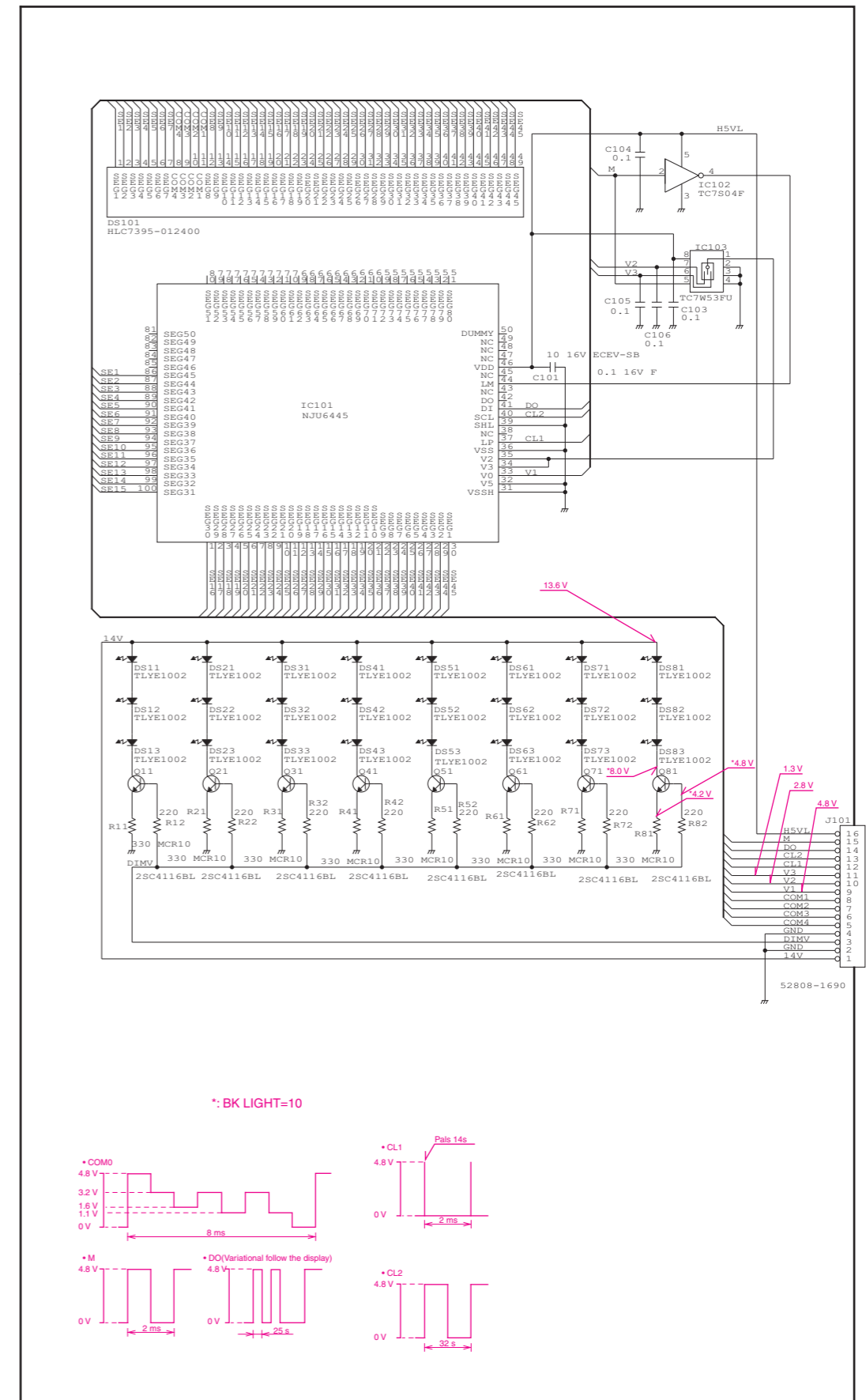


*; Refer to "PARTS LIST"

MAIN UNIT

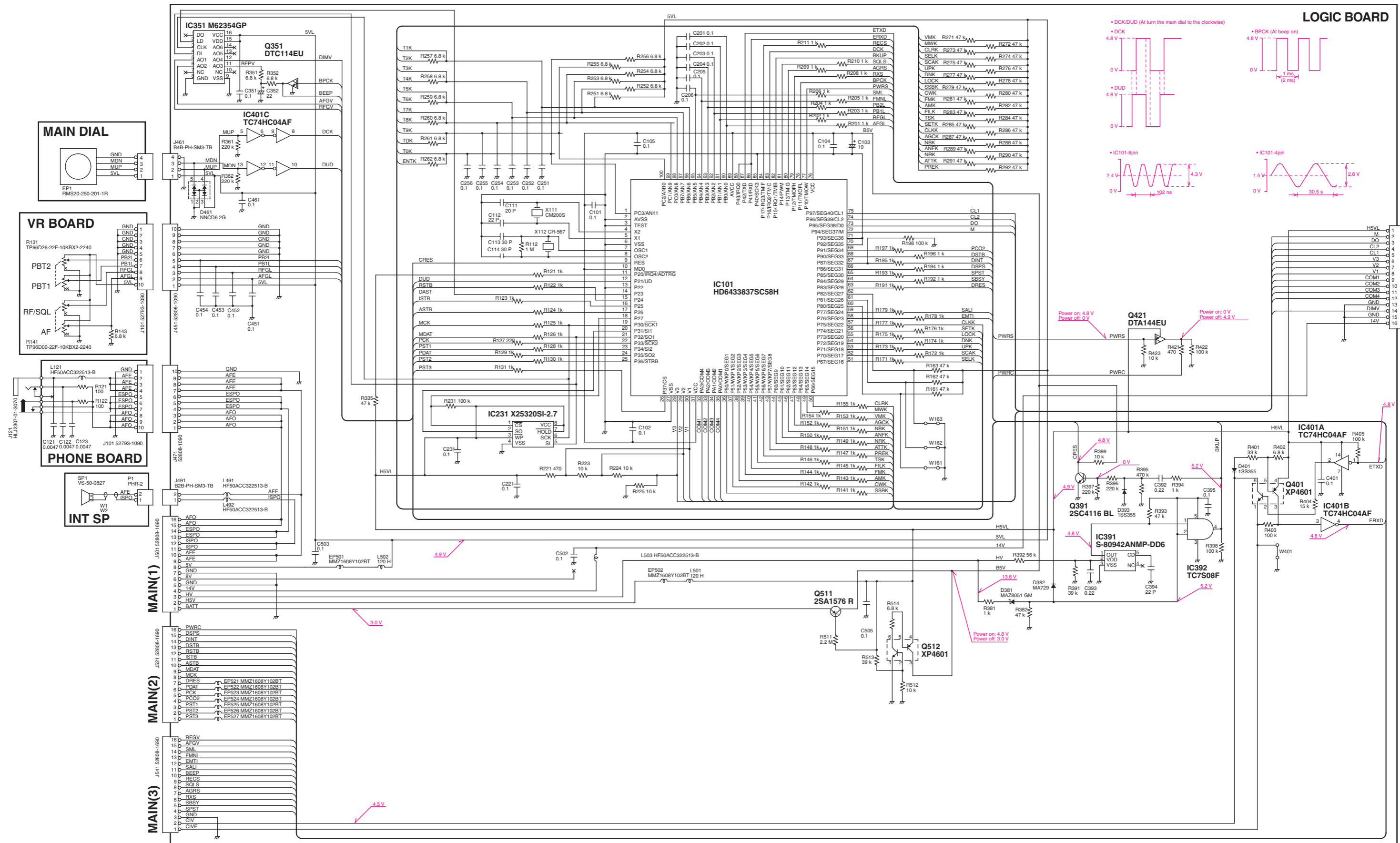


DISPLAY BOARD



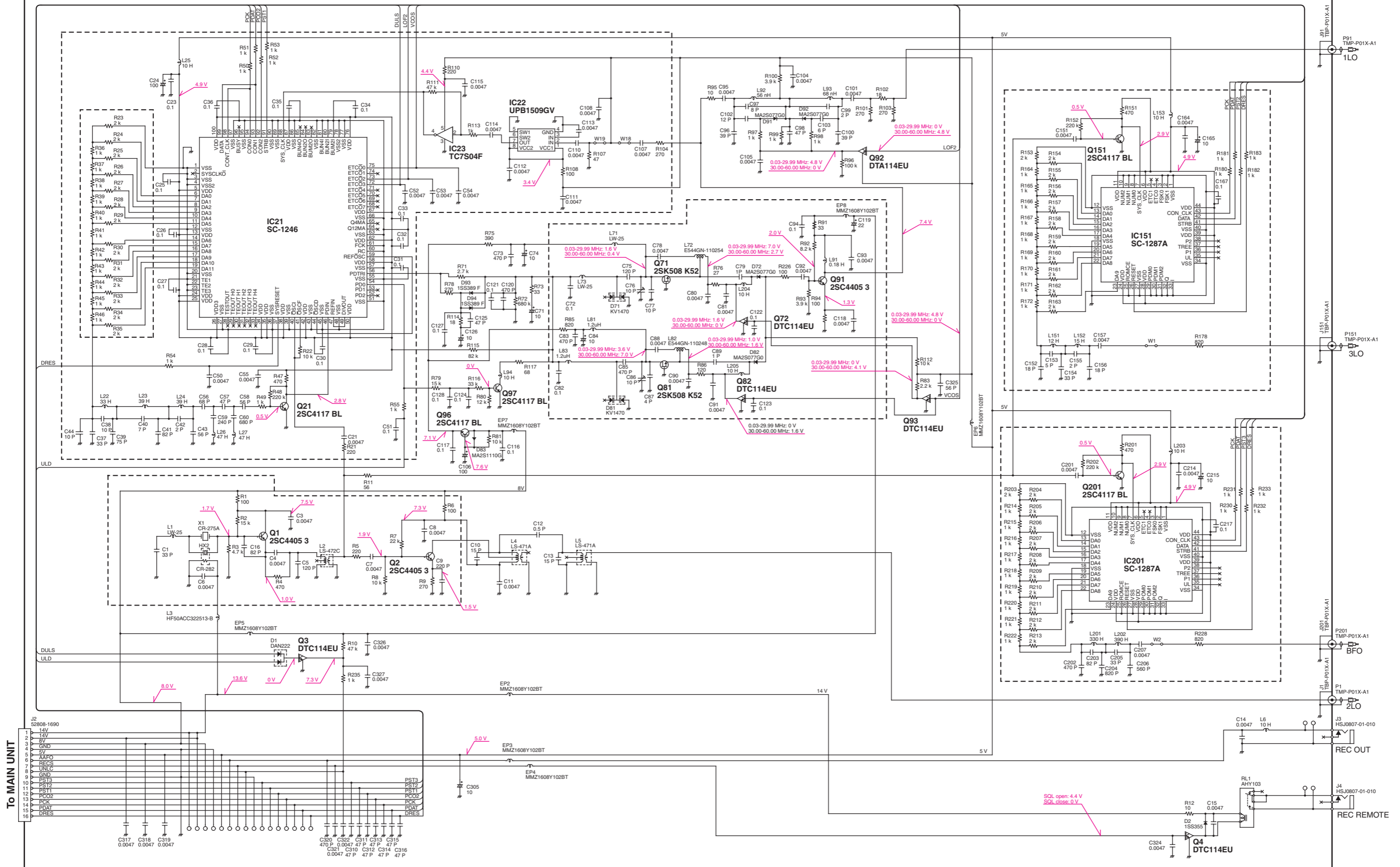
*; Refer to "PARTS LIST."

FRONT UNIT



*; Refer to "PARTS LIST."

PLL UNIT



*; Refer to "PARTS LIST."



SERVICE MANUAL

COMMUNICATIONS RECEIVER

IC-R75

S-14329XZ-C1
Mar. 2007

Icom Inc.

INTRODUCTION

This service manual describes the latest service information for the **IC-R75 COMMUNICATIONS RECEIVER** at the time of publication.

| MODEL | VERSION | SYMBOL | FREQUENCY RANGE |
|--------|-----------------|--------|----------------------------|
| IC-R75 | U.S.A. | USA | 0.03–60.0 MHz |
| | | USA-1 | |
| | Europe | EUR | |
| | U.K. | UK | |
| | Australia | AUS | |
| | Denmark | DEN | 0.03–29.9 MHz 50–52 MHz |
| | South East Asia | SEA | 0.03–29.9 MHz |
| | China | CHN | 0.03–60.0 MHz |
| Others | OTH | | |
| | | OTH-1 | |

To upgrade quality, any electrical or mechanical parts and internal circuits are subject to change without notice or obligation.

CAUTION

NEVER connect the receiver to an AC outlet or to a DC power supply that uses more than specified. This will ruin the receiver.

DO NOT apply an RF signal of more than 20 dBm (100 mW) to the antenna connector. This could damage the receiver's front end.



ORDERING PARTS

Be sure to include the following four points when ordering replacement parts:

1. 10-digit order numbers
2. Component part number and name
3. Equipment model name and unit name
4. Quantity required

<SAMPLE ORDER>

| | | | | | |
|------------|-------|------------|--------|-----------|-----------|
| 1110003491 | S.IC | TA31136FNG | IC-R75 | MAIN UNIT | 5 pieces |
| 8820001210 | Screw | 2438 screw | IC-R75 | Top cover | 10 pieces |

Addresses are provided on the inside back cover for your convenience.

REPAIR NOTES

1. Make sure a problem is internal before disassembling the receiver.
2. **DO NOT** open the receiver until the receiver is disconnected from its power source.
3. **DO NOT** force any of the variable components. Turn them slowly and smoothly.
4. **DO NOT** short any circuits or electronic parts. An insulated tuning tool **MUST** be used for all adjustments.
5. **DO NOT** keep power ON for a long time when the receiver is defective.
6. **READ** the instructions of test equipment thoroughly before connecting equipment to the receiver.

CONTENTS

SECTION 1 SPECIFICATIONS

SECTION 2 INSIDE VIEWS

SECTION 3 CIRCUIT DESCRIPTION

| | | |
|-----|-----------------------------|------|
| 3-1 | RECEIVER CIRCUITS | .3-1 |
| 3-2 | PLL CIRCUITS | .3-4 |
| 3-3 | LOGIC CIRCUITS | .3-5 |
| 3-4 | POWER SUPPLY CIRCUITS | .3-6 |
| 3-5 | PORT ALLOCATIONS | .3-7 |

SECTION 4 ADJUSTMENT PROCEDURE

| | | |
|-----|---------------------------|------|
| 4-1 | PREPARATION | .4-1 |
| 4-2 | PLL ADJUSTMENT | .4-2 |
| 4-3 | RECEIVER ADJUSTMENT | .4-4 |
| 4-4 | ADJUSTMENT MODE | .4-7 |

SECTION 5 PARTS LIST

SECTION 6 MECHANICAL PARTS

SECTION 7 SEMICONDUCTOR INFORMATION

SECTION 8 BOARD LAYOUTS

| | | |
|-----|---|------|
| 8-1 | IC-R75 | .8-1 |
| 8-2 | UT-106 (Optional product; an accessory for [USA] and [USA-1]) | .8-2 |

SECTION 9 BLOCK DIAGRAM

SECTION 10 VOLTAGE DIAGRAM

| | | |
|------|---|-------|
| 10-1 | MAIN UNIT | .10-1 |
| 10-2 | DISPLAY BOARD | .10-3 |
| 10-3 | FRONT UNIT | .10-4 |
| 10-4 | PLL UNIT | .10-5 |
| 10-5 | UT-106 (Optional product; an accessory for [USA] and [USA-1]) | .10-5 |

SECTION 1

SPECIFICATIONS

• Frequency range

| Version | Frequency coverage |
|---|---|
| [USA], [EUR], [UK], [AUS], [OTH], [CHN], [USA-1], [OTH-1] | 30 kHz – 60 MHz* |
| [SEA] | 30 kHz – 29.999999 MHz |
| [DEN] | 30 kHz – 29.999999 MHz 50 MHz – 52 MHz |

*Specifications guaranteed for 0.1 – 29.99 MHz and 50 – 54 MHz

• Mode

: SSB (LSB, USB), AM, FM, CW, RTTY, S-AM[†]

• Receive system

: Triple-conversion superheterodyne

• Intermediate frequencies

| | SSB | CW | RTTY | AM, S-AM [†] | FM |
|-----------|---------|---------|---------|-----------------------|---------|
| 1st (MHz) | 69.0115 | 69.0106 | 69.0105 | 69.0100 | 69.0115 |
| 2nd (MHz) | 9.0115 | 9.0106 | 9.0105 | 9.0100 | 9.0115 |
| 3rd (MHz) | 0.4550 | 0.4559 | 0.4560 | 0.4500 | 0.4500 |

(May differ according to selected IF filter.)

• Sensitivity

: 0.1 MHz – 1.799 MHz (Preamplifiers are OFF)

SSB, CW, RTTY Less than 2.0 μ V for 10 dB S/N
AM, S-AM[†] Less than 13.0 μ V for 10 dB S/N

1.8 MHz – 27.99 MHz (The preamplifier 1 is ON)

SSB, CW, RTTY Less than 0.16 μ V for 10 dB S/N (typical)
AM, S-AM[†] Less than 2.0 μ V for 10 dB S/N

28 MHz – 29.99 MHz (The preamplifier 1 is ON)

SSB, CW, RTTY Less than 0.16 μ V for 10 dB S/N (typical)
AM, S-AM[†] Less than 2.0 μ V for 10 dB S/N
FM Less than 0.5 μ V for 12 dB SINAD

50 MHz – 54 MHz (The preamplifier 2 is ON)

SSB, CW, RTTY Less than 0.13 μ V for 10 dB S/N (typical)
AM, S-AM[†] Less than 1.0 μ V for 10 dB S/N
FM Less than 0.25 μ V for 12 dB SINAD

• Selectivity

: SSB, CW, RTTY More than 2.1 kHz/–6 dB
Less than 4.0 kHz/–60 dB

AM, S-AM[†] More than 6.0 kHz/–6 dB
Less than 20.0 kHz/–50 dB

FM More than 12.0 kHz/–6 dB
Less than 30.0 kHz/–40 dB

• Audio output power

: More than 2.0 W at 10% distortion with an 8 Ω load

• Antenna impedance

: 50 Ω or 500 Ω

• Power supply

: 13.8 V DC \pm 15% (Negative ground)

• Current drain (13.8 V DC)

: Less than 1.3 A (Stand-by), Less than 1.5 A (Max. audio)

• Spurious and image rejection

: More than 70 dB (except IF through in 50 MHz band)

• Dimensions

: 241(W) \times 94(H) \times 229(D) mm; 9 $\frac{1}{2}$ (W) \times 3 $\frac{11}{16}$ (H) \times 9 $\frac{1}{32}$ (D) inch (projection not included)

• Weight (approximate)

: 3.0 kg; 6 lb 10 oz (AC adaptor “AD–55/A/V” is not included)

• Antenna connector

: SO-239 (50 Ω), push connection terminal (500 Ω)

• CI-V connector

: 2-conductor 3.5 (d) mm ($\frac{1}{8}$ ")/8 Ω

• PHONES connector

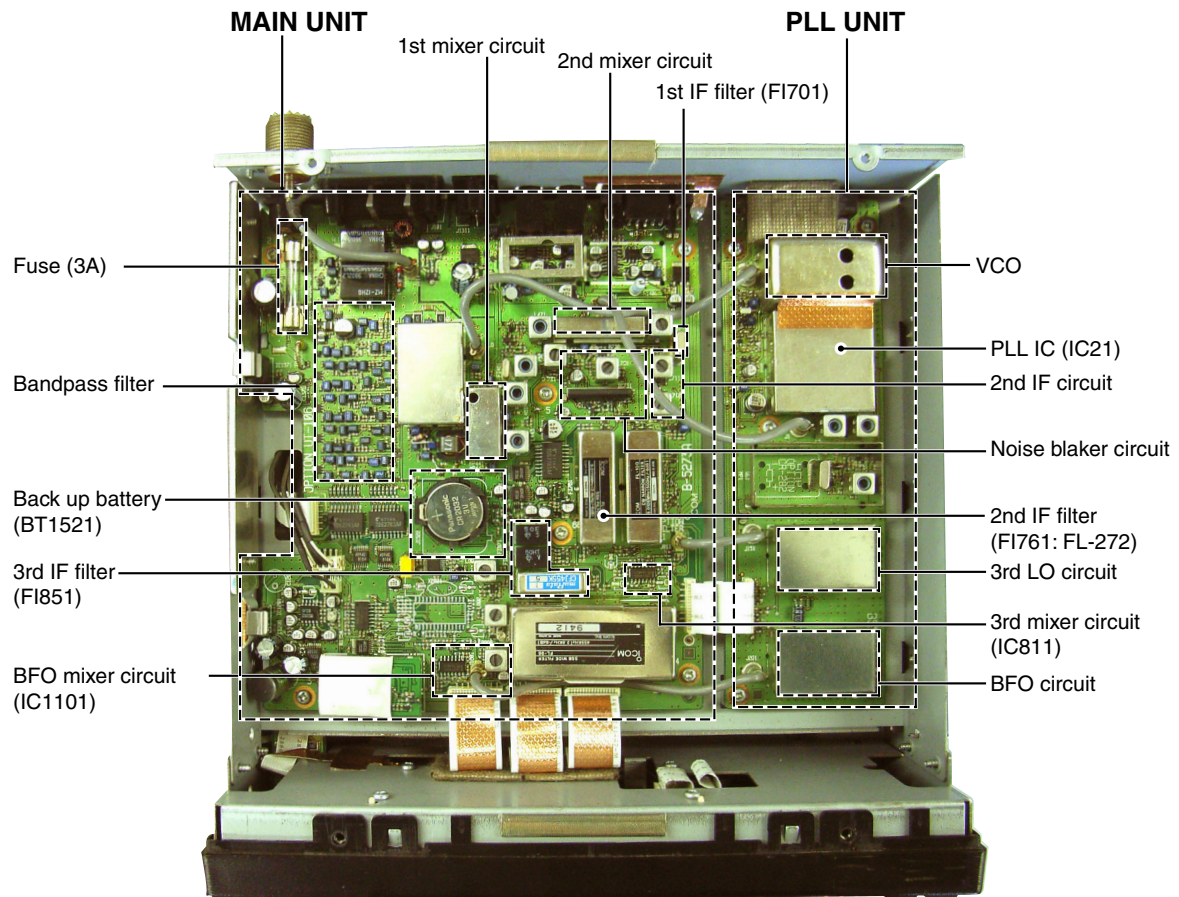
: 3-conductor 6.35 (d) mm ($\frac{1}{4}$ ")

• External speaker connector

: 2-conductor 3.5 (d) mm ($\frac{1}{8}$ ")/8 Ω

All stated specifications are subject to change without notice or obligation.

[†]: Except [USA-1], [OTH-1], [CHN]



3-1 RECEIVER CIRCUITS

3-1-1 RF SWITCHING CIRCUIT (MAIN UNIT)

The IC-R75 has two antenna connectors. RF signals enter either the [50 Ω ANT.] or [500 Ω ANT.] connector.

RF signals from the [50 Ω ANT.] connector are applied to the antenna switching circuit (RL121), and then pass through the low-pass filter (L131, L132, C131–C136).

RF signals from the [500 Ω ANT.] connector are passed through the L101 to exchange the impedance value, and are then applied to the antenna switching circuit (RL121). The signals are applied to the low-pass filter (L131, L132, C131–C136).

Each RF signals from the [50 Ω ANT.] connector or [500 Ω ANT.] connector are chosen by the antenna switching circuit (RL121).

3-1-2 RF FILTER CIRCUIT (MAIN UNIT)

The filtered signals are applied to the RX attenuator switching circuit (RL141). Either the signals bypass or pass through the attenuator circuit. The signals are attenuated at 20 dB when passing through the attenuators. The attenuator system excludes non-linear components between an antenna connector and an attenuator to prevent strong signals from causing distortion. The signals are then applied to the RF filters. The MAIN UNIT has 8 RF bandpass filters for signals above 2.0 MHz and 2 low-pass filters for signals below 2.0 MHz.

(1) Below 1.6 MHz

The signals are applied to the low-pass filter consisting of C170–C175, L171–L173 via the limiter circuit (D141, D142). A diode is removed at the entrance of the low-pass filter. This device prevents the diode from causing distortion when receiving very strong signals. A switching diode (D172) is turned on when the “B0” line is “HIGH”.

(2) Above 1.6 MHz

The signals are applied to the high-pass filter consisting of C161–C163, L161–L164. This filter suppresses strong signals below 1.6 MHz such as broadcasting stations.

The filtered signal between 1.6 MHz and 2.0 MHz are applied to the low-pass filter (C182–C187, L182, L183) via the switching diode (D181). The switching diodes (D181, D182) are turned ON when the “B1” line is “HIGH”.

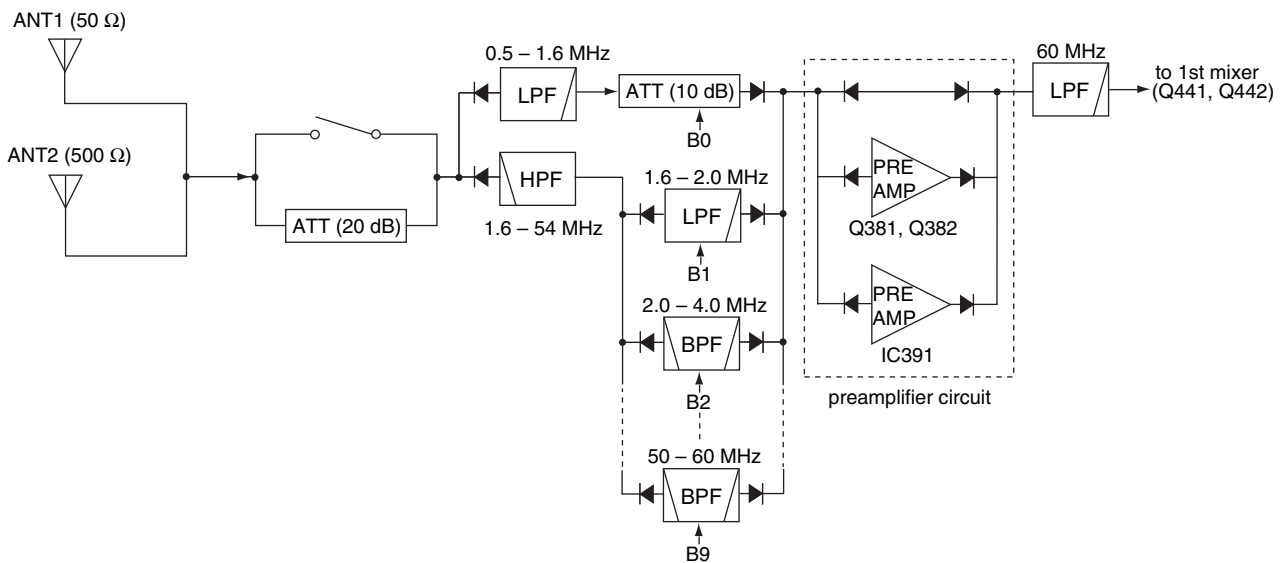
The filtered signals above 2.0 MHz are applied to one of 8 bandpass filters depending on the receive frequencies.

After passing through a bandpass or low-pass filter, the signals are applied to the pre-amplifier circuit (Q381, Q382, IC391).

(3) FILTER SWITCHING CIRCUIT

The RF bandpass filter corresponds to the BPF switching voltage (B0–B9) based on the CPU via the shift register (IC551, IC552) and driver (IC561, IC562). The switching voltage of the BPF exit to improve multi-signal and strong signal characteristics.

• RF bandpass and preamplifier circuit



3-1-3 PRE-AMPLIFIER CIRCUIT (MAIN UNIT)

The pre-amplifier circuit uses low noise junction FETs (Q381, Q382) or wideband amplifier (IC391) to provide gain over a wide frequency range.

When the [P.AMP] switch is turned "PREAMP 1", the signals from the RF filter are amplified by the junction FETs pre-amplifier circuit (Q381, Q382).

When the [P.AMP] switch is turned "PREAMP 2", the signals from the RF filter are amplified by the wideband pre-amplifier circuit (IC391).

When the [P.AMP] switch is turned "PREAMP OFF", the signals from the RF filter bypass the pre-amplifiers through D371 and D372.

The amplified or bypassed signals are applied to the 1st mixer circuit (Q441, Q442) via the low-pass filter (L431, L432 and C431-CC436). The low-pass filter attenuates at 50 MHz to suppress image frequency.

3-1-4 1ST MIXER AND IF CIRCUITS (MAIN UNIT)

The filtered signals are mixed with a 69.0415–129.0115 MHz 1st LO signal to produce a 69.01 MHz 1st IF signal at the 1st mixer circuit (Q441, Q442).

1ST IF FREQUENCY

| MODE | FREQUENCY |
|--------------|-------------|
| LSB, USB, FM | 69.0115 MHz |
| CW | 69.0106 MHz |
| RTTY | 69.0105 MHz |
| AM, S-AM | 69.0100 MHz |

The 1st mixer circuit employs a balanced mixer using low-noise junction FETs (Q441, Q442) to expand the dynamic range.

The 69.0415–129.0115 MHz 1st LO signal is applied to an LO amplifier (Q411) from the PLL unit via J411, and then passes through the low-pass filter (L421, L422, C422–C425). The filtered signal is applied to the 1st mixer circuit.

The 1st IF signal is applied to the crystal bandpass filter (FI-461) to suppress out-of-band signals. The filtered signal is amplified at a 1st IF amplifier (Q471), and then applied to a 2nd mixer circuit (D491)

3-1-5 2ND MIXER AND IF CIRCUITS (MAIN UNIT)

The 1st IF signal is mixed with a 60.0 MHz 2nd LO signal to produce 9 MHz 2nd IF signal at the 2nd mixer (D491, C492, L491, L492). The 60.0 MHz 2nd LO signal is applied to the 2nd mixer from the PLL unit via J491.

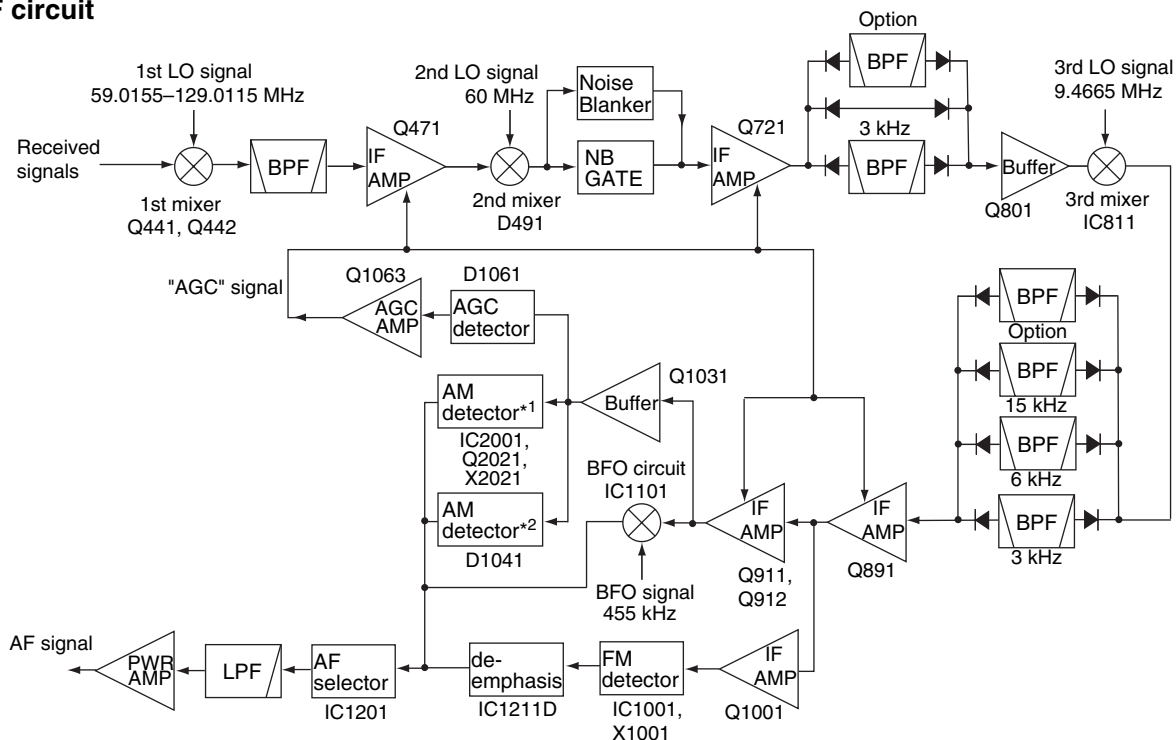
2ND IF FREQUENCY

| MODE | FREQUENCY |
|--------------|------------|
| LSB, USB, FM | 9.0115 MHz |
| CW | 9.0106 MHz |
| RTTY | 9.0105 MHz |
| AM, S-AM | 9.0100 MHz |

The 9 MHz 2nd IF signal is applied to the crystal bandpass filter (FI701) to suppress unwanted signals.

The filtered signal enters the noise blanker gate (D711–D714). The signal is applied to L712 to obtain clear reception and is then amplified at the 2nd IF amplifier (Q721). The signal passes through a loose resonator circuit (C726, L721) and then is applied to one of the two crystal bandpass filters.

• IF circuit



*1: [USA], [EUR], [UK], [AUS], [DEN], [SEA], [OTH]

*2: [USA-1], [OTH-1], [CHN]

When the [FIL] switch is turned “2F3K”, the filter is selected FI761 which covering the 2.4 kHz bandwidth.

When the [FIL] switch is turned “2FOP”, the filter is selected an optional filter.

When the [FIL] switch is turned “2FTH”, the signal from the 2nd IF amplifier bypass the crystal bandpass filters through D771 and D773.

The filtered or bypassed signal is amplified at the buffer amplifier (Q801) and applied to the 3rd mixer circuit (IC811).

3-1-6 NOISE BLANKER CIRCUITS (MAIN UNIT)

The IC-R75 uses a trigger noise blanker circuit which removes pulse-type noise signals at the noise blanker gate (D711–D714).

The 2nd IF signal passes through the crystal bandpass filter (FI701) to suppress unwanted signals. A portion of the output signal is applied to a noise amplifier circuit (IC731, Q731, Q733) and detected at a noise detector circuit (D731). The detected voltage is applied to a noise blanker gate control circuit (Q735–Q737, D732).

The threshold level of the noise blanker gate control circuit (Q735–Q737, D732) is set at 1.0 V on SSB mode (In case of AM mode, is set at 1.6 V). When the detected voltage exceeds the threshold level, Q737 outputs a blanking signal to activate the noise blanker gate (D711–D714).

A portion of the detected voltage is applied to the noise blanker AGC circuit (Q732, Q734). The noise components are fed back to the noise amplifier (IC731). The time constant of the noise blanker AGC circuit is determined by R737, R744 and C739. This AGC circuit does not operate to detect pulse-type noise.

When the operating frequency or mode is changed, the “UNLC” signal is applied to the noise blanker gate control circuit (D732). The noise blanker gate prevents PLL click noise.

3-1-7 3RD MIXER AND IF CIRCUITS (MAIN UNIT)

The 2nd IF signal is mixed with a 9.4665 MHz 3rd LO signal to produce a 450–456 kHz 3rd IF signal at the 3rd mixer (IC811).

3RD IF FREQUENCY

| MODE | FREQUENCY |
|----------|-----------|
| LSB, USB | 455.0 kHz |
| CW | 455.9 kHz |
| RTTY | 456.0 kHz |
| AM, S-AM | 450.0 kHz |

The 9.4665 MHz 3rd LO signal is applied to the 3rd mixer IC (IC811, pin 10) from the PLL unit via J811. The 450–456 kHz 3rd IF signal is applied either to one of the 3 ceramic bandpass filters (FI851, FI861, FI871) or to an optional crystal bandpass filter to suppress unwanted signals.

When the [FIL] switch is turned “3F3K”, the filter is selected FI851 which covering the 2.4 kHz bandwidth.

When the [FIL] switch is turned “3F6K”, the filter is selected FI861 which covering the 6 kHz bandwidth.

When the [FIL] switch is turned “3F15”, the filter is selected FI871 which covering the 15 kHz bandwidth.

When the [FIL] switch is turned “3FOP”, the filter is selected an optional crystal bandpass filter.

When the mode is selected SSB mode, the filtered 3rd IF signal is amplified at the 3rd IF amplifier (Q891), and is then applied to the 3rd IF amplifier (Q911) via the receiver total gain control circuit (R898). The amplified signal is applied to the SSB demodulator circuit.

When the mode is selected FM mode, the filtered 3rd IF signal is amplified at the 3rd IF amplifier (Q891), and is then applied to the FM demodulator circuit.

When the mode is selected AM mode, the filtered 3rd IF signal is amplified at the 3rd IF amplifier (Q891), and is then applied to the 3rd IF amplifier (Q911) via the receiver total gain control circuit (R898). The amplified signal is applied to the AM demodulator circuit.

1st, 2nd and 3rd IF amplifiers (Q471, Q721, Q891) are controlled by AGC bias voltage.

3-1-8 BFO CIRCUIT (PLL UNIT)

The BFO (Beat Frequency Oscillator) circuit consists of Q1, X1, Q201 and IC 201 on PLL unit. The oscillator provides a beat frequency signal to the SSB demodulator circuit (MAIN UNIT; IC1101) for demodulating the 3rd IF signal into an AF signal.

The 30 MHz signal is oscillated at Q1 and X1 for the system clock signal of the DDS IC (IC201). The oscillated signal is amplified at Q201 and is applied to the DDC IC (IC201, pin 7) to produce the 455 kHz BFO signal.

The 455 kHz signal passes through the low-pass filter (L201, L202, C202–C207) via the D/A converter, and is then mixed with the 3rd IF signal at the SSB demodulator circuit (MAIN unit; IC1101).

3-1-9 DEMODULATOR CIRCUIT (MAIN UNIT)

The demodulator circuit consists of 3 detector circuits.

(1) SSB DEMODULATOR CIRCUIT

A product detector (IC1101) demodulates SSB, RTTY and CW signals into an AF signal. The 3rd IF signal from the IF amplifier (Q911) is mixed with the BFO signal at the product detector (IC1101) to be demodulated into an AF signal. The AF signal passes through the AF input mode selector switch (IC1201).

(2) FM DEMODULATOR CIRCUIT

A FM detector (IC1001, X1001) demodulates the FM signal into an AF signal. The 3rd IF signal from the IF amplifier (Q891) is amplified at the 3rd IF amplifier (Q1001), and is then applied to the FM detector (IC1001, X1001) to demodulate the 3rd IF signal. The demodulated signal is applied to the de-emphasis circuit (IC1211D) to produce the FM AF signal. The AF signal passes through the AF input mode selector switch (IC1201).

The FM detector outputs “FMNL” signal from IC1001, pin 14 is applied to the CPU (LOGIC unit; IC101, pin 94) to control the noise squelch level.

(3) AM DEMODULATOR CIRCUIT

The AM detector (IC2001*1 or D1041*2) demodulates the AM signal into the AF signal. The 3rd IF signal from the IF amplifier (Q911) is amplified at the buffer amplifier (Q1031), and is then applied to the AM demodulator circuit (IC2001*1 or D1041*2) to demodulate the 3rd IF signal into the AF signal. The AM-demodulated AF signal is passed through the AF selector (IC1201).

3-1-10 AF INPUT MODE SELECTOR SWITCH (MAIN AND LOGIC UNITS)

The AF input mode selector switch (MAIN unit; IC1201) consists of 4 analog switches. The switches are selected mode signals of “AFS1” and “AFS2” from the CPU (LOGIC unit; IC101) via the shift register (MAIN unit; IC1601), and are selected by the squelch control signal from the CPU (LOGIC unit; IC101). The AF signal is output from IC1201 (MAIN unit; pin 13).

3-1-11 AF AMPLIFIER CIRCUIT (MAIN AND FRONT UNITS)

The AF signal output is passed through the low-pass filter (IC1211) to suppress unwanted signals. The filtered signal is mixed with “BEEP” signal at the AF level variable circuit (MAIN unit; IC1251), and is then applied to the AF amplifier circuit and the AF level variable circuit (IC1251).

The AF level variable circuit controls the AF level by the “AF GAIN” (R141) on the VR BOARD. The AF signal is applied to the AF mute circuit to suppress the noise when “AF GAIN” (R141) level is minimum, and is then power-amplified at IC1291 on the MAIN unit to drive the speaker.

The one of the AF amplified signal is output “AAFO” signal to record the AF signal to the AF recording jack (PLL unit; J3).

3-1-12 AGC AND S-METER CIRCUITS (MAIN UNIT)

The AGC (Automatic Gain Control) circuit reduces signal fading and keep the audio output level constant. The receiver gain is determined by voltage on the AGC line (Q1063, collector). When strong signals are received, the AGC circuit decreases the voltage on this line.

The 3rd IF signal is amplified at the IF amplifier (Q911). A portion of the 3rd IF signal is applied to the buffer amplifier (Q1031) to convert the impedance. The amplified IF signal is detected at the AGC detector (D1061) via the C1061, and enters the base of the AGC amplifier (Q1063) to control the voltage on the AGC line.

The AGC mode is selected by the receiver mode or AGC switch on the front panel using the delay control circuit (Q1064–Q1066). The MDAT signal from the CPU (LOGIC board; IC101, pin 21) is applied to the shift resistor (IC1601 pin 2) to produce the AGSS and the AGFS signals. The AGSS signal is applied to the Q1064, the AGFS signal is applied to the Q1065, the AGRS signal from the CPU (LOGIC unit; IC101, pin 80) is applied to the Q1066 to control the delay control circuit.

The AGRS signal resets the AGC circuit when IC-R75 is working the memory scanning.

When the AGC switch is selected “OFF”, the Q1061 do not supply the voltage to the AGC amplifier (Q1063) via the “AGOS” line, determining the time constant to deactivate the AGC circuit.

A portion of the AGC bias voltage is amplified at the S-Meter amplifier circuit (IC1211C, D831), and then applied to the CPU (LOGIC unit; IC101, pin 95) via the “SML” line. Thus the CPU controls S-Meter display.

3-1-13 SQUELCH CIRCUIT (MAIN AND LOGIC UNIT)

The “SML” signal is applied to the CPU (LOGIC unit; IC101 pin 91) from the meter amplifier circuit (IC1211C, D831). The CPU compares “SML” signal with the level of SQL volume or the VR BOARD to control the “SQL” signal.

The CPU is output the “SQLS” signal from pin 81, and then applied to the AF selector circuit (MAIN unit; IC1201, pin 6 which has also the squelch gate circuit).

3-2 PLL CIRCUITS

3-2-1 GENERAL DESCRIPTION

The PLL unit generates a 1st LO signal (69.0415–129.0115 MHz variable), 2nd LO signal (60 MHz), 3rd LO signal (9.4665 MHz) and BFO signal (455 kHz) used in the MAIN unit.

The IC-R75 uses a DDS (Direct Digital synthesizer) system. The DDS system provides rapid lockup time and high quality frequency oscillation.

3-2-2 REFERENCE OSCILLATOR CIRCUIT (PLL CIRCUIT)

The 30 MHz reference oscillator circuit consists of X1 and Q1. The 30 MHz reference frequency is oscillated to produce all of the LO signals.

3-2-3 1ST LO CIRCUIT (PLL AND MAIN UNIT)

The 30 MHz reference frequency is applied to the DDS-IC (PLL unit; IC21, pin 40) to oscillate the 1st LO signal. The reference frequency is compared to the DDS output signal (PLL unit; IC21, pin 46) to oscillate the PLL lock voltage. The PLL lock voltage controls the oscillate frequency of the VCO1 and VCO2 circuit.

*1: [USA], [EUR], [UK], [AUS], [DEN], [SEA], [OTH]

*2: [USA-1], [OTH-1], [CHN]

The oscillated signal at the VCO1 and VCO2 circuit is amplified at the LO-amplifier (PLL unit; Q91), and passes through the low-pass filter (PLL unit; Q92, D91, D92, L91, L93, C96–C100, C102, C103) to suppress high harmonic components. The low-pass filter controls the cut-off frequency of less than 29.999 MHz and more than 30.000 MHz by switching C102 and C103 "ON" and "OFF" respectively.

The filtered signal is applied to the LO-amplifier (MAIN unit; Q411), and is then applied to the 1st mixer circuit (MAIN unit; Q441, Q442) via the low-pass filter (MAIN unit; L421, L422, C422–C425).

The reference frequency from the LO-amplifier (PLL unit; Q91) is also divided by 4 at IC22, and is applied to the DDS-IC (PLL unit; IC21, pin 88) for the clock signal.

3-2-4 2ND LO CIRCUIT (PLL AND MAIN UNIT)

The 30 MHz reference frequency from the Q1 and X1 on the PLL unit is multiplied by 2 at Q2 on the PLL unit. The 60 MHz 2nd LO signal is obtained at the L4 and L5 on the MAIN unit, and is then applied to the 2nd mixer circuit (MAIN unit; D491) via the 3dB attenuator (MAIN UNIT; R491–R493).

3-2-5 3RD LO CIRCUIT (PLL AND MAIN UNIT)

The 30 MHz reference frequency is oscillated at the Q1 and X1 on the PLL unit, and is then amplified at the Q151 on the PLL unit. The amplified signal is applied to the 10 bits DDS-IC (PLL unit; IC151, pin 7) for the clock signal to produce the 9.4665 MHz 3rd LO signal. The 3rd LO signal is applied to the D/A converter circuit, and passes through the low-pass filter (PLL unit; L151, L152, C152–C157) to suppress spurious components. The filtered 9.4665 MHz 3rd LO signal is applied to the 3rd mixer circuit (MAIN unit; IC811, pin 10)

3-2-6 BFO CIRCUIT (PLL AND MAIN UNIT)

The 30 MHz reference frequency is amplified at the Q201 on the PLL unit, and is applied to the 10 bits DDS-IC (PLL unit; IC201, pin 7) for the clock signal to produce the 455 kHz BFO signal. The BFO signal is applied to the D/A converter circuit, and passes through the low-pass filter (PLL unit; L201, L202, C202–C207) to suppress spurious components. The filtered 455 kHz BFO signal is applied to the BFO mixer circuit (MAIN unit; IC1101, pin 10).

3-2-7 VCO CIRCUIT

The VCO circuit consists of the VCO1 circuit (PLL unit; Q71, Q72, D71) and VCO2 circuit (PLL unit; Q81, Q82, D81). The VCO1 controls less than displayed frequency of 29.999 MHz to use the PLL lock voltage from the DDS-IC. The VCO2 controls more than displayed frequency of 30.000 MHz to use the PLL lock voltage from the DDS-IC.

3-3 LOGIC CIRCUITS

The LOGIC circuit consists of the CPU, the reset circuit, backup battery circuit, and so on.

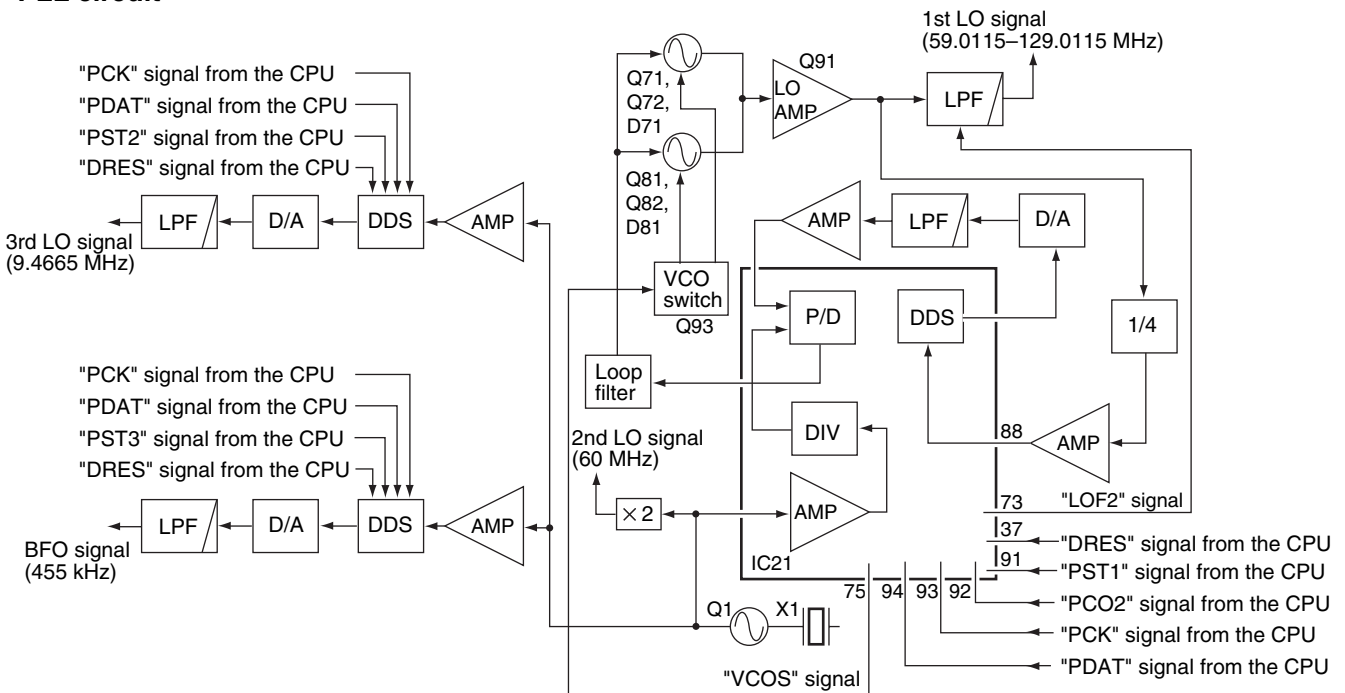
3-3-1 CPU (LOGIC UNIT)

The CPU (IC101) contains 8-bit one chip CPU. The CPU controls the operating frequency, mode, function, display, panel switches, panel volumes.

The panel switches are connected the CPU input port to the function of the panel switch or are connected some functions of panel switches to the A/D converter input port in the CPU.

The CI-V signal which is used for communicate to the personal computer is controlled by the level control circuit (IC401A, IC401B, Q401 and so on).

• PLL circuit



The CPU has the clock function. Thus, the CPU and the clock function have the crystal separately. The CPU has the 9.8304 MHz crystal (X112) for the CPU clock, and then the oscillated 9.8304 MHz signal is applied to the IC101, pin 7 and 8. The clock function has the 32.768 kHz crystal (X111). The oscillated 32.768 kHz signal is applied to the CPU (IC101, pin 4 and 5).

When the power is "OFF", the EEPROM (IC231) is used for keep on saving the data of memory channels, and so on.

3-3-2 RESET CIRCUIT (LOGIC UNIT)

The reset circuit consists of Q391, D381, D382, D393, IC391 and IC392. When IC-R75 is supplied 13.8 V to connect the AC adapter, the "HV" signal is applied to the IC391, pin 2. The signal which is output from the IC391, pin 1 is applied to the IC392, pin 1. The signal is applied to the Q391, and is then output to the CPU (IC101, pin 9) as "CRES" reset signal.

A portion of the output signal from the IC392 is input to the CPU (IC101, pin 82) as "BKUP" signal to backup the clock data.

3-3-3 BACKUP SWITCH CIRCUIT (LOGIC UNIT)

IC-R75 has a backup switch circuit (Q511 and Q512). When IC-R75 is supplied to 13.8 V to connect the AC adapter, the "H5V" signal is applied to Q512, pin 4, and then Q511 is OFF. When the AC adapter is disconnected, the "BATT" signal from the battery (MAIN unit; BT1521) is applied to the Q511, and then Q512 is OFF.

The output signal is applied to the CPU (IC101, pin 31) as "B5V" signal to keep on working the clock function.

The backup battery is not used while the AC adapter is connected.

3-4 POWER SUPPLY CIRCUITS

3-4-1 VOLTAGE LINES (MAIN UNIT)

| Line | Description |
|------------|---|
| HVR | The voltage from the connected DC power supply. |
| | Common 5 V converted from the "HVR" line by the +5 regulator circuit (IC1361). |
| H5V 14V | Common 14 V converted from the "HVR" line by the regulator circuit (IC1371 and D1371). The output voltage is applied to the pre-amplifier (Q381 and Q382) via the PRE1 regulator circuit (Q383) and the IF-amplifier (Q471) via the R14V regulator circuit (Q472). |
| R8V | Receive 8 V converted from the "14V" line by the R8 regulator circuit (Q1381, Q1382 and D1381). The output voltage is applied to the IF-amplifier (Q912, Q471), the switch control circuit (Q151), and the driver circuit (IC561 and IC562, pin 9). |
| 8V | Common 8 V converted from the "14V" line by the +8 regulator circuit (IC1391). The output signal is applied to the low-pass filter (IC1211A, pin 4), buffer amplifiers (Q1051 and Q801), the pre-amplifier (IC391) via the REG2 regulator circuit (Q391) and the AM detector circuit. |
| 5V | Common 5 V converted from the "14V" line by the +5 regulator circuit (IC1401). |
| -5V | Common -5 V converted from the "14V" line by the -5 V DC-DC convertor circuit (IC1411, D1412 and D1413). |

3-5 PORT ALLOCATIONS

3-5-1 CPU (LOGIC UNIT; IC101)

| Pin number | Port name | Description |
|------------|-----------|---|
| 1 | KEY6 | Input port for [0] and [ENT] switch from the 10-key. |
| 9 | CRES | Input port for the reset signal. Low : While the reset switch is pushed. |
| 11 | PWRK | Input for the [POWER] switch. Low : While [POWER] switch is pushed. |
| 12 | DUD | Input port for the UP signal from the [MAIN DIAL]. |
| 14 | DAST | Outputs strobe signals for the D/A converter (LOGIC unit; IC351). |
| 15 | RSTB | Outputs strobe signals for the shift register (MAIN unit; IC551, IC552). |
| 16 | ISTB | Outputs strobe signals for the shift register (MAIN unit; IC1602). |
| 17 | ASTB | Outputs strobe signals for the shift register (MAIN unit; IC1601). |
| 18 | ECS | Outputs ECS signals for the EEPROM (LOGIC unit; IC231). |
| 19 | MCK | Outputs clock signal to the EEPROM and shift registers. |
| 21 | MDAT | Outputs data signals to the EEPROM, shift registers, etc. |
| 22 | PCK | Outputs clock signals to the PLL IC (PLL unit; IC21) and the DDS IC (PLL unit; IC151, IC201). |
| 23 | PST1 | Outputs strobe signals for the PLL IC. |
| 24 | PDAT | Outputs data signals to the PLL IC and the DDS IC. |
| 25 | PST2 | Outputs strobe signals for the DDS IC (IC151). |
| 26 | PST3 | Outputs strobe signals for the DDS IC (IC201). |
| 36 | SSBK | Input port for the [SSB] switch. |
| 37 | CWK | Input port for the [CW] switch. |
| 38 | AMK | Input port for the [AM] switch. |
| 39 | FMK | Input port for the [FM] switch. |
| 40 | FILK | Input port for the [FIL] switch. |
| 41 | TSK | Input port for the [TS] switch. |
| 42 | PREK | Input port for the [P.AMP] switch. |
| 43 | ATTK | Input port for the [ATT] switch. |
| 44 | NRK | Input port for the [NR] switch. |
| 45 | ANFK | Input port for the [ANF] switch. |
| 46 | NBK | Input port for the [NB] switch. |
| 47 | AGCK | Input port for the [AGC] switch. |
| 48 | VMK | Input port for the [V/M] switch. |

| Pin number | Port name | Description |
|------------|-----------|--|
| 49 | MWK | Input port for the [MW] switch. |
| 50 | CLRK | Input port for the [CLR] switch. |
| 51 | SELK | Input port for the [SEL] switch. |
| 52 | SCAK | Input port for the [SCAN] switch. |
| 53 | UPK | Input port for the [UP] switch. |
| 54 | DNK | Input port for the [DN] switch. |
| 55 | LOCK | Input port for the [LOCK] switch. |
| 56 | SETK | Input port for the [SET] switch. |
| 57 | CLKK | Input port for the [CLOCK] switch. |
| 63 | DRES | Outputs reset signal to the PLL IC and DDS IC. Low: PLL IC and DDS IC is reset. |
| 77 | PWRS | Outputs control signal for the regulator circuit (MAIN unit; IC1371 and D1371). |
| 78 | BEEP | Outputs beep audio signals. |
| 79 | RXS | Outputs control signal for the R8 regulator circuit (MAIN unit; Q1381, Q1382, D1381). |
| 80 | AGRS | <ul style="list-style-type: none"> • Outputs AGC reset signal to the AGC delay control circuit (MAIN unit; Q1066). • Outputs control signal for the AGC delay control circuit (MAIN unit; Q1061, Q1064–Q1066). |
| 81 | SQLS | Outputs squelch control signal to the AF selector circuit (MAIN unit; IC1201). |
| 82 | BKUP | Input port for the BKUP signal from the reset circuit (LOGIC unit; IC391). |
| 83 | DCK | Input port for the UP signal from the [MAIN DIAL]. |
| 84 | RECS | Outputs control signal for the remote recording driver. |
| 90 | AFGL | Input port for the AF gain signal from the [AF] volume on the front panel. |
| 91 | RFGL | Input port for the SQL/RF gain signal from the [SQL/RF] volume on the front panel. |
| 92 | PB1L | Input port for the PBT1 signal from the [TWIN PBT] volume on the front panel. |
| 93 | PB2L | Input port for the PBT2 signal from the [TWIN PBT] volume on the front panel. |
| 94 | FMNL | Input port for the FM noise squelch signal from the FM detector circuit (MAIN unit; IC1001 and X1001). |

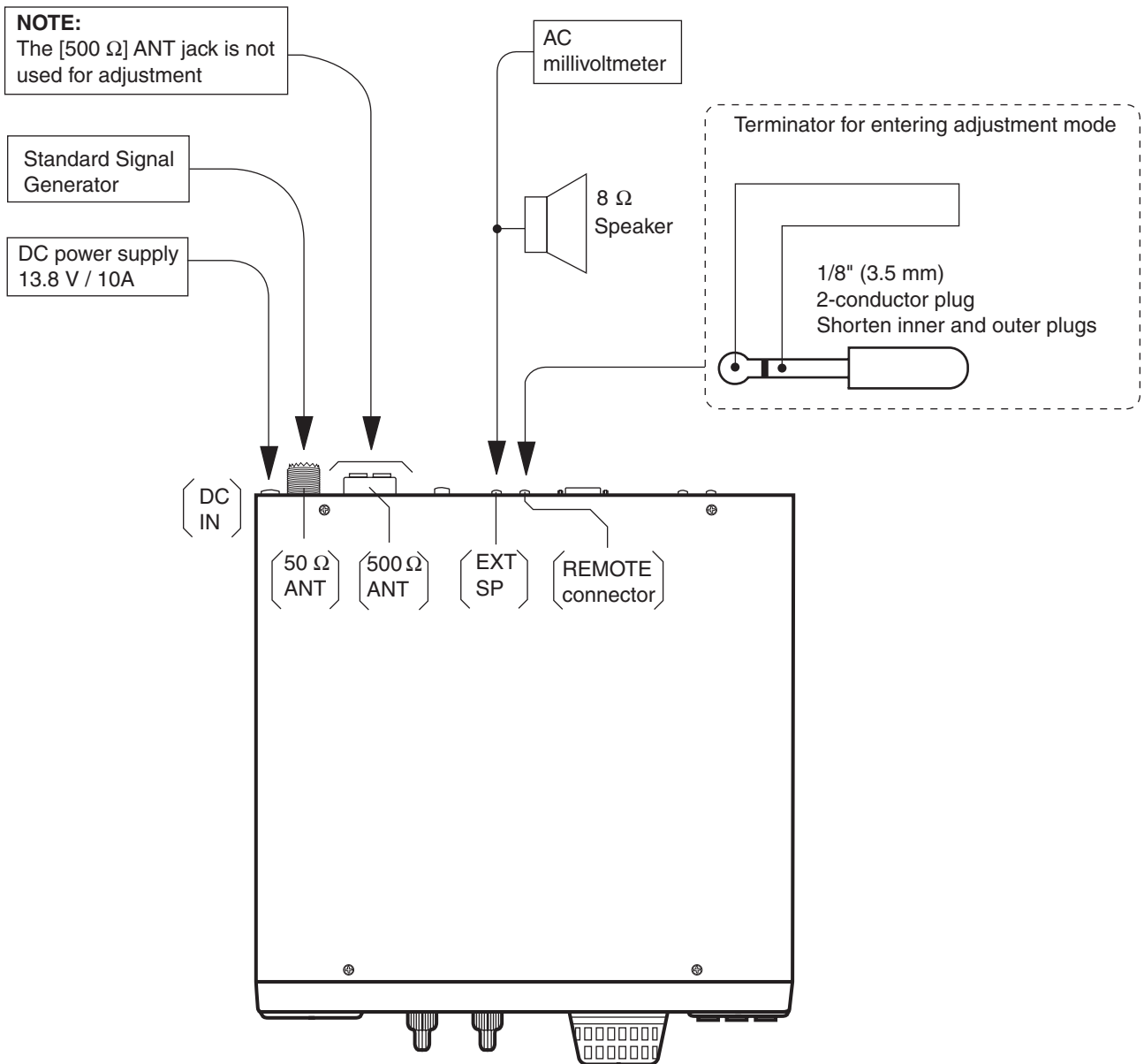
SECTION 4 ADJUSTMENT PROCEDURE

4-1 PREPARATION

REQUIRED TEST EQUIPMENT

| EQUIPMENT | GRADE AND RANGE | EQUIPMENT | GRADE AND RANGE |
|-------------------|--|---------------------------------|--|
| DC power supply | Output voltage : 13.8 V DC Current capacity : 2 A or more | Oscilloscope | Frequency range : DC–20 MHz Measuring range : 0.01–20 V |
| Frequency counter | Frequency range : 0.1–60 MHz Frequency accuracy : ± 1 ppm or better Sensitivity : 100 mV or better | AC millivoltmeter | Measuring range : 10 mV to 10 V |
| Audio generator | Frequency range : 0.1–60 Hz Measuring range : 0.01–10 mV | External speaker | Input impedance : 8 Ω Capacity : 4 W or more |
| DC Voltmeter | Input impedance : 50 k Ω /V DC or better | Standard signal generator (SSG) | Frequency range : 0.1–300 MHz Output level : 0.1 μ V–32 mV (–127 to –17 dBm) |

CONNECTION

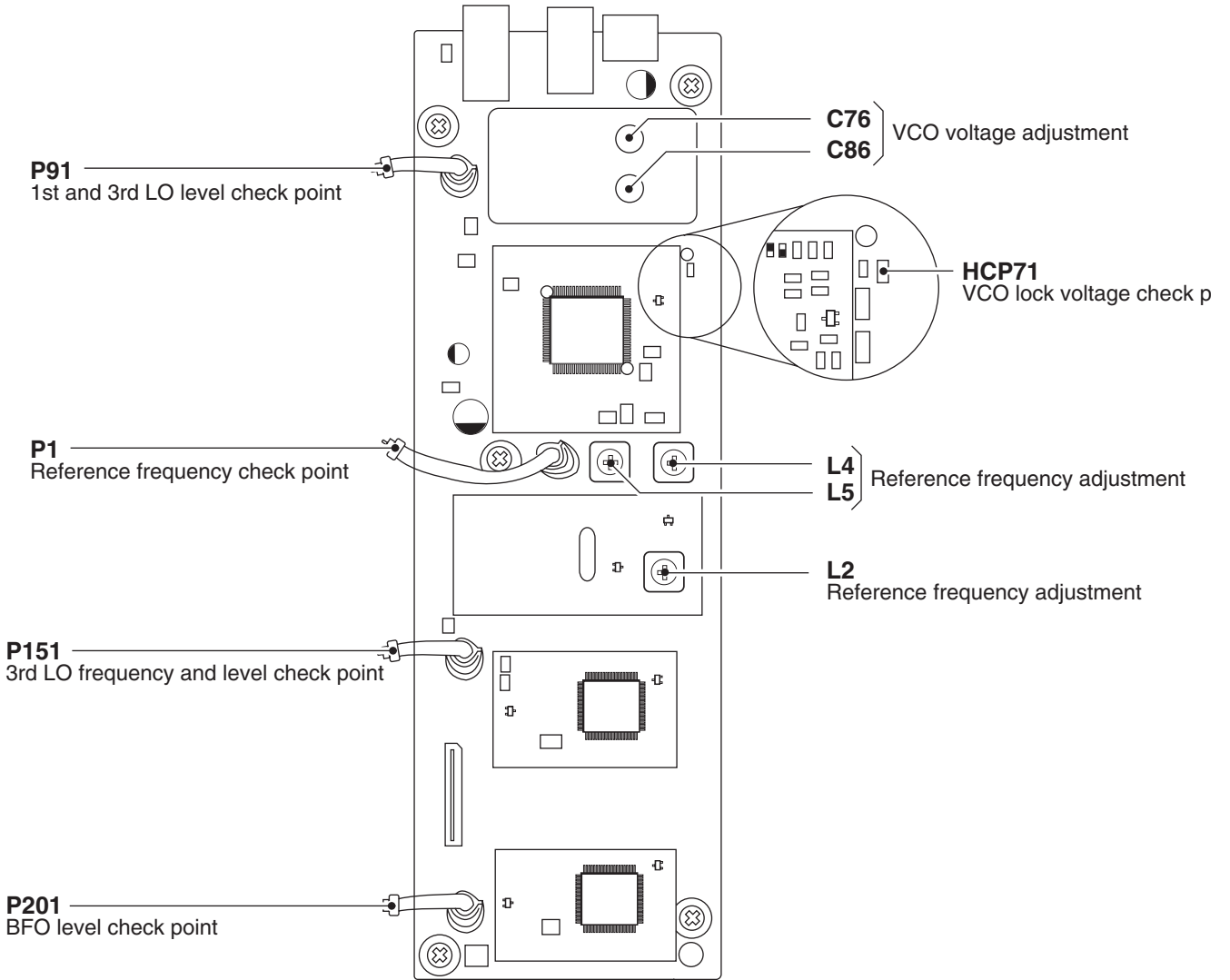


4-2 PLL ADJUSTMENT

| ADJUSTMENT | | ADJUSTMENT CONDITION | MEASUREMENT | | VALUE | ADJUSTMENT POINT | |
|---------------------|---|---|-------------|--|---|------------------|--------|
| | | | UNIT | LOCATION | | UNIT | ADJUST |
| REFERENCE FREQUENCY | 1 | <ul style="list-style-type: none"> Displayed frequency : 29.99999 MHz Mode : USB | PLL | Connect the frequency counter to P1. | 60.00000 MHz | PLL | L2 |
| | 2 | | | Connect the RF voltmeter to P1. | Maximum voltage | | L4, L5 |
| VCO LOCK VOLTAGE | 1 | <ul style="list-style-type: none"> Displayed frequency : 29.99999 MHz Mode : USB | PLL | Connect the DC voltmeter to HCP71. | 4.0 V | PLL | C86 |
| | 2 | <ul style="list-style-type: none"> Displayed frequency : 0.03000 MHz Mode : USB | | | More than 0.8 V | | Verify |
| | 3 | <ul style="list-style-type: none"> Displayed frequency : 60.00000 MHz (except [DEN], [SEA]) : 52.00000 MHz [DEN], [SEA] Mode : USB | | | 4.0 V (except [DEN], [SEA]) 3.0 V [DEN], [SEA] | PLL | C76 |
| | 4 | <ul style="list-style-type: none"> Displayed frequency : 30.00000 MHz (except [DEN], [SEA]) : 50.00000 MHz [DEN], [SEA] Mode : USB | | | More than 0.8 V (except [DEN], [SEA]) More than 2.5 V [DEN], [SEA] | | Verify |
| 1ST LO LEVEL | 1 | <ul style="list-style-type: none"> Displayed frequency : 0.03–60.000 MHz Mode : USB | PLL | Connect the RF voltmeter to P91. | More than 0.18 V | PLL | Verify |
| 3RD LO LEVEL | 1 | <ul style="list-style-type: none"> Displayed frequency : 0.03–60.000 MHz Mode : USB | PLL | Connect the RF voltmeter to P151. | More than 0.022 V | PLL | Verify |
| 3RD LO FREQUENCY | 1 | <ul style="list-style-type: none"> Displayed frequency : 9.4615 MHz Mode : FM | PLL | Connect the frequency counter to P151. | 9.4614–9.4616 MHz | PLL | Verify |
| BFO LEVEL | 1 | <ul style="list-style-type: none"> Displayed frequency : 14.100000 MHz Mode : USB | PLL | Connect the RF voltmeter to P201. | More than 0.022 V | PLL | Verify |
| | 2 | <ul style="list-style-type: none"> Displayed frequency : 14.100000 MHz Mode : AM | | | Less than 280 μ V | | |

*This output level of the standard signal generator (SSG) is indicated as SSG's open circuit.

• PLL UNIT

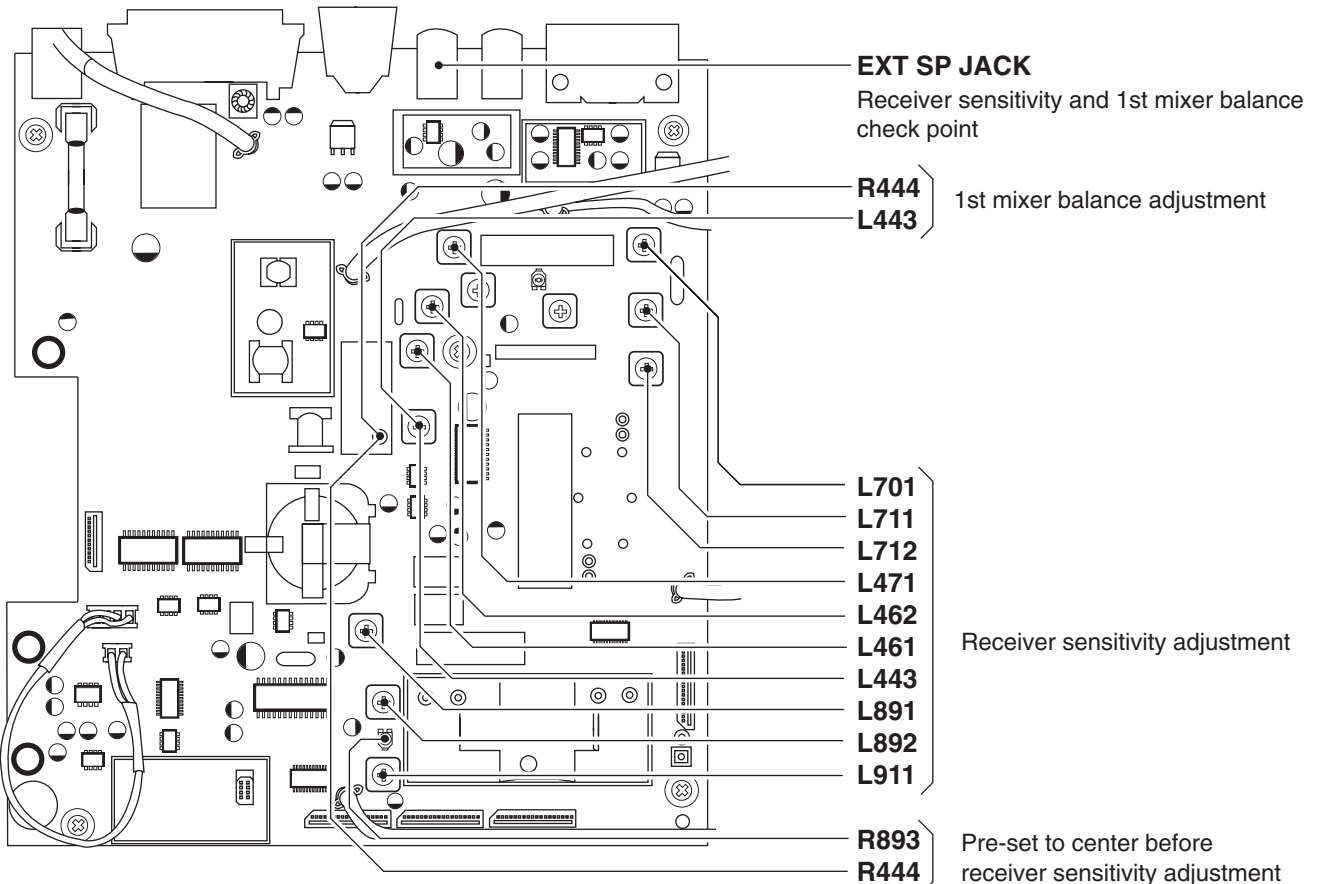


4-3 RECEIVER ADJUSTMENTS

| ADJUSTMENT | ADJUSTMENT CONDITION | MEASUREMENT | | VALUE | ADJUSTMENT POINT | | |
|----------------------|----------------------|--|------------|--|----------------------|--------|---|
| | | UNIT | LOCATION | | UNIT | ADJUST | |
| RECEIVER SENSITIVITY | 1 | <ul style="list-style-type: none"> • Displayed frequency : 14.10000 MHz • Mode : USB • PREAMP1 : ON • ANT select : ANT1 • AGC : FAST • NOISE BLANKER: OFF • RF/SQL : CENTER • PBT1/PBT2 : CENTER • IF FILTER1 : 2.4 kHz • IF FILTER2 : 2.4 kHz | Rear Panel | Connect the AC milli-volt meter to the [EXT SP] jack with an 8 Ω load. | Pre-set to center | MAIN | R444 R898 |
| | 2 | <ul style="list-style-type: none"> • Connect an SSG to the antenna connector1 and set as: Frequency : 14.10150 MHz Level : 22 μV* (-13 dBμ) Modulation : OFF | | | Maximum output level | MAIN | L443, L461, L462, L471, L701, L711, L712, L891, L892, L911 |
| 1ST MIXER BALANCE | 1 | <ul style="list-style-type: none"> • Displayed frequency : 0.10000 MHz • PREAMP1 : OFF • set an SSG level as : OFF • Mode : USB | Rear panel | Connect an oscilloscope to the [EXT SP] jack with 8 Ω load. | Minimum noise level | MAIN | L443, R444 |

*This output level of the standard signal generator (SSG) is indicated as SSG's open circuit.

• MAIN UNIT

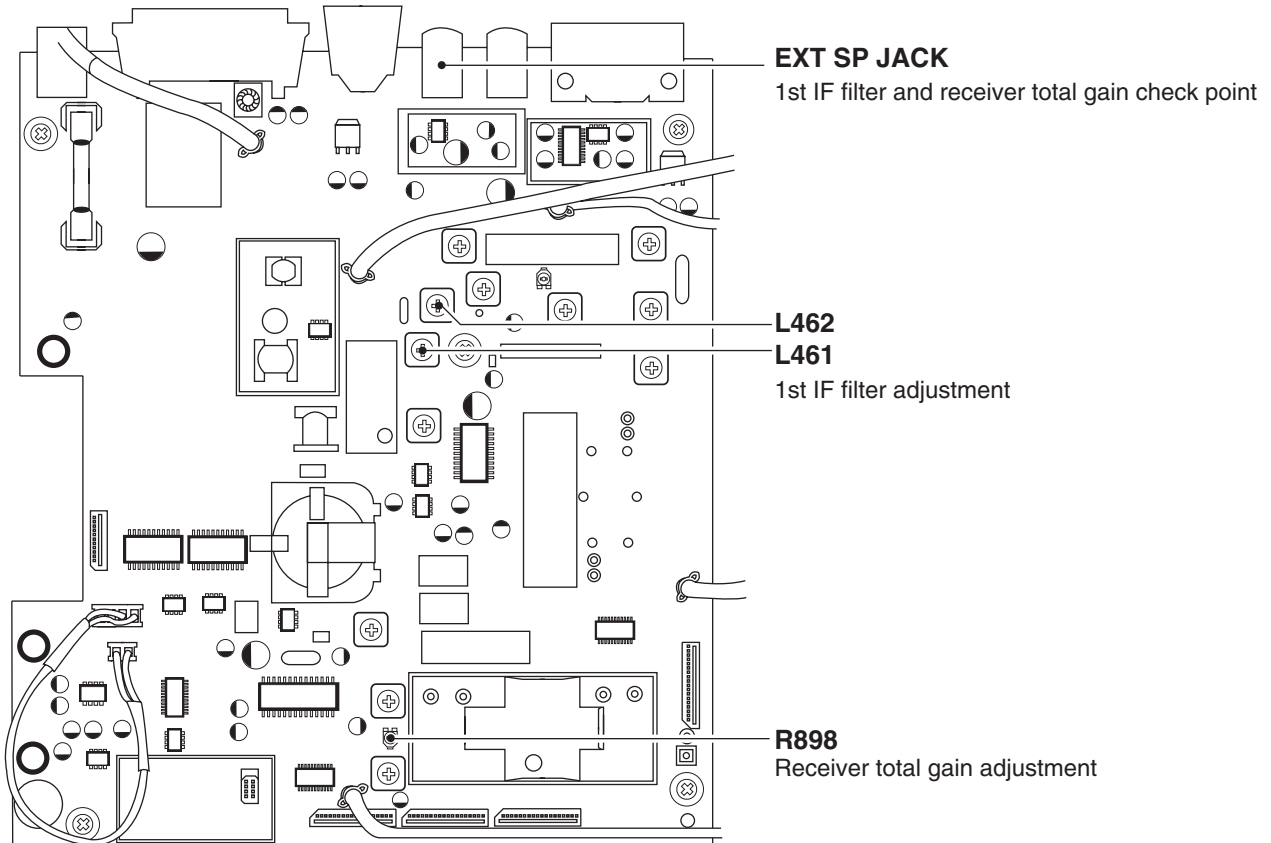


RECEIVER ADJUSTMENTS (continued)

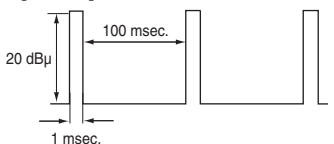
| ADJUSTMENT | ADJUSTMENT CONDITION | MEASUREMENT | | VALUE | ADJUSTMENT POINT | |
|---------------------|--|-------------|---|----------------------|------------------|-------------------|
| | | UNIT | LOCATION | | UNIT | ADJUST |
| 1ST IF FILTER | 1 <ul style="list-style-type: none"> • Displayed frequency : 14.10000 MHz • Mode : FM • PREAMP1 : ON • IF FILTER1 : 15 kHz • IF FILTER2 : 6 kHz • set an SSG as <ul style="list-style-type: none"> Frequency : 14.10150 MHz Level : 0.32 μV^* (-10 dBμ) Deviation : ± 3.5 kHz Modulation : 1 kHz • Receiving | Rear panel | Connect the AC milli-volt meter to the [EXT SP] jack with an 8 Ω load. | Maximum output level | MAIN | L461, L462 |
| RECEIVER TOTAL GAIN | 1 <ul style="list-style-type: none"> • Displayed frequency : 14.10000 MHz • Mode : USB • PREAMP1 : OFF • IF FILTER1 : 2.4 kHz • IF FILTER2 : 2.4 kHz • Set an SSG as <ul style="list-style-type: none"> Frequency : 14.10150 MHz Level : 500 μV^* (54 dBμ) Modulation : OFF | Rear panel | Connect the AC milli-volt meter to the [EXT SP] jack with an 8 Ω load. | 0 dB (1.0 V) | Front panel | [AF GAIN] control |
| | 2 <ul style="list-style-type: none"> • Set an SSG level as : OFF • Receiving | | | -30 dB (1 mV) | | |

*This output level of the standard signal generator (SSG) is indicated as SSG's open circuit.

• MAIN UNIT

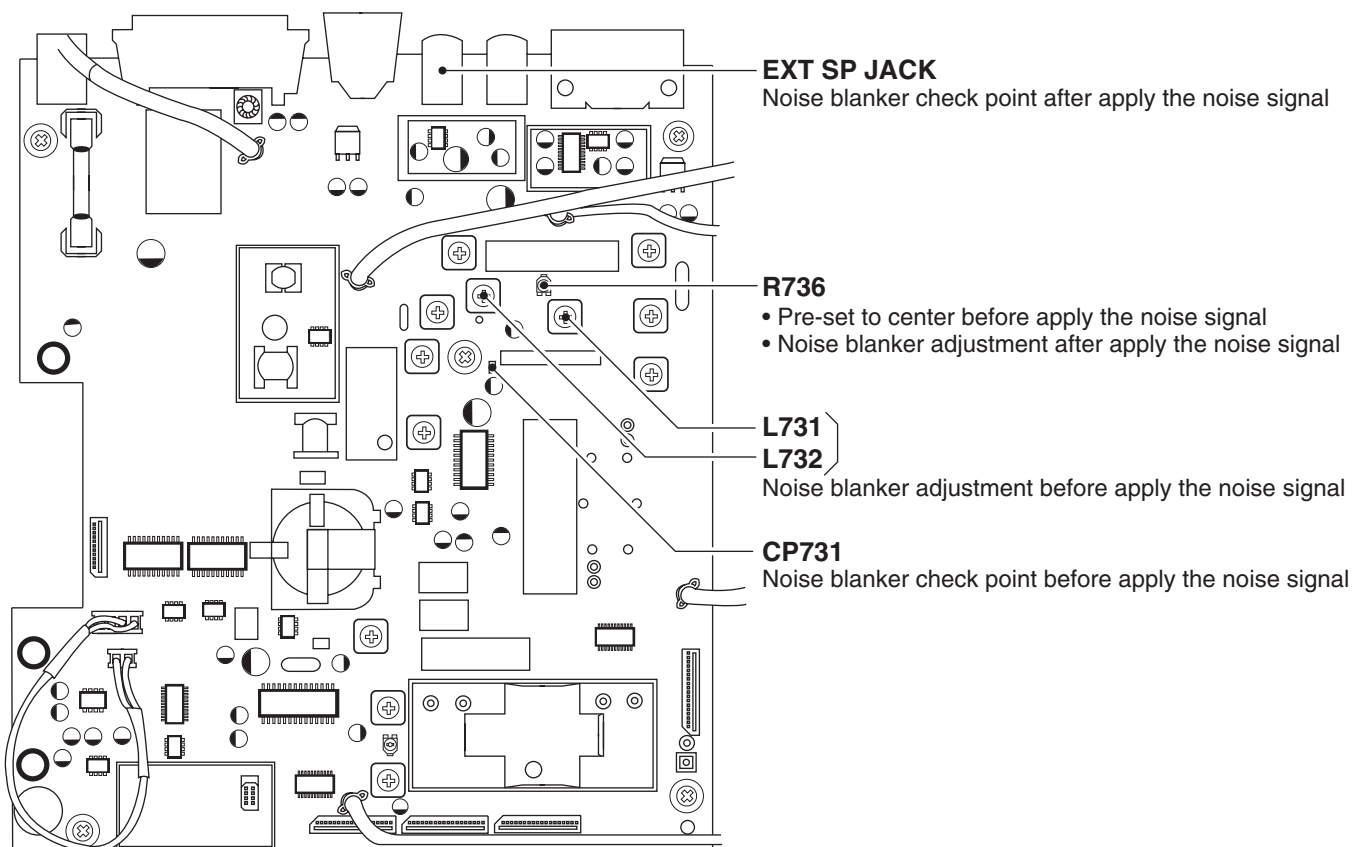


RECEIVER ADJUSTMENTS (CONTINUED)

| ADJUSTMENT | ADJUSTMENT CONDITION | MEASUREMENT | | VALUE | ADJUSTMENT POINT | |
|---------------|--|-------------|--|--|------------------|--------|
| | | UNIT | LOCATION | | UNIT | ADJUST |
| NOISE BLANKER | 1 <ul style="list-style-type: none"> • Displayed frequency : 14.10000 MHz • Mode : USB • Noise Blanker : OFF • PREAMP1. : ON • Set an SSG as <ul style="list-style-type: none"> Frequency : 14.10000 MHz Level : 18 μV* (25 dBμ) Modulation : OFF | MAIN | Connect the oscilloscope to the check point CP731. | Pre-set to center | MAIN | R736 |
| | Minimum voltage | | | L731, L732 | | |
| | 2 <ul style="list-style-type: none"> • Apply the following signal to the [ANT1] connector  | Rear Panel | Connect the oscilloscope to the [EXT SP] jack with an 8 Ω load. | Noise is blanked when the [NB] switch is ON. | MAIN | R736 |

*This output level of the standard signal generator (SSG) is indicated as SSG's open circuit.

• MAIN UNIT



SECTION 5

PARTS LIST

[LOGIC BOARD]

| REF NO. | ORDER NO. | DESCRIPTION |
|---------|------------|---------------------------------|
| IC101 | 1140013850 | S.IC HD6433837SE27HV (RX-2240A) |
| IC351 | 1110003690 | S.IC M62354GP 75EC |
| IC391 | 1110005771 | S.IC S-80942CNMC-G9CT2G |
| IC392 | 1130006441 | S.IC TC7S08F (TE85R,F) |
| IC401 | 1130004922 | S.IC TC74HC04AF (EL,F) |
| Q351 | 1590000680 | S.TR DTC114EUA T106 |
| Q391 | 1530002851 | S.TR 2SC4116-BL (TE85R,F) |
| Q401 | 1590001650 | S.TR XP4601 (TX) |
| Q421 | 1590000720 | S.TR DTA144EUA T106 |
| Q511 | 1510000510 | S.TR 2SA1576A T106R |
| Q512 | 1590001650 | S.TR XP4601 (TX) |
| D381 | 1730002320 | S.ZEN MA8051-M (TX) |
| D382 | 1790000970 | S.DIO MA729 (TX) |
| D393 | 1750000550 | S.DIO 1SS355 TE-17 |
| D401 | 1750000550 | S.DIO 1SS355 TE-17 |
| D461 | 1730002531 | S.ZEN NNCD6.2G-T1-A |
| X111 | 6050009460 | S.XTL CM200S SMD (32.768 kHz) |
| X112 | 6050009870 | S.XTL CR-567 (9.8304 MHz) |
| L491 | 6200003950 | S.COL HF50ACC 322513-T |
| L492 | 6200003950 | S.COL HF50ACC 322513-T |
| L501 | 6200002971 | S.COL NLV32T-121J |
| L502 | 6200002971 | S.COL NLV32T-121J |
| L503 | 6200003950 | S.COL HF50ACC 322513-T |
| R101 | 7030003200 | S.RES ERJ3GEYJ 100 V (10) |
| R112 | 7030003800 | S.RES ERJ3GEYJ 105 V (1 M) |
| R121 | 7030003440 | S.RES ERJ3GEYJ 102 V (1 k) |
| R122 | 7030003440 | S.RES ERJ3GEYJ 102 V (1 k) |
| R123 | 7030003440 | S.RES ERJ3GEYJ 102 V (1 k) |
| R124 | 7030003440 | S.RES ERJ3GEYJ 102 V (1 k) |
| R125 | 7030003440 | S.RES ERJ3GEYJ 102 V (1 k) |
| R126 | 7030003440 | S.RES ERJ3GEYJ 102 V (1 k) |
| R127 | 7030003360 | S.RES ERJ3GEYJ 221 V (220) |
| R128 | 7030003440 | S.RES ERJ3GEYJ 102 V (1 k) |
| R129 | 7030003440 | S.RES ERJ3GEYJ 102 V (1 k) |
| R130 | 7030003440 | S.RES ERJ3GEYJ 102 V (1 k) |
| R131 | 7030003440 | S.RES ERJ3GEYJ 102 V (1 k) |
| R141 | 7030003440 | S.RES ERJ3GEYJ 102 V (1 k) |
| R142 | 7030003440 | S.RES ERJ3GEYJ 102 V (1 k) |
| R143 | 7030003440 | S.RES ERJ3GEYJ 102 V (1 k) |
| R144 | 7030003440 | S.RES ERJ3GEYJ 102 V (1 k) |
| R145 | 7030003440 | S.RES ERJ3GEYJ 102 V (1 k) |
| R146 | 7030003440 | S.RES ERJ3GEYJ 102 V (1 k) |
| R147 | 7030003440 | S.RES ERJ3GEYJ 102 V (1 k) |
| R148 | 7030003440 | S.RES ERJ3GEYJ 102 V (1 k) |
| R149 | 7030003440 | S.RES ERJ3GEYJ 102 V (1 k) |
| R150 | 7030003440 | S.RES ERJ3GEYJ 102 V (1 k) |
| R151 | 7030003440 | S.RES ERJ3GEYJ 102 V (1 k) |
| R152 | 7030003440 | S.RES ERJ3GEYJ 102 V (1 k) |
| R153 | 7030003440 | S.RES ERJ3GEYJ 102 V (1 k) |
| R154 | 7030003440 | S.RES ERJ3GEYJ 102 V (1 k) |
| R155 | 7030003440 | S.RES ERJ3GEYJ 102 V (1 k) |
| R161 | 7030003640 | S.RES ERJ3GEYJ 473 V (47 k) |
| R162 | 7030003640 | S.RES ERJ3GEYJ 473 V (47 k) |
| R163 | 7030003640 | S.RES ERJ3GEYJ 473 V (47 k) |
| R171 | 7030003440 | S.RES ERJ3GEYJ 102 V (1 k) |
| R172 | 7030003440 | S.RES ERJ3GEYJ 102 V (1 k) |
| R173 | 7030003440 | S.RES ERJ3GEYJ 102 V (1 k) |
| R174 | 7030003440 | S.RES ERJ3GEYJ 102 V (1 k) |
| R175 | 7030003440 | S.RES ERJ3GEYJ 102 V (1 k) |
| R176 | 7030003440 | S.RES ERJ3GEYJ 102 V (1 k) |
| R177 | 7030003440 | S.RES ERJ3GEYJ 102 V (1 k) |
| R178 | 7030003440 | S.RES ERJ3GEYJ 102 V (1 k) |
| R179 | 7030003440 | S.RES ERJ3GEYJ 102 V (1 k) |
| R191 | 7030003440 | S.RES ERJ3GEYJ 102 V (1 k) |
| R192 | 7030003440 | S.RES ERJ3GEYJ 102 V (1 k) |
| R193 | 7030003440 | S.RES ERJ3GEYJ 102 V (1 k) |
| R194 | 7030003440 | S.RES ERJ3GEYJ 102 V (1 k) |
| R195 | 7030003440 | S.RES ERJ3GEYJ 102 V (1 k) |
| R196 | 7030003440 | S.RES ERJ3GEYJ 102 V (1 k) |
| R197 | 7030003440 | S.RES ERJ3GEYJ 102 V (1 k) |
| R198 | 7030003680 | S.RES ERJ3GEYJ 104 V (100 k) |
| R201 | 7030003440 | S.RES ERJ3GEYJ 102 V (1 k) |
| R202 | 7030003440 | S.RES ERJ3GEYJ 102 V (1 k) |
| R203 | 7030003440 | S.RES ERJ3GEYJ 102 V (1 k) |
| R204 | 7030003440 | S.RES ERJ3GEYJ 102 V (1 k) |
| R205 | 7030003440 | S.RES ERJ3GEYJ 102 V (1 k) |
| R206 | 7030003440 | S.RES ERJ3GEYJ 102 V (1 k) |
| R208 | 7030003440 | S.RES ERJ3GEYJ 102 V (1 k) |
| R209 | 7030003440 | S.RES ERJ3GEYJ 102 V (1 k) |
| R210 | 7030003440 | S.RES ERJ3GEYJ 102 V (1 k) |
| R211 | 7030003440 | S.RES ERJ3GEYJ 102 V (1 k) |
| R221 | 7030003400 | S.RES ERJ3GEYJ 471 V (470) |
| R223 | 7030003560 | S.RES ERJ3GEYJ 103 V (10 k) |
| R224 | 7030003560 | S.RES ERJ3GEYJ 103 V (10 k) |
| R225 | 7030003560 | S.RES ERJ3GEYJ 103 V (10 k) |
| R231 | 7030003680 | S.RES ERJ3GEYJ 104 V (100 k) |
| R251 | 7030003540 | S.RES ERJ3GEYJ 682 V (6.8 k) |
| R252 | 7030003540 | S.RES ERJ3GEYJ 682 V (6.8 k) |

[LOGIC BOARD]

| REF NO. | ORDER NO. | DESCRIPTION |
|---------|------------|------------------------------------|
| R253 | 7030003540 | S.RES ERJ3GEYJ 682 V (6.8 k) |
| R254 | 7030003540 | S.RES ERJ3GEYJ 682 V (6.8 k) |
| R255 | 7030003540 | S.RES ERJ3GEYJ 682 V (6.8 k) |
| R256 | 7030003540 | S.RES ERJ3GEYJ 682 V (6.8 k) |
| R257 | 7030003540 | S.RES ERJ3GEYJ 682 V (6.8 k) |
| R258 | 7030003540 | S.RES ERJ3GEYJ 682 V (6.8 k) |
| R259 | 7030003540 | S.RES ERJ3GEYJ 682 V (6.8 k) |
| R260 | 7030003540 | S.RES ERJ3GEYJ 682 V (6.8 k) |
| R261 | 7030003540 | S.RES ERJ3GEYJ 682 V (6.8 k) |
| R262 | 7030003540 | S.RES ERJ3GEYJ 682 V (6.8 k) |
| R271 | 7030003640 | S.RES ERJ3GEYJ 473 V (47 k) |
| R272 | 7030003640 | S.RES ERJ3GEYJ 473 V (47 k) |
| R273 | 7030003640 | S.RES ERJ3GEYJ 473 V (47 k) |
| R274 | 7030003640 | S.RES ERJ3GEYJ 473 V (47 k) |
| R275 | 7030003640 | S.RES ERJ3GEYJ 473 V (47 k) |
| R276 | 7030003640 | S.RES ERJ3GEYJ 473 V (47 k) |
| R277 | 7030003640 | S.RES ERJ3GEYJ 473 V (47 k) |
| R278 | 7030003640 | S.RES ERJ3GEYJ 473 V (47 k) |
| R279 | 7030003640 | S.RES ERJ3GEYJ 473 V (47 k) |
| R280 | 7030003640 | S.RES ERJ3GEYJ 473 V (47 k) |
| R281 | 7030003640 | S.RES ERJ3GEYJ 473 V (47 k) |
| R282 | 7030003640 | S.RES ERJ3GEYJ 473 V (47 k) |
| R283 | 7030003640 | S.RES ERJ3GEYJ 473 V (47 k) |
| R284 | 7030003640 | S.RES ERJ3GEYJ 473 V (47 k) |
| R285 | 7030003640 | S.RES ERJ3GEYJ 473 V (47 k) |
| R286 | 7030003640 | S.RES ERJ3GEYJ 473 V (47 k) |
| R287 | 7030003640 | S.RES ERJ3GEYJ 473 V (47 k) |
| R288 | 7030003640 | S.RES ERJ3GEYJ 473 V (47 k) |
| R289 | 7030003640 | S.RES ERJ3GEYJ 473 V (47 k) |
| R290 | 7030003640 | S.RES ERJ3GEYJ 473 V (47 k) |
| R291 | 7030003640 | S.RES ERJ3GEYJ 473 V (47 k) |
| R292 | 7030003640 | S.RES ERJ3GEYJ 473 V (47 k) |
| R335 | 7030003640 | S.RES ERJ3GEYJ 473 V (47 k) |
| R351 | 7030003540 | S.RES ERJ3GEYJ 682 V (6.8 k) |
| R352 | 7030003540 | S.RES ERJ3GEYJ 682 V (6.8 k) |
| R361 | 7030003720 | S.RES ERJ3GEYJ 224 V (220 k) |
| R362 | 7030003720 | S.RES ERJ3GEYJ 224 V (220 k) |
| R381 | 7030009720 | S.RES ERJ12VJ102U (1 k) |
| R382 | 7030003640 | S.RES ERJ3GEYJ 473 V (47 k) |
| R391 | 7030003630 | S.RES ERJ3GEYJ 393 V (39 k) |
| R392 | 7030003650 | S.RES ERJ3GEYJ 563 V (56 k) |
| R393 | 7030003640 | S.RES ERJ3GEYJ 473 V (47 k) |
| R394 | 7030003440 | S.RES ERJ3GEYJ 102 V (1 k) |
| R395 | 7030003760 | S.RES ERJ3GEYJ 474 V (470 k) |
| R396 | 7030003720 | S.RES ERJ3GEYJ 224 V (220 k) |
| R397 | 7030003720 | S.RES ERJ3GEYJ 224 V (220 k) |
| R398 | 7030003680 | S.RES ERJ3GEYJ 104 V (100 k) |
| R399 | 7030003560 | S.RES ERJ3GEYJ 103 V (10 k) |
| R401 | 7030003620 | S.RES ERJ3GEYJ 333 V (33 k) |
| R402 | 7030003540 | S.RES ERJ3GEYJ 682 V (6.8 k) |
| R403 | 7030003680 | S.RES ERJ3GEYJ 104 V (100 k) |
| R404 | 7030003580 | S.RES ERJ3GEYJ 153 V (15 k) |
| R405 | 7030003680 | S.RES ERJ3GEYJ 104 V (100 k) |
| R421 | 7030003400 | S.RES ERJ3GEYJ 471 V (470) |
| R422 | 7030003680 | S.RES ERJ3GEYJ 104 V (100 k) |
| R423 | 7030003560 | S.RES ERJ3GEYJ 103 V (10 k) |
| R511 | 7030003840 | S.RES ERJ3GEYJ 225 V (2.2 M) |
| R512 | 7030003560 | S.RES ERJ3GEYJ 103 V (10 k) |
| R513 | 7030003630 | S.RES ERJ3GEYJ 393 V (39 k) |
| R514 | 7030003540 | S.RES ERJ3GEYJ 682 V (6.8 k) |
| C101 | 4030008630 | S.CER C1608 JF 1H 104Z-T |
| C102 | 4030008630 | S.CER C1608 JF 1H 104Z-T |
| C103 | 4550006250 | S.TAN TEESVA 1A 106M8R |
| C104 | 4030008630 | S.CER C1608 JF 1H 104Z-T |
| C105 | 4030008630 | S.CER C1608 JF 1H 104Z-T |
| C111 | 4030009990 | S.CER C1608 CH 1H 200J-T |
| C112 | 4030007050 | S.CER C1608 CH 1H 220J-T |
| C113 | 4030008560 | S.CER C1608 CH 1H 300J-T |
| C114 | 4030008560 | S.CER C1608 CH 1H 300J-T |
| C201 | 4030008630 | S.CER C1608 JF 1H 104Z-T |
| C202 | 4030008630 | S.CER C1608 JF 1H 104Z-T |
| C203 | 4030008630 | S.CER C1608 JF 1H 104Z-T |
| C204 | 4030008630 | S.CER C1608 JF 1H 104Z-T |
| C205 | 4030008630 | S.CER C1608 JF 1H 104Z-T |
| C206 | 4030008630 | S.CER C1608 JF 1H 104Z-T |
| C221 | 4030008630 | S.CER C1608 JF 1H 104Z-T |
| C231 | 4030008630 | S.CER C1608 JF 1H 104Z-T |
| C251 | 4030008630 | S.CER C1608 JF 1H 104Z-T |
| C252 | 4030008630 | S.CER C1608 JF 1H 104Z-T |
| C253 | 4030008630 | S.CER C1608 JF 1H 104Z-T |
| C254 | 4030008630 | S.CER C1608 JF 1H 104Z-T |
| C255 | 4030008630 | S.CER C1608 JF 1H 104Z-T |
| C256 | 4030008630 | S.CER C1608 JF 1H 104Z-T |
| C351 | 4030008630 | S.CER C1608 JF 1H 104Z-T |
| C352 | 4510008660 | S.ELE EEE0JA220SR |
| C392 | 4030013720 | S.CER GRM188B11A224KA01D (GRM39 B) |
| C393 | 4030013720 | S.CER GRM188B11A224KA01D (GRM39 B) |
| C394 | 4030007050 | S.CER C1608 CH 1H 220J-T |
| C395 | 4030008630 | S.CER C1608 JF 1H 104Z-T |
| C401 | 4030008630 | S.CER C1608 JF 1H 104Z-T |
| C451 | 4030008630 | S.CER C1608 JF 1H 104Z-T |
| C452 | 4030008630 | S.CER C1608 JF 1H 104Z-T |
| C453 | 4030008630 | S.CER C1608 JF 1H 104Z-T |
| C454 | 4030008630 | S.CER C1608 JF 1H 104Z-T |
| C461 | 4030008630 | S.CER C1608 JF 1H 104Z-T |
| C502 | 4030008630 | S.CER C1608 JF 1H 104Z-T |

S.=Surface mount

[MAIN UNIT]

| REF NO. | ORDER NO. | DESCRIPTION | |
|---------|------------|-------------|--------------------------------------|
| D781 | 1790000620 | S.DIO | MA77 (TX) |
| D782 | 1790000620 | S.DIO | MA77 (TX) |
| D783 | 1790000620 | S.DIO | MA77 (TX) |
| D784 | 1790000620 | S.DIO | MA77 (TX) |
| D831 | 1750000301 | S.DIO | 1SS302 (TE85R,F) |
| D851 | 1790000620 | S.DIO | MA77 (TX) |
| D852 | 1790000620 | S.DIO | MA77 (TX) |
| D861 | 1790000620 | S.DIO | MA77 (TX) |
| D862 | 1790000620 | S.DIO | MA77 (TX) |
| D871 | 1790000620 | S.DIO | MA77 (TX) |
| D872 | 1790000620 | S.DIO | MA77 (TX) |
| D881 | 1790000620 | S.DIO | MA77 (TX) |
| D882 | 1790000620 | S.DIO | MA77 (TX) |
| D1041 | 1790001211 | S.DIO | 1SS375-TL-E [USA-1], [OTH-1] only |
| D1051 | 1790001211 | S.DIO | 1SS375-TL-E |
| D1061 | 1790001211 | S.DIO | 1SS375-TL-E |
| D1311 | 1750000550 | S.DIO | 1SS355 TE-17 |
| D1351 | 1790000700 | DIO | DSA3A1 |
| D1371 | 1750000550 | S.DIO | 1SS355 TE-17 |
| D1381 | 1750000301 | S.DIO | 1SS302 (TE85R,F) |
| D1412 | 1750000301 | S.DIO | 1SS302 (TE85R,F) |
| D1413 | 1730002320 | S.ZEN | MA8051-M (TX) |
| D1771 | 1750000550 | S.DIO | 1SS355 TE-17 |
| FI461 | 2010002090 | FIL | FL-261 (69.0115 MHz) |
| FI701 | 2010000270 | FIL | 9M15A (FL-23) |
| FI761 | 2010002130 | D.FIL | FL-272 (9.0115 MHz) |
| FI851 | 2020000210 | CER | CFJ455K5 (FL-65) |
| FI861 | 2020001460 | CER | CFWLA450KHFA-B0 (CFWS450HT) |
| FI871 | 2020001210 | CER | CFWLA450KEFA-B0 (CFWS450E) |
| X1001 | 6070000200 | DCR | CDBLA450KAY24-B0 (CDB450C24) |
| X2021 | 6060000721 | CER | CSALF3M60GZZF03-B0 [AUS], [DEN] only |
| L101 | 6140002070 | COL | LR-233 |
| L131 | 6200003431 | S.COL | NLV32T-R10J |
| L132 | 6200003421 | S.COL | NLV32T-R15J |
| L151 | 6200005491 | S.COL | NLV32T-331J |
| L161 | 6200005491 | S.COL | NLV32T-331J |
| L162 | 6200008790 | S.COL | ACL3225S-4R7K-T |
| L163 | 6200008800 | S.COL | ACL3225S-5R6K-T |
| L171 | 6200005491 | S.COL | NLV32T-331J |
| L172 | 6200002961 | S.COL | NLV32T-4R7J |
| L173 | 6200003111 | S.COL | NLV32T-6R8J |
| L181 | 6200005491 | S.COL | NLV32T-331J |
| L182 | 6200003091 | S.COL | NLV32T-2R7J |
| L183 | 6200003101 | S.COL | NLV32T-3R9J |
| L184 | 6200005491 | S.COL | NLV32T-331J |
| L201 | 6200005491 | S.COL | NLV32T-331J |
| L202 | 6200002991 | S.COL | NLV32T-2R2J |
| L203 | 6200002991 | S.COL | NLV32T-2R2J |
| L204 | 6200003321 | S.COL | NLV32T-3R3J |
| L205 | 6200002961 | S.COL | NLV32T-4R7J |
| L221 | 6200003241 | S.COL | NLV32T-221J |
| L222 | 6200003081 | S.COL | NLV32T-1R8J |
| L223 | 6200003061 | S.COL | NLV32T-1R2J |
| L224 | 6200003071 | S.COL | NLV32T-1R5J |
| L225 | 6200003071 | S.COL | NLV32T-1R5J |
| L241 | 6200003241 | S.COL | NLV32T-221J |
| L242 | 6200003061 | S.COL | NLV32T-1R2J |
| L243 | 6200003331 | S.COL | NLV32T-1R0J |
| L244 | 6200003331 | S.COL | NLV32T-1R0J |
| L245 | 6200003081 | S.COL | NLV32T-1R8J |
| L261 | 6200003241 | S.COL | NLV32T-221J |
| L262 | 6200003251 | S.COL | NLV32T-R39J |
| L263 | 6200002981 | S.COL | NLV32T-R56J |
| L264 | 6200003041 | S.COL | NLV32T-R68J |
| L265 | 6200003331 | S.COL | NLV32T-1R0J |
| L281 | 6200001831 | S.COL | NLV32T-100J |
| L282 | 6200003021 | S.COL | NLV32T-R33J |
| L283 | 6200003251 | S.COL | NLV32T-R39J |
| L284 | 6200003031 | S.COL | NLV32T-R47J |
| L285 | 6200003031 | S.COL | NLV32T-R47J |
| L301 | 6200001831 | S.COL | NLV32T-100J [USA-1], [OTH-1] only |
| L302 | 6200003021 | S.COL | NLV32T-R33J [USA-1], [OTH-1] only |
| L303 | 6200003011 | S.COL | NLV32T-R27J |
| L304 | 6200003021 | S.COL | NLV32T-R33J |
| L305 | 6200003031 | S.COL | NLV32T-R47J |
| L321 | 6200001831 | S.COL | NLV32T-100J |
| L322 | 6200003001 | S.COL | NLV32T-R22J |
| L323 | 6200003421 | S.COL | NLV32T-R15J |
| L324 | 6180002961 | S.COL | NLV32T-R18J |
| L325 | 6200003001 | S.COL | NLV32T-R22J |
| L326 | 6200003001 | S.COL | NLV32T-R22J |
| L341 | 6200001831 | S.COL | NLV32T-100J |
| L342 | 6200001471 | S.COL | NLV32T-R12J |
| L343 | 6200003421 | S.COL | NLV32T-R15J |
| L345 | 6200003421 | S.COL | NLV32T-R15J |
| L346 | 6200001471 | S.COL | NLV32T-R12J |
| L361 | 6200005491 | S.COL | NLV32T-331J |
| L362 | 6200005491 | S.COL | NLV32T-331J |
| L371 | 6200003241 | S.COL | NLV32T-221J |
| L381 | 6140000640 | COL | LR-86 |
| L382 | 6200003071 | S.COL | NLV32T-1R5J [USA-1], [OTH-1] only |
| L383 | 6140001500 | COL | LR-171 |
| L384 | 6200005491 | S.COL | NLV32T-331J [USA-1], [OTH-1] only |
| L385 | 6170000291 | COL | LW-30-LF |
| L391 | 6200003241 | S.COL | NLV32T-221J [USA-1], [OTH-1] only |
| L392 | 6200003241 | S.COL | NLV32T-221J |
| L401 | 6200005491 | S.COL | NLV32T-331J |
| L411 | 6200003001 | S.COL | NLV32T-R22J |

[MAIN UNIT]

| REF NO. | ORDER NO. | DESCRIPTION | |
|---------|------------|-------------|--|
| L412 | 6200003021 | S.COL | NLV32T-R33J |
| L413 | 6200001831 | S.COL | NLV32T-100J |
| L421 | 6200003431 | S.COL | NLV32T-R10J |
| L422 | 6200003421 | S.COL | NLV32T-R15J |
| L431 | 6200003431 | S.COL | NLV32T-R10J |
| L432 | 6200003421 | S.COL | NLV32T-R15J |
| L441 | 6140001500 | COL | LR-171 |
| L442 | 6200003431 | S.COL | NLV32T-R10J |
| L443 | 6150004270 | COL | LS-483A (C-14924) |
| L444 | 6200001831 | S.COL | NLV32T-100J |
| L461 | 6150004270 | COL | LS-483A (C-14924) |
| L462 | 6150004270 | COL | LS-483A (C-14924) |
| L471 | 6150004280 | COL | LS-484B (C-14927) |
| L491 | 6140002810 | S.COL | LR-317 (|
| L492 | 6140002810 | S.COL | LR-317 (|
| L701 | 6150000711 | COL | LS-452 |
| L711 | 6150000711 | COL | LS-452 |
| L712 | 6150000711 | COL | LS-452 |
| L721 | 6200001831 | S.COL | NLV32T-100J |
| L731 | 6150004050 | COL | LS-466 |
| L732 | 6150004050 | COL | LS-466 |
| L733 | 6200003241 | S.COL | NLV32T-221J |
| L891 | 6150002291 | COL | LS-450 |
| L892 | 6150002291 | COL | LS-450 |
| L911 | 6150002291 | COL | LS-450 |
| L1001 | 6200003241 | S.COL | NLV32T-221J |
| L1291 | 6170000140 | COL | LW-15 |
| L1311 | 6200003241 | S.COL | NLV32T-221J |
| L1321 | 6200003950 | S.COL | HF50ACC 322513-T |
| L1322 | 6200003950 | S.COL | HF50ACC 322513-T except [USA-1], [OTH-1] |
| L1411 | 6200003241 | S.COL | NLV32T-221J |
| L1412 | 6200005491 | S.COL | NLV32T-331J |
| L1771 | 6200003241 | S.COL | NLV32T-221J |
| L2011 | 6200005491 | S.COL | NLV32T-331J [AUS], [DEN] only |
| L2041 | 6200003241 | S.COL | NLV32T-221J [AUS], [DEN] only |
| R101 | 7030003640 | S.RES | ERJ3GEYJ 473 V (47 k) |
| R102 | 7540000090 | ABS | DSP-201M-S00B |
| R111 | 7030003640 | S.RES | ERJ3GEYJ 473 V (47 k) |
| R112 | 7540000090 | ABS | DSP-201M-S00B |
| R141 | 7030003480 | S.RES | ERJ3GEYJ 222 V (2.2 k) |
| R142 | 7030003400 | S.RES | ERJ3GEYJ 471 V (470) |
| R143 | 7030003380 | S.RES | ERJ3GEYJ 331 V (330) |
| R144 | 7030003300 | S.RES | ERJ3GEYJ 680 V (68) |
| R151 | 7030006260 | S.RES | ERJ12YJ471U (470) |
| R152 | 7030003560 | S.RES | ERJ3GEYJ 103 V (10 k) |
| R171 | 7030003370 | S.RES | ERJ3GEYJ 271 V (270) |
| R172 | 7030003230 | S.RES | ERJ3GEYJ 180 V (180) |
| R173 | 7030003370 | S.RES | ERJ3GEYJ 271 V (270) |
| R174 | 7030003200 | S.RES | ERJ3GEYJ 100 V (10) |
| R181 | 7030003320 | S.RES | ERJ3GEYJ 101 V (100) |
| R201 | 7030003320 | S.RES | ERJ3GEYJ 101 V (100) |
| R221 | 7030003320 | S.RES | ERJ3GEYJ 101 V (100) |
| R241 | 7030003320 | S.RES | ERJ3GEYJ 101 V (100) |
| R261 | 7030003320 | S.RES | ERJ3GEYJ 101 V (100) |
| R281 | 7030003320 | S.RES | ERJ3GEYJ 101 V (100) |
| R301 | 7030003320 | S.RES | ERJ3GEYJ 101 V (100) |
| R321 | 7030003320 | S.RES | ERJ3GEYJ 101 V (100) |
| R341 | 7030003320 | S.RES | ERJ3GEYJ 101 V (100) |
| R361 | 7030006260 | S.RES | ERJ12YJ471U (470) |
| R362 | 7030006260 | S.RES | ERJ12YJ471U (470) |
| R371 | 7030003320 | S.RES | ERJ3GEYJ 101 V (100) |
| R372 | 7030003320 | S.RES | ERJ3GEYJ 101 V (100) |
| R381 | 7030003320 | S.RES | ERJ3GEYJ 101 V (100) |
| R382 | 7030003280 | S.RES | ERJ3GEYJ 470 V (47) |
| R383 | 7030003280 | S.RES | ERJ3GEYJ 470 V (47) |
| R384 | 7030003320 | S.RES | ERJ3GEYJ 101 V (100) |
| R385 | 7030003320 | S.RES | ERJ3GEYJ 101 V (100) |
| R386 | 7030003320 | S.RES | ERJ3GEYJ 101 V (100) |
| R391 | 7030003320 | S.RES | ERJ3GEYJ 101 V (100) |
| R392 | 7030003400 | S.RES | ERJ3GEYJ 471 V (470) |
| R393 | 7030003320 | S.RES | ERJ3GEYJ 101 V (100) |
| R394 | 7030003370 | S.RES | ERJ3GEYJ 271 V (270) |
| R395 | 7030003230 | S.RES | ERJ3GEYJ 180 V (18) |
| R396 | 7030003370 | S.RES | ERJ3GEYJ 271 V (270) |
| R401 | 7030006260 | S.RES | ERJ12YJ471U (470) |
| R411 | 7030003300 | S.RES | ERJ3GEYJ 680 V (68) |
| R412 | 7030003520 | S.RES | ERJ3GEYJ 472 V (4.7 k) |
| R413 | 7030003410 | S.RES | ERJ3GEYJ 561 V (560) |
| R414 | 7030003200 | S.RES | ERJ3GEYJ 100 V (10) |
| R415 | 7030003280 | S.RES | ERJ3GEYJ 470 V (47) |
| R442 | 7030003410 | S.RES | ERJ3GEYJ 561 V (560) |
| R443 | 7030003410 | S.RES | ERJ3GEYJ 561 V (560) |
| R444 | 7310005050 | S.TRI | RH03ADCS3X (4.7 k) |
| R445 | 7030003280 | S.RES | ERJ3GEYJ 470 V (47) |
| R446 | 7030003560 | S.RES | ERJ3GEYJ 103 V (10 k) |
| R447 | 7030003280 | S.RES | ERJ3GEYJ 470 V (47) |
| R448 | 7030003400 | S.RES | ERJ3GEYJ 471 V (470) |
| R449 | 7030003320 | S.RES | ERJ3GEYJ 101 V (100) |
| R471 | 7030003760 | S.RES | ERJ3GEYJ 474 V (470 k) |
| R472 | 7030003280 | S.RES | ERJ3GEYJ 470 V (47) |
| R473 | 7030003200 | S.RES | ERJ3GEYJ 100 V (10) |
| R474 | 7030003520 | S.RES | ERJ3GEYJ 472 V (4.7 k) |
| R475 | 7030003580 | S.RES | ERJ3GEYJ 153 V (15 k) |
| R476 | 7030003480 | S.RES | ERJ3GEYJ 222 V (2.2 k) |
| R477 | 7030003340 | S.RES | ERJ3GEYJ 151 V (150) |
| R478 | 7030003480 | S.RES | ERJ3GEYJ 222 V (2.2 k) |
| R479 | 7030003280 | S.RES | ERJ3GEYJ 470 V (47) |
| R491 | 7030003370 | S.RES | ERJ3GEYJ 271 V (270) |
| R492 | 7030003230 | S.RES | ERJ3GEYJ 180 V (18) |
| R493 | 7030003370 | S.RES | ERJ3GEYJ 271 V (270) |
| R563 | 7030003640 | S.RES | ERJ3GEYJ 473 V (47 k) |
| R564 | 7030003640 | S.RES | ERJ3GEYJ 473 V (47 k) |

S.=Surface mount

[MAIN UNIT]

| REF NO. | ORDER NO. | DESCRIPTION |
|---------|------------|------------------------------|
| R565 | 7030003640 | S.RES ERJ3GEYJ 473 V (47 k) |
| R566 | 7030003640 | S.RES ERJ3GEYJ 473 V (47 k) |
| R567 | 7030003640 | S.RES ERJ3GEYJ 473 V (47 k) |
| R568 | 7030003640 | S.RES ERJ3GEYJ 473 V (47 k) |
| R569 | 7030003640 | S.RES ERJ3GEYJ 473 V (47 k) |
| R570 | 7030003640 | S.RES ERJ3GEYJ 473 V (47 k) |
| R571 | 7030003200 | S.RES ERJ3GEYJ 100 V (10) |
| R572 | 7030003200 | S.RES ERJ3GEYJ 100 V (10) |
| R573 | 7030003200 | S.RES ERJ3GEYJ 100 V (10) |
| R574 | 7030003200 | S.RES ERJ3GEYJ 100 V (10) |
| R575 | 7030003200 | S.RES ERJ3GEYJ 100 V (10) |
| R576 | 7030003200 | S.RES ERJ3GEYJ 100 V (10) |
| R577 | 7030003200 | S.RES ERJ3GEYJ 100 V (10) |
| R578 | 7030003200 | S.RES ERJ3GEYJ 100 V (10) |
| R579 | 7030003640 | S.RES ERJ3GEYJ 473 V (47 k) |
| R580 | 7030003640 | S.RES ERJ3GEYJ 473 V (47 k) |
| R583 | 7030003640 | S.RES ERJ3GEYJ 473 V (47 k) |
| R587 | 7030003200 | S.RES ERJ3GEYJ 100 V (10) |
| R588 | 7030003200 | S.RES ERJ3GEYJ 100 V (10) |
| R589 | 7030003200 | S.RES ERJ3GEYJ 100 V (10) |
| R590 | 7030003200 | S.RES ERJ3GEYJ 100 V (10) |
| R591 | 7030003200 | S.RES ERJ3GEYJ 100 V (10) |
| R592 | 7030003200 | S.RES ERJ3GEYJ 100 V (10) |
| R593 | 7030003200 | S.RES ERJ3GEYJ 100 V (10) |
| R711 | 7030003480 | S.RES ERJ3GEYJ 222 V (2.2 k) |
| R712 | 7030003480 | S.RES ERJ3GEYJ 222 V (2.2 k) |
| R713 | 7030003360 | S.RES ERJ3GEYJ 221 V (220) |
| R721 | 7030003520 | S.RES ERJ3GEYJ 472 V (4.7 k) |
| R722 | 7030003610 | S.RES ERJ3GEYJ 273 V (27 k) |
| R723 | 7030003760 | S.RES ERJ3GEYJ 474 V (470 k) |
| R724 | 7030003340 | S.RES ERJ3GEYJ 151 V (150) |
| R725 | 7030003320 | S.RES ERJ3GEYJ 101 V (100) |
| R731 | 7030003680 | S.RES ERJ3GEYJ 104 V (100 k) |
| R732 | 7030003520 | S.RES ERJ3GEYJ 472 V (4.7 k) |
| R733 | 7030003320 | S.RES ERJ3GEYJ 101 V (100) |
| R734 | 7030003320 | S.RES ERJ3GEYJ 101 V (100) |
| R735 | 7030003600 | S.RES ERJ3GEYJ 223 V (22 k) |
| R736 | 7310005020 | S.TRI RH03ADC14X (10 k) |
| R737 | 7030003640 | S.RES ERJ3GEYJ 473 V (47 k) |
| R738 | 7030003640 | S.RES ERJ3GEYJ 473 V (47 k) |
| R739 | 7030003640 | S.RES ERJ3GEYJ 473 V (47 k) |
| R740 | 7030003440 | S.RES ERJ3GEYJ 102 V (1 k) |
| R741 | 7030003520 | S.RES ERJ3GEYJ 472 V (4.7 k) |
| R742 | 7030003320 | S.RES ERJ3GEYJ 101 V (100) |
| R743 | 7030003640 | S.RES ERJ3GEYJ 473 V (47 k) |
| R744 | 7030003520 | S.RES ERJ3GEYJ 472 V (4.7 k) |
| R745 | 7030003680 | S.RES ERJ3GEYJ 104 V (100 k) |
| R746 | 7030003540 | S.RES ERJ3GEYJ 682 V (6.8 k) |
| R747 | 7030003440 | S.RES ERJ3GEYJ 102 V (1 k) |
| R748 | 7030003400 | S.RES ERJ3GEYJ 471 V (470) |
| R749 | 7030003600 | S.RES ERJ3GEYJ 223 V (22 k) |
| R750 | 7030003440 | S.RES ERJ3GEYJ 102 V (1 k) |
| R751 | 7030003280 | S.RES ERJ3GEYJ 470 V (47) |
| R761 | 7030003480 | S.RES ERJ3GEYJ 222 V (2.2 k) |
| R762 | 7030003360 | S.RES ERJ3GEYJ 221 V (220) |
| R763 | 7030003360 | S.RES ERJ3GEYJ 221 V (220) |
| R764 | 7030003480 | S.RES ERJ3GEYJ 222 V (2.2 k) |
| R765 | 7030003560 | S.RES ERJ3GEYJ 103 V (10 k) |
| R771 | 7030003480 | S.RES ERJ3GEYJ 222 V (2.2 k) |
| R772 | 7030003360 | S.RES ERJ3GEYJ 221 V (220) |
| R773 | 7030003360 | S.RES ERJ3GEYJ 221 V (220) |
| R774 | 7030003480 | S.RES ERJ3GEYJ 222 V (2.2 k) |
| R775 | 7030003560 | S.RES ERJ3GEYJ 103 V (10 k) |
| R781 | 7030003480 | S.RES ERJ3GEYJ 222 V (2.2 k) |
| R782 | 7030003360 | S.RES ERJ3GEYJ 221 V (220) |
| R783 | 7030003360 | S.RES ERJ3GEYJ 221 V (220) |
| R784 | 7030003480 | S.RES ERJ3GEYJ 222 V (2.2 k) |
| R785 | 7030003560 | S.RES ERJ3GEYJ 103 V (10 k) |
| R791 | 7030003480 | S.RES ERJ3GEYJ 222 V (2.2 k) |
| R792 | 7030003520 | S.RES ERJ3GEYJ 472 V (4.7 k) |
| R793 | 7030003480 | S.RES ERJ3GEYJ 222 V (2.2 k) |
| R794 | 7030003480 | S.RES ERJ3GEYJ 222 V (2.2 k) |
| R795 | 7030003520 | S.RES ERJ3GEYJ 472 V (4.7 k) |
| R796 | 7030003480 | S.RES ERJ3GEYJ 222 V (2.2 k) |
| R801 | 7030003440 | S.RES ERJ3GEYJ 102 V (1 k) |
| R802 | 7030003320 | S.RES ERJ3GEYJ 101 V (100) |
| R811 | 7030003460 | S.RES ERJ3GEYJ 152 V (1.5 k) |
| R812 | 7030003400 | S.RES ERJ3GEYJ 471 V (470) |
| R813 | 7030003400 | S.RES ERJ3GEYJ 471 V (470) |
| R814 | 7030003500 | S.RES ERJ3GEYJ 332 V (3.3 k) |
| R815 | 7030003500 | S.RES ERJ3GEYJ 332 V (3.3 k) |
| R816 | 7030003490 | S.RES ERJ3GEYJ 272 V (2.7 k) |
| R817 | 7030003490 | S.RES ERJ3GEYJ 272 V (2.7 k) |
| R818 | 7030003490 | S.RES ERJ3GEYJ 272 V (2.7 k) |
| R819 | 7030003440 | S.RES ERJ3GEYJ 102 V (1 k) |
| R820 | 7030003440 | S.RES ERJ3GEYJ 102 V (1 k) |
| R821 | 7030003500 | S.RES ERJ3GEYJ 332 V (3.3 k) |
| R822 | 7030003200 | S.RES ERJ3GEYJ 100 V (10) |
| R823 | 7030003200 | S.RES ERJ3GEYJ 100 V (10) |
| R824 | 7030003360 | S.RES ERJ3GEYJ 221 V (220) |
| R825 | 7510001480 | S.TMR NTCG10 3NH 681JT |
| R831 | 7030004710 | S.RES ERJ3GEYJ 475 V (4.7 M) |
| R832 | 7030004710 | S.RES ERJ3GEYJ 475 V (4.7 M) |
| R833 | 7030004710 | S.RES ERJ3GEYJ 475 V (4.7 M) |
| R834 | 7030004710 | S.RES ERJ3GEYJ 475 V (4.7 M) |
| R835 | 7030003820 | S.RES ERJ3GEYJ 155 V (1.5 M) |
| R836 | 7030003520 | S.RES ERJ3GEYJ 472 V (4.7 k) |
| R841 | 7030003560 | S.RES ERJ3GEYJ 103 V (10 k) |
| R851 | 7030003560 | S.RES ERJ3GEYJ 103 V (10 k) |
| R852 | 7030003360 | S.RES ERJ3GEYJ 221 V (220) |
| R853 | 7030003360 | S.RES ERJ3GEYJ 221 V (220) |
| R854 | 7030003560 | S.RES ERJ3GEYJ 103 V (10 k) |
| R855 | 7030003560 | S.RES ERJ3GEYJ 103 V (10 k) |
| R861 | 7030003560 | S.RES ERJ3GEYJ 103 V (10 k) |

[MAIN UNIT]

| REF NO. | ORDER NO. | DESCRIPTION |
|---------|------------|---|
| R862 | 7030003360 | S.RES ERJ3GEYJ 221 V (220) |
| R863 | 7030003360 | S.RES ERJ3GEYJ 221 V (220) |
| R864 | 7030003560 | S.RES ERJ3GEYJ 103 V (10 k) |
| R865 | 7030003560 | S.RES ERJ3GEYJ 103 V (10 k) |
| R871 | 7030003510 | S.RES ERJ3GEYJ 392 V (3.9 k) |
| R872 | 7030003360 | S.RES ERJ3GEYJ 221 V (220) |
| R873 | 7030003360 | S.RES ERJ3GEYJ 221 V (220) |
| R874 | 7030003510 | S.RES ERJ3GEYJ 392 V (3.9 k) |
| R875 | 7030003560 | S.RES ERJ3GEYJ 103 V (10 k) |
| R881 | 7030003510 | S.RES ERJ3GEYJ 392 V (3.9 k) |
| R882 | 7030003360 | S.RES ERJ3GEYJ 221 V (220) |
| R883 | 7030003360 | S.RES ERJ3GEYJ 221 V (220) |
| R884 | 7030003510 | S.RES ERJ3GEYJ 392 V (3.9 k) |
| R885 | 7030003560 | S.RES ERJ3GEYJ 103 V (10 k) |
| R891 | 7030003560 | S.RES ERJ3GEYJ 103 V (10 k) |
| R892 | 7030003320 | S.RES ERJ3GEYJ 101 V (100) |
| R893 | 7030003480 | S.RES ERJ3GEYJ 222 V (2.2 k) |
| R894 | 7030003600 | S.RES ERJ3GEYJ 223 V (22 k) |
| R895 | 7030003380 | S.RES ERJ3GEYJ 331 V (330) |
| R896 | 7030003500 | S.RES ERJ3GEYJ 332 V (3.3 k) |
| R897 | 7030003320 | S.RES ERJ3GEYJ 101 V (100) |
| R898 | 7310005020 | S.TRI RH03ADC14X (10 k) |
| R911 | 7030003320 | S.RES ERJ3GEYJ 101 V (100) |
| R912 | 7030003480 | S.RES ERJ3GEYJ 222 V (2.2 k) |
| R913 | 7030003320 | S.RES ERJ3GEYJ 101 V (100) |
| R914 | 7030003560 | S.RES ERJ3GEYJ 103 V (10 k) |
| R915 | 7030003560 | S.RES ERJ3GEYJ 103 V (10 k) |
| R1001 | 7030003520 | S.RES ERJ3GEYJ 472 V (4.7 k) |
| R1002 | 7030003320 | S.RES ERJ3GEYJ 101 V (100) |
| R1003 | 7030003700 | S.RES ERJ3GEYJ 154 V (150 k) |
| R1004 | 7030003500 | S.RES ERJ3GEYJ 332 V (3.3 k) |
| R1005 | 7030003720 | S.RES ERJ3GEYJ 224 V (220 k) |
| R1006 | 7030003460 | S.RES ERJ3GEYJ 152 V (1.5 k) |
| R1007 | 7030003360 | S.RES ERJ3GEYJ 221 V (220) |
| R1008 | 7030003720 | S.RES ERJ3GEYJ 224 V (220 k) |
| R1021 | 7030003560 | S.RES ERJ3GEYJ 103 V (10 k) |
| R1022 | 7030003630 | S.RES ERJ3GEYJ 393 V (39 k) |
| R1023 | 7030003660 | S.RES ERJ3GEYJ 683 V (68 k) |
| R1024 | 7030003640 | S.RES ERJ3GEYJ 473 V (47 k) |
| R1031 | 7030003360 | S.RES ERJ3GEYJ 221 V (220) |
| R1032 | 7030003720 | S.RES ERJ3GEYJ 224 V (220 k) |
| R1033 | 7030003440 | S.RES ERJ3GEYJ 102 V (1 k) |
| R1041 | 7030003440 | S.RES ERJ3GEYJ 102 V (1 k) |
| R1042 | 7030003680 | S.RES ERJ3GEYJ 104 V (100 k) |
| R1043 | 7030003440 | S.RES ERJ3GEYJ 102 V (1 k) |
| R1044 | 7030003660 | S.RES ERJ3GEYJ 683 V (68 k) |
| R1045 | 7030003640 | S.RES ERJ3GEYJ 473 V (47 k) |
| R1051 | 7030003490 | S.RES ERJ3GEYJ 272 V (2.7 k) |
| R1052 | 7030003520 | S.RES ERJ3GEYJ 472 V (4.7 k) |
| R1053 | 7030003400 | S.RES ERJ3GEYJ 471 V (470) |
| R1061 | 7030003680 | S.RES ERJ3GEYJ 104 V (100 k) |
| R1062 | 7030003600 | S.RES ERJ3GEYJ 223 V (22 k) |
| R1063 | 7030003440 | S.RES ERJ3GEYJ 102 V (1 k) |
| R1064 | 7030003780 | S.RES ERJ3GEYJ 684 V (680 k) |
| R1065 | 7030003520 | S.RES ERJ3GEYJ 472 V (4.7 k) |
| R1066 | 7030003600 | S.RES ERJ3GEYJ 223 V (22 k) |
| R1067 | 7030003740 | S.RES ERJ3GEYJ 334 V (330 k) |
| R1068 | 7030003560 | S.RES ERJ3GEYJ 103 V (10 k) |
| R1081 | 7030003360 | S.RES ERJ3GEYJ 221 V (220) |
| R1082 | 7030003440 | S.RES ERJ3GEYJ 102 V (1 k) |
| R1084 | 7030003640 | S.RES ERJ3GEYJ 473 V (47 k) |
| R1101 | 7030003440 | S.RES ERJ3GEYJ 102 V (1 k) |
| R1102 | 7030003460 | S.RES ERJ3GEYJ 152 V (1.5 k) |
| R1103 | 7030003440 | S.RES ERJ3GEYJ 102 V (1 k) |
| R1104 | 7030003500 | S.RES ERJ3GEYJ 332 V (3.3 k) |
| R1105 | 7030003480 | S.RES ERJ3GEYJ 222 V (2.2 k) |
| R1106 | 7030003200 | S.RES ERJ3GEYJ 100 V (10) |
| R1107 | 7030003460 | S.RES ERJ3GEYJ 152 V (1.5 k) |
| R1108 | 7030003440 | S.RES ERJ3GEYJ 102 V (1 k) |
| R1109 | 7030003440 | S.RES ERJ3GEYJ 102 V (1 k) |
| R1110 | 7030003480 | S.RES ERJ3GEYJ 222 V (2.2 k) |
| R1111 | 7030003200 | S.RES ERJ3GEYJ 100 V (10) |
| R1201 | 7030003660 | S.RES ERJ3GEYJ 683 V (68 k) |
| R1202 | 7030003480 | S.RES ERJ3GEYJ 222 V (2.2 k) |
| R1203 | 7030003670 | S.RES ERJ3GEYJ 823 V (82 k) [USA-1], [OTH-1 on] only |
| R1204 | 7030003640 | S.RES ERJ3GEYJ 473 V (47 k) |
| R1205 | 7030003640 | S.RES ERJ3GEYJ 473 V (47 k) except [USA-1], [OTH-1], [CHN] except [USA-1], [OTH-1], [CHN] |
| R1211 | 7030003640 | S.RES ERJ3GEYJ 473 V (47 k) |
| R1212 | 7030003630 | S.RES ERJ3GEYJ 393 V (39 k) |
| R1213 | 7030003630 | S.RES ERJ3GEYJ 393 V (39 k) |
| R1214 | 7030003630 | S.RES ERJ3GEYJ 393 V (39 k) |
| R1215 | 7030003630 | S.RES ERJ3GEYJ 393 V (39 k) |
| R1231 | 7030003400 | S.RES ERJ3GEYJ 471 V (470) |
| R1232 | 7030003400 | S.RES ERJ3GEYJ 471 V (470) |
| R1233 | 7030003400 | S.RES ERJ3GEYJ 471 V (470) |
| R1234 | 7030003400 | S.RES ERJ3GEYJ 471 V (470) |
| R1235 | 7030003400 | S.RES ERJ3GEYJ 471 V (470) |
| R1236 | 7030003400 | S.RES ERJ3GEYJ 471 V (470) |
| R1251 | 7030003680 | S.RES ERJ3GEYJ 104 V (100 k) |
| R1252 | 7030003680 | S.RES ERJ3GEYJ 104 V (100 k) |
| R1253 | 7030003680 | S.RES ERJ3GEYJ 104 V (100 k) |
| R1254 | 7310005050 | S.TRI RH03ADCS3X (4.7 k) |
| R1255 | 7030003400 | S.RES ERJ3GEYJ 471 V (470) |
| R1256 | 7030003640 | S.RES ERJ3GEYJ 473 V (47 k) |
| R1257 | 7030003560 | S.RES ERJ3GEYJ 103 V (10 k) |
| R1258 | 7030003520 | S.RES ERJ3GEYJ 472 V (4.7 k) |
| R1259 | 7030003520 | S.RES ERJ3GEYJ 472 V (4.7 k) |
| R1260 | 7030003320 | S.RES ERJ3GEYJ 101 V (100) |
| R1261 | 7030003480 | S.RES ERJ3GEYJ 222 V (2.2 k) |
| R1262 | 7030003550 | S.RES ERJ3GEYJ 822 V (8.2 k) |
| R1263 | 7030003610 | S.RES ERJ3GEYJ 273 V (27 k) |
| R1271 | 7030003640 | S.RES ERJ3GEYJ 473 V (47 k) |

[USA-1], [OTH-1] only
 [USA-1], [OTH-1] only
 [USA-1], [OTH-1] only
 [USA-1], [OTH-1] only
 [USA-1], [OTH-1] only

[MAIN UNIT]

| REF NO. | ORDER NO. | DESCRIPTION |
|---------|------------|--|
| R1272 | 7030003440 | S.RES ERJ3GEYJ 102 V (1 k) |
| R1281 | 7030003680 | S.RES ERJ3GEYJ 104 V (100 k) |
| R1291 | 7030003550 | S.RES ERJ3GEYJ 822 V (8.2 k) |
| R1292 | 7030003400 | S.RES ERJ3GEYJ 471 V (470) |
| R1293 | 7030003400 | S.RES ERJ3GEYJ 471 V (470) |
| R1311 | 7030003520 | S.RES ERJ3GEYJ 472 V (4.7 k) |
| R1312 | 7030003620 | S.RES ERJ3GEYJ 333 V (33 k) |
| R1313 | 7030003580 | S.RES ERJ3GEYJ 153 V (15 k) |
| R1314 | 7030003640 | S.RES ERJ3GEYJ 473 V (47 k) |
| R1351 | 7030003200 | S.RES ERJ3GEYJ 100 V (10) |
| R1371 | 7030003520 | S.RES ERJ3GEYJ 472 V (4.7 k) |
| R1372 | 7030003640 | S.RES ERJ3GEYJ 473 V (47 k) |
| R1374 | 7030003520 | S.RES ERJ3GEYJ 472 V (4.7 k) |
| R1381 | 7030003280 | S.RES ERJ3GEYJ 470 V (47) |
| R1382 | 7030003480 | S.RES ERJ3GEYJ 222 V (2.2 k) |
| R1401 | 7070001060 | RES ERG2SJ 120 |
| R1411 | 7030003320 | S.RES ERJ3GEYJ 101 V (100) |
| R1412 | 7030003560 | S.RES ERJ3GEYJ 103 V (10 k) |
| R1413 | 7030003680 | S.RES ERJ3GEYJ 104 V (100 k) |
| R1414 | 7030003320 | S.RES ERJ3GEYJ 101 V (100) |
| R1415 | 7030003320 | S.RES ERJ3GEYJ 101 V (100) |
| R1416 | 7030003320 | S.RES ERJ3GEYJ 101 V (100) |
| R1771 | 7030003540 | S.RES ERJ3GEYJ 682 V (6.8 k) |
| R1772 | 7030003620 | S.RES ERJ3GEYJ 333 V (33 k) |
| R1773 | 7030003640 | S.RES ERJ3GEYJ 473 V (47 k) |
| R1774 | 7030003580 | S.RES ERJ3GEYJ 153 V (15 k) |
| R2001 | 7030003560 | S.RES ERJ3GEYJ 103 V (10 k) except [USA-1], [OTH-1], [CHN] |
| R2002 | 7030003360 | S.RES ERJ3GEYJ 221 V (220) except [USA-1], [OTH-1], [CHN] |
| R2011 | 7030003560 | S.RES ERJ3GEYJ 103 V (10 k) except [USA-1], [OTH-1], [CHN] |
| R2012 | 7030003680 | S.RES ERJ3GEYJ 104 V (100 k) except [USA-1], [OTH-1], [CHN] |
| R2021 | 7030003510 | S.RES ERJ3GEYJ 392 V (3.9 k) except [USA-1], [OTH-1], [CHN] |
| R2022 | 7030003440 | S.RES ERJ3GEYJ 102 V (1 k) except [USA-1], [OTH-1], [CHN] |
| R2023 | 7010006940 | RES PSD1/4 1 K |
| R2031 | 7030003640 | S.RES ERJ3GEYJ 473 V (47 k) [AUS], [DEN] only except [USA-1], [OTH-1], [CHN] |
| R2032 | 7030003640 | S.RES ERJ3GEYJ 473 V (47 k) except [USA-1], [OTH-1], [CHN] |
| R2051 | 7030003640 | S.RES ERJ3GEYJ 473 V (47 k) except [USA-1], [OTH-1], [CHN] |
| C101 | 4030011600 | S.CER C1608 JB 1E 104K-T |
| C111 | 4030010210 | S.CER C3216 JB 1C 105M-T |
| C121 | 4030006900 | S.CER C1608 JB 1H 103K-T |
| C131 | 4030007070 | S.CER C1608 CH 1H 330J-T |
| C132 | 4030007070 | S.CER C1608 CH 1H 330J-T |
| C133 | 4030007040 | S.CER C1608 CH 1H 180J-T |
| C134 | 4030007120 | S.CER C1608 CH 1H 820J-T |
| C135 | 4030007040 | S.CER C1608 CH 1H 180J-T |
| C136 | 4030007100 | S.CER C1608 CH 1H 560J-T |
| C141 | 4030006900 | S.CER C1608 JB 1H 103K-T |
| C151 | 4030010210 | S.CER C3216 JB 1C 105M-T |
| C152 | 4030011600 | S.CER C1608 JB 1E 104K-T |
| C161 | 4030008470 | S.CER C1608 JB 1H 272K-T |
| C162 | 4030009880 | S.CER C1608 JB 1H 682K-T |
| C163 | 4030009980 | S.CER C1608 JB 1H 152K-T |
| C164 | 4030011600 | S.CER C1608 JB 1E 104K-T |
| C170 | 4510008520 | S.ELE EEE1CA470SP |
| C171 | 4030011600 | S.CER C1608 JB 1E 104K-T |
| C172 | 4030008650 | S.CER C1608 JB 1H 332K-T |
| C173 | 4030010240 | S.CER C1608 JB 1H 391K-T |
| C174 | 4030008650 | S.CER C1608 JB 1H 332K-T |
| C175 | 4030010210 | S.CER C3216 JB 1C 105M-T |
| C176 | 4030011600 | S.CER C1608 JB 1E 104K-T |
| C181 | 4030011600 | S.CER C1608 JB 1E 104K-T |
| C182 | 4030006860 | S.CER C1608 JB 1H 102K-T |
| C183 | 4030009580 | S.CER C1608 JB 1H 681K-T |
| C184 | 4030006870 | S.CER C1608 JB 1H 222K-T |
| C185 | 4030007170 | S.CER C1608 CH 1H 221J-T |
| C186 | 4030010020 | S.CER C1608 JB 1H 122K-T |
| C187 | 4030011600 | S.CER C1608 JB 1E 104K-T |
| C188 | 4030011600 | S.CER C1608 JB 1E 104K-T |
| C201 | 4030011600 | S.CER C1608 JB 1E 104K-T |
| C202 | 4030010020 | S.CER C1608 JB 1H 122K-T |
| C203 | 4030007130 | S.CER C1608 CH 1H 101J-T |
| C204 | 4030010020 | S.CER C1608 JB 1H 122K-T |
| C205 | 4030009880 | S.CER C1608 JB 1H 682K-T |
| C206 | 4030009880 | S.CER C1608 JB 1H 682K-T |
| C207 | 4030009980 | S.CER C1608 JB 1H 152K-T |
| C208 | 4030009980 | S.CER C1608 JB 1H 152K-T |
| C209 | 4030011600 | S.CER C1608 JB 1E 104K-T |
| C221 | 4030011600 | S.CER C1608 JB 1E 104K-T |
| C222 | 4030010240 | S.CER C1608 JB 1H 391K-T |
| C223 | 4030007140 | S.CER C1608 CH 1H 121J-T |
| C224 | 4030007130 | S.CER C1608 CH 1H 101J-T |
| C225 | 4030006850 | S.CER C1608 JB 1H 471K-T |
| C226 | 4030006870 | S.CER C1608 JB 1H 222K-T |
| C227 | 4030006880 | S.CER C1608 JB 1H 472K-T |
| C228 | 4030006860 | S.CER C1608 JB 1H 102K-T |
| C229 | 4030009580 | S.CER C1608 JB 1H 681K-T |
| C230 | 4030011600 | S.CER C1608 JB 1E 104K-T |
| C241 | 4030011600 | S.CER C1608 JB 1E 104K-T |
| C242 | 4030010760 | S.CER C1608 CH 1H 331J-T |
| C243 | 4030007090 | S.CER C1608 CH 1H 470J-T |
| C244 | 4030007160 | S.CER C1608 CH 1H 181J-T |
| C245 | 4030010040 | S.CER C1608 JB 1H 561K-T |
| C246 | 4030008470 | S.CER C1608 JB 1H 272K-T |
| C247 | 4030010760 | S.CER C1608 CH 1H 331J-T |
| C248 | 4030011600 | S.CER C1608 JB 1E 104K-T |

[MAIN UNIT]

| REF NO. | ORDER NO. | DESCRIPTION |
|---------|------------|--------------------------|
| C261 | 4030011600 | S.CER C1608 JB 1E 104K-T |
| C262 | 4030011280 | S.CER C1608 CH 1H 271J-T |
| C263 | 4030007090 | S.CER C1608 CH 1H 470J-T |
| C264 | 4030007150 | S.CER C1608 CH 1H 151J-T |
| C265 | 4030006850 | S.CER C1608 JB 1H 471K-T |
| C266 | 4030010020 | S.CER C1608 JB 1H 122K-T |
| C267 | 4030007140 | S.CER C1608 CH 1H 121J-T |
| C268 | 4030007140 | S.CER C1608 CH 1H 121J-T |
| C269 | 4030011600 | S.CER C1608 JB 1E 104K-T |
| C281 | 4030011600 | S.CER C1608 JB 1E 104K-T |
| C282 | 4030007160 | S.CER C1608 CH 1H 181J-T |
| C283 | 4030007030 | S.CER C1608 CH 1H 150J-T |
| C284 | 4030007030 | S.CER C1608 CH 1H 150J-T |
| C285 | 4030007130 | S.CER C1608 CH 1H 101J-T |
| C286 | 4030007150 | S.CER C1608 CH 1H 151J-T |
| C287 | 4030007150 | S.CER C1608 CH 1H 151J-T |
| C288 | 4030010020 | S.CER C1608 JB 1H 122K-T |
| C289 | 4030007150 | S.CER C1608 CH 1H 151J-T |
| C290 | 4030011600 | S.CER C1608 JB 1E 104K-T |
| C301 | 4030011600 | S.CER C1608 JB 1E 104K-T |
| C302 | 4030006990 | S.CER C1608 CH 1H 080D-T |
| C303 | 4030007160 | S.CER C1608 CH 1H 181J-T |
| C304 | 4030007060 | S.CER C1608 CH 1H 270J-T |
| C305 | 4030007140 | S.CER C1608 CH 1H 121J-T |
| C306 | 4030007160 | S.CER C1608 CH 1H 181J-T |
| C307 | 4030010020 | S.CER C1608 JB 1H 122K-T |
| C308 | 4030007130 | S.CER C1608 CH 1H 101J-T |
| C309 | 4030011600 | S.CER C1608 JB 1E 104K-T |
| C321 | 4030006900 | S.CER C1608 JB 1H 103K-T |
| C322 | 4030007110 | S.CER C1608 CH 1H 680J-T |
| C323 | 4030007080 | S.CER C1608 CH 1H 390J-T |
| C324 | 4030007110 | S.CER C1608 CH 1H 680J-T |
| C325 | 4030007010 | S.CER C1608 CH 1H 100D-T |
| C326 | 4030007010 | S.CER C1608 CH 1H 100D-T |
| C327 | 4030007110 | S.CER C1608 CH 1H 680J-T |
| C328 | 4030007170 | S.CER C1608 CH 1H 221J-T |
| C329 | 4030010240 | S.CER C1608 JB 1H 391K-T |
| C330 | 4030007100 | S.CER C1608 CH 1H 560J-T |
| C331 | 4030007050 | S.CER C1608 CH 1H 220J-T |
| C332 | 4030006900 | S.CER C1608 JB 1H 103K-T |
| C333 | 4030007070 | S.CER C1608 CH 1H 330J-T |
| C341 | 4030006900 | S.CER C1608 JB 1H 103K-T |
| C342 | 4030007110 | S.CER C1608 CH 1H 680J-T |
| C344 | 4030007020 | S.CER C1608 CH 1H 120J-T |
| C345 | 4030007080 | S.CER C1608 CH 1H 390J-T |
| C346 | 4030006900 | S.CER C1608 JB 1H 103K-T |
| C349 | 4030007100 | S.CER C1608 CH 1H 560J-T |
| C350 | 4030007160 | S.CER C1608 CH 1H 181J-T |
| C351 | 4030007090 | S.CER C1608 CH 1H 470J-T |
| C352 | 4030006900 | S.CER C1608 JB 1H 103K-T |
| C361 | 4030010210 | S.CER C3216 JB 1C 105M-T |
| C371 | 4030011600 | S.CER C1608 JB 1E 104K-T |
| C372 | 4030007010 | S.CER C1608 CH 1H 100D-T |
| C381 | 4030011600 | S.CER C1608 JB 1E 104K-T |
| C382 | 4030011600 | S.CER C1608 JB 1E 104K-T |
| C383 | 4030011600 | S.CER C1608 JB 1E 104K-T |
| C384 | 4030011600 | S.CER C1608 JB 1E 104K-T |
| C385 | 4030011600 | S.CER C1608 JB 1E 104K-T |
| C386 | 4030011600 | S.CER C1608 JB 1E 104K-T |
| C391 | 4030011600 | S.CER C1608 JB 1E 104K-T |
| C392 | 4030011600 | S.CER C1608 JB 1E 104K-T |
| C393 | 4030011600 | S.CER C1608 JB 1E 104K-T |
| C394 | 4030011600 | S.CER C1608 JB 1E 104K-T |
| C395 | 4030011600 | S.CER C1608 JB 1E 104K-T |
| C396 | 4030011600 | S.CER C1608 JB 1E 104K-T |
| C397 | 4030011600 | S.CER C1608 JB 1E 104K-T |
| C401 | 4030011600 | S.CER C1608 JB 1E 104K-T |
| C411 | 4030007080 | S.CER C1608 CH 1H 390J-T |
| C412 | 4030007130 | S.CER C1608 CH 1H 101J-T |
| C413 | 4030011600 | S.CER C1608 JB 1E 104K-T |
| C414 | 4030006860 | S.CER C1608 JB 1H 102K-T |
| C415 | 4030011600 | S.CER C1608 JB 1E 104K-T |
| C422 | 4030006970 | S.CER C1608 CH 1H 060D-T |
| C423 | 4030007040 | S.CER C1608 CH 1H 180J-T |
| C424 | 4030006920 | S.CER C1608 CH 1H 010C-T |
| C425 | 4030007040 | S.CER C1608 CH 1H 180J-T |
| C431 | 4030007070 | S.CER C1608 CH 1H 330J-T |
| C432 | 4030007070 | S.CER C1608 CH 1H 330J-T |
| C433 | 4030007040 | S.CER C1608 CH 1H 180J-T |
| C434 | 4030007120 | S.CER C1608 CH 1H 820J-T |
| C435 | 4030007040 | S.CER C1608 CH 1H 180J-T |
| C436 | 4030007100 | S.CER C1608 CH 1H 560J-T |
| C442 | 4030011600 | S.CER C1608 JB 1E 104K-T |
| C443 | 4030011600 | S.CER C1608 JB 1E 104K-T |
| C444 | 4030006990 | S.CER C1608 CH 1H 080D-T |
| C445 | 4030006950 | S.CER C1608 CH 1H 040C-T |
| C446 | 4030011600 | S.CER C1608 JB 1E 104K-T |
| C447 | 4030011600 | S.CER C1608 JB 1E 104K-T |
| C448 | 4030007130 | S.CER C1608 CH 1H 101J-T |
| C461 | 4030006980 | S.CER C1608 CH 1H 070D-T |
| C462 | 4030006930 | S.CER C1608 CH 1H 020C-T |
| C471 | 4030007050 | S.CER C1608 CH 1H 220J-T |
| C472 | 4030011600 | S.CER C1608 JB 1E 104K-T |
| C473 | 4030006880 | S.CER C1608 JB 1H 472K-T |
| C474 | 4030006880 | S.CER C1608 JB 1H 472K-T |
| C475 | 4030007020 | S.CER C1608 CH 1H 120J-T |
| C476 | 4030006880 | S.CER C1608 JB 1H 472K-T |
| C492 | 4030007110 | S.CER C1608 CH 1H 680J-T |
| C551 | 4030011600 | S.CER C1608 JB 1E 104K-T |
| C552 | 4030011600 | S.CER C1608 JB 1E 104K-T |
| C553 | 4030006880 | S.CER C1608 JB 1H 472K-T |
| C561 | 4030011600 | S.CER C1608 JB 1E 104K-T |
| C562 | 4030011600 | S.CER C1608 JB 1E 104K-T |
| C563 | 4030006880 | S.CER C1608 JB 1H 472K-T |

except [USA-1], [OTH-1]

except [USA-1], [OTH-1]

S.=Surface mount

[MAIN UNIT]

| REF NO. | ORDER NO. | DESCRIPTION |
|---------|------------|--------------------------|
| C701 | 4030006930 | S.CER C1608 CH 1H 020C-T |
| C711 | 4030006880 | S.CER C1608 JB 1H 472K-T |
| C712 | 4030006880 | S.CER C1608 JB 1H 472K-T |
| C721 | 4030006880 | S.CER C1608 JB 1H 472K-T |
| C722 | 4030011600 | S.CER C1608 JB 1E 104K-T |
| C723 | 4030006880 | S.CER C1608 JB 1H 472K-T |
| C724 | 4030007050 | S.CER C1608 CH 1H 220J-T |
| C725 | 4030011600 | S.CER C1608 JB 1E 104K-T |
| C726 | 4030006880 | S.CER C1608 JB 1H 472K-T |
| C731 | 4030006880 | S.CER C1608 JB 1H 472K-T |
| C732 | 4030006880 | S.CER C1608 JB 1H 472K-T |
| C733 | 4030006880 | S.CER C1608 JB 1H 472K-T |
| C734 | 4030011600 | S.CER C1608 JB 1E 104K-T |
| C735 | 4030006880 | S.CER C1608 JB 1H 472K-T |
| C736 | 4030006880 | S.CER C1608 JB 1H 472K-T |
| C737 | 4030011600 | S.CER C1608 JB 1E 104K-T |
| C738 | 4030007150 | S.CER C1608 CH 1H 151J-T |
| C739 | 4510009270 | S.ELE EEEHB1C220UR |
| C740 | 4030007050 | S.CER C1608 CH 1H 220J-T |
| C741 | 4510008520 | S.ELE EEE1CA470SP |
| C742 | 4030011600 | S.CER C1608 JB 1E 104K-T |
| C743 | 4510008540 | S.ELE EEE1CA100SR |
| C761 | 4030011600 | S.CER C1608 JB 1E 104K-T |
| C762 | 4030011600 | S.CER C1608 JB 1E 104K-T |
| C771 | 4030011600 | S.CER C1608 JB 1E 104K-T |
| C772 | 4030011600 | S.CER C1608 JB 1E 104K-T |
| C773 | 4030007030 | S.CER C1608 CH 1H 150J-T |
| C781 | 4030011600 | S.CER C1608 JB 1E 104K-T |
| C782 | 4030011600 | S.CER C1608 JB 1E 104K-T |
| C791 | 4030011600 | S.CER C1608 JB 1E 104K-T |
| C792 | 4030011600 | S.CER C1608 JB 1E 104K-T |
| C801 | 4030011600 | S.CER C1608 JB 1E 104K-T |
| C811 | 4030006880 | S.CER C1608 JB 1H 472K-T |
| C813 | 4030011600 | S.CER C1608 JB 1E 104K-T |
| C814 | 4030011600 | S.CER C1608 JB 1E 104K-T |
| C816 | 4030006880 | S.CER C1608 JB 1H 472K-T |
| C818 | 4030011600 | S.CER C1608 JB 1E 104K-T |
| C831 | 4030006850 | S.CER C1608 JB 1H 332K-T |
| C841 | 4030006880 | S.CER C1608 JB 1H 472K-T |
| C851 | 4030011600 | S.CER C1608 JB 1E 104K-T |
| C852 | 4030011600 | S.CER C1608 JB 1E 104K-T |
| C861 | 4030011600 | S.CER C1608 JB 1E 104K-T |
| C862 | 4030011600 | S.CER C1608 JB 1E 104K-T |
| C871 | 4030011600 | S.CER C1608 JB 1E 104K-T |
| C872 | 4030011600 | S.CER C1608 JB 1E 104K-T |
| C881 | 4030011600 | S.CER C1608 JB 1E 104K-T |
| C882 | 4030011600 | S.CER C1608 JB 1E 104K-T |
| C891 | 4030011600 | S.CER C1608 JB 1E 104K-T |
| C892 | 4030006880 | S.CER C1608 JB 1H 472K-T |
| C893 | 4030006880 | S.CER C1608 JB 1H 472K-T |
| C894 | 4030011600 | S.CER C1608 JB 1E 104K-T |
| C895 | 4030007050 | S.CER C1608 CH 1H 220J-T |
| C896 | 4030011600 | S.CER C1608 JB 1E 104K-T |
| C897 | 4030006880 | S.CER C1608 JB 1H 472K-T |
| C911 | 4030011600 | S.CER C1608 JB 1E 104K-T |
| C912 | 4030007170 | S.CER C1608 CH 1H 221J-T |
| C913 | 4030011600 | S.CER C1608 JB 1E 104K-T |
| C914 | 4510008530 | S.ELE EEE1HA2R2SR |
| C1001 | 4030011600 | S.CER C1608 JB 1E 104K-T |
| C1002 | 4030006880 | S.CER C1608 JB 1H 472K-T |
| C1003 | 4030011600 | S.CER C1608 JB 1E 104K-T |
| C1004 | 4030007170 | S.CER C1608 CH 1H 221J-T |
| C1005 | 4030007170 | S.CER C1608 CH 1H 221J-T |
| C1006 | 4030006880 | S.CER C1608 JB 1H 472K-T |
| C1007 | 4030007130 | S.CER C1608 CH 1H 101J-T |
| C1008 | 4510008540 | S.ELE EEE1CA100SR |
| C1009 | 4030011600 | S.CER C1608 JB 1E 104K-T |
| C1010 | 4030011600 | S.CER C1608 JB 1E 104K-T |
| C1021 | 4030011600 | S.CER C1608 JB 1E 104K-T |
| C1022 | 4030006900 | S.CER C1608 JB 1H 103K-T |
| C1023 | 4030006900 | S.CER C1608 JB 1H 103K-T |
| C1024 | 4030011600 | S.CER C1608 JB 1E 104K-T |
| C1031 | 4030011600 | S.CER C1608 JB 1E 104K-T |
| C1041 | 4030006880 | S.CER C1608 JB 1H 472K-T |
| C1042 | 4030006880 | S.CER C1608 JB 1H 472K-T |
| C1043 | 4030006880 | S.CER C1608 JB 1H 472K-T |
| C1044 | 4030011600 | S.CER C1608 JB 1E 104K-T |
| C1051 | 4510008540 | S.ELE EEE1CA100SR |
| C1061 | 4030006880 | S.CER C1608 JB 1H 472K-T |
| C1062 | 4030007130 | S.CER C1608 CH 1H 101J-T |
| C1063 | 4510008540 | S.ELE EEE1CA100SR |
| C1064 | 4030011600 | S.CER C1608 JB 1E 104K-T |
| C1065 | 4510008540 | S.ELE EEE1CA100SR |
| C1066 | 4510008530 | S.ELE EEE1HA2R2SR |
| C1067 | 4510009270 | S.ELE EEEHB1C220UR |
| C1081 | 4030006880 | S.CER C1608 JB 1H 472K-T |
| C1085 | 4030006880 | S.CER C1608 JB 1H 472K-T |
| C1089 | 4030006880 | S.CER C1608 JB 1H 472K-T |
| C1090 | 4030011600 | S.CER C1608 JB 1E 104K-T |
| C1101 | 4030011600 | S.CER C1608 JB 1E 104K-T |
| C1102 | 4030011600 | S.CER C1608 JB 1E 104K-T |
| C1103 | 4030011600 | S.CER C1608 JB 1E 104K-T |
| C1201 | 4030006900 | S.CER C1608 JB 1H 103K-T |
| C1202 | 4030006900 | S.CER C1608 JB 1H 103K-T |
| C1211 | 4030009980 | S.CER C1608 JB 1H 152K-T |
| C1212 | 4030010020 | S.CER C1608 JB 1H 122K-T |
| C1213 | 4030008650 | S.CER C1608 JB 1H 332K-T |
| C1214 | 4030010040 | S.CER C1608 JB 1H 561K-T |
| C1215 | 4030011600 | S.CER C1608 JB 1E 104K-T |
| C1216 | 4030011600 | S.CER C1608 JB 1E 104K-T |
| C1217 | 4030011600 | S.CER C1608 JB 1E 104K-T |
| C1231 | 4030006880 | S.CER C1608 JB 1H 472K-T |
| C1251 | 4030011600 | S.CER C1608 JB 1E 104K-T |
| C1253 | 4030010760 | S.CER C1608 CH 1H 331J-T |

[USA-1], [OTH-1] only
 [USA-1], [OTH-1] only
 [USA-1], [OTH-1] only
 [USA-1], [OTH-1] only

[MAIN UNIT]

| REF NO. | ORDER NO. | DESCRIPTION |
|---------|------------|--|
| C1254 | 4510008530 | S.ELE EEE1HA2R2SR |
| C1255 | 4030006900 | S.CER C1608 JB 1H 103K-T |
| C1256 | 4030011600 | S.CER C1608 JB 1E 104K-T |
| C1257 | 4510008540 | S.ELE EEE1CA100SR |
| C1258 | 4510008540 | S.ELE EEE1CA100SR |
| C1259 | 4510008540 | S.ELE EEE1CA100SR |
| C1260 | 4510008540 | S.ELE EEE1CA100SR |
| C1261 | 4510008540 | S.ELE EEE1CA100SR |
| C1262 | 4510008530 | S.ELE EEE1HA2R2SR |
| C1271 | 4030006880 | S.CER C1608 JB 1H 472K-T |
| C1272 | 4030011600 | S.CER C1608 JB 1E 104K-T |
| C1281 | 4030006900 | S.CER C1608 JB 1H 103K-T |
| C1282 | 4030006900 | S.CER C1608 JB 1H 103K-T |
| C1292 | 4510008540 | S.ELE EEE1CA100SR |
| C1293 | 4030011600 | S.CER C1608 JB 1E 104K-T |
| C1294 | 4030011600 | S.CER C1608 JB 1E 104K-T |
| C1295 | 4510004591 | ELE 16 ME 470 HC |
| C1296 | 4510004591 | ELE 16 ME 470 HC |
| C1311 | 4030006900 | S.CER C1608 JB 1H 103K-T |
| C1312 | 4030006900 | S.CER C1608 JB 1H 103K-T |
| C1321 | 4030006900 | S.CER C1608 JB 1H 103K-T |
| C1322 | 4030006860 | S.CER C1608 JB 1H 102K-T |
| C1351 | 4030006900 | S.CER C1608 JB 1H 103K-T |
| C1352 | 4030006900 | S.CER C1608 JB 1H 103K-T |
| C1353 | 4510004510 | ELE 25 ME 470 HC |
| C1361 | 4510008530 | S.ELE EEE1HA2R2SR |
| C1362 | 4030011600 | S.CER C1608 JB 1E 104K-T |
| C1363 | 4030011600 | S.CER C1608 JB 1E 104K-T |
| C1364 | 4030011600 | S.CER C1608 JB 1E 104K-T |
| C1365 | 4510008540 | S.ELE EEE1CA100SR |
| C1371 | 4510008530 | S.ELE EEE1HA2R2SR |
| C1372 | 4030011600 | S.CER C1608 JB 1E 104K-T |
| C1373 | 4030011600 | S.CER C1608 JB 1E 104K-T |
| C1374 | 4030011600 | S.CER C1608 JB 1E 104K-T |
| C1375 | 4510004591 | ELE 16 ME 470 HC |
| C1376 | 4030010210 | S.CER C3216 JB 1C 105M-T |
| C1381 | 4030011600 | S.CER C1608 JB 1E 104K-T |
| C1382 | 4030011600 | S.CER C1608 JB 1E 104K-T |
| C1391 | 4510004591 | ELE 16 ME 470 HC |
| C1392 | 4030011600 | S.CER C1608 JB 1E 104K-T |
| C1393 | 4030011600 | S.CER C1608 JB 1E 104K-T |
| C1394 | 4510008540 | S.ELE EEE1CA100SR |
| C1401 | 4510008540 | S.ELE EEE1CA100SR |
| C1402 | 4030011600 | S.CER C1608 JB 1E 104K-T |
| C1403 | 4030011600 | S.CER C1608 JB 1E 104K-T |
| C1404 | 4510008540 | S.ELE EEE1CA100SR |
| C1411 | 4030011600 | S.CER C1608 JB 1E 104K-T |
| C1412 | 4510008520 | S.ELE EEE1CA470SP |
| C1413 | 4030011600 | S.CER C1608 JB 1E 104K-T |
| C1414 | 4510009270 | S.ELE EEEHB1C220UR |
| C1415 | 4030006860 | S.CER C1608 JB 1H 102K-T |
| C1416 | 4030006900 | S.CER C1608 JB 1H 103K-T |
| C1417 | 4510008520 | S.ELE EEE1CA470SP |
| C1418 | 4510008520 | S.ELE EEE1CA470SP |
| C1419 | 4030011600 | S.CER C1608 JB 1E 104K-T |
| C1420 | 4510008540 | S.ELE EEE1CA100SR |
| C1421 | 4030011600 | S.CER C1608 JB 1E 104K-T |
| C1422 | 4510008520 | S.ELE EEE1CA470SP |
| C1502 | 4030006880 | S.CER C1608 JB 1H 472K-T |
| C1521 | 4030006880 | S.CER C1608 JB 1H 472K-T |
| C1601 | 4030011600 | S.CER C1608 JB 1E 104K-T |
| C1602 | 4030011600 | S.CER C1608 JB 1E 104K-T |
| C1603 | 4030011600 | S.CER C1608 JB 1E 104K-T |
| C1751 | 4510008540 | S.ELE EEE1CA100SR |
| C1752 | 4510008540 | S.ELE EEE1CA100SR |
| C1753 | 4510008540 | S.ELE EEE1CA100SR |
| C1754 | 4510008540 | S.ELE EEE1CA100SR |
| C1755 | 4510008540 | S.ELE EEE1CA100SR |
| C1756 | 4030011600 | S.CER C1608 JB 1E 104K-T |
| C1771 | 4030011600 | S.CER C1608 JB 1E 104K-T |
| C2001 | 4030006860 | S.CER C1608 JB 1H 102K-T |
| C2011 | 4030010760 | S.CER C1608 CH 1H 331J-T except [USA-1], [OTH-1], [CHN] |
| C2012 | 4030007070 | S.CER C1608 CH 1H 330J-T except [USA-1], [OTH-1], [CHN] |
| C2013 | 4510008540 | S.ELE EEE1CA100SR except [USA-1], [OTH-1], [CHN] |
| C2014 | 4030011600 | S.CER C1608 JB 1E 104K-T [AUS], [DEN] only |
| C2015 | 4030006900 | S.CER C1608 JB 1H 103K-T except [USA-1], [OTH-1], [CHN] |
| C2016 | 4510008540 | S.ELE EEE1CA100SR [AUS], [DEN] only |
| C2021 | 4030006860 | S.CER C1608 JB 1H 102K-T except [USA-1], [OTH-1], [CHN] |
| C2022 | 4030007080 | S.CER C1608 CH 1H 390J-T except [USA-1], [OTH-1], [CHN] |
| C2023 | 4030007020 | S.CER C1608 CH 1H 120J-T except [USA-1], [OTH-1], [CHN] |
| C2024 | 4510008520 | S.ELE EEE1CA470SP [AUS], [DEN] only |
| C2031 | 4030006860 | S.CER C1608 JB 1H 102K-T except [USA-1], [OTH-1], [CHN] |
| C2032 | 4030006860 | S.CER C1608 JB 1H 102K-T except [USA-1], [OTH-1], [CHN] |
| C2033 | 4030006860 | S.CER C1608 JB 1H 102K-T except [USA-1], [OTH-1], [CHN] |
| C2034 | 4030006860 | S.CER C1608 JB 1H 102K-T except [USA-1], [OTH-1], [CHN] |
| C2035 | 4030011600 | S.CER C1608 JB 1E 104K-T except [USA-1], [OTH-1], [CHN] |
| C2036 | 4030011600 | S.CER C1608 JB 1E 104K-T except [USA-1], [OTH-1], [CHN] |
| C2037 | 4030006860 | S.CER C1608 JB 1H 102K-T [AUS], [DEN] only |
| C2041 | 4510008540 | S.ELE EEE1CA100SR [AUS], [DEN] only |

S.=Surface mount

[MAIN UNIT]

| REF NO. | ORDER NO. | DESCRIPTION | |
|---------|------------|-------------|---|
| C2042 | 4030011600 | S.CER | C1608 JB 1E 104K-T except [USA-1], [OTH-1], [CHN] [AUS], [DEN] only |
| C2051 | 4510008530 | S.ELE | EEE1HA2R2SR |
| RL121 | 6330000180 | R.LY | MZ-12HG |
| RL141 | 6330000180 | R.LY | MZ-12HG |
| CP731 | 6910009670 | S.CHK | HK3-S-T |
| J101 | 6510021460 | CNR | PT-C02P01 |
| J111 | 6510007020 | CNR | TMP-J01X-V6 |
| J411 | 6510007020 | CNR | TMP-J01X-V6 |
| J491 | 6510007020 | CNR | TMP-J01X-V6 |
| J781 | 6450001560 | CNR | PD-72 |
| J782 | 6450001560 | CNR | PD-72 |
| J783 | 6450001560 | CNR | PD-72 |
| J784 | 6450001560 | CNR | PD-72 |
| J811 | 6510007020 | CNR | TMP-J01X-V6 |
| J881 | 6450001560 | CNR | PD-72 |
| J882 | 6450001560 | CNR | PD-72 |
| J883 | 6450001560 | CNR | PD-72 |
| J884 | 6450001560 | CNR | PD-72 |
| J1081 | 6510007020 | CNR | TMP-J01X-V6 |
| J1221 | 6510018971 | S.CNR | B4B-PH-SM4-TB (LF) (SN) |
| J1231 | 6510019971 | S.CNR | 52808-1071 |
| J1271 | 6510019191 | S.CNR | 52365-0871 |
| J1311 | 6450001800 | CNR | JPJ1044-01-010 |
| J1321 | 6450000140 | CNR | HSJ0807-01-010 |
| J1351 | 6510023650 | CNR | HEC0740-010618 |
| J1501 | 6510019981 | S.CNR | 52808-1671 (1690) |
| J1521 | 6510019981 | S.CNR | 52808-1671 (1690) |
| J1522 | 6510021861 | CNR | BH-800.4GG <LTC> |
| J1541 | 6510019981 | S.CNR | 52808-1671 (1690) |
| J1561 | 6510019981 | S.CNR | 52808-1671 (1690) |
| J1701 | 6450000140 | CNR | HSJ0807-01-010 |
| J1751 | 6510021241 | CNR | DELC-J9SAF-23L9E |
| F1351 | 5210000051 | FUS | FGB 3A PBF (FGB0 125V) |
| F1352 | 5220000230 | HOL | S-N5054 #01 |
| F1353 | 5220000230 | HOL | S-N5054 #01 |
| BT1521 | 3020000110 | LTM | CR2032 |

[PLL UNIT]

| REF NO. | ORDER NO. | DESCRIPTION | |
|---------|------------|-------------|--|
| IC21 | 1140007881 | S.IC | TC190G08EFG0046JDZ/SC1246A |
| IC22 | 1110004460 | S.IC | uPB1509GV-E1 |
| IC23 | 1130003831 | S.IC | TC7S04F (TE85R,F) |
| IC151 | 1140004550 | S.IC | M65343FP/SC1287 |
| IC201 | 1140004550 | S.IC | M65343FP/SC1287 |
| Q1 | 1530002571 | S.TR | 2SC4405-3-TL-E |
| Q2 | 1530002571 | S.TR | 2SC4405-3-TL-E |
| Q3 | 1590000680 | S.TR | DTC114EUA T106 |
| Q4 | 1590000680 | S.TR | DTC114EUA T106 |
| Q21 | 1530003001 | S.TR | 2SC4117-BL (TE85R,F) |
| Q71 | 1560000491 | S.FET | 2SK508-T2B-A K52 |
| Q72 | 1590000680 | S.TR | DTC114EUA T106 |
| Q81 | 1560000491 | S.FET | 2SK508-T2B-A K52 |
| Q82 | 1590000680 | S.TR | DTC114EUA T106 |
| Q91 | 1530002571 | S.TR | 2SC4405-3-TL-E |
| Q92 | 1590001330 | S.TR | DTA114EUA T106 |
| Q93 | 1590000680 | S.TR | DTC114EUA T106 |
| Q96 | 1530003001 | S.TR | 2SC4117-BL (TE85R,F) |
| Q97 | 1530003001 | S.TR | 2SC4117-BL (TE85R,F) |
| Q151 | 1530002880 | S.TR | 2SC4226-T1 R24 |
| Q201 | 1530002880 | S.TR | 2SC4226-T1 R24 |
| D1 | 1750000520 | S.DIO | DAN222TL |
| D2 | 1750000550 | S.DIO | 1SS355 TE-17 |
| D71 | 1720000831 | S.VCP | KV1770STL-G |
| D72 | 1790000620 | S.DIO | MA77 (TX) |
| D81 | 1720000831 | S.VCP | KV1770STL-G |
| D82 | 1790000620 | S.DIO | MA77 (TX) |
| D83 | 1790001250 | S.DIO | MA2S111-(TX) [AUS], [DEN] only |
| D91 | 1790000620 | S.DIO | MA77 (TX) |
| D92 | 1790000620 | S.DIO | MA77 (TX) |
| X1 | 6050005712 | XTL | CR-275B (30.000 MHz) |
| L1 | 6170000230 | COL | LW-25 |
| L2 | 6150004370 | COL | LS-472C (C-15045) |
| L3 | 6200003950 | S.COL | HF50ACC 322513-T |
| L4 | 6150004250 | COL | LS-471A (C-14922) |
| L5 | 6150004250 | COL | LS-471A (C-14922) |
| L22 | 6200003171 | S.COL | NLV32T-330J |
| L23 | 6200003181 | S.COL | NLV32T-390J |
| L24 | 6200003181 | S.COL | NLV32T-390J |
| L25 | 6200001831 | S.COL | NLV32T-100J |
| L26 | 6200003191 | S.COL | NLV32T-470J |
| L27 | 6200003191 | S.COL | NLV32T-470J |
| L71 | 6170000230 | COL | LW-25 |
| L72 | 6190001371 | COL | #E544GN-110254 |
| L73 | 6170000230 | COL | LW-25 |
| L81 | 6180003390 | COL | SP0406-1R2K-6 [AUS], [USA-1], [OTH-1] only |
| L82 | 6190001281 | COL | #E544GN-110248 |
| L83 | 6180003390 | COL | SP0406-1R2K-6 [AUS], [USA-1], [OTH-1] only |
| L91 | 6180002961 | S.COL | NLV32T-R18J |
| L92 | 6180002981 | S.COL | NLV32T-056J |
| L93 | 6180002971 | S.COL | NLV32T-068J |
| L94 | 6200001831 | S.COL | NLV32T-100J |
| L151 | 6200003131 | S.COL | NLV32T-120J |
| L152 | 6200003141 | S.COL | NLV32T-150J |
| L153 | 6200001831 | S.COL | NLV32T-100J |
| L201 | 6200005491 | S.COL | NLV32T-331J |
| L202 | 6200008641 | S.COL | NLV32T-391J |
| L203 | 6200001831 | S.COL | NLV32T-100J |
| L204 | 6200003640 | S.COL | MLF1608E 100K-T |
| L205 | 6200003640 | S.COL | MLF1608E 100K-T |
| L206 | 6200004790 | S.COL | MLF1608D R47K-T |
| L207 | 6200003950 | S.COL | HF50ACC 322513-T except [USA-1], [OTH-1] |
| L208 | 6200003950 | S.COL | HF50ACC 322513-T except [USA-1], [OTH-1] |
| R1 | 7030003320 | S.RES | ERJ3GEYJ 101 V (100) |
| R2 | 7030003580 | S.RES | ERJ3GEYJ 153 V (15 k) |
| R3 | 7030003520 | S.RES | ERJ3GEYJ 472 V (4.7 k) |
| R4 | 7030003430 | S.RES | ERJ3GEYJ 821 V (820) |
| R5 | 7030003370 | S.RES | ERJ3GEYJ 271 V (270) |
| R6 | 7030003320 | S.RES | ERJ3GEYJ 101 V (100) |
| R7 | 7030003600 | S.RES | ERJ3GEYJ 223 V (22 k) |
| R8 | 7030003560 | S.RES | ERJ3GEYJ 103 V (10 k) |
| R9 | 7030003370 | S.RES | ERJ3GEYJ 271 V (270) |
| R10 | 7030003640 | S.RES | ERJ3GEYJ 473 V (47 k) |
| R11 | 7030003320 | S.RES | ERJ3GEYJ 101 V (100) |
| R12 | 7030003200 | S.RES | ERJ3GEYJ 100 V (10) |
| R13 | 7030003200 | S.RES | ERJ3GEYJ 100 V (10) |
| R21 | 7030003370 | S.RES | ERJ3GEYJ 271 V (270) |
| R22 | 7030003560 | S.RES | ERJ3GEYJ 103 V (10 k) |
| R23 | 7030005400 | S.RES | RR0816P-202-D (2 k) [USA-1], [OTH-1] only |
| R24 | 7030005400 | S.RES | RR0816P-202-D (2 k) [USA-1], [OTH-1] only |
| R25 | 7030005400 | S.RES | RR0816P-202-D (2 k) [USA-1], [OTH-1] only |
| R26 | 7030005400 | S.RES | RR0816P-202-D (2 k) [USA-1], [OTH-1] only |
| R27 | 7030005400 | S.RES | RR0816P-202-D (2 k) [USA-1], [OTH-1] only |
| R28 | 7030005400 | S.RES | RR0816P-202-D (2 k) [USA-1], [OTH-1] only |
| R29 | 7030005400 | S.RES | RR0816P-202-D (2 k) [USA-1], [OTH-1] only |
| R30 | 7030005400 | S.RES | RR0816P-202-D (2 k) [USA-1], [OTH-1] only |
| R31 | 7030005370 | S.RES | RR0816P-202-B (2 k) [USA-1], [OTH-1] only |
| R32 | 7030005370 | S.RES | RR0816P-202-B (2 k) [USA-1], [OTH-1] only |
| R33 | 7030005370 | S.RES | RR0816P-202-B (2 k) [USA-1], [OTH-1] only |
| R34 | 7030005370 | S.RES | RR0816P-202-B (2 k) [USA-1], [OTH-1] only |
| R35 | 7030005370 | S.RES | RR0816P-202-B (2 k) [USA-1], [OTH-1] only |
| R36 | 7030005390 | S.RES | RR0816P-102-D (1 k) [USA-1], [OTH-1] only |
| R37 | 7030005390 | S.RES | RR0816P-102-D (1 k) [USA-1], [OTH-1] only |
| R38 | 7030005390 | S.RES | RR0816P-102-D (1 k) [USA-1], [OTH-1] only |

S.=Surface mount

[PLL UNIT]

| REF NO. | ORDER NO. | DESCRIPTION |
|---------|------------|--|
| R39 | 7030005390 | S.RES RR0816P-102-D (1 k) [USA-1], [OTH-1] only |
| R40 | 7030005390 | S.RES RR0816P-102-D (1 k) [USA-1], [OTH-1] only |
| R41 | 7030005390 | S.RES RR0816P-102-D (1 k) [USA-1], [OTH-1] only |
| R42 | 7030005380 | S.RES RR0816P-102-B (1 k) [USA-1], [OTH-1] only |
| R43 | 7030005380 | S.RES RR0816P-102-B (1 k) [USA-1], [OTH-1] only |
| R44 | 7030005380 | S.RES RR0816P-102-B (1 k) [USA-1], [OTH-1] only |
| R45 | 7030005380 | S.RES RR0816P-102-B (1 k) [USA-1], [OTH-1] only |
| R46 | 7030005380 | S.RES RR0816P-102-B (1 k) [USA-1], [OTH-1] only |
| R47 | 7030003400 | S.RES ERJ3GEYJ 471 V (470) |
| R48 | 7030003720 | S.RES ERJ3GEYJ 224 V (220 k) |
| R49 | 7030003440 | S.RES ERJ3GEYJ 102 V (1 k) |
| R50 | 7030003440 | S.RES ERJ3GEYJ 102 V (1 k) |
| R51 | 7030003440 | S.RES ERJ3GEYJ 102 V (1 k) |
| R52 | 7030003440 | S.RES ERJ3GEYJ 102 V (1 k) |
| R53 | 7030003440 | S.RES ERJ3GEYJ 102 V (1 k) |
| R54 | 7030003440 | S.RES ERJ3GEYJ 102 V (1 k) |
| R55 | 7030003440 | S.RES ERJ3GEYJ 102 V (1 k) |
| R71 | 7030003490 | S.RES ERJ3GEYJ 272 V (2.7 k) |
| R72 | 7030003780 | S.RES ERJ3GEYJ 684 V (680 k) |
| R73 | 7030003260 | S.RES ERJ3GEYJ 330 V (33) |
| R75 | 7030003390 | S.RES ERJ3GEYJ 391 V (390) |
| R76 | 7030003250 | S.RES ERJ3GEYJ 270 V (27) |
| R78 | 7030003370 | S.RES ERJ3GEYJ 271 V (270) |
| R79 | 7030003580 | S.RES ERJ3GEYJ 153 V (15 k) |
| R80 | 7030003570 | S.RES ERJ3GEYJ 123 V (12 k) |
| R81 | 7030003560 | S.RES ERJ3GEYJ 103 V (10 k) |
| R83 | 7030003480 | S.RES ERJ3GEYJ 222 V (2.2 k) |
| R85 | 7030003430 | S.RES ERJ3GEYJ 821 V (820) |
| R86 | 7030003330 | S.RES ERJ3GEYJ 121 V (120) [USA-1], [OTH-1] only |
| R91 | 7030003260 | S.RES ERJ3GEYJ 330 V (33) |
| R92 | 7030003550 | S.RES ERJ3GEYJ 822 V (8.2 k) |
| R93 | 7030003510 | S.RES ERJ3GEYJ 392 V (3.9 k) |
| R94 | 7030003320 | S.RES ERJ3GEYJ 101 V (100) |
| R95 | 7030003200 | S.RES ERJ3GEYJ 100 V (10) |
| R96 | 7030003680 | S.RES ERJ3GEYJ 104 V (100 k) |
| R97 | 7030003440 | S.RES ERJ3GEYJ 102 V (1 k) |
| R98 | 7030003440 | S.RES ERJ3GEYJ 102 V (1 k) |
| R99 | 7030003440 | S.RES ERJ3GEYJ 102 V (1 k) |
| R100 | 7030003510 | S.RES ERJ3GEYJ 392 V (3.9 k) |
| R101 | 7030003370 | S.RES ERJ3GEYJ 271 V (270) |
| R102 | 7030003230 | S.RES ERJ3GEYJ 180 V (18) |
| R103 | 7030003370 | S.RES ERJ3GEYJ 271 V (270) |
| R104 | 7030003370 | S.RES ERJ3GEYJ 271 V (270) |
| R107 | 7030003280 | S.RES ERJ3GEYJ 470 V (47) |
| R108 | 7030003320 | S.RES ERJ3GEYJ 101 V (100) |
| R110 | 7030003360 | S.RES ERJ3GEYJ 221 V (220) |
| R111 | 7030003640 | S.RES ERJ3GEYJ 473 V (47 k) |
| R112 | 7030003560 | S.RES ERJ3GEYJ 103 V (10 k) |
| R113 | 7030003440 | S.RES ERJ3GEYJ 102 V (1 k) |
| R114 | 7030003230 | S.RES ERJ3GEYJ 180 V (18) |
| R115 | 7030003670 | S.RES ERJ3GEYJ 823 V (82 k) |
| R116 | 7030003620 | S.RES ERJ3GEYJ 333 V (33 k) |
| R117 | 7030003300 | S.RES ERJ3GEYJ 680 V (68) |
| R151 | 7030003380 | S.RES ERJ3GEYJ 331 V (330) |
| R152 | 7030003620 | S.RES ERJ3GEYJ 333 V (33 k) |
| R153 | 7030005400 | S.RES RR0816P-202-D (2 k) [USA-1], [OTH-1] only |
| R154 | 7030005400 | S.RES RR0816P-202-D (2 k) [USA-1], [OTH-1] only |
| R155 | 7030005400 | S.RES RR0816P-202-D (2 k) [USA-1], [OTH-1] only |
| R156 | 7030005400 | S.RES RR0816P-202-D (2 k) [USA-1], [OTH-1] only |
| R157 | 7030005400 | S.RES RR0816P-202-D (2 k) [USA-1], [OTH-1] only |
| R158 | 7030005400 | S.RES RR0816P-202-D (2 k) [USA-1], [OTH-1] only |
| R159 | 7030005400 | S.RES RR0816P-202-D (2 k) [USA-1], [OTH-1] only |
| R160 | 7030005400 | S.RES RR0816P-202-D (2 k) [USA-1], [OTH-1] only |
| R161 | 7030005370 | S.RES RR0816P-202-B (2 k) [USA-1], [OTH-1] only |
| R162 | 7030005370 | S.RES RR0816P-202-B (2 k) [USA-1], [OTH-1] only |
| R163 | 7030005370 | S.RES RR0816P-202-B (2 k) [USA-1], [OTH-1] only |
| R164 | 7030005390 | S.RES RR0816P-102-D (1 k) [USA-1], [OTH-1] only |
| R165 | 7030005390 | S.RES RR0816P-102-D (1 k) [USA-1], [OTH-1] only |
| R166 | 7030005390 | S.RES RR0816P-102-D (1 k) [USA-1], [OTH-1] only |
| R167 | 7030005390 | S.RES RR0816P-102-D (1 k) [USA-1], [OTH-1] only |
| R168 | 7030005390 | S.RES RR0816P-102-D (1 k) [USA-1], [OTH-1] only |
| R169 | 7030005390 | S.RES RR0816P-102-D (1 k) [USA-1], [OTH-1] only |
| R170 | 7030005380 | S.RES RR0816P-102-B (1 k) [USA-1], [OTH-1] only |
| R171 | 7030005380 | S.RES RR0816P-102-B (1 k) [USA-1], [OTH-1] only |
| R172 | 7030005380 | S.RES RR0816P-102-B (1 k) [USA-1], [OTH-1] only |
| R178 | 7030003430 | S.RES ERJ3GEYJ 821 V (820) |
| R180 | 7030003440 | S.RES ERJ3GEYJ 102 V (1 k) |
| R181 | 7030003440 | S.RES ERJ3GEYJ 102 V (1 k) |
| R182 | 7030003440 | S.RES ERJ3GEYJ 102 V (1 k) |
| R183 | 7030003440 | S.RES ERJ3GEYJ 102 V (1 k) |
| R201 | 7030003380 | S.RES ERJ3GEYJ 331 V (330) |
| R202 | 7030003620 | S.RES ERJ3GEYJ 333 V (33 k) |
| R203 | 7030005400 | S.RES RR0816P-202-D (2 k) [USA-1], [OTH-1] only |
| R204 | 7030005400 | S.RES RR0816P-202-D (2 k) [USA-1], [OTH-1] only |
| R205 | 7030005400 | S.RES RR0816P-202-D (2 k) [USA-1], [OTH-1] only |
| R206 | 7030005400 | S.RES RR0816P-202-D (2 k) [USA-1], [OTH-1] only |
| R207 | 7030005400 | S.RES RR0816P-202-D (2 k) [USA-1], [OTH-1] only |
| R208 | 7030005400 | S.RES RR0816P-202-D (2 k) [USA-1], [OTH-1] only |
| R209 | 7030005400 | S.RES RR0816P-202-D (2 k) [USA-1], [OTH-1] only |
| R210 | 7030005400 | S.RES RR0816P-202-D (2 k) [USA-1], [OTH-1] only |
| R211 | 7030005370 | S.RES RR0816P-202-B (2 k) [USA-1], [OTH-1] only |
| R212 | 7030005370 | S.RES RR0816P-202-B (2 k) [USA-1], [OTH-1] only |
| R213 | 7030005370 | S.RES RR0816P-202-B (2 k) [USA-1], [OTH-1] only |
| R214 | 7030005390 | S.RES RR0816P-102-D (1 k) [USA-1], [OTH-1] only |
| R215 | 7030005390 | S.RES RR0816P-102-D (1 k) [USA-1], [OTH-1] only |
| R216 | 7030005390 | S.RES RR0816P-102-D (1 k) [USA-1], [OTH-1] only |
| R217 | 7030005390 | S.RES RR0816P-102-D (1 k) [USA-1], [OTH-1] only |
| R218 | 7030005390 | S.RES RR0816P-102-D (1 k) [USA-1], [OTH-1] only |
| R219 | 7030005390 | S.RES RR0816P-102-D (1 k) [USA-1], [OTH-1] only |
| R220 | 7030005380 | S.RES RR0816P-102-B (1 k) [USA-1], [OTH-1] only |
| R221 | 7030005380 | S.RES RR0816P-102-B (1 k) [USA-1], [OTH-1] only |
| R222 | 7030005380 | S.RES RR0816P-102-B (1 k) [USA-1], [OTH-1] only |
| R228 | 7030003430 | S.RES ERJ3GEYJ 821 V (820) |
| R230 | 7030003440 | S.RES ERJ3GEYJ 102 V (1 k) |

[PLL UNIT]

| REF NO. | ORDER NO. | DESCRIPTION |
|---------|------------|--|
| R231 | 7030003440 | S.RES ERJ3GEYJ 102 V (1 k) |
| R232 | 7030003440 | S.RES ERJ3GEYJ 102 V (1 k) |
| R233 | 7030003440 | S.RES ERJ3GEYJ 102 V (1 k) |
| R235 | 7030003440 | S.RES ERJ3GEYJ 102 V (1 k) |
| R237 | 7030003520 | S.RES ERJ3GEYJ 472 V (4.7 k) except [USA-1], [OTH-1] |
| C1 | 4030008310 | S.CER C1608 UJ 1H 390J-T except [USA-1], [OTH-1] |
| C3 | 4030006880 | S.CER C1608 JB 1H 472K-T |
| C4 | 4030006880 | S.CER C1608 JB 1H 472K-T |
| C5 | 4030007630 | S.CER C1608 RH 1H 121J-T |
| C6 | 4030006880 | S.CER C1608 JB 1H 472K-T |
| C7 | 4030006880 | S.CER C1608 JB 1H 472K-T |
| C8 | 4030006880 | S.CER C1608 JB 1H 472K-T |
| C9 | 4030007170 | S.CER C1608 CH 1H 221J-T |
| C10 | 4030007030 | S.CER C1608 CH 1H 150J-T |
| C11 | 4030006880 | S.CER C1608 JB 1H 472K-T |
| C12 | 4030006910 | S.CER C1608 CH 1H 0R5C-T |
| C13 | 4030007030 | S.CER C1608 CH 1H 150J-T |
| C14 | 4030006880 | S.CER C1608 JB 1H 472K-T |
| C15 | 4030006880 | S.CER C1608 JB 1H 472K-T |
| C16 | 4030007610 | S.CER C1608 RH 1H 820J-T except [USA-1], [OTH-1] |
| C21 | 4030006880 | S.CER C1608 JB 1H 472K-T |
| C23 | 4030011600 | S.CER C1608 JB 1E 104K-T |
| C24 | 4510008500 | S.ELE EEE1CA101WP |
| C25 | 4030011600 | S.CER C1608 JB 1E 104K-T |
| C26 | 4030011600 | S.CER C1608 JB 1E 104K-T |
| C27 | 4030011600 | S.CER C1608 JB 1E 104K-T |
| C28 | 4030011600 | S.CER C1608 JB 1E 104K-T |
| C29 | 4030011600 | S.CER C1608 JB 1E 104K-T |
| C30 | 4030011600 | S.CER C1608 JB 1E 104K-T |
| C31 | 4030011600 | S.CER C1608 JB 1E 104K-T |
| C32 | 4030011600 | S.CER C1608 JB 1E 104K-T |
| C33 | 4030011600 | S.CER C1608 JB 1E 104K-T |
| C34 | 4030011600 | S.CER C1608 JB 1E 104K-T |
| C35 | 4030011600 | S.CER C1608 JB 1E 104K-T |
| C36 | 4030011600 | S.CER C1608 JB 1E 104K-T |
| C37 | 4030007070 | S.CER C1608 CH 1H 330J-T |
| C38 | 4030007010 | S.CER C1608 CH 1H 100D-T |
| C39 | 4030011540 | S.CER C1608 CH 1H 750J-T |
| C40 | 4030006980 | S.CER C1608 CH 1H 070D-T |
| C41 | 4030007120 | S.CER C1608 CH 1H 820J-T |
| C42 | 4030006930 | S.CER C1608 CH 1H 020C-T |
| C43 | 4030007100 | S.CER C1608 CH 1H 560J-T |
| C44 | 4030007010 | S.CER C1608 CH 1H 100D-T |
| C45 | 4030006860 | S.CER C1608 JB 1H 102K-T |
| C46 | 4030006860 | S.CER C1608 JB 1H 102K-T |
| C50 | 4030006880 | S.CER C1608 JB 1H 472K-T |
| C51 | 4030011600 | S.CER C1608 JB 1E 104K-T |
| C52 | 4030006880 | S.CER C1608 JB 1H 472K-T |
| C53 | 4030006880 | S.CER C1608 JB 1H 472K-T |
| C54 | 4030006880 | S.CER C1608 JB 1H 472K-T |
| C55 | 4030006880 | S.CER C1608 JB 1H 472K-T |
| C56 | 4030007110 | S.CER C1608 CH 1H 680J-T |
| C57 | 4030007090 | S.CER C1608 CH 1H 470J-T |
| C58 | 4030007100 | S.CER C1608 CH 1H 560J-T |
| C59 | 4030011840 | S.CER C1608 CH 1H 241J-T |
| C60 | 4030009580 | S.CER C1608 JB 1H 681K-T |
| C71 | 4550006250 | S.TAN TEESVA 1A 106M8R |
| C72 | 4030011600 | S.CER C1608 JB 1E 104K-T |
| C73 | 4030006850 | S.CER C1608 JB 1H 471K-T |
| C74 | 4510008540 | S.ELE EEE1CA100SR |
| C75 | 4030007140 | S.CER C1608 CH 1H 121J-T |
| C76 | 4610001830 | S.TRI TZB4S100AB10R00 |
| C77 | 4030007010 | S.CER C1608 CH 1H 100D-T |
| C78 | 4030006880 | S.CER C1608 JB 1H 472K-T |
| C79 | 4030009540 | S.CER C1608 CH 1H 1R5B-T [AUS], [DEN], [OTH-1] only |
| C80 | 4030006880 | S.CER C1608 JB 1H 472K-T |
| C81 | 4030006880 | S.CER C1608 JB 1H 472K-T |
| C82 | 4030011600 | S.CER C1608 JB 1E 104K-T |
| C83 | 4030006850 | S.CER C1608 JB 1H 471K-T |
| C84 | 4510008540 | S.ELE EEE1CA100SR [USA-1], [OTH-1] only |
| C85 | 4030006850 | S.CER C1608 JB 1H 471K-T |
| C86 | 4610001830 | S.TRI TZB4S100AB10R00 |
| C87 | 4030006950 | S.CER C1608 CH 1H 040C-T |
| C88 | 4030006880 | S.CER C1608 JB 1H 472K-T |
| C89 | 4030009510 | S.CER C1608 CH 1H 010B-T [AUS], [DEN], [OTH-1] only |
| C90 | 4030006880 | S.CER C1608 JB 1H 472K-T |
| C91 | 4030006880 | S.CER C1608 JB 1H 472K-T |
| C92 | 4030006880 | S.CER C1608 JB 1H 472K-T |
| C93 | 4030006880 | S.CER C1608 JB 1H 472K-T |
| C94 | 4030011600 | S.CER C1608 JB 1E 104K-T |
| C95 | 4030006880 | S.CER C1608 JB 1H 472K-T |
| C96 | 4030007080 | S.CER C1608 CH 1H 390J-T |
| C97 | 4030006990 | S.CER C1608 CH 1H 080D-T |
| C98 | 4030007090 | S.CER C1608 CH 1H 470J-T |
| C99 | 4030006930 | S.CER C1608 CH 1H 020C-T |
| C100 | 4030007080 | S.CER C1608 CH 1H 390J-T |
| C101 | 4030006880 | S.CER C1608 JB 1H 472K-T |
| C102 | 4030007020 | S.CER C1608 CH 1H 120J-T |
| C103 | 4030006970 | S.CER C1608 CH 1H 060D-T |
| C104 | 4030006880 | S.CER C1608 JB 1H 472K-T |
| C105 | 4030006880 | S.CER C1608 JB 1H 472K-T |
| C106 | 4510008500 | S.ELE EEE1CA101WP |
| C107 | 4030006880 | S.CER C1608 JB 1H 472K-T |
| C108 | 4030006880 | S.CER C1608 JB 1H 472K-T |
| C110 | 4030006880 | S.CER C1608 JB 1H 472K-T |
| C111 | 4030006880 | S.CER C1608 JB 1H 472K-T |
| C112 | 4030006880 | S.CER C1608 JB 1H 472K-T |
| C113 | 4030006880 | S.CER C1608 JB 1H 472K-T |
| C114 | 4030006880 | S.CER C1608 JB 1H 472K-T |
| C115 | 4030006880 | S.CER C1608 JB 1H 472K-T |
| C116 | 4030011600 | S.CER C1608 JB 1E 104K-T |
| C117 | 4030011600 | S.CER C1608 JB 1E 104K-T |

S.=Surface mount

[PLL UNIT]

| REF NO. | ORDER NO. | DESCRIPTION | |
|---------|------------|-------------|--------------------|
| C118 | 4030006880 | S.CER | C1608 JB 1H 472K-T |
| C119 | 4510009270 | S.ELE | EEHHC1C220UR |
| C120 | 4030006850 | S.CER | C1608 JB 1H 471K-T |
| C121 | 4030011600 | S.CER | C1608 JB 1E 104K-T |
| C122 | 4030011600 | S.CER | C1608 JB 1E 104K-T |
| C123 | 4030011600 | S.CER | C1608 JB 1E 104K-T |
| C124 | 4030011600 | S.CER | C1608 JB 1E 104K-T |
| C125 | 4030007090 | S.CER | C1608 CH 1H 470J-T |
| C126 | 4550006250 | S.TAN | TEESVA 1A 106M8R |
| C127 | 4030011600 | S.CER | C1608 JB 1E 104K-T |
| C128 | 4030011600 | S.CER | C1608 JB 1E 104K-T |
| C151 | 4030006880 | S.CER | C1608 JB 1H 472K-T |
| C152 | 4030007040 | S.CER | C1608 CH 1H 180J-T |
| C153 | 4030006960 | S.CER | C1608 CH 1H 050C-T |
| C154 | 4030007070 | S.CER | C1608 CH 1H 330J-T |
| C155 | 4030006930 | S.CER | C1608 CH 1H 020C-T |
| C156 | 4030007040 | S.CER | C1608 CH 1H 180J-T |
| C157 | 4030006880 | S.CER | C1608 JB 1H 472K-T |
| C164 | 4030006880 | S.CER | C1608 JB 1H 472K-T |
| C165 | 4510008540 | S.ELE | EEE1CA100SR |
| C167 | 4030011600 | S.CER | C1608 JB 1E 104K-T |
| C201 | 4030006880 | S.CER | C1608 JB 1H 472K-T |
| C202 | 4030006850 | S.CER | C1608 JB 1H 471K-T |
| C203 | 4030007120 | S.CER | C1608 CH 1H 820J-T |
| C204 | 4030009490 | S.CER | C1608 JB 1H 821K-T |
| C205 | 4030007070 | S.CER | C1608 CH 1H 330J-T |
| C206 | 4030010040 | S.CER | C1608 JB 1H 561K-T |
| C207 | 4030006880 | S.CER | C1608 JB 1H 472K-T |
| C214 | 4030006880 | S.CER | C1608 JB 1H 472K-T |
| C215 | 4510008540 | S.ELE | EEE1CA100SR |
| C217 | 4030011600 | S.CER | C1608 JB 1E 104K-T |
| C305 | 4510008540 | S.ELE | EEE1CA100SR |
| C310 | 4030007090 | S.CER | C1608 CH 1H 470J-T |
| C311 | 4030007090 | S.CER | C1608 CH 1H 470J-T |
| C312 | 4030007090 | S.CER | C1608 CH 1H 470J-T |
| C313 | 4030007090 | S.CER | C1608 CH 1H 470J-T |
| C314 | 4030007090 | S.CER | C1608 CH 1H 470J-T |
| C315 | 4030007090 | S.CER | C1608 CH 1H 470J-T |
| C316 | 4030006860 | S.CER | C1608 JB 1H 102K-T |
| C317 | 4030006880 | S.CER | C1608 JB 1H 472K-T |
| C318 | 4030006880 | S.CER | C1608 JB 1H 472K-T |
| C319 | 4030006880 | S.CER | C1608 JB 1H 472K-T |
| C320 | 4030006850 | S.CER | C1608 JB 1H 471K-T |
| C321 | 4030006880 | S.CER | C1608 JB 1H 472K-T |
| C322 | 4030006880 | S.CER | C1608 JB 1H 472K-T |
| C323 | 4030006880 | S.CER | C1608 JB 1H 472K-T |
| C324 | 4030006880 | S.CER | C1608 JB 1H 472K-T |
| C325 | 4030007100 | S.CER | C1608 CH 1H 560J-T |
| C326 | 4030006880 | S.CER | C1608 JB 1H 472K-T |
| C327 | 4030006880 | S.CER | C1608 JB 1H 472K-T |
| C328 | 4030009500 | S.CER | C1608 CH 1H 0R5B-T |
| C329 | 4030006850 | S.CER | C1608 JB 1H 471K-T |
| C330 | 4030006880 | S.CER | C1608 JB 1H 472K-T |
| C331 | 4030006880 | S.CER | C1608 JB 1H 472K-T |
| C332 | 4030006880 | S.CER | C1608 JB 1H 472K-T |
| RL1 | 6330001320 | RLY | AHY103 |
| J2 | 6510019981 | S.CNR | 52808-1671 (1690) |
| J3 | 6450000140 | CNR | HSJ0807-01-010 |
| J4 | 6450000140 | CNR | HSJ0807-01-010 |
| W1 | 7030003860 | S.RES | ERJ3GE JPW V |
| W2 | 7030003860 | S.RES | ERJ3GE JPW V |
| W18 | 7030003860 | S.RES | ERJ3GE JPW V |
| W19 | 7030003860 | S.RES | ERJ3GE JPW V |
| W20 | 7030003860 | S.RES | ERJ3GE JPW V |
| EP2 | 6910012350 | S.BEA | MMZ1608Y 102BT |
| EP3 | 6910012350 | S.BEA | MMZ1608Y 102BT |
| EP4 | 6910012350 | S.BEA | MMZ1608Y 102BT |
| EP5 | 6910012350 | S.BEA | MMZ1608Y 102BT |
| EP6 | 6910012350 | S.BEA | MMZ1608Y 102BT |
| EP7 | 6910012350 | S.BEA | MMZ1608Y 102BT |
| EP8 | 6910012350 | S.BEA | MMZ1608Y 102BT |
| EP9 | 6910012350 | S.BEA | MMZ1608Y 102BT |
| EP10 | 6910012350 | S.BEA | MMZ1608Y 102BT |
| EP11 | 6910012350 | S.BEA | MMZ1608Y 102BT |
| EP12 | 6910012350 | S.BEA | MMZ1608Y 102BT |
| EP13 | 6910012350 | S.BEA | MMZ1608Y 102BT |
| EP14 | 6910012350 | S.BEA | MMZ1608Y 102BT |

except [USA-1], [OTH-1]
 except [USA-1], [OTH-1]
 except [USA-1], [OTH-1]
 except [USA-1], [OTH-1]

except [USA-1], [OTH-1]

except [USA-1], [OTH-1]
 except [USA-1], [OTH-1]
 except [USA-1], [OTH-1]
 except [USA-1], [OTH-1]
 except [USA-1], [OTH-1]

[VR BOARD]

| REF NO. | ORDER NO. | DESCRIPTION | |
|---------|------------|-------------|-------------------------|
| R131 | 7210003040 | VAR | TP96D26-22F-10KBX2-2240 |
| R141 | 7210003030 | VAR | TP96D00-22F-10KBX2-2240 |
| R143 | 7030003540 | S.RES | ERJ3GEYJ 682 V (6.8 k) |
| J101 | 6510020711 | S.CNR | 52793-1070 (1090) |

[DISPLAY BOARD]

| REF NO. | ORDER NO. | DESCRIPTION | |
|---------|------------|-------------|----------------------|
| IC101 | 1140005130 | S.IC | HD66100F |
| Q11 | 1530002851 | S.TR | 2SC4116-BL (TE85R,F) |
| Q21 | 1530002851 | S.TR | 2SC4116-BL (TE85R,F) |
| Q31 | 1530002851 | S.TR | 2SC4116-BL (TE85R,F) |
| Q41 | 1530002851 | S.TR | 2SC4116-BL (TE85R,F) |
| Q51 | 1530002851 | S.TR | 2SC4116-BL (TE85R,F) |
| Q61 | 1530002851 | S.TR | 2SC4116-BL (TE85R,F) |
| Q71 | 1530002851 | S.TR | 2SC4116-BL (TE85R,F) |
| Q81 | 1530002851 | S.TR | 2SC4116-BL (TE85R,F) |
| R11 | 7030000320 | S.RES | MCR10EZHZJ 330 (331) |
| R12 | 7030003360 | S.RES | ERJ3GEYJ 221 V (220) |
| R21 | 7030000320 | S.RES | MCR10EZHZJ 330 (331) |
| R22 | 7030003360 | S.RES | ERJ3GEYJ 221 V (220) |
| R31 | 7030000320 | S.RES | MCR10EZHZJ 330 (331) |
| R32 | 7030003360 | S.RES | ERJ3GEYJ 221 V (220) |
| R41 | 7030000320 | S.RES | MCR10EZHZJ 330 (331) |
| R42 | 7030003360 | S.RES | ERJ3GEYJ 221 V (220) |
| R51 | 7030000320 | S.RES | MCR10EZHZJ 330 (331) |
| R52 | 7030003360 | S.RES | ERJ3GEYJ 221 V (220) |
| R61 | 7030000320 | S.RES | MCR10EZHZJ 330 (331) |
| R62 | 7030003360 | S.RES | ERJ3GEYJ 221 V (220) |
| R71 | 7030000320 | S.RES | MCR10EZHZJ 330 (331) |
| R72 | 7030003360 | S.RES | ERJ3GEYJ 221 V (220) |
| R81 | 7030000320 | S.RES | MCR10EZHZJ 330 (331) |
| R82 | 7030003360 | S.RES | ERJ3GEYJ 221 V (220) |
| C101 | 4030008630 | S.CER | C1608 JF 1H 104Z-T |
| J101 | 6510019981 | S.CNR | 52808-1671 (1690) |
| DS11 | 5040002940 | S.LED | TLYU1002A (T02) |
| DS12 | 5040002940 | S.LED | TLYU1002A (T02) |
| DS13 | 5040002940 | S.LED | TLYU1002A (T02) |
| DS21 | 5040002940 | S.LED | TLYU1002A (T02) |
| DS22 | 5040002940 | S.LED | TLYU1002A (T02) |
| DS23 | 5040002940 | S.LED | TLYU1002A (T02) |
| DS31 | 5040002940 | S.LED | TLYU1002A (T02) |
| DS32 | 5040002940 | S.LED | TLYU1002A (T02) |
| DS33 | 5040002940 | S.LED | TLYU1002A (T02) |
| DS41 | 5040002940 | S.LED | TLYU1002A (T02) |
| DS42 | 5040002940 | S.LED | TLYU1002A (T02) |
| DS43 | 5040002940 | S.LED | TLYU1002A (T02) |
| DS51 | 5040002940 | S.LED | TLYU1002A (T02) |
| DS52 | 5040002940 | S.LED | TLYU1002A (T02) |
| DS53 | 5040002940 | S.LED | TLYU1002A (T02) |
| DS61 | 5040002940 | S.LED | TLYU1002A (T02) |
| DS62 | 5040002940 | S.LED | TLYU1002A (T02) |
| DS63 | 5040002940 | S.LED | TLYU1002A (T02) |
| DS71 | 5040002940 | S.LED | TLYU1002A (T02) |
| DS72 | 5040002940 | S.LED | TLYU1002A (T02) |
| DS73 | 5040002940 | S.LED | TLYU1002A (T02) |
| DS81 | 5040002940 | S.LED | TLYU1002A (T02) |
| DS82 | 5040002940 | S.LED | TLYU1002A (T02) |
| DS83 | 5040002940 | S.LED | TLYU1002A (T02) |
| DS101 | 5030001690 | LCD | HLC7395-012400 |
| EP2 | 8930049631 | LCT | SRCN-2240-SP-N-W-1 |

[PHONE BOARD]

| REF NO. | ORDER NO. | DESCRIPTION | |
|---------|------------|-------------|--------------------|
| L121 | 6200003950 | S.COL | HF50ACC 322513-T |
| R121 | 7030006070 | S.RES | ERJ12YJ101U (100) |
| R122 | 7030006070 | S.RES | ERJ12YJ101U (100) |
| C121 | 4030006880 | S.CER | C1608 JB 1H 472K-T |
| C122 | 4030006880 | S.CER | C1608 JB 1H 472K-T |
| C123 | 4030006880 | S.CER | C1608 JB 1H 472K-T |
| J101 | 6510020711 | S.CNR | 52793-1070 (1090) |
| J121 | 6510021480 | CNR | HLJ2307-01-3070 |

S.=Surface mount

• UT-106

(Optional product; an accessory for [USA] and [USA-1])

[MAIN UNIT]

| REF NO. | ORDER NO. | DESCRIPTION | M. | H/V LOCATION |
|---------|------------|--------------------------------------|----|--------------|
| IC1 | 1180002191 | S.IC RQ5RW18BA-TR-F | B | 23.8/3.4 |
| IC2 | 1180002201 | S.IC RN5RZ33BA-TR-F | B | 23.6/3.4 |
| IC101 | 1130010011 | S.IC TC7WHU04FU (TE12L,F) | B | 15.6/5.1 |
| IC201 | 1130007690 | S.IC BU4066BCF-E2 | T | 26.7/53.4 |
| IC301 | 1110005610 | S.IC NJM2058V-TE1-#ZZZB | B | 16.1/41.3 |
| IC302 | 1110005610 | S.IC NJM2058V-TE1-#ZZZB | B | 7.2/41.4 |
| IC401 | 1190001770 | S.IC AK4518-VF-E2 #31, #32, 23E, 23J | T | 22.7/17.8 |
| IC501 | 1140010440 | S.IC TMS320VC5401PGE | B | 15.8/24 |
| IC502 | 1130011151 | S.IC SN74AHC2G08HDC3 | B | 26.4/43.9 |
| IC503 | 1130010550 | S.IC SN74AHC595PWR | T | 13.6/19.8 |
| IC601 | 1130012380 | S.IC AT49BV001AN-55TI | T | 6.3/24.9 |
| IC604 | 1130011151 | S.IC SN74AHC2G08HDC3 | T | 13/31.2 |
| D1 | 1790001711 | S.DIO NNCD5.6C-T1-A | T | 31.9/44.1 |
| D2 | 1790001711 | S.DIO NNCD5.6C-T1-A | T | 24.7/43.1 |
| D3 | 1790001711 | S.DIO NNCD5.6C-T1-A | T | 24.7/44.5 |
| D4 | 1790001711 | S.DIO NNCD5.6C-T1-A | B | 21.5/53.3 |
| D5 | 1790001711 | S.DIO NNCD5.6C-T1-A | B | 20.2/51.4 |
| D6 | 1790001711 | S.DIO NNCD5.6C-T1-A | B | 21.3/58.1 |
| D7 | 1790001711 | S.DIO NNCD5.6C-T1-A | B | 18.4/58.1 |
| D501 | 1750000231 | S.DIO 1SS315 (TPH3,F) | B | 14.8/9.4 |
| X101 | 6050010250 | S.XTL CR-606 (15.990 MHz) | B | 5.1/5.5 |
| L1 | 6200001831 | S.COL NLV32T-100J | T | 26.7/46.7 |
| L2 | 6200008950 | S.COL LQH32MN221K23L | T | 29.7/4.8 |
| L3 | 6200008950 | S.COL LQH32MN221K23L | B | 30.1/5 |
| L101 | 6200005011 | S.COL NLV25T-100J | T | 17.2/5 |
| L401 | 6200005011 | S.COL NLV25T-100J | B | 30.5/30 |
| L501 | 6200005011 | S.COL NLV25T-100J | T | 20.6/12.4 |
| L502 | 6200005011 | S.COL NLV25T-100J | T | 16.7/12.2 |
| L503 | 6200005011 | S.COL NLV25T-100J | B | 30.8/43 |
| L504 | 6200005011 | S.COL NLV25T-100J | T | 11.2/13.2 |
| L601 | 6200005011 | S.COL NLV25T-100J | T | 2.2/12 |
| L604 | 6200005011 | S.COL NLV25T-100J | T | 12.4/36.7 |
| R101 | 7030003800 | S.RES ERJ3GEYJ 105 V (1 M) | B | 13.2/4.1 |
| R102 | 7030003460 | S.RES ERJ3GEYJ 152 V (1.5 k) | B | 13.2/6.8 |
| R201 | 7030003800 | S.RES ERJ3GEYJ 105 V (1 M) | B | 17.4/51.6 |
| R202 | 7030003640 | S.RES ERJ3GEYJ 473 V (47 k) | T | 23.4/58.1 |
| R203 | 7030003640 | S.RES ERJ3GEYJ 473 V (47 k) | T | 30.3/48.9 |
| R204 | 7030003680 | S.RES ERJ3GEYJ 104 V (100 k) | T | 30/58.1 |
| R205 | 7030003600 | S.RES ERJ3GEYJ 223 V (22 k) | T | 30.3/47.6 |
| R301 | 7030003800 | S.RES ERJ3GEYJ 105 V (1 M) | T | 26/59.6 |
| R302 | 7030003800 | S.RES ERJ3GEYJ 105 V (1 M) | T | 30/59.6 |
| R303 | 7030003940 | S.RES ERJ3GEYF 104 V (100 k) | T | 13.3/48.8 |
| R304 | 7030010830 | S.RES ERJ3GEYF 474 V (470 k) | T | 13.3/47.5 |
| R305 | 7030003680 | S.RES ERJ3GEYJ 104 V (100 k) | T | 15.2/44.9 |
| R306 | 7030003680 | S.RES ERJ3GEYJ 104 V (100 k) | T | 17.9/44.9 |
| R307 | 7030003680 | S.RES ERJ3GEYJ 104 V (100 k) | T | 15.1/42.3 |
| R308 | 7030003680 | S.RES ERJ3GEYJ 104 V (100 k) | T | 18.8/40.9 |
| R309 | 7030003940 | S.RES ERJ3GEYF 104 V (100 k) | B | 2.8/38.4 |
| R310 | 7030003620 | S.RES ERJ3GEYJ 333 V (33 k) | B | 2.8/37.1 |
| R311 | 7030003680 | S.RES ERJ3GEYJ 104 V (100 k) | T | 8.9/40 |
| R312 | 7030003680 | S.RES ERJ3GEYJ 104 V (100 k) | T | 7.7/41.9 |
| R313 | 7030003680 | S.RES ERJ3GEYJ 104 V (100 k) | T | 12.7/42.9 |
| R314 | 7030003680 | S.RES ERJ3GEYJ 104 V (100 k) | T | 11.4/44.2 |
| R315 | 7030003560 | S.RES ERJ3GEYJ 103 V (10 k) | T | 7.3/45.3 |
| R316 | 7030003600 | S.RES ERJ3GEYJ 223 V (22 k) | T | 6/45.3 |
| R317 | 7030003800 | S.RES ERJ3GEYJ 105 V (1 M) | T | 4.1/43.4 |
| R318 | 7030003800 | S.RES ERJ3GEYJ 105 V (1 M) | T | 3.3/45.3 |
| R319 | 7030006461 | S.RES ERA3YED 152V (1.5 k) | B | 13.9/37.9 |
| R320 | 7030003450 | S.RES ERJ3GEYJ 122 V (1.2 k) | T | 16.9/36.1 |
| R401 | 7030003200 | S.RES ERJ3GEYJ 100 V (10) | T | 31.4/16.8 |
| R402 | 7030003560 | S.RES ERJ3GEYJ 103 V (10 k) | T | 28.7/18 |
| R403 | 7030003560 | S.RES ERJ3GEYJ 103 V (10 k) | T | 29.1/16.7 |
| R404 | 7030003560 | S.RES ERJ3GEYJ 103 V (10 k) | T | 17.6/17.6 |
| R406 | 7030003400 | S.RES ERJ3GEYJ 471 V (470) | T | 15.5/32.7 |
| R407 | 7030003800 | S.RES ERJ3GEYJ 105 V (1 M) | T | 10.3/40 |
| R408 | 7030003800 | S.RES ERJ3GEYJ 105 V (1 M) | T | 12.9/40.3 |
| R501 | 7030003560 | S.RES ERJ3GEYJ 103 V (10 k) | B | 17.8/36.3 |
| R502 | 7030003560 | S.RES ERJ3GEYJ 103 V (10 k) | B | 19.7/37.2 |
| R503 | 7030003560 | S.RES ERJ3GEYJ 103 V (10 k) | B | 21/37.2 |
| R504 | 7030003560 | S.RES ERJ3GEYJ 103 V (10 k) | B | 29.2/21.8 |
| R505 | 7030003560 | S.RES ERJ3GEYJ 103 V (10 k) | B | 29.2/20.5 |
| R506 | 7030003560 | S.RES ERJ3GEYJ 103 V (10 k) | B | 29.2/19.1 |
| R507 | 7030003560 | S.RES ERJ3GEYJ 103 V (10 k) | B | 29.2/17.8 |
| R508 | 7030003560 | S.RES ERJ3GEYJ 103 V (10 k) | B | 28.5/13.1 |
| R509 | 7030003560 | S.RES ERJ3GEYJ 103 V (10 k) | B | 22.4/10.2 |
| R510 | 7030003560 | S.RES ERJ3GEYJ 103 V (10 k) | B | 22.4/11.5 |
| R511 | 7030003560 | S.RES ERJ3GEYJ 103 V (10 k) | B | 20.6/11 |
| R512 | 7030003560 | S.RES ERJ3GEYJ 103 V (10 k) | B | 23/7 |
| R513 | 7030003560 | S.RES ERJ3GEYJ 103 V (10 k) | B | 22/8.7 |
| R514 | 7030003560 | S.RES ERJ3GEYJ 103 V (10 k) | B | 22.3/37.2 |
| R515 | 7030003560 | S.RES ERJ3GEYJ 103 V (10 k) | T | 29.5/43.9 |
| R516 | 7030003560 | S.RES ERJ3GEYJ 103 V (10 k) | T | 27.1/43.5 |
| R517 | 7030003610 | S.RES ERJ3GEYJ 273 V (27 k) | B | 22.9/44.3 |
| R518 | 7030003560 | S.RES ERJ3GEYJ 103 V (10 k) | B | 30.8/45.5 |
| R519 | 7030003610 | S.RES ERJ3GEYJ 273 V (27 k) | B | 28.9/46.3 |
| R520 | 7030003610 | S.RES ERJ3GEYJ 273 V (27 k) | B | 25.3/40.3 |
| R521 | 7030003640 | S.RES ERJ3GEYJ 473 V (47 k) | B | 22.5/39.6 |
| R522 | 7030003610 | S.RES ERJ3GEYJ 273 V (27 k) | T | 29/42.6 |
| R523 | 7030003640 | S.RES ERJ3GEYJ 473 V (47 k) | B | 22.2/42.2 |
| R524 | 7030003610 | S.RES ERJ3GEYJ 273 V (27 k) | B | 28.1/39.2 |
| R525 | 7030003640 | S.RES ERJ3GEYJ 473 V (47 k) | B | 22.5/40.9 |
| R526 | 7030003360 | S.RES ERJ3GEYJ 221 V (220) | T | 14.2/12.3 |
| R531 | 7030003560 | S.RES ERJ3GEYJ 103 V (10 k) | B | 1.8/12 |
| R532 | 7030003560 | S.RES ERJ3GEYJ 103 V (10 k) | B | 1.8/14.6 |

[MAIN UNIT]

| REF NO. | ORDER NO. | DESCRIPTION | M. | H/V LOCATION |
|---------|------------|-------------------------------|----|--------------|
| R533 | 7030003560 | S.RES ERJ3GEYJ 103 V (10 k) | B | 1.8/17.4 |
| R534 | 7030003560 | S.RES ERJ3GEYJ 103 V (10 k) | B | 2.2/19.2 |
| R535 | 7030003560 | S.RES ERJ3GEYJ 103 V (10 k) | B | 2.2/20.5 |
| R536 | 7030003560 | S.RES ERJ3GEYJ 103 V (10 k) | B | 2.2/21.8 |
| R537 | 7030003560 | S.RES ERJ3GEYJ 103 V (10 k) | B | 1.9/25.1 |
| R538 | 7030003560 | S.RES ERJ3GEYJ 103 V (10 k) | B | 2.2/23.2 |
| R539 | 7030003560 | S.RES ERJ3GEYJ 103 V (10 k) | T | 30.1/46 |
| R601 | 7030003560 | S.RES ERJ3GEYJ 103 V (10 k) | T | 7.4/36.9 |
| C1 | 4030011600 | S.CER C1608 JB 1E 104K-T | B | 25.7/3.3 |
| C2 | 4030011600 | S.CER C1608 JB 1E 104K-T | T | 21.9/3.3 |
| C3 | 4030011600 | S.CER C1608 JB 1E 104K-T | B | 23.8/5.7 |
| C4 | 4550006250 | S.TAN TEESVA 1A 106M8R | T | 19.5/4.8 |
| C5 | 4550006250 | S.TAN TEESVA 1A 106M8R | B | 27.5/4.6 |
| C6 | 4550006250 | S.TAN TEESVA 1A 106M8R | B | 20/4.5 |
| C7 | 4550006250 | S.TAN TEESVA 1A 106M8R | T | 26.3/4.7 |
| C8 | 4030011600 | S.CER C1608 JB 1E 104K-T | T | 21.2/3.8 |
| C101 | 4030011600 | S.CER C1608 JB 1E 104K-T | B | 18/5.3 |
| C102 | 4030007020 | S.CER C1608 CH 1H 102K-T | B | 11.9/3.7 |
| C103 | 4030007040 | S.CER C1608 CH 1H 102K-T | B | 11.9/6.2 |
| C104 | 4030006930 | S.CER C1608 CH 1H 020C-T | B | 10.1/5.2 |
| C201 | 4030011600 | S.CER C1608 JB 1E 104K-T | T | 23.4/59.6 |
| C301 | 4030011600 | S.CER C1608 JB 1E 104K-T | B | 16.4/45.1 |
| C302 | 4550006250 | S.TAN TEESVA 1A 106M8R | T | 21.9/46.7 |
| C303 | 4030011600 | S.CER C1608 JB 1E 104K-T | B | 2.6/43.2 |
| C304 | 4550006250 | S.TAN TEESVA 1A 106M8R | B | 6.9/45.3 |
| C305 | 4030011600 | S.CER C1608 JB 1E 104K-T | T | 28/58.8 |
| C306 | 4030011600 | S.CER C1608 JB 1E 104K-T | T | 13.3/50.1 |
| C307 | 4030011330 | S.CER C1608 CH 1H 391J-T | T | 15/43.6 |
| C308 | 4030010760 | S.CER C1608 CH 1H 331J-T | T | 17.8/43.6 |
| C309 | 4030006860 | S.CER C1608 JB 1H 102K-T | T | 15/41 |
| C310 | 4030007150 | S.CER C1608 CH 1H 151J-T | T | 18.8/42.2 |
| C311 | 4030011600 | S.CER C1608 JB 1E 104K-T | B | 2.4/40.3 |
| C312 | 4030011330 | S.CER C1608 CH 1H 391J-T | T | 10.7/41.9 |
| C313 | 4030010760 | S.CER C1608 CH 1H 331J-T | T | 4.9/41.2 |
| C314 | 4030006860 | S.CER C1608 JB 1H 102K-T | T | 9.5/43.5 |
| C315 | 4030007150 | S.CER C1608 CH 1H 151J-T | T | 8.7/45.3 |
| C316 | 4030011600 | S.CER C1608 JB 1E 104K-T | T | 4.7/45.3 |
| C317 | 4550006250 | S.TAN TEESVA 1A 106M8R | T | 22.7/48.8 |
| C318 | 4550000460 | S.TAN TEESVA 1C 105M8R | T | 15.1/36.7 |
| C401 | 4550006250 | S.TAN TEESVA 1A 106M8R | T | 27.5/23.1 |
| C402 | 4030011600 | S.CER C1608 JB 1E 104K-T | T | 28.5/21.4 |
| C403 | 4550006320 | S.TAN ECST0JY475R | T | 30.9/20.9 |
| C404 | 4550007230 | S.TAN F930J475MAABMA | T | 30.9/20.9 |
| C405 | 4030011600 | S.CER C1608 JB 1E 104K-T | T | 28.5/19.5 |
| C406 | 4550006250 | S.TAN TEESVA 1A 106M8R | T | 24.2/10.4 |
| C407 | 4030011600 | S.CER C1608 JB 1E 104K-T | T | 27.8/14.8 |
| C408 | 4550006320 | S.TAN ECST0JY475R | T | 23.8/23.1 |
| C409 | 4550007230 | S.TAN F930J475MAABMA | T | 17/28.7 |
| C410 | 4030011600 | S.CER C1608 JB 1E 104K-T | T | 22.5/23.1 |
| C411 | 4550006320 | S.TAN ECST0JY475R | T | 17/26.6 |
| C412 | 4030006870 | S.CER C1608 JB 1H 222K-T | T | 16.3/30.8 |
| C413 | 4030011600 | S.CER C1608 JB 1E 104K-T | T | 16.8/32.7 |
| C414 | 4030011600 | S.CER C1608 JB 1E 104K-T | T | 19.4/23 |
| C501 | 4030011600 | S.CER C1608 JB 1E 104K-T | B | 7.8/36.4 |
| C502 | 4030011600 | S.CER C1608 JB 1E 104K-T | B | 15.7/37.1 |
| C503 | 4030011600 | S.CER C1608 JB 1E 104K-T | B | 23.8/37.3 |
| C504 | 4030011600 | S.CER C1608 JB 1E 104K-T | B | 28.8/27 |
| C505 | 4030011600 | S.CER C1608 JB 1E 104K-T | B | 29.7/23.7 |
| C506 | 4030011600 | S.CER C1608 JB 1E 104K-T | B | 28.3/15.7 |
| C507 | 4030011600 | S.CER C1608 JB 1E 104K-T | B | 24.6/10.8 |
| C508 | 4030011600 | S.CER C1608 JB 1E 104K-T | B | 15/11.8 |
| C509 | 4030011600 | S.CER C1608 JB 1E 104K-T | B | 3.6/16.1 |
| C510 | 4030011600 | S.CER C1608 JB 1E 104K-T | B | 3.2/25.1 |
| C511 | 4030011600 | S.CER C1608 JB 1E 104K-T | B | 2.9/27 |
| C512 | 4030011600 | S.CER C1608 JB 1E 104K-T | B | 4.9/34.4 |
| C513 | 4030011600 | S.CER C1608 JB 1E 104K-T | B | 26.2/46.3 |
| C514 | 4030011600 | S.CER C1608 JB 1E 104K-T | T | 14.2/13.9 |
| C601 | 4030011600 | S.CER C1608 JB 1E 104K-T | T | 4.9/6 |
| C604 | 4030011600 | S.CER C1608 JB 1E 104K-T | T | 12.8/34.5 |
| J1 | 6510020421 | S.CNR S4B-PH-SM4-TB (LF) (SN) | B | 29.8/54.7 |
| J3 | 6510020711 | S.CNR 52793-1070 (1090) | T | 23.1/35 |
| W1 | 7030003860 | S.RES ERJ3GE JPW V | T | 27.1/25.3 |
| WS1 | 8600036140 | EX1962 P01*J02MA | | |

M.=Mounted side (T: Mounted on the Top side, B: Mounted on the Bottom side)
S.=Surface mount

SECTION 6

MECHANICAL PARTS

[CHASSIS PARTS]

| REF NO. | ORDER NO. | DESCRIPTION | QTY. |
|---------|------------------|------------------------------|------|
| J1 | 651000370 | MR-DS | 1 |
| P1 | 6510003240 | TMP-P01X-A1 | 1 |
| W1 | 9022400010 | 62/99/085/C31/W17D | 1 |
| W2 | 9086700300 | wire 08 | 1 |
| W3 | 8900007000 | OPC-684 | 1 |
| W4 | 8900007000 | OPC-684 | 1 |
| W5 | 8900007000 | OPC-684 | 1 |
| W6 | 8900007000 | OPC-684 | 1 |
| EP1 | Optional product | UT-106 [USA], [USA-1] only | 1 |
| MP1 | 8010017711 | 2240 MAIN CHASSIS-1 | 1 |
| MP2 | 8110006703 | 2240 U-COVER-3 | 1 |
| MP3 | 8110006691 | 2240 L-COVER-1 | 1 |
| MP4 | 8930005790 | color reg (A) | 1 |
| MP5 | 8930005800 | color reg (B) | 1 |
| MP6 | 8010001520 | stand (C) | 1 |
| MP7 | 8930002900 | rubber leg (A) SK1912A | 2 |
| MP8 | 8930035240 | 1546 TR-B CLIP | 1 |
| MP9 | 8930049600 | 2240 IC CLIP | 1 |
| MP10 | 8810001651 | Screw BT C0 3X6 ZC3 (FT) | 4 |
| MP11 | 8810008661 | Screw BT B0 3X8 NI-ZC3 (BT) | 2 |
| MP12 | 8810008661 | Screw BT B0 3X8 NI-ZC3 (BT) | 2 |
| MP13 | 8810005771 | Screw BiH M3X8 ZK3 | 8 |
| MP14 | 8810005771 | Screw BiH M3X8 ZK3 | 2 |
| MP15 | 8810008661 | Screw BT B0 3X8 NI-ZC3 (BT) | 6 |
| MP16 | 8810008661 | Screw BT B0 3X8 NI-ZC3 (BT) | 5 |
| MP17 | 8810008661 | Screw BT B0 3X8 NI-ZC3 (BT) | 2 |
| MP18 | 8810008661 | Screw BT B0 3X8 NI-ZC3 (BT) | 1 |
| MP19 | 8930037001 | 1691 EARTH PLATE-1 | 1 |
| MP20 | 8810008661 | Screw BT B0 3X8 NI-ZC3 (BT) | 2 |
| MP22 | 8810009131 | Screw BT B0 3X12NI-ZC3 (BT) | 2 |
| MP23 | 8410002310 | 2240 HEATSINK | 1 |
| MP24 | 8810008661 | Screw BT B0 3X8 NI-ZC3 (BT) | 2 |
| MP25 | 8930049611 | 2240 UNIT HOLDER-1 | 1 |
| MP26 | 8810003961 | Setscrew (A) 2.6X5 ZC3 | 2 |
| MP28 | 8930018810 | Thermal sheet (AA) | 2 |
| MP29 | 8930048120 | SHIELD TAPE (A) | 1 |
| MP30 | 8930049260 | Thermal sheet (CA) | 2 |
| MP31 | 8930048960 | SHIELD TAPE (B) | 1 |
| MP32 | 8930070820 | Shield sponge (BK) | 1 |
| MP33 | 8930049900 | SHIELD TAPE (E) | 2 |
| MP34 | 8930050280 | copper sheet (H) | 3 |
| MP35 | 8930050050 | sponge (GJ) | 1 |
| MP36 | 8930045530 | tape (F) [USA], [USA-1] only | 1 |

[FRONT UNIT]

| REF NO. | ORDER NO. | DESCRIPTION | QTY. |
|---------|------------|-----------------------------|------|
| P1 | 6510018980 | PHR-2 | 1 |
| SP1 | 2510000671 | VS-C50-0827 | 1 |
| W1 | 9020720160 | 51/99/090/B11A/W19A | 1 |
| W2 | 9011130780 | wire 00 | 1 |
| W3 | 8900014740 | OPC-885A | 1 |
| W4 | 8900015930 | OPC-886A | 1 |
| W5 | 8900007000 | OPC-684 | 1 |
| EP1 | 6910012480 | RMS20-250-201-1R | 1 |
| EP2 | 6450001230 | HLJ0999-01-480 (Snap plate) | 1 |
| MP1 | 8210016031 | 2240 FRONT PANEL-1 | 1 |
| MP2 | 8930001770 | saran net | 1 |
| MP4 | 8930048740 | 2240 9-KEY | 1 |
| MP5 | 8930048730 | 2240 6-KEY | 1 |
| MP6 | 8930048750 | 2240 20-KEY | 1 |
| MP7 | 8930048710 | 2240 BRAKE PLATE | 1 |
| MP8 | 8930036740 | 1691 BRAKE PAD | 2 |
| MP9 | 8930049370 | 2240 BRAKE SHEET | 1 |
| MP10 | 8830001010 | HEX NUT (A) | 1 |
| MP11 | 8830001010 | HEX NUT (A) | 1 |
| MP12 | 8830001410 | 1897 NUT | 1 |
| MP13 | 8610010420 | Knob N-261 | 1 |
| MP14 | 8610010420 | Knob N-261 | 1 |
| MP15 | 8610010710 | Knob N-272 | 1 |
| MP16 | 8610010710 | Knob N-272 | 1 |
| MP17 | 8610009160 | Knob N-213 BASE | 1 |
| MP18 | 8610009171 | KNOB N-213 COVER-1 | 1 |
| MP19 | 8610009190 | Knob N-213 FINGER REST | 1 |
| MP20 | 8930032340 | 1424 N-SPRING | 1 |
| MP21 | 8010017772 | 2240 F-CHASSIS-2 | 1 |
| MP24 | 8810008661 | Screw BT B0 3X8 NI-ZC3 (BT) | 5 |
| MP25 | 8810008661 | Screw BT B0 3X8 NI-ZC3 (BT) | 1 |
| MP26 | 8930048891 | 2240 SP HOLDER-1 | 1 |
| MP27 | 8810008661 | Screw BT B0 3X8 NI-ZC3 (BT) | 4 |

[FRONT UNIT]

| REF NO. | ORDER NO. | DESCRIPTION | QTY. |
|---------|------------|-----------------------------|------|
| MP28 | 8810008661 | Screw BT B0 3X8 NI-ZC3 (BT) | 4 |
| MP29 | 8610007510 | knob spring NO.7800 | 1 |
| MP30 | 8610007510 | knob spring NO.7800 | 1 |
| MP31 | 8930049770 | sponge (GF) | 5 |
| MP32 | 8930047440 | Insulation sheet (FJ) | 4 |
| MP33 | 8930029050 | Thermal sheet (AL) | 1 |
| MP34 | 8930049880 | 2240 LCD SPONGE | 1 |
| MP35 | 8930049860 | 2240 L-SHEET | 1 |
| MP36 | 8930038920 | Thermal sheet (BH) | 4 |
| MP37 | 8930049870 | 2240 SP SPONGE | 1 |
| MP39 | 8930070820 | Shield sponge (BK) | 2 |
| MP40 | 8930070870 | Shield sponge (BL) | 1 |

[DISPLAY UNIT]

| REF NO. | ORDER NO. | DESCRIPTION | QTY. |
|---------|------------|--------------------|------|
| DS101 | 5030001690 | HLC7395-012400 | 1 |
| EP2 | 8930049631 | SRCN-2240-SP-N-W-1 | 1 |
| MP1 | 8210016061 | 2240 REFLECTOR-1 | 1 |
| MP2 | 8930048880 | 2240 LCD HOLDER | 1 |
| MP3 | 8930049380 | 2240 LCD FILTER | 1 |
| MP4 | 8930029050 | Thermal sheet (AL) | 1 |
| MP5 | 8930039570 | rubber sheet (U) | 1 |
| MP6 | 8930001170 | earth spring (A) | 1 |

[MAIN UNIT]

| REF NO. | ORDER NO. | DESCRIPTION | QTY. |
|---------|-------------|--------------------------------------|------|
| RL121 | 6330000180 | MZ-12HG | 1 |
| RL141 | 6330000180 | MZ-12HG | 1 |
| J101 | 6510021460 | PT-C02P01 | 1 |
| J111 | 6510007020 | TMP-J01X-V6 | 1 |
| J411 | 6510007020 | TMP-J01X-V6 | 1 |
| J491 | 6510007020 | TMP-J01X-V6 | 1 |
| J781 | 6450001560 | PD-72 | 1 |
| J782 | 6450001560 | PD-72 | 1 |
| J783 | 6450001560 | PD-72 | 1 |
| J784 | 6450001560 | PD-72 | 1 |
| J811 | 6510007020 | TMP-J01X-V6 | 1 |
| J881 | 6450001560 | PD-72 | 1 |
| J882 | 6450001560 | PD-72 | 1 |
| J883 | 6450001560 | PD-72 | 1 |
| J884 | 6450001560 | PD-72 | 1 |
| J1081 | 6510007020 | TMP-J01X-V6 | 1 |
| J1241 | 6510009870 | PD054-02M | 1 |
| J1311 | 6450001800 | JPJ1044-01-010 | 1 |
| J1321 | 6450000140 | HSJ0807-01-010 | 1 |
| J1351 | 6510023650 | HEC0740-010618 | 1 |
| J1522 | 6510021861 | BH-800-4GG | 1 |
| J1701 | 6450000140 | HSJ0807-01-010 | 1 |
| J1751 | 6510021241 | DELIC-J9SAF-23L9E | 1 |
| P1241 | 6510018990 | PHR-4 | 1 |
| F1351 | 5210000051 | FGB 3A PBF | 1 |
| F1352 | 5220000230 | S-N5054 #01 | 1 |
| F1353 | 5220000230 | S-N5054 #01 | 1 |
| BT1521 | 3020000110 | CR2032 | 1 |
| W1241 | 9016910300 | 51/99/130/B11A/D33A | 1 |
| W1242 | 9011130780 | wire 00 AA | 1 |
| MP1 | 8930014140 | earth spring (D) | 1 |
| MP2 | 8930014140 | earth spring (D) | 1 |
| MP3 | 8930014140 | earth spring (D) [USA], [USA-1] only | 1 |
| MP4 | 8930014140 | earth spring (D) [USA], [USA-1] only | 1 |
| MP101 | 8510012440 | 2240 T-PLATE | 1 |
| MP381 | 8510005980 | 724 Shield case | 1 |
| MP382 | 8510005990 | 724 Shield case cover | 1 |
| MP441 | 8510005150 | 602 Shield case | 1 |
| MP442 | 8510005160 | 602 Shield case cover | 1 |
| MP461 | 8930005320 | Filter spacer | 1 |
| MP491 | 8510005330 | coil case (SX-644) | 1 |
| MP701 | 8930005200 | crystal holder | 1 |
| MP881 | 8930011820 | 455 filter holder | 1 |
| MP1411 | 8510002200 | VCO case FX-15) | 1 |
| MP1751 | 89300050040 | 2240 D-SUB PLATE [USA], [USA-1] only | 1 |

Screw abbreviations

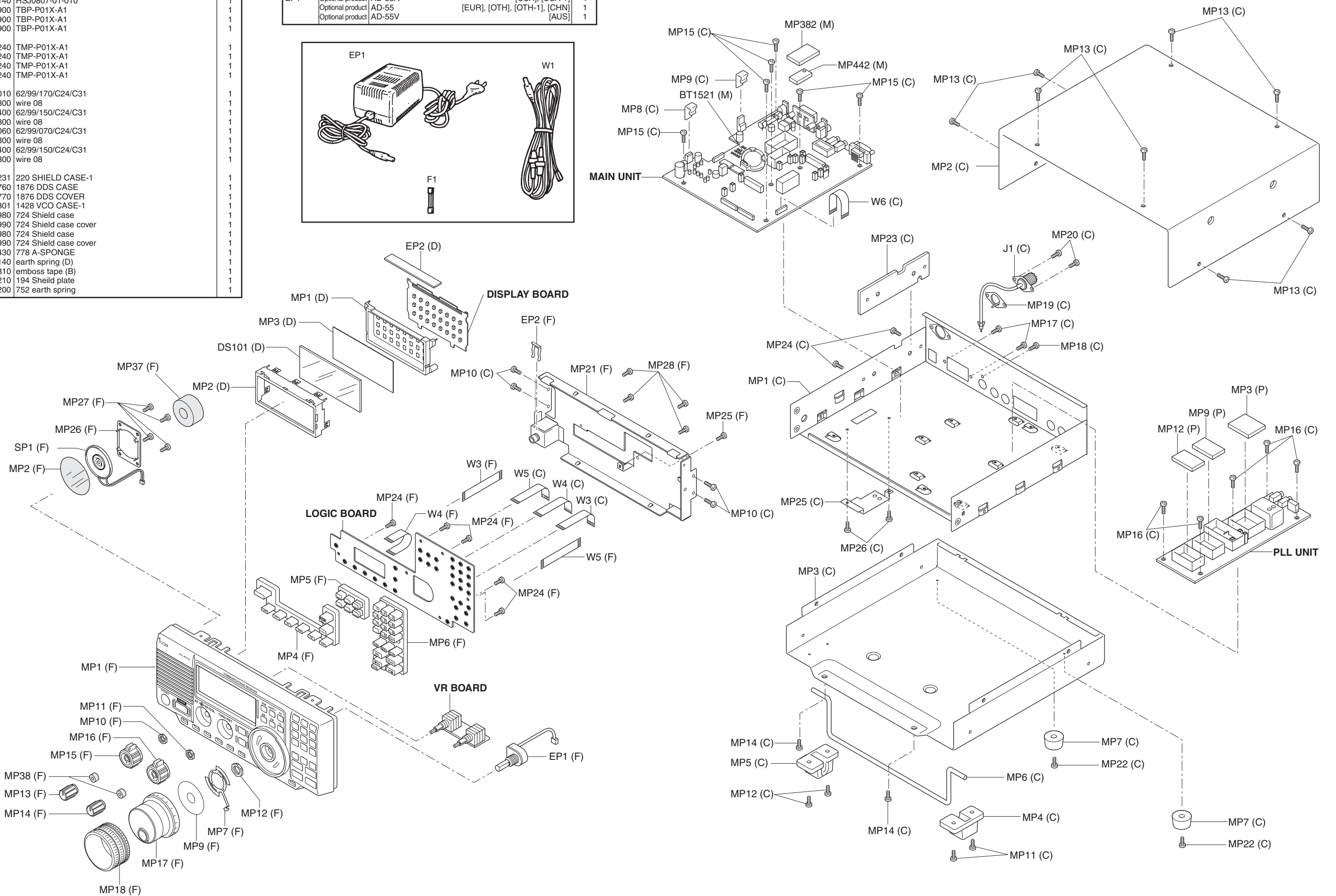
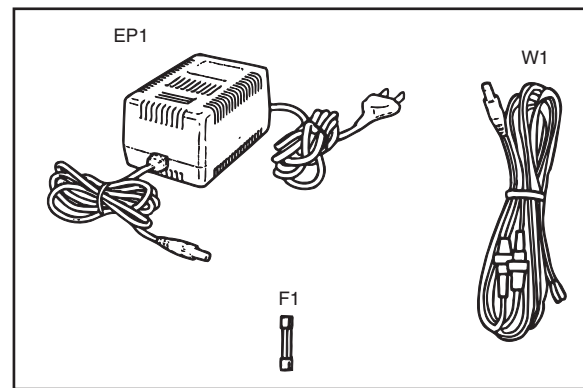
A, B0, BT: Self-tapping PH: Pan head ZK: Black NI-ZU: Nickel-Zinc SUS: Stainless

[PLL UNIT]

| REF NO. | ORDER NO. | DESCRIPTION | QTY. |
|---------|------------|-----------------------|------|
| RL1 | 6330001320 | AHY103 | 1 |
| J1 | 6510007900 | TBP-P01X-A1 | 1 |
| J3 | 6450000140 | HSJ0807-01-010 | 1 |
| J4 | 6450000140 | HSJ0807-01-010 | 1 |
| J91 | 6510007900 | TBP-P01X-A1 | 1 |
| J151 | 6510007900 | TBP-P01X-A1 | 1 |
| J201 | 6510007900 | TBP-P01X-A1 | 1 |
| P1 | 6510003240 | TMP-P01X-A1 | 1 |
| P91 | 6510003240 | TMP-P01X-A1 | 1 |
| P151 | 6510003240 | TMP-P01X-A1 | 1 |
| P201 | 6510003240 | TMP-P01X-A1 | 1 |
| W10 | 9014130010 | 62/99/170/C24/C31 | 1 |
| W11 | 9086700300 | wire 08 | 1 |
| W12 | 9014130400 | 62/99/150/C24/C31 | 1 |
| W13 | 9086700300 | wire 08 | 1 |
| W14 | 9018970060 | 62/99/070/C24/C31 | 1 |
| W15 | 9086700300 | wire 08 | 1 |
| W16 | 9014130400 | 62/99/150/C24/C31 | 1 |
| W17 | 9086700300 | wire 08 | 1 |
| MP1 | 8510000231 | 220 SHIELD CASE-1 | 1 |
| MP2 | 8510010760 | 1876 DDS CASE | 1 |
| MP3 | 8510010770 | 1876 DDS COVER | 1 |
| MP5 | 8510008801 | 1428 VCO CASE-1 | 1 |
| MP8 | 8510005980 | 724 Shield case | 1 |
| MP9 | 8510005990 | 724 Shield case cover | 1 |
| MP11 | 8510005980 | 724 Shield case | 1 |
| MP12 | 8510005990 | 724 Shield case cover | 1 |
| MP13 | 8930038430 | 778 A-SPONGE | 1 |
| MP14 | 8930014140 | earth spring (D) | 1 |
| MP15 | 8930027810 | emboss tape (B) | 1 |
| MP16 | 8510000210 | 194 Shield plate | 1 |
| MP17 | 8930017200 | 752 earth spring | 1 |

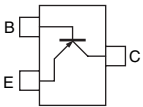
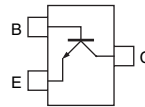
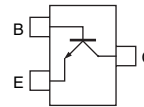
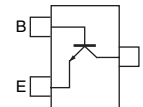
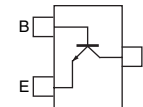
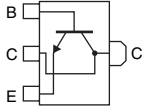
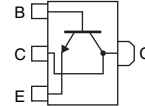
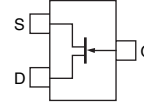
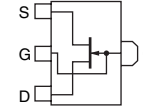
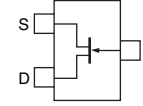
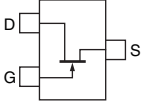
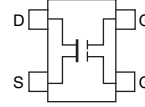
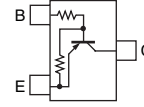
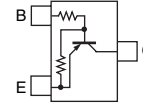
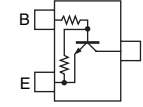
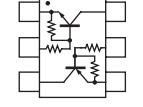
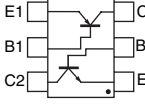
[ACCESSORIES]

| REF NO. | ORDER NO. | DESCRIPTION | QTY. |
|---------|------------------|------------------------------------|------|
| F1 | 5210000051 | FGB 3A PBF | 1 |
| W1 | 8900008950 | OPC-869 [UK], [DEN], [SEA] only | 1 |
| EP1 | Optional product | AD-55A [USA], [USA-1] | 1 |
| | Optional product | AD-55 [EUR], [OTH], [OTH-1], [CHN] | 1 |
| | Optional product | AD-55V [AUS] | 1 |

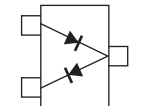
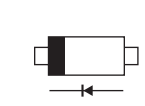
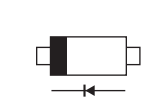
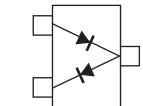
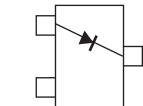
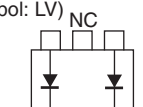
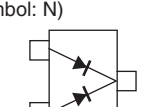
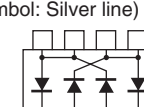
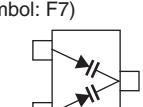
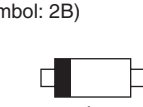
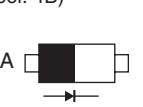
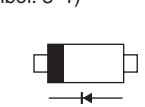
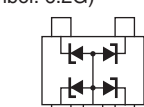


SECTION 7 SEMICONDUCTOR INFORMATION

• TRANSISTOR AND FET'S

| | | | | |
|--|---|--|---|---|
| 2SA1576 R (Symbol: FR)  | 2SC4081 R (Symbol: BR)  | 2SC4116 BL (Symbol: LL)  | 2SC4117 BL (Symbol: CL)  | 2SC4405 3 (Symbol: OY3)  |
| 2SC4673 D (Symbol: CO)  | 2SD1664 Q (Symbol: DA)  | 2SK1740 (Symbol: IJ)  | 2SK2171 4 (Symbol: KM)  | 2SK508 K52 (Symbol: K52)  |
| 2SK882 GR (Symbol: TGR)  | 3SK131 MAS (Symbol: V11)  | DTA114 EU (Symbol: 14)  | DTA144 EU (Symbol: 16)  | DTC114 EU (Symbol: 14)  |
| XP4311 (Symbol: 3X)  | XP4601 (Symbol: 5C)  | | | |

• DIODES

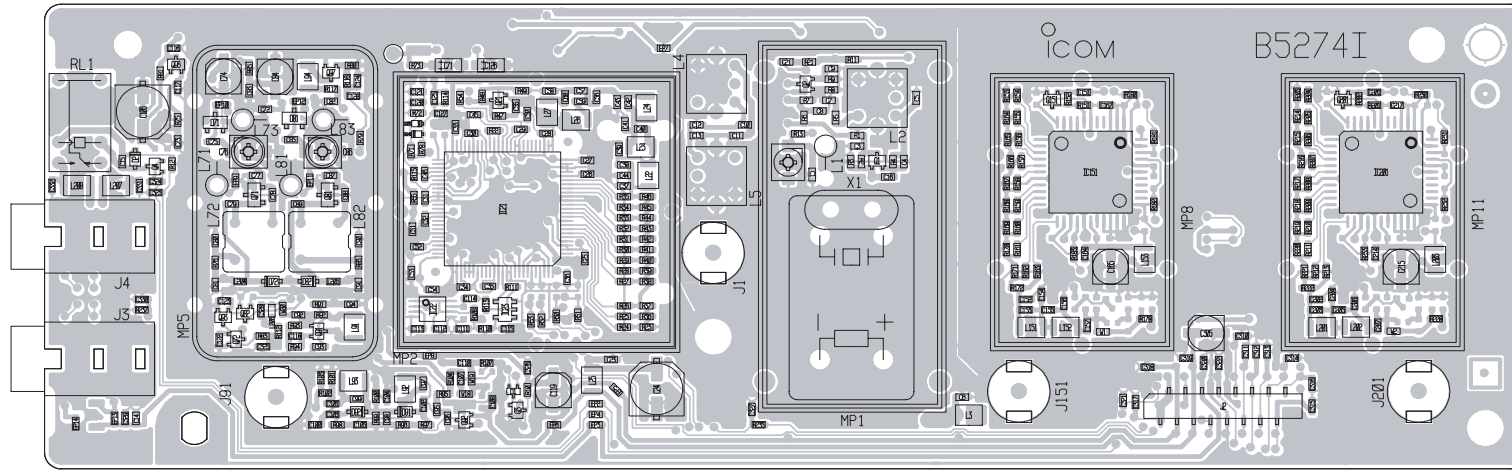
| | | | | |
|--|---|--|---|--|
| 1SS302 (Symbol: C3)  | 1SS355 (Symbol: A)  | 1SS373 (Symbol: S4)  | 1SS375 (Symbol: FH)  | 1SV263 (Symbol: JV)  |
| 1SV265 (Symbol: LV)  | DAN222 (Symbol: N)  | HSB88WS (Symbol: Silver line)  | KV1470 (Symbol: F7)  | MA729 (Symbol: 2B)  |
| MA77 (Symbol: 4B)  | MA8051 M (Symbol: 5^1)  | NNCD6.2G (Symbol: 6.2G)  | | |

SECTION 8

BOARD LAYOUTS

8-1 IC-R75

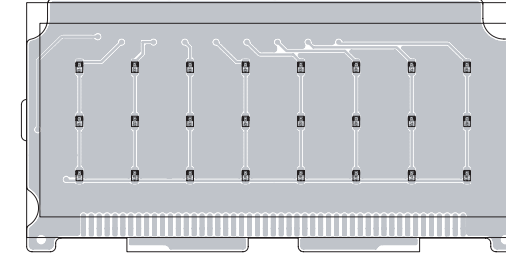
• PLL UNIT (TOP VIEW)



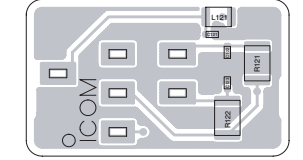
| | | | |
|----|------|------|----|
| 1 | 14V | 14V | 16 |
| 2 | GND | GND | 15 |
| 3 | AFPO | AFPO | |
| 4 | ISPO | ISPO | |
| 5 | GND | AFGL | |
| 6 | PST1 | PST1 | |
| 7 | PST2 | PST2 | |
| 8 | PST3 | PST3 | |
| 9 | PCO2 | PCK | |
| 10 | PCO2 | DRES | |

J2 to MAIN unit J1501

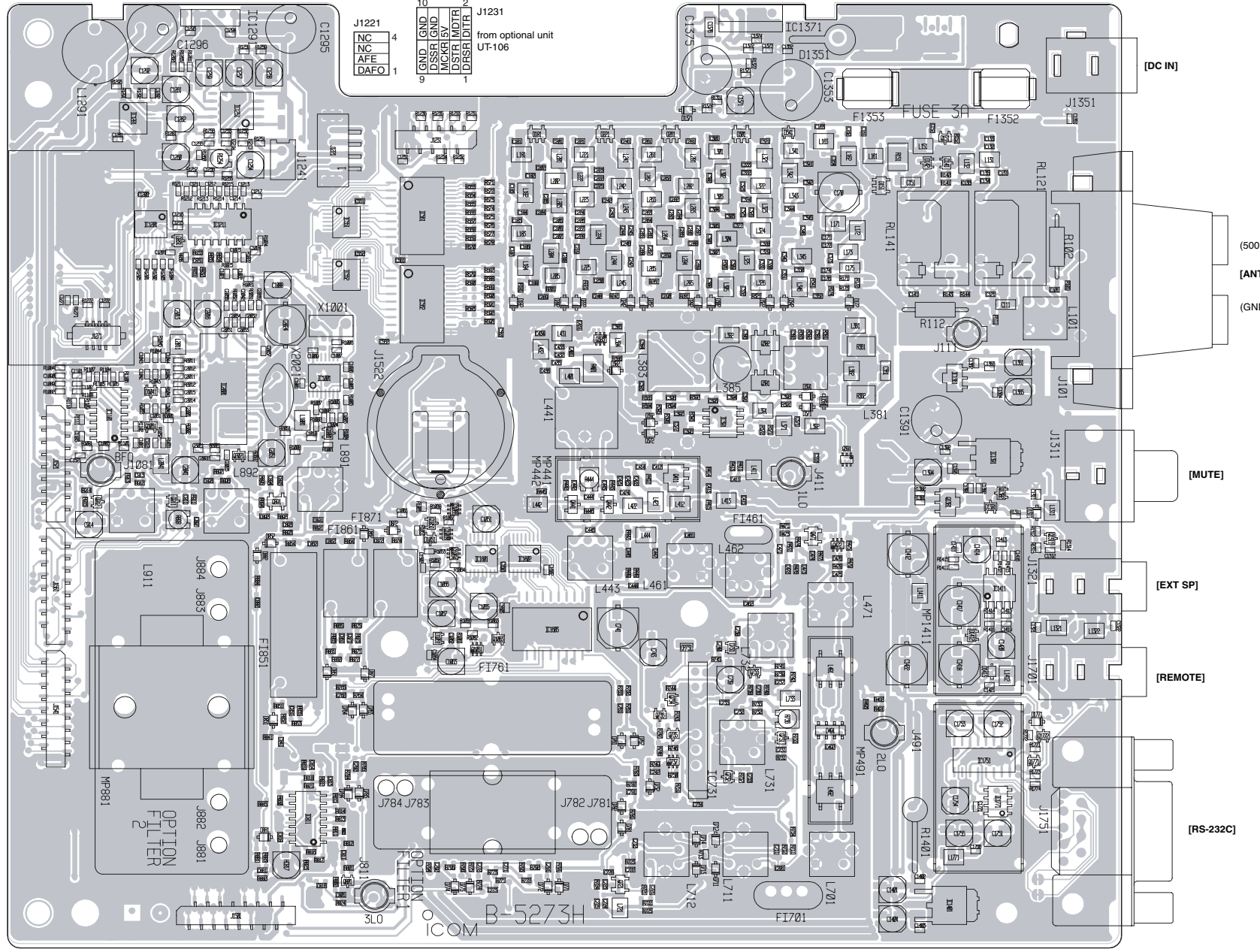
• DISPLAY BOARD (TOP VIEW)



• PHONE BOARD (TOP VIEW)



• MAIN UNIT (TOP VIEW)



| | | | | |
|----|------|------|---|--------------------|
| 10 | GND | GND | 2 | J1231 |
| 11 | NC | NC | 3 | from optional unit |
| 12 | AFPO | AFPO | 4 | UT-106 |
| 13 | ISPO | ISPO | 5 | |
| 14 | AFGL | AFGL | 6 | |
| 15 | AFGL | AFGL | 7 | |
| 16 | AFGL | AFGL | 8 | |
| 17 | AFGL | AFGL | 9 | |

| | | | | |
|---|------|------|---|---------------------------|
| 1 | MDAT | SPST | 2 | J1271 |
| 2 | BUSY | MGK | 3 | from optional unit UT-102 |
| 3 | 5V | 5V | 4 | |
| 4 | GND | SPCH | 5 | |
| 5 | GND | SPCH | 6 | |
| 6 | GND | SPCH | 7 | |
| 7 | GND | SPCH | 8 | |

| | | | | |
|---|------|------|---|--------------------|
| 1 | AFPO | AFPO | 2 | J1521 |
| 2 | ISPO | ISPO | 3 | to LOGIC unit J501 |
| 3 | AFGL | AFGL | 4 | |
| 4 | 5V | GND | 5 | |
| 5 | 8V | GND | 6 | |
| 6 | 14V | HVH | 7 | |
| 7 | 14V | BATT | 8 | |
| 8 | 14V | BATT | 9 | |

| | | | | |
|---|------|------|---|--------------------|
| 1 | RFV | AFGV | 2 | J1561 |
| 2 | SML | FMNL | 3 | to LOGIC unit J541 |
| 3 | EMTI | SALI | 4 | |
| 4 | BEEP | RECS | 5 | |
| 5 | SQLS | AGRS | 6 | |
| 6 | RXS | SBSY | 7 | |
| 7 | SPST | GND | 8 | |
| 8 | CIV | CIVE | 9 | |

| | | | | |
|---|------|------|---|--------------------|
| 1 | PWRC | DSPS | 2 | J1541 |
| 2 | DINT | DSTB | 3 | to LOGIC unit J521 |
| 3 | PST1 | PST2 | 4 | |
| 4 | ASTB | MDAT | 5 | |
| 5 | MCK | DRES | 6 | |
| 6 | PDAT | PCK | 7 | |
| 7 | PCO2 | PST1 | 8 | |
| 8 | PST2 | PST3 | 9 | |

| | | | | |
|----|------|------|----|----------------|
| 1 | DRES | PCO2 | 2 | J1501 |
| 2 | PCK | PCO2 | 3 | to PLL unit J2 |
| 3 | PST1 | PST2 | 4 | |
| 4 | UNLC | RECS | 5 | |
| 5 | 5V | 5V | 6 | |
| 6 | 14V | 14V | 7 | |
| 7 | 14V | 14V | 8 | |
| 8 | 14V | 14V | 9 | |
| 9 | 14V | 14V | 10 | |
| 10 | 14V | 14V | 11 | |
| 11 | 14V | 14V | 12 | |
| 12 | 14V | 14V | 13 | |
| 13 | 14V | 14V | 14 | |
| 14 | 14V | 14V | 15 | |
| 15 | 14V | 14V | 16 | |

| | | | | |
|---|-----|-----|---|-------------------|
| 1 | 5V | MUP | 2 | J461 |
| 2 | MDN | MDN | 3 | to MAIN DIAL unit |
| 3 | GND | GND | 4 | |

| | | | | |
|----|------|------|---|-----------------|
| 10 | GND | GND | 9 | J451 |
| 11 | GND | GND | 8 | to VR unit J101 |
| 12 | GND | PB2L | 7 | |
| 13 | PB1L | AFGL | 6 | |
| 14 | REFL | 5V | 5 | |

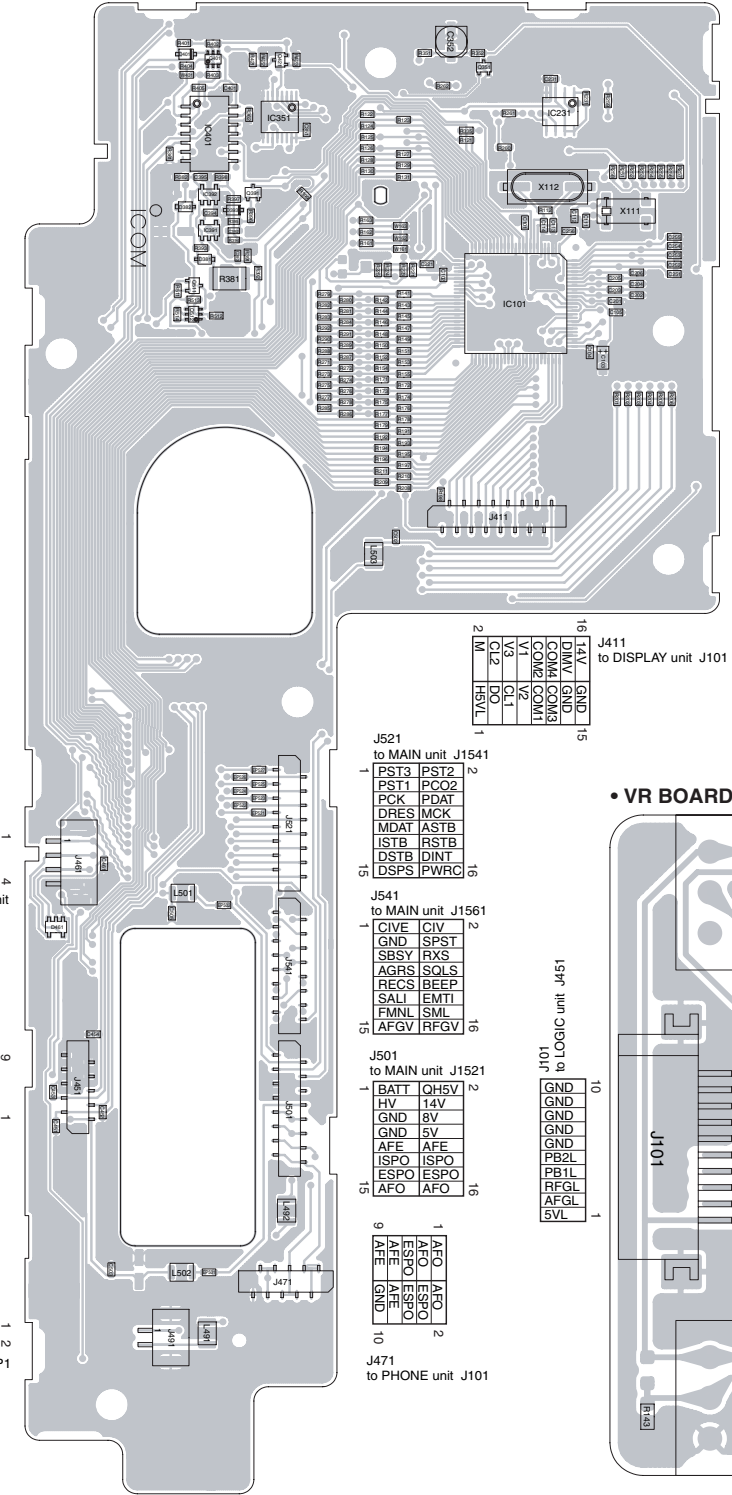
| | | | | |
|---|------|------|---|-------------------|
| 1 | ISPO | AFGL | 2 | J491 |
| 2 | AFGL | AFGL | 3 | to INT SP unit P1 |

[DC IN]
[ANT2]
(500 Ω)
(GND)

[MUTE]
[EXT SP]
[REMOTE]

[RS-232C]

• LOGIC BOARD (TOP VIEW)



| | | | | |
|----|------|------|----|----------------------|
| 16 | 14V | GND | 15 | J411 |
| 17 | DIMV | GND | 14 | to DISPLAY unit J101 |
| 18 | COMV | COMV | 13 | |
| 19 | COMV | COMV | 12 | |
| 20 | V2 | V2 | 11 | |
| 21 | DO | DO | 10 | |
| 22 | DO | DO | 9 | |
| 23 | DO | DO | 8 | |
| 24 | DO | DO | 7 | |
| 25 | DO | DO | 6 | |
| 26 | DO | DO | 5 | |
| 27 | DO | DO | 4 | |
| 28 | DO | DO | 3 | |
| 29 | DO | DO | 2 | |
| 30 | DO | DO | 1 | |

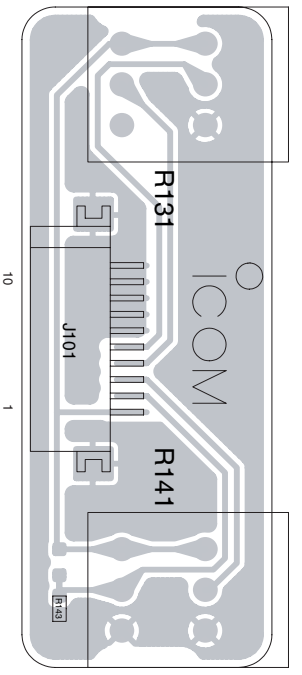
| | | | | |
|---|------|------|---|--------------------|
| 1 | PST3 | PST2 | 2 | J521 |
| 2 | PST1 | PCO2 | 3 | to MAIN unit J1541 |
| 3 | PCK | PDAT | 4 | |
| 4 | DRES | MCK | 5 | |
| 5 | MDAT | ASTB | 6 | |
| 6 | ISTB | RSTB | 7 | |
| 7 | DSTB | DINT | 8 | |
| 8 | DSPS | PWRC | 9 | |

| | | | | |
|---|------|------|---|--------------------|
| 1 | CIVE | CIV | 2 | J541 |
| 2 | GND | SPST | 3 | to MAIN unit J1561 |
| 3 | SBSY | RXS | 4 | |
| 4 | AGRS | SQLS | 5 | |
| 5 | RECS | BEEP | 6 | |
| 6 | SALI | EMTI | 7 | |
| 7 | FMNL | SML | 8 | |
| 8 | AFGV | RFV | 9 | |

| | | | | |
|----|------|------|----|--------------------|
| 1 | BATT | QH5V | 2 | J501 |
| 2 | HV | 14V | 3 | to MAIN unit J1521 |
| 3 | GND | 8V | 4 | |
| 4 | GND | GND | 5 | |
| 5 | GND | GND | 6 | |
| 6 | GND | PB2L | 7 | |
| 7 | ESPO | ESPO | 8 | |
| 8 | AFGL | AFGL | 9 | |
| 9 | AFGL | AFGL | 10 | |
| 10 | AFGL | AFGL | 11 | |
| 11 | AFGL | AFGL | 12 | |
| 12 | AFGL | AFGL | 13 | |
| 13 | AFGL | AFGL | 14 | |
| 14 | AFGL | AFGL | 15 | |

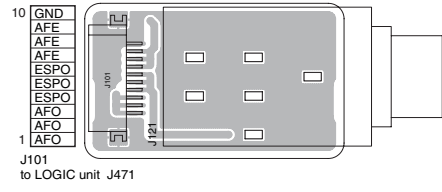
| | | | | |
|---|------|------|----|--------------------|
| 1 | AFGL | AFGL | 2 | J471 |
| 2 | ESPO | ESPO | 3 | to PHONE unit J101 |
| 3 | ESPO | ESPO | 4 | |
| 4 | AFGL | AFGL | 5 | |
| 5 | AFGL | AFGL | 6 | |
| 6 | AFGL | AFGL | 7 | |
| 7 | AFGL | AFGL | 8 | |
| 8 | AFGL | AFGL | 9 | |
| 9 | AFGL | AFGL | 10 | |

• VR BOARD (TOP VIEW)

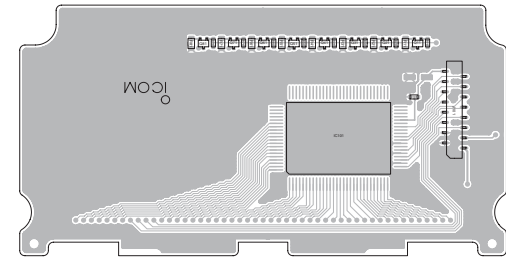


The combination of this side and the bottom side shows the board layout in the same configuration as the actual P.C.Board.

• PHONE BOARD (BOTTOM VIEW)



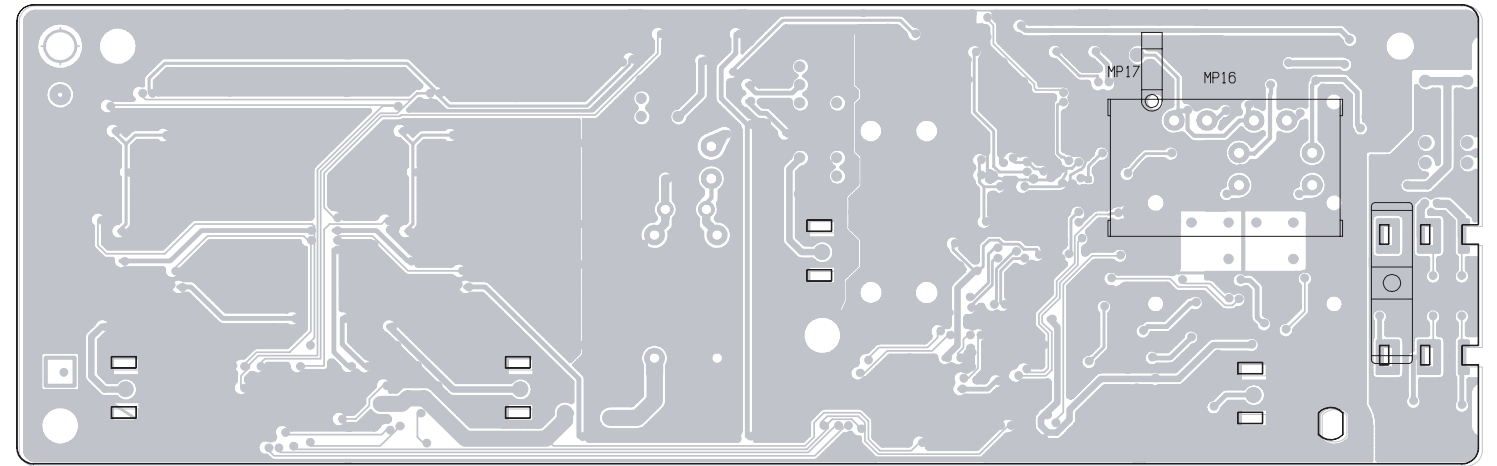
• DISPLAY BOARD (BOTTOM VIEW)



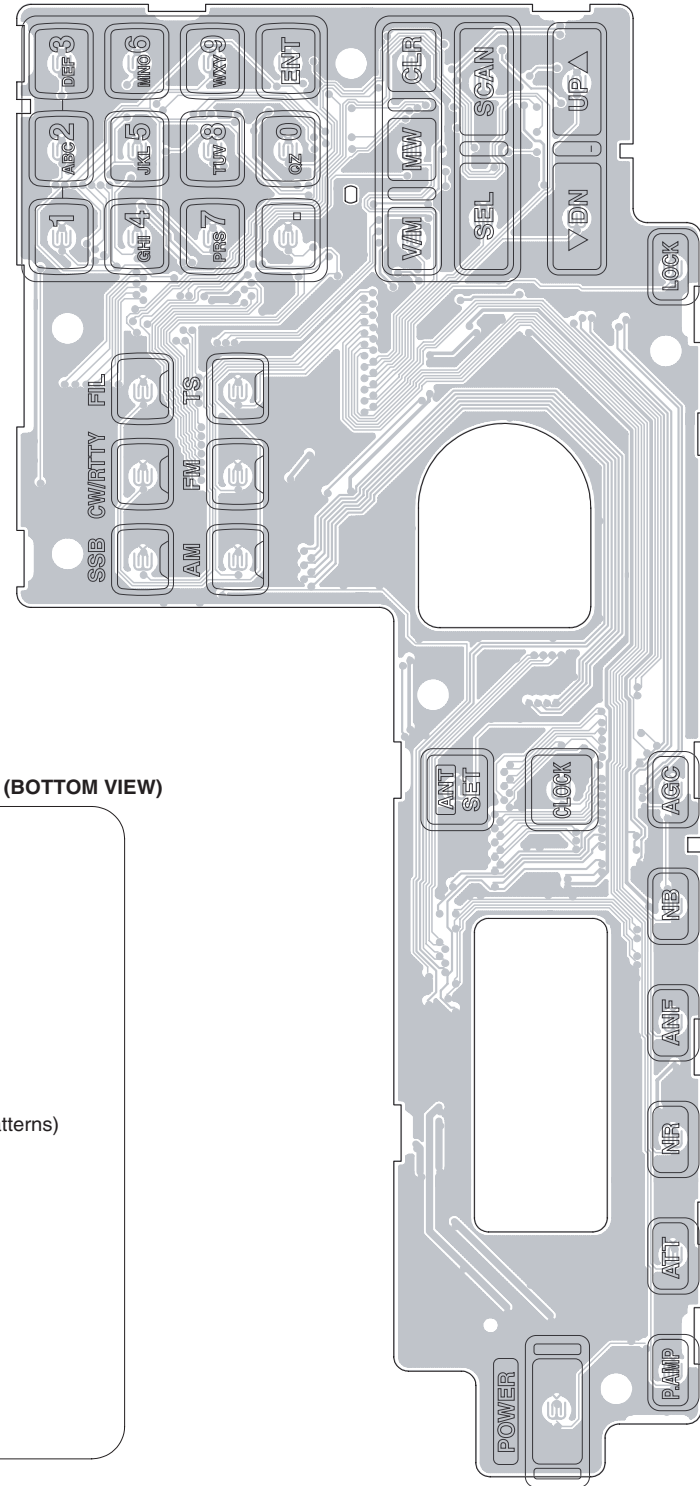
J101
to LOGIC unit J411

| | | | |
|----|------|------|----|
| 16 | 14V | GND | 15 |
| 14 | DIMV | GND | |
| 13 | COM4 | COM3 | |
| 12 | COM2 | COM1 | |
| 11 | V1 | V2 | |
| 10 | V3 | CL1 | |
| 9 | CL2 | DO | |
| 8 | M | H5VL | 1 |

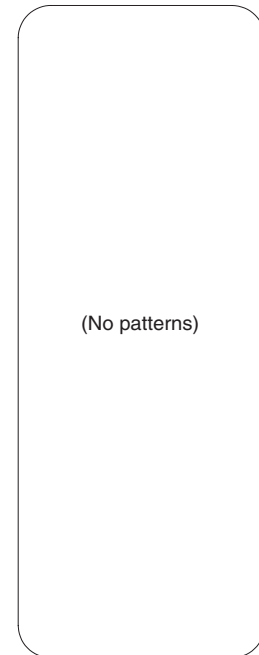
• PLL UNIT (BOTTOM VIEW)



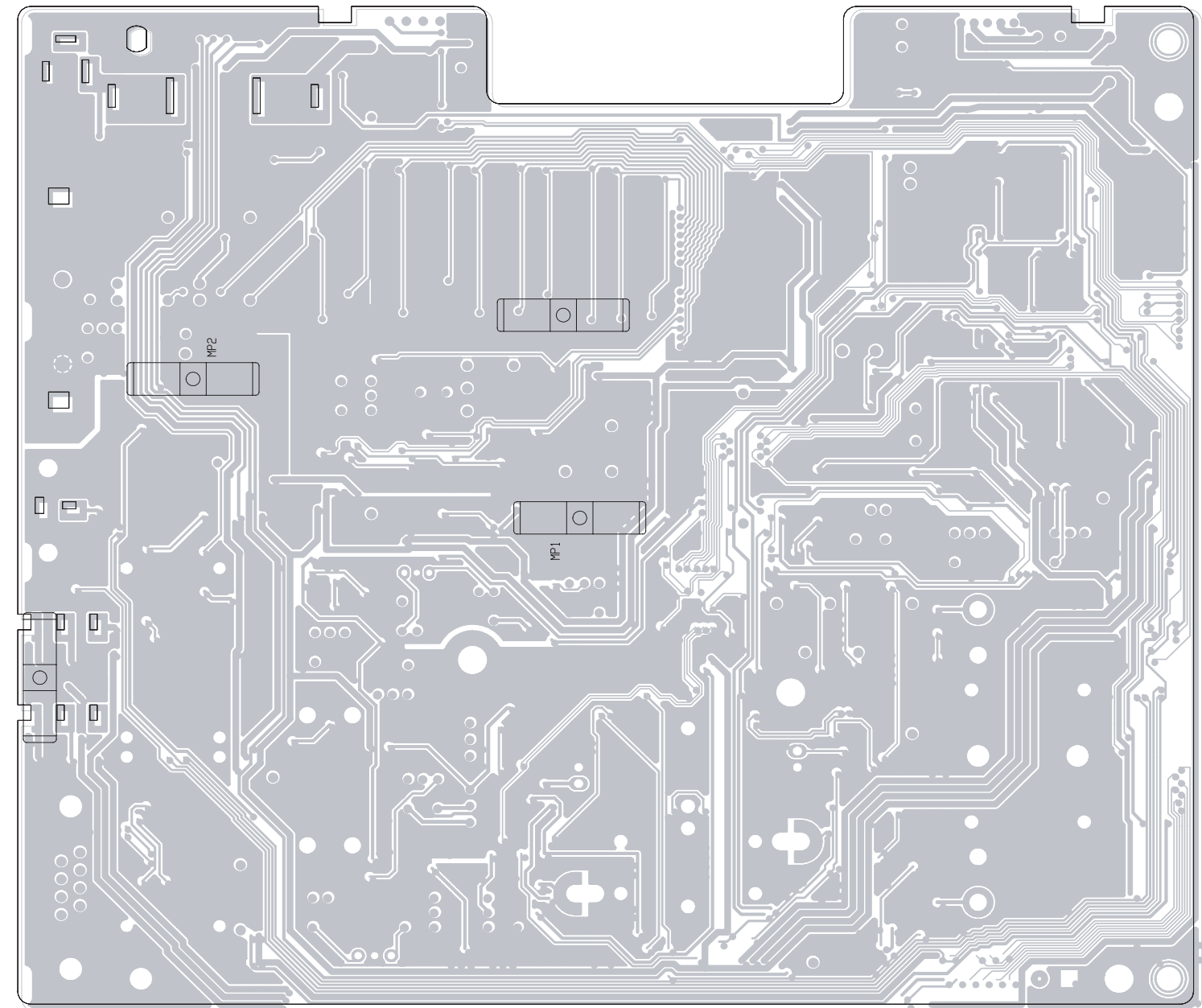
• LOGIC BOARD (BOTTOM VIEW)



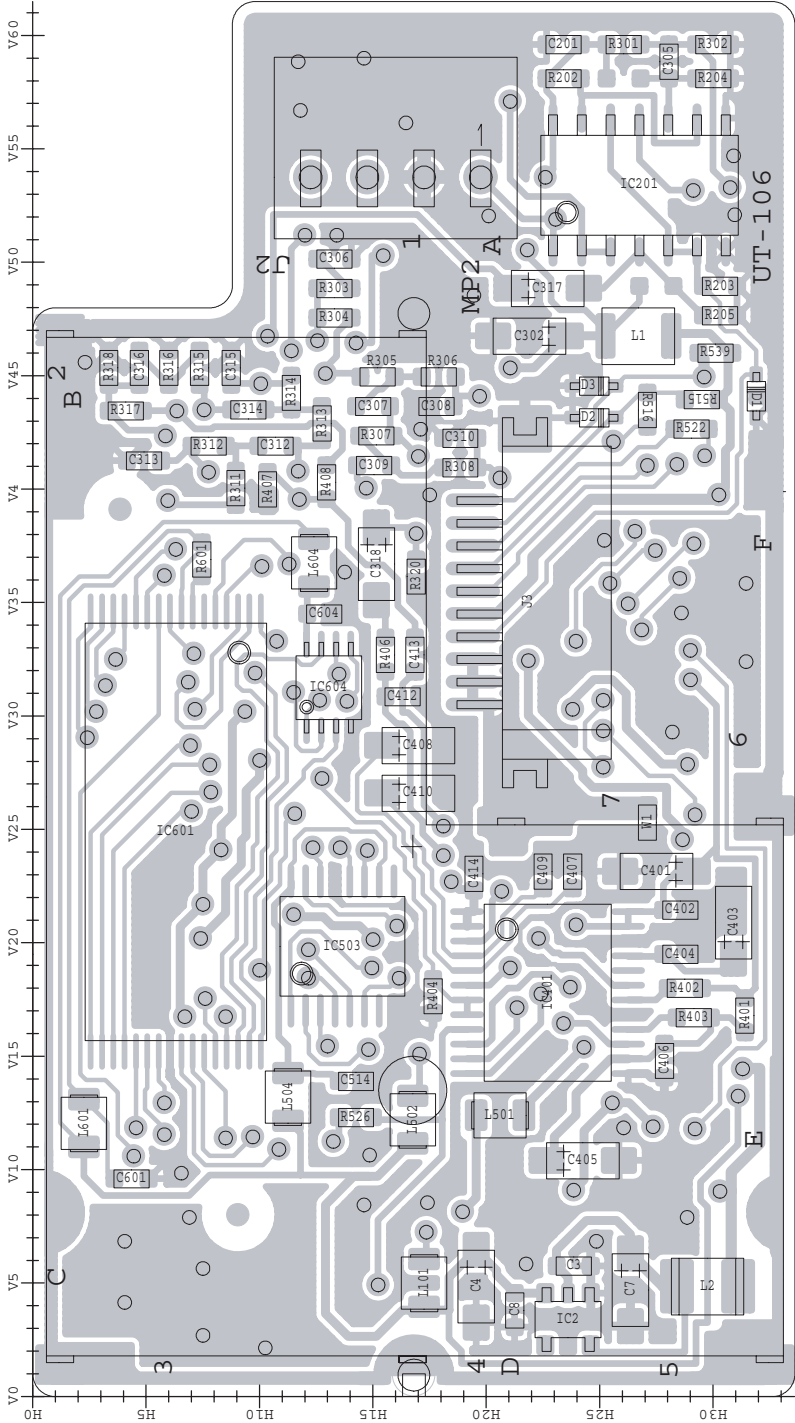
• VR BOARD (BOTTOM VIEW)



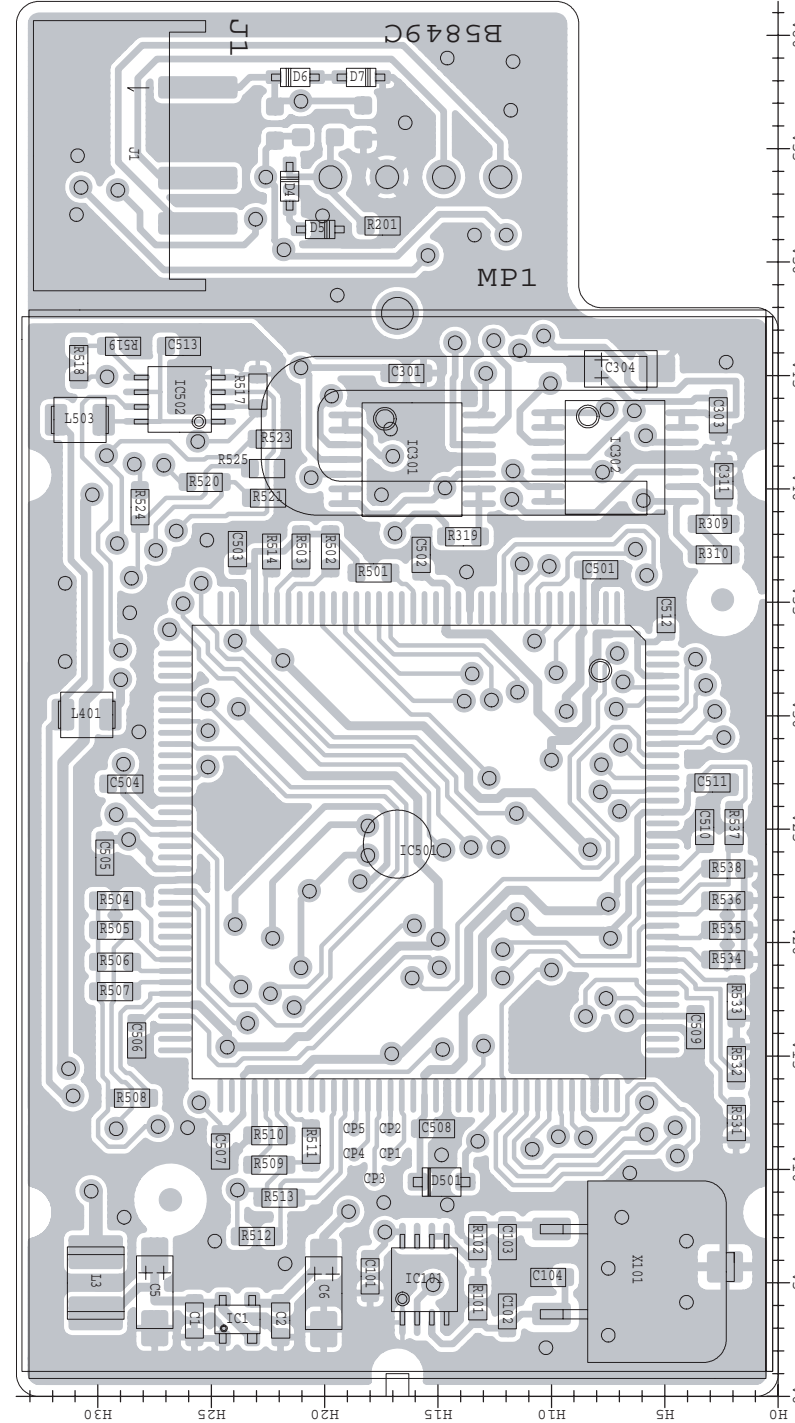
• MAIN UNIT (BOTTOM VIEW)

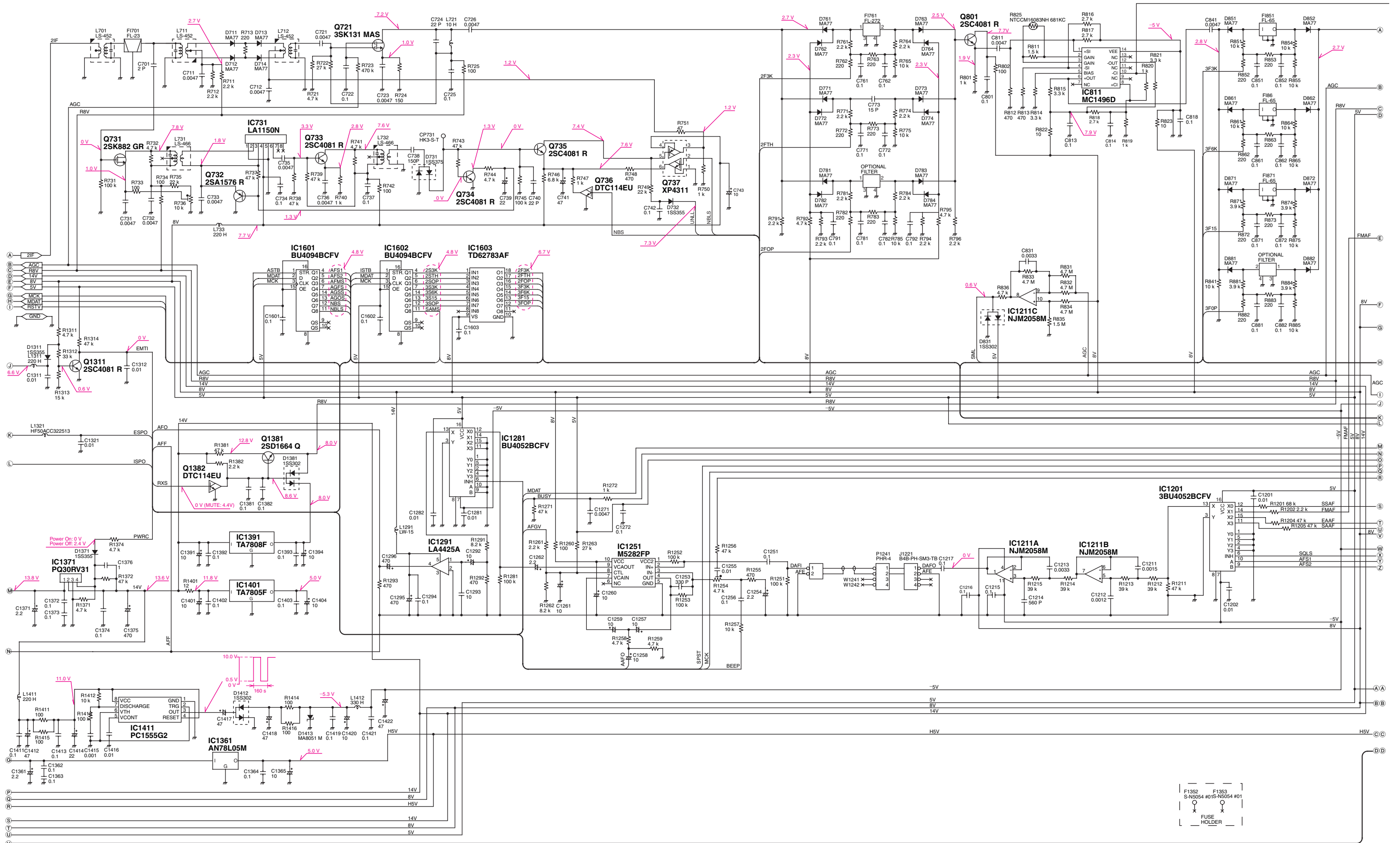


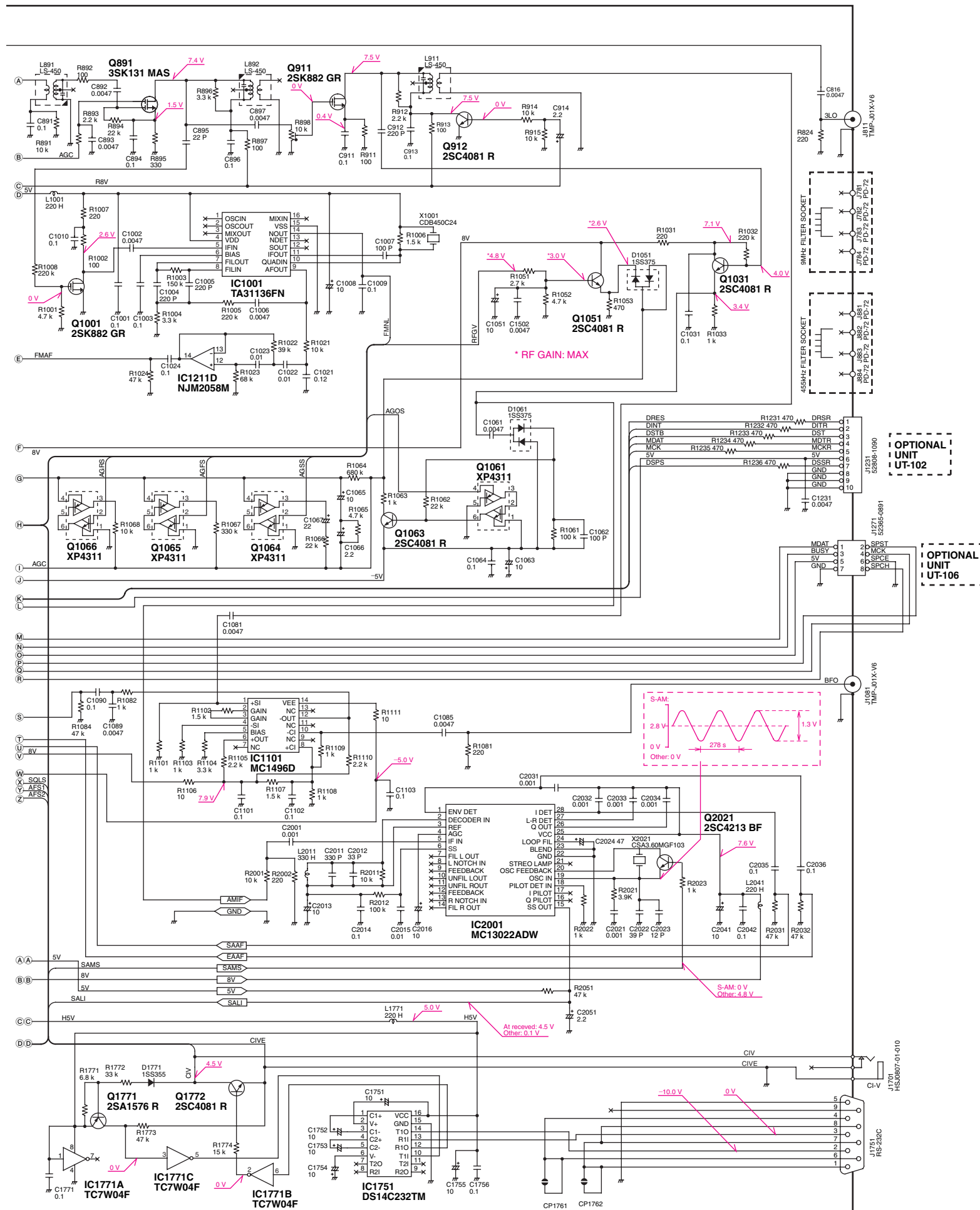
• TOP VIEW



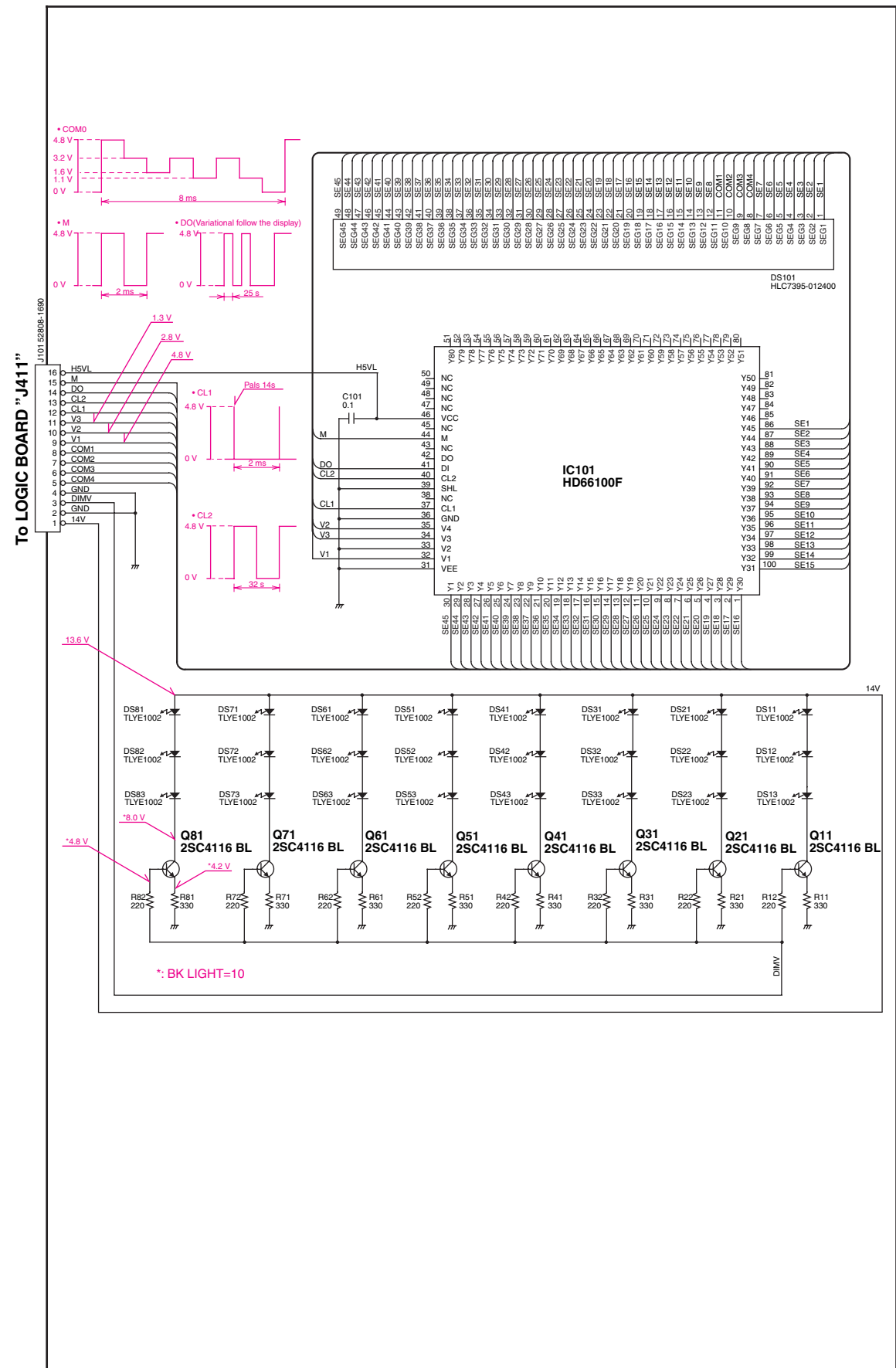
• BOTTOM VIEW



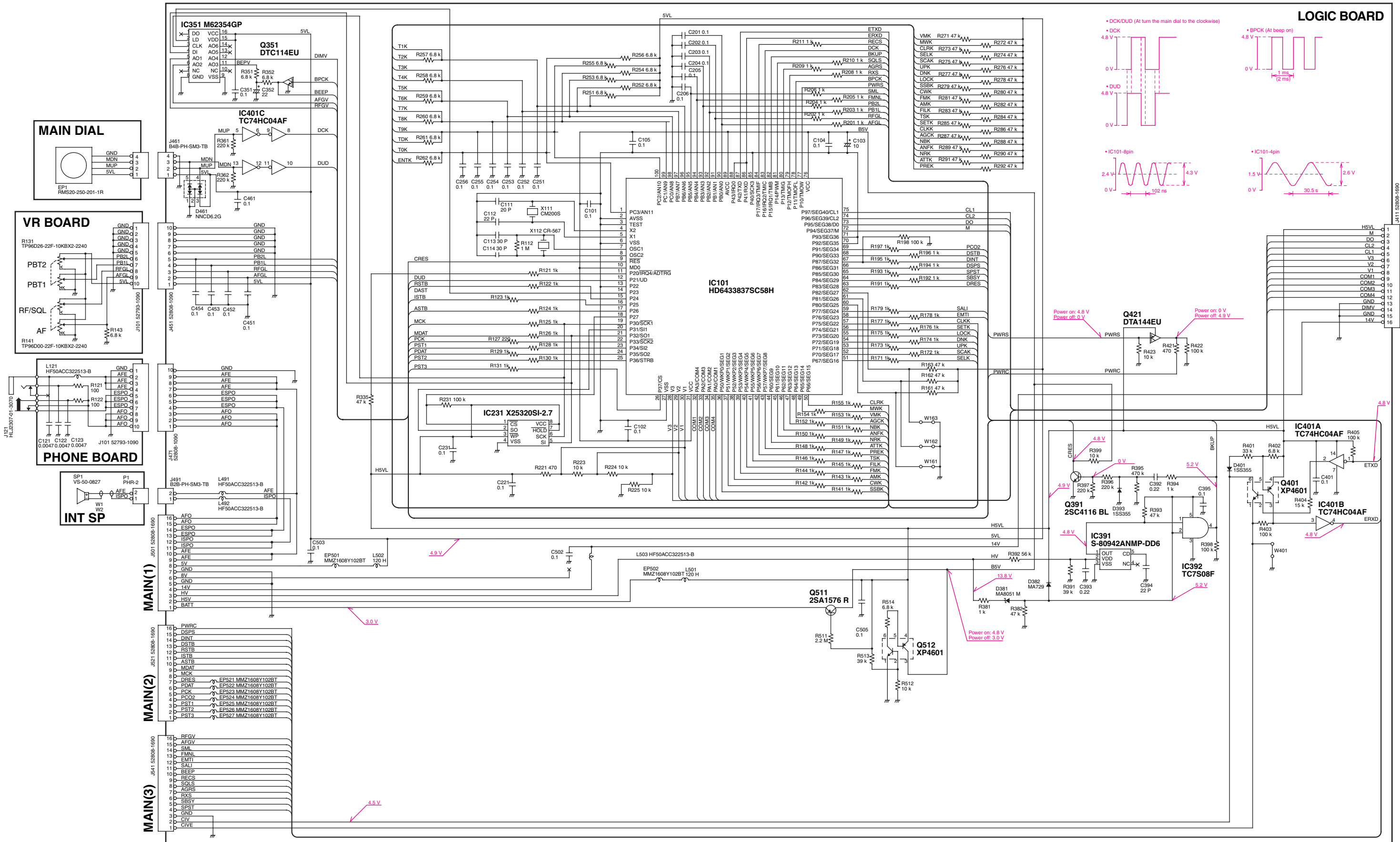




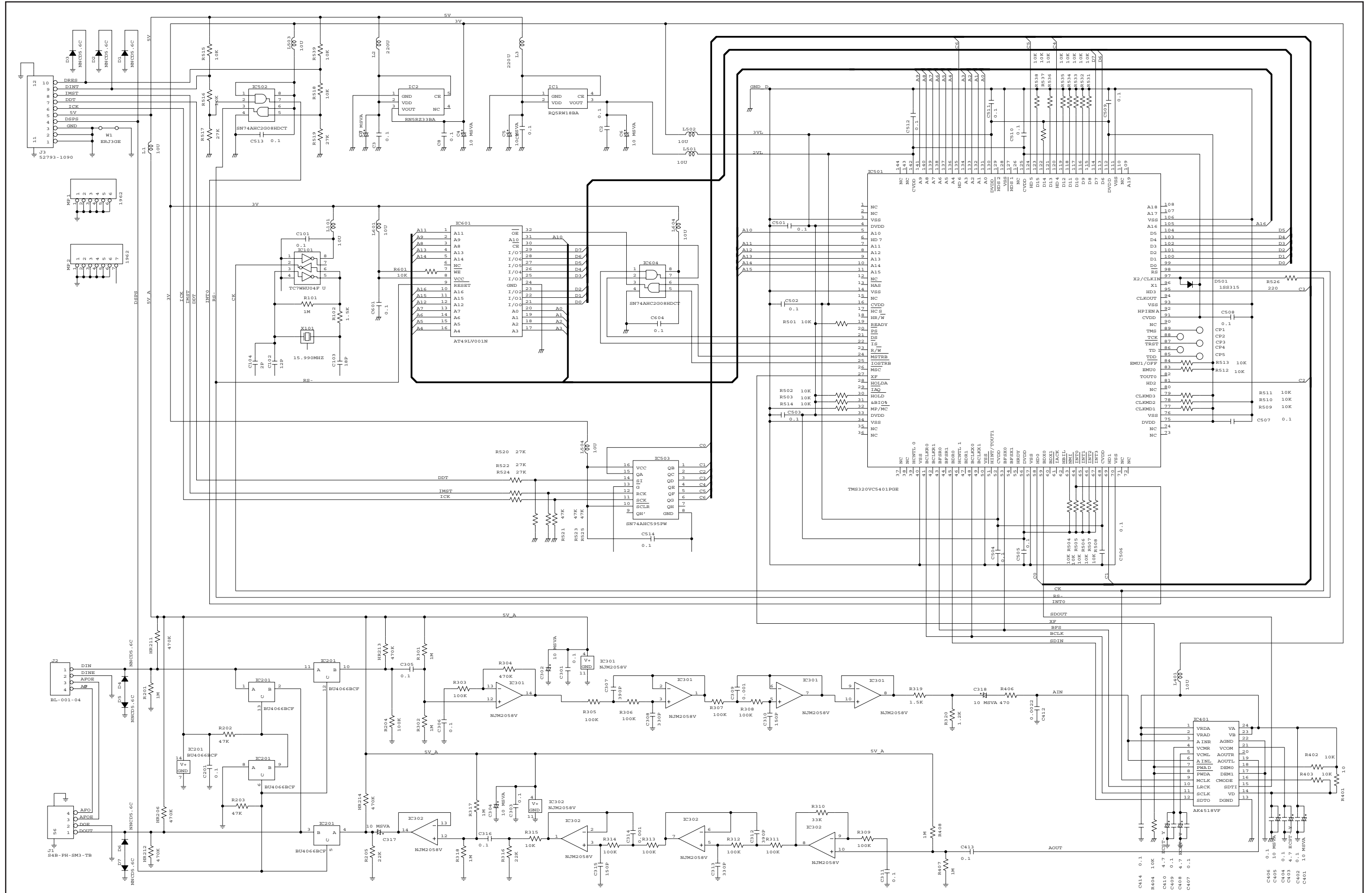
10-2 DISPLAY BOARD



10-3 FRONT UNIT



10-5 UT-106 (Optional product; an accessory for [USA] and [USA-1])



Icom Inc.

1-1-32, Kamiminami, Hirano-ku, Osaka 547-0003, Japan
Phone : +81 (06) 6793 5302
Fax : +81 (06) 6793 0013
URL : <http://www.icom.co.jp/world/index.html>

Icom America Inc.

<Corporate Headquarters>
2380 116th Avenue N.E., Bellevue, WA 98004, U.S.A.
Phone : +1 (425) 454-8155 Fax : +1 (425) 454-1509
URL : <http://www.icomamerica.com>
E-mail : sales@icomamerica.com
<Customer Service>
Phone : +1 (425) 454-7619

Icom Canada

Glenwood Centre #150-6165
Highway 17 Delta, B.C., V4K 5B8, Canada
Phone : +1 (604) 952-4266 Fax : +1 (604) 952-0090
URL : <http://www.icomcanada.com>
E-mail : info@icomcanada.com

Icom (Australia) Pty. Ltd.

Unit 1 / 103 Garden Road, Clayton VIC 3168 Australia
Phone : +61 (03) 9549-7500 Fax : +61 (03) 9549-7505
URL : <http://www.icom.net.au>
E-mail : sales@icom.net.au

Icom New Zealand

146A Harris Road, East Tamaki,
Auckland, New Zealand
Phone : +64 (09) 274 4062 Fax : +64 (09) 274 4708
URL : <http://www.icom.co.nz>
E-mail : inquiries@icom.co.nz

Beijing Icom Ltd.

10C07, Long silver Mansion, No.88, Yong Ding
Road, Haidian District, Beijing, 100039, China
Phone : +86 (010) 5889 5391/5392/5393
Fax : +86 (010) 5889 5395
E-mail : bjicom@bjicom.com
URL : <http://www.bjicom.com>

Icom (Europe) GmbH

Communication Equipment
Auf der Krautweide 24
65812 Bad Soden am Taunus, Germany
Phone : +49 (6196) 76685-0 Fax : +49 (6196) 76685-50
URL : <http://www.icomeurope.com>
E-mail : info@icomeurope.com

Icom Spain S.L

Ctra. Rubi, No. 88 Bajos A 08174, Sant Cugat del Valles, Barcelona, Spain
Phone : +34 (93) 590 26 70 Fax : +34 (93) 589 04 46
URL : <http://www.icomspain.com>
E-mail : icom@icomspain.com

Icom (UK) Ltd.

Blacksole House, Altira Park, Herne Bay, Kent CT6 6GZ, UK
Phone : +44 (0) 1227 741741 Fax : +44 (0) 1227 741742
URL : <http://www.icomuk.co.uk>
E-mail : info@icomuk.co.uk

Icom France s.a.s.

Zac de la Plaine
1 Rue Brindejone des Moulinais BP 5804
31505 Toulouse Cedex, France
Phone : +33 (5) 61 36 03 03 Fax : +33 (5) 61 36 03 00
URL : <http://www.icom-france.com>
E-mail : icom@icom-france.com

Asia Icom Inc.

6F No.68, Sec. 1 Cheng-Teh Road, Taipei, Taiwan, R.O.C.
Phone : +886 (02) 2559 1899 Fax : +886 (02) 2559 1874
URL : <http://www.asia-icom.com>
E-mail : sales@asia-icom.com

Icom Polska

81-850 Sopot, ul. 3 Maja 54, Poland
Phone : +48 (58) 550 7135 Fax : +48 (58) 551 0484
E-mail : icompolska@icompolska.com.pl

Count on us!

Icom Inc.

1-1-32, Kamiminami, Hirano-ku, Osaka 547-0003, Japan

S-14329XZ-C1
© 2007 Icom Inc.