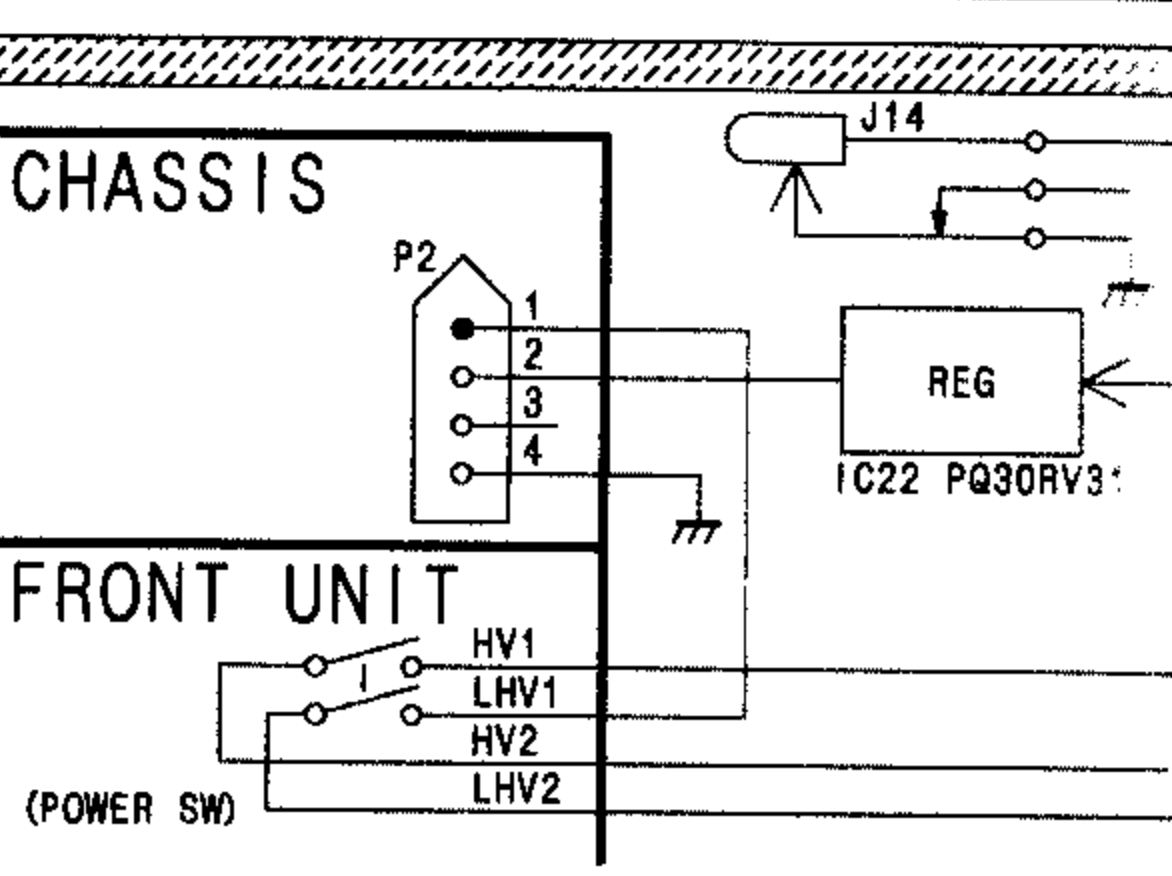
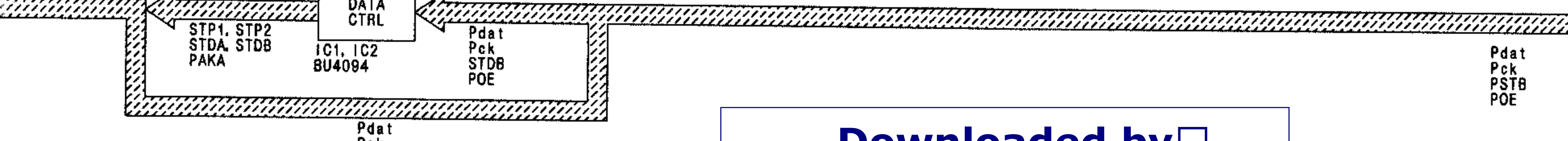
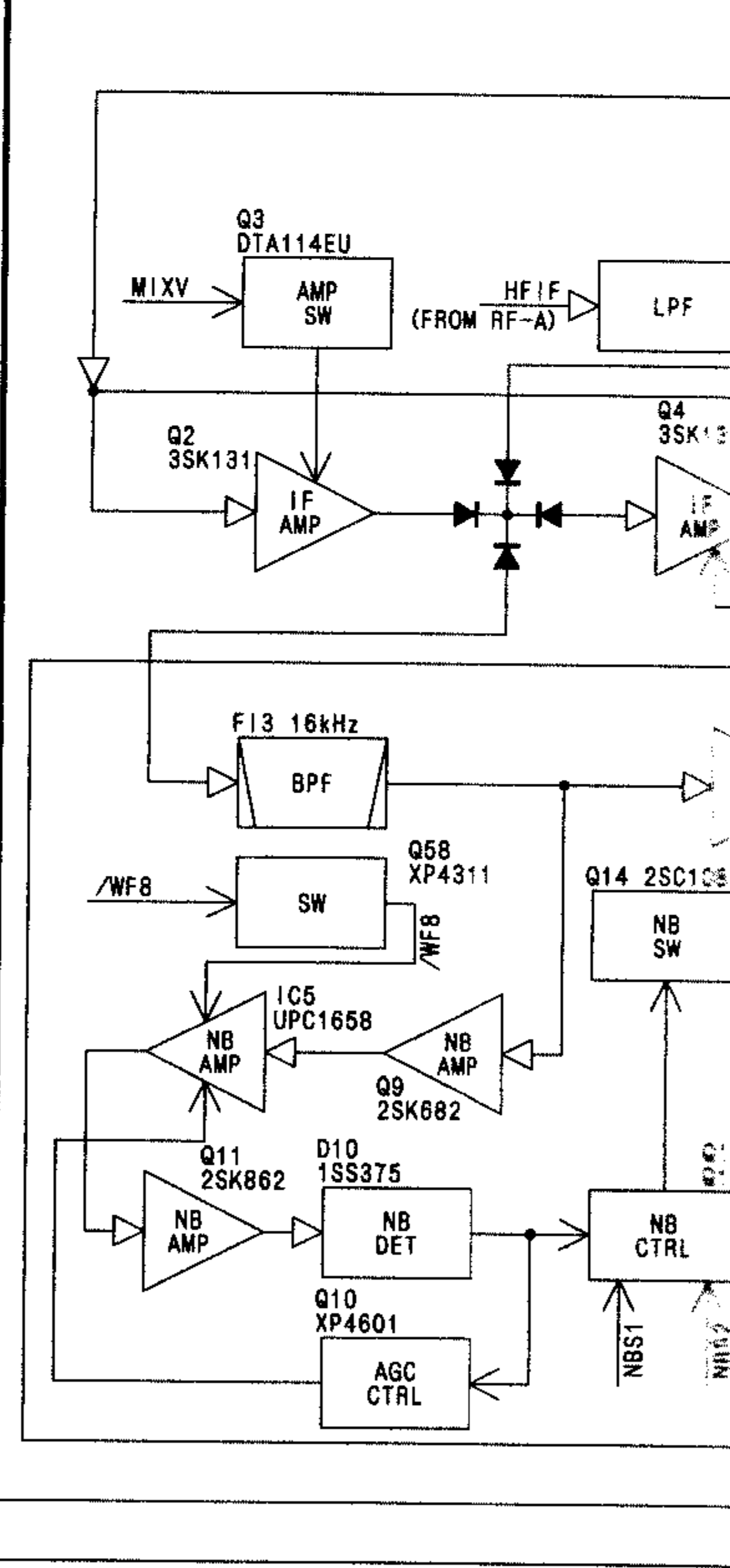
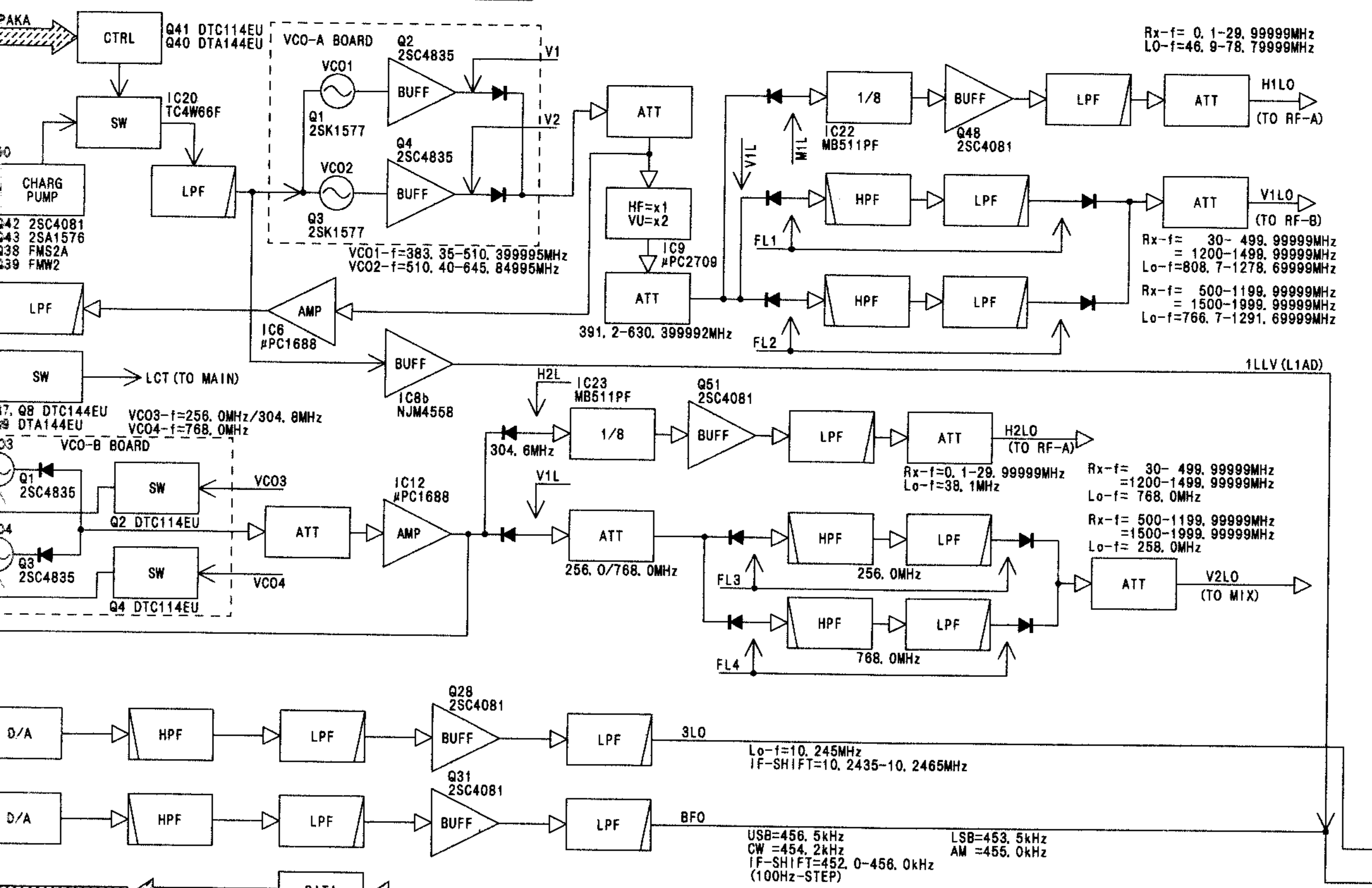
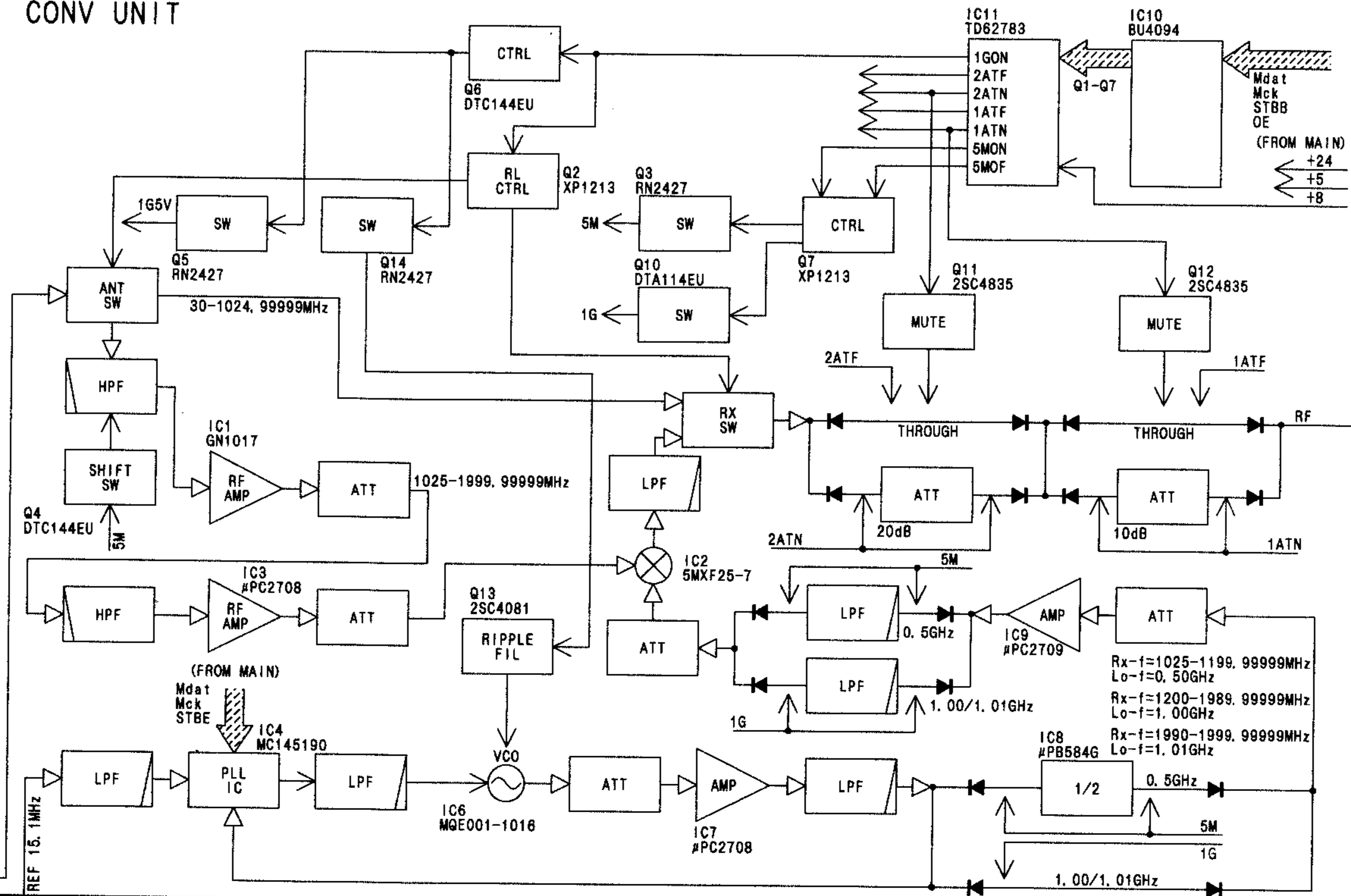
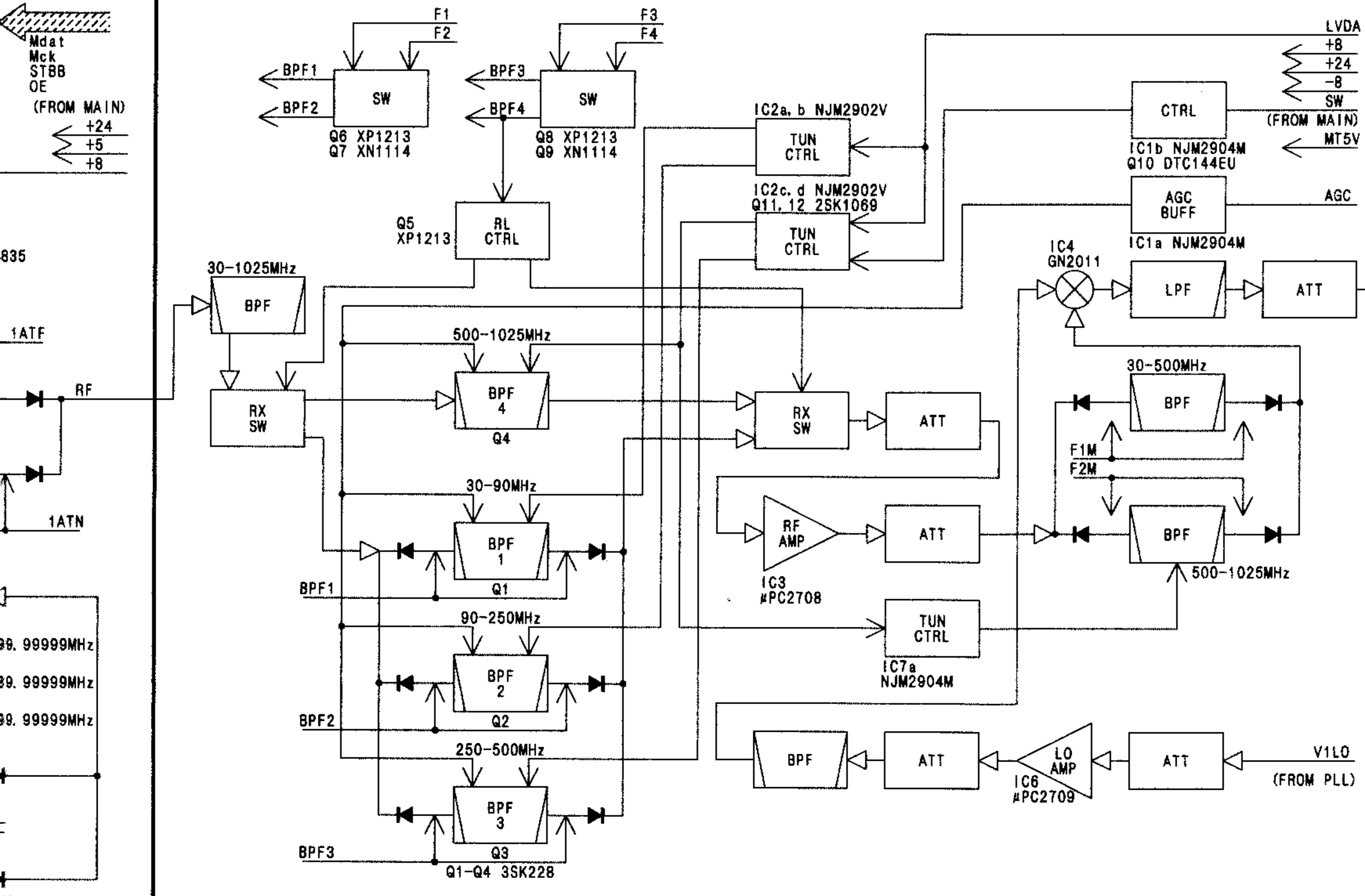


CONV UNIT

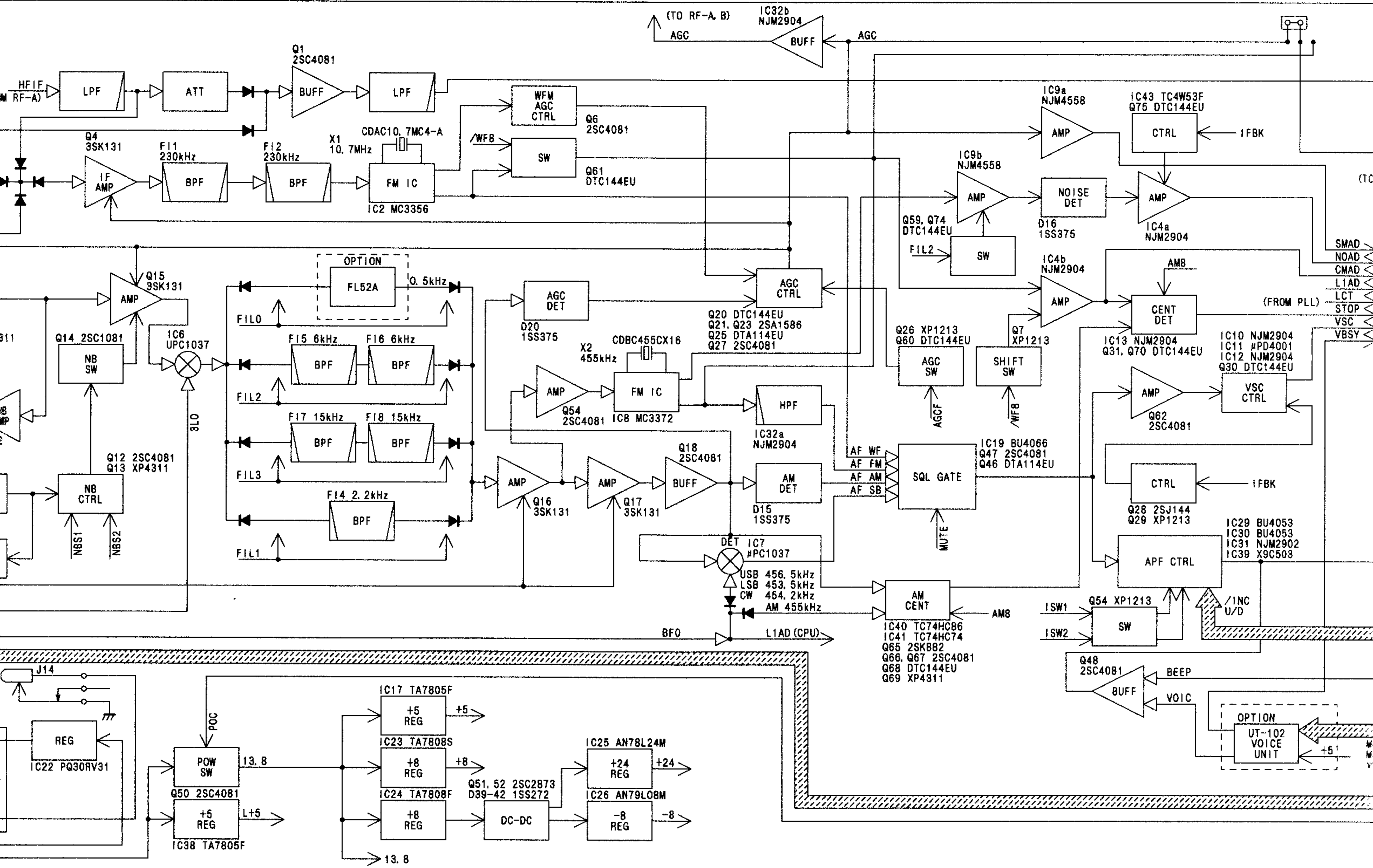
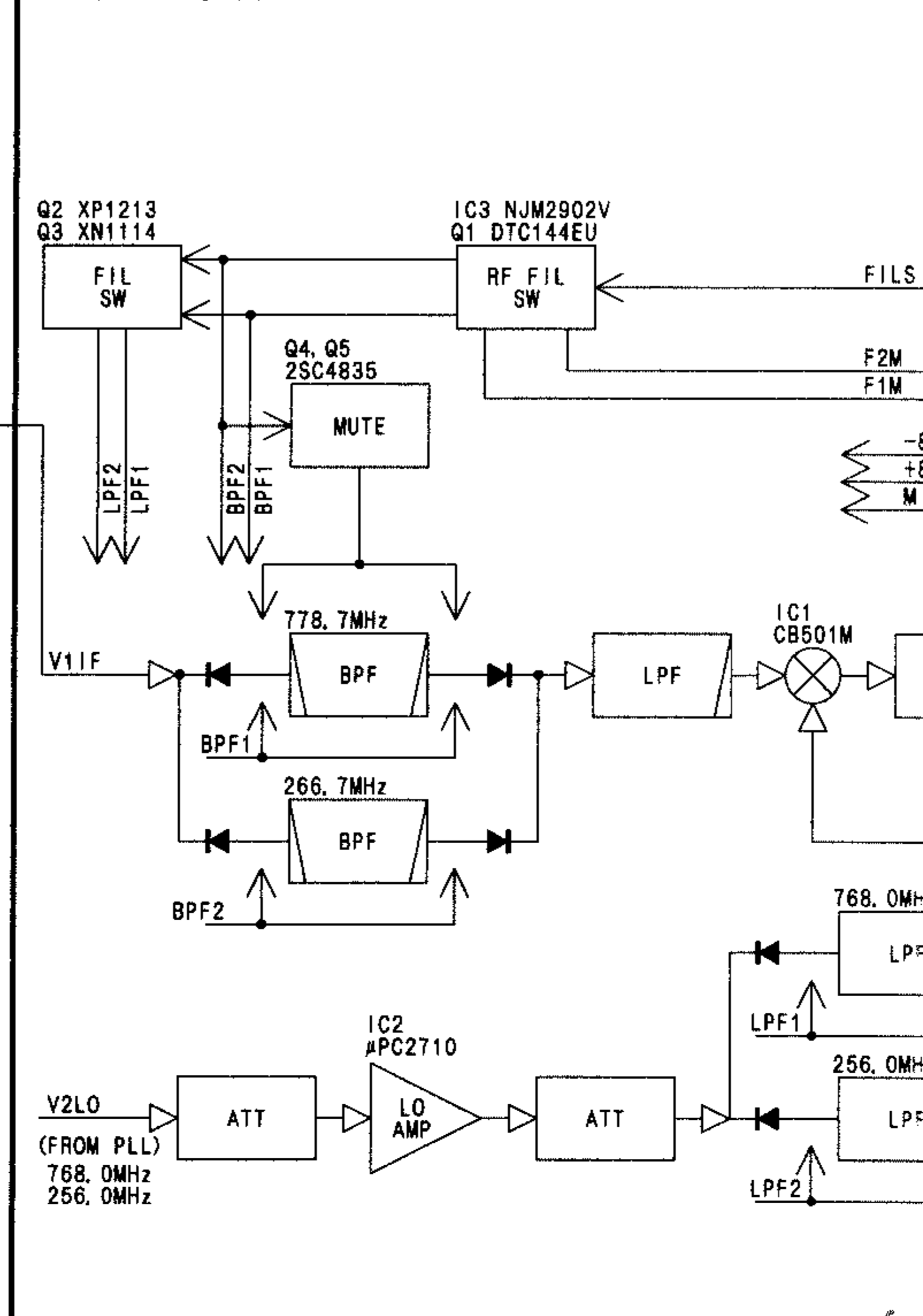


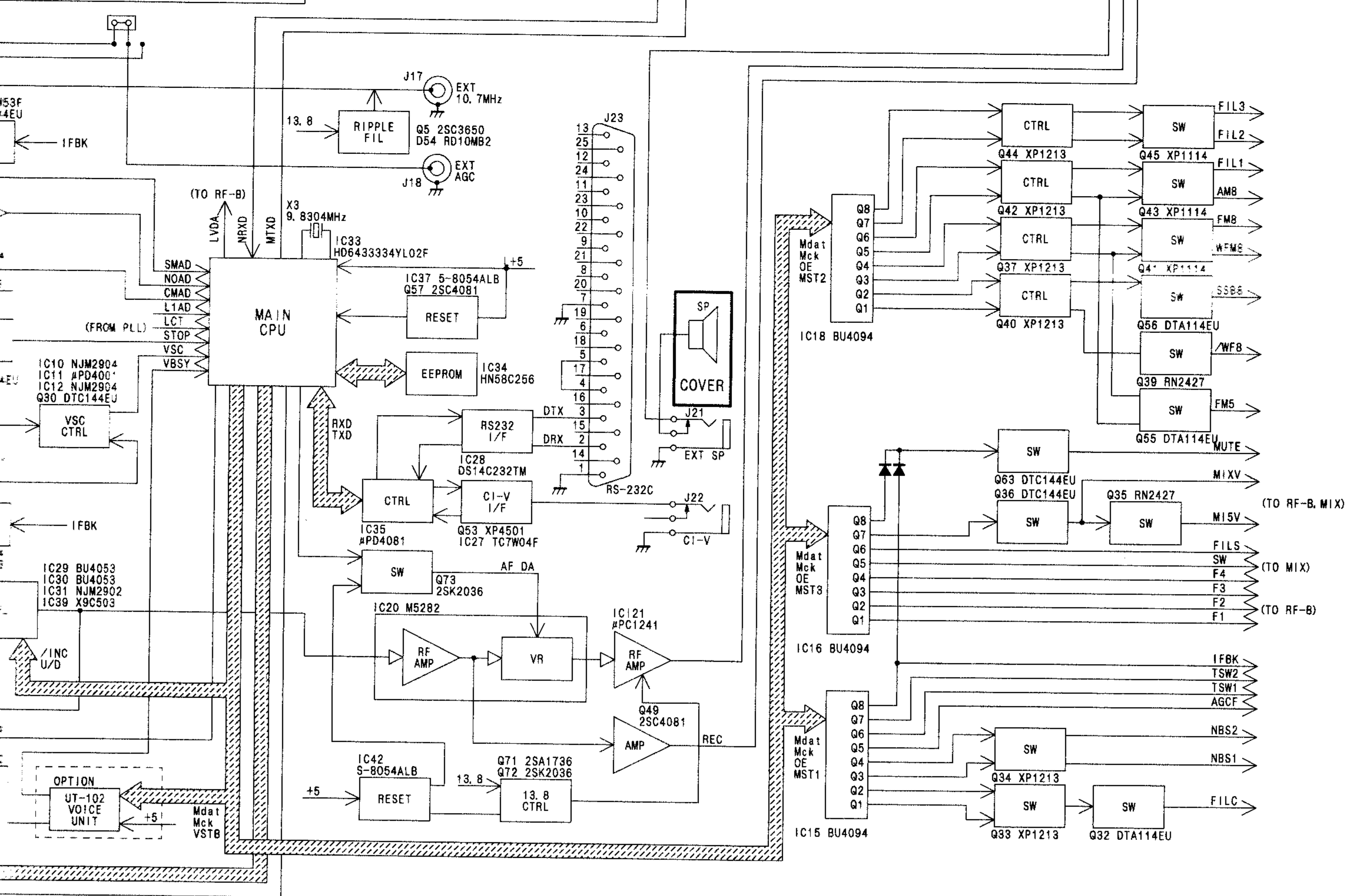
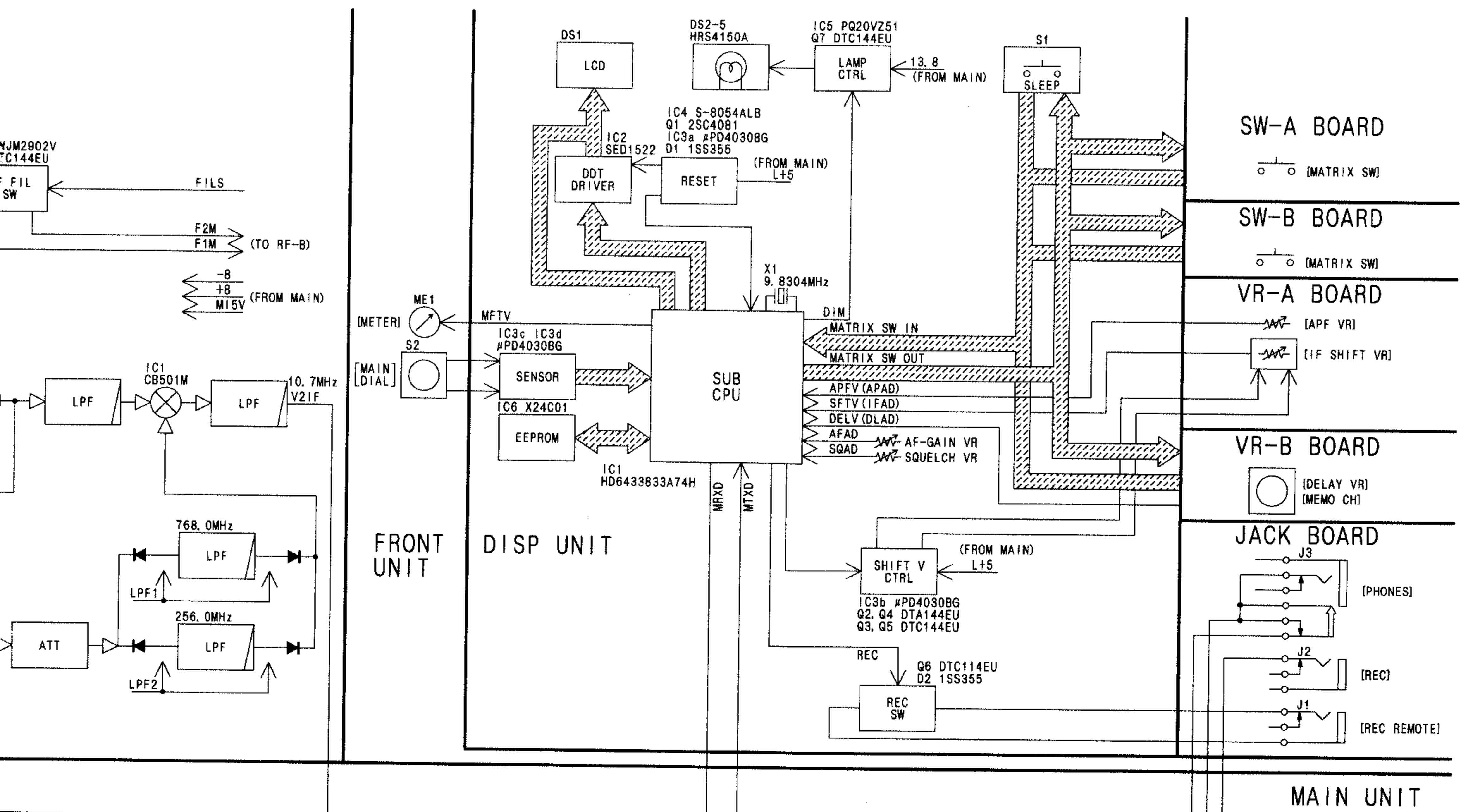
Downloaded by
Amateur Radio Directory

RF-B UNIT



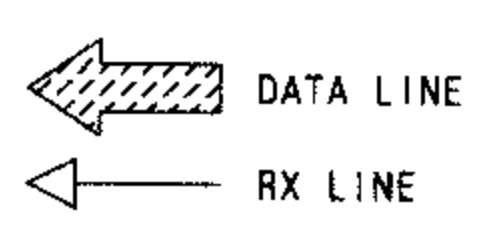
MIX UNIT

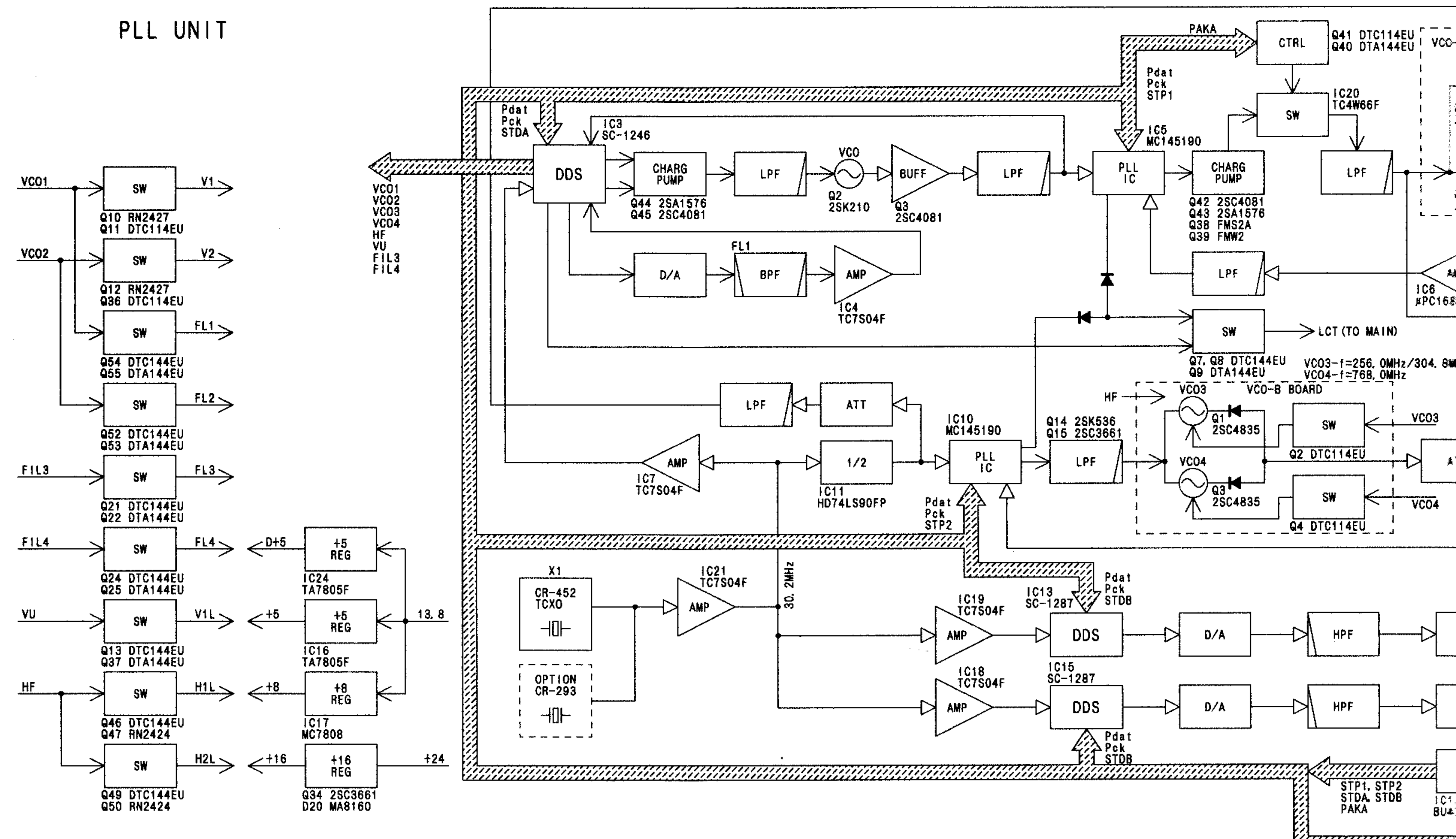
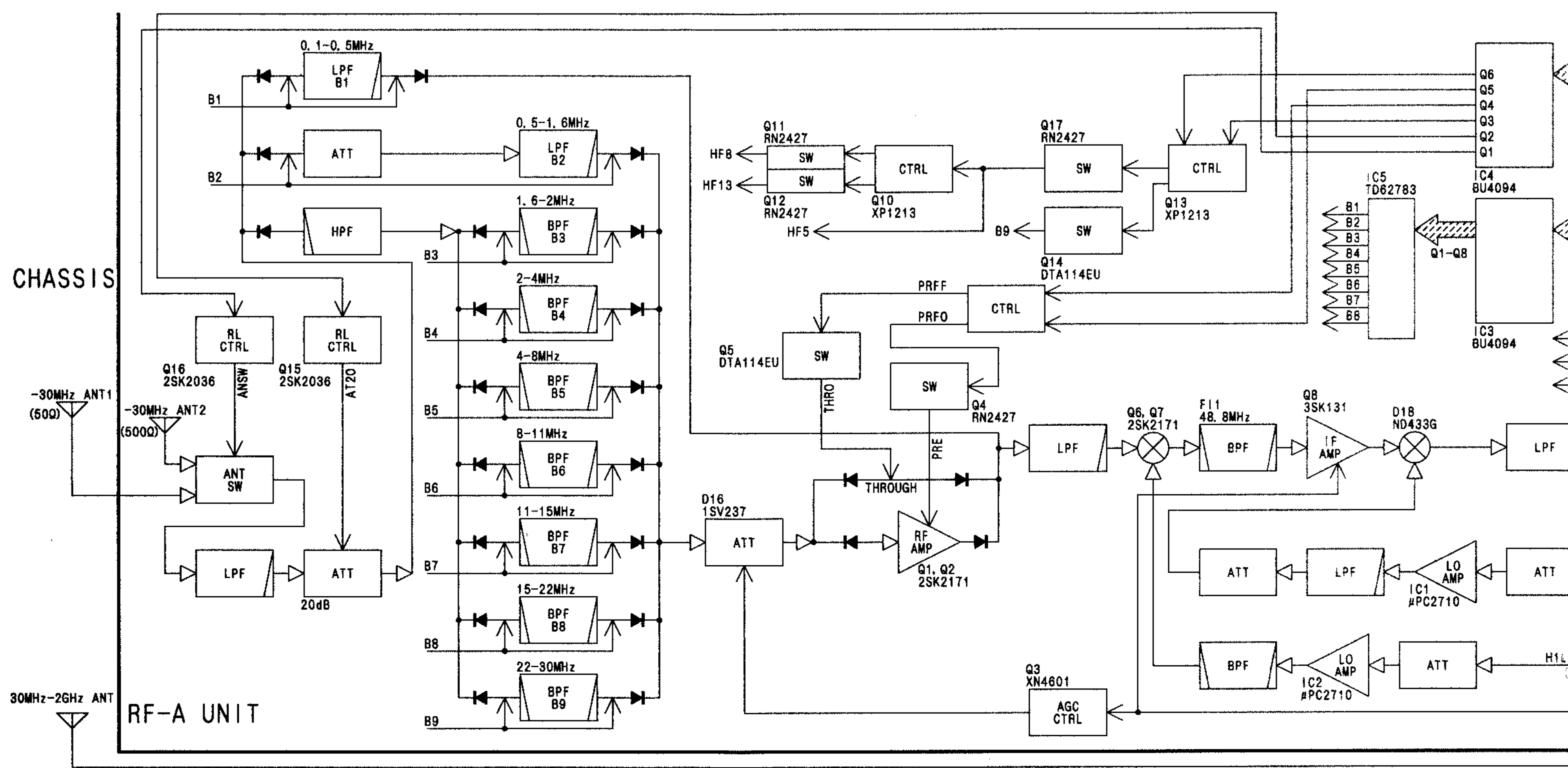


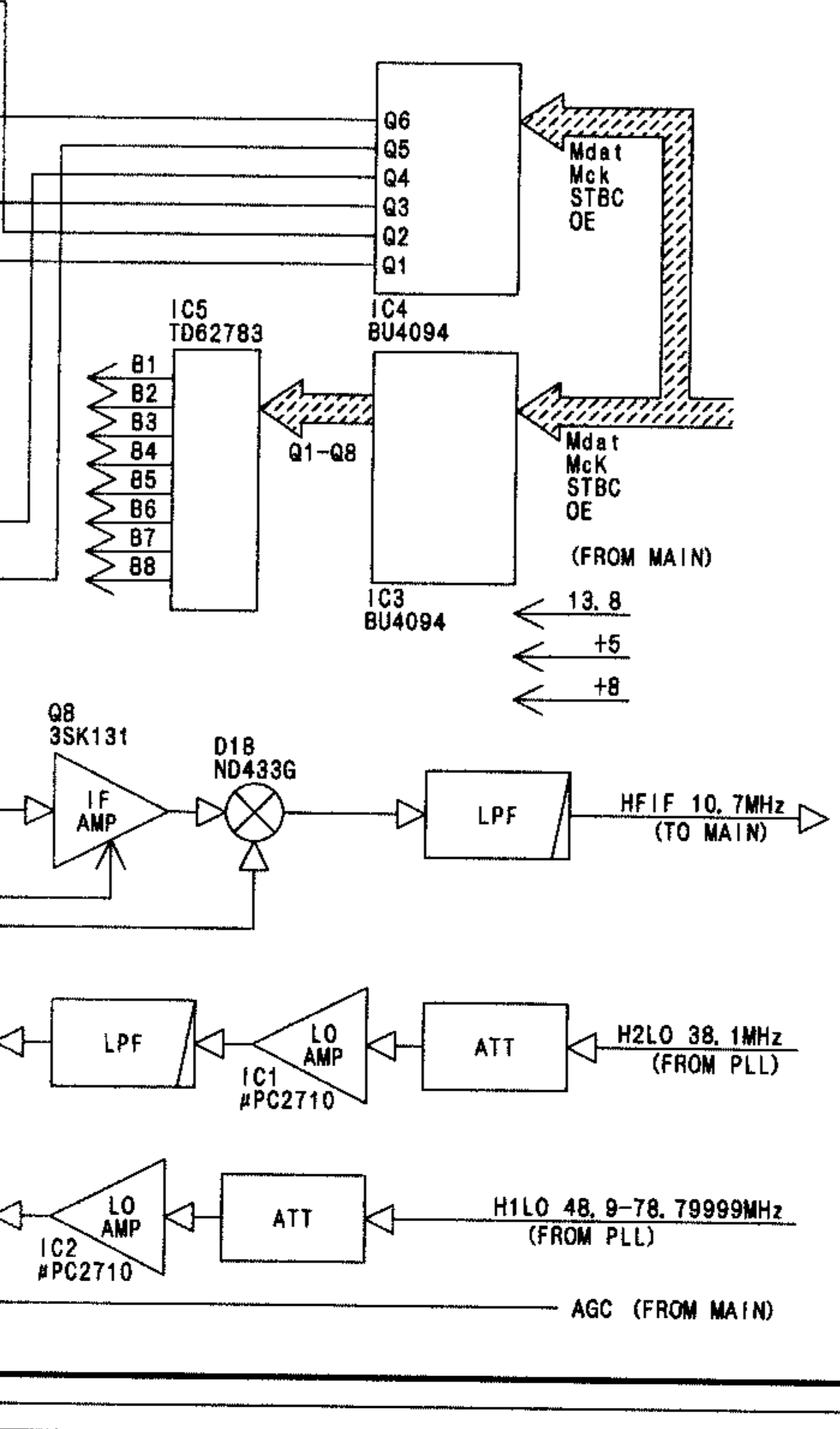


Downloaded by

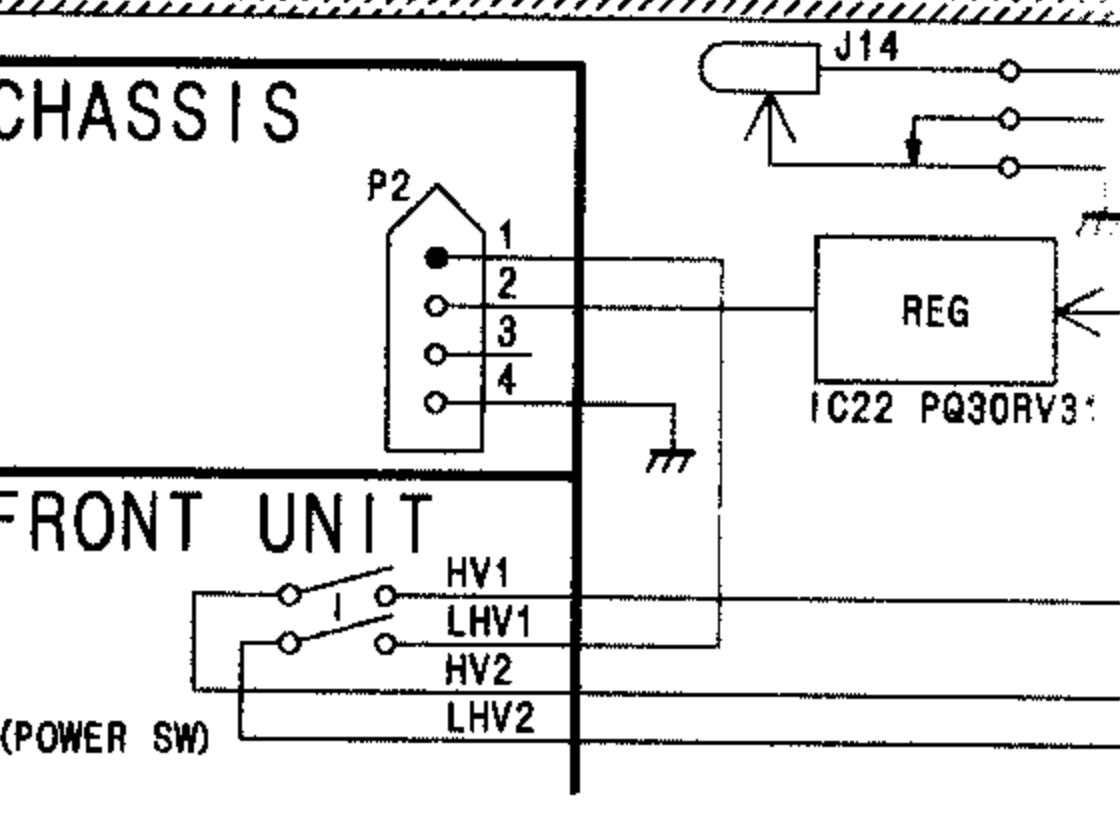
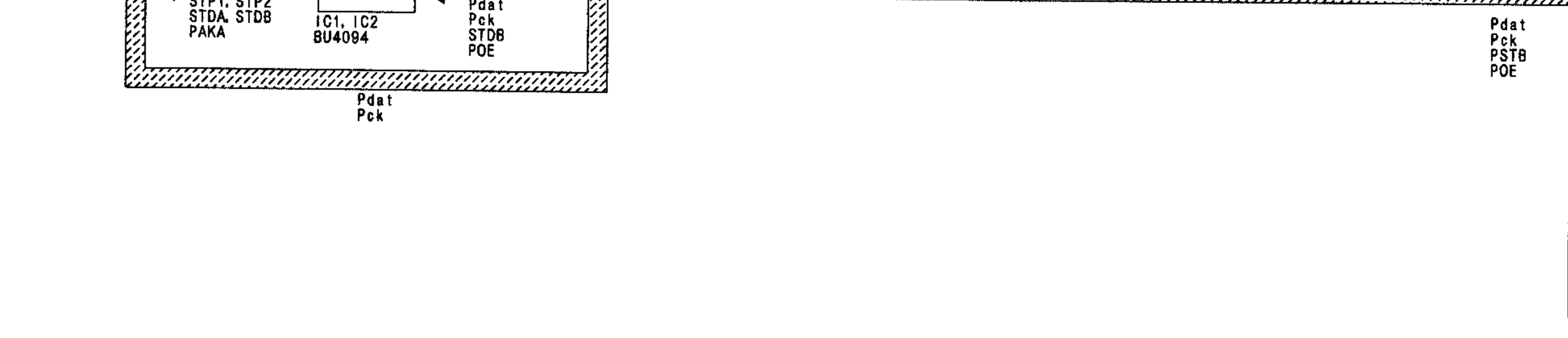
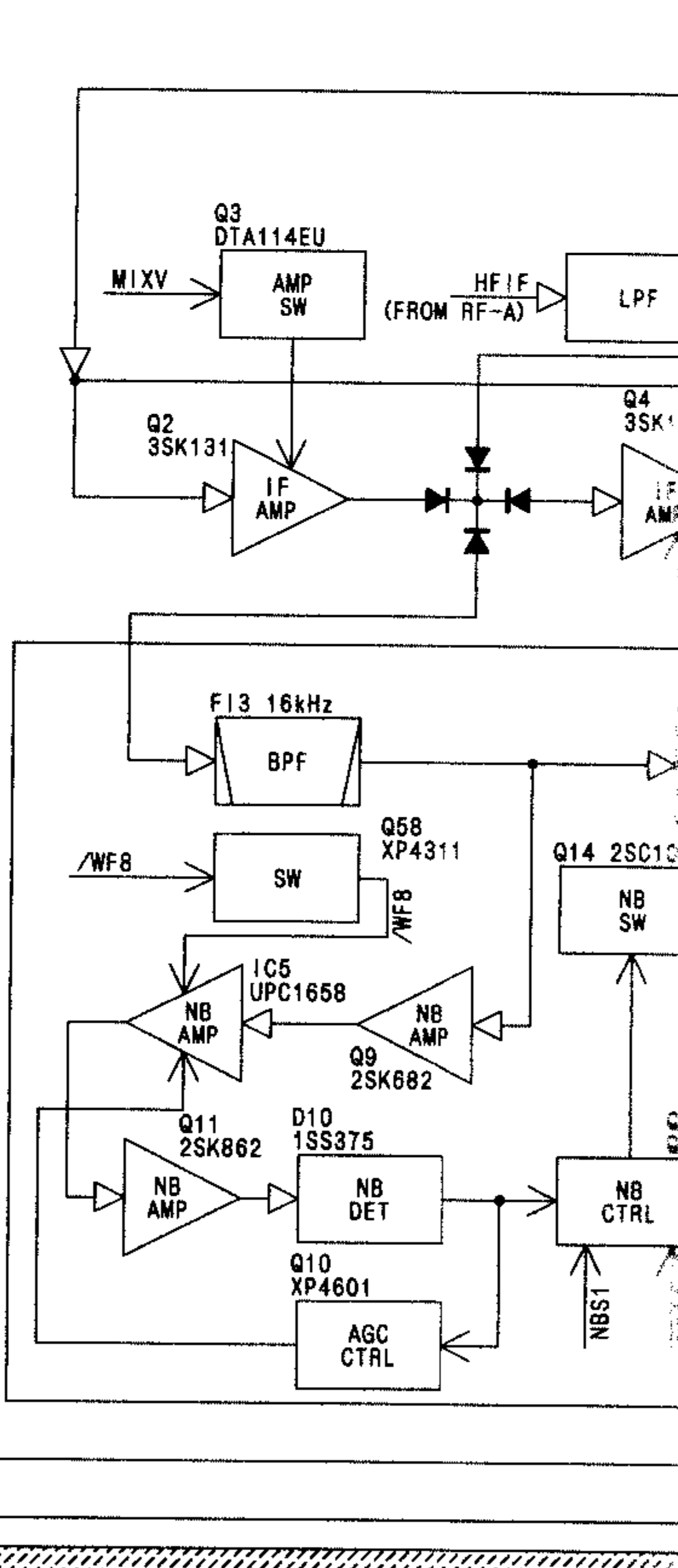
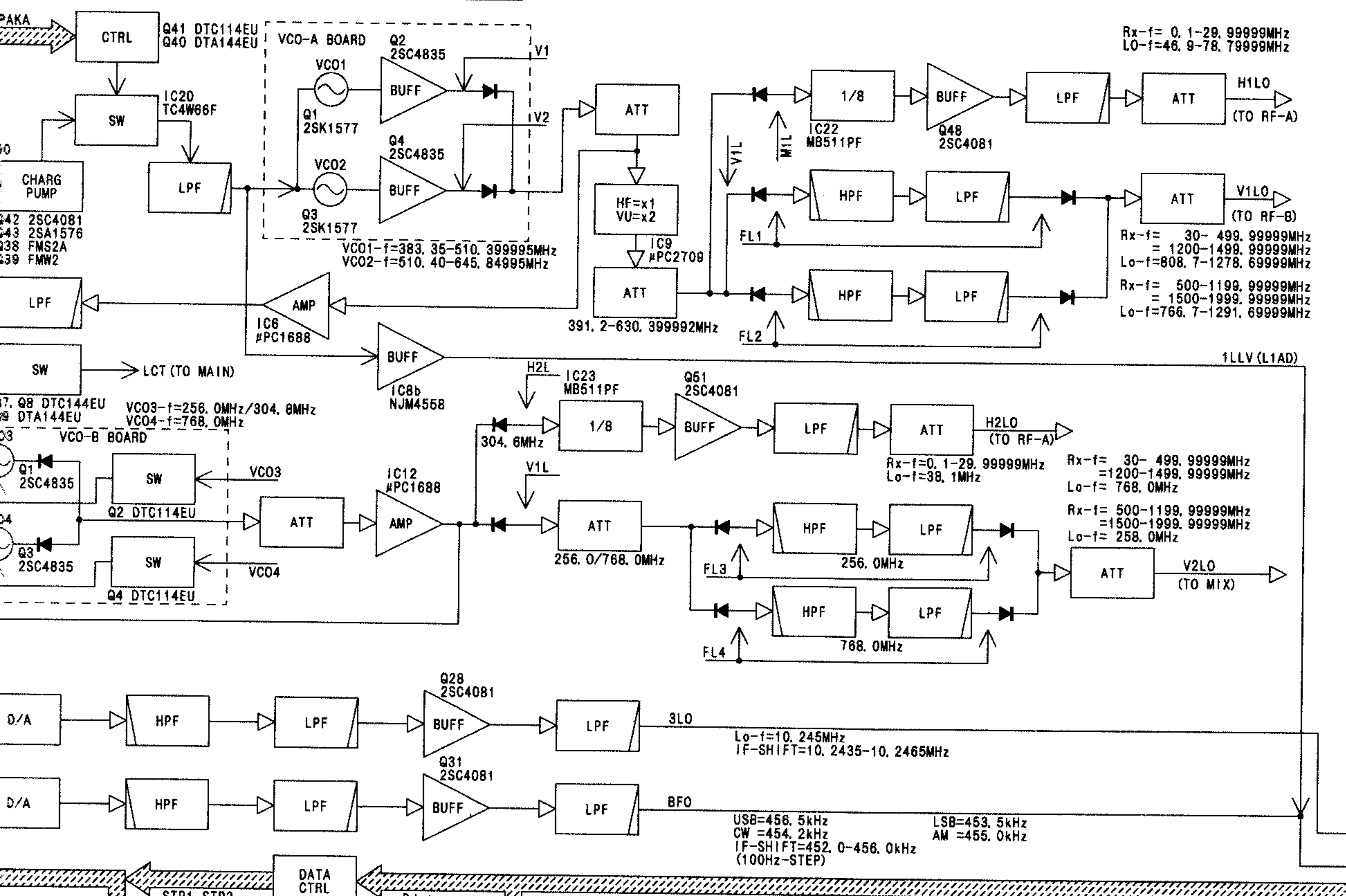
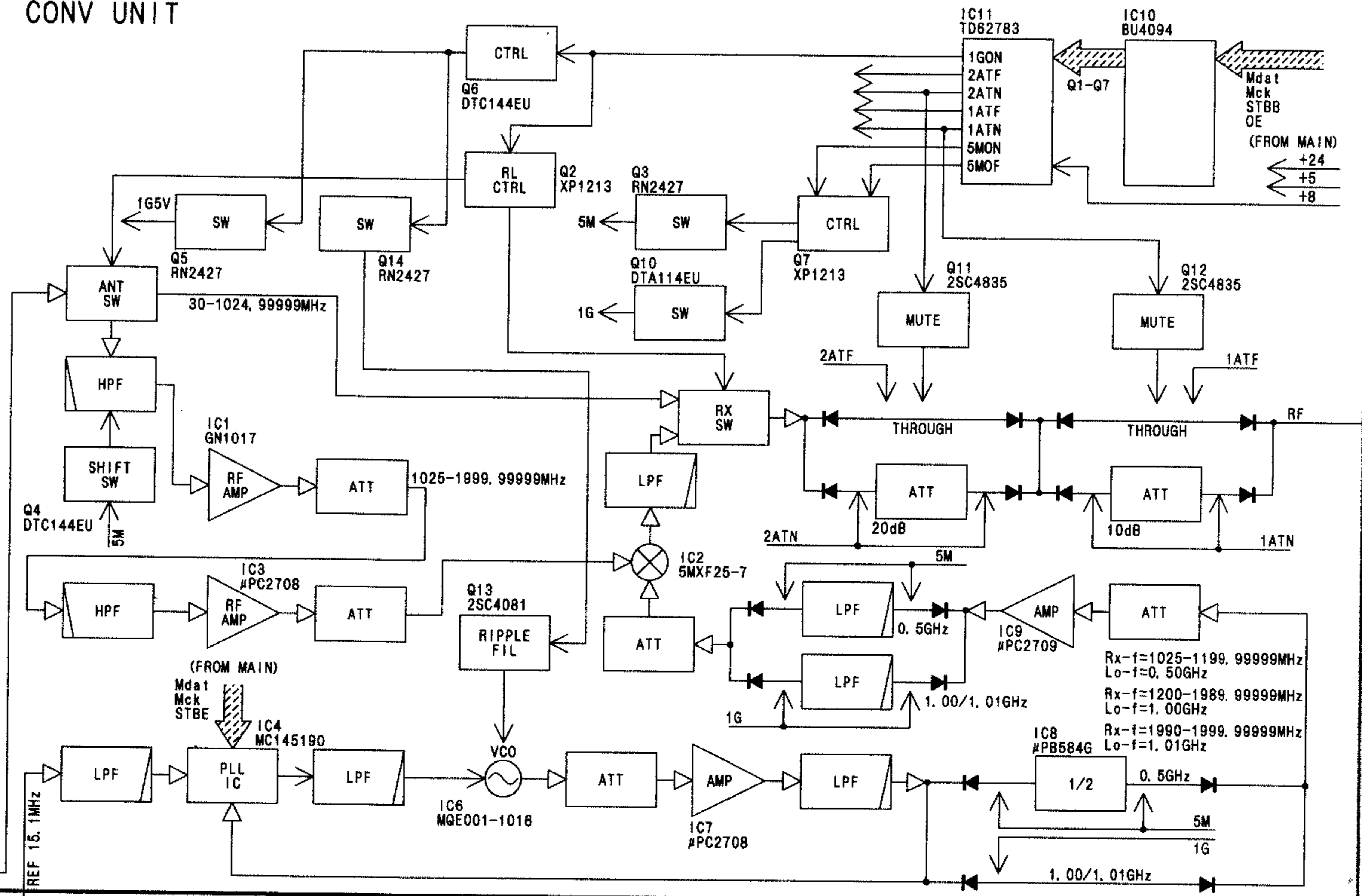
 Amateur Radio Directory



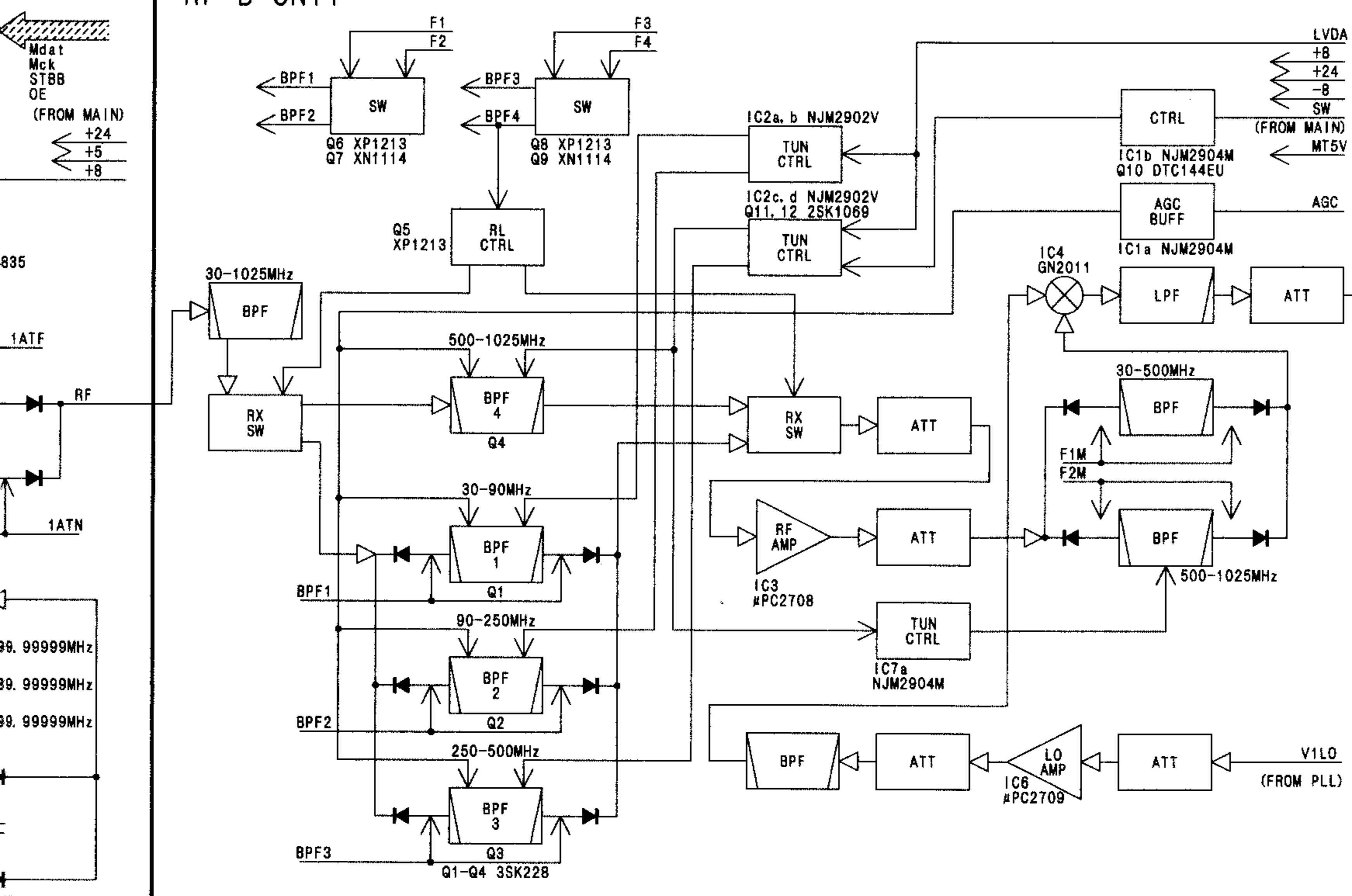




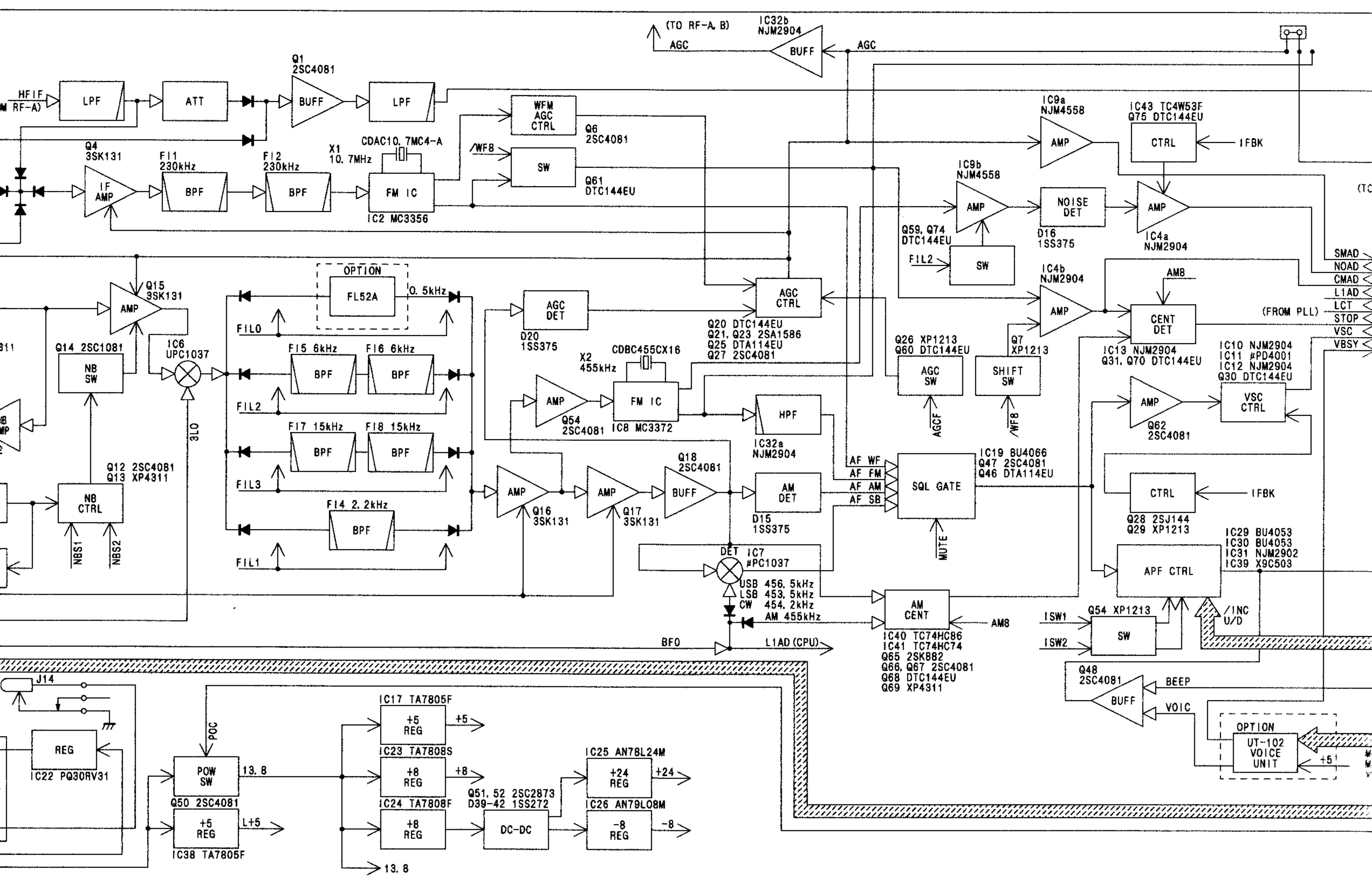
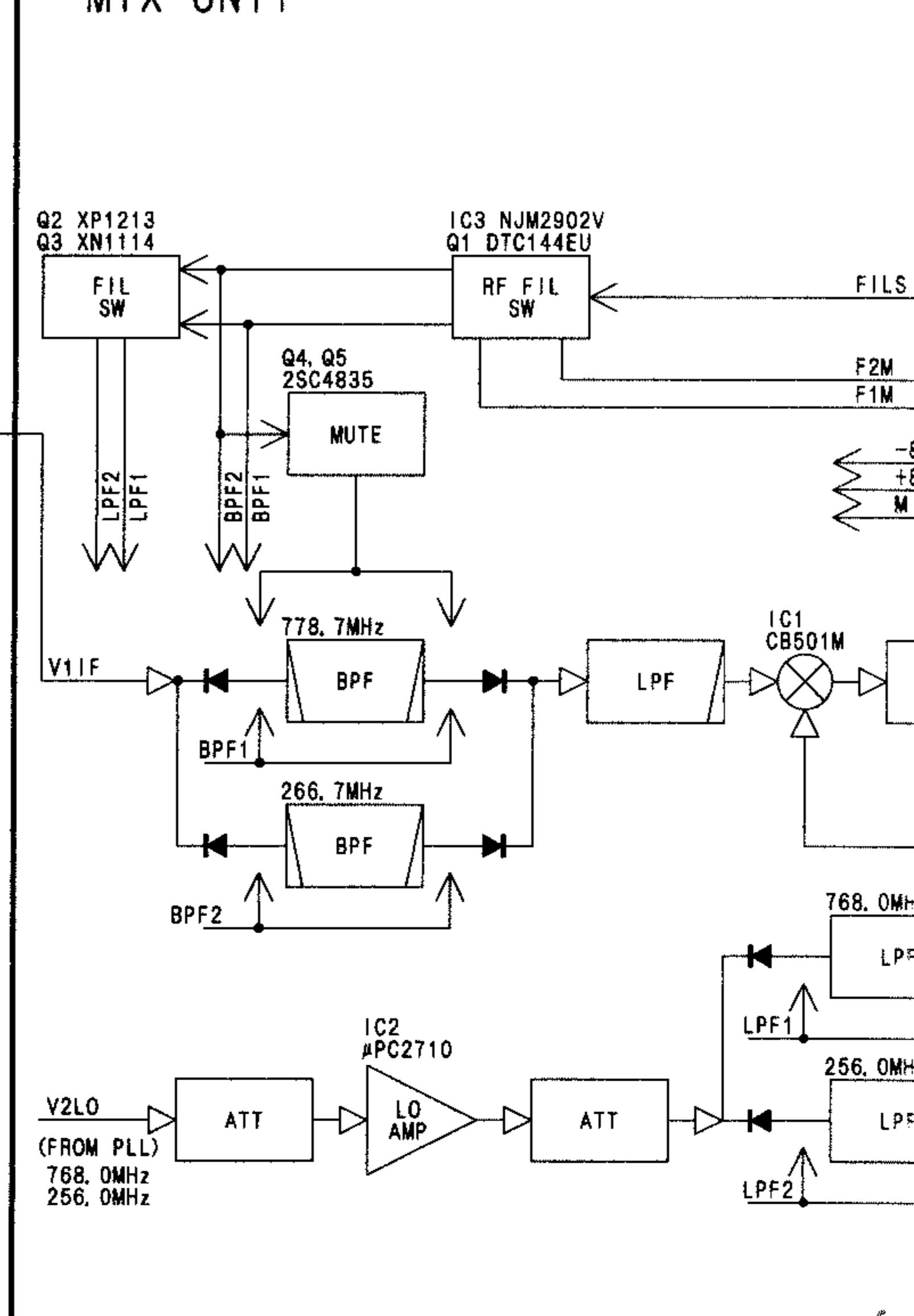
CONV UNIT

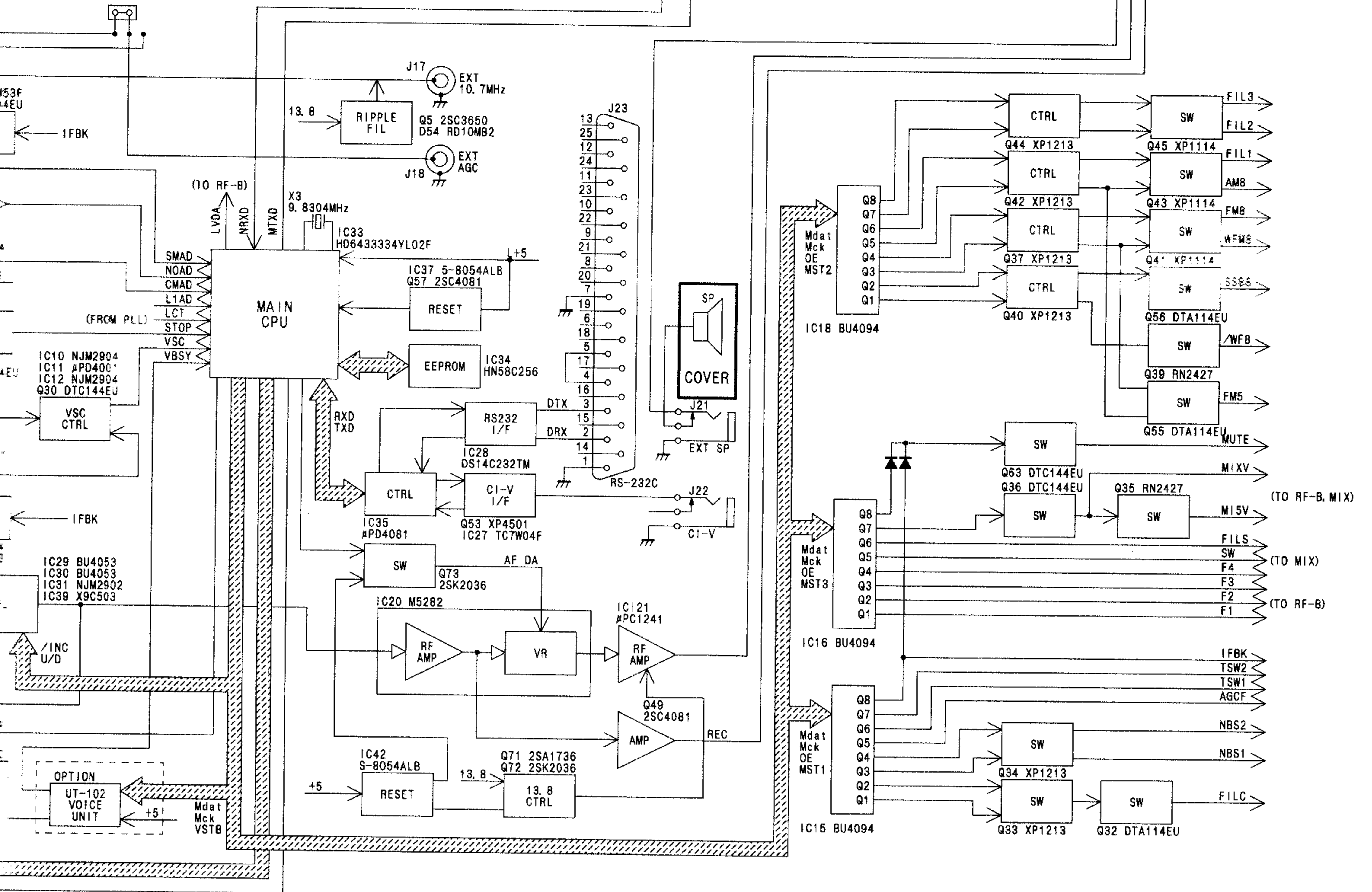
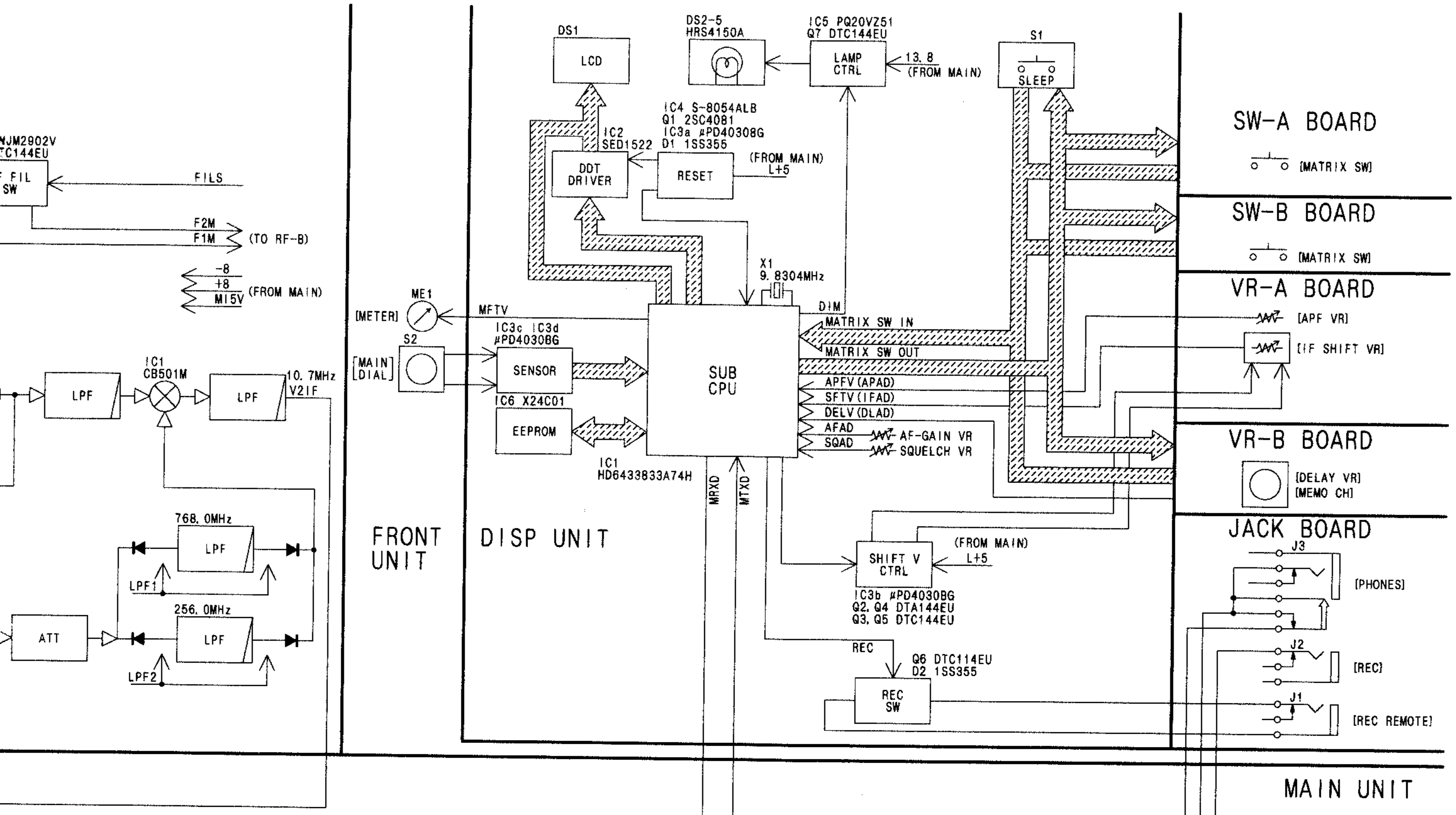


RF-B UNIT



MIX UNIT





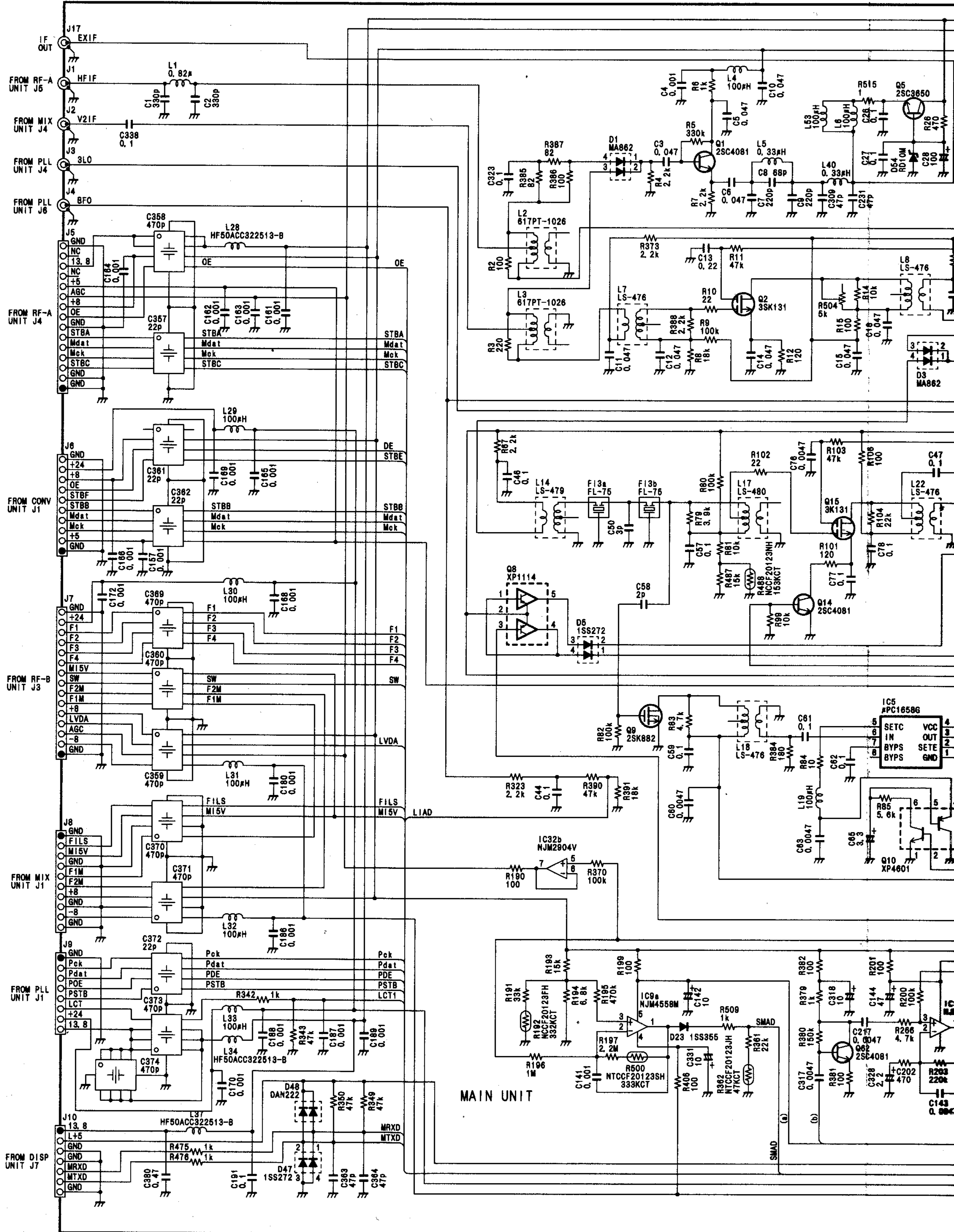
DATA LINE
RX LINE

ICOM

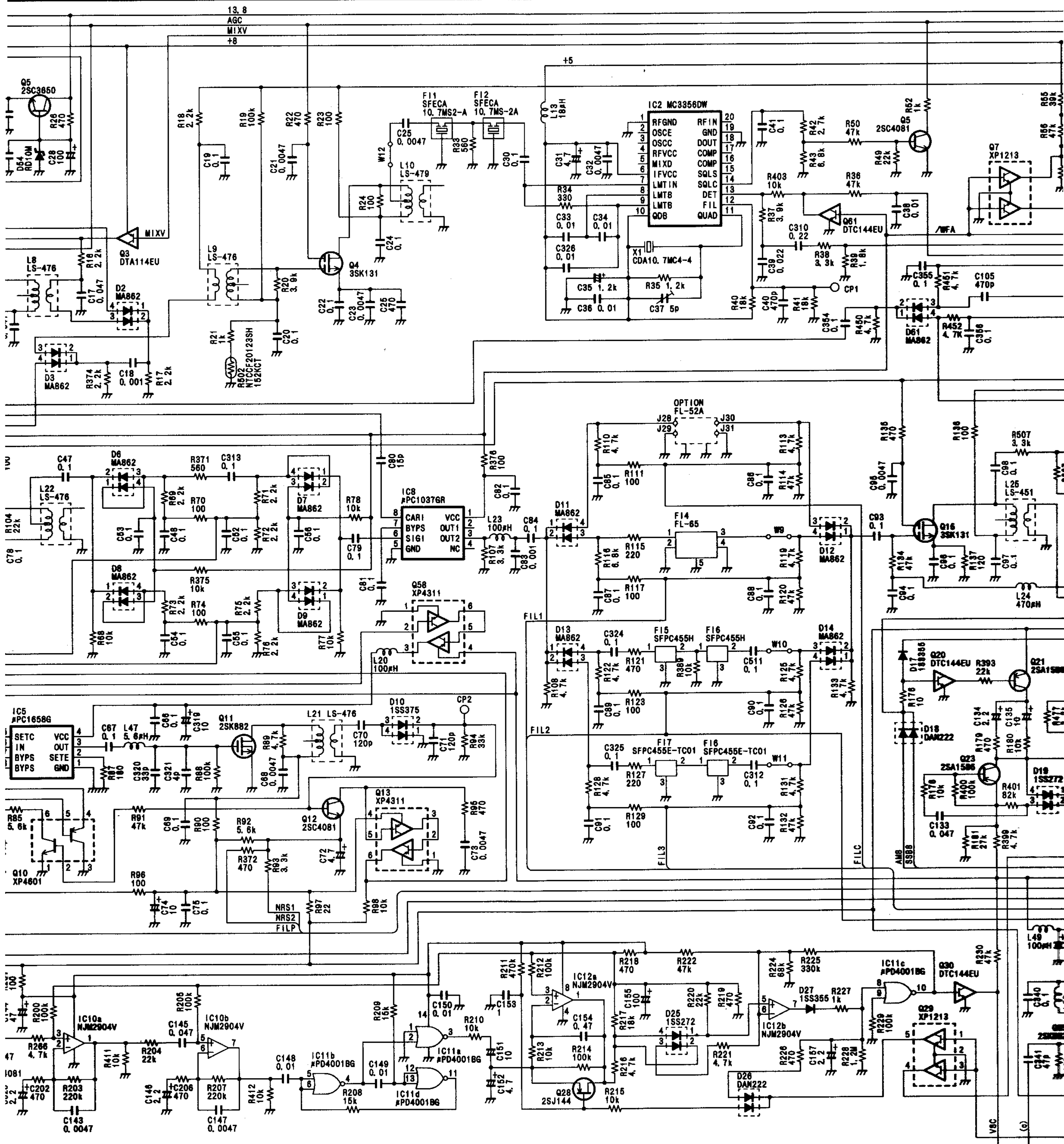
①

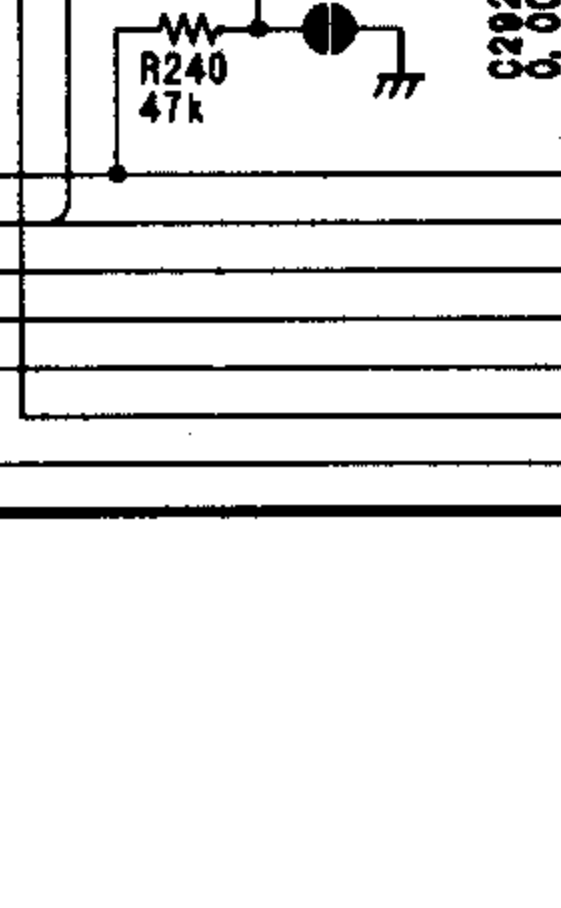
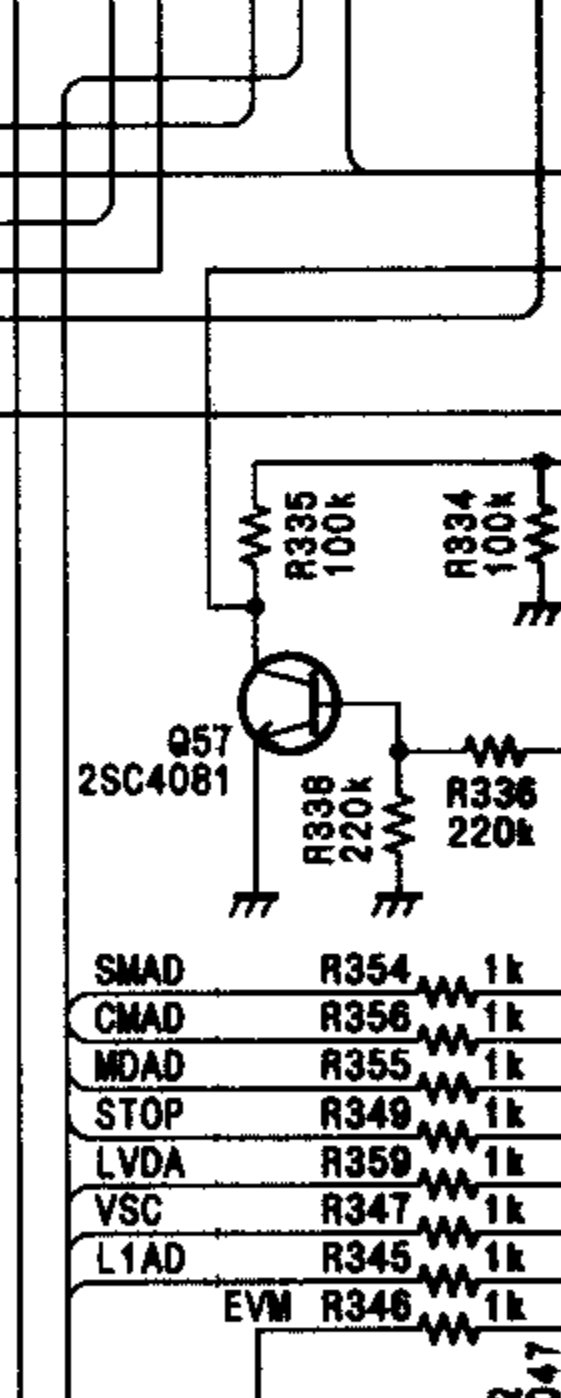
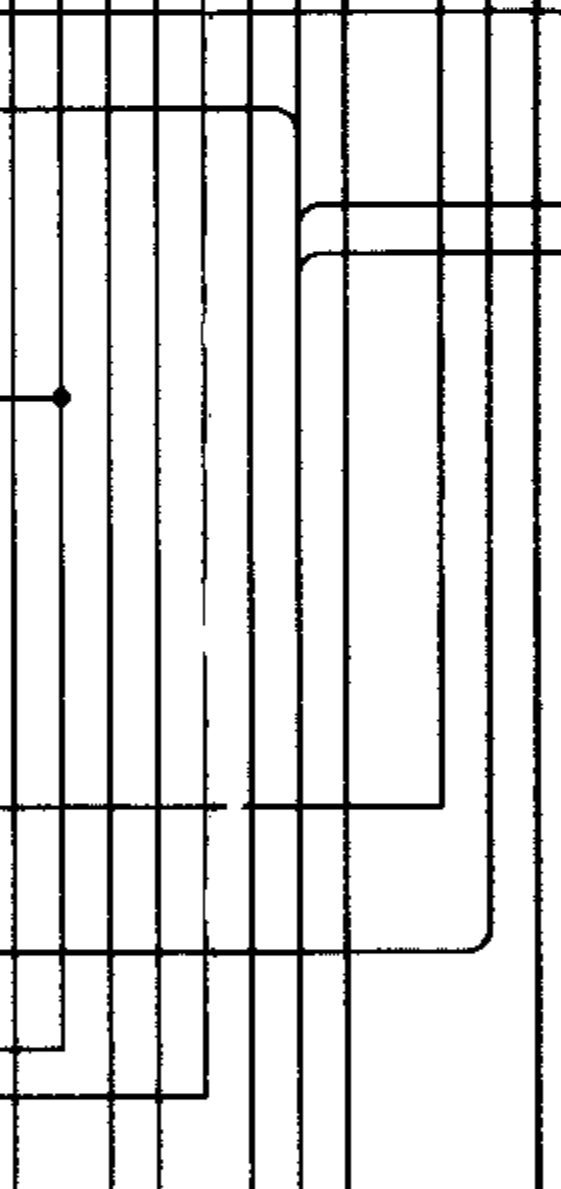
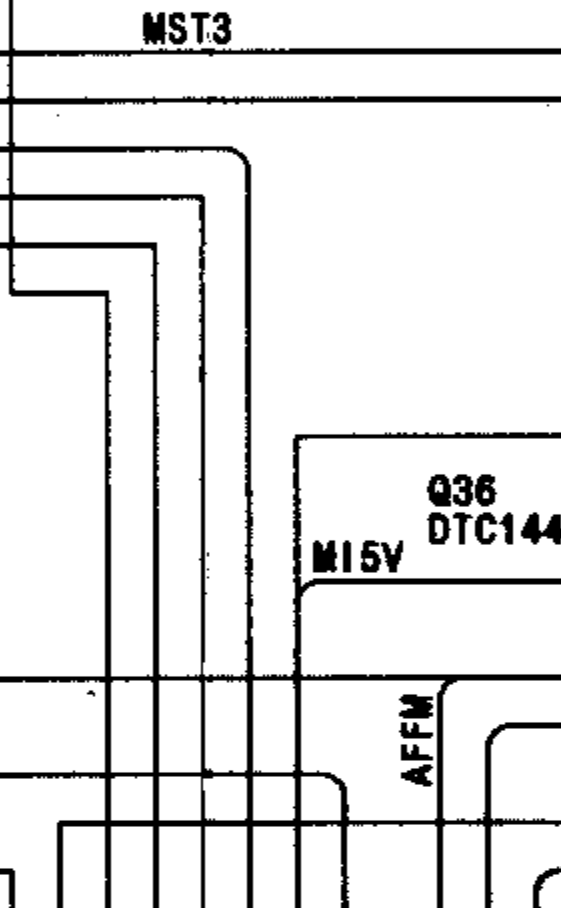
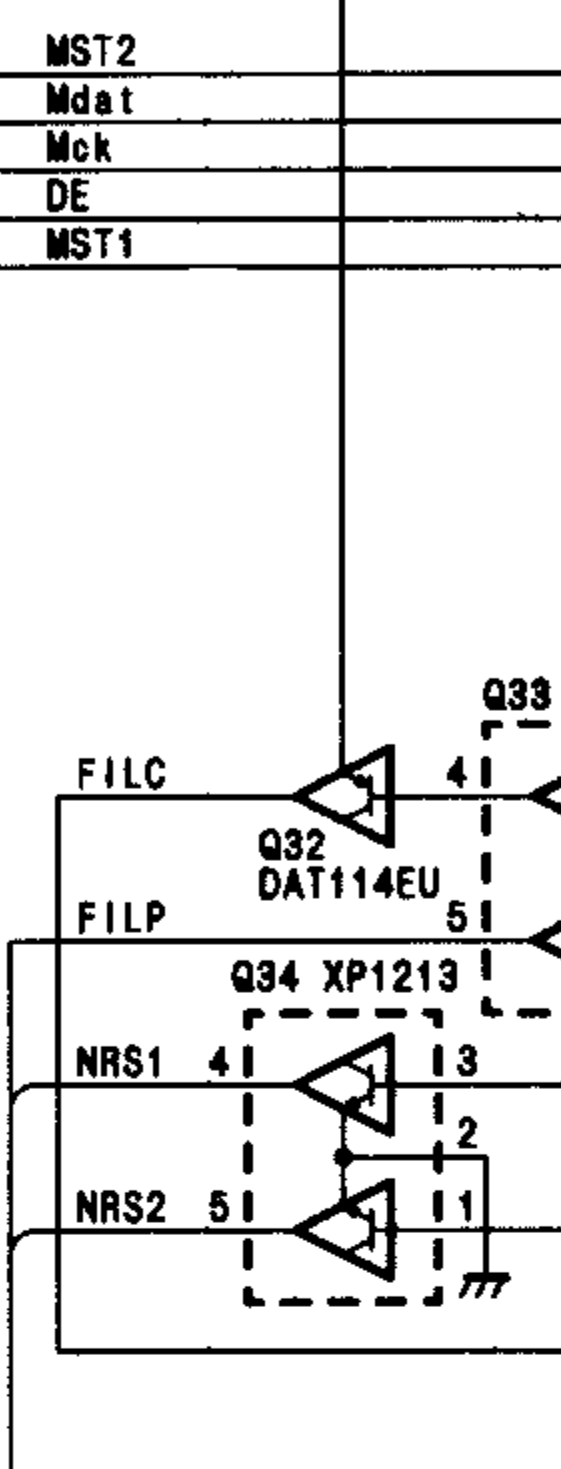
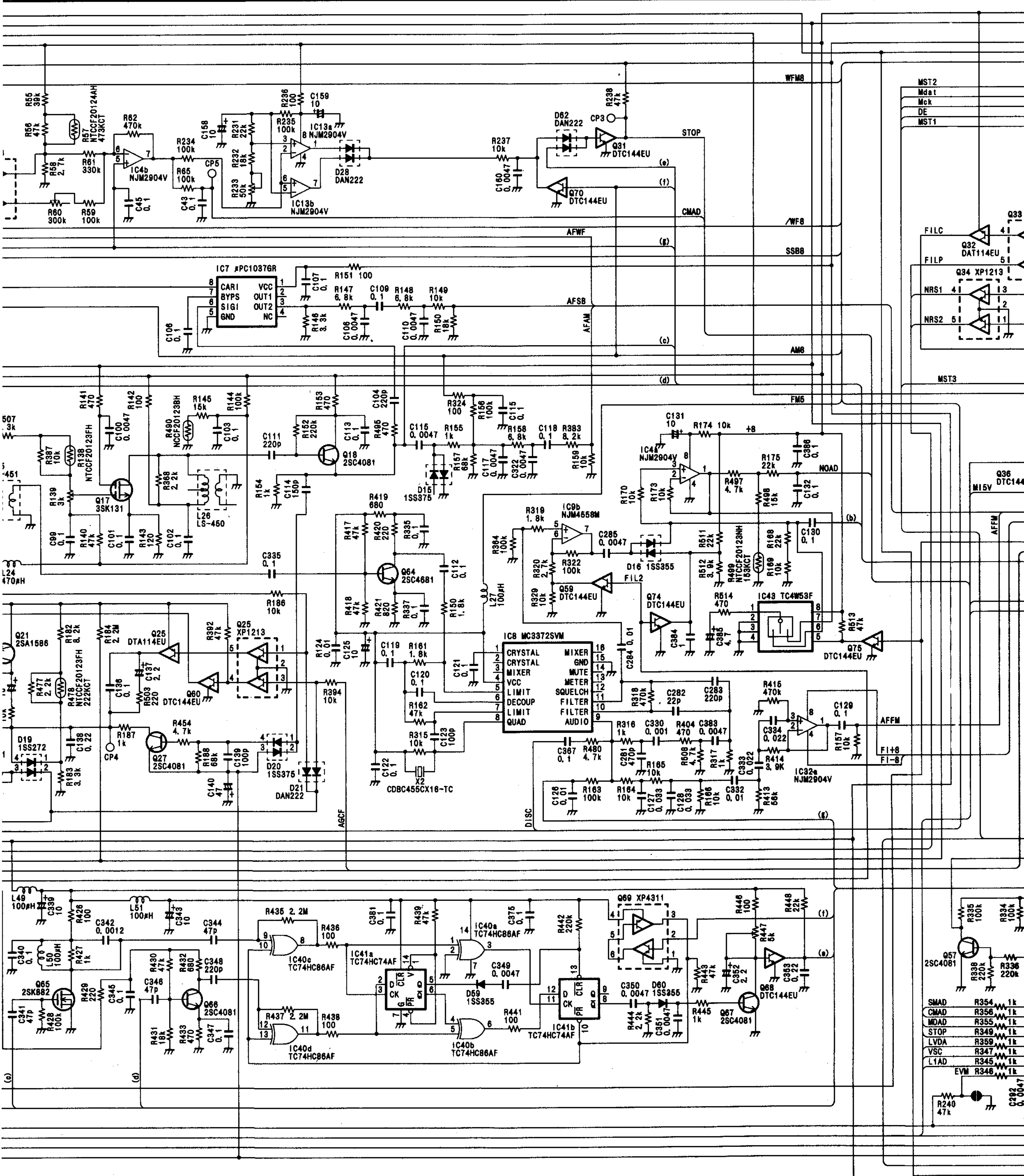
IC-R8500

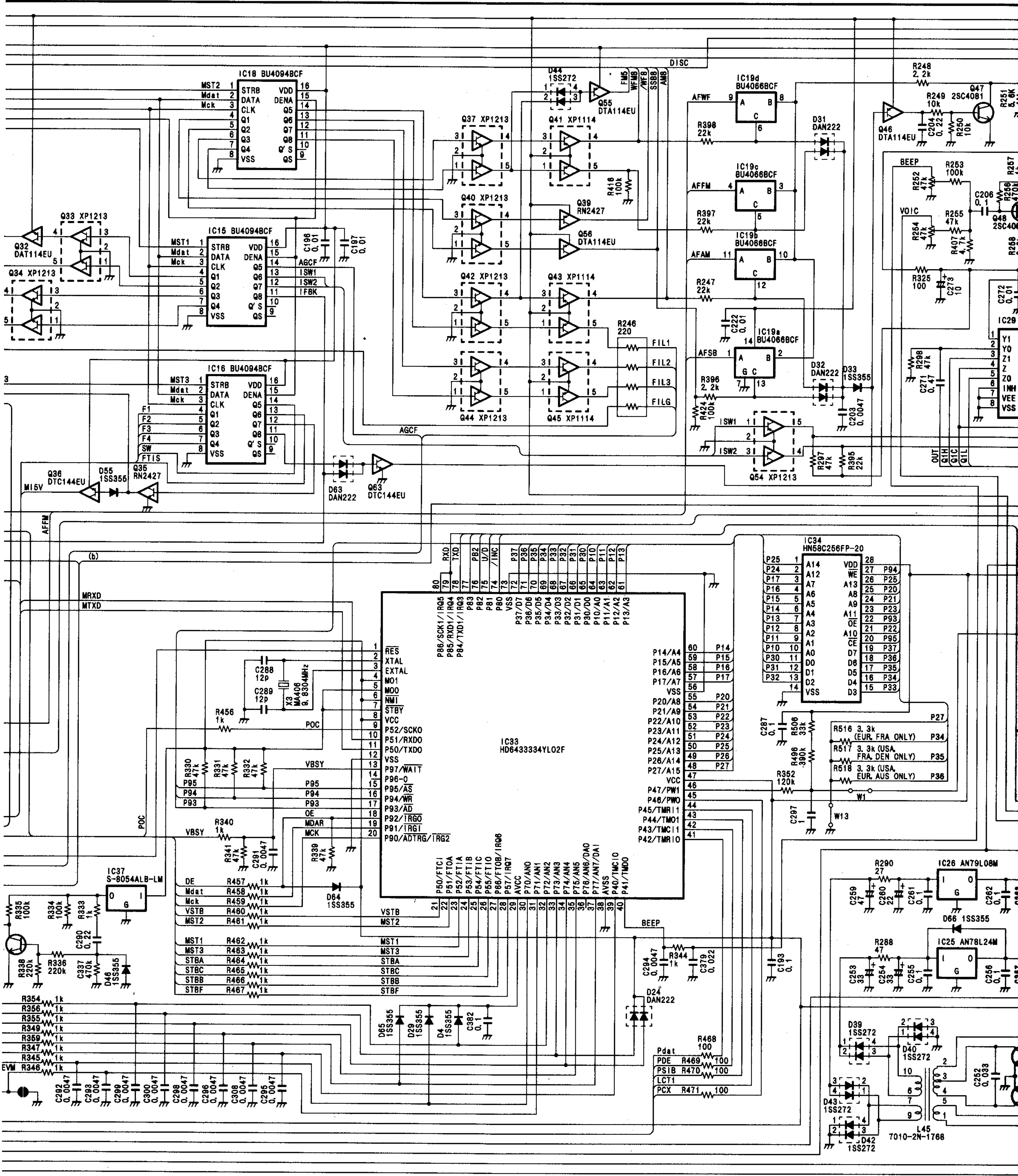
SCHEMATIC DIAGRAM

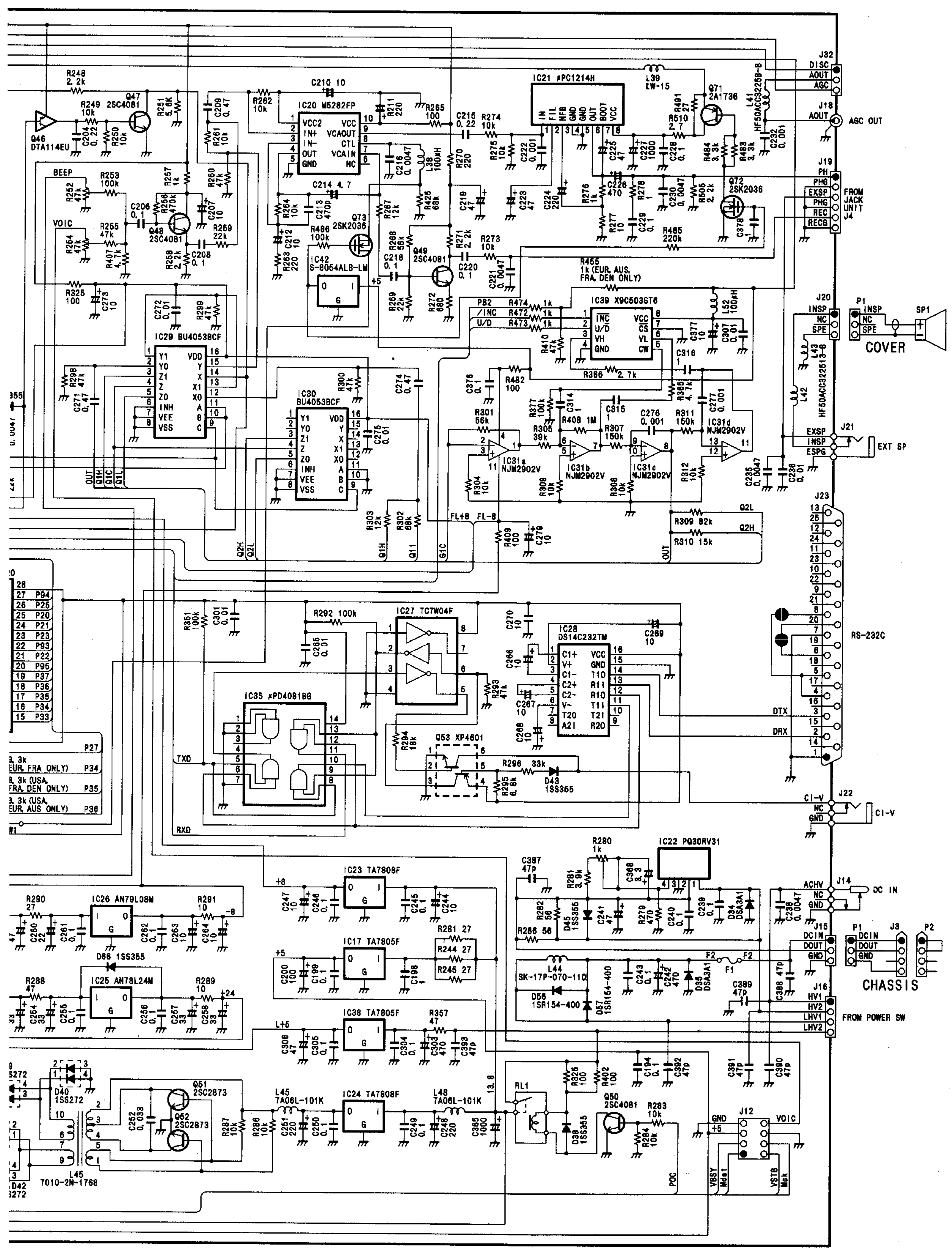


GRAM





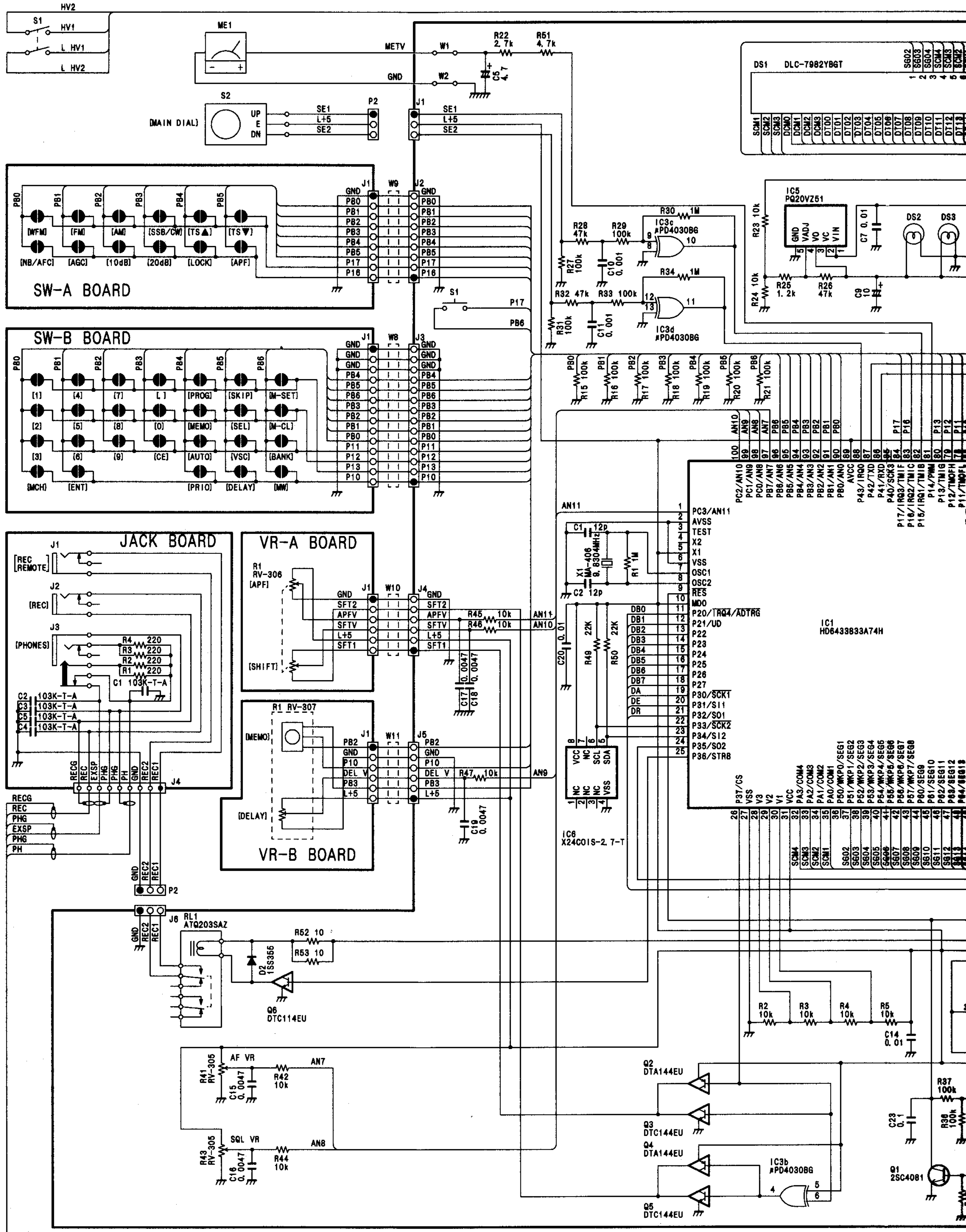




To upgrade quality, some components may be subject to change without notice.

A-5395H-2EX
Printed in Japan
Copyright © 1996 by Icom Inc.

Icom Inc.

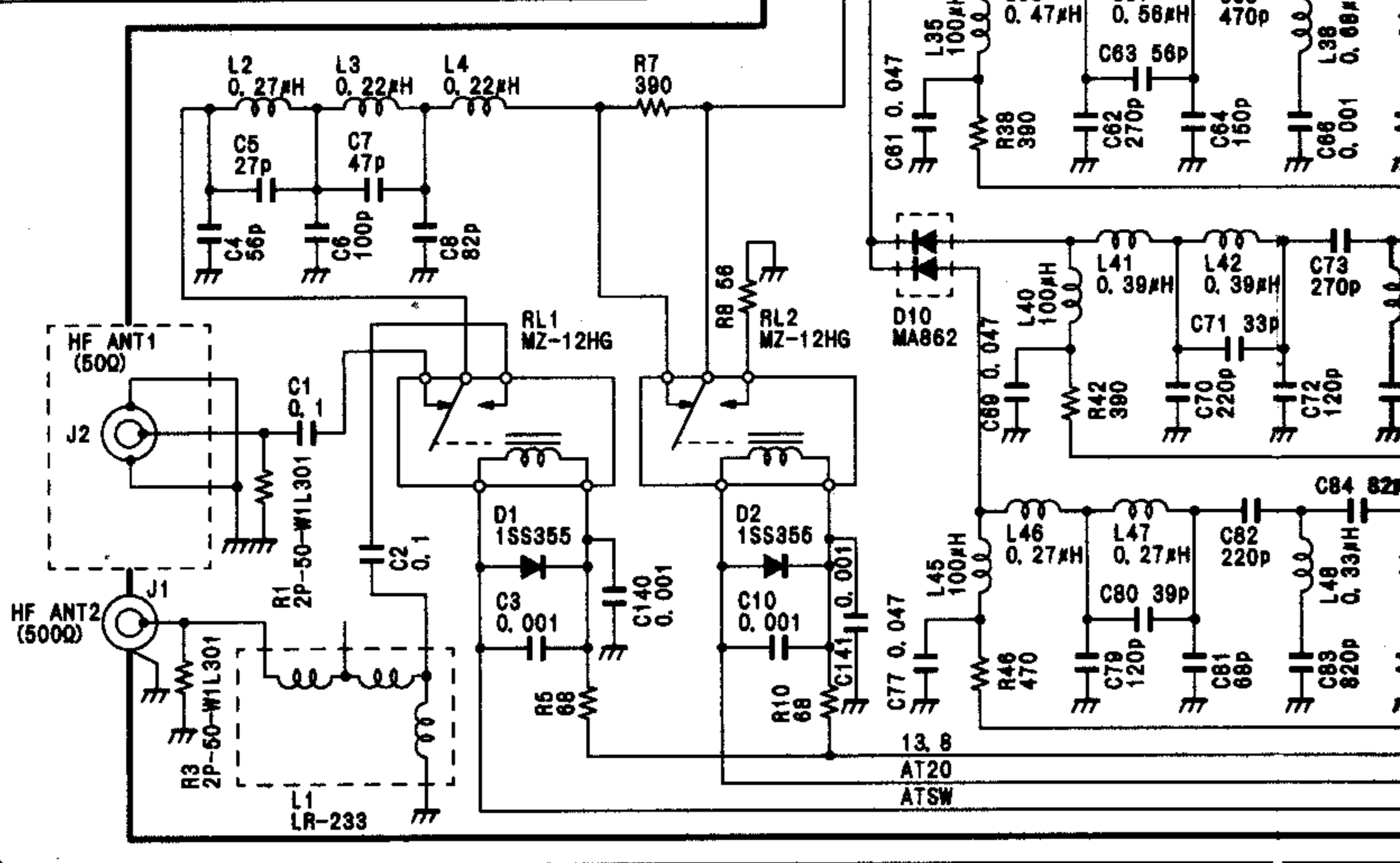
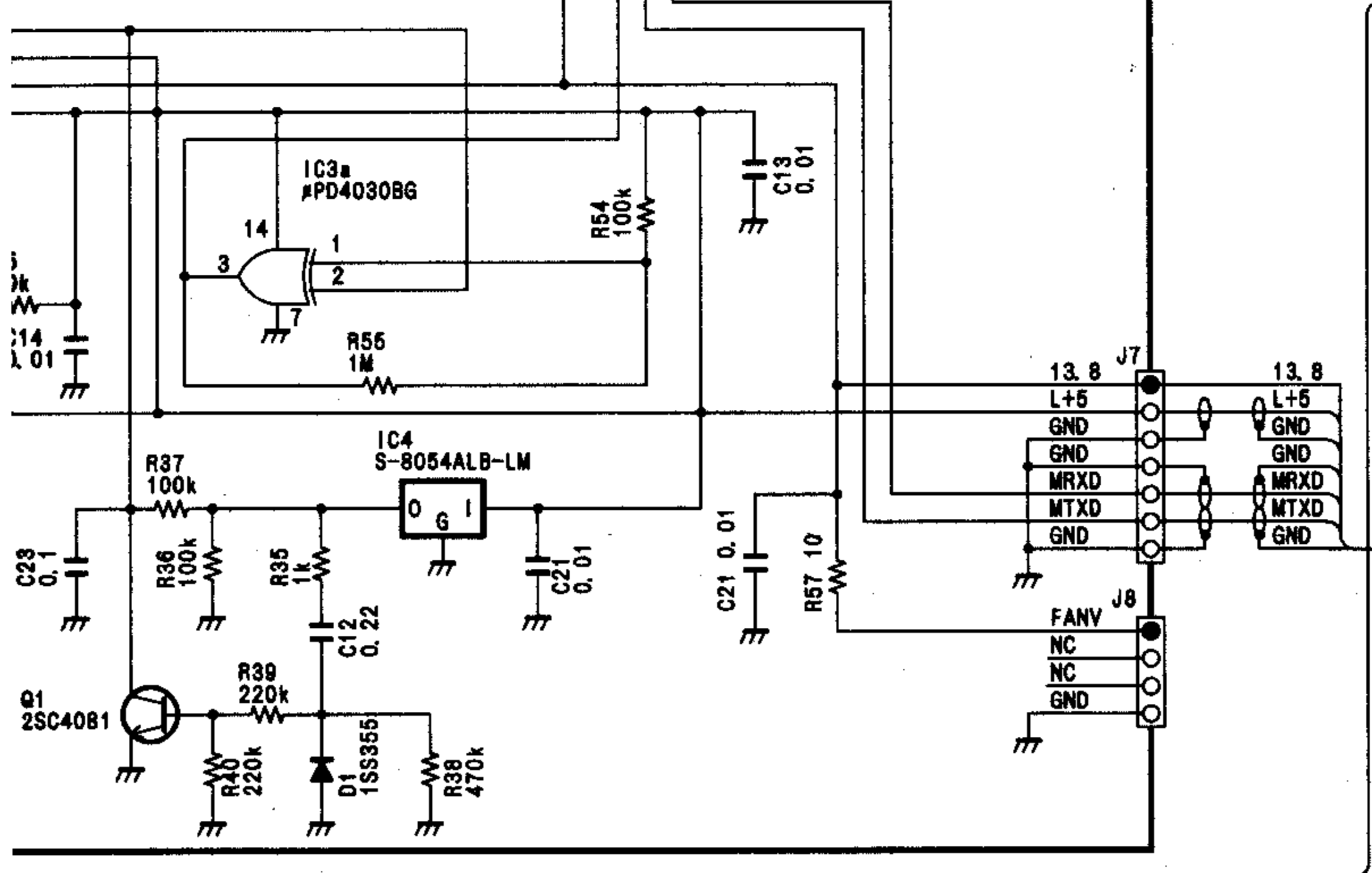
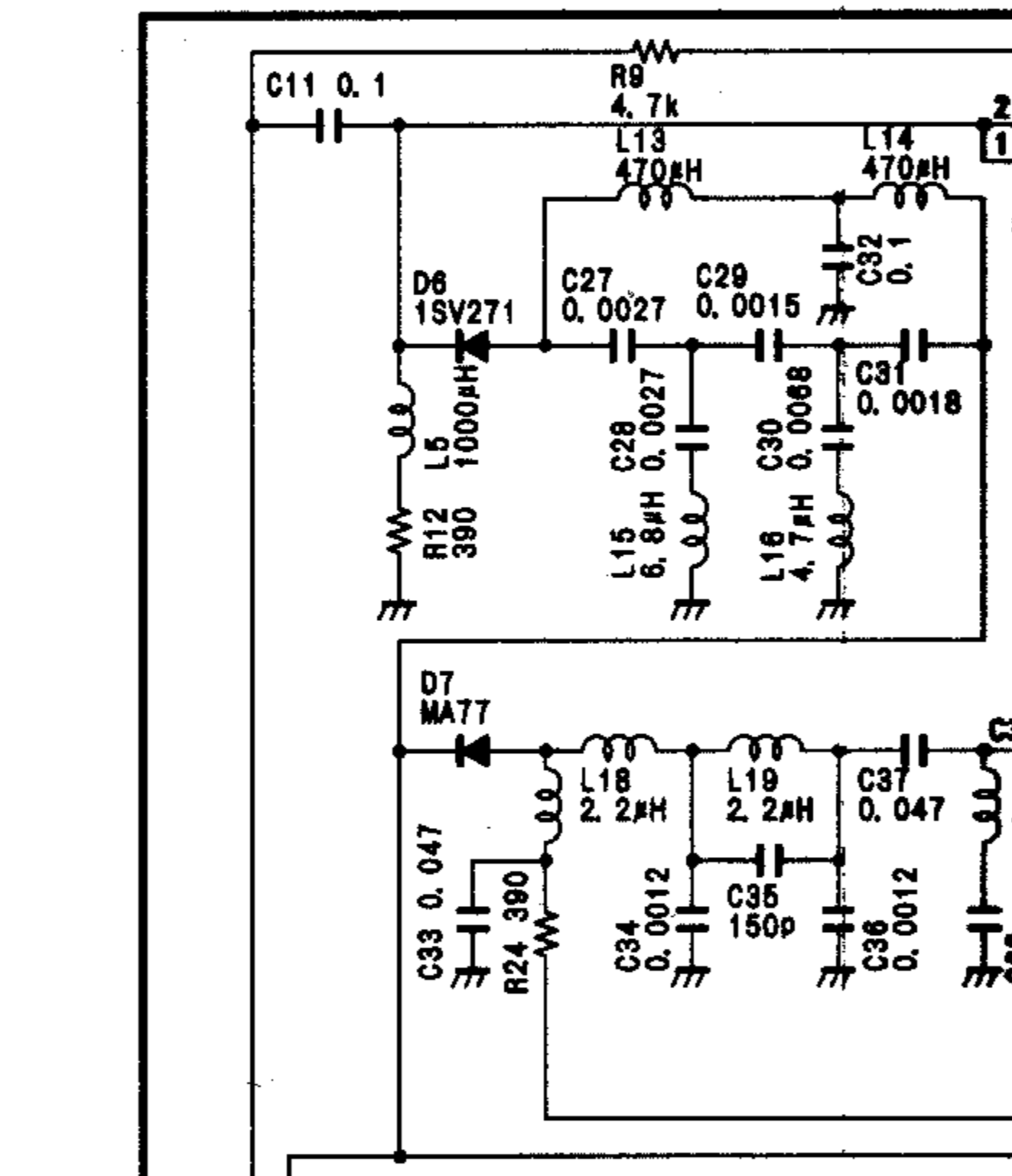
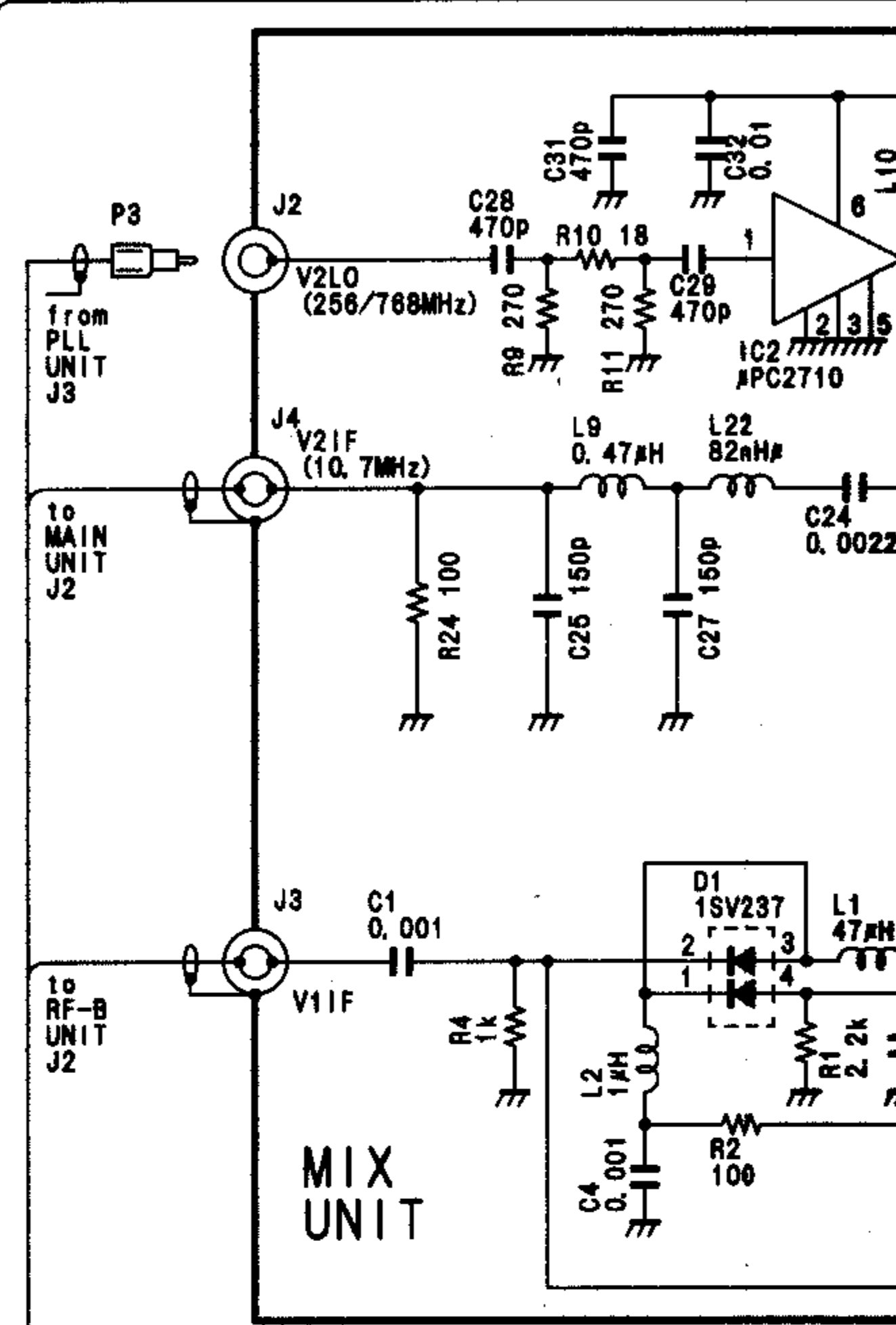
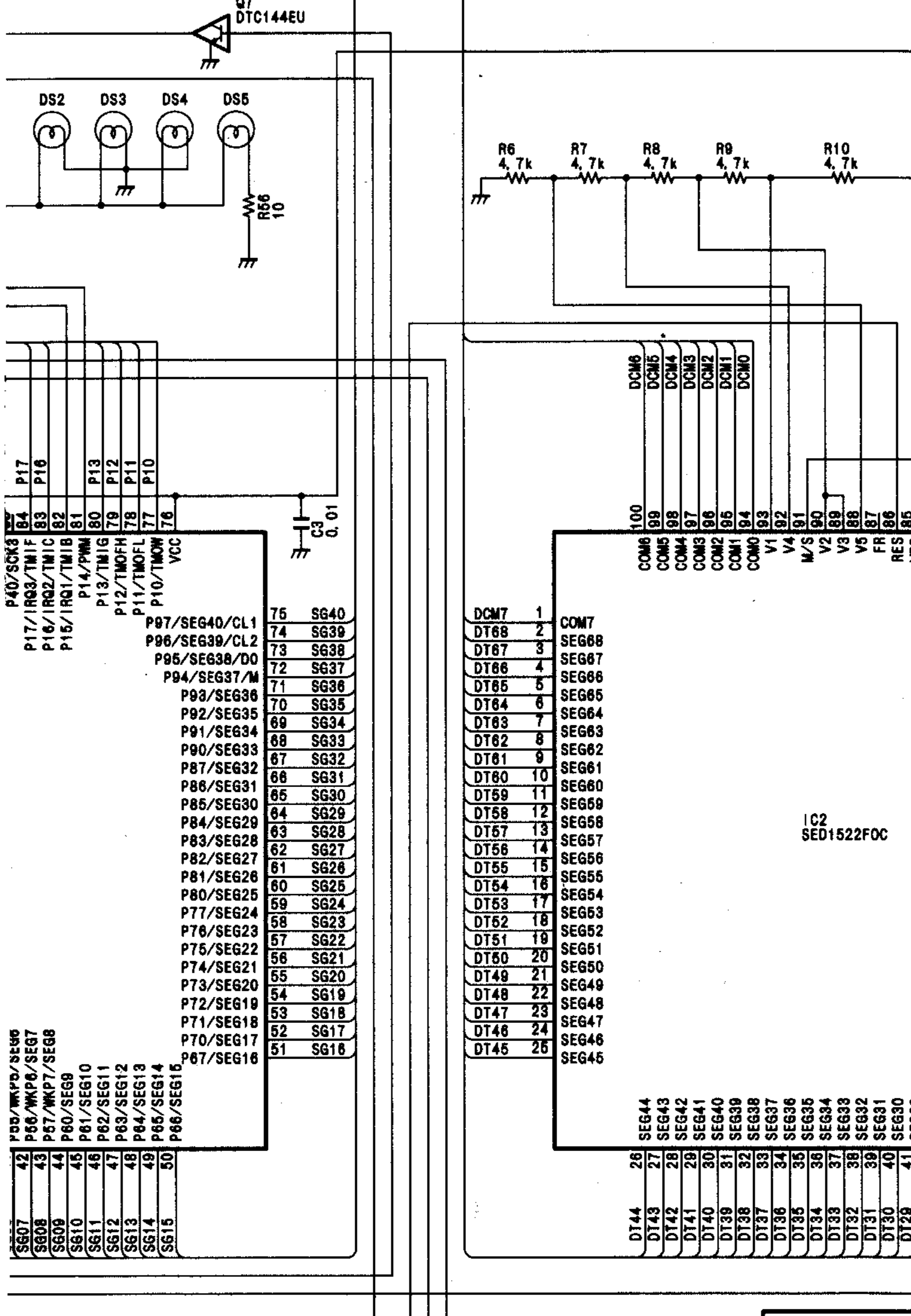


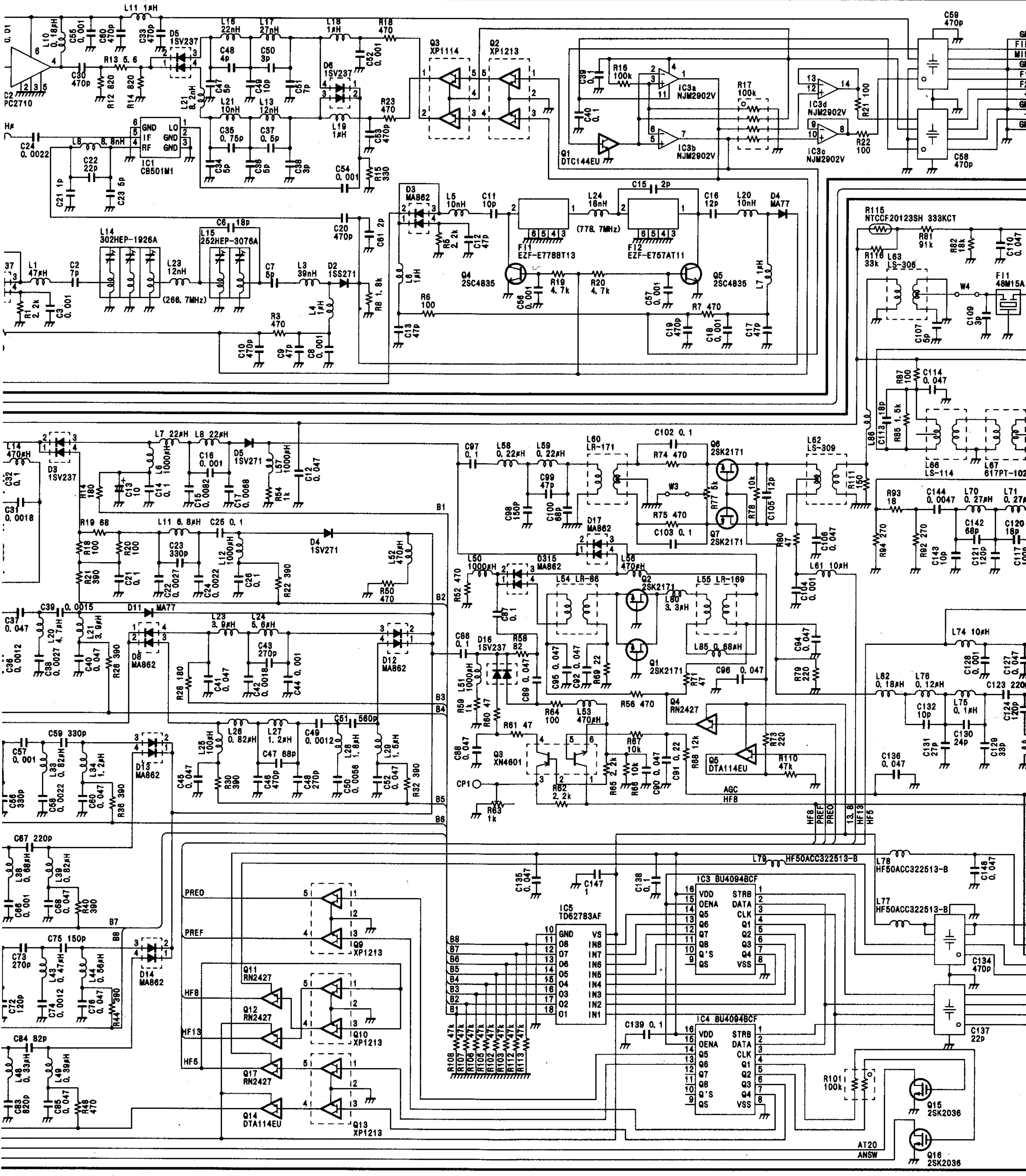
GRAM

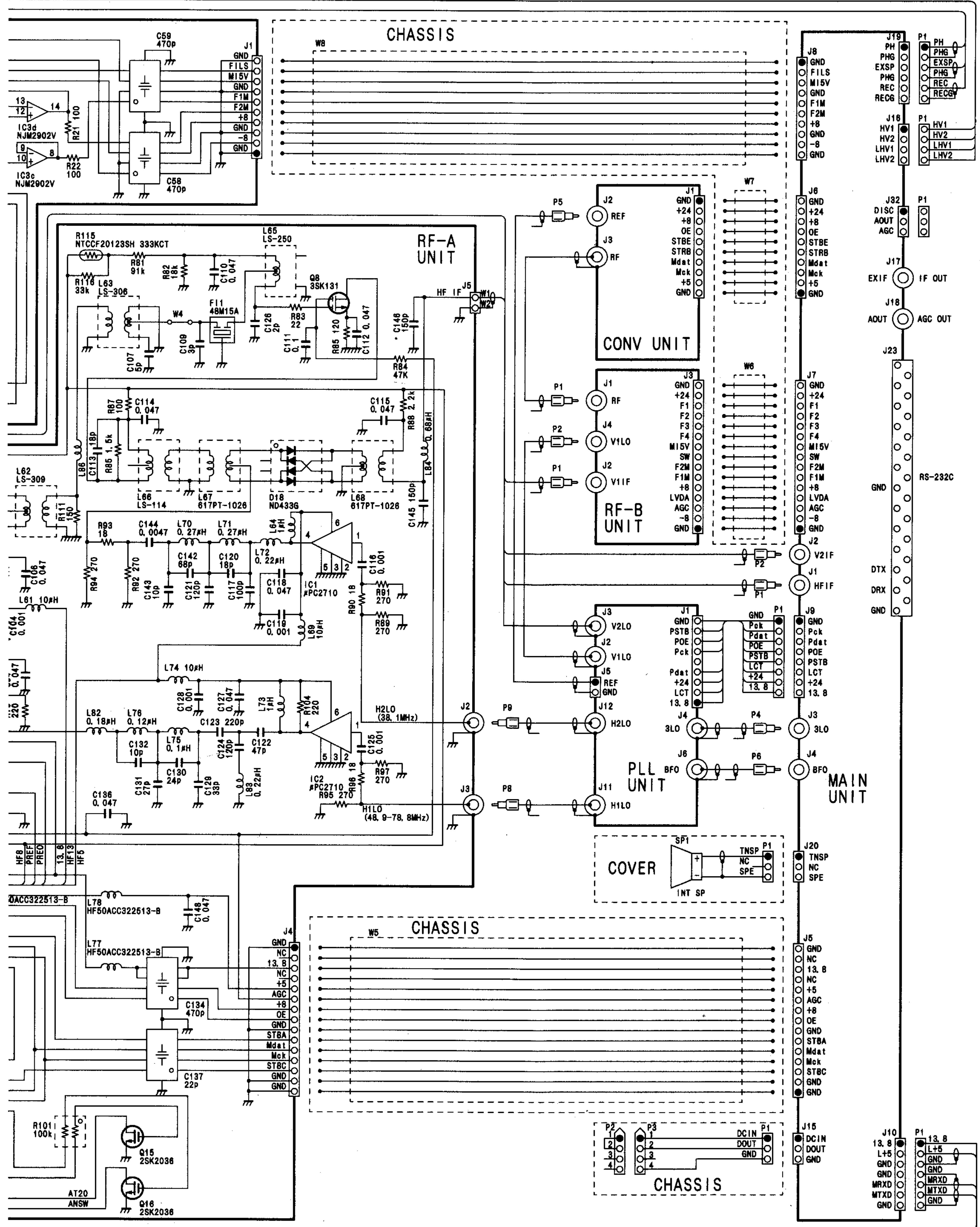
DISP UNIT

1	SG02
2	SG03
3	SG04
4	SCM4
5	SCM2
6	SCM1
7	SCM4
8	SCM4
9	SG06
10	SG07
11	SG08
12	SG09
13	SG08
14	SG11
15	SG12
16	SG12
17	SG13
18	SG14
19	SG15
20	SG16
21	SG17
22	SG18
23	SG19
24	SG20
25	SG21
26	SG22
27	SG23
28	SG24
29	SG25
30	SG26
31	SG27
32	SG28
33	SG29
34	SG30
35	SG31
36	SG32
37	SG33
38	SG34
39	SCM1
40	SCM2
41	SCM3
42	SCM4
43	SG35
44	SG36
45	SG37
46	SG38
47	SG39
48	SG40

1	DT07
2	DT08
3	DT09
4	DT10
5	DT11
6	DT12
7	DT13
8	DT14
9	DT15
10	DT16
11	DT17
12	DT18
13	DT19
14	DT20
15	DT21
16	DT22
17	DT23
18	DT24
19	DT25
20	DT26
21	DT27
22	DT28
23	DT29
24	DT30
25	DT31
26	DT32
27	DT33
28	DT34
29	DT35
30	DT36
31	DT37
32	DT38
33	DT39
34	DT40
35	DT41
36	DT42
37	DT43
38	DT44
39	DT45
40	DT46
41	DT47
42	DT48
43	DT49
44	DT50
45	DT51
46	DT52
47	DT53
48	DT54
49	DT55
50	DT56
51	DT57
52	DT58
53	DT59
54	DT60
55	DT61
56	DT62
57	DT63
58	DT64
59	DT65
60	DT66
61	DT67
62	DT68
63	DT69
64	DT70
65	DT71
66	DT72
67	DT73
68	DT74
69	DT75
70	DT76
71	DT77
72	DT78
73	DT79
74	DT80
75	DT81
76	DT82
77	DT83
78	DT84
79	DT85
80	DT86
81	DT87
82	DT88
83	DT89
84	DT90
85	DT91
86	DT92
87	DT93
88	DT94
89	DT95
90	DT96
91	DT97
92	DT98
93	DT99
94	DT100



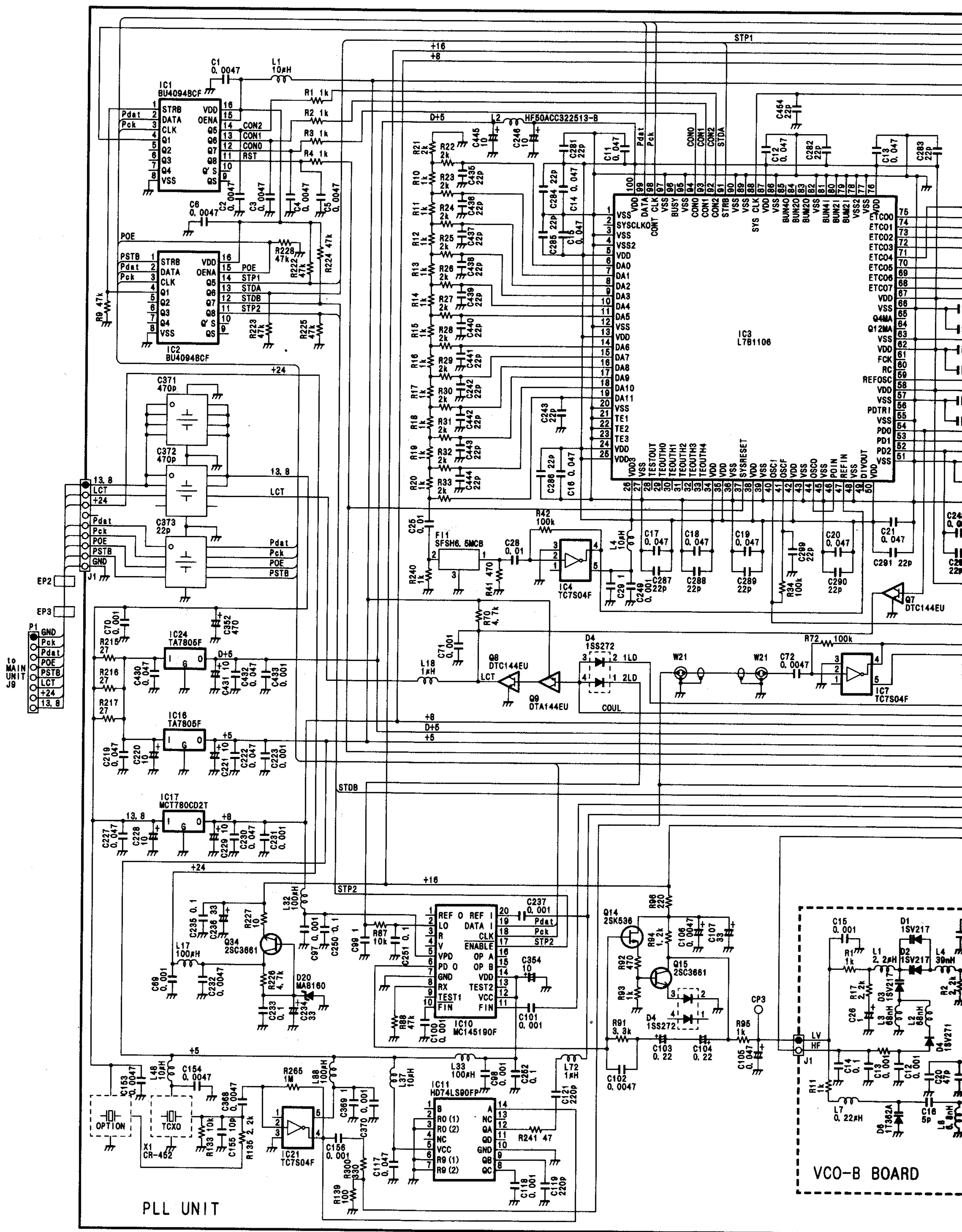




To upgrade quality, some components may be subject to change without notice.

A-5395H-3EX
 Printed in Japan
 Copyright © 1996 by Icom Inc.

Icom Inc.



TO MAIN UNIT
P1

PLL UNIT

VCO-B BOARD

