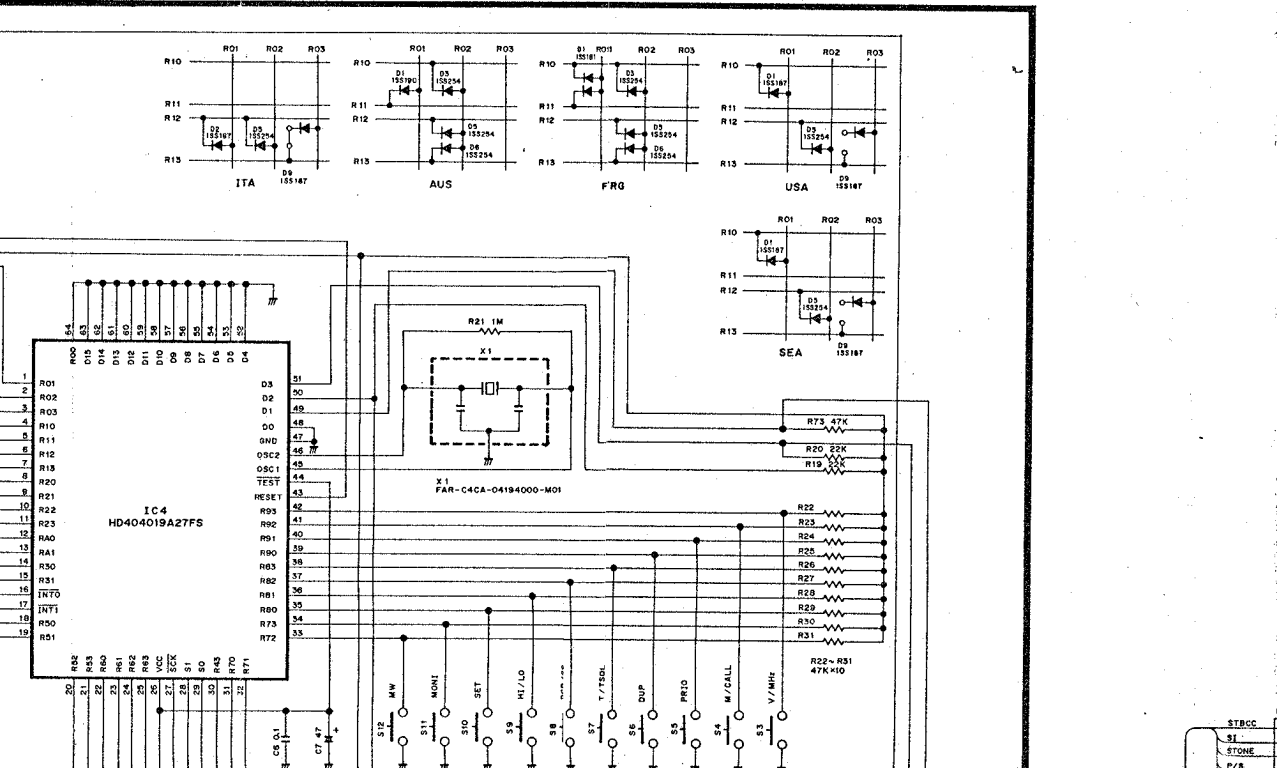
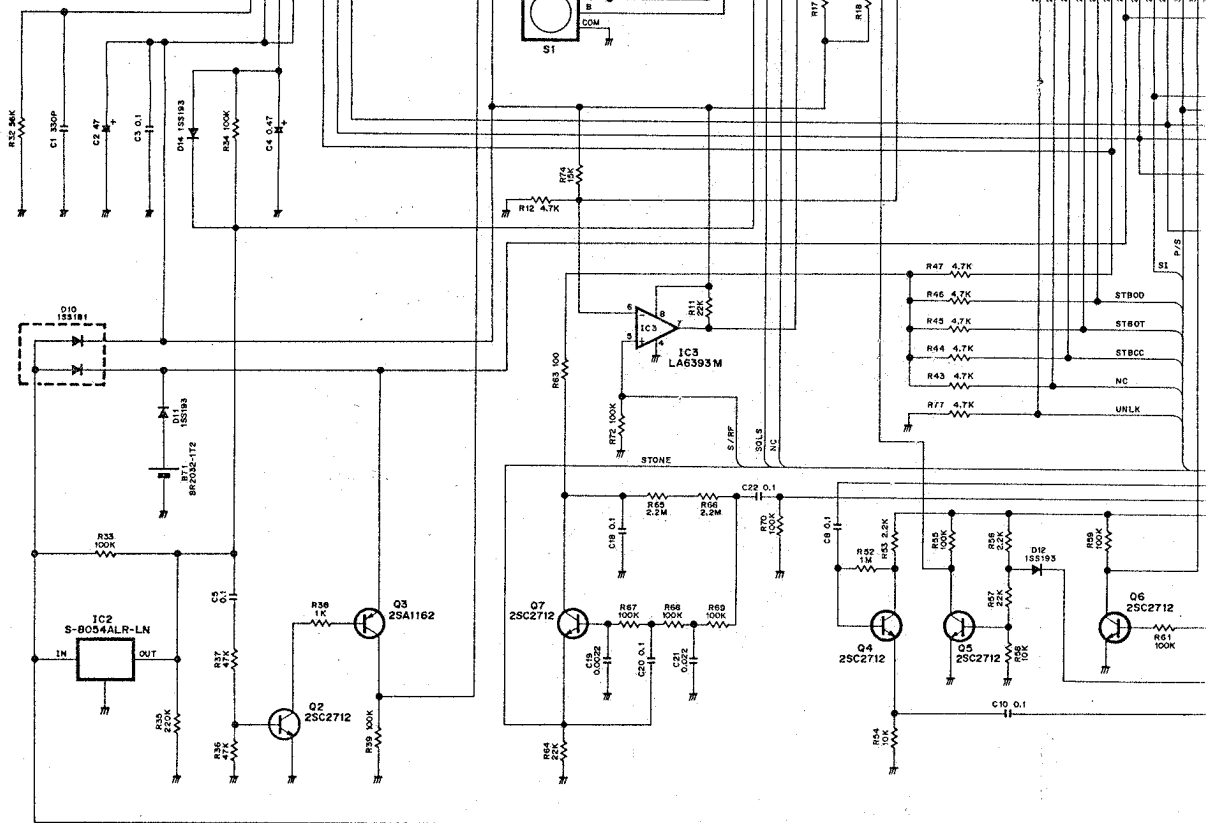
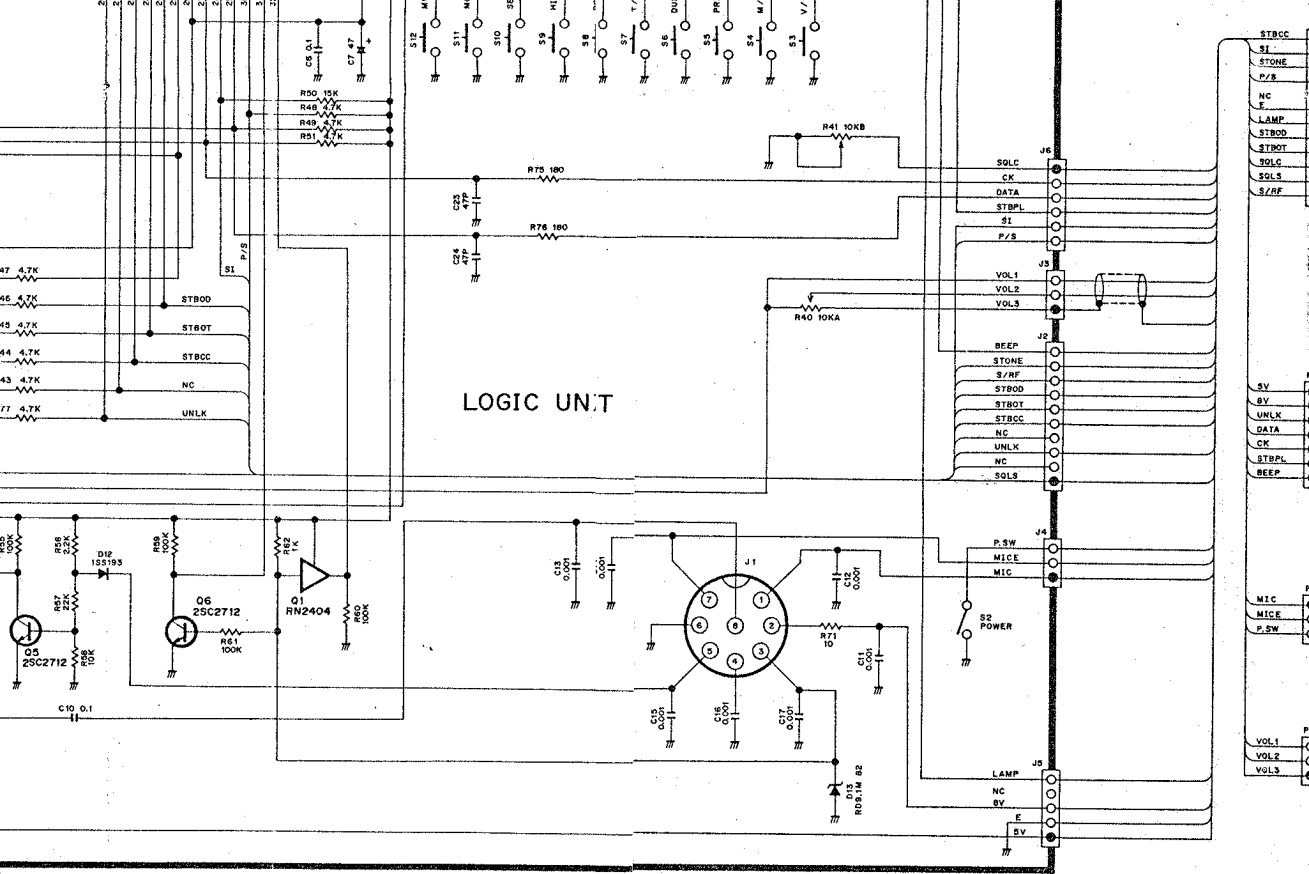


-229E IC-229H

SCHMATIC DIAGRAM







- STBCC
- SI
- STONE
- P/S
- NC
- E
- LAMP
- STBOD
- STBOT
- SOLC
- SOLS
- S/NF
- SV
- SV
- UNLK
- DATA
- CK
- STBPL
- BEEP
- MIC
- MICE
- P,SW
- VOL1
- VOL2
- VOL3

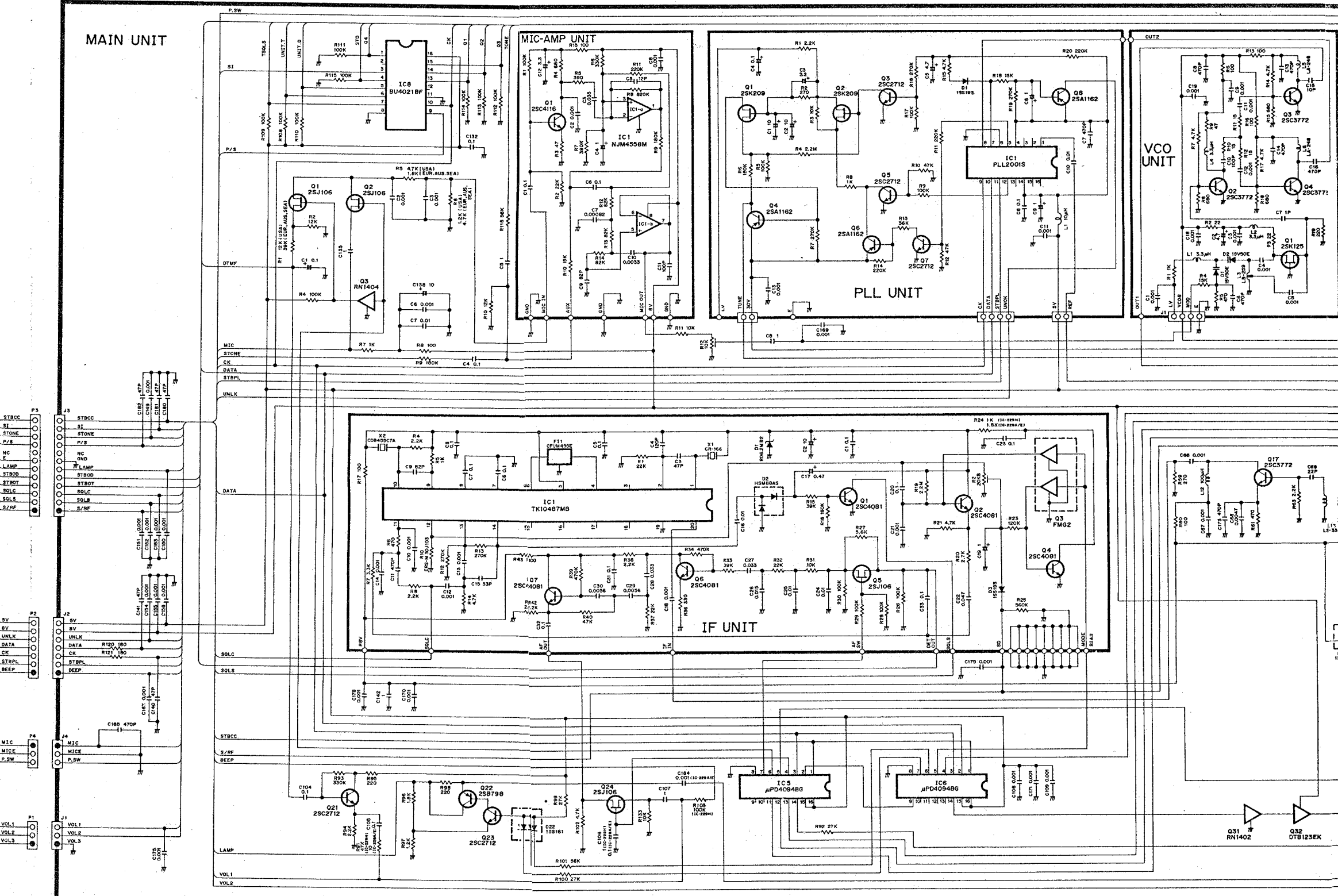
MAIN UNIT

MIC-AMP UNIT

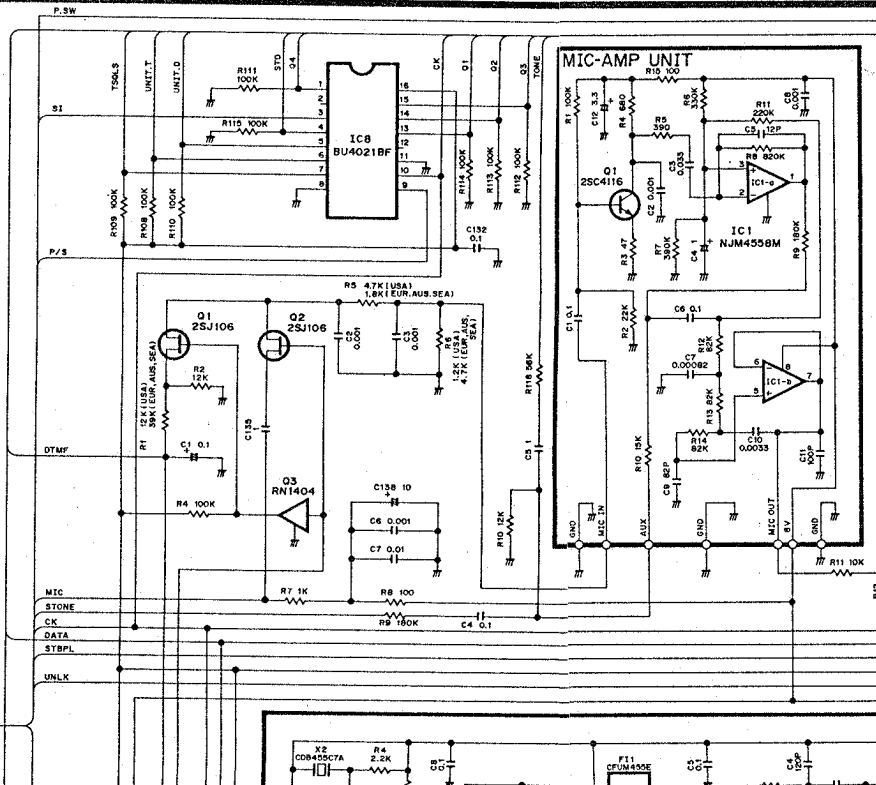
PLL UNIT

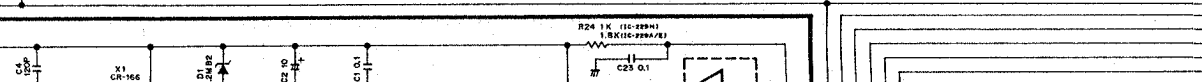
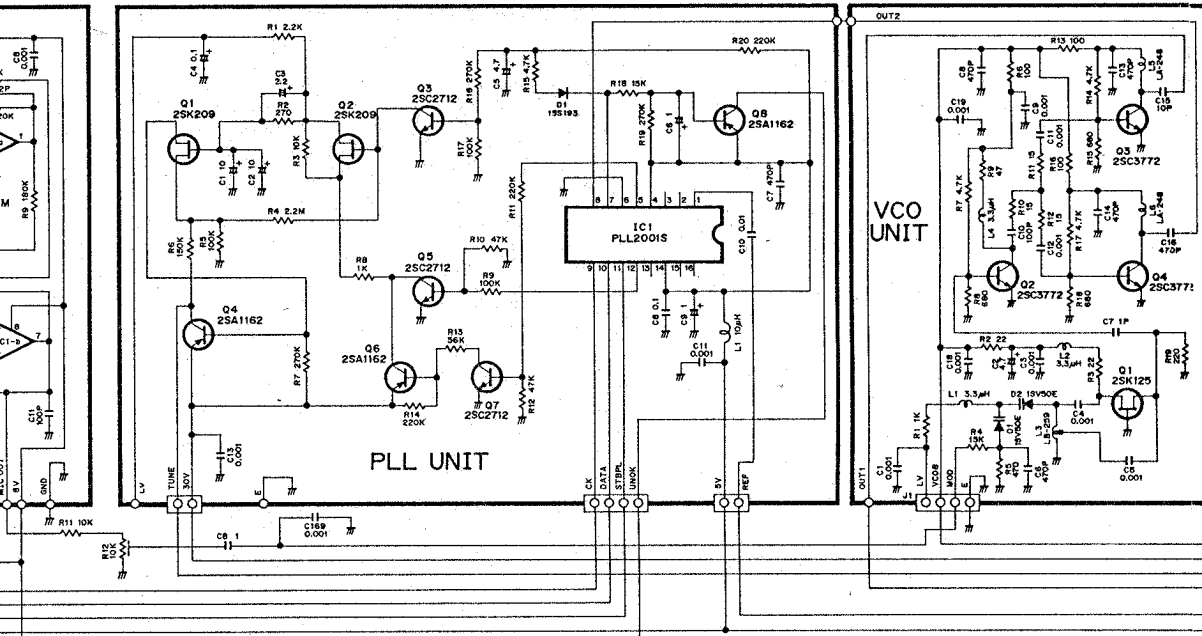
VCO UNIT

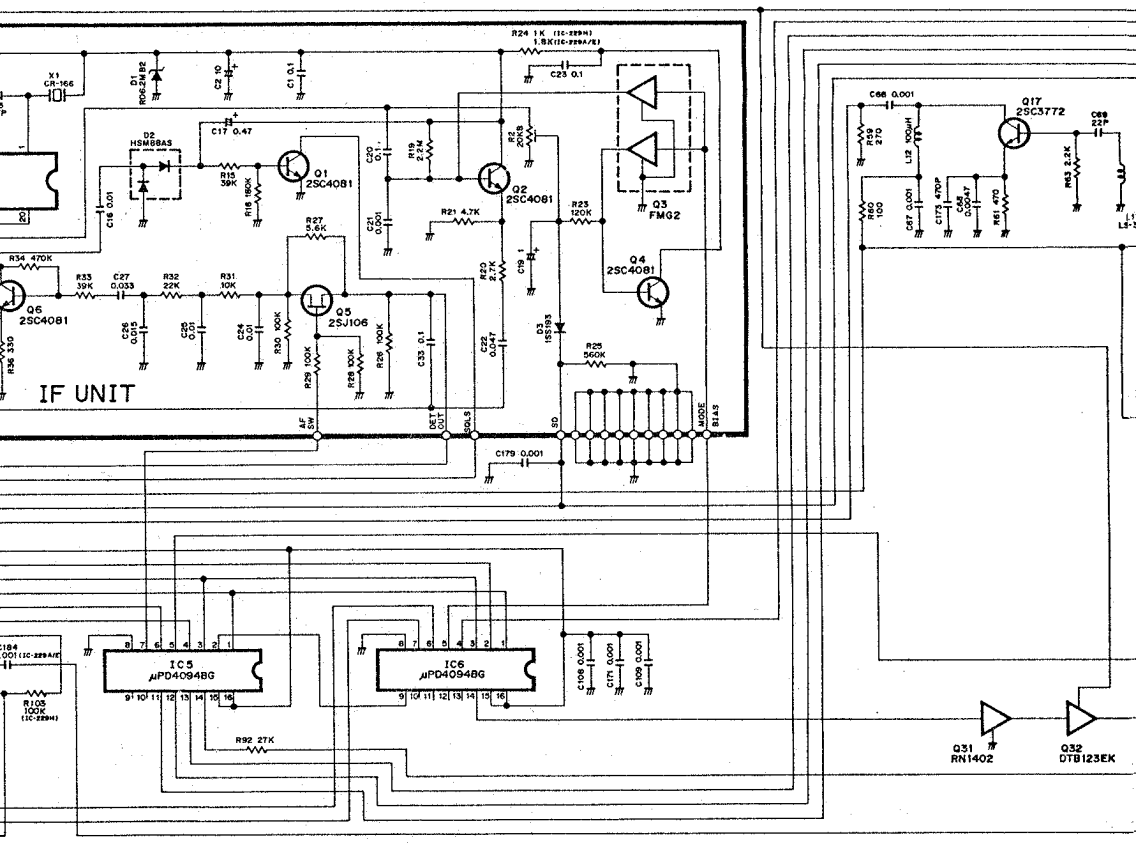
IF UNIT

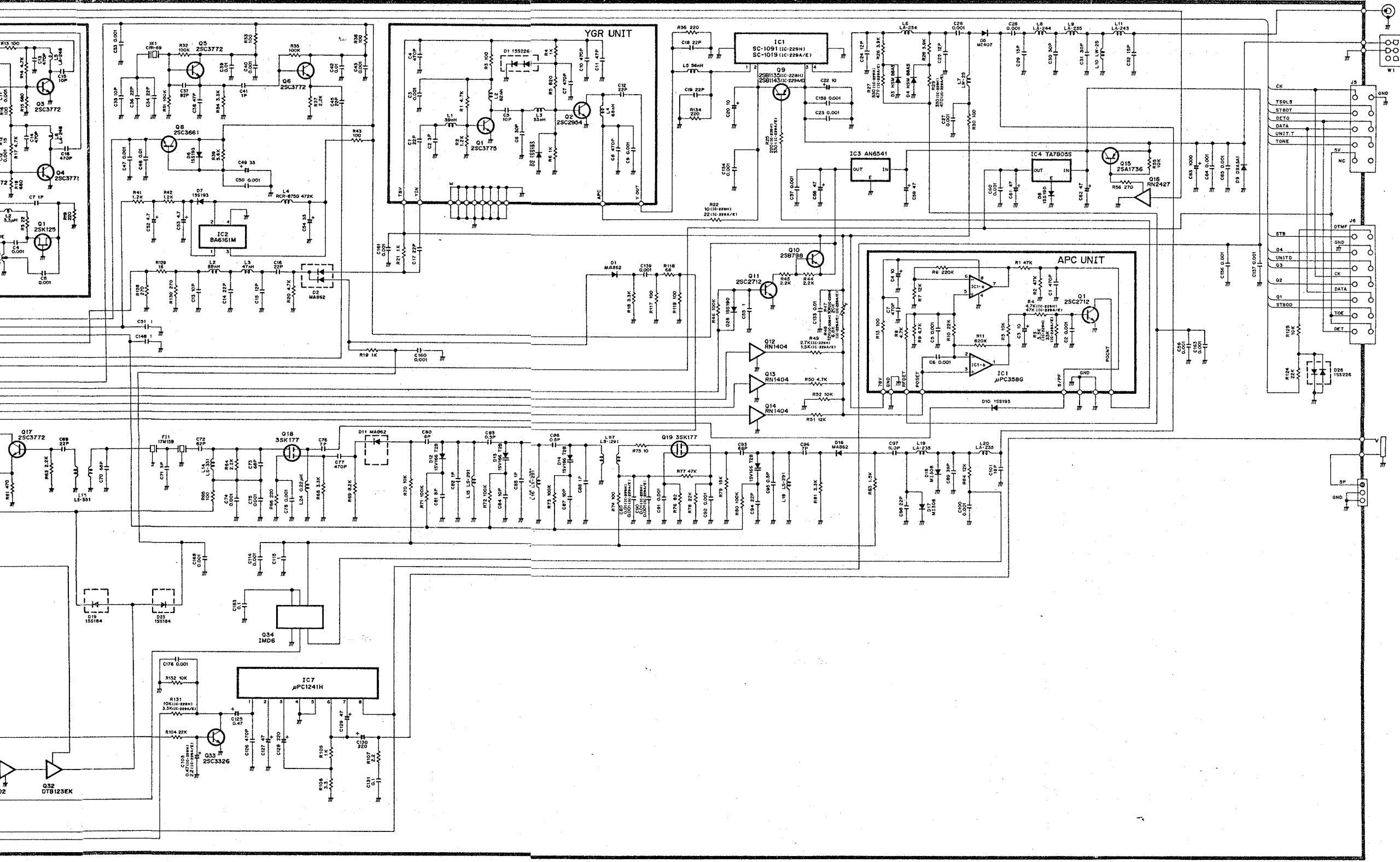


MAIN UNIT







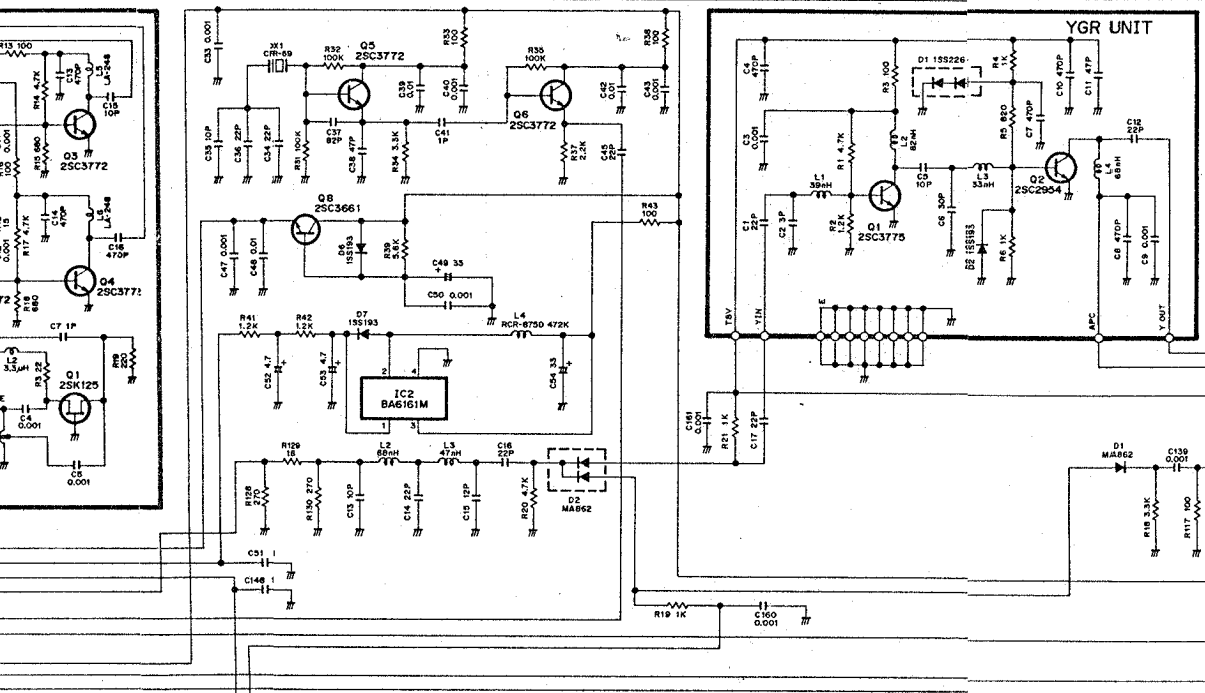


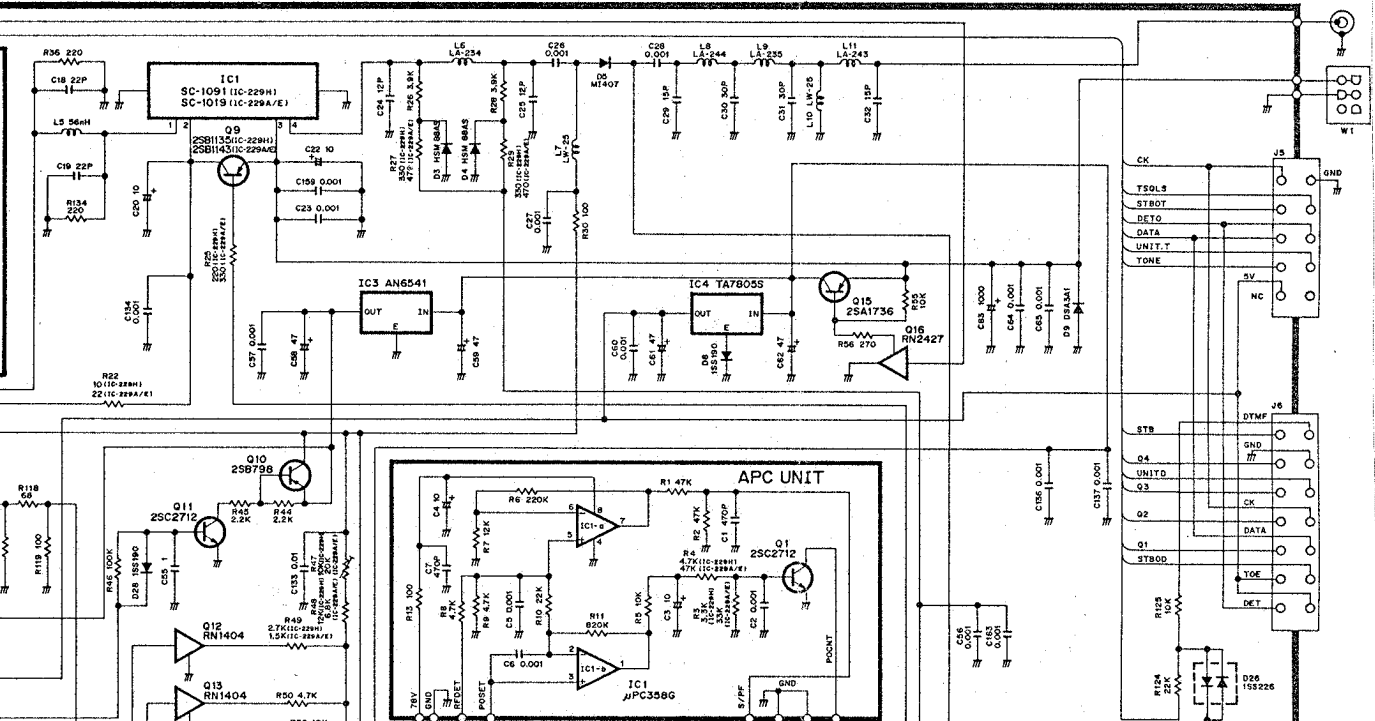
To upgrade quality, some components may be subject to change without notice.

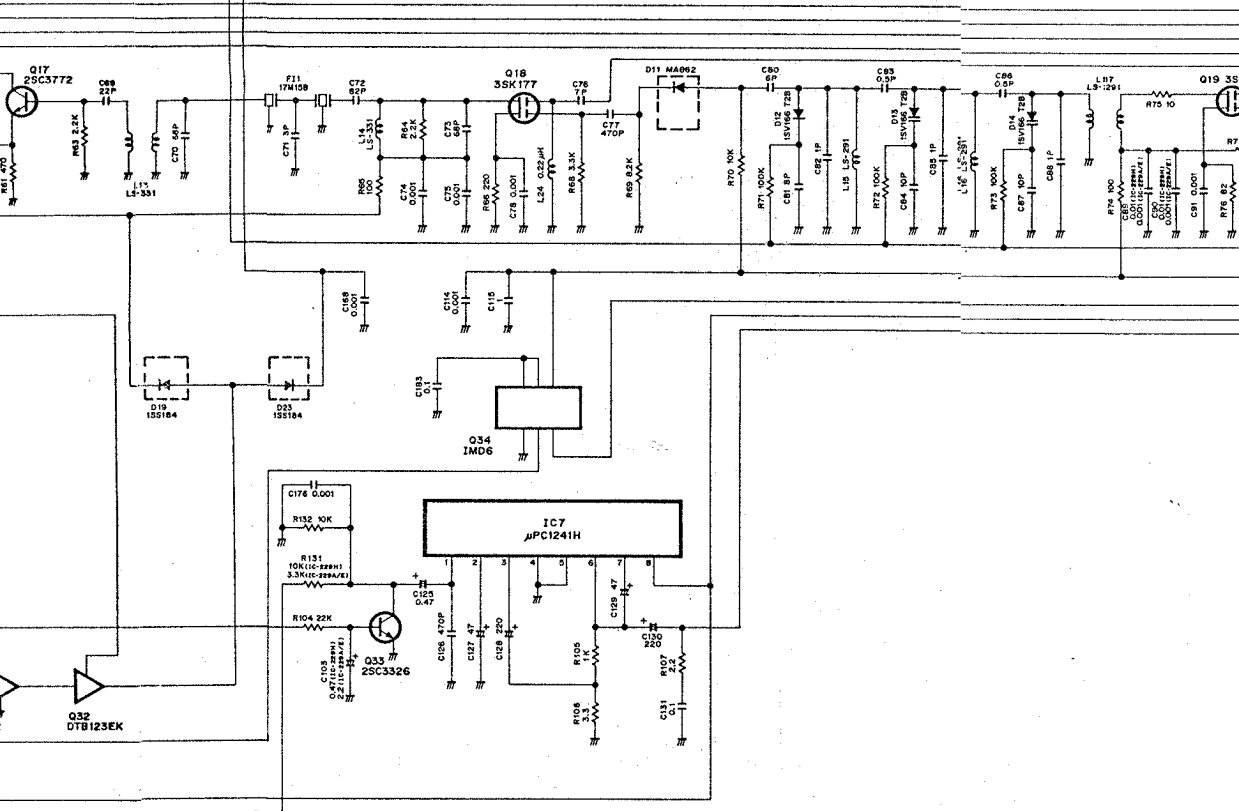
A-5107S-2EX
 Printed in Japan
 Copyright © 1990 by Icom Inc.

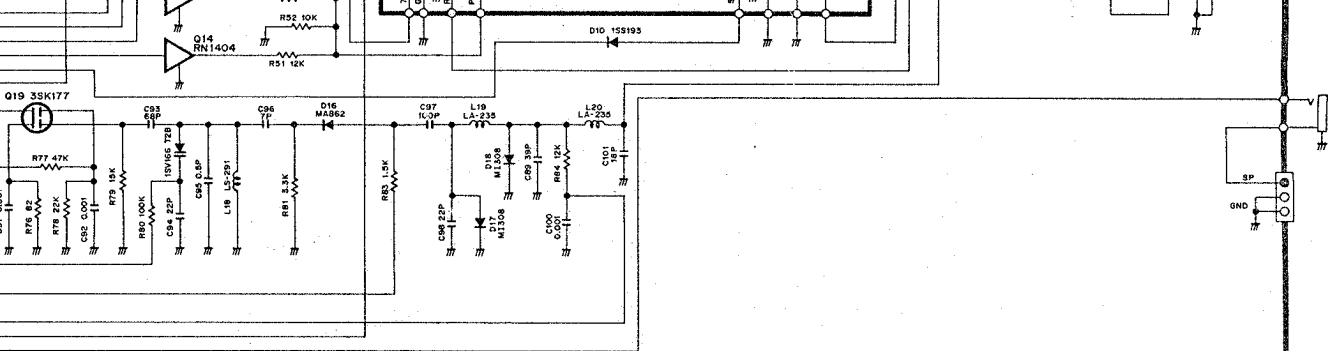
Icom Inc.

Downloaded by
RadioAmateur.EU









To upgrade quality, some components may be subject to change without notice.

A-5107S-2EX
 Printed in Japan
 Copyright © 1990 by Icom Inc.

Icom Inc.