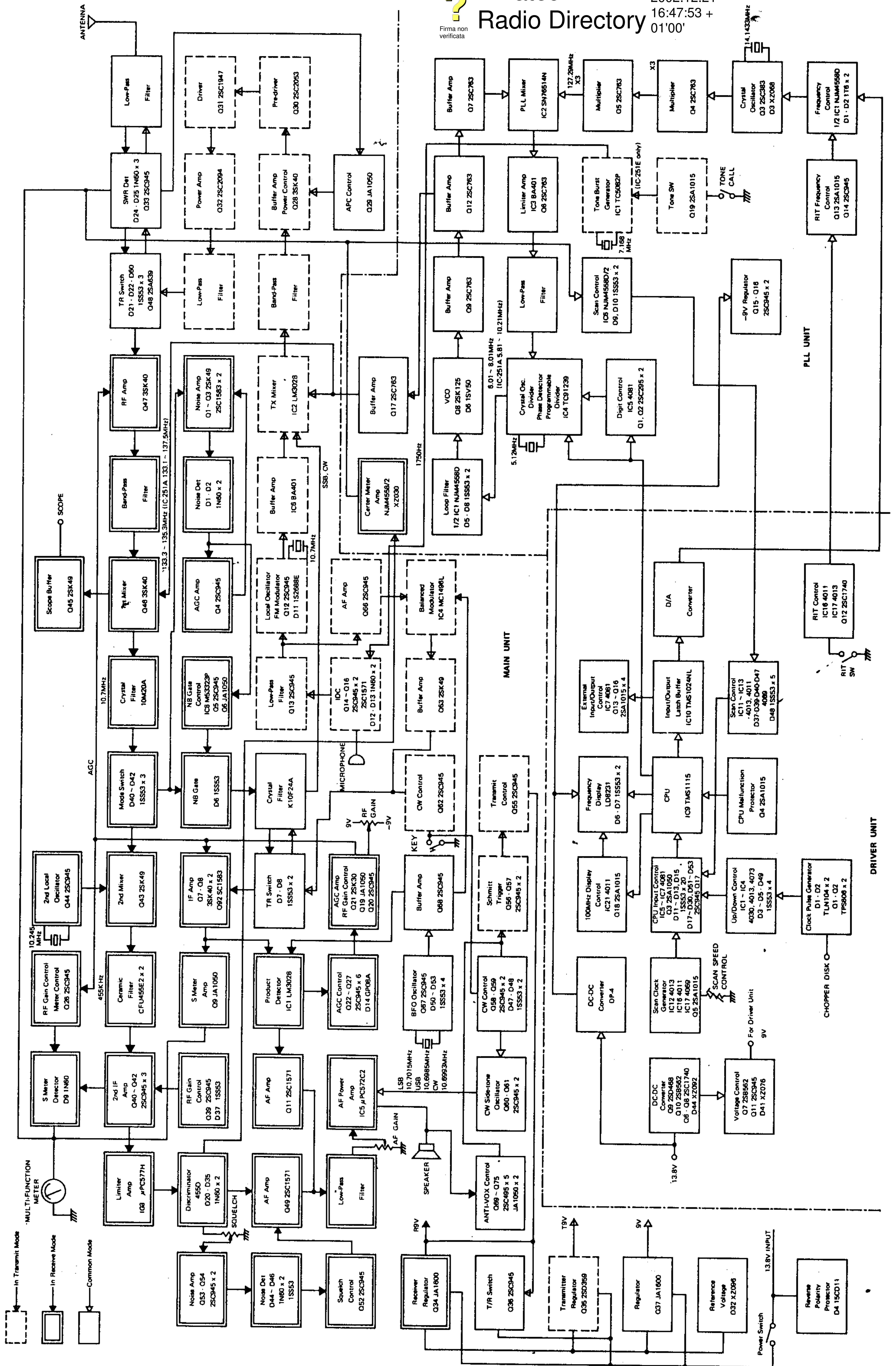
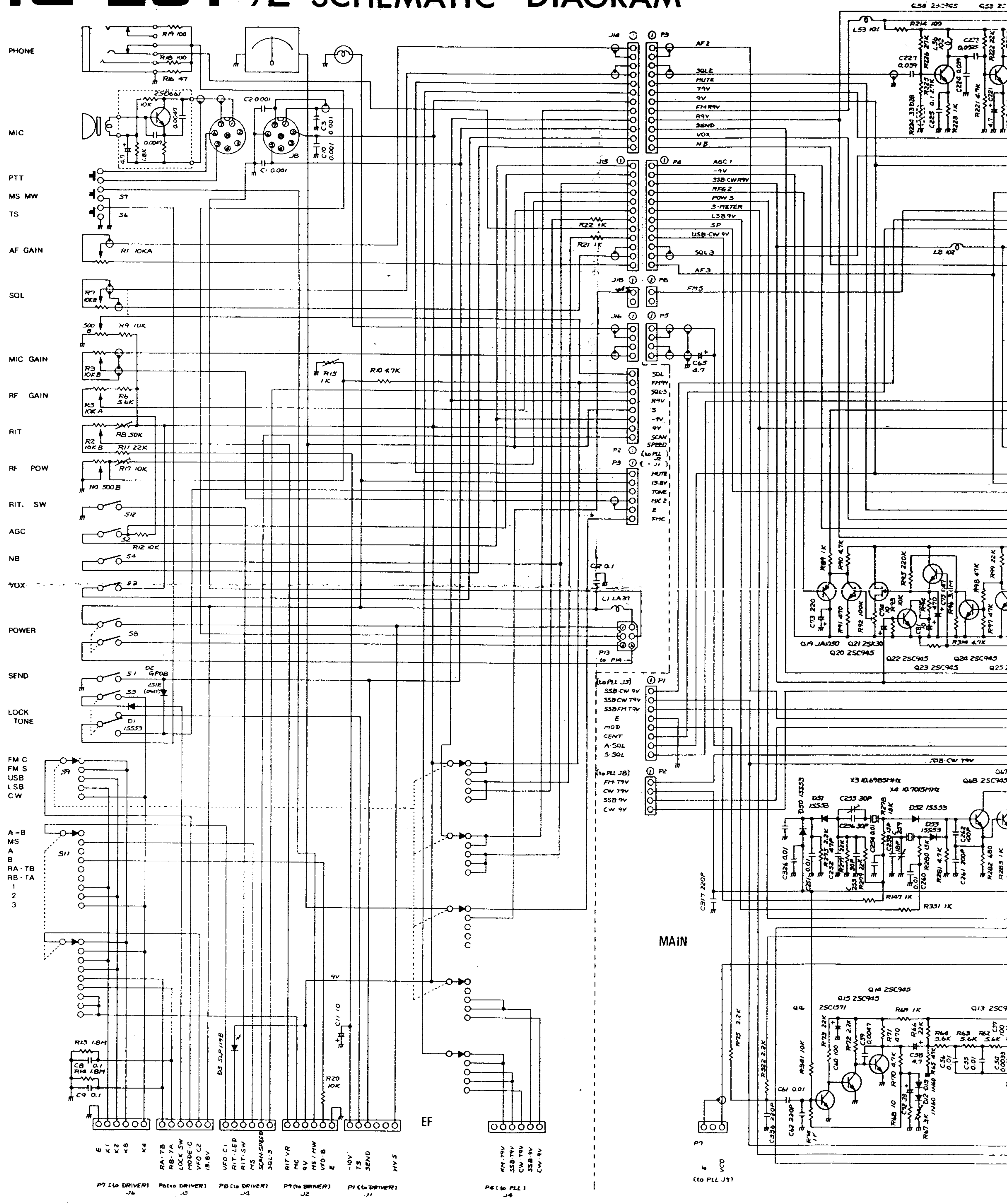


# SECTION IX BLOCK DIAGRAM

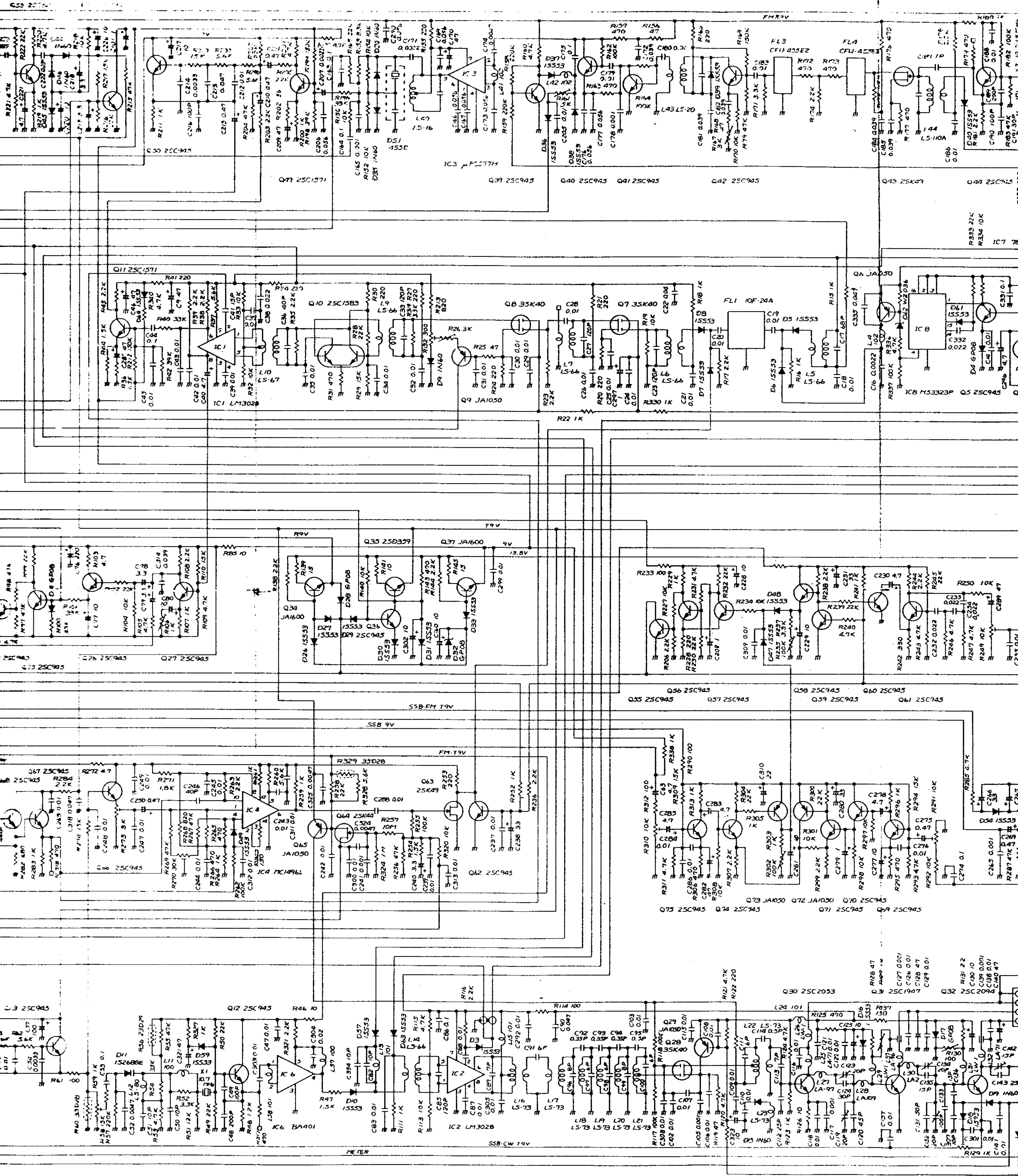




# IC-251A/E SCHEMATIC DIAGRAM

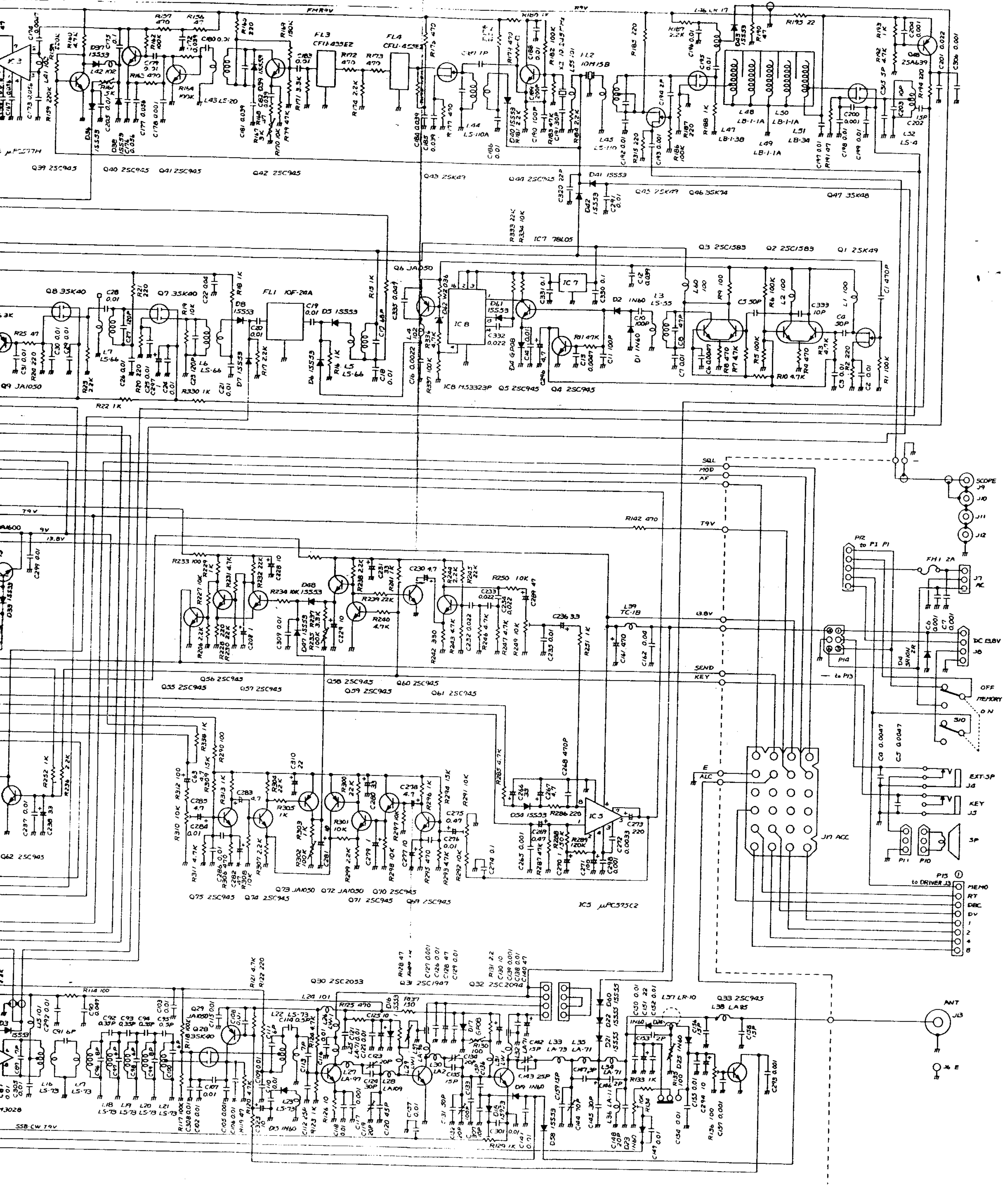




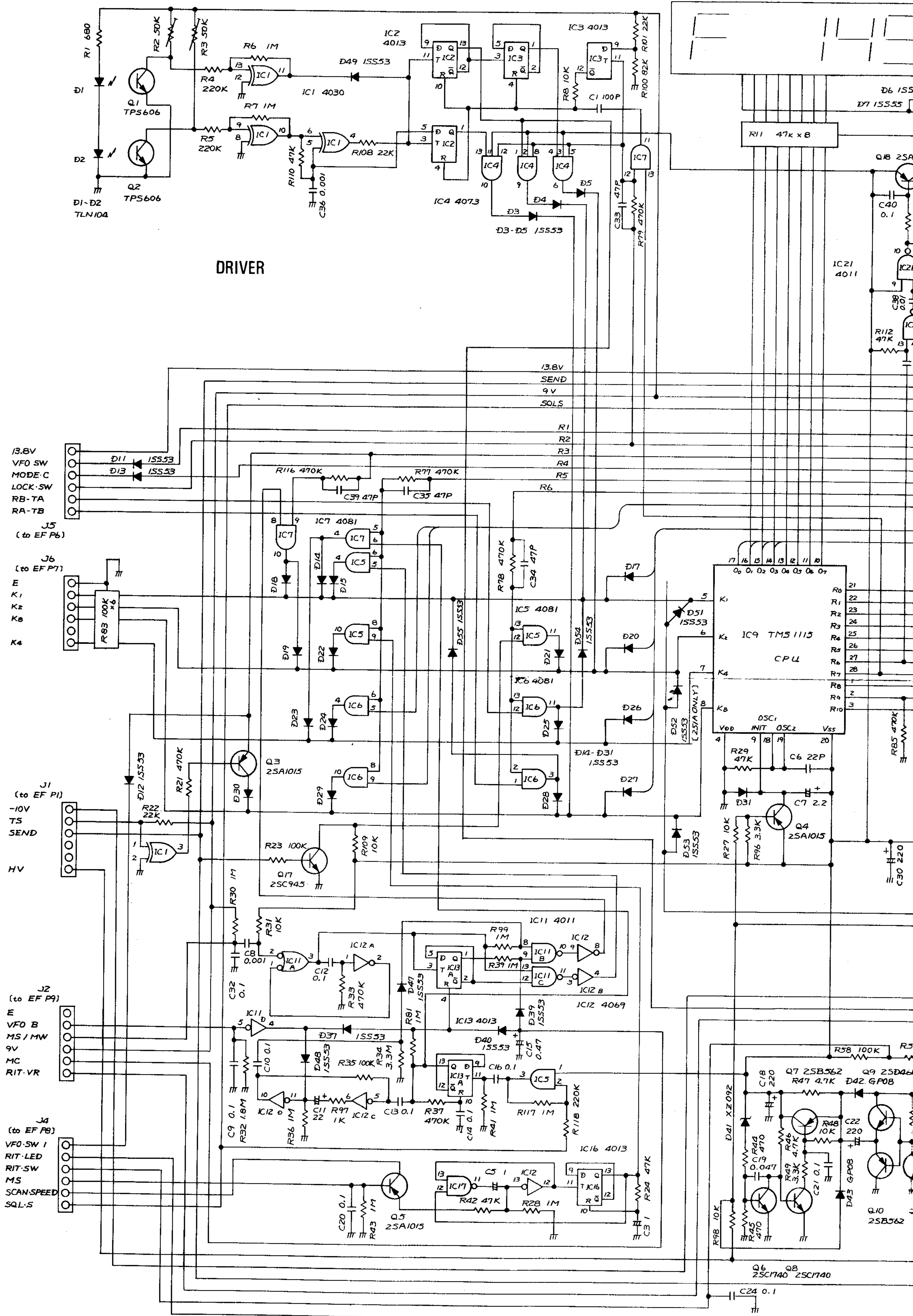




Firma non verificata







**DRIVER**

**CPU**

13.8V  
VFO SW  
MODE-C  
LOCK-SW  
RB-TA  
RA-TB

J5  
(to EF P6)

J6  
(to EF P7)

E  
K1  
K2  
K8  
K4

J1  
(to EF P1)

-10V  
TS  
SEND  
HV

J2  
(to EF P9)

E  
VFO B  
MS / MW  
9V  
MC  
RIT-VR

J4  
(to EF P8)

VFO-SW 1  
RIT-LED  
RIT-SW  
MS  
SCAN-SPEED  
SQL-S

13.8V  
SEND  
9V  
SOLS

R1  
R2  
R3  
R4  
R5

IC9 TMS1115  
CPU

OSC1  
OSC2  
VDD  
VSS

R29 47K  
C6 22P  
D31  
R27 10K  
R96 3.3K  
Q4 2SA1015  
C7 2.2

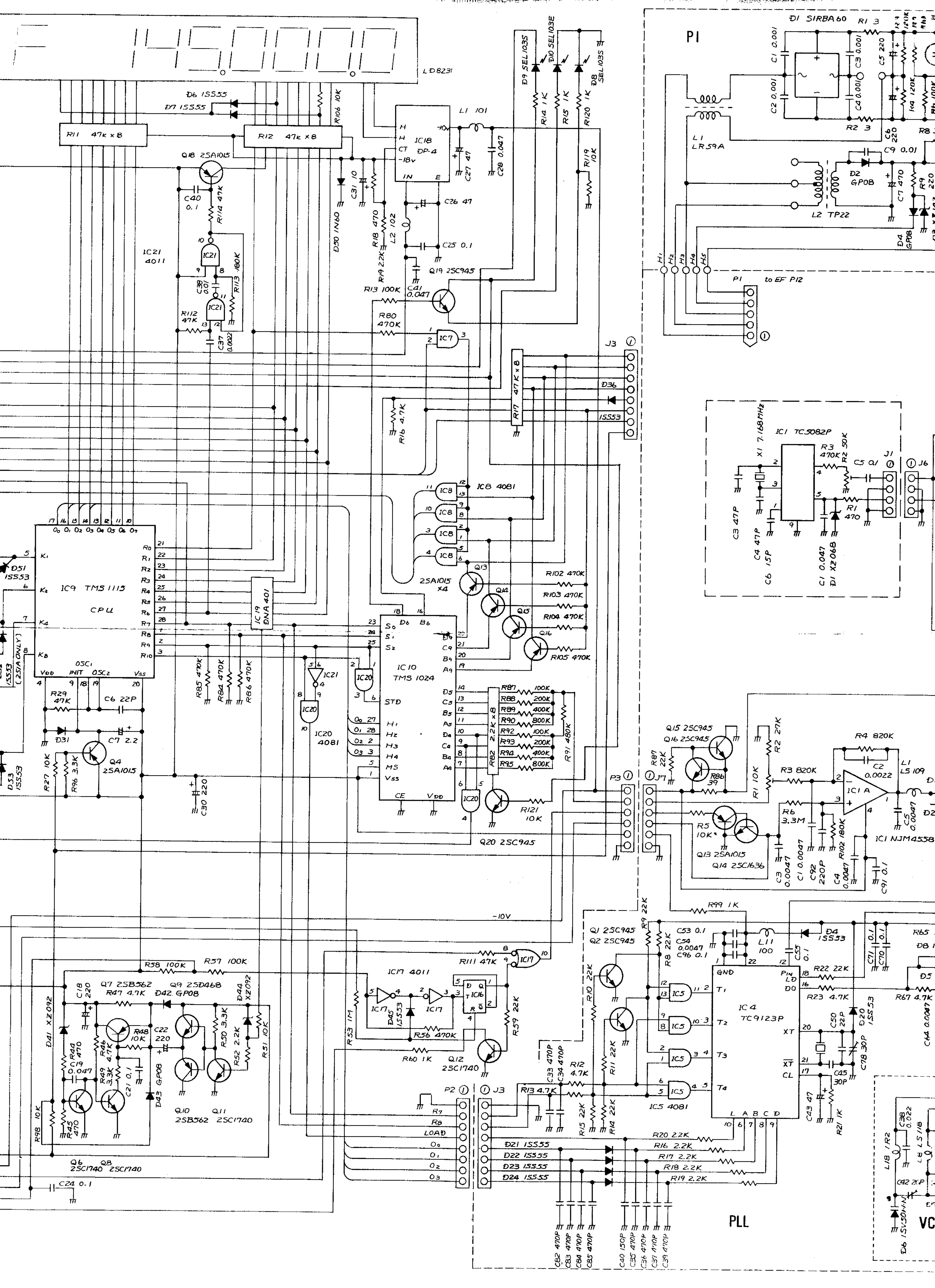
Q7 2SB562  
Q9 2SD461  
R47 4.7K  
D42 GP08

R48 10K  
C22 220  
D43 GP08  
Q10 2SB562

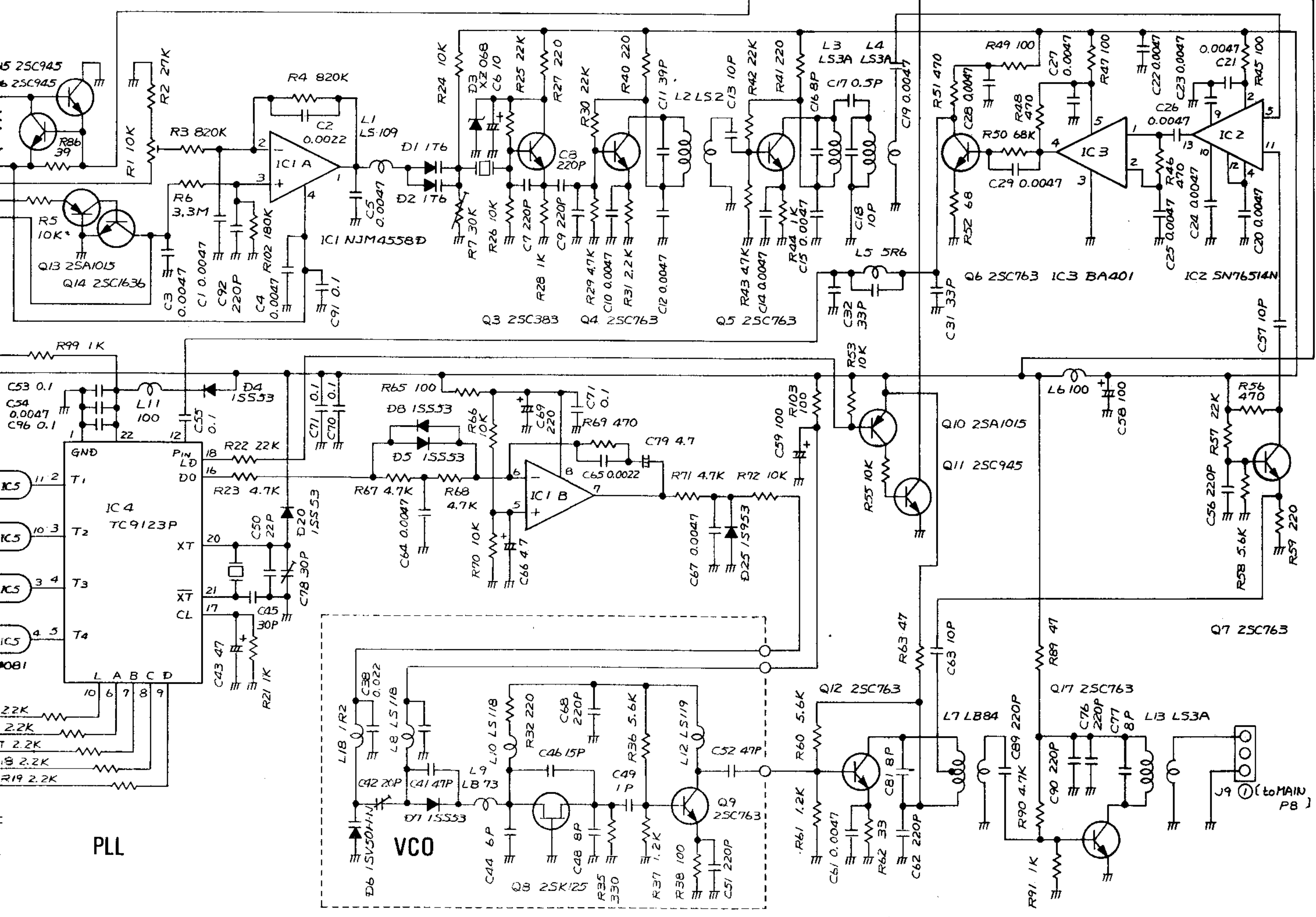
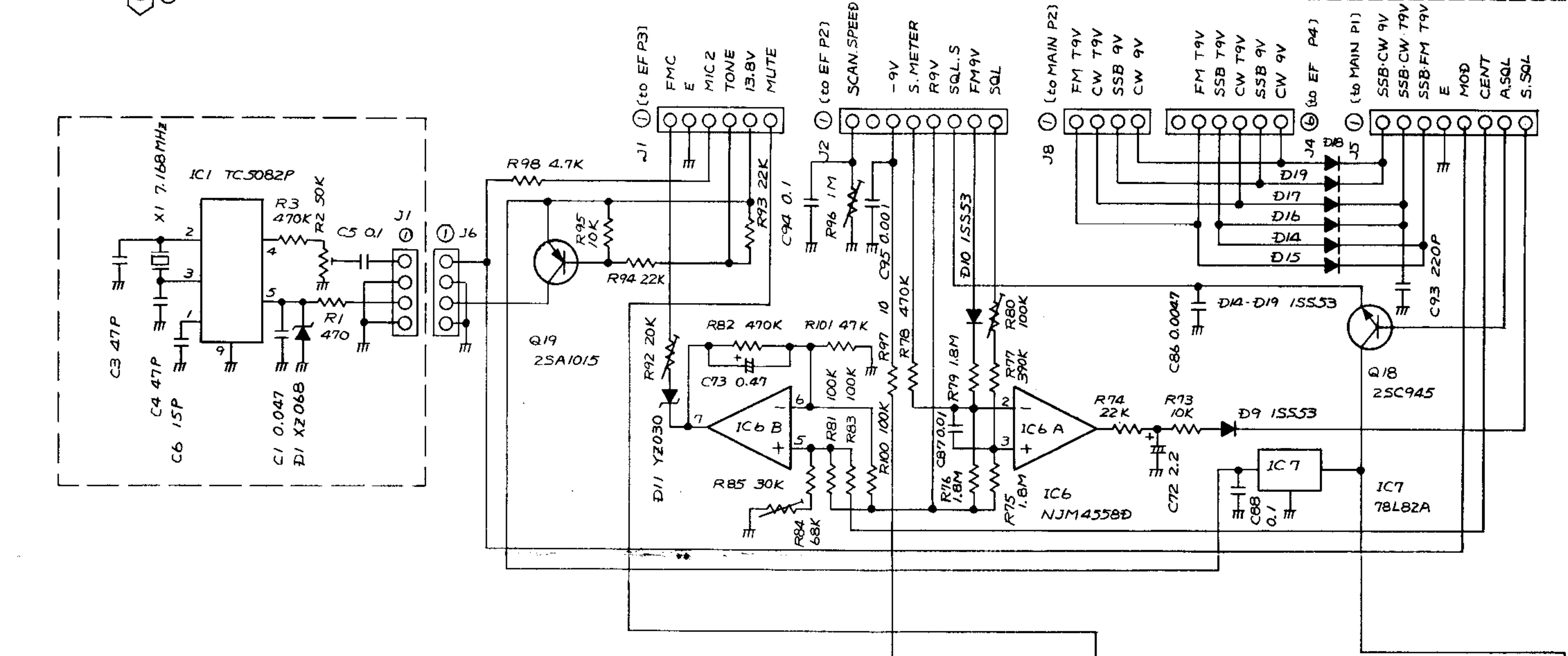
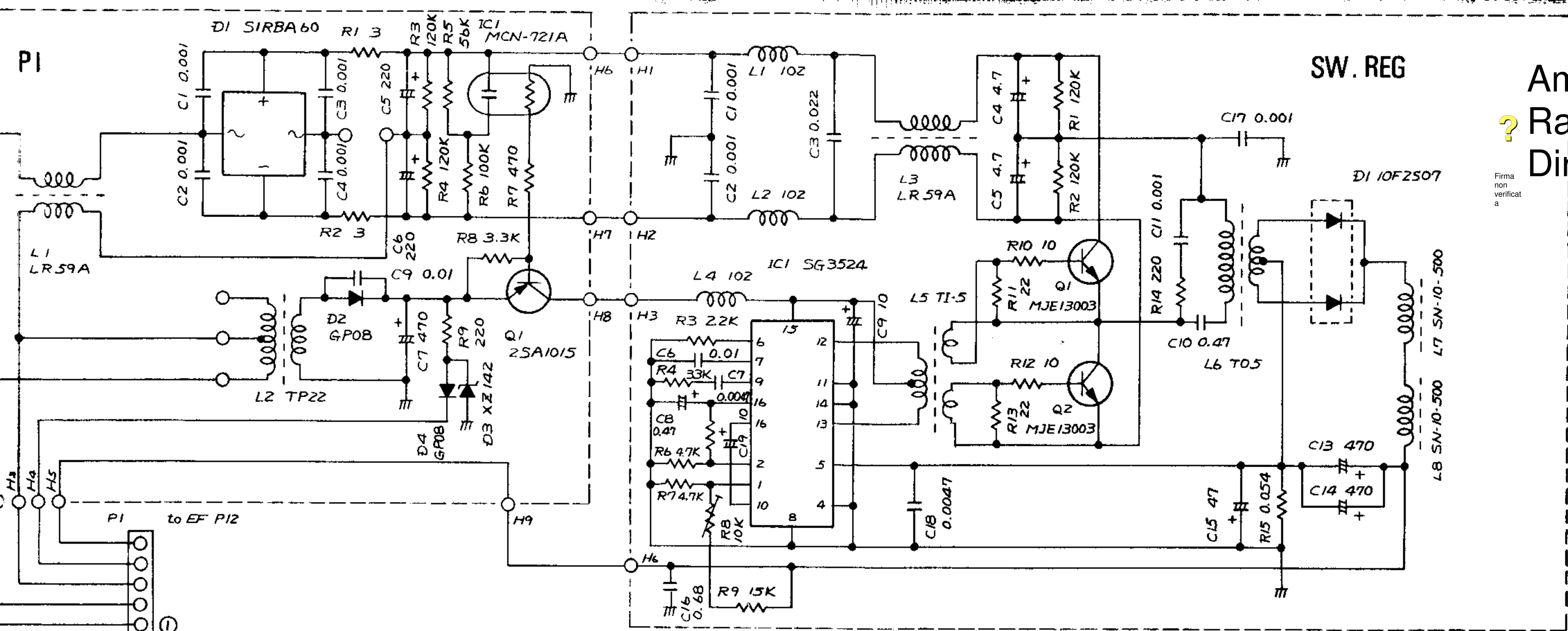
Q6 2SC1740  
Q8 2SC1740

C24 0.1









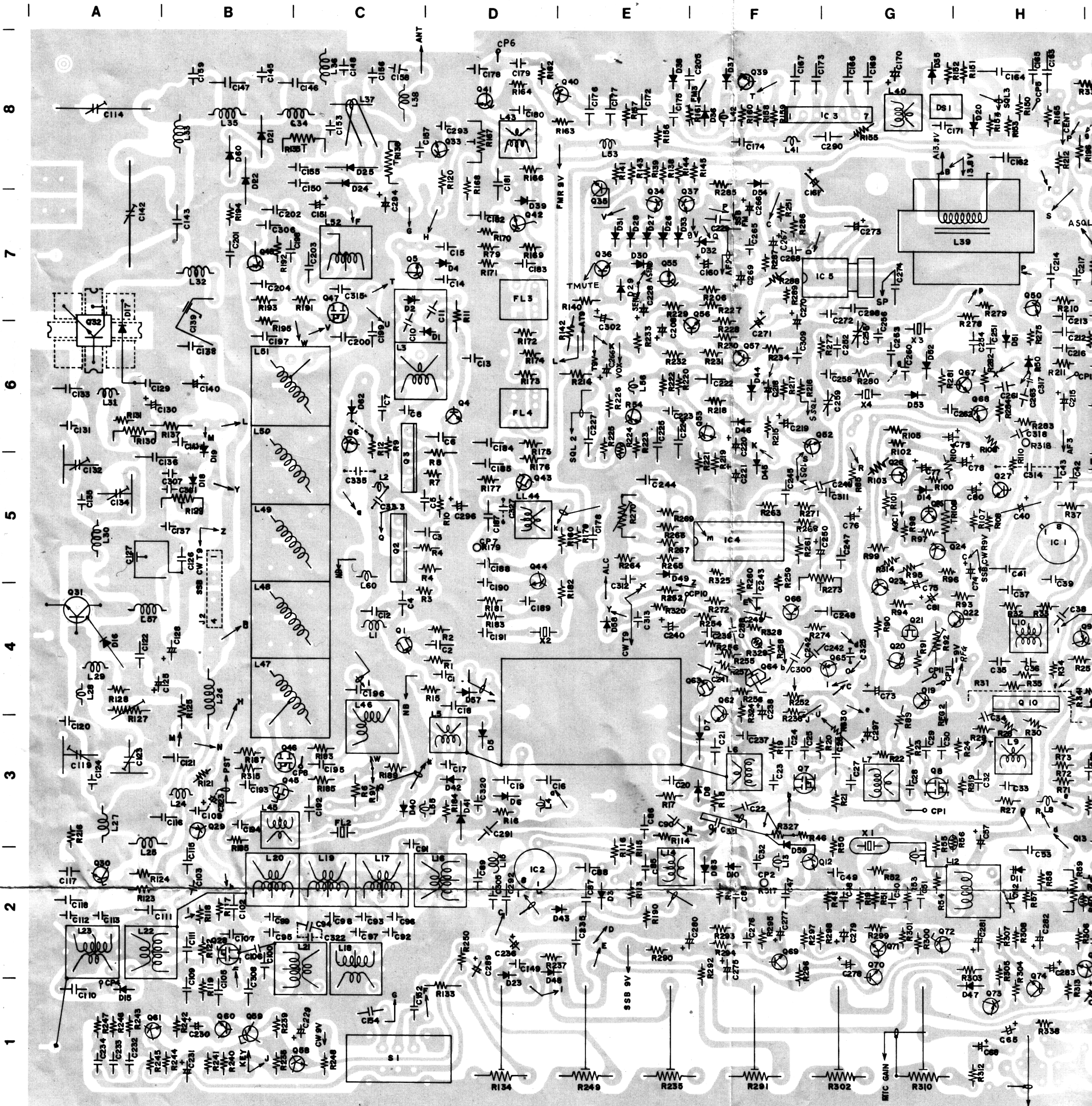




# ICOM

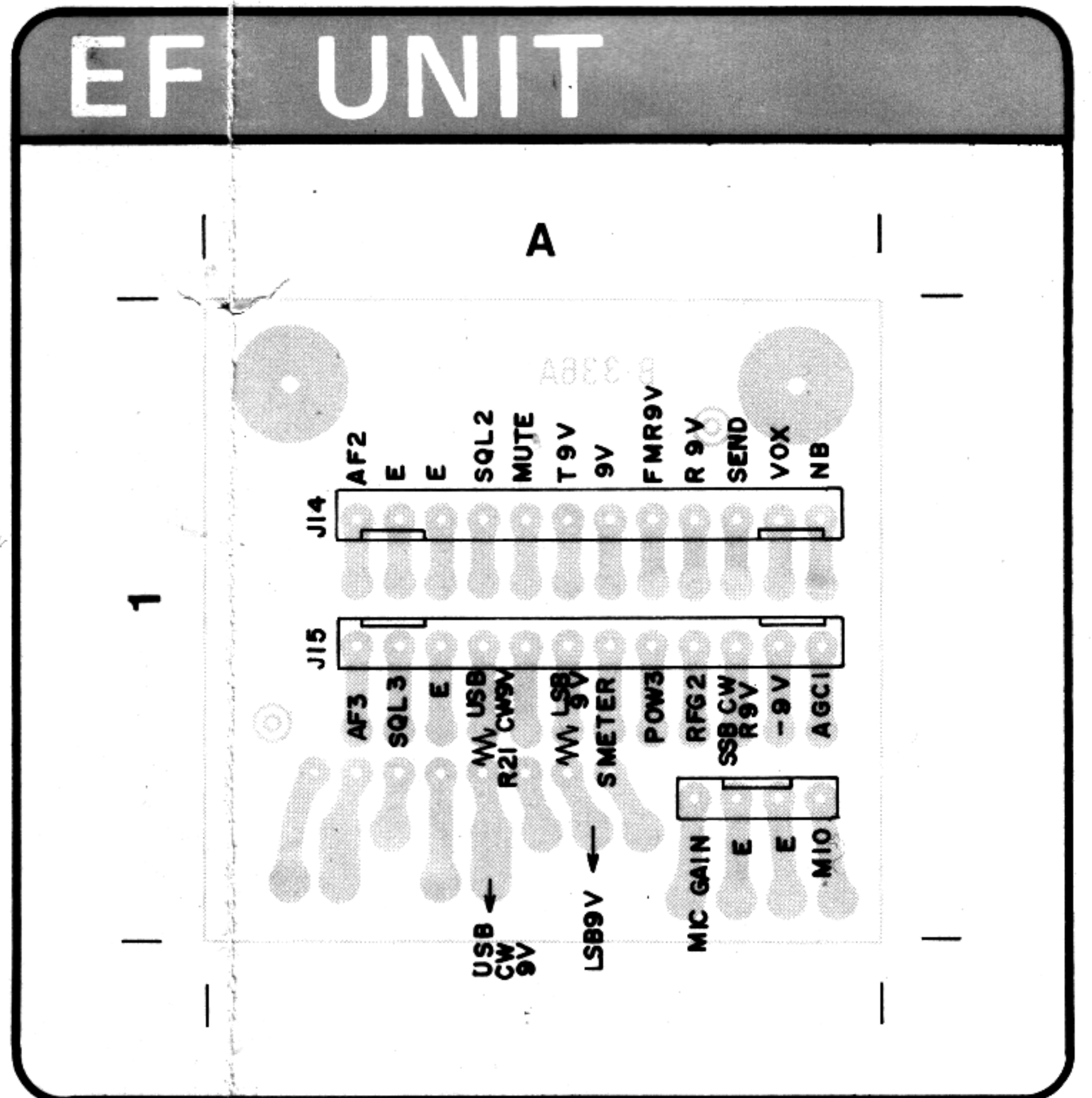
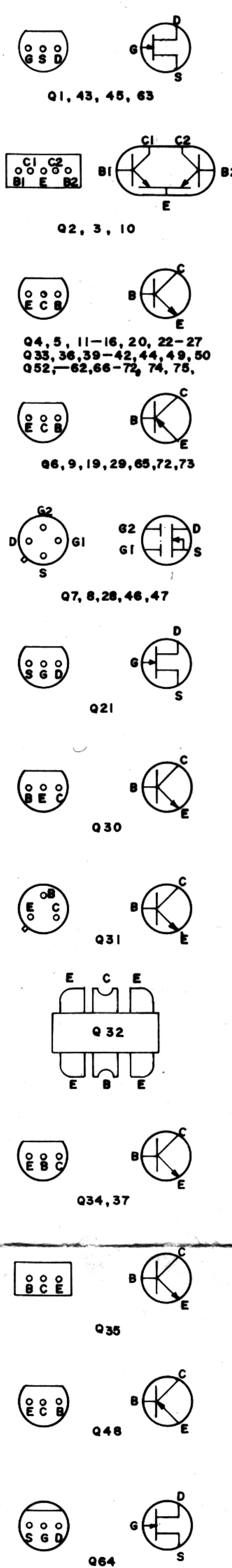
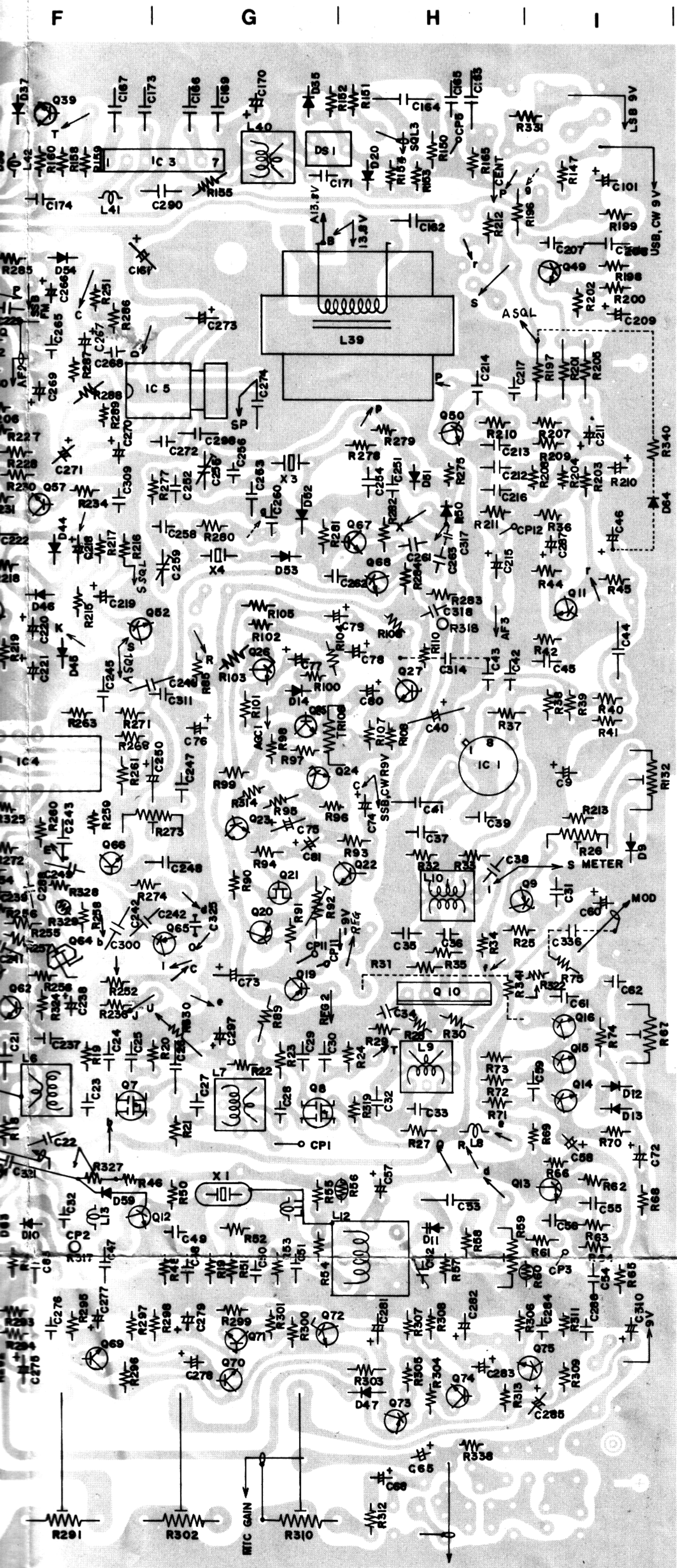
# IC-251A/E

## MAIN UNIT

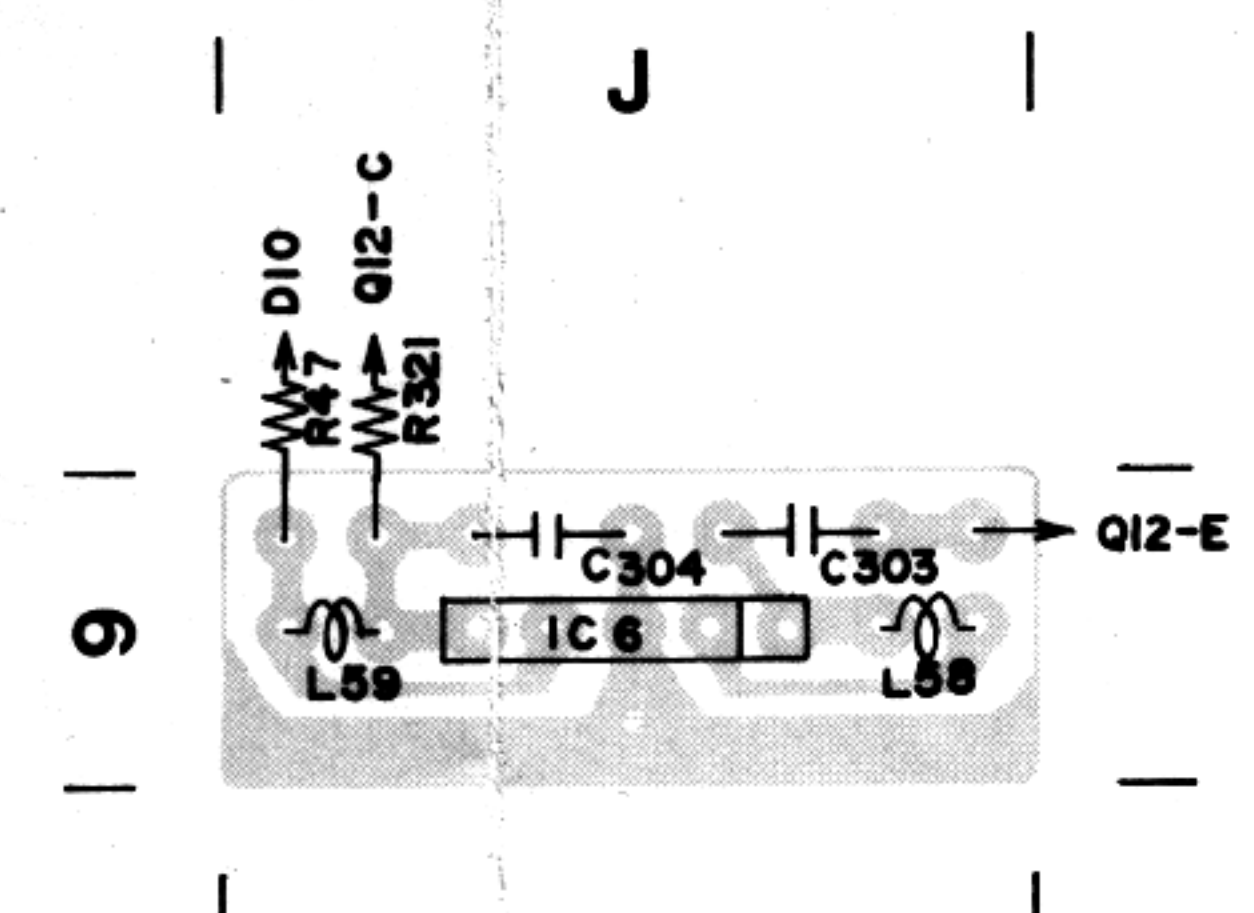




# 51A/E BOARD LAYOUT

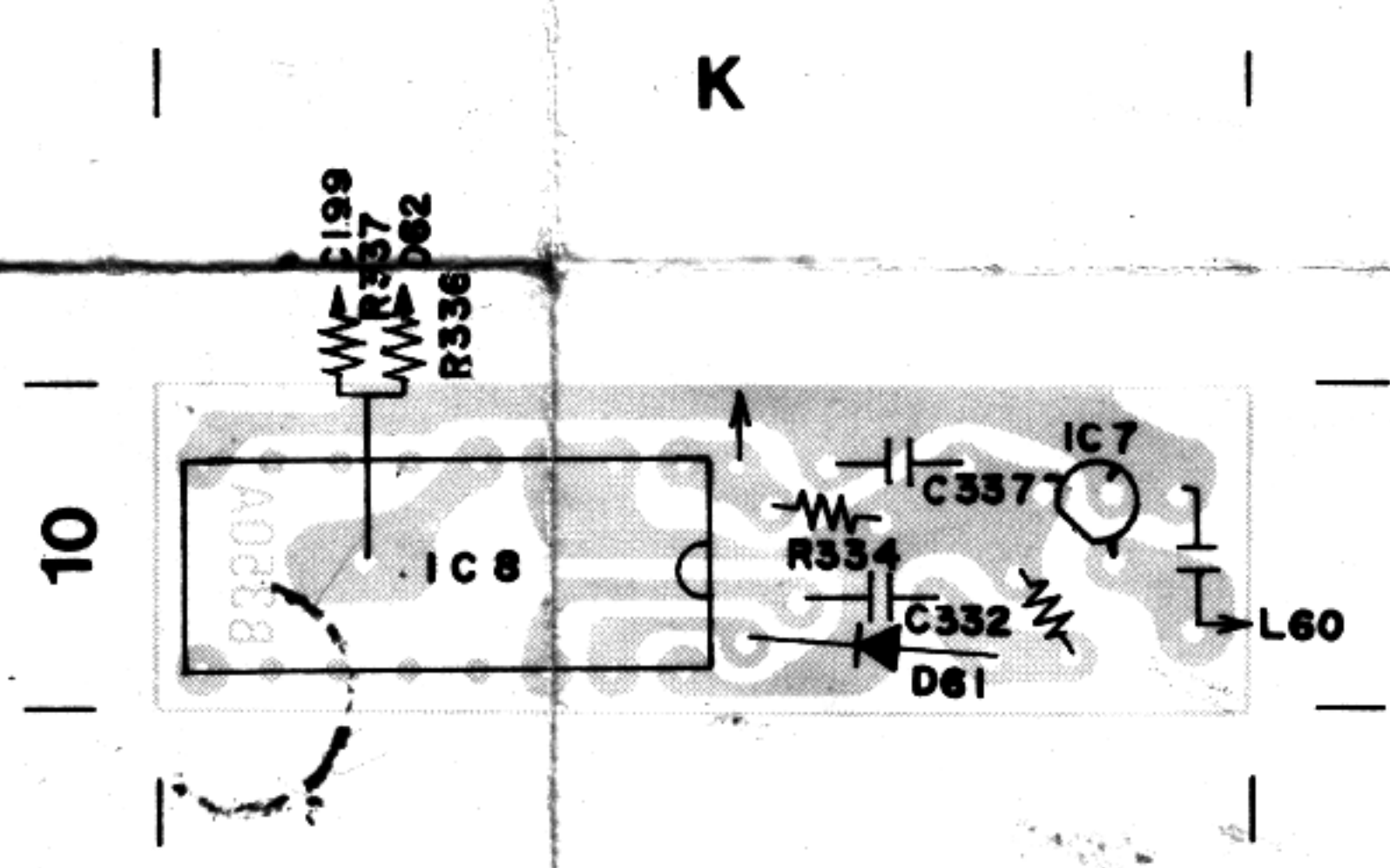


### LIMITER BOARD



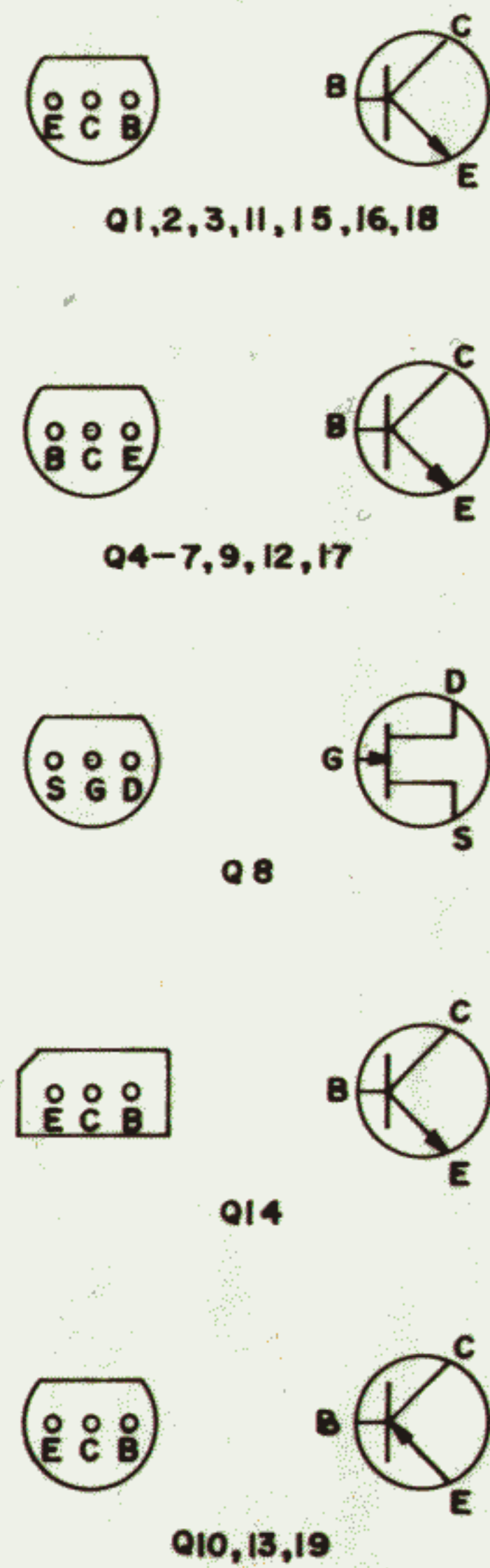
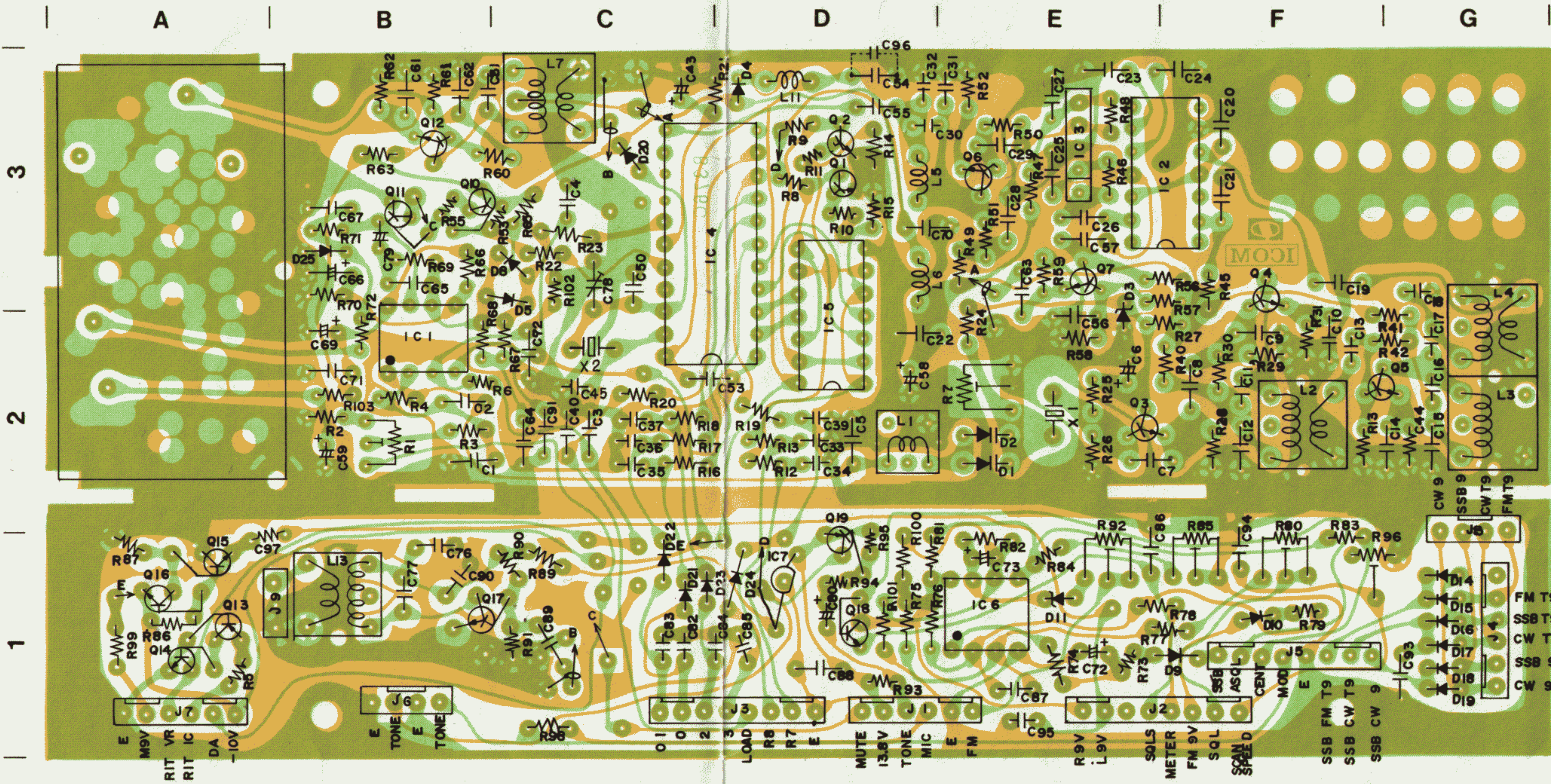
Downloaded by   
  
 Amateur Radio Directory

### NOISE BLANKER BOARD

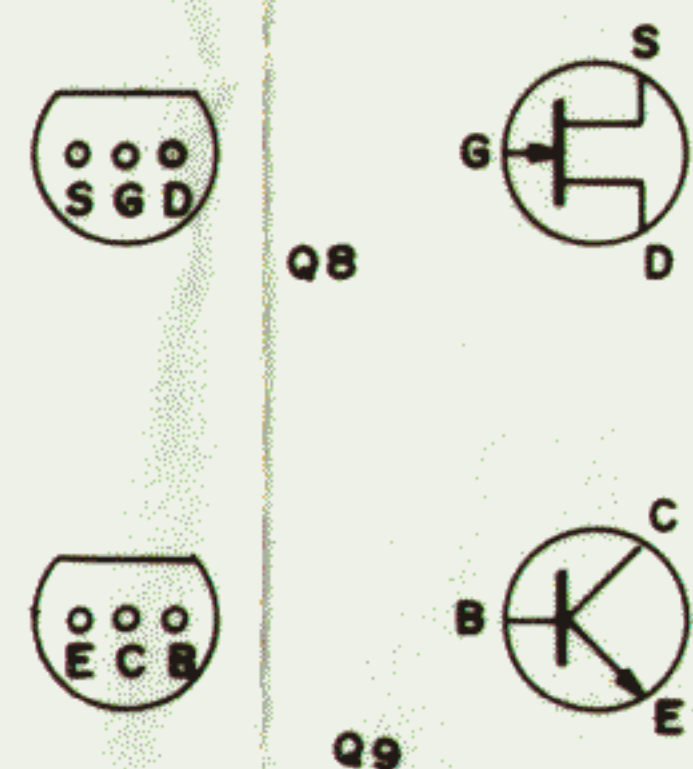
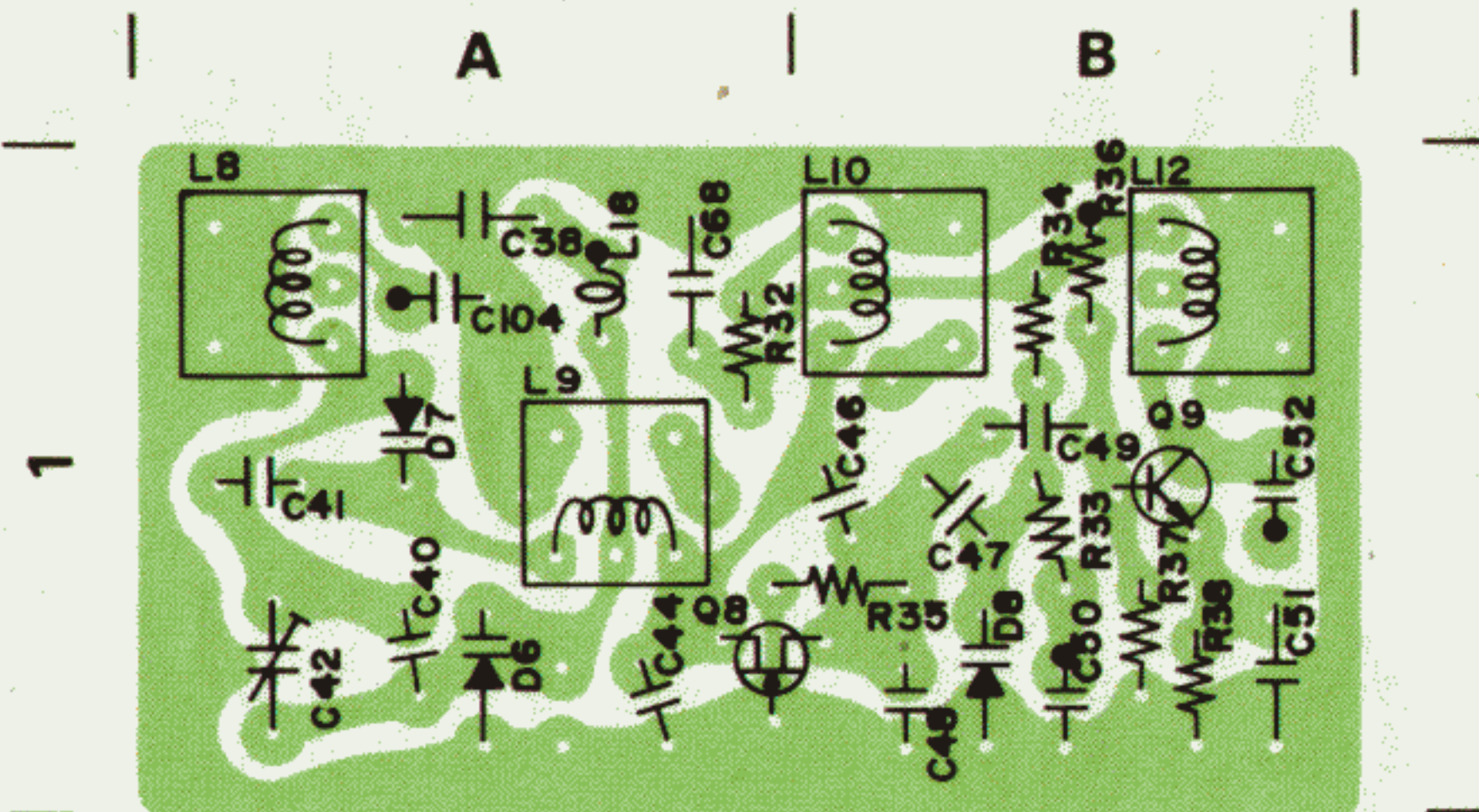




# PLL UNIT

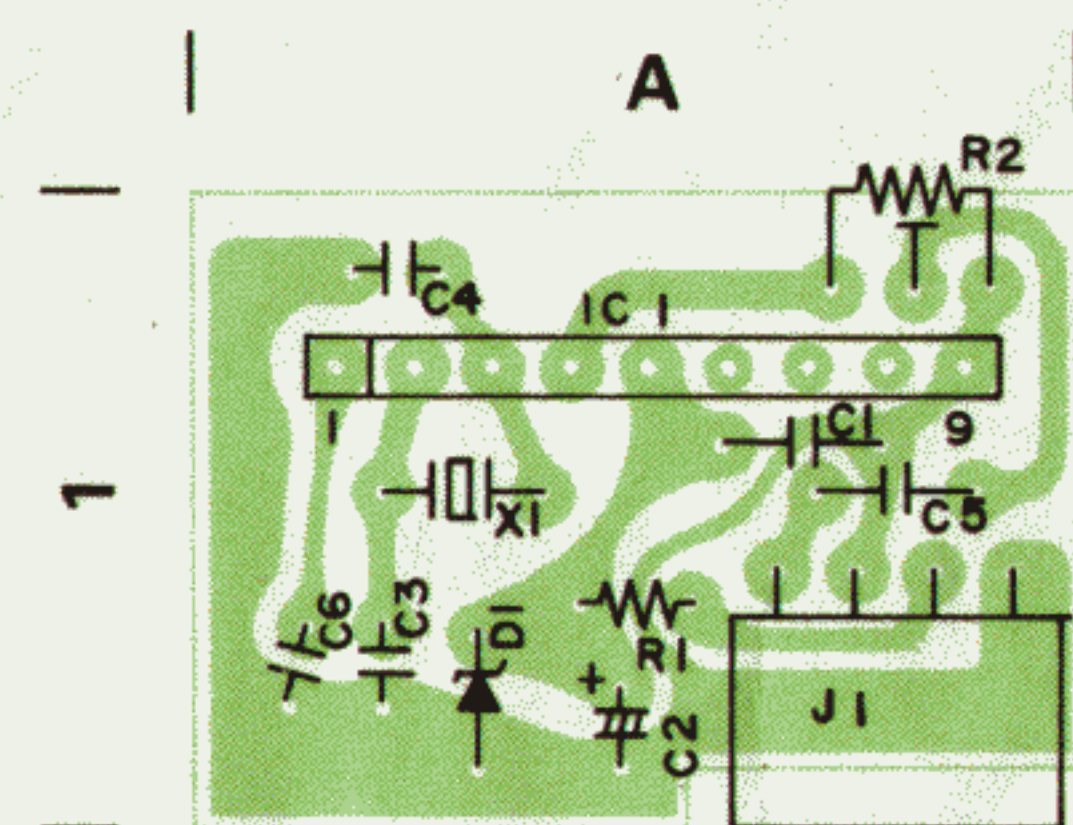


# VCO UNIT



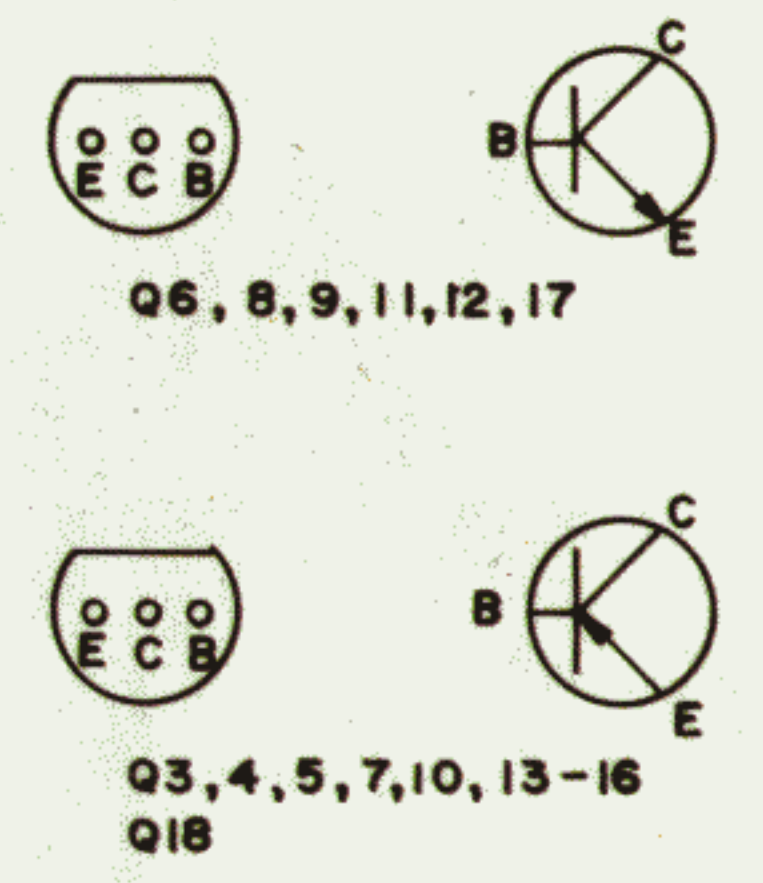
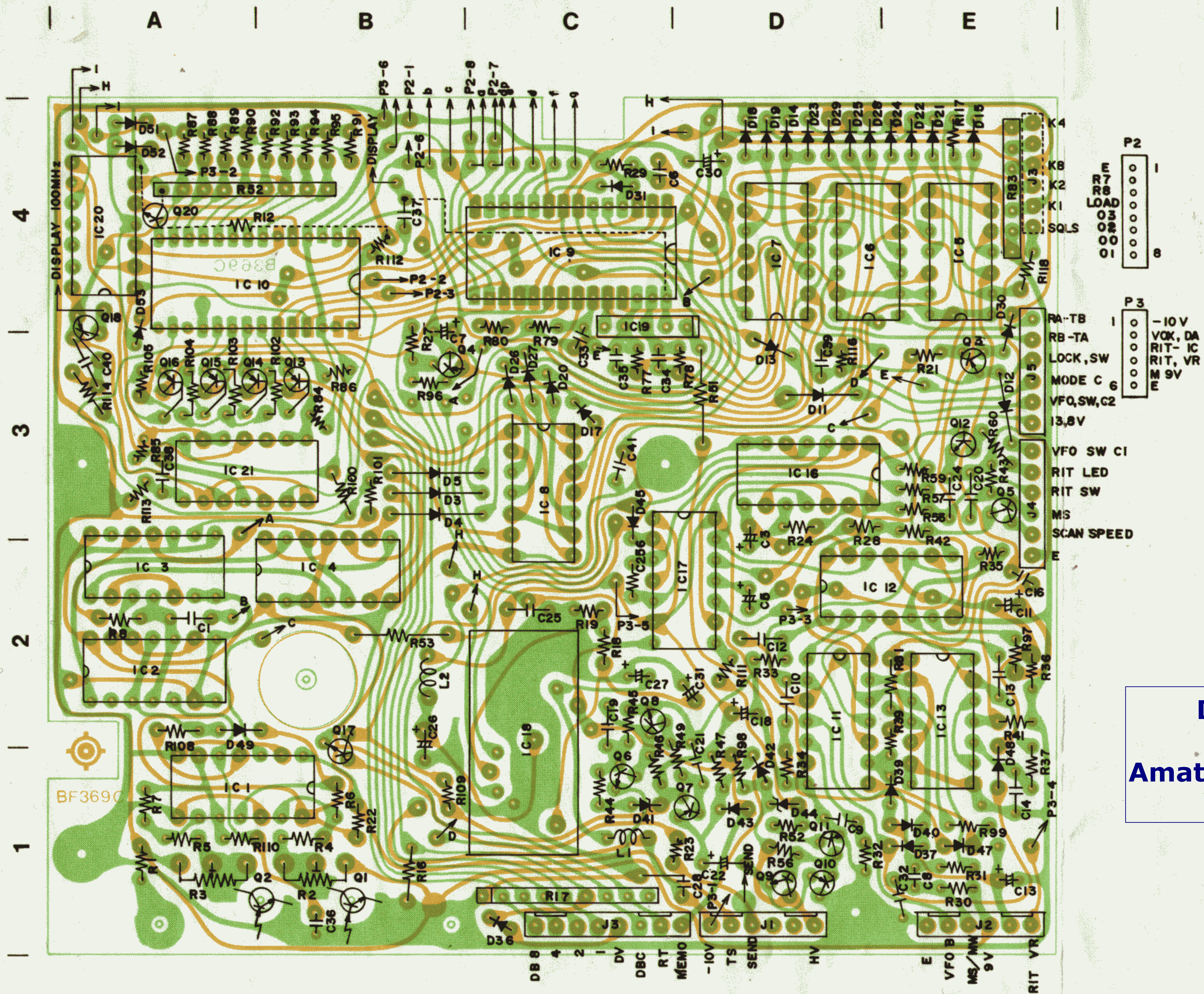
# TONE CALL UNIT

(IC-251E ONLY)





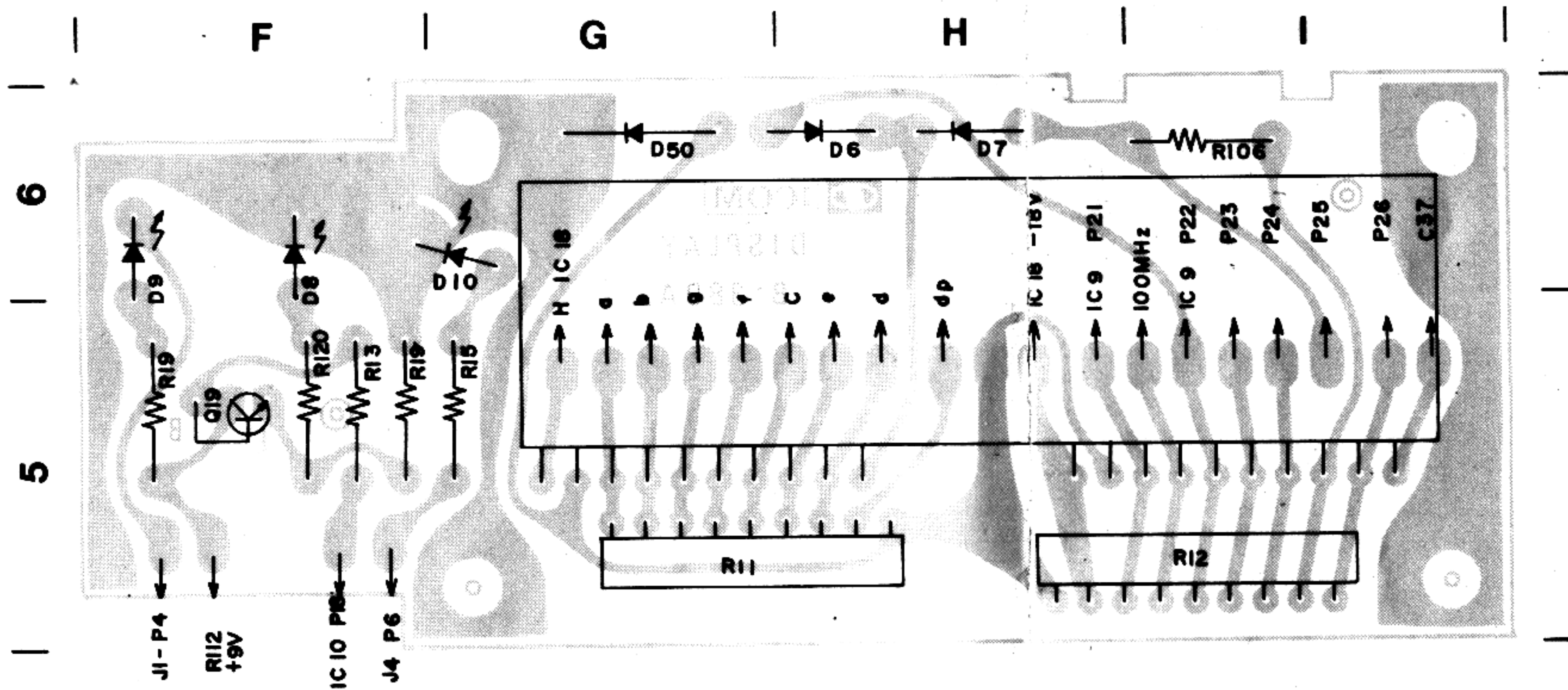
# DRIVER UNIT



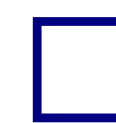
Downloaded by   
  
 Amateur Radio Directory



## ■ DISPLAY BOARD

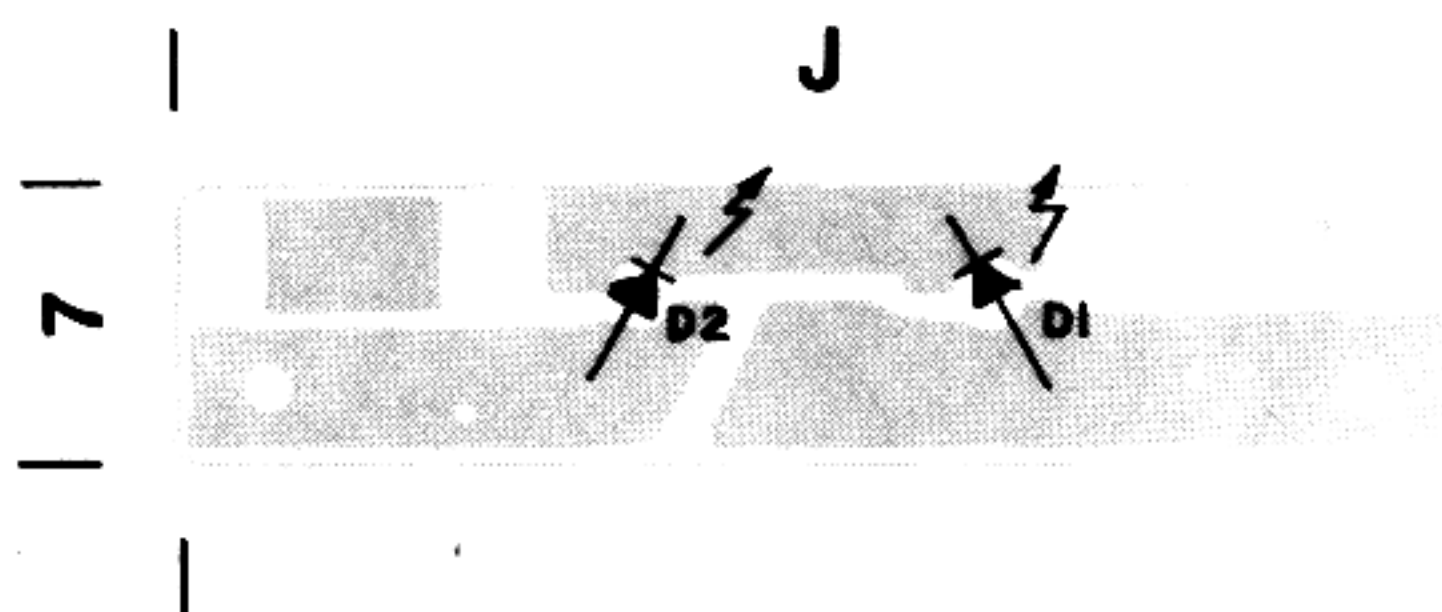


Downloaded by



Amateur Radio Directory

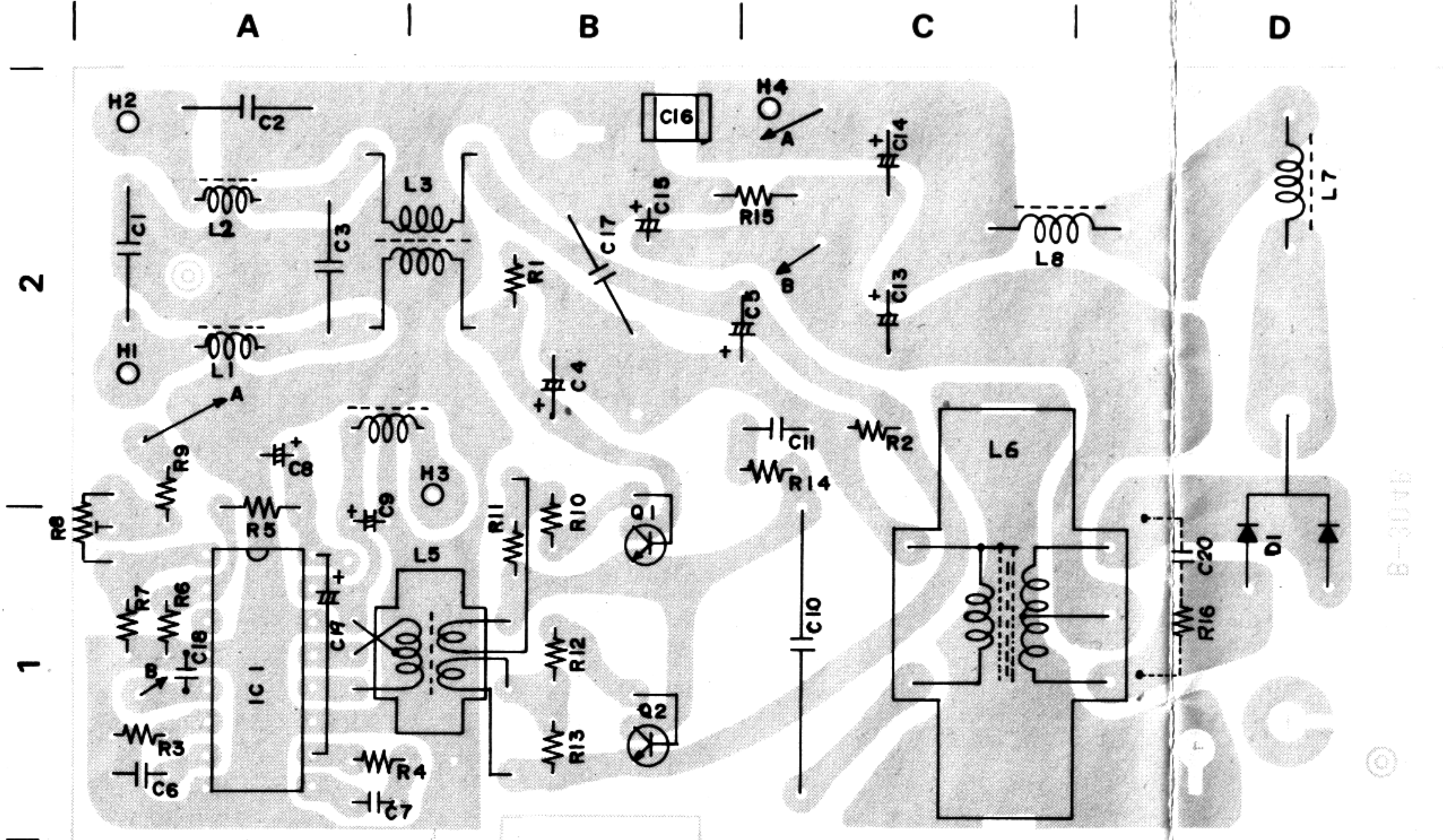
## ■ LEI BOARD



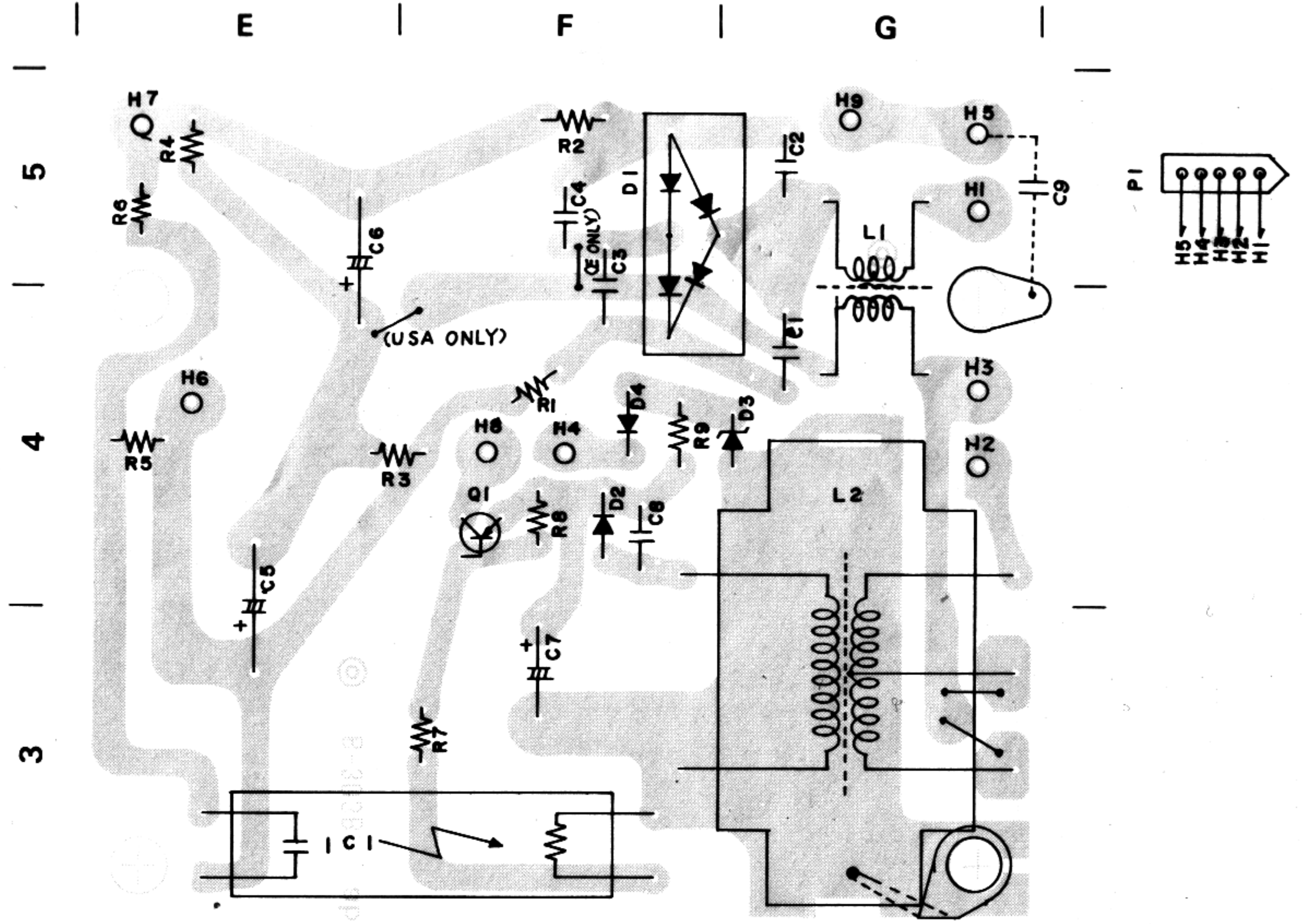


# POWER SUPPLY UNIT

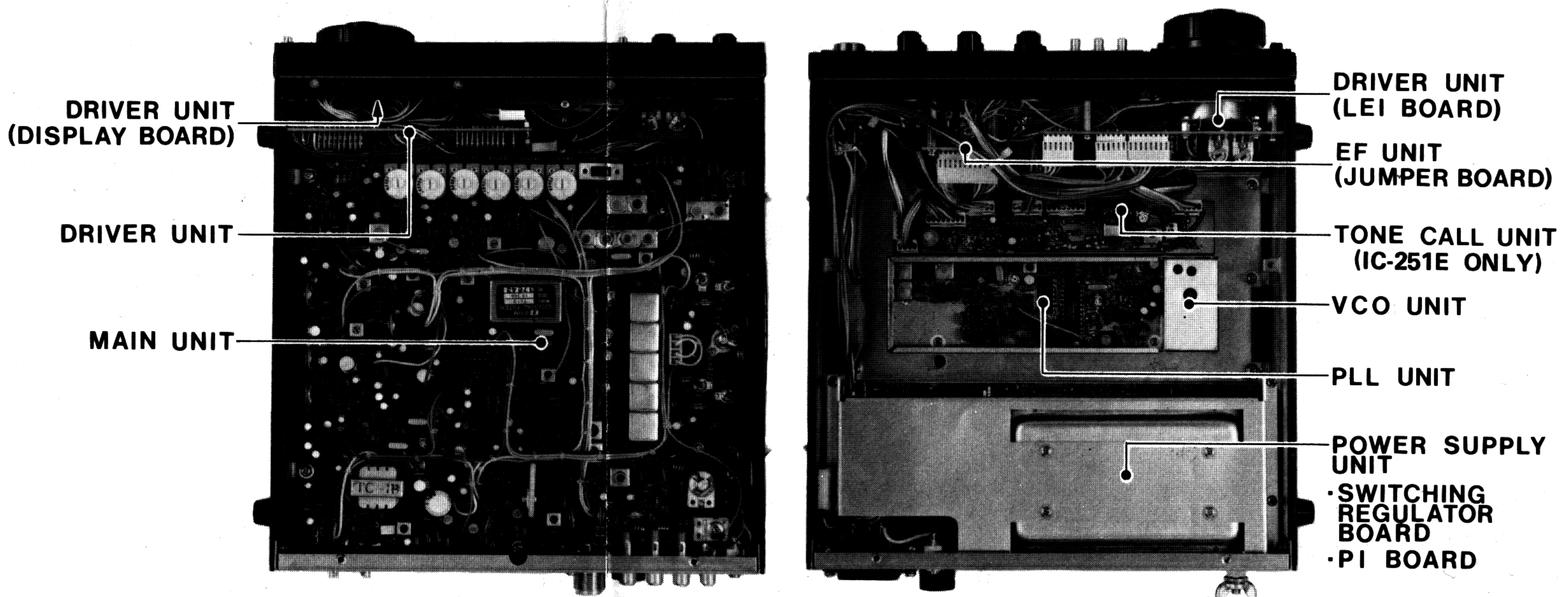
## SWITCHING REGULATOR BOARD



## PI BOARD

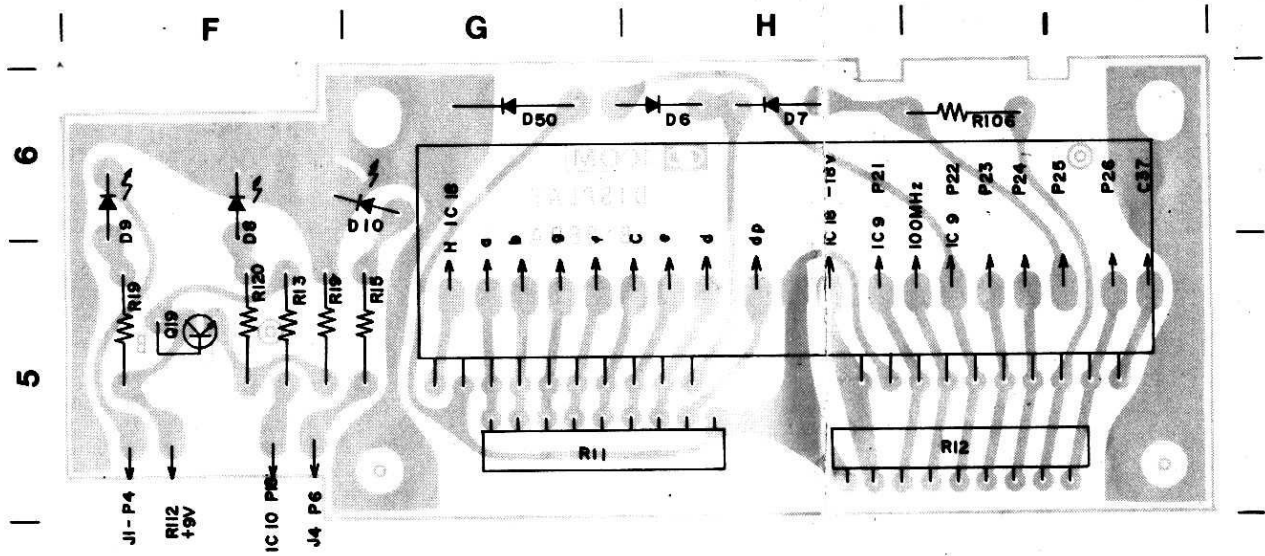


# BOARD LAYOUT





## ■ DISPLAY BOARD



## ■ LEI BOARD

