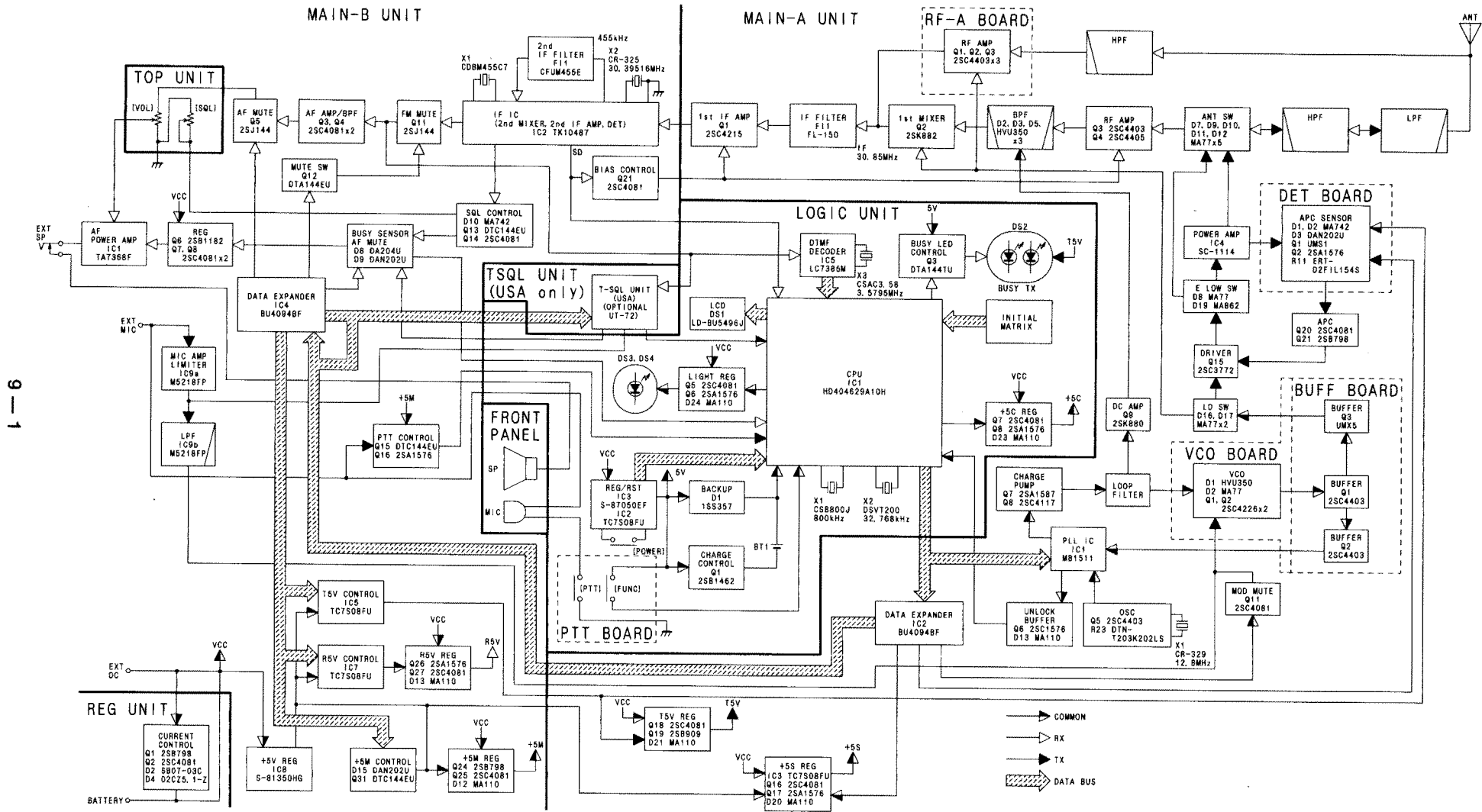
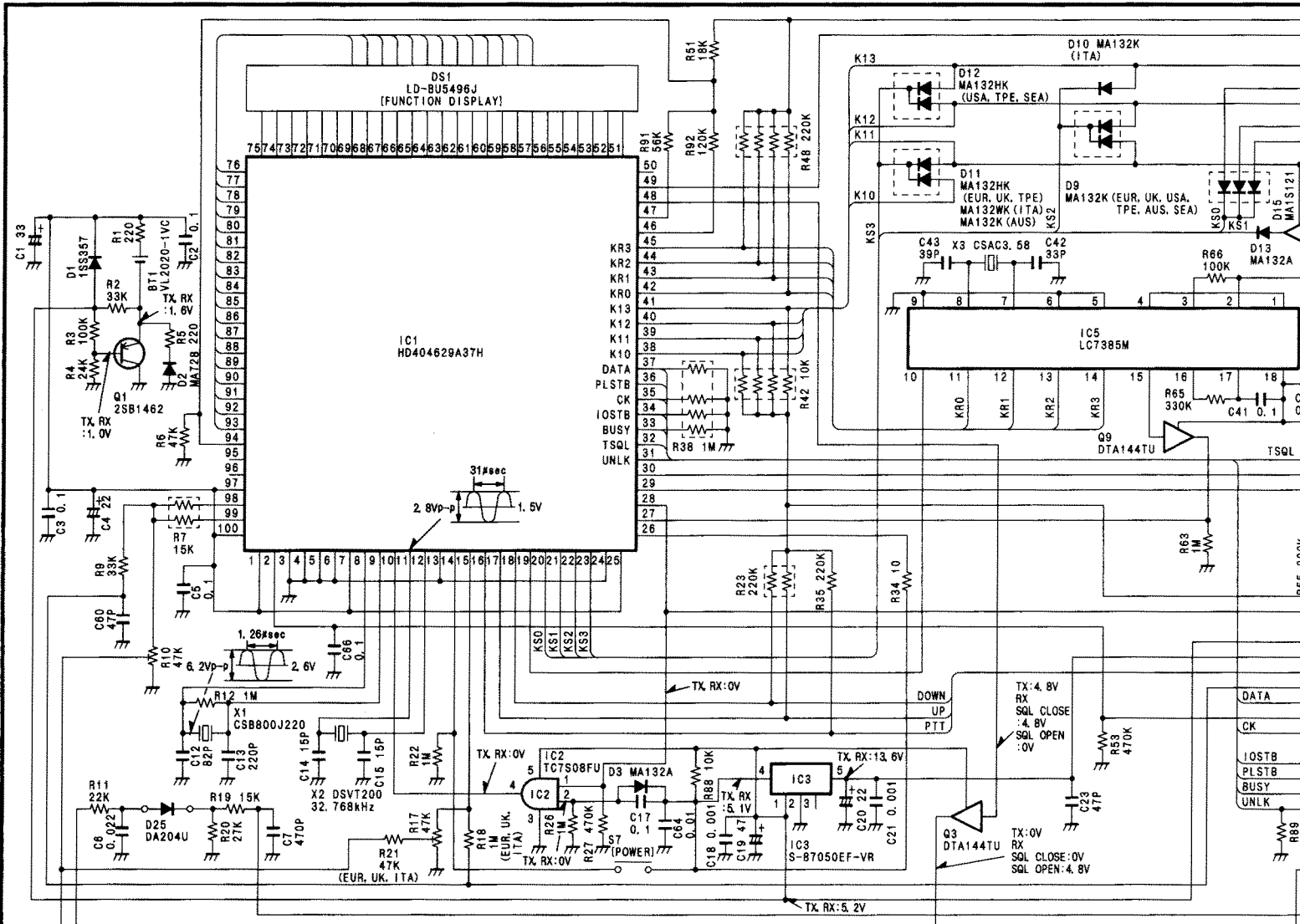


SECTION 9 BLOCK DIAGRAM

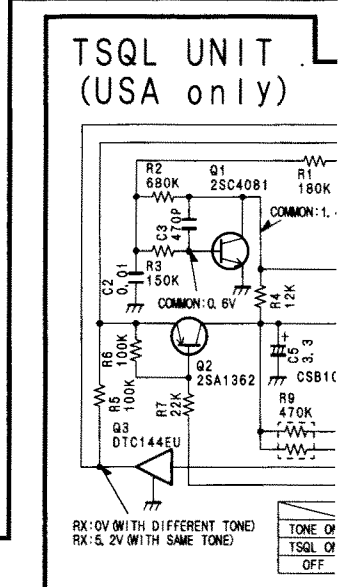
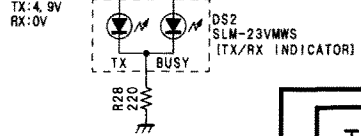
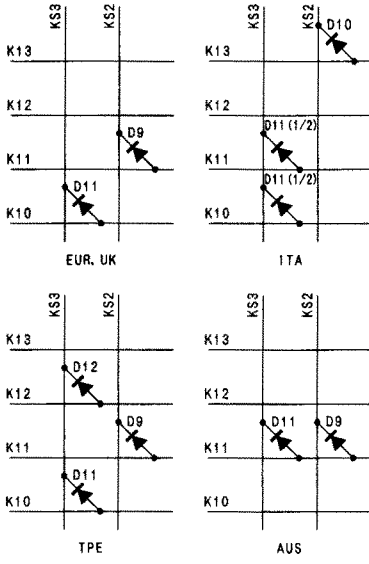


# SECTION 10 VOLTAGE DIAGRAM

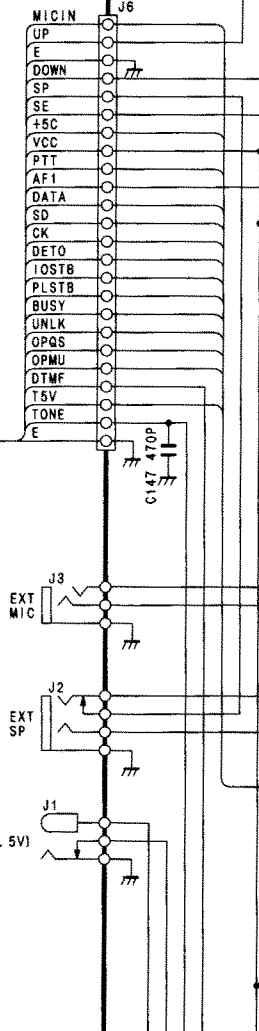
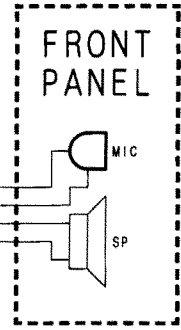
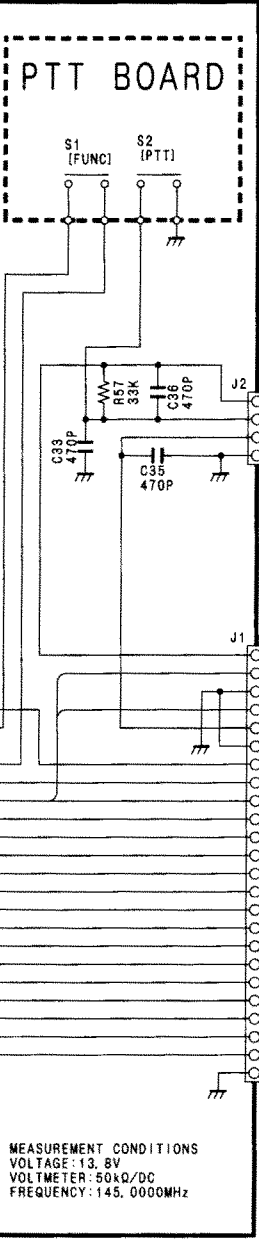
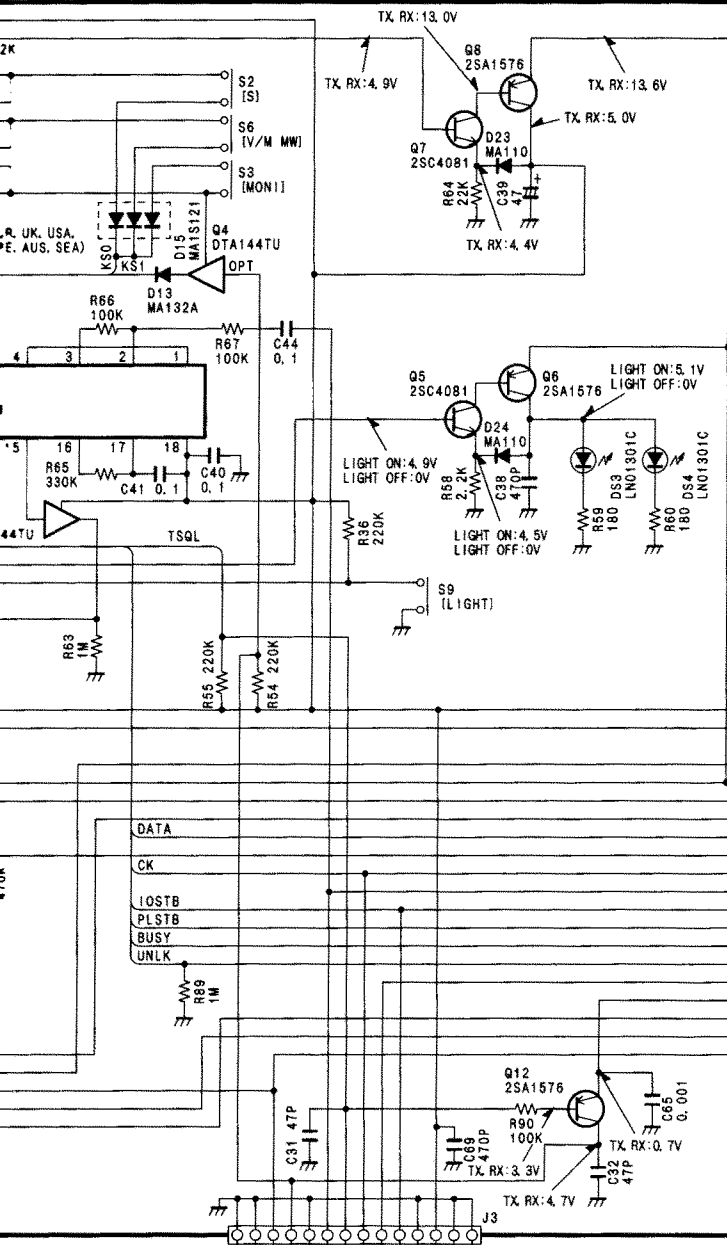


R84  
120 (EUR, UK, ITA, TPE,  
AUS, SEA)  
270 (USA)

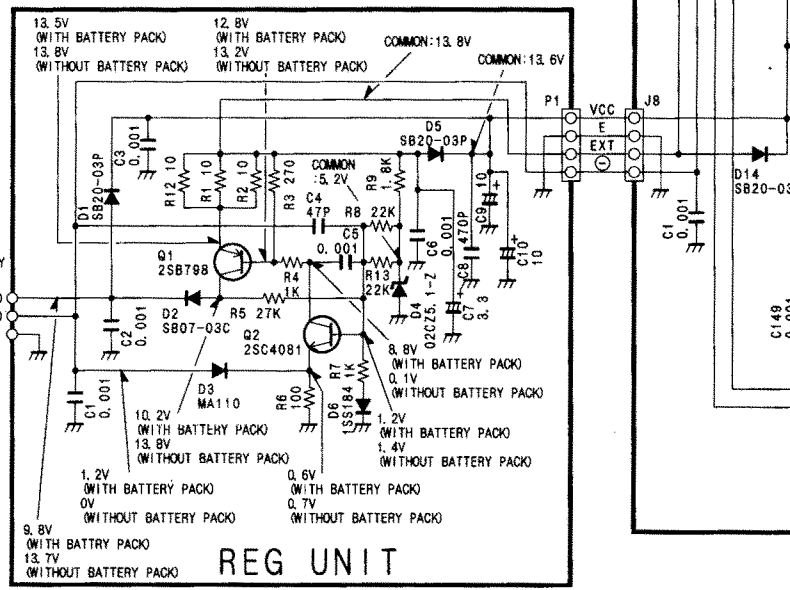
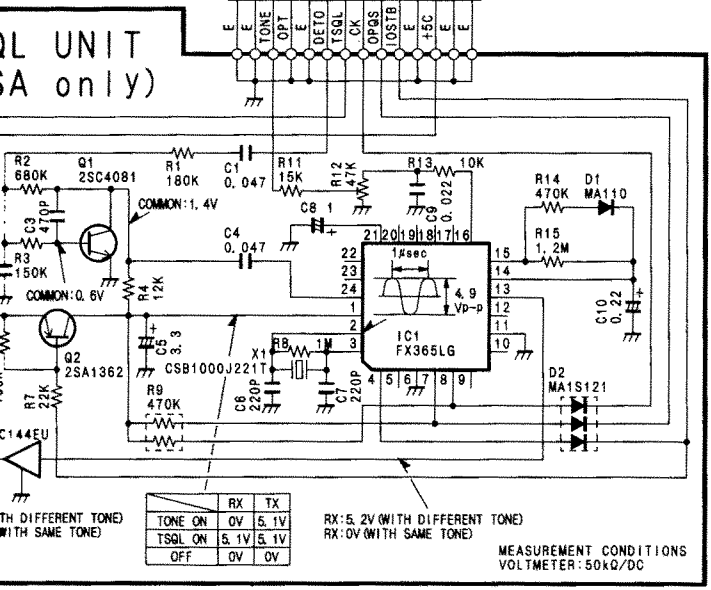
C58  
0.22 (EUR, UK, ITA,  
TPE, AUS, SEA)  
0.1 (USA)

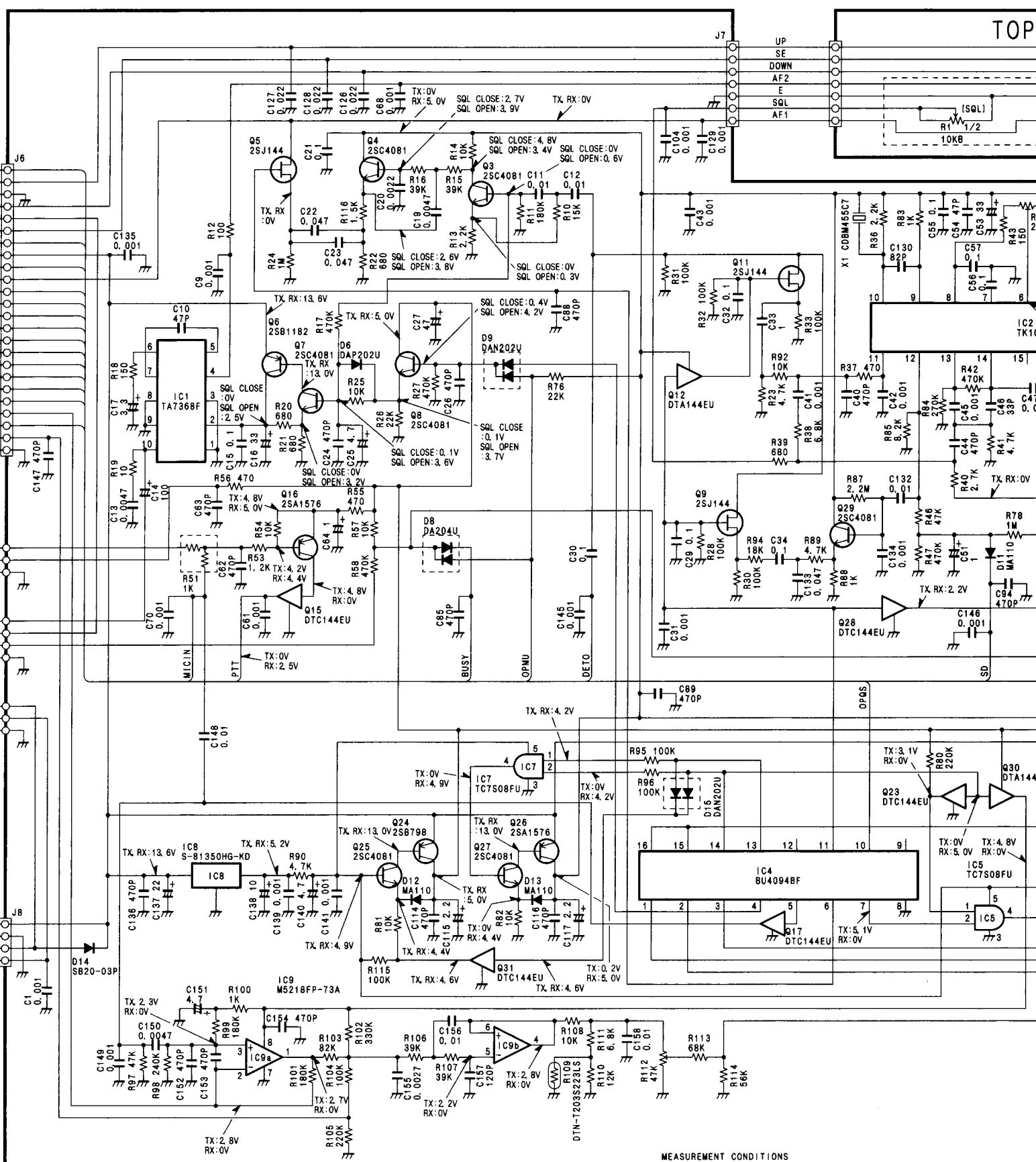


LOGIC UNIT



MEASUREMENT CONDITIONS  
 VOLTAGE: 13.8V  
 VOLTMETER: 50KΩ/DC  
 FREQUENCY: 145.0000MHz

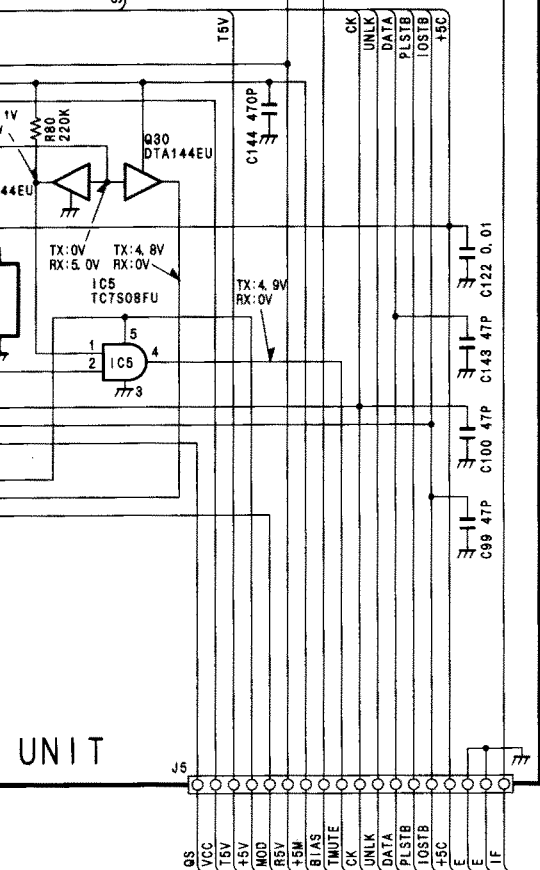
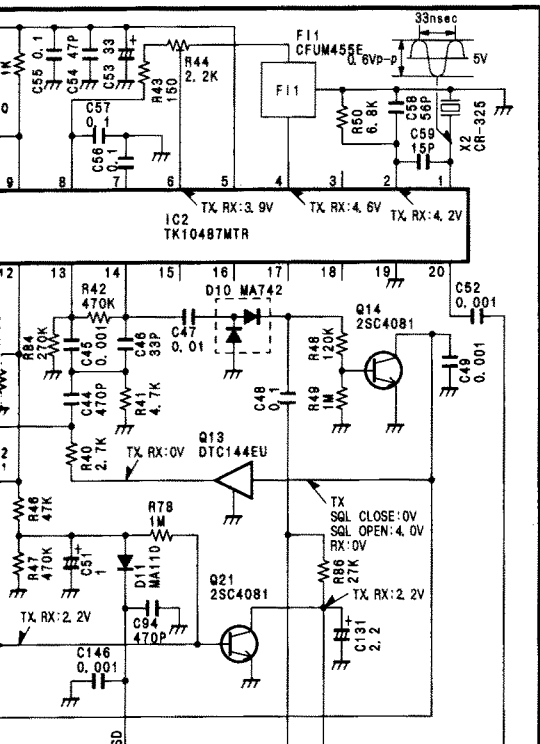
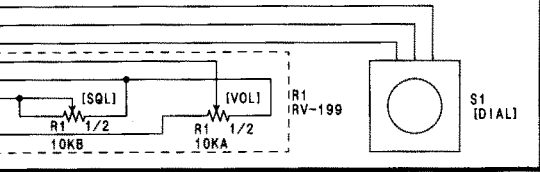




MEASUREMENT CONDITIONS  
 VOLTAGE: 13.8V  
 VOLT METER: 50kΩ/DC  
 FREQUENCY: 145.0000MHz

MAIN-B UNIT

# TOP UNIT



# MAIN-A UNIT

