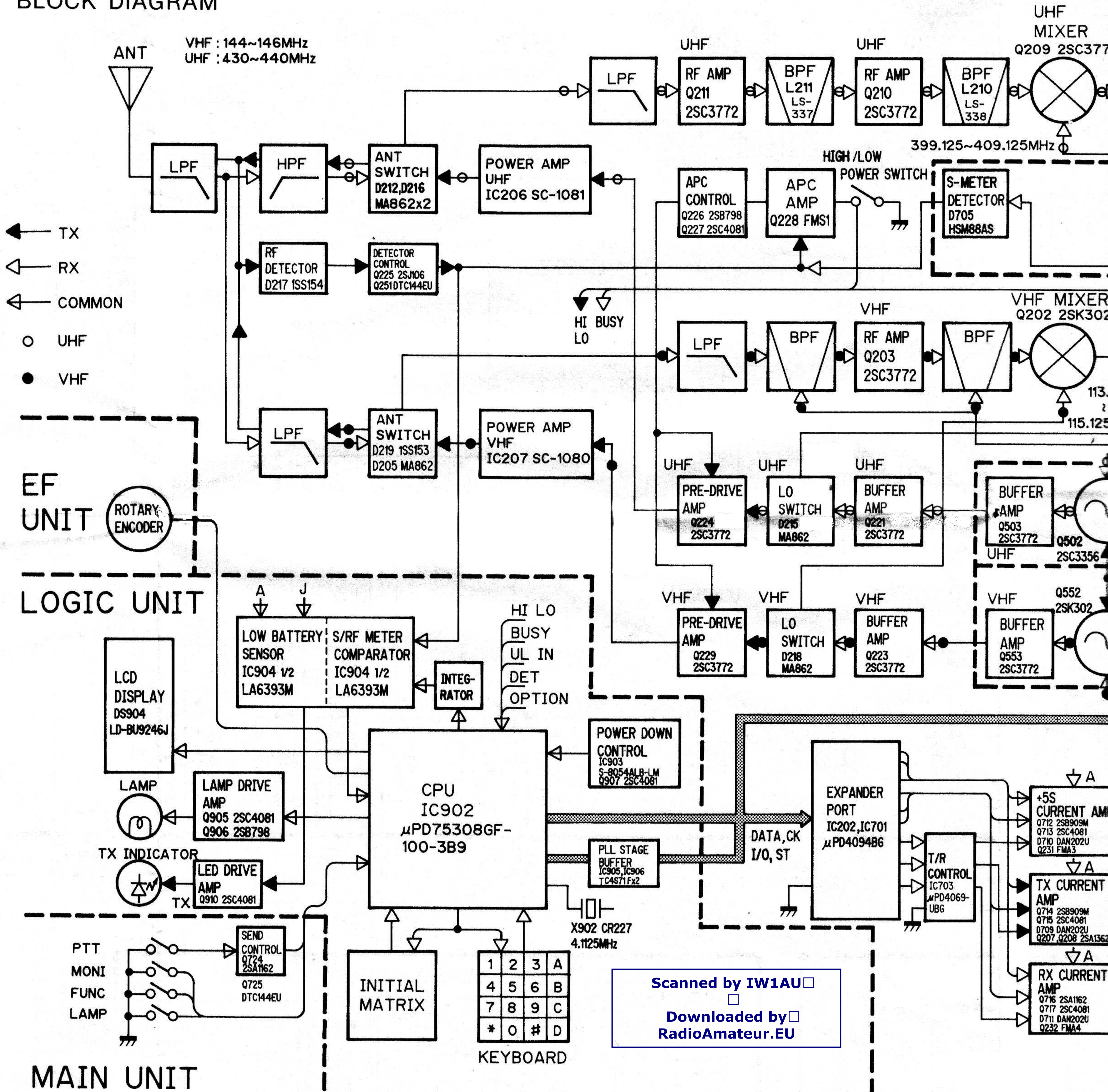
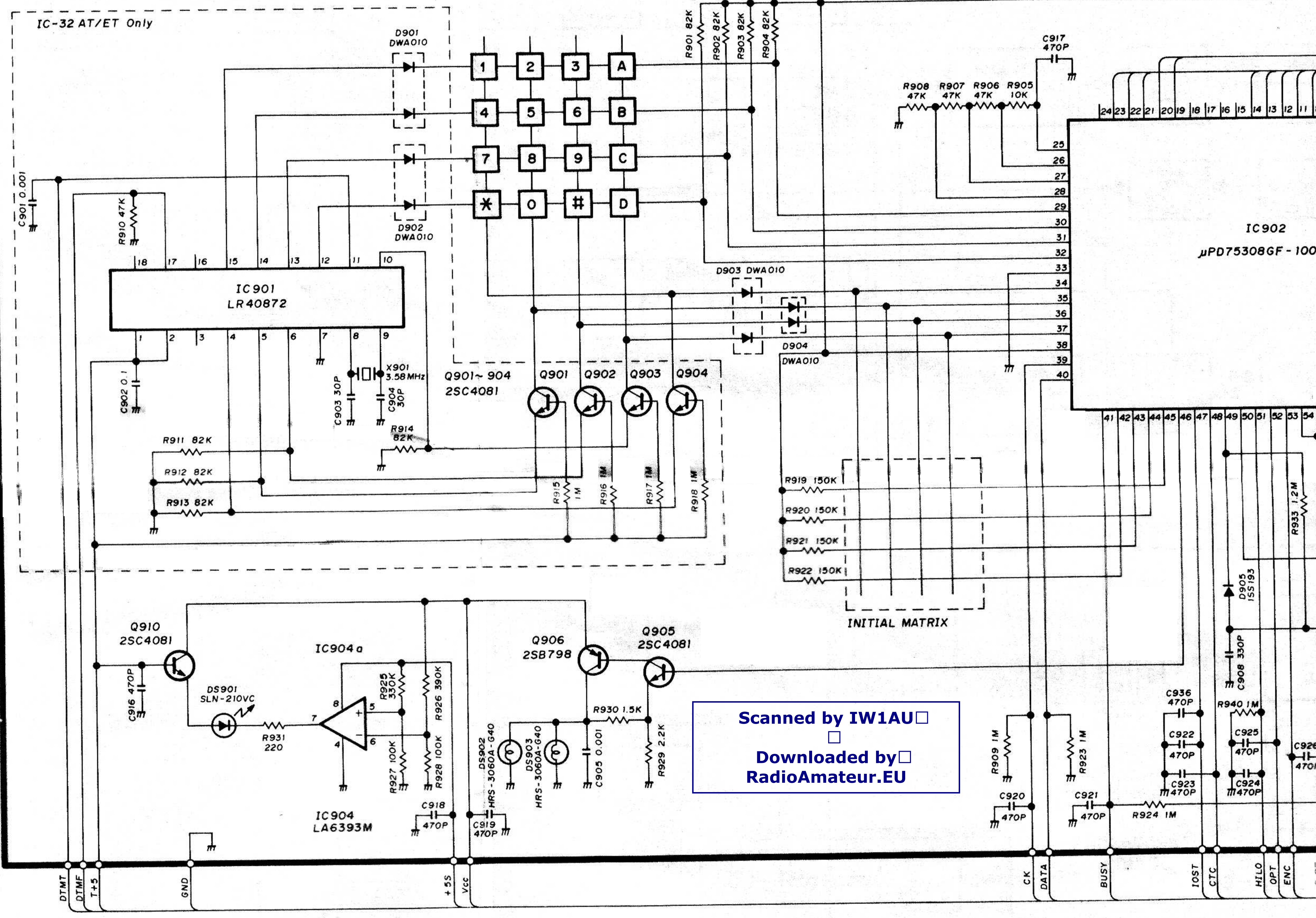
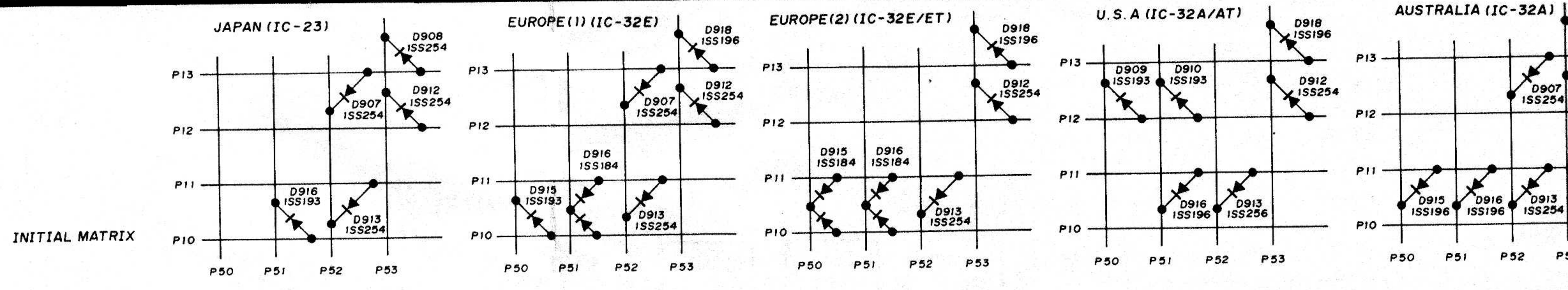


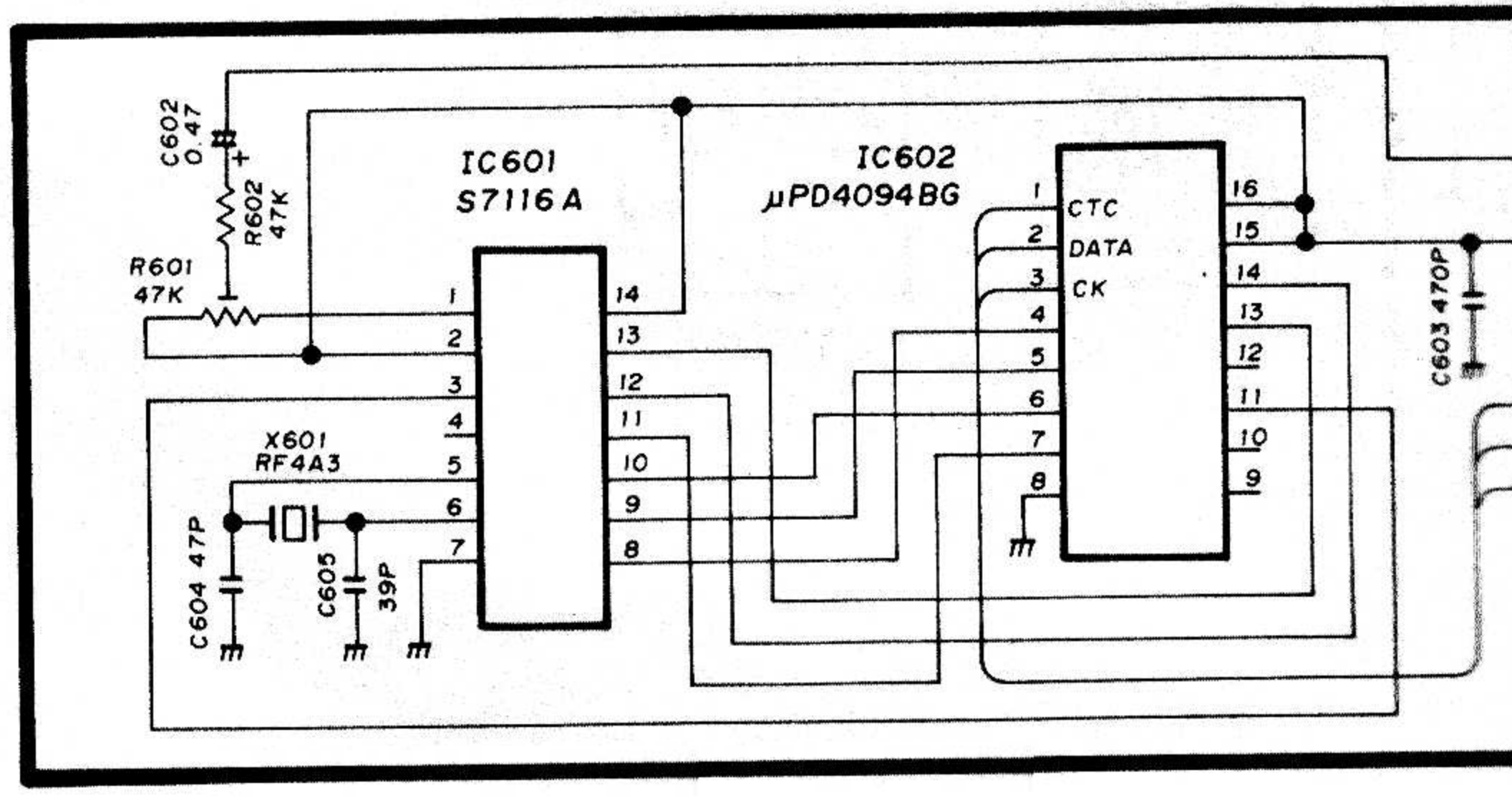
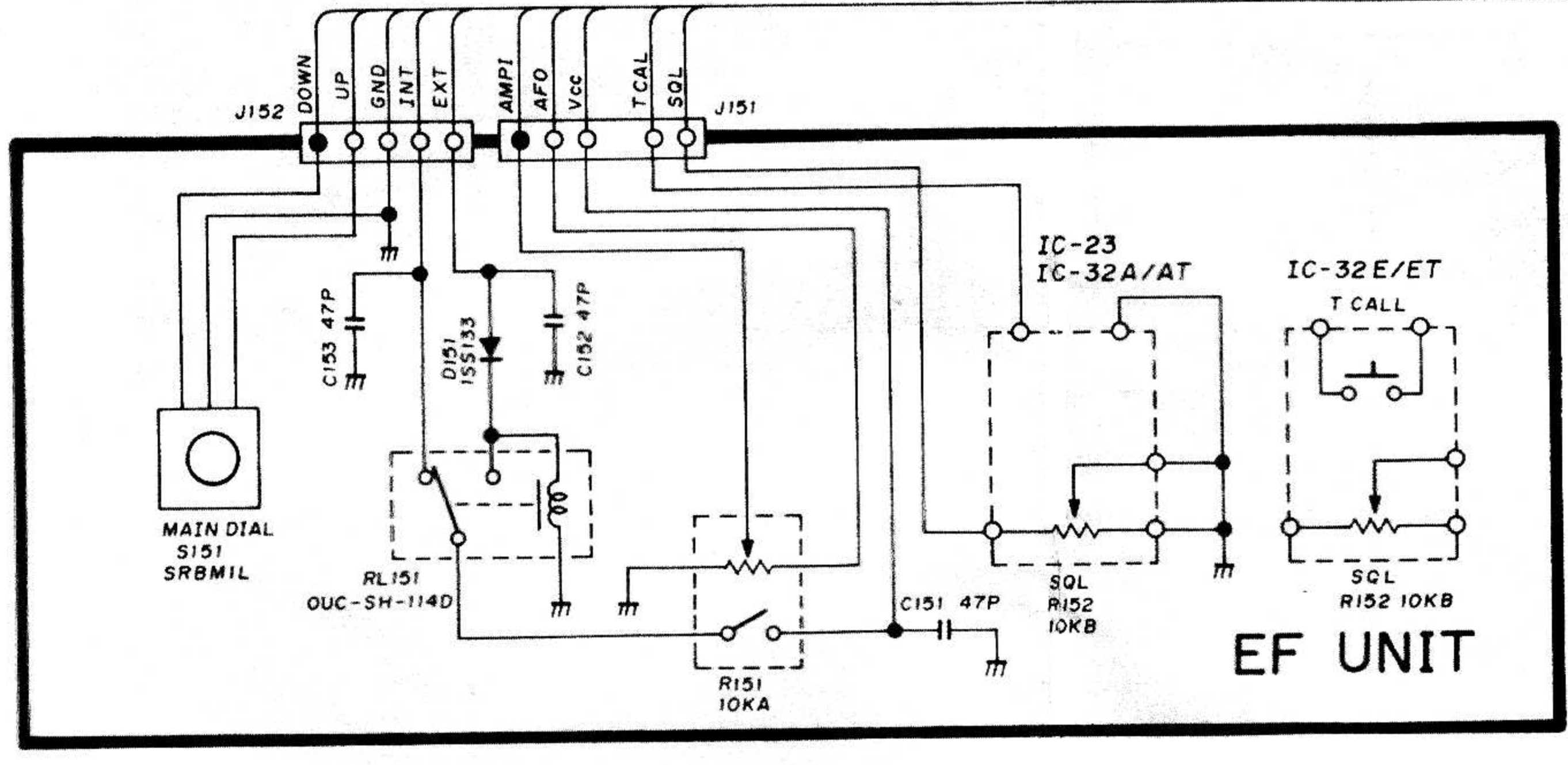
BLOCK DIAGRAM

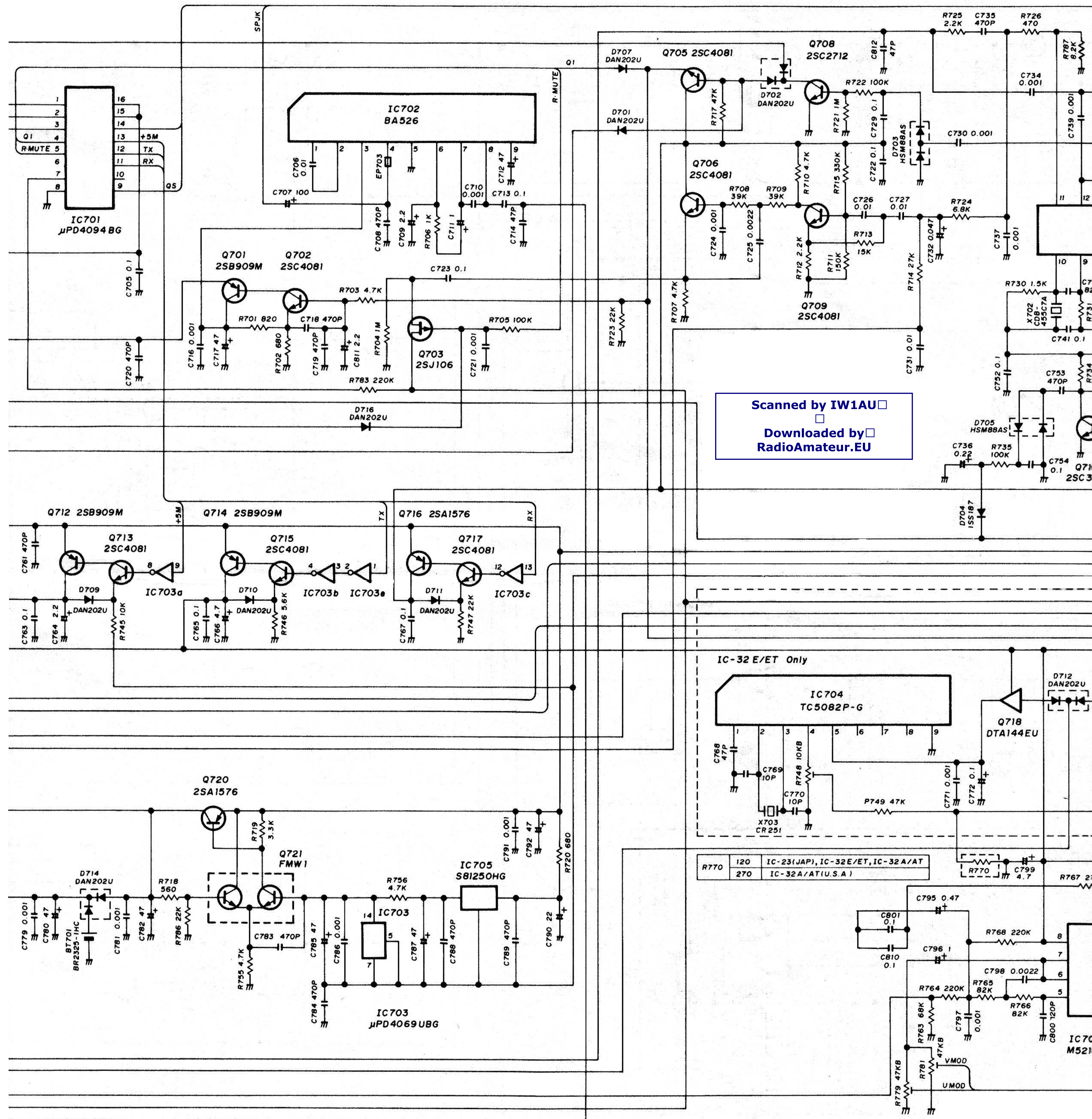


Scanned by IW1AU
 Downloaded by RadioAmateur.EU

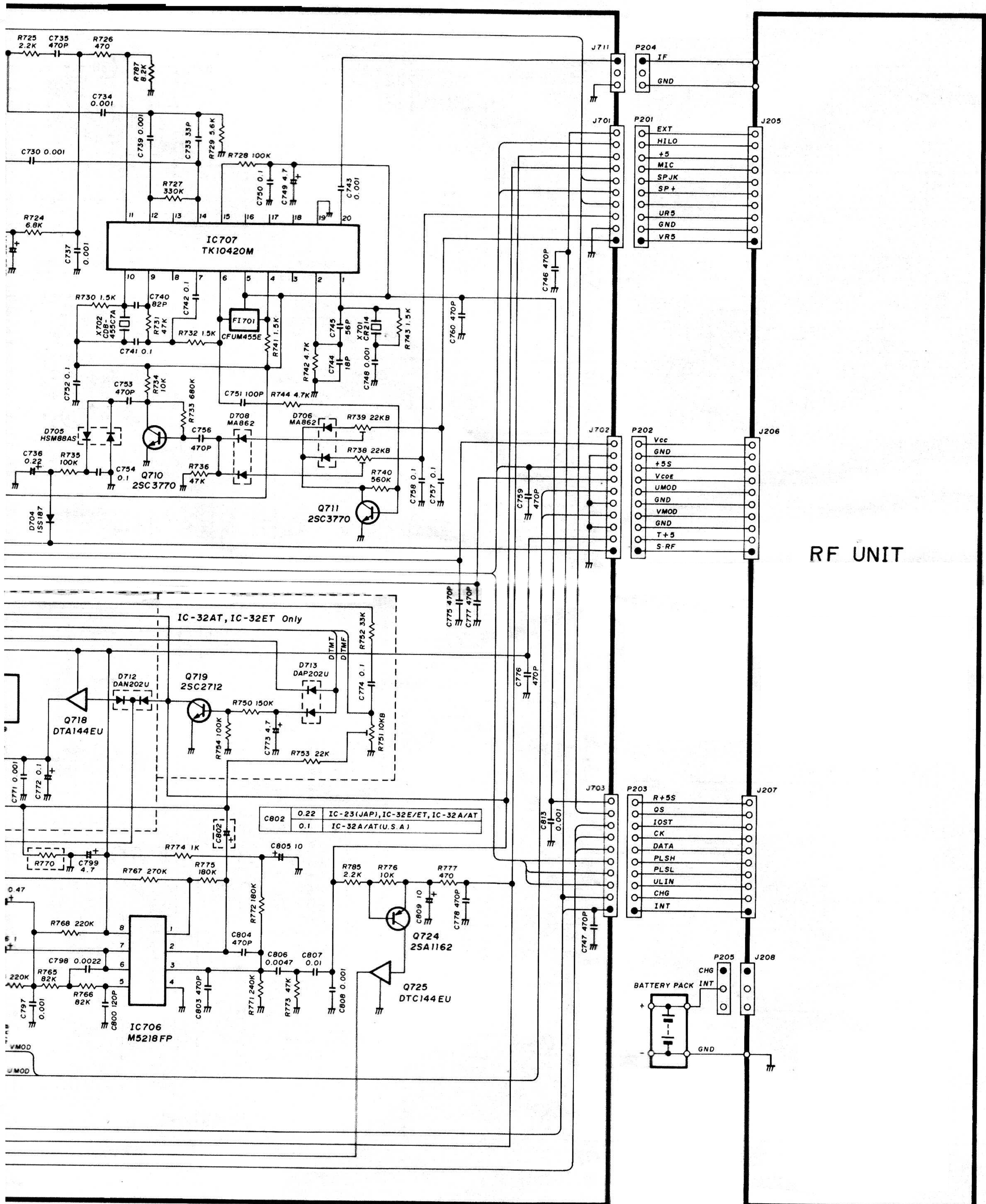


Scanned by IW1AU
 Downloaded by RadioAmateur.EU



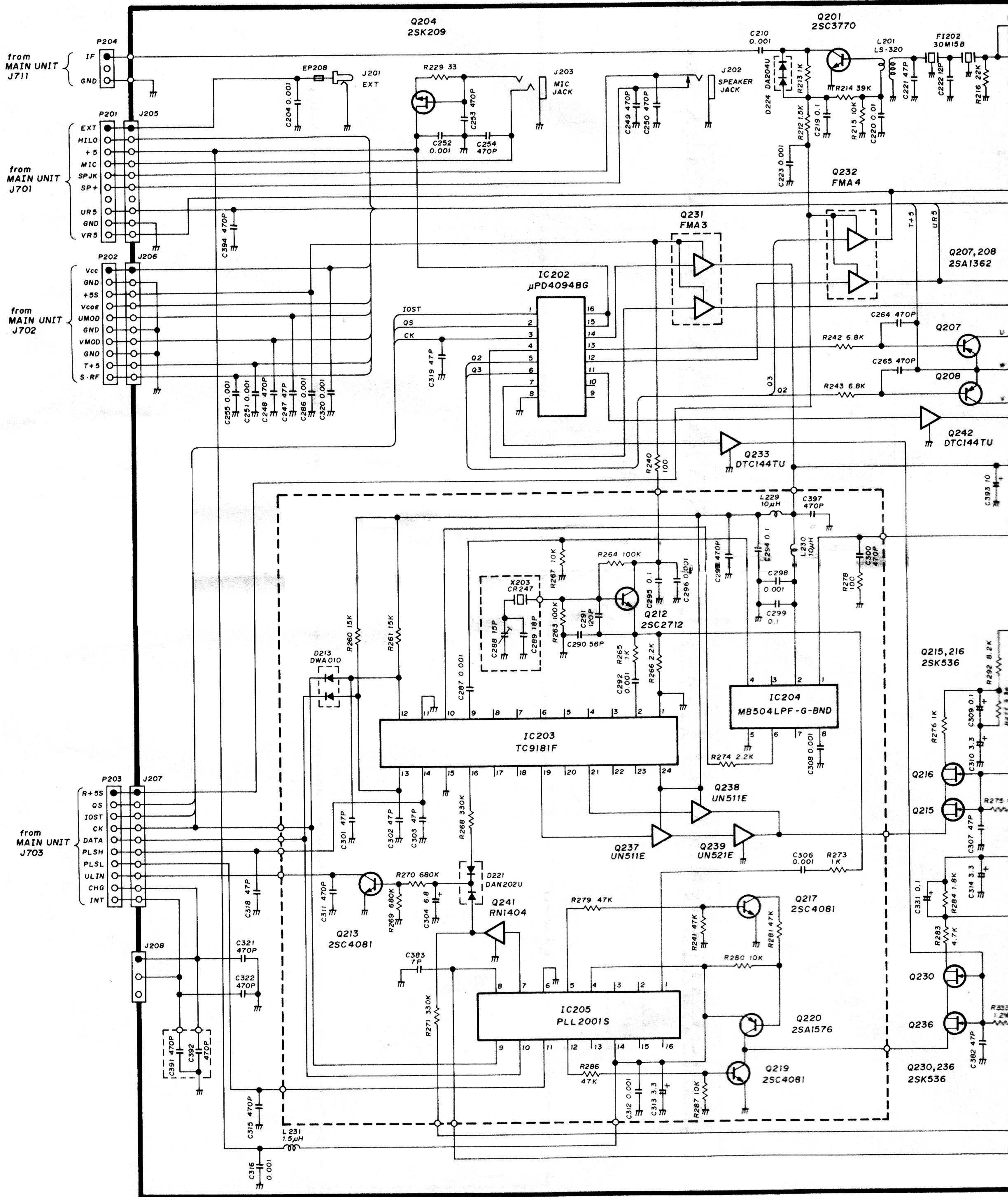


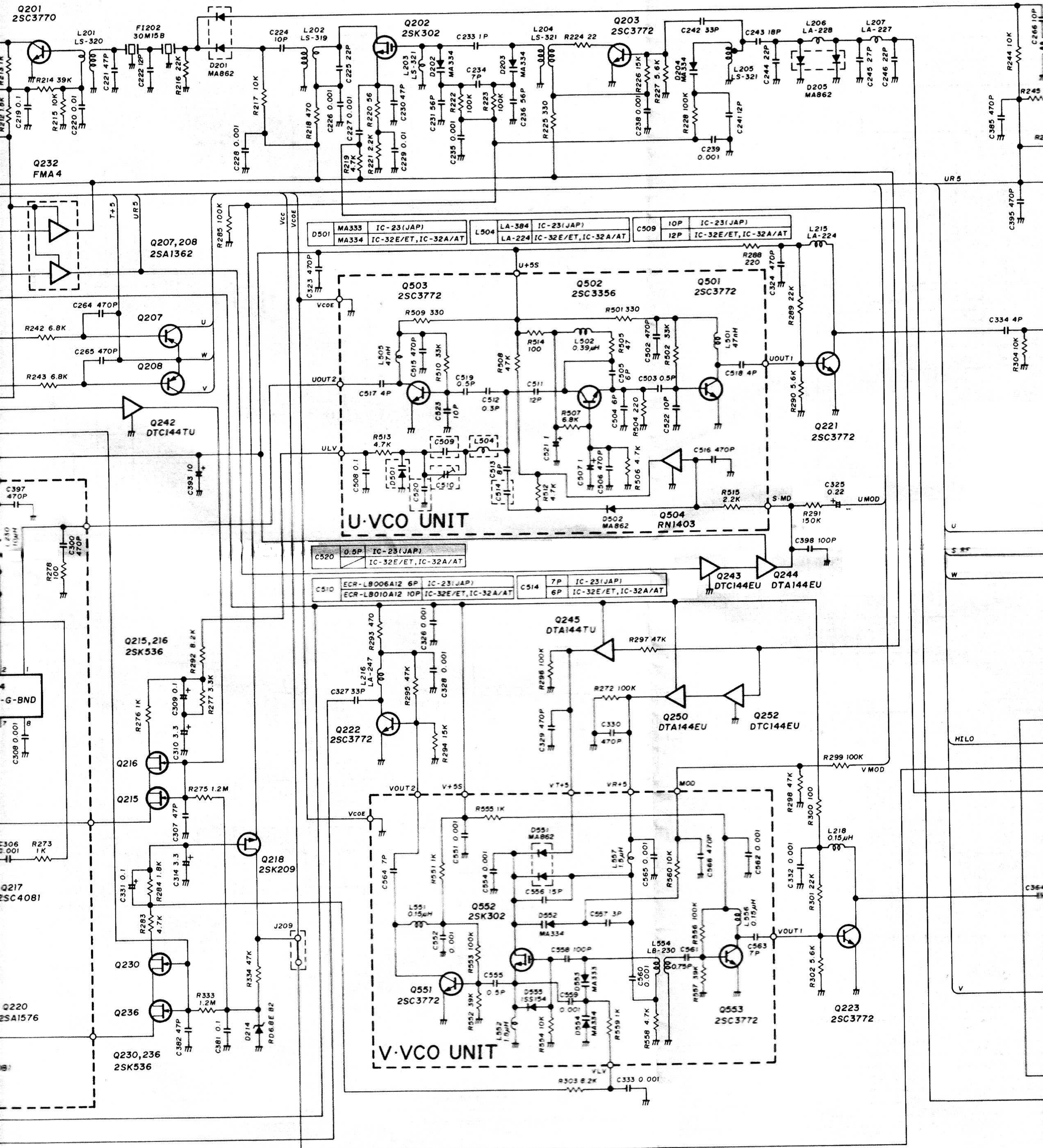
Scanned by IW1AU
 Downloaded by RadioAmateur.EU



RF UNIT

To upgrade quality, some components may be subject to change without notice.





U-VCO UNIT

V-VCO UNIT

| | | |
|--------|----------------------|------------|
| D501 | MA333 | IC-23(JAP) |
| MA334 | IC-32E/ET, IC-32A/AT | |
| L504 | LA-384 | IC-23(JAP) |
| LA-224 | IC-32E/ET, IC-32A/AT | |
| C509 | 10P | IC-23(JAP) |
| 12P | IC-32E/ET, IC-32A/AT | |

| | | |
|----------------------|----------------------|------------|
| C520 | 0.5P | IC-23(JAP) |
| IC-32E/ET, IC-32A/AT | | |
| C510 | ECR-LB006A12 6P | IC-23(JAP) |
| ECR-LB010A12 10P | IC-32E/ET, IC-32A/AT | |
| C514 | 7P | IC-23(JAP) |
| 6P | IC-32E/ET, IC-32A/AT | |

Q201
2SC3770

Q202
2SK302

Q203
2SC3772

Q232
FMA 4

Q207, 208
2SA1362

Q242
DTC144TU

Q503
2SC3772

Q502
2SC3356

Q501
2SC3772

Q221
2SC3772

Q243
DTC144EU

Q244
DTA144EU

Q215, 216
2SK536

Q222
2SC3772

Q245
DTA144TU

Q250
DTA144EU

Q252
DTC144EU

Q217
2SC4081

Q218
2SK209

Q552
2SK302

Q220
2SA1576

Q230

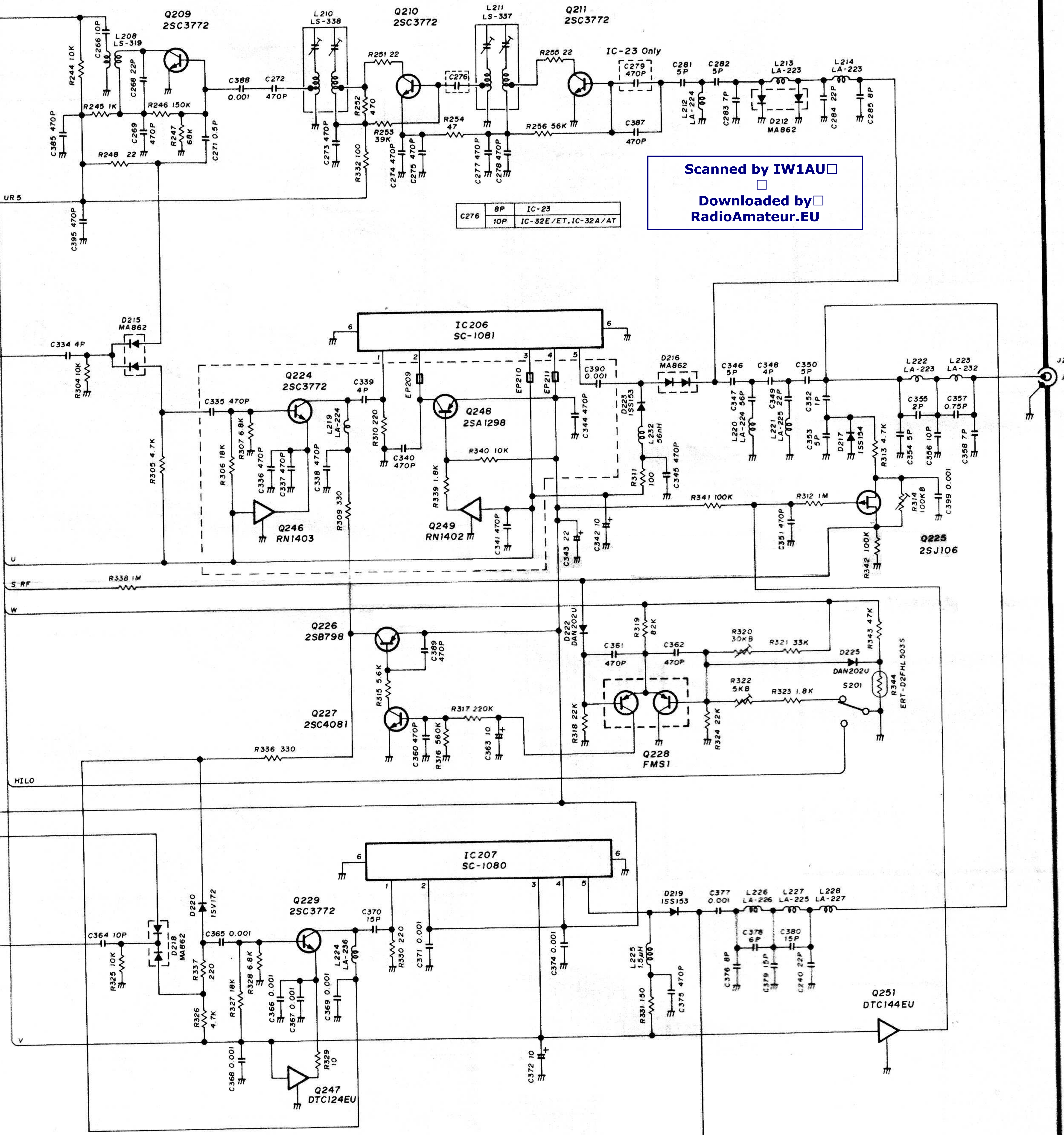
Q236

Q230, 236
2SK536

Q251
2SC3772

Q553
2SC3772

Q223
2SC3772



| | | |
|------|-----|----------------------|
| C276 | 8P | IC-23 |
| | 10P | IC-32E/ET, IC-32A/AT |

Scanned by IW1AU
 Downloaded by RadioAmateur.EU

RF UNIT