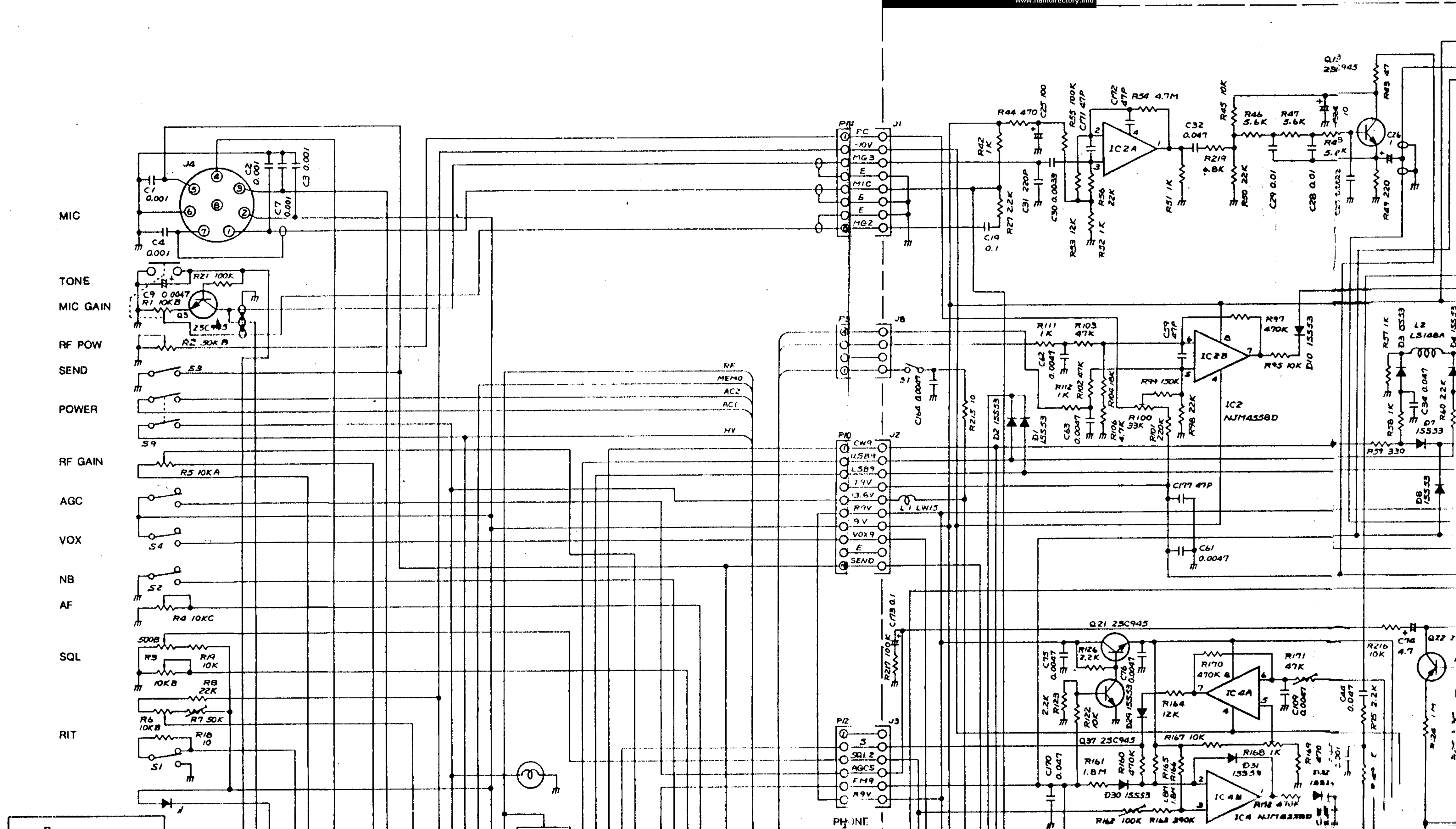
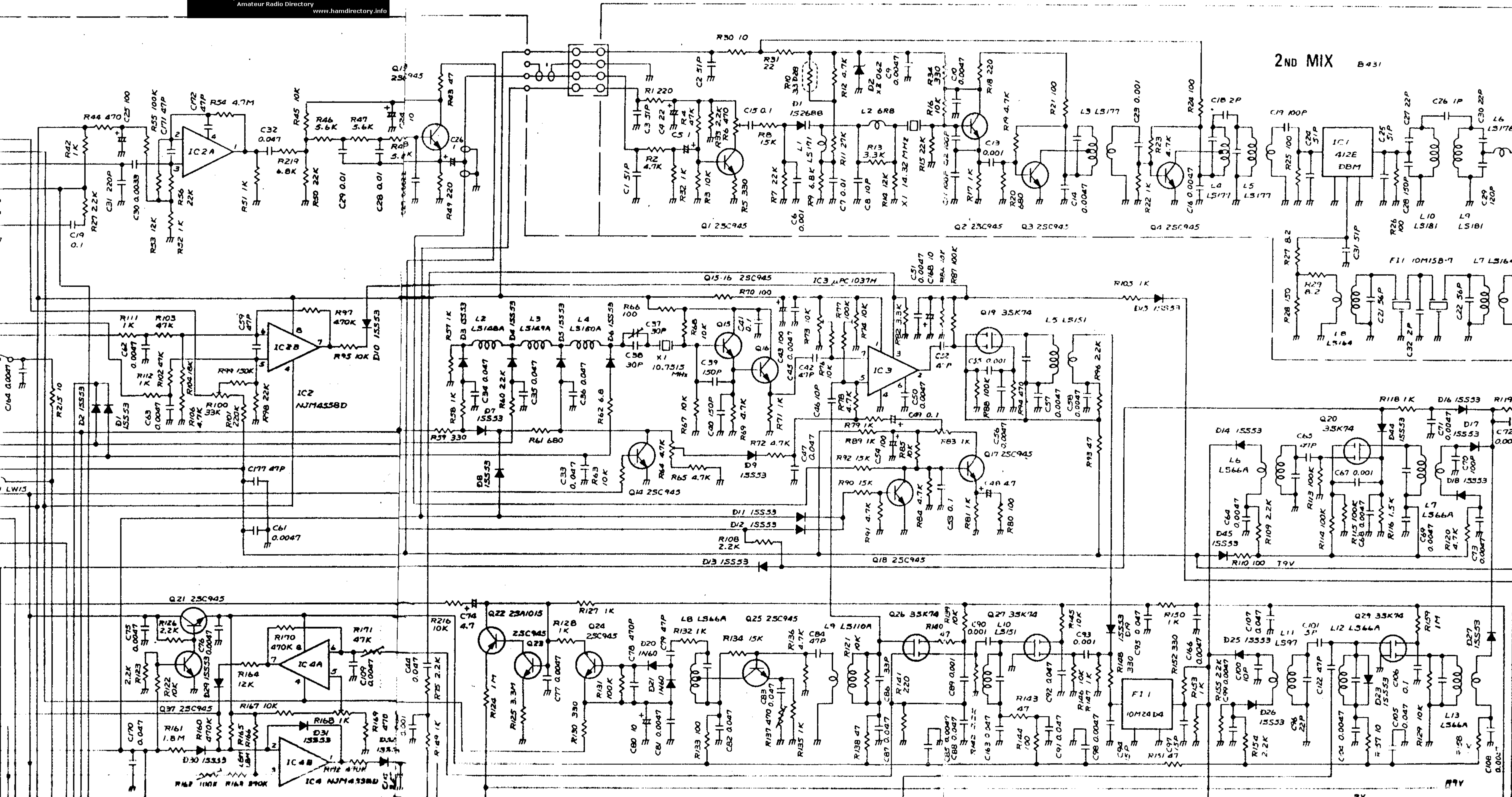


SCHEMA A BLOCCHI

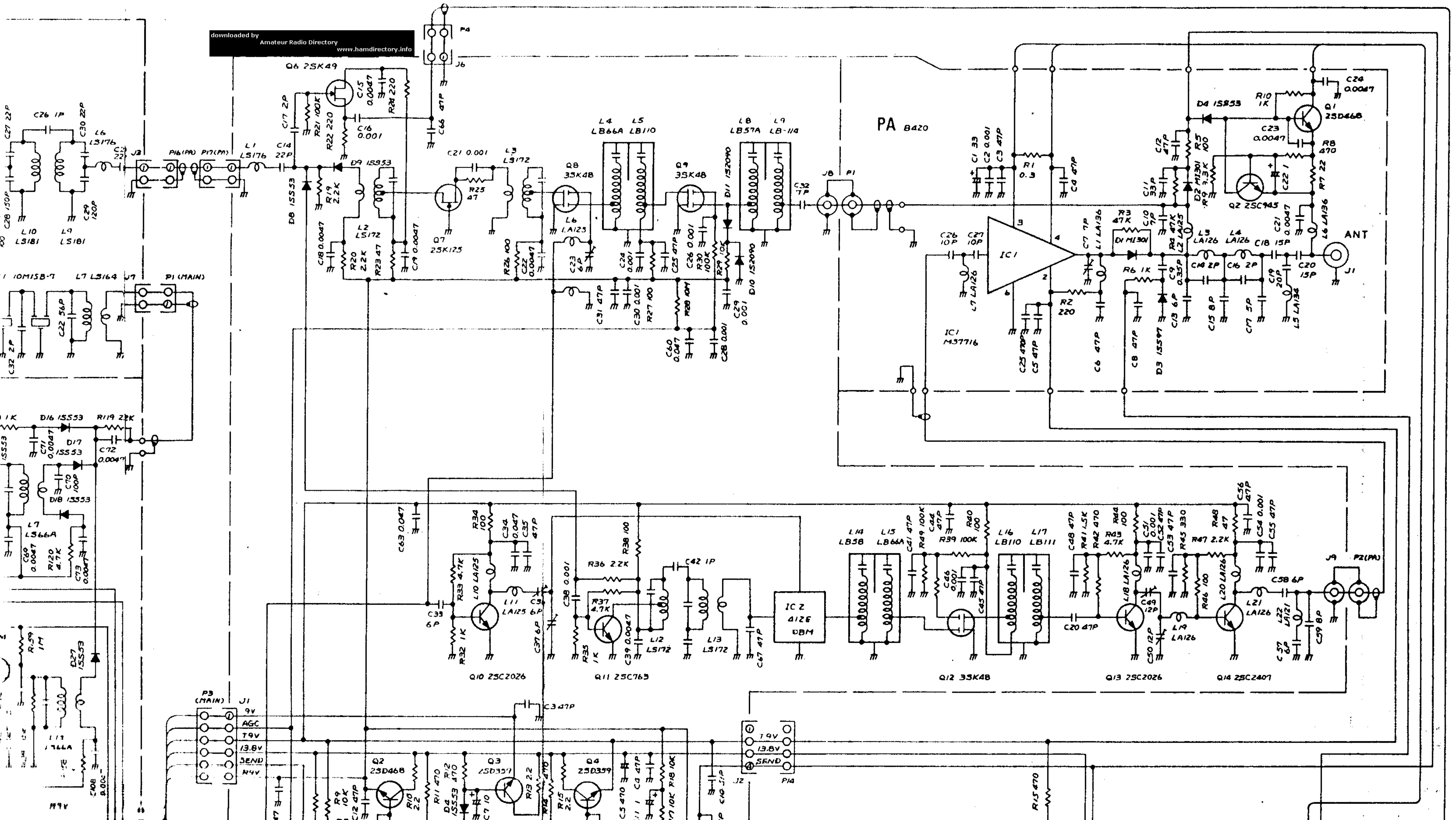
IC-451A/E SCHEMATIC DIAGRAM

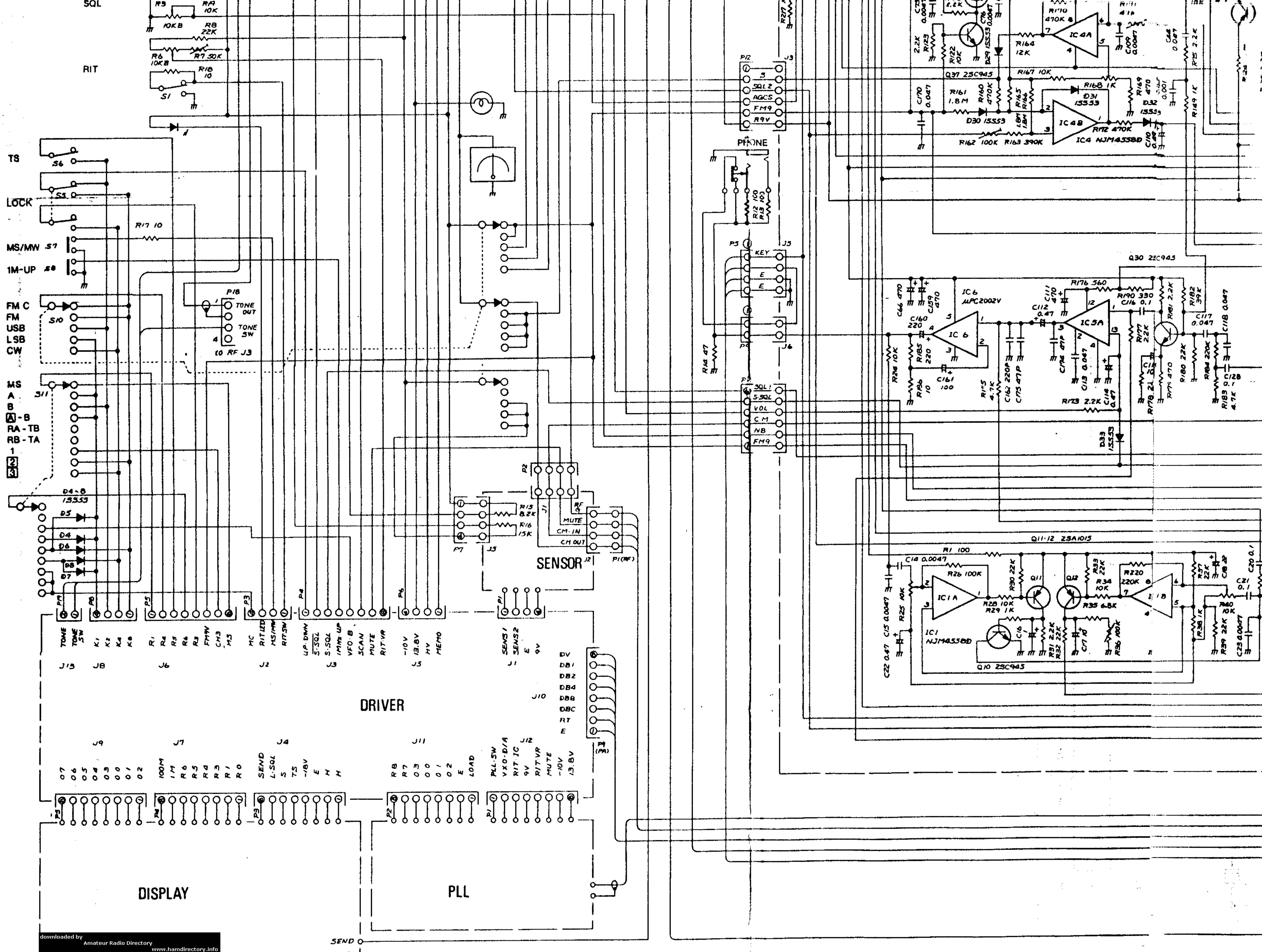
downloaded by
Amateur Radio Directory
www.hamdirectory.info

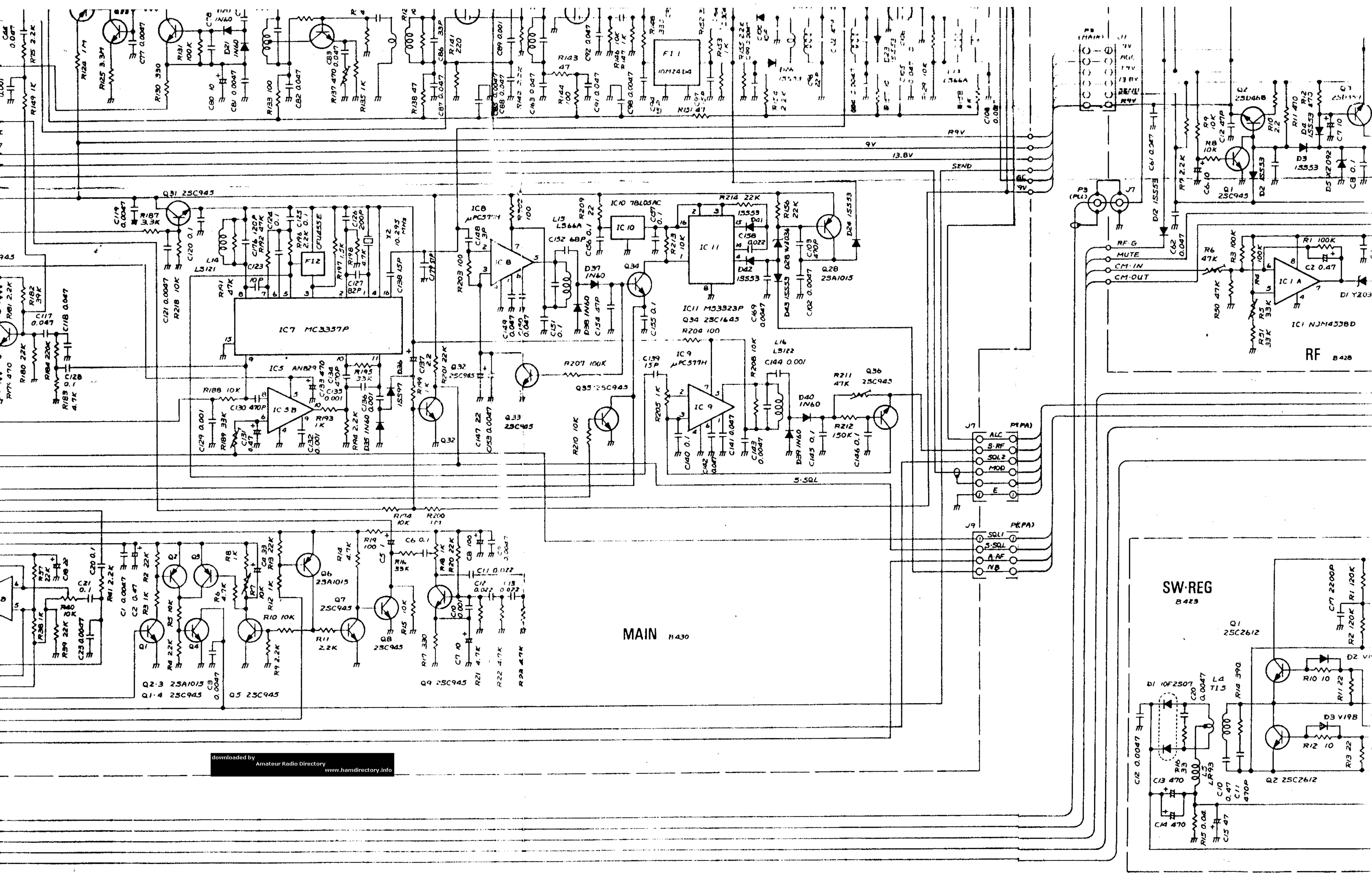


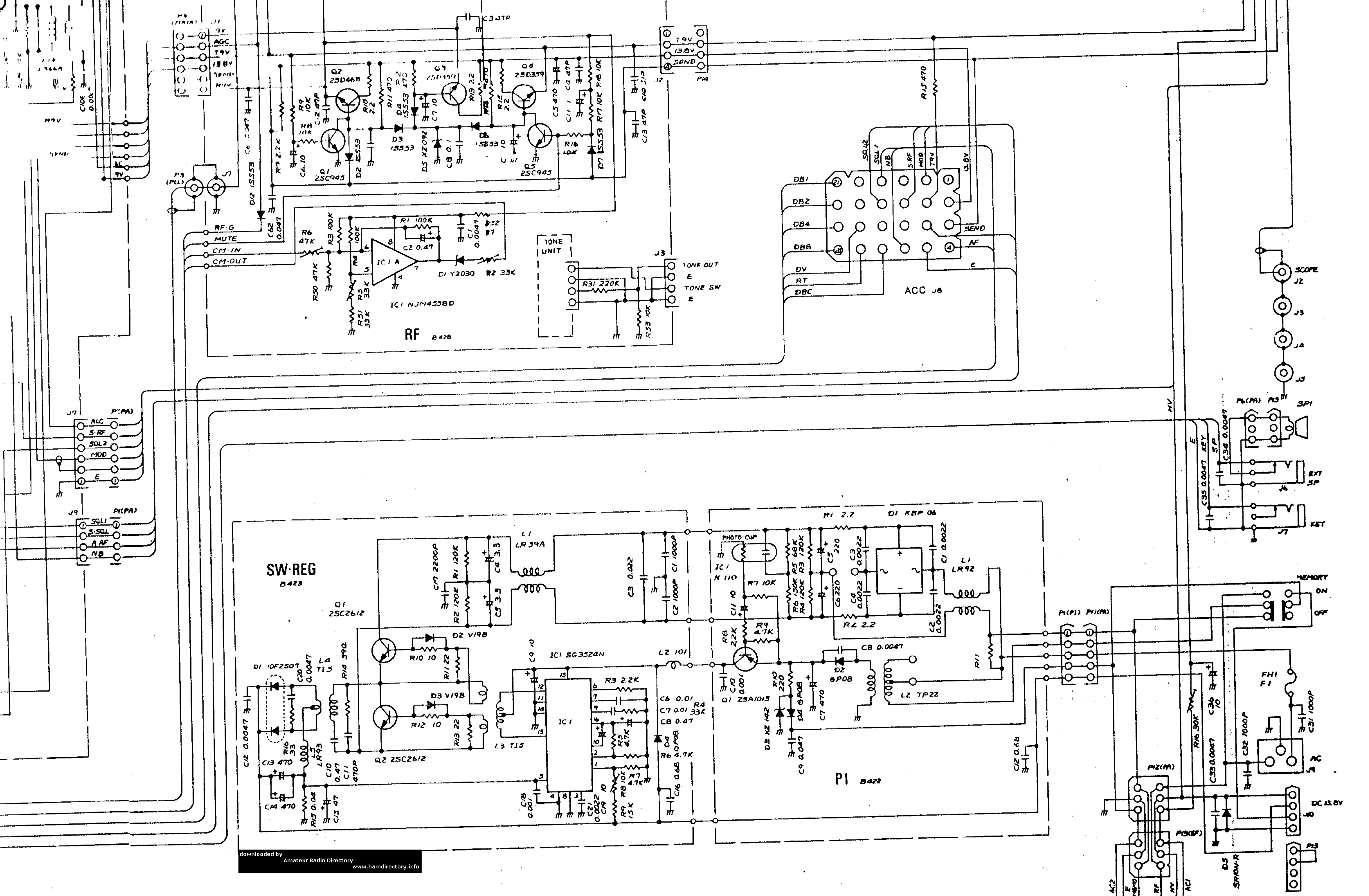


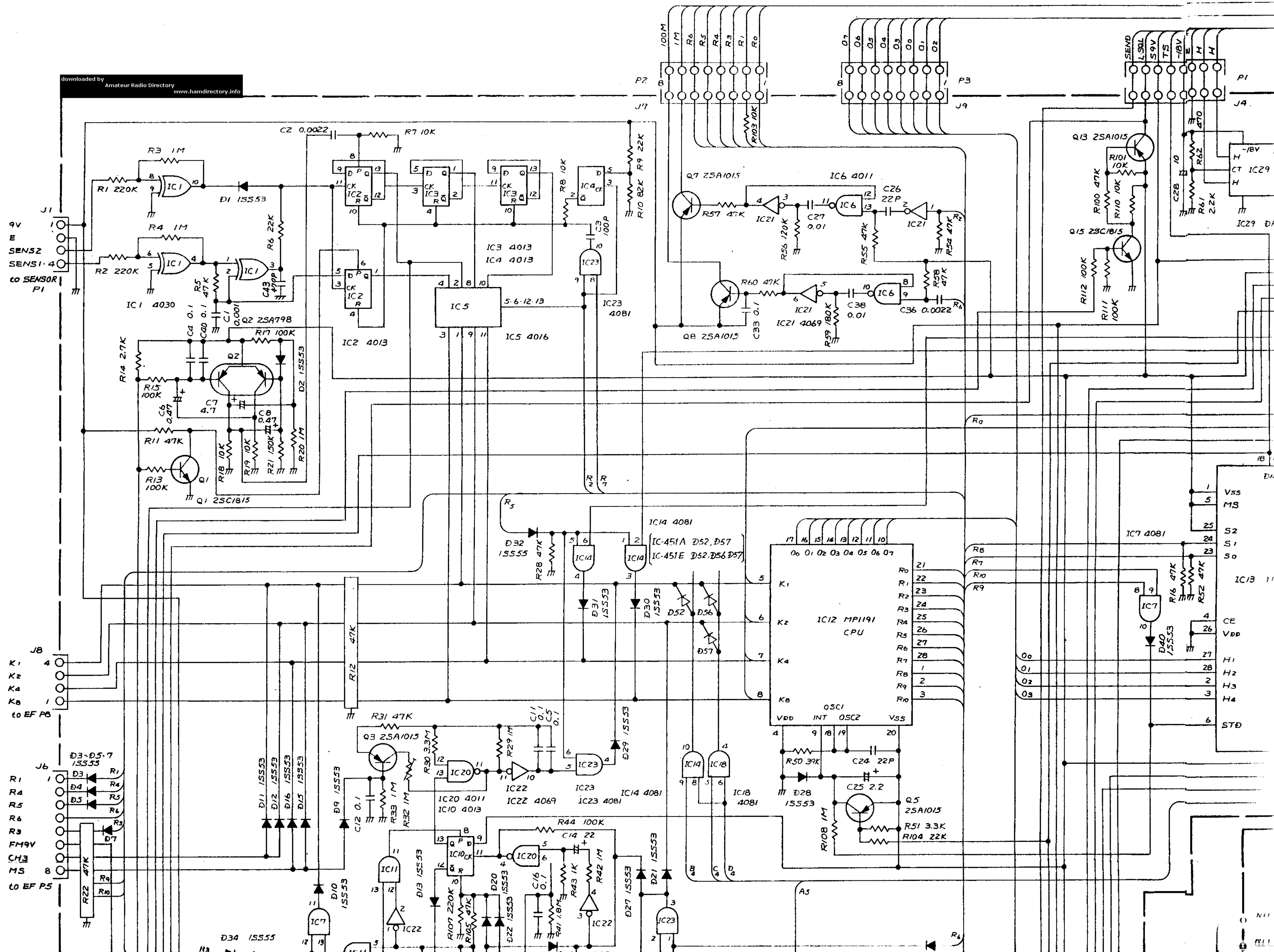
downloaded by Amateur Radio Directory
www.hamdirectory.info

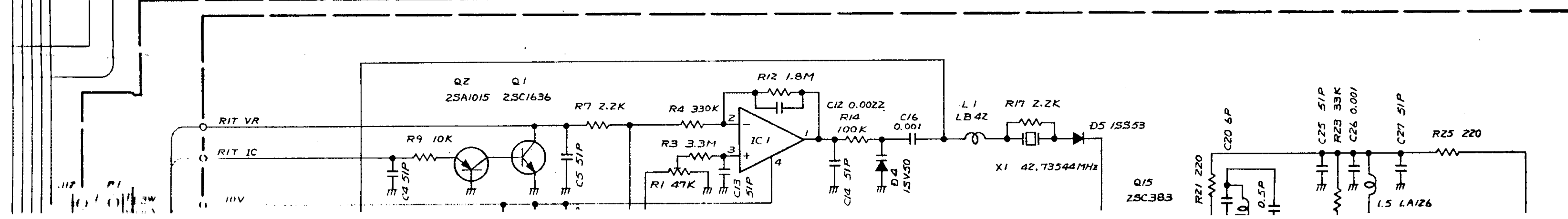
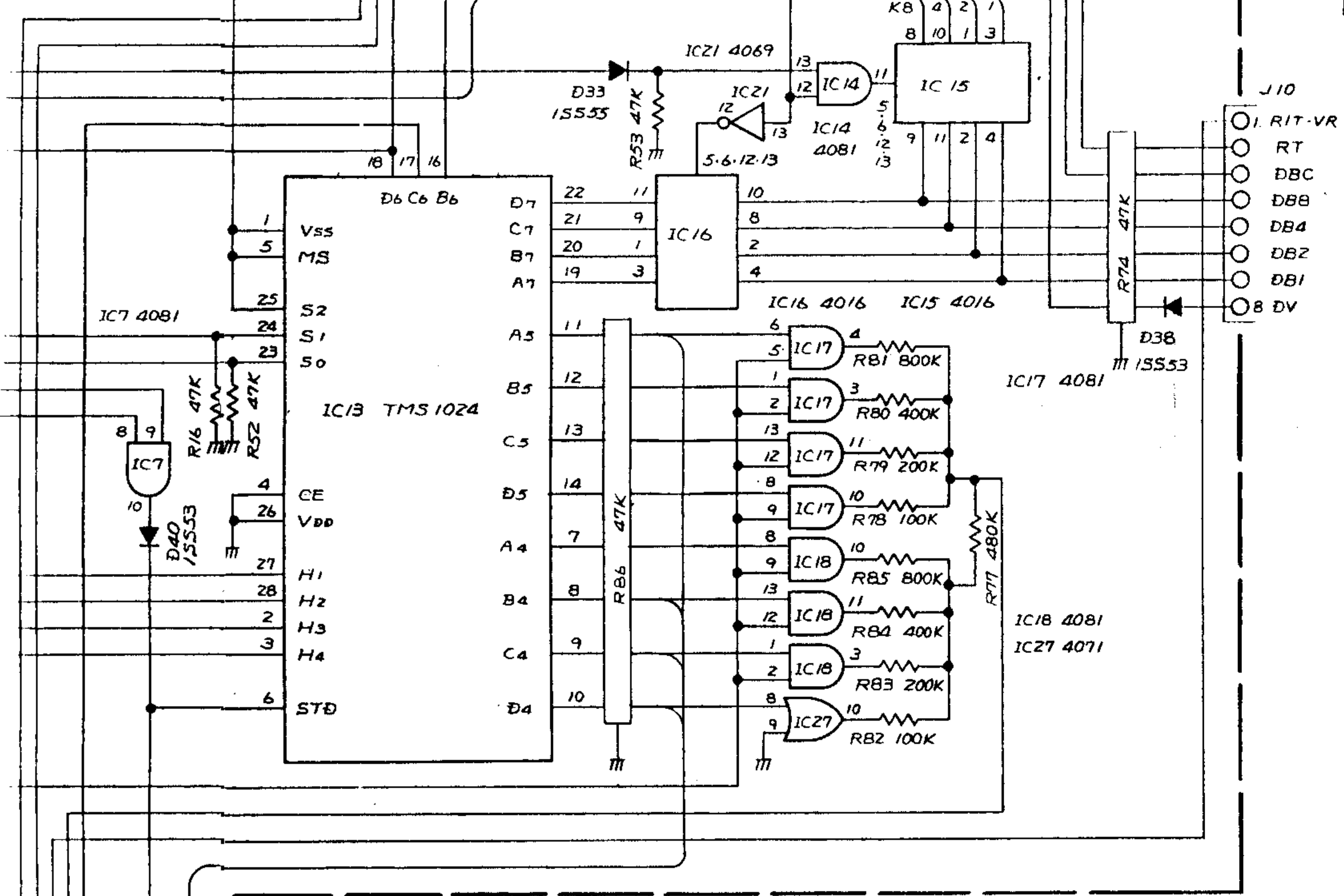
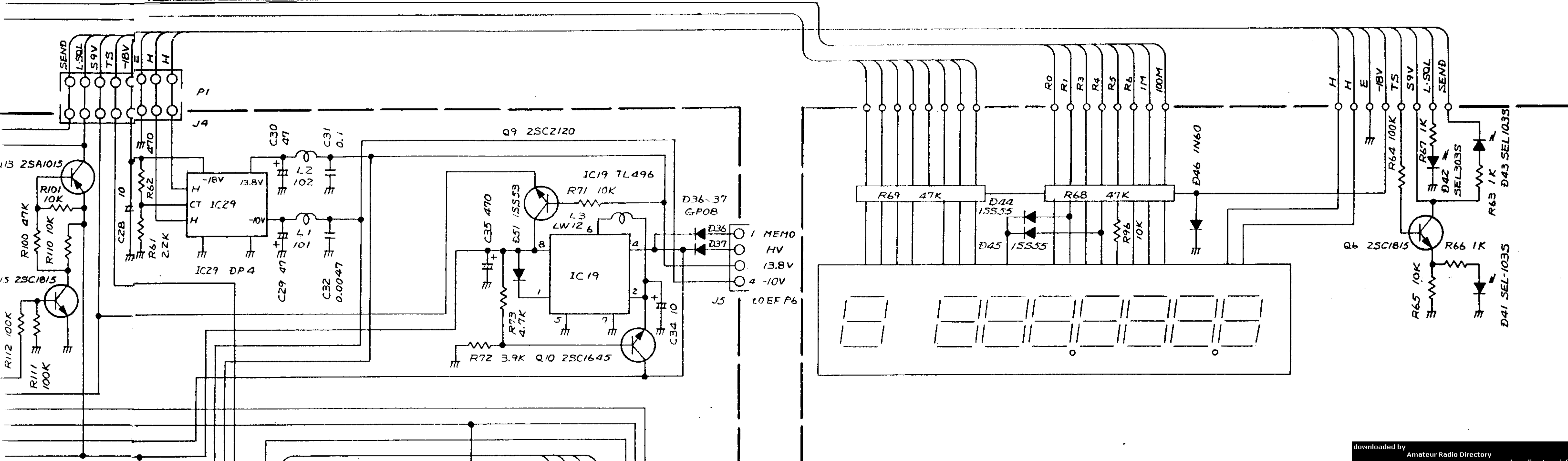


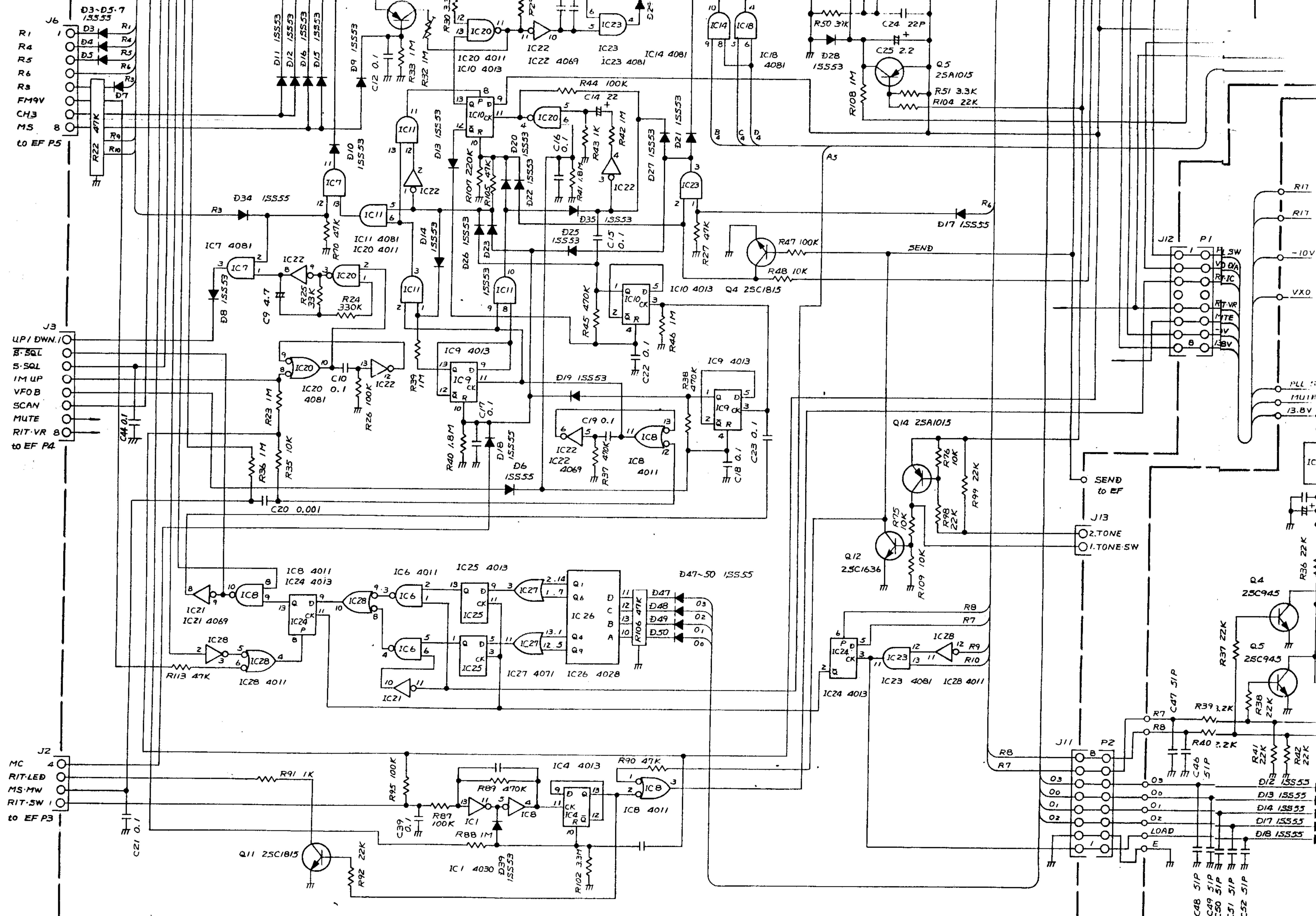




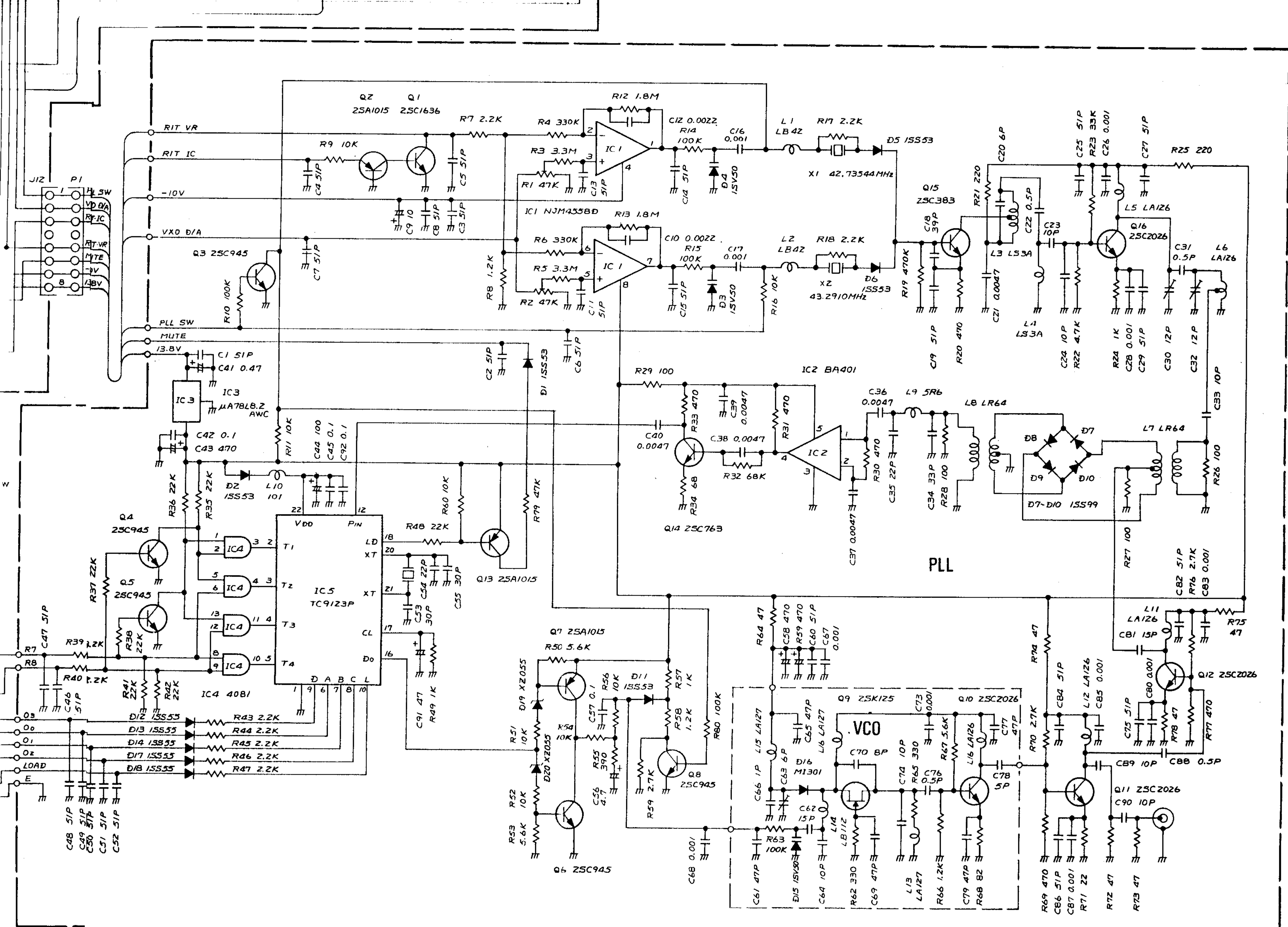








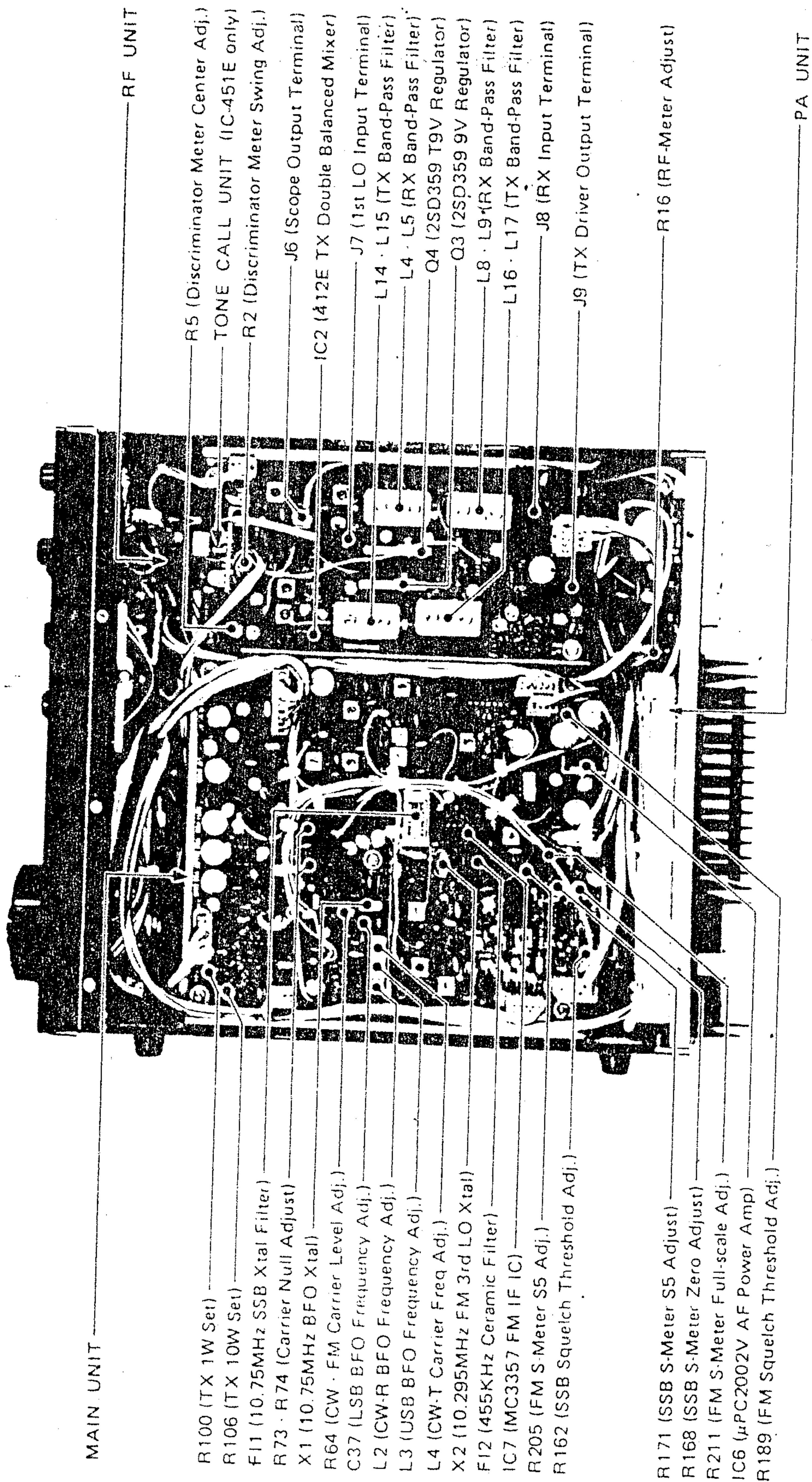
DRIVER



INTERNO LATO SUPERIORE

Top side

downloaded by
Amateur Radio Directory
www.hamdirectory.info



downloaded by
Amateur Radio Directory
www.hamdirectory.info

Bottom side

