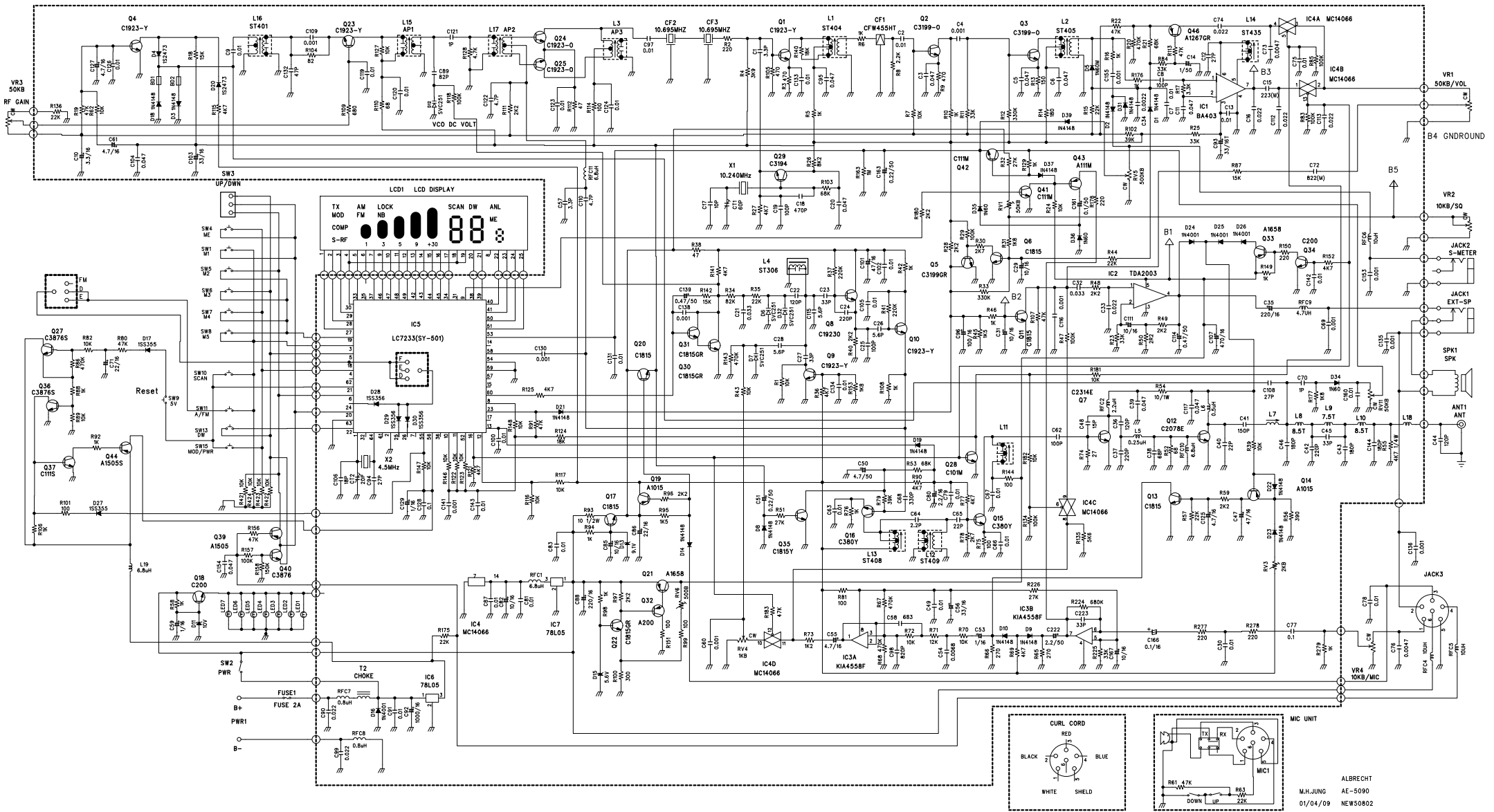
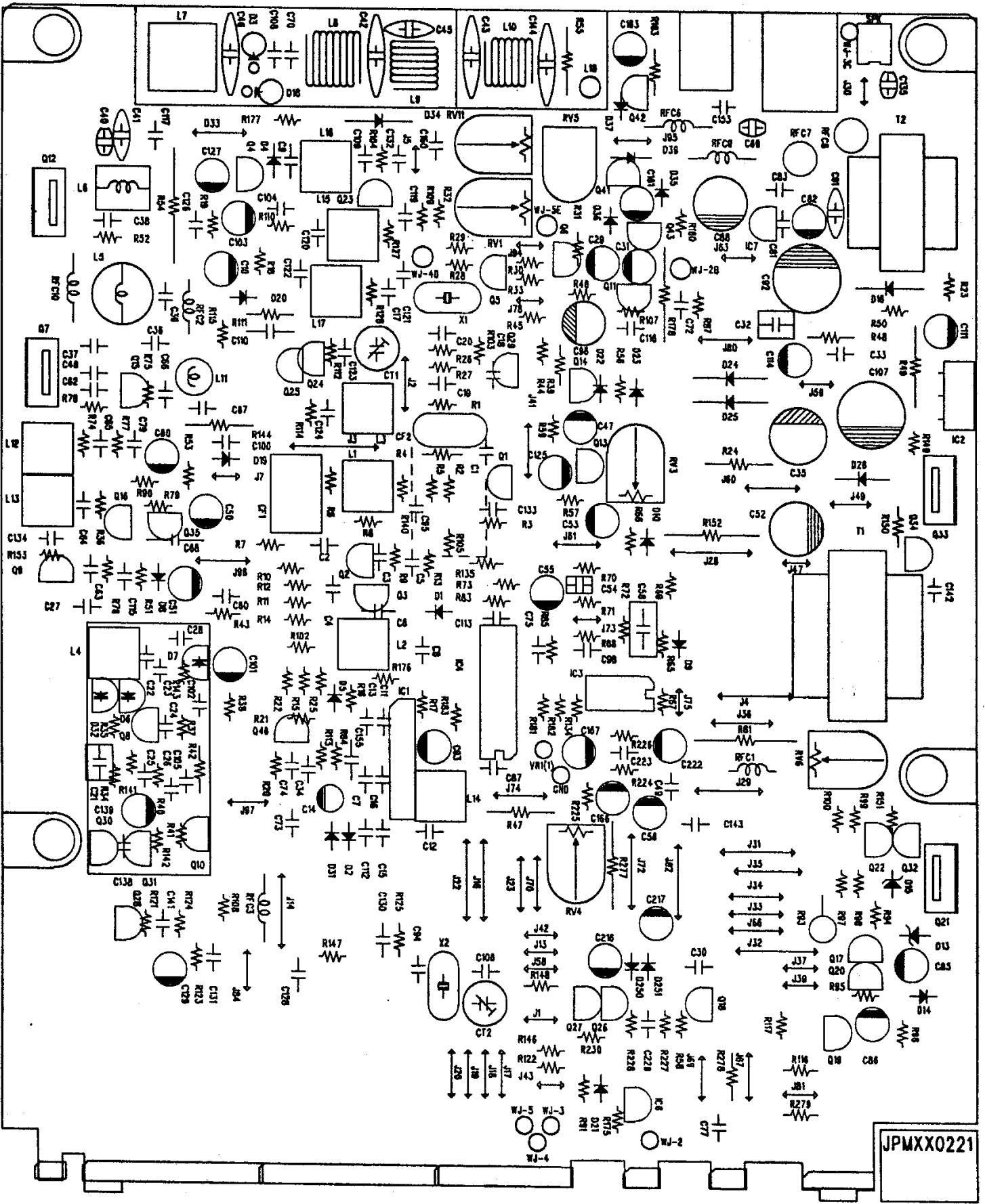


SCHEMATIC DIAGRAM

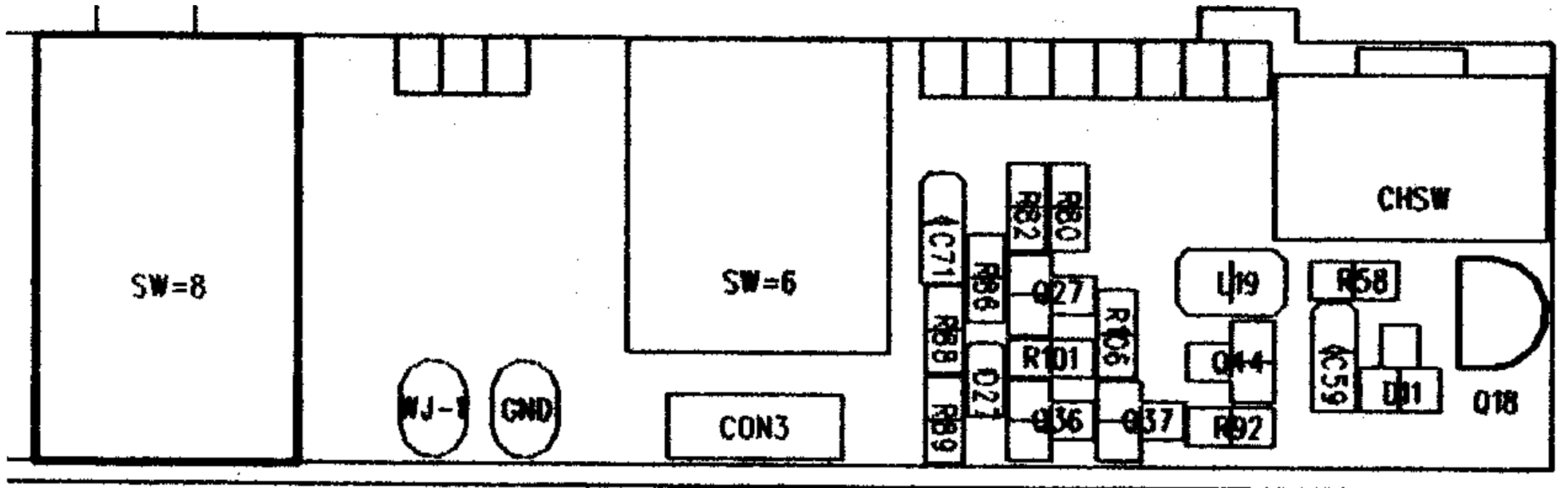


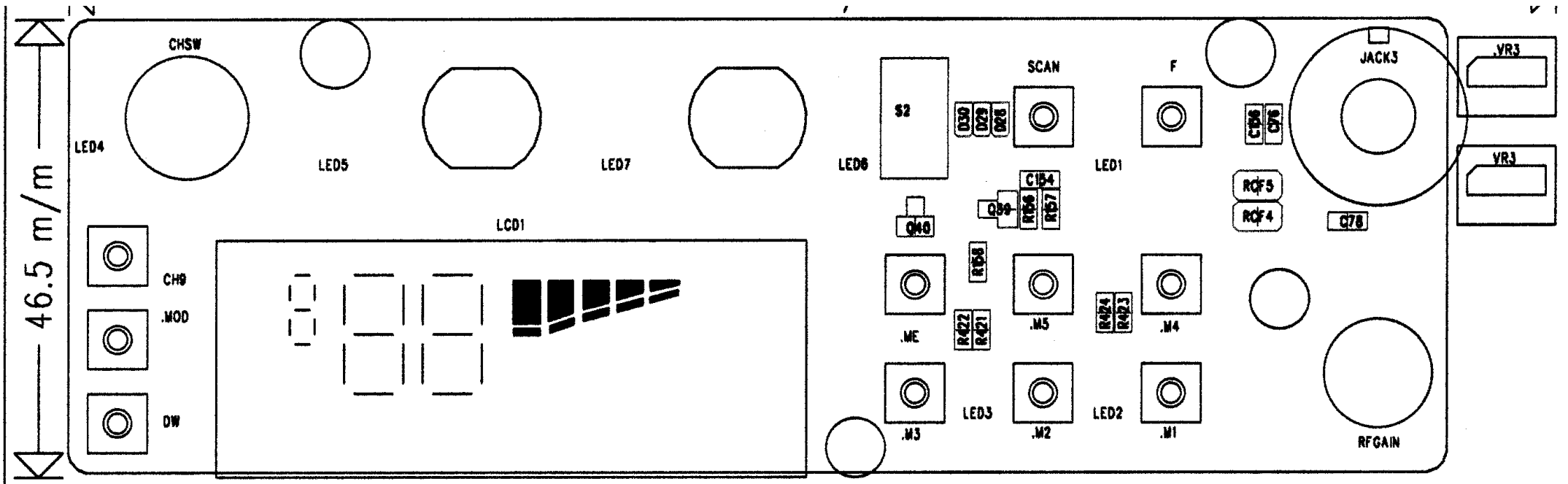
ALBRECHT
M.H.JUNG AE-5090
01/04/09 NWS50802



JPMXX0221

1 cm





46.5 m/m

CHSW

LED4

LED5

LED7

LCD1

CH9

.MOD

DW

LED6

S2

SCAN

F

JACK3

LED1

VR3

VR3

C78

C76

C75

R425

R424

Q40

R428

R427

R426

R425

C154

ME

M5

M4

M3

M2

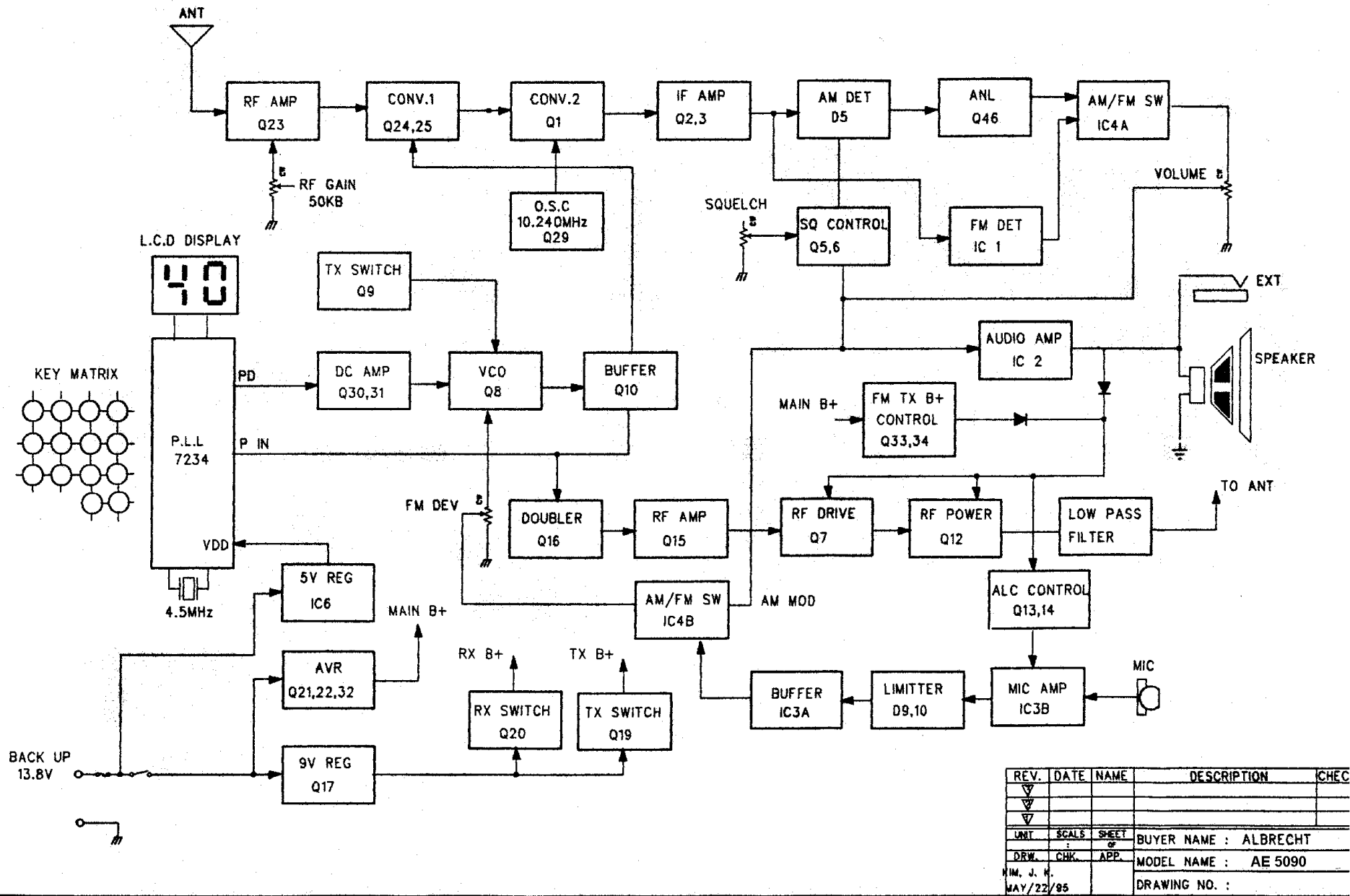
M1

LED3

LED2

RFGAIN

BLOCK DIAGRAM



REV.	DATE	NAME	DESCRIPTION	CHEC
▽				
▽				
UNIT	SCALS	SHEET	BUYER NAME : ALBRECHT	
DRW.	CHK.	APP.	MODEL NAME : AE 5090	
M.M. J. H.			DRAWING NO. :	
MAY/22/95				