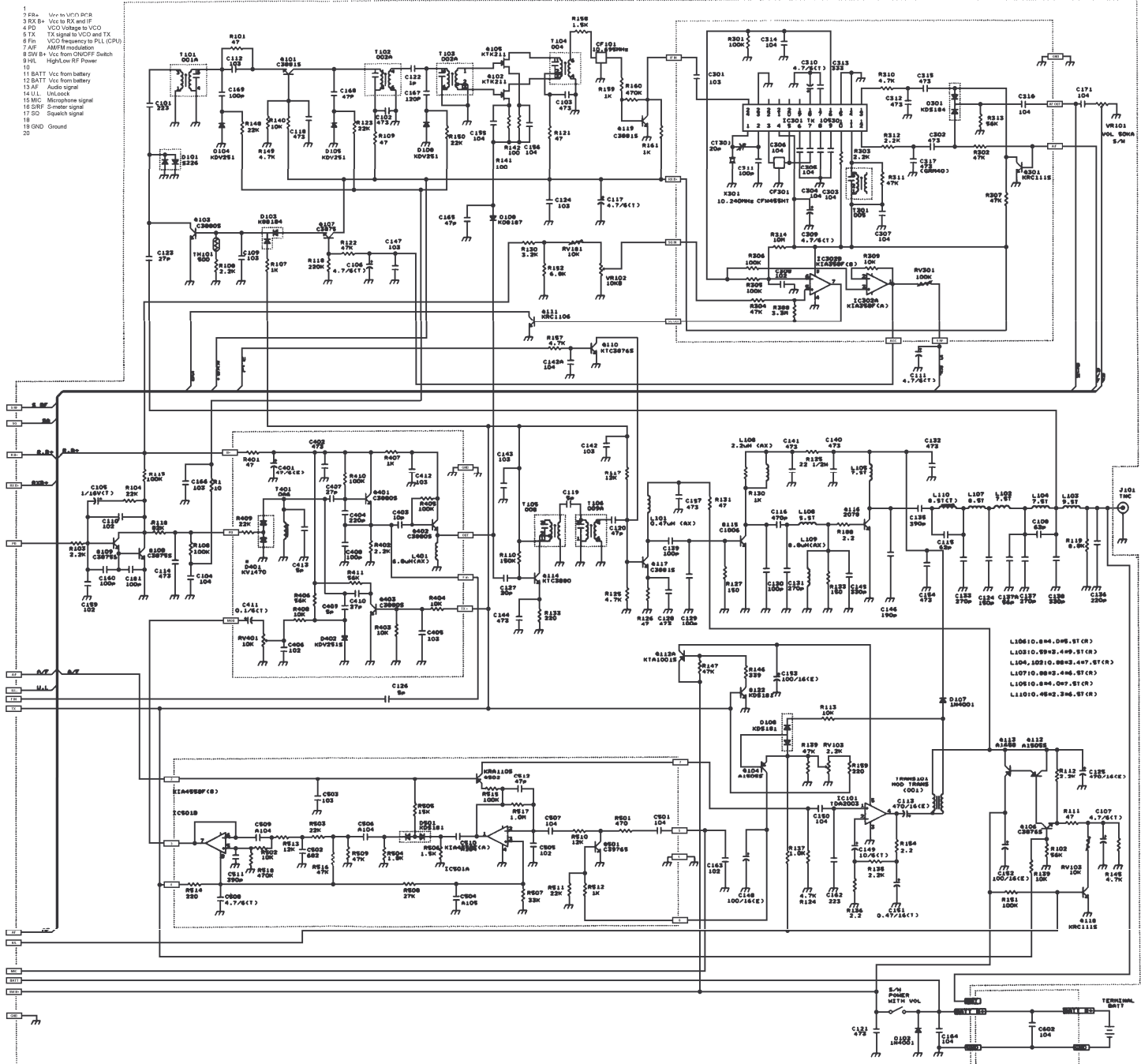


- 1 Vcc to VDD
- 2 RX B+ Vcc to RX and TX
- 3 VDD Voltage to VDD
- 4 TX TX signal to VCC and TX
- 5 FM VCO Frequency to PLL (CPU)
- 6 AF AFM modulation
- 8 SW B+ Vcc from ON/OFF Switch
- 9 H/L High/Low RF Power
- 11 BATT Vcc from battery
- 12 BATT Vcc from battery
- 13 AF Audio signal
- 14 U/L U/L Lock
- 15 MIC Microphone signal
- 16 S/NF S-meter signal
- 17 SQ Squash signal
- 18 GND Ground
- 20



- L106 10.0MΩ, 0.5% ST CR
- L107 10.0MΩ, 0.5% ST CR
- L108 10.0MΩ, 0.5% ST CR
- L109 10.0MΩ, 0.5% ST CR
- L110 10.0MΩ, 0.5% ST CR
- L111 10.0MΩ, 0.5% ST CR
- L112 10.0MΩ, 0.5% ST CR
- L113 10.0MΩ, 0.5% ST CR
- L114 10.0MΩ, 0.5% ST CR
- L115 10.0MΩ, 0.5% ST CR
- L116 10.0MΩ, 0.5% ST CR
- L117 10.0MΩ, 0.5% ST CR
- L118 10.0MΩ, 0.5% ST CR
- L119 10.0MΩ, 0.5% ST CR
- L120 10.0MΩ, 0.5% ST CR
- L121 10.0MΩ, 0.5% ST CR
- L122 10.0MΩ, 0.5% ST CR
- L123 10.0MΩ, 0.5% ST CR
- L124 10.0MΩ, 0.5% ST CR
- L125 10.0MΩ, 0.5% ST CR
- L126 10.0MΩ, 0.5% ST CR
- L127 10.0MΩ, 0.5% ST CR
- L128 10.0MΩ, 0.5% ST CR
- L129 10.0MΩ, 0.5% ST CR
- L130 10.0MΩ, 0.5% ST CR
- L131 10.0MΩ, 0.5% ST CR
- L132 10.0MΩ, 0.5% ST CR
- L133 10.0MΩ, 0.5% ST CR
- L134 10.0MΩ, 0.5% ST CR
- L135 10.0MΩ, 0.5% ST CR
- L136 10.0MΩ, 0.5% ST CR
- L137 10.0MΩ, 0.5% ST CR
- L138 10.0MΩ, 0.5% ST CR
- L139 10.0MΩ, 0.5% ST CR
- L140 10.0MΩ, 0.5% ST CR
- L141 10.0MΩ, 0.5% ST CR
- L142 10.0MΩ, 0.5% ST CR
- L143 10.0MΩ, 0.5% ST CR
- L144 10.0MΩ, 0.5% ST CR
- L145 10.0MΩ, 0.5% ST CR
- L146 10.0MΩ, 0.5% ST CR
- L147 10.0MΩ, 0.5% ST CR
- L148 10.0MΩ, 0.5% ST CR
- L149 10.0MΩ, 0.5% ST CR
- L150 10.0MΩ, 0.5% ST CR
- L151 10.0MΩ, 0.5% ST CR
- L152 10.0MΩ, 0.5% ST CR
- L153 10.0MΩ, 0.5% ST CR
- L154 10.0MΩ, 0.5% ST CR
- L155 10.0MΩ, 0.5% ST CR
- L156 10.0MΩ, 0.5% ST CR
- L157 10.0MΩ, 0.5% ST CR
- L158 10.0MΩ, 0.5% ST CR
- L159 10.0MΩ, 0.5% ST CR
- L160 10.0MΩ, 0.5% ST CR
- L161 10.0MΩ, 0.5% ST CR
- L162 10.0MΩ, 0.5% ST CR
- L163 10.0MΩ, 0.5% ST CR
- L164 10.0MΩ, 0.5% ST CR
- L165 10.0MΩ, 0.5% ST CR
- L166 10.0MΩ, 0.5% ST CR
- L167 10.0MΩ, 0.5% ST CR
- L168 10.0MΩ, 0.5% ST CR
- L169 10.0MΩ, 0.5% ST CR
- L170 10.0MΩ, 0.5% ST CR
- L171 10.0MΩ, 0.5% ST CR
- L172 10.0MΩ, 0.5% ST CR
- L173 10.0MΩ, 0.5% ST CR
- L174 10.0MΩ, 0.5% ST CR
- L175 10.0MΩ, 0.5% ST CR
- L176 10.0MΩ, 0.5% ST CR
- L177 10.0MΩ, 0.5% ST CR
- L178 10.0MΩ, 0.5% ST CR
- L179 10.0MΩ, 0.5% ST CR
- L180 10.0MΩ, 0.5% ST CR
- L181 10.0MΩ, 0.5% ST CR
- L182 10.0MΩ, 0.5% ST CR
- L183 10.0MΩ, 0.5% ST CR
- L184 10.0MΩ, 0.5% ST CR
- L185 10.0MΩ, 0.5% ST CR
- L186 10.0MΩ, 0.5% ST CR
- L187 10.0MΩ, 0.5% ST CR
- L188 10.0MΩ, 0.5% ST CR
- L189 10.0MΩ, 0.5% ST CR
- L190 10.0MΩ, 0.5% ST CR
- L191 10.0MΩ, 0.5% ST CR
- L192 10.0MΩ, 0.5% ST CR
- L193 10.0MΩ, 0.5% ST CR
- L194 10.0MΩ, 0.5% ST CR
- L195 10.0MΩ, 0.5% ST CR
- L196 10.0MΩ, 0.5% ST CR
- L197 10.0MΩ, 0.5% ST CR
- L198 10.0MΩ, 0.5% ST CR
- L199 10.0MΩ, 0.5% ST CR
- L200 10.0MΩ, 0.5% ST CR