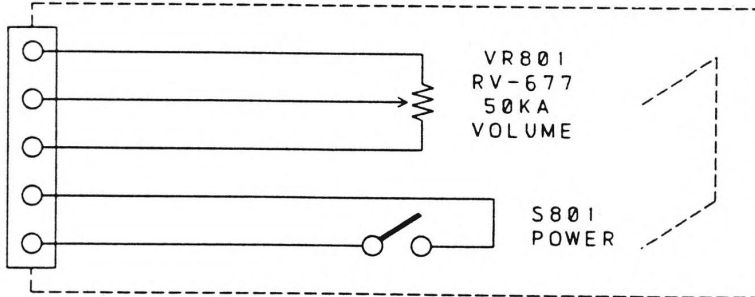


- NOTES:
1. RESISTANCE VALUES ARE SHOWN IN OHMS UNLESS OTHERWISE NOTED. (K=KILO OHM, M=MEG OHM)
 2. RESISTOR WATTAGES ARE [1/10W] UNLESS OTHERWISE NOTED.
 3. CAPACITANCE VALUES ARE INDICATED IN MICRO FARADS UNLESS OTHERWISE NOTED. (P=MICRO-MICRO FARAD)
 4. ALL CAPACITORS TEMPERATURE CHARACTERISTICS ARE [CH] (LESS THAN 1000PF) OR [B] (MORE THAN 1000PF) UNLESS OTHERWISE NOTED.
 5. CHIP PARTS ARE NOT SPECIFIED IN THIS DRAWING PLEASE REFER TO THE PARTS LIST FOR THE CHIP PARTS.

W801
W-072065

B801 PA-0383 3/3

VOLHOT
VOLCOM
VOLGND
PSWOUT1
PSWIN1

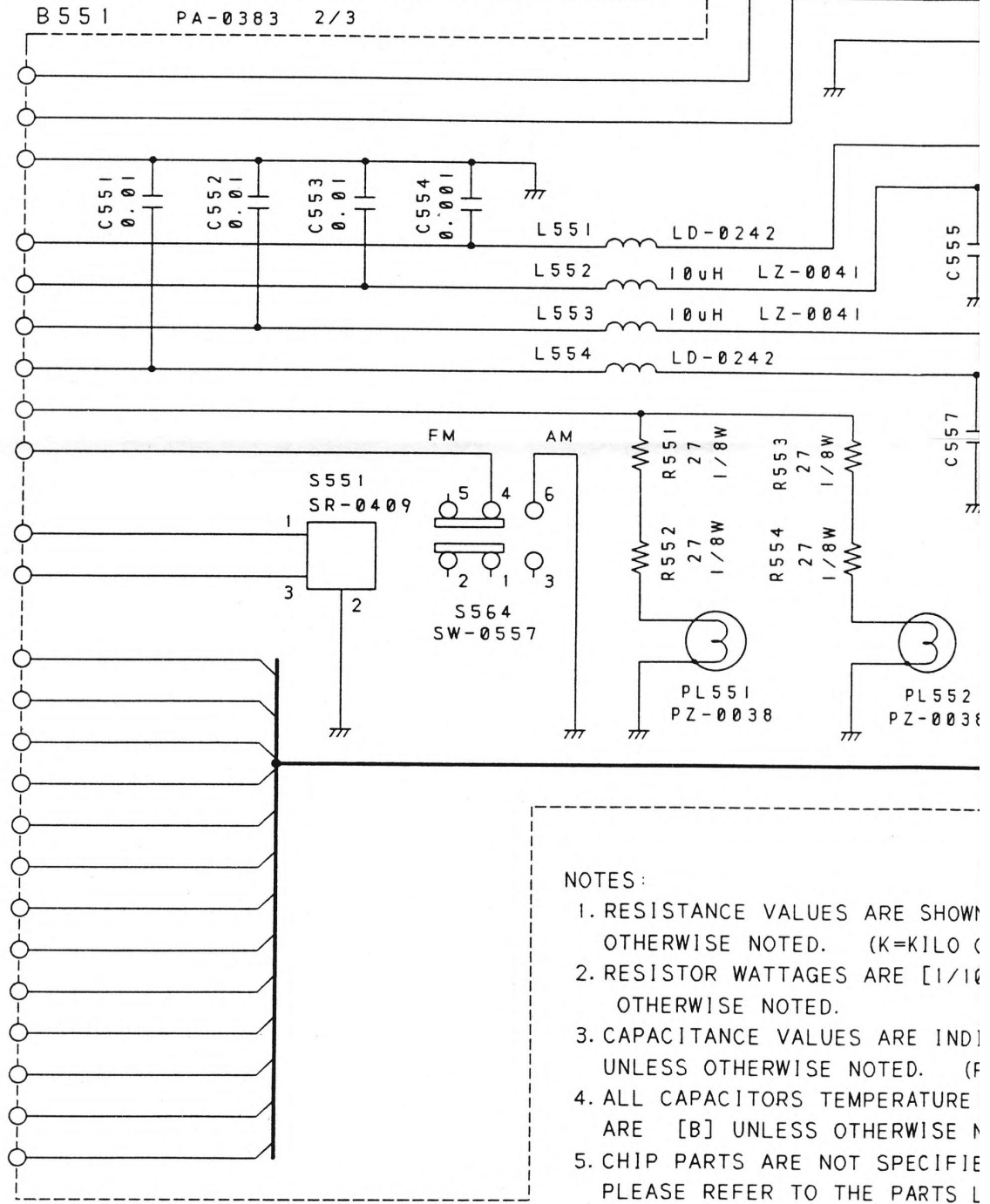


VR801
RV-677
50KA
VOLUME

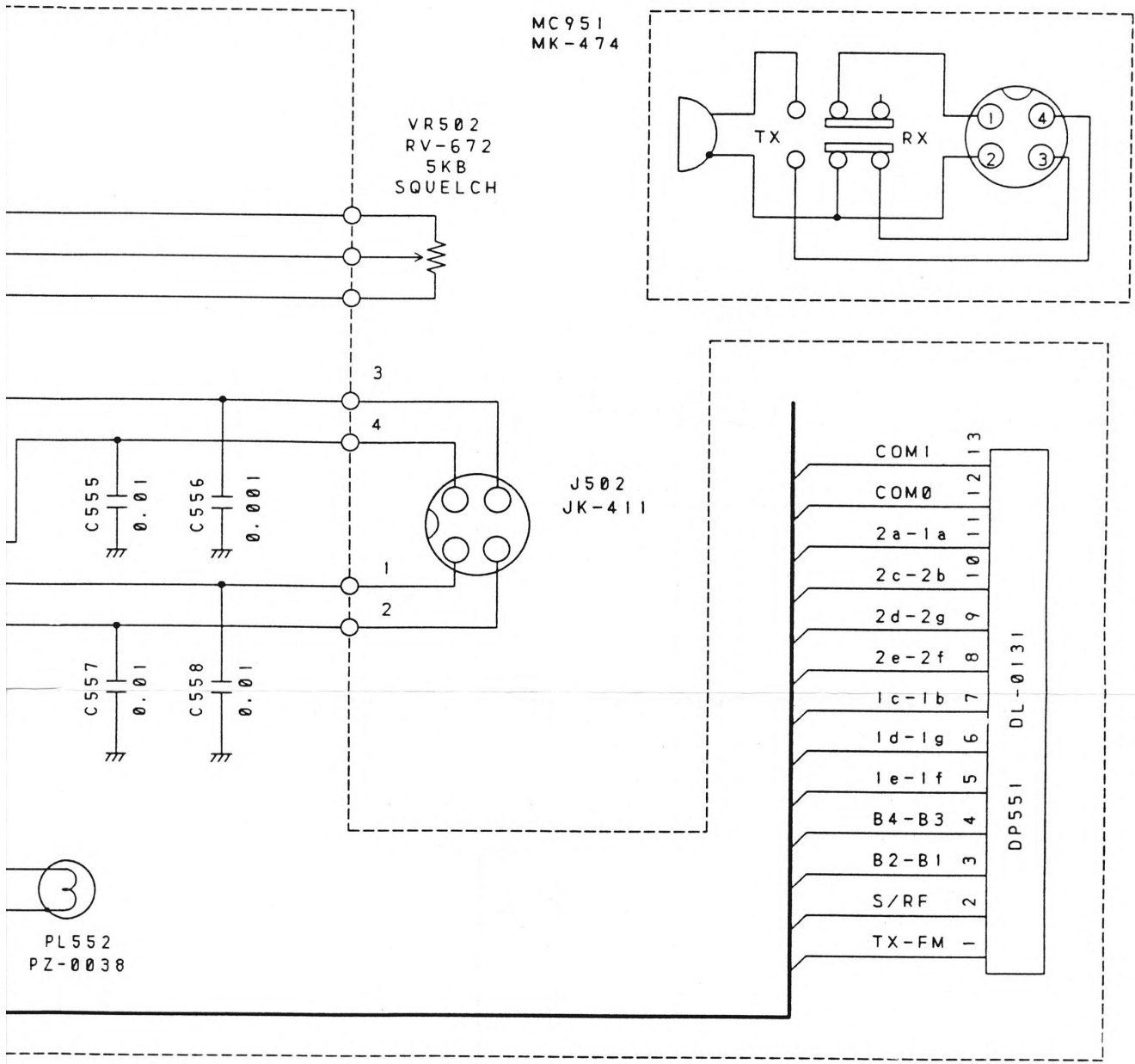
S801
POWER

B551 PA-0383 2/3

SQHOT
SQCOM
GND
SP
PTT
MIC
MICGND
PSWOUT2
A/F
ROT1
ROT3
COM1
COM0
2a-1a
2c-2b
2d-2g
2e-2f
1c-1b
1d-1g
1e-1f
B4-B3
B2-B1
S/RF
TX-FM



- NOTES:
1. RESISTANCE VALUES ARE SHOWN OTHERWISE NOTED. (K=KILO)
 2. RESISTOR WATTAGES ARE [1/16] OTHERWISE NOTED.
 3. CAPACITANCE VALUES ARE IN [D] UNLESS OTHERWISE NOTED. (F)
 4. ALL CAPACITORS TEMPERATURE ARE [B] UNLESS OTHERWISE NOTED.
 5. CHIP PARTS ARE NOT SPECIFIED PLEASE REFER TO THE PARTS LIST



ARE SHOWN IN OHMS UNLESS
(K=KILO OHM, M=MEG OHM)
ARE [1/10W] UNLESS

ARE INDICATED IN MICRO FARADS
OTED. (P=MICRO-MICRO FARAD)
PERATURE CHARACTERISTICS
HERWISE NOTED.

SPECIFIED IN THIS DRAWING
E PARTS LIST FOR THE CHIP PARTS.

xm 3400 III

SCHEMATIC DIAGRAM 2/2