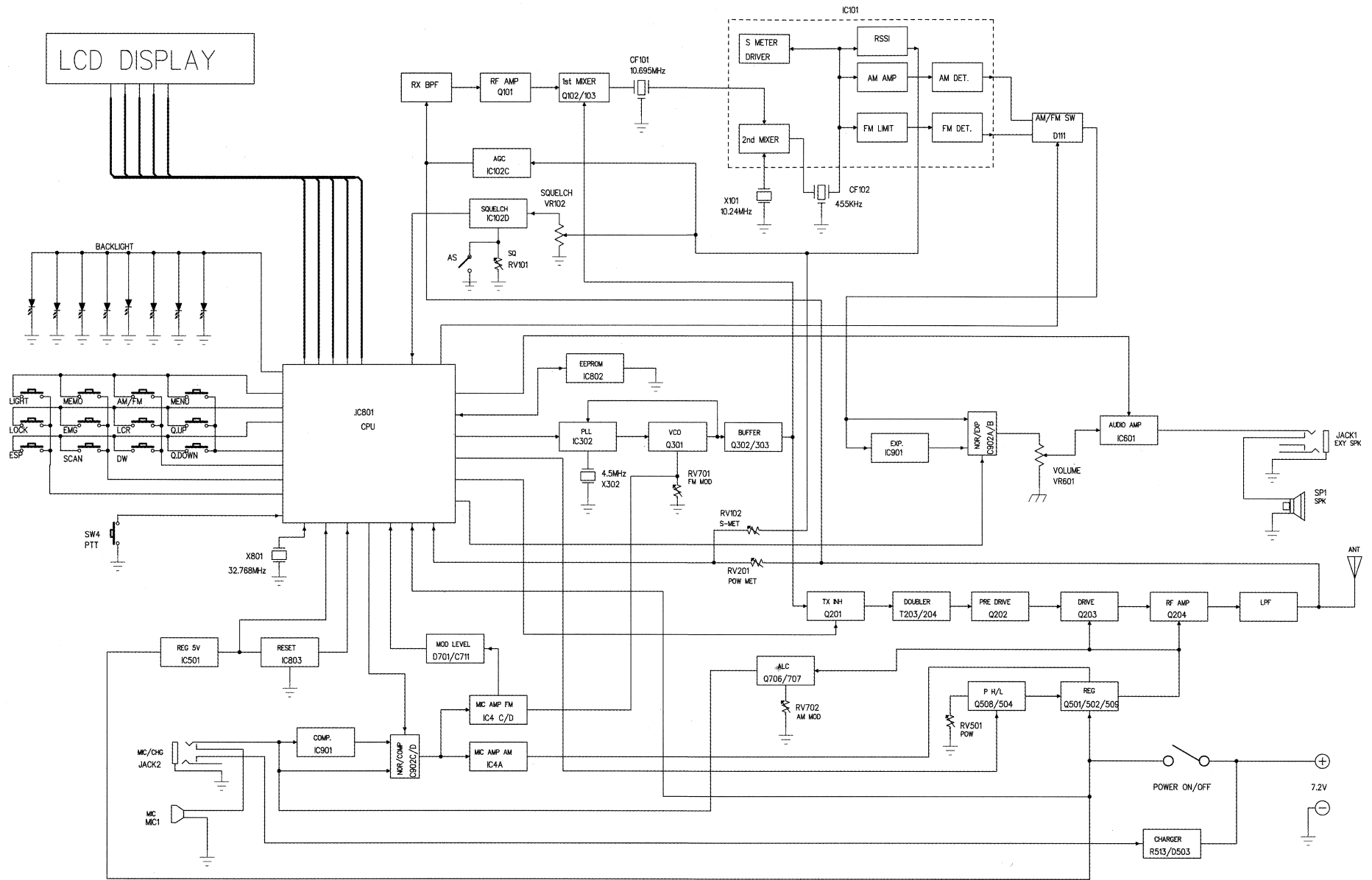
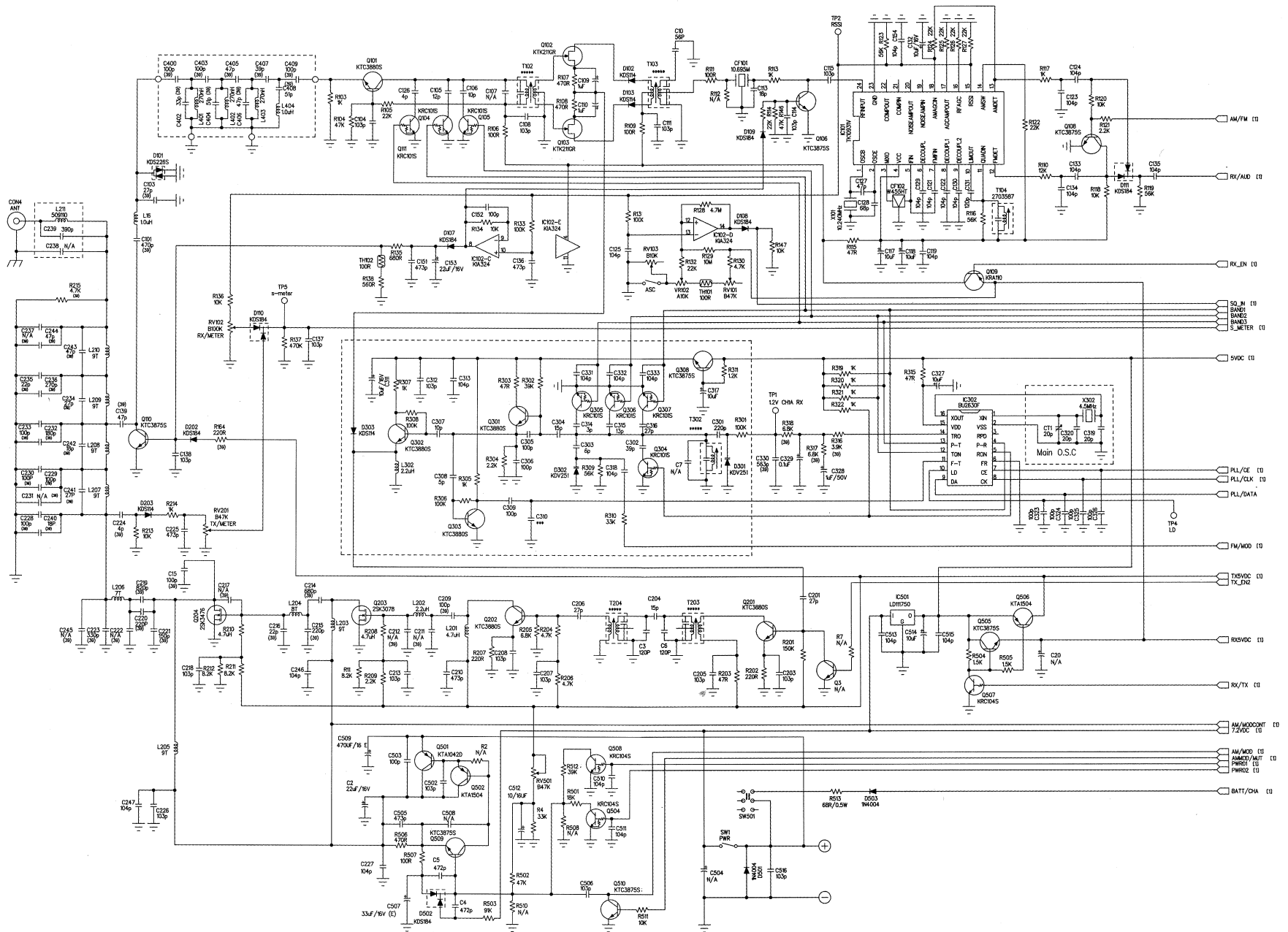


Block Diagram



Diagram



Diagram

