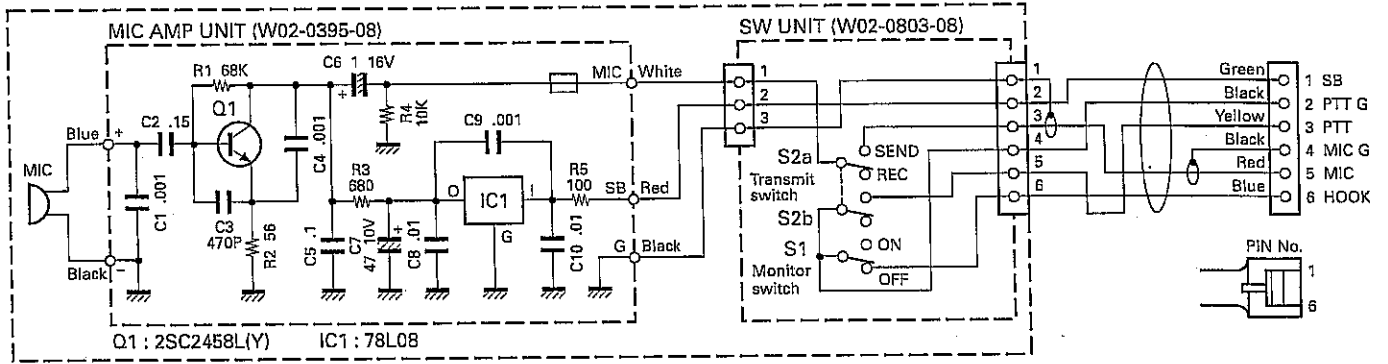


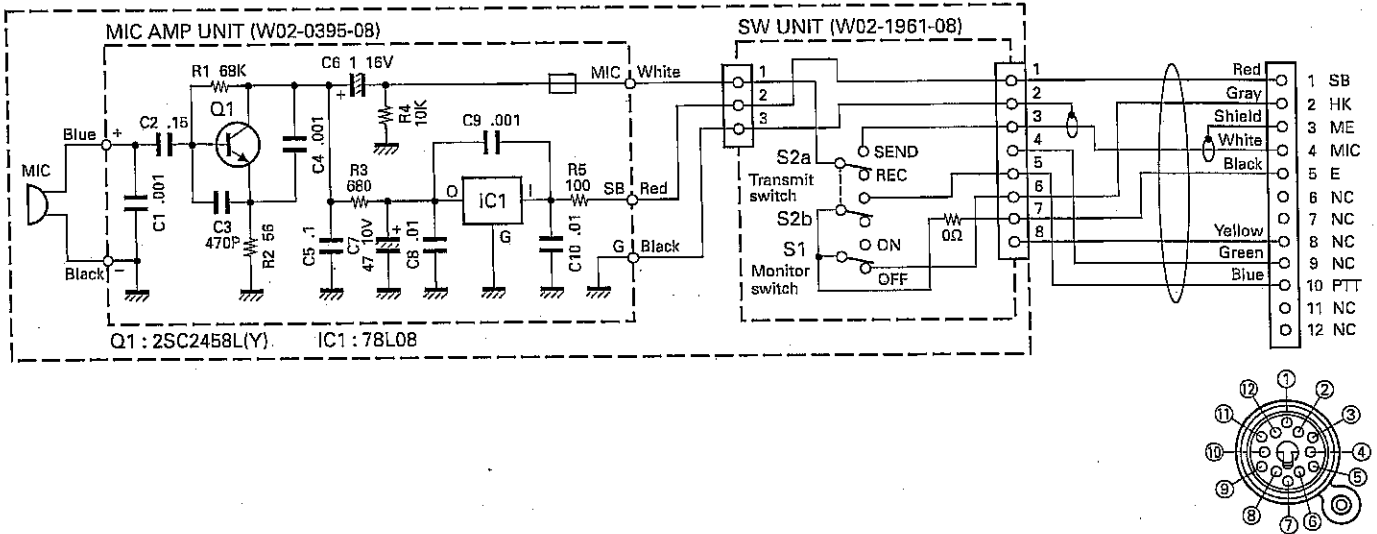
# KMC-9/9B/9C

## SCHEMATIC DIAGRAM

### KMC-9



### KMC-9B



### KMC-9C

