

KENWOOD

SERVICE MANUAL

MC-55, MC-80, MC-85

SW-100A/B

SW-200/2000

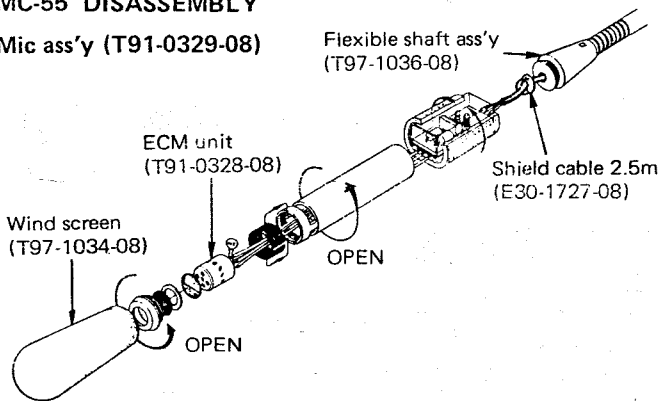
MC-55 SPECIFICATIONS

Type Unidirectional electret condenser microphone
 Impedance Approx. 700Ω
 Sensitivity -50dB (MIC LEVEL MAX)
 Frequency response .. 300-8000Hz
 Power requirement ... 6-15V DC

MC-55 DISASSEMBLY

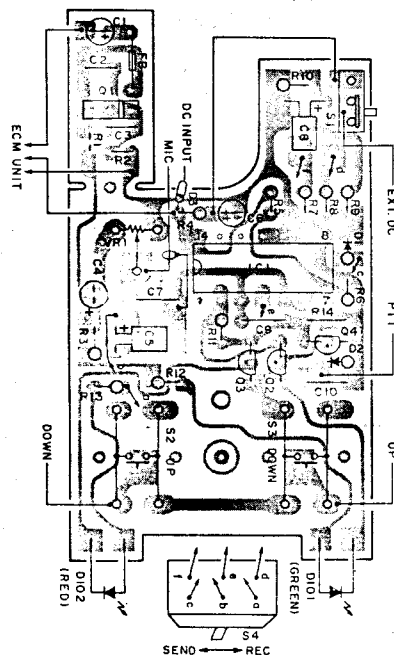
Mic ass'y (T91-0329-08)

Flexible shaft ass'y (T97-1036-08)

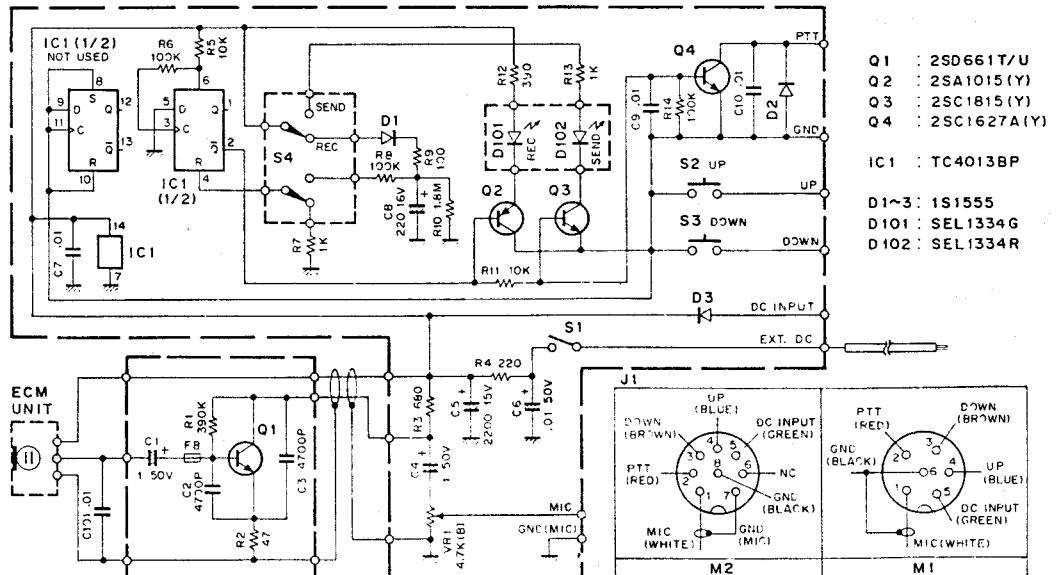


MC-55 PC BOARD

(Component side view)



MC-55 (ORIGINAL) SCHEMATIC DIAGRAM

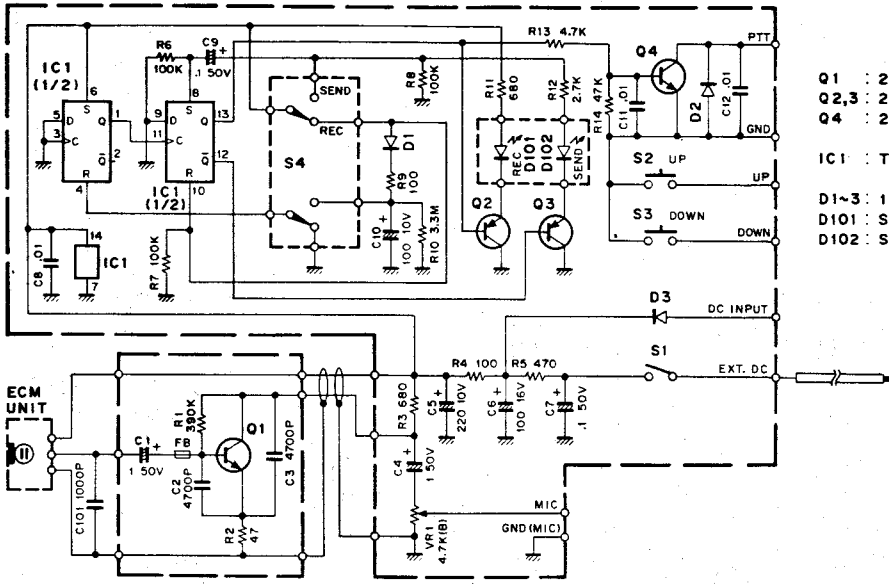


MC-55 PARTS LIST

Part No.	Re- marks	Description	Ref. No.	Q'ty
TC4013BP		C.MOS IC	IC1	1
SEL1334G		LED (Green)	D101	1
SEL1334R		LED (Red)	D102	1
1S1555		Si diode	D1-3	3
2SA1015(Y)		PNP Tr	Q2	1
2SA1048(Y)	N	PNP Tr NEW TYPE ONLY	Q2,3	2
2SC1627A(Y)	N	NPN Tr	Q4	1
2SC1815(Y)	N	NPN Tr	Q3	1
2SD661T/U	N	NPN Tr	Q1	1
A02-0635-08	N	Case (Front)		1
A02-0636-08	N	Case (Rear)		1
B42-2315-08	N	Name plate		1
E03-0156-08	N	Bridge connector Accessory		1
E07-0651-05		6P Metal plug M1	J1	1
E07-0852-05		8P Metal plug M2	J1	1
E30-1727-08	N	Shield cable 2.5m		1
E30-1728-08	N	Mic cable ass'y 8P M2		1
E30-1767-08	N	Mic cable ass'y 6P M1		1
H70-0303-08	N	Carton (inside)		1
J21-2795-08	N	Shift lever mounting hardware		1
K29-0778-08	N	Knob REC-SEND		1
K29-0779-08	N	Knob UP		1
K29-0780-08	N	Knob DOWN		1
K29-0781-08	N	Knob MIC LEVEL		1
R12-1427-08	N	Trim pot. 4.7kΩ (B) MIC LEVEL	VR1	1
S31-1410-08	N	Slide switch POWER	S1	1
S33-2405-08	N	Lever switch SEND-REC	S4	1
S50-1414-08	N	Tact switch UP,DOWN	S2,3	2
T91-0328-08	N	ECM unit		1
T97-0329-08	N	Mic ass'y		1
T97-1034-08	N	Wind screen		1
T97-1036-08	N	Flexible shaft ass'y		1

MC-55/80

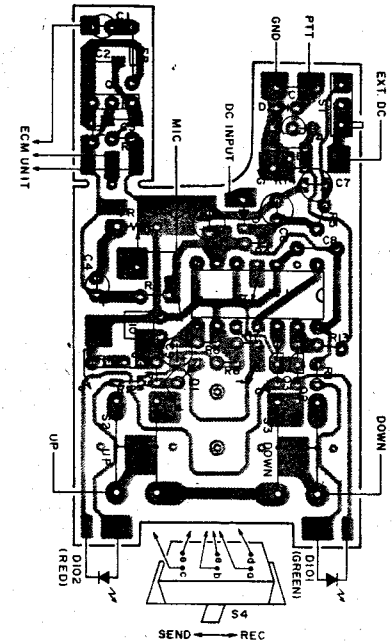
MC-55 [NEW] SCHEMATIC DIAGRAM



- Q1 : 2SD661T/U
- Q2,3 : 2SA1048(Y)
- Q4 : 2SC1627A(Y)
- IC1 : TC4013BP
- D1~3 : 1S1555
- D101 : SEL1334G
- D102 : SEL1334R

MC-55 [NEW] PC BOARD

(Component side view)

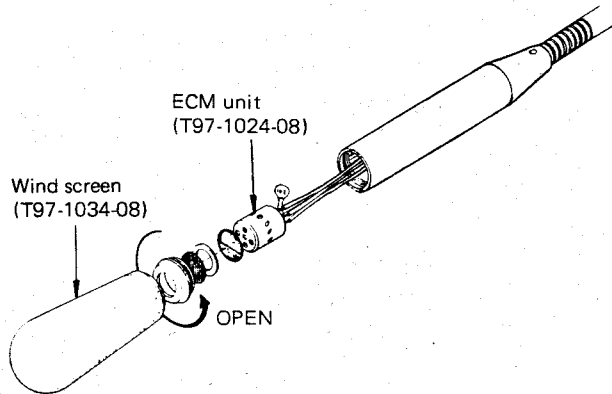


MC-80 SPECIFICATIONS

- Type Ominidirection electret condenser microphone
- Impedance Approx. 700Ω
- Sensitivity -40dB±6dB (VR MAX)
- Frequency response .. 200-700Hz
- Power supply 6V ("AA" batteries 1.5V x 4)
Batteries not supplied.
- Current consumption . Approx. 10mA
(Batteries can be used more than 500 hours)
- Weight Approx. 700g (1.5lbs)

MC-80 DISASSEMBLY

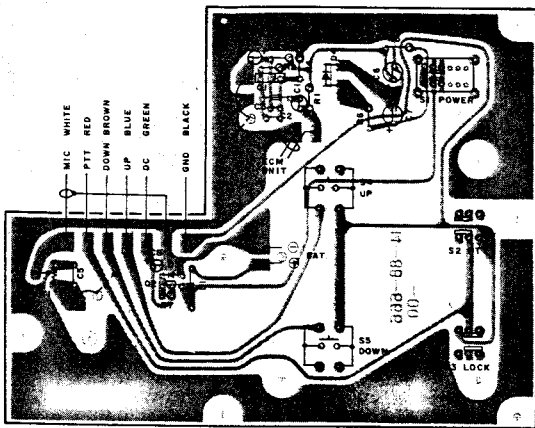
Mic ass'y (T91-0339-08)



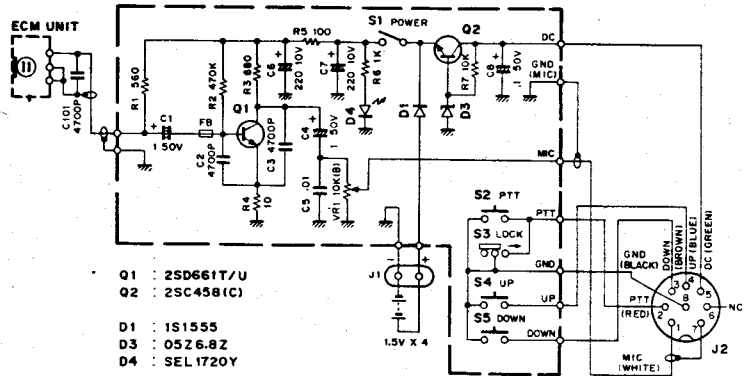
MC-80 PARTS LIST

Part No.	Re- marks	Description	Ref. No.	Q'ty
SEL1720Y	N	LED (Yellow)	D4	1
05Z6.8Z	N	Zener diode (6.8V)	D3	1
1S1555		Si diode	D1	1
2SC458(C)		NPN Tr	Q2	1
2SD661T/U		NPN Tr	Q1	1
A50-0403-08	N	Side panel (L)		1
A50-0404-08	N	Side panel (R)		1
B50-4092-08	N	Instruction manual		1
E07-0852-05		8P Metal plug	J2	1
E30-1766-08	N	MIC cable ass'y		1
E31-3007-08	N	Battery cable	J1	1
H70-0304-08	N	Carton (Inside)		1
J02-0432-08	N	Rubber foot		4
J19-1391-08	N	Battery case "AA" x 4		1
K27-0463-08	N	Knob ass'y (PTT, LOCK, UP/DOWN)		1
R12-3441-08	N	Trim pot. 10kΩ(B) MIC LEVEL	VR1	1
S31-4402-08	N	Slide switch POWER	S1	1
S40-1407-08	N	Push switch LOCK	S3	1
S40-1408-08	N	Push switch PTT	S2	1
S50-1419-08	N	Tact switch UP,DOWN	S4,5	2
T91-0339-08	N	MIC ass'y		1
T97-1024-08		ECM unit		1
T97-1034-08		Wind screen		1

MC-80 PC BOARD (Component side view)



MC-80 SCHEMATIC DIAGRAM



MC-85 SPECIFICATIONS

- Type** Unidirectional electret condenser microphone
Impedance Approx. 700Ω
Sensitivity MIC LEVEL MAX
 COMP-OFF -40dB±6dB
 COMP-IN -34dB±6dB
Frequency response .. NORMAL. 300-7000Hz
 LOW CUT Approx. -12dB/300Hz
Speech compressor ... Maximum compression level
 35dB±3dB
 Maximum input level
 -30dB±4dB
Power supply 6V ("AA" batteries 1.5V x 4)
 Batteries not supplied.
Current consumption . Receive Approx. 9mA
 Transmit Approx. 11mA
Weight Approx. 1kg (2.2lbs)

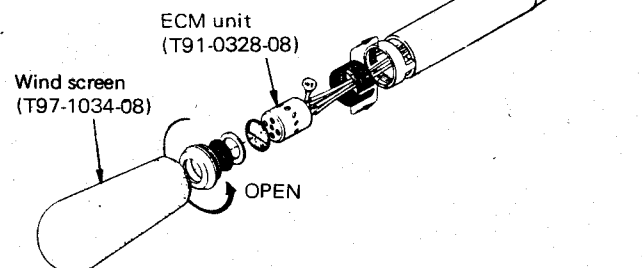
MC-85 PARTS LIST

Part No.	Re- marks	Description	Ref. No.	Q'ty
HD14011BP		C.MOS IC	IC3	1
LA3210		IC	IC1	1
MV-13		Varistor	D3	1
SEL1120R	N	LED (Red)	D13	1
SEL1720Y		LED (Yellow)	D12	1
TC4013BP		C.MOS IC	IC2	1
05Z6.8Z		Zener diode (6.8V)	D1	1
1S1555		Si diode	D2,4-8,101-103	9
1S188AM		Ge diode	D9-11	3
2SC1627A(Y)		NPN Tr	Q4	1
2SC1815(Y)		NPN Tr	Q2	1
2SC458(C)		NPN Tr	Q3	1
2SD661T/U		NPN Tr	Q1	1
A50-0403-08		Side panel (L)		1
A50-0404-08		Side panel (R)		1

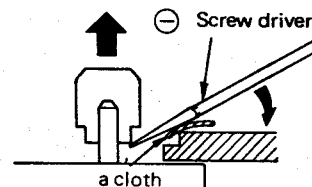
Part No.	Re- marks	Description	Ref. No.	Q'ty
B03-0535-08	N	Ornamental panel		1
B31-0652-08	N	Meter	M1	1
B50-4094-08	N	Instruction manual		1
E07-0852-05		8P Metal plug		1
E30-1765-08	N	MIC cable ass'y		1
E31-3007-08		Battery cable	J1	1
H70-0305-08	N	Carton (Inside)		1
J02-0432-08		Rubber foot		4
J19-1391-08		Battery case "AA" x 4		1
K27-0406-04		Knob push OUTPUT I - III		3
K27-0464-08	N	Knob ass'y (P.T.T., LOCK, UP/DOWN)		1
K27-0465-08	N	Knob MIC LEVEL, COMP		2
R13-3401-08	N	Slide pot. 10kΩ(A) COMP	VR2	1
R13-3402-08	N	Slide pot. 10kΩ(B) MIC LEVEL	VR1	1
S31-4402-08		Slide switch TONE	S2	1
S31-4403-08	N	Slide switch MODE	S1	1
S40-1409-08	N	Push switch LOCK, PTT.	S3,4	2
S42-3406-08	N	Push switch OUTPUT SEL.	S201	1
S50-1419-08		Tact switch UP, DOWN	S5,6	2
T91-0328-08		ECM unit		1
T91-0340-08	N	MIC ass'y		1
T97-1034-08		Wind screen		1

MC-85 DISASSEMBLY

Mic ass'y (T91-0340-08)

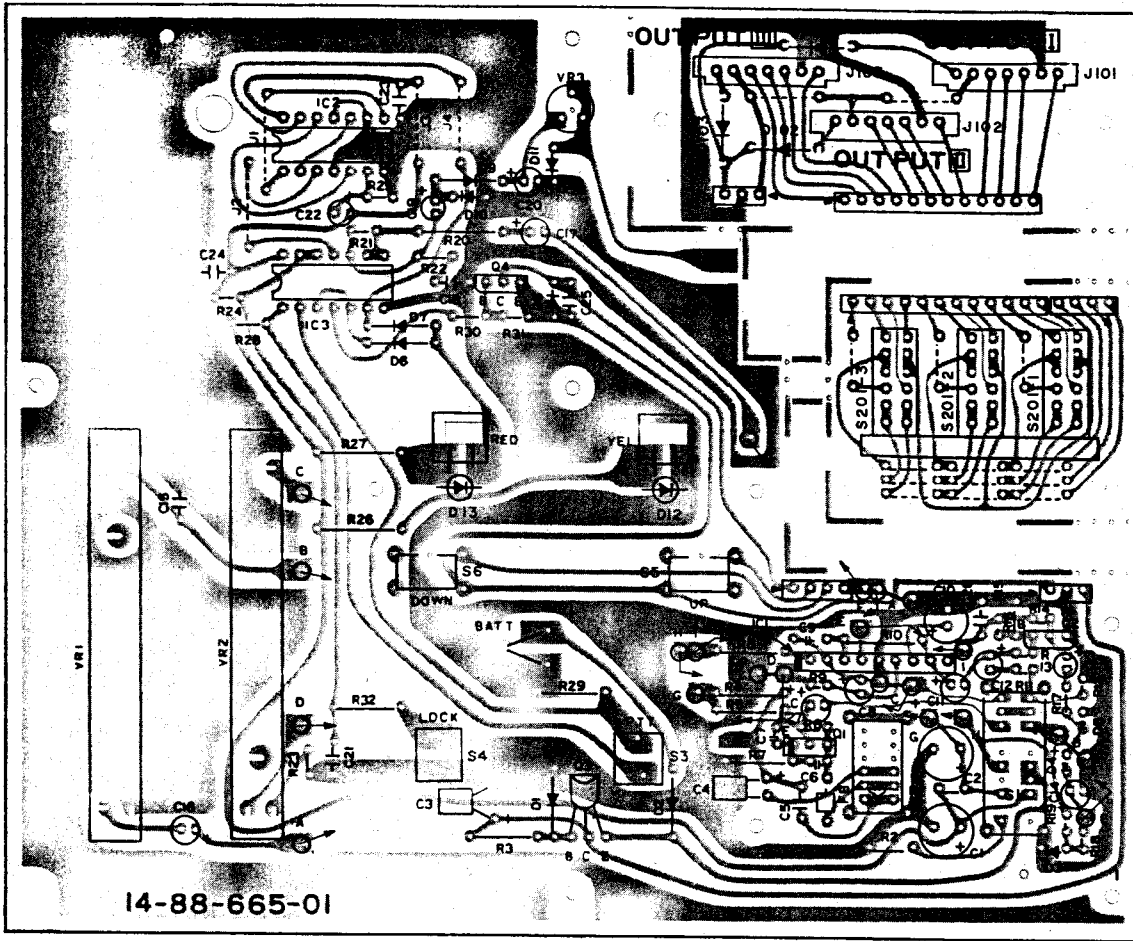


MC-85 REMOVAL METHOD

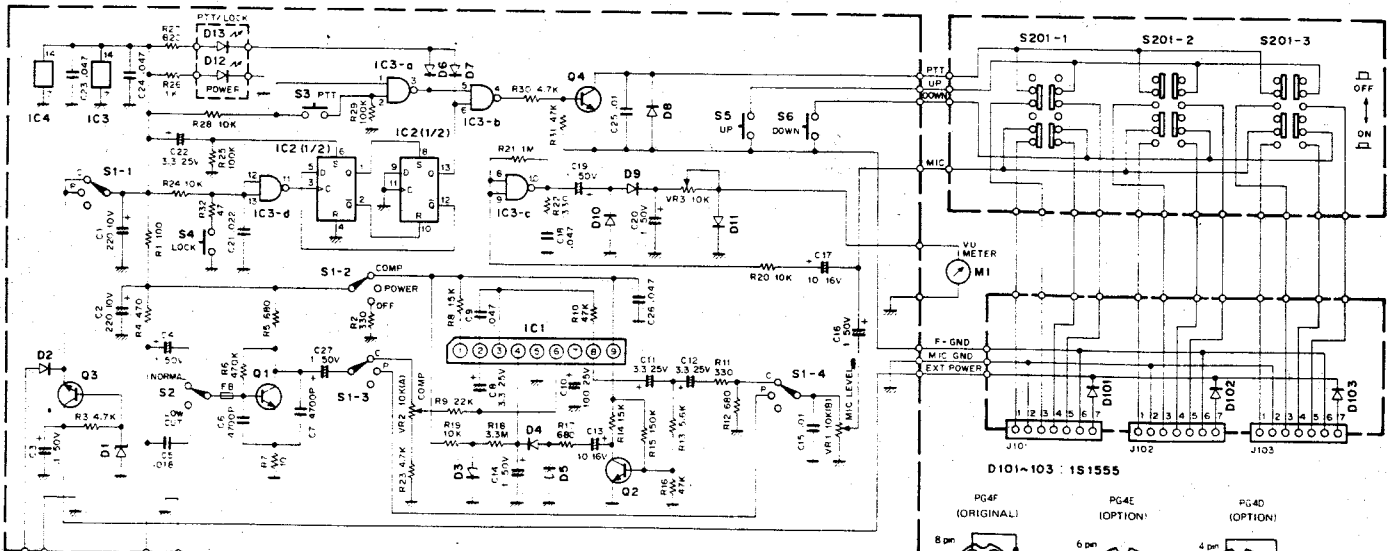


MC-85

MC-85 PC BOARD (Component side view)



MC-85 SCHEMATIC DIAGRAM



- | | | | | | |
|----|-------------|-----|-----------|---------|----------|
| O1 | 2SD6617(U) | IC1 | LA321D | D1 | 05Z6-8Z |
| O2 | 2SC1815(Y) | IC2 | TC4013BP | D2, 4-8 | 1S1555 |
| O3 | 2SC458(C) | IC3 | HD14011BP | D9 | MV-13 |
| O4 | 2SC1627A(Y) | | | D9-11 | 1S188AM |
| | | | | D12 | SEL1720Y |
| | | | | D13 | SEL1120R |

