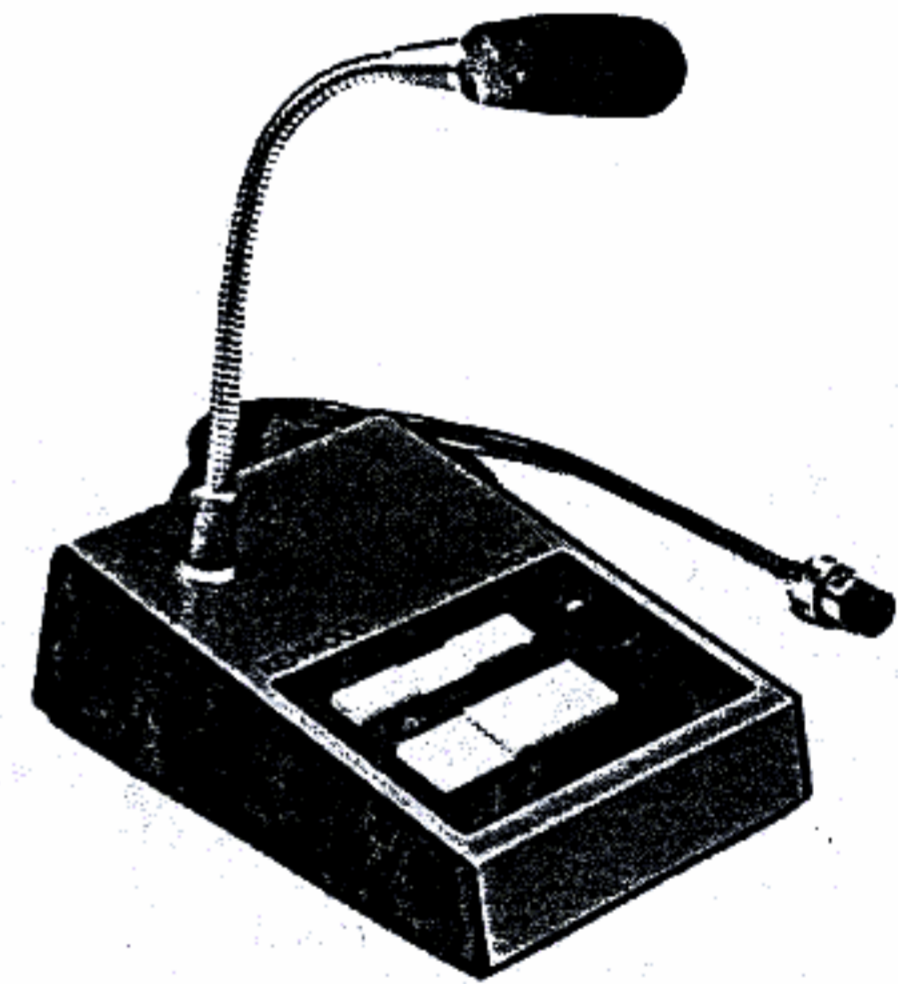
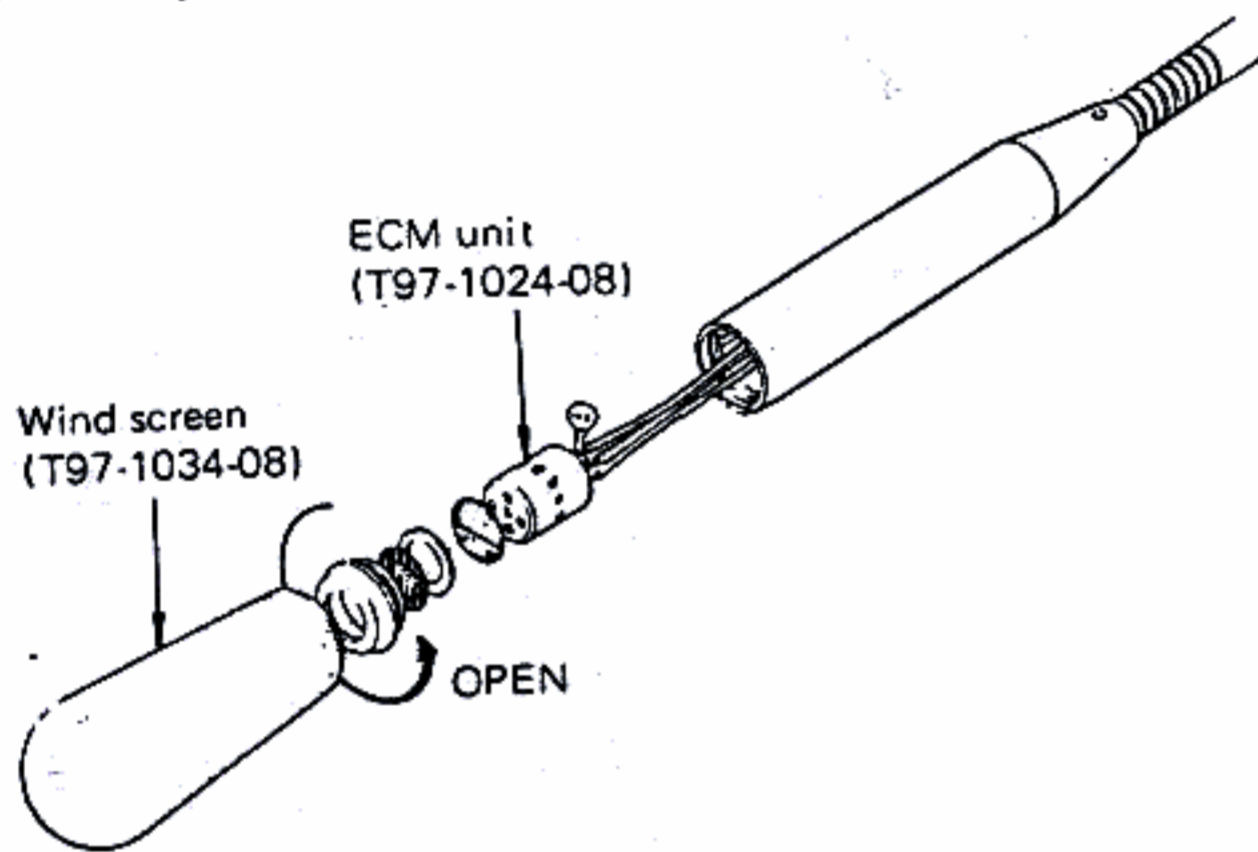


**MC-80 DISASSEMBLY**  
 Mic ass'y (T91-0339-08)



**MC-80 SPECIFICATIONS**

- Type . . . . . Ominidirection electret condenser microphone
- Impedance . . . . . Approx. 700Ω
- Sensitivity . . . . . -40dB±6dB (VR MAX)
- Frequency response . . . . . 200-700Hz
- Power supply . . . . . 6V ("AA" batteries 1.5V x 4)  
 Batteries not supplied.
- Current consumption . . . . . Approx. 10mA  
 (Batteries can be used more than 500 hours)
- Weight . . . . . Approx. 700g (1.5lbs)

SCHEMATHEEK  
 Beh. T. Hultermans  
 Postbus 4228  
 5604 EE Eindhoven

