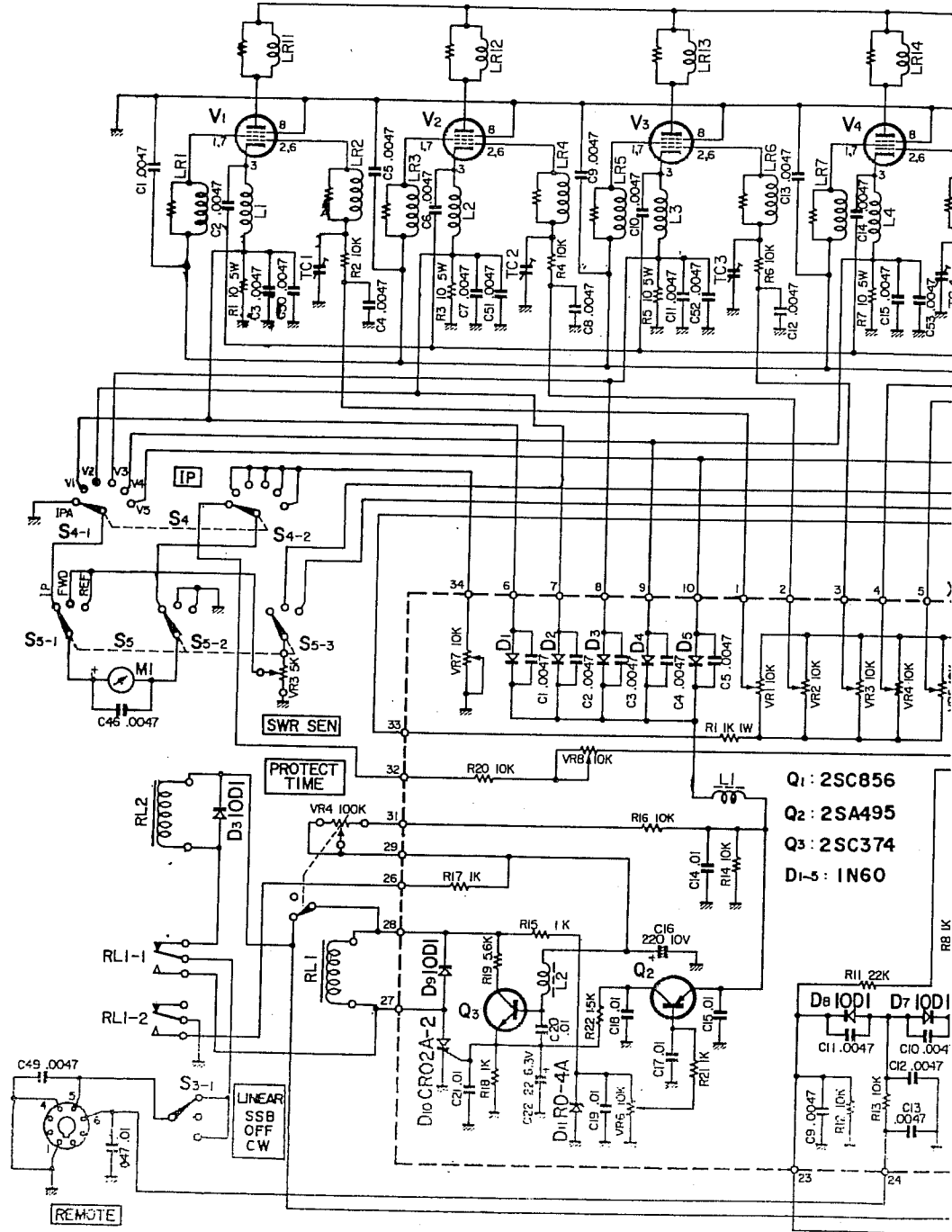
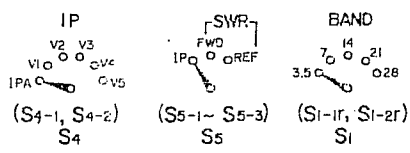
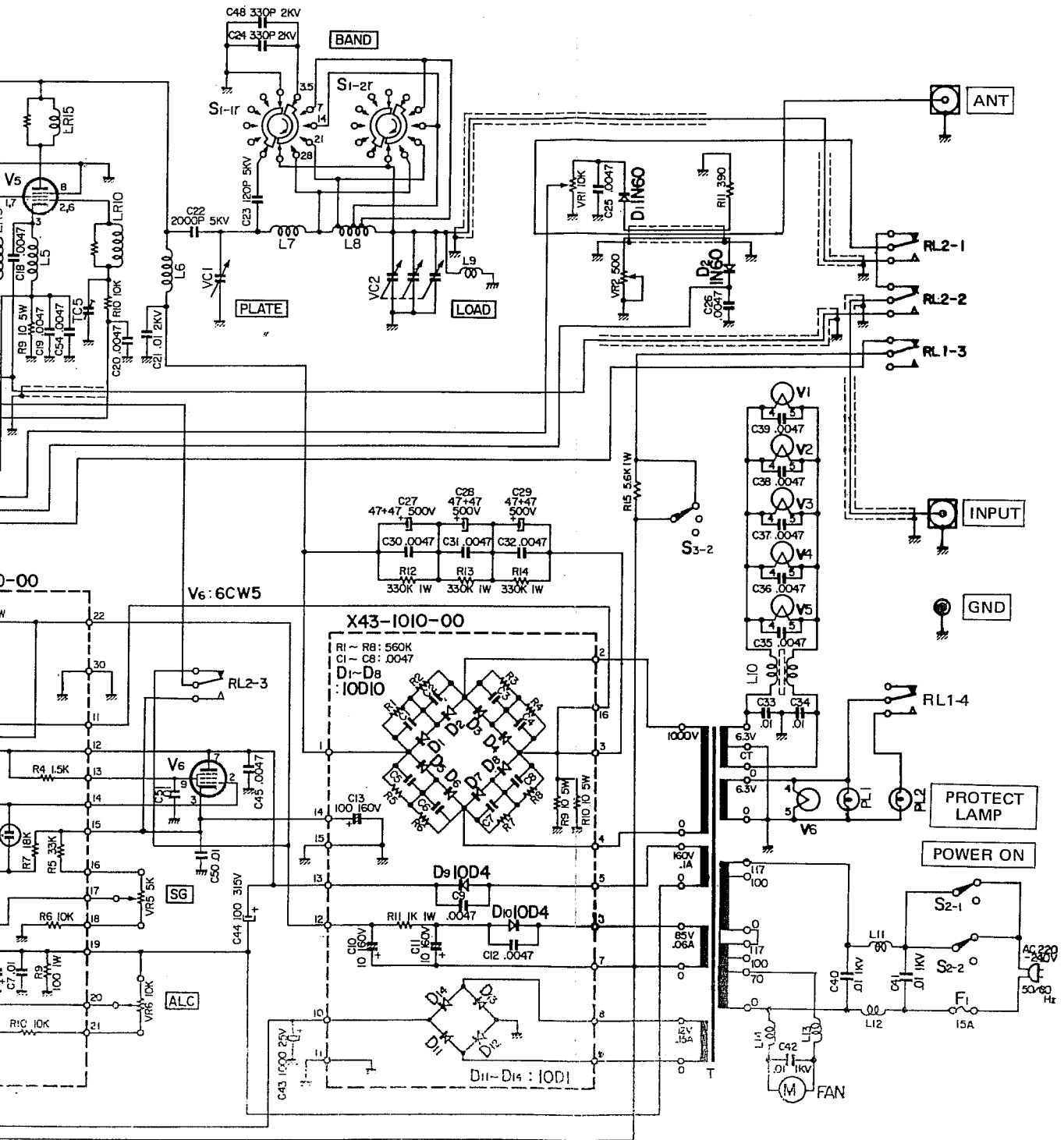


V1 - V5: 6LQ6



- Q1: 2SC856
- Q2: 2SA495
- Q3: 2SC374
- Di-5: 1N60

DIAGRAM



TL-911