

Downloaded by
Amateur Radio Directory

www.hamdirectory.info



Scanned by Ward Willats, KG6HAF
7 October 2002 • <http://www.kg6haf.com>
Original manual generously provided by
Malcolm, G0UMP, United Kingdom

 **KENWOOD**

REMOTE VARIABLE FREQUENCY OSCILLATOR

Model VFO-520

OPERATING MANUAL

CONTENTS

SECTION 1	INSTALLATION	3
SECTION 2	OPERATING CONTROLS	4
SECTION 3	OPERATION	6
SECTION 4	CIRCUIT DESCRIPTION	8
SECTION 5	MAINTENANCE AND ALIGNMENT	9
SCHMATIC DIAGRAM	11

INTRODUCTION

The VFO-520 is a solid state remote VFO which matches the Kenwood TS-520. It is designed for use with the TS-520 on the amateur bands between 3.5 and 29.7 MHz. When connected to the transceiver, the VFO-520 allows VFO controlled cross-channel operation (the use of separate frequencies for transmission and reception).

All VFO power, signals, and switching are supplied through a single inter-connecting cable. A built-in RIT circuit, with a light-emitting-diode indicator, allows receiver incremental tuning with the remote VFO.

Light-emitting-diodes on the VFO and transceiver show which equipment is controlling operation. All of the VFO switching functions are controlled by the VFO-520.

The VFO-520 uses the same high stability, low distortion VFO circuit found in the TS-520.

VFO-520 SPECIFICATIONS

OSCILLATION FREQUENCY:

4.9 to 5.5 MHz.

OSCILLATION CIRCUIT:

VFO: Clapp Oscillator.

OUTPUT VOLTAGE:

1 volt ± 3 db (across a 470 ohm load).

FREQUENCY STABILITY:

Within ± 100 Hz per 30 minutes after 3 minutes of warm-up.

SOLID STATE COMPLEMENT:

2 transistors.

2 FET's

6 diodes.

POWER REQUIREMENTS:

The VFO-520 receives power from the TS-520.

12.6 VAC, 80 ma. 12.6 VDC, 40 ma. 9.0 VDC, 25 ma.

DIMENSIONS:

6.5" wide x 5.9" high x 7.5" (excluding feet).

WEIGHT:

6.6 lbs. (shipping weight 8.36 lbs.)

Downloaded by
Amateur Radio Directory
www.hamdirectory.info

SECTION 1. INSTALLATION

1.1 UNPACKING

Remove the VFO-520 from its shipping box and packing material and examine it for visible damage. If the equipment has been damaged in shipment, save the box and packing material and notify the transportation company immediately. It is a good idea to save the box and packing in any case because they are very useful for shipping or moving the equipment.

The following accessories should be included with the VFO:

- 1 Operating Manual
- 2 Plastic Extension Feet with Screws
- 1 Transceiver Interconnecting Cord
- 1 Grounding Cable

1.2 OPERATING LOCATION

As with any solid state electronic equipment the VFO-520 should be kept free from extremes of heat and humidity. Choose an operating location that is dry and cool, and avoid operating the VFO in direct sunlight.

1.3 CABLING (See Figure 1)

INTERCONNECTING CORD

Set the TS-520's FUNCTION switch to VFO and connect the EXT. VFO connector of the TS-520 to the VFO OUT connector of the VFO-520, using the interconnecting cord provided with the VFO. Be certain the transceiver and VFO are turned off when they are connected because transients could damage the circuits.

Save the jumpered VFO plug supplied with the TS-520. The plug is necessary for operation of the transceiver without the external VFO.

GROUND

Connect the VFO-520's GND lug to the GND lug on the TS-520. Grounding improves the stability and output of the VFO.

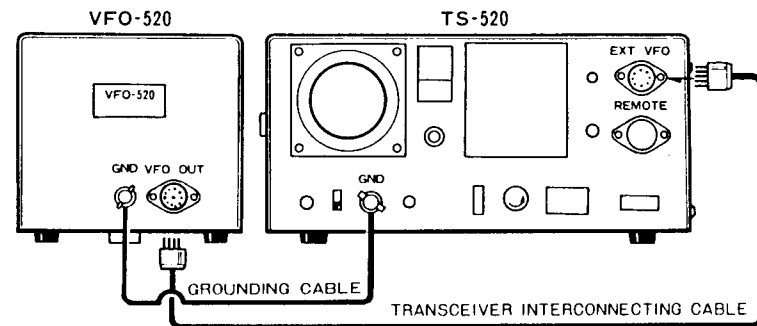


Fig. 1 Connection with the TS-520

SECTION 2. OPERATING CONTROLS

2.1 FRONT PANEL CONTROLS (See Figure 2)

FUNCTION SWITCH (1 on Figure 2)

This 4-position rotary switch selects which VFO controls what function.

OFF – The VFO-520 does not operate.

REC – The VFO-520 operates only for receiving.

REC/XMIT – The VFO-520 operates during reception and transmission.

XMIT – The VFO-520 operates only for transmission.

SUB-DIAL (2 on Figure 2)

The sub-dial is turned with the main tuning knob to select the operating frequency of the transceiver. It is calibrated at 25 kHz intervals from 0-600 kHz. The operating frequency of the VFO-520 is determined by adding the frequency shown on the BAND switch, this sub-dial, and the dial scale.

DIAL SCALE (3 on Figure 2)

The dial scale provides a direct frequency readout, calibrated to 1 kHz from 0 to 100 kHz. The sub-dial is calibrated to display the frequency every 25 kHz. The frequency displayed on the dial scale, when added to the base frequency of the chosen band and the frequency shown on the sub-dial, shows the exact operating frequency of the VFO. One revolution of the dial scale is 100 kHz.

MAIN TUNING KNOB (4 on Figure 2)

This control turns the VFO and dial scale to select the frequency to be added to the band frequency to establish the transceiver's operating frequency. Four turns of the knob corresponds to one revolution of the dial scale.

RIT CONTROL (5 on Figure 2)

When the RIT switch is pressed on, this potentiometer tunes the VFO-520's receive frequency. The RIT circuit allows the operator to tune the receive frequency more than ± 2 kHz without changing the transmit frequency. At the zero (mid-point) position the receive frequency is the same as when the RIT circuit is turned off.

RIT SWITCH (6 on Figure 2)

This push-button switch turns the RIT (Receiver Incremental Tuning) circuit on and off. With the switch depressed, the circuit is activated and the RIT indicator is lighted. The RIT control can then adjust the receiver frequency independently of the transmit frequency.

VFO INDICATOR (7 on Figure 2)

This light-emitting-diode is illuminated when the VFO-520's VFO circuit is operating to control transmission or reception.

RIT INDICATOR (8 on Figure 2)

This light emitting diode is illuminated when the RIT circuit is turned on, showing that the transmit and receive frequencies may be different.

2.2 REAR PANEL CONTROLS (See Figure 3)

VFO OUT CONNECTOR (1 on Figure 3)

This connector is attached to the TS-520's EXT. VFO connector to control all of the operating functions. See the TS-520's manual for a description of each pin's function.

GND LUG (2 on Figure 3)

Use this lug to ground the VFO-520 to the transceiver.

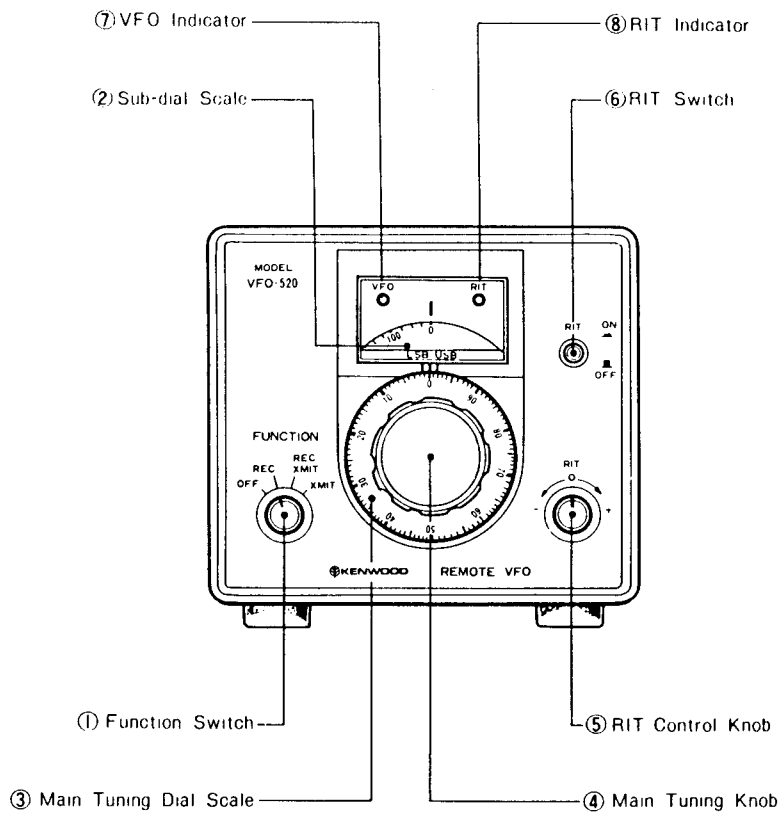


Fig. 2 Front Panel View

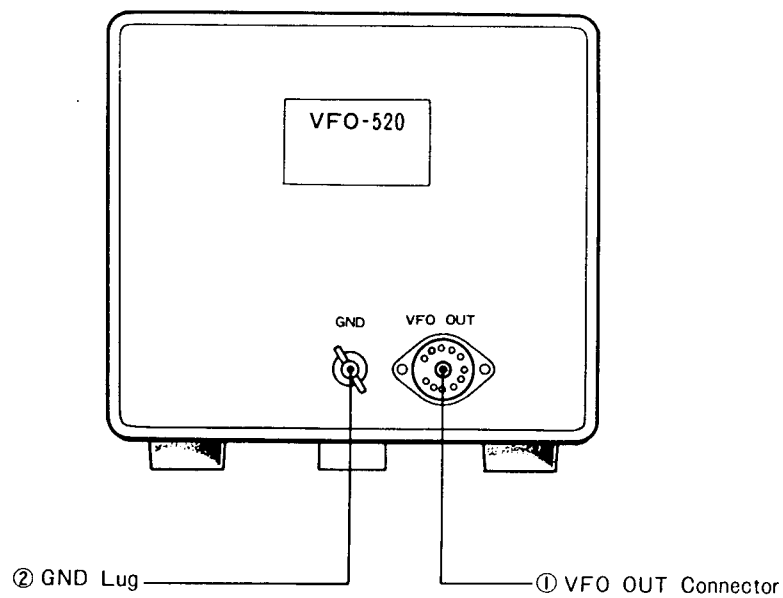


Fig. 3 Rear Panel View

SECTION 3. OPERATION

3.1 GENERAL DESCRIPTION

Make the interconnections described in Section 1.3 with the transceiver and VFO off. Set the TS-520's FUNCTION switch to VFO for normal transceiver operation.

The function of each VFO is controlled by the FUNCTION switch on the VFO-520 and the FUNCTION switch on the TS-520. Tables 1 and 2 show what possible operating and calibrating possibilities are available. The light emitting diode indicators on the VFO and on the transceiver show which circuit is controlling operation.

3.2 CALIBRATION AND DIAL READING

See the TS-520's operating manual for information on reading the operating frequency. Table 2 shows the possible calibrating functions. The VFO-520 is calibrated in the same manner as the TS-520.

3.3 RIT (RECEIVER INCREMENTAL TUNING)

See the RIT section in the TS-520 manual for a full description of RIT. The RIT control on the VFO allows receiver tuning when the VFO-520 is controlling the receive function. The RIT circuit must be turned on by the RIT switch. The RIT indicator will show when the circuit is turned on.

TABLE 1. VFO-520 – TS-520 Switch Settings for Transceiver Operation.

VFO-520 FUNCTION SWITCH	VFO FUNCTION	TS-520 FUNCTION SWITCH			
		VFO	VFO-R	FIX-R	FIX
OFF	Transmit VFO	TS-520	Fixed Oscillator	TS-520	Fixed Oscillator
	Receive VFO	TS-520	TS-520	Fixed Oscillator	Fixed Oscillator
REC	Transmit VFO	TS-520	Fixed Oscillator	TS-520	Fixed Oscillator
	Receive VFO	VFO-520	VFO-520	Fixed Oscillator	Fixed Oscillator
REC/XMIT	Transmit VFO	VFO-520	Fixed Oscillator	VFO-520	Fixed Oscillator
	Receive VFO	VFO-520	VFO-520	Fixed Oscillator	Fixed Oscillator
XMIT	Transmit VFO	VFO-520	Fixed Oscillator	VFO-520	Fixed Oscillator
	Receive VFO	TS-520	TS-520	Fixed Oscillator	Fixed Oscillator

3.4 CROSS CHANNEL OPERATION

Use Table 1 for a description of which switch settings to use for each kind of operation. The station gives complete flexibility for cross channel operation and fixed channel operation. The light emitting diode indicators show that VFO is operating.

TABLE 2. Calibration Functions of the VFO-520 and TS-520

VFO-520 FUNCTION SWITCH	TS-520 FUNCTION SWITCH		
	CAL-25 KHz	CAL-RMT	CAL-FIX
OFF	Calibrate TS-520 to marker signal	Calibrate TS-520 to VFO-520	Calibrate TS-520 to fixed channel
REC	Calibrate VFO-520 to marker signal	Calibrate TS-520 to VFO-520	Calibrate VFO-520 to fixed channel
REC/XMIT	Calibrate VFO-520 to marker signal	Calibrate TS-520 to VFO-520	Calibrate VFO-520 to fixed channel
XMIT	Calibrate TS-520 to marker signal	Calibrate TS-520 to VFO-520	Calibrate TS-520 to fixed channel

SECTION 4. CIRCUIT DESCRIPTION

4.1 GENERAL INFORMATION

The VFO-520 consists of a VFO unit and an indicator board mounted on the main chassis. Figure 4 shows the block diagram of the VFO.

4.2 VFO UNIT (X40-1070-00)

The VFO unit is the same as the VFO unit of the TS-520. The circuit is a Clapp oscillator using field effect transistors, combined with a three-stage transistorized buffer amplifier, for stability against load fluctuations.

The oscillator frequency ranges from 4.9 to 5.5 MHz. The angular displacement of the main tuning dial is reduced through a series of gears so that one revolution of the knob is equivalent to about 25 kHz.

The RIT circuit allows tuning of the receive frequency without changing the transmit frequency.

4.3 INDICATOR BOARD (X54-1120-01)

This board controls the light emitting diode indicators. When the VFO-520 is controlling operation the VFO light is turned on. When the RIT circuit is switched on the RIT indicator is lighted.

4.4 MAIN FRAME

The main chassis holds the control circuit, FUNCTION switch, and RIT switch.

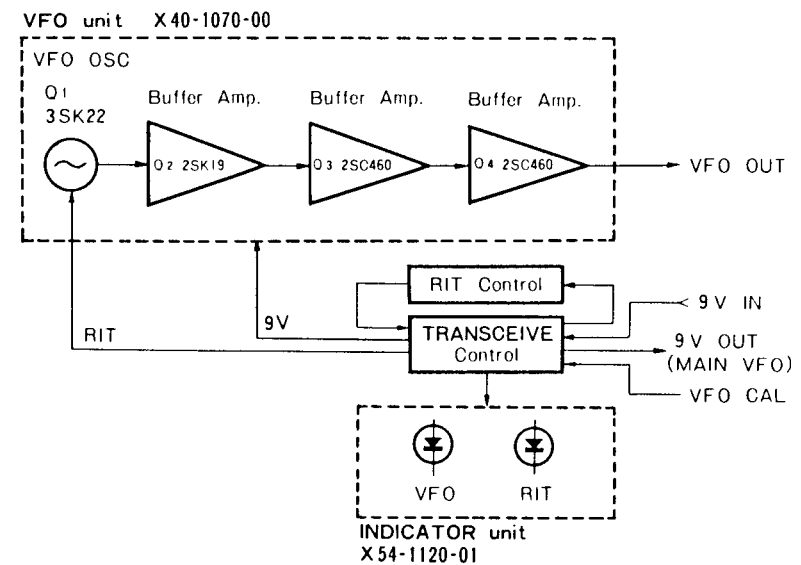


Fig. 4 Block Diagram

SECTION 5. MAINTENANCE AND ALIGNMENT

5.1 ALIGNMENT

The VFO-520 is carefully aligned and tested before it leaves the factory and should require no further adjustment. In fact, the VFO circuit is quite delicate and should not be serviced without sophisticated test equipment.

5.2 REMOVING THE COVER

Remove the two top screws and the six side screws and pull the top cover off. All circuits can be reached for servicing by removing the top cover. The bottom is a sealed chassis and can not be removed.

5.3 RIT ZERO

Push the RIT switch to ON and turn the RIT control to the zero marking. Receive a 25 kHz marker signal from the TS-520 and tune for about a 1000 Hz tone. Push the RIT switch off. If the RIT circuit is correctly adjusted, the tone will be the same frequency with RIT on and off. Figure 5 shows adjustment of the RIT circuit. If necessary, adjust VR2 until the frequency does not vary.

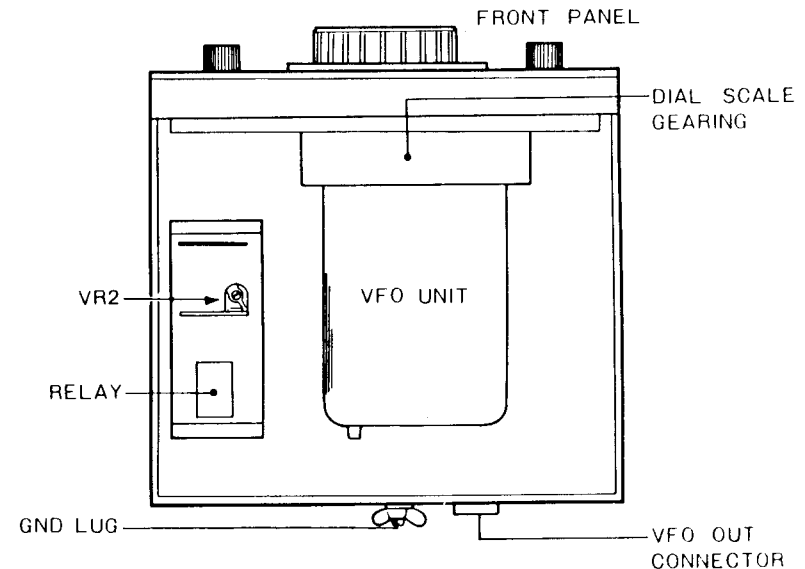


Fig. 5 RIT Adjustment

5.4 INSTALLING THE EXTENSION FEET

Figure 6 shows how to install the extension feet on the VFO-520.

5.5 SERVICE PARTS

Be sure to use replacement parts of equal or better ratings when servicing the VFO.

When ordering replacement or spare parts for your equipment, be sure to specify the following information:

Model number and serial number of the equipment – Schematic number of the part and the board number on which the part is located.

Should it ever be necessary to return the equipment for repair be sure to pack it very carefully and include a full description of the problems involved.

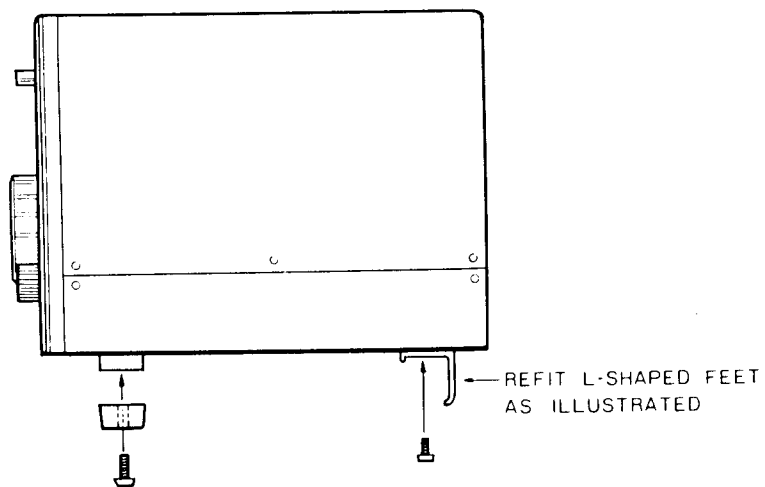
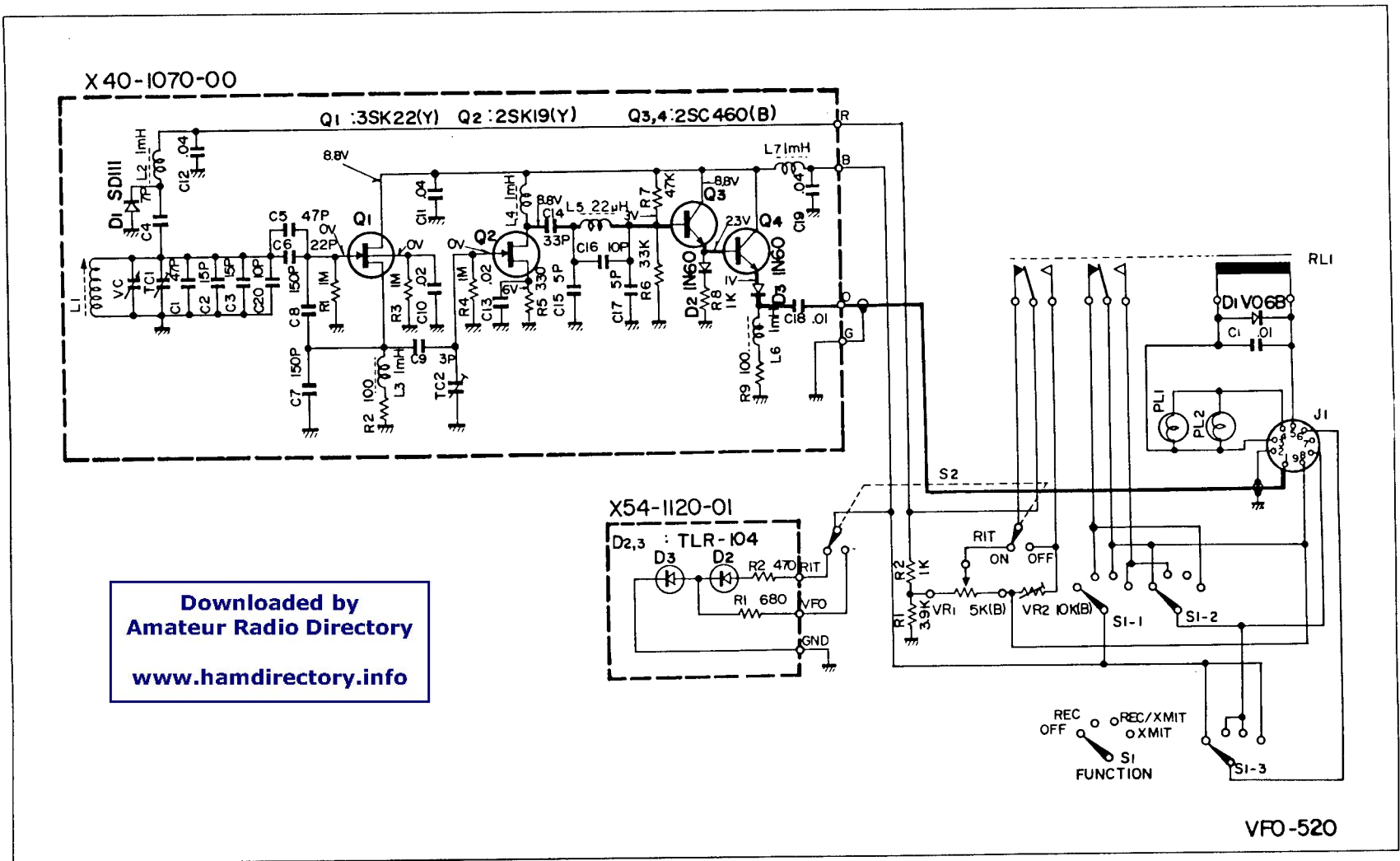


Fig. 6 How to Install the Extension Feet

VFO-520 SCHEMATIC DIAGRAM



Downloaded by
Amateur Radio Directory
www.hamdirectory.info

VFO-520