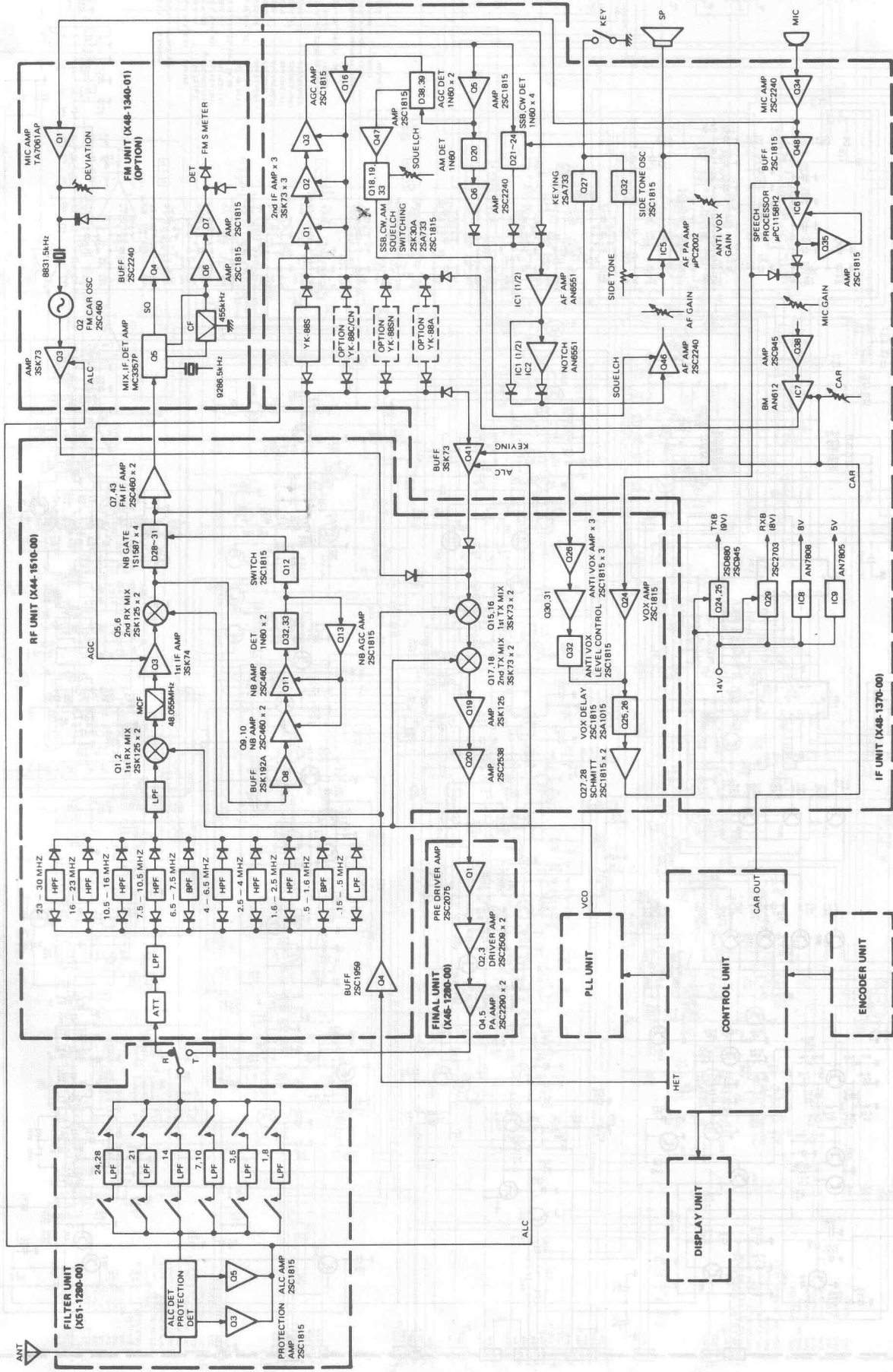
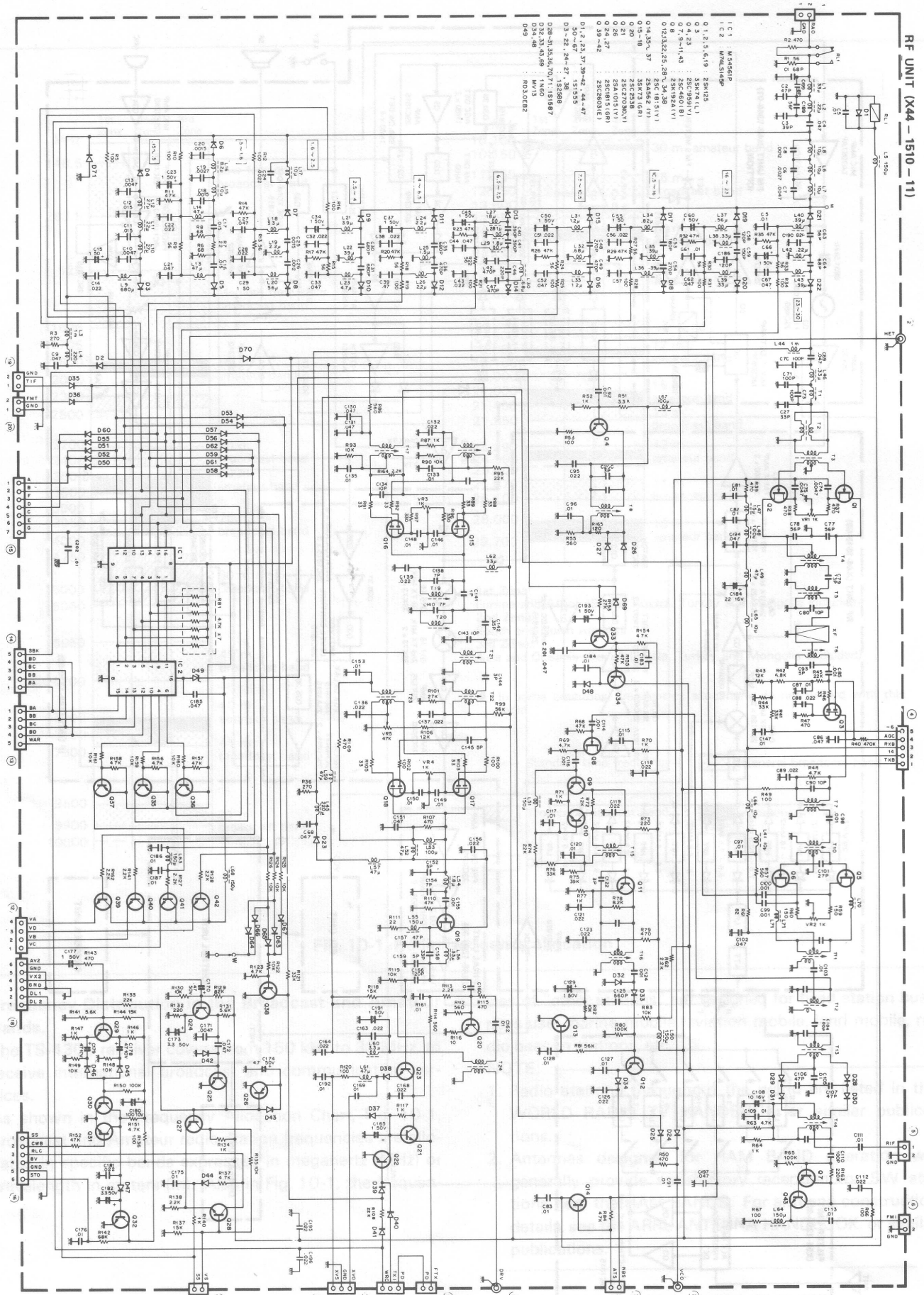


# BLOCK DIAGRAM



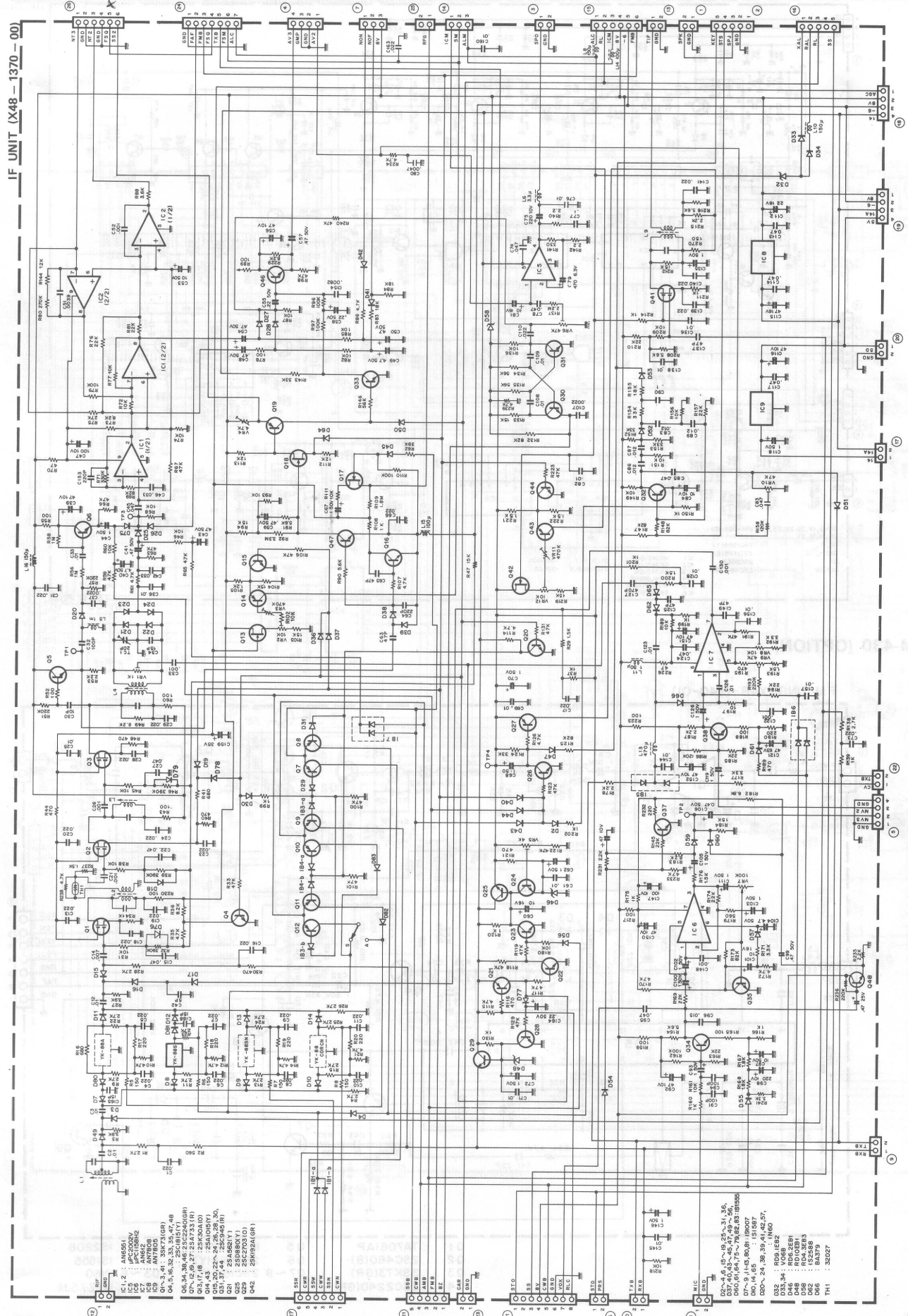
RF UNIT (X44-1510-11)



- IC1: M4480P  
 IC2: M4480HP
- Q1, 2, 3, 6, 19: 2N5923  
 Q4, 23: 2SC9591(L)  
 Q7, 9-11, 43: 2SC460(B)  
 Q12, 22, 25, 26, 34, 38, 41, 42, 43: 2SC225  
 Q14, 20, 37: 2SC482(F)  
 Q21: 2SC2700(Y)  
 Q20, 21: 2SC238  
 Q28, 27: 2SC1815(GM)  
 Q39-42: 2SC2601(E)  
 D1, 2, 23, 27, 29-42, 44, 47: 1N5155  
 D3-22, 24-27, 38: 1N80  
 D28, 31, 35, 36, 70, 11, 13, 18, 19: 1N60  
 D34-48: W13  
 D49: 7030B2

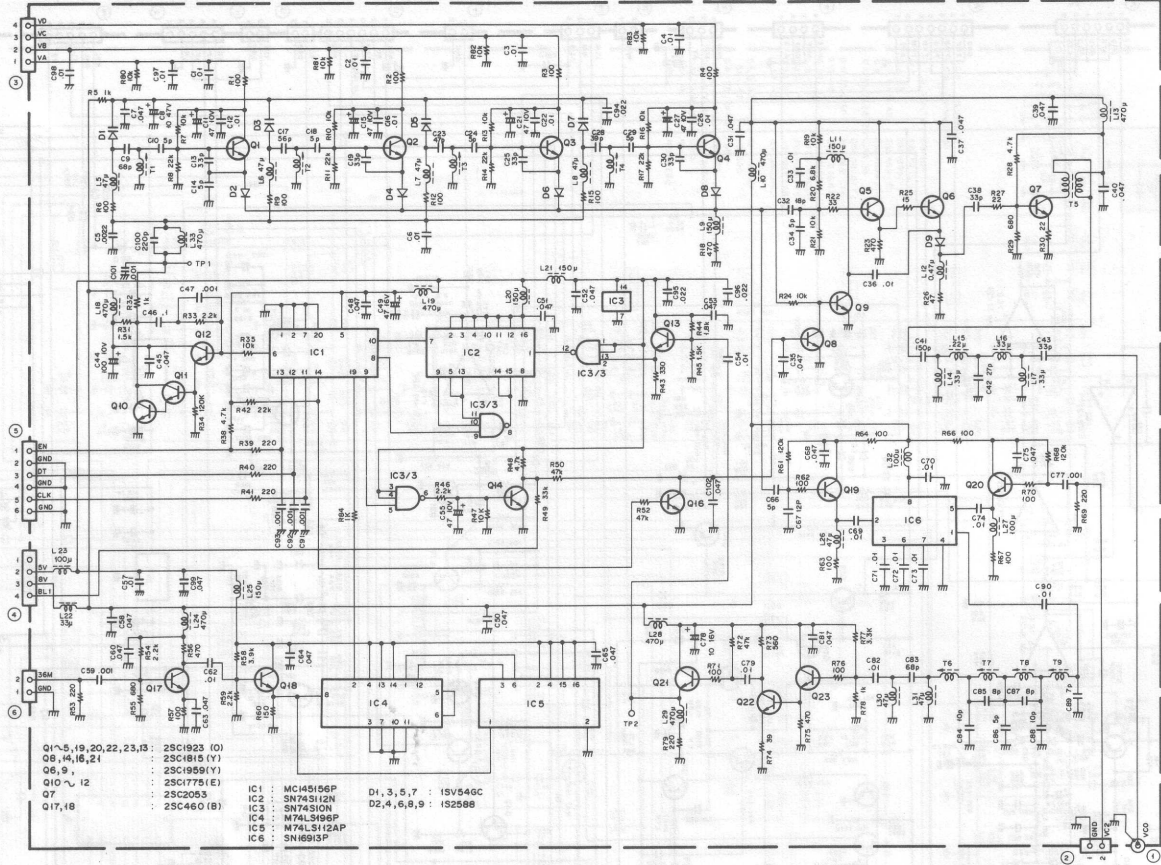
# TS-430S IF UNIT (X48-1370-00)

TS-430S SCHEMATIC DIAGRAM (X48-1370-00)



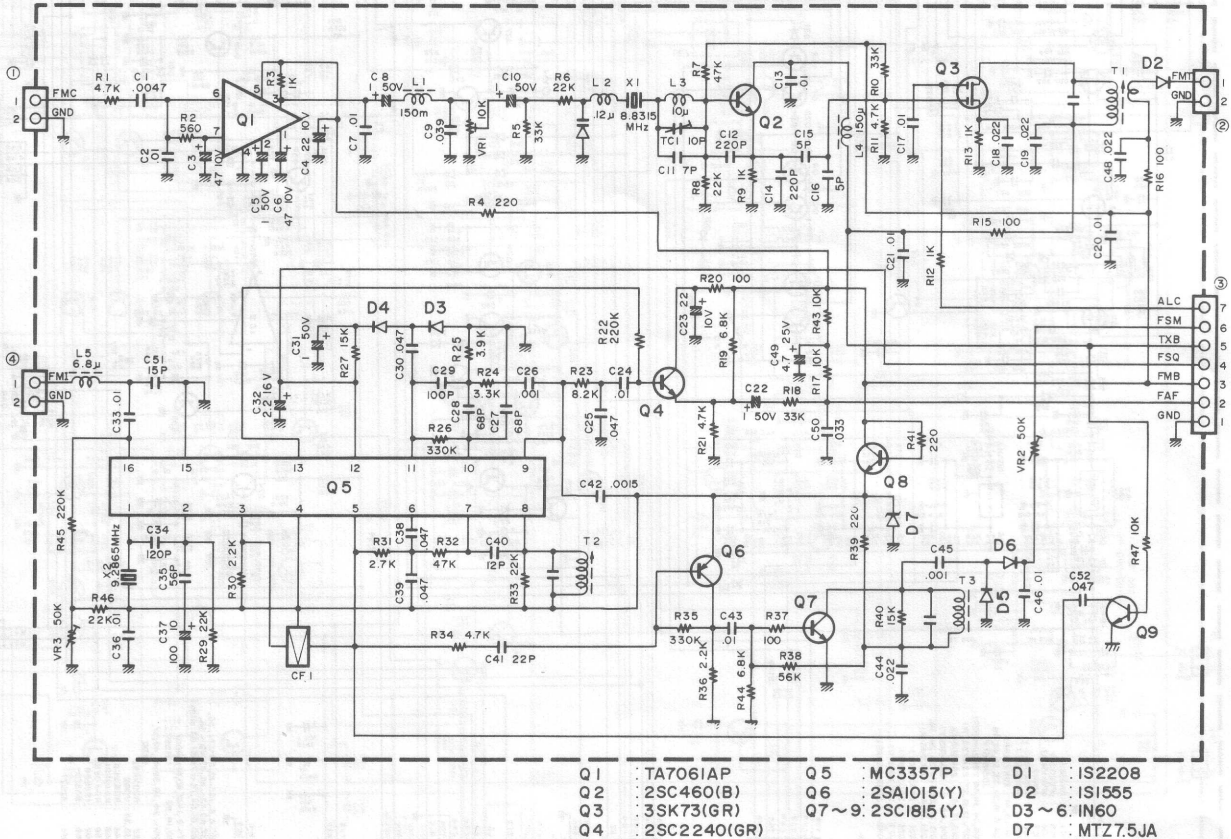
TS-430S PLL UNIT (X50-1910-00)

PLL UNIT (X50-1910-00)

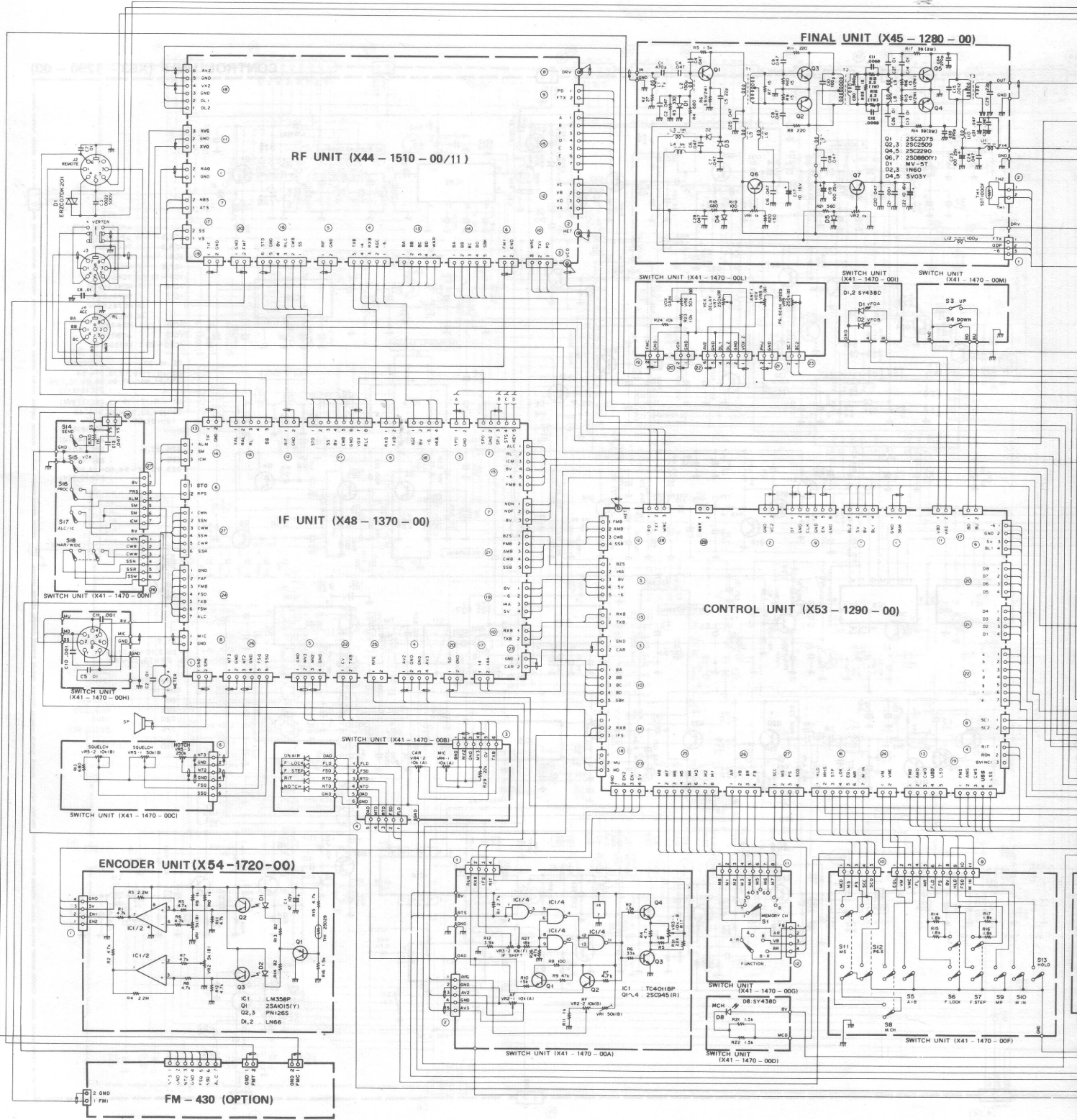


FM-430 (OPTION)

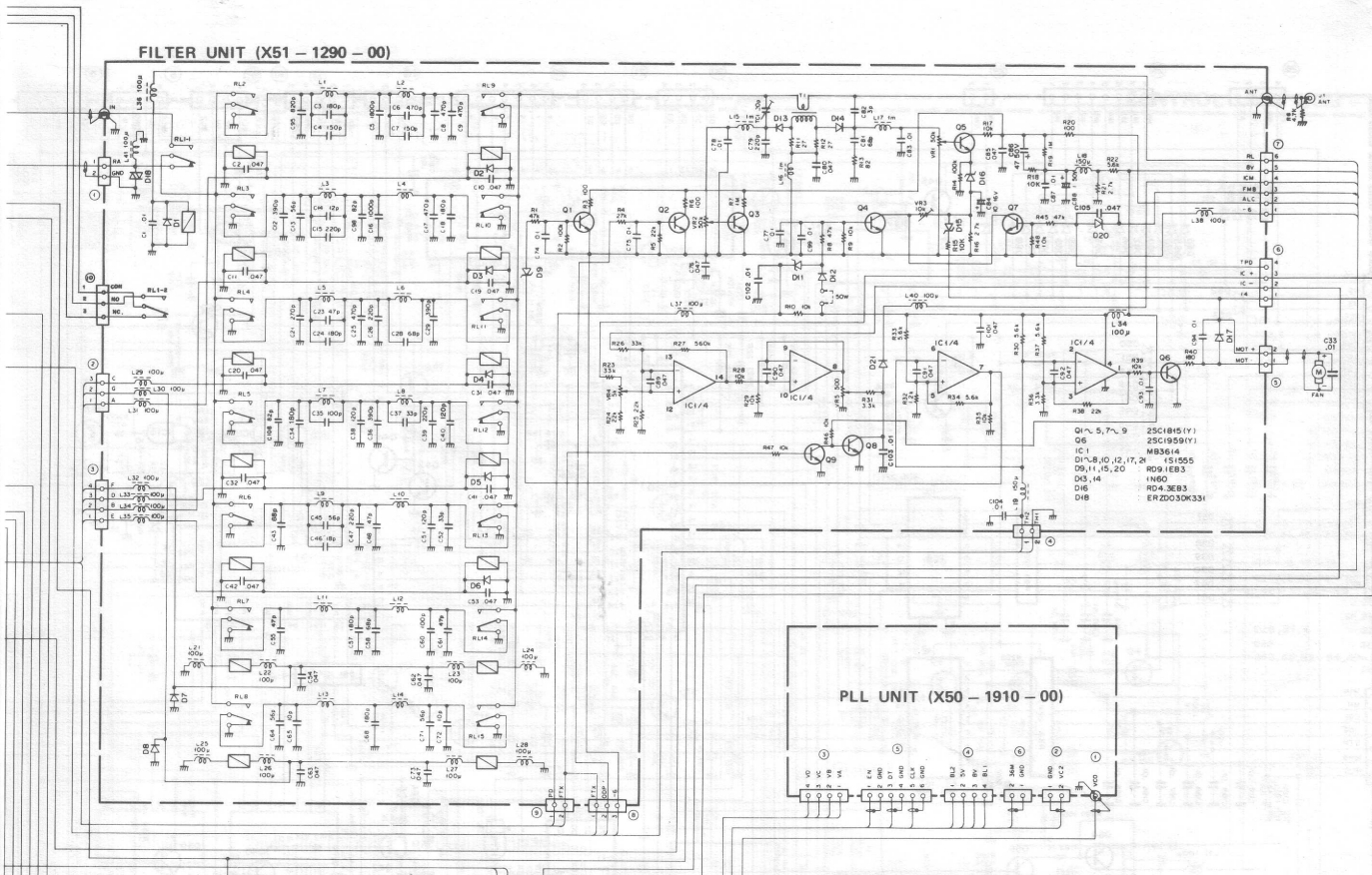
FM UNIT (X48-1340-01)



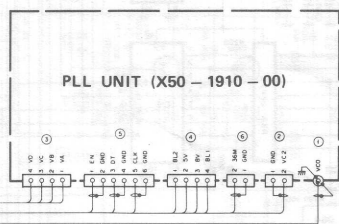
# TS-430S SCHEMATIC DIAGRAM



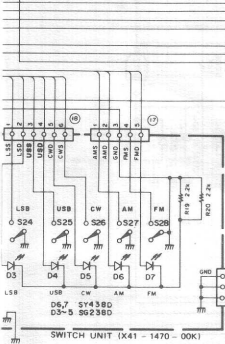
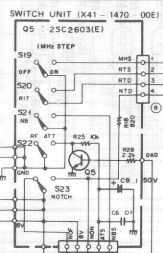
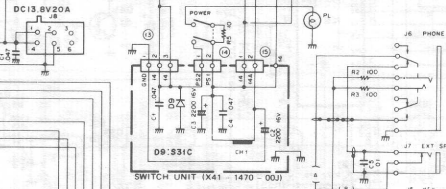
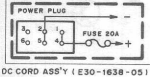
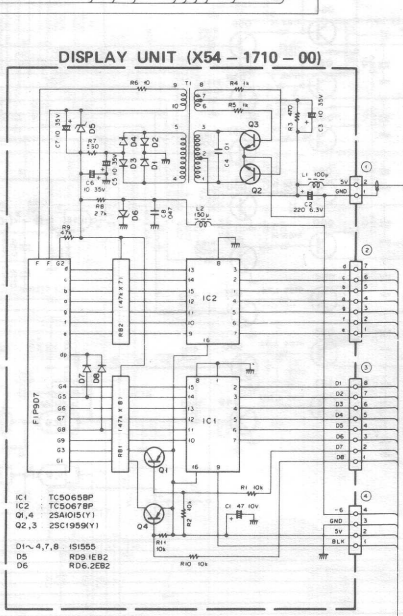
**FILTER UNIT (X51 - 1290 - 00)**



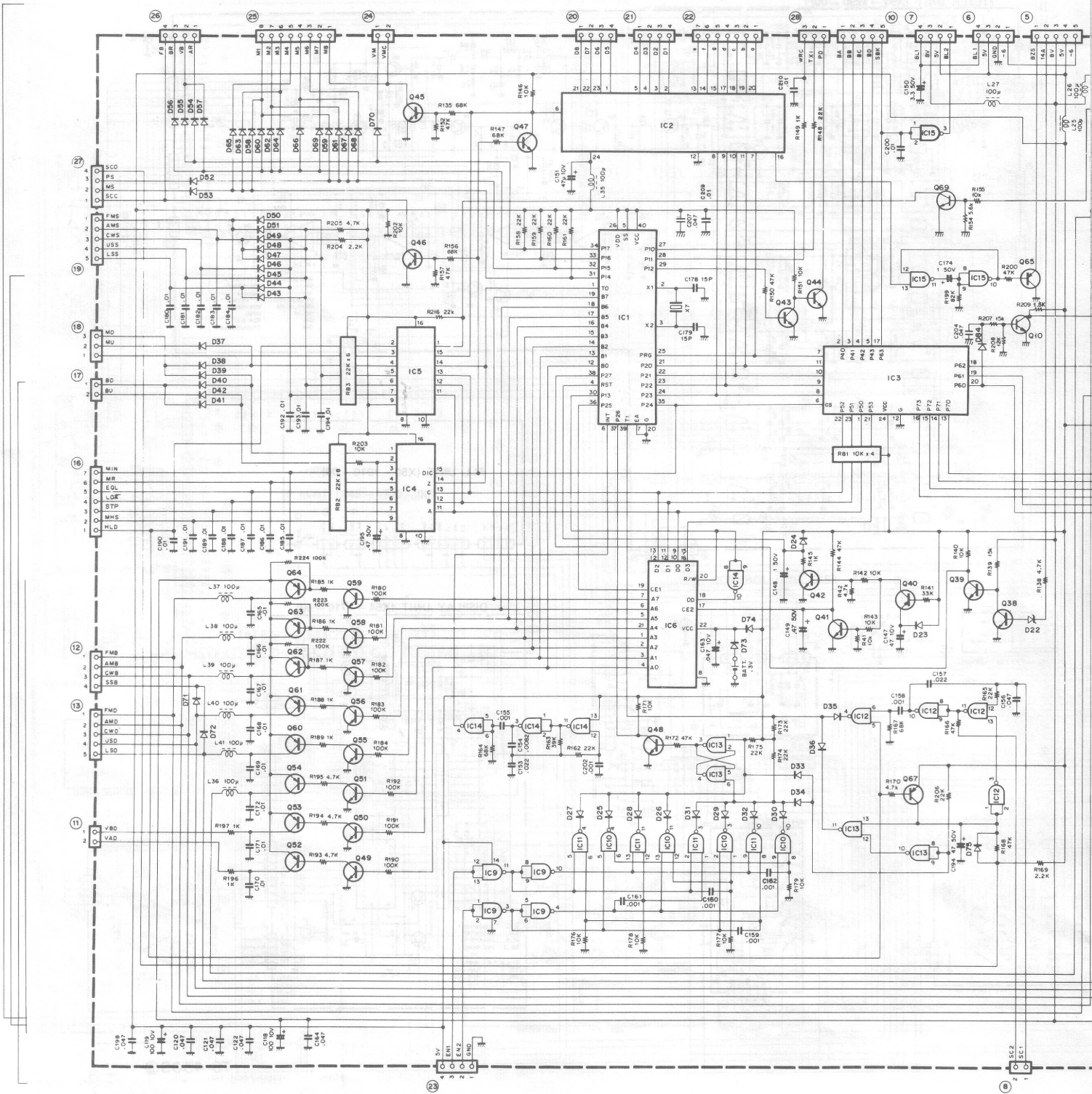
**PLL UNIT (X50 - 1910 - 00)**



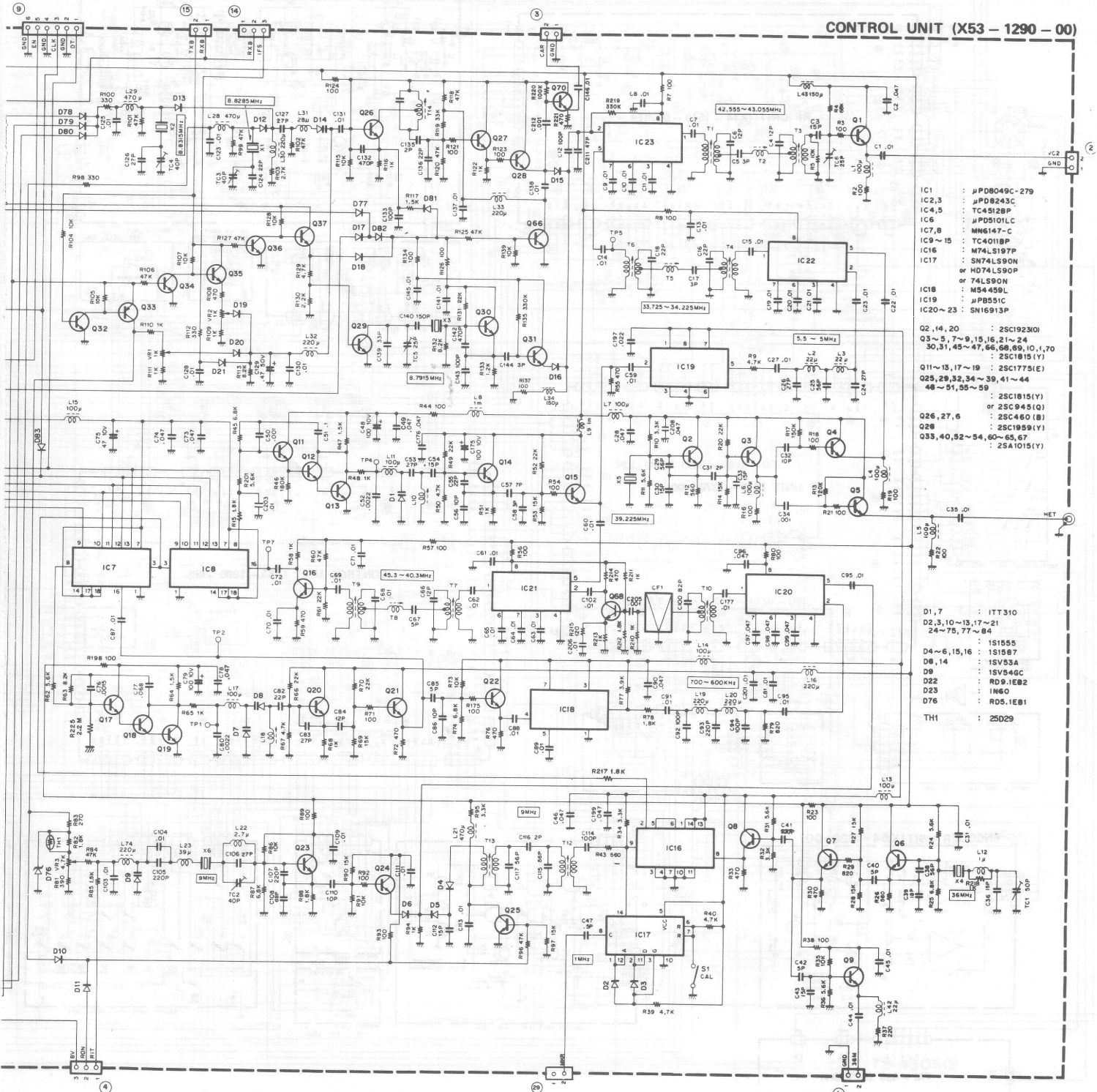
**DISPLAY UNIT (X54 - 1710 - 00)**



# TS-430S SCHEMATIC DIAGRAM



**CONTROL UNIT (X53 - 1290 - 00)**



- IC1 : μPD8049C-279
- IC2,3 : μPD8243C
- IC4,5 : TC4512BP
- IC6 : μPD5101C
- IC7,8 : MN6147-C
- IC9-15 : TC4011BP
- IC16 : M74LS197P
- IC17 : SN74LS90N  
or HD74LS90P  
or 74LS90N
- IC18 : M54459L
- IC19 : μPB551C
- IC20-23 : SN16913P
  
- Q2,14,20 : 2SC1923(G)
- Q3~5,7~9,15,16,21~24 : 2SC1815(Y)
- Q11~13,17~19 : 2SC1775(E)
- Q25,29,32,34~39,41~44 : 2SC1815(Y)  
or 2SC945(G)
- Q26,27,6 : 2SC460(B)
- Q28 : 2SC1959(Y)
- Q33,40,52~54,60~65,67 : 2SA1015(Y)
  
- D1,7 : 1TT310
- D2,3,10~13,17~21 : 24~75,77~84
- D4~6,15,16 : 1S1555
- D8,14 : 1SV53A
- D10 : 1SV549C
- D22 : RD9.1E82
- D23 : 1M60
- D76 : RD5.1E81
  
- TH1 : 25D29