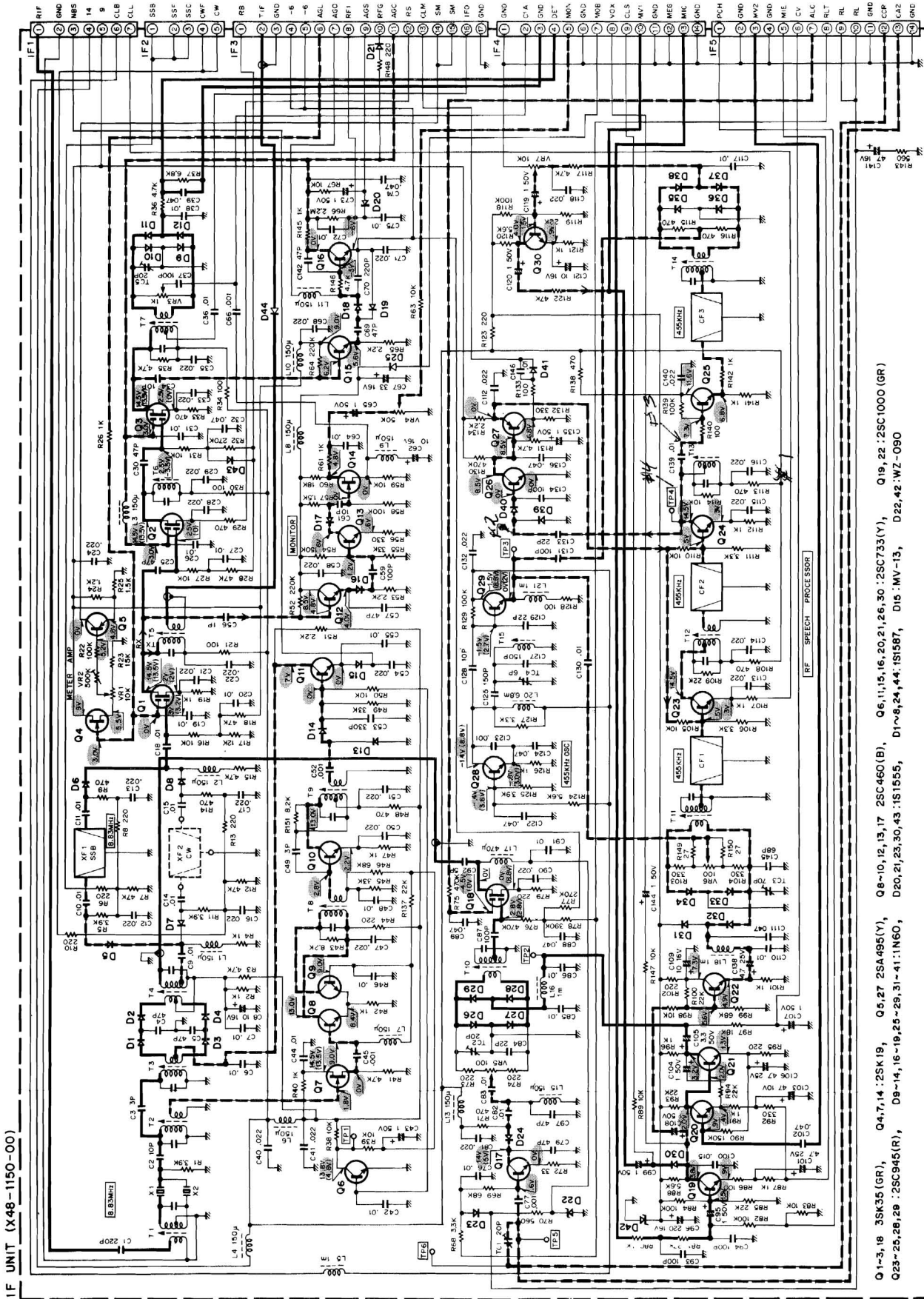
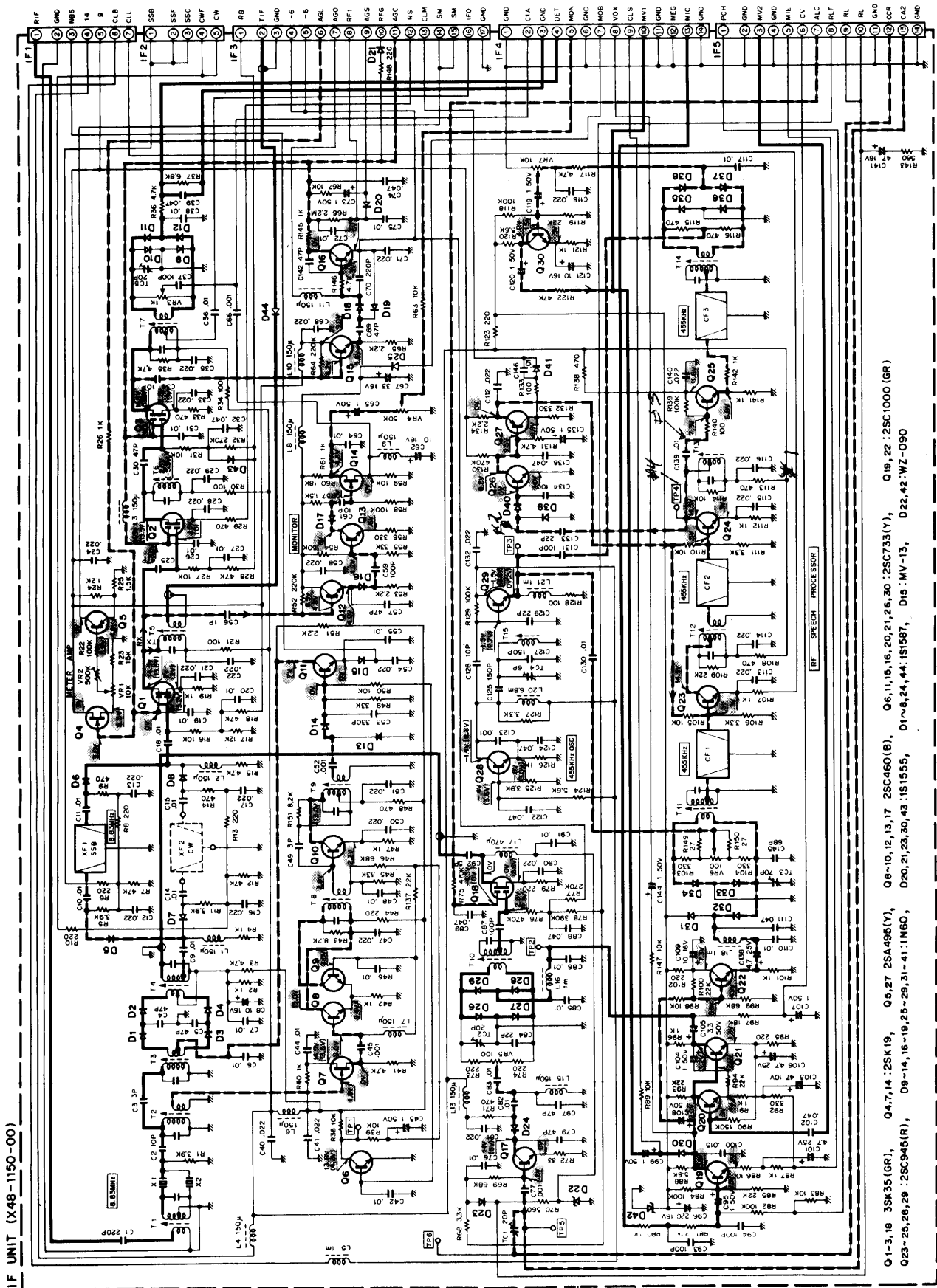


CIRCUIT DIAGRAM / PC BOARD



Q1-3,18 35K55 (GR), Q4,7,14 :2SK19, Q5,17 25A495(Y), Q6,11,15,16,20,21,26,30 :2SC733(V), Q19,22 :2SC1000 (GR)
 Q23-25,28,29 :2SC945(R), Q9-14,16-18,25-29,31-41:1N60, D20,21,23,30,43 :1S1565, D1~8,24,44 :1S1587, D15 :MV-13, D22,42 :WZ-090

CIRCUIT DIAGRAM / PC BOARD



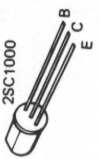
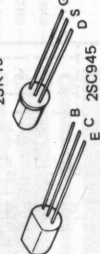
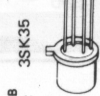
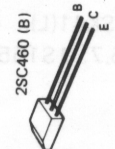
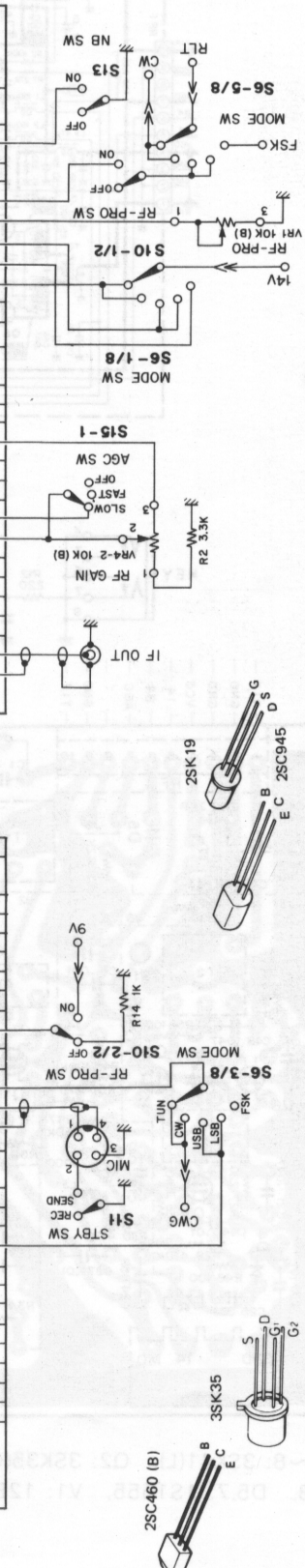
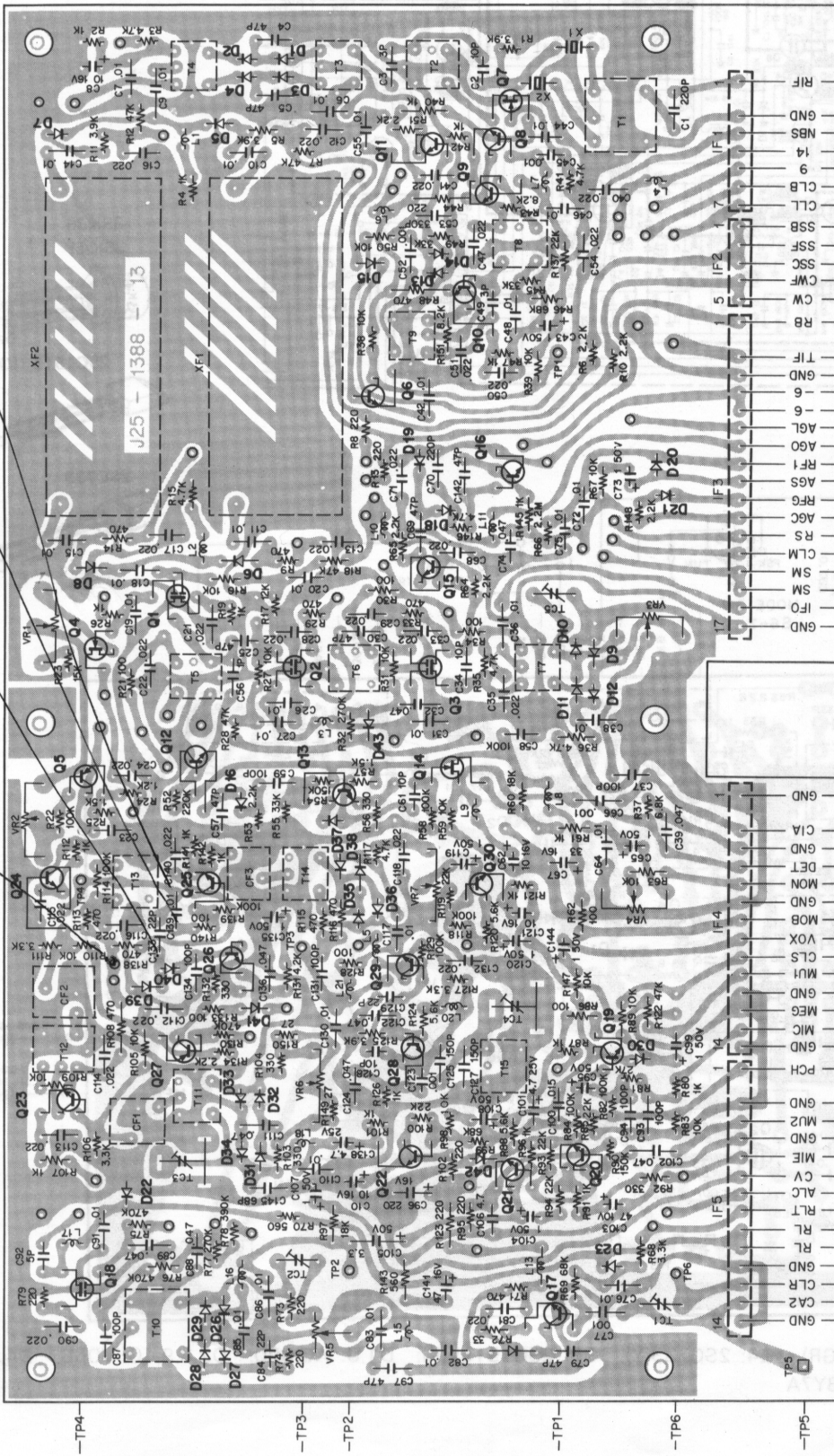
Q 1-3, 18 35K35 (GR), Q 4, 7, 14 :2SK19, Q 5, 27 2SA495(Y), Q 6, 11, 15, 16, 20, 21, 26, 30 :2SC733(Y), Q 19, 22 :2SC1000 (GR)
 Q 23-25, 28, 29 :2SC945(R), D 9-14, 16-19, 25-29, 31-41 :1N60, D 20, 21, 23, 30, 43 :1S1555, D 1-8, 24, 44 :1S1587, D 15 :MV-13, D 22, 42 :WZ-090

CIRCUIT DIAGRAM / PC BOARD

RF (X44-1150-00)

*to 14V
Q10C
to variable Resistor A Resistor to TP
Brown to Brown to 17Brown*

▼ IF (X48-1150-00)



- Q1~3.18: 35K35(GR), Q4.7.14: 25K19(GR), Q5.27: 25A495(Y), Q6.11.15.16.20.21.26.30: 25C733(Y), Q8~10.12.13.17: 25C460(B), Q19.22: 25C1000(GR), Q23~25.28.29: 25C945(R), D1~8.24: 1S1587, D9~14.16~19.26~29.31~41: 1N60, D15: MV-13, D20.21.23.30.43: 1S1555, D22.42: WZ-090

CIRCUIT DIAGRAM / PC BOARD

▼ RF (X44-1150-00)

