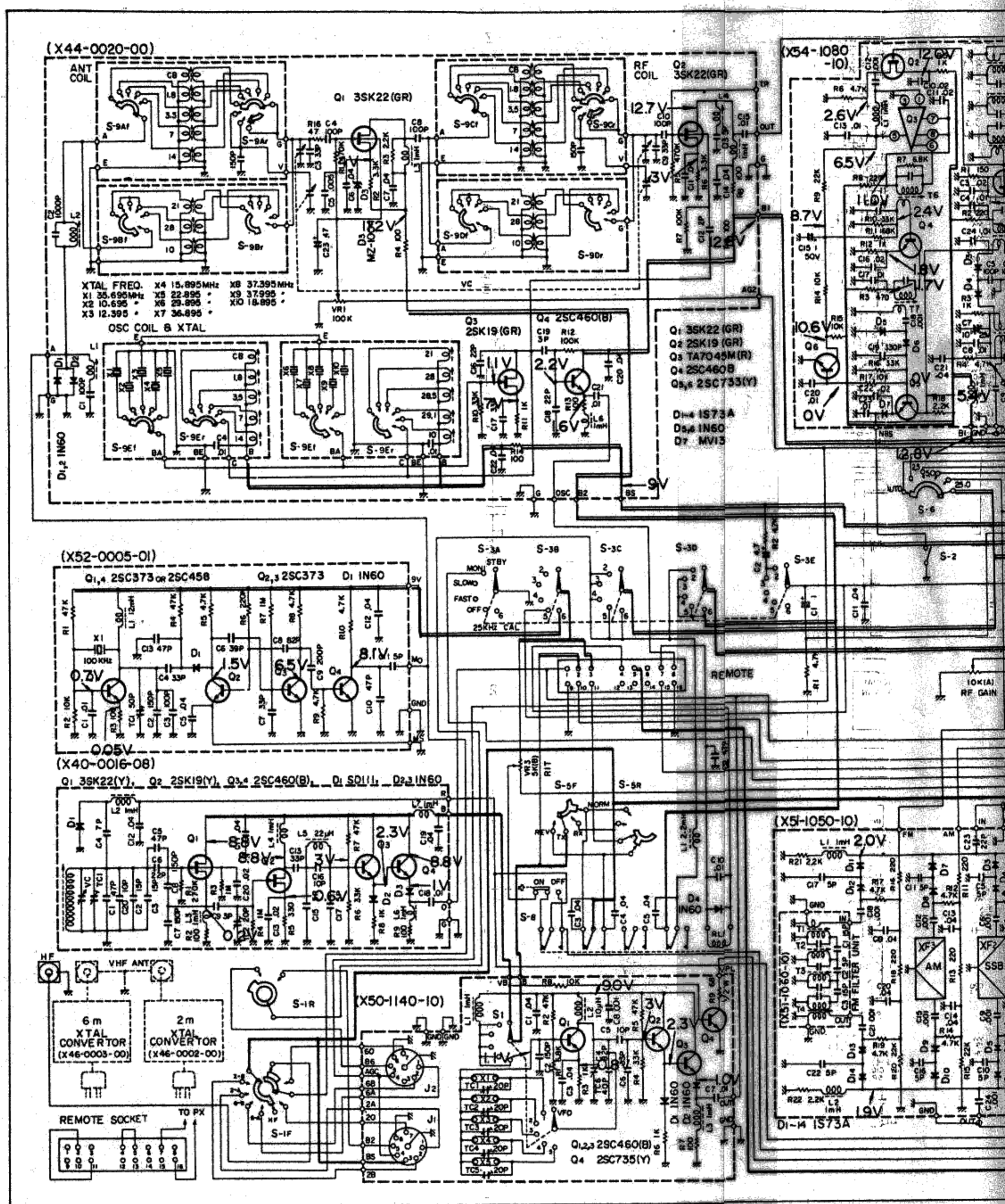


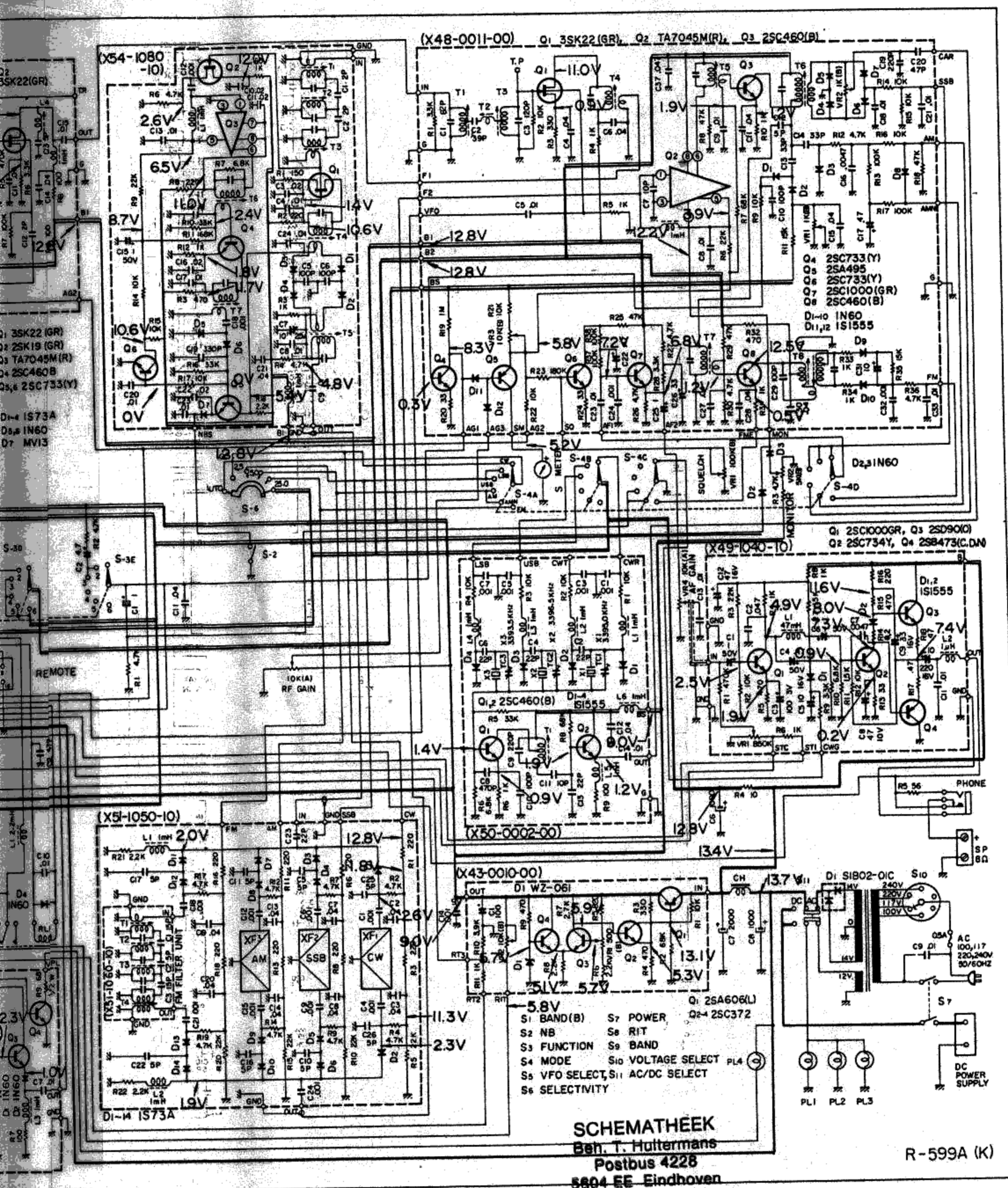
B

B



**SCHEMATEEK**  
 Beh. T. Hultermans  
 Postbus 4228  
 5604 EE Eindhoven



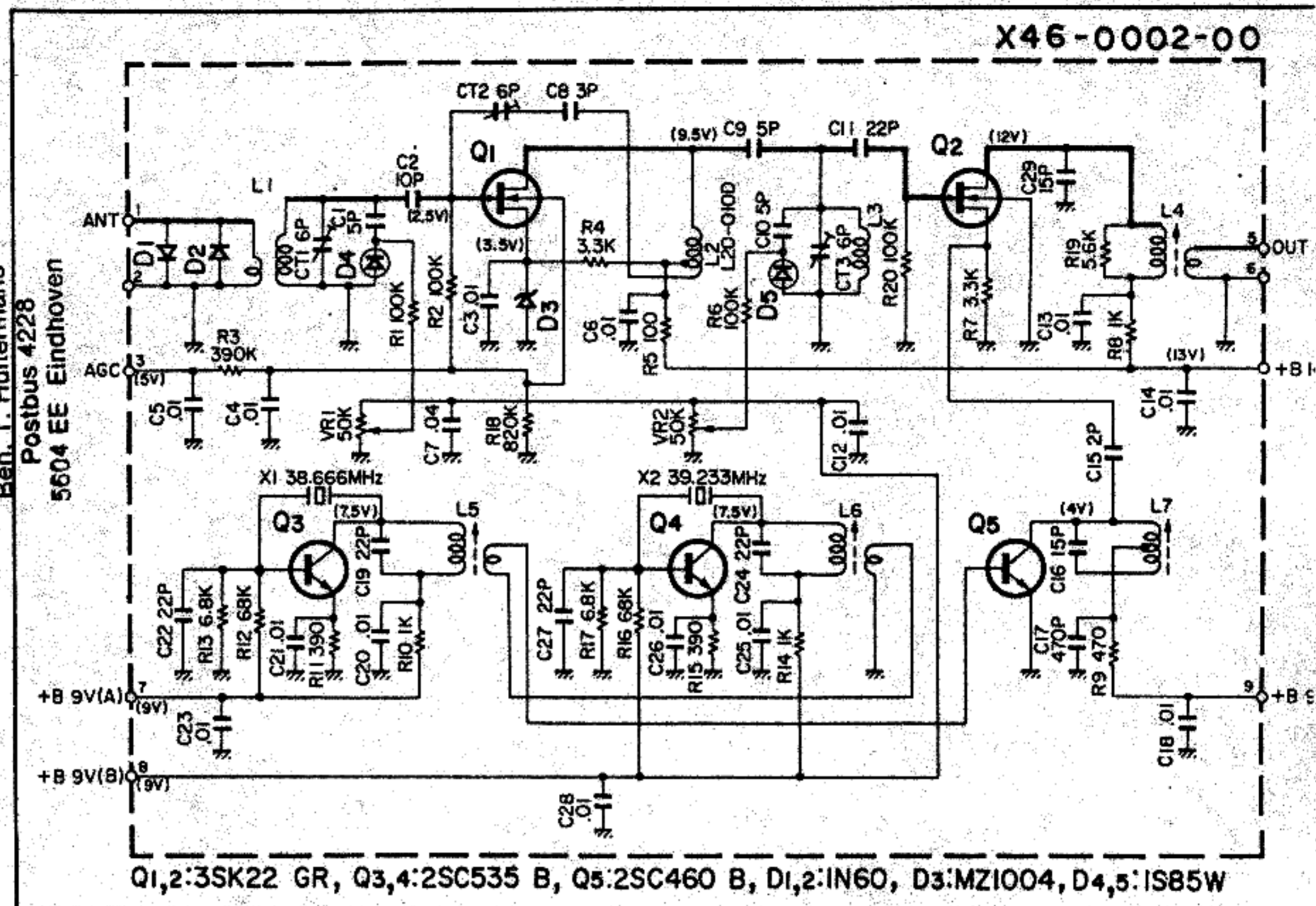


**THEEK**  
Hultermans  
4228  
Eindhoven



CC-29A 2m Xtal CONVERTOR

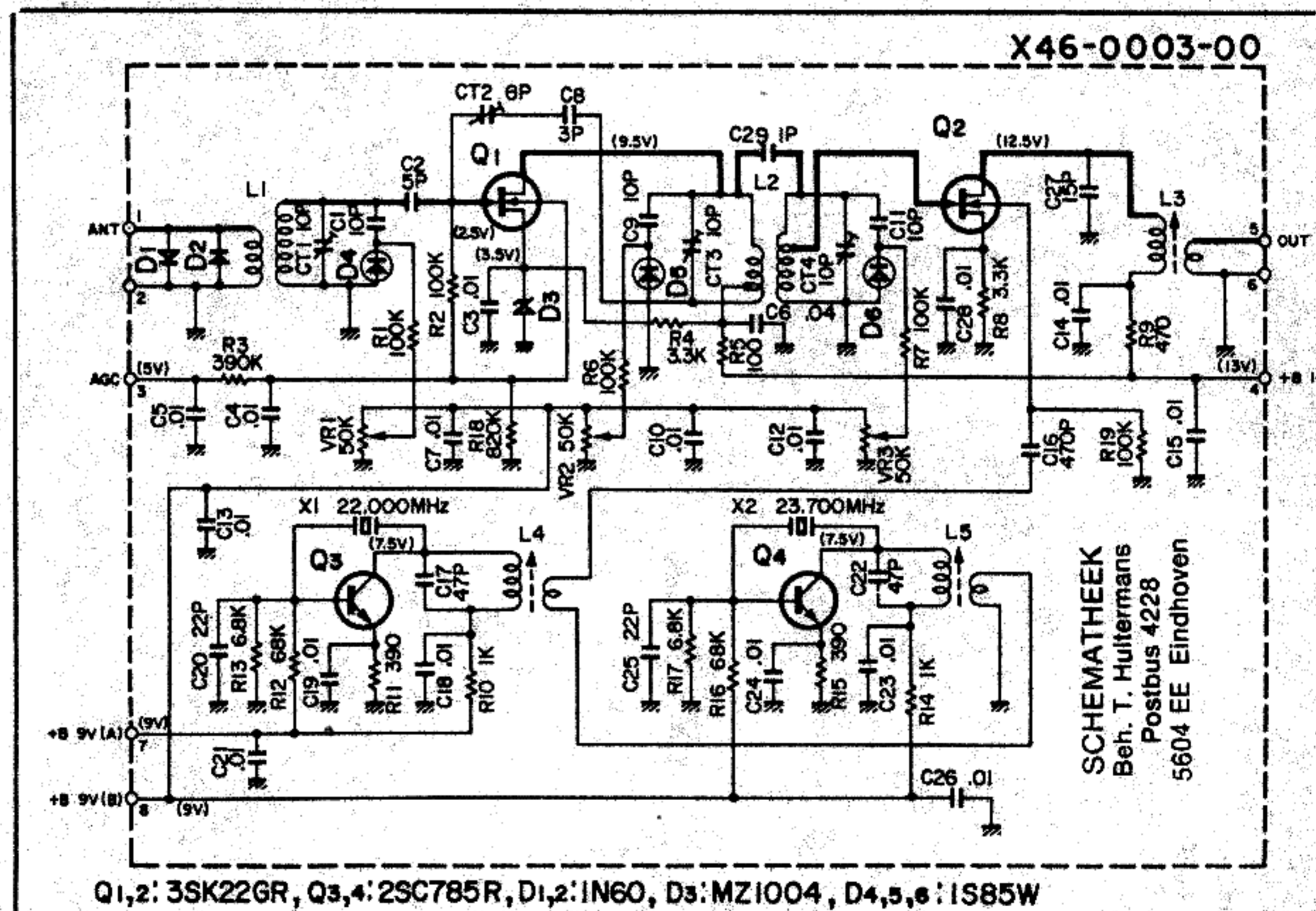
SCHEMATEHEEK  
Beh. T. Hultermans  
Postbus 4228  
5604 EE Eindhoven



Q1,2:3SK22 GR, Q3,4:2SC535 B, Q5:2SC460 B, D1,2:IN60, D3:MZI004, D4,5:IS85W

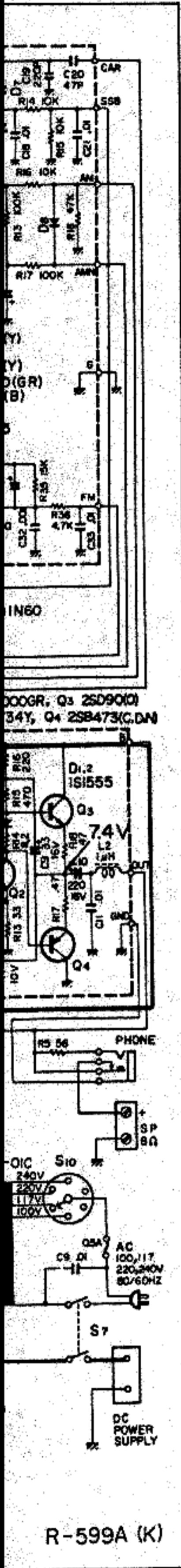
CC-26A 6m Xtal CONVERTOR

X46-0003-00



Q1,2: 3SK22GR, Q3,4:2SC785R, D1,2:IN60, D3:MZI004, D4,5,6:IS85W

SCHEMATEHEEK  
Beh. T. Hultermans  
Postbus 4228  
5604 EE Eindhoven

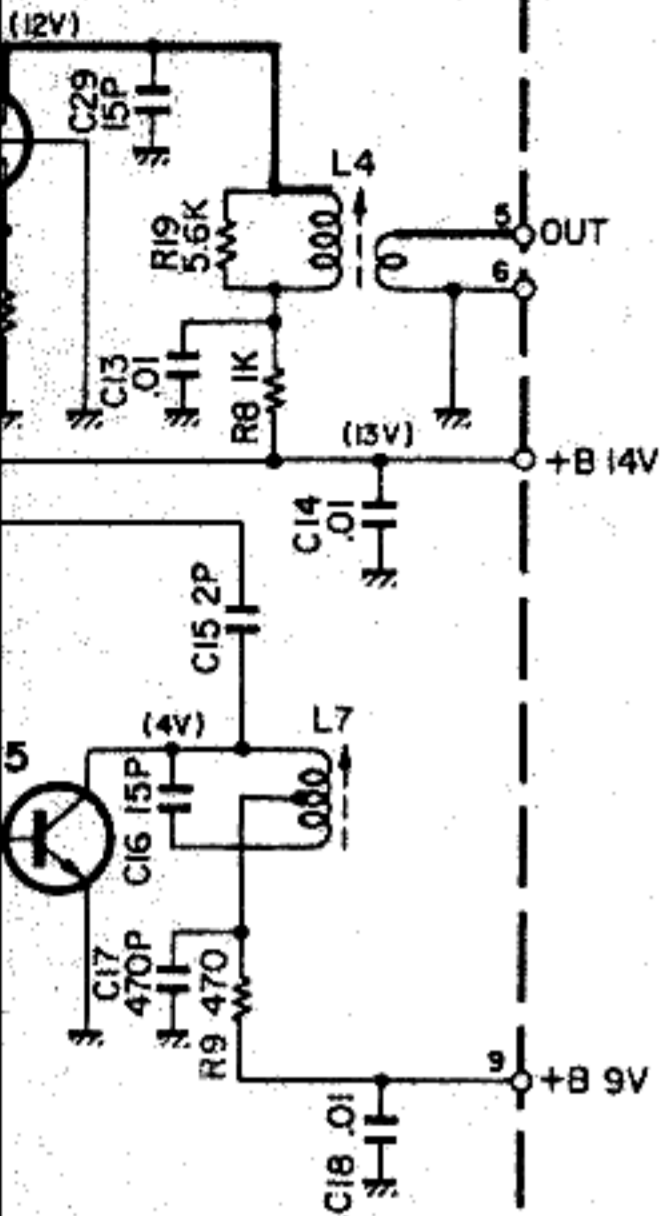


R-599A (K)

**SCHEMATHEEK**  
 Beh. T. Hultermans  
 Postbus 4228  
 5604 EE Eindhoven

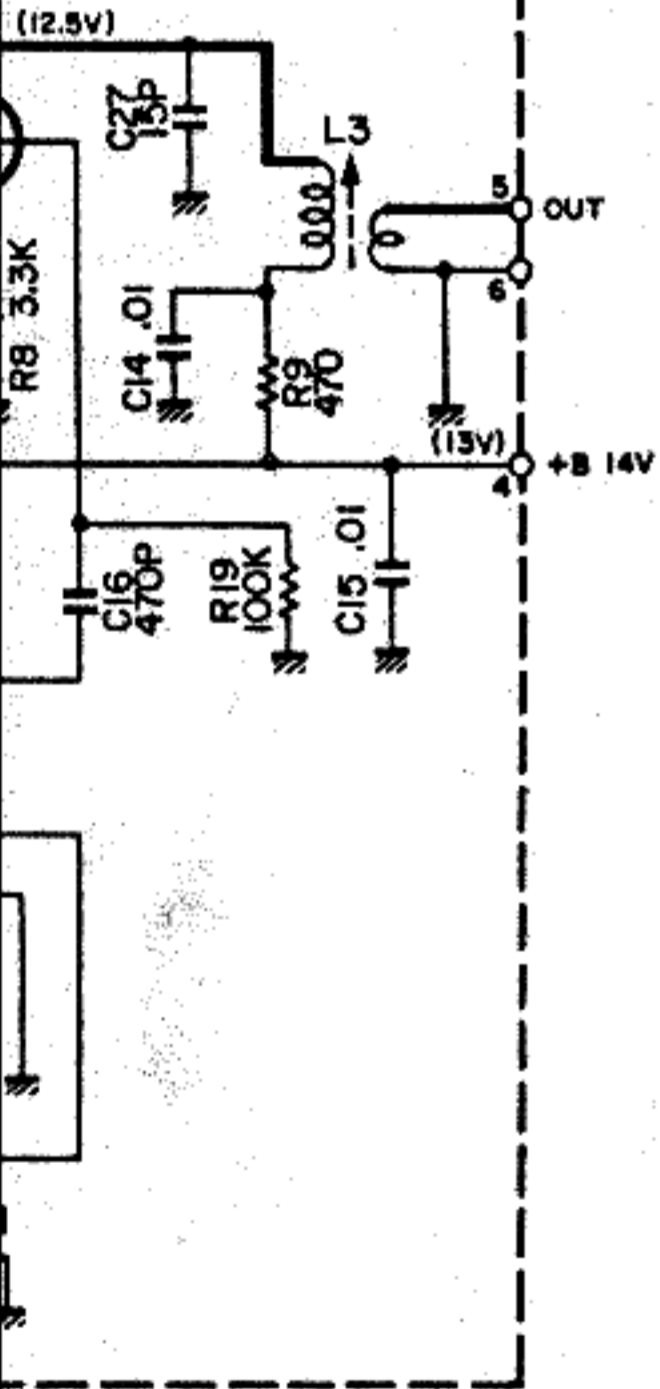


**X46-0002-00**



1004, D4, 5: IS85W

**X46-0003-00**



85W

**SPECIFICATION**

<b>FREQUENCY RANGE</b>	1.8 MHz BAND . . . . . 1.8 ~ 2.3 MHz 3.5 MHz BAND . . . . . 3.5 ~ 4.0 MHz 7.0 MHz BAND . . . . . 7.0 ~ 7.5 MHz 14.0 MHz BAND . . . . . 14.0 ~ 14.5 MHz 21.0 MHz BAND . . . . . 21.0 ~ 21.5 MHz 28.0 MHz BAND . . . . . 28.0 ~ 28.5 MHz 28.5 MHz BAND . . . . . 28.5 ~ 29.1 MHz 29.1 MHz BAND . . . . . 29.1 ~ 29.7 MHz CB BAND . . . . . 28.8 ~ 27.4 MHz 50.0 MHz BAND . . . . . 50.0 ~ 53.4 MHz (with accessory converter) 144.0 MHz BAND . . . . . 144.0 ~ 147.4 MHz (with accessory converter) WWV . . . . . 10.00 MHz
<b>MODE</b>	LSB, USB, CW, AM, and FM.
<b>POWER REQUIREMENTS</b>	100/117/200/240 VAC, 50/60Hz 12 ~ 15 VDC.
<b>POWER CONSUMPTION</b>	Less than 15 watts.
<b>AUDIO OUTPUT IMPEDANCE</b>	4 to 16 ohms for speaker or headphones.
<b>AUDIO OUTPUT</b>	More than one watt (with less than 10% distortion) into an 8 ohm load.
<b>ANTENNA INPUT IMPEDANCE</b>	50 to 75 ohms (unbalanced)
<b>FREQUENCY STABILITY</b>	Within 100 Hz during any 30 minute period after warmup. Within ±2 KHz during the first hour after warmup. Within 2 KHz across the frequency range after calibration at zero.
<b>CALIBRATION ACCURACY</b>	Not more than 400 Hz when the dial is advanced from 0 to 800 and returned to zero.
<b>BACKLASH</b>	Complete to 1 KHz calibrations on the dial scale.
<b>FREQUENCY READOUT</b>	Better than 50 db down when compared to 1µv.
<b>IMAGE RATIO</b>	Better than 50 db down when compared to 1µv.
<b>IF INTERFERENCE</b>	
<b>SENSITIVITY * SSB</b>	1.8 through 28 MHz Bands - Better than 0.5µv. CB Band - Better than 0.5µv. 50 MHz Band - Better than 1.0µv (with accessory converter). 144 MHz Band - Better than 6.0µv (with accessory converter). WWV Band - Better than 0.5µv.
<b>AM</b>	1.8 through 28 MHz Band - Better than 30µv. CB Band - Better than 3.0µv. 50 MHz Band - Better than 6.0µv (with accessory converter). 144 MHz Band - Better than 6.0µv (with accessory converter). WWV Band - Better than 3.0µv.
<b>SELECTIVITY SSB</b>	Better than 2.4 KHz bandwidth (6 dB down). Better than 4.4 KHz bandwidth (60 dB down).
<b>CW</b>	Better than 500 Hz bandwidth (6 dB down). Better than 1.5 KHz bandwidth (60 dB down).
<b>AM</b>	Better than 5 KHz bandwidth (6 dB down). Better than 12 KHz bandwidth (60 dB down).
<b>FM</b>	Better than 20 KHz bandwidth (6 dB down). Better than 120 KHz bandwidth (40 dB down).
<b>AGC</b>	Selectable automatic gain control for fast, slow, or no AGC.
<b>SQUELCH</b>	Built-in squelch.
<b>VFO VERSATILITY</b>	Versatile cross channel operation with T-599A transmitter.
<b>FIXED FREQUENCY OPERATION</b>	Built-in fixed frequency oscillator for single channel operation.
<b>CALIBRATOR</b>	Built-in 25 KHz crystal oscillator.
<b>RIT</b>	The receiver incremental tuning control can vary the receive frequency ±2 KHz or more.
<b>METERING</b>	Built-in S-meter S1 through S9 to 80 dB over.
<b>SEMICONDUCTOR COMPLEMENT</b>	8 FET. 2 IC. 30 transistors. 51 diodes. 2 zener diodes. 1 variable capacity diode.
<b>DIMENSIONS</b>	10.125" wide x 6.50" high x 12.25" deep.
<b>WEIGHT</b>	12.5 pounds. 21.5 pounds shipping weight.

\* [All with a 10 dB (signal + noise)/noise ratio].

