

TRIO ER-202, also sold as Lafayette HE-80. The HE-80 version included 6m instead of 2m. Mfg 1963-64

## SPECIFICATIONS

### Frequency Range

540 — 1605 kc  
1.6 — 4.8 Mc  
4.8 — 14.5 Mc  
10.5 — 30 Mc  
142 — 148 Mc

### Band Spread

(Direct reading calibration on Ham Bands)

3.5 Mc	3.5 — 4.0 Mc
7 Mc	7.0 — 7.35 Mc
14 Mc	14.0 — 14.4 Mc
21 Mc	21.0 — 21.5 Mc
28 Mc	28.0 — 30 Mc

(Markings every 5 kc on 80 and 40 meter bands)

### Sensitivity

3.0 microvolts for 10 db S/N ratio at 10 Mc

### Selectivity

Without Q Multiplier: over 65 db at 10 kc  
With Q Multiplier: Variable from -74 db to -95 db at  $\pm 10$  kc.

### Output

1.5 watts

### Power Source

220 volt, 50 to 60 cps AC

### Power Consumption

65 watts

### Tubes

6AQ8  $\times$  VHF amplifier  
6AU6  $\checkmark$  VHF Mixer  
6AQ8  $\times$  VHF Oscillator  
6BA6  $\checkmark$  RF Amplifier  
6BE6  $\checkmark$  Mixer  
6AQ8  $\times$  Local Oscillator  
6BA6  $\checkmark$  ( $\times 2$ ) IF Amplifier  
6AL5  $\checkmark$  AM detector, Automatic Noise Limiter  
6BE6  $\checkmark$  Product Detector  
Gated Beam Detector  
6AQ8  $\times$  Audio Amplifier, BFO  
6AQ5  $\checkmark$  Audio output  
6AQ8  $\times$  Q Multiplier, Marker Oscillator  
6CA4  $\checkmark$  Rectifier  
OA2/VR-150MT — Voltage Regulator tube  
1N60 —

### Speaker

PM dynamic, 8 ohm voice coil, without output transformer

### Dimensions

Width 17", Height 7 $\frac{5}{8}$ ", Depth 10 $\frac{1}{8}$ " (inches)

### Weight

23.5 lbs.

### Auxiliary Circuits

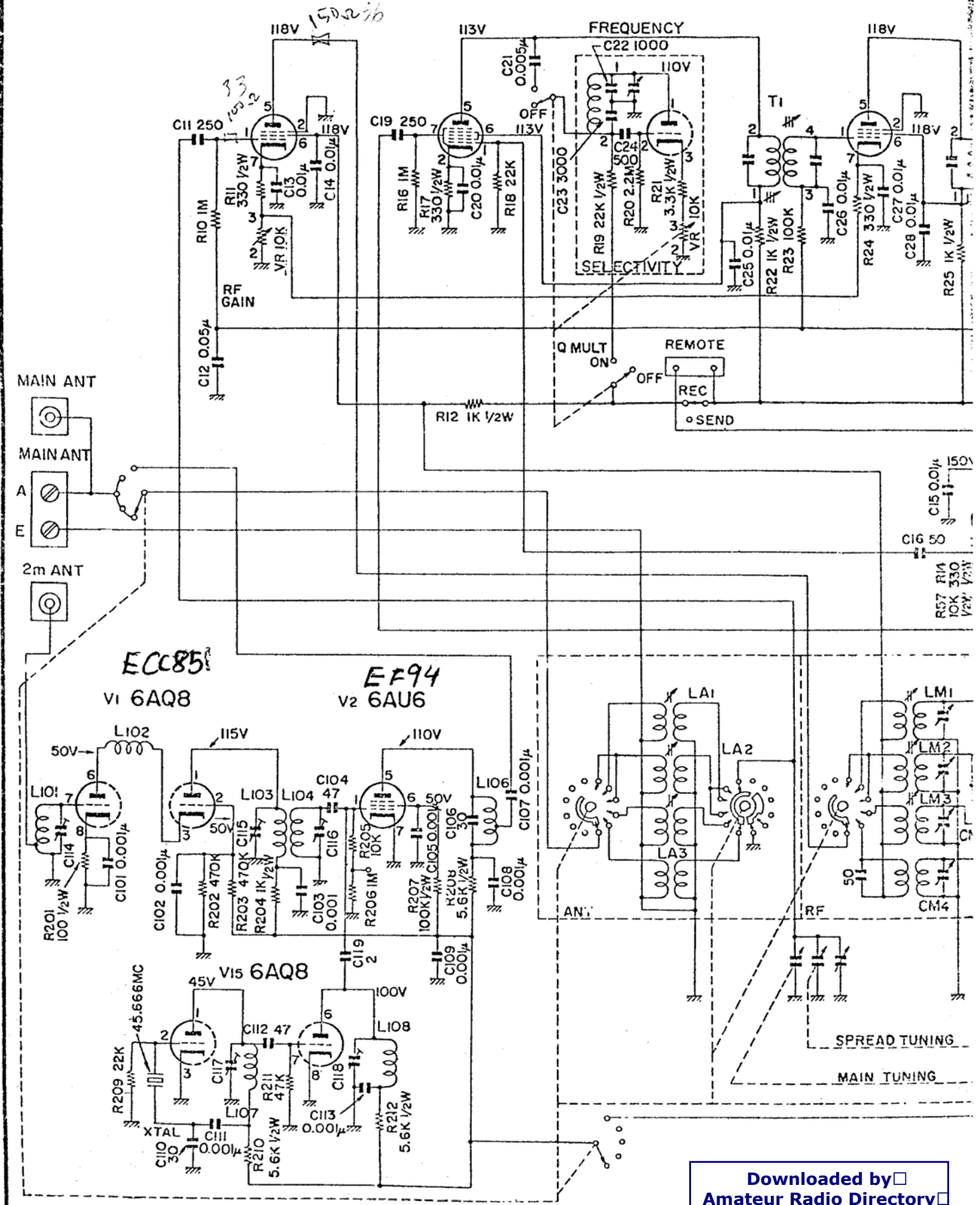
Band Spread Tuning  
Q Multiplier for Variable Selectivity  
ANL Automatic Noise Limiter  
AVC-MVC (Automatic and Manual Volume Control)  
Product Detector (for SSB — CW)  
Gated Beam Detector (for FM)  
Marker Oscillator  
S-Meter  
BFO  
Recording tap circuit terminals  
Phone Jack Plug

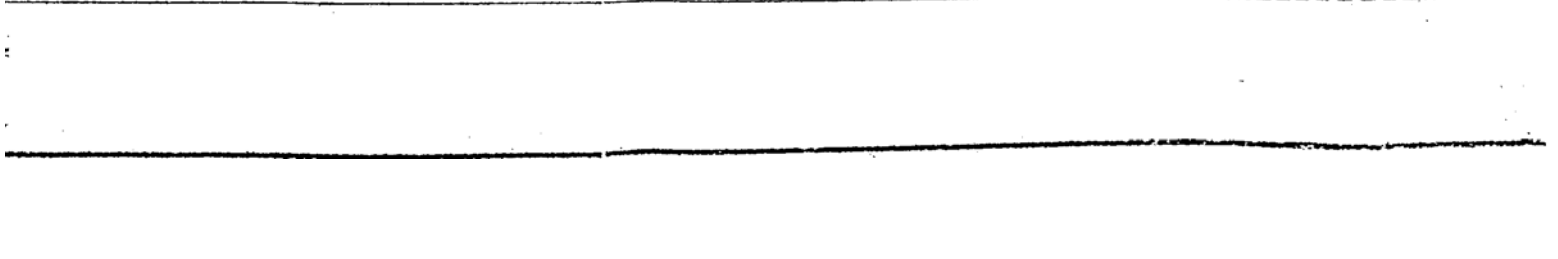
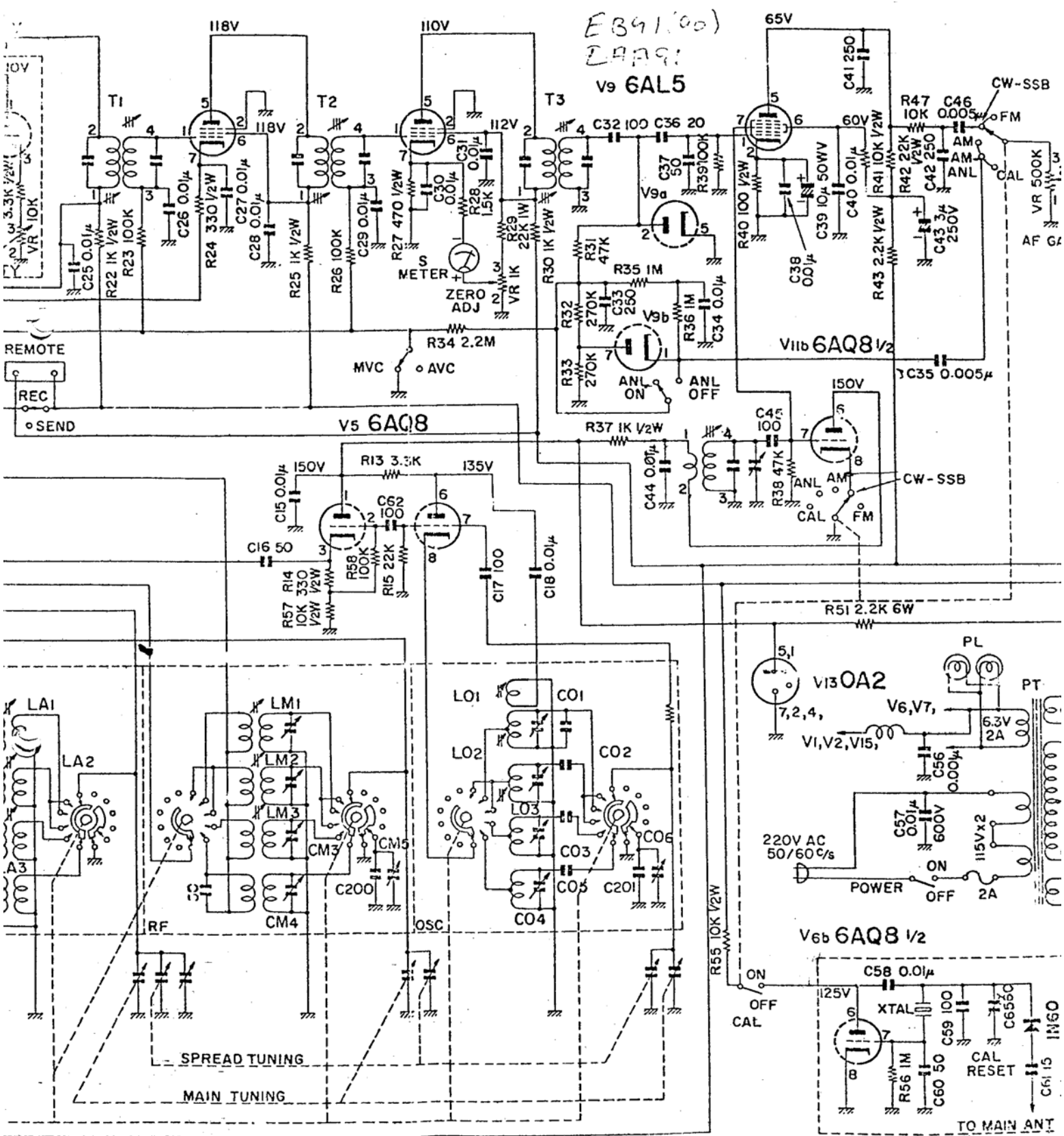
EF93  
v3 6BA6

EK90  
v4 6BE6

ECC85  
v6 6AQ8 1/2

v7 6BA6



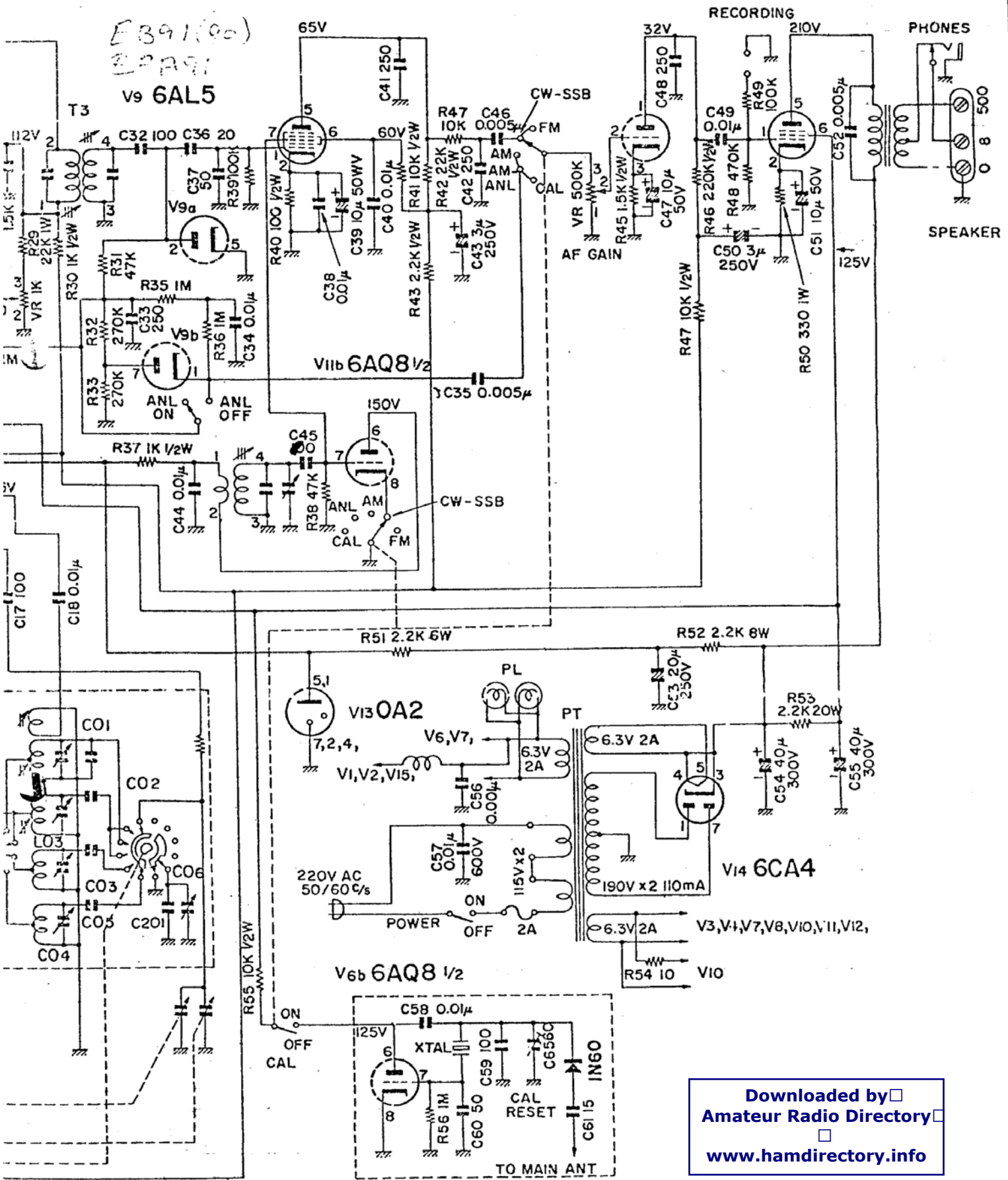


V10 6BE6

V11a 6AQ8 1/2

V12 6AQ5

FL90



Downloaded by   
 Amateur Radio Directory   
  
[www.hamdirectory.info](http://www.hamdirectory.info)