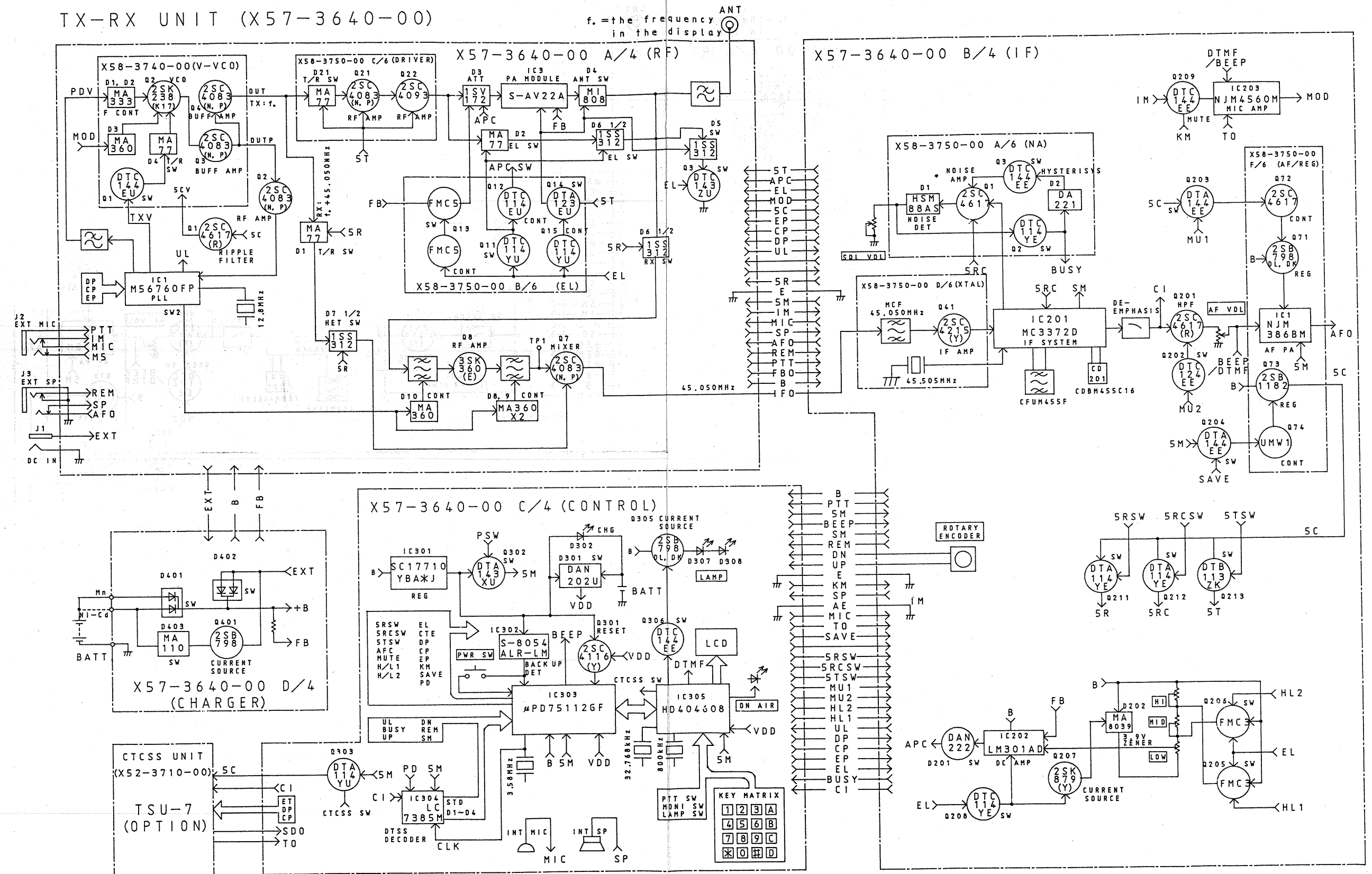


5-1. BLOCK DIAGRAM

TH-27A/27E

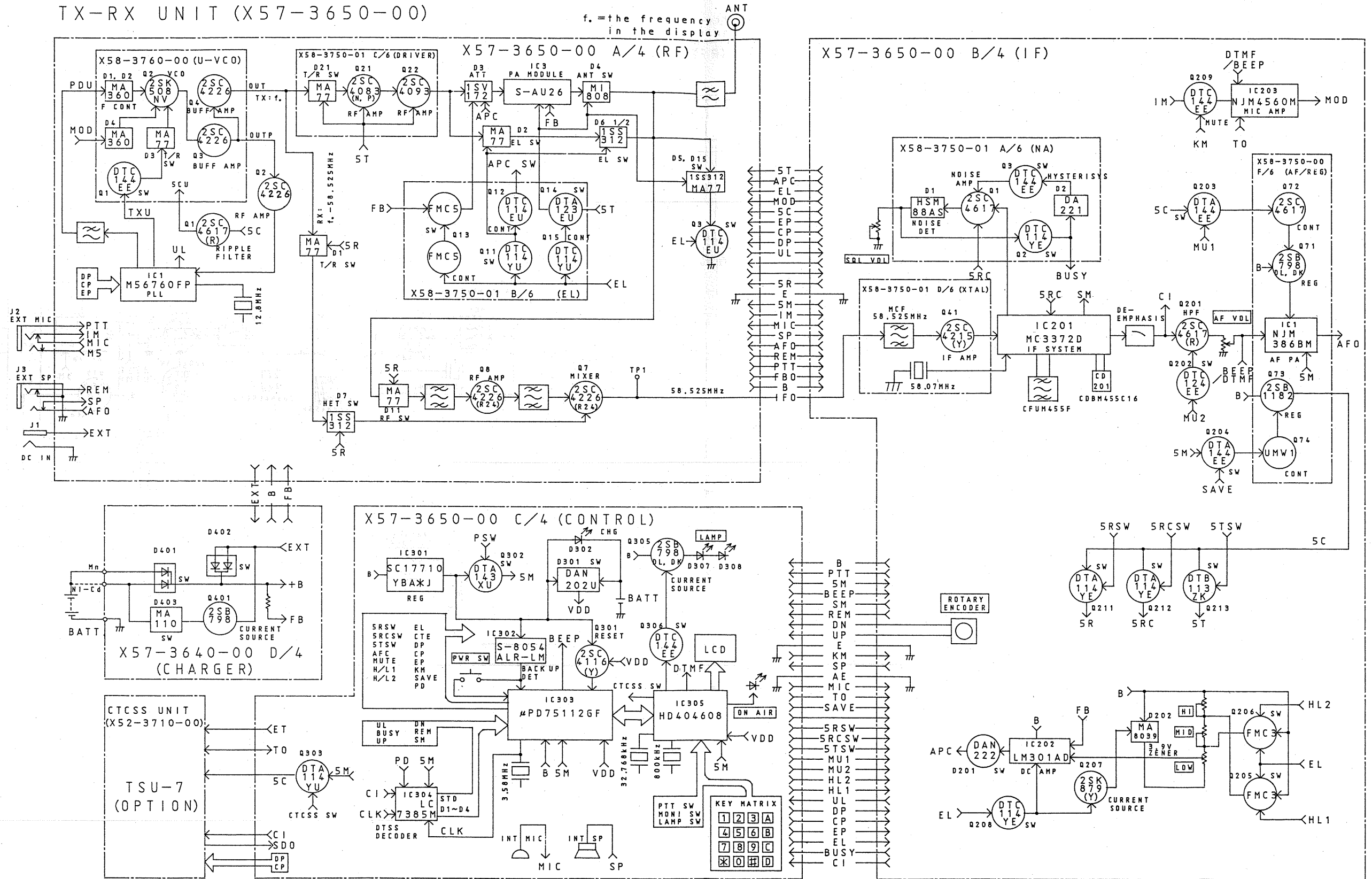


TH-F27 BLOCK DIAGRAM

Downloaded by
RadioAmateur.EU

Note: Circuit is subject to change without notice due to advancements in technology.

TX-RX UNIT (X57-3650-00)



TH-47 BLOCK DIAGRAM

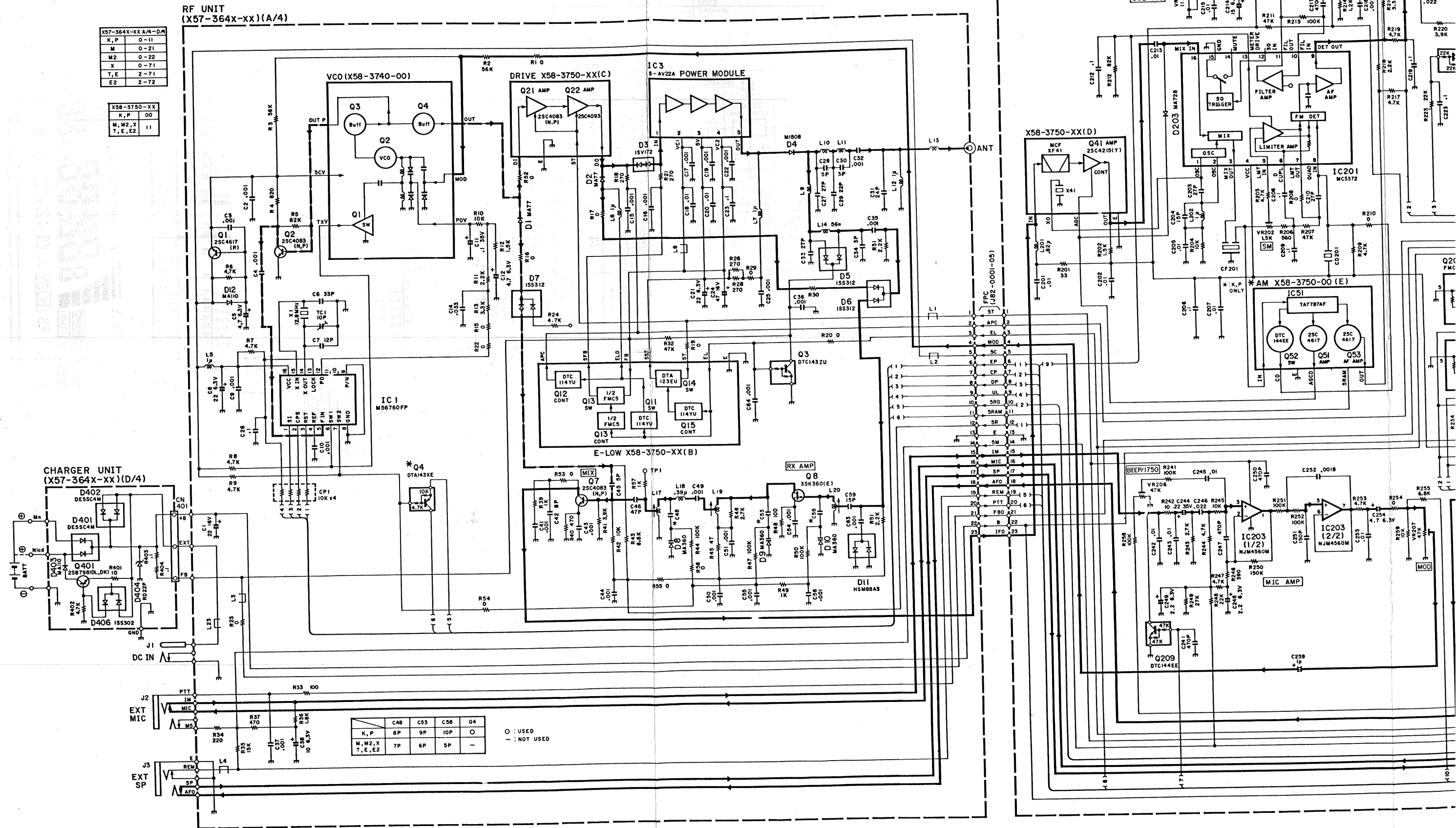
Note: Circuit is subject to change without notice due to advancements in technology.

5-2. SCHEMATIC DIAGRAM

TH-27A/27E

Downloaded by
RadioAmateur.EU

IF UNIT
(X57-364X-XX) (B/4)



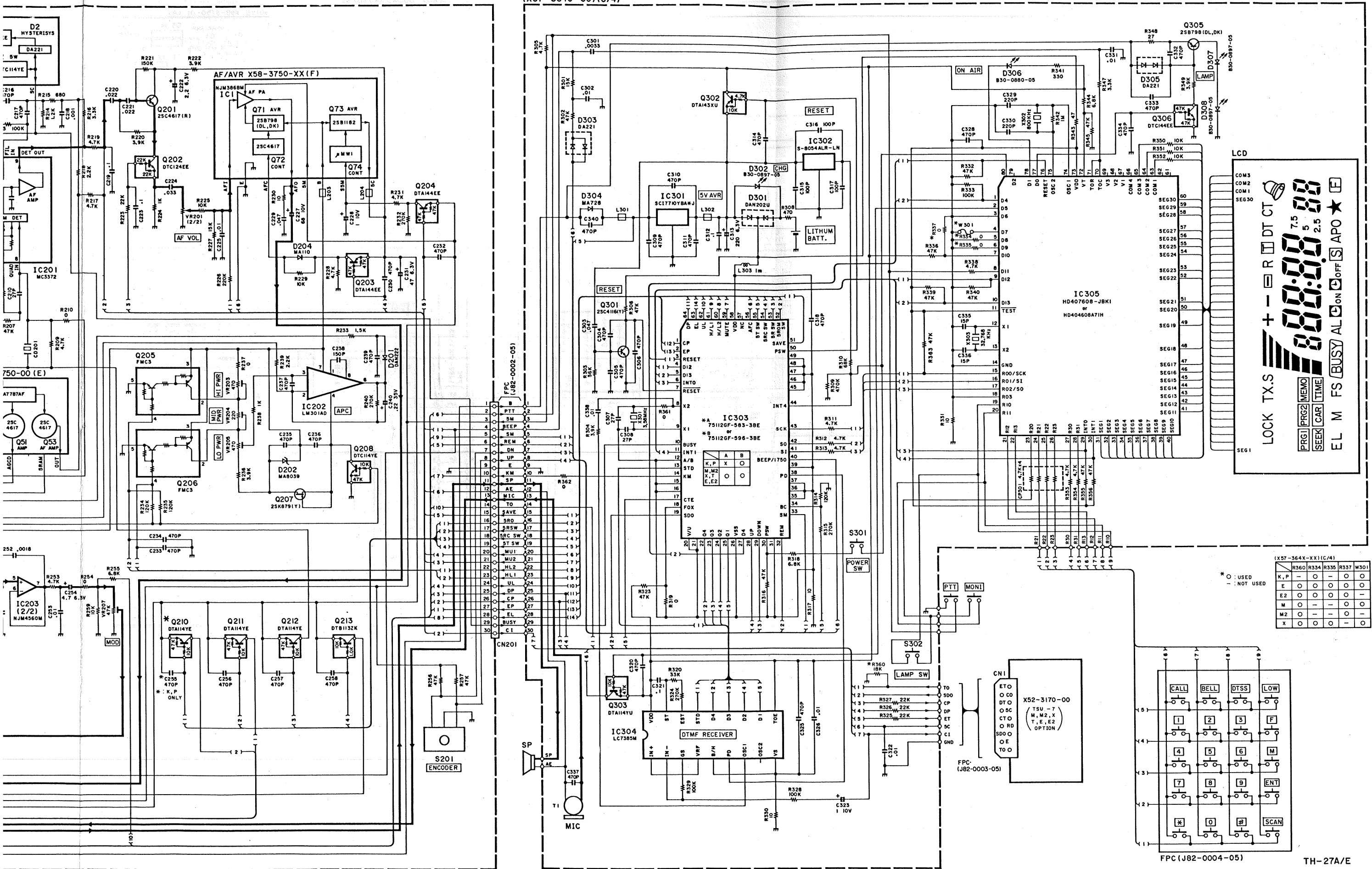
X57-364X-XX A/A-D/M	
K, P	0-11
M	0-21
M2	0-22
X	0-71
T, E	2-71
E2	2-72

X58-3750-XX	
K, P	00
M, M2, X	11
T, E, E2	

	C48	C53	C58	Q4
K, P	8P	9P	10P	0
M, M2, X	7P	6P	5P	-
T, E, E2				

○ : USED
- : NOT USED

CONTROL UNIT
(X57-3640-00) (C/4)



LOCK TX.S + - R DT CT

7.5 0.0 0.0 0.0

5 2.5 0.0

PRG1 PRG2 MEMO

SEEK CAR TIME

EL M FS BUSY AL ON OFF S APO ★

SEG1 SEG2 SEG3 SEG4 SEG5 SEG6 SEG7 SEG8 SEG9 SEG10 SEG11 SEG12 SEG13 SEG14 SEG15 SEG16 SEG17 SEG18 SEG19 SEG20 SEG21 SEG22 SEG23 SEG24 SEG25 SEG26 SEG27 SEG28 SEG29 SEG30

(X57-364X-XX) (C/4)

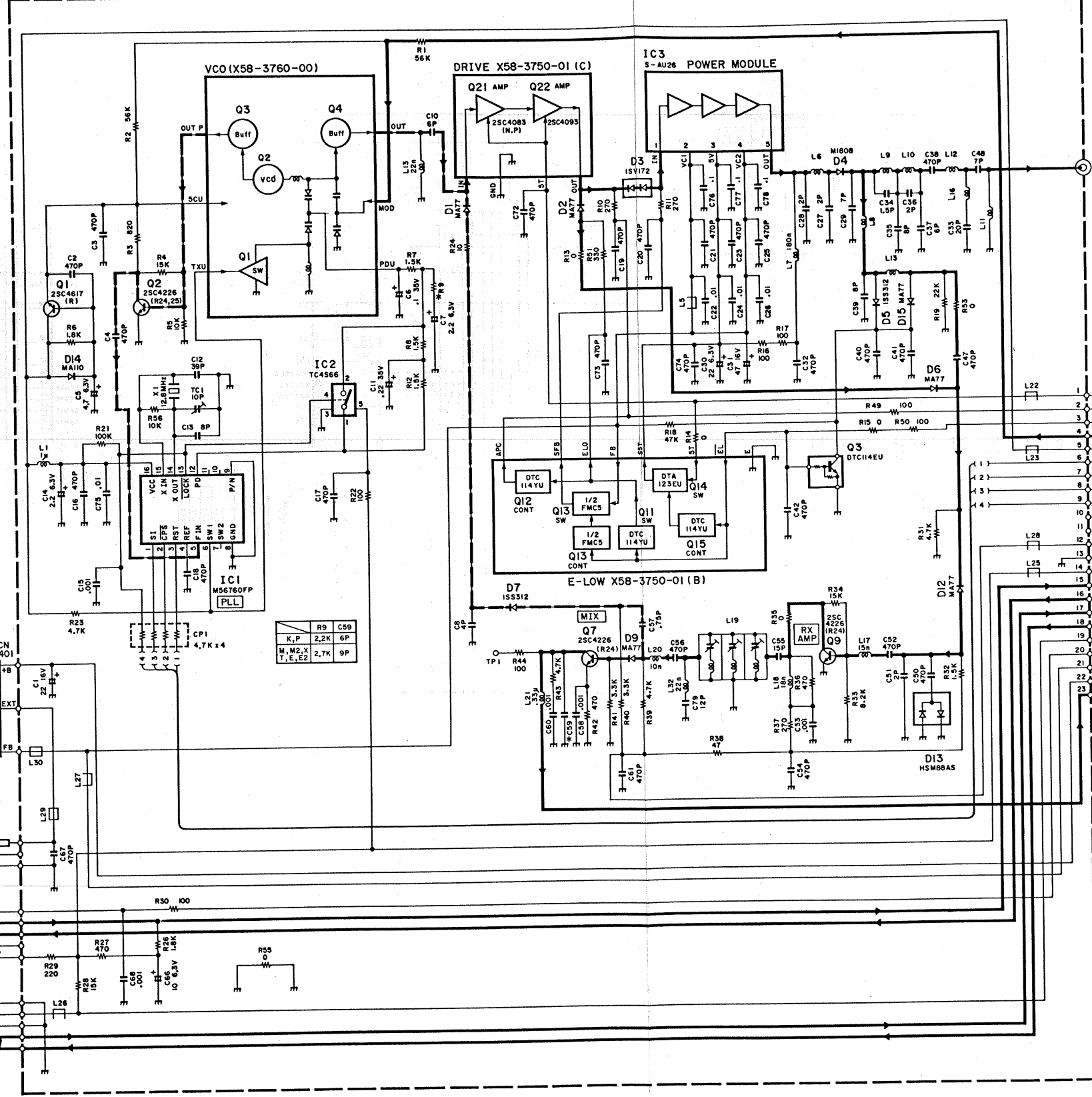
	R360	R334	R335	R337	W301
K, P	○	○	○	○	○
E, 2	○	○	○	○	○
M	○	○	○	○	○
M, 2	○	○	○	○	○
X	○	○	○	○	○

* ○ : USED
○ : NOT USED

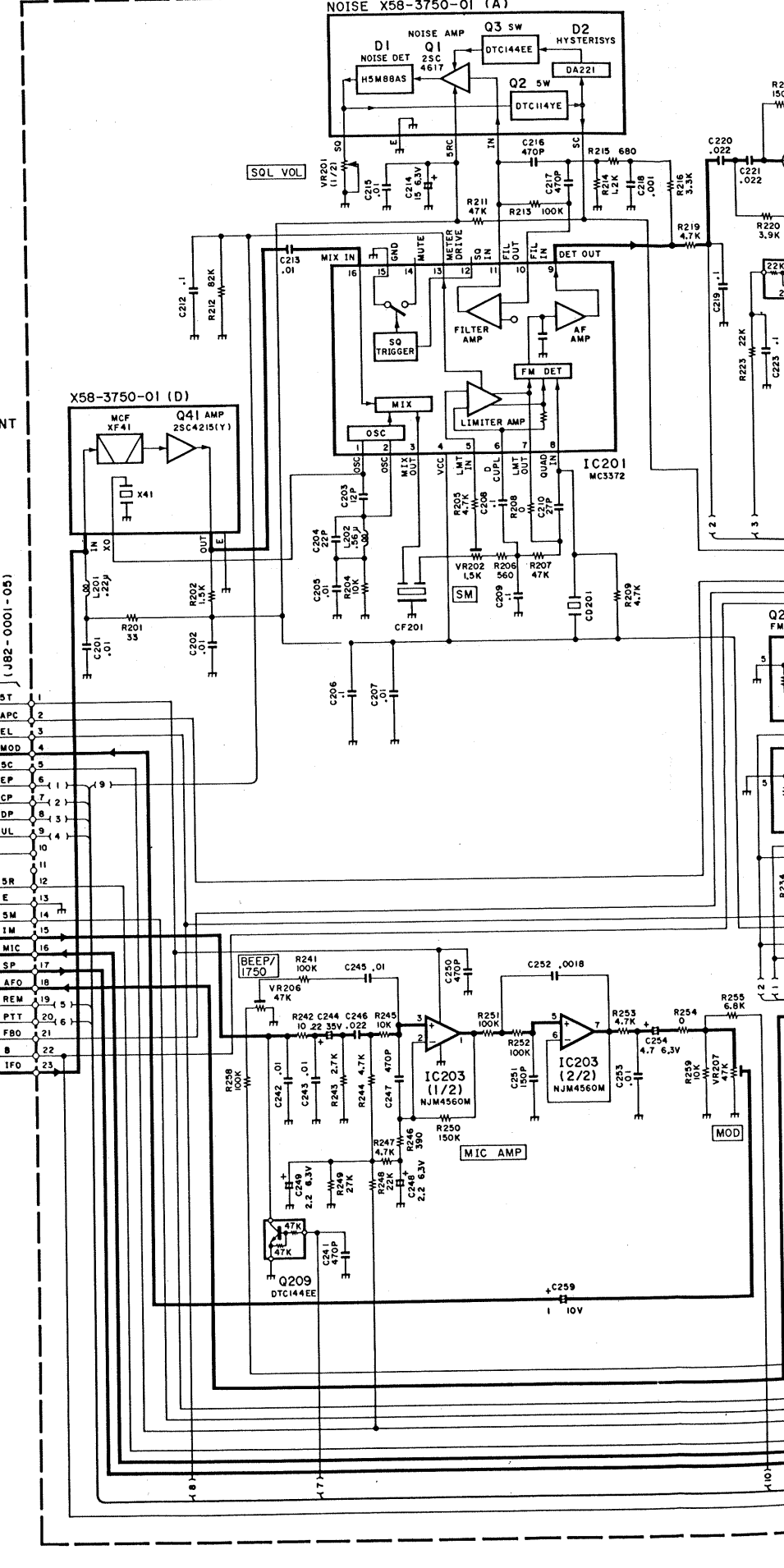
Note: Circuit is subject to change without notice due to advancements in technology.

X57-365X-XX A/4-D/4	
K,P	0-11
M	0-21
M2	0-22
X	0-71
T,E	2-71
E2	2-72

RF UNIT
(X57-365X-XX) (A/4)



IF UNIT
(X57-365X-XX) (B/4)



R9 C59	
M, M2, X	2.2K 6P
T, E, E2	2.7K 9P

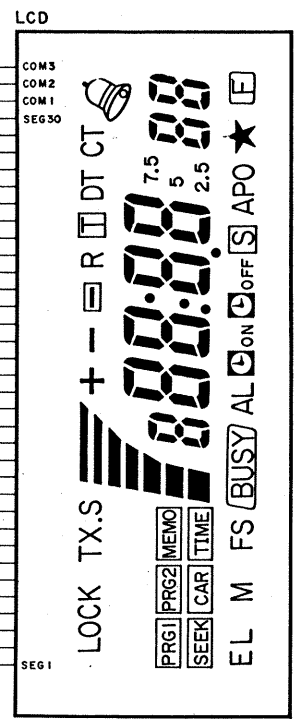
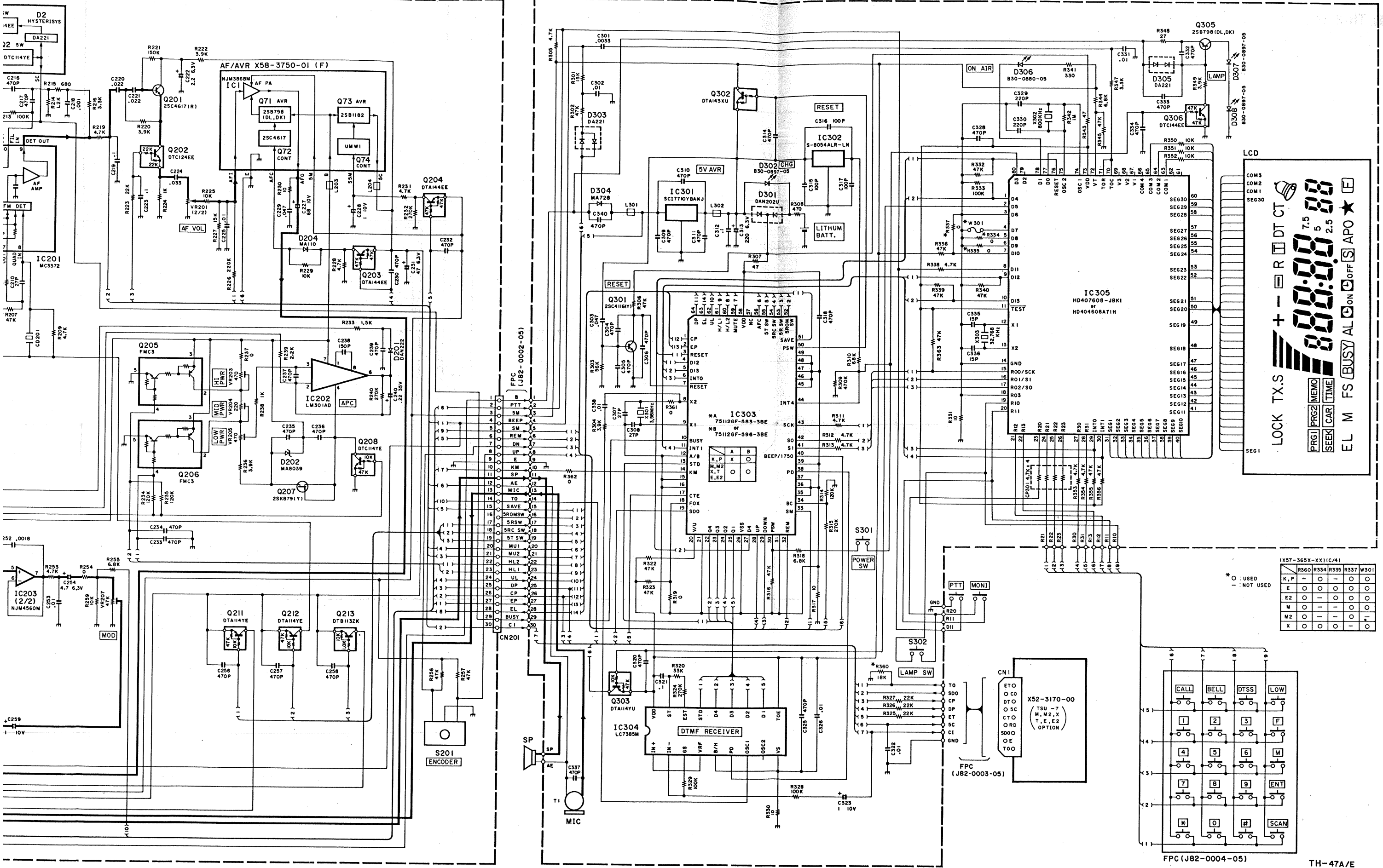
DC IN
EXT MIC
EXT SP

BEEP/1750

MIC AMP

MOD

CONTROL UNIT
(X57-365X-XX)(C/4)



(X57-365X-XX)(C/4)

	R360	R334	R335	R337	W301
K, P	○	○	○	○	○
E2	○	○	○	○	○
M	○	○	○	○	○
M2	○	○	○	○	○
X	○	○	○	○	○

* ○ USED
○ NOT USED

Note: Circuit is subject to change without notice due to advancements in technology.