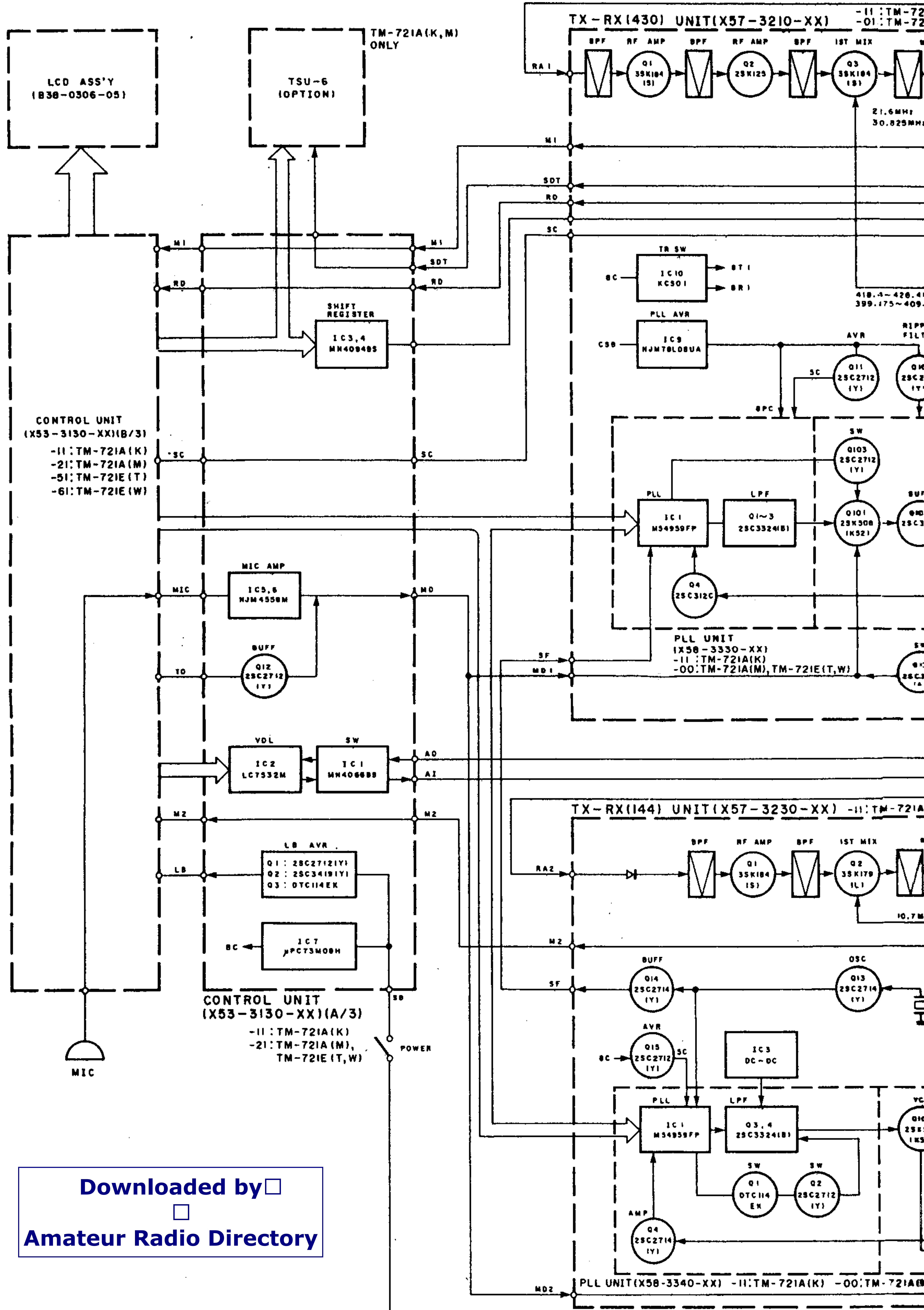
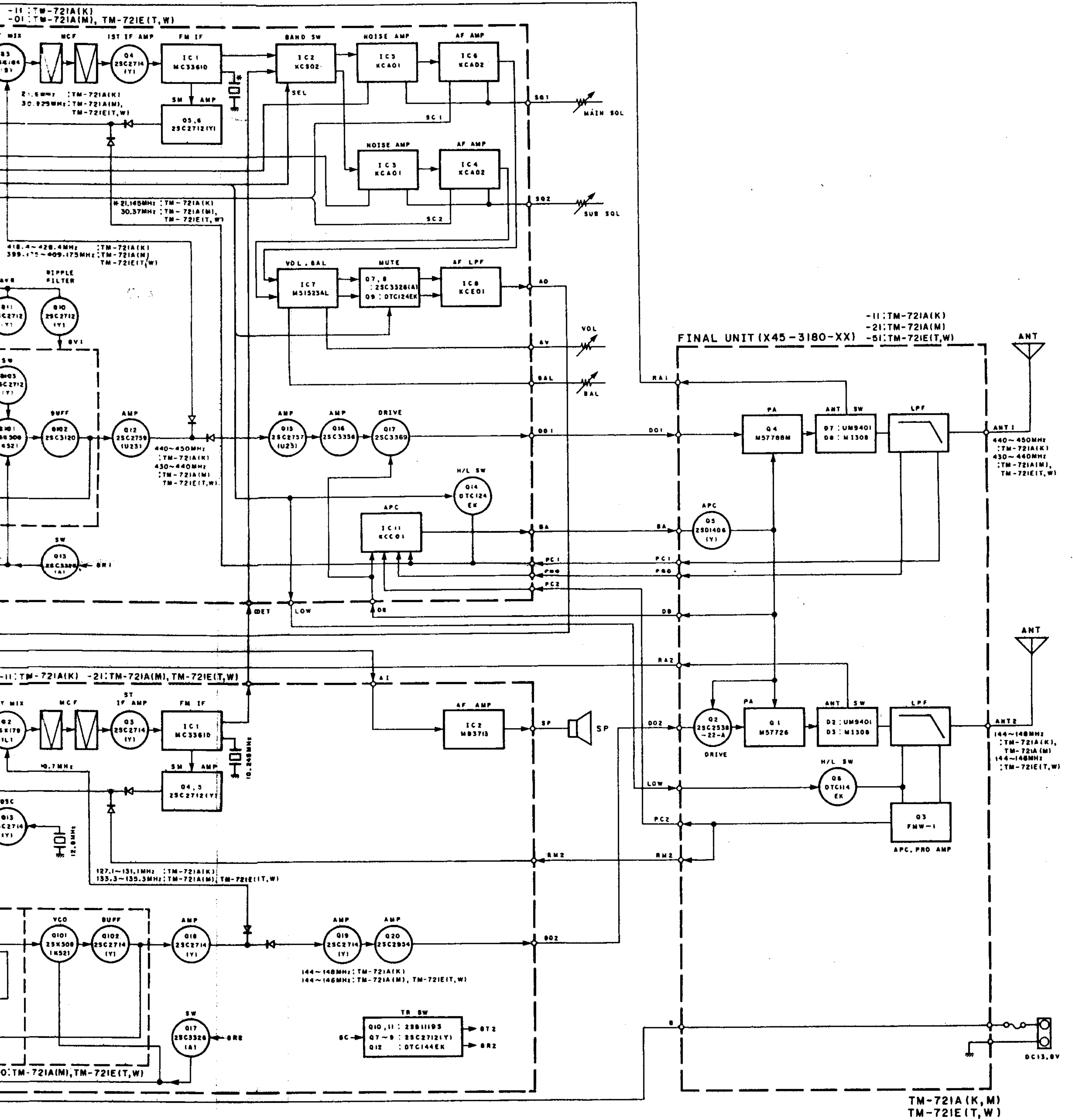


TM-721A/721E BLOCK DIAGRAM



Downloaded by

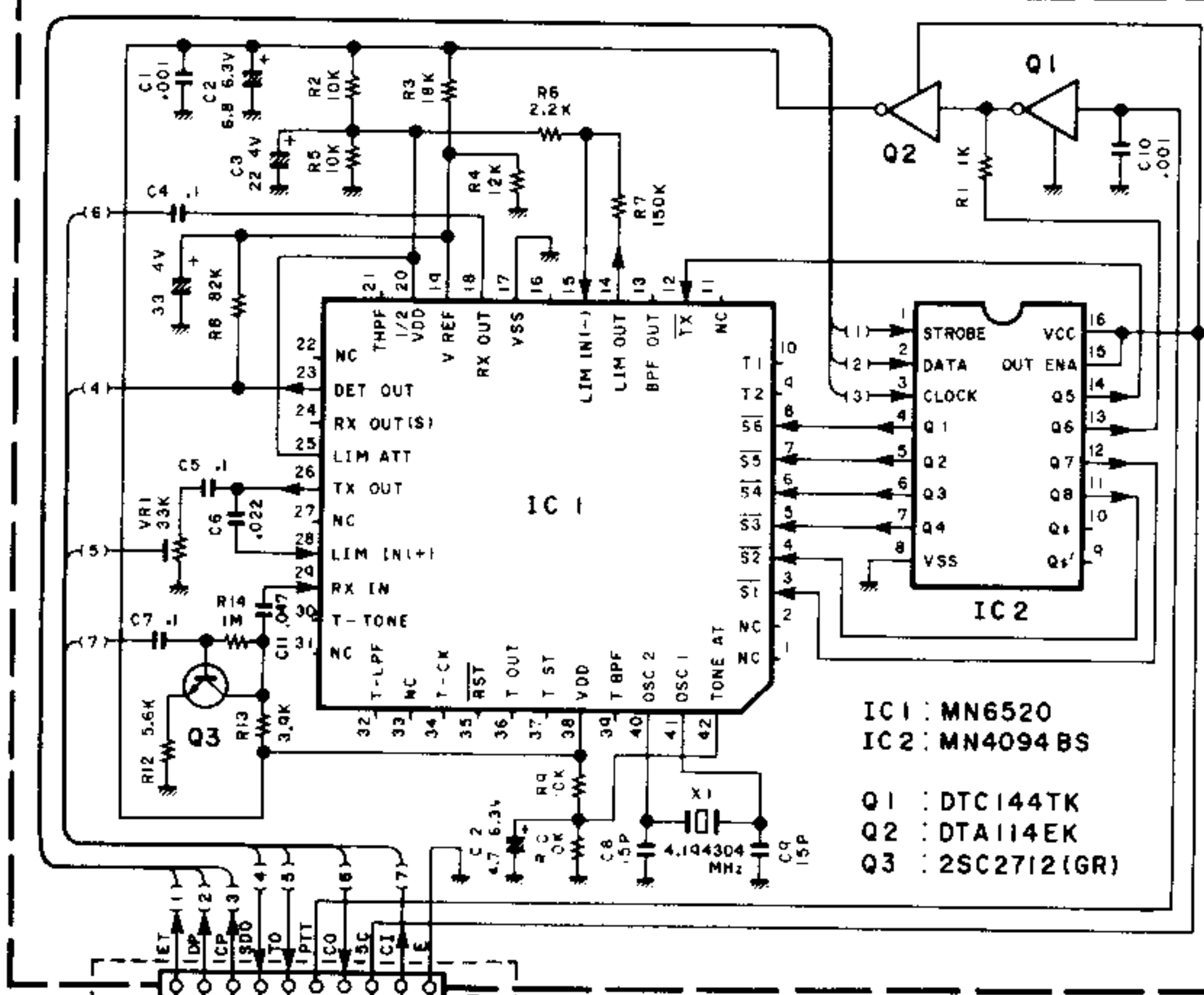
Amateur Radio Directory



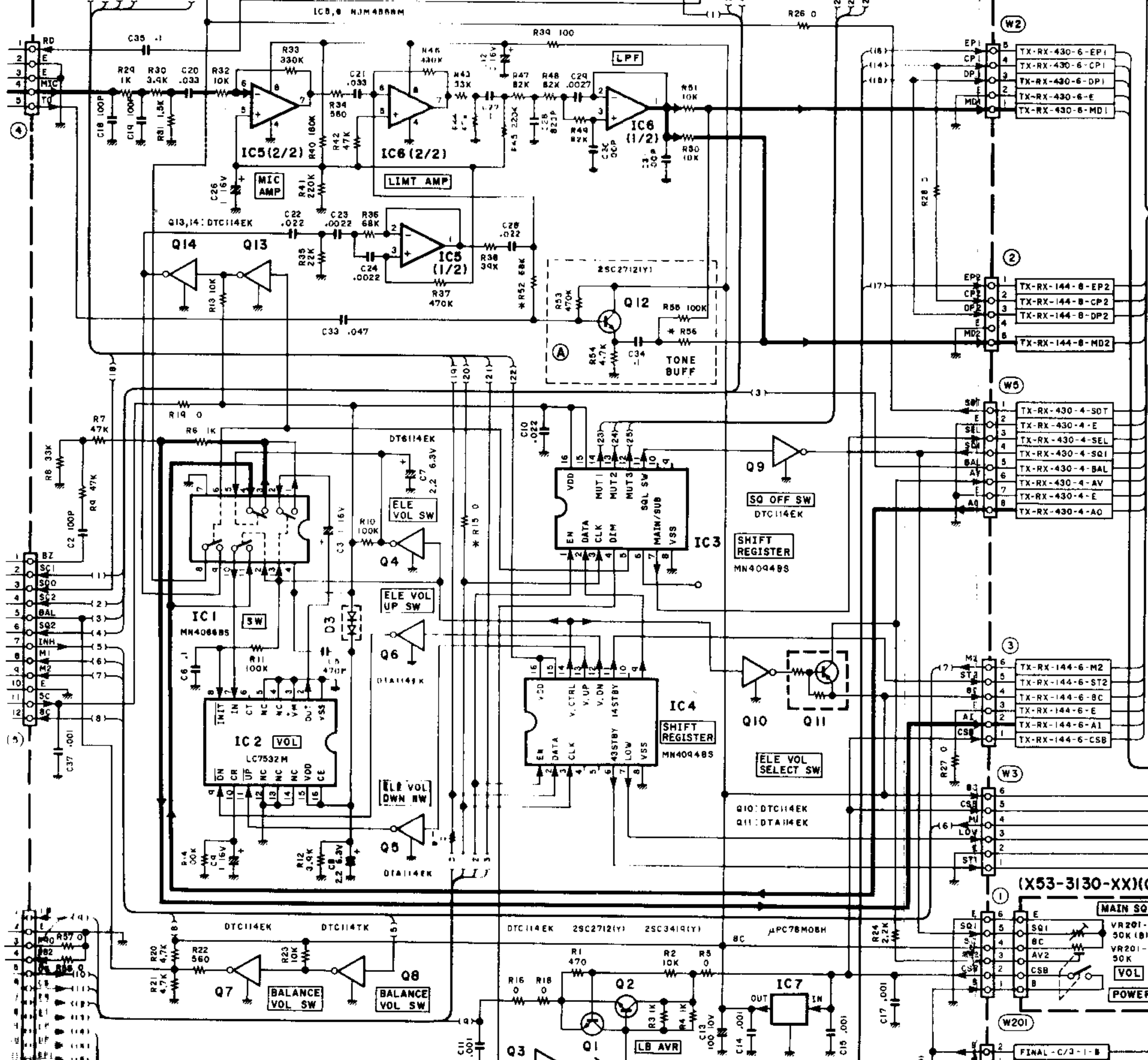
Note: Circuit is subject to change without notice due to advancements in technology.

5. TM-721A/721E SCHEMATIC DIAGRAM

TSU-6 CTCSS UNIT (X52-3100-00) (OPTION) TM-721A(K,M) ONLY



CONTROL UNIT (X53-3130-XX) (A/3) 0-11: TM-721A(K) 0-21: TM-721A(M), TM-721E(T,W)



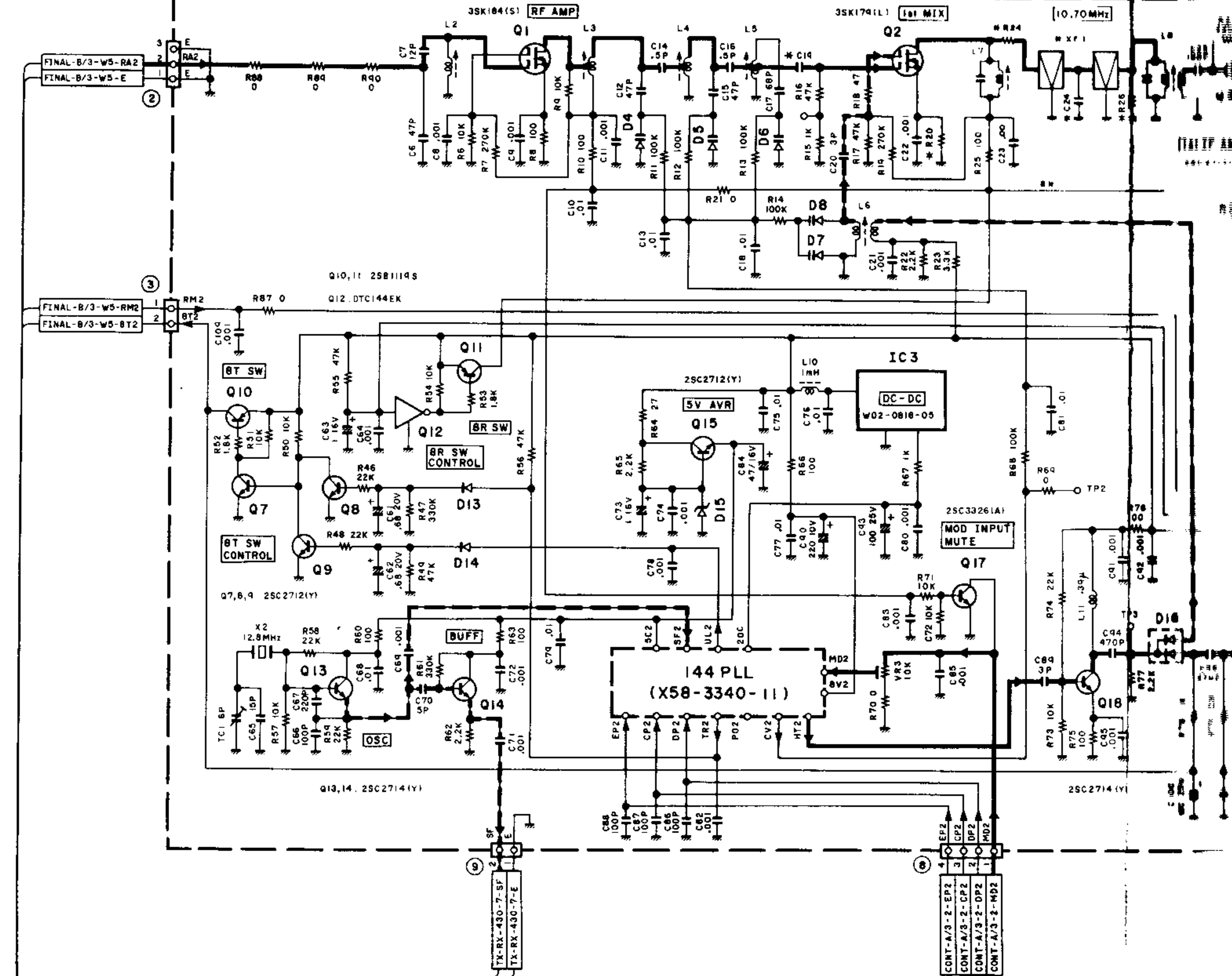
IC1 : MC3361D
IC2 : MB3713
IC3 : W02-0818-05

Q1 : 3SK184(S)
Q2 : 3SK179(L)
Q3,13,14,18,19 : 2SC2714(Y)
Q4,5,7,8,9,15 : 2SC2712(Y)
Q6,12 : DTC144EK
Q10,11 : 2SB1119S
Q17 : 2SC3326(A)
Q20 : 2SC2954

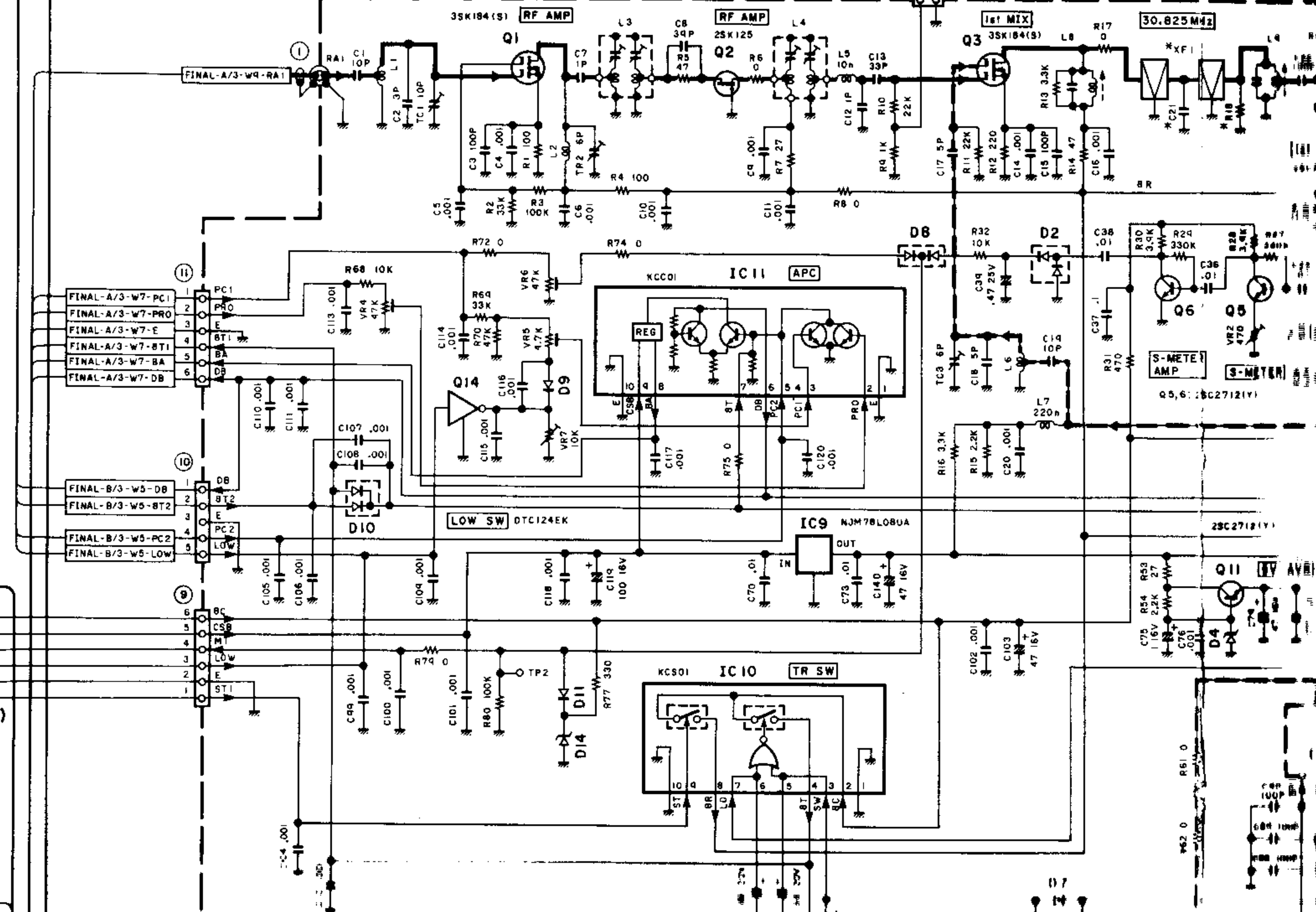
D4~8 : 1SV164
D9,11~14 : 1SS184
D10 : HSM88AS
D15 : O2CZ6.2(X,Y)
D16 : 1SS268
D17 : 1SS181
D18 : O2CZ4.3(X,Y)

Downloaded by
Amateur Radio Directory

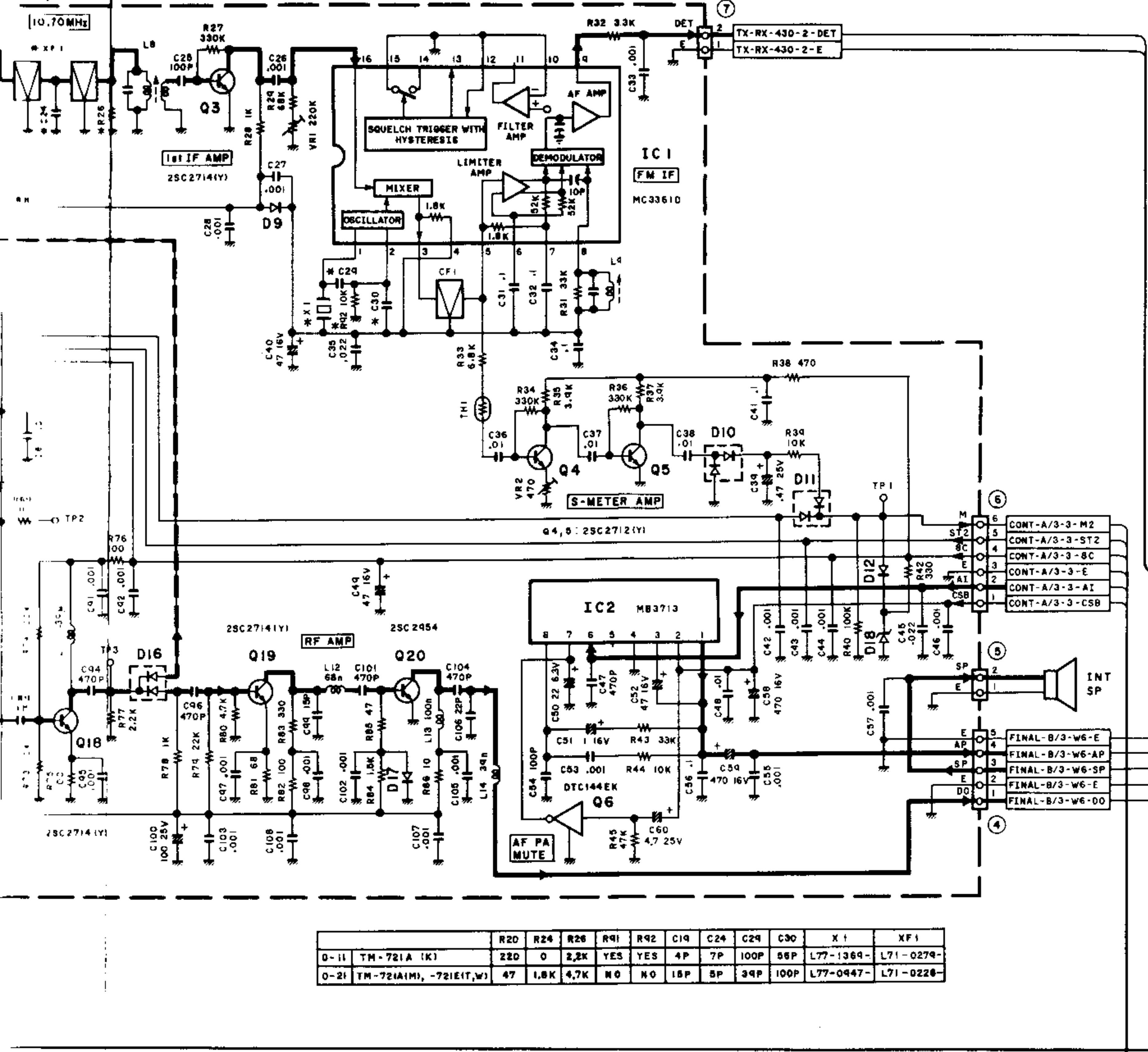
TX-RX (144MHz) UNIT (X57-3230-XX) 0-11: TM-721A(K) 0-21: TM-721A(M), TM-721E(T,W)



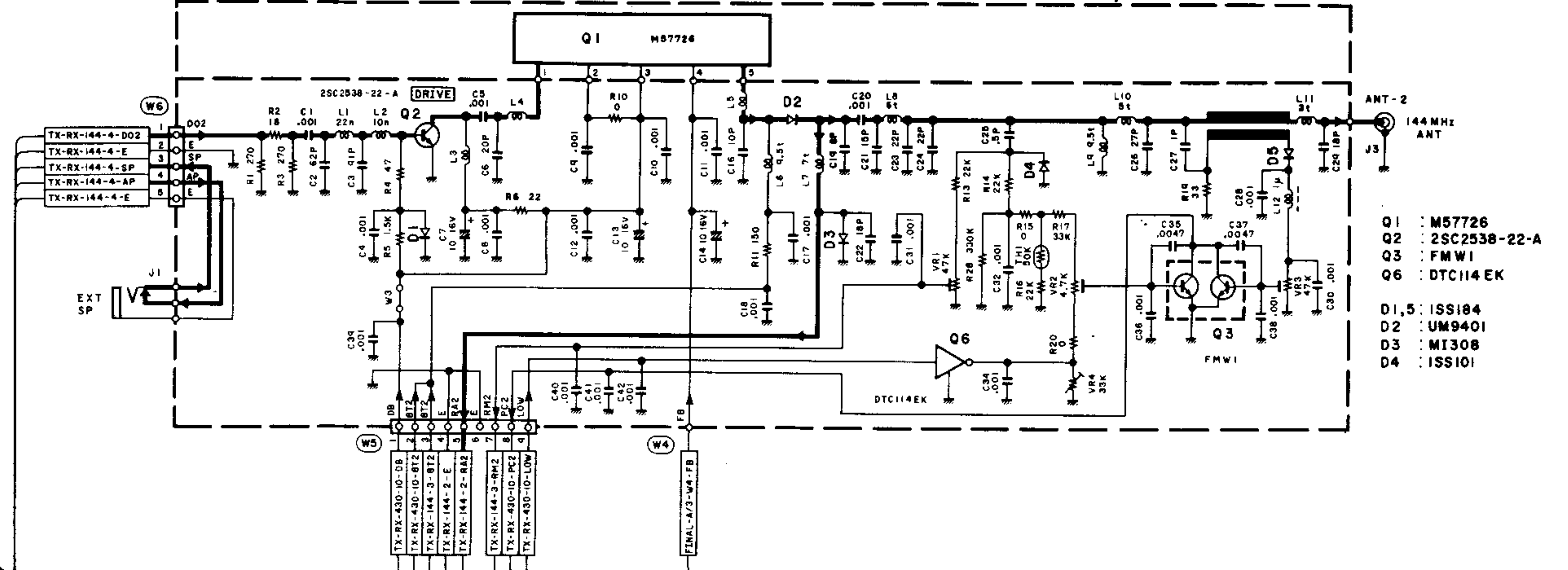
TX-RX (430/440MHz) UNIT (X57-3210-XX) 0-11: TM-721A(K) (440MHz)



IL(T,W)



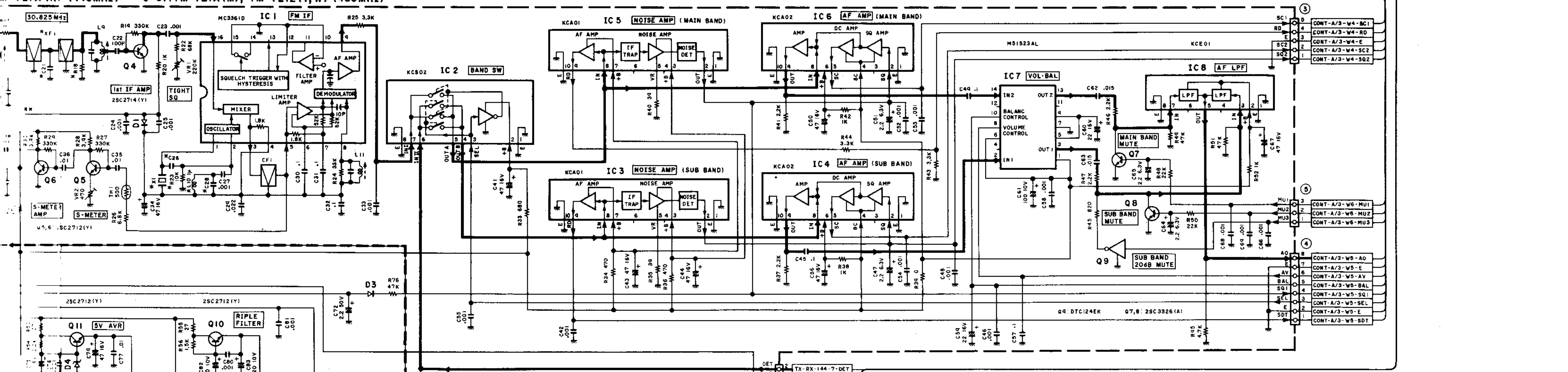
FINAL UNIT (X45-3180-XX) (B/3) 0-11: TM-721A(K) 0-21: TM-721A(M) 0-51: TM-721E(T,W)

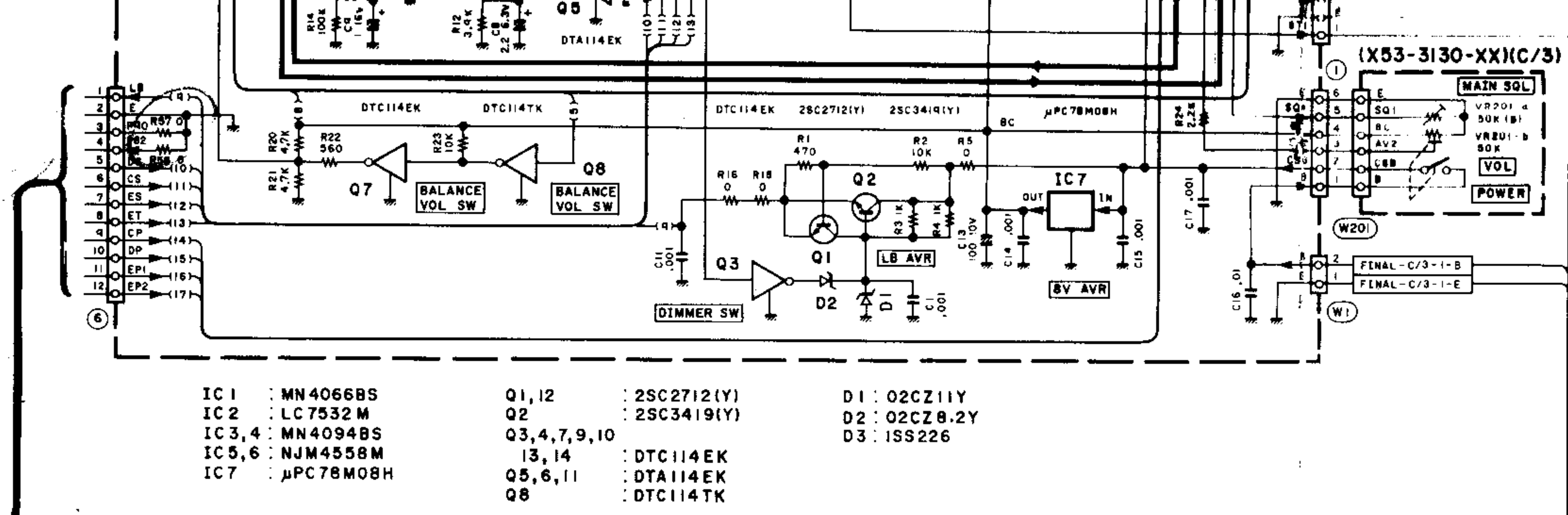


Downloaded by

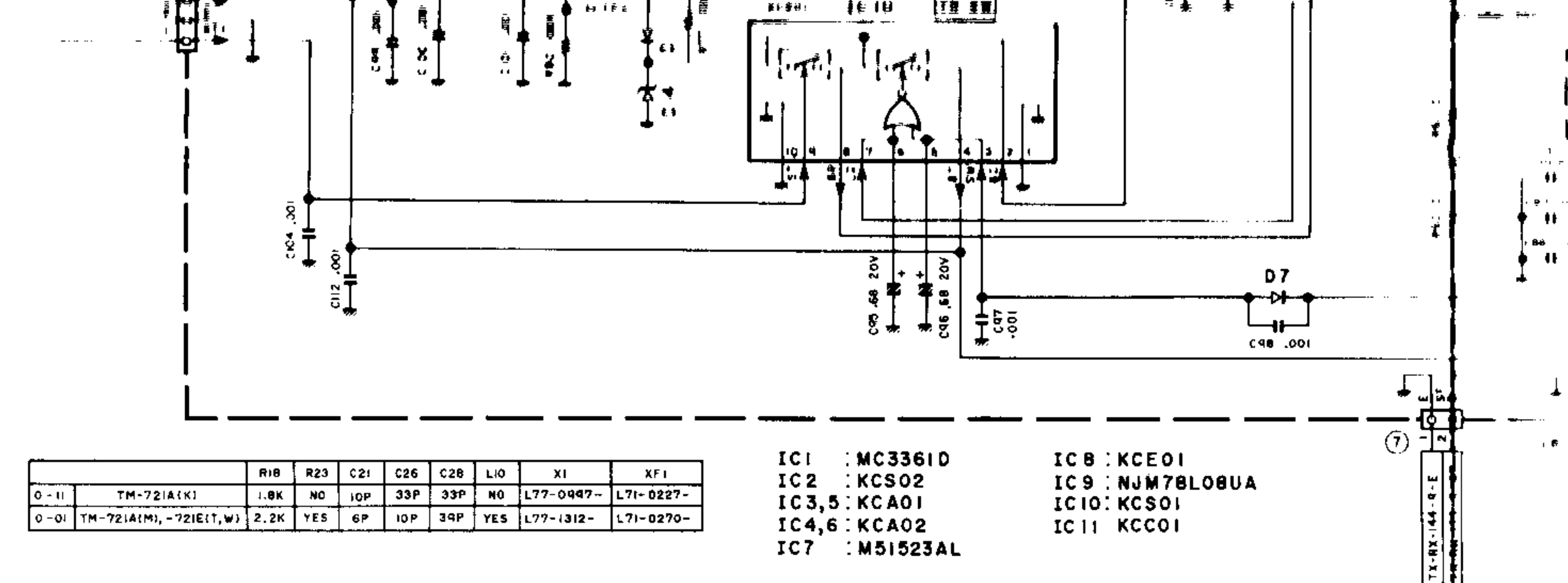
Amateur Radio Directory

TM-721A(K) (440MHz) 0-01: TM-721A(M), TM-721E(T,W) (430MHz)



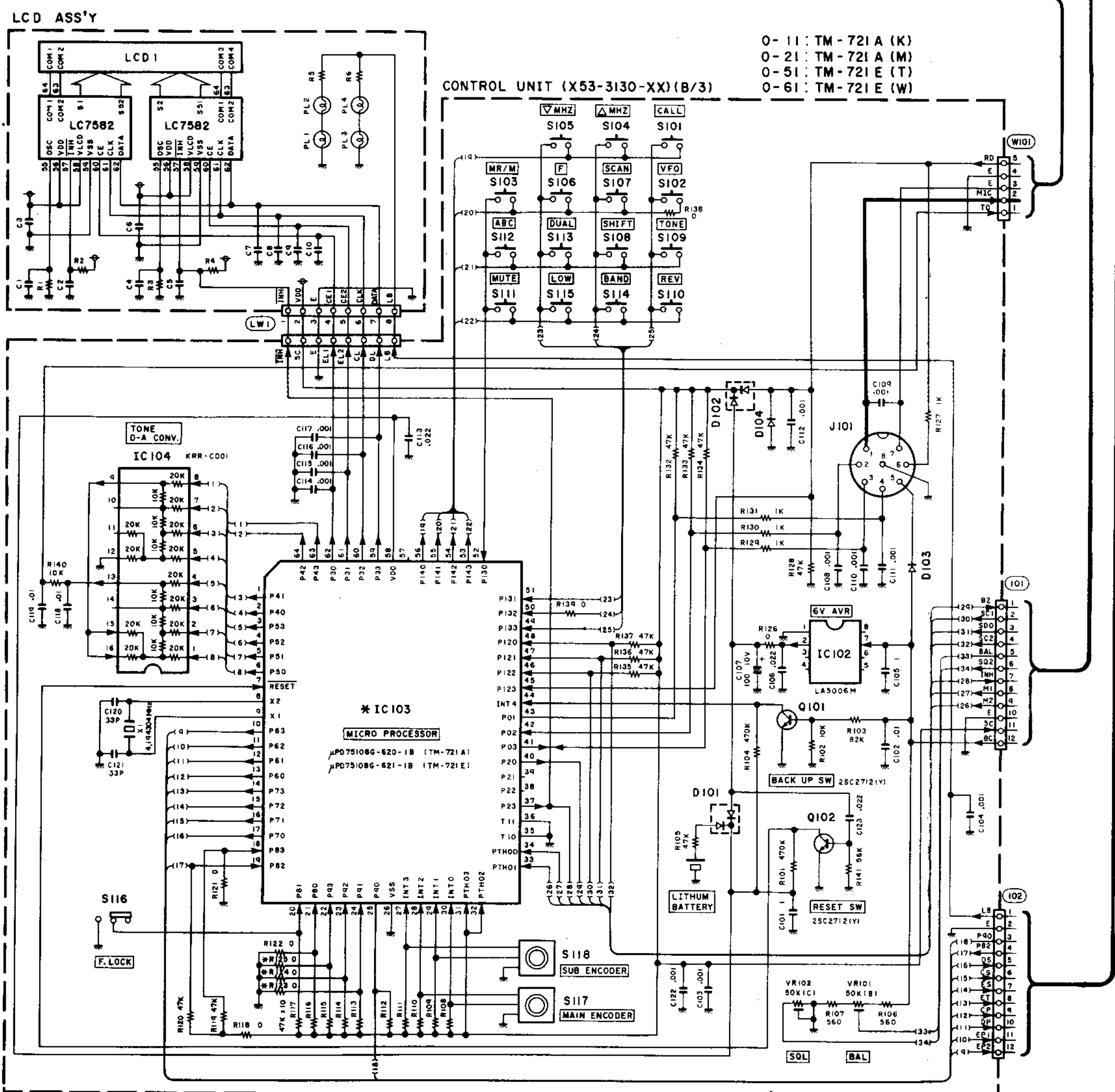


- IC 1 : MN4066BS
- IC 2 : LC 7532 M
- IC 3, 4 : MN4094BS
- IC 5, 6 : NJM4558M
- IC 7 : μPC78M08H
- Q1, 12 : 2SC2712(Y)
- Q2 : 2SC3419(Y)
- Q3, 4, 7, 9, 10 : 2SC2712(Y)
- 13, 14 : DTC114EK
- Q5, 6, 11 : DTA114EK
- Q8 : DTC114TK
- D1 : 02CZ11Y
- D2 : 02CZ8.2Y
- D3 : ISS226



- | | | | | | | | | | |
|------|------------|------|-----|-----|-----|-----|-----|-----------|-----------|
| Q-11 | TM-721A(K) | R18 | R23 | C21 | C26 | C28 | L10 | X1 | XF1 |
| Q-21 | TM-721A(M) | 1.0K | NO | 10P | 33P | 33P | NO | L77-0447- | L71-0227- |
| Q-51 | TM-721E(T) | 2.2K | YES | 6P | 10P | 33P | YES | L77-1312- | L71-0270- |
- IC 1 : MC33610
 - IC 2 : KCS02
 - IC 3, 5 : KCA01
 - IC 4, 6 : KCA02
 - IC 7 : M51523AL
 - IC 8 : KCE01
 - IC 9 : NJM78L08UA
 - IC 10 : KCS01
 - IC 11 : KCC01

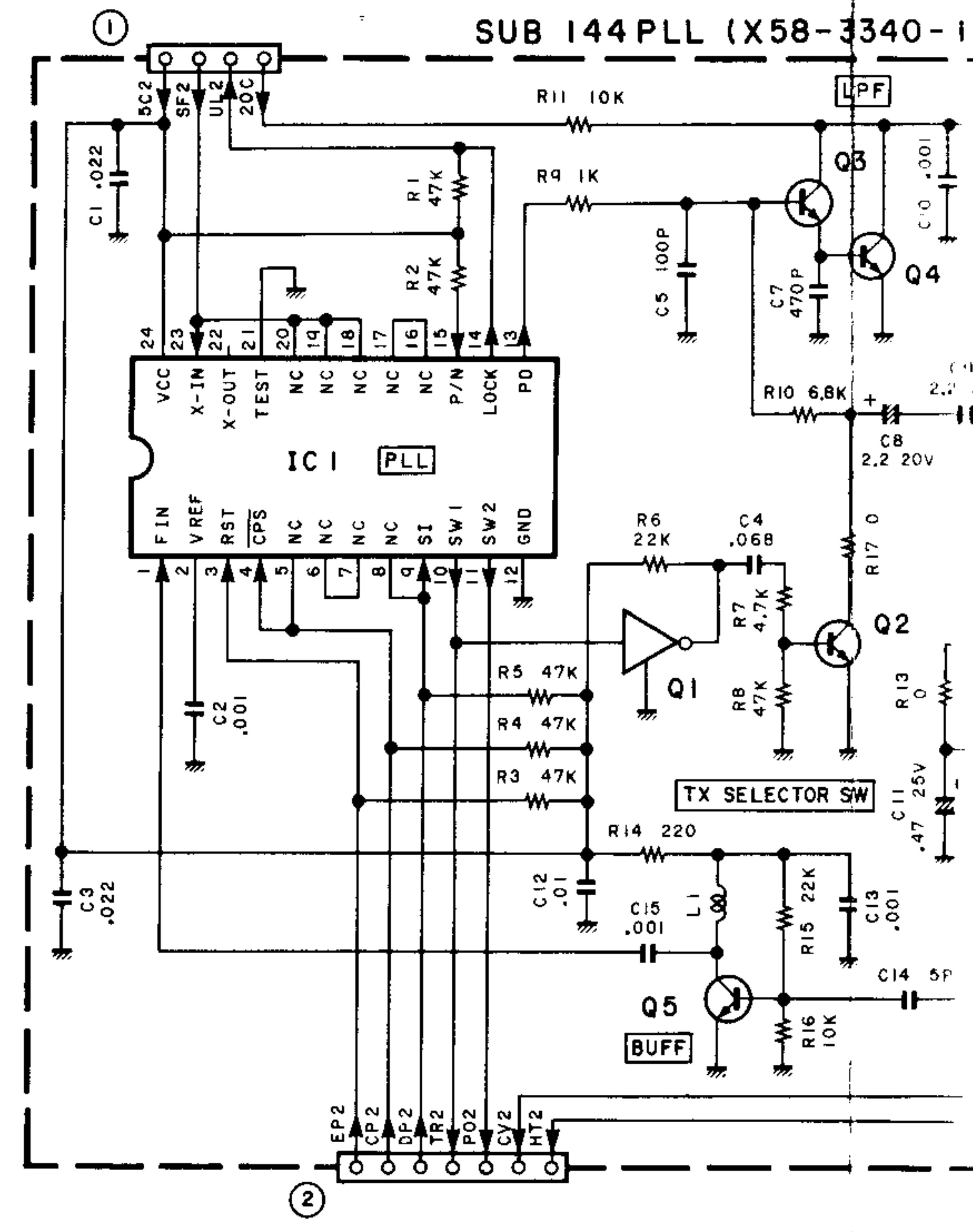
Downloaded by
Amateur Radio Directory

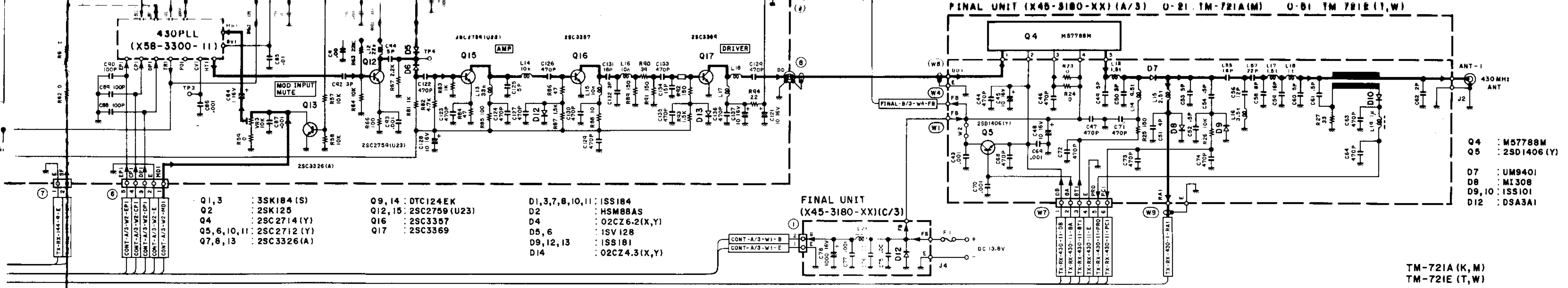


- O-11 : TM-721A(K)
- O-21 : TM-721A(M)
- O-51 : TM-721E(T)
- O-61 : TM-721E(W)

- IC102 : LA5006M
- * IC103 : μPD751086-XXX-1B
- IC104 : KRR-C001
- Q101, 102 : 2SC2712(Y)
- D101, 102, 104 : ISS184
- D103 : RLS-73

Q-11	TM-721A(K)	YES	YES	-620-	YES	NO	100K	NO	YES	YES
Q-21	TM-721A(M)	YES	YES	-620-	YES	NO	100K	NO	YES	NO
Q-51	TM-721E(T)	NO	NO	-621-	NO	YES	MP	NO	NO	YES
Q-61	TM-721E(W)	NO	NO	-621-	NO	YES	MP	YES	YES	YES

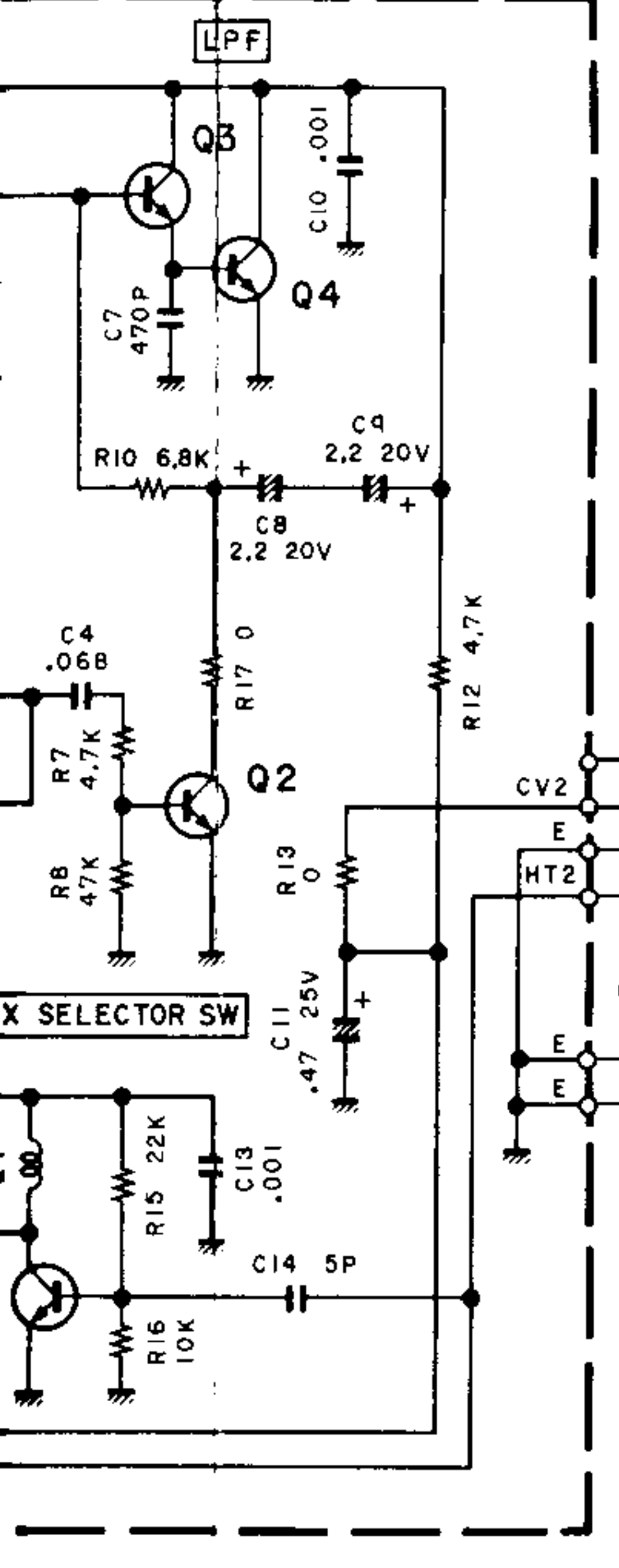




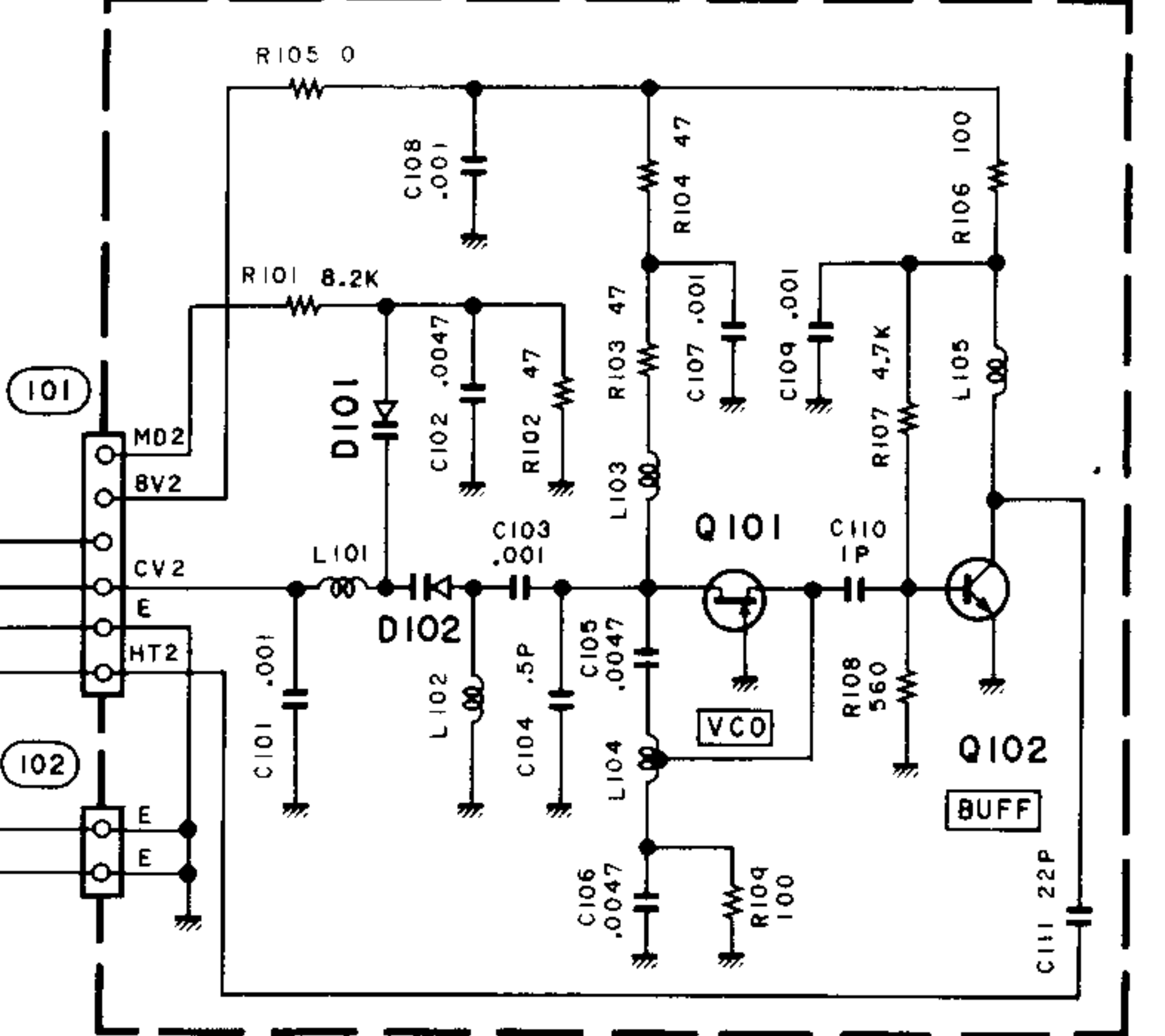
Downloaded by

Amateur Radio Directory

(X58-3340-11)(A/2)

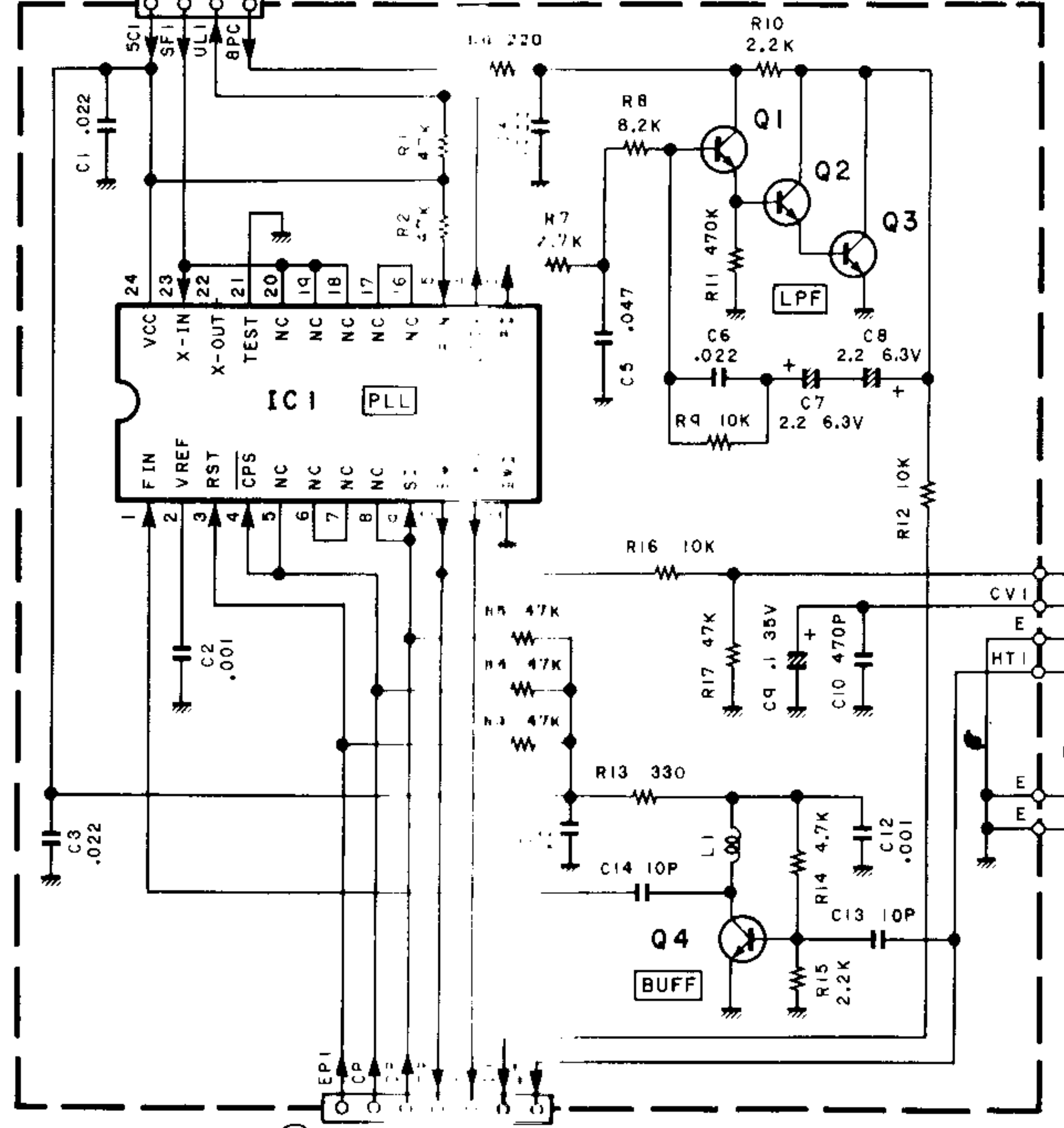


SUB 144 PLL (X58-3340-11)(B/2)

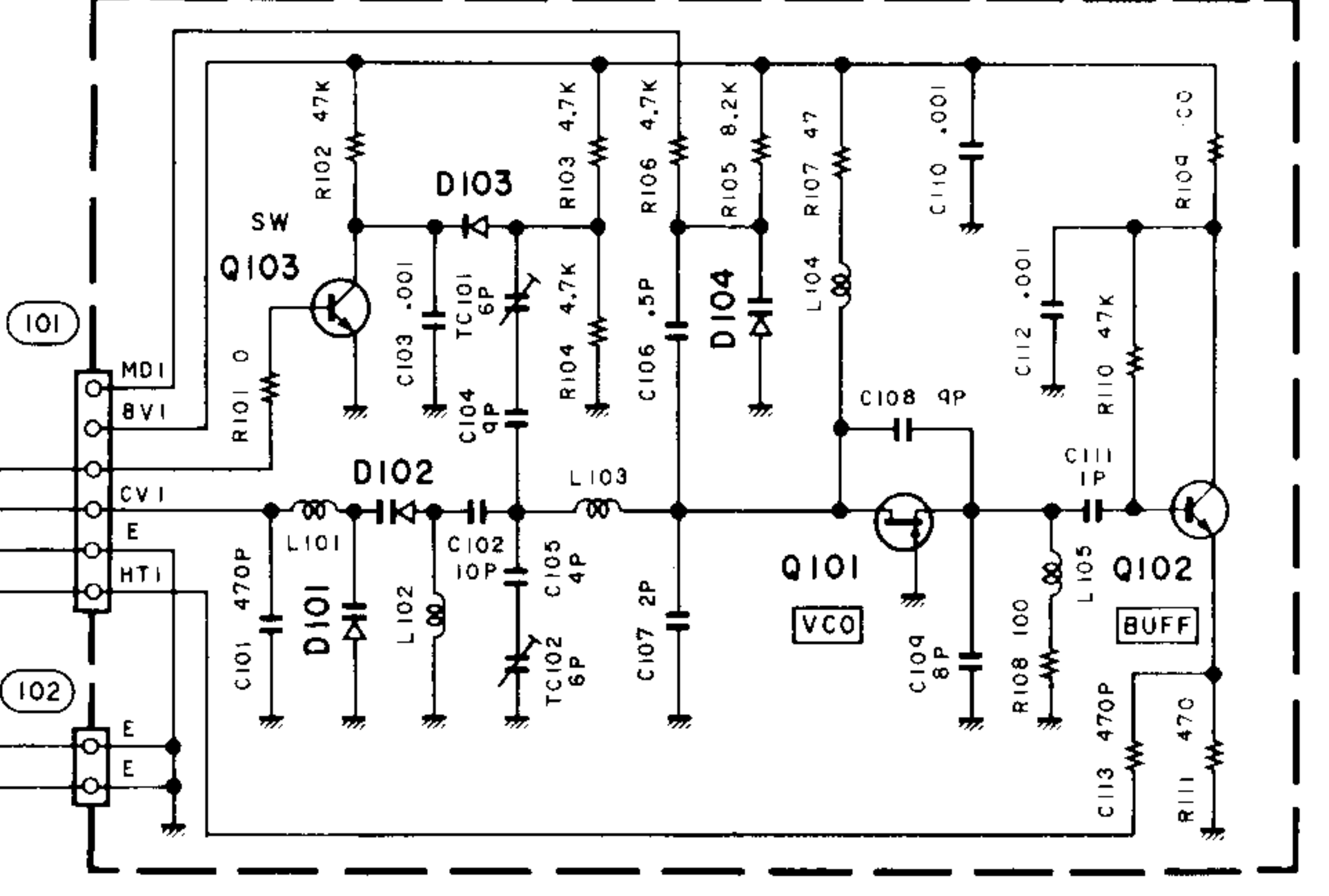


- IC 1 : M54959FP**
- Q1 : DTC144 EK**
Q2 : 2SC2712 (Y)
Q3,4 : 2SC3324 (B)
Q5 : 2SC2714 (Y)
- Q101 : 2SK508 (K52)**
Q102 : 2SC3120
- D101,102 : ISV166**

SUB 430 PLL (X58-3330-11)(A/2)



SUB 430 PLL (X58-3330-11)(B/2)



- IC 1 : M54959FP**
- Q1 ~ 3 : 2SC3324 (B)**
Q4 : 2SC3120
- Q101 : 2SK508 (K52)**
Q102 : 2SC3120
Q103 : 2SC2712 (Y)
- D101,102,104 : ISV164**
D103 : HSK277

Note: _____
Circuit is subject to change without notice due to advancements in technology.