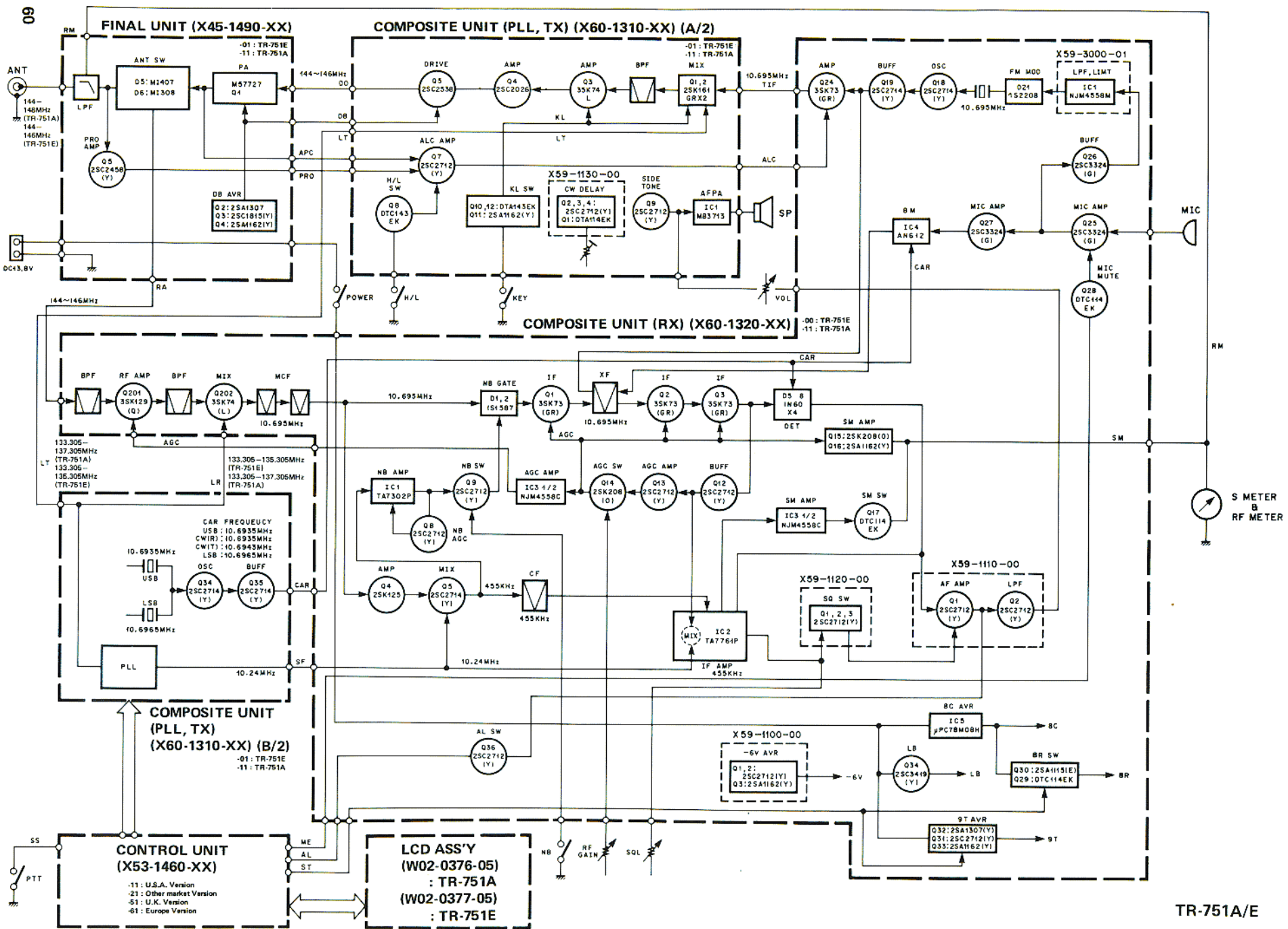


BLOCK DIAGRAM



TR-751A/E

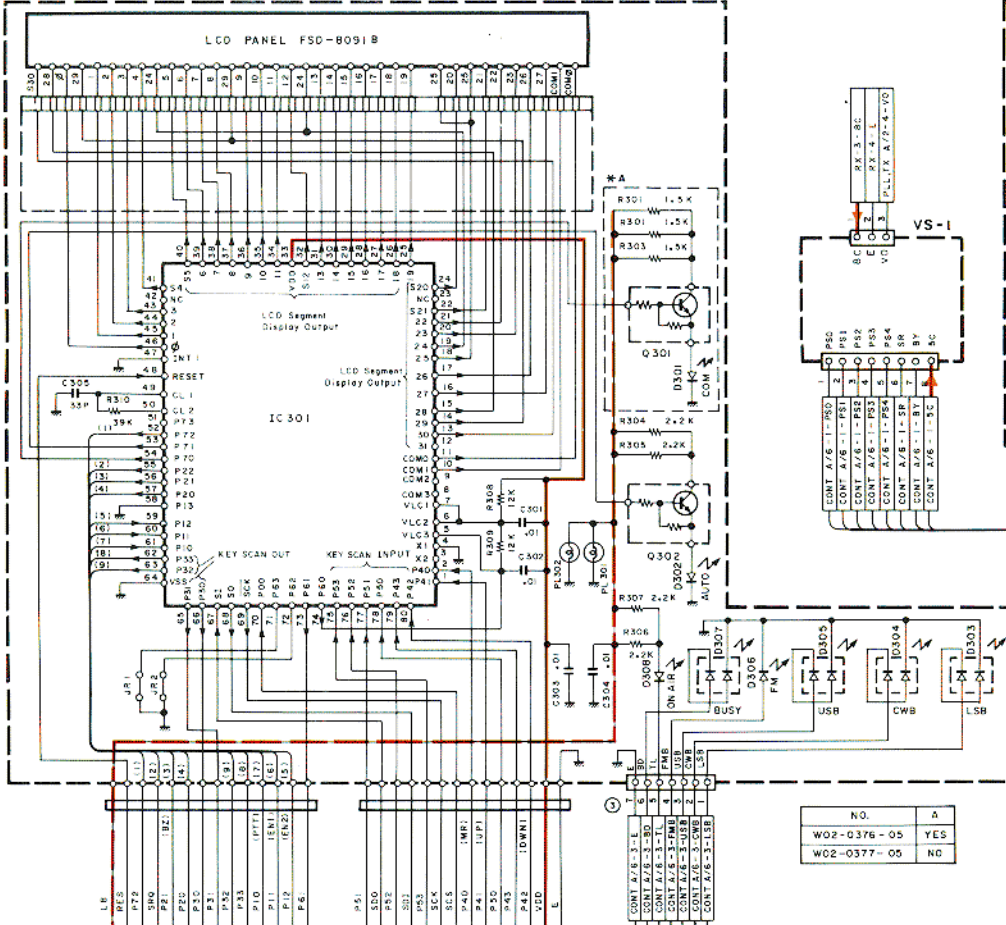
60

DC13.8V

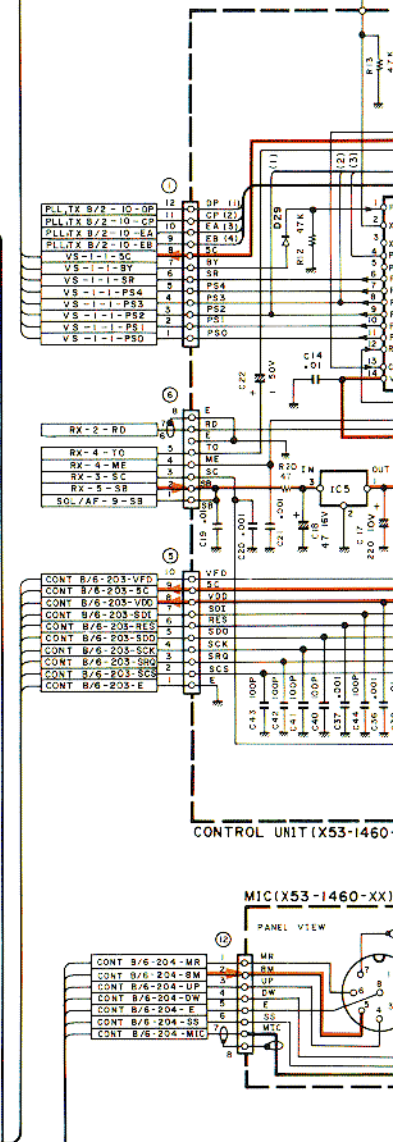
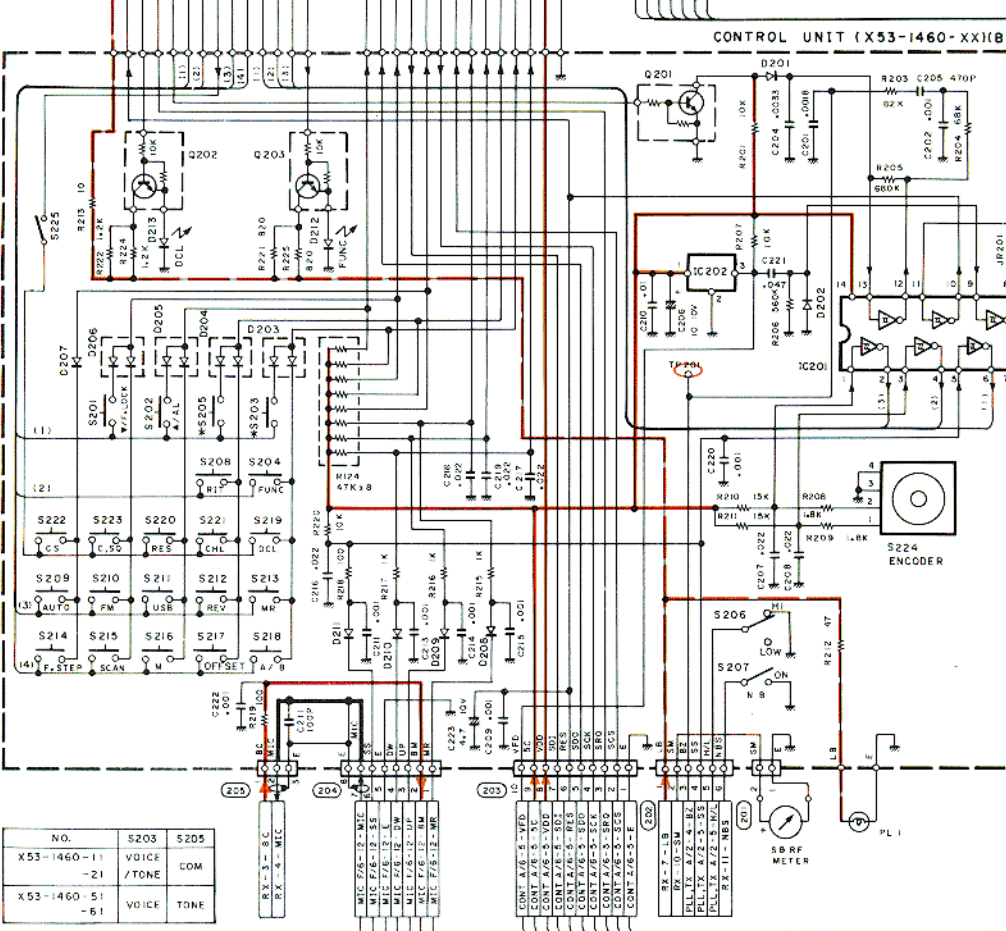
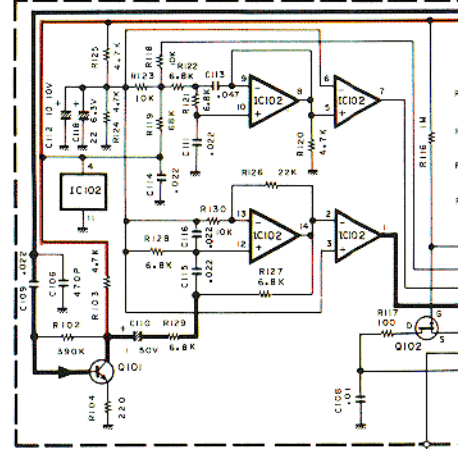
SS

7 0 5 4 3 2 1

LCD ASS'Y (W02-037X-05)

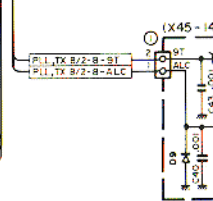
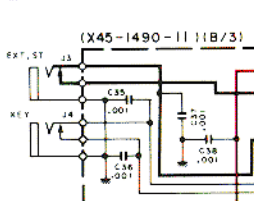
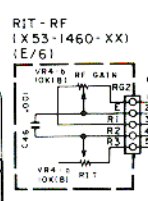
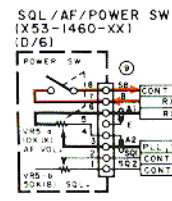
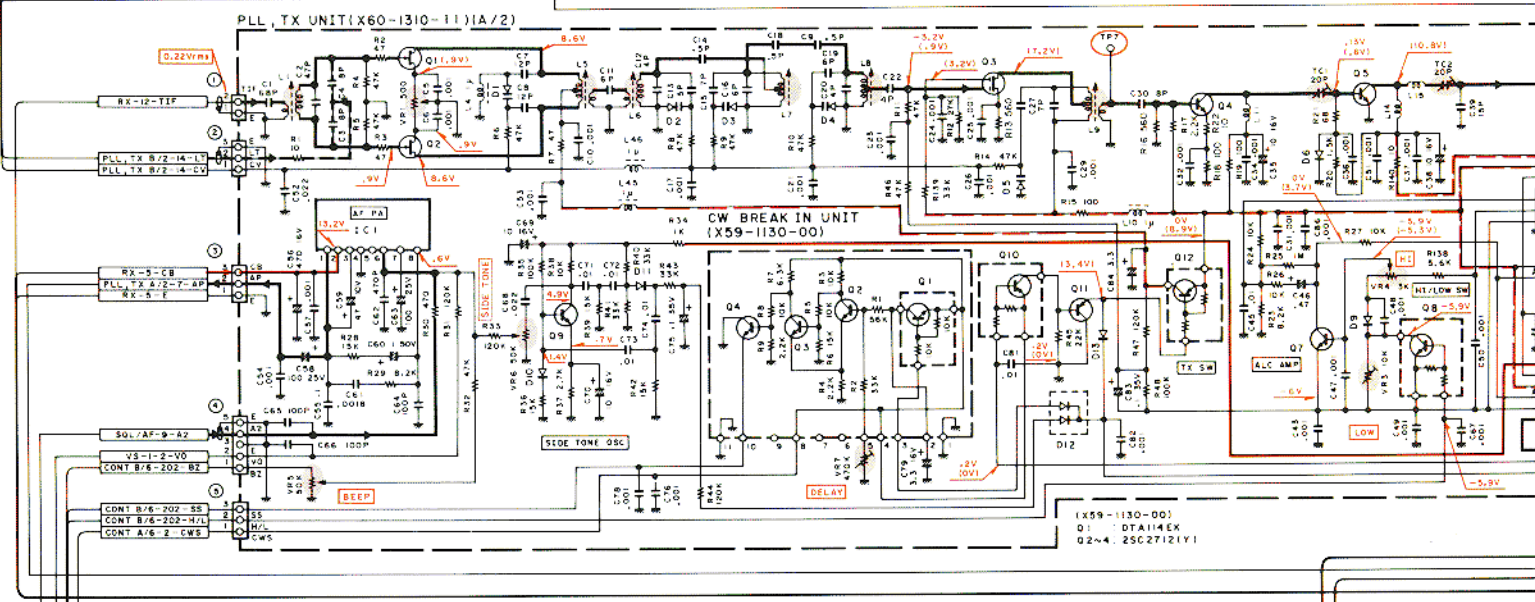
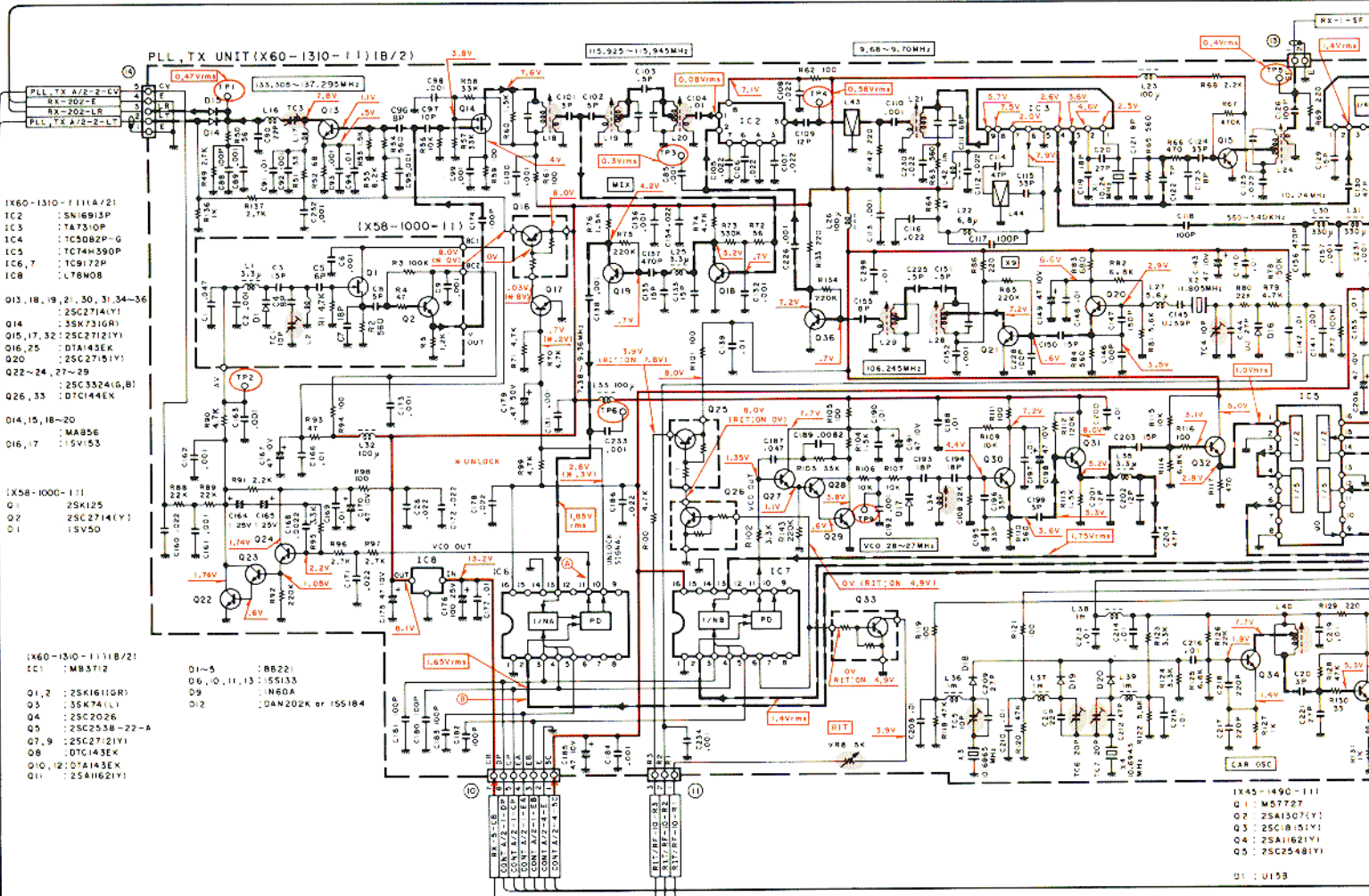


MU-1 (OPTION)



TR-751A

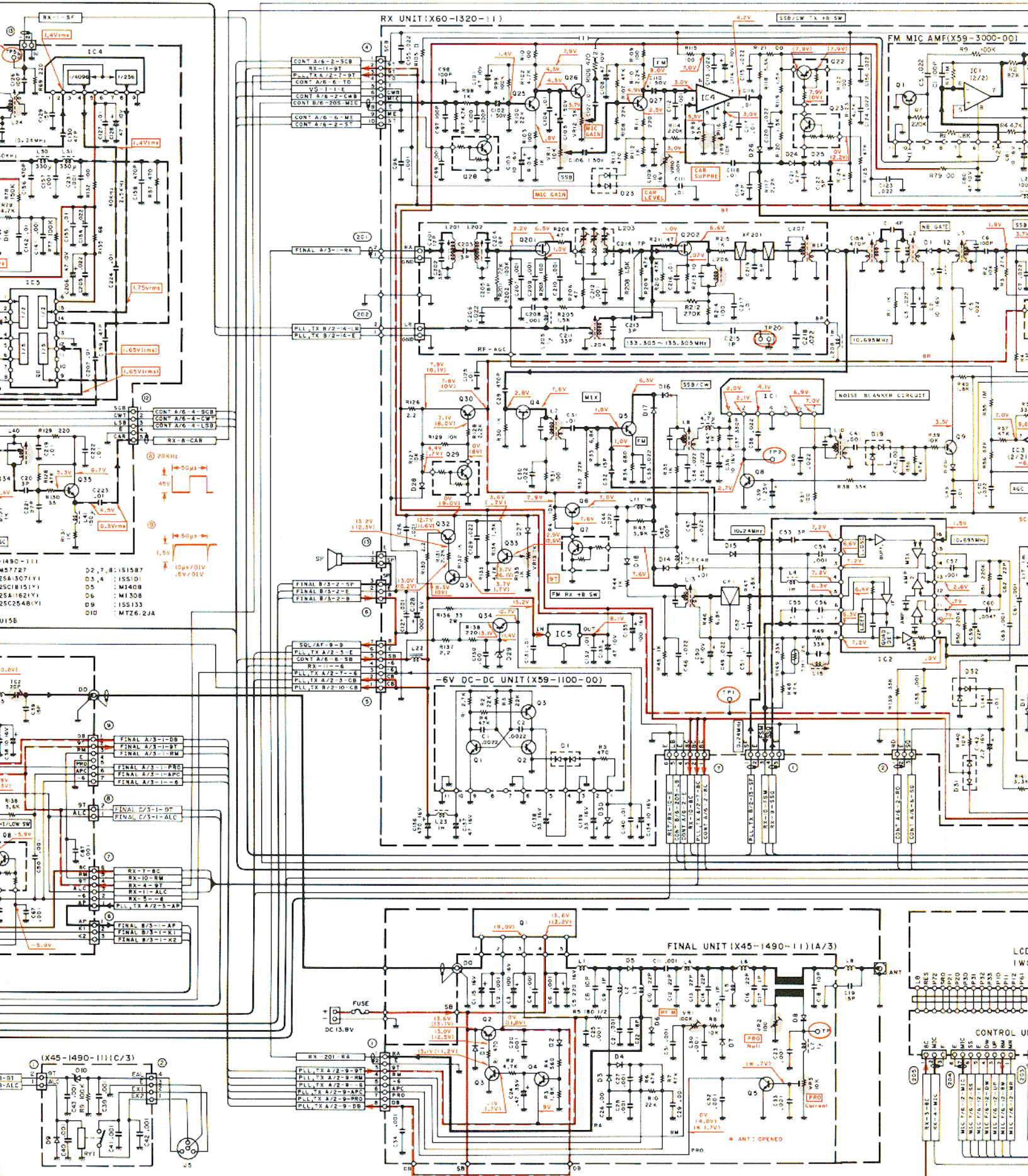
Signal line Control line Common DC line



SCHEMATIC DIAGRAM

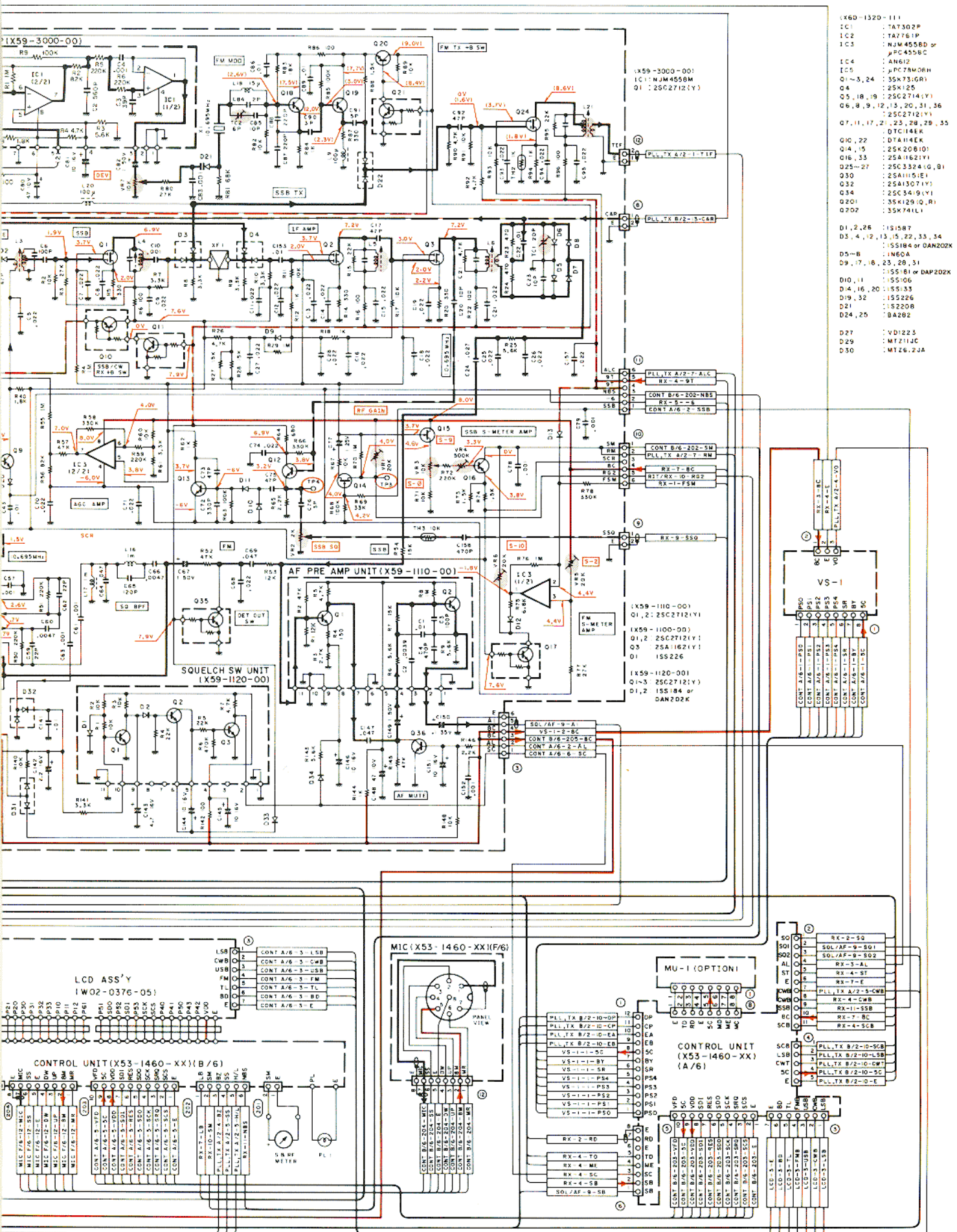
Voltage measur

DB, 9T Line



voltage measurement conditions f=144.00MHz, RX no signal, () : TX.

S/No. 705-707XXX : K,M1,M2

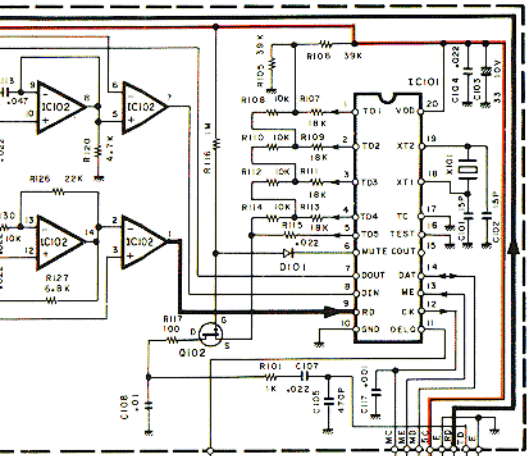


- X60-1320-111
- IC1 : TAT302P
- IC2 : TAT761P
- IC3 : NJM4558D or
- IC4 : AN612
- IC5 : PC78M0RH
- Q1-3,24 : 3SK731GR
- Q4 : 2SK125
- Q5,18,19 : 2SC2714(Y)
- Q6,8,9,12,13,20,31,36 : 2SC2712(Y)
- Q7,11,17,21,23,28,29,35 : 2SC2712(Y)
- Q10,22 : DTA114EK
- Q14,15 : 2SK2081D
- Q16,33 : 2SA1621(Y)
- Q25-27 : 2SC3324(G,R)
- Q30 : 2SA1151(E)
- Q32 : 2SA1307(Y)
- Q34 : 2SC349(Y)
- Q201 : 3SA129(Q,R)
- Q202 : 3SK741(L)

- D1,2,26 : 1S15B7
- D3,4,12,13,15,22,33,34 : 1S5184 or DAN202K
- D5-8 : 1W60A
- D9,17,18,23,29,31 : 1S5181 or DAP202K
- D10,11 : 1S5106
- D14,16,20 : 1S5133
- D19,32 : 1S5226
- D21 : 1S2208
- D24,25 : 9A282

- D27 : VD1223
- D29 : MF211JC
- D30 : MT26,2JA

CIRCUIT DIAGRAM TR-751A/E

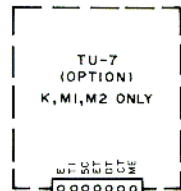


- Q1,2,4,6,201~203,301,302
- Q3
- Q5
- Q7,8
- Q101
- Q102

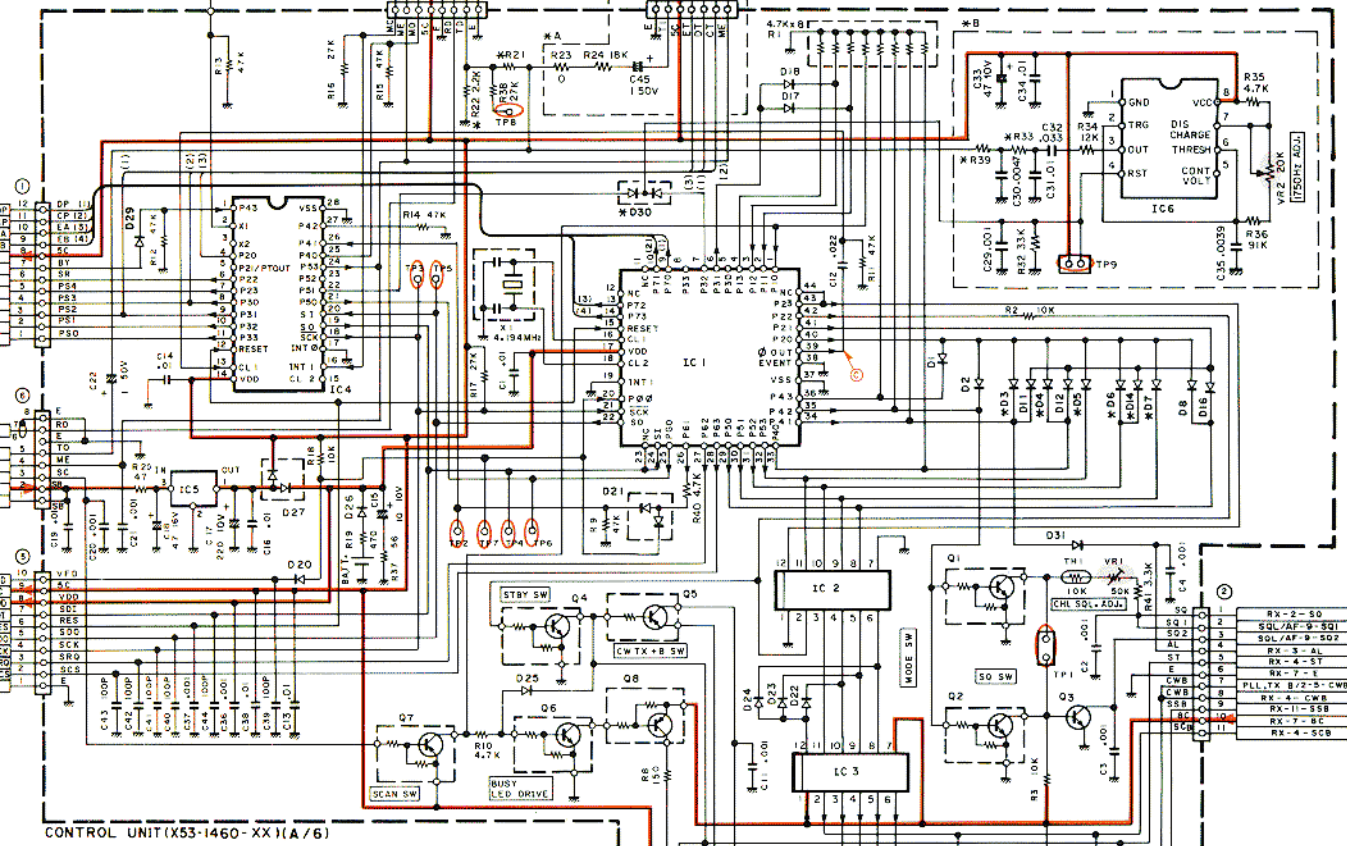
- IC1 : μ PD7508HG-545-22
- IC2 : DT5C124E
- IC3 : DT5A143E
- IC4 : μ PD7507SCT-215
- IC5 : M5278L56
- IC6 : NE555P
- IC101 : μ PD65003C-020
- IC102 : M83614
- IC201 : BU4584B
- IC202 : PST523C
- IC301 : μ P07514G-143-12

- D1~8,11,12,14,16~18,22~24,207~211
- ISS133
- D19,20,25,26,30,31,101
- ISS184 or DAN202K
- D21,27,201~206
- ISS181 or DAP202K
- D29 : ISS106
- D212 : LN3225P
- D213 : LN422VP
- D301,306 : MP-24A001
- D302,308 : MP-1BR001
- D303~305,307
- MP-2B6001

NO.	D3	D4	D5	D6	D7	D14	D30	A	B
X53-1460-11	YES	YES	NO	NO	NO	YES	NO	YES	NO
X53-1460-21	YES	NO	NO	NO	NO	YES	NO	YES	NO
X53-1460-51	NO	NO	NO	YES	YES	NO	YES	NO	YES
X53-1460-61	NO	YES	YES	YES	YES	NO	YES	NO	YES

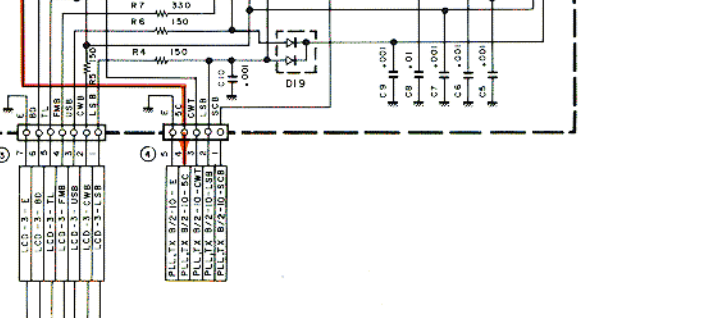
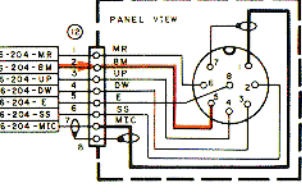


- *1 : S/N 705~707 (I,W)
 - *2 : S/N 705~707 (K,M1,M2)
 - *3 : S/N 708~ (K,M1,M2,T,W)
- | | R21 | R22 | R33 | R39 |
|----|-----|-----|-----|------|
| *1 | 56K | YES | 47K | 100K |
| *2 | 47K | NO | - | - |
| *3 | 47K | NO | 39K | 0 |



CONTROL UNIT(X53-1460-XX)(A/F6)

MIC(X53-1460-XX)(F/6)



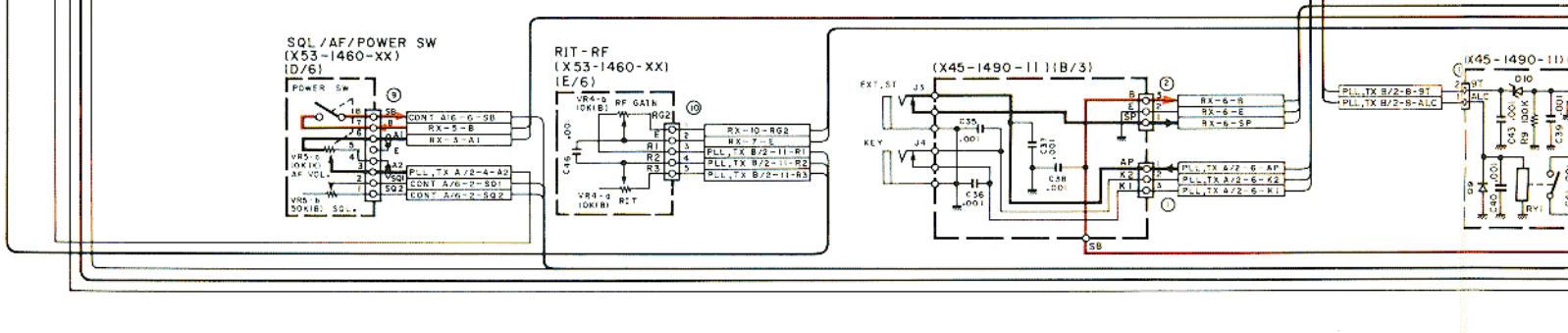
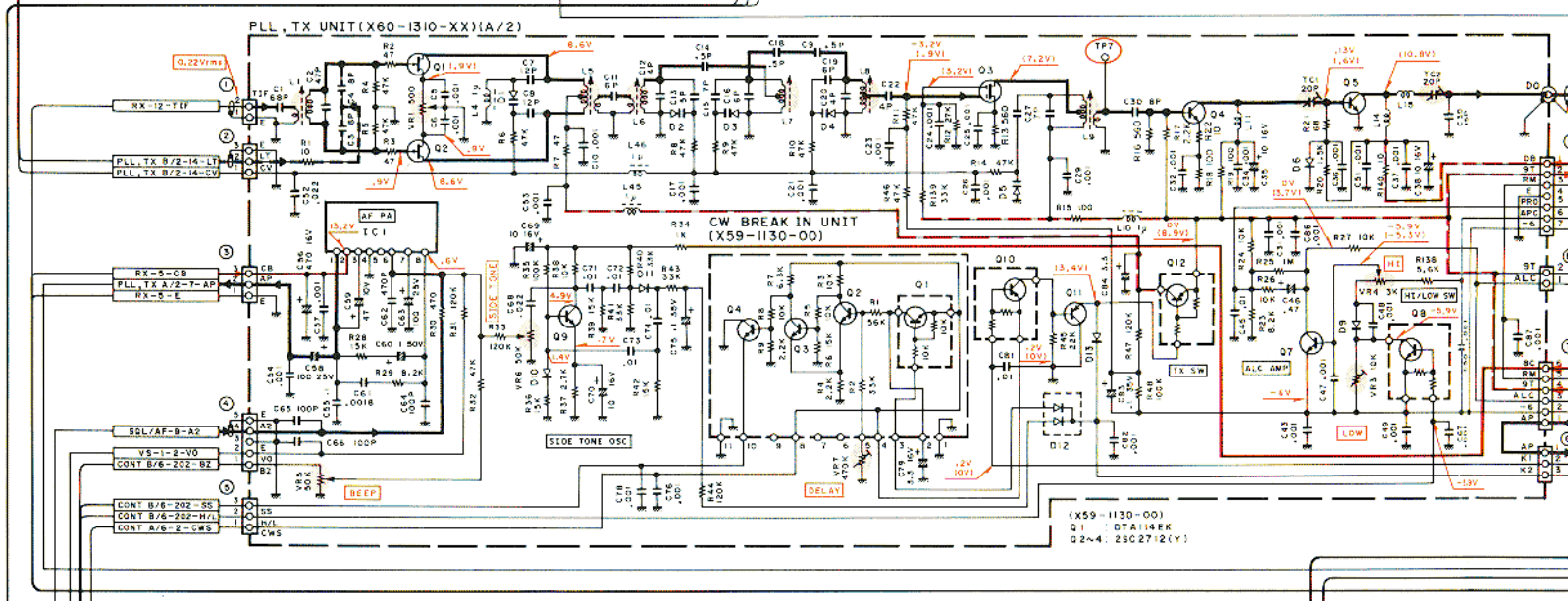
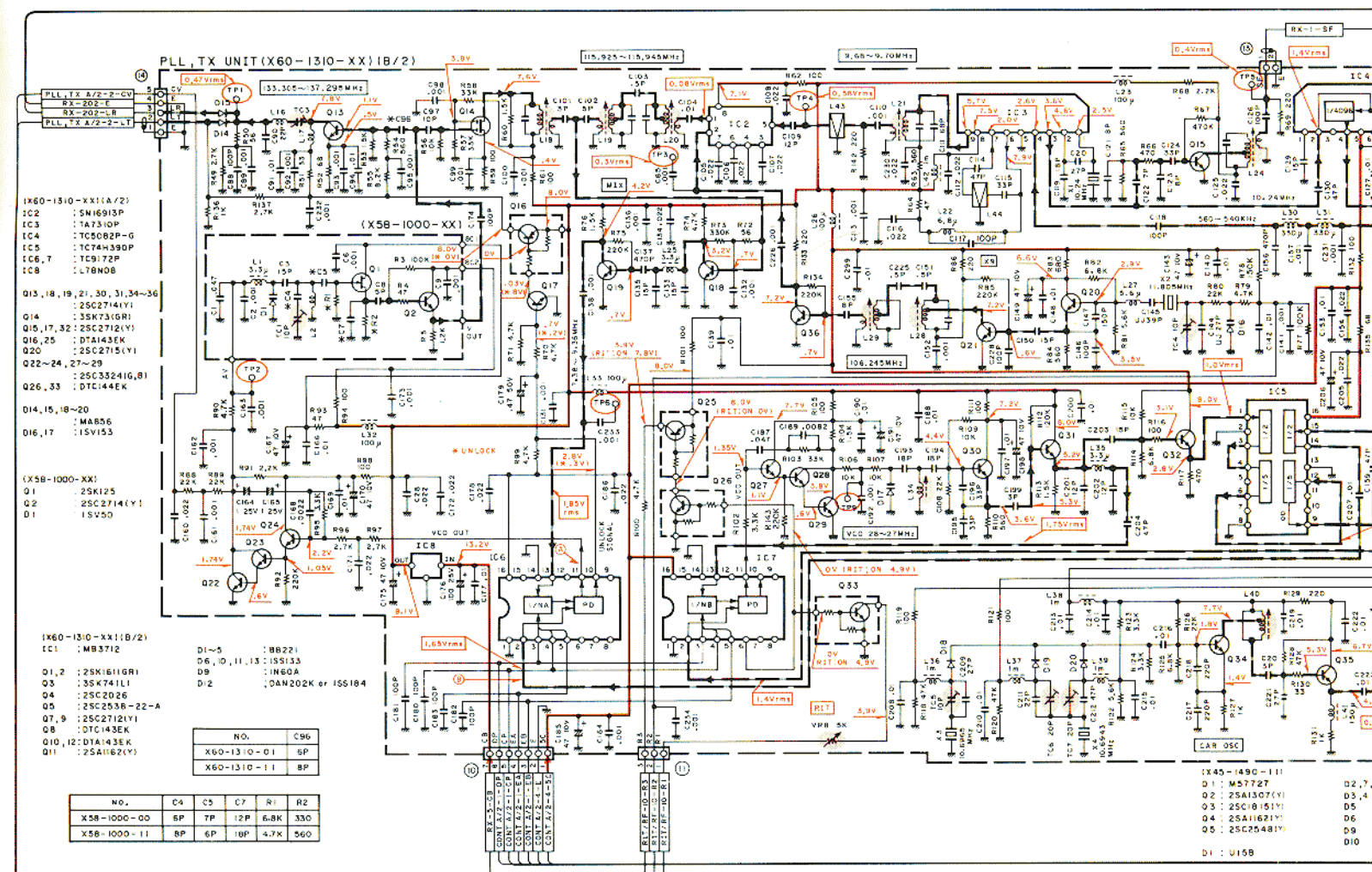
- R1-2-50
- SQ1-9-SQ1
- SQ1/AP-9-SQ1
- RX-3-AL
- RX-4-ST
- RX-7-1
- PLL TX B/2-5-CWB
- RK-4-CWB
- RX-11-SS
- RX-7-SC
- RX-4-SCB

Signal line

Control line

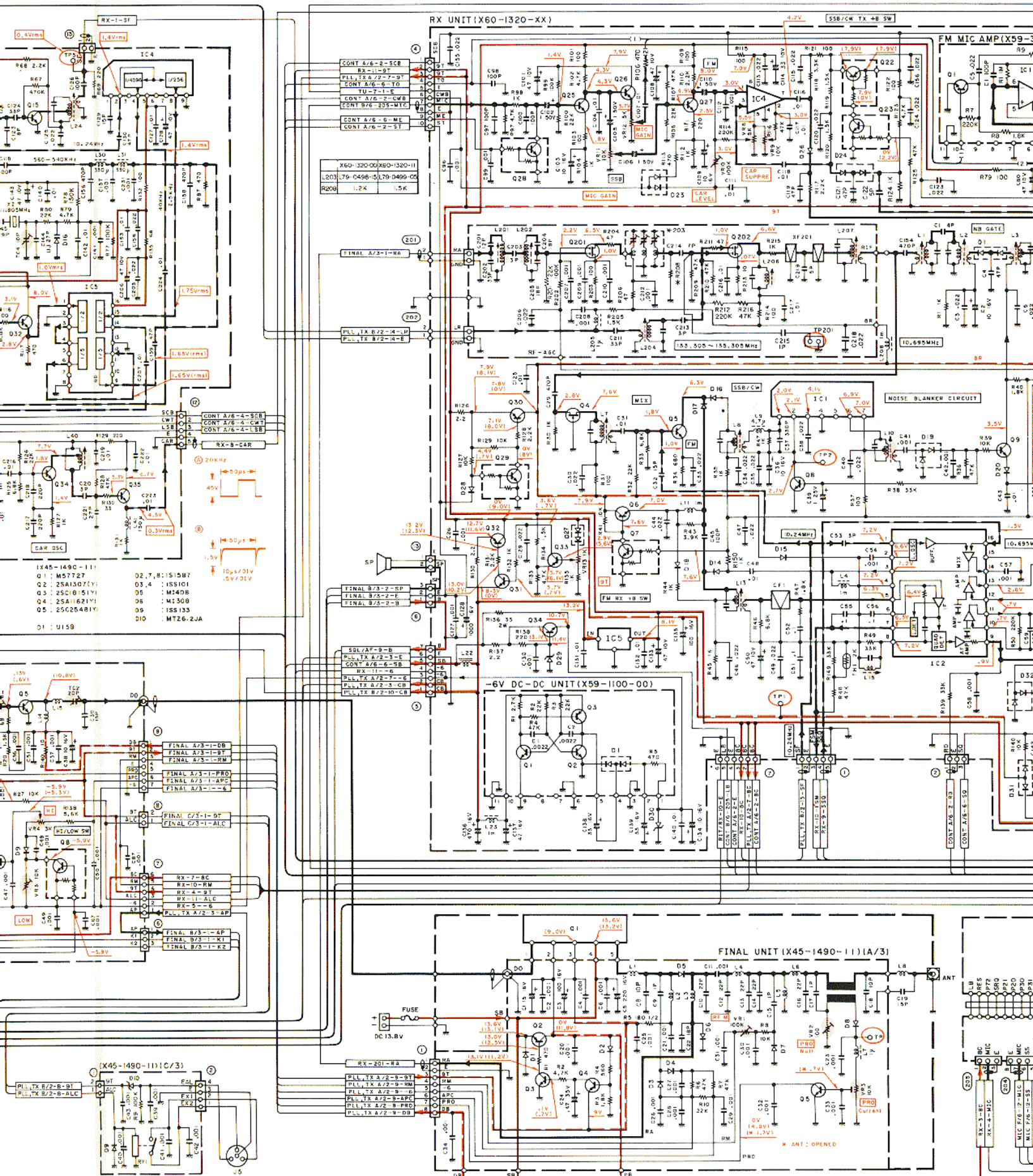
Common DC line

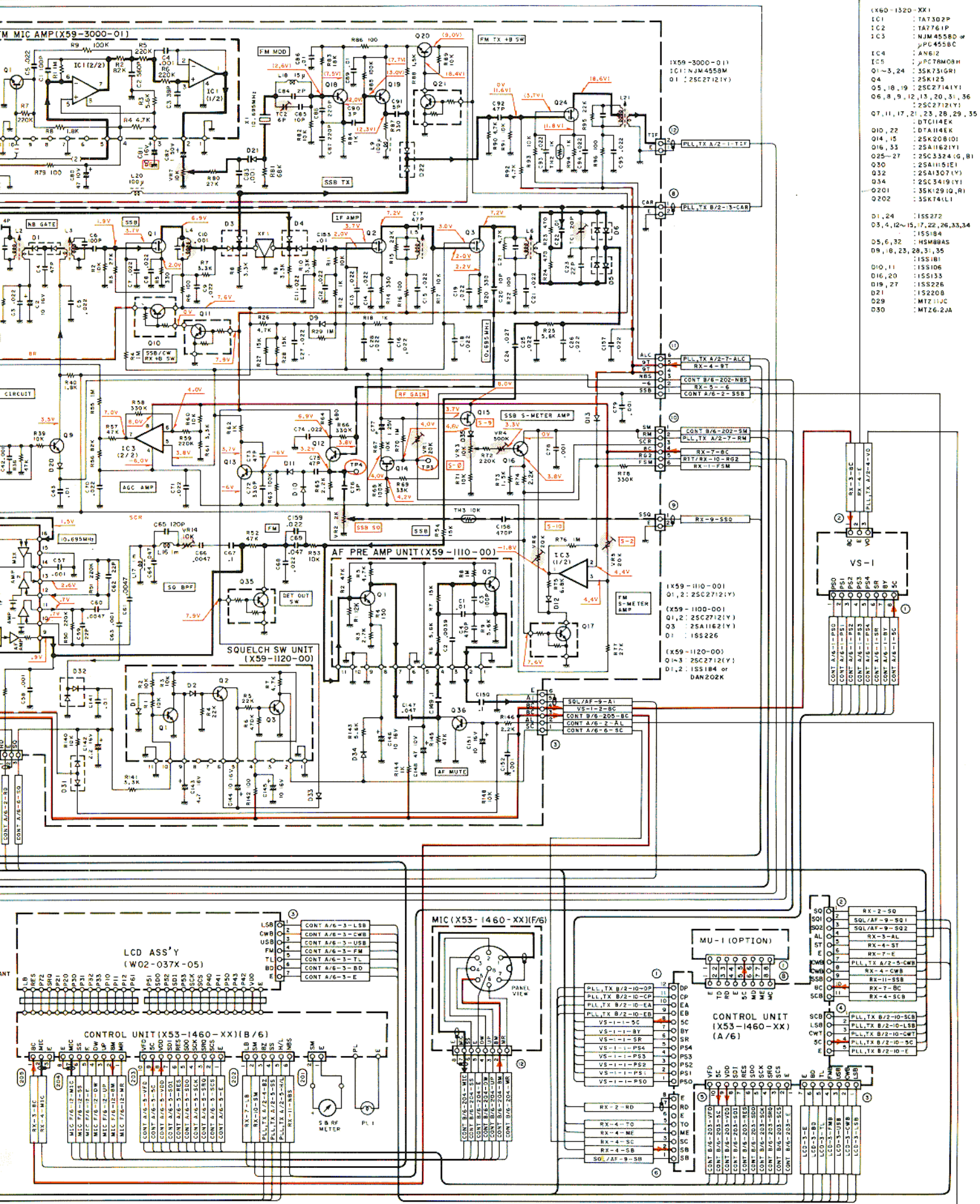
DB, 9T Line



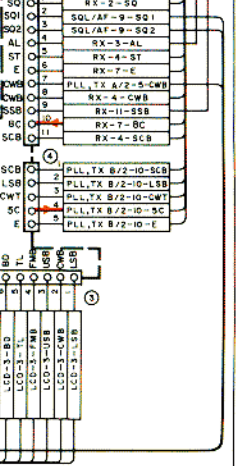
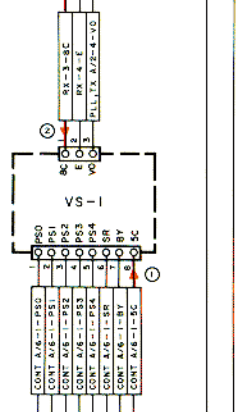
SCHEMATIC DIAGRAM

Voltage measurement conditions $f=144.0$





- (X60-1320-XX)
 IC1 : TA7302P
 IC2 : TA7761P
 IC3 : NJM45580 w/PC4558C
 IC4 : AN52
 IC5 : JRC78M08B
 O1~3,24 : 5K731G1R1
 O4 : 2SK125
 O5,18,19 : 2SC27141Y1
 O6,8,9,12,13,20,31,36 : 2SC27141Y1
 O7,11,17,21,23,28,29,35 : 2SC27141Y1
 O10,22 : DT414EK
 O14,15 : 2SK20801
 O16,33 : 2SA11621Y1
 O25~27 : 2SC33241G, B1
 O30 : 2SA116151E1
 O32 : 2SA13071Y1
 O34 : 2SC34191Y1
 O201 : 3SK12910, B1
 O202 : 3SK741L1
 D1,24 : 1SS272
 O3,4,12~15,17,22,26,33,34 : 1SS184
 O5,6,32 : HSM88AS
 O9,10,23,28,31,35 : 1SS181
 O10,11 : 1SS106
 O16,20 : 1SS135
 O19,27 : 1SS226
 D21 : 1S2208
 O29 : MTZ11JC
 O30 : MTZ2.6JA

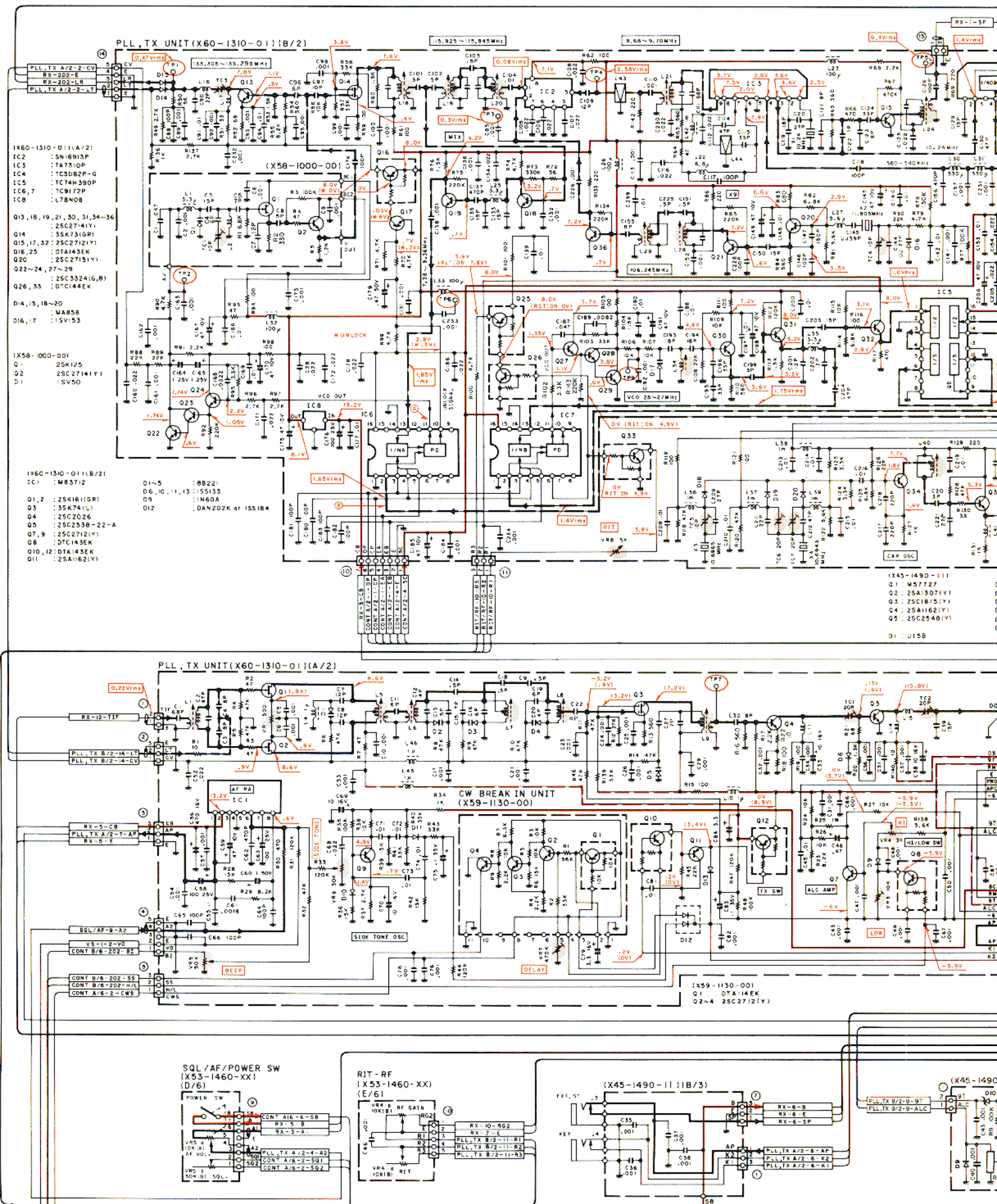


TR-751E

Signal line

Control line

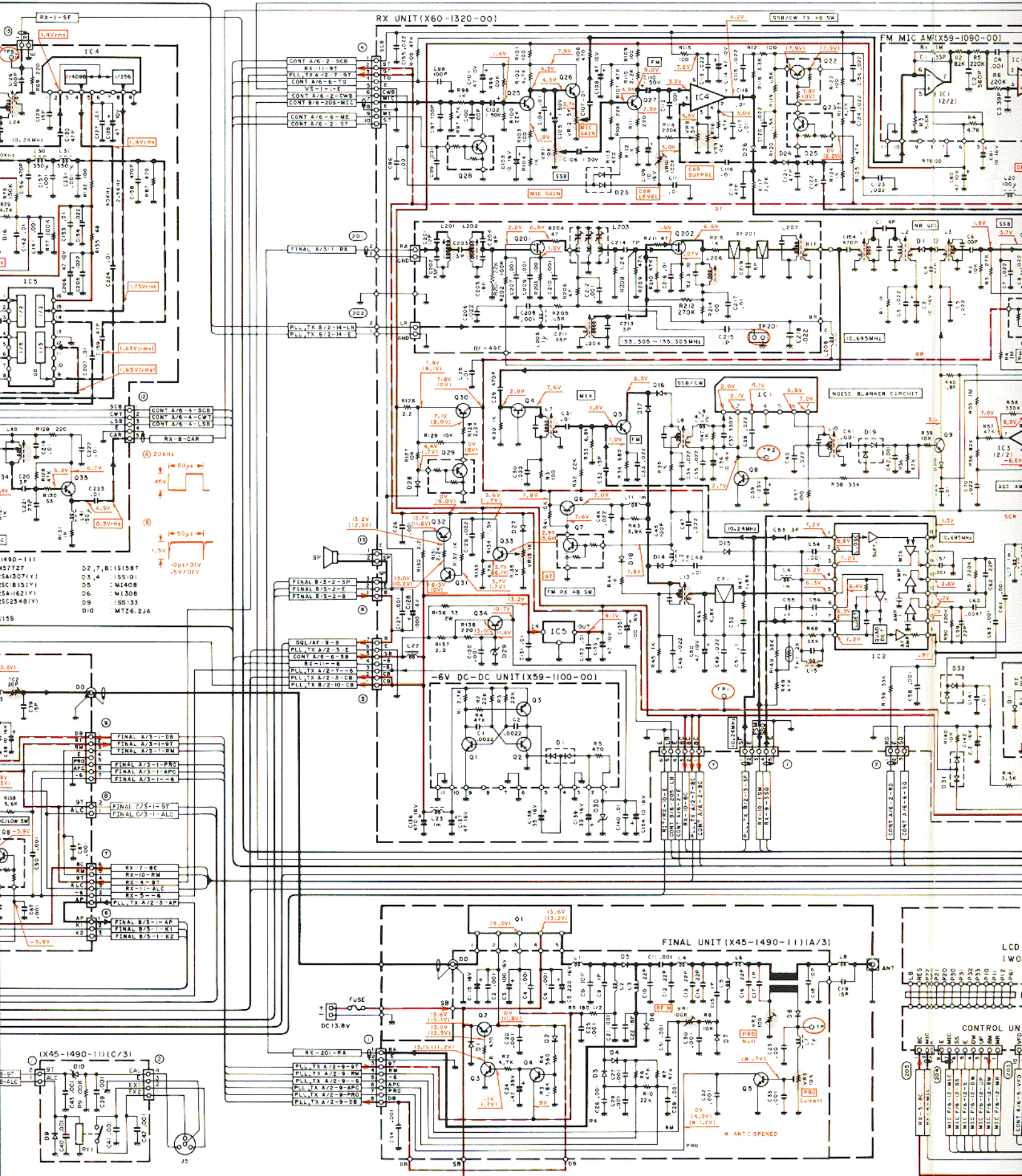
Common DC line

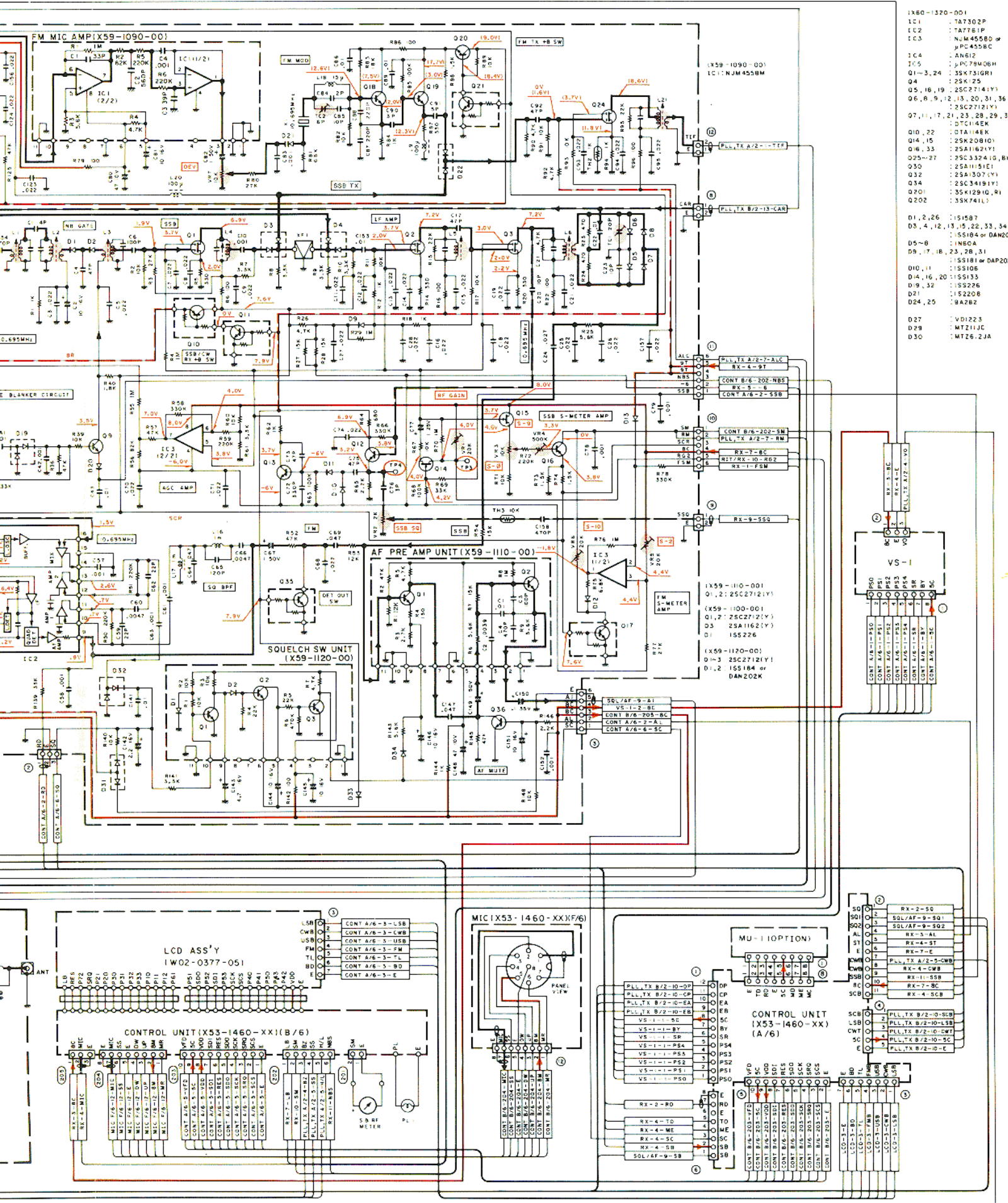


SCHEMATIC DIAGRAM

DB, 9T Line

Voltage measured





1X80-1320-001
 IC1 : TA7302P
 IC2 : TA7761P
 IC3 : NJM4558D or
 μPC4558C
 IC4 : AN612
 IC5 : μPC79M06H
 Q1-3,24 : 2SK751GR1
 Q4 : 2SK25
 Q5,18,19 : 2SC2714(Y)
 Q6,8,9,12,13,20,31,36
 Q7,11,17,21,23,28,29,33
 Q10,22 : DTC145K
 Q14,15 : 2SK208(D)
 Q16,33 : 2SA162(Y)
 Q23-27 : 2SC3324(G,B)
 Q30 : 2SA1151(E)
 Q32 : 2SA1307(Y)
 Q34 : 2SC3419(Y)
 Q301 : 3SK129(I,R)
 Q202 : 3SK74(L)
 D1,2,26 : 1S1587
 D3,4,12,13,15,22,33,34 : 1S5184 or DAN202K
 D5-8 : 1N60A
 D9,17,18,23,28,31 : 1S5181 or DAP202K
 D10,11 : 1S5106
 D14,16,20 : 1S5133
 D19,32 : 1S5226
 D21 : 1S5206
 D24,25 : 9A282
 D27 : VD1223
 D29 : MT211JC
 D30 : MT26,2JA

CONT A/6-1-SSC
 CONT A/6-1-PS1
 CONT A/6-1-PS2
 CONT A/6-1-PS3
 CONT A/6-1-PS4
 CONT A/6-1-PS5
 CONT A/6-1-PS6
 CONT A/6-1-PS7
 CONT A/6-1-PS8
 CONT A/6-1-PS9
 CONT A/6-1-PS10
 CONT A/6-1-PS11
 CONT A/6-1-PS12
 CONT A/6-1-PS13
 CONT A/6-1-PS14
 CONT A/6-1-PS15
 CONT A/6-1-PS16
 CONT A/6-1-PS17
 CONT A/6-1-PS18
 CONT A/6-1-PS19
 CONT A/6-1-PS20

CONT A/6-2-SSC
 CONT A/6-2-PS1
 CONT A/6-2-PS2
 CONT A/6-2-PS3
 CONT A/6-2-PS4
 CONT A/6-2-PS5
 CONT A/6-2-PS6
 CONT A/6-2-PS7
 CONT A/6-2-PS8
 CONT A/6-2-PS9
 CONT A/6-2-PS10
 CONT A/6-2-PS11
 CONT A/6-2-PS12
 CONT A/6-2-PS13
 CONT A/6-2-PS14
 CONT A/6-2-PS15
 CONT A/6-2-PS16
 CONT A/6-2-PS17
 CONT A/6-2-PS18
 CONT A/6-2-PS19
 CONT A/6-2-PS20