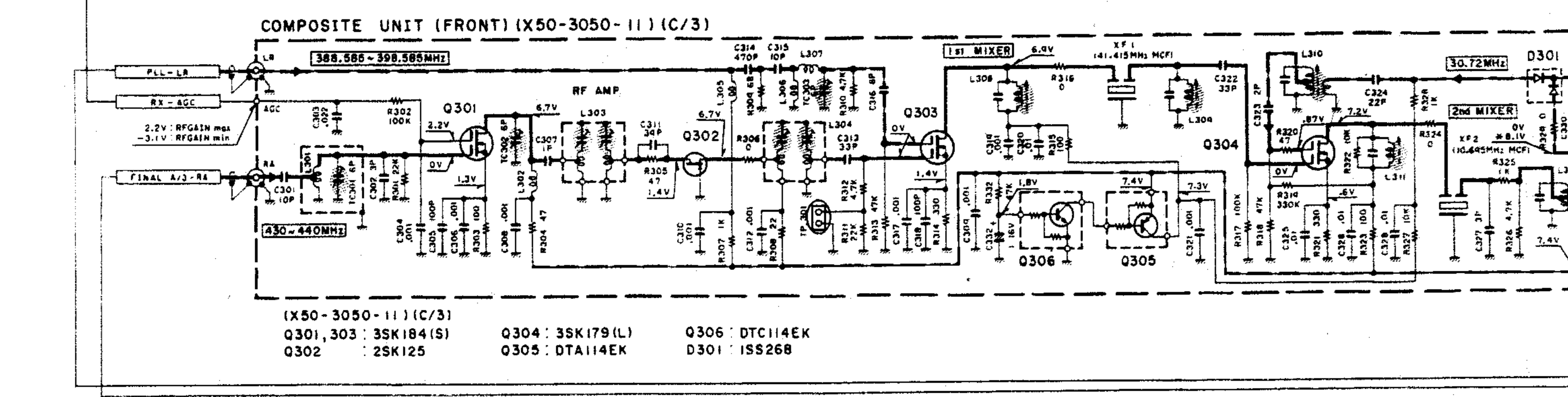
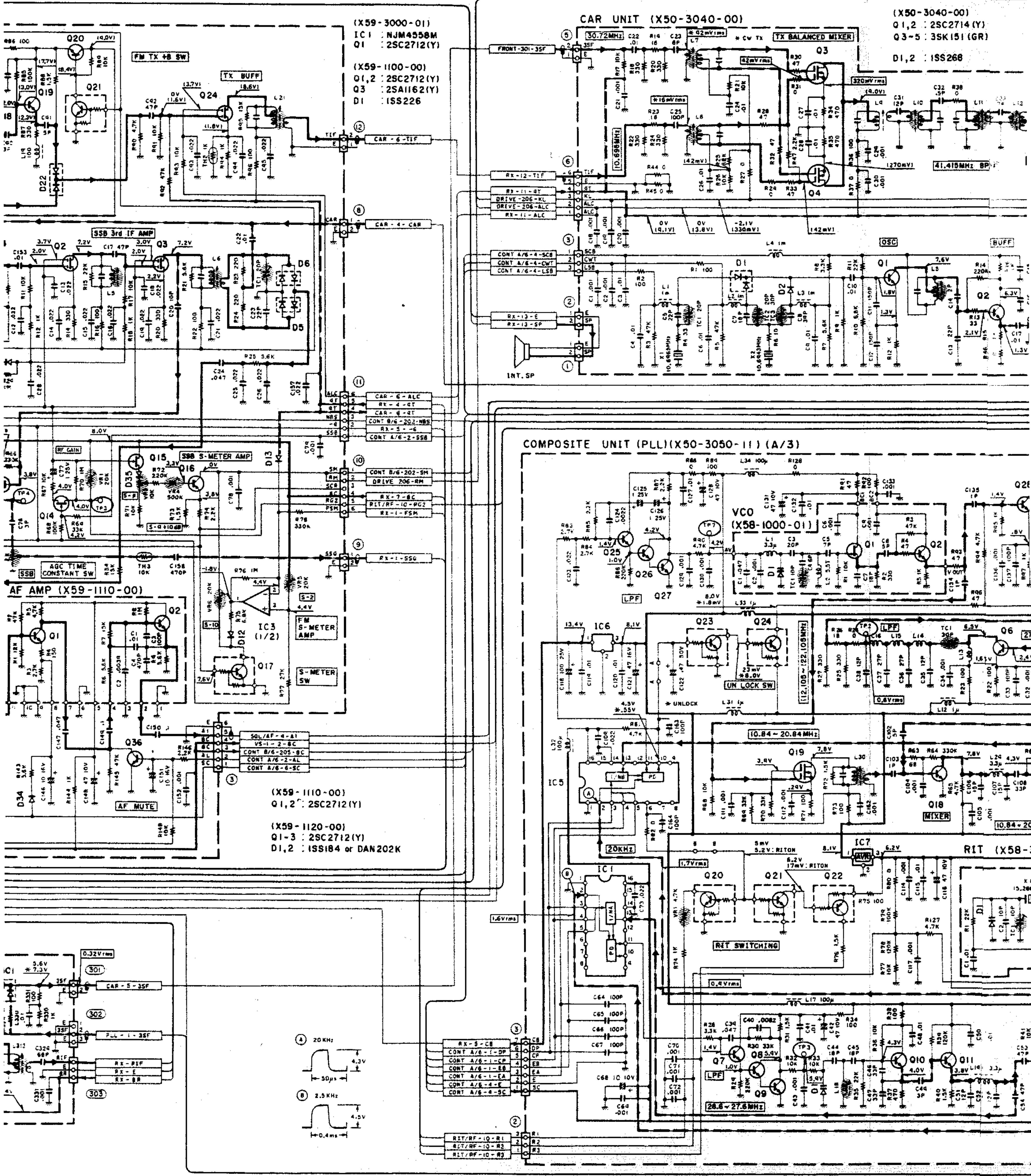


- (X60-1320-01)
- IC 1 : TA7302P
 - IC 2 : TA7761P
 - IC 3 : NJM4558C
 - IC 4 : AN612
 - IC 5 : μPC78M08H
- Q1, 2, 3, 24 : 3SK73(GR)
 - Q4 : 2SK125
 - Q5, 18, 19 : 25C2714(Y)
 - Q6, 8, 9, 12, 13, 20, 31, 36 : 25C2712(Y)
 - Q7, 11, 17, 21, 23, 28, 29, 35 : DTC114EK
 - Q10, 22 : DTA114EK
 - Q14, 15 : 2SK208(10)
 - Q16, 33 : 25A1162(Y)
 - Q25 ~ 27 : 25C3324(G, B)
 - Q30 : 25A1115(E)
 - Q32 : 25A1307(Y)
 - Q34 : 25C3419(Y)
- D1, 24 : ISS272
 - D3, 4, 12 ~ 15, 17, 22 : 26, 33, 34 : ISS184
 - D5, 6, 32 : HSM88AS
- D9, 18, 23 : 28, 31, 35 : ISS181
 - D10, 11 : ISS106
 - D16, 20 : ISS133
 - D19, 27 : ISS226
 - D21 : ISS220C
 - D29 : MTZ11JC
 - D30 : MTZ6.2JA

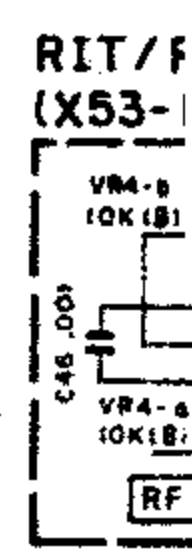
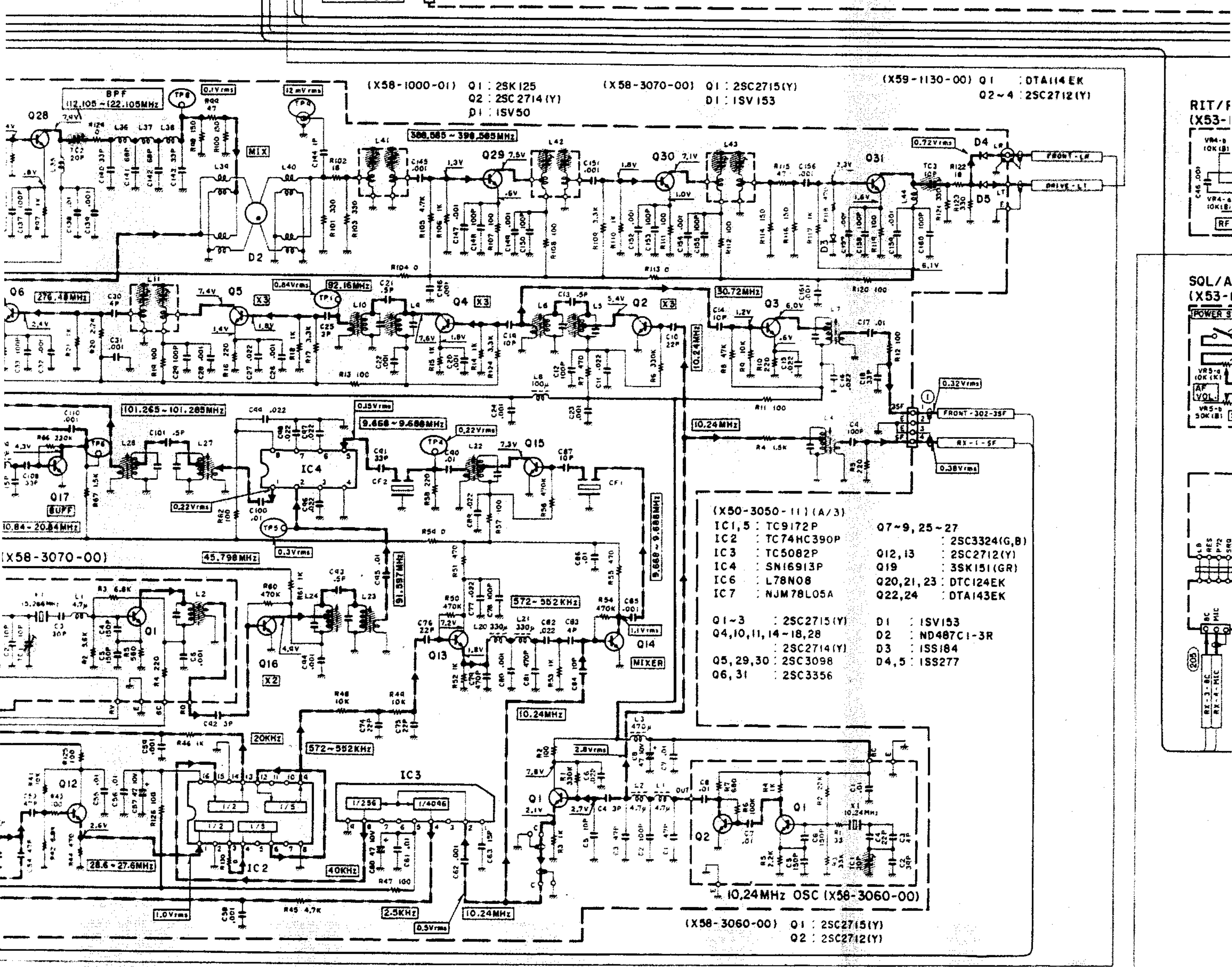
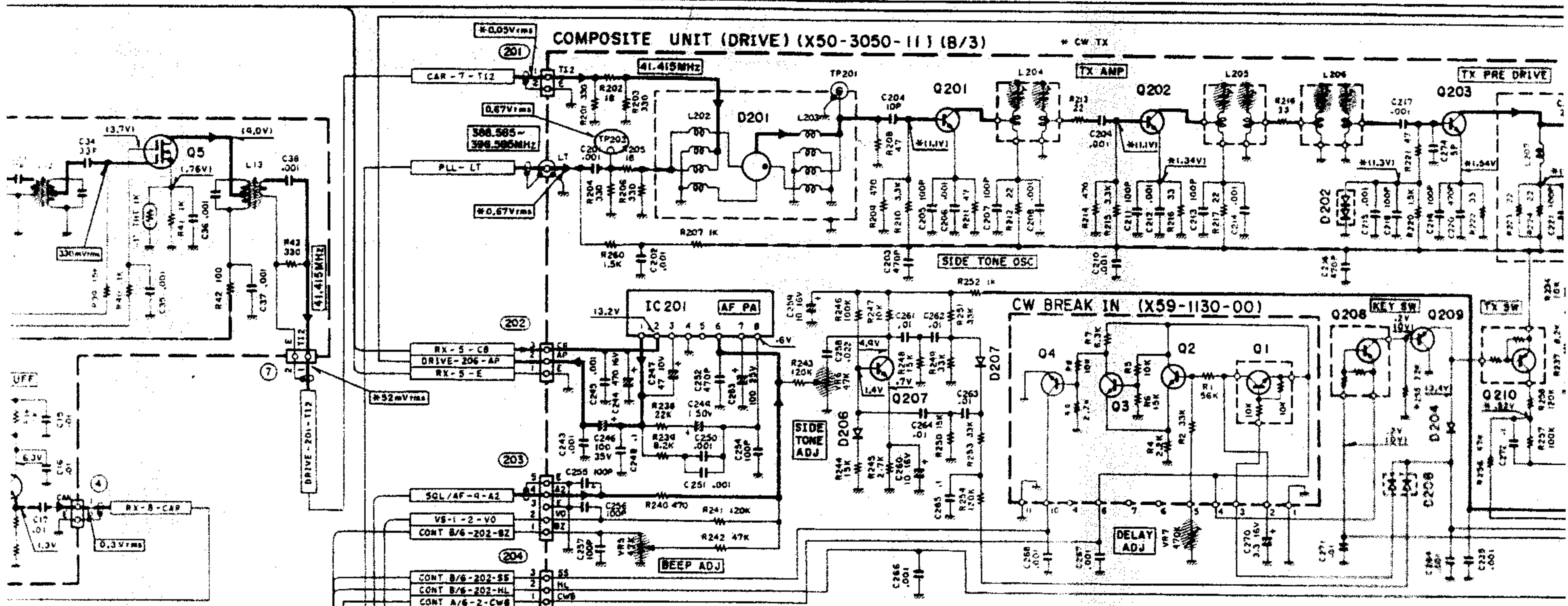


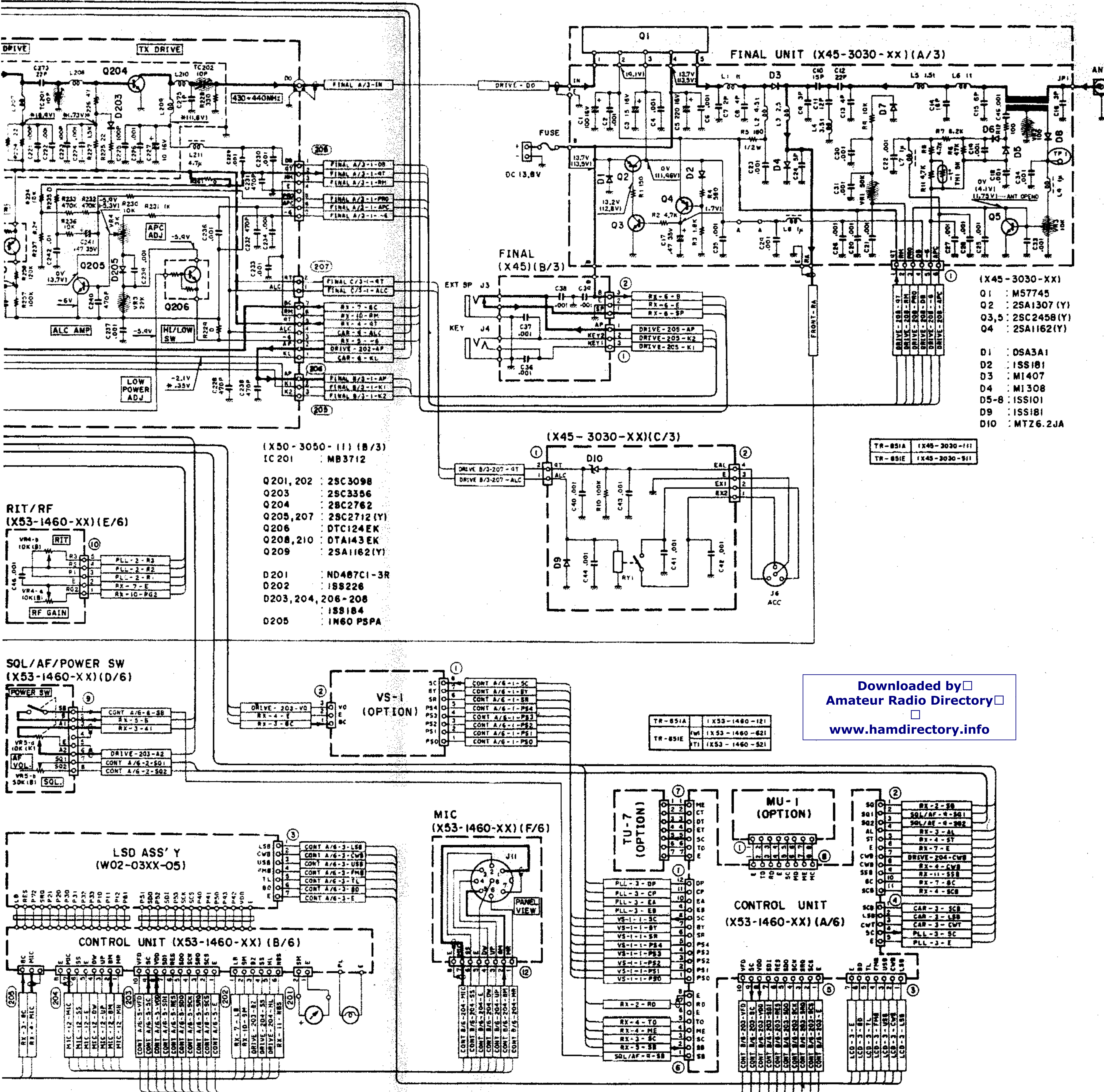
- (X50-3050-11) (C/3)
- Q301, 303 : 3SK184(S)
 - Q302 : 2SK125
 - Q304 : 3SK179(L)
 - Q305 : DTA114EK
 - Q306 : DTC114EK
 - D301 : ISS268

SCHEMATIC



TIC DIAGRAM





- (X50-3050-11) (B/3)
 IC 201 : MB3712
 Q201, 202 : 2SC3098
 Q203 : 2SC3386
 Q204 : 2SC2762
 Q205, 207 : 2SC2712 (Y)
 Q206 : DTC124EK
 Q208, 210 : DTA143EK
 Q209 : 2SA1162(Y)
 D201 : ND487CI-3R
 D202 : 1SS226
 D203, 204, 206-208 : 1SS184
 D205 : 1N60 PSPA

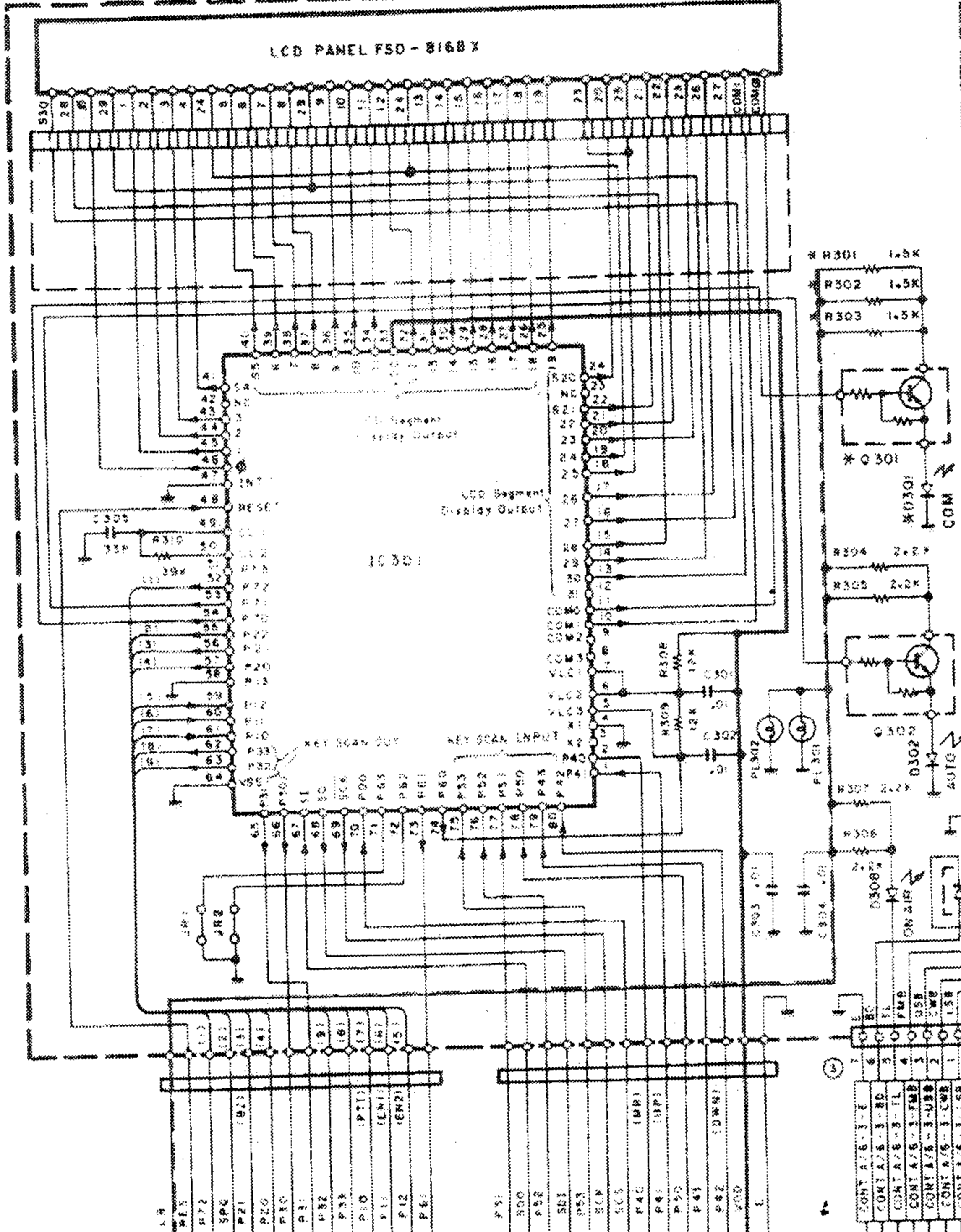
- (X45-3030-XX)
 O1 : M57745
 Q2 : 2SA1307 (Y)
 Q3,5 : 2SC2458(Y)
 Q4 : 2SA1162(Y)
 D1 : DSA3A1
 D2 : 1SS181
 D3 : MI407
 D4 : MI308
 D5-8 : 1SS101
 D9 : 1SS181
 D10 : MTZ6.2JA

TR-851A	X45-3030-11
TR-851E	X45-3030-911

TR-851A	X53-1460-121
TR-851E	X53-1460-821
	X53-1460-521

Downloaded by Amateur Radio Directory
www.hamdirectory.info

LCD ASS'Y (W02-03XX-05)



DESTINATION	NO.	D301	D302	R301-305	LCD ASS'Y
TR-891A	(W) (W02-0376-05)	YES	YES	YES	81688
TR-891E	(W) (W02-0387-05)	NO	NO	NO	81686
TR-891E	(T) (W02-0377-05)	NO	NO	NO	81688

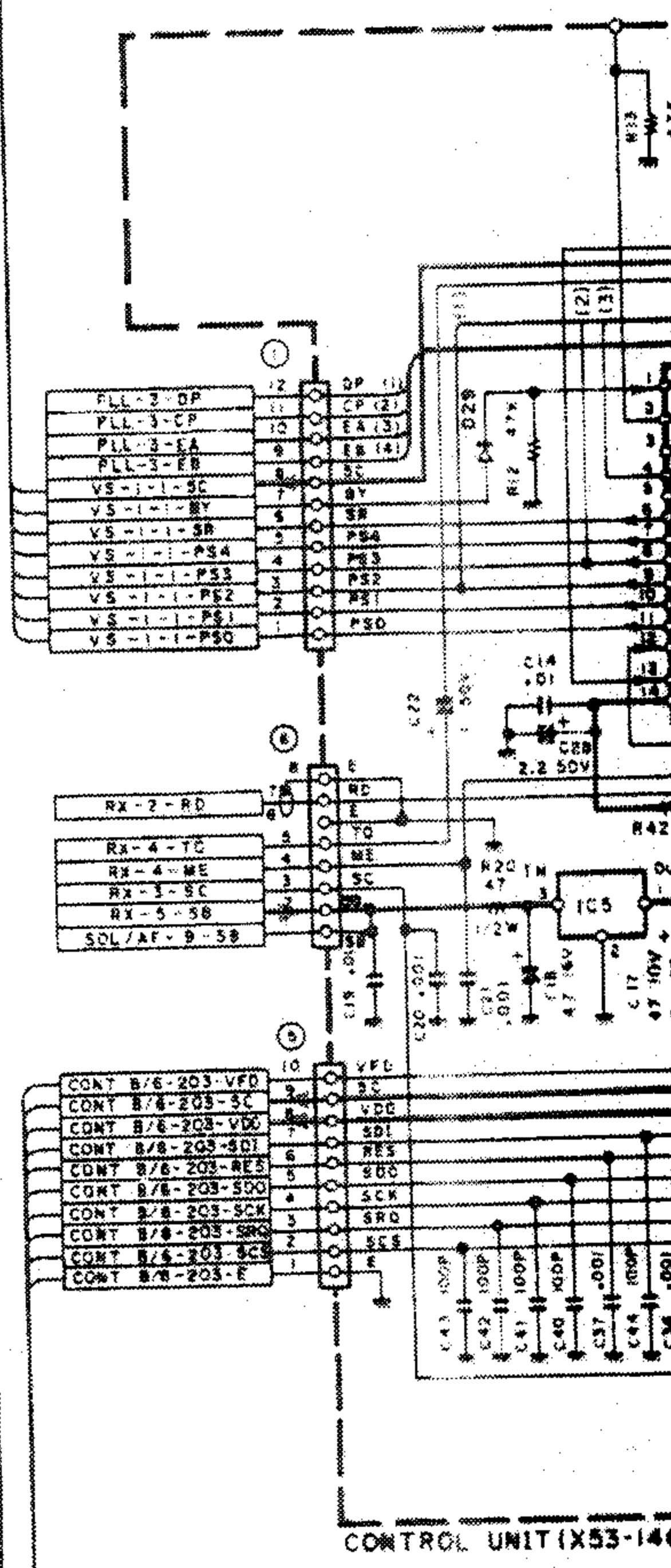
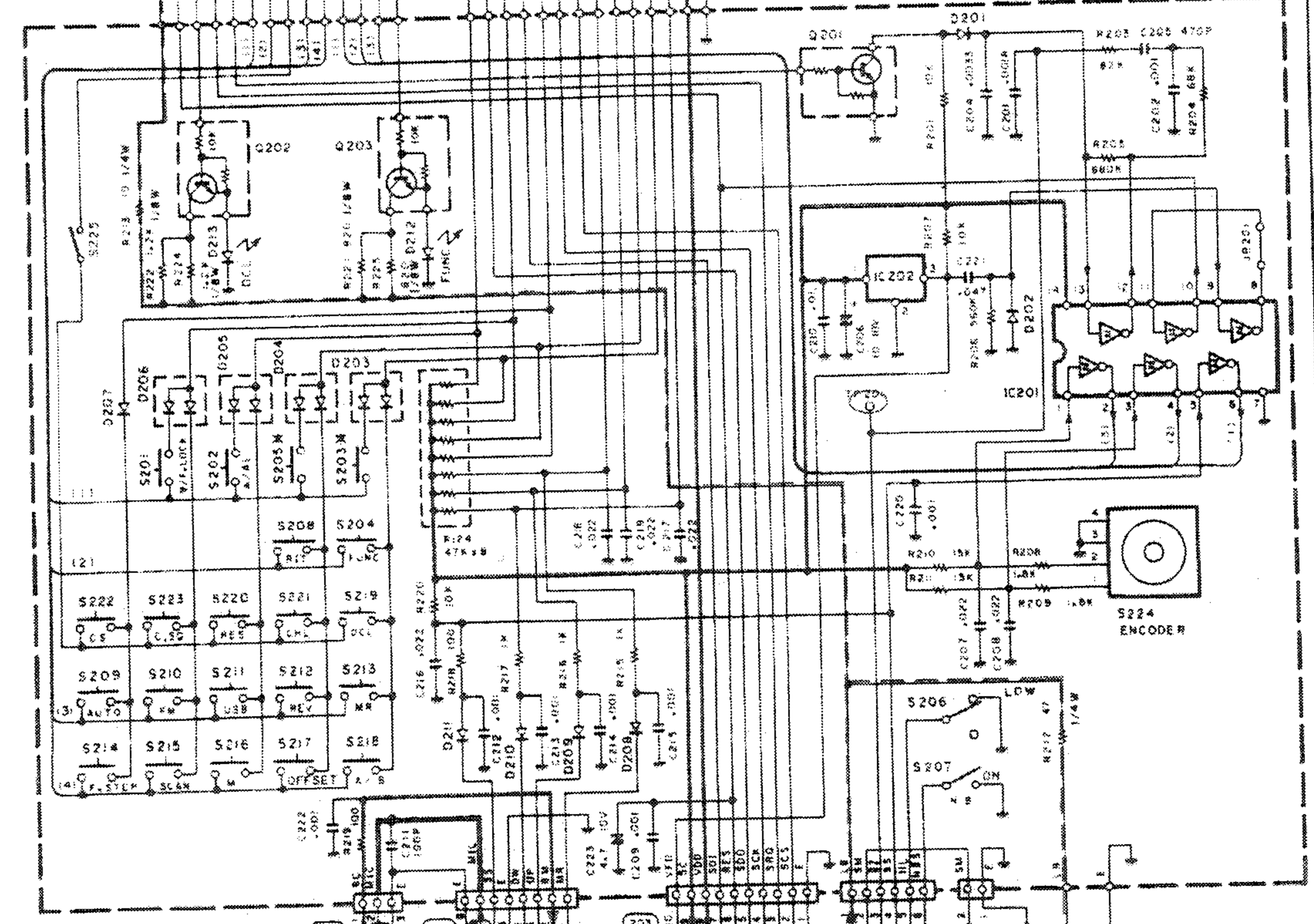
LCD SHIPPY PRINT
-A-
D-A, B-B
-C-

MU-1 (OPTION)

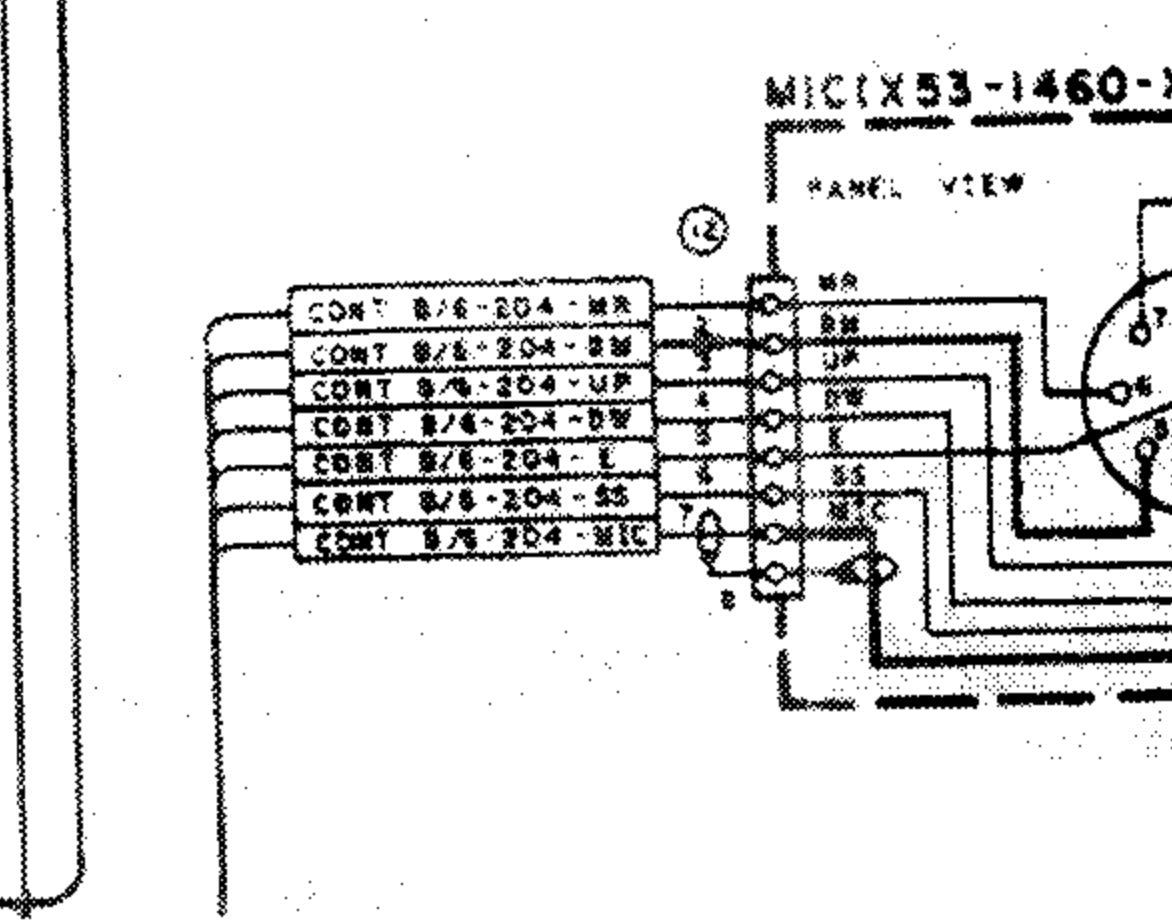
DESTINATION	NO.	B1	D3	D4	D5	D6
TR-851A	(X53-1460-12)	NO	YES	NO	NO	NO
TR-851C	(W) (X53-1460-62)	YES	NO	YES	YES	YES
TR-851C	(T) (X53-1460-52)	YES	NO	NO	NO	YES

B	C	D
NO	YES	NO
YES	NO	YES
YES	NO	YES

CONTROL UNIT (X53-1460-XX) (B/6)



CONTROL UNIT (X53-1460-XX)



DESTINATION	NO.	S203	S205
TR-851A	(X53-1460-12)	VOICE	COM
TR-851E	(W) (X53-1460-62)	VOICE	TONE
TR-851E	(T) (X53-1460-52)	VOICE	TONE

MIC	DRIVE	VS-1	VS-2	VS-3	VS-4	VS-5	VS-6	VS-7	VS-8	VS-9	VS-10	VS-11	VS-12	VS-13	VS-14	VS-15	VS-16	VS-17	VS-18	VS-19	VS-20
CONT A/6-1-VFD	CONT A/6-2-VDD	CONT A/6-3-RES	CONT A/6-4-SCK	CONT A/6-5-SRD	CONT A/6-6-SCS	CONT A/6-7-DRIVE	CONT A/6-8-DRIVE	CONT A/6-9-DRIVE	CONT A/6-10-DRIVE	CONT A/6-11-DRIVE	CONT A/6-12-DRIVE	CONT A/6-13-DRIVE	CONT A/6-14-DRIVE	CONT A/6-15-DRIVE	CONT A/6-16-DRIVE	CONT A/6-17-DRIVE	CONT A/6-18-DRIVE	CONT A/6-19-DRIVE	CONT A/6-20-DRIVE	CONT A/6-21-DRIVE	CONT A/6-22-DRIVE

CIRCUIT DIAGRAM TR-851A/E

Q4,6,201~203,301,302
DTC114EK
Q5
DTA114TK
Q7,8
DTA114EK

IC1 : UPD750RHG-56K-22
IC2 : DT5C124E
IC3 : DT5A143E
IC4 : UPD7507SCT-226
IC5 : NJM2930L-D6
IC6 : NE555P
IC20 : BU4584B
IC202 : PSY523C
IC30 : UPD7514G-45-12

D1~9,11,14,16~18,22~24,207~211
:55133
D19,20,25,26,30,31,33
:55184 or DAN 202K
D21,27,20~206
:55181 or DAP 202K
D29 :55126
D212 :LN 3276P
D213 :LN 4224P
D301,306 MP-2AAG01
D302,308 MP-18R001
D303~305,307
MP-28G001

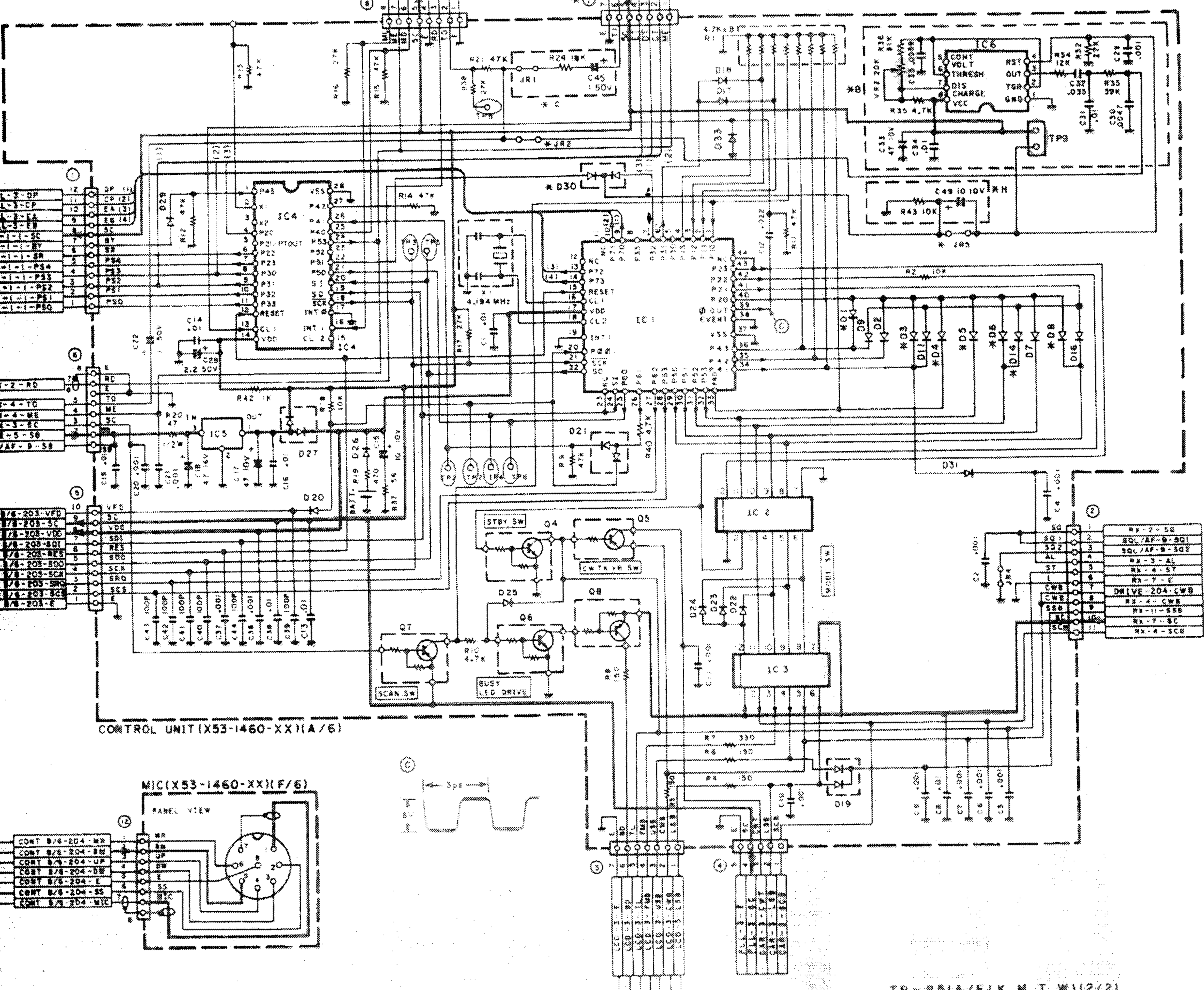
MU-1 (OPTION)

TU-7 (OPTION)

Downloaded by
Amateur Radio Directory
www.hamdirectory.info

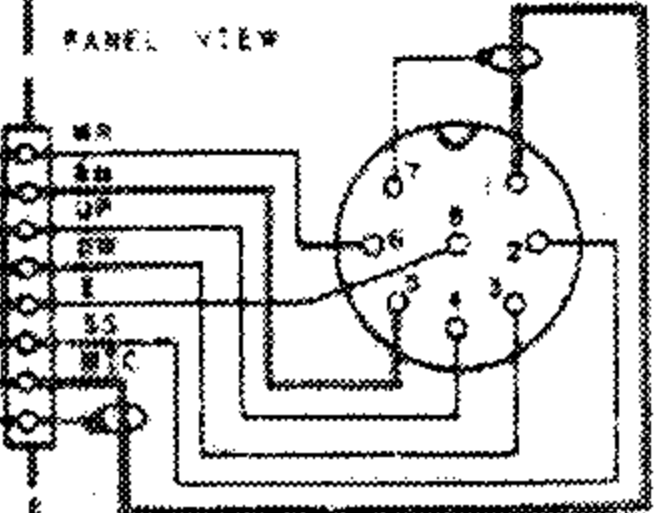
ATTN	NO.	D1	D3	D4	D5	D6	D8	D14	D30
1A	(X53-1460-12)	NO	YES	NO	NO	NO	NO	YES	NO
1W	(X53-1460-52)	YES	NO	YES	YES	YES	NO	NO	YES
1Y	(X53-1460-52)	YES	NO	NO	NO	YES	YES	NO	YES

B	C	H	JR2	JR9	J7
NO	YES	NO	NO	NO	YES
YES	NO	NO	YES	YES	NO
YES	NO	YES	YES	NO	NO



CONTROL UNIT (X53-1460-XX) (A/E)

MIC (X53-1460-XX) (F/E)

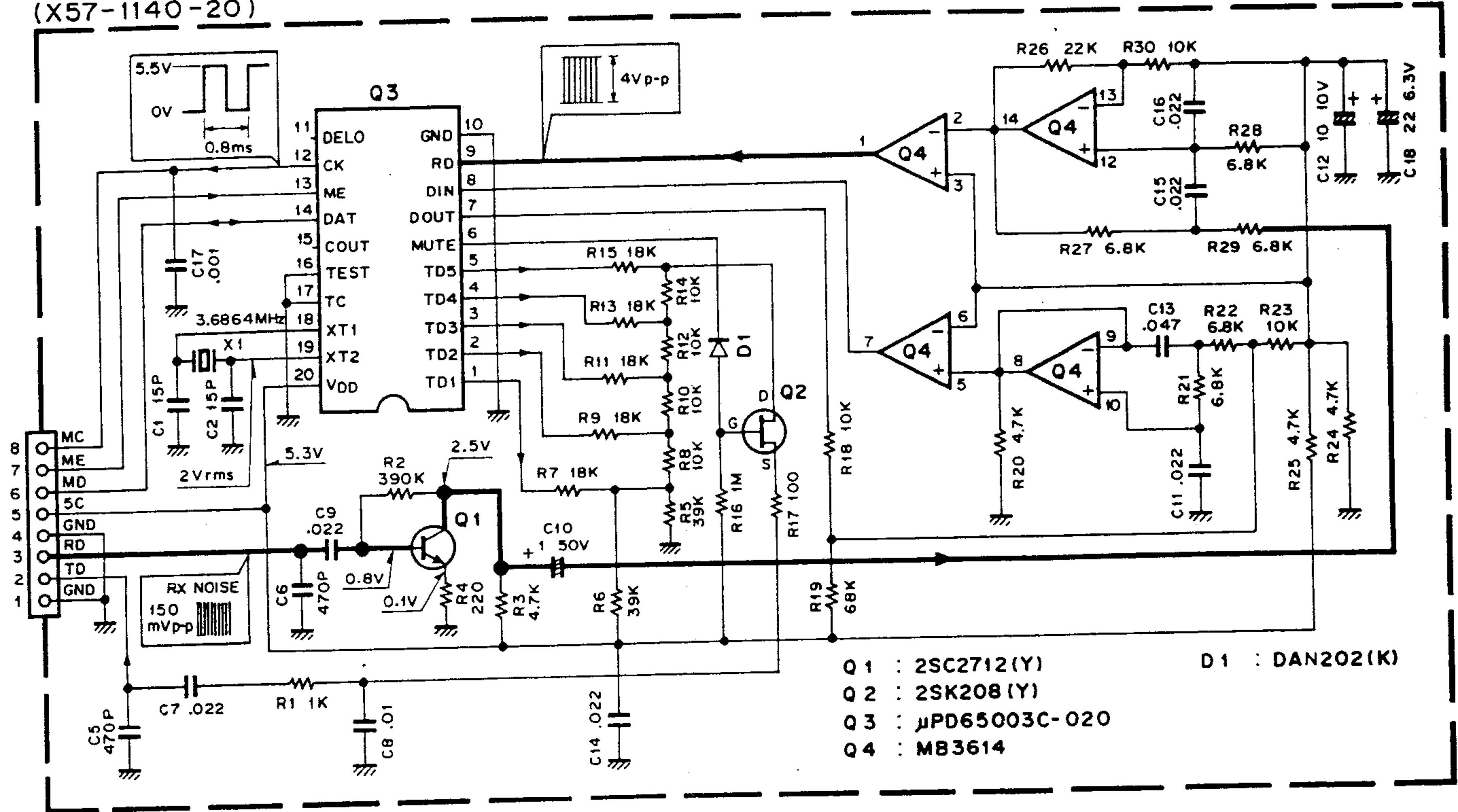


TR-851A/E

MU-1 (MODEM UNIT)

MU-1 SCHEMATIC DIAGRAM

(X57-1140-20)



● Modulation output (TD terminal output on MODEM unit)

Condition		TD terminal output	
ME	MD	Frequency (Hz)	Output voltage (V) [†]
5V	5V	1.200	1.3 ± 0.15
5V	0V	1.800	1.1 ± 0.15

Downloaded by
 Amateur Radio Directory
 www.hamdirectory.info

● Demodulation output

Operation condition (RD terminal) : 40mV±3dB
 (Confirm DAT terminal voltage by receiving a 60dBμ signal from SSG)

SSG MOD. frequency	DAT terminal voltage
1.200Hz	5V
1.800Hz	0V