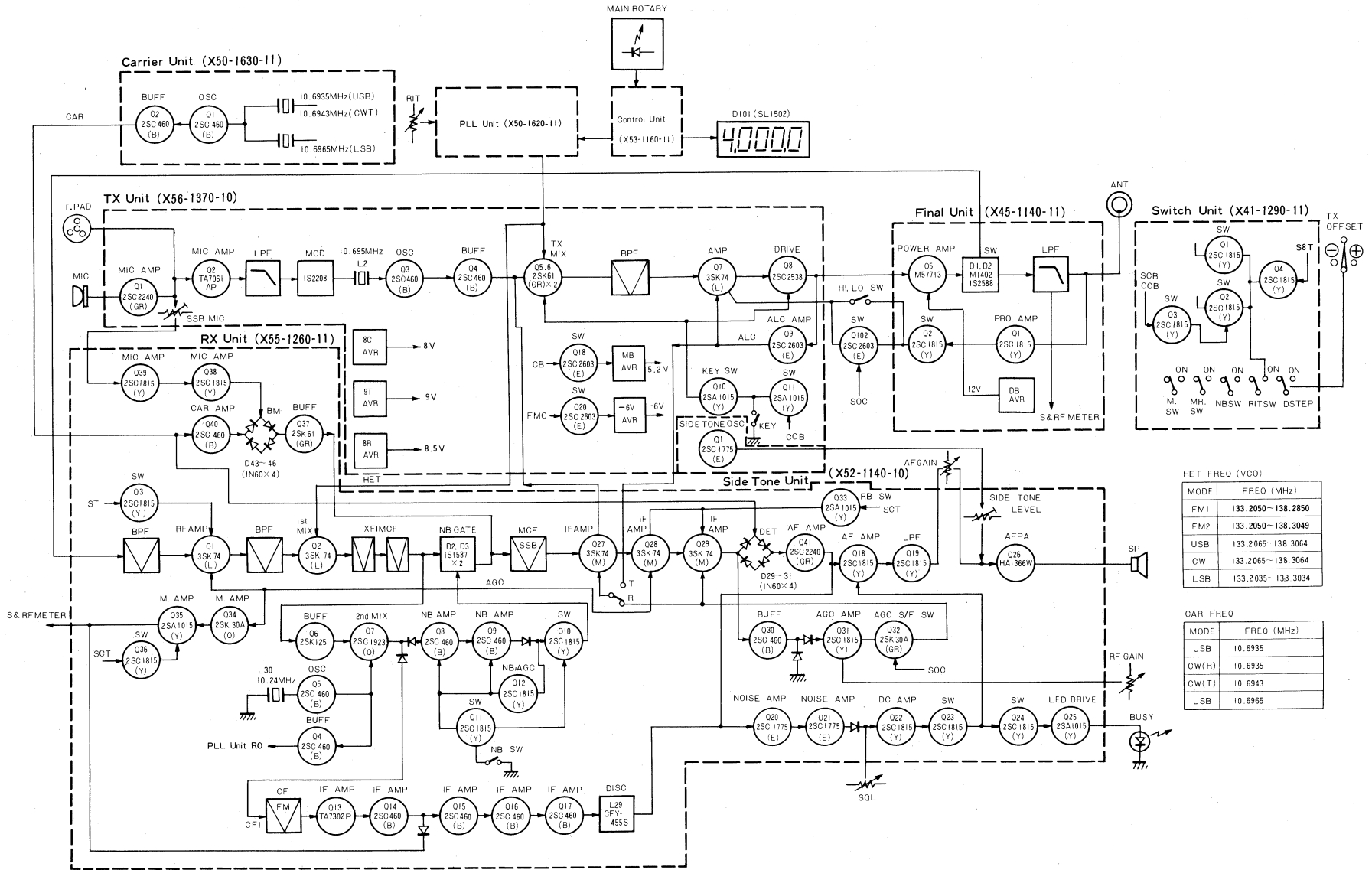
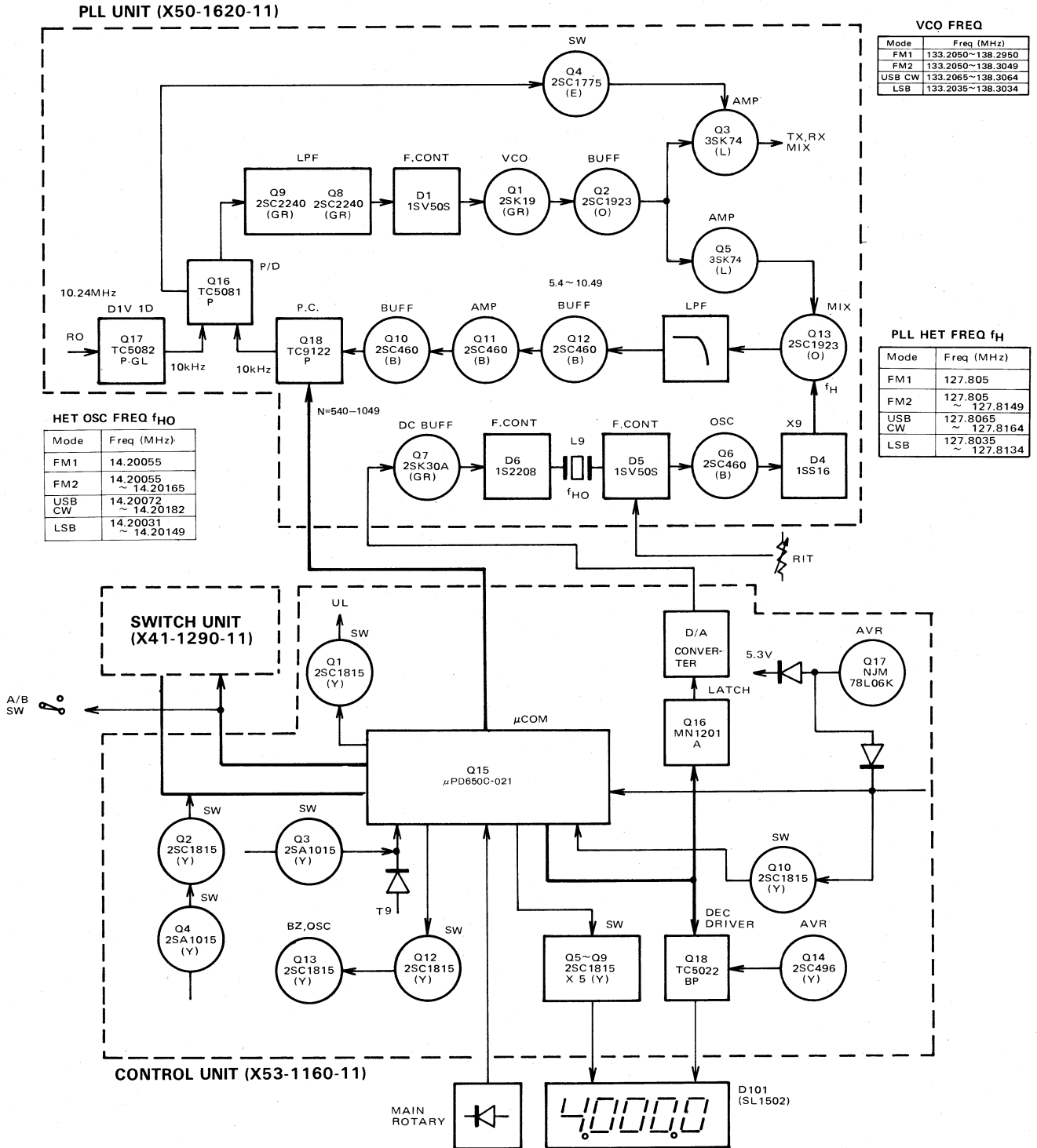


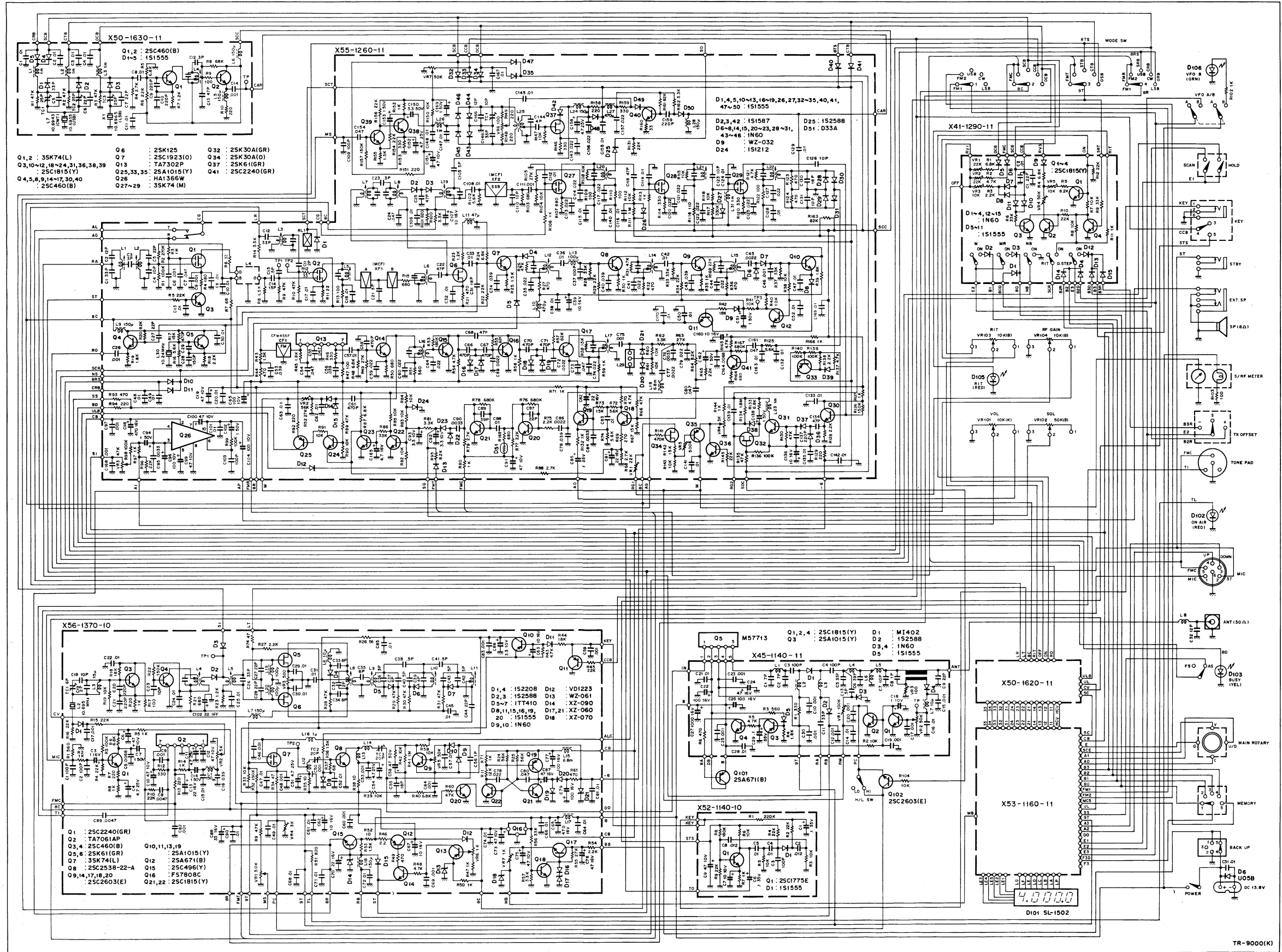
BLOCK DIAGRAM



BLOCK DIAGRAM

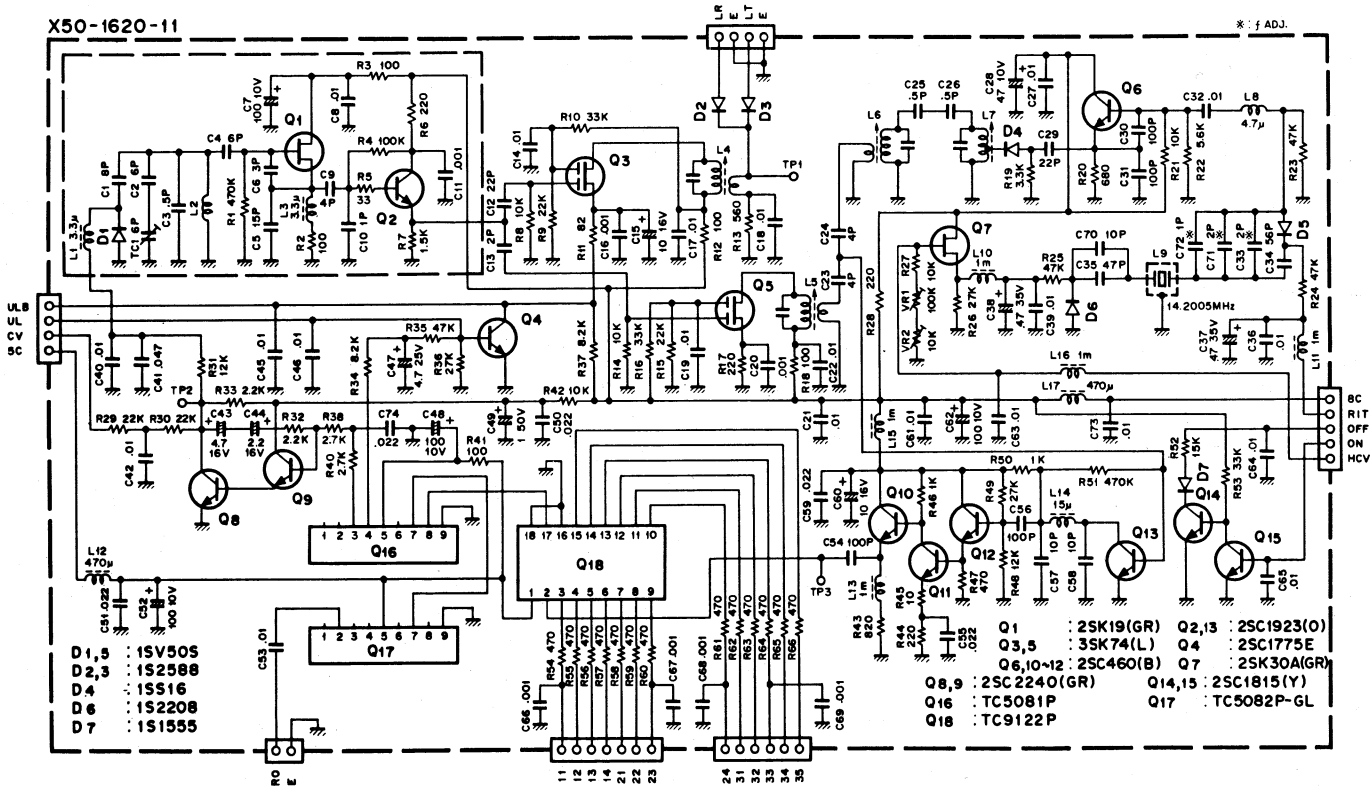


TR-9000 SCHEMATIC DIAGRAM



SCHEMATIC DIAGRAM

X50-1620-11



X53-1160-11

