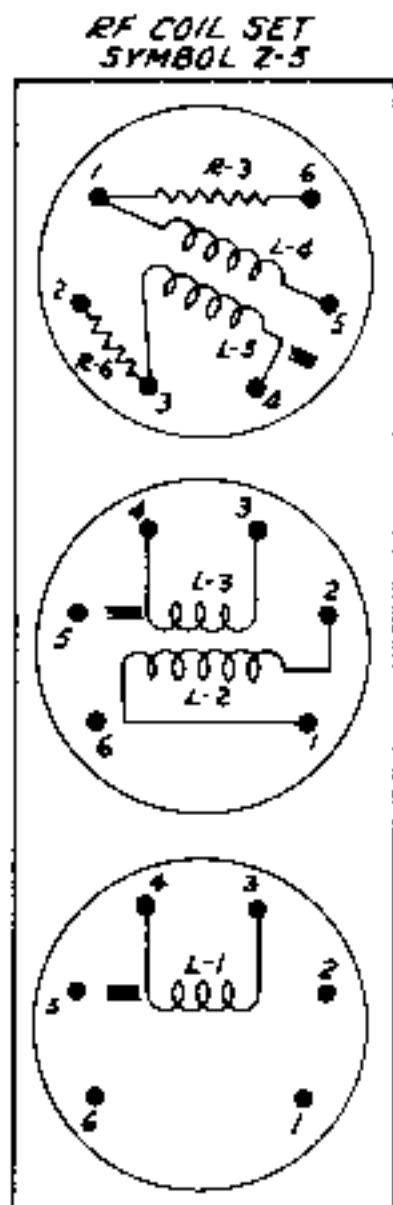


CIRCUITS IN RF COIL SET, IF COUPLING UNITS, CW OSCILLATOR, AND OUTPUT TRANSFORMER.
THE TERMINAL NUMBERS ON THESE UNITS AGREE WITH THOSE SHOWN AT THE CORRESPONDING
LOCATIONS ON THE WIRING DIAGRAM.



IF COUPLING UNITS

