

RESISTORS

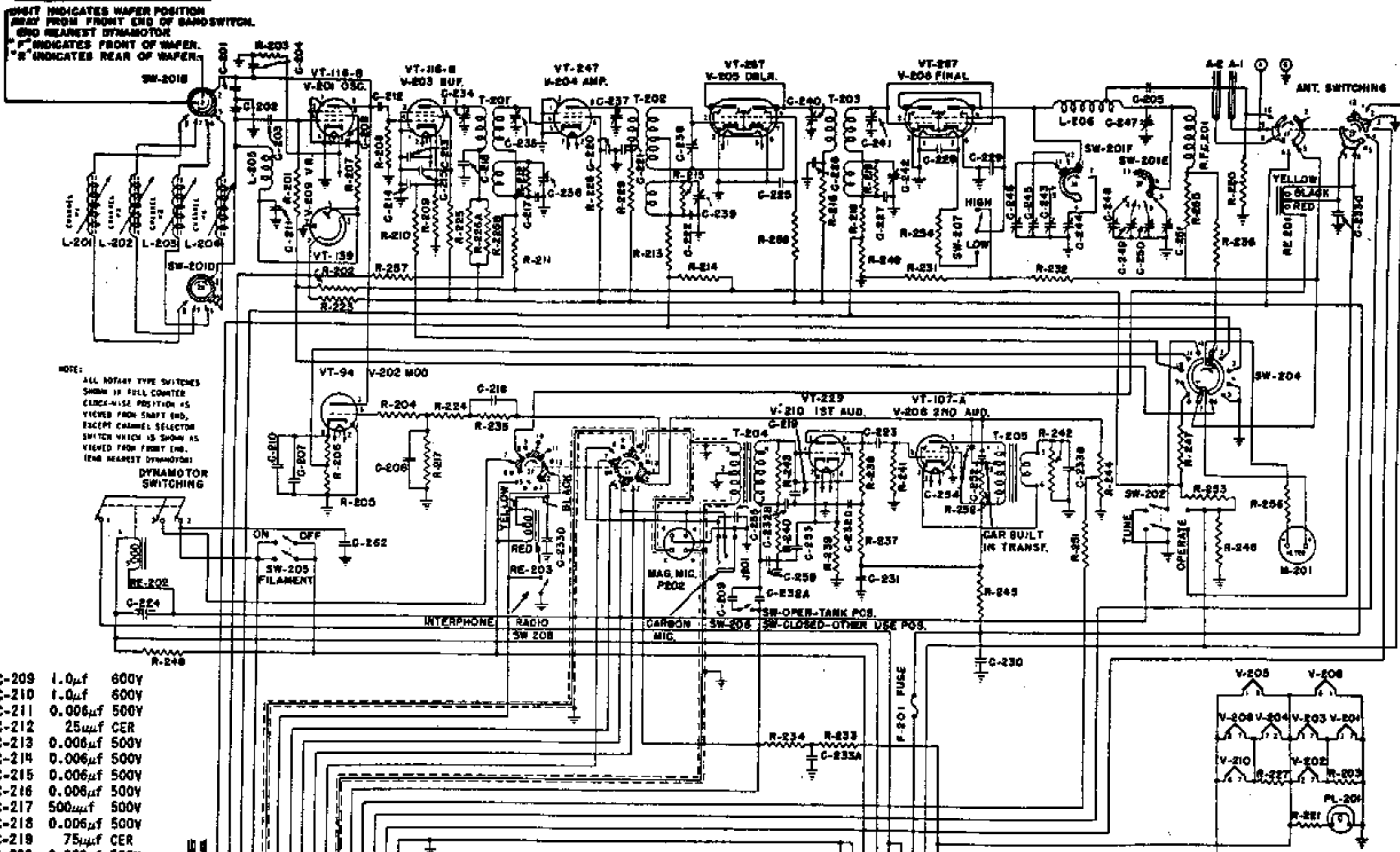
- R-201 22,000 Ω 1/2W
- R-202 1,000 Ω 1/4W
- R-203 19 Ω 2W
- R-204 100 Ω 1/2W
- R-205 15 Ω 1/4W
- R-206 2,200 Ω 1/2W
- R-207 22,000 Ω 1/2W
- R-208 100,000 Ω 1/4W
- R-209 330 Ω 1/2W
- R-210 2,200 Ω 1/2W
- R-211 330,000 Ω 1/2W
- R-212 2,200 Ω 1/2W
- R-213 22,000 Ω 1/2W
- R-214 10,000 Ω 1/2W
- R-215 1,500 Ω 5W
- R-216 2,250 Ω 25W
- R-217 470 Ω 1/2W
- R-218 4,700 Ω 1/2W
- R-219 1200 Ω 5W
- R-220 1,000,000 Ω 1/4W
- R-221 63 Ω 5W
- R-222 7,500 Ω 25W
- R-223 820 Ω 1/4W
- R-224 330,000 Ω 1/2W
- R-225A 150,000 Ω 1/2W
- R-225B 150,000 Ω 1/2W
- R-227 83 Ω 5W
- R-228 35,000 Ω 20W
- R-229 7,500 Ω 20W
- R-231 35,000 Ω 20W
- R-232 11,500 Ω 25W
- R-233 100 Ω 1/2W
- R-234 220 Ω 1W
- R-235 33,000 Ω 1/2W
- R-236 350 Ω 1/2W
- R-237 220,000 Ω 1/2W
- R-238 390,000 Ω 1/2W
- R-239 4,700 Ω 1/2W
- R-240 47,000 Ω 1/2W
- R-241 390,000 Ω 1/2W
- R-242 270 Ω 1W
- R-243 68,000 Ω 1/2W
- R-244 50,000 Ω POT
- R-245 2,000 Ω 25W
- R-246 1,250 Ω 25W
- R-247 10,000 Ω 1/2W
- R-248 16 Ω 10W
- R-249 1,000 Ω 1/4W
- R-251 10,000 Ω 1/2W
- R-252 2,500 Ω 5W
- R-253 1,250 Ω 5W
- R-254 4,700 Ω 1/2W
- R-255 2 Ω 1/2W
- R-256 39 Ω 1/2W
- R-257 100,000 Ω 1/4W
- R-258 35,000 Ω 20W

CAPACITORS

- C-201 100μf CER
- C-202 450μf 500V
- C-203 50μf CER
- C-204 25μf CER
- C-205 0.001μf 1000V
- C-206 500μf 500V
- C-207 0.006μf 500V
- C-208 0.006μf 500V

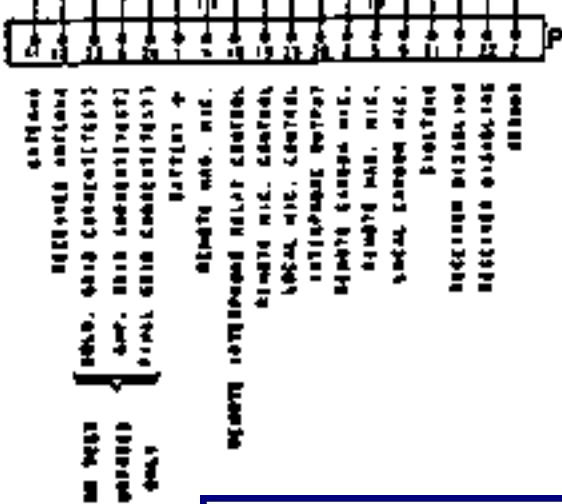
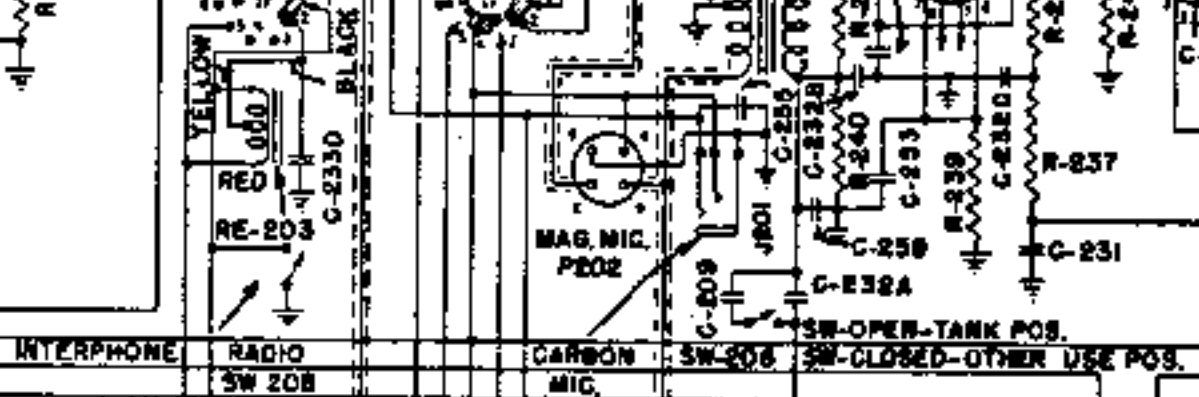
- C-209 1.0μf 600V
- C-210 1.0μf 600V
- C-211 0.006μf 500V
- C-212 25μf CER
- C-213 0.006μf 500V
- C-214 0.006μf 500V
- C-215 0.006μf 500V
- C-216 0.008μf 500V
- C-217 500μf 500V
- C-218 0.006μf 500V
- C-219 75μf CER
- C-220 0.006μf 500V
- C-221 0.006μf 500V
- C-222 500μf 500V
- C-223 0.1μf 600V
- C-224 4μf 50V
- C-225 0.006μf 500V
- C-226 0.006μf 500V
- C-227 500μf 500V
- C-228 0.006μf 500V
- C-229 0.006μf 500V
- C-230 2.0μf 600V
- C-231 2.0μf 600V
- C-232A 0.2μf 200V
- C-232B 0.5μf 200V
- C-232C 0.1μf 600V
- C-233A 50μf 50V
- C-233B 20μf 50V

- C-233C 100μf 50V
- C-233D 100μf 50V
- C-234 10.3μf MAX
- C-235 10.3μf MAX
- C-236 25μf MAX
- C-237 10.3μf MAX
- C-238 10.2μf MAX
- C-239 25μf MAX
- C-240 10.3μf MAX
- C-241 10.3μf MAX
- C-242 25μf MAX
- C-243 75μf MAX
- C-244 75μf MAX
- C-245 75μf MAX
- C-246 75μf MAX
- C-247 75μf MAX
- C-248 100μf MAX
- C-249 100μf MAX
- C-250 100μf MAX
- C-251 100μf MAX
- C-252 0.05μf 600V
- C-253 500μf 500V
- C-254 0.5μf 600V
- C-255 500μf 600V
- C-256 500μf 600V
- C-258 500μf 600V
- C-259 0.006μf 600V
- C-260 500μf 1,000V
- C-261 500μf 1,000V
- C-262 0.5μf 150V
- C-263 0.006μf 600V
- F-201 FUSE-5



NOTE: ALL ROTARY TYPE SWITCHES SHOWN IN FULL COUNTER CLOCKWISE POSITION AS VIEWED FROM SHAFTE END, EXCEPT CHANNEL SELECTOR SWITCH WHICH IS SHOWN AS VIEWED FROM FRONT END. (END NEAREST DYNAMOTOR)

DYNAMOTOR SWITCHING



NOTES: *These Capacitors must be mica dielectric.
 *These capacitors may be either mica or ceramic
 Unmarked rounded-type either mica or paper dielectric
 Replace C-201 and C-204 as a unit