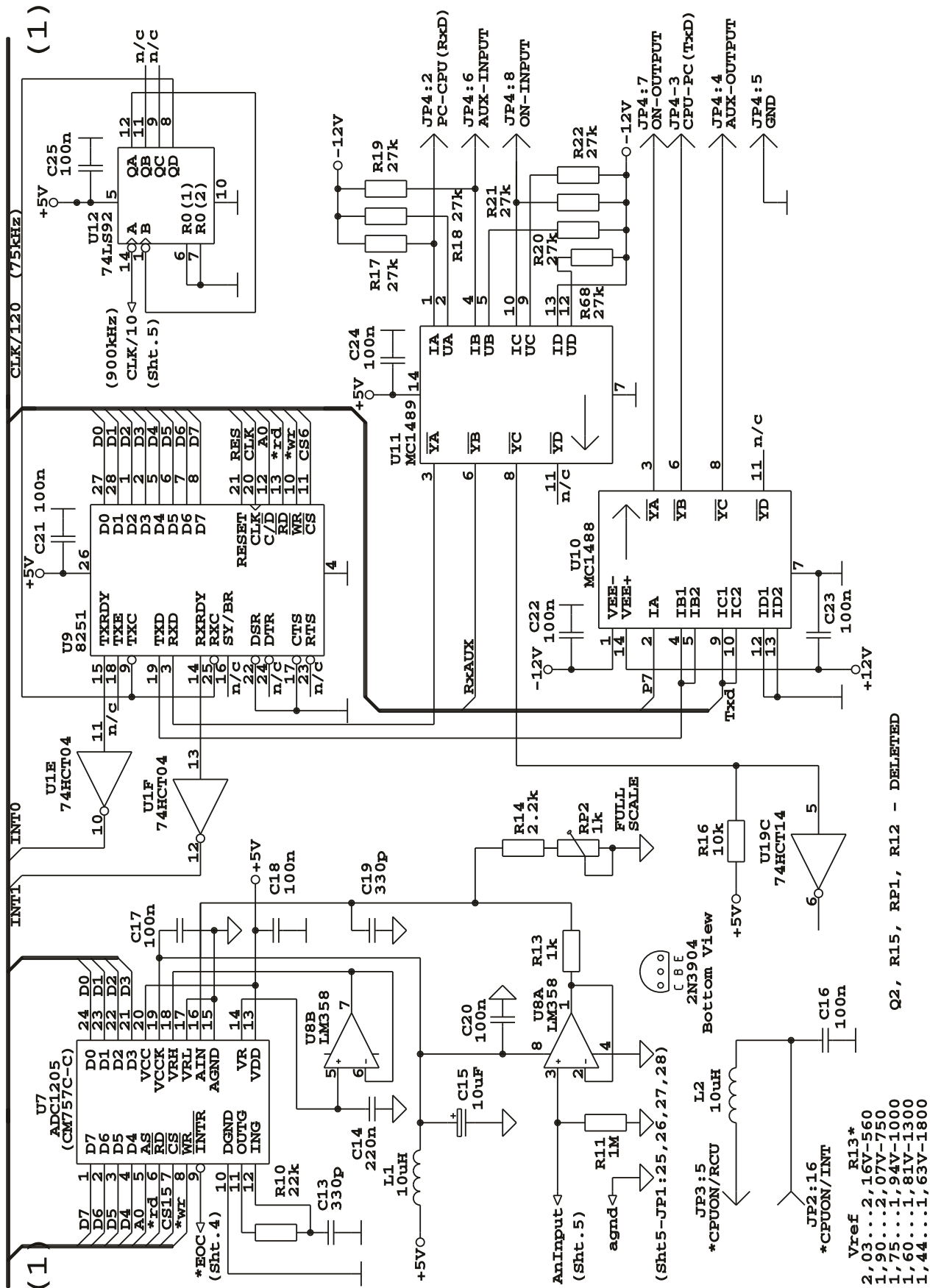


## Appendix A

### Schematics diagrams

<i>Description</i>	<i>page</i>
1. Central processor unit (CPU) . . . . .	2
2. Exhaust air temperature sensor . . . . .	8
3. Motor position opto sensor . . . . .	8
4. High voltage capacitive filter . . . . .	9
5. HV rectifier and SG regulator . . . . .	10
6. Intake airflow sensor . . . . .	12
7. Interface . . . . .	13
8. Low voltage supply . . . . .	. 21
9. Mains power control . . . . .	25
10. Motor driver . . . . .	26
11. Output power wattmeter . . . . .	29
12. Phase detector and input network . . . . .	30
13. Remote control unit (RCU) . . . . .	32
14. Signal input/output filter . . . . .	35
15. Tube deck parts layout. . . . .	36



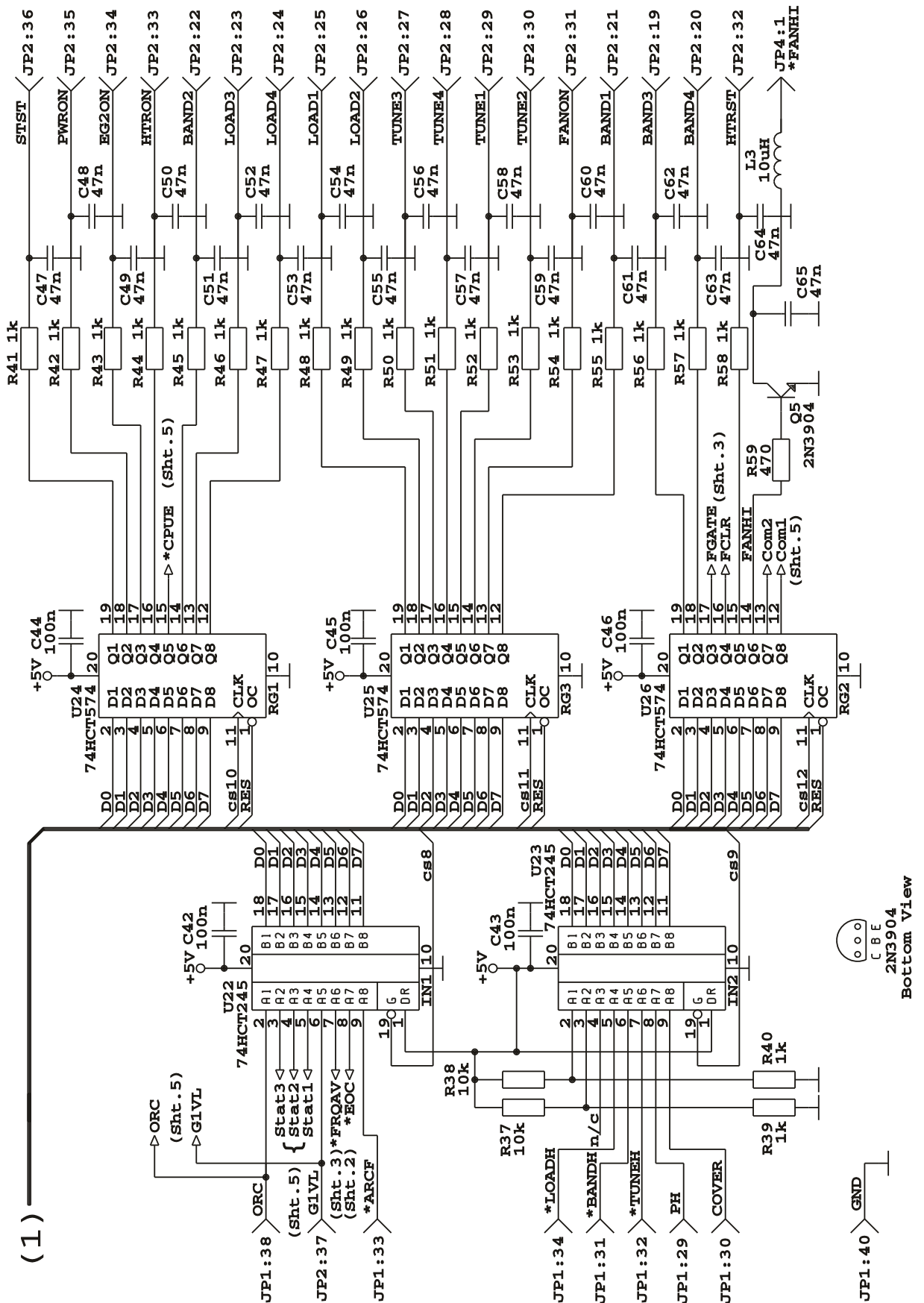


Q2, R15, RP1, R12 - DELETED

- Vref R13\*
- 2,03.....2,16V-560
- 1,90.....2,07V-750
- 1,75.....1,94V-1000
- 1,60.....1,81V-1300
- 1,44.....1,63V-1800

CENTRAL PROCESSOR UNIT (CPU)  
Schematic diagram Sht. 2 of 6

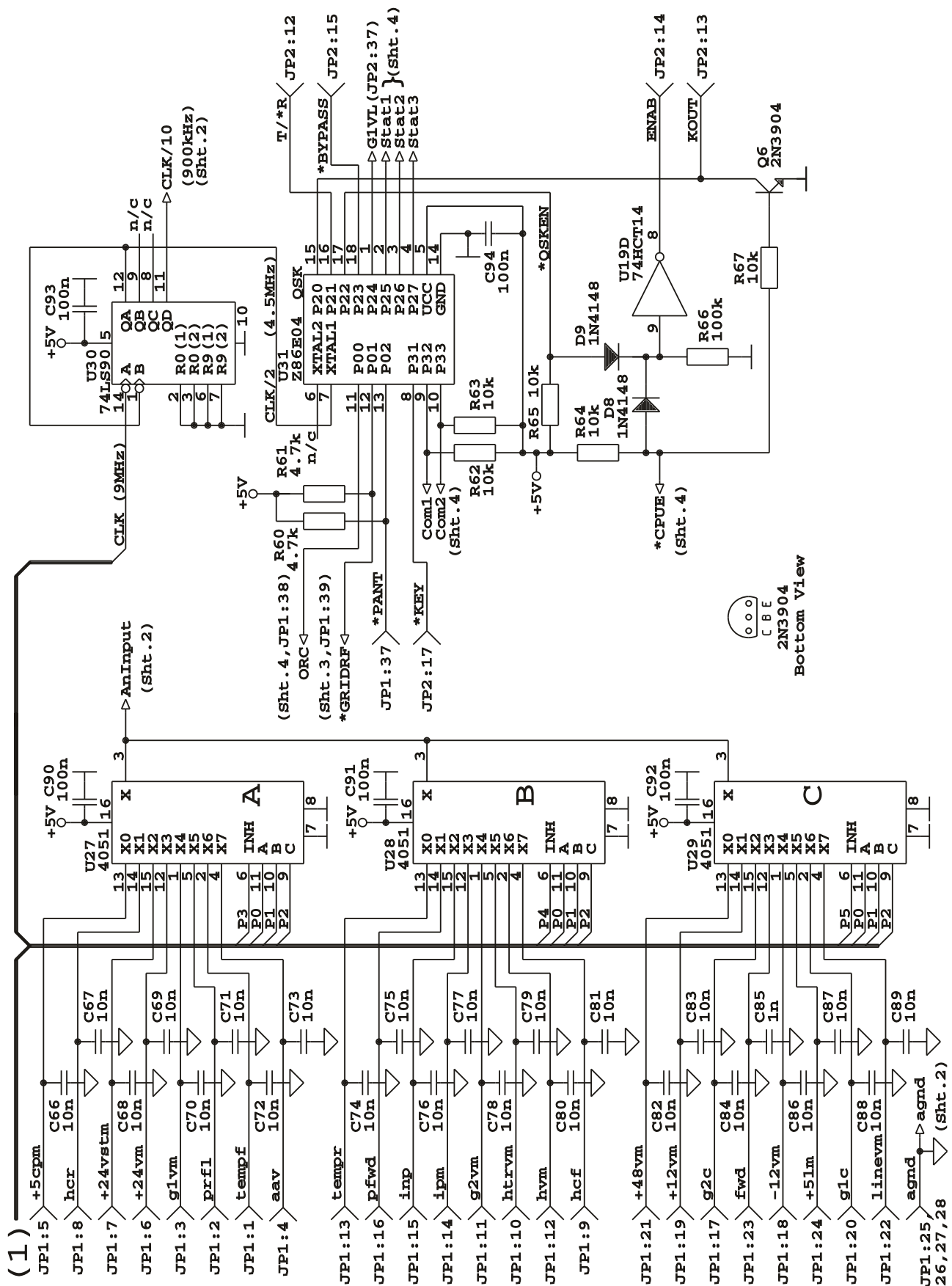




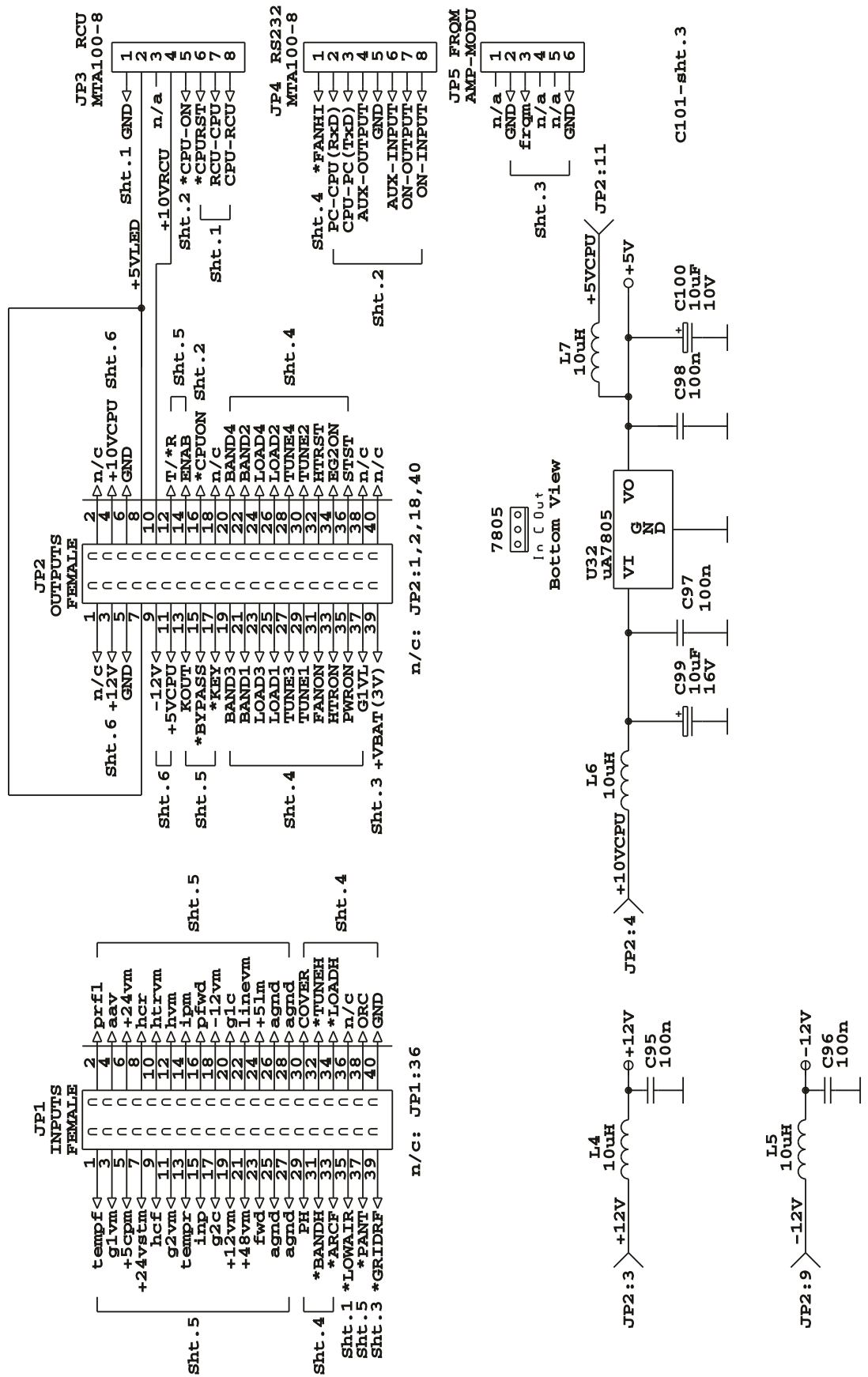
CENTRAL PROCESSOR UNIT (CPU)

Schematic diagram Sht. 4 of 6

Bottom View

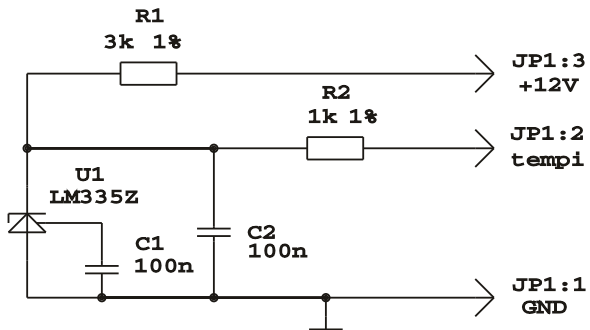


CENTRAL PROCESSOR UNIT (CPU)  
Schematic diagram Sht. 5 of 6



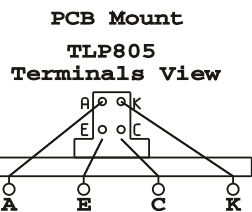
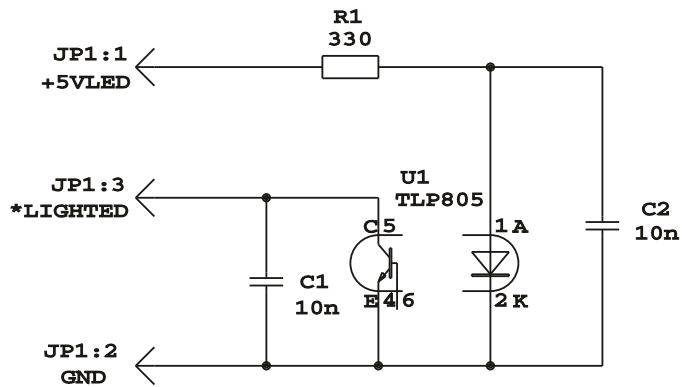
CENTRAL PROCESSOR UNIT (CPU)

Schematic diagram Sht. 6 of 6



**EXHAUST AIR TEMPERATURE SENSOR**

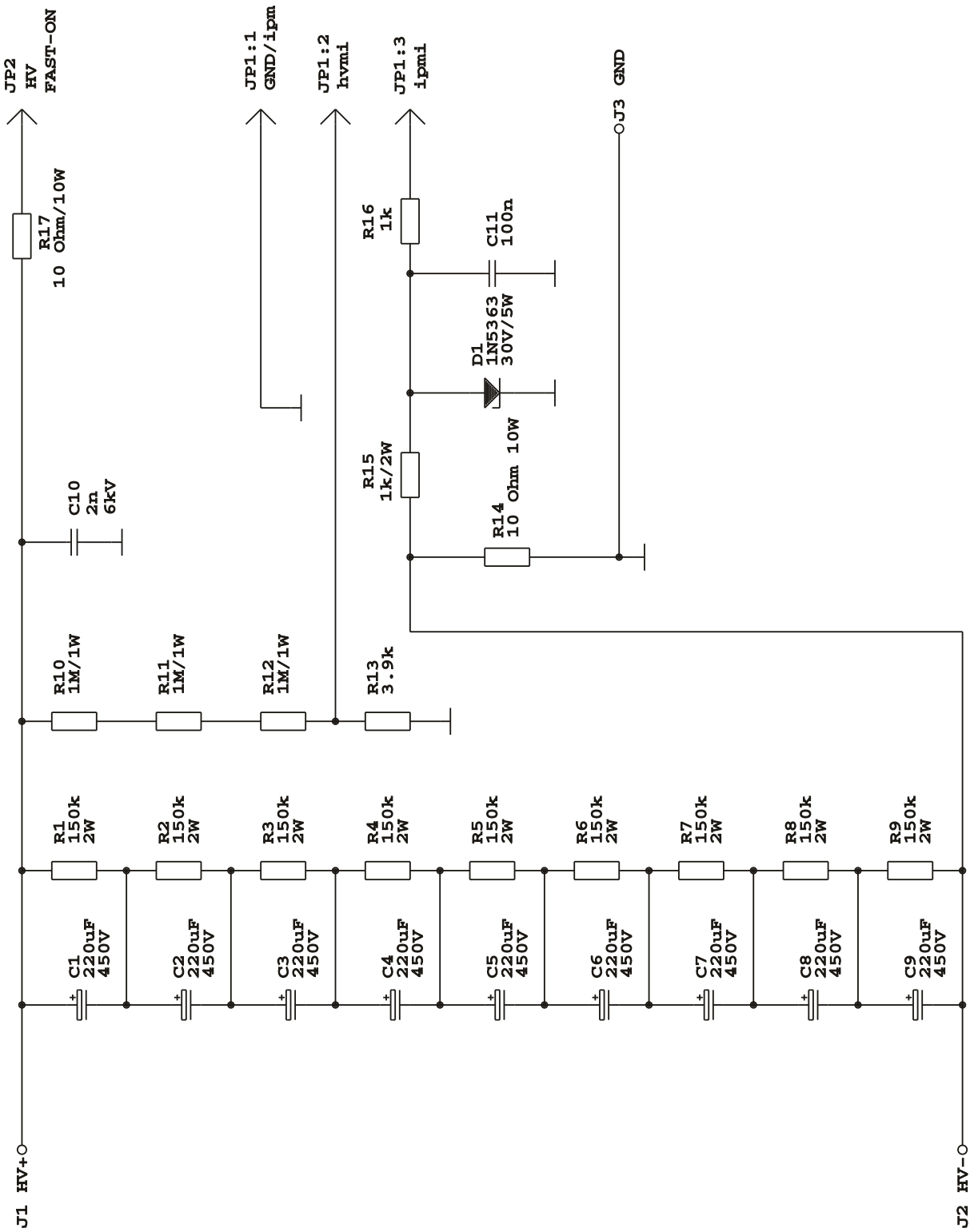
Schematic diagram Sht. 1 of 1



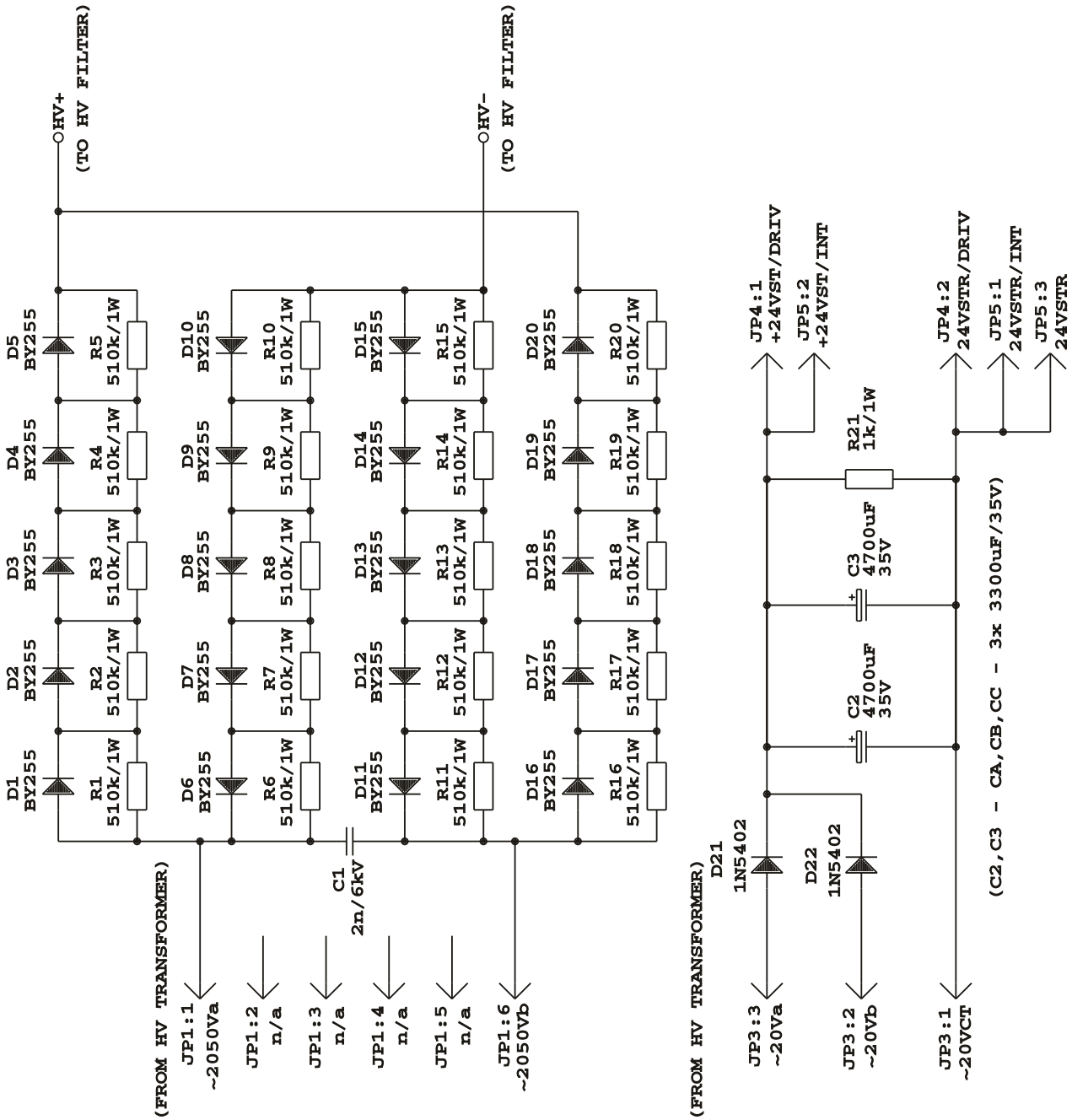
**MOTOR POSITION OPTO SENSOR**

Schematic diagram Sht. 1 of 1



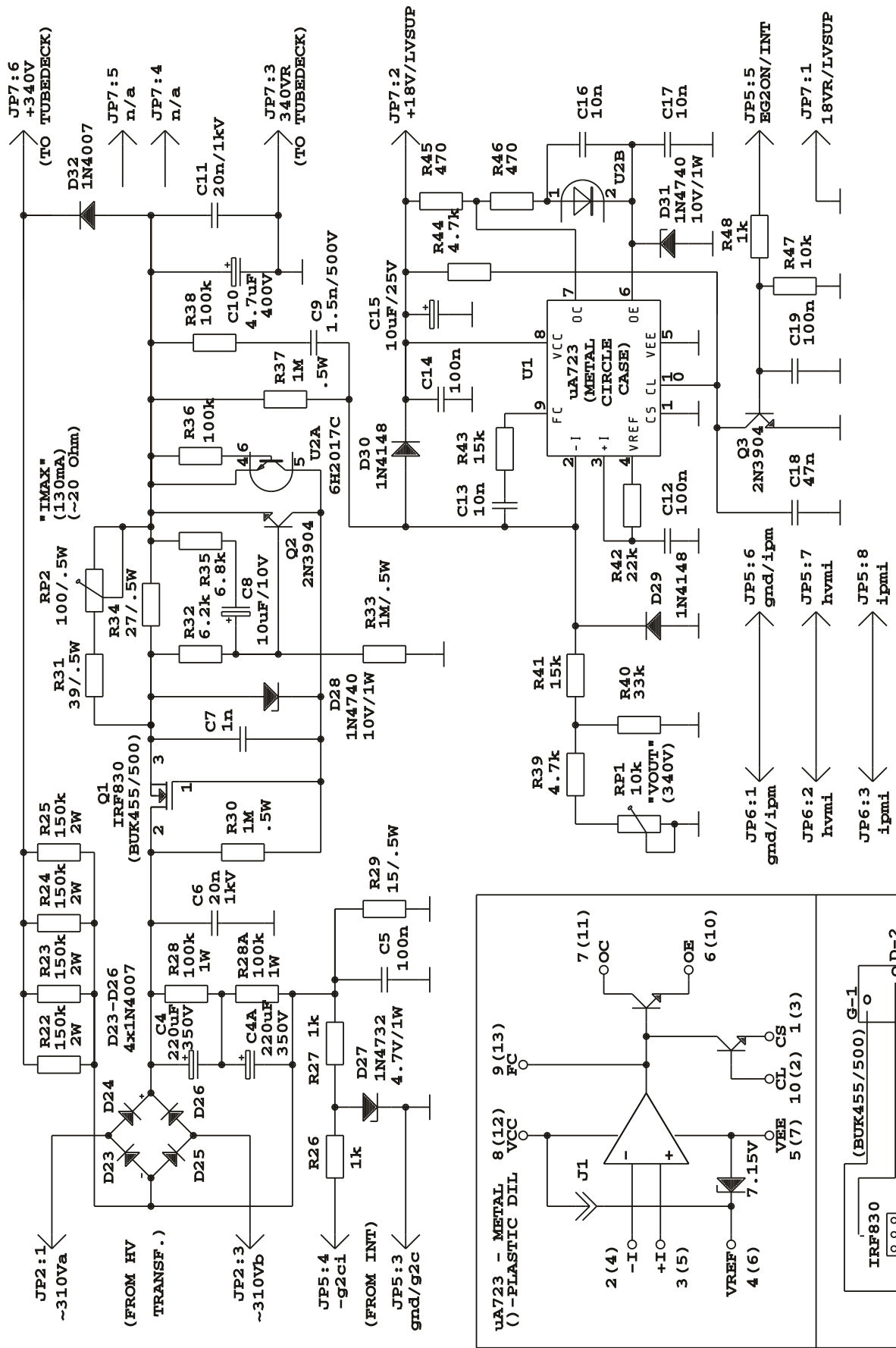


HIGH VOLTAGE CAPACITIVE FILTER

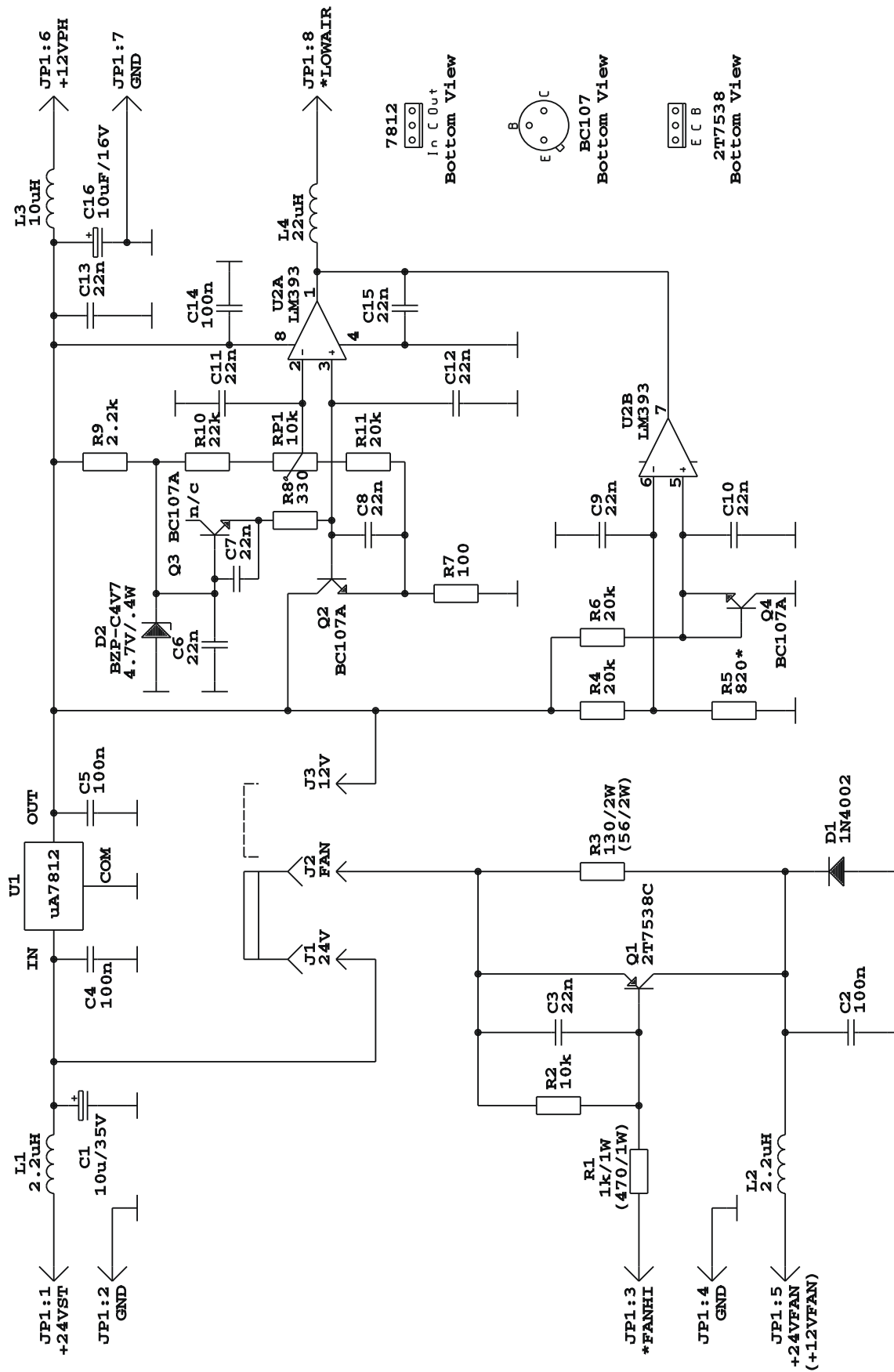


HV RECTIFIER AND SG REGULATOR

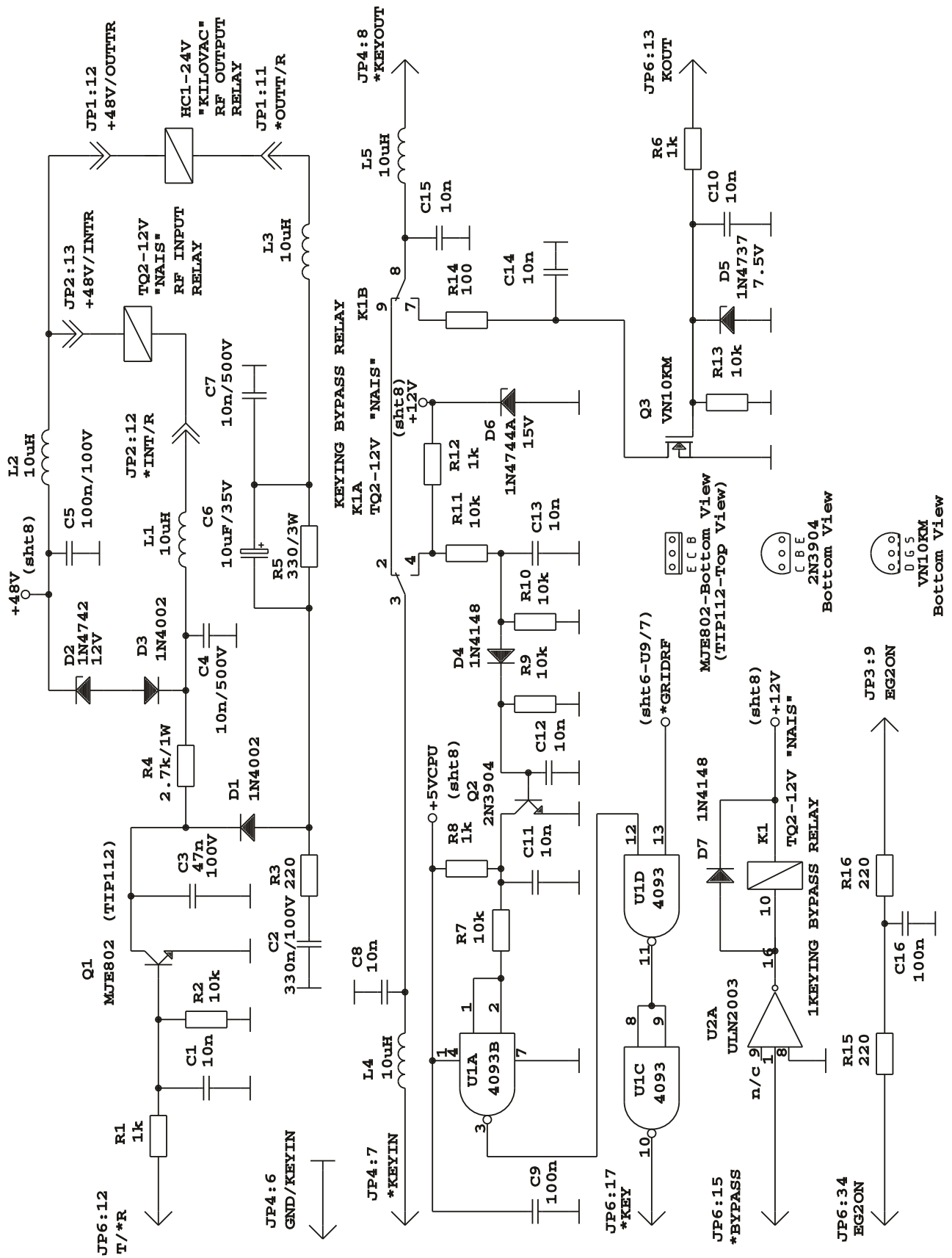
Schematic diagram Sht. 1 of 2



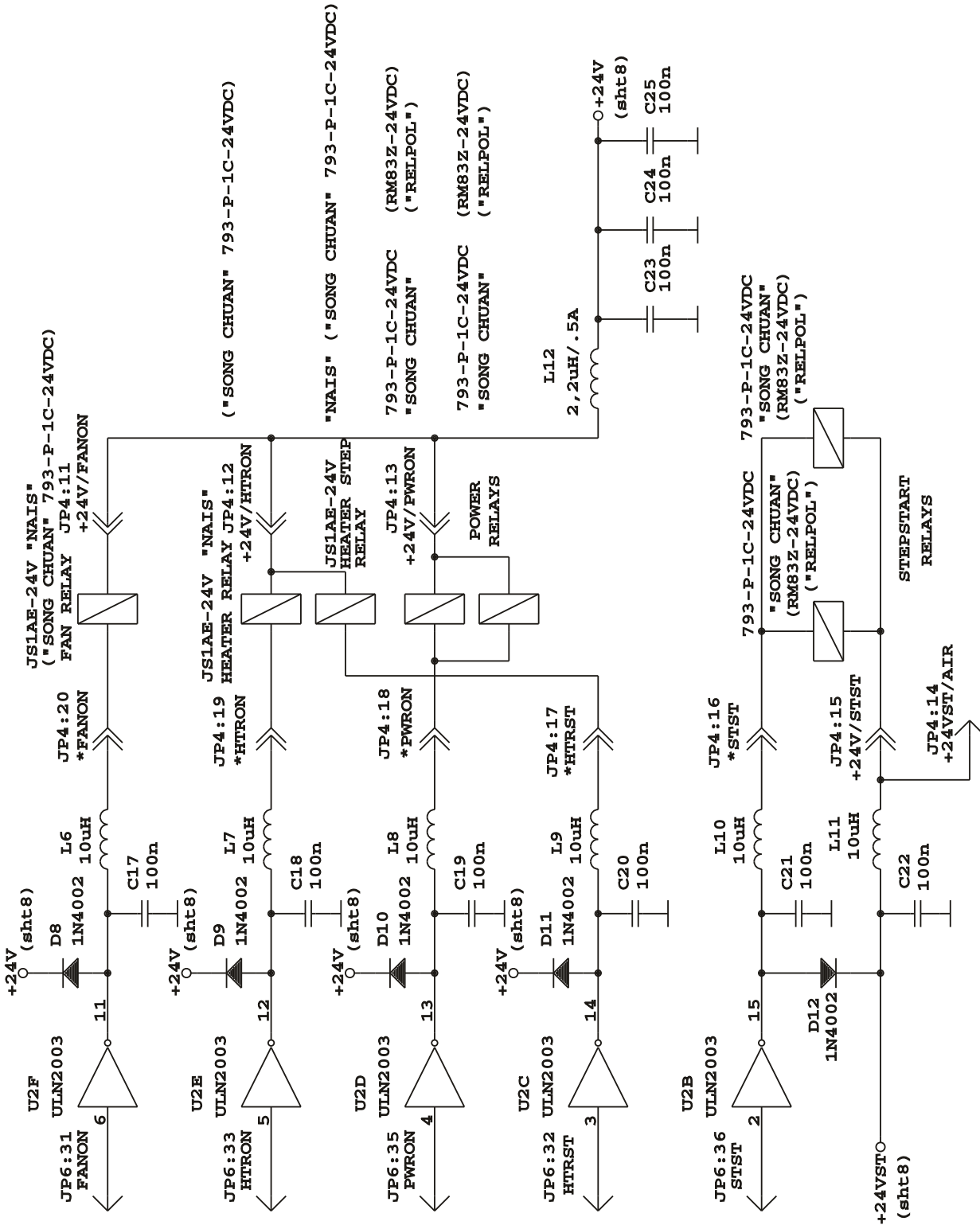
HV RECTIFIER AND SG REGULATOR



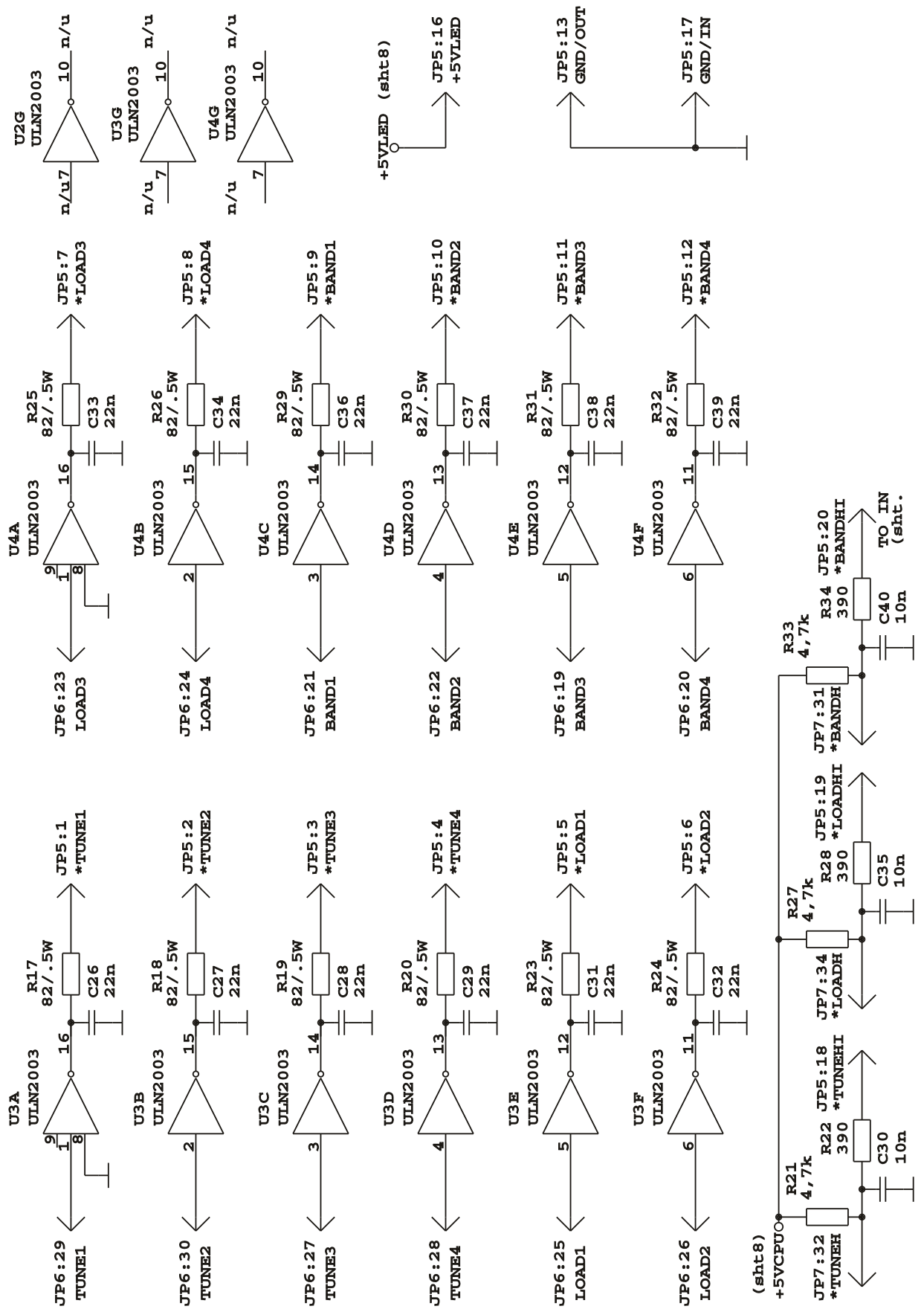
INTAKE AIRFLOW SENSOR  
Schematic diagram Sht. 1 of 1



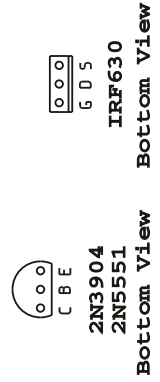
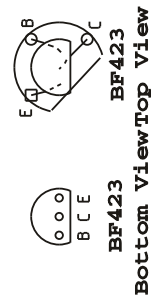
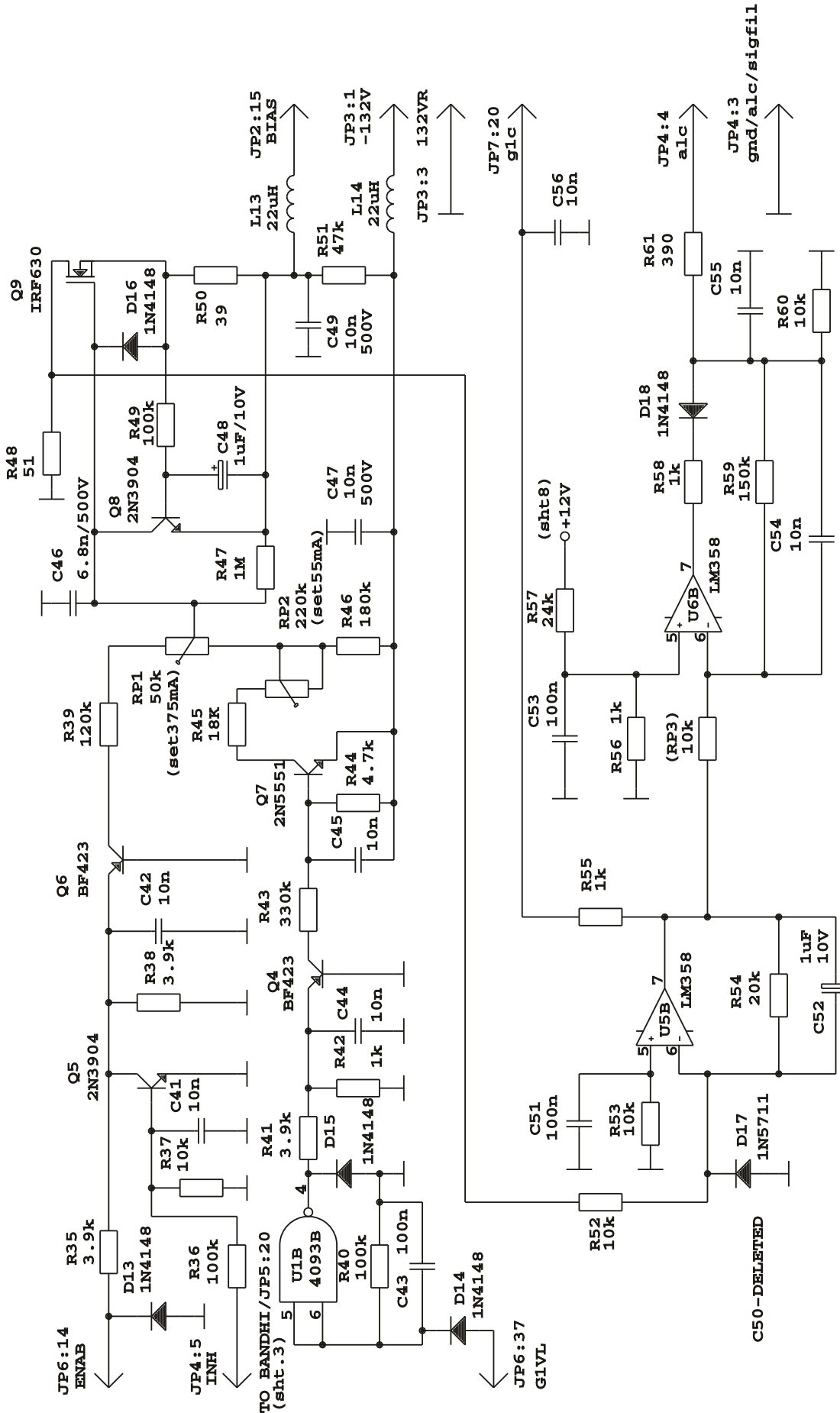
INTERFACE



INTERFACE  
Schematic diagram Sht. 2 of 8

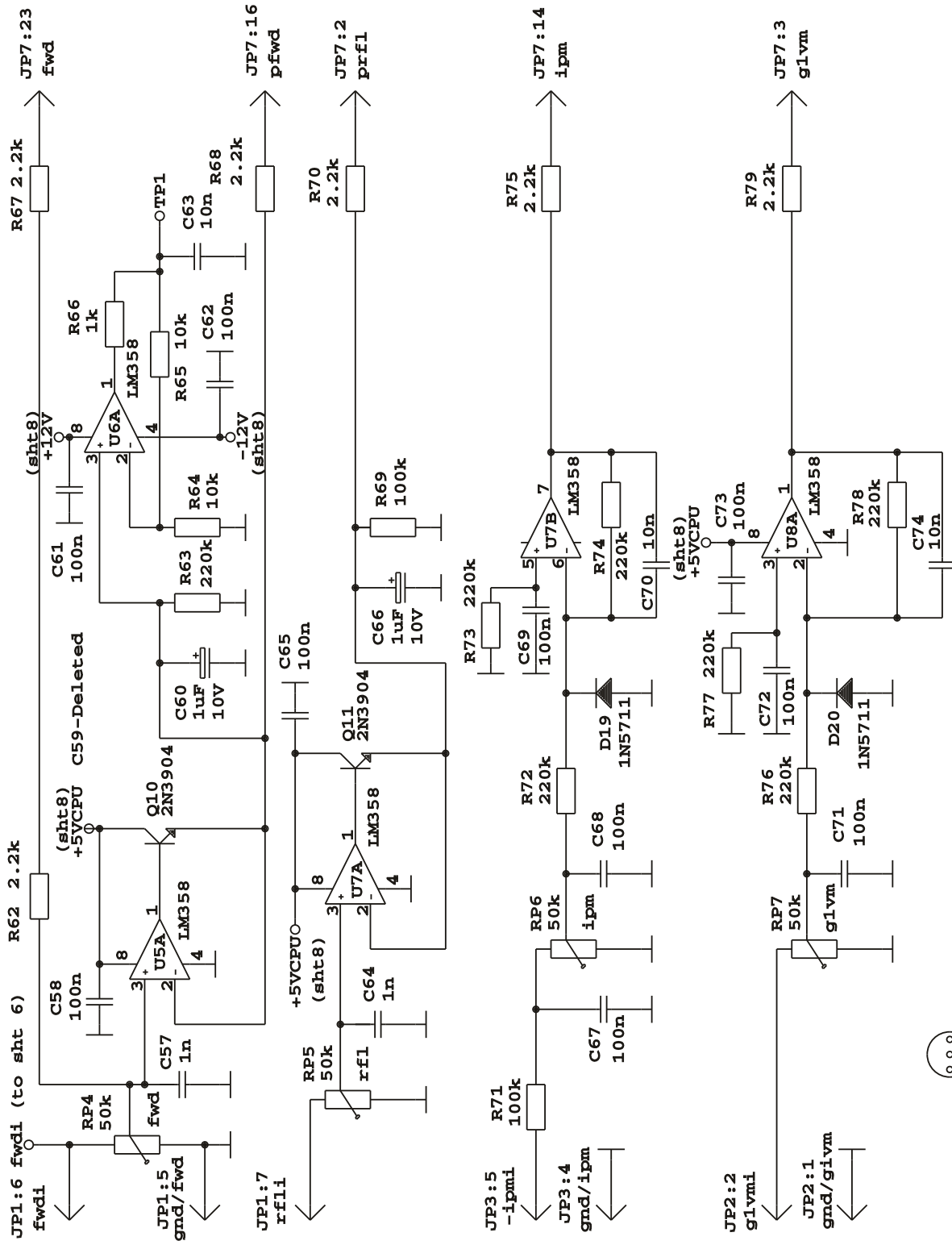


INTERFACE

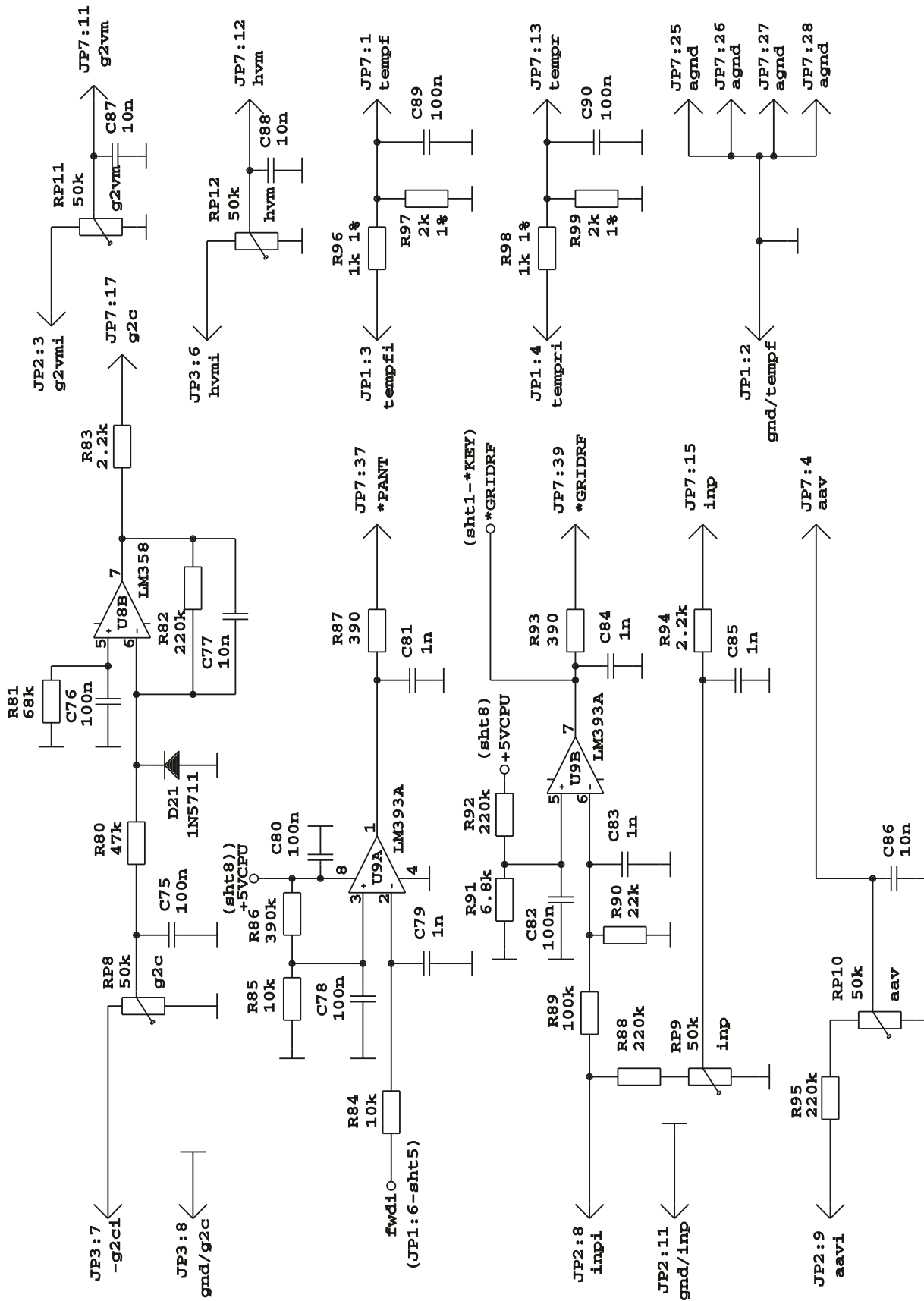


INTERFACE  
Schematic diagram Sht. 4 of 8



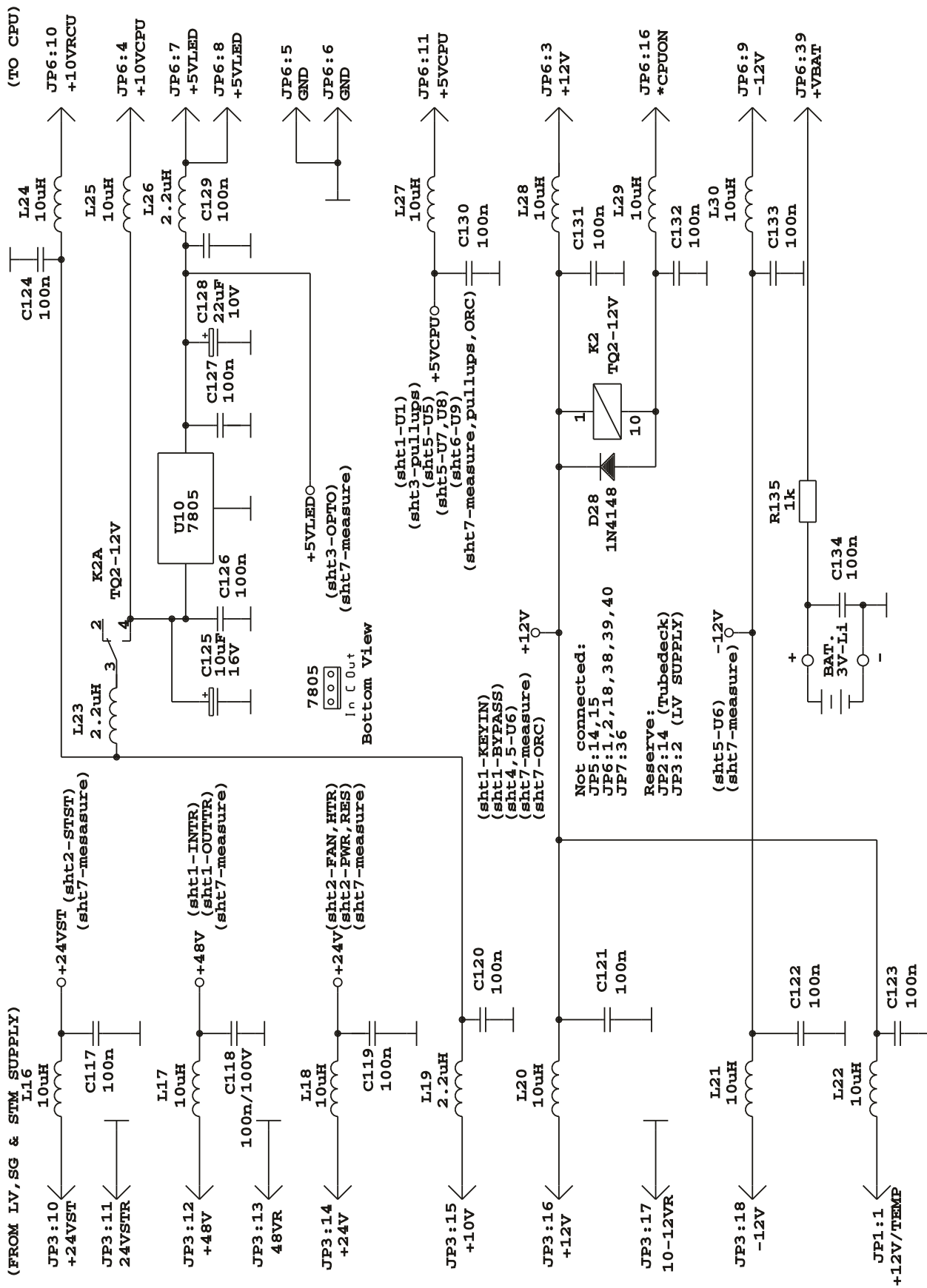


  
 CBE  
 2N3904  
 Bottom View



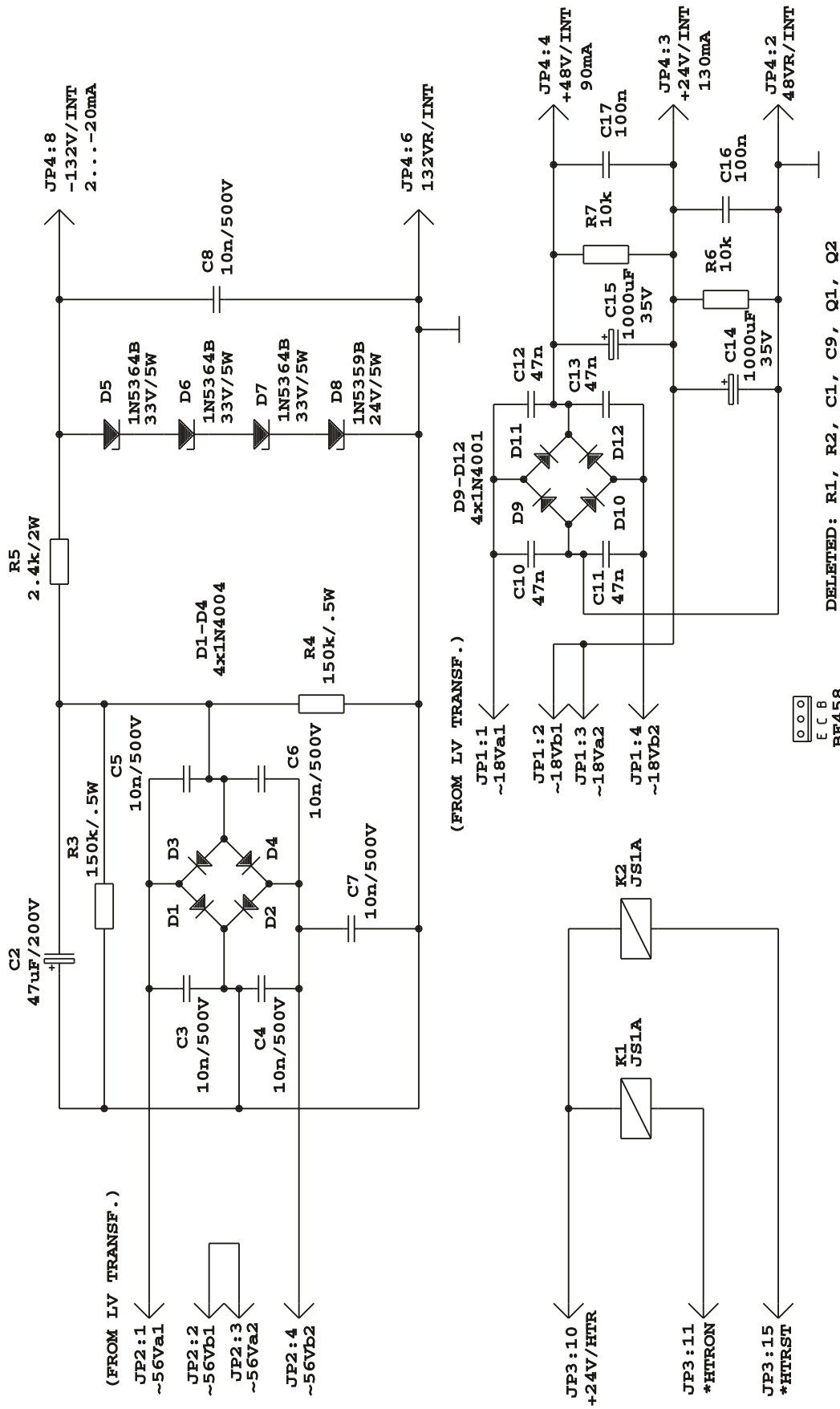
INTERFACE  
Schematic diagram Sht. 6 of 8



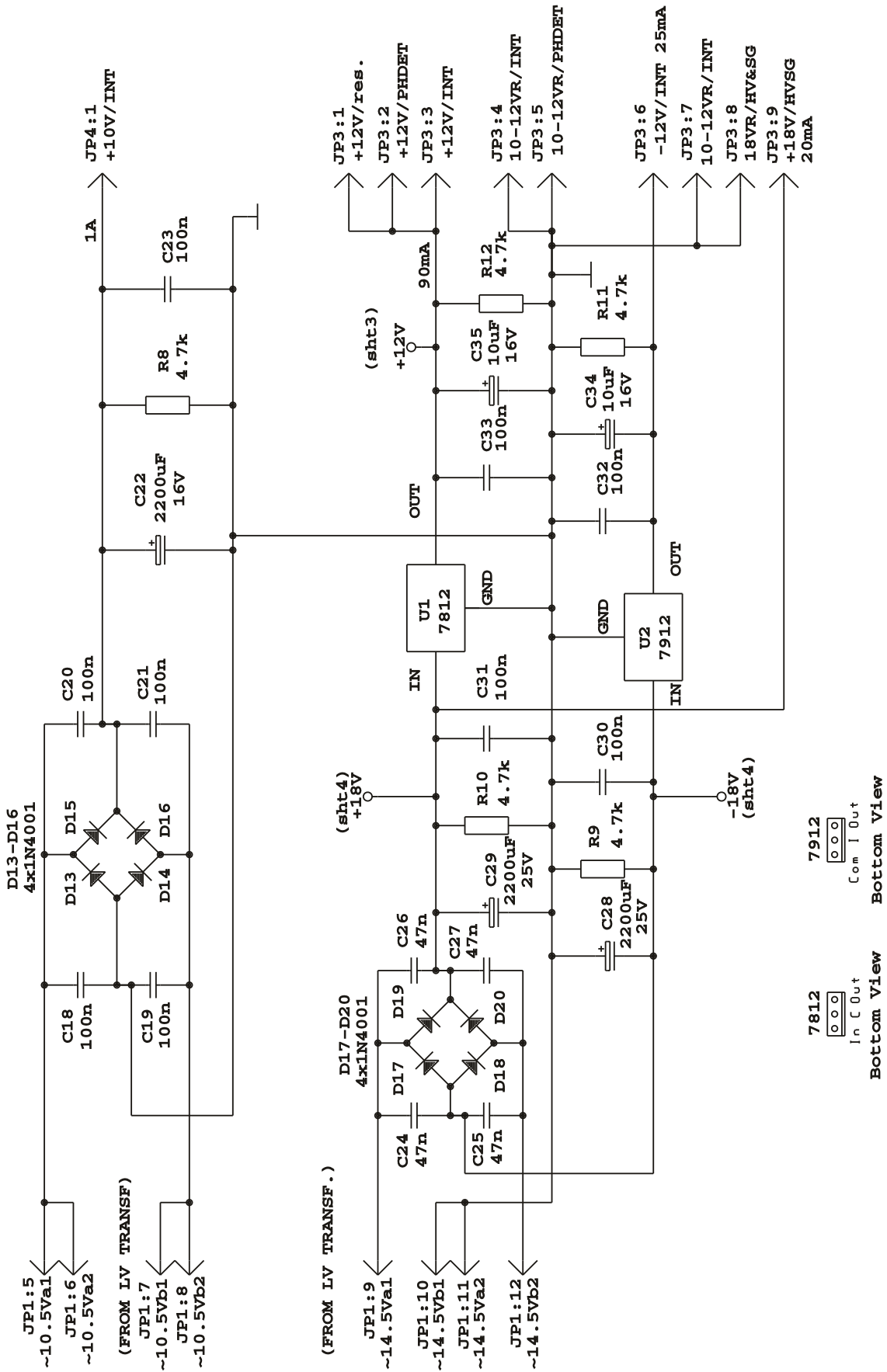


INTERFACE

Schematic diagram Sht. 8 of 8

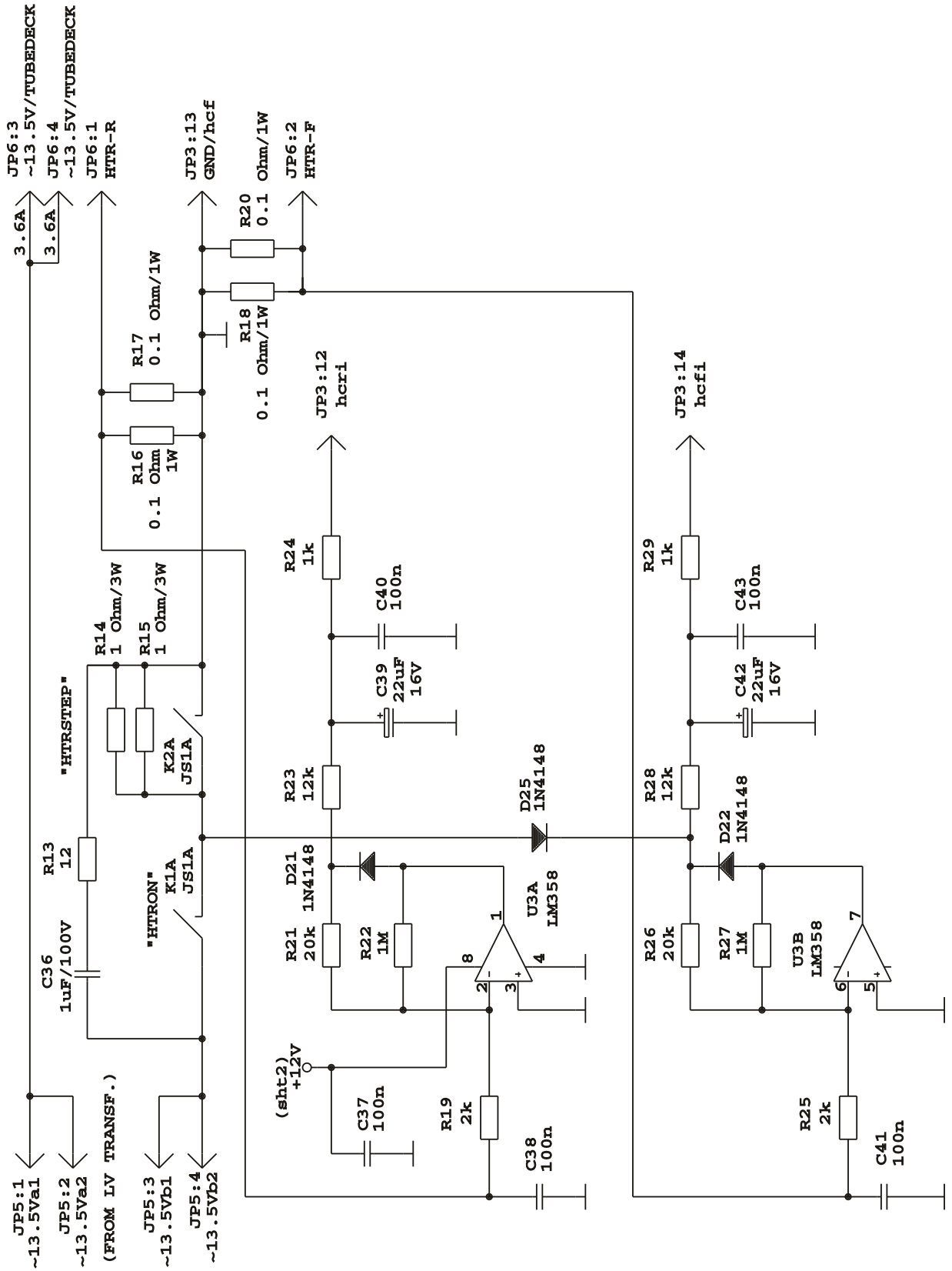


LOW VOLTAGE SUPPLY

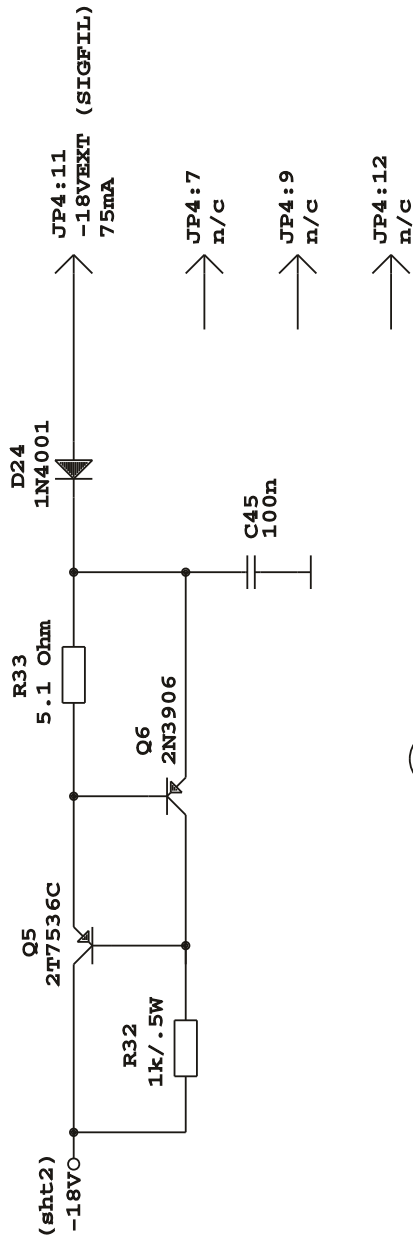
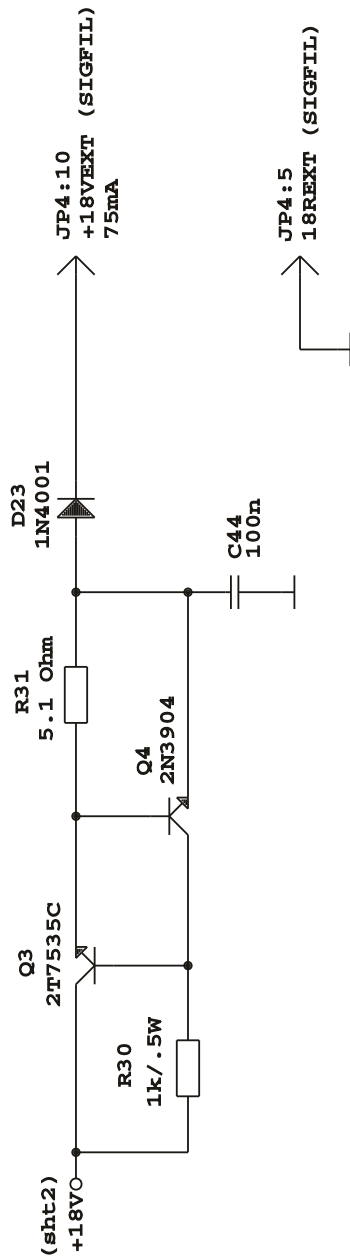



LOW VOLTAGE SUPPLY  
Schematic diagram Sht 2 of 4

7812 In C Out Bottom View  
7912 Com I Out Bottom View



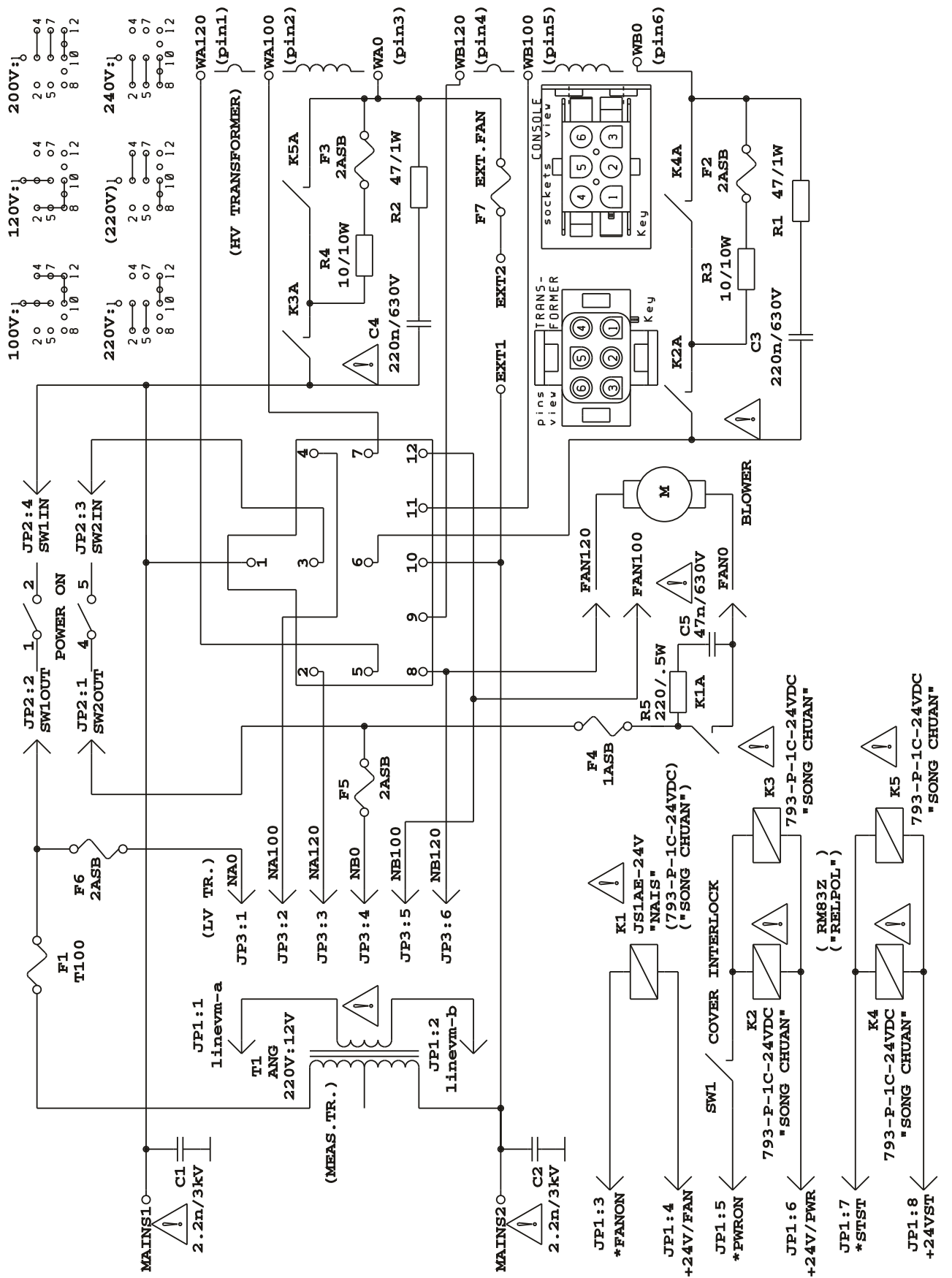
LOW VOLTAGE SUPPLY  
Schematic diagram Sht. 3 of 4



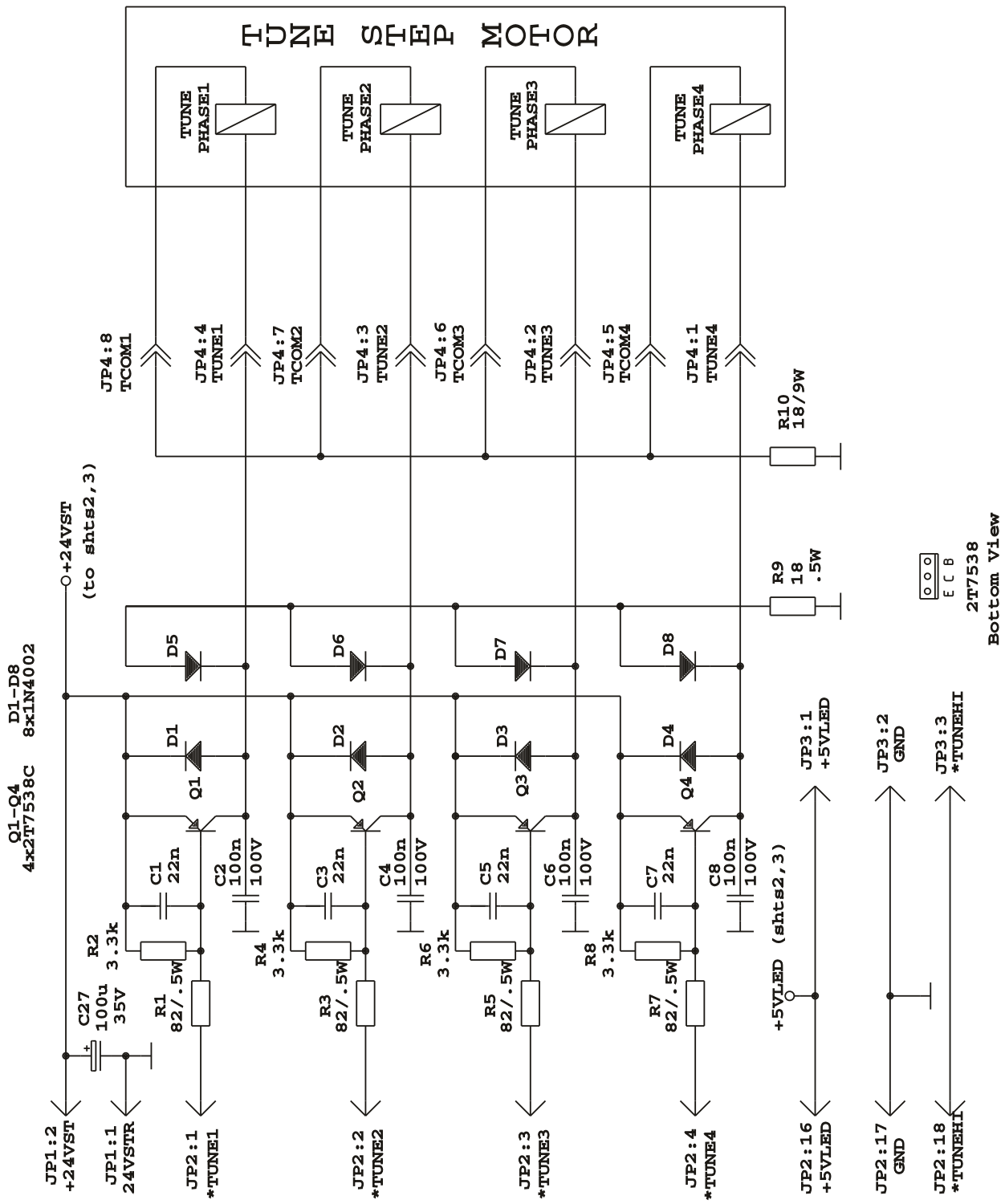
 E C B  
 2T9135  
 2T9136  
 Bottom View

 C B E  
 2N3904  
 2N3906  
 Bottom View

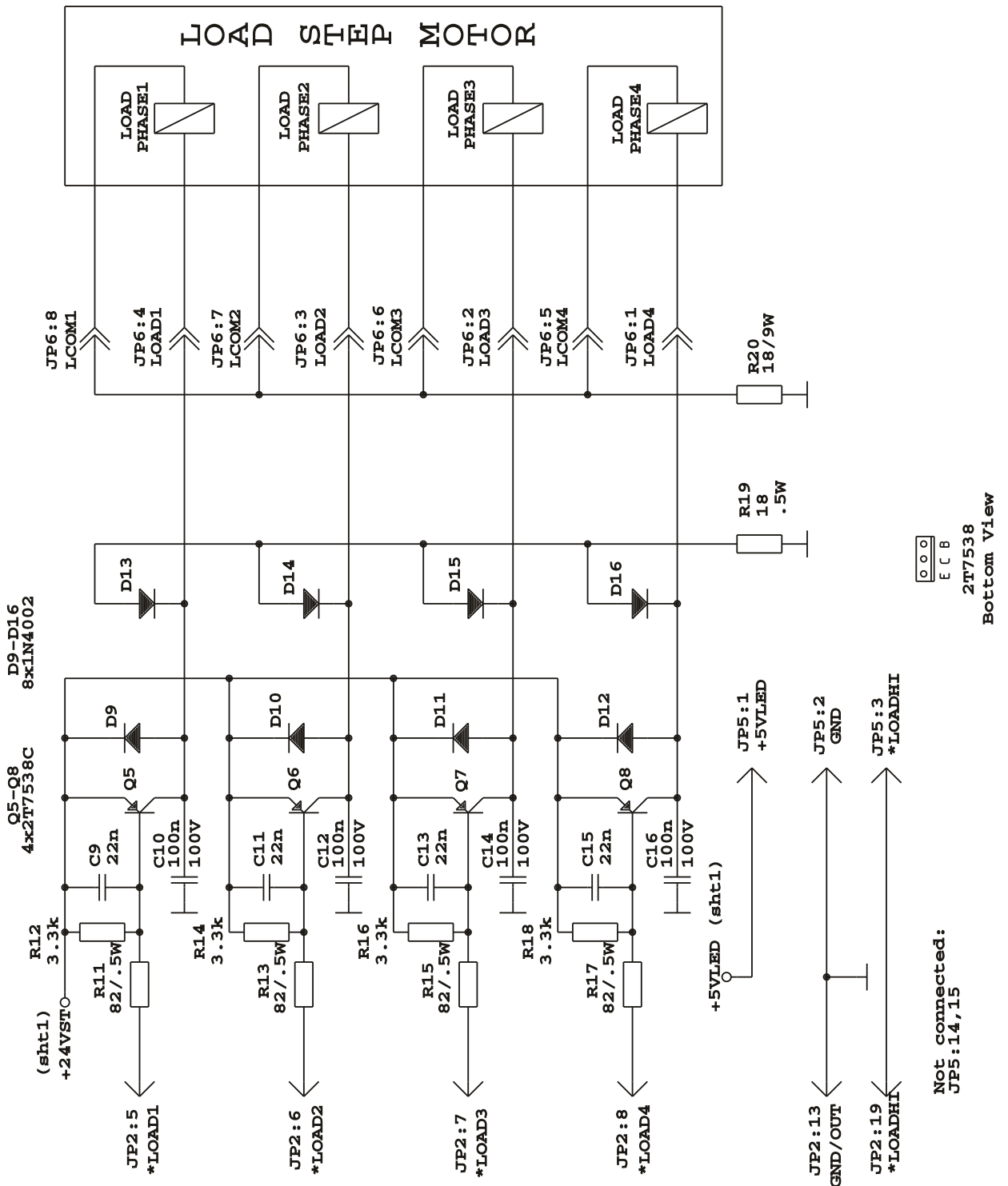


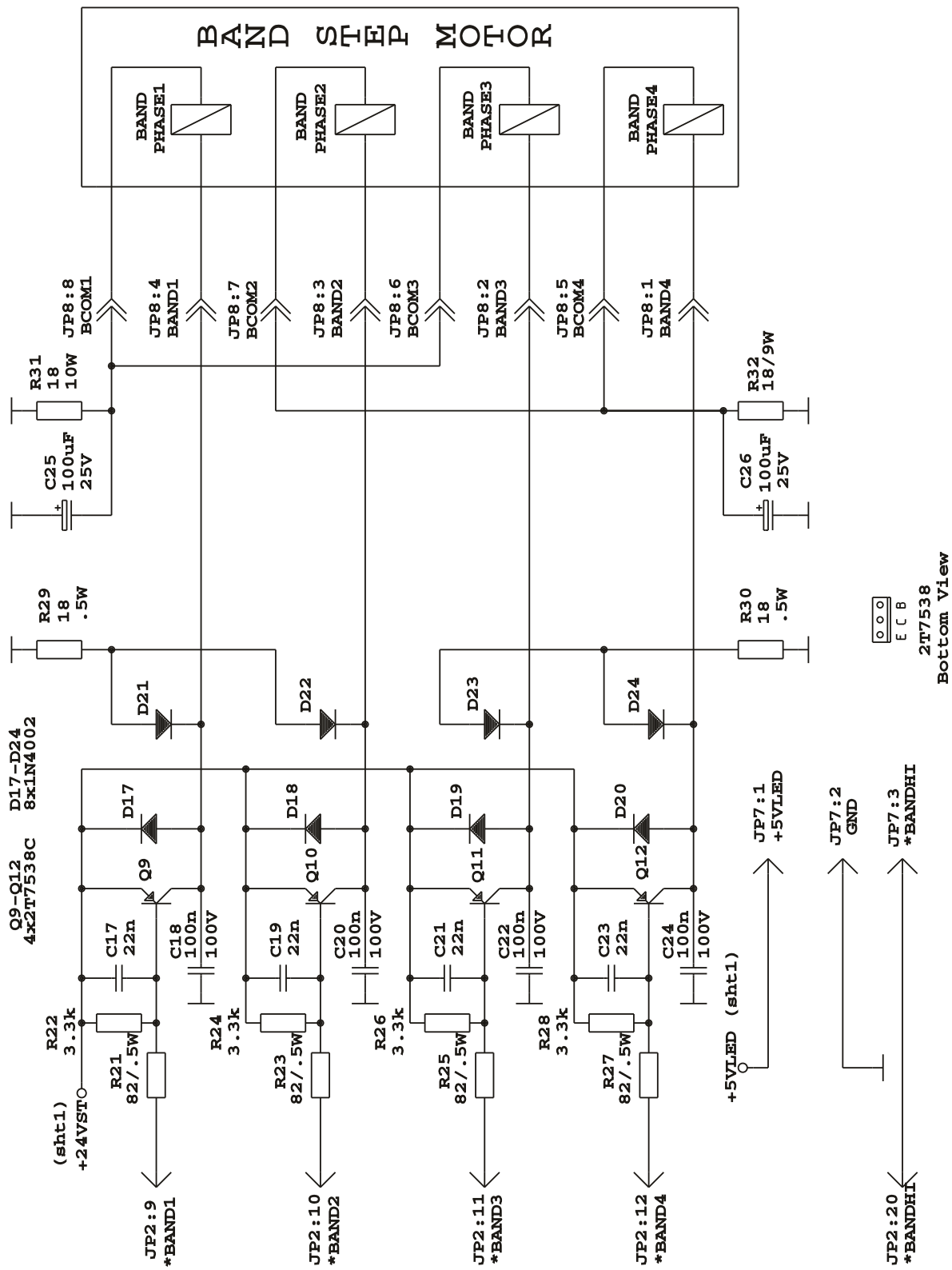


MAINS POWER CONTROL  
Schematic diagram Sht. 1 of 1

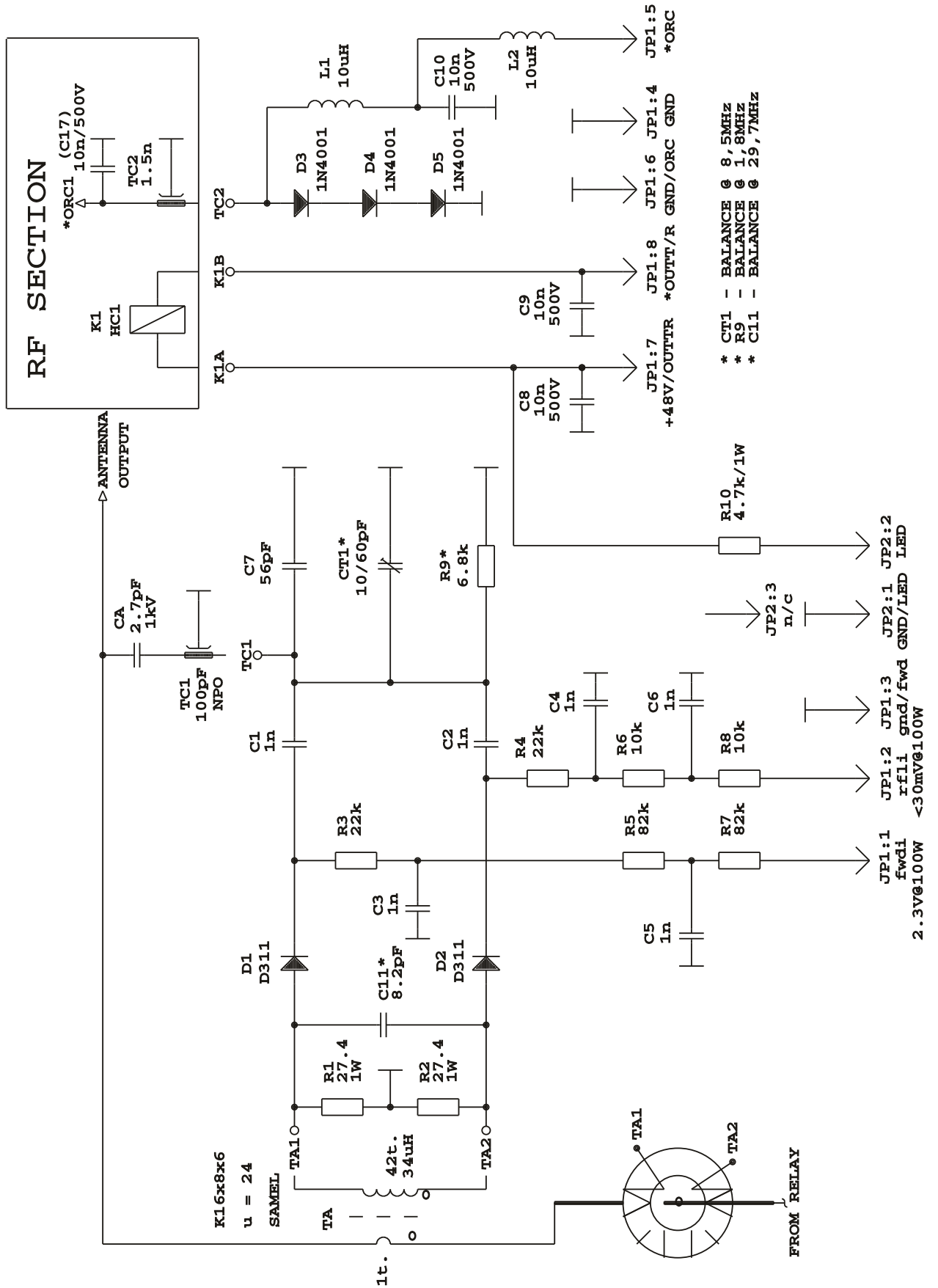


MOTOR DRIVER  
Schematic diagram Sht. 1 of 3

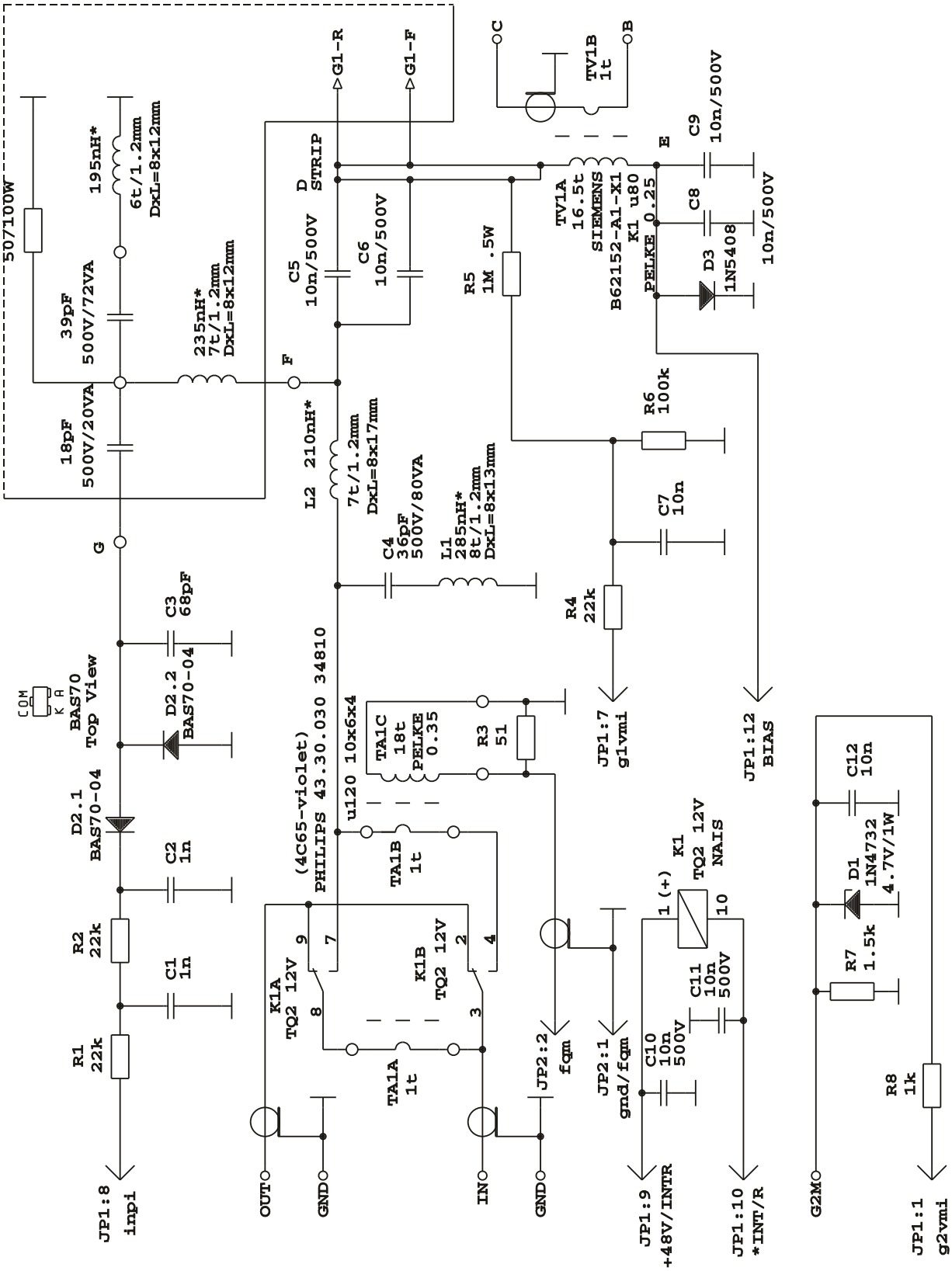




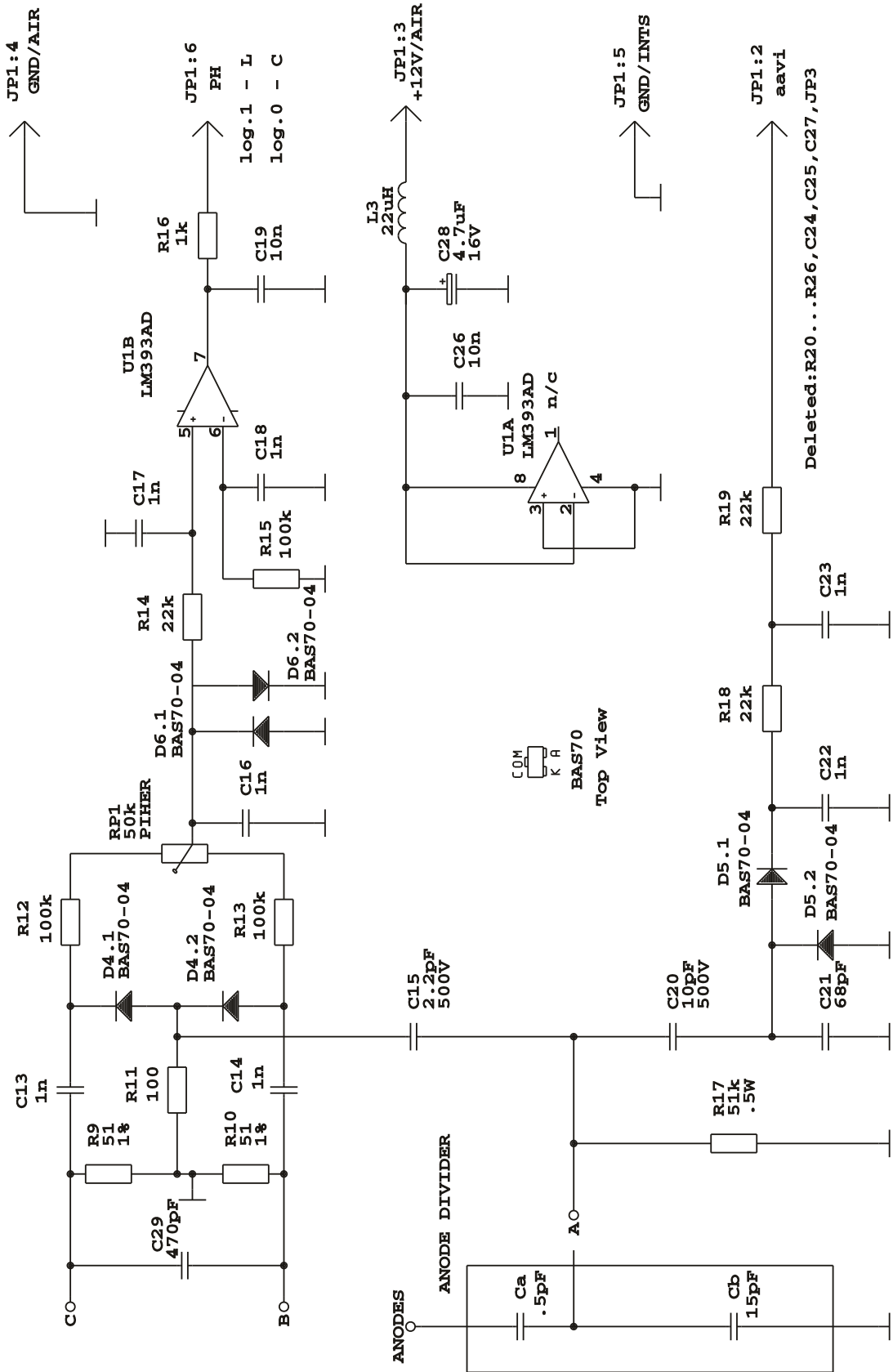
MOTOR DRIVER  
 Schematic diagram Sht. 3 of 3



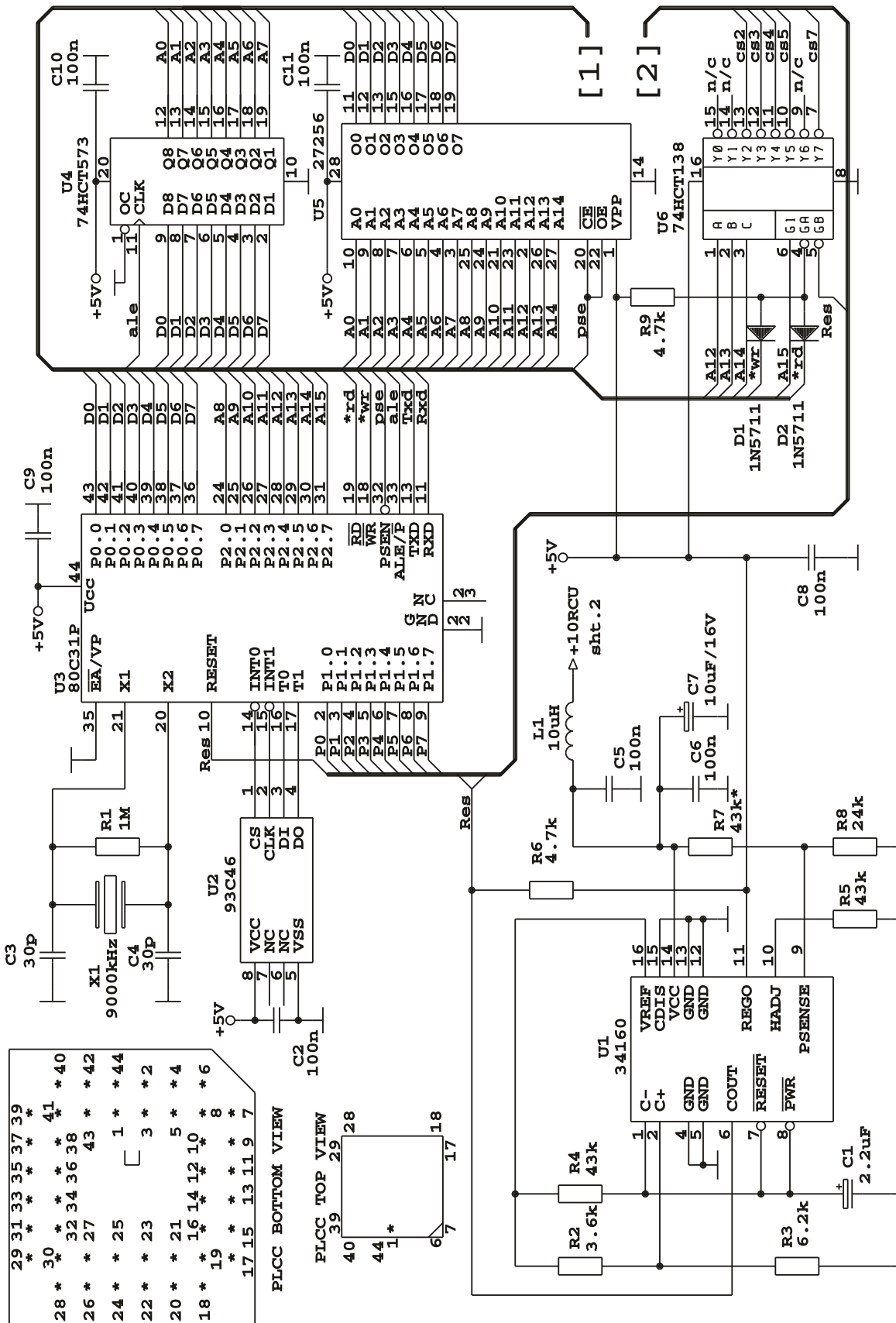
OUTPUT POWER WATTMETER



PHASE DETECTOR AND INPUT NETWORK  
Schematic diagram Sht. 1 of 2

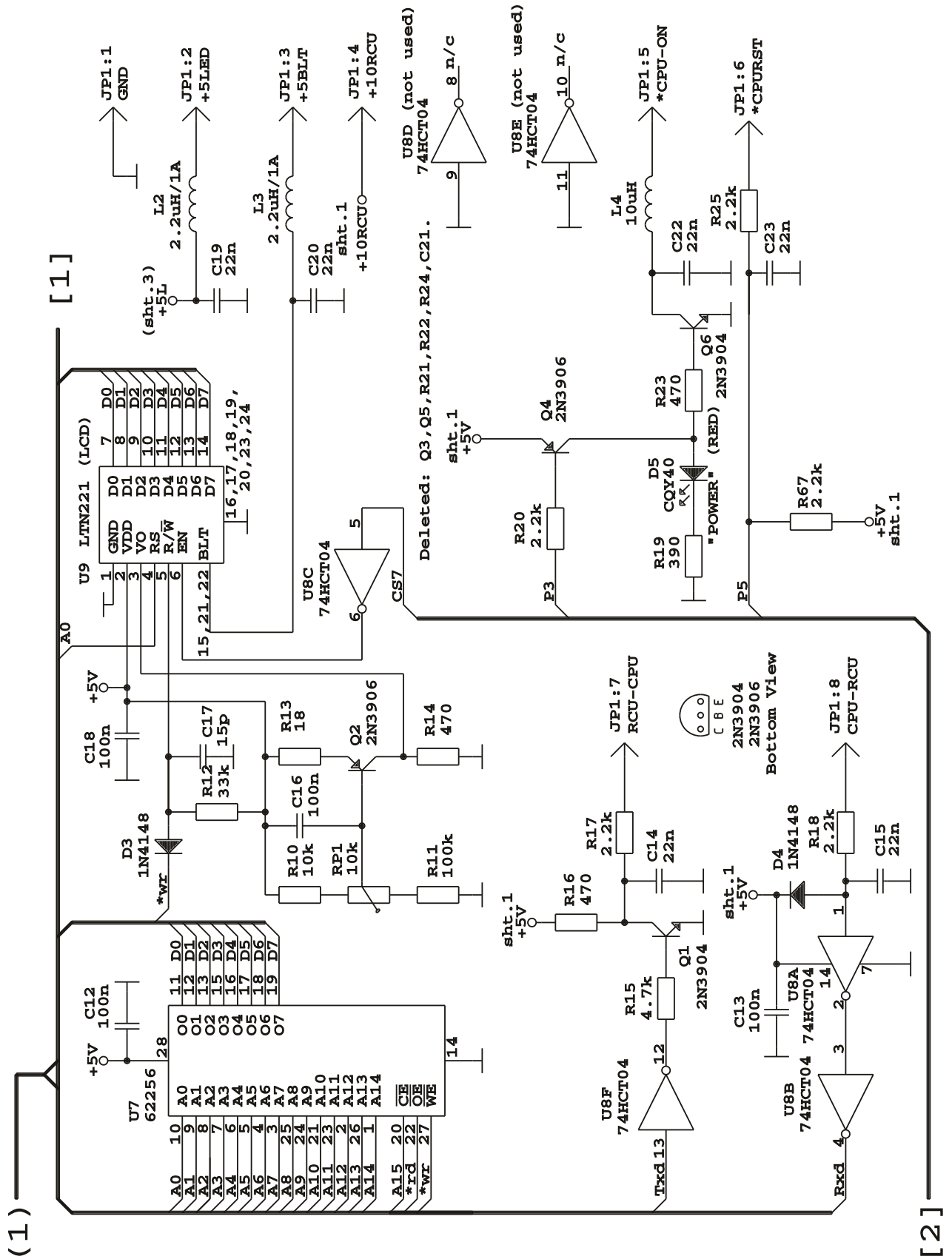


PHASE DETECTOR AND INPUT NETWORK

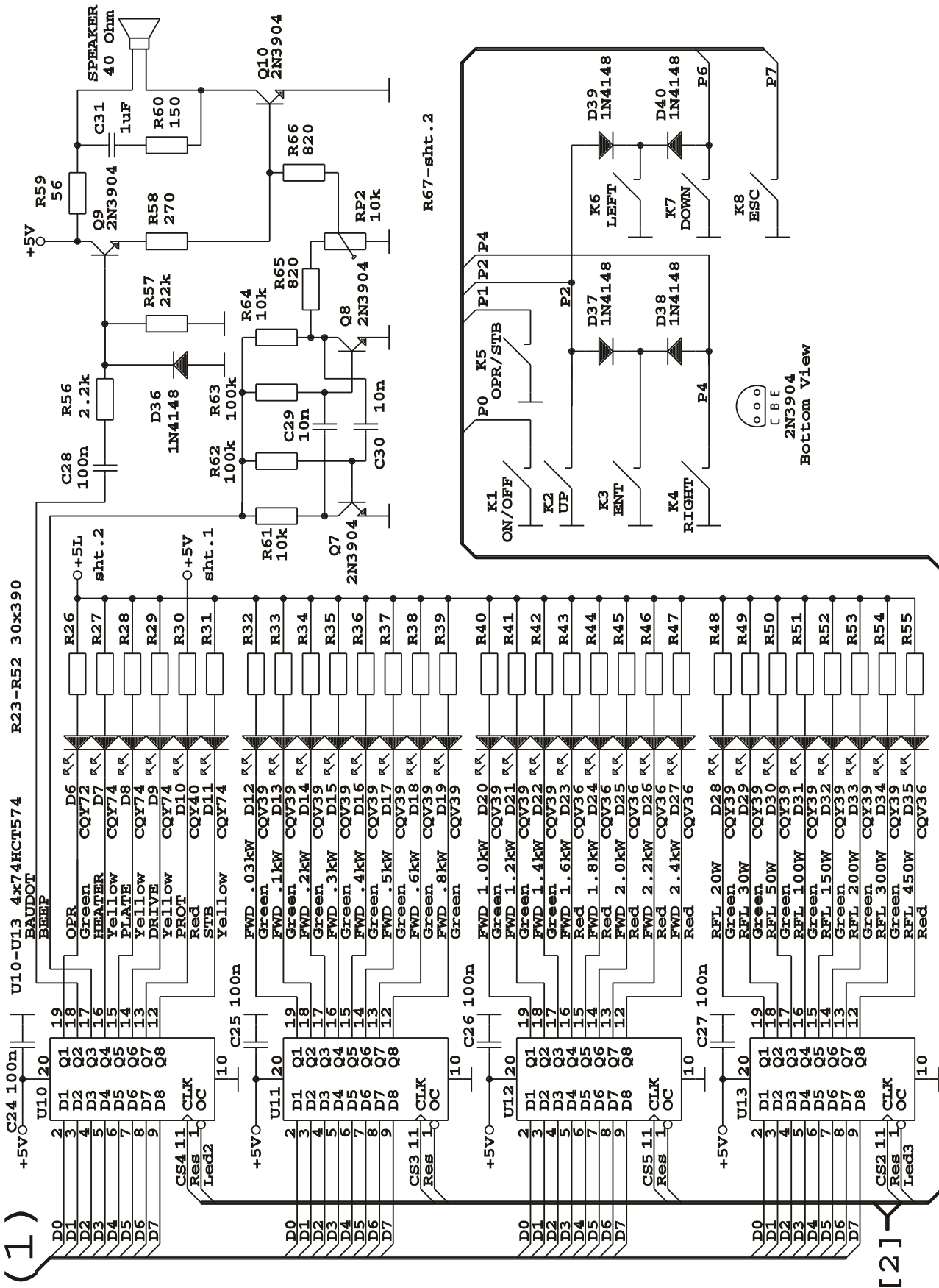


REMOTE CONTROL UNIT (RCU)  
 Schematic diagram Sht. 1 of 3



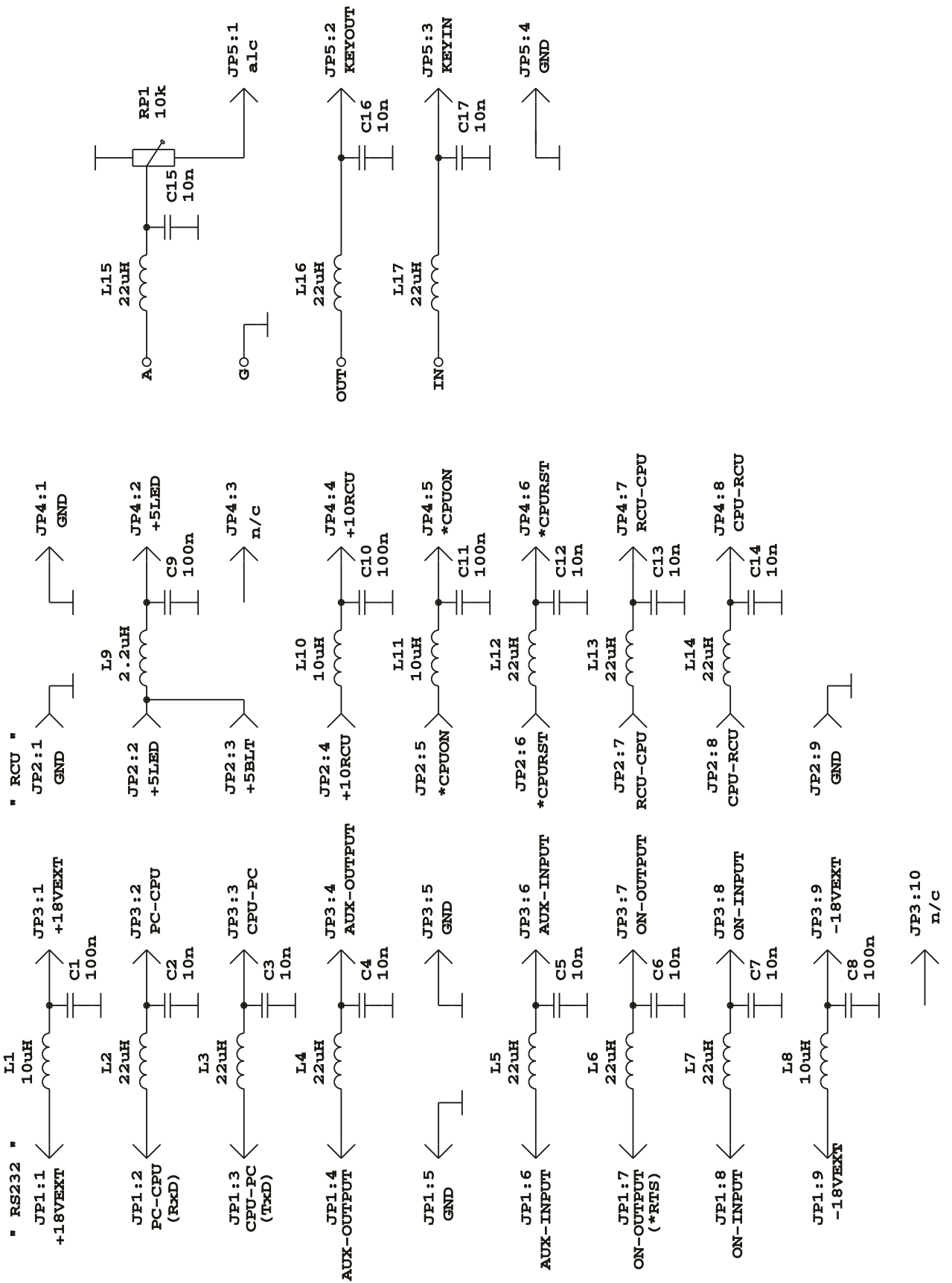


REMOTE CONTROL UNIT (RCU)

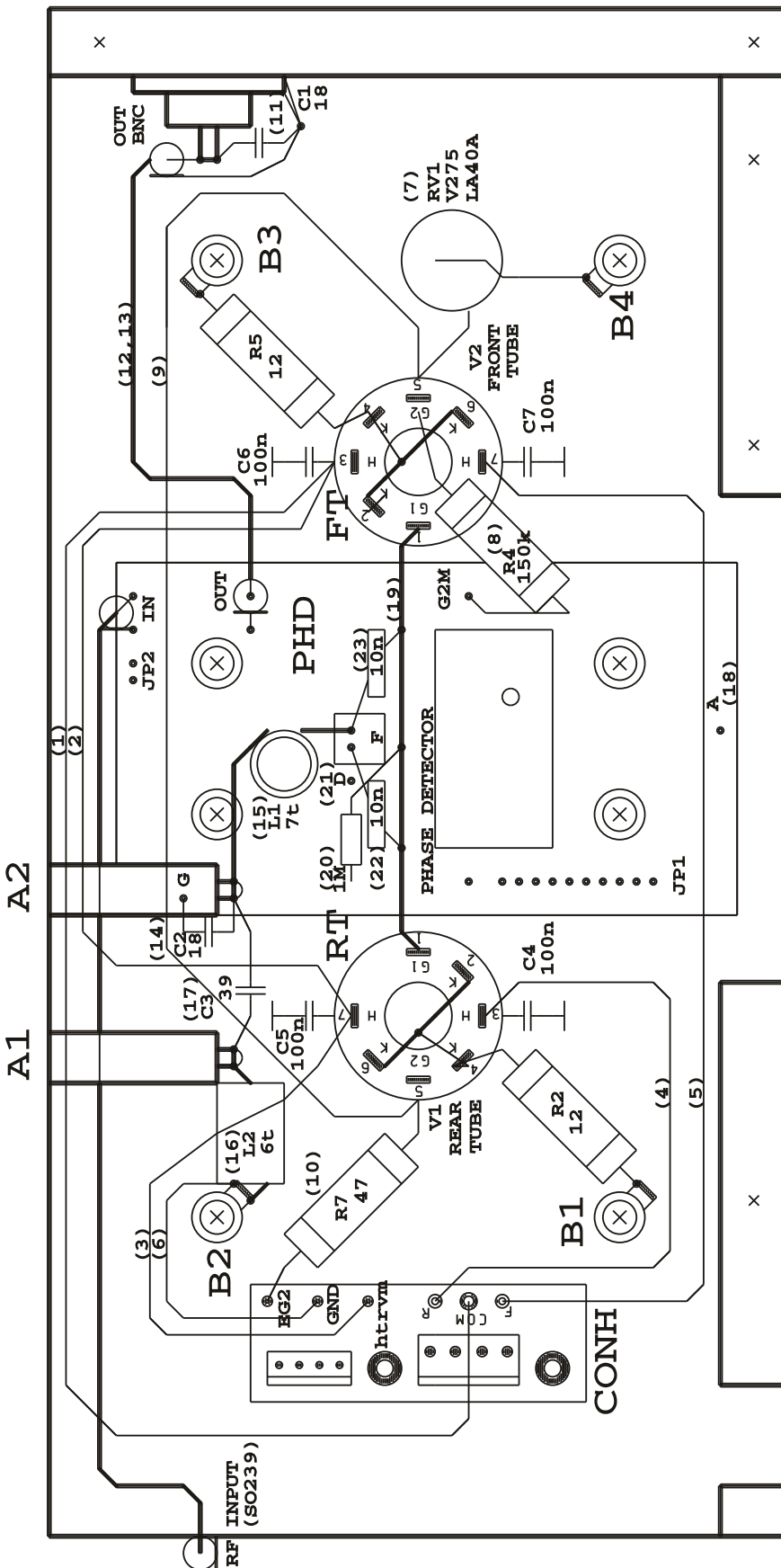


REMOTE CONTROL UNIT (RCU)

Schematic diagram Sht. 3 of 3



SIGNAL INPUT/ OUTPUT FILTER



TUBE DECK PARTS LAYOUT  
Schematic diagram Sht. 1 of 1