



Exhibit 4: Schematics

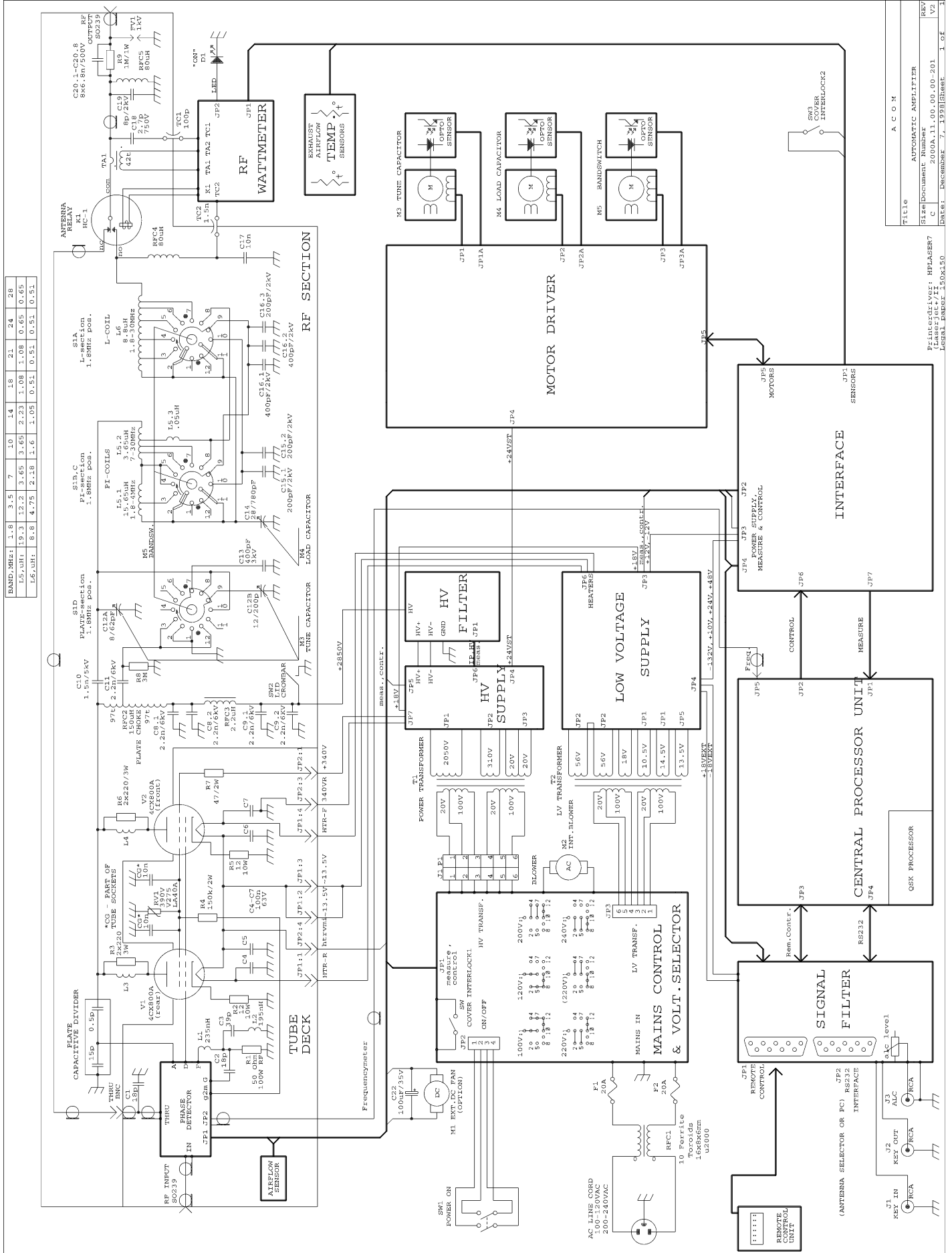
External Radio Frequency Power Amplifier ACOM 2000A Model 2000A

157 Horse Pond Road, Sudbury, MA 01776

Tel: (978) 440-7555

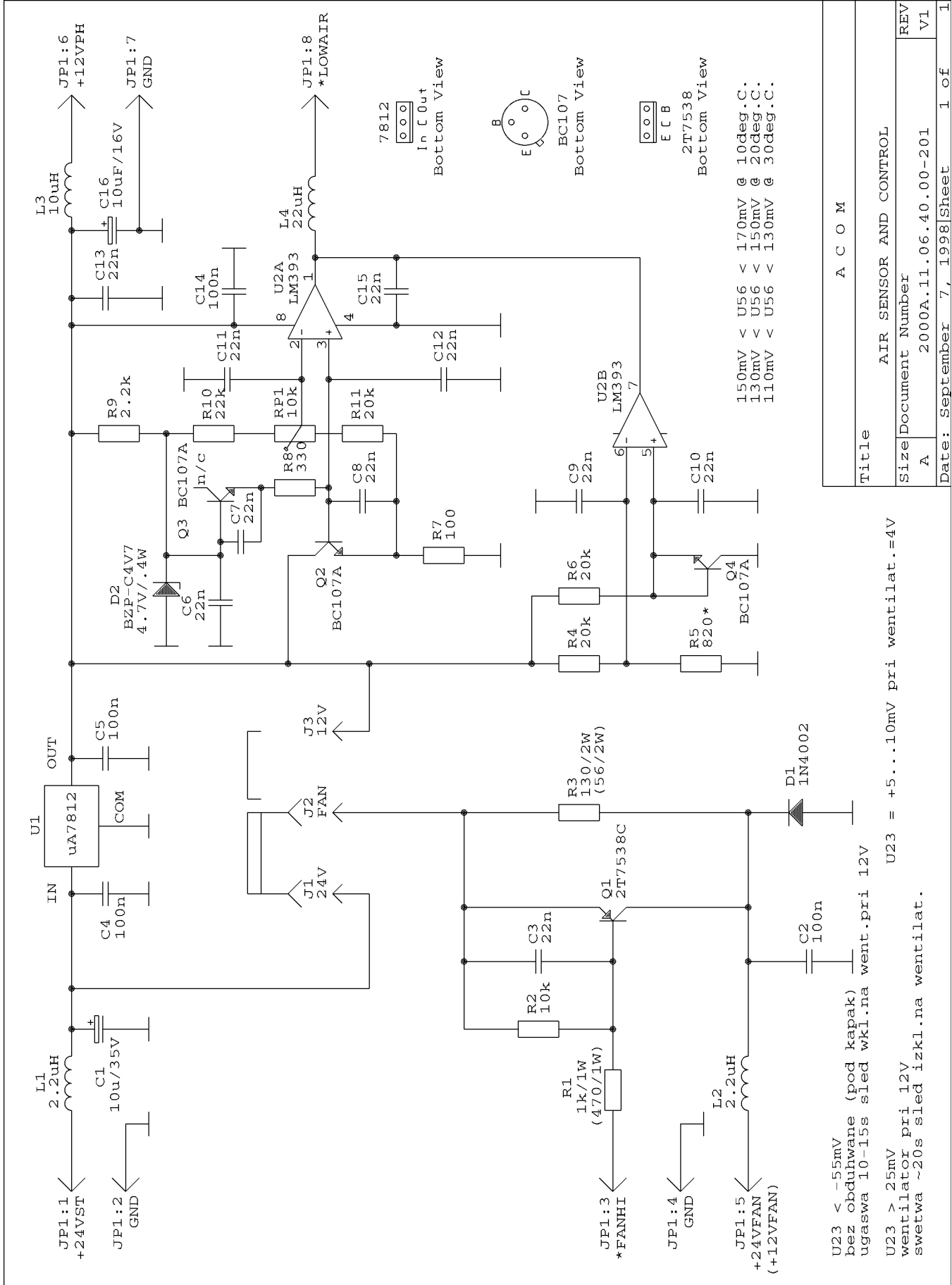
Fax: (978) 440-9080

e-mail: aa1nd@aol.com



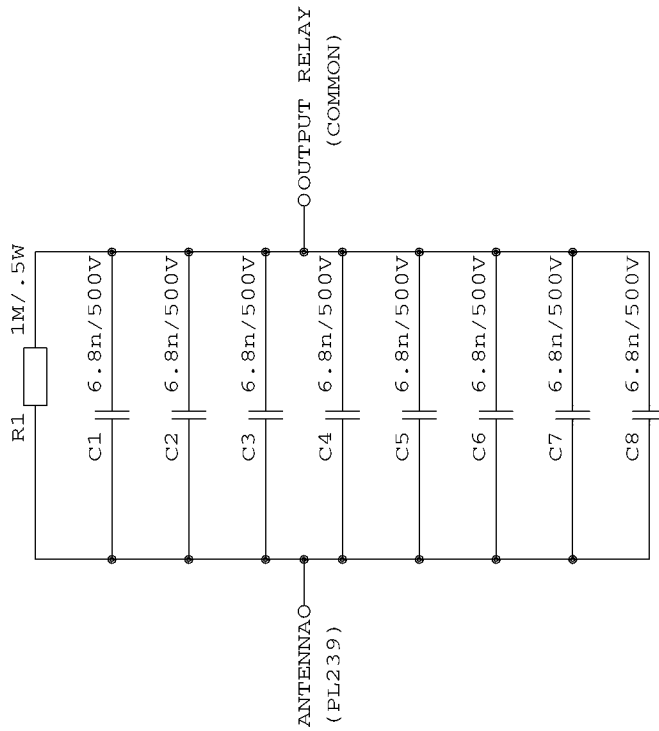
TITLE: AUTOMATIC AMPLIFIER
 Size: Document Number: 2000A.11.00.00.00-201
 REV: V2
 Date: December 7, 1993
 Rev: 1.02

Printer-driver: HPLASBR7
 LaserJet+7II
 LaserJet+7II
 LaserJet+7II

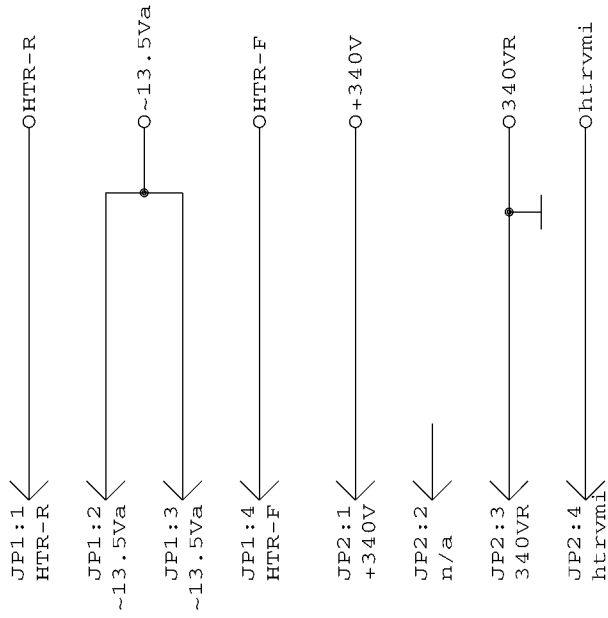


| | |
|------------------------|-----------------------|
| A C O M | |
| Title | |
| AIR SENSOR AND CONTROL | |
| Size | Document Number |
| A | 2000A.11.06.40.00-201 |
| Date: | September 7, 1998 |
| Sheet | 1 of 1 |
| REV | V1 |

SERIAL ANTENNA CAPACITOR:

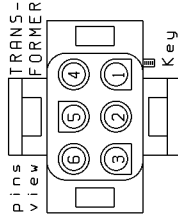
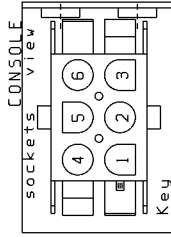
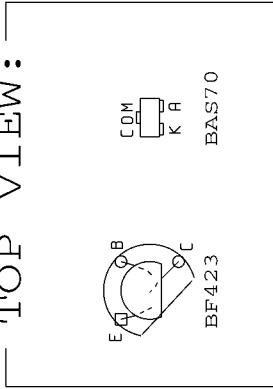


TUBEDECK CONNECTOR HOLDER:

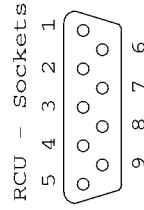


| | | | |
|--------------------------------------|-----------------------|---------|--------|
| Title | | A C O M | |
| ANTENNA CAPACITOR & CONNECTOR HOLDER | | | |
| Size | Document Number | REV | |
| A | 2000A.11.26.10.00-201 | V2 | |
| Date: | June 9, 1998 | Sheet | 1 of 1 |

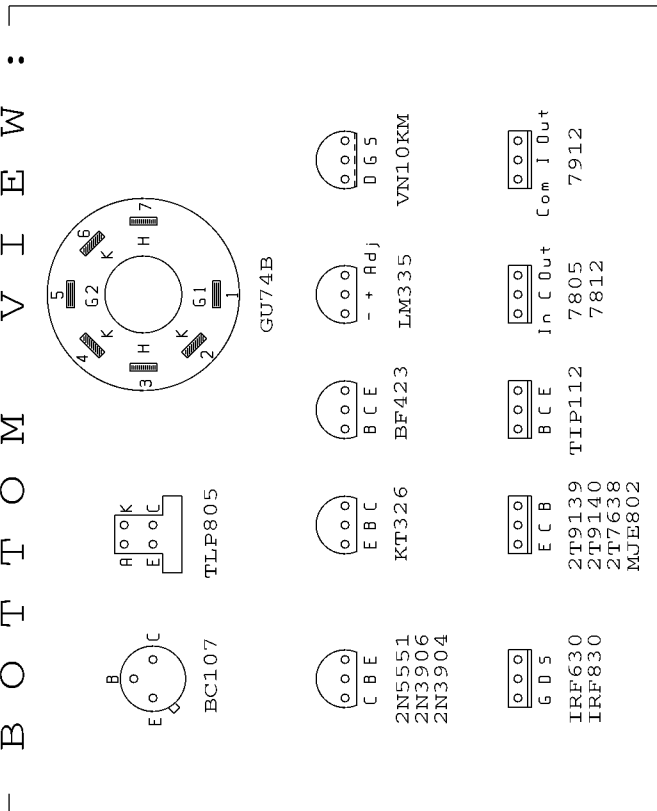
TOP VIEW:



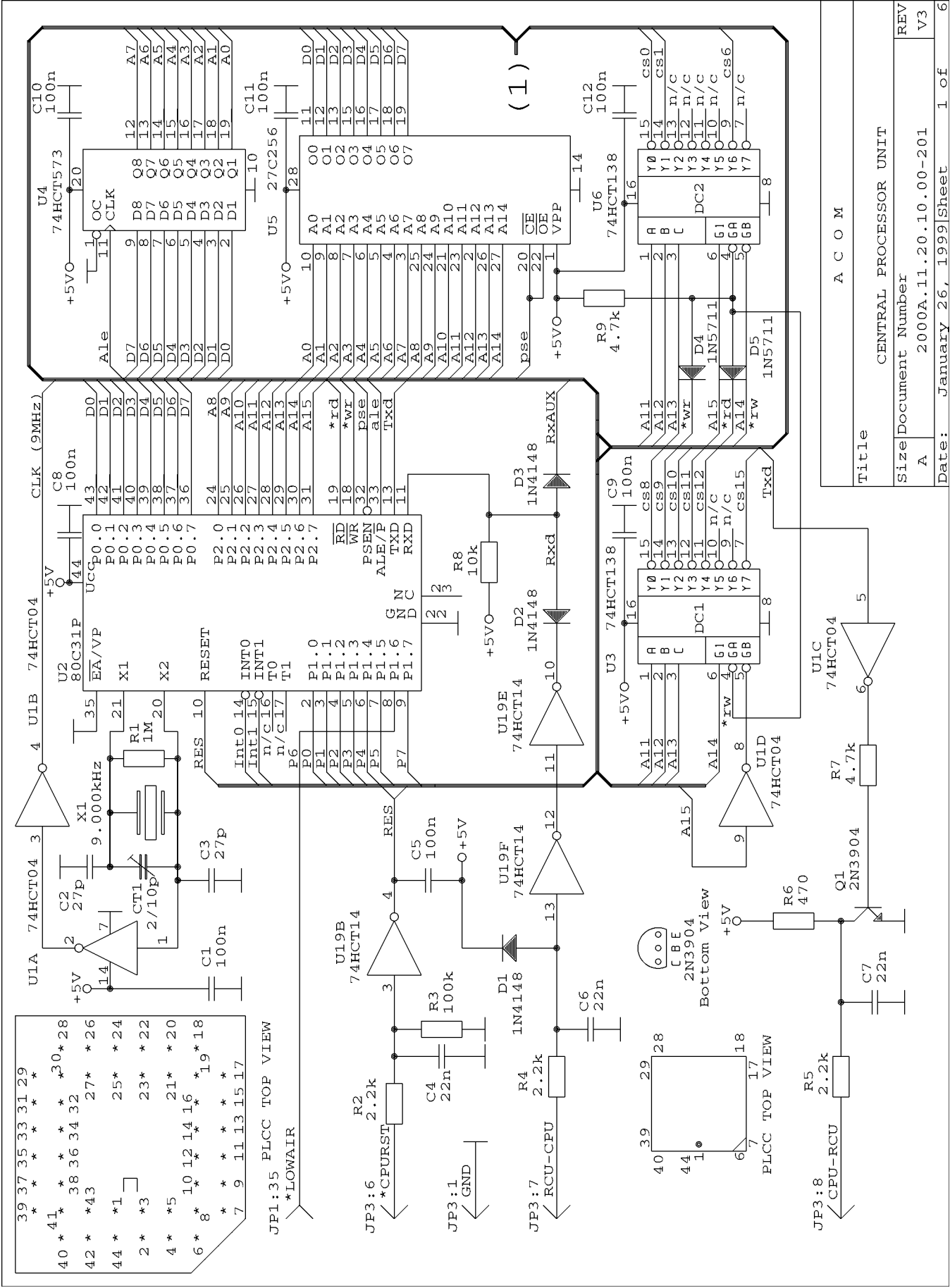
As viewed from rear panel



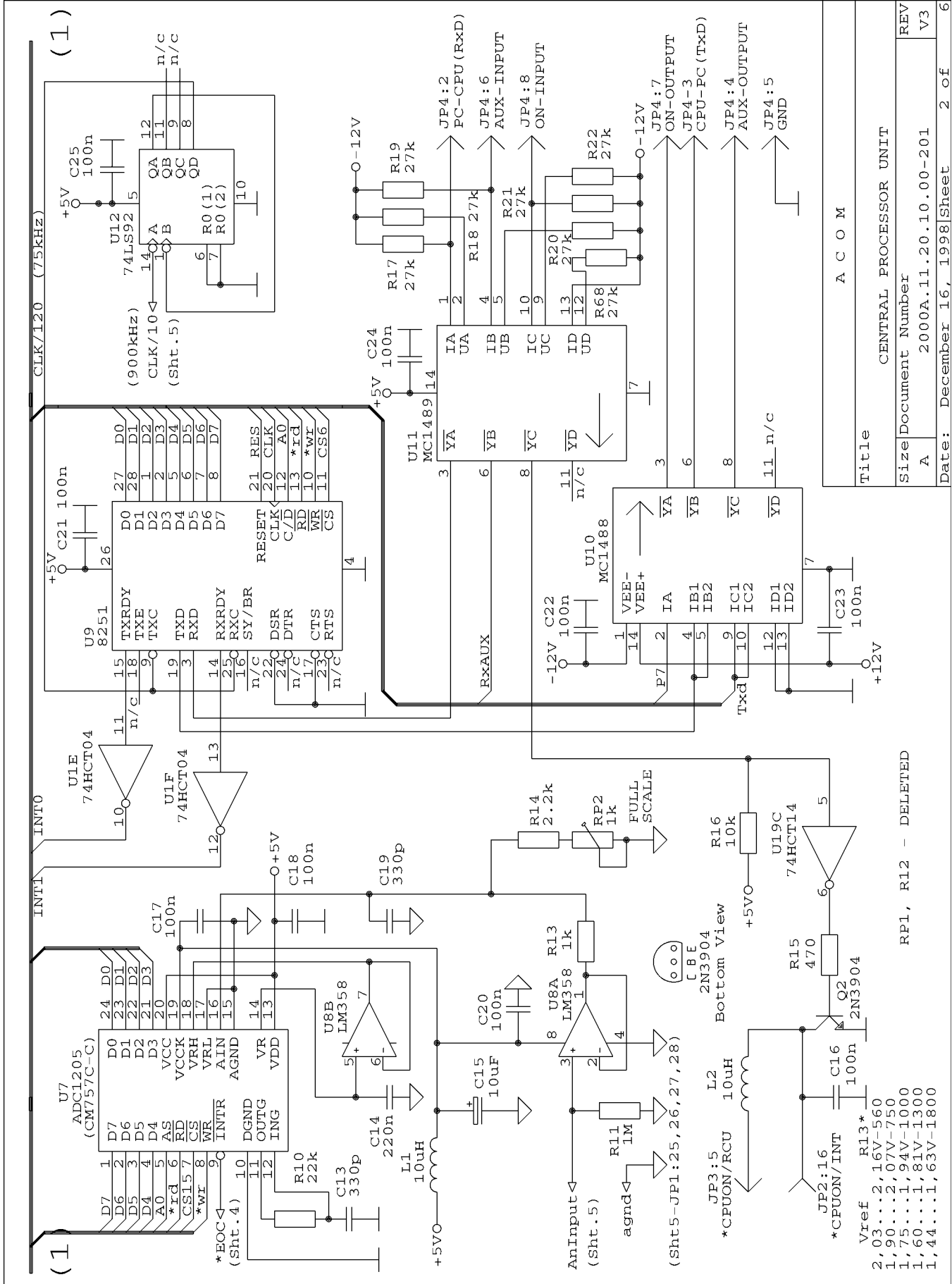
BO TT OM V I E W :



| | | |
|-----------------|------------------|--------------|
| Title | | A C O M |
| Size | | C A S E S |
| Document Number | ACOM2000A - 301 | |
| REV | 1 | |
| Date: | December 7, 1998 | Sheet 1 of 1 |



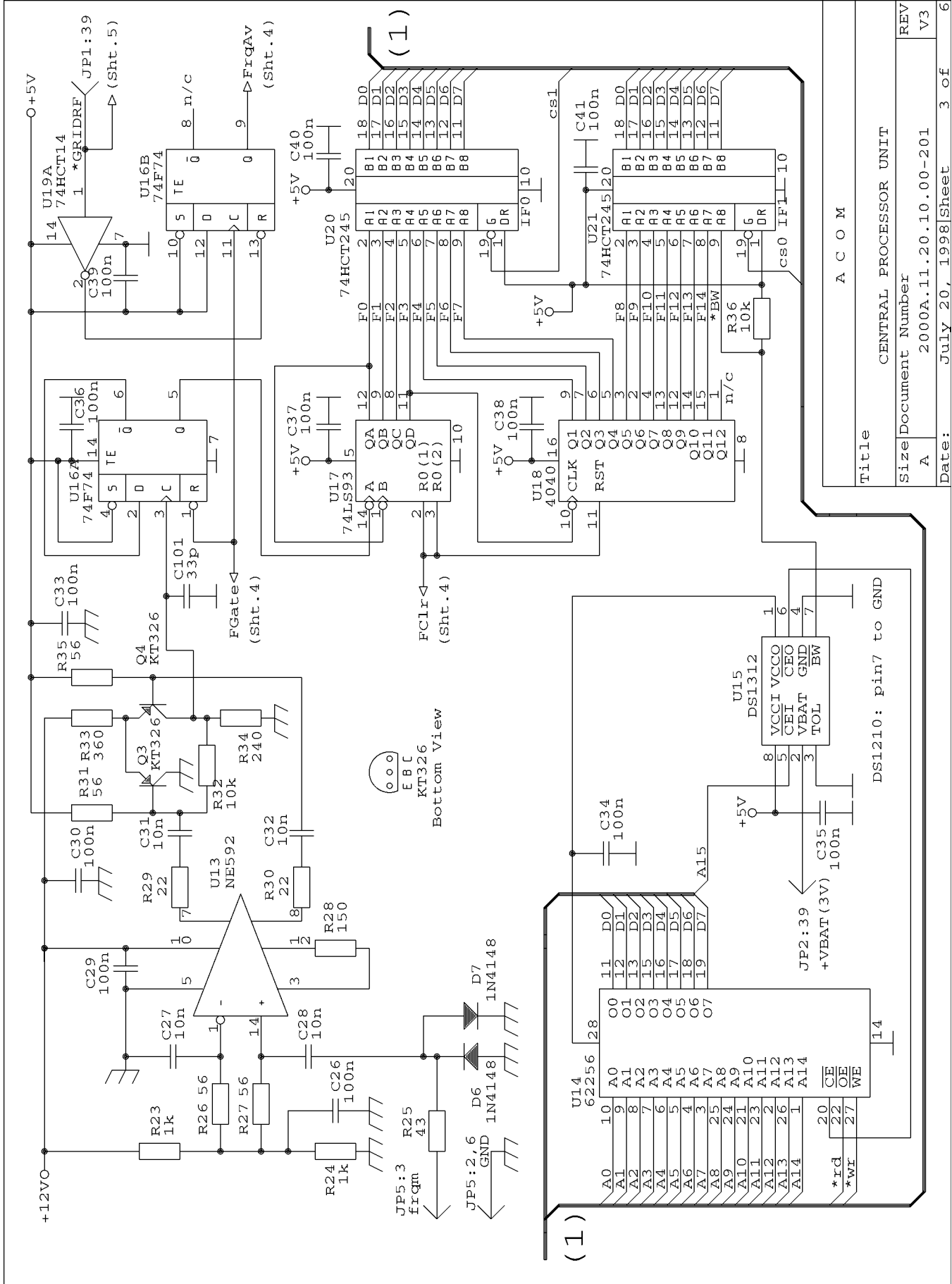
| | | | |
|-------|------------------|------------------------|--------|
| Title | | CENTRAL PROCESSOR UNIT | |
| Size | Document Number | 2000A.11.20.10.00-201 | |
| REV | | V3 | |
| Date: | January 26, 1999 | Sheet | 1 of 6 |



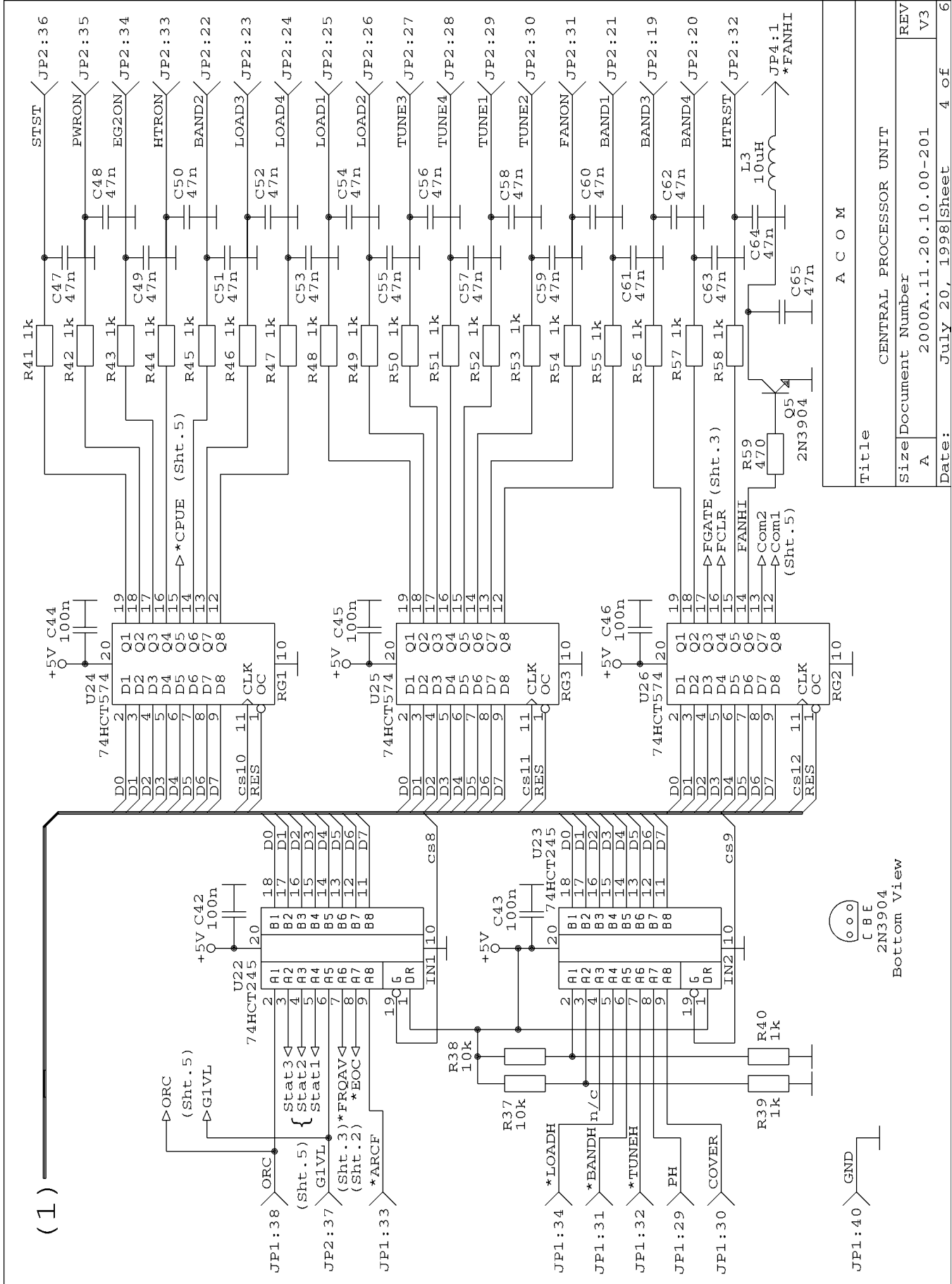
| | | | |
|-------|-------------------|------------------------|--------|
| Title | | CENTRAL PROCESSOR UNIT | |
| Size | Document Number | 2000A.11.20.10.00-201 | |
| REV | | V3 | |
| Date: | December 16, 1998 | Sheet | 2 of 6 |

RP1, R12 - DELETED

- Vref R13*
 - 2,03...2,16V-560
 - 1,90...2,07V-750
 - 1,75...1,94V-1000
 - 1,60...1,81V-1300
 - 1,44...1,63V-1800



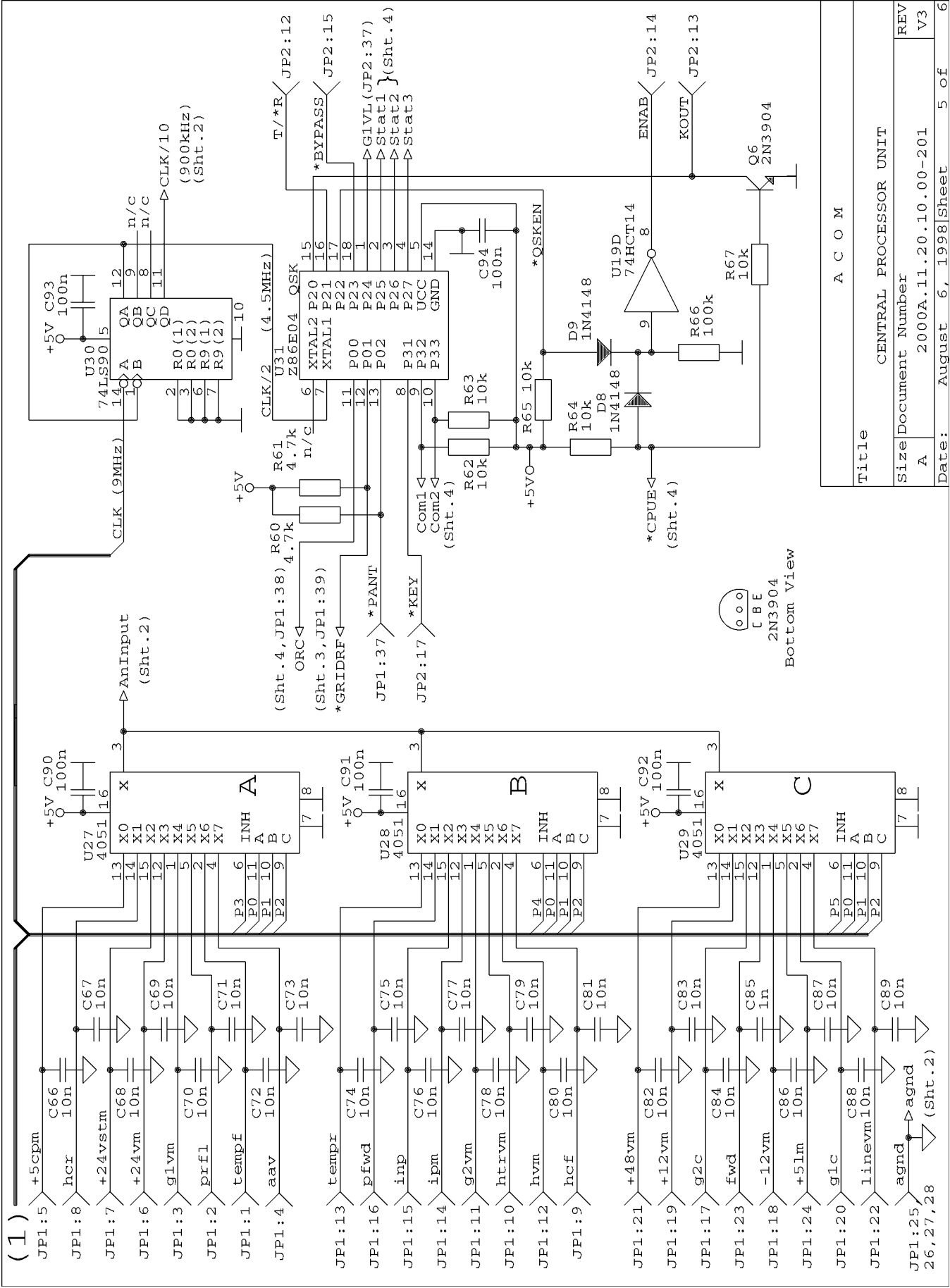
| | | | |
|-------|-----------------|------------------------|-----|
| Title | | CENTRAL PROCESSOR UNIT | |
| Size | Document Number | 2000A.11.20.10.00-201 | REV |
| A | Date: | July 20, 1998 | V3 |
| Sheet | | 3 of | 6 |



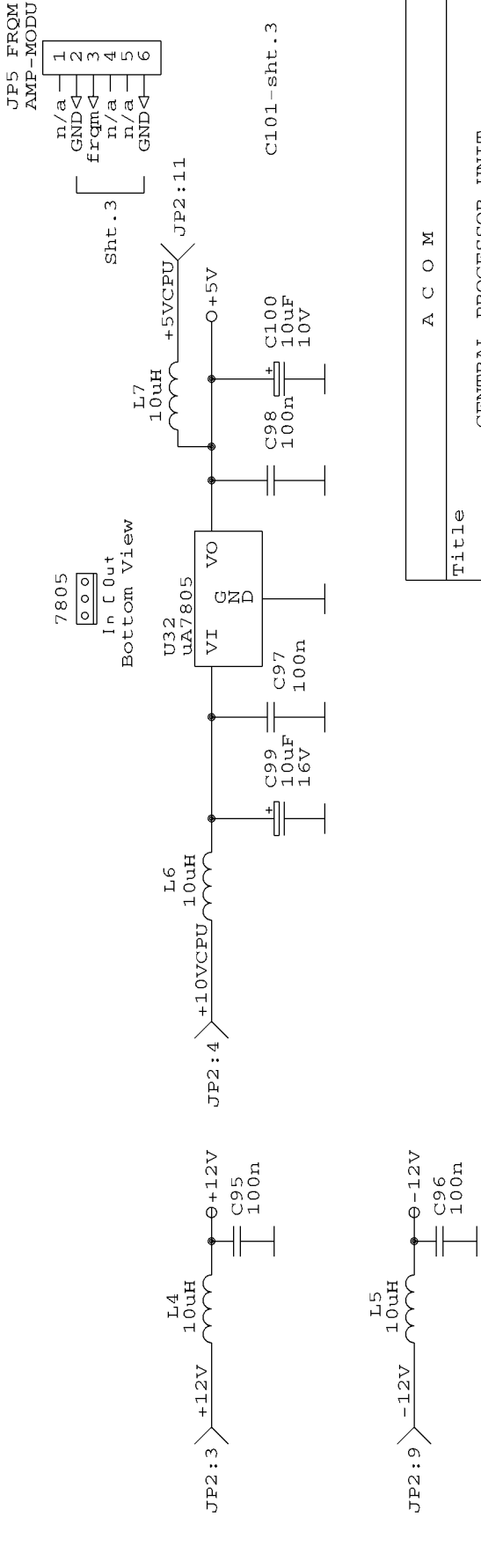
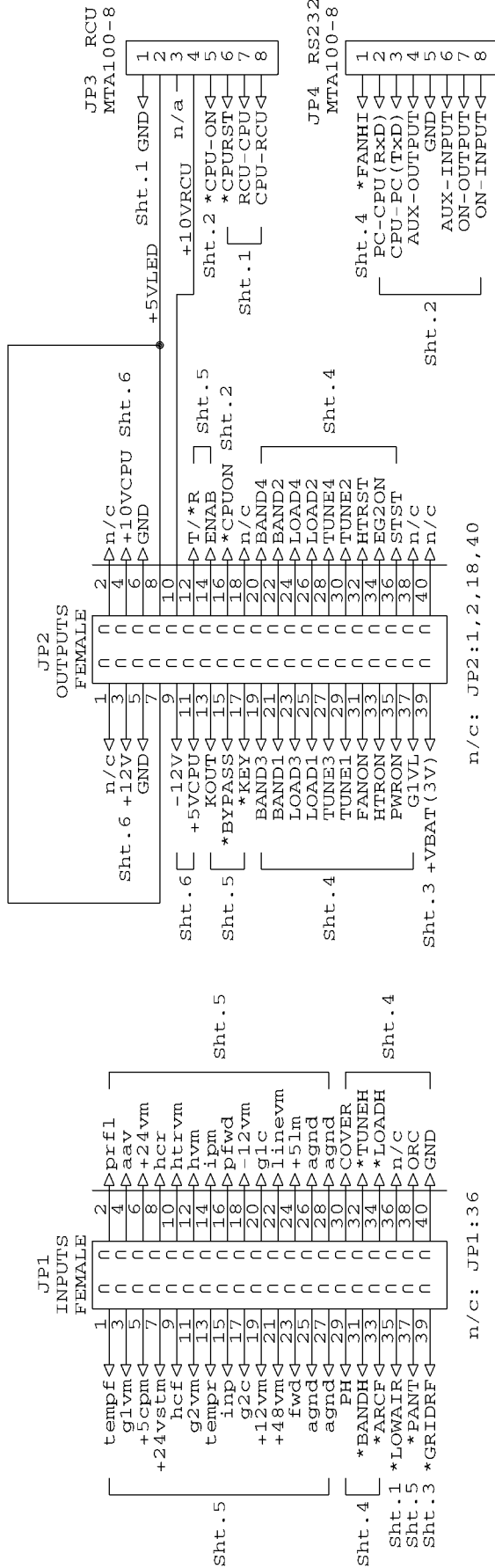
(1)


 C B E
 2N3904
 Bottom View

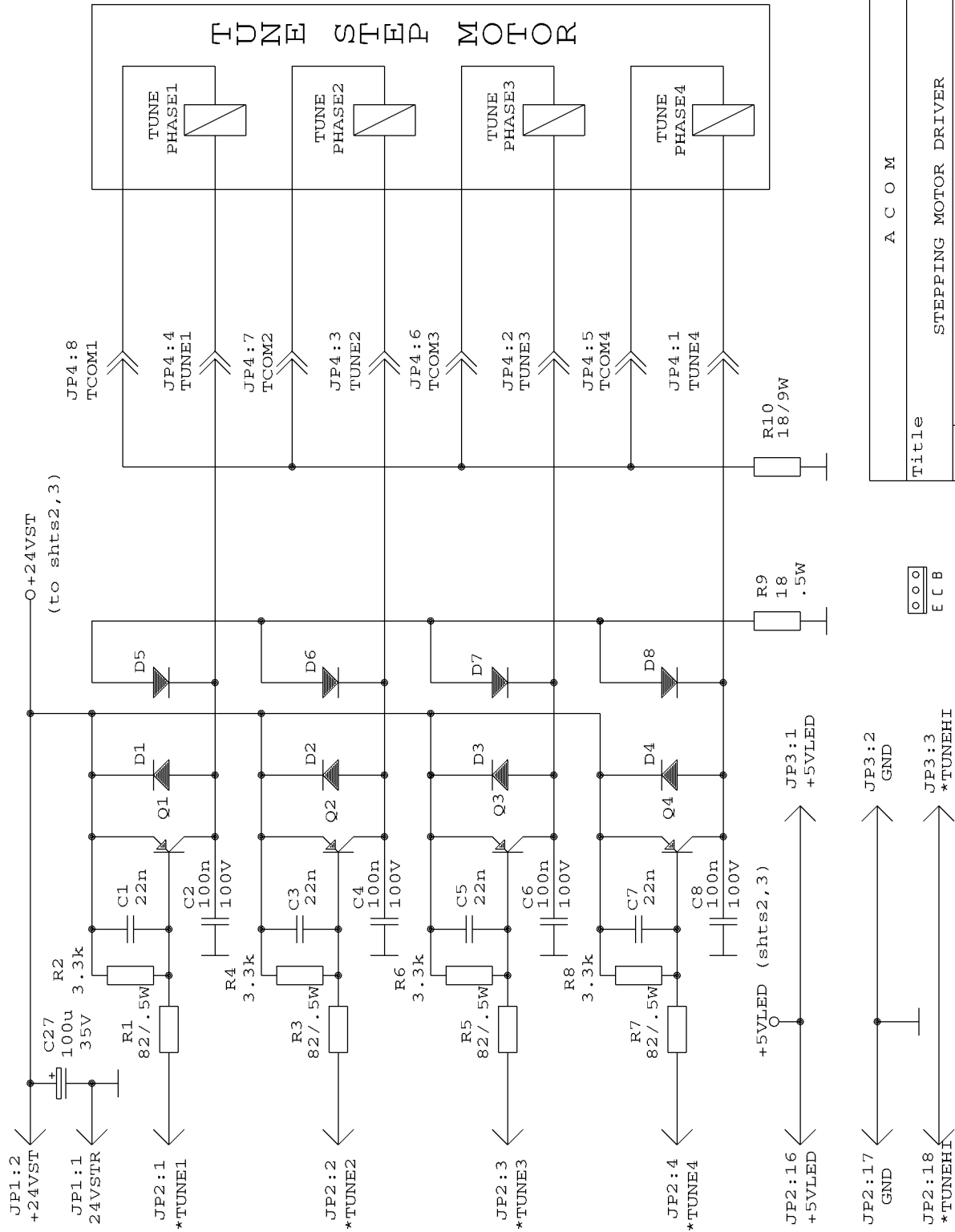
| | | | |
|-----------------|---------------|------------------------|--------|
| Title | | A C O M | |
| Size | | CENTRAL PROCESSOR UNIT | |
| Document Number | A | 2000A.11.20.10.00-201 | REV V3 |
| Date: | July 20, 1998 | Sheet | 4 of 6 |



| | | | |
|-----------------|----------------|------------------------|--------|
| Title | | A C O M | |
| Size | | CENTRAL PROCESSOR UNIT | |
| Document Number | A | 2000A.11.20.10.00-201 | REV V3 |
| Date: | August 6, 1998 | Sheet | 5 of 6 |

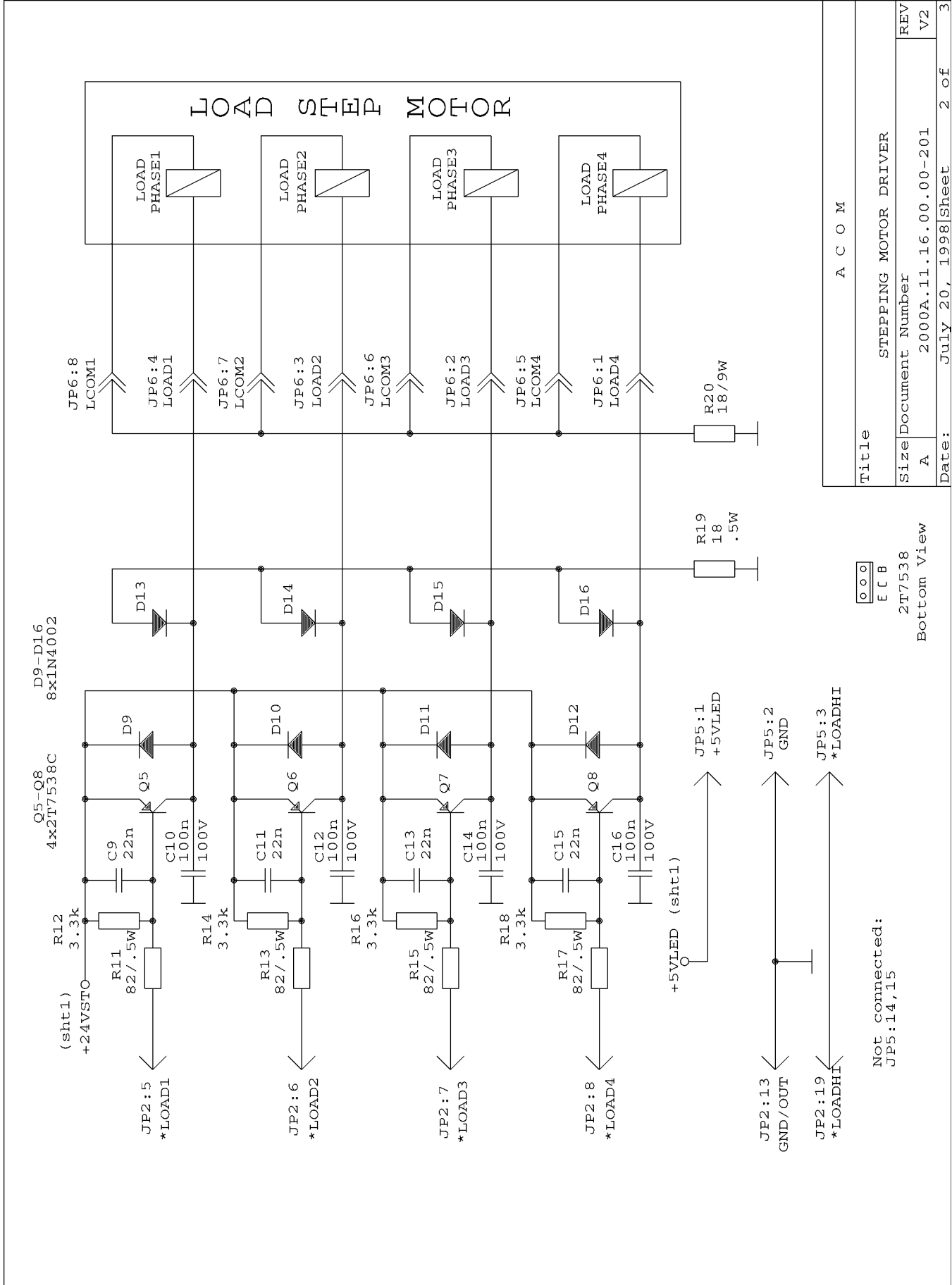


| | | | |
|-----------------|---------------|------------------------|--------|
| Title | | A C O M | |
| Size | | CENTRAL PROCESSOR UNIT | |
| Document Number | A | 2000A.11.20.10.00-201 | REV V3 |
| Date: | July 21, 1998 | Sheet | 6 of 6 |



| | | | |
|-----------------|---------------|-----------------------|--------|
| Title | | A C O M | |
| Size | | STEPPING MOTOR DRIVER | |
| Document Number | A | 2000A.11.16.00.00-201 | REV V2 |
| Date: | July 20, 1998 | Sheet | 1 of 3 |

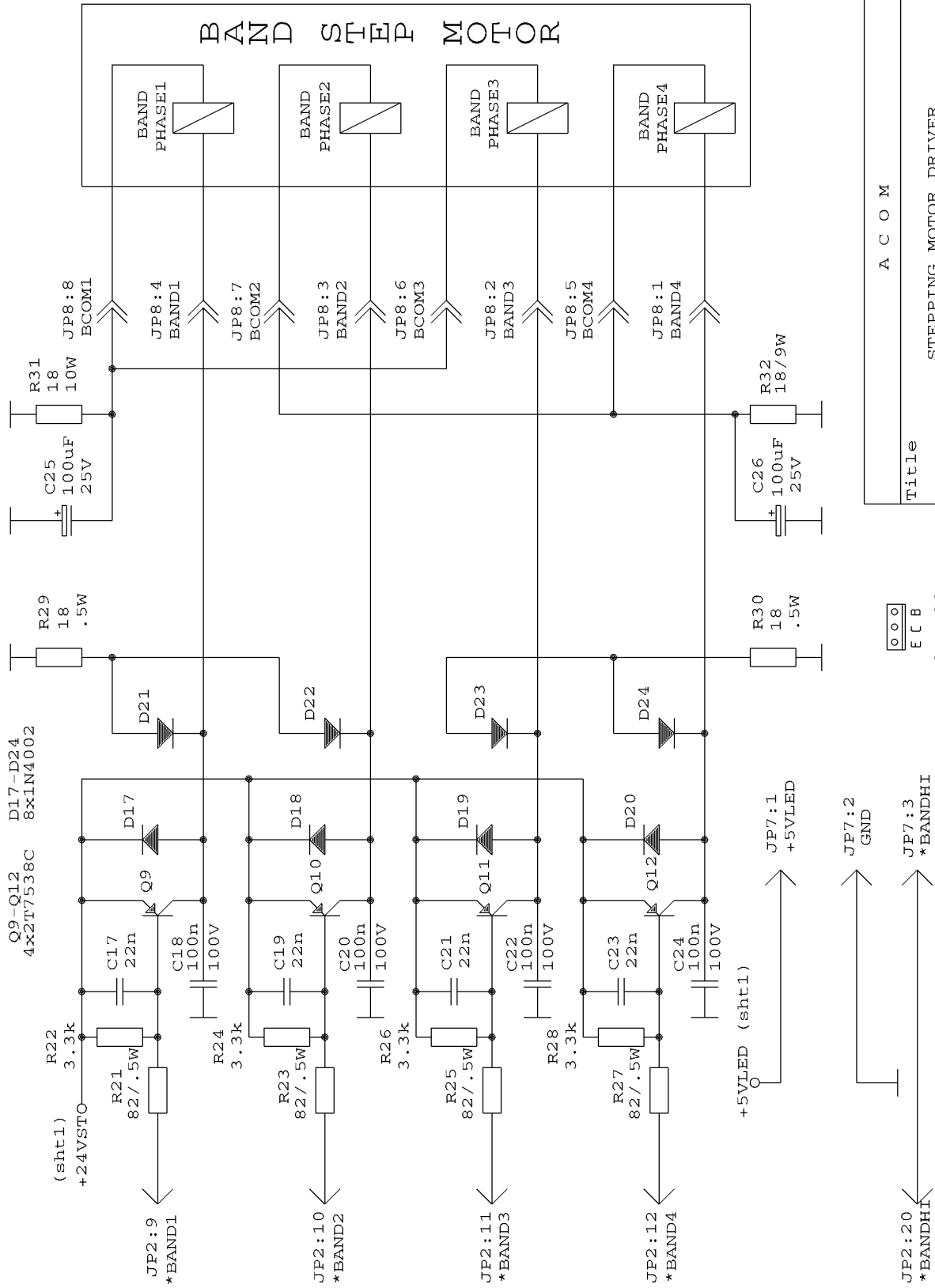
Bottom View
 2P7538
 E C B



| | | | |
|-----------------|---------------|-----------------------|--------|
| Title | | A C O M | |
| Size | | STEPPING MOTOR DRIVER | |
| Document Number | A | 2000A.11.16.00.00-201 | REV |
| Date: | July 20, 1998 | Sheet | 2 of 3 |

ECB
2P7538
Bottom View

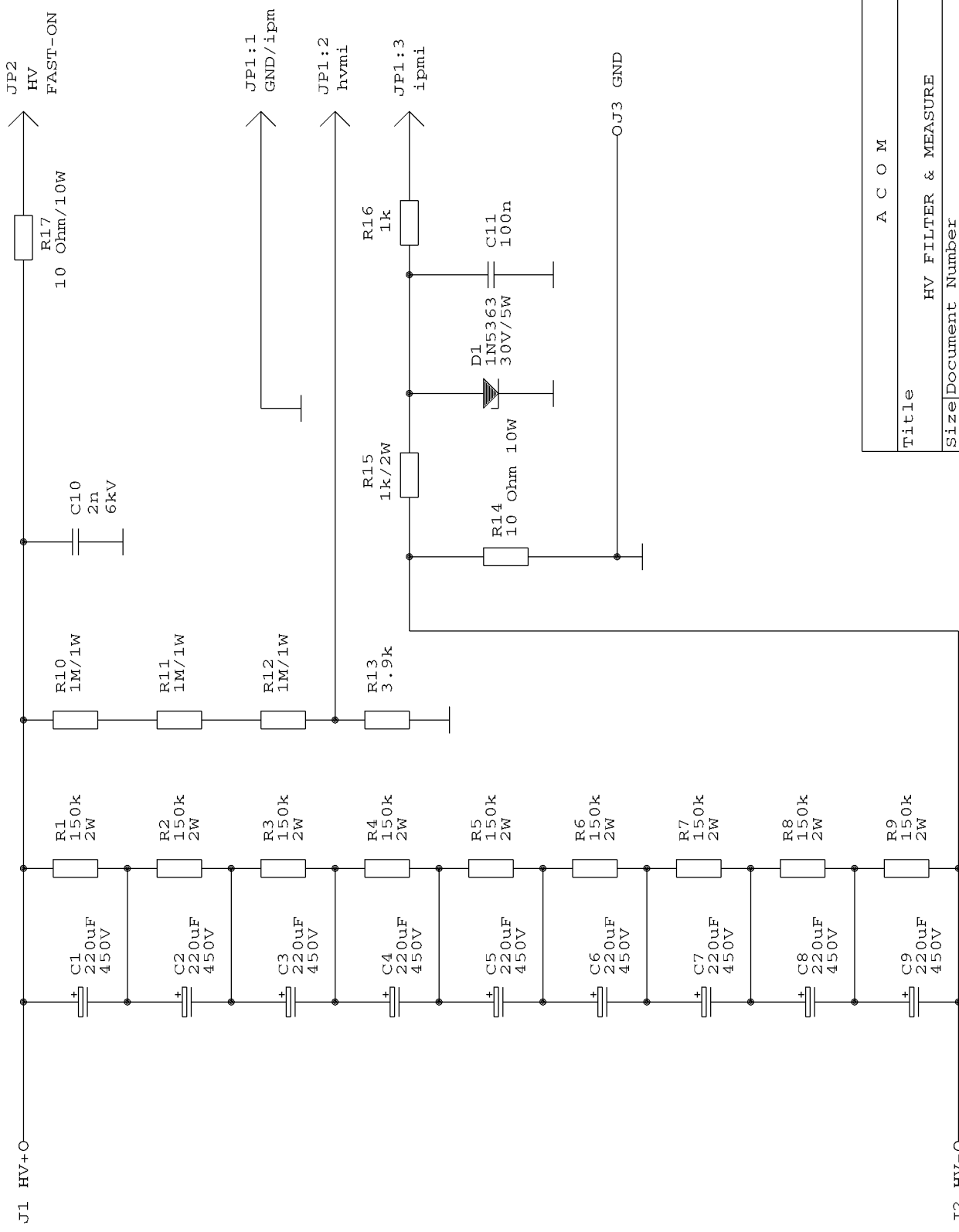
Not connected:
JP5:14,15



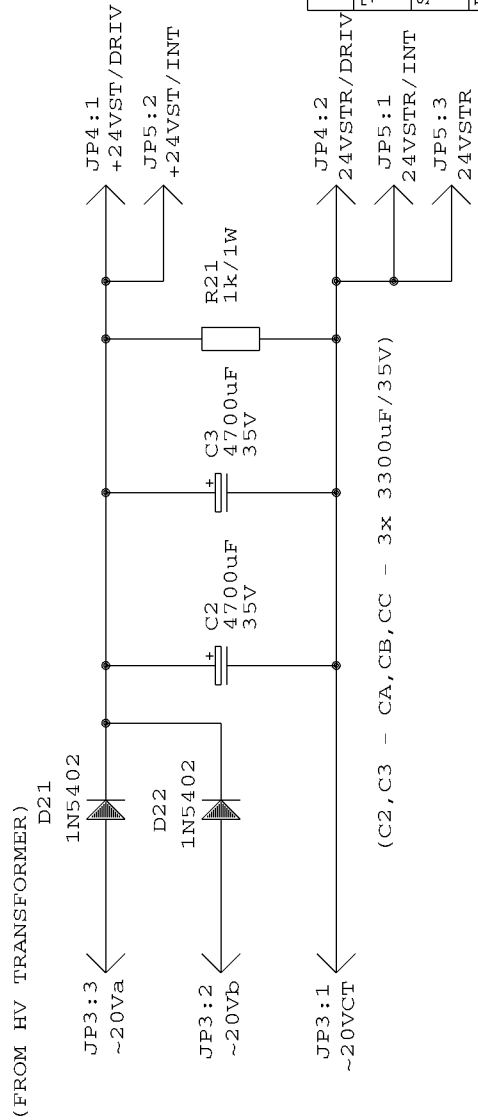
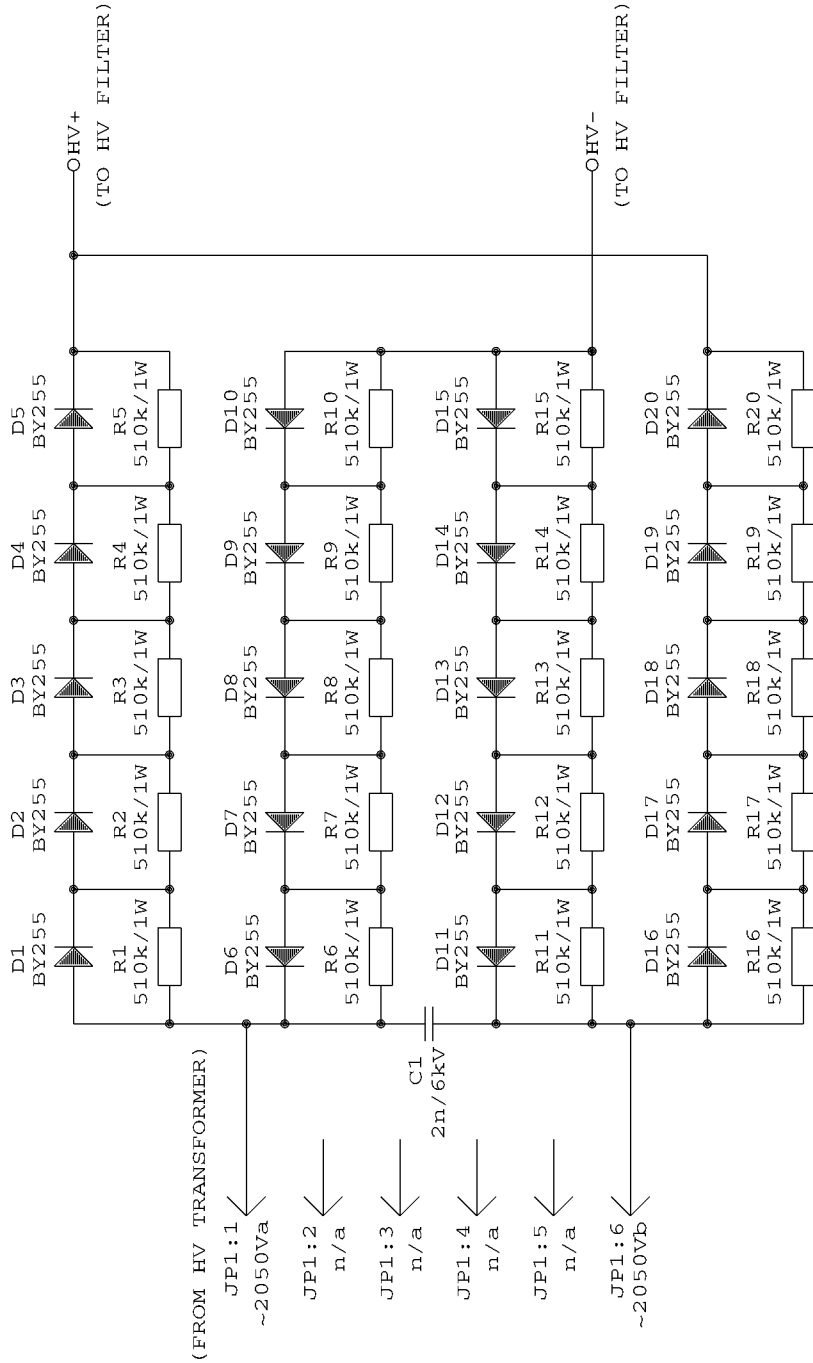
| | |
|-----------------------|-----------------------|
| A C O M | |
| Title | |
| STEPPING MOTOR DRIVER | |
| Size | Document Number |
| A | 2000A.11.16.00.00-201 |
| Date: | July 20, 1998 |
| Sheet | 3 of 3 |
| REV | V2 |

Bottom View
 2T7538
 FC B

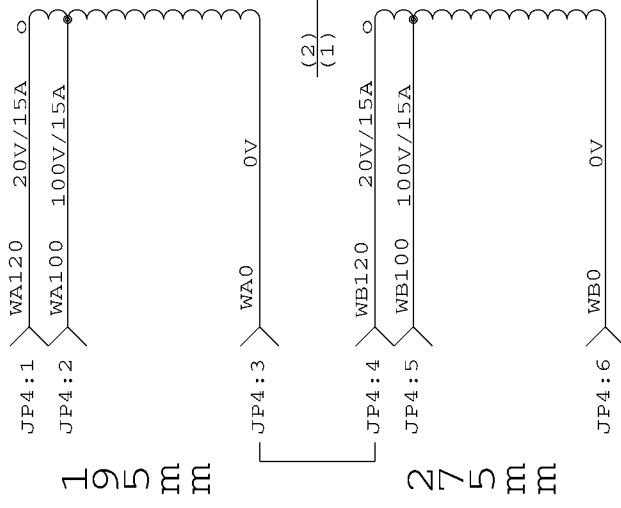
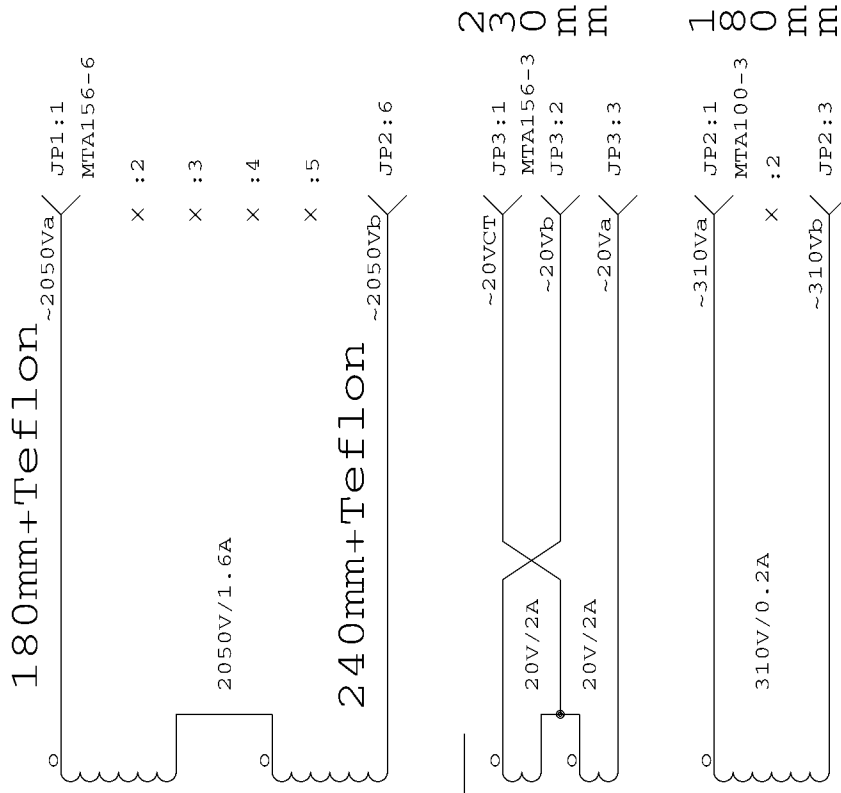
JP2:20 *BANDHI
 JP7:2 GND
 JP7:1 +5VLED
 JP7:3 *BANDHI



| | | | |
|-----------------|--------------|-----------------------|--------|
| Title | | A C O M | |
| Size | | HV FILTER & MEASURE | |
| Document Number | A | 2000A.11.21.10.00-201 | REV V3 |
| Date: | June 9, 1998 | Sheet 1 of 1 | 1 |



| | | | |
|-----------------------------|-----------------------|---------|--------|
| Title | | A C O M | |
| HV BRIDGE, SG REG. & +24VST | | | |
| Size | Document Number | REV | |
| A | 2000A.11.21.20.00-201 | A | V2 |
| Date: | June 9, 1998 | Sheet | 1 of 2 |

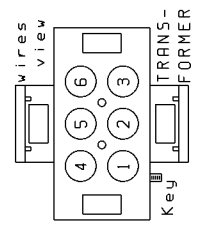


195 mm

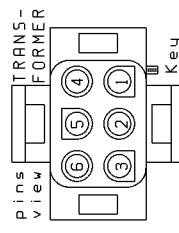
275 mm

230 mm

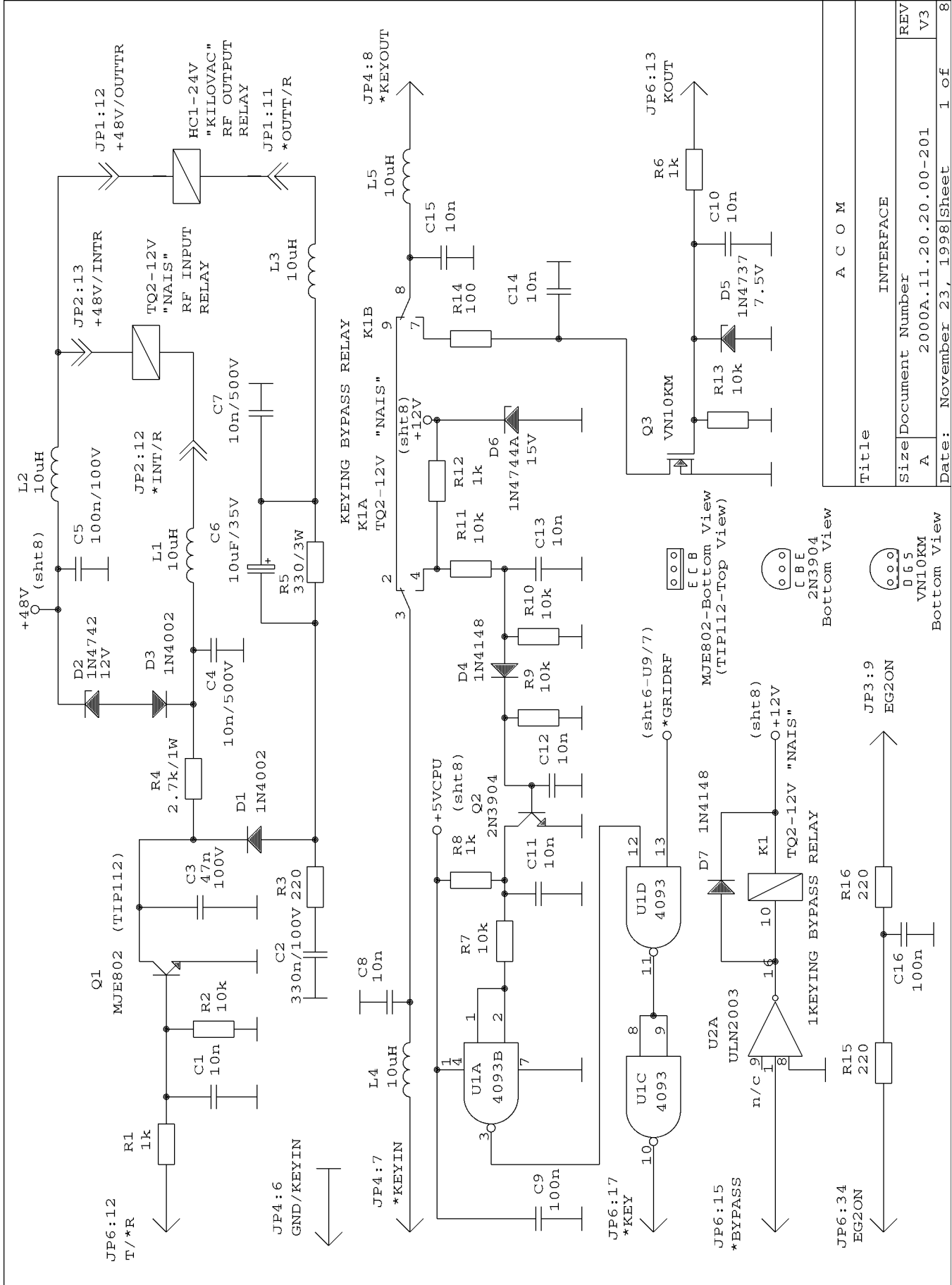
180 mm



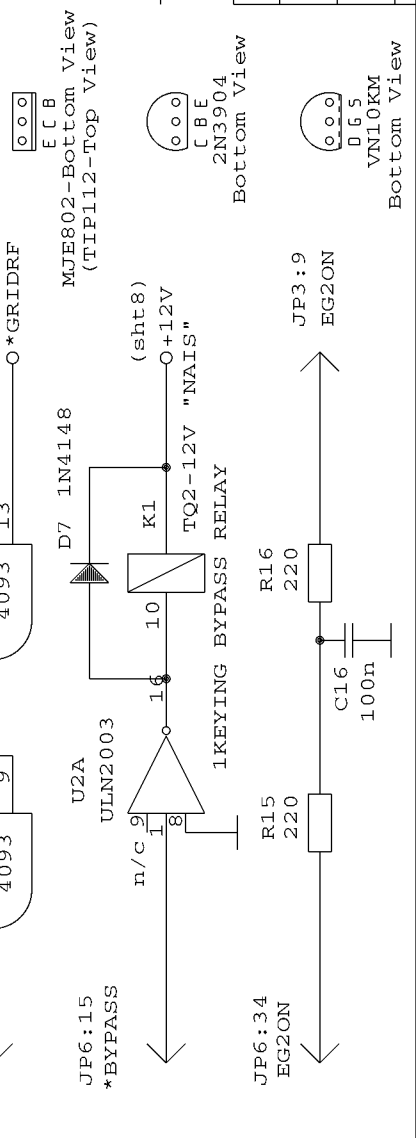
JP4



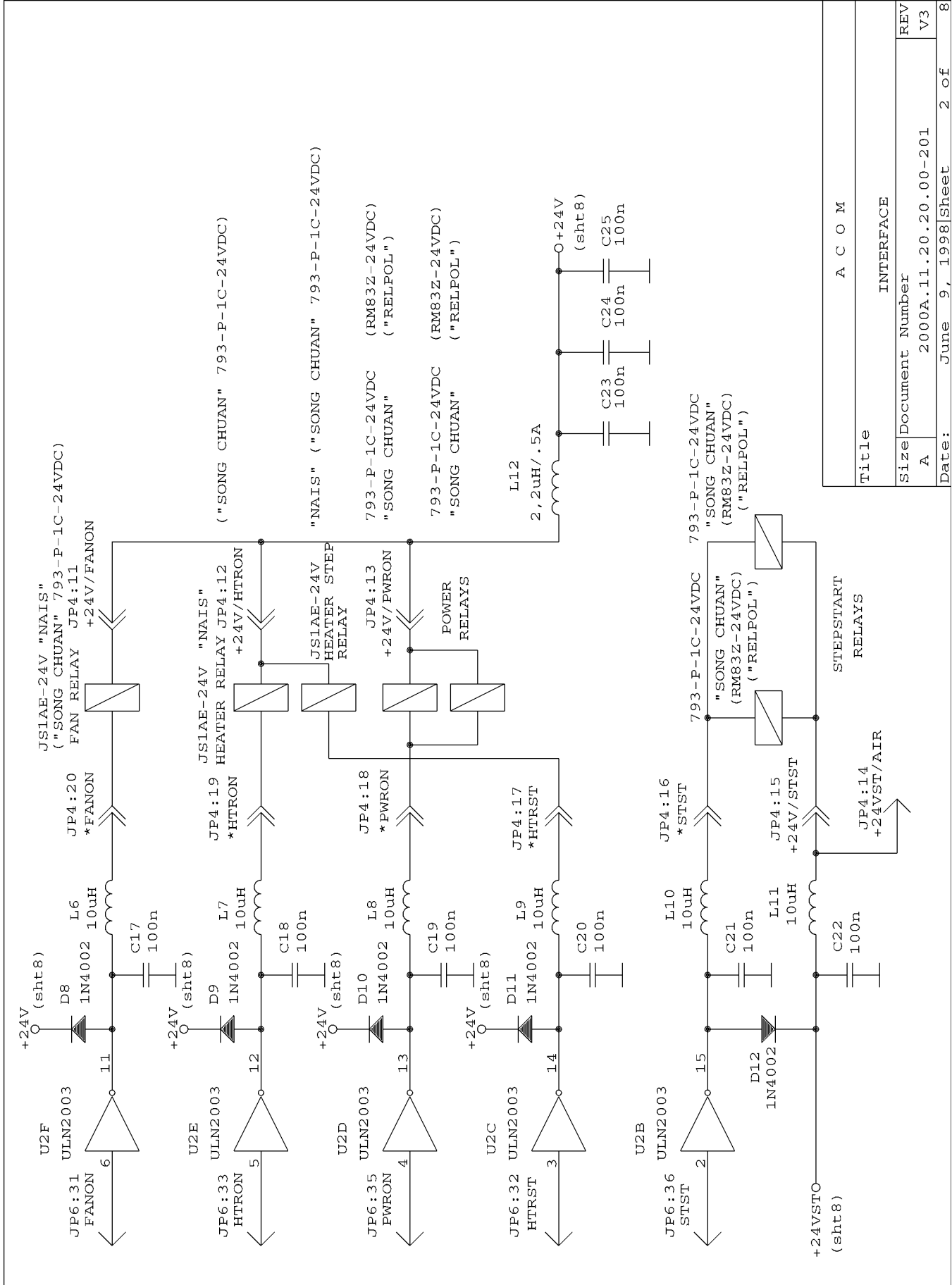
| | | |
|--------------------------|--------------------|--------------|
| Title | | A C O M |
| HIGH VOLTAGE TRANSFORMER | | |
| Size | Document Number | REV |
| A | 2000A.12.00.00-201 | V1 |
| Date: | November 5, 1998 | Sheet 1 of 1 |

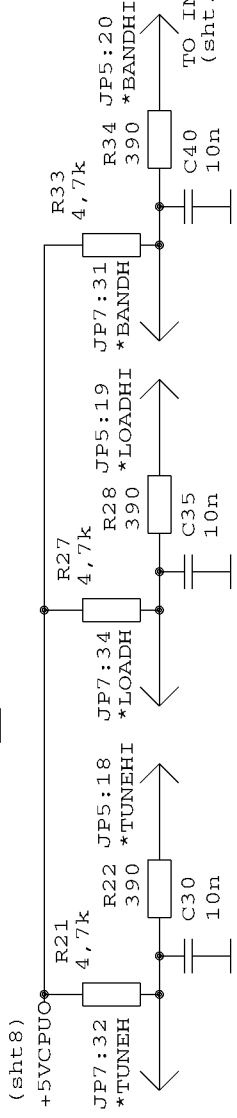
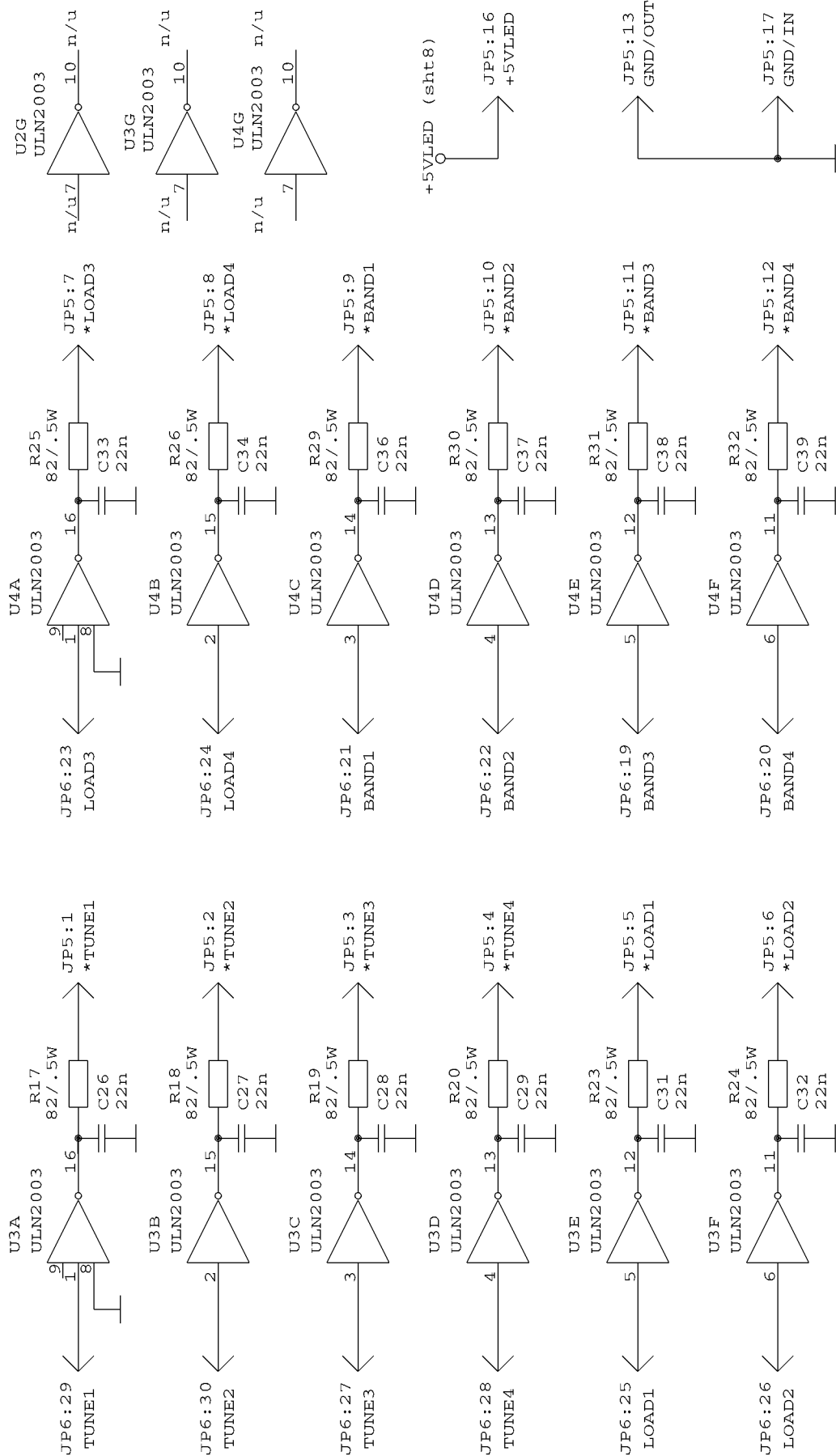


| | | | |
|-----------------|-------------------|-----------------------|--------|
| Title | | A C O M | |
| Size | | INTERFACE | |
| Document Number | A | 2000A.11.20.20.00-201 | REV |
| | | | V3 |
| Date: | November 23, 1998 | Sheet | 1 of 8 |

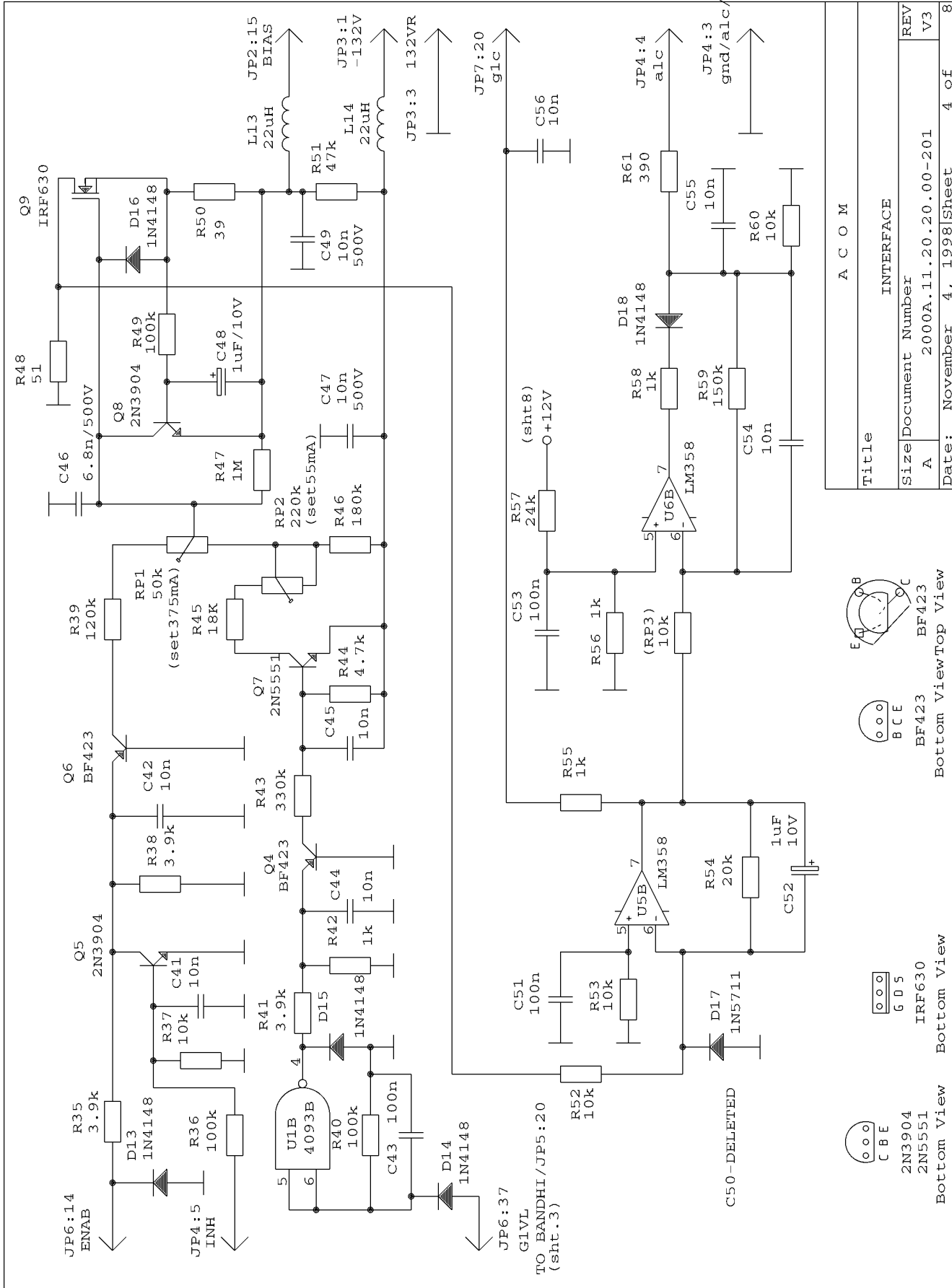


| | | | |
|-----------------|-------------------|-----------------------|--------|
| Title | | A C O M | |
| Size | | INTERFACE | |
| Document Number | A | 2000A.11.20.20.00-201 | REV |
| | | | V3 |
| Date: | November 23, 1998 | Sheet | 1 of 8 |

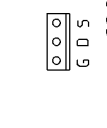
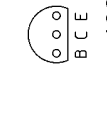
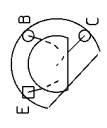




| | | | |
|-----------------|-----------------------|-----------|--------|
| Title | | A C O M | |
| Size | | INTERFACE | |
| Document Number | 2000A.11.20.20.00-201 | | |
| REV | A | REV | V3 |
| Date: | June 25, 1998 | Sheet | 3 of 8 |

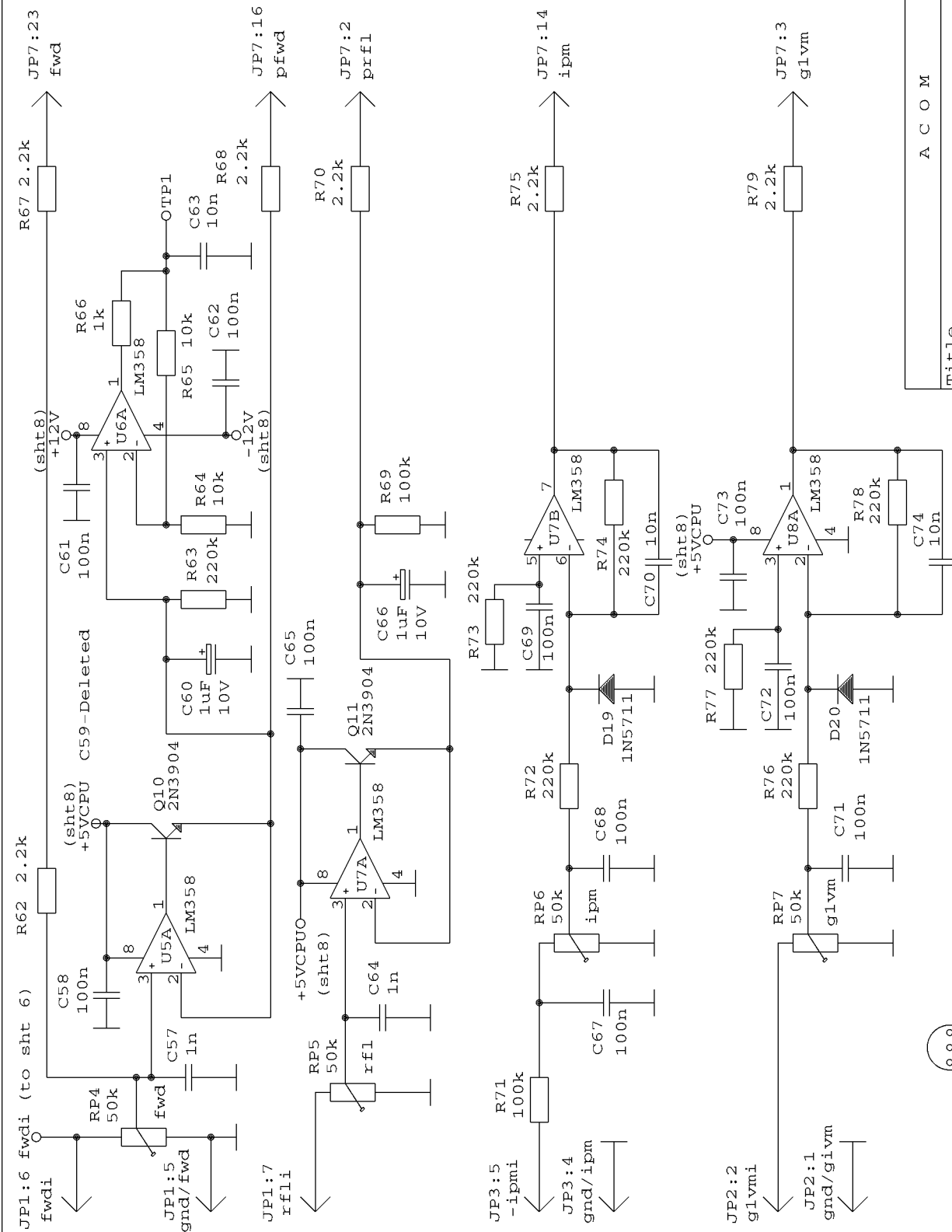



| | | | |
|-----------------|-----------------------|-----------|--------|
| Title | | A C O M | |
| Size | | INTERFACE | |
| Document Number | 2000A.11.20.20.00-201 | REV | V3 |
| Date: | November 4, 1998 | Sheet | 4 of 8 |



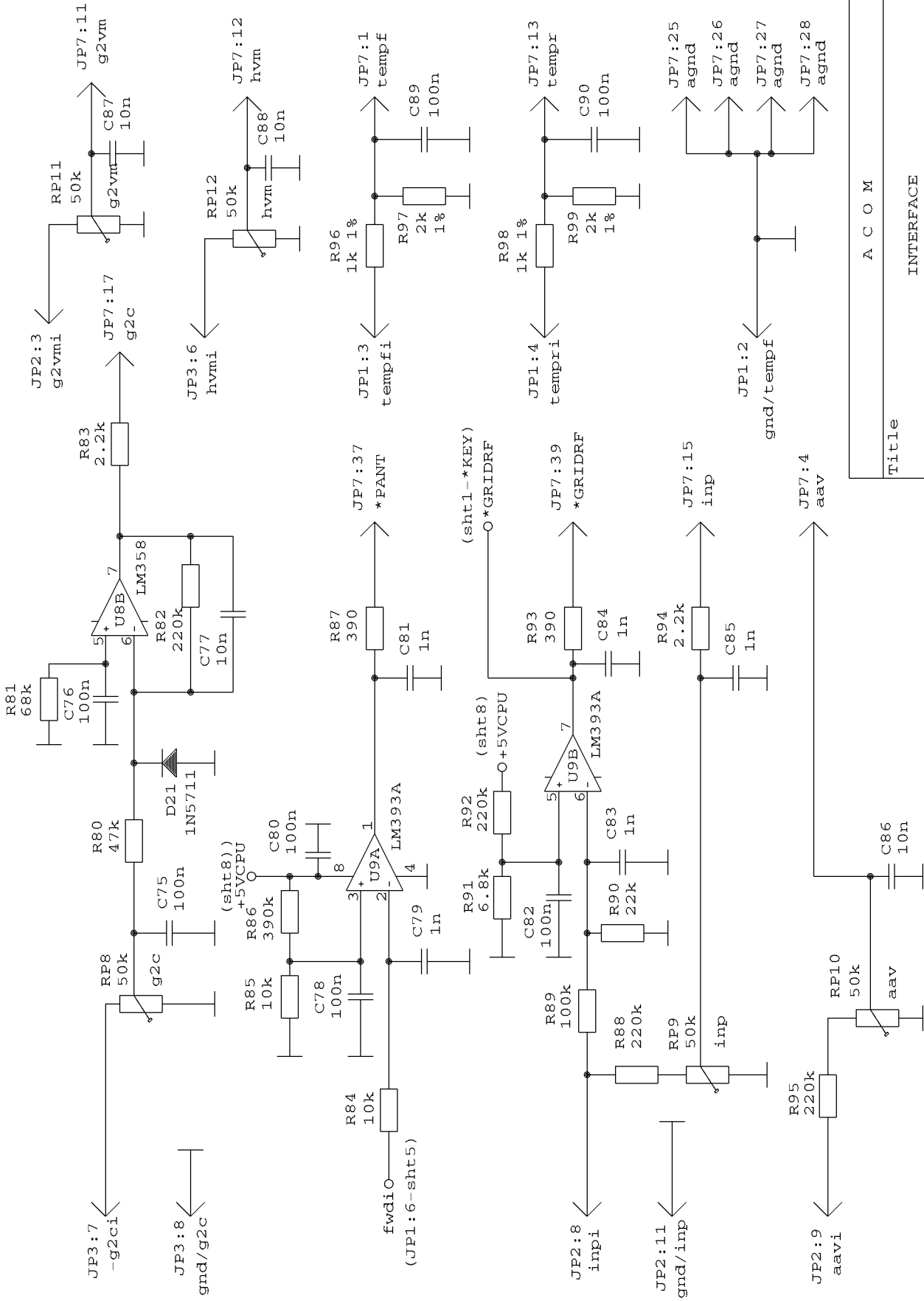
Bottom View Top View

Bottom View

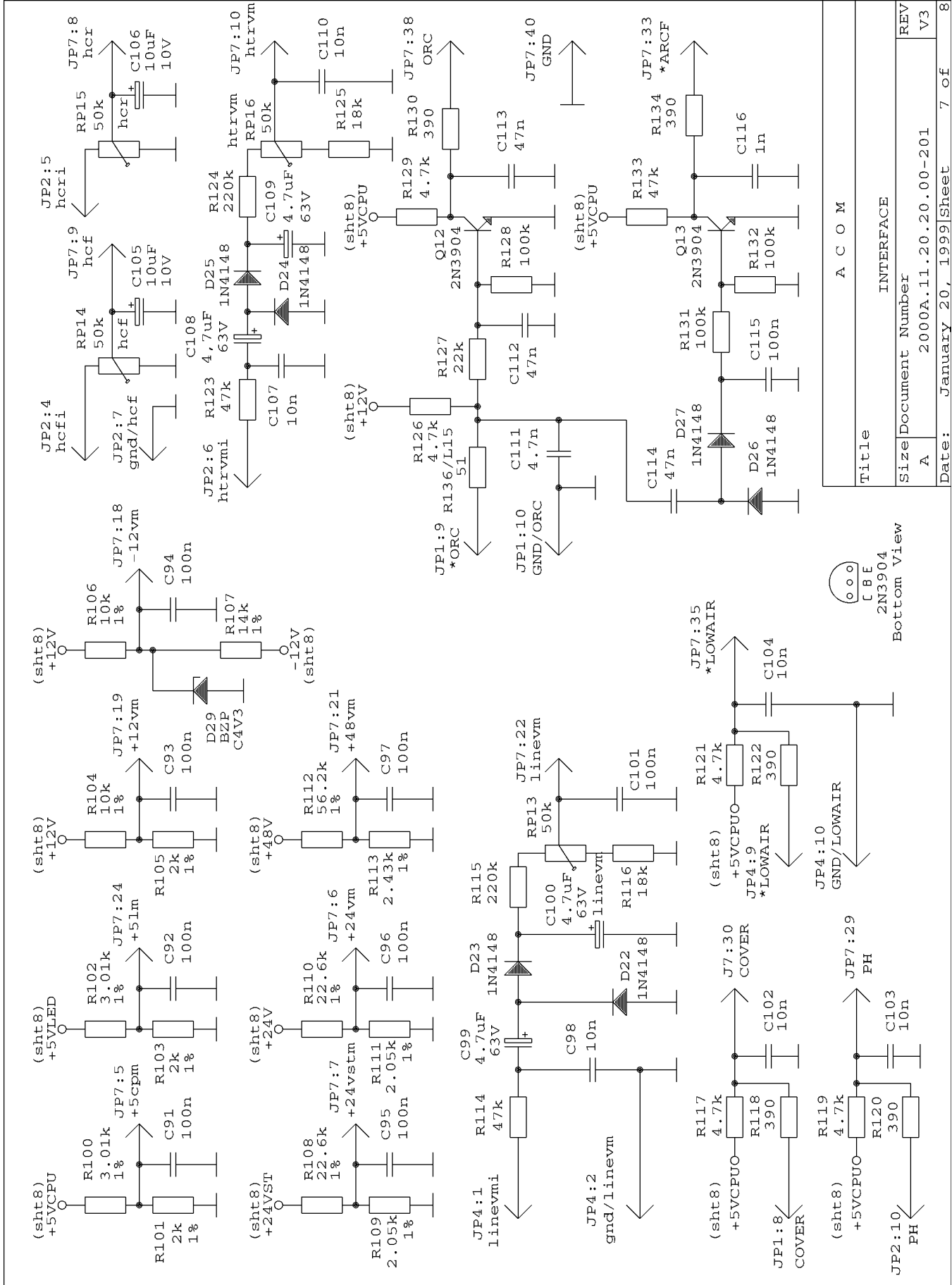



 CBE
 2N3904
 Bottom View

| | | | |
|-----------------|----------------|-----------------------|--------|
| Title | | A C O M | |
| Size | | INTERFACE | |
| Document Number | A | 2000A.11.20.20.00-201 | REV |
| Date: | August 6, 1998 | Sheet | 5 of 8 |

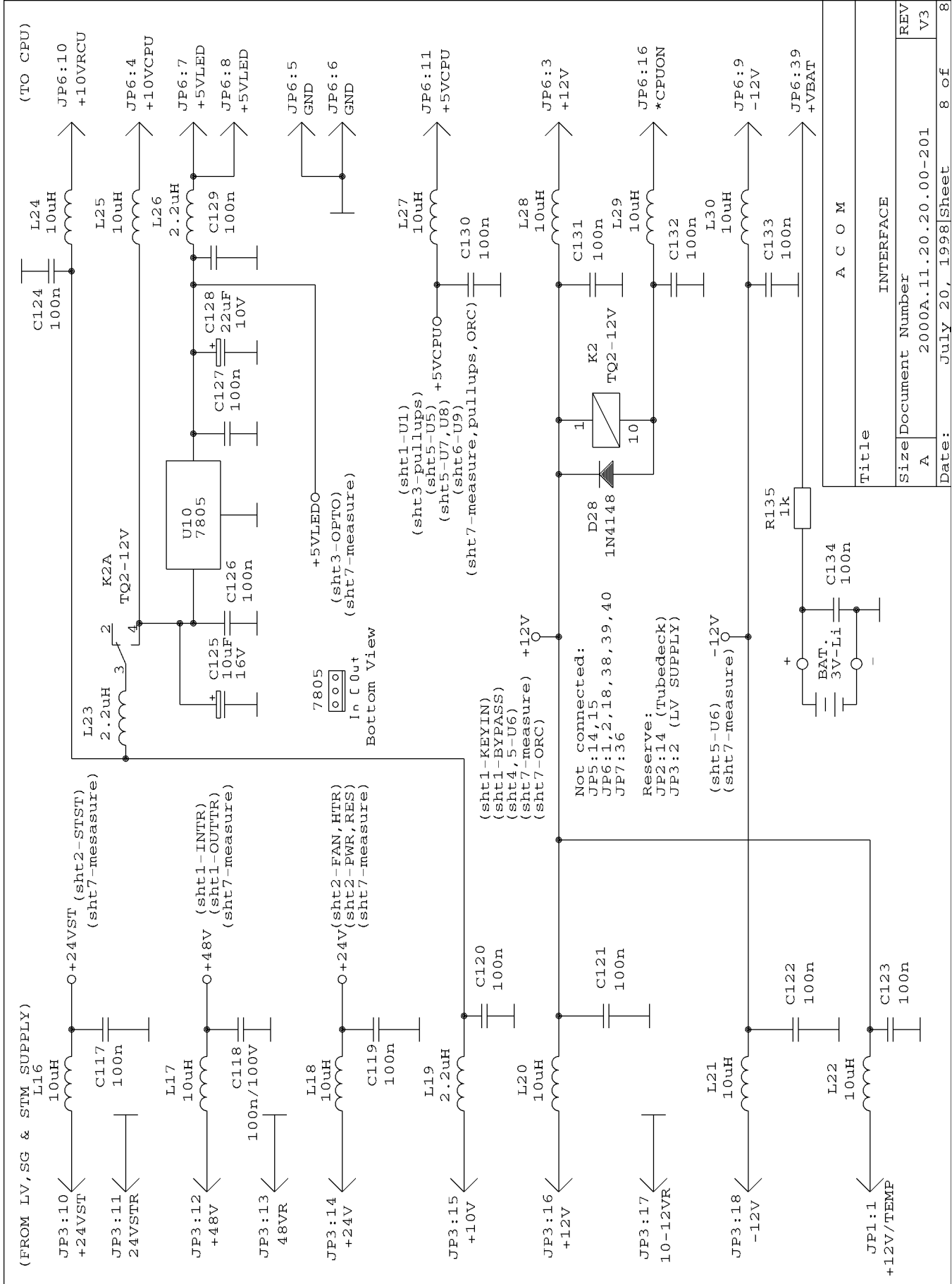


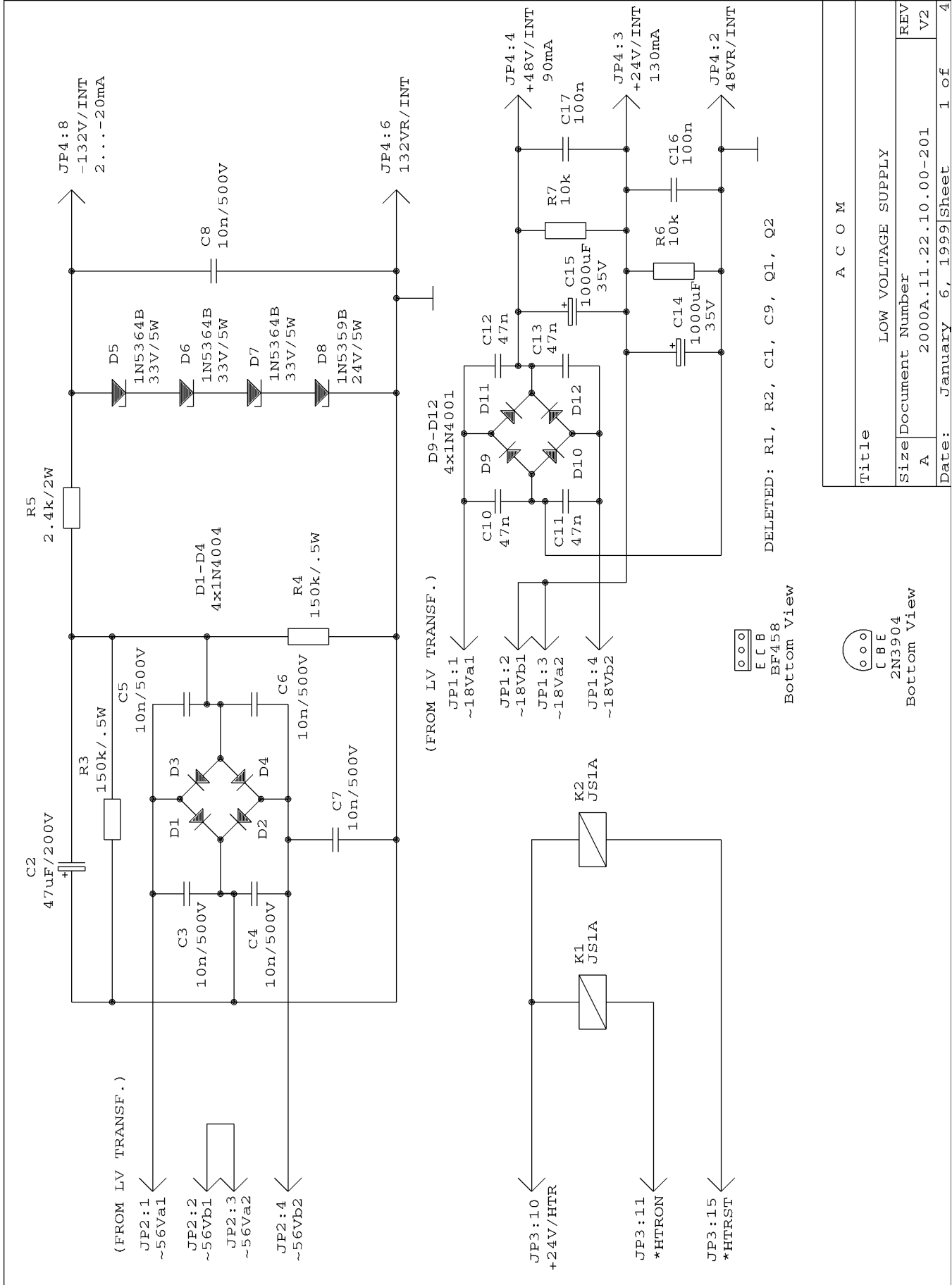
| | | | |
|-----------|-----------------------|---------|--------|
| Title | | A C O M | |
| INTERFACE | | | |
| Size | Document Number | REV | |
| A | 2000A.11.20.20.00-201 | V3 | |
| Date: | December 16, 1998 | Sheet | 6 of 8 |



| | | | |
|-----------------|-----------------------|-----------|--|
| Title | | A C O M | |
| Size | | INTERFACE | |
| Document Number | 2000A.11.20.20.00-201 | | |
| REV | V3 | | |


 C B E
 2N3904
 Bottom View

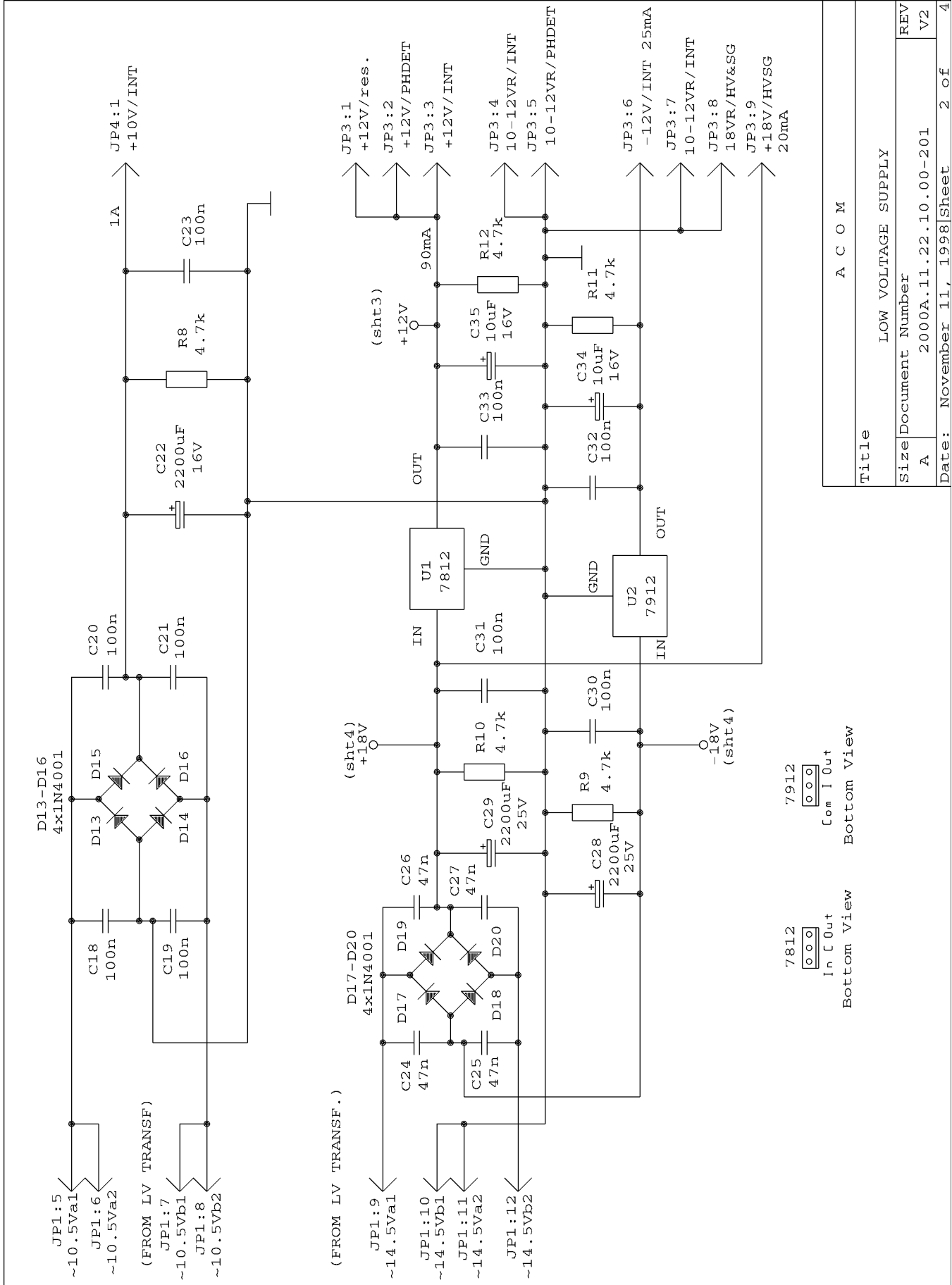




| | | | |
|-----------------|--|-----------------------|--|
| Title | | LOW VOLTAGE SUPPLY | |
| Size | | A | |
| Document Number | | 2000A.11.22.10.00-201 | |
| REV | | V2 | |
| Date: | | January 6, 1999 | |
| Sheet | | 1 of 4 | |

A C O M

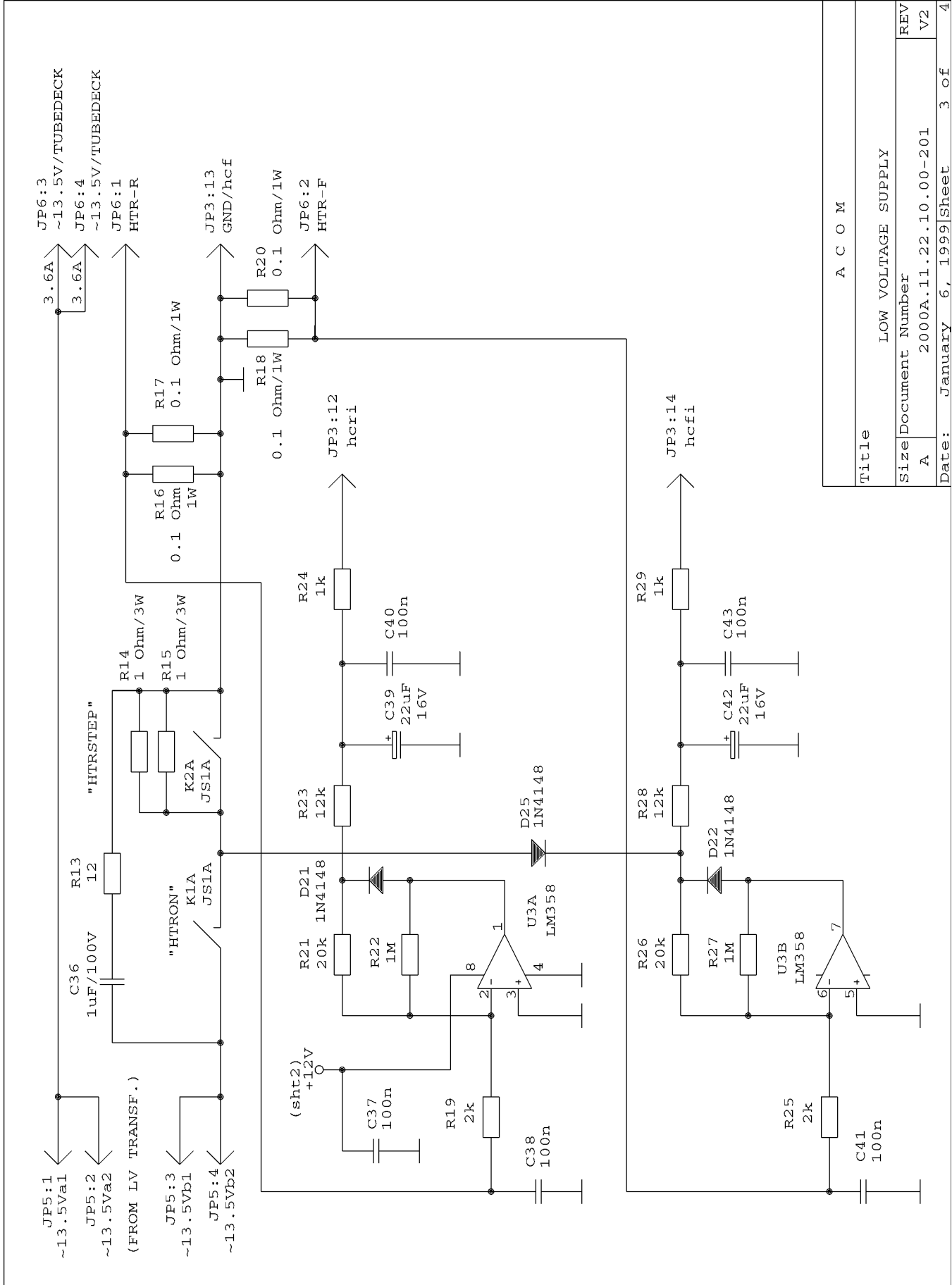
2N3904
Bottom View



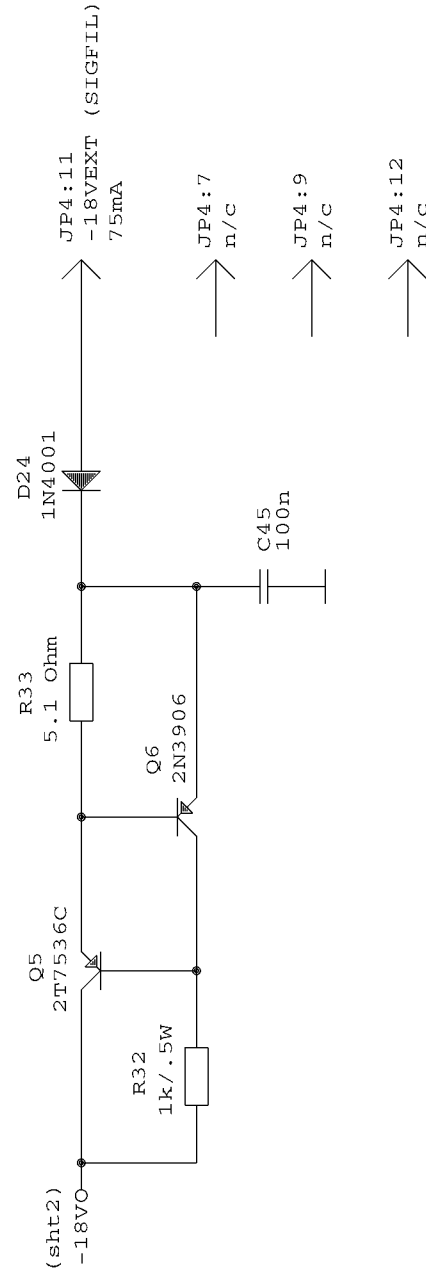
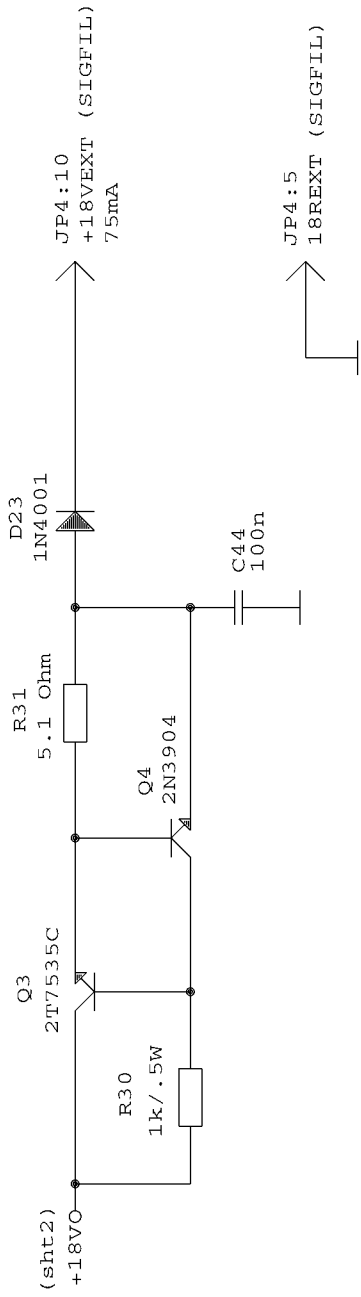
| | | | |
|-------|-----------------|-----------------------|--------------|
| Title | | LOW VOLTAGE SUPPLY | |
| Size | Document Number | 2000A.11.22.10.00-201 | |
| REV | | REV | |
| A | Date: | November 11, 1998 | Sheet 2 of 4 |

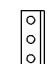
7812 Bottom View
 7912 Bottom View

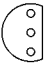
A C O M



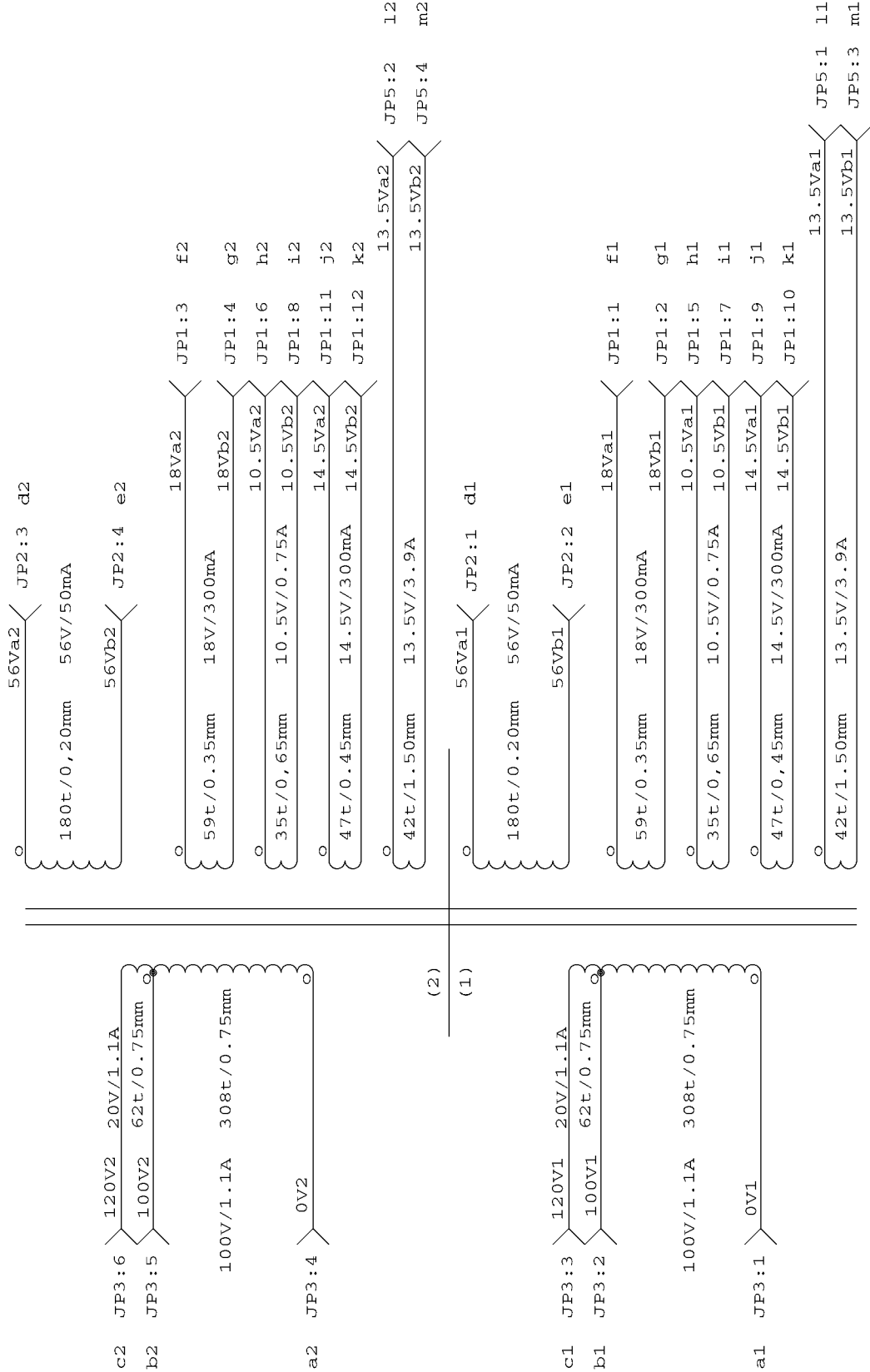
| | | | |
|-----------------|-----------------|-----------------------|--------|
| Title | | A C O M | |
| Size | | LOW VOLTAGE SUPPLY | |
| Document Number | A | 2000A.11.22.10.00-201 | REV |
| Date: | January 6, 1999 | Sheet | 3 of 4 |



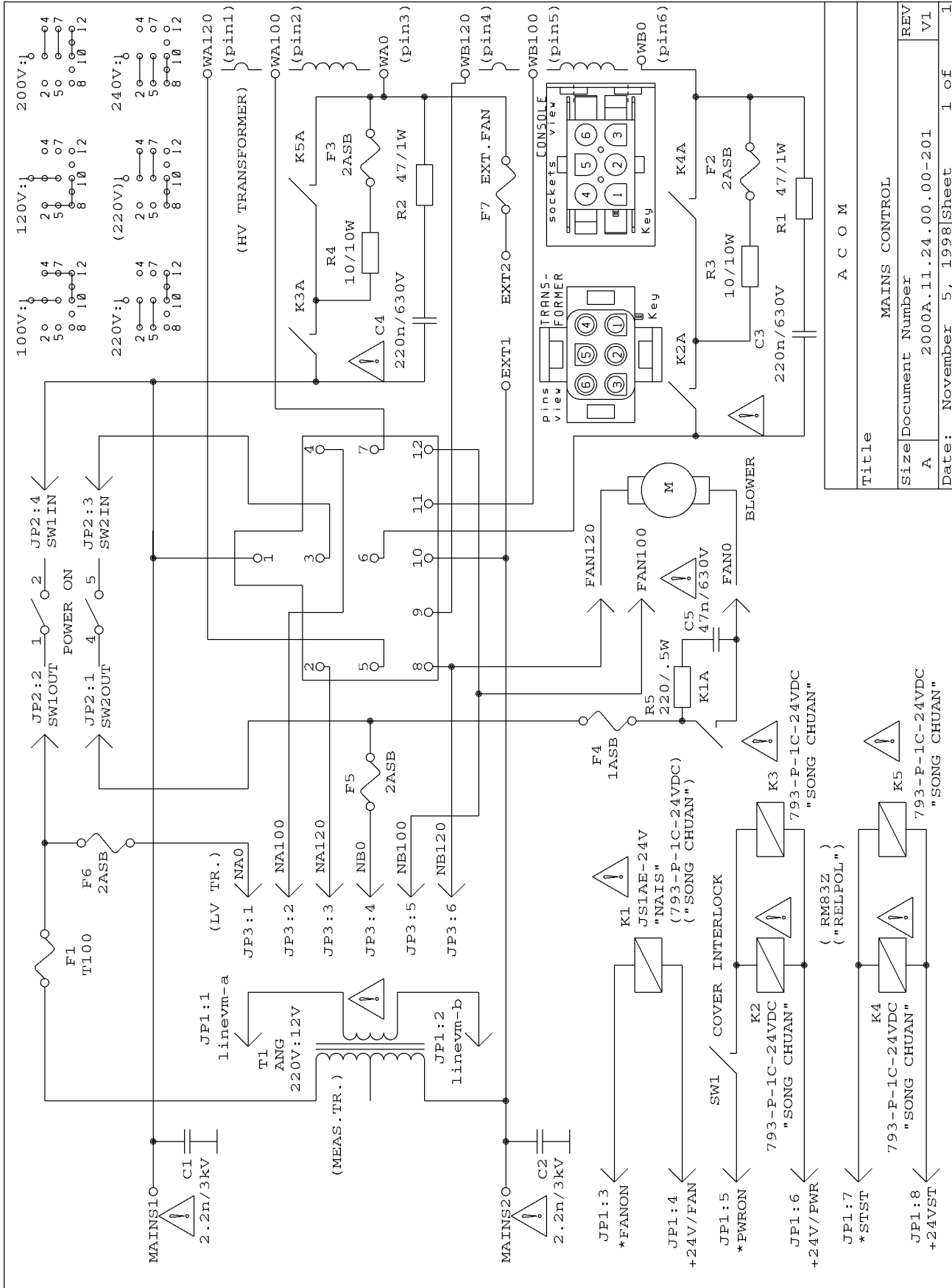
 E C B
 2T9135
 2T9136
 Bottom View

 C B E
 2N3904
 2N3906
 Bottom View

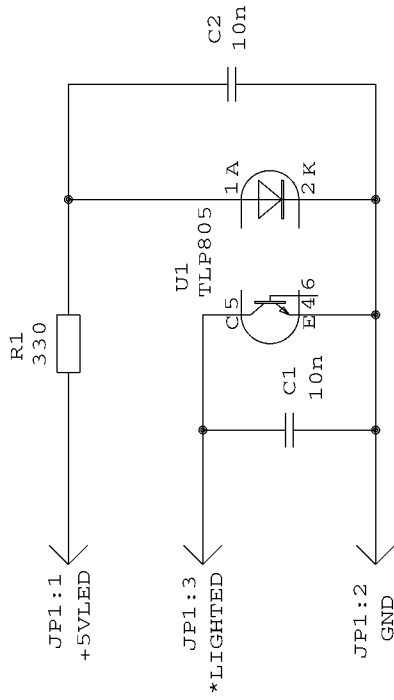
| | | | |
|--------------------|-----------------------|---------|--------|
| Title | | A C O M | |
| LOW VOLTAGE SUPPLY | | | |
| Size | Document Number | REV | |
| A | 2000A.11.22.10.00-201 | V2 | |
| Date: | November 11, 1998 | Sheet | 4 of 4 |



| | | | |
|-------------------------|-----------------------|---------|--------|
| Title | | A C O M | |
| LOW VOLTAGE TRANSFORMER | | | |
| Size | Document Number | REV | |
| A | 2000A.11.22.10.00-201 | V3 | |
| Date: | November 5, 1998 | Sheet | 1 of 1 |



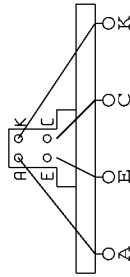
| | | |
|-----------------|------------------|-------------------------|
| Title | | A C O M |
| Size | | M A I N S C O N T R O L |
| Document Number | A | 2000A.11.24.00.00-201 |
| REV | V1 | |
| Date: | November 5, 1998 | Sheet 1 of 1 |



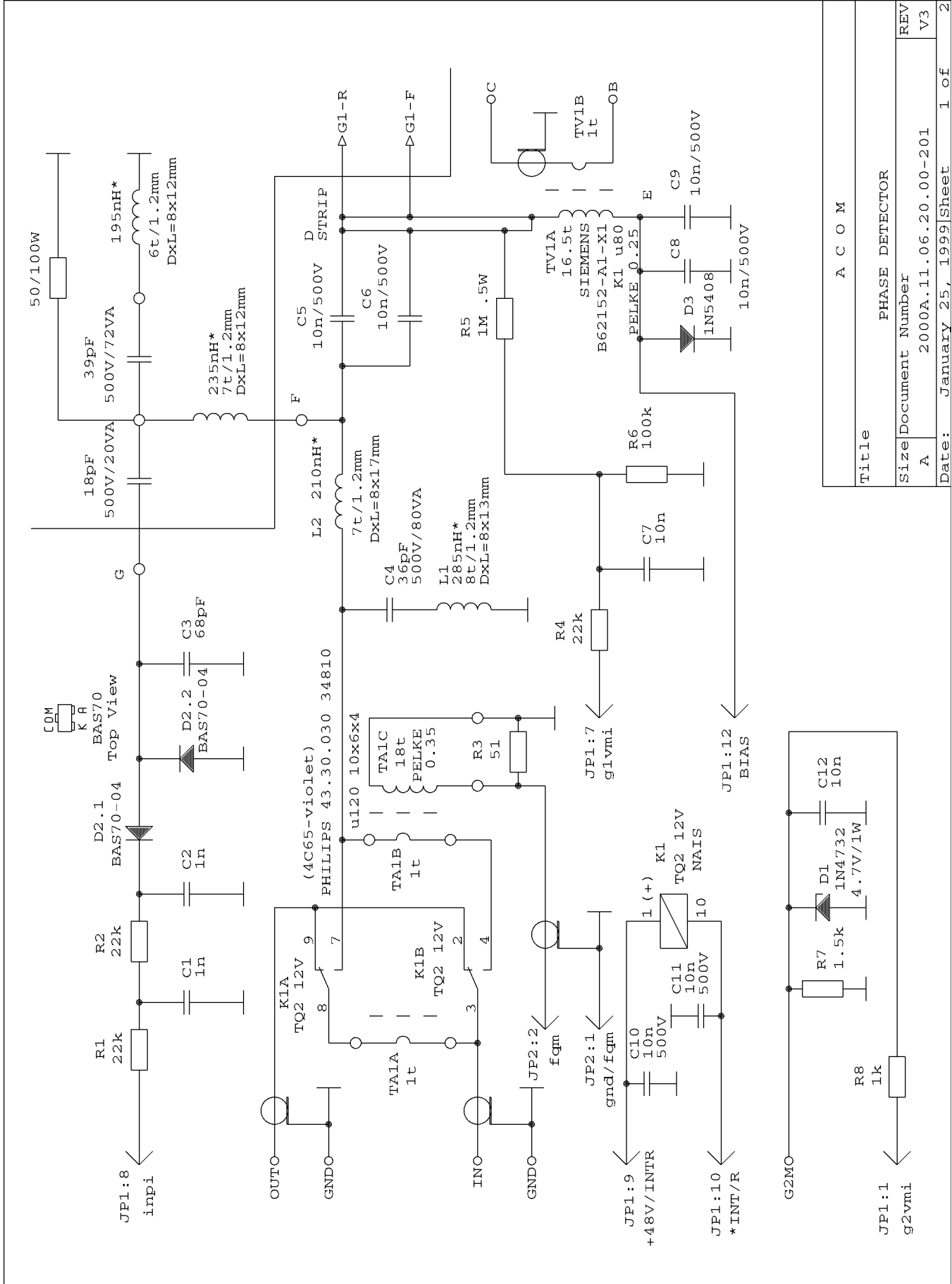
PCB Mount

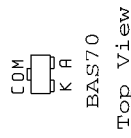
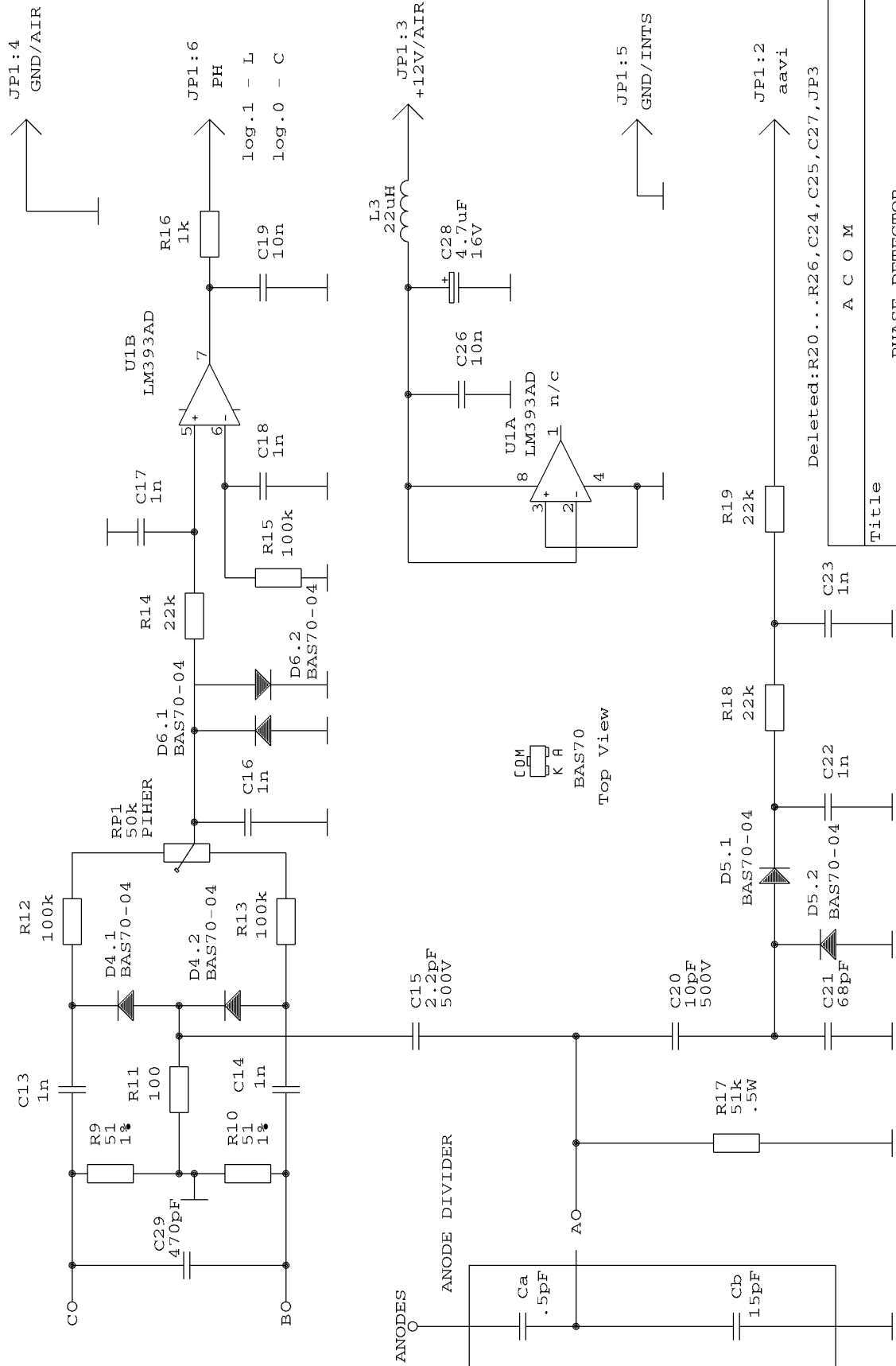
TLP805

Terminals View

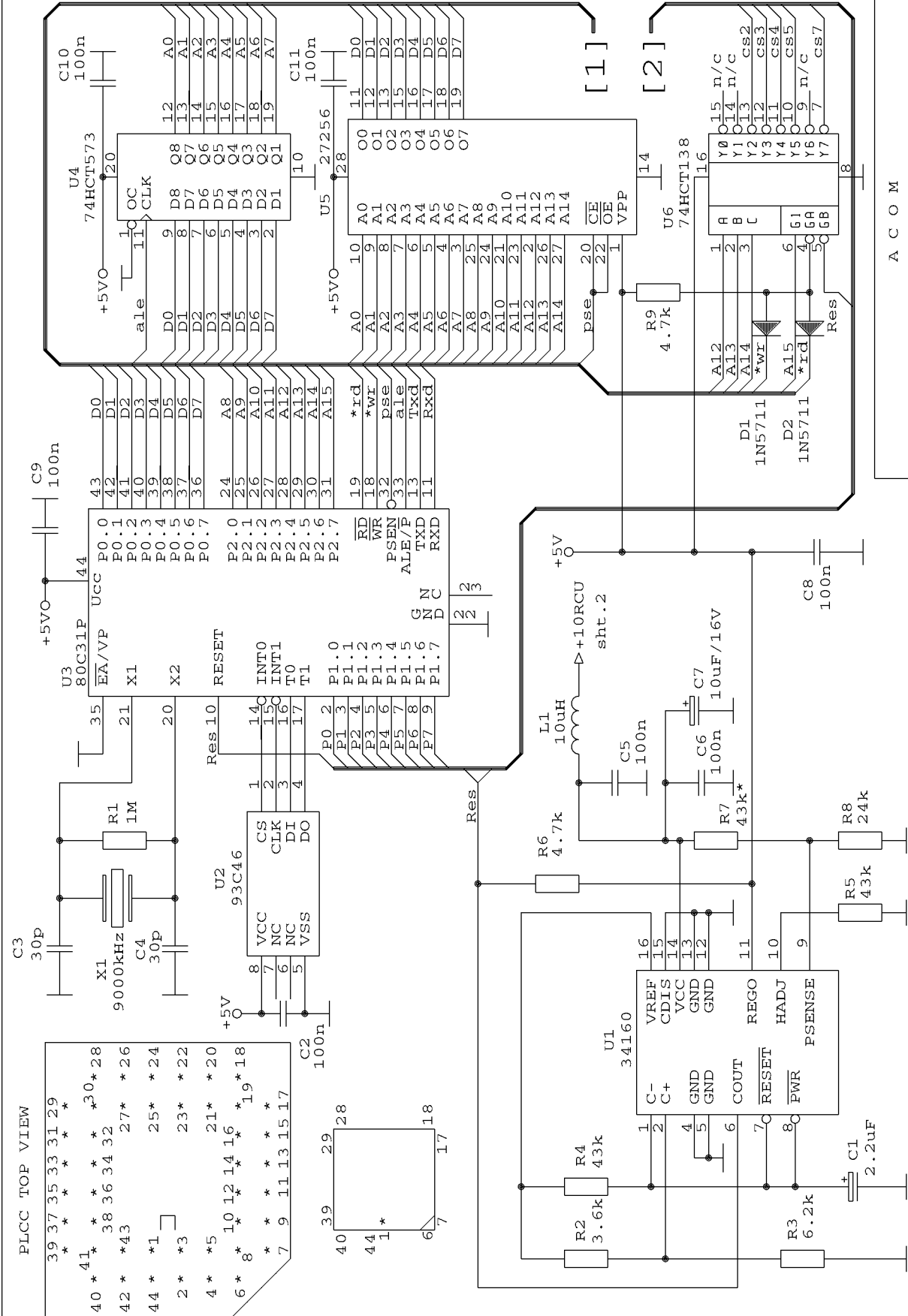


| | | |
|-----------------|----|----------------------------|
| Title | | A C O M |
| Size | | OPTO SENSOR |
| Document Number | A | 2000A.11.19.00.00-201 |
| REV | V2 | July 20, 1998 Sheet 1 of 1 |





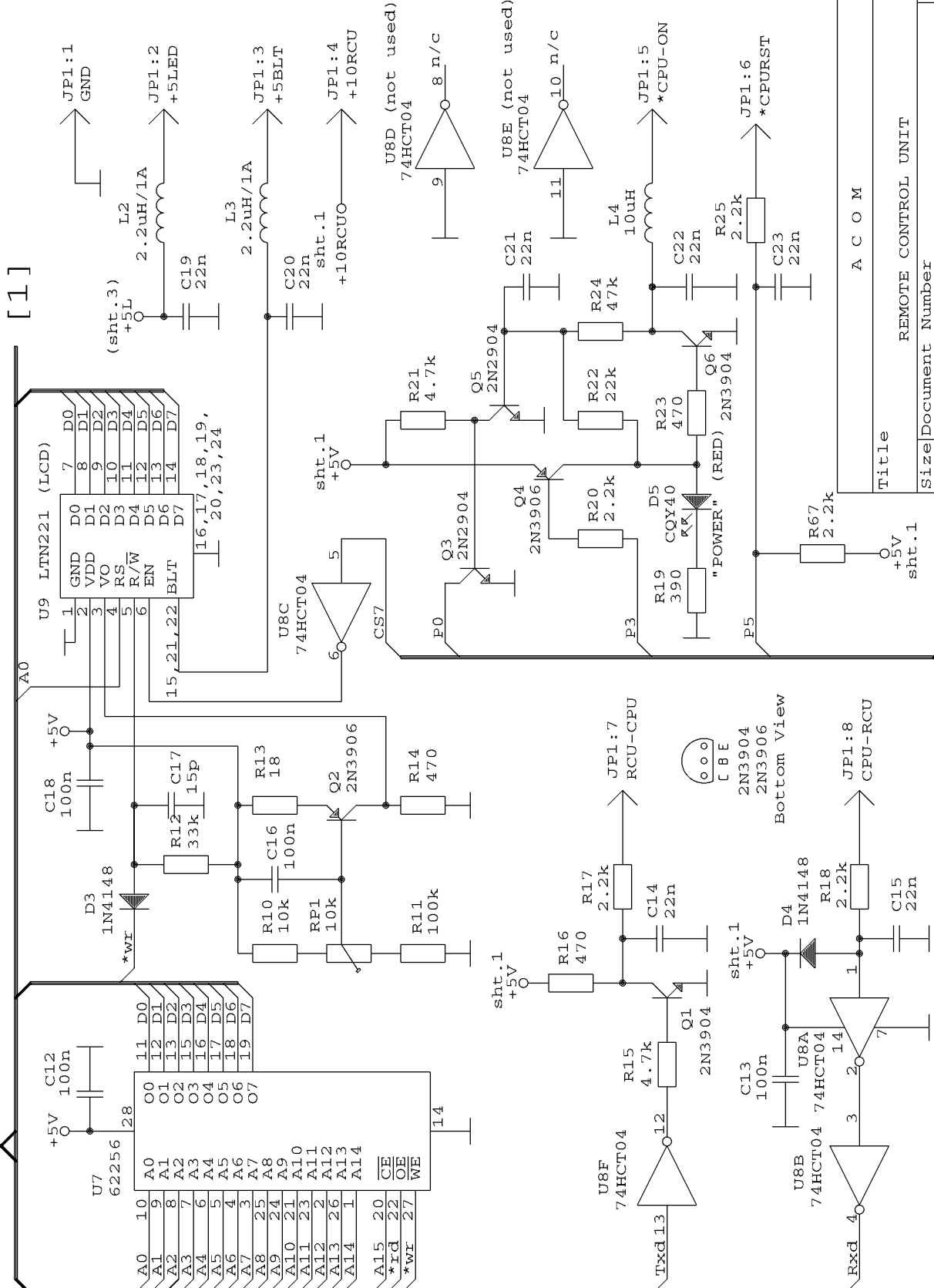
| | |
|-----------------------------------|-----------------------|
| Deleted:R20...R26,C24,C25,C27,JP3 | |
| A C O M | |
| Title PHASE DETECTOR | |
| Size | Document Number |
| A | 2000A.11.06.20.00-201 |
| Date: | August 6, 1998 |
| Sheet | 2 of 2 |
| REV | V3 |



*R7: RESET @ 8.2...8.9V/up; 7.1...7.7V/down

| | | | |
|-----------------|------------------|--------------------|--------|
| Title | | A C O M | |
| Size | | REMOTE CONTRL UNIT | |
| Document Number | A | 2000A.20.00.00.00 | REV V3 |
| Date: | January 26, 1999 | Sheet | 1 of 3 |

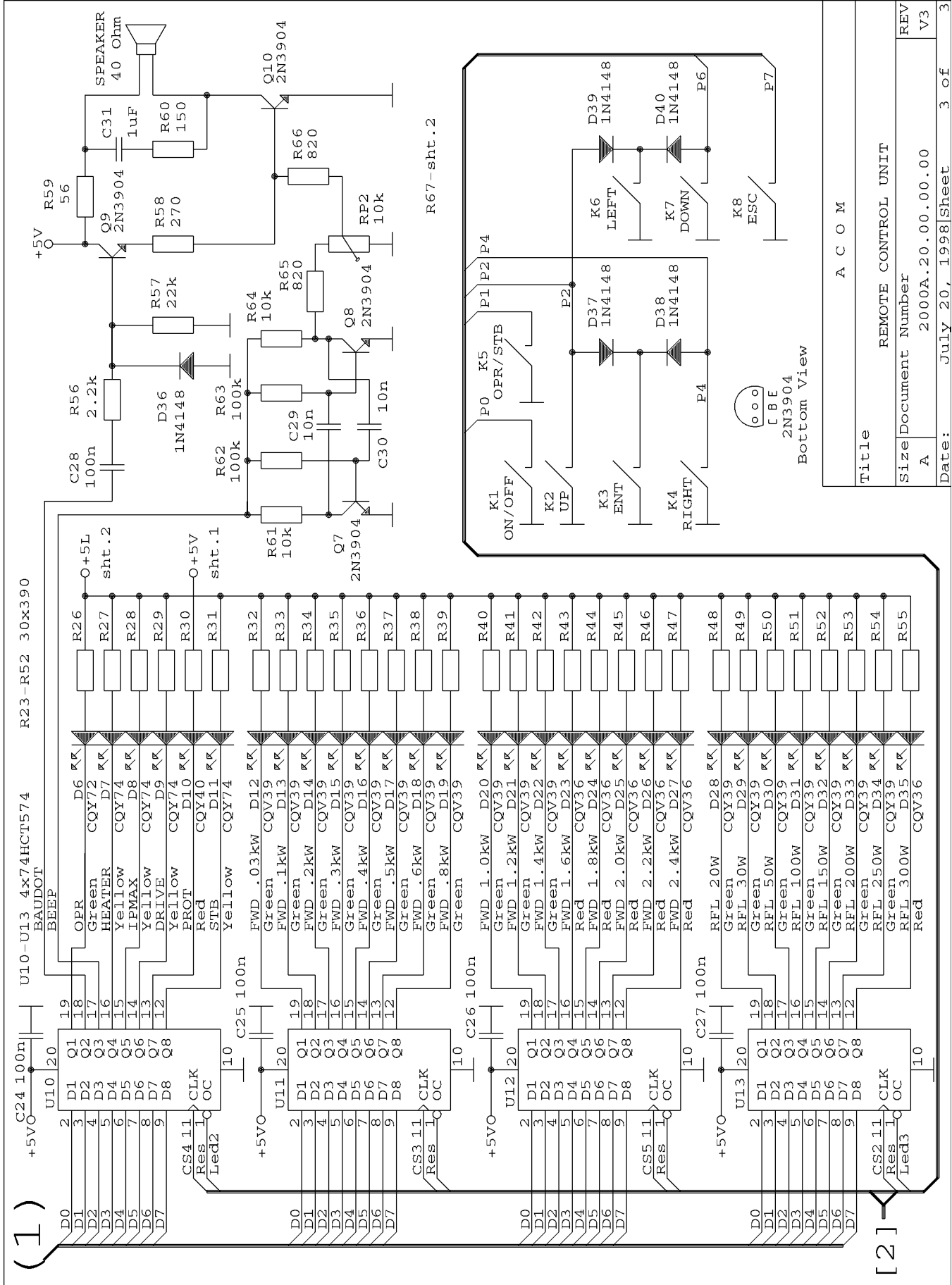
(1)



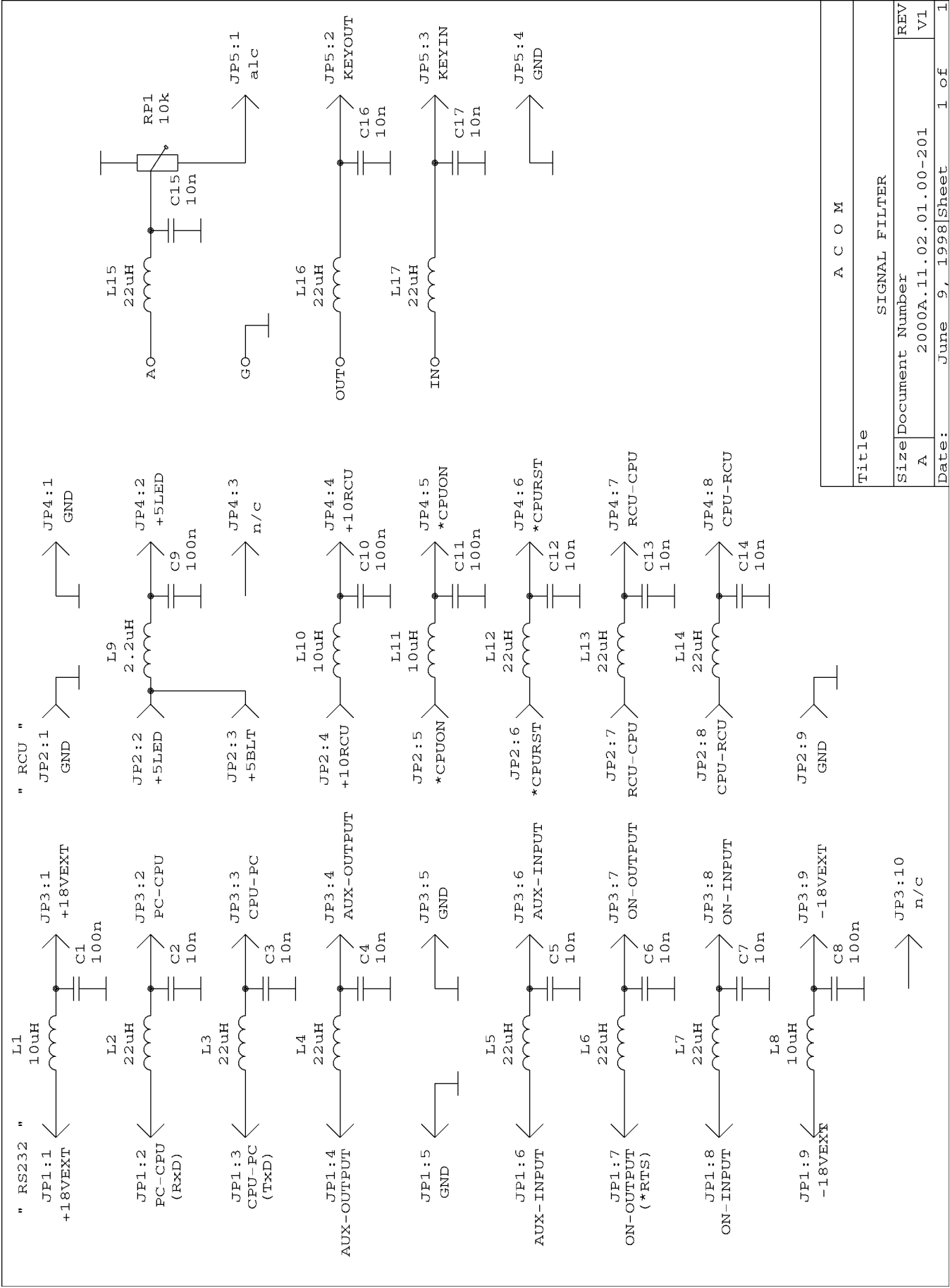
[1]

[2]

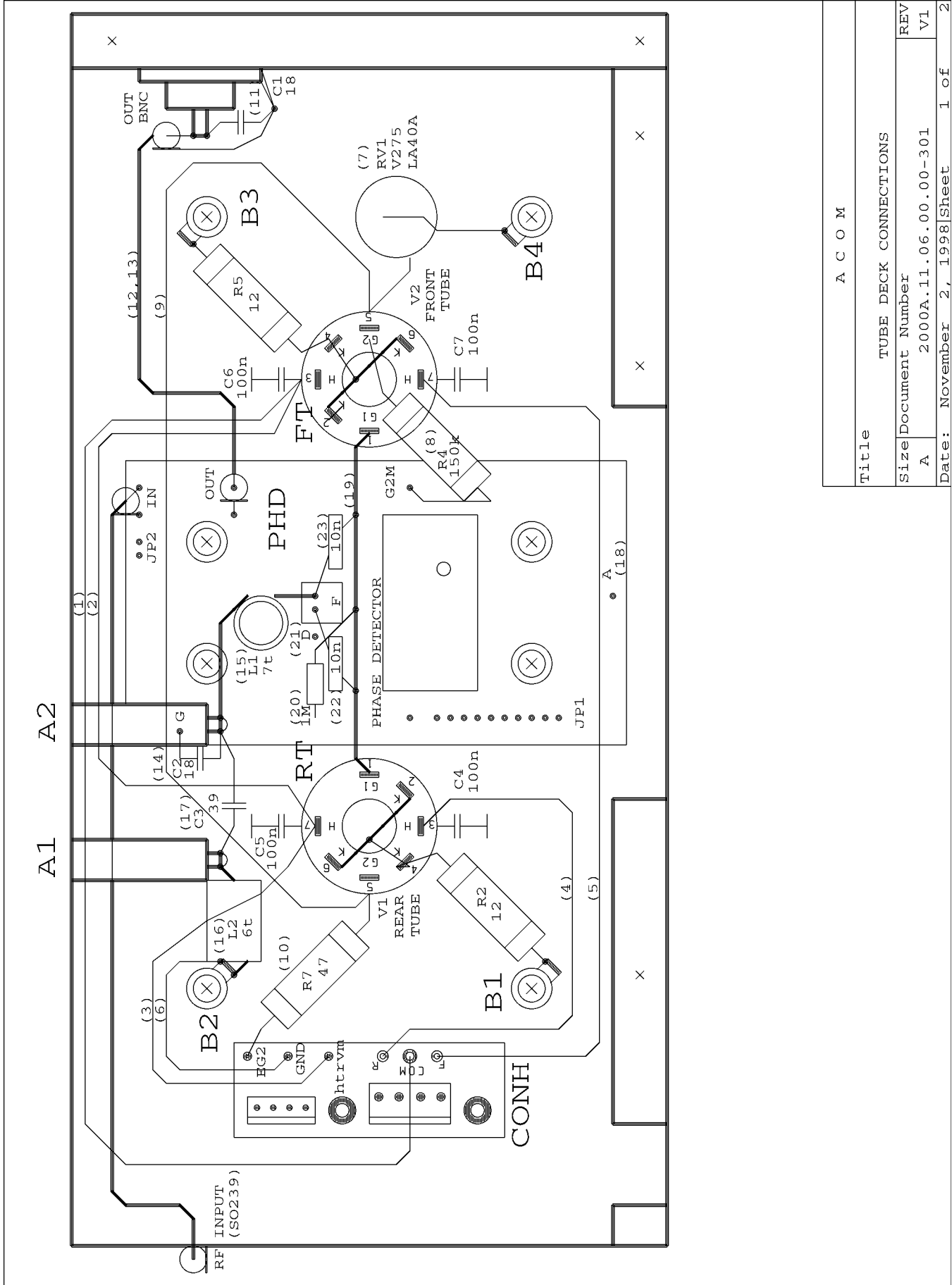
| | | | |
|-------|-----------------|---------------------|--------|
| Title | | REMOTE CONTROL UNIT | |
| Size | Document Number | 2000A.20.00.00.00 | |
| REV | | V3 | |
| Date: | July 20, 1998 | Sheet | 2 of 3 |



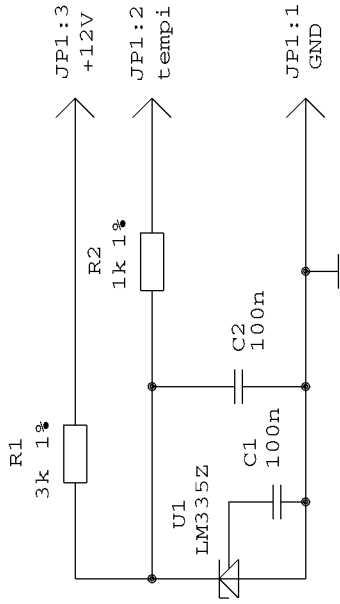
| | | | |
|-----------------|---------------|---------------------|--------|
| Title | | A C O M | |
| Size | | REMOTE CONTROL UNIT | |
| Document Number | A | 2000A.20.00.00.00 | REV V3 |
| Date: | July 20, 1998 | Sheet | 3 of 3 |



| | | | |
|-----------------|--------------|-----------------------|--------|
| Title | | A C O M | |
| Size | | SIGNAL FILTER | |
| Document Number | A | 2000A.11.02.01.00-201 | REV V1 |
| Date: | June 9, 1998 | Sheet | 1 of 1 |



| | | | |
|-----------------|------------------|-----------------------|--------|
| Title | | A C O M | |
| Size | | TUBE DECK CONNECTIONS | |
| Document Number | A | 2000A.11.06.00.00-301 | REV V1 |
| Date: | November 2, 1998 | Sheet | 1 of 2 |



| | | |
|-----------------------|--------------|--------------------|
| Title | | A C O M |
| Size | | TEMPERATURE SENSOR |
| Document Number | A | REV |
| 2000A.11.11.10.00-201 | | V2 |
| Date: | June 9, 1998 | Sheet 1 of 1 |

RF SECTION

