

ALPHA 274 / 374 PC BOARD
RE-DRAW WITH NOTES.

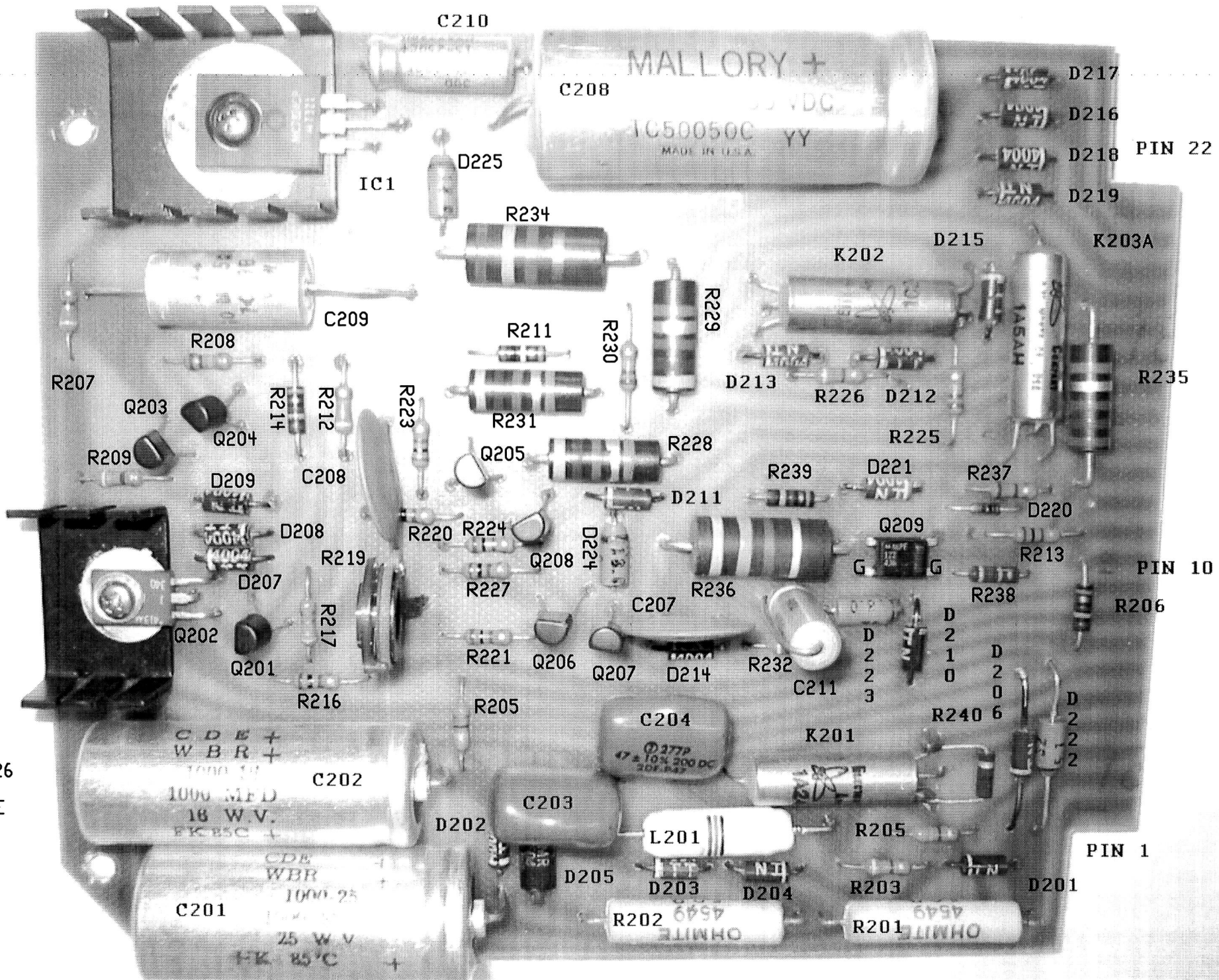
Revision: **A**
 Size: **A**

STEVEN M. SENFT KG4LJB

6/15/2010 Sheet 1 of 3

2N5826

C₁₀ E
B



C210

C208

D217

D216

D218 PIN 22

D219

IC1

D225

R234

D215

K203A

K202

C209

R208

R211

R229

R207

Q203

R214

R212

R223

R231

R230

D213

R226

D212

R235

R209

Q204

C208

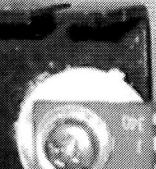
Q205

R228

R225

R237

D220



D209

D208

R219

R220

R224

Q208

D224

R236

D221

R238

PIN 10

D207

R217

R227

R221

Q206

Q207

C207

R232

C211

D 2 1 0

D 2 0 0

R240 6

D 2 2 2

D 2 2 2

CDE +
WBR +
1000 MFD
16 W.V.
FKB5C +

C202

R205

C204

K201

D202

C203

L201

R205

PIN 1

D205

D203

D204

R203

D201

C201

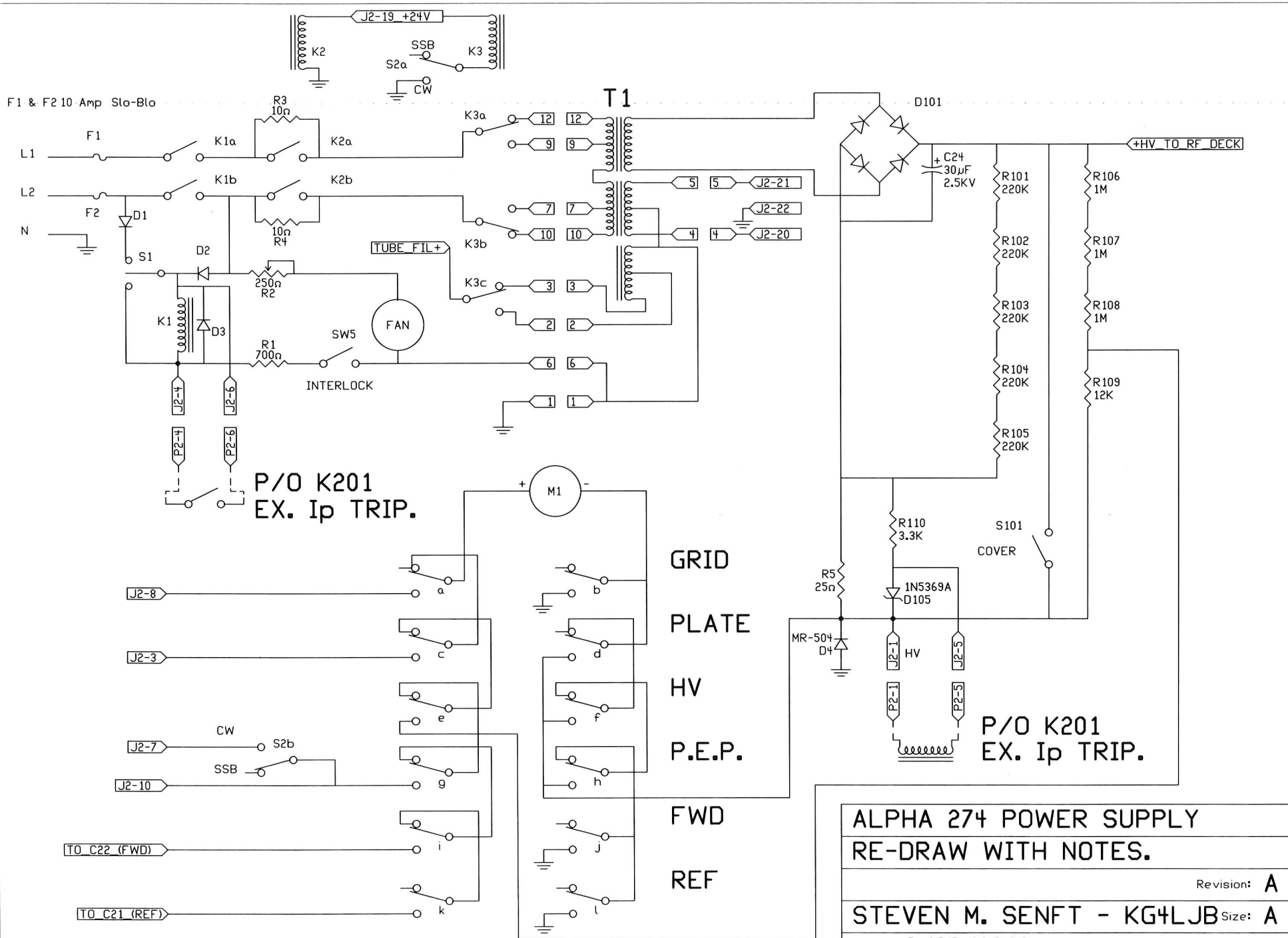
CDE +
WBR +
1000 25
25 W.V.
FK 85°C +

R202

OHMITE
4549

R201

OHMITE
4549

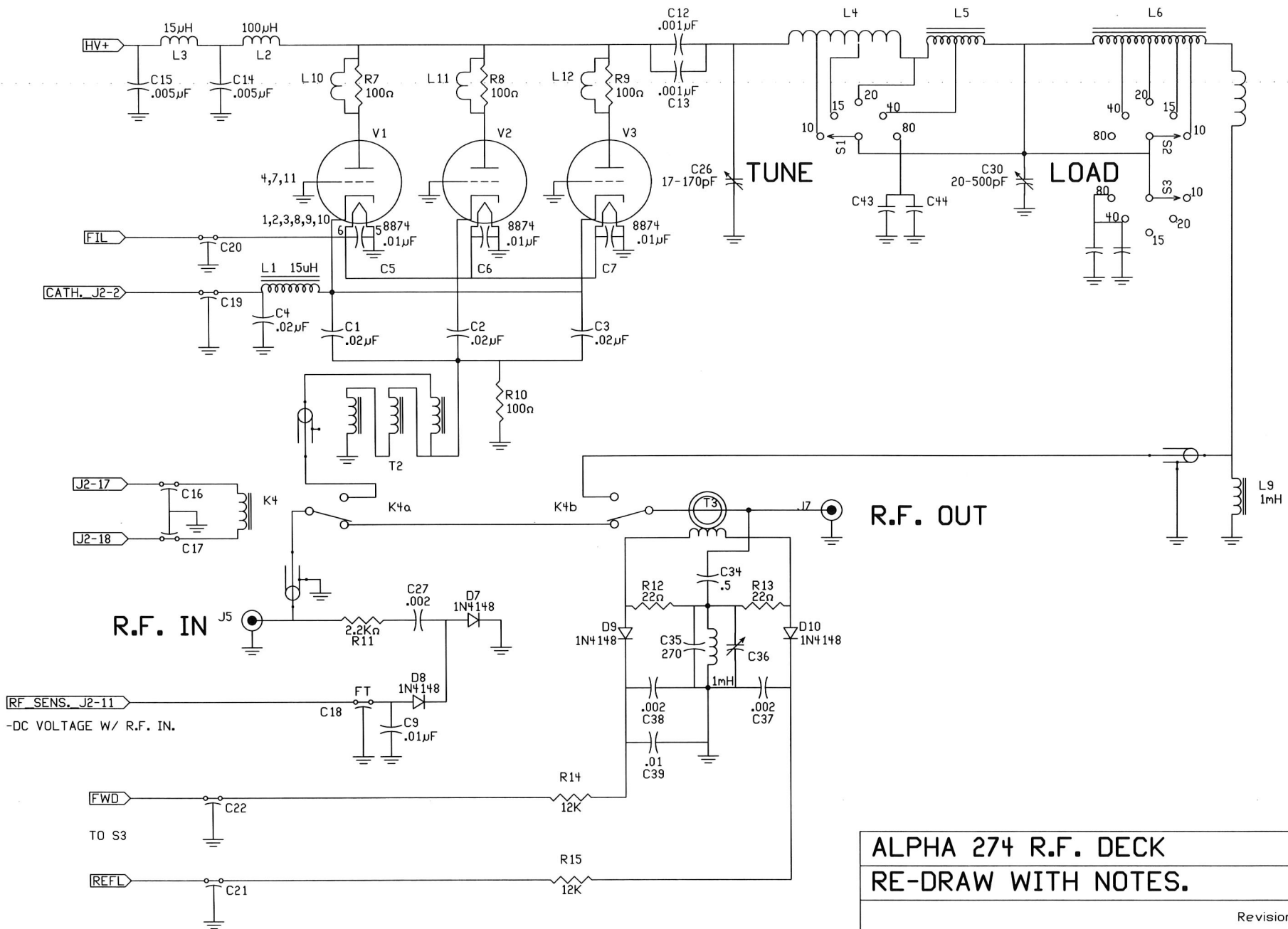


ALPHA 274 POWER SUPPLY
 RE-DRAW WITH NOTES.

Revision: **A**

STEVEN M. SENFT - KG4LJB Size: **A**

Date: 6/20/2010 Sheet 2 of 3



ALPHA 274 R.F. DECK
 RE-DRAW WITH NOTES.

Revision: A

STEVEN M. SENFT - KG4LJB Size: A

6/21/2010

Sheet 3 of 3