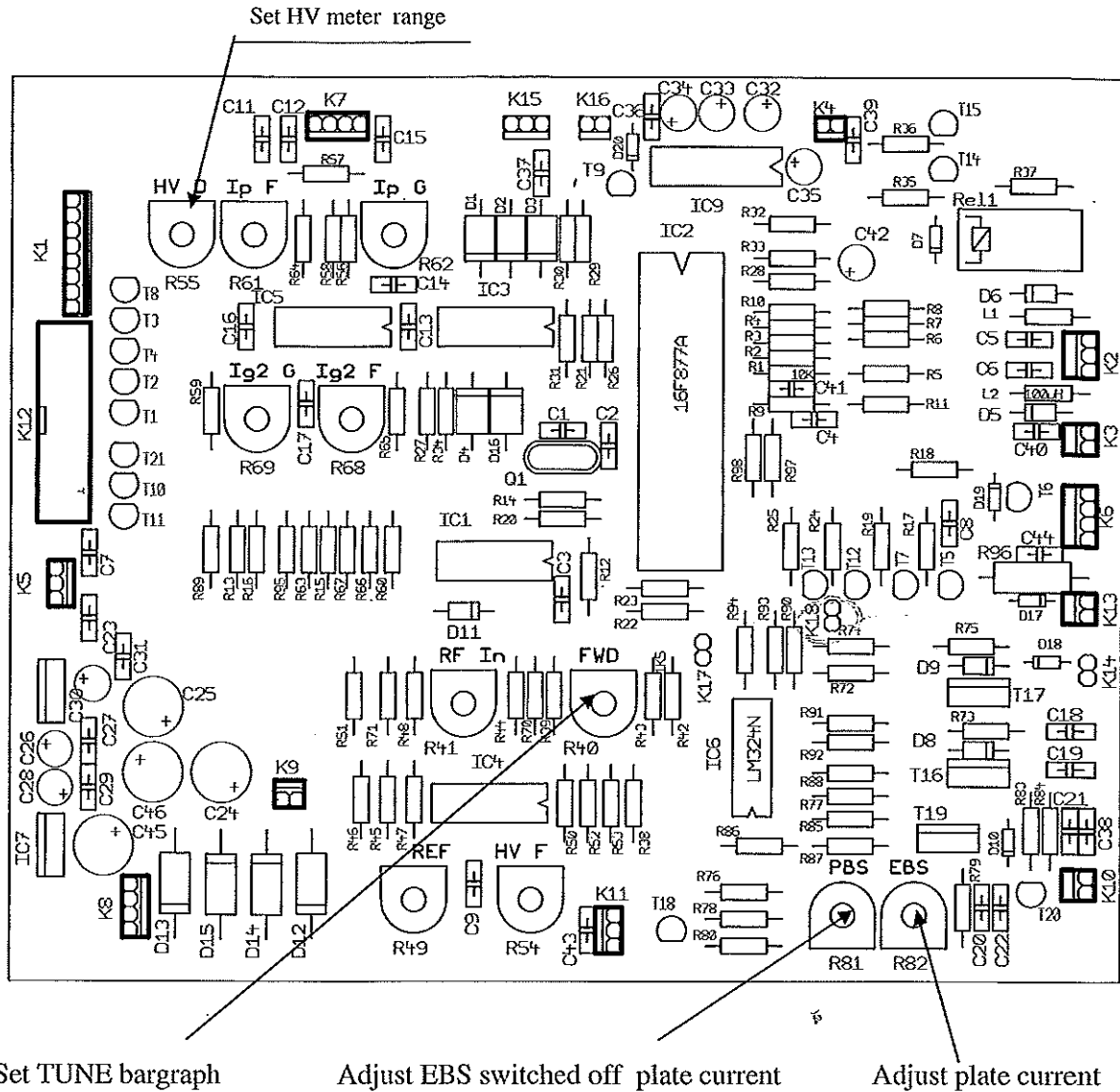


OM 2500HF Block diagram

Adjust plate current for OM2500A

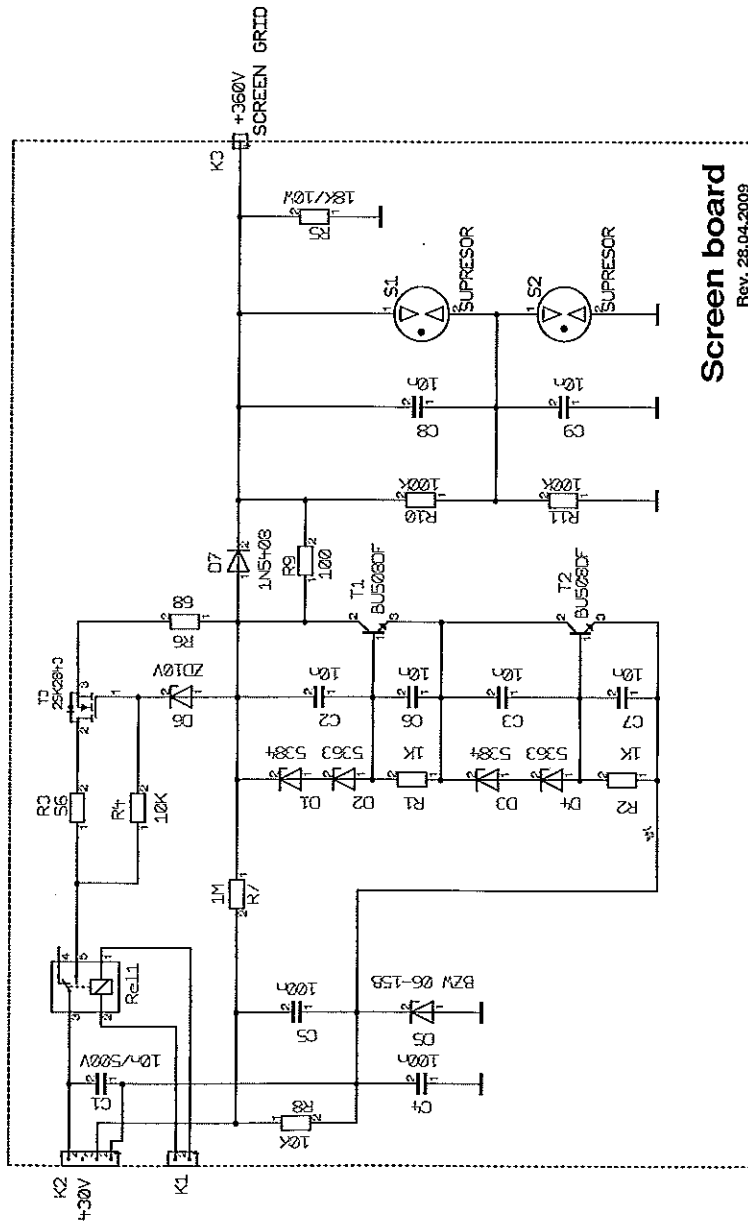


After you change tube you have to check plate current:

- Switch PTT ON
- Check EBS switched off plate current – bargraph have to no current measure - If is different, adjust it with variable resistor
- Apply small input power (3 - 5W) and bargraph have to measure cca 0,5 A plate current.
- If anode current is different, adjust it with variable resistor to 0,5A
- Check EBS switched off plate current – bargraph have to no current measure - If it is different, adjust it with variable resistor

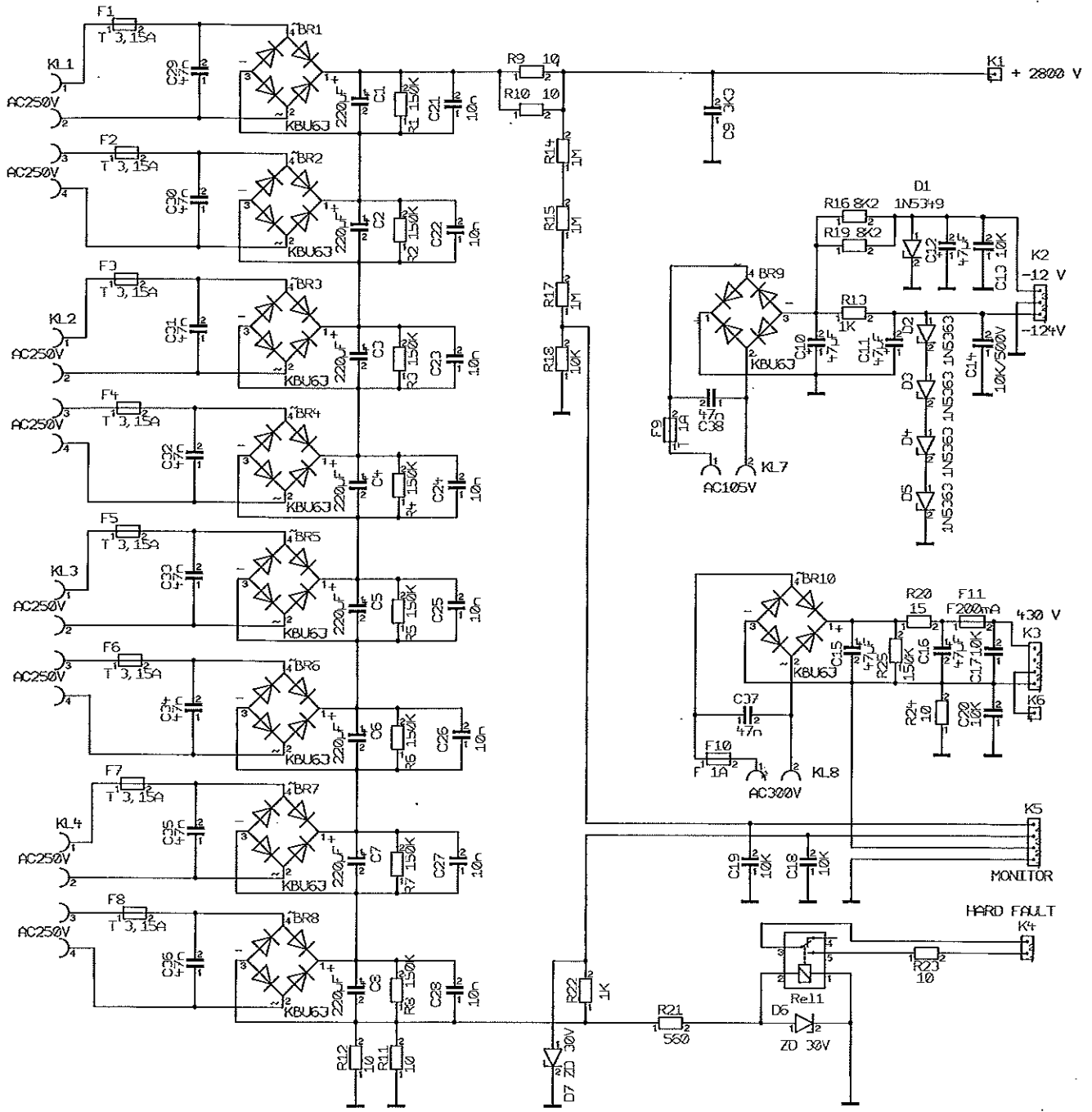
Control board is behind front panel (behind display board)

When is PA adjust to deliver optimal output power check LED on TUNE bargraph and set it to middle position (V) with FWD control variable resistor (on 14 MHz)

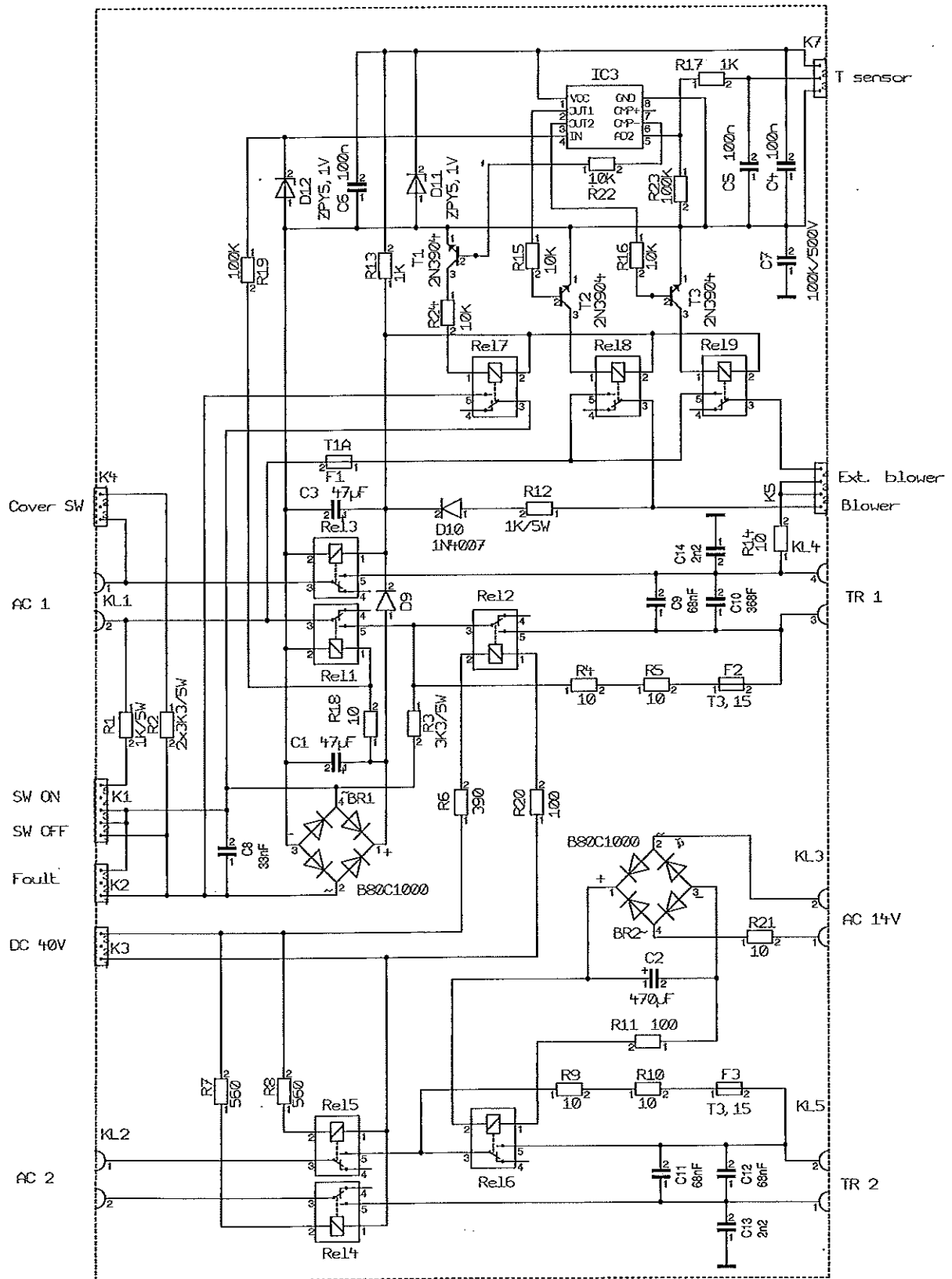


Screen board

REV. 28.04.2009

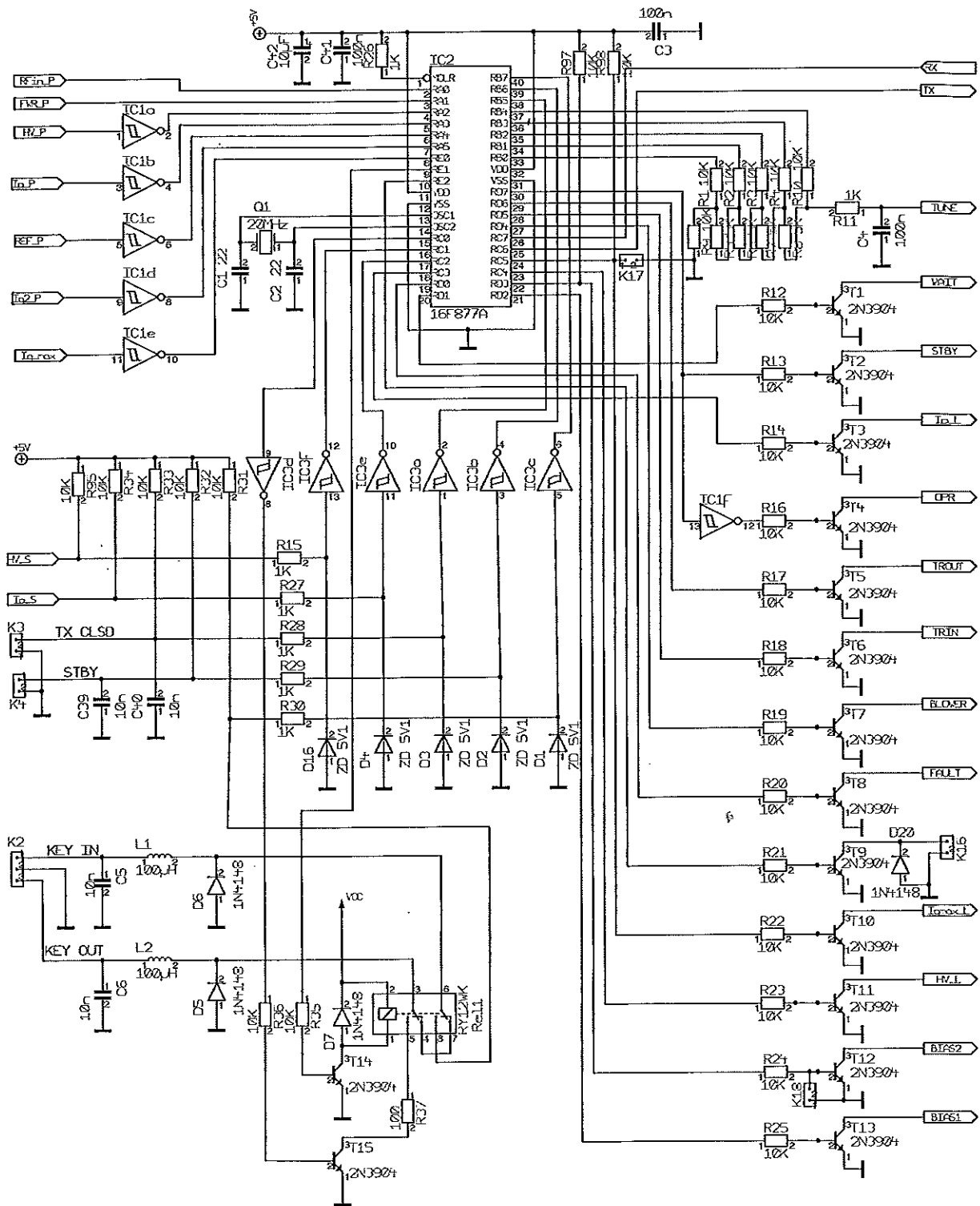


OM2500 HV supply V10

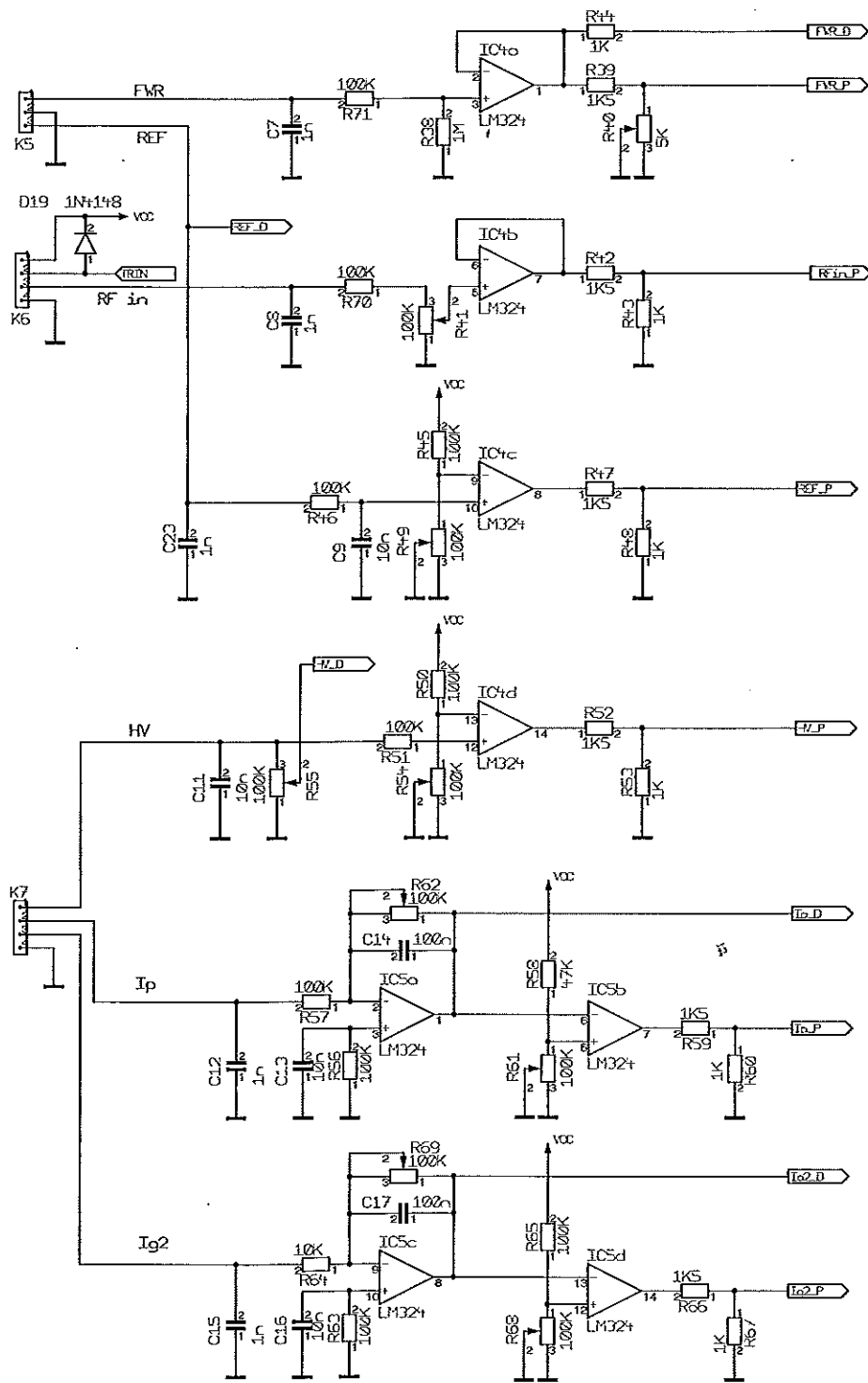


SW ON board V10

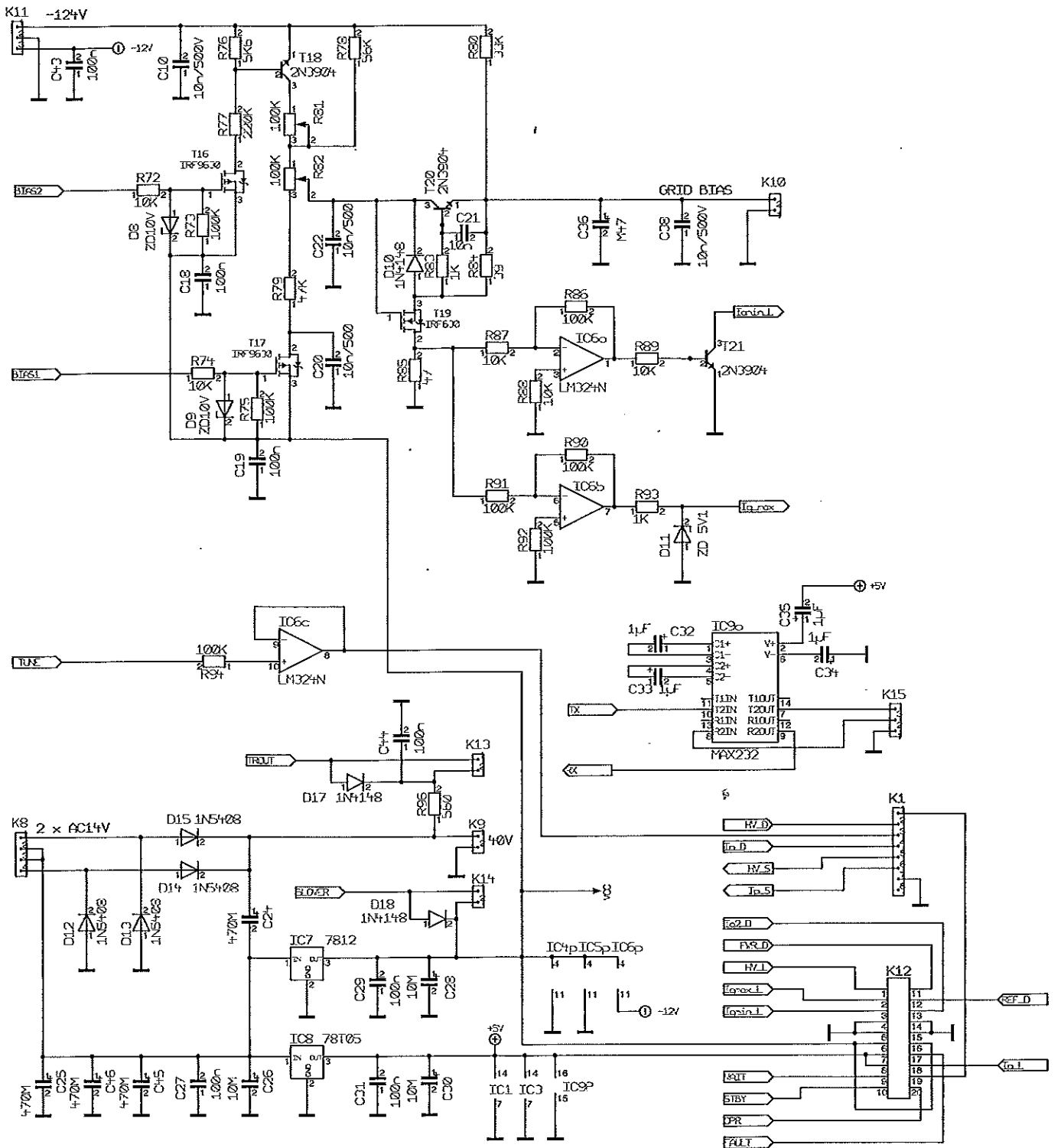
Rev 180410



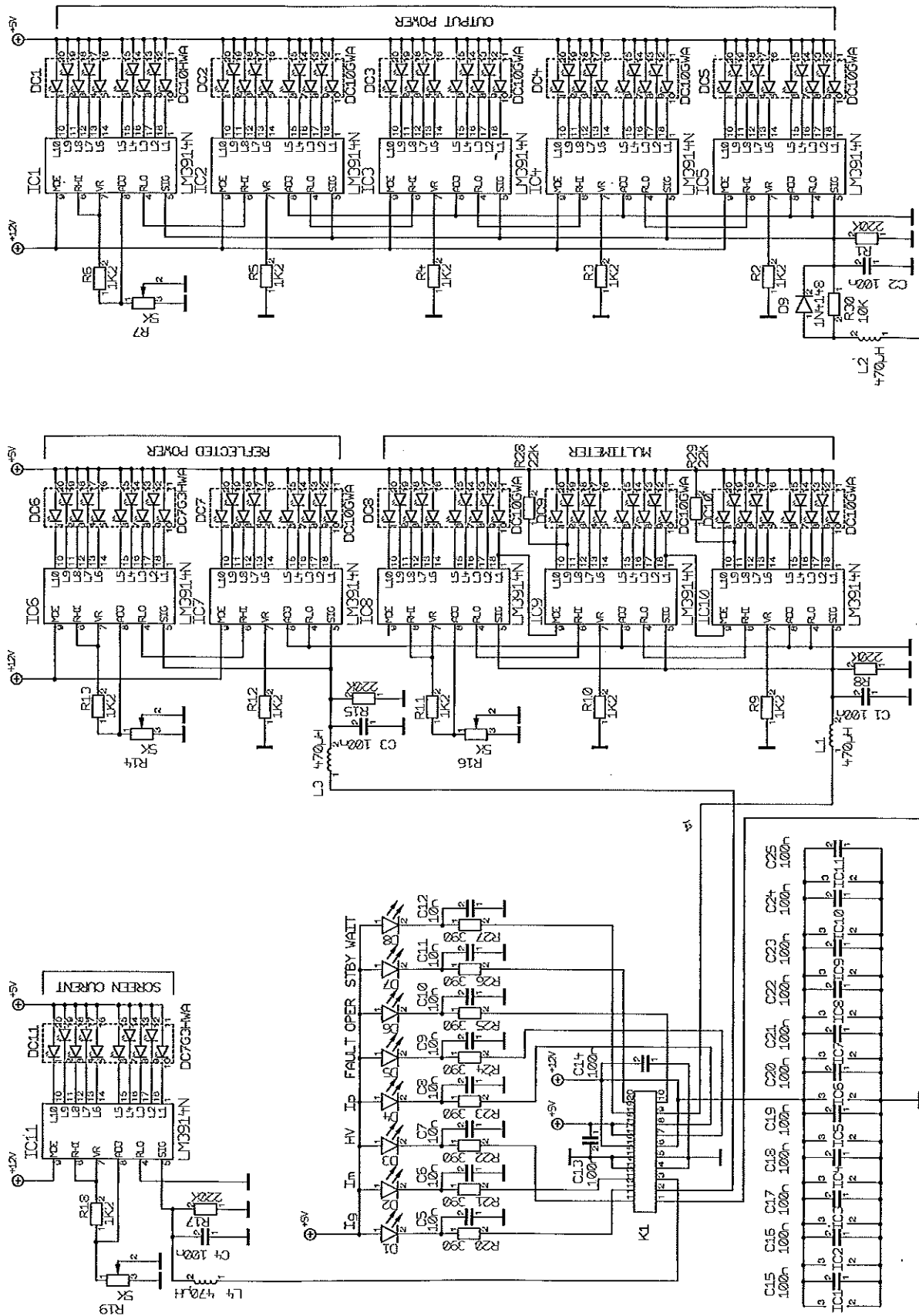
Control board V10



Control board V10



Control board V10



DISPLAY board