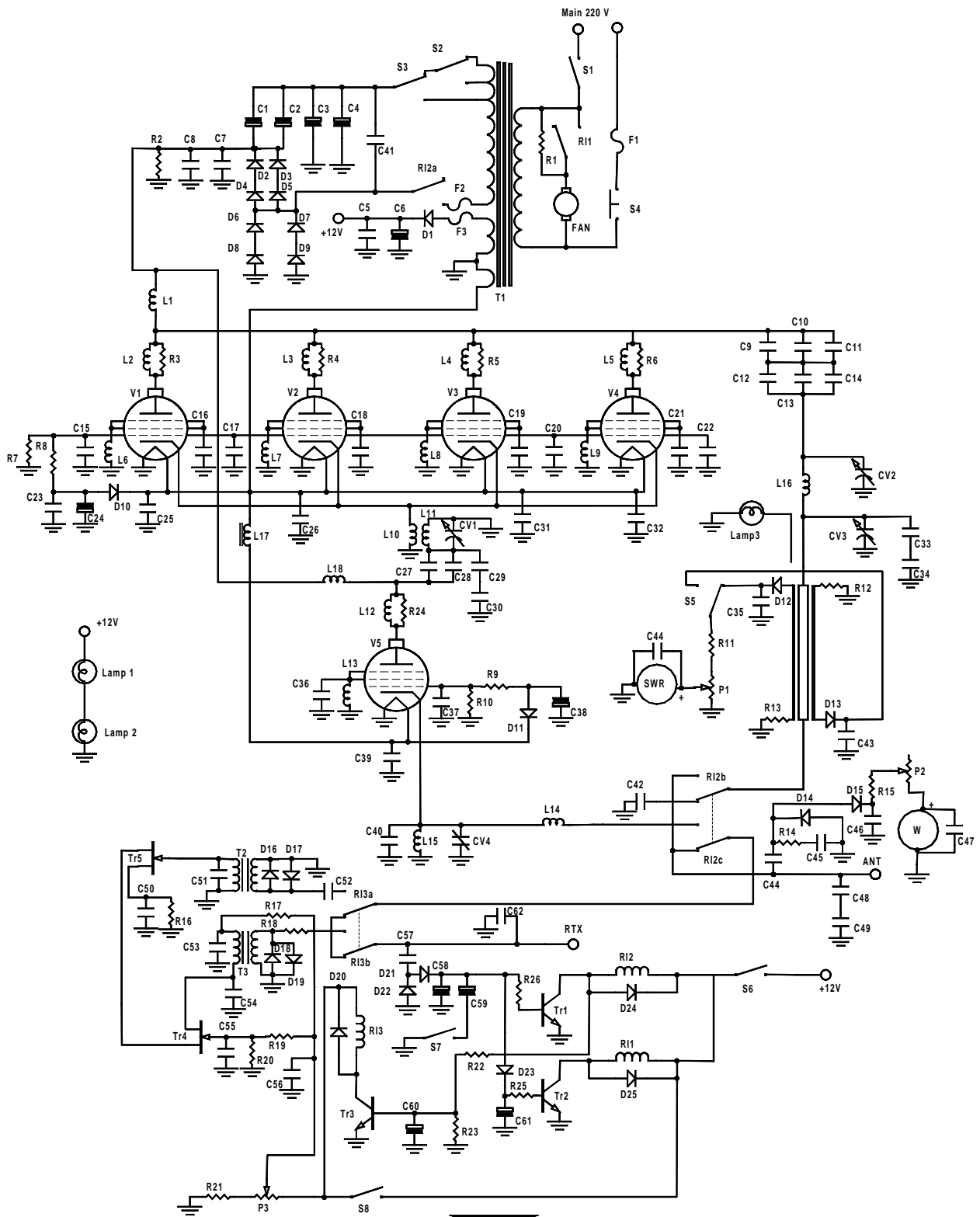
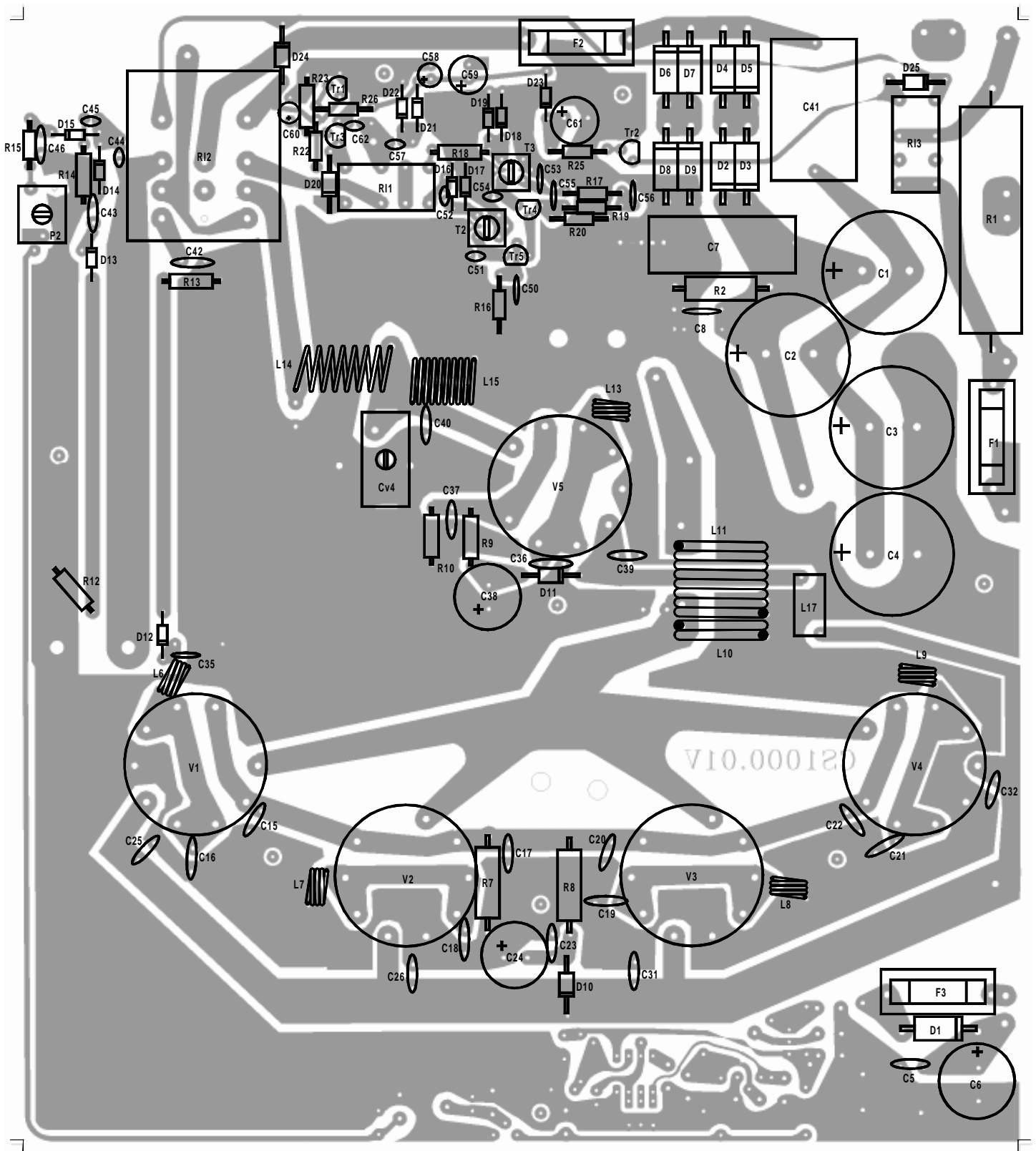


Mod. 1000 linear amplifier

Schematic diagram

Version 2.00





List of components

C ₁	= 100 µF	450 V	
C ₂	= 100 µF	450 V	
C ₃	= 100 µF	450 V	
C ₄	= 100 µF	450 V	
C ₅	= 100 nF	50V	
C ₆	= 2200 µF	16 V	
C ₇	= 2,2 nF	1000V	
C ₈	= 22 nF	1000 V	
C ₉	= 2,2 nF	1500 V	
C ₁₀	= 2,2 nF	1500 V	
C ₁₁	= 2,2 nF	1500 V	
C ₁₂	= 2,2 nF	1500 V	
C ₁₃	= 2,2 nF	1500 V	
C ₁₄	= 2,2 nF	1500 V	
C ₁₅	= 100 nF	50V	
C ₁₆	= 150 pF	500 V	N750
C ₁₇	= 100 nF	50V	
C ₁₈	= 150 pF	500 V	N750
C ₁₉	= 150 pF	500 V	N750
C ₂₀	= 100 nF	50V	
C ₂₁	= 150 pF	500 V	N750
C ₂₂	= 100 nF	50V	
C ₂₃	= 100 nF	50V	
C ₂₄	= 470 µF	50 V	
C ₂₅	= 100 nF	50 V	
C ₂₆	= 100 nF	50 V	
C ₂₇	= 2,2 nF	1500 V	
C ₂₈	= 2,2 nF	1500 V	
C ₂₉	= 22 pF	500 V	N750
C ₃₀	= 22 pF	500 V	N750
C ₃₁	= 100 nF	50 V	
C ₃₂	= 100 nF	50 V	
C ₃₃	= 270 +220 pF	500 V	N750
C ₃₄	= 270 +220 pF	500 V	N750
C ₃₅	= 100 nF	50 V	
C ₃₆	= 150 pF	500 V	N750
C ₃₇	= 100 nF	50 V	
C ₃₈	= 470 µF	50 V	
C ₃₉	= 100 nF	50 V	
C ₄₀	= 100 pF	50 V	N750
C ₄₁	= 470 nF	630 V~	
C ₄₂	= 470 pF	50 V	N750
C ₄₃	= 100 nF	50 V	
C ₄₄	= 2,2 pF	50 V	N750
C ₄₅	= 33 pF	50 V	N750
C ₄₆	= 100 nF	50 V	
C ₄₇	= 100 nF	50 V	
C ₄₈	= 68 pF	500 V	N750
C ₄₉	= 68 pF	500 V	N750
C ₅₀	= 10 nF	50V	
C ₅₁	= 27 pF	50 V	N750
C ₅₂	= 10 nF	50V	
C ₅₃	= 10 nF	50V	
C ₅₄	= 33 pF	50 V	N750
C ₅₅	= 10 nF	50V	
C ₅₆	= 10 nF	50V	
C ₅₇	= 8,2 pF	50 V	N750
C ₅₈	= 10 µF	16V	
C ₅₉	= 47 µF	16V	
C ₆₀	= 10 µF	16V	
C ₆₁	= 220 µF	16V	
C ₆₂	= 27 pF	50 V	N750
Cv ₁	= Variable condensator	30 pF	
Cv ₂	= Variable condensator	50 pF	
Cv ₃	= Variable condensator	350 pF	
Cv ₄	= Trimmer	10 - 100 pF	
R ₁	= 2,2 KΩ	17W	
R ₂	= 470 KΩ	2W	
R ₃	= 47 Ω	2W	
R ₄	= 47 Ω	2W	
R ₅	= 47 Ω	2W	
R ₆	= 47 Ω	2W	
R ₇	= 1,0 KΩ	2W	
R ₈	= 100 Ω	2W	
R ₉	= 1,0 KΩ	½W	
R ₁₀	= 1,0 KΩ	½W	
R ₁₁	= 47 KΩ	¼W	
R ₁₂	= 100 Ω	½W	
R ₁₃	= 100 Ω	½W	
R ₁₄	= 27 Ω	½W	
R ₁₅	= 47 KΩ	¼W	
R ₁₆	= 180 Ω	¼W	
R ₁₇	= 470 Ω	¼W	
R ₁₈	= 18 Ω	½W	
R ₁₉	= 56 KΩ	¼W	
R ₂₀	= 22 KΩ	¼W	
R ₂₁	= 4,7 KΩ	¼W	
R ₂₂	= 12 KΩ	¼W	
R ₂₃	= 680 Ω	¼W	
R ₂₄	= 47 Ω	2W	
R ₂₅	= 2,2 KΩ	¼W	
R ₂₆	= 2,2 KΩ	¼W	
P ₁	= Potenziometer	4,7 KΩ	
P ₂	= Trimmer	220 KΩ	
P ₃	= Potenziometer	4,7 KΩ	

D₁ = 1N5400
D₂ = D₃ = D₄ = D₅ = BY 255
D₆ = D₇ = D₈ = D₉ = BY 255
D₁₀ = D₁₁ = D₂₀ = D₂₄ = D₂₅ = 1N4004
D₁₂ = D₁₃ = D₁₄ = D₁₅ = D₁₆ = 1N4148
D₁₇ = D₁₈ = D₁₉ = D₂₁ = D₂₂ = D₂₃ = 1N4148
Tr₁ = Tr₂ = Tr₃ = BC 547
Tr₄ = Tr₅ = BF 245
V₁ = V₂ = V₃ = V₄ = V₅ = EL 509 - EL 519
L₁ = L₁₈ = RF impedance block
L₂ = L₃ = L₄ = L₅ = L₁₂ = 3 turns wound on resistor, wire ϕ 0.8 mm
L₆ = L₇ = L₈ = L₉ = L₁₃ = 3 turns ϕ 6 mm wire ϕ 0.8 mm
L₁₀ = 6 turns ϕ 15 mm wire ϕ 2,0 mm tap 4^a turn
L₁₁ = 2 turns ϕ 15 mm wire ϕ 2,0 mm
L₁₄ = 7 turns ϕ 8 mm wire ϕ 0,8 mm
L₁₅ = 9 turns ϕ 8 mm wire ϕ 0,8 mm
L₁₆ = 3 turns ϕ 34 mm wire ϕ 3,0 mm
L₁₇ = VK 200
Rl₁ = Rl₃ = Relè 12 V 3022
Rl₂ = Relè 12 V 6043
F₁ = 8 A
F₂ = 4 A
F₃ = 2 A
Lamp₁ = Lamp₂ = Meters lamp
Lamp₃ = 24 V
S₁ = Switch (ON - OFF)
S₂ = Switch (HI1 - HI2)
S₃ = Switch (LOW - HI)
S₄ = Protection Switch
S₅ = Switch (DIR - CAL)
S₆ = Switch 3A (St.By - ON)
S₇ = Switch 3A (AM - SSB)
S₈ = Switch 3A (Pre ON - OFF)
T₁ = Transformator IN 220 OUT 0-200-250-300V 0 - 12 V 0 - 6 V
T₂ = T₃ = Transformers 30 MHz
Fan = Fan 220 Vac